

## FPMA-WTB100

## NEWSTAR LCD/LED/TFT TOOLBAR

The FPMA-WTB100 is a toolbar to mount three LCD/TFT screens 24" (60cm) on a horizontal bar.



The NewStar toolbar allows you to mount multiple screens on a bar. You will be able to rotate, turn and move you screen from the left to the right site of the bar very easily.

You can mount this toolbar to your wall and eradicate your cables at the back site the bar very orderly. The toolbar can be mounted horizontally or vertically.

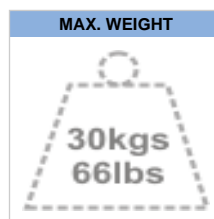
This toolbar does consist of two parts: The FPMA-WTB100(toolbar) and the FPMA-DTBW200(bracket). Each screen needs one bracket. So the quantity of the the necessary barckets depends on your mountable screen.

Item FPMA-DTBW200 is the connection between toolbar and screen. This mount fits all screens up to 24 inch and 10 kilo each, with an VESA hole patern of the following size: 75x75mm. For different VESA hole paterns, please contact your supplier.

The NewStar toolbar is a perfect solutions for especially control/dealing rooms and call centers.

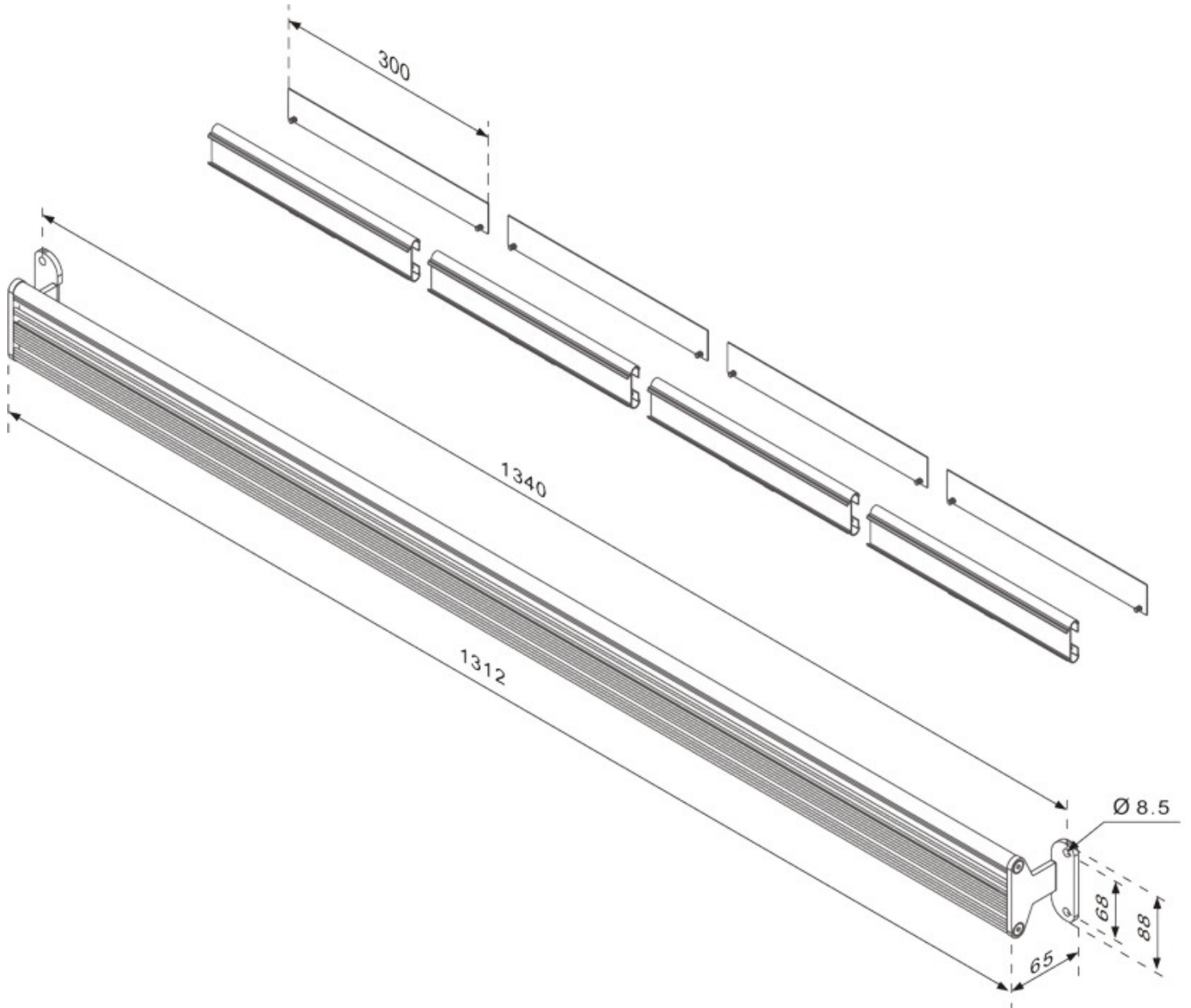
### SPECIFICATIONS

Color	Silver
Warranty	5 year
Screen size	10 - 24"
Max. weight	30
VESA minimum	75x75 mm
VESA maximum	75x75 mm
Width	130 cm
Depth	6,5 cm
Screens	3
EAN code	8717371442422



## FPMA-WTB100

## NEWSTAR LCD/LED/TFT TOOLBAR



unit:mm