

**LUBRICATORS
AND OILERS**

PRODUCT RANGE



Drip Feed Lubricators

A range of gravity and forced feed oilers for lubricating single or multiple points and for use in conjunction with brushes to lubricate conveyor chains. Reservoirs are available in plexiglass or glass and range in capacity from 14cc to 3 litres. Solenoid operation and timers are optional.

Oil Hole Covers and Cups

A comprehensive range of straight and angled oil hole covers and cups for screw or drive fit mounting. Rotating sleeve and ball spring oilers are also available.

Oil Levels and Windows

These units are used to visually check the fluid level within a reservoir or gearbox. Vertical and angled oil level gauges are available in brass. Screw in windows are available in various materials, the 'drive-in' type is steel with a plastic window.

Spring Greasers

For greasing areas where it is difficult to access or where constant pressure is required. Reservoir capacity is 50 cc.

DRIP FEED LUBRICATORS

MANUAL ON/OFF SINGLE OUTLET

Material—BRASS Bottle —PLEXIGLAS

Seals – FIBRE & NITRILE 80

Maximum operating temperature 70°C

| Product Code | A | B mm | C mm | D mm | E mm | Capacity ml |
|----------------------------|----------------------------------|------|------|------|------|-------------|
| PSF130 PSF230 | 1/8" BSP 1/4" BSP | 97 | 10 | 30 | 30 | 15 |
| PSF240 PSF340 | 1/4" BSP 3/8" BSP | 110 | 10 | 36 | 40 | 35 |
| PSF250 PSF350 | 1/4" BSP 3/8" BSP | 126 | 10 | 50 | 50 | 80 |
| PSF260 PSF360 PSF460 | 1/4" BSP 3/8" BSP 1/2" BSP | 140 | 10 | 60 | 60 | 150 |
| PSF268 PSF368 PSF468 | 1/4" BSP 3/8" BSP 1/2" BSP | 160 | 10 | 80 | 60 | 200 |
| PSF380 PSF480 | 3/8" BSP 1/2" BSP | 185 | 15 | 100 | 80 | 400 |
| PSF4100 PSF5100 | 1/2" BSP 3/4" BSP | 210 | 15 | 120 | 100 | 900 |

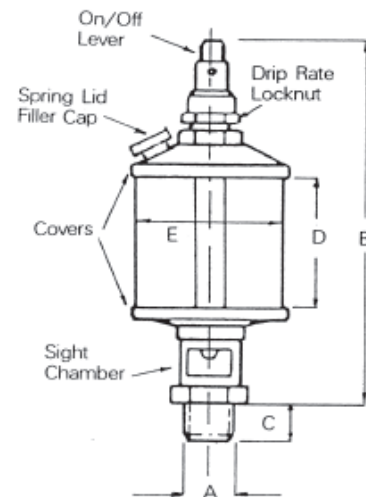
These oilers have shut-off control and needle valve oil feed adjustment.

A sight chamber is provided to check the oil flow drip rate.

Also available with GLASS bottle.

Maximum operating temperature 80°C.

To order replace "P" in product code with "G".



SPARE GLASSES:

To order PLEXIGLAS use ref PB plus diameter

To order GLASS use ref GB plus diameter

i.e. PB 80 = PLEXIGLAS bottle 80mm diameter

SOLENOID OPERATED DRIP FEED LUBRICATORS

Material—BRASS Bottle—PLEXIGLAS Finish—NICKEL

Seals—FIBRE & NITRILE 80

Maximum operating temperature 70°C

Electrical rating: 12VA IP20 (DIN400 50)

| Product Code | A | F | B mm | C mm | D mm | E mm | Capacity ml |
|--------------|----------|----------|------|------|------|------|-------------|
| PSD460 | 1/2" BSP | 1/4" BSP | 150 | 15 | 60 | 60 | 140 |
| PSD468 | 1/2" BSP | 1/4" BSP | 185 | 15 | 80 | 60 | 200 |
| PSD480 | 1/2" BSP | 1/4" BSP | 200 | 15 | 100 | 80 | 400 |
| PSD4100 | 1/2" BSP | 1/4" BSP | 250 | 15 | 120 | 100 | 900 |
| PSD4133 | 1/2" BSP | 1/4" BSP | 285 | 15 | 150 | 133 | 1900 |
| PSD4150 | 1/2" BSP | 1/4" BSP | 315 | 15 | 180 | 150 | 3000 |

The following voltages are available:

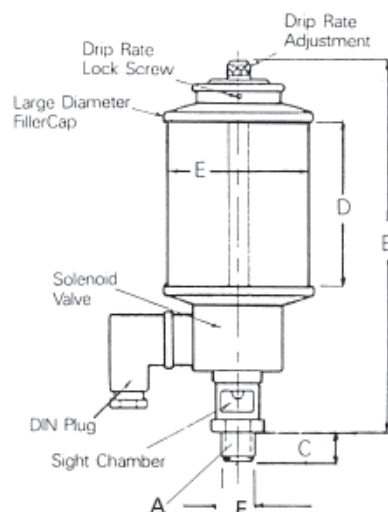
12V DC, 24V DC, 24V AC, 110V 50Hz, 230V 50Hz, 415V 50Hz

When ordering, please state voltage required

Also available with GLASS bottle.

Maximum operating temperature 80°C.

To order replace "P" in product code with "G".



DRIP FEED LUBRICATORS

MANUAL ON/OFF MULTI-OUTLET with 2 outlets

Material—BRASS Bottle —PLEXIGLAS

Seals – FIBRE & NITRILE 80, Finish—NICKEL/BRASS

Maximum operating temperature 70°C

| Product Code | A | B mm | C mm | D mm | Capacity ml |
|--------------|----------|------|------|------|-------------|
| PTM160 | 1/8" BSP | 160 | 60 | 60 | 140 |
| PTM168 | 1/8" BSP | 180 | 80 | 60 | 200 |
| PTM180 | 1/8" BSP | 220 | 100 | 80 | 400 |
| *PTM1100 | 1/8" BSP | 260 | 120 | 100 | 900 |
| *PTM1133 | 1/8" BSP | 305 | 150 | 133 | 1900 |
| *PTM1150 | 1/8" BSP | 335 | 180 | 150 | 3000 |

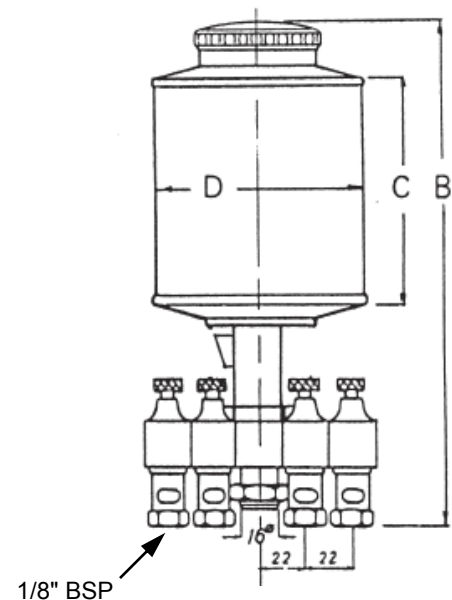
*Available with low level switch.

If required add suffix "FS" to product code

Please state quantity of distribution outlets if more than 2 are required



Image shows 4 distribution outlets, 2 are supplied as standard



SOLENOID OPERATED MULTI-OUTLET with 2 outlets

Material—BRASS Bottle —PLEXIGLAS

Seals – FIBRE & NITRILE 80, Finish—NICKEL/BRASS

Maximum operating temperature 70°C

| Product Code | A | B mm | C mm | D mm | Capacity ml |
|--------------|----------|------|------|------|-------------|
| PET160 | 1/8" BSP | 160 | 60 | 60 | 140 |
| PET168 | 1/8" BSP | 180 | 80 | 60 | 200 |
| PET180 | 1/8" BSP | 220 | 100 | 80 | 400 |
| *PET1100 | 1/8" BSP | 260 | 120 | 100 | 900 |
| *PET1133 | 1/8" BSP | 305 | 150 | 133 | 1900 |
| *PET1150 | 1/8" BSP | 335 | 180 | 150 | 3000 |

*Available with low level switch.

If required add suffix "FS" to product code

Voltages available: 12V DC, 24V DC, 24V AC, 110V 50Hz, 230V 50Hz, 415V 50Hz

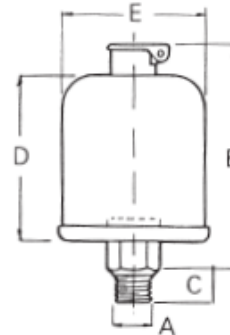
Please state voltage and quantity of distribution outlets if more than 2 are required



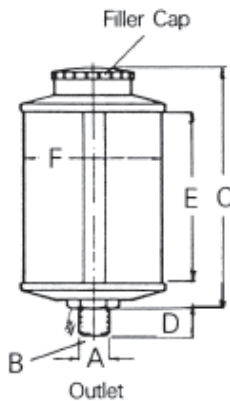
OIL RESERVOIRS

OIL RESERVOIR with surge arrester
Material-STEEL Bottle-PLASTIC Finish-ZINC
 Maximum operating temperature 65°C

| Product Code | A | B mm | C mm | D mm | E mm | Capacity ml |
|--------------|----------|------|------|------|------|-------------|
| OR7708 | 1/4" BSP | 62 | 12 | 45 | 38 | 35 |
| OR7714 | 1/4" BSP | 77 | 12 | 54 | 44 | 63 |
| OR7724 | 1/4" BSP | 86 | 12 | 63 | 57 | 127 |
| OR7730 | 1/4" BSP | 93 | 12 | 69 | 64 | 170 |



OIL RESERVOIR
Material-BRASS Bottle-PLEXIGLAS FINISH-NICKEL
 Seals-FIBRE & NITRILE 80
 Maximum operating temperature 70°C



Also available with GLASS bottle.
 Maximum operating temperature 80°C.
 To order replace "P" in product code with "G".

| Product Code | A | B | C mm | D mm | E mm | F mm | Capacity ml |
|--------------|----------|----------|------|------|------|------|-------------|
| PRE260 | 1/4" BSP | - | 99 | 14 | 60 | 60 | 140 |
| PRE360 | 3/8" BSP | 1/8" BSP | | | | | |
| PRE268 | 1/4" BSP | - | 119 | 14 | 80 | 60 | 200 |
| PRE368 | 3/8" BSP | 1/8" BSP | | | | | |
| PRE280 | 1/4" BSP | - | 148 | 14 | 100 | 80 | 400 |
| PRE380 | 3/8" BSP | 1/8" BSP | | | | | |
| *PRE2100 | 1/4" BSP | - | | | | | |
| *PRE3100 | 3/8" BSP | 1/8" BSP | 175 | 14 | 120 | 100 | 900 |
| *PRE4100 | 1/2" BSP | 1/4" BSP | | | | | |
| *PRE2133 | 1/4" BSP | - | | | | | |
| *PRE3133 | 3/8" BSP | 1/8" BSP | 215 | 14 | 150 | 133 | 1900 |
| *PRE4133 | 1/2" BSP | 1/4" BSP | | | | | |
| *PRE2150 | 1/4" BSP | - | | | | | |
| *PRE3150 | 3/8" BSP | 1/8" BSP | 250 | 14 | 180 | 150 | 3000 |
| *PRE4150 | 1/2" BSP | 1/4" BSP | | | | | |

*Available with low level switch.
 If required add suffix "FS" to product code

SOLENOID OPERATED OIL RESERVOIRS

Material—BRASS Bottle—PLEXIGLAS Finish—NICKEL

Seals—FIBRE & NITRILE 80

Maximum operating temperature 70°C

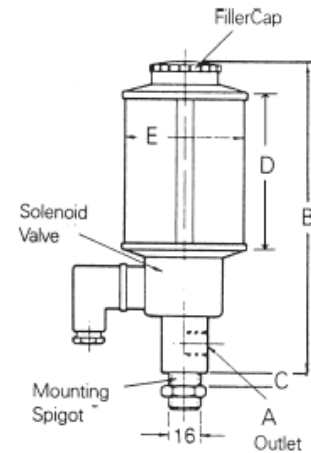
Electrical rating: 14VA IP20 (DIN400 50)

| Product Code | A | B mm | C mm | D mm | E mm | Capacity ml |
|--------------|----------|------|------|------|------|-------------|
| PRS260 | 1/4" BSP | 160 | 25 | 60 | 60 | 140 |
| PRS268 | 1/4" BSP | 190 | 25 | 80 | 60 | 200 |
| PRS280 | 1/4" BSP | 220 | 25 | 100 | 80 | 400 |
| PRS2100 | 1/4" BSP | 250 | 25 | 120 | 100 | 900 |
| PRS2133 | 1/4" BSP | 295 | 25 | 150 | 133 | 1900 |
| PRS2150 | 1/4" BSP | 325 | 25 | 180 | 150 | 3000 |

The following voltages are available:

12V DC, 24V DC, 24V AC, 110V 50Hz, 230V 50Hz, 415V 50Hz

When ordering, please state voltage required



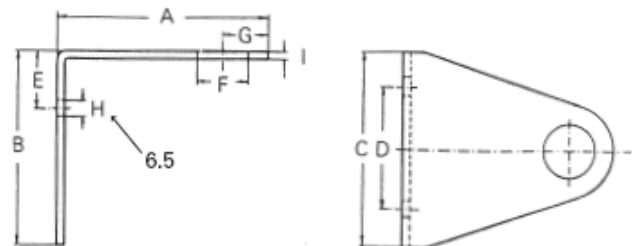
Also available with GLASS bottle.

Maximum operating temperature 80°C.

To order replace "P" in product code with "G"

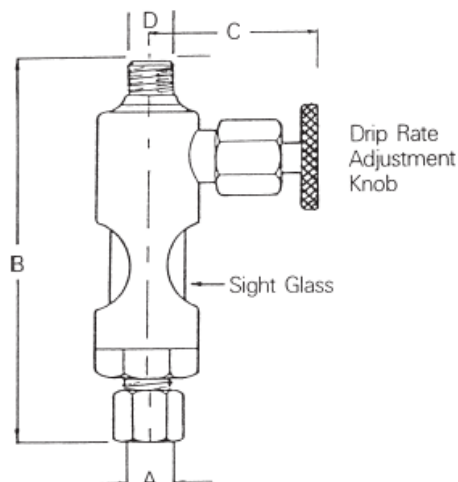
MOUNTING BRACKET – to suit most drip feed lubricators

| Product Code | A mm | B mm | C mm | D mm | E mm | F mm | G mm | I mm |
|--------------|------|------|------|------|------|------|------|------|
| MW1105 | 105 | 80 | 80 | 50 | 25 | 21 | 20 | 3 |



Material—STEEL Finish—ZINC

STANDARD FIXING THREAD M16x1.5



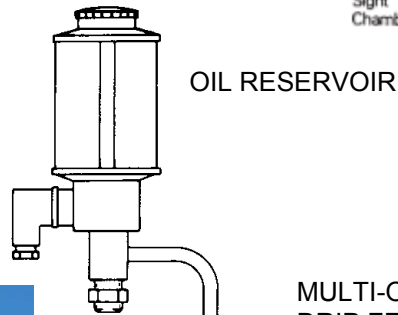
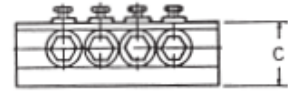
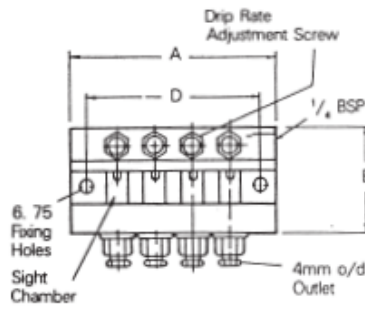
SINGLE DRIP FEED

Material—BRASS, PLEXIGLAS with NATURAL FINISH

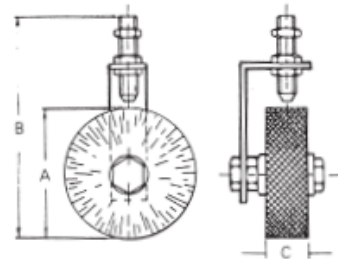
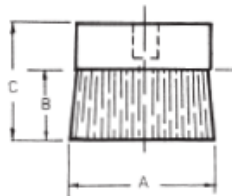
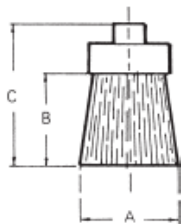
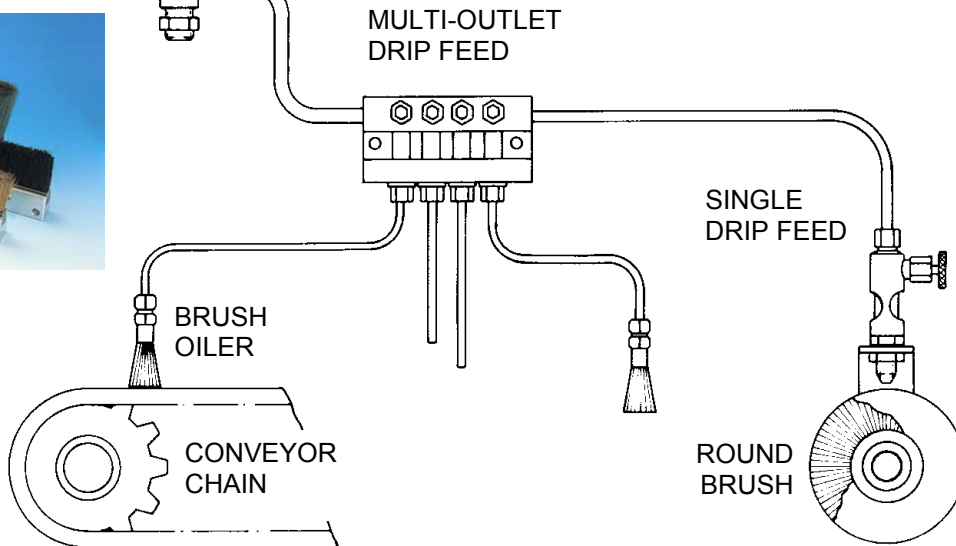
| Product Code | A | B mm | C mm | D | |
|--------------|---------------|------|------|---------|----------|
| LV10078 | 4mm OD TUBE | 76 | 28.6 | 1/8 BSP | VENTED |
| OS3471 | 3/16" OD TUBE | 76 | 28.6 | 1/8 BSP | UNVENTED |
| OS3472 | 1/4" OD TUBE | 76 | 28.6 | 1/8 BSP | |

MULTI-DRIP FEED LUBRICATORS

| Product Code | No. of outlets | A mm | B mm | C mm | D mm |
|--------------|----------------|------|------|------|------|
| LV10030 | 4 | 97 | 49.6 | 30.2 | 81 |
| LV10031 | 6 | 132 | 49.6 | 30.2 | 116 |



TYPICAL GRAVITY FEED SYSTEM



| No. | A | B | C | Body |
|-------------------------|-----|----|----|-------|
| ROUND - 1/8" BSP | | | | |
| SPR6.5 | 6.5 | 50 | 65 | Brass |
| SPR16 | 16 | 30 | 53 | Brass |
| SPR25 | 25 | 45 | 70 | Brass |
| SPR30 | 30 | 45 | 70 | Brass |

| No. | A | B | C | Body |
|-----------------------------------|----|----|----|-----------|
| FLAT - 1/8" BSP | | | | |
| SPF57 | 57 | 30 | 50 | Aluminium |
| Spare brush unit Part No. SPF57/1 | | | | |

BRUSHES
Dimensions in mm

| No. | A | B | C | Body |
|-----------------------------------|----|-----|----|---------------|
| CIRCULAR - 1/8" BSP | | | | |
| RSM80 | 80 | 137 | 25 | Steel Bracket |
| Spare brush unit Part No. RSM80/1 | | | | |

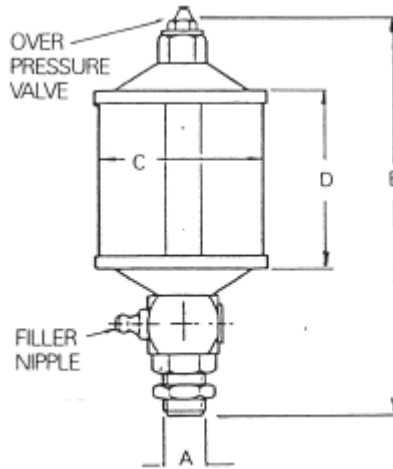
Add suffix "N" if nylon brush is required ie SPFN 57.
Or suffix "B" if steel brush is required ie SPRB25.

SPRING GREASERS- PLEXIGLAS RESERVOIR

Dimensions

- A = 1/8", 1/4" or 3/8" BSP
- B = 125mm
- C = 50mm
- D = 55mm

- Capacity = 50cc
- Material = Steel and Brass
- = Nitrile Rubber Seals
- = Plexiglas Reservoir
- Maximum working temperature 60°C

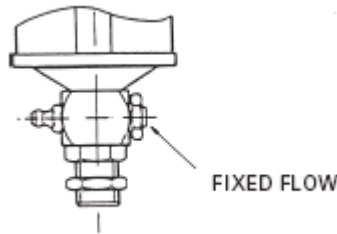


FEATURES

- Re-fillable via grease nipple.
- Visual level indication.

Suitable for use with greases which do not separate under pressure.

| No. | Thread | Capacity |
|---------|----------|----------|
| SBK1502 | 1/8" BSP | 50cc |
| SBK2502 | 1/4" BSP | |
| SBK3502 | 3/8" BSP | |



CONSTANT LEVEL OILERS

ALUMINIUM ALLOY BODY – PLASTIC BOTTLE

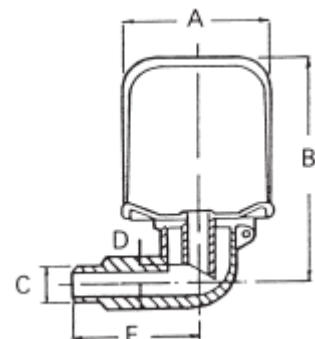
Maximum operating temperature 65°C. Finish – ZINC PLATE

| Product No | A mm | B mm | C | D mm | E mm | Capacity ml |
|------------|------|------|----------|------|------|-------------|
| ACL7567 | 51 | 82 | 1/4" BSP | 7 | 51 | 85 |
| ACL7572 | 57 | 87 | 1/4" BSP | 7 | 51 | 115 |
| ACL7577 | 64 | 94 | 1/4" BSP | 7 | 51 | 158 |

STEEL BODY – PLASTIC BOTTLE

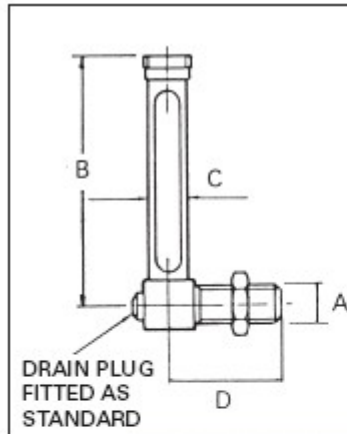
Maximum operating temperature 65°C. Finish – ZINC PLATE

| Product No | A mm | B mm | C | D mm | E mm | Capacity ml |
|------------|------|------|----------|------|------|-------------|
| ACL7563 | 51 | 82 | 1/4" BSP | 7 | 51 | 85 |
| ACL7579 | 51 | 82 | 1/4" BSP | 7 | 51 | 85 |
| ACL7581 | 57 | 87 | 1/4" BSP | 7 | 51 | 115 |
| ACL7583 | 64 | 94 | 1/4" BSP | 7 | 51 | 158 |



OIL LEVELS

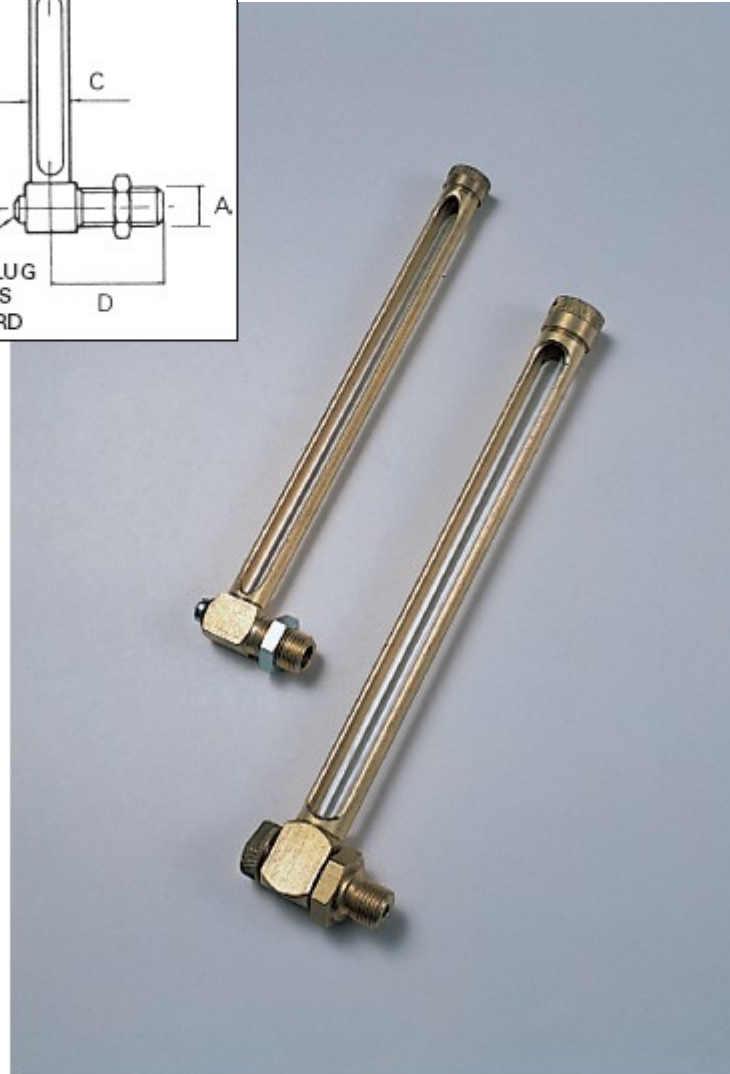
| Product Code | A | B mm | C mm | D mm |
|--------------|----------|------|------|------|
| FGM150 | 1/8" BSP | 50 | 13 | 27 |
| FGM160 | | 60 | 13 | 27 |
| FGM180 | | 80 | 13 | 27 |
| FGM250 | 1/4" BSP | 50 | 13 | 27 |
| FGM260 | | 60 | 13 | 27 |
| FGM280 | | 80 | 13 | 27 |
| FGM2100 | | 100 | 13 | 27 |
| FGM2125 | | 125 | 13 | 27 |
| FGM2150 | | 150 | 13 | 27 |
| FGM2175 | | 175 | 13 | 27 |
| FGM2200 | | 200 | 13 | 27 |
| FGM2250 | | 250 | 13 | 27 |
| FGM2300 | | 300 | 13 | 27 |
| FGM350 | 3/8" BSP | 50 | 13 | 34 |
| FGM360 | | 60 | 13 | 34 |
| FGM380 | | 80 | 13 | 34 |
| FGM3100 | | 100 | 13 | 34 |
| FGM3125 | | 125 | 13 | 34 |
| FGM3150 | | 150 | 13 | 34 |
| FGM3175 | | 175 | 13 | 34 |
| FGM3200 | | 200 | 13 | 34 |
| FGM3250 | | 250 | 13 | 34 |
| FGM3300 | | 300 | 13 | 34 |
| FGM4100 | 1/2" BSP | 100 | 16 | 38 |
| FGM4125 | | 125 | 16 | 38 |
| FGM4150 | | 150 | 16 | 38 |
| FGM4200 | | 200 | 16 | 38 |
| FGM4250 | | 250 | 16 | 38 |



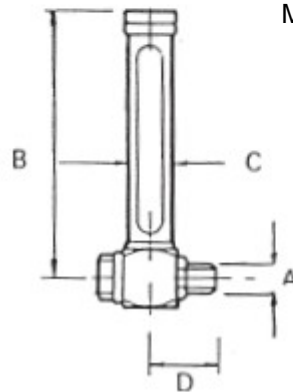
OIL LEVELS

WITH LOCKNUT (DIN 3018)

Material-BRASS, GLASS Finish-NATURAL
Maximum working temperature 90°C



| Product Code | A | B mm | C mm | D mm |
|--------------|----------|------|------|------|
| FGB160 | 1/8" BSP | 60 | 16 | 28 |
| FGB180 | | 80 | 16 | 28 |
| FGB1100 | | 100 | 16 | 28 |
| FGB1125 | | 125 | 16 | 28 |
| FGB250 | 1/4" BSP | 50 | 16 | 30 |
| FGB260 | | 60 | 16 | 30 |
| FGB280 | | 80 | 16 | 30 |
| FGB2100 | | 100 | 16 | 30 |
| FGB2125 | | 125 | 16 | 30 |
| FGB2150 | | 150 | 16 | 30 |
| FGB2175 | | 175 | 16 | 30 |
| FGB2200 | | 200 | 16 | 30 |
| FGB2250 | | 250 | 16 | 30 |
| FGB2300 | | 300 | 16 | 30 |



WITH BANJO COUPLING (DIN 3018)

Material-BRASS, GLASS Finish-NATURAL
Maximum working temperature 90°C

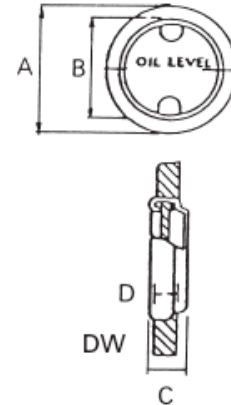
OIL WINDOWS

DRIVE IN

Material—STEEL, PERSPEX Finish-ZINC PLATE
 Maximum working pressure 0.7 bar
 Maximum working temperature 70°C with 0.2 bar pressure

| Product Code | Hole Diameter | A Diameter | B mm | C mm | D mm |
|--------------|----------------------|---------------|------|------|------|
| DW4064 | 22.23 – 22.28 (7/8") | 22.30 – 22.35 | 17.5 | 7.1 | 0.4 |
| DW4061 | 31.75 – 31.80 (1¼") | 31.83 – 31.88 | 25.4 | 8.7 | 0.4 |
| DW4062 | 38.10 – 38.15 (1½") | 38.18 – 38.23 | 31.8 | 9.5 | 0.4 |
| DW4063 | 50.80 – 50.85 (2") | 50.88 – 50.93 | 44.5 | 10.8 | 0.4 |

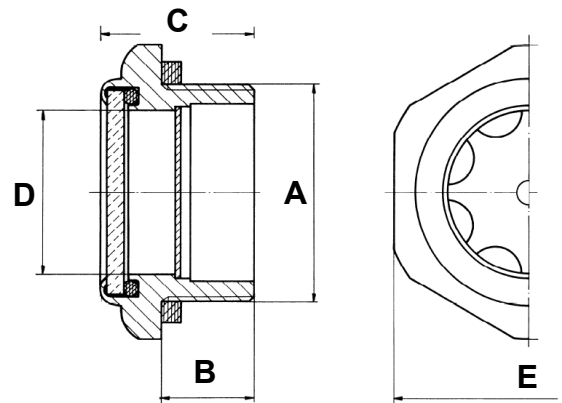
Add suffix "A" to part No. if "OIL LEVEL" engraving is required



ALUMINIUM THREADED WITH REFLECTOR

Material—ALUMINIUM, ACRYLIC, PLASTIC Finish-NATURAL
 Maximum working pressure 3.5 bar
 Maximum working temperature 70°C

| Product Code | A | B mm | C mm | D mm | E mm |
|--------------|----------|------|------|------|------|
| AW1145 | 1/4" BSP | 8 | 15 | 8 | 17 |
| AW1150 | 3/8" BSP | 8 | 16 | 11 | 22 |
| AW1155 | 1/2" BSP | 9 | 17 | 15 | 27 |
| AW1160 | 3/4" BSP | 10 | 20 | 20 | 32 |
| AW1165 | 1" BSP | 14 | 24 | 25 | 41 |



ALUMINIUM THREADED WITH REFLECTOR

Material—ALUMINIUM, HEAT RESISTANT GLASS, Finish-NATURAL
 Maximum working pressure 10 bar
 Maximum working temperature 130°C

| Product Code | A | B mm | C mm | D mm | E mm |
|--------------|----------|------|------|------|------|
| AW1245 | 1/4" BSP | 8 | 15 | 8 | 17 |
| AW1250 | 3/8" BSP | 8 | 16 | 11 | 22 |
| AW1255 | 1/2" BSP | 9 | 17 | 15 | 27 |
| AW1260 | 3/4" BSP | 10 | 20 | 20 | 32 |
| AW1265 | 1" BSP | 14 | 24 | 25 | 41 |
| AW1270 | 1¼" BSP | 14 | 24 | 33 | 50 |
| AW1275 | 1½" BSP | 14 | 24 | 38 | 55 |
| AW1280 | 2" BSP | 14 | 24 | 46 | 70 |

| Product Code | A | B mm | C mm | D mm | E mm |
|--------------|-----------|------|------|------|------|
| AW1955 | M12 x 1.5 | 8 | 15 | 8 | 17 |
| AW1958 | M14 x 1.5 | 8 | 15 | 8 | 17 |
| AW1960 | M16 x 1.5 | 8 | 16 | 11 | 22 |
| AW1964 | M20 x 1.5 | 9 | 17 | 15 | 27 |
| AW1972 | M24 x 2 | 9 | 17 | 15 | 27 |
| AW1974 | M26 x 1.5 | 10 | 20 | 20 | 32 |
| AW1977 | M27 x 1.5 | 10 | 20 | 20 | 32 |
| AW1980 | M30 x 1.5 | 14 | 24 | 25 | 41 |

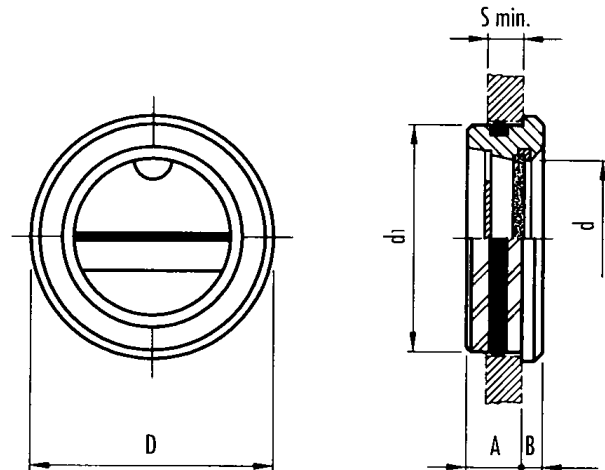


OIL WINDOWS

PUSH FIT

Material—BLACK POLYAMIDE, GLASS,
NBR SYNTHETIC RUBBER PACKING
Maximum working temperature 100°C

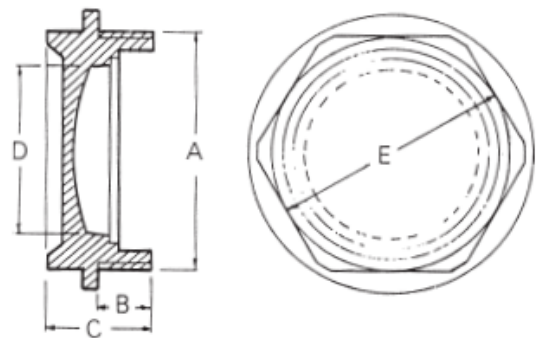
| Product Code | d1 mm | A mm | B mm | D mm | d mm | S Min. |
|--------------|-------|------|------|------|------|--------|
| PFW26 | Ø26 | 7 | 4.5 | 28 | 15 | 6 |
| PFW32 | Ø32 | 10 | 5.5 | 36 | 20 | 8 |
| PFW38 | Ø38 | 10 | 5.5 | 42 | 25 | 8 |
| PFW45 | Ø45 | 11 | 5.5 | 49 | 30 | 9 |
| PFW60 | Ø60 | 11 | 5.5 | 64 | 40 | 9 |



PLASTIC THREADED WITH REFLECTOR

Material—PLASTIC (Plexiglas)
Maximum working pressure 3 bar
Maximum working temperature 80°C

| Product Code | A | B mm | C mm | D mm | E mm |
|--------------|----------|------|------|------|------|
| PW4210 | 1/4" BSP | 8.2 | 13.2 | 6 | 17 |
| PW4211 | 3/8" BSP | 9.2 | 15.7 | 9 | 22 |
| PW4212 | 1/2" BSP | 10.0 | 18.0 | 12 | 24 |
| PW4213 | 3/4" BSP | 12.2 | 21.2 | 16 | 30 |
| PW4214 | 1" BSP | 11.6 | 20.6 | 22 | 36 |
| PW4215 | 1¼" BSP | 12.8 | 22.3 | 28 | 46 |
| PW4216 | 1½" BSP | 13.8 | 25.0 | 33 | 50 |
| PW4217 | 2" BSP | 13.8 | 26.0 | 43 | 60 |

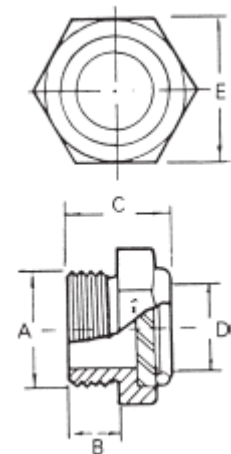


Metric threads from M12 to M60 available in this range

STEEL THREADED WITH TOUGHENED GLASS WINDOW

Material—STEEL, GLASS Finish—ZINC PLATE
Maximum working pressure 10 bar
Maximum working temperature 100°C

| Product Code | A | B mm | C mm | D mm | E mm |
|--------------|----------|------|------|------|------|
| BWS4042 | 3/4" BSP | 12.7 | 25.4 | 19.1 | 33.0 |
| BWS4043 | 1" BSP | 15.9 | 33.0 | 25.4 | 42.4 |
| BWS4044 | 1¼" BSP | 15.9 | 33.0 | 31.8 | 52.1 |
| BWS4045 | 1½" BSP | 15.9 | 33.0 | 38.1 | 61.2 |
| BWS4046 | 2" BSP | 17.0 | 34.9 | 49.0 | 69.9 |



Add suffix "R" to part No. if reflector is required, eg BWS4043R

OIL WINDOWS

BRASS THREADED WITH TOUGHENED GLASS WINDOW

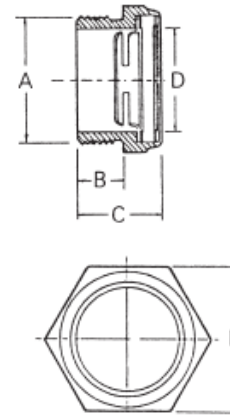
Material-BRASS , GLASS Finish-NATURAL

Maximum working pressure 0.7 bar

Maximum working temperature 100°C

| Product Code | A | B mm | C mm | D mm | E mm |
|--------------|----------|------|------|------|------|
| BW4040TG | 3/8" BSP | 11.1 | 17.3 | 11.1 | 19.1 |
| BW4041TG | 1/2" BSP | 13.5 | 23.8 | 12.7 | 23.4 |

BW4041TG available with reflector add suffix "R", eg BW4041TGR

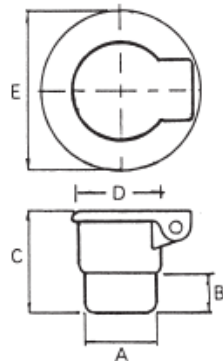


OIL HOLE COVERS AND CUPS

SHOULDER DRIVE OIL CUPS

Material-STEEL Finish- NICKEL PLATE

| Product Code | Hole Diameter | A | B mm | C mm | D mm | E mm |
|--------------|---------------|-----------------|------|------|------|------|
| BS1511 | 1/4" | 0.253 – 0.255" | 5.6 | 11.9 | 7.2 | 15.9 |
| BS1512 | 3/16" | 0.190" – 0.192" | 5.6 | 11.9 | 7.2 | 15.9 |
| BS1513 | 6mm | 6mm Taper | 5.6 | 11.9 | 7.2 | 15.9 |
| BS1514 | 3/16" | 3/16" Taper | 5.6 | 11.9 | 7.2 | 15.9 |
| BS1516 | 5/16" | 0.315" – 0.317" | 6.4 | 13.5 | 8.9 | 19.1 |
| BS1518 | 7mm | 7mm Taper | 6.4 | 13.5 | 8.9 | 19.1 |
| BS1521 | 3/8" | 0.378" – 0.380" | 7.1 | 15.1 | 10.5 | 20.6 |
| BS1523 | 8mm | 8mm Taper | 7.1 | 15.1 | 10.5 | 20.6 |
| BS1536 | 10mm | 10mm Taper | 7.1 | 18.3 | 12.7 | 25.4 |
| BS1549 | 5/8" | 0.628" – 0.630" | 9.5 | 23.8 | 19.0 | 34.9 |
| BS1555 | 3/4" | 0.753" – 0.755" | 11.1 | 27.0 | 25.4 | 41.3 |
| BS1556 | 7/8" | 0.878" – 0.880" | 12.7 | 28.6 | 25.4 | 41.3 |
| BS1560 | 1" | 1.003" – 1.005" | 14.3 | 33.3 | 31.8 | 47.6 |
| * BS1573 | 1 1/4" | 1.253" – 1.255" | 17.5 | 38.1 | 41.3 | 63.5 |
| * BS1574 | 1 1/2" | 1.503" – 1.507" | 17.5 | 38.1 | 41.3 | 63.5 |

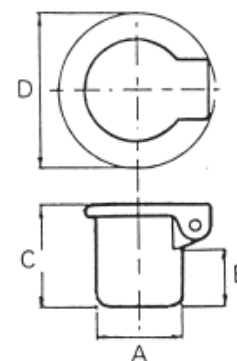


DRIVE IN OIL CUPS

Material-STEEL Finish- NICKEL PLATE

| Product Code | Hole Diameter | A | B mm | C mm | D mm |
|--------------|---------------|-----------------|------|------|------|
| B1604 | 1/4" | 0.253" – 0.255" | 36.5 | 41.3 | 15.9 |
| B1614 | 1/2" | 0.503" – 0.505" | 9.5 | 16.7 | 25.4 |
| B1620 | 5/8" | 0.628" – 0.630" | 10.3 | 19.1 | 31.8 |
| B1623 | 3/4" | 0.753" – 0.755" | 13.5 | 23.8 | 34.9 |
| B1625 | 1" | 1.003" – 1.005" | 14.3 | 25.4 | 41.3 |
| B1628 | 1 1/4" | 1.253" – 1.256" | 15.9 | 27.0 | 47.6 |
| * B1640 | 1 3/4" | 1.753" – 1.757" | 14.3 | 25.4 | 69.9 |
| * B1650 | 2 1/4" | 2.253" – 2.258" | 20.6 | 31.8 | 79.4 |

*Add suffix "DC" if dust proof cover is required



*Add suffix "DC" if dust proof cover is required

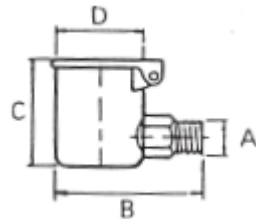
OIL HOLE COVERS AND CUPS

THREADED OIL CUPS

Material–Body-BRASS Filler-STEEL Finish– NICKEL PLATE

| Product Code | A | B mm | C mm | D mm | E mm | Hex A/Flats |
|--------------|----------------|------|------|------|------|-------------|
| C1733 | 1/4"- 26 TPI | 5.6 | 20.6 | 7.1 | 15.9 | 3/8" |
| C1736 | 2 BA | 4.8 | 14.3 | 6.4 | 15.9 | 5/16" |
| C1740 | 1/4" - 20 TPI | 5.6 | 20.6 | 7.1 | 15.9 | 3/8" |
| C1743 | 5/16" - 18 TPI | 5.6 | 20.6 | 7.1 | 15.9 | 3/8" |
| C1748 | 3/8" - 24 TPI | 6.4 | 17.5 | 9.5 | 20.6 | 7/16" |
| C1749 | 1/8" BSP | 6.4 | 17.5 | 9.5 | 20.6 | 7/16" |
| C1763 | 1/4" BSP | 11.1 | 26.2 | 15.9 | 31.8 | 11/16" |
| C1787 | 1/8" BSP | 38.1 | 50.8 | 9.5 | 23.8 | 7/16" |
| *C2141 | 1/8" BSP | 9.5 | 31.8 | 15.9 | 31.8 | 11/16" |
| C1852 | M6 x 1 | 5.0 | 18.5 | 9.5 | 19.0 | 10mm |
| C1853 | M8 x 1 | 5.0 | 18.5 | 9.5 | 19.0 | 10mm |
| C1867 | M8 x 1.25 | 5.0 | 18.5 | 9.5 | 19.0 | 10mm |
| C1855 | M10 x 1.5 | 6.0 | 22.0 | 12.5 | 22.0 | 14mm |
| C1856 | M10 x 1 | 6.0 | 22.0 | 12.5 | 22.0 | 14mm |

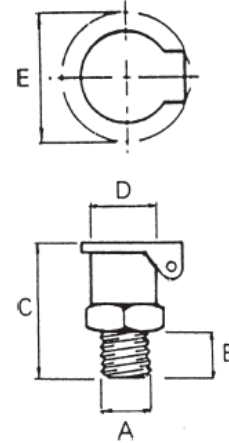
*Add suffix "WF" if syphon tube and wick is required



THREADED OIL CUPS

Material–STEEL Finish– NICKEL PLATE

| Product Code | A | B mm | C mm | D mm | E mm | Hex A/Flats |
|--------------|----------|------|------|-------|------|-------------|
| D1914 | 1/8" BSP | 17.5 | 36.5 | 15.9 | 31.8 | 7/16" |
| D1920 | 1/8" BSP | 17.5 | 32.5 | 19.1 | 34.9 | 7/16" |
| D1927 | 1/8" BSP | 20.6 | 47.6 | 25.4 | 41.3 | 9/16" |
| D1928 | 1/4" BSP | 20.6 | 47.6 | 25.4 | 41.3 | 9/16" |
| D1937 | 1/8" BSP | 20.6 | 53.0 | 31.75 | 41.3 | 9/16" |
| D1952 | 1/4" BSP | 23.8 | 68.3 | 41.3 | 63.5 | 11/16" |
| D1958 | 1/4" BSP | 28.6 | 85.7 | 57.2 | 79.4 | 11/16" |
| D1959 | 3/8" BSP | 29.4 | 85.7 | 57.2 | 79.4 | 11/16" |
| D1960 | 1/2" BSP | 31.8 | 88.9 | 57.2 | 79.4 | 7/8" |



THREADED ELBOW OIL CUPS (90°)

Material–STEEL Finish– NICKEL PLATE

| Product Code | A | B mm | C mm | D mm | Hex A/Flats |
|--------------|----------|------|------|------|-------------|
| M3011 | 1/8" BSP | 33.3 | 26.2 | 15.9 | 7/16" |
| M3017 | 1/8" BSP | 36.5 | 30.2 | 19.1 | 7/16" |
| M3024 | 1/8" BSP | 46.0 | 35.7 | 25.4 | 9/16" |
| M3025 | 1/4" BSP | 46.0 | 35.7 | 25.4 | 9/16" |
| M3031 | 1/8" BSP | 52.4 | 40.5 | 31.8 | 9/16" |
| M3032 | 1/4" BSP | 52.4 | 40.5 | 31.8 | 9/16" |
| M3041 | 1/4" BSP | 65.1 | 52.4 | 41.3 | 11/16" |
| M3042 | 3/8" BSP | 65.1 | 52.4 | 41.3 | 11/16" |
| M3064 | 1/4" BSP | 85.7 | 58.7 | 57.2 | 11/16" |
| M3065 | 3/8" BSP | 85.7 | 58.7 | 57.2 | 11/16" |

Add suffix "WF" if syphon tube and wick is required

