

## Adapters and Private Network Terminations

for HiPath and Hicom Systems

The products introduced below can be used to adapt the interfaces of various terminals to the HiPath™ and Hicom® communication systems. These adaptations may be necessary, for example, if investments in the form of existing terminals are to be safeguarded and an economically efficient infrastructure is to be set up.

### optiPoint IPadapter

optiset E telephones can be connected to LAN networks with this adapter.

### optiPoint 500/optiset E adapter

These adapters can be used to connect terminals to ISDN communication systems for data exchange and PC-supported telephoning purposes.

### Private network terminations

Private network terminations provide the required interfaces for various terminals. They can also be reached at Hicom systems in remote locations, which are only operated using the  $U_{P0E}$  or  $U_{2B1Q}$  two-wire cable technology.

- Desktop equipment
- Slide-in adapter for optiset E telephones



# optiPoint IPadapter

The optiPoint IPadapter allows optiset E telephones to be connected to LAN networks. When this is done, the user interface/

features of the optiset E telephones are retained in the form in which they are supported by Hicom 150 E/H/HiPath 3000 and Hicom 300 E/H.

Version 1 supports operation via HiPath HG 1500 connected to Hicom 150 H and HiPath 3000.

Version 2 additionally supports "peer-to-peer" connected to Hicom 150 E/H, or HiPath 3000 and Hicom 300 E/H.

## Features

- Login via optiset E service menu
- Manual IP configuration (Mini GUI)
- CorNet TS Tunneling via H.323
- Supports speakerphone
- Supports the optiset E telephone family
- Supports headset and headset plus adapter
- 1 U<sub>P0/E</sub> interface
- 1 10BT interface
- G.711 audio codec

## Note

Echoes may occur during connections to analog telephones in the public network.

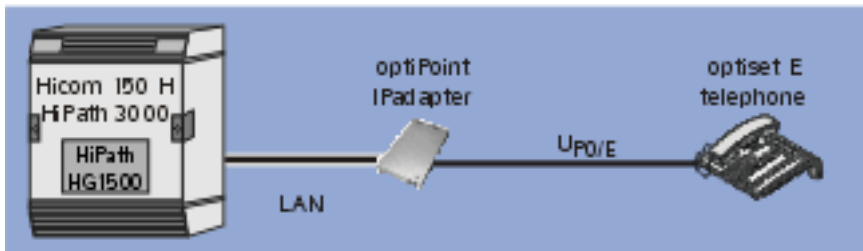
## Telephones and slide-in adapters supported in connection with optiPoint IPadapter

Version 1 only for Hicom 150 H and HiPath 3000 with HiPath HG 1500

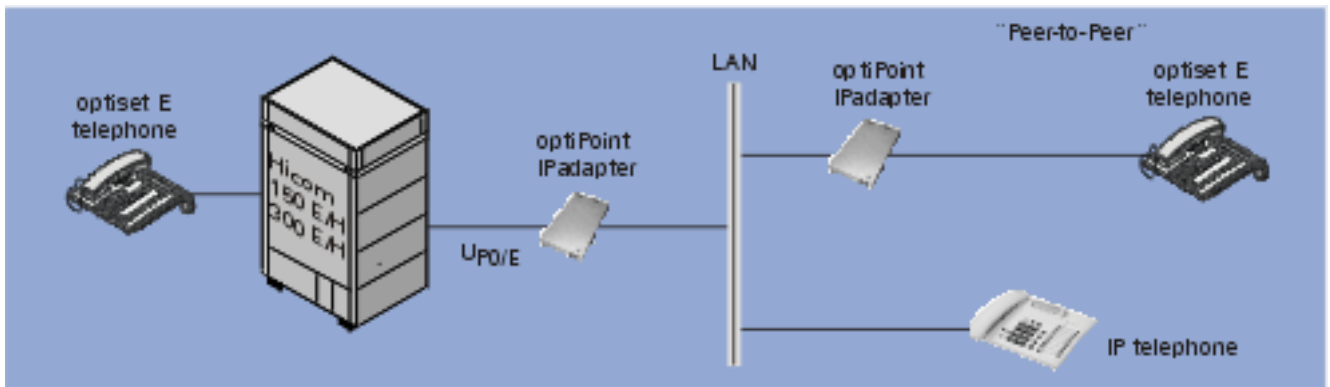
Telephone/ Adapter	Hicom 150 H HiPath 3000	Hicom 150 E/H HiPath 3000	Hicom 300 E/H	Hicom 300 E/H
	Version 1	Version 2	Version 1	Version 2
optiset E entry	●	●	–	●
optiset E signature	–	–	–	–
optiset E basic	●	●	–	●
optiset E standard	●	●	–	●
optiset E advance	–	–	–	●
optiset E advance plus	●	●	–	●
optiset E advance conference	●	●	–	●
optiset E memory	●	●	–	●
optiset E key module	●	●	–	●
optiset E signature module	–	–	–	–
optiset E phone adapter	–	–	–	–
optiset E acoustic adapter	–	–	–	–
optiset E ISDN adapter	–	–	–	–
optiset E control adapter	●	●	–	●
optiset E headset adapter	●	●	–	●
optiset E headset plus adapter	●	●	–	●
optiset E analog adapter	–	–	–	–
optiset E data adapter	●*	●*	–	●*
optiset E contact adapter	●	●	–	●

\*) CTI functions only; no data transmission

# Examples of a optiPoint IPadapter connection



Example of a connection for operation with HiPath HG 1500



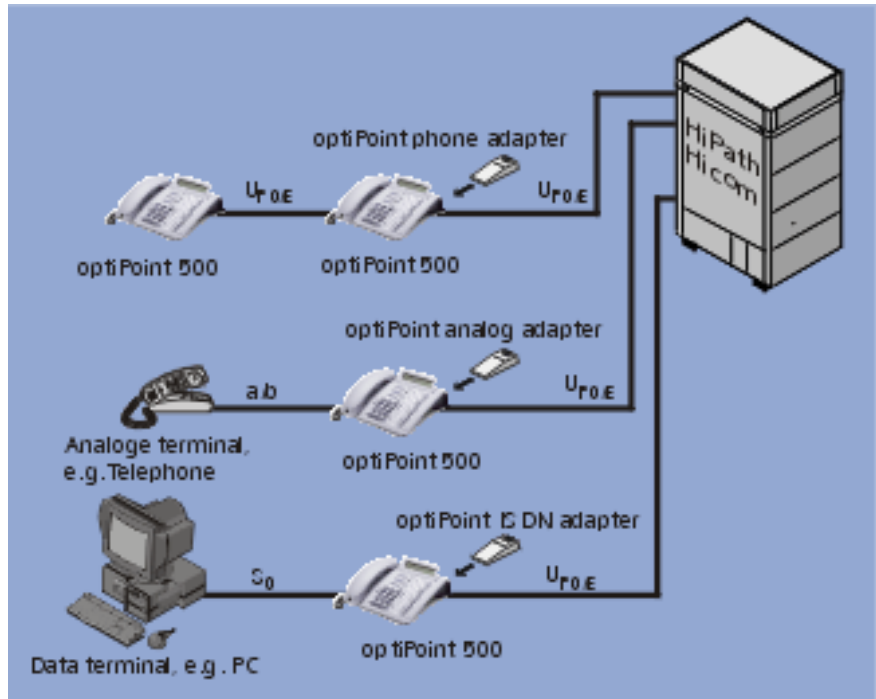
Example of a connection for "peer-to-peer" operation via Hicom 150 E/H or Hicom 300 E/H

# optiPoint 500 adapter

**optiPoint analog adapter** is used to connect an analog terminal to the system telephone, e.g. telephone, group 3 fax, modem, cordless telephone. An additional power supply unit is required.

**optiPoint ISDN adapter** permits the connection of standard ISDN  $S_0$  terminals with a separate power supply, e.g. PC with an  $S_0$  card.

**optiPoint phone adapter** enables the connection of a second  $U_{P0/E}$  terminal with a separate power supply (client) for using a second B-channel.



Application examples

## Adapter/telephone connection options

	optiPoint analog adapter	optiPoint phone adapter	optiPoint ISDN adapter
optiPoint 500 basic	•	•	•
optiPoint 500 standard	•	•	•
optiPoint 500 advance	•	•	•

# optiset E adapter

## optiset E data adapter

The optiset E data adapter permits:

- the connection of V.24 terminals for asynchronous data communication (e.g. with other PCs).
- the control of optiset E telephones for CTI applications (PC supported telephoning).

Data transmission is carried out in the B-channel.

The TAPI Service Provider CallBridge TA and Hicom CTI TAPI are available via the CTI control facility with Hayes AT commands/V.25 for PCs with Windows operating systems.

## optiset E control adapter

Up to two headsets and a V.24 terminal (e.g. PC with a dialing aid program) can be connected with this adapter.

The TAPI Service Provider CallBridge TA and Hicom CTI TAPI are available via the CTI control facility with Hayes AT commands/V.25 for PCs with Windows operating systems.

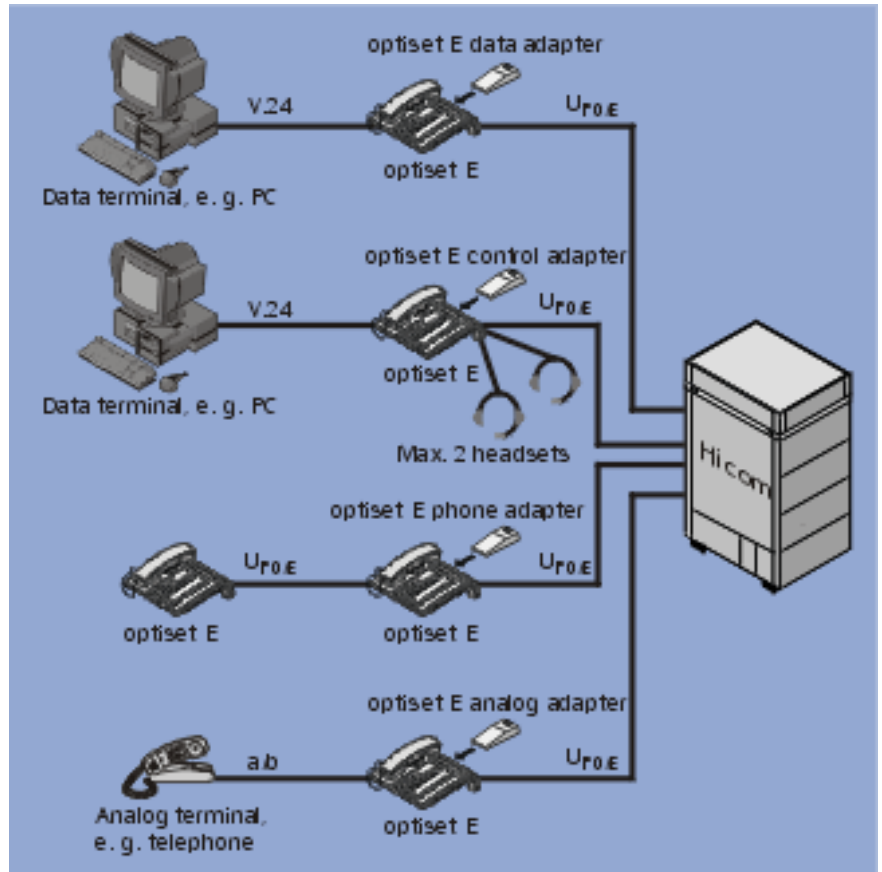
## optiset E phone adapter

This adapter permits the connection of a second optiset E telephone.

## optiset E analog adapter

This adapter provides the analog standard interface which is used to connect an analog terminal (e.g. a fax unit, modem, cordless telephone). The adapter only supports DTMF dialing methods.

A plug-in power supply unit is required for the operation of an analog terminal.



Application examples

# optiset E adapter

## Technical data

	<b>optiset E data adapter</b>	<b>optiset E control adapter</b>	<b>optiset E phone adapter</b>	<b>optiset E analog adapter</b>
Data terminal interface	25-pin V.24 connector	<ul style="list-style-type: none"> <li>● 9-pin V.24 connector</li> <li>● Two 121TR9-5 connectors (4-pin, Mini-Western connector) for headsets</li> </ul>	Twin-channel U <sub>P0/E</sub> interface (6-pin, Mini-Western connector)	a/b interface (6-pin, Mini-Western connector)
Hicom system interface	Twin-channel U <sub>P0/E</sub> interface			
Transmission speed	Up to max. 38,400 bit/s asynchronous (full duplex and half duplex mode)	19,200 bit/s auto baud (only for CTI control in the D-channel)	–	–
Bit-rate adaptation, asynchronous	<ul style="list-style-type: none"> <li>● V.120</li> <li>● V.110</li> <li>● DMI mode 2</li> </ul>	–	–	–
Range	U <sub>P0/E</sub> : max. 1.0 km			
TAP interface	yes	yes	no	no

## Adapter/telephone connection options

	<b>optiset E data adapter</b>	<b>optiset E control adapter</b>	<b>optiset E phone adapter</b>	<b>optiset E analog adapter</b>
optiset E basic	•		•	•
optiset E advance	•	•	•	•
optiset E advance plus	•	•	•	•
optiset E conference	•	•	•	•
optiset E memory	•	•	•	•

# Private network terminations

## Slide-in adapter: optiset E ISDN adapter

The optiset E ISDN adapter provides the  $S_0$  interface on the optisetE Hicom system telephone. One to two ISDN data terminals (e.g. a PC with an  $S_0$  card or video equipment) can be connected to the interface (a separate power supply is required).

Slide-in adapter for following optiset E telephones:

- optiset E basic
- optiset E advance
- optiset E advance plus
- optiset E conference
- optiset E memory

## PNT E desktop equipment

The PNT E is used for implementing the two-wire  $U_{P0/E}$  interface in the  $S_0$  interface to allow up to two  $S_0$  terminals (e.g. PC and FAX) to be connected to the Hicom system. An optional plug-in power supply unit is also available for the PNT E if the connected devices are also to be fed via the  $S_0$  interface.

## Desktop equipment: Euro NTBA

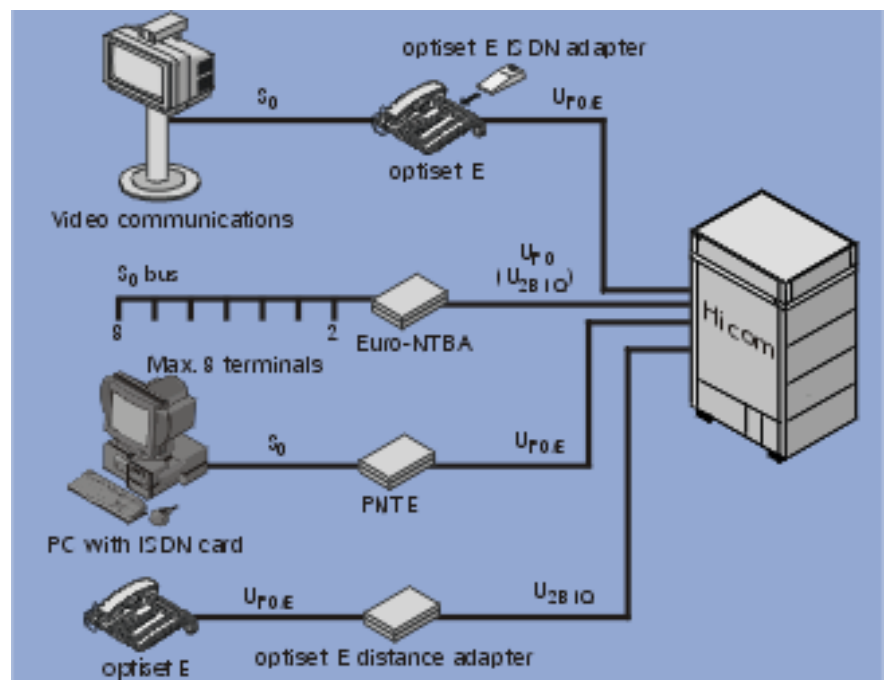
The Euro NTBA is used for implementing the two-wire  $U_{2B1Q}$  interface in the four-wire  $S_0$  interface and for increasing the range of the interface. This means that the benefits of the  $S_0$  and  $S_0$  bus interface (the facility to connect max. eight terminals and the consequent saving on lines and system ports) can be used at greater distances from the Hicom system.

The desktop device can also be wall-mounted. The power is fed, in this case, by means of a plug-in power supply unit.

## Desktop equipment: optiset E distance adapter

The optiset E distance adapter extends the distance at which the optiset E telephone can be connected from 1.0 km to up to 8.0 km. All optiset E telephones can be connected. Two models are available:

- optiset E distance adapter S (single) for connecting one optiset E telephone.
- optiset E distance adapter M (multi) for connecting four optiset E telephones.



## Technical data

	optiset E ISDN adapter	PNT E	Euro NTBA	optiset E distance adapters
Data terminal interface	$S_0$	two $S_0$ connectors (8-pin Mini-Western connector) for point-to-point or bus operation (max. 2 $S_0$ devices)	$S_0$ and $S_0$ bus	$U_{P0/E}$
Power feeding	no	Via plug-in power supply unit if required (optional)	yes	yes
Hicom system interface	$U_{P0/E}$	$U_{P0/E}$	$U_{2B1Q}$	$U_{2B1Q}$
Range (from Hicom to the telephone or adapter)	Max. 1.0 km	1.0 km	Max. 8.0 km with local power feeding	
$S_0$ range	up to 150 m depending on configuration			
Dimensions (H x W x D in mm)		34 x 170 x 110	34 x 170 x 110	45 x 272 x 175

# Overview

Type	Hicom interface	Terminal interface	Suitable for	Remarks
optiPoint IAdapter	10BT  U <sub>P0/E</sub>	U <sub>P0/E</sub>	<ul style="list-style-type: none"> <li>● Hicom 150 H/HiPath 3000</li> <li>● Hicom 150 E/H</li> <li>● Hicom 300 E/H</li> </ul>	Standalone adapter with HiPath HG 1500 "Peer-to-peer" "Peer-to-peer"
optiPoint analog adapter			<ul style="list-style-type: none"> <li>● HiPath 3000</li> <li>● HiPath 4000</li> <li>● Hicom 150 E/H</li> <li>● Hicom 300 E/H</li> </ul>	Slide-in adapters for optiPoint 500 telephones
optiPoint phone adapter			<ul style="list-style-type: none"> <li>● HiPath 3000</li> <li>● HiPath 4000</li> <li>● Hicom 150 E/H</li> <li>● Hicom 300 E/H</li> </ul>	Slide-in adapters for optiPoint 500 telephones
optiPoint ISDN adapter			<ul style="list-style-type: none"> <li>● HiPath 3000</li> <li>● HiPath 4000</li> <li>● Hicom 150 E/H</li> <li>● Hicom 300 E/H</li> </ul>	Slide-in adapters for optiPoint 500 telephones
optiset E data adapter	U <sub>P0/E</sub>	V.24 (DCE)	<ul style="list-style-type: none"> <li>● Hicom 300 / 300 E</li> <li>● Hicom 150 E</li> <li>● Hicom 100 E V 2.02 and higher</li> </ul>	Slide-in adapters for optiset E telephones
optiset E control adapter	U <sub>P0/E</sub>	V.24; Two connectors for headsets	<ul style="list-style-type: none"> <li>● Hicom 300 E V 2.0 and higher</li> <li>● Hicom 300 V 3.6 and higher</li> <li>● Hicom 150 E</li> <li>● Hicom 100 E V 2.02 and higher</li> </ul>	Slide-in adapters for optiset E telephones
optiset E phone adapter	U <sub>P0/E</sub>	U <sub>P0/E</sub>	<ul style="list-style-type: none"> <li>● Hicom 300 / 300 E</li> <li>● Hicom 150 E</li> <li>● Hicom 100 E</li> </ul>	Slide-in adapters for optiset E telephones
optiset E analog adapter	U <sub>P0/E</sub>	a/b	<ul style="list-style-type: none"> <li>● Hicom 300 / 300 E</li> <li>● Hicom 150 E</li> <li>● Hicom 100 E</li> </ul>	Slide-in adapters for optiset E telephones
optiset E ISDN adapter	U <sub>P0/E</sub>	S <sub>0</sub>	<ul style="list-style-type: none"> <li>● Hicom 300 / 300 E</li> <li>● Hicom 150 E</li> <li>● Hicom 100 E V 2.02 and higher</li> </ul>	Slide-in adapters for optiset E telephones
PNT E	U <sub>P0/E</sub>	S <sub>0</sub>	<ul style="list-style-type: none"> <li>● Hicom 300</li> <li>● Hicom 150 E</li> </ul>	Desktop equipment (optional, with plug-in power supply unit)
Euro NTBA	U <sub>2B1Q</sub>	S <sub>0</sub> and S <sub>0</sub> bus	<ul style="list-style-type: none"> <li>● Hicom 300</li> </ul>	Desktop equipment (S <sub>0</sub> power feeding up to 4.5 W)
optiset E distance adapter	U <sub>2B1Q</sub>	U <sub>P0/E</sub>	<ul style="list-style-type: none"> <li>● Hicom 300</li> </ul>	Desktop equipment