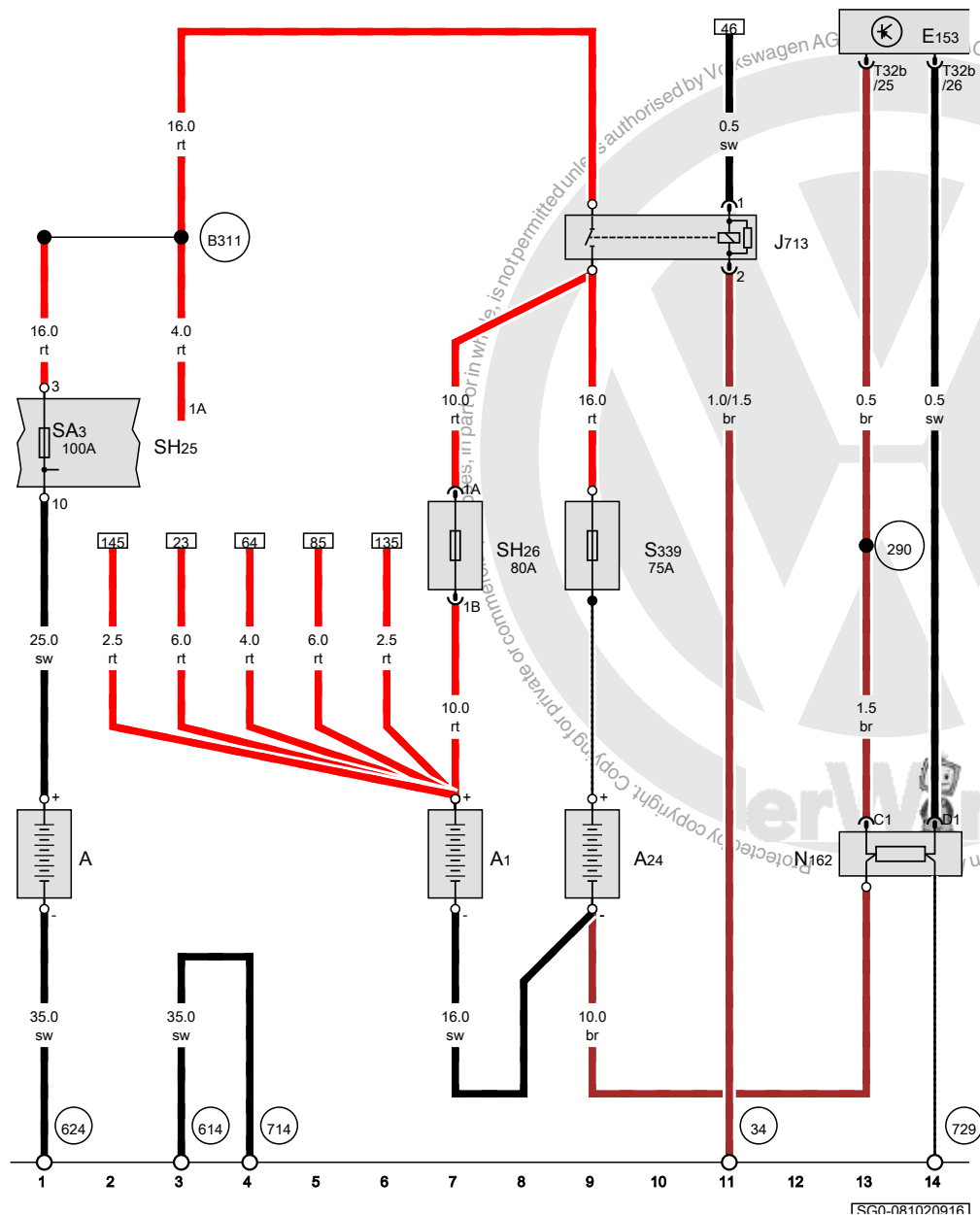


Camping equipment , (A8L),(A8R)
From June 2015



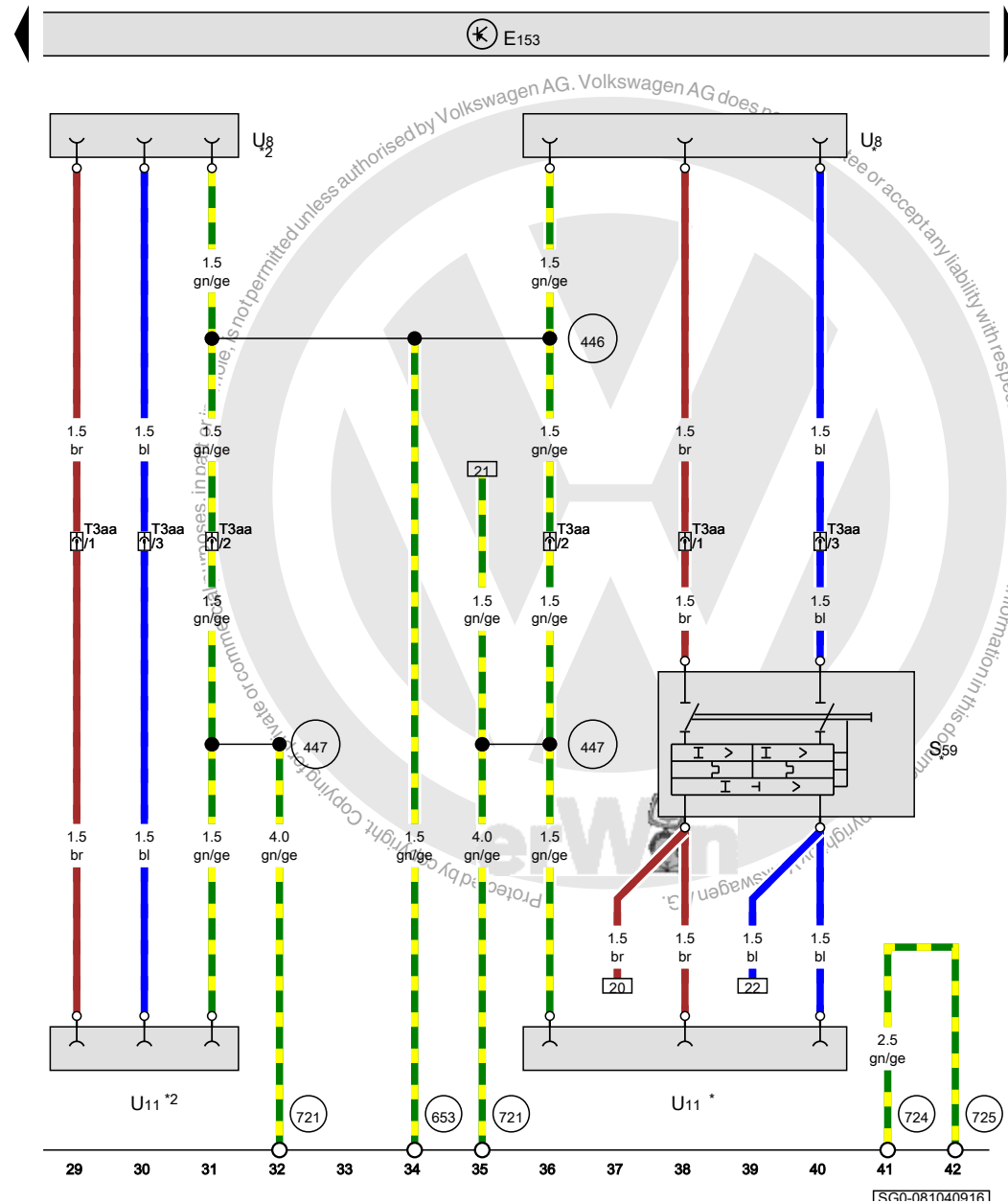
Second battery, Battery for special vehicle, Operating and display unit for camping equipment, Second battery charging circuit relay, Battery charge control measuring resistor, Fuse 3 on fuse holder A



- A Battery
- A1 Second battery
- A24 Battery for special vehicle
- E153 Operating and display unit for camping equipment
- J713 Second battery charging circuit relay
- N162 Battery charge control measuring resistor
- SA3 Fuse 3 on fuse holder A
- SH25 Fuse 25 in fuse holder H
- SH26 Fuse 26 in fuse holder H
- S339 Battery fuse in special vehicle
- T32b 32-pin connector, black
- 34 Earth point, under driver seat
- 290 Earth connection 1, in second battery wiring harness
- 614 Earth point 2, on right in engine compartment
- 624 Earth point, starter battery
- 714 Earth point on right of engine
- 729 Earth point, on left rear wheel housing
- B311 Positive connection 15 (30), in main wiring harness

- ws = white
- sw = black
- ro = red
- rt = red
- br = brown
- gn = green
- bl = blue
- gr = grey
- li = purple
- vi = purple
- ge = yellow
- or = orange
- rs = pink

[SGN-081070916]



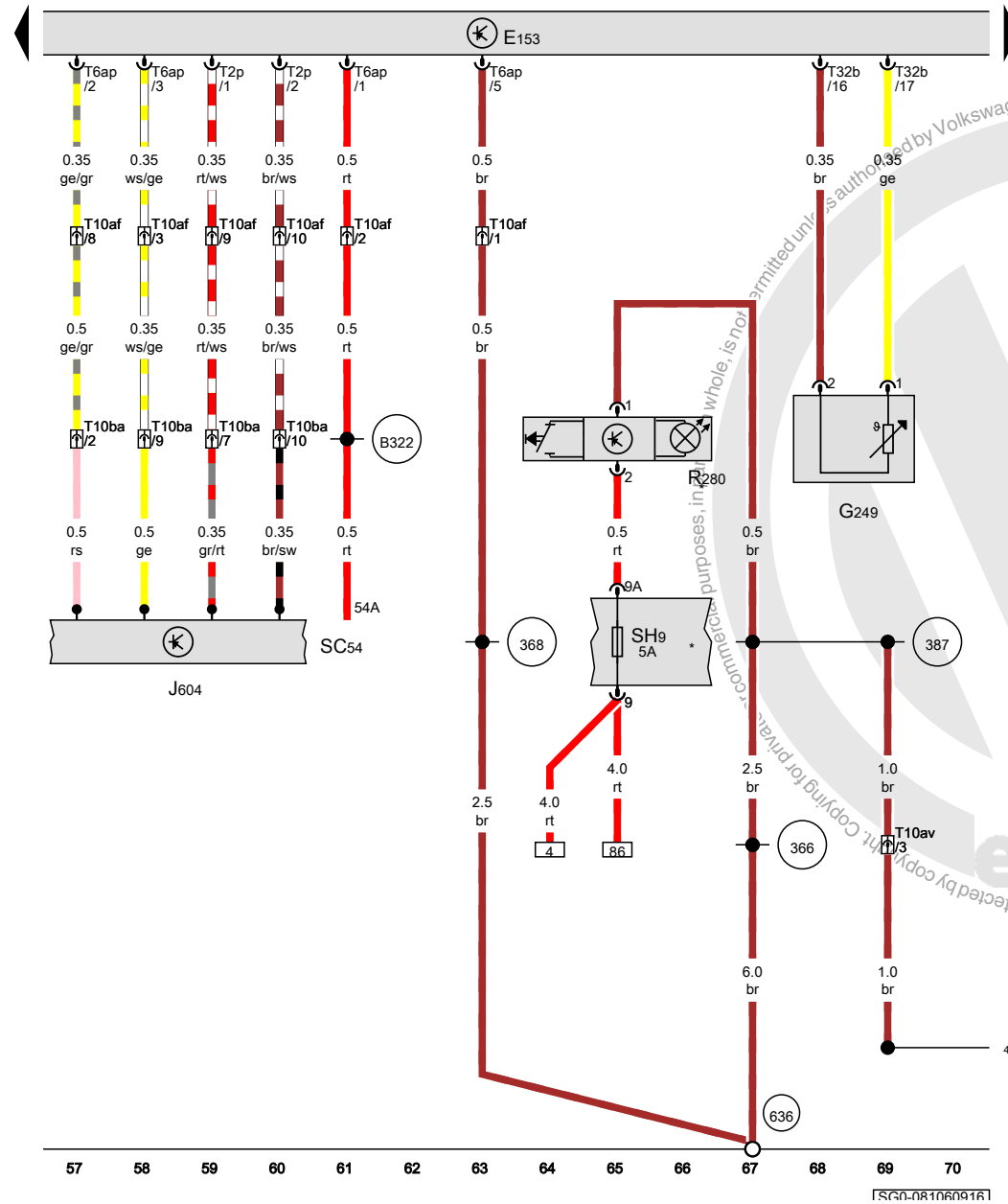
Operating and display unit for camping equipment, 220 V automatic personnel protection circuit breaker, Exterior socket, 230 V, 110 V, Interior socket, 230 V, 110 V

- E153 Operating and display unit for camping equipment
- S59 220 V automatic personnel protection circuit breaker, in cupboard, rear, left
- T3aa 3-pin connector, white, near left D-pillar
- U8 Exterior socket, 230 V, 110 V, in rear left side panel
- U11 Interior socket, 230 V, 110 V, near sink

- 446 Earth conductor connection 1
- 447 Earth conductor connection 2
- 653 Earth point, on left D-pillar
- 721 Earth point 1, for special constructions
- 724 Earth point 4, for special constructions
- 725 Earth point 5, for special constructions
- * Only models with DC/AC converter
- *2 Only models with no DC/AC converter

- ws = white
- sw = black
- ro = red
- rt = red
- br = brown
- gn = green
- bl = blue
- gr = grey
- li = purple
- vi = purple
- ge = yellow
- or = orange
- rs = pink

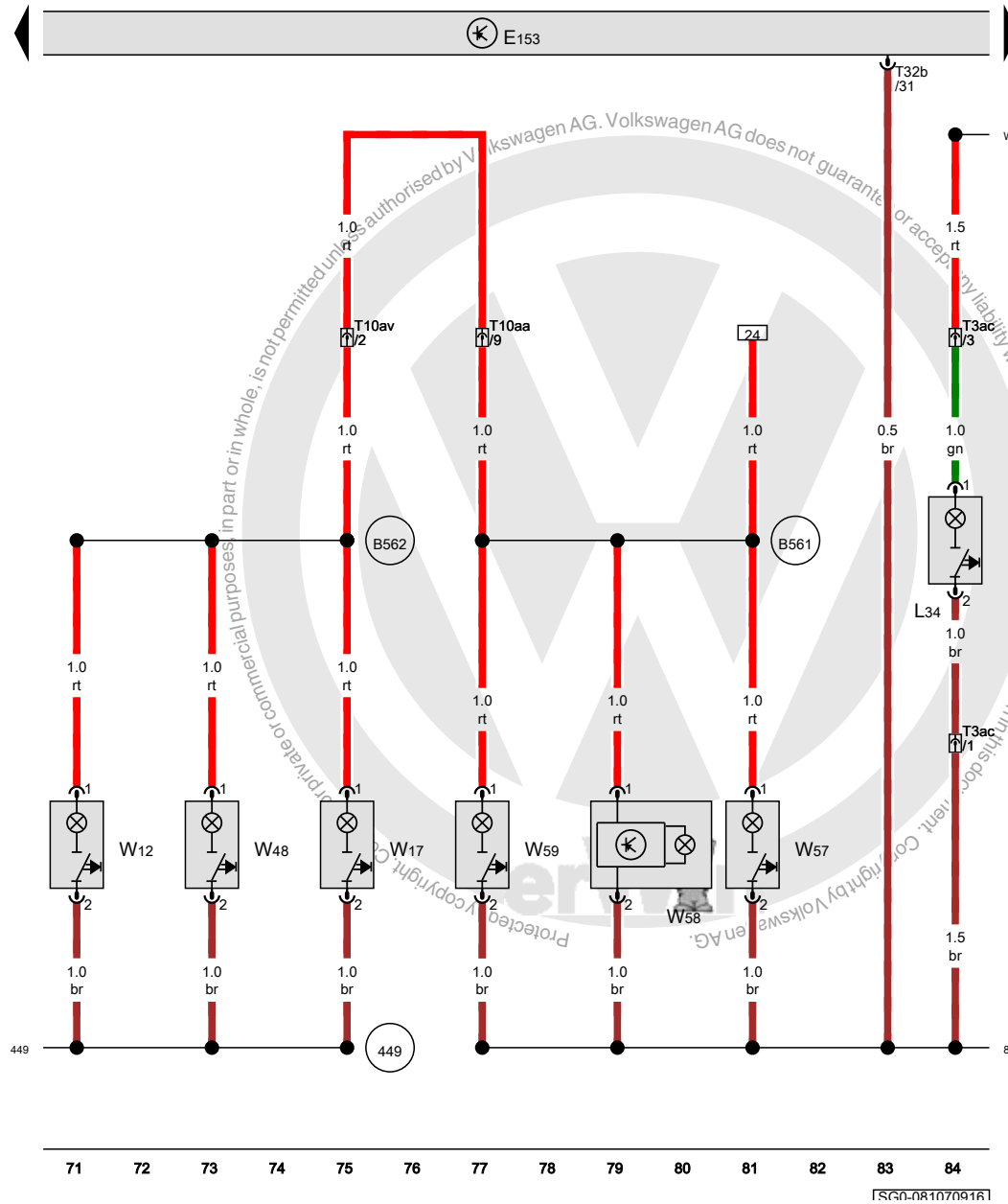
Operating and display unit for camping equipment, Ambient temperature sender 2, Auxiliary air heater control unit, Fuse 9 in fuse holder H, Fuse 54 on fuse holder C



- E153 Operating and display unit for camping equipment
- G249 Ambient temperature sender 2, on rear left on vehicle floor
- J604 Auxiliary air heater control unit
- R280 Electric torch, on front passenger seat
- SH9 Fuse 9 in fuse holder H
- SC54 Fuse 54 on fuse holder C
- T2p 2-pin connector, black
- T6ap 6-pin connector, black
- T10af 10-pin connector, blue, in left A-pillar coupling station
- T10av 10-pin connector, brown, under seat on front right
- T10ba 10-pin connector, blue, under seat on front right
- T32b 32-pin connector, black
- 366 Earth connection 1, in main wiring harness
- 368 Earth connection 3, in main wiring harness
- 387 Earth connection 22, in main wiring harness
- 449 Earth connection 2, in Camper wiring harness
- 636 Earth point, onboard supply control unit
- B322 Positive connection 8 (30a) in main wiring harness
- * According to equipment

- ws = white
- sw = black
- ro = red
- rt = red
- br = brown
- gn = green
- bl = blue
- gr = grey
- li = purple
- vi = purple
- ge = yellow
- or = orange
- rs = pink

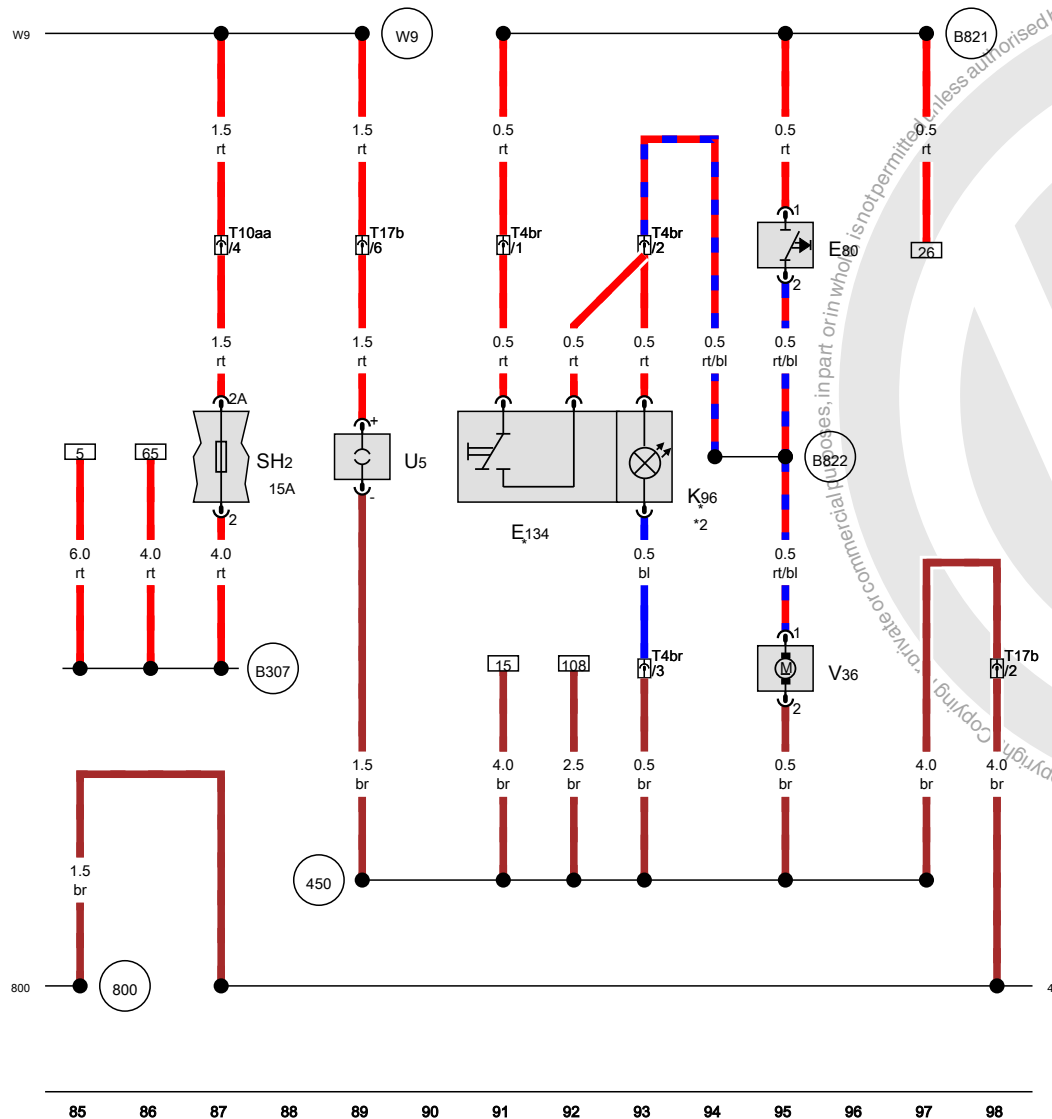
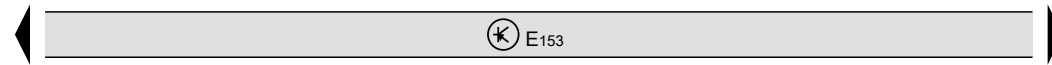
Operating and display unit for camping equipment, Map reading light bulb, Rear right reading light, Right interior light, Rear right interior light, Kitchenette light 1, Kitchenette light 2, Kitchenette light 3



- E153 Operating and display unit for camping equipment
- L34 Map reading light bulb
- T3ac 3-pin connector, colourless, near map reading lamp
- T10aa 10-pin connector, dark brown, under seat on front left
- T10av 10-pin connector, brown, under seat on front right
- T32b 32-pin connector, black
- W12 Rear right reading light, in right D-pillar
- W17 Right interior light, on upper section of right B-pillar
- W48 Rear right interior light, on right C-pillar
- W57 Kitchenette light 1, on upper section of left B-pillar
- W58 Kitchenette light 2
- W59 Kitchenette light 3, on left C-pillar

- (449) Earth connection 2, in Camper wiring harness
- (800) Earth connection 4, in Camper wiring harness
- (B561) Positive connection 1, in Camper wiring harness
- (B562) Positive connection 2, in Camper wiring harness
- (W9) Positive connection 1 (30), in rear wiring harness

- ws = white
- sw = black
- ro = red
- rt = red
- br = brown
- gn = green
- bl = blue
- gr = grey
- li = purple
- vi = purple
- ge = yellow
- or = orange
- rs = pink



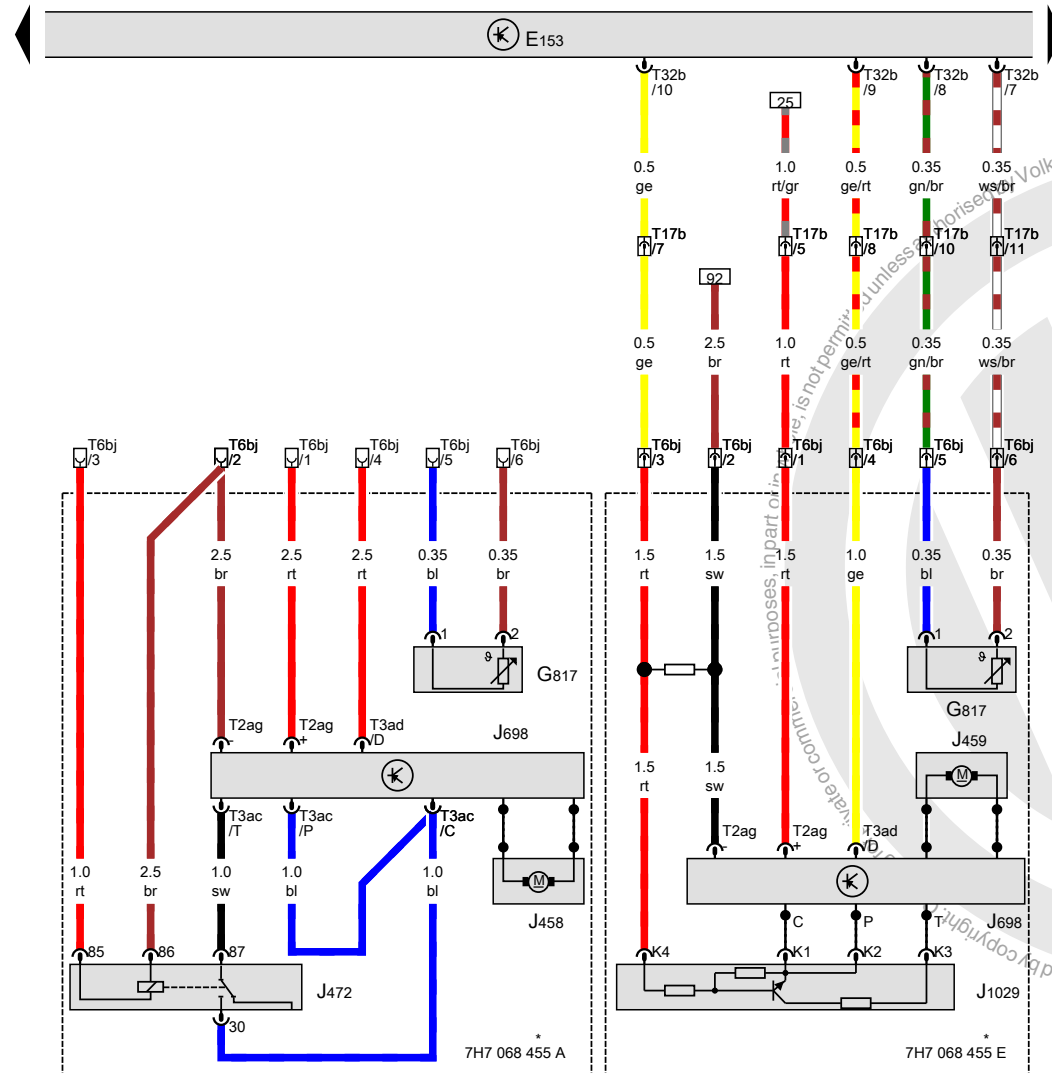
85 86 87 88 89 90 91 92 93 94 95 96 97 98

1SG0-081080916

Water pump switch, Water pump switch for shower, Operating and display unit for camping equipment, Warning lamp, Fuse 2 in fuse holder H, 12 V socket, Coolant pump

- E80 Water pump switch
- E134 Water pump switch for shower, rear, in cupboard
- E153 Operating and display unit for camping equipment
- K96 Warning lamp, rear, in cupboard
- SH2 Fuse 2 in fuse holder H
- T4br 4-pin connector, black, in cupboard, rear, left
- T10aa 10-pin connector, dark brown, under seat on front left
- T17b 17-pin connector, black, in cupboard, bottom
- U5 12 V socket, near sink
- V36 Coolant pump
- 448 Earth connection 1, in Camper wiring harness
- 450 Earth connection 3, in Camper wiring harness
- 800 Earth connection 4, in Camper wiring harness
- B307 Positive connection 11 (30), in main wiring harness
- B821 Positive connection 6, in Camper wiring harness
- B822 Positive connection 7, in Camper wiring harness
- W9 Positive connection 1 (30), in rear wiring harness
- * According to equipment
- *2 Up to January 2016

- ws = white
- sw = black
- ro = red
- rt = red
- br = brown
- gn = green
- bl = blue
- gr = grey
- li = purple
- vi = purple
- ge = yellow
- or = orange
- rs = pink



Operating and display unit for camping equipment,
Refrigerator temperature sensor, Refrigerator compressor,
Refrigerator cooling element, Refrigerator compressor
relay, Refrigerator box, Refrigerator control unit

- E153 Operating and display unit for camping equipment
- G817 Refrigerator temperature sensor
- J458 Refrigerator compressor
- J459 Refrigerator cooling element
- J472 Refrigerator compressor relay, near refrigerator box
- J698 Refrigerator box
- J1029 Refrigerator control unit, near refrigerator box
- T2ag 2-pin connector, black
- T3ac 3-pin connector, black
- T3ad 3-pin connector, black
- T6bj 6-pin connector, black, near refrigerator box
- T17b 17-pin connector, black, in cupboard, bottom
- T32b 32-pin connector, black

448 Earth connection 1, in Camper wiring harness

* According to equipment

*2 Only models with electric sliding door

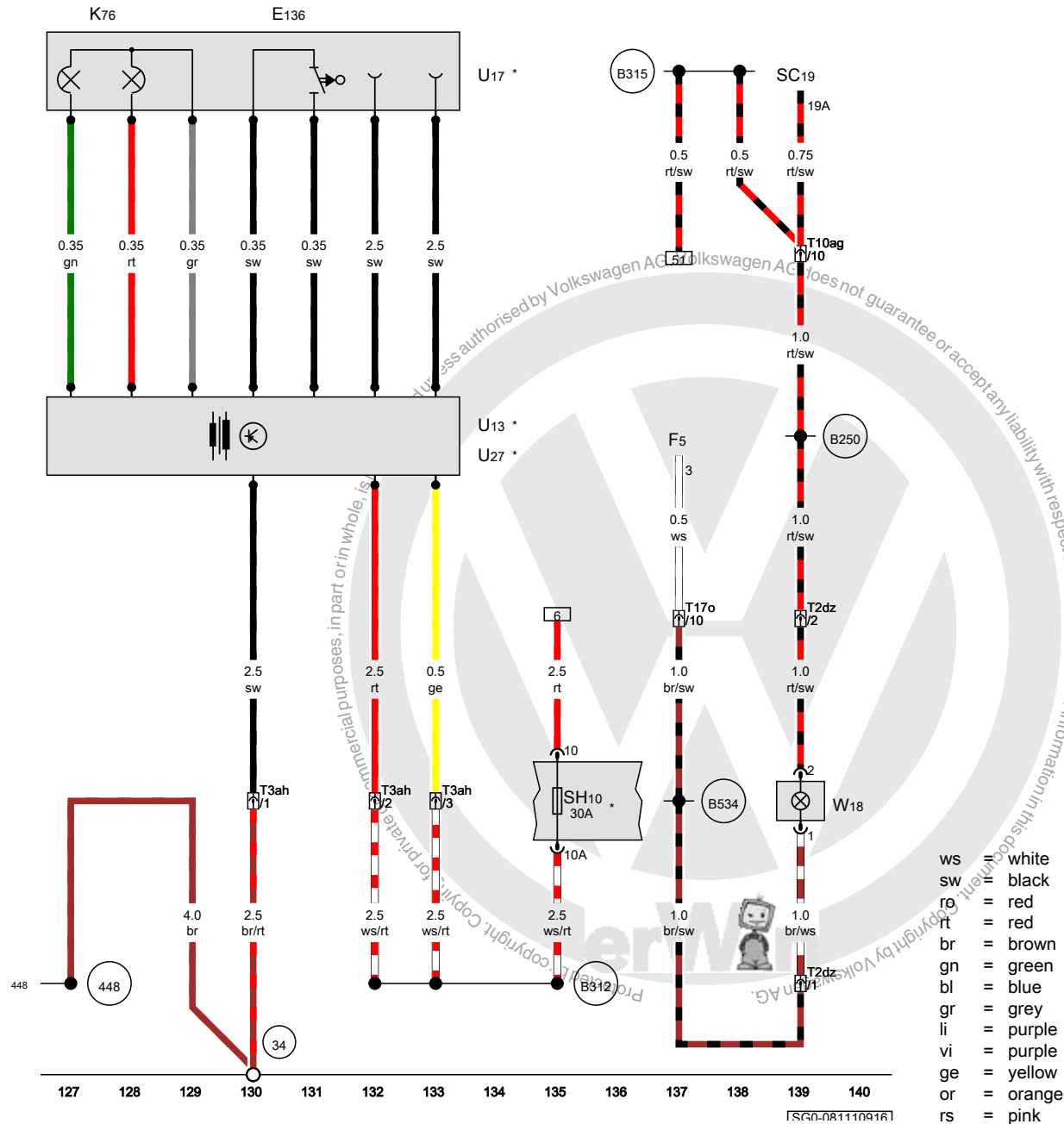
- ws = white
- sw = black
- ro = red
- rt = red
- br = brown
- gn = green
- bl = blue
- gr = grey
- li = purple
- vi = purple
- ge = yellow
- or = orange
- rs = pink

448

448

99 100 101 102 103 104 105 106 107 108 109 110 111 112

15G0-081090916

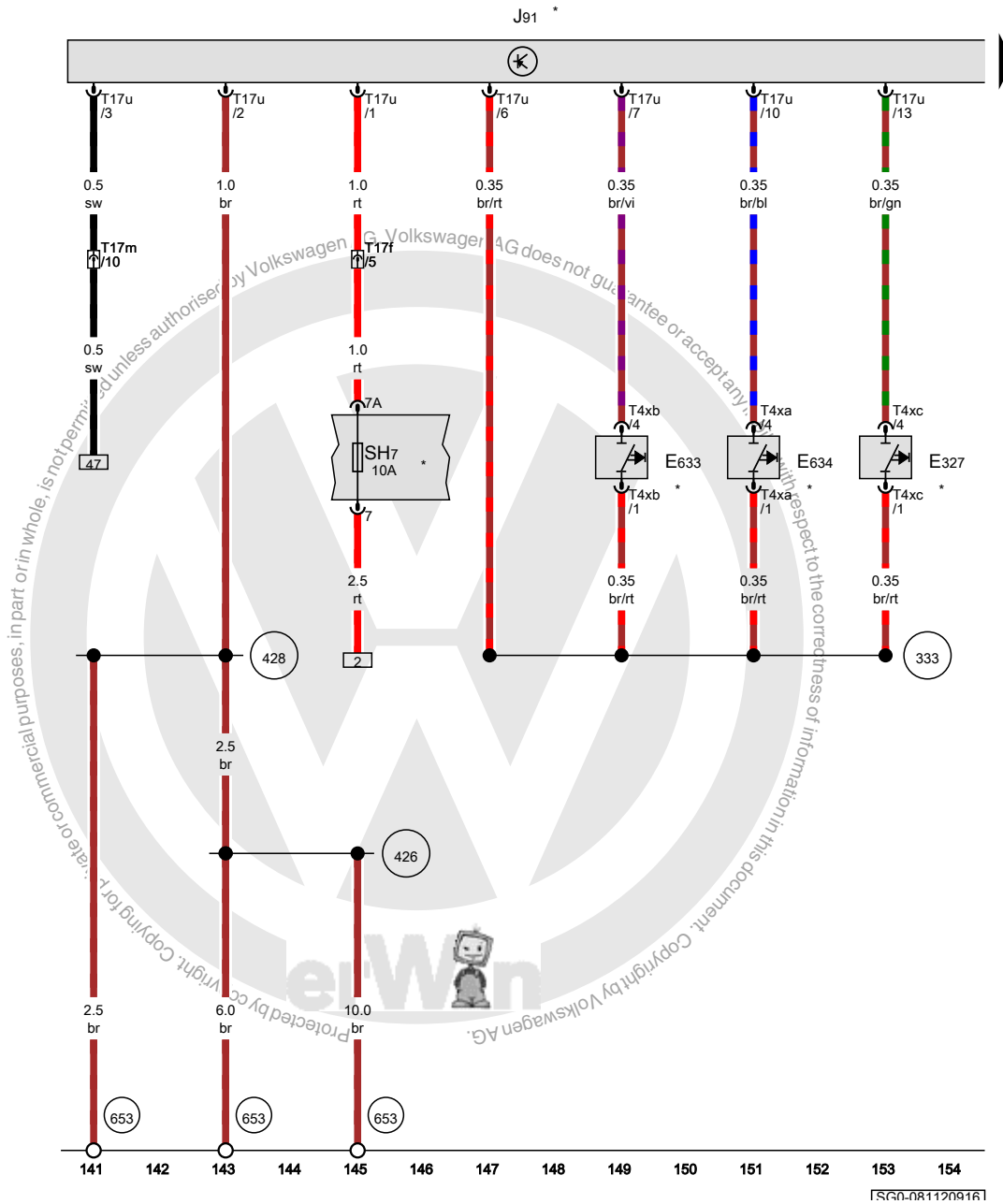


DC/AC converter with socket, 12 V - 230 V, Interior socket 2, 230V, 110V, Luggage compartment light on left

- E136 DC/AC converter switch, in electric socket
- F5 Luggage compartment light switch
- K76 Electric socket warning lamp, in electric socket
- SH10 Fuse 10 in fuse holder H
- SC19 Fuse 19 on fuse holder C
- T2dz 2-pin connector, black, behind left D-pillar trim
- T3ah 3-pin connector, black, on DC/AC converter
- T10ag 10-pin connector, brown, in left A-pillar coupling station
- T170 17-pin connector, black, near left D-pillar, on rear left roof frame
- U13 DC/AC converter with socket, 12 V - 230 V, on left B-pillar
- U17 Interior socket 2, 230V, 110V, on left B-pillar
- U27 DC/AC converter with socket, 12 V - 115 V, on left B-pillar
- W18 Luggage compartment light on left

- 34 Earth point, under driver seat
- 448 Earth connection 1, in Camper wiring harness
- B250 Positive connection, in roof wiring harness
- B312 Positive connection 16 (30), in main wiring harness
- B315 Positive connection 1 (30a) in main wiring harness
- B534 Connection 1 (luggage compartment switch), in roof wiring harness
- * Only models with DC/AC converter

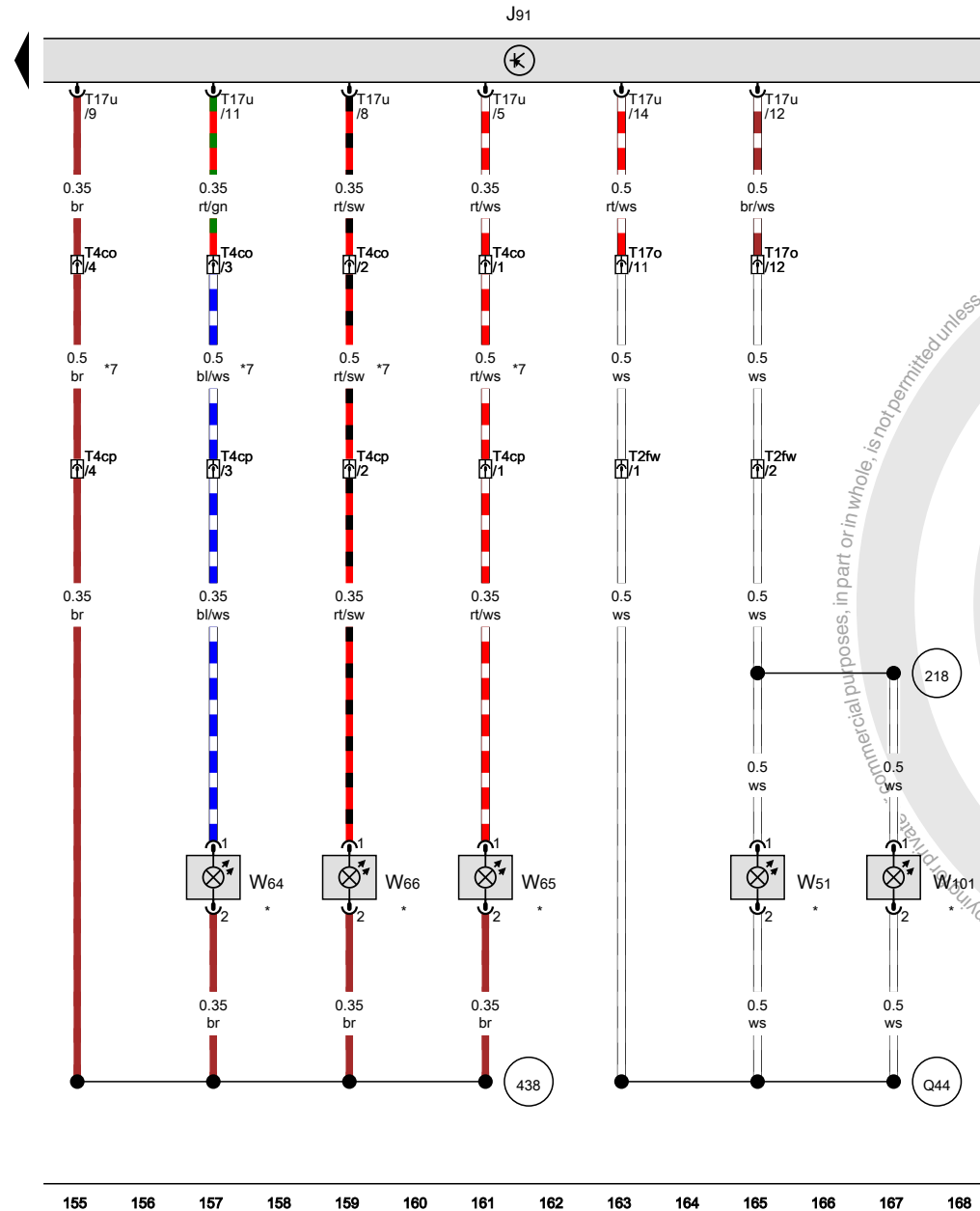
Rear interior light button, Front left reading light button, Front right reading light button, Reading light relay, Fuse 7 in fuse holder H



- E327 Rear interior light button
- E633 Front left reading light button
- E634 Front right reading light button
- J91 Reading light relay, near wheel housing, rear, left
- SH7 Fuse 7 in fuse holder H
- T4xa 4-pin connector, black
- T4xb 4-pin connector, black
- T4xc 4-pin connector, black
- T17f 17-pin connector, brown, under seat on front left
- T17m 17-pin connector, red, in left A-pillar coupling station
- T17u 17-pin connector, black

- 333 Earth connection 5, in rear wiring harness
- 426 Earth connection 3, in left rear end wiring harness
- 428 Earth connection 4, in left rear end wiring harness
- 653 Earth point, on left D-pillar
- * Only models with ambient lighting
- *2 According to equipment

Reading light relay, Rear lid light, Interior light, Front left reading light, Front right reading light, Rear lid light 2



- J91 Reading light relay, near wheel housing, rear, left
- T2fw 2-pin connector, black, in rear lid
- T4co 4-pin connector, black, on rear roof module, middle
- T4cp 4-pin connector, black, in rear part of roof, middle
- T17o 17-pin connector, black, near left D-pillar, on rear left roof frame
- T17u 17-pin connector, black
- W51 Rear lid light
- W64 Interior light
- W65 Front left reading light
- W66 Front right reading light
- W101 Rear lid light 2

218 Earth connection 1, in rear lid wiring harness

438 Earth connection 3, in roof wiring harness

Q44 Connection 2, in rear lid wiring harness

- * Only models with ambient lighting
- *2 Only models with dimmable instrument illumination
- *3 According to equipment
- *4 see applicable current flow diagram for interior lights
- *5 Only models with internet access
- *6 Only models with no dimmable instrument illumination
- *7 Adapter wire

- ws = white
- sw = black
- ro = red
- rt = red
- br = brown
- gn = green
- bl = blue
- gr = grey
- li = purple
- vi = purple
- ge = yellow
- or = orange
- rs = pink

155 156 157 158 159 160 161 162 163 164 165 166 167 168

ISG0-081130916