



Table of contents

Introduction	3
Package Contents	4
Installation Instructions	5
Antenna Installation	5
Installing Satellite Antenna	5
Installing GPS Antenna	6
External Accessories	6
Getting Started	7
Connection Interface	7
Setting up FDU-2500	8
Using FDU-2500 as a desktop unit	8
Using FDU-2500 as a wall mounted unit	8
Mounting FDU-2500 on the wall	8
Connecting Satellite Antenna	8
Connecting GPS Antenna	9
Connecting FDU-2500 to Power Supply Adapter	9
Connecting Extension Phone to FDU-2500	9
Connecting Group 3 Fax Machine to FDU-2500	10
Connecting a PC to FDU-2500 through USB port	10
Docking Thuraya Terminal in FDU-2500	10
Undocking Thuraya Terminal from FDU-2500	11
Receiving / Making Calls	12
Important	12
Receiving Calls	12
Making Calls	13
Ending Calls	13
Transferring Calls	14
Volume Control	14
Muting Microphone during Speakerphone Call	15
Receiving / Sending Fax Message	15
Receiving / Sending Fax through Fax machine	15
Receiving / Sending Fax through PC	16

Receiving / Sending Data Calls	17
Receiving Data Calls	17
Sending Data from PC	17
Charging the Thuraya Terminal Battery	17
Code Locking Function	18
How to set up the Code locking function.....	18
How to make a call	19
In the case of Forgetting the PIN Code.....	20
Supplementary Services	20
Troubleshooting	21
Warnings!	21
Care and maintenance.....	21
Common Problems	22
LED Indications	23
Warranty	24



Introduction

FDU-2500 provides additional flexibility and convenience to your use of the Thuraya terminal. (Please note that Thuraya terminals are available separately from the local service provider) FDU-2500 and its accessories are designed and manufactured to meet Thuraya's superior specifications and world-class quality standards. FDU-2500 enhances the capabilities of the Thuraya terminal to meet your communication requirements inside home and office.

The Thuraya terminal when used with FDU-2500, becomes a communication center providing voice, fax and data communication. The built-in battery charger in FDU-2500 makes it possible for you to charge your Thuraya terminal while locked in the FDU.



Attention

Do not connect FDU-2500 with other products such as PSTN or general telephone line.

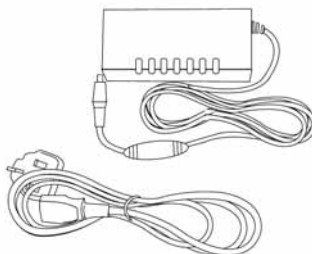


Package Contents

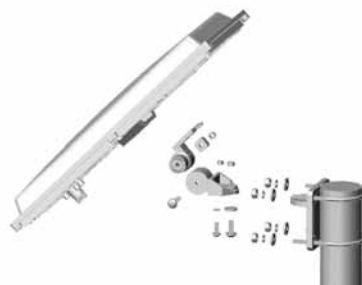
► FDU-2500 Package consists of the following



FDU-2500 with Auxiliary handset



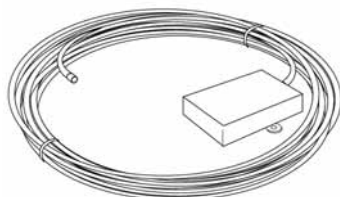
AC/DC Power adapter



Satellite antenna and mounting adapter



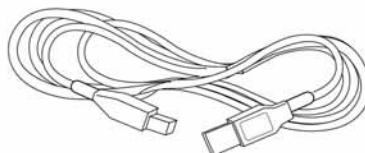
Satellite antenna cable (25meter)



GPS antenna with cable (25meter)



USB driver CD, USB cable, RJ-11 cable and FDU-2500 User Manual



Installation Instructions

After unpacking and ensuring that FDU-2500 and all its accessories are intact and present, proceed with the installation. Please read the instructions

carefully. If you encounter any difficulty in installation, contact your service provider for assistance.

► Antenna Installation

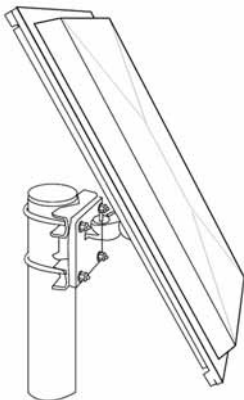
The FDU-2500 antennas set consists of the following components:

1. Satellite Antenna with mounting adapter.
2. Satellite antenna cable for connecting Satellite antenna to FDU-2500 (25meter).
3. GPS Antenna with attached coaxial cable for connecting with FDU-2500 (25meter).

► Installing Satellite Antenna

The satellite antenna is a rectangular patch antenna, and is supplied along with a mounting adapter. The mounting adapter also has an elevation angle adjust function.

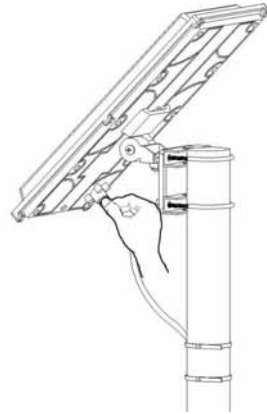
1. Mount the antenna on to any suitable fixture (mounting pole or wall) on the rooftop using the mounting brackets and the bolts provided. The antenna should be facing skywards in the direction of the THURAYA satellite and should be at the



angle. The angle can be adjusted using the angular information provided on the mounting adapter (Details will be provided in the antenna installation guide book).

2. Fix the antenna in such a way that the connector at the base is accessible when mounted.
3. Connect the coaxial cable (marked "Satellite Antenna Cable") to the antenna connector located at the base of the satellite antenna and tighten it properly by turning it clockwise. Leave enough length for a small loop and secure the rest of the cable using the cable ties.
4. Connect the other end of the satellite antenna cable to the satellite antenna connector marked "SAT" on the FDU-2500 by the side of the connectors.

- Adjust the azimuth and the elevation angle of the antenna according to where you are (Details will be provided in the antenna installation guide book), so as to ensure the highest signal quality, indicated on the LCD display.



► Installing GPS Antenna

The GPS antenna comes with attached coaxial cable for connecting with the FDU-2500 unit.

- Find an appropriate location on the rooftop to mount the antenna.
Make sure the antenna have a clear view of the sky. ***Maintain a separation of about 0.5 to 1 meter between GPS and Satellite antenna.***
- Mark locations of the “screw holders” on the surface/rooftop for fixing the antenna.
- Drill holes of adequate depth on the surface.
- Keep the antenna in place so that the drilled holes and the screw holders are matched.
- Fix the antenna securely using the screws provided.
- Connect the free end of the attached cable to the GPS antenna connector marked “GPS” on the FDU-2500.

► External Accessories

FDU-2500 needs to have external accessories for full functionality. Please make sure that you have the following:

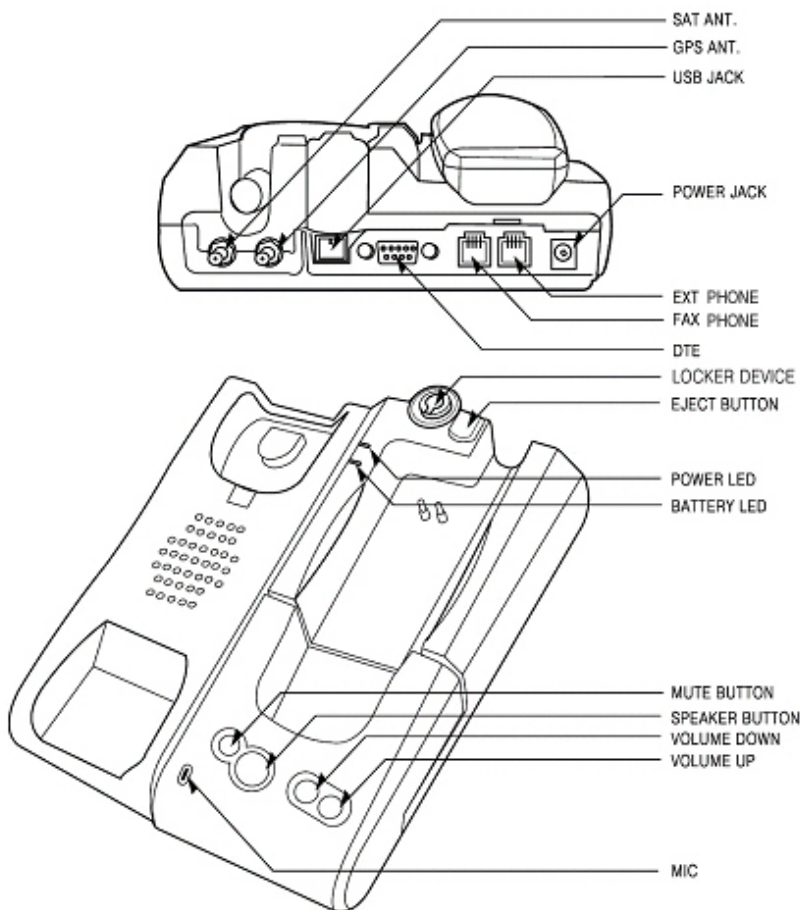
- Thuraya terminal with active SIM card.
- Personal Computer (PC) for Data transfer and PC Fax.
- Group 3 Fax machine for sending/ receiving Fax.
- FAX software for PC Fax.
- Extension phone.

Note: The RJ-11 cable should be 2-wire inner at both ends.

Getting Started

FDU-2500 is intended to be used as a desktop or wall-mounted phone while the Thuraya terminal is docked. Slots are provided at the base of the unit to allow FDU-2500 to be hooked securely to a wall. Interfaces for connecting external equipments such as Group 3 fax machine and PC are provided at the back side of the unit.

► Connection Interface

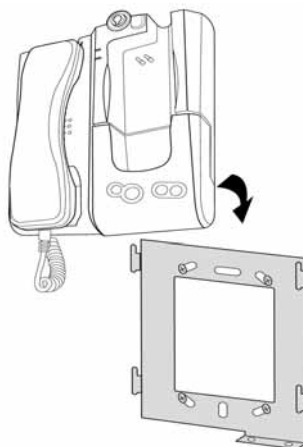


- ▶ **Setting up FDU-2500**
- ▶ **Using FDU-2500 as a desktop unit**

To use FDU-2500 as a desktop unit, find an appropriate location on your desktop where you can easily access the unit. Make sure that you have an electrical outlet nearby for powering up FDU-2500.

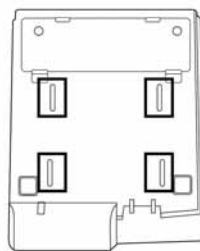
- ▶ **Using FDU-2500 as a wall mounted unit**

FDU-2500 can be fixed on the wall by using the bracket. Slots for brackets are basically provided. Slots for brackets are provided on the FDU



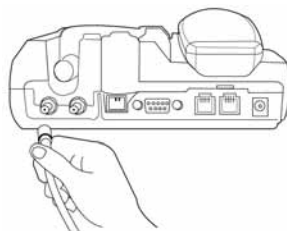
- ▶ **Mounting FDU-2500 on the wall**

1. Find an appropriate location on the wall for placing the FDU-2500 as a mounted unit.
2. Place the bracket on the fixing location and mark the location of screw hole.
3. Place a suitable nails length on the wall for mounting FDU-2500.
4. Handset holder. Change the direction of Handset holder to a wall mounted unit.
5. Hook FDU-2500 to the bracket on the wall.



- ▶ **Connecting Satellite Antenna**

1. Connect the coupler at the free end of the coaxial satellite antenna cable with the connector marked "SAT" on FDU-2500.
2. Tighten the connector by turning it clockwise.



▶ Connecting GPS Antenna

1. Connect the coupler at the free end of the coaxial GPS antenna cable to the connector marked “GPS” on the FDU-2500.
2. Tighten the connector by turning it clockwise.

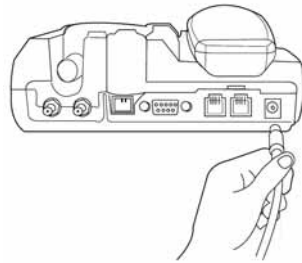
▶ Connecting FDU-2500 to Power Supply Adapter

Plug the Power Supply Adapter connector into the DC IN connector on FDU-2500.

Use the other end of the Power Supply Adapter to connect FDU-2500 to the main power source.

1. Connect the dc plug of AC/DC power adapter to FDU-2500, and AC power cord to AC/DC adapter.
2. Connect AC power to the external power source.
3. Switch ON the power source.

The power LED on the FDU-2500 glows red indicating that the unit is powered and ready for use.



▶ Connecting Extension Phone to FDU-2500

Extension phone can be connected to FDU-2500 at RJ-11 interface using an RJ-11 cable. FDU-2500 includes two RJ-11 interfaces. Extension phone should be connected to the RJ-11 interface marked “EXT”.

1. Plug one end of the RJ-11 cable to the RJ-11 interface marked “EXT” on FDU-2500.
2. Connect the other end of the RJ-11 cable to the RJ-11 interface of the phone.

Note: You must have a phone unit and 2-wire RJ-11 cable to use this feature. Phone is not supplied with the FDU-2500 unit.

► Connecting Group 3 Fax Machine to FDU-2500

FDU-2500 can be used for sending and receiving fax messages when connected to a Group 3 fax machine at the RJ-11 interface. FDU-2500 includes two RJ-11 interfaces. Group 3 fax machine should be connected to the RJ-11 interface marked "FAX".

1. Plug one end of the RJ-11

cable to the RJ-11 interface marked "FAX" on FDU-2500.

2. Connect the other end of the RJ-11 cable to the Group 3 fax machine.

Note: Contact your service provider to check for Fax service on the SIM Card.

► Connecting a PC to FDU-2500 through USB port

You can use your FDU-2500 for connecting a PC through the USB interface on FDU-2500.

1. Plug in one end of the USB cable to the USB port of your PC.
2. Connect the other end of the USB cable to the USB

interface of FDU-2500.

To use USB interface, install the USB driver for FDU-2500 in the PC. USB driver is included in a CD which is provided with the product.

Note: Contact your service provider to check for Data service on the SIM Card.

► Docking Thuraya Terminal in FDU-2500

For successful operation of FDU-2500, Thuraya terminal must be in 'SAT Only' mode and data link rate is set to 19200 Baud.

Note: Ensure that the Dust cap behind the Thuraya terminal is removed before attempting to dock.



1. Place Thuraya terminal with the display facing up.
2. Gently lower the Thuraya terminal into the docking cradle provided on FDU-2500, coupling the antenna hole with the antenna connector. Switch on FDU-2500.

3. Thuraya terminal display will show “Fixed Adapter” for couple of seconds if the docking is done successfully (There should be maximum signal strength in the display, otherwise inform the service provider). Ensure full signal strength on the display.

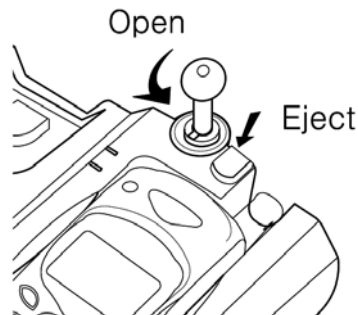
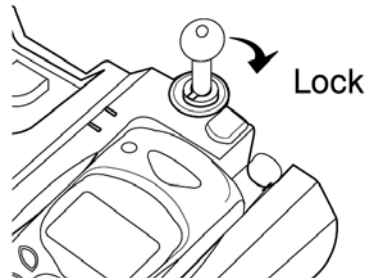


► Undocking Thuraya Terminal from FDU-2500

In FDU-2500, Locker device is installed for mechanical locking. Thuraya terminal can't be undocked until the locker is unlocked.

First, find the status of FDU-2500 Locker device, If the Locker is locked, unlock it and do the next steps:

1. Allow the Thuraya terminal to complete all the ongoing functions.
2. Switch off the power of FDU-2500.
3. Press the Eject button. Releasing Thuraya terminal





Receiving / Making Calls

You can receive and make calls using FDU-2500. Make sure that all these conditions are met before Making/Receiving a call.

1. FDU-2500 is switched ON.
2. Thuraya terminal is switched ON.
3. SIM card is valid.
4. The connections are done properly as given in this manual.
5. Thuraya terminal is in "SAT only" mode and data link rate is set to 19200 Baud.
6. Turaya terminal is docked in FDU-2500 and shows "Fixed Adapter" for few of seconds and then show the GPS location (It may not show if GPS location is

displayed).

7. Adequate satellite signal strength that is shown in the Thuraya terminal display.

► Important

When FDU-2500 is switched on it would take upto ten seconds to reach the normal working condition. FDU-2500 is functional only when Thuraya terminal is docked. For all operations Thuraya terminal should be docked into FDU-2500.

FDU works only in the Thuraya satellite mode. Therefore, the setting in the menu of the Thuraya terminal's system preference must be set to "SAT only" (for details, refer to Thuraya terminal user manual).

► Receiving Calls

The incoming calls to FDU-2500 is indicated by,

1. Ringing tone in the speakerphone and extension phone.
2. Flashing of the Speakerphone LED on the top of FDU-2500.

You can accept incoming calls at the Speakerphone, Auxilliary handset, or Extension phone.

Note

The Speakerphone LED will remain ON if

the call was not attended.

> Accepting Calls from the Auxilliary Handset

1. Pick up the Auxilliary handset.

> Accepting Calls from the Speakerphone

1. Press the Speakerphone butt on.

> Accepting Calls from Extension Phone

1. Pick up the handset of the Extension phone.

► Making Calls

You can use the FDU-2500 for making outgoing calls. Make sure that FDU-2500 is activated before proceeding with the call.

> Calling from the Speakerphone

Calls from Speakerphone can be made by.

1. Dial the destination number using Thuraya terminal keypad.
2. Press Call button on Thuraya Terminal.

> Calling from the Auxiliary Handset

Calls from Auxiliary handset can be made by any of the following method.

Method 1 :

1. Pick up the Auxiliary handset.
2. Wait for the dial tone.
3. Dial the destination number using the Thuraya terminal keypad.
4. Press call button on Thuraya terminal.

Method 2 :

1. Dial the destination number using Thuraya terminal keypad while the Auxiliary handset is on the cradle.
2. Pick up the Auxiliary handset.

> Calling from the Extension

1. Pick up the handset of the Extension phone.
2. Wait for the dial tone.
3. Dial the destination number on the Extension phone keypad.
4. Press # on the Extension phone keypad as the last digit.

Note: To make the call from the Extension phone, you must dial # as the last digit after the destination number. In this case, Thuraya terminal will call 5 seconds later, and in the case of dialing *as a last digit, Thuraya terminal will call instantly.

► Ending Calls

> Ending a Speakerphone Call

1. Press the Speakerphone button.

> Ending Calls From Extension Phone

1. Place the Extension phone

handset

> Ending a Private Call

1. Place the Auxiliary handset on FDU-2500.

► Transferring Calls

Calls can be transferred between the Speakerphone, Auxiliary handset, and Extension phone once the call has been established.

> Speakerphone to Auxiliary

(conference call to privacy mode)

1. Pick up the Auxiliary handset.
The call will be routed to the auxiliary handset.

> Auxiliary handset to Speakerphone

(privacy mode to conference call)

1. Press the Speakerphone button on FDU-2500.
2. Ensure speaker phone LED blinking then place the

Auxiliary handset on the cradle.

> Speakerphone to Extension

1. Pick up the Extension phone handset.

> Extension phone to Speakerphone

1. Press the Speakerphone button on FDU-2500.
2. Ensure speaker phone LED blinking then place the extension phone on the cradle.

► Volume Control

You can control the volume of the Speakerphone, auxiliary handset, and ringer tone using the Volume Up and Volume Down buttons on FDU-2500.

> Adjusting auxiliary handset volume

1. Pick up the Auxiliary handset.
2. Press the Volume Up/Volume Down button repeatedly to increase /decrease the auxiliary handset volume as required.

> Adjusting speakerphone volume

1. Switch ON the speakerphone.
2. Press the Volume Up/Volume Down button repeatedly to increase /decrease the speakerphone volume as required.

> Adjusting ringer tone volume

1. Switch ON FDU-2500.
2. Press the Volume Up/Volume Down button repeatedly to increase /decrease the ringer tone volume as required. You can listen to the tone as you do this and can adjust the volume as required.



► Muting Microphone during Speakerphone Call

You can mute the microphone during a Speakerphone call by pressing the Mute button. You will be able to hear the caller at the other end, but he/she will not be able to hear you.

Note

Whenever a call is muted, the red mute LED on FDU-2500 will glow steadily.

> Muting a speakerphone call

To mute a Speakerphone call.

1. Press the Mute button on FDU-2500 once.

Note

If you pick up the Auxiliary handset now, the call automatically will be unmuted and routed to auxiliary handset.

> To unmute the call.

1. Press the Mute button again.



Receiving / Sending Fax Message

You can use FDU-2500 for receiving and sending fax messages. This can be done either by a group 3 fax machine connected to the RJ-11 interface or

through a PC connected at the USB or DTE interface of FDU-2500. For sending fax through PC, your PC should have appropriate PC Fax Software installed.

► Receiving / Sending Fax through Fax machine

> Receiving Fax

1. Dock Thuraya terminal in FDU-2500.
2. Switch ON FDU-2500.
3. Switch on group 3 fax machine that is connected to the RJ-11 interface marked "FAX" on the FDU-2500.

Note : A ring tone in the fax machine indicates an incoming fax call.

> Sending Fax

1. Dock the Thuraya terminal in

FDU-2500.

2. Switch on the group 3 fax machine connected at the RJ-11 interface of FDU-2500 and place the fax sheet on the fax machine.
3. Switch ON FDU-2500.
4. Dial the destination number followed by "#".
5. Dial the Data connection speed number with a call type number followed by "#".
6. Press Fax start button.

E.g. 12345678#32# then

FAX Start button.

The fax will be sent now.

First digit 1, 2, or 3 will indicate the fax connection speed.

“1” indicates 2.4 Kbps speed.

“2” indicates 4.8 Kbps speed.

“3” indicates 9.6 Kbps speed.

You must press the fax start button after entering the second “#”.

Second digit 1 or 2 will indicate the call type.

“1” indicates data call.

“2” indicates fax call.

> Important

The two digits dialed between the two #s indicate the following.

► Receiving / Sending Fax through PC

You can send/receive fax through a PC connected to the USB or DTE interface of FDU-2500.

interface of FDU, incoming fax calls will be received by the PC connected at the USB or DTE interface.

> Important!

For sending/receiving fax through PC, you must have appropriate fax software installed in your PC.

> Sending Fax

1. Dock Thuraya terminal in FDU-2500.
2. Connect the PC to the USB or DTE interface of FDU-2500.
3. Switch ON FDU-2500.
4. Invoke the PC fax software.
5. While configuring the fax software, select ‘fine’ as a resolution.
6. Enter the destination number. E.g.12345678
7. Select the document/file to be sent.
8. Use the appropriate option in the fax software to send the fax.

Note

While sending fax through PC connected at the USB or DTE interface, the fax software should be configured in the class 2.0 mode.

Note: No need to dial #32# after the destination number while using fax on the PC

> Receiving Fax

1. Dock Thuraya terminal in FDU-2500.
2. Connect the PC to the USB or DTE interface of FDU-2500.
3. Switch ON FDU-2500.
4. Activate the fax software.
5. If there is no group 3 fax machine present at the RJ-11



Receiving / Sending Data Calls

Use FDU-2500 for receiving and making data calls. You can do this through a PC connected at the USB or DTE interface. To receive/make data calls by a PC, appropriate data communication software should be installed in the PC.

Note

The baud rate of PC data communication software should be set up the 19200bps (Baud rate of PC data communication software should be set to 19200bps both in sender and recipient's PC).

► Receiving Data Calls

The PC connected through USB or DTE interface to FDU-2500. To receive a data call on the PC appropriate data communication software should be running, e.g. Hyper terminal (default program available on Windows OS).

1. Dock Thuraya terminal in FDU-2500.
2. Connect PC through USB or DTE interface.
3. Switch ON FDU-2500.

4. Invoke the data communication software.
5. You will hear a special signal tone in Thuraya terminal when a data call is coming through.
6. The data will be received by the communication software (Look up the S/W guide book for the specific explanation).

► Sending Data from PC

1. Dock Thuraya terminal in FDU-2500.
2. Switch ON FDU-2500.
3. Invoke the data communication software in your PC.
4. Dial the destination number as shown below.

E.g. ATDT 12345678

5. Select the data file to be sent.
6. Use appropriate options in the data communication software to send the file now (Look up the S/W guide book for the specific explanation).



Charging Thuraya Terminal Battery

FDU-2500 comes with a built in battery charger for charging the Thuraya terminal. When the Thuraya terminal is docked and the Power Supply is switched ON, the

FDU will start charging the battery. The charging status will be indicated by the red LED on top of FDU-2500. Once the Thuraya terminal is fully charged ,the

BATT LED will turn to green.

Code Locking Function

Extension phone is used for code locking function which is supported by FDU-2500. This code locking function is operated by entering passwords. This

function is not for Thuraya terminal connection but for FDU-2500 which has the code locking function.

How to set up the Code Locking Function

The PIN Code of FDU-2500 is set to “0000” as a default.

> How to enter the PIN Code

1. Connect the extension phone to RJ-11 interface marked “EXT” on the FDU-2500. Pick up the extension phone handset.
2. Press “*#” → 0000 → * → New Code (4 digit) → “*”, (ex. #*0000*1234*)
3. Hang up the phone after hearing the beep which indicates that the PIN Code is successfully changed.

> Enable PIN Code Locking Function

1. Connect the extension phone to RJ-11 interface marked “EXT” on the FDU-2500. Pick up the extension phone handset.
2. Press “**” → User Code → “*” (ex. **1234*)
3. Hang up the phone after hearing the beep which indicates that the PIN Code

is successfully enabled.

> Disable PIN Code Locking Function

1. Connect the extension phone to RJ-11 interface marked “EXT” on the FDU-2500. Pick up the extension phone handset.
2. Press “*#” → User Code → “*” (ex. #*1234*)
3. Hang up the phone after hearing the beep which indicates that the PIN Code is successfully disabled.

> How to Change the PIN Code

1. Connect the extension phone to RJ-11 interface marked “EXT” on the FDU-2500. Pick up the extension phone handset.
2. Press “#*” → Old Code → * → New Code (4 digit) → “*” (ex. #*1234*5678*)
3. Hang up the phone after hearing the beep which indicates that the PIN Code is successfully changed.

► How to make a call

Calling Methods with PIN Code disabled		
Voice Call	EXT interface	Telephone Number → #
FAX Call	FAX interface	FAX Number → # → 32 → # → Start Button PC FAX S/W : FAX Number
Data Call	USB interface	Running PC S/W Data Call Number
	DTE interface	Running PC S/W Data Call Number
	FAX interface	Running PC S/W Data Call Number → # → 31 → #
Calling Methods with PIN Code enabled		
Voice Call	EXT interface	PIN Code → * → Telephone Number → #
FAX Call	FAX interface	PIN Code → * → FAX Number → # → 32 → # → Start Button PC FAX S/W : FAX Number
Data Call	USB interface	Running PC S/W Data Call Number
	DTE interface	Running PC S/W Data Call Number
	FAX interface	Running PC S/W PIN Code → * → Data Call Number → # → 31 → #

► In the case of Forgetting the PIN Code

If you forget the PIN Code that you set up, you should reset your FDU-2500 by visiting the service center. So, you

should remember the PIN Code you set up, and write it down in a safe place.



Supplementary Services

There are a host of supplementary services supported by the Thuraya terminal, which are also supported by FDU-2500.

Set these functions using Thuraya terminal.



Troubleshooting

► Warnings!

> Servicing

FDU-2500 does not contain consumer serviceable components. You are advised not to carry out any kind of troubleshooting. In case you face any problems, contact the nearest service center. Only authorized service person can repair the equipment.

> Antenna

Use only the antenna and cable that has been specifically designed for your FDU-2500. Unauthorized antenna, cable, and cable length modifications, or attachments could damage FDU-2500 and may violate the relevant regulations, causing loss of performance and radio frequency (RF) energy above the recommended limits. If your FDU-2500's antenna gets damaged, please take it to

an authorized service provider.

> General

- Do not place the FDU-2500 in a wet area.
- Do not expose FDU-2500 to temperatures greater than +55° Celsius or less than 0° Celsius.
- Do not expose FDU-2500 to moisture, dust etc.
- Avoid placing FDU-2500 close to open flames or any source of heat.
- Do not expose FDU-2500 to direct sunlight.
- Do not disassemble FDU-2500; this will void your warranty.

► Care and maintenance

FDU-2500 is a product of superior design and craftsmanship and should be treated with care. The following suggestions will help you to fulfill any warranty obligations and allow you to enjoy this product for many years.

Do not use or store FDU-2500 in dusty, dirty areas.

Do not store it in hot areas. High

temperatures can shorten the life of electronic devices, damage batteries, and warp or melt certain plastics.

Do not attempt to open it. Mishandling of the device may damage it.

Do not drop, apply pressure or shake it. Rough handling can break internal circuit boards.

Do not use chemicals, cleaning solvents, or strong detergents to clean it. Wipe it smoothly with a soft cloth.

Do not paint it. Paint can clog the device's moving parts and prevent proper operation.

Use only the supplied or an approved replacement antenna. Unauthorized antennas, modifications or attachments

could damage the phone and may violate regulations regarding radio devices.

If the phone, battery, charger, or any accessory does not function properly, take it to your nearest Authorized Service Center. The personnel there will assist you, and if necessary, arrange for service.

► Common Problems

- Thuraya terminal is undocked properly.
- Thuraya terminal not in "SAT Only" mode.
- Thuraya terminal is switched OFF.
- There is no enough satellite signal strength (indicated in Thuraya terminal display. There should be minimum two bars present. Otherwise, adjust the antenna properly).
- The SIM card is invalid.
- FDU-2500 should be switched ON. (indicated by "Fixed Adapter" message on Thuraya terminal for few seconds and power/charging LED on FDU-2500)
- Connections are not proper and firm.

Problem	Solution
Unable to make/receive calls	<ul style="list-style-type: none"> - Check the PIN Code. - Dial through Thuraya terminal if OK, then check the RJ-11 connection. - If Extension Phone is not working, try with Auxillary Handset of FDU-2500 and confirm it's working. If you can make a call with the auxiliary handset of FDU-2500, then check Extension phone, else call the service provider.
The auxiliary handset not working	<ul style="list-style-type: none"> - Check whether the auxiliary handset is connected properly.
Speakerphone not working	<ul style="list-style-type: none"> - Make sure that the speakerphone is ON. - Select appropriate volume level.

Unable to send/receive fax through RJ-11	<ul style="list-style-type: none"> - Check the PIN Code. - Check and make sure that the RJ-11 interface is connected properly. - Check whether the fax machine is switched ON. - Check whether the fax machine is functional.
Unable to Send/Receive fax through PC	<ul style="list-style-type: none"> - Make sure that you have appropriate PC Fax software installed in your system for receiving fax through PC. - Check parameters on the fax software that you are using.
Unable to receive the fax through RJ-11	<ul style="list-style-type: none"> - Make sure that the group 3 fax is in the auto response mode.



LED Indications

LED Status	Indication
The Power LED on top middle of FDU-2500 is Red.	FDU-2500 is powered ON.
The BATT LED on top middle of FDU-2500 is Red.	FDU-2500 is powered ON. Thuraya terminal battery is charging.
The BATT LED on top middle of FDU-2500 turns Green.	Thuraya terminal battery is fully charged.
Speakerphone LED is flashing	Incoming call indication.
The Red LED on the Mute button is illuminated.	The microphone is OFF.
The Red LED on the Speaker button is illuminated.	The speakerphone is ON.



Warranty

Limited Warranty FDU-2500

This Limited Warranty is provided to the original purchaser of FDU-2500. This Limited Warranty is non-transferable in nature.

Warranty Coverage and Service

APSI warrants all new FDU-2500 terminals to be free from defects in material and workmanship under normal use and wear, for a period of one year (1 year) from the date of purchase. If under normal use the product becomes defective in materials or workmanship and is returned to an APSI Authorized Service Center during the warranty period, the product will be repaired or replaced at no charge to the purchaser. The purchaser shall be required to provide reasonable proof of the date of purchase of the Product.

Repair or replacement of the Product is subject to APSI System Design's sole and exclusive option. Reconditioned replacement components, parts, units, or materials may be used if the Product is repaired or replaced. Cost incurred in the removal, de-installation or reinstallation of the Product are not covered.

This Limited Warranty will be void in its entirety if the Product is serviced by anyone other than APSI or an APSI Authorized Service Center. The User's sole and exclusive remedy shall be repair or replacement of the Product. APSI neither assumes nor authorizes any Authorized Service Center or any other person or entity to assume any other obligation or liability beyond that which has been specified in this Limited Warranty.

Limitation of Liability

All liability and obligations of APSI under this Limited Warranty shall terminate on the completion of the warranty period of one year, calculated from the date of purchase of the Product by the original purchaser. The purchaser shall fill in the warranty card attached in the User Manual and get it duly stamped and signed by the Dealer as proof of purchase. This limited warranty sets forth the entire responsibility of APSI with respect to the product. There are no other liabilities of APSI arising from the sale of the Product whether based on warranty, contract, negligence or any other theories of liability.

This Warranty does not cover the following

APSI will not be responsible for products or accessories not manufactured or provided by APSI. APSI will not take responsibility for the failures caused by misuse, accident, alteration or neglect, removal or repair, neglect or failure to follow instructions as to installation and maintenance, fire, flood or other natural calamities. APSI will not guarantee the performance of the Product when used in combination with other products or equipment.