



# Racks

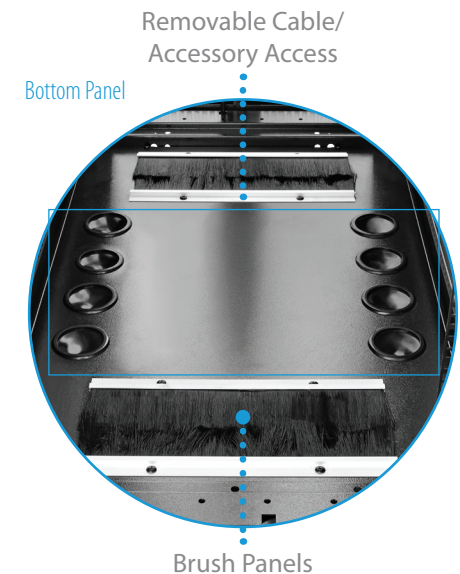
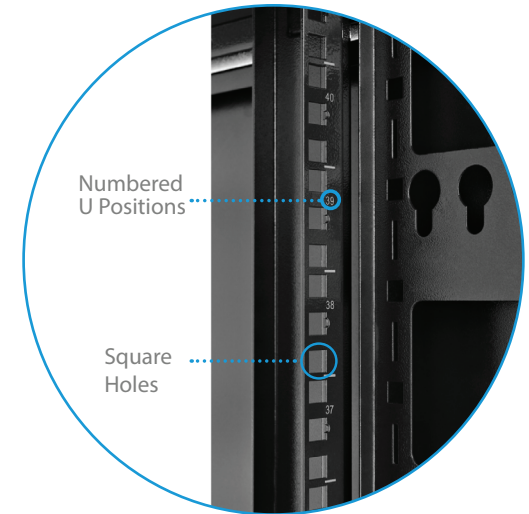
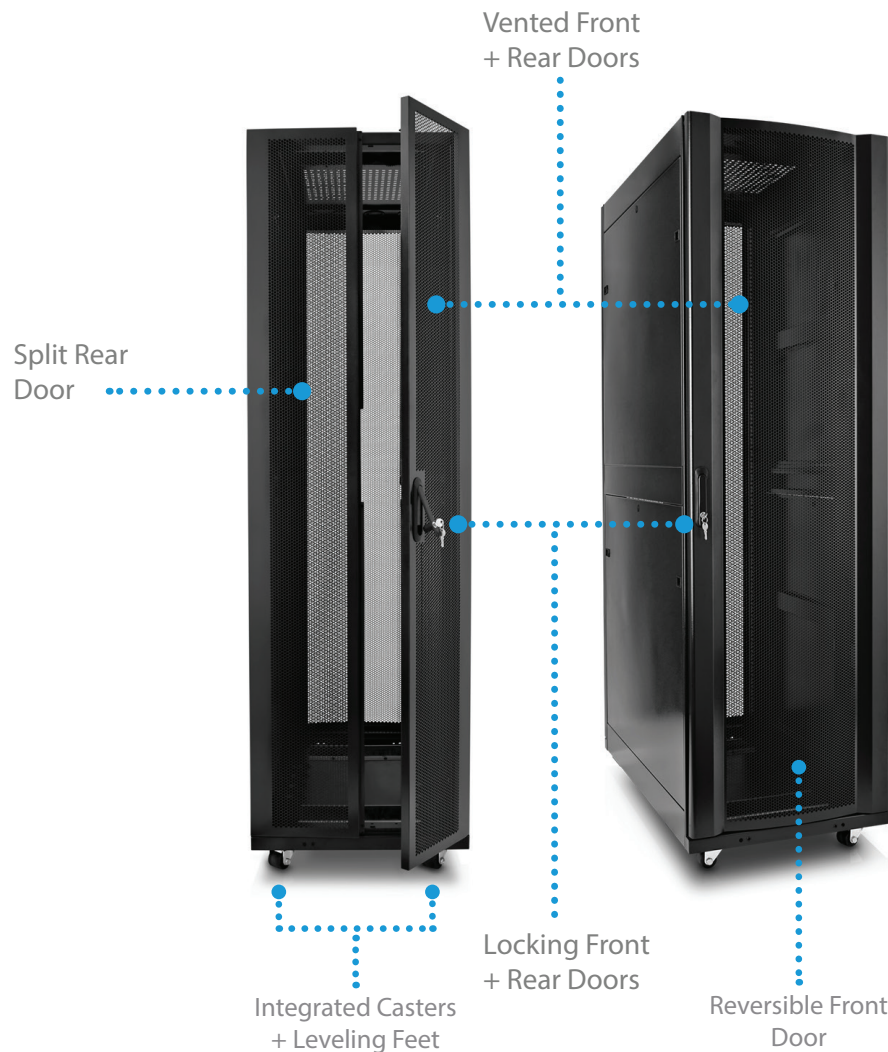
With functionality, flexibility, and ease of installation at top of mind, V7 Racks are designed with high grade durable materials. Provide a secure and accessible frame to support electronic equipment, power, cooling, and cable management. Rigorous fatigue, load, and performance testing ensure safety and protection for the devices. Manufactured at ISO certified facilities with high standard procedures for material handling and inspection.

 SEVEN

# Cabinet Enclosure 42U

- Fully assembled, locking cabinet with vented front door and rear split doors
- Adjustable mounting rails and numbered U positions and square holes for easy equipment mounting
- Easy-access removable side panels and removable top and bottom cable panels
- Integrated cable management throughout the cabinet
- Includes cabinet with casters and leveling feet, set of keys for doors and sides, 50 sets mounting hardware
- High-grade, cold-rolled steel cabinet with 5 year warranty

	US	EU
VPN	RMEC42U-1N	RMEC42U-1E
SKU	4N2873	J153374



# Cabinet Enclosure 42U



Rack Mount 4 Fan Tray

	US	EU	UK
VPN	RM4FANTRAY-1N	RM4FANTRAY-1E	RM4FANTRAY-1E
SKU	4L8976	J153393	J153394

- Installs easily to ceiling of V7 RMEC42U rack mount cabinet enclosure
- Fan kit includes solid steel tray with 4 fans and AC power cord
- Provides extra airflow to help reduce heat build-up and prolong the life of the rack mounted equipment
- Powerful, quiet ball bearing fans
- Pre-assembled for rapid deployment

Adjustable Depth

Cable Management  
+Accessories Rail



Removable  
Top Panel  
(For Optional Fan Tray)

Locking  
Removable  
Side Panels

Removable  
Bottom Panel

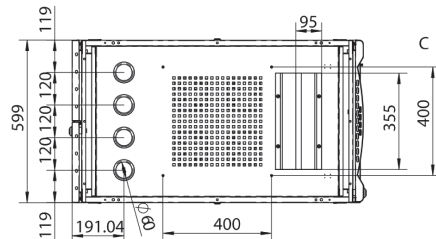
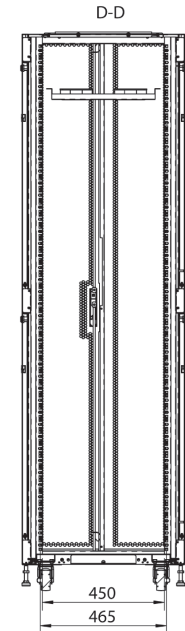
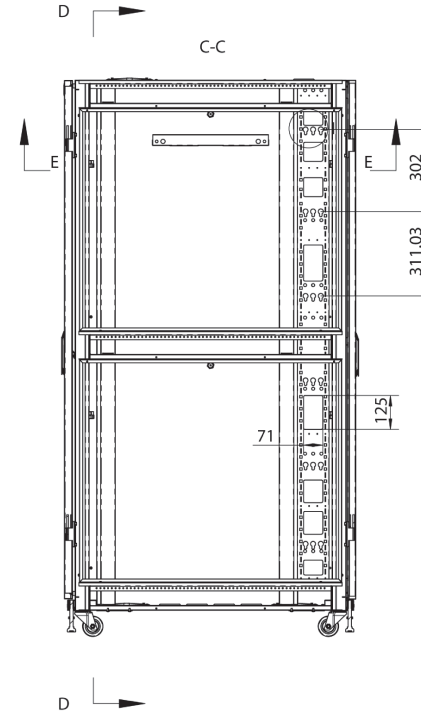
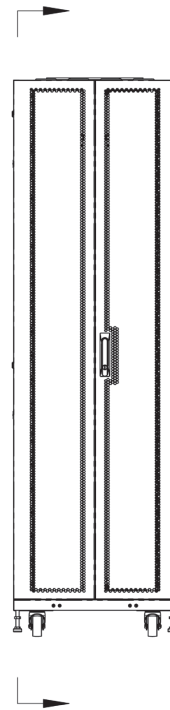
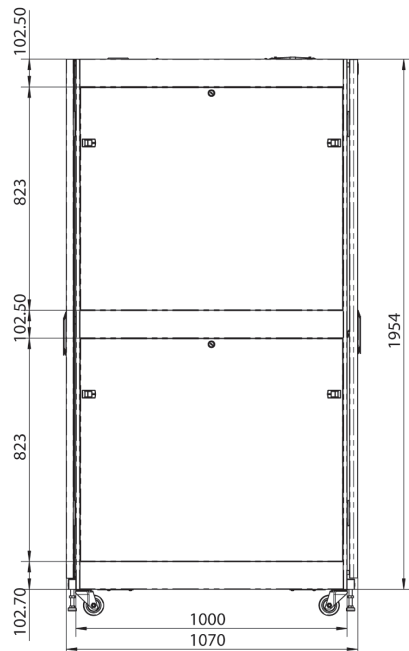
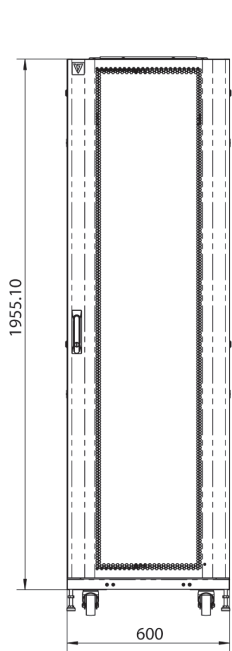
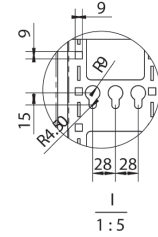
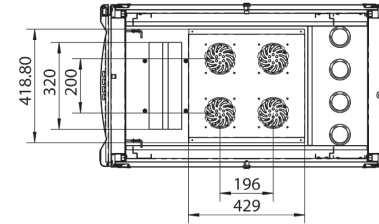
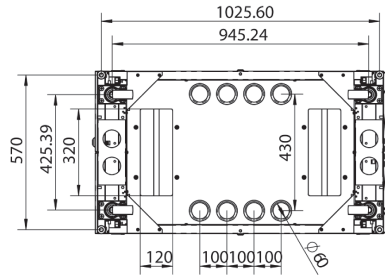


Top Panel Vents



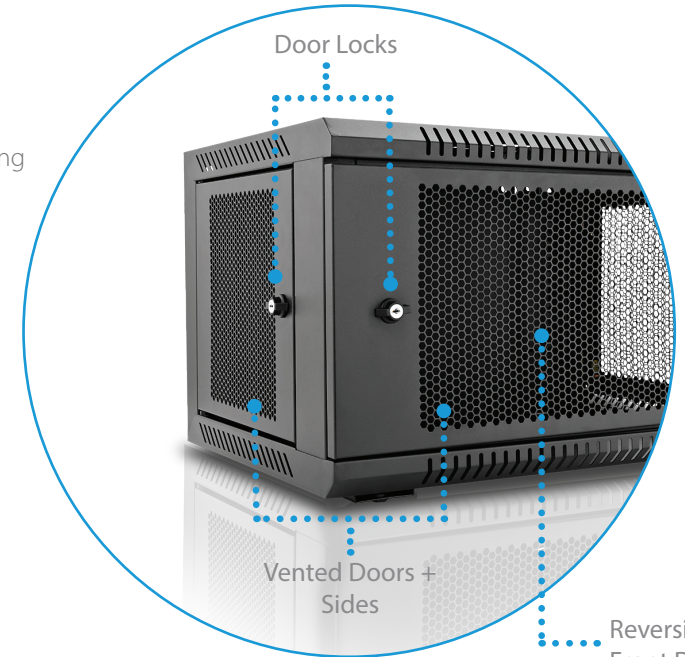
Cable Management Brush Panel

# Cabinet Enclosure 42U

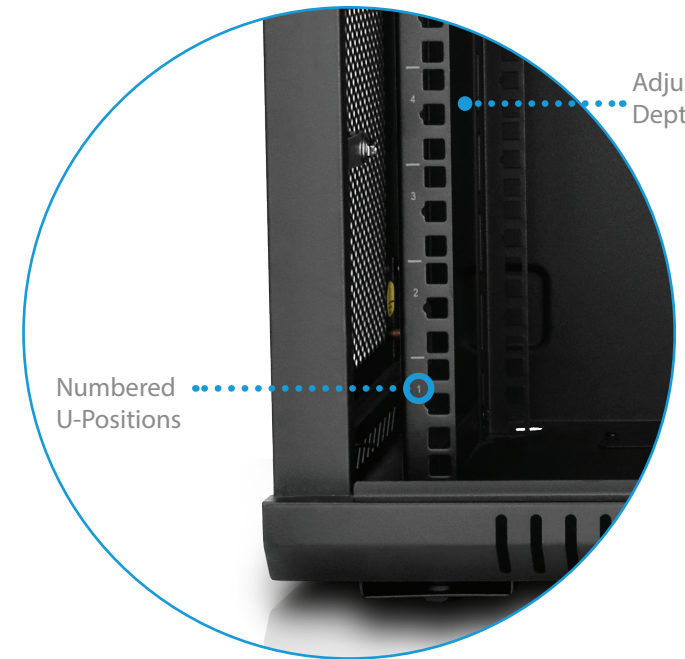


# 6U Rack Wall Mount Vented Enclosure

- Fully assembled, locking cabinet with vented door and sides to help keep equipment cool
- Fully adjustable mounting rails and numbered U positions, with square holes for easy equipment mounting
- Optional casters can be installed for the option of rolling on the floor or under desks for versatility
- Removable top and bottom cable panels for a streamlined appearance
- Includes cabinet, 4 casters, set of keys for doors and sides, 10 sets mounting hardware
- High-grade, cold-rolled steel cabinet with 5 year warranty

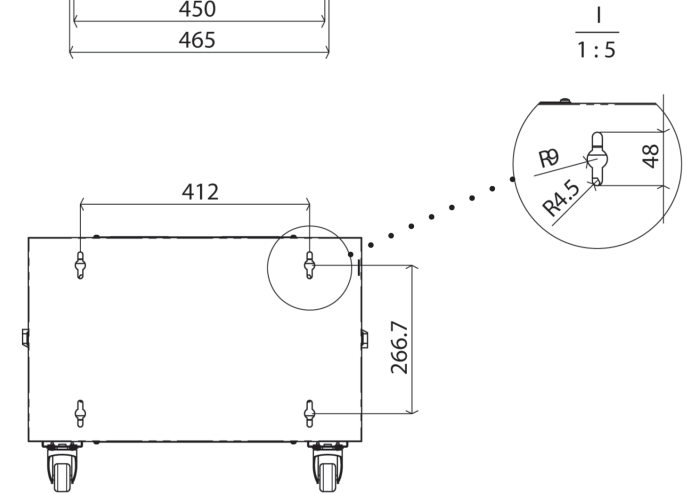
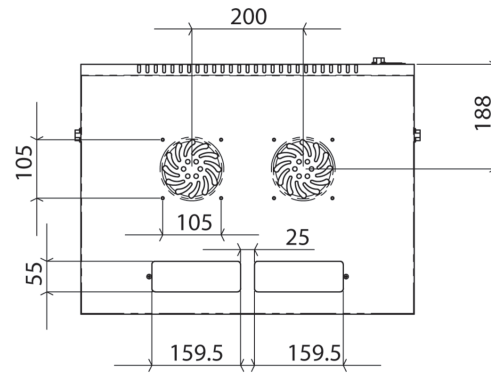
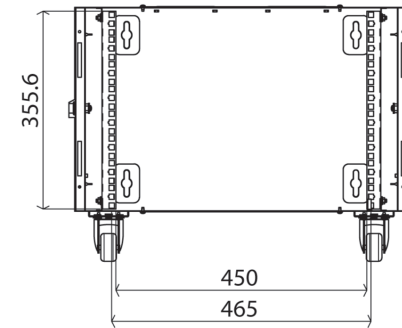
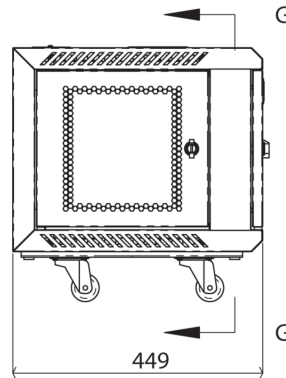
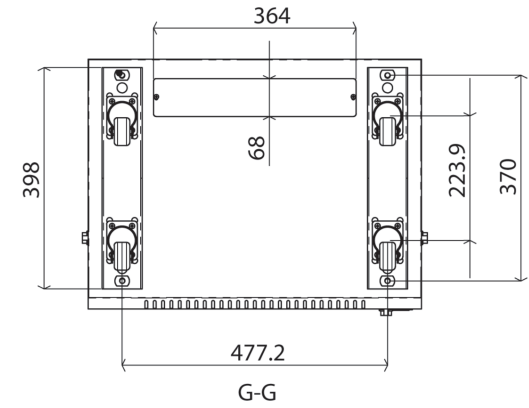
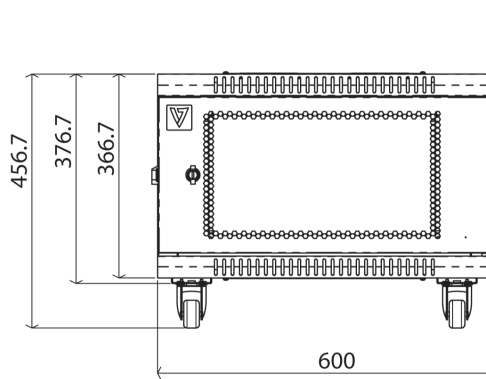


Reversible Front Door



	US	EU
VPN	RMWC6U-1N	RMWC6U-1E
SKU	4N2874	J153379

# 6U Rack Wall Mount Vented Enclosure



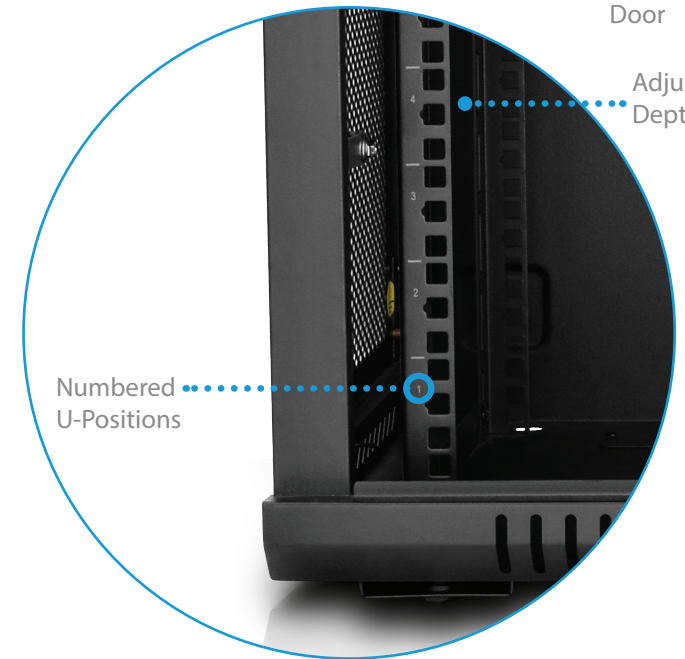
# 6U Rack Wall Mount Glass Door Enclosure

- Fully assembled, locking cabinet with glass door to quickly monitor your equipment
- Fully adjustable mounting rails and numbered U positions, with square holes for easy equipment mounting
- Optional casters can be installed for the option of rolling on the floor or under desks for versatility
- Removable top and bottom cable panels for a streamlined appearance
- High-grade, cold-rolled steel cabinet with 5 year warranty



Door Locks

Clear View  
Glass Front  
Door



Adjustable  
Depth

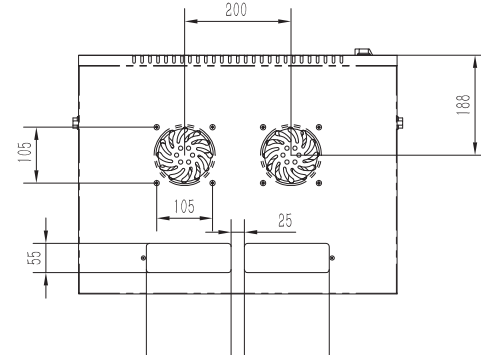
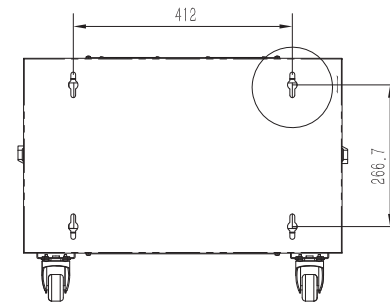
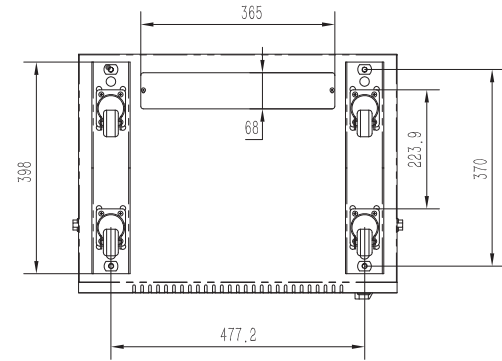
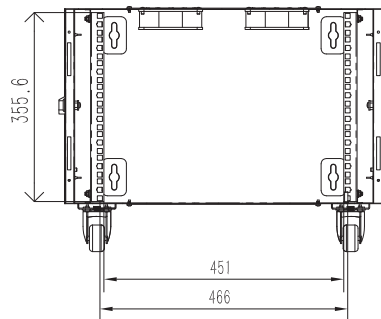
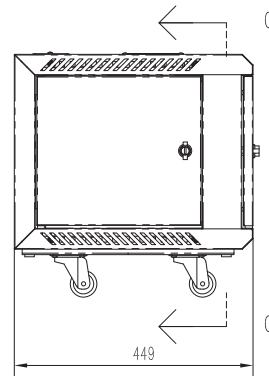
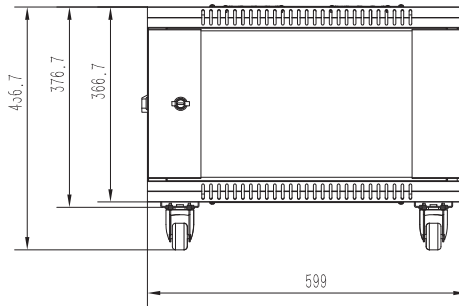
Numbered  
U-Positions

	US	EU
VPN	RMWC6UG-1N	RMWC6UG-1E
SKU	5RU489	J154586

# 6U Rack Wall Mount Glass Door Enclosure



\*Optional Casters Sold Separately

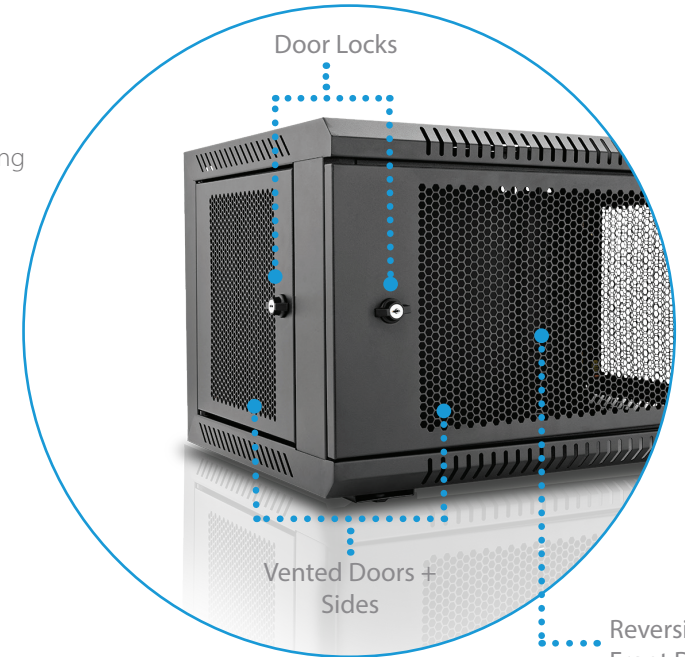


US	VPN	RM4CASTERS-1N
	SKU	5RU494
EU	VPN	RM4CASTERS-1E
	SKU	J154585

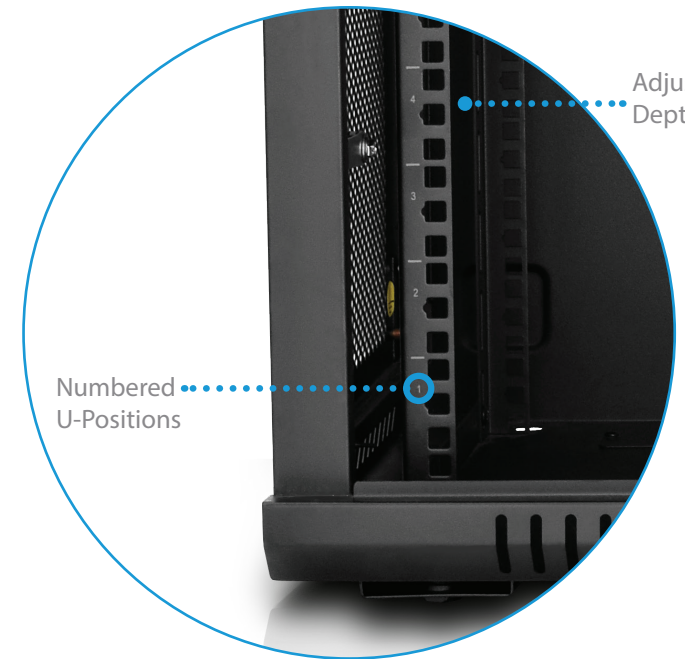


# 9U Rack Wall Mount Vented Enclosure

- Fully assembled, locking cabinet with vented door and sides to keep equipment cool
- Fully adjustable mounting rails and numbered U positions, with square holes for easy equipment mounting
- Optional casters can be installed for the option of rolling on the floor or under desks for versatility
- Removable top and bottom cable panels for a streamlined appearance
- High-grade, cold-rolled steel cabinet with 5 year warranty



Reversible Front Door



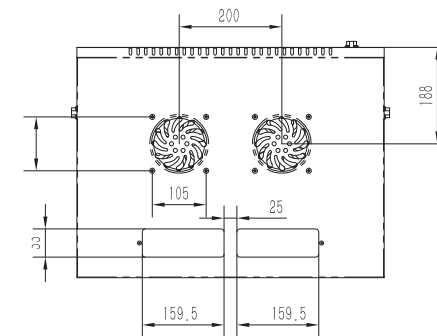
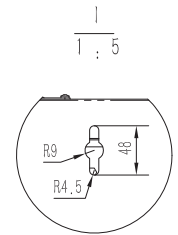
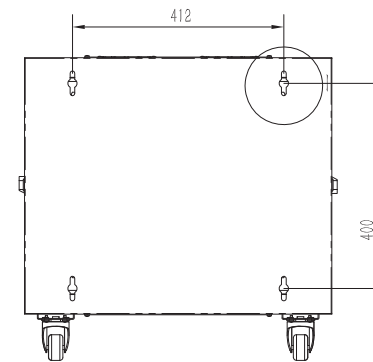
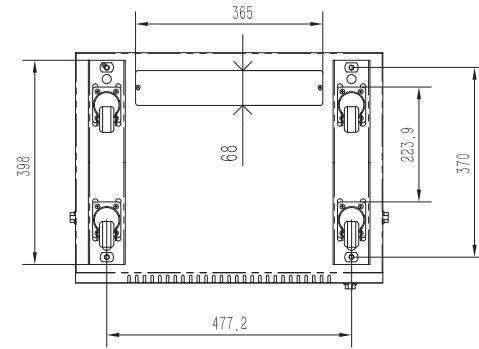
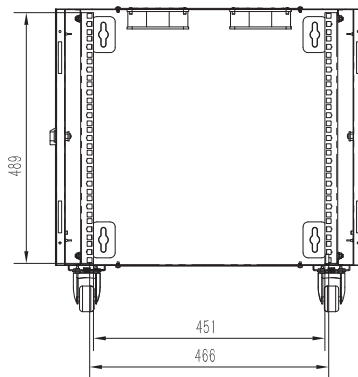
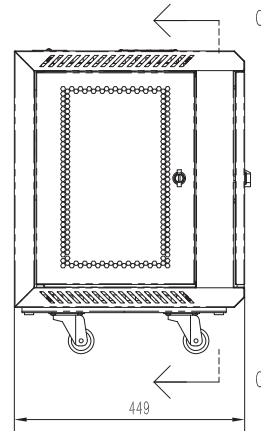
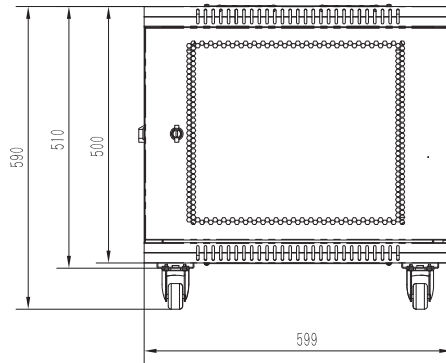
	US	EU
VPN	RMWC9UV450-1N	RMWC9UV450-1E
SKU	5RU490	J154587

# 9U Rack Wall Mount Vented Enclosure



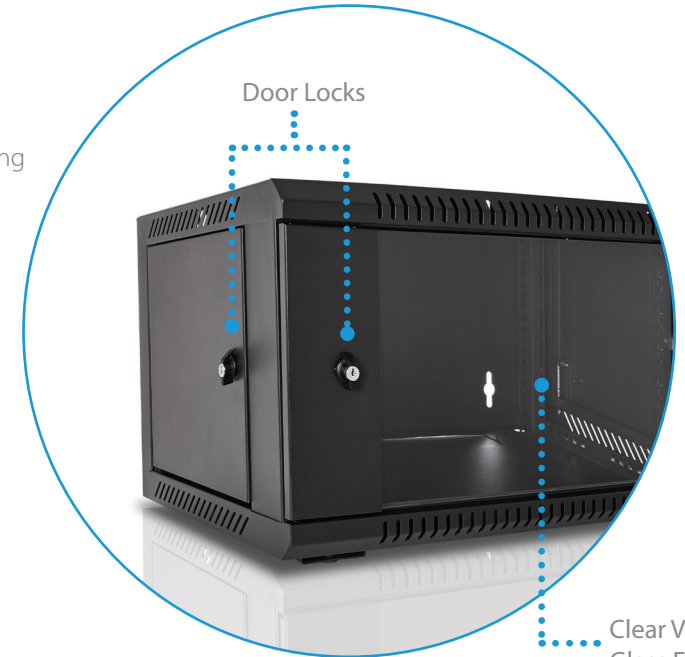
\*Optional Casters Sold Separately

US	VPN	RM4CASTERS-1N
	SKU	5RU494
EU	VPN	RM4CASTERS-1E
	SKU	J154585



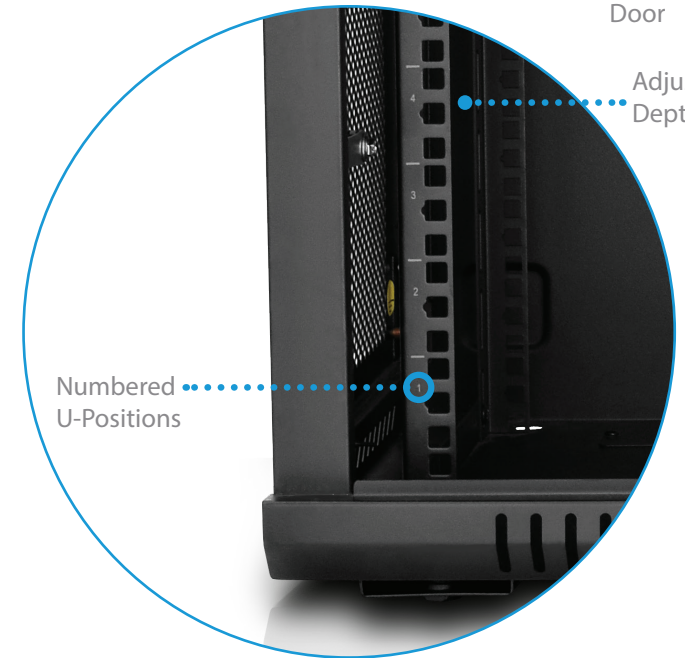
# 9U Rack Wall Mount Glass Door Enclosure

- Fully assembled, locking cabinet with glass door to quickly monitor your equipment
- Fully adjustable mounting rails and numbered U positions, with square holes for easy equipment mounting
- Optional casters can be installed for the option of rolling on the floor or under desks for versatility
- Removable top and bottom cable panels for a streamlined appearance
- High-grade, cold-rolled steel cabinet with 5 year warranty



Door Locks

Clear View  
Glass Front  
Door



Adjustable  
Depth

Numbered  
U-Positions

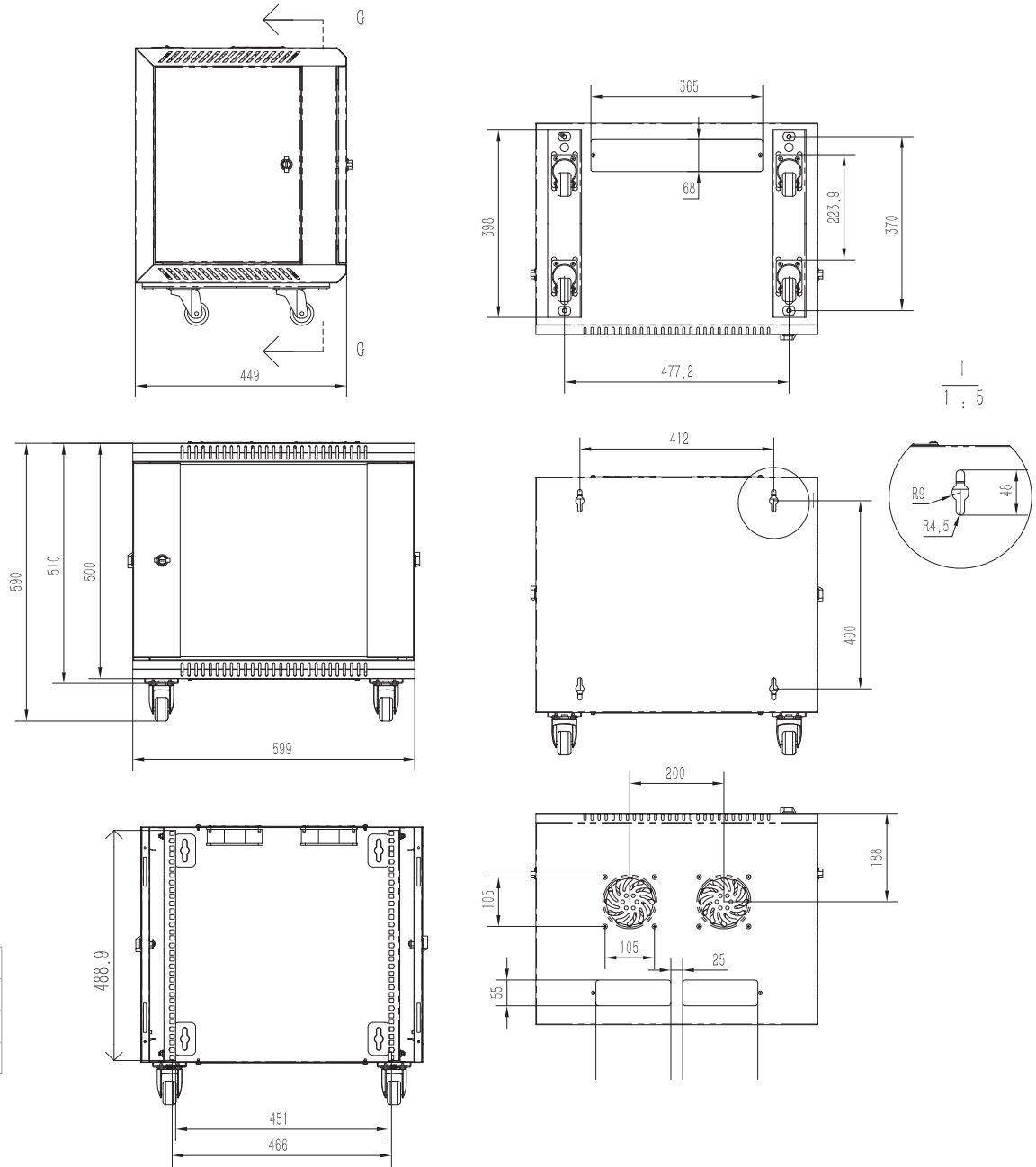
	US	EU
VPN	RMWC9UG450-1N	RMWC9UG450-1E
SKU	5RU491	J154589

# 9U Rack Wall Mount Glass Door Enclosure



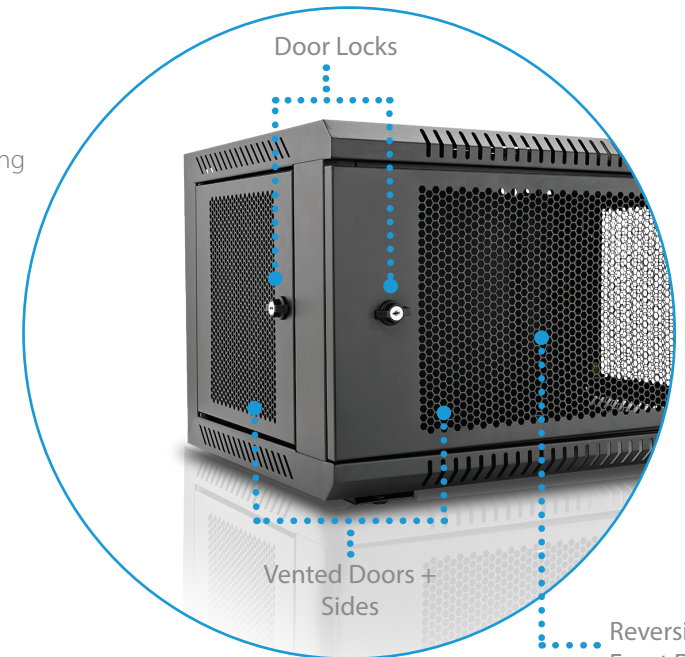
\*Optional Casters Sold Separately

US	VPN	RM4CASTERS-1N
	SKU	5RU494
EU	VPN	RM4CASTERS-1E
	SKU	J154585

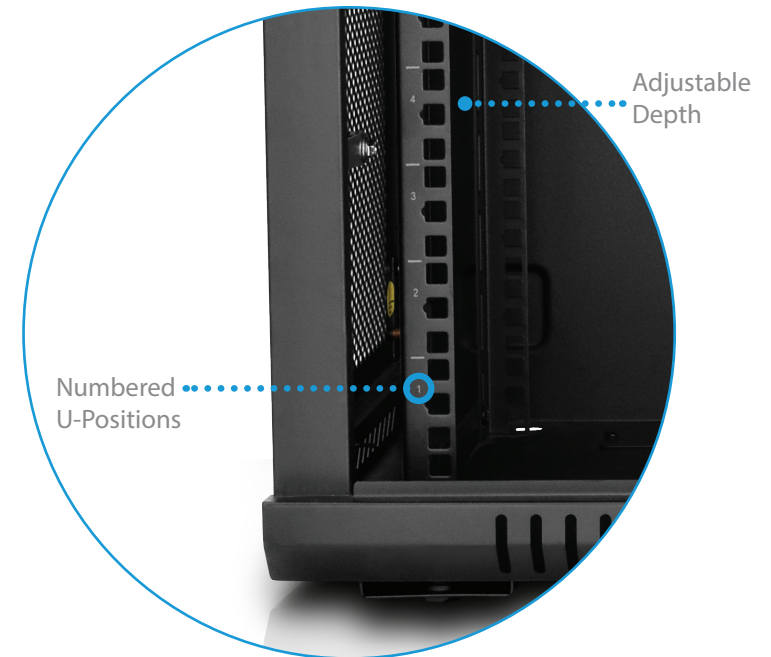


# 12U Rack Wall Mount Vented Enclosure

- Fully assembled, locking cabinet with vented door and sides to help keep equipment cool
- Fully adjustable mounting rails and numbered U positions, with square holes for easy equipment mounting
- Optional casters can be installed for the option of rolling on the floor or under desks for versatility
- Removable top and bottom cable panels for a streamlined appearance
- High-grade, cold-rolled steel cabinet with 5 year warranty



Reversible Front Door



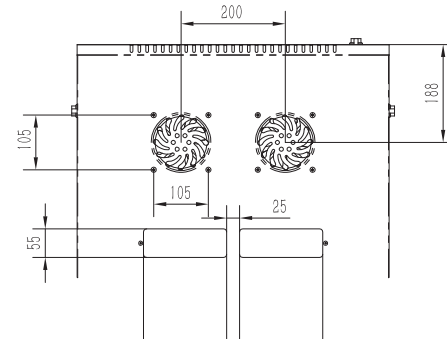
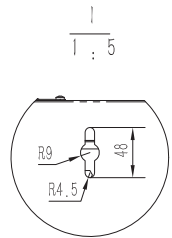
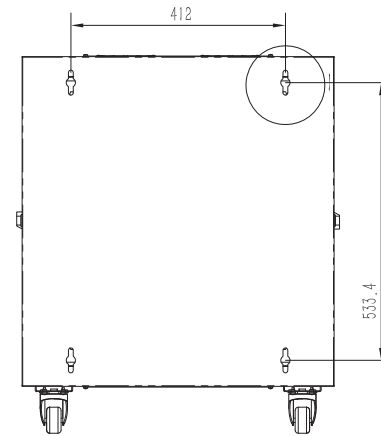
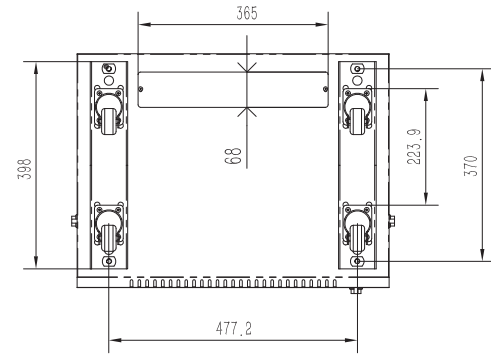
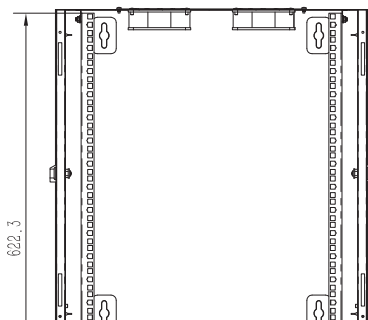
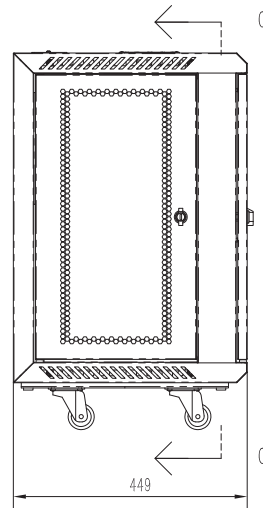
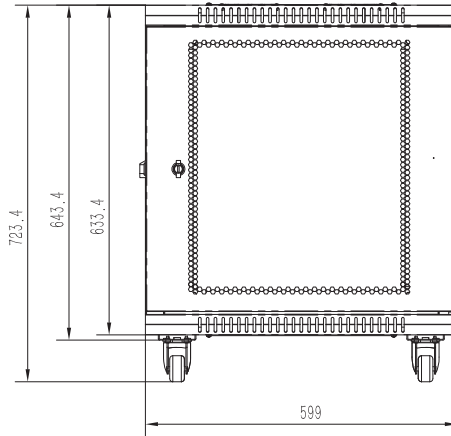
	US	EU
VPN	RMWC12UV450-1N	RMWC12UV450-1E
SKU	5RU492	J154588

# 12U Rack Wall Mount Vented Enclosure



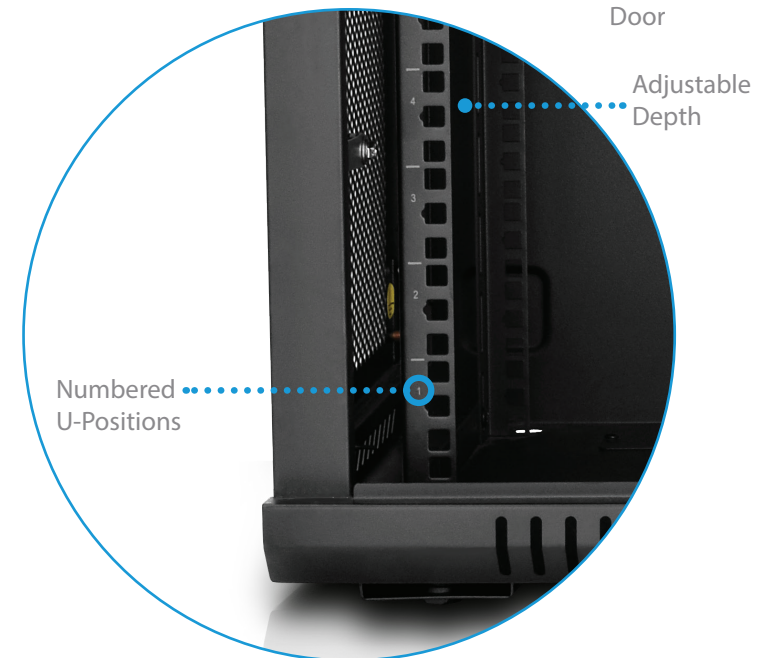
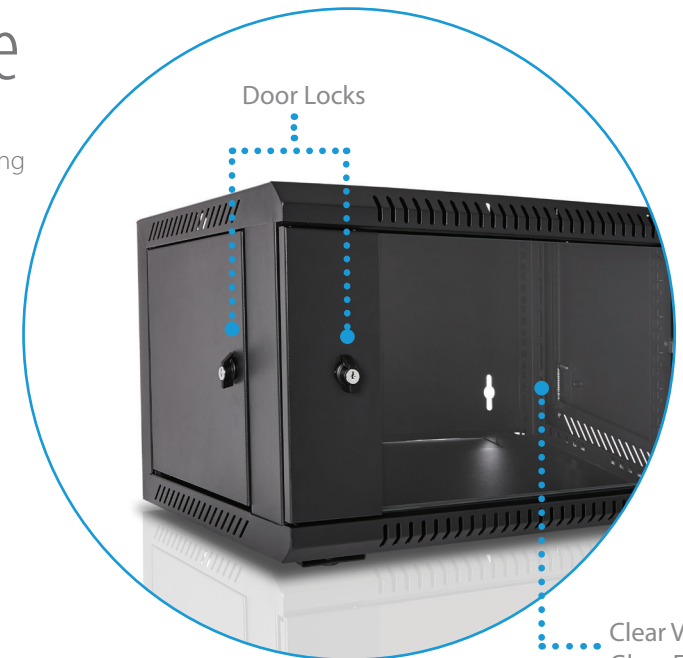
US	VPN	RM4CASTERS-1N
	SKU	5RU494
EU	VPN	RM4CASTERS-1E
	SKU	J154585

\*Optional Casters Sold Separately



# 12U Rack Wall Mount Glass Door Enclosure

- Fully assembled, locking cabinet with glass door to quickly monitor your equipment
- Fully adjustable mounting rails and numbered U positions, with square holes for easy equipment mounting
- Optional casters can be installed for the option of rolling on the floor or under desks for versatility
- Removable top and bottom cable panels for a streamlined appearance
- High-grade, cold-rolled steel cabinet with 5 year warranty



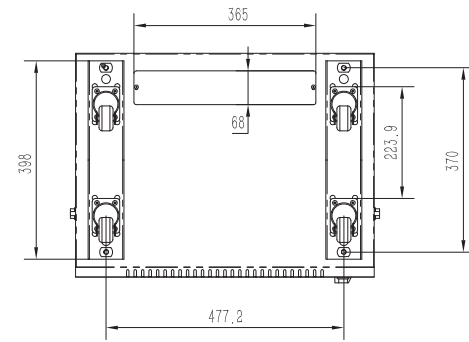
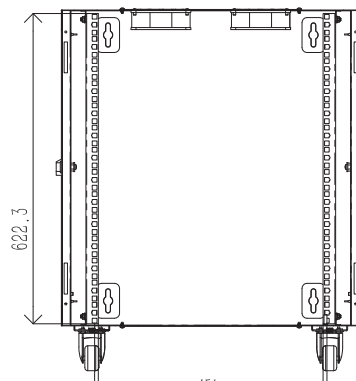
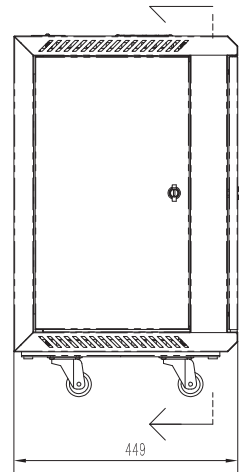
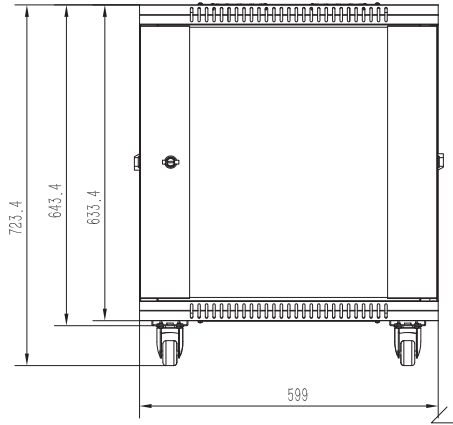
	US	EU
VPN	RMWC12UG450-1N	RMWC12UG450-1E
SKU	5RU493	J154583

# 12U Rack Wall Mount Glass Door Enclosure

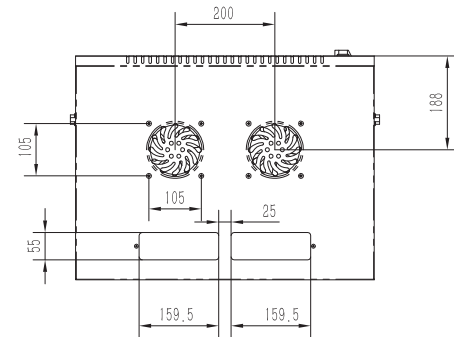
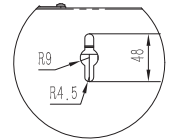
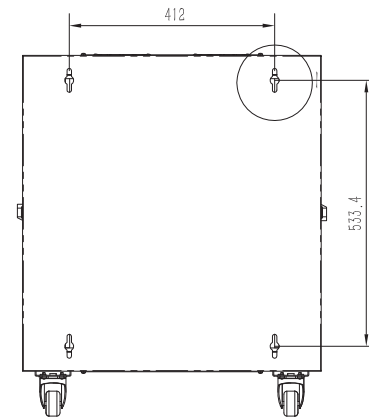


US	VPN	RM4CASTERS-1N
	SKU	5RU494
EU	VPN	RM4CASTERS-1E
	SKU	J154585

\*Optional Casters Sold Separately



1  
1 : 5

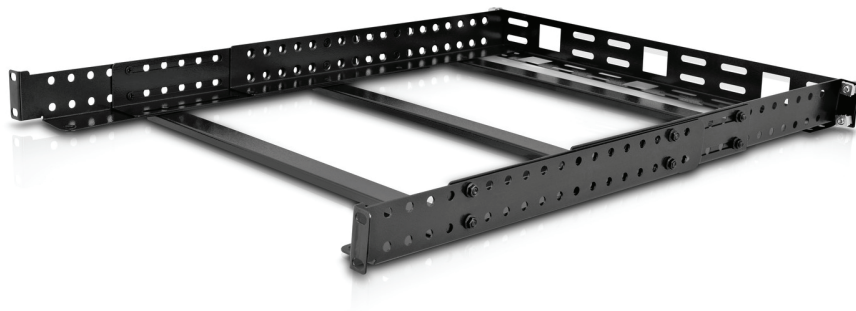
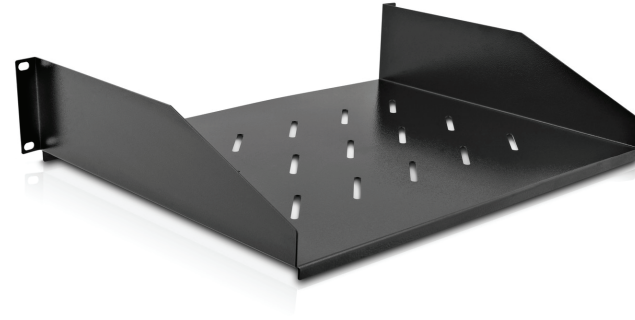




# Shelf 2U Vented

- Can hold up to 66 lbs (30 kg)
- Allows equipment not designed for rack mount to be used with 19" rack mount
- Vented for effective air flow
- Can connect to front or rear of rack for maximum flexibility
- Mounting hardware Optional

	US	EU
VPN	RMSH2UV-1N	RMSH2UV-1E
SKU	4N2877	J153382



# Universal Rail 1U

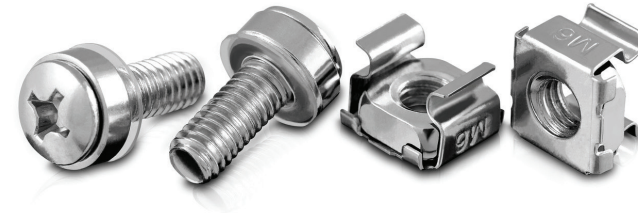
- Adjustable Depth Rail for rack mount
- Allows equipment not designed for rack mount to be used with 19" rack mount
- Durable cold rolled steel material fits any 4 post rack mount
- Open design with rear cable management keeps free airflow to your equipment
- Mounting hardware Optional

	US	EU
VPN	RMUR1U-1N	RMUR1U-1E
SKU	4N2877	J153378

# Extra Hardware 20 sets

- Compatible with all square hole racks (EIA 310D)
- Extra surface area on side of bolt tops for easy mounting
- Cage nuts insert easily into back of square hole racks
- M6x16 high quality steel
- 20 bolts & 20 cage nuts - extra mounting hardware

	US	EU
VPN	RMHW20-1N	RMHW20-1E
SKU	4N2879	J153383



# Horizontal Cable Manager

- Organizes cables on any 19" compatible racks
- Reduce cable clutter
- Easily run cables through with bendable finger ducts
- Mounting hardware Optional

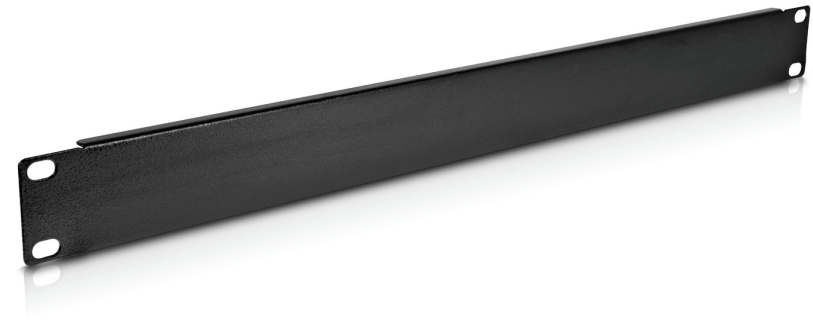


	US	EU
VPN	RMHCMS-1N	RMHCMS-1E
SKU	4N2880	J153375

# Blanking Panel 1U - 10 Pack

- 10 Blank Panels for rack mount
- Adds cosmetic appeal to fill rack
- Keeps proper airflow circulation
- Keeps dust and dirt out of your rack
- Mounting hardware Optional

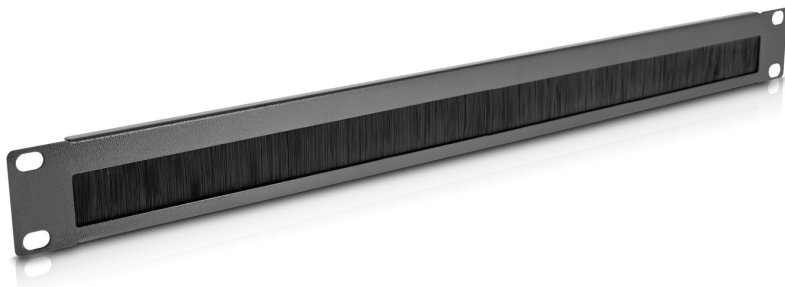
	US	EU
VPN	RMBLANK1U10-1N	RMBLANK1U10-1E
SKU	4N2881	J153373



# Brush Panel 1U

- Organizes cables coming in and out of rack cabinet
- Keeps proper airflow circulation
- Keeps dust and dirt out of your rack
- Dense nylon brush
- Mounting hardware Optional

	US	EU
VPN	RMBRUSH1U-1N	RMBRUSH1U-1E
SKU	4N2882	J153377



# Rack Casters Set of 4

- Enables V7 Wall Cabinet Racks and V7 Charging Stations enclosures to be mobile
- Installs easily to bottom of V7 Wall Cabinet Racks and V7 Charging Stations enclosures
- Includes 4 high grade casters and mounting hardware
- 5 year warranty

	US	EU
VPN	RM4CASTERS-1N	RM4CASTERS-1E
SKU	5RU494	J154585



# Rack 2 Fan Set for Wall Cabinet

- Enables V7 Wall Cabinet Racks and V7 Charging Stations enclosures to be mobile
- Installs easily to bottom of V7 Wall Cabinet Racks and V7 Charging Stations enclosures
- Includes 4 high grade casters and mounting hardware
- 5 year warranty

	US	EU	UK
VPN	RM2FANS-1N	RM2FANS-1E	RM2FANS-1K
SKU	5RU495	J154584	J154582



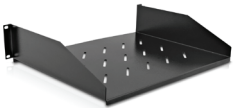
# Racks Product Line – Vented Door Enclosure Overview

	6U Rack Wall Mount Vented Enclosure	9U Rack Wall Mount Vented Enclosure	12U Rack Wall Mount Vented Enclosure	42U Rack Wall Mount Vented Enclosure
				
US VPN	RMWC6U-1N	RMWC9UV450-1N	RMWC12UV450-1N	RMEC42U-1N
US SKU	4N2874	5RU490	5RU492	4N2873
EU VPN	RMWC6U-1E	RMWC9UV450-1E	RMWC12UV450-1E	RMEC42U-1E
EU SKU	J153379	J154587	J154588	J153374
Package Includes	Wall Mount Cabinet, 4 casters, set of keys for doors and sides, mounting hardware M6 (10)	Wall Mount Cabinet, set of keys for doors and sides, screws and cage nuts for device mounting (10), wall mounting hardware M8 (6)	Wall Mount Cabinet, set of keys for doors and sides, screws and cage nuts for device mounting (10), wall mounting hardware M8 (6)	Cabinet with casters and leveling feet, set of keys for doors and sides, mounting hardware M6 (50)
Rack Hole Type:	M6 Square	M6 Square	M6 Square	M6 Square
Product Weight	26.46 lbs (12 kg)	38.58 lbs (17.5 kg)	49.6 lbs (22.5 kg)	264.55 lbs (120 kg)
Weight Limit	90.7 kg	90.7 kg	90.7 kg	1400 kg
Rack Height	6U	9U	12U	42U
Adjustable Mounting Depth	2.95-15.35 in (75-390 mm)	2.95-15.35 in (75-390 mm)	2.95-15.35 in (75-390 mm)	5.47-29.17 in (139-741 mm)
Numbered Rack Spaces	Yes	Yes	Yes	Yes
Fully Assembled	Yes	Yes	Yes	Yes
Casters	Included	Optional	Optional	Yes, preinstalled
Warranty	5 years	5 years	5 years	5 years

# Racks Product Line – Glass Door Enclosure Overview

	6U Rack Wall Mount Glass Door Enclosure	9U Rack Wall Mount Glass Door Enclosure	12U Rack Wall Mount Glass Door Enclosure
			
US VPN	RMWC6UG-1N	RMWC9UG450-1N	RMWC12UG450-1N
US SKU	5RU489	5RU491	5RU493
EU VPN	RMWC6UG-1E	RMWC9UG450-1E	RMWC12UG450-1E
EU SKU	J154586	J154589	J154583
Package Includes	Wall Mount Cabinet, set of keys for doors and sides, screws and cage nuts for device mounting (10), wall mounting hardware M8 (6)	Wall Mount Cabinet, set of keys for doors and sides, screws and cage nuts for device mounting (10), wall mounting hardware M8 (6)	Wall Mount Cabinet, set of keys for doors and sides, screws and cage nuts for device mounting (10), wall mounting hardware M8 (6)
Rack Hole Type:	M6 Square	M6 Square	M6 Square
Product Weight	26.46 lbs (12 kg)	38.58 lbs (17.5 kg)	49.6 lbs (22.5 kg)
Weight Limit	90.7 kg	90.7 kg	90.7 kg
Rack Height	6U	9U	12U
Adjustable Mounting Depth	2.95-15.35 in (75-390 mm)	2.95-15.35 in (75-390 mm)	2.95-15.35 in (75-390 mm)
Numbered Rack Spaces	Yes	Yes	Yes
Fully Assembled	Yes	Yes	Yes
Casters	Optional	Optional	Optional
Warranty	5 years	5 years	5 years

# Rack Accessories Product Line Overview

	Rack Mount Shelf Vented 2U	Rack Mount Universal Rail 1U	Rack Mount 20 Pcs Extra HW	Horizontal Cable Management	Rack Blank Panel 1U - 10 Pack
					
US SKU	4N2877	4N2878	4N2879	4N2880	4N2881
US Model	RMSH2UV-1N	RMUR1U-1N	RMHW20-1N	RMHCMS-1N	RMBLANK1U10-1N
EU SKU	J153382	J153378	J153383	J153375	J153373
EU Model	RMSH2UV-1E	RMUR1U-1E	RMHW20-1E	RMHCMS-1E	RMBLANK1U10-1E
UK SKU	—	—	—	—	—
UK Model	—	—	—	—	—
Warranty	5 years	5 years	5 years	5 years	5 years
Package Includes	Shelf and mounting hardware M6 (4)	Rail hardware, M5 assembly hardware (22), mounting hardware M6 (4)	Mounting hardware M6 (20 screws/cage nuts)	Horizontal cable manager, mounting hardware M6 (4)	Blanking panels (10), mounting hardware M6 (40)
Material	High grade cold rolled steel	High grade cold rolled steel	Steel	High grade cold rolled steel	High grade cold rolled steel
Color	Black	Black	Silver	Black	Black
Product Weight	15.21 lbs (6.9 kg)	5.05 lbs (2.29 kg)	0.99 lbs (0.45 kg)	0.77 lbs (0.35 kg)	0.33 lbs (0.15 kg)
Weight Limit	30 kg	75 kg	—	—	—
Rack Height	2U	1U	—	1U	1U
Adjustable Mounting Depth	—	16.02-42.91 in (407-1090 mm)	—	—	—
Fully Assembled	Yes	No	Yes	Yes	Yes

# Rack Accessories Product Line Overview

	Rack Mount Brush Panel 1U	Rack Casters Set of 4	Rack 2 Fan Set for Wall Cabinet US
			
US SKU	4N2882	5RU494	5RU495
US Model	RMBRUSH1U-1N	RM4CASTERS-1N	RM2FANS-1N
EU SKU	J153377	J154585	J154584
EU Model	RMBRUSH1U-1E	RM4CASTERS-1E	RM2FANS-1E
UK SKU	—	—	J154582
UK Model	—	—	RM2FANS-1K
Warranty	5 years	5 years	2 years
Package Includes	Brush panel, mounting hardware M6 (4)	2 inch castors (4), M5x12 tapping screws (16)	2 x 110V fans UL approved with US, EU, or UK plug, M5x12 hardware (8)
Material	High grade cold rolled steel	Steel, Rubber	Steel, Plastic
Color	Black	Black	Black
Product Weight	0.55 lbs (0.25 kg)	0.66 lbs (0.3 kg)	1.98 lbs (0.9 kg)
Weight Limit	—	—	—
Rack Height	1U	—	—
Adjustable Mounting Depth	—	—	—
Fully Assembled	Yes	Yes	—