

DEALER

CATALOGUE

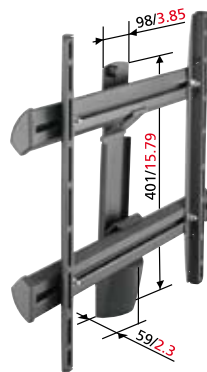
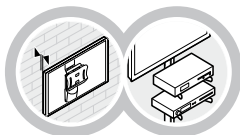
2009



EFW 6305 LCD/Plasma wall mount



- Close to the wall, while leaving sufficient room for air circulation
- Universal - standard complies with VESA MIS-F, 700, 450*
- Pre-assembled - install in just 3 easy steps

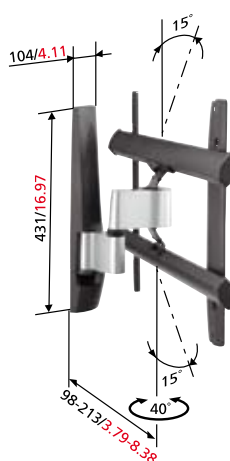
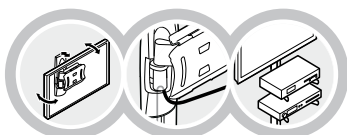


	81-165 cm 32-65"
	70 kg 154 lbs

EFW 6325 LCD/Plasma wall mount



- Tilt and turn functions guarantee optimal viewing position
- Universal - standard complies with VESA MIS-F, 700, 450*
- Pre-assembled - install in just 3 easy steps

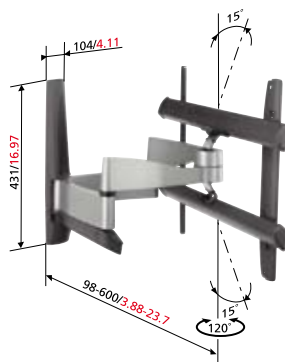


	81-127 cm 32-50"
	15-45 kg 33-99 lbs

EFW 6345 LCD/Plasma wall mount



- Tilt, turn and reach functions guarantee optimal viewing position
- Universal - standard complies with VESA MIS-F, 700, 450*
- Unique Screen Protection System (SPS) which protects both screen and wall**
- Pre-assembled - install in just 3 easy steps



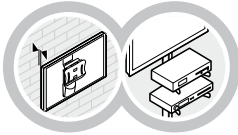
	81-127 cm 32-50"
	15-45 kg 33-99 lbs

** SPS® guaranteed up to 1450 mm

EFW 6405 Large LCD/Plasma wall mount



- Close to the wall, while leaving sufficient room for air circulation
- Universal - complies with VESA MIS-F, 950, 550
- Pre-assembled - install in just 3 easy steps



mm/inch

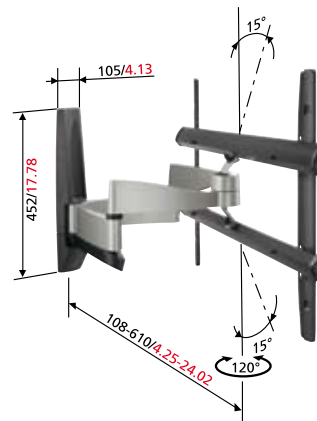
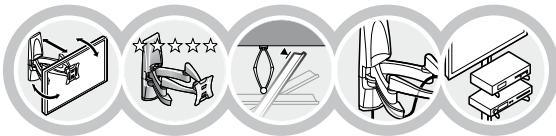
108-178 cm
42-70"

Max.
100 kg
220 lbs

EFW 6445 Large LCD/Plasma wall mount



- Tilt, turn and reach functions guarantee optimal viewing position
- Universal - complies with VESA MIS-F, 950, 550
- Unique Screen Protection System (SPS®) which protects both screen and wall (SPS guaranteed up to 1450 mm)
- Pre-assembled - install in just 3 easy steps



mm/inch

108-165 cm
42-65"

Max.
15-55 kg
33-121 lbs

Type nr.		Max.		VESA	Fixed	Adjustable	Optimally adjustable	Distance to wall	SPS	CIS
EFW 6105	35-66 cm / 14-26"	30 kg / 66 lbs	●	MIS-D / E (+ 200x100 mm)	✓			4.3 cm / 1.7"		✓
EFW 6125	35-66 cm / 14-26"	3-15 kg / 6-33 lbs	●	MIS-D / E (+ 200x100 mm)		✓		6.8-11.8 cm / 2.7-4.7"		✓
EFW 6145	35-66 cm / 14-26"	3-15 kg / 6-33 lbs	●	MIS-D / E (+ 200x100 mm)			✓	6.8-34 cm / 2.7-13.4"	✓	✓
EFW 6205	57-94 cm / 23-37"	45 kg / 99 lbs	●	MIS-D / E (+ 200x200 mm)	✓			5.9 cm / 2.3"		✓
EFW 6225	57-94 cm / 23-37"	10-35 kg / 22-77 lbs	●	MIS-D / E (+ 200x200 mm)		✓		9.4-16 cm / 3.7-6.3"		✓
EFW 6245	57-94 cm / 23-37"	10-35 kg / 22-77 lbs	●	MIS-D / E (+ 200x200 mm)			✓	9.4-46.1 cm / 3.7-18.1"	✓*	✓
EFW 6305	81-165 cm / 32-65"	70 kg / 154 lbs	●	MIS-F	✓			5.9 cm / 2.3"		✓
EFW 6325	81-127 cm / 32-50"	15-45 kg / 33-99 lbs	●	MIS-F		✓		9.8-21.3 cm / 3.9-8.4"		✓
EFW 6345	81-127 cm / 32-50"	15-45 kg / 33-99 lbs	●	MIS-F			✓	9.8-60 cm / 3.9-23.6"	✓**	✓
EFW 6405	108-178 cm / 42-70"	100 kg / 220 lbs	●	MIS-F	✓			5.9 cm / 2.3"		✓
EFW 6445	108-165 cm / 42-65"	15-55 kg / 33-121 lbs	●	MIS-F			✓	10.8 - 61.0 / 4.23 - 24	✓	✓

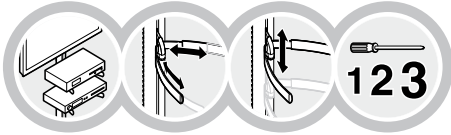
* SPS max 900 mm, ** SPS max 1450 mm

Visit www.vogels.com for more information.

EFA 6825 Audio/DVD support



- Can be positioned at any height in the column
- Adjustable arms, which are equipped with an anti-slip edge, fit a wide range of A/V equipment sizes
- Combine with EFA 6830 / 6835 / 6840 to store A/V equipment
- Pre-assembled - install in just 1 easy step.



mm/inch

Max.

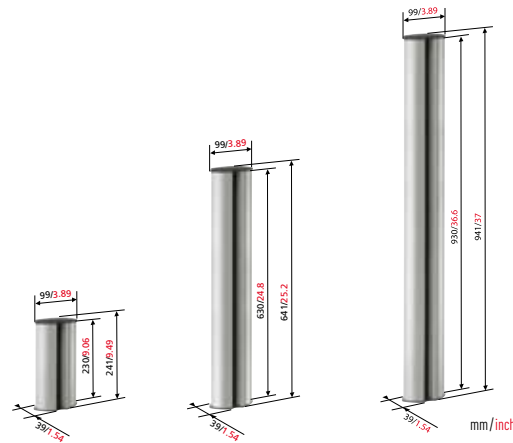
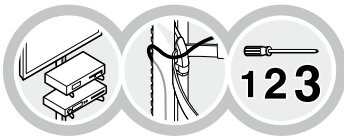
10 kg
22 lbs



EFA 6830 / 6835 / 6840 Column system



- 23 cm / 9.06" - 63 cm / 24.8" - 93 cm / 36.6"
- Flexible and unique AdvanCIS® - easily hide and guide cables at any height
- Combine with EFA 6825 to store A/V equipment
- Pre-assembled - install in just 1 easy step



mm/inch

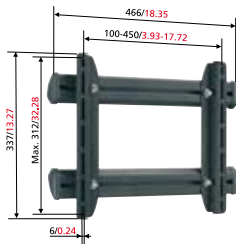
Max.

max 1x/3x/4x
EFA 6825



EFA 6875 Universal LCD adapter

- Universal - complies with VESA MIS-F, 450, 300
- Suitable for EFW 6205, 6225, 6245 and VFW 232, 332, 432 LCD mounts, should only be used for Non-VESA compatible LCD screens



mm/inch

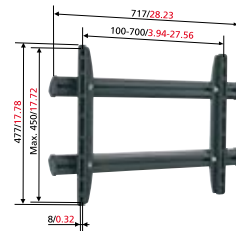


57-94 cm
23-37"



EFA 6880 Universal LCD adapter

- Universal - complies with VESA 700 x 450
- Suitable for EFW 6205, 6225, 6245 and VFW 232, 332, 432 LCD mounts, should only be used for Non-VESA compatible LCD screens



mm/inch

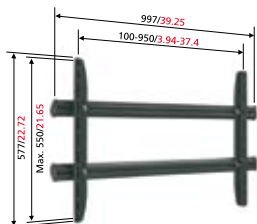


57-127 cm
23-50"



EFA 6885 Universal LCD adapter

- Universal - complies with VESA 950 x 550
- Suitable for EFW 6205, 6225, 6245, 6305, 6325, 6345 and VFW 232, 332, 432 LCD mounts, should only be used for Non-VESA compatible LCD screens



mm/inch

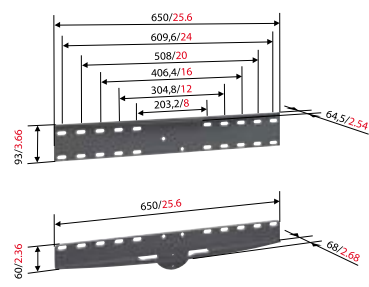


57-178 cm
23-70"



EFA 6895 Universal LCD adapter

- Suitable for LCD/Plasma wall mounts 6000 Series

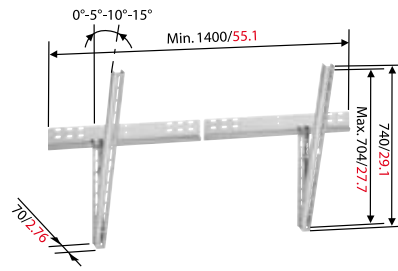


mm/inch



PFW 185 LCD/Plasma wall mount

- Pre-assembled - install in just 1 easy step
- Tilt function 0-5-10-15°
- Universal - complies with VESA MIS-F



mm/inch

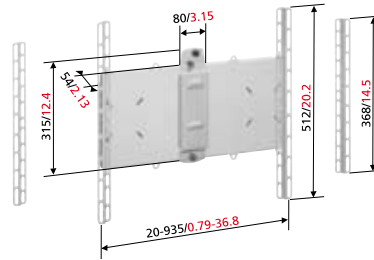
140-262 cm
55-103"

Max.
40-300 kg
88-660 lbs

EFW 2001 LCD/Plasma wall mount



- Universal - complies with VESA MIS-F, 930, 500
- Fixed to the wall
- Minimum distance to the wall 54 mm (2.13")



mm/inch

63-165 cm
25-65"

Max.
70 kg
154 lbs

EXTRA LARGE LCD/PLASMA ACCESSORIES

EFA 8001 Double stud adapter



- Suitable for EFW 2001 and VFW 365



mm/inch

Type nr.		Max.		VESA	Adjustability	Distance to wall	TILT
PFW 185	140-262 cm / 55-103"	40-300 kg / 88-660 lbs		MIS-F	tilt	5.2 cm / 2.05"	15°
EFW 2001	63-165 cm / 25-65"	70 kg / 154 lbs		MIS-F	fixed	5.4 cm / 2.13"	
EFA 8001	Suitable for EFW 2001						

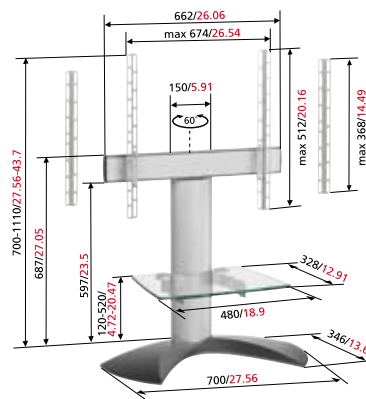
Type nr.			Max.	
EFA 6825			10 kg / 22 lbs	
EFA 6830	23 cm / 9.06"		max 1 x EFA 6825	
EFA 6835	63 cm / 24.8"		max 3 x EFA 6825	
EFA 6840	93 cm / 36.6"		max 4 x EFA 6825	
EFA 6875		57-94 cm / 23-37"		
EFA 6880		57-127 cm / 23-50"		
EFA 6885		57-178 cm / 23-70"		
EFA 6895		Suitable for 6000 Series		

Visit www.vogels.com for more information.

EFF 1140 LCD/Plasma floorstand



- Universal - complies with VESA MIS-F, 670, 510
- Turn function guarantees optimal viewing position
- CIS® and safety glass shelf (adjustable in height & depth)
- One shelf included. Additional shelf is optional (EFA 0040, EFA 0040 black), max. 2 (together max. 20 kg)
- Also available in black



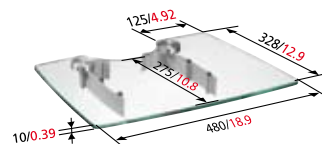
mm/inch

63-107 cm
25-42"45 kg
99 lbs

EFA 0040 A/V multi support



- Suitable for LCD/Plasma floorstand EFF 1140, EFF 1140 black, EFFE 1140 RC
- Can be positioned at any height in the column
- Maximum 2 A/V multi supports
- Glass shelf adjustable in depth, fits a wide range of A/V equipment sizes
- Tempered safety glass shelf
- Also available in black



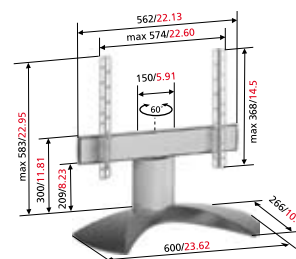
mm/inch

10 kg
22 lbs

EFT 2240 LCD/Plasma table stand



- Universal - complies with VESA MIS-F, 570, 360
- Turn function guarantees optimal viewing position
- Sturdy design and construction provides extra stability
- Cable Inlay System (CIS) - all cables cleverly concealed



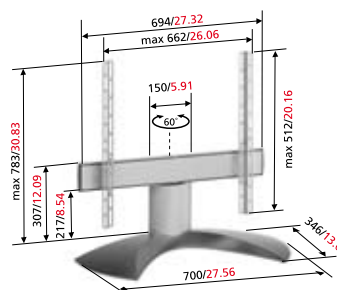
mm/inch

63-103 cm
25-40"30 kg
66 lbs

EFT 2265 LCD/Plasma table stand



- Universal - complies with VESA MIS-F, 670, 510
- Turn function guarantees optimal viewing position
- Sturdy design and construction provides extra stability
- Cable Inlay System (CIS) - all cables cleverly concealed



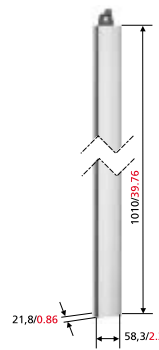
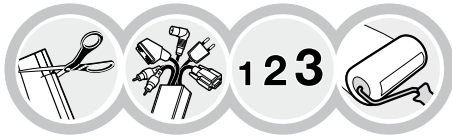
mm/inch

104-165 cm
41-65"70 kg
154 lbs

XCW 100 Vogel's Hide-a-Wire Universal Cable Cover



- Stylishly conceals all your cables
- Seamlessly fits all Vogel's solutions
- Paintable in any colour
- Easy install - no tools required
- Cut to any length desired



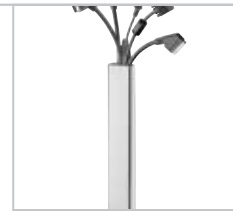
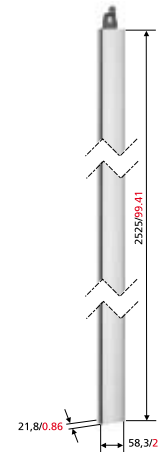
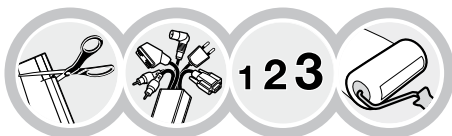
↑
100 cm
39.4"



XCW 250 Vogel's Hide-a-Wire Universal Cable Cover



- Stylishly conceals all your cables
- Seamlessly fits all Vogel's solutions
- Paintable in any colour
- Easy install - no tools required
- Cut to any length desired



↑
250 cm
98.4"



Type nr.		Max.	Pivot points		VESA	CIS®
EFF 1140	63-107 cm / 25-42"	45 kg / 99 lbs	1	● ●	MIS-F	✓
EFA 0040	Suitable for EFF 1140, EFF 1140 black, EFFE 1140 RC (Max. 2)	10 kg / 22 lbs		● ●		
EFT 2240	63-103 cm / 25-40"	30 kg / 66 lbs	1	●	MIS-F	✓
EFT 2265	104-165 cm / 41-65"	70 kg / 154 lbs	1	●	MIS-F	✓

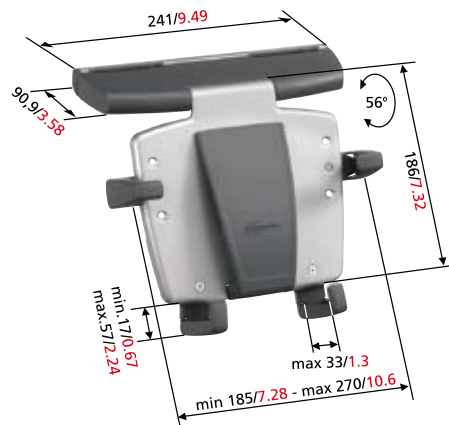
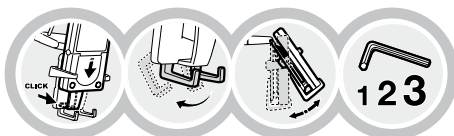
Visit www.vogels.com for more information.

Type nr.	↑	🎨
XCW 100	100 cm / 39.4"	○
XCW 250	250 cm / 98.4"	○

Visit www.vogels.com for more information.

EMC 5000 LCD Headrest mount

- Universal via adjustable arms to ensure a perfect fit for portable DVD player
- Quick release system to easily place or remove portable DVD player
- Easy install with only an Allen key. Also keeps cable connections and control buttons easily accessible
- Tilt function to eliminate reflections and get the best viewing angle



↔
18.5-27 cm
7.3-10.6"

Max.

1,5 kg
3,3 lbs



CLICK & SWITCH

The Click & Switch system enables you to mount your projector on the ceiling, wall or on a table. Simply click your projector on to the universal connector and then attach it to the projector ceiling mount, wall or table mount. Easily store it when not in use by just unclicking it. No screwdriver is needed to detach it.



EPW 6565
Projector wall solution



EPC 6545
Projector ceiling solution



EPT 6525
Projector table solution

TABLE



EPT 6525

CEILING



EPC 6545

WALL



EPW 6565

Table Solution

The EPT 6525 lets you easily position your projector anywhere on a table or shelf without resorting to a wobbly stack of books. Once in place, you simply position the projected image on a screen or wall for viewing. The rubber anti-slip pads prevent sliding and protect your furniture from scratches. The Table Solution can also be permanently attached to prevent theft.



Ceiling Solution

The EPC 6545 lets you mount your projector to the ceiling. The Adjust & Secure feature enables you to lock the projector into position. When not in use, simply remove your projector and hide the cables and mount from sight using the ceiling cover provided.



Wall Solution

The EPW 6565 lets you mount your projector on the wall with style. The module can be combined with the column system (EFA 6830 / 6835 / 6840) and Audio/DVD support (EFA 6825) from the Vogel's 6000 Series. The Audio/DVD support keeps your audio/visual equipment out of the way. The Wall Solutions flexible horizontal arm can be reversed so that you can mount your projector facing either straight up or upside down for the best projection at any height.



International Award Winner

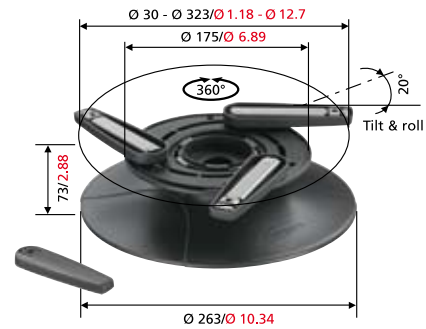


2006 SEL3CTION
THE DUTCH DESIGN AWARDS

EPT 6525 Projector table solution



- Tilt, turn & roll feature to easily position the projected image
- Universal, fits virtually every projector



mm/inch



30-323 mm
1.18-12.7"



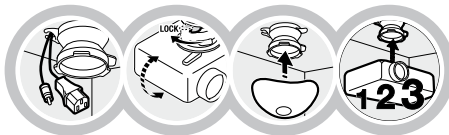
10 kg
22 lbs



EPC 6545 Projector ceiling solution



- Ceiling cover included to hide cables and mount when not in use
- Adjust & secure feature to lock the projector in position
- Universal, fits virtually every projector



mm/inch



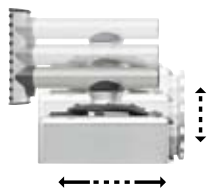
30-323 mm
1.18-12.7"



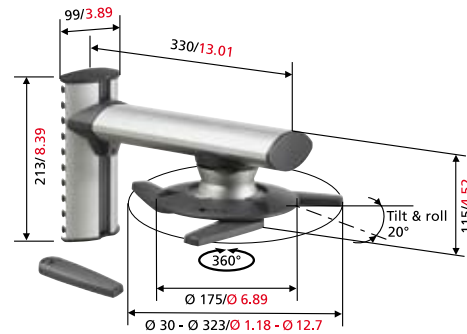
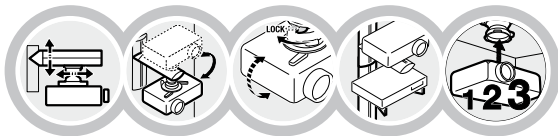
10 kg
22 lbs



EPW 6565 Projector wall solution



- Part of the modular system of the 6000 Series
- Reversible mounting possible to mount the projector facing either straight up or upside down
- Universal, fits virtually every projector



mm/inch



30-323 mm
1.18-12.7"



10 kg
22 lbs



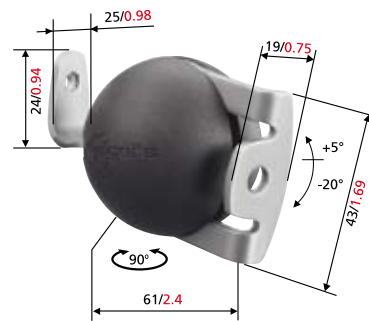
Type nr.	Max.		CIS®	Fits column modular system 6000 Series (EFA 6830 / 6835 / 6840)
EPT 6525	10 kg / 22 lbs	●		
EPC 6545	10 kg / 22 lbs	●	✓	
EPW 6565	10 kg / 22 lbs	●	✓	✓

Visit www.vogels.com for more information.

ELW 6600 Loudspeaker wall mount (Soundpointer®)



- For surround speakers up to 1.5 kg
- Tilt and turn functions guarantee optimal listening position
- Point your speaker for the best sound
- Compact and stylish design
- Very easy to install



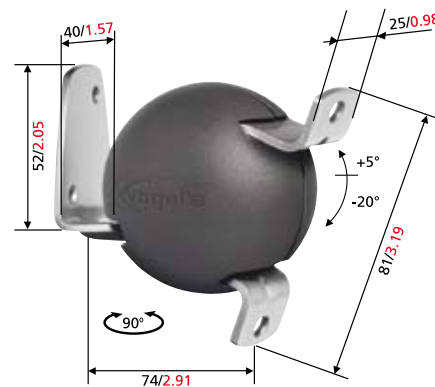
Max.

1.5 kg
3.3 lbs

ELW 6605 Loudspeaker wall mount (Soundpointer®)



- For home cinema and stereo speakers up to 10 kg
- Tilt and turn functions guarantee optimal listening position
- Point your speaker for the best sound
- Compact and stylish design
- Very easy to install



Max.

10 kg
22 lbs

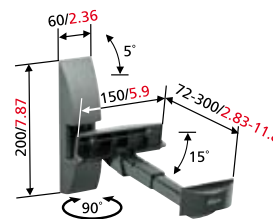
Type nr.	Max.		Tilt	
ELW 6600	1.5 kg		+5° / -20°	90°
ELW 6605	10 kg		+5° / -20°	90°

Visit www.vogels.com for more information.

VLB 200 Loudspeaker wall mount (2x)



- Ideal for so-called bookshelf/standmount Hi-Fi speakers (<20 kg/55 lbs)
- No screws required, due to the clamping construction



Max.

20 kg
44 lbs

mm/inch

Type nr.	Max.	
VLB 200	20 kg / 44 lbs	

Visit www.vogels.com for more information.

EXTEND YOUR RANGE WITH ORIGINAL REMOTE CONTROLLED MOUNT

Vogel's helps you meet the growing demand for remote-controlled products. Our Vogel's TriMotor[®] electronic remote-controlled LCD/plasma wall mount is the latest addition to Vogel's successful EMO[®] (Electronic Motion) range of stands and mounts. This range offers consumers a whole new level of convenience and comfort by letting them move their TV screen in many directions with a remote control, without even getting out of their chair. Trimotor is part of the Vogel's Original product line so it offers consumers the best value for their money.



TriMotor

Remote-controlled LCD/plasma wall mount

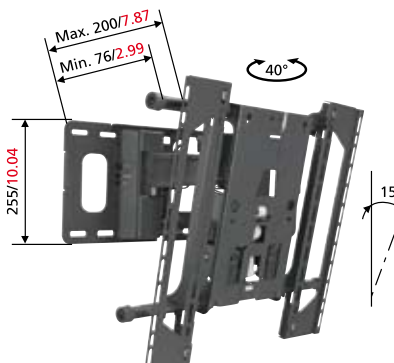
- Multi-directional electronic movement
- 15 degrees tilt, 20 degrees turn left and right
- Universal for screens from 37-52"



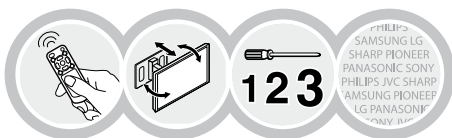
VFWE 552 RC Wall mount (Vogel's TriMotor)



- Electronic Remote-controlled Wall Mount
- Auto home with the touch of a button
- Two memory positions
- 20 degrees left and right turn, 15 degrees tilt
- Universal (VESA)



mm / inch



	94-132 cm 37-52"
	Max.
	43 kg 95 lbs

Type nr.					VESA	EMO
VFWE 552 RC	94 - 132 cm / 37 - 52"	43 kg / 95 lbs			MIS-F	

Visit www.vogels.com for more information.

BEST VALUE FOR THE MONEY

Vogel's Original product line offers consumers the best value for their money on a wide range of basic solutions that are practical and functional. All with Vogel's outstanding quality and durability.

This range of proven products enables you as a retailer to create more differentiation in your store. Plus, it gives you more cross-selling opportunities in a whole new customer segment, sensitive for a certain price point. The basic range of flat display mounts fits most LCD/Plasma screens. This proposition should make it easier for you to satisfy every type of customer, while improving your margins.

All products from this economy line are included in the Flatscreen fitter website. See www.flatscreenfitter.com for more information.



* For all VESA compliant screens which match the screen size and weight specified on the package.

SCREEN SIZE

MOVEMENT

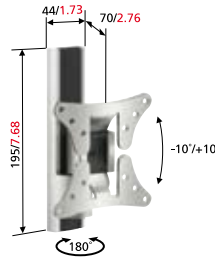
	14"	19"	23"	26"	32"	37"	40"	50"	57"	65"
	35cm	50cm	57cm	66cm	81cm	94cm	103cm	127cm	145cm	165cm
optimally adjustable	VFW 426	VFW 432	VFE 552 RC	VFW 465	remote controlled					
adjustable	VFW 326	VFW 332	VFW 365							
tilt & turn	VFW 226	VFW 232	VFW 365							
tilt	VFW 130	VFW 132	VFW 140	VFW 165						
fixed	VFW 030	VFW 032	VFW 040	VFW 065						

LCD/Plasma Supports and adapters overview	ADAPTERS		
	Small MAX VESA 450 x 300	Medium MAX VESA 700 x 450	Large MAX VESA 950 x 550
	EFA 6875	EFA 6880	EFA 6885
ORIGINAL 23"-37"	VFW 232	✓	✓
57-94 cm	VFW 332	✓	✓
	VFW 432	✓	✓

VFW 226 LCD/TFT wall mount



- One pivot point
- Universal - complies with VESA MIS-D, 100, MIS-D, 75 and MIS-E
- Strips included for 200x100 mm VESA mounting holes
- Tilt and turn functions guarantee optimal viewing position
- Pre-assembled LCD/TFT mount simplifies mounting



mm/inch

↗

35-66 cm
14-26"

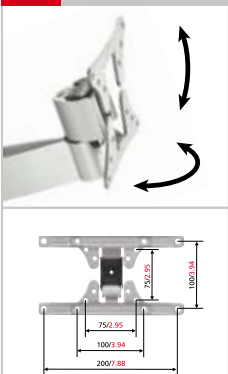
Max.

15 kg
33 lbs

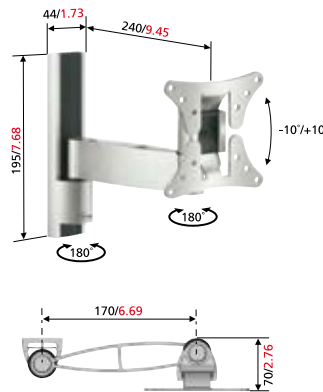
🎨

●

VFW 326 LCD/TFT wall mount



- Two pivot points
- Universal - complies with VESA MIS-D, 100, MIS-D, 75 and MIS-E
- Strips included for 200x100 mm VESA mounting holes
- Tilt and turn functions guarantee optimal viewing position
- Cable clips for guiding your cables
- Pre-assembled LCD/TFT mount simplifies mounting
- Buffer rings prevent damage to display and wall



mm/inch

↗

35-66 cm
14-26"

Max.

15 kg
33 lbs

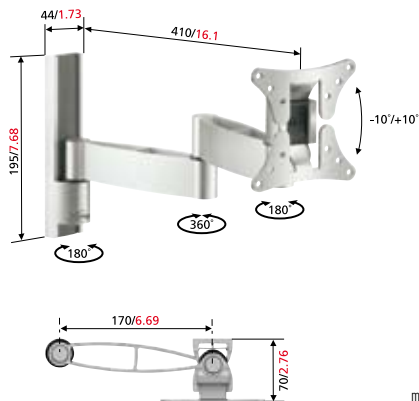
🎨

●

VFW 426 LCD/TFT wall mount



- Three pivot points
- Universal - complies with VESA MIS-D, 100, MIS-D, 75 and MIS-E
- Strips included for 200x100 mm VESA mounting holes
- Tilt, turn and reach functions guarantee optimal viewing position
- Cable clips for guiding your cables
- Pre-assembled LCD/TFT mount simplifies mounting
- Buffer rings prevent damage to display and wall



mm/inch

↗

35-66 cm
14-26"

Max.

15 kg
33 lbs

🎨

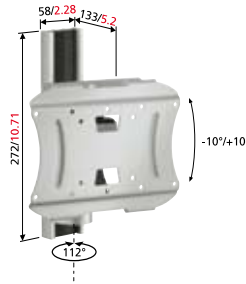
●

ORIGINAL

VFW 232 LCD wall mount



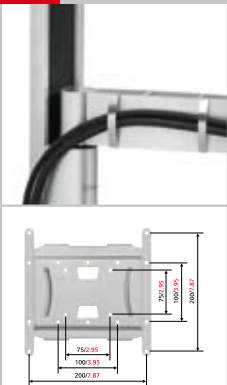
- One pivot point
- Tilt and turn functions guarantee optimal viewing position
- Universal - complies with VESA MIS-D, 100, MIS-D, 75 and VESA MIS-E*
- Strips included for VESA MIS-E 200x200 mm
- Spacesaving- free up space in your room
- Pre-assembled LCD mount simplifies mounting



	57-94 cm 23-37"
	35 kg 77 lbs

mm/inch

VFW 332 LCD wall mount



- Two pivot points
- Tilt, turn and reach functions guarantee optimal viewing position
- Universal - complies with VESA MIS-D, 100, MIS-D, 75 and VESA MIS-E*
- Strips included for VESA MIS-E 200x200 mm
- Cable clips for guiding your cables
- Spacesaving- free up space in your room
- Buffer rings prevent damage to display and wall
- Pre-assembled LCD mount simplifies mounting



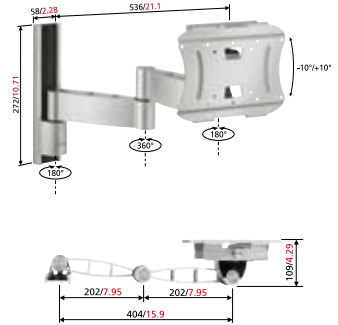
	57-94 cm 23-37"
	35 kg 77 lbs

mm/inch

VFW 432 LCD wall mount



- Three pivot points
- Tilt, turn and reach functions guarantee optimal viewing position
- Universal - complies with VESA MIS-D, 100, MIS-D, 75 and VESA MIS-E*
- Strips included for VESA MIS-E 200x200 mm
- Cable clips for guiding your cables
- Spacesaving- free up space in your room
- Buffer rings prevent damage to display and wall
- Pre-assembled LCD mount simplifies mounting



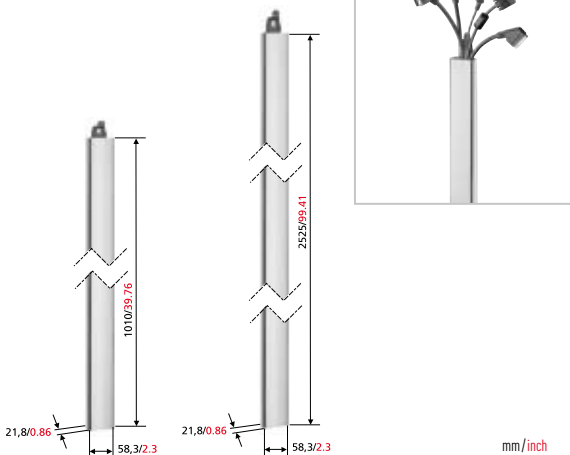
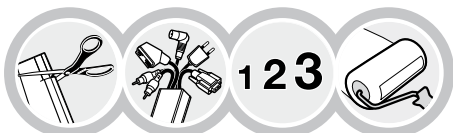
	57-94 cm 23-37"
	35 kg 77 lbs

mm/inch

XCW 100 / 250 Vogel's Hide-A-Wire® Universal Cable Cover



- Stylishly conceals all your cables
- Seamlessly fits all Vogel's solutions
- Paintable in any colour
- Available in 1 meter and 2,5 meters
- Easy install - no tools required
- Cut to any length desired



mm/inch

VFW 030 LCD/TFT wall mount



- Universal - complies with VESA MIS-D, 100 and MIS-D, 75
- Fixed to the wall
- Minimal distance to the wall (26 mm/1")
- Easy mounting (mounting hardware included)



mm/inch



35-77 cm
14-30"

Max.

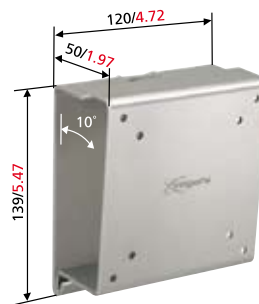
30 kg
66 lbs



VFW 130 LCD/TFT wall mount



- Universal - complies with VESA MIS-D, 100 and MIS-D, 75
- Tilt function 10°
- Minimal distance to the wall (50 mm/2")
- Easy mounting (mounting hardware included)



mm/inch



35-77 cm
14-30"

Max.

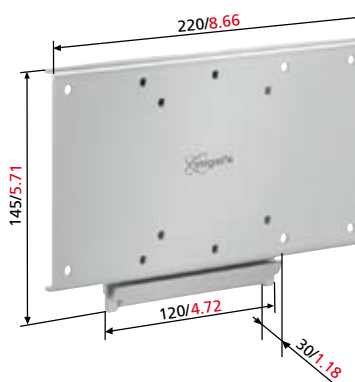
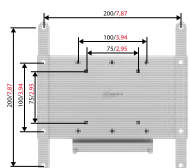
30 kg
66 lbs



VFW 032 LCD/TFT wall mount



- Universal - complies with VESA MIS-D, 100, VESA MIS-D, 75 and VESA MIS-E
- Strips included for 200x200 mm VESA mounting holes
- Fixed to the wall
- Minimal distance to the wall (30 mm / 1.2")
- Spacesaving - free up your space
- Easy mounting (mounting hardware included)



mm/inch



57-94 cm
23-37"

Max.

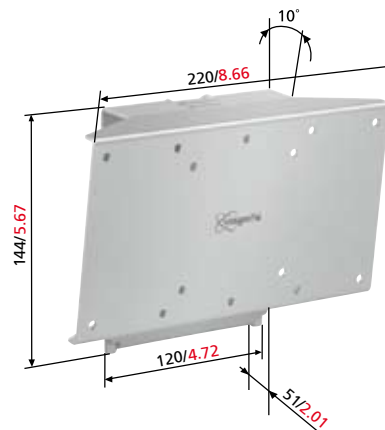
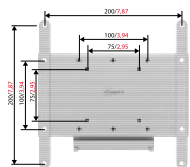
45 kg
99 lbs



VFW 132 LCD/TFT wall mount



- Universal - complies with VESA MIS-D, 100, VESA MIS-D, 75 and VESA MIS-E
- Strips included for 200x200 mm VESA mounting holes
- Tilt function 10°
- Minimal distance to the wall (51 mm / 2")
- Spacesaving - free up your space
- Easy mounting (mounting hardware included)



mm/inch



57-94 cm
23-37"

Max.

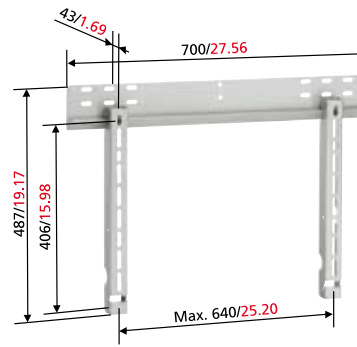
45 kg
99 lbs



VFW 040 LCD/Plasma wall mount



- Universal - complies with VESA MIS-F, 640, 406
- Fixed to the wall
- Minimal distance to the wall (43 mm/1.7")
- VESA mounting holes up to 640x406



mm/inch

66-127 cm
26-50"

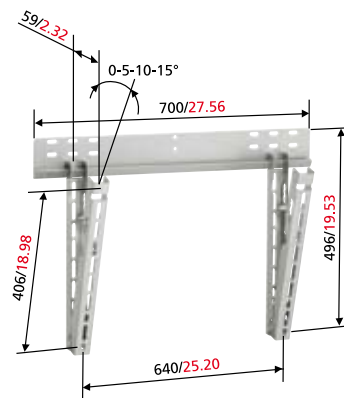
Max.

70 kg
154 lbs

VFW 140 LCD/Plasma wall mount



- Universal - complies with VESA MIS-F, 640, 406
- Distance to the wall (59 mm/2.3")
- Easy mounting (mounting hardware included)
- Tilt function max. 15°
- VESA mounting holes up to 640x406



mm/inch

66-127 cm
26-50"

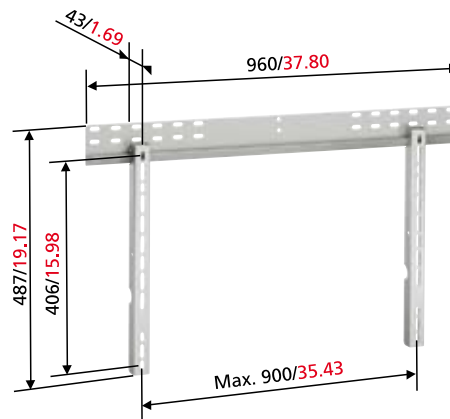
Max.

70 kg
154 lbs

VFW 065 LCD/Plasma wall mount



- Universal - complies with VESA MIS-F, 900, 510
- Fixed to the wall
- Minimal distance to the wall (43 mm/1.7")



mm/inch

103-165 cm
40-65"

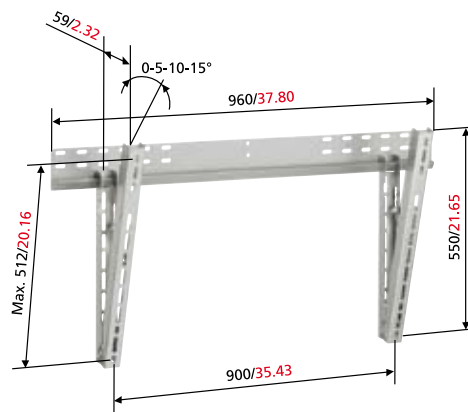
Max.

100 kg
220 lbs

VFW 165 LCD/Plasma wall mount



- Universal - complies with VESA MIS-F, 900, 510
- Minimal distance to the wall (59 mm/2.3")
- Easy mounting (mounting hardware included)
- Tilt function max. 15°



mm/inch

103-165 cm
40-65"

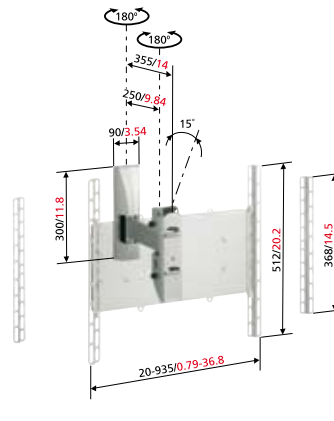
Max.

100 kg
220 lbs

VFW 365 LCD/Plasma wall mount



- Universal - complies with VESA MIS-F, 935, 510
- Turn & tilt function guarantees optimal viewing position
- Cable Inlay System (CIS)® - all cables cleverly concealed
- Modular system – combine the wall mount with cable covers and multi support to store A/V equipment



↗

66-165 cm
26-65"

☰ Max.

70 kg
154 lbs

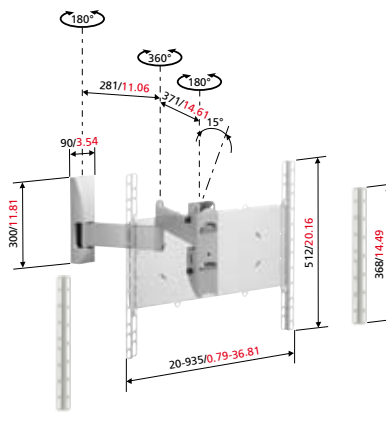
🎨

●

VFW 465 LCD/Plasma wall mount



- Universal - complies with VESA MIS-F, 935, 510
- Turn & tilt function guarantees optimal viewing position
- Cable Inlay System (CIS) - all cables cleverly concealed
- Modular system – combine the wall mount with cable covers and multi support to store A/V equipment
- Three pivot points



↗

66-165 cm
26-65"

☰ Max.

60 kg
132 lbs

🎨

●

ORIGINAL

Type nr.	↑	🎨
XCW 100	100 cm / 39.4"	○
XCW 250	250 cm / 98.4"	○

Visit www.vogels.com for more information.

Type nr.	↗	☰ Max.	Pivot points	🎨	VESA	Distance from wall	Tilt
VFW 226	35-66 cm / 14-26"	15 kg / 33 lbs	1	●	MIS-D	7.0 cm / 2.76"	+/- 10°
VFW 326	35-66 cm / 14-26"	15 kg / 33 lbs	2	●	MIS-D	7.0 cm / 2.76"	+/- 10°
VFW 426	35-66 cm / 14-26"	15 kg / 33 lbs	3	●	MIS-D	7.0 cm / 2.76"	+/- 10°
VFW 232	57-94 cm / 23-37"	35 kg / 77 lbs	1	●	MIS-D / MIS-E + 200x200 mm	13.3 cm / 5.20"	+/- 10°
VFW 332	57-94 cm / 23-37"	35 kg / 77 lbs	2	●	MIS-D / MIS-E + 200x200 mm	10.9 cm / 4.29"	+/- 10°
VFW 432	57-94 cm / 23-37"	35 kg / 77 lbs	3	●	MIS-D / MIS-E + 200x200 mm	10.9 cm / 4.29"	+/- 10°
VFW 030	35-77 cm / 14-30"	30 kg / 66 lbs	●	●	MIS-D	2.6 cm / 1.02"	
VFW 130	35-77 cm / 14-30"	30 kg / 66 lbs	●	●	MIS-D	5.0 cm / 1.97"	-5° / +10°
VFW 032	57-94 cm / 23-37"	45 kg / 99 lbs	●	●	MIS-D / MIS-E + 200x200 mm	3.0 cm / 1.2"	
VFW 132	57-94 cm / 23-37"	45 kg / 99 lbs	●	●	MIS-D / MIS-E + 200x200 mm	5.1 cm / 2"	-5° / +10°
VFW 040	66-127 cm / 26-50"	70 kg / 154 lbs	●	●	MIS-F	4.3 cm / 1.69"	
VFW 140	66-127 cm / 26-50"	70 kg / 154 lbs	●	●	MIS-F	5.9 cm / 2.32"	15°
VFW 065	103-165 cm / 40-65"	70 kg / 154 lbs	●	●	MIS-F	4.3 cm / 1.69"	
VFW 165	103-165 cm / 40-65"	70 kg / 154 lbs	●	●	MIS-F	5.9 cm / 2.32"	15°
VFW 365	66-165 cm / 26-65"	70 kg / 154 lbs	2	●	MIS-F	12.5-35.6 cm / 4.92-14.0"	15°
VFW 465	66-165 cm / 26-65"	60 kg / 132 lbs	3	●	MIS-F	10.6-66.2 cm / 4.17-26.0"	15°

Visit www.vogels.com for more information.

TVB 120 TV wall mount

- One pivot point
- Available in silver and black

mm/inch

	33-48 cm 13-19"
	20 kg 44 lbs
	<input type="radio"/> <input type="radio"/>

TVB 150 TV wall mount

- One pivot point
- Available in silver and black

mm/inch

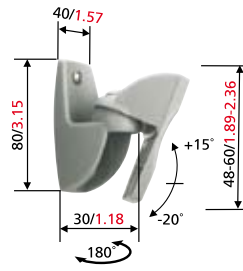
	48-55 cm 19-22"
	30 kg 66 lbs
	<input type="radio"/> <input type="radio"/>

Type nr.		Max.	Pivot points		Widescreen	Modular system	CIS®	
TVB 120	33-48 cm / 13-19"	20 kg / 44 lbs	1	<input type="radio"/> <input type="radio"/>				
TVB 150	48-55 cm / 19-22"	30 kg / 66 lbs	1	<input type="radio"/> <input type="radio"/>				

Visit www.vogels.com for more information.

VLB 500 Loudspeaker wall mount (2x)

- For surround speakers and smaller hi-fi speakers <5 kg/11 lbs
- Tilt and turn functions guarantee optimal listening position
- Available in different colours



mm/inch

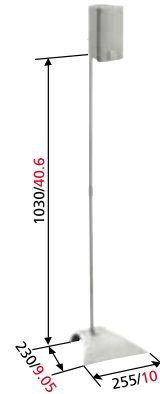
Max.

5 kg
11 lbs



VLS 615 Loudspeaker stand (2x)

- For Home Cinema front & surround speakers <1.5 kg/3.3 lbs
- Cable Inlay System (CIS®)
- Spiked feet (rubber feet included for delicate floors)
- Three speaker-mounting options - suitable for most brands of surround speakers



mm/inch



103 cm
40"

Max.

1.5 kg
3.3 lbs



ORIGINAL

Type nr.		Max.	Mounting		CIS
VLB 500		5 kg / 11 lbs	wall		
VLS 615	103 cm / 40"	1.5 kg / 3.3 lbs	floor		✓

Visit www.vogels.com for more information.

PROFESSIONAL SOLUTIONS

Vogel's Professional offers a complete line of mounting solutions for the professional market. Over the years Vogel's products have found their way all over the world. We could not wish for a better endorsement of the quality and representative image of our products by the professional world. Vogel's mounts for LCD and plasma displays and projectors have proved their worth over the years. At major airports, shopping centres, football stadiums and hospitals but also in filling stations, service organisations, department stores and in the hotel and catering industry.



For more information ask for our brochure or visit www.vogels.com/professional

UNIVERSAL LCD/PLASMA CEILING MOUNTS

Our range of modular universal LCD/Plasma ceiling mounts are internationally acknowledged as one of the best and most flexible systems on the market. They accommodate virtually all LCD and Plasma displays.



PFA 9010/9015/9001, FAU 3125

- Incl. ceiling plate PFA 9010
- Incl. 80 cm extension tube PFA 9015
- Incl. turn & tilt unit PFA 9001
- Autolock locking system
- Not including universal interface FAU 3150 or FAU 3125



UNIVERSAL LCD/PLASMA WALL MOUNTS

The Vogel's Professional LCD/Plasma wall mounts provide solutions ranging from 10 to 103" displays. Especially designed for close to the wall, security lock features and multi-screen display options.



PFW 5000 series

- Super flat against wall
- Built in wall plate level function
- Autolock[®] and/or padlock locking
- Locking bar + padlock included
- Portrait models
- VESA MIS-F (max. 828x472mm)



LCD/PLASMA TROLLEYS / STANDS

The range AV trolleys comes with useful features, such as an extra large cable management system, flexible height adjustment and an optional backlight. And the first to receive TÜV safety approval. The front cover can be easily customized, such as with Vogel's TVskin to your flat screen.

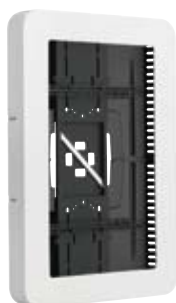


PFT 2505/2510, PPT 2300, PFF 2410

- Accurate positioning
- Secure cable management
- Mounting hole for anti-theft cable
- Adjustable in height



VOGEL'S TVSKIN® - CUSTOMIZE YOUR DISPLAY



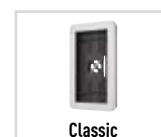
TVskin enhances your brand and your interior design. It offers a complete solution for customizing digital signage in professional environments. With TVskin you can create an individual housing for flat displays that can include your company logo, colours and interior design theme.

TVskin lets you put your company's brand in the spotlight to reinforce your brand identity. Or you can choose a TVskin that makes your TVs blend seamlessly with the rest of your décor.

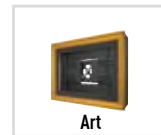
TVskin offers three models:

- Classic for a fresh and modern image
- Art for that classy touch of style
- Cubic for a clean, no-nonsense look and feel

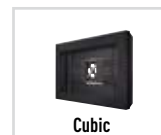
Just about anything is possible with TVskin. Tell us what you need and we will be happy to propose a solution that fits your needs.



Classic



Art



Cubic

UNIVERSAL PROJECTOR CEILING MOUNTS

Vogel's offers a wide range of mounts for projectors. Fixed or height adjustable, for compact or large projectors, Vogel's has a solution.



PPC 150

- Adjustable height 52-80 cm
- For projectors weighing up to 10 kg
- CIS® Cable Inlay System
- Ceiling plate suitable for sloping ceiling
- Also available in different dimensions: PPC 130 and PPC 180



SHORT THROW PROJECTOR MOUNTS

The interactive whiteboard market is a fast growing business. In order to serve this market Vogel's introduces a complete range of Short Throw projector mounts. Ask for our special Short Throw leaflet.



PPS-series

- Fully adjustable
- Fine tune adjustment
- Safe & secure
- Stylish design



PROJECTOR LIFT SYSTEMS

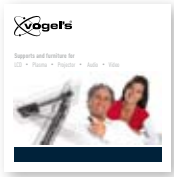


Looking for a better way to access hard to reach projectors in large meeting rooms or lecture halls? Vogel's projector ceiling lift systems can be digitally operated and the lift, projector and screen can be controlled by pressing a single button. The system is available with two optional ceiling trims and a convenient IR wireless remote control. Ask for our special projector lift system leaflet.

PPL 1515/2525/3535

- Max. drop distance of 1, 1.8 or 4.2 meter
- Projector mount included
- Micro processor controlled





Cross selling
(8 x 8 cm / 3.15 x 3.15")



Consumer brochure (A5)



Touch screen FlatscreenFitter



Evolution shelf display (h x w x d)
(1.33 x 0.5 m / 40.7 x 19.7")



Floor display Maxi (h x w x d)
(2 x 0.8 x 0.6 m / 78.7 x 31.5 x 23.6")



Floor display Micro (h x w x d)
(1.6 x 0.8 x 0.6 m / 63 x 31.5 x 23.6")



Perspex screen including information sticker Vogel's Glider® (h x w x d)
(0.65 x 1 x 0.1 m / 39.4 x 25.6 x 3.9")



Perspex screen including information sticker Vogel's TriMotor® (h x w x d)
(0.65 x 1 x 0.1 m / 39.4 x 25.6 x 3.9")

EXPLANATION OF ICONS 6000 SERIES FLAT SCREEN



Spacesaving

Mount your LCD or Plasma TV to the wall to free up space and give your interior a stylish look. Truly the best way to fully enjoy the benefits of your flat-screen TV.



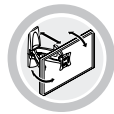
Close-to-wall

The Evolution 6000 'fixed' mount enables you to mount your LCD or Plasma screen close to the wall, while leaving sufficient room for air circulation.



Tilt & turn

The Evolution 6000 'adjustable' mount lets you tilt and turn your screen any way you want for an optimal viewing experience.



Tilt, turn & reach

Flexibility and freedom of movement are the key benefits of Evolution 6000 optimally adjustable mount: tilt and turn your screen any way you want for an optimal viewing experience.



Solid, steady & easy

Your cherished LCD/Plasma TV deserves only the best possible wall mount. The Evolution 6000 Series optimally adjustable mount combines high quality engineering and extreme strength, which brings you the benefit of many years of reliable and comfortable operation.



Screen Protection System

Don't worry about damaging your screen or wall: the Evolution 6000 'optimally adjustable' mount has Vogel's unique Screen Protection System (SPS®) which protects both screen and wall.



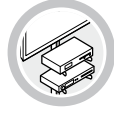
CIS®

Get those unsightly cables out of sight using Vogel's unique Cable Inlay System (CIS).



CIS

Get those unsightly cables out of sight using Vogel's unique Cable Inlay System (CIS).



Modular system

Combine mounts of the Evolution 6000 Series with our modular column system and Audio/DVD support to store all your audio and video equipment in one single, sleek-looking solution.



AdvanCIS®

The Column system features our flexible and unique AdvanCIS, giving you the freedom to easily hide and guide cables at any height.



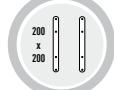
Adjustable, fits all

The adjustable arms of the Audio/DVD support, which are equipped with an anti-slip edge, fit a wide range of audio and video equipment sizes.



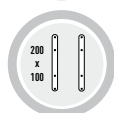
Adjustable height

The Audio/DVD support can be placed at any height in the column. You can also add up to three arms in a row.



Strips 200 x 200

Strips included for 200 x 200 VESA mounting holes.



Strips 200 x 100

Strips included for 200 x 100 VESA mounting holes.

EXPLANATION OF ICONS EMO®



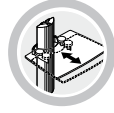
Cable Inlay System

All cables cleverly concealed



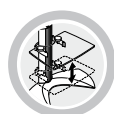
Remote controlled

Easily turn to the optimal viewing position via remote



Adjustable, fits all

The glass plate of the EFFE 1140 RC can be adjusted to different depths to fit different A/V equipment



Adjustable height

The glass plate of the EFFE 1140 RC can be adjusted to different heights



Modular system (max. 2 shelves)

Modular system to organise your flat screen, AV equipment and cables.

EXPLANATION OF ICONS VOGEL'S HIDE-A-WIRE®



Flexible length

Create the length you need. Simply cut the Hide-A-Wire cable cover to your desired length with a pair of scissors.



Universal

The Hide-A-Wire cable cover enables you to easily hide and guide different types of cables, such as flat screen, computer, etc.



Easy install

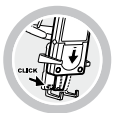
Mounting is easy and takes just 3 simple steps. No drilling or tools required! (when used with Vogel's EFW 6000 or VFW x32 series)



Paintable cable cover

White version paintable in any colour you want

EXPLANATION OF ICONS 6000 SERIES DVDCK®



Quick release

Slide the DVD player in the DVDock and click it into place. To take the DVD player with you or change a disc, just press the button and slide it out. It's quick and easy!



Safety arms

Thanks to their unique design, our patented safety arms fold back upon impact.



Tilt

The player can be tilted forward or backwards to eliminate reflections and get the best viewing angle.



Easy install

Enjoy your DVDock in just three easy steps. All you need is a simple Allen key. It's stored on the back of the DVDock so you can always adjust the arms or remove the DVDock from the headrest.

EXPLANATION OF ICONS 6000 SERIES PROJECTOR



Easy connect

Simply move your projector from room to room by clicking it on the table, ceiling or wall solution.



Tilt, turn & roll

Easily position the projected image using the flexible tilt, turn and roll feature.



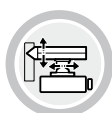
Adjust & secure

Your projector can be locked in position to maintain a stable image while viewing. Even after removing your projector and putting it back.



Ceiling cover

When your projector is not connected to the mount, the cables and mount can be hidden from sight using the ceiling cover.



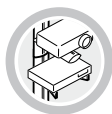
Adjustable arm

No matter what size your projector is, with the adjustable arm you can easily position your projector horizontally (near to the wall) and vertically (for the ideal height).



Reversible mounting

Mount your projector facing either straight up or upside down for the best projection at any height.



Modular system

Store all your audio and video equipment in one single, sleek-looking solution with our modular column system (EFA 6830 / 6835 / 6840) and additional accessories.

PRODUCT CODES

LCD/Plasma:

EFA = Evolution Flat Accessory
EFF = Evolution Flat Floor
EFFE = Evolution Flat Floor Electronic
EFT = Evolution Flat Table
EFW = Evolution Flat Wall
EFWE = Evolution Flat Wall Electronic
VFW = Vogel's Flat Wall
VFWE = Vogel's Flat Wall Electronic

Projector:

EPC = Evolution Projector Ceiling
EPT = Evolution Projector Table
EPW = Evolution Projector Wall

Audio:

ELW = Evolution Loudspeaker Wall
VLB = Vogel's Loudspeaker Bracket
VLS = Vogel's Loudspeaker Stand

TV:

TVB = TV Bracket

Accessories

XCW = Vogel's Cable Wall



In car mount

EMC = Evolution Mobile Car


EUROPE

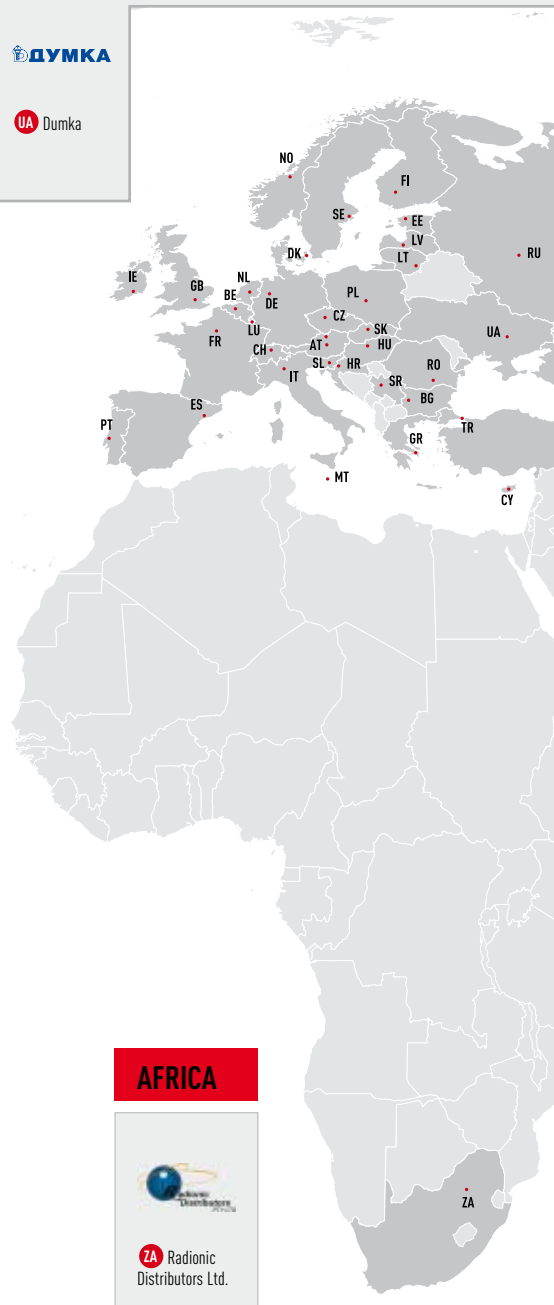
 AM ZigZag Shahen Tsarukyan	 AT H.F. Dollmann	 AT Stefani Elektronik Handels Gmbh Siegmond Stefani	 AZ Azet Azerbaijan Electronics	 BE Lucodex NV Kim Aerts	 BG Vigo Ivan Toshev	 CH Telion AG Stephan Hartmann	 CY MS Electronics Michael Panicos	 CZ Easycy s.r.o. Daniel Pavelka	 DE Schnepel GmbH & Co KG Kai Schnepel	 DK Aurora Group Denmark A/S Tommy Nielsen
 GR Kinoteknikh	 HR Dacco D.O.O. Darko Vekic	 HR TD- Elektronika D.O.O.	 HU Steelbird	 IE Hi Fidelity Marketing Peter Griffin	 IS Television Centre Ltd.	 IT Vogel's Products Italia	 IT Pozzi Italia s.r.l.	 LT Ogmina Ltd. Edividas Pralera	 LT ACME Computer Components	 LU Lucodex NV Kim Aerts
 RO VOG- Design Trade S.R.L. Andrei Vizner	 RU Optima Ltd.	 SE Aurora Group Sweden AB Hasse Sjölin	 SK TT- Thais Trading	 SL Technotop	 SR Av Max Group Dragan Trajkovic	 TR Aztek Technoloji Ürünleri	 UA Dumka			

AMERICAS

 AN Boolchand's Curacao	 BR Linear Audio	 CL Audio plus
 MX Embodiment S.A. de C.V. Antonio Chacon Perez	 VZ JVG Hogar C.A.	

AFRICA

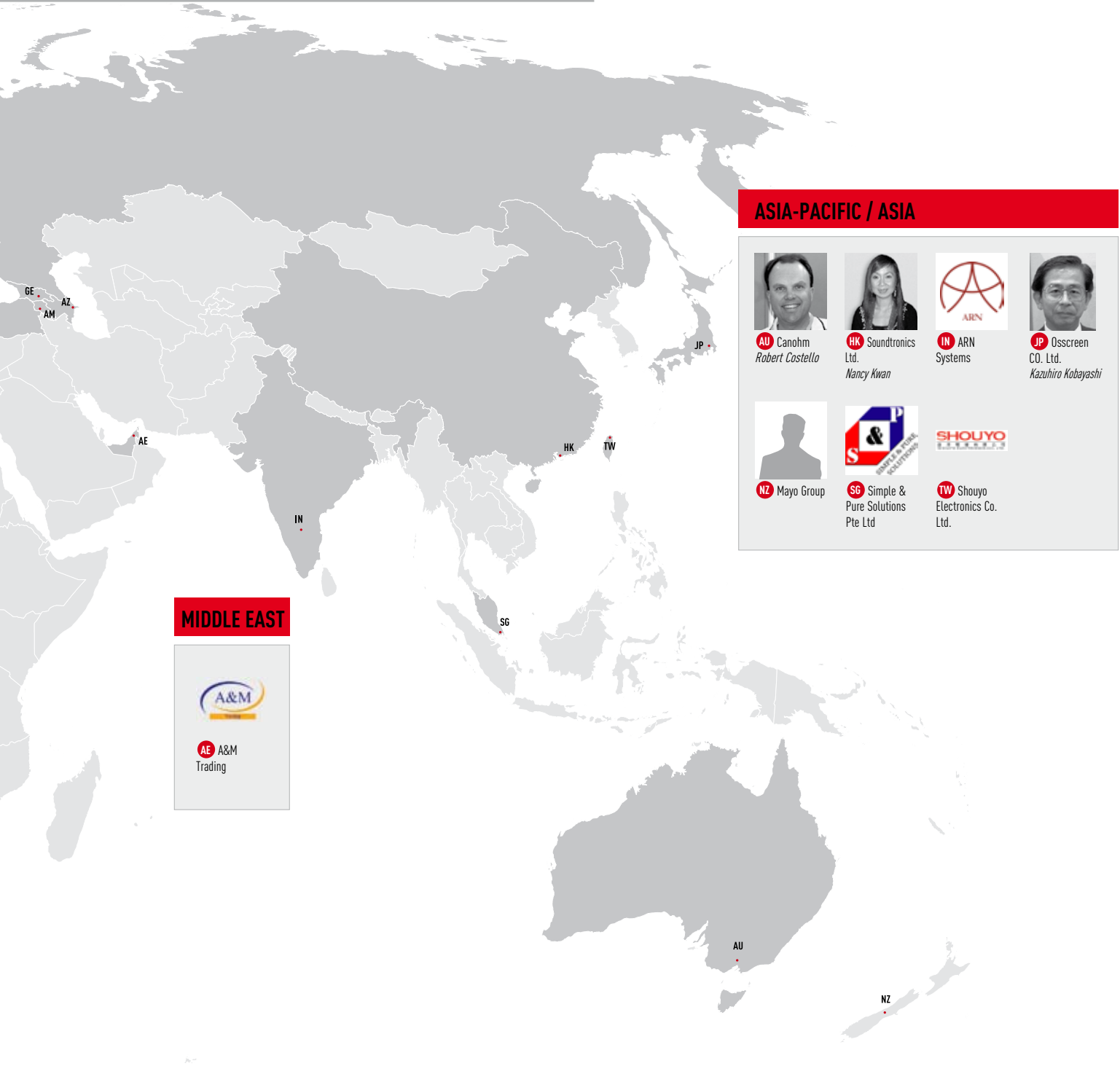
 ZA Radionic Distributors Ltd.
--



PARTNERSHIP WITH VOGEL'S

Vogel's has chosen to work with an indirect and independent distribution channel that has exclusive representation in each country or region where Vogel's products are sold. We are committed to this business model and fully support our importers who represent us locally. As a dealer, you can always contact your local Vogel's importer directly for information about Vogel's products and applications. They can also provide you with sales and marketing support tools. See page 58 for more detailed information.


 EE Sandman Group	 ES VCP Ibérica	 FI Aurora Group Finland Oy <i>Juha Järvinen</i>	 FR D.A.M. <i>Igor Briaud</i>	 GB Vogel's Products UK	 GE Zakharr LLC
 LV Latsat Ltd. <i>Aleksandra Partolina</i>	 MT YAL Home and Electronics <i>Adrian Galea</i>	 NL Havoned B.V. <i>Ruud Schaay</i>	 NO Aurora Group Norway A/S <i>Jan Einar Ervik</i>	 PL Arkas Sp. Z o.o.	 PT Videoacústica



ASIA-PACIFIC / ASIA

 AU Canohm <i>Robert Costello</i>	 HK Soundtronics Ltd. <i>Nancy Kwan</i>	 IN ARN Systems	 JP Osscreen CO. Ltd. <i>Kazuhiro Kobayashi</i>
 NZ Mayo Group	 SG Simple & Pure Solutions Pte Ltd	 TW Shouyo Electronics Co. Ltd.	

MIDDLE EAST



AE A&M Trading

Africa

Country	Importer	Telephone	E-mail	Website
ZA	Radionic Distributors Pty Ltd.	+27117405573	info@radionic.co.za	www.radionic.co.za

Americas

AN	Boolchand's Curacao Boolchand's St Maarten	+59994612262 +5995422245	boolchandcs@bgate.net avinash@boolchands.com	
BR	Linear Audio	+1155894450	linearaudio@linearaudio.com.br	www.linearaudio.com.br
CL	Audio plus	+5622176466	ac@audioplus.cl	www.audioplus.cl
MX	Embodiment S.A. de C.V.	+525556688765	embodiment_mx@hotmail.com	
VZ	Electrodomesticos JVG Hogar C.A.	+582122868118	cesarj10@cantv.net	www.jvg.com

Asia-Pacific

AU	Canohm	+61396454700	sales@canohm.com	www.canohm.com.au
HK	Soundtronics Limited	+85225309939	info@soundtronics.com.hk	www.soundtronics.com.hk
IN	ARN Systems Pvt Ltd	+918041459999	info@arnsystems.com	www.arnsystems.com
JP	Osscreen Co. Ltd.	+81336295040	k.kobayashi@osscreen.com	www.osscreen.com
NZ	Mayo Group	+6494788853	jim@mayogroup.co.nz	www.mayogroup.co.nz
SG	Simple & Pure Solutions Pte Ltd	+6562344168	admin@simpleNpure.com.sg	www.simplenpure.com.sg
TW	Shouyo Electronics Co. Ltd	+886227995586	reishi@shouyo.com.tw	www.shouyo.com.tw

Middle East

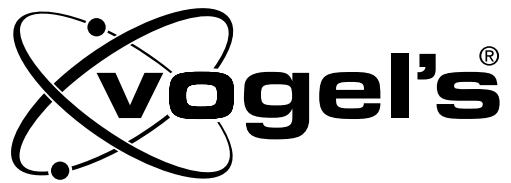
AE	A&M Trading	+97148832401	naser@groupav.com	www.groupav.com
----	-------------	--------------	-------------------	-----------------

Europe

AM	Zigzag	+37410545588	shahen@zigzag.am	www.zigzag.am
AT	H.F. Dollmann Stefani Elektronik GmbH	+43522342130 +437229618710	info@dollmann.at info@stefani-elektronik.at	www.stefani-elektronik.at www.azel.net
AZ	Azel Azerbaijan Electronics	+99412974040	newmail@azel.net	www.azel.net
BE	Lucodex NV	+3238447282	admin@lucodex.be	www.lucodex.be
BG	Vigo	+359 2 9290301	contact@vigo-bg.com	www.vigo-bg.com
CH	Telion AG	+41447321906	infoCPE@telion.ch	www.telion.ch
CY	MS Electronics	+35725580611	info@mstronics.com	www.mstronics.com
CZ	Easycy s.r.o.	+42261224555	vogels@easycy.cz	www.vogels.cz
DE	Schnepel GmbH & Co KG	+49574134610	info@schnepel.com	www.schnepel.com
DK	Aurora Group Denmark A/S	+4544858200	info@auroragroup.dk	www.auroragroup.dk
EE	Sandman Group	+3726512200	info@sandman.ee	www.sandman.ee
ES	VCP Ibérica	+34934869970	info@vcpiberica.es	www.vogels.com
FI	Aurora Group Finland Oy	+358207438060	info@auroragroup.fi	www.auroragroup.fi
FR	D.A.M.	+33164977400	dam@damdiff.com	
GB	Vogel's Products UK		info.uk@vogels.com	www.vogels.com
GE	Zakhar LLC	+99532355639	zakharllc@gol.ge	
GR	Kinotechniki	+302109601071	info@kinotechniki.gr	www.kinotechniki.gr
HR	Dacco D.O.O. TD Elektronika D.O.O.	+38512456666 +38512431555	darko.vekic@dacco.hr td-elektronika@zg.tel.hr	www.dacco.hr www.td-elektronika.hr
HU	Steelbird	+3614637163	vogels@axelero.hu	www.vogels.hu
IE	Hi Fidelity Marketing	+35351853416	hifidelity@eircom.net	
IS	Television Centre Ltd.	+3545689090	olafur@sm.is	www.sm.is
IT	Vogels Products Italia Pozzi Italia s.r.l.	+390392785385	info.it@vogels.com commerciale@pozzitalia.it	www.vogels.com www.pozzitalia.it
LT	Ogmina Ltd. ACME Computer Components	+37052741750 +37037395006	e.praleika@ogmina.lt audrius.kundelis@acme.lt	www.ogmina.lt www.acc.acme.lt
LU	Lucodex NV	+3238447282	admin@lucodex.be	www.lucodex.be
LV	Latsat Ltd.	+3717813311	latsat@latsat.com	www.latsat.com
MT	YAL Home and Electronics	+35621419550	adriang@onvol.net	www.yalmalta.com
NL	Havoned B.V.	+31341359050	info@havoned.nl	www.havoned.nl
NO	Aurora Group Norway A/S	+4773829445	info@auroragroup.no	www.auroragroup.no
PT	Videoacústica	+351214241770	office@videoacustica.pt	www.videoacustica.pt
PL	Arkas Sp. Z o.o.	+48768711974	arkas@arkas.pl	www.arkas.pl
RO	VOG-Design Trade S.R.L.	+40213121909	office@vog-design.ro	www.vog-design.ro
RU	Optima Ltd.	+74957730553	info@vogels.ru	www.vogels.ru
SE	Aurora Group Sweden AB	+46856490850	info@auroragroup.se	www.auroragroup.se
SK	TT-Thais Trading	+4210905429926	info@vogels.sk	www.vogels.sk
SL	Technotop	+38615461850	technotop@siol.net	
SR	Av Max Group	+38132227469	avmax@ptt.yu	
TR	Aztek Teknoloji Ürünleri	+902122798889	info@aztekteknoloji.com	www.aztekteknoloji.com
UA	Dumka	+380567782500	import@dumka.net.ua	www.dumka.net.ua

ARTICLE INDEX

Type nr.	Page	Type nr.	Page
DVDock®	21	EFWE 6455 RC	11
EFA 0040	20	ELW 6600	24
EFA 6825	18	ELW 6605	24
EFA 6830	18	EMO®	10
EFA 6835	18	EPC 6545	23
EFA 6840	18	EPT 6525	23
EFA 6875	18	EPW 6565	23
EFA 6880	18	Vogel's Glider®	11
EFA 6885	18	Vogel's Hide-A-Wire®	28
EFA 6895	18	PFW 185	19
EFA 8001	19	SoundPointer®	24
EFF 1140	20	Vogel's TriMotor®	25
EFFE 1140 RC	11	Vogel's TVskin®	34
EFT 2240	20	TVB 120	32
EFT 2265	20	TVB 150	32
EFW 2001	19	VFW 030	29
EFW 6105	14	VFW 032	29
EFW 6125	14	VFW 040	30
EFW 6145	14	VFW 065	30
EFW 6205	15	VFW 130	29
EFW 6225	15	VFW 132	29
EFW 6245	15	VFW 140	30
EFW 6305	16	VFW 165	30
EFW 6325	16	VFW 226	27
EFW 6345	16	VFW 232	28
EFW 6405	17	VFW 326	27
EFW 6445	17		



In 1973 Vogel's, based in the Netherlands, introduced the world's first loudspeaker mount. Now, more than 35 years later Vogel's is recognized worldwide as the industry's expert in the design, placement and manufacturing of mounts and furniture for audio and video equipment. Over the years Vogel's introduced many new and innovative products to the market.

Vogel's Products B.V.
Eindhoven, The Netherlands

