

# NEC

1. Installing Cabinets

2. PCB Installation and Startup

3. Installing Extensions and Trunks

4. Telephones and Optional Equipment

5. Data and SMDR

6. LAN Connection

7. Specifications and Parts

The logo for the Aspire S series, featuring the word "Aspire" in a blue, italicized sans-serif font, followed by a stylized "S" in a blue, italicized sans-serif font.

**Hardware Manual**

04.04

Technical Support Web Site:  
<http://ws1.necii.com> (registration is required)

This manual has been developed by NEC Unified Solutions, Inc. It is intended for the use of its customers and service personnel, and should be read in its entirety before attempting to install or program the system. Any comments or suggestions for improving this manual would be appreciated. Forward your remarks to:

**NEC Unified Solutions, Inc.**  
4 Forest Parkway  
Shelton, CT 06484  
**necunifiedsolutions.com**

Nothing contained in this manual shall be deemed to be, and this manual does not constitute, a warranty of, or representation with respect to, any of the equipment covered. This manual is subject to change without notice and NEC Unified Solutions, Inc. has no obligation to provide any updates or corrections to this manual. Further, NEC Unified Solutions, Inc. also reserves the right, without prior notice, to make changes in equipment design or components as it deems appropriate. No representation is made that this manual is complete or accurate in all respects and NEC Unified Solutions, Inc. shall not be liable for any errors or omissions. In no event shall NEC Unified Solutions, Inc. be liable for any incidental or consequential damages in connection with the use of this manual. This document contains proprietary information that is protected by copyright. All rights are reserved. No part of this document may be photocopied or reproduced without prior written consent of NEC Unified Solutions, Inc.

©2005 by NEC Unified Solutions, Inc. All Rights Reserved.  
Printed in U.S.A.

**Section 1:**

**Installing the Cabinet . . . . . 1-1**

- GENERAL PRECAUTIONS . . . . . 1-1
- INSTALLING THE CABINET . . . . . 1-1
  - Unpacking . . . . . 1-1
  - Before Installing . . . . . 1-1
  - Site Requirements . . . . . 1-2
  - Environmental Requirements . . . . . 1-2
  - Removing the Front Cover (Figure 1-1) . . . . . 1-2
  - Securing the Cabinet to the Floor (Figure 1-2 - Figure 1-4) . . . . . 1-4
  - Securing the Cabinet to the Wall (Figure 1-5 - Figure 1-8) . . . . . 1-7
  - Securing the Cabinet to a Rack (Figure 1-9 - Figure 1-12) . . . . . 1-10
- INSTALLING THE PCBS . . . . . 1-14
  - PCB Installation (Figure 1-13 - Figure 1-16) . . . . . 1-14
- GROUNDING THE CABINETS . . . . . 1-18
  - Connecting the System Ground (Figure 1-17) . . . . . 1-18
- COMPLETING THE INSTALLATION . . . . . 1-20
  - Setting the Cable Pass-Through (Figure 1-18 - Figure 1-20) . . . . . 1-20
  - Reinstalling the Front Cover (Figure 1-21 - Figure 1-22) . . . . . 1-22

**Section 2:**

**PCB Installation and Startup . . . . . 2-1**

- PCB LAYOUT . . . . . 2-1
  - PCB Location . . . . . 2-1
- PCB INSTALLATION . . . . . 2-2
  - Handling the PCBs . . . . . 2-2
  - Installing an Extension or Trunk PCB (Figure 2-2) . . . . . 2-2
    - To install an extension/trunk PCB: . . . . . 2-2
  - Removing an Extension or Trunk PCB . . . . . 2-4
    - To remove an extension/trunk PCB: . . . . . 2-4
  - Uninstalling a PCB Slot Through Software . . . . . 2-4
  - Where to Install the PCBs . . . . . 2-5
  - Central Processing Unit (CPU) PCB (Figure 2-3) . . . . . 2-6
    - Resetting the System: . . . . . 2-12
      - To Perform a Cold Start: . . . . . 2-12
      - To Perform a Hot Start: . . . . . 2-12
    - Performing a Software Upgrade: . . . . . 2-12
  - DSPDB Daughter Board (Figure 2-4, Figure 2-5) . . . . . 2-13
    - To Install a DSPDB Daughter Board: . . . . . 2-13
    - To Upgrade the DSPDB Compact Flash Card: . . . . . 2-14
  - LAN Connection (ENTU) PCB (Figure 2-6) . . . . . 2-15
    - Specifications . . . . . 2-15
    - LED Indications . . . . . 2-15
    - Installing the ENTU: . . . . . 2-16
  - Digital Station (8ESIU-S) PCB (Figure 2-7) . . . . . 2-17
    - LED Indications . . . . . 2-17
    - Connector Pin-Outs on ESIU . . . . . 2-18
    - To install the ESIU PCB: . . . . . 2-19

Analog Station (4SLIU-S) PCB (Figure 2-8) . . . . .	2-20
LED Indications . . . . .	2-20
Connector Pin-Outs on 4SLIU-S . . . . .	2-20
Installing an 4SLIU-S PCB: . . . . .	2-21
Analog Station (4SLIDB-S) Daughter Board (Figure 2-9 - Figure 2-10) . . . . .	2-22
LED Indications . . . . .	2-22
Connector Pin-Outs on 4SLIDB-S . . . . .	2-22
Installing an 4SLIDB-S Daughter Board: . . . . .	2-23
Analog Trunk (4COIU-S) PCB (Figure 2-11) . . . . .	2-24
LED Indications . . . . .	2-24
Connector Pin-Outs on COIU-S PCB . . . . .	2-25
Installing the Analog Trunk PCB: . . . . .	2-26
Direct Inward Dial (DID) (2DIOPU-S) PCB (Figure 2-12). . . . .	2-27
LED Indications . . . . .	2-28
Connector Pin-Outs on DIOPU-S PCB . . . . .	2-28
Installing the Direct Inward Dial PCB: . . . . .	2-28
BRI (2BRIU-S) Interface PCB (Figure 2-13) . . . . .	2-29
LED Indications . . . . .	2-30
Connector Pin-Outs on BRIU-S PCB . . . . .	2-30
To install a BRI Interface PCB: . . . . .	2-31
Voice Mail - IntraMail (Figure 2-14) . . . . .	2-32
Installing an IntraMail Compact Flash Card: . . . . .	2-33
VoIP (VOIPU-S) PCB (Figure 2-15) . . . . .	2-34
LED Indications . . . . .	2-35
Connector Pin-Outs on VOIPU-S PCB . . . . .	2-36
Installing the VoIP PCB: . . . . .	2-37
Upgrading Your VOIPU-S Firmware . . . . .	2-38
VoIP (VOIPDB-S) Daughter Board (Figure 2-16) . . . . .	2-39
Installing an VOIPDB-S Daughter Board: . . . . .	2-39
SYSTEM STARTUP. . . . .	2-40
System Startup . . . . .	2-40
Powering Up the System . . . . .	2-40
PCB STARTUP. . . . .	2-41
Initial PCB Installation . . . . .	2-41
Initial Programming (Figure 2-17). . . . .	2-42
Entering the Programming Mode . . . . .	2-42
Port Defaults . . . . .	2-42
Making Test Calls. . . . .	2-42
Setting Up Extension Circuit Types . . . . .	2-43
Saving Your Configuration . . . . .	2-44
Backing Up/Restoring a Database . . . . .	2-44
Using Flash Cards for System Software. . . . .	2-45
Using a Compressed File for System Upgrades . . . . .	2-45
Upgrading Software. . . . .	2-46
Upgrading Software From Version 2.0x, 2.1x, or 2.2x to 2.50 or Higher. . . . .	2-47
Identifying Port Location . . . . .	2-49

**Section 3:**

**Installing Extensions and Trunks. . . . . 3-1**

- RJ-61 TO 66 BLOCK CONNECTIONS . . . . . 3-1
  - Wiring RJ-61 Cables to 66 Blocks . . . . . 3-1
- INSTALLING 25-PAIR CABLES . . . . . 3-2
  - Routing Cables . . . . . 3-2
  - Installing Extension Cross-Connect Blocks . . . . . 3-2
  - Installing Trunk Cross-Connect Blocks . . . . . 3-2
- INSTALLING EXTENSIONS . . . . . 3-3
  - Key Extension Cabling (Figure 3-1) . . . . . 3-3
    - To connect key station cabling: . . . . . 3-3
  - Installing a Key Telephone (Figure 3-1) . . . . . 3-3
- INSTALLING SINGLE LINE TELEPHONES . . . . . 3-4
  - Single Line Extension Cabling (Figure 3-2) . . . . . 3-4
    - To connect station cabling: . . . . . 3-4
  - Installing a Single Line Telephone (Figure 3-2) . . . . . 3-4
    - To install a single line telephone: . . . . . 3-4
- INSTALLING CORDLESS TELEPHONES . . . . . 3-5
  - Cordless Phone Extension Cabling (Figure 3-3) . . . . . 3-5
    - To connect station cabling: . . . . . 3-5
  - Installing a Cordless Telephone (Figure 3-3) . . . . . 3-5
    - To install a cordless telephone: . . . . . 3-5
- EXTENSION CUTDOWN SHEET . . . . . 3-6
  - Extension Cutdown Sheet Configuration (Figure 3-4) . . . . . 3-6
- INSTALLING CO/PBX LINES . . . . . 3-8
  - Loop Start Line Cabling . . . . . 3-8
  - Installing Loop Start Lines (Figure 3-5) . . . . . 3-8
    - To install a loop start line: . . . . . 3-8
- INSTALLING BRI TRUNKS . . . . . 3-10
  - BRI Trunks (Figure 3-6) . . . . . 3-10
    - Installing BRI Trunks . . . . . 3-10
- INSTALLING DID TRUNKS . . . . . 3-12
  - DID Trunks (Figure 3-7) . . . . . 3-12
    - Installing DID Trunks . . . . . 3-12
- INSTALLING A DID CHOKE . . . . . 3-13
  - DID Choke (Figure 3-8) . . . . . 3-13
    - DID Choke Installation: . . . . . 3-13
- LINE/TRUNK CUTDOWN SHEET . . . . . 3-14
  - CO/PBX Line Cutdown Sheet Configuration (Figure 3-9) . . . . . 3-14
- TROUBLESHOOTING . . . . . 3-16
  - Basic Troubleshooting . . . . . 3-16
    - Troubleshooting Digital Extensions . . . . . 3-16
  - TESTING TELEPHONE OPERATION . . . . . 3-17
    - Troubleshooting Analog Extensions . . . . . 3-18
    - Aspire Keypad Speakerphone Problems When Used with Analog Trunks . . . . . 3-19
    - Troubleshooting CO Lines . . . . . 3-21
    - Aspire Clipping Analog Trunk Calls . . . . . 3-22
    - Troubleshooting ISDN Lines . . . . . 3-23

## Section 4:

<b>Telephones and Optional Equipment</b> . . . . .	<b>4-1</b>
2PGDAD MODULE . . . . .	4-1
Using a 2PGDAD Module (Figure 4-1 - Figure 4-8) . . . . .	4-1
LED Indications . . . . .	4-2
Setting Up 2PGDAD Module Connections . . . . .	4-2
BACKGROUND MUSIC . . . . .	4-7
Installing Background Music (Figure 4-9) . . . . .	4-7
DOOR BOX . . . . .	4-8
Installing a Door Box (Figure 4-10, Figure 4-11) . . . . .	4-8
DSS CONSOLE . . . . .	4-11
Using a DSS Console (Figure 4-12 - Figure 4-14) . . . . .	4-11
Installing a 110-Button DSS Console . . . . .	4-12
Installing a 24-Button DLS Console . . . . .	4-13
DTERM VOICE SECURITY RECORDER (VSR) . . . . .	4-14
Dterm Voice Security Recorder (VSR) . . . . .	4-14
EXTERNAL PAGING . . . . .	4-18
External Page (Figure 4-15, Figure 4-55) . . . . .	4-18
Installing an External Page System . . . . .	4-18
EXTERNAL RECORDING SYSTEM / EXTERNAL RINGER . . . . .	4-20
External Recording System or External Ringer (Figure 4-16) . . . . .	4-20
Installing an External Recording System or External Ringer . . . . .	4-20
Programming . . . . .	4-21
HEADSETS . . . . .	4-23
Connecting a Headset . . . . .	4-23
IN-LINE POWER ADAPTER (ILPA-R) . . . . .	4-24
Using the In-Line Power Adapter (Figure 4-17) . . . . .	4-24
Conditions . . . . .	4-24
Installation . . . . .	4-25
KEYSET LABELING . . . . .	4-26
Labeling Your Phone (Figure 4-18) . . . . .	4-26
Removing the Faceplate: . . . . .	4-26
Replacing the Faceplate: . . . . .	4-26
MUSIC SOURCES . . . . .	4-27
Music on Hold (Figure 4-19, Figure 4-20) . . . . .	4-27
Installing External Music on Hold . . . . .	4-27
PHONE ADAPTERS . . . . .	4-29
Using Adapters (Figure 4-21) . . . . .	4-29
Removing the Adapter Cover (Figure 4-22) . . . . .	4-30
Data Communication and Hardware Compatibility . . . . .	4-31
ADA Adapter (Figure 4-23 - Figure 4-30) . . . . .	4-32
Installing the ADA Adapter: . . . . .	4-32
ADA2 Adapter (Figure 4-31 - Figure 4-38) . . . . .	4-35
Installing the ADA2 Adapter: . . . . .	4-35
APA and APR Adapters (Figure 4-39 - Figure 4-40) . . . . .	4-38
Installing the APA or APR Adapter: . . . . .	4-38
CTA Adapter (Figure 4-39 - Figure 4-40) . . . . .	4-41
Installing the CTA Adapter: . . . . .	4-41
CTU Adapter (Figure 4-43 - Figure 4-45) . . . . .	4-44
Installing the CTU Adapter: . . . . .	4-44

PSA-R Adapter (Figure 4-46 - Figure 4-47) ..... 4-47  
     Installing the PSA-R Adapter: ..... 4-47  
     Using the PSA-R Adapter: ..... 4-48  
 Speakerphone (HF-R) Adapter (Figure 4-39 - Figure 4-40) ..... 4-49  
     Installing the HF-R Adapter: ..... 4-49  
 VoIP Adapter (Figure 4-51 - Figure 4-53) ..... 4-51  
     Installing the VoIP Adapter: ..... 4-51  
**POWER FAILURE TELEPHONES** ..... 4-53  
     Power Failure (Figure 4-54) ..... 4-53  
         Connector Pin-Outs on COIU PCB for Power Failure Circuits ..... 4-53  
         Installing the Power Failure Telephones: ..... 4-54  
**RELAYS** ..... 4-56  
     Relays - External Page, Door Box, General Purpose (Figure 4-15, Figure 4-55) ..... 4-56  
         To connect a dry contact relay device to a Door Box/External  
             Page Relay: ..... 4-56  
**SLT ADAPTER** ..... 4-58  
     Using the SLT Adapter (Figure 4-56 - Figure 4-58) ..... 4-58  
     Installing the SLT Adapter ..... 4-58  
     Wall-Mounting the SLT Adapter ..... 4-59  
**Telephones** ..... 4-60  
     34-Button Super Display Telephone – P/Ns 0890049 & 0890050 ..... 4-60  
     34-Button Display Telephone – P/Ns 0890045 & 0890046 ..... 4-61  
     22-Button Display Telephone – P/Ns 0890043 & 0890044 ..... 4-61  
     22-Button Standard Telephone – P/Ns 0890041 & 0890042 ..... 4-62  
     2-Button Telephone – P/Ns 0890047 & 0890048 ..... 4-62  
     Cordless Single Line Headset Telephone, CT-11 – P/N 730090 ..... 4-63  
     Cordless Telephone – P/N 730088/730087 ..... 4-64  
**IP Station Equipment** ..... 4-73  
     34-Button Aspire iPhone - BK – P/N 0890065 ..... 4-73  
     H.323 IP Phone – P/N 780005 ..... 4-73  
**SUPER DISPLAY LCD** ..... 4-76  
     Positioning the Super Display LCD (Figure 4-76, Figure 4-77) ..... 4-76  
**TELEPHONE LEGS** ..... 4-77  
     Using the Telephone Legs (Figure 4-78 - Figure 4-82) ..... 4-77  
     Adjusting the Leg Height ..... 4-77  
**WALL-MOUNT BRACKET** ..... 4-80  
     Using the Wall-Mount Bracket ..... 4-80  
     Installing the Wall-Mount Handset Bracket (Figure 4-83 - Figure 4-89) ..... 4-80  
     Removing the Phone From a Wall-Mounting Bracket  
         (Figure 4-90 - Figure 4-91) ..... 4-84  
     Installing the 2-Button Phone’s Wall-Mount Bracket  
         (Figure 4-92 - Figure 4-94) ..... 4-86

<b>Section 5:</b>	
<b>Data and SMDR</b> .....	<b>5-1</b>
DATA OVERVIEW .....	5-1
Data Communications .....	5-1
APA Adapter .....	5-1
APR Adapter .....	5-1
CTA Adapter .....	5-2
CTU Adapter .....	5-2
Data Communication Availability With Hardware .....	5-2
Ports for APR Adapter .....	5-3
Programming for System and Alarm Reports .....	5-3
SMDR .....	5-4
Using SMDR (Figure 5-1) .....	5-4
Installing SMDR .....	5-4
Programming SMDR .....	5-6
<b>Section 6:</b>	
<b>LAN Connection</b> .....	<b>6-1</b>
LAN DEVICES .....	6-1
Using LANs .....	6-1
PCBs: .....	6-3
Terminals: .....	6-3
Hardware: .....	6-4
Installing a LAN Device or VoIP Telephone .....	6-5
<b>Section 7:</b>	
<b>Specifications and Parts List</b> .....	<b>7-1</b>
SYSTEM SPECIFICATIONS .....	7-1
Aspire S System Capacities .....	7-1
Aspire S PCB Capacities .....	7-2
Environmental Requirements .....	7-3
Environmental Specifications .....	7-3
Power Requirements .....	7-3
Site Requirements .....	7-3
Electrical Specifications .....	7-4
Aspire Soft Phone Requirements .....	7-5
CallAnalyst Requirements .....	7-6
IP Routers .....	7-7
Mechanical Specifications .....	7-8
2PGDAD Module/CPU Input/Output .....	7-8
AC-2R Input/Output .....	7-8
BGM/MOH Music Source Input .....	7-9
Door Box/External Paging .....	7-9
LAN Specifications .....	7-9
Single Line Telephone - DTH-1-1 .....	7-9
SLT Adapter .....	7-9
SLIU PCB / SLIDB .....	7-9
Recommended Usage Guidelines for Cordless Phones .....	7-10
Cordless Lite II .....	7-10
Cordless II .....	7-11
UL Listed System .....	7-11



FCC Registration Information . . . . .	7-12
FCC DID Requirements . . . . .	7-12
Cabling Requirements . . . . .	7-13
Cable Requirements . . . . .	7-13
Aspire S Configuration Guide . . . . .	7-15
PARTS LIST . . . . .	7-16
Station Equipment . . . . .	7-16
Peripheral Station Equipment . . . . .	7-17
Aspire Applications . . . . .	7-18
Bluefire . . . . .	7-18
Common Equipment . . . . .	7-19
PCBs . . . . .	7-19
Desi Labels . . . . .	7-20
Spare Parts . . . . .	7-22

- For Your Notes -

# Section 1: Installing the Cabinet

## GENERAL PRECAUTIONS

- To avoid shock or equipment damage, do not plug in or turn the system power on before completing the installation process.
- Avoid working with the equipment during electrical storms.
- Use only commercial AC power to prevent shock or fire.
- Use the power cord supplied for the cabinet.
- Do not bundle AC power cords together to prevent the cords from overheating.
- Make sure the cabinet has a proper earth ground.
- Install batteries with the correct polarity to prevent damaging equipment.
- The cabinet should not be placed on unstable surfaces to avoid damage.

## INSTALLING THE CABINET

---

### Unpacking

Unpack the equipment and check it against your equipment lists. The cabinet contains a power supply installed by the manufacturer, however, no PCBS are installed. Inspect for physical damage. If you are not sure about a component's function, review the information for the component within this manual. Contact your Sales Representative if you have additional questions.

Make sure you have appropriate tools for the job, including: a test set, a punch down tool, and a digital voltmeter.

---

### Before Installing

Make sure you have a building plan showing common equipment, extensions, the telco demarcation, and earth ground location. The installation site must meet NEC Unified Solutions specifications in the Standard Practices Manual (P/N N2710STD\*\*).

---

## Site Requirements

The system can be floor-mounted (optional floor mounting brackets required), wall-mounted, or rack-mounted (rack mounting hardware required). Ensure that enough space is available around the cabinet to allow room to work with the cabinet for installation and maintenance.

The system requires a three-prong dedicated 110 VAC 60 Hz circuit (NEMA 5-15 receptacle) located within 6 feet of the AC receptacle. Telco should install the RJ21X to the right of the cabinet. Extension blocks should be installed to the left of the cabinet.

The cabinet is shipped fully assembled. The following is enclosed with the cabinet:

- 1 green 14AWG ground wire (installed to the power supply's backplane)
- 1 black three-prong power cord (packed outside the cabinet)

---

## Environmental Requirements

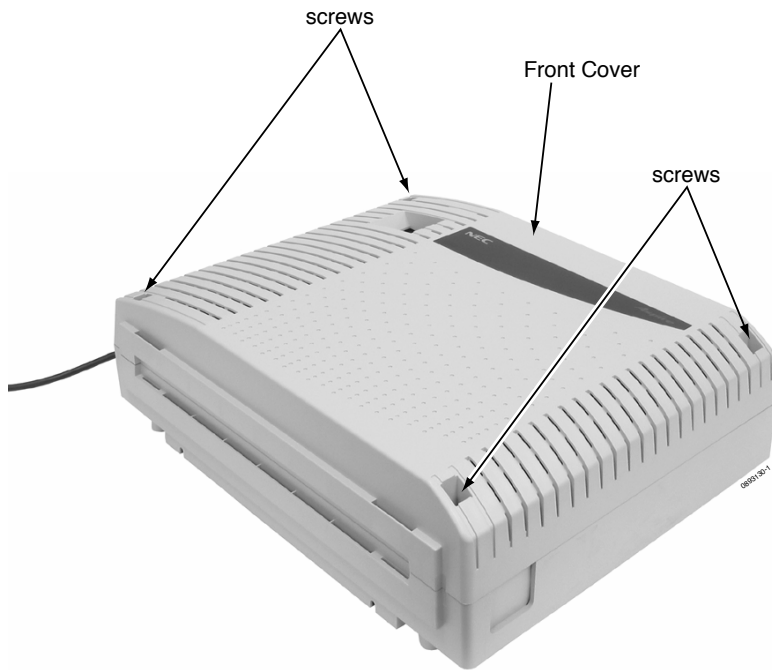
Meeting and maintaining established environmental standards maximizes the life of the system. Be sure that the site selected for the cabinet is not:

1. In direct sunlight or in hot, cold or humid places.
2. In dusty areas or in areas where sulfuric gases are produced.
3. In places where shocks or vibrations are frequent or strong.
4. In places where water or other fluids comes in contact with the main equipment.
5. In areas near high-frequency machines or electric welders.
6. Near computers, telexes, microwaves, air conditioners, TVs, wireless devices, medical instruments, etc.
7. Near radio antennas (including shortwave).

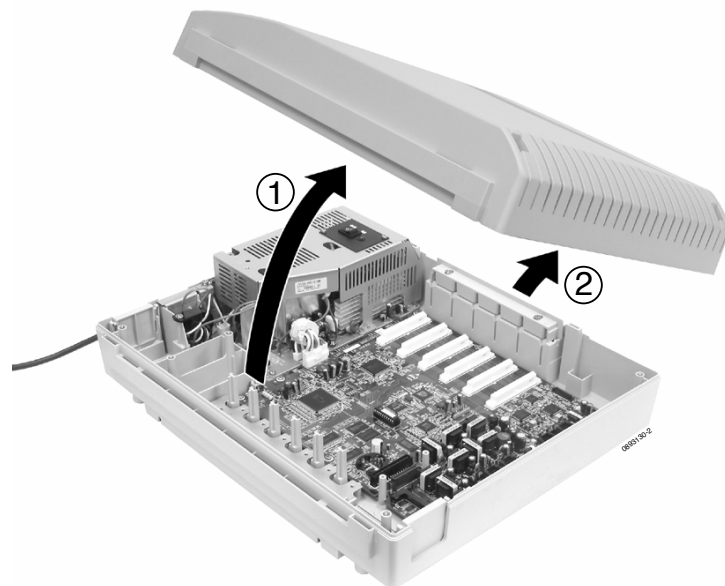
---

## Removing the Front Cover (Figure 1-1)

1. Position the cabinet on the floor near the MDF within 6 feet of the dedicated AC outlet. (Do not secure the cabinet to the wall at this time).
2. Loosen the four captive front panel retaining screws.
3. Lift up slightly on the bottom of the front cover - then gently slide the cover up over the tabs to remove it.



Step 1



Step 2

Figure 1-1: REMOVING THE FRONT COVER

## Securing the Cabinet to the Floor (Figure 1-2 - Figure 1-4)

1. Install the mounting brackets on the floor providing the appropriate spacing as shown below.

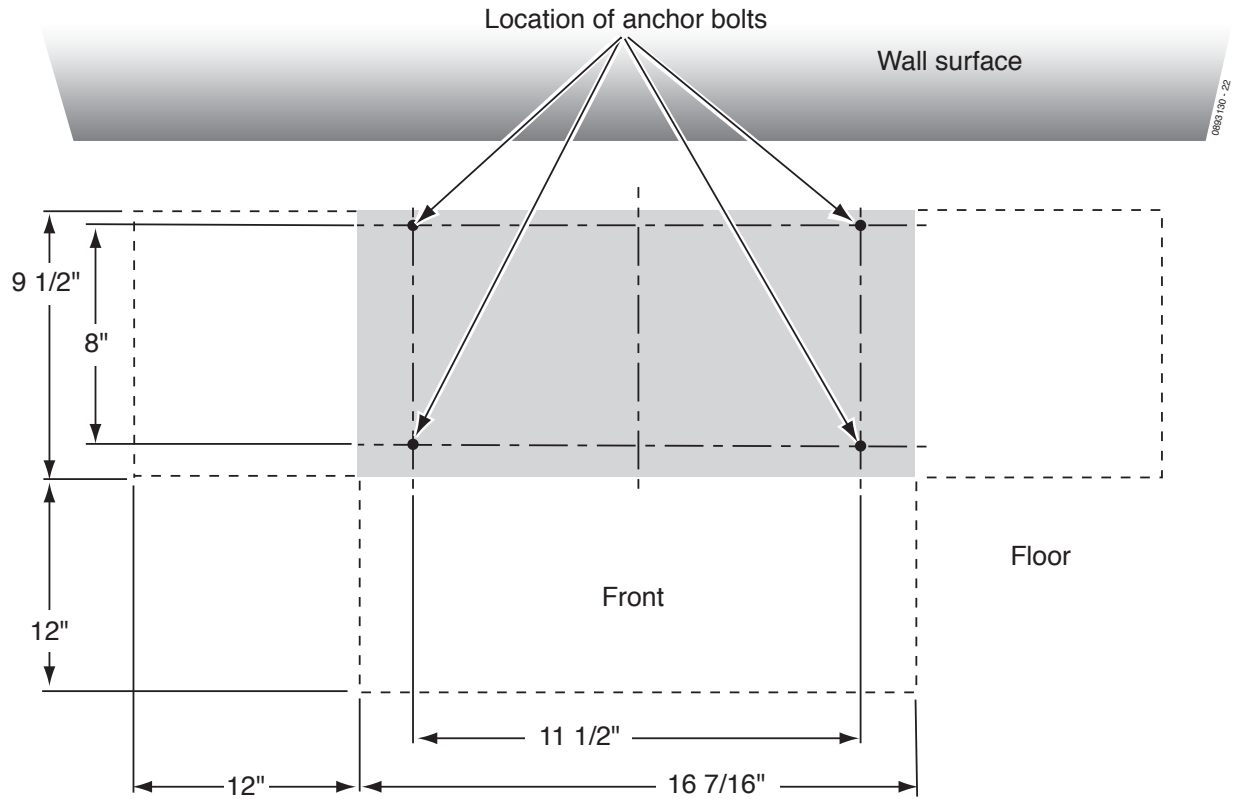


Figure 1-2: INSTALLING THE MOUNTING BRACKETS

2. Attach the floor mounting brackets to the cabinet. Insert the tabs of the brackets into the slots on the bottom of the cabinet.

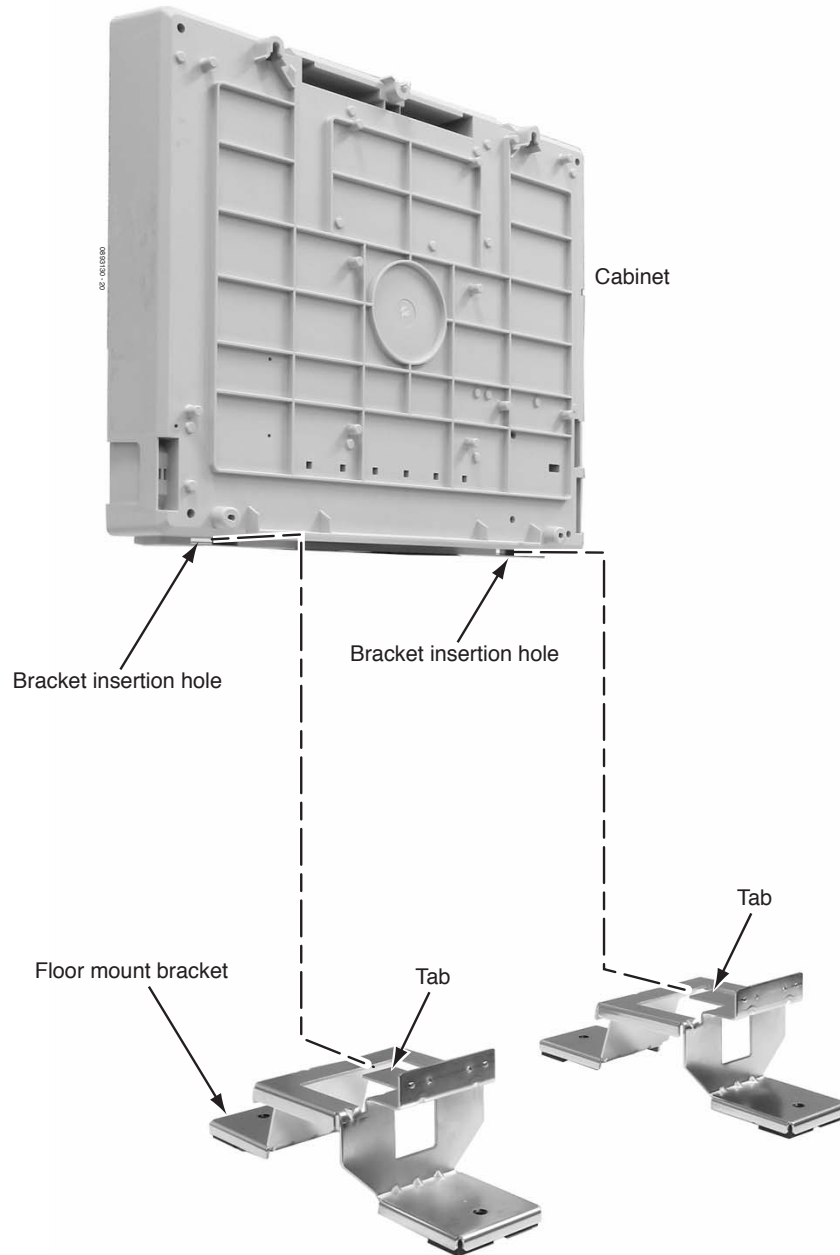


Figure 1-3: SECURE THE MOUNTING BRACKETS WITH SCREWS

## Section 1: Installing the Cabinet

- Secure the brackets to the cabinet with the screws provided with the bracket. Then secure the mounting brackets to the floor using 4 6mm anchor bolts.

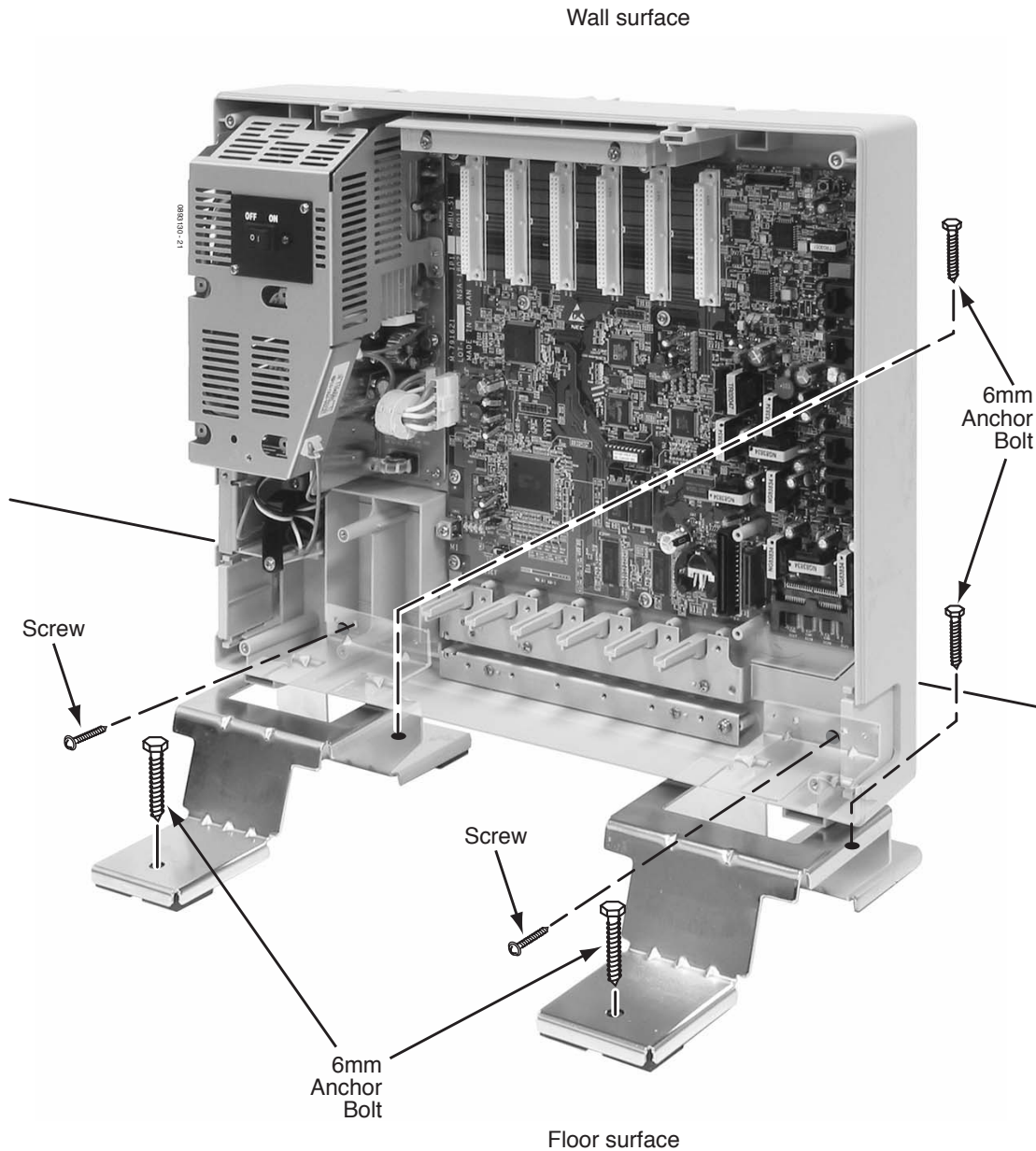


Figure 1-4: SECURE THE MOUNTING BRACKET WITH SCREWS



**Securing the Cabinet to the Wall (Figure 1-5 - Figure 1-8)**

1. Install the two wood screws to the wall providing the appropriate spacing as shown below. The two top key-hole screws should protrude from the wall about 3/16" to allow the cabinet to slide over the screw heads.  
*It is suggested that plywood first be installed on the wall where the cabinet will be positioned. This allows for secure anchoring of the screws which will be supporting the weight of the cabinet.*

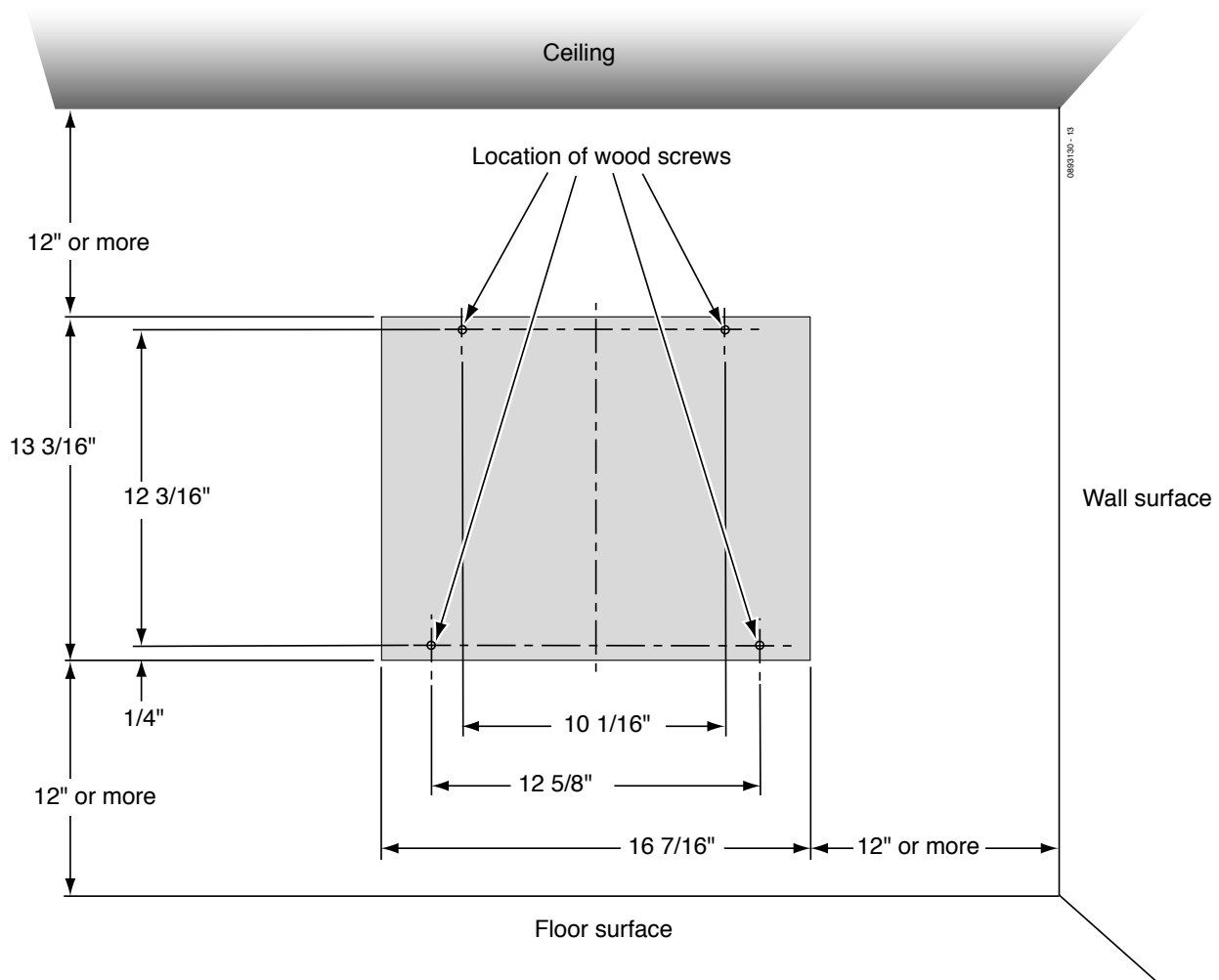
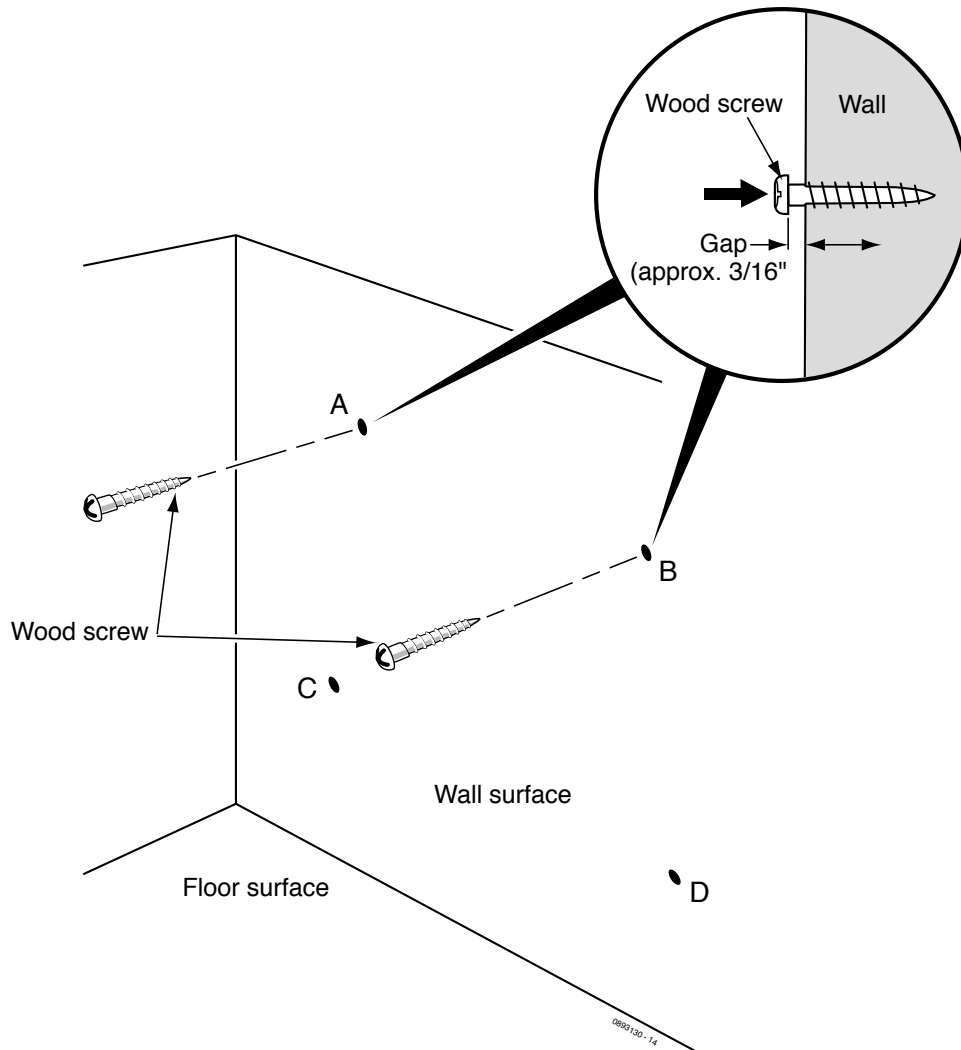


Figure 1-5: CABINET SPACE REQUIREMENTS



**Figure 1-6: INSTALLING THE WOOD SCREWS**

2. Lift the cabinet into position and slide the cabinet over the screws attached to the wall. Making sure the cabinet moves down to the top of the keyhole opening.

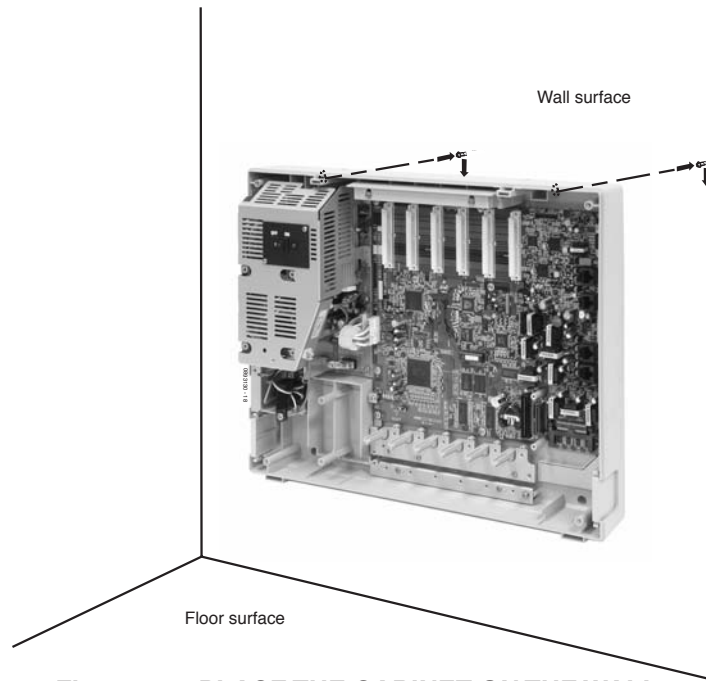


Figure 1-7: PLACE THE CABINET ON THE WALL

3. Secure the cabinet to the wall by inserting the two screws into the bottom half of the cabinet.

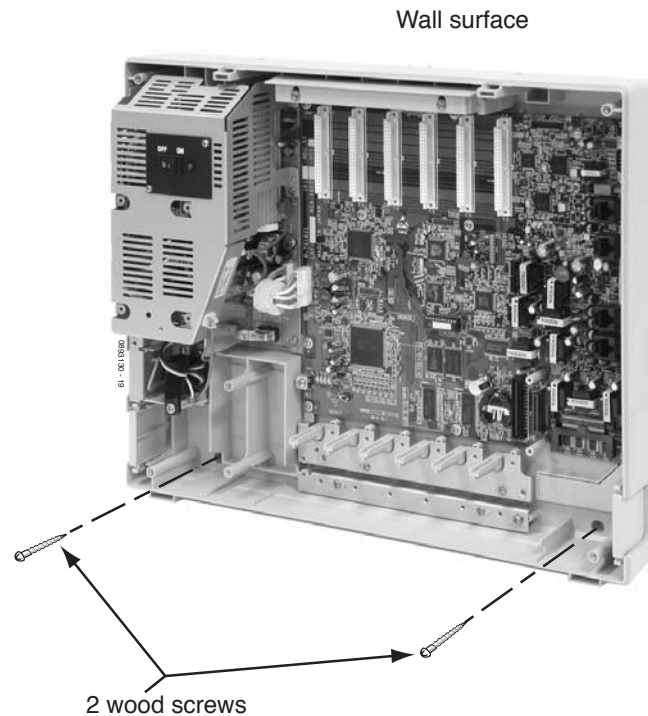


Figure 1-8: FASTEN CABINET TO WALL

## Securing the Cabinet to a Rack (Figure 1-9 - Figure 1-12)

1. Install the 19" rack mount bracket.

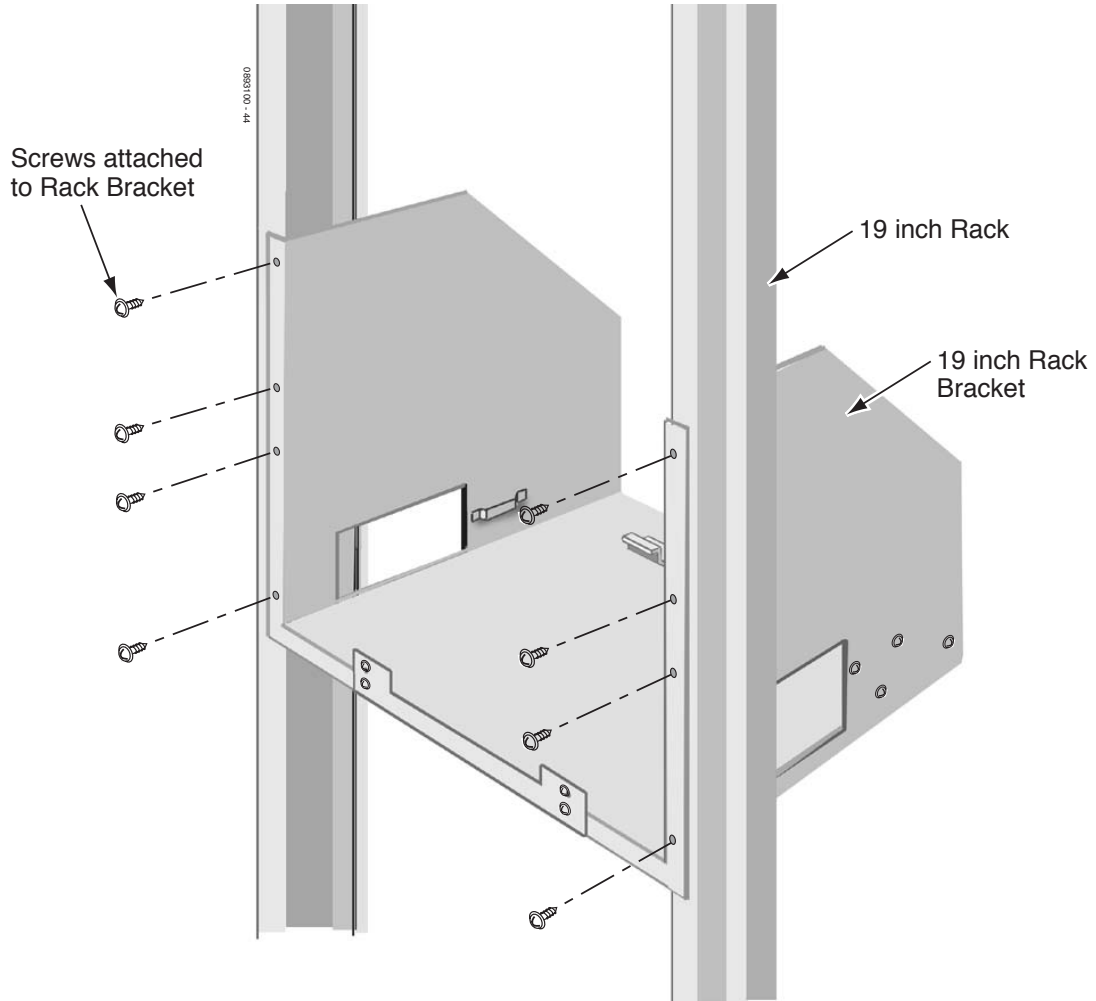


Figure 1-9: INSTALLING THE MOUNTING BRACKET ON THE RACK

2. Remove the 2 screws from the front of the rack mount bracket.

1

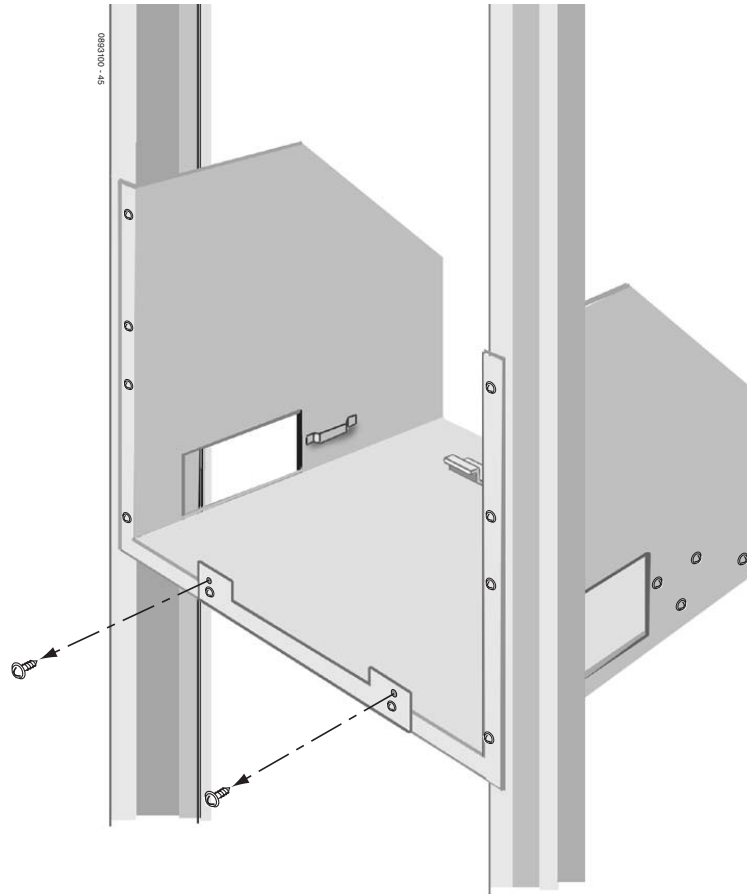


Figure 1-10: REMOVE THE SCREWS FROM THE RACK

3. Place the cabinet in the rack, making sure the screw on the rack's mounting bracket catches the cabinet's molded stop on the bottom of the cabinet. This will help secure the cabinet in place and prevent it from sliding backwards.

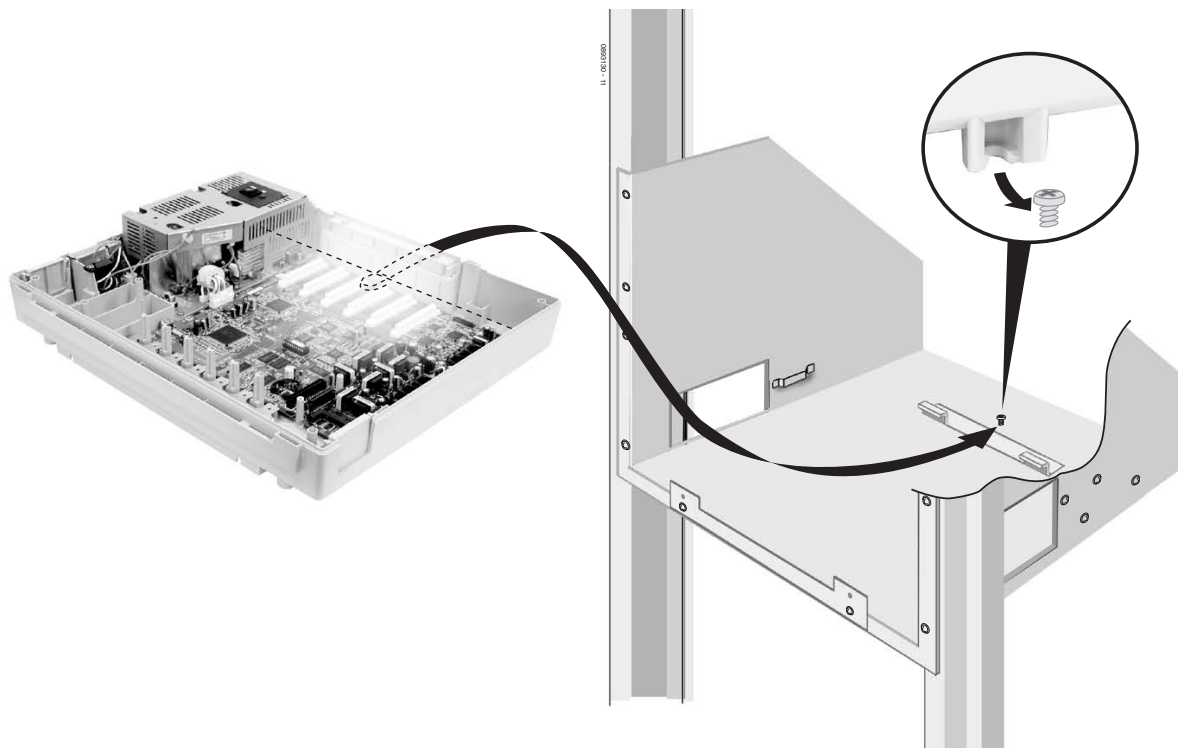


Figure 1-11: INSTALLING THE CABINET IN THE RACK

4. Replace the screws in the front of the rack which were removed in step 2.

1

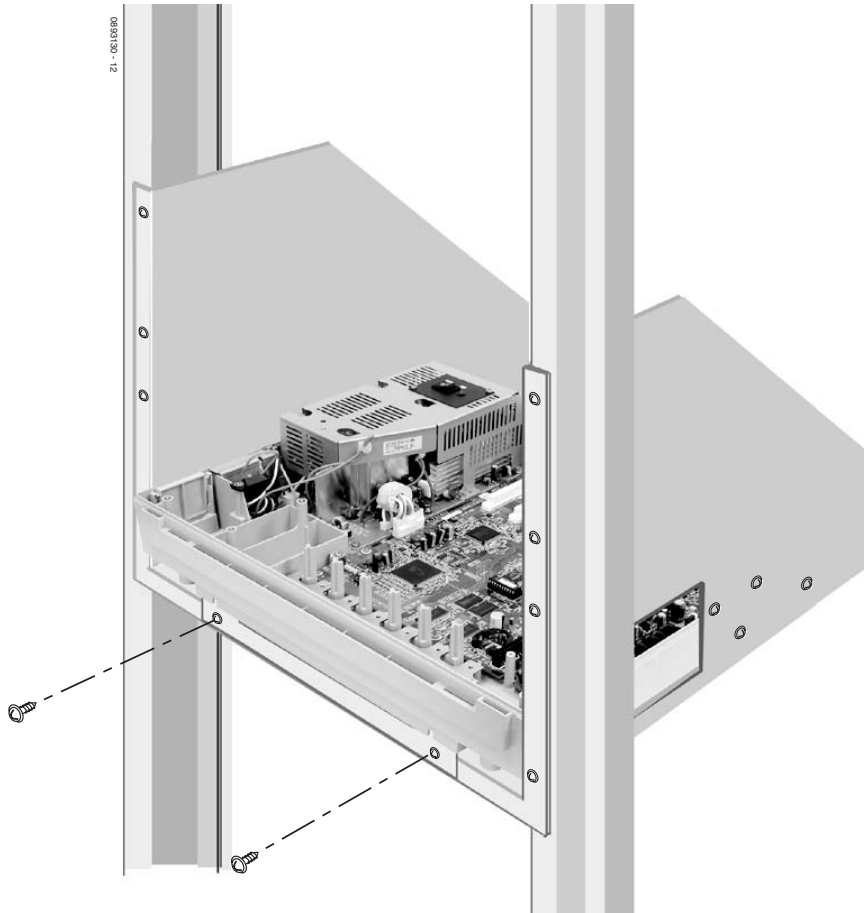


Figure 1-12: SECURING THE CABINET TO THE RACK

### INSTALLING THE PCBS

#### PCB Installation (Figure 1-13 - Figure 1-16)

1. Slide the PCB retaining bar back until you hear it click in place.  
*Do not loosen the screws.*

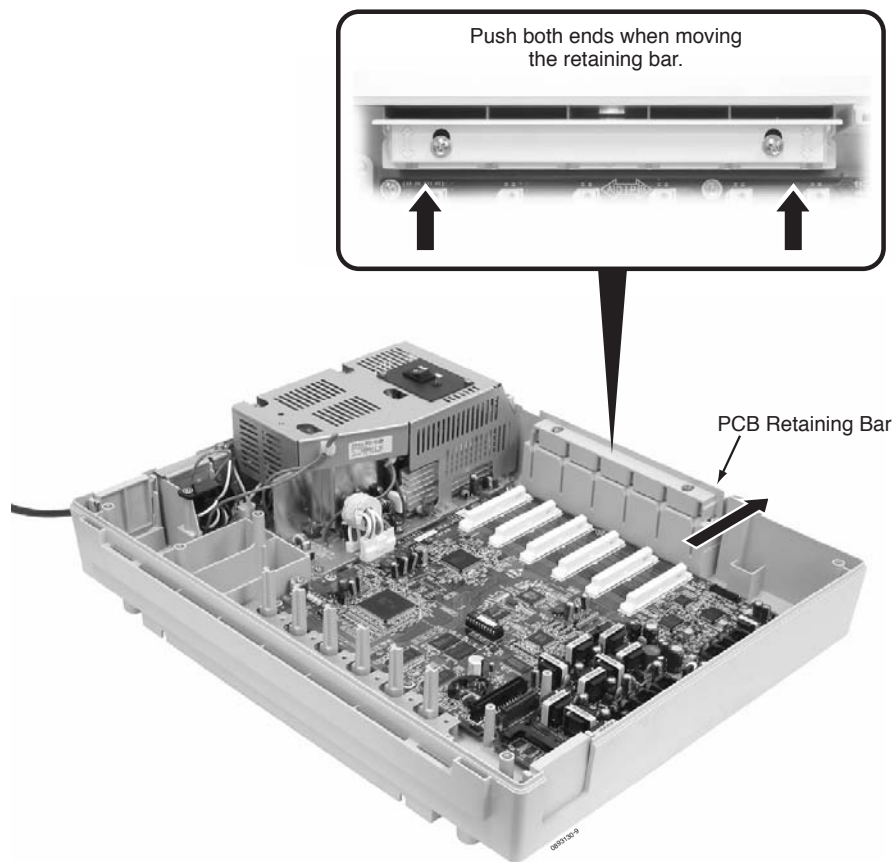


Figure 1-13: MOVING THE RETAINING BAR



2. Insert the PCB along the guide rails and firmly plug in the PCB connector to the CPU.

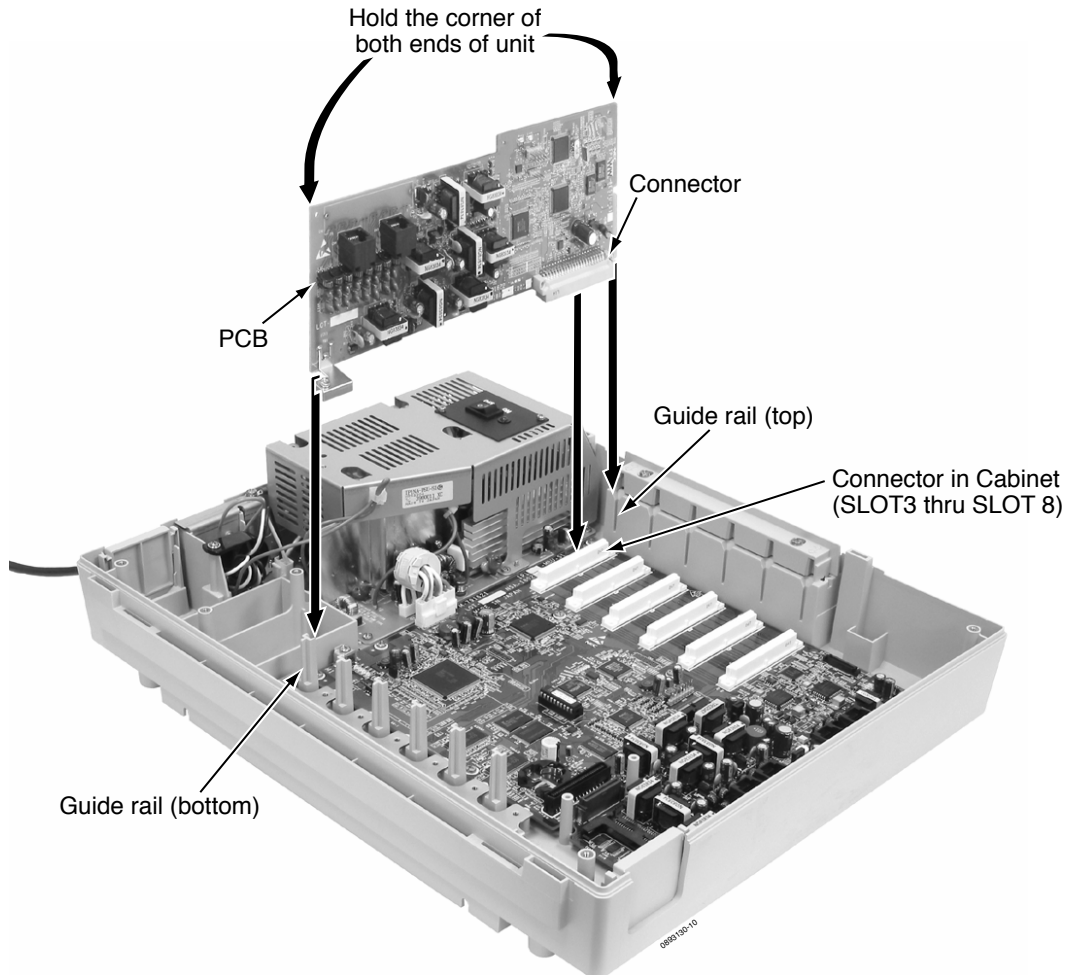
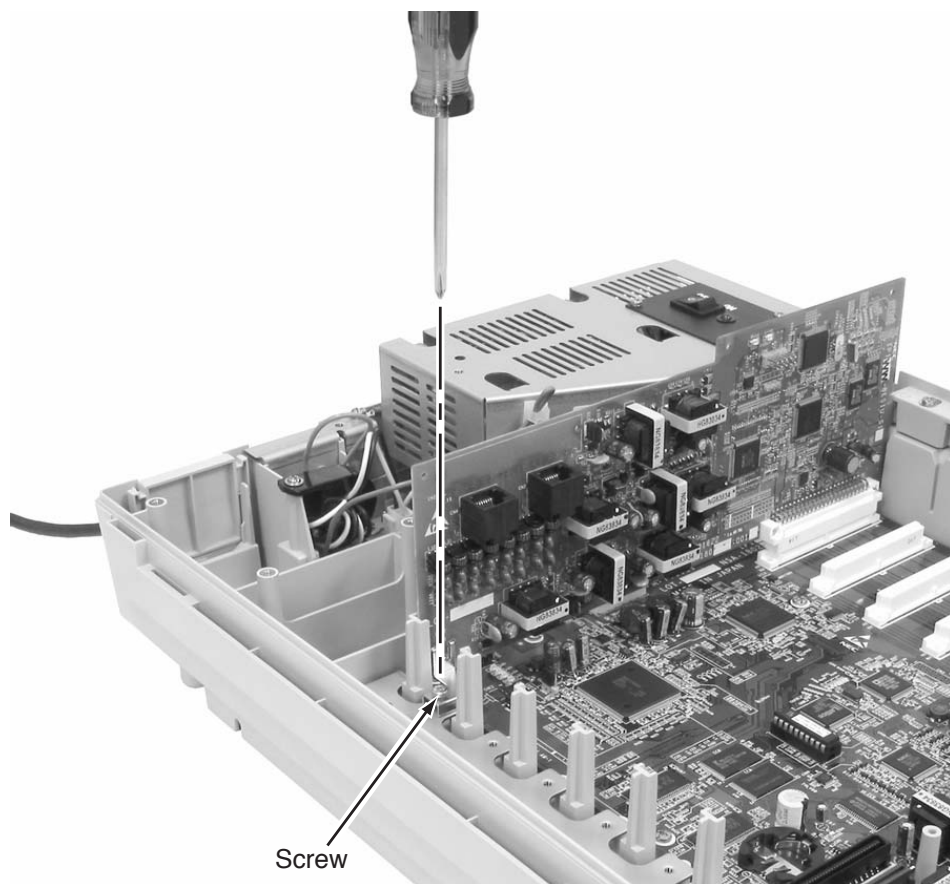


Figure 1-14: INSERTING THE PCB

3. Secure the PCB to the CPU by attaching the screw provided on the PCB as shown below.



**Figure 1-15: SECURING THE PCB**

4. Move the PCB retaining bar back in place to secure to top of the PCBs.

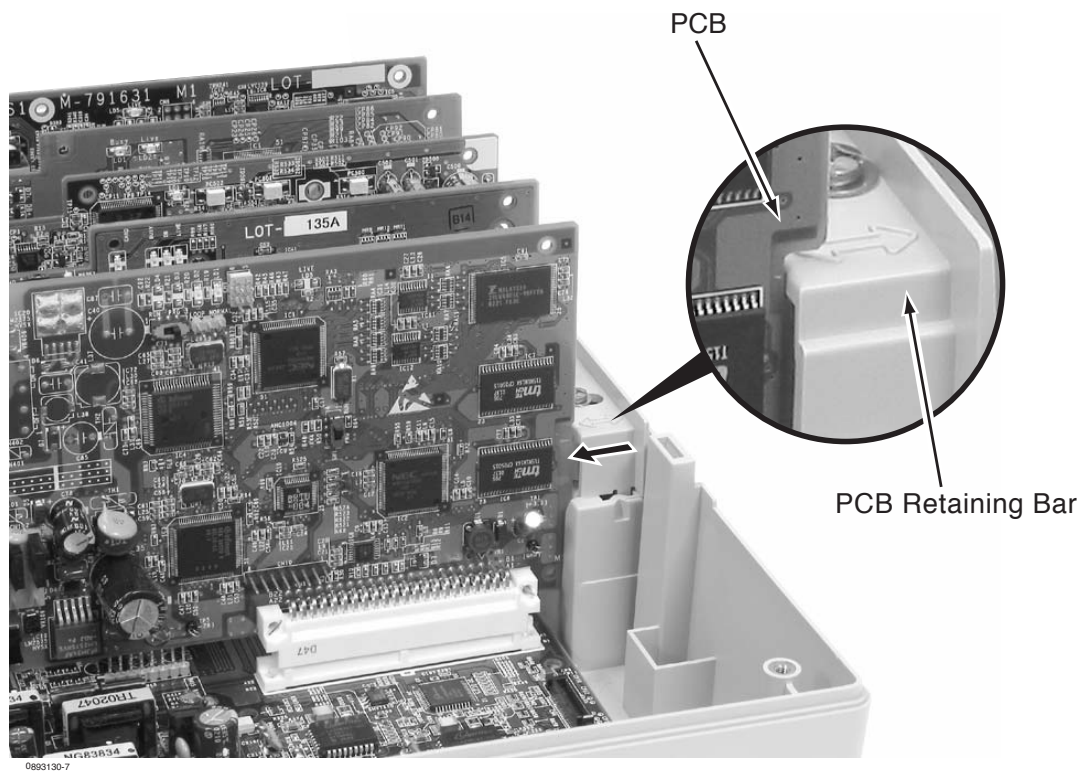


Figure 1-16: MOVING THE RETAINING BAR BACK

# GROUNDING THE CABINETS

### Connecting the System Ground (Figure 1-17)

1. Ground the cabinet by connecting a 14 AWG wire from the ETH lug to a known earth ground, such as a copper plate or grounding rod.  
*Be cautious when using a cold water pipe that it's completely copper and does not change to PVC/vinyl chloride pipe.*
2. When installing a COIU or DIOPU PCB, connect the grounding wire of the PCB to the PBXG terminal plate and then run a grounding wiring from the PBXG terminal plate to a known earth ground using 14 AWG grounding wire.  
*The ETH and PBXG grounds should be separate - they should not be combined.*
3. From the factory, the FG is already connected to the AC power source. No action is required.

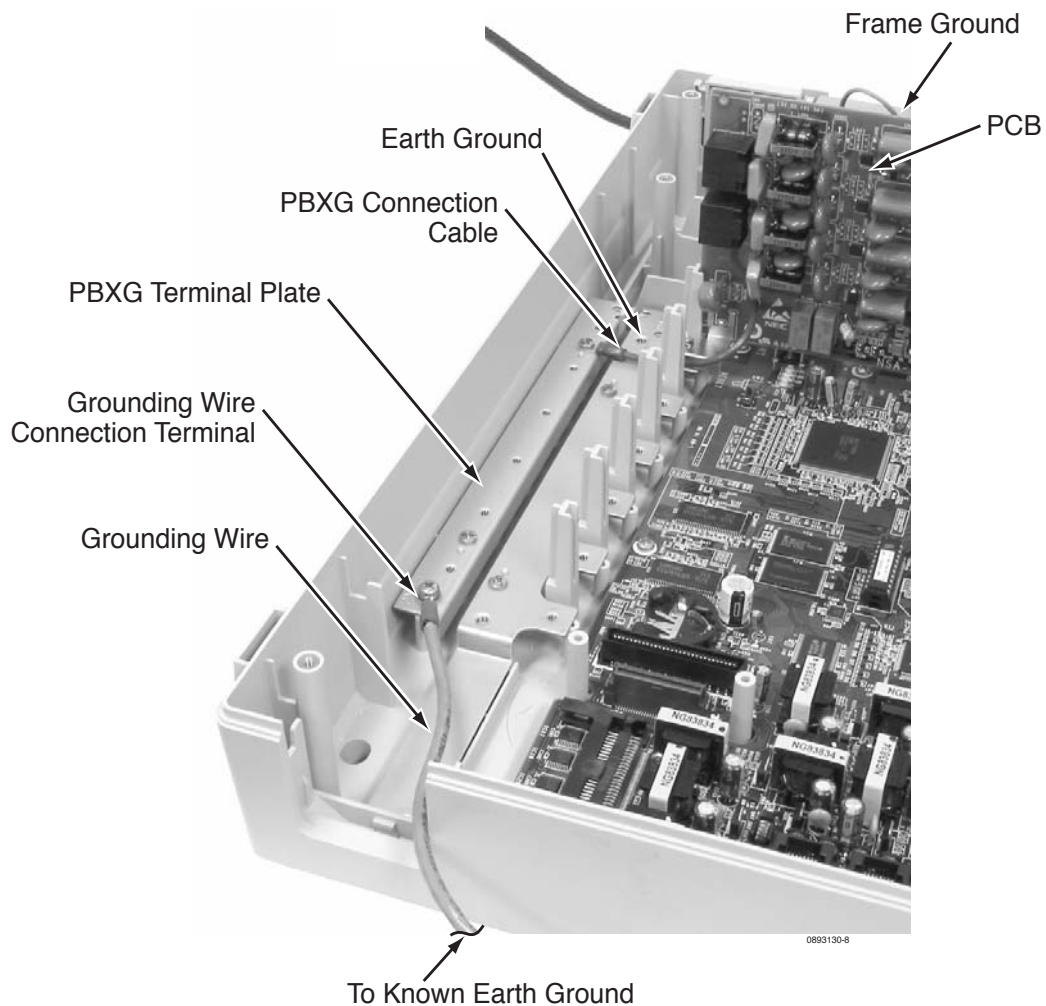


Figure 1-17: GROUNDING THE CABINET

The ground lug descriptions are as follows:

- PBXG (CO/PBX Ground)  
The grounding wire from the COIU or DIOPU PCBs are connected to the PBXG terminal plate. A grounding wire should then be connected from the PBXG terminal plate to a known earth ground when these PCBs are installed in the system.  
*This grounding wire should be separate from the ETH grounding wire.*
- ETH (Earth Ground)  
This ground lug is used for lightning protection. It should always be connected to the earth.  
*This grounding wire should be separate from the PBXG grounding wire.*
- FG (Frame Ground)  
This ground lug is connected from the power supply cable to the metal frame of the main equipment.

# COMPLETING THE INSTALLATION

### Setting the Cable Pass-Through (Figure 1-18 - Figure 1-20)

The each cabinet has two cable pass-throughs - one each on the left and right sides of the cabinet. The block plate should be in place for any unused pass-through in order to help keep dust out of the cabinet.

1. There are two opening options - one setting provides a small pass-through, the other provides a larger pass-through. Determine which type is required for the cabinet.

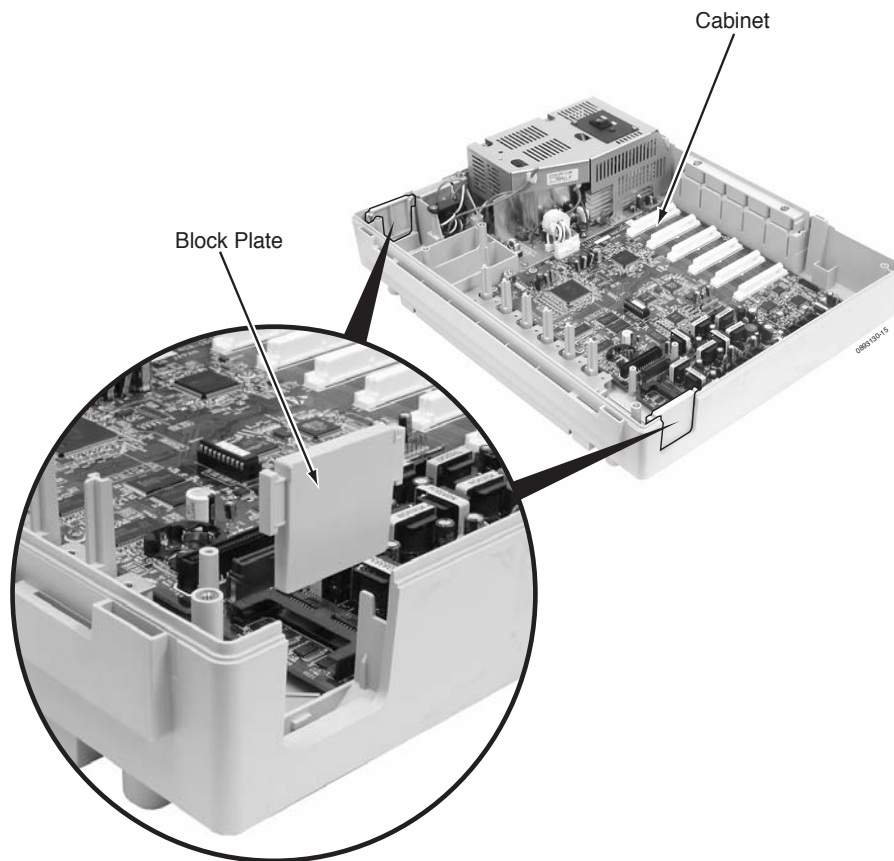


Figure 1-18: CABLE PASS-THROUGH

2. For the small pass-through, turn the block plate upside down and replace into the slot.

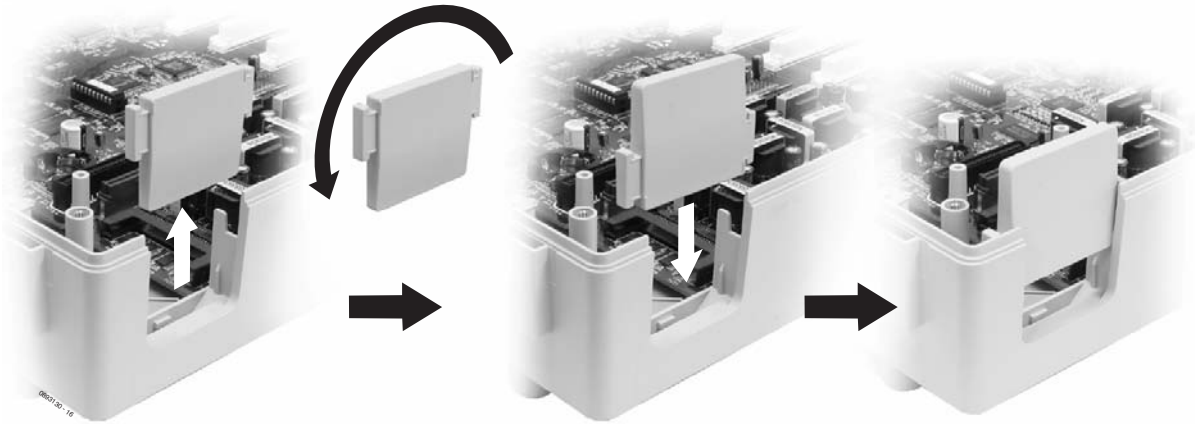


Figure 1-19: SMALL CABLE PASS-THROUGH

3. For the large pass-through, remove the block plate and store it in the bottom-right corner of the cabinet.

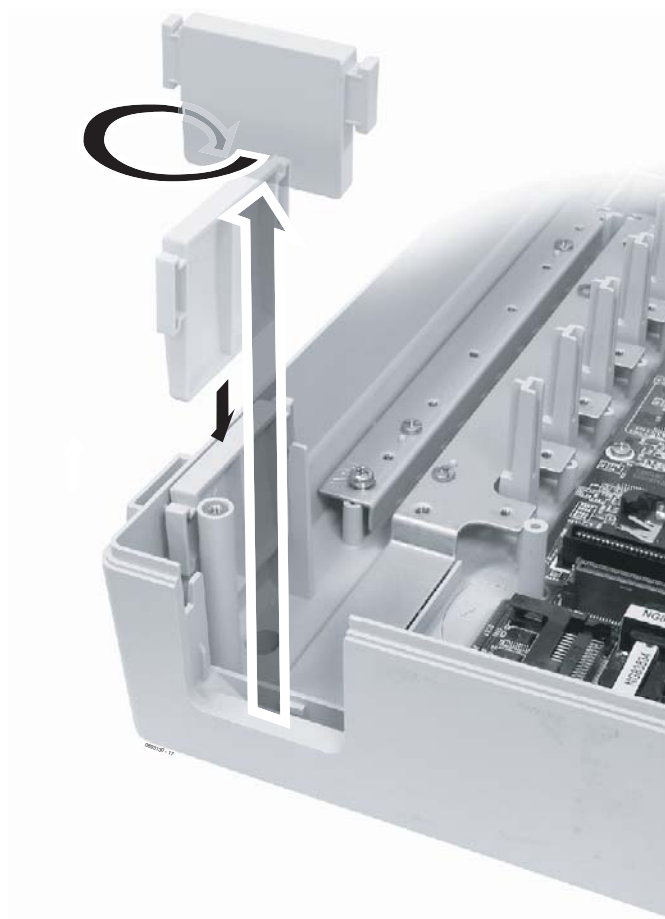
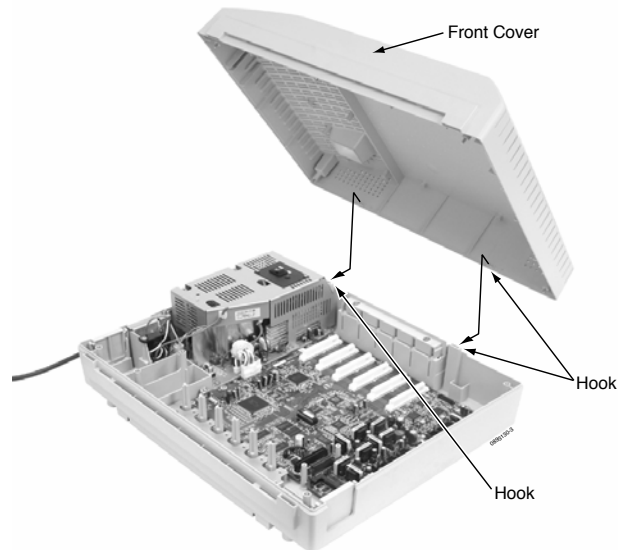


Figure 1-20: LARGE CABLE PASS-THROUGH

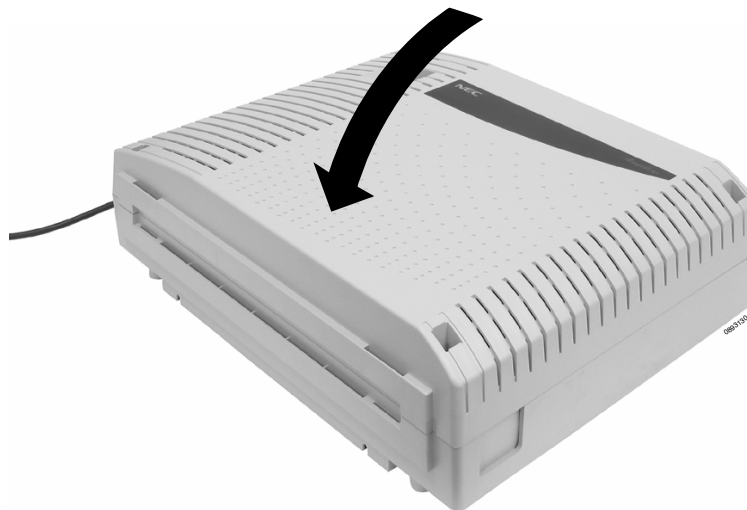
### Reinstalling the Front Cover (Figure 1-21 - Figure 1-22)

1. Line up the hooks on the front cover with the slots in the cabinet and insert the cover.



**Figure 1-21: RE-INSTALLING THE FRONT COVER**

2. Lower the cover.



**Figure 1-22: LOWER THE FRONT COVER**

3. Tighten the four cover retaining screws.  
*A label is located on the right side of the cabinet which can be used to enter the date when the battery should be replaced. In case of a power failure, this battery provides back-up of system data and RAM memory for approximately 30 months. Program 90-11-01 can also be set to define an extension to receive an indication on their display when the battery is low.*



# Section 2: 2

## PCB Installation and Startup

### PCB LAYOUT

#### PCB Location

Determine the slot position for each PCB. In the cabinet:

- Slots 3 - 8 are universal (any type of PCB can be installed). *The only restriction is that an ESIU PCB can not be placed into slots 7 or 8 as there are not enough conversation channels.*

Important Notes
<ul style="list-style-type: none"> <li>• Make sure to follow the steps indicated in <b>Powering Up the System</b> (page 2-40) for an initial system install. This will ensure that you start the system with the default system settings.</li> <li>• To delete a PCB from the system, <i>power down the system and then remove the PCB from the system cabinet</i>. Power the system back up and use Program 90-05-01 to delete the slot definition.</li> <li>• <i>Whenever powering down the system, check to make sure the only LED flashing on the CPU card itself (in the lower left-hand corner) is the LD2 LED (the LED located farthest right in the line of LEDs).</i> This LED is located in the lower left-hand corner of the CPU. It should be flashing 0.5 seconds on/off (a slow flash). If it's flashing fast or if any other LEDs are flashing on the CPU, wait until they stop or else the system data may be corrupted.</li> </ul> <p>After turning the power on, the user must wait approximately 10 seconds (so that only the LD2 LED is flashing) if the system must be powered down again.</p>

# PCB INSTALLATION

## Handling the PCBs

The PCBs are sensitive to static discharge. To minimize static discharge, keep PCBs in static free bags when not installed. Observe the following when installing or removing a PCB:

- Ground the cabinet.
- Wear a grounded wrist strap to install/remove any PCBs.
- Do not touch PCB components. Handle the PCBs in the corners.
- *All PCBs must be installed with the system power off.*

## Installing an Extension or Trunk PCB (Figure 2-2)

To install an extension/trunk PCB:

- Power down the system.  
*Whenever powering down the system, check to make sure the only LED flashing on the CPU card itself is the LD2 LED (farthest right of the LEDs). This LED is located in the lower left-hand corner of the CPU. If any other LEDs are flashing on the CPU, wait until they stop or else the system data may be corrupted.*
- Push the retaining bar up (or back depending on the cabinet's position).

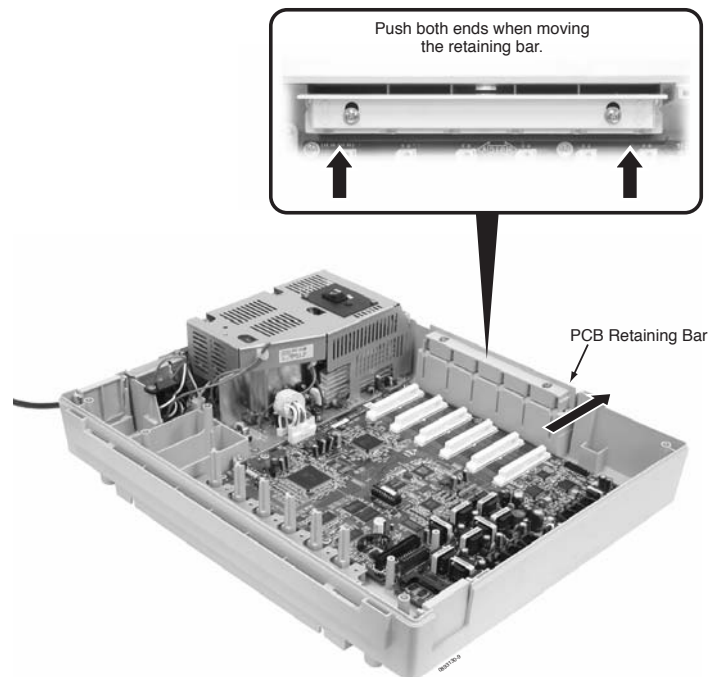


Figure 2-1: MOVING THE RETAINING BAR

- Insert the PCB within the guide rail and push the PCB securely into position. After installing all the PCBs, the PCB retaining bar should be moved back into position and the screws for each of the PCBs should be tightened.

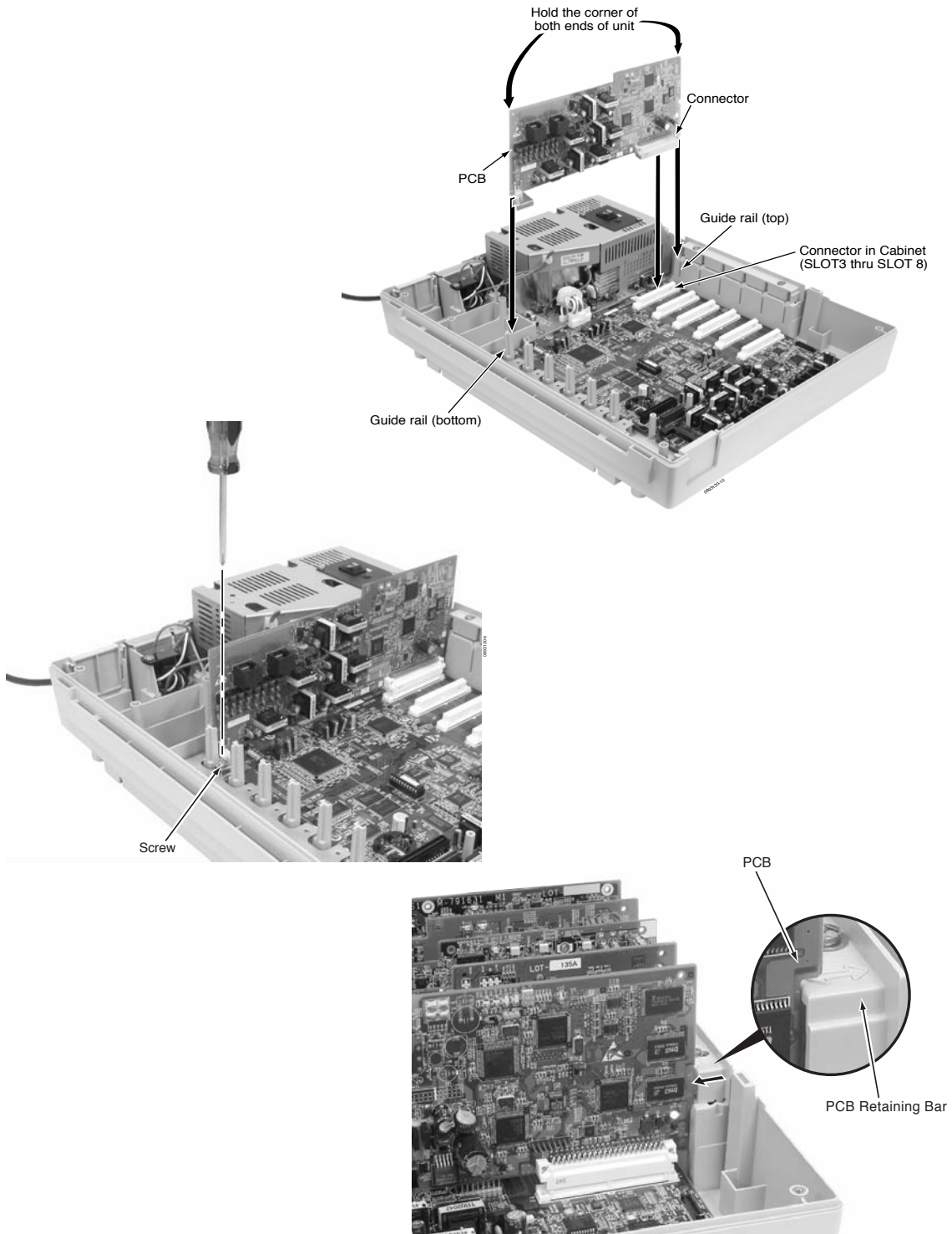


Figure 2-2: INSERTING PCBs

---

### Removing an Extension or Trunk PCB

*Whenever powering down the system, check to make sure the only LED flashing on the CPU card itself is the LD2 LED (farthest right). This LED is located in the lower left-hand corner of the CPU. If any other LEDs are flashing on the CPU, wait until they stop or else the system data may be corrupted.*

#### To remove an extension/trunk PCB:

- Turn off the system power by pressing the ON/OFF switch on the cabinet.  
*Whenever powering down the system, check to make sure the only LED flashing on the CPU card itself is the LD2 LED (farthest right of the LEDs). This LED is located in the lower left-hand corner of the CPU. If any other LEDs are flashing on the CPU, wait until they stop or else the system data may be corrupted.*
- *All PCBs must be installed with the system power off.*

---

### Uninstalling a PCB Slot Through Software

The installer can turn off (busy out) and delete (remove from software) PCB slots in the cabinet in programming for port re-numbering purposes or to replace it with a different type of PCB. Deleting a PCB may affect PCB slot programming capability. Refer to Program 90-05 in the Software Manual for further details.

**Where to Install the PCBs**

Maximum Configuration:	<b><i>With Software 2.08-2.21 Only</i></b> 8 Trunks 26 Extensions (24 digital and analog, 2 analog only) - Includes a maximum of 16 IP Extensions 24 Virtual Extensions
	<b><i>With Software 2.50 and Higher</i></b> 8 Trunks 26 Extensions (24 digital and analog, 2 analog only) 16 IP Extensions or APR-B2 Extensions 8 Special Terminals - <b>Reserved for Intramail Only</b> (ports 43-50) 24 Virtual Extensions

The system’s universal architecture gives you great flexibility when installing PCBs. You can install a PCB in any slot, provided you follow the guidelines in the chart below.

Item	Description	Max.
CPU (MBU)	32-Bit Central Processing Unit	1
DSPDB	DSP Resource - Daughter Board	1 installed on CPU
ENTU-S	LAN CTI Ethernet Interface Board	1 installed on CPU
8ESIU-S	8 Digital Stations	2 - Can <b>not</b> be installed in slots 7 or 8
4SLIU-S	4 Analog Stations	4
4SLIDB-S	4 Analog Stations - Daughter Board	0 - If 4 4SLIU PCBs installed 1 - If 3 4SLIU PCBs installed 2 - If 2 4SLIU PCBs installed
4COIU-S	4 Analog/Loop Start Trunks (no ground start)	2
2BRIU-S	2 Two-Channel BRI Circuits	2 - When used as T-Point
2DIOPU-S	2 DID/OPX Trunks	4
4VOIPU-S	4 VoIP Media Gateway	3
4VOIPDB-S	4 VoIP Media Gateway - Daughter Board	3

---

### Central Processing Unit (CPU) PCB (Figure 2-3)

The CPU, which is pre-installed, controls all the functions and operations of the Aspire system using the system software loaded into the CPU memory. One 32-bit CPU is installed in the system cabinet.

The CPU provides the following:

- Accommodates up to 34 ports (8 trunks x 26 extensions)
- 8 digital station connections
  - A 2PGDAD module cannot be connected to port 1 or port 2.*
- 2 analog station connections (no Message Wait lamping)
- 4 diagnostic LEDs which indicate the status of various system functions
  - During normal operation, the "LD2" LED will be flashing. The remaining LEDs can flash on or off depending on the current system operation.*
- Time Switch (383 ch)
- Digital Phase Locked Loop (DPLL): digital phase synchronization loop
- SFLM Generation
- DSP (Digital Signal Processor: provides C-Channel control
  - Tone Generation
  - DTMF Tone Sender/Receiver
  - System Tone Sender
  - MFC Tone Sender
  - MF Signal Sender (Sends caller information to CO for E911)
  - Call Progress Tone Detector
  - C-Channel Control
  - Time Switch control
  - HDLC (High-Level Data Link Control) Packet Processing
  - Conference; 32 Channels
  - Caller ID Receiver/Generation; 16 Channels
- A load button which is used for initial system startup or when upgrading system software
- One Serial Port (requires null modem/cross-over cable)
- One Compact Flash Card Slot
- One Audio Input Terminal (external MOH/BGM source)
- General Purpose Control Terminal
- Hold Tone Transmit
- IP
- Real Time Clock (tolerance 30 seconds/month)
- Internal MOH Generation
- One Connector for PAL EPROM
- One lithium battery (Sony CR2032 or equivalent) which provides battery back-up of system data and RAM memory for approximately 30 months
- TAPI 1.x / TAPI 2 Support

**! IMPORTANT !**

While the system is powered up, data may be written to the S-RAM or flash memory at any time. Before powering down the system, verify that of the 4 LEDs in the lower left corner of the CPU, only LD2 is flashing. This LED is the farthest right of the LEDs. It should be flashing 0.5 seconds on/off (a slow flash). If it's flashing fast or if any other LEDs are flashing on the CPU, wait until they stop or else the system data may be corrupted.

*Turning off the power when other LEDs are flashing may corrupt the flash or S-RAM data. If the flash memory becomes corrupted, the system may not come up. If the S-RAM data is corrupted, the telephones may have erratic operation.*

When powering the system up or down, wait 10 seconds before pressing the button again. This allows the system to complete the startup/shutdown process.

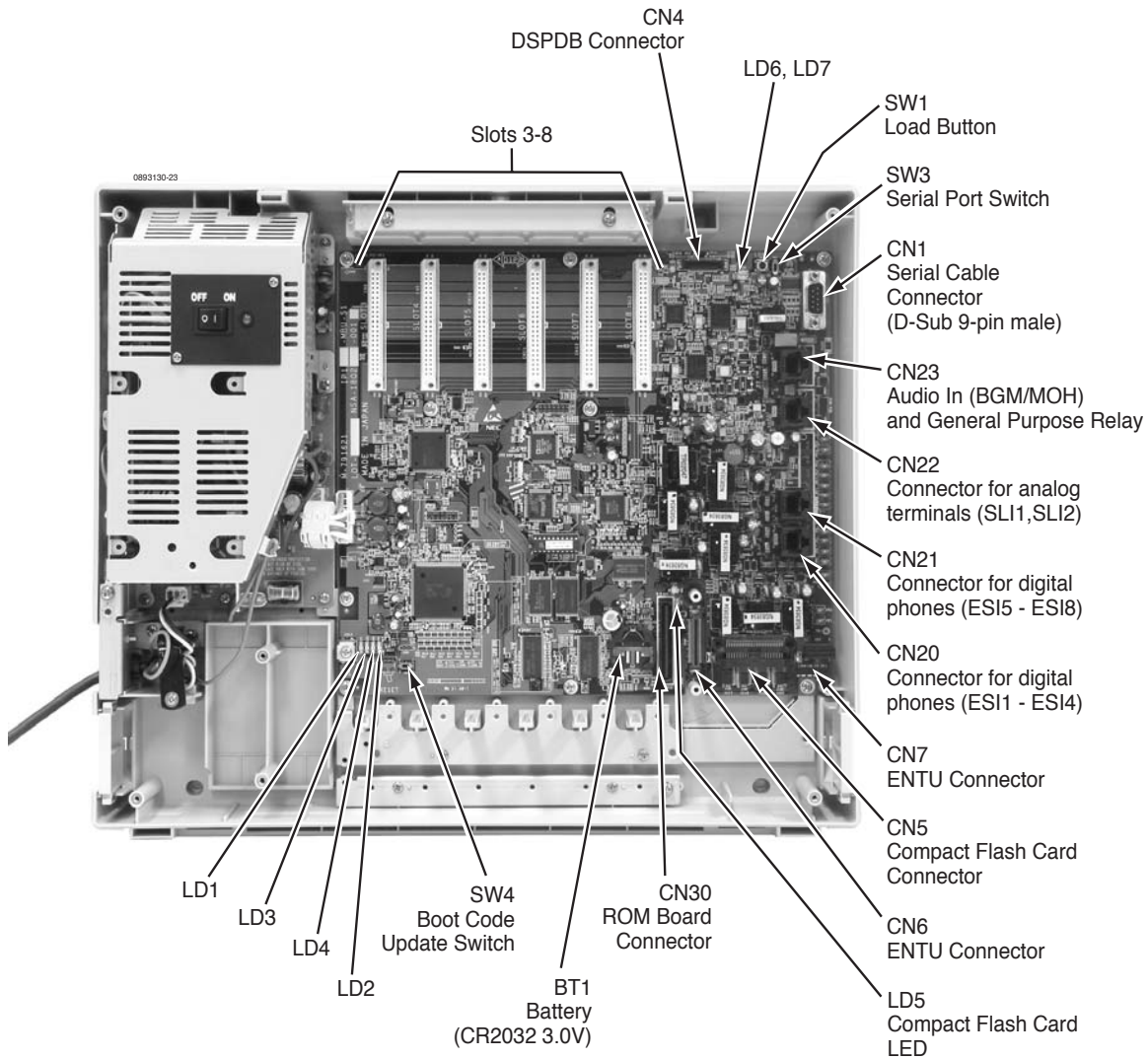


Figure 2-3: CPU

### Switch Settings and LED Indications

Switch	Switch Setting	Operation
SW1 - Load Switch	-	<b><u>While powering up the system and holding the SW1 switch (SW3-2 switch set to off):</u></b> <ul style="list-style-type: none"> <li>• With a PC-ATA: System software is updated.</li> <li>• Without a PC-ATA: System boots loading stored software.</li> <li>• With a Card Other Than a PC-ATA: The card is ignored and the system boots loading stored software.</li> </ul>
		<b><u>While powering up the system without holding the SW1 switch:</u></b> <ul style="list-style-type: none"> <li>• The system boots loading software stored in flash memory.</li> </ul>
SW3	3 1	Debugging Mode (CN1 connector used for debugging) Normal Mode (CN1 connector used for serial interface)
SW4	3 1	(Factory Use) Used to initially load system software Normal Mode

The LED indications on the CPU represent the following:

- RUN (LD2) = Indicates the CPU is operating
- LED 1 (LD1), 3 (LD3) and 4 (LD4) = Indicate system alarms
- LED 5 (LD5) = Status of Compact Flash Card (off with no flash card installed)
- LED 6 (LD6) and 7 (LD7) = Indicates the status of single line ports 1 and 2 (off when on-hook)

*Refer to Program 90-10 : System Alarm Setup for details on assigning alarm LEDs.*

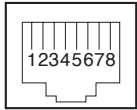
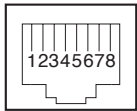
LED Indication					Status
RUN (LD2)	LED1	LED3	LED4	LED5	
On	Off	Off	Off	On Steady with card installed	System starting up
Off	Off	Off	Off	On Steady with card installed	System initializing
Off	On	Off	Access Blink	On Steady with card installed	Initializing or formatting the disk
Off	Off	On	On	On Steady with card installed	Boot program is initializing in the flash memory
Off	On	On	Access Blink	On Steady with card installed	Loading system software
On	Blinking	Blinking	Blinking	On Steady with card installed	Completing system program update
On	Blinking	Off	Off	On Steady with card installed	Completing boot software update
On	Blinking	Blinking	Off	On Steady with card installed	Completing disk formatting (SRAM, Flash)
Blinking	Off	Off	Off	On Steady with card installed	DRAM error



RUN (LD2)	LED Indication				Status
	LED1	LED3	LED4	LED5	
Blinking	Off	Off	On	On Steady with card installed	FPGA version error
Blinking	Off	On	Off	On Steady with card installed	SRAM error
Blinking	Off	On	On	On Steady with card installed	Flash memory booting (start-up) error
Blinking	On	On	On	On Steady with card installed	Flash memory data error
Blinking	Blinking	Blinking	Blinking	On Steady with card installed	Read error of system program
Blinking	Off	Off	Off	On Steady with card installed	Running normally

## Connector Pin-Outs on CPU

Serial Cable Connector - CN1 (D-Sub 9-Pin Male) (Null Modem/Cross-Over Cable Used)		
	Pin No.	Signal
	1	DCD
	2	RxD
	3	TxD
	4	DTR
	5	GND
	6	DSR
	7	RTS
	8	CTS
9	-	
Digital Station RJ61 Cable Connector - CN20		
	Pin No.	Connection
	1	Ring for port 4
	2	Ring for port 3
	3	Ring for port 2
	4	Tip for port 1
	5	Ring for port 1
	6	Tip for port 2
	7	Tip for port 3
8	Tip for port 4	
Digital Station RJ61 Cable Connectors - CN21		
	Pin No.	Connection
	1	Ring for port 8
	2	Ring for port 7
	3	Ring for port 6
	4	Tip for port 5
	5	Ring for port 5
	6	Tip for port 6
	7	Tip for port 7
8	Tip for port 8	

Analog Station RJ61 Cable Connector - CN22		
	Pin No.	Connection
	1	
	2	
	3	Ring for port 2
	4	Tip for port 1
	5	Ring for port 1
	6	Tip for port 2
	7	
	8	
<ul style="list-style-type: none"> <li>• Polarity reversal feature available</li> <li>• No Message Wait lamping</li> </ul>		
External MOH/BGM Source/Relay (External Speaker and Night Mode) RJ61 Cable Connector - CN23		
CPU Connector	Modular Connector Pin No.	Signal
	1	-
	2	-
	3	EXCNT - Relay
	4	EXMOH/BGM Music Source
	5	EXMOH/BGM Music Source
	6	EXCNT - Relay
	7	-
	8	-
	<ul style="list-style-type: none"> <li>• Pins 4 and 5: External Music on Hold/BGM Input, Input Impedance 600 ohm/ 1 kHz</li> <li>• Pins 3 and 6: Relay = DC Max. 24 VDC, 0.5A - AC Max. 120VAC, 0.25A</li> </ul>	

**CPU Installation**

1. Install the battery on the CPU. The polarity “+” symbol must be on top.
2. Install the DSPDBU daughter board if required. Refer to **DSPDB Daughter Board (Figure 2-4, Figure 2-5)** (page 2-13).
3. If external BGM or MOH is being installed, plug an RJ61 connector into the CN23 connector on the CPU. The other end of the cable plugs into the music source.  
*Refer to the PGDAD Module in the Telephones and Optional Equipment section for details on connecting to a music source.*  
*Note that Message Waiting lamping is not provided on the two analog ports on the CPU.*
4. Assign the purpose of the General Purpose Relay in Program 10-21-01.

- When the system software is upgraded, the flash memory is updated with the new software version. You can use the Hot or Cold start-up methods or upgrade your system software using the steps which follow.
- Customer information is stored in the RAM memory and, in case of a power failure, will be restored. The lithium battery in the system saves the RAM memory when power is lost.

### Resetting the System:

#### ! IMPORTANT !

While the system is powered up, data may be written to the S-RAM or flash memory at any time. Before powering down the system, verify that of the 4 LEDs in the lower left corner of the CPU, only LD2 is flashing (this is the LED located farthest right of the LEDs). It should be flashing 0.5 seconds on/off (a slow flash). If it's flashing fast or if any other LEDs are flashing on the CPU, wait until they stop.

*Turning off the power when other LEDs are flashing may corrupt the flash or S-RAM data. If the flash memory becomes corrupted, the system may not come up. If the S-RAM data is corrupted, the telephones may have erratic operation.*

### To Perform a Cold Start:

1. If installed, pull out the compact flash card.  
*With the compact flash card installed, the system will error and not boot up correctly.*
2. Push the power button on the cabinet to power down the system.  
*When powering the system up or down, wait 10 seconds before pressing the button again. This allows the system to complete the startup/shutdown process.*
3. Once the system has powered down, push in and hold the Load button.
4. Press the power button to power the system back up.
5. Continue holding the Load button for approximately 3 seconds.
6. Release the Load button.
7. When the system has completed reloading the software (approximately 2 minutes), the Status LED (LD2) will be flashing on the CPU.

### To Perform a Hot Start:

*System software loaded from flash memory and the customer data is loaded from RAM memory.*

1. Push the power button on the cabinet to power down the system. Once it has powered down, wait 10 seconds then press the button again to power the system back up.  
*When powering the system up or down, wait 10 seconds before pressing the button again. This allows the system to complete the startup/shutdown process.*
2. Wait approximately 2 minutes.
3. When the system has completed reloading the software, the Status LED (LD2) will be flashing on the CPU.

### Performing a Software Upgrade:

Refer to **Saving Your Configuration** (page 2-44), **Backing Up/Restoring a Database** (page 2-44), **Using Flash Cards for System Software** (page 2-45), and **Upgrading Software** (page 2-46) for complete details on how to work with the system software with the CPU.

### DSPDB Daughter Board (Figure 2-4, Figure 2-5)

The DSPDB provides the option for the VRS (Voice Response System) feature. This daughter board is mounted on the CPU and provides:

- 8 VRS Circuits with a VRS Flash Card Installed (replays up to 8 circuits simultaneously; records up to 8 circuits simultaneously)
- Compact Flash Slot for VRS or IntraMail Feature

There are **no** DTMF receivers provided when this daughter board is installed on the CPU.

#### To install a DSPDB Daughter Board:

1. Included with the DSPDB are four spacers. Install one spacer in each corner of the daughter board. Make sure to attach the spacers from the back of the daughter board so when installed, the compact flash slot is facing up.
2. Position the daughter board over the CN4 connector on the CPU. Push the board into the connector on the CPU. Gently push the corners of the daughter board down so the spacers lock into the CPU.  
*To remove the daughter board, use pliers to squeeze the top of the spacers together, then gently pull the daughter board off.*

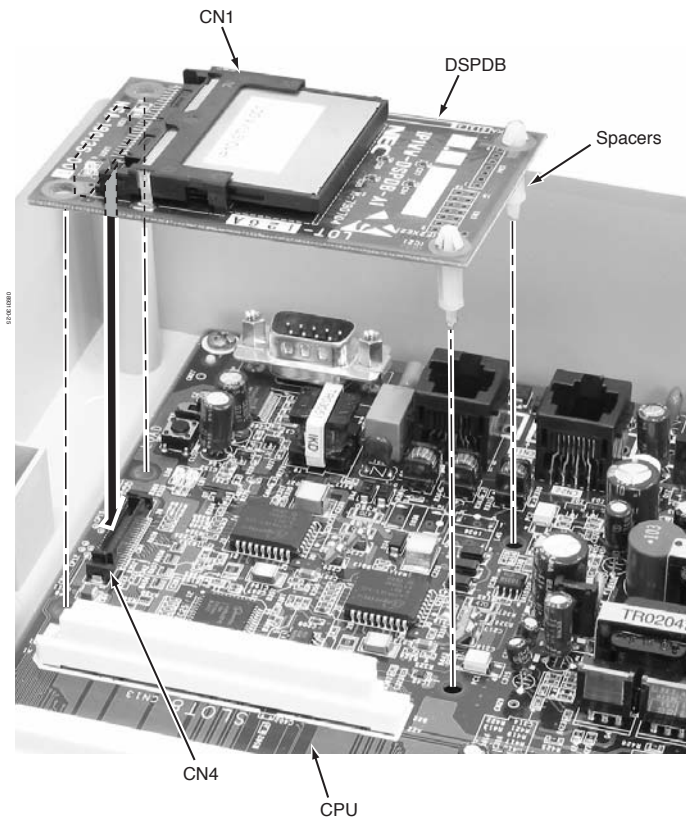


Figure 2-4: DSPDB DAUGHTER BOARD INSTALLATION

### To Upgrade the DSPDB Compact Flash Card:

1. With the system power off, remove the compact flash card from the DSPDB daughter board.
2. Insert the new compact flash card.

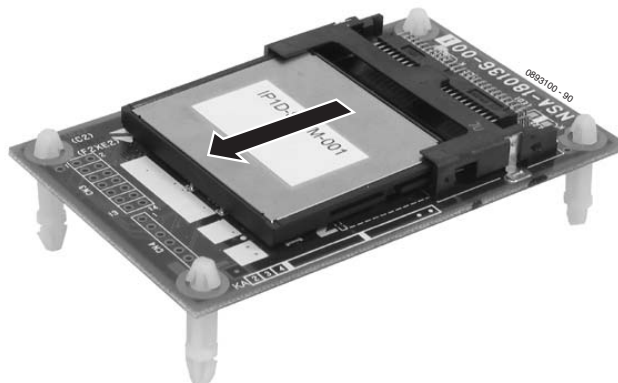


Figure 2-5: REMOVING THE COMPACT FLASH CARD

## LAN Connection (ENTU) PCB (Figure 2-6)

*An ENTU PCB is required when a VoIP PCB is installed. If the ENTU is not installed, the system will not start up. In addition, an ENTU would be required for a WebPro/PCPro LAN connection.*

The ENTU PCB provides a LAN connector which is compatible with 100Base-TX and 10Base-T. This PCB is compatible in LAN applications using 10Mbps and 100Mbps. All ports will automatically identify and switch 100Base-TX, 10Base-T and Full/Half Duplex.

The VoIP PCB, which is required in order for IP telephones to communicate with non-VoIP Aspire phones, as well as to place or receive outside calls, must be connected to an external switching hub.

The PCB plugs into the CN6 and CN7 connectors on the CPU, with a maximum of 1 per system. Each PCB provides an RJ61 port connector. This is used to connect to a LAN terminal or external switching hub. Depending on the type of LAN terminal, the PCB may not be able to detect the difference between straight cable and cross-cable automatically. If auto-crossover is not functioning, use straight cable for that terminal connection.

If PoE (power over ethernet) is to be used to eliminate the separate power adapters, a separate power source is required. It is recommended that you use a power switch and/or power hub which is IEEE 802.3AF compliant. For example, the PowerDsine 6xxx series of products is unique in the fact that in addition to offering IEEE 802.3AF support, it also provides for the NEC proprietary detection and, therefore, the ILPA (In Line Power Adapter) is not required. For systems which require layer 2 switching capability and PoE, the NEC BlueFire 200/24 switch is recommended. This unit provides layer 2 switch capability in addition to being able to supply ethernet power to 24 NEC IP terminals. For this unit, power feeding is through the signal pair (1/2, 3/6) or spare pair (4/5, 7/8).

Refer to **Section 6: LAN Connection** (page 6-1) for additional information on using PoE on the Aspire.

### Specifications

- LAN Family Standard: Complies with 10Base-T and 100Base-TX (IEEE802.3)
- Access Method: CSMA/CD
- Transmission Line/Channel Interface: 10Base-T/100Base-TX = 1 port
- LAN Family Interface (Layer 1):  
Transmission Speed: 10Mbps/100Mbps Auto Negotiation  
Cable: LAN Category 5 or higher - Straight/Cross cable auto negotiation (auto crossover)

### LED Indications

LED	Function	LED Status	Operation Status
LD1 ACT	LAN Operation Status	Green Flashing	Communicating Data
		Green Off	Not Activated
LD2 LINK	LAN Operation Status	Red On	Link Established
		Red Off	No Link

### Connector Pin-Outs on ENTU

Ethernet Cable Connector - CN2 (RJ45) (10Base-T/100Base-TX Port)		
	Pin No.	Signal
	1	Tx+
	2	Tx-
	3	Rx+
	4	-
	5	-
	6	Rx-
	7	-
	8	-

### Installing the ENTU:

1. Included with the ENTU is one plastic spacer. Install the spacer in the corner of the daughter board which will not have a support provided by the CPU. Make sure to attach the spacer from the back of the daughter board so when installed, the connectors are facing up.
2. Position the ENTU PCB over the CN6 connector on the CPU. Push the board into the connector on the CPU. Gently push the corner of the daughter board down so the spacer locks into the CPU.  
*To remove the daughter board, use pliers to squeeze the top of the spacer together, then gently pull the daughter board off.*
3. Using the three screws provided with the ENTU PCB, secure the remaining three corners of the PCB to the CPU.  
*Once the system has been powered up, with normal operation, the status LED will flash fast. If trouble was found during the self diagnostics routine, the status LED will flash slowly.*
4. Using the ferrite core provided with the ENTU PCB, wrap the end of the ethernet cable which is closest to the ENTU's CN2 connector once around the ferrite core.
5. Plug the ethernet cable into the CN2 connector.
6. Refer to the **Aspire Software Manual (P/N 0893200)** or the VoIP Feature Supplement (P/N 0893204) for required VoIP programming.

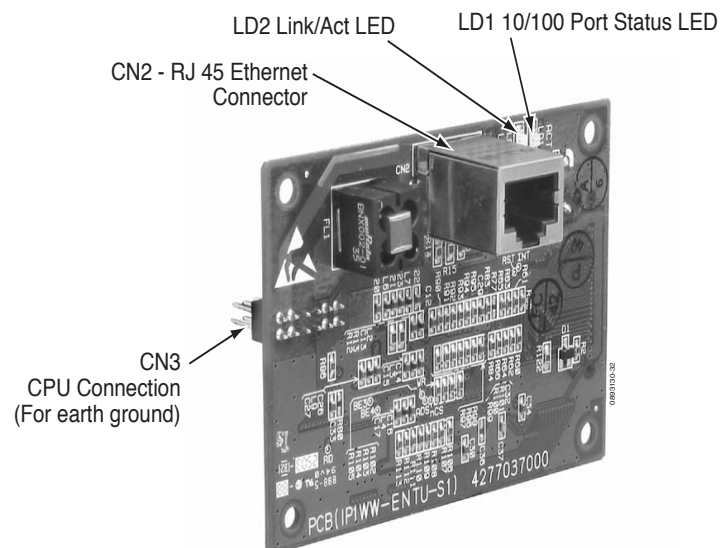


Figure 2-6: ENTU INSTALLATION



**Digital Station (8ESIU-S) PCB (Figure 2-7)**

The 8ESIU-S PCB provides:

- 8 digital extension circuits (used for digital telephones, DSS consoles, 1SLTAD adapters, 2PGDAD adapters)  
*The 8ESIU-S is not rated for OPX use. It is recommended that a 2DIOPU-S PCB be used instead (it supports analog DID and single line telephone interface functions, such as Off-Premise Extensions).*
- 1 extension status LED (indicates status for 4 extensions)
- 1 PCB status LED

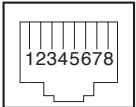
The CN3 and CN4 connectors each provide connection to 4 digital station ports. The ESIU-S requires one universal slot, with a maximum of 2 PCB's per system. *Note that this PCB can not be installed in slot 7 or 8.*

The 8ESIU-S consumes 8 ports ranging between ports 01-26. There must be enough available ports in order for the Aspire system to recognize an 8ESIU-S PCB.

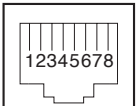
**LED Indications**

LED	Function	LED Status	Operation Status
LD2 (PCB Status)	Indicates the status of the PCB.	Green On	Initializing
		Green Flashing (slow flash)	Initialization problem occurred during self-check.
		Green Flashing (100ms On/Off)	Operating normally
		Green Off	Downloading
LD1	Indicates the status of terminals 1-8.	Red On	Terminal in use
		Red Off	Terminal idle

### Connector Pin-Outs on ESIU

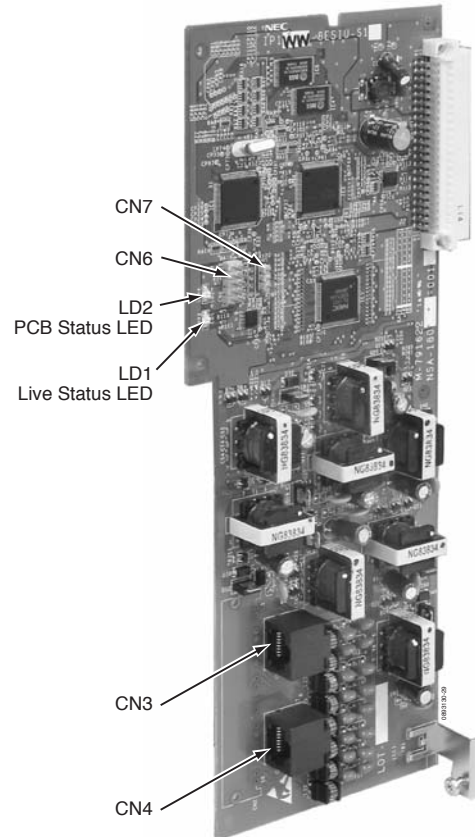
RJ61 Cable Connector - CN4		
	Pin No.	Connection
	1	Ring for port 4
	2	Ring for port 3
	3	Ring for port 2
	4	Tip for port 1
	5	Ring for port 1
	6	Tip for port 2
	7	Tip for port 3
	8	Tip for port 4

RJ61 Cable Connector - CN3		
	Pin No.	Connection
	1	Ring for port 8
	2	Ring for port 7
	3	Ring for port 6
	4	Tip for port 5
	5	Ring for port 5
	6	Tip for port 6
	7	Tip for port 7
	8	Tip for port 8

**To install the ESIU PCB:**

1. Install the ESIU into a slot.  
*Note that this PCB can not be installed in slot 7 or 8.*
2. Tighten the screw on the PCB to secure the card to the cabinet.

**Figure 2-7: ESIU INSTALLATION**

## Analog Station (4SLIU-S) PCB (Figure 2-8)

The 4SLIU-S PCB provides:

- 4 analog extension ports (used for on-premise analog telephones, fax machines, and analog modems)  
*The 4SLIU-S is not rated for OPX use. It is recommended that a 2DIOPU-S PCB be used instead (it supports analog DID and single line telephone interface functions, such as Off-Premise Extensions).*
- 4 extension status LEDs
- 1 PCB status LED
- Connector for 4SLIDB-S Daughter Board
- Ring Generator
- Message Wait Lamping Ability

*Note: When connecting a fax machine or analog modem, make sure to set Program 15-03-03 to '1' (special terminal) to avoid communication problems.*

The CN3 connector provides connection to 4 analog station ports and are not polarity sensitive. The 4SLIU-S is installed in a universal slot with a maximum number of 4 PCBs per system. This number of PCBs installed will reduce the number of 4SLIDB-S PCBs which can be installed. If 3 4SLIU-S PCBs are installed, only 1 4SLIDB-S can be installed. If 4SLIU-S PCBs are installed, the 4SLIDB-S can not be used. There must be enough available ports in order for the Aspire system to recognize an 4SLIU-S PCB.

### LED Indications

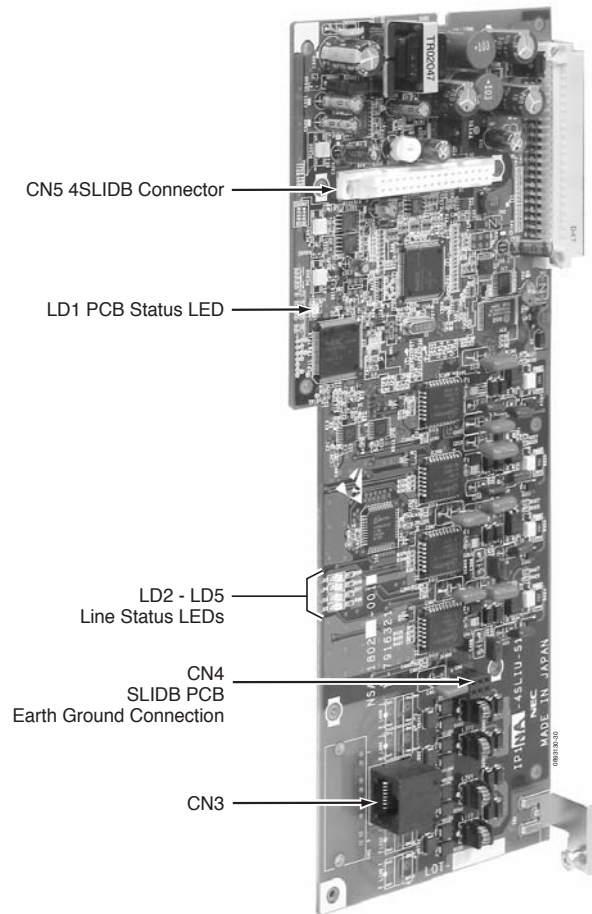
LED	Function	LED Status	Operation Status
LD1 (PCB Status)	Indicates the status of the PCB.	Green On	Initializing
		Green Flashing (slow flash)	Initialization problem occurred during self-check.
		Green Flashing (100ms On/Off)	Operating normally
		Green Off	Downloading
LD2 - LD5	Indicates the status of terminals 1-4.	Red On	Terminal in use
		Red Off	Terminal idle

### Connector Pin-Outs on 4SLIU-S

RJ61 Cable Connector - CN3		
	Pin No.	Connection
	1	CH4 L1 (tip for port 4)
	2	CH3 L1 (tip for port 3)
	3	CH2 L1 (tip for port 2)
	4	CH1 L2 (ring for port 1)
	5	CH1 L1 (tip for port 1)
	6	CH2 L2 (ring for port 2)
	7	CH3 L2 (ring for port 3)
	8	CH4 L2 (ring for port 4)

**Installing an 4SLIU-S PCB:**

1. If the 4SLIDB-S is to be used, install this prior to inserting the 4SLIU-S PCB into the cabinet.
2. Install the 4SLIU-S into the slot.
3. Tighten the screw on the PCB to secure the card to the cabinet.

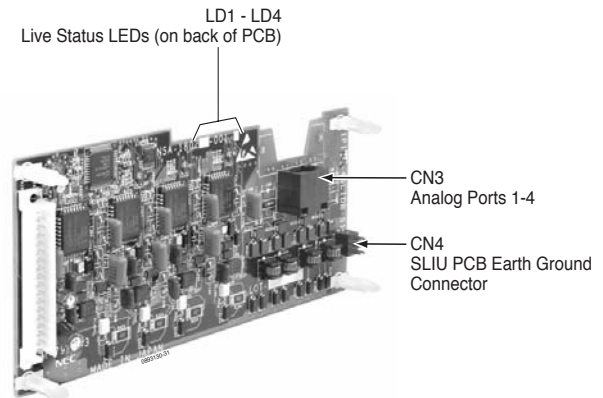
**Figure 2-8: 4SLIU-S INSTALLATION**

## Analog Station (4SLIDB-S) Daughter Board (Figure 2-9 - Figure 2-10)

The 4SLIDB-S daughter board provides:

- 4 analog extension ports (used for on-premise analog telephones, fax machines, and analog modems)
- Connector for 4SLIU-S PCB
- Ring Generator
- Message Wait Lamping Ability

*Note: When connecting a fax machine or analog modem, make sure to set Program 15-03-03 to '1' (special terminal) to avoid communication problems.*



**Figure 2-9: 4SLIDB-S PCB**

The CN3 connector provides connection to 4 analog station ports and are not polarity sensitive. The 4SLIDB-S is installed on the 4SLIU-S PCB. Up to 2 PCBs can be installed in the system maximum, but this number may be reduced depending on how many 4SLIU-S PCBs are installed. If 3 4SLIU-S PCBs are installed, only 1 4SLIDB-S can be installed. If 4SLIU-S PCBs are installed, the 4SLIDB-S can not be used.

### LED Indications

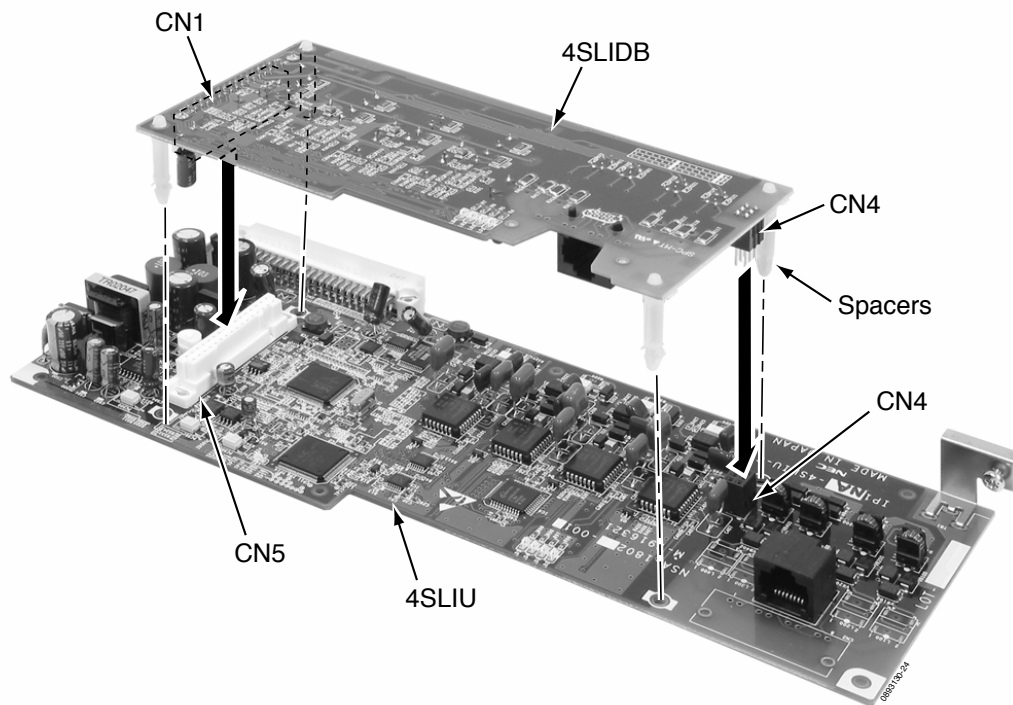
LED	Function	LED Status	Operation Status
LD1 - LD4	Indicates the status of terminals 5-8.	Red On	Terminal in use
		Red Off	Terminal idle

### Connector Pin-Outs on 4SLIDB-S

RJ61 Cable Connector - CN3		
	Pin No.	Connection
	1	CH4 L1 (tip for port 4)
	2	CH3 L1 (tip for port 3)
	3	CH2 L1 (tip for port 2)
	4	CH1 L2 (ring for port 1)
	5	CH1 L1 (tip for port 1)
	6	CH2 L2 (ring for port 2)
	7	CH3 L2 (ring for port 3)
	8	CH4 L2 (ring for port 4)

**Installing an 4SLIDB-S Daughter Board:**

1. Included with the 4SLIDB-S are four plastic spacers. Place a plastic spacer in each corner of the PCB. Make sure to attach the spacers on the front of the daughter board so when installed, the components are facing the 4SLIU-S PCB.
2. Position the 4SLIDB-S's CN1 connector over the CN5 connector on the 4SLIU-S PCB. Press the boards together, ensuring the plastic spacers lock in place.
3. Install the 4SLIU-S PCB into the slot.

**Figure 2-10: 8SLIDB-S INSTALLATION**

### Analog Trunk (4COIU-S) PCB (Figure 2-11)

The Analog Trunk (COIU-S) PCB provides:

- 4 analog loop start line/trunk circuits - no ground start is provided
- 4 trunk status LEDs
- 4 Caller ID Circuits
- 1 Power Failure Transfer Circuit
- 1 PCB status LED

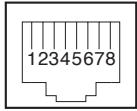
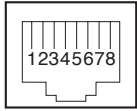
The CN5 and CN7 connectors each provide connection to 2 analog trunk ports, ***which are polarity sensitive (tip to tip, ring to ring)***. The power failure circuit, however, is not polarity sensitive. A maximum of 2 4COIUs per system is allowed.

#### LED Indications

LED	Function	LED Status	Operation Status
LD5 (PCB Status)	Indicates the status of the PCB.	Green On	Initializing
		Green Flashing (slow flash)	Initialization problem occurred during self-check.
		Green Flashing (100ms On/Off)	Operating normally
		Green Off	Downloading
LD1 - LD4	Indicates the status of the lines.	Red On	Line in use
		Red Off	Line idle



Connector Pin-Outs on COIU-S PCB

RJ61 Cable Connector - CN5		
The CN5 and CN7 connectors are <i>polarity sensitive (tip to tip, ring to ring)</i> .		
	Pin No.	Connection
	1	-
	2	SLT Interface Power Failure Circuit - Tip
	3	Circuit 2 - Tip
	4	Circuit 1 - Ring
	5	Circuit 1 - Tip
	6	Circuit 2 - Ring
	7	SLT Interface Power Failure Circuit - Ring
8	-	
RJ61 Cable Connector - CN7		
	Pin No.	Connection
	1	-
	2	-
	3	Circuit 4 - Tip
	4	Circuit 3 - Ring
	5	Circuit 3 - Tip
	6	Circuit 4 - Ring
	7	-
8	-	

2

### Installing the Analog Trunk PCB:

1. Install the COIU-S into a slot.  
*The trunk ports are **polarity sensitive (tip to tip, ring to ring)**. Be sure the wiring is correct.  
Once the system is powered up, with normal operation, the status LED will flash fast. If trouble was found during the self diagnostics routine, the status LED will flash slowly.*
2. Tighten the screw on the PCB to secure the card to the cabinet.

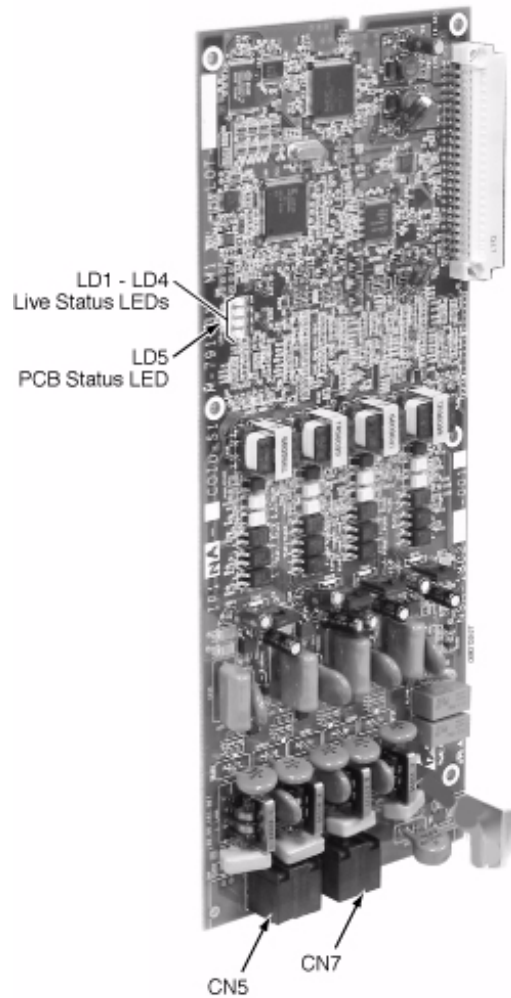


Figure 2-11: 4COIU-S INSTALLATION

## Direct Inward Dial (DID) (2DIOPU-S) PCB (Figure 2-12)

The 2DIOPU-S PCB, with software 2.21 or higher, supports the analog DID and single line telephone interface functions (such as Off-Premise Extension). The function type is assigned in programming for each port.

The DIOPU-S PCB provides:

- 2 DID/OPX trunk circuits
- 2 DID/OPX trunk status LEDs
- 1 PCB status LED
- 1 PBXG Grounding Wire

The CN201 connector provides connection to 2 analog DID trunk ports, *which are polarity sensitive (tip to tip, ring to ring)*. The OPX circuits, however, are not polarity sensitive. The DIOPU-S requires one universal slot, with 4 maximum PCBs per system. The system will assign either trunk or extension ports to the PCB based on the system programming (10-03-01). The PCB provides track resistance of 1500 ohms (PB loop) and 3000 ohms (DP loop) which includes the DC resistance of the terminal.



Figure 2-12: 2DIOPU-S INSTALLATION

### LED Indications

LED	Function	LED Status	Operation Status
LD1 (PCB Status)	Indicates the status of the PCB.	Green On	Initializing
		Green Flashing (slow flash)	Initialization problem occurred during self-check.
		Green Flashing (100ms On/Off)	Operating normally
		Green Off	Downloading
LD2 - LD3	Indicates the status of the lines.	Red On	Line in use
		Red Off	Line idle

### Connector Pin-Outs on DIOPU-S PCB

RJ61 Cable Connector - CN201		
	Pin No.	Connection
	1	N/A
	2	N/A
	3	Tip for port 2
	4	Ring for port 1
	5	Tip for port 1
	6	Ring for port 2
	7	N/A
	8	N/A

• Connect the tip to the ground side and the ring to the -48V side when wiring for analog DID trunk ports.

### Installing the Direct Inward Dial PCB:

1. Install the DIOPU-S PCB into a slot.
2. Connect the PBXG grounding wire to the PBXG grounding terminal in the cabinet.  
*The analog DID trunk ports are **polarity sensitive (tip to tip, ring to ring)**. The OPX circuits, however, are not polarity sensitive. Be sure the wiring is correct for the application.*  
*Once the system is powered up, with normal operation, the status LED will flash fast. If trouble was found during the self diagnostics routine, the status LED will flash slowly.*
3. Tighten the screw on the PCB to secure the card to the cabinet.

**BRI (2BRIU-S) Interface PCB (Figure 2-13)**

*Check with your NEC Sales Representative for availability of this PCB.*

The BRI PCB provides:

- 2 2-Channel Circuits (2B + D) configured as T-Bus
- 64 Kb/s Clear B-Channel and 16 Kb/s D-Channel
- 4 trunk/extension status LEDs
- 1 PCB status LED
- 1 run/block switch

The BRI Interface PCB uses a single universal slot. A maximum of 2 BRIU-S PCBs can be installed when used as T-Bus. Each PCB connects to the network via an NTI Network Termination. With the maximum number of PCBs installed, the following can be provided:

- The 2BRIU-S, when used as T-Bus, provides 2 BRI circuits and 4 BRI channels. A maximum of 7 ISDN terminals can be connected between an external DSU and the 2BRIU-S PCB.

The trunk circuit can be connected to either an ISDN trunk or ISDN telephone set, depending on the SW102 and SW202 switch settings.

**Setting the SW100-SW200 Switches**

In the following cases, the SW100-SW200 switches should be set to the ON position:

- When the channel is assigned as a T-Bus Point-to-Point.
- With T-Bus Point-to-Multipoint and if the system is connected at the end of the multipoint.

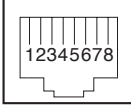
Otherwise, the SW100-SW200 switches should be set to the OFF position.

Switch Name	Switch Position	Result	Comments
SW102 SW202	T	T-Bus Connection	
	S	S-Bus Connection	Not currently used.
SW100 SW200	ON	Termination resistor is ON	This switch should be set to ON: 1. When T-Bus with Point-to-Point is selected. 2. When T-Bus with Point-to-Multipoint is selected and if the connection to the Aspire system at the last port of the Bus connection.
	OFF	Termination resistor is OFF	When T-Bus with Point-to-Multipoint is selected and if the Aspire system is not connected to the last port of the Bus connection, this switch should be OFF.
CN102 CN202	ON	With S-Bus selected, the Feeding Power is supplied to the terminal.	- Not currently used. - If S-Bus is selected, this switch should be ON.
	OFF	With S-Bus selected, the Feeding Power is not supplied to the terminal.	- Not currently used. - If T-Bus is selected, this switch should be OFF.

### LED Indications

LED	Function	LED Status	Operation Status
LD5 (PCB Status)	Indicates the status of the PCB.	Green On	Initializing
		Green Flashing (slow flash)	Initialization problem occurred during self-check.
		Green Flashing (100ms On/Off)	Operating normally
		Green Off	Downloading
LD1 - LD2	Indicates the Layer 1 link status of the lines.	Red On	Layer 1 link established
		Red Off	No link

### Connector Pin-Outs on BRIU-S PCB

RJ61 Cable Connector - CN2 T-Bus Connection			
The CN2 connector is <i>polarity sensitive (tip to tip, ring to ring)</i> .			
	Pin No.	Connection	
	1	-	
	2	-	
	3	TA +	
	4	RA +	
	5	RB -	
	6	TB -	
	7	-	
8	-		

T-Bus Connection Pin-Out for ISDN Cable at External DSU and Mod Jack				
Pin No.	Connection on DSU Side		Connection on Mod Jack	
	Terminal	DSU	Terminal	DSU
1	-	-	-	-
2	-	-	-	-
3	TA +	Rx +	TA +	Tx +
4	RA +	Tx +	RA +	Rx +
5	RB -	Tx -	RB -	Rx -
6	TB -	Rx -	TB -	Tx -
7	-	-	-	-
8	-	-	-	-

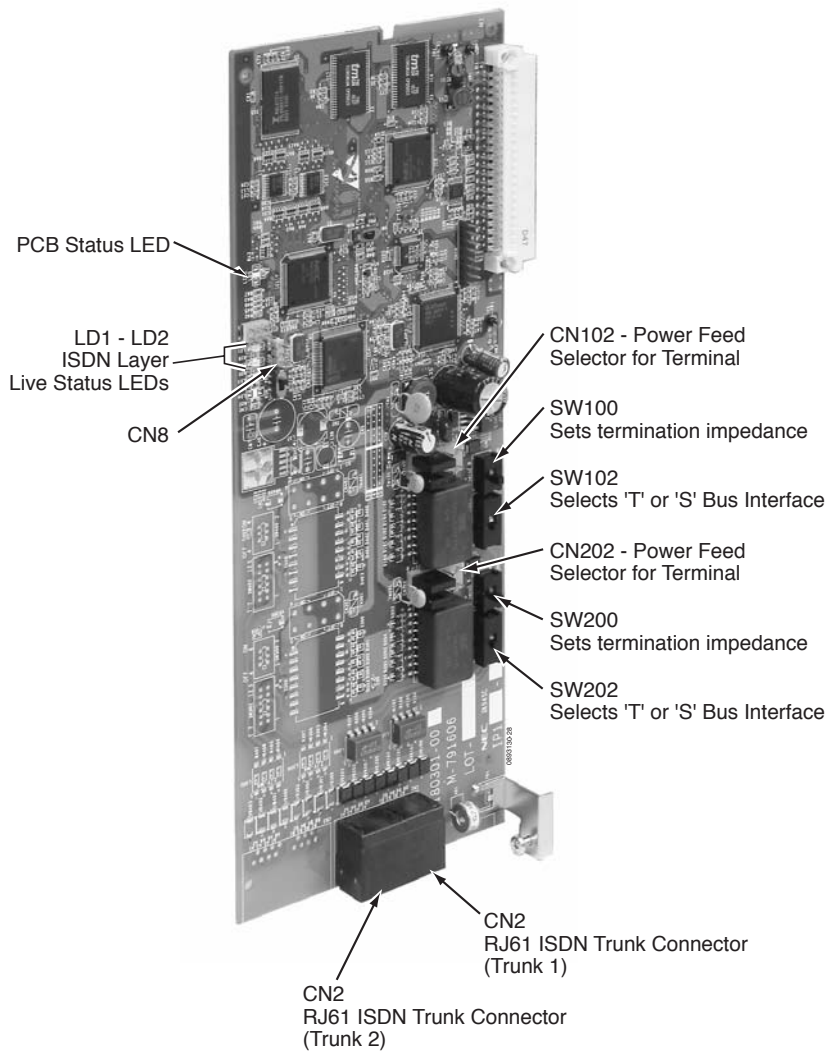
**To install a BRI Interface PCB:**

1. Set the SWn02 jumpers on the BRI PCB for either T-Bus or S-Bus.
2. Set the SWn00 jumpers as either terminated or unterminated.
3. Set the CNn02 jumpers to either provide power (with S-Bus) or not to supply power (with T-Bus).
4. Plug the BRI PCB into the system cabinet.

*Once the system is powered up, with normal operation, the status LED will flash fast. If trouble was found during the self diagnostics routine, the status LED will flash slow.*

*Once connected, the ISDN Layer Link Status LEDs will be on steady when the Layer 1 link is established. If there is no link, the LED will be off.*

5. Connect the cable from the NT1 Network Termination cable to the CN2 connector on the BRI PCB.
6. Tighten the screw on the PCB to secure the card to the cabinet.



**Figure 2-13: BRI PCB INSTALLATION**

### Voice Mail - IntraMail (Figure 2-14)

*A DSPDB daughter board is required for either version of IntraMail.*

#### 4 Port IntraMail Compact Flash Card — P/N 0892175

The IntraMail is a plug-in “in-skin” full-featured, DSP-based integrated Voice Mail with Automated Attendant for the Aspire S (with software 2.50 or higher). This card is installed on the DSP Resource daughter board.



The 4 port compact flash card provides:

- 4 Voice Mail ports, 4 hours of message storage, and up to 160 mailboxes.  
*It requires a DSPDBU Daughter Board P/N 0891003.*

The IntraMail Automated Attendant answers incoming calls and routes them quickly and efficiently. Integrated Voice Mail features include Conversation Record, Answering Machine Emulation, and Caller ID with Return Call. Interactive Soft Keys guide the display telephone user through the extensive IntraMail feature set. This feature is available in PCPro software 2.30 or higher.

#### 8 Port IntraMail Compact Flash Card — P/N 0892177

The IntraMail is a plug-in “in-skin” full-featured, DSP-based integrated Voice Mail with Automated Attendant for the Aspire S (with software 2.50 or higher). This card is installed on the DSP Resource daughter board.

The 8 port compact flash card provides:

- 8 Voice Mail ports, 8 hours of message storage, and up to 160 mailboxes.  
*It requires a DSPDBU Daughter Board P/N 0891003.*

The IntraMail Automated Attendant answers incoming calls and routes them quickly and efficiently. Integrated Voice Mail features include Conversation Record, Answering Machine Emulation, and Caller ID with Return Call. Interactive Soft Keys guide the display telephone user through the extensive IntraMail feature set. This feature is available in PCPro software 2.30 or higher.

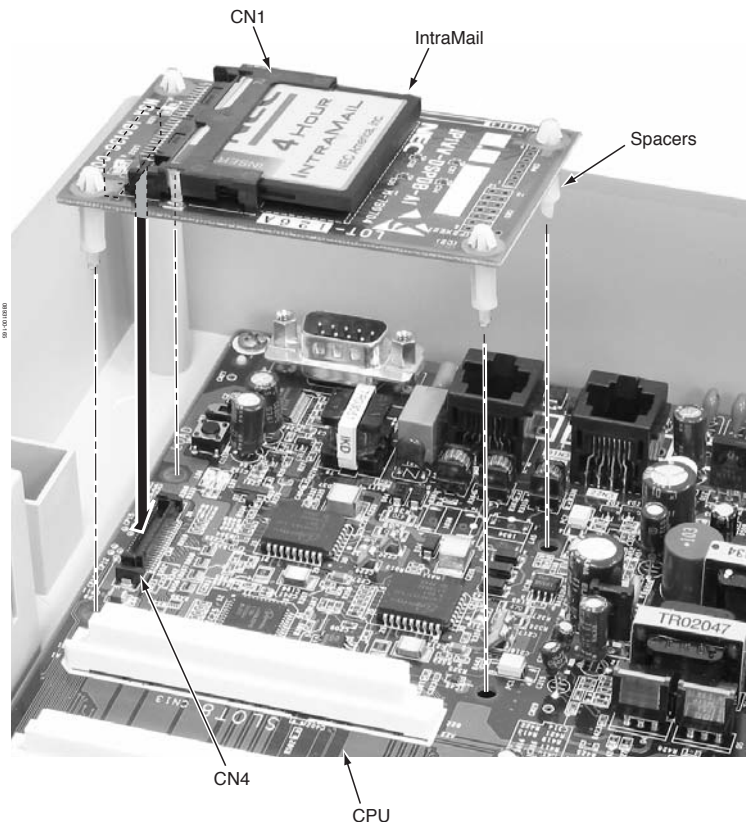
IntraMail Specifications		
	P/N 0892175	P/N 0892177
Ports:	4	8
Station Mailboxes:	128	
Routing Mailboxes:	16	
Master Mailboxes:	16 (Only 8 of the 16 Master mailboxes are accessible in Aspire S.)	
Total Mailboxes:	160	
Storage Hours:	4 Hours	8 Hours
Answer Tables:	8	
Dial Action Tables:	16	
Programming Interface:	Aspire S telephone programming or Aspire PCPro software 2.30+.	
Remote Programming:	Access Via HTML-based Aspire WebPro or using customer-provided modems with Aspire PCPro.	
Voice Storage Media:	Flash Card (on IntraMail PCB)	
Languages:	1 (English Mnemonic)	



**Installing an IntraMail Compact Flash Card:**

*The system must be powered down prior to installing the IntraMail card.*

1. If not already installed, install the DSPDB daughter board. Included with the DSPDB are four spacers. Install one spacer in each corner of the daughter board. Make sure to attach the spacers from the back of the daughter board so when installed, the compact flash slot is facing up.
2. Position the daughter board over the CN4 connector on the CPU. Push the board into the connector on the CPU. Gently push the corners of the daughter board down so the spacers lock into the CPU.  
*To remove the daughter board, use pliers to squeeze the top of the spacers together, then gently pull the daughter board off.*
3. Insert the IntraMail CompactFlash card into the slot in the DSPDB.



**Figure 2-14: INTRAMAIL INSTALLATION**

Refer to the Aspire IntraMail System Guide, P/N 0893240, for programming details.

---

### VoIP (VOIPU-S) PCB (Figure 2-15)

*An ENTU-S PCB is required when a VoIP PCB is installed. If the ENTU-S is not installed, the system will not start up.*

The 4VOIPU-S PCB is used for converting the RTP (Real Time Transfer Protocol) packets via the IP network and PCM highway. The IP telephones are connected directly to the IP bus. When IP phones need to be connected to a conventional PCM-based digital circuit, this PCB converts the IP packet signal into a PCM signal format and connects to the PCM time division switch.

The VOIPU-S PCB is required in order for IP telephones to communicate with non-VoIP Aspire phones, as well as to place or receive outside calls.

The 4VOIPU-S PCB provides:

- 4VOIPU-S PCB provides up to 4 channels
- Connector for the 4VOIPDB-S daughter board (providing an additional 4 channels)
- 1 PCB status LED
- DB status LED
- RIP session status LED
- PCMCIA slot LED
- Reset switch
- Load switch
- Boot jumper
- 1 run/block switch

A maximum of 3 PCBs per system are allowed. This provides 12 channels per system with the 4VOIPU (with the 4VOIPDB-S, 24 channels are available).

Add the VoIP PCB after all other PCBs have been installed and the ports assigned. Otherwise, port numbering may be off as the VoIP PCB is recognized first (even before the ports on the CPU). This would mean the VoIP is assigned ports 1-4 and the digital and analog ports on the CPU would then follow.

When installing a VoIP PCB, the 4VOIPU-S PCB uses a consecutive block of 4 trunk ports if there are 4 vacant 4 ports available. The 4VOIPU-S with a 4VOIPDB-S PCB uses a consecutive block of 8 trunk ports if there are 8 ports available. If there are not enough trunk ports available, the VOIPU will start up without allocating any trunk ports.

If the PCB is not going to be used for trunks, the logical trunk ports can be set to '0' in **Program 10-03-01 : PCB Setup**, but the physical trunk ports are still assigned to the PCB and cannot be used for any other PCB unless the PCB is deleted from the slot in **Program 90-05 : Slot Control**. A maximum of 16 IP extensions or 8 IP trunks are possible with the Aspire S. The VoIP PCB can be plugged into any universal slot.

The separate software hub should be a 100Base/full duplex hub. To avoid network problems and to ensure good voice quality, do not use a Repeater Hub/10Base.

**PCB Port Assignments**

When installing a VoIP PCB, the system automatically assigns trunk ports to match the card’s port capacity. For example, a 4VOIPU-S would take 4 trunk ports, the 4VOIPU-S with a 4VOIPDB-S would take 8 trunk ports. Extension ports are not reserved until an IP phone is connected to the system. When the first IP phone is plugged in, the system takes the next four consecutive extension ports available and automatically assigns them as IP ports. The next three IP phones installed will use this group of ports. When the fifth IP phone is connected, the next 4 consecutive extension ports available will be assigned as IP ports.

If the number of trunk ports reserved by the system is a concern (as it could be with the Aspire S system), install the trunk cards first, then install the VOIPU-S PCB. This will allow the trunks to be assigned to the COIU-S, DIOPU-S, etc. first. If there are not enough trunk ports available for the VoIP PCB, the system will still recognize the card and allow it to be used for IP phones.

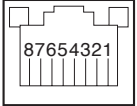
Once a VoIP PCB has been installed in the system and trunks have been reserved for the PCB, the only way to release the trunks for use by other PCBs is to remove the VoIP PCB and delete the slot (using Program 90-05).

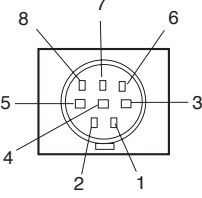
For further details on using LAN devices, refer to **Section 6: LAN Connection** (page 6-1).

**LED Indications**

LED	Function	LED Status	Operation Status	Comments
LED1 PCB Status	Status of PCB	Green On	Initializing or the Block switch was set to the RUN position.	
		Green Flashing (slow flash)	Initialization problem occurred during self-check.	
		Green Flashing (100ms On/Off)	Operating normally.	
		Green Off	Downloading or the Block switch was set to the BLK position.	
LED2 DB RUN	Status of the 4VOIPDB	Red	4VOIPDB-S is operating normally.	
		Off	4VOIPDB-S is not functioning correctly.	
LED3 RTP Session Status	Status of RTP Session	Red	RTP session is established.	LED is on if one of the channels is established.
		Off	RTP session is not established.	
LED4 PCMCIA	Status of PCMCIA Slot	Red	PC-ATA card installed.	
		Off	PC-ATA card not installed.	
LED A (On CN4)	Status of Link	On	Link is established.	
LED B (On CN4)	Data Transmission and Reception	On	Data is being transmitted or received.	

## Connector Pin-Outs on VOIPU-S PCB

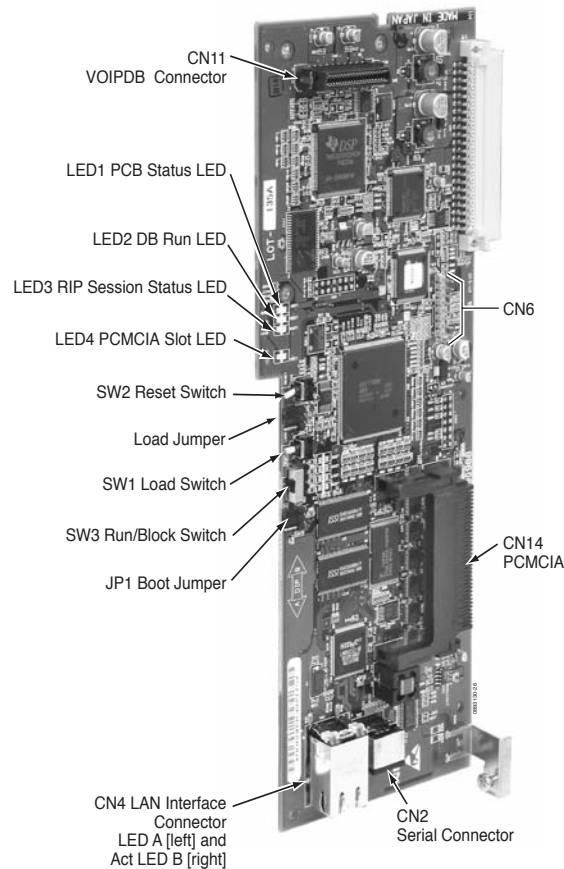
RJ61 Cable Connector - CN4 10Base-T / 100Base-TX Port		
	Pin No.	Connection
	1	Tx+
	2	Tx-
	3	Rx+
	4	-
	5	-
	6	Rx-
	7	-
	8	-

Serial Cable Connector - CN2 Serial Cross Cable with Mini-Din (Used only for VOIPU-S PCB maintenance)		
	Pin No.	Connection
	1	DCD
	2	RTS
	3	RxD
	4	GND
	5	TxD
	6	CTS
	7	DTR
	8	DSR

**Installing the VoIP PCB:**

*To avoid unexpected extension/trunk numbering if the VoIP PCB registers with the system first, install the VoIP PCB after the other types of extension/trunk PCBs have been installed.*

1. Set the run/block switch **DOWN**.  
*If the VOIPDB-S is to be used, install this prior to inserting the VOIPU-S PCB into the cabinet. Refer to VoIP (VOIPDB-S) Daughter Board (Figure 2-16) (page 2-39) for more details.*
2. Install the VOIPU-S PCB into a slot.
3. Set the run/block switch **UP**.  
*Once the system is powered up, with normal operation, the status LED will flash fast. If trouble was found during the self diagnostics routine, the status LED will flash slowly.*
4. Connect the VOIPU-S PCB to an external switching hub using an ethernet cable.
5. Tighten the screw on the PCB to secure the card to the cabinet.
6. Refer to the **Aspire Software Manual (P/N 0893200)** for required programming.



**Figure 2-15: VOIPU-S PCB INSTALLATION**

### Upgrading Your VOIPU-S Firmware

1. Copy the updated firmware file (VoIPU.bin) to the compact flash card.
2. Power down the system.
3. Insert the CF (compact flash) card into the VOIPU-S PCB's CN14 slot.
4. Move the Load jumper (JP6) to pins 2-3.
5. Insert the PCB into the cabinet.
6. Power up the system.
7. Remove the CF card once the status LED1 on the VOIPU-S PCB starts flashing green.
8. Set the Load jumper (JP6) back to pins 1-2.

OR

#### Using an RS232 Connection:

1. Copy the updated firmware file (VoIPU.bin) to the compact flash card.
2. Power down the system.
3. Connect a PC to the serial connector (CN1) on the Aspire S using an RS232 cross cable.
4. Open HyperTerminal on the PC.  
*The settings for the HyperTerminal session should be:  
Baud Rate: 38400, Data Bit: 8, Non Parity, Stop Bit: 1*
5. Set the SW3 switch on the Aspire S CPU to the "6" side.
6. Insert the CF (compact flash) card into the VOIPU-S PCB's CN14 slot.
7. Move the Load jumper (JP6) to pins 2-3.
8. Insert the PCB into the cabinet.
9. Power up the system.
10. Remove the CF card once the status LED1 on the VOIPU-S PCB starts flashing green.
11. Enter "slot info x" (x=the slot number) from HyperTerminal.
12. Confirm the version number.
13. Set the Load jumper (JP6) back to pins 1-2.
14. Set the SW3 switch on the Aspire S to the "4" side.

### VoIP (VOIPDB-S) Daughter Board (Figure 2-16)

The 4VOIPDB-S daughter board provides:

- 4 channels
- Connector for the 4VOIPU-S PCB (combination provides a maximum of 8 channels per slot)

The VOIPDB-S is installed on the VOIPU-S PCB with a maximum of 3 daughter boards per system. This provides a maximum of 24 channels when combining the 4VOIPU-S and 4VOIPDB-S.

When installing a 4VOIPU-S with a 4VOIPDB-S PCB, the system uses a consecutive block of 8 trunk ports if there are 8 ports available. If there are not enough trunk ports available, the VOIPU will start up without allocating any trunk ports.

If the PCB is not going to be used for trunks, the logical trunk ports can be set to '0' in **Program 10-03-01 : PCB Setup**, but the physical trunk ports are still assigned to the PCB and cannot be used for any other PCB

unless the PCB is deleted from the slot in **Program 90-05 : Slot Control**.

Refer to *PCB Port Assignments* on page 2-35 for details on the port usage with the VOIPDB-S. For further details on using LAN devices, refer to **Section 6: LAN Connection** (page 6-1).

#### Installing an VOIPDB-S Daughter Board:

1. Included with the VOIPDB-S are four plastic spacers. These are installed in each of the four corners of the daughter board. Make sure to attach the spacers on the front of the daughter board so when installed, the components are facing the VOIPU-S PCB.
2. Position the VOIPDB-S's CN6 connector over the CN11 connector on the VOIPU-S PCB. Press the boards together, ensuring the plastic spacers lock in place.
3. Install the VOIPU-S PCB into the slot.
4. Refer to **VoIP Feature Supplement (P/N 0893204)** for required programming.



Figure 2-16: VOIPDB

# SYSTEM STARTUP

---

## System Startup

You can now power up the system and briefly check its operation. Before proceeding, be sure that:

- The common equipment is installed correctly.
- All extensions are cabled correctly.
- All earth ground and telco connections are installed correctly.
- PCBs are configured, equipped, and strapped correctly.

---

## Powering Up the System

*To avoid unexpected extension/trunk numbering if the VoIP PCB registers with the system first, install the VoIP PCB after the other types of extension/trunk PCBs have been installed.*

*When powering the system up or down, wait 10 seconds before pressing the button again. This allows the system to complete the startup/shutdown process.*

1. Install all the required PCBs into the system cabinet.
2. Plug in all system telephones. A display telephone should be plugged into port 01 (extension 301).
3. Plug in the AC power cord for the cabinet into its surge protector.
4. **When starting the system for the first time**, hold the LOAD button on the CPU and turn the AC power button ON. After approximately 3 seconds, release the LOAD button.

*This performs a cold start (defaults all program entries) on the Aspire system to make sure you're starting with a defaulted system.*

**When powering up any other time**, simply press the power supply's AC power button. Refer to *Switch Settings and LED Indications* on page 2-8 for CPU LED status.

5. Wait about two minutes for the system to boot. The telephone display at extension 301 will show the Time/Date and extension number when the boot sequence completes.

**Note:** Refer to **TROUBLESHOOTING** (page 3-16) if the system does not boot.

The system will automatically recognize each PCB installed in the system. *If a PCB has previously been installed* in a slot and another type of PCB is to be installed in that same slot, the PCB must be first be removed from the cabinet and then the slot definition removed using Program 90-05 prior to installing the new PCB.

This same condition applies to extensions and other devices connected to the system. For example, if a port was previously used for a keyset and a DSS Console is to be installed in that same port, it must first be undefined in Program 10-03 before the console is connected.

For more information on Cold and Hot system starts, refer to **Central Processing Unit (CPU) PCB (Figure 2-3)** (page 2-6).

*Whenever powering down the system, check to make sure the only LED flashing on the CPU card itself is the LD2 LED (farthest right of the LEDs).* This LED is located in the lower left-hand corner of the CPU. If any other LEDs are flashing on the CPU, wait until they stop or else the system data may be corrupted.



## PCB STARTUP

### Initial PCB Installation

*To avoid unexpected extension/trunk numbering if the VoIP PCB registers with the system first, install the VoIP PCB after the other types of extension/trunk PCBs have been installed.*

**The order in which SLIU-S and ESIU-S PCBs are physically inserted determines the numbering plan.** The installer must install extension PCBs in order (i.e.; slot 3 first, slot 4 next, etc.) for a sequential numbering plan.

For example, as the CPU provides 8 digital station ports (ext. 301-308), when 2 more station cards are installed in the following order, the numbering plan below would apply:

Order of Install	PCB Slot #	PCB	Extension Numbers
1	CPU	---	301-308 (digital extensions)
2	CPU	---	309-310 (analog extensions)
3	3	4SLIU-S (with the 4SLIDB-S daughter board)	311-318
4	4	8ESIU-S	319-326

Refer to *PCB Port Assignments* on page 2-35 for details on the port usage with the VOIPU-S PCB and VOIPDB-S. As these cards are assigned trunk ports when initially installed, this could impact the number of ports available for extensions.

---

### Initial Programming (Figure 2-17)

The system can be programmed using the following methods:

- Through a digital keyset
- Web Programming

*Refer to the PCPro/WebPro Installation Manual, P/N 0893201, for complete installation details.*

Refer to the Aspire Software Manual (P/N 083200) for complete details on programming.

#### Entering the Programming Mode

Enter the system programming mode at extension 301:

1. Press CALL1. (You hear dial tone).
2. Dial # \* # \*.
3. Dial the system password.

Password	Level
12345678	2 (IN)
0000	3 (SA)
9999	4 (SB)

4. Press HOLD.

#### Port Defaults

With the default settings, the ports are assigned as follows:

Station Ports:	1-26 (extensions 301-499 and 5000-5312)
Virtual Station Ports:	1-24 (extensions not assigned)
Trunk Ports:	1-8

---

### Making Test Calls

In the initial configuration:

- All Programmable Function keys are line keys (e.g., key 1 is line 1).
- All trunks are loop start DTMF.

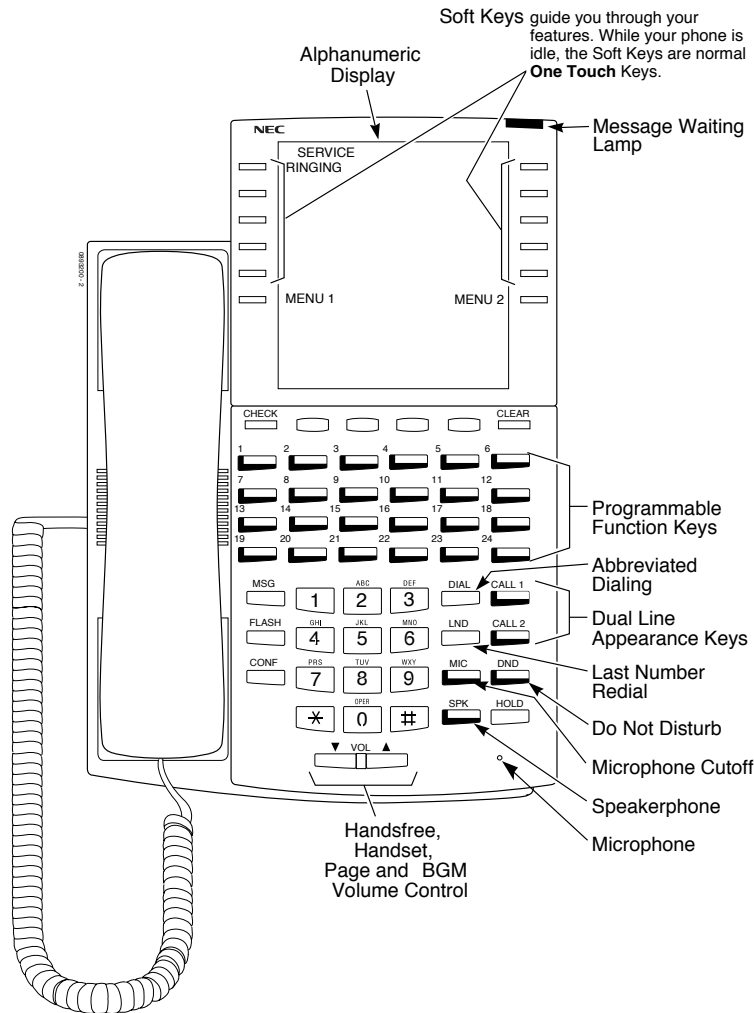


Figure 2-17: TELEPHONE KEY LAYOUT

### Setting Up Extension Circuit Types

Run Program 10-03 to set up extension circuit types as required. The system will automatically detect and assign most circuit types when the device is connected. Refer to the Software Manual for programming information.

1. Dial 10-03-01.
2. Select the slot, port or channel (with ESIU-S PCBs) to be programmed by pressing FLASH.
3. Set the terminal type or option as needed.

*Refer to the Software Manual for this information.*

*If the system has DSS Consoles, Program 30-02 must be used to define DSS extension assignments.*

As the system recognizes the extension devices automatically, when replacing the type of device connected, the type must be undefined in Program 10-03 prior to connecting the new device. For example, if a port was previously used for a keyset and a DSS Console is to be installed in that same port, it must first be undefined in Program 10-03 before the console is connected.

---

### Saving Your Configuration

When you are done programming, you must be out of a program's options to exit (pressing the MSG key will exit the program's option). Press the SPK key. Any changes made will be saved to the CPU.

1. Press MSG key to exit the program's options, if needed.
2. Press SPK. You see, "Saving System Data" if changes were made to the system's programming.
3. The display shows "Complete Data Save" when completed and will exit the phone to an idle mode.

---

### Backing Up/Restoring a Database

*Due to database differences, saved customer databases are not interchangeable between the Aspire S and Aspire systems. The PCPro will prevent the upload of an incorrect database by disabling the Upload button when the system database does not match the system to which you are connected. However, when using **Program 90-04 : Load Data**, the system will not be able to prevent an incorrect upload. It is important to make sure you only load data saved from an Aspire S to an Aspire S system and data saved from an Aspire to an Aspire system.*

As a precaution for existing systems which have already been programmed, it is recommended that the customer database be saved prior to updating the system software. There are two methods of saving the database - either using the PCPro application or saving directly to a blank 32 meg CompactFlash card. Using PCPro, download the database and save the file on the PC's hard drive. To save the database using a blank 32 meg compact flash card (P/N 0891064), insert the card into the CPU and, using Program 90-03, save the software. Due to the file's naming structure, note that a compact flash card can only hold one customer database (each database is saved to a directory called DATA - this directory would be overwritten if a second database were saved to the same card). Each database to be saved will require its own separate card (unless you choose to rename the directory after it is saved, then rename it back to DATA when you need to access the database).

If the customer data needs to be reloaded, the method for restoring the database is determined by how the database was saved. Using PCPro, the customer database is uploaded using the Upload option within the application. If the database is stored on a CompactFlash card, use Program 90-04, with the database to be restored installed in the CPU.

*When restoring a database file, as the slot definitions may be different, remove all PCBs from the system. After the system has been reset, you can reinstall the PCBs. You can use Program 10-03 or Program 90-13-03 prior to updating to record the current slot definitions. If the PCBs are not removed, the trunk and extension port assignments may be reassigned, depending on which PCB syncs up with the system first.*

After reloading the customer data to the system, exit programming mode (this could take a minute or more to save the database), **then reset the system by powering down and back up**. If the system is not reset, not all the uploaded programming changes will be in effect. Wait a few minutes for the programming to take affect before accessing any lines or special system features. Otherwise some unusual LED indications may be experienced. To prevent the CompactFlash card from possibly being over-written, remove the card after reloading the database.

*When restoring a database file, as the slot definitions may be different, remove all PCBs from the system. After the system has been reset, you can power down the system and then reinstall the PCBs. You can use Program 10-03 or Program 90-13-03 prior to updating to record the current slot definitions. If the PCBs are not removed, the trunk and extension port assignments may be reassigned, depending on which PCB syncs up with the system first.*

## Using Flash Cards for System Software

As the Aspire S system uses a compact flash card for software upgrades, it is possible to receive or download a compressed file from NEC containing the system software. The following information details the steps required to update the system software using a pre-programmed CompactFlash card containing system software or when the software is received as a compressed file.

### Using a Compressed File for System Upgrades

#### Requirements

- Customer Provided: CompactFlash Card Reader *OR* a PCMCIA Slot in a Laptop with a CompactFlash Adapter

#### Suggestions:

Readers: **Kingston USB 2.0 Hi-Speed PC Card Reader** (model FCR-HS2/ATA)  
**SimpleTech FlashLink CompactFlash Type I and II Card USB Reader**  
 (model STI-UCF100)

**SimpleTech FlashLink All-In-One USB Reader** (model STI-UMC600)

Adapters: **SimpleTech CompactFlash Adapter for Type II PC Card Slots**  
 (model STI-CFAD) (accommodates CompactFlash Type 1 cards)

**SanDisk CompactFlash PC Card Adapter** (model SDCF-38)  
 (accommodates CompactFlash Type 1 cards)

- **Customer Provided:** Two 32MB CompactFlash Cards (1 for system software, 1 for database backup)
- Aspire S System Software Zip File
- WinZip application

*This program can be downloaded from WinZip's web site: <http://www.winzip.com>*

1. After receiving the compressed system software file from NEC, it must be unzipped using the WinZip application.  
*If the file was received by Email, detach the zip file to your computer.*
2. Locate the zip file on your computer and double-click on the file.  
*The file opens the WinZip application and displays a list of the compressed files.*
3. Click **ACTIONS - EXTRACT** or click the **EXTRACT** button on the tool bar.
4. In the Extract window that appears, make sure the **USE FOLDER NAMES** options is checked. This is required to keep the proper paths for the files as they are extracted.
5. Select the location to which the files should be extracted and click the **EXTRACT** button.  
*Suggestion: You may want to create a directory in which all Aspire software can be kept (with a sub-directory for the version type - example: Aspire\_Software/2\_03). This allows you to keep the original source files for future use, if required.*
6. Place the compact flash card to be used for the update into the compact flash card reader.
7. Double-click on **MY COMPUTER** and then double-click on the compact flash card reader.  
*The contents of the compact flash card should be displayed.*
8. If there are any existing files on the compact flash card, delete or move any files off the card before proceeding.
9. Open the directory containing the system software files to be used for the system update.
10. Select all the files within the folder and copy them to the flash card.  
 This can be done as follows:
  - From the software directory window, click: **Edit - Select All - Edit - Copy**
  - From the flash card window, click **Edit - Paste***The files are then copied from the PC to the CompactFlash card.*  
*Continue by updating the system software using the procedure detailed in the Upgrading Software on page 2-46 instructions.*

### Upgrading Software

When initially updating your Aspire S to 2.50 or higher, refer to **Upgrading Software From Version 2.0x, 2.1x, or 2.2x to 2.50 or Higher** on page 2-47.

### Requirements

- 32MB CompactFlash Card containing Aspire S System Software (pre-programmed or from an extracted zip file)  
*Refer to Using a Compressed File for System Upgrades on page 2-45 if the software was received as a Zip file.*

### **! Important !**

As a precaution, it is recommended that the customer database be saved prior to updating the system software. Refer to **Backing Up/Restoring a Database** (page 2-44).

1. If previously powered up, the system must be turned off for upgrading software. Before powering down the system, verify that of the 4 LEDs in the lower left corner of the CPU, only LD2 is flashing (this LED is located farthest right of the LEDs). If any other LEDs are flashing, wait until they stop before proceeding.  
*Turning off the power when other LEDs are flashing may corrupt the system data.*
2. Turn the system power off by pressing the power switch to OFF
3. Once the system has completed its powering down cycle (all LEDs are off), insert the CompactFlash card containing the software upgrade into the CompactFlash card slot (CN5) on the CPU.
4. Push in and hold the Load button.
5. Turn the system power on by pressing the power button to power the system back up.
6. Continue holding the Load button for approximately 10 seconds.
7. Release the Load button.
8. Wait until the Status LEDs on the CPU have the following indications (approximately 2 minutes): LD1: Flashing Red, LD3: Flashing Red, LD4: Flashing Red, LD2: Steady Green.
9. Turn the system power off by pressing the power button on the cabinet.
10. Once the system has completed its powering down cycle (all LEDs are off), remove the CompactFlash card.
11. Turn the system power back on.
12. When the system has completed reloading the software, LD2 will begin flashing on the CPU. The remaining 3 LEDs will now be off.

*To confirm the new software version has been installed, the system version number can be viewed by pressing CHECK and then the HOLD key on any display keyset. This can also be confirmed in Program 90-16-01.*

*The existing system software in the flash memory is replaced, but the customer data (stored in the RAM) is saved.*

*It is important to remember that the PCB installation must be done with the system powered down.*

**Upgrading Software From Version 2.0x, 2.1x, or 2.2x to 2.50 or Higher**

Due to the port capacity changes in 2.50 software, it is recommended the system be cold started and the customer database reprogrammed. However, using PCPro 3.00 or higher, you can choose to reload the majority of the customer database using the steps below.

Use the following steps to update your Aspire S with 2.0x, 2.1x, or 2.2x software to 2.50 or higher. This process is only required to bring the system up to 2.50 or higher. Once the system has been updated to this level, any future software upgrades should follow the instructions indicated *Upgrading Software* on page 2-46. If the following steps are not used when upgrading to 2.50 or higher, the IntraMail feature will not function correctly.

2

1. As a precaution, it is recommended that the customer database be saved prior to updating the system software. Refer to **Backing Up/Restoring a Database** (page 2-44).
2. Set **Program 45-01-01 : Voice Mail Integration Options, Voice Mail Department Group Number** to "0" (no voice mail).  
*This could prevent IntraMail from automatically configuring correctly.*
3. In **Program 16-02-01 : Department Group Assignment for Extensions**, make sure there are no extension ports assigned to Department Group 8.  
*This could prevent IntraMail from automatically configuring correctly.*
4. Upgrade the system software to version 2.50 or higher.
  - a. Before powering down the system, verify that of the 4 LEDs in the lower left corner of the CPU, only LD2 is flashing (this LED is located farthest right of the LEDs). If any other LEDs are flashing, wait until they stop before proceeding.  
*Turning off the power when other LEDs are flashing may corrupt the system data.*
  - b. Turn the system power off by pressing the power switch to OFF.
  - c. Once the system has completed its powering down cycle (all LEDs are off), insert the CompactFlash card containing the software upgrade into the CompactFlash card slot (CN5) on the CPU.
  - d. Push in and hold the Load button.
  - e. Turn the system power on by pressing the power button to ON.
  - f. Continue holding the Load button for approximately 10 seconds.
  - g. Release the Load button.
  - h. Wait until the Status LEDs on the CPU have the following indications (approximately 2 minutes):  
LD1: Flashing Red, LD3: Flashing Red, LD4: Flashing Red, LD2: Steady Green.
  - i. Power down the system and remove the CompactFlash card.
  - j. Power the system back up.
5. Confirm the new software version has been installed by pressing CHECK and then the HOLD key on any display keyset. This can also be confirmed in Program 90-16-01.
6. Connect to the Aspire S system using PCPro software 2.30 or higher then download and save the customer database from the system.
  - a. Open PCPro.
  - b. Click **FILE - NEW - ASPIRE S**.
  - c. Click **COMMUNICATIONS - CONNECT**. Enter the user name, password, and IP address required for the Aspire S. Click **CONNECT**.
  - d. Click **COMMUNICATIONS - DOWNLOAD** - Select Range should show **ALL** - Click **START**.
  - e. When complete, click **CLOSE** then click **FILE - SAVE AS** - Save the database file.
  - f. Disconnect from the system by clicking **COMMUNICATIONS - DISCONNECT**.
7. Power the system down.
8. Once the system has completed its powering down cycle (all LEDs are off), remove all installed PCBs.
9. Install the IntraMail CompactFlash card into the DSPDBU and install the daughter board onto the CPU.

10. Perform a Cold Start.
  - a. Push in and hold the Load button.
  - b. Power the system back up.
  - c. Continue holding the Load button for approximately 3 seconds.
  - d. Release the Load button.
  - e. Allow the system to completely reload the software (approximately 2 minutes). The Status LED (LD2) will be flashing on the CPU.
11. Reconnect to the system with PCPro and reload the database saved in Step 6 **EXCEPT FOR PROGRAMS 16-02, 11-07, 45-01, and all 47-xx. Downloading the complete database will cause problems with the IntraMail programing.**
  - a. Click **COMMUNICATIONS - UPLOAD**.
  - b. Under the **SELECT RANGE** drop-down box, select **SYSTEM CONFIGURATION** and click **START**.
  - c. Once that upload is complete, under the **SELECT RANGE** drop-down box, select **SYSTEM DATA**. While holding down the CTRL key, scroll to each program which should not be downloaded (11-07, 45-01, and all the 47-xx programs) and click to deselect. Click **START**.
  - d. Once that upload is complete, under the **SELECT RANGE** drop-down box, select **TELEPHONE DATA**. While holding down the CTRL key, scroll to Program 16-02 and click to deselect. Click **START**.
  - e. Once that upload is complete, under the **SELECT RANGE** drop-down box, select **VE DATA** and click **START**.

*A screen may appear indicating there is no data to upload. Simply click **OK** and continue with the next upload.*
  - f. Once that upload is complete, under the **SELECT RANGE** drop-down box, select **TRUNK DATA** and click **START**.
  - g. Click **CLOSE**.
12. Click **COMMUNICATIONS - DISCONNECT** to exit system programming.

*Exiting programming mode could take a minute or more while it saves the database.*
13. Wait until the Status LEDs on the CPU have the following indications (approximately 2 minutes), then power the system down.  
LD1: Flashing Red, LD3: Flashing Red, LD4: Flashing Red, LD2: Steady Green.
14. Reinstall the PCBs removed in Step 8.
15. Turn the system power back on.

*Refer to the **Aspire IntraMail System Guide, Chapter 1 - Quick Setup** (P/N 0893240) for details on programming the IntraMail feature.*



**Identifying Port Location**

Port information such as PCB type, port numbers, PCB status, and individual port status can be obtained from the system. To obtain a System Report containing PCB information, the system must be connected to a PC or terminal using the serial port connector on the CPU.

Running program 90-13-03 in MAINTENANCE PROGRAMS prints a system PCB report. Refer to *Program 90-13-03 : System Information Output* in the Software Manual. The following is a typical report:



<<SYSTEM INFORMATION>>						011/03/03 09:49
slot	location	type	assign port	condition	note	
1	1-1	ESIU	1- 8	Running	****----- Connect:*	
2	1-2	SLIU	9- 10	Running		
3	1-3	ESIU	11- 18	Running		
4	1-4	SLIU	19- 26	Running		
5	1-5	COIU	1- 4	Running		
6	1-6	DIOPU	5- 6	Not Install		
7	1-7	- none -				
8	1-8	- none -				
9	2-1	- none -				
10	2-2	- none -				
11	2-3	- none -				
12	2-4	- none -				
13	2-5	- none -				
14	2-6	- none -				
15	2-7	- none -				
16	2-8	- none -				

- For Your Notes -

# Section 3: Installing Extensions and Trunks

3

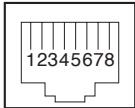
**!! Important !!**

Install telephones as on-premise extensions only. (Otherwise, the telephones are highly susceptible to lightning strikes.)

## RJ-61 TO 66 BLOCK CONNECTIONS

### Wiring RJ-61 Cables to 66 Blocks

When not using a 25-pair amphenol cable to connect extensions or trunks, use the following pin information for the RJ-61 connector to connect your cables to the 66 blocks.

66 Block	RJ-61 Connector	
Block Termination 1: WHT-BLU	Pin 5	
Block Termination 2: BLU-WHT	Pin 4	
Block Termination 3: WHT-ORN	Pin 3	
Block Termination 4: ORN-WHT	Pin 6	
Block Termination 5: WHT-GRN	Pin 2	
Block Termination 6: GRN-WHT	Pin 7	
Block Termination 7: WHT-BRN	Pin 1	
Block Termination 8: BRN-WHT	Pin 8	

---

# INSTALLING 25-PAIR CABLES

---

## Routing Cables

It is recommended to install extension blocks to the left of the cabinet. The trunk blocks can then be installed to the right of the cabinet. Run the 25-pair cable from the extension block and from the trunk block through the cable pass-throughs on either side of the cabinet.

---

## Installing Extension Cross-Connect Blocks

It is also recommended to install cross-connect blocks for each of the system's major extension port device groups. Cross-connect blocks provide an easy way to troubleshoot, determine port identification numerically, and determine port utilization.

Install cross-connect blocks for the following interfaces:

- All digital extension circuits
- CPU functions (i.e.; BGM, MOH, General Purpose Control Relay)
- External page
- External alarms
- Data devices

---

## Installing Trunk Cross-Connect Blocks

It is also recommended to install cross-connect blocks for each of the system's major trunk device groups. Cross-connect blocks provide an easy way to troubleshoot, determine port identification numerically, and determine trunk port utilization.

Install cross-connect from telco's RJ21X to the trunk cross-connect blocks for the following:

- analog loop start lines
- DID trunks

## INSTALLING EXTENSIONS

### Key Extension Cabling (Figure 3-1)

Each key extension requires one-pair twisted station cable from the MDF to the modular jack. A maximum of 24 2-wire extensions can be installed per 50-pin block.

#### To connect key station cabling:

1. Punch down one pair 24 AWG station cable for each key telephone to a cross-connect block.
2. Run one-pair cross-connect from the cross-connect block to the extension (B) block for each extension.
3. Connect the extension (B) block's 25-pair cable to the corresponding RJ-61 connector on the PCB.
4. Install bridging clips on the extension (B) block.

### Installing a Key Telephone (Figure 3-1)

1. Install a modular jack for each extension. The modular jack should be within six feet of the phone.
2. For each extension, run one-pair 24 AWG station cable from the cross-connect block to a modular jack. Ground the unused pair.
3. Terminate the extension leads to GRN/RED of the modular jack. Terminate the unused leads to the jack.

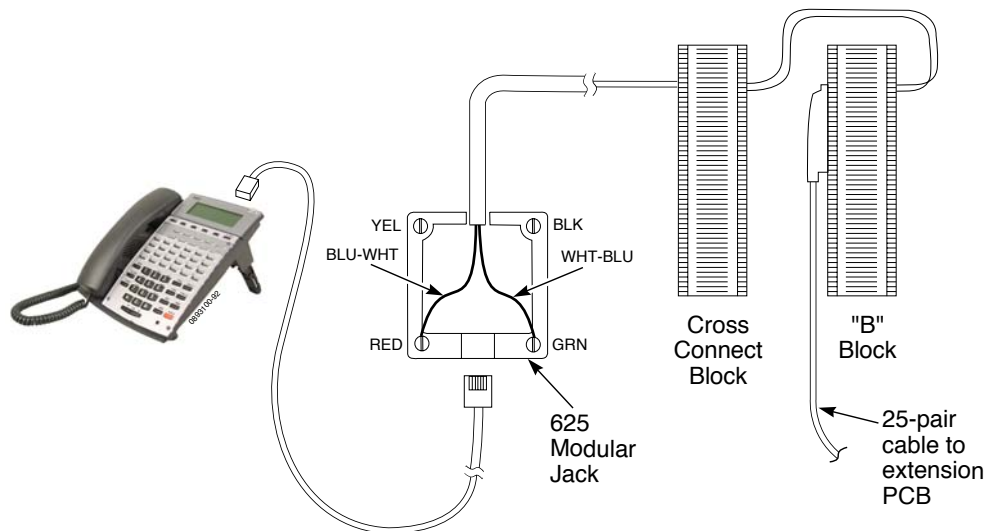


Figure 3-1: INSTALLING A KEY TELEPHONE

# INSTALLING SINGLE LINE TELEPHONES

## Single Line Extension Cabling (Figure 3-2)

Each single line extension requires one-pair twisted station cable from the MDF to the modular jack. A maximum of 24 2-wire extensions can be installed per 50-pin 66 block.

### To connect station cabling:

1. Punch down one pair 24 AWG station cable for each single line telephone to a cross-connect block.
2. Punch down cross-connect from the clips on the cross-connect block to their corresponding clips on the extension (B) block.
3. Connect the extension (B) block's 25-pair cable to the corresponding RJ-61 connector on the PCB.
4. Install bridging clips on the extension (B) block.

## Installing a Single Line Telephone (Figure 3-2)

### To install a single line telephone:

1. Install a modular jack for each single line telephone. The modular jack should be within six feet of the phone.
2. For each extension, run one-pair 24 AWG station cable from the cross-connect block to a modular jack.
3. Terminate the extension leads to GRN/RED of the modular jack. Terminate the unused leads to the jack.

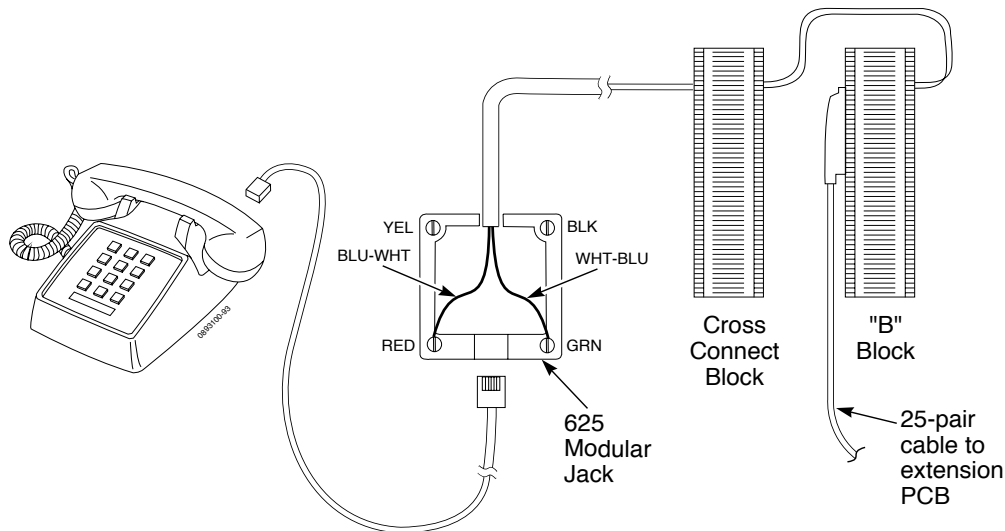


Figure 3-2: INSTALLING A SINGLE LINE TELEPHONE

## INSTALLING CORDLESS TELEPHONES

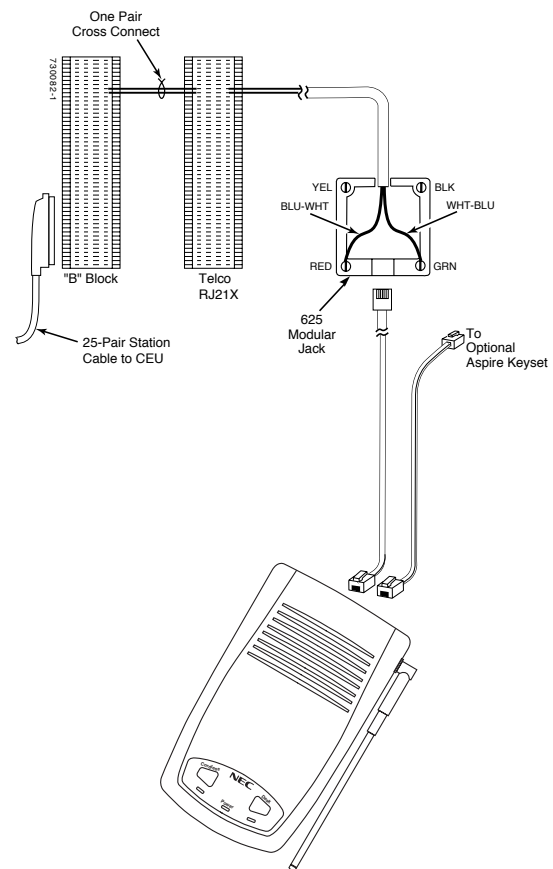
The Cordless Lite II/Cordless II phone allows for the connection of an optional keyset phone. The base unit allows the user to switch between the Cordless Lite II/Cordless II phone and an Aspire keyset. Whichever phone is activated at the base unit is the telephone which will ring. This allows you to have a keyset phone to use while at your desk, and when you need to be away from your desk, you can carry the cordless phone with you. Refer to **Cordless Telephone — P/N 730088/730087** (page 4-64) for more details on setting up the phone and its optional equipment.

### Cordless Phone Extension Cabling (Figure 3-3)

Each cordless phone extension requires a digital extension port with one-pair twisted station cable from the MDF to the modular jack.

**To connect station cabling:**

1. Punch down one-pair 24 AWG station cable for each cordless telephone to a cross-connect block.
2. Punch down cross-connect from the clips on the cross-connect block to their corresponding clips on the extension (B) block.
3. Connect the extension (B) block's 25-pair cable to the corresponding RJ-61 connector on the PCB.
4. Install bridging clips on the extension (B) block.



3

### Installing a Cordless Telephone (Figure 3-3)

**To install a cordless telephone:**

1. Install a modular jack for each cordless telephone. The modular jack should be within six feet of the base unit.
2. For each extension, run one-pair 24 AWG station cable from the cross-connect block to a modular jack.
3. Terminate the extension leads to GRN/RED of the modular jack.

**Important**

In some cases, when testing the operation of an extension port when connecting to a Cordless II, Cordless Lite II, or 2PGDAD module, a technician may connect a line cord directly from an extension port on the Aspire/Aspire S ESIU PCB or Aspire S CPU. Though this is not the recommended connection, it can be used to check if the extension has dial tone.

Should a direct connection of this type be made to the base station of the Cordless II or Cordless Lite II, or to a 2PGDAD module, the line cord must be 2-wire (1-pair). If a 2-pair wire is used, the system will provide power to the unused pair. This can prevent the cordless telephone from acquiring a link with the base station or it can damage the 2PGDAD module or the Aspire station card.

The recommended connection is to punch down 2 wires to the cross-connect block, then connect the extension block to the RJ61 connector on the PCB or CPU.

Figure 3-3: INSTALLING A CORDLESS PHONE

# EXTENSION CUTDOWN SHEET

### Extension Cutdown Sheet Configuration (Figure 3-4)

Due to the inherent flexibility of the universal PCB slot configuration, standard cutdown sheets for extension cabling do not apply.

**Note:** The order in which the extension PCBs (8ESIU-S, 4SLIU-S, 4SLIDB-S) are installed determines the assigned extension number.

For example, given that the CPU provides 8 digital station ports (1-8) and 2 analog ports (9-10), an 8ESIU-S installed in slot #3 would use extension numbers 311-318, if two 8ESIU-S PCBs or 4SLIU-S with the 4SLIDB-S PCBs were installed in the cabinet in the order below, the numbering plan would correspond as follows:

Order of Install	PCB Slot #	Ext Numbers
1	1 (CPU digital ports)	301-308
2	2 (CPU analog ports)	309-310
3	4	311-318
4	3	319-326

To determine extension assignments for the system cutdown, the installer must identify the following in order:

- Order of installation (if additional PCBs installed after initially powering up)
- Slot used
- PCB type (8ESIU-S, 4SLIU-S, 4SLIDB-S)
- Connector

To determine where any group of extensions is installed, note the order of install, slot, PCB connector and PCB type.

On the following page is the extension cutdown sheet (Figure 3-4). Make as many copies as you need. Be sure to keep careful records of your installation.

To install VoIP extensions, refer to **LAN DEVICES** (page 6-1) for more details.



25-PAIR CABLE _____				
CONN PIN	BLOCK TERM	COLOR CODE	FUNCTION	PCB ID
				_____ Order Of Install
				_____ Slot #
<input type="checkbox"/> RJ-61 Connector 1	5	1	WHT-BLU	_____
	4	2	BLU-WHT	_____
	3	3	WHT-ORN	_____
	6	4	ORN-WHT	_____
	2	5	WHT GRN	_____
	7	6	GRN-WHT	_____
	1	7	WHT-BRN	_____
	8	8	BRN-WHT	_____
				<input type="checkbox"/> 8 ESIU
				<input type="checkbox"/> 4 SLIU
				<input type="checkbox"/> 4SLIDB DAUGHTER BRD
				<input type="checkbox"/> 4VOIPU
				<input type="checkbox"/> 4VOIPDB DAUGHTER BRD
				<input type="checkbox"/> 2BRIU
<input type="checkbox"/> RJ-61 Connector 2	5	9	WHT-SLT	_____
	4	10	SLT-WHT	_____
	3	11	RED-BLU	_____
	6	12	BLU-RED	_____
	2	13	RED-ORN	_____
	7	14	ORN-RED	_____
	1	15	RED-GRN	_____
	8	16	GRN-RED	_____
				_____ Order Of Install
				_____ Slot #
<input type="checkbox"/> RJ-61 Connector 3	5	17	RED-BRN	_____
	4	18	BRN-RED	_____
	3	19	RED-SLT	_____
	6	20	SLT-RED	_____
	2	21	BLK-BLU	_____
	7	22	BLU-BLK	_____
	1	23	BLK-ORN	_____
	8	24	ORN-BLK	_____
				<input type="checkbox"/> 8 ESIU
				<input type="checkbox"/> 4 SLIU
				<input type="checkbox"/> 4SLIDB DAUGHTER BRD
				<input type="checkbox"/> 4VOIPU
				<input type="checkbox"/> 4VOIPDB DAUGHTER BRD
				<input type="checkbox"/> 2BRIU
<input type="checkbox"/> RJ-61 Connector 4	5	25	BLK-GRN	_____
	4	26	GRN-BLK	_____
	3	27	BLK-BRN	_____
	6	28	BRN-BLK	_____
	2	29	BLK-SLT	_____
	7	30	SLT-BLK	_____
	1	31	YEL-BLU	_____
	8	32	BLU-YEL	_____
				_____ Order Of Install
				_____ Slot #
<input type="checkbox"/> RJ-61 Connector 5	5	33	YEL-ORN	_____
	4	34	ORN-YEL	_____
	3	35	YEL-GRN	_____
	6	36	GRN-YEL	_____
	2	37	YEL-BRN	_____
	7	38	BRN-YEL	_____
	1	39	YEL-SLT	_____
	8	40	SLT-YEL	_____
				<input type="checkbox"/> 8 ESIU
				<input type="checkbox"/> 4 SLIU
				<input type="checkbox"/> 4SLIDB DAUGHTER BRD
				<input type="checkbox"/> 4VOIPU
				<input type="checkbox"/> 4VOIPDB DAUGHTER BRD
				<input type="checkbox"/> 2BRIU
<input type="checkbox"/> RJ-61 Connector 6	5	41	VIO-BLU	_____
	4	42	BLU-VIO	_____
	3	43	VIO-ORN	_____
	6	44	ORN-VIO	_____
	2	45	VIO-GRN	_____
	7	46	GRN-VIO	_____
	1	47	VIO-BRN	_____
	8	48	BRN-VIO	_____
				<input type="checkbox"/> 8 ESIU
				<input type="checkbox"/> 4 SLIU
				<input type="checkbox"/> 4SLIDB DAUGHTER BRD
				<input type="checkbox"/> 4VOIPU
				<input type="checkbox"/> 4VOIPDB DAUGHTER BRD
				<input type="checkbox"/> 2BRIU
50	49	VIO-SLT		NOT USED
25	50	SLT-VIO		NOT USED

089130-100

Figure 3-4: EXTENSION CUTDOWN SHEET

# INSTALLING CO/PBX LINES

---

## Loop Start Line Cabling

Loop start lines must be bridged from the telco RJ21X to a line cross-connect block (A). Each loop start CO/PBX line requires one-pair cross-connect cable from the RJ21X to the line (A) block.

The A block connects to the trunk PCB with a 24 pair cable. The line (A) block(s) should be arranged in groups of 4 (8 pins) to correspond to the COIU PCB slots.

The CN2 and CN4 connectors each provide connection to 4 analog trunk ports, *which are polarity sensitive (tip to tip, ring to ring)*. The power failure circuits, however, are not polarity sensitive.

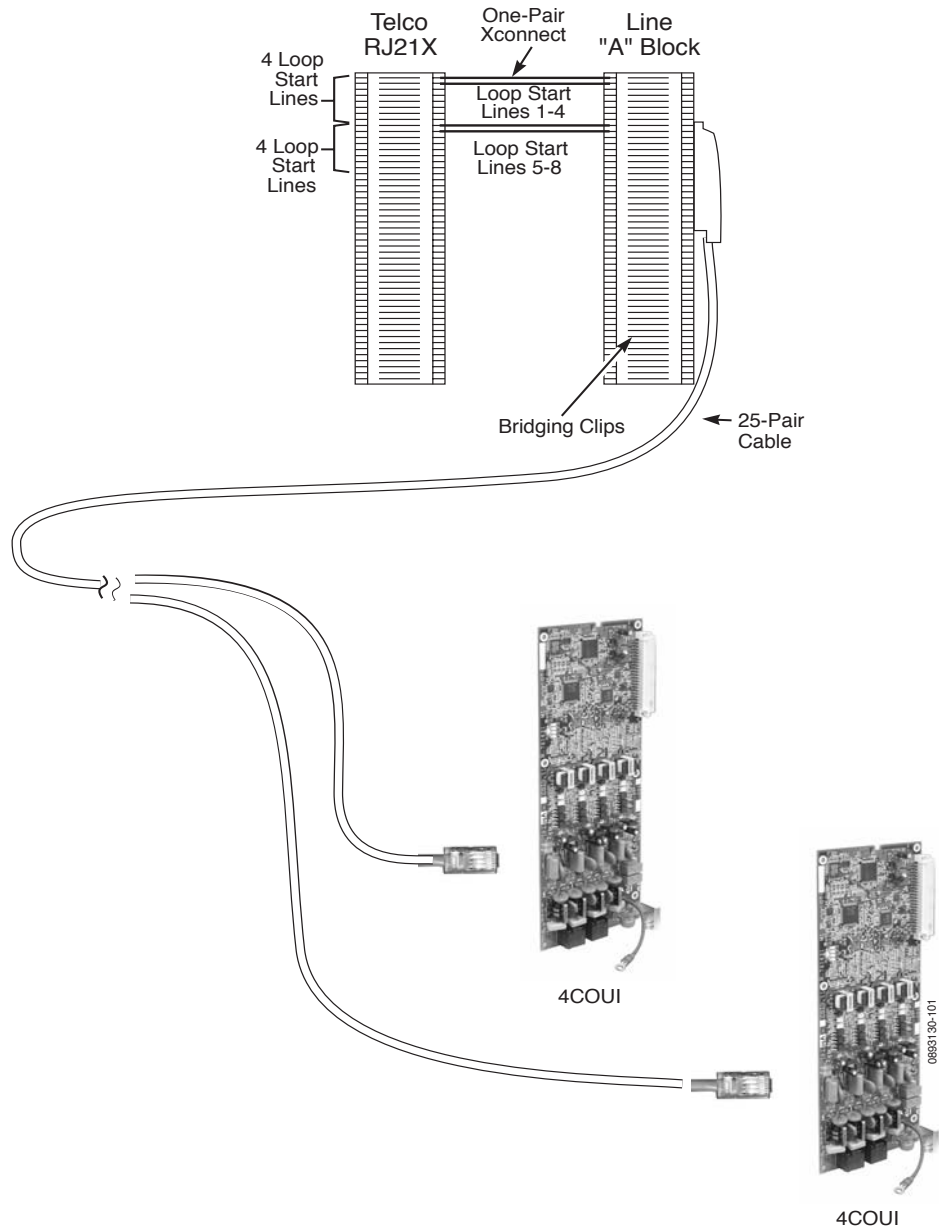
---

## Installing Loop Start Lines (Figure 3-5)

To install a loop start line:

1. Punch down one pair cross-connect to the tip and ring leads for each line on the telco RJ21X CPE (customer) side of the block.  
*The CN2 and CN4 connectors are polarity sensitive (tip to tip, ring to ring).*
2. Punch down the other end of the cross-connect to the line (A) block (in groups of 4 lines of the same line type).
3. Punch down a 25-pair cable to the opposite side of the line (A) block.
4. Plug in the corresponding RJ-61 connector to the COIU PCB connector (Figure 3-5).
5. Install bridging clips on the A block.

**Note:** Repeat steps 1-5 for each loop start line. Label cross-connect blocks A2, A3, etc.



3

Figure 3-5: INSTALLING LOOP START LINES

## INSTALLING BRI TRUNKS

### BRI Trunks (Figure 3-6)

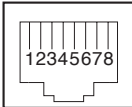
BRI trunks must be bridged from the telco RJ21X to a line cross-connect (A) block. Each BRI Trunk requires one-pair cross-connect from the RJ21X to the line (A) block.

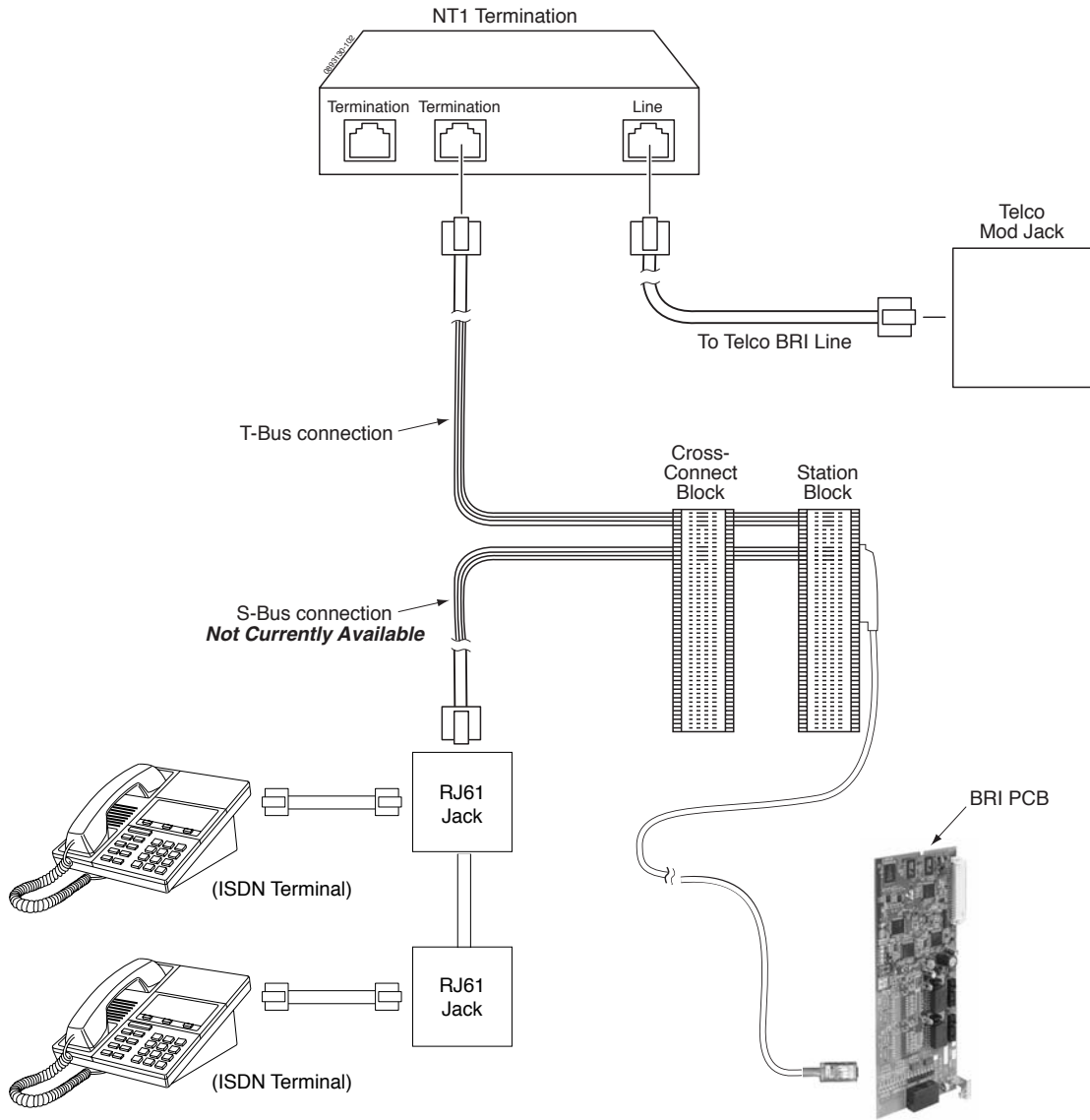
The A block connects to the BRI PCB with a 25-pair cable and an RJ-61 jack. The line (A) block should be arranged in groups of 2 BRI trunks (4 pins) to correspond with the cabinet slot equipped with a 2BRI PCB.

#### Installing BRI Trunks

1. For each T-Bus or S-Bus line, run cross-connect wires between the pins on the cross-connect block and the station block.
2. Install bridging clips as required.
3. From the cross-connect block, connect 2 pairs of wires.  
***For T-Bus:*** The opposite end is an 8-pin modular connector which is plugged into the NT1 Termination. Connect a line cord from the NT1 Network Line Termination to the telco BRI line. Connect the power cord to the NT1 Network Termination unit.
4. Plug in the corresponding RJ-61 connector to the BRI PCB connector.

**Note: Repeat steps 1-4 for each BRI trunk. Label cross-connect blocks A2, A3, etc.**

RJ45 Cable Connector - CN2 T-Bus Connection		
	Pin No.	Connection
	1	-
	2	-
	3	TA
	4	RA
	5	RB
	6	TB
	7	-
	8	-



3

Figure 3-6: BRI Interface T-Bus Point-to-Point

## INSTALLING DID TRUNKS

### DID Trunks (Figure 3-7)

Direct Inward Dialing trunks must be bridged from the telco RJ21X to a line cross-connect (A) block. Each DID Trunk requires one-pair cross-connect from the RJ21X to the line (A) block.

The A block connects to the DID PCB and an RJ-61 jack. The line (A) block should be arranged in groups of 2 DID trunks (4 pins) to correspond with the cabinet slot equipped with a DIOPU PCB.

#### Installing DID Trunks

1. Punch down one pair cross-connect to the tip and ring leads for each DID trunk on the CPE (customer) side of the RJ21X.
2. Punch down the other end of the cross-connect to the line (A) block tip and ring leads.
3. Punch down a 25-pair cable to the opposite side of the line (A) block.
4. Plug in the corresponding RJ-61 connector to the DID PCB connector.
5. Install bridging clips on the A block.

**Note:** Repeat steps 1-5 for each DID trunk. Label cross-connect blocks A2, A3, etc.

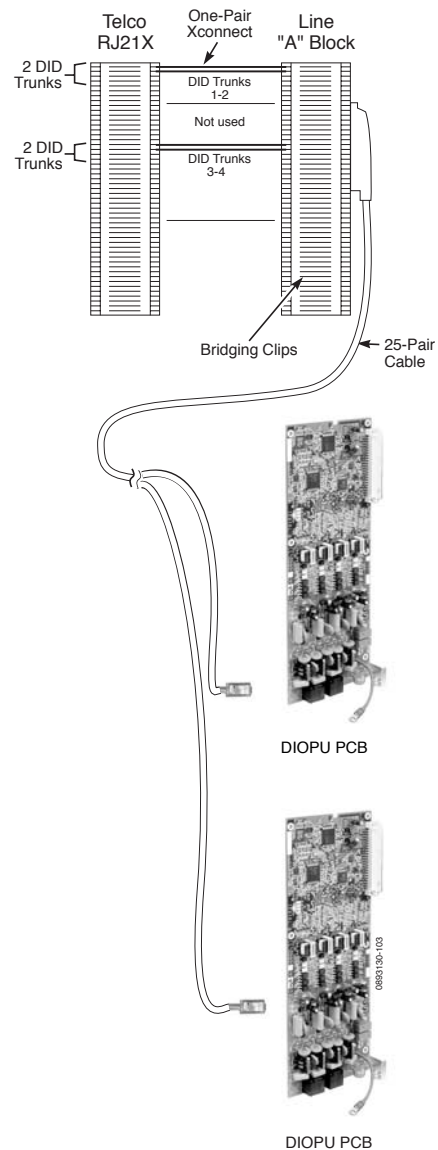


Figure 3-7: INSTALLING DID TRUNKS I

# INSTALLING A DID CHOKE

## DID Choke (Figure 3-8)

If your central office has a high level of AC noise or if your site is experiencing excessive hum on the DID lines, a customer-provided isolation transformer can be installed between the Aspire S and telco blocks to help to suppress the hum.

DID trunks must be bridged from the telco RJ21X to a line cross-connect (A) block. The choke is installed between these two blocks.

### DID Choke Installation:

1. Remove the bridging clips on the (A) block and telco block for the DID lines.
2. From the telco block, solder the Tip lead to the "3" connector on the choke.
3. From the telco block, take the Ring lead and solder it to the "1" connector on the choke.
4. From the (A) block, take the Tip 1 lead and solder it to the "4" connector on the choke.
5. Solder the Ring 1 lead from the (A) block to the "2" connector on the choke.
6. Reinstall the bridging clips as required.

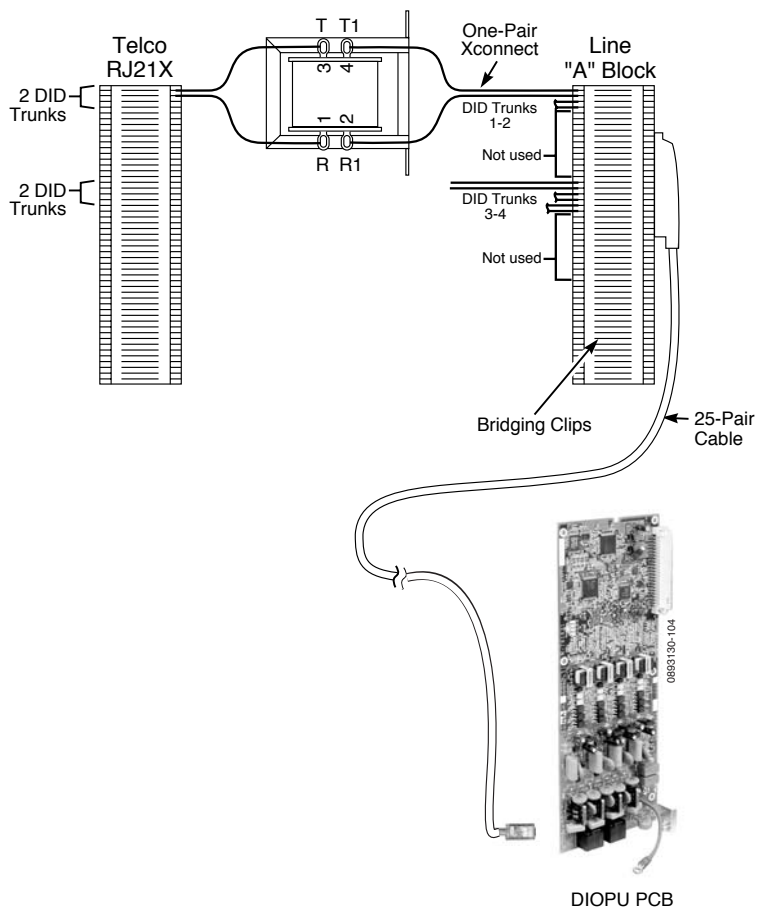


Figure 3-8: DID CHOKE INSTALLATION

# LINE/TRUNK CUTDOWN SHEET

### CO/PBX Line Cutdown Sheet Configuration (Figure 3-9)

Due to the flexibility of the system's universal PCB slot configuration, standard cutdown sheets for CO/PBX line cabling do not apply.

**Note: The order in which the trunk PCBs are installed determines the assigned line circuit number.**

For example, if three PCBs are installed in the cabinet in the following order (powering down between the PCB installation), the following numbering plan would be in effect:

Order of Install	PCB Slot #	PCB	Line Circuits
1	4	2DIOPU-S	1-2
2	5	4COIU-S	3-6
3	6	2DIOPU-S	7-8

To determine trunk assignments for the system cutdown, the installer must identify the following in order:

- Order of installation
- Slot used
- PCB type (4COIU-S, 2BRIU-S, 2DIOPU-S, 4VOIPU-S, 4VOIPU-S with 4VOIPDB-S)
- Amphenol connector

To determine where any group of lines are installed, note the order of install and slot.

On the following page is the line cutdown sheet (Figure 3-9). Make as many copies as you need. Be sure to keep careful records of your installation.



25-Pair Connector _____				
CONN PIN	BLOCK TERM	COLOR CODE	FUNCTION	PCB ID
				_____ Order Of Install _____ Slot #
RJ-61 Connector 1	4	1	WHT-BLU	<input type="checkbox"/> 4COIU <input type="checkbox"/> 2BRIU <input type="checkbox"/> 2DIOPU <input type="checkbox"/> 4VOIPU <input type="checkbox"/> 4VOIPU with 4VOIPDB
	5	2	BLU-WHT	
	3	3	WHT-ORN	
	6	4	ORN-WHT	
	2	5	WHT GRN	
	7	6	GRN-WHT	
	1	7	WHT-BRN	
	8	8	BRN-WHT	
RJ-61 Connector 2	4	9	WHT-SLT	
	5	10	SLT-WHT	
	3	11	RED-BLU	
	6	12	BLU-RED	
	2	13	RED-ORN	
	7	14	ORN-RED	
	1	15	RED-GRN	
	8	16	GRN-RED	
RJ-61 Connector 3	4	17	RED-BRN	_____ Order Of Install _____ Slot #  <input type="checkbox"/> 4COIU <input type="checkbox"/> 2BRIU <input type="checkbox"/> 2DIOPU <input type="checkbox"/> 4VOIPU <input type="checkbox"/> 4VOIPU with 4VOIPDB
	5	18	BRN-RED	
	3	19	RED-SLT	
	6	20	SLT-RED	
	2	21	BLK-BLU	
	7	22	BLU-BLK	
	1	23	BLK-ORN	
	8	24	ORN-BLK	
RJ-61 Connector 4	4	25	BLK-GRN	
	5	26	GRN-BLK	
	3	27	BLK-BRN	
	6	28	BRN-BLK	
	2	29	BLK-SLT	
	7	30	SLT-BLK	
	1	31	YEL-BLU	
	8	32	BLU-YEL	
RJ-61 Connector 5	4	33	YEL-ORN	_____ Order Of Install _____ Slot #  <input type="checkbox"/> 4COIU <input type="checkbox"/> 2BRIU <input type="checkbox"/> 2DIOPU <input type="checkbox"/> 4VOIPU <input type="checkbox"/> 4VOIPU with 4VOIPDB
	5	34	ORN-YEL	
	3	35	YEL-GRN	
	6	36	GRN-YEL	
	2	37	YEL-BRN	
	7	38	BRN-YEL	
	1	39	YEL-SLT	
	8	40	SLT-YEL	
RJ-61 Connector 6	4	41	VIO-BLU	
	5	42	BLU-VIO	
	3	43	VIO-ORN	
	6	44	ORN-VIO	
	2	45	VIO-GRN	
	7	46	GRN-VIO	
	1	47	VIO-BRN	
	8	48	BRN-VIO	
50	49	VIO-SLT	NOT USED	
25	50	SLT-VIO		

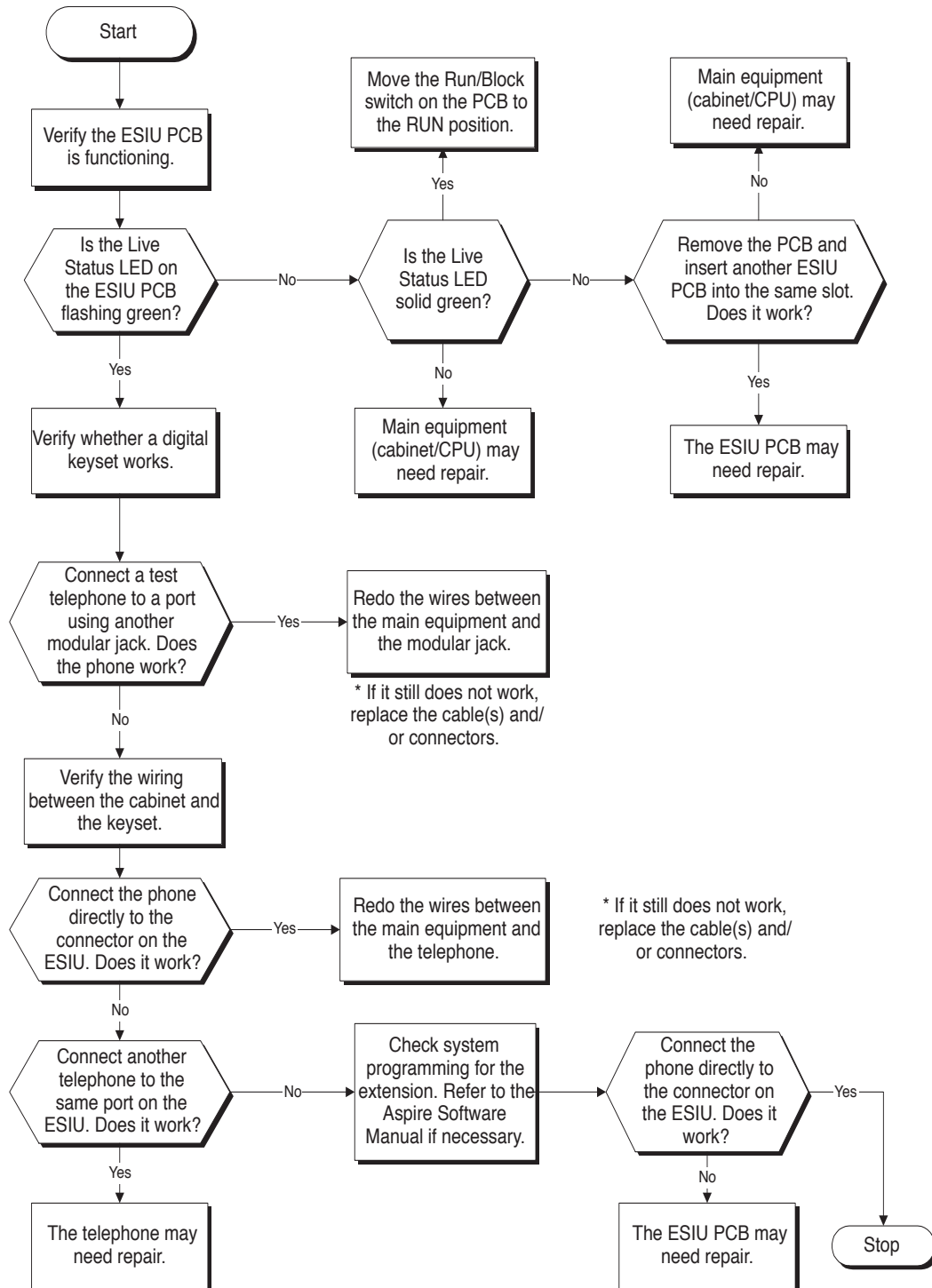
0893130-105

Figure 3-9: LINE CUTDOWN SHEET

## TROUBLESHOOTING

### Basic Troubleshooting

#### Troubleshooting Digital Extensions



**TESTING TELEPHONE OPERATION**

The following procedure will help you determine if a problem being experienced is due to the telephone or the system. Testing the operation of a keyset allows you to check the lamping of each key, the display, and tones. Follow the procedure below to determine if the phone is operating correctly.

**Key Matrix and LED Test**

1. Unplug the phone.
2. While holding down dial pad digits 1, 2 and 3, plug the phone back in.
3. Hold down the 1, 2 and 3 digits for approximately 10 seconds then release them.  
*If the phone doesn't show "TEST PUSH=" on the display, then repeat Steps 1-3 and hold the keys down a few seconds longer.*
4. Press any key and its Logical Name should be displayed.  
*The following chart indicates the Logical Name for each key.*

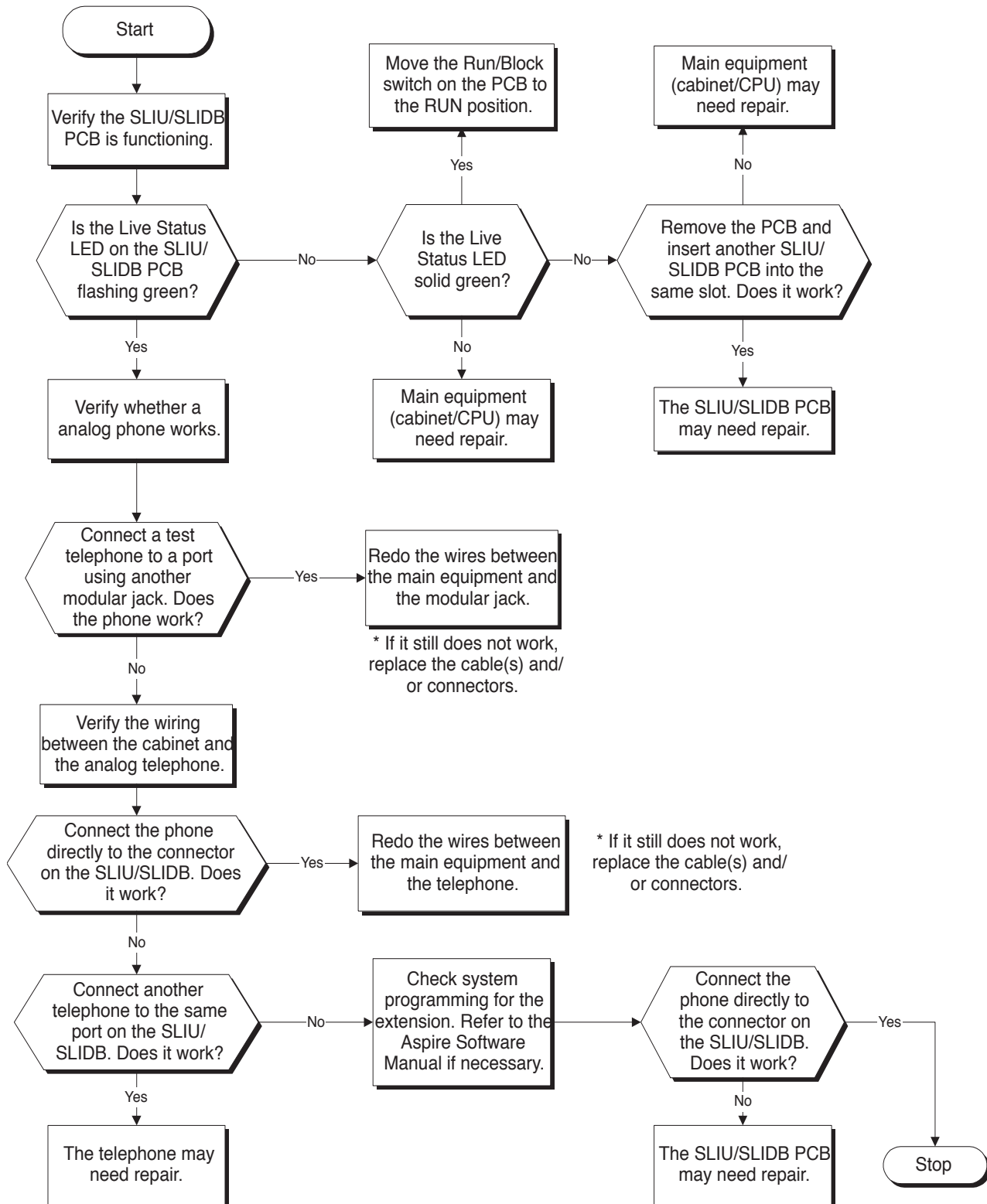
Logical Name Table			
Keys	Logical Name	Keys	Logical Name
KEYPAD 0 - 9	D 0 - D 9	CALL2	F 8
KEYPAD *	D *	MIC	F 9
KEYPAD #	D #	MSG	F 10
Line Keys 1 - 24 <sup>1</sup>	L 1 - L 24	DIAL	F 11
DSS Keys 1 - 10	O 1 - O 10	CLEAR	F 12
LND	F 1	CHECK	F 13
CONF	F 2	SOFT KEY 1-4	S 1 - S 4
HOLD	F 3	MENU1 <sup>2</sup>	011
FLASH	F 4	MENU2 <sup>2</sup>	012
DND	F 5	VOL. UP	
CALL1	F 6	VOL. DOWN	
SPK	F 7		

<sup>1</sup> Keys 1, 2 and 3 will also check tones.  
<sup>2</sup> 34-Button Super Display telephone only.

**Quitting Test Mode**

1. Lift the handset and then replace it.
2. The phone returns to an idle condition.

## Troubleshooting Analog Extensions



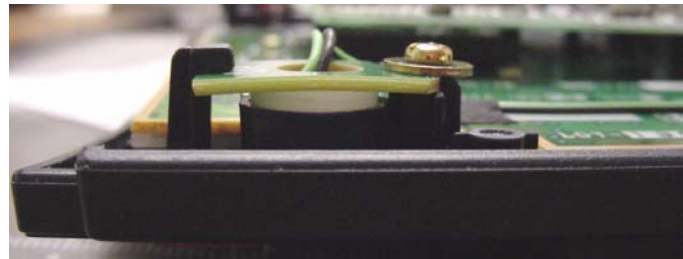
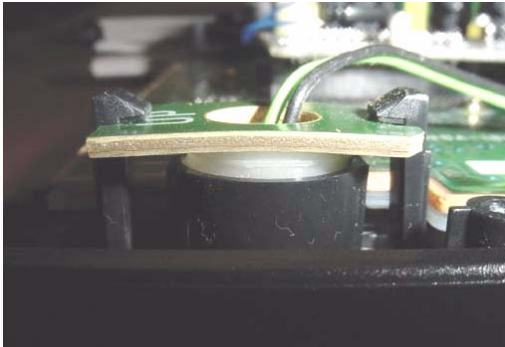
**Aspire Keypad Speakerphone Problems When Used with Analog Trunks**

Some customers may be experiencing squealing/howling-related feedback when making a handsfree intercom call to another Aspire keypad. This is caused by the handsfree microphone element and/or rubber microphone holder not being seated properly.

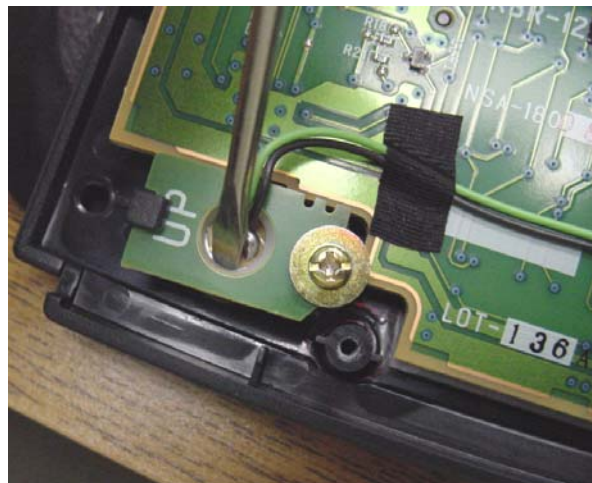
To resolve this problem:

- Disassemble the phone using the steps below and inspect/reseat the handsfree microphone element to ensure that it is bottomed out within the rubber mic holder and that the rubber mic holder is seated properly within the plastic circular well. Check to make sure the small PCB that holds the mic holder in place is properly secured.
  1. Remove the four screws that hold the base plastic to the top panel and remove the base from the phone.
  2. Turn the phone so that the dial pad and keys are facing down.
  3. Locate the handsfree mic assembly in the lower left corner of the phone.
  4. Make sure the mic element is seated all the way down inside the white rubber mic holder and reseat the rubber mic holder so that it is seated at the very bottom of the round plastic mic housing.

*There are two possible phone styles for the mic assembly area - each one is pictured below.*



5. Using a small flat screwdriver, carefully press the mic element down inside the rubber mic holder. Do not press on the solder joints of the two wires connected to the mic element.

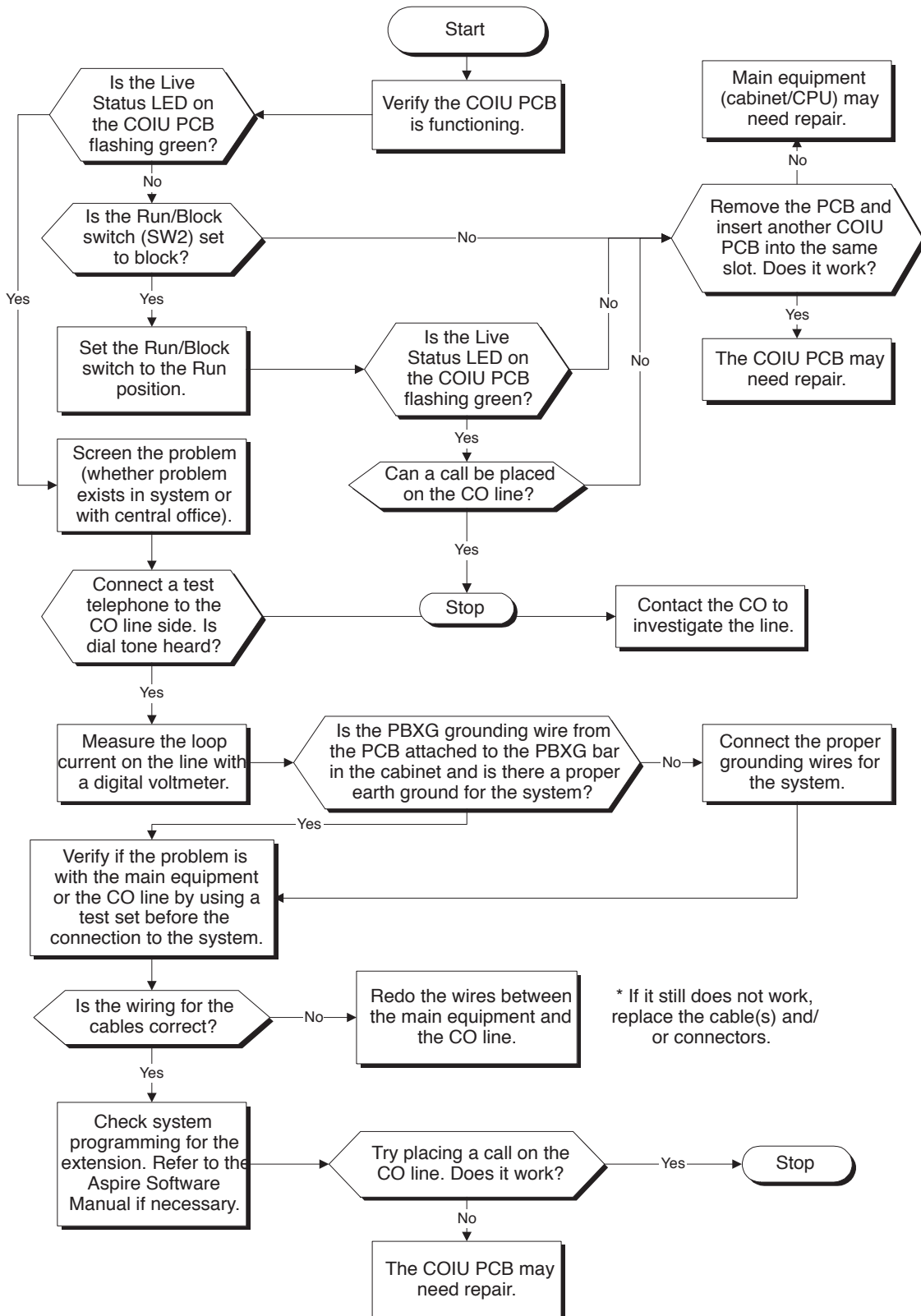


6. If the phone style has two black clips holding the small PCB in place over the mic assembly and it does not have a tie-wrap as indicated in the picture below, one should be added. Install a small, ordinary tie-wrap as shown below to properly retain the mic holder and element in place.



7. Re-install the base to the phone and secure with 4 screws.

Troubleshooting CO Lines



### Aspire Clipping Analog Trunk Calls

Some customers may be experiencing problems with analog trunk calls on the Aspire S systems being clipped. The Aspire speakerphone switching results in clipping/chopping when making/receiving external calls with analog trunk-based systems. This is caused by apparent "hot" trunks. If overall volume levels of dial tone are found to be extremely loud, this can cause the speaker area of the phone to vibrate. In addition, high sidetone levels when using the handset can cause a problem. Both of these conditions result in an imbalance of the switching between the handsfree microphone and speaker.

**To resolve the clipping/chopping problem on analog trunk calls perform each of the following steps - one at a time - trying the next step only if the problem still occurs.**

- Set the following programs back to the default entries for all analog trunks:
  - Program 14-01-02 : Basic Trunk Data Setup - Transmit CODEC Gain Type = 32**
  - Program 14-01-03 : Basic Trunk Data Setup - Receive CODEC Gain Type = 32**
  - Program 81-07-01 : CODEC Filter Setup for Analog Trunk Ports = 2**  
(Program 81-07-01 may take up to 20 seconds before the change takes affect.)
- Adjust **Program 81-07-01 : CODEC Filter Setup for Analog Trunk Ports** to make the trunk side tone the minimum for all analog trunks. Usually, an entry of "1" or "0" would have the best result, but the final setting may vary for each trunk.
- In **Program 14-01-02 : Basic Trunk Data Setup - Transmit CODEC Gain Type** and **Program 14-01-03 : Basic Trunk Data Setup - Receive CODEC Gain Type**, change the default values for the analog trunk transmit and receive gains to reflect a -5dB reduction. The entry in each program should be changed from the default setting of 32 (0dB) to 22 (-5dB). This programming change is required on a trunk by trunk basis and the value may vary for each trunk as the setting may be too low for some trunks. New settings will not take affect until the trunks become idle.

With these changes,

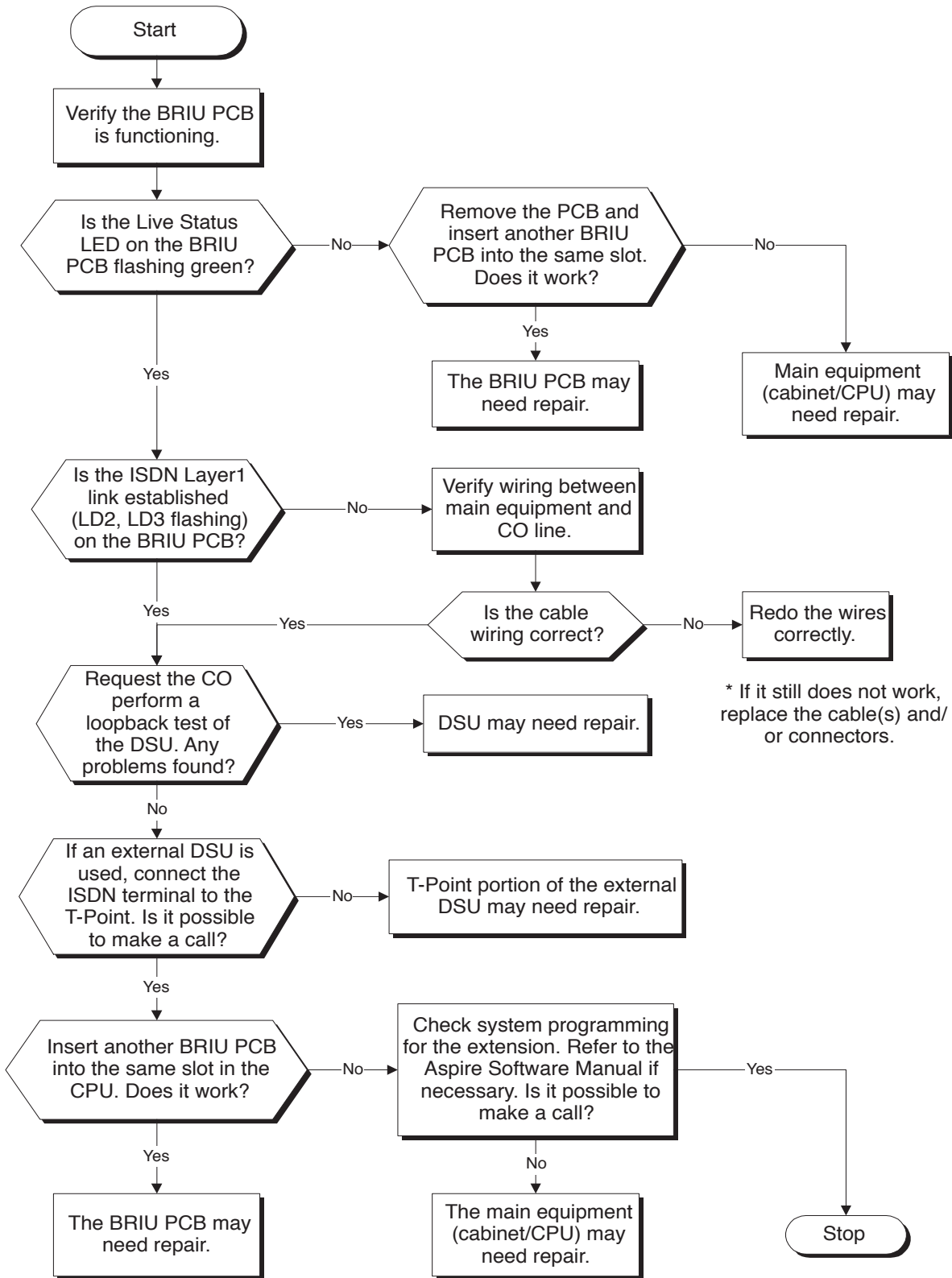
1. Dial tone volume levels appear more normal with little affect on the maximum volume settings.
2. Speakerphone switching becomes properly balanced with no clipping/chopping present.
3. Sidetone levels in the handset appear normal.

If, after performing the above steps, the problem still exists, please contact NEC Field Engineering for further investigation.

Should you be experiencing a squealing or howling-related feedback problem when making a handsfree intercom call, refer to **Aspire Keypad Speakerphone Problems When Used with Analog Trunks** (page 3-19). After following the recommendations on page 3-19, update the system software to version 4.01 or higher. If the problem still exists, please contact NEC Field Engineering for further investigation.



Troubleshooting ISDN Lines



- For Your Notes -

# Section 4: Telephones and Optional Equipment

## 4

## 2PGDAD MODULE

### Using a 2PGDAD Module (Figure 4-1 - Figure 4-8)

The 2PGDAD module provides two circuits which allow connection to external terminals such as:

- Door Box (4 maximum per system)
- External Speaker with Amplifier (8 maximum per system)
- External Music Source (external MOH) (8 maximum per system)
- External Recording System (8 maximum per system)
- External Ringer

The system allows for a maximum of 10 2PGDAD modules to be installed (4 for ACI ports for external music source or recording system, 2 for Door Boxes, and 4 for Paging). The 2PGDAD module also provides multi-purpose controls. These control relays can be used for controlling the external amplifier, external music source and door lock control with the use of a Door Box. The system allows for up 8 general purpose relays with the 2PGDAD modules.

The 2PGDAD module connects to any available digital extension port, *except ports 1 or port 2 on the CPU*. The terminal connections made within the PGDAD module and the jumper settings determine what features are used for each circuit.



Figure 4-1: 2PGDAD MODULE

## LED Indications

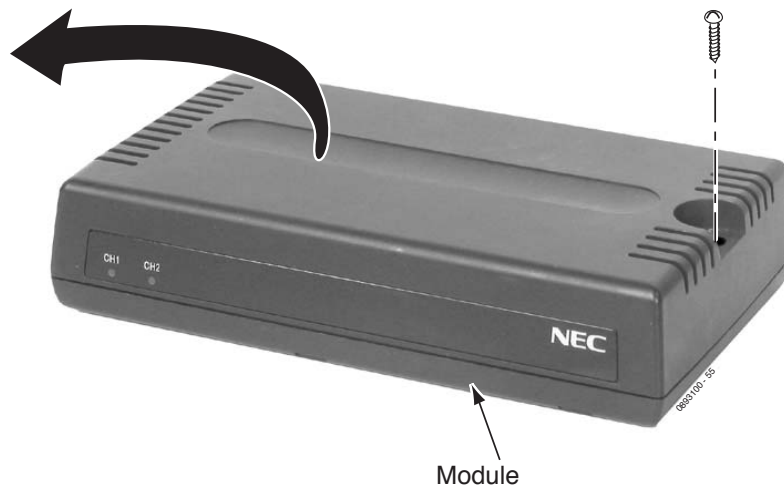
LED	Indication	Note
LED 1	Green LED when CH1 in use.	Flashing green LED indicates dipswitch setting and programming for CH1 is conflicting.
LED 2	Green LED when CH2 in use.	Flashing green LED indicates dipswitch setting and programming for CH2 is conflicting.

## Setting Up 2PGDAD Module Connections

*If the 2PGDAD Module is to be wall mounted, it is recommended that all the cable connections be made first.*

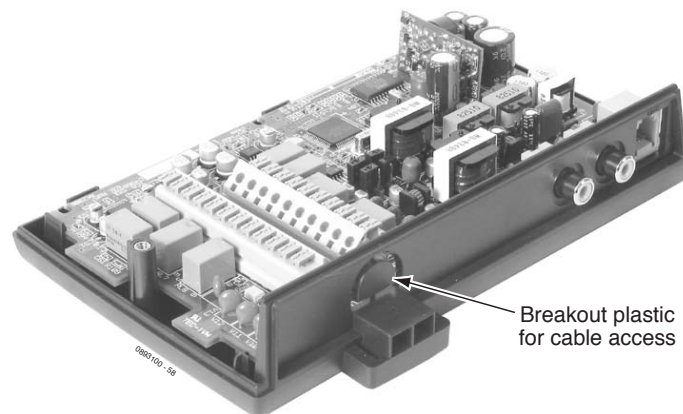
*In order for the module to ID correctly after setting the jumpers, set the circuit type to “0” for the module’s port in Program 10-03-01 prior to connecting the line cord to the 2PGDAD Module.*

1. Remove the screw from the front of the 2PGDAD module.



**Figure 4-2: REMOVE COVER FROM 2PGDAD MODULE**

2. Using a screwdriver, break out the plastic piece covering the cable hole.



**Figure 4-3: REMOVE PLASTIC COVER FROM CABLE HOLE**

3. Set the S3 - S6 jumpers to the proper settings for the function to be used.

Channel 1	S3	S4	Function	LED Indication
	Open	Open	Door Box	On when in use.
	Open	Short	External Paging Speaker	On when in use.
	Short	Open	External Ringer	On when in use.
	Short	Short	External Music on Hold / Recording System	On steady.
Channel 2	S5	S6	Function	LED Indication
	Open	Open	Door Box	On when in use.
	Open	Short	External Paging Speaker	On when in use.
	Short	Open	External Ringer	On when in use.
	Short	Short	External Music on Hold / Recording System	On steady.

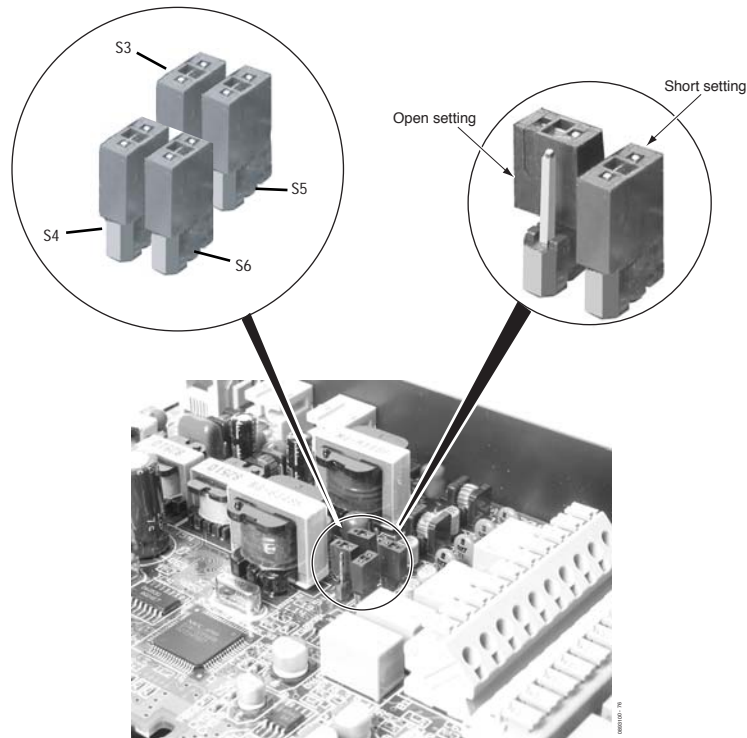
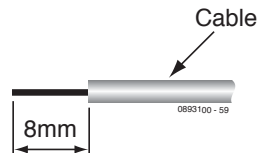


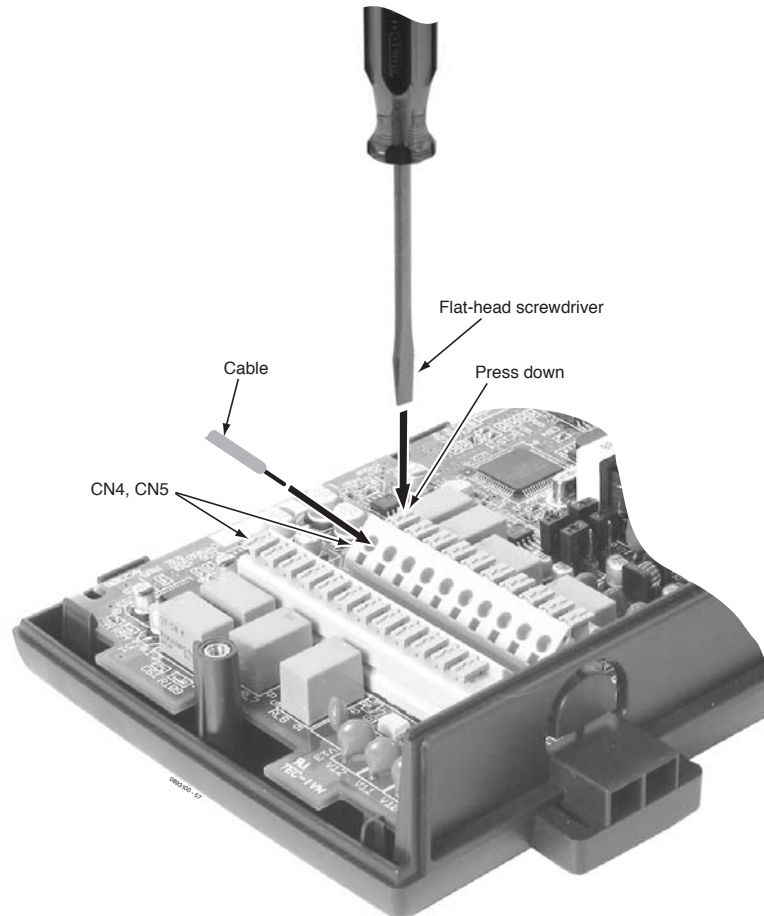
Figure 4-4: JUMPER SETTINGS

4. Strip one end of the cable to be connected to the control relay or door box so that approximately 1/4" (8 mm) of bare wire is exposed.



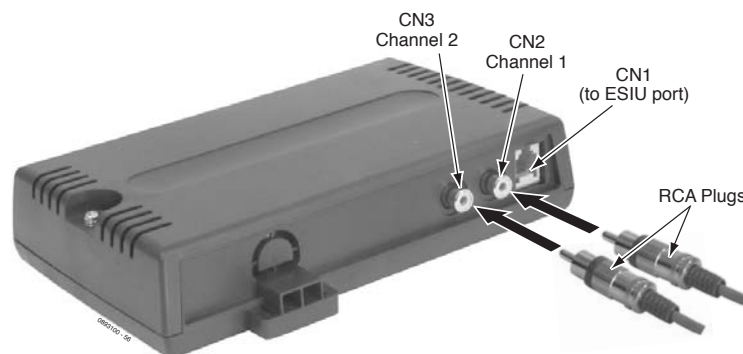
5. Insert the cable into the proper CN4 or CN5 location while holding down the lock button (holding down this lock button is easiest with a flat-head screwdriver). Once the cable is in place, release the lock button.

*Refer to the specific function being connected for more detail on 2PGDAD connections.*



**Figure 4-5: CONNECTING CABLE TO THE 2PGDAD MODULE**

6. Repeat Steps 4 and 5 for any additional connections required.
7. Replace the cover and tighten the screw to hold the cover in place.
8. If required for the function being used, insert the RCA connectors into the CN2 (Channel 1) and CN3 (Channel 2) connectors on the back of the 2PGDAD module.



**Figure 4-6: 2PGDAD MODULE CONNECTIONS**

9. Install a modular jack for each 2PGDAD module. For each module, run one-pair 24 AWG station cable from the cross-connect block to a modular jack. Ground the unused pair.
10. Terminate the extension leads to GRN/RED of the modular jack. Terminate the unused leads to the jack.
11. Install bridging clips as required.  
*In order for the module to ID correctly, set the circuit type to "0" for the port in Program 10-03-01 prior to connecting the line cord.*
12. Plug a modular line cord from the mod jack to the CN1 connector on the 2PGDAD module.

### Important

In some cases, when testing the operation of an extension port when connecting to a Cordless II, Cordless Lite II, or 2PGDAD module, a technician may connect a line cord directly from an extension port on the Aspire/Aspire S ESIU PCB or Aspire S CPU. Though this is not the recommended connection, it can be used to check if the extension has dial tone.

Should a direct connection of this type be made to the base station of the Cordless II or Cordless Lite II, or to a 2PGDAD module, the line cord must be 2-wire (1-pair). If a 2-pair wire is used, the system will provide power to the unused pair. This can prevent the cordless telephone from acquiring a link with the base station or it can damage the 2PGDAD module or the Aspire station card.

The recommended connection is to punch down 2 wires to the cross-connect block, then connect the extension block to the RJ61 connector on the PCB or CPU.

### 1. Optional:

To wall mount the 2PGDAD module, insert two wood screws 100mm apart (3 15/16"). Leave 3mm (1/8") of the screw exposed. The screws can be installed either vertical or horizontal, depending on which position fits best for your location.

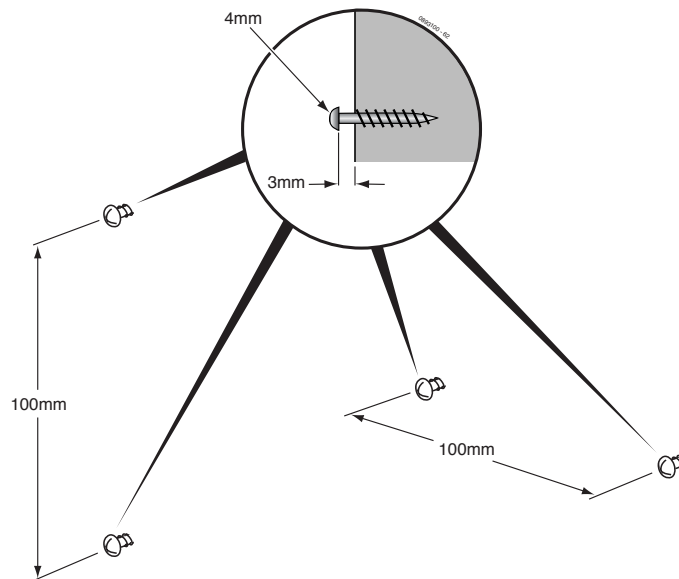
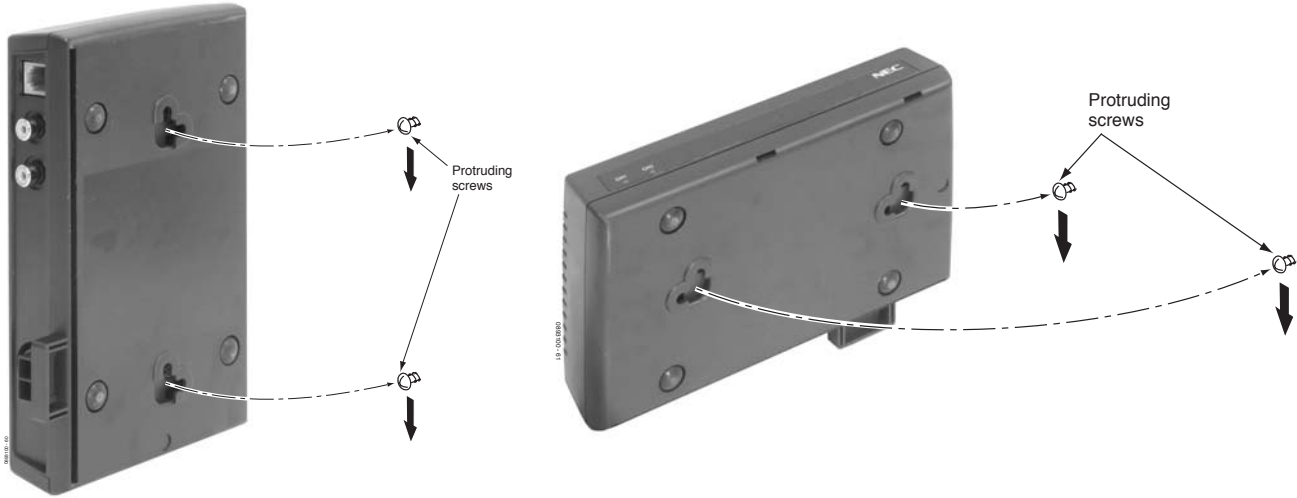


Figure 4-7: INSTALLING THE SCREWS

- 2. The back of the 2PGDAD module has two key-hole type openings. Place the 2PGDAD module over the two screws and slide it down or over (depending on the positioning) to lock it in place.



**Figure 4-8: WALL MOUNTING THE 2PGDAD MODULE**



## BACKGROUND MUSIC

### Installing Background Music (Figure 4-9)

Background Music (BGM) sends music from a customer-provided music source to speakers in keysets. If an extension user activates it, BGM plays whenever the user's extension is idle.

1. Connect an RJ61 modular line cord from the CN23 connector on the CPU to the appropriate location on the extension cross-connect block.
2. Connect the two-conductor station cable from the cross-connect block to the external music source.
3. Install bridging clips as required.

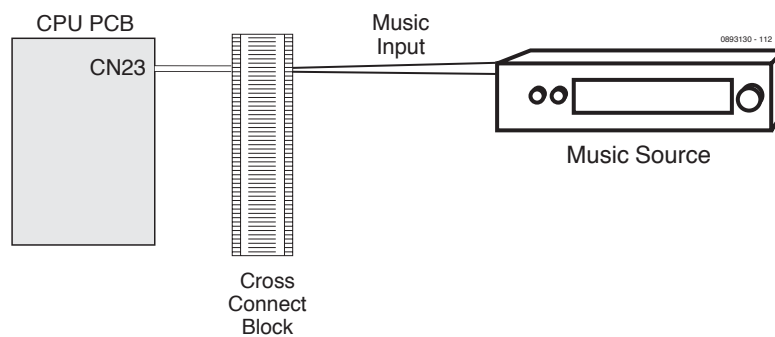


Figure 4-9: CPU CONNECTIONS

Refer to *Background Music* in the software manual for additional information.

### DOOR BOX

#### Installing a Door Box (Figure 4-10, Figure 4-11)

**A 2PGDAD Module is required for this feature.**

The Door Box is a self-contained, water-resistant, Intercom unit typically used to monitor an entrance door. A visitor at the door can press the Door Box call button (like a door bell). The Door Box then sends chime tones to all extensions programmed to receive chimes. The system can have up to four Door Boxes.

Each 2PGDAD module audio output can optionally support two analog Door Boxes. In addition, you can connect each circuit's control relay to an electric door strike. This allows an extension user to remotely activate the door strike while talking to a visitor at the Door Box. The control relays are normally open. The CPU also provides 1 relay. This relay is defined as relay "0" in programming. When the relays on the 2PGDAD are used, there is no need to assign the relay to the Door Box - simply connect the relay as detailed in the steps below for the Door Box used. The relays on the 2PGDAD modules are numbered 5-8 in system programming.

**The relay closes when the Door Box/external page zone is called. The maximum applied voltage is 24vDC at .5A for each contact.**

**NOTE: A 2PGDAD circuit used for an analog Door Box cannot also be used for External Paging.**

1. Make sure the jumper in the 2PGDAD module for the associated Door Box is set correctly. (Refer to Figure 4-4 *JUMPER SETTINGS* on page 4-3).
2. If a line cord was not previously connected to the 2PGDAD, complete Steps 3-6. Otherwise, skip to Step 7.
3. Install a modular jack for each 2PGDAD module. For each module, run one-pair 24 AWG station cable from the cross-connect block to a modular jack. Ground the unused pair.
4. Terminate the extension leads to GRN/RED of the modular jack. Terminate the unused leads to the jack.
5. Install bridging clips as required.
6. Plug a modular line cord from the mod jack to the CN1 connector on the 2PGDAD module.
7. If wall mounting the Door Box, remove the screw on the front of the Door Box.
8. Remove the back half of the Door Box and attach this mounting bracket to the wall with the two screws provided.
9. Connect the two-conductor station cable from the CN4 connectors within the 2PGDAD module to the Door Box terminals. These wires must be routed through the opening in the bottom of the Door Box mounting bracket.  
*Be sure to maintain the proper polarity.*
10. Replace the front half of the Door Box and reattach the screw to secure it in place.
11. To connect a Door Box to an external relay for an unlock device, for example, connect one-pair 24 AWG station cable from the Relay 5 (for Door Box 1) or Relay 6 (for Door Box 2) connectors (CN5) in the 2PGDAD module. Connect the opposite end to the unlock device.  
*Refer to Relays - External Page, Door Box, General Purpose (Figure 4-15, Figure 4-55) (page 4-56) for information on connecting the Door Box to a relay.*

Refer to *Door Box* in the Software Manual for additional details.

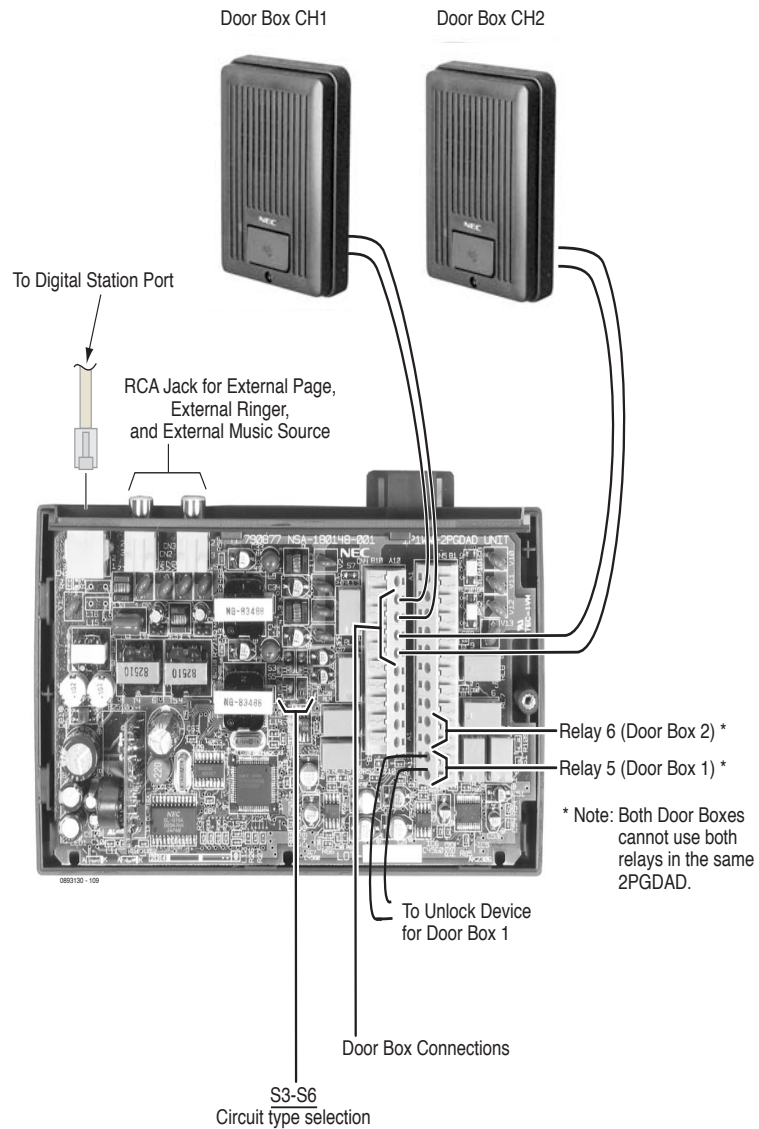


Figure 4-10: SETTING THE 2PGDAD FOR A DOOR BOX

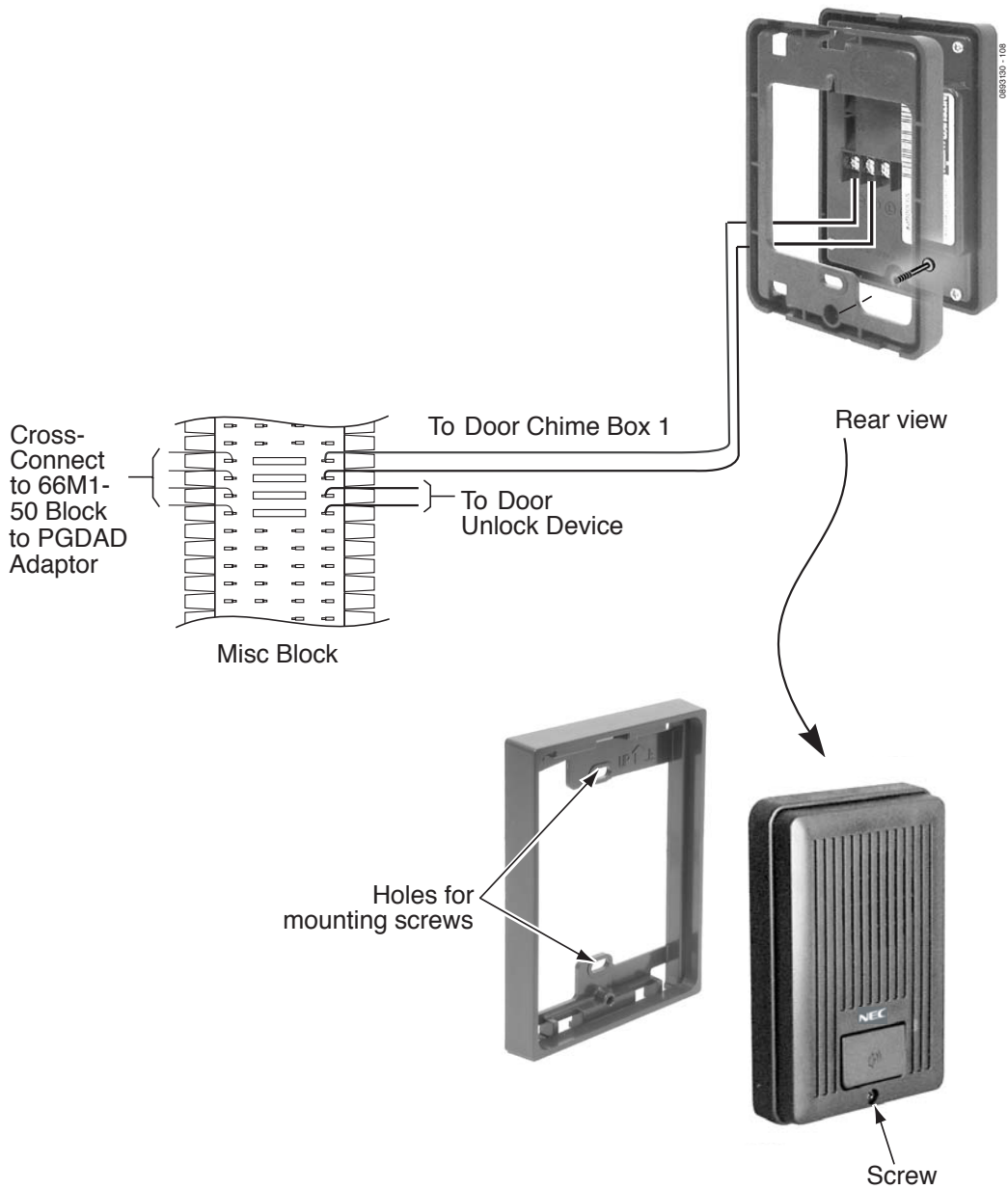


Figure 4-11: INSTALLING A DOOR BOX

## DSS CONSOLE

### Using a DSS Console (Figure 4-12 - Figure 4-14)

The DSS Console gives a keyset user a Busy Lamp Field (BLF) and one-button access to extensions, trunks and system features. The 110-Button DSS Console provides an additional 100 programmable keys, while the 24-Button DLS Console provides 24 programmable keys. The 110-Button DSS also has 10 fixed feature keys for Paging, calling Door Boxes, activating Night Service and enabling DSS Console Alternate Answer. There are also two keys that allow “shifting” between the first and second set of 100 extensions.

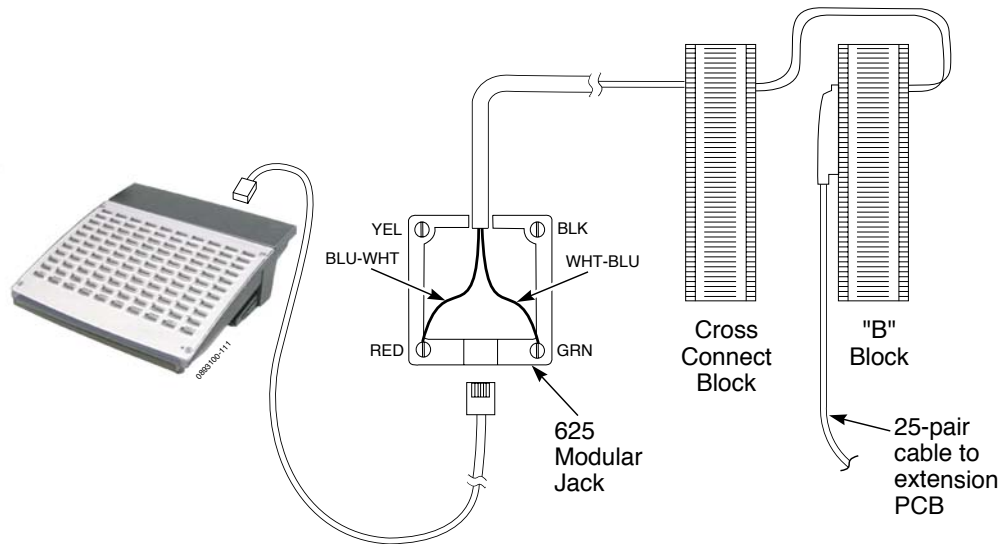
Keep the following in mind when installing DSS Consoles:

- A 24-Button DLS Console does **not** require a separate digital station port.
- A 110-Button DSS Console requires a separate digital station port.
- The system allows for a maximum of 4 110-Button DSS Consoles. One extension can have a maximum of 4 110-Button DSS Consoles. As the 24-Button DLS Console is connected to the bottom of the phone, an extension can only have one 24-button DLS Console installed. An extension can have either a 24-Button DLS Console and 4 110-Button DSS Consoles installed/assigned.
- By default, the 24-Button DLS Console has no keys defined. These keys can be programmed as line keys, extension DSS keys, or programmable function keys using Program 15-07. To program the keys, use the extension number to which the DLS is installed and, regardless of the type of keyset connected, **start programming the DLS keys at key number 25**. Service codes 851 and 852 can also be used to program these keys if allowed by an extension’s Class of Service.
- By default, the 110-Button DSS Console has extension DSS keys defined. These keys can be programmed as line keys, extension DSS keys, or programmable function keys using Program 30-03-01. Service codes 851 and 852 can also be used to program these keys if allowed by an extension’s Class of Service.
- A 24-Button DLS Console cannot be installed on an iPhone.

For additional information, refer to *Direct Station Selection (DSS) Console* in the Software Manual.

## Installing a 110-Button DSS Console

1. Install a modular jack for each 110-Button DSS Console. The modular jack should be within six feet of the phone.
2. For each 110-Button DSS Console, run one-pair 24 AWG station cable from the cross-connect block to a modular jack. Ground the unused pair.
3. Terminate the extension leads to GRN/RED of the modular jack. Terminate the unused leads to the jack.
4. Connect a line cord from the modular jack to the connector on the bottom of the DSS console.



**Figure 4-12: INSTALLING A DSS CONSOLE**

### 5. To program a DSS Console . . .

With the default settings, there are no DSS Consoles assigned.

#### 10-03-01 : PCB Setup

The system automatically assigns the terminal type (10) for the port which has a DSS console installed.

*When installing a DSS, the system must auto-detect the console in order for the LEDs to function correctly. When connecting the DSS to a extension previously defined with another circuit type, undefine the circuit type (enter 00 in Program 10-03 for the extension number), then connect the DSS Console.*

#### 30-02-01 : DSS Console Extension Assignment

Designate the extensions that have DSS Consoles connected to them.

#### 30-03-01 : DSS Console Key Assignment

Customize the functions of the DSS Console keys.

#### 30-04-01 : Alternate DSS Console Key Assignment

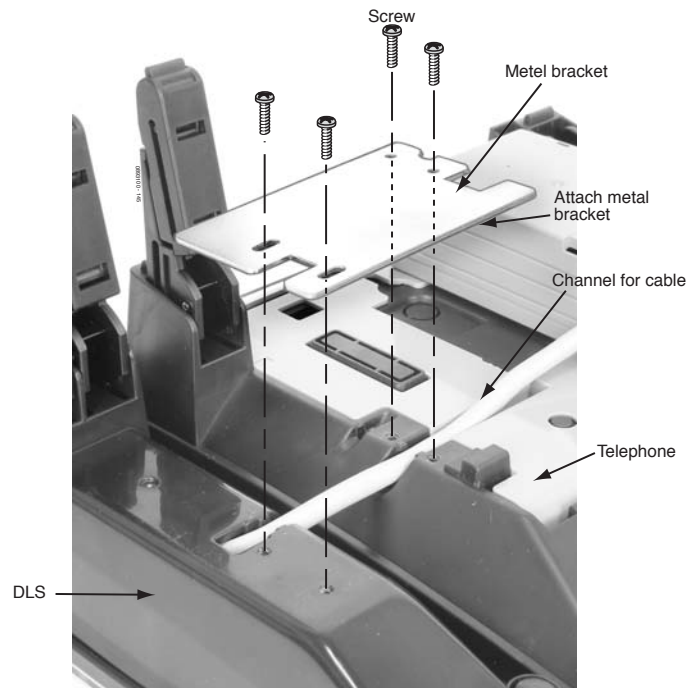
If the console should have Alternate Answering, use this program to assign the Alternate Answering Destination.

**Installing a 24-Button DLS Console**

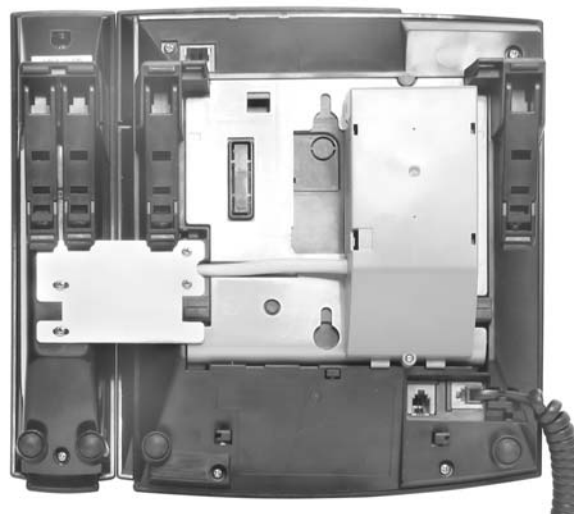
1. Turn the keyset over which will have the 24-Button DLS Console installed.
2. If only one adapter is to be installed on the phone, the console should be installed on the right-hand side of the phone (beneath the handset). Using a flat-head screwdriver, remove the plastic punch-out piece covering the connector.

*If a second adapter is required at a later time, the console connection will need to be moved to the left in order to accommodate the cable.*

3. Plug the 24-Button DLS Console into the connector on the bottom of the keyset.
4. Push the cable from the console into the cable channel to allow the phone to rest flat.
5. Install the connector plate provided with the 24-Button DLS Console to the bottom of the console and phone to join the two sets together.



**Figure 4-13: INSTALLING THE CONNECTOR PLATE**



**Figure 4-14: INSTALLED 24-BUTTON DSS CONSOLE**

# DTERM VOICE SECURITY RECORDER (VSR)

## Dterm Voice Security Recorder (VSR)

The Dterm<sup>®</sup> Voice Security Recorder (P/N 780275) is a USB device that taps across the digital extension pair of the NEC telephone system allowing digital recording of the keyset user's conversation. The file created is saved either to the local PC or to a network location, depending on the application's setup. This adapter is for use with digital keysets. It cannot be used with analog, VoIP or i-Series phones.

The 2.0.7 software version for the VSR does not support Caller ID with the Aspire S system.

### CAUTION

The use of monitoring, recording, or listening devices to eavesdrop, monitor, retrieve, or record telephone conversation or other sound activities, whether or not contemporaneous with transmission, may be illegal in certain circumstances under federal or state laws. Legal advice should be sought prior to implementing any practice that monitors or records any telephone conversation. Some federal and state laws require some form of notification to all parties to a telephone conversation, such as using a beep tone or other notification methods or requiring the consent of all parties to the telephone conversation, prior to monitoring or recording the telephone conversation. Some of these laws incorporate strict penalties.

## PC Compatibility

The Dterm<sup>®</sup> Voice Security Recorder application supports Microsoft operating systems which support USB devices such as Windows 98SE, Windows ME, Windows 2000, and Windows XP. Note that Windows 95 and below, Windows NT and Macintosh operating systems are not supported.

## Installation

### For Windows 98 or ME

1. Run the **Setup.exe** program file from the NEC installation CD **BEFORE** connecting the telephone interface unit to your PC.
2. Using the USB cable provided, connect the USB interface of the NEC VSR unit to an available USB port on your PC.
3. Unplug the line cord from your telephone and connect it to either port on the Dterm VSR unit.
4. Connect the NEC telephone system to the remaining port on the Dterm VSR unit. You are now ready to record.

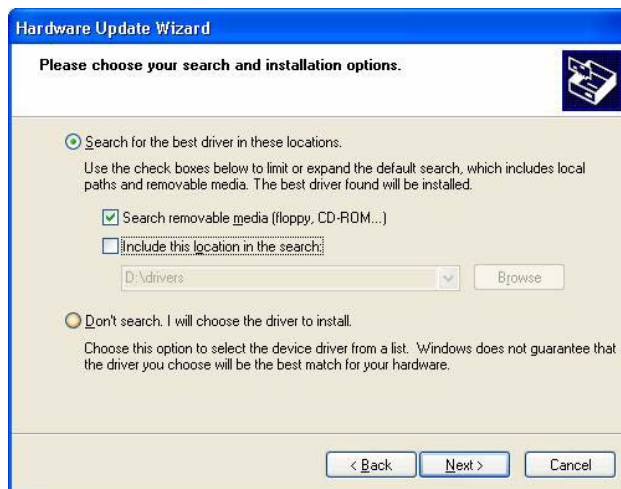
### For Windows 2000 or XP

1. Using the USB cable provided, connect the USB interface on the Dterm VSR unit to your PC. Windows will automatically detect the new hardware and will start the New Hardware Wizard. This will display a dialog box similar to the one shown below. Select the second option, "**Install from a list or specific location**", then press **Next>**.





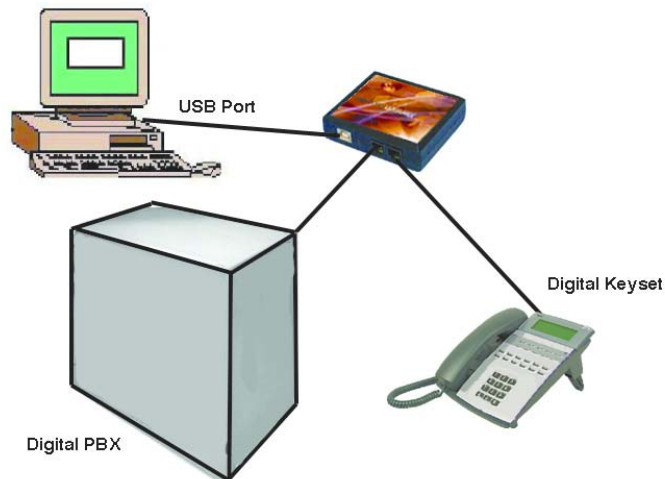
2. Insert the NEC Installation CD in your CD drive and press **Next>**.



3. If you downloaded the files from the internet, uncheck the "Search removable media box", select the "Include this location..." box and type the location where you stored the downloaded files (e.g. C:\My Documents). Press **Next**>.



4. The software has been fully tested, but has not yet been submitted to Microsoft for approval. Press "**Continue Anyway**".
5. Press **Finish** to close the dialog box.
6. Run **Setup.exe** on your NEC Installation CD to install the Dterm<sup>®</sup> Voice Security Recorder application software on your PC.
7. Using the USB cable provided, connect the USB interface of the NEC VSR unit to an available USB port on your PC.
8. Unplug the line cord from your telephone and connect the phone to either port on the Dterm VSR unit.
9. Connect the NEC telephone system to the remaining port on the Dterm VSR unit.



### Operation Note

Use the Options and File Management tabs within the Dterm<sup>®</sup> Voice Security Recorder application to adjust the program settings as required (directory for storing messages, message deletion, file format, etc.).

It is recommended that after the initial installation of the Dterm<sup>®</sup> Voice Security Recorder application, that the audio balance of the remote side be changed to approximately 100%.

1. Open the Dterm<sup>®</sup> Voice Security Recorder application.
2. Click the **Options** tab.
3. Using the up arrow button, change the **Remote Boost (%)** setting to 100%.  
*Excessive boost can distort audio.*

### EXTERNAL PAGING

#### External Page (Figure 4-15, Figure 4-55)

Two external page zone/door box circuits are provided by each 2PGDAD installed. Each Door Box/external page circuit also provides a dry relay contact. In programming, the external page speakers provided by the 2PGDAD modules are numbered 1-8 - the relays on the 2PGDAD modules are numbered 1-8. Refer to Paging, External in the Software Manual for additional details.

The 2PGDAD module can be used for talkback with External Page, as can a CO trunk port with the proper external page equipment (ex: Valcom) - set Program 31-06-03 to "0" for talkback.

**NOTE: A 2PGDAD circuit used for External Paging cannot also be used for an analog Door Box.**

#### Installing an External Page System

1. **Connecting to the 2PGDAD Module:**  
Make sure the jumper in the 2PGDAD module for the channel is set correctly. (Refer to Figure 4-4 *JUMPER SETTINGS* on page 4-3).
2. If a line cord was not previously connected to the 2PGDAD, complete Steps 3-6. Otherwise, skip to Step 7.
3. Install a modular jack for each 2PGDAD module. For each module, run one-pair 24 AWG station cable from the cross-connect block to a modular jack. Ground the unused pair(s).
4. Terminate the extension leads to GRN/RED of the modular jack. Terminate the unused leads to the jack.
5. Install bridging clips as required.
6. Plug a modular line cord from the mod jack to the CN1 connector on the 2PGDAD module.
7. Connect the two-conductor station cable from the CN5 connectors within the 2PGDAD module to the external relay/external page.

*Refer to RELAYS (page 4-56) for further details on relays.*

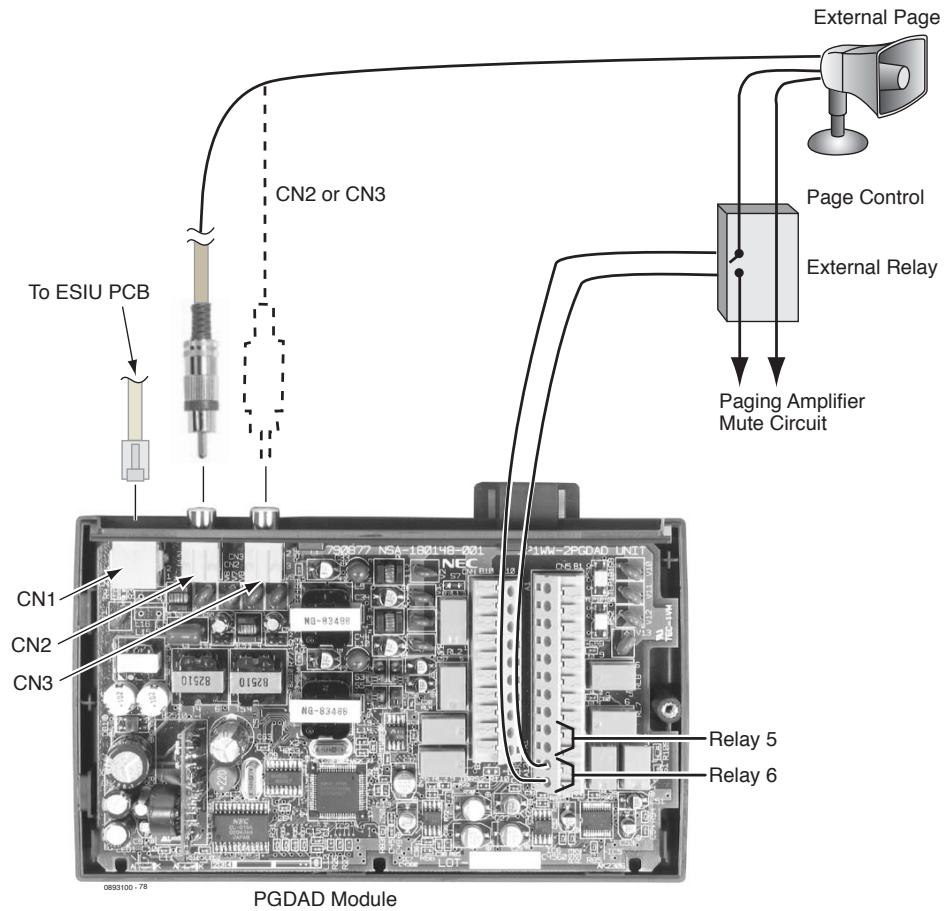


Figure 4-15: 2PGDAD CABLE CONNECTION

**Note:** The 2PGDAD module provides amplifiers for each page output port (for a maximum of +8 dBm, 600 ohms at 1KHz). No additional page amplification is provided by the 2PGDAD module and, if required, an external page amplifier can be used for additional amplification .

# EXTERNAL RECORDING SYSTEM / EXTERNAL RINGER

## External Recording System or External Ringer (Figure 4-16)

The 2PGDAD allows for the connection of an external recording system or external ringer. With a customer-provided tape recorder, when an extension user dials the ACI analog port extension number, they can automatically start the recorder and activate the record function. When the user hangs up, the recording stops and the tape recorder turns off. For tape recording, connect the tape recorder AUX input jack to the PGDAD jack. Connect the recorder control leads (if available) to the CTL (control relay) jack. By using Department Calling, you can arrange multiple tape recorders into a pool. When an extension user dials the Department Group pilot number, they reach the first available tape recorder in the pool.

The relays in the 2PGDAD module can optionally control customer-provided external ringers (loud bells) and buzzers. When an extension user dials the ACI analog port extension number, the associated PGDAD relay closes and activates the ringer. You could use this capability to control an emergency buzzer for a noisy machine shop floor, for example. In addition, if programmed for ringing, an incoming trunk call can activate the ringer/buzzer.

### Installing an External Recording System or External Ringer

1. **Connecting to the 2PGDAD Module:**  
Make sure the jumper in the 2PGDAD module for the channel is set correctly. (Refer to Figure 4-4 *JUMPER SETTINGS* on page 4-3).
2. If a line cord was not previously connected to the 2PGDAD, complete Steps 3-6. Otherwise, skip to Step 7.
3. Install a modular jack for each 2PGDAD module. For each module, run one-pair 24 AWG station cable from the cross-connect block to a modular jack. Ground the unused pair.
4. Terminate the extension leads to GRN/RED of the modular jack. Terminate the unused leads to the jack.
5. Install bridging clips as required.
6. Plug a modular line cord from the mod jack to the CN1 connector on the 2PGDAD module.
7. Connect an RCA jack to the audio output(s) on the back of the 2PGDAD module.
8. The opposite end of this cable is connected to the external recording system or external ringer either directly or by connecting to the cross-connect block where the item is connected.

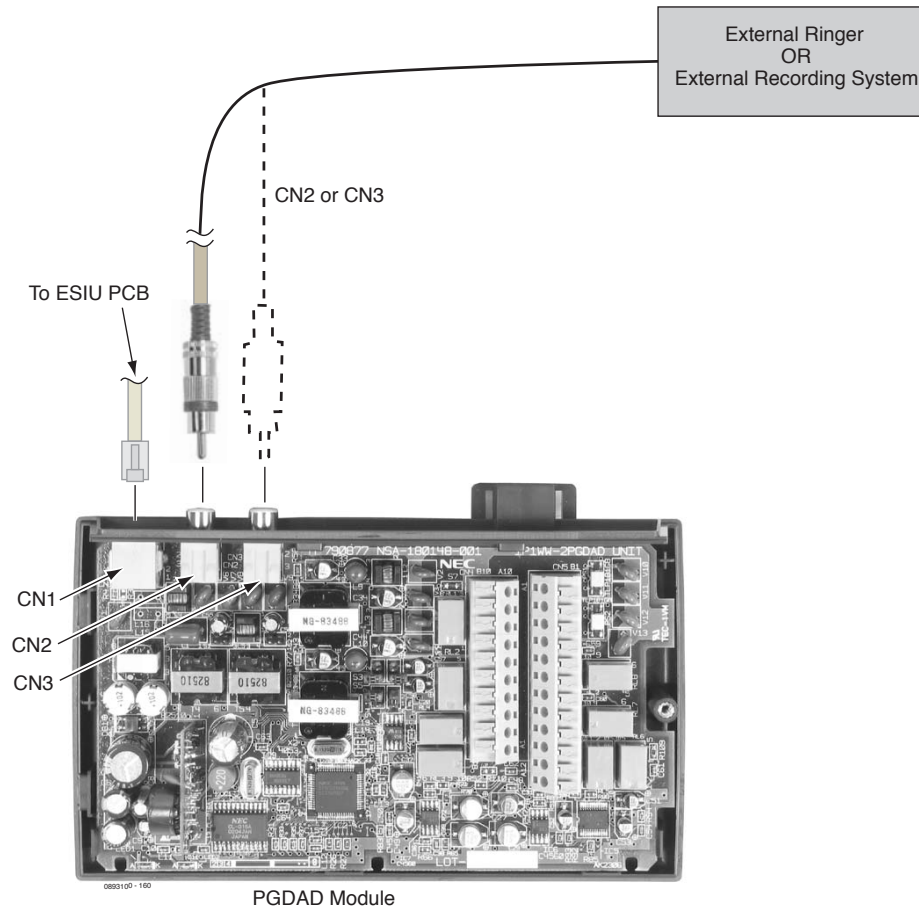


Figure 4-16: 2PGDAD CABLE CONNECTION

**Programming**

- **10-03-01 : PCB Setup - Terminal Type (Circuit 1)**  
**10-03-06 : PCB Setup - Terminal Type (Circuit 2)**  
 Confirm that the 2PGDAD has defined the circuit types as either type “7” for External Ringer or “9” for ACIs. (If the 2PGDAD circuit had previously been defined for another type of circuit, unplug the 2PGDAD and plug it back in order to reset the circuit types.)
- **10-05-01 : General Purpose Relay Setup**  
 Define which relay circuits (5-8) on the 2PGDAD Module are used for General Purpose Relays.
- **11-06-01 : ACI Extension Numbering**  
 Assign extension numbers to ACI software ports. Select a number outside of the normal extension number range.  
 Aspire S: ACI Ports 1-8  
 Aspire: ACI Ports 1-96
- **11-08-01 : ACI Group Pilot Number**  
 Assign pilot numbers to ACI groups. When a user dials the pilot number, they reach an available ACI software port within the group.  
 Aspire S: ACI Groups 1-4  
 Aspire: ACI Groups 1-16

- **11-12-50 : Service Code Setup (For Service Access)**  
Specify the service code to be used for toggling the relay open and closed (Default: 880).
- **33-01-01 : ACI Port Type Setup**  
Set each ACI software port for input (1) or input/output (2). Use input ports for Music on Hold sources. Use output ports for External Paging/ringer control.  
Aspire S: ACI Ports 1-8  
Aspire: ACI Ports 1-96
- **33-02-01 : ACI Department Calling Group**  
Assign ACI software ports to ACI Department Groups. This lets ACI callers connect to ACI software ports by dialing the group's pilot number (set in Program 11-08).  
Aspire S: ACI Ports 1-8, ACI Groups 1-4  
Aspire: ACI Ports 1-8, ACI Groups 1-16

### ACI Recording

- **10-07-01 : Conversation Record Circuits**  
Assign the number of conversation record circuits.
- **14-09-01 : ACI Conversation Recording Destination for Trunks - ACI Recording Destination Extension Number**  
Use this option to assign the ACI Call Recording destination on a per trunk basis. The destination can be an ACI port's extension number (assigned in Program 11-06-01) or an ACI Department Group pilot number (assigned in Program 11-08-01). If destinations are assigned in Programs 14-09 and 15-12, the destination in Program 15-12 will be followed.
- **14-09-02 : ACI Conversation Recording Destination for Trunks - ACI Automatic Recording for Incoming Call**  
Determine whether a trunk should be automatically recorded when an incoming call is received (0=off, 1=on).
- **14-09-04 : ACI Conversation Recording Destination for Trunks - ACI Automatic Recording for Outgoing Call**  
Determine whether a trunk should be automatically recorded when an outgoing call is initiated (0=off, 1=on).
- **15-07-01 : Programmable Function Keys**  
If required, program an ACI Conversation Record Key (code 69 + 0). This key allows an extension user to press the key to manually record a call to the ACI.
- **15-12-01 : Conversation Recording Destination for Extensions - ACI Recording Destination Extension Number**  
Use this option to assign the ACI Call Recording destination on a per extension basis. The destination can be an ACI port's extension number (assigned in Program 11-06) or an ACI Department Group pilot number (assigned in Program 11-08). If destinations are assigned in Programs 14-09 and 15-12, the destination in Program 15-12 will be followed.
- **15-12-02 : Conversation Recording Destination for Extensions - ACI Automatic Recording for Incoming Call**  
Determine whether an extension should be automatically recorded when an incoming call is received (0=off, 1=on).
- **15-12-04 : Conversation Recording Destination for Extensions - ACI Automatic Recording for Outgoing Call**  
Determine whether an extension should be automatically recorded when an outgoing call is received (0=off, 1=on).

### External Ringer

- **31-05-01 : Universal Night Answer/Ring Over Paging**  
For each trunk port which should ring the external ringer, enter "1".



## HEADSETS

### Connecting a Headset

A keyset user can utilize a customer-provided headset in place of the handset. Like using Handsfree, using the headset frees up the user's hands for other work. However, Headset Operation provides privacy not available from handsfree.

The headset plugs into a separate jack on the bottom of the phone. This allows the use of the handset or headset - whichever is convenient at the time.

Simply connect the headset into the headset jack located on the bottom of the keyset. (This jack is located right next to the handset jack, so make sure to connect to the proper jack.)

Examples of compatible headsets are the:

- NEC Polaris Supra Monaural Noise Cancelling, P/N 750036
- NEC Polaris Supra Binaural Noise Cancelling, P/N 750033
- NEC Polaris Encore Binaural Noise Cancelling, P/N 750035

## IN-LINE POWER ADAPTER (ILPA-R)

### Using the In-Line Power Adapter (Figure 4-17)

The In-Line Power Adapter (ILPA-R), P/N 780122, which is IEEE 802.3af compliant, detects power from a PoE-compatible ethernet switch and passes it to the IP terminal. The ILPA does the negotiation and detection with the switch and then relays the power to the IP terminal device. This provides an additional way to power the NEC IP terminals (Aspire iPhone or Aspire Keypad with IP Adapter). With this adapter, the IP terminals on the Aspire can be powered using:

- Local power connecting the IP terminal to a local AC wall outlet using the AC-R Adapter (P/N 780135)
- NEC power supply PoE-managed switch (BlueFire 200/24) (in-line and spare pair detection)
- Cisco Data Switch - CDP supported (in-line and spare pair detection)
- In-Line Power Adapter



#### Conditions

- Only IP telephones supported by center feed can be used.
- This adapter can not be used with the H.323 telephones.
- **When center feed is used, first unplug the adapter from the ethernet switch before changing the SW1 setting on the back of the adapter.**
- **Please note that the ILPA-R adapter is intended for use with the Aspire IPHones (P/N 0890065) and IP Adapters (P/N 0890060). Installing any other device into the telephone port of the ILPA-R may result in damage to the device.**

When using center feed, set the SW1 switch located on the back of the adapter as follows:



Center Feed Hub System	SW1 Setting
IEEE802.3af STD System	1
Cisco Discovery Protocol System	1
NEC BlueFire 200/24 Switch	2

Installation

1. Set the SW1 switch on the ILPA-R adapter to the correct setting for the ethernet switch to which it is to be connected.

Center Feed Hub System	SW1 Setting
IEEE802.3af STD System	1
Cisco Discovery Protocol System	1
NEC BlueFire 200/24 Switch	2

2. Set the switch setting on the NEC iPhone or IP adapter to the correct position.

IPhone (SW2) or IP Adapter (SW1)	SW Setting
NEC Power Patch Panel (12 port NEC SN1604 PWRMS, 24 port NEC BlueFire 200/24)	1
Cisco Catalyst Power Patch Panel Cisco Catalyst PRW Series	2

3. Connect the NEC VoIP telephone (IPhone or keyset with an IP adapter) to the TEL connector on the ILPA-R adapter with the LAN cable provided with the adapter.  
*If a customer-provided cable is used, the total length from the switch to the telephone should be less than 328 feet.*  
*The adapter can be positioned either closer to the keyset or switch - it does not matter.*
4. Connect a cross-over LAN cable to the LAN connector on the ILPA-R adapter. Plug the opposite end into the switch which is to provide power to the telephone.  
*If a straight-through cable is used, NIC Auto Detection must be enabled in Programs 10-12-05 (NTCPU) or 84-05-02 (VOIPU).*

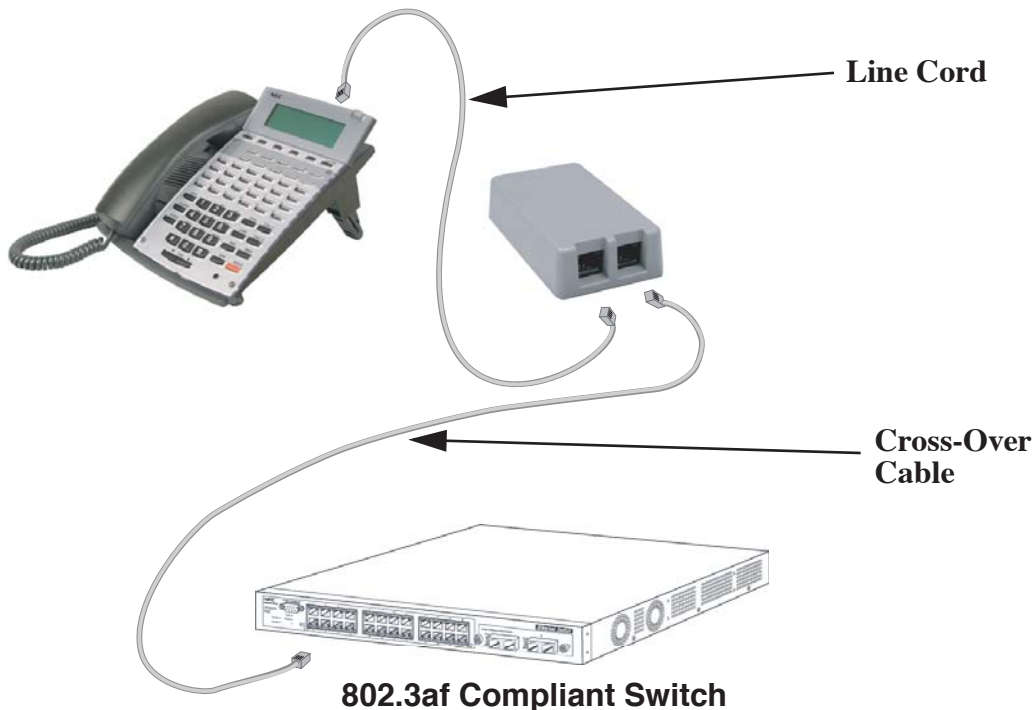


Figure 4-17: NEC TERMINAL CONNECTION TO AN IEEE 802.3af PoE SWITCH

### KEYSET LABELING

#### Labeling Your Phone (Figure 4-18)

The Aspire keysets can be easily labeled by removing the clear plastic faceplate on the keysets. These labels can be printed by hand, typewriter, or by using the Aspire Labelmaker program. Labels for this are on 8 1/2 x 11" paper, which allows for easy printing by any printer - dot matrix, laser, etc.

#### Removing the Faceplate:

1. At the lower right-hand corner of the telephone, you'll notice a small notch in the faceplate plastic. Use this notch to help lift the faceplate up.

*Each corner has a plastic locking pin which releases as the faceplate is lifted up.*

*If the faceplate is dropped, these pins may pop out of place. Be careful not to lose the pins.*



Figure 4-18: REMOVING THE FACEPLATE

#### Replacing the Faceplate:

1. Place the faceplate back on the phone.
2. At each corner, press the locking pin back into place.

# MUSIC SOURCES

## Music on Hold (Figure 4-19, Figure 4-20)

The system can provide Music on Hold from either an internally synthesized source on the CPU or from an external source. The external MOH can be a tuner, tape deck, CD player, etc. The settings in Program 10-04-01 and 14-08-01 determine whether the source for MOH is internal or external (refer to the Software Manual for further details).

In addition to a connector on the CPU, the 2PGDAD modules also provide connections for external MOH sources. When using external music sources for external MOH, programming determines the MOH source for each trunk. Refer to *Music on Hold* in the Software Manual for more details.

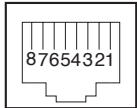
The CPU provides a dry relay that activates when a call is placed on Hold. When an external MOH source is connected to the MOH relay and a call is placed on Hold, the MOH relay is activated. This allows an external relay sensor/power supply to turn on the MOH source.

This arrangement allows the MOH source (e.g., a tape deck) to run only when a call is placed on Hold. The *maximum* applied voltage for the relay is 24vDC at .5A (the relays are normally open and close when a call is put on hold).

### Installing External Music on Hold

1. **Connecting to the CPU:**

Connect an RJ61 modular line cord from the CN23 connector on the CPU to the appropriate location on the extension cross-connect block.

External MOH Source/Relay (External Speaker and Night Mode) RJ61 Cable Connector - CN23		
CPU Connector	Modular Connector Pin No.	Signal
	1	-
	2	-
	3	EXCNT
	4	EXMOH
	5	EXMOH
	6	EXCNT
	7	-
	8	-

- Pins 4 and 5: External Music on Hold Input, Input Impedance 600 ohm/1 kHz
- Pins 3 and 6: Relay = DC Max. 24 VDC, 0.5A - AC Max. 120VAC, 0.25A

2. Connect the two-conductor station cable from the cross-connect block to the external music source.
3. Install bridging clips as required.

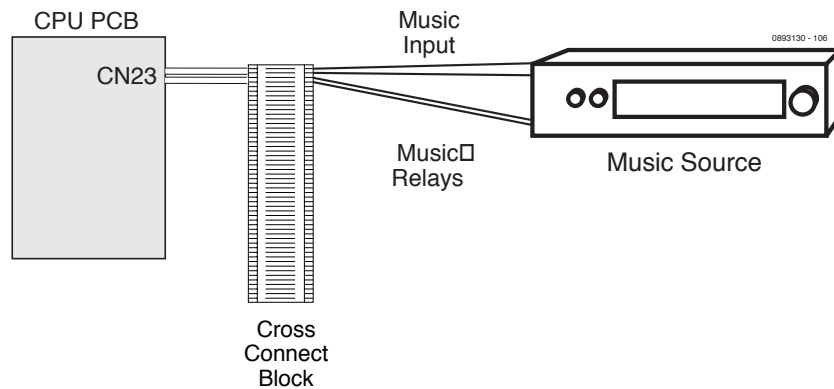
OR

1. **Connecting to the 2PGDAD Module:**

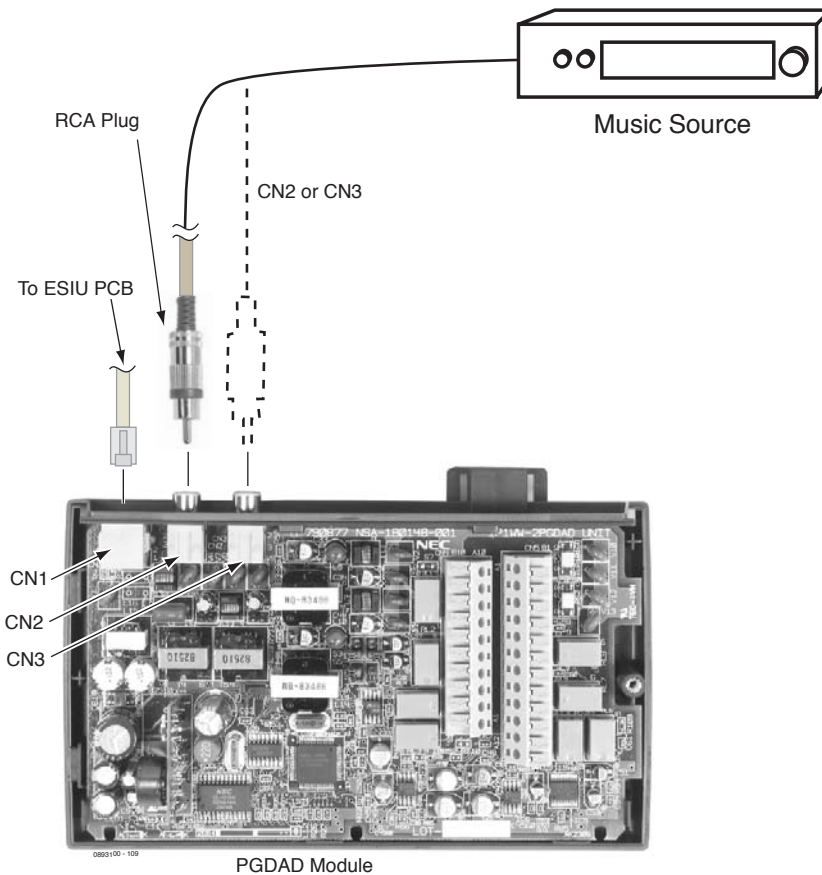
Make sure the jumper in the 2PGDAD module for the channel is set correctly. (Refer to Figure 4-4 *JUMPER SETTINGS* on page 4-3).

2. If a line cord was not previously connected to the 2PGDAD, complete Steps 3-6. Otherwise, skip to Step 7.
3. Install a modular jack for each 2PGDAD module. For each module, run one-pair 24 AWG station cable from the cross-connect block to a modular jack. Ground the unused pair.

4. Terminate the extension leads to GRN/RED of the modular jack. Terminate the unused leads to the jack.
5. Install bridging clips as required.
6. Plug a modular line cord from the mod jack to the CN1 connector on the 2PGDAD module.
7. Connect an RCA jack to the audio output(s) on the back of the 2PGDAD module.
8. The opposite end of this cable is connected to the external music source either directly or by connecting to the cross-connect block where the music source is connected.



**Figure 4-19: CPRU CONNECTIONS**



**Figure 4-20: 2PGDAD CONNECTIONS**

# PHONE ADAPTERS

## Using Adapters (Figure 4-21)

Each Aspire keyset can have two optional adapters installed (unless an IP adapter is used). These adapters provide the keyset different capabilities, depending on the adapters installed.

*These optional adapters cannot be installed on an Aspire 2-button phone.*

*The IP Adapter cannot be installed on a super display phone.*

*Only the ADA2 and PSA Adapters can be used on the Aspire iPhone.*

- ADA - Conversation Recording
- ADA2 - Aspire iPhone Conversation Recording
- APA - Analog Port Adapter Without Ringer
- APR - Analog Port Adapter with Ringer
- CTA - Serial Interface (RS-232C)
- CTU - USB Interface
- HF-R - Speakerphone Adapter
- PSA - Aspire iPhone Power Failure
- IP - VoIP Connection
- 24-Button DLS Console (refer to page 4-11 for complete details on connecting the DLS)



Figure 4-21: INSTALLING ADAPTERS

The following chart indicates if there are restrictions when combining certain adapters. Select the adapter in the column and then select the adapter in the row to see if there are any restrictions. For example, using an APA and APR adapter refers you to restriction 3 (only one voice path provided - adapters can not be used together).

Adapter Compatibility Chart

	24DLS	IP	CTU	CTA	APR	APA	ADA	ADA2	HF-R	PSA
ADA	-	1	-	-	-	-	2	5	-	5
ADA2	5	5	5	5	5	5	5	5	5	5
APA	-	1	-	-	3	2	-	5	-	5
APR	-	1	6	-	2	3	-	5	6	5
CTA	-	1	4	2	-	-	-	5	-	5
CTU	-	1	2	4	6	-	-	5	6	5
IP	1	2	1	1	1	1	1	5	-	5
HF-R	-	1	6	-	6	-	-	5	2	5
PSA	5	5	5	5	5	5	5	5	5	5
24DLS	2	1	-	-	-	-	-	5	-	5

### Adapter Compatibility Chart

- 1 = The IP Adapter takes the full space provided for adapters on the keysets. Therefore, if an IP adapter is installed, no other adapters can be used.
- 2 = Only one adapter of the same type can be used on a keyset.
- 3 = As there is only one voice path provided for adapters, the APR and APA adapters can not both be used on the same keyset.
- 4 = Due to protocol collision, the CTU and CTA adapters can not both be used on the same keyset.
- 5 = The ADA2 and PSA Adapters can only be installed on the Aspire iPhone, which only has one adapter connection. Therefore, if either the ADA2 or PSA is installed, no other adapters can be used.
- 6 = As this adapter requires the AC power adapter, it can not be installed on a phone with an APR or Speakerphone adapter, which also requires power. The placement of the AC power adapter plug will not allow the unit installed on the left side of the phone to receive power.

When installing or removing the adapters, *the keyset should first be unplugged from the system*. Also note that the adapters may have an AC/DC power jack. Power is not required for all the adapters. You should refer to the information for the specific adapter to determine whether a power source is needed.

Telephones with any of these adapters installed cannot be wall-mounted. The bracket will not accommodate the adapter(s).

### Removing the Adapter Cover (Figure 4-22)

1. With certain applications, it may be necessary to remove the cover from an adapter. First, remove the screw on the back of the adapter.
2. Using a small screwdriver, push in the ribs on the sides of the adapter.  
*Do not push the ribs in too much or they may break.*
3. Remove the cover.

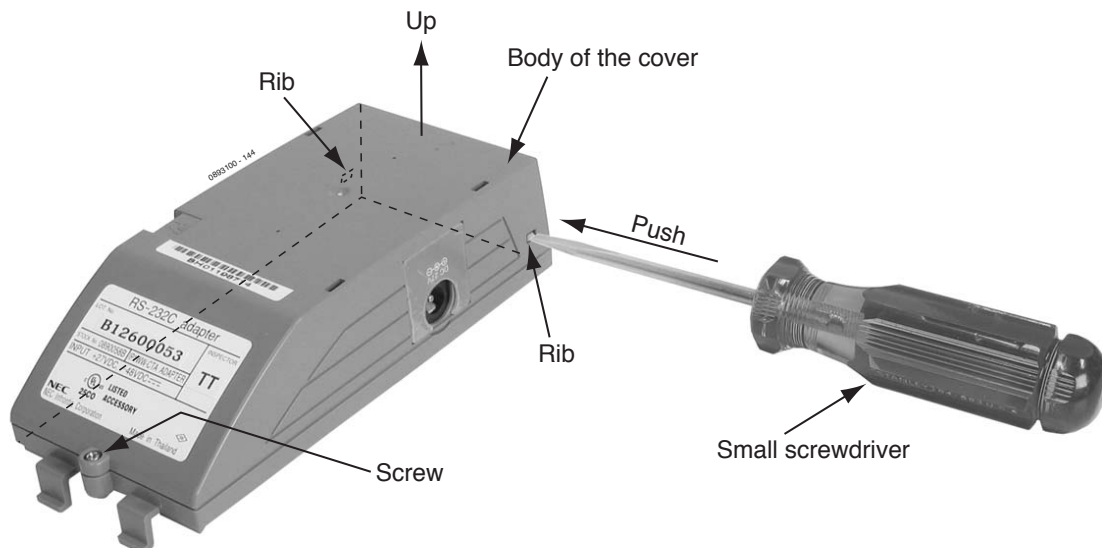


Figure 4-22: REMOVE THE ADAPTER COVER



## Data Communication and Hardware Compatibility

The following table shows the availability of certain data communication features when used with particular Aspire S hardware.

*Note: ISDN-PPP communication is not possible.*

Feature	Hardware			
	CPU Built-In Serial Port	ENTU-S Ethernet Port	CTA Adapter	CTU Adapter
PCPro	Yes	Yes	No	No
WebPro (for installer)	Yes	Yes	No	No
WebPro (for user)	No	Yes	No	No
SMDR Output to Printer	Yes	No	Yes	Yes
SMDR Output to PC	Yes	Yes	Yes	Yes
Hotel/Motel Data Output	No	No	Yes	Yes
Traffic Report	Yes	No	Yes	Yes
System Information Printout	Yes	No	Yes	Yes
Alarm Information Printout	Yes	No	Yes	Yes
1st Party CTI (via serial)	No	No	Yes	No
1st Party CTI (via USB)	No	No	No	Yes
3rd Party CTI	No	Yes	No	No

### ADA Adapter (Figure 4-23 - Figure 4-30)

Using the ADA Adapter provides a recording jack connection which provides a connection from a telephone to an external tape recorder or speaker. Both sides of the conversation are recorded. The adapter output is a 1/8" audio (mono) jack which you can connect directly to an AUX level input on a recorder or page amplifier. The recorder input can also be wired directly to the terminals on the inside of the adapter.

*This optional adapter cannot be installed on an Aspire 2-button phone or iPhone.*

When installing or removing the adapters, **the keyset should first be unplugged from the system.** Telephones with any adapters installed cannot be wall-mounted. The bracket will not accommodate the adapter(s).

#### CAUTION

Be sure the connected audio device provides a standard AUX level input.

The use of monitoring, recording, or listening devices to eavesdrop, monitor, retrieve, or record telephone conversation or other sound activities, whether or not contemporaneous with transmission, may be illegal in certain circumstances under federal or state laws. Legal advice should be sought prior to implementing any practice that monitors or records any telephone conversation. Some federal and state laws require some form of notification to all parties to a telephone conversation, such as using a beep tone or other notification methods or requiring the consent of all parties to the telephone conversation, prior to monitoring or recording the telephone conversation. Some of these laws incorporate strict penalties.

The handset only records when a call is placed or answered.

#### Installing the ADA Adapter:

1. Unplug the line cord from the keyset.
2. If only one adapter is to be installed on the phone, the adapter should be installed on the right-hand side of the phone (beneath the handset). Using a flat-head screwdriver, remove the plastic punch-out piece covering the connector.
3. Set the dip switches on the ADA adapter to the required position. The SW1 and SW2 switches should be set to "1" for either application.

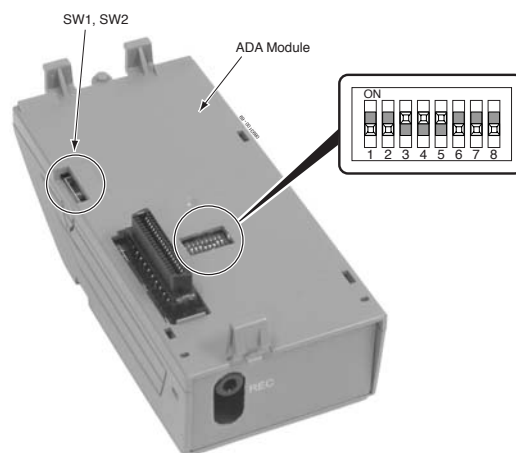


Figure 4-23: RECORDING DIP SWITCH SETTINGS

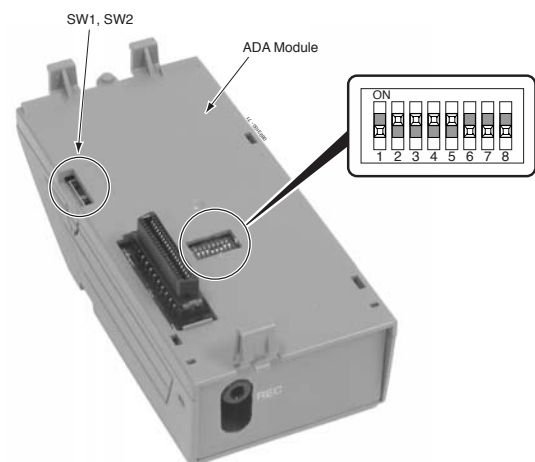
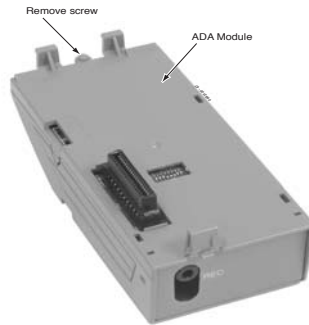


Figure 4-24: PLAYBACK DIP SWITCH SETTINGS

- If using the mono audio jack to connect to the recorder or audio **input**, plug the audio jack into the REC connector on the ADA and then skip to Step 9. If wiring directly to the terminals inside the adapter, remove the screw on the back of the adapter. Using a small screwdriver, push the ribs on the sides of the adapter in and remove the cover.

*Do not push the ribs in too much or they may break.*



**Figure 4-25: REMOVE THE SCREW FROM THE ADA ADAPTER**

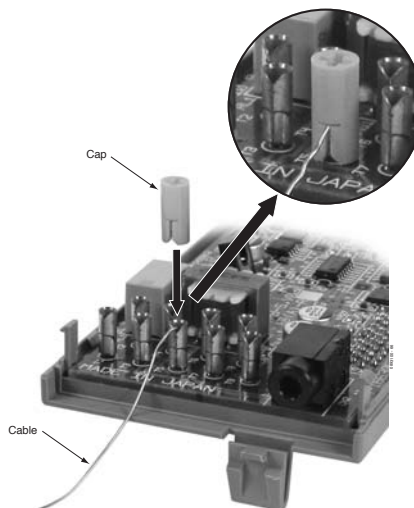
- Determine which terminals should be connected. Terminals T3 and T4 are used for wiring to a recorder.  
*T6 and T7 are used to activate a relay. This relay will turn on a recorder when a call is placed or received. The dip switch "1" must be set to the "on" position.*
- Run the cable to the ADA adapter through the opening near the audio jac.

4



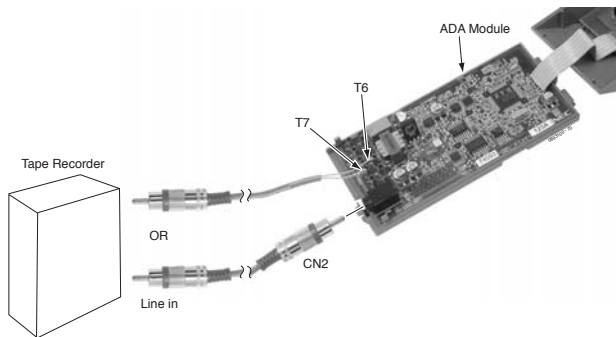
**Figure 4-26: RUNNING THE CABLE TO THE ADA**

- Insert the cable into the terminal. Place the cap over the terminal and push down to secure the cable.

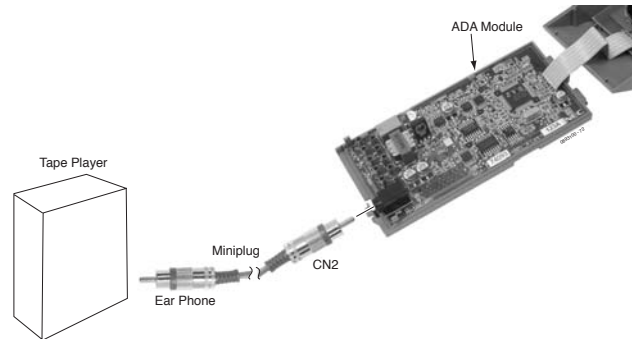


**Figure 4-27: WIRING TO THE ADA TERMINAL**

8. Replace the adapter cover and reattach the screw.
9. Connect the opposite end of the cable to the recording device or audio **input**.  
*Make sure to connection the cable to the audio input (for example, on the PC's sound card). Plugging the adapter into any other connector may damage the ADA adapter.*

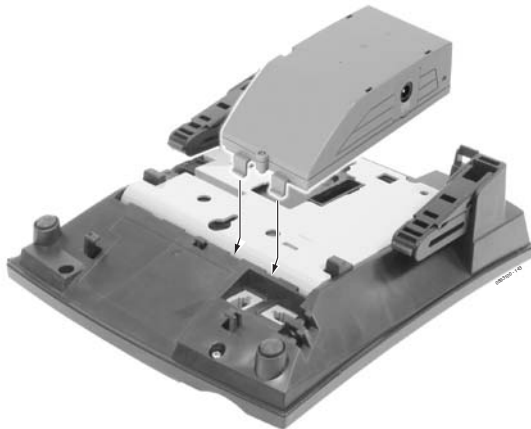


**Figure 4-28: CONNECTION FOR RECORDING ONLY**



**Figure 4-29: CONNECTION FOR PLAYBACK ONLY**

10. Position the adapter with the connector positioned as shown below.



**Figure 4-30: POSITIONING THE ADAPTER**

11. Hook the two plastic prongs into the bottom of the phone.
12. Push the connector into place. The top latch on the top of the adapter should lock into place when it is properly positioned.
13. In order for the ADA adapter to recognized correctly, before plugging in the keyset, make sure that in Program 10-03-01, the extension number to be used for the ADA adapter is undefined.
14. Plug the line cord back into the keyset.  
*To avoid any hardware problems, when removing the adapter, first unplug the line cord, then the power cord, then any other adapter cables.*
15. Check Program 10-03-04 or 10-03-05 to make sure the system recognizes the ADA adapter.

**ADA2 Adapter (Figure 4-31 - Figure 4-38)**

Using the ADA2 Adapter provides a recording jack connection which provides a connection from an Aspire IPhone to an external tape recorder or speaker. The adapter output is a 1/8" audio jack which you can connect directly to an AUX level input on a recorder or page amplifier. The recorder input can also be wired directly to the terminals on the inside of the adapter. As the IPhone only has one connector available for additional adapters, if this adapter is connected, no other adapter can be installed on the phone.

When installing or removing the adapters, *the keyset should first be unplugged from the system*. Telephones with any adapters installed cannot be wall-mounted. The bracket will not accommodate the adapter(s).

**CAUTION**

Be sure the connected audio device provides a standard AUX level input.

The use of monitoring, recording, or listening devices to eavesdrop, monitor, retrieve, or record telephone conversation or other sound activities, whether or not contemporaneous with transmission, may be illegal in certain circumstances under federal or state laws. Legal advice should be sought prior to implementing any practice that monitors or records any telephone conversation. Some federal and state laws require some form of notification to all parties to a telephone conversation, such as using a beep tone or other notification methods or requiring the consent of all parties to the telephone conversation, prior to monitoring or recording the telephone conversation. Some of these laws incorporate strict penalties.

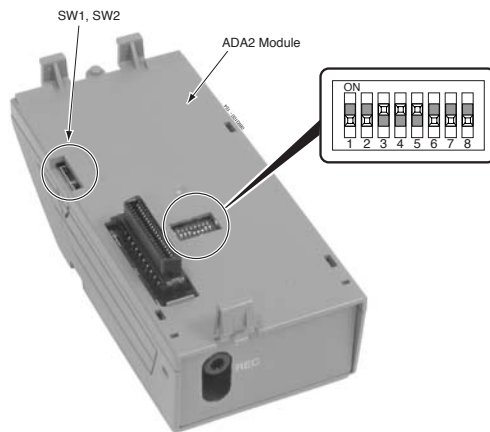
The handset only records when a call is placed or answered.



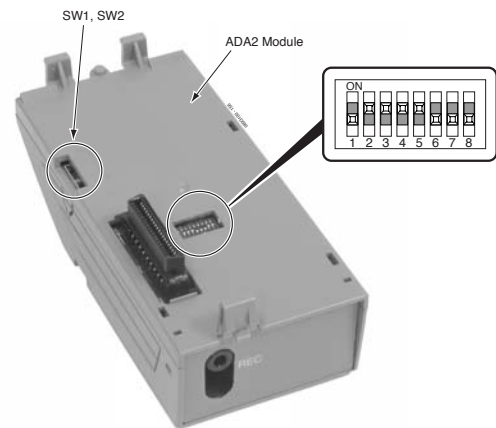
**Installing the ADA2 Adapter:**

1. Unplug the LAN cable and AC adapter cable from the keyset if previously installed.
2. The adapter should be installed on the right-hand side of the phone (beneath the handset). Using a flat-head screwdriver, remove the plastic punch-out piece covering the connector.
3. Set the dip switches on the ADA2 adapter to the required position. The SW1 switch should be set to "2" and the SW2 switch should be set to "1".

*The SW1 indicates the type of adapter (2=ADA2) and the SW2 switch sets the impedance (1=620 Ohms, 2=30 Ohms). The SW2 switch should remain in the "1" position.*

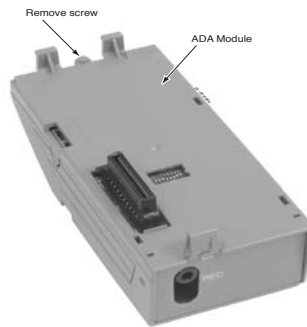


**Figure 4-31: RECORDING DIP SWITCH SETTINGS**



**Figure 4-32: PLAYBACK DIP SWITCH SETTINGS**

4. If using the mono audio jack to connect to the recorder or audio **input**, plug the audio jack into the REC connector on the ADA2 and then skip to Step 9. If wiring directly to the terminals inside the adapter, remove the screw on the back of the adapter. Using a small screwdriver, push the ribs on the sides of the adapter in and remove the cover.  
*Do not push the ribs in too much or they may break.*



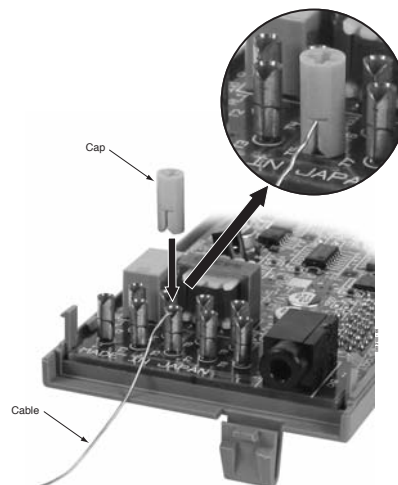
**Figure 4-33: REMOVE THE SCREW FROM THE ADA2 ADAPTER**

5. Determine which terminals should be connected. Terminals T3 and T4 are used for wiring to a recorder.  
*T6 and T7 are used to activate a relay. This relay will turn on a recorder when a call is placed or received. The dip switch "1" must be set to the "on" position.*
6. Run the cable to the ADA2 adapter through the opening near the audio jack.



**Figure 4-34: RUNNING THE CABLE TO THE ADA2**

7. Insert the cable into the terminal. Place the cap over the terminal and push down to secure the cable.



**Figure 4-35: WIRING TO THE ADA2 TERMINAL**

8. Replace the adapter cover and reattach the screw.
9. Connect the opposite end of the cable to the recording device or audio output.

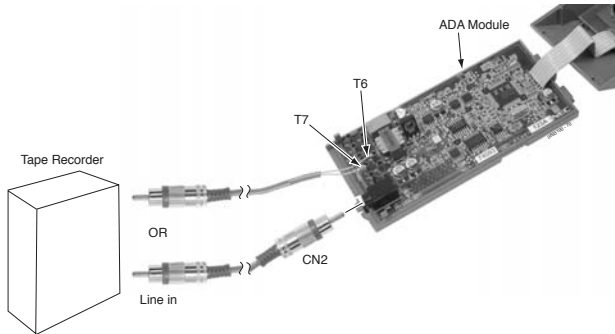


Figure 4-36: CONNECTION FOR RECORDING ONLY

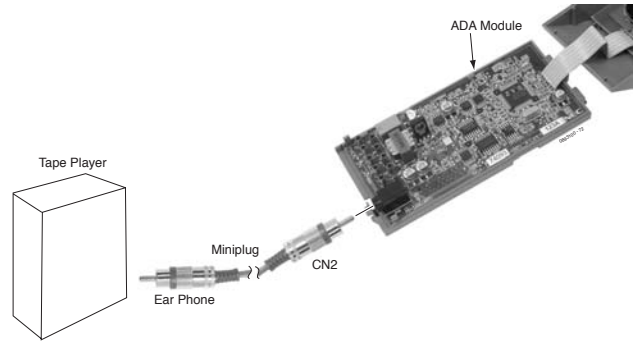


Figure 4-37: CONNECTION FOR PLAYBACK ONLY

10. Position the adapter with the connector positioned as shown below.

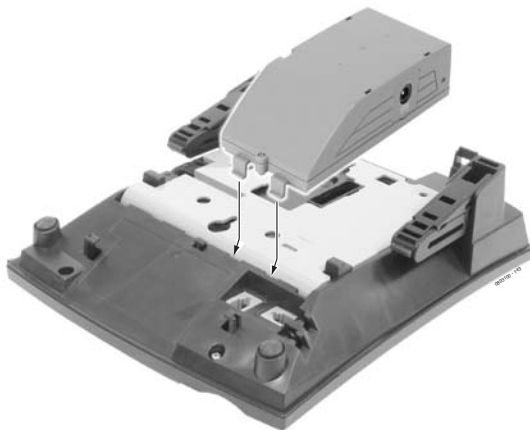


Figure 4-38: POSITIONING THE ADAPTER

11. Hook the two plastic prongs into the bottom of the phone.
12. Push the connector into place. The top latch on the top of the adapter should lock into place when it is properly positioned.
13. Plug the LAN cable and AC adapter cable into the keyset.  
*To avoid any hardware problems, when removing the adapter, first unplug the line cord, then the power cord, then any other adapter cables.*

---

### APA and APR Adapters (Figure 4-39 - Figure 4-40)

The APA and APR Adapters provide an analog interface for the keyset. The APR Adapter provides ringing which allows the connected device to be used for incoming and outgoing calls. This adapter also provides a separate extension number for the analog device, which allows both devices to be used at the same time (this can be removed in system programming if you wish). The APA Adapter does not provide ringing, so the connected device is used for outgoing calls only (for example, when using a modem). One keyset can have either an APA or an APR Adapter. Both adapters **cannot** be installed on the same keyset as only one voice path is provided by the keyset for the adapters. **When installing the APR Adapter, an AC-R AC/DC adapter (P/N 780135) is required for power.** As this adapter requires the AC power adapter, it can not be installed on a phone with an CTU or Speakerphone adapter, which also require power. The placement of the AC power adapter plug will not allow the unit placed on the left of the phone to receive power.

The maximum distance between the APA or APR Adapter and the analog terminal is 49’.

With the APA adapter installed, when the analog device attached to the adapter is in use, the keyset cannot be used as there is only one physical port number assigned to the phone. If both the analog device and keyset are picked up at the same time, the analog device takes priority. If the keyset is on a call and the single line telephone is picked up, the single line telephone will take the call from the keyset.

When installing the APR adapter, there must be an extension port available for the adapter or it will function like an APA adapter (only one physical port assigned to the phone so only one phone can be used at a time).

When installing or removing the adapters, ***the keyset should first be unplugged from the system.*** Telephones with any adapters installed cannot be wall-mounted. The bracket will not accommodate the adapter(s).

**Neither the APA or APR Adapter supports reverse-polarity, message waiting lamping, or Caller ID.**  
*These optional adapters cannot be installed on an Aspire 2-button phone or IPhone.*

#### Installing the APA or APR Adapter:

1. Unplug the line cord from the keyset.
2. If only one adapter is to be installed on the phone, the adapter should be installed on the right-hand side of the phone (beneath the handset). Using a flat-head screwdriver, remove the plastic punch-out piece covering the connector.
3. Set the dip switches on the APA/APR adapter to the required position.
  - The SW3 switch is used to set the terminating impedance. Setting to position “1” is for a pure resistance of 600 ohms; position “2” is used for complex impedance (factory setting is set to “1”).
  - The SW1 switch should be left at its factory setting of “1”. This also applies to the dip switch settings (1 and 5 = on; 2-4, 6-8 = off).



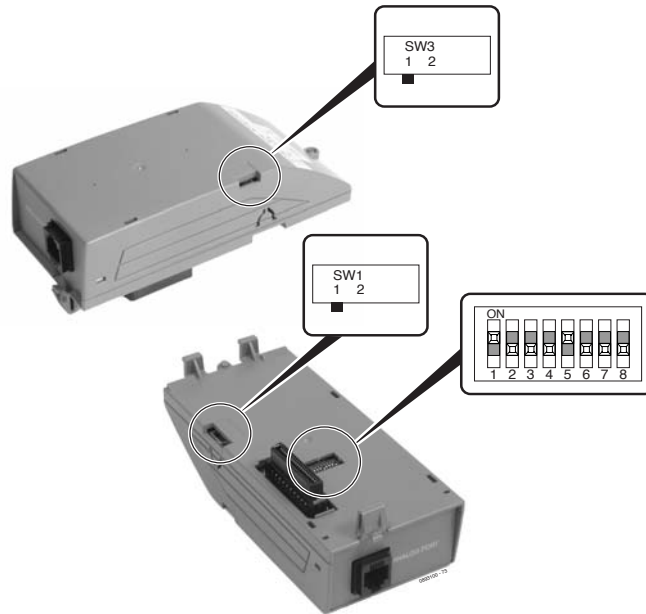


Figure 4-39: DIP SWITCH SETTINGS

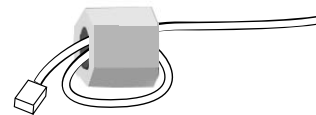
4. If using an APR Adapter, plug the AC-R AC/DC adapter into the AC jack on the side of the adapter. *The AC/DC adapter is not required when using the APA Adapter.*
5. Position the adapter with the connector positioned as shown below. *You may wish to remove the wall-mount bracket to allow for easier adapter installation.*



Figure 4-40: POSITIONING THE ADAPTER

6. Hook the two plastic prongs into the bottom of the phone.
7. Push the connector into place. The top latch on the top of the adapter should lock into place when it is properly positioned.
8. In order for the APD/APR adapter to be recognized correctly, before plugging in the keyset, make sure that in Program 10-03-01, the extension number to be used for the adapter is undefined.
9. Plug the line cord back into the keyset.

10. Using the ferrite bead that was included with the APA/APR Adapter, wrap the line cord once through the ferrite bead and snap it shut.
11. Plug the end of the line cord for the analog device which has the ferrite bead closest to it into the jack on the adapter. The opposite end should then be connected to the analog device.



*To avoid any hardware problems, when removing the adapter, first unplug the line cord, then the power cord, then any other adapter cables.*

12. **To determine the APR's analog extension number . . .**

### **10-03-04 : Optional Installed Unit 1**

Displays the type of terminal installed. This can be used to verify that the system recognizes the adapter.

### **10-03-06 : PCB Setup**

Assign the terminal type (12) for the keyset's channel which has the APR Adapter installed.

When you wish to have the APR use the same extension number as the keyset to which it is attached (like an APA), remove the terminal type in this option. With this setup, when the analog device is in use, it busies out the keyset as there is no separate port number assigned for the adapter. To reverse this, and allow the APR to have its own extension number, simply reassign the terminal type (12) in this option.

### **10-03-07 : PCB Setup**

The port number of the APR Adapter is displayed for the extension (APR ports = 11-26 with all software through 2.21 OR 11-42 with 2.50 software and higher). The ports are assigned from the highest available port down.

*The APR will be assigned to the first unused port in descending order, starting from port 26 or 42. If there is no extension port available for the APR, it will function like an APA adapter (either phone can be used, but only one at a time).*

### **11-02-01 : Extension Numbering**

To determine the extension number assigned for the APR device, refer to the table below.

APR Extension Port Number	Extension Number
11	311
12	312
:	:
25	325
:	:
26 or 42 *	326 or 342 *
* Above 26, software 2.50 or higher is required.	* Above 326, software 2.50 or higher is required.

Refer to **Section 5: Data and SMDR** for additional details.

**CTA Adapter (Figure 4-39 - Figure 4-40)**

The CTA Adapter provides a serial interface (RS-232C) connector. This can be used for SMDR, TAPI (1.4), or system reporting. TAPI requires a CTA driver installation. This driver can be downloaded from the NEC Technical Support web site (<http://ws1.necii.com>). Refer to the CTI Installation Manual, P/N 0893102, for details on installing the driver. A maximum of 24 CTA Adapters can be installed in a system. When using the adapter for printing, the following printers are recommended:

- Citizen CBM CBM1000-RJ100S Thermal Printer
- Star Precision SP2520MD-J1 Impact Dot Printer

*This optional adapter cannot be installed on an Aspire 2-button phone or iPhone.  
No AC-R AC/DC Adapter is required for this unit.*

When installing or removing the adapters, **the keyset should first be unplugged from the system**. Telephones with any adapters installed cannot be wall-mounted. The bracket will not accommodate the adapter(s).

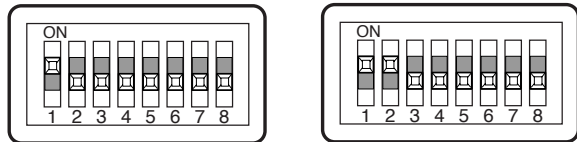
**Installing the CTA Adapter:**

*Be sure to follow these steps in order to allow the system to properly recognize the CTA Adapter!*

1. Unplug the line cord from the keyset.
2. If only one adapter is to be installed on the phone, the adapter should be installed on the right-hand side of the phone (beneath the handset). Using a flat-head screwdriver, remove the plastic punch-out piece covering the connector.
3. Set the dip switches on the CTA adapter to the required position.
  - The DSW settings are 1 = on, 2-8 = off for a PC connection or 1 and 2 = on, 3-8 = off for a printer/SMDR connection (factory setting is for a PC connection).

PC Connection

Printer/SMDR Connection



**Figure 4-41: DIP SWITCH SETTINGS**

4. Position the adapter with the connector positioned as shown below.  
*You may wish to remove the wall-mount bracket to allow for easier adapter installation*



**Figure 4-42: POSITIONING THE ADAPTER**



5. Hook the two plastic prongs into the bottom of the phone.
6. Push the connector into place. The latch on the top of the adapter should lock into place when it is properly positioned.
7. Connect an RS-232C straight-thru cable from the adapter to the printer or PC.
8. Change system programming (15-02-19) to match the CTA module dip switch settings.
9. Change system programming (15-02-20) to the correct baud rate.
10. Change remaining system programming (see below) as required.
11. In order for the CTA adapter to be recognized correctly, before plugging in the keyset, make sure that in Program 10-03-01, the extension number using the adapter is undefined.
12. Plug the line cord back into the keyset. **This should only be done once the system has been programmed as indicated in steps 8-10 above.**  
*To avoid any hardware problems, when removing the adapter, first unplug the line cord, then the power cord, then any other adapter cables.*
13. Wait approximately 1 minute for the adapter to be recognized by the system.
14. Check Program 10-03-04 or 10-03-06 to make sure the system recognizes the CTA adapter. If not, unplug the phone, undefine the port in Program 10-03-01 and repeat the installation steps.
15. Install the CTA Adapter driver (downloaded from the NEC Technical Support web site (<http://ws1.necii.com>)).
16. Connect the serial cable from the PC to the CTA Adapter.

### System Programming

#### SMDR

- ◆ **Program 14-01-06 : Basic Trunk Data Setup - SMDR Print Out**  
Use this option to have the system include/exclude the trunk you are programming from the SMDR printout. See Program 35-01 and 35-02 for SMDR printout options (0=No print out, 1=Prints out).
- ◆ **Program 15-02-19 : Multi-Line Telephone Basic Data Setup - CTA Data Communication Mode**  
Select '0' if the dip switch settings are set to PC connection or select '1' if printer/SMDR connection is selected on the CTA adapter.
- ◆ **Program 15-02-20 : Multi-Line Telephone Basic Data Setup - Baud Rate for CTA Port**  
Set the baud rate to be used by the CTA (0=4800, 1=9600, 2=19200).
- ◆ **Program 35-01-01 : SMDR Options - Output Port Type**  
This option specifies the type of connection used for SMDR (0=No setting, 1=COM (NTCPU), 2=USB (NTCPU), 4=CTA/CTU).
- ◆ **Program 35-01-02 : SMDR Options - Output Destination Number**  
This option specifies the extension number which has the CTA/CTU installed for the SMDR printer output.

Refer to **Section 5: Data and SMDR** and the Aspire Software Manual (P/N 0893200) for additional details on programming for SMDR.

#### System Alarms

- ◆ **Program 90-12-01 : System Alarm Output - Output Port Type**  
Define the output port to be used as the output for system alarm report (0=no setting, 1=NTCPU COM port, 2=NTCPU USB port, 4=CTA/CTU adapter). Set the baud rate for the COM port in Program 10-21-02. The system can have up to 50 reports.
- ◆ **Program 90-12-02 : System Alarm Output - Destination Extension Number**  
If the output port type (90-12-01) is a CTA, enter the extension number with the CTA connection.

### System Information Reports

◆➤ **Program 90-13-01 : System Information Output - Output Port Type**

Define the output port to be used as the output for system information report (0=no setting, 1=NTCPU COM port, 2=NTCPU USB port, 4=CTA/CTU adapter). Set the baud rate for the COM port in Program 10-21-02. The system can have up to 50 reports.

◆➤ **Program 90-13-02 : System Information Output - Destination Extension Number**

If the output port type (90-13-01) is a CTA, enter the extension number with the CTA connection.

For TAPI setup, refer to the Aspire CTI Manual (P/N 0893102) for complete details.

## CTU Adapter (Figure 4-43 - Figure 4-45)

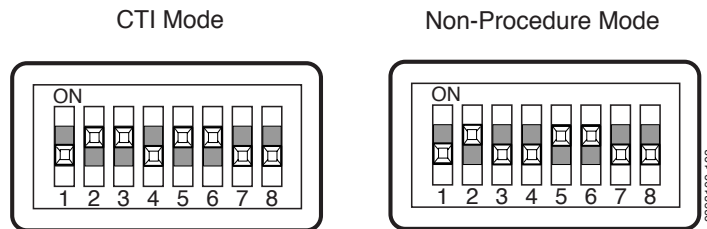
The CTU Adapter provides a USB connector. This can be used for TAPI (1.4) applications, SMDR, or system reporting. The CTU requires a driver installation. This driver can be downloaded from the NEC Technical Support web site (<http://ws1.necii.com>). Refer to the CTI Installation Manual, P/N 0893102, for details on installing the driver. A maximum of 24 CTU Adapters can be installed in a system. **An AC-R AC/DC adapter (P/N 780135) is required for power for each CTU Adapter installed.** As this adapter requires the AC power adapter, it can not be installed on a phone with an APR or Speakerphone adapter, which also require power. The placement of the AC power adapter plug will not allow the unit placed on the left of the phone to receive power.

*This optional adapter cannot be installed on an Aspire 2-button phone or iPhone.*

When installing or removing the adapters, **the keyset should first be unplugged from the system.** Telephones with any adapters installed cannot be wall-mounted. The bracket will not accommodate the adapter(s).

### Installing the CTU Adapter:

1. Unplug the line cord from the keyset.
2. If the keyset on which the CTU adapter is to be connected was previously installed, undefine the circuit type in Program 10-03-01 for the extension (enter 0 as the circuit type).
3. If only one adapter is to be installed on the phone, the adapter should be installed on the right-hand side of the phone (beneath the handset). Using a flat-head screwdriver, remove the plastic punch-out piece covering the connector.
4. Set the dip switches on the CTU adapter to the required position.
  - The DSW settings are
    - For CTI connection: 2, 3, 5, 6 = on / 1, 4, 7, 8 = off (default factory setting)
    - For non-procedure (SMDR) mode: 2, 5, 6 = on / 1, 3, 4, 7, 8 = off.



**Figure 4-43: DIP SWITCH SETTINGS**

5. Program the system for the feature to be used with the adapter.
 

**For SMDR:**

  - 15-02-19 : Multi-Line Telephone Basic Data Setup - CTA/CTU Data Communication Mode Set to "1" (non-procedure mode). (When using PCPro or WebPro, select "Direct Print Mode".)
  - 15-02-20 : Multi-Line Telephone Basic Data Setup - Baud Rate for CTA/CTU Set the baud rate (for USB connections, this setting should not matter).
  - 14-01-06 : Basic Trunk Data Setup - SMDR Print Out Set to "1" for each trunk to be included in SMDR.
  - 15-01-03 : Basic Extension Data Setup - SMDR Print Out Set to "1" for each extension to be included in SMDR.
  - 35-01-01 : SMDR Options - Output Port Type Set to "4" (CTU) as the output type.
  - 35-01-02 : SMDR Options - Output Destination Number Enter the CTU extension number.

**For System Alarms:**

- **Program 90-12-01 : System Alarm Output - Output Port Type**  
Define the output port to be used as the output for system alarm report (0=no setting, 1=NTCPU COM port, 4=CTA/CTU adapter). Set the baud rate for the COM port in Program 10-21-02. The system can have up to 50 reports.
- **Program 90-12-02 : System Alarm Output - Destination Extension Number**  
If the output port type (90-12-01) is a CTU, enter the extension number with the CTU connection.

**For System Information Reports:**

- **Program 90-13-01 : System Information Output - Output Port Type**  
Define the output port to be used as the output for system information report (0=no setting, 1=NTCPU COM port, 4=CTA/CTU adapter). Set the baud rate for the COM port in Program 10-21-02. The system can have up to 50 reports.
- **Program 90-13-02 : System Information Output - Destination Extension Number**  
If the output port type (90-13-01) is a CTU, enter the extension number with the CTU connection.

For TAPI setup, refer to the Aspire CTI Manual (P/N 0893102) for complete details.

6. Install the CTU Adapter driver by double-clicking on the SETUP.EXE file. During the installation of the driver, select the non-procedure mode (by default, the CTI mode is selected).

*The CTU Adapter driver can be downloaded from the NEC Technical Support web site: <http://ws1.necii.com>.*

7. Attach ferrite beads to the AC-R power cable and USB cables. These should be installed on the ends of the cables closest to the adapter.

*The USB cable is a USB Type B Male (to adapter) to Type A Male Cable (to USB device).*



**Figure 4-44: WRAPPING THE FERRITE BEADS**

8. Plug the AC-R AC/DC adapter into the AC jack on the side of the adapter and to an AC outlet.
9. Position the adapter with the connector positioned as shown below.

*You may wish to remove the wall-mount bracket to allow for easier adapter installation*



**Figure 4-45: POSITIONING THE ADAPTER**

10. Hook the two plastic prongs into the bottom of the phone.
11. Push the connector into place. The top latch on the top of the adapter should lock into place when it is properly positioned.
12. Plug the line cord back into the keyset.
13. Connect the USB cable from the adapter to the USB device to be connected.  
*To avoid any hardware problems, when removing the adapter, first unplug the line cord, then the power cord, then any other adapter cables.*  
*To print from the CTU to a printer, you must connect the CTU to a PC, with the printer then connected to the PC (you can not have a direct CTU-to-printer connection).*
14. Confirm in Program 10-03-04 that the CTU adapter is recognized for the keyset's port.
15. You can now confirm the port assignment using the Windows Device Manager (click **Start - Settings - Control Panel - System - Hardware - Device Manager**). Under the **Ports (COM & LPT)** section should be displayed **NEC-I CTU Communications Port (Com x)**. Use the port number displayed here when connecting via your communications program (such as HyperTerminal). Note that the baud rate in HyperTerminal does not matter when connecting via USB.



**PSA-R Adapter (Figure 4-46 - Figure 4-47)**

Using the PSA-R Adapter provides power failure capability for the iPhone IP keysets. This allows a user to make or receive an outside call using the central office if an IP keyset is unable to make or receive a call using the LAN, if for instance, there was a power failure. In this case, the connection of the keyset would automatically be changed from LAN to PSTN (public switched telephone network). This allows the dial pad keys (0-9, \* and #) to be used for placing and receiving calls - no other keyset functions are available. As the iPhone only has one connector available for additional adapters, if this adapter is connected, no other adapter can be installed on the phone.

The change from LAN to PSTN occurs in the following instances:

- No power supplied to the keyset
- PSTN is selected using the LAN/PSTN Change Switch on the adapter  
*With this switch set to PSTN, a call cannot be made using the LAN, even if the LAN is functioning correctly and power is available.*
- If the initial software operation for the IP keyset has not yet been completed before the IP keyset is powered up

When installing or removing the adapters, **the keyset should first be unplugged from the system**. Telephones with any adapters installed cannot be wall-mounted. The bracket will not accommodate the adapter(s).

**Installing the PSA-R Adapter:**

1. Unplug the line cord from the keyset.
2. The adapter should be installed on the right-hand side of the phone (beneath the handset). Using a flat-head screwdriver, remove the plastic punch-out piece covering the connector.
3. Set the dip switches on the PSA-R adapter to the required position.

SW3 Setting	1 = DP (dial pulse)		2 = DTMF (dual tone multi-frequency)	
SW1 Pulse Rate Setting	1 = 20 pps	2 = 10 pps	N/A	N/A
SW2 Making Rate Setting	1 = 33%	2 = 40%	N/A	N/A

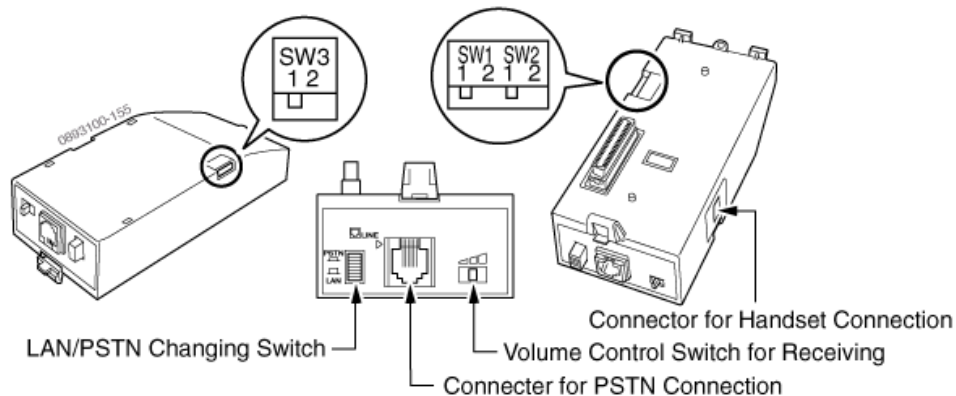


Figure 4-46: PSA-R SETTINGS

4. Position the adapter with the connector positioned as shown below.



**Figure 4-47: POSITIONING THE ADAPTER**

5. Hook the two plastic prongs into the bottom of the phone.
6. Push the connector into place. The top latch on the top of the adapter should lock into place when it is properly positioned.
7. Connect the line cord to the adapter.  
*This should be a PSTN, dedicated CO trunk.*
8. Plug the LAN cable into the keyset.
9. If used, connect the AC adapter into the keyset.  
*This should always be done after connecting the LAN cable.*
10. Move the handset cord from the keyset to the handset connector on the adapter.

**CAUTION: Before installing or removing the PSA-R adapter, be sure to first remove the line cord, LAN cable, and then AC adapter from the outlet.**

### Using the PSA-R Adapter:

1. **Placing Calls:**  
When the PSTN line has been activated either manually by the switch or due to a power failure, use the dial pad buttons (0-9, \*, #) to place an outside call.  
*Other than receiving calls, no other keyset functions are available.*
2. **Answering Calls:**  
When a call is received, the PSA-R adapter rings. If the LAN/PSTN Change Switch is set to PSTN, answer the call by pickup up the handset. If the switch is set to the LAN position, answer the call by changing the switch to PSTN and then pickup up the handset.  
*If you receive a call via PSTN during a conversation via LAN, answer the call by completing the LAN call and placing the handset back into the cradle. Change the LAN/PSTN Change Switch to PSTN and then lift the handset to answer the call. If you change the LAN/PSTN Change Switch to the PSTN position while talking via LAN, the LAN call is disconnected.*  
*Other than receiving calls, no other keyset functions are available.*
3. **Adjusting the Ring Volume**  
Use the Volume Control Switch located on the PSA-R adapter to adjust through the three available volume levels.  
*Other than receiving calls, no other keyset functions are available.*
4. **When Power is Restored**  
The IP keyset restarts and reconnects to the network LAN. However, if you are on a PSTN call when the power is restored, your conversation will continue until the handset is placed into the cradle. Once this occurs, the IP keyset will restart and reconnect to the LAN.  
*Other than receiving calls, no other keyset functions are available.*

### Speakerphone (HF-R) Adapter (Figure 4-39 - Figure 4-40)

The Speakerphone (HF-R) adapter (P/N 0890062 [black] / 0890063 [white]) offers 22-Button, 34-Button, and Super Display keysets high quality speakerphone capability. With the 6' cord, the microphone can be conveniently placed to provide the best transmit and receive quality. This could be useful, for example, when a group of people are participating in a handsfree call. The microphone can be centrally placed so that all comments can be heard. *When installing the HF-R Adapter, an AC-2R AC/DC adapter (P/N 780135) is required for power.* As this adapter requires the AC power adapter, it can not be installed on a phone with an APR or CTU adapter, which also require power. The placement of the AC power adapter plug will not allow the unit placed on the left of the phone to receive power.

*These optional adapters cannot be installed on an Aspire 2-button phone or iPhone.*

When installing or removing the adapters, **the keyset should first be unplugged from the system.** Telephones with any adapters installed cannot be wall-mounted. The bracket will not accommodate the adapter(s).

#### Installing the HF-R Adapter:

1. Unplug the line cord from the keyset.
2. If only one adapter is to be installed on the phone, the adapter should be installed on the right-hand side of the phone (beneath the handset). Using a flat-head screwdriver, remove the plastic punch-out piece covering the connector.
3. Position the adapter with the connector positioned as shown below.
4. Hook the two plastic prongs into the bottom of the phone.
5. Push the connector into place. The top latch on the top of the adapter should lock into place when it is properly positioned.

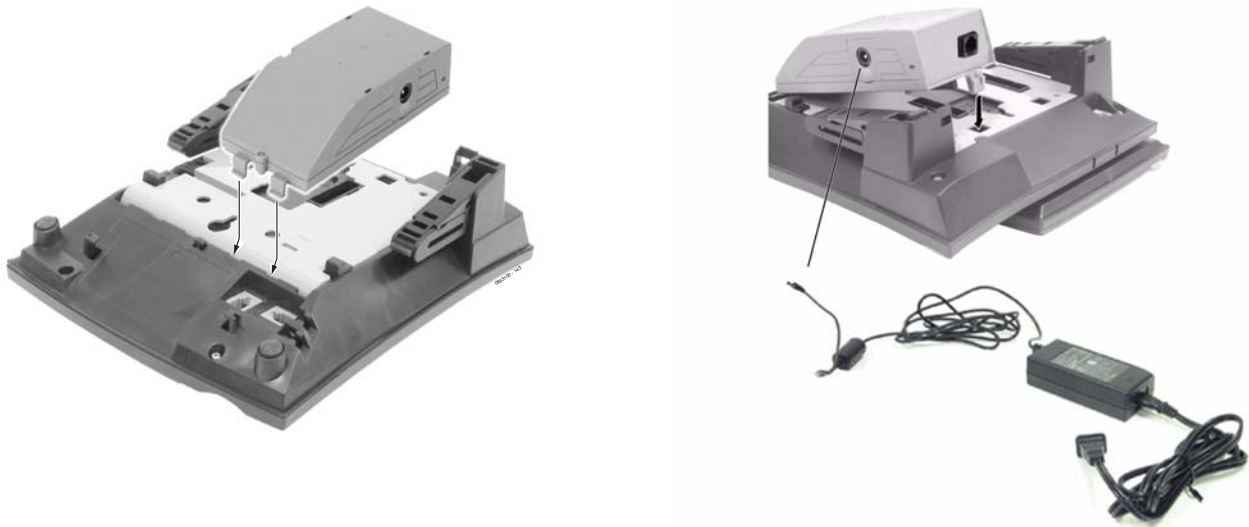


Figure 4-48: POSITIONING THE ADAPTER

6. Plug the AC-2R AC/DC adapter into the AC jack on the side of the adapter.
7. Plug the line cord back into the keyset.
8. Using the ferrite bead that was included with the HF-R Adapter, wrap the mic cord supplied with the adapter once through the ferrite bead and snap it shut.

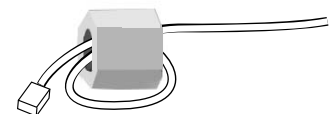


Figure 4-49: WRAPPING THE FERRITE BEAD

9. Plug the end of the mic cord which has the ferrite bead closest to it into the jack on the adapter. The opposite end should then be connected to the microphone.

*To avoid any hardware problems, when removing the adapter, first unplug the line cord, then the power cord, then any other adapter cables.*

*FCC Registration: UL60950, FCC Part 15, Class B.*

10. To allow the phone to sit properly with an adapter installed, extend the legs to the highest position.



### System Programming

#### 15-02-16 : Multi-Line Telephone Basic Data Setup - Handsfree Operation

Enable (1) an extension's ability to use the speakerphone.

### Using the Adapter

- The HF-R adapter requires approximately 20 seconds to start up after first powering up the adapter. The microphone's LED will remain off during this period. When the microphone is activated, the LED will light (as long as the microphone switch on the adapter is enabled).
- The microphone's sound can be muted using the switch on the microphone.

Switch	Microphone	LED
Unlock 	Talk	ON
Lock 	Mute	OFF

- The microphone cable provides 6' of cable. The placement of the microphone unit can be anywhere within this 6' distance. For the best voice quality, it is recommended that the microphone unit be positioned with either the front or the side of the microphone facing the user. The back end (with the line cord) should not be facing the user.

*If the microphone is placed to the right of the phone and the volume is set to the maximum, when the user presses the CALL1 key, the ICM dial tone may modulate. Turning down the volume or moving the microphone should clear this problem.*

*When confirmation tones are enabled or when placing a call on an outside trunk, the user will hear double tones as the keys are pressed.*

- If confirmation tones are enabled (service code 824), when a call is placed on a trunk, the user will hear double confirmation tones as the keys are pressed. The call, however, will complete normally.



Should Face User

Figure 4-50: PLACEMENT OF THE HANDSFREE UNIT

## VoIP Adapter (Figure 4-51 - Figure 4-53)

The VoIP Adapter provides the ability to communicate through a LAN which is connected to an 4VOIPU-S PCB. The VOIPU PCB is required in order to communicate with non-VoIP Aspire phones, as well as to place or receive outside calls.

This feature requires the use of a display keyset. As the VoIP Adapter is double the width of the other phone adapters, only the VoIP Adapter can be used on a keyset. No other space is available for any additional adapter.

*This optional adapter cannot be installed on an Aspire 2-button, IPhone or super display telephone.*

When installing the VoIP Adapter, an AC/DC adapter is required for local power or, for central power, one of the following must be used:

- Power Supply Patch Panel (SN1604 PWRMS - NEC standard product)
- Power Patch Panel (Cisco)
- Catalyst PWR Series (Cisco)

The separate ethernet switch should be a 100Base/full duplex switch. To avoid network problems and to ensure good voice quality, do not use a Repeater Hub/10Base.

When installing or removing the adapters, **the keyset should first be unplugged from the system.** Telephones with any adapters installed cannot be wall-mounted. The bracket will not accommodate the adapter(s).

### Installing the VoIP Adapter:

1. Unplug the line cord from the keyset.  
*The line cord will not be needed with the VoIP Adapter as the system connection will be made through the LAN connection.*
2. Using a flat-head screwdriver, remove the plastic punch-out piece covering the connector.  
*Note the position of the connector on the VoIP Adapter in order to remove the correct piece (the adapter uses the connection on the side of the phone which has the line cord connection).*
3. Set the dip switches on the top of the VoIP adapter to the required position. The setting is dependent upon the type of power supply being used.
  - The SW1 settings are “1” when using an AC/DC adapter or SN1604 PWRMS, “2” when using Cisco’s Power Patch Panel or Catalyst PWR panel.

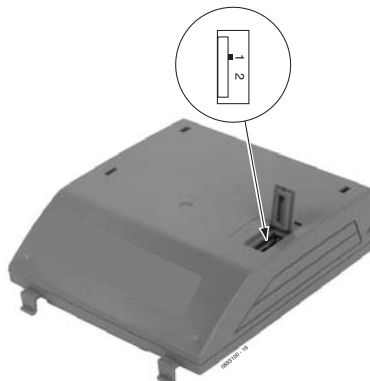
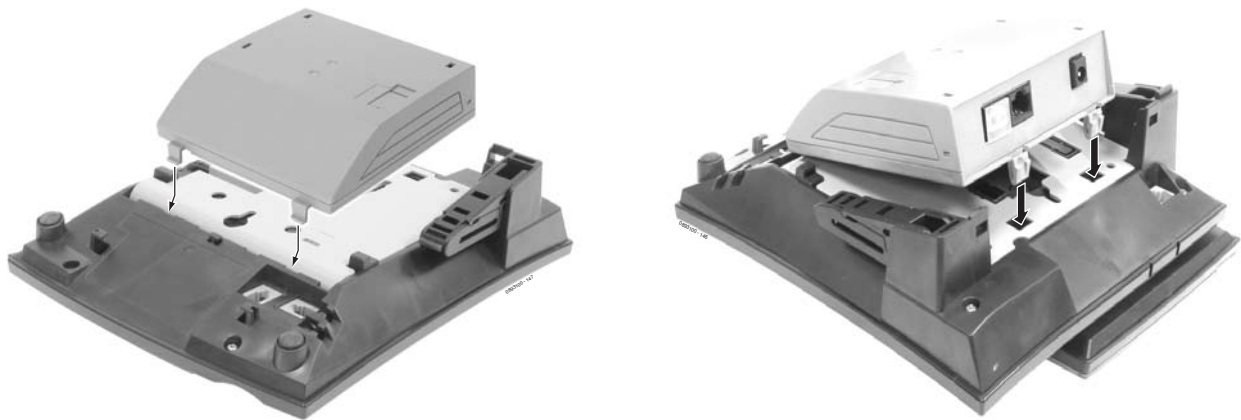


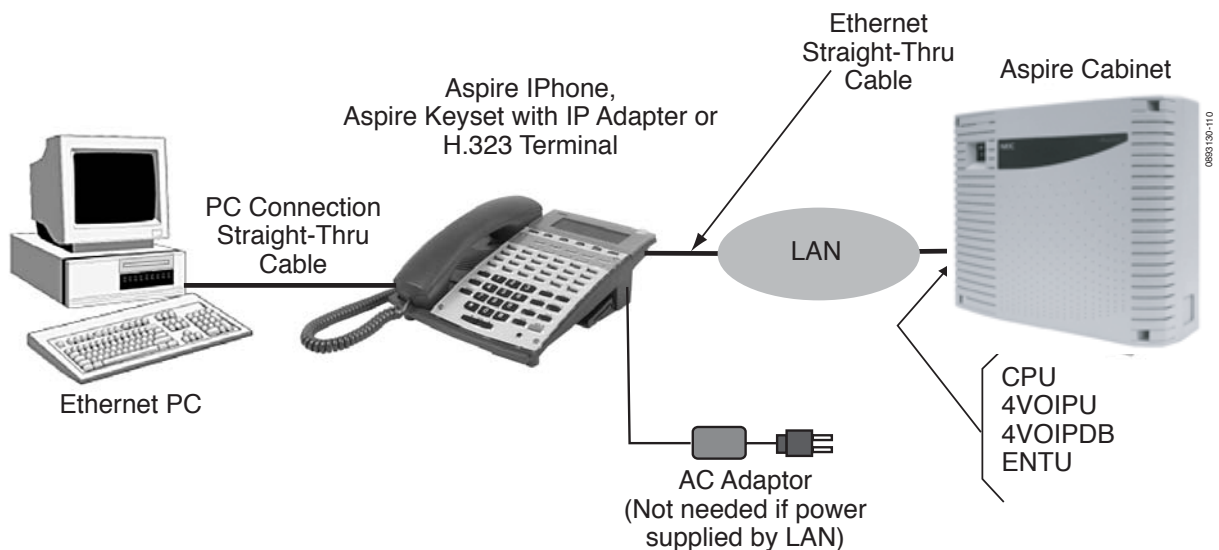
Figure 4-51: SETTING THE DIP SWITCHES

4. Position the adapter with the connector positioned as shown below.



**Figure 4-52: POSITIONING THE ADAPTER**

5. Hook the two plastic prongs into the bottom of the phone.
6. Push the connector into place. The top latch on the top of the adapter should lock into place when it is properly positioned.
7. Plug an AC/DC adapter into the AC jack on the adapter if power is not supplied by the LAN.
8. Plug in the LAN straight-thru cable from the 4VOIPU-S PCB LAN connector for the phone operation. If needed, connect the PC cross cable to the VoIP Adapter.
9. Refer to the **Aspire Software Manual (P/N 0893200)** for required programming.  
*To avoid any hardware problems, when removing the adapter, first unplug the line cord, then the power cord, then any other adapter cables.*



**Figure 4-53: WIRING LAYOUT FOR VOIP**

## POWER FAILURE TELEPHONES

### Power Failure (Figure 4-54)

The system allows connection for basic telephone service during a power failure. The power failure operation occurs during a commercial power failure, and is not affected by PCB failure. Power Failure Transfer is provided by connecting to the COIU PCB.

The 4COIU-S PCB provides 1 Power Failure Transfer circuit.

The CN5 connector provides connection to 4 analog trunk ports, *which are polarity sensitive (tip to tip, ring to ring)*. The power failure circuits, however, are not polarity sensitive. A maximum of 2 4COIU-S PCBs per system is allowed.

#### Connector Pin-Outs on COIU PCB for Power Failure Circuits

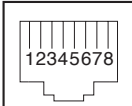
RJ61 Cable Connector - CN5		
The CN5 and CN7 connectors are <i>polarity sensitive (tip to tip, ring to ring)</i> .		
Pin No.	Connection	
1	-	
2	SLT Interface Power Failure Circuit - Tip	
3	Circuit 2 - Tip	
4	Circuit 1 - Ring	
5	Circuit 1 - Tip	
6	Circuit 2 - Ring	
7	SLT Interface Power Failure Circuit - Ring	
8	-	



### Installing the Power Failure Telephones:

1. Connect an RJ-61 connector to the CN5 connector on the COIU PCB installed in the Aspire S.
2. Install a modular jack for the single line telephone supporting PF operation. The modular jack should be within six feet of the phone.
3. Run one-pair 24 AWG station cable from the cross-connect block to a modular jack.
4. Terminate the extension leads to GRN/RED of the modular jack. Terminate the unused leads to the jack.

<b>RJ61 Cable Connector - CN5</b>		
The CN5 connector is <i>polarity sensitive (tip to tip, ring to ring)</i> .		
Pin No.	Connection	
1	-	
2	SLT Interface Power Failure Circuit - Tip	
3	Circuit 2 - Tip	
4	Circuit 1 - Ring	
5	Circuit 1 - Tip	
6	Circuit 2 - Ring	
7	SLT Interface Power Failure Circuit - Ring	
8	-	





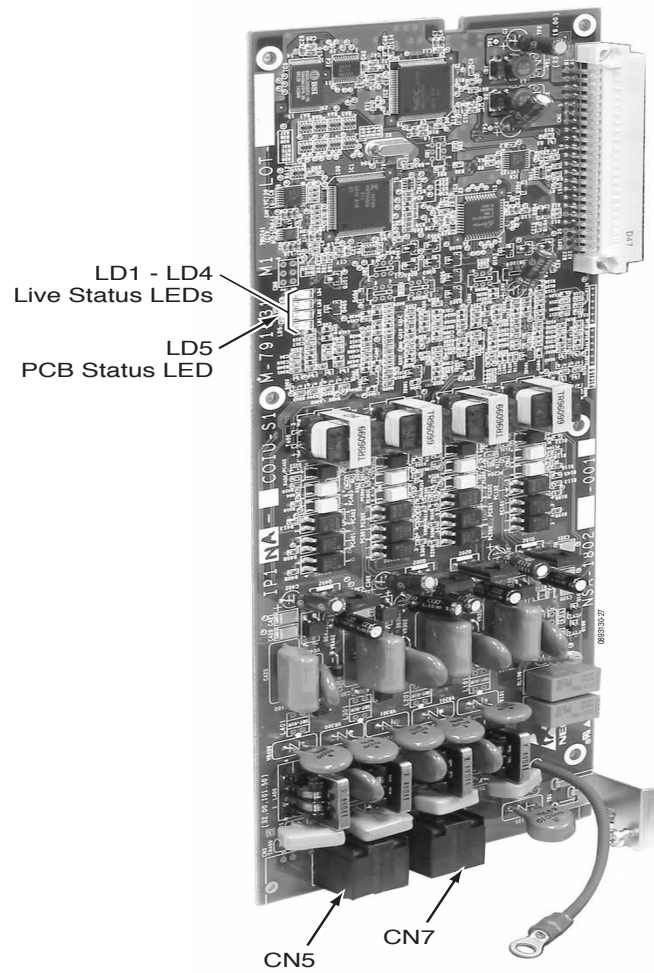


Figure 4-54: POWER FAILURE CIRCUIT INSTALLATION

## RELAYS

### Relays - External Page, Door Box, General Purpose (Figure 4-15, Figure 4-55)

Two external dry contact relays are available when a 2PGDAD is installed which can be used to activate ancillary devices (i.e. door unlock devices). The CPU provides one relay - this relay is number 0 in programming. In programming, the 2PGDAD module relays are numbered 1-8. Each Door Box/external page circuit provides a dry relay contact.

#### To connect a dry contact relay device to a Door Box/External Page Relay:

1. **Connecting to the CPU (External MOH, BGM, General Purpose Relays Only) :**  
Connect an RJ61 modular line cord from the CN23 connector on the CPU to the appropriate location on the extension cross-connect block. Use the pin-out information for the CPU's connector.

External MOH Source/Relay (External Speaker and Night Mode) RJ61 Cable Connector - CN23		
CPU Connector	Modular Connector Pin No.	Signal
	1	-
	2	-
	3	EXCNT - Relay
	4	EXMOH
	5	EXMOH
	6	EXCNT - Relay
	7	-
	8	-

- Pins 4 and 5: External Music on Hold Input, Input Impedance 600 ohm/1 kHz
- Pins 3 and 6: Relay = DC Max. 24 VDC, 0.5A - AC Max. 120VAC, 0.25A

2. Connect the two-conductor station cable from the cross-connect block to the external relay.
3. Install bridging clips as required.
4. Program 10-21-01 sets the relay switch on the CPU. If set to '3' (General Purpose Relay), service code 880+0 toggles the relay open or closed.  
*The service codes indicated are the default codes. Refer to Program 11-12-50 to redefine the code as needed.*

OR

1. **Connecting to the 2PGDAD Module:**  
Make sure the jumper in the 2PGDAD module for the channel is set correctly. (Refer to Figure 4-4 *JUMPER SETTINGS* on page 4-3).
2. If a line cord was not previously connected to the 2PGDAD, complete Steps 3-6. Otherwise, skip to Step 7.
3. Install a modular jack for each 2PGDAD module. For each module, run one-pair 24 AWG station cable from the cross-connect block to a modular jack. Ground the unused pair.
4. Terminate the extension leads to GRN/RED of the modular jack. Terminate the unused leads to the jack.
5. Install bridging clips as required.
6. Plug a modular line cord from the mod jack to the CN1 connector on the 2PGDAD module.
7. Connect the two-conductor station cable from the CN5 connectors within the 2PGDAD module to the external relay.

**Note:** The relay closes when the Door Box contact is activated using the FLASH key or when the external page zone is called. The maximum applied voltage is 24vDC at .5A for each contact.

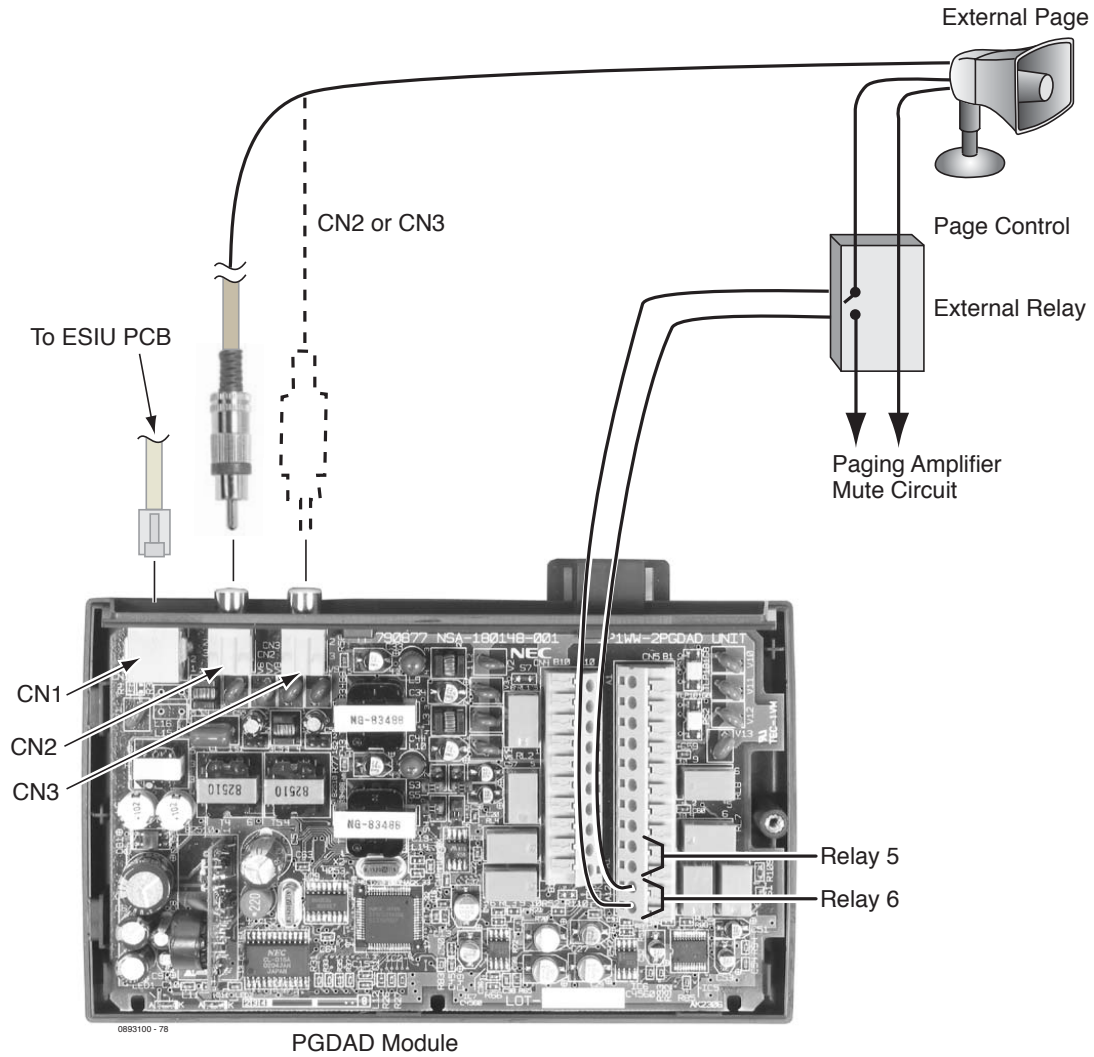


Figure 4-55: 2PGDAD PAGE CONNECTIONS

## SLT ADAPTER

### Using the SLT Adapter (Figure 4-56 - Figure 4-58)

The SLT Adapter converts a digital port from an ESIU PCB into an analog port which can be used for connecting on-premise 2500 type single line devices (i.e., telephones, fax machines, modems, etc.) and to telco OL13B/C OPX circuits. The system allows up to 8 SLT Adapters to be installed - each one requiring a digital port.

*The SLT Adapter supports Caller ID if provided by the telco.*

The SLT Adapter provides the ring generator circuit used by the analog device. The unit provides constant current which is fixed at 47 mA.

Maximum Cable Distance From ESIU	600m @ 24 AWG
Loop Resistance	500 ohms

Refer to *Single Line Telephones* in the Software Manual for more details.

#### Installing the SLT Adapter

1. Punch down one pair 24 AWG station cable for each SLT Adapter to a cross-connect block.
2. Run one-pair cross-connect from the cross-connect block to the extension (B) block for each SLT Adapter.
3. Connect the extension (B) block's 25-pair cable to the corresponding RJ-61 connector on the ESIU PCB.
4. Install bridging clips on the extension (B) block.
5. Install a modular jack for the SLT Adapter within six feet of the module's location.
6. Terminate the station cable WHT/BLU - BLU/WHT leads to the RED and GRN lugs in the modular jack.
7. Plug a line cord into the SLT Adapter's connector marked "ESIU". Plug the opposite end of the line cord into the modular jack.
8. Plug a second line cord into the SLT Adapter's connector marked "TEL". The opposite end of the line cord should be plugged into the analog device to be used.

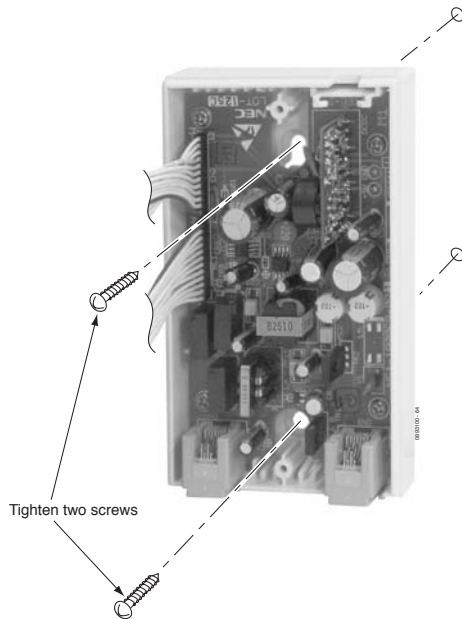


**Figure 4-56: INSTALLING THE SLT ADAPTER**

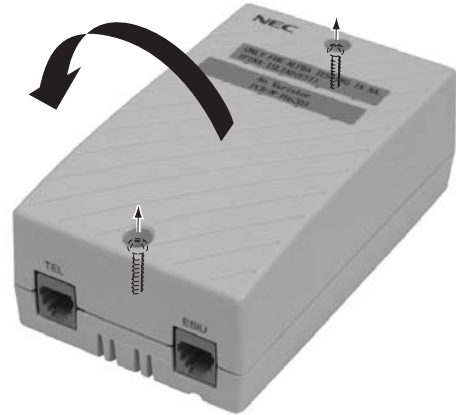
Refer to *Single Line Telephones* in the Software Manual for programming details.

**Wall-Mounting the SLT Adapter**

1. Unplug the two line cords from the SLT Adapter.
2. Remove the two screws from the front of the SLT Adapter.
3. Lift the cover off the adapter.
4. Using the two screws provided with the SLT Adapter, attach the back cover to the desired location.

**Figure 4-58: ATTACHING THE UNIT**

5. Replace the front cover and the two screws removed in Step 2.
6. Plug the two modular line cords back into the SLT Adapter which were removed in Step 1.

**Figure 4-57: REMOVING THE COVER**

## Telephones

### 34-Button Super Display Telephone – P/Ns 0890049 & 0890050



The Super Display Telephone is the system's premier telephone instrument, featuring an interactive 9-line, 24-character display with 12 associated interactive keys. As the Super Display Telephone user processes calls, the interactive key functions change to provide intuitive access to the system's most sophisticated features. Every Super Display Telephone has a built-in speakerphone for full Handsfree operation. Handsfree Answerback and Intercom voice-announce capability is also standard.

The telephone's 24 programmable function keys can be customized by the user for one-button access to co-workers, features like Paging or Park or specific outside lines. The Dual LEDs in each programmable key help the user see which calls are for them and which features are active. Access to other commonly used features is simplified by 15 fixed feature keys.

In addition, the Super Display Telephone provides a built-in wall-mount bracket, as well as adjustable legs which allow each phone to be angled at a height which best suits the user.

*The IP adapters (IP, ADA2 and PSA) do not work on super display phones.*

**At a glance**

Super Display Telephone - Part Numbers 0890049 & 0890050			
Function Keys:	✓	Accepts 110-Button DSS:	✓
Handsfree (Speakerphone):	✓	Dual LEDs:	✓
ADA2 Adapter:	No	APA Adapter:	✓
CTA Adapter:	✓	CTU Adapter:	✓
PSA Adapter:	No	Accepts 24-Button DLS:	✓
		ADA Adapter:	✓
		APR Adapter:	✓
		IP Adapter:	No

**34-Button Display Telephone — P/Ns 0890045 & 0890046**

The 34-Button Display Telephone has a 3-line, 24-character display with four interactive soft keys for intuitive feature access. In addition, the 34-Button Display Telephone has 24 user-programmable function keys (with Dual LEDs) for one-button access to co-workers, features and outside lines. The telephone also provides 10 user-programmable One-Touch (Personal Speed Dial) keys and 15 additional fixed feature keys.



The 34-Button Display Telephone has a built-in speakerphone and can accept optional adapters. You can also assign 110-Button DSS Consoles or connect 24-Button DLS Consoles to these phones. Like the Super Display, the 34-Button Display provides Handsfree Answerback, Intercom voice-announcements. In addition, the 34-Button Display provides a built-in wall-mount bracket, as well as adjustable legs which allow each phone to be angled at a height which best suits the user.

**At a glance**

34-Button Display Telephone - Part Numbers 0890045 & 0890046					
Function Keys:	✓	Accepts 110-Button DSS:	✓	Accepts 24-Button DLS:	✓
Handsfree (Speakerphone):	✓	Dual LEDs:	✓	ADA Adapter:	✓
ADA2 Adapter:	No	APA Adapter:	✓	APR Adapter:	✓
CTA Adapter:	✓	CTU Adapter:	✓	IP Adapter:	✓
PSA Adapter:	No				



**22-Button Display Telephone — P/Ns 0890043 & 0890044**

The 22-Button Display Telephone features a 3-line, 24-character display with 4 interactive soft keys for intuitive feature access, in addition to 12 function keys with Dual LEDs. The function keys are user-programmable and can provide 1-button access to co-workers, features and outside lines. The telephone additionally provides 10 user-programmable One-Touch (Personal Speed Dial) keys and 15 additional fixed feature keys.



The 22-Button Display Telephone has a built-in speakerphone, provides Handsfree Answerback, Intercom voice-announcements. In addition, the 22-Button Display provides a built-in wall-mount bracket, as well as adjustable legs which allow each phone to be angled at a height which best suits the user.

**At a glance**

22-Button Display Telephone - Part Numbers 0890043 & 0890044					
Function Keys:	✓	Accepts 110-Button DSS:	✓	Accepts 24-Button DLS:	✓
Handsfree (Speakerphone):	✓	Dual LEDs:	✓	ADA Adapter:	✓
ADA2 Adapter:	No	APA Adapter:	✓	APR Adapter:	✓
CTA Adapter:	✓	CTU Adapter:	✓	IP Adapter:	✓
PSA Adapter:	No				

## 22-Button Standard Telephone — P/Ns 0890041 & 0890042

The 22-Button Telephone offers similar capabilities as the 22-Button Display Telephone, but excludes the alphanumeric display and soft keys.



**At a glance**

22-Button Telephone - Part Numbers 0890041 & 0890042					
Function Keys:	✓	Accepts 110-Button DSS:	✓	Accepts 24-Button DLS:	✓
Handsfree (Speakerphone):	✓	Dual LEDs:	✓	ADA Adapter:	✓
ADA2 Adapter:	No	APA Adapter:	✓	APR Adapter:	✓
CTA Adapter:	✓	CTU Adapter:	✓	IP Adapter:	✓
PSA Adapter:	No				

## 2-Button Telephone — P/Ns 0890047 & 0890048

The Digital 2-Button Telephone offers many keyset features and conveniences at an analog station set price. Handsfree Answerback lets users answer Intercom calls without touching the phone. The 11 fixed feature keys provide quick access to many essential features, and the Message Waiting lamp always shows when there are unanswered messages.



**At a glance**

2-Button Telephone - Part Numbers 0890047 & 0890048					
Function Keys:	✓	Accepts 110-Button DSS:	✓	Accepts 24-Button DLS:	No
Handsfree (Speakerphone):	✓	Dual LEDs:	✓	ADA Adapter:	No
ADA2 Adapter:	No	APA Adapter:	No	APR Adapter:	No
CTA Adapter:	No	CTU Adapter:	No	IP Adapter:	No
PSA Adapter:	No				



**Cordless Single Line Headset Telephone, CT-11 — P/N 730090**

The CT-11 is a 2.4GHz cordless headset which connects to an analog port or an analog telephone line as a stand-alone unit or to an analog port adapter (APR, P/N 0890056). When the APR is set up as the same extension of the telephone, you can use the headset to answer and make calls using the cordless headset. The CT-11 offers Caller ID, but only if it is connected to an analog port on an analog station card. The CT-11 will not receive Caller ID if it is connected to an APA or APR adapter (these adapters do not output Caller ID).



The number of units which can be used on the system is greatly affected by the environment. The closer or smaller the area, the smaller the number of units which can be used. It is recommended to start with 3 or less. If there are no conflicts between the telephones, you can try adding additional units (up to 5 would be the recommended maximum).

When using wireless LAN, keep in mind that although there should not be a problem with interference from WLAN's, 802.11b and 802.11g both share the same frequency as the CT-11 telephone. In theory, the CT-11 is a narrow band high power device where as the 802.11b and 802.11g are both wide band low power technologies. Therefore, the higher power CT-11 could disrupt the low power device and slow the data network. There are, however, many exceptions to this (for example, if the WLAN uses highly directional antennas, higher power relays between buildings, etc.). The CT-11 can not lock down channels, unlike the 802.11b and 802.11g.



The CT-11 features include:

- 2.4 GHz Cordless Headset Phone
- Range of Up to 150'
- 6 Hours of Talk Time, 80 Hours Standby Time
- Audible Low Battery Indicator
- Single Line Operation
- Ultra-Compact Remote Unit with Belt Clip
- Variable Range Volume Control
- 10 Speed Dial Numbers
- Page/Find Feature
- Redial/Flash
- Mute with Audible Reminder
- Talk/Charge/Power Indicator Lights
- Built-in Headset Stand

 **At a glance**

Analog Single Line Telephone, CT-11 - Part Number 730090					
Function Keys:	No	Accepts 110-Button DSS:	No	Accepts 24-Button DLS:	No
Handsfree: (only through headset)	✓	Dual LEDs:	No	ADA Adapter:	No
ADA2 Adapter:	No	APA Adapter:	No	APR Adapter:	No
CTA Adapter:	No	CTU Adapter:	No	IP Adapter:	No
PSA Adapter:	No				

### Cordless Telephone — P/N 730088/730087

The Aspire S System supports a Cordless Telephone. The DTR-4R-2 Cordless II (P/N 730088) is a 900 MHz spread-spectrum digital cordless telephone that provides mobility, flexibility and convenience for those who spend much of the workday away from their desk. Fully integrated with the telephone system, the DTR-4R-2 Cordless II offers many standard features such as Park, Do Not Disturb, Hotline, Voice Over and Voice Mail. Normally paired with a companion keyset for improved 1-button call coverage capabilities, the DTR-4R-2 Cordless II will also work as a stand-alone telephone.

Complemented by 4 fully programmable function keys (with LEDs), the DTR-4R-2 Cordless II achieves a whole new level of convenience and mobility. An easy-to-read LCD display, volume controls, a rechargeable nickel-cadmium battery pack and a handy belt clip round out the elegant and affordable DTR-4R-2 Cordless II Phone.



A second Cordless Phone is also available: the Cordless Lite II. The Cordless Lite II offers the same features as the DTR-4R-2 Cordless II except that it uses a NiMH battery and has FM modulation (single channel) instead of the spread spectrum modulation.

### Recommended Usage Guidelines for Cordless Phones

In ideal conditions, multiple spread spectrum type cordless phones (Cordless II can be utilized in the same environment. However, due to the possible interference problems caused by the bases being placed in close proximity to each other, we recommend the following:

#### Spread Spectrum Phones (Cordless II P/N 730088)

Where users require greater range on the cordless phones and 3 or less cordless phones are being used at a specific site, we recommend using the spread spectrum cordless phone.

#### FM Modulation Phones (Cordless Lite II P/N 730087)

Where more than 3 cordless phones are to be used at one specific site, we recommend using the FM modulation cordless phones which have 30-channel capability.

**Note:** The range of the phones depends largely on the environmental factors, such as the building structure, the size of the room, RF interference and other electronic equipment installed in the same area. For optimum range and performance, we suggest the following:

1. Place the base units at least 15 feet apart. The performance of the phones become more stable when the distance between the bases is greater.
2. Place the base unit in the center of the coverage area.  
If the phone will also be used in an outdoor area, like a parking lot, install the base unit in an area close to the window.
3. If a phone experiences interference and noise, press the channel key to select another channel.



**Selecting the Installation Location**

Select a location for the phone that avoids excessive heat or humidity. The base unit can be placed on a desk or tabletop near a standard 120V AC outlet and telephone line jack. The base unit can also be mounted on a standard AT&T or GTE wall plate using the Wall Mount Adaptor. If the phone is to be paired with a keyset, place both phones in the same area. Keep the base unit and handset away from sources of electrical noise (motors, fluorescent lighting, computers). Each Cordless Telephone unit should be at least 5 feet away from any other Cordless Telephone or Aspire keyset to avoid interference.

With multiple cordless phones installed, each handset should have its channel button changed to a different channel if possible (10 channels are available on the Cordless II, 30 channels on the Cordless Lite II). This will help avoid any problems with interference between handsets when going off hook.

Distance	Installation Distance	
	Normal Mode (Factory Setting)	High Power Mode
<b>Cordless Telephones</b>		
Between Digital Telephones	Minimum 3.28 ft. (1 meter)	Minimum 9.84 ft. (3 meters)
From Base Unit (CS)	Minimum 16.40 ft. (5 meters)	Minimum 16.40 ft. (5 meters)
From Cordless Telephone (PS)	Minimum 3.28 ft. (1 meter)	Minimum 6.56 ft. (2 meters)
<b>Base Unit (CS)</b>		
Between Base Units (CS)	Minimum 3.28 ft. (1 meter)	
From Cordless Telephone (PS)	Minimum 3.28 ft. (1 meter)	
From Digital Telephones	Minimum 18.04 ft. (5.5 meter)	
<b>Cordless Telephones (PS)</b>		
Between Cordless Telephone (PS)	Minimum 1.64 ft. (0.5 meter)	
From Base Units (CS)	Minimum 3.28 ft. (1 meter)	
From Digital Telephones	Minimum 3.28 ft. (1 meter)	



**Connecting the Telephone Line**

There are two types of phone outlets:

*1) Modular Jack*

Plug the telephone line cord from the base unit into a standard modular telephone jack.

*2) Hardwired Jack*

A modular jack converter (not included) is required. You may need to rewire when connecting the converter (making color-coded connections).

### Applying Power to the Base Unit

Use the supplied 10V adaptor.

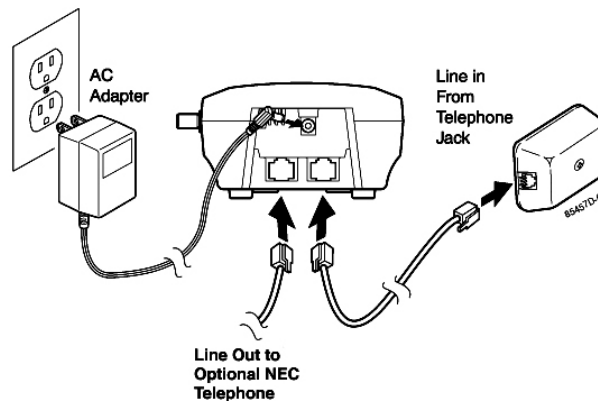


Figure 4-59: POWERING THE BASE UNIT

### Applying Power to the Desktop Charger

Use the supplied 9V AC adaptor. Wrap the power cord around the convenient notch on the bottom.

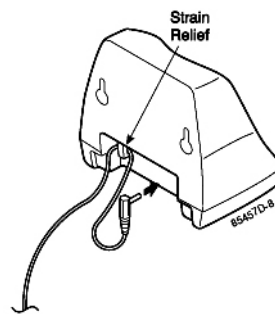


Figure 4-60: POWERING THE DESKTOP CHARGER

**IMPORTANT!** Route the power cord where it will not create a trip hazard, or where it could become chafed and create a fire or other electrical hazard.

**Note:** The AC adaptors furnished with this phone may be equipped with a polarized line plug (a plug having one blade wider than the other). This plug will fit into the power outlet only one way. If you are unable to insert the plug fully into the outlet, try reversing the plug. Do not alter the shape of the blades of the polarized plug.

**Note:** If you cannot plug the AC adaptors into the outlet, contact someone about replacing the outlet.

Before using your phone, be sure to raise the antenna to the vertical position.

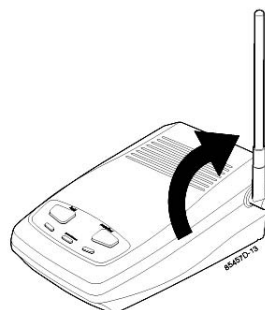


Figure 4-61: ANTENNA POSITION

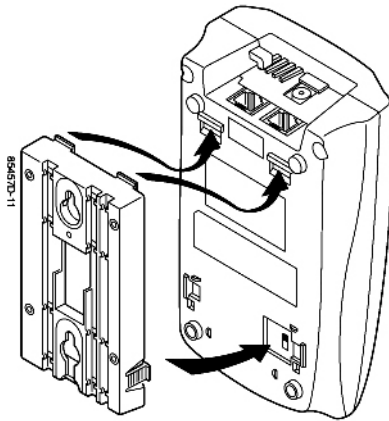
## Wall Installation

### ***Standard Wall Plate Mounting***

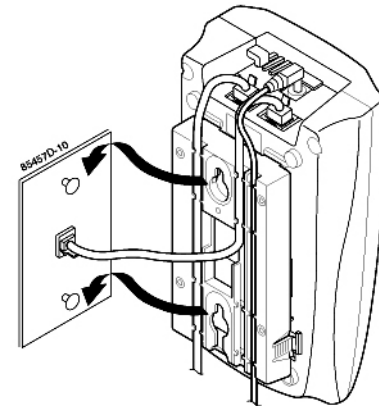
This phone is designed to be mounted on a standard wall plate. To attach the wall mount stand to the Base Unit:

1. Slide the Wall Mount stand into the notches at the top of the Base Unit, push the Wall Mount stand down and snap it into place.
2. Plug the AC Adapter into the Base Unit.
3. Place the AC Adapter cord inside the molded channel of the Wall Mount stand.
4. Plug one end of the short telephone cord into the LINE jack on the Base Unit. Optionally, plug one end of an NEC keyset desk phone into the phone jack. Then place the telephone cord(s) inside the molded channel(s) on the bottom of the Wall Mount stand
5. Plug the other end of the short telephone cord into the modular wall jack.
6. Place the Base Unit on the posts of the wall plate and push down until it's firmly seated.
7. Plug the AC Adapter into a standard 120V AC wall outlet.

*Note: Do not use an outlet controlled by a wall switch.*



**Figure 4-62: ATTACHING THE WALL MOUNT PLATE**



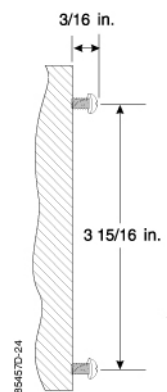
**Figure 4-63: ATTACHING TO THE WALL PLATE**

### ***Direct Wall Mounting***

If you do not have a standard wall plate, you can mount your phone directly on a wall. Before mounting your phone, consider the following:

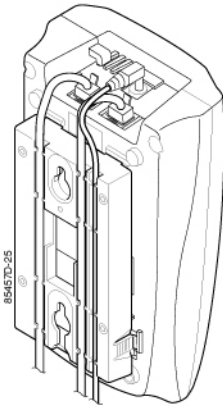
- Select a location away from electrical cables, pipes, or other items behind the mounting location that could cause a hazard when inserting screws into the wall.
- Make sure the wall material is capable of supporting the weight of the Base Unit.
- Use #10 screws with anchoring devices suitable for the wall material where the Base Unit will be placed.

1. Insert two mounting screws into the wall 3-15/16 inches apart. Allow about 3/16 of an inch between the wall and screw heads for mounting the phone.
2. Plug and secure the AC Adapter cord by following steps 2 and 3 of the *Standard Wall Plate Mounting*.

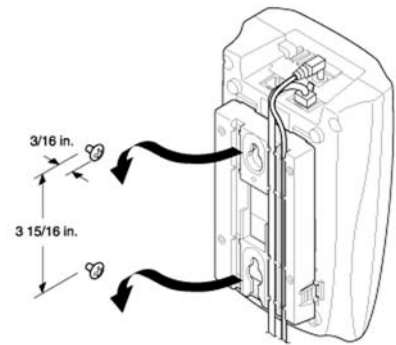


**Figure 4-64: POSITIONING THE SCREWS**

3. Plug one end of the telephone line cord into the LINE jack on the Base Unit. Optionally, plug one end of an Aspire keyset to be used as a desk phone into the PHONE jack. Then place the telephone cord(s) inside the molded channel(s) on the bottom of the Wall Mount stand.
4. Place the Base Unit on the posts of the wall screws and push down until it is firmly seated.
5. Plug the other end of the short telephone cord into a telephone wall jack.
6. Plug the AC Adapter into a standard 120V AC wall outlet.



**Figure 4-65: POSITIONING THE LINE CORDS**



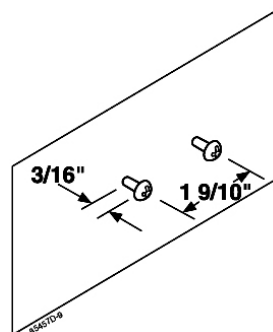
**Figure 4-66: PLACING BASE UNIT ON WALL**

### Desktop Charger Wall Mounting

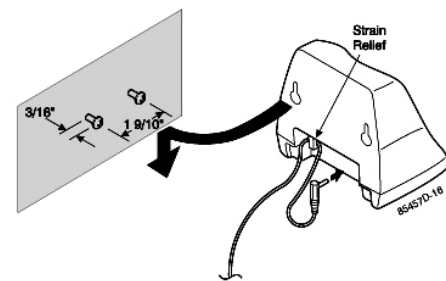
The Desktop Charger is also designed to be wall mounted. You can mount your phone directly on a wall. Before mounting your charging unit, consider the following:

- Select a location away from electrical cables, pipes, or other items behind the mounting location that could cause a hazard when inserting screws into the wall.
- Make sure the wall material is capable of supporting the weight of the Desktop Charger.
- Use #10 screws with anchoring devices suitable for the wall material where the Desktop Charger will be placed.

1. Insert two mounting screws into the wall 1-9/10 inches apart. Allow about 3/16 of an inch between the wall and screw heads for mounting the phone.
2. Plug the AC Adapter into the Desktop Charger as previously described. Wrap the AC Adapter cord around the strain relief.
3. Place the Desktop Charger on the posts of the wall screws and push down until it is firmly seated.
4. Plug the AC Adapter into a standard 120V AC wall outlet.



**Figure 4-67: POSITIONING THE SCREWS**



**Figure 4-68: WALL MOUNTING THE CHARGER**

### Attaching the Belt Clip to the Handset

You can use the Belt Clip to attach the handset to your belt or pocket for convenient portability.

1. Slide the clip into the tab slot.  
*CAUTION: The Belt Clip is designed to fit snugly onto the handset.*
2. Press firmly until it snaps into place.
3. To remove, simply press the retaining clip in toward the Belt Clip and slide the clip up at the same time.

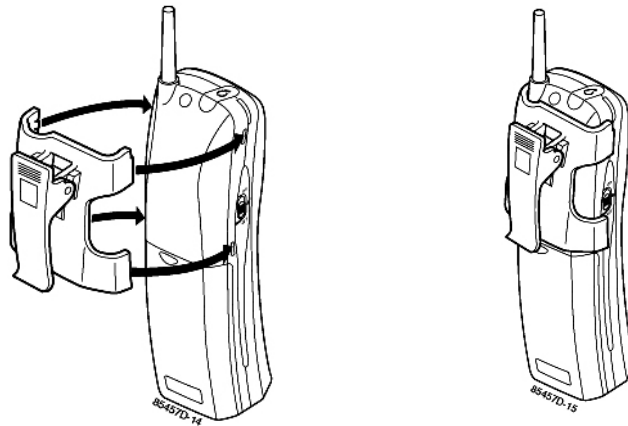


Figure 4-69: ATTACHING THE BELT CLIP

4

### Installing the Handset Battery

1. Remove the battery cover from the handset by pressing the latch and sliding the cover down until it comes off the handset.
2. Slide the top of the battery into position, then lower the bottom portion into place. Note that the battery has positive and negative indications. *With the Cordless II phone*, make sure to place the battery in the handset so the negative is on the left and positive is on the right (the metal contacts should face down toward the phone). *With the Cordless Lite II phones*, the battery pack cable must be plugged into the handset.
3. Securely close the battery compartment cover by sliding it up until it snaps into place.

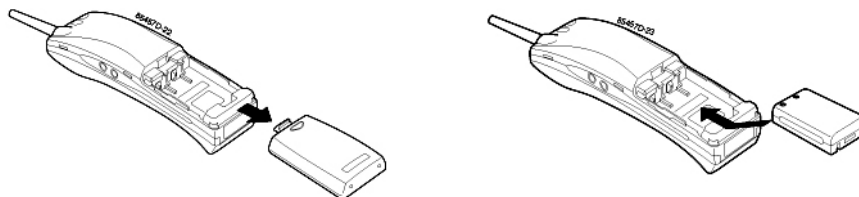


Figure 4-70: INSTALLING THE BATTERY

### Charging the Handset Battery

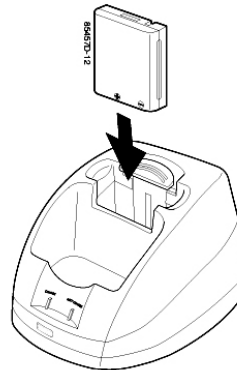
The rechargeable battery pack must be fully charged before using your phone for the first time. Charge the battery without interruption for 5 hours. The unique design of the telephone and charger allows you to place the handset in the Desktop Charger with or without the Belt Clip attached.

1. Place the phone in the front slot of the desktop charger. The dial pad should be facing out in order for the battery contacts to connect.
2. Make sure the CHARGE 1 LED lights. If the LED doesn't light, check to see that the AC adapter is plugged in, and that the handset is making good contact with the battery contacts.

## Charging the Spare Battery

The desktop charger of your phone is equipped with a Battery Charger for charging the optional spare battery. The battery pack can be charged either in or out of the handset.

1. Place the spare battery into the battery slot. In order for the battery to charge correctly, the metal contacts must face down into the charger.  
*If the battery is not positioned correctly, the CHARGE 2 LED will not light.*
2. Slide the spare battery pack into the second slot in the charger until the retaining clip snaps over the top of the pack.



**Figure 4-71: CHARGING THE SPARE BATTERY**

Make sure the CHARGE 2 LED lights. If the LED does not light, check to see that the AC Adaptor is plugged in, and that the battery pack is seated into the Charging Compartment. Charge the battery pack without interruption for 12-15 hours.

When charging is complete, press the latch back slightly to remove the battery if it is needed. Otherwise, leave the battery in the Charging Compartment. It will not overcharge.

## Low Battery Indicator

When the battery in the handset is low and needs to be charged, you will see a “LOW” warning icon on the display. While in standby mode, the phone will beep every 15 seconds for three minutes. In talk mode, the tone will beep every 3 seconds as long as the conversation continues. After the conversation is completed, the handset returns to the battery low condition in standby mode. Return the handset to the desktop charger for charging or replace the handset battery with the spare battery.

When the Low Battery Indicator Appears While	
On a Call	In Standby Mode
Only the TALK key operates	None of the buttons operate
Handset beeps once every 3 seconds	Handset beeps every 15 seconds for 3 minutes
Action: Complete your call as quickly as possible	Cannot make or receive a call
Replace the battery pack within 20 seconds to continue call	Replace battery pack before making a call

The battery can be hot swapped while a conversation is taking place. The battery must be changed within 20 seconds, otherwise, the connection will be lost.



### Cleaning the Battery Contacts

To maintain a good charge, it is important to clean all charging contacts on the handset, desktop charger, and spare battery pack about once a month. Use a pencil eraser or soft dry cloth. Do not use any liquids or solvents.

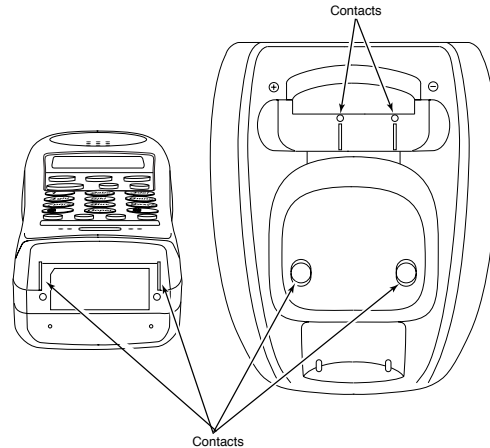


Figure 4-72: BATTERY CONTACTS

### Desk Phone

The cordless phone allows for the connection of an optional Aspire keyset phone. The system can be programmed so that the keyset and/or the Cordless Telephone rings. If there is no answer, it can then transfer to voice mail. This allows you to have a keyset phone to use while at your desk, and when you need to be away from your desk, you can carry the cordless phone with you. Refer to **Installing a Cordless Telephone (Figure 3-3)** (page 3-5) for details on connecting the phones.

### Headset

The optional headset provides a handsfree option for your convenience. With the headset installed, you can use the belt clip to carry the handset and conduct a conversation using the headset.

To install the optional headset, open the cover over the HEADSET jack and plug the headset in. (The headset jack should be 2.5mm.) No other settings are required.

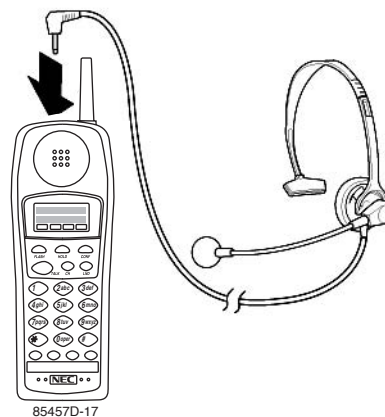


Figure 4-73: CONNECTING THE HEADSET

Operation of the phone is exactly the same as using the handset. However, you will hear through the headset earphone and talk through the headset microphone. The handset ear piece and microphone/mouthpiece are disconnected.

## Troubleshooting Procedures

If your phone is not performing to your expectations, please try these simple steps. If you are still unable to resolve the problem, contact your communications manager.

Problem	Suggestion
Charge light won't come on when the handset is placed in the desktop charger.	<ul style="list-style-type: none"> <li>• Make sure the AC Adaptor is plugged into the desktop charger and wall outlet.</li> <li>• Make sure the handset is properly seated in the desktop charger.</li> <li>• Make sure the battery pack is properly placed in the handset.</li> <li>• Make sure that the charging contacts on the handset and desktop charger are clean.</li> </ul>
Conversation interrupted frequently.	<ul style="list-style-type: none"> <li>• Make sure that the base unit's antenna is fully vertical.</li> <li>• Move closer to the base unit.</li> </ul>
Warning tone and NO SERVICE message.	<ul style="list-style-type: none"> <li>• Move closer to the base unit.</li> </ul>
Handset doesn't ring.	<ul style="list-style-type: none"> <li>• The battery pack may be weak. Charge the battery for 5-6 hours.</li> <li>• Make sure the base unit antenna is fully vertical.</li> <li>• The handset may be too far away from the base unit.</li> <li>• Ensure the Ringer ON/OFF switch is in the ON position.</li> </ul>
Interference from other cordless phone users.	<ul style="list-style-type: none"> <li>• Press the Channel (CH) key to switch channels. The channel can be changed while you are on an active call, but not when you are dialing a telephone number. There are 10 channels on the Cordless Lite and 30 channels on the Cordless Lite II from which you can select.</li> </ul>
Interference or noise in the handset.	<ul style="list-style-type: none"> <li>• Make sure the base unit is at least 3' away from any computer fax machine, printer, or TV (they generate radio waves)</li> <li>• Make sure the antenna is in the upright position</li> </ul>

## IP Station Equipment

### 34-Button Aspire iPhone - BK — P/N 0890065

This keyset provides a network connector which allows it to be used with the VoIP feature. The 34-Button Aspire iPhone has a 3-line, 24-character display with four interactive soft keys for intuitive feature access. In addition, it has 24 user-programmable function keys (with Dual LEDs) for one-button access to co-workers, features and outside lines. The telephone also provides 10 user-programmable One-Touch (Personal Speed Dial) keys and 15 additional fixed feature keys.



The 34-Button Aspire iPhone has a built-in speakerphone and can accept optional IP adapters (PSA, ADA2). You can also assign 110-Button DSS Consoles to these phones, but they must be on site (not networked). It provides Handsfree Answerback, Intercom voice-announcements. In addition, the telephone provides a built-in wall-mount bracket, as well as adjustable legs which allow each phone to be angled at a height which best suits the user.

 **At a glance**

34-Button Aspire iPhone Telephone - Part Numbers 0890065			
Function Keys:	✓	Accepts 110-Button DSS:	✓
Handsfree (Speakerphone):	✓	Dual LEDs:	✓
ADA2 Adapter:	✓	APA Adapter:	No
CTA Adapter:	No	CTU Adapter:	No
PSA Adapter:	✓	IP Adapter:	No

### H.323 IP Phone — P/N 780005

This UIP300 H.323 IP phone is a business IP phone in enterprise LAN environment and will be connected to IP PBX systems via RJ45 network cable.

**Standard Telephone Features:**

- Alphanumeric LCD display with 2 lines of 24 characters
- 10 LED indicators (Line 1 / Line 2<sup>1</sup> / Status / Mute / Speaker (Headset) / 5 Function keys)
- 12 Key Dial Pad
- 20 Specific Keys (5 Function keys, Menu, Select, Cancel/Del, Transfer, Mute, Redial, Hold, Conference (not available with Aspire), Speaker, Line 1 and 2 keys, Volume Up and Down keys, Menu Up and Down keys)
- Local Date and Time
- Call Duration Display
- Volume Control for Speaker, Handset, Headset, and Ringer
- Phone Book, Speed Dial, Dial from Call Logs (30 Outgoing Calls, 30 Incoming Calls and 15 Missed Calls)



1. Only one phone number will be assigned to this IP phone. Line 2 is not available for a gateway system.

- Redial, Hold<sup>1</sup>, Mute
- Call Waiting, Call Forward, Call Transfer, Do Not Disturb (DND)
- Display Caller ID (Name & Number)
- On-hook Dialing, Handsfree Talking (Full Duplex)
- DTMF Generation
- 8 Ringer Tones

### VoIP Specific Features:

- H.323 v1, 2 Standard Compliant
- Gatekeeper Routed and Direct Routed Call Models
- Voice Codec: G.711 (64kbit/s, u-Law and A-law), G723.1, G729AB
- E.164 Dialing
- Acoustic Echo Cancellation (G.167)
- Rapid Configuration with DHCP or Statically Configured IP Address
- Voice Activity Detection (VAD)
- QoS (IEEE 802.1 p/q Based and DiffServ)
- Jitter Compensation
- 10/100 Base-T Ethernet Interface

When installing an Aspire IP phone (IPhone, Aspire keyset with IP adapter, or H.323 phone), an AC/DC adapter is required for local power or, for central power, one of the following must be used:

- 24-Port Power PoE-Managed Switch (BF200/24 - NEC standard product)
- 12-Port Power Supply Patch Panel (SN1604 PWRMS - NEC standard product)
- Power Patch Panel (Cisco)
- Catalyst PWR Series (Cisco)

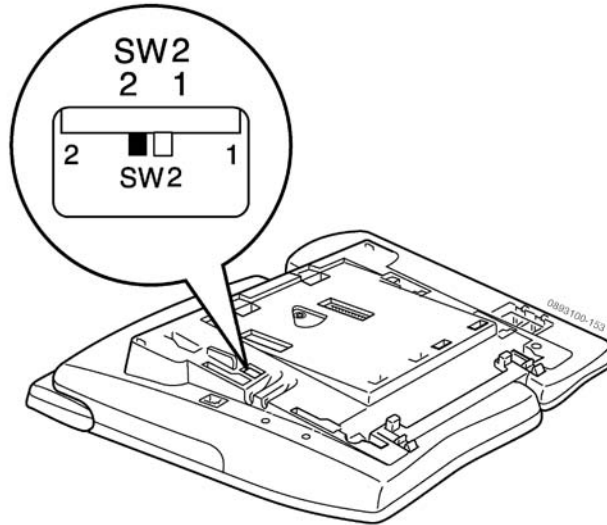
When a separate ethernet switch is used, it should be a 100Base/full duplex switch. To avoid network problems and to ensure good voice quality, do not use a Repeater Hub/10Base.

---

1. Hold, Transfer, Call Forward and Conference will not be available in the IP address call mode but in the phone number dial mode only.

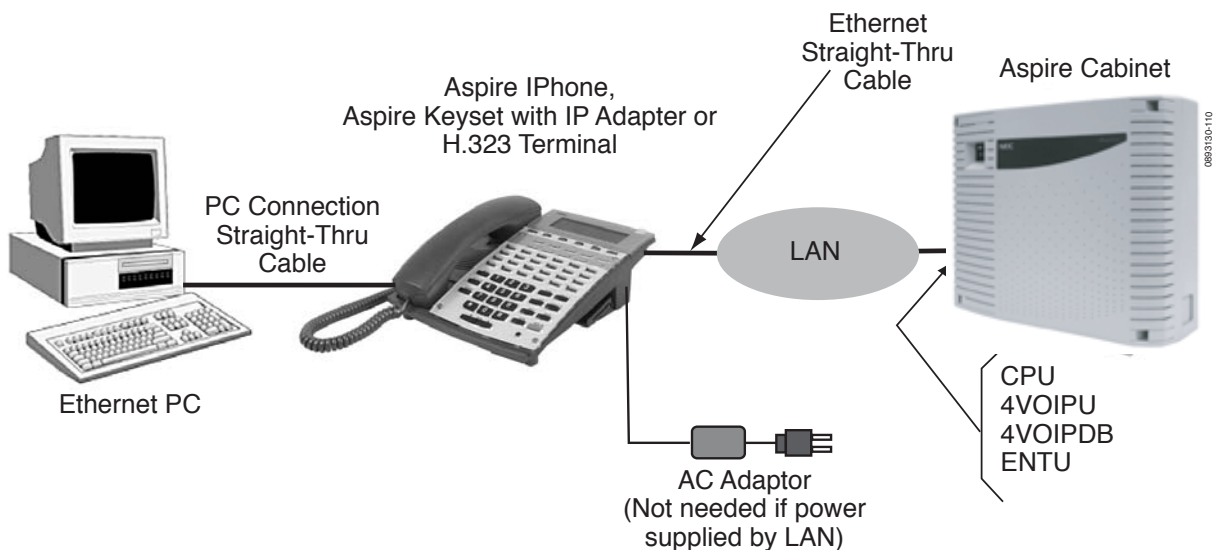
**Connecting the iPhone**

1. Set the dip switches on the bottom of the Aspire iPhone to the required position. The setting is dependent upon the type of power supply being used.
  - The SW1 settings are:
    - “1” when using an AC/DC adapter or NEC Power Patch Panel (SN1604 PWRMS) or NEC PoE Switching hub (BF200/24PoE),
    - “2” when using Cisco’s Power Patch Panel or Catalyst PWR panel.



**Figure 4-74: SETTING THE ASPIRE IPHONE DIP SWITCHES**

2. Plug an AC/DC adapter into the AC jack on the adapter if power is not supplied by the LAN.
3. Plug in the LAN straight-thru cable from the 4VOIPU-S PCB LAN connector for the phone operation. If needed, connect the PC cross cable to the VoIP Adapter.
4. Refer to **Section 6: LAN Connection** (page 6-1) for additional LAN and PoE information.
5. Refer to the **Aspire Software Manual (P/N 0893200)** for required programming.



**Figure 4-75: WIRING LAYOUT FOR VOIP**

### SUPER DISPLAY LCD

#### **Positioning the Super Display LCD (Figure 4-76, Figure 4-77)**

The LCD on a super display keyset has two angles which it can be positioned for the best viewing for the customer.

##### **Raising the LCD**

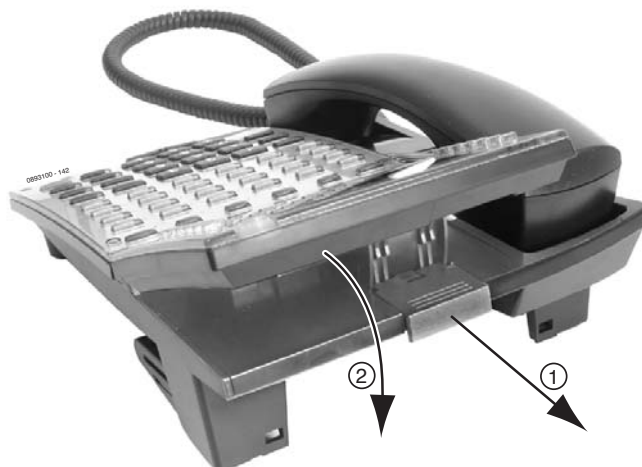
1. Gently lift the LCD display up from the top of the phone.
2. You'll hear a click when it locks into the first position. If you wish the display to be at a higher angle, continue to lift the LCD display until a second click is heard. This is the highest angle available for the display.



**Figure 4-76: LIFTING THE LCD DISPLAY**

##### **Lowering the LCD**

1. On the base of the phone, beneath the display, gently pull the lever out. *This allows the latch holding the display in place to be released.*
2. Slowly push the LCD display down.



**Figure 4-77: LOWERING THE LCD DISPLAY**

## TELEPHONE LEGS

### Using the Telephone Legs (Figure 4-78 - Figure 4-82)

The Aspire keysets provide two legs for angling the phone to best suit each user (this is in addition to the display positioning provided by display keysets). The legs can be set for three different heights.

### Adjusting the Leg Height

1. In the first position (flat), the legs are folded in.
2. To set to the second position, fold the leg down then push in slightly toward the phone to set the leg into position.
3. **To set to the third position starting when set at the first position:** Fold the leg down and slightly pull the extension out. Tip the extension down then slide it back until the slide reaches the opposite end of the extension. Pull the leg forward and then push the completely extended leg back into the phone to set it into position.

**To set to the third position starting when set at the second position:** Pull the extension of the leg out. Tip the extension down then slide it back until the slide reaches the opposite end of the extension. Pull the leg forward. Push the completely extended leg back toward the base of the phone to set it into position.

4

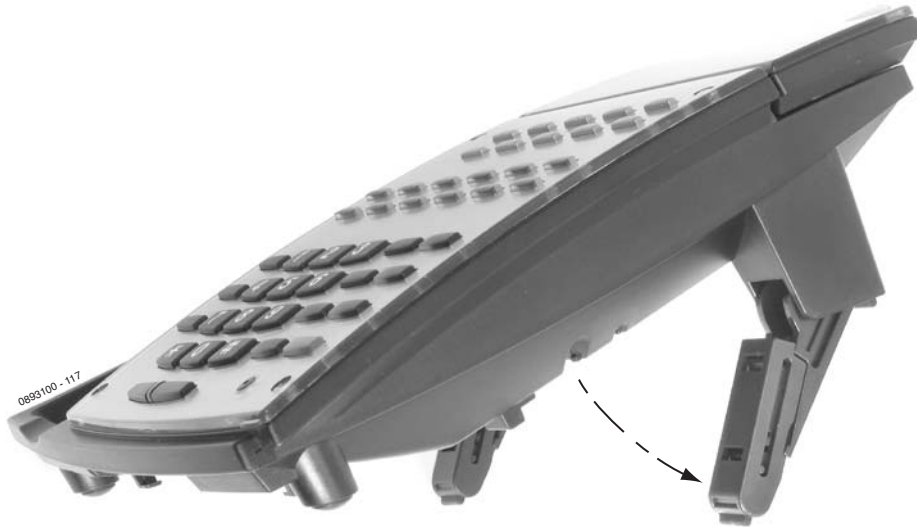


Figure 4-78: ADJUST THE LEG HEIGHT - POSITION 2



Figure 4-79: SETTING THE LEGS - POSITION 2



Figure 4-80: EXPANDING THE LEG HEIGHT - POSITION 3





Figure 4-81: EXTENDING THE LEGS - POSITION 3

4



Figure 4-82: SETTING THE LEG POSITION - POSITION 3

### WALL-MOUNT BRACKET

#### Using the Wall-Mount Bracket

Each Aspire phone has an integrated wall-mounting bracket. This allows the phone to be mounted to a wall at a convenient location.

Telephones with any optional adapters installed cannot be wall-mounted. The bracket will not accommodate the adapter(s).

There are two types of mounting brackets - one for the multi-line keysets and one for the 2-button telephone.

#### Installing the Wall-Mount Handset Bracket (Figure 4-83 - Figure 4-89)

1. Remove the integrated wall bracket from the bottom of the phone. Refer to Figure 4-83.  
- From the center cut-out, pull the bracket up and out.
2. Remove the wall-mount hookswitch tab located on the bracket by gently pulling the locking lever down slightly while lifting the tab out (Figure 4-84).
3. Insert the wall-mount hookswitch tab in the slot below the hookswitch (Figure 4-85).

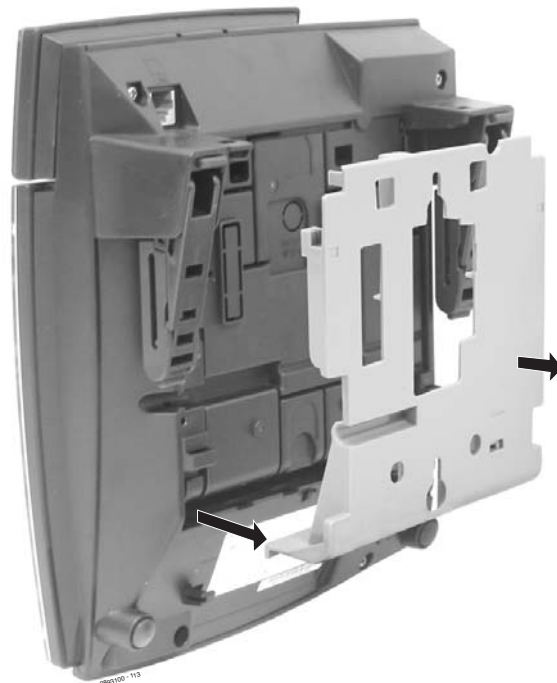


Figure 4-83: REMOVING THE WALL-MOUNT BRACKET

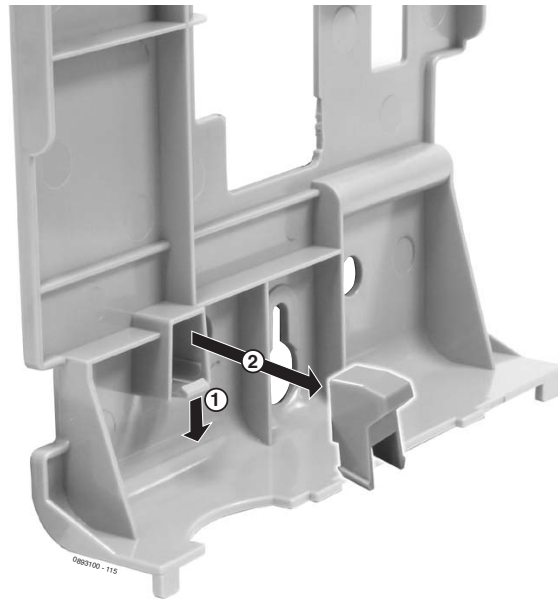
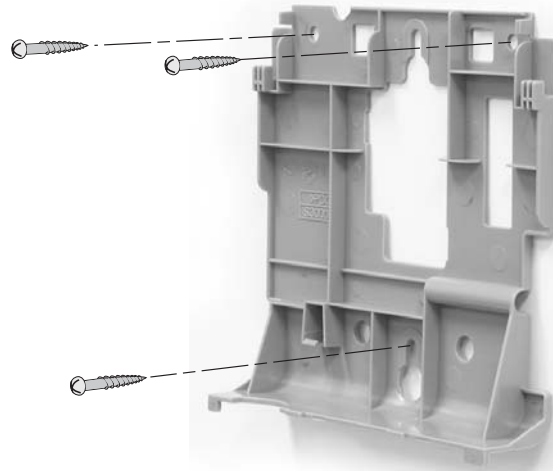


Figure 4-84: REMOVING THE HOOKSWITCH HANGER



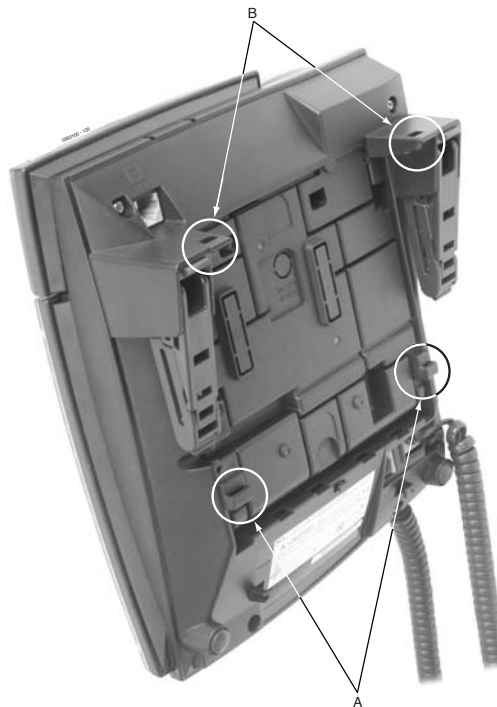
Figure 4-85: INSTALLING THE HOOKSWITCH HANGER

4. After removing the integrated wall bracket from the bottom of the phone. (Figure 4-83), attach the wall bracket to the wall using three screws (in the positions indicated below) to the desired wall location.

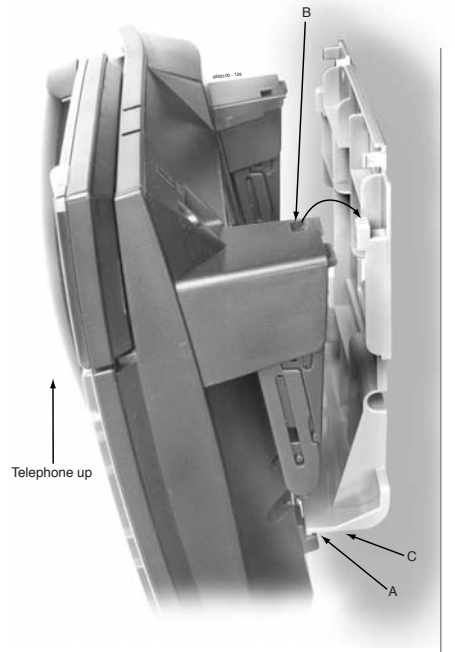


**Figure 4-86: ATTACHING THE BRACKET**

5. Attach the phone to the wall-mount bracket by inserting the bottom hooks (indicated by “A” in Figure 4-87 *BRACKET HOOKS* on page 4-82) on the bracket into the back of the phone (Figure 4-89).



**Figure 4-87: BRACKET HOOKS**



**Figure 4-88: PLACING THE PHONE ON THE BRACKET**

6. While lifting the bottom of the phone (the wall-mount bracket will bend) and then slightly pushing the top towards the wall, insert the top hooks into the back of the phone.

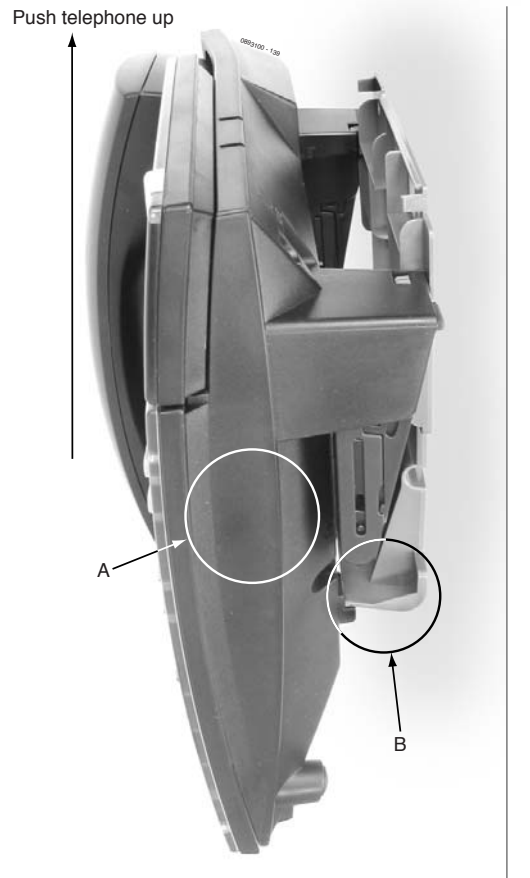


**Figure 4-89: COMPLETED WALL-MOUNT BRACKET INSTALLATION**

7. Insert the telephone's line cord from the 625 modular jack into the phone.  
*Note that the telephone legs must be completely folded in or the bracket will not reach the wall.*

### Removing the Phone From a Wall-Mounting Bracket (Figure 4-90 - Figure 4-91)

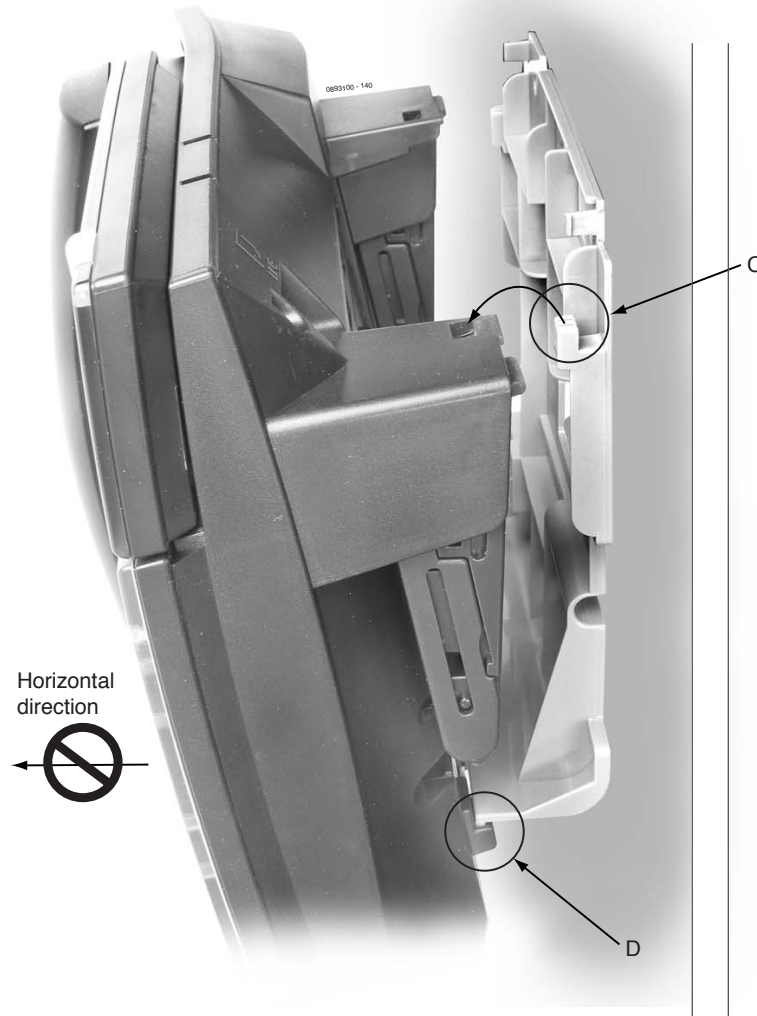
1. Grip the keyset on both sides in the location shown below by “A”.



**Figure 4-90: GRIP THE KEYSSET**

2. Lift the phone up. The wall-mount bracket will bend slightly (at location “B”).

3. Tilt the top of the keyset forward slightly to remove it from the top bracket hooks (“C”), then unhook the bottom hooks (“D”).



4

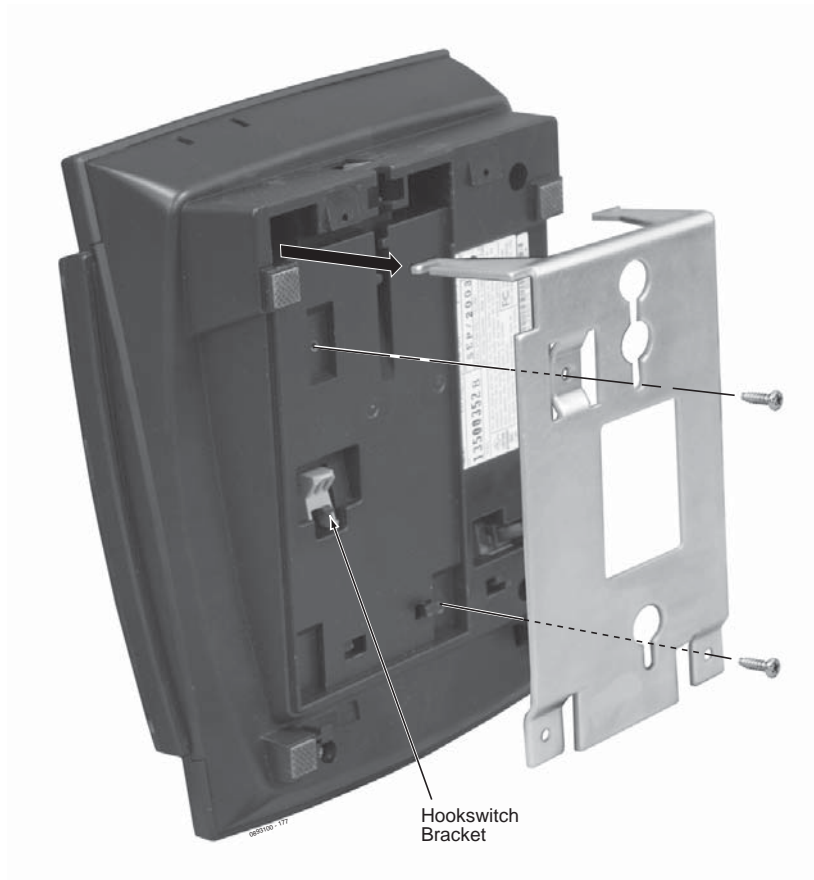
**Figure 4-91: REMOVING THE KEYSSET FROM THE WALL-MOUNT BRACKET**

4. Move the phone down to remove it from the bottom bracket hooks.  
*It is important to note that the phone should not be pulled out horizontally or the bottom bracket hooks may break.*

### Installing the 2-Button Phone's Wall-Mount Bracket

(Figure 4-92 - Figure 4-94)

1. Unscrew the two screws securing the bracket to the bottom of the 2-button phone and remove the bracket. Refer to Figure 4-92.



**Figure 4-92: REMOVING THE WALL-MOUNT BRACKET**

2. Remove the wall-mount hookswitch tab located on the bracket by gently pulling the locking lever down slightly while lifting the tab out.



3. Insert the wall-mount hookswitch tab in the slot below the hookswitch (Figure 4-93).



Figure 4-93: INSTALLING THE HOOKSWITCH HANGER

4. After removing the integrated wall bracket from the bottom of the 2-button telephone (Figure 4-92), position the bracket as shown below - the legs of the bracket should slide into the slots located near the bottom edge of the phone, then be pushed up slightly to secure the bottom of the bracket.
5. Attach the wall-mount bracket to the phone using the two screws which initially held the bracket to the phone. The screws should be positioned at the top of the bracket.

4

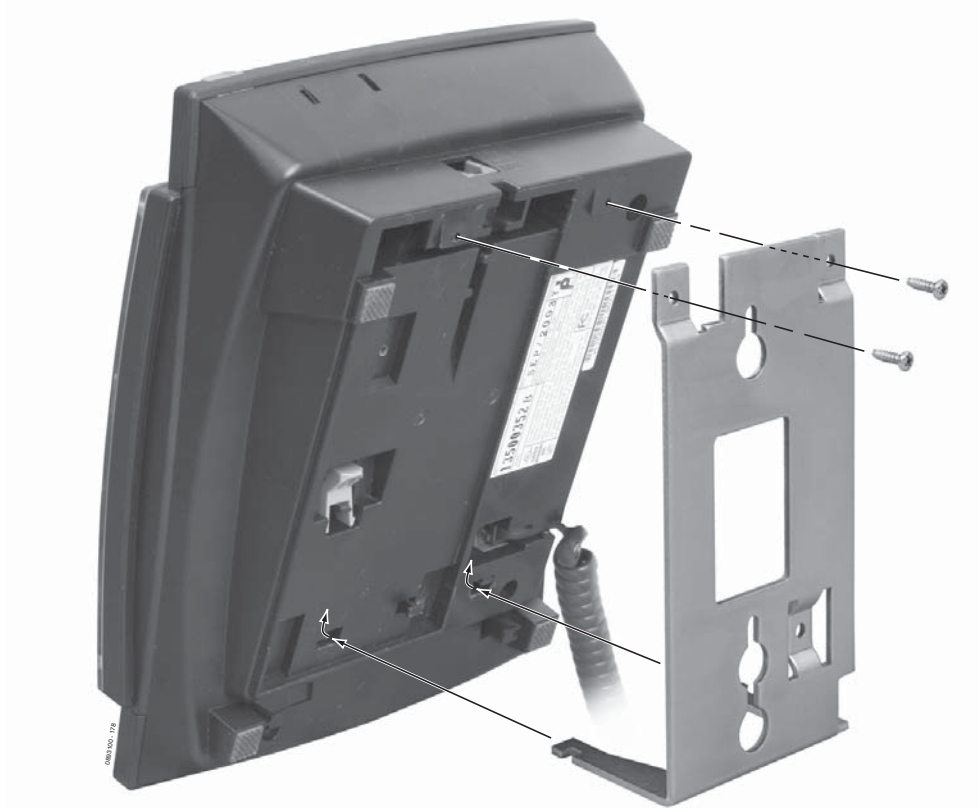


Figure 4-94: ATTACHING THE BRACKET

- For Your Notes -

# Section 5: Data and SMDR

## DATA OVERVIEW

### Data Communications

The system provides up to 24 data device interfaces for data communications. Using data devices allows a network to share a limited number of business resources such as modems, printers, and PC's. The system's data devices can switch asynchronous RS-232-C data at speeds from 300 to 19.2K.

In addition to the CPU's serial port connection and the ENTU-S's ethernet connection, there are four types of data devices available: APA, APR, CTA and CTU.

#### APA Adapter

The APA Adapter provides an analog interface for the keyset. The APA Adapter does not provide ringing, so the connected device is used for outgoing calls only (for example, when using a modem). One keyset can have either an APA or an APR Adapter. Both adapters *cannot* be installed on the same keyset as only one voice path is provided by the keyset for the adapters. The maximum distance between the APA Adapter and the analog terminal is 49'.

The APA Adapter does not support reverse-polarity, message waiting lamping, or Caller ID.

#### APR Adapter

The APR Adapter provides an analog interface for the keyset. The APR Adapter provides ringing which allows the connected device to be used for incoming and outgoing calls. One keyset can have either an APA or an APR Adapter. Both adapters *cannot* be installed on the same keyset as only one voice path is provided by the keyset for the adapters. When installing the APR Adapter, an AC-2R AC/DC adapter (P/N 780135) is required for power. The maximum distance between the APR Adapter and the analog terminal is 49'.

The APR Adapter does not support reverse-polarity, message waiting lamping, or Caller ID.

When installing the APR adapter, there must be an extension port available for the adapter or it will function like an APA adapter (only one physical port assigned to the phone so only one phone can be used at a time).

### CTA Adapter

The CTA Adapter provides a serial interface (9-pin male RS-232C) connector. This can be used for SMDR or TAPI (1.4) or system reporting. When using the adapter for printing, the following printers are recommended:

- Citizen CBM CBM1000-RJ100S Thermal Printer
- Star Precision SP2520MD-J1 Impact Dot Printer

When used for SMDR or system reports, the CTA driver does not need to be installed. When used for TAPI, the CTA driver (available on NEC's Technical Support web site: [ws1.necii.com](http://ws1.necii.com)) is required.

### CTU Adapter

The CTU Adapter provides a USB connector. This can be used for either SMDR, TAPI (1.4), or system reporting. The CTU driver needs to be installed for any use. The CTU driver is available on NEC's Technical Support web site: [ws1.necii.com](http://ws1.necii.com).

## Data Communication Availability With Hardware

Feature	Hardware			
	CPU Built-In Serial Port	ENTU-S Ethernet Port	CTA Adapter	CTU Adapter
PCPro	Yes	Yes	No	No
WebPro (for installer)	Yes	Yes	No	No
WebPro (for user)	No	Yes	No	No
SMDR Output to Printer	Yes	No	Yes	Yes
SMDR Output to PC	Yes	Yes	Yes	Yes
Hotel/Motel Data Output	No	No	Yes	Yes
Traffic Report	Yes	No	Yes	Yes
System Information Printout	Yes	No	Yes	Yes
Alarm Information Printout	Yes	No	Yes	Yes
1st Party CTI (via serial)	No	No	Yes	No
1st Party CTI (via USB)	No	No	No	Yes
3rd Party CTI	No	Yes	No	No

### Ports for APR Adapter

The APR Adapter’s extension number is determined when the adapter is connected to the keyset. After assigning the APR Adapter a circuit type of ‘12’ in Program 10-03-06, the system automatically selects the next available port within the APR’s range (11-26). The system assigns the ports numbers from highest to lowest (26, 25, 24, etc.). Program 10-03-07 indicates which port is assigned for the APR Adapter. You can reassign the extension number for the port using Program 11-02-01. When installing the APR adapter, there must be an extension port available for the adapter or it will function like an APA adapter (only one physical port assigned to the phone so only one phone can be used at a time).

Use the table below to determine the extension number associated with the port number.

APR Extension Port Number	Extension Number
11	311
12	312
:	:
25	325
26	326

### Programming for System and Alarm Reports

- **90-12-01 : System Alarm Output - Output Port Type**  
 Indicate the type of connection used for the System Alarms. The baud rate for the COM port should be set in Program 10-21-02 (0=No setting, 1=COM port (CPU), 4=CTA/CTU).
- **90-12-02 : System Alarm Output - Destination Extension Number**  
 If the output port type (item 1) is set to CTA, enter the extension number with the CTA connection.
- **90-12-06 : System Alarm Output - Output Mode**  
 Indicate if the output for the alarms should be manual (0) or automatic (1).
- **90-13-01 : System Information Output - Output Port Type**  
 Indicate the type of connection used for the SMDR (0=No setting, 1=COM port (CPU), 4= CTA/CTU).
- **90-13-02 : System Information Output - Destination Extension Number**  
 If the output port type (item 1) is set to CTA, enter the extension number with the CTA connection.
- **90-13-03 : System Information Output - Output Command**  
 Dialing 1 from this program sends the system report to the connected device.

Use the following programs for outputting or clearing the alarm reports:

- **90-12-03 : System Alarm Output - Output All Alarm Reports**
- **90-12-04 : System Alarm Output - Printout New Alarm Reports**
- **90-12-06 : System Alarm Output - Clear All Alarm Reports**

Refer to *Data Communications* in the Software Manual for additional details.



## SMDR

### Using SMDR (Figure 5-1)

Station Message Detail Recording (SMDR) provides a record of the system’s outside calls. Typically, the record outputs to a customer-provided printer, terminal or SMDR data collection device. Use SMDR when you need to monitor the usage at each extension and trunk.

The following devices can be used to output SMDR from the system:

- CTA
- CTU
- NTCPU’s Serial Port
- NTCPU’s Ethernet Port

### Installing SMDR

1. Install the DCI device to be used (refer to the specific CTA/CTU information described previously).  
*If using a CTU’s USB connector, a driver is required. The driver can be downloaded from NEC’s Technical Support web site (ws1.necii.com). Refer to the CTU Adapter (Figure 4-43 - Figure 4-45) (page 4-44) for details on installing the driver.*
2. Install the SMDR recording device according to the manufacturer’s instructions.
3. Connect the SMDR recording device to the telephone’s CTA/CTU.

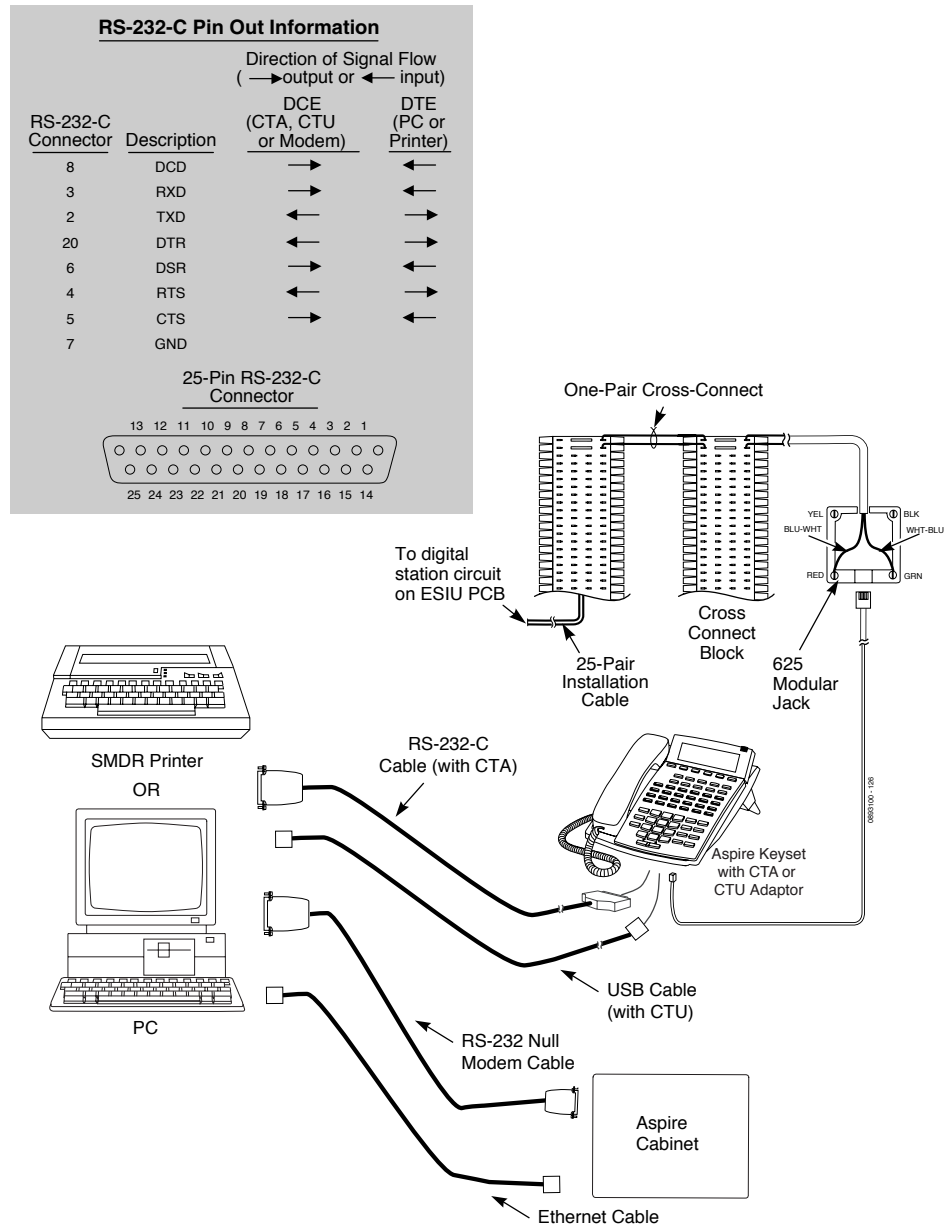
**Note:** When using a CTA, a straight through RS-232C cable terminated with a 9-pin female connector is required. Refer to the pin-out information in Figure 5-1.

**Note:** When using a CTU , a standard USB cable (USB Type B Male-to-USB Type A Male) is required.

**Note:** When using the NTCPU ethernet port, a standard ethernet cross-over cable is required.

**Note:** When using the CPU’s serial connector, a null modem cable is required. This cable is available from NEC as part number 0892004 or refer to the pin-out information below to make your own cable.

Null Modem Pin-Out						
Signal	DB-25 Pin	DB-9 Pin	To	DB-9 Pin	DB-25 Pin	Signal
FG (Frame Ground)	1	-		-	1	FG
TD (Transmit Data)	2	3		2	3	RD
RD (Receive Data)	3	2		3	2	TD
RTS (Request to Send)	4	7		8	5	CTS
CTS (Clear to Send)	5	8		7	4	RTS
SG (Signal Ground)	7	5		5	7	SG
DSR (Data Set Ready)	6	6		4	20	DTR
CD (Carrier Detect)	8	1		4	20	DTR
DTR (Data Terminal Ready)	20	4		1	8	CD
DTR (Data Terminal Ready)	20	4		6	6	DSR



5

Figure 5-1: CONNECTING AN SMDR DEVICE

---

### Programming SMDR

- **10-12-01 : NTCPU Network Setup - IP Address**  
When using an IP connection from the CPU's ethernet port, set up the IP address used to connect from the PC to the Aspire system (Default: 172.16.0.10).
- **10-21-02 : NTCPU Hardware Setup - Baud Rate for COM Port**  
If the SMDR connection is made using the COM port on the CPU, define the baud rate (0=4800, 1=9600, 2=19200, 3=38400).
- **10-20-01 : LAN Setup for External Equipment**  
Define the TCP port (0-65535) when communicating to the SMDR (type 5).
- **10-21-02 : NTCPU Hardware Setup - Baud Rate for COM Port**  
If the SMDR connection is made using the COM port on the CPU, define the baud rate (0=4800, 1=9600, 2=19200, 3=38400).
- **14-01-06 : Basic Trunk Data Setup - SMDR Print Out**  
For each trunk, enter 1 if trunk's calls should appear on SMDR report. Enter 0 if trunk's calls should not appear on SMDR report.
- **15-01-03 : Basic Extension Data Setup - SMDR Printout**  
For each extension, enter 1 if extension's calls should appear on SMDR report. Enter 0 if extension's calls should not appear on SMDR report.
- **15-02-19 : Multi-Line Telephone Basic Data Setup - CTA/CTU Data Communication Mode**  
Select '0' if the dip switch settings are set to PC connection or select '1' if printer/SMDR connection is selected on the CTA/CTU adapter.
- **15-02-20 : Multi-Line Telephone Basic Data Setup - Baud Rate for CTA Port**  
Set the baud rate to be used by the CTA (0=4800, 1=9600, 2=19200).
- **35-01-01 : SMDR Options - Output Port Type**  
Specify the type of connection used for SMDR (0=No setting, 1=COM(NTCPU), 3=LAN, 4=CTA/CTU). The baud rate for the COM port should be set in Program 10-21-02 or 15-02-20.
- **35-01-02 : SMDR Options - Output Destination Number**  
Specify the SMDR printer output port (CTA/CTU port number).
- **35-01-03 : SMDR Options - Header Language**  
Specify the language in which the SMDR header should be printed (0=English, 1=German, 2=French, 3=Italian, 4=Spanish).
- **35-01-04 : SMDR Options - Omit (Mask) Digits**  
Enter the number of digits (1-24) you want SMDR to block (i.e., "X" out). Enter 0 not to block any digits.
- **35-01-05 : SMDR Options - Minimum Number of SMDR Digits**  
Enter the minimum number of digits a user must dial (1-24) before the system includes a call on the SMDR report. Enter 0 to include all outgoing calls, regardless of the number of digits dialed.
- **35-01-06 : SMDR Options - Minimum Call Duration**  
Enter the minimum duration of a call (1-65535) that will print on the SMDR report. Enter 0 to have calls of any duration print.
- **35-01-07 : SMDR Options - Minimum Ringing Time**  
Enter how long an unanswered call must ring (1-65535) before SMDR logs it as "No Answer". Enter 0 to allow all "No Answer" calls to print.
- **35-01-08 : SMDR Options - SMDR Format**  
*Do not change:*  
This option is added to allow an increased account code field from 8 to 16 when used in the U.K. This allows 16 characters of the Caller ID name to be displayed. For the U.S., this option is set to "0" and should remain at this setting as 16 characters are already provided for the account code field.



- ➔ **35-02-01 : SMDR Output Options - Toll Restricted Call**  
Enter 1 if you want the SMDR report to include calls blocked by Toll Restriction. Enter 0 to exclude blocked calls.
- ➔ **35-02-02 : SMDR Output Options - PBX Calls**  
If system is behind a PBX, enter 1 to have SMDR include all calls to the PBX. Enter 0 to have SMDR include only calls dialed using PBX trunk access code.
- ➔ **35-02-03 : SMDR Output Options - Display Trunk Name or Number**  
Select whether the system should display the trunk name (0) or the number (1) on SMDR reports. *If this option is set to "1", Program 35-02-14 must be set to "0".*
- ➔ **35-02-04 : SMDR Output Options - Daily Summary**  
**35-02-05 : Weekly Summary and**  
**35-02-06 : Monthly Summary**  
Enter 1 to enable a summary report. Enter 0 to disable a summary report. The daily report prints every day at midnight. The weekly report prints every Sunday night at midnight. The monthly report prints at midnight on the last day of the month.
- ➔ **35-02-08 : SMDR Output Options - Incoming Calls**  
Enter 0 if you want the SMDR report to include incoming calls. Enter 1 if you want the SMDR report to exclude incoming calls.
- ➔ **35-02-09 : SMDR Output Options - Print Name or Number**  
Enter 0 if you want the SMDR report to include the extension's name. Enter 1 if you want the SMDR report to include the extension's number.
- ➔ **35-02-10 : SMDR Output Options - All Lines Busy (ALB) Output**  
Enter 1 to report information when all lines in a group are busy and an extension user tries to access the group. Enter 0 if this information should not be included.
- ➔ **35-02-12 : SMDR Output Options - DID Table Name Output**  
Determine if the DID table name should be displayed for incoming DID calls (0=Not Displayed, 1=Displayed).
- ➔ **35-02-13 : SMDR Output Options - CLI Output When DID to Trunk**  
Determine if the Caller ID should be displayed when the incoming DID number is transferred to an outgoing trunk (0=Not Displayed, 1=Displayed).
- ➔ **35-02-14 : SMDR Output Options - Date**  
Determine whether the date should be displayed on SMDR reports (0=not displayed, 1=displayed). *This option must be set to "0" if the trunk name is set to be displayed in Program 35-02-03.*
- ➔ **35-02-15 : SMDR Output Options - CLI/DID Number Switching**  
Enter 0 to display the Caller ID number. Currently, option "1" for the DID number is not available. With software 4.0E+, determine if the Caller ID number (0), DID number (1) or Caller ID name (2) should be displayed in the SMDR output.
- ➔ **35-02-16 : SMDR Output Options - Print Trunk Name or Received Dialed Number**  
Determine how the SMDR should print incoming calls on ANI/DNIS or DID trunks. If set to (1), ANI/DNIS trunks can print DNIS digits. For DID trunks, if the received number is not defined in Program 22-11-01, then no number will be printed. If set to (0) trunk names are printed instead (as assigned in Program 14-01-01).
- ➔ **35-02-17 : SMDR Output Options - Print Account Code or Caller ID Name**  
Determine whether the Account Code (0) or Caller ID name (1) should appear in the SMDR record. By default, the Account Code will be displayed.  
**Note:** Program 35-01-08 must be set to "0" for this entry to be followed.

➤ **35-02-18 : SMDR Output Options - Caller ID Name Output Method**

Select whether to display up to 16 characters of the Caller ID Name on the same line as the call record (0) or if a line feed should be added and up to 24 characters of the Caller ID Name will be displayed on the following line (1). If the line feed option is selected, the Caller ID Name will be displayed on the next line as : NEXT "Caller ID Name". The default entry for this option is "0".

This setting will work regardless of the setting in Program 35-02-15.

**Note:** With this option set to "1", if your communications program (such as HyperTerminal) has the line wrap option enabled in the ASCII setup, an additional line break may appear above the Caller ID name line.

➤ **35-03-01 : SMDR Port Assignment for Trunks**

For each trunk group, select the SMDR port to which the incoming information should be sent.

➤ **35-04-01 : SMDR Port Assignment for Department Groups**

Assign the SMDR port for each Department Group. For each Department Group, select the SMDR port to which the outgoing SMDR information should be sent.

➤ **80-05-01 : Date Format for SMDR and System Reports**

Set the date format for SMDR (0=American, 1=Japanese or 2=European).

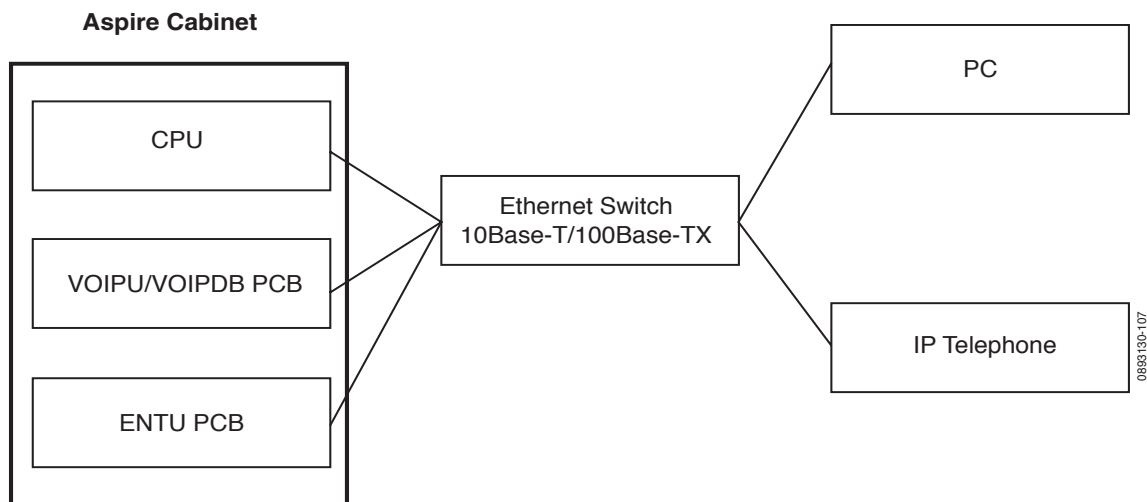
Refer to *Station Message Detail Recording* in the Software Manual for additional details.

# Section 6: LAN Connection

## LAN DEVICES

### Using LANs

Using a LAN setup (local area network) with the Aspire S system complies with the ethernet standard (10Base-T/100Base-TX).



To connect a telephone to a LAN connection, the system allows the use of an Aspire digital IP 34-button keyset (referred to as Aspire IPPhone), an Aspire digital keyset with an IP Adapter installed or an H.323 IP digital telephone. For details on installing the IP Adapter, refer to **VoIP Adapter (Figure 4-51 - Figure 4-53)** (page 4-51).

If connecting a LAN to a WAN (wide area network), follow the instructions included with the ADSL modem or gateway device.

### IP Address

Equipment/devices used in the Aspire LAN setup must have an IP address assignment. An IP address assigns a unique address for each device. There are two types of IP addresses: Private and Global. A Private IP Address is not accessible through the internet - a Global IP Address can be accessed through the internet.

With a Private IP Address, with equipment that does not access the internet directly, addresses can be assigned to the equipment within Class A, B or C by assigning a number within the class's range of numbers.

Class	Allowed IP Address	Recommended Environment
A	10.0.0.0 ---10.22.255.255	Large Scale Network
B	172.16.0.0 --- 172.31.255.255	Mid Scale Network
C	192.168.0.0 --- 192.168.255.255	Small Scale Network

With a Global IP Address, connected equipment can be accessed through the internet, so each address must be unique. To avoid a conflict, the addresses are controlled by ARIN (American Registry for Internet Numbers). To obtain a Global IP Address, contact ARIN or apply with your local ISP (internet service provider).

The first one to three groups of numbers (depending on the subnet mask) identify the network on which your computer is located. The remaining group(s) of numbers identify your computer on that network.

### Subnet Mask

As the IP Address includes information to identify both the network and the final destination, the Subnet Mask is used to set apart the network and destination information.

The default subnet masks are:

Class	Default Subnet Mask
A	255.0.0.0
B	255.255.0.0
C	255.255.255.0

In the above table, you'll see that the Subnet Mask is made up of four groups of numbers. When a group contains the number '255', this is telling the router to ignore or mask that group of numbers in the IP address as it is defining the network location of the final destination. So, for example, if the IP Address were: 172.16.0.10 and the Subnet Mask used was Class B (255.255.0.0), the first two groups of numbers (172.16) would be ignored once they reached the proper network location. The next two groups (0.10) would be the final destination within the LAN to which the connection is to be made.

### DHCP

DHCP (Dynamic Host Configuration Protocol) is a protocol which assigns a dynamic IP Address. Network control may be easier with DHCP as there is no need to assign and program individual IP Addresses for the LAN equipment. To use a dynamic IP Address, a DHCP server must be provided. The Aspire S system provides the ability to use DHCP.

When equipment which is connected to the LAN (the DHCP client) is requesting an IP Address, it searches the DHCP server. When the request for an address is recognized, the DHCP server assigns an IP Address, Subnet definition, and the IP Address of the router, etc., based upon the system programming.

Note that the CPU must always have a static IP address. This address is set in *Program 10-12-01 : NTCPU Network Setup - IP Address* (default: 172.16.0.10).

## Gatekeeper

Whenever an H.323 terminal activates, a check is made of the network to see if there are any gatekeepers available. When a gatekeeper is present, it provides users with:

- **Address Translation**  
Users typically do not know the IP addresses of other terminals. When a user makes a call, the gatekeeper translates an alias address (name or number) to the destination address.
- **Admissions Control**  
Users will not all be able to access the network at the same time because of limited shared resources. Gatekeepers may restrict network access based on call authorization, bandwidth usage, or some other criteria. It is important to note that Admissions Control is a way to preserve the integrity of the calls (provide QoS guarantees) that are already up and operating when a user requests access.
- **Bandwidth Control**  
Besides network access control, the gatekeeper offers network managers the ability to restrict or assign bandwidth to different applications along certain protocol conventions. This is another place network managers can enforce QoS guarantees and other enterprise-wide usage policies.

With the Aspire S system, a separate external gatekeeper is not required unless connecting to an outside H.323 endpoint/gateway which requires an outer gatekeeper or if over 50 outer addresses must be registered. Otherwise, the Aspire S provides tables within the system programming for address resolution.

## IP Hardware

### PCBs:

- **CPU** - Signals the gateway with VoIP communication
- **4VOIPU-S** - The 4VOIPU-S PCB provides a 4-channel voice packet gateway unit and works as a media gateway for VoIP communication. This PCB is required for either VoIP trunks or when using VoIP keysets which talk to non-IP keysets. VoIP keyset-to-VoIP keyset can talk without a media gateway and without using any DSP resources using the Peer-to-Peer feature. Refer to the VoIP feature in the Aspire Software Manual for more detail on the Peer-to-Peer feature.
- **4VOIPDB-S** - The 4VOIPDB-S daughter board provides an additional 4 channels when attached to the 4VOIPU-S PCB

*Refer to PCB Port Assignments on page 2-35 for details on the port usage with the VOIPU PCB and VOIPDB. As these cards are assigned trunk ports when initially installed, this could impact the number of ports available for extensions.*

6

### Terminals:

- **IPhone** - Aspire 34-button multi-line IP phone
- **IP Adapter** - IP adapter connects an Aspire keyset to the VoIP network
- **ITR-2D-1** - H.323 IP phone

Power must be supplied to the IPhone, the Aspire keyset with an IP adapter, or ITR-2D1 phone using either a local or central power supply. If there is a power outage, the VoIP phones will not work unless the phones are plugged into a UPS (Uninterruptable power supply).

- **Local Power Supply**  
The AC-2R Unit is an AC adapter for Aspire IPhone or the IP adapter. The ITR-2D1 has an AC adapter included that should be used for power.
- **Central Power Supply:**
  - 24-port power supply PoE-managed switch (NEC BlueFire 200/24)  
*Power feeding through signal pair (1/2, 3/6) or spare pair (4/5, 7/8)*
- **Cisco Data Switch** - CDP Supported

*Note that the Aspire IP phones are not IEEE 802.3af compliant.*

### Aspire S VoIP Specifications

Category	Feature	Note
IP Address	DHCP Server	CPU
	DHCP Client	VOIPU PCB or IP Phone
QoS	802.1p/1q	
	L3 QoS (ToS)	Diffserv/IP Precedence
Maintenance	HTTP Server	NTCPU
Server	H.323 Gatekeeper	For H.323 Phone Registration and Routing
VLAN	Tag and port-based VLAN	
VoCoder	G.711 $\mu$ -law/A-law	
	G.729a	
	G.723.1	
	Fax Relay	
Jitter Buffer Size	Set by system programming	
RTP Length	Set by system programming	
Echo Canceller Tail Size	Set by system programming	
Level Adjustment	Set by system programming	
Protocol	H.323	
	NGT	
IP Phone	H.323 Phone	ITR-2D1 H.323 Phone
	NGT Phone	Maximum 16 Phones
IP Trunk	H.323 Trunk	Maximum 8 Trunks

### LAN Connections

#### Hardware:

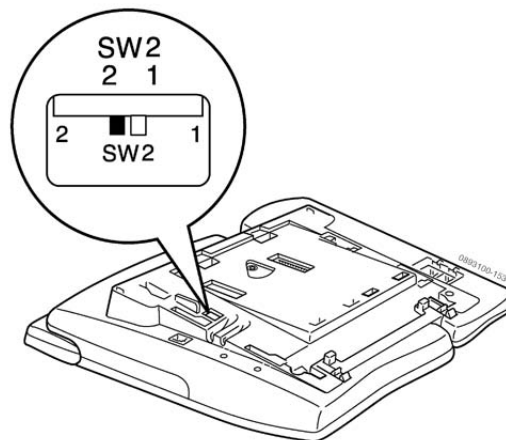
- 24-Port Power Supply PoE-managed switch (NEC BlueFire 200/24)
  - PoE (Power over Ethernet) to the Aspire IP/H.323 Phone
  - Spare Pair (4/5, 7/8) / Signal Pair (1/2, 3/6) Selection

### Installing a LAN Device or VoIP Telephone

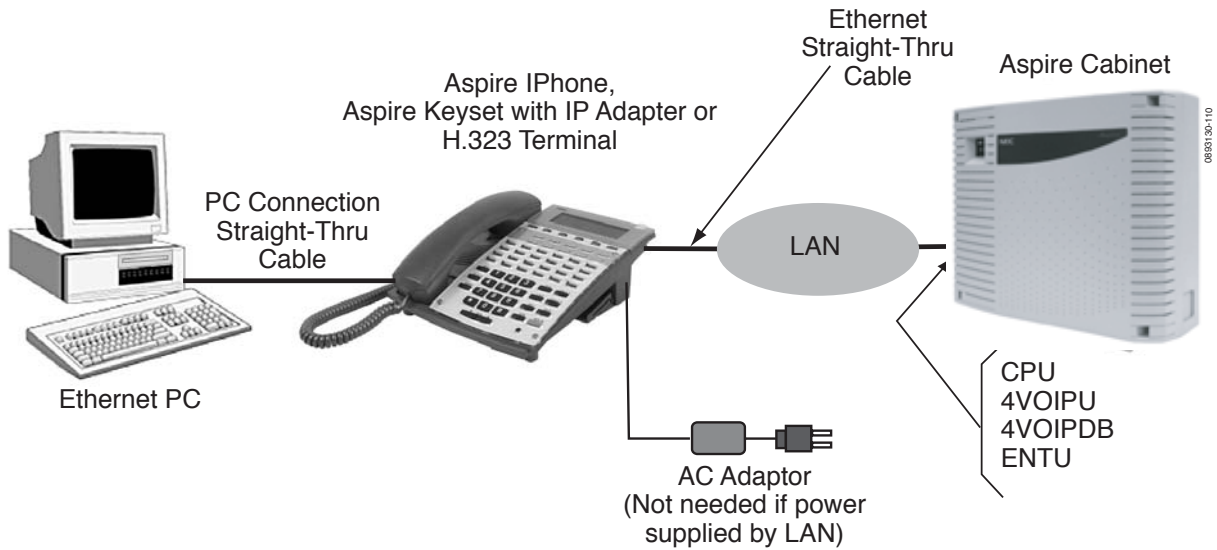
Actual installation will vary depending on each customer's installed Aspire S and networking hardware.

1. Plug a cable with an RJ-45 modular jack into the system's VoIP PCB.
2. Connect the RJ-45 modular connector on the opposite end of the cable to the IP telephone or PC's network interface card (NIC).  
*When connecting an IP telephone, a connection can then be made to a network PC using the PC connector on the back of the phone.*
3. If local power is to be provided to the IP telephones, connect the AC adapter to the phone.  
*When using the iPhone (P/N 0890065), set the SW2 dip switch on the bottom of the phone to the appropriate setting shown below:*

Feeding Method	Power Source	Setting of SW2
Local Feeding	AC Adapter	1 (48 volts to phone)
Center Feeding	NEC Power Patch Panel (12 port NEC SN1604 PWRMS - 24-port NEC BlueFire 200/24)	
Center Feeding	Cisco Catalyst Power Patch Panel	2 (data pairs)
	Cisco Catalyst PRW Series	



4. Plug the AC adapter into an outlet.



**For complete programming information, refer to the Aspire Software Manual (P/N 0893200).**



# Section 7: Specifications and Parts List

## SYSTEM SPECIFICATIONS

Aspire S System Capacities		
Cabinets	1	
Analog Trunks (CO/PBX lines)	8	
Digital Key Telephones	24*	* Combined total to 26 (includes extension ports provided on the CPU) ** Prior to 2.50 software, this is a combined total of 26 digital/analog extensions. With software 2.50+, these are in addition to the 26 total digital or analog ports
Analog Single Line Telephones	18*	
IP Telephones	16 **	
Virtual Extensions	24	
24-Button DLS Consoles	24	1 maximum per extension
110-Button DSS Consoles	4	4 maximum per extension.
Conference Circuits	32 (32-parties max per Conference)	
2PGDAD Modules	10 (4 for ACI ports, 4 for Door Boxes, 4 for Pages)	combined total to 10
ADA Adapter	24	installs on a keyset
ADA2 Adapter	16	installs on an IP keyset
APA Adapters	24	installs on a keyset



Aspire S System Capacities		
APR Adapters	B1 = 24 B2 = 8 with software through 2.21 16 with software 2.50 or higher	- installs on a keyset - If more than 26 digital and analog extensions are installed, IP ports can be used for B2 (this will reduce the number of available IP extensions).
CTA Adapter	24	installs on a keyset
CTU Adapter	24	installs on a keyset
Dial Tone Detector Circuits	16*	combined total to 16
DTMF Receiver Circuits	16*	
Door Box/Door Unlock Contacts	4	
IP Adapter	16	installs on a keyset
IP Power Failure Adapter (PSA)	16	installs on an IP keyset
Handsfree Adapter (HF-R)	24	installs on a keyset
Paging: Internal Page Zones	8	
Paging: External Page Zones	8	
Power Failure Telephones	2	provided by COIU PCBs
SLT Adapter	8	
Universal PCB slots	6	
Voice Mail:		one IntraMail card installs on DSPDB
IntraMail, 4 ports/4 hours	1 OR	
IntraMail, 8 ports/8 hours	1	
* <b>NOTE:</b> Maximum capacities above are determined by maximum PCB configuration allowed. When installing single line sets or DISA, CPU circuits must be allocated for DTMF receivers. To install single line sets with CO/PBX line access, CPU circuits must be allocated for dial tone detection.		

Aspire S PCB Capacities	
CPU Central Processing Unit	1
DSPDB Daughter Board	1
ENTU-S LAN CTI	1
8ESIU-S 8 Digital Stations	2
4SLIU-S 4 Analog Stations	4
4SLIDB-S 4 Analog Stations Daughter Board (installs on 4SLIU-S)	0 - If 4 4SLIU-S PCBs installed 1 - If 3 4SLIU-S PCBs installed 2 - If 2 4SLIU-S PCBs installed
4COIU-S 4 Analog/Loop Start Trunks (no ground start)	2
2BRIU-S 2 Two-Channel BRI Circuits	As T-Bus: 2 As S-Bus: 4
2DIOPU-S 2 DID/OPX Trunks	4
4VOIPU-S 4 VoIP Media Gateway	3
4VOIPDB-S 4 VoIP Media Gateway Daughter Board (installs on 4VOIPU-S)	3

### Environmental Requirements

Meeting established environmental standards maximizes the life of the system. Refer to the Standard Practices Manual for further information. Be sure that the site is not:

1. In direct sunlight or in hot, cold or humid places.
2. In dusty areas or in areas where sulfuric gases are produced.
3. In places where shocks or vibrations are frequent or strong.
4. In places where water or other fluids comes in contact with the main equipment.
5. In areas near high-frequency machines or electric welders.
6. Near computers, telexes, microwaves, air conditioners, etc.
7. Near radio antennas (including shortwave).

### Environmental Specifications

#### Cabinets, PCBs and Key Telephones

Temperature: 0°C - 40°C (32 - 104°F)

Humidity: 10-90% RH

#### Door Box

Temperature: -20°C - 60°C (-4 - 140°F)

Humidity: 20-80% (non-condensing)

#### Power Supply

##### *Operating:*

Temperature: 0°C - 60°C (32 - 140°F)

Humidity: 10-90% RH

##### *Storage:*

Temperature: -20°C - 75°C (-4 - 167°F)

Humidity: 10-95% RH

### Power Requirements

A dedicated 110 VAC 60 Hz circuit located within seven feet of the cabinet is required. You should install a separate dedicated outlet for each cabinet.

#### **Caution**

Double Pole/Neutral Fusing  
(power supply fuses located at both the L and N side)

### Site Requirements

The system can be floor-, wall- or rack-mounted.

## Electrical Specifications

### Power Supply

AC Power Supply  
 Dedicated 15 Amp circuit  
 Power Requirements: 120 VAC @ 15A KSU  
 Power Consumption (max.): 65W  
 Input Voltage: 85VAC to 138VAC  
 Rated frequency: 50/60 Hz  
 Input Frequency: 47 - 63 Hz  
 Phase and Wire: Single, 2-Wire  
 Grounding Requirements: No. 14 AWG copper wire  
**With input voltage of 120 VAC and with full load conditions:**  
 Output Power (Watts max.): 80W  
 AC Input I: 1.5A  
 VA @ 120V: 180VA  
 KWh @ AC Input I x 120V/1000: 0.18 KWh  
 BTU (KWh x 3413): 614 btu

### Caution

Double Pole/Neutral Fusing  
 (power supply fuses located at both the L and N side)

Output Voltage Types:	+3.3VDC (-3%, +1%)	+5VDC (+/- 2%)	-28VDC (+/- 5%)
Output Current 1	2.0A - 5.0A	1.2A - 1.6A	2.4A - 1.5A
Output Current 2	2.0A - 5.0A	1.2A - 1.6A	2.4A - 1.5A
Ripple/Noise	150mV p-p	150mV p-p	150mV p-p
Overvoltage Protection	3.7 - 5.0V	5.6 - 7.5V	31.5 - 40V
Overcurrent Protection	6.0 - 9.0A	1.9 - 3.5A	5.1 - 8.7A

### Aspire Soft Phone Requirements

Before setting up *Aspire Soft Phone*, **make sure the VoIP feature is programmed and operating** in the Aspire system. Refer to the Aspire Software Manual (P/N 0893200) for details.

**Conditions**

- Aspire Soft Phone does not support G.723.
- Using DHCP, the IP address of the NTCPU cannot be obtained.

For the *Aspire Soft Phone* application, please confirm the following requirements are met for the PC.

**Minimum PC Requirements**

*Aspire Soft Phone* is installed on a PC. Please confirm that the PC meets the minimum PC requirements before installing the *Aspire Soft Phone*.

Internet Explorer version 6.0 or higher is required. If an older version of Internet Explorer is installed, the *Aspire Soft Phone* installation is stopped and the installation cannot be completed correctly.

**Required Environment**

<b>CPU</b>	Intel Pentium® III, Celeron™ Processor 600MHz or higher AMD Athlon™, Duron™ Processor 700MHz or higher
<b>Memory</b>	128MB or more
<b>HDD</b>	30MB HDD empty space
<b>Sound</b>	Sound equipment on Windows® operating system
<b>Video</b>	SVGA (800x600) display resolution and high color (16 bit, 65536 colors) video card and monitor
<b>Peripheral Equipment</b>	Speaker and MIC (or Headset)
<b>OS</b>	Microsoft® Windows® 2000 Professional Microsoft® Windows® XP Home Edition Microsoft® Windows® XP Professional
<b>Font Size</b>	Small size (Microsoft® Windows® 2000 Professional) Normal size (Microsoft® Windows® XP Professional, Microsoft® Windows® XP Home Edition)
<b>Browser</b>	Microsoft® Internet Explorer 6.0 or higher



### CallAnalyst Requirements

#### Ultra Call Analyst

##### Minimum PC Requirements

- PC with Pentium Processor
- 256 MB RAM
- VGA monitor 800 x 600 resolution (recommended SVGA 1024 x 768)
- Windows Operating Software - 95/98/ME, NT-SP 3 or later, 2000, XP
- 500 MB of free hard drive space
- CD-ROM drive (for software installation)
- Available serial port and RS-232 cable
- Printer (if required to print reports)

#### CallAnalyst Enterprise Server

##### Main Server Minimum PC Requirements

###### Hardware

- PC with Pentium 4 Processor
- 512 MB RAM
- SVGA Monitor with 1024 x 768 resolution
- 2 GB of free hard drive space
- CD-ROM drive (for software installation)
- Available serial port and RS-232 cable (if required)
- Network Interface Card (NIC)
- Printer (if required to print reports)

###### Software

- Windows NT 4.0 (workstation or server) w/SP6, 2000 Professional w/SP3, XP Professional w/ SP1 or 2003 Server
- MS SQL Server 2000 or MSDE (Microsoft Database Engine) for the database (MSDE is included on the application CD)
- Microsoft Internet Explorer 5.0 or higher (Internet Explorer is included on the application CD)

##### Network Client / Remote Site Reporting Client Minimum PC Requirements

###### Hardware

- PC with Pentium III Processor
- 256 MB RAM
- 1 GB of free hard drive space
- CD-ROM drive (for software installation)
- Network Interface Card (NIC)
- Available serial port and RS-232 cable (if required)

###### Software

- Windows NT 4.0 w/ SP6, or 2000 Professional w/ SP3, XP Professional w/ SP1 or 2003 Server
- Microsoft Internet Explorer 5.0 or higher (Internet Explorer is included on the application CD)

## IP Routers

When purchasing a router for use with the Aspire IP feature, the minimum requirements would be that it provide VPN and QoS. Current VoIP protocols for the Aspire, NGT and H.323 telephones can not communicate over NAT. Therefore, when communications is required over NAT, the router must support VPN. Note that a router which supports 'VPN Pass Through' requires a VPN server.

The priority control feature is required to prevent RTP packet loss. If a WAN is used for VoIP only and the bandwidth is wide enough for the VoIP channel, then the QoS feature might not be required.

The following are available routers which provide VPN and QoS:

- NEC IX1000 / 2000 Series
- Yamaha RT105, RTX1000 / 2000
- Cisco 800 Series
- Furukawa FITELnet - F40
- Fujitsu SiR-170, SiR-150

The following routers provide VPN but no priority control (QoS):

- Linksys BEFSX41, DEFVP41
- OMRON MR104DV, MR104FH
- Allied Telesis AR410

Mechanical Specifications				
Equipment	Width	Depth	Height	Weight
KSU Cabinet	16 7/16"	5 3/8"	13 3/16"	13.22 lbs fully equipped
2 Button Telephone	6 3/8"	8 3/4"	2 3/4"	2 lbs 1 oz
22 Button Non-Display Keypad	7 3/4"	9 2/8"	3 7/8" no leg extension 5 7/8" legs fully extended	2 lbs 4 oz
22 Button Display Keypad	7 3/4"	9 2/8"	3 7/8" no leg extension 5 7/8" legs fully extended	2 lbs 4 oz
34 Button Display Keypad	7 3/4"	9 2/8"	3 7/8" no leg extension 5 7/8" legs fully extended	2 lbs 5 oz
Super Display Keypad	7 3/4"	10 7/8"	3 7/8" no leg extension 6 1/8" legs fully extended, display down 7 7/8" legs fully extended, display up	2 lbs 7 oz
IP Keypad	7 3/4"	9 2/8"	3 7/8" no leg extension 5 7/8" legs fully extended	2 lbs 13 oz
110-Button DSS	7 3/4"	9 2/8"	3 3/16"	1 lb 12 oz
24-Button DLS	2"	9 2/8"	2 15/16"	12 oz

2PGDAD Module/CPU Input/Output	
<b>Audio/Music Input</b>	
Input Impedance:	47 KOhm @ 1Khz
<b>Audio/Paging Output</b>	
<b>2PGDAD:</b>	
Output Impedance:	600 Ohms @ 1 KHz
Maximum Output:	+8 dBm
<b>NTCPU:</b>	
Output Impedance:	600 Ohms @ 1 KHz
Maximum Output:	-3 dBm
<b>Relay Contacts</b>	
Configuration:	Normally Open
Maximum Contact Ratings:	24 VDC, 0.5A 120 VAC, 0.25A
<b>Night Mode Relay Connection, Input</b>	
Break:	48 VDC
Make:	7 mA

AC-2R Input/Output	
AC Input	100 ~ 240VAC 50/60Hz 800mA
Output	27VDC 750mA
Tip	Negative



**BGM/MOH Music Source Input**

Input Impedance:	600 Ohm
Input Level:	Nominal 250 mV (-10 dBm)
Maximum Input:	1V RMS
Inputs for MOH and BGM are located on the CPU PCB. The 2PGDAD also provides MOH inputs.	

**Door Box/External Paging**

Output Impedance:	600 Ohm
Output Level:	Nominal 250 mV (-10 dBm)
Maximum Output:	400 mV RMS
Configuration:	Normally open

**LAN Specifications**

Standard	10Base-T (IEEE802.3) and 100Base-TX (IEEE802.3u)
Access	CSMA/CD
Capacity	10Base-T/100Base-TX; 1 Port for LAN Terminal
I/F (Layer 1)	- Speed; 10Mbps/100Mbps Auto Negotiation - Cable; Category 5 or better, Straight/Cross Cable Auto Crossover

**Single Line Telephone - DTH-1-1**

<b>Message Waiting Lamp</b>	
Lamp On (Activation Voltage):	88-108 VDC
Lamp Off (Deactivation Voltage):	53 VDC or less

**SLT Adapter**

Constant Current Circuit:	Current fixed at 47 mA
<b>Signal Method</b>	
On-Hook Condition:	48VDC
Ringer Signal:	180 Vp-p, 16Hz

**SLIU PCB / SLIDB**

<b>Signal Method</b>	
On-Hook Condition:	-28VDC +- 1.4VDC
Message Waiting Signal:	-110VDC +- 5.5VDC
Ringer Signal:	65Vrms, 20Hz (with no load)

Note: The Message Waiting lamp is not provided to the analog ports on the CPU.

<b>Aspire Signal Method</b>	
On-Hook Condition:	-46VDC +- 3VDC
Message Waiting Signal:	-112VDC +- 3VDC
Ringer Signal:	75Vrms +-1Vrms (no load condition), 20Hz +-1%

## Recommended Usage Guidelines for Cordless Phones

In ideal conditions, multiple spread spectrum type cordless phones (Cordless II can be utilized in the same environment. However, due to the possible interference problems caused by the bases being placed in close proximity to each other, we recommend the following:

### Spread Spectrum Phones (Cordless II P/N 730088)

Where users require greater range on the cordless phones and 3 or less cordless phones are being used at a specific site, we recommend using the spread spectrum cordless phone.

### FM Modulation Phones (Cordless Lite II P/N 730087)

Where more than 3 cordless phones are to be used at one specific site, we recommend using the FM modulation cordless phones which have 30-channel capability.

**Note:** The range of the phones depends largely on the environmental factors, such as the building structure, the size of the room, RF interference and other electronic equipment installed in the same area. For optimum range and performance, we suggest the following:

- Place the base units at least 15 feet apart. The performance of the phones become more stable when the distance between the bases is greater.
- Place the base unit in the center of the coverage area.
- If the phone will also be used in an outdoor area, like a parking lot, install the base unit in an area close to the window.
- If a phone experiences interference and noise, press the channel key to select another channel.

## Cordless Lite II

### General

Frequency Control Modulation	Phase Lock Loop 900 MHz Narrow Band FM with ADPMC (digital)
Operating Temperature	0°C - +50°C (+32°F to +122°F)
Bandwidth	50 kHz
Data Transmission Speed	688 bps
Channels	30 Channels

### Base Unit

Receive/Transmit Frequency	902 MHz - 928 MHz
Power Requirements	10V DC from supplied AC adapter
Size	4 1/4" W x 7 5/8" D x 2 1/4" H
Weight	Approximately 13.7 oz.

### Handset

Receive/Transmit Frequency	902 MHz - 928 MHz
Power Requirements	NiMH Battery
Size	2" W x 1 1/4" D x 5 1/2" H (with antenna)
Weight	8.7 oz. with battery
Battery	Capacity 700 mAh, 3.6V
Talk Mode	5 hours (typical)
Standby Mode	40 hours (typical)

Specifications shown are typical and subject to change without notice.

### Battery Charger

Power Requirements	9V DC from supplied AC adapter
Size	1 3/8" W x 1 1/2" D x 2 1/4" H

### Range

Range	350' (depending on environmental conditions)
-------	--

<b>Cordless II</b>	
<b>General</b>	
Frequency Control	Phase Lock Loop
Modulation	Digital Spread Spectrum
Operating Temperature	0°C - +50°C (+32°F to +122°F)
Output Power	60 mW
Occupied Bandwidth	± 500 KHz
Data Transmission Speed	688 bps
Channels	10 Channels
<b>Base Unit</b>	
Receive/Transmit Frequency	902 MHz - 928 MHz
Power Requirements	10V DC from supplied AC adapter
Size	4 1/4" W x 7 5/8" D x 2 1/4" H
Weight	11.8 oz.
<b>Handset</b>	
Receive/Transmit Frequency	902 MHz - 928 MHz
Power Requirements	Nickel-Cadmium Battery Pack
Size	2 1/4" W x 1 1/2" D x 6 5/16" H
Weight	8.6 oz.
Battery	Capacity 800 mAh, 3.6V
Charging Time	5-6 hours max. to full charge
Talk Mode	6 hours (typical)
Standby Mode	4 days (typical)
Specifications shown are typical and subject to change without notice.	
<b>Battery Charger</b>	
Power Requirements	9V DC from supplied AC adapter
Size	4 3/4" W x 4 1/2" D x 3 1/2" H
Weight	6.5 oz.
<b>Range</b>	
Range	350' (depending on environmental conditions)

### UL Listed System

A label will be affixed to the product with the letters UL inside a circle which is the symbol used by UL to indicate that a product is UL Listed. If you see a small "c" outside the symbol, then the product also meets the requirements for Canada.

FCC Registration Information					
Manufacturer:		NEC Infrontia, Inc.			
FCC Part 15 Registration:		Class A			
<b>Model:</b>		<b>Aspire S</b>			
FCC Registration Number:		KF: US:NIFKF06BASPIRES			
(Refer to the label on the System Cabinet for the FCC Registration Number.)		MF: US:NIFMF06BASPIRES			
		PF: US:NIFPF06BASPIRES			
Reg. Status	Facility Interface Code (FIC)	Mfrs. Port Identifier	Ringer Eq. Number	Service Order Code (SOC)	Network Jacks
Original	02LS2, 02IS2	4COIU-S	0.6B	9.0F, 6.0P	RJ21X
Loop Resistance for COIU PCBs					
DC Loop Resistance		Less than 60 Ohms			
AC Impedance		600 Ohms			

FCC DID Requirements	
<b>Federal Communications Commission DID Requirements</b>	
<p>This equipment must operate in a manner that is not in violation of Part 68 rules. This equipment returns answer supervision to the Public Switched Network when the DID trunk is: (1) answered by the called station; (2) answered by the attendant; (3) routed to a recorded announcement that can be administered by the CPE user; (4) routed to a dial prompt.</p> <p>The equipment returns answer supervision on all DID calls forwarded back to the Public Switched Telephone Network except when: (1) a call is unanswered; (2) a busy tone is received; (3) a reorder tone is received.</p> <p>When ordering DID Service, provide the telco with the following information:</p>	
FCC Registration Number:	
KF	US:NIFKF06BASPIRES
MF	US:NIFMF06BASPIRES
PF	US:NIFPF06BASPIRES
DID Facility Interface Code:	02RV2-T
DID Service Order Code:	9.0F
DID Answer Supervision Code	A S.2
DID USOC Jack Type:	RJ21X
<b>Please note the following:</b>	
<ol style="list-style-type: none"> <li>1. DID services must be purchased from the local telephone company.</li> <li>2. Refer to the Software Manual for detailed DID description, conditions, and programming instructions.</li> </ol>	

**Cabling Requirements**

1. Do not run station cable in parallel with the AC source, telex or computer, etc. If the cables are near cable runs to those devices, use shielded cable with grounded shields or install the cable in conduit.
2. When cables must be run on the floor, use cable protectors.
3. Cable runs for key telephones, single line telephones, Door Boxes, CTA or CTU adapters, and 2PGDAD Modules must be a dedicated, isolated cable pair.
4. The Telco RJ21X and cross-connect blocks should install to the right of the cabinet. Extension blocks and cross-connect blocks should be installed to the left of the cabinet.

**Cable Requirements**

Device	Cable Type	Cable Run Length (ft)	Notes
Key Telephone, DSS Console:	ICT 2-wire 26 AWG	656 (200 meters)	
	ICT 2-wire 24 AWG	984 (300 meters)	
	ICT 2-wire 22 AWG	1640 (500 meters)	
Single Line Telephone, Analog Terminals:	ICT 2-wire 26 AWG	6,561 (2000 meters)	
	ICT 2-wire 24 AWG	10,498 (3200 meters)	
	ICT 2-wire 22 AWG	17,388 (5300 meters)	
20mA Setting:	1,500 ohm loop resistance		Includes resistance of telephone
35mA Setting:	900 ohm loop resistance		
SLT Adapter:	ICT 2-wire 26 AWG	656 (200 meters)	
	ICT 2-wire 24 AWG	984 (300 meters)	
	ICT 2-wire 22 AWG	1640 (500 meters)	
SLTAD to SLT:	500 ohm loop resistance (including phone's DC termination)		
2PGDAD Adapter:	ICT 2-wire 26 AWG	656 (200 meters)	
	ICT 2-wire 24 AWG	984 (300 meters)	
	ICT 2-wire 22 AWG	1640 (500 meters)	
Door Box to 2PGDAD:	ICT 2-wire 26 AWG	656 (200 meters)	
	ICT 2-wire 24 AWG	984 (300 meters)	
	ICT 2-wire 22 AWG	1640 (500 meters)	
	200 ohm loop resistance (excluding internal resistance of Door Box)		
Using Under Carpet Cable: The cable is not twisted, but flat parallel wire. Good impedance balance cannot be expected and reduces the cable length to no more than 300m when using the flat cable.			
PC to CTA	Serial Straight Thru Cable	49.21 (15 meters)	D-Sub 9-Pin Female (PC) to D-Sub 9-Pin Male (CTA)
CTA to Printer	Serial straight cable	49.21 (15 meters)	D-Sub 9-Pin Female (Printer) to D-Sub 9-Pin Male (CTA)



Cable Requirements			
Device	Cable Type	Cable Run Length (ft)	Notes
CPU to PC:	Serial cross cable	49.21 (15 meters)	D-Sub 9-Pin Female (PC) to D-Sub 9-Pin Male (CPU)
	4-wire LAN (UTP) cable with category 3 or higher for 10Base-T, and category 5 or higher for 100 Base-TX Ethernet cross cable	328.08 (100 meters)	
CPU to Switching Hub:	4-wire LAN (UTP) cable with category 3 or higher for 10Base-T, and category 5 or higher for 100 Base-TX Ethernet straight cable	328.08 (100 meters)	
CPU to Printer:	Serial cross cable	49.21 (15 meters)	D-Sub 9-Pin Female (Printer) to D-Sub 9-Pin Male (CPU)
IP Telephone	LAN (UTP) cable with category 3 or higher for 10Base-T, and category 5 or higher for 100 Base-TX	328.08 (100 meters)	Regardless of whether it receives power from the AC adapter or switching hub.
VOIPU PCB to IP Telephone	Standard Ethernet Cable (cross cable)	328 (100 meters)	
VOIPU PCB to Router	Standard Ethernet Cable (straight cable)	328 (100 meters)	
PSA Adapter	ICT 2-wire	4,547 (1,386 meters)	Includes DC resistance of outside line - excludes internal resistance of IP telephone
ENTU-S PCB to PC	Standard Ethernet Cable (cross-cable)	328 (100 meters)	
ENTU-S to Switching Hub	Standard Ethernet Cable (straight-cable)	328 (100 meters)	
DID Trunks:	ICT 2-wire 24 AWG	20,997 (6400 meters)	Includes SLT or exchange
	Loop resistance (DP only) 9842 ohm @35mA 500 ohm @20 mA		Includes resistance of telephone
2BRIU-S to ISDN Terminals:	ICT 4-wire 24 AWG	328 (100 meters) with Point-Multipoint short connection 984 (300 meters)300m with Point-Multipoint long connection 1,640 (500 meters) with Point-Point connection	

**Aspire S Configuration Guide**

System Cabinet								
Slot Assignment								
CPU	8-Channel Digital/Analog Slots							
	Digital Ports 1-8	Analog Ports 1-2						
	1	2	3	4	5	6	7	8

## PARTS LIST

Station Equipment	
Description	Part Number
2-Button Telephone - Black	0890047
2-Button Telephone - White	0890048
22-Button Handsfree Non-Display Telephone - Black	0890041
22-Button Handsfree Non-Display Telephone - White	0890042
22-Button Handsfree Display Telephone - Black	0890043
22-Button Handsfree Display Telephone - White	0890044
34-Button Handsfree Display Telephone - Black	0890045
34-Button Handsfree Display Telephone - White	0890046
34-Button Super Display Telephone - Black	0890049
34-Button Super Display Telephone - White	0890050
34-Button Aspire iPhone - Black	0890065
24-Button DLS Console - Black	0890053
24-Button DLS Console - White	0890054
110-Button DSS Console - Black	0890051
110-Button DSS Console - White	0890052
NEC H.323 IP Telephone	780005
NEC H.323 IP Telephone AC Adapter	780600
Analog Telephones:	
DTR-1-1 (BK) Single Line Telephone with redial, flash, mw lamp, data jack ringer/handset volume control - Black	780020
DTR-1-1 (WH) Single Line Telephone with redial, flash, mw lamp, data jack ringer/handset volume control - White	780021
DTR-1HM-1 (BK). Same as P/N 780020 with 8 programmable feature/speed dial keys - Black	780025
DTR-1HM-1 (WH). Same as 780021 with 8 programmable feature/speed dial keys - White	780026
DTH-1-1 (BK) Single line telephone with 4 programmable feature/speed dial keys, mw lamp, redial, flash & mute keys	780034
Cordless Telephones and Options:	
NEC Cordless II Telephone (Uses 1 Aspire digital station port)	730088
NEC Cordless II - Charger Unit	730621
NEC Cordless II - Belt Clip	730620
NEC Cordless II - Cordless II Leather Case	730626
NEC Cordless II - Replacement Battery	730622
NEC Cordless Lite II Telephone (Uses 1 Aspire digital station port)	730087
NEC Cordless Lite II - Replacement Battery	730631
NEC Cordless Lite II - Wall Mount Unit for Charger	730633
NEC Cordless Lite II - Belt Clip	730634
NEC Cordless Lite II - Charger Unit	730632
AC for Charger (Cordless II or Cordless Lite II)	730619
AC for Base (Cordless II or Cordless Lite II)	730618
Headset (Cordless II or Cordless Lite II)	730602
Wall Mount Plate for Base	730608



Peripheral Station Equipment	
Description	Part Number
2PGDAD Module (for Door Box/Page/ACI)	0891027
AC Adapter (AC-2R)	780135
Analog Interface with Ringing Adapter (APR) (Requires P/N 780135 AC-2R Adapter)	0890056
Analog Interface without Ringing Adapter (APA)	0890057
Call Recording Adapter (ADA)	0890055
Door Box	92245
Headsets (Modular):	
Polaris™ Supra® Monaural, Noise Cancelling	750636
Polaris™ Supra® Binaural, Noise Cancelling	750633
Polaris™ Supra Monaural	750632
Polaris™ Encore Monaural - Voice Tube	750634
Polaris™ Encore® Binaural, Noise Cancelling	750635
Polaris Tristar - Voice Tube	750630
Polaris Mirage - Voice Tube	750631
CT-11 Cordless Headset Telephone	730090
Polaris Headset Accessories:	
Ear Cushion (Pkg of 2)	750656
Clothing Clip	750657
Wind Screen	750650
Clear Voice Tube for Encore and Tristar	750652
Clear Voice Tube for Mirage and Supra	750651
Polaris Extension Cable	750655
Rainbow Voice Tube Pack for Encore and Tristar (Pkg of 6)	750654
Rainbow Voice Tube Pack for Mirage and Supra (Pkg of 6)	750653
IP Adapter (IP)	0890060
In-Line Power Adapter (ILPA)	780122
NEC Audio Emcee:	
Audio Emcee	750316
Replacement Audio Emcee Remote	750317
Replacement RCA Cable	750318
Power Failure Adapter for IP Telephone (PSA)	0890067
Recording Adapter for IP Telephone (ADA2)	0890066
RS-232C Adapter (CTA)	0890058
SLT Adapter	0891026
Speakerphone Adapter - Black (Requires P/N 780135 AC-2R Adapter)	0890062
Speakerphone Adapter - White (Requires P/N 780135 AC-2R Adapter)	0890063
USB Adapter (CTU) (Requires P/N 780135 AC-2R Adapter)	0890059
Voice Security Recorder (VSR) with USB Cable and Software	780275

Aspire Applications	
Description	Part Number
Aspire Soft Phone Software on CD	0893641
NEC USB Handset	780094
NEC USB Headset	750638
Ultra CallAnalyst	
Ultra CallAnalyst Lite	0891081
Ultra CallAnalyst Lite - to - Full Upgrade	0891082
Ultra CallAnalyst Full	0891083
Ultra CallAnalyst Full + 1 Client	0891084
Ultra CallAnalyst Additional 1 Client	0891085
Ultra CallAnalyst Enterprise Additional Remote Site License Requires 0891095.	0891094
Ultra CallAnalyst Enterprise Server & 120 Ports	0891095
Ultra CallAnalyst Enterprise Remote Site License (with no Ports) Requires 0891095.	0891096
Ultra CallAnalyst Enterprise Additional Port License Requires 0891095.	0891097
Ultra CallAnalyst Enterprise Additional Network Client License Requires 0891095.	0891098
Ultra CallAnalyst Enterprise Site Reporting Thin Client Requires 0891095.	0891099

Bluefire	
Description	Part Number
Aspire S 4VOIP/Bluefire IX2010 Bundle (IP Card and Router)	0892033
Aspire S 4VOIP/Bluefire IX1035 Bundle (IP Card and Router)	0892034
Aspire IP Telephone/Bluefire IX2010 Bundle (Contains 2 0890065 iPhones and Router)	0892029
Aspire IP Telephone/Bluefire IX1035 Bundle (Contains 2 0890065 iPhones and Router)	0892030

Common Equipment	
Description	Part Number
Aspire S 8 Slot KSU	0890005
CPU Battery	EX054-0040
Floor/Desk Stand Mounting Bracket	0891303
Mod 8 to 25 Pair (Unterminated) Installation Cable	80892
Modem - 56KBPS	85862D
Null Modem Cable for PCPro	0892004
32 MB Compact Flash Card with System Software	0891065
32 MB Compact Flash Card - Blank	0891064

PCBs	
Description	Part Number
<b>Common Cards</b>	
Ethernet Option Daughter Board	0891053
DSP Resource Daughter Board	0891003
IntraMail Voice Mail Compact Flash Card, 4 Port-4 Hour	0892176
IntraMail Voice Mail Compact Flash Card, 8 Port-8 Hour	0892178
VRS Compact Flash Card	0891040
<b>Trunk Interfaces</b>	
4 CO Loop Start Trunk PCB	0891046
2 DID/OPX PCB	0891047
2 BRI PCB	0891050
<b>Station Interfaces</b>	
8 Aspire S Digital Station PCB	0891051
4 Analog Station PCB	0891048
4 Analog Station Expansion Daughter Board	0891049
4 Channel VoIP Media Gateway PCB	0891054B
4 Channel VoIP Media Gateway Expansion Daughter Board	0891055B
SLT Adapter	0891026
2PGDAD Module (for Door Box/Page/ACI)	0891027



Desi Labels	
Description	Part Number
<b>Analog Telephones:</b>	
Desi Labels for 780020/780021 - Black, Package of 25	780400
Desi Labels for 780020/780021 - Green, Package of 25	780401
Desi Labels for 780020/780021 - Silver, Package of 25	780402
Desi Labels for 780020/780021 - White, Package of 25	780403
Desi Labels for 780025/780026 - Black, Package of 25	780404
Desi Labels for 780025/780026 - Green, Package of 25	780405
Desi Labels for 780025/780026 - Silver, Package of 25	780406
Desi Labels for 780025/780026 - White, Package of 25	780407
Desi Labels for 780034 - Metal Silver, Package of 25	780450
<b>2-Button Telephones:</b>	
Desi Label for 2BTN Tel-Silver (25-pkg), For Laser Jet printers only	0893704
Desi Label for 2BTN Tel-Solid Silver (25-pkg), For Ink Jet and Laser Jet printers - solid silver	0893764
Desi Label-2BTN Tel-Black (25-pkg), For Ink Jet and Laser Jet printers with light striping	0893724
Desi Label for 2BTN Tel-White (25-pkg), For Ink Jet and Laser Jet printers with light striping	0893734
Desi Label for 2BTN Tel-Silver (25-pkg), For Ink Jet and Laser Jet printers with light striping	0893744
Desi Label for 2BTN Tel-Silver (25-pkg), No labels on fixed feature keys, used for other languages	0893774
Desi Labels for 2BTN Tel (25-pkg) - Blank, Used with Desi Pre-Print Software for printing large pictures	0893784
<b>22-Button Non-Display Telephones:</b>	
Desi Label for 22BTN Tel-Silver (25-pkg), For Laser Jet printers only	0893700
Desi Label for 223BTN Tel-Solid Silver (25-pkg), For Ink Jet and Laser Jet printers - solid silver	0893760
Desi Label for 22BTN Tel-Black (25-pkg), For Ink Jet and Laser Jet printers with light striping	0893720
Desi Label for 22BTN Tel-White (25-pkg), For Ink Jet and Laser Jet printers with light striping	0893730
Desi Label for 22BTN Tel-Silver (25-pkg), For Ink Jet and Laser Jet printers with light striping	0893740
Desi Label for 22BTN Tel-Silver (25-pkg), No labels on fixed feature keys, used for other languages	0893770
Desi Labels for 22BTN Tel (25-pkg) - Blank, Used with Desi Pre-Print Software for printing large pictures	0893780

Desi Labels	
Description	Part Number
<b>22-Button Display Telephones:</b>	
Desi Label for 22BTN Display Tel-Silver (25-pkg), For Laser Jet printers only	0893701
Desi Label for 22BTN Display Tel-Solid Silver (25-pkg), or Ink Jet and Laser Jet printers - solid silver	0893761
Desi Label for 22BTN Display Tel-Black (25-pkg), For Ink Jet and Laser Jet printers with light striping	0893721
Desi Label for 22BTN Display Tel-White (25-pkg), For Ink Jet and Laser Jet printers with light striping	0893731
Desi Label for 22BTN Display Tel-Silver (25-pkg), For Ink Jet and Laser Jet printers with light striping	0893741
Desi Label for 22BTN Display Tel-Silver (25-pkg), No labels on fixed feature keys, used for other languages	0893771
Desi Labels for 22BTN Display Tel (25-pkg) - Blank, Used with Desi Pre-Print Software for printing large pictures	0893781
<b>34-Button Display Telephones:</b>	
Desi Label for 34BTN Display Tel-Silver (25-pkg), For Laser Jet printers only	0893702
Desi Label for 34BTN Display Tel-Solid Silver (25-pkg), For Ink Jet and Laser Jet printers - solid silver	0893762
Desi Label for 34BTN Display Tel-Black (25-pkg), For Ink Jet and Laser Jet printers with light striping	0893722
Desi Label for 34BTN Display Tel-White (25-pkg), For Ink Jet and Laser Jet printers with light striping	0893732
Desi Label for 34BTN Display Tel-Silver (25-pkg), For Ink Jet and Laser Jet printers with light striping	0893742
Desi Label for 34BTN Display Tel-Silver (25-pkg), No labels on fixed feature keys, used for other languages	0893772
Desi Labels for 34BTN Display Tel (25-pkg) - Blank, Used with Desi Pre-Print Software for printing large pictures	0893782
<b>34-Button Super Display Telephones:</b>	
Desi Label for 34BTN Display Tel-Silver (25-pkg), For Laser Jet printers only	0893703
Desi Label for 34BTN Display Tel-Solid Silver (25-pkg), For Ink Jet and Laser Jet printers - solid silver	0893763
Desi Label for 34BTN Display Tel-Black (25-pkg), For Ink Jet and Laser Jet printers with light striping	0893723
Desi Label for 34BTN Display Tel-White (25-pkg), For Ink Jet and Laser Jet printers with light striping	0893733
Desi Label for 34BTN Display Tel-Silver (25-pkg), For Ink Jet and Laser Jet printers with light striping	0893743
Desi Label for 34BTN Super Display Tel-Silver (25-pkg), No labels on fixed feature keys, used for other languages	0893773
Desi Labels for 34BTN Super Display Tel (25-pkg) - Blank, Used with Desi Pre-Print Software for printing large pictures	0893783

Desi Labels	
Description	Part Number
<b>110-Button DSS Consoles:</b>	
Desi Label for 110 DSS-Silver (25-pkg), For Laser Jet printers only	0893705
Desi Label for 110 DSS-Solid Silver (25-pkg), For Ink Jet and Laser Jet printers - solid silver	0893765
Desi Label for 110 DSS-Black (25-pkg), For Ink Jet and Laser Jet printer with light striping	0893725
Desi Label for 110 DSS-White (25-pkg), For Ink Jet and Laser Jet printers with light striping	0893735
Desi Label for 110 DSS-Silver (25-pkg), For Ink Jet and Laser Jet printers with light striping	0893745
Desi Label for 110 DSS-Silver (25-pkg), No labels on fixed feature keys, used for other languages	0893775
Desi Label for 110 DSS-Silver (25-pkg) - Blank, Used with Desi Pre-Print Software for printing large pictures	0893785
<b>24-Button DLS:</b>	
Desi Label for 24 DLS-Silver (25-pkg), For Laser Jet printers only	0893706
Desi Label for 24 DLS-Solid Silver (25-pkg), For Ink Jet and Laser Jet printers - solid silver	0893766
Desi Label for 24 DLS-Black (25-pkg), For Ink Jet and Laser Jet printers with light striping	0893726
Desi Label for 24 DLS-White (25-pkg), For Ink Jet and Laser Jet printers with light striping	0893736
Desi Label for 24 DLS-Silver (25-pkg), For Ink Jet and Laser Jet printers with light striping	0893746
Desi Label for 24 DLS-Silver (25-pkg), No labels on fixed feature keys, used for other languages	0893776
Desi Label for 24 DLS-Silver (25-pkg) - Blank, Used with Desi Pre-Print Software for printing large pictures	0893786

Spare Parts	
Description	Part Number
Aspire Handset without cord - White	NSG-170108-001
Aspire Handset without cord - Black	NSG-170108-002
Aspire Faceplate Kit - 22B Non-Display Telephone, Package of 10 with 40 Rivets	0892000
Aspire Faceplate Kit - 22B Display Telephone, Package of 10 with 40 Rivets	0892001
Aspire Faceplate Kit - 34B Display Telephone, Package of 10 with 40 Rivets	0892002
Aspire Faceplate Kit - 34B Super Display Telephone, Package of 10 with 40 Rivets	0892003
Aspire Faceplate Rivets, Package of 25	0892005
Aspire Plastic Wall Mount Plate, Package of 10	0892007
Aspire Wall Mount Hooks-All Telephones, Package of 10	0892008
Aspire 2B DSLT Metal Wall Plates, Package of 5	0892009
Bottom Directory Tray (Dial card)	M-790526
Flying Directory Plastic Clip, Package of 10	780525
Flying Directory Card Kit (10 Directory cards for 780525)	770626

## Numerics

- 22-Button Display Telephone . . . 4-61
- 22-Button Standard Telephone . . . 4-62
- 25-Pair Cables, Installing . . . 3-2
- 2BRI . . . 2-29
- 2BRIU-S
  - Pin-Outs . . . 2-30
- 2-Button Telephone . . . 4-62
- 2DIOPU-S . . . 2-27
- 2PGDAD Module Input/Output . . . 7-8
- 34-Button Aspire iPhone . . . 4-73
- 34-Button Display Telephone . . . 4-61
- 34-Button Super Display Telephone . . . 4-60
- 4SLIDB-S . . . 2-22
  - Pin-Outs . . . 2-22
- 4SLIU-S . . . 2-20
- 4VOIPU-S . . . 2-34
  - Pin-Outs . . . 2-36
- 66 Block Wiring . . . 3-1
- 8ESIU-S . . . 2-17
- 8SLIDB . . . 2-39
- 8SLIU
  - Pin-Outs . . . 2-20

## A

- AC-2R Specifications . . . 7-8
- ADA Adapter . . . 4-32
- ADA2 Adapter . . . 4-35
- Adapter
  - ADA . . . 4-32
  - ADA2 . . . 4-35
  - APA . . . 4-38
  - APR . . . 4-38
  - CTA . . . 4-41
  - CTU . . . 4-44
  - HF-R . . . 4-49
  - PSA-R . . . 4-47
  - Removing the Cover . . . 4-30
  - VoIP . . . 4-51
- Adapters . . . 4-29
- Adjusting the Leg Height . . . 4-77
- Alarm and System Reports, Programming . . . 5-3
- Analog Extensions
  - Troubleshooting . . . 3-18
- Analog Station (4SLIDB-S) PCB . . . 2-22
- Analog Station (4SLIU-S) PCB . . . 2-20
- Analog Station (8SLIDB) PCB . . . 2-39
- Analog Trunk (4COIU-S) PCB . . . 2-24
- APA Adapter . . . 4-38
- APR Adapter . . . 4-38

- APR Adapter Ports . . . 5-3
- Aspire Applications . . . 7-18
- Aspire S PCB Capacities . . . 7-2
- Aspire S System Capacities . . . 7-1
- Aspire Soft Phone Requirements . . . 7-5

## B

- Background Music, Installing . . . 4-7
- Backing Up Your Configuration . . . 2-44
- Basic Troubleshooting . . . 3-16
- Before Installing . . . 1-1
- BGM/MOH Music Source Input . . . 7-9
- BRI (2BRIU-S) Interface PCB . . . 2-29
- BRI Lines
  - Troubleshooting . . . 3-23
- BRI Trunks
  - Installing . . . 3-10

## C

- Cabinet Installation . . . 1-1
- Cabinets
  - Grounding . . . 1-18
- Cable Requirements . . . 7-13
- Cables
  - 25-Pair Cable Installation . . . 3-2
- Cables, Routing . . . 3-2
- Cabling
  - Cordless Phone . . . 3-5
  - Extension . . . 3-3
  - Loop Start . . . 3-8
  - Single Line . . . 3-4
- Cabling Requirements . . . 7-13
- CallAnalyst Enterprise Server Requirements . . . 7-6
- CallAnalyst Requirements . . . 7-6
- Capacities
  - Aspire S . . . 7-1
  - Aspire S PCBs . . . 7-2
- Central Processing Unit (CPU) PCB . . . 2-6
- Choke
  - DID . . . 3-13
- Circuit Types, Extension . . . 2-43
- CO Lines
  - Troubleshooting . . . 3-21
- CO/PBX Line Cutdown Sheet Configuration . . . 3-14
- CO/PBX Lines, Installing . . . 3-8
- COIU PCBs
  - Pin-Outs . . . 2-25, 4-53
- Cold Start, Performing . . . 2-12
- Common Equipment Part Numbers . . . 7-19
- Completing the Installation . . . 1-20

- Configuration . . . 2-5
  - CO/PBX Line Cutdown Sheet . . . 3-14
  - Extension Cutdown Sheet . . . 3-6
  - Saving and Backing Up . . . 2-44
- Connecting a Dry Contact Relay . . . 4-56
- Connecting a Headset . . . 4-23
- Connector Pin-Outs on 4SLIDB-S . . . 2-22
- Connector Pin-Outs on 4VOIPU-S PCB . . . 2-36
- Connector Pin-Outs on 8SLIU . . . 2-20
- Connector Pin-Outs on BRIU-S PCB . . . 2-30
- Connector Pin-Outs on COIU PCBs . . . 2-25, 4-53
- Connector Pin-Outs on CPU . . . 2-10
- Connector Pin-Outs on DIOPU PCBs . . . 2-28
- Connector Pin-Outs on ENTU-S . . . 2-16
- Connector Pin-Outs on ESIU . . . 2-18
- Contact Relay, Connecting . . . 4-56
- Cordless II Specifications . . . 7-11
- Cordless Lite II Specifications . . . 7-10
- Cordless Phone Extension Cabling . . . 3-5
- Cordless Phone Guidelines . . . 7-10
- Cordless Telephone . . . 4-64
- Cordless Telephone, CT-11 . . . 4-63
- CPU . . . 2-6
  - Pin-Outs . . . 2-10
- CPU Input/Output . . . 7-8
- CPU Installation . . . 2-11
- Cross-Connect Blocks, Extension . . . 3-2
- Cross-Connect Blocks, Trunks . . . 3-2
- CT-11 Cordless Telephone . . . 4-63
- CTA Adapter . . . 4-41
- CTU Adapter . . . 4-44
- Cutdown Sheet . . . 3-6
  - Extension . . . 3-6
  - Line/Trunk . . . 3-14

## D

- Data and SMDR . . . 5-1
- Data Communications . . . 5-1
- Data Overview . . . 5-1
- Defaults
  - Ports . . . 2-42
- Designation Labels . . . 4-26
- DID Choke
  - Installing . . . 3-13
- DID FCC Requirements . . . 7-12
- DID Trunks
  - Installing . . . 3-12
- Digital Extensions
  - Troubleshooting . . . 3-16
- Digital Station (8ESIU-S) PCB . . . 2-17
- DIOPU PCBs
  - Pin-Outs . . . 2-28

- Direct Inward Dial (DID) (2DIOPU-S) PCB . . . 2-27
- Door Box . . . 4-8
- Door Box Relays . . . 4-56
- Door Box/External Paging Specifications . . . 7-9
- Dry Contact Relay, Connecting . . . 4-56
- DSPDB Daughter Board . . . 2-13
- DSS Console . . . 4-11
  - Installing 110-Button DSS . . . 4-12
  - Installing 24-Button DSS . . . 4-13
- Dterm Voice Security Recorder (VSR) . . . 4-14

## E

- Electrical Specifications . . . 7-4
- Entering the Programming Mode . . . 2-42
- ENTU-S
  - Pin-Outs . . . 2-16
- Environmental Requirements . . . 1-2, 7-3
- Environmental Specifications . . . 7-3
- ESIU
  - Pin-Outs . . . 2-18
- Extension
  - Cabling . . . 3-3
  - Cabling, Cordless Phone . . . 3-5
  - Cabling, Single Line . . . 3-4
- Extension Circuit Types . . . 2-43
- Extension Cross-Connect Blocks . . . 3-2
- Extension Cutdown Sheet Configuration . . . 3-6
- Extensions
  - Installing . . . 3-3
- External Page . . . 4-18
  - Installing . . . 4-18
- External Paging/Door Box
  - Specifications . . . 7-9
- External Recording System . . . 4-20
  - Installing . . . 4-20
- External Ringer . . . 4-20
  - Installing . . . 4-20

## F

- FCC DID Requirements . . . 7-12
- FCC Registration Information . . . 7-12
- Firmware, Upgrading VOIPU . . . 2-38

## G

- General Precautions . . . 1-1
- General Purpose Relays . . . 4-56
- Grounding the Cabinets . . . 1-18

## H

- H.323 IP Phone . . . 4-73



Handling the PCBs . . . 2-2  
 Hardware, IP . . . 6-3  
 Headsets . . . 4-23  
 HF-R Adapter . . . 4-49  
 Hot Start . . . 2-12

## I

Identifying Port Location . . . 2-49  
 ILPA-R . . . 4-24  
 Initial PCB Installation . . . 2-41  
 Initial Programming . . . 2-42  
 In-Line Power Adapter . . . 4-24  
 Installation  
   CPU . . . 2-11  
   PCBs . . . 2-2  
 Installing  
   25-Pair Cables . . . 3-2  
   2BRI Interface PCB . . . 2-31  
   2-Button Phone's Wall-Mount Bracket . . . 4-86  
   4COIU-S PCB . . . 2-24  
   4SLIDB-S Daughter Board . . . 2-23  
   4SLIU-S PCB . . . 2-21  
   ADA Adapter . . . 4-32, 4-47  
   ADA2 Adapter . . . 4-35  
   Analog Trunk PCB . . . 2-26  
   APA or APR Adapter . . . 4-38  
   Background Music . . . 4-7  
   BRI Trunks . . . 3-10  
   CO/PBX Lines . . . 3-8  
   Cordless Telephones . . . 3-5  
   CTA Adapter . . . 4-41  
   CTU Adapter . . . 4-44  
   DID Choke . . . 3-13  
   DID Trunks . . . 3-12  
   Direct Inward Dial PCB . . . 2-28  
   Door Box . . . 4-8  
   DSPDBU Daughter Board . . . 2-13  
   DSS Console (110 Button) . . . 4-12  
   DSS Console (24 Button) . . . 4-13  
   ENTU-S . . . 2-16  
   ESIU PCB . . . 2-19  
   Ethernet Interface PCB . . . 2-16  
   Extension Cross-Connect Blocks . . . 3-2  
   Extension or Trunk PCB . . . 2-2  
   Extensions . . . 3-3  
   Extensions and Trunks . . . 3-1  
   External Page System . . . 4-18  
   External Recording System . . . 4-20  
   External Ringer . . . 4-20  
   HF-R Adapter . . . 4-49  
   Initial PCB Installation . . . 2-41  
   Key Telephone . . . 3-3, 6-5

Power Failure Telephones . . . 4-54  
 Single Line Telephones . . . 3-4  
 SMDR . . . 5-4  
 Trunk Cross-Connect Blocks . . . 3-2  
 VoIP Adapter . . . 4-51  
 VoIP PCB . . . 2-37  
 VOIPDB Daughter Board . . . 2-33, 2-39  
 Wall-Mount Handset Bracket . . . 4-80  
 Wall-Mounting the Phone . . . 4-84  
 Installing an Extension or Trunk PCB . . . 2-2  
 Installing the Cabinet . . . 1-1  
 Installing the PCBs . . . 1-14  
 Installing the SLT Adapter . . . 4-58  
 IntraMail . . . 2-32  
 IP Routers  
   Specifications . . . 7-7  
 IP Soft Phone Requirements . . . 7-5  
 IP Station Equipment . . . 4-73  
 IP Telephone  
   H.323 . . . 4-73  
   IPhone . . . 4-73  
 IPhone . . . 4-73  
 ISDN Lines  
   Troubleshooting . . . 3-23

## K

Key Extension Cabling . . . 3-3  
 Key Matrix and LED Test . . . 3-17, 4-76  
 Key Telephone  
   Installing . . . 3-3, 6-5  
 Keypad  
   Positioning the Super Display LCD . . . 4-76  
 Keypad Adapters . . . 4-29  
 Keypad Labeling . . . 4-26

## L

Labeling . . . 4-26  
 Labeling Your Phone . . . 4-26  
 LAN Connection . . . 6-1  
 LAN Connection (ENTU-S) PCB . . . 2-15  
 LAN Devices . . . 6-1  
 LAN Specifications . . . 7-9  
 LANs, Using . . . 6-1  
 LED Indications and Switch Settings . . . 2-8  
 LED Test and Key Matrix . . . 3-17, 4-76  
 Legs  
   Telephone . . . 4-77  
 Line/Trunk Cutdown Sheet . . . 3-14  
 Loop Start Line Cabling . . . 3-8

## M

- Making Test Calls . . . 2-42
- Mechanical Specifications . . . 7-8
- Modules
  - Using . . . 4-29
- MOH . . . 4-27
- MOH/BGM Source Input Specifications . . . 7-9
- Music on Hold . . . 4-27

## O

- Off-Premise Extension PCB, SLT . . . 2-27
- Optional Equipment . . . 4-1
- Optional Modules . . . 4-29

## P

- Page Relays . . . 4-56
- Page, External . . . 4-18
- Part Numbers . . . 7-16
- Parts List . . . 7-16
- Parts List and Specifications . . . 7-1
- PCB
  - 2BRI . . . 2-29
  - 4COIU-S . . . 2-24
  - Analog Station . . . 2-20
  - Analog Station Daughter Board . . . 2-22, 2-39
  - Digital Station . . . 2-17
  - Direct Inward Dial (DID) . . . 2-27
  - DSPDB Daughter Board . . . 2-13
  - LAN Connection (ENTU-S) . . . 2-15
  - Removing an Extension or Trunk PCB . . . 2-4
  - Uninstalling Slot Through Software . . . 2-4
  - VoIP . . . 2-34
- PCB Capacities
  - Aspire S . . . 7-2
- PCB Installation . . . 1-14, 2-2, 2-41
- PCB Layout . . . 2-1
- PCB Location . . . 2-1
- PCB Part Numbers . . . 7-19
- PCB Startup . . . 2-41
- PCBs
  - Installing . . . 1-14
  - Where to Install the PCBs . . . 2-5
- Perform a Software Upgrade . . . 2-12
- Performing a Cold Start . . . 2-12
- Performing a Hot Start . . . 2-12
- Peripheral Station Equipment Part Numbers . . . 7-17
- Phone Adapters . . . 4-29
- Pin-Outs . . . 2-10, 2-16, 2-18, 2-20, 2-22, 2-25, 2-28, 2-36, 4-53
  - 2BRIU-S . . . 2-30
- Port Defaults . . . 2-42

- Port Location, Identifying . . . 2-49
- Ports for APR Adapter . . . 5-3
- Positioning the Phone Legs . . . 4-77
- Power Failure Telephones . . . 4-53
- Power Requirements . . . 7-3
- Powering up the System . . . 2-40
- Precautions . . . 1-1
- Programming
  - Entering . . . 2-42
- Programming for System and Alarm Reports . . . 5-3
- Programming SMDR . . . 5-6
- Programming, Initial . . . 2-42
- PSA-R Adapter . . . 4-47
- PSA-R Adapter, Using . . . 4-48

## Q

- Quitting Test Mode . . . 3-17

## R

- Recording System, External . . . 4-20
- Reinstalling the Front Cover . . . 1-22
- Relays . . . 4-56
- Removing an Extension or Trunk PCB . . . 2-4
- Removing the Adapter Cover . . . 4-30
- Removing the Faceplate . . . 4-26
- Removing the Front Cover . . . 1-2
- Replacing the Faceplate . . . 4-26
- Requirements
  - Environmental . . . 7-3
  - Power . . . 7-3
  - Site . . . 7-3
- Requirements, Environmental . . . 1-2
- Requirements, Site . . . 1-2
- Resetting the System . . . 2-12
- Ringer, External . . . 4-20
- RJ-61 to 66 Block Connections . . . 3-1
- RJ-61 Wiring . . . 3-1
- Routing Cables . . . 3-2

## S

- Saving and Backing Up Your Configuration . . . 2-44
- Securing the Cabinet to a Rack . . . 1-10
- Securing the Cabinet to the Floor . . . 1-4
- Securing the Cabinet to the Wall . . . 1-7
- Setting Up Extension Circuit Types . . . 2-43
- Single Line Extension Cabling . . . 3-4
- Single Line Telephone (DTH-1-1) Specifications . . . 7-9
- Site Requirements . . . 1-2, 7-3
- SLIU PCB / SLIDB Specifications . . . 7-9

- Slots . . . 2-1
- SLT ADAPTER . . . 4-58
- SLT Adapter
  - Installing . . . 4-58
  - Wall-Mounting . . . 4-59
- SLT Adapter Specifications . . . 7-9
- SLT Off-Premise Extension PCB . . . 2-27
- SMDR . . . 5-4
  - Installing . . . 5-4
  - Programming . . . 5-6
- SMDR and Data . . . 5-1
- Soft Phone Requirements . . . 7-5
- Software
  - Using Flash Cards . . . 2-45
- Software, Upgrading . . . 2-45
- Spare Parts . . . 7-22
- Specifications
  - 2PGDAD Module/CPU Input/Output . . . 7-8
  - AC-2R
    - Specifications . . . 7-8
  - Aspire Soft Phone . . . 7-5
  - BGM/MOH Source Input . . . 7-9
  - Cable Requirements . . . 7-13
  - Cabling Requirements . . . 7-13
  - CallAnalyst . . . 7-6
  - Cordless II . . . 7-11
  - Cordless Lite II . . . 7-10
  - Cordless Phone Guidelines . . . 7-10
  - Door Box/External Paging . . . 7-9
  - Electrical . . . 7-4
  - Environmental . . . 7-3
  - IP Routers . . . 7-7
  - LAN . . . 7-9
  - Mechanical . . . 7-8
  - Single Line Telephone (DTH-1-1) . . . 7-9
  - SLIU PCB / SLIDB . . . 7-9
  - SLT Adapter . . . 7-9
- Specifications and Parts List . . . 7-1
- Startup . . . 2-40
- Station Equipment Part Numbers . . . 7-16
- Super Display
  - Positioning the Super Display LCD . . . 4-76
- Super Display Telephone . . . 4-60
- Switch Settings and LED Indications . . . 2-8
- System and Alarm Reports, Programming . . . 5-3
- System Capacities
  - Aspire S . . . 7-1
- System Reset . . . 2-12
- System Specifications . . . 7-1
- System Startup . . . 2-40

## T

- Telephone
  - 22-Button Display Telephone . . . 4-61
  - 22-Button Standard Telephone . . . 4-62
  - 2-Button Telephone . . . 4-62
  - 34-Button Aspire iPhone . . . 4-73
  - 34-Button Display Telephone . . . 4-61
  - 34-Button Super Display Telephone . . . 4-60
  - Cordless Telephone . . . 4-64
  - CT-11 Cordless Telephone . . . 4-63
  - Installing . . . 3-3, 6-5
  - IP Telephone, H.323 . . . 4-73
  - Troubleshooting . . . 3-17
- Telephone Legs . . . 4-77
- Telephone Operation
  - Positioning the Super Display LCD . . . 4-76
- Telephones . . . 4-1
- Test Calls . . . 2-42
- Test Mode
  - Quitting . . . 3-17
- Testing Telephone Operation . . . 3-17
- Troubleshooting . . . 3-16
  - Telephone Operation . . . 3-17
- Troubleshooting Analog Extensions . . . 3-18
- Troubleshooting CO Lines . . . 3-21
- Troubleshooting Digital Extensions . . . 3-16
- Troubleshooting ISDN Lines . . . 3-23
- Trunk Cross-Connect Blocks . . . 3-2
- Trunk/Line Cutdown Sheet . . . 3-14

## U

- UL Listed System . . . 7-11
- Ultra CallAnalyst Requirements . . . 7-6
- Uninstalling a PCB Slot Through Software . . . 2-4
- Unpacking . . . 1-1
- Upgrade Your Software . . . 2-12
- Upgrading System Software . . . 2-45
- Upgrading Your VOIPU Firmware . . . 2-38
- Using
  - PSA-R Adapter . . . 4-48
- Using a DSS Console . . . 4-11
- Using Flash Cards for System Software . . . 2-45
- Using LANs . . . 6-1
- Using Modules . . . 4-29
- Using SMDR . . . 5-4
- Using the In-Line Power Adapter . . . 4-24
- Using the SLT Adapter . . . 4-58
- Using the Telephone Legs . . . 4-77
- Using the Wall-Mount Bracket . . . 4-80

# Index

---

## V

- Voice Mail . . . 2-32
- VoIP (4VOIPU-S) PCB . . . 2-34
- VoIP Adapter . . . 4-51
- VoIP Hardware . . . 6-3
- VSR . . . 4-14

## W

- Wall Mount
  - Installing the 2-Button Phone's Bracket . . . 4-86
  - Installing the Handset Bracket . . . 4-80
- Wall-Mount Bracket . . . 4-80
- Wall-Mounting the Phone . . . 4-84
- Wall-Mounting the SLT Adapter . . . 4-59
- Where to Install the PCBs . . . 2-5
- Wiring RJ-61 Cables to 66 Blocks . . . 3-1

# NEC

NEC Unified Solutions, Inc.  
4 Forest Parkway, Shelton, CT 06484  
Tel: 800-365-1928 Fax: 203-926-5458  
[www.necunifiedsolutions.com](http://www.necunifiedsolutions.com)

## Other Important Telephone Numbers

Sales: .....	.203-926-5450
Customer Service: .....	.203-926-5444
Customer Service FAX: .....	.203-926-5454
Technical Service: .....	.203-925-8801
Discontinued Product Service: .....	.900-990-2541
Technical Training: .....	.203-926-5430
Emergency Technical Service (After Hours) .....	.203-929-7920

(Excludes discontinued products)

# NEC

NEC Unified Solutions, Inc.  
4 Forest Parkway, Shelton, CT 06484  
TEL: 203-926-5400 FAX: 203-929-0535  
[www.necunifiedsolutions.com](http://www.necunifiedsolutions.com)



0893130

July 20, 2005  
Printed in U.S.A.