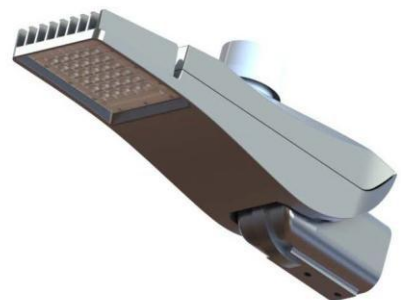


G5 LED Street Light



Features

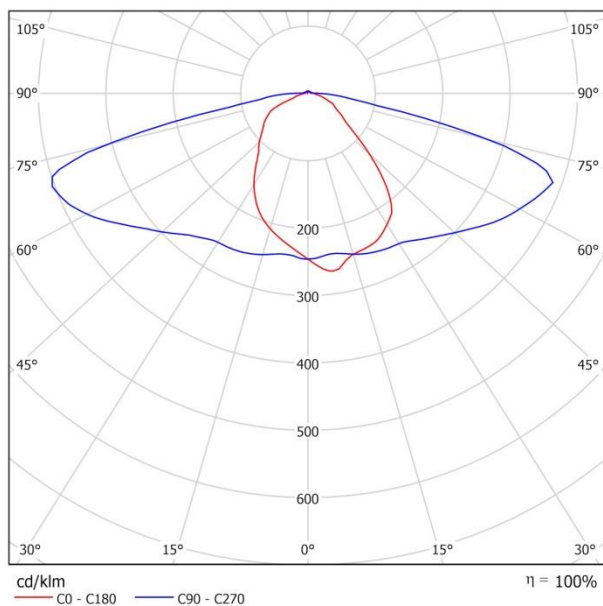
1. Private mold
2. CREE or Nichia LEDs for option
3. High reliability/ efficiency driver with UL/ CE certified
4. Aluminum extrusive heat sink enhances thermal conductivity
5. Patented optical lens reach 95% light transmittance, IP66 Ingress rating
6. Universal mounting hardware design suitable for post top and side entry
7. Tilting mechanism enable fast adjustment on tilt angles from -10 to 10 degree
8. Optional photocell prevents false operation
9. 50,000hrs L70
10. RoHS and CE compliant



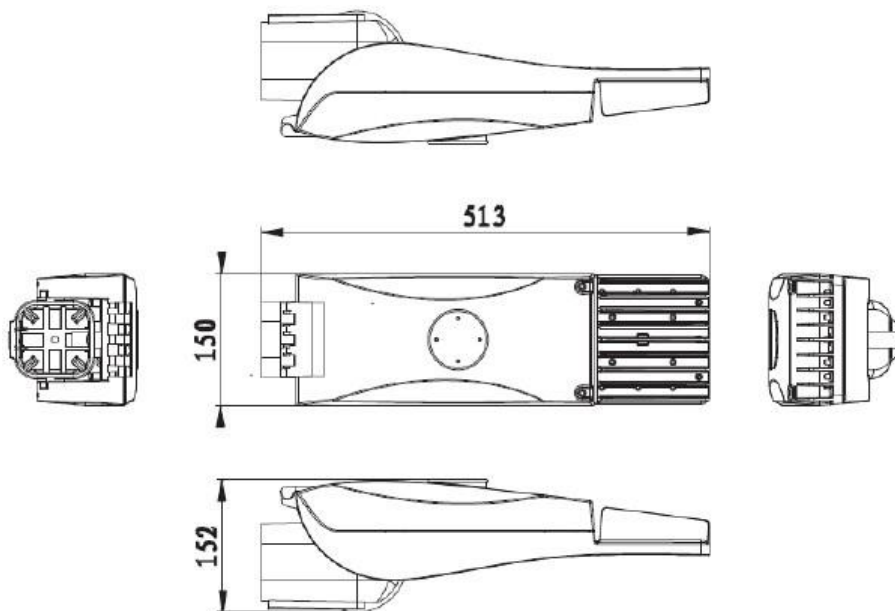
Specification

Model No.	TSL-0703-05	TSL-0704-05	TSL-1005-05	TSL-1006-05	TSL-1507-05	TSL-1508-05
Input Voltage	AC 100-240V					
System power Consumption	30W	40W	50W	60W	70W	80W
Luminaire Initial Flux	3600 lm	4600 lm	5700lm	6800 lm	7700 lm	8800lm
LED	CREE					
Power Factor	>0.9					
Light Distribution	IESNA Type II, short/IESNA Type III, medium					
Ingress Rating	Ip66					
Color Temperature	5000K					
Operating Temperature	-40~50 °C					
N.W	5kg					

Light Distribution



Dimension (unit:mm)



Packing

2pcs LED street light per carton

Carton Size: 585*410*230mm

N.W/CTN: 10kg

G.W/CTN: 11.3kg

Order Information

MOQ: 2 PCS

Lead Time: 10~15 days

Payment Term: T/T, L/C, Western Union

Warranty: 5years

More Pictures

