



### PHONES

(044) 360-7-130  
 (050) 336-0-130  
 (063) 788-0-130  
 (067) 233-0-130  
 (068) 282-0-130

# 130 Internet store of autogoods

COM.UA



ICQ  
 294-0-130  
 597-0-130

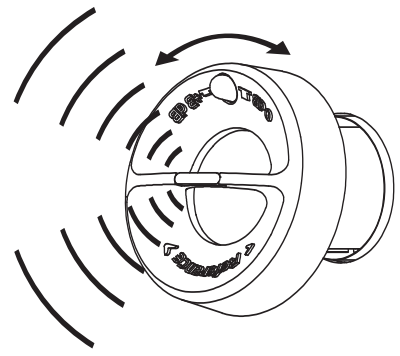
SKYPE  
 km-130

CAR RECEIVERS — Receivers • Media receivers and stations • Native receivers • CD/DVD changers • FM-modulators/USB adapters • Flash memory • Facia plates and adapters • Antennas • Accessories |  
 CAR AUDIO — Car audio speakers • Amplifiers • Subwoofers • Processors • Crossovers • Headphones • Accessories | TRIP COMPUTERS — Universal computers • Model computers • Accessories |  
 GPS NAVIGATORS — Portable GPS • Built-in GPS • GPS modules • GPS trackers • Antennas for GPS navigators • Accessories | VIDEO — DVR • TV sets and monitors • Car TV tuners • Cameras • Videomodules  
 • Transcoders • Car TV antennas • Accessories | SECURITY SYSTEMS — Car alarms • Bike alarms • Mechanical blockers • Immobilizers • Sensors • Accessories | OPTIC AND LIGHT — Xenon • Bixenon • Lamps  
 • LED • Stroboscopes • Optic and Headlights • Washers • Light, rain sensors • Accessories | PARKTRONICS AND MIRRORS — Rear parktronic • Front parktronic • Combined parktronic • Rear-view mirrors  
 • Accessories | HEATING AND COOLING — Seat heaters • Mirrors heaters • Screen-wipers heaters • Engine heaters • Auto-refrigerators • Air conditioning units • Accessories | TUNING — Vibro-isolation  
 • Noise-isolation • Tint films • Accessories | ACCESSORIES — Radar-detectors • Handsfree, Bluetooth • Windowlifters • Compressors • Beeps, loudspeakers • Measuring instruments • Cleaners • Carsits  
 • Miscellaneous | MOUNTING — Installation kits • Upholstery • Grilles • Tubes • Cable and wire • Tools • Miscellaneous | POWER — Batteries • Converters • Start-charging equipment • Capacitors  
 • Accessories | MARINE AUDIO AND ELECTRONICS — Marine receivers • Marine audio speakers • Marine subwoofers • Marine amplifiers • Accessories | CAR CARE PRODUCTS — Additives • Washer fluid •  
 Care accessories • Car polish • Flavors • Adhesives and sealants | LIQUID AND OIL — Motor oil • Transmission oil • Brake fluid • Antifreeze • Technical lubricant

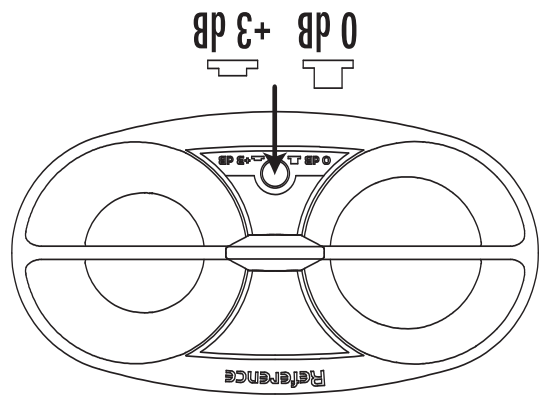


In store "130" you can find and buy almost all necessary goods for your auto in Kyiv and other cities, delivery by ground and postal services. Our experienced consultants will provide you with exhaustive information and help you to chose the very particular thing. We are waiting for you at the address

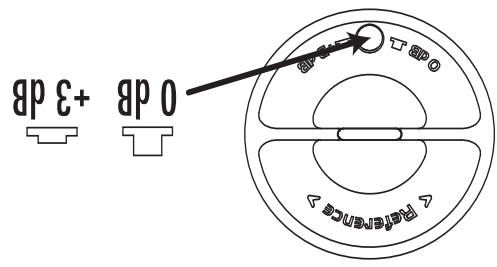
<http://130.com.ua>



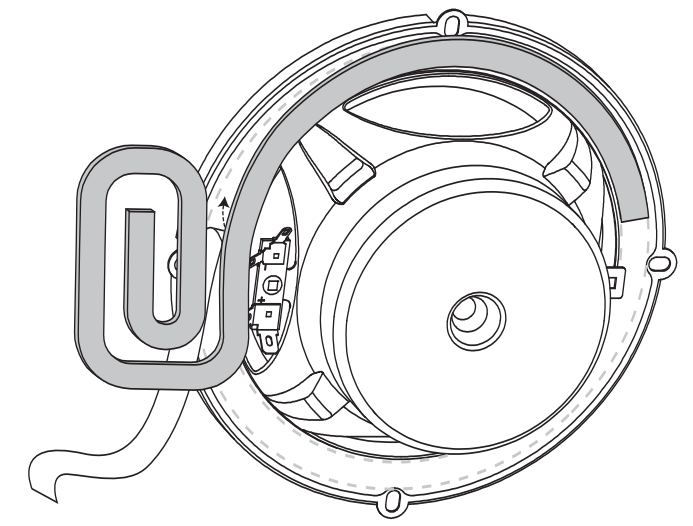
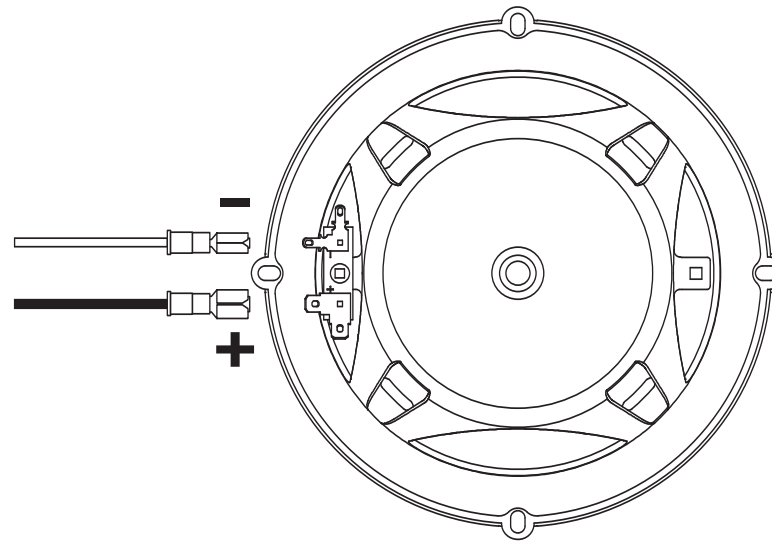
5022i, 6022i, 6022si, 6522i, 6522si, 9622i, 9623i, 8023i, 3022cf



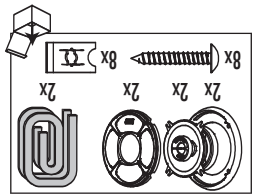
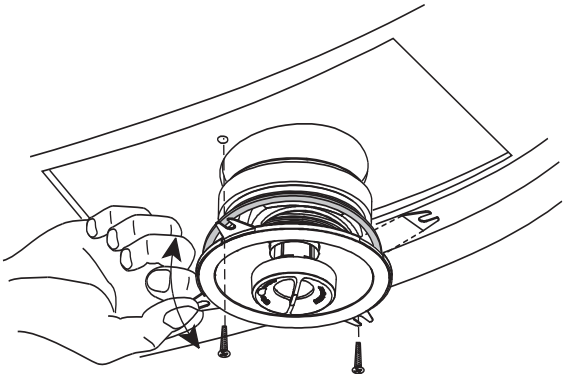
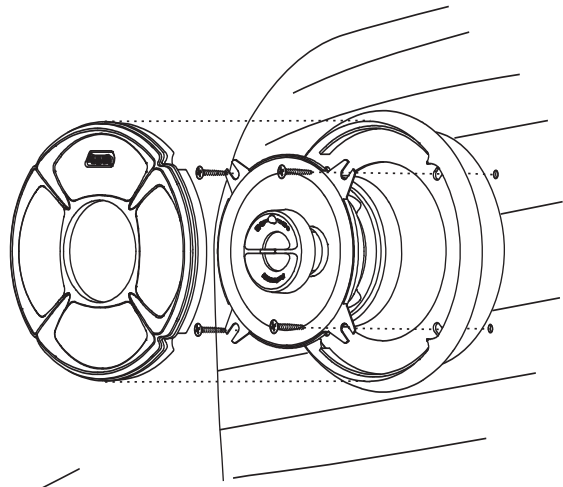
9623i, 8023i



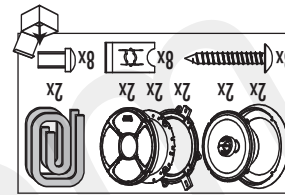
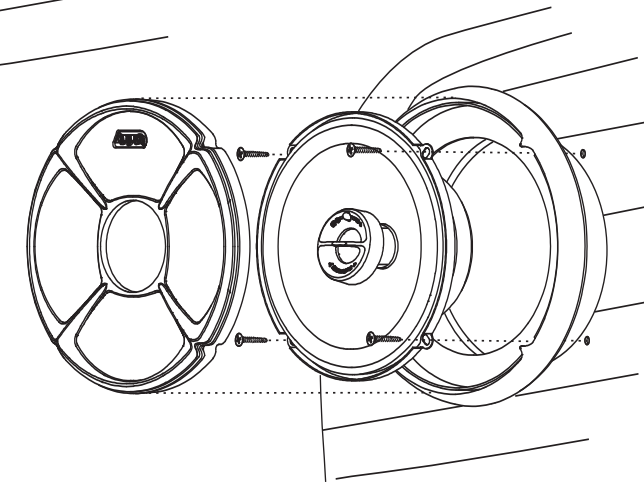
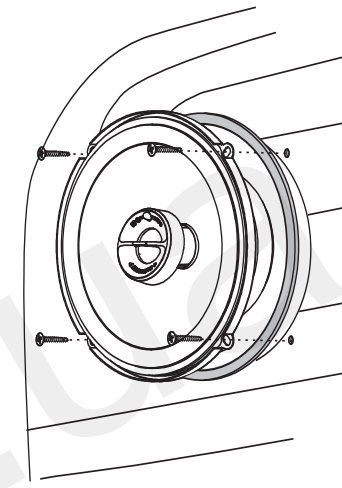
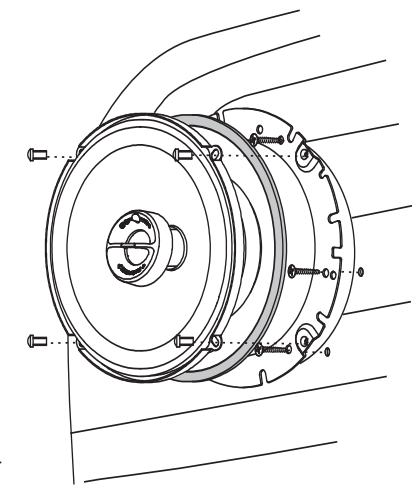
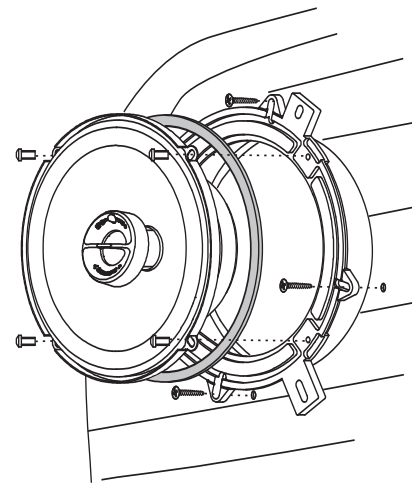
4022i, 5022i, 6022i, 6022si, 6522i, 6522si, 9622i, 9623i, 8023i, 3022cf, 6422cf, 6422cfp, 6822cf



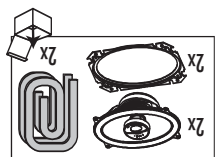
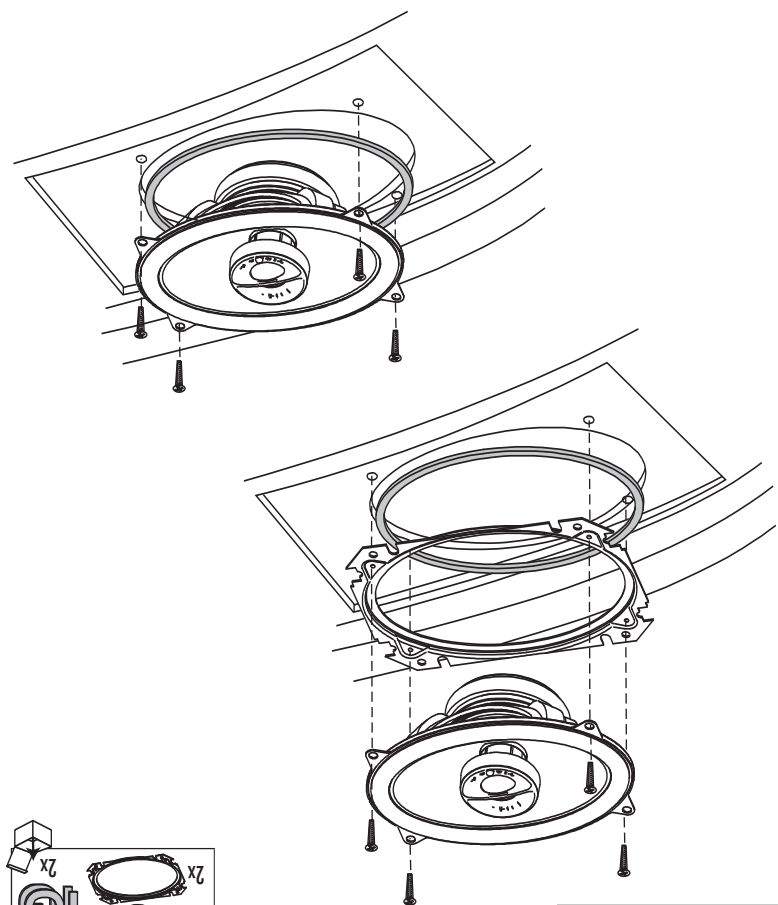
4022i, 5022i, 6022i, 6022si, 6522i, 6522si, 9622i, 9623i, 8023i, 3022cf, 6422cf, 6422cfp, 6822cf



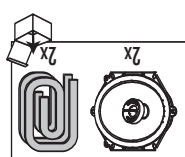
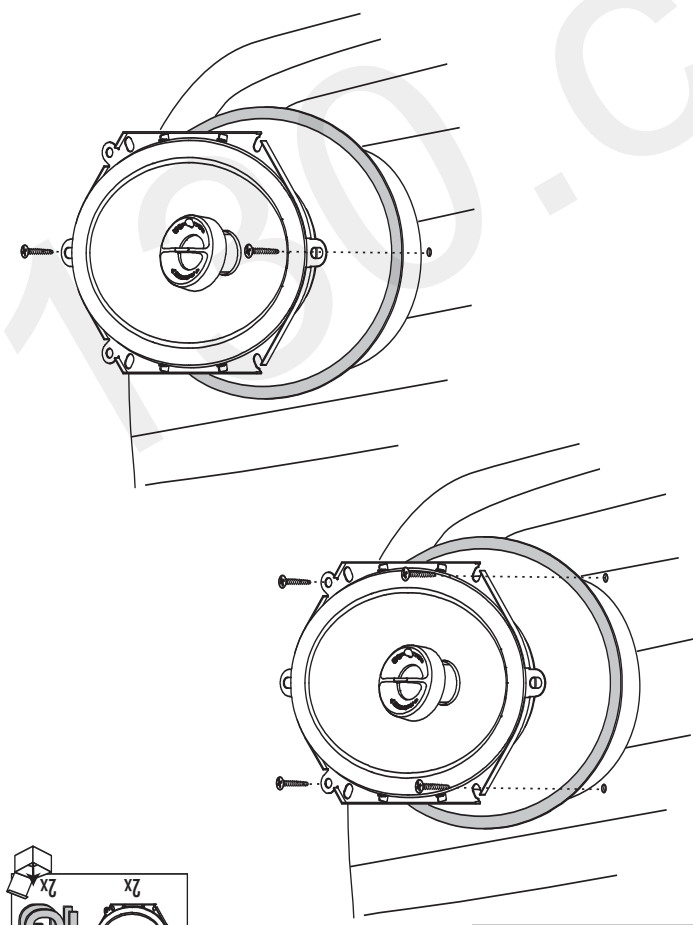
4022i



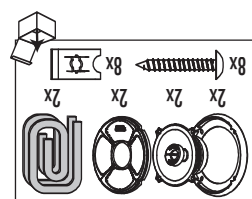
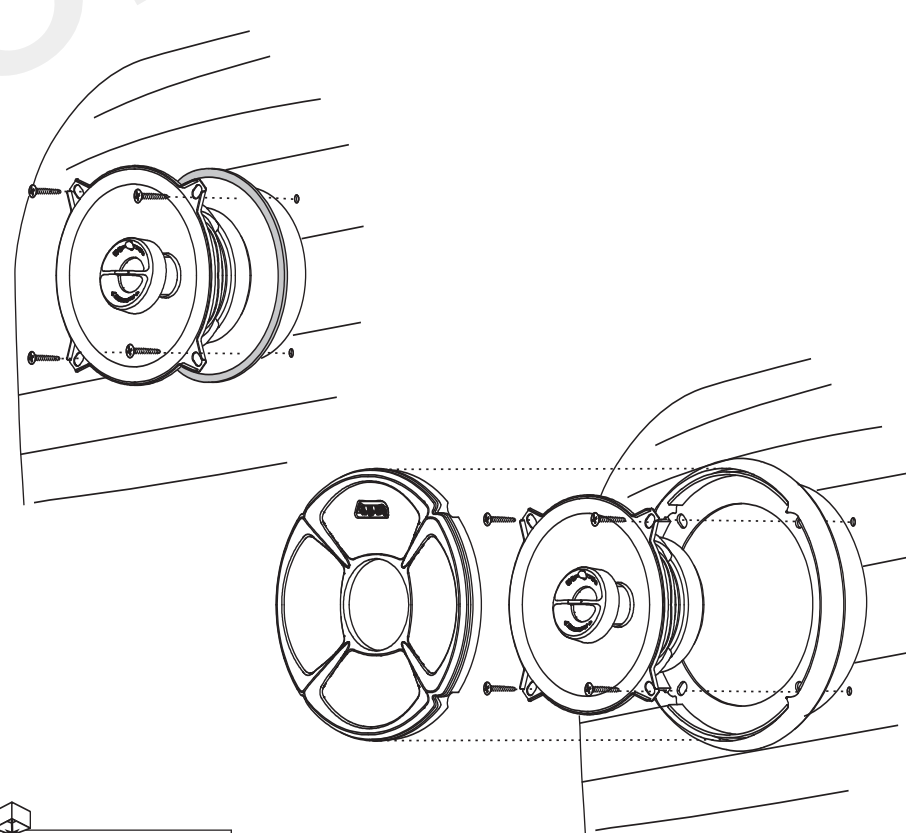
6022i, 6022si



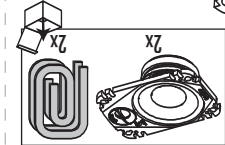
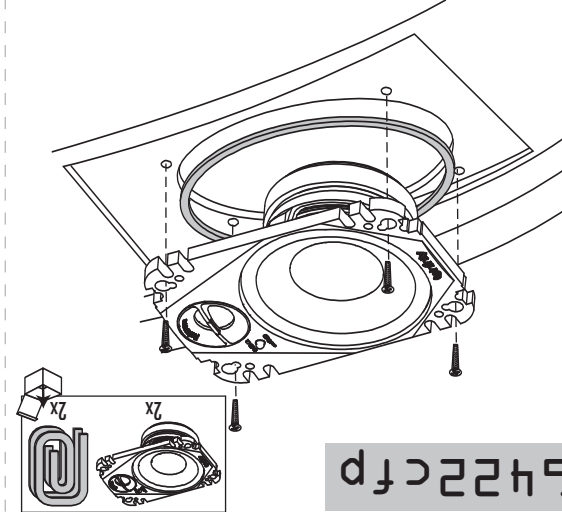
6422cf



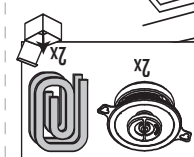
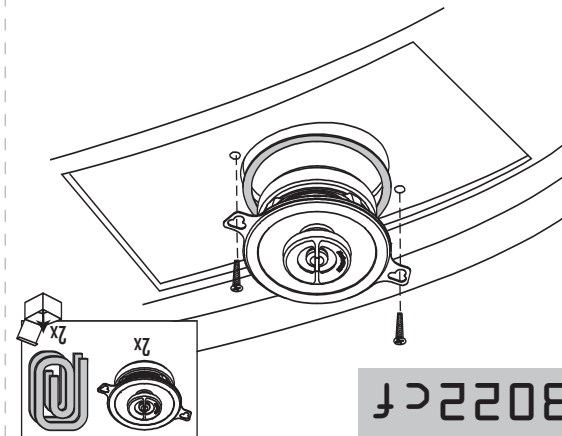
6822cf



5022i, 6022i, 6022si, 6522i, 6522si, 9622i, 9623i, 8023i



6422cfp



3022cf

4022i, 5022i, 6022i, 6022si, 6522i, 6522si, 9622i, 9623i, 8023i, 3022cf, 6422cf, 6422cfp, 6822cf



Infinity

instructions

reference series

Declaration of Conformity  
**CE**  
 We, Harman Consumer Group International  
 2, route de Tours  
 72500 Château du Loir  
 France  
 declare in own responsibility that the products described in this owner's manual  
 are in compliance with technical standards:  
 EN 61000-6-3:2001  
 EN 61000-6-1:2001  
 Klaus Leberherz  
 Harman Consumer Group International  
 Château du Loir, France 10/06

A valid serial number is required for warranty coverage.  
 Features, specifications and appearance are subject to change without notice.  
 This product is designed for mobile applications and is not intended for connection to the mains.  
 Infinity Systems • 2 route de Tours, 72500 Château du Loir, France • www.infinitysystems.com  
 © 2006 Harman International Industries, Incorporated. All rights reserved. Part No. REFME0M10/06  
 Infinity is a trademark of Harman International Industries, Incorporated,  
 registered in the United States and/or other countries.  
**H** A Harman International Company



