



# Security Products

A Division of The Eastern Company



## Product Catalog

– and –

## Price List

**2014**

Version 2

**Reliable Security in a Fast Moving World**

## A Message

### from the Sales & Marketing Manager



Jerry Burhans  
Worldwide Sales & Marketing

“ A Company doesn't last for 130 years by standing still. It endures by reinventing itself, always striving to satisfy its customers, and by winning in the marketplace.

That's the story of CCL Security Products™. We started as a Cabinet Lock company, and 35 years later invented the first resettable brass padlock... and we've never stopped innovating.

Corbin Cabinet Lock was founded in 1882 in New Britain, CT. The company spent 121 years there before moving to its current location in Wheeling, IL in 2003.

While I'm still new to the company, I've long been a fan, growing up with its Sesamee® products. It started in elementary school with Sesamee® and then later in life with the SearchAlert® TSA Lock.

The brands, CCL Security Products™, Sesamee®, Huski, Prestolock and SearchAlert® aren't the only reasons I joined the company. It takes talented and creative people to bring our brands to life every day, all around the world – people who strive to do great things deliver amazing product and win.

I'm proud to be a part of CCL Security Products™ and humbled to have the opportunity to lead it on the next part of its journey. My colleagues and I, at all levels of the company, are committed to driving profits through principles. At the most basic level, we may make Camlocks, Cabinet Locks and Padlocks, but the way we do so enables us to not only grow the company, but to also make a difference.

**Jerry Burhans**  
**Worldwide Sales & Marketing**

# Contents

**Laminated  
Padlocks**  
pages 4-5



**Rekeyable  
Padlocks**  
pages 6-11



**Safety  
Lockout  
Padlocks**  
pages 12-14



**IC  
Padlocks**  
pages 16-20



**Storage  
Locks**  
page 21



**Pin Tumbler  
Padlocks**  
pages 15, 22-23



**Resettable  
Padlocks**  
pages 24-28



**Heavy Duty  
Padlocks  
& Discus**  
pages 29-31



**TSA Travel  
Locks**  
pages 34-37



**Cam Locks**  
pages 38-53



**Drawer & Cabinet  
Locks**  
pages 54-59



**SFIC**  
pages 60-61



**Draw Pull Catches**  
pages 62-65



**Enclosure  
Locks**  
pages 66-67



**Handles**  
pages 68-71



**Sliding Door Locks**  
pages 72-73



**Special  
Purpose**  
pages 74



**Accessories** pages 75-78  
**Displays** page 79



# DIY



43110

### Part Number Diagram

**43000**  
Series  
4

**43000**  
ReKey/NonKey  
2 = ReKeyable/Non-covered  
3 = Non ReKey/Non-covered  
5 = Non ReKey/Covered  
6 = ReKeyable/Covered

**43000**  
Body Width  
0 = 1 1/8" [30mm]  
1 = 1 1/2" [40mm]  
2 = 1 3/4" [44mm]  
3 = 2" [51mm]

**43000**  
Shackle Length  
0 = 9/16" [14mm]  
1 = 3/4" [19mm]  
2 = 1" [25mm]  
3 = 1 1/2" [38mm]  
4 = 2" [51mm]  
5 = 2 1/2" [64mm]

**43000**  
Keyed  
0 = KD  
1 = KA1  
2 = KA2  
3 = KA3  
4 = KA4  
5 = KA5

## 400 Series Laminated Padlocks **NEW** Product Series Pin Tumbler Non-Rekeyable

Part#	Shackle Clearance	Keyed	Body Width	# of Pins	Packaging	Shelf Pack	MSRP
<b>Stock Items:</b>							
43000	9/16" [14mm]	KD	1 1/8" [30mm]	4	Box	12	\$6.99
43001	9/16" [14mm]	KA1-P812	1 1/8" [30mm]	4	Box	12	\$6.99
43002	9/16" [14mm]	KA2-P491	1 1/8" [30mm]	4	Box	12	\$6.99
43003	9/16" [14mm]	KA3-P592	1 1/8" [30mm]	4	Box	12	\$6.99
43004	9/16" [14mm]	KA4-P605	1 1/8" [30mm]	4	Box	12	\$6.99
43005	9/16" [14mm]	KA5-P761	1 1/8" [30mm]	4	Box	12	\$6.99
43030	1 1/2" [38mm]	KD	1 1/8" [30mm]	4	Box	12	\$8.99
43031	1 1/2" [38mm]	KA1-P812	1 1/8" [30mm]	4	Box	12	\$8.99
43032	1 1/2" [38mm]	KA2-P491	1 1/8" [30mm]	4	Box	12	\$8.99
43033	1 1/2" [38mm]	KA3-P592	1 1/8" [30mm]	4	Box	12	\$8.99
43034	1 1/2" [38mm]	KA4-P605	1 1/8" [30mm]	4	Box	12	\$8.99
43035	1 1/2" [38mm]	KA5-P761	1 1/8" [30mm]	4	Box	12	\$8.99
43050	2 1/2" [64mm]	KD	1 1/8" [30mm]	4	Box	12	\$9.99
43051	2 1/2" [64mm]	KA1-P812	1 1/8" [30mm]	4	Box	12	\$9.99
43052	2 1/2" [64mm]	KA2-P491	1 1/8" [30mm]	4	Box	12	\$9.99
43053	2 1/2" [64mm]	KA3-P592	1 1/8" [30mm]	4	Box	12	\$9.99
43054	2 1/2" [64mm]	KA4-P605	1 1/8" [30mm]	4	Box	12	\$9.99
43055	2 1/2" [64mm]	KA5-P761	1 1/8" [30mm]	4	Box	12	\$9.99
43110	3/4" [19mm]	KD	1 1/2" [40mm]	4	Box	12	\$8.99
43111	3/4" [19mm]	KA1-A389	1 1/2" [40mm]	4	Box	12	\$8.99
43112	3/4" [19mm]	KA2-A383	1 1/2" [40mm]	4	Box	12	\$8.99
43113	3/4" [19mm]	KA3-2002	1 1/2" [40mm]	4	Box	12	\$8.99
43114	3/4" [19mm]	KA4-A112	1 1/2" [40mm]	4	Box	12	\$8.99
43115	3/4" [19mm]	KA5-A1384	1 1/2" [40mm]	4	Box	12	\$8.99
43130	1 1/2" [38mm]	KD	1 1/2" [40mm]	4	Box	12	\$11.50
43131	1 1/2" [38mm]	KA1-A389	1 1/2" [40mm]	4	Box	12	\$11.50
43132	1 1/2" [38mm]	KA2-A383	1 1/2" [40mm]	4	Box	12	\$11.50
43133	1 1/2" [38mm]	KA3-2002	1 1/2" [40mm]	4	Box	12	\$11.50
43134	1 1/2" [38mm]	KA4-A112	1 1/2" [40mm]	4	Box	12	\$11.50
43135	1 1/2" [38mm]	KA5-A1384	1 1/2" [40mm]	4	Box	12	\$11.50
43140	2" [51mm]	KD	1 1/2" [40mm]	4	Box	12	\$12.50
43141	2" [51mm]	KA1-A389	1 1/2" [40mm]	4	Box	12	\$12.50
43142	2" [51mm]	KA2-A383	1 1/2" [40mm]	4	Box	12	\$12.50
43143	2" [51mm]	KA3-2002	1 1/2" [40mm]	4	Box	12	\$12.50
43144	2" [51mm]	KA4-A112	1 1/2" [40mm]	4	Box	12	\$12.50
43145	2" [51mm]	KA5-A1384	1 1/2" [40mm]	4	Box	12	\$12.50
43220	1" [25mm]	KD	1 3/4" [44mm]	4	Box	12	\$11.00
43221	1" [25mm]	KA1-A389	1 3/4" [44mm]	4	Box	12	\$11.00
43222	1" [25mm]	KA2-A383	1 3/4" [44mm]	4	Box	12	\$11.00
43223	1" [25mm]	KA3-2002	1 3/4" [44mm]	4	Box	12	\$11.00
43224	1" [25mm]	KA4-A112	1 3/4" [44mm]	4	Box	12	\$11.00
43225	1" [25mm]	KA5-A1384	1 3/4" [44mm]	4	Box	12	\$11.00
43230	1 1/2" [38mm]	KD	1 3/4" [44mm]	4	Box	12	\$12.00

## 400 Series Laminated Padlocks, *continued* **NEW** Product Series

### Pin Tumbler Non-Rekeyable

Part#	Shackle Clearance	Keyed	Body Width	# of Pins	Packaging	Shelf Pack	MSRP
43231	1 1/2" [38mm]	KA1-A389	1 3/4" [44mm]	4	Box	12	\$12.00
43232	1 1/2" [38mm]	KA2-A383	1 3/4" [44mm]	4	Box	12	\$12.00
43233	1 1/2" [38mm]	KA3-2002	1 3/4" [44mm]	4	Box	12	\$12.00
43234	1 1/2" [38mm]	KA4-A112	1 3/4" [44mm]	4	Box	12	\$12.00
43235	1 1/2" [38mm]	KA5-A1384	1 3/4" [44mm]	4	Box	12	\$12.00
43250	2-1/2" [64mm]	KD	1 3/4" [44mm]	4	Box	12	\$13.00
43251	2-1/2" [64mm]	KA1-A389	1 3/4" [44mm]	4	Box	12	\$13.00
43252	2-1/2" [64mm]	KA2-A383	1 3/4" [44mm]	4	Box	12	\$13.00
43253	2-1/2" [64mm]	KA3-2002	1 3/4" [44mm]	4	Box	12	\$13.00
43254	2-1/2" [64mm]	KA4-A112	1 3/4" [44mm]	4	Box	12	\$13.00
43255	2-1/2" [64mm]	KA5-A1384	1 3/4" [44mm]	4	Box	12	\$13.00
43320	1" [25mm]	KD	2" [51mm]	4	Box	12	\$14.00
43321	1" [25mm]	KA1-A389	2" [51mm]	4	Box	12	\$14.00
43322	1" [25mm]	KA2-A383	2" [51mm]	4	Box	12	\$14.00
43323	1" [25mm]	KA3-2002	2" [51mm]	4	Box	12	\$14.00
43324	1" [25mm]	KA4-A112	2" [51mm]	4	Box	12	\$14.00
43325	1" [25mm]	KA5-A1384	2" [51mm]	4	Box	12	\$14.00
43330	1 1/2" [38mm]	KD	2" [51mm]	4	Box	12	\$15.00
43331	1 1/2" [38mm]	KA1-A389	2" [51mm]	4	Box	12	\$15.00
43332	1 1/2" [38mm]	KA2-A383	2" [51mm]	4	Box	12	\$15.00
43333	1 1/2" [38mm]	KA3-2002	2" [51mm]	4	Box	12	\$15.00
43334	1 1/2" [38mm]	KA4-A112	2" [51mm]	4	Box	12	\$15.00
43335	1 1/2" [38mm]	KA5-A1384	2" [51mm]	4	Box	12	\$15.00
43350	2-1/2" [64mm]	KD	2" [51mm]	4	Box	12	\$16.00
43351	2-1/2" [64mm]	KA1-A389	2" [51mm]	4	Box	12	\$16.00
43352	2-1/2" [64mm]	KA2-A383	2" [51mm]	4	Box	12	\$16.00
43353	2-1/2" [64mm]	KA3-2002	2" [51mm]	4	Box	12	\$16.00
43354	2-1/2" [64mm]	KA4-A112	2" [51mm]	4	Box	12	\$16.00
43355	2-1/2" [64mm]	KA5-A1384	2" [51mm]	4	Box	12	\$16.00

Part#	Body Width (A)	D	E	F	pins (pc)
43000-43005	1-1/8" [30mm]	3/16" [5mm]	9/16" [14mm]	9/16" [14mm]	4
43030-43035	1-1/8" [30mm]	3/16" [5mm]	1-1/2" [38mm]	9/16" [14mm]	4
43050-43055	1-1/8" [30mm]	3/16" [5mm]	2-1/2" [64mm]	9/16" [14mm]	4
43110-43115	1-1/2" [40mm]	1/4" [6.3mm]	3/4" [19mm]	4/5" [20mm]	4
43130-43135	1-1/2" [40mm]	1/4" [6.3mm]	1-1/2" [38mm]	4/5" [20mm]	4
43140-43145	1-1/2" [40mm]	1/4" [6.3mm]	2" [51mm]	4/5" [20mm]	4
43220-43225	1-3/4" [44mm]	5/16" [7mm]	1" [25mm]	5/6" [21.5mm]	4
43230-43235	1-3/4" [44mm]	5/16" [7mm]	1-1/2" [38mm]	5/6" [21.5mm]	4
43250-43255	1-3/4" [44mm]	5/16" [7mm]	2-1/2" [64mm]	5/6" [21.5mm]	4
43320-43325	2" [51mm]	3/8" [8.8mm]	1" [25mm]	15/16" [24mm]	4
43330-43335	2" [51mm]	3/8" [8.8mm]	1-1/2" [38mm]	15/16" [24mm]	4
43350-43355	2" [51mm]	3/8" [8.8mm]	2-1/2" [64mm]	15/16" [24mm]	4

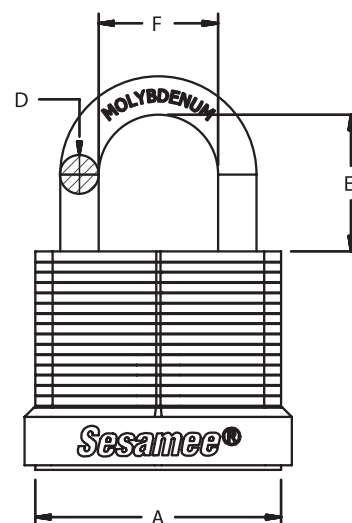
- Commercial grade padlock features superior protection from drilling and prying
- Laminated steel body for superior strength
- Hardened Molybdenum alloy shackle for superior cut resistance
- Dual locking ball bearing provides extra pry resistance
- Non-rekeyable, 4-pin cylinder helps prevent picking
- Product of Taiwan; designed in Wheeling, Illinois
- **Key Blank No.: 430-KB-4PIN-M2 (430 series)**
- **Key Blank No.: 430-KB-4PIN-M1 (420/430 series)**

#### Best Used For:

- Industrial, Storefront & Business Gates
- Tool Cribs
- Construction Sites & Equipment
- Job Boxes & Gang Boxes

#### Made to Order:

- If ordering a Made to Order Key Code please allow for 6 week delivery time
- Made to Order Laminated are ordered with Model Stock# - Code i.e. (43320-A386)



# DIY

## 400 Series Rekeyable Padlocks **NEW** Product Series



42210



### Part Number Diagram

#### 42000

Series  
4

#### 42000

ReKey/NonKey  
2 = ReKeyable/Non-covered

#### 42000

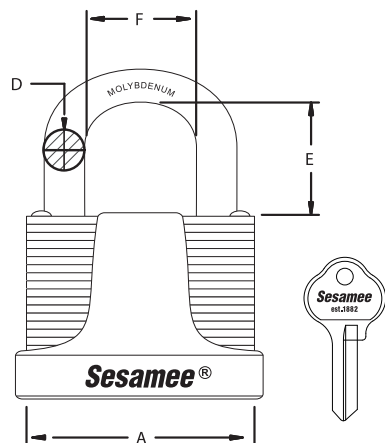
Body Width  
2 = 1 3/4" [44mm]  
3 = 2" [51mm]

#### 42000

Shackle Length  
1 = 1" [25mm]  
3 = 1 1/2" [38mm]  
5 = 2 1/2" [64mm]

#### 42000

Keyed  
0 = KD  
1 = KA1  
6 = KA6



Part#	Shackle Clearance	Keyed	Body Width	Number of Pins	Packaging	Shelf Pack	MSRP
-------	-------------------	-------	------------	----------------	-----------	------------	------

### Stock Items:

42210	1" [25mm]	KD	1-3/4" [44mm]	4	Box	12	\$16.75
42211	1" [25mm]	KA1-A389	1-3/4" [44mm]	4	Box	12	\$16.75
42216	1" [25mm]	KA6-ZERO	1-3/4" [44mm]	4	Box	12	\$16.75
42230	1-1/2 [38mm]	KD	1-3/4" [44mm]	4	Box	12	\$18.25
42231	1-1/2 [38mm]	KA1-A389	1-3/4" [44mm]	4	Box	12	\$18.25
42236	1-1/2 [38mm]	KA6-ZERO	1-3/4" [44mm]	4	Box	12	\$18.25
42250	2-1/2 [64mm]	KD	1-3/4" [44mm]	4	Box	12	\$21.25
42251	2-1/2 [64mm]	KA1-A389	1-3/4" [44mm]	4	Box	12	\$21.25
42256	2-1/2 [64mm]	KA6-ZERO	1-3/4" [44mm]	4	Box	12	\$21.25
42310	1" [25mm]	KD	2" [51mm]	4	Box	12	\$20.25
42311	1" [25mm]	KA1-A389	2" [51mm]	4	Box	12	\$20.25
42316	1" [25mm]	KA6-ZERO	2" [51mm]	4	Box	12	\$20.25
42330	1-1/2 [38mm]	KD	2" [51mm]	4	Box	12	\$21.75
42331	1-1/2 [38mm]	KA1-A389	2" [51mm]	4	Box	12	\$21.75
42336	1-1/2 [38mm]	KA6-ZERO	2" [51mm]	4	Box	12	\$21.75
42350	2-1/2 [64mm]	KD	2" [51mm]	4	Box	12	\$23.25
42351	2-1/2 [64mm]	KA1-A389	2" [51mm]	4	Box	12	\$23.25
42356	2-1/2 [64mm]	KA6-ZERO	2" [51mm]	4	Box	12	\$23.25

- Commercial grade padlock features superior protection from drilling and prying
- Laminated steel body for superior strength
- Hardened Molybdenum alloy shackle for superior cut resistance
- Dual locking levers provide extra pry resistance
- Rekeyable, 4-pin cylinder helps prevent picking
- Drilled 5 pinned 4
- Popular M-1 Keyway
- Product of Taiwan; designed in Wheeling, Illinois
- Key Blank No.: 430-KB-4PIN-M1 (420/430 series)**
- Key Blank No.: 420-KB-5PIN-M16 (420 series)**

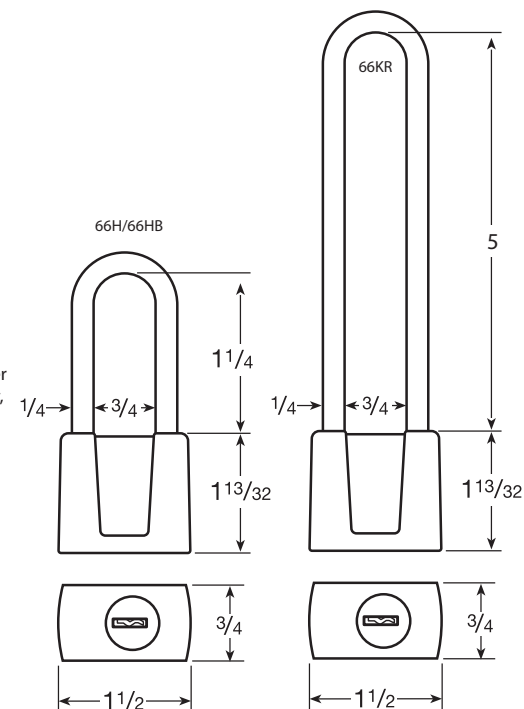
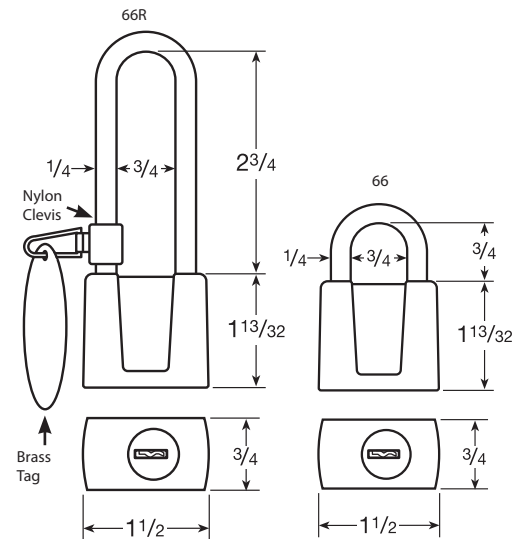
### Best Used For:

- Industrial, Storefront & Business Gates
- Tool Cribs
- Construction Sites & Equipment
- Job Boxes & Gang Boxes

Part#	Body Width (A)	D	E	F	pins (pc)
42210-42216	1-3/4" [44mm]	5/16" [7mm]	1" [25mm]	3/4" [19mm]	4
42230-42236	1-3/4" [44mm]	5/16" [7mm]	1-1/2" [38mm]	3/4" [19mm]	4
42250-42256	1-3/4" [44mm]	5/16" [7mm]	2-1/2" [64mm]	3/4" [19mm]	4
42310-42316	2" [51mm]	3/8" [8.8mm]	1" [25mm]	15/16" [24mm]	4
42330-42336	2" [51mm]	3/8" [8.8mm]	1-1/2" [38mm]	15/16" [24mm]	4
42350-42356	2" [51mm]	3/8" [8.8mm]	2-1/2" [64mm]	15/16" [24mm]	4

## 66 | 66R | 66KR Padlocks Disc Tumbler Rekeyable

Part#	Shackle Clearance	Keyed	Body Width	Number of Discs	MFT PT #	Shelf Pack	Shelf Pack Weight lbs/oz	MSRP
<b>Stock Items:</b>								
66	3/4"	KA CAT 60	1 1/2"	5	00094	10	4/0	\$9.10
66	3/4"	KD AUE	1 1/2"	6	03060	10	4/0	\$9.10
66	3/4"	KD & MK M8003	1 1/2"	6	00103	10	4/0	\$10.20
66	3/4"	KA CAT15	1 1/2"	5	00091	10	4/0	\$9.10
66	3/4"	KA CAT30	1 1/2"	5	00092	10	4/0	\$9.10
66	3/4"	KA AUE1	1 1/2"	6	00090	10	4/0	\$9.10
66	3/4"	KA AUE50	1 1/2"	6	00093	10	4/0	\$9.10
K66	3/4"	KD AUE	1 1/2"	6	00088	8	4/0	\$9.98
<b>Made-To-Order Items:</b>								
66	3/4"		1 1/2"	5/6				\$12.13
66H	1 1/4"		1 1/2"	5/6				\$15.44
66HB*	1 1/4"		1 1/2"	5/6				\$15.44
66K	5"		1 1/2"	5/6				\$15.44
66P	2 3/4"		1 1/2"	5/6				\$15.44
Master Keying Charge								\$4.20
<b>Stock Items:</b>								
66R	2 3/4"	KD AUE	1 1/2"	6	00096	10	4/5	\$12.68
66R	2 3/4"	KD & MK M8003	1 1/2"	6	00098	10	4/5	\$13.78
66R	2 3/4"	KA AUE1	1 1/2"	6	00097	10	4/5	\$12.68
66KR	5"	KD AUE	1 1/2"	6	00099	10	4/5	\$12.68
66KR	5"	KD & MK M8003	1 1/2"	6	00101	10	4/5	\$15.44
66KR	5"	KA AUE1	1 1/2"	6	00100	10	4/5	\$12.68
<b>Made-To-Order Items:</b>								
66R	2 3/4"		1 1/2"	5/6				\$12.68
66KR	5"		1 1/2"	5/6				\$13.78
Clevis & Ring					398F779			\$1.10
Tag					171F252			\$1.10
Master Keying Charge								\$4.20



\* 66H available with breakable shackle for emergency entry. Specify on order using suffix "B" (e.g., 66HB)

- **Material:** Solid pressure cast, textured military green matte finish. Hardened steel, chrome plated shackle.
- **Key Blank No.:** 5865-JVR (5 Disc), 8658-JVR (6 Disc)
- **Regular Key Changes:** 200 (5 Disc), 700 (6 Disc)
- **Master Keying Key Changes:** 180 (5 Disc), 700 (6 Disc)
- **Master Keying:** Available when specified on order
- **Chain:** Available with 2217N steel chain assembly, 9" chain. Specify on order suffix "C" (e.g., 66C).
- **Stock Items:** Made in Taiwan
- **Made-To-Order Items:** Made in the USA

# Commercial

## 500 Series Steel Rekeyable **NEW** Product Series



### Part Number Diagram

<b>55110</b> Series 5	<b>55110</b> Body Material 2 = Steel 3 = Steel/ Shroud 5 = Brass	<b>55110</b> Body Width 1 = 1-1/2" [40mm] 2 = 1-3/4 [45mm] 3 = 2" [51mm]	<b>55110</b> Shackle Clearance 1 = 1" [25mm] 3 = 2" [51mm] 4 = 3" [76mm]	<b>55110</b> Keyed 0 = KD 1 = KA1 2 = KA2 3 = KA3 4 = KA4 5 = KA5
-----------------------------	--	--	--	--

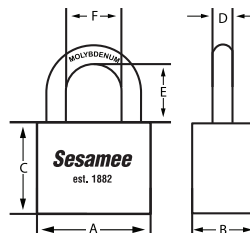
Part#	Body Material	Body Width inch/mm	Shackle Clearance inch/mm	KA/KD	Part Number Diagram						Package	Shelf Pack	Master Pack	MSRP
					A	B	C	D	E	F				
52110	Steel	1 1/2" [40mm]	1" [25mm]	KD	40	19	46	6.3	25	20	Box	6	30	\$18.50
52111	Steel	1 1/2" [40mm]	1" [25mm]	KA1 - 62573	40	19	46	6.3	25	20	Box	6	30	\$18.50
52112	Steel	1 1/2" [40mm]	1" [25mm]	KA2 - 37784	40	19	46	6.3	25	20	Box	6	30	\$18.50
52113	Steel	1 1/2" [40mm]	1" [25mm]	KA3 - 63827	40	19	46	6.3	25	20	Box	6	30	\$18.50
52114	Steel	1 1/2" [40mm]	1" [25mm]	KA4 - 83575	40	19	46	6.3	25	20	Box	6	30	\$18.50
52115	Steel	1 1/2" [40mm]	1" [25mm]	KA5 - 24164	40	19	46	6.3	25	20	Box	6	30	\$18.50
52130	Steel	1 1/2" [40mm]	2" [51mm]	KD	40	19	46	6.3	51	20	Box	6	30	\$20.00
52131	Steel	1 1/2" [40mm]	2" [51mm]	KA1 - 62573	40	19	46	6.3	51	20	Box	6	30	\$20.00
52132	Steel	1 1/2" [40mm]	2" [51mm]	KA2 - 37784	40	19	46	6.3	51	20	Box	6	30	\$20.00
52133	Steel	1 1/2" [40mm]	2" [51mm]	KA3 - 63827	40	19	46	6.3	51	20	Box	6	30	\$20.00
52134	Steel	1 1/2" [40mm]	2" [51mm]	KA4 - 83575	40	19	46	6.3	51	20	Box	6	30	\$20.00
52135	Steel	1 1/2" [40mm]	2" [51mm]	KA5 - 24164	40	19	46	6.3	51	20	Box	6	30	\$20.00
52140	Steel	1 1/2" [40mm]	3" [76mm]	KD	40	19	46	6.3	76	20	Box	6	30	\$21.00
52141	Steel	1 1/2" [40mm]	3" [76mm]	KA1 - 62573	40	19	46	6.3	76	20	Box	6	30	\$21.00
52142	Steel	1 1/2" [40mm]	3" [76mm]	KA2 - 37784	40	19	46	6.3	76	20	Box	6	30	\$21.00
52143	Steel	1 1/2" [40mm]	3" [76mm]	KA3 - 63827	40	19	46	6.3	76	20	Box	6	30	\$21.00
52144	Steel	1 1/2" [40mm]	3" [76mm]	KA4 - 83575	40	19	46	6.3	76	20	Box	6	30	\$21.00
52145	Steel	1 1/2" [40mm]	3" [76mm]	KA5 - 24164	40	19	46	6.3	76	20	Box	6	30	\$21.00
52210	Steel	1 3/4" [45mm]	1" [25mm]	KD	45	19	46	8	25	20	Box	6	30	\$20.00
52211	Steel	1 3/4" [45mm]	1" [25mm]	KA1 - 62573	45	19	46	8	25	20	Box	6	30	\$20.00
52212	Steel	1 3/4" [45mm]	1" [25mm]	KA2 - 37784	45	19	46	8	25	20	Box	6	30	\$20.00
52213	Steel	1 3/4" [45mm]	1" [25mm]	KA3 - 63827	45	19	46	8	25	20	Box	6	30	\$20.00
52214	Steel	1 3/4" [45mm]	1" [25mm]	KA4 - 83575	45	19	46	8	25	20	Box	6	30	\$20.00
52215	Steel	1 3/4" [45mm]	1" [25mm]	KA5 - 24164	45	19	46	8	25	20	Box	6	30	\$20.00
52230	Steel	1 3/4" [45mm]	2" [51mm]	KD	45	19	46	8	51	20	Box	6	30	\$22.00
52231	Steel	1 3/4" [45mm]	2" [51mm]	KA1 - 62573	45	19	46	8	51	20	Box	6	30	\$22.00
52232	Steel	1 3/4" [45mm]	2" [51mm]	KA2 - 37784	45	19	46	8	51	20	Box	6	30	\$22.00
52233	Steel	1 3/4" [45mm]	2" [51mm]	KA3 - 63827	45	19	46	8	51	20	Box	6	30	\$22.00
52234	Steel	1 3/4" [45mm]	2" [51mm]	KA4 - 83575	45	19	46	8	51	20	Box	6	30	\$22.00
52235	Steel	1 3/4" [45mm]	2" [51mm]	KA5 - 24164	45	19	46	8	51	20	Box	6	30	\$22.00
52240	Steel	1 3/4" [45mm]	3" [76mm]	KD	45	19	46	8	76	20	Box	6	30	\$23.00
52241	Steel	1 3/4" [45mm]	3" [76mm]	KA1 - 62573	45	19	46	8	76	20	Box	6	30	\$23.00
52242	Steel	1 3/4" [45mm]	3" [76mm]	KA2 - 37784	45	19	46	8	76	20	Box	6	30	\$23.00
52243	Steel	1 3/4" [45mm]	3" [76mm]	KA3 - 63827	45	19	46	8	76	20	Box	6	30	\$23.00
52244	Steel	1 3/4" [45mm]	3" [76mm]	KA4 - 83575	45	19	46	8	76	20	Box	6	30	\$23.00
52245	Steel	1 3/4" [45mm]	3" [76mm]	KA5 - 24164	45	19	46	8	76	20	Box	6	30	\$23.00



## 500 Series Steel Rekeyable, *continued* **NEW** Product Series

Part#	Body Material	Body Width inch/mm	Shackle Clearance inch/mm	KA/KD							Package	Shelf Pack	Master Pack	MSRP
					A	B	C	D	E	F				
52310	Steel	2" [51mm]	1" [25mm]	KD	15	19	46	9.5	25	20	Box	6	30	\$24.00
52311	Steel	2" [51mm]	1" [25mm]	KA1 - 62573	51	19	46	9.5	25	20	Box	6	30	\$24.00
52312	Steel	2" [51mm]	1" [25mm]	KA2 - 37784	51	19	46	9.5	25	20	Box	6	30	\$24.00
52313	Steel	2" [51mm]	1" [25mm]	KA3 - 63827	51	19	46	9.5	25	20	Box	6	30	\$24.00
52314	Steel	2" [51mm]	1" [25mm]	KA4 - 83575	51	19	46	9.5	25	20	Box	6	30	\$24.00
52315	Steel	2" [51mm]	1" [25mm]	KA5 - 24164	51	19	46	9.5	25	20	Box	6	30	\$24.00
52330	Steel	2" [51mm]	2" [51mm]	KD	51	19	46	9.5	51	20	Box	6	30	\$26.00
52331	Steel	2" [51mm]	2" [51mm]	KA1 - 62573	51	19	46	9.5	51	20	Box	6	30	\$26.00
52332	Steel	2" [51mm]	2" [51mm]	KA2 - 37784	51	19	46	9.5	51	20	Box	6	30	\$26.00
52333	Steel	2" [51mm]	2" [51mm]	KA3 - 63827	51	19	46	9.5	51	20	Box	6	30	\$26.00
52334	Steel	2" [51mm]	2" [51mm]	KA4 - 83575	51	19	46	9.5	51	20	Box	6	30	\$26.00
52335	Steel	2" [51mm]	2" [51mm]	KA5 - 24164	51	19	46	9.5	51	20	Box	6	30	\$26.00
52340	Steel	2" [51mm]	3" [76mm]	KD	51	19	46	9.5	76	20	Box	6	30	\$27.00
52341	Steel	2" [51mm]	3" [76mm]	KA1 - 62573	51	19	46	9.5	76	20	Box	6	30	\$27.00
52342	Steel	2" [51mm]	3" [76mm]	KA2 - 37784	51	19	46	9.5	76	20	Box	6	30	\$27.00
52343	Steel	2" [51mm]	3" [76mm]	KA3 - 63827	51	19	46	9.5	76	20	Box	6	30	\$27.00
52344	Steel	2" [51mm]	3" [76mm]	KA4 - 83575	51	19	46	9.5	76	20	Box	6	30	\$27.00
52345	Steel	2" [51mm]	3" [76mm]	KA5 - 24164	51	19	46	9.5	76	20	Box	6	30	\$27.00
53210	Steel Shrouded	1 3/4" [45mm]	1" [25mm]	KD	45	19	76	8	25	20	Box	6	30	\$35.00
53211	Steel Shrouded	1 3/4" [45mm]	1" [25mm]	KA1 - 62573	45	19	76	8	25	20	Box	6	30	\$35.00
53212	Steel Shrouded	1 3/4" [45mm]	1" [25mm]	KA2 - 37784	45	19	76	8	25	20	Box	6	30	\$35.00
53213	Steel Shrouded	1 3/4" [45mm]	1" [25mm]	KA3 - 63827	45	19	76	8	25	20	Box	6	30	\$35.00
53214	Steel Shrouded	1 3/4" [45mm]	1" [25mm]	KA4 - 83575	45	19	76	8	25	20	Box	6	30	\$35.00
53215	Steel Shrouded	1 3/4" [45mm]	1" [25mm]	KA5 - 24164	45	19	76	8	25	20	Box	6	30	\$35.00
53310	Steel Shrouded	2" [51mm]	1" [25mm]	KD	51	19	76	9.5	25	20	Box	6	30	\$36.00
53311	Steel Shrouded	2" [51mm]	1" [25mm]	KA1 - 62573	51	19	76	9.5	25	20	Box	6	30	\$36.00
53312	Steel Shrouded	2" [51mm]	1" [25mm]	KA2 - 37784	51	19	76	9.5	25	20	Box	6	30	\$36.00
53313	Steel Shrouded	2" [51mm]	1" [25mm]	KA3 - 63827	51	19	76	9.5	25	20	Box	6	30	\$36.00
53314	Steel Shrouded	2" [51mm]	1" [25mm]	KA4 - 83575	51	19	76	9.5	25	20	Box	6	30	\$36.00
53315	Steel Shrouded	2" [51mm]	1" [25mm]	KA5 - 24164	51	19	76	9.5	25	20	Box	6	30	\$36.00

- Solid Steel Quality Chrome & Duplex Nickel Plated Lock Body
- Quality Chrome Plated Molybdenum Shackle
- Patented Quick-Change Shackle Design
- Double Ball Bearing Locking Mechanism
- Rekeyable 5 Pin Brass Cylinder with Anti-Pick Pinning
- Anti-Bumping Cylinder
- All padlocks come Non Key Retaining
- Key retaining set screw included with each lock
- Lock Features American Lock® Keyway
- Product of Taiwan; designed in Wheeling, Illinois



Part#	Body Width (A)	D	E	F
52110-52145	1 1/2" [40mm]	6.3mm	25-51-76mm	20
52210-52245	1 3/4" [45mm]	8.0mm	25-51-76mm	20
52310-52345	2" [51mm]	9.5mm	25-51-76mm	20
53210-53215	1 3/4" [45mm]	8.0mm	25-51-76mm	20
53310-53315	2" [51mm]	9.5mm	25-51-76mm	20



# Commercial

## 500 Series Brass Rekeyable **NEW** Product Series



### Part Number Diagram

**55110** Series  
5

**55110** Body Material  
5 = Brass

**55110** Body Width  
1 = 1-1/2" [40mm]  
2 = 1-3/4" [45mm]  
3 = 2" [51mm]

**55110** Shackle Clearance  
1 = 1" [25mm]  
3 = 2" [51mm]  
4 = 3" [76mm]

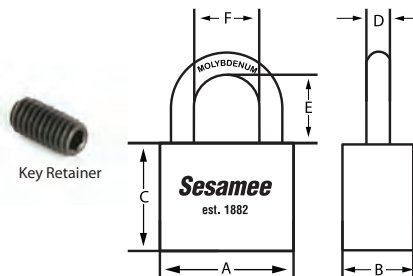
**55110** Keyed  
0 = KD  
1 = KA1  
2 = KA2  
3 = KA3  
4 = KA4  
5 = KA5

Part#	Body Material	Body Width inch/mm	Shackle Clearance inch/mm	KA/KD	Dimensions						Package	Shelf Pack	Master Pack Qty	MSRP
					A	B	C	D	E	F				
55110	Brass	1 1/2" [40mm]	1" [25mm]	KD	40	19	46	6.3	25	20	Box	6	30	\$21.00
55111	Brass	1 1/2" [40mm]	1" [25mm]	KA1 - 62573	40	19	46	6.3	25	20	Box	6	30	\$21.00
55112	Brass	1 1/2" [40mm]	1" [25mm]	KA2 - 37784	40	19	46	6.3	25	20	Box	6	30	\$21.00
55113	Brass	1 1/2" [40mm]	1" [25mm]	KA3 - 63827	40	19	46	6.3	25	20	Box	6	30	\$21.00
55114	Brass	1 1/2" [40mm]	1" [25mm]	KA4 - 83575	40	19	46	6.3	25	20	Box	6	30	\$21.00
55115	Brass	1 1/2" [40mm]	1" [25mm]	KA5 - 24164	40	19	46	6.3	25	20	Box	6	30	\$21.00
55130	Brass	1 1/2" [40mm]	2" [51mm]	KD	40	19	46	6.3	51	20	Box	6	30	\$22.00
55131	Brass	1 1/2" [40mm]	2" [51mm]	KA1 - 62573	40	19	46	6.3	51	20	Box	6	30	\$22.00
55132	Brass	1 1/2" [40mm]	2" [51mm]	KA2 - 37784	40	19	46	6.3	51	20	Box	6	30	\$22.00
55133	Brass	1 1/2" [40mm]	2" [51mm]	KA3 - 63827	40	19	46	6.3	51	20	Box	6	30	\$22.00
55134	Brass	1 1/2" [40mm]	2" [51mm]	KA4 - 83575	40	19	46	6.3	51	20	Box	6	30	\$22.00
55135	Brass	1 1/2" [40mm]	2" [51mm]	KA5 - 24164	40	19	46	6.3	51	20	Box	6	30	\$22.00
55140	Brass	1 1/2" [40mm]	3" [76mm]	KD	40	19	46	6.3	76	20	Box	6	30	\$22.50
55141	Brass	1 1/2" [40mm]	3" [76mm]	KA1 - 62573	40	19	46	6.3	76	20	Box	6	30	\$22.50
55142	Brass	1 1/2" [40mm]	3" [76mm]	KA2 - 37784	40	19	46	6.3	76	20	Box	6	30	\$22.50
55143	Brass	1 1/2" [40mm]	3" [76mm]	KA3 - 63827	40	19	46	6.3	76	20	Box	6	30	\$22.50
55144	Brass	1 1/2" [40mm]	3" [76mm]	KA4 - 83575	40	19	46	6.3	76	20	Box	6	30	\$22.50
55145	Brass	1 1/2" [40mm]	3" [76mm]	KA5 - 24164	40	19	46	6.3	76	20	Box	6	30	\$22.50
55210	Brass	1 3/4" [45mm]	1" [25mm]	KD	45	19	46	8	25	20	Box	6	30	\$23.00
55211	Brass	1 3/4" [45mm]	1" [25mm]	KA1 - 62573	45	19	46	8	25	20	Box	6	30	\$23.00
55212	Brass	1 3/4" [45mm]	1" [25mm]	KA2 - 37784	45	19	46	8	25	20	Box	6	30	\$23.00
55213	Brass	1 3/4" [45mm]	1" [25mm]	KA3 - 63827	45	19	46	8	25	20	Box	6	30	\$23.00
55214	Brass	1 3/4" [45mm]	1" [25mm]	KA4 - 83575	45	19	46	8	25	20	Box	6	30	\$23.00
55215	Brass	1 3/4" [45mm]	1" [25mm]	KA5 - 24164	45	19	46	8	25	20	Box	6	30	\$23.00
55230	Brass	1 3/4" [45mm]	2" [51mm]	KD	45	19	46	8	51	20	Box	6	30	\$25.50
55231	Brass	1 3/4" [45mm]	2" [51mm]	KA1 - 62573	45	19	46	8	51	20	Box	6	30	\$25.50
55232	Brass	1 3/4" [45mm]	2" [51mm]	KA2 - 37784	45	19	46	8	51	20	Box	6	30	\$25.50
55233	Brass	1 3/4" [45mm]	2" [51mm]	KA3 - 63827	45	19	46	8	51	20	Box	6	30	\$25.50
55234	Brass	1 3/4" [45mm]	2" [51mm]	KA4 - 83575	45	19	46	8	51	20	Box	6	30	\$25.50
55235	Brass	1 3/4" [45mm]	2" [51mm]	KA5 - 24164	45	19	46	8	51	20	Box	6	30	\$25.50
55240	Brass	1 3/4" [45mm]	3" [76mm]	KD	45	19	46	8	76	20	Box	6	30	\$26.00
55241	Brass	1 3/4" [45mm]	3" [76mm]	KA1 - 62573	45	19	46	8	76	20	Box	6	30	\$26.00
55242	Brass	1 3/4" [45mm]	3" [76mm]	KA2 - 37784	45	19	46	8	76	20	Box	6	30	\$26.00
55243	Brass	1 3/4" [45mm]	3" [76mm]	KA3 - 63827	45	19	46	8	76	20	Box	6	30	\$26.00

## 500 Series Brass Rekeyable, *continued* **NEW** Product Series

Part#	Body Material	Body Width inch/mm	Shackle Clearance inch/mm	KA/KD							Package	Shelf Pack	Master Pack Qty	MSRP
					A	B	C	D	E	F				
55244	Brass	1 3/4" [45mm]	3" [76mm]	KA4 - 83575	45	19	46	8	76	20	Box	6	30	\$26.00
55245	Brass	1 3/4" [45mm]	3" [76mm]	KA5 - 24164	45	19	46	8	76	20	Box	6	30	\$26.00
55310	Brass	2" [51mm]	1" [25mm]	KD	51	19	46	9.5	25	20	Box	6	30	\$26.00
55311	Brass	2" [51mm]	1" [25mm]	KA1 - 62573	51	19	46	9.5	25	20	Box	6	30	\$26.00
55312	Brass	2" [51mm]	1" [25mm]	KA2 - 37784	51	19	46	9.5	25	20	Box	6	30	\$26.00
55313	Brass	2" [51mm]	1" [25mm]	KA3 - 63827	51	19	46	9.5	25	20	Box	6	30	\$26.00
55314	Brass	2" [51mm]	1" [25mm]	KA4 - 83575	51	19	46	9.5	25	20	Box	6	30	\$26.00
55315	Brass	2" [51mm]	1" [25mm]	KA5 - 24164	51	19	46	9.5	25	20	Box	6	30	\$26.00
55330	Brass	2" [51mm]	2" [51mm]	KD	51	19	46	9.5	51	20	Box	6	30	\$28.00
55331	Brass	2" [51mm]	2" [51mm]	KA1 - 62573	51	19	46	9.5	51	20	Box	6	30	\$28.00
55332	Brass	2" [51mm]	2" [51mm]	KA2 - 37784	51	19	46	9.5	51	20	Box	6	30	\$28.00
55333	Brass	2" [51mm]	2" [51mm]	KA3 - 63827	51	19	46	9.5	51	20	Box	6	30	\$28.00
55334	Brass	2" [51mm]	2" [51mm]	KA4 - 83575	51	19	46	9.5	51	20	Box	6	30	\$28.00
55335	Brass	2" [51mm]	2" [51mm]	KA5 - 24164	51	19	46	9.5	51	20	Box	6	30	\$28.00
55340	Brass	2" [51mm]	3" [76mm]	KD	51	19	46	9.5	76	20	Box	6	30	\$29.00
55341	Brass	2" [51mm]	3" [76mm]	KA1 - 62573	51	19	46	9.5	76	20	Box	6	30	\$29.00
55342	Brass	2" [51mm]	3" [76mm]	KA2 - 37784	51	19	46	9.5	76	20	Box	6	30	\$29.00
55343	Brass	2" [51mm]	3" [76mm]	KA3 - 63827	51	19	46	9.5	76	20	Box	6	30	\$29.00
55344	Brass	2" [51mm]	3" [76mm]	KA4 - 83575	51	19	46	9.5	76	20	Box	6	30	\$29.00
55345	Brass	2" [51mm]	3" [76mm]	KA5 - 24164	51	19	46	9.5	76	20	Box	6	30	\$29.00

- Brass Lock Body
- Quality Chrome Plated Molybdenum Shackle
- Patented Quick-Change Shackle Design
- Double Ball Bearing Locking Mechanism
- Rekeyable 5 Pin Brass Cylinder with Anti-Pick Pinning
- Anti-Bumping Cylinder
- All padlocks come Non Key Retaining
- Key retaining set screw included with each lock
- Lock Features American Lock® Keyway
- Product of Taiwan; designed in Wheeling, Illinois



Part#	Body Width (A)	D	E	F
55110-55145	1 1/2" [40mm]	6.3mm	25-51-76mm	20
55210-55245	1 3/4" [45mm]	8.0mm	25-51-76mm	20
55310-55345	2" [51mm]	9.5mm	25-51-76mm	20



# Commercial

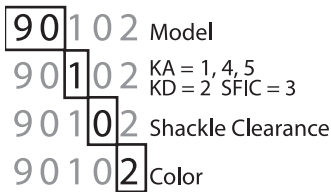
NEW Product Series

## 900 Series Aluminum Safety Lockout Padlocks



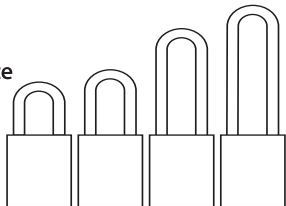
90113

### Part Number Diagram



### Shackle Clearance

- 1" ..... 1
- 1-1/2" ..... 2
- 3" ..... 4
- 4" ..... 5



### Color

- 1 2 3 4 5 6 7 8 9  
 Silver, Red, Black, Blue, Green, Yellow, Orange, Brown, Purple

### Cross Reference

Base Model	Shackle Clearance	American Lock®	Master Lock®
9001	1"	1105	6835
9002	1-1/2"	1106	6835 LF
9004	3"	1107	6835LT
9005	4"	N/A	N/A
9031	1"	3105	6836
9032	1-1/2"	3106	6836LF
9034	3"	3107	6836LT
9035	4"	N/A	N/A

Part#	Color	Width	Shackle Clearance	Shackle Width	Keyed	Shelf Pack	MSRP
90111	Silver	1-1/2"	1"	3/4"	KA	6	\$13.70
90112	Red	1-1/2"	1"	3/4"	KA	6	\$13.70
90113	Black	1-1/2"	1"	3/4"	KA	6	\$13.70
90114	Blue	1-1/2"	1"	3/4"	KA	6	\$13.70
90115	Green	1-1/2"	1"	3/4"	KA	6	\$13.70
90116	Yellow	1-1/2"	1"	3/4"	KA	6	\$13.70
90117	Orange	1-1/2"	1"	3/4"	KA	6	\$13.70
90118	Brown	1-1/2"	1"	3/4"	KA	6	\$13.70
90119	Purple	1-1/2"	1"	3/4"	KA	6	\$13.70
90211	Silver	1-1/2"	1"	3/4"	KD	6	\$13.70
90212	Red	1-1/2"	1"	3/4"	KD	6	\$13.70
90213	Black	1-1/2"	1"	3/4"	KD	6	\$13.70
90214	Blue	1-1/2"	1"	3/4"	KD	6	\$13.70
90215	Green	1-1/2"	1"	3/4"	KD	6	\$13.70
90216	Yellow	1-1/2"	1"	3/4"	KD	6	\$13.70
90217	Orange	1-1/2"	1"	3/4"	KD	6	\$13.70
90218	Brown	1-1/2"	1"	3/4"	KD	6	\$13.70
90219	Purple	1-1/2"	1"	3/4"	KD	6	\$13.70
90121	Silver	1-1/2"	1-1/2"	3/4"	KA	6	\$15.00
90122	Red	1-1/2"	1-1/2"	3/4"	KA	6	\$15.00
90123	Black	1-1/2"	1-1/2"	3/4"	KA	6	\$15.00
90124	Blue	1-1/2"	1-1/2"	3/4"	KA	6	\$15.00
90125	Green	1-1/2"	1-1/2"	3/4"	KA	6	\$15.00
90126	Yellow	1-1/2"	1-1/2"	3/4"	KA	6	\$15.00
90127	Orange	1-1/2"	1-1/2"	3/4"	KA	6	\$15.00
90128	Brown	1-1/2"	1-1/2"	3/4"	KA	6	\$15.00
90129	Purple	1-1/2"	1-1/2"	3/4"	KA	6	\$15.00
90221	Silver	1-1/2"	1-1/2"	3/4"	KD	6	\$15.00
90222	Red	1-1/2"	1-1/2"	3/4"	KD	6	\$15.00
90223	Black	1-1/2"	1-1/2"	3/4"	KD	6	\$15.00
90224	Blue	1-1/2"	1-1/2"	3/4"	KD	6	\$15.00
90225	Green	1-1/2"	1-1/2"	3/4"	KD	6	\$15.00
90226	Yellow	1-1/2"	1-1/2"	3/4"	KD	6	\$15.00
90227	Orange	1-1/2"	1-1/2"	3/4"	KD	6	\$15.00
90228	Brown	1-1/2"	1-1/2"	3/4"	KD	6	\$15.00
90229	Purple	1-1/2"	1-1/2"	3/4"	KD	6	\$15.00
90141	Silver	1-1/2"	3"	3/4"	KA	6	\$16.00
90142	Red	1-1/2"	3"	3/4"	KA	6	\$16.00
90143	Black	1-1/2"	3"	3/4"	KA	6	\$16.00
90144	Blue	1-1/2"	3"	3/4"	KA	6	\$16.00
90145	Green	1-1/2"	3"	3/4"	KA	6	\$16.00
90146	Yellow	1-1/2"	3"	3/4"	KA	6	\$16.00
90147	Orange	1-1/2"	3"	3/4"	KA	6	\$16.00
90148	Brown	1-1/2"	3"	3/4"	KA	6	\$16.00
90149	Purple	1-1/2"	3"	3/4"	KA	6	\$16.00
90241	Silver	1-1/2"	3"	3/4"	KD	6	\$16.00
90242	Red	1-1/2"	3"	3/4"	KD	6	\$16.00
90243	Black	1-1/2"	3"	3/4"	KD	6	\$16.00
90244	Blue	1-1/2"	3"	3/4"	KD	6	\$16.00
90245	Green	1-1/2"	3"	3/4"	KD	6	\$16.00
90246	Yellow	1-1/2"	3"	3/4"	KD	6	\$16.00
90247	Orange	1-1/2"	3"	3/4"	KD	6	\$16.00
90248	Brown	1-1/2"	3"	3/4"	KD	6	\$16.00
90249	Purple	1-1/2"	3"	3/4"	KD	6	\$16.00
90151	Silver	1-1/2"	4"	3/4"	KA	6	\$17.00

## 900 Series Aluminum Safety Lockout Padlocks, *continued*

Part#	Color	Width	Shackle Clearance	Shackle Width	Keyed	Shelf Pack	MSRP
90152	Red	1-1/2"	4"	3/4"	KA	6	\$17.00
90153	Black	1-1/2"	4"	3/4"	KA	6	\$17.00
90154	Blue	1-1/2"	4"	3/4"	KA	6	\$17.00
90155	Green	1-1/2"	4"	3/4"	KA	6	\$17.00
90156	Yellow	1-1/2"	4"	3/4"	KA	6	\$17.00
90157	Orange	1-1/2"	4"	3/4"	KA	6	\$17.00
90158	Brown	1-1/2"	4"	3/4"	KA	6	\$17.00
90159	Purple	1-1/2"	4"	3/4"	KA	6	\$17.00
90251	Silver	1-1/2"	4"	3/4"	KD	6	\$17.00
90252	Red	1-1/2"	4"	3/4"	KD	6	\$17.00
90253	Black	1-1/2"	4"	3/4"	KD	6	\$17.00
90254	Blue	1-1/2"	4"	3/4"	KD	6	\$17.00
90255	Green	1-1/2"	4"	3/4"	KD	6	\$17.00
90256	Yellow	1-1/2"	4"	3/4"	KD	6	\$17.00
90257	Orange	1-1/2"	4"	3/4"	KD	6	\$17.00
90258	Brown	1-1/2"	4"	3/4"	KD	6	\$17.00
90259	Purple	1-1/2"	4"	3/4"	KD	6	\$17.00
90311	Silver	1-1/2"	1"	3/4"	SFIC	6	\$13.70
90312	Red	1-1/2"	1"	3/4"	SFIC	6	\$13.70
90313	Black	1-1/2"	1"	3/4"	SFIC	6	\$13.70
90314	Blue	1-1/2"	1"	3/4"	SFIC	6	\$13.70
90315	Green	1-1/2"	1"	3/4"	SFIC	6	\$13.70
90316	Yellow	1-1/2"	1"	3/4"	SFIC	6	\$13.70
90317	Orange	1-1/2"	1"	3/4"	SFIC	6	\$13.70
90318	Brown	1-1/2"	1"	3/4"	SFIC	6	\$13.70
90319	Purple	1-1/2"	1"	3/4"	SFIC	6	\$13.70
90321	Silver	1-1/2"	1-1/2"	3/4"	SFIC	6	\$15.00
90322	Red	1-1/2"	1-1/2"	3/4"	SFIC	6	\$15.00
90323	Black	1-1/2"	1-1/2"	3/4"	SFIC	6	\$15.00
90324	Blue	1-1/2"	1-1/2"	3/4"	SFIC	6	\$15.00
90325	Green	1-1/2"	1-1/2"	3/4"	SFIC	6	\$15.00
90326	Yellow	1-1/2"	1-1/2"	3/4"	SFIC	6	\$15.00
90327	Orange	1-1/2"	1-1/2"	3/4"	SFIC	6	\$15.00
90328	Brown	1-1/2"	1-1/2"	3/4"	SFIC	6	\$15.00
90329	Purple	1-1/2"	1-1/2"	3/4"	SFIC	6	\$15.00
90341	Silver	1-1/2"	3"	3/4"	SFIC	6	\$16.00
90342	Red	1-1/2"	3"	3/4"	SFIC	6	\$16.00
90343	Black	1-1/2"	3"	3/4"	SFIC	6	\$16.00
90344	Blue	1-1/2"	3"	3/4"	SFIC	6	\$16.00
90345	Green	1-1/2"	3"	3/4"	SFIC	6	\$16.00
90346	Yellow	1-1/2"	3"	3/4"	SFIC	6	\$16.00
90347	Orange	1-1/2"	3"	3/4"	SFIC	6	\$16.00
90348	Brown	1-1/2"	3"	3/4"	SFIC	6	\$16.00
90349	Purple	1-1/2"	3"	3/4"	SFIC	6	\$16.00
90351	Silver	1-1/2"	4"	3/4"	SFIC	6	\$17.00
90352	Red	1-1/2"	4"	3/4"	SFIC	6	\$17.00
90353	Black	1-1/2"	4"	3/4"	SFIC	6	\$17.00
90354	Blue	1-1/2"	4"	3/4"	SFIC	6	\$17.00
90355	Green	1-1/2"	4"	3/4"	SFIC	6	\$17.00
90356	Yellow	1-1/2"	4"	3/4"	SFIC	6	\$17.00
90357	Orange	1-1/2"	4"	3/4"	SFIC	6	\$17.00
90358	Brown	1-1/2"	4"	3/4"	SFIC	6	\$17.00
90359	Purple	1-1/2"	4"	3/4"	SFIC	6	\$17.00
99760	<b>Accessory</b> Key Retainer for SFIC Models				SFIC	25	\$3.50
99900	<b>Accessory</b> Key Retainer			25 shelf pack / 100 Master Carton			\$2.50



90116



90115



90117



90114

- **Specifications:**
    - 1- 1/2" Aluminum Body; 1/4" Diam Shackle;
    - 25/32" Horiz Shackle Spread; 3/4" Body Thickness
  - Solid Anodized Aluminum Lock Body
  - Quality Chrome Plated Hardened Steel Shackle
  - Patented Quick-Change Shackle Design
  - All KA and KD come Non Key Retaining
  - Features American® Keyway 5 pin cylinder
  - Double Ball Bearing Locking Mechanism
  - 4 shackle sizes; spare shackles ordered separately
  - Nine Colors and engraving available
  - Product of Taiwan; designed in Wheeling, Illinois
- Best Used For:**
- Maritime, Agriculture, Oil & Gas, Construction, Food Service

# Commercial

## 910 Series Thermoplastic Safety Lockout Padlocks

NEW Product Series



91123



Part#	Color	Width	Shackle Clearance	Keyed	Shelf Pack	MSRP
91120	Teal	1 1/2"	1 1/2"	KA	6	\$14.20
91122	Red	1 1/2"	1 1/2"	KA	6	\$14.20
91123	Black	1 1/2"	1 1/2"	KA	6	\$14.20
91124	Blue	1 1/2"	1 1/2"	KA	6	\$14.20
91125	Green	1 1/2"	1 1/2"	KA	6	\$14.20
91126	Yellow	1 1/2"	1 1/2"	KA	6	\$14.20
91127	Orange	1 1/2"	1 1/2"	KA	6	\$14.20
91129	Purple	1 1/2"	1 1/2"	KA	6	\$14.20
91220	Teal	1 1/2"	1 1/2"	KD	6	\$14.20
91222	Red	1 1/2"	1 1/2"	KD	6	\$14.20
91223	Black	1 1/2"	1 1/2"	KD	6	\$14.20
91224	Blue	1 1/2"	1 1/2"	KD	6	\$14.20
91225	Green	1 1/2"	1 1/2"	KD	6	\$14.20
91226	Yellow	1 1/2"	1 1/2"	KD	6	\$14.20
91227	Orange	1 1/2"	1 1/2"	KD	6	\$14.20
91229	Purple	1 1/2"	1 1/2"	KD	6	\$14.20

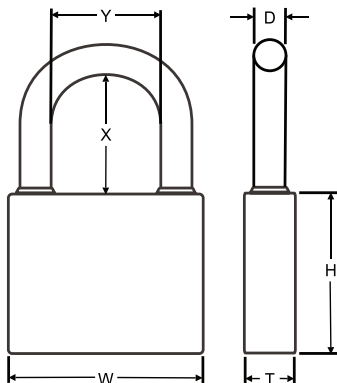
- 1-1/2" (3.8cm) wide 1-3/4" (4.4cm) tall Thermoplastic black body, shackle w/1-1/2" (3.8cm) clearance
- Designed exclusively for Lockout/Tagout applications
- Durable, lightweight, non-conductive Thermoplastic lock body
- Customize on-site with permanent, write-on labels
- Compliance with OSHA "one employee, one lock, one key directive"
- High security, reserved-for-safety cylinder
- Key retaining ensures that padlock is not left unlocked
- English, Spanish and French labels included
- Keyed different 6-pin tumbler cylinder
- Commercial boxed packaging, shelf pack qty 6, master carton qty 36



91120 91122 91124 91125 91126 91127 91129

### Part Number Diagram

91120 Model  
91120 KA = 1 KD = 2  
91120 Shackle Clearance 1 1/2"  
91120 Color 0 2 3 4 5 6 7 9  
 Teal, Red, Black, Blue, Green, Yellow, Orange, Purple



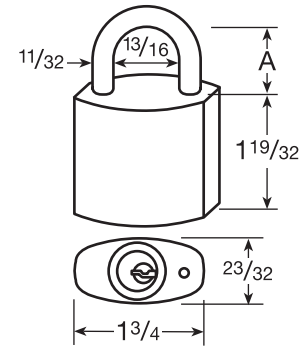
DIMENSION (inch/mm)					
Lock Body			Shackle		
W	H	T	D	X	Y
1 1/2"	3/4"	1 3/4"	1/4"	1 1/2"	3/4"
38	19	44	6.35	38	19

## 906 Padlocks Pin Tumbler Solid Brass

Part#	Shackle Clearance	Shackle Material	Keyed	Body Width	# of Pins	MFT PT #	Shelf Pack	MSRP
906	13/16"	Hardened Steel, Chrome Plated	KD	1 3/4"	5/6	02112	10	\$44.10
906	13/16"	Hardened Steel, Chrome Plated	KA2A36485	1 3/4"	5/6	00140	10	\$44.10
<b>Made-To-Order Items:</b>								
906	13/16"	Hardened Steel, Chrome Plated		1 3/4"	5/6			\$44.10
0906	13/16"	Solid Brass		1 3/4"	5/6			\$45.15
906S	1 1/4"	Hardened Steel, Chrome Plated		1 3/4"	5/6			\$45.15
0906S	1 1/4"	Solid Brass		1 3/4"	5/6			\$46.20
906W	1 3/4"	Hardened Steel, Chrome Plated		1 3/4"	5/6			\$44.10
0906W	1 3/4"	Solid Brass		1 3/4"	5/6			\$45.15
906H	2 1/2"	Hardened Steel, Chrome Plated		1 3/4"	5/6			\$46.20
0906H	2 1/2"	Solid Brass		1 3/4"	5/6			\$48.30
0906L	1 1/2"	Solid Brass		1 3/4"	5/6			\$46.20
Master Key Charge								\$4.20



906



- **Standard Keyway:** AR. Other keyways available.
- **Number of pin tumblers:** 5
- **Regular key changes:** all different
- **Master Keying:** Available masterkeyed when specified on order.
- **Chain:** can be furnished with 9-inch chain. Steel shackle with 2223N chain assembly. Brass shackle with 02223N chain assembly. Suffix "C" to number on order, i.e. 9-6C.
- **Special Stamping:** Available with case stamped to customer requirements when so ordered.
- **Unassembled padlocks:** Available in this series.

### 9-inch Chain Assemblies for CCL Padlocks

Number	Used with Padlock Series	Material	For Shackle Diameter	Weight per pack of 10 (lbs./oz.)
2217N	904, 436, 437, 500, 95, 66	Steel, zinc plated	0.312	0/8
02217N	0904, 0436, 0437	Brass, dipped	0.312	0/8
2223N	906	Steel, zinc plated	0.375	0/10
02223N	0906	Brass, dipped	0.375	0/10

# Commercial

## 560 Series 1 3/4" LFIC Schlage® **NEW** Product Series Interchangeable Core Padlocks w/o Core



56012 front



56012 back



56012

Part#	Shackle Clearance	Body Width	Shackle Material	Shelf Pack	Master Carton	MSRP
-------	-------------------	------------	------------------	------------	---------------	------

### 560 Series 1 3/4" LFIC Schlage® Brass Interchangeable Core Padlocks w/o Core

56010	3/4"	1 3/4"	Moly	6	30	\$27.83
56011	1"	1 3/4"	Moly	6	30	\$28.88
56012	1 1/2"	1 3/4"	Moly	6	30	\$29.93
56013	2"	1 3/4"	Moly	6	30	\$30.98
56014	3"	1 3/4"	Moly	6	30	\$32.03
56020	3/4"	1 3/4"	Brass	6	30	\$29.40
56021	1"	1 3/4"	Brass	6	30	\$30.45
56022	1 1/2"	1 3/4"	Brass	6	30	\$31.50
56023	2"	1 3/4"	Brass	6	30	\$32.55
56024	3"	1 3/4"	Brass	6	30	\$33.60
56030	3/4"	1 3/4"	SS	6	30	\$29.40
56031	1"	1 3/4"	SS	6	30	\$30.45
56032	1 1/2"	1 3/4"	SS	6	30	\$31.50
56033	2"	1 3/4"	SS	6	30	\$32.55
56034	3"	1 3/4"	SS	6	30	\$33.60

### 561 Series 1 3/4" LFIC Schlage® Chrome Plated Brass Interchangeable Core Padlocks w/o Core

56110	3/4"	1 3/4"	Moly	6	30	\$28.35
56111	1"	1 3/4"	Moly	6	30	\$28.88
56112	1 1/2"	1 3/4"	Moly	6	30	\$29.40
56113	2"	1 3/4"	Moly	6	30	\$29.93
56114	3"	1 3/4"	Moly	6	30	\$30.45

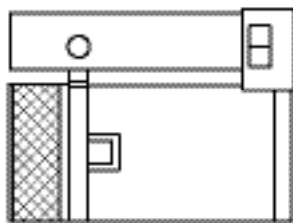
### Accessories

99560	Key Retainer			25	100	\$3.50
-------	--------------	--	--	----	-----	--------

### 560 Series 1 3/4" LFIC Schlage® Brass Interchangeable Core Padlocks w/o Core

- Brass Body or Chrome Plated Brass Padlock available in 1 3/4"
- Sesamee 560 Series Padlock is supplied without cylinder and accepts Schlage® #23-030 series cylinder
- Bumper For Protection
- Double ball locking feature provides added strength to resist pulling and prying
- Brass, Molybdenum, Stainless Steel shackle materials for weather resistance and added security
- All products come Non Key Retaining
- Product of Taiwan; designed in Wheeling, Illinois

Call for Pricing and Availability for the 540 series with 1/4" shackle diameter and 580 with 3/8" shackle diameter. 560 are supplied with 5/16" diameter shackle.



Accepts Schlage® #23-030 series large format interchangeable core cylinders



56110



SS = Stainless Steel  
Moly = Molybdenum



## 562 Series 1 3/4" LFIC Sargent® **>>> NEW** Product Series Interchangeable Core Padlocks w/o Core

Part#	Shackle Clearance	Body Width	Shackle Material	Shelf Pack	Master Carton	MSRP
<b>562 Series 1 3/4" LFIC Sargent® Brass Interchangeable Core Padlocks w/o Core</b>						
56210	3/4"	1 3/4"	Moly	6	30	\$27.83
56211	1"	1 3/4"	Moly	6	30	\$28.88
56212	1 1/2"	1 3/4"	Moly	6	30	\$29.93
56213	2"	1 3/4"	Moly	6	30	\$30.98
56214	3"	1 3/4"	Moly	6	30	\$32.03
56220	3/4"	1 3/4"	Brass	6	30	\$29.40
56221	1"	1 3/4"	Brass	6	30	\$30.45
56222	1 1/2"	1 3/4"	Brass	6	30	\$31.50
56223	2"	1 3/4"	Brass	6	30	\$32.55
56224	3"	1 3/4"	Brass	6	30	\$33.60
56230	3/4"	1 3/4"	SS	6	30	\$29.40
56231	1"	1 3/4"	SS	6	30	\$30.45
56232	1 1/2"	1 3/4"	SS	6	30	\$31.50
56233	2"	1 3/4"	SS	6	30	\$32.55
56234	3"	1 3/4"	SS	6	30	\$33.60
<b>563 Series 1 3/4" LFIC Sargent® Chrome Plated Brass Interchangeable Core Padlocks w/o Core</b>						
56310	3/4"	1 3/4"	Moly	6	30	\$28.35
56311	1"	1 3/4"	Moly	6	30	\$28.88
56312	1 1/2"	1 3/4"	Moly	6	30	\$29.40
56313	2"	1 3/4"	Moly	6	30	\$29.93
56314	3"	1 3/4"	Moly	6	30	\$30.45
<b>Accessories</b>						
99760	Key Retainer			25	100	\$3.50

### 562 Series 1 3/4" LFIC Sargent® Brass Interchangeable Core Padlocks w/o Core

- Brass Body or Chrome Plated Brass Padlock available in 1 3/4"
- Sesamee 562 Series Padlock is supplied without cylinder and accepts Sargent® #6300 series interchangeable core cylinders
- Bumper For Protection
- Double ball locking feature provides added strength to resist pulling and prying
- Brass, Molybdenum, Stainless Steel shackle materials for weather resistance and added security
- All products come Non Key Retaining
- Product of Taiwan; designed in Wheeling, Illinois

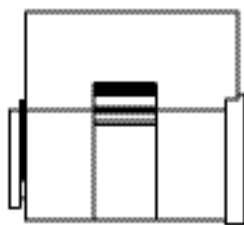
Call for Pricing and Availability for the 540 series with 1/4" shackle diameter and 580 with 3/8" shackle diameter. 560 are supplied with 5/16" diameter shackle.



56212 front



56212 back



Accepts Sargent® #6300 series Interchangeable core cylinders



56210



56212

SS = Stainless Steel  
Moly = Molybdenum

# Commercial

## 564 Series 1 3/4" LFIC Corbin® **NEW** Product Series Interchangeable Core Padlocks w/o Core



56412 front



56412 back



56412

Part#	Shackle Clearance	Body Width	Shackle Material	Shelf Pack	Master Carton	MSRP
-------	-------------------	------------	------------------	------------	---------------	------

### 564 Series 1 3/4" LFIC Corbin® Brass Interchangeable Core Padlocks w/o Core

56410	3/4"	1 3/4"	Moly	6	30	\$27.83
56411	1"	1 3/4"	Moly	6	30	\$28.88
56412	1 1/2"	1 3/4"	Moly	6	30	\$29.93
56413	2"	1 3/4"	Moly	6	30	\$30.98
56414	3"	1 3/4"	Moly	6	30	\$32.03
56420	3/4"	1 3/4"	Brass	6	30	\$29.40
56421	1"	1 3/4"	Brass	6	30	\$30.45
56422	1 1/2"	1 3/4"	Brass	6	30	\$31.50
56423	2"	1 3/4"	Brass	6	30	\$32.55
56424	3"	1 3/4"	Brass	6	30	\$33.60
56430	3/4"	1 3/4"	SS	6	30	\$29.40
56431	1"	1 3/4"	SS	6	30	\$30.45
56432	1 1/2"	1 3/4"	SS	6	30	\$31.50
56433	2"	1 3/4"	SS	6	30	\$32.55
56434	3"	1 3/4"	SS	6	30	\$33.60

### 565 Series 1 3/4" LFIC Corbin® Chrome Plated Brass Interchangeable Core Padlocks w/o Core

56510	3/4"	1 3/4"	Moly	6	30	\$28.35
56511	1"	1 3/4"	Moly	6	30	\$28.88
56512	1 1/2"	1 3/4"	Moly	6	30	\$29.40
56513	2"	1 3/4"	Moly	6	30	\$29.93
56514	3"	1 3/4"	Moly	6	30	\$30.45

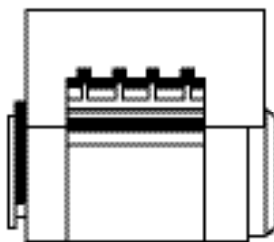
### Accessories

99760	Key Retainer			25	100	\$3.50
-------	--------------	--	--	----	-----	--------

### 564 Series 1 3/4" LFIC Corbin® Brass Interchangeable Core Padlocks w/o Core

- Brass Body or Chrome Plated Brass Padlock available in 1 3/4"
- Sesamee 564 Series Padlock is supplied without cylinder and accepts Corbin® #8000 series interchangeable core cylinders
- Bumper For Protection
- Double ball locking feature provides added strength to resist pulling and prying
- Brass, Molybdenum, Stainless Steel shackle materials for weather resistance and added security
- All products come Non Key Retaining
- Product of Taiwan; designed in Wheeling, Illinois

Call for Pricing and Availability for the 540 series with 1/4" shackle diameter and 580 with 3/8" shackle diameter. 560 are supplied with 5/16" diameter shackle.



Accepts Corbin® #8000 series Interchangeable core cylinders



56510



Moly = Molybdenum

## 760 Series 1 3/4" SFIC Interchangeable Core Padlocks w/o Core

Part#	Shackle Clearance	Body Width	Shackle Material	Shelf Pack	Master Carton	MSRP
<b>760 Series 1 3/4" SFIC Brass Interchangeable Core Padlocks</b>						
76010	3/4"	1 3/4"	Moly	6	30	\$21.00
76011	1"	1 3/4"	Moly	6	30	\$22.05
76012	1 1/2"	1 3/4"	Moly	6	30	\$22.58
76013	2"	1 3/4"	Moly	6	30	23.10
76014	3"	1 3/4"	Moly	6	30	\$23.63
76020	3/4"	1 3/4"	Brass	6	30	\$23.10
76021	1"	1 3/4"	Brass	6	30	\$23.63
76022	1 1/2"	1 3/4"	Brass	6	30	\$24.15
76023	2"	1 3/4"	Brass	6	30	\$24.68
76024	3"	1 3/4"	Brass	6	30	\$25.20
76030	3/4"	1 3/4"	SS	6	30	\$23.10
76031	1"	1 3/4"	SS	6	30	\$23.63
76032	1 1/2"	1 3/4"	SS	6	30	\$24.15
76033	2"	1 3/4"	SS	6	30	\$24.68
76034	3"	1 3/4"	SS	6 </td <td>30</td> <td>\$25.20</td>	30	\$25.20
<b>760 Series 1 3/4" SFIC Chrome Plated Brass Interchangeable Core Padlocks w/o Core</b>						
76110	3/4"	1 3/4"	Moly	6	30	\$21.53
76111	1"	1 3/4"	Moly	6	30	\$22.58
76112	1 1/2"	1 3/4"	Moly	6	30	\$23.10
76113	2"	1 3/4"	Moly	6	30	\$23.63
76114	3"	1 3/4"	Moly	6	30	\$24.15
<b>Accessories</b>						
99760	Key Retainer			25	100	\$3.50

### 760 1 3/4" SFIC Brass Interchangeable Core Padlocks

- Brass Body Padlock Without Keyed Core
- Works With Small Format IC Such As Arrow/Best/Falcon
- Bumper For Protection
- 1 3/4" Body and 5 Shackle Sizes Available
- Quality solid brass and stainless steel construction to prevent rusting and extend the life of the padlock
- Double ball locking feature provides added strength to resist pulling and prying
- Brass, Molybdenum, Stainless Steel shackle materials for weather resistance and added security
- All products come Non Key Retaining
- Product of Taiwan; designed in Wheeling, Illinois

Call for Pricing and Availability for the 740 series with 1/4" shackle diameter and 780 with 3/8" shackle diameter. 760 are supplied with 5/16" diameter shackle.



For Best style interchangeable core cylinders



SS = Stainless Steel  
Moly = Molybdenum

# Commercial

## 860 Series 1 3/4" KIK **NEW** Product Series Conventional Key-in-Knob w/o Core



86012 front



86012 back



86012



86110

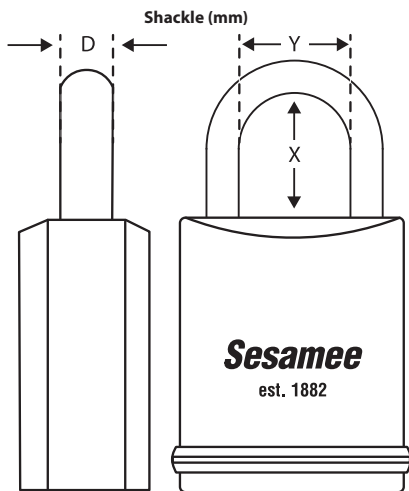
- Brass Body or Chrome Plated Brass Padlock available in 1 3/4"
- Sesamee 860 Series Padlock accepts various Schlage® cylinders and includes cylinder bible
- Double ball locking feature provides added strength to resist pulling and prying
- Bumper For Protection
- Brass, Molybdenum, Stainless Steel shackle materials for weather resistance and added security
- Includes cylinder adaptor kit
- All products come Non Key Retaining
- Product of Taiwan; designed in Wheeling, Illinois

Call for Pricing and Availability for the 880 with 3/8" shackle diameter. 860 are supplied with 5/16" diameter shackle.



Accessories Package

### 560 | 760 | 860 Shackles



Part#	Shackle Clearance	Shackle Diameter	Body Width	Shackle Material	Shelf Pack	Master Carton	MSRP
-------	-------------------	------------------	------------	------------------	------------	---------------	------

#### 860 Series 1 3/4" KIK Brass Conventional Key-in-Knob w/o Core

86010	3/4"	5/16"	1 3/4"	Moly	6	30	\$31.50
86011	1"	5/16"	1 3/4"	Moly	6	30	\$32.55
86012	1 1/2"	5/16"	1 3/4"	Moly	6	30	\$33.60
86013	2"	5/16"	1 3/4"	Moly	6	30	\$34.65
86014	3"	5/16"	1 3/4"	Moly	6	30	\$35.70
86020	3/4"	5/16"	1 3/4"	Brass	6	30	\$32.55
86021	1"	5/16"	1 3/4"	Brass	6	30	\$33.60
86022	1 1/2"	5/16"	1 3/4"	Brass	6	30	\$34.65
86023	2"	5/16"	1 3/4"	Brass	6	30	\$35.70
86024	3"	5/16"	1 3/4"	Brass	6	30	\$36.75
86030	3/4"	5/16"	1 3/4"	SS	6	30	\$32.55
86031	1"	5/16"	1 3/4"	SS	6	30	\$33.60
86032	1 1/2"	5/16"	1 3/4"	SS	6	30	\$34.65
86033	2"	5/16"	1 3/4"	SS	6	30	\$35.70
86034	3"	5/16"	1 3/4"	SS	6	30	\$36.75

#### 860 Series 1 3/4" KIK Chrome Plated Brass Conventional Key-in-Knob w/o Core

86110	3/4"	5/16"	1 3/4"	Moly	6	30	\$32.03
86111	1"	5/16"	1 3/4"	Moly	6	30	\$33.08
86112	1 1/2"	5/16"	1 3/4"	Moly	6	30	\$34.13
86113	2"	5/16"	1 3/4"	Moly	6	30	\$35.18
86114	3"	5/16"	1 3/4"	Moly	6	30	\$36.23

#### 840 Series 1 3/4" KIK Brass Conventional Key-in-Knob w/o Core

84010	3/4"	1/4"	1 3/4"	Moly	6	30	\$32.03
84011	1"	1/4"	1 3/4"	Moly	6	30	\$33.08
84012	1 1/2"	1/4"	1 3/4"	Moly	6	30	\$34.13
84013	2"	1/4"	1 3/4"	Moly	6	30	\$35.18
84014	3"	1/4"	1 3/4"	Moly	6	30	\$36.23

SS = Stainless Steel Moly = Molybdenum

Suitable for Padlock	D	X	Y	Part#	Material	Finish	MSRP
IC Molybdenum Shackle	5/16"	3/4"	3/4"	99510	Moly	Chrome	\$5.00
IC Molybdenum Shackle	5/16"	1"	3/4"	99511	Moly	Chrome	\$6.00
IC Molybdenum Shackle	5/16"	1 1/2"	3/4"	99512	Moly	Chrome	\$7.00
IC Molybdenum Shackle	5/16"	2"	3/4"	99513	Moly	Chrome	\$8.00
IC Molybdenum Shackle	5/16"	3"	3/4"	99514	Moly	Chrome	\$9.00
IC Molybdenum Shackle	5/16"	4"	3/4"	99515	Moly	Chrome	\$10.00
IC Brass Shackle	5/16"	3/4"	3/4"	99520	Brass	Brass	\$5.50
IC Brass Shackle	5/16"	1"	3/4"	99521	Brass	Brass	\$6.50
IC Brass Shackle	5/16"	1 1/2"	3/4"	99522	Brass	Brass	\$7.50
IC Brass Shackle	5/16"	2"	3/4"	99523	Brass	Brass	\$8.50
IC Brass Shackle	5/16"	3"	3/4"	99524	Brass	Brass	\$9.50
IC Brass Shackle	5/16"	4"	3/4"	99525	Brass	Brass	\$10.50
IC Stainless Steel Shackle	5/16"	3/4"	3/4"	99530	Stainless	Stainless	\$5.50
IC Stainless Steel Shackle	5/16"	1"	3/4"	99531	Stainless	Stainless	\$6.50
IC Stainless Steel Shackle	5/16"	1 1/2"	3/4"	99532	Stainless	Stainless	\$7.50
IC Stainless Steel Shackle	5/16"	2"	3/4"	99533	Stainless	Stainless	\$8.50
IC Stainless Steel Shackle	5/16"	3"	3/4"	99534	Stainless	Stainless	\$9.50
IC Stainless Steel Shackle	5/16"	4"	3/4"	99535	Stainless	Stainless	\$10.50

## 960 Storage Security Padlocks Dial and Pushbutton Combination

NEW Product Series

Part#	Shackle Clearance	Body Width	Type	Shelf Pack	Master Carton	MSRP
-------	-------------------	------------	------	------------	---------------	------

### Stock Items:

96006	wall mount	3 1/4"	permanent	10	20	\$40.00
96007	1 13/32"	3 1/4"	over the door	10	20	\$42.00
96008	wall mount	3 1/4"	permanent	10	20	\$30.00
96009	1 13/32"	3 1/4"	over the door	10	20	\$33.00

### Select who can access your property:

- Children after school
- Pool maintenance, cleaning and repair service
- Elder care
- House & pet sitter

### Best Used for:

- Primary home, timeshare and vacation properties
- Storage shed
- Recreation Vehicles: Bicycle, ATV, boat, motorbike

**Sesamee 96006** smart design is compact while providing a best in class large storage compartment with the ability to hold up to 20 keys or 8 key cards. The 96006 has a 10-push button resettable mechanism that allows the user to change the PIN code within seconds and includes wall mounting hardware.

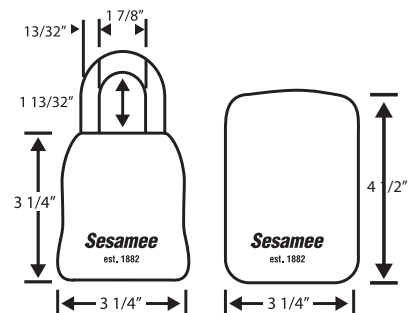
- Large solid metal housing offers more capacity than conventional key safes
- Large hinged front door for maximum convenience
- 10 push-button resettable combination
- Wall mountable
- Holds up to 8 cards or 20 keys

**Sesamee 96007** smart design is compact while providing a best in class large storage compartment with the ability to hold up to 20 keys or 8 key cards. The 96007 has a 10-push button resettable mechanism that allows the user to change the PIN code within seconds and comes with a detachable shackle for locking to door knobs, handrails, etc. The 96007 also has a rubber coated back to protect delicate surfaces from unwanted abrasions.

- Large solid metal housing offers more capacity than conventional key safes
- Protective keyboard panel cover
- Large hinged front door for maximum convenience
- 10 push-button resettable combination
- Shackle for fixing to door knobs, rails, etc.
- Holds up to 8 cards or 20 keys

### Sesamee 96008 | 96009

- Holds over 5 door or car keys
- Portable, over the door knob mount for convenience
- Set your own 4-digit combination for keyless convenience
- 3-1/4" (83mm) wide durable metal construction
- Shutter door protects combination dials from weather, dirt and grime
- Molded body and vinyl coated shackle prevent scratching
- Product of Taiwan; designed in Wheeling, Illinois



96006 with wall mount



96007 with Shackle



96008 Wall Mount



96009 with Shackle



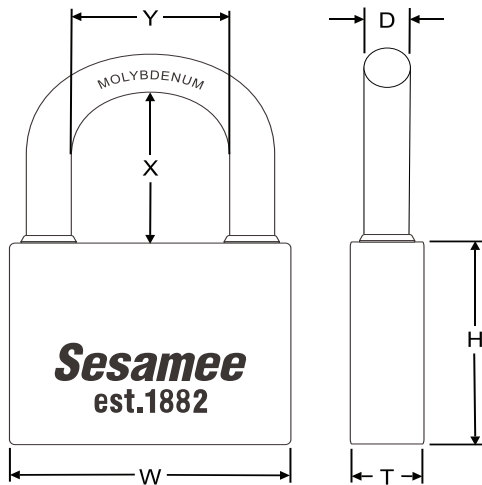
# DIY

## 600 Series Padlocks Premium Pin Tumbler Solid Brass

» **NEW** Product Series featuring CR Keyway



- **Lock body:** solid brass – 20, 30, 40, 50 mm
- **Shackle Material:** Moly or brass
- **Locking mechanism:** bolt style, single or double locking available subject to size / style
- **Tumbler:** 4 or 5 pin
- 2 brass nickel plated brass keys provided
- KD or KA available
- 604/605 can be keyed to #2 and 1103 keycodes
- Product of Taiwan; designed in Wheeling, Illinois




Part#	Shackle Clearance	Shackle Material	Keyed	Body Width	Number of Pins	Shelf Pack	MSRP
-------	-------------------	------------------	-------	------------	----------------	------------	------

**Stock Items:**

60201	3/8" [10mm]	Moly	KA1-P812	13/16" [20mm]	4	12	\$3.75
60202	3/8" [10mm]	Brass	KA1-P812	13/16" [20mm]	4	12	\$3.75
60203	3/8" [10mm]	Brass	KD	13/16" [20mm]	4	12	\$3.75
60204	3/8" [10mm]	Moly	KD	13/16" [20mm]	4	12	\$3.75
60301	5/8" [16mm]	Moly	KA1-P812	1-3/16" [30mm]	4	12	\$6.50
60302	5/8" [16mm]	Brass	KA1-P812	1-3/16" [30mm]	4	12	\$6.50
60303	5/8" [16mm]	Brass	KD	1-3/16" [30mm]	4	12	\$6.50
60304	5/8" [16mm]	Moly	KD	1-3/16" [30mm]	4	12	\$6.50
60401	7/8" [22mm]	Moly	KA1-CR62573	1-9/16" [40mm]	5	6	\$8.50
60402	7/8" [22mm]	Brass	KA1-CR62573	1-9/16" [40mm]	5	6	\$8.50
60403	7/8" [22mm]	Brass	KD	1-9/16" [40mm]	5	6	\$8.50
60404	7/8" [22mm]	Moly	KD	1-9/16" [40mm]	5	6	\$8.50
60405	2-1/4" [57mm]	Moly	KA1-CR62573	1-9/16" [40mm]	5	6	\$9.00
60406	2-1/4" [57mm]	Brass	KA1-CR62573	1-9/16" [40mm]	5	6	\$9.00
60407	2-1/4" [57mm]	Brass	KD	1-9/16" [40mm]	5	6	\$9.00
60408	2-1/4" [57mm]	Moly	KD	1-9/16" [40mm]	5	6	\$9.00
60501	1-3/16" [30mm]	Moly	KA1-CR62573	2" [50mm]	5	6	\$11.00
60502	1-3/16" [30mm]	Brass	KA1-CR62573	2" [50mm]	5	6	\$11.00
60503	1-3/16" [30mm]	Brass	KD	2" [50mm]	5	6	\$11.00
60504	1-3/16" [30mm]	Moly	KD	2" [50mm]	5	6	\$11.00
60505	2-1/4" [57mm]	Moly	KA1-CR62573	2" [50mm]	5	6	\$12.00
60506	2-1/4" [57mm]	Brass	KA1-CR62573	2" [50mm]	5	6	\$12.00
60507	2-1/4" [57mm]	Brass	KD	2" [50mm]	5	6	\$12.00
60508	2-1/4" [57mm]	Moly	KD	2" [50mm]	5	6	\$12.00

Part#	DIMENSION (mm)					
	Lock Body			Shackle		
	W	H	T	D	X	Y
60201/02/03/04	20	20	10	3.7	10	10
60301/02/03/05	30	27	11	4.8	16	15
60401/02/03/05	40	33	13	6.35	22	22
60501/02/03/05	50	40	14	7.93	30	28
60405/06/07/08	40	33	13	6.35	57	22
60505/06/07/08	50	40	14	7.93	57	28

Key Section	Key Blank	Series	MFG PT #
	8618C-CR (5 Pin) (Ilco Keyblank 1092B)	604 & 605 602 & 603	00651

- Keyway for 602xx and 603xx is W7 cylinder, M2 Keyway, (Ilco Keyblank 1092B)
- Keyway for 604xx and 605xx is CR
- Key Blank NO. S8690-CR will work for matching with Enclosure Lock Applications

## 904 Padlocks Pin Tumbler Solid Brass

Part#	(A) Shackle Clearance	Shackle Material	Keyed	Body Width	# of Pins	MFG PT #	Shelf Pack	MSRP
-------	-----------------------	------------------	-------	------------	-----------	----------	------------	------

### Stock Items:

904	3/4"	Hardened Steel, Chrome Plated	KD	1 1/2"	5/6	02111	10	\$39.90
904	3/4"	Hardened Steel, Chrome Plated	KA BAZ163	1 1/2"	5/6	00138	10	\$39.90

### Made-To-Order Items:

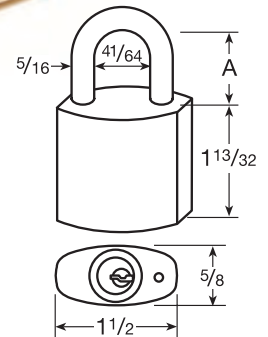
904	3/4"	Hardened Steel, Chrome Plated		1 1/2"	5/6			\$42.00
0904	3/4"	Solid Brass		1 1/2"	5/6			\$42.00
0904S	1 1/4"	Solid Brass		1 1/2"	5/6			\$44.10
904H	2 1/2"	Hardened Steel, Chrome Plated		1 1/2"	5/6			\$45.15
2217N		Zinc Plated Chain				422L838144		\$3.94
02217N		Brass Dipped Chain				422L832144		\$4.36
		Master Keying Charge						\$4.20

- **Keyways Available:** CR, R1, R4, VR
- **Number of Pin Tumblers:** 5 or 6
- **Regular Key Changes:** All different
- **Master Keying:** Available when specified on order
- **Special Stamping:** Available with case stamped to customer requirements when specified on order (\$3.15)
- Can be keyed to #2 and 1103 keycodes

- **Chain:**  
904 Series: Available with 9" chain  
Steel shackle with 2217N chain assembly  
Brass shackle with 02217N chain assembly  
Specify on order using suffix "C" (e.g., 904C)
- Unassembled padlocks available in this series
- **Keyblank:** 8618C
- Product of USA

### 9-inch Chain Assemblies for CCL Padlocks

Number	Used with Padlock Series	Material	For Shackle Diameter	Weight per pack of 10 (lbs./oz.)
2217N	904, 436, 437, 500, 95, 66	Steel, zinc plated	0.312	0/8
02217N	0904, 0436, 0437	Brass, dipped	0.312	0/8
2223N	906	Steel, zinc plated	0.375	0/10
02223N	0906	Brass, dipped	0.375	0/10



### > Raw Materials



## 95 Padlocks Pin Tumbler

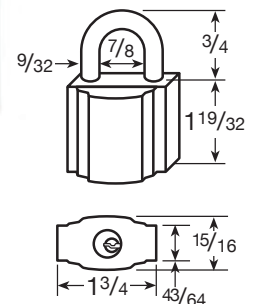
Part#	Shackle Clearance	Body Width	# of Pins	MFT PT #	Shelf Pack	MSRP
-------	-------------------	------------	-----------	----------	------------	------

### Made-To-Order Items:

95	3/4"	1 3/4"	6			\$22.05
2217N Chain - Zinc Plated				422L838144		\$4.13
02217N Chain - Brass Dipped				422L832144		\$4.58
Master Keying Charge						\$4.41

- Heel and toe deadlocking security
- **Material:** Solid pressure cast case with silver gray finish
- Hardened steel, chrome plated shackle
- **Regular Key Changes:** All different
- **Master Keying:** Available when specified on order
- **2 Keys Blank No.:** 8687C-CR

- **Keyways Available:** CR
- **Number of Pin Tumblers:** 6
- **Chain:**  
Available with 2217N steel chain assembly, 9" chain  
Specify on order using suffix "C" (e.g., 95C)  
Can be keyed to #2, 12B and Ex Key Codes
- Product of Taiwan; designed in Wheeling, Illinois



# DIY

## 4-Dial Resettable Brass Body with Brass Internal Parts



Part#	Shackle Clearance	# of Dials	Body Width	Finish	Packaging	Shelf Pack	MSRP
-------	-------------------	------------	------------	--------	-----------	------------	------

**Stock Items:**

<b>K436</b>	1"	4 Dial	2"	Brass	Carded	5	\$22.50
<b>K437</b>	2 1/4"	4 Dial	2"	Brass	Carded	5	\$24.00
<b>K0436</b>	1"	4 Dial	2"	Brass	Carded	5	\$24.00
<b>K0437</b>	2 1/4"	4 Dial	2"	Brass	Carded	5	\$24.50
<b>KCR0436</b>	1"	4 Dial	2"	Chrome	Carded	5	\$25.00
<b>K440</b>	4"	4 Dial	2"	Brass	Carded	5	\$26.00

Change Pin Regular Sesamee **576F0180002G** \$1.10

- Set-your-own 4-digit combination for convenience and security
- Reset to any of 10,000 personalized combination
- 2" (51mm) wide solid brass case for strength and weatherability
- 1" (25mm) hardened steel shackle for cut resistance
- Product of Taiwan
- Designed in Wheeling, Illinois

**Best Used for:**

- Job boxes & gang boxes
- Utility meters, substations & cable boxes
- Tool chests, boxes and cribs
- Lockers

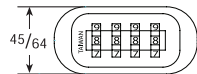
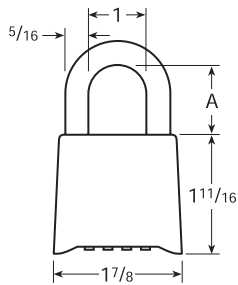


K436



**9-inch Chain Assemblies for CCL Padlocks**

Number	Used with Padlock Series	Material	For Shackle Diameter	Weight per pack of 10 (lbs./oz.)
2217N	904, <b>436</b> , <b>437</b> , <b>500</b> , 95, 66	Steel, zinc plated	0.312	0/8
02217N	0904, <b>0436</b> , <b>0437</b>	Brass, dipped	0.312	0/8
2223N	906	Steel, zinc plated	0.375	0/10
02223N	0906	Brass, dipped	0.375	0/10





## 4-Dial Resettable Diecast with Brass Internal Parts

Part#	Shackle Clearance (A)	# of Dials	Body Width	Finish	Packaging	Shelf Pack	MSRP
-------	-----------------------	------------	------------	--------	-----------	------------	------

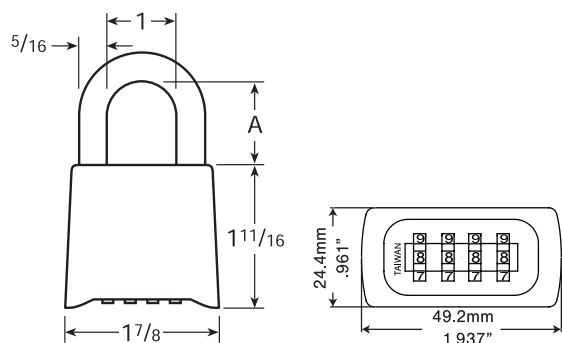
### Stock Items:

<b>K500 3/4</b>	1"	4 Dial	2"	Black	Carded	5	\$18.50
<b>K500 2 1/4</b>	2 1/4"	4 Dial	2"	Black	Carded	5	\$19.00
Change Pin Regular Sesamee <b>576F0180002G</b>							\$1.10

- Set-your-own 4-digit combination for convenience and security
- 2" (51mm) wide (for 500 series) diecast case for strength and weatherability
- 1" (25mm) and 2 1/4" [57mm] hardened steel shackle for cut resistance
- The 500 models can be set to one of 10,000 possible combinations
- Features Heel and Toe locking
- Product of Taiwan; designed in Wheeling, Illinois

### Best Used for:

- Job boxes & gang boxes
- Utility meters, substations & cable boxes
- Tool chests, boxes and cribs
- Lockers



K500 2 1/4



K500 3/4



## 3-Dial Resettable Diecast

Part#	Shackle Clearance	# of Dials	Body Width	Finish	Packaging	Shelf Pack	MSRP
-------	-------------------	------------	------------	--------	-----------	------------	------

### Stock Items:

<b>AB410</b>	9/16"	3 Dial	1 3/8"	Black	Carded	5	\$10.00
--------------	-------	--------	--------	-------	--------	---	---------

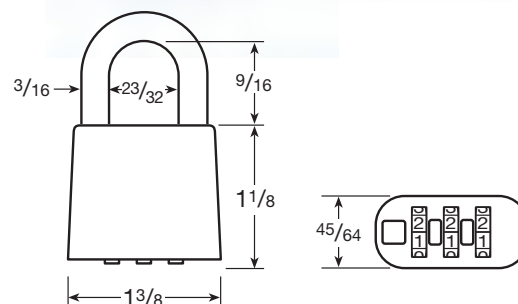
- Set-your-own 3-digit combination for convenience and security
- 1" (25mm) wide diecast case for strength and weatherability
- 1" (25mm) hardened steel shackle for cut resistance
- Set to one of 1,000 possible combinations
- Features Heel and Toe locking
- Product of Taiwan; designed in Wheeling, Illinois

### Best Used for:

- Job boxes & gang boxes
- Utility meters, substations & cable boxes
- Tool chests, boxes and cribs
- Lockers



AB410

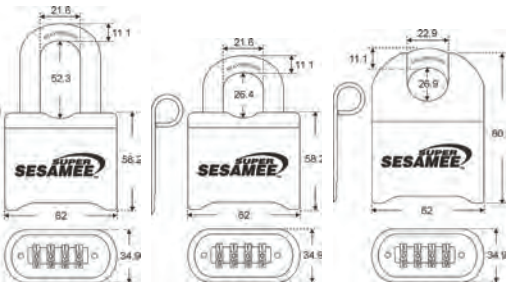


# DIY

## 4-Dial Heavy Duty Super Sesamee



K637                      K636                      K646



> Super Sesamee Cases

Part#	Shackle Clearance	# of Dials	Body Width	Finish	Packaging	Shelf Pack	MSRP
-------	-------------------	------------	------------	--------	-----------	------------	------

**Stock Items:**

<b>K636</b>	1"	4 Dial	2 1/2"	Black	Carded	5	\$40.00
<b>K637</b>	2"	4 Dial	2 1/2"	Black	Carded	5	\$42.00
<b>K646</b>	1"	4 Dial	2 1/2"	Black	Carded	5	\$55.00

**Change Pin Super Sesamee 576F0280002G**

- Industrial Strength Combination Lock Resists Hammer and pry bar attacks
- Hardened Steel Full Metal Jacket and Shroud
- Weather Resistant Black Electrocoating
- 7/16" Chrome Plated Molybdenum Shackle
- Inside Shackle Clearances: 1" and 2"
- Shackle Pull Strength: 2,750 pounds
- All Brass Inner Mechanism and Four All Brass Dials
- 10,000 Changeable Combinations
- Quick Delivery: Shipped from Stock
- Product of Taiwan; designed in Wheeling, Illinois

**Best Used for:**

- Job boxes & gang boxes
- Utility meters
- Substations & cable boxes
- Tool chests, boxes and cribs
- Lockers

## 4-Dial Resettable Front Faced Diecast

Part#	Shackle Clearance	# of Dials	Body Width	Finish	Packaging	Shelf Pack	MSRP
-------	-------------------	------------	------------	--------	-----------	------------	------

**Stock Items:**

<b>K2620PC</b>	1"	4 Dial	2 5/64"	Chrome	Carded	5	\$18.00
<b>K2620PSB</b>	1"	4 Dial	2 5/64"	Black	Carded	5	\$18.00
<b>K2621PC</b>	2 1/2"	4 Dial	2 5/64"	Chrome	Carded	5	\$18.50
<b>K2621PSB</b>	2 1/2"	4 Dial	2 5/64"	Black	Carded	5	\$18.50

- Heavy duty combination padlock
- Diecast housing with case
- Hardened steel shackle
- 4-dials with 10,000 possible combinations
- Toe and Heel locking
- Product of Taiwan; designed in Wheeling, Illinois

**Best Used for:**

- Industrial, Storefront & Business Gates
- Manufacturing Environments
- Utility Meters, Substations & Cable Boxes
- Marine Recreation Lockers



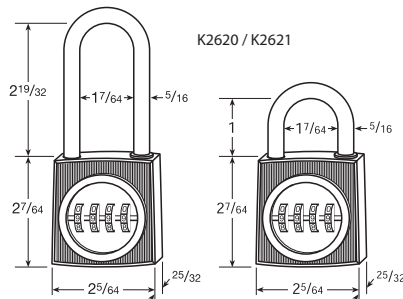
K2620PSB

K2621PSB



K2620PC

K2621PC



## 165 Series Combination Padlocks **NEW** Product Series

Part#	Shackle Clearance	# of Dials	Packaging	Shelf Pack	MSRP
-------	-------------------	------------	-----------	------------	------

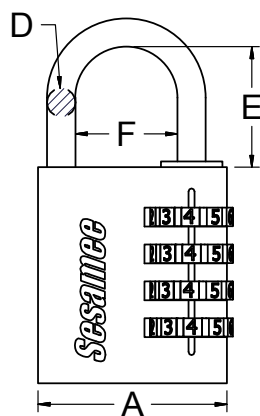
**Stock Items:**

16520	3/4"	3	Decorative Box	6	\$11.99
16530	4/5"	3	Decorative Box	6	\$12.99
16540	1"	4	Decorative Box	6	\$16.99

- Tough Brass Lock Body
- Chrome Plated Shackle
- Keyless Convenience
- Create Your Own Combination
- Made in Taiwan

**Best Used to Secure:**

- Bags and suitcases
- Jewel boxes
- Cash boxes
- Cupboards
- Lockers
- Tool boxes
- Electrical boxes
- Switchboards, etc.



Part#	Body Width (A)	D	E	F	# of Dials
16520	20mm (3/4")	3.2mm	21.6mm	9mm	3
16530	30mm (13/16")	4.8mm	24mm	14.3mm	3
16540	40mm (1 1/2")	6mm	25mm	21.6mm	4



16540



16530



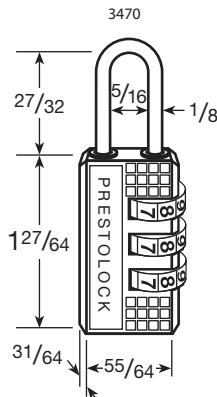
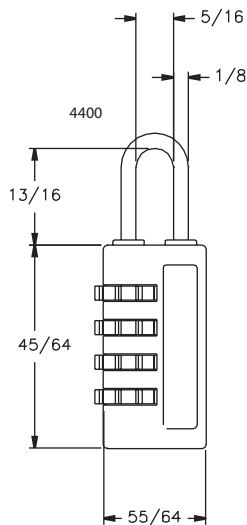
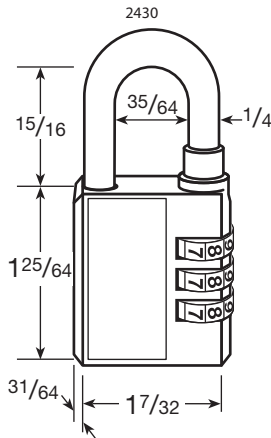
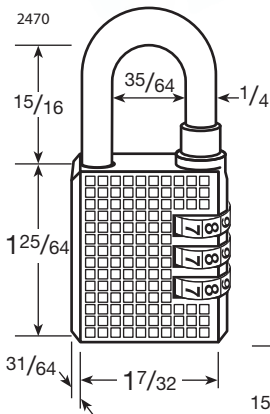
16520

# DIY

## Traditional Combination Padlocks



2470PSB



Part#	Shackle Clearance	# of Dials	Finish	MFT PT#	Shelf Pack	MSRP
-------	-------------------	------------	--------	---------	------------	------

**Stock Items:**

<b>K1450PSB</b>	27/32"	3 Dial	Black		6	\$4.99
<b>B1450PSB</b>	27/32"	3 Dial	Black		Bulk/100	\$4.99
<b>K2400PSB</b>	27/32"	3 Dial	Black		Bulk/100	\$5.99
<b>B2400PSB</b>	27/32"	3 Dial	Black		Bulk/100	\$5.99
<b>B2430PFO</b>	15/16"	3 Dial	Orange		Bulk/100	\$6.99
<b>K2470BN</b>	15/16"	3 Dial	Bright Nickel	<b>24701</b>	6	\$6.99
<b>B2470BN</b>	15/16"	3 Dial	Bright Nickel		Bulk/100	\$5.99
<b>K2470PSB</b>	15/16"	3 Dial	Black	<b>24703</b>	6	\$6.99
<b>B2470PSB</b>	15/16"	3 Dial	Black		Bulk/100	\$5.99
<b>K2470BP</b>	15/16"	3 Dial	Brass	<b>24702</b>	6	\$6.99
<b>K2470PTR</b>	15/16"	3 Dial	Pewter	<b>24706</b>	6	\$6.99
<b>K2470PRD</b>	15/16"	3 Dial	Red	<b>24710</b>	6	\$6.99
<b>K2470PFO</b>	15/16"	3 Dial	Orange	<b>24707</b>	6	\$6.99
<b>K2470PFG</b>	15/16"	3 Dial	Green	<b>24704</b>	6	\$6.99
<b>K3470BN</b>	27/32"	3 Dial	Bright Nickel	<b>34701</b>	6	\$5.99
<b>B3470BN</b>	27/32"	3 Dial	Bright Nickel		Bulk/100	\$4.99
<b>K3470BP</b>	27/32"	3 Dial	Brass	<b>34702</b>	6	\$5.99
<b>B3470BP</b>	27/32"	3 Dial	Brass		Bulk/100	\$4.99
<b>K3470PSB</b>	27/32"	3 Dial	Black	<b>34703</b>	6	\$5.99
<b>B3470PSB</b>	27/32"	3 Dial	Black		Bulk/100	\$4.99
<b>K3470PRD</b>	27/32"	3 Dial	Red	<b>34710</b>	6	\$5.99
<b>B3470PRD</b>	27/32"	3 Dial	Red		Bulk/100	\$4.99
<b>K3470PFG</b>	27/32"	3 Dial	Green	<b>34704</b>	6	\$5.99
<b>B3470PFG</b>	27/32"	3 Dial	Green		Bulk/100	\$4.99
<b>K3470PFO</b>	27/32"	3 Dial	Orange	<b>34707</b>	6	\$5.99
<b>K3470PTR</b>	27/32"	3 Dial	Pewter		6	\$5.99
<b>K4400BN</b>	27/32"	4 Dial	Bright Nickel		6	\$6.99
<b>B4400BN</b>	27/32"	4 Dial	Bright Nickel		Bulk/100	\$5.99

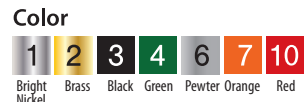
*K stands for Carded; B stands for Bulk*

- Set-your-own combination convenience
- Easy to set & reset
- Various solid metal bodies which withstands abuse
- Nickel plated steel shackle for cut resistance
- Product of Taiwan; designed in Wheeling, Illinois

**Best Used For:**

- Storage Lockers
- School, Employee, & Athletic Lockers
- Cabinets

Final Digit (347XX) denotes color



## Hidden Shackle 5-Pin **NEW** Product Series

Part#	Back	Keyed	Packaging	Body Width	Number of Pins	Shelf Pack	MSRP
<b>Stock Items:</b>							
93001	Stepped	KA	Boxed	2 7/8"	5	4	\$36.00
93002	Stepped	KD	Boxed	2 7/8"	5	4	\$36.00
93004	Stepped	KD	Clamshell	2 7/8"	5	4	\$36.00
93005	Flat Back	KA	Boxed	2 7/8"	5	4	\$36.00
93006	Flat Back	KD	Boxed	2 7/8"	5	4	\$36.00
93007	Stepped	KA	Boxed	2 7/8"	5	4	\$36.00
93008	Stepped	KA	Boxed	2 7/8"	5	4	\$36.00
93009	Stepped	KA	Boxed	2 7/8"	5	4	\$36.00
93010	Stepped	KA	Boxed	2 7/8"	5	4	\$36.00
930SFIC	Flat Back	SFIC	Boxed	2 7/8"	N/A	4	\$40.00
930KIK	Flat Back	KIK	Boxed	2 7/8"	N/A	4	\$42.00
<b>Accessories:</b>							
93020	HASP for Hidden Shackle Padlock					10	\$22.00

- Lock body conceals shackle and defeats attempts to pry and cut
- 2-7/8" (73mm) wide molybdenum alloy steel body withstands forcible attacks
- 3/8" (9mm) diameter boron alloy shackle
- High security, rekeyable 5-pin cylinder with spool pins is virtually impossible to pick
- Designed for Commercial/Industrial applications
- 930SFIC & 930KIK Housings only; cores are not included
- Product of Taiwan; designed in Wheeling, Illinois

For Black or White finish please add *-Black* or *-White* to the desired stock number (i.e., 93001-Black)



93001



93001



93005



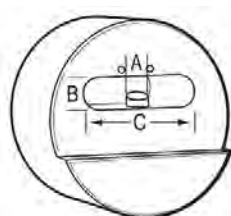
93020 Hasp



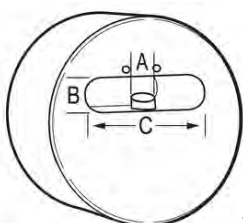
A	B	C
3/8"	1/2"	1-23/32"



> Puck lock assembly



stepped



flat

# Commercial

## Round Body Hardened Steel Keyed **NEW** Product Series

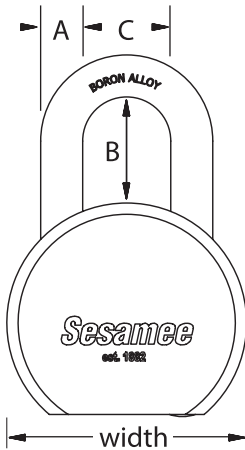


937

936



Key Retainer



Part#	A	B	C
936	7/16"	1 1/8"	7/8"
937	7/16"	2"	7/8"

Part#	Shackle Clearance	Keyed	Body Width	Number of Pins	Shelf Pack	Packaging	MSRP
-------	-------------------	-------	------------	----------------	------------	-----------	------

**Stock Items:**

93601	1"	KA62573	2 1/2"	5	6	boxed	\$28.00
93602	1"	KD	2 1/2"	5	6	boxed	\$28.00
93604	1"	KD	2 1/2"	5	6	clamshell	\$28.00
93701	2"	KA62573	2 1/2"	5	6	boxed	\$28.50
93702	2"	KD	2 1/2"	5	6	boxed	\$28.50
93704	2"	KD	2 1/2"	5	6	clamshell	\$28.50
93605	1"	KA37784	2 1/2"	5	6	boxed	\$28.00
93606	1"	KA63827	2 1/2"	5	6	boxed	\$28.00
93607	1"	KA83575	2 1/2"	5	6	boxed	\$28.00
93608	1"	KA24164	2 1/2"	5	6	boxed	\$28.00
93609	1"	SFIC	2 1/2"	5	6	boxed	\$28.00
93705	2"	KA37784	2 1/2"	5	6	boxed	\$28.50
93706	2"	KA63827	2 1/2"	5	6	boxed	\$28.50
93707	2"	KA83575	2 1/2"	5	6	boxed	\$28.50
93708	2"	KA24164	2 1/2"	5	6	boxed	\$28.50
93709	2"	SFIC	2 1/2"	5	6	boxed	\$28.50

- Boron alloy shackle is standard
- 2 1/2" (64mm) wide round solid steel body
- Chrome rustproofing provides longer life
- 1 1/8" (28.57mm) or 2" (51mm) tall, 7/16" (11mm) boron alloy shackle for superior cut resistance
- Dual ball bearing locking mechanism resists pulling and prying
- High security, rekeyable 5-pin cylinder with spool pins virtually impossible to pick
- All padlocks come Non Key Retaining
- Key retaining set screw included with each lock
- Product of Taiwan; designed in Wheeling, Illinois

**Best Used in:**

- Industrial, Storefront & Business Gates
- Manufacturing Environments
- Utility Meters, Substations & Cable Boxes
- Marine Recreation

## 100 Series Discus Padlock »» NEW Product Series

Part#	Body Width	Body Thickness	Shackle Diameter	Clearance Vert.	Clearance Horiz.	Keyed, Box / Carded	Shelf Pack	Master Carton	MSRP
<b>Stock Items:</b>									
10010	2 3/4"	1 11/50"	3/8"	3/4"	3/4"	KD, BOX PK	6	30	\$23.00
10011	2 3/4"	1 11/50"	3/8"	3/4"	3/4"	1983 KA1, BOX PK	6	30	\$23.00
10012	2 3/4"	1 11/50"	3/8"	3/4"	3/4"	1985 KA2, BOX PK	6	30	\$23.00
10013	2 3/4"	1 11/50"	3/8"	3/4"	3/4"	1979 KA3, BOX PK	6	30	\$23.00
10014	2 3/4"	1 11/50"	3/8"	3/4"	3/4"	1984 KA4, BOX PK	6	30	\$23.00
10015	2 3/4"	1 11/50"	3/8"	3/4"	3/4"	1988 KA5, BOX PK	6	30	\$23.00
10016	2 3/4"	1 11/50"	3/8"	3/4"	3/4"	MK, BOX PK	6	30	\$23.00
10020	2 3/4"	1 11/50"	3/8"	3/4"	3/4"	KD, Carded	6	30	\$23.00

- Fully shrouded design minimizes shackle exposure and protects against bolt cutter attacks
- 2-3/4" (70mm) wide stainless steel lock body resists corrosion
- Hardened steel shackle for extra cut resistance
- Double deadbolt locking for superior pry resistance
- 4-pin cylinder helps prevent picking
- Key retaining feature ensures padlock is not left unlocked
- KD has 978 key changes
- Product of Taiwan; Designed in Wheeling, Illinois

**Best Used for:**

- Self Storage Units
- Storage Lockers
- Sheds, Workshops & Garages
- Trailers, Vans & Moving Trucks



10010



# Travel Security

Featuring the Green / Red SearchAlert® Indicator

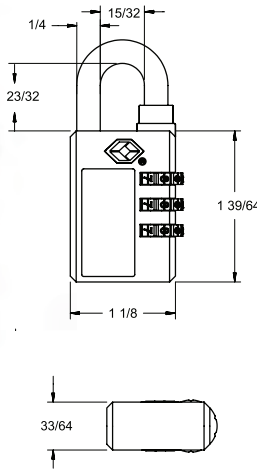


From the moment the airlines handle your checked bags and luggage to the time you leave your bags in your hotel room, with the valet or even in the car, a Sesamee® TSA-Accepted Travel Lock can help keep your personal items safer and make your trip more pleasurable. Sesamee® offers the most complete line of TSA-Accepted Locks you can travel with. Now, the trusted security leader has made remembering your combination easier than ever with the introduction of the new low-cost TSA-Accepted Set-Your-Own combination lock.

- Airport Luggage & Case Security • TSA Accepted • TSA Recognized • Opened Lock Warning • Patented Security Window Prevents Surreptitious Entry • Available from Stock
- 1,000 Re-settable Combinations • Regular and Heavy Duty Shackles • ● Lock has been Opened ● Green Window = Lock has Not Been Opened



K6430BN



## TRAVEL LOCK SearchAlert® Heavy Duty Shackle

Part#	Shackle Clearance	# of Dials	Body Width	Finish	Shelf Pack	MSRP
<b>Stock Items:</b>						
K6430PSB	23/32"	3 Dial	1-1/8"	Black	6	\$11.50
B6430PSB	23/32"	3 Dial	1-1/8"	Black	Bulk/100	\$11.00
K6430PTR	23/32"	3 Dial	1-1/8"	Pewter	6	\$11.50
K6430BN	23/32"	3 Dial	1-1/8"	Bright Nickel	6	\$11.50
K6430BP	23/32"	3 Dial	1-1/8"	Brass	6	\$11.50

- Product of Taiwan; designed in Wheeling, Illinois



K6435PSB



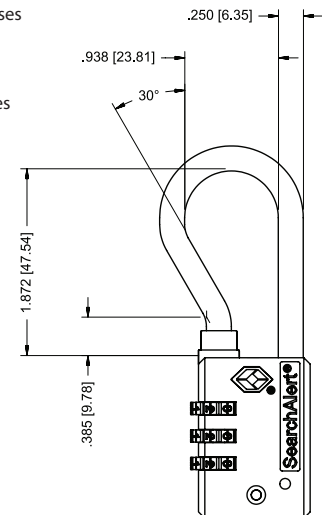
K6435PTR

## TRAVEL LOCK SearchAlert® Looped Shackle Case Heavy Duty

Part#	Shackle Clearance	# of Dials	Body Width	Finish	Shelf Pack	MSRP
<b>Stock Items:</b>						
K6435PSB	1-1/2"	3 Dial	1-1/8"	Black	6	\$12.00
K6435PTR	1-1/2"	3 Dial	1-1/8"	Pewter	6	\$12.00

- Shackle designed to accommodate security cases
- Security Window cannot be altered with a paper clip
- Security Window can only be reset by a person knowing the combination
- Zinc Die Cast Body (Not Brittle Plastic)
- Steel Shackle is virtually unbreakable
- Product of Taiwan; designed in Wheeling, Illinois

- Best Used for:**
- Hardened Cases
  - Music Cases
  - Gun Cases
  - Luggage
  - Golf Bag Cases







Featuring the Green / Red SearchAlert® Indicator

# Travel Security

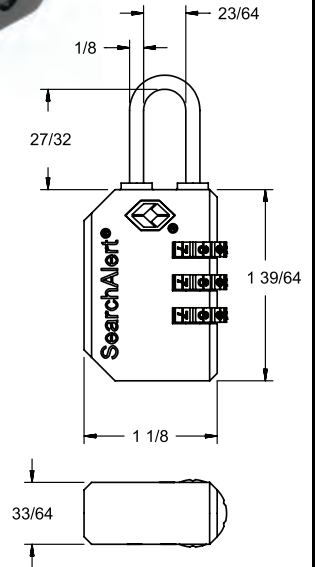
## TRAVEL LOCK SearchAlert® Original Padlocks

Part#	Shackle Clearance	# of Dials	Body Width	Finish	Shelf Pack	MSRP
<b>Stock Items:</b>						
K7400PSB	3/4"	3 Dial	1-1/8"	Black	6	\$10.50
B7400PSB	3/4"	3 Dial	1-1/8"	Black	Bulk/100	\$10.00
K7400PSBx2	3/4"	3 Dial	1-1/8"	Black 2-Pack	12	\$21.00
K7400PTR	3/4"	3 Dial	1-1/8"	Pewter	6	\$10.50
B7400PTR	3/4"	3 Dial	1-1/8"	Pewter	Bulk/100	\$10.00
K7400PTRx2	3/4"	3 Dial	1-1/8"	Pewter 2-Pack	12	\$21.50
K7400BN	3/4"	3 Dial	1-1/8"	Bright Nickel	6	\$10.50
B7400BN	3/4"	3 Dial	1-1/8"	Bright Nickel	Bulk/100	\$10.00
K7400PW	3/4"	3 Dial	1-1/8"	White	6	\$10.50
B7400PW	3/4"	3 Dial	1-1/8"	White	Bulk/100	\$10.00

• Product of Taiwan; designed in Wheeling, Illinois



K7400PSB



## TRAVEL LOCK SearchAlert® Camouflage Padlocks

Part#	Shackle Clearance	# of Dials	Body Width	Finish	Shelf Pack	MSRP
<b>Stock Items:</b>						
K7450PCF	3/4"	3 Dial	1-1/8"	Camouflage	6	\$10.50
B7450PCF	3/4"	3 Dial	1-1/8"	Camouflage	Bulk/100	\$10.00

• Product of Taiwan; designed in Wheeling, Illinois



K7450PCF

Padlocks

Cam Locks

Drawer & Cabinet

SFIC

Catches & Enclosures

Handles

Sliding Door

Special Purpose

Accessories





## TRAVEL LOCK SearchAlert® Classic Series



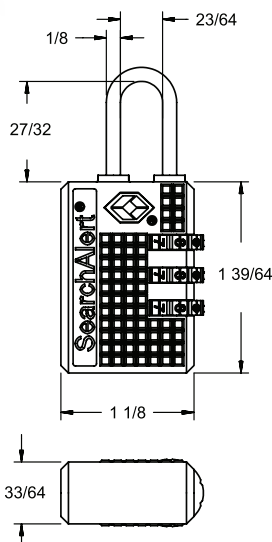
K7470PSB



K7470PRD



K7470PTR



Part#	Shackle Clearance	# of Dials	Body Width	Finish	Shelf Pack	MSRP
-------	-------------------	------------	------------	--------	------------	------

**Stock Items:**

K7470PSB	3/4"	3 Dial	1-1/8"	Black	6	\$10.50
K7470PSBx2	3/4"	3 Dial	1-1/8"	Black	12	\$21.00
B7470PSB	3/4"	3 Dial	1-1/8"	Black	Bulk/100	\$10.00
K7470PTR	3/4"	3 Dial	1-1/8"	Pewter	6	\$10.50
K7470PTRx2	3/4"	3 Dial	1-1/8"	Pewter	12	\$21.00
B7470PTR	3/4"	3 Dial	1-1/8"	Pewter	Bulk/100	\$10.00
K7470BN	3/4"	3 Dial	1-1/8"	Bright Nickel	6	\$10.50
K7470BNx2	3/4"	3 Dial	1-1/8"	Bright Nickel	12	\$21.00
K7470BP	3/4"	3 Dial	1-1/8"	Brass	6	\$10.50
K7470BPx2	3/4"	3 Dial	1-1/8"	Brass	12	\$21.00
B7470BP	3/4"	3 Dial	1-1/8"	Brass	Bulk/100	\$10.00
K7470PFY	3/4"	3 Dial	1-1/8"	Yellow	6	\$10.50
K7470PFYx2	3/4"	3 Dial	1-1/8"	Yellow	12	\$21.00
K7470PFO	3/4"	3 Dial	1-1/8"	Orange	6	\$10.50
K7470PFOx2	3/4"	3 Dial	1-1/8"	Orange	12	\$21.00
B7470PFO	3/4"	3 Dial	1-1/8"	Orange	Bulk/100	\$10.00
K7470PFP	3/4"	3 Dial	1-1/8"	Pink	6	\$10.50
K7470PFPx2	3/4"	3 Dial	1-1/8"	Pink	12	\$21.00
K7470PFG	3/4"	3 Dial	1-1/8"	Green	6	\$10.50
K7470PFGx2	3/4"	3 Dial	1-1/8"	Green	12	\$21.00
K7470PBL	3/4"	3 Dial	1-1/8"	Blue	6	\$10.50
K7470PBLx2	3/4"	3 Dial	1-1/8"	Blue	12	\$21.00
K7470PPU	3/4"	3 Dial	1-1/8"	Purple	6	\$10.50
K7470PPUx2	3/4"	3 Dial	1-1/8"	Purple	12	\$21.00
K7470PRD	3/4"	3 Dial	1-1/8"	Red	6	\$10.50
K7470PRDx2	3/4"	3 Dial	1-1/8"	Red	12	\$21.00

- Airport Luggage & Case Security
- TSA Accepted
- TSA Recognized
- Opened Lock Warning
- Patented Security Window Prevents Surreptitious Entry
- Red Window = Lock Opened
- Green Window = Lock Not Opened
- 1,000 Re-settable Combinations
- Regular and Heavy Duty Shackles
- Available From Stock
- Product of Taiwan; designed in Wheeling, Illinois



Featuring the Green / Red SearchAlert® Indicator

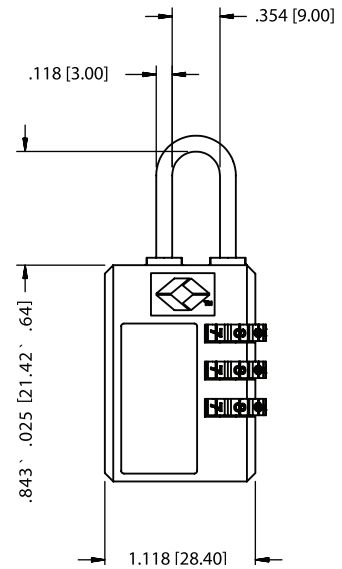
# Travel Security

## TRAVEL LOCK SearchAlert®

Part#	Shackle Clearance	# of Dials	Body Width	Finish	Shelf Pack	MSRP
-------	-------------------	------------	------------	--------	------------	------

**Stock Items:**

<b>K8400PSB</b>	3/4"	3 Dial	1-1/8"	Black	6	\$11.50
<b>B8400PSB</b>	3/4"	3 Dial	1-1/8"	Black	Bulk/100	\$11.25
<b>K8400PTR</b>	3/4"	3 Dial	1-1/8"	Pewter	6	\$11.50
<b>B8400PTR</b>	3/4"	3 Dial	1-1/8"	Pewter	Bulk/100	\$11.25
<b>K8400BN</b>	3/4"	3 Dial	1-1/8"	Bright Nickel	6	\$11.50
<b>B8400BN</b>	3/4"	3 Dial	1-1/8"	Bright Nickel	Bulk/100	\$11.25
<b>K8400BP</b>	3/4"	3 Dial	1-1/8"	Brass	6	\$11.50
<b>B8400BP</b>	3/4"	3 Dial	1-1/8"	Brass	Bulk/100	\$11.25



## TRAVEL LOCK SearchAlert® 4 Dial Lock

Part#	Shackle Clearance	# of Dials	Body Width	Finish	Shelf Pack	MSRP
-------	-------------------	------------	------------	--------	------------	------

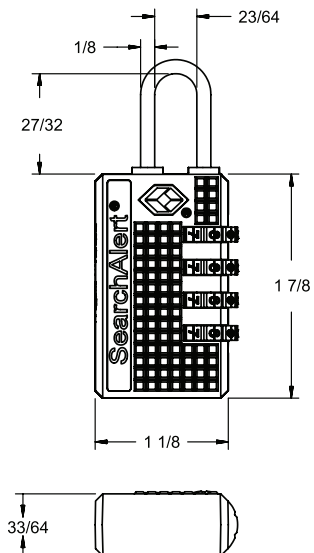
**Stock Items:**

<b>K8470PSB</b>	3/4"	4 Dials	1-1/8"	Black	6	\$11.50
<b>B8470PSB</b>	3/4"	4 Dials	1-1/8"	Black	Bulk/100	\$11.25
<b>K8470PTR</b>	3/4"	4 Dials	1-1/8"	Pewter	6	\$11.50
<b>B8470PTR</b>	3/4"	4 Dials	1-1/8"	Pewter	Bulk/100	\$11.25

- Airport Luggage & Case Security
- TSA Accepted
- TSA Recognized
- Opened Lock Warning
- Patented Security Window Prevents Surreptitious Entry
- Red Window = Lock Opened
- Green Window = Lock Not Opened
- 10,000 Re-settable Combinations
- Regular and Heavy Duty Shackles
- Available From Stock
- Product of Taiwan; designed in Wheeling, Illinois



8470PTR



# Travel Security

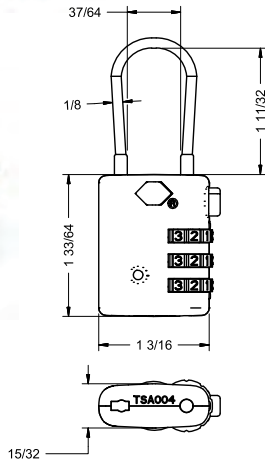
Featuring the Green / Red SearchAlert® Indicator



## TRAVEL LOCK SearchAlert® >>> NEW Product Series Cable Lock with Indicator



75003



Part#	Shackle Clearance	# of Dials	Body Width	Finish	Shelf Pack	MSRP
-------	-------------------	------------	------------	--------	------------	------

**Stock Items:**

75003	1-1/4"	3 Dials	1-3/6"	Black	6	\$12.00
75006	1-1/4"	3 Dials	1-3/6"	Pewter	6	\$12.00
75010	1-1/4"	3 Dials	1-3/6"	Red	6	\$12.00

other colors available upon request and are subject to minimum order

- Equipped with a convenient 3-dial, easy-to-set combination of your own choosing
- Has a flexible cable, allowing TSA screeners to inspect and re-lock baggage without damaging the lock
- Flexible cable resists abuse from airport luggage handling equipment and is built with a 1 1/8 inch (30mm) wide durable metal frame.
- Unique status changing window alerts you if your lock has been opened with a TSA secured tool, or by an unauthorized person using a counterfeit device.
- Product of Taiwan; designed in Wheeling, Illinois



75010



75006

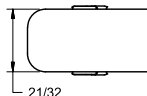
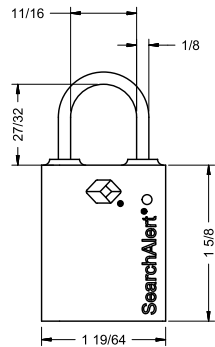
## TRAVEL LOCK SearchAlert® >>> NEW Product Series Keyed



94503

94506

94510



Part#	Shackle Clearance	Keyed	Body Width	Finish	Shelf Pack	MSRP
-------	-------------------	-------	------------	--------	------------	------

**Stock Items:**

94503		KD	1-19/64"	Black	6	\$6.99
94506		KD	1-19/64"	Pewter	6	\$6.99
94510		KD	1-19/64"	Red	6	\$6.99

- 3 Colors, Black/Red/Pewter
- 2 Keys
- Steel body provides added resistance to corrosion
- KD and KA available
- Lightweight For Air Travel
- Product of Taiwan; designed in Wheeling, Illinois

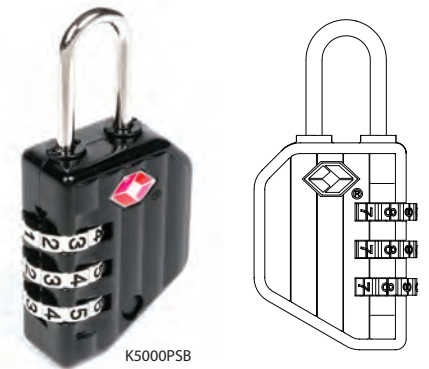




## TRAVEL LOCK SearchAlert® **NEW** Product Series Combination TSA Accepted Non-Indicator

Part#	Shackle Clearance	# of Dials	Body Width	Finish	Shelf Pack	MSRP
<b>Stock Items:</b>						
50003	3/4"	3 Dials	1"	Black	6	\$7.35
50001	3/4"	3 Dials	1"	Nickel	6	\$7.35
50002	3/4"	3 Dials	1"	Brass	6	\$7.35
50012	3/4"	3 Dials	1"	White	6	\$7.35
50006	3/4"	3 Dials	1"	Pewter	6	\$7.35
50011	3/4"	3 Dials	1"	Yellow	6	\$7.35
50007	3/4"	3 Dials	1"	Orange	6	\$7.35
50008	3/4"	3 Dials	1"	Pink	6	\$7.35
50005	3/4"	3 Dials	1"	Green	6	\$7.35
50004	3/4"	3 Dials	1"	Blue	6	\$7.35
50009	3/4"	3 Dials	1"	Purple	6	\$7.35
50010	3/4"	3 Dials	1"	Red	6	\$7.35

- TSA Accepted
- Airport Luggage & Case Security
- 1,000 Re-settable Combinations
- Regular and Heavy Duty Shackles
- Available From Stock
- Product of Taiwan; designed in Wheeling, Illinois



## Prestoseals

Stock Items:	MSRP
61900 Deluxe Seals (Black) 6 per card	\$4.00
61901 Rugged Seals (Red) 6 per card	\$4.25
61902 Mini Seals (Yellow) 6 per card	\$2.75

### 61902 • 61900:

- No sealing tool required
- Numbers and letters are hot stamped
- Tamper-proof shank and collar
- Removable only by destructive means
- Rust and corrosion proof Non-magnetic 100% recyclable

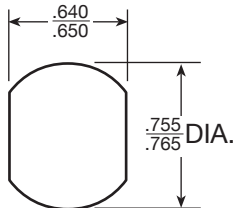
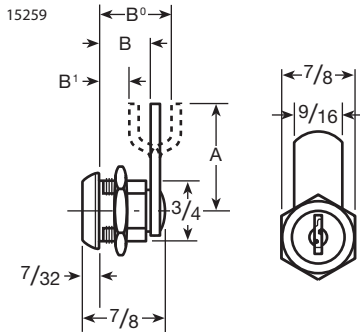
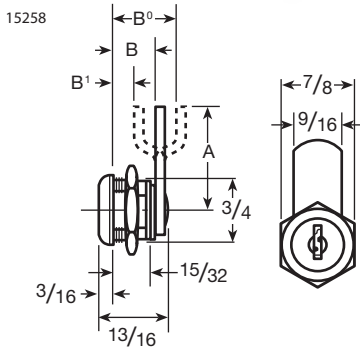
### 61901:

- Plastic body, galvanized wire hasp
- No sealing tool required
- Body can be hot stamped in black (or white) up to 13 characters on each of 3 lines, plus up to 7-digit sequential numbers
- Multiple body colors and hasp designs
- U.S. and U.K. Customs approved
- In-stock seals stamped "SECURED" with sequential numbering
- Recyclable



# Cam Locks

## 15258 | 15259 Cam Lock With Spun-On Cam DISC TUMBLER Cannot be Masterkeyed



Part#	Length	Keyed	Master Keyed	Finish	Stock Quantity	MSRP
-------	--------	-------	--------------	--------	----------------	------

**Made-to-Order Items:**

15258	13/16"			US26D		\$8.49
C15258	13/16"			US26D		\$8.49
15259	7/8"			US26D		\$8.65
A15259	7/8"			US26D		\$8.65
C15259	7/8"			US26D		\$8.65
AC15259	7/8"			US26D		\$8.65

- **Material:** Pressure Cast
- **Cams:** See dimension in table. Cams measured from center of cylinder to end of cam. Cam cannot be removed. Other cam options on Page 16.
- **15258 Cam Positions:** Regularly furnished with cam mounted in locked position at 12 o'clock. Specify on order if different position required.
- **15259 Cam Positions:** Regularly furnished with cam mounted in locked position at 12 o'clock. Specify on order if different position required. End of cylinder plug milled square. Cams punched with square hole to allow cam to be applied in any one of four positions.
- **Cam Rotation:** Furnished with 90 or 180 degree rotation. Specify on order. (Regular rotation 90 degrees counter clockwise from 12 to 9 o'clock).
- **15258:** 180 degree stop cam allows key to throw cam 180 degrees which permits key to be withdrawn in both locked and unlocked positions. 90 degree stop cam allows key to throw cam 90 degrees which permits key to be removed in locked position only.
- **15259:** Key removable in both locked and unlocked positions.
- **Clip:** Also available with clip.
- **A15259:** Same as 15259 except cam is affixed with nut. C15259 or AC15259 available with clip

Cam No.	Length	Distance Under Head to Cam					
		B	B'	B°	B	B'	B°
C2S	7/8"	1532"			12"		
C2L	1 1/4"	1532"			12"		
C3S	7/8"		11/32"			3/8"	
C3L	1 1/4"		11/32"			3/8"	
C4S	7/8"		7/32"			1/4"	
C4L	1 1/4"		7/32"			1/4"	
C5S	7/8"				1932"		5/8"
C5L	1 1/4"				1932"		5/8"
C6S	7/8"				2332"		7/8"
C6L	1 1/4"				2332"		7/8"

\*Specify cam required on order, i.e., 15258 x C2S.

Part No./Cyl Length	MKYD	US2G	US26D	US14	Stock Qty	Approx Wt. (lbs./oz.)
15258	.	.				
C15258	.	.				
15259	.	.				
A15259	.	.				
C15259	.	.				
AC15259	.	.				
15295D	.		.			
15295A Cam		.				
15295D Cam		.				

\*Other keypulls and keying available with minimum quantity orders. Check with Customer Service.

## 15295D Cam Lock

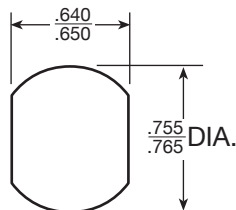
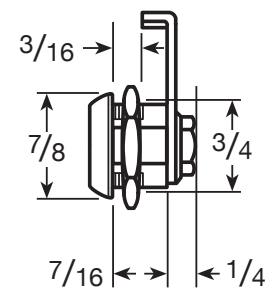
DISC TUMBLER Cannot be Masterkeyed

Made-to-Order Items:		Finish	MFT PT #	MSRP
15295D	7/16"	US26D		\$8.65
15295D	Cam	US2G	308F9280002G	\$1.71
15295A	Cam		329F6680002G	\$1.71
S16597	Cam		349F4880002G	\$1.71

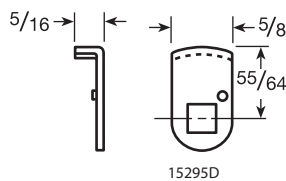
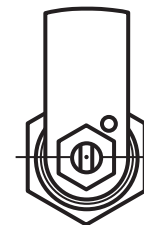
- **Material:** Pressure Cast
- **Cam Positions:** Regularly furnished with cam mounted in locked position at 12 o'clock. Specify on order if different position required.
- **Cam Rotation:** 180 degree rotation only available. 12-6 or 6-12



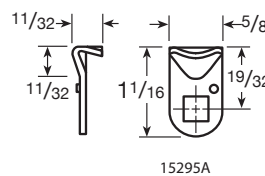
15295D



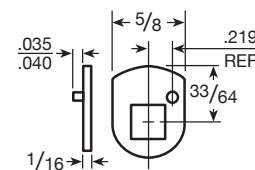
Mounting Cutout: "Double D" - Standard cutout for Disc Tumbler Cam Locks



15295D



15295A



S16597

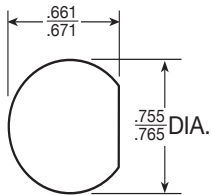
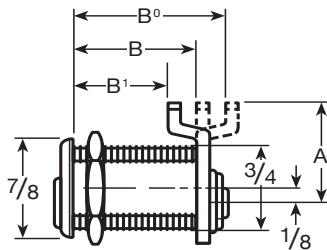
# Cam Locks



15748



15749



**Mounting Cutout:**  
 "Single D" – Standard  
 cutout for RH & LH Pin  
 Tumbler Cam Locks

## 15748 & 15749 Cam Lock PIN TUMBLER Can be Masterkeyed

Made-to-Order Items:	Keyed	Finish	MSRP
15748	4-Pin	US4	\$42.37
15748	4-Pin	US14	\$42.37
15748	4-Pin	US26D	\$42.37
15749	5-Pin	US4	\$46.33
15749	5-Pin	US14	\$46.33
15749	5-Pin	US26D	\$46.33
Master Keying Charge			\$4.20

- **Keyways Available:** R1 & CR
- **Material:** Brass
- **Cylinder:** Slabbed on one side
- **Regular Key Changes:** All different
- **Key Blank No.:**  
 8632C-R1 (4 pin) for 15748  
 8618C-R1 (5 pin) for 15749  
 8618C-R1 (5 pin) for 15750  
 8618C-R1 (5-Pin) for 15783 & 15890
- **15748, 15749, & 15750**  
 Cam Rotation:  
 Furnished with 90 degree rotation (12 o'clock to 3 o'clock standard). Key removable in locked position only.
- **15783 & 15890**  
 Cam Rotation: Furnished with 90 degree rotation clockwise from 12 to 3 o'clock, 3 to 6 o'clock, 6 to 9 o'clock, or 9 to 12 o'clock. Specify cam rotation on order.

Part No./Cyl Length	MKYD	US4	US14	US26D
15748	.	.	.	.
15749	.	.	.	.

Cam No.	Length	No. 15748*			No. 15749*		
		B	B <sup>1</sup>	B <sup>0</sup>	B	B <sup>1</sup>	B <sup>0</sup>
C2S	7/8"	5/8"			13/16"		
C2L	1 1/4"	5/8"			13/16"		
C3S	7/8"		1/2"			1 1/16"	
C3L	1 1/4"		1/2"			1 1/16"	
C4S	7/8"		3/8"			9/16"	
C4L	1 1/4"		3/8"			9/16"	
C5S	7/8"			3/4"			15/16"
C5L	1 1/4"			3/4"			15/16"
C6S	7/8"			7/8"			1 1/16"
C6L	1 1/4"			7/8"			1 1/16"

\*Specify cam required on order, i.e. 15748 x C2S

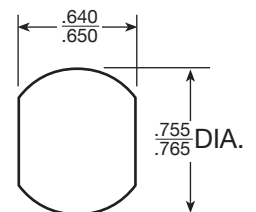
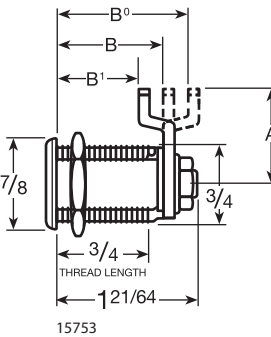
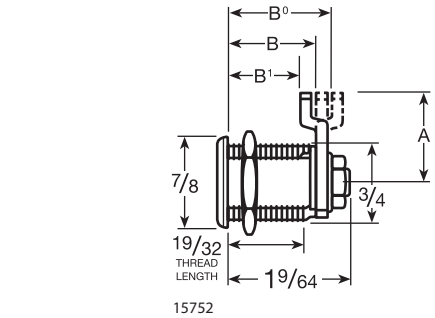
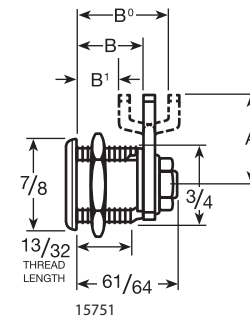


## 15751 | 15752 | 15753 Cam Lock

DISC TUMBLER Can be Masterkeyed

Part#	Length	Keyed	Master Keyed	Finish	MFT PT #	Stock Quantity	Boxed Weight lbs/oz	MSRP
<b>Stock Items:</b>								
B15751		KD AUE		US26D	00218	25	5/9	\$5.78
B15751		KA CAT 30		US26D	00219	25	5/9	\$5.78
B15751		KA CAT 60		US26D	02656	25	5/9	\$5.78
B15751		KD MKY M8003		US26D	02654	25	5/9	\$6.83
B15752		KD AUE		US26D	02645	25	5/9	\$6.83
B15752		KACAT 30		US26D	02660	25	5/9	\$6.83
B15752		CAT60		US26D	02661	25	5/9	\$6.83
B15752		MKY M8003(KD)		US26D	02662	25	5/9	\$7.88
<b>Made-to-Order Items:</b>								
15751				US4				\$7.19
15751				US26D				\$7.19
B15751				US4				\$10.49
B15751				US26D				\$10.49
C15751				US4				\$8.09
C15751				US26D				\$8.09
15752				US4				\$8.52
15752				US26D				\$8.52
B15752				US4				\$10.93
B15752				US26D				\$10.93
15753				US26D				\$9.36
		Master Keying Charge						\$4.20

- Material:** Pressure cast
- Regular Key Changes:** 200 with key blank 5865JVR (5 disc), 700 with key blank 8658JVR (6 disc)
- Masterkeyed Key Changes:** 180 with key blank 5860KS (5 disc), 700 with key blank 5861KS (6 disc)
- Cam Positions:** Regularly furnished with cam mounted at 12 o'clock locked position. Cam may be mounted at 3, 6, 9, or 12 o'clock locked position.
- Cam Rotation:** Regular rotation 90 degrees from 12 to 9 o'clock, key removable only in locked position at 12. Also available with 180 degree rotation from 12 to 6 o'clock so key can be withdrawn in both locked and unlocked positions.
- Cylinder:** Slabbed on both sides



Mounting Cutout

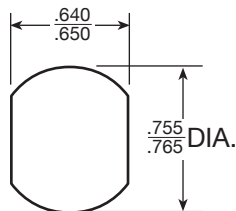
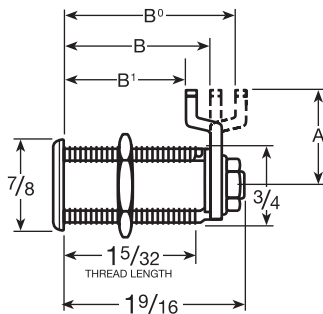
Cam No.	Length	No.15751*			No. 15752*			No.15753*Cam		
		B	B <sup>1</sup>	B <sup>0</sup>	Distance Under Head to Cam			B	B <sup>1</sup>	B <sup>0</sup>
C2S	7/8"	5/8"			13/16"			1"		
C2L	1 1/4"	5/8"			13/16"			1"		
C3S	7/8"		1/2"			11/16"			7/8"	
C3L	1 1/4"		1/2"			11/16"			7/8"	
C4S	7/8"		3/8"			9/16"			3/4"	
C4L	1 1/4"		3/8"			9/16"			3/4"	
C5S	7/8"			3/4"			15/16"			1 1/8"
C5L	1 1/4"			3/4"			15/16"			1 1/8"
C6S	7/8"			7/8"			1 1/16"			1 1/4"
C6L	1 1/4"			7/8"			1 1/16"			1 1/4"

\*Specify cam required on order, i.e., 15751 x C2S.

# Cam Locks



## 15760 Cam Lock DISC TUMBLER Can be Masterkeyed



Mounting Cutout

Part#	Length	Keyed	Master Keyed	Finish	MFT PT #	Stock Quantity	Boxed Weight lbs/oz	MSRP
-------	--------	-------	--------------	--------	----------	----------------	---------------------	------

**Stock Items:**

<b>B15760</b>		KD		US26D	<b>00220</b>	25	5/9	\$7.35
<b>B15760</b>		AUE 1		US26D	<b>02664</b>	25	5/9	\$7.35
<b>B15760</b>		KA CAT 30		US26D	<b>02908</b>	25	5/9	\$7.35
<b>B15760</b>		KA CAT 60		US26D	<b>02659</b>	25	5/9	\$7.35
<b>B15760</b>		MKY M8003(KD)		US26D	<b>02665</b>	25	5/9	\$8.40
<b>K15760</b>		KD		US26D	<b>00222</b>	8	2/2	\$8.66
<b>KB15760A</b>		KA CAT 30		US26D	<b>00223</b>	8	2/2	\$8.66

**Made-to-Order Items:**

<b>15760</b>				US4				\$9.24
<b>15760</b>				US26D				\$9.24
<b>B15760</b>				US4				\$11.68
<b>B15760</b>				US26D				\$11.68
<b>C15751</b>				US26D	<b>099F268</b>			\$1.31
								Master Keying Charge \$4.20

- **Material:** Pressure cast
- **Regular Key Changes:** 200 with key blank 5865JVR (5 disc), 700 with key blank 8658JVR (6 disc)
- **Masterkeyed Key Changes:** 180 with key blank 5860KS (5 disc), 700 with key blank 5861KS (6 disc)
- **Cam Positions:** Regularly furnished with cam mounted at 12 o'clock locked position. Cam may be mounted at 3, 6, 9, or 12 o'clock locked position.
- **Cam Rotation:** Regular rotation 90 degrees from 12 to 9 o'clock, key removable only in locked position at 12. Also available with 180 degree rotation from 12 to 6 o'clock so key can be withdrawn in both locked and unlocked positions.
- **Cylinder:** Slabbed on both sides

Cam No.	Cam Length	Distance Under Head to Cam		
		B	B'	B''
C2S	7/8"	1 1/4"		
C2L	1 1/4"	1 1/4"		
C3S	7/8"		1 1/8"	
C3L	1 1/4"		1 1/8"	
C4S	7/8"		1"	
C4L	1 1/4"		1"	
C5S	7/8"			1 3/8"
C5L	1 1/4"			1 3/8"
C6S	7/8"			1 1/2"
C6L	1 1/4"			1 1/2"

\*Specify cam required on order, i.e., 15751 x C2S.

## 15783 Cam Lock Lazy Cam Function

PIN TUMBLER Can be Masterkeyed

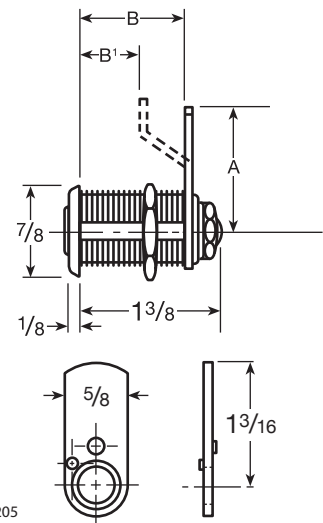
Part#	Length	Keyed	Master Keyed	Finish	MFT PT #	Stock Quantity	Boxed Weight lbs/oz	MSRP
<b>Made-to-Order Items:</b>								
15783				US14				\$47.25
15783				US26D				\$47.25
205 Cam – 12 to 9 or 6 to 3 (LH)			15783	Zinc	263F1480002G			\$2.10
205 Cam – 12 to 3 or 6 to 9 (RH)			15783	Zinc	263F1380002G			\$2.10
206 Cam – 12 to 9 or 6 to 3 (LH)			15783	Zinc	263F1880002G			\$2.10
206 Cam – 12 to 3 or 6 to 9 (RH)			15783	Zinc	263F1780002G			\$2.10
207 Cam – 12 to 9 or 6 to 3 (LH)			15783	Zinc	263F2080002G			\$2.10
207 Cam – 12 to 3 or 6 to 9 (RH)			15783	Zinc	263F1980002G			\$2.10
208 Cam – 12 to 9 or 6 to 3 (LH)			15783	Zinc	263F2280002G			\$2.10
208 Cam – 12 to 3 or 6 to 9 (RH)			15783	Zinc	263F2180002G			\$2.10
209 Cam – 12 to 9 or 6 to 3 (LH)			15783	Zinc	263F1280002G			\$2.10
210 Cam – 12 to 9 or 6 to 9 (LH)			15783	Zinc	263F1680002G			\$2.10
210 Cam – 12 to 3 or 6 to 9 (RH)			15783	Zinc	263F1580002G			\$2.10
Master Keying Charge								\$4.20

- **Keyways Available:** R1 & CR
- **Material:** Brass
- **Key Blank No.:** 8618C - R1 (5-Pin)
- **Cam Rotation:** Furnished with 90 degree rotation clockwise from 12 to 3 o'clock, 3 to 6 o'clock, 6 to 9 o'clock, or 9 to 12 o'clock. Specify cam rotation on order.

- **Operation:** Lock operated by full turn of key. Key removable in locked or unlocked position. Can also be set so that key is removable in locked position only with 90 degree cam rotation.
- **Cylinder:** Slabbed on one side



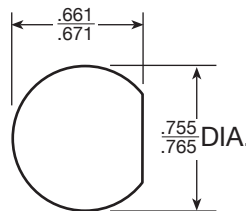
15783



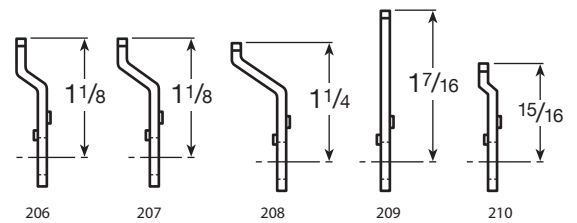
205

Cam No.	Cam Length	Distance Under Head to Cam B	Distance Under Head to Cam B'
205	1.316"	1"	
206	1.18"	25/32"	
207	1.18"	11/16"	
208	1.14"	9/16"	
209	1.716"	1"	
210	1.516"	29/32"	

\*Specify cam required on order, i.e., 15783 x 205.



Mounting Cutout:  
"Single D" – Standard cutout for RH & LH Pin Tumbler Cam Locks



206

207

208

209

210

## Bulk Items for 15751 | 15752 | 15760 Cam Locks

Part#	MFT PT #	MSRP
<b>Stock Items:</b>		
180° Stop Cam	121F4Z8000ZG	\$1.31
C4L/C6L – 1/2" Offset Cam	026F218000G	\$1.37
Pronged Washer	230F2480002G	\$1.37
Collar Ring	231F2580002G	\$1.37

# Cam Locks

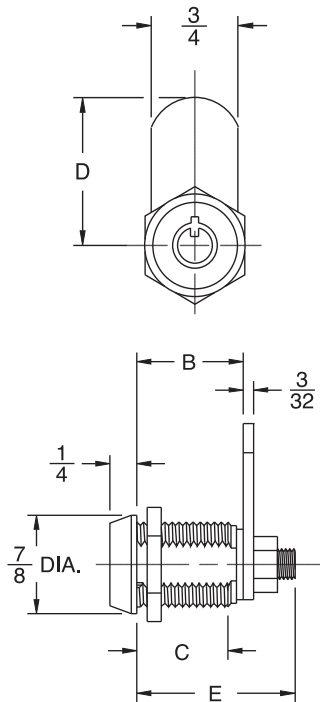
## C-510-XS | C-510-S | C-510-M | C-510-L

### Die Cast Tubular Cam Lock

PIN TUMBLER Cannot be Masterkeyed



BDB510S



Lock #	B	C	E
C510XS	7/16"	5/16"	3/4"
C510S	23/32"	9/16"	1"
C510M	29/32"	3/4"	1-15/32"
C510L	1 1/8"	27/32"	1-17/32"

Part#	Length	Keyed	Master Keyed	Finish	MFT PT #	Stock Quantity	Boxed Weight lbs/oz	MSRP
-------	--------	-------	--------------	--------	----------	----------------	---------------------	------

**Stock Items:**

<b>BDB510XS</b>	7/16"	KD		US26	<b>51000</b>	25	6/5	\$9.96
<b>BDB510XS</b>	7/16"	KA0001		US26	<b>51001</b>	25	6/5	\$9.96
<b>BDB510XS</b>	7/16"	KA0002		US26	<b>51002</b>	25	6/5	\$9.96
<b>BDB510XS</b>	7/16"	KA0003		US26	<b>51003</b>	25	6/5	\$9.96
<b>BDB510XS</b>	7/16"	KA0004		US26	<b>51004</b>	25	6/5	\$9.96
<b>BDB510S</b>	23/32"	KD		US26	<b>51010</b>	25	6/5	\$9.96
<b>BDB510S</b>	23/32"	KA0001		US26	<b>51011</b>	25	6/5	\$9.96
<b>BDB510S</b>	23/32"	KA0002		US26	<b>51012</b>	25	6/5	\$9.96
<b>BDB510S</b>	23/32"	KA0003		US26	<b>51013</b>	25	6/5	\$9.96
<b>BDB510S</b>	23/32"	KA0004		US26	<b>51014</b>	25	6/5	\$9.96
<b>BDB510M</b>	29/32"	KD		US26	<b>51020</b>	25	6/5	\$9.96
<b>BDB510M</b>	29/32"	KA0001		US26	<b>51021</b>	25	6/5	\$9.96
<b>BDB510M</b>	29/32"	KA0002		US26	<b>51022</b>	25	6/5	\$9.96
<b>BDB510M</b>	29/32"	KA0003		US26	<b>51023</b>	25	6/5	\$9.96
<b>BDB510M</b>	29/32"	KA0004		US26	<b>51024</b>	25	6/5	\$9.96
<b>BDB510L</b>	1 1/8"	KD		US26	<b>51030</b>	25	6/5	\$9.96
<b>BDB510L</b>	1 1/8"	KA0001		US26	<b>51031</b>	25	6/5	\$9.96
<b>BDB510L</b>	1 1/8"	KA0002		US26	<b>51032</b>	25	6/5	\$9.96
<b>BDB510L</b>	1 1/8"	KA0003		US26	<b>51033</b>	25	6/5	\$9.96
<b>BDB510L</b>	1 1/8"	KA0004		US26	<b>51034</b>	25	6/5	\$9.96

- **Material:** Zinc die cast housing, brass plug & spindle
- **Operation:** Push key and turn to desired position for locking and unlocking. Key removeable at various locations depending on mounting configurations.
- **Specifications:** Tubular cam lock available with removeable style cam only. Engineered for use in metal or fiberglass products.
- **Mechanism:** 7 Pin tumbler mechanism utilizing a tubular key which offers over 750,000 combinations.

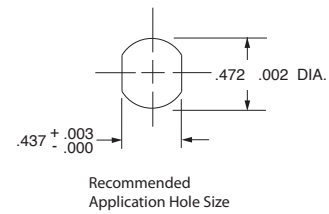
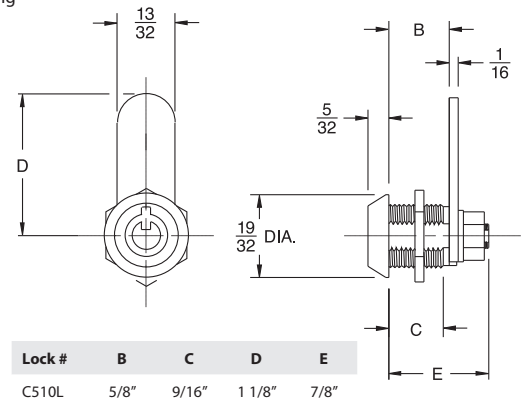
## C520L Die Cast Brass Tubular Cam Lock

PIN TUMBLER Cannot be Masterkeyed

Part#	Length	Keyed	Master Keyed	Finish	MFT PT #	Stock Quantity	Boxed Weight lbs/oz	MSRP
<b>Stock Items:</b>								
C520L	5/8"	KA601		US26	52001	10	.9/0	\$7.22
C520L	5/8"	KD		US26	52020	10	.9/0	\$7.22



- **Material:** Zinc die cast
- **Operation:** Push key and turn 90 degrees to desired position for locking and unlocking. Key removeable at 12:00 position only.
- **Specifications:** Miniature tubular cam lock with removable style cam only. Engineered for use in metal or fiberglass products.
- **Mechanism:** 4 Pin tumbler mechanism utilizing a tubular key which offers 150 combinations.



# Cam Locks

## C1091A Miniature Cam Lock Package

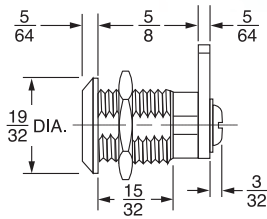
DISC TUMBLER Cannot be Masterkeyed



Part#	Length	Keyed	Master Keyed	Finish	MFT PT #	Stock Quantity	Boxed Weight lbs/oz	MSRP
-------	--------	-------	--------------	--------	----------	----------------	---------------------	------

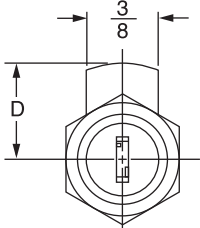
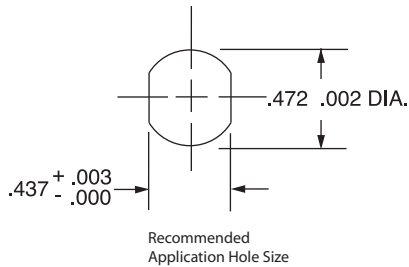
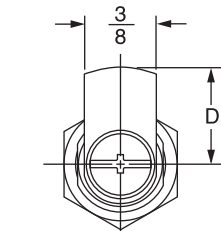
**Stock Items:**

C1091A	5/8"	KA to 105		US14	10911	10	.7/0	\$6.28
C1091A	5/8"	KD		US14	10910	10	.7/0	\$6.28



- **Material:** Zinc die cast cylinders
- **Specifications:** Miniature cam lock available with removable style cam only. Engineered for use in metal or fiberglass products
- **Mechanism:** 4 Disc tumbler single bitted mechanism

Lock #	D
C1091A	1 1/8"



## CK2113 | CK3113 | CK4113 Rotary Combination Cam Lock

Part#	Length	Keyed	Master Keyed	Finish	MFT PT #	Stock Quantity	Boxed Weight lbs/oz	MSRP
-------	--------	-------	--------------	--------	----------	----------------	---------------------	------

**Stock Items:**

CK2113CD	5/8"	CD		Zinc	03211	10	2/2	\$12.68
CK2113CA	5/8"	CA		Zinc	03230	10	2/2	\$12.68
CK3113CD	7/8"	CD		Zinc	03212	10	2/4	\$13.89
CK3113CA	7/8"	CA		Zinc	03231	10	2/4	\$13.89
CK4113CD	1 1/8"	CD		Zinc	03213	10	2/6	\$15.09
CK4113CA	1 1/8"	CA		Zinc	03232	10	2/6	\$15.09

- **Vault Knob:** Die-cast zinc; zinc and yellow chromate-finished, then black polyurethane painted, plus over painted white numbers
- **Shell:** Die-cast zinc; polished plus copper and nickel-plated

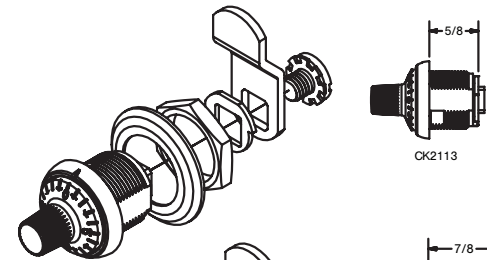
- **Cylinder & Mounting Nut:** Die-cast zinc; zinc and clear chromate-finished
- **Combination Discs:** Carbon steel; case-hardened and nickel-plated



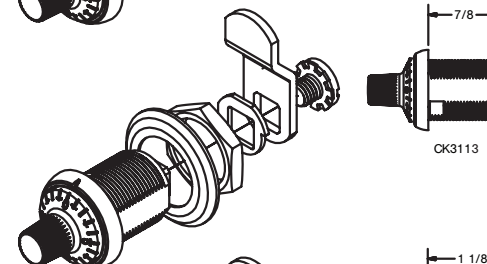
CK4114



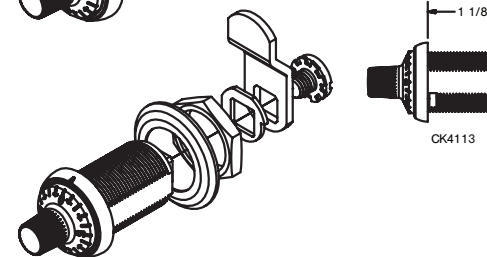
CK4114



CK2113



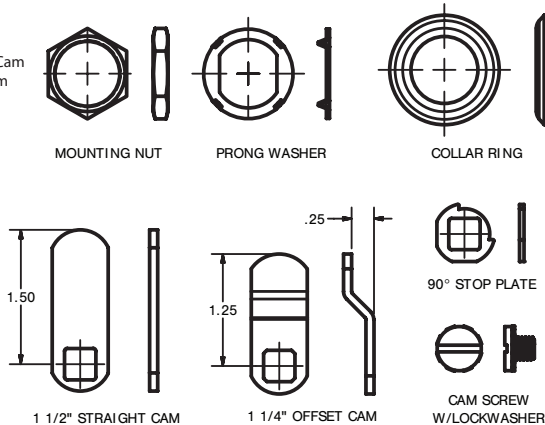
CK3113



CK4113

**Contents**

- Screw Lockwasher
- COF25001/4" Offset Cam
- CFL1500 Straight Cam
- 90° Stop Cam
- 3/4" Cylinder Nut
- Pronged Washer
- Collar Ring



Cam No.	Cam Length	CK2113			CK3113			CK4113		
		B	B <sup>1</sup>	B <sup>0</sup>	B	B <sup>1</sup>	B <sup>0</sup>	B	B <sup>1</sup>	B <sup>0</sup>
CFL1500	1 1/2"	5/8"		7/8"	7/8"			1 1/8"		
COF2500	1 1/4"		3/8"	7/8"		5/8"	1 1/8"		7/8"	1 3/8"

# Cam Locks

## 390XX Series Dial Combination Cam Lock

» **NEW** Product Series



39052

Part#	Length	Keyed	Master Keyed	Finish	MFT PT #	Stock Quantity	Boxed Weight lbs/oz	MSRP
-------	--------	-------	--------------	--------	----------	----------------	---------------------	------

**Stock Items:**

<b>39051</b>	3/4"	3 Dials	1,000	Chrome	<b>39051</b>	25		\$11.00
<b>39052</b>	15/16"	3 Dials	1,000	Chrome	<b>39052</b>	25		\$11.50
<b>39053</b>	1 7/32"	3 Dials	1,000	Chrome	<b>39053</b>	25		\$12.00
<b>39021</b>	3/4"	3 Dials	1,000	Black	<b>39021</b>	25		\$11.00
<b>39022</b>	15/16"	3 Dials	1,000	Black	<b>39022</b>	25		\$11.50
<b>39023</b>	1 7/32"	3 Dials	1,000	Black	<b>39023</b>	25		\$12.00

- Secure with 1,000 Possible Combinations
- Durable All-metal Construction
- Easy to Use
- Easy to Recombinate
- Zinc alloy diecast
- Bright chrome plated standard

**Best Used For:**

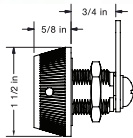
- Metal/non-metal wooden doors
- Cabinets
- Boxes
- Drawers



39022

39051

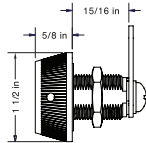
39051  
39021



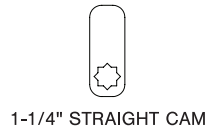
**39051 • 39021**  
3/4" CAM LOCK



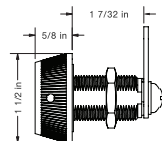
39052  
39022



**39052 • 39022**  
15/16" CAM LOCK



39053  
39023



**39053 • 39023**  
1-7/32" CAM LOCK





## 59020 | 59021 | 59022 Padlockable Cam Lock

NEW Product Series

Part#	Length	Keyed	Master Keyed	Finish	MFT PT #	Stock Quantity	Boxed Weight lbs/oz	MSRP
<b>Stock Items:</b>								
59020	1 3/4"			Chrome	59020	25		\$11.00
59021	1 3/4"			Black	59021	25		\$11.00
59022	1 3/4"			Brass	59022	25		\$11.00
<b>Made-to-Order Items:</b>								
S58	5/8"	Straight Cam		Zinc	S58			\$1.05
S78	7/8"	Straight Cam		Zinc	S78			\$1.05
S125	1 1/4"	Straight Cam		Zinc	S125			\$1.05
S150	1 1/2"	Straight Cam		Zinc	S150			\$1.05
S175	1 3/4"	Straight Cam		Zinc	S175			\$1.05
S200	2"	Straight Cam		Zinc	S200			\$1.05
S225	2 1/4"	Straight Cam		Zinc	S225			\$1.05
F100-25	1"	Offset Cam	1/4"	Zinc	F100-25			\$1.05
F125-25	1 1/4"	Offset Cam	1/4"	Zinc	F125-25			\$1.05
F118-18	1 1/8"	Offset Cam	1/8"	Zinc	F118-18			\$1.05
F138-38	1 3/8"	Offset Cam	3/8"	Zinc	F138-38			\$1.05
F150-25	1 1/2"	Offset Cam	1/4"	Zinc	F150-25			\$1.05
F178-50	1 7/8"	Offset Cam	1/2"	Zinc	F178-50			\$1.05



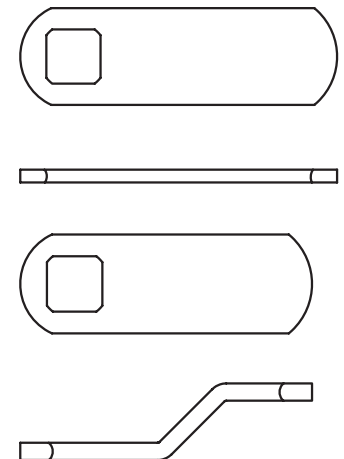
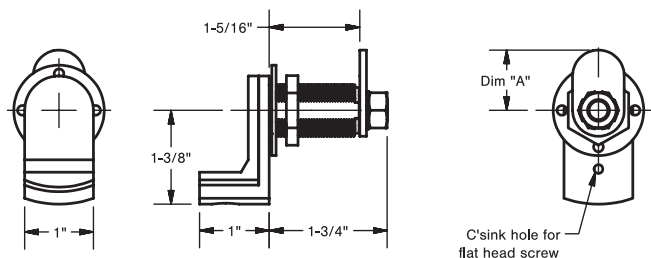
59020

- Retrofits any DCP padlockable cam lock latch
- Accepts padlocks with shackle diameter up to 3/8"
- Functions on doors and drawers
- Ideal for locker applications
- Max. material thickness: 1 1/8"
- Barrel diameter: 3/4"

- Available in 3 finishes:  
US3 - Bright Brass, Stock ID # 59022  
US19 - Black, Stock ID # 59021  
US26 - Bright Chrome, Stock ID # 59020

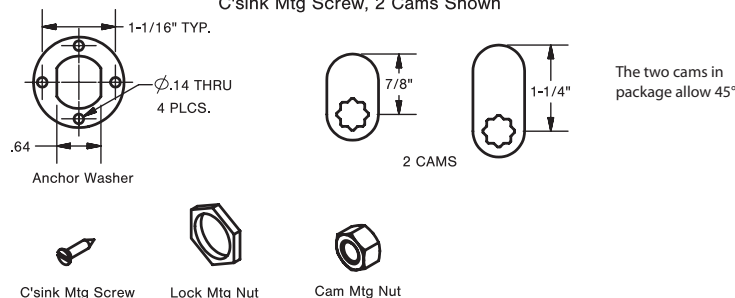
**Best used for:**

- Apartments, Condominiums, Schools, Lobbies



Drawings above represent accessory cams

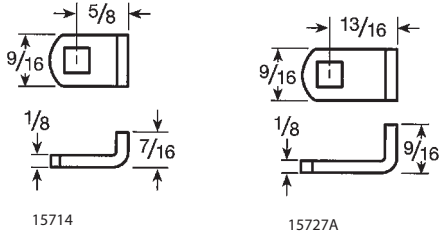
**Included Hardware:** Anchor Washer, Lock Mtg Nut, Cam Mtg Nut, C'sink Mtg Screw, 2 Cams Shown



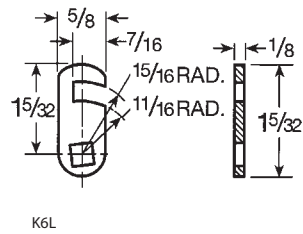
# Cam Locks

## Cams – Bent | Straight | Offset | Hook

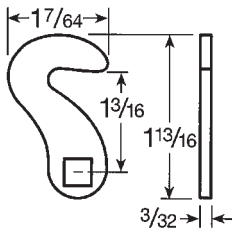
### Bent Cams



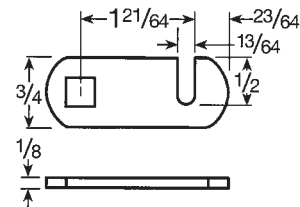
### Hook Cams



K6L



15703N



15751A

Part#	Length	Keyed	Master Keyed	Finish	MFT PT #	Stock Quantity	Boxed Weight lbs/oz	MSRP
-------	--------	-------	--------------	--------	----------	----------------	---------------------	------

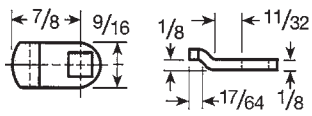
#### Made-to-Order Items:

<b>15714</b>	7/16" Bent Cam			Zinc				\$1.37
<b>15727A</b>	9/16" Bent Cam			Zinc				\$1.37
<b>K6L</b>	Hook Cam			Zinc				\$1.37
<b>15751A</b>	Hook Cam			Zinc				\$1.37
<b>15703N</b>	Hook Cam			Zinc				\$1.37
<b>C3S / C5S</b>	1/8" Offset Cam			Zinc				\$1.37
<b>C3L / C5L</b>	1/8" Offset Cam			Zinc				\$1.37
<b>C4S / C6S</b>	1/4" Offset Cam			Zinc				\$1.37
<b>C4L / C6L</b>	1/4" Offset Cam			Zinc				\$1.37
<b>15751E</b>	3/8" Offset Cam			Zinc				\$1.37
<b>C2S</b>	7/8" Straight Cam			Zinc				\$1.37
<b>C2L</b>	1 1/4" Straight Cam			Zinc				\$1.37
<b>15751EA</b>	1 17/32" Straight Cam			Zinc				\$1.37
<b>15751EB</b>	1 21/32" Straight Cam			Zinc				\$1.37
<b>15751EC</b>	5/8" Straight Cam			Zinc				\$1.37
<b>15751ED</b>	1 1/8" Straight Cam			Zinc				\$1.37

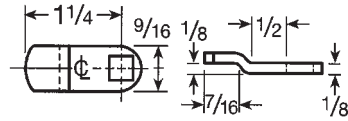
#### Part No. US2G

C2L	•
C2S	•
C3L	•
C3S	•
C4L	•
C4S	•
C5L	•
C5S	•
C6L	•
C6S	•
K6L	•
15703N	•
15714	•
15727A	•
15728	•
15751A	•
15751E	•
15751EA	•
15751EB	•
15751EC	•
15751ED	•

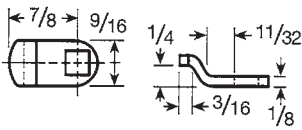
### Offset Cams



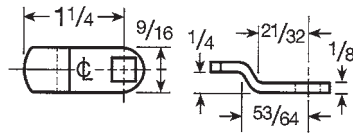
C3S / C5S



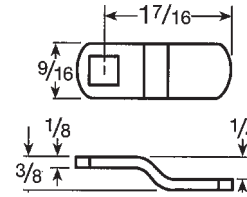
C3SL / C5L



C4S / C6S

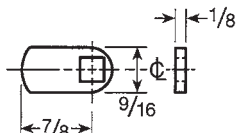


C4SL / C6L

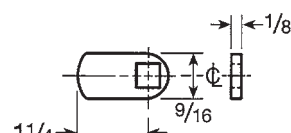


15751E

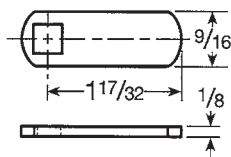
### Straight Cams



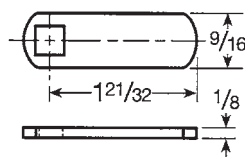
C2S



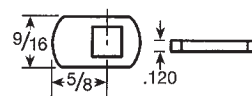
C2L



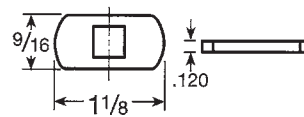
15751EA



15751EB



15751EC



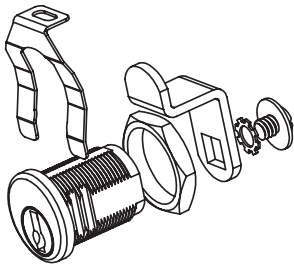
15751ED

# Cam Locks

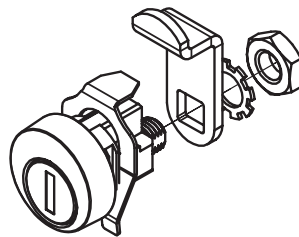
## 82010 | 82011 | 82013 | 82014 **NEW** Product Series Multicam Mailbox Lock



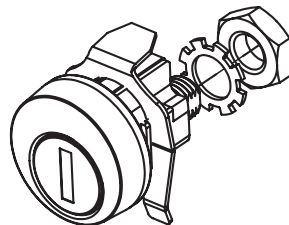
82010



82011



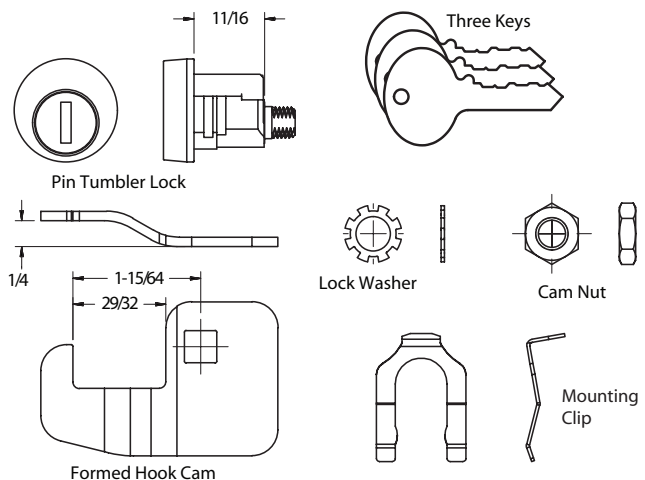
82013 & 82014



**New added feature**



82013/82014 come with the attached contents:



**Stock Items:**

Part#	Keyed	Finish	MFT PT #	Stock Quantity	Boxed Weight lbs/oz	MSRP
<b>MBL82010</b>	KD	US14	<b>82010</b>	25	5/9	\$5.25
<b>MBL82011</b>	KD	US14	<b>82011</b>	25	5/9	\$7.35
<b>MBL82013</b>	KD	US14	<b>82013</b>	25	5/9	\$10.50
<b>MBL82014</b>	KD	US14	<b>82014</b>	25	5/9	\$10.50

**MBL82010 | MBL82011**

- **Interior:** Nut or clip mounted.
- Key removable in locked position only.
- Supplied with selection of five cams, two keys, mounting nut, mounting clip, lock washer and cam screw.
- **Exterior:** Stainless steel dust shuttered keyway helps to prevent water penetration into the lock.
- Speed clip mounting of lock for fast assembly onto mailbox.
- Key removable in locked position only.
- Supplied with selection of five cams, two keys, mounting clip, lock washer and cam screw.
- CCL Security Mailbox Locks use the National D4292, or Ilco 1069LB

**Best Used in:**

- Apartments, Condominiums, Schools, Lobbies, Pedestal-mounted neighborhood boxes (exterior)

**MBL82013 | MBL82014**

- Stainless steel dust shuttered keyway helps to prevent water penetration into the lock.
- 90° clockwise cam turn (MBL82013) or 90° counter clockwise cam turn (MBL82014) to open.
- Key removable in locked position only.
- Speed mounting of lock for fast assembly onto mailbox.
- Supplied with three keys, mounting clip, lock washer and cam nut, and formed hook cam.
- 1,000 key changes
- CCL Security Mailbox Locks use the National D4292, or Ilco 1069LB

**New**



**Fits Into Latest Application Hole Design**

## Weather Resistant Cam Lock **NEW** Product Series

Part#	Length	Keyed	Key# (stamped on key)	Finish	MFT PT #	Stock Quantity	Boxed Weight lbs/oz	MSRP
-------	--------	-------	-----------------------------	--------	----------	-------------------	---------------------------	------

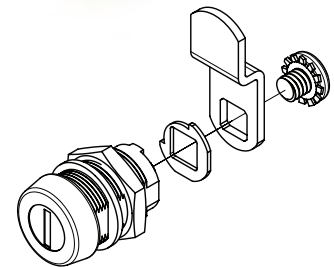
### Stock Items:

<b>WRC-62204</b>	7/8"	KA	200R	US14	<b>62204</b>	25	5/9	\$9.00
<b>WRC-62207</b>	5/8"	KA	200R	US14	<b>62207</b>	25	5/9	\$9.00
<b>WRC-62214</b>	7/8"	KD	200R-399R	US14	<b>62214</b>	25	5/9	\$9.00
<b>WRC-62217</b>	5/8"	KD	200R-399R	US14	<b>62217</b>	25	5/9	\$9.00

- 5/8" or 7/8" diecast camlock, keyed alike or different
- Used for any outdoor application requiring resistance to water intrusion, salt, and exposure to freezing temperatures.
- Stainless steel dust shutter and internal o-ring prevents water penetration through the lock. Includes rubber gasket to provide water-tight seal under head of lock allowing no moisture to enter enclosure.
- Long lasting chrome over double nickel finish with stainless steel capped lock head and face for superior weather resistance.
- 90°/180°, clockwise/counter-clockwise cam rotation options.
- Supplied with selection of three cams, two stop plates, mounting nut, trim washer, rubber gasket and cam screw. Includes two ringed keys.



62207



## 650 | 651 Series Cam Lock **NEW** Product Series

Part#	Keyed, Key Numbers	Lock size	Lock Series	Stock Quantity	MSRP
-------	-----------------------	-----------	-------------	-------------------	------

<b>65101</b>	KA-C415A	7/16"	C651XS	25	\$6.00
<b>65001</b>	KA-C415A	5/8"	C650S	25	\$6.00
<b>65002</b>	KA-C415A	7/8"	C650M	25	\$6.00
<b>65003</b>	KA-C415A	1-1/8"	C650L	25	\$6.00
<b>65102</b>	KA-8025	7/16"	C651XS	25	\$6.00
<b>65004</b>	KA-8025	5/8"	C650S	25	\$6.00
<b>65005</b>	KA-8025	7/8"	C650M	25	\$6.00
<b>65006</b>	KA-8025	1-1/8"	C650L	25	\$6.00
<b>65103</b>	KD-700-724	7/16"	C651XS	25	\$6.00
<b>65007</b>	KD-700-724	5/8"	C650S	25	\$6.00
<b>65008</b>	KD-700-724	7/8"	C650M	25	\$6.00
<b>65009</b>	KD-700-724	1-1/8"	C650L	25	\$6.00
<b>65104</b>	KA-CH751	7/16"	651XS	25	\$6.00
<b>65010</b>	KA-CH751	5/8"	650S	25	\$6.00
<b>65011</b>	KA-CH751	7/8"	650M	25	\$6.00
<b>65012</b>	KA-CH751	1-1/8"	650L	25	\$6.00
<b>65105</b>	KA-LS300	7/16"	651XS	25	\$6.00
<b>65013</b>	KA-LS300	5/8"	650S	25	\$6.00
<b>65014</b>	KA-LS300	7/8"	650M	25	\$6.00
<b>65015</b>	KA-LS300	1-1/8"	650L	25	\$6.00

### C610-Keys

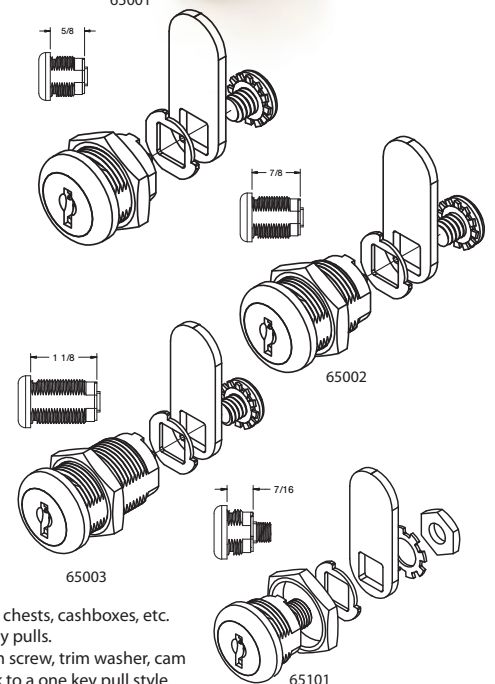
Replacement for locks with key numbers LSDA, 8025, CH751 & 700

\$ .70

- **Features the following Key Numbers:** CH751, 8025, 415A and LS-300
- Economical die cast cam locks for every day use
- Various cams, rotations, key pulls and finishes
- Available keyed alike or keyed different in multiple lengths
- **Material:** Zinc die cast cylinders
- **Mechanism:** 5 Disc tumbler single bitted mechanism which offers 200 combinations and master keying.
- **Finish:** Bright chrome is standard, other finishes available upon request.
- Can be used in metal or wood application, easy to mount with supplied barrel nut.
- Used on drawers, cabinet doors, storage boxes, gun racks, chests, cashboxes, etc.
- Key Pull 90° rotation may be configured for one or two key pulls.
- Supplied with selection of two cams, two stop plates, cam screw, trim washer, cam lock washer, spur washer, and spline fillers to convert lock to a one key pull style.



65001



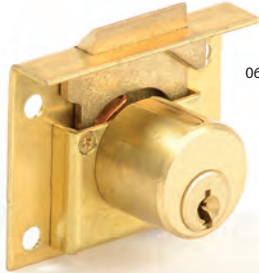
# Drawer Locks - Price Reduction

## 0666 | 0666 1/2 Drawer Locks

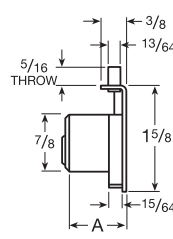
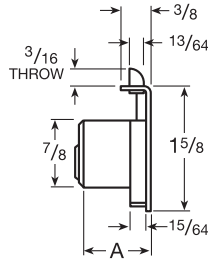
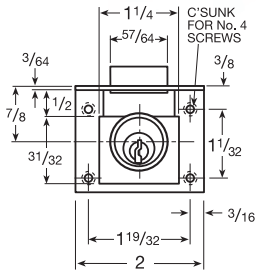
PIN TUMBLER Can be Masterkeyed



0666



0666 1/2



- **Material:** All brass
- **Keyways Available:** R1 & CR
- **Operation:** Reversible for either hand door
- **Rekeying:** Plug removal access hole added to allow for removal of plug assembly for rekeying purposes. To remove plug, insert key and rotate 90 degrees. Insert end of small tool (e.g., paper clip) into access hole and depress retainer while pulling key and plug out.
- **Strike No.:** Brass US4 only, furnished only when ordered; Strike 12s included for part number 0666; Strike 100s included for part number 0666 1/2
- **For Thickness of Material (A) Regular:** 7/8"
- **Key Blank No.:** 8618C-R1, 8618C-CR

Part#	Length	Keyed	Finish	MFT PT #	Stock Quantity	Boxed Weight lbs/oz	MSRP
-------	--------	-------	--------	----------	----------------	---------------------	------

**Stock Items:**

0666	7/8"	KD	US4	00124	10	3/3	\$33.00
0666	7/8"	KA 4T37526	US4	02698	10	3/3	\$33.00
0666 1/2	7/8"	KD	US4	00125	10	3/3	\$39.00
0666 1/2	7/8"	KA 4T37526	US4	02706	10	3/3	\$39.00

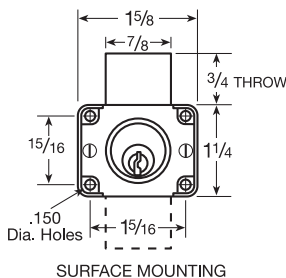
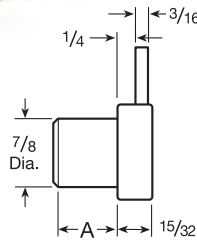
**Made-to-Order Items:**

0666	7/8"		US4				\$37.00
0666	7/8"		US26D				\$37.00
0666 1/2	7/8"		US4				\$41.00
0666 1/2	7/8"		US26D				\$41.00
100S			US4	045F922			\$1.75

Master Keying Charge

\$4.20

## 0738 Drawer Lock PIN TUMBLER Can be Masterkeyed



Part#	Length	Keyed	Master Keyed	Finish	MFT PT #	Stock Quantity	Boxed Weight lbs/oz	MSRP
-------	--------	-------	--------------	--------	----------	----------------	---------------------	------

**Stock Items:**

0738	7/8"	KD		US4	00129	10	4/3	\$33.00
0738	7/8"	KA 4T37526		US4	02704	10	4/3	\$33.00

**Made-to-Order Items:**

0738	3/4"			US4				\$42.00
0738	3/4"			US26				\$42.00
0738	3/4"			US26D				\$42.00
0738	7/8"			US4				\$40.00
0738	7/8"			US26				\$40.00
0738	7/8"			US26D				\$40.00
0738	1 1/8"			US4				\$40.00
0738	1 1/8"			US26				\$40.00
0738	1 1/8"			US26D				\$40.00
0738	1-3/8"			US4				\$40.00
0738	1-3/8"			US26				\$40.00
0738	1-3/8"			US26D				\$40.00
2540				US4	00196	25	0/4	\$1.75

Master Keying Charge

\$4.20

# Drawer Locks - Price Reduction

## 02063 Drawer Locks

PIN TUMBLER Can be Masterkeyed

Part#	Length	Keyed	Master Keyed	Finish	MFT PT #	Stock Quantity	Boxed Weight lbs/oz	MSRP
-------	--------	-------	--------------	--------	----------	----------------	---------------------	------

**Made-to-Order Items:**

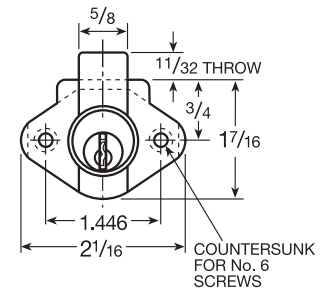
02063	7/8"	KD		US4				Call Factory for Quote 100pc Min.
02063	7/8"	KA-4T37526		US4				Call Factory for Quote 100pc Min.
02063	7/8"			US4				Call Factory for Quote 100pc Min.
02063	7/8"			US26				Call Factory for Quote 100pc Min.
02063	7/8"			US26D				Call Factory for Quote 100pc Min.
02063	1 1/8"			US4				Call Factory for Quote 100pc Min.
02063	1 1/8"			US26				Call Factory for Quote 100pc Min.
02063	1 1/8"			US26D				Call Factory for Quote 100pc Min.
02063A	7/8"			US4				Call Factory for Quote 100pc Min.
02063A	7/8"			US26				Call Factory for Quote 100pc Min.
02063A	7/8"			US26D				Call Factory for Quote 100pc Min.
02063A	1 1/8"			US4				Call Factory for Quote 100pc Min.
02063A	1 1/8"			US26				Call Factory for Quote 100pc Min.
02063A	1 1/8"			US26D				Call Factory for Quote 100pc Min.

Master Keying Charge

\$4.20

Call Factory for Quote and Minimum Order Qty

- **Keyways Available:** R1 & CR
- **Material:** Pressure Cast Case, Steel Backplate and Bolt, Brass Cylinder and Plug
- **If longer bolt is required, specify 02063A (Bolt length unlocked: 1 1/8" from centerline of lock to end)**
- **Strike:** No. 7S, brass, US4 only, furnished only when ordered



## 02065 | 02065 1/2 Drawer Locks DISC TUMBLER 7/8"

Part#	Length	Keyed	Master Keyed	Finish	MFT PT #	Stock Quantity	Boxed Weight lbs/oz	MSRP
-------	--------	-------	--------------	--------	----------	----------------	---------------------	------

**Stock Items:**

02065	7/8"	KD		US4	00152	25	5/14	\$9.00
02065	7/8"	KA CAT30		US4	02673	25	5/14	\$9.00
02065	7/8"	KA AUE1		US4	00153	25	5/14	\$9.00
02065	7/8"	KA CAT30		US26D	02674	25	5/14	\$9.00
K02065	7/8"	KD Carded		US4	00151	8	6/8	\$9.00
02065 1/2	7/8"	KD		US4	00155	25	6/0	\$9.00
02065 1/2	7/8"	KA CAT30		US4	02677	25	6/0	\$9.00
02065 1/2	7/8"	KA AUE1		US4	02678	25	6/0	\$9.00
02065 1/2	7/8"	KA CAT30		US26D	02679	25	6/0	\$9.00

**Made-to-Order Items:**

02065	7/8"		Y	US4				\$10.00
02065	7/8"		Y	US26D				\$10.00
02065-1/2"	7/8"		Y	US4				\$10.00
02065-1/2"	7/8"		Y	US26D				\$10.00

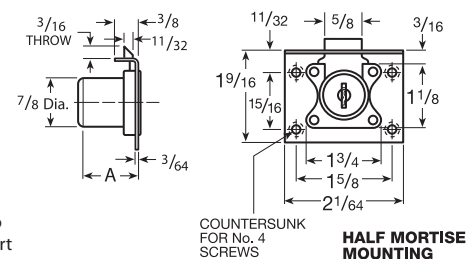
- 7/8" can be masterkeyed
- **Material:** Brass plated steel backplate, cylinder and bolt, pressure cast
- **Strike No.:** 7S, brass US4 only, furnished only when ordered
- **Rekeying:** Plug removal hole added to allow of for removal of plug assembly for rekeying purposes. To remove plug, insert key and rotate 90 degrees. Insert end of small tool (e.g., paper clip) into access hole and depress retainer while pulling key and plug out.



02065

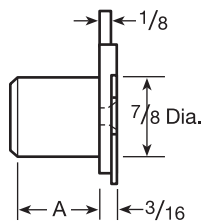
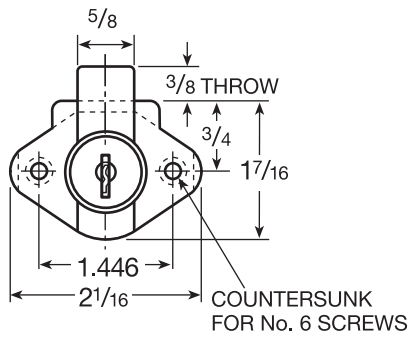


02065 1/2



# Drawer Locks - Price Reduction

## 02066 Drawer Locks DISC TUMBLER Can Masterkeyed



Part#	Length	Keyed	Master Keyed	Finish	MFT PT #	Stock Quantity	Boxed Weight lbs/oz	MSRP
<b>Stock Items:</b>								
02066	3/4"	KD		US4	00166	25	6/2	\$7.50
02066	3/4"	KA CAT30		US4	02676	25	6/2	\$7.50
02066	3/4"	KA AUE1		US4	00168	25	6/2	\$7.50
02066	3/4"	KA CAT30		US26D	02682	25	6/2	\$7.50
02066	7/8"	KD		US4	00160	25	6/2	\$7.50
02066	7/8"	KA CAT 30		US4	00162	25	6/2	\$7.50
02066	7/8"	KA CAT 60		US4	02680	25	6/2	\$7.50
02066	7/8"	KA AUE1		US4	00161	25	6/2	\$7.50
02066	7/8"	KA MKD 8003 (KD)		US4	00165	25	6/2	\$7.50
02066	7/8"	KD		US26D	00163	25	6/2	\$7.50
02066	7/8"	KA CAT30		US26D	00164	25	6/2	\$7.50
02066	7/8"	KA CAT60		US26D	02644	25	6/2	\$7.50
K02066	7/8"	KD Carded		US4	00156	8	6/2	\$7.50
K02066	7/8"	KA Carded	CAT30	US4	00157	8	6/13	\$7.50
02066	1 1/8"	KD (AUE)		US4	00169	25	6/13	\$7.50
02066	1 1/8"	KA CAT30		US4	02687	25	6/13	\$7.50
02066	1 1/8"	KA CAT60		US4	02688	25	6/13	\$7.50
02066	1 1/8"	KA CAT30		US26D	02689	25	6/13	\$7.50
<b>Made-to-Order Items:</b>								
02066	7/8"		Y	US4				\$8.00
02066	7/8"		Y	US26D				\$8.00
02066B	7/8" 2" Bolt		Y	US4				\$12.00
02066B	7/8" 2" Bolt		Y	US26D				\$12.00
S16596	7/8" Gang Lock		Y	US4				\$25.00
S16596	7/8" Gang Lock		Y	US26D				\$25.00
02066	1 1/8"		Y	US4				\$8.00
02066	1 1/8"		Y	US26D				\$8.00
02066B	1 1/8" 2" Bolt		Y	US4				\$12.00
02066B	1 1/8" 2" Bolt		Y	US26D				\$12.00
2" Bolt	2"				120F902			\$3.00
Master Keying Charge								\$4.20
<ul style="list-style-type: none"> <li><b>Material:</b> Brass plated steel backplate and bolt, pressure cast cylinder</li> <li>If longer bolt is required, specify 02066B (Bolt length unlocked: 2" from centerline of lock to end). Gang lock</li> <li><b>S16596:</b> 12" overall bolt length. Bolt extends from both ends of lock (Unlocked: 6.3" from top of lock; 4.2" from bottom of lock).</li> <li><b>Strike No.:</b> 75, brass US4 only, furnished only when ordered</li> </ul>								



# Drawer Locks - Price Reduction

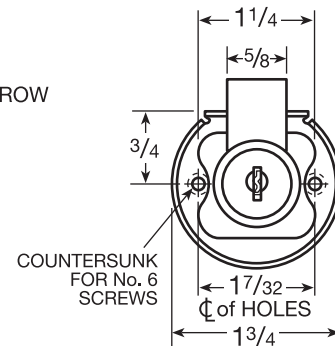
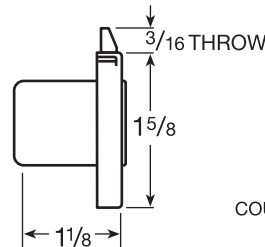
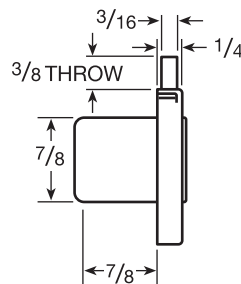
## 02068 | 02068 1/2 Drawer Locks

DISC TUMBLER Cannot be Masterkeyed

Part#	Length	Keyed	Master Keyed	Finish	MFT PT #	Stock Quantity	Boxed Weight lbs/oz	MSRP
<b>Stock Items:</b>								
02068	7/8"	KD		US4	00180	25	6/13	\$9.00
02068	7/8"	KA CAT30		US4	02686	25	6/13	\$9.00
02068 1/2	7/8"	KD		US4	02691	25	6/13	\$9.00
02068 1/2	7/8"	KA CAT30		US4	02692	25	6/13	\$9.00
<b>Made-to-Order Items:</b>								
02068	7/8"			US4				\$10.00
02068	1 1/8"			US4				\$10.00
02068 1/2	7/8"			US4				\$10.00
02068 1/2	7/8"			US26D				\$10.00

- 7/8" can be masterkeyed
- 1 1/8" cannot be masterkeyed
- **Material:** Brass plated steel backplate, cylinder and bolt, pressure cast

- **Rekeying:** Plug removal hole added to allow of for removal of plug assembly for rekeying purposes. To remove plug, insert key and rotate 90 degrees. Insert end of small tool (e.g., paper clip) into access hole and depress retainer while pulling key and plug out.
- **Strike No.:** 7S, brass US4 only, furnished only when ordered



02068



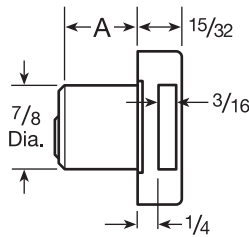
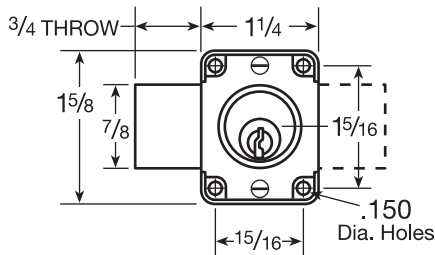
02068 1/2



# Cabinet Locks - Price Reduction

## 0737 Cabinet Lock

PIN TUMBLER Can be Masterkeyed



Part#	Length	Keyed	Master Keyed	Finish	MFT PT #	Stock Quantity	Boxed Weight lbs/oz	MSRP
-------	--------	-------	--------------	--------	----------	----------------	---------------------	------

**Stock Items:**

0737	7/8"	KD		US4	00128	10	4/3	\$33.00
0737	7/8"	KA 4T37526		US4	02708	10	4/3	\$33.00
0737	1 1/8"	KA 4T37526		US4	02705	10	4/10	\$34.00

**Made-to-Order Items:**

0737	3/4"			US26				\$37.00
0737	3/4"			US26D				\$37.00
0737	7/8"			US4				\$37.00
0737	7/8"			US26				\$37.00
0737	7/8"			US26D				\$37.00
0737	1 1/8"			US4				\$37.00
0737	1 1/8"			US26				\$37.00
0737	1 1/8"			US26D				\$37.00
0737	1-3/8"			US4				\$37.00
0737	1-3/8"			US26				\$37.00
0737	1-3/8"			US26D				\$37.00
<b>2540 STRIKE</b>				US4	<b>00196</b>		1/4	\$1.75

Master Keying Charge

\$4.20

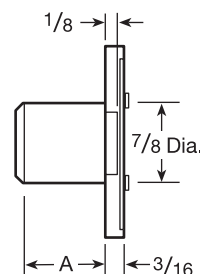
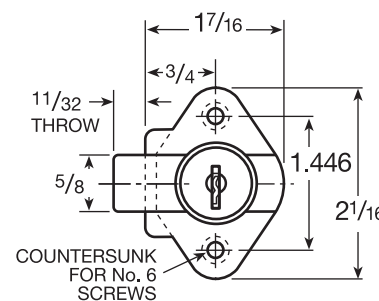
- Can be Masterkeyed
- Keyways Available: R1 & CR
- **Material:** Pressure Cast Case, Brass Cylinder
- **Operation:** Bolt moves right and left for either hand door
- **Strike:** No. 2540, brass,
- US4 only, furnished only when ordered

# Cabinet Locks - Price Reduction

## 02067 Cabinet Lock

DISC TUMBLER Can be Masterkeyed

Part#	Length	Keyed	Master Keyed	Finish	MFT PT #	Stock Quantity	Boxed Weight lbs/oz	MSRP
<b>Stock Items:</b>								
02067	7/8"	KD		US4	00171	25	6/2	\$8.00
02067	7/8"	KA CAT 30		US4	00173	25	6/2	\$8.00
02067	7/8"	KA CAT 60		US4	02696	25	6/2	\$8.00
02067	7/8"	KA AUE 1		US4	00172	25	6/2	\$8.00
02067	7/8"	KD&MK M8003		US4	02697	25	6/2	\$8.00
02067	7/8"	KD (AUE)		US26D	00174	25	6/2	\$8.00
02067	7/8"	KA CAT 30		US26D	02694	25	6/2	\$8.00
02067	7/8"	KA CAT 60		US26D	02685	25	6/2	\$8.00
02067	1 1/8"	KD (AUE)		US4	00177	25	6/13	\$8.00
02067	1 1/8"	KA CAT 30		US4	02700	25	6/13	\$8.00
02067	1 1/8"	KA CAT 60		US4	02701	25	6/13	\$8.00
02067	1 1/8"	KA CAT 30		US26D	02702	25	6/13	\$8.00
<b>Made-to-Order Items:</b>								
02067	3/4"			US4				\$9.00
02067	7/8"			US4				\$9.00
02067	7/8"			US26D				\$9.00
02067	1 1/8"			US4				\$9.00
02067	1 1/8"			US26D				\$9.00
75 Strike				US4 Strike	00082	25	0/4	\$1.75
Master Keying Charge								\$4.20



## Combination Locks for Cabinet Doors

Part#	Description	Finish	MFT PT #	Stock Quantity	Boxed Weight lbs/oz	MSRP
<b>Stock Items:</b>						
D900	US26D for Sheet metal Doors		90000	ea.		\$75.00
D901	US26D for Wood Doors 5/8"-7/8"		90100	ea.		\$75.00
D901	US4 for Wood Doors 5/8" - 7/8"		90101	ea.		\$75.00

- Wood or Metal Applications
- Easily Resettable Combinations
- Easy to Read Numbered Buttons
- Easy to Use Moulded
- Thumb Turn
- Numerous Combinations Available
- Easily Retrofits Existing Locks
- User Friendly Installation Instructions
- Mechanical: No Batteries Needed
- Easily Adapted to Doors or Drawers
- Brushed Chrome and Brass Faceplates
- Latex Free for Hospital Use
- Stock Items Available



# Small Format Interchangeable Core

## 72 Series IC Core **NEW** Product Series

### Part Number Diagram

<b>72412</b> Series 72	<b>72412</b> Style 0 = Dead Latching 1 = Housing 2 = Ratchet 3 = Plunger/Deadbolt 4 = Cabinet 5 = Mortise/Deadbolt 6 = Mortise/Latchbolt 7 = Rim/Deadbolt 8 = Rim/Latchbolt 9 = Cam Lock	<b>72412</b> Function 1 = Drawer Lock 2 = Door Lock 3 = DW/DR mult-function 4 = Sliding Door/TBM 5 = Sliding Door/Non-TBM	<b>72412</b> Option 0 = None 1 = Door RH/LH multi-function 2 = Drawer VH/IH multi-function 3 = Door RH 4 = Door LH 5 = Drawer VH (top locking) 6 = Drawer IH (bottom locking) 7 = Zinc Housing 8 = Brass Housing 9 = Key-Retaining Function
------------------------------	---	---	--



For Best style Interchangeable Core cylinders

• Product of Taiwan; designed in Wheeling, Illinois

Part#	Style	Function	Option	Olympus Conversion	Best Conversion	Shelf Pack	MSRP
72412	Cabinet	Drawer Lock	Drawer VH/IH multi-function	721DW	3L7RD2	10	\$35.00
72421	Cabinet	Door Lock	Door RH/LH mult-function	721DR	N/A	10	\$35.00
72515	Mortise/Deadbolt	Drawer Lock	Drawer VH (top locking)	725MD-DW-VH	5L7MD2	10	\$35.00
72516	Mortise/Deadbolt	Drawer Lock	Drawer IH (bottom locking)	725MD-DW-IH	5L7MD5	10	\$35.00
72524	Mortise/Deadbolt	Door Lock	Door LH	725MD-DR-LH	N/A	10	\$35.00
72523	Mortise/Deadbolt	Door Lock	Door RH	725MD-DR-RH	N/A	10	\$35.00
72615	Mortise/Latchbolt	Drawer Lock	Drawer VH (top locking)	725ML-DW-VH	5L7ML2	10	\$35.00
72616	Mortise/Latchbolt	Drawer Lock	Drawer IH (bottom locking)	725ML-DW-IH	5L7ML5	10	\$35.00
72624	Mortise/Latchbolt	Door Lock	Door LH	725ML-DR-LH	N/A	10	\$35.00
72623	Mortise/Latchbolt	Door Lock	Door RH	725ML-DR-RH	N/A	10	\$35.00
72715	Rim/Deadbolt	Drawer Lock	Drawer VH (top locking)	725RD-DW-VH	5L7RD2	10	\$35.00
72716	Rim/Deadbolt	Drawer Lock	Drawer IH (bottom locking)	725RD-DW-IH	5L7RD5	10	\$35.00
72724	Rim/Deadbolt	Door Lock	Door LH	725RD-DR-LH	N/A	10	\$35.00
72723	Rim/Deadbolt	Door Lock	Door RH	725RD-DR-RH	N/A	10	\$35.00
72815	Rim/Latchbolt	Drawer Lock	Drawer VH (top locking)	725RL-DW-VH	5L7RL2	10	\$35.00
72816	Rim/Latchbolt	Drawer Lock	Drawer IH (bottom locking)	725RL-DW-IH	5L7RL5	10	\$35.00
72824	Rim/Latchbolt	Door Lock	Door LH	725RL-DR-LH	N/A	10	\$35.00
72823	Rim/Latchbolt	Door Lock	Door RH	725RL-DR-RH	N/A	10	\$35.00
72937	Cam Lock	DW/DR mult-function	Zinc Housing	720LM/DM	1E7D4/1E7E4	10	\$35.00
72938	Cam Lock	DW/DR mult-function	Brass Housing	720B		10	\$35.00
72357	Plunger/Deadbolt	Sliding Door/Non-TBM	Zinc Housing	722S	2S	10	\$45.00
72359	Plunger/Deadbolt	Sliding Door/Non-TBM	Key-Retaining Function	722S-KR		10	\$45.00
72347	Plunger/Deadbolt	Sliding Door/TBM	Zinc Housing	722S-TBM	2S-TBM	10	\$45.00
72349	Plunger/Deadbolt	Sliding Door/TBM	Key-Retaining Function	722S-TBM-KR		10	\$45.00
72221	Ratchet	Door Lock	Door RH/LH multi-function	729R	3S	10	\$35.00
72150	Housing	Sliding Door/Non-TBM	None	723IC	4S	10	\$30.00
72012	Dead Latching	Drawer Lock	Drawer VH/IH multi-function	950IC	N/A	10	\$40.00

# Small Format Interchangeable Core



72412  
Cabinet, Drawer Lock  
Drawer VH/IH multi-function



72421  
Cabinet, Door Lock  
Door RH/LH multi-function



72515  
Mortise/Deadbolt  
Drawer Lock  
Drawer VH (top locking)



72516  
Mortise/Deadbolt  
Drawer Lock  
Drawer IH (bottom locking)



72523  
Mortise/Deadbolt  
Door Lock  
Door RH



72524  
Mortise/Deadbolt, Door Lock  
Door LH



72615  
Mortise/Latchbolt  
Drawer Lock  
Drawer VH (top locking)



72616  
Mortise/Latchbolt  
Drawer Lock  
Drawer IH (bottom locking)



72623  
Mortise/Latchbolt  
Door Lock  
Door RH



72624  
Mortise/Latchbolt  
Door Lock  
Door LH



72715  
Mortise/Latchbolt  
Drawer Lock  
Drawer VH (top locking)



72716  
Mortise/Latchbolt  
Drawer Lock  
Drawer IH (bottom locking)



72723  
Rim/Deadbolt  
Door Lock  
Door RH



72724  
Rim/Deadbolt  
Door Lock  
Door LH



72815  
Rim/Latchbolt  
Drawer Lock  
Drawer VH (top locking)



72816  
Rim/Latchbolt  
Drawer Lock  
Drawer IH (bottom locking)



72823  
Rim/Latchbolt  
Door Lock  
Door RH



72824  
Rim/Deadbolt  
Door Lock  
Door LH



72937  
Rim/Latchbolt DW/DR  
multi-function Zinc Housing



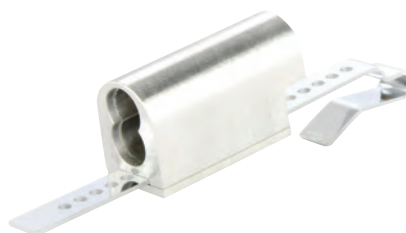
72938  
Cam Lock  
DW/DR multi-function  
Brass Housing



72357  
Plunger/Deadbolt  
Sliding Door/Non-TBM  
Zinc Housing  
72359  
Plunger/Deadbolt  
Sliding Door/Non-TBM  
Key-Retaining Function



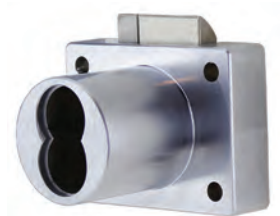
72347  
Plunger/Deadbolt  
Sliding Door/TBM  
Zinc Housing  
72349  
Plunger/Deadbolt  
Sliding Door/TBM  
Key-Retaining Function



72221  
Ratchet Door Lock  
Door RH/LH multi-function



72150  
Housing  
Sliding Door/Non-TBM

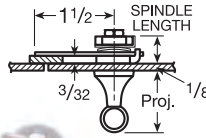


72012  
Dead Latching  
Drawer Lock  
Drawer VH/IH multi-function

# Draw Pull Catches

## 250 | 250W | 641 | 642 | 643 | 794 Draw Pull Catch

### 250 | 250W Draw Pull Catch



Part#	Length	Keyed	Master Keyed	Finish	MFT PT #	Stock Quantity	Boxed Weight lbs/oz	MSRP
-------	--------	-------	--------------	--------	----------	----------------	---------------------	------

#### 250, 250W Draw Pull Catch

##### Stock Items:

250				US2G	00107	25	2/3	\$3.90
-----	--	--	--	------	-------	----	-----	--------

##### Accessories:

S250 STRIKE				US2G				\$0.80
-------------	--	--	--	------	--	--	--	--------

#### 641, 642, 643 Draw Pull Catch with Compression Strings

##### Stock Items:

641				US2G	00121		4/7	\$5.30
642				US2G	00122		5/3	\$5.90
643				US2G	00123		5/0	\$5.35

##### Accessories:

S641				US2G	040F0780002G			\$1.00
S644				US2G	040F3080002G			\$1.00

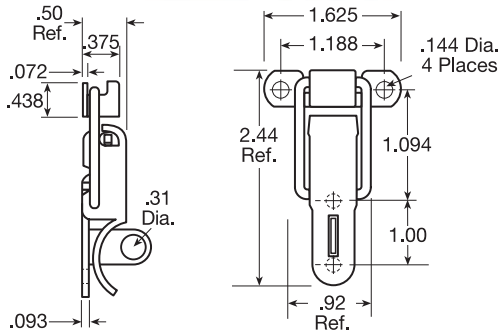
#### 794 Draw Pull Catch

##### Stock Items:

794				US2G	00130	25	2/3	\$2.30
-----	--	--	--	------	-------	----	-----	--------

##### Accessories:

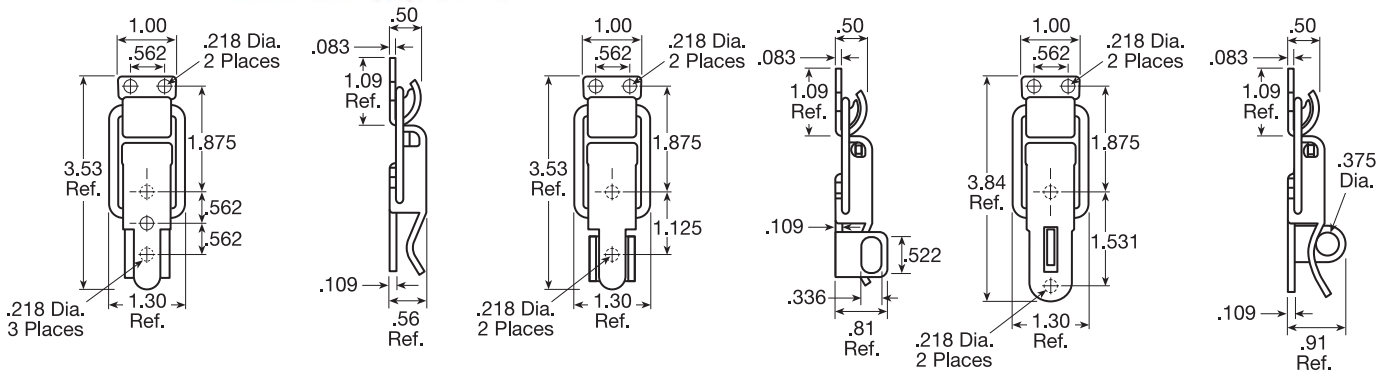
S794				US2G	032F5780002G			\$1.00
------	--	--	--	------	--------------	--	--	--------



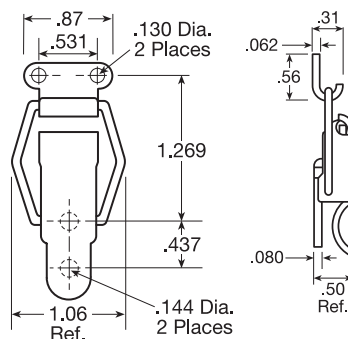
### 641 | 642 | 643 Draw Pull Catch with Compression Springs



 Made in USA



### 794 Draw Pull Catch



# Draw Pull Catches

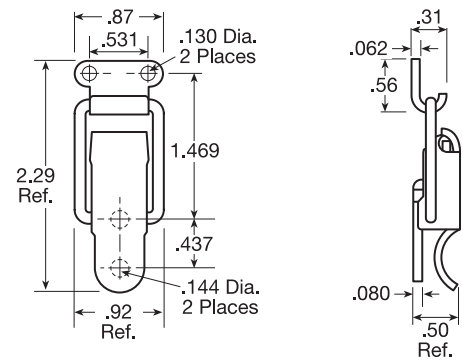
## 797 | 798 | Draw Pull Catch

Part#	Length	Keyed	Master Keyed	Finish	MFT PT #	Stock Quantity	Boxed Weight lbs/oz	MSRP
<b>797, 0797, 797W Draw Pull Catch</b>								
<b>Stock Items:</b>								
797				US2G	00131	25	1/7	\$2.30
0797		W/S/L		US3				\$3.10
<b>Accessories:</b>								
5794				US2G	032F5780002G			\$0.55
<b>798 Draw Pull Catch (NO STRIKE INCLUDED)</b>								
<b>Stock Items:</b>								
798				US2G	00132	25	1/7	\$2.30

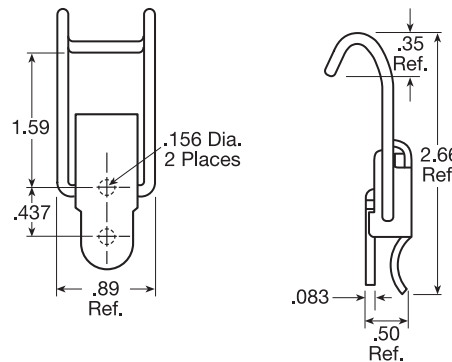
 Made in USA



797 Draw Pull Catch



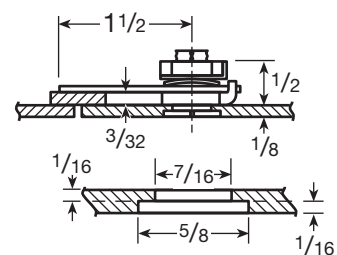
798 Draw Pull Catch (NO STRIKE INCLUDED)



## 2504 Flush Metal Catch

Part#	Length	Keyed	Master Keyed	Finish	MFT PT #	Stock Quantity	Boxed Weight lbs/oz	MSRP
<b>Stock Items:</b>								
2504	Catch			US26	00591	10	0/15	\$10.00
<b>Made-to-order Items:</b>								
2504				US10				\$10.00
2504				US26D				\$11.00
2506	Cam			US2G	135F8080002G			\$1.40
2506D	Ass'y Plate			US2G	106F968			\$1.20

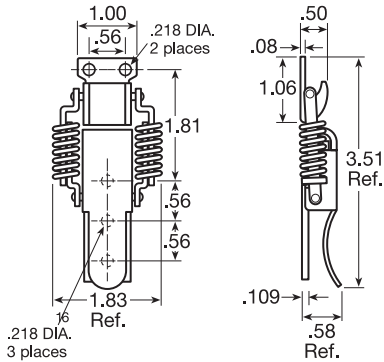
 Made in USA



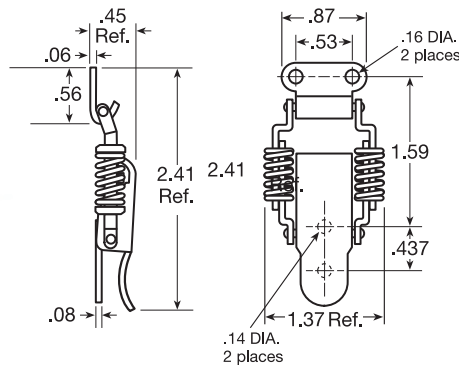
# Compression Springs



804 Draw Pull Catch



824 Draw Pull Catch



Made in USA

## 804 | 824 Draw Pull Catches with Compression Springs

Part#	Length	Keyed	Master Keyed	Finish	MFT PT #	Stock Quantity	Boxed Weight lbs/oz	MSRP
-------	--------	-------	--------------	--------	----------	----------------	---------------------	------

### 804 Draw Pull Catch

Stock Items:

804				US2G	00134	25	4/0	\$12.00
-----	--	--	--	------	-------	----	-----	---------

Accessories:

5641				US2G	040F0780002G			\$1.00
------	--	--	--	------	--------------	--	--	--------

### 824 Draw Pull Catch

Stock Items:

824				US2G	00135	25	2/0	\$8.25
-----	--	--	--	------	-------	----	-----	--------

Accessories:

5794 Strike				US2G	032F5780002G			\$0.55
-------------	--	--	--	------	--------------	--	--	--------

## 834 | 834S | 834U Draw Pull Catches with Concealed Compression Springs



834 Draw Pull Catch

Part#	Length	Keyed	Master Keyed	Finish	MFT PT #	Stock Quantity	Boxed Weight lbs/oz	MSRP
-------	--------	-------	--------------	--------	----------	----------------	---------------------	------

### 834, 834S, 834U Draw Pull Catches – with Concealed Compression Springs

Stock Items:

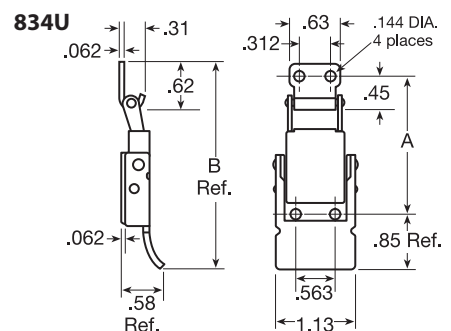
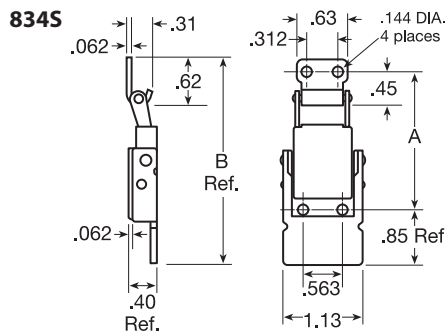
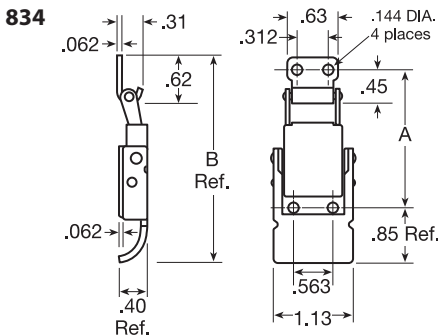
834				US2G	03059	25	2/3	Call for quote
-----	--	--	--	------	-------	----	-----	----------------

Accessories:

834S Strike				US2G				
-------------	--	--	--	------	--	--	--	--

↑ Call for quote ↓

Made in USA





# Multi-Purpose Suitcase Catches

## 1771 | 1778 Multipurpose Suitcase Catches

Part#	Length	Keyed	Master Keyed	Finish	MFT PT #	Stock Quantity	Boxed Weight lbs/oz	MSRP
-------	--------	-------	--------------	--------	----------	----------------	---------------------	------

### 1771 & 1778 Catch – MULTIPURPOSE SUITCASE CATCHES

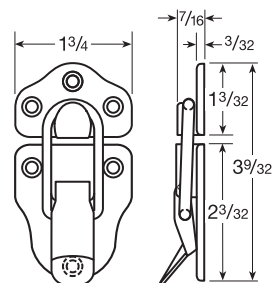
#### Stock Items:

1771				US3	00147	25	1/7	\$2.30
1771				US14	00148	25	1/7	\$2.30
1778				US3	00149	25	2/8	\$2.30
1778				US14	00150	25	2/8	\$2.30

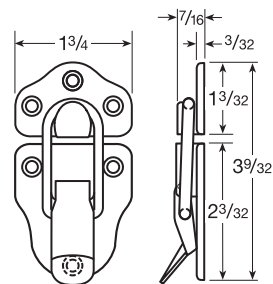
 Made in USA



1771 Catch



1778 Catch



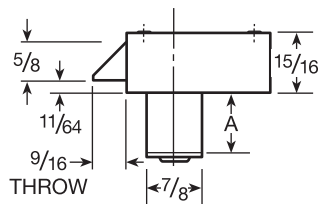
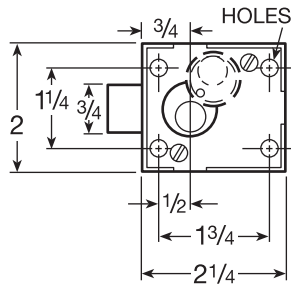
# Enclosure Locks



55481



A55481



## 15481 Enclosure Lock PIN TUMBLER & WARDED

Part#	Handing	Description	Master Keyed	Finish	MFT PT #	Stock Quantity	Boxed Weight lbs/oz	MSRP
<b>Stock Items:</b>								
55481	RS-LS	Latch Bolt	#2 Key Only	US2G	S11112			\$35.00
A55481	RS-LS	Dead Bolt	#2 Key Only	US2G	S11111			\$35.00
15481	RS	Latch Bolt	#2 Key Only		15482			\$65.00
15481	LS	Latch Bolt	#2 Key Only		15484			\$65.00
A15481	RS	Dead Bolt	#2 Key Only		15483			\$65.00
A15481	LS	Dead Bolt	#2 Key Only		15485			\$65.00
For large volume please contact factory for quote								
<b>Dust Cover</b>						465F062		\$2.65
<b>Made-to-Order Items:</b>								
15481	RS-LS	Latch Bolt		US4				\$65.00
A15481	RS-LS	Dead Bolt		US4				\$65.00
Master Keying Charge								\$4.20

- 15481**
- Can be masterkeyed
  - Keyways Available: CR
  - Material: All Brass
  - Operation: 1/4 turn of key retracts latch bolt. Regularly furnished with Dust Cap to cover keyway. Also available without Dust Cap.
- 55481**
- Cannot be masterkeyed
  - Material: Zinc Die Cast
  - Operation: Available Right Hand, Keyed Alike #2 in CR Keyway Only

> Enclosure Lock Manufacture & Assembly Station Wheeling, Illinois.



## 15767 | 15768 | 15867 | 15868 Enclosure (Panelboard)

DISC TUMBLER Can be Masterkeyed

Part#	Handing	Description	Master Keyed	Finish	MFT PT #	Stock Quantity	Boxed Weight lbs/oz	MSRP
<b>Stock Items:</b>								
15767	RH	KA CAT45		US26D	00224	25	9/5	\$10.60
15767	RH	KA CAT60		US26D	00225	25	9/5	\$10.60
15768	Non-Locking			US26D	00226	25	9/5	\$7.00
<b>15867 (Reversible) CAT60</b>				US26D	00227	25	7/12	\$10.60
<b>Made-to-Order Items:</b>								
MK	must be added per lock							
15767	RH/LH			US26D				\$11.60
15768RH	RH/LH NON-LOCKING			US26D				\$7.00
<b>15867 (Reversible) CAT60</b>				US26D				\$11.60
<b>15868</b>				US26D				\$8.80
<b>Mounting Clip</b>						<b>199F838</b>		\$1.25
Master Keying Charge								\$4.20



15767



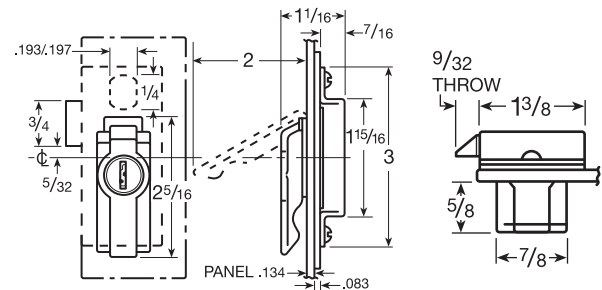
15867

### 15767 & 15768

- **Material:** Pressure Cast Lift Lever & Bolt, Steel Case, Zinc Plated Standard
- Regularly furnished right hand, left hand available when specified
- **Operation:** Self Latching. Latch bolt retracted by lifting up on lift lever except when lever is locked down by key. Key is removable in both locked and unlocked positions. 15768: same as 15767 except without key locking mechanism

### 15867 & 15868

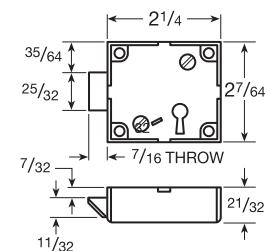
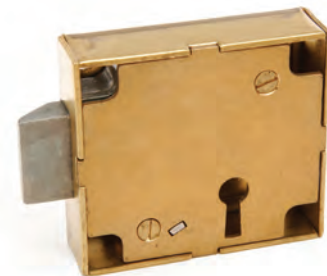
- **Material:** Pressure Cast Lift Lever, Steel Case, Zinc Plated Standard
- Reversible for right or left hand door
- **Operation:** Self Latching. Latch bolt retracted by lifting up on lift lever except when lever is locked down by key. Key is removable in either locked and unlocked positions. Easy installation with steel mounting clip 199F83. 15868: same as 15867 except without key locking mechanism



## R357SGS Enclosure Lock

WARDED CONSTRUCTION

Part#	Handing	Description	Master Keyed	Finish	MFT PT #	Stock Quantity	Boxed Weight lbs/oz	MSRP
<b>Stock Items:</b>								
R357SGS	1 Short Key	R4277		Brass	02612	10	4/6	\$37.60
R557SGS	1 Short Key	R4277		Diecast	03192	10	4/12	\$21.00
R557SGS	2 Long Keys	R4266		Diecast	05572	10	5/0	\$21.00
<b>Made-to-Order Items:</b>								
R357SGS	1 Long Key			Brass				\$37.60
R4266	Long Key			Brass	313F162			\$5.95
R4277	Short Key			Brass	313F142			\$5.95
R4266	Long Key	3 9/32"		Brass	02613	25	1/7	\$5.95
R4277	Short Key	2 25/64"		Brass	02614	25	1/3	\$5.95



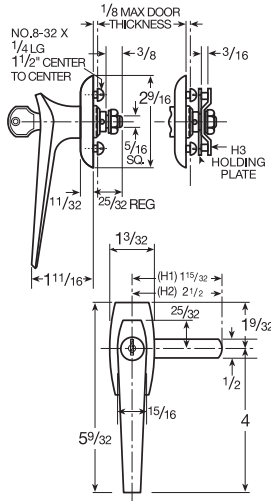
### R357SGS

- Cannot be masterkeyed
- **Material:** Brass, Cast Zinc Alloy Bolt, Police Call Box Lock
- **Operation:** Self Latching, latch bolt retracted by key

### R557SGS

- Cannot be masterkeyed
- **Material:** Zinc Die Cast Case & Bolt Furnished Right Hand Only
- **Operation:** Self Latching, latch bolt retracted by key

# Disc Tumblers



- Material:** Pressure Cast Handle, Steel Zinc Plated Spindle
- Operation:** Furnished for one, two or three point locking, right or left hand doors, with 90 or 180 degrees rotation (90 degreed RH regularly furnished)
- Cam Positioning:** Square spindle allows cams to be mounted at 12, 3, 6, and 9 o'clock
- Rods and Guides:** Not furnished
- Spindle Length:** Regularly furnished 25/32" and 3 1/2" long (measured from back of escutcheon). Also available in 1/4" increments from 1" to 3 1/2".
- Surface Mounting:** In addition to mounting shown, handles are available with attaching holes through face of escutcheon for surface mounting - 1 1/2" c. to c., countersunk for #10-32 screws. When ordering, suffix S to number (1001S). Screws not furnished.
- Rekeying:** Plug removal access hole added to shank of handle to allow for removal of plug assembly for rekeying purposes. To remove plug, insert key and rotate 90 degrees. Insert small tool (e.g., paper clip) in access hole and depress retainer while pulling key and plug out of handle.

## 1000 Series Lever Handle

DISC TUMBLER Can be Masterkeyed

Part#	Spindle Length	Keyed	Finish	MFT PT #	Stock Quantity	Boxed Weight lbs/oz	MSRP
-------	----------------	-------	--------	----------	----------------	---------------------	------

**Stock Items:**

1000 RH	25/32"	KA CAT60	US26D	00586	10	5/10	\$16.00
1000 RH	3 1/2"	KA CAT45	US26D	02653	10	5/10	\$17.00
1000 RH	3 1/2"	KA CAT60	US26D	02368	10	5/10	\$17.00
1000A RH	25/32"	NON LOCKING	US26D	00587	10	5/10	\$10.00
1000A RH	3 1/2"	NON LOCKING	US26D	02369	10	5/10	\$11.00

**Made-to-Order Items:**

Spindle	25/32"			123F7180002G			\$1.60
Spindle	1"			123F7380002G			\$1.60
Spindle	1 1/4"			123F7580002G			\$1.60
Spindle	1 1/2"			123F7780002G			\$1.60
Spindle	1 3/4"			123F7980002G			\$1.60
Spindle	2"			123F8180002G			\$1.60
Spindle	2 1/4"			123F8380002G			\$1.60
Spindle	2 1/2"			123F8580002G			\$1.60
Spindle	2 3/4"			123F8780002G			\$1.60
Spindle	3"			123F8980002G			\$1.60
Spindle	3 1/2"			123F9380002G			\$1.60
1000 RH or LH Pick Length			US26D				\$17.00
1000A RH Pick Length Non-Locking			US26D				\$11.00
1000AS Surface Non-Locking			US26D				\$12.00
1000B Non-Lock Rigid			US26D				\$10.00
1000S RH or LH Pick Length			US26D				\$18.00
H1 Cam	1 15/32"		US26	255F7480002G	10		\$1.25
H2 Cam	2 1/2"		US26	255F7580002G	10		\$1.25
H3 Holding Plate			US26	255F7680002G	10		\$1.25
S14441 Cam			US2G	354F628			\$1.60
S14452 Cam			US2G	354F638			\$1.60
S14271 Cam			US2G	328F888			\$1.60
Master Keying Charge							\$4.20

**Cams & Holding Plates for 1000 & 1000 Series Handles**

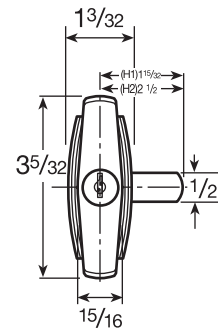
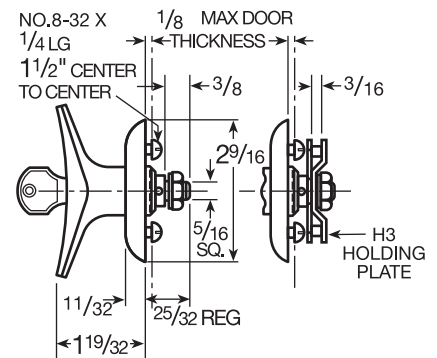
**Made-to-Order Items:**

H1 Cam	1 15/32"	US2G	00074	10	\$1.25
H2 Cam	2 1/2"	US2G	00075	10	\$1.25
H3 Holding Plate		US2G	00076	10	\$1.25
H1 Cam	1 15/32"	US2G	255F7480002G		\$1.25
H2 Cam	2 1/2"	US2G	255F7580002G		\$1.25
H3 Holding Plate		US2G	255F7680002G		\$1.25
S14441 Cam		US2G	354F628		\$1.60
S14452 Cam		US2G	354F638		\$1.60
S14271 Cam		US2G	354F888		\$1.60

# 1001 Series Tee Handle

DISC TUMBLER Can be Masterkeyed

Part#	Spindle Length	Keyed	Finish	MFT PT #	Stock Quantity	Boxed Weight lbs/oz	MSRP
<b>Stock Items:</b>							
1001 RH	25/32"	KA CAT45	US26D	02650	10	5/10	\$17.00
1001 RH	25/32"	KA CAT60	US26D	00588	10	5/10	\$17.00
1001 RH	3 1/2"	KA CAT45	US26D	02655	10	5/10	\$17.00
1001 RH	3 1/2"	KA CAT60	US26D	02370	10	5/10	\$17.00
1001A RH	25/32"	NON-LOCKING	US26D	00589	10	5/10	\$10.00
1001A RH	3 1/2"	NON-LOCKING	US26D	02367	10	5/10	\$11.00
Spindle	25/32"			123F7180002G			\$1.60
Spindle	1"			123F7380002G			\$1.60
Spindle	1 1/4"			123F7580002G			\$1.60
Spindle	1 1/2"			123F7780002G			\$1.60
Spindle	1 3/4"			123F7980002G			\$1.60
Spindle	2"			123F8180002G			\$1.60
Spindle	2 1/4"			123F8380002G			\$1.60
Spindle	2 1/2"			123F8580002G			\$1.60
Spindle	2 3/4"			123F8780002G			\$1.60
Spindle	3"			123F8980002G			\$1.60
Spindle	3 1/2"			123F9380002G			\$1.60
H1 Cam	1 15/32"		US2G	00074	10		\$1.25
H2 Cam	2 1/2"		US2G	00075	10		\$1.25
H3 Holding Plate			US2G	00076	10		\$1.25
<b>Made-to-Order Items:</b>							
1001 RH			US26D				\$18.00
1001A RH	Non-Lock Pick Length		US26D				\$11.00
1001AS RH	Non-Lock Rigid		US26D				\$11.00
1001B RH	Non-Lock Rigid		US26D		500pc Minimum		\$11.00
1001S			US26D				\$18.00
H1 Cam	1 15/32"		US2G	00074	10		\$1.25
H2 Cam	2 1/2"		US2G	00075	10		\$1.25
H3 Holding Plate			US2G	00076	10		\$1.25
S14441 Cam			US2G	354F628			\$1.60
S14452 Cam			US2G	354F638			\$1.60
S14271 Cam			US2G	354F888			\$1.60
Master Keying Charge							\$4.20

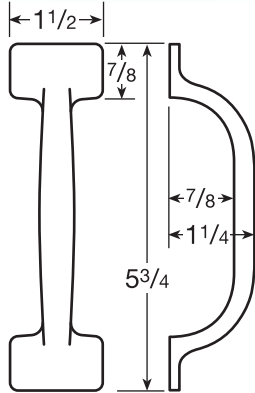


# Pull Handles

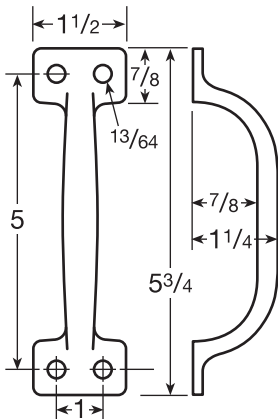
## 3284 | S14810 Pull Handle



3284



S14810



Part#	Spindle Length	Keyed	Finish	MFT PT #	Stock Quantity	Boxed Weight lbs/oz	MSRP
-------	----------------	-------	--------	----------	----------------	---------------------	------

**Stock Items:**

3284			PS	02005	100	13/3	\$132.00
------	--	--	----	-------	-----	------	----------

**Made-to-Order Items:**

3284			US2G	349F2580002G	Sold in qty. of 100pc		\$180.20
S14810			US2G	349F2480002G	Sold in qty. of 100pc		\$110.89
S14810			PS	349F248	Sold in qty. of 100pc		\$98.00

# 3 Point Tee Handles

## 15766 3 Point Tee Handle

PIN TUMBLER Can be Masterkeyed

Part#	Spindle Length	Keyed	Finish	MFT PT #	Stock Quantity	Boxed Weight lbs/oz	MSRP
-------	----------------	-------	--------	----------	----------------	---------------------	------

**Stock Items:**

15766 RH		KA CAT 60	US26D	00593			\$13.70
----------	--	-----------	-------	-------	--	--	---------

**Made-to-Order Items:**

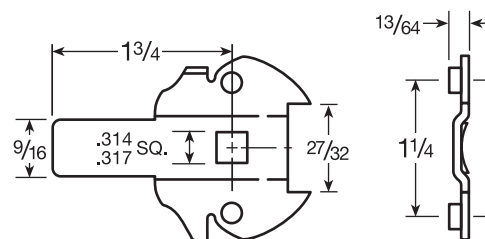
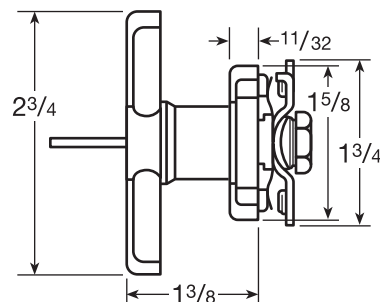
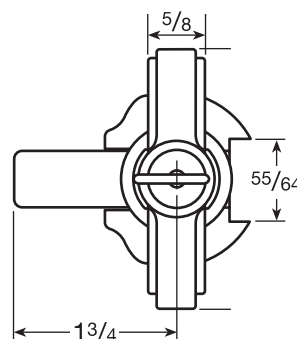
15766			US26D				\$13.70
-------	--	--	-------	--	--	--	---------

3 Point Cam LH			Zinc	262F8080002G			\$3.95
----------------	--	--	------	--------------	--	--	--------

3 Point Cam RH				262F7980002G			\$3.95
----------------	--	--	--	--------------	--	--	--------

Master Keying Charge							\$4.20
----------------------	--	--	--	--	--	--	--------

- **Material:** Pressure Cast, Steel Zinc Plated Cam
- **Operation:** Top and bottom bolts and cam are operated by quarter turn of handle, except when handle is locked by key. Key removable in either locked or unlocked position.
- **Metal Thickness:** 1/8" Maximum
- **Regular Key Changes:** 200 with key blank 5865JVR
- **Master Key Changes:** 180 with key blank 5860KS
- **Rods and Guides:** Not furnished
- **Hand:** Regularly furnished right hand
- **Rekeying:** Plug removal access hole added to shank of handle to allow for removal of plug assembly for rekeying purposes. To remove plug, insert key and rotate 90 degrees. Insert small tool (e.g., paper clip) in access hole and depress retainer while pulling key and plug out of handle.



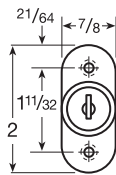
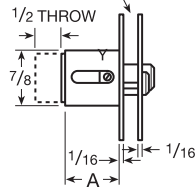
# Sliding Door Locks

## 02069 Push & Turn Sliding Door Lock

DISC TUMBLER Can be Masterkeyed



GAP BETWEEN PLATE AND STRIKE CAN VARY FROM 1/16" TO 1/4"



COUNTERSUNK FOR No. 5 SCREWS



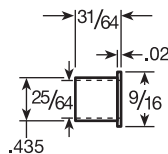
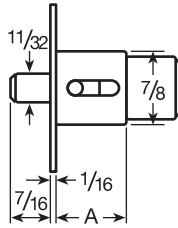
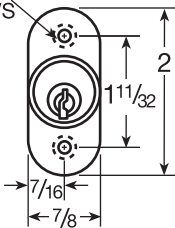
Part#	Length	Keyed	Finish	MFT PT #	Stock Quantity	Boxed Weight lbs/oz	MSRP
<b>Stock Items:</b>							
02069	7/8"	KD	US4	02699	25	5/10	\$16.00
02069	7/8"	KA CAT30	US4	02703	25	5/10	\$16.00
<b>Made-to-Order Items:</b>							
02069	7/8"		US4				\$18.00
02069	7/8"		US26D				\$18.00
02069	1 3/8"		US4		250 minimum		\$18.00
02069	1 3/8"		US26D		250 minimum		\$18.00
02069K	7/8"		US4				\$18.00
02069K	7/8"		US26D				\$18.00
02069K	1 3/8"		US4		250 minimum		\$18.00
02069K	1 3/8"		US26D		250 minimum		\$18.00
		Master Keying Charge					\$4.20

## 02290 Sliding Door Lock

PIN TUMBLER Can be Masterkeyed



C'SUNK FOR No. 5 SCREWS



Part#	Length	Keyed	Finish	MFT PT #	Stock Quantity	Boxed Weight lbs/oz	MSRP
<b>Made-to-Order Items:</b>							
02290	7/8"	R1	US4				\$40.00
02290	7/8"	.	US26		249 Minimum		\$40.00
02290	7/8"	R1	US26D				\$40.00
02290S	BRASS CUP STRIKE			233F522			\$1.75
		Master Keying Charge					\$4.20

- Keyways Available: R1
- **Material:** All Brass
- **Operation:** Push bolt type. To lock, push end of cylinder. To unlock, use key. As regularly furnished, key is removable in locked or unlocked position. Strike: No. 02290S, brass, US4 only, regularly furnished



# Sliding Door Locks

## 02291 Sliding Door Lock

PIN TUMBLER Can be Masterkeyed

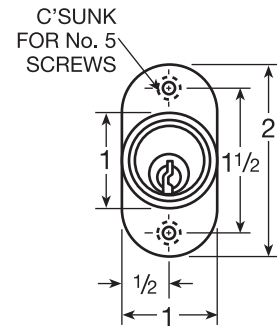
Part#	Length	Keyed	Finish	MFT PT #	Stock Quantity	Boxed Weight lbs/oz	MSRP
<b>Stock Items:</b>							
02291	7/8"	KD R1	US4	00185	10	3/2	\$42.00
02291	7/8"	KA 4T37526	US4	02652	10	3/2	\$42.00
02291	7/8"	KA4R64264	US4	00186	10	3/2	\$42.00
02291	7/8"	KA 4T37526	US26D	02667	10	3/2	\$42.00
<b>Made-to-Order Items:</b>							
02291	7/8"		US4		10	3/2	\$44.00
02291	7/8"		US26D		10	3/2	\$44.00
02291A	7/8"		US4		10	3/2	\$44.00
Master Keying Charge							\$4.20

### 02291

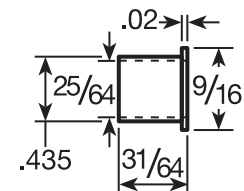
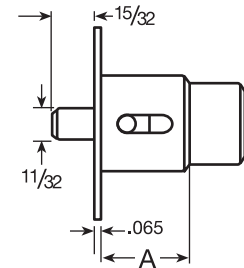
- **Keyways Available:** R1 & CR
- **Material:** All Brass
- **Operation:** Push bolt type.  
To lock, push end of cylinder. To unlock, use key.

### 02291A

- **Keyways Available:** R1 & CR
- **Material:** All Brass
- **Operation:** Push bolt type.  
Key is used to both lock and unlock the mechanism
- **Strike:** No.022905, brass,
- US4 only, regularly furnished



022905



# Special Purpose



## 2060 Series Special Purpose Locks DISC TUMBLER with Spring-In Bolt

Part#	Length	Keyed	Finish	MFT PT #	Stock Quantity	Boxed Weight lbs/oz	MSRP
-------	--------	-------	--------	----------	----------------	---------------------	------

**Stock Items:**

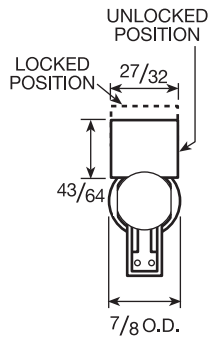
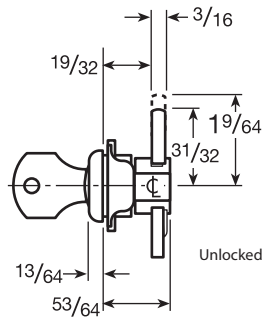
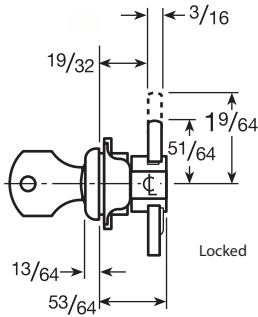
<b>S2060NC</b>		KD	US26D	<b>02666</b>	25	3/12	\$12.05
<b>S2060NC</b>		KA CAT 30	US26D	<b>02663</b>	25	3/12	\$12.05

**Made-to-Order Items:**

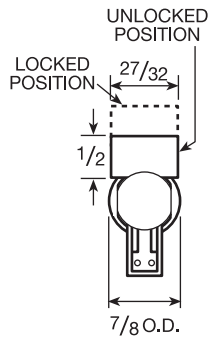
<b>2060C</b>	CAT ONLY		US26D				\$11.60
<b>2060N</b>	CAT ONLY		US26D				\$9.41
<b>S2060C</b>	CAT ONLY		US26D				\$9.67
<b>S2060GF</b>	CAT ONLY		US26D				\$12.77
<b>S2060N</b>	CAT ONLY		US26D				\$9.67

Master Keying Charge

\$4.20



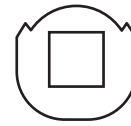
S2060GF



S2060C

## Miscellaneous Items

Part#	Length	Keyed	Master Keyed	Finish	MFT PT #	Stock Quantity	Boxed Weight lbs/oz	MSRP
<b>Made-to-Order Items:</b>								
02290S	Brass Cup Strike				233F522			\$1.75
90°	Stop Cam			US2G	108F5580002G			\$1.25
180°	Stop Cam			US2G	121F4280002G			\$1.25
	Plug Lockwasher			US2G	218F908			\$1.25
	Pronged Washer (Pin Tumbler Locks)				253F2680002G			\$1.25
	Pronged Washer For Disc Tumbler (2 Flats)				230F2480002G			\$1.25
	Internal Tooth Lockwasher				236F458			\$0.60
	Mounting Clip (For 15867&15868 Panel)				199F838			\$1.25
	Mounting Clip For Cam Locks				099F268			\$1.25
	Plug Nut				096F40200014			\$1.25
	Collar Ring			US4	231F5580004			\$1.25
	Collar Ring			US26D	231F55800026D			\$1.25
	Cylinder Lock Washer				253F0980002G			\$1.25
	Cylinder Spacer Washer				271F138			\$1.25
	Cylinder Nut				407F718000DICH			\$1.25
	3 Point Cam RH (15766 Tee Handle)				262F7980002G			\$3.49
	3 Point Cam LH (15766 Tee Handle)				262F8080002G			\$3.49
	Tumbler Spring				026F757			\$15.50



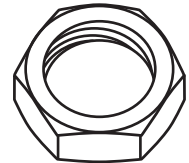
Stop Cam 108F558  
For 90° throw of cam.



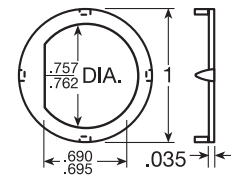
Stop Cam 121F428  
For 180° throw of cam.



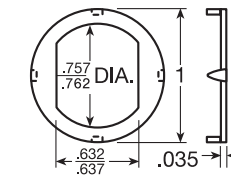
096F402 Plug Nut  
(Disc and Pin Tumbler)



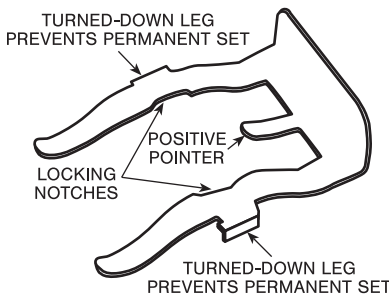
407F78 Cylinder Nut  
(Disc and Pin Tumbler)  
3/4 - 24NC - 2



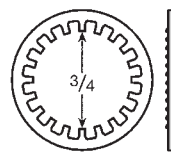
Pronged Washer 230F248  
For use with disc tumbler camlocks.



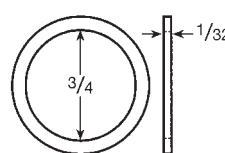
Pronged Washer 230F248  
For use with disc tumbler camlocks.



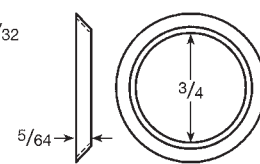
Mounting Clip for  
Cam Locks 099F268



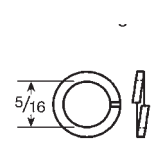
253F09  
Cylinder Lock Washer



271F138  
Cylinder Spacer Washer



231F558  
Collar Ring



218F90  
Plug Lock Washer

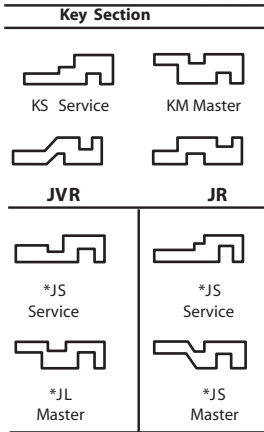
### Mounting Clip:

- Made of tempered spring steel. Locks and snaps into place with an assuring click. An exclusive design holds clip securely in place; notches on clip engage notches on cylinder. For 18, 20, and 22 gauge metal. Available for:
  - 2060C
  - C15751
  - S2060NC
  - C15258
  - S2060GF
  - C15259

### Washers:

- For use under nut on wood application to prevent cylinder from turning. 100 per box.

# Accessories

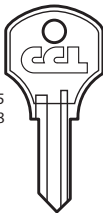


\*Only key blanks available

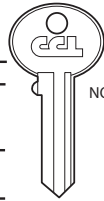
Key Section	Key Blank Number
	4193C -AR
	4193C -BR 4195C -BR
	4193C -BL
	4193C -WR
	4193C -WL
	8632C -CR (4 Pin) 8618C -CR (5 Pin) 8687C -CR (6 Pin)
	8632C -R1 (4 Pin) 8618C -R1 (5 Pin) 8687C -R1 (6 Pin)
	8618C -R4 (5 Pin)



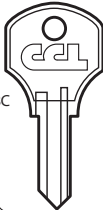
NO. 5860  
NO. 5861



NO. 5865  
NO. 8658



NO. 4193C



NO. 8618C



NO. 58690  
AVAILABLE IN  
CR only  
(GR available  
with special  
order)



## Disc Tumbler Key Blanks

Part#	Length	MFT PT #	Stock Qty	MSRP
<b>Stock Items:</b>				
5860KM	M7000 Series MK5 DISC	03148		\$0.70
5860KS	FAB Series M7000 5 DISC	00643		\$0.70
5861KM	M8000 Series MK 5 DISC	02710		\$0.70
5861KS	GEK Series M8000 5 DISC	00644		\$0.70
5865JL	5 DISC	414K332511		\$0.75
5865JR	BGM 5 DISC	00645		\$0.70
5865JVL	MK Blank 5 DISC	03147		\$0.70
5865JVR	5865JVR 5 DISC	00646		\$0.70

## Pin Tumbler Key Blanks

Part#	Length	MFT PT #	Stock Qty	MSRP
<b>Stock Items:</b>				
430-KB-4PIN-M2 (430 series)	4 Pin		50	\$0.70
430-KB-4PIN-M1 (420/430 series)	4 Pin		50	\$0.80
420-KB-5PIN-M16 (420 series)	5 Pin		50	\$0.80
936-KB-5PIN-A700 (936/937/900/500 series)	5 Pin		50	\$1.00
936-KB-6PIN-A700 (936/937/900/500 series)	6 Pin		50	\$1.10
4193C-AR	5 Pin (2A)	00641	50	\$0.85
4193C-BR	5 Pin	242K252503		\$0.85
4193C-WR	5 Pin	242K252532		\$0.85
5862C-R1	3 Pin	230K322519		\$0.85
5862C-CR	3 Pin	230K322505		\$1.00
8618C-CR	5 Pin (4R B4R)	00651	50	\$1.00
8618C-R1	5 Pin (4T)	00652	50	\$0.80
8618C-CL	5 Pin	230K332504		\$0.80
8618C-R3	5 Pin	230K332521		\$1.00
8618C-R4	5 Pin	230K332522		\$0.85
8618C-R12	5 Pin	230K332523		\$0.85
8618C-R14	(47T & MK)	00653	50	\$0.85
8618C-VR	5 Pin	230K332530		\$0.80
8632C-CR	4 Pin	00654	50	\$0.85
8632C-R1	4 Pin	230K342519		\$0.80
8632C-CL	4 Pin	230K342504		\$0.85
8687C-CR	6 Pin	00658	50	\$0.85
8687C-R1	6 Pin	00659	50	\$0.90
8687C-R14	6 Pin	230K352525		\$0.90
58690-CR	5 Pin	238K064505		\$2.75
58690-GR	5 Pin	238K064508		\$2.75
58690-R1	5 Pin - LIMITED QUANTITIES	238k064519		\$2.75
58690-VR	5 Pin	238K064530		\$2.75
S1-26-3	3 Pin - LIMITED QUANTITIES			\$1.00

Service Key (Extra) Pin Tumbler Purchased w/ Lock \$1.85

Service Key (Extra) Pin Tumbler Purchased w/o Lock \$4.80

#2 Key

238K064505CUT

\$4.90

**Made-to-Order Items:**

R4266	LONG KEY 3 9/32" (Skeleton key)	02613	25	\$5.95
R4266	LONG KEY 3 9/32" (Skeleton key)	313F162		\$5.95
R4277	SHORT KEY 2 25/64" (Skeleton key)	02614	25	\$5.95
R4277	SHORT KEY 2 25/64" (Skeleton key)	313F142		\$5.95

## Strikes

Part#	Length	Keyed	Master Keyed	Finish	MFT PT #	Stock Quantity	Boxed Weight lbs/oz	MSRP
<b>Stock Items:</b>								
75				US4	00082	25	0/4	\$1.75
125				US4	00083	25	0/4	\$1.75
215				US4	201F112			\$1.75
265				US4	016F542			\$1.75
495				US4	265F912			\$1.75
525				US4	113F872			\$1.75
695				US4	00102	25	0/8	\$1.75
1005				US4	045F922			\$1.75
2540				US4	00196	25	1/4	\$1.75



**No. 75**  
1 15/16" x 17/32" x 3/64"  
1 9/16" c. to c. screw holes  
Bolt hole: 9/32" x 29/32"



**No. 125**  
2 1/8" x 15/32" x 1/16"  
1 11/16" c. to c. screw holes  
Bolt hole: 9/32" x 61/64"



**No. 215**  
2 7/16" x 41/64" x 1/16"  
1 25/36" c. to c. screw holes  
Bolt hole: 7/32" x 1 1/4"



**No. 265**  
1 3/4" x 7/8" x 1/16"  
1 25/64" c. to c. screw holes  
Bolt hole: 19/64" x 3/4"



**No. 495**  
1 1/2" x 21/64" x 3/64"  
1 7/32" c. to c. screw holes



**No. 525**  
2 1/16" x 17/32" x 5/64"  
1 5/8" c. to c. screw holes



**No. 695**  
2 9/32" x 39/64" x 3/64"  
1 13/16" c. to c. screw holes  
Bolt hole: 1/4" x 1 1/8"



**No. 1005**  
1 3/4" x 1" x 3/64"  
1 11/32" c. to c. screw holes  
Bolt hole: 9/32" x 61/64"



**No. 2540**  
1 15/16" x 7/16" x 3/16"  
1 17/32" c. to c. screw holes

## Miscellaneous Keying Kits & Cut Keys

Stock Items:	MFT PT #	MSRP
OLYMP-1 Pin Tumbler (NOT 906)	03153	\$200.00
KK125 Disc Tumbler Keying Kit	00569	\$115.00
KK500/93x Padlock Pinning Kit		\$200.00

### OLYMP-1 Pin Tumbler Keying Kit Contents:

- Service Tumblers
- Master Tumblers
- Cams
- Lock Retainers
- Cylinder Nuts
- Pronged Washers
- Escutcheons
- Plug Nuts
- Stop Cams
- Tumbler Springs
- Lock Washers



### KK125 Disc Tumbler Keying Kit Contents:

For rekeying CCL's "4T", "B4R", and "4R" type bitting requiring .095 diameter pins, and "OLYMPUS" D4219 keyway in .101 diameter pins. NOTE: CCL's "4T" and "B4R" have the same bitting.

- 100 Bottom Pins, size 0-8 ("4R" type)
- 100 Bottom Pins, size 0-9 ("B4R" type)
- 100 Bottom Pins, size 0-9 (D4219 Keyway)
- 100 Master Pins, size 2-9 ("4R" & "B4R" type)
- 100 Master Pins, size 2-7 (D4219 Keyway)
- 100 Top Pins, size 0 & 5 ("4R" type)
- 100 Top Pins, size 1-4 (D4219 Keyway)
- 100 Tumbler Springs .095 diameter
- 100 Tumbler Springs .101 diameter
- 1 Tweezer
- 1 Follower

## M8003 Master Key

Stock Items:	MFT PT #	MSRP
8658JR 6 DISC	00655	\$0.70
8658JVL 6 DISC	00656	\$0.70
8658JVR AUE 6 DISC	00657	\$0.70
Service Key (Extras) Disc Tumbler (Cut Key with Locks) Purchased with Locks		\$1.70
M8003 Master Key (DISC) Key	02838	\$4.35

## Parts for Disc Tumblers

Part#	Description
#0 thru #2	Service Disc
#0-1 thru #2-1 Keying KT	Master Disc
C-2065	Spring for Disc Tumblers

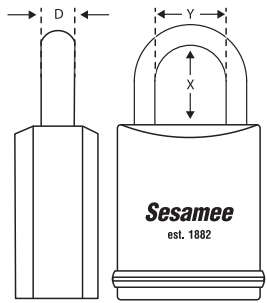
\* Only supplied in quantities of 100

## Parts for Pin Tumblers

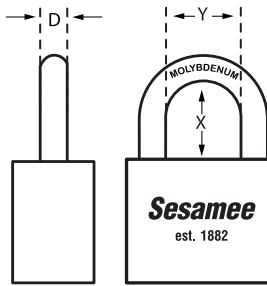
Part#	Description	Part#	Description
#0 thru #8	Ball End Pin Tumbler for "4R" type Bitting	026F757	Tumbler Spring
#2 thru #8	Master Pin Tumbler for "4R" type Bitting	0665 - 3/4"	Cylinder Slide
#0 thru #9	Ball End Pin Tumbler for "4T" & "B4R" type Bitting	0665 - 7/8"	Cylinder Slide
#2 thru #9	Ball End Pin Tumbler for "4T" & "B4R" type Bitting	0665 - 1 1/16"	Cylinder Slide
#0 thru #5	Driver for "4T", "B4R", "4R" type Bitting		

# Accessories

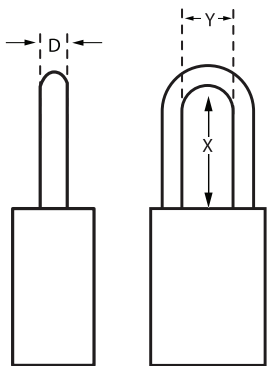
Shackle (mm)



560 | 760 | 860 Series

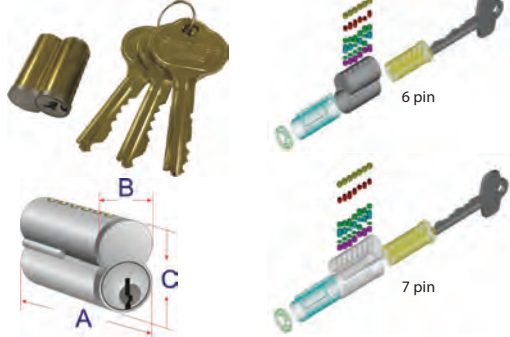


500 Series Rekeyable



900 Series

Sesamee SFIC Cylinder with key



Keyway No	Description	Keyway No	Description
A	Best Lock A Keyway	J	Best Lock J Keyway
B	Best Lock B Keyway	K	Best Lock K Keyway
C	Best Lock C Keyway	L	Best Lock L Keyway
D	Best Lock D Keyway	M	Best Lock M Keyway
E	Best Lock E Keyway	Q	Best Lock Q Keyway
F	Best Lock F Keyway	1C	Best Lock 1C Keyway
G	Best Lock G Keyway	1D	Best Lock 1D Keyway
H	Best Lock H Keyway	T300	Best Lock KMT300 Keyway

## 560 | 760 | 860 Replacement Shackles

Suitable for Padlock	D	X	Y	Part#	Material	Finish	MSRP
IC Molybdenum Shackle	5/16"	3/4"	3/4"	99510	Moly	Chrome	\$5.00
IC Molybdenum Shackle	5/16"	1"	3/4"	99511	Moly	Chrome	\$6.00
IC Molybdenum Shackle	5/16"	1 1/2"	3/4"	99512	Moly	Chrome	\$7.00
IC Molybdenum Shackle	5/16"	2"	3/4"	99513	Moly	Chrome	\$8.00
IC Molybdenum Shackle	5/16"	3"	3/4"	99514	Moly	Chrome	\$9.00
IC Molybdenum Shackle	5/16"	4"	3/4"	99515	Moly	Chrome	\$10.00
IC Brass Shackle	5/16"	3/4"	3/4"	99520	Brass	Brass	\$5.50
IC Brass Shackle	5/16"	1"	3/4"	99521	Brass	Brass	\$6.50
IC Brass Shackle	5/16"	1 1/2"	3/4"	99522	Brass	Brass	\$7.50
IC Brass Shackle	5/16"	2"	3/4"	99523	Brass	Brass	\$8.50
IC Brass Shackle	5/16"	3"	3/4"	99524	Brass	Brass	\$9.50
IC Brass Shackle	5/16"	4"	3/4"	99525	Brass	Brass	\$10.50
IC Stainless Steel Shackle	5/16"	3/4"	3/4"	99530	Stainless	Stainless	\$5.50
IC Stainless Steel Shackle	5/16"	1"	3/4"	99531	Stainless	Stainless	\$6.50
IC Stainless Steel Shackle	5/16"	1 1/2"	3/4"	99532	Stainless	Stainless	\$7.50
IC Stainless Steel Shackle	5/16"	2"	3/4"	99533	Stainless	Stainless	\$8.50
IC Stainless Steel Shackle	5/16"	3"	3/4"	99534	Stainless	Stainless	\$9.50
IC Stainless Steel Shackle	5/16"	4"	3/4"	99535	Stainless	Stainless	\$10.50

## 500 | 900 Series Replacement Shackles

Suitable for Padlock	D	X	Y	Part#	Material	Finish	MSRP
IC Molybdenum Shackle	1/4"	3/4"	3/4"	99410	Moly	Chrome	\$4.75
IC Molybdenum Shackle	1/4"	1"	3/4"	99411	Moly	Chrome	\$5.75
IC Molybdenum Shackle	1/4"	1 1/2"	3/4"	99412	Moly	Chrome	\$6.75
IC Molybdenum Shackle	1/4"	2"	3/4"	99413	Moly	Chrome	\$7.75
IC Molybdenum Shackle	1/4"	3"	3/4"	99414	Moly	Chrome	\$8.75
IC Molybdenum Shackle	1/4"	4"	3/4"	99415	Moly	Chrome	\$9.75

## SFIC Cores

CCL Model #	Finish	A	B	C	# of Pins	Shelf Pack	Master Pack	Price
SFIC6-UC	US4, 26D	27.2	14.1	24.3	6	6	36	\$18.00
SFIC6-KD	US4, 26D	27.2	14.1	24.3	6	6	36	\$38.00
SFIC6-KA	US4, 26D	27.2	14.1	24.3	6	6	36	\$38.00
SFIC6-MK	US4, 26D	27.2	14.1	24.3	6	6	36	\$38.00
SFIC6-GK	US4, 26D	27.2	14.1	24.3	6	6	36	\$38.00
SFIC7-UC	US4, 26D	30.8	14.1	24.3	7	6	36	\$18.50
SFIC7-KD	US4, 26D	30.8	14.1	24.3	7	6	36	\$39.00
SFIC7-KA	US4, 26D	30.8	14.1	24.3	7	6	36	\$39.00
SFIC7-MK	US4, 26D	30.8	14.1	24.3	7	6	36	\$39.00
SFIC7-GK	US4, 26D	30.8	14.1	24.3	7	6	36	\$39.00
SFIC-KB					7	Bulk	1,000	\$3.00

Note: UC means "uncombined", without pinning and without key.

\* Must specify Key Way to left when ordering

- Brass cylinder
- High quality plating with US26D
- Each KD, KA, MK, GK cylinder with 3 keys:
  - 2 keys for open lock
  - 1 control key for core taking off
- **Money Saving:** With this IC Core System, you do not have to replace with a whole new lock. You just need to change the Core only.
- **Easy for Management:** When the clerk is off duty, he can take off his core. And then, the next one who is on duty can put his core in.

## DISPLAY Mailbox & Cam Lock

Part#	Display Contents	MSRP
-------	------------------	------

03402 82010, 82011, 82013, 82014, 65008, 65007, 62214, 62217, 59020, 59021, 39053, 39023 \$698.00



82010 Multicam Mailbox Lock



82011 Multicam Mailbox Lock



82013 | 82014 Multicam Mailbox Lock



65008 | 65007  
650 Series Cam Lock



62214 | 62217  
Weather Resistant Cam Lock



59020 | 59021  
Padlockable Cam Lock



39053 | 39023  
1 7/32" Chrome and Black  
Dial Combination Cam Lock



## DISPLAY Small Format IC Core 72 Series

Part#	Display Contents	MSRP
-------	------------------	------

03405 72412, 72421, 72724, 72938, 72357, 72012 \$225.00

72421



72412



72357



## DISPLAY 400 Series Laminated Padlocks

Part#	Display Contents	MSRP
-------	------------------	------

03410 1 each of the 430, 431, 432, 433 Laminated Locks \$225.00



# Index

Accessories | Special Purpose | Sliding Door | Handles | Catches & Enclosures | SFIC | Drawer & Cabinet | Cam Locks | Padlocks

Laminated Padlocks	Part or MFGPT #	Page
400 Series Laminated Padlocks	43000 – 43355	4-5
<b>Rekeyable Padlocks</b>		
400 Series ReKeyable Padlocks	42210 – 42356	6
66   66R   66KR Padlocks Disc Tumbler Rekeyable	00094 – 00100	7
500 Series Steel Rekeyable	52110 – 53315	8-9
500 Series Brass Rekeyable	55110 – 53345	10-11
<b>Safety Lockout Padlocks</b>		
900 Series Aluminum Safety Lockout Padlocks	90111 – 90359	12-13
910 Series Thermoplastic Safety Lockout Padlocks	91120 – 91229	14
<b>IC Padlocks</b>		
560 Series 1 3/4" LFIC Schlage®	56010 – 56114	16
560 Series 1 3/4" LFIC Sargent®	56210 – 56314	17
560 Series 1 3/4" LFIC Corbin®	56410 – 56314	18
760 Series 1 3/4" SFIC w/o Core	76010 – 76114	19
860 Series 1 3/4" KIK	86010 – 86114	20
840 Series 1 3/4" KIK	84010 – 84014	20
560   760   860 Shackles	99510 – 99535	20
<b>Storage Locks</b>		
960 Storage Security Padlocks	96006 – 96009	21
<b>Pin Tumbler Padlocks</b>		
600 Series Padlocks Premium Pin Tumbler Solid Brass	60201 – 60508	22
904 Padlocks Pin Tumbler Solid Brass	904 – 904H	23
95 Padlocks Pin Tumbler	95	23
906 Padlocks Pin Tumbler Solid Brass	906 – 0906L	15
<b>Resettable Padlocks</b>		
4-Dial Resettable Brass Body with Brass Internal Parts	K436 - K440	24
4-Dial Resettable Diecast with Brass Internal Parts	K500 3/4, K500 2 1/4	25
3-Dial Resettable Diecast	AB410	25
4-Dial Heavy Duty Super Sesamee	K636, K637, K646	26
4-Dial Resettable Front Faced Diecast	K2620, K2621	26
165 Series Combination Padlock	16520, 16530, 16540	27
Traditional Combination Padlocks	K1450 – K4400	28
<b>Heavy Duty Padlocks &amp; Discus</b>		
Hidden Shackle 5-Pin	93001 – 93020	29
Round Body Hardened Steel Keyed	93601 – 93709	30
100 Series Discus Padlock	10010 – 10020	31
<b>TSA Travel Locks</b>		
SearchAlert® Heavy Duty Shackle	K6430, B6430	32
SearchAlert® Looped Shackle Case Heavy Duty	K6430, K6435	32
SearchAlert® Original Padlocks	K7400, B7400	33
SearchAlert® Camouflage Padlocks	K7450, B7450	33
SearchAlert® Classic Series	K7470, B7470	34
SearchAlert®	K8400, B8400	35
SearchAlert® 4 Dial Lock	K8470, B8470	35
SearchAlert® Cable Lock with Indicator	75003, 75006, 75010	36
SearchAlert® Keyed	94503, 94506, 94510	36
SearchAlert® Combination TSA Accepted Non-Indicator	50003 – 50010	37
Prestoseals	61900, 61901, 61902	37

Cam Locks	Part or MFGPT #	Page
15258   15259 Cam Lock With Spun-On Cam	15258 – AC15259	38
15295D Cam Lock	15295D – S16597	39
15748 & 15749 Cam Lock	15748 – 15749	40
15751   15752   15753 Cam Lock	B15751 – 15753	41
15760 Cam Lock	B15760 – C15751	42
15783 Cam Lock Lazy Cam Function	15783, 205 – 210 Cams	43
<b>Bulk Items for 15751   15752   15760 Cam Locks</b>		
C-510-XS   C-510-S   C-510-M   C-510-L Die Cast Tubular Cam Lock	BDB510XS – BDB510L	44
C520L Die Cast Brass Tubular Cam Lock	C520L	45
C1091A Miniature Cam Lock Package	C1091A	46
CK2113   CK3113   CK4113 Rotary Combination Cam Lock	CK2113CD – CK4113CA	47
390XX Series Dial Combination Cam Lock	39051 – 39053, 39021 – 39023	48
59020   59021   59022 Padlockable Cam Lock	59020 – 59022	49
Straight Cams for Padlockable Cam Lock	S58 – S225	49
Offset Cams for Padlockable Cam Lock	F100-25 – F178-50	49
Cams – Bent   Straight   Offset   Hook	15714 – 15751ED	50-51
82010   82011   82013   82014 Multicam Mailbox Lock	MBL82010 – MBL82014	52
Weather Resistant Cam Lock	WRC-62204 – WRC-62217	53
650   651 Series Cam Lock	65001 – 65105	53

<b>Drawer Locks – Price Reduction</b>		
0666   0666 1/2 Drawer Locks PIN TUMBLER	0666 – 0666 1/2, 100S	54
0738 Drawer Lock PIN TUMBLER	0738, 2540 Strike	54
02063 Drawer Locks PIN TUMBLER	02063 – 02063A	55
02065   02065 1/2 Drawer Locks DISC TUMBLER 7/8"	02065 – 02065-1/2"	55
02066 Drawer Locks DISC TUMBLER	02066 – 02066B, 2" Bolt	56
02068   02068 1/2 Drawer Locks DISC TUMBLER	02068 – 02068 1/2	57

<b>Cabinet Locks – Price Reduction</b>		
0737 Cabinet Lock PIN TUMBLER	0737, 2540 Strike	58
02067 Cabinet Lock DISC TUMBLER	02067, 7S Strike	59
Combination Locks for Cabinet Doors	D900, D901	59

<b>Small Format Interchangeable Core (SFIC)</b>		
72 Series IC Core	72412 – 72012	60-61

<b>Draw Pull Catches</b>		
250   250W   641   642   643   794 Draw Pull Catch	250 – S794, S250 Strike	62
797   798   Draw Pull Catch	797 – 798	63
2504 Flush Metal Catch	2504 – 2506D	63
804   824 Draw Pull Catches w/Compression Springs	804 – 824, S641, S794 Strike	64
834   834S   834U Draw Pull Catches w/Concealed Compression Springs	834, 834S Strike	64
1771   1778 Multipurpose Suitcase Catches	1771 – 1778	75

<b>Enclosure Locks</b>		
15481 Enclosure Lock PIN TUMBLER & WARDED	55481 – A15481, Dust Cover	66
15767   15768   15867   15868 Enclosure (Panelboard)	15767 – 15868	67
R357SGS Enclosure Lock WARDED CONSTRUCTION	R357SGS – R4277	67

<b>Handles</b>		
1000 Series Lever Handle DISC TUMBLER	1000 RH, 1000A RH, Spindle	68
	1000AS, 1000B, 1000S	68
	H1 Cam, H2 Cam	68
	H3 Holding Plate	68
	S14441, S14452, S14271	68
1001 Series Tee Handle	1001 RH, 1001A RH, Spindle	69
	1001AS RH, 1001B RH, 1001S	69
1001 Series Tee Handle (continued)	H1 Cam, H2 Cam, H3 Holding Plate	69
	S14441, S14452, S14271	69





# Terms & Conditions

Handles (continued)	Part or MFGPT #	Page
3284   S14810 Pull Handle	3284, S14810	70
15766 3 Point Tee Handle	15766 RH , 15766, 3 Point Cam	71
<b>Sliding Door Locks</b>		
02069 Push & Turn DISC TUMBLER	02069, 02069K	72
02290 PIN TUMBLER	02290, 02290S	72
02291 PIN TUMBLER	02291, 02291A	73
<b>Special Purpose Locks</b>		
2060 Series DISC TUMBLER with Spring-In Bolt	S2060NC, 2060C, 2060N	74
	S2060C, S2060GF, S2060N	74
<b>Accessories</b>		
<b>Miscellaneous Items</b>		
	02290S	75
	90° Stop Cam, 180° Stop Cam	75
	Plug Lockwasher	75
	Pronged Washer for Pin & Disc	75
	Internal Tooth Lockwasher	75
	Mounting Clips, Plug Nut	75
	Collar Rings	75
	Cylinder Lock & Spacer Washer	75
	Cylinder Nut	75
	3 Point Cam RH / LH	75
	Tumbler Spring	75
<b>Disc Tumbler Key Blanks</b>	5860KM, 5860KS, 5861KM	76
	5861KS, 5865JL, 5865JR	76
	5865JVL, 5865JVR	76
	430, 420, 950/500KB	76
<b>Pin Tumbler Key Blanks</b>	430-KB, 420-KB, 936-KB	76
	4193C-AR, 4193C-BR, 4193C-WR	76
	5862C-R1, 5862C-CR	76
	8618C-CR, 8618C-R1	76
	8618C-CL, 8618C-R3	76
	8618C-R4, 8618C-R12	76
	8618C-R14, 8618C-VR	76
	8632C-CR, 8632C-R1,	76
	8632C-R14, 8690-CR	76
	58690-GR, 58690-R1	76
	58690-VR, S1-26-3	76
	Service Key, #2 Key	76
	R4266, R4267	76
<b>Strikes</b>	7S, 12S, 21S, 26S, 49S, 52S	77
	69S, 100S, 2540	77
<b>Miscellaneous Keying Kits &amp; Cut Keys</b>	OLYMP-1 Pin Tumbler	77
	KK125 Disc Tumbler Keying KT	77
	KK500/93x Padlock Pinning Kit	77
<b>M8003 Master Key</b>	8658JR, 8658JVL, 8658JVR	77
	Service Key, M8003 Master Key	77
<b>Parts for Disc &amp; Pin Tumblers</b>		77
<b>Replacement Shackles</b>	For Series: 560   760   860	78
	For Series: 500   900	78
<b>SFIC Cores</b>	6-pin and 7-pin	78
<b>Displays</b>		
DISPLAY Mailbox & Cam Lock	03402	79
DISPLAY Small Format IC Core 72 Series	03405	79
DISPLAY 400 Series Laminated Padlocks	03410	79

## ORDER SPECIFICATIONS

With our broad product range we hope to fill your needs with our product line. However, if specials are needed CCL Security can handle those requirements. There may be additional charges to cover the expense of producing these orders.

- Fax or email request for special quotations. 847-537-1881 or info@cclsecurity.com
- Specify keyed alike, keyed different or keyed different and master keyed when ordering. Specify finish.
- Specify key codes for keyed alike orders
- Authorized Distributors may order broken box or split case quantities but will be subject to a 10% convenience fee.

## KEYING CHARGES

- |                          |                    |
|--------------------------|--------------------|
| • Keyed Differently (KD) | No Charge          |
| • Keyed Alike (KA)       | No Charge          |
| • Masterkeyed            | \$4.20 MSRP / Lock |
| • Stamping               | \$3.15 / Lock      |

## DELIVERY & TERMS

Shipping Location: 301 West Hintz Road, Wheeling, IL 60090

- Net 30 days
- Prices are subject to change without notice
- Service Policy: In-Stock Items shipped 95% complete within 48 hours
- Minimum Annual Purchases for Distributor \$20,000
- Minimum Annual Purchases for Authorized Distributor \$50,000
- Minimum Annual Purchases for Gold Distributor \$100,000
- All Locks are to be ordered in either Shelf Pack and or Master Pack Quantities.

## FREIGHT POLICY

- Freight is prepaid on shipments of CCL Security Products with a total invoice value of \$2,000 for Distributors within the Continental US.
- Freight is prepaid on shipments of CCL Security Products with a total invoice value of \$1,000 (based on net prices) to a single destination within the contiguous United States or Canada for Authorized and Gold Distributors. \$500 for Luggage Dealers within the Continental US.

## MINIMUM ORDER

A convenience fee of \$15.00 will be added to all orders under \$50.00 net cost.

## RETURNS AND CANCELLATIONS:

No CCL product or part can be returned for credit unless written authorization has been given in advance.

Merchandise returned must be identified as to original date of purchase, purchase order number, and shipper's name and address.

Service and handling charge is 25% for stock and 40% for non-stock items, of net billing price, except in the case of defective parts.

Any freight paid by CCL will be deducted from the amount of credit issued, except in the case of defective parts.

Merchandise returned in unsaleable condition will not be acceptable.

The return of obsolete, discontinued, modified or special parts is not permissible.

CCL reserves the right to charge for all work completed or materials purchased when an order is cancelled or reduced prior to shipment, where special or modified parts are involved.

CCL reserves the right to assess an additional cancellation charge, other than the normal 25% handling charge, in the event the quantity cancelled is in excess of our normal stock requirements.

## Customer Service Hours:

Weekdays 8:00 a.m. to 4:30 p.m. Central Standard Time (C.S.T.). Orders may be faxed or emailed 24 hours a day. All orders received weekdays by 2:00 p.m. C.S.T. will be entered the same day.

## EDI

CCL Security Products is able to accept purchase orders, transmit invoices and Advance Ship Notices (ASN), and receive forecast and Point of Sale (POS) data via EDI.

## CLAIMS:

CCL will not be responsible for goods lost in transit. Purchaser is solely responsible for filing claims with the carrier for losses. Claims for shortages in shipment not chargeable to the carrier, must be reported within ten (10) days from receipt of merchandise.

## LIMITED WARRANTY AND EXCLUSIONS:

CCL strives to produce quality products at reasonable prices. If you are not satisfied with our product because of a defect, we will repair or replace the defective part or parts free of charge for a period of one year from the date of purchase. In the event you claim that the product contains a defect, simply notify CCL of the defect, and we will arrange for repair or replacement. The sole and exclusive remedy against CCL relating in any way to a product defect shall be the repair or replacement of defective parts as provided for under this LIMITED WARRANTY. No other remedy, including, but not limited to, incidental or consequential loss, is available.

This LIMITED WARRANTY shall not be deemed to have failed of its essential purpose so long as CCL is willing and able to repair or replace defective parts in the manner prescribed in this LIMITED WARRANTY.

Any action for breach relating to the sale of an CCL product must be commenced within one year after the cause of action has accrued. This LIMITED WARRANTY IS IN LIEU OF ANY OTHER WARRANTY, EXPRESS OR IMPLIED, AND ALL SUCH WARRANTIES ARE EXCLUDED, INCLUDING, BUT NOT LIMITED TO, ANY IMPLIED WARRANTY OF MERCHANTABILITY OR FITNESS FOR A PARTICULAR PURPOSE.

LOST COMBINATIONS ARE NOT COVERED BY WARRANTY.

©Copyright 2014 CCL Security Products, Inc.

# *Sesamee*<sup>®</sup> THE TRUSTED NAME IN **PADLOCKS**



Brass Padlocks

Brought to you by   
an American Company



Founded in 1882  
and based in  
Wheeling, Illinois

*Now Available*  
from any  
**Authorized  
CCL Security  
Distributor**



Laminated Padlocks



Rekeyable Padlocks



Storage Locks



Resettable Padlocks



A Division of The Eastern Company | Telephone: 800.733.8588 | [www.cclsecurity.com](http://www.cclsecurity.com)





# Laminated Promo

## Sesame® Portable Security

### 400 Series Laminated Padlocks



- Commercial grade padlock features superior protection from drilling and prying
- Laminated steel body for superior strength
- Hardened Molybdenum alloy shackle for superior cut resistance
- Dual locking ball bearing provides extra pry resistance
- Non-rekeyable, 4-pin cylinder helps prevent picking
- Popular M1 Keyway
- Product of Taiwan; designed in Wheeling, Illinois



#### Best Used For:

- Industrial, Storefront & Business Gates
- Tool Cribs
- Construction Sites & Equipment
- Job Boxes & Gang Boxes



Buy any assortment of  
 24 Laminated Locks from CCL Security  
 and receive a Demo Board for **Free**

Fax Proof of Purchase to 1-847-537-1881

Include PO#:

\_\_\_\_\_

Ship To Address:

\_\_\_\_\_

and SHDA Distributor Name:

\_\_\_\_\_

\_\_\_\_\_



# Security Products

A Division of The Eastern Company



[www.CCLSecurity.com](http://www.CCLSecurity.com)