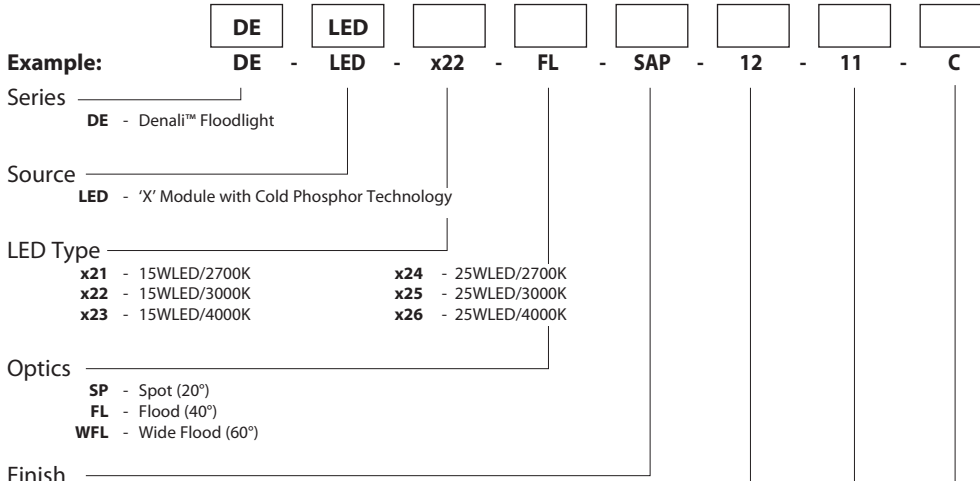


PROJECT:	
TYPE:	
CATALOG NUMBER:	
SOURCE:	
NOTES:	

CATALOG NUMBER LOGIC



Configure Driver Housing Separately Driver Housing Required

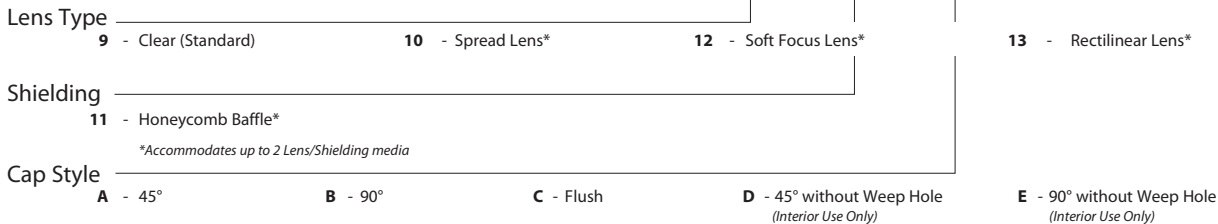
INTEGRAL DRIVER HOUSINGS:

- HP2** - HP2 Housing
- PM2** - Universal Power Module 2
- PM2D** - Universal Power Module 2 Dual
- PC** - Power Canopy
- PPII** - Power Pipe II
- TMB** - Pole Mount or Tenon Mount

REMOTE DRIVER HOUSINGS:

- HP2RM** - HP2 Remote Housing
- PM2RM** - Universal Power Module 2 Remote
- PM2DRM** - Universal Power Module 2 Dual Remote
- RM** - Remote Wall Mount
- DRM** - Dual Remote Wall Mount

Standard Finish			Premium Finish		
Powder Coat Color	Satin	Wrinkle	ABP	CMG	RMG
Bronze	BZP	BZW	Antique Brass Powder	Cascade Mountain Granite	Rocky Mountain Granite
Black	BLP	BLW	AMG Aleutian Mountain Granite	CRI Cracked Ice	SDS Sonoran Desert Sandstone
White (Gloss)	WHP	WHW	AQW Antique White	CRM Cream	SMG Sierra Mountain Granite
Aluminum	SAP	—	BCM Black Chrome	HUG Hunter Green	TXF Textured Forest
Verde	—	VER	BGE Beige	MDS Mojave Desert Sandstone	WCP Weathered Copper
			BPP Brown Patina Powder	NBP Natural Brass Powder	WIR Weathered Iron
			CAP Clear Anodized Powder	OCP Old Copper	<i>Also available in RAL Finishes See submittal SUB-1439-00</i>



LM79 DATA

BK No.	CCT (Typ.)	CRI (Ra. Typ.)	Color Consistency	Input Watts (Typ.)
x21	2700K	>80	±40K	15
x22	3000K	>80	±50K	15
x23	4000K	>80	±70K	15
x24	2700K	>80	±40K	25
x25	3000K	>80	±50K	25
x26	4000K	>80	±70K	25

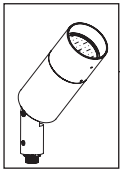
L70 DATA

Minimum Rated Life (hrs.) 70% of initial lumens (L70)
50,000
50,000
50,000
50,000
50,000
50,000

OPTICAL DATA

Beam Type	Angle
Spot	20°
Flood	40°
Wide Flood	60°

B-K LIGHTING	40429 Brickyard Drive • Madera, CA 93636 • USA 559.438.5800 • FAX 559.438.5900 www.bklighting.com • info@bklighting.com	SUBMITTAL DATE	DRAWING NUMBER
		3-12-12	SUB001113



BKSSL
SOLID STATE LIGHTING powered by **XICATO**
Making sense with LEDs

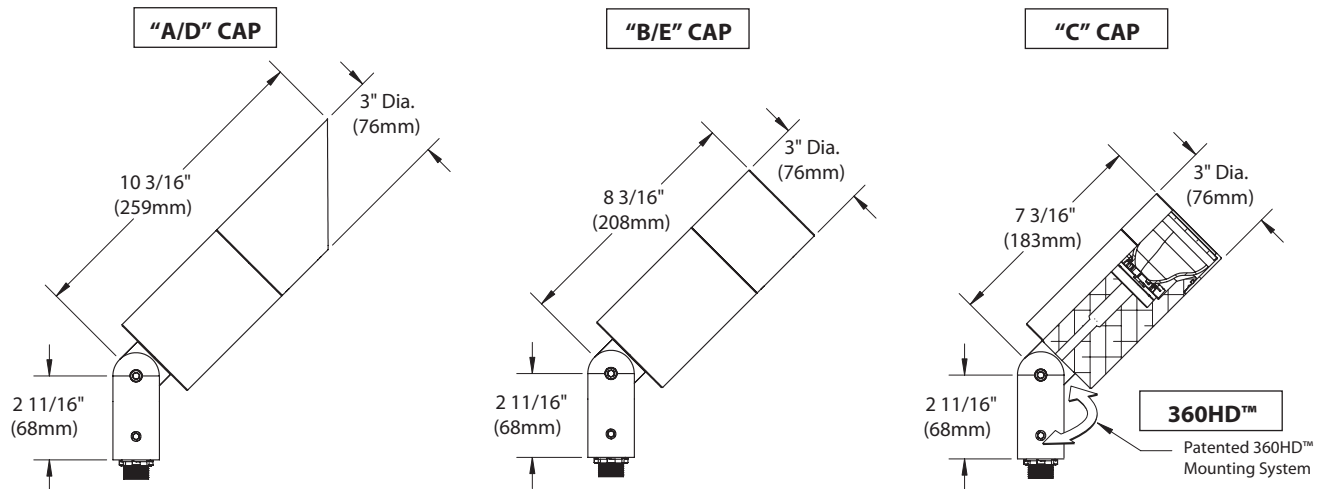
THE POWER OF



DENALI™ FLOODLIGHT

PROJECT: _____

TYPE: _____

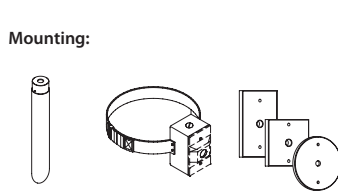


All dimensions indicated on this submittal are nominal.
Contact Technical Sales if you require more stringent specifications.

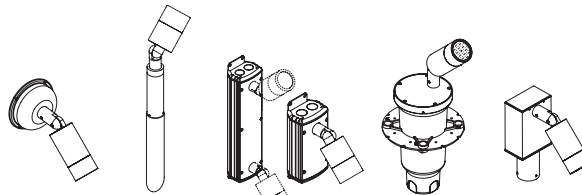
Accessories (Configure separately)

Drivers (Configure separately)

Mounting:

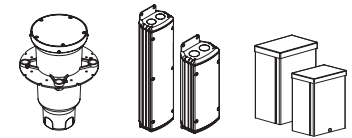


Power Pipe™ Tree Strap™ Canopies



Power Canopy™ Power Pipe™ PM2D & PM2 HP2 TMB

Drivers:



HP2RM PM2DRM & PM2RM RM & DRM

SPECIFICATIONS

GreenSource Initiative™

Metal and packaging components are made from recycled materials. Manufactured using renewable solar energy, produced onsite. Returnable to manufacturer at end of life to ensure cradle-to-cradle handling. Packaging contains no chlorofluorocarbons (CFC's). Use of this product may qualify for GreenSource efficacy and recycling rebate(s). Consult www.bklighting.com/greensource for program requirements.

Materials

Furnished in Copper-Free Aluminum (Type 6061-T6).

Body

Fully machined from solid billet. Unibody design provides enclosed, water-proof wireway and integral heat sink for maximum component life. Integral knuckle for maximum mechanical strength. High temperature, silicone 'O' Ring provides water-tight seal.

Knuckle

Patented 360HD™ Mounting System features a mechanical taper-lock, which allows a full 180° vertical adjustment without the use of serrated teeth, which inherently limit aiming. High temperature, silicone 'O' Ring provides water-tight seal and compressive resistance to maintain fixture position. Design withstands 73 lb. static load prior to movement to ensure decades of optical alignment. 1/2" pipe thread for mounting. Biaxial source control additionally provides 360° horizontal rotation in addition to vertical adjustment. 'Aim-And-Lock' Technology allows precision adjustment without the redundant tightening and loosening of knuckle screw.

Cap

Fully machined. Accommodates [2] lens or louver media. Choose from 45° cutoff ('A' or 'D'), 1" deep bezel with 90° cutoff ('B' or 'E') or flush lens ('C') cap styles. 'A' and 'B' caps include weep-hole for water and debris drainage. 'D' and 'E' caps exclude weep-hole and are for interior use only.

Lens

Shock resistant, tempered, glass lens is factory adhered to fixture cap and provides hermetically sealed optical compartment.

BKSSL™

Integrated solid state system with 'x' technology is scalable for field upgrade. Modular design with electrical quick disconnects permit field maintenance.

LM-80 certified. Minimum 50,000 hour rated life at 70% of initial lumens (L70). BKSSL technology provides long life, significant energy reduction and exceptional thermal management.

Color Management

Corrected cold phosphor technology delivers near-perfect natural white light. Long term phosphor maintenance over product life. Exact color point conformity exceeds ANSI C78.377 standard. Provides uniform beam with no color variation over angle. Module exceeds 80 CRI (RA>80, R9>16).

Remote Driver

For use with remote LED driver. See remote driver submittal to determine remote distance and wiring requirements prior to detailing field installation of any remote wiring.

Optics

Interchangeable OPTIKIT™ modules permit field changes to optical distribution.

Wiring

Teflon® coated, 18AWG, 600V, 250° C rated and certified to UL 1659 standard.

Hardware

Tamper-resistant, stainless steel hardware. 360HD™ hardware is additionally black oxide treated for additional corrosion resistance.

Finish

StarGuard®, our exclusive RoHS compliant, 15 stage chromate-free process cleans and conversion coats aluminum components prior to application of Class 'A' TGIC polyester powder coating.

Warranty

5 year limited warranty.

Certification and Listing

ITL tested to IESNA LM-79. Lighting Facts Registration per USDOE (www.lightingfacts.com). ETL Listed to ANSI/UL Standards 1598, 8750 and Certified to CAN/CSA Standard C22.2 No. 250. RoHS compliant. Suitable for indoor or outdoor use. Suitable for use in wet locations. Additionally suitable for installation within 4' of the ground. IP66 Rated. Made in USA.



*Teflon is a registered trademark of DuPont Corporation.
*Energy Star is a registered trademark of the United States Environmental Protection Agency.

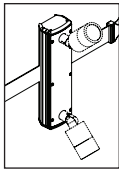
B-K LIGHTING

40429 Brickyard Drive • Madera, CA 93636 • USA
559.438.5800 • FAX 559.438.5900
www.bklighting.com • info@bklighting.com

SUBMITTAL DATE
3-12-12

DRAWING NUMBER
SUB001113

360HD Patent is covered in whole or in part by U.S. Patent No. 6,161,948



UNIVERSAL POWER MODULE
UPM

BKSSL
SOLID STATE LIGHTING

Constant Current Driver

PM2 DUAL TREE STRAP™

PROJECT:	
TYPE:	
CATALOG NUMBER:	
LAMP(S):	
NOTES:	

CATALOG NUMBER LOGIC

PM2D **MT**

Example

PM2D - TS-30 - D15/D15 - MT - SC

Series

PM2D - Universal Power Module 2 Dual
(specify fixtures separately)

Mounting

TS - Length - Tree Strap™ (Specify Adjustable Strap Length)
Minimum 3" Adjustable Strap (Standard)

Driver Type (2 driver choices required with PM2DRM)

D15 - 15W Driver
D25 - 25W Driver

Input Voltage

MT - 120/208/240/277 Multi Tap

Options

SC - Safety Cable. For use with Tree Strap™ (TS) mount. Cable length to match strap length.
MB - Mounting Brackets

DRIVER ELECTRICAL DATA

TYPE	AC INPUT RANGE	Frequency Hz	DIMMING	POWER FACTOR	THD	OPER. AMBIENT TEMPERATURE
D15	120/208/240/277	50/60	NO	>0.92	<20%	-30° C ~ 50°C
D25	120/208/240/277	50/60	NO	>0.92	<20%	-30° C ~ 50°C

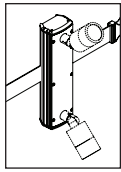
B-K LIGHTING

40429 Brickyard Drive • Madera, CA 93636 • USA
559.438.5800 • FAX 559.438.5900
www.bklighting.com • info@bklighting.com

SUBMITTAL DATE
2-23-12

DRAWING NUMBER
SUB000800.1

THIS DOCUMENT CONTAINS PROPRIETARY INFORMATION OF B-K LIGHTING, INC. AND ITS RECEIPT OR POSSESSION DOES NOT CONVEY ANY RIGHTS TO REPRODUCE, DISCLOSE ITS CONTENTS, OR TO MANUFACTURE, USE OR SELL ANYTHING IT MAY DESCRIBE. REPRODUCTION, DISCLOSURE OR USE WITHOUT SPECIFIC WRITTEN AUTHORIZATION OF B-K LIGHTING, INC. IS STRICTLY FORBIDDEN.



UNIVERSAL POWER MODULE
UPM

BKSSL
SOLID STATE LIGHTING

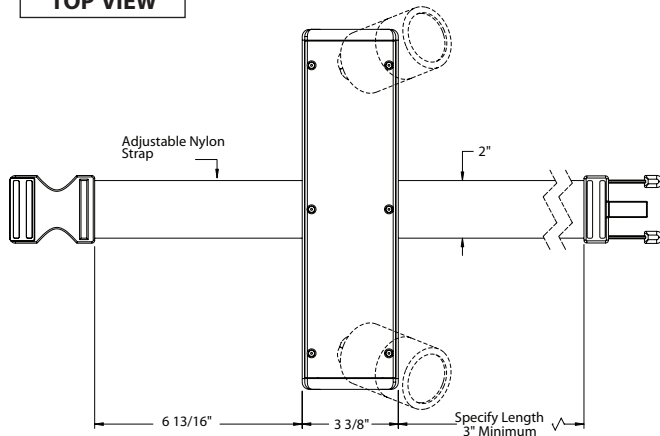
Constant Current Driver

PM2 DUAL TREE STRAP™

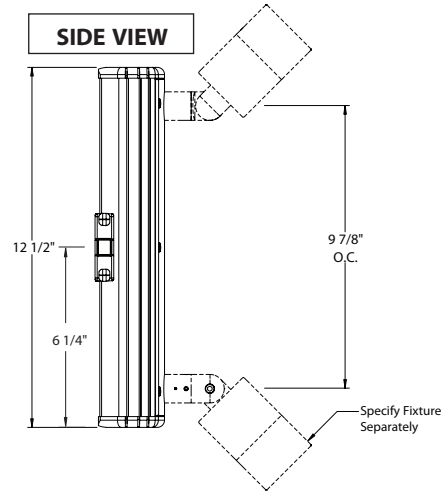
PROJECT:

TYPE:

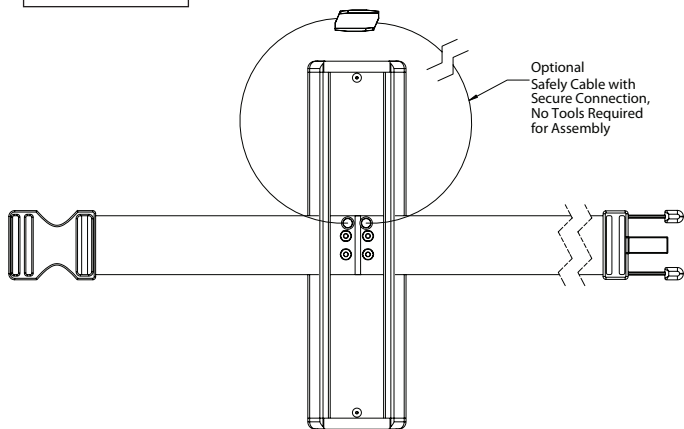
TOP VIEW



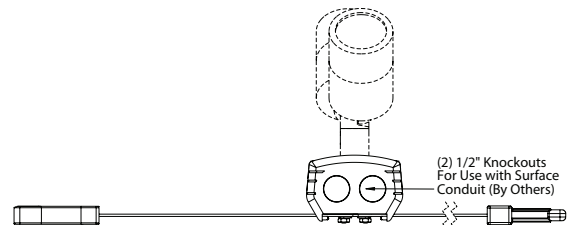
SIDE VIEW



SAFETY CABLE



END VIEW



SPECIFICATIONS

GreenSource Initiative™

Metal and packaging components are made from recycled materials. Manufactured using renewable solar energy, produced onsite. Returnable to manufacturer at end of life to ensure cradle-to-cradle handling. Packaging contains no chlorofluorocarbons (CFC's). Use of this product may qualify for GreenSource efficacy and recycling rebate(s). Consult www.bklighting.com/greensource for program requirements.

Tree Installation

Tree Strap™ mounting system facilitates non-invasive installation. Adjustable nylon strap is mold and mildew resistant and will not hinder tree growth. Optional stainless steel safety cable maintains UPM mounting when nylon strap is disengaged.

Housing

Copper free, aluminum extrusion with die cast end caps. Surface mounted with flow through back channel to prevent water and debris collection. Machined aluminum cover with countersunk holes for flush hardware installation. Tamper-resistant, captive, black

oxide stainless steel mounting screws. Front access for ease of installation and inspection. [2] 1/2" NPT female conduit entries per end cap for through wiring.

Installation Tether

Stainless steel cable with integral loop allows cover to temporarily suspend from housing during installation to simplify wire connection and component attachment.

Patented Knockouts

[4] 1/2" NPT, machined aluminum knockouts. High temperature, silicone 'O' Ring for water-tight seal. Patented design allows knockout to be reinserted without compromising seal integrity.

Driver

[2] 700mA, constant current driver. 120V, 208V, 240V, or 277V primary voltage. 50/60Hz. Non-dimming. >0.92 Power Factor, <20% THD, Efficiency >85% (Typical). Over-voltage, over-current and short circuit protection.

Finish

StarGuard®, our exclusive RoHs compliant, 15 stage chromate-free process cleans and conversion coats aluminum components prior to application of Class 'A' TGIC polyester powder coating. Finish to match fixture.

Warranty

5 year limited warranty.

Listings

NEMA 4X / IP-66 Rated Enclosure. ETL Listed to ANSI/UL Standard 50/50E and Certified to CAN/CSA Standard C22.2 No. 94.1/94.2. RoHs compliant. Made in USA.

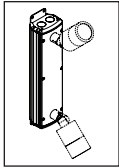


B-K LIGHTING

40429 Brickyard Drive • Madera, CA 93636 • USA
559.438.5800 • FAX 559.438.5900
www.bklighting.com • info@bklighting.com

SUBMITTAL DATE
2-23-12

DRAWING NUMBER
SUB000800.1



UNIVERSAL POWER MODULE
UPM

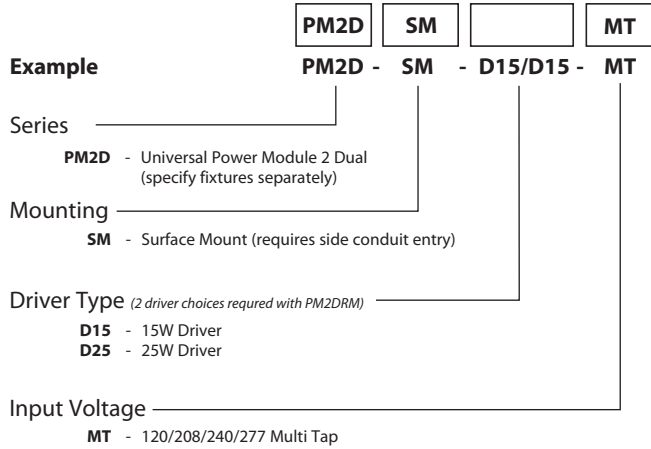
BKSSL
SOLID STATE LIGHTING

Constant Current Driver

PM2 DUAL SURFACE MOUNT

PROJECT:	
TYPE:	
CATALOG NUMBER:	
LAMP(S):	
NOTES:	

CATALOG NUMBER LOGIC

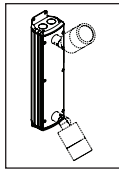


DRIVER ELECTRICAL DATA

TYPE	AC INPUT RANGE	Frequency Hz	DIMMING	POWER FACTOR	THD	OPER. AMBIENT TEMPERATURE
D15	120/208/240/277	50/60	NO	>0.92	<20%	-30° C ~ 50°C
D25	120/208/240/277	50/60	NO	>0.92	<20%	-30° C ~ 50°C

B-K LIGHTING	40429 Brickyard Drive • Madera, CA 93636 • USA	SUBMITTAL DATE	DRAWING NUMBER
	559.438.5800 • FAX 559.438.5900 www.bklighting.com • info@bklighting.com	2-23-12	SUB000800.2

THIS DOCUMENT CONTAINS PROPRIETARY INFORMATION OF B-K LIGHTING, INC. AND ITS RECEIPT OR POSSESSION DOES NOT CONVEY ANY RIGHTS TO REPRODUCE, DISCLOSE ITS CONTENTS, OR TO MANUFACTURE, USE OR SELL ANYTHING IT MAY DESCRIBE. REPRODUCTION, DISCLOSURE OR USE WITHOUT SPECIFIC WRITTEN AUTHORIZATION OF B-K LIGHTING, INC. IS STRICTLY FORBIDDEN.



UNIVERSAL POWER MODULE
UPM

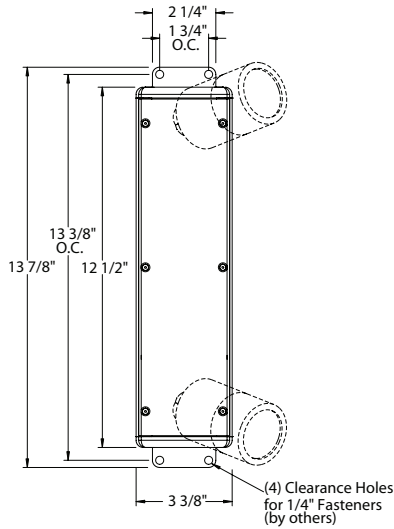
BKSL
SOLID STATE LIGHTING

Constant Current Driver

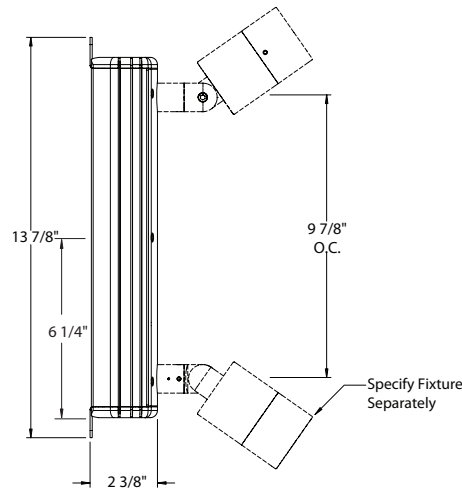
PM2 DUAL SURFACE MOUNT

PROJECT:	
TYPE:	

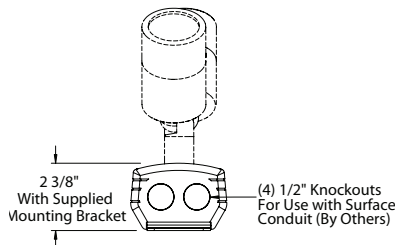
TOP VIEW



SIDE VIEW



END VIEW



SPECIFICATIONS

GreenSource Initiative™

Metal and packaging components are made from recycled materials. Manufactured using renewable solar energy, produced onsite. Returnable to manufacturer at end of life to ensure cradle-to-cradle handling. Packaging contains no chlorofluorocarbons (CFC's). Use of this product may qualify for GreenSource efficacy and recycling rebate(s). Consult www.bklighting.com/greensource for program requirements.

Surface Mount

For use with side entry, surface conduits. Stainless steel mounting brackets provide for direct anchor to architectural surfaces in any orientation.

Housing

Copper free, aluminum extrusion with die cast end caps. Surface mounted with flow through back channel to prevent water and debris collection. Machined aluminum cover with countersunk holes for flush hardware installation. Tamper-resistant, captive, black oxide stainless steel mounting screws. Front access for ease of installation and inspection. [2] 1/2" NPT female conduit entries per end cap for through wiring.

Installation Tether

Stainless steel cable with integral loop allows cover to temporarily suspend from housing during installation to simplify wire connection and component attachment.

Patented Knockouts

[4] 1/2" NPT, machined aluminum knockouts. High temperature, silicone 'O' Ring for water-tight seal. Patented design allows knockout to be reinserted without compromising seal integrity.

Driver

[2] 700mA, constant current driver. 120V, 208V, 240V, or 277V primary voltage. 50/60Hz. Non-dimming. >0.92 Power Factor, <20% THD, Efficiency >85% (Typical). Over-voltage, over-current and short circuit protection.

Finish

StarGuard®, our exclusive RoHS compliant, 15 stage chromate-free process cleans and conversion coats aluminum components prior to application of Class 'A' TGIC polyester powder coating. Finish to match fixture.

Warranty

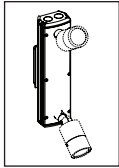
5 year limited warranty.

Listings

NEMA 4X / IP-66 Rated Enclosure. ETL Listed to ANSI/UL Standard 50/50E and Certified to CAN/CSA Standard C22.2 No. 94.1/94.2. RoHS compliant. Made in USA.



B-K LIGHTING	40429 Brickyard Drive • Madera, CA 93636 • USA 559.438.5800 • FAX 559.438.5900 www.bklighting.com • info@bklighting.com	SUBMITTAL DATE	DRAWING NUMBER
		2-23-12	SUB000800.2



UNIVERSAL POWER MODULE
UPM

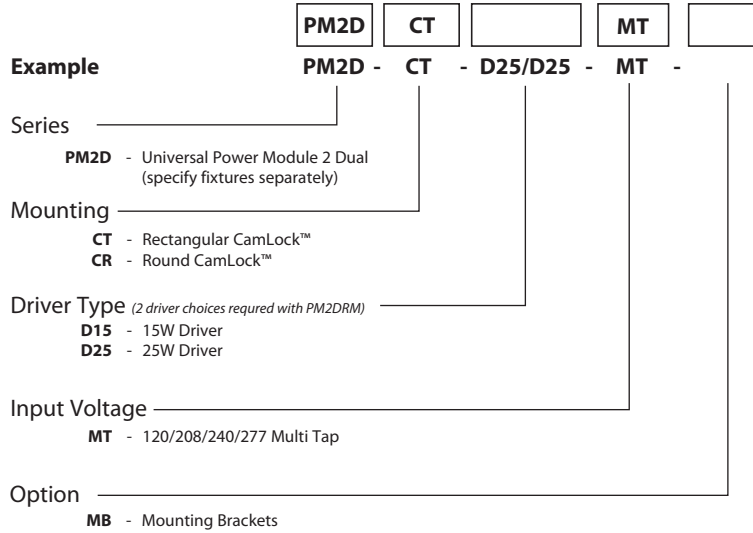
BKSSL
SOLID STATE LIGHTING

Constant Current Driver

PM2 DUAL JUNCTION BOX (CAMLOCK™)

PROJECT:	
TYPE:	
CATALOG NUMBER:	
LAMP(S):	
NOTES:	

CATALOG NUMBER LOGIC

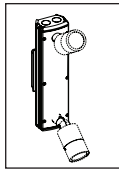


DRIVER ELECTRICAL DATA

TYPE	AC INPUT RANGE	Frequency Hz	DIMMING	POWER FACTOR	THD	OPER. AMBIENT TEMPERATURE
D15	120/208/240/277	50/60	NO	>0.92	<20%	-30° C ~ 50°C
D25	120/208/240/277	50/60	NO	>0.92	<20%	-30° C ~ 50°C

B-K LIGHTING	40429 Brickyard Drive • Madera, CA 93636 • USA 559.438.5800 • FAX 559.438.5900 www.bklighting.com • info@bklighting.com	SUBMITTAL DATE	DRAWING NUMBER
		2-23-12	SUB000800.3

THIS DOCUMENT CONTAINS PROPRIETARY INFORMATION OF B-K LIGHTING, INC. AND ITS RECEIPT OR POSSESSION DOES NOT CONVEY ANY RIGHTS TO REPRODUCE, DISCLOSE ITS CONTENTS, OR TO MANUFACTURE, USE OR SELL ANYTHING IT MAY DESCRIBE. REPRODUCTION, DISCLOSURE OR USE WITHOUT SPECIFIC WRITTEN AUTHORIZATION OF B-K LIGHTING, INC. IS STRICTLY FORBIDDEN.



UNIVERSAL POWER MODULE
UPM

BKSL
SOLID STATE LIGHTING

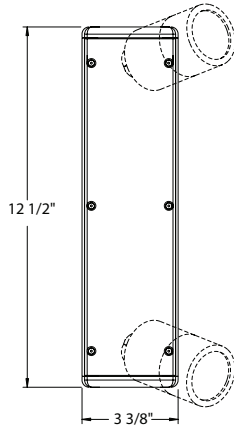
Constant Current Driver

PM2 DUAL JUNCTION BOX (CAMLOCK™)

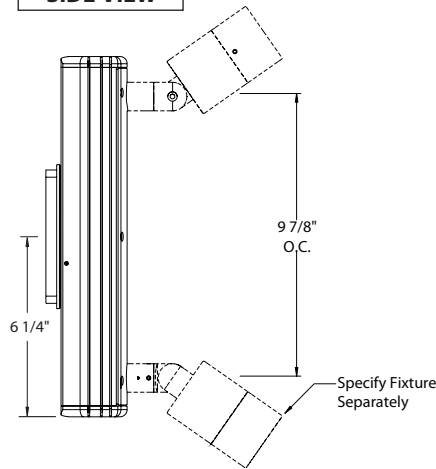
PROJECT:

TYPE:

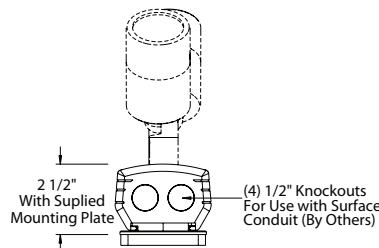
TOP VIEW



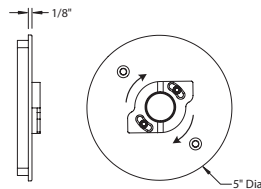
SIDE VIEW



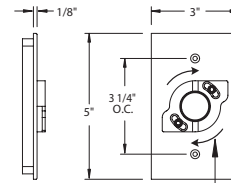
END VIEW



ROUND CAMLOCK™ CANOPY



RECTANGULAR CAMLOCK™ CANOPY



SPECIFICATIONS

GreenSource Initiative™

Metal and packaging components are made from recycled materials. Manufactured using renewable solar energy, produced onsite. Returnable to manufacturer at end of life to ensure cradle-to-cradle handling. Packaging contains no chlorofluorocarbons (CFC's). Use of this product may qualify for GreenSource efficacy and recycling rebate(s). Consult www.bklighting.com/greensource for program requirements.

Round CamLock™ Canopy (Recessed Junction Box)

5" diameter, machined aluminum construction. Includes stainless steel universal mounting ring for use with 4" octagonal junction box. [2] tamper-resistant, black oxide stainless steel mounting screws. 1/8" thick HT-805A silicone foam gasket for water-tight seal. Integral CamLock™ provides additional 30° adjustment for precision alignment of UPM regardless of junction box orientation. Integral wiper seal maintains water-tight integrity between UPM and junction box. Optional stainless steel mounting brackets may be specified to provide additional anchor to architectural surface.

Rectangular CamLock™ Canopy (Recessed Junction Box)

Machined aluminum, 3" x 5" rectangular canopy for use with single gang junction box. [2] tamper resistant, black oxide stainless steel mounting screws.

1/8" thick HT-805A silicone foam gasket for water-tight seal. Integral CamLock™ provides additional 30° adjustment for precision alignment of UPM regardless of junction box orientation. Integral wiper seal maintains water-tight integrity between UPM and junction box. Optional stainless steel mounting brackets may be specified to provide additional anchor to architectural surface.

Housing

Copper free, aluminum extrusion with die cast end caps. Surface mounted with flow through back channel to prevent water and debris collection. Machined aluminum cover with countersunk holes for flush hardware installation. Tamper-resistant, captive, black oxide stainless steel mounting screws. Front access for ease of installation and inspection. [2] 1/2" NPT female conduit entries per end cap for through wiring.

Installation Tether

Stainless steel cable with integral loop allows cover to temporarily suspend from housing during installation to simplify wire connection and component attachment.

Patented Knockouts

[4] 1/2" NPT, machined aluminum knockouts. High temperature, silicone 'O' Ring for water-tight seal. Patented design allows knockout to be reinserted without compromising seal integrity.

Driver

[2] 700mA, constant current driver. 120V, 208V, 240V, or 277V primary voltage. 50/60Hz. Non-dimming. >0.92 Power Factor, <20% THD, Efficiency >85% (Typical). Over-voltage, over-current and short circuit protection.

Finish

StarGuard®, our exclusive RoHS compliant, 15 stage chromate-free process cleans and conversion coats aluminum components prior to application of Class 'A' TGIC polyester powder coating. Finish to match fixture.

Warranty

5 year limited warranty.

Listings

NEMA 4X / IP-66 Rated Enclosure. ETL Listed to ANSI/UL Standard 50/50E and Certified to CAN/CSA Standard C22.2 No. 94.1/94.2. RoHS compliant. Made in USA.

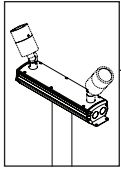


B-K LIGHTING

40429 Brickyard Drive • Madera, CA 93636 • USA
559.438.5800 • FAX 559.438.5900
www.bklighting.com • info@bklighting.com

SUBMITTAL DATE
2-23-12

DRAWING NUMBER
SUB000800.3



UNIVERSAL POWER MODULE
UPM

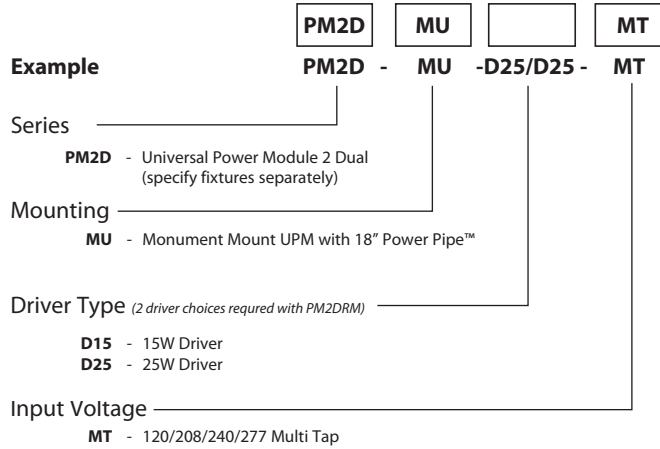
BKSL
SOLID STATE LIGHTING

Constant Current Driver

PM2 DUAL MONUMENT (POWER PIPE™)

PROJECT:	
TYPE:	
CATALOG NUMBER:	
LAMP(S):	
NOTES:	

CATALOG NUMBER LOGIC



DRIVER ELECTRICAL DATA

TYPE	AC INPUT RANGE	Frequency Hz	DIMMING	POWER FACTOR	THD	OPER. AMBIENT TEMPERATURE
D15	120/208/240/277	50/60	NO	>0.92	<20%	-30° C ~ 50°C
D25	120/208/240/277	50/60	NO	>0.92	<20%	-30° C ~ 50°C

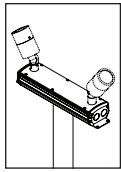
B-K LIGHTING

40429 Brickyard Drive • Madera, CA 93636 • USA
 559.438.5800 • FAX 559.438.5900
 www.bklighting.com • info@bklighting.com

SUBMITTAL DATE
 2-23-12

DRAWING NUMBER
 SUB000800.4

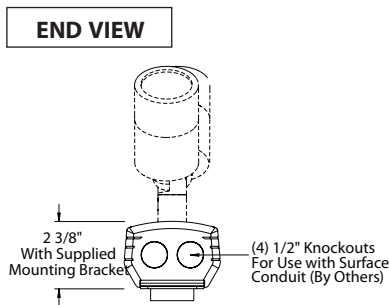
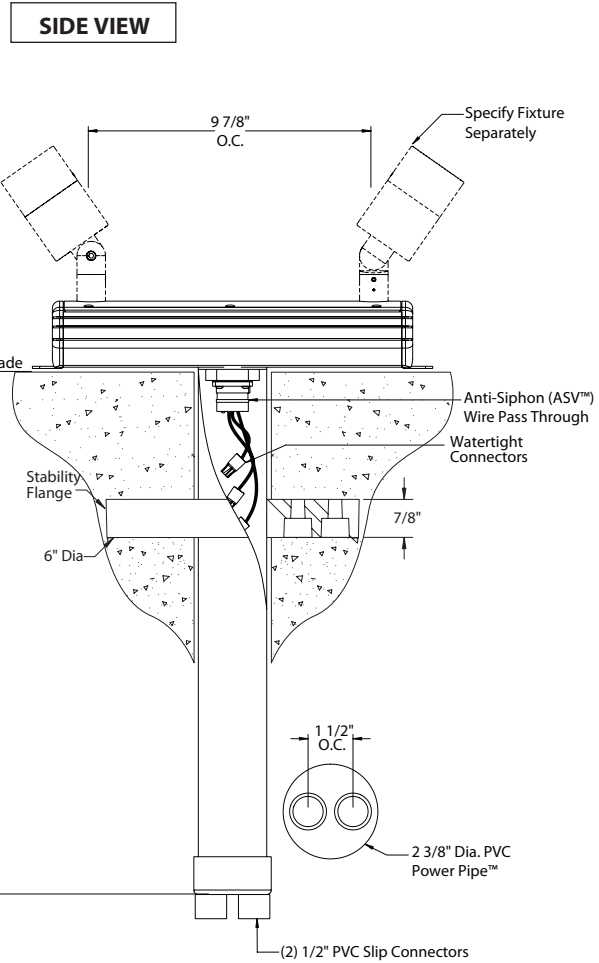
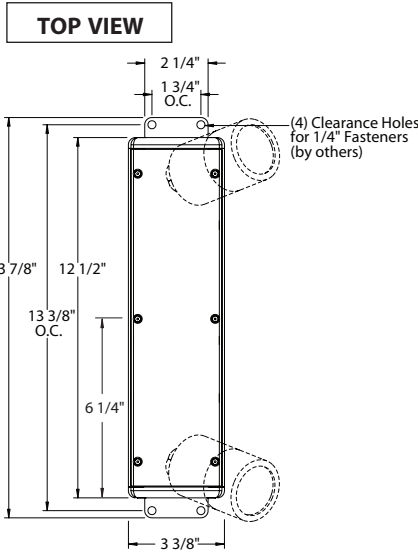
THIS DOCUMENT CONTAINS PROPRIETARY INFORMATION OF B-K LIGHTING, INC. AND ITS RECEIPT OR POSSESSION DOES NOT CONVEY ANY RIGHTS TO REPRODUCE, DISCLOSE ITS CONTENTS, OR TO MANUFACTURE, USE OR SELL ANYTHING IT MAY DESCRIBE. REPRODUCTION, DISCLOSURE OR USE WITHOUT SPECIFIC WRITTEN AUTHORIZATION OF B-K LIGHTING, INC. IS STRICTLY FORBIDDEN.



PM2 DUAL MONUMENT (POWER PIPE™)

Constant Current Driver

PROJECT:	
TYPE:	



SPECIFICATIONS

GreenSource Initiative™

Metal and packaging components are made from recycled materials. Manufactured using renewable solar energy, produced onsite. Returnable to manufacturer at end of life to ensure cradle-to-cradle handling. Packaging contains no chlorofluorocarbons (CFC's). Use of this product may qualify for GreenSource efficacy and recycling rebate(s). Consult www.bklighting.com/greensource for program requirements.

Ground / Monument Installation

For use at grade level with integration of Power Pipe™ System, which provides direct burial wireway into concrete or soil. 6" dia., molded stability flange projects into substrate to simplify installation and reinforce housing stability. [2] 1/2" PVC slip connectors for through wiring. Includes stainless steel mounting brackets for additional anchor to architectural surface. Anti-Siphon Valve (ASV™) prevents "wicking" through conductor insulation. [3] Silicone filled wire nuts supplied for water-tight line connection. Maximum (2) #10 & (1) #18. Minimum (1) #12 & (1) #18.

Housing

Copper free, aluminum extrusion with die cast end caps. Surface mounted with flow through back channel to prevent water and debris collection. Machined aluminum cover with countersunk holes for flush hardware installation. Tamper-resistant, captive, black oxide stainless steel mounting screws. Front access for ease of installation and inspection. [2] 1/2" NPT female conduit entries per end cap for through wiring.

Installation Tether

Stainless steel cable with integral loop allows cover to temporarily suspend from housing during installation to simplify wire connection and component attachment.

Patented Knockouts

[4] 1/2" NPT, machined aluminum knockouts. High temperature, silicone 'O' Ring for water-tight seal. Patented design allows knockout to be reinserted without compromising seal integrity.

Driver

[2] 700mA, constant current driver. 120V, 208V, 240V, or 277V primary voltage. 50/60Hz. Non-dimming. >0.92 Power Factor, <20% THD, Efficiency >85% (Typical). Over-voltage, over-current and short circuit protection.

Finish

StarGuard®, our exclusive RoHs compliant, 15 stage chromate-free process cleans and conversion coats aluminum components prior to application of Class 'A' TGIC polyester powder coating. Finish to match fixture.

Warranty

5 year limited warranty.

Listings

NEMA 4X / IP-66 Rated Enclosure. ETL Listed to ANSI/UL Standard 50/50E and Certified to CAN/CSA Standard C22.2 No. 94.1/94.2. RoHs compliant. Made in USA.



B-K LIGHTING	40429 Brickyard Drive • Madera, CA 93636 • USA 559.438.5800 • FAX 559.438.5900 www.bklighting.com • info@bklighting.com	SUBMITTAL DATE	DRAWING NUMBER
		2-23-12	SUB000800.4

Denali Series™ - Flood

LED lighting facts®

A Program of the U.S. DOE

Light Output (Lumens)	616
Watts	17.7
Lumens per Watt (Efficacy)	34

Color Accuracy	79
Color Rendering Index (CRI)	

Light Color
Correlated Color Temperature (CCT) **2556 (Warm White)**

2700K 3000K 4500K 6500K

All results are according to IESNA LM-79-2008 - Approved Method for the Electrical and Photometric Testing of Solid-State Lighting. The U.S. Department of Energy (DOE) verifies product test data and results.

Visit www.lightingfacts.com for the **Label Reference Guide**.

Registration Number: GCXV-D8PLTG (10/24/2011)
Model Number: DE-LED-X21-FL-9-C
Type: Other

Denali Series™

LED lighting facts®

A Program of the U.S. DOE

Light Output (Lumens)	603
Watts	17.5
Lumens per Watt (Efficacy)	34

Color Accuracy	81
Color Rendering Index (CRI)	

Light Color
Correlated Color Temperature (CCT) **2918 (Warm White)**

2700K 3000K 4500K 6500K

All results are according to IESNA LM-79-2008 - Approved Method for the Electrical and Photometric Testing of Solid-State Lighting. The U.S. Department of Energy (DOE) verifies product test data and results.

Visit www.lightingfacts.com for the **Label Reference Guide**.

Registration Number: GCXV-GCEYF3 (10/24/2011)
Model Number: DE-LED-X22-FL-9-C
Type: Other

Denali Series™ - Flood

LED lighting facts®

A Program of the U.S. DOE

Light Output (Lumens)	642
Watts	17.9
Lumens per Watt (Efficacy)	35

Color Accuracy	81
Color Rendering Index (CRI)	

Light Color
Correlated Color Temperature (CCT) **3919 (Bright White)**

2700K 3000K 4500K 6500K

All results are according to IESNA LM-79-2008 - Approved Method for the Electrical and Photometric Testing of Solid-State Lighting. The U.S. Department of Energy (DOE) verifies product test data and results.

Visit www.lightingfacts.com for the **Label Reference Guide**.

Registration Number: GCXV-H2G16L (10/24/2011)
Model Number: DE-LED-X23-FL-9-C
Type: Other

Denali Series™ - Spot

LED lighting facts®

A Program of the U.S. DOE

Light Output (Lumens)	649
Watts	17.9
Lumens per Watt (Efficacy)	36

Color Accuracy	81
Color Rendering Index (CRI)	

Light Color
Correlated Color Temperature (CCT) **3999 (Bright White)**

2700K 3000K 4500K 6500K

All results are according to IESNA LM-79-2008 - Approved Method for the Electrical and Photometric Testing of Solid-State Lighting. The U.S. Department of Energy (DOE) verifies product test data and results.

Visit www.lightingfacts.com for the **Label Reference Guide**.

Registration Number: GCXV-BM6YSA (10/24/2011)
Model Number: DE-LED-X23-SP-9-C
Type: Other

Denali Series™ - Wide Flood

LED lighting facts®

A Program of the U.S. DOE

Light Output (Lumens)	672
Watts	17.9
Lumens per Watt (Efficacy)	37

Color Accuracy	81
Color Rendering Index (CRI)	

Light Color
Correlated Color Temperature (CCT) **3951 (Bright White)**

2700K 3000K 4500K 6500K

All results are according to IESNA LM-79-2008 - Approved Method for the Electrical and Photometric Testing of Solid-State Lighting. The U.S. Department of Energy (DOE) verifies product test data and results.

Visit www.lightingfacts.com for the **Label Reference Guide**.

Registration Number: GCXV-DNDGMM (10/24/2011)
Model Number: DE-LED-X23-WFL-9-C
Type: Other

Denali Series™ - Flood

LED lighting facts®

A Program of the U.S. DOE

Light Output (Lumens)	927
Watts	28.2
Lumens per Watt (Efficacy)	32

Color Accuracy	79
Color Rendering Index (CRI)	

Light Color
Correlated Color Temperature (CCT) **2677 (Warm White)**

2700K 3000K 4500K 6500K

All results are according to IESNA LM-79-2008 - Approved Method for the Electrical and Photometric Testing of Solid-State Lighting. The U.S. Department of Energy (DOE) verifies product test data and results.

Visit www.lightingfacts.com for the **Label Reference Guide**.

Registration Number: GCXV-548M1Y (10/24/2011)
Model Number: DE-LED-X24-FL-9-C
Type: Other

Denali Series™ - Flood

LED lighting facts
A Program of the U.S. DOE

Light Output (Lumens)	918
Watts	28.7
Lumens per Watt (Efficacy)	32

Color Accuracy Color Rendering Index (CRI)	82
---	----

Light Color
Correlated Color Temperature (CCT) **2899 (Warm White)**

2700K 3000K 4500K 6500K

Warm White Bright White Daylight

Warranty** Yes

All results, except LED Lumen Maintenance, are according to IESNA LM-79-2008 Approved Method for the Electrical and Photometric Testing of Solid-State Lighting. The U.S. Department of Energy (DOE) verifies product test data and results.

Visit www.lightingfacts.com for the Label Reference Guide.

Registration Number: GCXV-XFL72D (Revised 10/25/2011)
Model Number: DE-LED-X25-FL-9-C
Type: Other

Denali Series™ - Flood

LED lighting facts
A Program of the U.S. DOE

Light Output (Lumens)	954
Watts	28.5
Lumens per Watt (Efficacy)	33

Color Accuracy Color Rendering Index (CRI)	82
---	----

Light Color
Correlated Color Temperature (CCT) **3972 (Bright White)**

2700K 3000K 4500K 6500K

Warm White Bright White Daylight

Warranty** Yes

All results, except LED Lumen Maintenance, are according to IESNA LM-79-2008 Approved Method for the Electrical and Photometric Testing of Solid-State Lighting. The U.S. Department of Energy (DOE) verifies product test data and results.

** See www.lightingfacts.com/products for details.

Registration Number: GCXV-PMUYG7 (5/30/2012)
Model Number: DE-LED-X26-FL-9-C
Type: Other

Denali Series™ - Spot

LED lighting facts
A Program of the U.S. DOE

Light Output (Lumens)	971
Watts	28.5
Lumens per Watt (Efficacy)	34

Color Accuracy Color Rendering Index (CRI)	82
---	----

Light Color
Correlated Color Temperature (CCT) **4043 (Bright White)**

2700K 3000K 4500K 6500K

Warm White Bright White Daylight

Warranty** Yes

All results, except LED Lumen Maintenance, are according to IESNA LM-79-2008 Approved Method for the Electrical and Photometric Testing of Solid-State Lighting. The U.S. Department of Energy (DOE) verifies product test data and results.

** See www.lightingfacts.com/products for details.

Registration Number: GCXV-YLXJVG (5/30/2012)
Model Number: DE-LED-X29-SP-9-C
Type: Other

Denali Series™ - Spot Rectilinear

LED lighting facts
A Program of the U.S. DOE

Light Output (Lumens)	1027
Watts	28.5
Lumens per Watt (Efficacy)	36

Color Accuracy Color Rendering Index (CRI)	82
---	----

Light Color
Correlated Color Temperature (CCT) **4014 (Bright White)**

2700K 3000K 4500K 6500K

Warm White Bright White Daylight

Warranty** Yes

All results, except LED Lumen Maintenance, are according to IESNA LM-79-2008 Approved Method for the Electrical and Photometric Testing of Solid-State Lighting. The U.S. Department of Energy (DOE) verifies product test data and results.

** See www.lightingfacts.com/products for details.

Registration Number: GCXV-4H1178 (5/30/2012)
Model Number: DE-LED-X26-SP-13-C
Type: Other

Denali Series™ - Wide Flood

LED lighting facts
A Program of the U.S. DOE

Light Output (Lumens)	1005
Watts	28.5
Lumens per Watt (Efficacy)	35

Color Accuracy Color Rendering Index (CRI)	83
---	----

Light Color
Correlated Color Temperature (CCT) **4005 (Bright White)**

2700K 3000K 4500K 6500K

Warm White Bright White Daylight

Warranty** Yes

All results, except LED Lumen Maintenance, are according to IESNA LM-79-2008 Approved Method for the Electrical and Photometric Testing of Solid-State Lighting. The U.S. Department of Energy (DOE) verifies product test data and results.

** See www.lightingfacts.com/products for details.

Registration Number: GCXV-XCPAH1 (5/30/2012)
Model Number: DE-LED-X26-WLF-9-C
Type: Other