



ALINA LIGHTING SOLUTIONS

INDOOR LED LIGHTING CATALOG

WHY CHOOSE ALINA FOR YOUR LIGHTING SOLUTIONS

We are committed to excellence.

Alina Lighting Solutions is a global provider of high-quality lighting products and comprehensive services for the residential, commercial and industrial markets.

We focus on our customers.

Our experience consistently provides superior solutions. We continue our growth, making sure all customers' needs are always fulfilled.

We are much more than a lighting supplier.

Alina Lighting provides customized solutions and services designed to ensure that projects are completed on-time and within budget.

INDEX

- 4 LED Strip Lights Series
- 10 LED Vapor Tight Series
- 14 LED T8 & T5 Lamps
- 25 LED Wrap Light Series
- 27 LED Flat Panels
- 32 LED Slim High Bays
- 35 LED UFO Round High Bays
- 39 LED Track Light Series
- 41 LED Surface Mount Downlight
- 43 LED Ultra Slim Downlight
- 46 LED Baffled Recessed Downlight

LED STRIP LIGHTS SERIES

DESCRIPTION

This strip light is mainly for commercial use. It can be used in warehouse, office, garage, display shops and other commercial applications.

FEATURES

- Five-year limited warranty against defects in manufacturing.
- Minimize labor and recycling costs.
- Minimize replacements and maintenance costs.
- Anti-glare design and suitable for damp locations.
- App or panel switch wireless control.
- Motion detection integrated sensor.
- Emergency Batter option available.



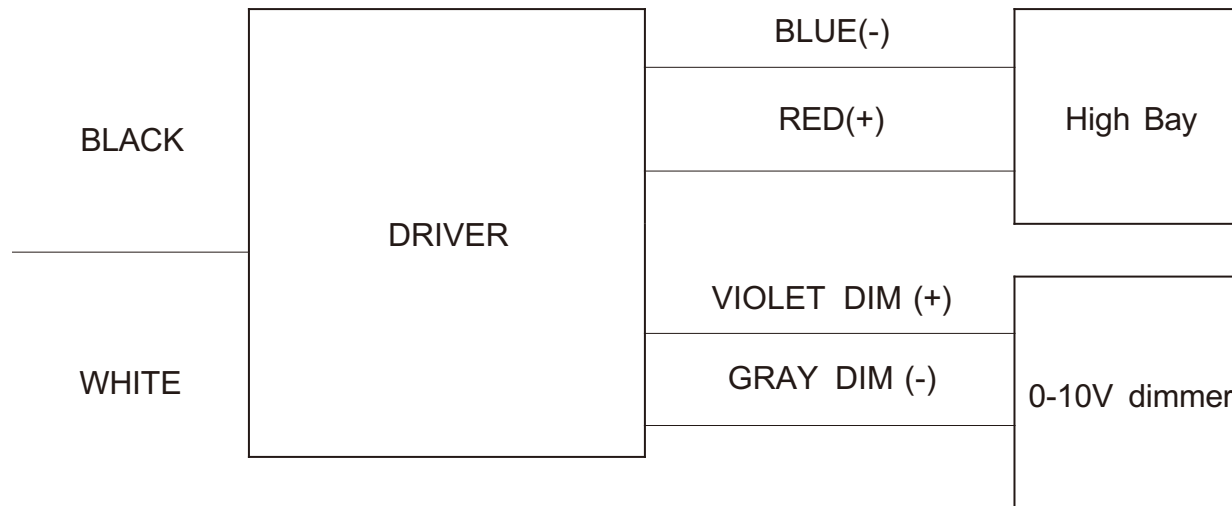
SPECIFICATIONS

Model	Wattage (W)	Voltage	Lumens/W	Warranty	CRI	Size
ST36W4FTDCCT3-5FJ01-BT/MO	36W	100-277VAC	130	5 Years	>80	48"x3.35"x3.56"
ST50W4FTDCCT3-5FJ01-BT/MO	50W					



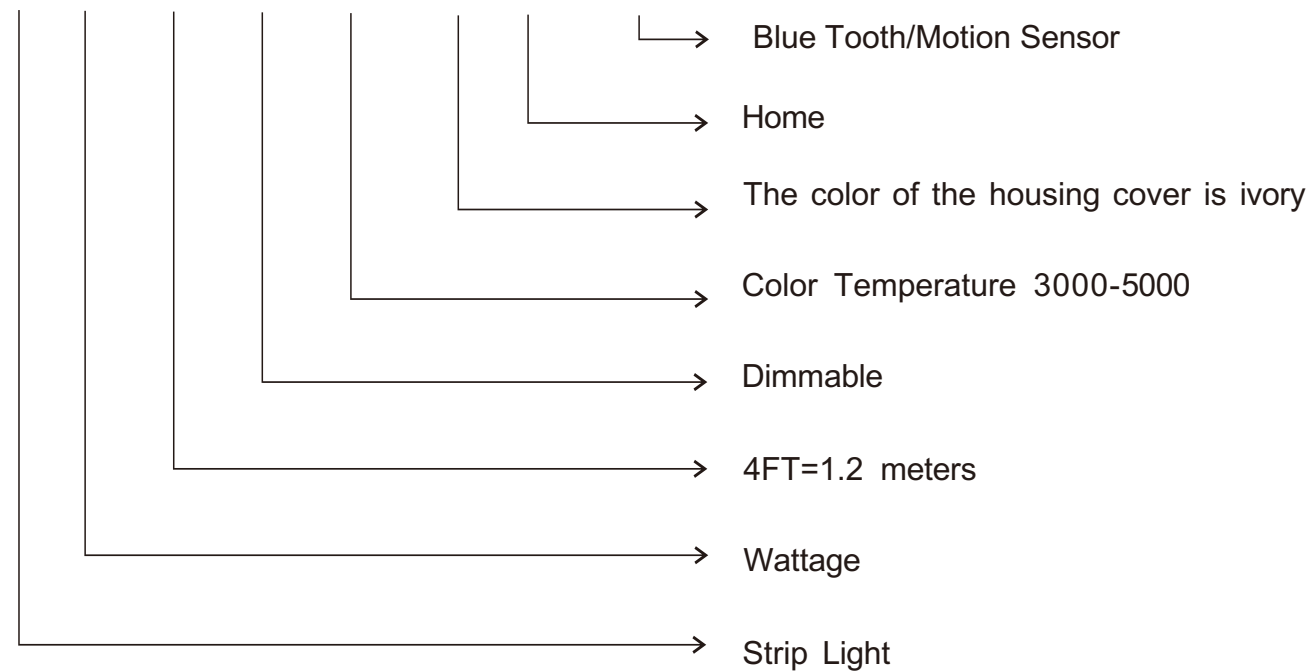
LED STRIP LIGHTS SERIES

DIMMING CONNECTION



ORDERING GUIDE

ST -xxW 4FT D CCT3-5 F J01BT/ MO

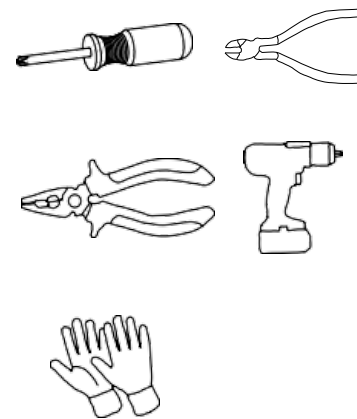


PACKING INFORMATION

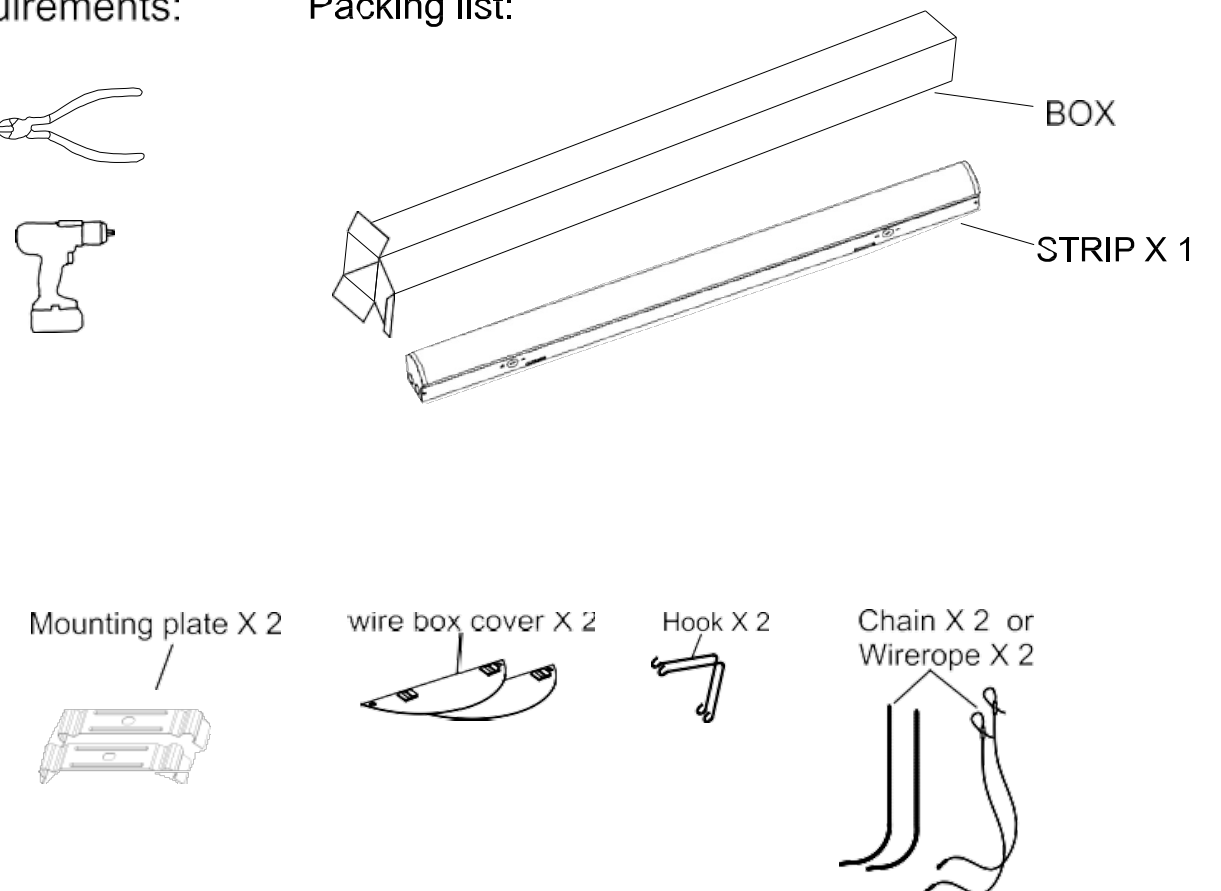
Product	ST36W4FTDCCT3-5F J01-BT/MO	ST50W4FTDCCT3-5F J01-BT/MO
PC/Carton	6	
Packing Size(mm)	1305×335×240	
Packing Weight(KG)	19.5	

INSTALLATION

Tools Requirements:

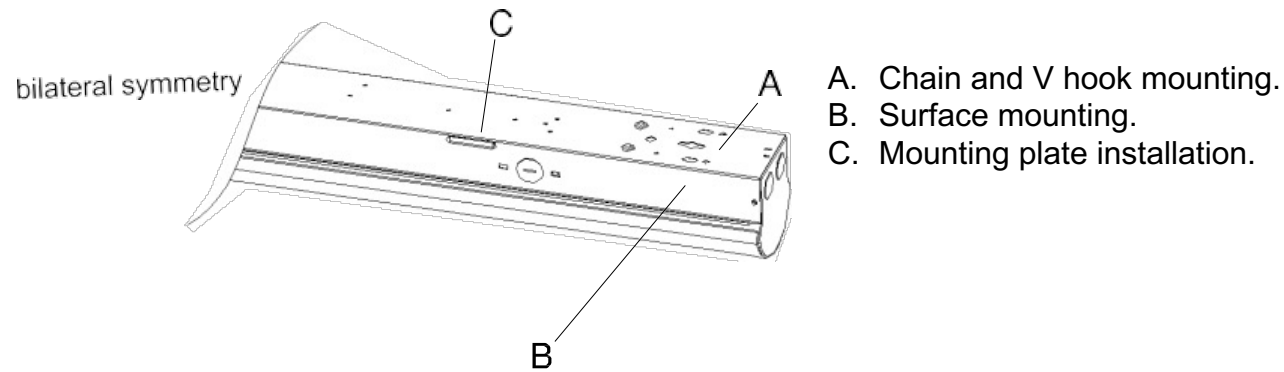


Packing list:

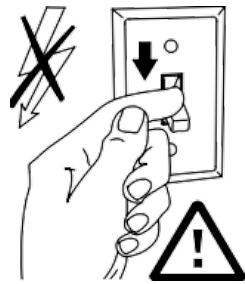


LED STRIP LIGHT SERIES

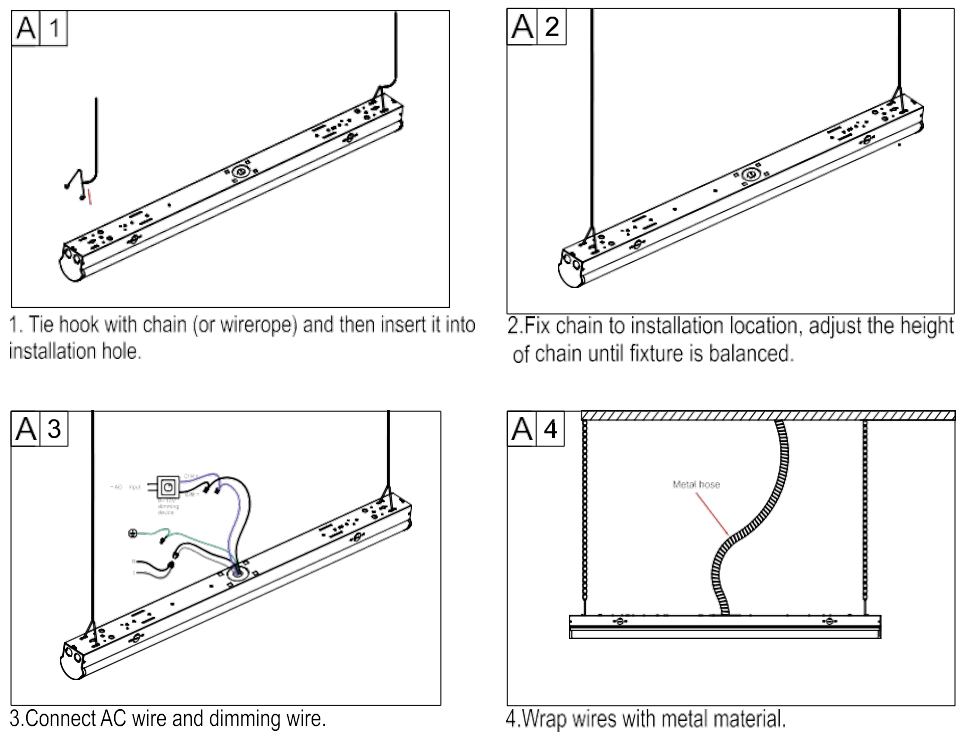
MOUNTING OPTIONS



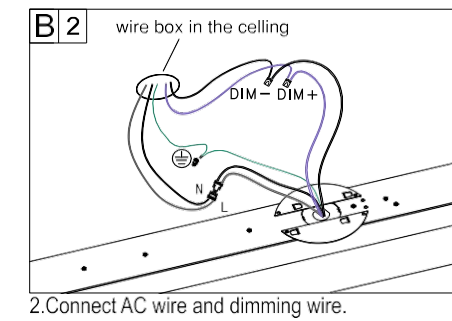
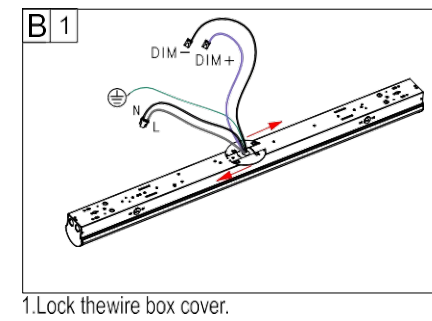
INSTALLATION STEP A



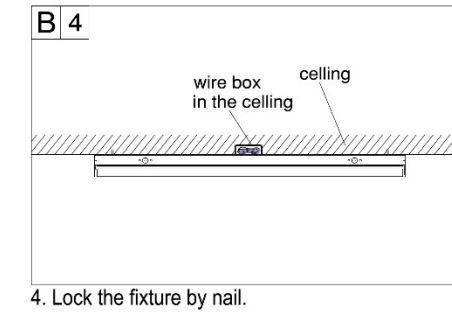
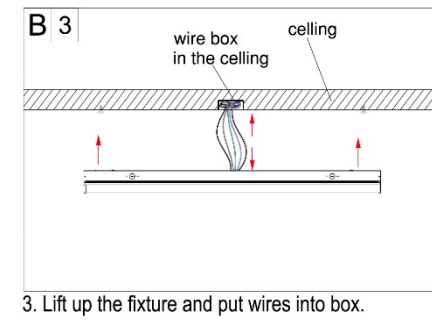
WARNING
Before installation, turn power off.



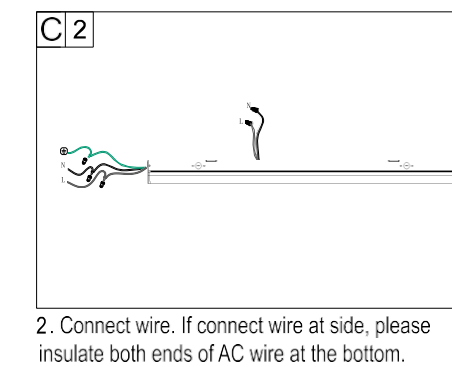
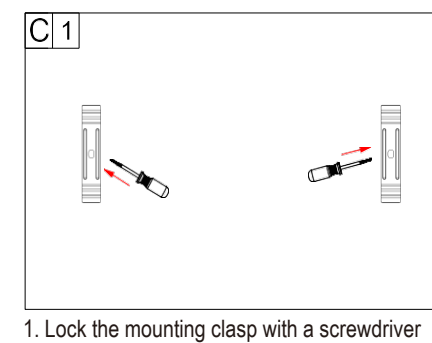
INSTALLATION STEPS B & C



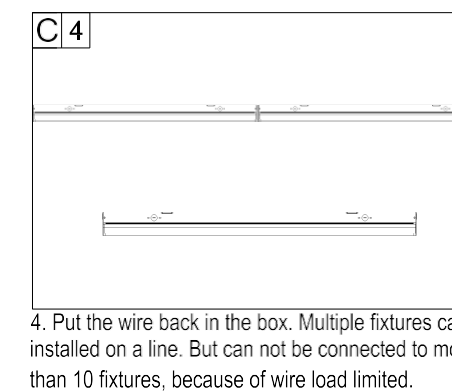
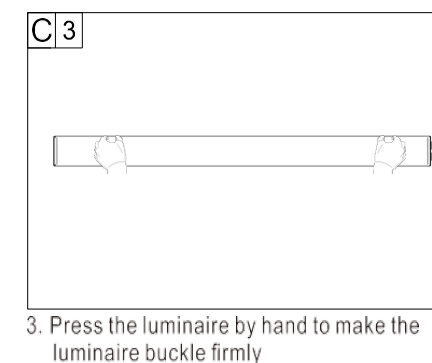
NOTICE
If there is no wire box in the ceiling, you can not use the wire box cover.



NOTICE
If you don't use dimming wire, please insulate both ends of dimming wire.



WARNING
If connect wire at side, please insulate both ends of AC wire at the bottom.



NOTICE
Multiple fixtures can be installed on a line. But can't be connected to more than 10 fixtures, because of wire load limit.

LED STRIP LIGHT SERIES

WATTAGE: 25W, 40W, 64W



CCT UNABLE



FEATURES

- Made of high-quality aluminum material.
- Made of high-quality PC material, high ignition point, safer.
- White finish with Frosted PC lens.
- Lampshade-inner surface stripe design make the light diffusion
- angle greater and the light more uniform.
- 0-10V will be dim to 0%.

The Strip Light Series with its all-in-one, lightweight and slim with multiple mounting situations available put it at the top of the list for any ceiling area where bright light is needed. The Strip Light Series can be widely used for commercial and retail spaces, hallways, residential and commercial garages, and residential and commercial basements.

Emergency Battery back-up (Sold separate)

LED STRIP LIGHT SERIES

SPECIFICATION			
WATTAGE	(2FT) 24W/30W/35W	(4FT) 40W	(8FT) 64W
LUMEN	2877 Lm / 3839 Lm/ 4228 Lm	5200 lm	8320 lm
EFFICACY	up to 130 lm/W	130 lm/W	130 lm/W
CCT	3500K/4000K/5000K	3000K/4000K/5000K	4000K, 5000K
CRI	80		
INPUT VOLTAGE	AC100-277V		
LIGHT ANGLE	120°		
POWER FACTOR	0.90		
DRIVER EFFICACY	90%		
DIMMING	0-10V will be dim to 0%		
LIFE SPAN	over 50,000 hrs		
WORKING TEMPERATURE	-4°F ~ 104°F		
L70	50,000 hours		
PROTECTION LEVEL	Damp locations		
CABLE	Input connect, No cable		
WARRANTY	5 year limited		

LED STRIP LIGHT SERIES

WATTAGE: 25W, 40W, 64W

EMERGENCY BACK-UP (SOLD SEPARATELY)



BLD-CM20N-480800-15W
15W Emergency Backup Battery
LED Driver

CONTROL (SOLD SEPARATELY)



BRI810 // BRI810-B-M6
Microwave Motion Sensor



BRI819 FOR LHB //
BRI819P-B-D AC120-277V
Motion Sensor



RC-100
Microwave Sensor
Remote Controller

ORDERING INFORMATION

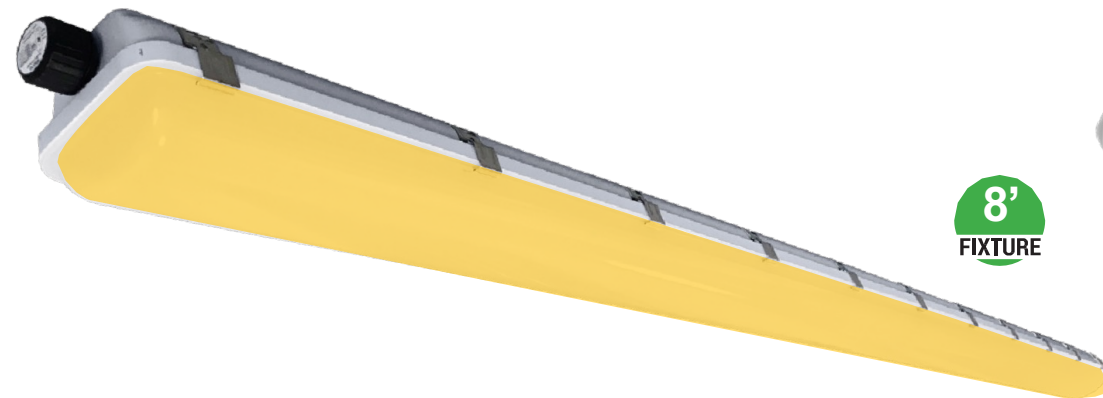
EXAMPLE WSD-ST-4FT- 40W-CCT

WSD	ST	4FT	40W	CCT
PRODUCT	PRODUCT	SIZE	WATTAGE	CCT
WSD (WSD LED INC)	ST (Strip Light)	2FT (2-foot) 4FT (4-foot) 8FT (8-foot)	24W - (24W/30W/35W) 40W - (40W) 64W - (64W)	CCT (35K/40K/50K) CCT (30K/40K/50K) 40K - (4000K) 50K - (5000K)

LED VAPOR TIGHT SERIES

WATTAGES: 25W / TUNABLE WATTAGES: 18W/27W/36W/45W; 30W/45W/60W/70W2'

The Vapor Tight Series provides gasketed enclosure which provides dust-free and moisture-free fixture. The Vapor Tight Series can be widely used for food processing plants, meat lockers, beverage coolers, car washes, and parking structures.



FEATURES

- Made of high quality ABS material, high ignition point, more safe.
- With PC lens.
- Lampshade-inner surface stripe design make the light diffusion angle greater and the light more uniform.
- 1-10V dimming.

WATT/CCT
FIELD-ADJUSTABLE

Simply select desired CCT and Wattage before installation

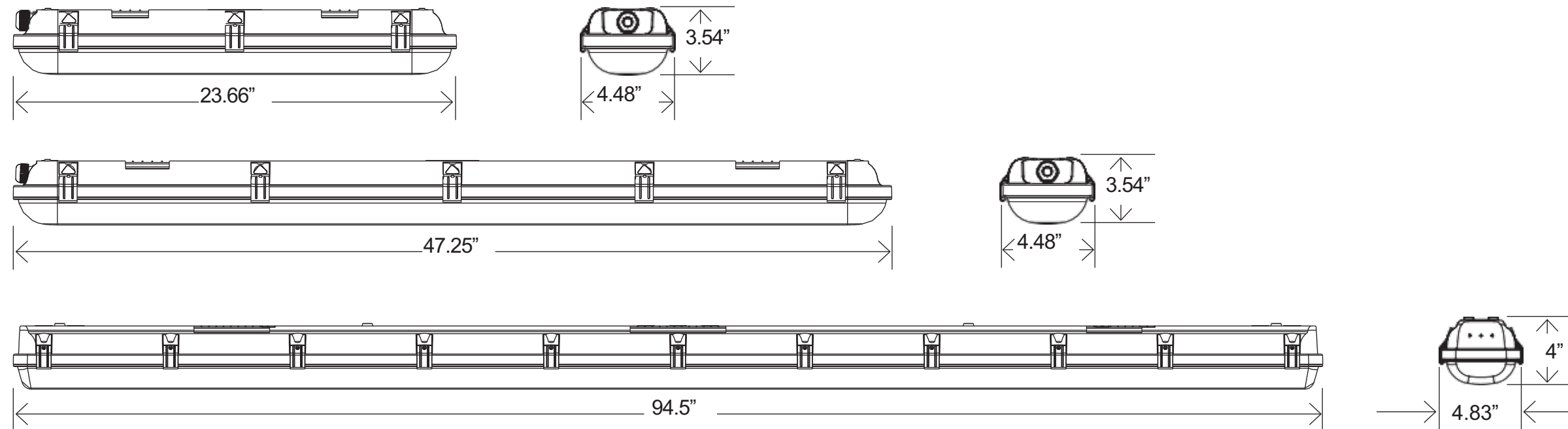


LED VAPOR TIGHT SERIES

SPECIFICATION			
WATTAGE	(2FT) 25W	(4FT) 18W/27W/36W/45W	(8FT) 30W/45W/60W/70W
LUMEN	3550 Lm	2803 lm/3997 lm/5322 lm/6487 lm	4562 lm/6699 lm/8705 lm/10330 lm
EFFICACY	142 lm/W	up to 147 lm/W	up to 147 lm/W
CCT	4000K, 5000K	3000K/4000K/5000K	
CRI	80		
INPUT VOLTAGE	AC120-277V		
LIGHT ANGLE	118°		122°
POWER FACTOR	0.95		
DRIVER EFFICACY	90%		
DIMMING	1-10V Dimming		
WORKING TEMPERATURE	-22°F ~ 113°F		
LIFESPAN (L70)	75,000 hours		
PROTECTION LEVEL	Wet locations		
CABLE	3 core, 18AWG (0.5m)		
WARRANTY	5 year limited		

LED VAPOR TIGHT SERIES

WATTAGES: 25W / TUNABLE WATTAGES: 18W/27W/36W/45W; 30W/45W/60W/70W2'



2'
FIXTURE

WATTAGE	25W
GR. WEIGHT	3.8 lbs (4 pcs/carton)
BOX DIM.	25.4" x 7.3" x 6.5"

4'
FIXTURE

WATTAGE	18W/27W/36W/45W
GR. WEIGHT	6.5 lbs (4 pcs/carton)
BOX DIM.	49.2" x 7.3" x 6.5"

8'
FIXTURE

WATTAGE	30W/45W/60W/70W
GR. WEIGHT	11.77 lbs (4 pcs/carton)
BOX DIM.	96.5" x 5.7" x 4.7"

LED VAPOR TIGHT SERIES

WATTAGES: 25W / TUNABLE WATTAGES: 18W/27W/36W/45W; 30W/45W/60W/70W2'

EMERGENCY BACK-UP (SOLD SEPARATELY)



BLD-CM08E-60V
8W Emergency Backup Battery
LED Driver

BLD-CM15H-YYY
15W Emergency Backup Battery
LED Driver

BLD-CM20N-480800-15W
15W Emergency Backup Battery
LED Driver

CONTROL (SOLD SEPARATELY)



BRI810 // BRI810-B-M6
Microwave Motion Sensor



RC-100
Microwave Sensor
Remote Controller

ORDERING INFORMATION

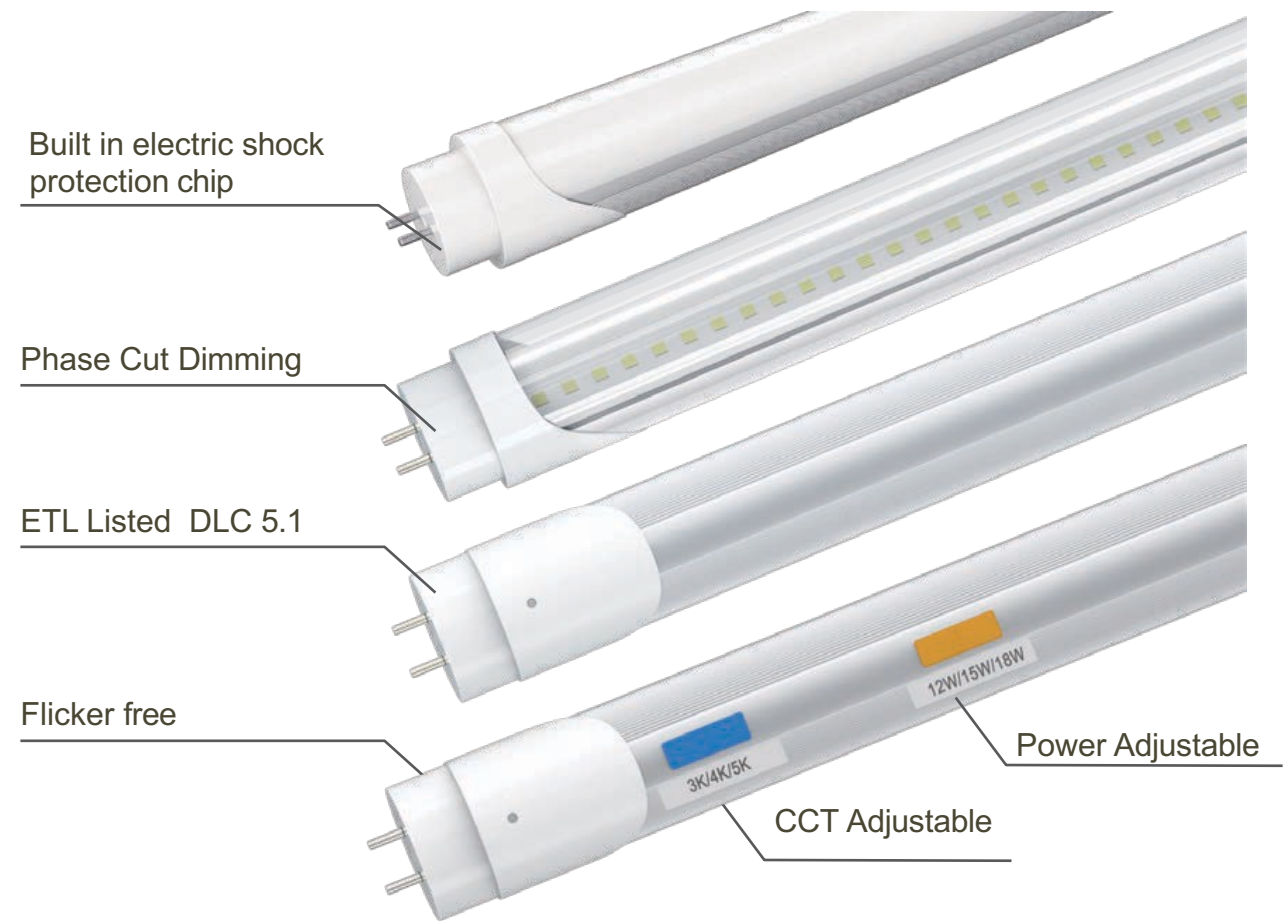
EXAMPLE WSD-VP2FT25W27-50K-G

WSD	VP	2FT	25W	27	CCT	G
PRODUCT	PRODUCT	SIZE	WATTAGE	VOLTAGE	CCT	FINISH
WSD (WSD LED INC)	VT (Vapor Light)	2FT (2-foot)	25W - (25W)	27 - (120-277V)	40K - (4000K) 50K - (5000K) 345K - (3000K/4000K/5000K)	G - (GRAY)
		4FT (4-foot)	18273645W - (18W/27W/36W/45W)			
		8FT (8-foot)	34567W - (30W/45W/60W/70W)			

LED T8 TUBE TYPE AB

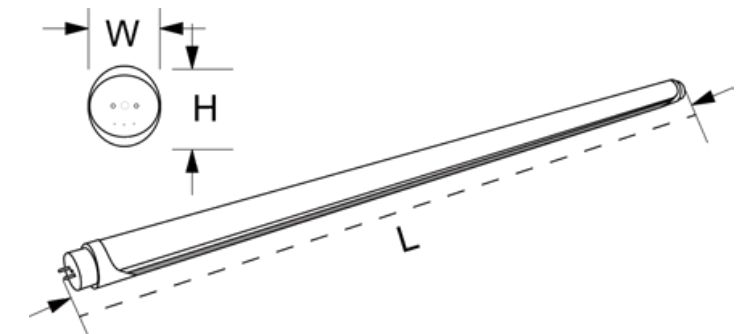
PRODUCT FEATURES

- Dimming: Phase Cut (Triac) Dimming. 0-10V Option.
- Safe: Built in electric shock protection chip. Current shall not exceed 5 M.I.U.
- All IN One: 3 Power & 3 CCT Tunable Options.
- Installation: Plug & Play Compatible Electronic Ballast & ballast bypass, Direct wire, Single-End or Double-End Input.
- Construction: Aluminum case and PC lens, Standard colors are Clear and Frosted.
- LED System: LED system with a life rating of $\geq 50,000$ hours at L70 @25°C. Luminous efficacy > 130 lm/W.
- Electrical: 100 V-277/347 VAC. PF ≥ 0.9 and THD $\leq 20\%$
- Certification: ETL Listed. DLC SSL 5.1 Standard.
- Five-year Limited Warranty.



DIMENSIONS

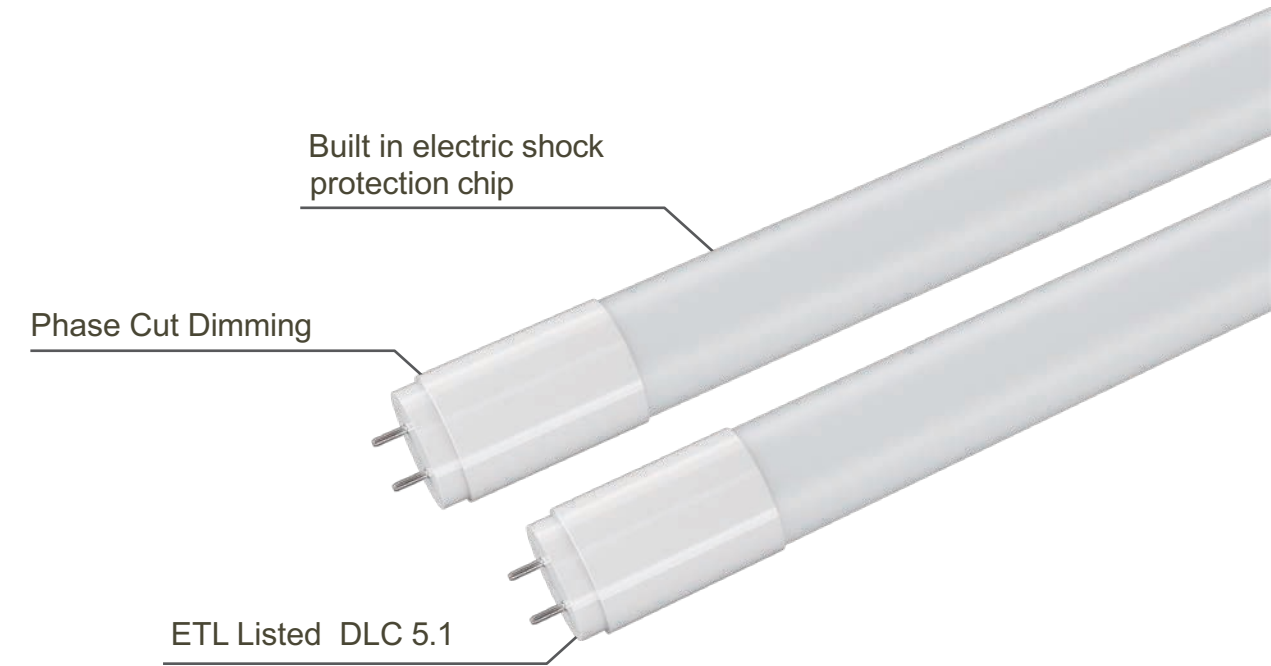
Item	L x W x H(inch)
2FT	24" x 1.1" x 1.2"
4FT	48" x 1.1" x 1.2"



LED T8 TUBE TYPE AB

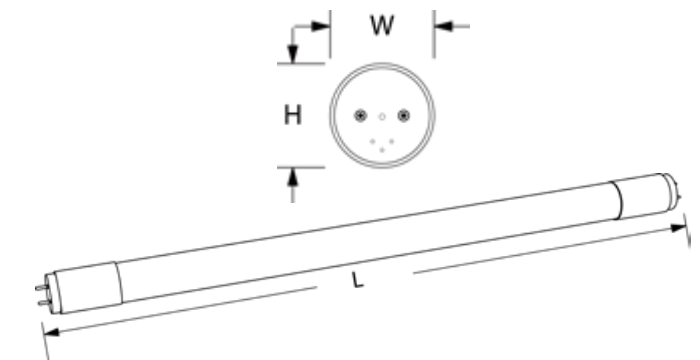
PRODUCT FEATURES

- Dimming: Phase Cut (Triac) Dimming. 0-10V Option.
- Safe: Built in electric shock protection chip. Current shall not exceed 5 M.I.U.
- Installation: Plug & Play Compatible Electronic Ballast & ballast bypass, Direct wire, Single-End or Double-End Input.
- LED System: LED system with a life rating of $\geq 50,000$ hours at L70 @25°C. Luminous efficacy > 130 lm/W.
- Electrical: 100 V-277/347 VAC. PF ≥ 0.9 and THD $\leq 20\%$
- Certification: ETL Listed. DLC SSL 5.1 Standard.
- Five-year Limited Warranty.



DIMENSIONS

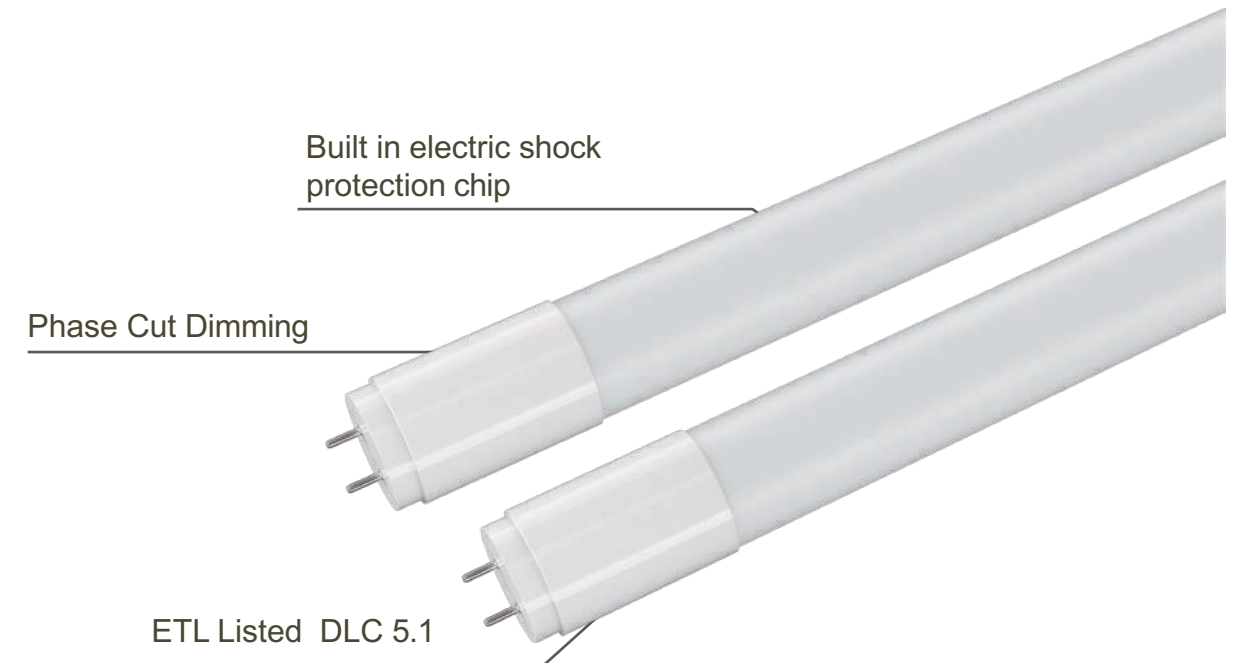
Item	L x W x H(inch)
2FT	24" x 1.1" x 1.2"
4FT	48" x 1.1" x 1.2"



LED T8 TUBE TYPE B

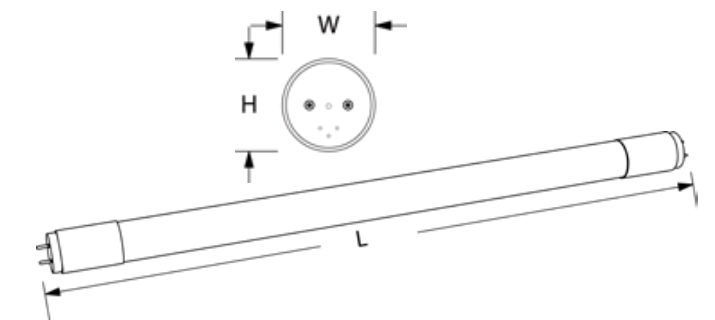
PRODUCT FEATURES

- Dimming: Phase Cut (Triac) Dimming. 0-10V Option.
- Safe: Built in electric shock protection chip. Current shall not exceed 5 M.I.U.
- Installation: Ballast, Direct wire, Single-End or Double-End Input.
- LED System: LED system with a life rating of $\geq 50,000$ hours at L70 @25°C. Luminous efficacy > 130 lm/W.
- Electrical: 100 V-277/347 VAC. PF ≥ 0.9 and THD $\leq 20\%$
- Certification: ETL Listed. DLC SSL 5.1 Standard.
- Five-year Limited Warranty.



DIMENSIONS

Item	L x W x H(inch)
2FT	24" x 1.1" x 1.2"
4FT	48" x 1.1" x 1.2"



LED TUBE TYPE C T8 SERIES

PRODUCT FEATURES

Electrical

- 3 Power / 6 Power / 12 Power Adjustable.
- Driver: 120-277V, 120-347V, 60Hz. PF>0.9, THD<20%, 12V DC Option.

LED CHARACTERISTICS

- SMD2835 LEDs Lifespan>60000H, 1CCT/2CCT Adjustable options

Construction

- Housing: Aluminum Housing, durable, excellent heat dissipation performance, Nano plastic optional.
- Lens: Polycarbonate Frosted / Clear lens, UL-94 V0 Feature.

Emergency Battery Options

- Optional 120-277V/347V integral emergency battery pack available in 8W or 15W

Integrated Controls

- •Sensor: Microwave Sensor/PIR Sensor, Daylight/Daylight Harvest Options

Compliance

- ETL Listed, DLC Premium, FCC, RoHS

Warranty

- Five-year Limited Warranty.

G1 SERIES

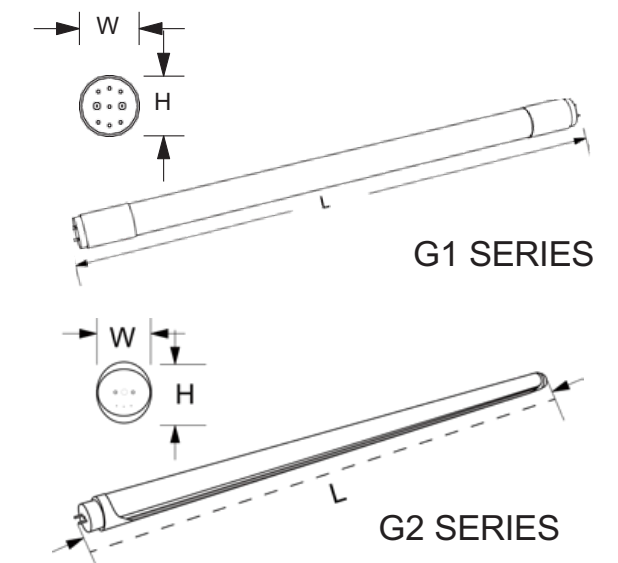


G2 SERIES



DIMENSIONS

Item	G1	G2
2FT	24" x 1.1" x 1.2"	24" x 1.1" x 1.2"
3FT	36" x 1.1" x 1.2"	36" x 1.1" x 1.2"
4FT	48" x 1.1" x 1.2"	48" x 1.1" x 1.2"
8FT	96" x 1.1" x 1.2"	96" x 1.1" x 1.2"



LED TUBE TYPE C T5 SERIES

PRODUCT FEATURES

Electrical

- Driver: 120-277V, 120-347V, 60Hz. PF>0.9, THD<20%, 12V DC Option.

LED CHARACTERISTICS

- SMD2835 LEDs Lifespan>60000H, 30K/35K/40K/50K/65K options

Construction

- Housing: Aluminum Housing, durable, excellent heat dissipation performance, Nano plastic optional.
- Lens: Polycarbonate Frosted / Clear lens, UL-94 V0 Feature.

Emergency Battery Options

- Optional 120-277V/347V integral emergency battery pack available in 8W or 15W

Integrated Controls

- •Sensor: Microwave Sensor/PIR Sensor, Daylight/Daylight Harvest Options

Compliance

- ETL Listed, DLC Premium, FCC, RoHS

Warranty

- Five-year Limited Warranty.

G3 SERIES

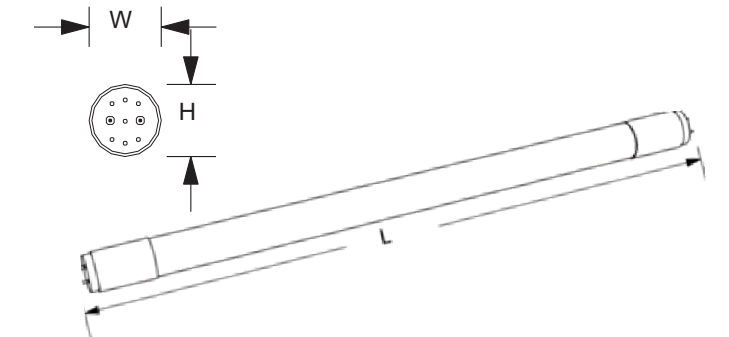


G4 SERIES



DIMENSIONS

Item	G3	G4
2FT	24" x 0.7" x 0.7"	24" x 0.7" x 0.7"
3FT	36" x 0.7" x 0.7"	36" x 0.7" x 0.7"
4FT	48" x 0.7" x 0.7"	48" x 0.7" x 0.7"



LED TUBE TYPE C U-BEND SERIES

PRODUCT FEATURES

Electrical

- Driver: 120-277V, 120-347V, 60Hz. PF>0.9, THD<20%, 12V DC Option.

LED CHARACTERISTICS

- SMD2835 LEDs Lifespan>60000H, 30K/35K/40K/50K/65K options

Construction

- Housing: Aluminum Housing, durable, excellent heat dissipation performance, Nano plastic optional.
- Lens: Polycarbonate Frosted / Clear lens, UL-94 V0 Feature.

Emergency Battery Options

- Optional 120-277V/347V integral emergency battery pack available in 8W or 15W

Integrated Controls

- •Sensor: Microwave Sensor/PIR Sensor, Daylight/Daylight Harvest Options

Compliance

- ETL Listed, DLC Premium, FCC, RoHS

Warranty

- Five-year Limited Warranty.

G5 SERIES

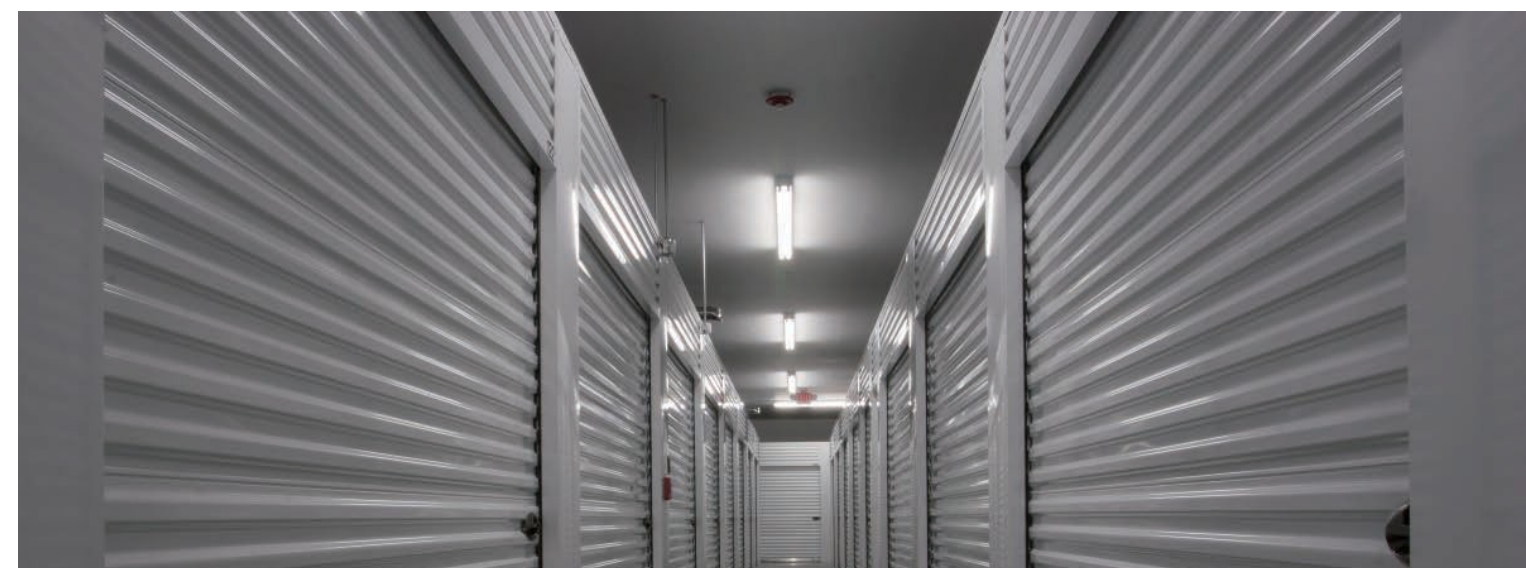
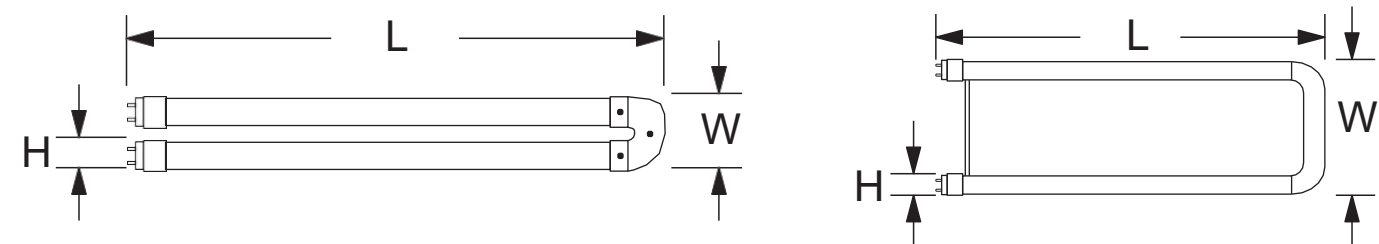


G6 SERIES



DIMENSIONS

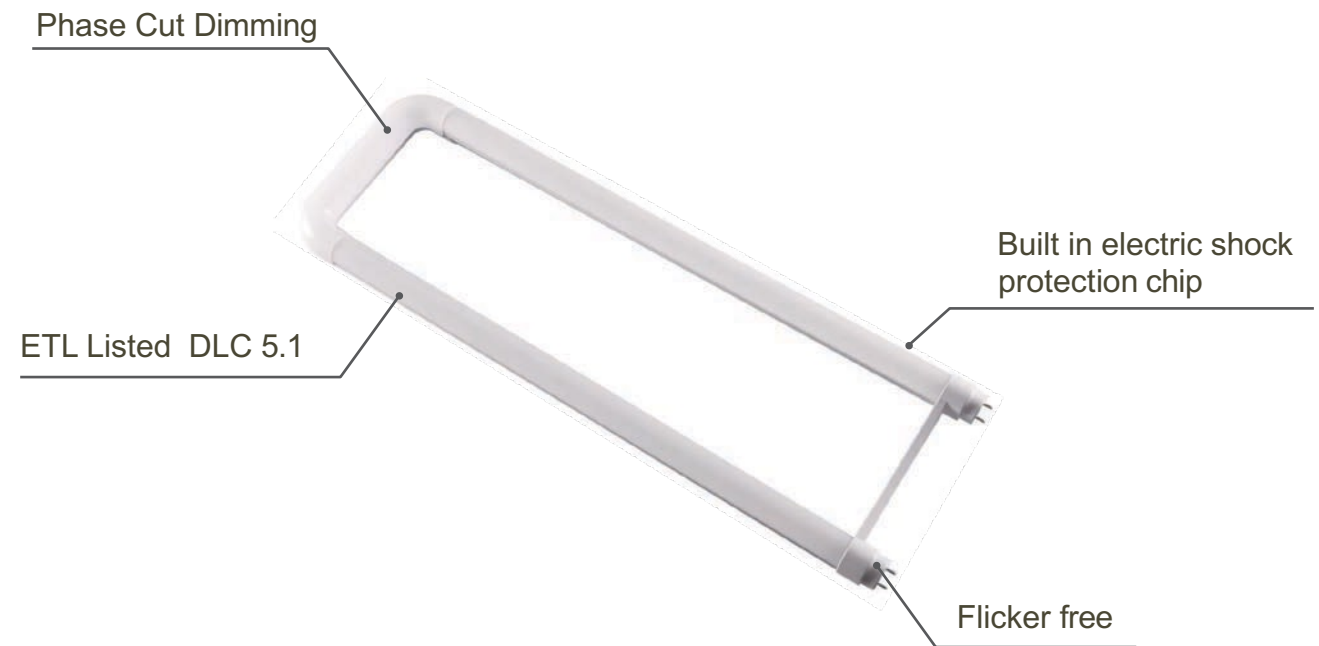
Item	G5	G6
2FT	22.0" x 2.7" x 1.1"	22.2" x 6.2" x 1.1"



LED T8 U-BEND TYPE AB

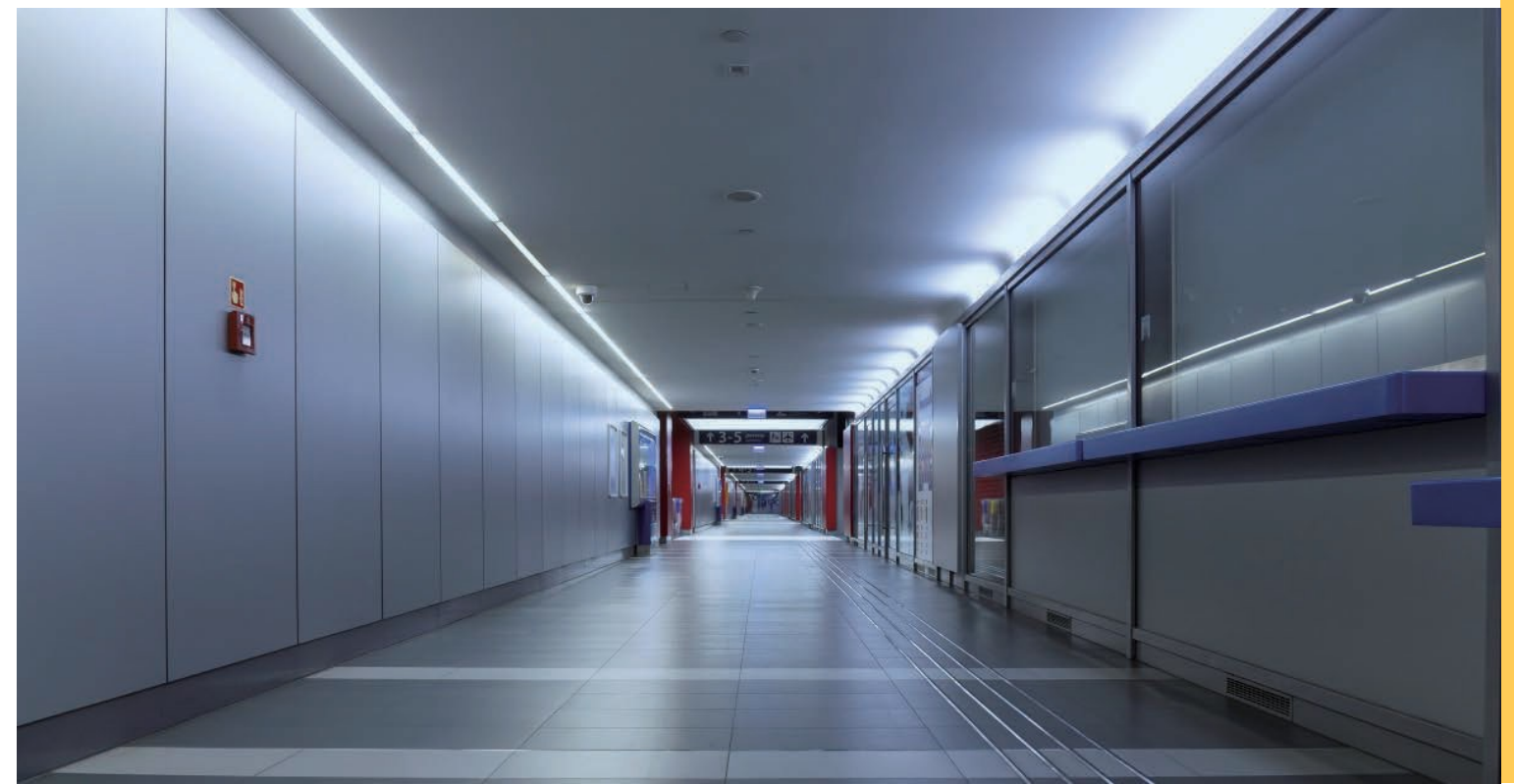
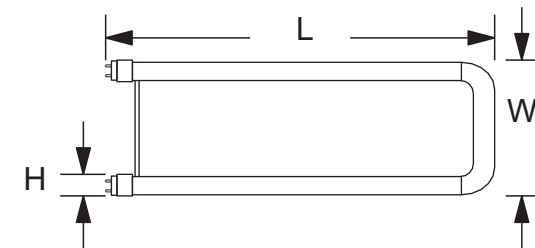
PRODUCT FEATURES

- Dimming: Phase Cut (Triac) Dimming. 0-10V Option.
- Safe: Built in electric shock protection chip. Current shall not exceed 5 M.I.U.
- Installation: Plug & Play Compatible Electronic Ballast & ballast bypass, Direct wire, Single-End or Double-End Input.
- Construction: Housing: Aluminum Housing, durable, excellent heat dissipation performance, Nano plastic optional.
- Lens: Polycarbonate Frosted / Clear lens, UL-94 V0 Feature.
- LED System: LED system with a life rating of $\geq 50,000$ hours at L70 @25°C. Luminous efficacy > 130 lm/W.
- Electrical: 120 V-277/347 VAC., Flicker free option, PF ≥ 0.9 and THD $\leq 20\%$
- Certification: ETL Listed. DLC SSL 5.1 Standard.
- Five-year Limited Warranty.



DIMENSIONS

Item	G4
2FT	22.2" x 6.2" x 1.1"

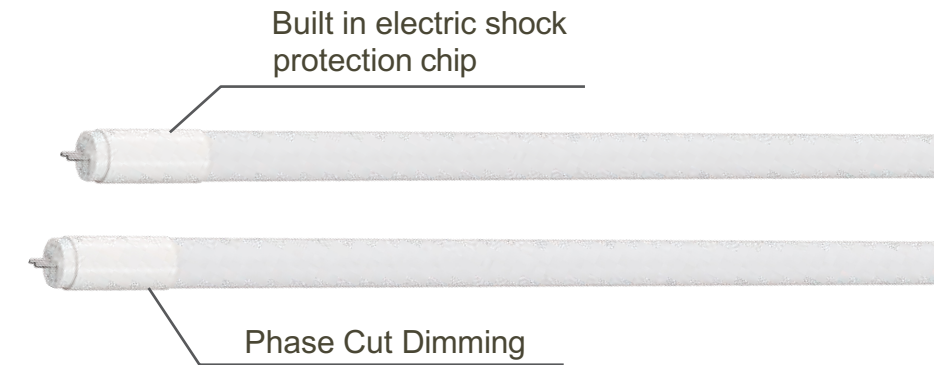


LED T5 TUBE TYPE AB

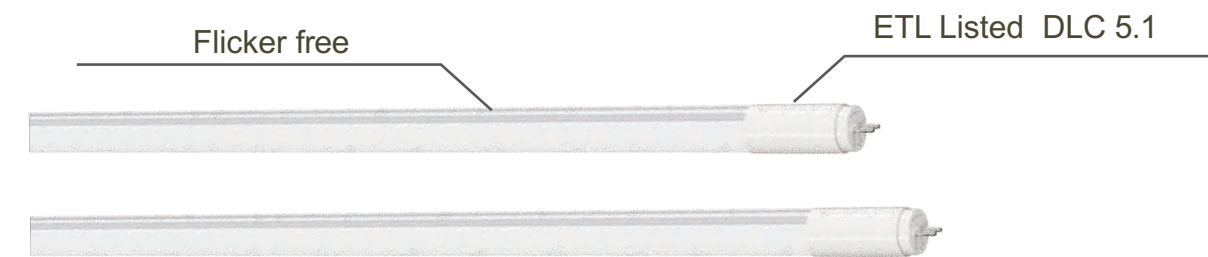
PRODUCT FEATURES

- Dimming: Phase Cut (Triac) Dimming. 0-10V Option.
- Safe: Built in electric shock protection chip. Current shall not exceed 5 M.I.U.
- Installation: Plug & Play Compatible Electronic Ballast & ballast bypass, Direct wire, Single-End or Double-End Input.
- Construction: Housing: Aluminum Housing, durable, excellent heat dissipation performance, Nano plastic optional.
- Lens: Polycarbonate Frosted / Clear lens, UL-94 V0 Feature.
- LED System: LED system with a life rating of $\geq 50,000$ hours at L70 @25°C. Luminous efficacy > 130 lm/W.
- Electrical: 120 V-277/347 VAC., Flicker free option, PF ≥ 0.9 and THD $\leq 20\%$
- Certification: ETL Listed. DLC SSL 5.1 Standard.
- Five-year Limited Warranty.

G1 SERIES

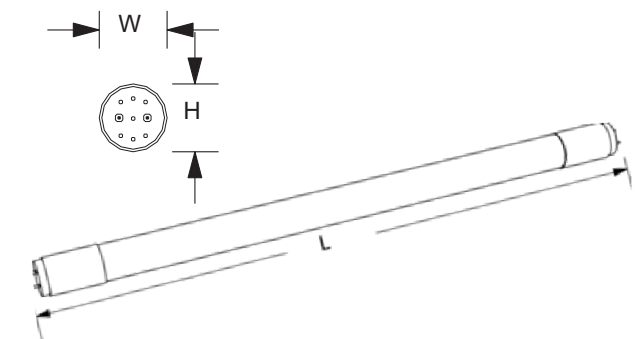


G2 SERIES



DIMENSIONS

Item	G1	G2
2FT	24" x 0.7" x 0.7"	24" x 0.7" x 0.7"
3FT	36" x 0.7" x 0.7"	36" x 0.7" x 0.7"
4FT	48" x 0.7" x 0.7"	48" x 0.7" x 0.7"



LED T5 TUBE TYPE B

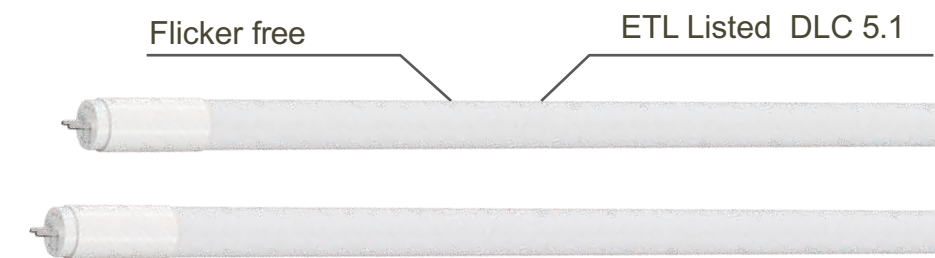
PRODUCT FEATURES

- Dimming: Phase Cut (Triac) Dimming. 0-10V Option.
- Safe: Built in electric shock protection chip. Current shall not exceed 5 M.I.U.
- Installation: Ballast & ballast bypass, Direct wire, Single-End or Double-End Input.
- Construction: Housing: Aluminum Housing, durable, excellent heat dissipation performance, Nano plastic optional.
- Lens: Polycarbonate Frosted / Clear lens, UL-94 V0 Feature.
- LED System: LED system with a life rating of $\geq 50,000$ hours at L70 @25°C. Luminous efficacy > 130 lm/W.
- Electrical: 120 V-277/347 VAC., Flicker free option, PF ≥ 0.9 and THD $\leq 20\%$
- Certification: ETL Listed. DLC SSL 5.1 Standard.
- Five-year Limited Warranty.

G3 SERIES

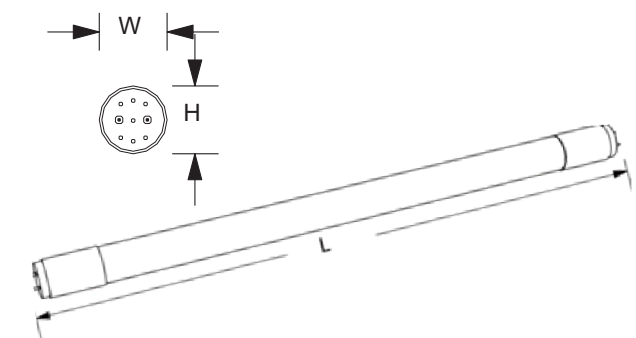


G4 SERIES



DIMENSIONS

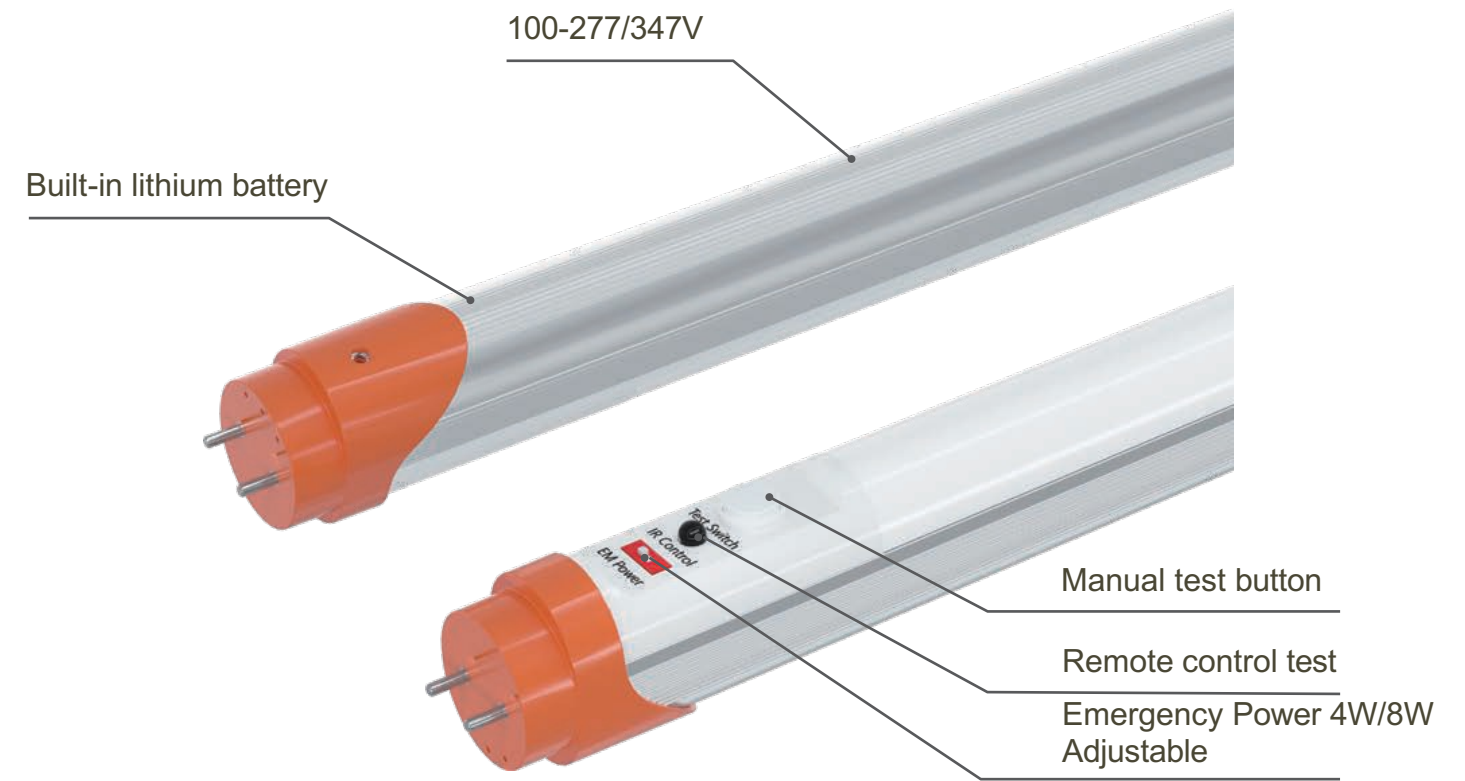
Item	G1	G2
2FT	24" x 0.7" x 0.7"	24" x 0.7" x 0.7"
3FT	36" x 0.7" x 0.7"	36" x 0.7" x 0.7"
4FT	48" x 0.7" x 0.7"	48" x 0.7" x 0.7"



LED T8 EMERGENCY TUBE

PRODUCT FEATURES

- Emergency Power: Emergency Power 4W/8W Adjustable.
- Emergency Time: 4W 180 minutes, 8W 90 minutes.
- Test: Emergency function test of button or remote controller.
- ALL IN ONE: Power & CCT Adjustable Option
- Construction: Aluminum case and PC lens, Standard colors are Clear and Frosted.
- LED System:
 - Luminous efficacy >130 lm/W.
- Electrical:
 - Certification: ETL Listed, DLC SSL 5.1, FCC, RoHS.
 - Five-year Limited Warranty.



100V-277/347 VAC. PF≥0.9 and THD≤20%
LED system with a life rating of ≥50,000 hours at L70 @25°C

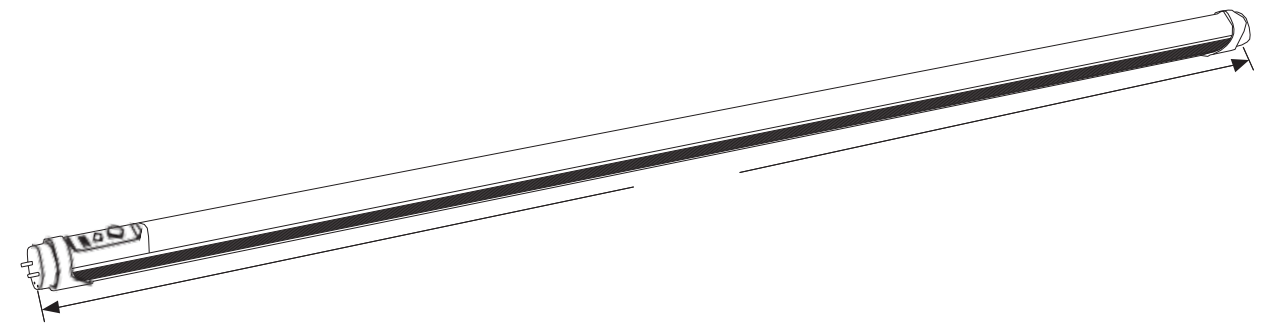
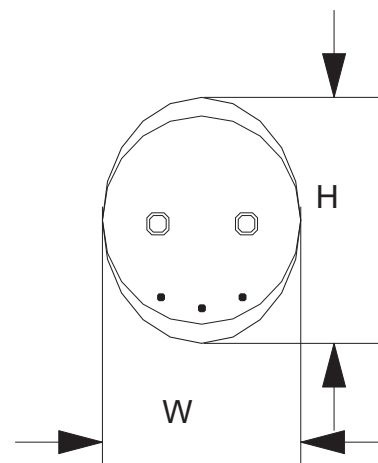


LED T8 EMERGENCY TUBE

TECHNICAL DATASHEET

PART NO.	LENGTH	POWER	LUMINOUS FLUX	LUMINOUS EFFICACY	EMERGENCY POWER & LUMINOUS FLUX & TIME	CERTIFICATE
EDI-T84F10-B G3	4FT	10W	1700 lm	170 lm/w	4W Emergency 520lm 180 minutes 8W Emergency 1040lm 90 minutes	ETL / DLC FCC/ RoHS
EDI-T84F12-B G3		12W	1800 lm	150 lm/w		
EDI-T84F15-B G3		15W	1950 lm	130 lm/W Emergency		
EDI-T84F18-B G3		18W	2340 lm			
EDI-T84F20-B G3		20W	2600 lm			
EDI-T84F22-B G3		22W	2860 lm			
EDI-T84F24-B G3		24W	3120 lm			

Item	L x W x H(inch)
4FT	47.71" x 1.14" x 1.49"



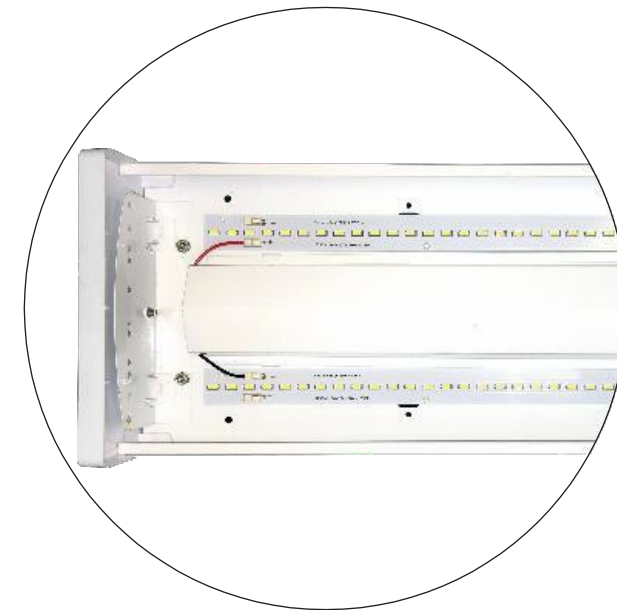
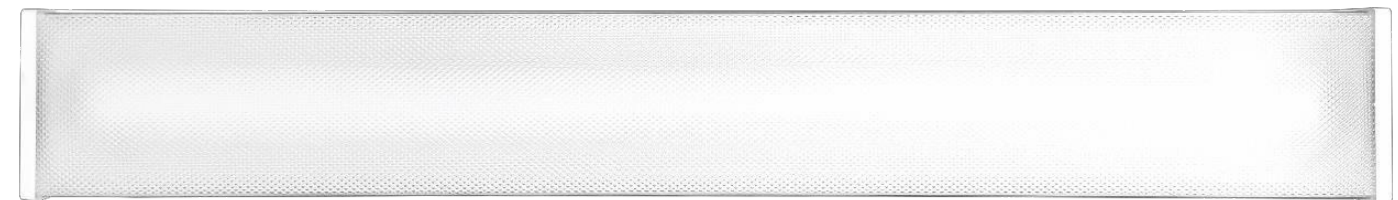
LED WRAP LIGHT SERIES

The LED Wrap Light is the ideal replacement for existing fluorescent wrap lights. The Wrap Light offers an exceptional illumination perfect for a variety of settings such as shopping malls, offices, hospitals and classrooms.

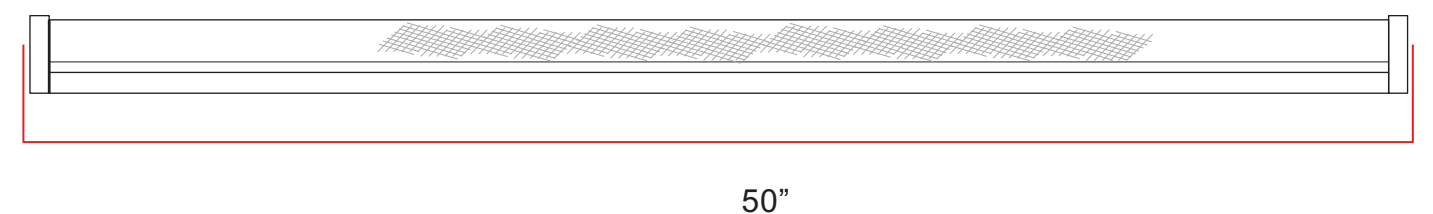
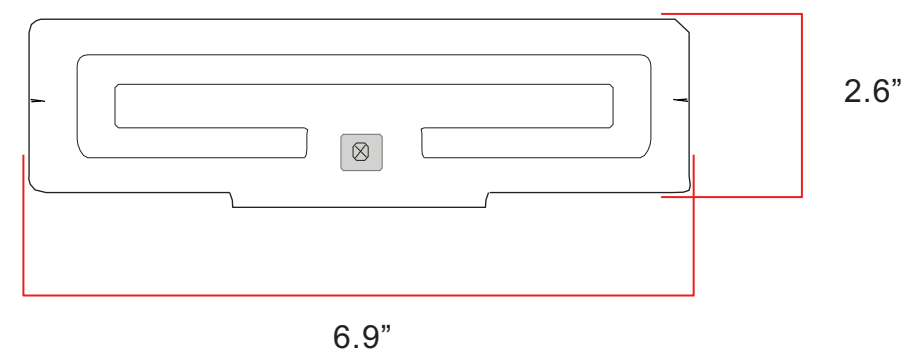
PRODUCT FEATURES

- Suitable for ceiling mount or suspended mount
- Ideal for harsh environment applications
- 0-10V Dimmable Driver
- Special wrap diffuser design
- Minimize labor and recycling costs
- Excellent light distribution and uniformity
- 5 Year Manufacturer's Warranty

CERTIFICATIONS



DIMENSIONS



LED WRAP LIGHT

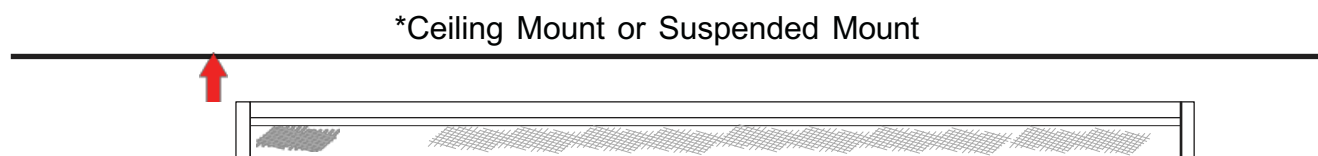
PRODUCT SPECIFICATION

Model Number	Length (FT)	Wattage	Color	Lumens	Input Voltage
ZY-STAP4FTLW	4FT	40W	4000-5000K	5200 lm	100-277 VAC

ORDERING GUIDE

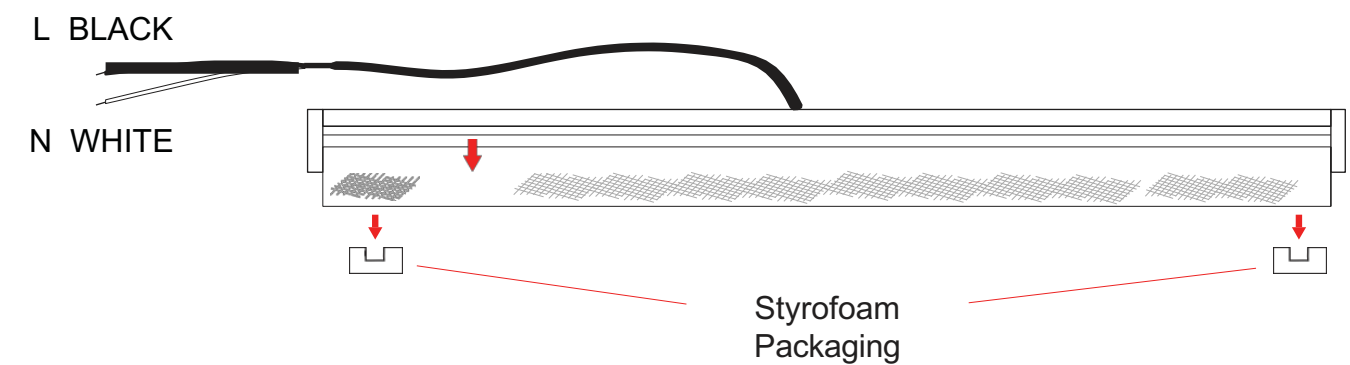
ZY	STAP	4FT	LW
Company Code	Housing Type	Length	Wattage

MOUNTING OPTIONS



WIRING CONNECTION

*Before connection: Please open cover, discard packaging materials, then secure shut cover.



LED FLAT PANEL CCT/WATTAGE ADJUSTABLE

PRODUCT FEATURES

INTENDED USE

The Alina LED Flat Panel provides a fully luminous appearance across the face of the lens. This provides a soft, glare-free solution that is visually comfortable within the space.

APPLICATION

Suitable for many lighting applications including schools, offices and other commercial spaces, retail, convenience stores, and healthcare facilities. Fixture may be recessed, suspended, surface mounted or mounted in a hard-ceiling.

CONSTRUCTION

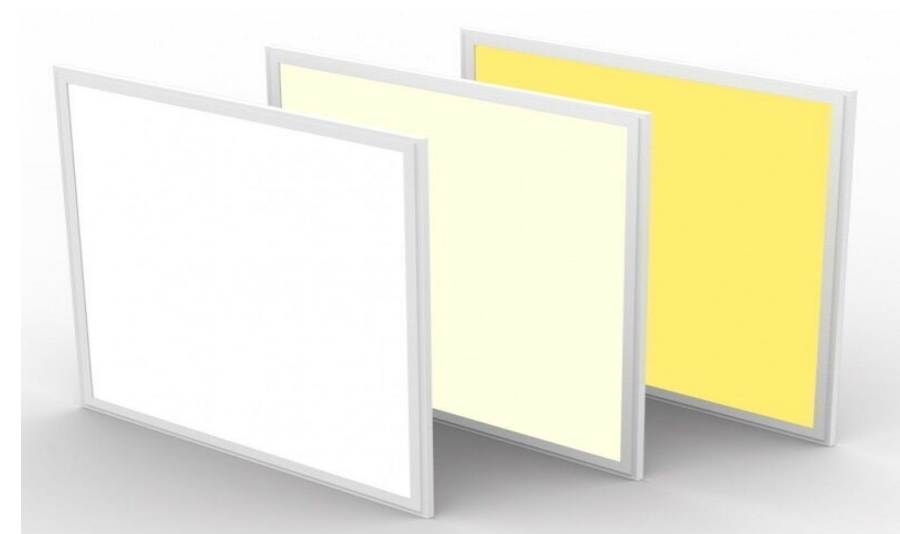
Built to last with an aluminum alloy frame for strength and durability, the seamless frame prevents light leak in the corners. The satin white lens provides excellent shielding and fully luminous appearance.

ELECTRICAL

Long-life LEDs, coupled with a high- efficiency driver, provide superior illumination for extended service life.

LISTINGS

UL, cUL, DLC listed.



LED FLAT PANEL CCT/WATTAGE ADJUSTABLE

BASIC DATA

1ft x 4ft

Product Number	Power Consumption Options (W)	Dimensions	CCT Options	Maximum Luminous Flux(lm)	Standard Version (Lm/W)	Premium Version (Lm/W)
ZY-P1-20W	10/15/20	1ft x 4ft	3000/4000/5000K	2,200/2,500	110	125
ZY-P1-30W	20/25/30	1ft x 4ft	3000/4000/5000K	3,300/3,750	110	125
ZY-P1-40W	20/30/40	1ft x 4ft	3000/4000/5000K	4,400/5,000	110	125

PHOTOMETRIC DATA

Rated Power	20-40W	Beam Angle	110°
Input Voltage	100-277VAC	CRI	≥80
Frequency	50/60 Hz	Dimming Function	0 - 10 V
Power Factor	>0.9	Operating Temperature	-20°C to 50°C



LED FLAT PANEL CCT/WATTAGE ADJUSTABLE

BASIC DATA

2ft x 2ft

Product Number	Power Consumption Options (W)	Dimensions	CCT Options	Maximum Luminous Flux(lm)	Standard Version (Lm/W)	Premium Version Lm/W
ZY-P4-20W	10/15/20	2ft x 2ft	3000/4000/5000K	2,200/2,500	110	125
ZY-P4-30W	20/25/30	2ft x 2ft	3000/4000/5000K	3,300/3,750	110	125
ZY-P4-40W	20/30/40	2ft x 2ft	3000/4000/5000K	4,400/5,000	110	125

PHOTOMETRIC DATA

Rated Power	20-40W	Beam Angle	110°
Input Voltage	100-277VAC	CRI	≥80
Frequency	50/60 Hz	Dimming Function	0 - 10 V
Power Factor	>0.9	Operating Temperature	-20°C to 50°C



LED FLAT PANEL CCT/WATTAGE ADJUSTABLE

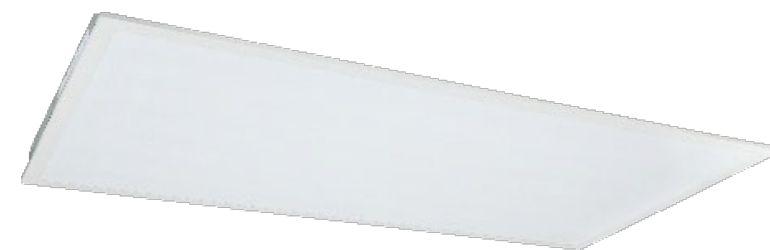
BASIC DATA

2ft x 4ft

Product Number	Power Consumption Options (W)	Dimensions	CCT Options	Maximum Luminous Flux	Standard Version (Lm/W)	Premium Version (Lm/W)
ZY-P7-40W	20/30/40	2ft x 4ft	3000/4000/5000K	4,400/5,000	110	125
ZY-P7-50W	30/40/50	2ft x 4ft	3000/4000/5000K	5,500/6,250	110	125
ZY-P7-60W	40/50/60	2ft x 4ft	3000/4000/5000K	6,600/7,500	110	125

PHOTOMETRIC DATA

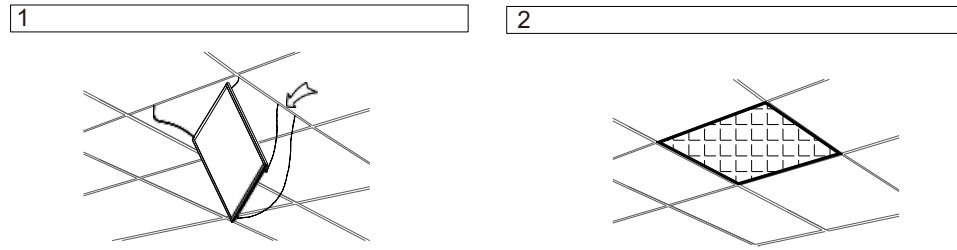
Rated Power	40/50/60W	Beam Angle	110°
Input Voltage	100-277/120-347VAC	CRI	≥80
Frequency	50/60 Hz	Dimming Function	0 - 10 V
Power Factor	>0.9	Operating Temperature	-20°C to 50°C



LED FLAT PANEL CCT/WATTAGE ADJUSTABLE

MOUNTING OPTION

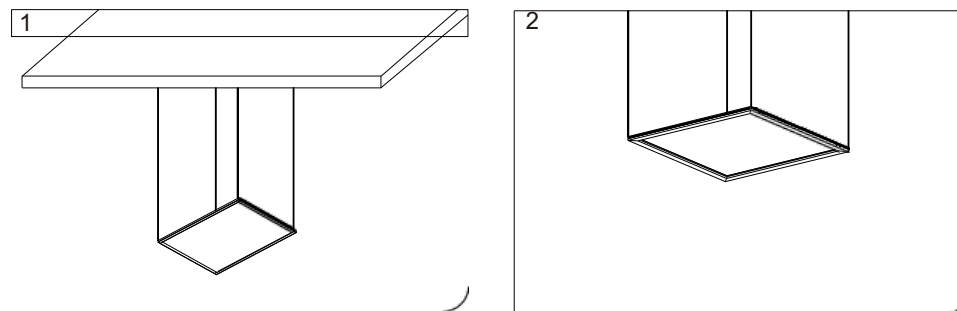
Recessed Mount



Safety wire design available.

Perfectly to replace traditional fluorescent troffer.

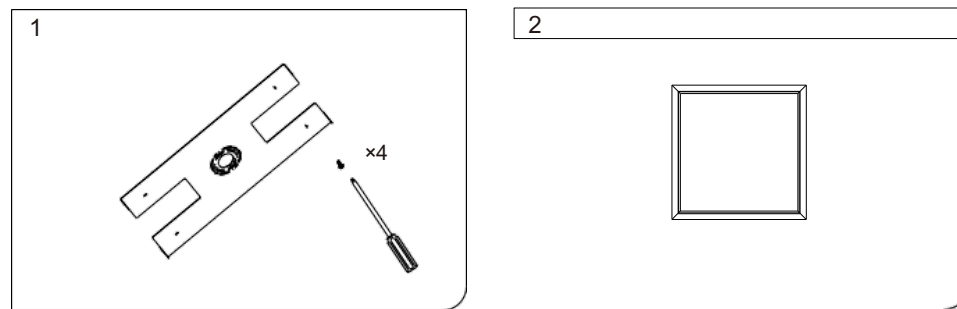
Pendant Mount



Wire pendant installation.

Conveniently to adjust the luminaire's height

Surface Mount

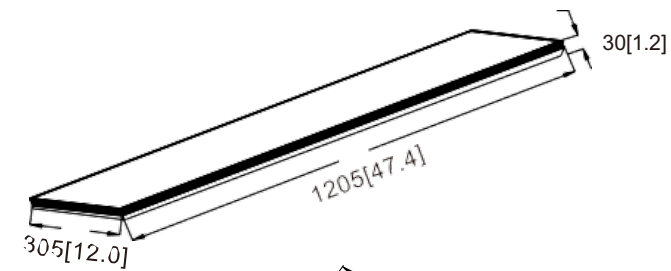


Tighten the installation bracket on the ceiling board.

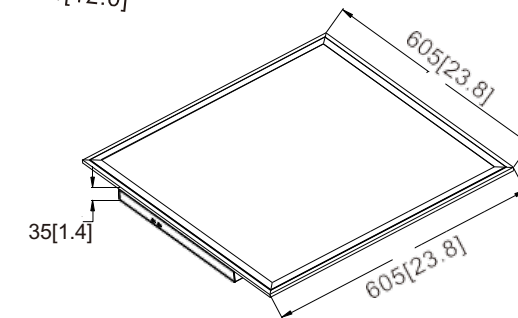
Easily to match the LED panel with bracket.

DIMENSION

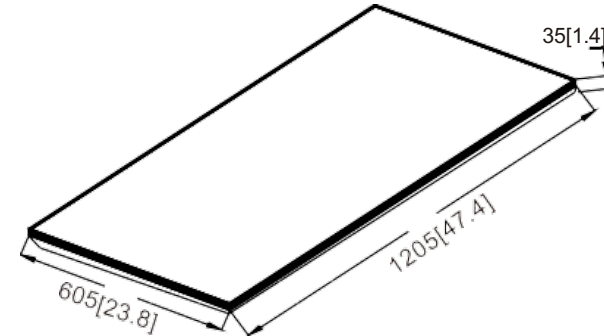
P1



P4



P7



Product Size	Packing Dimension	PCS/Carton	N.W(kg)	G.W(kg)
1' x 4'	1270*370*115mm	2PCS	4.15	5.5
2' x 2'	670*670*115mm	2PCS	4.06	5.3
2' x 4'	1270*670*115mm	2PCS	8.10	10.3

LED SLIM HIGH BAY Low Profile Linear High Bay

The LED Slim High Bay is a low profile new replacement solution for fluorescent linear high bays in warehouses, garage locations and any other commercial and industrial applications.



DIMENSIONS



CERTIFICATIONS



FEATURES

- 130 Lumens Per Watt
- Dimmable
- Suitable For Damp Locations
- Reduce Energy Consumption Up To 60%
- Slim Low Profile
- 5 Year Warranty
- Aluminum & Plastic Housing

LED SLIM HIGH BAY Low Profile Linear High Bay

PRODUCT SPECIFICATION

Color Temperature	3000K – 6500K
Beam Angle	100 ^a
CRI	>80
Operation Temperature	-22 ^a F – 113 ^a F
Lumen Efficiency	135 Lumens Per Watt
Input Voltage	AC100-277/200-480V
Frequency	50/60Hz
Dimming Voltage	0 – 10V
Rated Life	50,000+ Hours
Power Factor	>0.9
Housing	Aluminum & Plastic

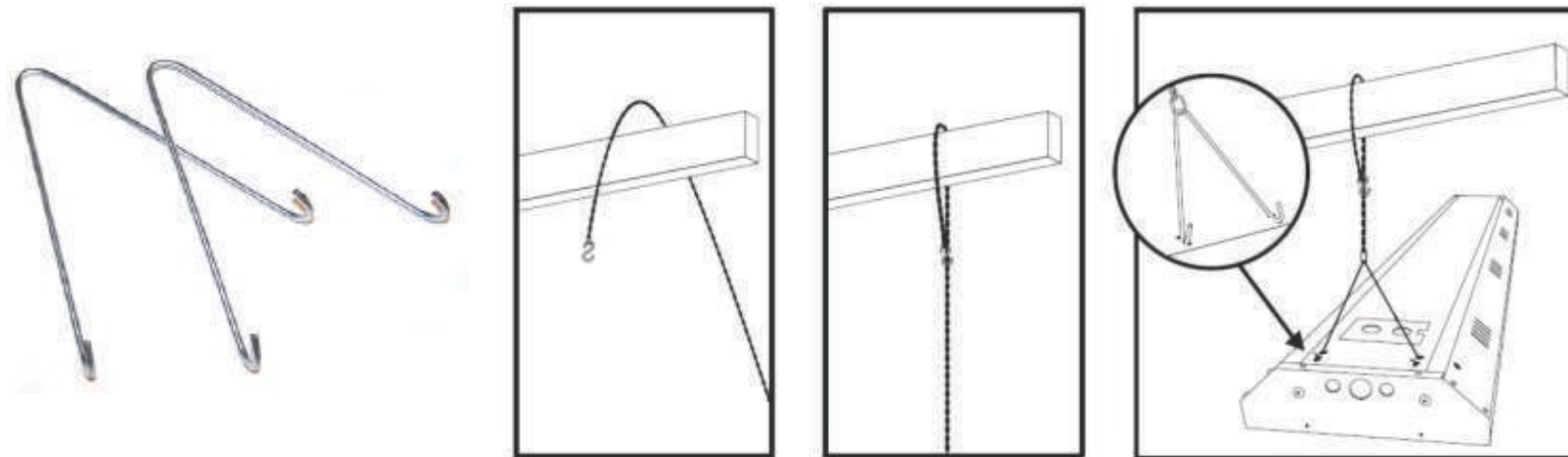


LED SLIM HIGH BAY Low Profile Linear High Bay

PRODUCT SPECIFICATION

Product Number	Watt	Lumens	Color Temp	Dimensions	QTY.
H2-80W XYZ	80	10400	3000K-5000K	23.6" X 8.5" X 2.1"	2Pc/CTN
H5-100W XYZ	100	13000	3000K-5000K	23.6" X 13.2" X 2.1"	2Pc/CTN
H5-160W XYZ	160	20800	3000K-5000K	23.6" X 13.2" X 2.1"	2Pc/CTN
H3-160W XYZ	160	20800	3000K-5000K	47.2" X 8.5" X 2.1"	2Pc/CTN
H6-220W XYZ	220	28600	3000K-5000K	47.2" X 13.2" X 2.1"	2Pc/CTN
H6-320W XYZ	320	43200	3000K-5000K	47.2" X 13.2" X 2.1"	2Pc/CTN

MOUNTING OPTIONS



UFO ROUND HIGH BAY



80-240W Shape



250-300W Shape

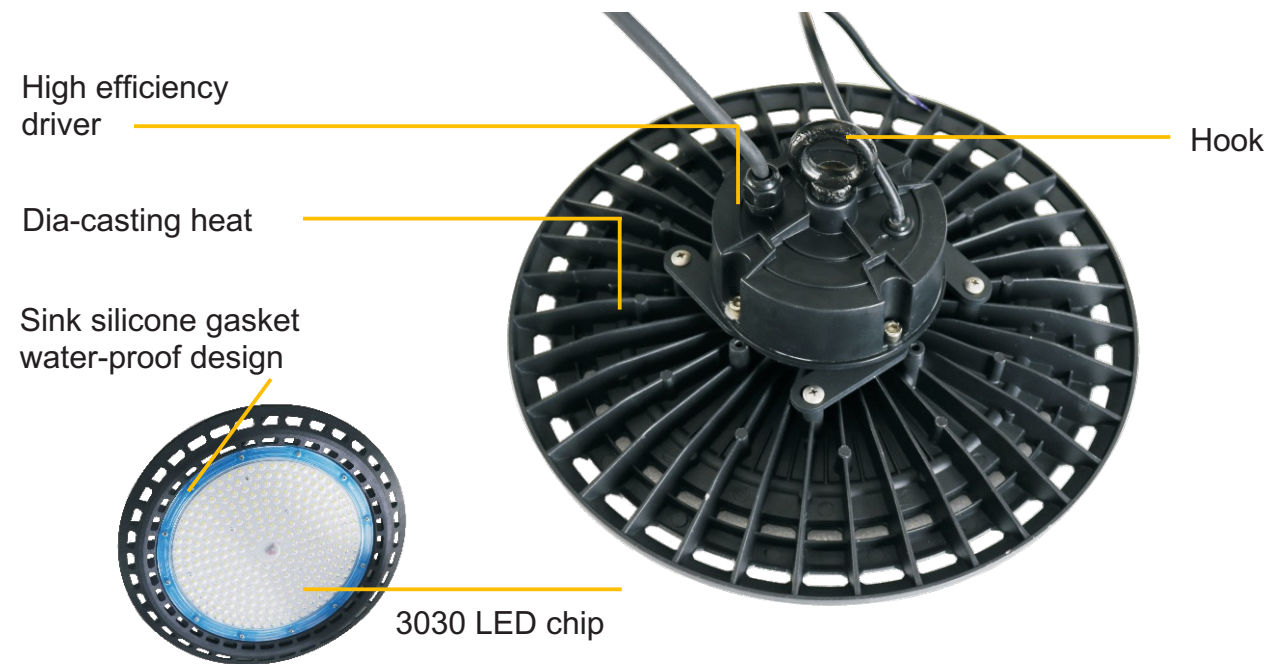


UFO ROUND HIGH BAY

PRODUCT SPECIFICATION

Brings High Efficiency to Lighting

Structure diagram



APPLICATIONS

Applied in Factory, workshop, warehouse, logistic center, exhibition hall, gym, shipyards, mining, gas station, supermarket, and so on.



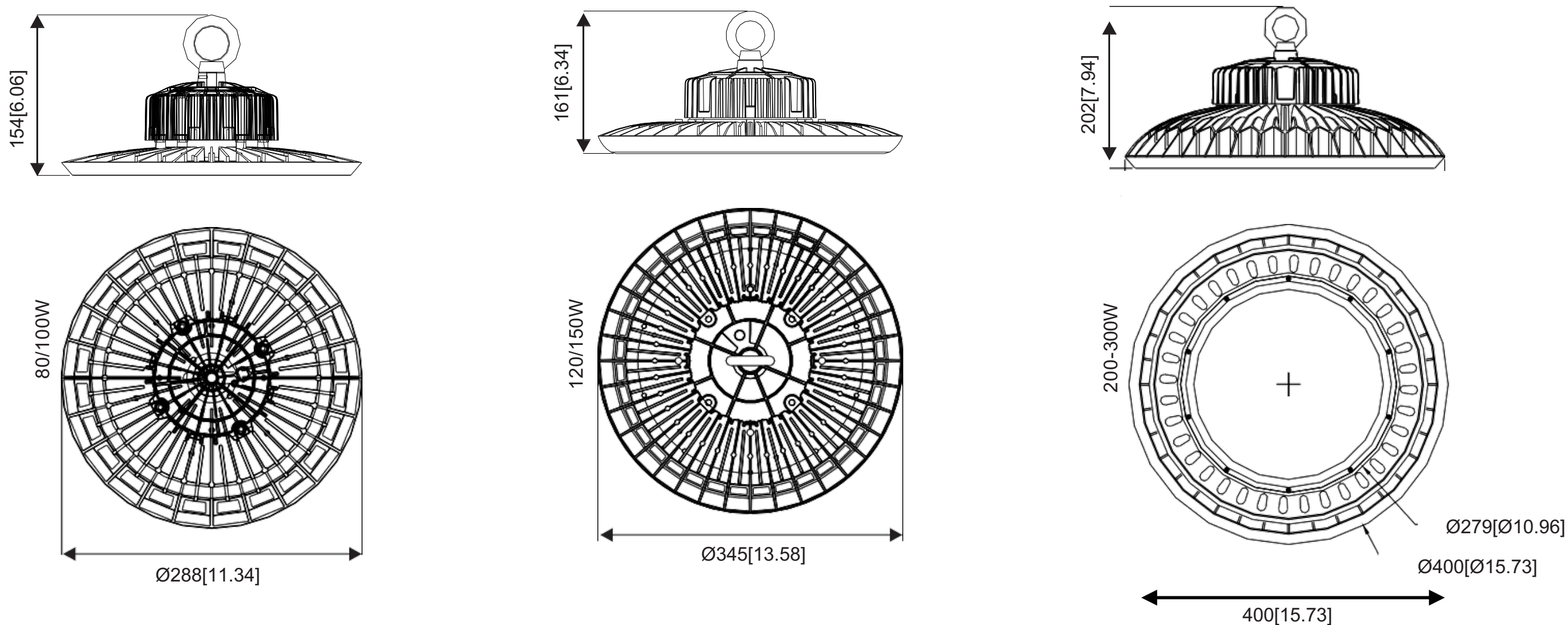
UFO ROUND HIGH BAY

STRUCTURE DIAGRAM

Model:	EV-U80/100W D1DZ	EV-U120/150/200/220/240W D2DZ	EV-U250/300W D3DZ
Power:	80/100W	120/150/200/220/240W	250/300W
CCT	4000/4500/5000/5700K		
Lumens:	>130lm/w± 5%		
Housing :	Aluminium		
Operation Temp.:	-30°C to +50°C		
Life Span:	50,000 hours duty cycle		
Voltage range:	AC100-277/200-480V		
Frequency :	50/60Hz		
Dimming Option :	Yes		
Beam Angle:	120°		
CRI:	>70		
PF:	≥0.95		
Power Efficiency:	≥90%		
Warranty:	5 Years		

UFO HIGH BAY

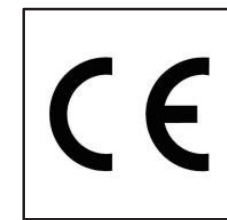
DIMENSIONS UNIT MM/INCH



PACKAGE

Power	N.W(kg)	G.W(kg)	Package Size(mm)	PCS/Box
80/100W	3.8*2	4.5*2	388*363*320mm	2
120/150/200/240W	4.5*2	5.2*2	388*363*340mm	2
240/300W	5.2	6.5	480*480*200mm	1

LED TRACK LIGHT SERIES



MAIN FEATURES

- CREE COB LED chips, no shadow, strong penetrability, high fidelity CRI 83/95 and high efficacy up to 100lm/W.
- Dimming: Triac, 0-10V, DALI optional
- High quality driver, no flicker driver, high PF 0.92, instant start, noise free, no UV and IR, environment-friendly. Beam Angle: 15/24/36 Degree, 10-60 Degree Zoomable optional.
- Can point almost anywhere with 350-degree rotation and 90-degree pivot. Integrated design, built-in driver, anti-glare, modern fashion, high-end luxury. Compatible track systems: 2 wires, 3 wires, 4 wires optional.
- Finished color: Black, White.

LED TRACK LIGHT SERIES

Model No.	Size	Power	Voltage	Luminous Flux	CCT Optional	CRI	Beam Angle
LW-TRD7W	φ50xL110mm	7W	AC220V-240V	700lm	2700K/3000K/4000K/5000K	83Ra/95Ra	15/25/45/60 Degree 10-60 Degree Zoomable
LW-TRD10W	φ60xL130mm	10W	AC220V-240V	1000lm	2700K/3000K/4000K/5000K	83Ra/95Ra	15/25/45/60 Degree 10-60 Degree Zoomable
LW-TRD15W	φ70xL153mm	15W	AC220V-240V	1500lm	2700K/3000K/4000K/5000K	83Ra/95Ra	15/25/45/60 Degree 10-60 Degree Zoomable
LW-TRD30W	φ90xL180mm	30W	AC220V-240V	3000lm	2700K/3000K/4000K/5000K	83Ra/95Ra	15/25/45/60 Degree 10-60 Degree Zoomable
LW-TRD45W	φ110xL199mm	45W	AC220V-240V	4500lm	2700K/3000K/4000K/5000K	83Ra/95Ra	15/25/45/60 Degree 10-60 Degree Zoomable

APPLICATIONS

- Retail
- Furniture
- Jewelry stores
- Supermarkets
- Hotels
- Restaurants
- Auto shops
- Museums
- Galleries



LED SURFACE MOUNT DOWNLIGHT - SMD SERIES

PRODUCT DESCRIPTION

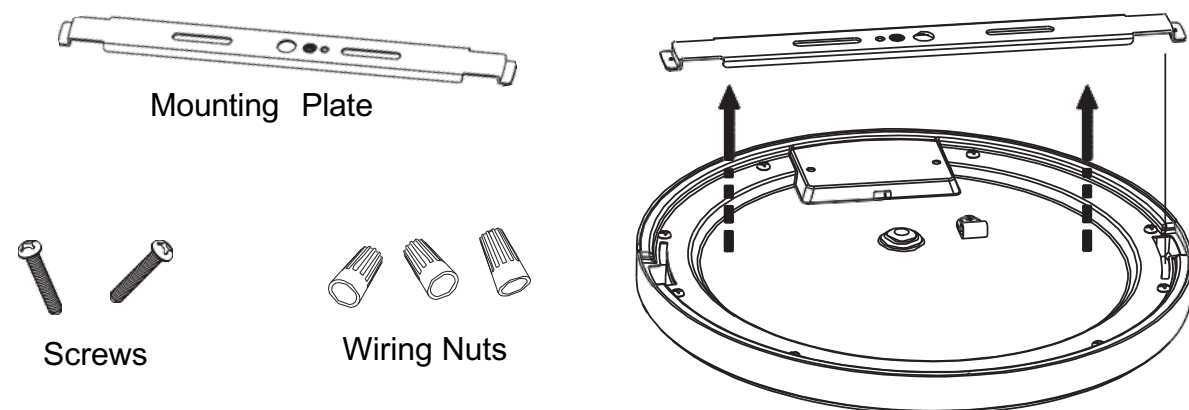
This integrated LED surface mount down light is an ultra-thin sleek fixture with smooth white trim. It can be installed directly to most round or octagon junction boxes.

Designed for commercial or residential use. CCT can be adjusted on field to suit different environment needs.

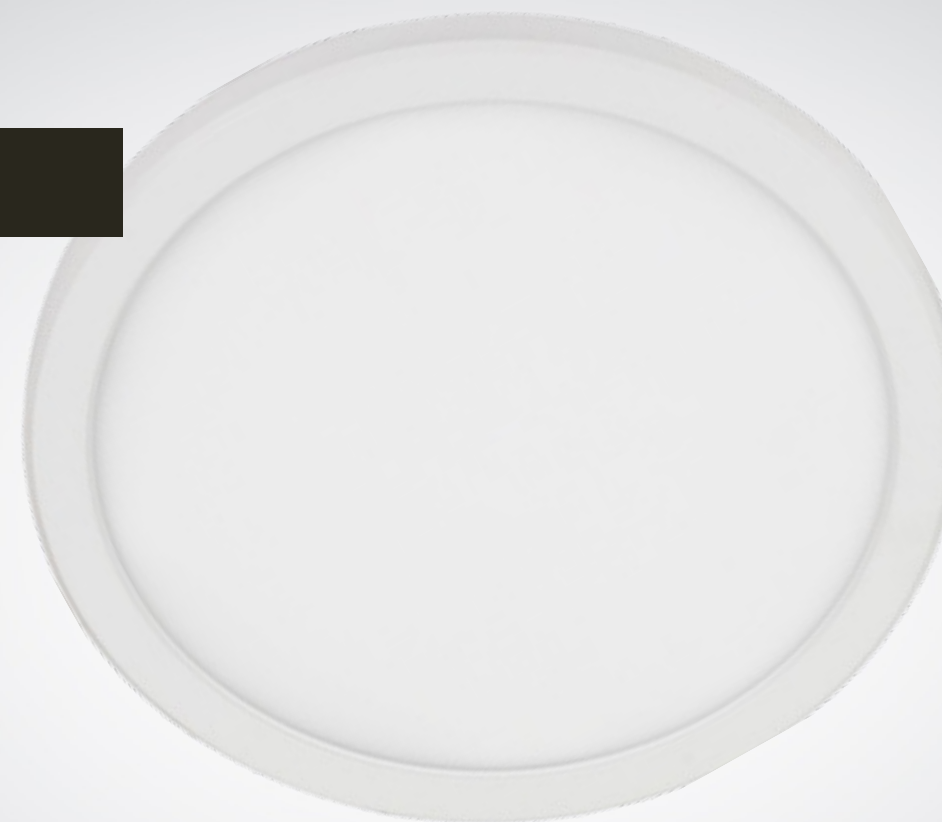
APPLICATION

Ideal for residential place, office, hallways, utility room and commercial place such as hotel rooms.

ACCESSORIES INSIDE THE BOX



CERTIFICATIONS



LED SURFACE MOUNT DOWNLIGHT - SMD SERIES

SPECIFICATIONS

Model No.	HY-SMD-R5-10W-3CCT	HY-SMD-R7-15W-3CCT	HY-SMD-R9-18W-3CCT	HY-SMD-R12-24W-3CCT
Wattage	10W	15W	18W	24W
Lumens	650LM	1050 LM	1250LM	1800LM
Size	5"	7"	9"	12"
Rated Input Voltage(V)	120 V 60Hz AC			
CCT	3CCT Selectable: 3000K-4000K-5000K			
Dimming	Triac dimming			
CRI	≥80			
Beam Angle (°)	120°			
Protection Rtaing	IP20 (For Indoor Use Only)			
CF	0.9			
Color Rendering Index	CRI>80			
Life Span	Lumen Maintenance over 70% @ 50,000+ Hours			
Working Temperature	- 4°F ~+105°F / -15°C ~+40°C			
Finish	White			
Certificate	ETL/Energy Star			
Package Info	18.5"X6.1"X12.8"	22.8"X6.1"X15.8"	18.9"X11.4"X9.8"	12.8"X11.4"X13"
PC/ Master Pack	30	30	20	10
Weight	18.1 LB	26.9 LB	25.8 LB	22.3 LB

LED ULTRA SLIM DOWNLIGHT

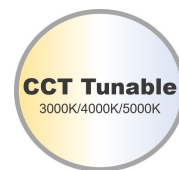
PRODUCT DESCRIPTION

- The ultra slim LED downlights/surface mini panel comes with separate steel encased LED driver with watertight seal
- 1" Thin: Fits in Tight Ceiling Space.
- Airtight & Type IC Rated: No housing Required
- Snap-in mounting springs and easy wiring access for fast & easy Installation: Save labor cost.
- Junction Box Included: No additional hardware required.
- Damp location rated and dimmable with approved dimmers
- Body: Durable, die cast aluminum alloy for optimal heat dissipation
- White, Nickel or Black for choice--Scratch resistant and smooth finish

APPLICATION

Commercial, residential, hospitality.

CERTIFICATIONS



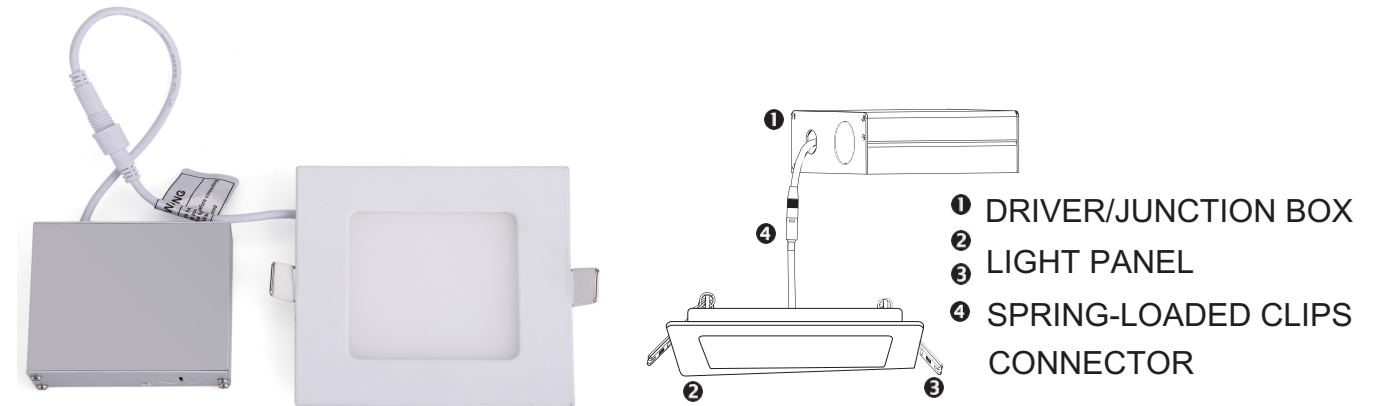
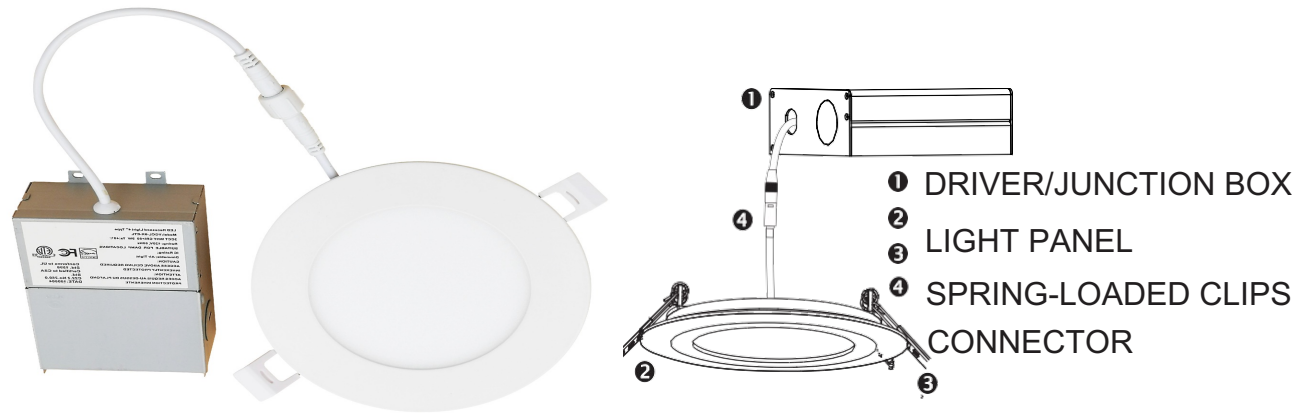
LED ULTRA SLIM DOWNLIGHT

SPECIFICATIONS

SKU	HY-DL-R4-9W-5CCT	HY-DL-9W-S-3CCT	HY-DL-R6-12W-5CCT	HY-DL-12W-S-3CCT	HY-DL-18W-R-XXK
Size	4" Round	4" Square	6" Round	6" Square	8" Round
Energy Star Model No.	FX-DL4-9W-DIM-5CC-#D	YGCL-9X-ETL(3CCT)	FX-DL6-12W-DIM-5CC-#D	YGCL-12X-ETL(3CCT)	JXL-TA08-T18W-UDD-##
Wattage	9W		12W		18W
Input Voltage	120V AC, 50/60HZ				AC 120-277V
Lumens	700LM		900LM		1350LM
Halogen Equivalent	60W		75W		120W
Working Hours	70% light output at 50000hrs				
Power Factor	0.95~0.98				
Beam Angle	110°				
CCT	5CCT (27/30/35/40/50K) Tunable for Round/ 3CCT (3/4/5K) Tunable for Square				5000K
Dimming	works with LED/CFL LED Dimmer				works with 0-10V LED Dimmer
Operating Temperature	14°F -104 °F (-10 °C-40 °C)				
IP Range	IP44				
Material	Aluminum housing with PMMA lampshade				
Product Size	Φ4.92"	4.92" x 4.92"	Φ6.69"	6.69" x 6.69"	Φ8.78"
Qty/Pack	20	20	20	20	10
Master Package Size	14.6"x12.6"x11.4"	14.6"x12.6"x11.41"	15.8"x14.6"x14.6"	18.7"x14.6"x15.2"	18.8"x11.5"x9.8"
Master Package Weight	18.72LB	19.8LB	26.43LB	27.5LB	17.63LB

LED ULTRA SLIM DOWNLIGHT

DIMENSIONS



4" & 6" COMPATIBLE DIMMER LIST

Brand	Model	Image	Match	Brand	Model	Image	Match
LUTRON	MACL-153MR-WH		5★	Leviton	6672-1LW		5★
LUTRON	SCL-153P-WH		5★	Leviton	DSL06-1LZ		3★
LUTRON	PD-6WCL-WH		5★	Leviton	6674-POW		3★
LUTRON	CTCL-153P-WH		5★	Leviton	IPL06-10Z		3★
LUTRON	MSCL-OP153M-WH		4★	<p>100% - 5% Smooth triac dimming, compatible with most LED dimmers in North America market.</p>			
LUTRON	DVCL-153P-WH		3★				
LUTRON	DWW-603PGH-WH		2★				

LED BAFFLED RECESSED DOWNLIGHT – BFDL SERIES

PRODUCT DESCRIPTION

This baffle style slim downlight with tunable white technology provides high-quality light output and efficiency featuring a switch for easy color temperature adjustment to fit different environment needs. IC rated driver with convenience to eliminate the need for recessed housings. The ultra slim downlight is an ideal choice for easy remodel or new construction installation. ETL and Energy Star Listed and 5-year limited warranty

APPLICATION

Living room, bedroom, office, lobbies, conference room and more residential and commercial applications

FEATURES

- Aluminum die cast outer frame, durable powder coat paint to prevent rust
- CCT Tunable: 2700K, 3000K, 3500K, 4000K, or 5000K using the switch on driver and CRI>90 to render colors accurately
- Type IC rated for Insulated ceiling rated and airtight. No housing required.
- Edge-lit LED technology uses light guided plate to distribute light and polycarbonate lens provides even light distribution

CERTIFICATIONS



LED BAFFLED RECESSED DOWNLIGHT – BFDL SERIES

SPECIFICATIONS

Model	HY-BFDL-R3- 6W-5CCT	HY-BFDL- R4-9W-5CCT	HY-BFDL- R6-12W-5CCT	HY-BFDL- R8-18W-5CCT	HY-BFDL- S3-6W-5CCT	HY-BFDL- S4-9W- 5CCT	HY-BFDL- S6-12W- 5CCT	HY-BFDL- S8-18W- 5CCT
Power	6W	9W	12W	18W	6W	9W	12W	18W
Shape	Baffle Trims - Round				Baffle Trims - Square			
Size	3"	4"	6"	8"	3"	4"	6"	8"
Lumens	440LM	720LM	880LM	1420LM	430LM	710LM	950LM	1400LM
Input Voltage	120 V			120-277V	120 V			120-277V
Dimming	Triac Dimming			0-10V	Triac Dimming			0-10V
Can Rating	Type IC							
Protecting Rating	IP20 (For indoor use ONLY/ Wet Location Rated)							
Power Factor	0.9+							
Beam Angle	110°							
CCT	2700K/3000K/3500K/4000K/5000K							
CRI	90+							
Working Life	Lumen Maintenance over 70% @50,000+ hours							
Oper. Temperature	-4°F to 104°F (-20°C to 40°C)							
Qty/Package	24PCS/Pack	24PCS/Pack	24PCS/Pack	12PCS/Pack	24PCS/Pack	24PCS/Pack	24PCS/Pack	12PCS/Pack
Package Dim	500X215X220mm 19.7"X8.5"X8.7"	500X290X295mm 19.7"X11.4"X11.6"	490X400X405mm 19.3"X15.8"X15.9"	465X435X252mm 18.3"X17.1"X9.9"	500X215X220mm 19.7"X8.5"X8.7"	500X280X285mm 19.7"X11.0"X11.2"	480X377X382mm 18.9"X14.8"X15.1"	517X435X242mm 20.4"X17.1"X9.5"
Package Weight	8.1 kg/17.86 lbs	9.7 kg/21.38 lbs	13.3 kg/29.32 lbs	8.8 kg/19.4 lbs	8.6 kg/17.86 lbs	10.3 kg/22.71 lbs	14 kg/30.86 lbs	10.05kg/22.11 lbs



ALINA LIGHTING SOLUTIONS

Alina Lighting Solutions
1333 Old Spanish Trail, Suite G 309
Houston, Texas, 77054
www.alinalighting.com