

**SAMSUNG**

GSM TELEPHONE  
SGH-E760

# ***SERVICE*** *Manual*

GSM TELEPHONE



CONTENTS

1. Specification
2. Circuit Description
3. Exploded Views and Parts List
4. Electrical Parts List
5. Block Diagrams
6. PCB Diagrams
7. Flow Chart of Troubleshooting

**SAMSUNG  
ELECTRONICS**



This Service Manual is a property of Samsung Electronics Co.,Ltd.  
Any unauthorized use of Manual can be punished under applicable  
International and/or domestic law.

Samsung Electronics Co.,Ltd. September. 2005  
Printed in Korea.

Code No.: GH68-08106A  
BASIC.

---

# 1. Specification

---

## 1-1. GSM General Specification

	GSM900 Phase 1	EGSM 900 Phase 2	DCS1800 Phase 1	PCS1900
Freq. Band[MHz] Uplink/Downlink	890~915 935~960	880~915 925~960	1710~1785 1805~1880	1850~1910 1930~1990
ARFCN range	1~124	0~124 & 975~1023	512~885	512~810
Tx/Rx spacing	45MHz	45MHz	95MHz	80MHz
Mod. Bit rate / Bit Period	270.833kbps 3.692us	270.833kbps 3.692us	270.833kbps 3.692us	270.833kbps 3.692us
Time Slot Period / Frame Period	576.9us 4.615ms	576.9us 4.615ms	576.9us 4.615ms	576.9us 4.615ms
Modulation	0.3GMSK	0.3GMSK	0.3GMSK	0.3GMSK
MS Power	33dBm~13dBm	33dBm~5dBm	30dBm~0dBm	30dBm~0dBm
Power Class	5pcl ~ 15pcl	5pcl ~ 19pcl	0pcl ~ 15pcl	0pcl ~ 15pcl
Sensitivity	-102dBm	-102dBm	-100dBm	-100dBm
TDMA Mux	8	8	8	8
Cell Radius	35Km	35Km	2Km	-

1-2. GSM TX power class

<b>TX Power control level</b>	<b>GSM900</b>	<b>TX Power control level</b>	<b>DCS1800</b>	<b>TX Power control level</b>	<b>PCS1900</b>
5	33±3 dBm	0	30±3 dBm	0	30±3 dBm
6	31±3 dBm	1	28±3 dBm	1	28±3 dBm
7	29±3 dBm	2	26±3 dBm	2	26±3 dBm
8	27±3 dBm	3	24±3 dBm	3	24±3 dBm
9	25±3 dBm	4	22±3 dBm	4	22±3 dBm
10	23±3 dBm	5	20±3 dBm	5	20±3 dBm
11	21±3 dBm	6	18±3 dBm	6	18±3 dBm
12	19±3 dBm	7	16±3 dBm	7	16±3 dBm
13	17±3 dBm	8	14±3 dBm	8	14±3 dBm
14	15±3 dBm	9	12±4 dBm	9	12±4 dBm
15	13±3 dBm	10	10±4 dBm	10	10±4 dBm
16	11±5 dBm	11	8±4dBm	11	8±4dBm
17	9±5 dBm	12	6±4 dBm	12	6±4 dBm
18	7±5 dBm	13	4±4 dBm	13	4±4 dBm
19	5±5 dBm	14	2±5 dBm	14	2±5 dBm
		15	0±5 dBm	15	0±5 dBm

---

## 2. Circuit Description

---

### 2-1. SGH-E760 RF Circuit Description

#### 2-1-1. RX PART

- FEM(MODULE100) → Switching Tx, Rx path for GSM900, DCS1800 and PCS1900 by logic controlling.

- FEM Control Logic (MODULE100) → Truth Table

	VC1	VC2	VC3
Tx Mode (GSM900)	H	L	L
Tx Mode (DCS1800/1900)	L	H	L(H)
Rx Mode (GSM900)	L	L	L
Rx Mode (DCS1800)	L	L	L
Rx Mode (PCS1900)	L	L	H

- VC-TCXO-2146C6(26MHz) (OSC100)

This module generates the 26MHz reference clock to drive the logic and RF.

It is turned on when the supply voltage is applied.

After buffering a reference clock of 26MHz is supplied to the other parts of the system through the transceiver pin VCXOOUT1.

- Transceiver (U100)

This chip is a RF transceiver IC for GSM850/900, DCS1800, and PCS1900 Quad band cellular system, and incorporates GPRS transceiver capability, and integrates most of the low power silicon functions of a transceiver.

It incorporates triple RF LNAs, direct conversion mixers which are IQ demodulator, an auto offset calibrated programmable gain amplifier with baseband filter for IQ chains, RF synthesizer, a I/Q modulator, offset PLL, IF synthesizer, and the circuits which are needed polar loop architecture for the transmitter.

#### 2-1-2. TX PART

Transmitter of the transceiver is capable of GMSK and 8-PSK modulation, providing support for conventional GSM and GPRS. The modulated signal out of the transceiver is fed into Power Amplifier Module(U101). PAM output signal is radiated to the air through FEM(MODULE1) and antenna.

## 2-2. Baseband Circuit description of SGH-E760

### 2-2-1.. PCF5603 (U405)

#### — Power Management

Eight low-dropout regulators designed specifically for GSM applications power the terminal and help ensure optimal system performance and long battery life. A programmable boost converter provides support for 1.8V, 3.0V SIMs, while a self-resetting, electronically fused switch supplies power to external accessories.

Ancillary support functions, such as RTC module and High Voltage Charge pump, Clock generator, aid in reducing both board area and system complexity.

I2C BUS serial interface provides access to control and configuration registers. This interface gives a microprocessor full control of the PCF50603 and enables system designers to maximize both standby and talk times.

Supervisory functions, including a reset generator, an input voltage monitor, and a temperature sensor, support reliable system design. These functions work together to ensure proper system behavior during start-up or in the event of a fault condition (low microprocessor voltage, insufficient battery energy, or excessive die temperature).

#### — Backlight Brightness Modulator

The Backlight Brightness Modulator (BBM) contains a programmable Pulse-width modulator (PWM) and FET to modulate the intensity of a series of LED's or to control a DC/DC converter that drives LCD backlight.

#### — Clock Generator

The Clock Generator (CG) generates all clocks for internal and external usage. The 32.768 kHz crystal oscillator provides an accurate low clock frequency for the PCF50603 and other circuitry.

### 2-2-2. LCD Connector

LCD is consisted of main MAIN LCD, SUB LCD

Chip select signals in the U305, LCD\_CS, can enable LCD. BACKLIGHT signal enables white LED of main LCD. These signal is from U400.

16-bit data lines(LD(0)~LD(15)) transfers data and commands to LCD. Data and commands use "RS" signal. If this signal is high, Inputs to LCD are commands. If it is low, Inputs to LCD are data. The signal which informs the input or output state to LCD, is required. But this system is not necessary this signal. So "L\_WR" signal is used to write data or commands to LCD. Power signals for LCD are "VDD\_IO\_HIGH".

### 2-2-3. Key

This is consisted of key interface pins KEY\_ROW(0:4) and KEY\_COL(0:4) in PCF5213EL1. These signals compose the matrix. Result of matrix informs the key status to key interface in the PCF5213EL1. Power on/off key is seperated from the matrix. So power on/off signal is connected with PCF50603 to enable PCF50603. Key LED is consisted of six white LEDs for sub key and eight white LEDs for main key.

Main and Sub key LED use the 3.3V LDO for a supply voltage. KEY\_LED\_ON signal enables eight white LED.

#### 2-2-4. EMI ESD Filter

This system uses the EMI ESD filter, U500 to protect noise from IF CONNECTOR part.

#### 2-2-5. IF connector

It is 18-pin connector. They are designed to use VBAT, V\_EXT\_CHARGE, USB\_D+, +VBUS, USB\_D-, TXD1, RXD1, AUX\_ON, EXT1, EXT2 and GND. They connected to power supply IC, microprocessor and signal processor IC.

#### 2-2-6. Battery Charge Management

A complete constant-current/constant-voltage linear charger for single cell lithium-ion batteries.

If TA connected to phone, "V\_EXT\_CHARGE" enable charger IC and supply current to battery.

When fault condition caused, "CHG\_ON" signal level change low to high and charger IC stop charging process.

#### 2-2-7. Audio

HFR\_P and HFR\_N from PCF5213EL1 are connected to the main speaker via analog switches. MIC\_P and MIC\_N are connected to the main MIC as well. YMU765 is a synthesizer LSI for mobile phones. This LSI has a built-in speaker amplifier for outputting sounds that are used by mobile phones in addition to game sounds and ringing melodies that are replayed by a synthesizer.

There is Stereophonic analog output for Headphone.

#### 2-2-8. Memory

This system uses Samsung's memory, KBJ10KB00A. The KBJ10KB00A. is a Multi Chip Package Memory which combines 256Mbit Synchronous Burst Multi Bank NOR Flash Memory and 1Gbit NAND Flash and 128Mbit Synchronous Burst U tRAM.

It has 16 bit data line, HD[1~16] which is connected to PCF5213 and MV3315DOQ, also has 24 bit address lines, HA[1~24]. There are 3 chip select signals, CS0n\_FLASH, CS4n\_NAND, and CS1n\_RAM.

In the Wrting process, WEn is fallen to low and it enables writing process to operate. During reading process, OEn is fallen to low and it enables reading process to operate. Each chip select signals in the PCF5213EL1 choose different memories.

#### 2-2-9. PCF5213EL1

The PCF5213EL1 is mainly composed of embeded DSP and ARM core. The DSP subsystem includes the Saturn DSP core with embedded RAM and ROM, and a set of peripherals. It has 24kx16 bits PRAM, 104k\*16 bits, 32k\*16 XYRAM and 63k\*16 XYROM in the DSP.

The ARM946E-S consists of an ARM9E-S processor core, 8 kbyte instruction cache and 8 kbyte data cache, tghtly-coupled ITCM(Instruction Tightly Coupled Memory) and DTCM(Data Tightly Coupled Memory) memories, a memory protection unit, and an AMBA(Advanced Microcontroller Bus Architecture) AHB(Advanced High-performance Bus) bus interface with a write buffer.

HD(0:15), data lines and HA(0:23), address lines are connected to KBJ10KB00M (memory), MV319DNQ (image dsp) and YMU765 (melody IC). It has 64 kbyte SC RAM (0.5 Mbit) and 32 kbyte SC program ROM for bootstrap loader in the ARM core.

HD(0:15), data lines and HA(0:23), address lines are connected to memory and YMU765 to communicate. MV319DNQ(Camera DSP Chip) controls the communication between ARM core and DSP core. OEn, WEn control the access of memory. KROW, and KCOL recognize the key string input status. It has J-TAG control pins (TDI/TDO/TCK) for ARM and DSP core. J-SEL signal controls different access to ARM and DSP core. ADC(Analog to Digital Convertor) receives the condition of temperature, battery type and battery voltage.

### 2-2-10. TOH2600DGI4KRA(26MHz)

This system uses the 26MHz TCXO, VC-TCXO-214C6.AFC control signal from PCF5213EL1 controls frequency from 26MHz x-tal. It generates the clock frequency. This clock is connected to PCF5213EL1, YMU765 and MV3315DOQ.

### 2-2-11. Camera DSP(MV3315DOQ)

MV3315DOQ provides rich video functions up to 30-frame display with minimized tasks in the handset main processor as well as hardware based real-time JPEG compression and decompression. MV3315DOQ directly transmits and previews the RGB data to the LCD graphic memory by processing the sensor output data according to the handset's command. It can save the raw RGB data up to VGA resolution into its image buffer and allows the host processor to download with scalable sized compressed data.

It utilizes 16 bit data bus for communication with the main processor, including bus interface types.

### 2-2-12. KXP74

KXP74 is Tri-axis Orthogonal accelerometers and inclinometers.

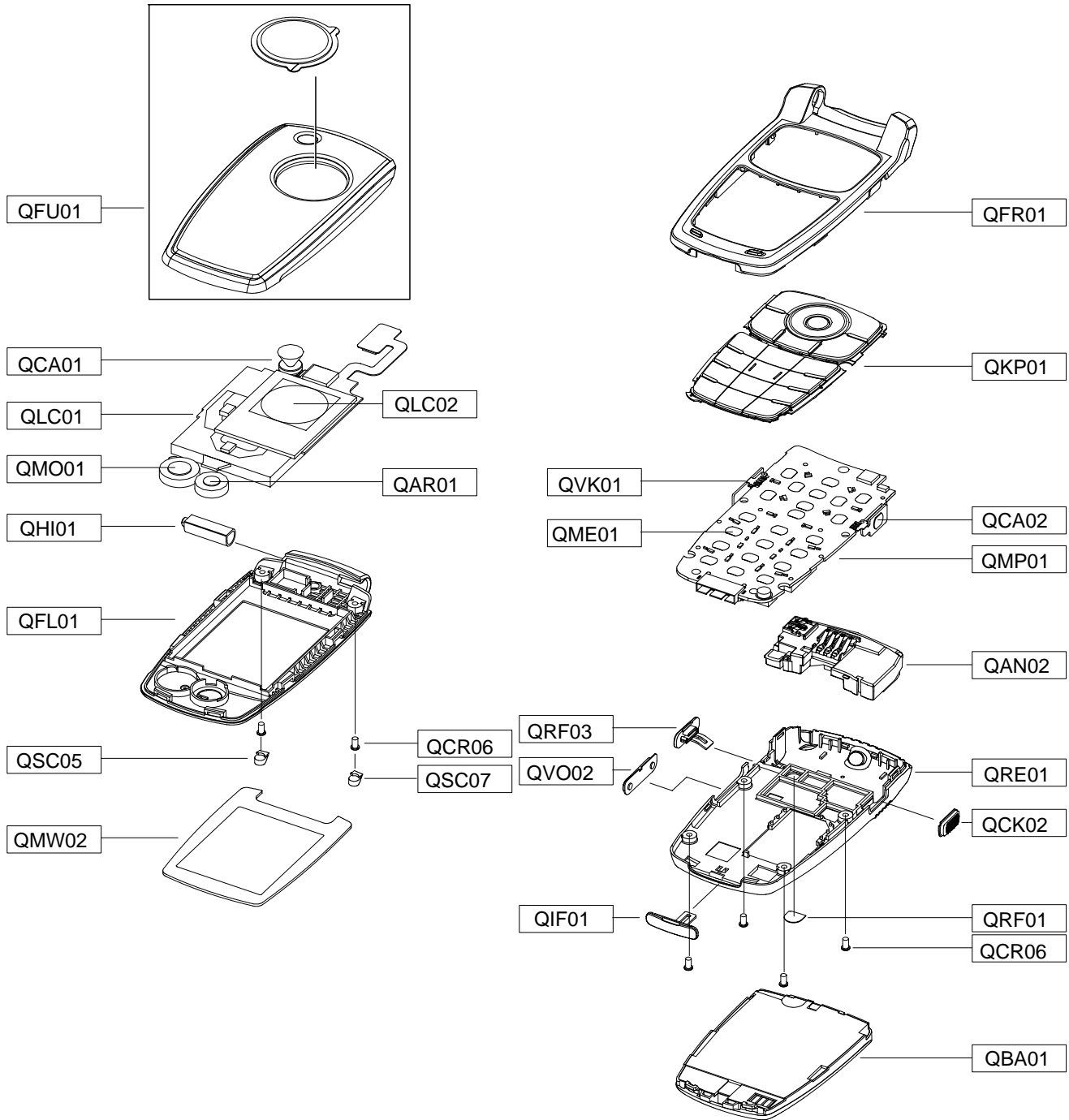
The KXP74 utilizes an onboard Serial Peripheral Interface (SPI) for digital communication.

PCF5213EL1 apply KXP74 for G- button and game



### 3. Exploded View and Parts List

#### 3-1. Exploded View



## 3-2. Parts List

Location No		Description	Sec Code
QAN02		ANTENNA-SGHE760;390-OY359,SGH-E760,8	GH42-00638A
QAR01		AUDIO-RECEIVER; 32ohm,110dB±2dB,10X3	3009-001124
QBA01		BATTERY-800MAH,BLA,ENG,M;BST5208BE,S	GH43-02028A
QCA01		UNIT-CAMERA;SGH-E760,AU-61C,-,RUSS,2	GH59-02218A
QCA02		UNIT-CAMERA;SGH-E760,-,-,SER,12V,10m	GH59-02229A
QCK02		PMO-SIDE KEY CAMERA;SGH-E760,ABS+URE	GH72-22978A
QCR06		SCREW-MACHINE;PH(PI2.5),+,M1.4,L3.5,	6001-001155
QFR01		MEC-FRONT COVER;SGH-E760,EU,-,-,-,-,	GH75-07395A
QFU01		MEC-FOLDER UPPER;SGH-E760,EU,-,-,-,-	GH75-07396A
QIF01		PMO-IF COVER V1;SGH-E760,PC+URETHANE	GH72-22976A
QKP01		MEC-KEY PAD;SGH-E760,EU,-,-,-,-,SIL,	GH75-07398A
QLC01		LCD-SGH-E760-MAIN;LTS180QC-F02,SGH-E	GH07-00737A
QLC02		LCD-SGH-SUB-MODULE;PM09EC015A,SGH-E7	GH07-00741A
QME01		UNIT-METAL DOME;SGH-E760,-,-,EU,12V,	GH59-02227A
QMO01		MOTOR DC-SCHX460;DMJBRK32M,SCH-X460,	GH31-00036A
QMP01		PBA MAIN-SGHE760;SGH-E760,XET,EU,PBA	GH92-02239A
QMW02		PCT-MAIN WINDOW;SGH-E760,ACRYL,TRP,-	GH72-22981A
QRE01		MEC-REAR COVER;SGH-E760,EU,-,-,-,-,B	GH75-07399A
QRF01		MPR-TAPE RF CAP;SGH-E760,PC SHEET,5.	GH74-15696A
QRF03		PMO-EAR COVER V2;SGH-E760,PC,BLK,-,-	GH72-23993A
QSC05		RMO-SCREW CAP L;SGH-E760,URETHANE,3.	GH73-04940A
QSC07		RMO-SCREW CAP R;SGH-E760,URETHANE,3.	GH73-04941A
QVK01		UNIT-VOLUME KEY;SGH-E760,-,-,SER,12V	GH59-02228A
QVO02		PMO-SIDE KEY VOLUME;SGH-E760,ABS+URE	GH72-22977A
QFL01		MEC-FOLDER LOWER;SGH-E760,EU,-,-,-,-	GH75-07397A
	QHI01	MEC-HINGE ASSY;SGH-E760,EU,-,-,-,-,S	GH75-07551A

Description	Sec Code
BAG PE;LDPE,T0.05,W80,L180,TRP,-,-	6902-000634
CBF INTERFACE-DATA LINK CABLE;SGH-D5	GH39-00371A
ADAPTOR-SGHD500 BLK;TAD137EBE,SGH-D5	GH44-00954A
S/W CD-PC LINK CD;SGH-D500,SGH-D500,	GH46-00127A
UNIT-EARPHONE;SGH-C230,EM-SS550E-STB	GH59-02166A
SPRING ETC-LOCKER;SGH-T108,KSD3509,0	GH61-00028A
LABEL(P)-WATER SOAK;COMM,NORGE,100G,	GH68-02026A
MANUAL-WEEE CARD;COMM,SEC,ENGLISH,UN	GH68-07013A
MANUAL-USER;SGH-E760,XEG,GERMAN,GERM	GH68-07680A
LABEL(R)-MAIN(EU);SGH-E760,EU,POLYES	GH68-07758A
CUSHION-CASE MAIN;SGH-E750,PULP,T0.5	GH69-03134A
BOX(P)-UNIT(EU);SGH-E760,SC350+SC350	GH69-03138A
PMO-BATT LOCKER;SGH-E760,PC(K2261),B	GH72-22975A
RMO-PBA-MCP-RUBBER;SGH-E760,CR RUBBE	GH73-05327A
MPR-BOHO VINYL IF;SGH-E720,#950,85X1	GH74-13606A
MPR-TAPE FPCB HOLE;SGH-E760,PC SHEET	GH74-16158A
MPR-TAPE INS KEY TOP;SGH-E760,3M 851	GH74-17312A
MPR-TAPE EMI MAIN KEY;SGH-E760,DTF10	GH74-17453A
MPR-TAPE J/TAG BOHO;SGH-E760,DTF100,	GH74-17540A
MPR-TAPE CAMERA KEY;SGH-E760,3M-851,	GH74-17546A
MPR-TAPE VOLUME KEY;SGH-E760,3M-851,	GH74-17547A
MPR-BOHO VINYL SUB WIN;SGH-E760,PVC,	GH74-17759A

### 3-3. Test Jig (GH80-03306A)



3-3-1. RF Test Cable  
(GH39-00283A)



3-3-2. Test Cable  
(GH39-00337A)



3-3-3. Serial Cable



3-3-4. Power Supply Cable



3-3-5. DATA CABLE  
(GH39-00219A)



3-3-6. TA  
(GH44-00954A)



## 4. Electrical Parts List

SEC CODE	Description	Design LOC
ANT102	ANT-CHIP	4202-001064
BAT400	BATTERY	4302-001177
BTC500	CONNECTOR-HEADER	3711-005829
C100,C102,C103,C111	C-CERAMIC,CHIP	2203-000812
C104	INDUCTOR-SMD	2703-002170
C106,C107,C115	C-CERAMIC,CHIP	2203-002668
C108,C112	C-CERAMIC,CHIP	2203-001259
C116	C-TA,CHIP	2404-001348
C117	C-CERAMIC,CHIP	2203-006190
C118,C119,C131,C133	C-CERAMIC,CHIP	2203-005482
C120,C204,C210	C-CERAMIC,CHIP	2203-000812
C121,U703	C-CERAMIC,CHIP	2203-000654
C122,C126	C-TA,CHIP	2404-001374
C123,C127,C132,C147	C-CERAMIC,CHIP	2203-000628
C124,C128,C135,C201	C-CERAMIC,CHIP	2203-000254
C125,C420	C-CERAMIC,CHIP	2203-000585
C134,C136,C303	C-CERAMIC,CHIP	2203-000438
C137,C140,C407	C-CERAMIC,CHIP	2203-000233
C142,C618	C-CERAMIC,CHIP	2203-000679
C143,C202,C203,C205	C-CERAMIC,CHIP	2203-005482
C144	C-CERAMIC,CHIP	2203-000870
C146	C-CERAMIC,CHIP	2203-006399
C148,C402,C406,C408	C-CERAMIC,CHIP	2203-000628
C200,C306,C400,C401	C-CERAMIC,CHIP	2203-006208
C206,C207,C208,C211	C-CERAMIC,CHIP	2203-005482
C212,C213,C214,C216	C-CERAMIC,CHIP	2203-005482
C300,C626	C-CERAMIC,CHIP	2203-000254
C301,C302,C305,C307	C-CERAMIC,CHIP	2203-005482
C304	C-CERAMIC,CHIP	2203-000725
C308,C311,C312,C315	C-CERAMIC,CHIP	2203-005482
C309	C-CERAMIC,CHIP	2203-000550
C317,C320,C329,C404	C-CERAMIC,CHIP	2203-005482
C321,C412,C501,C507	C-CERAMIC,CHIP	2203-006093
C326,C327,C328	C-CERAMIC,CHIP	2203-005481
C403	C-CERAMIC,CHIP	2203-006090
C405,C414,C415,C423	C-CERAMIC,CHIP	2203-006257
C409,C504,C508	C-TA,CHIP	2404-001268
C411,C413,C416,C421	C-CERAMIC,CHIP	2203-006208
C417,C503,C509,C603	C-CERAMIC,CHIP	2203-005482
C422,C700	C-CERAMIC,CHIP	2203-006208
C424	C-CERAMIC,CHIP	2203-006257
C502	C-CERAMIC,CHIP	2203-000854
C505,C506	C-CERAMIC,CHIP	2203-006562
C600,C615	C-TA,CHIP	2404-001375
C601,C602,C606,C610	C-CERAMIC,CHIP	2203-000278
C604	C-TA,CHIP	2404-001352
C605,C608,C617,C621	C-CERAMIC,CHIP	2203-005482
C607,C619,C627,C628	C-CERAMIC,CHIP	2203-000995
C609,C611,C613,C614	C-CERAMIC,CHIP	2203-006585
C612,C616,C620,C624	C-CERAMIC,CHIP	2203-000278

SEC CODE	Description	Design LOC
C622,C623	C - CERAMIC,CHIP	2203 - 005057
C625	C - CERAMIC,CHIP	2203 - 006137
C629,C630	C - CERAMIC,CHIP	2203 - 000995
C701	C - CERAMIC,CHIP	2203 - 002443
C702,U713	C - CERAMIC,CHIP	2203 - 005482
C704	C - CERAMIC,CHIP	2203 - 006053
C705,C706	C - CERAMIC,CHIP	2203 - 006093
CN501	CONNECTOR - SOCKET	3710 - 001994
CN601	JACK - PHONE	3722 - 002010
CON1	CONNECTOR - COAXIAL	3705 - 001358
F101	FILTER - EMI SMD	2901 - 001254
F104,F105	FILTER - EMI SMD	2901 - 001347
HEA702	CONNECTOR - HEADER	3711 - 005873
L103	INDUCTOR - SMD	2703 - 002314
L104,L105,L109,L110	INDUCTOR - SMD	2703 - 002365
L107	INDUCTOR - SMD	2703 - 002596
L119	INDUCTOR - SMD	2703 - 001752
L123,L124	INDUCTOR - SMD	2703 - 002208
L400	CORE - FERRITE BEAD	3301 - 001120
L401	INDUCTOR - SMD	2703 - 002840
L600,L601,L602,L603	INDUCTOR - SMD	2703 - 001259
L700	CORE - FERRITE BEAD	3301 - 001534
LED600,LED601,LED602	LED	0601 - 002055
LED603,LED604,LED605	LED	0601 - 002055
LED606,LED607,LED608	LED	0601 - 002055
LED609,LED610,LED611	LED	0601 - 002055
LED612,LED613,LED614	LED	0601 - 002055
LED615,LED616,LED617	LED	0601 - 002055
MIC600	MIC - CONDENSOR	3003 - 001107
MODULE1	FILTER	2911 - 000007
OSC100	OSCILLATOR - VCTCXO	2809 - 001281
OSC400	CRYSTAL - UNIT	2801 - 004373
Q100,Q101,Q102,Q103	TR - DIGITAL	0504 - 001151
R100,R101,R102,R104	R - CHIP	2007 - 000162
R105	R - CHIP	2007 - 000173
R108,R200,R307,R504	R - CHIP	2007 - 000148
R110,R118,R120,R127	R - CHIP	2007 - 000171
R121,R125	R - CHIP	2007 - 007014
R122,R124,R128,R131	R - CHIP	2007 - 000170
R123	R - CHIP	2007 - 001303
R130,R132,R134,R201	R - CHIP	2007 - 000171
R133,R608,R615,U709	R - CHIP	2007 - 000138
R203,R204,R600,R603	R - CHIP	2007 - 000242
R205	R - NETWORK	2011 - 001394
R206	R - CHIP	2007 - 000143
R208,R209,R213,R308	R - CHIP	2007 - 000171
R302	R - CHIP	2007 - 001325
R303,R306,R404,R501	R - CHIP	2007 - 000162
R312,R316,R317,R618	R - CHIP	2007 - 000171
R400	R - CHIP	2007 - 007592

SEC CODE	Description	Design LOC
R401,R512	R - CHIP	2007 - 007334
R402	R - CHIP	2007 - 007100
R409,R607,R612	R - CHIP	2007 - 002796
R500,R502	R - CHIP	2007 - 000758
R503,R509,R613,R700	R - CHIP	2007 - 000162
R505,R506	R - CHIP	2007 - 000170
R507	R - CHIP	2007 - 000152
R510,R616	R - CHIP	2007 - 007573
R511	R - CHIP	2007 - 000137
R513	R - CHIP	2007 - 008275
R514	R - CHIP	2007 - 007875
R515,R516	R - CHIP	2007 - 008531
R517,R518	R - CHIP	2007 - 008542
R601,R610	R - CHIP	2007 - 000148
R602,R604,R605,R606	R - CHIP	2007 - 000151
R609,R611	R - CHIP	2007 - 000242
R614	R - CHIP	2007 - 001339
R617	R - CHIP	2007 - 007480
R701,R702,R703,R704	R - CHIP	2007 - 002970
R705,R706,R707,R708	R - CHIP	2007 - 002970
R709,R710,R711,R712	R - CHIP	2007 - 002970
R720	R - CHIP	2007 - 000162
R721,R722,R723,R724	R - CHIP	2007 - 002970
R725,R726	R - CHIP	2007 - 002970
SIM400	CONNECTOR - CARD EDGE	3709 - 001384
U100	IC	1205 - 002709
U101	IC - RF	1201 - 002223
U103,U303	IC	0801 - 002237
U200	IC	1205 - 002647
U300	IC - IMAGE	GH13 - 00030A
U301	IC	1204 - 002138
U302	MEMORY	1108 - 000022
U306	IC	1209 - 001618
U307	IC	0801 - 002882
U400	IC	1203 - 003568
U401	IC	1203 - 002837
U500	DIODE - TVS	0406 - 001188
U501	FILTER - EMI SMD	2901 - 001315
U502	TR - DIGITAL	0504 - 001151
U503	IC	1203 - 003742
U504	IC	1203 - 003737
U602,U605,U606	IC	1001 - 001231
U603	IC	1202 - 001068
U700	IC	1203 - 003754
U701	IC	1009 - 001010
U702	FET - SILICON	0505 - 001469
U711	RF - MODULE	4709 - 001374
U712	IC	1201 - 002241
V300,V301,V302,V400	VARISTOR	1405 - 001082
V401,V703	VARISTOR	1405 - 001133

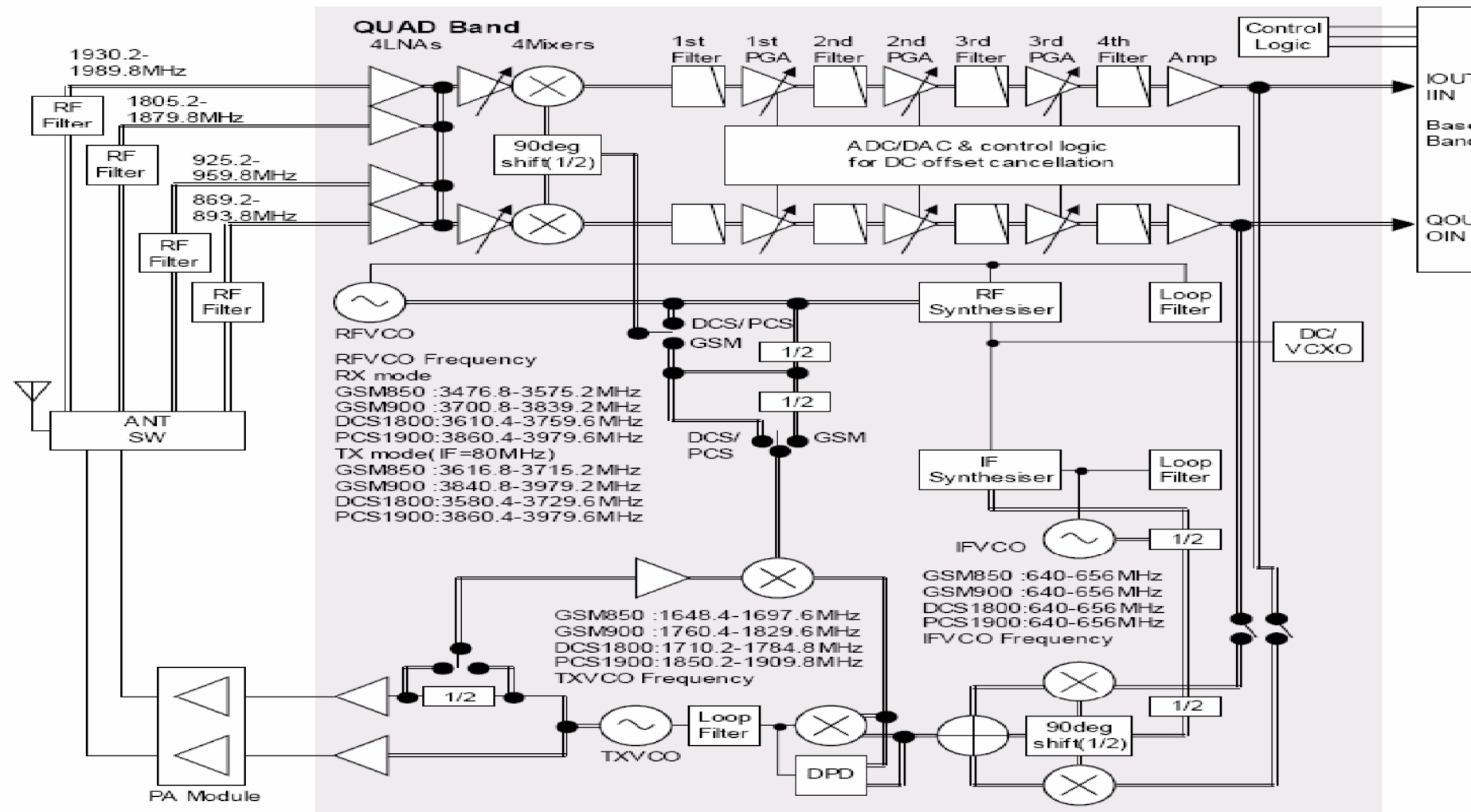
<b>SEC CODE</b>	<b>Description</b>	<b>Design LOC</b>
V500	THERMISTOR	1404-001221
V601,V602,V702,V705	VARISTOR	1405-001082
ZD500	DIODE - ZENER	0403-001547
ZD501	DIODE - ZENER	0403-001427
ZD502,ZD600,ZD602	DIODE - TVS	0406-001203
ZD601,ZD700,ZD701	DIODE - TVS	0406-001208



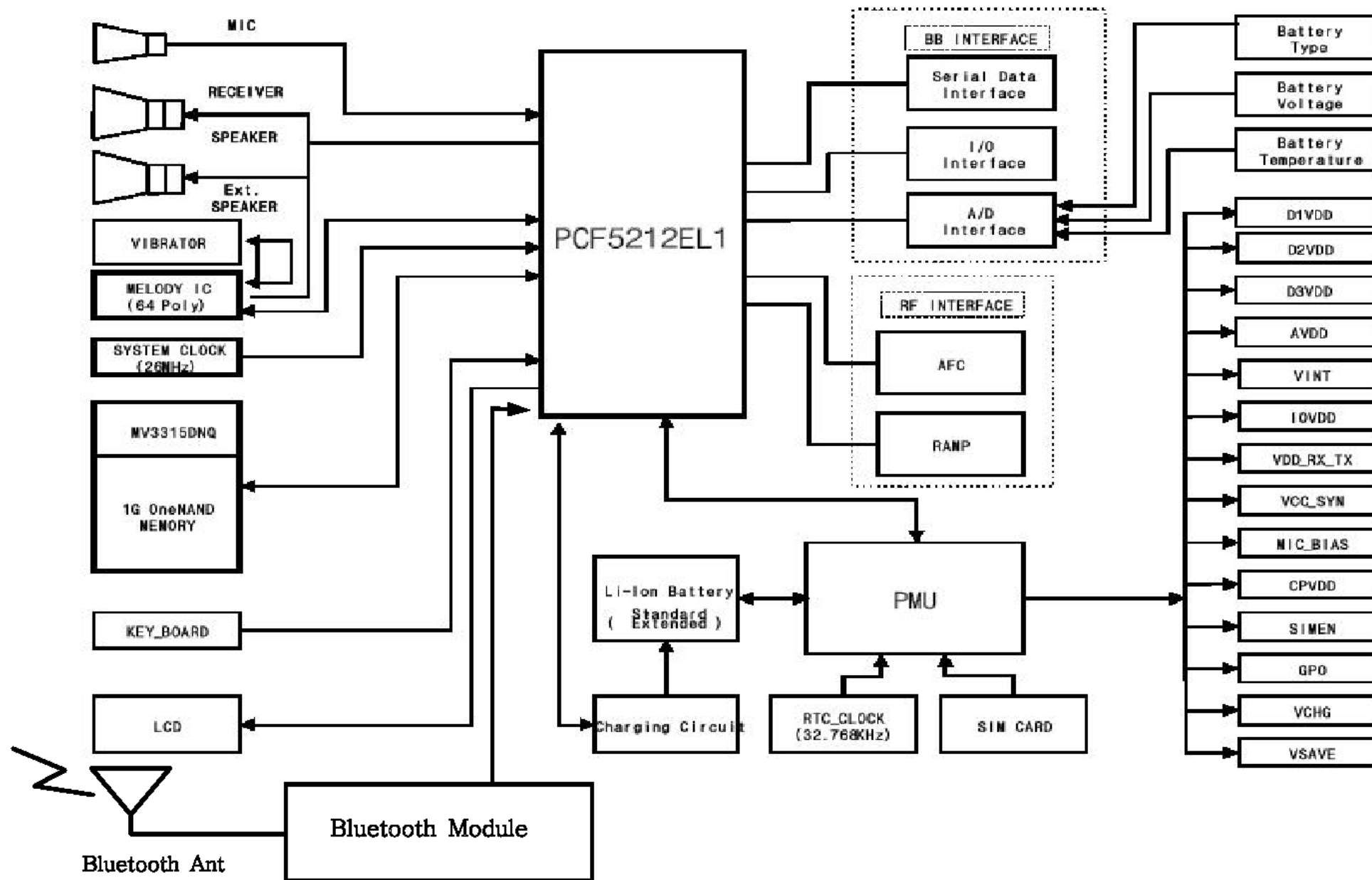
## 5. Block Diagrams

### 5-1. RF Solution Block Diagram

Block Diagram

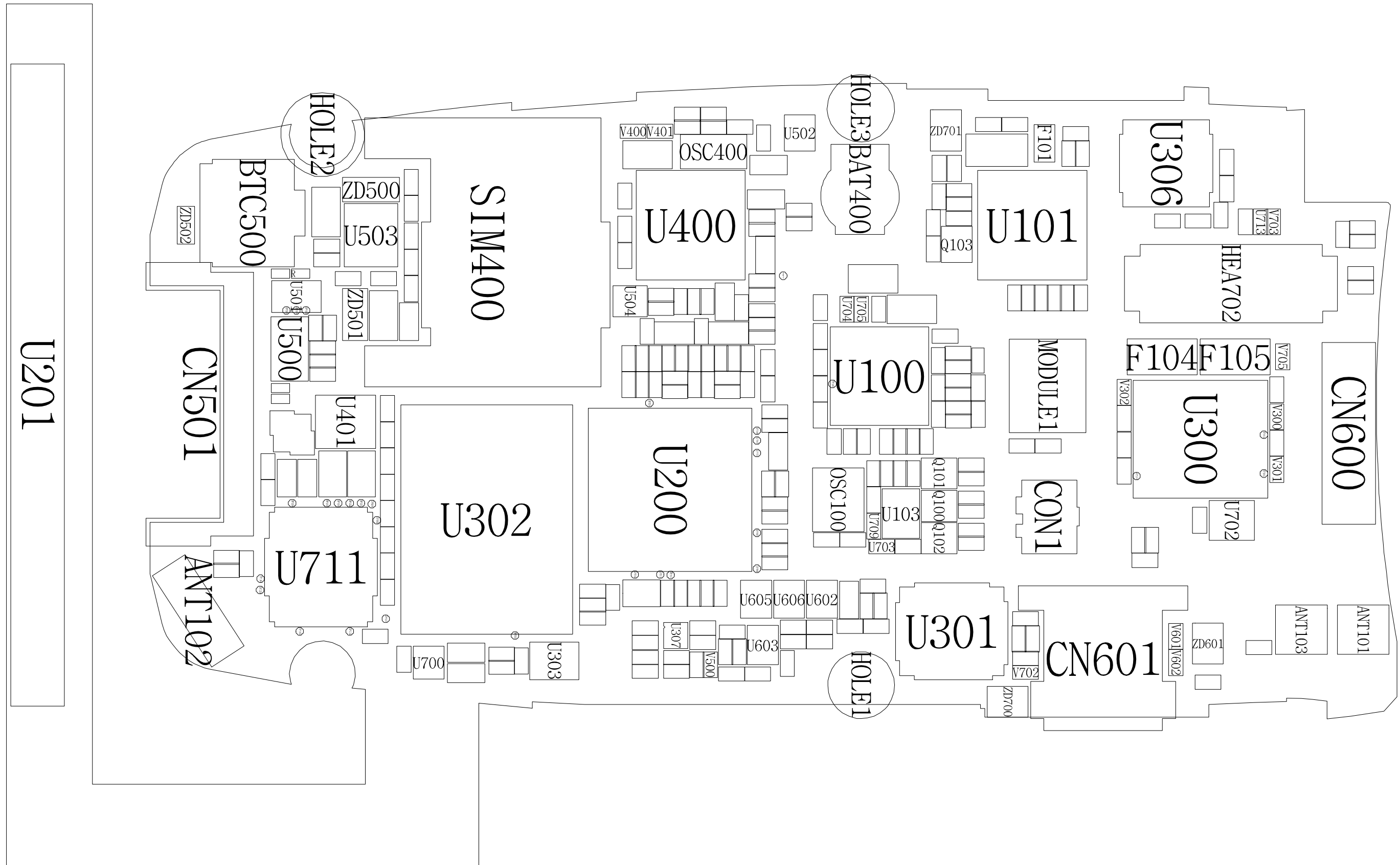


5-2. Base Band Solution Block Diagram

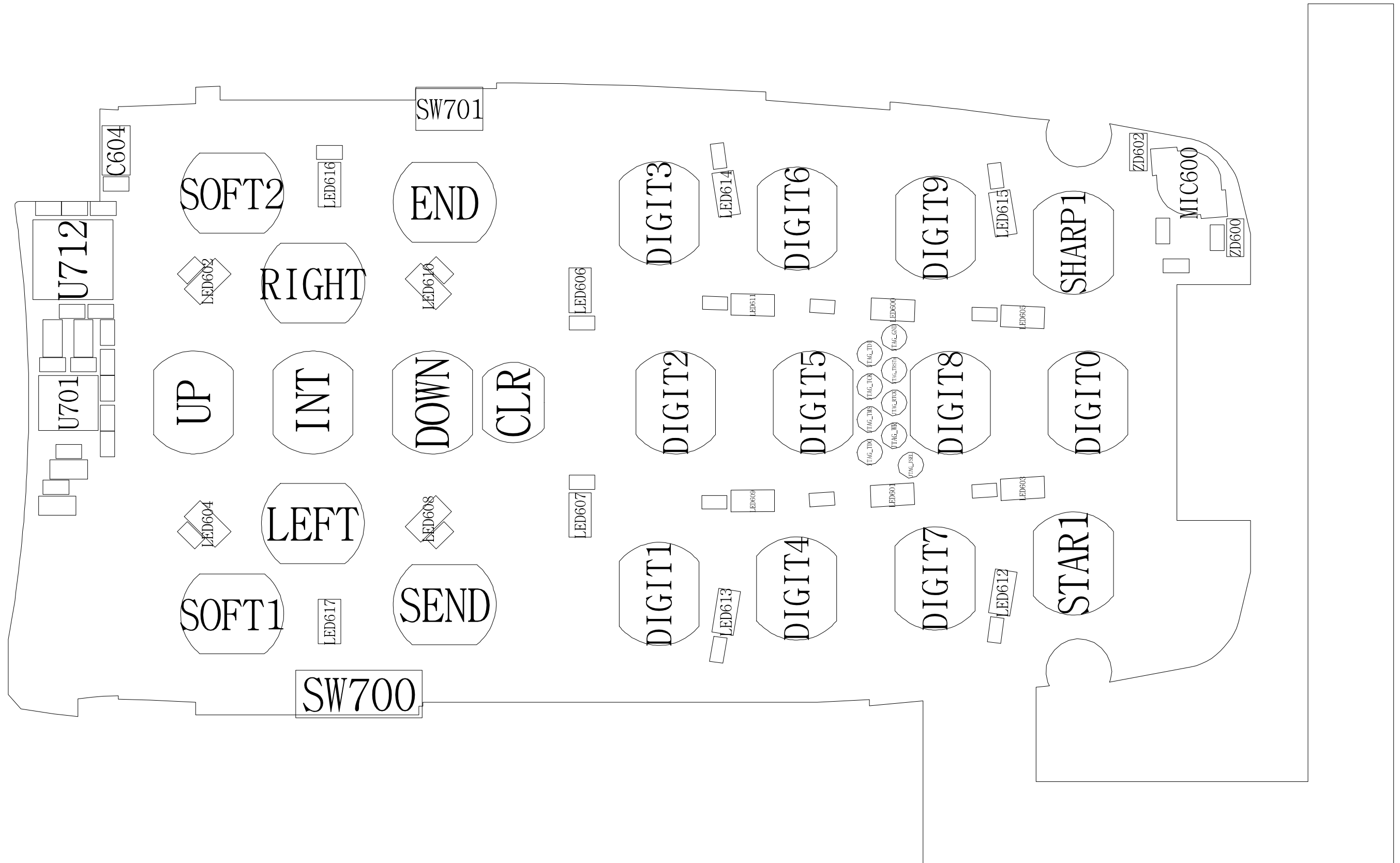


## 6. PCB Diagrams

6-1. PCB Top Diagram



6-2. PCB Bottom Diagram

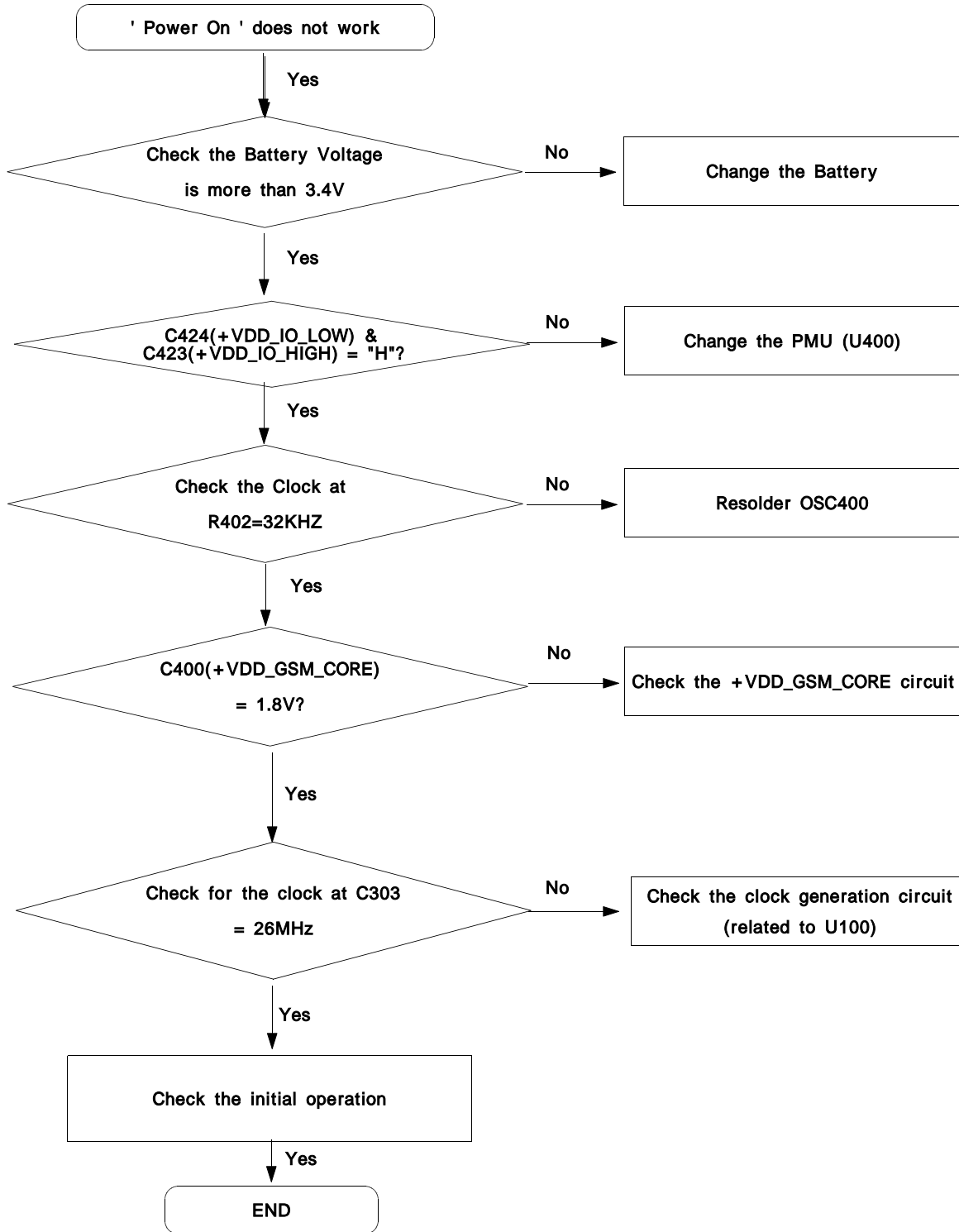


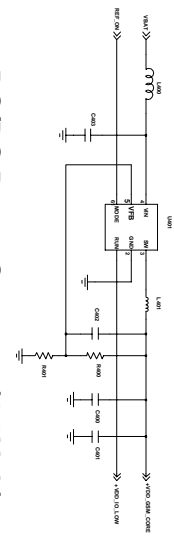
---

## 7. Flow Chart of Troubleshooting

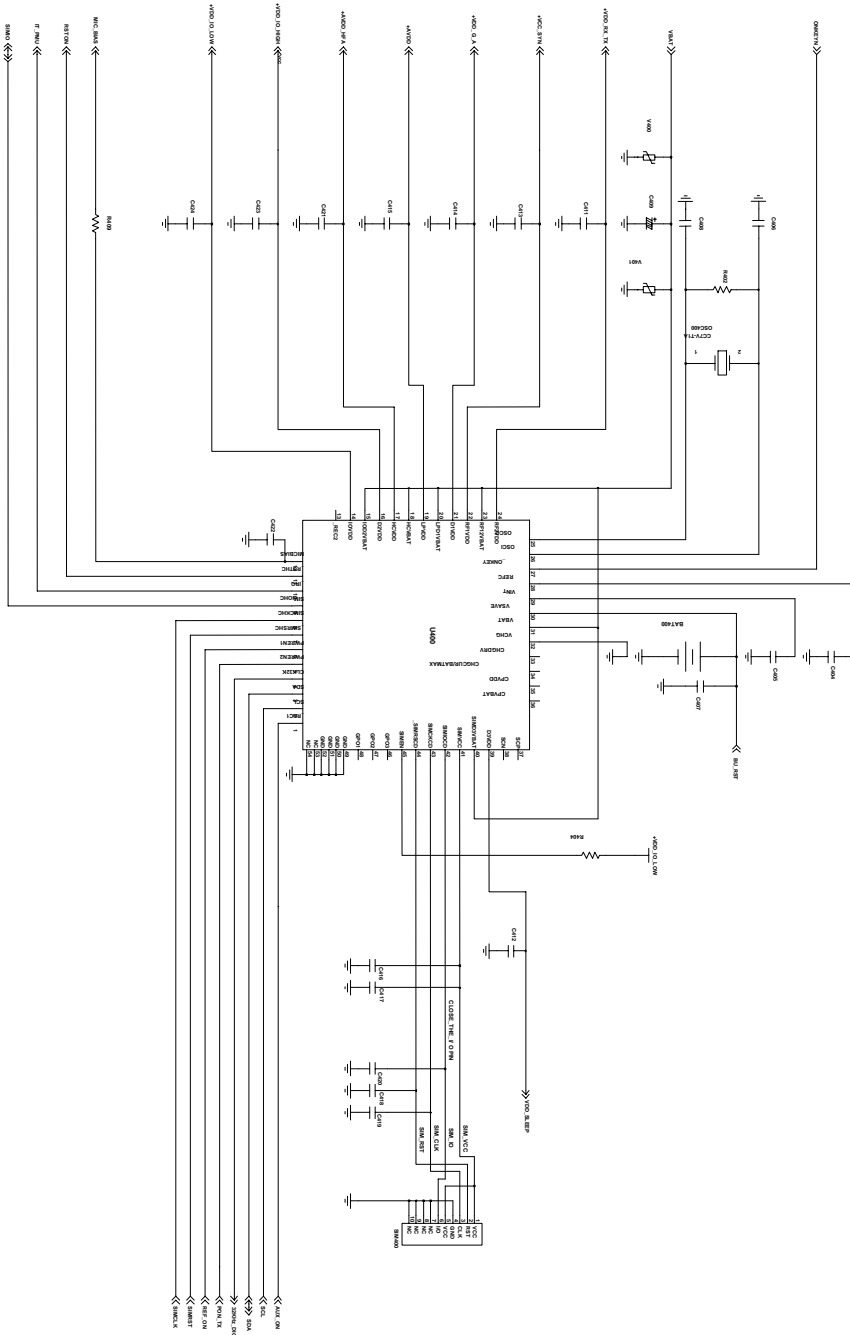
---

### 7-1. Power On

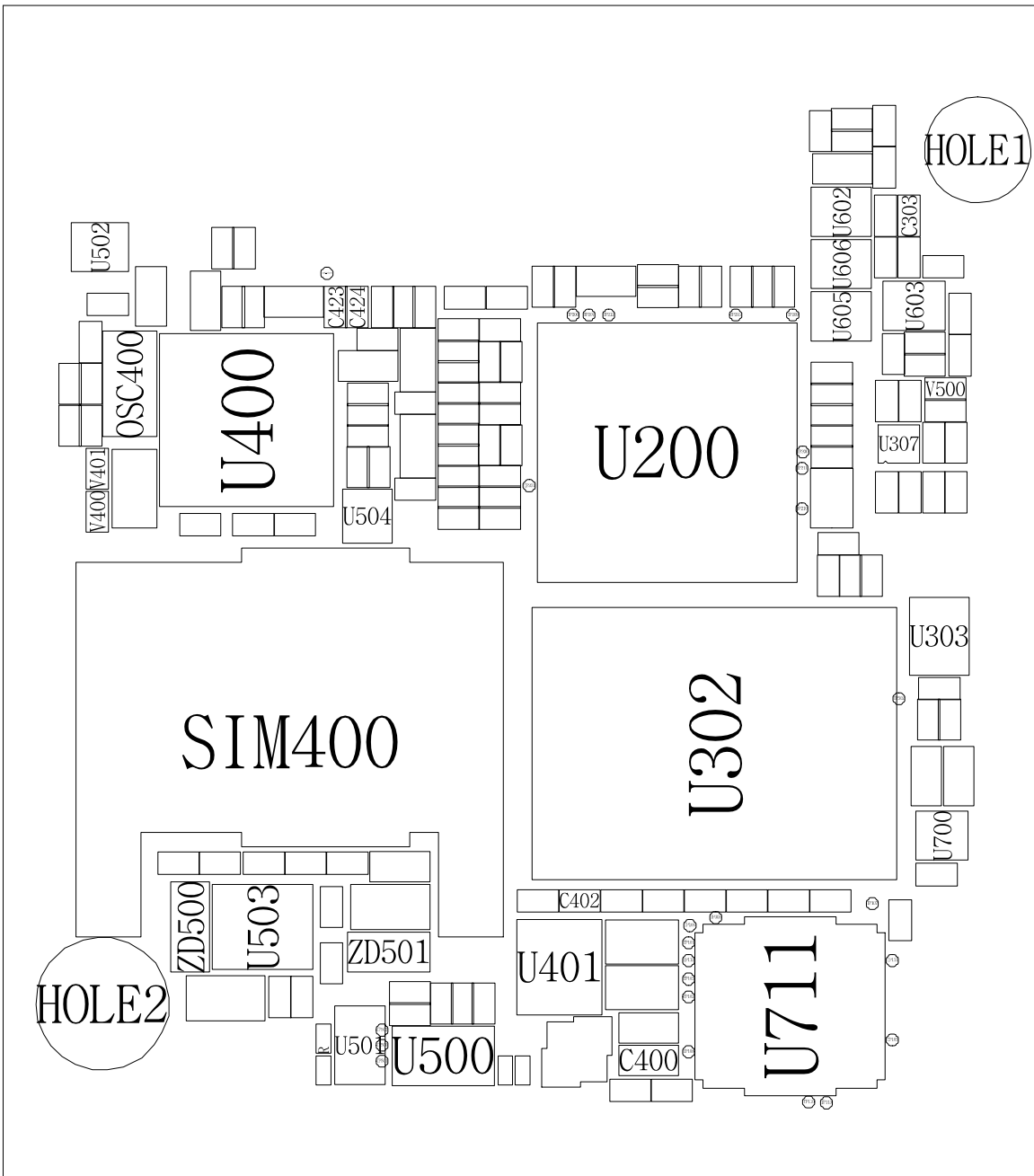




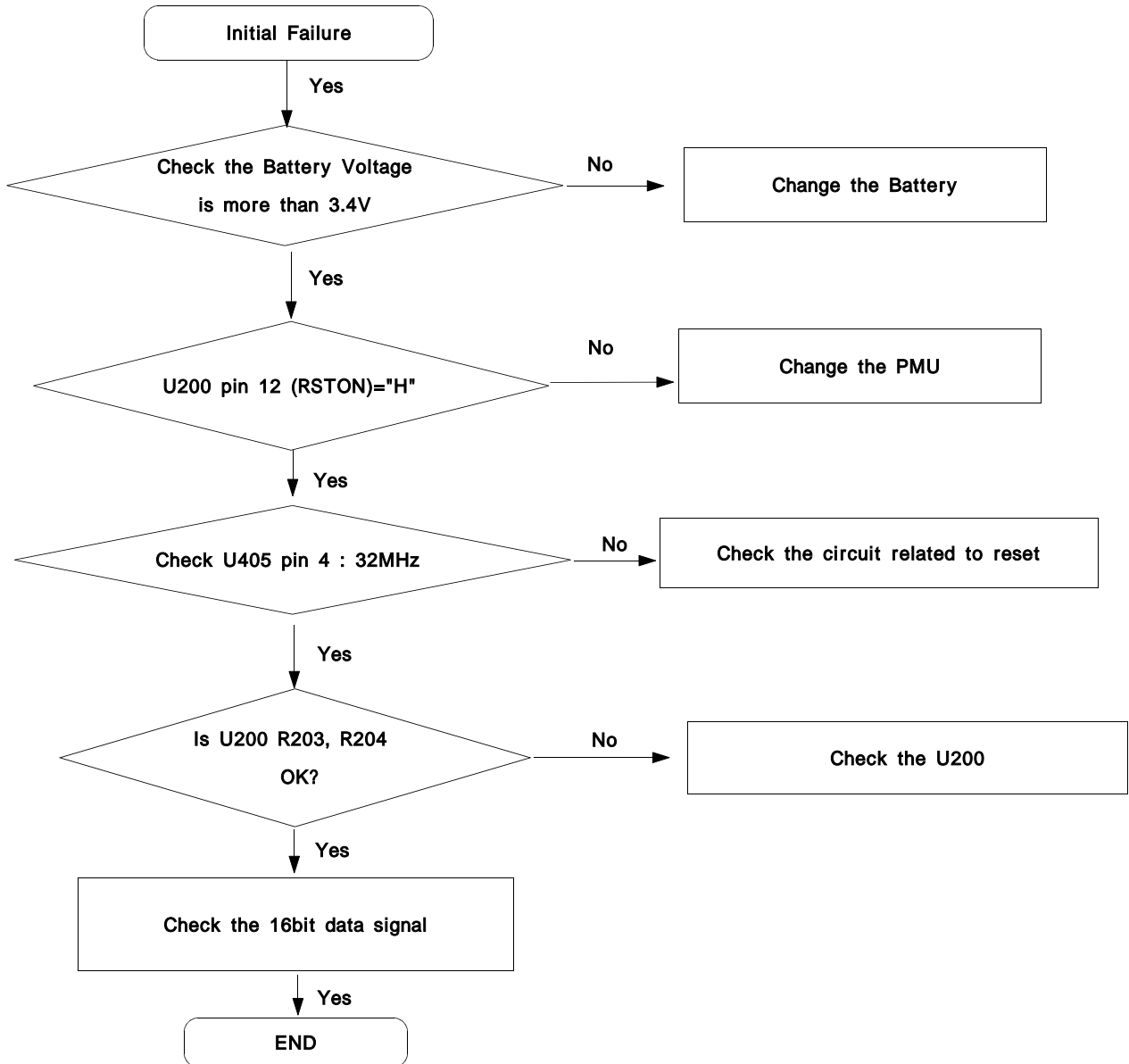
DC/DC Down Converter(1.8Volt)



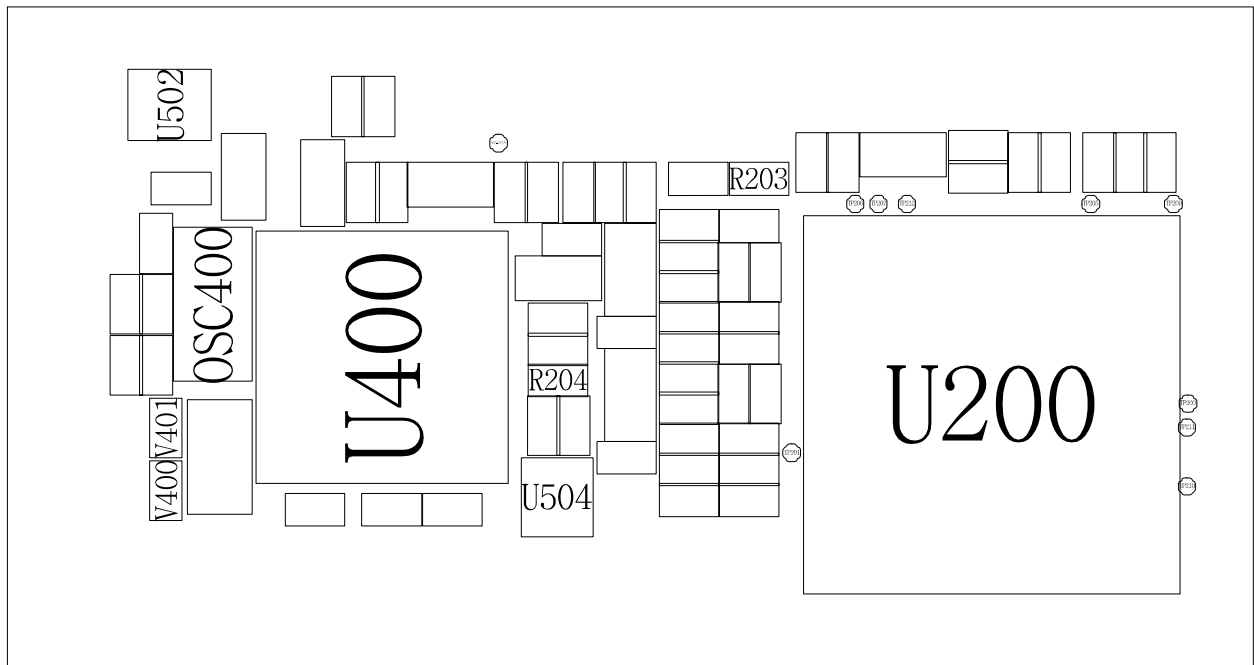
VDD1.8V OK	2.5V
VDD1.8V NG	2.5V
VDD1.8V OK	2.5V
VDD1.8V NG	2.5V
VDD1.8V OK	2.5V
VDD1.8V NG	2.5V
VDD1.8V OK	2.5V
VDD1.8V NG	2.5V
VDD1.8V OK	2.5V
VDD1.8V NG	2.5V



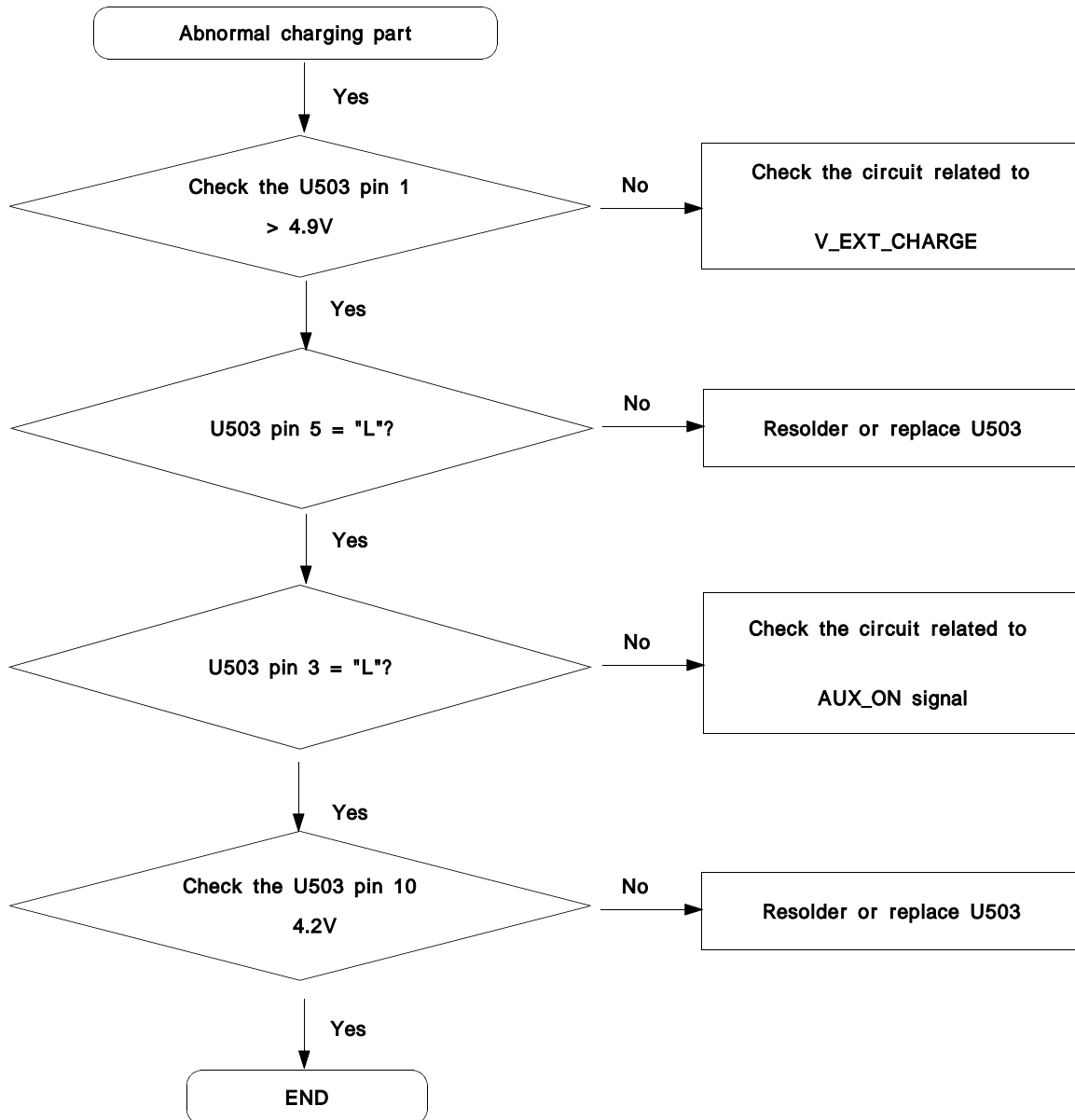
## 7-2. Initial

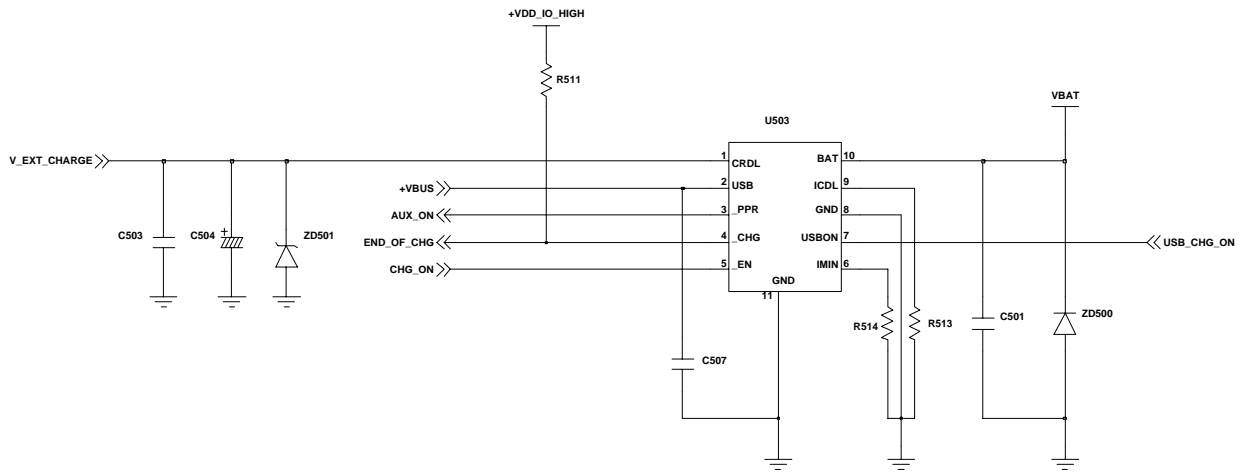




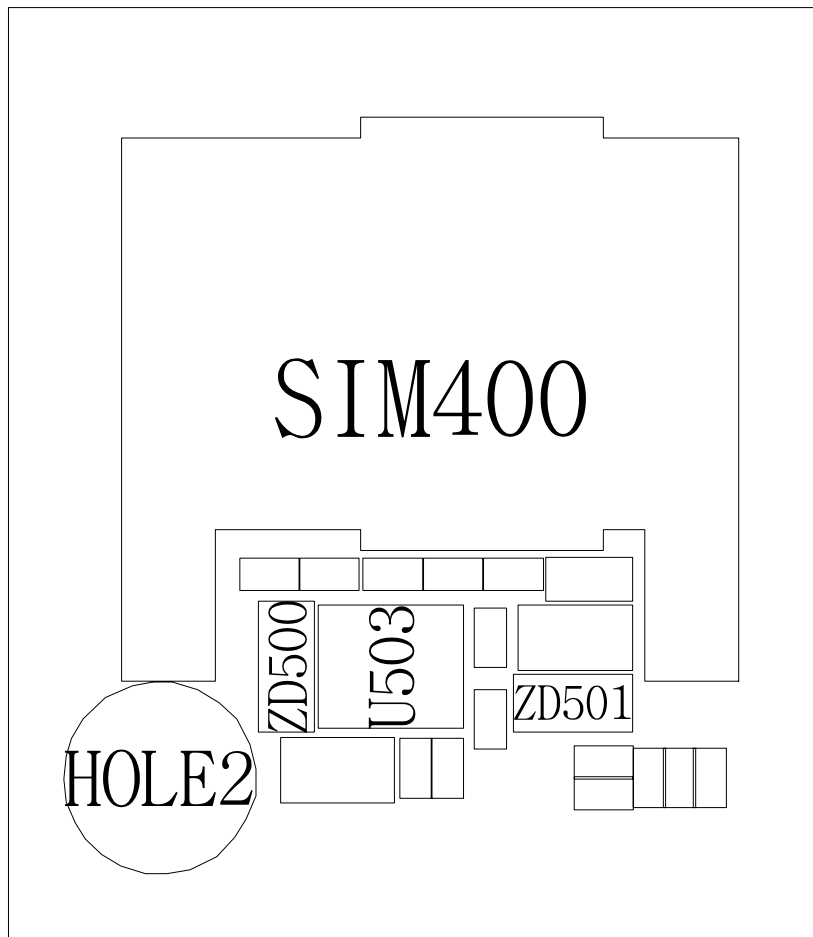


### 7-3. Charging Part

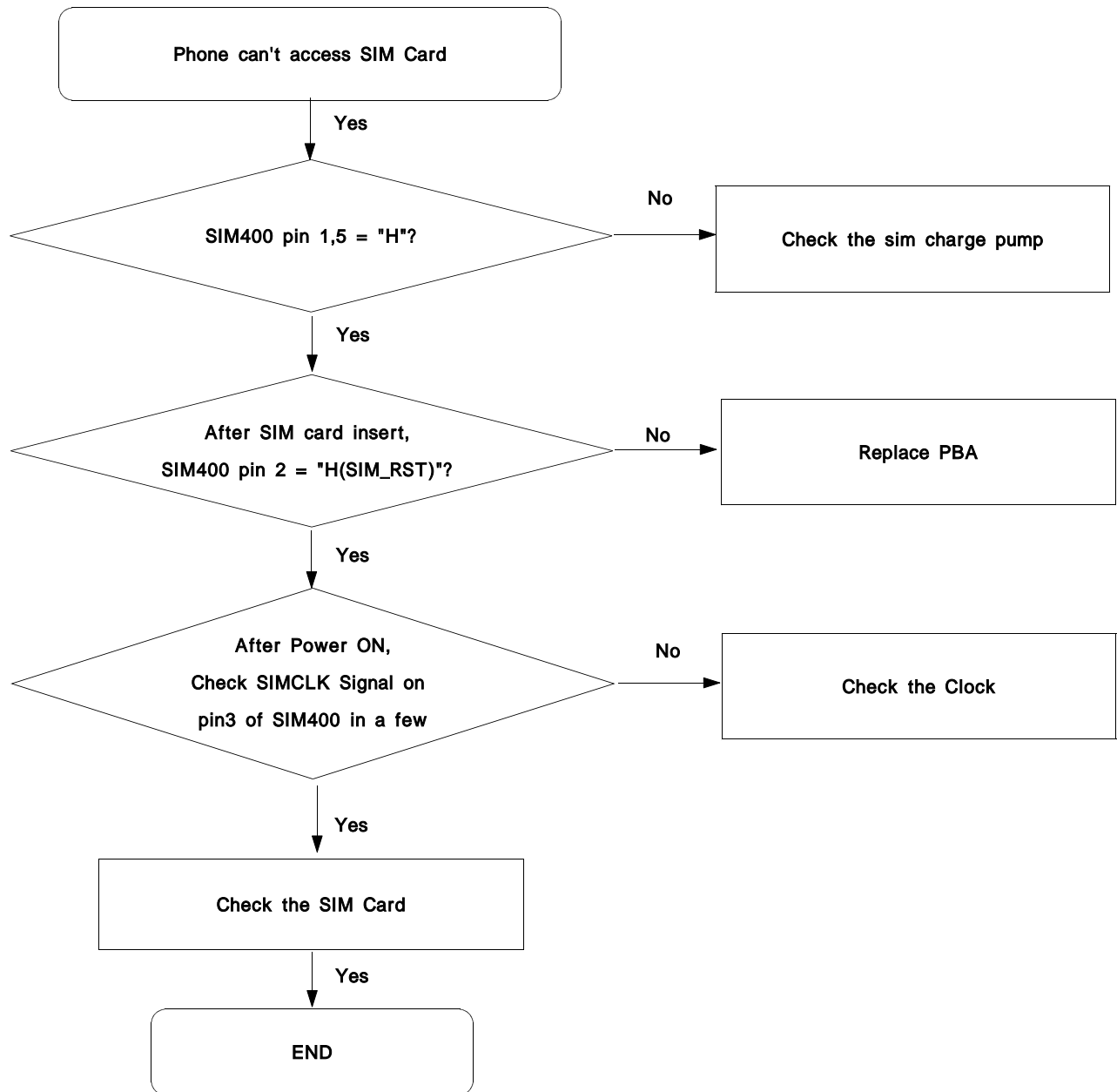


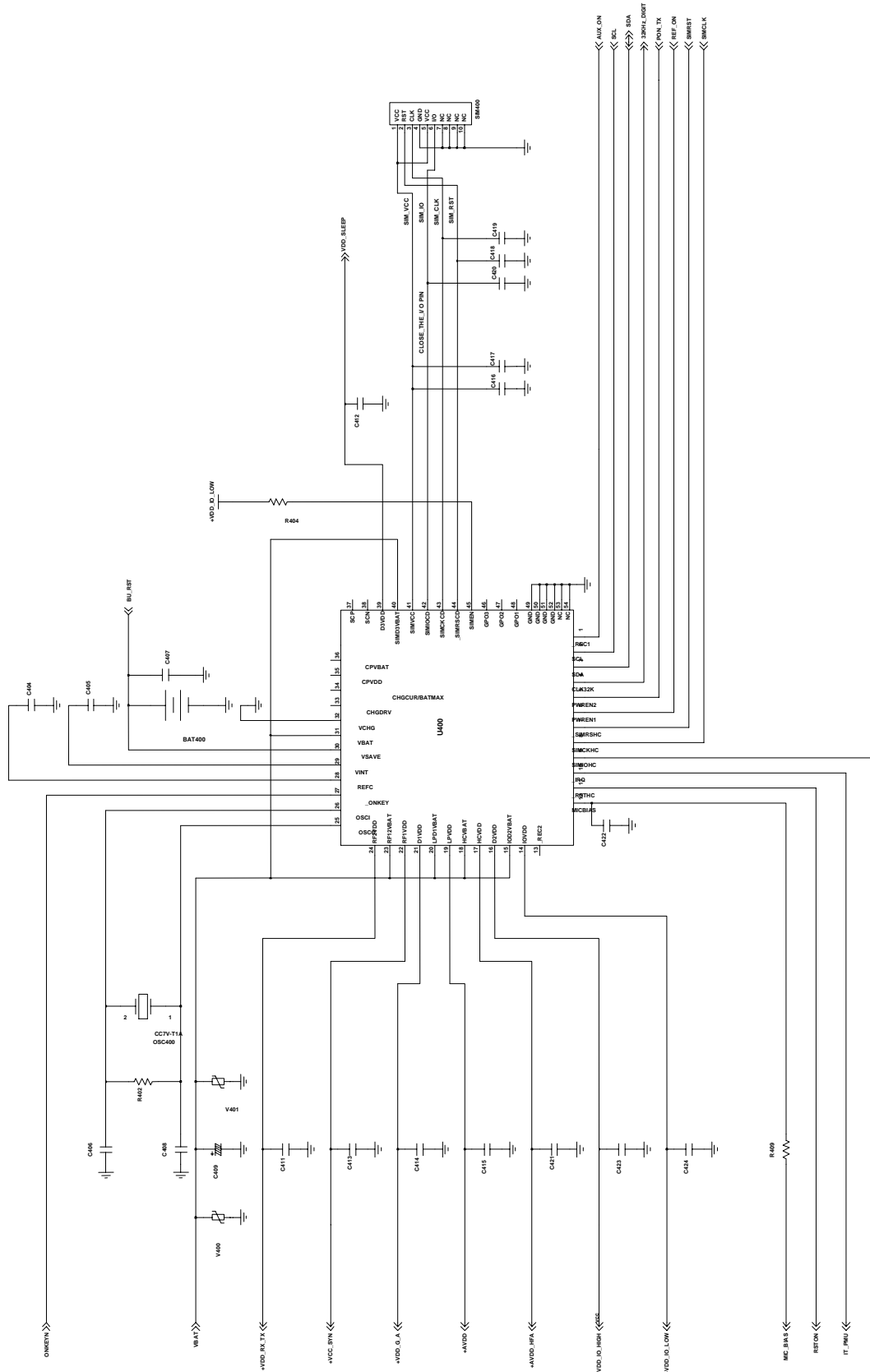


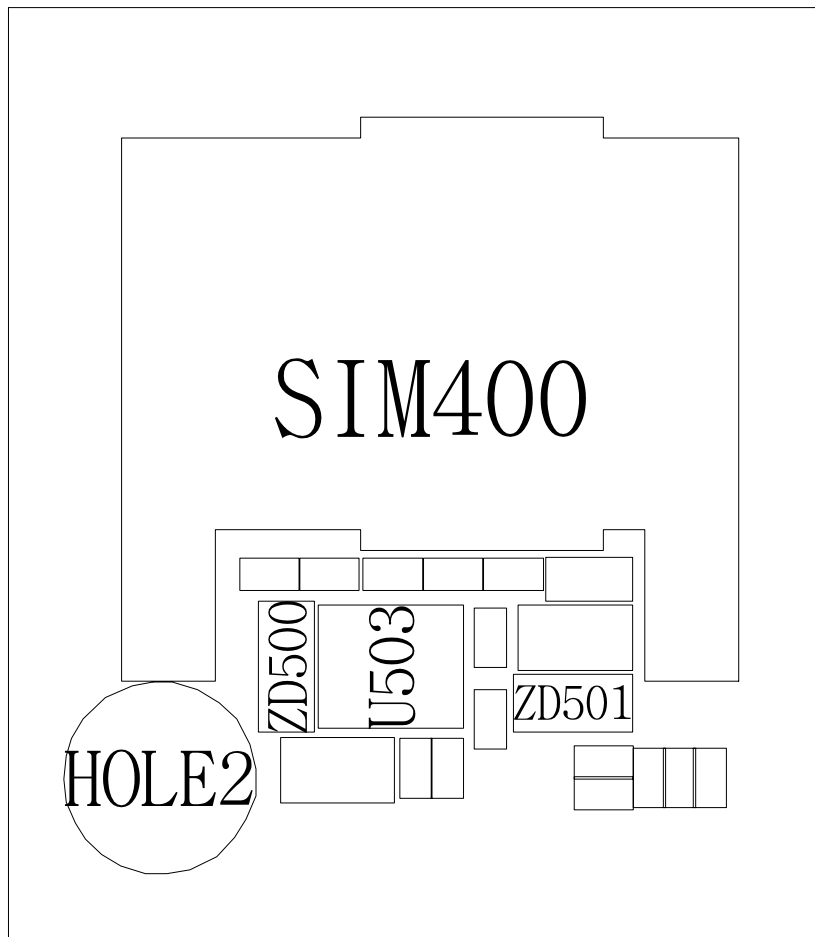
## BATTERY CHARGING



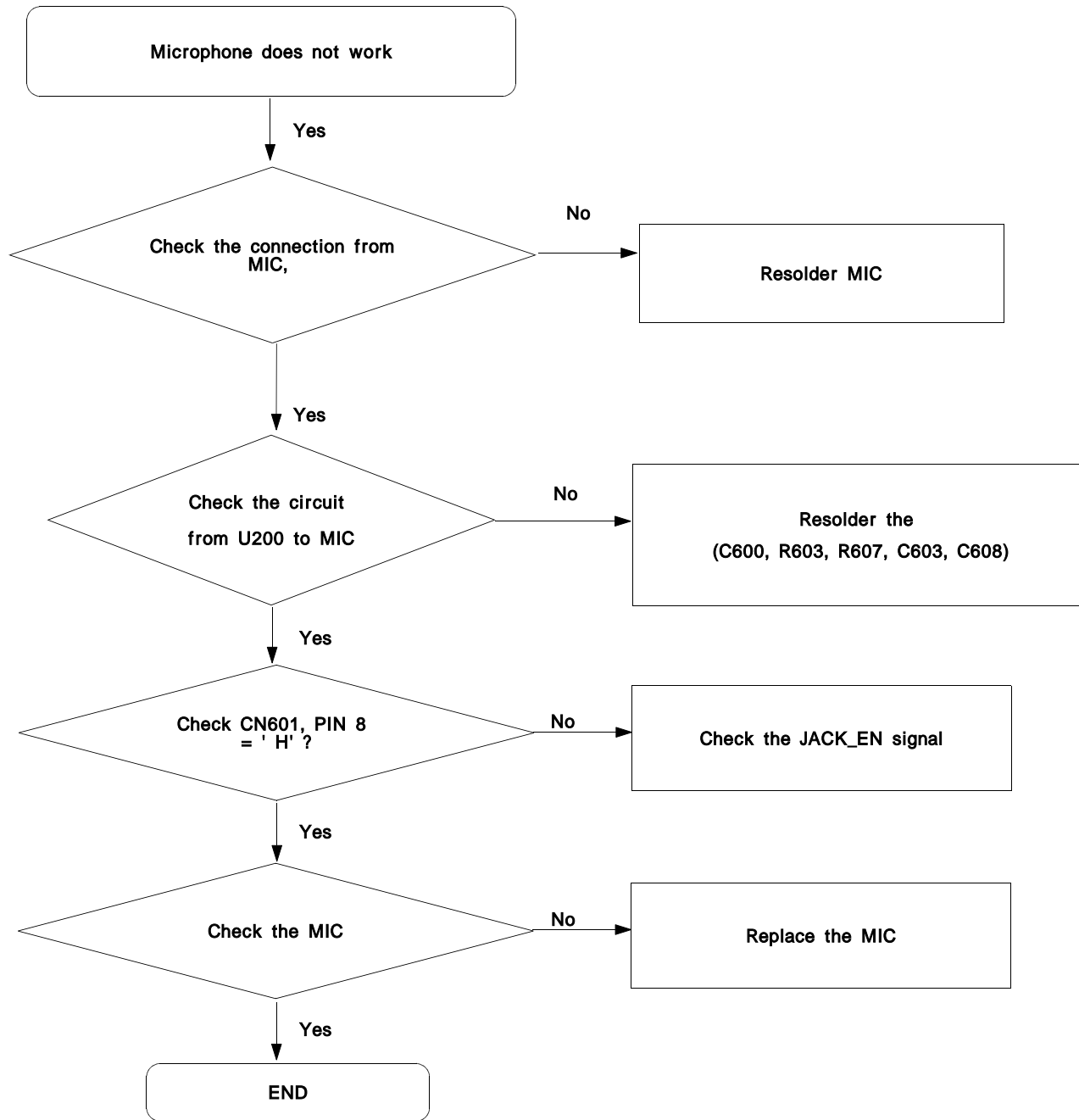
### 7-4. Sim Part

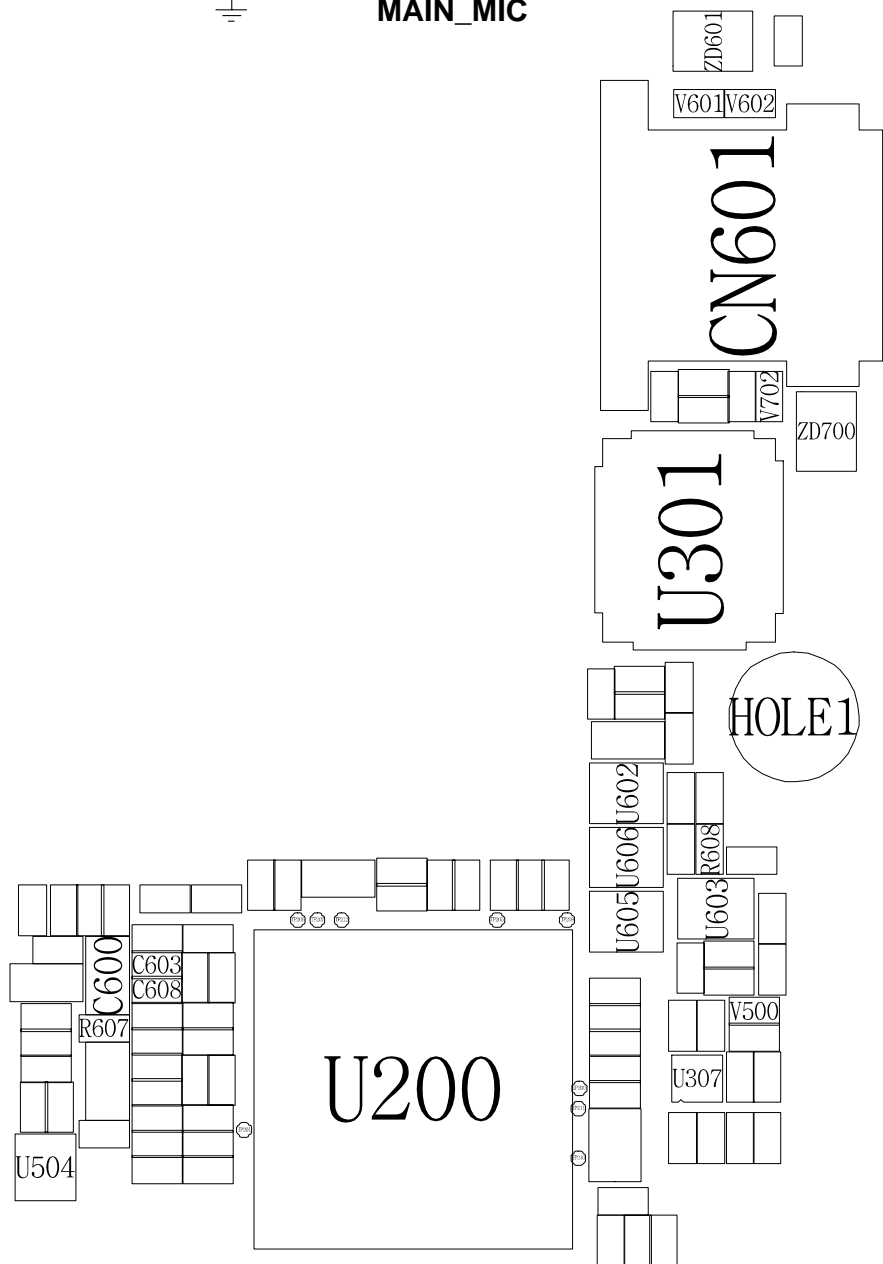
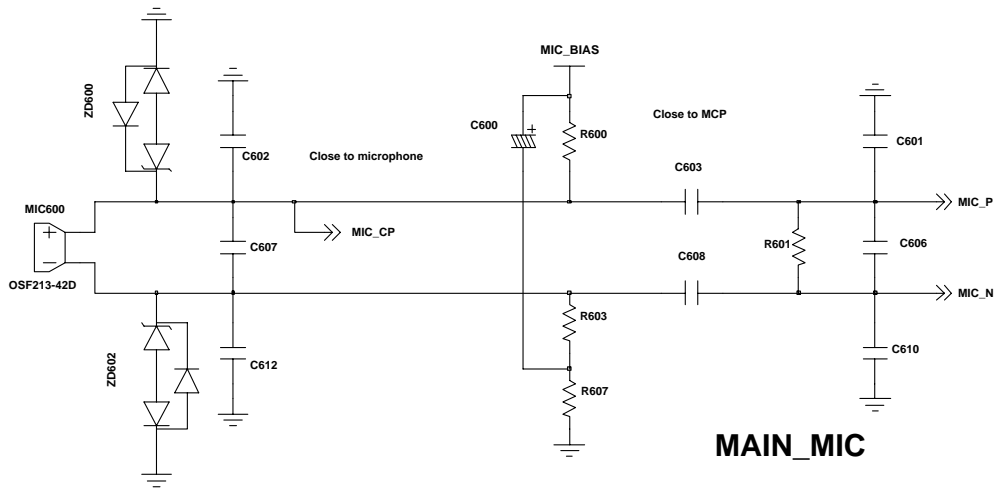






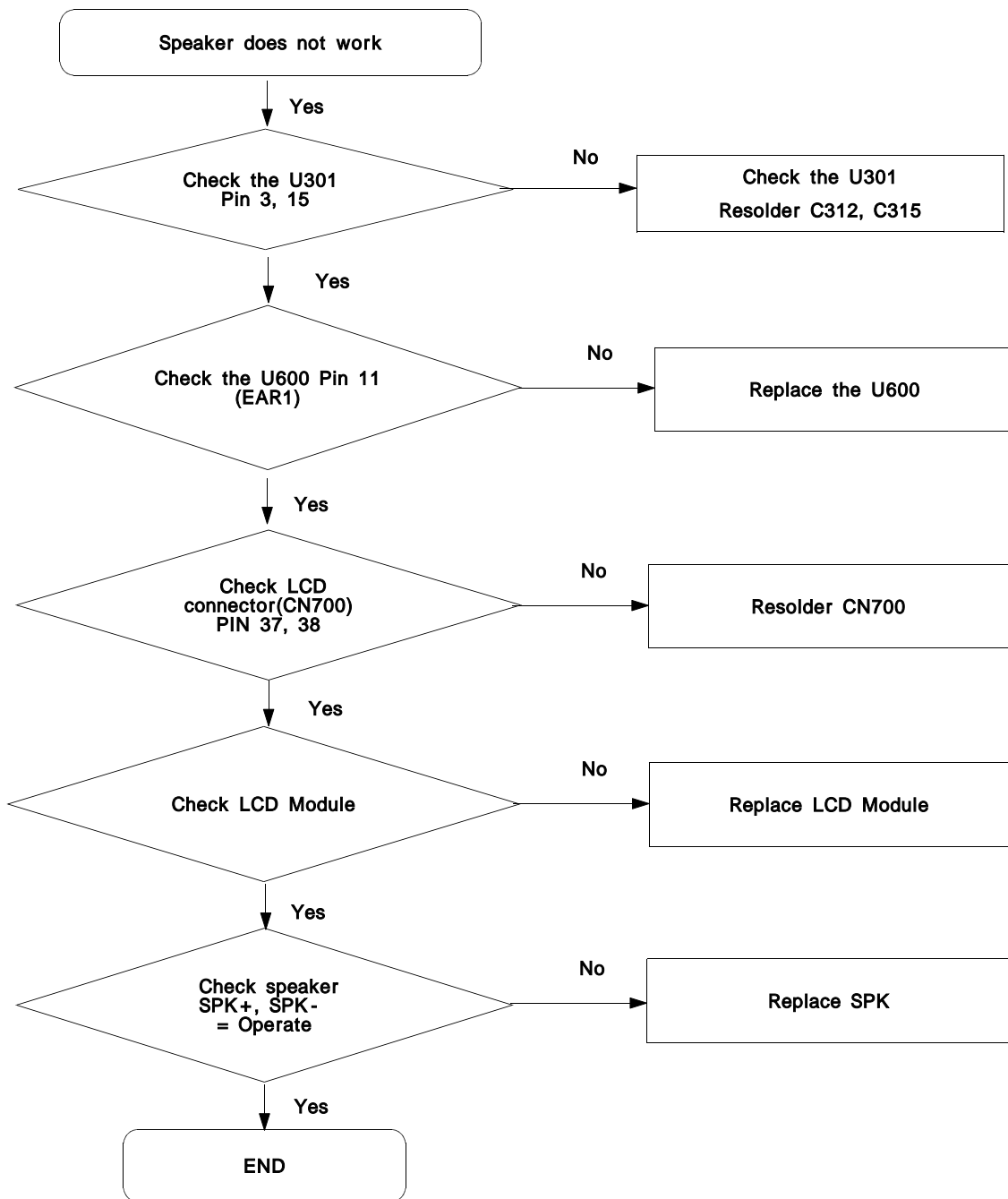
### 7-5. Microphone Part

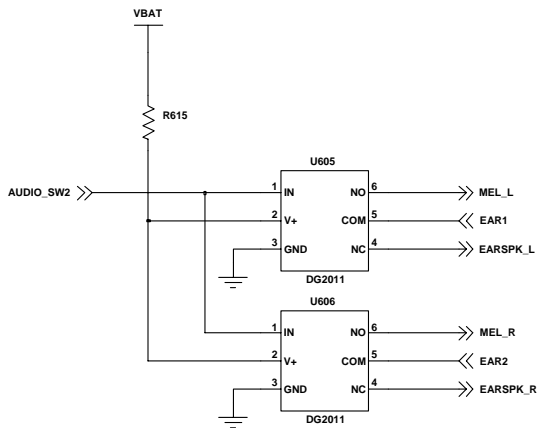
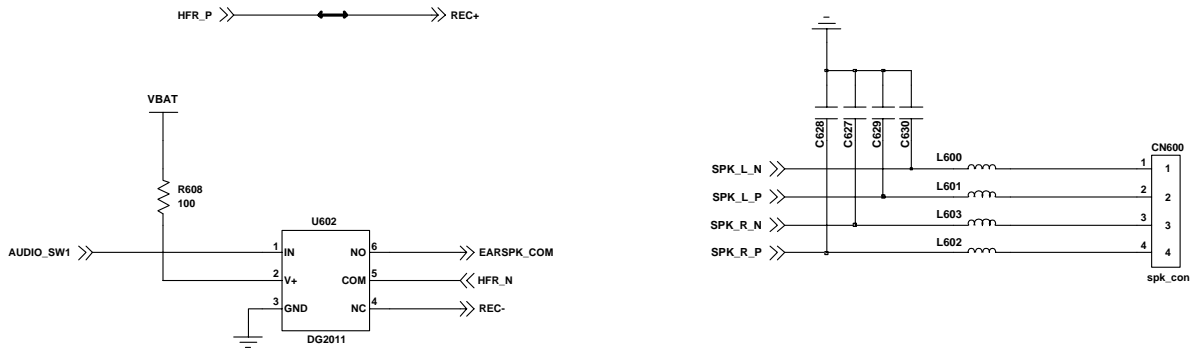
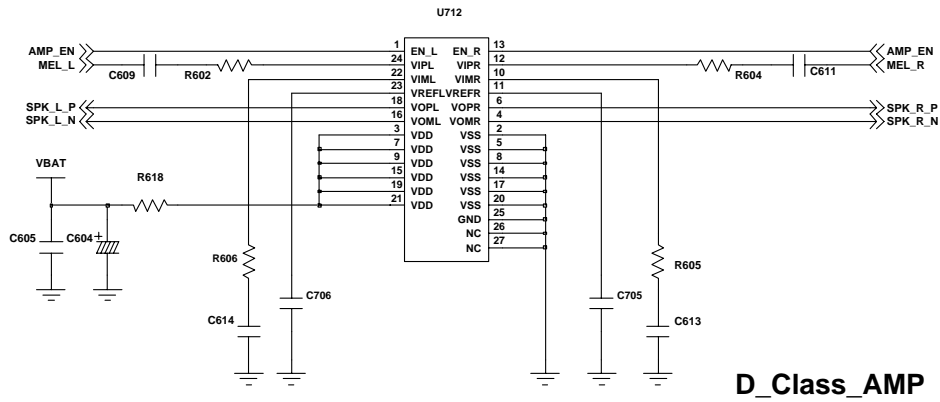


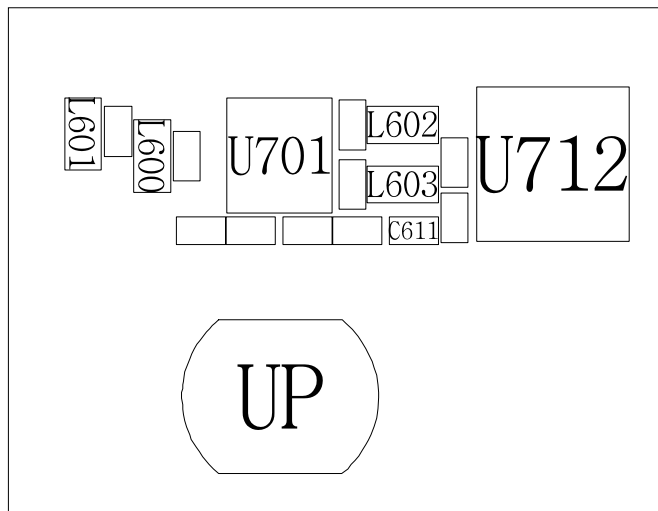
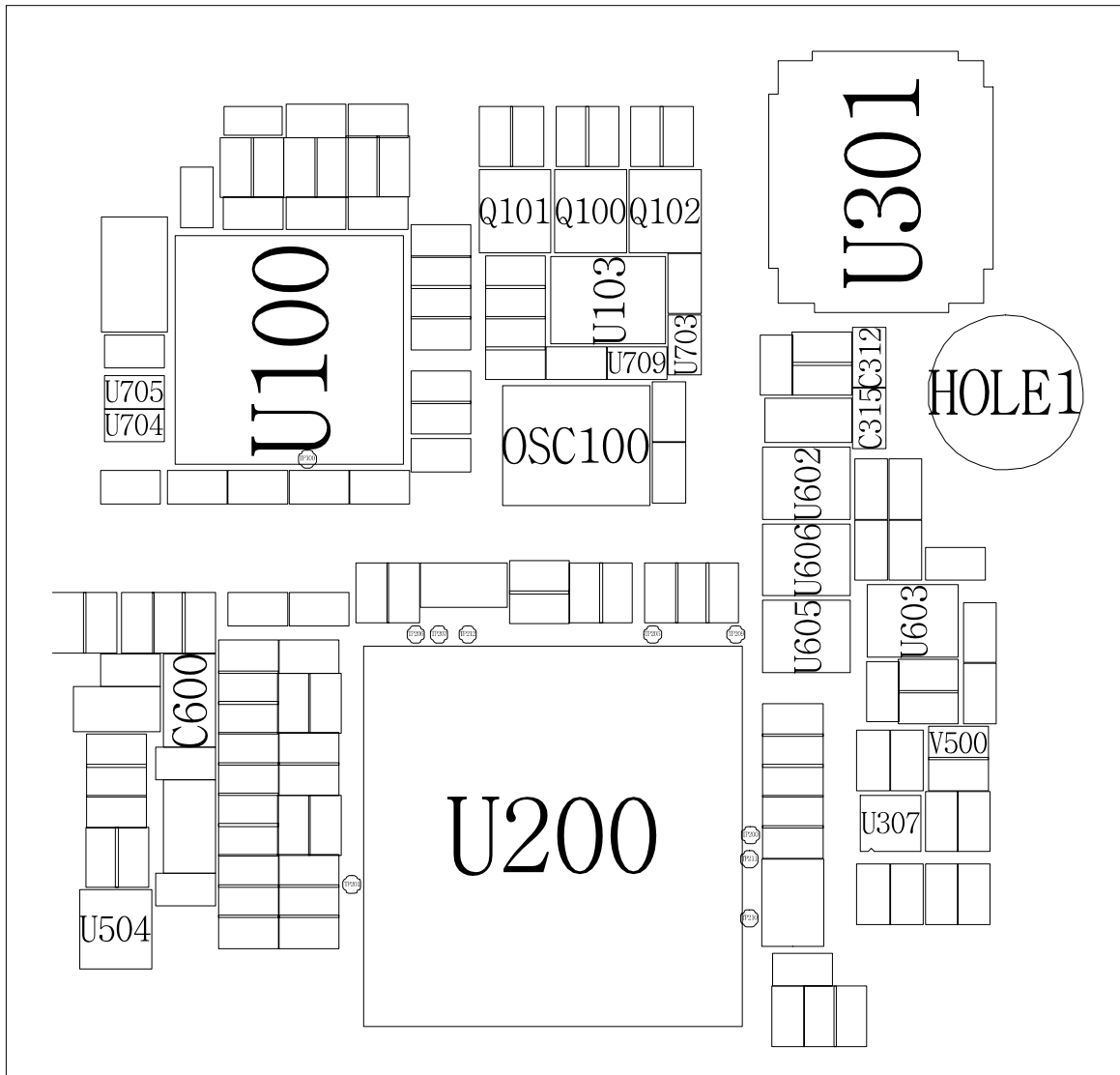




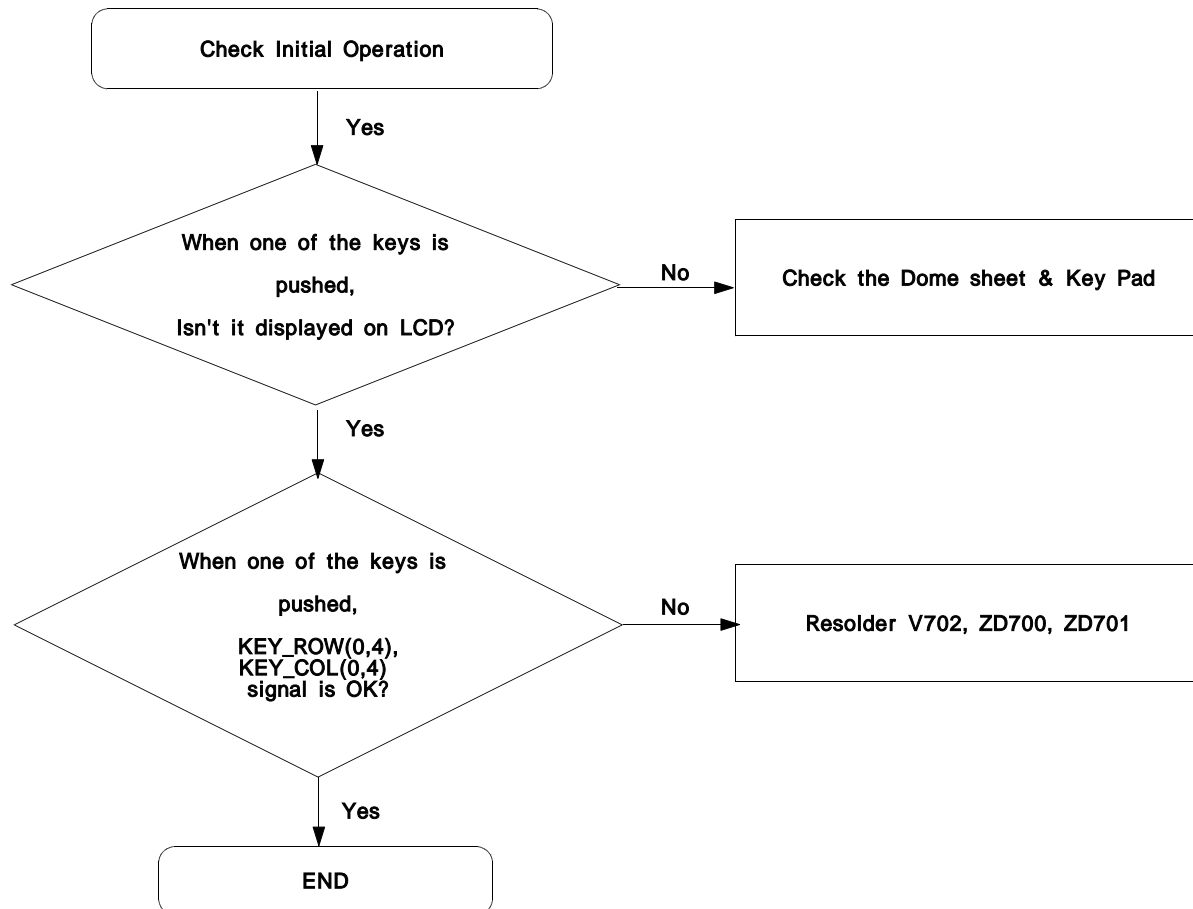
### 7-6. Speaker Part(Melody)

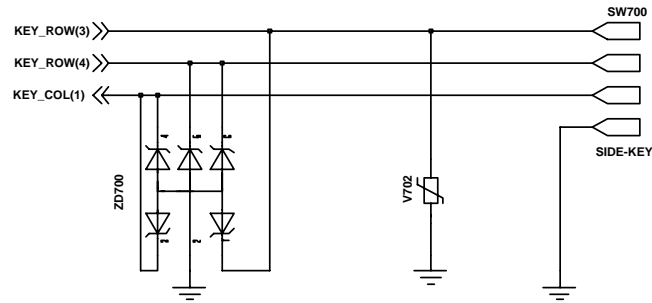




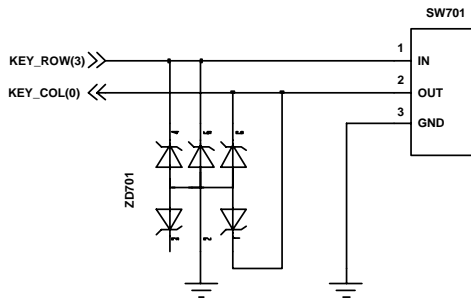


## 7-7. Key Data Input

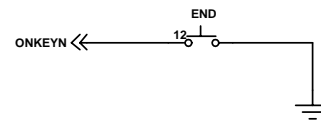




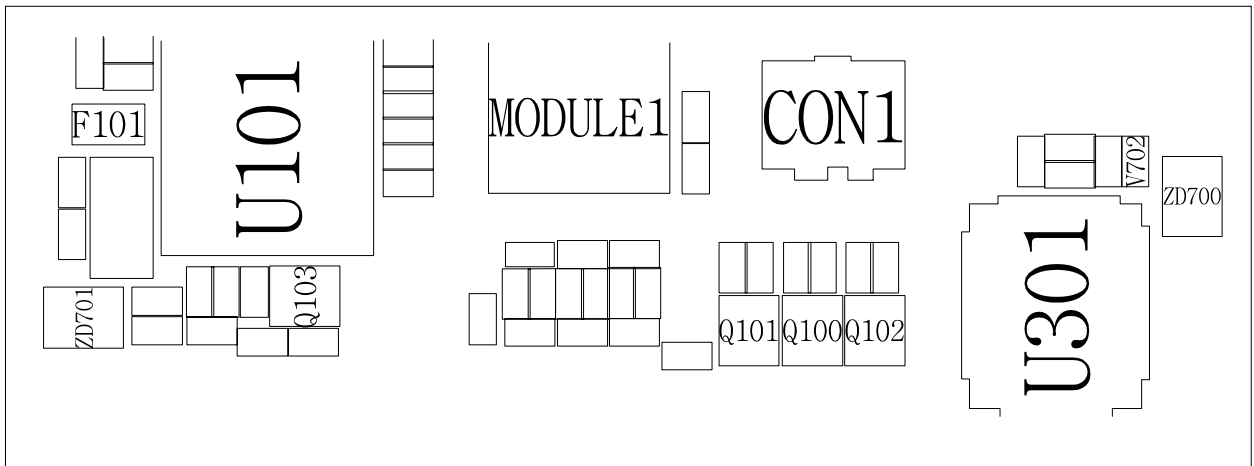
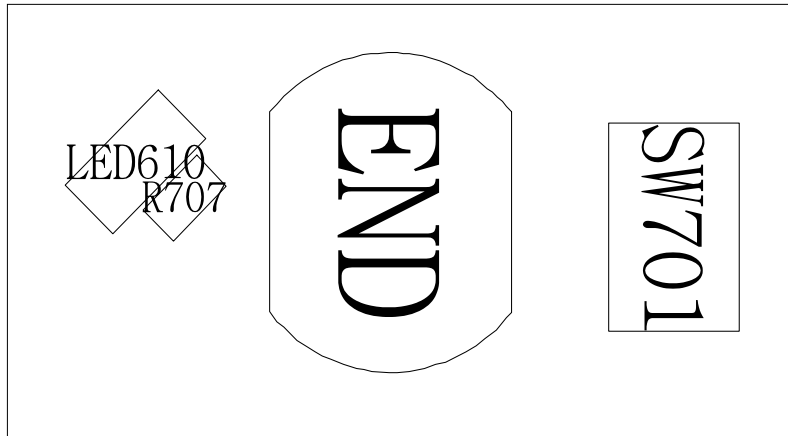
## VOLUME\_KEY



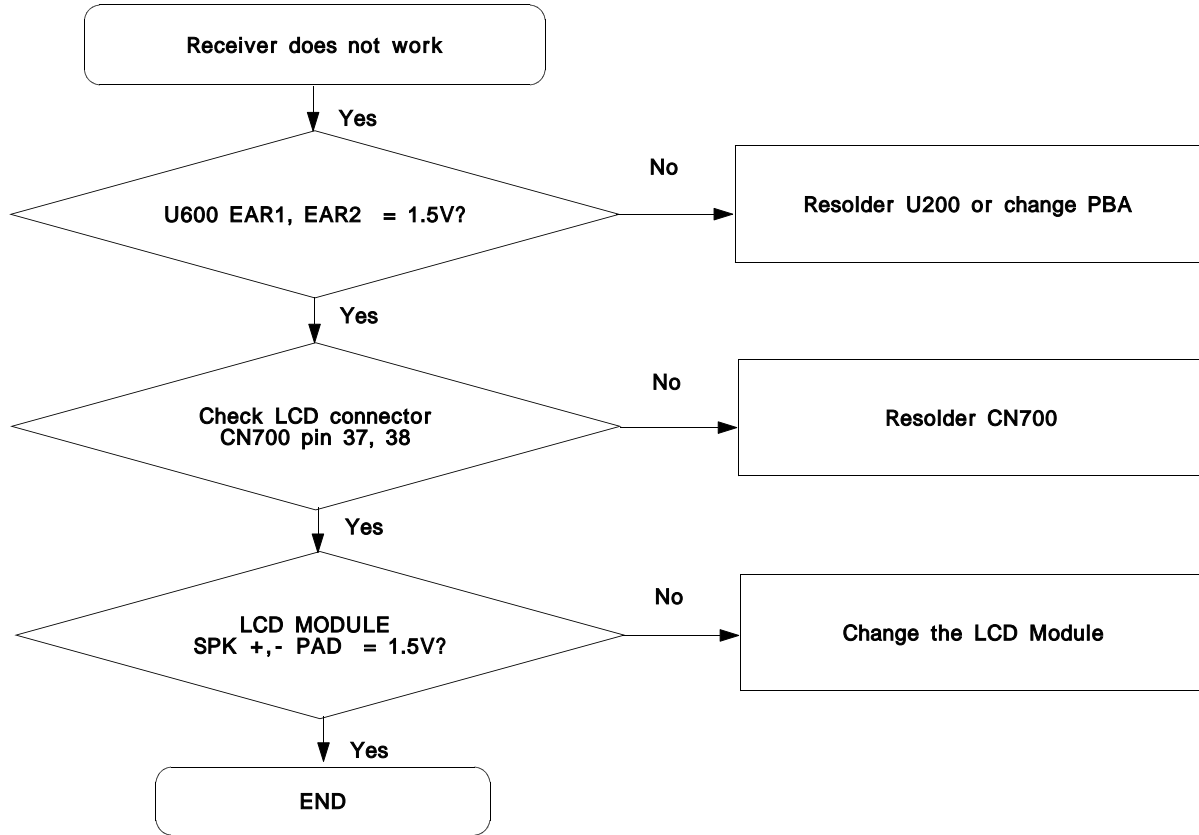
## CAMERA\_KEY

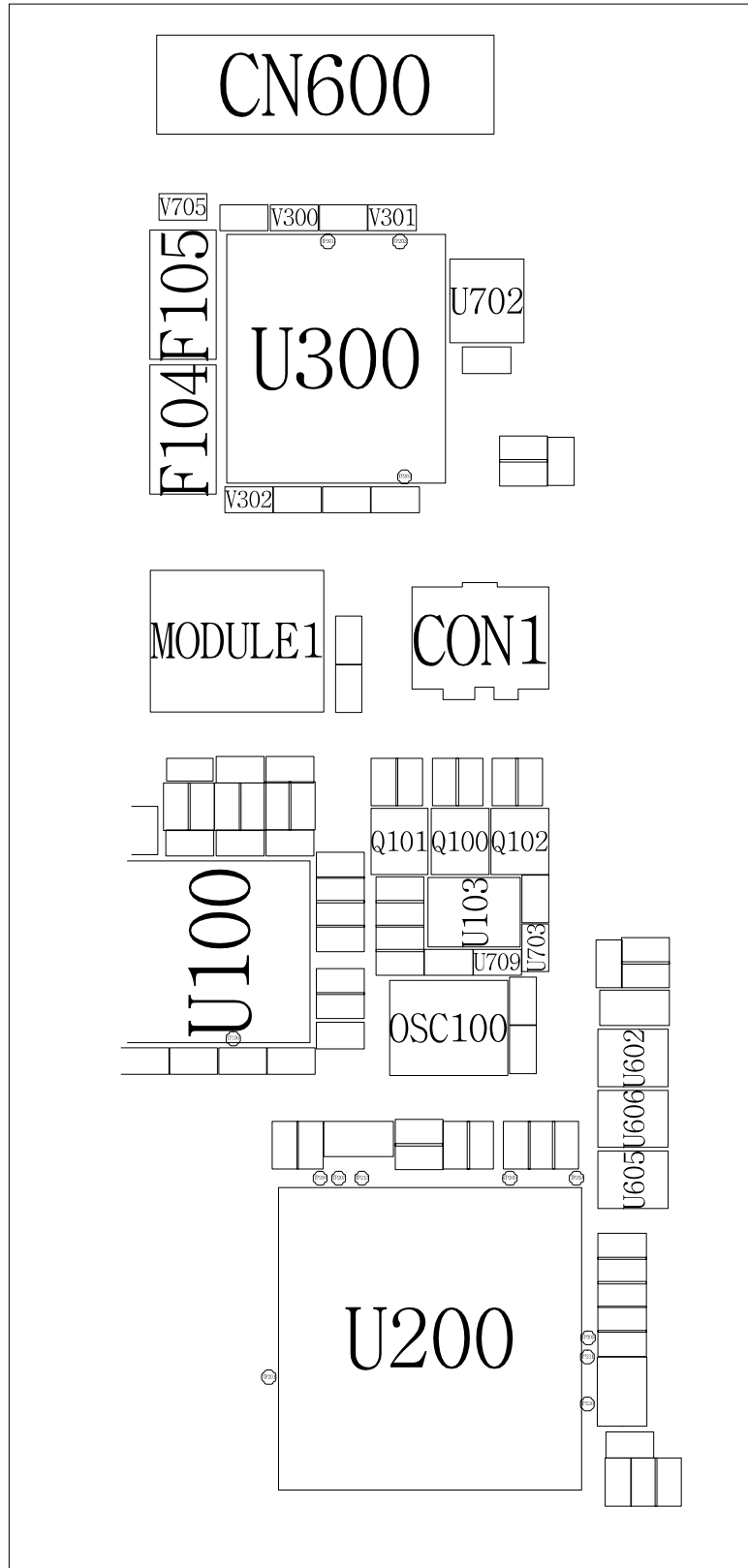


## End\_Key



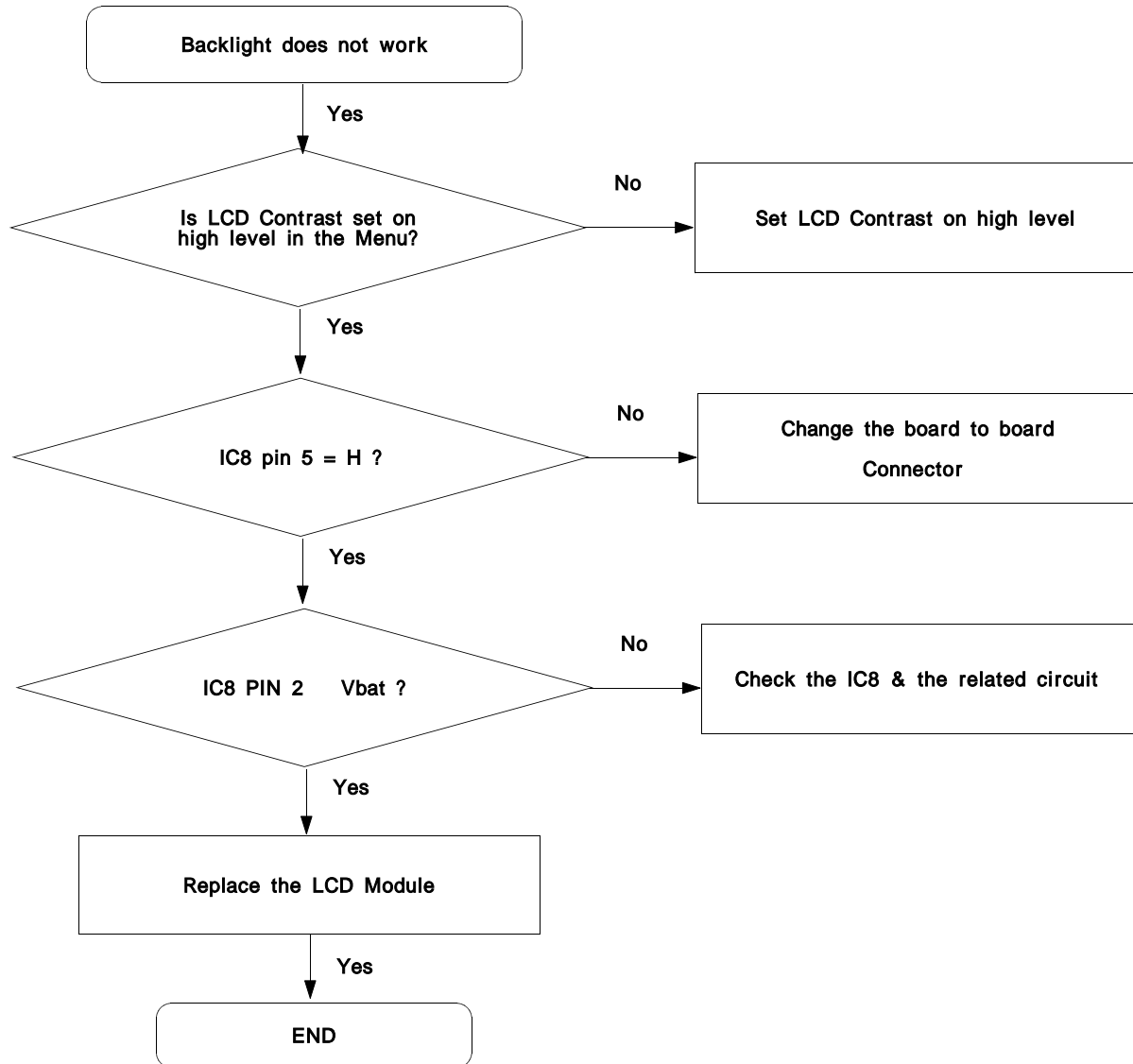
7-8. Receiver Part(<- recheck?)

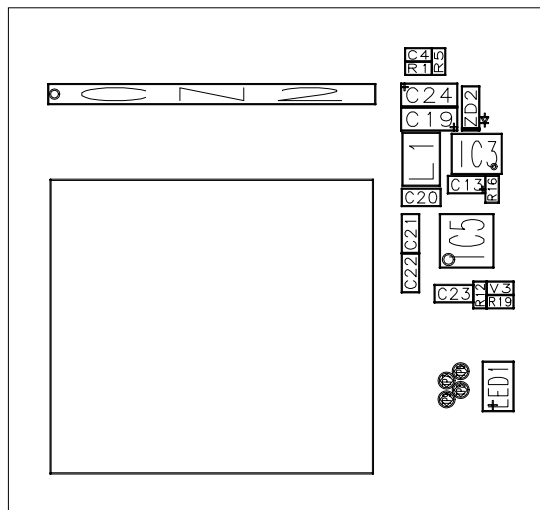
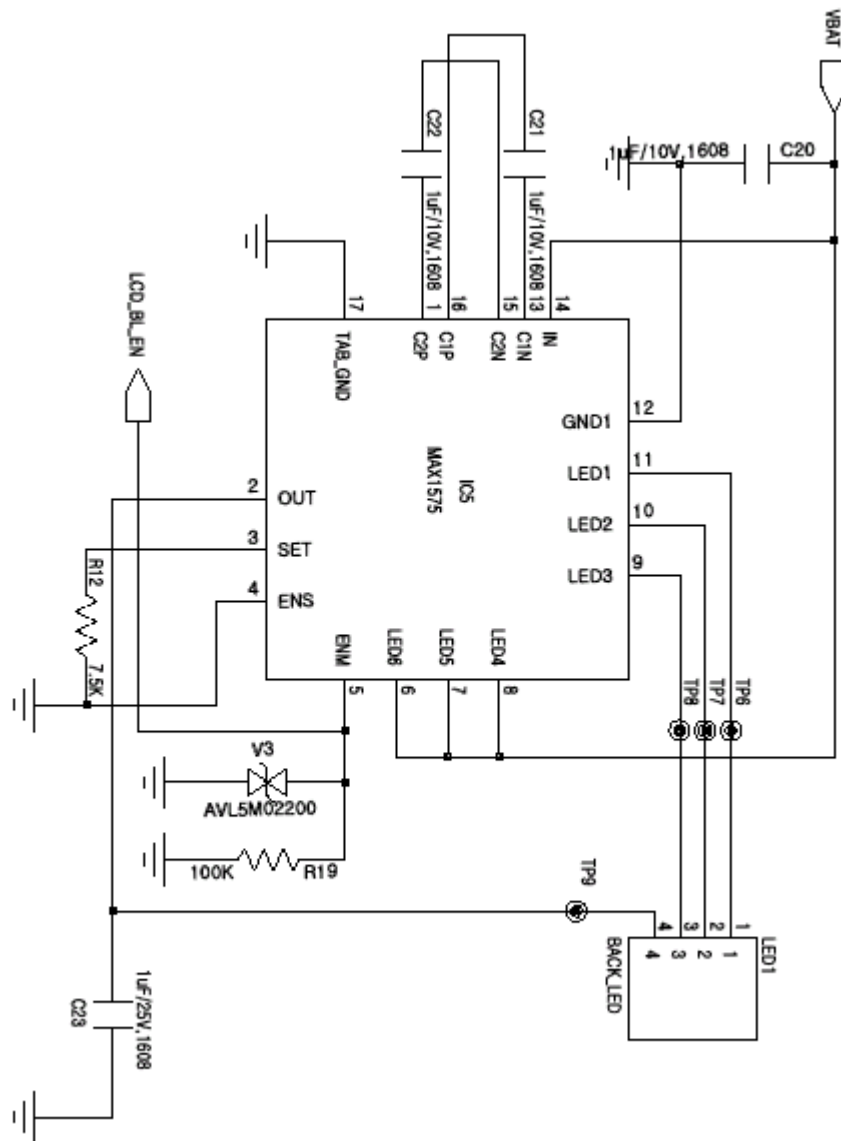




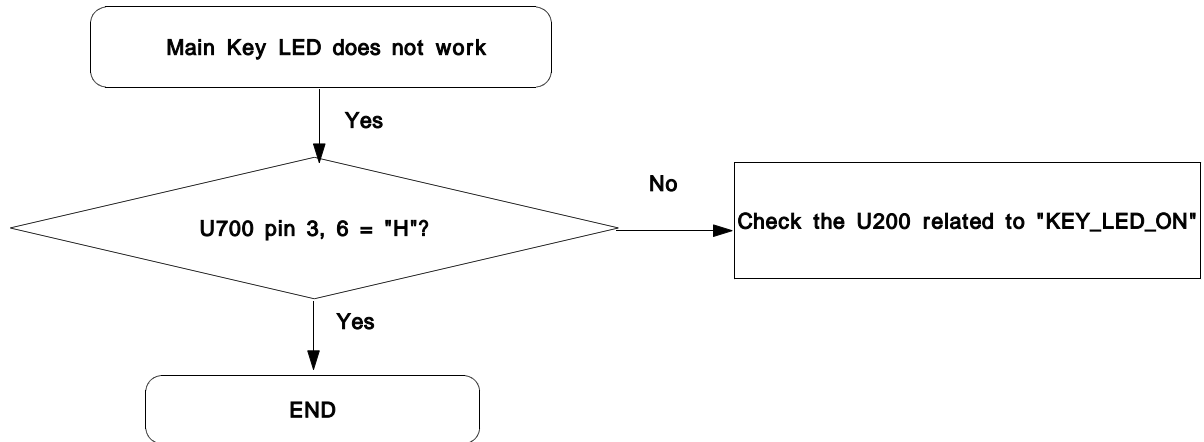


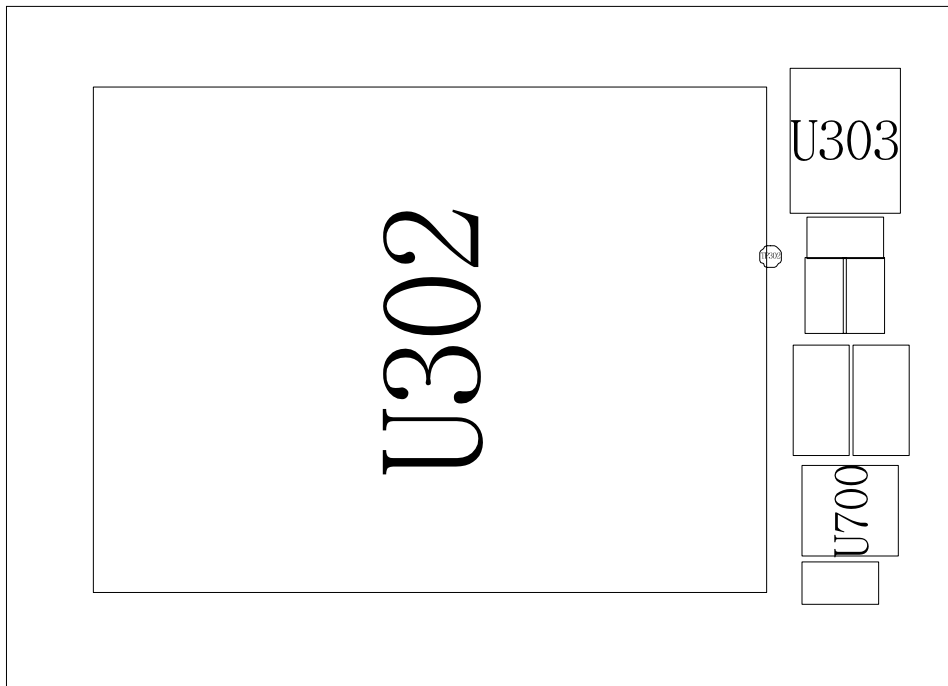
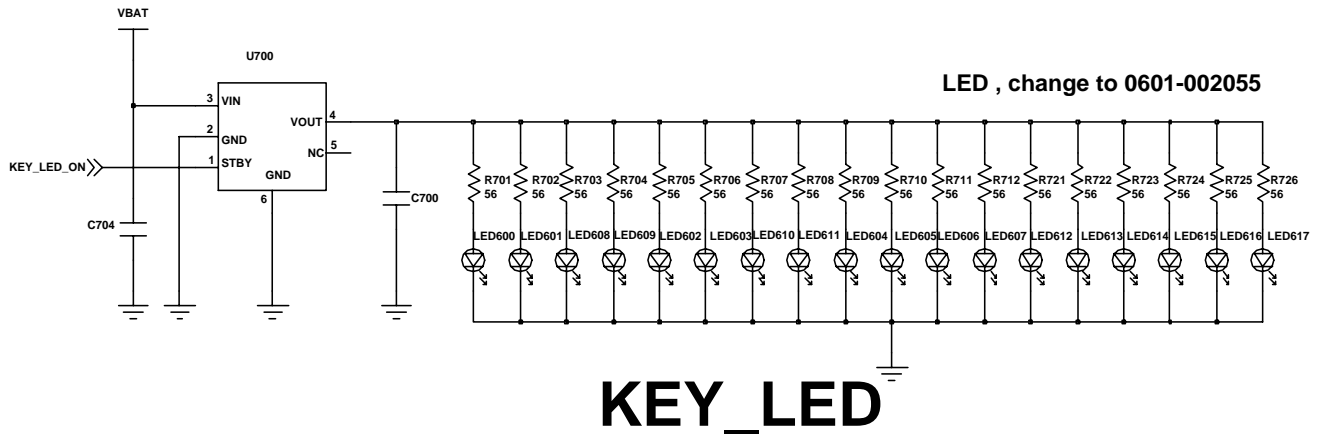
## 7-9. Back Light (for Color Main LCD)



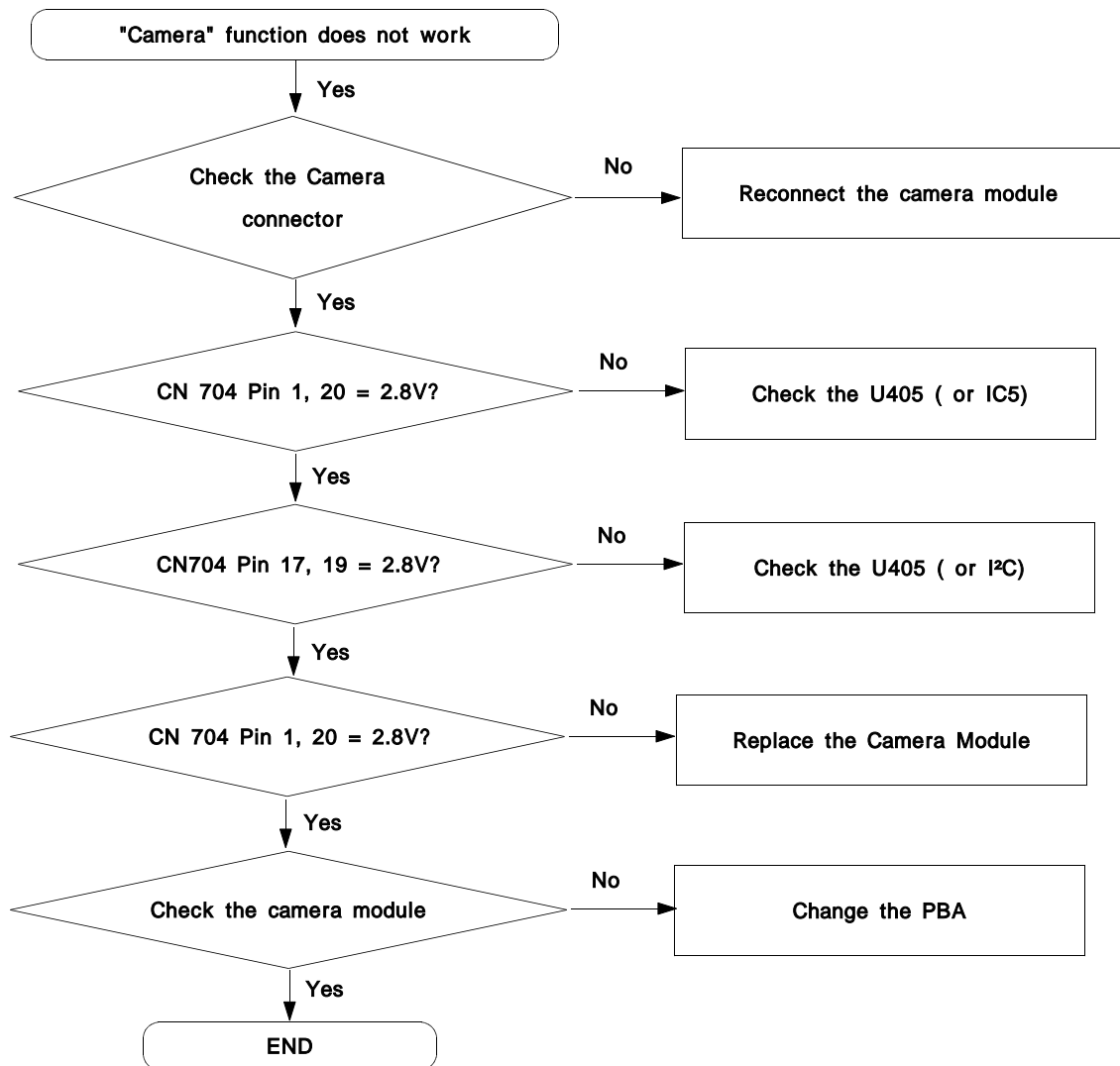


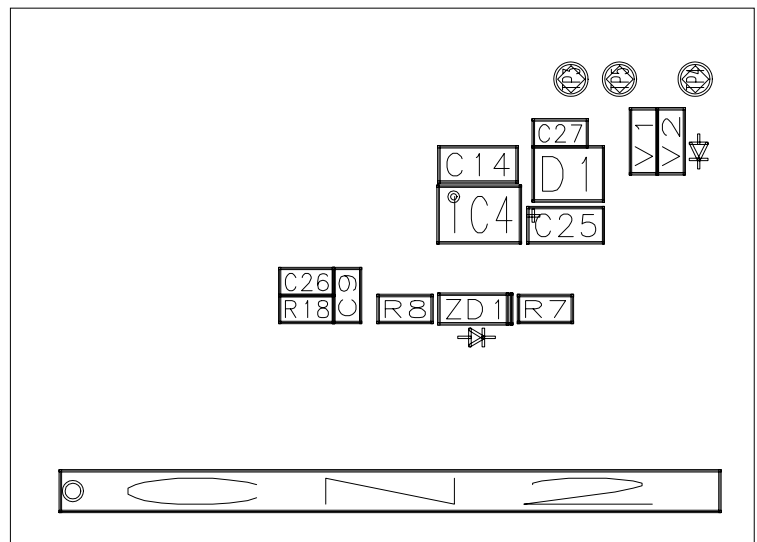
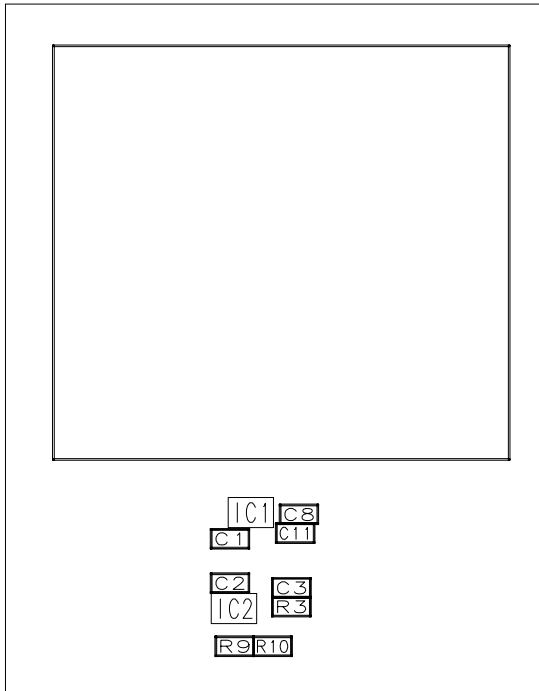
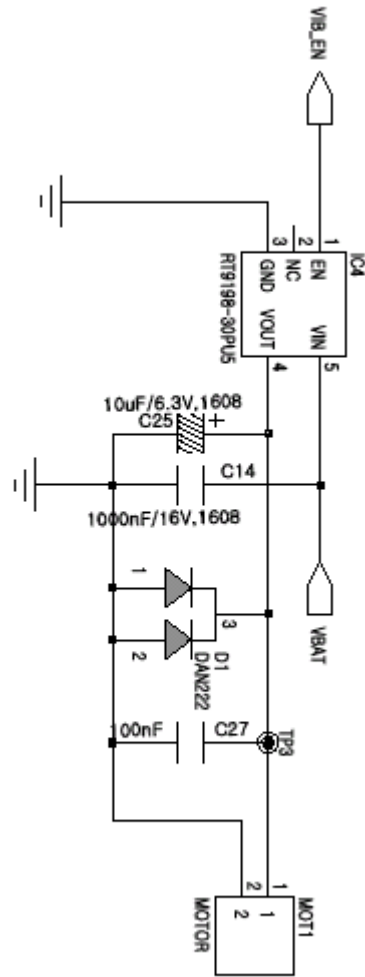
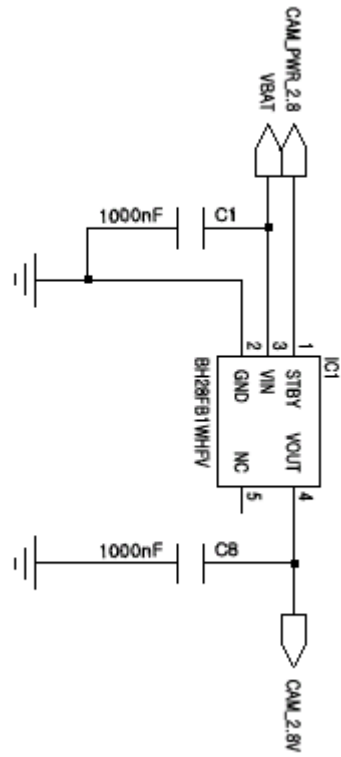
## 7-10. Key Back Light



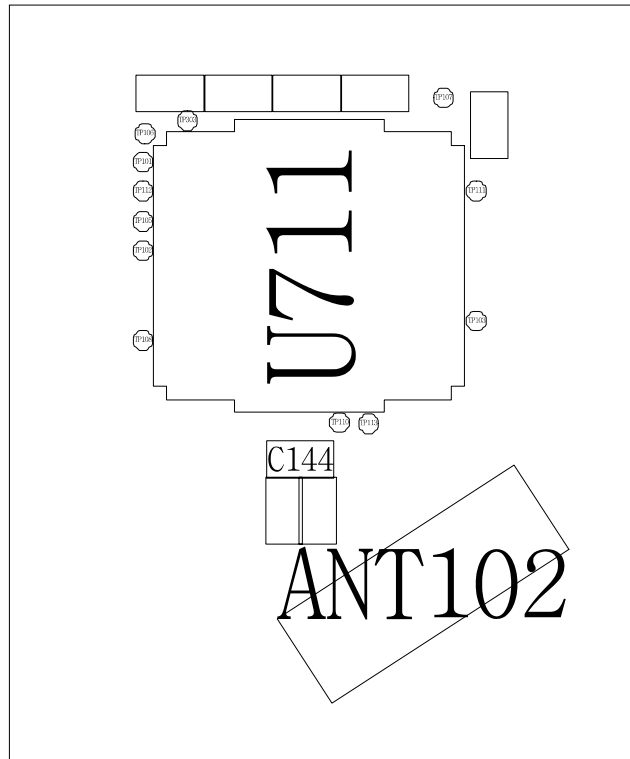
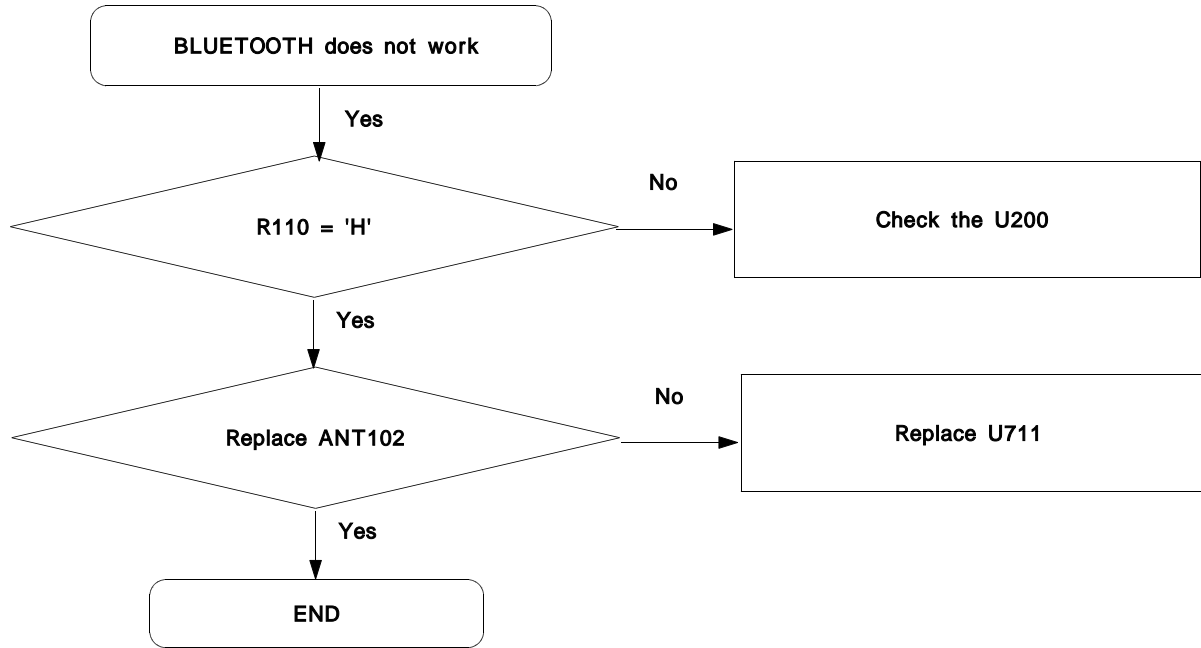


## 7-11. Camera part

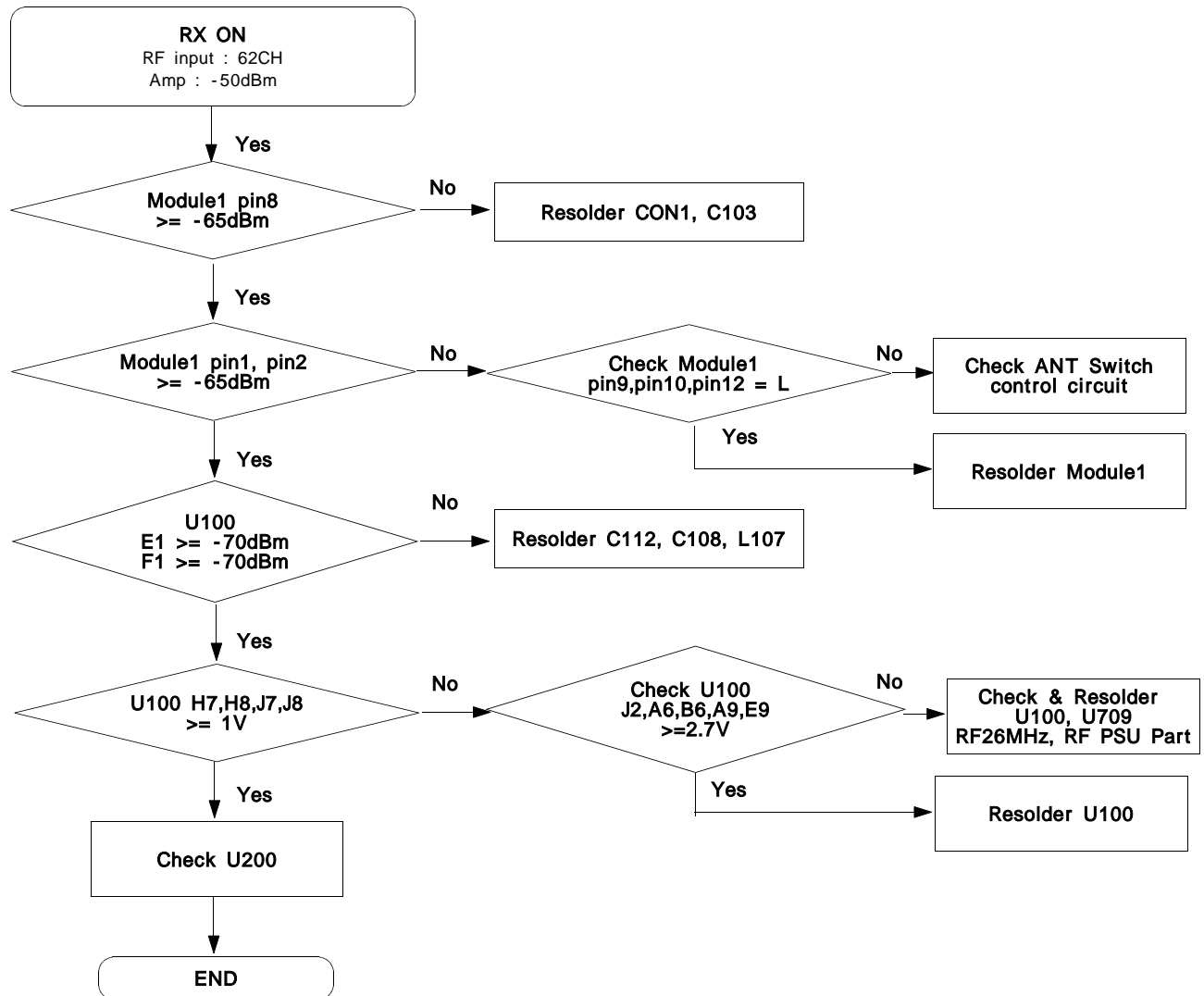




### 7-13. BLUETOOTH

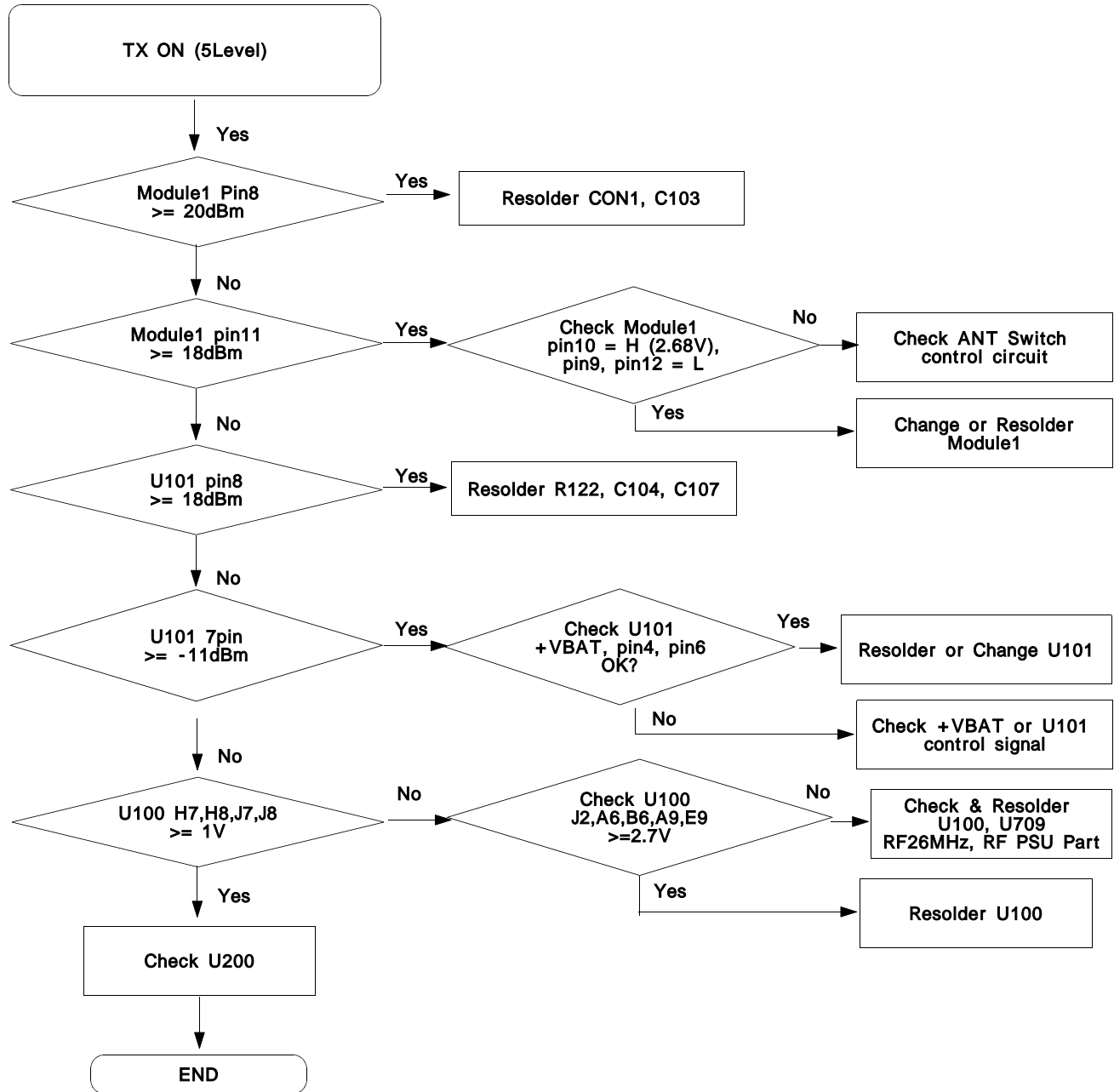


### 7-13. GSM Receiver

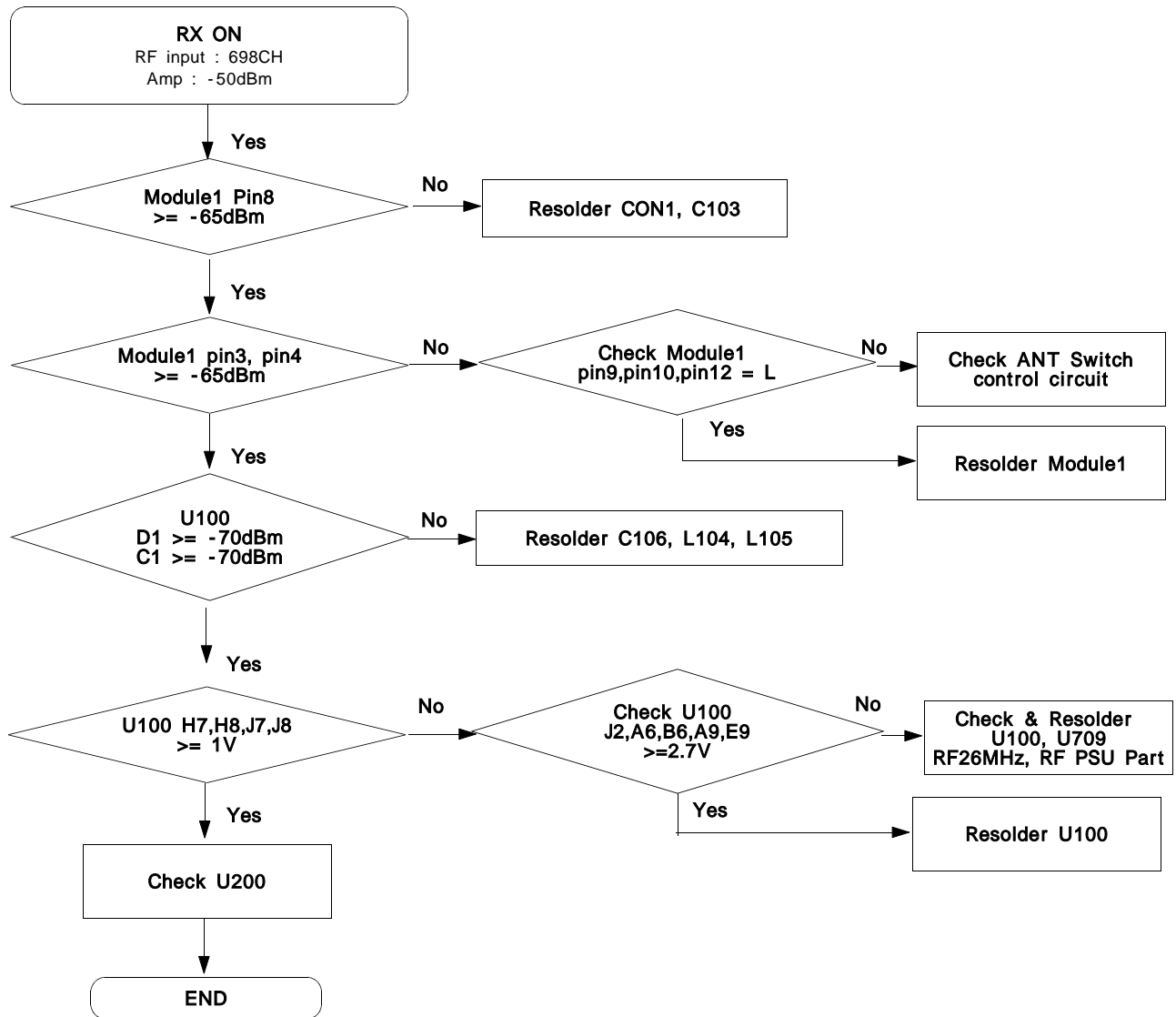




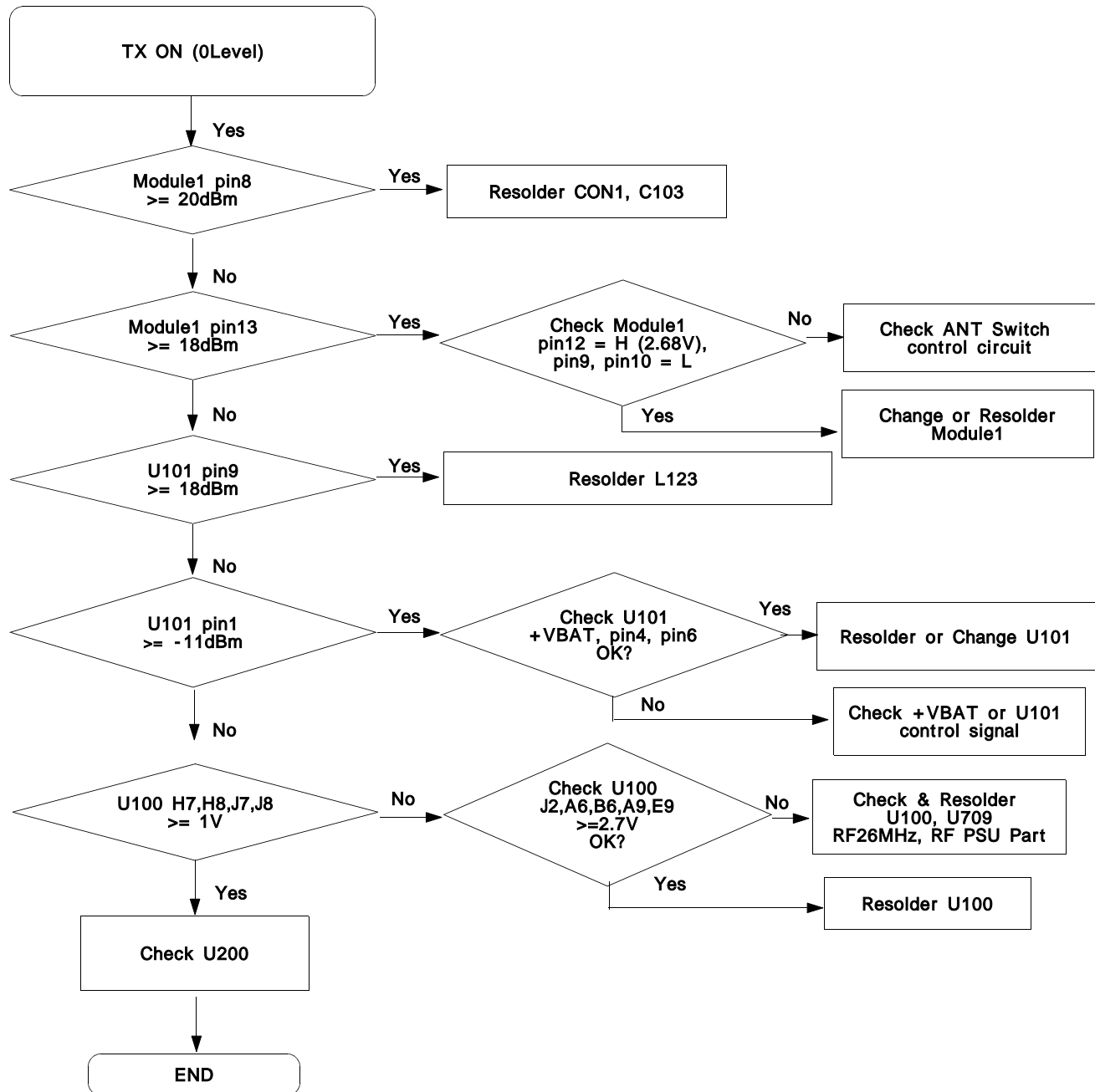
## 7-14. GSM Transmitter



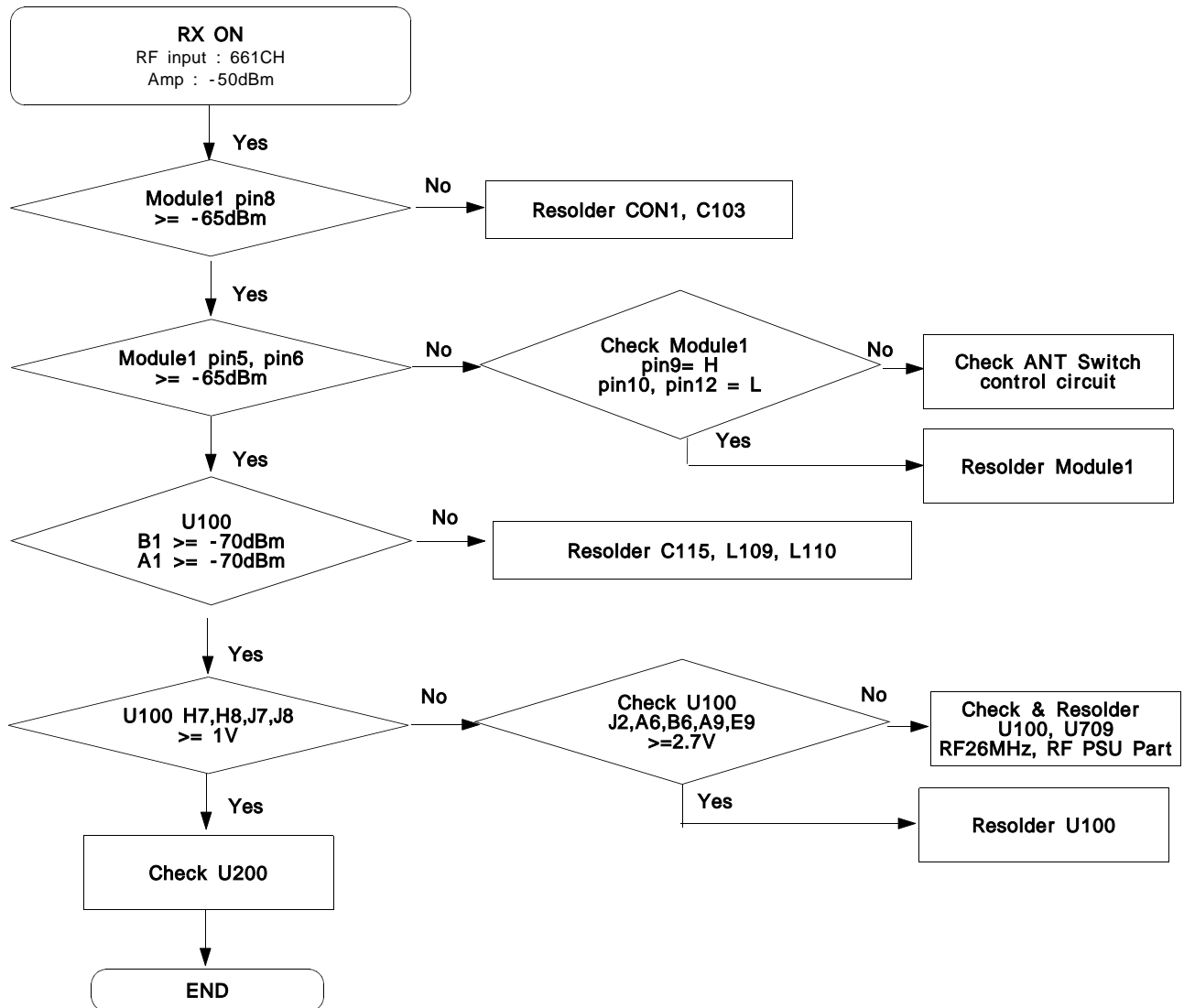
### 7-15. DCS Receiver



### 7-16. DCS Transmitter



### 7-17. PCS Receiver



## 7-18. PCS Transmitter

