

CONTACT INFORMATION

- Website: www.supermicro.com
- General Information: marketing@supermicro.com
- Tech Support: support@supermicro.com
- Phone: +1 (408) 503-8000, Fax: +1 (408) 503-8008

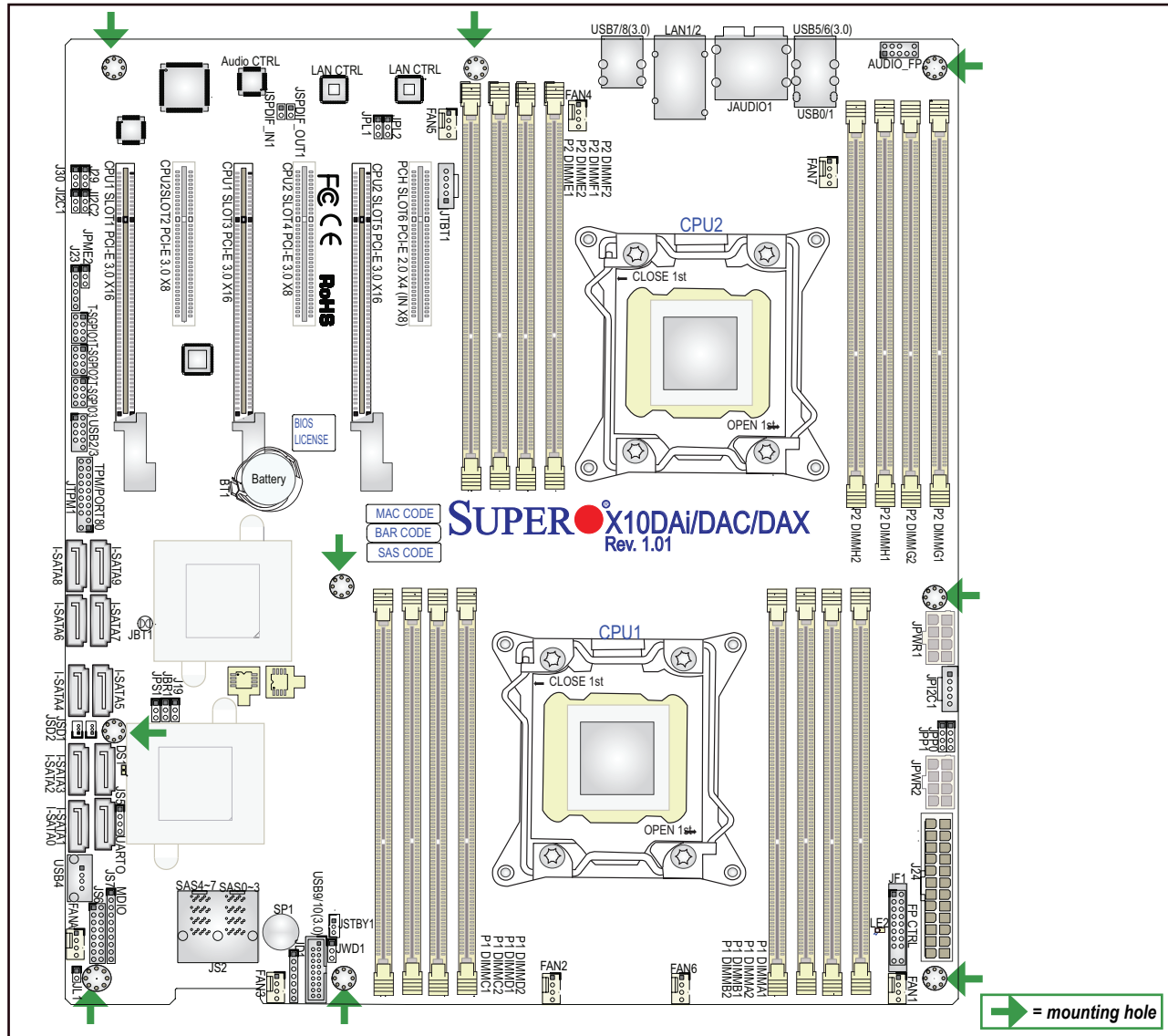
FOR YOUR SYSTEM TO WORK PROPERLY, PLEASE DOWNLOAD APPROPRIATE DRIVERS/IMAGES/USER'S MANUAL FROM THE LINKS BELOW:

- Manuals: <http://www.supermicro.com/support/manuals/>
- Drivers & Utilities: <ftp://ftp.supermicro.com/>
- Safety: http://www.supermicro.com/about/policies/safety_information.cfm

PACKAGE CONTENTS

- One (1) Supermicro Motherboard
- One (1) I/O Shield (MCP-260-00045-1N)
- One (1) Quick Reference Guide (MNL-1563-QRG)
- Six (6) SATA Cables (CBL-0044L) (For X10DAi/X10DAX)
- Two (2) SATA Cables (CBL-0044L) (For X10DAC)
- Two (2) SAS Cables (CBL-SAST-0532) (For X10DAC)

Motherboard Layout and Features



Jumpers and Connectors

Jumpers		
Jumper	Description	Default Setting
JBT1	Clear CMOS	See Chapter 2
JI2C1/JI2C2	SMBus to PCI-E Slots	Pins 2-3 (Normal)
JPL1	GLAN1 & GLAN2 Enable/Disable	Pins 1-2 (Enabled)
JPL2	GLAN2 Enable/Disable	Pins 1-2 (Enabled)
JPM2	Manufacture Mode Select	Pins 1-2 (ME Mode)
JPS1 (X10DAC Only)	SAS Enable	Pins 1-2 (Enabled)
JWD1	Watch Dog	Pins 1-2 (Reset)

Connectors		
Connector	Description	
Audio_FP (JA1)	Audio Connector for Front Access	
JAudio1	7.1 HD (8-channel High-Definition) Audio Connector	
BT1	Onboard CMOS Battery (See Chapter 3 for Used Battery Disposal)	
CPU1 Slot1/Slot3	PCI-E 3.0 x16 Slots (Note: CPU1 has to be installed.)	
CPU2 Slot5	PCI-E 3.0 x16 Slot (This slot is available when CPU2 is installed.)	
CPU2 Slot2	PCI-E 3.0 x8 Slot (This slot is available when CPU2 is installed.)	
CPU2 Slot4	PCI-E 3.0 x8 Slot (The slots are available when CPU2 is installed.)	
PCH Slot6	PCI-E 2.0 x4 in x8 Slot	
FAN1-7, FANA	CPU/System Fan Headers	
J24	ATX 24-Pin Power Connector (See Warning on Page 1-6.)	
JD1	Speaker/Power LED Indicator	
JF1	Front Panel Control Header	
JL1	Chassis Intrusion	
JPI2C1	Power Supply SMBbus I2C Header	
JPWR1/JPWR2	12V 8-Pin Power Connectors (See Warning on Page 1-6.)	
JSD1/JSD2	SATA DOM (Device_On_Module) Power Connectors	
JSPDIF_In	SPDIF_(Sony/Philips Digital Interface)_In Header	
JSPDIF_Out	SPDIF_(Sony/Philips Digital Interface)_Out Header	
JTBT1	GPIO Header for Thunderbolt Add-on Card	
JTPM1	TPM (Trusted Platform Module)/Port 80 Header	
LAN1/LAN2	G-bit Ethernet Ports 1/2	
I-SATA0-9	Serial_Link ATA Connections 0-9 supported by Intel PCH	
SAS0-3, 4-7 (JS2)	Serial_Link SCSI Connections 0-3, 4-7 supported by LSI SAS Controller	
SP1	Onboard Buzzer (Internal Speaker)	
STBY1	Standby Power Header	
T-SGPIO 1/2/3	Serial-Link General_Purpose IO Headers 1/2/3	
USB 5/6 (3.0)	Rear USB 3.0 Ports 5/6	
USB 7/8 (3.0)	Rear USB 3.0 Ports 7/8	
USB 9/10 (3.0)	Front-accessible USB 3.0 Connections 9/10	
USB 0/1	Rear USB 2.0 Connections 0/1	
USB 2/3	Front-accessible USB 2.0 Connections 2/3	
USB 4	Type A USB 2.0 Connector USB 4	

LED Indicators			
LED	Description	State	Status
DS2 (X10DAC Only)	SAS Heartbeat LED	Green: Blinking	SAS: Normal
LE2	Standby PWR LED	Green: On	SB Power On

Note: Refer to Chapter 1 of the user manual for detailed information on jumpers, connectors, and LED indicators.

CPU Support

Dual Intel® E5-2600v3/v4 Series Processors (Socket R3-LGA 2011); each processor supports dual full-width Intel QuickPath Interconnect (QPI) links (of up to 9.6 GT/s one direction per QPI).

Memory Support

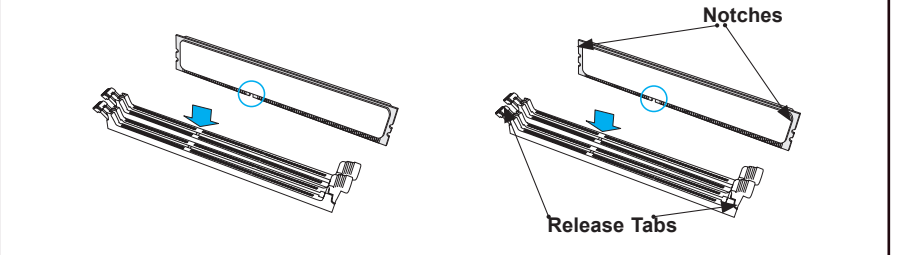
This motherboard supports up to 2048 GB of Registered (RDIMM)/Load Reduced (LRDIMM) ECC DDR4 2133/1866/1600 MHz memory modules in 16 DIMM slots.

Note: Memory speed support is pending on the CPUs installed on the motherboard. For the latest memory updates, please refer to the Tested Memory List posted on our website (<http://www.supermicro.com/products/motherboard>).

Populating DDR4 RDIMM/LRDIMM Memory Modules

Populating RDIMM/LRDIMM DDR4 Memory Modules for the E5-2600v3-based Motherboard					Populating RDIMM/LRDIMM DDR4 Memory Modules for the E5-2600v4-based Motherboard								
Type	Ranks Per DIMM and Data Width	DIMM Capacity (GB)		Speed (MT/s); Voltage (V); Slot Per Channel (SPC) and DIMM Per Channel (DPC)			Type	Ranks Per DIMM and Data Width	DIMM Capacity (GB)		Speed (MT/s); Voltage (V); Slot Per Channel (SPC) and DIMM Per Channel (DPC)		
		4Gb	8Gb	1 Slot Per Channel	2 Slots Per Channel	10DPC			10DPC	20DPC	1 Slot Per Channel	2 Slots Per Channel	10DPC
RDIMM	SRx4	8GB	16GB	2133	2133	1866	RDIMM	SRx4	8GB	16GB	2400	2400	2133
RDIMM	SRx8	4GB	8GB	2133	2133	1866	RDIMM	SRx8	4GB	8GB	2400	2400	2133
RDIMM	DRx8	8GB	16GB	2133	2133	1866	RDIMM	DRx8	8GB	16GB	2400	2400	2133
RDIMM	DRx4	16GB	32GB	2133	2133	1866	RDIMM	DRx4	16GB	32GB	2400	2400	2133
LRDIMM	QRx4	32GB	64GB	2133	2133	2133	LRDIMM	QRx4	32GB	64GB	2400	2400	2400
LRDIMM	8Rx4	64GB	128GB	2133	2133	2133	LRDIMM	8Rx4	64GB	128GB	2400	2400	2400

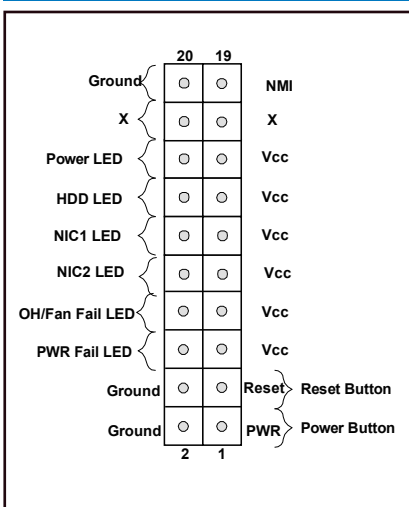
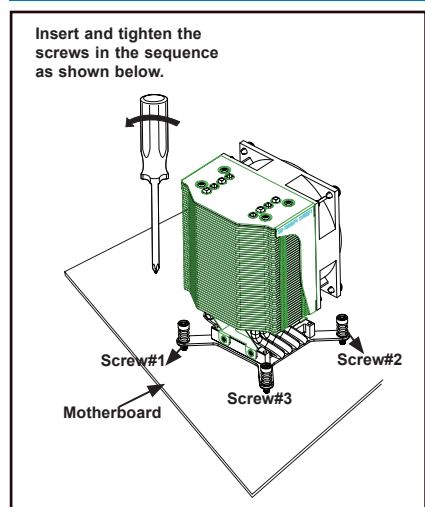
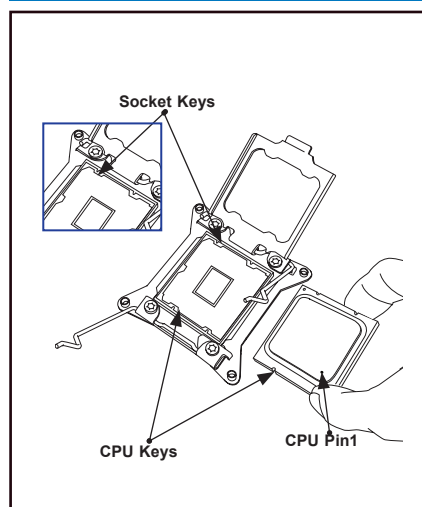
Installing DIMM Memory Modules



CPU Installation

Heatsink Installation

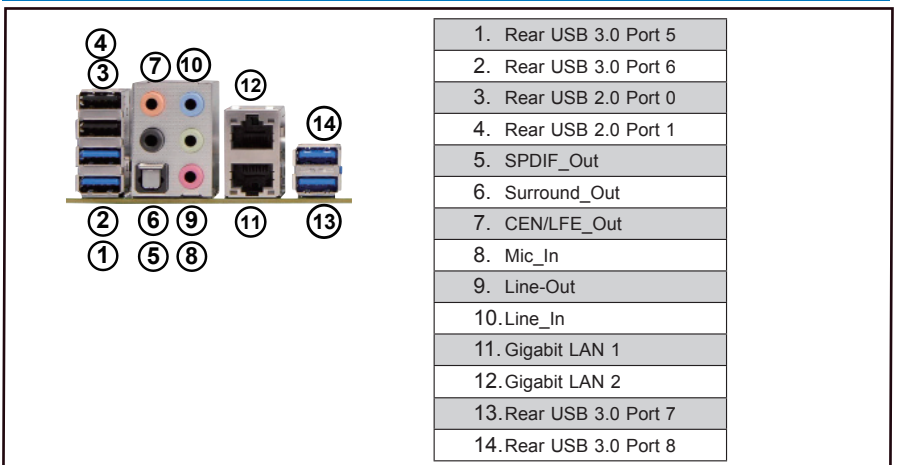
Front Panel Control (JF1)



Note 1: Graphics shown in this quick reference guide are for illustration only. Your components may or may not look exactly the same as the drawings shown in this guide.
Note 2: For optimized airflow, please follow your chassis airflow direction to install the correct CPU heatsink direction.



Back Panel I/O Connectors



Note: Refer to Chapter 2 of the user manual for detailed information on memory support and CPU/motherboard installation instructions.

© 2016 Supermicro Computer, Inc. All rights reserved. Reproduction of this document whether in part or in whole is strictly prohibited without Supermicro's written consent. All Trademarks are property of their respective entities. All information provided is deemed accurate at the time of printing; however, it is not guaranteed. MNL-1563-QRG-10a