

**Contents**

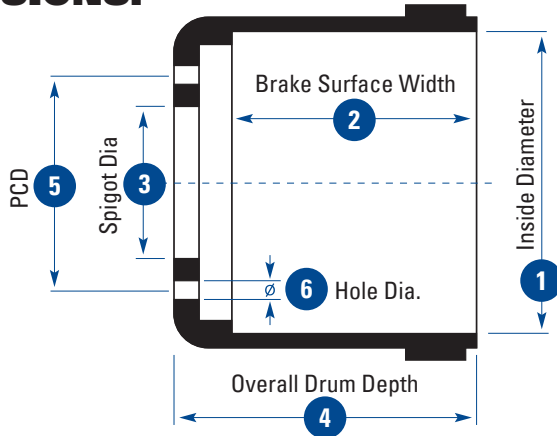
Axle Components	Sec.	Page
Brake Drums	A12	2
Brake Foundation Kits & Hardware	A12	12
Slack Adjusters	A12	15
Brake Rotors	A12	16

Copyright © TWL. The illustrations, information and specifications contained within this catalogue remain the property of TWL. No part of this catalogue may be reproduced in whole or in part without prior approval. While all care has been taken in the production of this catalogue, no responsibility for errors, omissions or variations will be accepted. Photography, descriptions and references are subject to change without notice.

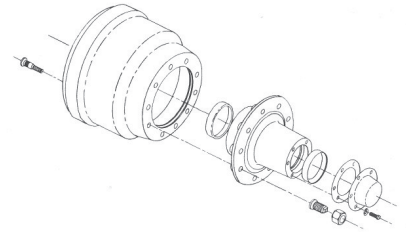


**BRAKE DRUM IDENTIFICATION**

**KEY DIMENSIONS:**

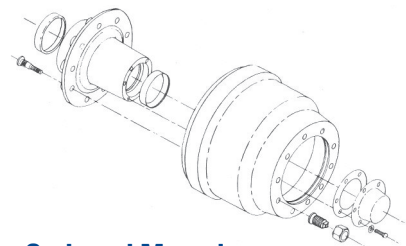


**DRUM STYLES:**



**Inboard Mounting**

Inboard design brake drums are mounted on the inboard side of the hub flange and held in place by the wheel studs.



**Outboard Mounting**

Brake drum is mounted on the outboard face of the hub, fitting over the wheel studs. Outboard mounting allows the brakes to be serviced without the removal of the hub, bearings and oil seal.

**QUESTIONS:**

**Truck or Trailer:** Truck  Trailer

**Application Location:** Front  Rear  Trailer

**Vehicle Manufacturer:**

**Model / Type:**

**Axle Manufacturer:**

**Registration #:**  **Year:**   
(Information for OTIS)

**Casting # on Drum:**

**1 Inside Diameter:**

**2 Brake Surface Width:**

**3 Spigot Diameter:**  **4 Overall Drum Depth:**

**5 Bolt Circle Diameter (PCD):**

**6 Dia. of Bolt Holes:**  **# of Bolt Holes:**

**Tyre Size:**

**Inboard or Outboard:** Inboard  Outboard

**Cast or Centrifuse:** Cast  Centrifuse

**REFER TO CHARTS ON FOLLOWING PAGE TO IDENTIFY DRUM >>**



**Cast vs Centrifuse**

Cast drums are the most common form of drum. Centrifuse drums are a light-weight option to reduce tare weight & are recognised by their ribbed design.

**BRAKE DRUM CHART**

Page	Part No.	Application	Brake Size	Inside Dia.	Brake Face	Drum Depth	PCD	Spigot	Stud Hole Dia.	No. of Studs
10	1064027300	SAF SKRLZ9030-Z9-3020 ZL9-3020 SKR9030 RZ11030	300 x 200mm	300	213	280	225	190	23	10
9	WT6661	BPW (0310946060)	300 x 200mm	300	209	260	225	190	23	10
9	WT6662	BPW (0310946400)	300 x 200mm	300	215	295	225	190	23	10
10	WT6666	ROR Low Loader / 4 Rows of 8	311 x 140mm	311	145	190	225	182	25	10
5	WT6610	Meritor / ROR TM Series Low Loader	311 x 190mm	311	200	260	225	183	24.4	10
6	WT6624	IMT F22MX	311 x 190mm	311	270.5	285	275	228.6	25	8
7	WT6633	Dana / IMT	311 x 190mm	311	225.4	289.4	225	183	25	10
5	WT6612	Propar	311 x 203mm	311	210	232	222.25	184.2	20	9
6	WT6625	IMT F22	311 x 203mm	311	214.3	232.5	209.55	177.8	13.5	6
7	WT6630	Meritor / ROR Low Loader IMT F22S15/F22MX 3 Spoke	311 x 213mm	311	200	232.5	254	215.9	16.5	9
5	WT6613	York (Metric Low Loader 605412)	335 x 210mm	335	212	270	225	178	23.6	10
7	WT6632	YORK (787704)	335 x 210mm	335	246	270	225	178	24.5	8
4	WT6607	Meritor / ROR BMX 10 Stud	350 x 200mm	350	214	265	225	183	24.5	10
5	WT6608	Meritor / ROR BMX 8 Stud	350 x 200mm	350	214	265	275	225.4	24.5	8
8	WT6653	BPW SN3620 (0310990220)	360 x 200mm	360	208	263	275	230	23	8
8	WT6654	BPW ECO SN3620 (0310967190)	360 x 200mm	360	208	263	275	230	23	8
9	WT6659	BPW SN3620 (0310990040)	360 x 200mm	360	209	260	225	190	23	10
9	WT6660	BPW (0310990240)	360 x 200mm	360	209	263	225	190	23	10
10	1064027400	SAF SKRLZ 9037 Z8-3718 / SKRS / RZ9037	367 x 180mm	367	210	252	225	190	23	10
10	1064028000	SAF SKRS / RL9037 ZL8-3718 SL9-3718 Z8-3718	367 x 180mm	367	187	225	275	230	23	8
11	1064027700	SAF SKRLZ9037 SKRS / RZ9037	367 x 200mm	367	210	260	275	240	23	8
11	1064027800	SAF SKRLZ9037 SKRS / RZ9037	367 x 200mm	367	210	258	225	190	23	10
8	WT6656	Meritor / Rockwell (Centrifuse 91725B)	381 x 219mm / 15" x 8-5/8"	381	235	290	285.75	223	24	10
11	S-27826	Hendrickson INTRAAX (Centrifuse) 19.5"	381 x 219mm / 15" x 8-5/8"	381	235	290	275	228	25	8
6	WT6623	IMT FE - 380180/8M	381 x 178mm	381	210.5	270	275	228.6	25	8
7	WT6628	IMT FE - 380180/10M	381 x 178mm	381	210.5	270	285.75	223	25	10
7	WT6627	Meritor / Rockwell (Centrifuse 91725B)	381 x 219mm	381	235	294.5	285.75	223	25	10
8	WT6634	Dana / Hendrickson	381 x 219mm	381	232.2	294.5	275	228.6	25	8
4	WT6604	York (160 Series 500761)	394 x 178mm	394	194	235	335	283	24	10
6	WT6617	IMT FW22	419 x 127mm / 16.5" x 5"	419	151	233	335	285.75	25	10
6	WT6622	IMT FW22 (634471)	419 x 127mm / 16.5" x 5"	419	135	159.5	279	239.78	19.8	5
7	WT6626	IMT FW22	419 x 127mm / 16.5" x 5"	419	139	218	285.75	223	25	10
11	98815-001	Hendrickson - Centrifuse	419 x 178mm / 16.5" x 7"	419			285			10
	D-30114	Hendrickson - Cast	419 x 178mm / 16.5" x 7"	419			285			10
6	C-31699	Hendrickson - Cast (Can use WT6614)	419 x 178mm / 16.5" x 7"	419	190	267	335		25	10
4	WT6601	Propar / Fruehauf	419 x 178mm / 16.5" x 7"	419	193.7	222.3	285.75	241.3	21	5 + 6
4	WT6602T	DANA D22	419 x 178mm / 16.5" x 7"	419	193.3	213	279	239.78	19.8	5 + 6
4	WT6603	Rockwell / Meritor Drive Axle	419 x 178mm / 16.5" x 7"	419	188	215.9	323.85	285.75	19.8	5 + 6
4	WT6605	IMT / Propar Meritor / ROR TM Series	419 x 178mm / 16.5" x 7"	419	206	248	335	282.8	25	10
5	WT6609	Meritor / ROR TE Series	419 x 178mm / 16.5" x 7"	419	192	238	335	282.6	24.5	10
5	WT6611	IMT F22 DANA / Hendrickson Eaton ESII Drive Axle	419 x 178mm / 16.5" x 7"	419	200	268	285	223	25	10
6	WT6614	Meritor Drive Axle Hendrickson / DANA D22	419 x 178mm / 16.5" x 7"	419	190	267	335	285.75	25	10
8	WT6648	Meritor / Rockwell (Centrifuse 89996B)	419 x 178mm / 16.5" x 7"	419	200	268	285	223	25	10
8	WT6652	York 2782 & 2784 (79.787571)	419 x 178mm / 16.5" x 7"	419	182	274	335	279	23	10
9	WT6657	BPW HR / SN4218	419 x 178mm / 16.5" x 7"	419	200	227	335	290	23	10
9	WT6658	BPW	419 x 178mm / 16.5" x 7"	419	191	249	335	290	23	10
	WT6649	York (501788)	419 x 200mm / 16.5" x 8"	419	192	248	335	283	24	10
11	98815-010	Hendrickson - Centrifuse	419 x 219mm / 16.5" x 8-5/8"	419	229	289.3	285	223	24.5	10
	98815-012	Hendrickson - Cast	419 x 219mm / 16.5" x 8-5/8"	419	229	291	335	285.75	24.5	10
	98815-025	Hendrickson - Cast	419 x 219mm / 16.5" x 8-5/8"	419	229	292	285	224	24.5	10
10	1064026002	SAF SL9-4218 Z9- 4218 SKRS / RZ9042	420 x 180mm	420	196	227	335	300	23	10
11	1064030400	SAF JSAF RZ / RS12242	420 x 180mm	420	196	262	335	300	23	10
10	1064027000	SAF SK RLZ9037-SKRS / RZ9037	420 x 200mm	420	213	256	335	300	23	10
11	1064030500	SAF JSAF RZ / RS12242	420 x 200mm	420	180	260	285	250	23	10

**BRAKE DRUM DETAILS**

Part Number	Description	Application
<b>WT6601</b> 	<b>Brake Drum</b> Spigot 241.3 Brake Size 419 x 178 Inside Dia. 419 Brake Face Width 193.7 Drum Depth 222.3 PCD 285.75 Hole Dia. 21 No. of Bolt Holes 5 + 6	<b>Propar / Fruehauf 5 &amp; 6 Spoke</b>  <b>Brake Lining Set:</b> 4515-AF557  <b>Brake Shoe Lined:</b> P Type: WT7702 / WT7702-720 Q Type: WT7703 / WT7703-720
<b>WT6602T</b> 	<b>Brake Drum</b> Spigot 239.78 Brake Size 419 x 178 Inside Dia. 419 Brake Face Width 193.3 Drum Depth 208 PCD 279 Hole Dia. 19.8 No. of Bolt Holes 5 + 6	<b>5 Spoke Trailer / DANA D22</b>  <b>Brake Lining Set:</b> 4515-AF557 4707-AF557  <b>Brake Shoe Lined:</b> WT7700 / WT7700- 720 WT7701 /WT7701-720
<b>WT6603</b> 	<b>Brake Drum</b> Spigot 285.75 Brake Size 419 x 178 Inside Dia. 419 Brake Face Width 188 Drum Depth 215.9 PCD 323.85 Hole Dia. 19.8 No. of Bolt Holes 5 + 6	<b>Rockwell / Meritor Drive Axle 5 + 6 Spoke</b>  <b>Brake Lining Set:</b> 4707-AF557  <b>Brake Shoe Lined:</b> WT7706 KSMA2124707QP
<b>WT6604</b> 	<b>Brake Drum</b> Spigot 282.8 Brake Size 394 x 178 Inside Dia. 394 Brake Face Width 190 Drum Depth 235 PCD 335 Hole Dia. 23.6 No. of Bolt Holes 10	<b>York 160 Series</b>  <b>Brake Lining Set:</b> YK/6/7/2S-7444  <b>Brake Shoe Lined:</b> TBA
<b>WT6605</b> 	<b>Brake Drum</b> Spigot 282 Brake Size 419 x 178 Inside Dia. 419 Brake Face Width 206 Drum Depth 248 PCD 335 Hole Dia. 25 No. of Bolt Holes 10	<b>IMT A19 &amp; 20 / Propar Meritor /ROR TM Series</b>  <b>Brake Lining Set:</b> 4515-AF557  <b>Brake Shoe Lined:</b> P Type: WT7700 / WT7700-720 Q Type: WT7701 / WT7701-720 KSMA2124515Q
<b>WT6607</b> 	<b>Brake Drum</b> Spigot 183 Brake Size 350 x 200 Inside Dia. 350 Brake Face Width 214 Drum Depth 265 PCD 225 Hole Dia. 24.5 No. of Bolt Holes 10	<b>Meritor / ROR BMX 10 Stud</b>  <b>Brake Lining Set:</b> RW/21/22/2-AF720  <b>Brake Shoe Lined:</b> WT7710 / WT7710-720

**BRAKE DRUM DETAILS**

Part Number	Description	Application
<b>WT6608</b> 	<b>Brake Drum</b> Spigot 225.4 Brake Size 350 X 200 Inside Dia. 350 Brake Face Width 214 Drum Depth 265 PCD 275 Hole Dia. 24.5 No. of Bolt Holes 8	<b>Meritor / ROR BMX 8 Stud</b>  <b>Brake Lining Set:</b> RW/21/22/2-AF720  <b>Brake Shoe Lined Q Type:</b> WT7710 / WT7710-720
<b>WT6609</b> 	<b>Brake Drum</b> Spigot 282.6 Brake Size 419 x 178 Inside Dia. 419 Brake Face Width 192 Drum Depth 238 PCD 335 Hole Dia. 24.5 No. of Bolt Holes 10	<b>Meritor / ROR TE Series</b>  <b>Brake Lining Set:</b> 4515-AF557  <b>Brake Shoe Lined:</b> WT7701 / WT7701-720
<b>WT6610</b> 	<b>Brake Drum</b> Spigot 183 Brake Size 311 x 190 Inside Dia. 311 Brake Face Width 200 Drum Depth 260 PCD 225 Hole Dia. 24.4 No. of Bolt Holes 10	<b>Meritor / ROR TM Series Low Loader</b>  <b>Brake Lining Set:</b> RW/9/13/2-AF720  <b>Brake Shoe Lined Q Type:</b> WT7716-SI
<b>WT6611</b> 	<b>Brake Drum</b> Spigot 223 Brake Size 419 x 178 Inside Dia. 419 Brake Face Width 200 Drum Depth 268 PCD 285 Hole Dia. 25 No. of Bolt Holes 10	<b>IMT F22 / F24 DANA Eaton ESII Drive Axle Hendrickson</b>  <b>Brake Lining Set:</b> 4515-AF557 4707-AF557 <b>Brake Shoe Lined:</b> WT7701 / WT7701-720 WT7706 KSMA2124707QP
<b>WT6612</b> 	<b>Brake Drum</b> Spigot 184.2 Brake Size 311 x 203 Inside Dia. 311 Brake Face Width 210 Drum Depth 232 PCD 222.25 Hole Dia. 20 No. of Bolt Holes 9	<b>Propar 6 Spoke</b>  <b>Brake Lining Set:</b> 4649-AF720  <b>Brake Shoe Lined:</b> TBA
<b>WT6613</b> 	<b>Brake Drum</b> Spigot 178 Brake Size 335 x 210 Inside Dia. 335 Brake Face Width 212 Drum Depth 270 PCD 225 Hole Dia. 23.6 No. of Bolt Holes 10	<b>York Metric Low Loader</b>  <b>Brake Lining Set:</b> YKB/1/2-7222  <b>Brake Shoe Lined:</b> YKB/1/2LNS-7222

**BRAKE DRUM DETAILS**

Part Number	Description	Application
<b>WT6614</b> 	<b>Brake Drum</b> Spigot 285.75 Brake Size 419 x 178 Inside Dia. 419 Brake Face Width 190 Drum Depth 267 PCD 335 Hole Dia. 25 No. of Bolt Holes 10	<b>Rockwell / Meritor Drive Axle</b> <b>Brake Lining Set:</b> 4707-AF557 <b>Brake Shoe Lined:</b> WT7706 KSMA2124707QP  <b>Dana D22 / Hendrickson 15" &amp; 16.5</b> <b>Brake Lining Set:</b> 4515-AF557 <b>Brake Shoe Lined:</b> P Type: WT7700 / WT7700-720 Q Type: WT7701 / WT7701-720
<b>WT6617</b> 	<b>Brake Drum</b> Spigot 285 Brake Size 419 x 127 Inside Dia. 419 Brake Face Width 151 Drum Depth 233 PCD 335 Hole Dia. 25 No. of Bolt Holes 10	<b>IMT FW22</b>  <b>Brake Lining Set:</b> 4524B-AF557  <b>Brake Shoe Lined:</b> WT7704 KMSA2124524Q
<b>WT6622</b> 	<b>Brake Drum</b> Spigot 239.78 Brake Size 419 x 127 Inside Dia. 419 Brake Face Width 138.2 Drum Depth 159.5 PCD 279.4 Hole Dia. 19.8 No. of Bolt Holes 5	<b>IMT FW22</b>  <b>Brake Lining Set:</b> 4524B-AF557  <b>Brake Shoe Lined:</b> WT7704 KSMA2124524Q
<b>WT6623</b> 	<b>Brake Drum</b> Spigot 228.6 Brake Size 381.178 Inside Dia. 381 Brake Face Width 210.5 Drum Depth 270 PCD 275 Hole Dia. 25 No. of Bolt Holes 8	<b>IMT FE22S / FE24S</b>  <b>Brake Lining Set:</b> 4705-AF557  <b>Brake Shoe Lined:</b> WT7705-557 WT7705-720 WT7705-CB112T
<b>WT6624</b> 	<b>Brake Drum</b> Spigot 228.6 Brake Size 311 x 190 Inside Dia. 311 Brake Face Width 270.5 Drum Depth 285 PCD 275 Hole Dia. 25 No. of Bolt Holes 8	<b>IMT F22MX</b>  <b>Brake Lining Set:</b> 4692-AF557 601152/IMT23  <b>Brake Shoe Lined:</b> WT7718
<b>WT6625</b> 	<b>Brake Drum</b> Spigot 177.8 Brake Size 311 x 203 Inside Dia. 311 Brake Face Width 214.3 Drum Depth 232.5 PCD 209.55 Hole Dia. 13.5 No. of Bolt Holes 6	<b>IMT A19S15</b>  <b>Brake Lining Set:</b> 4591-AF557 <b>Brake Shoe Lined:</b> WT7719  <b>IMT F22S15</b>  <b>Brake Lining Set:</b> 4692-AF557 <b>Brake Shoe Lined:</b> WT7718

**BRAKE DRUM DETAILS**

Part Number	Description	Application
<b>WT6626</b> 	<b>Brake Drum</b> Spigot 223 Brake Size 419 x 127 Inside Dia. 419 Brake Face Width 139 Drum Depth 218 PCD 285.75 Hole Dia. 25 No. of Bolt Holes 10	<b>IMT FW22</b>  <b>Brake Lining Set:</b> 4524B-AF557  <b>Brake Shoe Lined:</b> WT7704 KSMA2124524Q
<b>WT6627</b> 	<b>Brake Drum</b> Spigot 223 Brake Size 381 x 219 Inside Dia. 381 Brake Face Width 235 Drum Depth 294.5 PCD 285.75 Hole Dia. 25 No. of Bolt Holes 10	<b>Meritor / ROR TB</b>  <b>Brake Lining Set:</b> 4710-AF557  <b>Brake Shoe Lined:</b> WT7708 WT7708-720
<b>WT6628</b> 	<b>Brake Drum</b> Spigot 223 Brake Size 381 x 178 Inside Dia. 381 Brake Face Width 210.5 Drum Depth 270 PCD 285.75 Hole Dia. 25 No. of Bolt Holes 10	<b>IMT FE22S 10 Stud</b>  <b>Brake Lining Set:</b> 4705-AF557  <b>Brake Shoe Lined:</b> WT7705-557 WT7705-720 WT7705-CBI 12T (OE-IMT)
<b>WT6630</b> 	<b>Brake Drum</b> Spigot 215.9 Brake Size 311 x 190 Inside Dia. 311 Brake Face Width 213 Drum Depth 232.5 PCD 254 Hole Dia. 16.5 No. of Bolt Holes 9	<b>Meritor / ROR 3 Spoke Low Loader</b> <b>IMT F22S15 F22MX</b>  <b>Brake Lining Set:</b> 4692-AF557 601152/IMT23  <b>Brake Shoe Lined:</b> WT7718
<b>WT6632</b> 	<b>Brake Drum</b> Spigot 178 Brake Size 335 x 210 Inside Dia. 335 Brake Face Width 246 Drum Depth 270 PCD 225 Hole Dia. 24.5 No. of Bolt Holes 8	<b>York</b>  <b>Brake Lining Set:</b> YKB/1/2-7222  <b>Brake Shoe Lined:</b> YKB/1/2LNS-7222
<b>WT6633</b> 	<b>Brake Drum</b> Spigot 183 Brake Size 311 x 190 Inside Dia. 311 Brake Face Width 225.4 Drum Depth 289.4 PCD 225 Hole Dia. 25 No. of Bolt Holes 10	<b>Dana</b>  <b>Brake Lining Set:</b> 4692-AF557  <b>Brake Shoe Lined:</b> WT7718

**BRAKE DRUM DETAILS**

Part Number	Description	Application
<b>WT6634</b> 	<b>Brake Drum</b> Spigot 228.6 Brake Size 381 x 219 Inside Dia. 381 Brake Face Width 232.2 Drum Depth 294.5 PCD 275 Hole Dia. 25 No. of Bolt Holes 8	<b>Dana D-22 / 19.5</b>  <b>Brake Lining Set:</b> 4710-AF557  <b>Brake Shoe Lined:</b> WT7708 WT7708-720
<b>WT6648</b> 	<b>Brake Drum</b> Spigot 223 Brake Size 419 x 178 Inside Dia. 419 Brake Face Width 200 Drum Depth 268 PCD 285 Hole Dia. 25 No. of Bolt Holes 10	<b>Meritor / Rockwell Centrifuse TN Quick Change</b> <b>Brake Lining Set:</b> 4515-AF557 4707-AF557 <b>Brake Shoe Lined:</b> P Type: WT7700 Q Type: WT7701 Q-Type: WT7706 KSMA2124707QP
<b>WT6652</b> 	<b>Brake Drum</b> Spigot 279 Brake Size 419 x 178 Inside Dia. 419 Brake Face Width 182 Drum Depth 274 PCD 335 Hole Dia. 23 No. of Bolt Holes 10	<b>York 20" ISO Hub</b>  <b>Brake Lining Set:</b> 4515-AF557  <b>Brake Shoe Lined:</b> P Type: WT 7700 / WT7700-720 Q Type: WT7701 / WT7701-720
<b>WT6653</b> 	<b>Brake Drum</b> Spigot 230 Brake Size 360 x 200 Inside Dia. 360 Brake Face Width 208 Drum Depth 263 PCD 275 Hole Dia. 23 No. of Bolt Holes 8	<b>BPW Eco KH / SN3620</b>  <b>Brake Lining Set:</b> BC/100/101/1-AF720  <b>Brake Shoe Lined:</b> 0509119220, WT7714
<b>WT6654</b> 	<b>Brake Drum</b> Spigot 230 Brake Size 360 x 200 Inside Dia. 360 Brake Face Width 208 Drum Depth 263 PCD 275 Hole Dia. 23 No. of Bolt Holes 8	<b>BPW Eco KH / SN3620</b>  <b>Brake Lining Set:</b> BC/100/101/1-AF720  <b>Brake Shoe Lined:</b> 0509119220, WT7714
<b>WT6656</b> 	<b>Brake Drum</b> Spigot 223 Brake Size 381 x 219 Inside Dia. 381 Brake Face Width 235 Drum Depth 290 PCD 285 Hole Dia. 24 No. of Bolt Holes 10	<b>Meritor / ROR Centrifuse TN Q-PLUS</b>  <b>Brake Lining Set:</b> 4710-AF557  <b>Brake Shoe Lined:</b> WT7708 WT7708-720



**BRAKE DRUM DETAILS**

Part Number	Description	Application
<b>WT6657</b> 	<b>Brake Drum</b> Spigot 290 Brake Size 420 x 180 Inside Dia. 420 Brake Face Width 200 Drum Depth 226 PCD 335 Hole Dia. 23 No. of Bolt Holes 10	<b>BPW HR / SN4218</b>  <b>Brake Lining Set:</b> BC/36/1-AF720  <b>Brake Shoe Lined:</b> 0509146320, WT7712
<b>WT6658</b> 	<b>Brake Drum</b> Spigot 290 Brake Size 419 x 178 Inside Dia. 419 Brake Face Width 191 Drum Depth 249 PCD 335 Hole Dia. 23 No. of Bolt Holes 10	<b>BPW</b>  <b>Brake Lining Set:</b> BC/36/1-AF720  <b>Brake Shoe Lined:</b> WT7712
<b>WT6659</b> 	<b>Brake Drum</b> Spigot 190 Brake Size 360 x 200 Inside Dia. 360 Brake Face Width 209 Drum Depth 260 PCD 225 Hole Dia. 23 No. of Bolt Holes 10	<b>BPW KH / SN3620</b>  <b>Brake Lining Set:</b> BC/100/101/1-AF720  <b>Brake Shoe Lined:</b> 0509119220, WT7714
<b>WT6660</b> 	<b>Brake Drum</b> Spigot 190 Brake Size 360 x 200 Inside Dia. 360 Brake Face Width 209 Drum Depth 263 PCD 225 Hole Dia. 23 No. of Bolt Holes 10	<b>BPW KH / SN3620</b>  <b>Brake Lining Set:</b> BC/100/101/1-AF720  <b>Brake Shoe Lined:</b> 0509119220, WT7714
<b>WT6661</b> 	<b>Brake Drum</b> Spigot 190 Brake Size 300 x 200 Inside Dia. 300 Brake Face Width 209 Drum Depth 260 PCD 225 Hole Dia. 23 No. of Bolt Holes 10	<b>BPW KH / SN3620                      ECO-MAX</b>  <b>Brake Lining Set:</b> BC/80/1-AF720  <b>Brake Shoe Lined:</b> 0509119220, WT7715
<b>WT6662</b> 	<b>Brake Drum</b> Spigot 190 Brake Size 300 x 200 Inside Dia. 300 Brake Face Width 215 Drum Depth 295 PCD 225 Hole Dia. 23 No. of Bolt Holes 10	<b>BPW NH / NR / SN3020                      ECO</b>  <b>Brake Lining Set:</b> BC/80/1-AF720  <b>Brake Shoe Lined:</b> 0509114770, WT7715

**BRAKE DRUM DETAILS**

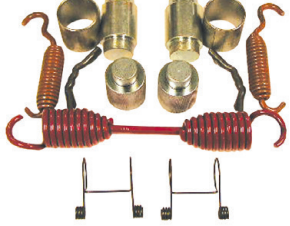




Part Number	Description	Application
<b>WT6666</b> 	<b>Brake Drum</b> Spigot 182 Brake Size 311 x 140 Inside Dia. 311 Brake Face Width 145 Drum Depth 190 PCD 225 Hole Dia. 25 No. of Bolt Holes 10	<b>ROR Low Loader / 4 Rows of 8</b>  <b>Brake Lining Set:</b> 4536  <b>Brake Shoe Lined:</b> WT7720
<b>1064027000</b> 	<b>Brake Drum</b> Spigot 300 Brake Size 420 x 200 Inside Dia. 420 Brake Face Width 213 Drum Depth 256 PCD 335 Hole Dia. 23 No. of Bolt Holes 10	<b>SAF SKRS / RZ9042</b>  <b>Brake Lining Set:</b> 3057391300  <b>Brake Shoe Lined:</b> 3057301300 - 420 x 200
<b>1064027400</b> 	<b>Brake Drum</b> Spigot 190 Brake Size 367 x 180 Inside Dia. 367 Brake Face Width 210 Drum Depth 252 PCD 335 Hole Dia. 23 No. of Bolt Holes 10	<b>SAF SKRLZ 9037</b> <b>ZL8-3718 / SKRS / RZ9037</b>  <b>Brake Lining Set:</b> 3055012600 3434371300
<b>1064028000</b> 	<b>Brake Drum</b> Spigot 230 Brake Size 367 x 180 Inside Dia. 367 Brake Face Width 210 Drum Depth 279 PCD 275 Hole Dia. 23 No. of Bolt Holes 8	<b>SAF SKRS / RZ 9037</b> <b>SKRLZ9037-ZL8-3718</b> <b>SL9-3718-S9 / Z8-3718</b>  <b>Brake Lining Set:</b> 3055012600 - 367 x 180 3434371300
<b>1064026002</b> 	<b>Brake Drum</b> Spigot 300 Brake Size 420 x 180 Inside Dia. 420 Brake Face Width 190 Drum Depth 227 PCD 335 Hole Dia. 23 No. of Bolt Holes 10	<b>SAF SL9 4218</b> <b>Z9 4218 / SKRS/RZ9042</b>  <b>Brake Lining Set:</b> 3057396000 suit Z9-4218 / SL9-4218 3057306000 suit SKRS/RZ9042  <b>Brake Shoe Lined:</b> 3055012000
<b>1064027300</b> 	<b>Brake Drum</b> Spigot 190 Brake Size 300 x 200 Inside Dia. 300 Brake Face Width 200 Drum Depth 280 PCD 225 Hole Dia. 23 No. of Bolt Holes 10	<b>SAF SKRLZ9030-Z9-3020</b> <b>ZL9-3020-SKRZ9030-RZ11030</b>  <b>Brake Lining Set:</b> 3057312400  <b>Brake Shoe Lined:</b> 3055012901

**BRAKE DRUM DETAILS**






Part Number	Description	Application
<b>1064027700</b> 	<b>Brake Drum</b> Spigot 240 Brake Size 367 x200 Inside Dia. 367 Brake Face Width 210 Drum Depth 260 PCD 275 Hole Dia. 23 No. of Bolt Holes 8	<b>SAF SKRLZ9037</b> <b>SKRS / RZ9037</b>  <b>Brake Lining Set:</b> 3057397000
<b>1064027800</b> 	<b>Brake Drum</b> Spigot 190 Brake Size 367 x 200 Inside Dia. 367 Brake Face Width 210 Drum Depth 258 PCD 225 Hole Dia. 23 No. of Bolt Holes 10	<b>SAF SK RLZ9037</b> <b>SKRS / RZ9037</b>  <b>Brake Lining Set:</b> 3057397000
<b>1064030500</b> 	<b>Brake Drum</b> Spigot 300 Brake Size 420 x 180 Inside Dia. 420 Brake Face Width 180 Drum Depth 260 PCD 285 Hole Dia. 23 No. of Bolt Holes 10	<b>SAF JSAF</b>  <b>Brake Lining Set:</b> 3057391200  <b>Brake Shoe:</b> 3055005200
<b>1064030400</b> 	<b>Brake Drum</b> Spigot 300 Brake Size 420 x 180 Inside Dia. 420 Brake Face Width 196 Drum Depth 262 PCD 335 Hole Dia. 23 No. of Bolt Holes 10	<b>SAF JSAF</b>  <b>Brake Lining Set:</b> 3057391200  <b>Brake Shoe Lined:</b> 3055005200
<b>98815-010</b> 	<b>Brake Drum</b> Spigot 223 Brake Size 16.5 x 7 Inside Dia. 419 Brake Face Width 229 Drum Depth 289.3 PCD 285 Hole Dia. 24.5 No. of Bolt Holes 10	<b>Hendrickson Centrifuse</b> <b>16.5 Foundation Brake</b>  <b>Brake Shoe Lined:</b> S-21184 -1 (STD) S-23753-1 (HXS)
<b>S-27826</b> 	<b>Brake Drum</b> Spigot 228 Brake Size 381 x 219 Inside Dia. 381 Brake Face Width 235 Drum Depth 290 PCD 275 Hole Dia. 25 No. of Bolt Holes 8	<b>Hendrickson INTRAAX</b> <b>(Centrifuse) 19.5"</b>  <b>Brake Lining Set:</b> 97017-006 4710-AF557  <b>Brake Shoe Lined:</b> C-25029-40 S27783-1 WT7708 WT7708-720

**BRAKE FOUNDATION KITS & HARDWARE**

Part Number	
<b>WT3329</b>	
	<p><b>Suits:</b> IMT axles</p> <p><b>Brake:</b> 420 or 380mm dia drum, Q Shoes</p> <p><b>Interchanges with:</b> Batco (08-108840/44), Euclid (E6999SHD), Meritor (8000MBHD), K1007T</p>
<b>WT3331</b>	
	<p><b>Suits:</b> Common to many trailer and drive axles (Moss / IMT / Dana / Meritor /Meritor Drive Axle)</p> <p><b>Brake:</b> 420 &amp; 380mm dia drum, P Shoes</p> <p><b>Interchanges with:</b> Euclid (E1816 SHD), Meritor (R509001)</p>
<b>WT3332</b>	
	<p><b>Suits:</b> Common to many trailer and drive axles (Moss / IMT / Dana / Meritor /Meritor Drive Axle / Hendrickson)</p> <p><b>Brake:</b> 420 or 380mm dia drum, Q Shoes</p> <p><b>Interchanges with:</b> Batco (08-18830/34), Euclid (E-2769SHD), Meritor Kit (8000HD)</p>
<b>WT3333</b>	
	<p><b>Suits:</b> Fruehauf Low Loader</p> <p><b>Brake:</b> 311mm dia drum, P Shoes</p> <p><b>Interchanges with:</b> Batco (08-107700), Euclid (E2286)</p>
<b>WT3334</b>	
	<p><b>Suits:</b> Fruehauf XEM</p> <p><b>Brake:</b> 420mm dia drum, Q Shoes</p> <p><b>Interchanges with:</b> Batco (08-109101/05), Euclid (E3710S),</p>

Part Number	
<b>WT3335</b>	
	<p><b>Suits:</b> Eaton Drive axle</p> <p><b>Brake:</b> 420mm dia drum, Q Shoes</p> <p><b>Interchanges with:</b> Batco (08-114900), Euclid (E10244/S), OEM (314147)</p>
<b>WT3336</b>	
	<p><b>Suits:</b> Low Loader / Dana / IMT axles</p> <p><b>Brake:</b> 311mm dia drum, Q Shoes</p> <p><b>Interchanges with:</b> Batco (08-114600), Euclid (E9283)</p>
<b>WT3337</b>	
	<p><b>Suits:</b> Low Loader / Dana / IMT axles</p> <p><b>Brake:</b> 311mm dia drum, P Shoes</p> <p><b>Interchanges with:</b> Batco (08-1174), Euclid (E9281)</p>
<b>WT3338</b>	
	<p><b>Suits:</b> ROR Forged Anchor Brackets</p> <p><b>Brake:</b> 350mm dia drum, Q Shoes</p> <p><b>Interchanges with:</b> Meritor (AXL126)</p>
<b>WT3339</b>	
	<p><b>Suits:</b> ROR Low Loader (Meritor UK)</p> <p><b>Brake:</b> 311mm dia drum, Q Shoes</p> <p><b>Interchanges with:</b> Meritor (AXL117)</p>

**BRAKE FOUNDATION KITS & HARDWARE**

Part Number	
<b>WT3340</b>	
	<p><b>Suits:</b> ROR Low Loader</p> <p><b>Brake:</b> 311mm dia drum, P Shoes</p> <p><b>Interchanges with:</b></p>
<b>WT3341</b>	
	<p><b>Suits:</b> ROR / LM Meritor</p> <p><b>Brake:</b> 420mm dia drum, Q Shoes</p> <p><b>Interchanges with:</b> Meritor (AXL-LM4)</p>
<b>WT3342</b>	
	<p><b>Suits:</b> Dana Low Loader axle</p> <p><b>Brake:</b> 311mm dia drum, Q Shoes</p> <p><b>Interchanges with:</b> Batco (08-104900), Euclid (E10756), Hendrickson (HK49-150)</p>
<b>WT3343</b>	
	<p><b>Suits:</b> Low Loader / IMT</p> <p><b>Brake:</b> 311mm dia drum, Full enclosed P Shoe, Special 2--piece rollers</p> <p><b>Interchanges with:</b> Batco (08-1074), Euclid (E2402HD)</p>
<b>WT3344</b>	
	<p><b>Suits:</b> York Low Loader Axle</p> <p><b>Brake:</b> 311mm dia drum, P Shoes</p> <p><b>Interchanges with:</b></p>

Part Number	
<b>WT3345</b>	
	<p><b>Suits:</b> York Axles</p> <p><b>Brake:</b> 335mm dia drum, P Shoes</p> <p><b>Interchanges with:</b></p>
<b>WT3347</b>	
	<p><b>Suits:</b> ROR Fabricated Anchor Bracket</p> <p><b>Brake:</b> 420mm dia drum</p> <p><b>Interchanges with:</b> AXL125</p>
<b>WT8007</b>	
	<p><b>Suits:</b> York axle</p> <p><b>Brake:</b> 394mm dia drum, P Shoes (WT5036)</p> <p><b>Interchanges with:</b></p>

**BRAKE FOUNDATION KITS & HARDWARE**



WT3200

WT3301

WT3304

WT3305

WT3206

WT3207

WT3202

WT3409

Part No.	Description	Retainer	Dia. x Length
WT3200	Standard Pin	Circlip WT3205	32 x 70mm
WT3202	C-washers for Anchor Pin		
WT3301	Long Anchor Pin 3-3/8" overall length	WT3202	32 x 86mm
WT3304	Anchor Pin Heavy Duty Assembly	Bolt / nut / washers	32 x 70/10mm
WT3305	Stepped Anchor Pin	Suits WT5034	
WT3206	Anchor Pin Bush - grooved		
WT3207	Anchor Pin Bush - suits standard pin		
WT3409	Roller Retainer Kit		




**SLACK ADJUSTERS CATALOGUE SECTION**

Part Number	
<b>WT5013</b>	
	Splines 10 Pivot 5, 6 RHS Offset 1.5" (38mm) <b>Alternative No.</b> 21212232A 134.1045
<b>WT5014</b>	
	Splines 10 Pivot 5, 6 LHS Offset 1.5" (38mm) <b>Alternative No.</b> 21212232B 134.1044

Part Number	
<b>WT5019</b>	
	Splines 37 Pivot 5, 6, 7
<b>WT5020</b>	
	Splines 10 Pivot 5, 6, 7 <b>Alternative No.</b> 278323

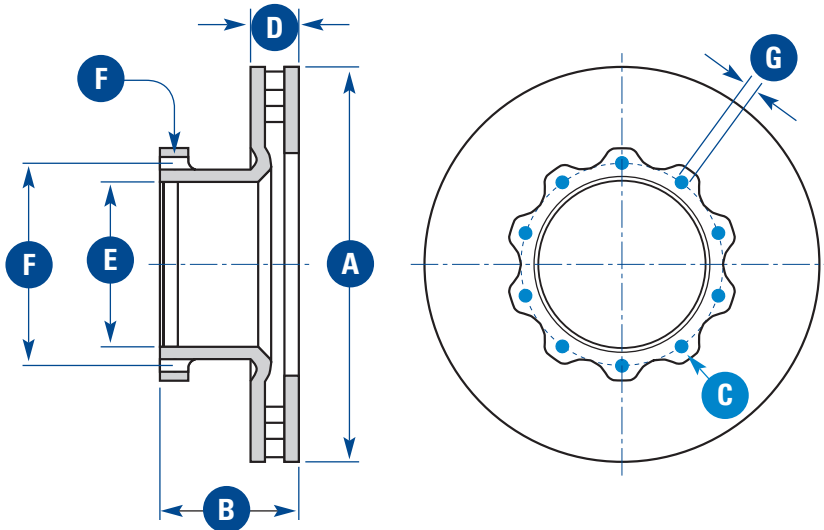
**SLACK ADJUSTERS CATALOGUE SECTION**

Part Number	
<b>WT5021</b>	
	Splines 37 Pivot 5, 6, 7
<b>WT5025</b>	
	Splines 10 Pivot 6
<b>WT5026</b>	
	Splines 10 Pivot 5, 6, 7, 8  <b>Alternative No.</b> 2121998
<b>WT5027</b>	
	Splines 10 Pivot 5, 6, 7
<b>WT5028</b>	
	Splines 10 Pivot 5.5, 6.5

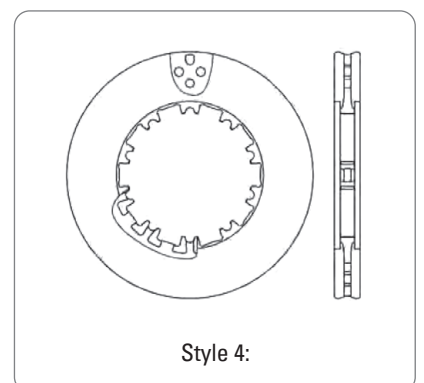
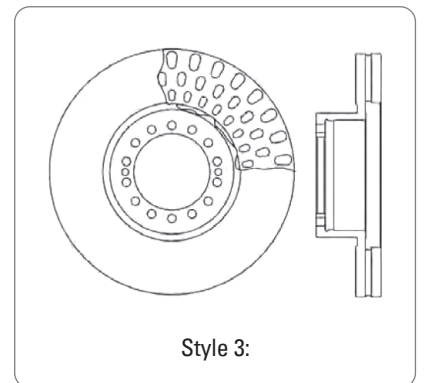
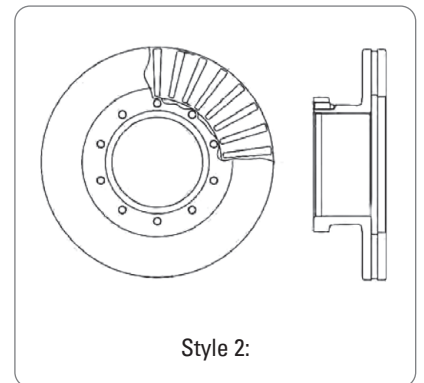
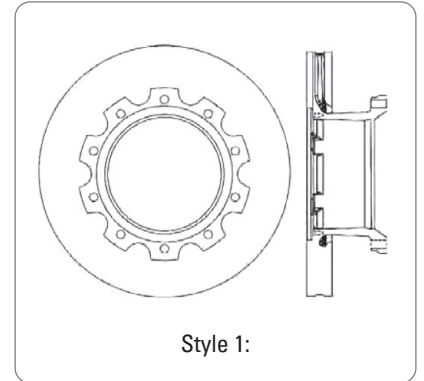
Part Number	
<b>WT5029</b>	
	Splines 28 Pivot 5, 6, 7  <b>Alternative No.</b> G22-5025HD 98834-004 286965
<b>WT502A</b>	
	Splines 28 Pivot 5.5, 6.5  <b>Alternative No.</b> 98834-008
<b>CB22102</b>	
	Auto Slack Adjuster Splines 28 Pivot 5.5, 6.5  <b>Alternative No.</b> CS52320 065247 A3105W1167
<b>CB21103</b>	
	Auto Slack Adjuster Splines 10 Pivot 5, 6  <b>Alternative No.</b> 136.1030 E6991A

**BRAKE ROTOR IDENTIFICATION**

**KEY DIMENSIONS:**



**ROTOR STYLES:**



**QUESTIONS:**

**Truck or Trailer:** Truck  Trailer

**Application Location:** Front  Rear  Trailer  Trailer Steer Axle

**Vehicle Manufacturer:**

**Model / Type:**

**Axle Manufacturer:**

**Registration #:**  Information for OTIS **Year:**

**Casting # on Rotor:**

**A Rotor Outer Dia:**  **B Rotor Height:**

**C # of Bolt Holes:**  **D Rotor Thickness:**

**E Spigot Diameter:**  **F Bolt Circle Diameter (PCD):**

**G Dia. of Bolt Holes:**  **Tyre Size:**

**Rotor Style:** Style 1:  Style 2:  Style 3:  Style 4:

**REFER TO CHARTS ON FOLLOWING PAGE TO IDENTIFY ROTOR >>**



**BRAKE ROTOR DETAILS**

Part Number	Description	Application
<b>WT6801</b> 	<b>Brake Rotor</b> Spigot 222 Rotor Diameter 378 Rotor Thickness 45 Overall Rotor Depth 150 PCD 280 Hole Diameter 16 Bolt holes 10	<b>Meritor LM DX195 / ELSA195</b>  <b>Pads to suit:</b> S0572917701 PD/130-K19
<b>WT6802</b> 	<b>Brake Rotor</b> Spigot 225 Rotor Diameter 378 Rotor Thickness 45 Overall Rotor Depth 150 PCD 275 Hole Diameter 24 Bolt holes 8	<b>Meritor TM / LM Series DX195 99-05</b>  <b>Pads to suit:</b> S0572912400 PD/138-K10
<b>WT6803</b> 	<b>Brake Rotor</b> Spigot 230 Rotor Diameter 377 Rotor Thickness 45 Overall Rotor Depth 159 PCD 275 Hole Diameter 23 Bolt holes 8	<b>BPW SN3745 / SB3745T</b>  <b>Pads to suit:</b> S0572916500 S0572909500
<b>WT6809</b> 	<b>Brake Rotor</b> Spigot 290 Rotor Diameter 377 Rotor Thickness 45 Overall Rotor Depth 159 PCD 335 Hole Diameter 23 Bolt holes 10	<b>BPW SB3745 / SB3745T</b>  <b>Pads to suit:</b> S0572916500 S0572909500
<b>WT6810</b> 	<b>Brake Rotor</b> Spigot 222 Rotor Diameter 377 Rotor Thickness 45 Overall Rotor Depth 165 PCD 285 Hole Diameter 23 Bolt holes 10	<b>BPW SB3745 / SB3745T</b>  <b>Pads to suit:</b> S0572916500 S0572909500
<b>0308834150</b> 	<b>Brake Rotor</b> Spigot Rotor Diameter 377 Rotor Thickness Overall Rotor Depth PCD 275 Hole Diameter Bolt holes 8	<b>BPW TSB 3709</b>  <b>Pads to suit:</b> 0980107960

**BRAKE ROTOR DETAILS**




Part Number	Description	Application
0308834160	 <p><b>Brake Rotor</b> Spigot Rotor Diameter 377 Rotor Thickness Overall Rotor Depth PCD 275 Hole Diameter Bolt holes 8</p>	<p><b>BPW TSB 3709 -ABS</b></p> <p><b>Pads to suit:</b> 0980107960</p>
0308835060	 <p><b>Brake Rotor</b> Spigot Rotor Diameter 377 Rotor Thickness Overall Rotor Depth PCD 285 Hole Diameter Bolt holes 10</p>	<p><b>BPW TSB4309</b></p> <p><b>Pads to suit:</b> 0980107960</p>
0308835120	 <p><b>Brake Rotor</b> Spigot Rotor Diameter 377 Rotor Thickness Overall Rotor Depth PCD 355 Hole Diameter Bolt holes 10</p>	<p><b>BPW TSB4309</b></p> <p><b>Pads to suit:</b> 0980107960</p>
3079001601	 <p><b>Brake Rotor</b> Spigot Rotor Diameter 377 Rotor Thickness 50 Overall Rotor Depth 145 PCD 275 Hole Diameter Bolt holes 10</p>	<p><b>SAF ZI9-19W</b> <b>ZIL9-19W</b></p> <p><b>Pads to suit:</b> 03057008000</p>
04079001001	 <p><b>Brake Rotor</b> Spigot Rotor Diameter 377 Rotor Thickness 45 Overall Rotor Depth PCD Hole Diameter Bolt holes 10</p>	<p><b>SAF BI9-19W</b> <b>BIL9-19W</b> <b>BILL-19W</b> <b>SKRB9019W</b> <b>SKRLB9019WI</b> <b>SKNLB9019WI</b></p> <p><b>Pads to suit:</b> 03057008000</p>
04079000400	 <p><b>Brake Rotor</b> Spigot Rotor Diameter 377 Rotor Thickness 45 Overall Rotor Depth PCD 275 Hole Diameter Bolt holes 8</p>	<p><b>SAF SKRS/RZ9019W</b> <b>Dual Steel Wheels</b></p> <p><b>Pads to suit:</b> 03057008000</p>

**BRAKE ROTOR DETAILS**

Part Number	Description	Application
<b>04079001400</b> 	<b>Brake Rotor</b> Spigot Rotor Diameter 377 Rotor Thickness 45 Overall Rotor Depth 175.5 PCD 275 Hole Diameter Bolt holes 8	<b>SAF SKRS9019W</b> Dual Steel / Alloy Wheels SKRLZ9019W  <b>Pads to suit:</b> 03057008000
<b>04079001201</b> 	<b>Brake Rotor</b> Spigot Rotor Diameter 377 Rotor Thickness 45 Overall Rotor Depth 158 PCD 285 Hole Diameter 27.75 Bolt holes 10	<b>SAF SKRS/RZ9019W</b> Dual Alloy Wheels  <b>Pads to suit:</b> 03057008000
<b>04079000300</b> 	<b>Brake Rotor</b> Spigot Rotor Diameter 430 Rotor Thickness 45 Overall Rotor Depth PCD Hole Diameter Bolt holes 10	<b>SAF RS / RZ 9022W</b>  <b>Pads to suit:</b> 03057005100
<b>04079000701</b> 	<b>Brake Rotor</b> Spigot 217 Rotor Diameter 377 Rotor Thickness 45 Overall Rotor Depth 139.5 PCD Hole Diameter Bolt holes 10	<b>SAF SKRB9019W</b> <b>SKRLB9019W</b>  <b>Pads to suit:</b> 03057008000
<b>CT808</b> 	<b>Brake Rotor</b> Spigot Rotor Diameter 375 Rotor Thickness 45 Overall Rotor Depth PCD Hole Diameter Bolt holes 8	<b>IMT F22DW68 19.5 8 Stud</b>  <b>Caliper:</b> 3/080/0032/00  <b>Pads to suit:</b> WABCO 3/057/0080/0 Haldex 87985
<b>IMT569HR</b> 	<b>Brake Rotor</b> Spigot Rotor Diameter Rotor Thickness Overall Rotor Depth PCD 285 Hole Diameter Bolt holes 10	<b>IMT F22DW50 19.5 10 Stud</b>  <b>Pads to suit:</b> WABCO 3/057/0080/0 Haldex 87985



**BRAKE ROTOR DETAILS**

Part Number	Description	Application
<b>CT826</b> 	<b>Brake Rotor</b> Spigot 173 Rotor Diameter 325 Rotor Thickness 45 Overall Rotor Depth 148 PCD 196 Hole Diameter 14 Bolt holes 8	<b>IMT ADB175 F22 17.5 8 Stud</b>  <b>Caliper:</b> PAN17  <b>Pads to suit:</b> 12/999/806 WABCO PD/124-K18
<b>D-33390</b> 	<b>Brake Rotor</b> Spigot Rotor Diameter 377 Rotor Thickness Overall Rotor Depth 275 PCD Hole Diameter Bolt holes 8	<b>Hendrickson (SARN44547)</b> <b>HXL2 &amp; HXL5HN</b> <b>Conventional HN</b> <b>WABCO HTD377</b>  <b>Pads to suit:</b> 98881-021
<b>D-34172</b> 	<b>Brake Rotor</b> Spigot Rotor Diameter 430 Rotor Thickness 37 Overall Rotor Depth PCD 335 Hole Diameter Bolt holes 10	<b>Hendrickson (SARN29348)</b> <b>HXL2 &amp; HXL5HN</b> <b>Conventional HN</b> <b>Knorr - Bremse</b>  <b>Pads Kit to suit:</b> 98881-005