



## RUSSELECTRIC

# RTSCD Commercial Duty Service Entrance Rated Transfer Switches

[www.russelectric.com](http://www.russelectric.com)

### Product description

Russelectric RTSCD Service Entrance Rated Transfer Switches combine automatic power switching with the necessary disconnecting, grounding, and bonding required for use as service entrance equipment. The power transfer switch meets all National Electrical Code requirements of the Normal Utility source for service entrance use.

### Typical applications

- Commercial buildings
- Educational campuses
- High-rise complexes
- Industrial Plants
- Manufacturing facilities

### Standards and certifications

- UL 1008 up to 480 VAC
- NFPA 110
- NEC Articles 700, 701, 702
- Enclosure UL Type 1 or 3R
- Seismic Standards: IBC 2018, CBC2019

### Key features

- Available in 2, 3 & 4 Pole with solid or fully rated switched neutral
- User friendly, intuitive keypad and display with both icons and word markings
- Silver plated copper ground and neutral bus with solderless mechanical type terminals
- Historical event log standard
- Front connected
- RS485 MODBUS RTU Protocol
- Rapid and reliable arc quenching
- Manual Transfer with rapid arc interruption and permanently affixed handle
- Quick-Break, Quick-Make high speed preloaded, over-center transfer
- Double throw, mechanically held contactor mechanism
- Contacts easily accessible for fast contact inspection
- Flame retardant switchboard type wiring

### Optional accessories

- PM – Power Monitoring Package (PM)
- API-Auto/Load Test Key Switch and Load Shed Relays (Source Inhibit Relays) both sources
- AP2 – Selector Switch for Auto/Manual
- Pushbuttons for Manual Transfer (XK12, XP12, XP13)
- Space Heater / Thermostat

**RTSCD Commercial Duty Service Entrance Rated Transfer Switches**

The RTSCD line of transfer switches deliver Russelectric’s legendary reputation for quality and reliability in a commercial duty switch.

The RTSCD has a user friendly operator interface panel (O.I.P.), which utilizes softkeys and intuitive operation. Like all Russelectric transfer switches, the RTSCD features preloaded springs and an electric operator-driven over-center mechanism

for extremely quick switching operations. This unique ATS design instantaneously opens and closes the ATS contacts and provides for rapid full arc interruption, even under maximum voltage and amperage. This considerably reduces contact erosion and effectively increases the switch’s useful life.

A manual operator is permanently fixed to the ATS switching chassis.

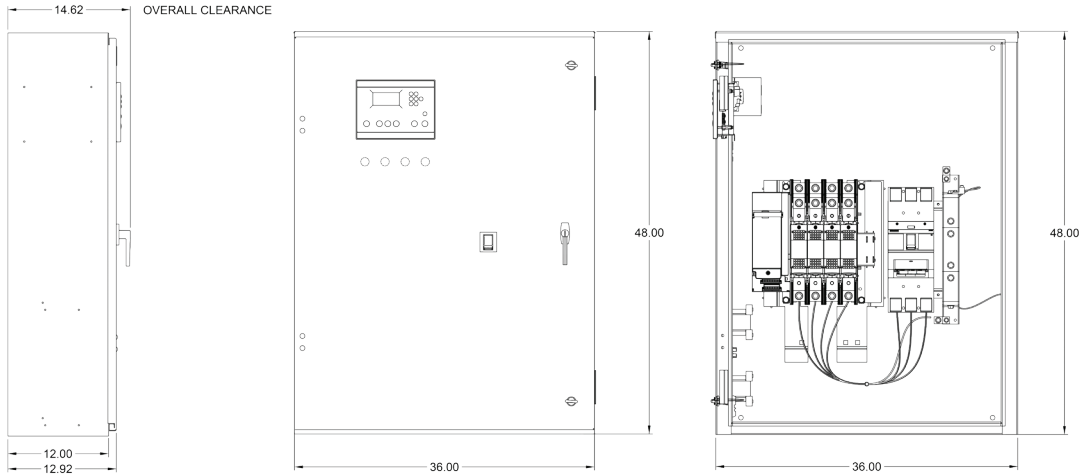
Model Numbering System for Service Entrance Rated RTSCD Transfer Switches																									
Model	Operation Type		Switch Type	Operator	Current Rating	Poles	Voltages			Terminal Type	Enclosure Type		Encl. Rating	Material	PM Power Mtr.		AP1 XK1, Load Shed		AP2 XP12, XK12, XP13		Space Heater / Thermostat				
	A	Auto					A	B	A		B	C			D	E	F	K	P	Q	M	W	1	3R	Sheet Steel
RTSCD	A	Auto	S	A	100	2	A	277/480		M	Mechanical	W	Wall Mount	1	UL Type 1	Sheet Steel	X	No	X	No	X	No	X	No	
				B	200	3	B	480	60HZ					3R	UL Type 3R	Sheet Steel	M	Yes	1	Yes	2	Yes	3	Yes	
					260	4	C	120/208																	
					400		D	208																	
							E	120/240																	
							F	240																	
							K	120																	
							P	220/380	50HZ																
							Q	380																	

Example: RTSCD-ASA2603AMW1XXXX - Service Entrance Transfer Switch Open Transition, 260A, 3 Pole with Solid Neutral, 480/277V, No Accessories.

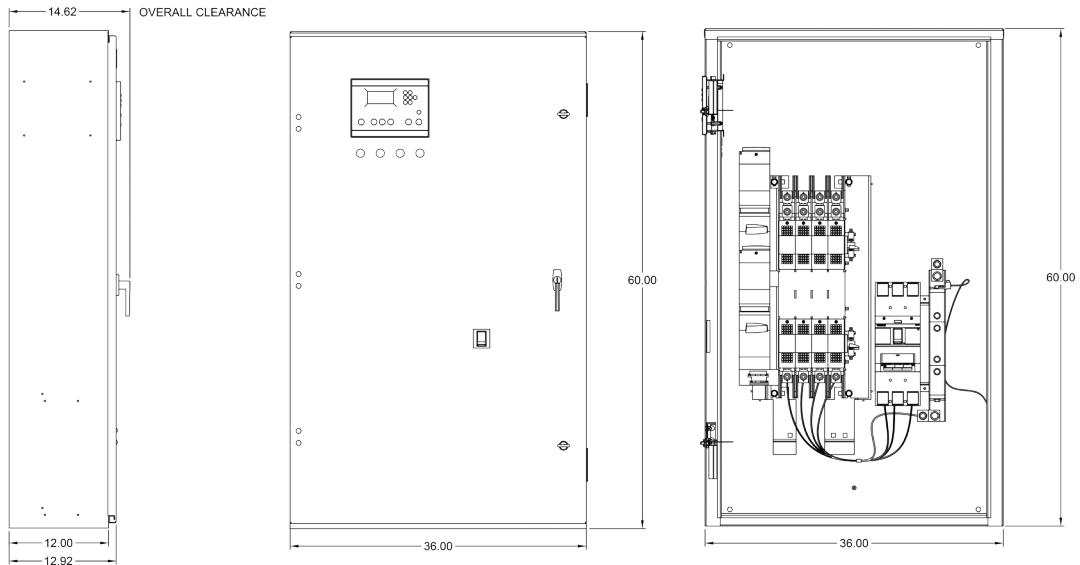


User friendly operator interface panel

## Overall Dimensions



Single Operator, NEMA 1 & NEMA 3R



Dual Operator, NEMA 1 & NEMA 3R

### Shipping Weights And Dimensions Type 1 & 3R Wall-Mounted Enclosed

Dimensions Single Operator – 100A – 400A,  
3 & 4 pole: 48”H x 36”W x 14.62”D

Dimensions Dual Operator – 100A – 400A,  
3 & 4 pole: 60”H x 36”W x 14.62”D

Weights	Single Operator	Dual Operator
100A, 3 pole	215 lbs.	300 lbs.
100A, 4 pole	230 lbs.	315 lbs.
200A, 3 pole	225 lbs.	310 lbs.
200A, 4 pole	241 lbs.	326 lbs.
260A, 3 pole	235 lbs.	320 lbs.
260A, 4 pole	253 lbs.	338 lbs.
400A, 3 pole	256 lbs.	341 lbs.
400A, 4 pole	263 lbs.	348 lbs.

Note: On NEMA 3R units the circuit breaker toggle will employ a NEMA 3R rated circular twist knob.

**Source 1 Service Entrance Breaker (included)**

Amperage range 100-200 Siemens Type 3VA62 3P 250A 65KA ETU3-LIG 100

Amperage range 260-400 Siemens Type 3VA64 3P 400A 65KA ETU3-LIG 100

**Note:**

1. Russelectric is providing the Siemens 3VA Molded Case Circuit Breaker for source 1 within the assembly. (More info on breaker available at Siemens website, search 3VA).
2. Source 2 breaker is not included but it should follow the subsequent charts to maintain withstand ratings.
3. The over-current setting (Ir/A) of the service entrance source 1 feeder breaker is set at the factory to the same ATS ampere rating and should not be changed. All other settings should only be set by qualified personnel.

**Short Circuit Closing and Withstand Ratings Specific Circuit Breaker Manufacturers 100-200A (Feeder Breaker not included)**

Short-circuit current (kA)	Max. Voltage (VAC)	Manufacturer	Type	Max. Current Rating (Amperes)
50	480	Siemens	3VA5	100
50	480	Siemens	3VA5	150
50	480	Siemens	3VA5	250
50	480	Siemens	3VA6	150
50	480	Siemens	3VA6	250
50	480	Schneider Electric	DC	100
50	480	Schneider Electric	FI	100
50	480	Schneider Electric	HD	100
50	480	Schneider Electric	HG	100
50	480	Schneider Electric	HJ	100
50	480	Schneider Electric	HL	100
50	480	Schneider Electric	JD	250
50	480	Schneider Electric	JG	250
50	480	Schneider Electric	JJ	250
50	480	Schneider Electric	JL	250
35	480	Eaton	FCL	250
35	480	Eaton	JGS	250
35	480	Eaton	JGH	250
35	480	Eaton	JGC	250

**Short Circuit Closing and Withstand Ratings When Protected by Current Limiting Fuses**

Short-circuit current (kA)	Max. Voltage (VAC)	Fuse Class	Max Current Rating (Amperes)
100	480	J	400

**Mechanical Lug Sizing**

100A: (1) 1/0 – 14 AWG OR (2) 4 – 12 AWG  
 200A: (1) 250MCM – 6 AWG



Manual operator with protective cover and safety shut-off.

**NOTE:** When protected by a circuit breaker of specific manufacturer, type, and ampere rating as marked above, this transfer switch is suitable for use in circuits capable of delivering the short-circuit current at the maximum voltage marked.

**Short Circuit Closing and Withstand Ratings Specific Circuit Breaker Manufacturers  
260-400A (Feeder Breaker not included)**

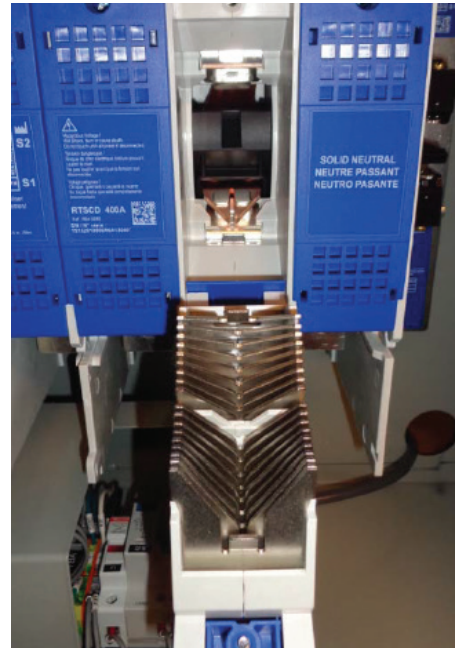
Short-circuit current (kA)	Max. Voltage (VAC)	Manufacturer	Type	Max.Current Rating (Amperes)
65	480	Siemens	3VA5	250
65	480	Siemens	3VA6	250
50	480	Siemens	3VA6	400
50	480	Siemens	3VA6	600
65	480	Schneider Electric	NSX	400
100	480	Schneider Electric	JJ	250
100	480	Schneider Electric	JL	250
100	480	Schneider Electric	JR	250
65	480	ABB (GE)	SFL	250
100	240	ABB (GE)	SFL	250
50	480	Eaton	LGH	400

**Short Circuit Closing and Withstand Ratings When Protected by Current Limiting Fuses**

Short-circuit current (kA)	Max. Voltage (VAC)	Fuse Class	Max Current Rating (Amperes)
100	480	J	600

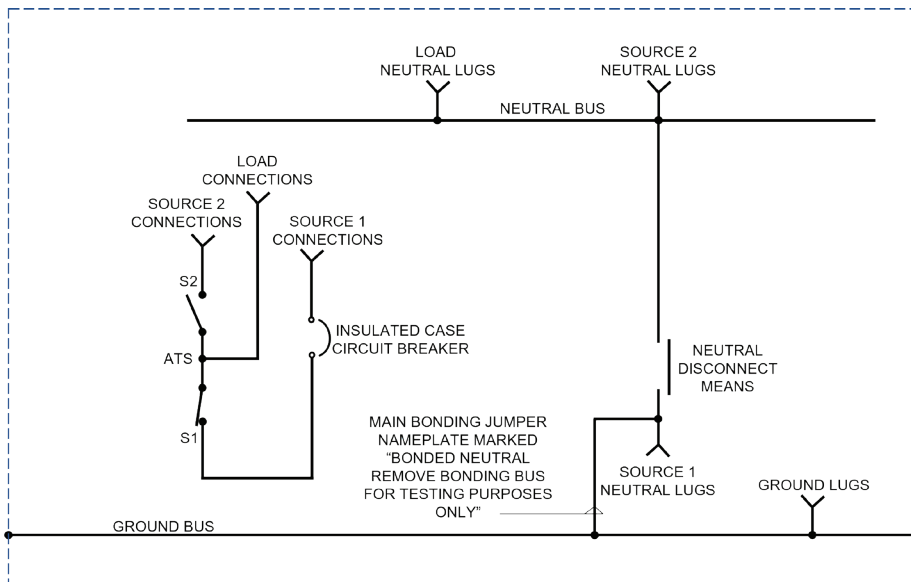
**Mechanical Lug Sizing**

260 – 400A: (1) 4-600MCM or (2) 1/0 – 250MCM



Contacts easily inspectable from the front.

**NOTE:** When protected by a circuit breaker of specific manufacturer, type, and ampere rating as marked above, this transfer switch is suitable for use in circuits capable of delivering the short-circuit current at the maximum voltage marked.







**Legal Manufacturer**

Russelectric,  
A Siemens Business  
South Shore Park  
Hingham, MA 02043  
United States of America

info@russelectric.com  
www.russelectric.com  
Phone: 781-749-6000  
800-225-5250

Order No. RSBP-RTSCDSE-0823  
© 08.2023, Siemens Industry, Inc.

This document contains a general description of available technical options only, and its effectiveness will be subject to specific variables including field conditions and project parameters. Siemens does not make representations, warranties, or assurances as to the accuracy or completeness of the content contained herein. Siemens reserves the right to modify the technology and product specifications in its sole discretion without advance notice.