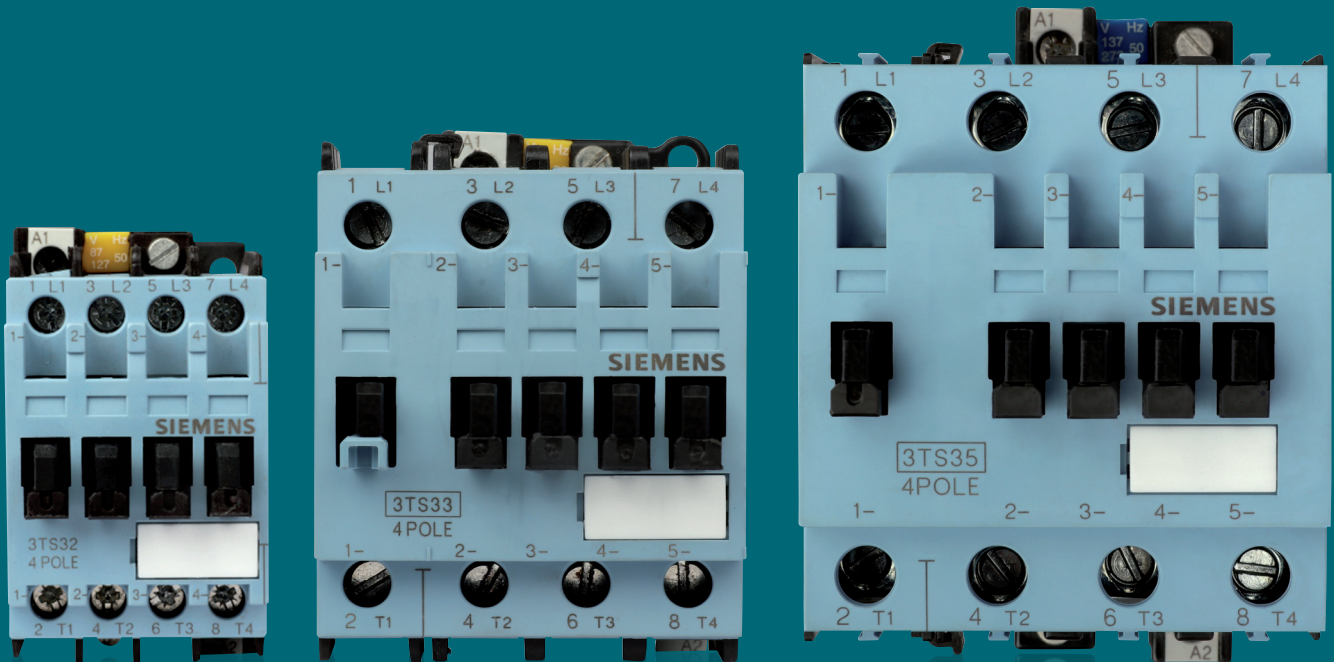


SIEMENS

Ingenuity for life

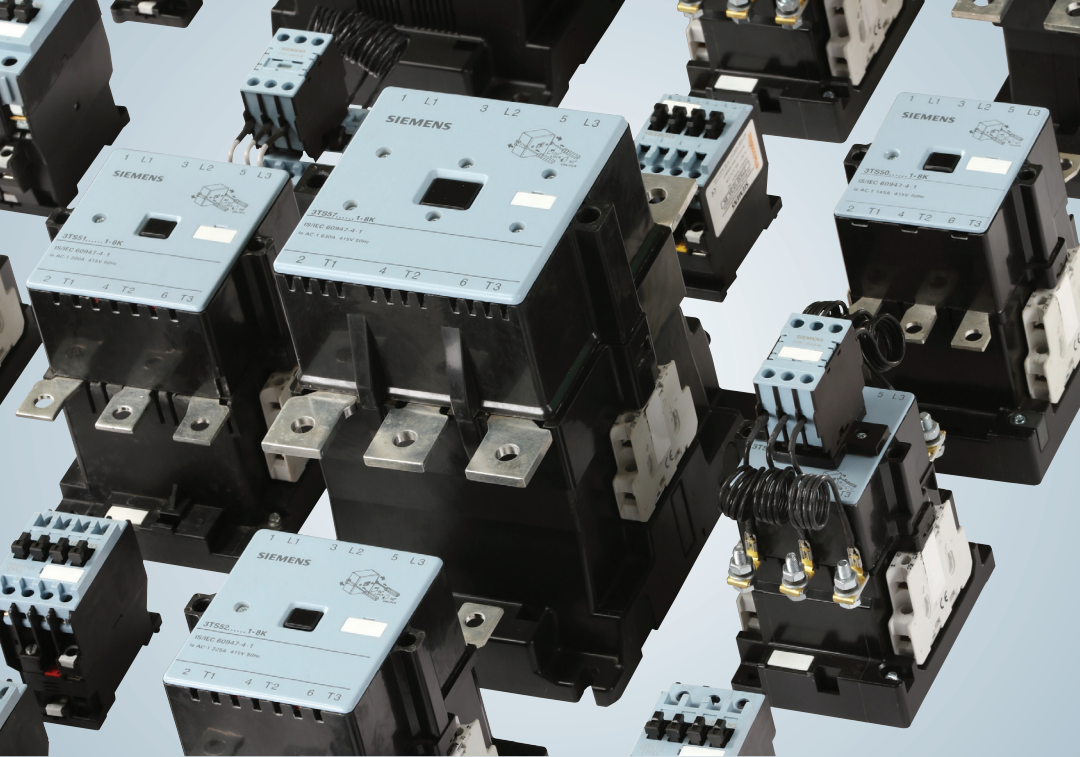


3TS 4 Pole Contactors

www.siemens.co.in



Overview	Pg. 3
Features and Benefits	Pg. 4
Range	Pg. 5
Selection and Ordering Data	Pg. 6
Technical Datasheet	Pg. 8
Dimensions	Pg. 10



Overview



For more than 100 years, Siemens has been developing and manufacturing industrial control products. We offer a wide product range which caters to fulfill the demand of our esteemed customers with satisfactory performance level and improved reliability.

The new range of 4 Pole Contactors have been designed to provide a reliable and economical solution for power applications



Cabinet Space



Fast



Cost-effective



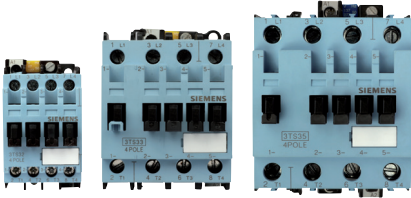
Standard-compliant

Standards
IEC 60947-4-1

Approbations
CE marking

Features and Benefits

Compact Dimension



S0

S1

S2

W 45 mm

61 mm

73 mm



Saves space

Wide Band Coil

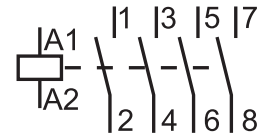


Wide Band coils available for the entire range makes the contactor coil more rugged to handle voltage fluctuation at various site conditions



Electronic coils available from 45A and above ensure low power consumption

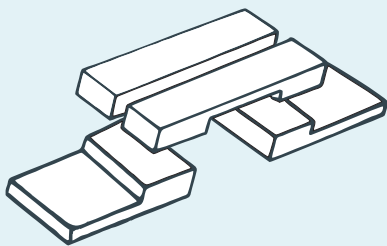
Reliable Switching



Reliable electrical switching operations for AC-1 & AC-3 utilization category

Reliable mechanical switching with & without interlock to avoid any malfunctioning during the switching operations

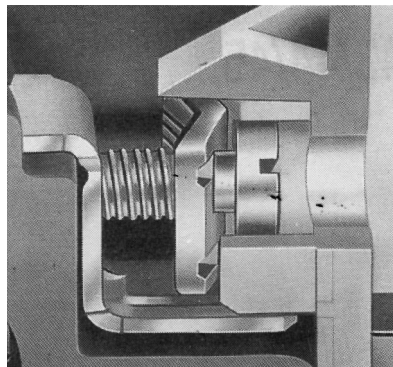
Contact Reliability



Double Break Parallel Bridge Auxiliary Contacts

Unmatched contact reliability thanks to the "double break parallel bridge contact system", offers continuity at voltage as low as 17V DC and signal strength as low as 5mA.

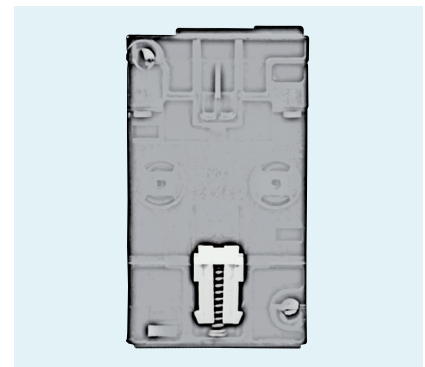
SIGUT® Termination



It increases safety to the operator by preventing accidental contact of the finger or the back-of-the-hand with live terminals. A major hazard has therefore been eliminated.

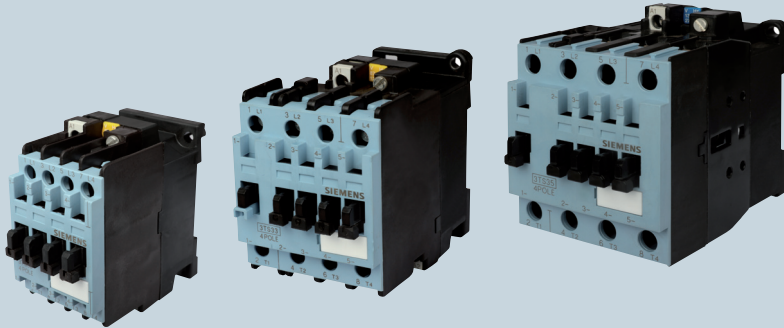
Ease of wiring: The open terminals, captive screws, funnel-shaped cable entrances and guides for power screw drivers reduce wiring / testing time (electrician's time) by approximately 30%.

DIN / Screw mounting



Provides flexible mounting options. Contactor can be mounted on 35mm DIN and they are also suitable for screw mounting.

Range



4 Pole Contactors for Power Applications

3TS 4 Pole Contactor range extends and complements the range of 3TS Contactors ensuring reliable performance as demanded by various applications

S0		S1		S2		
18 A	25 A	35 A	40 A	45 A	50 A	65 A
3TS31	3TS32	3TS33	3TS34	3TS35	3TS36	3TS37

Auxiliary Contact Block – 1 NO / 1NC

Surge Suppressors

Mechanical Interlocks




Selection and ordering data

Contactor size	Rated current Ie (A) AC1 at 415V	AC Coil	DC Coil
S0	18A	3TS3100-0A..4-8K	3TS3100-0B..4-8K
S0	25A	3TS3200-0A..4-8K	3TS3200-0B..4-8K
S1	35A	3TS3300-0A..4-8K	3TS3300-0B..4-8K
S1	40A	3TS3400-0A..4-8K	3TS3400-0B..4-8K
S2	45A	3TS3500-0A..4-8K	3TS3500-0B..4-8K
S2	50A	3TS3600-0A..4-8K	3TS3600-0B..4-8K
S2	65A	3TS3700-0A..4-8K	3TS3700-0B..4-8K
S2	65A*	3TS3700-0A..4-8KA0	3TS3700-0B..4-8KA0

Please add coil voltage code from table below

* 50A AC-3 rating

Size S0 & S1	Standard Coil				
	AC (50 Hz)			DC	
Code	F7	M7	R7	B4	E4
Coil Voltages	87...127 V	175...240 V	337...427 V	24 V	52..55V DC

Size S2	Standard Coil			Electronic Coil 			
	AC (50 Hz)			AC (50 Hz)		DC	
Code	F0	P0	R0	F7	M7	B4	E4
Coil Voltages	110 V	230 V	415 V	81...136 V	137...273 V	24 V	52..55V DC

Auxiliary Contact Block	Type No
1 NO	3TX40 10-2A
1 NC	3TX40 01-2A

Mechanical Interlock	Type No
S0 and S1	3TX4091-1A
S2	3TX4091-1A + 3TX4091-1G*

Surge Suppressor	Coil Voltage		Type No	
	AC	DC	Varistor	RC - Element
Standard Coil Size S0 ,S1 and S2	24 - 48 V	24 - 70 V	3TX7402-3GY1	3TX7402-3RY2
	48 - 127V	70 - 150V	3TX7402-3HY1	3TX7402-3SY2
	127 - 240V	150 - 250V	3TX7402-3JY1	3TX7402-3TY2
	240 - 400V	–	3TX7402-3KY1	3TX7402-3UY2

Surge Suppressor	Coil Voltage		Type No
	AC	DC	RC - Element
Electronic Coil Size S2	81-273V AC	–	3TX7402-3PY2
	–	24-55V	3TX7402-3QY2

* Used only when the contactors are DIN rail mounted. Refer Image on Pg 11

Selection and ordering data

Main contact kits (set of 8 fixed & 4 moving contacts)

Contactor size	Rated current I _e (A) AC1 at 415V	Contactor	Type No
S1	35A	3TS3300	3TS9133-0E
S1	40A	3TS3400	3TS9134-0E
S2	45A	3TS3500	3TS9135-0E
S2	50A	3TS3600	3TS9136-0E
S2	65A	3TS3700	3TS1937-0E
S2	65A*	3TS3700	3TS9137-0A

* 50A AC-3 rating

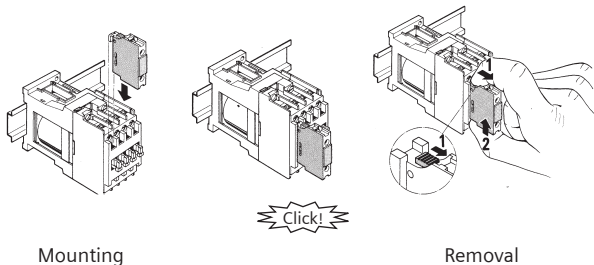
Spare Coils

Contactor size	Type No	
	AC	DC
S0	3TS9231-0A..4-8K	3TS9231-0B..4-8K
S1	3TS9233-0A..4-8K	3TS9233-0B..4-8K
S2	3TS9235-0A..4-8K	3TS9235-0B..4-8K

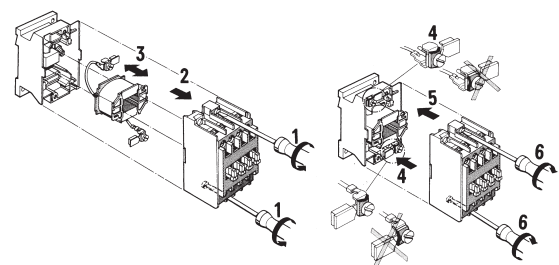
Please add coil voltage code from table on page no. 6



Auxiliary Contact Block Replacement: (Common for AC contactor and DC contactor)



Coil Replacement:



Ease of Maintenance

Technical Data

Contactor Technical Parameters				Size		0		1		2	
				Type	3TS31	3TS32	3TS33	3TS34	3TS35	3TS36	3TS37
Number of Poles											4
Permissible Ambient Temperature	Storage	°C									-55 to +80
	Service	°C									-5 to +60
Rated Insulation Voltage U_i (At Pollution Degree.3) ¹⁾	V	V									690
Rated Operating Voltage	V	V									415
Rated Impulse Strength U_{imp}	kV	kV									6
Make/Break Operations	AC	Cycles									1 x 10 ⁶
Mechanical Endurance	DC	Cycles									1 x 10 ⁶
Rating of contactors for AC loads											
AC-1 duty, switching resistive load	at 40°C upto 415V, 50 Hz	A	18	25	35	40	45	50	65	65	65
Preferred 3 Phase DG ratings @ 415V	at 415V, 50 Hz	kVA	7.5	15	20	27	32	35	40	40	40
AC-3 duty, switching of squirrel-cage motors	at 415V, 50 Hz	A	9	12	18	25	35	40	45	50	50
Power loss per current path at	$I_e/AC-1$	W	0.6	0.8	1	1.6	2	2.5	2.5	2.5	2.5
	$I_e/AC-3$	W	0.15	0.18	0.26	0.63	1.21	1.60	1.20	1.48	1.48
Switching frequency		Operation									
No-load	AC	Cycles/hr	10000		5000		3000	3000	3000	3000	3000
	DC	Cycles/hr	1500		1500		3000	3000	3000	3000	3000
at AC-1		Cycles/hr	2000		1200		1200	1200	1200	1200	1200
	at AC-3	Cycles/hr	1000		750		750	750	750	750	750
Coil Parameters											
Coil Ratings (cold coil 1.0 x Us)											
AC operation 50Hz (Electronic Coil)	Closing	VA									80
	Closed										5
DC Operation (Electronic Coil)	Closing	W									80
	Closed										3
AC operation 50Hz (Standard Coil)	Closing	VA	100		118						173
		p.f.	0.79		0.79						0.73
	Closed	VA	15		20						26
		p.f.	0.28		0.28						0.24
DC Operation (Standard Coil)	Closing	W	6.2		8.2						-
	Closed		6.2		8.2						-
Rated Control Circuit supply voltages Us (Coil Voltages) confirming IEC 60947-4-1											
Control Circuit supply voltage range	AC Coil (50Hz)	V	87-127 (F7), 175-240 (M7), 337-427 (R7)				110 (F0), 230(P0), 415(R0) 81-136 (F7), 137-273 (M7)				
	DC Coil	V	24 (B4), 52- 55 (E4)				24 (B4), 52- 55 (E4)				
Limits of Operation											
Coil voltage tolerance	AC Coil		0.8 Us min - 1.1 Us max				0.8 - 1.1 Us (Standard Coil) 0.85 Us min - 1.1 Us max (Electronic Coil)				
	DC Coil						0.8 Us min - 1.1 Us max (Electronic Coil)				
Operating times at 1 x Us²⁾											
AC Operation	Closing	ms	10-25		10-25						13-32
	Opening	ms	4-18		5-20						5-10
DC Operation	Closing	ms	30-70		40-80						58-107
	Opening	ms	12-20		10-20						13-17
Auxiliary Contacts											
No. of Aux. blocks mountable on contactor											3

** Ratings for 3TS37...MLFB ending with A0

1) As per IS/IEC 60947- 1

2) The opening time delay increases when the contactor coil is protected against voltage peaks. (e.g. Varistor: +2 to +5ms)

Technical Data

Contactor Technical Parameters		Size	0		1		2		
		Type	3TS31	3TS32	3TS33	3TS34	3TS35	3TS36	3TS37
Conductor cross-sections									
Main conductor									
Solid	mm ²	2 x (0.5 to 1, 1 to 2.5), 1 x 4		2 x (2.5 to 6)		2 x (1 to 16)			
Finely stranded with end sleeve	mm ²	2 x (0.75 to 2.5)		2 x (1.5 to 4)		1x (2.5 to 16)			
Pin end connector	mm ²	1 x (1 to 2.5)		1 x (1 to 6)		1 x (1 to 6)			
Solid or stranded	AWG	2 x (18 to 12)		2 x (14 to 10)		2 x (14 to 6)			
Tightening torque	Nm	0.8 to 1.4		1 to 1.5		2.5 to 3			
Control Conductor									
Solid	mm ²	2 x (0.5 to 1, 1 to 2.5), 1 x 4							
Finely stranded with end sleeve	mm ²	2 x (0.75 to 2.5)							
Pin end connector	mm ²	1 x (1 to 2.5)							
Solid or Stranded	AWG	2 x (18 to 12)							
Tightening torque	Nm	0.8 to 1.4							
Short-circuit protection									
Main Circuits (Fuse type 3NA7)	Type-1	A	35	63	80				
	Type-2	A	25	32	63				
Main Circuits (C Curve MCBs Type 5SL4/5SL6)	Type-1	A	25	50	63				

** Ratings for 3TS37...MLFB ending with A0



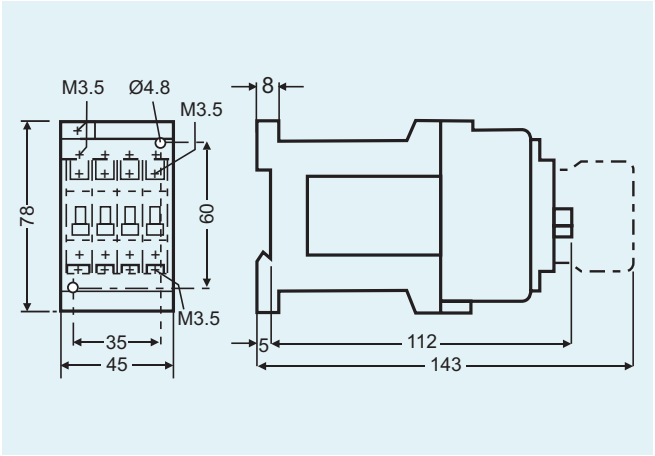
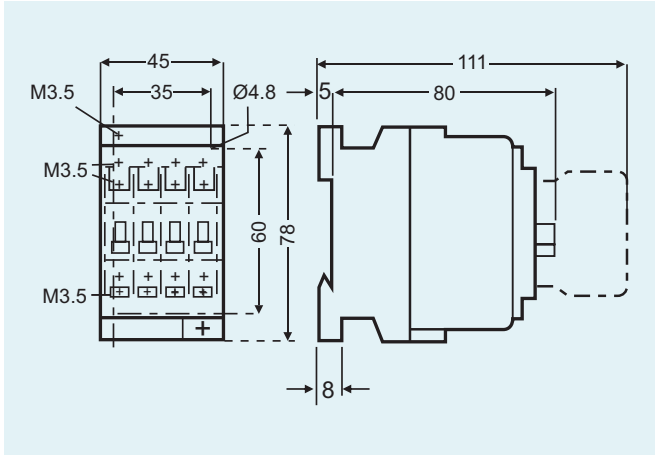
4 Pole Contactors for Power Applications

Dimensions

Size S0

3TS31/32000A..4-

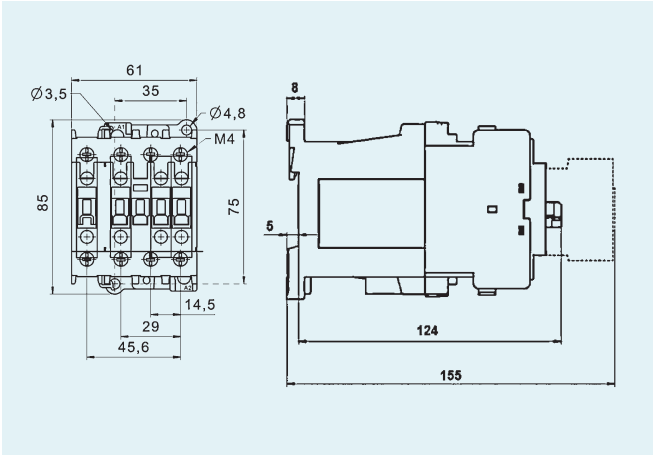
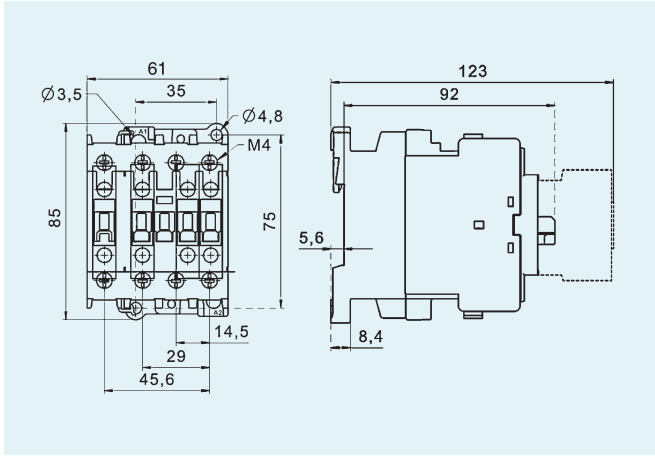
3TS31/32000B..4-



Size S1

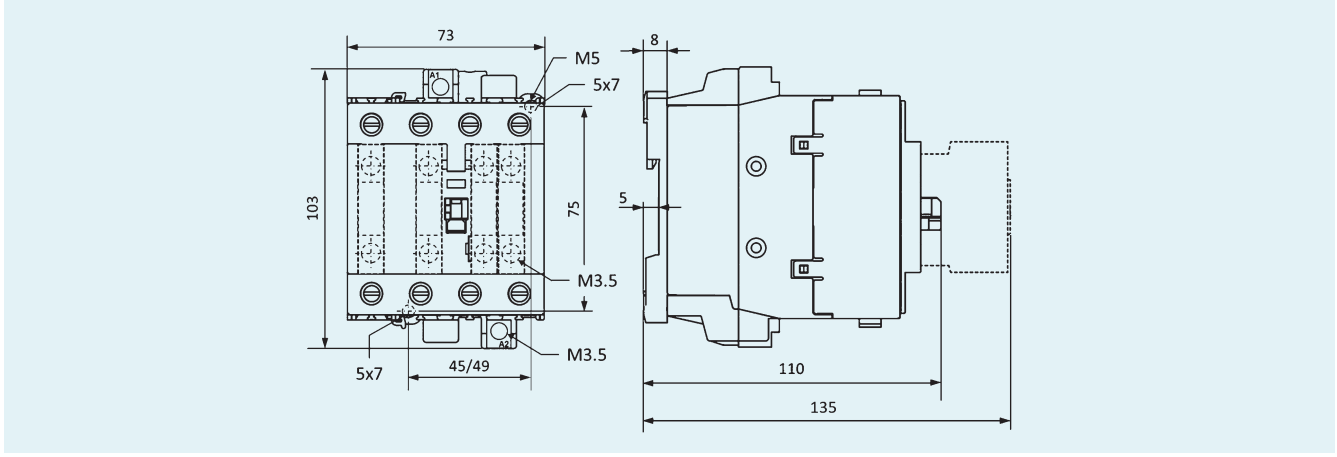
3TS33-34000A..4-

3TS33/34000B..4-



Size S2

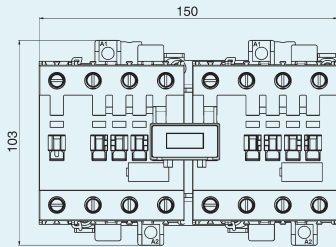
3TS35-37000A/0B..4-....



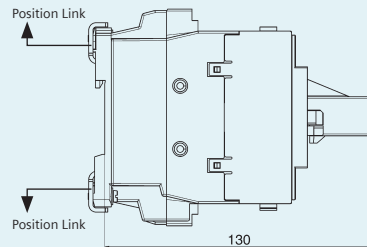
Mounting Dimensions (in mm)

Dimensions

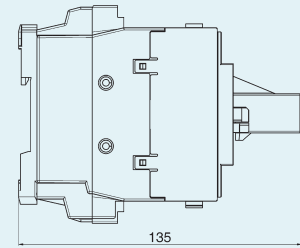
S2 Contactor with mechanical interlock



Contactors with position link for DIN rail mounting

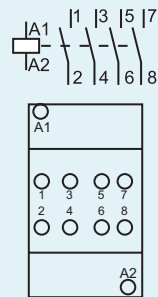


Contactors with wall mounting

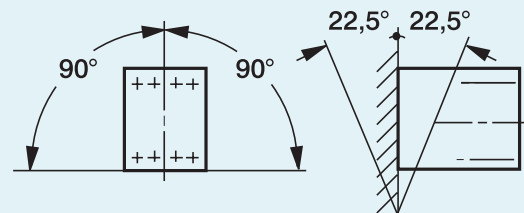


Terminal Drawings

Without any Auxillary contact



Permissible Mounting Position



Explore 3TS range of Contactors

- 3TS Capacitor duty Contactors: 7 to 50kVar
- 3TS 2 Pole Contactors: 9-400 AC-3
- 3TS Converter duty Contactors 100-630A AC1
- 3TS LED Switching Contactors
- 3TS 4 Pole Contactors 18-65A AC1

Your partners

Sales offices:

Ahmedabad
3rd Floor, Prerna Arbour
Girish Coldrinks Cross Roads, Navrangpura
Ahmedabad - 380 009
☎: +91 79 30927600
Fax: +91 79 30927699

Bardoloi
Ground Floor, Urja Bhawan
Opp. Makarpura Railway Station, Maneja
Vadodara - 390 013
☎: +91 265 3957710
Fax: +91 265 3039190

Bengaluru
1st Floor, Jyoti Mahal, No. 49, St. Marks Rd.
Bengaluru - 560 001
☎: +91 80 33422000
Fax: +91 80 33424131

Bhubaneswar
Units: 1102 & 1103, DLF Cyber City
Chandaka Industrial Estate, Patia
Bhubaneswar
Odisha - 751024

Territory managers:

Agra
FIC, ACR Desire Apartments
Near Kargil Petrol Pump, Sikandra
Agra - 282007, Uttar Pradesh
Mobile: +91 7665590333
E-mail: jain.nitin@siemens.com

Aurangabad
Flat No B11/03, Manjeet Pride Primo
Mahanubhav Ashram Chowk, Beed By-Pass
Aurangabad - 531005
Mobile: +91 9673333024
E-mail: brajesh.rathor@siemens.com

Belgaum
Anandrah Bungalow No. 2, Plot No. 7
CTS No. 3109, RS No. 57/21, Cross No. 7
Near Shanbag / Bhandari School
Bhagya Nagar, Angol, Belgavi
Karnataka - 590006
Tel.: +91 0831 2495156
Mobile: +91 9740277991
E-mail: anand.gawade@siemens.com

Belgaum
Flat No. 201, 2nd Floor
Harimanor Apartment,
1st Cross - Bhagya Nagar
Angol Extension, Belgavi
Karnataka - 590006
Mobile: +91 8105592066
E-mail: siddu.mareguddi@siemens.com

Belgaum
S4 Gokul Vrindavan Apartment
8th Cross Bhagya Nagar, Angol, Belgavi
Karnataka - 590006
Mobile: +91 7259400100
E-mail: prathish.l.m@siemens.com

Bharuch
Gold B, 804, Samruddhi Residency
Opp. Zadeshwar Bus Stop, Zadeshwar Road
Bharuch - 392011
Mobile: +91 9429037805
E-mail: kalpeshkumar.darji@siemens.com

Bhilai
Flat No. 38/ E Block
Chouhan Green Valley, Junwani
Bhilai (CG) - 490020
Mobile: +91 7869922211
E-mail: pravin.deshbhatar@siemens.com

Bhopal
A-111 Shahpura, Bhopal
MP - 462016
Mobile: +91 9823011883
E-mail: vineet.saxena@siemens.com

Bhopal
C/o Tahkur Nrupal Singh
37, DDS 2, Aranya Nagar, Sector 78
Near Ashadeep Hospital, Vijay Nagar
Indore - 452010
Mobile: +91 7506180014
E-mail: mandeep.nanda@siemens.com

Boisar
B-103, Sai Jayshree Apartments
Yashwant Shrishti
Boisar (West) - 400501
Mobile: +91 9867021215
E-mail: akif.qadeer@siemens.com

Cochin
Jomer Symphony, 33/2317, 5th Floor
Chalkikavattom, Ponnuruanni North, Vytilla
Kochi - 682019
Mobile: +91 4028611122, 9846006580
E-mail: girish.v_nair@siemens.com

Durgapur
6/15, Bengal Ambuja
(Near Durgapur Cinema Hall)
Citi Centre, Durgapur - 713216, West Bengal
Mobile: +91 9830317456
harsh.chincholkar@siemens.com
Mobile: +91 9051020207
E-mail: sayantan.ghosh@siemens.com

Gandhidham
C/o Rishabh Electricals
Plot No.104, Sector 1A
Gandhidham
Mobile: +91 9725005162
E-mail: maulikumar.patel@siemens.com

Goa
Flat U303, Devashri Greens Phase II B
Near Defence Colony, Porvorim
Goa - 403501
Mobile: +91 9819703558
E-mail: supayan.deb@siemens.com

Chandigarh
SCO 188/191, 3rd Floor, Sector-17 C
Chandigarh - 160 017
☎: +91 172 4690300
Fax: +91 172 4690399

Chennai
4th Floor, ETA Mount Central
Seethakathi Business Centre, Mount Road
Chennai - 600006
☎: +91 44 30474000
Fax: +91 44 30474080

Coimbatore
1st Floor, "Senthil Towers"
1078, Avinashi Road
Coimbatore - 641018
☎: +91 422 3076300
Fax: +91 422 3076310

Gurgaon
Plot No. - 78, Tower - B
Jagatjit Industries Building (IIL)
Opposite SBI Academy, Sector-18
Gurgaon - 122015
☎: +91 124 2842000, 3812000

Gorakhpur
F-79, ACR Above Amantran Bekars
Subhash Chandra Bose Chowk
Surajkund Colony
Gorakhpur - 273015, Uttar Pradesh
Mobile: +91 7800960310
E-mail: tiwari.mayank@siemens.com

Guwahati Assam
Shivalaya Housing Society
Flat No. B-3A, Bylane-4
Jyomatnagar, Adabari, Pandu
Guwahati - 781012, Assam
Mobile: +91 9864110684
E-mail: biplab.datta@siemens.com

Guwahati Assam
House No. 72, Shivam Path
Japorigong Road, Near Murali Apartment
Guwahati - 781005
Mobile: +91 7278842360
E-mail: abhishek.kar@siemens.com

Guwahati Assam
House No. 202, 2nd Floor, Ushanagar
Dipur Supermarket
Guwahati - 781006, Assam, India
Mobile: +91 9874159689
E-mail: supravat.dey@siemens.com

Haridwar
208, Shiv Stthali Apartment
Purshotam Vihar, Kankhal
Haridwar - 249408, Uttarakhand
Mobile: +91 8802011478
E-mail: singh.amar@siemens.com

Haridwar
Plot - 5/A, Siddhanta
Haridwar - 249403, Uttarakhand
Mobile: +91 9044678887
E-mail: nishant.yadav@siemens.com

Hospet
Mahima's, Door No. 1288, 9th Ward
Near Markendeshwara School
M.P. Prakash Nagar
Hospet - 583201, Distt Bellary, Karnataka
Mobile: +91 9945859004
E-mail: nagaraj.k@siemens.com

Hosur
Plot - 12, Vishnu Anand Galaxy,
Chittanapally Nalur Village,
Hosur - 635109
Mobile: +91 8971200266
E-mail: dinesh.rajaian@siemens.com

Hubli
Plot No. 37, Hurkadli Building
Near KLE School
Manjunath Nagar, Gokul Road
Hubli - 30, Karnataka
Mobile: +91 9345961052
E-mail: kiran.kage@siemens.com

Indore
Flat No. 202, 2nd Floor
88 N Savinay Apartment, Dhanvantri Nagar
Rajendra Nagar, Main Road
Indore - 452012 (M.P.)
Mobile: +91 9029207888
E-mail: gaurishankar.rao@siemens.com

Indore
B-Block, 406 Shekhar Paradise, Nipanya
Indore - 452010
Mobile: +91 8889911401
E-mail: bhadauria.amit@siemens.com

Indore
C/o Tahkur Nrupal Singh
37, DDS 2, Aranya Nagar, Sector 78
Near Ashadeep Hospital, Vijay Nagar
Indore - 452010
Mobile: +91 7506180014
E-mail: mandeep.nanda@siemens.com

Jaipur
Kirtan Endave, Flat No. 316, C Block
Chlorodia Chaak, Jaipur Keonjhar Road
Jaipur, Odisha - 755019
(Nearest Land Mark - SBI ATM counter)
Mobile: +91 9937189624
E-mail: probir.mukherjee@siemens.com

Jalandhar
H.No. 212A, Punjabi Bahg Extension
66 Feet Road, Near Curo Mall
Jalandhar - 144022, Punjab
Mobile: +91 9876047929
E-mail: sunil.singla@siemens.com

Hyderabad
5-9-19, 4th & 5th Floor
Laxmi Narasinh Estate
Opp. Secretariat Road, Saifabad
Hyderabad - 500 004
☎: +91 40 30922500
Fax: +91 40 30923145

Jaipur
International Business Center
K14 First Floor, Ashok Marg
Ashok Nagar, C Scheme
Jaipur - 302001
☎: +91 141 5152108
Fax: +91 141 2370482

Jamshedpur
"Roshan Tower", Main Road
Bistupur (2nd Floor)
Jamshedpur - 831001
☎: +91 657 6682201

Jammu
C/o Sri Tilak Raj Gupta, 75 A 2ed Extension
Gandhi Nagar, Jammu-180004
Mobile: +91 9216517841
E-mail: vishal.dogra@siemens.com

Jodhpur
A-240, 1st Floor, Shastri Nagar, Jodhpur
Rajasthan - 342003, India
Mobile: +91 9929110493
E-mail: rajendra.kabra@siemens.com

Kanpur
110-B, Gandhi Gram, Harjinder Nagar
Kanpur - 208007, Uttar Pradesh
Mobile: +91 9650235222
E-mail: manish.sahu@siemens.com

Kharagpur
C/o H.N Roy, Sanjol (South), Near Islapurkar
Post: Karaghpur, Dist: Paschim Medinipur
West Bengal - 721301
Mobile: +91 9051384193
E-mail: mitra.sayanant@siemens.com

Khopoli
Flat No. 12, Building No. 1
Shri Swami Samarth Krupa Nagar CHS Ltd
Near Usha Nagar, Mangalwadi Road, Khopoli
Tal Khalapur, Dist Raigad - 410203
Mobile: +91 9867748975
E-mail: deshpande.sachin@siemens.com

Kolhapur
RS No. 84-1, Pinac Prasad
Fl No. A-35, New Palace Road
Kolhapur - 416006
Mobile: +91 9850836839
E-mail: vinay.todkar@siemens.com

Kota
Flat No. 602, Mahalaxmi Enclave
Block-B4, Bazar Road, Kota
Rajasthan - 324001
Mobile: +91 9771414108
E-mail: vikash.prasad@siemens.com

Ludhiana
House No. 548, FF Urban Estate, Phase 1,
Jamalpur, Chandigarh Road
Ludhiana - 141003, Punjab
Mobile: +91 9872131762
E-mail: gurvinder.singh@siemens.com

Ludhiana
H.No. 728, First Floor, Sector - 33,
Chandigarh Road
Ludhiana - 141010, Punjab
Mobile: +91 9878094677
E-mail: rohit.bhardwaj@siemens.com

Ludhiana
H.No. 1235, St. No. 3/1
Sardar Nagar, Rahon Road,
Near Gurudwara Mata Bhagwanti
Ludhiana - 141007, Punjab
Mobile: +91 9872419990
E-mail: ravinder.pal@siemens.com

Madurai
Anirudh Block F-Top 3, Vasudhara Apartment
84, TPK Main Road, Andalapuram
Madurai - 625003, Tamil Nadu
Mobile: +91 9894617776
E-mail: sivaprakasam.r@siemens.com

Mangalore
Flat No. 303, Devi Dayal Residency
Near Dominic Church
Ashok Nagar Road, Urwa Store
Mangalore - 575006
Mobile: +91 9686488166
E-mail: lakshminisha.k@siemens.com

Maraimalaiangar
No.11, Ambekdar Street, SRS Buildings
Upstairs Raga Dental Clinic, Potheri
Chennai - 603203
Mobile: +91 9840392926
E-mail: shanmuga.v@siemens.com

Meerut
110, Lotus Towers
Opp. Ansal Courtyard, Modipuram
Meerut - 250001, Uttar Pradesh
Mobile: +91 9889384222
E-mail: umesh.pandey@siemens.com

Meerut
FF3, Tower A, Ansal Courtyard, Modipuram
Meerut - 250001, Uttar Pradesh
Mobile: +91 9889966777
E-mail: deepshikhar.shukla@siemens.com

Kolkata
3rd Floor, 43, Shanti Palli
Rashbihari Bypass Connector
Kolkata - 700042, India
☎: +91 33 30939000
Fax: +91 33 30939010

Lucknow
510-511, 5th Floor, Shalimar Titanium
Plot No. TC.G-1/1, Vibhuti Khand
Gomti Nagar, Lucknow
Uttar Pradesh 226010
☎: +91 522 4031039

Mumbai
Business Centre-1
Thane Belapur Road
Thane - 400 601
☎: +91 22 39663000
Fax: +91 22 39663721

Mysore
No.981, 4th Cross, 6th Main
Bannimantap B layout, SS Nagar
Mysore - 570015
Mobile: +91 9611311645
E-mail: raashid.syed@siemens.com

Naidupeta
5/9, I Floor, B Block, M.A.Nagar
Chennai - 600052
(Near Padianalur Govt School)
Mobile: +91 9840255185
E-mail: r.pradeep@siemens.com

Nashik
Flat No. 402, "D" Wing, Hari Shrushti
Near Jogging Track
Opposite WNS, Indira Nagar
Nashik - 422009
Mobile: +91 9892292275
E-mail: dhananjay.thorat@siemens.com

Nashik
202-Sree Anand Apartements
Narhari Nagar, Pathardi Fata
Nashik - 422009
Mobile: +91 8055114173
E-mail: vinaykumar.sharma@siemens.com

Neemrana
F-111, Anantraj Apartments, Plot No. 236
Japanese Zone, Neemrana, Alwar
Rajasthan - 301705, India
Mobile: +91 9650481919
E-mail: Deepak.Beniwal@siemens.com

Panipat
137-R, First Floor
Near Sadanagar Park, Model Town
Nashik - 422009
Mobile: +91 9871394488
E-mail: vijay.goyal@siemens.com

Patna
A-53, 5th Floor
Krishna Apartment, Boring Road
Patna - 800001
Mobile: +91 9641574289
E-mail: rajendra.mitra@siemens.com

Pondicherry
K.A.M Paradise, II Floor, No. 4, 2nd Cross
Kamban Nagar, Reddiarpalayam
Pondicherry - 605010
Mobile: +91 9176609374
E-mail: gopalakrishnan.shanmugam@siemens.com

Raipur
Mobile: +91 9049149199
E-mail: shridhar.kulkarni@siemens.com

Raipur
103-Emerald, Green Meadows
Dalal Serali, Mowa, Raipur
Chattisgarh - 492007
Mobile: +91 9711007466
E-mail: vinay.mittal@siemens.com

Rajahmundry
Ivy Grand Apartment, Narasanna Nagar
Door No. 66-7-2/1A, Rajiv Gandhi Street
Near Karamam Gari Junction
Kakinada - 533004
Mobile: +91 9789869754
E-mail: lakshminikant.ball@siemens.com

Rajkot
Pitrukrupa Street No.5, Royal Park Society
University Road, Near Indra Circle
Rajkot - 360005
Mobile: +91 8080802037
E-mail: harsh.trivedi@siemens.com

Ranchi
Raj Enclave, Flat No. 204, 2nd Floor,
Kaju Bagan (Near DAV Hehal Jr. Section)
Piska More, P.S. Sukhdeonagar
Ranchi - 834005
Mobile: +91 9674011440
E-mail: sarkar.saiikat@siemens.com

Ranchi
236 Pawan Colony
Hinoo Chowk, Hinoo, Doranda
Ranchi - 834002
Mobile: +91 9933650562
E-mail: sandip.de@siemens.com

Renukoot
Vijay Gupta Bhawan
Swami Vivekanand Colony, Murdhawa
Renukoot - 231217
Distt Sonebhadra, Uttar Pradesh
Mobile: +91 9984500021
E-mail: kumardeepa@siemens.com

Nagpur
4th Floor, Land Mark Building
Wardha Road, Ramdas Peth
Nagpur - 440 010
☎: +91 712 3093000
Fax: +91 712 3093111

Pune
Tower B/701-705, ICC Trade Tower
403A, Senapati Bapat Road
Pune - 411016
☎: +91 20 30466000
Fax: +91 20 30466060

Vishakhapatnam
2nd Floor, 30-8-47
Lakshmi Narasimha Towers
Banu Street, Daba Gardens
Vishakhapatnam - 530 020
Andhra Pradesh
☎: +91 891 3050200
Fax: +91 891 3050222

Rourkela
C/o Gata Colony, Ground Floor
Near LIC Office, Uditi Nagar
Rourkela - 769012, Odisha
Mobile: +91 9776967773
E-mail: prakhar.chaturvedi@siemens.com

Rourkela
Basanti Colony, Phase-I
Rourkela - 769012, Odisha
Mobile: +91 8124050733
E-mail: anand.mazumdar@siemens.com

Rudrapur
Shanti Vihar Colony, Chatrapur Road
Opp. Dr. Pandey Hospital
Rudrapur - 263053
Distt. Udham Singh Nagar, Uttrakhand
Mobile: +91 9839174578
E-mail: girish.pandey@siemens.com

Rudrapur
Flat No. 202, Tower Indus 'B'
Omaxe Reviera Ltd.
Rudrapur - 263153, Uttarakhand
Mobile: +91 9695890001
E-mail: omkar.tiwari@siemens.com

Salem
Rajagirahgam, Lumbini Illam
No. 20, Palaniappa Nagar Hasthampatti
Salem - 636007
Mobile: +91 9952389893
E-mail: b.saravanan@siemens.com

Siliguri
C/o. Ratan Saha, Ground Floor
Beside Babubhai Atta Mill, Ward No. 15
Raja Ramchand Roy Road, Hakimpura
Siliguri - 734001, West Bengal
Mobile: +91 9932276294
E-mail: dibyoyoti.karmakar@siemens.com

Sonepat
H.No. 1103, 1st Floor, Sector-14
Sonepat, Haryana - 131001
Mobile: +91 9855526122
E-mail: kumar.manish@siemens.com

Sriperumbudur
Villa No. 97, Casa Grande Futura
Chengalpet Road, Sriperumbudur
Kanchipuram Dist - 602105
Mobile: +91 9791045280
E-mail: murugaraj.s@siemens.com

Surat
31A, Navrachana Society
Opp. D.K.Park, Bhatar Road
Surat - 395001
Mobile: +91 9879510191
E-mail: mitul.kapadia@siemens.com

Thrissur
Plot No. 12, Cherakekaran House
Unity Nagar, Kuriachira P.O, Thrissur
Kerala - 680006
Mobile: +91 9947957839
E-mail: nobin.babu@siemens.com

Trichy
Flat No.102, 'B' Block, 2nd Floor
Vignesh Empire Apartments, Salai Road
Woraiyur, Trichy - 620003
Mobile: +91 8056025127
E-mail: ponnilvalavan.p@siemens.com

Udaipur
A-39, First Floor, New Ahinsapur,
Fatehpour, Udaipur
Rajasthan - 313004, India
Mobile: +91 8696222212
E-mail: rohit.nandan@siemens.com

Vapi
Flat No. 501, Ruby Heights Apartment
Near Aadiitya Hospital, Chala Vapi
District Valsad - 396191
Mobile: +91 9768738186
E-mail: mukhtar.khan@siemens.com

Vapi
Flat No. 302, 3rd Floor, Samrajya-IV
Royal Residency, Gokul Vihar township
Charwada Road, Taluka Pardi
Dist. Valsad, Vapi - 396195
Mobile: +91 9825147957
E-mail: rohit.darji@siemens.com

Vijayawada
Sarada Nilayam, D.No 21-5-44, 2nd Floor
Front Portion, Vanapalavri Street
Opp RCM Church, Muthyalampau
Vijayawada - 520011
Mobile: +91 9642351144
E-mail: venkateshwar.d@siemens.com

Siemens Limited
Smart Infrastructure
Electrical Products
R&D Technology Centre
Kalwa Works, Thane Belapur Road, Thane - 400 601
Fax: +91 22 33265627
For more information contact toll free 1800 209 1800
E-mail: lvsgr-mktg.india@siemens.com
www.siemens.co.in

Order No.: 110671505
SI-EP-3TSCAT-082020

Customer Care Toll free no. 1800 209 0987
Email: ics.india@siemens.com

Product upgradation is a continuous process. Hence, data in this catalog is subject to change without prior notice. For the latest information, please get in touch with our Sales Offices.