



WORKSHOPS



TOOLS



KONSTRUKTION



REALISIERUNG



REALISIERUNG

STREBENPROFILE



REALISIERUNG

VERBINDUNGSTECHNIK



REALISIERUNG

BODENELEMENTE



REALISIERUNG

ARBEITSPLATZGESTALTUNG



REALISIERUNG

ZUBEHÖR



KONSTRUKTION



REALISIERUNG

INDIVIDUAL-APPLIKATIONEN



KONSTRUKTION



REALISIERUNG

APPLIKATIONEN



TOOLS

FABRIKPLANUNG



WORKSHOPS



TOOLS

WORKSHOPS, TOOLS

INDEX A-Z

A

Abdeckkappen.....	2-16
Abdeckprofil.....	2-17
Abdeckung für Bügelgriff.....	6-1
Ablageboden.....	6-8
Ablage, ein- / aushängbar.....	6-18
Abrollvorrichtung für Kabeltrommeln.....	8-14
Akku-Bohrmaschine CE.....	10-54
Aluminiumstrebenprofil.....	6-17
Aluminiumstrebenprofil 22,5x30.....	2-13
Aluminiumstrebenprofil 22,5x45.....	2-15-1
Aluminiumstrebenprofil 30x30.....	2-1
Aluminiumstrebenprofil 30x60.....	2-2
Aluminiumstrebenprofil 45x45.....	2-5
Aluminiumstrebenprofil 45x45L.....	2-4
Aluminiumstrebenprofil 45x45SL.....	2-3
Aluminiumstrebenprofil 45x60.....	2-6
Aluminiumstrebenprofil 45x90.....	2-8
Aluminiumstrebenprofil 45x90L.....	2-7
Aluminiumstrebenprofil 60x60.....	2-10
Aluminiumstrebenprofil 60x60L.....	2-9
Aluminiumstrebenprofil 90x90.....	2-12
Aluminiumstrebenprofil 90x90L.....	2-11
Aluminiumstrebenprofil D28.....	2-14
Anschlusskabel.....	5-13
Anschlusskabel KL.....	5-16
Arbeitsdrehstühle.....	5-23
Arbeitsdrehstuhl Isitec.....	5-24
Arbeitsdrehstuhl Neon.....	5-25
Arbeitsdrehstuhl Neon ESD.....	5-26
Arbeitsplatz.....	8-4
Arbeitsplatzleuchten.....	5-1
Arbeitsplatzleuchten LED.....	5-3
Aufnahme Front- und Seitenbeladung VL.....	8-1
Automatikverbinder.....	3-9

B

Bedienpanel.....	5-15
Befestigungsanker.....	4-1
Befestigungsatz.....	4-2-1
Beleuchtungsstärke.....	5-8
Betriebsmittel-Standardisierung für Montage, Prüfung und Versand.....	10-6
Bildschirm-Tastaturhalter.....	5-37
Bodenmarkierungs-Band.....	6-19
Bodenmarkierungs-Symbole.....	6-20
Bodenroller.....	8-4
Bodenroller, öldichte Ausführung.....	8-5
Bohrer.....	10-54
Bolzenverbinder.....	3-3
Buchse.....	5-14
Bügelgriff.....	6-1
Bügel säge.....	10-54

C

Cardboard Engineering.....	10-1
CONFIGapps Arbeitsplatz.....	8-6
CONFIGapps Durchlaufregal.....	8-9
CONFIGapps Höhenverstellbarer Arbeitsplatz.....	8-7
CONFIGapps Materialwagen.....	8-8

D

Dimmbare Arbeitsplatzleuchte LED 3.000K-6.000K.....	5-5
Dimmbare Arbeitsplatzleuchte LED KL.....	5-15
Dimmbare Arbeitsplatzleuchten.....	5-2
Dimmbare Arbeitsplatzleuchten LED.....	5-4
Dimmbare Lupenleuchte.....	5-7

E

Eckstück 22,5x30.....	3-10
Effektives Rüsten, SMED (Single Minute Exchange of Die).....	10-5
Energieleisten.....	5-12
Erdungsbaustein.....	5-14
Erdungsbox.....	5-14

F

Fahrgestell ERGOmobile.....	4-5
Faltarm.....	5-29
Federzug.....	5-36
Fehlerstromschutzschalterleiste.....	5-10
FiFo Monorail-Bodenschienen.....	4-7
Flächenelemente.....	6-6
Flächenelemente Schichtstoff.....	6-4
Flächenelemente Polycarbonat.....	6-5
Flaschenhalter.....	5-18
Fundamentwinkel 160x90x42.....	4-1
Fundamentwinkel 210x90x42.....	4-1
Fußauflage ECOsoff.....	5-32
Fußmatte.....	4-6

G

Gelenkfuß.....	4-3
Gleitleiste 20x15.....	2-12
Greifbehältnisregal.....	5-19
Greifraumschablone.....	10-55
Greifrippenprofil.....	5-35

H

Halterung für Lochplatten.....	6-8
Halterung für Röllchenstrecke.....	6-14
Hammerkopfschrauben- befestigungsatz.....	3-5
Hammermuttern.....	3-1
Handgelenkband.....	5-14
Hängegleiter.....	5-36
Hartkartonwinkel.....	10-50
Hartkartonwinkelprofilstab.....	10-50
Heißklebepistole.....	10-54

I

I-Knotenplatte.....	10-51
Industriewaage.....	6-26
Informations- und Moderationssäule IMOpoint.....	8-11
I-Profil.....	2-15-2

K

Karabinerhaken.....	5-36
Kartonagenmesser.....	10-54
Kistenhubgerät VARIOLifter1000.....	8-1
Klemmhebel.....	6-2
KLT-KippBox.....	5-38
Konstantlichtregelung.....	5-15
Kugelnrollen.....	6-15

L

Laufwagen.....	5-36
Lenkrolle.....	4-2-1
Leuchtrahmen LED.....	6-16
Licht- und Präsenzsensoren.....	5-15
L-Knotenplatte.....	10-51
Lochplatten.....	6-7
Layoutplanung mit Arbeitsplatzmodellierung.....	10-2
L-Profil.....	2-15-3

M

Magnetband BESTpoint.....	6-9
Magnetschild Arbeitsplatzleuchte AL30 LED.....	10-57
Magnetschild Bildschirmtragarm.....	10-57
Magnetschild Federzug.....	10-58
Magnetschild Gelenkfuss.....	10-57
Magnetschild Greifbehälter GB-1205.....	10-58
Magnetschild Greifbehälter GB-1210.....	10-58
Magnetschild Greifrinne mit Trenner... ..	10-58
Magnetschild KLT-Behälter.....	10-58
Magnetschild Lenkrolle.....	10-57
Magnetschild mit Whiteboard-Oberfläche.....	10-58
Magnetschild PC-Halteplatte.....	10-57
Magnetschild Rohrprofil D28.....	10-57
Magnetschild Schubladenschrank.....	10-57
Magnetschild Sichttafelhalter-Set A4.....	10-57
Magnetschild Steckdosenleiste 3S.....	10-57
Steckdosenleiste 3S/SA/FI.....	10-57
Magnetschild Streifenprofil 45x45L.....	10-57
Magnetschild Streifenprofil 45x90L.....	10-57
Magnetschild Tischplatte HPL.....	10-58
Magnetschilder.....	10-59
Mobiles Whiteboard.....	10-56
Monitortragarm ERGOtec I.....	5-30
Monitortragarm ERGOtec II.....	5-30
Monitortragarm ERGOtec III.....	5-30

N

Not-Aus Schalterleiste.....	5-11
Nutensteine M4, M5, M6, M8.....	3-2

P

Paketwaage.....	6-25
PC-Ablage.....	6-3
Planungstisch TOUCHtableboard.....	9-2
Präsenzmelder für Arbeitsleuchten LED.....	5-6

Profilverbinder 8.....	3-6
Profilverbinder 10.....	3-6
Prüfearbeitsplatz Mitutoyo.....	8-13
PVC-Klebeband	10-51

R

Reinigungsinsel	8-10
Rohrgriff D28.....	6-17
Röllchenstrecke	6-13
Rollen mit Rückenloch.....	4-2-1
Rollen mit Befestigungsplatte	4-2-2
Rollenfuß.....	4-4
Rollladen	6-11
Rollladen AV I.....	6-12
Rollladen AV II.....	6-12
Rollladen AV III.....	6-12
Rollmaßstab	10-54

S

SAP Montage-Arbeitsplatz.....	8-56; 8-57
Schnellspanverbinder.....	3-4
Schubladenschrank.....	5-22-1
Schubladenunterteilung	5-22-2
Schwenkbefestigungssatz.....	6-2
Schwerkrafttragrollen	6-10
Sechskantmutter mit Flansch.....	3-5
Shopfloor Management.....	10-4
Sichttafel DIN A4 mit Drehzapfen.....	5-17
Sichttafelhalter	5-17
Sichttaschen aufhängbar	6-21
Sichttaschen magnetisch	6-22
Software für Layout- und Materialflussplanung visTABLE.....	9-1
Spreizverbinder.....	10-51
Starter-Kit 25	10-53
Starter-Kit 50	10-53
Steckdosenleisten	5-9-1
Steckdosenleisten Edition Schweiz.....	5-9-2
Steckdosenleisten mit FI-Schutzschalter.....	5-10
Stecker.....	5-14
Stehhilfe.....	5-27
Stehpult	8-12
Steuerungen	5-15
System-Arbeitsplatz, Schaltschrank-/ Kabelbaum-Montage	8-50
System-Arbeitsplatz, Schlauchbeutel-Verpackung.....	8-52
6 Stufenmodell.....	10-3

T

Tablet-Halterung	5-31
Tastaturauszug.....	5-28
Teleskophubsäule CL.....	5-33
Teleskopschienen, ohne KS.....	6-23
Teleskopschienen, mit KS.....	6-24
Tischplatten Schichtstoff.....	5-20
Tischplatten Pressspan, Furniersperholz.....	5-21
T-Knotenplatte	10-51
Tragarm.....	5-29
Tragschlitzen.....	5-29

Transport- und Lagerpalette LEANpallet®	8-3
Trennbügel.....	5-39
Trennsteg für Greifinnenprofil.....	5-35
T-Stück	5-14

U

Übergangstecker.....	5-14
Universalwinkel	3-7

V

Verbindungskabel.....	5-13
-----------------------	------

W

Wellkartonplatte einseitig geritzt	10-52
Wellkartonplatte.....	10-52
Winkel	3-8

X

X-Knotenplatte	10-51
----------------------	-------

Z

Zentrierkappe für FiFo Monorail-Bodenschienen	4-7
Zubehör für Teleskophubsäule CLEANlift	5-34
Zugentlastung	8-14
Zwischenkupplung	5-14
Zylinderkopfschraube	4-2-1

INDEX ARTIKELNUMMER

10000

10002.....	5-13	10254.....	4-5	10441.....	3-3	10702.....	2-12	11196.....	5-21
10003.....	5-13	10255.....	4-2-1	10477.....	3-8	10703.....	2-12	11197.....	5-21
10004.....	5-13	10255.....	4-2-1	10484.....	3-8	10704.....	2-12	11198.....	5-21
10005.....	5-13	10256.....	4-2	10487.....	4-5	10705.....	2-12	11199.....	5-21
10006.....	5-18	10256.....	4-2-1	10515.....	3-3	10706.....	2-12	11200.....	5-21
10007.....	5-13	10256.....	4-5	10516.....	3-6	10707.....	2-12	11203.....	5-21
10009.....	4-3	10257.....	4-2-1	10517.....	3-6	10708.....	2-12	11204.....	5-19
10024.....	3-2	10257.....	4-2-1	10518.....	3-5	10709.....	2-12	11214.....	6-5
10038.....	4-1	10258.....	4-2-1	10520.....	5-36	10710.....	2-12	11219.....	6-5
10042.....	3-5	10258.....	4-2-1	10549.....	3-5	10711.....	2-12	11220.....	6-5
10048.....	3-3	10259.....	4-2-1	10552.....	5-14	10718.....	2-12	11221.....	6-5
10053.....	3-3	10259.....	4-2-1	10558.....	5-36	10719.....	2-12	11222.....	6-5
10060.....	2-16	10260.....	4-2-1	10559.....	5-36	10800.....	2-8	11225.....	5-20
10065.....	2-16	10260.....	4-2-1	10568.....	4-3	10801.....	2-8	11226.....	5-20
10066.....	5-36	10261.....	4-2-1	10569.....	4-3	10802.....	2-8	11227.....	6-3
10067.....	2-16	10261.....	4-2-1	10570.....	4-3	10803.....	2-8	11230.....	6-6
10068.....	2-16	10264.....	3-1	10571.....	4-3	10804.....	2-8	11233.....	6-6
10078.....	5-17	10265.....	3-1	10577.....	6-2	10805.....	2-8	11261.....	2-16
10090.....	2-4	10266.....	3-1	10578.....	6-2	10806.....	2-8	11740.....	3-8
10091.....	2-4	10267.....	3-1	10608.....	2-17	10807.....	2-8		
10092.....	2-4	10268.....	3-1	10609.....	2-17	10808.....	2-8		
10093.....	2-4	10268.....	3-1	10610.....	2-17	10809.....	2-8		
10094.....	2-4	10269.....	3-1	10611.....	2-17	10810.....	2-8		
10095.....	2-4	10308.....	4-1	10620.....	2-1	10811.....	2-8		
10096.....	2-4	10309.....	3-3	10621.....	2-1	10812.....	2-8		
10097.....	2-4	10311.....	6-2	10622.....	2-1	10813.....	2-8		
10098.....	2-4	10312.....	6-2	10623.....	2-1	10818.....	2-8		
10099.....	2-4	10313.....	6-2	10624.....	2-1	10819.....	2-8		
10100.....	2-9	10314.....	6-2	10625.....	2-1	10829.....	4-5, 5-39		
10101.....	2-9	10316.....	3-2	10626.....	2-1	10964.....	4-3		
10102.....	2-9	10317.....	3-2	10627.....	2-1	10980.....	2-6		
10103.....	2-9	10318.....	3-2	10628.....	2-1	10981.....	2-6		
10104.....	2-9	10319.....	3-2	10629.....	2-1	10982.....	2-6		
10105.....	2-9	10320.....	3-2	10640.....	2-2	10983.....	2-6		
10106.....	2-9	10321.....	3-2	10641.....	2-2	10984.....	2-6		
10108.....	2-9	10322.....	3-2	10642.....	2-2	10985.....	2-6		
10109.....	2-9	10323.....	3-2	10643.....	2-2	10986.....	2-6		
10110.....	2-11	10324.....	3-2	10644.....	2-2	10987.....	2-6		
10111.....	2-11	10325.....	3-2	10645.....	2-2	10988.....	2-6		
10112.....	2-11	10326.....	3-2	10646.....	2-2	10989.....	2-6		
10113.....	2-11	10327.....	3-2	10649.....	2-2	10991.....	2-6		
10114.....	2-11	10328.....	3-2	10660.....	2-5	10992.....	2-6		
10115.....	2-11	10329.....	3-2	10661.....	2-5	10993.....	2-6		
10116.....	2-11	10330.....	4-1	10662.....	2-5	10994.....	2-6		
10118.....	2-11	10331.....	3-1	10663.....	2-5	10995.....	2-6		
10119.....	2-11	10332.....	3-1	10664.....	2-5	10999.....	2-6		
10120.....	2-13	10333.....	3-1	10665.....	2-5				
10128.....	2-13	10334.....	3-1	10666.....	2-5				
10129.....	2-13	10335.....	3-1	10667.....	2-5				
10130.....	2-7	10336.....	3-1	10668.....	2-5				
10131.....	2-7	10342.....	2-17	10669.....	2-5				
10132.....	2-7	10349.....	4-2	10670.....	2-5				
10133.....	2-7	10349.....	4-2-1	10678.....	2-5				
10134.....	2-7	10359.....	4-3	10679.....	2-5				
10135.....	2-7	10362.....	3-2	10680.....	2-10				
10136.....	2-7	10364.....	3-2	10681.....	2-10				
10137.....	2-7	10366.....	5-17	10682.....	2-10				
10138.....	2-7	10383.....	3-5	10683.....	2-10				
10139.....	2-7	10393.....	3-3	10684.....	2-10				
10214.....	5-17	10394.....	4-2-1	10685.....	2-10				
10225.....	3-1	10394.....	4-2-1	10686.....	2-10				
10226.....	3-1	10394.....	4-5	10687.....	2-10				
10230.....	3-10	10405.....	5-36	10688.....	2-10				
10232.....	6-2	10408.....	3-2	10689.....	2-10				
10233.....	4-3	10409.....	3-2	10698.....	2-10				
10254.....	4-2-1	10410.....	3-2	10699.....	2-10				
		10411.....	3-2	10700.....	2-12				
		10426.....	2-17	10701.....	2-12				

12000

12017.....	5-22-1
12018.....	5-22-1

13000

13085.....	5-32
13123.....	5-14
13162.....	4-5
13268.....	3-8
13317.....	3-8
13363.....	5-32
13395.....	5-13
13397.....	5-14
13402.....	5-24
13403.....	5-24
13404.....	5-24
13405.....	5-25
13406.....	5-25
13407.....	5-25
13408.....	5-25
13409.....	5-25
13410.....	5-25
13411.....	5-25
13412.....	5-25
13413.....	5-25
13414.....	5-25
13415.....	5-25
13416.....	5-25
13417.....	5-25
13418.....	5-25
13419.....	5-25
13420.....	5-25
13421.....	5-25
13422.....	5-25
13423.....	5-25
13424.....	5-25
13425.....	5-25
13426.....	5-25
13427.....	5-25
13428.....	5-25
13429.....	5-25
13430.....	5-25
13431.....	5-25
13432.....	5-26

11000

11024.....	2-16
11026.....	2-16
11039.....	5-14
11040.....	5-14
11048.....	5-36
11058.....	5-19
11074.....	5-13
11080.....	5-13
11081.....	5-13
11106.....	3-5
11127.....	6-3
11145.....	3-5
11146.....	3-5
11147.....	3-5
11178.....	5-39
11193.....	5-21
11194.....	5-21
11195.....	5-21

13433..... 5-26
 13434..... 5-26
 13435..... 5-26
 13436..... 5-26
 13437..... 5-26
 13438..... 5-26
 13439..... 5-26
 13440..... 5-26
 13441..... 5-26
 13442..... 5-26
 13443..... 5-26
 13444..... 5-26
 13445..... 5-26
 13446..... 5-26
 13447..... 5-26
 13448..... 5-26
 13449..... 5-26
 13450..... 5-26
 13451..... 5-26
 13480..... 5-13
 13509..... 4-4
 13514..... 4-4
 13516..... 4-4
 13540..... 2-14
 13540..... 6-17
 13606..... 5-21
 13711..... 3-8
 13715..... 3-8
 13743..... 5-32
 13745..... 6-9
 13826..... 2-14
 13827..... 2-12
 13827..... 2-12
 13843..... 2-15-1
 13846..... 2-15-1
 13888..... 5-13
 13889..... 5-13
 13890..... 5-13
 13892..... 5-14
 13931..... 3-7
 13952..... 3-8
 13964..... 3-7
 13965..... 3-7
 13966..... 3-7
 13967..... 5-9-1
 13970..... 5-28
 13971..... 5-28
 13979..... 6-7
 13980..... 6-7
 13981..... 6-7
 13982..... 6-7
 13983..... 6-7
 13984..... 6-7
 13985..... 5-32
 13987..... 6-12
 13988..... 6-10
 13989..... 6-10
 13990..... 6-10
 13991..... 6-10
 13992..... 6-10
 13993..... 6-10
 13994..... 6-10
 13995..... 6-10
 13996..... 6-10
 13997..... 6-10
 13998..... 6-8
 13999..... 6-8

14000

14000..... 6-8
 14001..... 6-8
 14002..... 6-8
 14003..... 6-8
 14004..... 6-8
 14005..... 6-8
 14006..... 6-8
 14007..... 6-8
 14008..... 6-8
 14009..... 6-8
 14010..... 6-8
 14011..... 5-9-1
 14012..... 5-9-1
 14013..... 5-9-1
 14014..... 5-12
 14015..... 5-12
 14016..... 6-12
 14017..... 6-12
 14018..... 5-22-1
 14019..... 5-22-1
 14020..... 5-22-1
 14021..... 5-22-1
 14022..... 5-22-1
 14023..... 5-22-1
 14024..... 5-22-1
 14025..... 5-22-1
 14026..... 5-22-1
 14027..... 5-22-1
 14028..... 5-22-1
 14029..... 5-22-1
 14031..... 5-22-1
 14032..... 3-4
 14033..... 3-4
 14034..... 3-4
 14035..... 3-4
 14036..... 3-4
 14037..... 3-4
 14106..... 5-14
 14144..... 8-4
 14149..... 8-3
 14178..... 4-2-2
 14179..... 4-2-2
 14180..... 5-20
 14181..... 5-20
 14182..... 5-20
 14324..... 6-17
 14342..... 5-10
 14364..... 5-29
 14365..... 5-29
 14366..... 5-29
 14372..... 5-10
 14375..... 5-33
 14376..... 5-33
 14377..... 5-33
 14378..... 5-33
 14379..... 5-33
 14380..... 5-33
 14381..... 5-33
 14382..... 5-33
 14383..... 5-33
 14384..... 5-33
 14386..... 5-34
 14406..... 4-2-2
 14407..... 4-2-2
 14408..... 4-2-2
 14414..... 8-4

14415..... 8-4
 14416..... 8-4
 14417..... 8-4
 14421..... 6-6
 14428..... 5-21
 14434..... 8-1
 14435..... 8-1
 14436..... 8-1
 14438..... 8-1
 14439..... 8-1
 14443..... 5-27
 14444..... 5-27
 14445..... 5-27
 14446..... 5-27
 14447..... 5-27
 14448..... 5-27
 14449..... 5-27
 14450..... 5-27
 14451..... 5-27
 14456..... 6-6
 14457..... 6-6
 14458..... 6-15
 14472..... 6-16
 14473..... 6-16
 14474..... 6-16
 14504..... 5-3
 14505..... 5-3
 14506..... 5-3
 14507..... 5-3
 14508..... 5-3
 14509..... 5-3
 14510..... 5-4
 14511..... 5-4
 14512..... 5-4
 14513..... 5-4
 14514..... 5-4
 14515..... 5-4
 14530..... 5-15
 14531..... 5-15
 14539..... 6-15
 14540..... 6-15
 14541..... 6-16
 14542..... 6-16
 14543..... 6-16
 14544..... 6-16
 14545..... 6-16
 14546..... 6-16
 14547..... 6-16
 14548..... 6-16
 14552..... 5-10
 14557..... 5-20
 14558..... 8-3
 14561..... 5-4
 14562..... 5-4
 14563..... 5-15
 14564..... 5-15
 14565..... 5-16
 14566..... 5-16
 14567..... 5-16
 14571..... 5-16
 14572..... 5-16
 14573..... 5-16
 14574..... 5-15
 14575..... 5-15
 14576..... 5-35
 14577..... 5-35
 14578..... 5-35
 14579..... 5-35

14580..... 5-35
 14581..... 5-35
 14592..... 5-4
 14595..... 5-3
 14596..... 5-3
 14597..... 5-3
 14605..... 5-3
 14606..... 5-4
 14632..... 5-9-2
 14637..... 5-30
 14638..... 5-30
 14640..... 5-30
 14641..... 5-30
 14642..... 5-30
 14643..... 5-30
 14689..... 5-3
 14690..... 5-3
 14705..... 8-1
 14706..... 5-4
 14707..... 5-4
 14748..... 4-6
 14753..... 3-9
 14754..... 3-9
 14782..... 6-17
 14783..... 6-17
 14787..... 5-5
 14788..... 3-8
 14790..... 5-20
 14791..... 5-20
 14792..... 5-20
 14793..... 8-3
 14794..... 8-3
 14798..... 5-31
 14802..... 5-11
 14805..... 5-20
 14806..... 5-20
 14807..... 5-20
 14817..... 5-34
 14818..... 5-34
 14820..... 5-34
 14821..... 5-34
 14822..... 5-34
 14823..... 5-34
 14824..... 5-34
 14825..... 5-34
 14826..... 5-34
 14831..... 5-37
 14832..... 5-7
 14833..... 5-6
 14834..... 5-6
 14835..... 5-7
 14837..... 4-6
 14838..... 5-7
 14852..... 5-14
 14863..... 4-5
 14870..... 2-3
 14871..... 2-3
 14872..... 2-3
 14873..... 2-3
 14874..... 2-3
 14875..... 2-3
 14876..... 2-3
 14877..... 2-3
 14878..... 2-3
 14879..... 2-3
 14898..... 5-9-2
 14899..... 5-9-2
 14915..... 5-38

14916..... 5-38
 14917..... 5-38
 14918..... 5-38
 14919..... 6-19
 14920..... 6-19
 14921..... 6-19
 14922..... 6-19
 14923..... 6-19
 14924..... 6-19
 14925..... 6-20
 14926..... 6-20
 14927..... 6-20
 14928..... 6-20
 14929..... 6-20
 14930..... 6-20
 14931..... 6-20
 14932..... 6-21
 14933..... 6-21
 14934..... 6-21
 14935..... 6-21
 14936..... 6-21
 14937..... 6-21
 14938..... 6-21
 14939..... 6-21
 14940..... 6-21
 14941..... 6-21
 14942..... 6-21
 14943..... 6-21
 14944..... 6-21
 14945..... 6-22
 14946..... 6-22
 14947..... 6-22
 14948..... 6-22
 14949..... 6-22
 14950..... 6-22
 14951..... 6-22
 14952..... 6-22
 14953..... 6-22
 14954..... 6-22
 14955..... 6-22
 14956..... 6-22
 14957..... 5-7
 14958..... 2-15-2
 14959..... 2-15-2
 14960..... 2-15-2
 14961..... 2-15-2
 14962..... 2-15-2
 14963..... 2-15-2
 14964..... 2-15-2
 14965..... 2-15-2
 14966..... 2-15-2
 14967..... 2-15-2
 14968..... 2-15-3
 14969..... 2-15-3
 14970..... 2-15-3
 14971..... 2-15-3
 14972..... 2-15-3
 14973..... 2-15-3
 14974..... 2-15-3
 14975..... 2-15-3
 14976..... 2-15-3
 14977..... 2-15-3
 14978..... 2-15-3
 14979..... 2-15-3
 14980..... 2-15-3
 14981..... 2-15-3
 14983..... 4-2-2
 14984..... 4-2-2

14997..... 5-34
14998..... 5-34

15000

15004.....8-1
15010..... 5-25
15011..... 5-25
15012..... 5-25
15013..... 5-25
15014..... 5-25
15015..... 5-25
15016..... 5-25
15017..... 5-25
15018..... 5-25
15019..... 5-25
15020..... 5-25
15021..... 5-25
15022..... 5-25
15023..... 5-25
15024..... 5-25
15025..... 5-25
15026..... 5-25
15027..... 5-25
15028..... 5-25
15029..... 5-25
15030..... 5-25
15031..... 5-25
15032..... 5-25
15033..... 5-25
15034..... 5-25
15036..... 5-25
15037..... 5-25
15038..... 5-25
15039..... 5-25
15040..... 5-25
15041..... 5-25
15042..... 5-25
15043..... 5-25
15044..... 5-25
15045..... 5-25
15046..... 5-25
15047..... 5-26
15048..... 5-26
15049..... 5-26
15050..... 5-26
15051..... 5-26
15052..... 5-26
15053..... 5-26
15054..... 5-26
15055..... 5-26
15056..... 5-26
15057..... 5-26
15058..... 5-26
15059..... 5-26
15060..... 5-26
15061..... 5-26
15062..... 5-26
15063..... 5-26
15064..... 5-26
15065..... 5-26
15066..... 5-26
15067..... 5-26
15068..... 5-26
15069..... 5-26
15070..... 5-26
15071..... 5-26

15072..... 5-26
15073..... 5-26
15074..... 5-26
15075..... 5-26
15076..... 5-26
15077..... 6-23
15078..... 6-23
15079..... 6-23
15080..... 6-23
15081..... 6-23
15082..... 6-23
15083..... 6-23
15084..... 6-23
15085..... 6-23
15086..... 6-23
15087..... 6-23
15088..... 6-23
15089..... 6-23
15090..... 6-23
15091..... 6-24
15092..... 6-24
15093..... 6-24
15094..... 6-24
15095..... 6-24
15096..... 6-24
15097..... 6-24
15098..... 6-24
15099..... 6-24
15100..... 6-23
15102..... 4-2-2
15103..... 5-39
15104..... 5-39
15105..... 5-39
15106..... 5-39
15107..... 5-39
15108..... 5-39
15110..... 5-39
15112..... 5-22-2
15113..... 5-22-2
15114..... 5-22-2
15115..... 5-22-2
15116..... 5-22-2
15117..... 5-22-2
15118..... 8-1
15119..... 8-1
15120..... 8-1
15122..... 4-2-2
15260..... 8-1
15291..... 6-25
15292..... 6-25
15293..... 6-25
15294..... 6-25
15295..... 6-25
15296..... 6-25
15297..... 6-25
15298..... 6-26
15299..... 6-26
15300..... 6-26
15301..... 6-26
15302..... 6-26
15303..... 6-26
15304..... 6-26
15319..... 4-7
15320..... 4-7
15321..... 4-7
15322..... 4-7
15323..... 4-7
15324..... 4-7

15325.....4-7
15326.....4-7
15365..... 2-12
15366..... 2-12

28000

28586..... 8-10
28587..... 8-10
28588..... 8-10
28896..... 8-11
28897..... 8-11
28898..... 8-11
28899..... 8-11
28900..... 8-11
28901..... 8-11

29000

29812..... 8-12
29813..... 8-12
29814..... 8-12

31000

31439..... 8-52
31440..... 8-52
31441..... 8-52
31442..... 8-52
31728..... 8-51
31729..... 8-51

40000

40173.....6-1
40174.....6-1
40175.....6-1
40176.....6-1
40177.....6-1
40178.....6-1
40179.....6-1
40180.....6-1

50000

50332..... 6-13
50333..... 6-13
50334..... 6-13
50335..... 6-13
50336..... 6-13
50337..... 6-13
50338..... 6-13
50339..... 6-13
50354..... 6-14
50355..... 6-14
50356..... 6-14
58429..... 6-14

60000

60031..... 10-53
60032..... 10-53
60033..... 10-50

60034..... 10-51
60035..... 10-51
60036..... 10-51
60037..... 10-51
60038..... 10-52
60039..... 10-52
60040..... 10-51
60041..... 10-54
60042..... 10-54
60043..... 10-54
60044..... 10-54
60045..... 10-54
60046..... 10-54
60047..... 10-50
60048..... 10-51
60070..... 10-55
60082..... 10-59
60083..... 10-59
60084..... 10-59
60085..... 10-59
60086..... 10-59
60087..... 10-59
60088..... 10-59
60089..... 10-59
60090..... 10-59
60091..... 10-59
60092..... 10-59
60093..... 10-59
60094..... 10-59
60095..... 10-59
60096..... 10-59
60097..... 10-59
60098..... 10-59
60099..... 10-59
60100..... 10-59
60101..... 10-59
60102..... 10-59
60103..... 10-59
60104..... 10-59
60105..... 10-59
60106..... 10-59
60107..... 10-59
60108..... 10-56

20000

200936..... 8-14
200937..... 8-14



REALISIERUNG

STREBENPROFILE



REALISIERUNG

VERBINDUNGSTECHNIK



REALISIERUNG

BODENELEMENTE



REALISIERUNG

ARBEITSPLATZGESTALTUNG



REALISIERUNG

ZUBEHÖR



KONSTRUKTION



REALISIERUNG

INDIVIDUAL-APPLIKATIONEN



KONSTRUKTION



REALISIERUNG

APPLIKATIONEN



TOOLS

FABRIKPLANUNG



WORKSHOPS

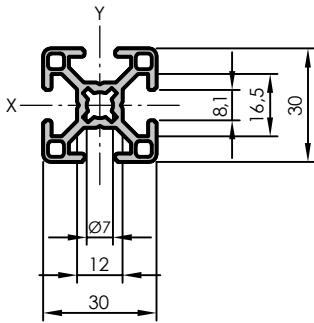


TOOLS

WORKSHOPS, TOOLS



Aluminiumstrebenprofil 30x30



Trägheitsmoment I_x [cm ⁴]	2,8
Trägheitsmoment I_y [cm ⁴]	2,8
Widerstandsmoment W_x [cm ³]	1,8
Widerstandsmoment W_y [cm ³]	1,8
Profilfläche A [cm ²]	3,2
Masse m' [kg/m]	0,9

Art.-Nr.	Artikel	L [mm] (30 ≤ L ≤ 6100)	Endenbearbeitung
10620	Aluminiumstrebenprofil 30x30	L = ...	
10621	Aluminiumstrebenprofil 30x30	L = ...	M8
10622	Aluminiumstrebenprofil 30x30	L = ...	M8 D11
10623	Aluminiumstrebenprofil 30x30	L = ...	M8 D11
10624	Aluminiumstrebenprofil 30x30	L = ...	D11
10625	Aluminiumstrebenprofil 30x30	L = ...	D11 D11
10626	Aluminiumstrebenprofil 30x30	L = ...	D11 D11V
10627	Aluminiumstrebenprofil 30x30	L = ...	D7,8 D7,8
10628	Aluminiumstrebenprofil 30x30	60 Stück à L = 6170	
10629	Aluminiumstrebenprofil 30x30	20 Stück à L = 5700	

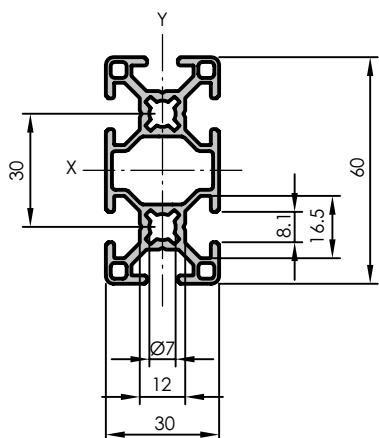
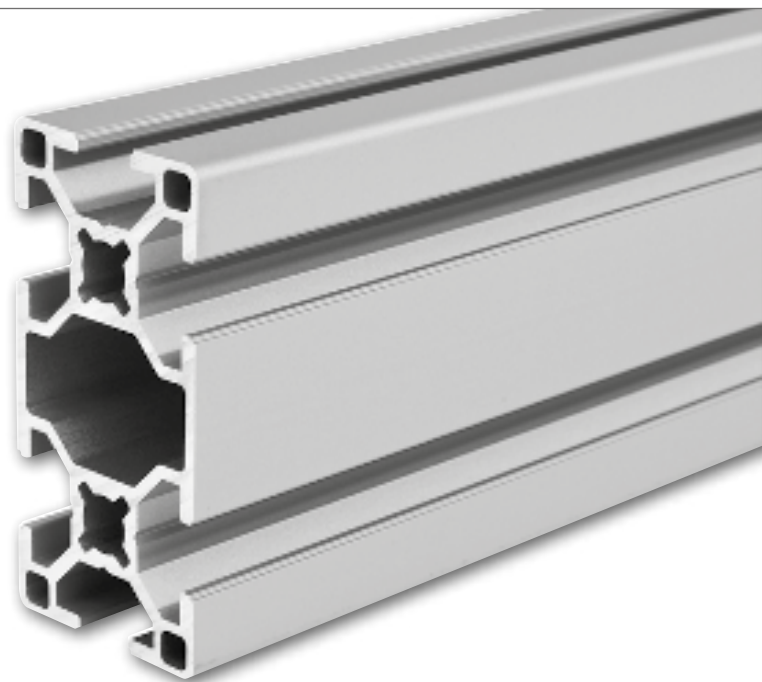
Gerne bieten wir Ihnen auch weitere Varianten gemäß Ihren individuellen Anforderungen an.

Anwendung	siehe Einleitung
Material	Aluminium, natur eloxiert

Technische Änderungen vorbehalten.



Aluminiumstrebenprofil 30x60



Trägheitsmoment I_x [cm ⁴]	19,6
Trägheitsmoment I_y [cm ⁴]	5,0
Widerstandsmoment W_x [cm ³]	6,5
Widerstandsmoment W_y [cm ³]	3,3
Profilfläche A [cm ²]	5,4
Masse m' [kg/m]	1,5

Art.-Nr.	Artikel	Länge [mm] (30 ≤ L ≤ 5600)	Endenbearbeitung
10640	Aluminiumstrebenprofil 30x60	L = ...	
10641	Aluminiumstrebenprofil 30x60	L = ...	2x M8
10642	Aluminiumstrebenprofil 30x60	L = ...	2x M8 2xM8
10643	Aluminiumstrebenprofil 30x60	L = ...	2x D11
10644	Aluminiumstrebenprofil 30x60	L = ...	2x D11 2xD11
10645	Aluminiumstrebenprofil 30x60	L = ...	D11V D11V
10646	Aluminiumstrebenprofil 30x60	L = ...	2x D11 D11V
10649	Aluminiumstrebenprofil 30x60	20 Stück à L = 5700	

Gerne bieten wir Ihnen auch weitere Varianten gemäß Ihren individuellen Anforderungen an.

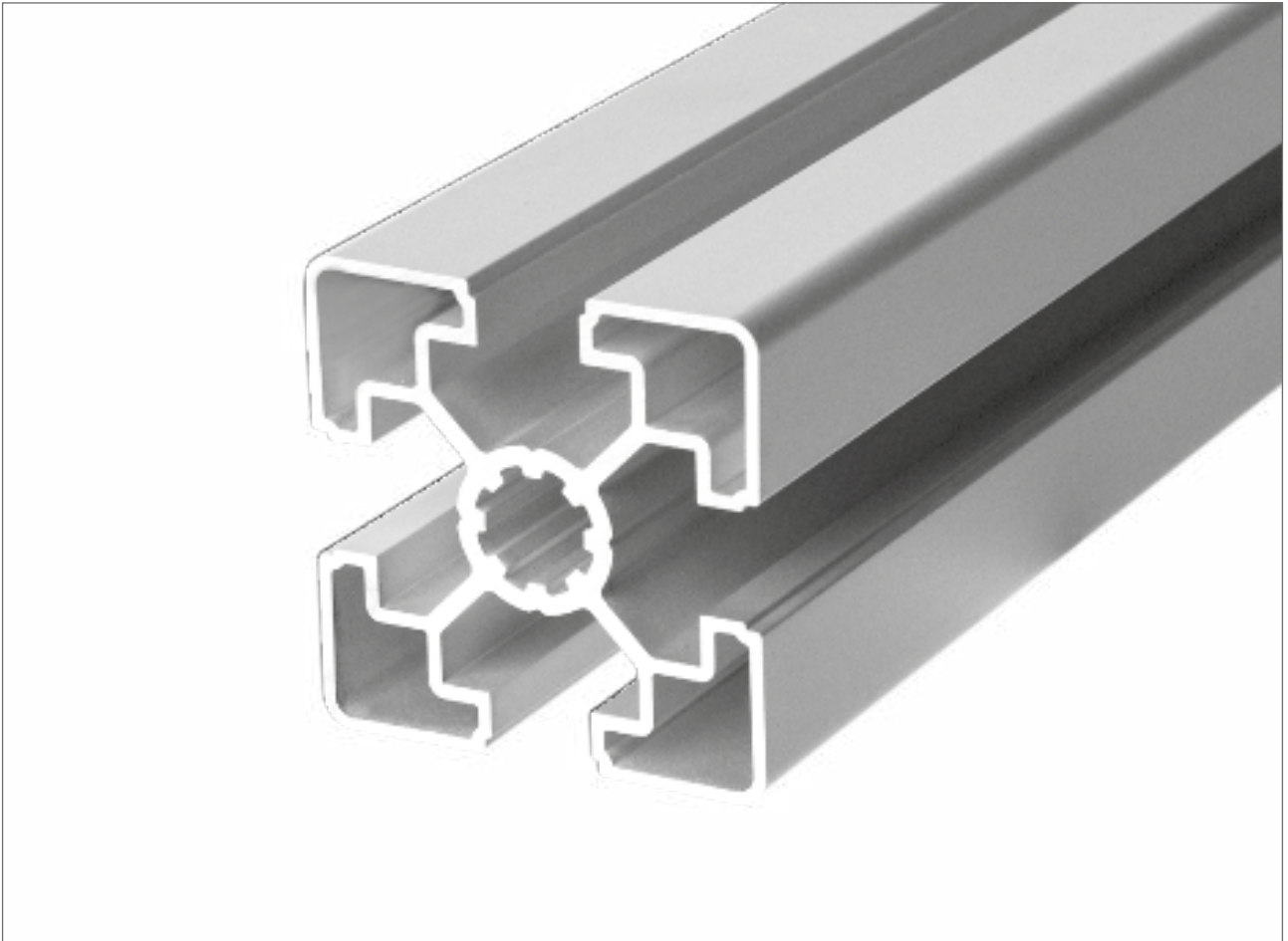
Anwendung	siehe Einleitung
Material	Aluminium, natur eloxiert

Technische Änderungen vorbehalten.



REALISIERUNG

Aluminiumstrebenprofil 45 x 45SL



Die preisattraktive Alternative, Profil 45 x 45SL: Leicht. Stabil. Kompatibel.

Aluminiumprofile eignen sich hervorragend für die Herstellung von Betriebsmitteln wie Montage-, Prüf-, Kommissionier- und Versandarbeitsplätze, Maschinengestelle, Schutzeinrichtungen, (Kanban-) Regale, Transport-, Bereitstellungs- und Rüstwagen u. v. m.

Modifikationen, bedingt durch immer kürzer werdende Produktlebenszyklen, sind durch innovative Schraubverbindungen einfach durchzuführen.

Geringes Gewicht bei hoher Stabilität und die Demontagemöglichkeit und Wiederverwendung der Komponenten machen die Aluminiumprofile alternativlos.

Mit dem neuen Profilquerschnitt **45 x 45SL – SL** steht dabei für **superleicht** – ist es uns gelungen, das spezifische Gewicht um ca. 14% zu verringern, ohne dabei die statischen Eigenschaften wesentlich zu reduzieren. Die **Funktionsabmessungen** (Außen- und Profildnutabmessungen) sind **identisch** geblieben. Damit lassen sich alle Verbinder auch bei diesem neuen Querschnitt anwenden.

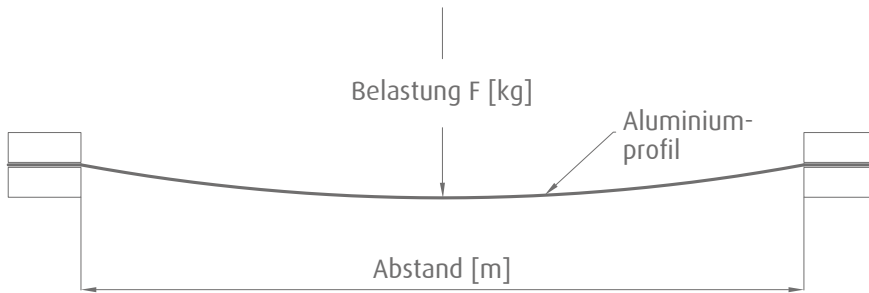
Das Aluminiumprofil **45 x 45SL** ist somit die ideale **Alternative** mit ca. 17%¹⁾ **Preisvorteil** zum herkömmlichen Profil **45 x 45L**.

¹⁾Artikel 14879 vs. 10099

Technische Daten

	45 x 45L	45 x 45SL	45 x 45L vs. 45 x 45SL
Masse m [kg/m]	1,5	1,3	- 14 %
Profilfläche A [cm ²]	5,7	4,8	- 16 %
Trägheitsmoment I _{x,y} [cm ⁴]	11,0	9,0	- 18 %
Widerstandsmoment W _{x,y} [cm ³]	4,9	4,0	- 18 %

Belastung (Durchbiegung)



Abstand [m]	Belastung F [kg]	Durchbiegung [mm]	
		45 x 45L	45 x 45SL
0,5	50	0,0	0,1
1,0	50	0,3	0,4
1,5	50	1,1	1,4
2,0	50	2,7	3,3

Einsatzbereiche

Der Einsatz des neuen Profilquerschnitts 45x45SL eignet sich besonders bei:

- kurzen freikragenden Profilen mit geringer Momentbelastung
- Profilen die rechts und links befestigt werden
- Versteifungsprofilen
- Profilen mit Krafteinwirkung in Längsrichtung (Pressrichtung)

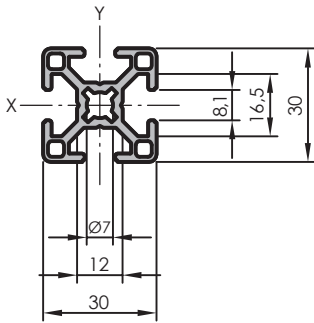


Beispielhaft an dem abgebildeten Arbeitsplatz, haben wir die Profile grün hinterlegt, die ohne Bedenken in der Ausführung 45 x 45SL ausgeführt werden können.





Aluminiumstrebenprofil 30x30



Trägheitsmoment I_x [cm ⁴]	2,8
Trägheitsmoment I_y [cm ⁴]	2,8
Widerstandsmoment W_x [cm ³]	1,8
Widerstandsmoment W_y [cm ³]	1,8
Profilfläche A [cm ²]	3,2
Masse m' [kg/m]	0,9

Art.-Nr.	Artikel	L [mm] (30 ≤ L ≤ 6100)	Endenbearbeitung
10620	Aluminiumstrebenprofil 30x30	L = ...	
10621	Aluminiumstrebenprofil 30x30	L = ...	M8
10622	Aluminiumstrebenprofil 30x30	L = ...	M8 D11
10623	Aluminiumstrebenprofil 30x30	L = ...	M8 D11
10624	Aluminiumstrebenprofil 30x30	L = ...	D11
10625	Aluminiumstrebenprofil 30x30	L = ...	D11 D11
10626	Aluminiumstrebenprofil 30x30	L = ...	D11 D11V
10627	Aluminiumstrebenprofil 30x30	L = ...	D7,8 D7,8
10628	Aluminiumstrebenprofil 30x30	60 Stück à L = 6170	
10629	Aluminiumstrebenprofil 30x30	20 Stück à L = 5700	

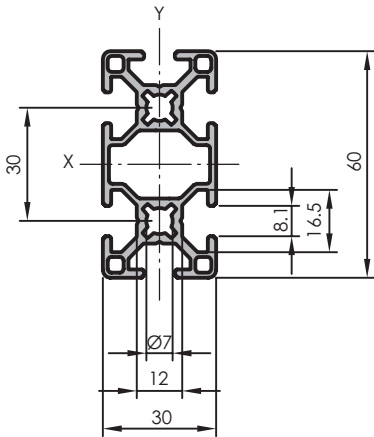
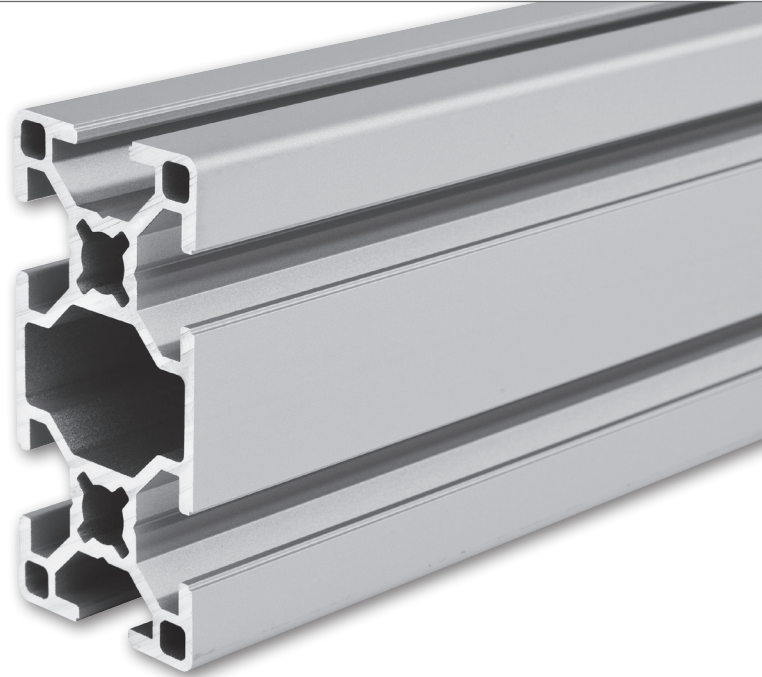
Gerne bieten wir Ihnen auch weitere Varianten gemäß Ihren individuellen Anforderungen an.

Anwendung	siehe Einleitung
Material	Aluminium, natur eloxiert

Technische Änderungen vorbehalten.



Aluminiumstrebenprofil 30x60



Trägheitsmoment I_x [cm ⁴]	19,6
Trägheitsmoment I_y [cm ⁴]	5,0
Widerstandsmoment W_x [cm ³]	6,5
Widerstandsmoment W_y [cm ³]	3,3
Profilfläche A [cm ²]	5,4
Masse m' [kg/m]	1,5

Art.-Nr.	Artikel	Länge [mm] (30 ≤ L ≤ 5600)	Endenbearbeitung
10640	Aluminiumstrebenprofil 30x60	L = ...	
10641	Aluminiumstrebenprofil 30x60	L = ...	2x M8
10642	Aluminiumstrebenprofil 30x60	L = ...	2x M8 2xM8
10643	Aluminiumstrebenprofil 30x60	L = ...	2x D11
10644	Aluminiumstrebenprofil 30x60	L = ...	2x D11 2xD11
10645	Aluminiumstrebenprofil 30x60	L = ...	D11V D11V
10646	Aluminiumstrebenprofil 30x60	L = ...	2x D11 D11V
10649	Aluminiumstrebenprofil 30x60	20 Stück à L = 5700	

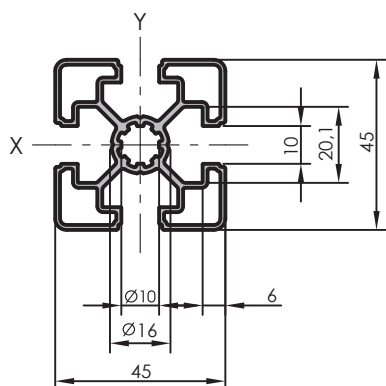
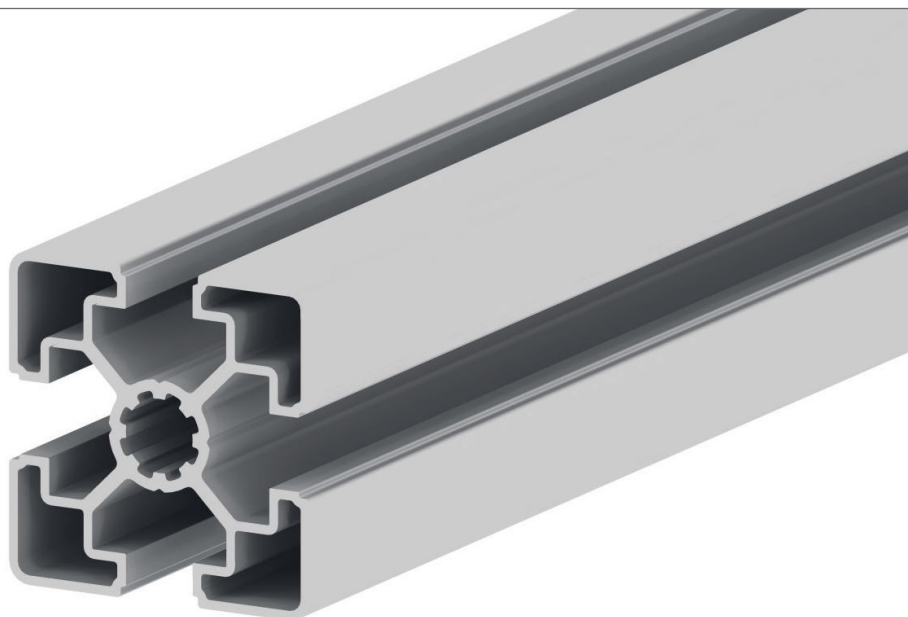
Gerne bieten wir Ihnen auch weitere Varianten gemäß Ihren individuellen Anforderungen an.

Anwendung	siehe Einleitung
Material	Aluminium, natur eloxiert

Technische Änderungen vorbehalten.



Aluminiumstrebenprofil 45x45SL



Trägheitsmoment I_x [cm ⁴]	9,0
Trägheitsmoment I_y [cm ⁴]	9,0
Widerstandsmoment W_x [cm ³]	4,0
Widerstandsmoment W_y [cm ³]	4,0
Profilfläche A [cm ²]	4,8
Masse m' [kg/m]	1,3

Art.-Nr.	Artikel	Länge [mm] (30 ≤ L ≤ 6100)	Endenbearbeitung
14870	Aluminiumstrebenprofil 45x45SL	L = ...	
14871	Aluminiumstrebenprofil 45x45SL	L = ...	M12
14872	Aluminiumstrebenprofil 45x45SL	L = ...	M12 M12
14873	Aluminiumstrebenprofil 45x45SL	L = ...	M12 D17
14874	Aluminiumstrebenprofil 45x45SL	L = ...	D17
14875	Aluminiumstrebenprofil 45x45SL	L = ...	D17 D17
14876	Aluminiumstrebenprofil 45x45SL	L = ...	D17 D17V
14877	Aluminiumstrebenprofil 45x45SL	L = ...	D9,8 D9,8
14878	Aluminiumstrebenprofil 45x45SL	60 Stück à L=6170	
14879	Aluminiumstrebenprofil 45x45SL	20 Stück à L=6170	

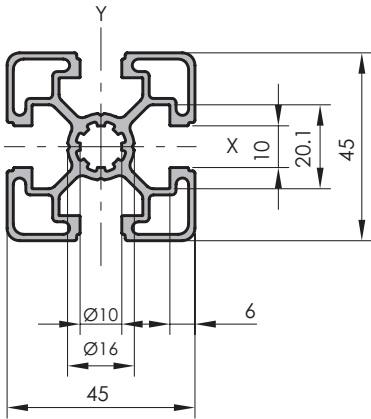
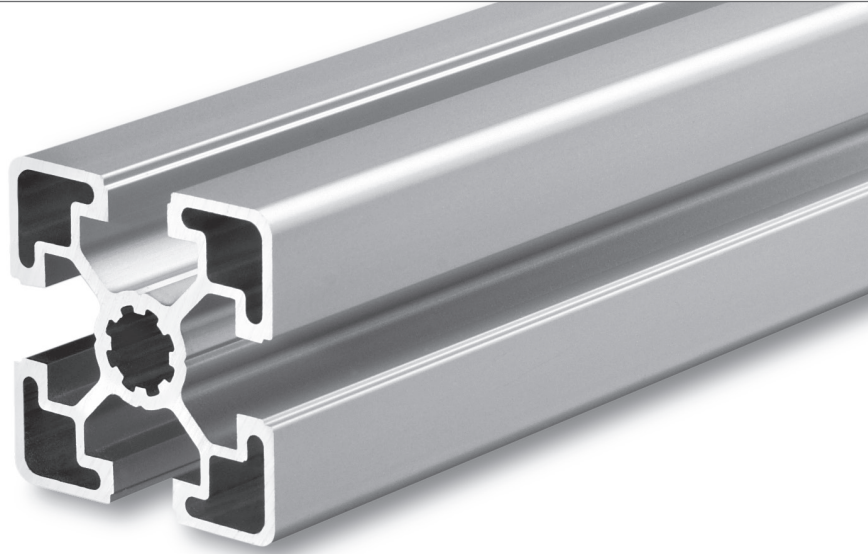
Gerne bieten wir Ihnen auch weitere Varianten gemäß Ihren individuellen Anforderungen an.

Anwendung	siehe Einleitung
Material	Aluminium, natur eloxiert

Technische Änderungen vorbehalten.



Aluminiumstrebenprofil 45x45L



Trägheitsmoment I_x [cm ⁴]	11,0
Trägheitsmoment I_y [cm ⁴]	11,0
Widerstandsmoment W_x [cm ³]	4,9
Widerstandsmoment W_y [cm ³]	4,9
Profilfläche A [cm ²]	5,7
Masse m' [kg/m]	1,5

Art.-Nr.	Artikel	Länge [mm] (30 ≤ L ≤ 6100)	Endenbearbeitung
10090	Aluminiumstrebenprofil 45x45L	L = ...	
10091	Aluminiumstrebenprofil 45x45L	L = ...	M12
10092	Aluminiumstrebenprofil 45x45L	L = ...	M12 M12
10093	Aluminiumstrebenprofil 45x45L	L = ...	M12 D17
10094	Aluminiumstrebenprofil 45x45L	L = ...	D17
10095	Aluminiumstrebenprofil 45x45L	L = ...	D17 D17
10096	Aluminiumstrebenprofil 45x45L	L = ...	D17 D17V
10097	Aluminiumstrebenprofil 45x45L	L = ...	D9,8 D9,8
10098	Aluminiumstrebenprofil 45x45L	60 Stück à L = 6170	
10099	Aluminiumstrebenprofil 45x45L	20 Stück à L = 5700	

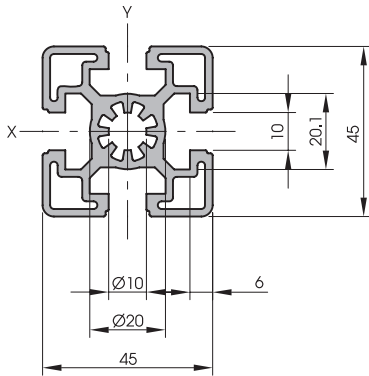
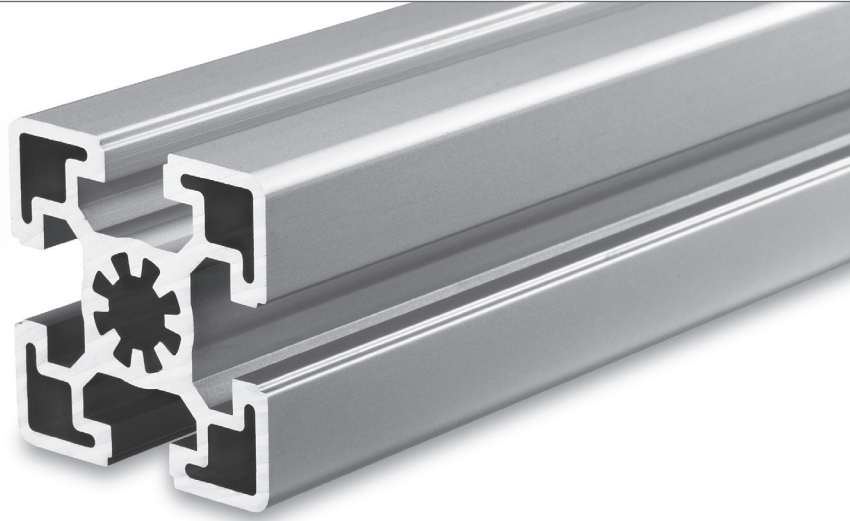
Gerne bieten wir Ihnen auch weitere Varianten gemäß Ihren individuellen Anforderungen an.

Anwendung	siehe Einleitung
Material	Aluminium, natur eloxiert

Technische Änderungen vorbehalten.



Aluminiumstrebenprofil 45x45



Trägheitsmoment I_x [cm ⁴]	13,9
Trägheitsmoment I_y [cm ⁴]	13,9
Widerstandsmoment W_x [cm ³]	6,2
Widerstandsmoment W_y [cm ³]	6,2
Profilfläche A [cm ²]	7,5
Masse m' [kg/m]	2,0

Art.-Nr.	Artikel	Länge [mm] (30 ≤ L ≤ 6100)	Endenbearbeitung
10660	Aluminiumstrebenprofil 45x45	L = ...	
10661	Aluminiumstrebenprofil 45x45	L = ...	M12
10662	Aluminiumstrebenprofil 45x45	L = ...	M12 M12
10663	Aluminiumstrebenprofil 45x45	L = ...	M12 M16
10664	Aluminiumstrebenprofil 45x45	L = ...	M12 D17
10665	Aluminiumstrebenprofil 45x45	L = ...	M16
10666	Aluminiumstrebenprofil 45x45	L = ...	M16 D17
10667	Aluminiumstrebenprofil 45x45	L = ...	D17
10668	Aluminiumstrebenprofil 45x45	L = ...	D17 D17
10669	Aluminiumstrebenprofil 45x45	L = ...	D17 D17V
10670	Aluminiumstrebenprofil 45x45	L = ...	D9,8 D9,8
10678	Aluminiumstrebenprofil 45x45	60 Stück à L = 6170	
10679	Aluminiumstrebenprofil 45x45	20 Stück à L = 5700	

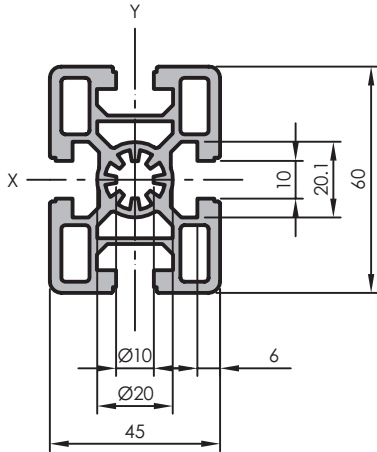
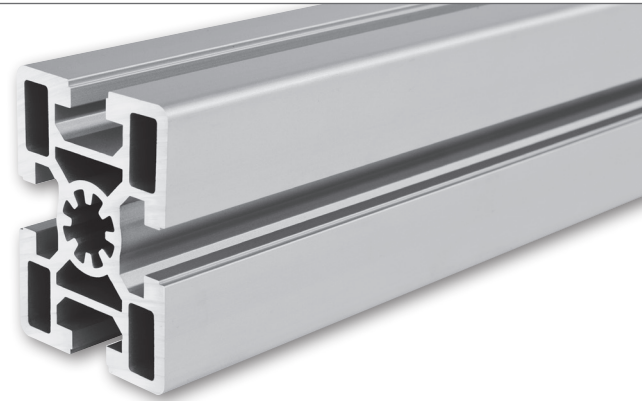
Gerne bieten wir Ihnen auch weitere Varianten gemäß Ihren individuellen Anforderungen an.

Anwendung	siehe Einleitung
Material	Aluminium, natur eloxiert

Technische Änderungen vorbehalten.



Aluminiumstrebenprofil 45x60



Trägheitsmoment I_x [cm ⁴]	37,2
Trägheitsmoment I_y [cm ⁴]	22,7
Widerstandsmoment W_x [cm ³]	12,4
Widerstandsmoment W_y [cm ³]	10,1
Profilfläche A [cm ²]	11,0
Masse m' [kg/m]	3,0

Art.-Nr.	Artikel	Länge [mm] (30 ≤ L ≤ 6000)	Endenbearbeitung
10980	Aluminiumstrebenprofil 45x60	L = ...	
10981	Aluminiumstrebenprofil 45x60	L = ...	M12
10982	Aluminiumstrebenprofil 45x60	L = ...	M12 M12
10983	Aluminiumstrebenprofil 45x60	L = ...	M12 M16
10984	Aluminiumstrebenprofil 45x60	L = ...	M16
10985	Aluminiumstrebenprofil 45x60	L = ...	M16 F1
10986	Aluminiumstrebenprofil 45x60	L = ...	F1 F1
10987	Aluminiumstrebenprofil 45x60	L = ...	LF LF
10988	Aluminiumstrebenprofil 45x60	L = ...	D9,8
10989	Aluminiumstrebenprofil 45x60	L = ...	D9,8V
10991	Aluminiumstrebenprofil 45x60	L = ...	D17 D17
10992	Aluminiumstrebenprofil 45x60	L = ...	D17V
10993	Aluminiumstrebenprofil 45x60	L = ...	D17V D17V
10994	Aluminiumstrebenprofil 45x60	L = ...	D17 D17V
10995	Aluminiumstrebenprofil 45x60	L = ...	D17
10999	Aluminiumstrebenprofil 45x60	20 Stück à L = 6060	

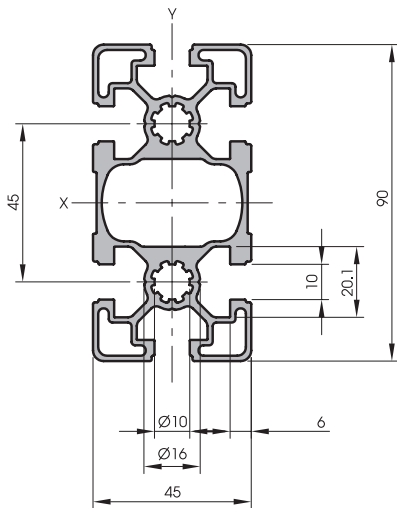
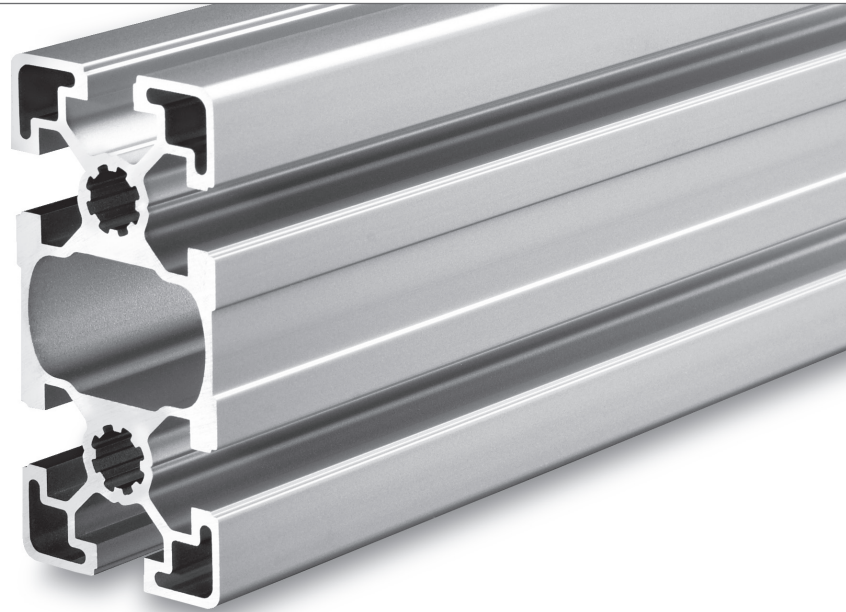
Gerne bieten wir Ihnen auch weitere Varianten gemäß Ihren individuellen Anforderungen an.

Anwendung	siehe Einleitung
Material	Aluminium, natur eloxiert

Technische Änderungen vorbehalten.



Aluminiumstrebenprofil 45x90L



Trägheitsmoment I_x [cm ⁴]	81,1
Trägheitsmoment I_y [cm ⁴]	23,4
Widerstandsmoment W_x [cm ³]	18,2
Widerstandsmoment W_y [cm ³]	10,4
Profilfläche A [cm ²]	11,3
Masse m' [kg/m]	3,1

Art.-Nr.	Artikel	Länge [mm] (30 ≤ L ≤ 6100)	Endenbearbeitung
10130	Aluminiumstrebenprofil 45x90L	L = ...	
10131	Aluminiumstrebenprofil 45x90L	L = ...	2x M12
10132	Aluminiumstrebenprofil 45x90L	L = ...	2x M12 2x M12
10133	Aluminiumstrebenprofil 45x90L	L = ...	2x D17
10134	Aluminiumstrebenprofil 45x90L	L = ...	2x D17 2x D17
10135	Aluminiumstrebenprofil 45x90L	L = ...	D17V
10136	Aluminiumstrebenprofil 45x90L	L = ...	D17V D17V
10137	Aluminiumstrebenprofil 45x90L	L = ...	2x D17 D17V
10138	Aluminiumstrebenprofil 45x90L	36 Stück à L = 6170	
10139	Aluminiumstrebenprofil 45x90L	12 Stück à L = 5700	

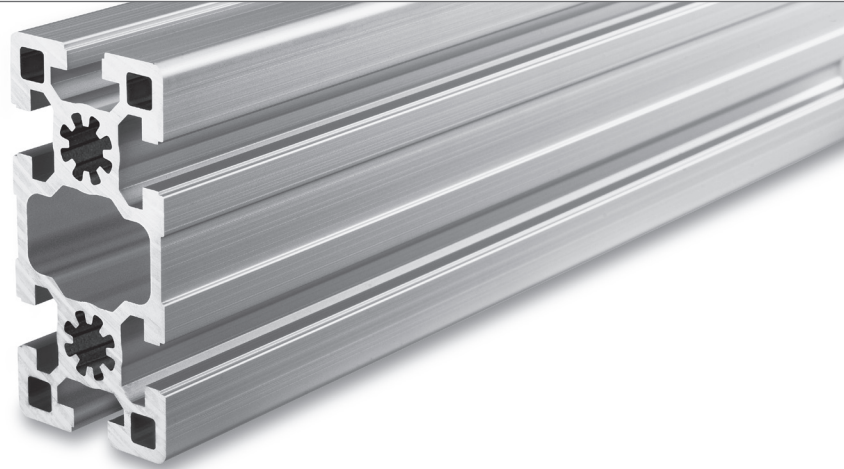
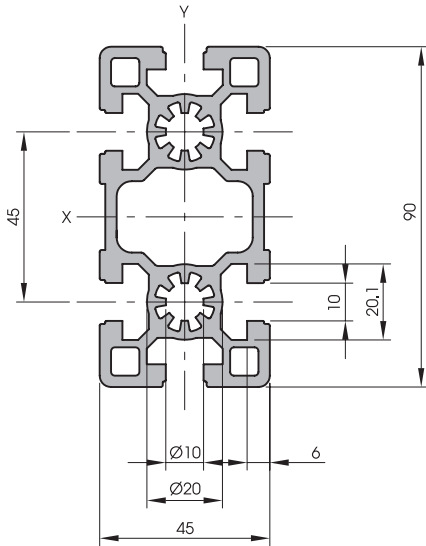
Gerne bieten wir Ihnen auch weitere Varianten gemäß Ihren individuellen Anforderungen an.

Anwendung	siehe Einleitung
Material	Aluminium, natur eloxiert

Technische Änderungen vorbehalten.



Aluminiumstrebenprofil 45x90



Trägheitsmoment I_x [cm ⁴]	124,0
Trägheitsmoment I_y [cm ⁴]	32,1
Widerstandsmoment W_x [cm ³]	27,6
Widerstandsmoment W_y [cm ³]	14,3
Profilfläche A [cm ²]	15,2
Masse m' [kg/m]	4,1

Art.-Nr.	Artikel	Länge [mm] (30 ≤ L ≤ 6100)	Endenbearbeitung
10800	Aluminiumstrebenprofil 45x90	L = ...	
10801	Aluminiumstrebenprofil 45x90	L = ...	2x M12
10802	Aluminiumstrebenprofil 45x90	L = ...	2x M12 2x M12
10803	Aluminiumstrebenprofil 45x90	L = ...	2x M12 2x D17
10804	Aluminiumstrebenprofil 45x90	L = ...	2x M12 D17V
10805	Aluminiumstrebenprofil 45x90	L = ...	2x M16
10806	Aluminiumstrebenprofil 45x90	L = ...	2x M16 2x M16
10807	Aluminiumstrebenprofil 45x90	L = ...	2x M16 2x D17
10808	Aluminiumstrebenprofil 45x90	L = ...	2x M16 D17V
10809	Aluminiumstrebenprofil 45x90	L = ...	2x D17
10810	Aluminiumstrebenprofil 45x90	L = ...	2x D17 2x D17
10811	Aluminiumstrebenprofil 45x90	L = ...	D17V
10812	Aluminiumstrebenprofil 45x90	L = ...	D17V D17V
10813	Aluminiumstrebenprofil 45x90	L = ...	2x D17 D17V
10818	Aluminiumstrebenprofil 45x90	36 Stück à L = 6170	
10819	Aluminiumstrebenprofil 45x90	12 Stück à L = 5700	

Gerne bieten wir Ihnen auch weitere Varianten gemäß Ihren individuellen Anforderungen an.

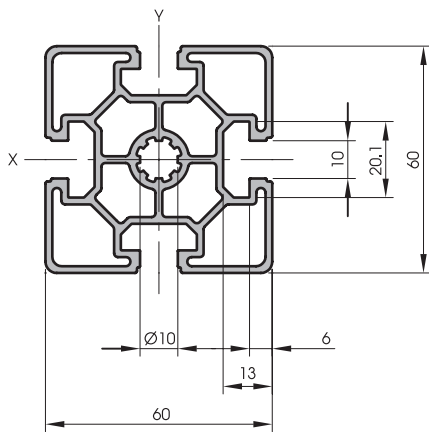
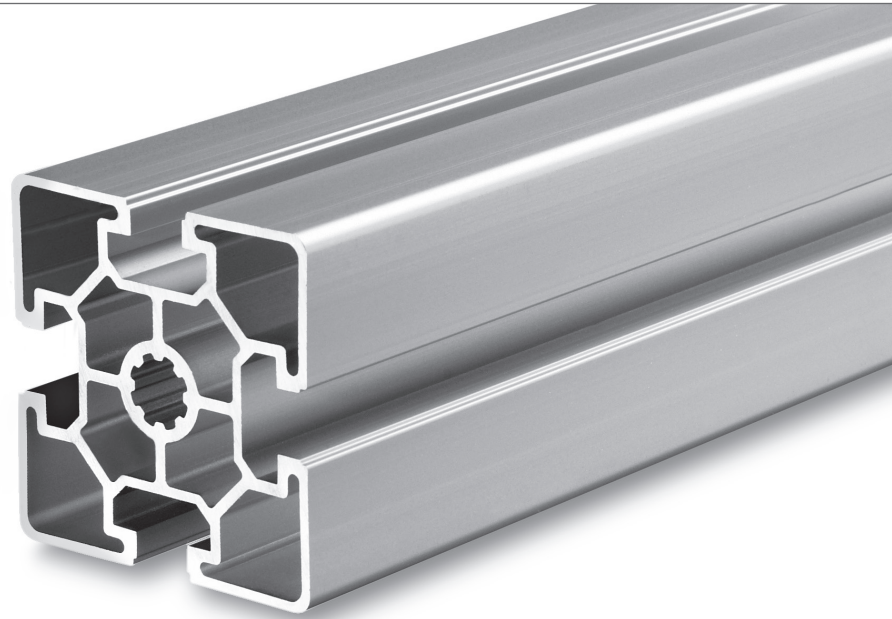
Anwendung siehe Einleitung

Material Aluminium, natur eloxiert

Technische Änderungen vorbehalten.



Aluminiumstrebenprofil 60x60L



Trägheitsmoment I_x [cm ⁴]	32,4
Trägheitsmoment I_y [cm ⁴]	32,4
Widerstandsmoment W_x [cm ³]	10,8
Widerstandsmoment W_y [cm ³]	10,8
Profilfläche A [cm ²]	9,6
Masse m' [kg/m]	2,6

Art.-Nr.	Artikel	Länge [mm] (30 ≤ L ≤ 6100)	Endenbearbeitung
10100	Aluminiumstrebenprofil 60x60L	L = ...	
10101	Aluminiumstrebenprofil 60x60L	L = ...	M12
10102	Aluminiumstrebenprofil 60x60L	L = ...	M12 M12
10103	Aluminiumstrebenprofil 60x60L	L = ...	M12 D17
10104	Aluminiumstrebenprofil 60x60L	L = ...	D17 D17
10105	Aluminiumstrebenprofil 60x60L	L = ...	D17 D17
10106	Aluminiumstrebenprofil 60x60L	L = ...	D17 D17V
10108	Aluminiumstrebenprofil 60x60L	60 Stück à L = 6170	
10109	Aluminiumstrebenprofil 60x60L	20 Stück à L = 5700	

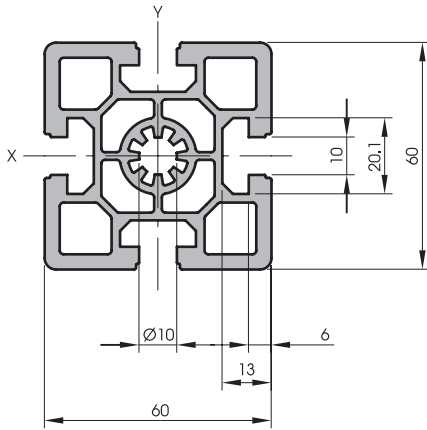
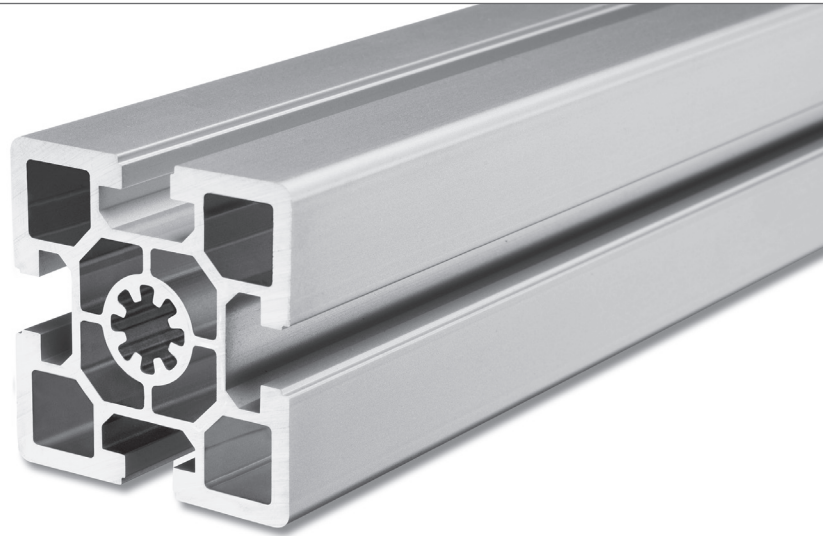
Gerne bieten wir Ihnen auch weitere Varianten gemäß Ihren individuellen Anforderungen an.

Anwendung	siehe Einleitung
Material	Aluminium, natur eloxiert

Technische Änderungen vorbehalten.



Aluminiumstrebenprofil 60x60



Trägheitsmoment I_x [cm ⁴]	52,5
Trägheitsmoment I_y [cm ⁴]	52,5
Widerstandsmoment W_x [cm ³]	17,5
Widerstandsmoment W_y [cm ³]	17,5
Profilfläche A [cm ²]	14,5
Masse m' [kg/m]	3,9

Art.-Nr.	Artikel	Länge [mm] (30 ≤ L ≤ 6100)	Endenbearbeitung
10680	Aluminiumstrebenprofil 60x60	L = ...	
10681	Aluminiumstrebenprofil 60x60	L = ...	M12
10682	Aluminiumstrebenprofil 60x60	L = ...	M12 M12
10683	Aluminiumstrebenprofil 60x60	L = ...	M12 M16
10684	Aluminiumstrebenprofil 60x60	L = ...	M12 D17
10685	Aluminiumstrebenprofil 60x60	L = ...	M16
10686	Aluminiumstrebenprofil 60x60	L = ...	M16 D17
10687	Aluminiumstrebenprofil 60x60	L = ...	D17
10688	Aluminiumstrebenprofil 60x60	L = ...	D17 D17
10689	Aluminiumstrebenprofil 60x60	L = ...	D17 D17V
10698	Aluminiumstrebenprofil 60x60	60 Stück à L = 6170	
10699	Aluminiumstrebenprofil 60x60	20 Stück à L = 5700	

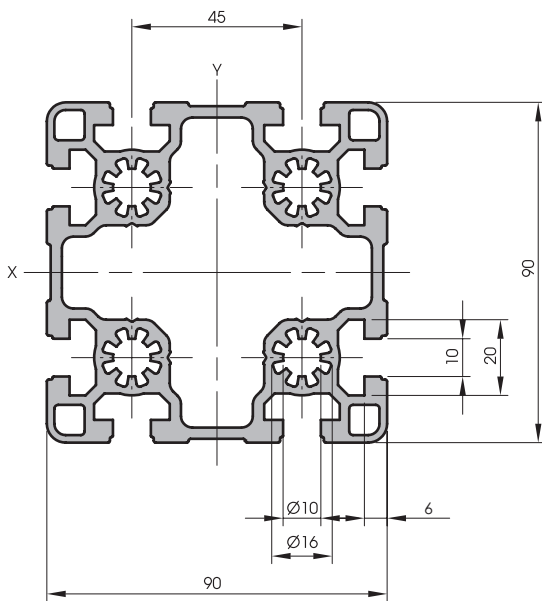
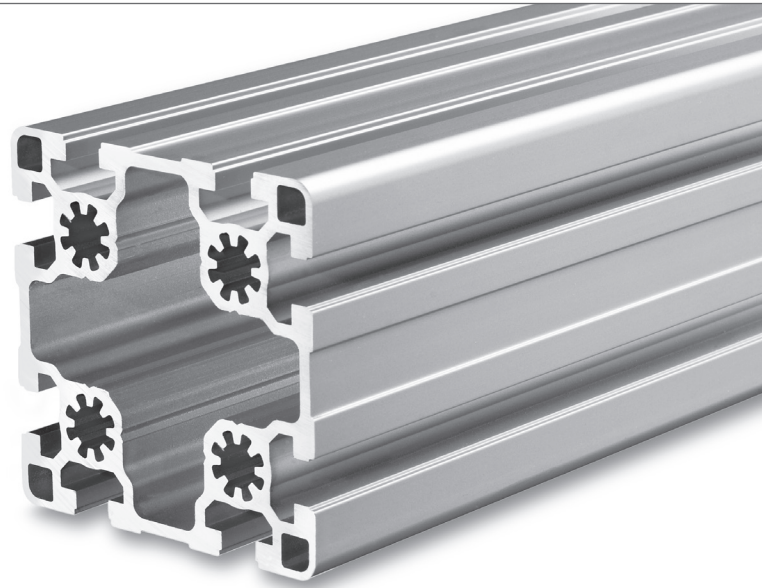
Gerne bieten wir Ihnen auch weitere Varianten gemäß Ihren individuellen Anforderungen an.

Anwendung	siehe Einleitung
Material	Aluminium, natur eloxiert

Technische Änderungen vorbehalten.



Aluminiumstrebenprofil 90x90L



Trägheitsmoment I_x [cm ⁴]	211,0
Trägheitsmoment I_y [cm ⁴]	211,0
Widerstandsmoment W_x [cm ³]	46,8
Widerstandsmoment W_y [cm ³]	46,8
Profilfläche A [cm ²]	23,6
Masse m' [kg/m]	6,4

Art.-Nr.	Artikel	Länge [mm] (30 ≤ L ≤ 6100)	Endenbearbeitung
10110	Aluminiumstrebenprofil 90x90L	L = ...	
10111	Aluminiumstrebenprofil 90x90L	L = ...	4x M12
10112	Aluminiumstrebenprofil 90x90L	L = ...	4x M12 4x M12
10113	Aluminiumstrebenprofil 90x90L	L = ...	4x M12 2x D17
10114	Aluminiumstrebenprofil 90x90L	L = ...	2x D17
10115	Aluminiumstrebenprofil 90x90L	L = ...	2x D17 2x D17
10116	Aluminiumstrebenprofil 90x90L	L = ...	2x D17 2x D17V
10118	Aluminiumstrebenprofil 90x90L	18 Stück à L = 6170	
10119	Aluminiumstrebenprofil 90x90L	6 Stück à L = 5700	

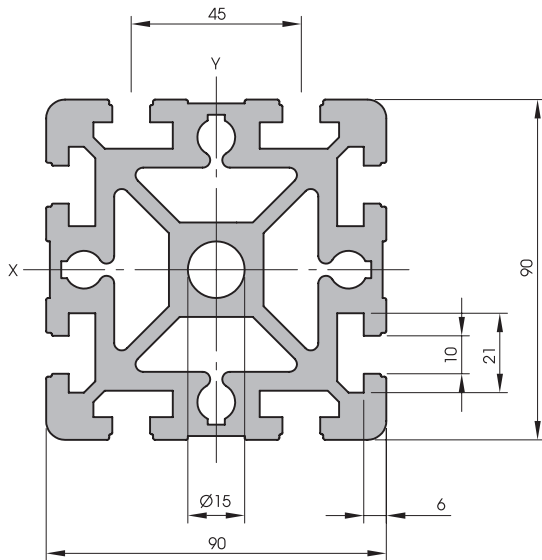
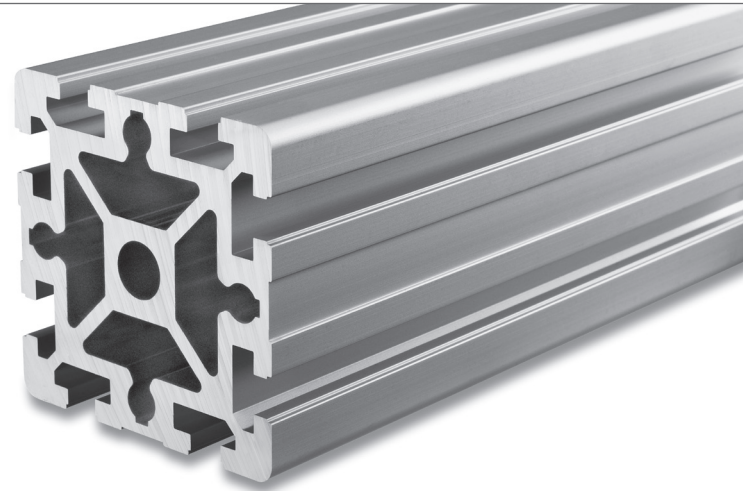
Gerne bieten wir Ihnen auch weitere Varianten gemäß Ihren individuellen Anforderungen an.

Anwendung	siehe Einleitung
Material	Aluminium, natur eloxiert

Technische Änderungen vorbehalten.



Aluminiumstrebenprofil 90x90



Trägheitsmoment I_x [cm ⁴]	300,0
Trägheitsmoment I_y [cm ⁴]	300,0
Widerstandsmoment W_x [cm ³]	66,7
Widerstandsmoment W_y [cm ³]	66,7
Profilfläche A [cm ²]	38,5
Masse m' [kg/m]	10,4

Art.-Nr.	Artikel	Länge [mm] (30 ≤ L ≤ 6100)	Endenbearbeitung
10700	Aluminiumstrebenprofil 90x90	L = ...	
10701	Aluminiumstrebenprofil 90x90	L = ...	M16
10702	Aluminiumstrebenprofil 90x90	L = ...	M16 M16
10703	Aluminiumstrebenprofil 90x90	L = ...	M16 2x D17
10704	Aluminiumstrebenprofil 90x90	L = ...	M16 -
10705	Aluminiumstrebenprofil 90x90	L = ...	M16 - M16 -
10706	Aluminiumstrebenprofil 90x90	L = ...	F2
10707	Aluminiumstrebenprofil 90x90	L = ...	F2 F2
10708	Aluminiumstrebenprofil 90x90	L = ...	2x D17
10709	Aluminiumstrebenprofil 90x90	L = ...	2x LF 2x LF
10710	Aluminiumstrebenprofil 90x90	L = ...	2x D17 2x D17
10711	Aluminiumstrebenprofil 90x90	L = ...	2x D17 2x D17V
10718	Aluminiumstrebenprofil 90x90	18 Stück à L = 6170	
10719	Aluminiumstrebenprofil 90x90	6 Stück à L = 5700	

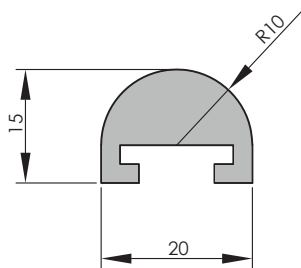
Gerne bieten wir Ihnen auch weitere Varianten gemäß Ihren individuellen Anforderungen an.

Anwendung	siehe Einleitung
Material	Aluminium, natur eloxiert

Technische Änderungen vorbehalten.



Gleitleiste 20x15



Gleitleiste 20x15

Art.-Nr.	Artikel	Länge [mm] (20 ≤ L ≤ 2000)
15366	Gleitleiste 20x15	L = ...
15365	Gleitleiste 20x15	L = 2000
13827	Clip PB10 8mm Nut	
13828	Clip PB10 10mm Nut	

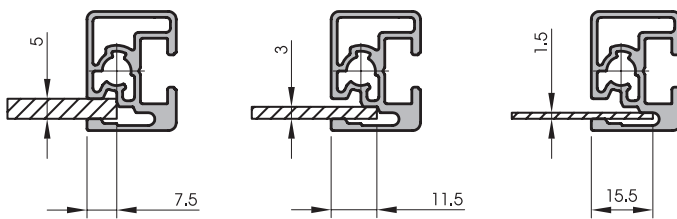
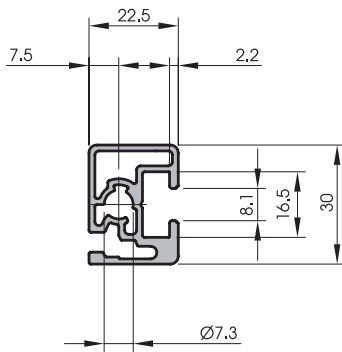
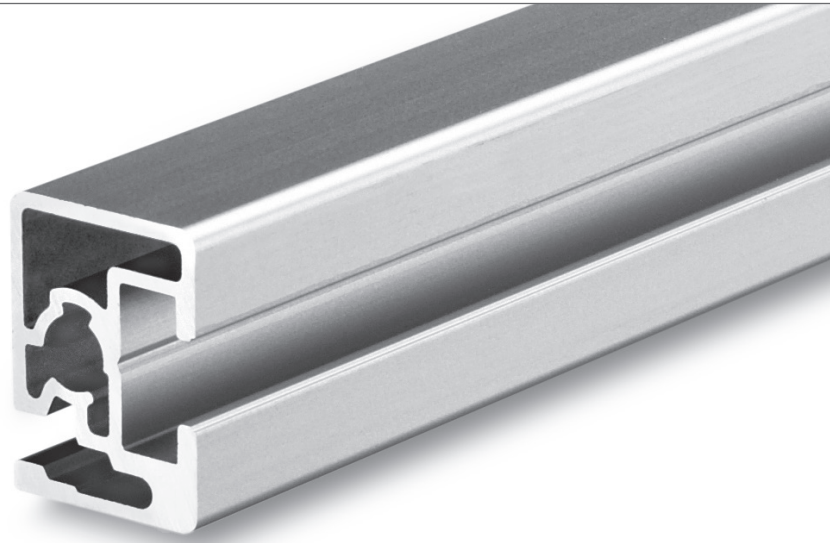
Gerne bieten wir Ihnen auch weitere Varianten gemäß Ihren individuellen Anforderungen an.

Anwendung	Die Gleitleiste eignet sich als (Linien-) Auflage um Behälter, Warenträger oder auch Roh- und Halbfabrikate zu bevorraten oder von A nach B zu schieben. Auch als Seitenführung kann die Gleitleiste eingesetzt werden. Die aus Polyethylen ausgeführte Gleitleiste ist extrem verschleißfest, säurebeständig und besitzt eine hohe Schlagfestigkeit. Durch den Radius der Gleitleiste wird die Auflagefläche und damit die Reibung minimiert. Über den Clip lassen sich die Gleitleisten sehr einfach in unsere Aluminium-Profilnuten befestigen. Wir empfehlen jeweils am Beginn und Ende der Gleitleiste einen Clip zu setzen und dazwischen im Abstand von ca. 200mm.
Material	Gleitleiste: Polyethylen, schwarz; Clip: POM, weiß

Technische Änderungen vorbehalten.



Aluminiumrahmenprofil 22,5x30



Trägheitsmoment I_x [cm ⁴]	2,4
Trägheitsmoment I_y [cm ⁴]	1,4
Widerstandsmoment W_x [cm ³]	1,5
Widerstandsmoment W_y [cm ³]	1,2
Profilfläche A [cm ²]	2,6
Masse m' [kg/m]	0,7

Art.-Nr.	Artikel	Länge [mm] (30 ≤ L ≤ 6100)	Endenbearbeitung
10120	Aluminiumrahmenprofil 22,5x30	L = ...	<input type="checkbox"/>
10128	Aluminiumrahmenprofil 22,5x30	60 Stück à L = 6170	<input type="checkbox"/>
10129	Aluminiumrahmenprofil 22,5x30	20 Stück à L = 5700	<input type="checkbox"/>

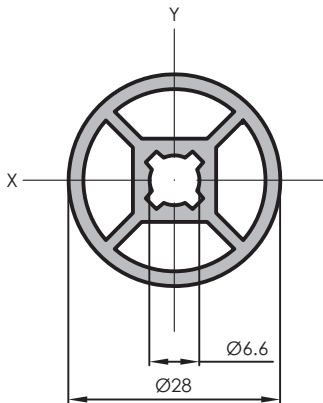
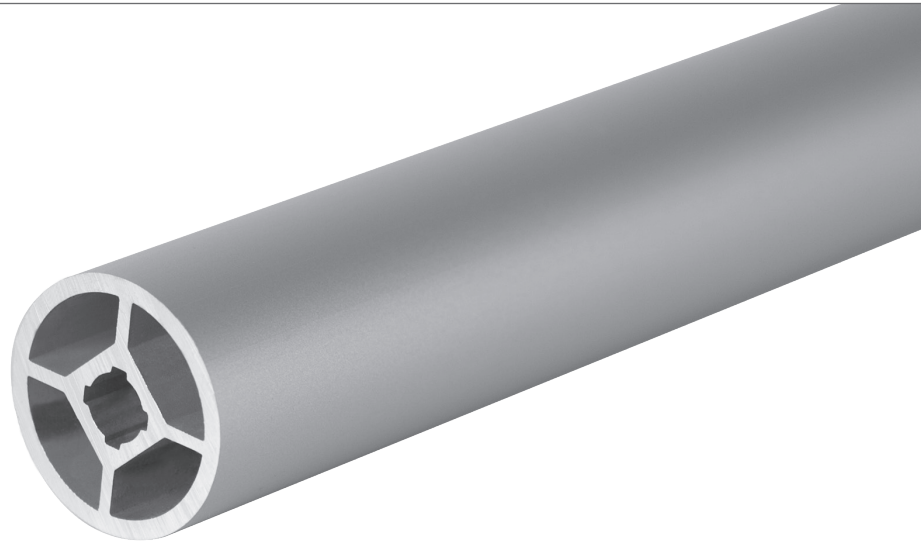
Gerne bieten wir Ihnen auch weitere Varianten gemäß Ihren individuellen Anforderungen an.

Anwendung Das Rahmenprofil wird für Materialebenen, Trennwände und als Sichtschutz verwendet. Dabei können Flächenelemente mit den Materialstärken 1,5 mm, 3,0 mm und 5,0 mm eingesetzt werden.



Material Aluminium, natur eloxiert

Technische Änderungen vorbehalten.

Aluminiumstrebenprofil D28



Trägheitsmoment I_x [cm ⁴]	1,53
Trägheitsmoment I_y [cm ⁴]	1,53
Widerstandsmoment W_x [cm ³]	1,1
Widerstandsmoment W_y [cm ³]	1,1
Profilfläche A [cm ²]	2,35
Masse m' [kg/m]	0,68

Art.-Nr.	Artikel	Länge [mm] (30 ≤ L ≤ 6000)	Endenbearbeitung
13540	Aluminiumstrebenprofil D28	L = ...	
13826	Aluminiumstrebenprofil D28	20 Stück à L = 6060	

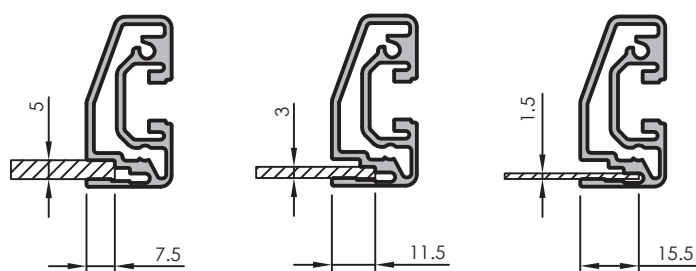
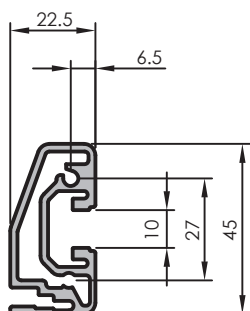
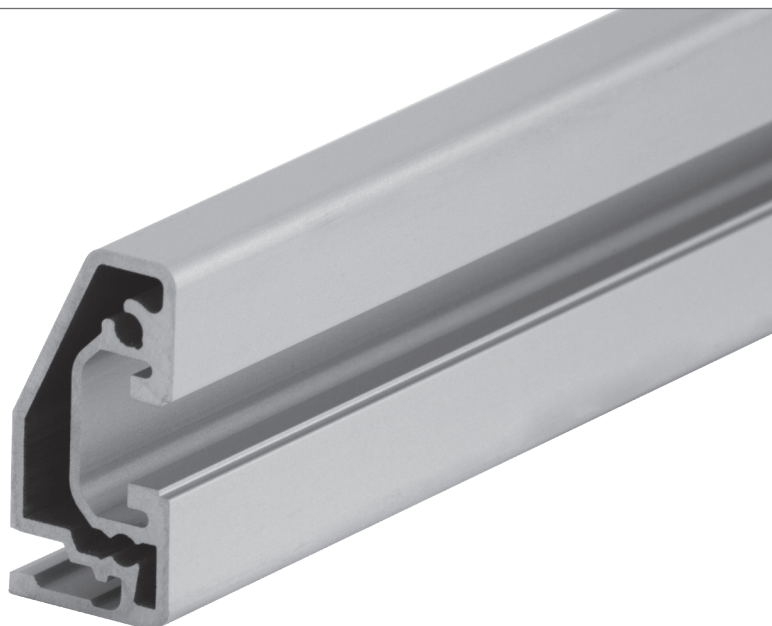
Gerne bieten wir Ihnen auch weitere Varianten gemäß Ihren individuellen Anforderungen an.

Anwendung	siehe Einleitung
Material	Aluminium, natur eloxiert

Technische Änderungen vorbehalten.



Aluminiumstrebenprofil 22,5x45



Trägheitsmoment I_x [cm ⁴]	6,7
Trägheitsmoment I_y [cm ⁴]	1,7
Widerstandsmoment W_x [cm ³]	2,8
Widerstandsmoment W_y [cm ³]	1,3
Profilfläche A [cm ²]	3,4
Masse m' [kg/m]	0,9

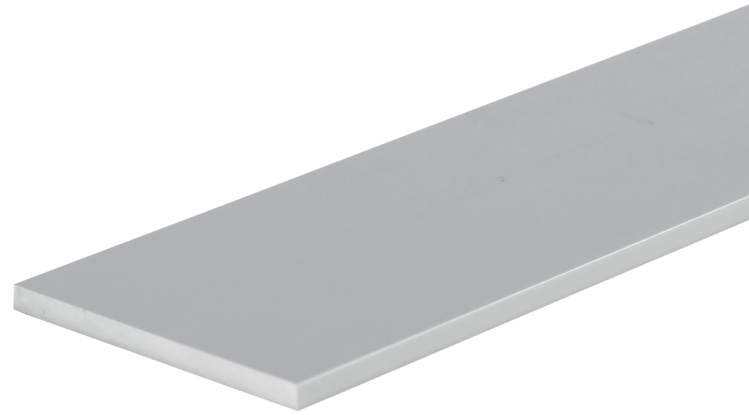
Art.-Nr.	Artikel	Länge [mm] (30 ≤ L ≤ 6000)	Endenbearbeitung
13846	Aluminiumstrebenprofil 22,5x45	L = ...	
13843	Aluminiumstrebenprofil 22,5x45	20 Stück à L = 6060	

Gerne bieten wir Ihnen auch weitere Varianten gemäß Ihren individuellen Anforderungen an.

Anwendung	Das Rahmenprofil wird für Materialebenen, Trennwände und als Sichtschutz verwendet. Dabei können Flächenelemente mit den Materialstärken 1,5 mm, 3,0 mm und 5,0 mm eingesetzt werden.
Material	Aluminium, natur eloxiert

Technische Änderungen vorbehalten.

I-Profil



Art.-Nr.	Artikel	Länge [mm] (L _{max} = 2000 mm)	A [mm]	C [mm]
14959	I-Profil 20x2 Zuschnitt	L = ...	20	2
14958	I-Profil 20x2 Profilstab	2000	20	2
14961	I-Profil 30x2 Zuschnitt	L = ...	30	2
14960	I-Profil 30x2 Profilstab	2000	30	2
14963	I-Profil 40x3 Zuschnitt	L = ...	40	3
14962	I-Profil 40x3 Profilstab	2000	40	3
14965	I-Profil 50x3 Zuschnitt	L = ...	50	3
14964	I-Profil 50x3 Profilstab	2000	50	3
14967	I-Profil 60x3 Zuschnitt	L = ...	60	3
14966	I-Profil 60x3 Profilstab	2000	60	3

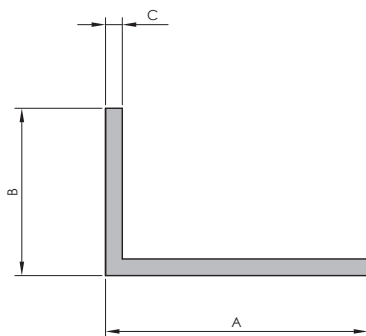
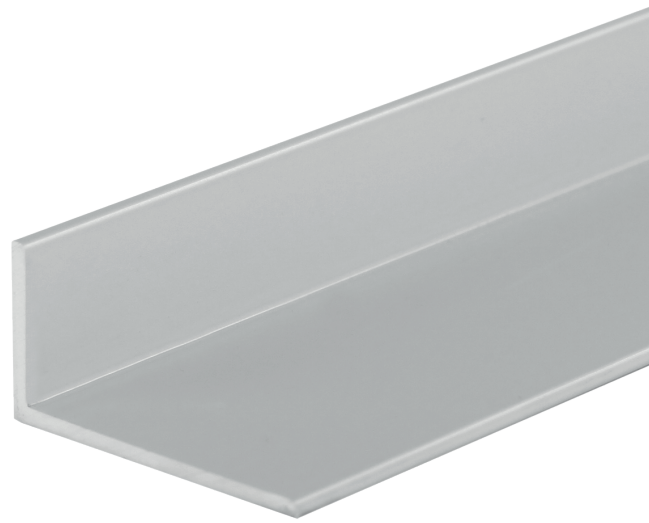
Gerne bieten wir Ihnen auch weitere Varianten gemäß Ihren individuellen Anforderungen an.

Anwendung I-Profile lassen sich universell einsetzen. Besonders geeignet sind I-Profile für die Realisierung von Trennstege und Anschlagleisten.

Material Aluminium, natur eloxiert

Technische Änderungen vorbehalten.

L-Profil



Art.-Nr.	Artikel	Länge [mm] ($L_{\max} = 2000 \text{ mm}$)	A [mm]	B [mm]	C [mm]
14969	L-Profil 20x10x1,5 Zuschnitt	L = ...	20	10	1,5
14968	L-Profil 20x10x1,5 Profilstab	2000	20	10	1,5
14971	L-Profil 20x20x1,5 Zuschnitt	L = ...	20	20	1,5
14970	L-Profil 20x20x1,5 Profilstab	2000	20	20	1,5
14973	L-Profil 30x20x2 Zuschnitt	L = ...	30	20	2
14972	L-Profil 30x20x2 Profilstab	2000	30	20	2
14975	L-Profil 30x30x2 Zuschnitt	L = ...	30	30	2
14974	L-Profil 30x30x2 Profilstab	2000	30	30	2
14977	L-Profil 40x40x2 Zuschnitt	L = ...	40	40	2
14976	L-Profil 40x40x2 Profilstab	2000	40	40	2
14977	L-Profil 50x30x3 Zuschnitt	L = ...	50	30	3
14978	L-Profil 50x30x3 Profilstab	2000	50	30	3
14981	L-Profil 50x50x4 Zuschnitt	L = ...	50	50	4
14980	L-Profil 50x50x4 Profilstab	2000	50	50	4

Gerne bieten wir Ihnen auch weitere Varianten gemäß Ihren individuellen Anforderungen an.

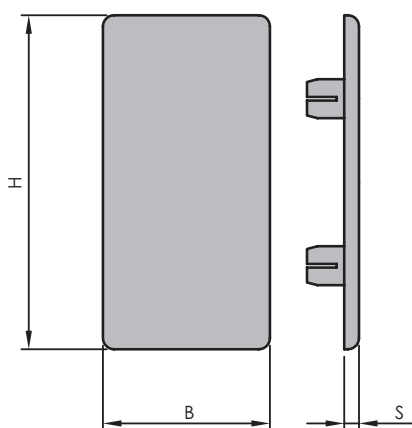
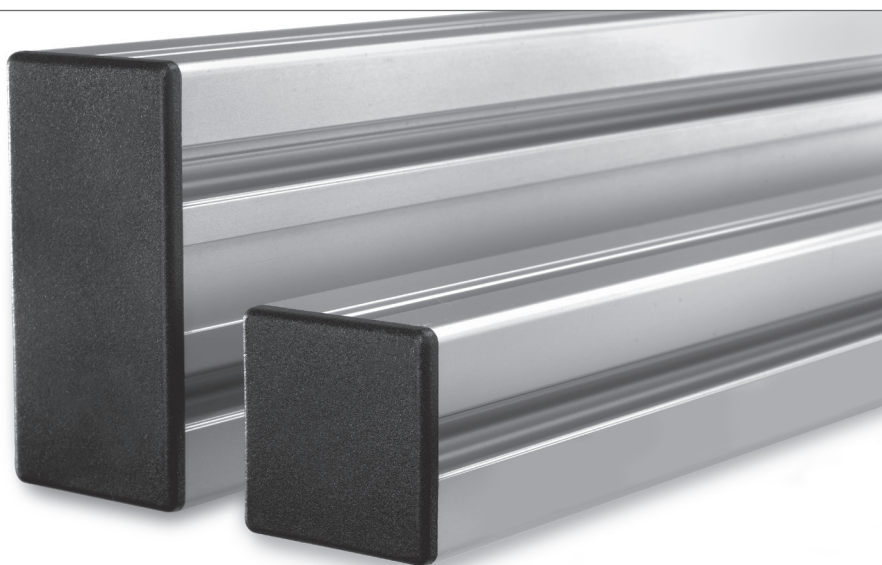
Anwendung L-Profile lassen sich universell einsetzen. Besonders geeignet sind L-Profile für die Realisierung von Anschlagleisten, Kantenschutz, Behälterregale und die Objektfixierung.

Material Aluminium, natur eloxiert

Technische Änderungen vorbehalten.



Abdeckkappen



Art.-Nr. schwarz	Art.-Nr. schwarz	Art.-Nr. lichtgrau (ähnlich RAL 7035)	Profilquerschnitt	B [mm]	H [mm]	S [mm]
11024	11025	11243	30x30	30	30	4
11261	11263		30x60	30	60	4
10060	10418	11028	45x45, 45x45L	45	45	4
11026	11027	14551	45x60	45	60	4
10065	10419		60x60, 60x60L	60	60	4
10067	10416		45x90, 45x90L	45	90	4
10068	10421	11029	90x90L	90	90	4
		13825	D28	28	28	3

Gerne bieten wir Ihnen auch weitere Varianten gemäß Ihren individuellen Anforderungen an.

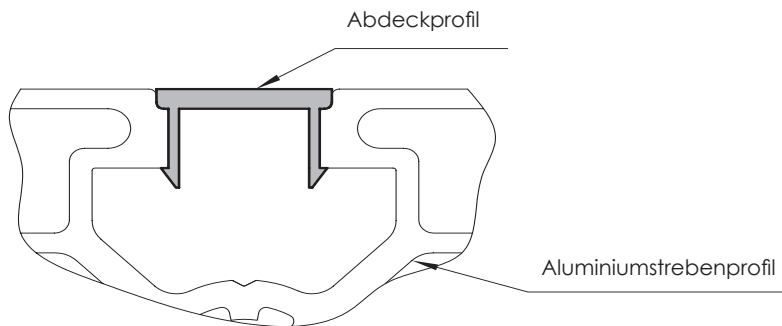
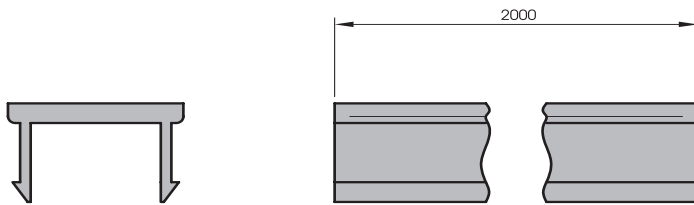
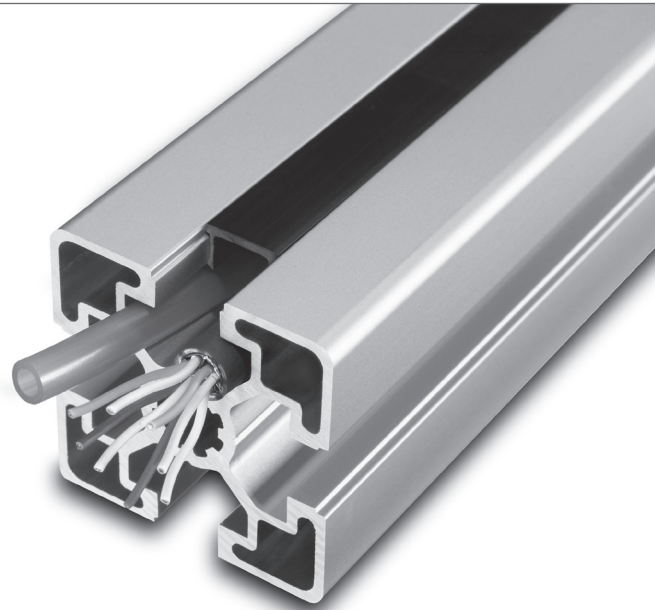
Anwendung Abdeckkappen werden zum einen zur Unfallverhütung, zum anderen zur Designverbesserung an den Profilen angebracht. Dabei wurden die Kappen konstruktiv mit Verdrehsicherungen ausgelegt, damit ein Verdrehen bei angebrachter Kappe nicht möglich ist.

Material Polyamid

Technische Änderungen vorbehalten.



Abdeckprofil



Art.-Nr.	Artikel	Farbe
10342	Abdeckprofil	schwarz
10611	Abdeckprofil LE10	schwarz
10426	Abdeckprofil	blau
10610	Abdeckprofil LE10	blau
10608	Abdeckprofil	grau
10609	Abdeckprofil LE10	grau

Gerne bieten wir Ihnen auch weitere Varianten gemäß Ihren individuellen Anforderungen an.

Anwendung Das Abdeckprofil wird zum Verschließen der Profillut verwendet, damit die Profillut gegen Verschmutzung geschützt wird. Weiterhin dient das Abdeckprofil zur Fixierung von Kabeln, die in der Profillut verlegt werden können.

Material Hart-PVC

Technische Änderungen vorbehalten.

INDEX



REALISIERUNG

STREBENPROFILE



REALISIERUNG

VERBINDUNGSTECHNIK

3



REALISIERUNG

BODENELEMENTE



REALISIERUNG

ARBEITSPLATZGESTALTUNG



REALISIERUNG

ZUBEHÖR



KONSTRUKTION



REALISIERUNG

INDIVIDUAL-APPLIKATIONEN



KONSTRUKTION



REALISIERUNG

APPLIKATIONEN



TOOLS

FABRIKPLANUNG



WORKSHOPS

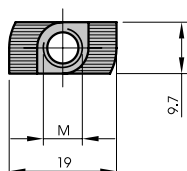
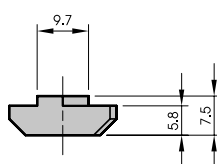
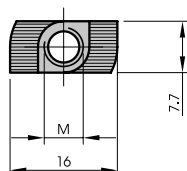
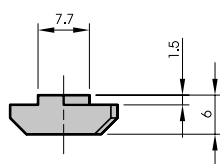


TOOLS

WORKSHOPS, TOOLS



Hamtermutter M4, M5, M6, M8



Art.-Nr.	Artikel	Gewindegröße	Material
10331	Hamtermutter M4 LE10	M4	Stahl, verzinkt und blau chromatiert
10334	Hamtermutter M4 LE100	M4	Stahl, verzinkt und blau chromatiert
10332	Hamtermutter M5 LE10	M5	Stahl, verzinkt und schwarz chromatiert
10335	Hamtermutter M5 LE100	M5	Stahl, verzinkt und schwarz chromatiert
10333	Hamtermutter M6 LE10	M6	Stahl, verzinkt und gelb chromatiert
10336	Hamtermutter M6 LE100	M6	Stahl, verzinkt und gelb chromatiert



Art.-Nr.	Artikel	Gewindegröße	Material
10266	Hamtermutter M4 LE10	M4	Stahl, verzinkt und blau chromatiert
10265	Hamtermutter M4 LE100	M4	Stahl, verzinkt und blau chromatiert
10267	Hamtermutter M5 LE10	M5	Stahl, verzinkt und schwarz chromatiert
10264	Hamtermutter M5 LE100	M5	Stahl, verzinkt und schwarz chromatiert
10268	Hamtermutter M6 LE10	M6	Stahl, verzinkt und gelb chromatiert
10226	Hamtermutter M6 LE100	M6	Stahl, verzinkt und gelb chromatiert
10269	Hamtermutter M8 LE10	M8	Stahl, verzinkt und blau chromatiert
10225	Hamtermutter M8 LE100	M8	Stahl, verzinkt und blau chromatiert

Gerne bieten wir Ihnen auch weitere Varianten gemäß Ihren individuellen Anforderungen an.

Anwendung Die Hammermutter ist das Standardelement zur Erzeugung einer sicheren Verbindung. Die Riffelung bricht die Eloxalschicht auf, und schafft dadurch eine elektrisch leitfähige Verbindung.

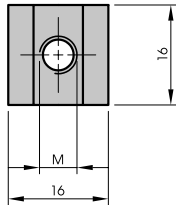
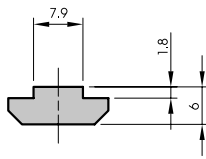
Technische Änderungen vorbehalten.



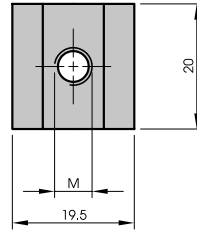
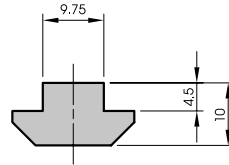
Nutensteine M4, M5, M6, M8



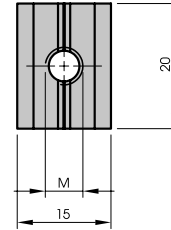
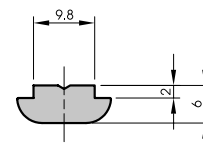
Nutenstein einschiebbar



Nutenstein einschiebbar



Nutenstein einschwenkbar



Art.-Nr. 	Art.-Nr. 	Artikel	Gewindegröße
10316	10322	Nutenstein einschiebbar M4 LE10	M4
10319	10326	Nutenstein einschiebbar M4 LE100	M4
10317	10323	Nutenstein einschiebbar M5 LE10	M5
10320	10327	Nutenstein einschiebbar M5 LE100	M5
10318	10324	Nutenstein einschiebbar M6 LE10	M6
10321	10328	Nutenstein einschiebbar M6 LE100	M6
10052	10325	Nutenstein einschiebbar M8 LE10	M8
10024	10329	Nutenstein einschiebbar M8 LE100	M8
10408		Nutenstein einschwenkbar M5 LE10	M5
10409		Nutenstein einschwenkbar M5 LE100	M5
10362		Nutenstein einschwenkbar M6 LE10	M6
10410		Nutenstein einschwenkbar M6 LE100	M6
10364		Nutenstein einschwenkbar M8 LE10	M8
10411		Nutenstein einschwenkbar M8 LE100	M8

Gerne bieten wir Ihnen auch weitere Varianten gemäß Ihren individuellen Anforderungen an.

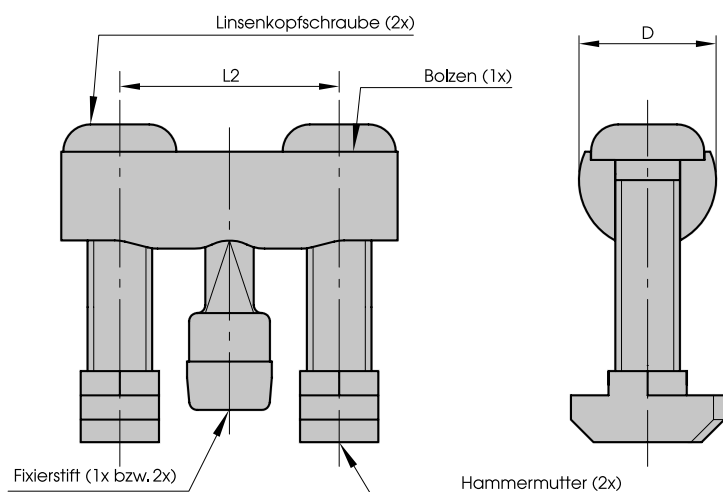
Anwendung Nutensteine können bedingt durch die große Auflagefläche hohe Kräfte aufnehmen. Generell wird zwischen einschiebbaren und einschwenkbaren Nutensteinen differenziert. Die einschiebbaren Nutensteine werden an den Stirnflächen der Profile in die Profilvernut eingeschoben, während die einschwenkbaren Nutensteine an jeder beliebigen Stelle entlang der Profilvernut eingeschwenkt werden können.

Material Stahl, verzinkt und blau chromatiert

Technische Änderungen vorbehalten.



Bolzenverbinder



Art.-Nr.	Artikel	L1 [mm]	L2 [mm]	D [mm]	Nut Profil 1	Nut Profil 2
11293	Bolzenverbinder D11 L30 LE10	30	18	11	8	8
11294	Bolzenverbinder D11 L30 LE10	30	18	11	8	10
10048	Bolzenverbinder D17 L45 LE10	45	28	17	10	10
10393	Bolzenverbinder D17 L45 LE100	45	28	17	10	10
10309	Bolzenverbinder D17 L60 LE10	60	43	17	10	10
10441	Bolzenverbinder D17 L60 LE100	60	43	17	10	10
10053	Bolzenverbinder D17 L90 LE10	90	73	17	10	10
10515	Bolzenverbinder D17 L90 LE100	90	73	17	10	10

Gerne bieten wir Ihnen auch weitere Varianten gemäß Ihren individuellen Anforderungen an.

Anwendung Der Bolzenverbinder eignet sich bei hohen Belastungen zur Verbindung von Profilen unter einem 90°-Winkel. Dabei verläuft der Kraftfluss symmetrisch über den stabilen Profilkern. Auch für die Torsionsbeanspruchung ist der Bolzenverbinder die zu bevorzugende Verbindungstechnik.

Material **Bolzen:** Stahl, verzinkt und blau chromatiert, **Fixierstift:** Polyamid schwarz

Technische Änderungen vorbehalten.

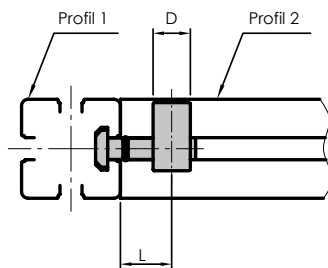


Schnellspanverbinder

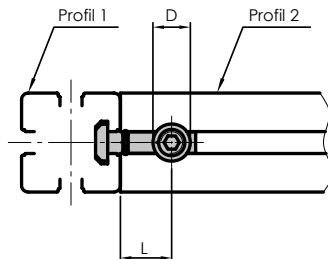
Ausführung 0°



Ausführung 0°



Ausführung 90°



Art.-Nr.	Artikel	L [mm]	D [mm]	Ausführung	Nut Profil 1	Nut Profil 2
14032	Schnellspanverbinder 8/8 0° LE10	18	11	0°	8	8
14033	Schnellspanverbinder 8/8 90° LE10	18	11	90°	8	8
14036	Schnellspanverbinder 8/10 0° LE10	18	11	0°	10	8
14037	Schnellspanverbinder 8/10 90° LE10	18	11	90°	10	8
14034	Schnellspanverbinder 10/10 0° LE10	22,5	17	0°	10	10
14035	Schnellspanverbinder 10/10 90° LE10	22,5	17	90°	10	10

Gerne bieten wir Ihnen auch weitere Varianten gemäß Ihren individuellen Anforderungen an.

Anwendung Der Schnellspanverbinder eignet sich als Universalverbinder zur Verbindung von Profilen unter einem 90°-Winkel. Da der Schnellspanverbinder immer nur eine Profilverbindung beansprucht, wird er vorzugsweise dann eingesetzt, wenn in der Profilverbindung Flächenelemente eingefasst werden müssen. Auch für ästhetisch anspruchsvolle Konstruktionen, bei denen der Profilverbinder nicht sichtbar sein soll, hat man mit dem Schnellspanverbinder die zu bevorzugende Verbindungstechnik, da der Verbinder nur von einer Seite sichtbar ist.

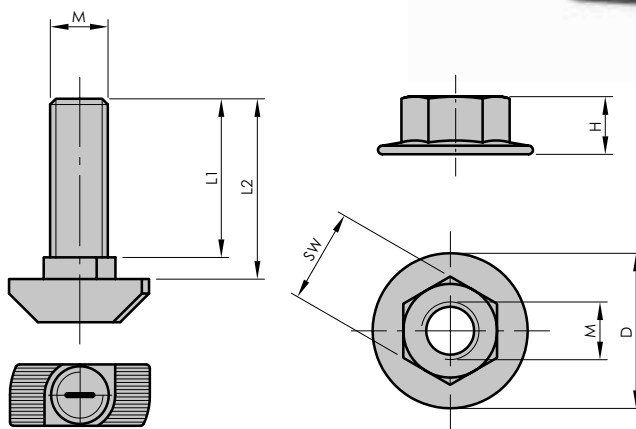
Material Stahl, verzinkt und blau chromatiert

Technische Änderungen vorbehalten.



Hammerkopfschraubenbefestigungssatz

Sechskantmutter mit Flansch



Art.-Nr.	Artikel	Gewindegröße	L1 [mm]	L2 [mm]	h [mm]	D [mm]	SW [mm]
10383	Hammerkopfschraubenbefestigungssatz ¹⁾ M8x20 LE10	M8	15	20			
10042	Hammerkopfschraubenbefestigungssatz ¹⁾ M8x20 LE100	M8	15	20			
10518	Hammerkopfschraubenbefestigungssatz ¹⁾ M8x25 LE10	M8	20	25			
10549	Hammerkopfschraubenbefestigungssatz ¹⁾ M8x25 LE100	M8	20	25			
11146	Hammerkopfschraubenbefestigungssatz ¹⁾ M8x30 LE10	M8	25	30			
11147	Hammerkopfschraubenbefestigungssatz ¹⁾ M8x30 LE100	M8	25	30			
11106	Sechskantmutter mit Flansch M8 LE10	M8			8	21	SW13
11145	Sechskantmutter mit Flansch M8 LE100	M8			8	21	SW13

Gerne bieten wir Ihnen auch weitere Varianten gemäß Ihren individuellen Anforderungen an.

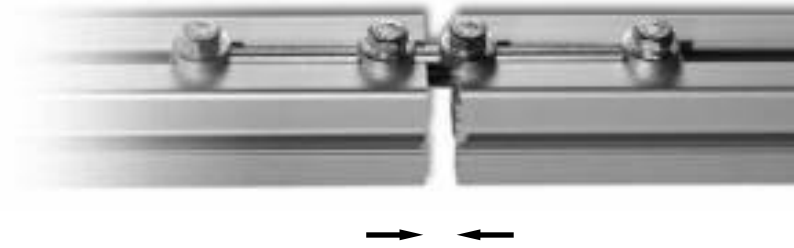
Hinweise	¹⁾ Bestehend aus Hammerkopfschraube und Sechskantmutter mit Flansch
Anwendung	Die Hammerkopfschraube und die Sechskantmutter mit Flansch sind Standardverbindungselemente zur Erzeugung einer sicheren Verbindung. Die Riffelung in der Hammerkopfschraube bricht die Eloxalschicht auf, und schafft dadurch eine elektrisch leitfähige Verbindung.
Material	Stahl, verzinkt und blau chromatiert

Technische Änderungen vorbehalten.

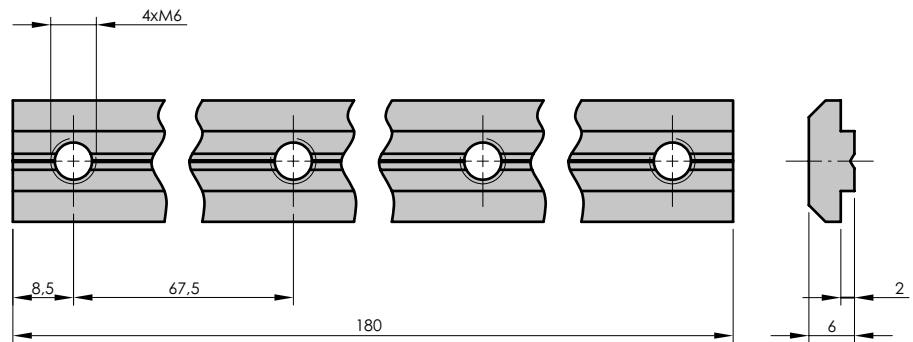


Profilverbinder 8

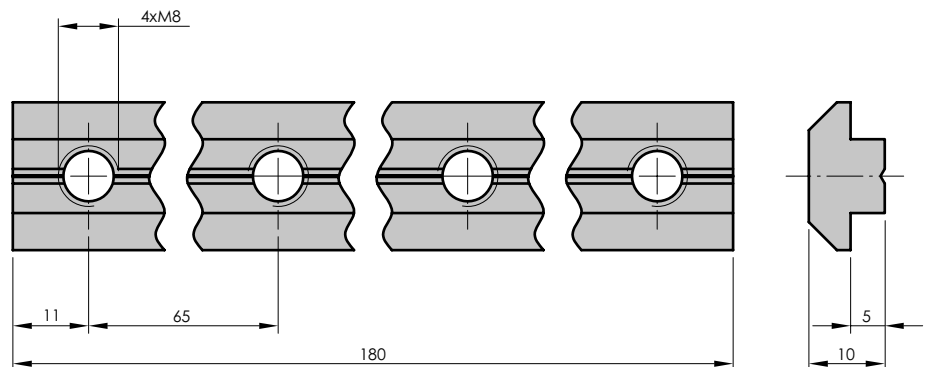
Profilverbinder 10



Profilverbinder 8



Profilverbinder 10



Art.-Nr.	Artikel	Hinweise
10516	Profilverbinder 8	inkl. Befestigungsmaterial
10517	Profilverbinder 10	inkl. Befestigungsmaterial

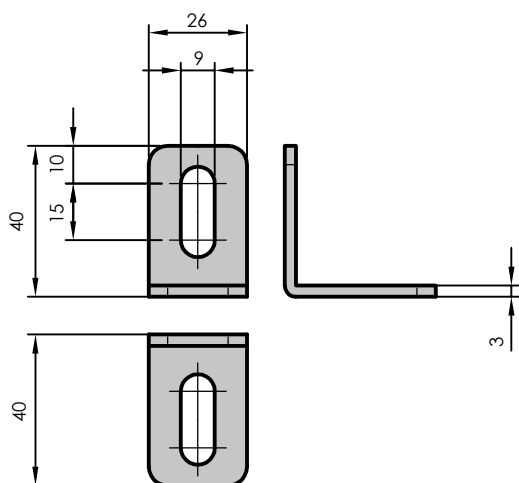
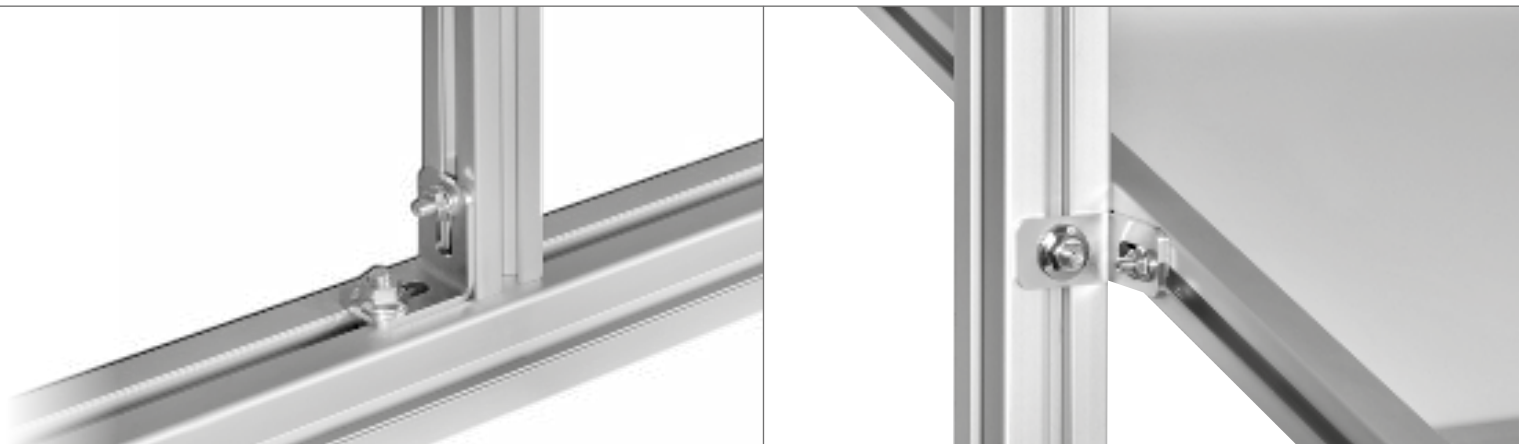
Gerne bieten wir Ihnen auch weitere Varianten gemäß Ihren individuellen Anforderungen an.

Anwendung	Der Stoßverbinder wird als stirnseitige Verbindung zweier Profile eingesetzt. Ergänzend beigefügt ist der erforderliche Befestigungssatz mit Zylinderkopf- bzw. Sechskantschrauben und Scheiben.
Material	Stahl, verzinkt und blau chromatiert

Technische Änderungen vorbehalten.



Universalwinkel



Art.-Nr.	Artikel	Nut Profil 1	Nut Profil 2	Hinweise
13931	Universalwinkel ohne Befestigungssatz			Universalwinkel ohne Befestigungssatz
13965	Universalwinkel mit Befestigungssatz	8	8	Universalwinkel mit Befestigungssatz (Hammerkopfschrauben und Bundmuttern).
13964	Universalwinkel mit Befestigungssatz	10	10	Universalwinkel mit Befestigungssatz (Hammerkopfschrauben und Bundmuttern).
13966	Universalwinkel mit Befestigungssatz	8	10	Universalwinkel mit Befestigungssatz (Hammerkopfschrauben und Bundmuttern).

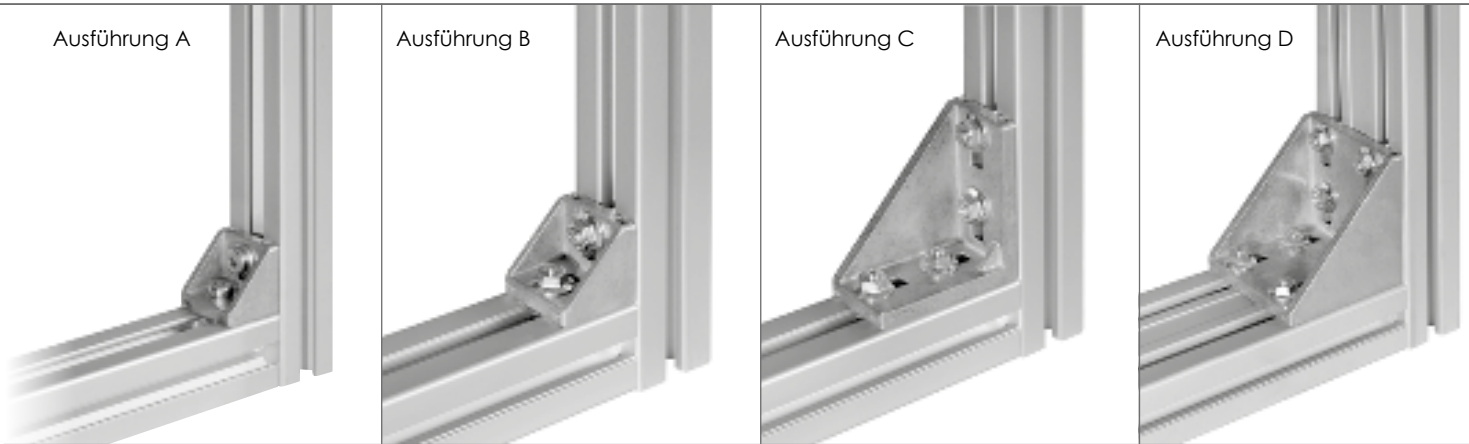
Gerne bieten wir Ihnen auch weitere Varianten gemäß Ihren individuellen Anforderungen an.

Anwendung	Winkelverbindungen werden eingesetzt wenn eine Profilenbearbeitung nicht möglich ist, oder vermieden werden soll. Geringe Teilekosten, die Möglichkeiten zur nachträglichen Montage und die gute Justierbarkeit sind Vorzüge die diese Winkelverbindungen auszeichnen.
Material	Stahl, verzinkt und blau chromatiert

Technische Änderungen vorbehalten.



Winkel

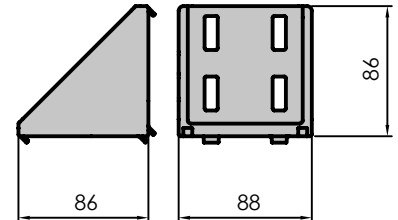
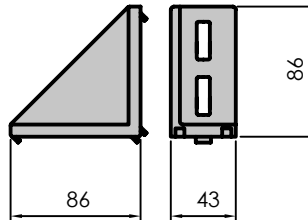
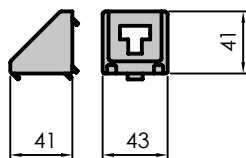
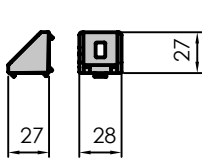


Ausführung A

Ausführung B

Ausführung C

Ausführung D



Art.-Nr.	Artikel	Ausführung	Nut Profil 1	Nut Profil 2	Hinweise
13715	Winkel 30/30 mit Befestigungssatz	A	8	8	Winkel mit Befestigungssatz (Zylinderkopfschrauben und Hammermutter).
13711	Winkel 30/30 ohne Befestigungssatz	A			Winkel ohne Befestigungssatz.
13952	Winkel 30/30 mit Befestigungssatz	A	8	10	Winkel mit Befestigungssatz (Zylinderkopfschrauben und Hammermutter).
13268	Winkel 45/45 ohne Befestigungssatz	B			Winkel ohne Befestigungssatz.
13317	Winkel 45/45 mit Befestigungssatz	B	10	10	Winkel mit Befestigungssatz (Hammerkopfschrauben und Bundmutter).
11740	Winkel 45/90 ohne Befestigungssatz	C			Winkel ohne Befestigungssatz.
14788	Winkel 45/90 mit Befestigungssatz	C	10	10	Winkel mit Befestigungssatz (Hammerkopfschrauben und Bundmutter).
10477	Winkel 90/90 ohne Befestigungssatz	D			Winkel ohne Befestigungssatz.
10484	Winkel 90/90 mit Befestigungssatz	D	10	10	Winkel mit Befestigungssatz (Hammerkopfschrauben und Bundmutter).

Gerne bieten wir Ihnen auch weitere Varianten gemäß Ihren individuellen Anforderungen an.

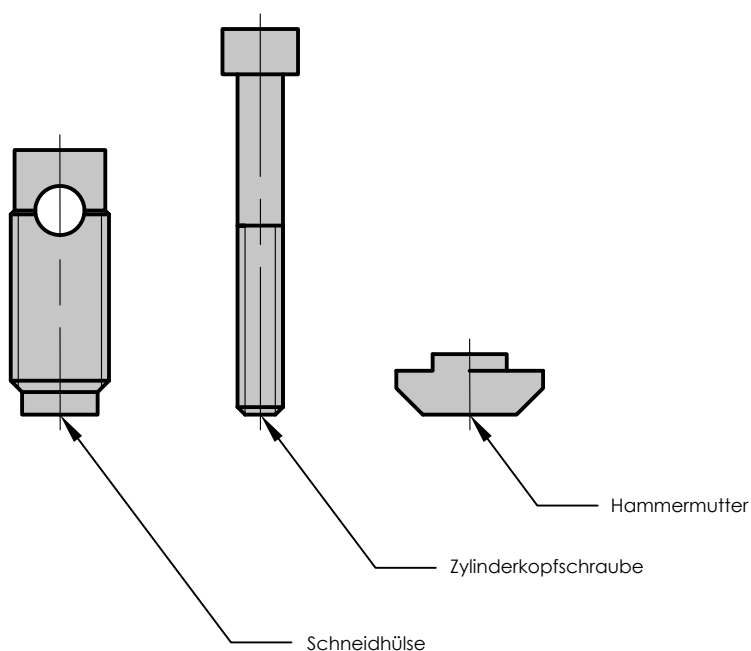
Anwendung Winkelverbindungen werden eingesetzt wenn eine Profildendenbearbeitung nicht möglich ist, oder vermieden werden soll. Geringe Teilekosten, die Möglichkeiten zur nachträglichen Montage und die gute Justierbarkeit sind weitere Vorzüge die diese Winkelverbindungen auszeichnen.

Material **Winkel:** Aluminiumdruckguss; **Hammerkopfschraube, Bundmutter:** Stahl, verzinkt und blau chromatiert

Technische Änderungen vorbehalten.



Automatikverbinder



Art.-Nr.	Artikel
14754	Automatikverbindingssatz PB10 8mm Nut



Art.-Nr.	Artikel
14753	Automatikverbindingssatz PB10 10mm Nut

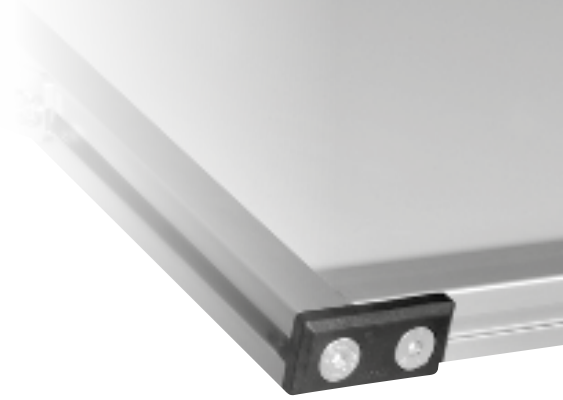
Gerne bieten wir Ihnen auch weitere Varianten gemäß Ihren individuellen Anforderungen an.

Anwendung	Mit dem Automatikverbinder lassen sich 90° Verbindungen von Aluminium-Strebenprofilen ausführen. Der Verbinder besteht aus Schneidhülse, Zylinderkopfschraube und Hammermutter. Bei geringen Belastungsfällen genügt die einseitige Anbringung des Verbinders. Bei hohen Belastungsanforderungen, großen Profilquerschnitten und besonders bei Torsionsbeanspruchung empfehlen wir die Anbringung des Automatikverbinders beidseitig. Für die Anbringung des Verbinders ist keine Profilbearbeitung erforderlich. Die selbstfurchende Schneidhülse wird stirnseitig parallel zum Kernzug mit einem handelsüblichen Sechskantschlüssel oder Bit in den Nutraum eingedreht. Als Zentrierhilfe bei der Montage sollte das Ende der Schneidhülse ca. 2mm überstehen (nicht bündig zum Profil eindrehen) um dadurch die automatische Positionierung zum Querprofil zu ermöglichen. Anschließend wird die Zylinderkopfschraube in die Schneidhülse eingeführt und mit der Hammermutter komplettiert.
Material	Schneidhülse, Zylinderkopfschraube, Hammermutter: Stahl, verzinkt und blau chromatiert

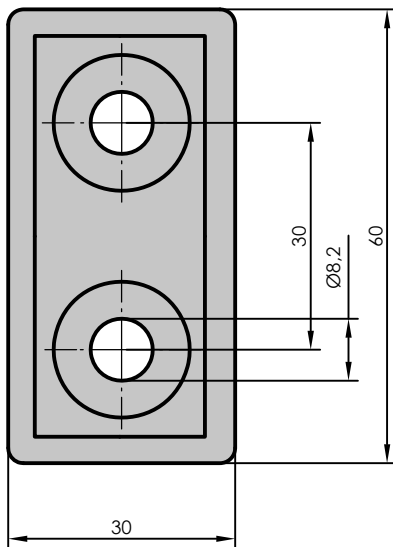
Technische Änderungen vorbehalten.



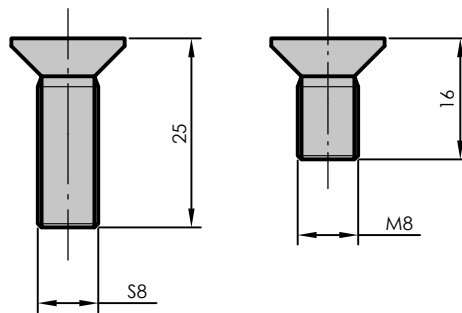
Eckstück 22,5x30



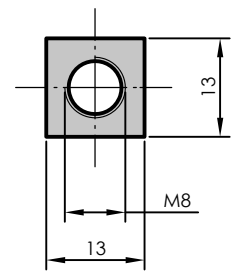
Verbinderplatte



Senkkopfschrauben
S8x25 und M8x16



Vierkantmutter
M8



Art.-Nr.	Artikel	Umfang
10230	Eckstück 22,5x30	Verbinderplatte (1x) Senkkopfschraube selbstformend S8x25 (1x) Senkkopfschraube M8x16 (1x) Vierkantmutter (1x)

Gerne bieten wir Ihnen auch weitere Varianten gemäß Ihren individuellen Anforderungen an.

Anwendung	Der Eckverbinder dient zu rechtwinkligen Verbindung von zwei Aluminiumrahmenprofilen 22,5x30. Rahmenprofile werden im Wesentlichen für den Bau von Ablageebenen eingesetzt. Für eine Ablageebene sind 4 Eckstück 22,5x30 erforderlich.
Material	Verbinderplatte: Polyamid, schwarz; Schrauben, Mutter: Stahl, verzinkt und blau chromatiert

Technische Änderungen vorbehalten.

INDEX



REALISIERUNG

STREBENPROFILE



REALISIERUNG

VERBINDUNGSTECHNIK



REALISIERUNG

BODENELEMENTE

4



REALISIERUNG

ARBEITSPLATZGESTALTUNG



REALISIERUNG

ZUBEHÖR



KONSTRUKTION



REALISIERUNG

INDIVIDUAL-APPLIKATIONEN



KONSTRUKTION



REALISIERUNG

APPLIKATIONEN



TOOLS

FABRIKPLANUNG



WORKSHOPS



TOOLS

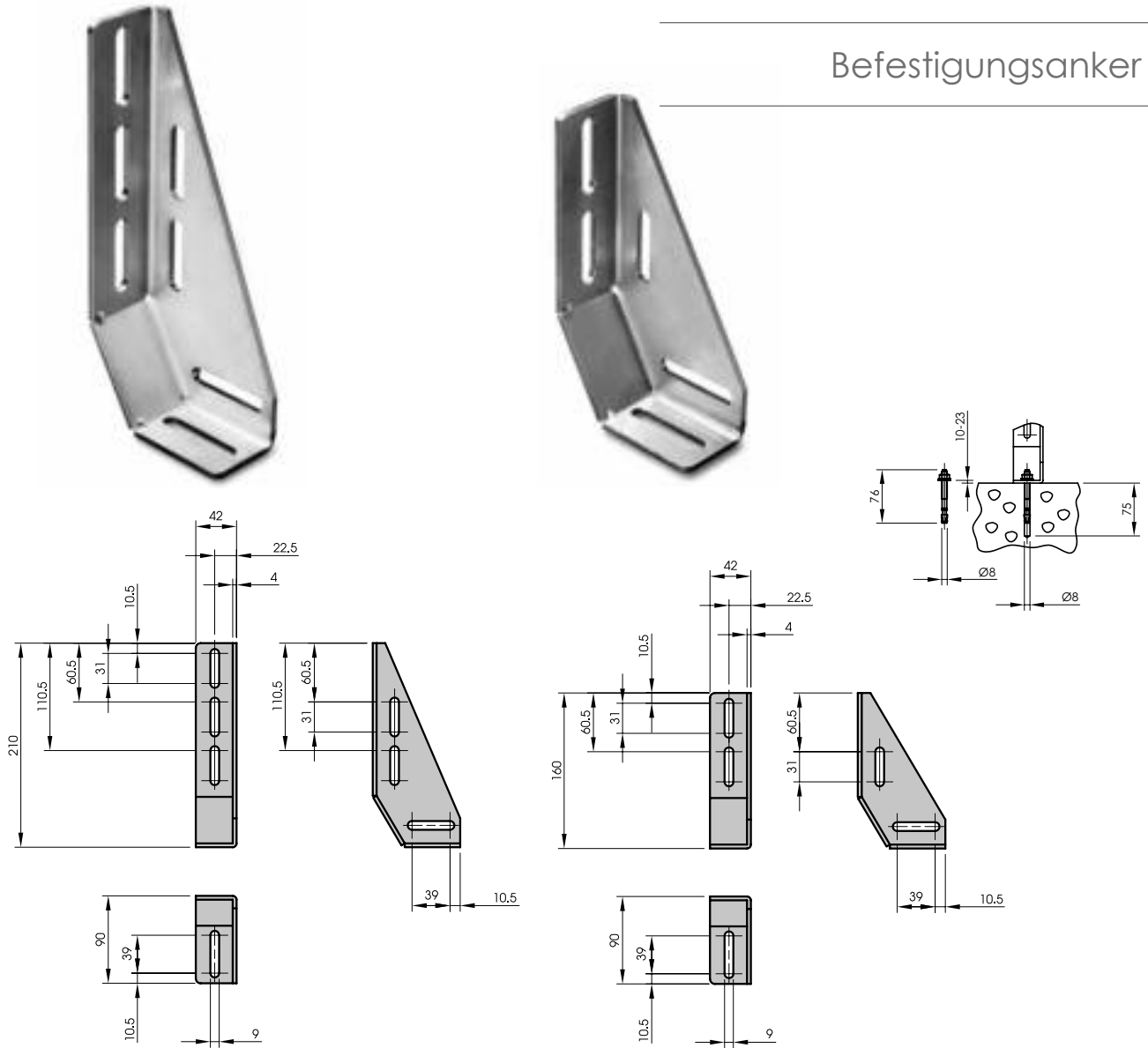
WORKSHOPS, TOOLS



Fundamentwinkel 210x90x42

Fundamentwinkel 160x90x42

Befestigungsanker



Art.-Nr.	Artikel
10308	Fundamentwinkel 210x90x42
10038	Fundamentwinkel 160x90x42
10330	Befestigungsanker

Gerne bieten wir Ihnen auch weitere Varianten gemäß Ihren individuellen Anforderungen an.

Anwendung	Der Fundamentwinkel wird zur Befestigung von Gestellen am Boden verwendet. Weiterhin findet der Fundamentwinkel Verwendung als Montagewinkel. Dabei bieten die zusätzlich in die Versteifungsfläche eingebrachten Langlöcher die Möglichkeit, Flächenelemente zu befestigen.
Material	Stahlblech, verzinkt und blau chromatiert

Technische Änderungen vorbehalten.



Rollen mit Rückenloch

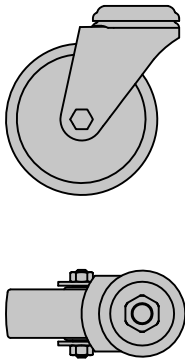
Lenkrolle D80 mit Rückenloch



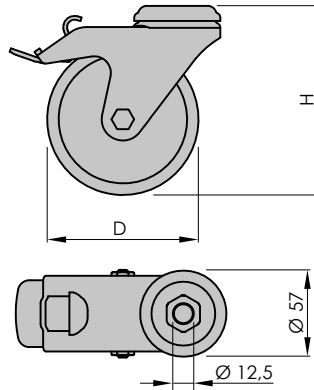
Lenkrolle D125 mit Rückenloch und Feststeller



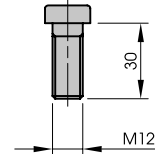
Ausführung A: Lenkrolle mit Rückenloch



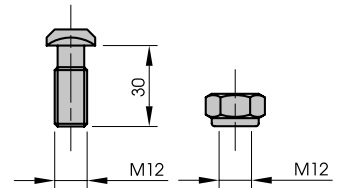
Ausführung B: Lenkrolle mit Rückenloch und Feststeller



Zylinderkopfschraube



Befestigungssatz



Art.-Nr.	Artikel	Ausführung	Belag	D [mm]	H [mm]	d [mm]	F _{max} [N]
10254	Lenkrolle mit Rückenloch	A	TP	80	108	57	1000
10255	Lenkrolle mit Rückenloch	B	TP	80	108	57	1000
10256	Lenkrolle mit Rückenloch	A	TP	80	108	57	1000
10257	Lenkrolle mit Rückenloch	B	TP	80	108	57	1000
10258	Lenkrolle mit Rückenloch	A	TP	125	158	57	1200
10259	Lenkrolle mit Rückenloch	B	TP	125	158	57	1200
10260	Lenkrolle mit Rückenloch	A	TP	125	158	57	1200
10261	Lenkrolle mit Rückenloch	B	TP	125	158	57	1200
10349	Befestigungssatz für Lenkrolle						
10394	Zylinderkopfschraube ISO 7982 M12x30						

A Lenkrolle B Lenkrolle mit Feststeller TP Thermoplast

Gerne bieten wir Ihnen auch weitere Varianten gemäß Ihren individuellen Anforderungen an.

Anwendung Rollen finden Anwendung bei mobilen Betriebsmitteln und Transportgeräten wie z.B. Arbeitsplätze, Transport-, Rüst- und Bereitstellungswagen, Trolleys, Bodenroller, etc. Alle Rollen sind auch in ESD-Ausführung verfügbar.

Material **Gehäuse:** Stahlblech, verzinkt und blau chromatiert, **Laufbelag:** Thermoplast

Technische Änderungen vorbehalten.



Rollen mit Befestigungsplatte

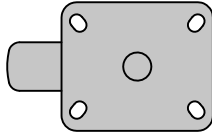
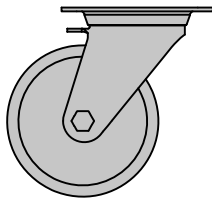
Lenkrolle D100 mit Befestigungsplatte



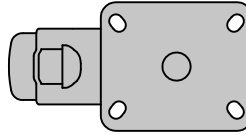
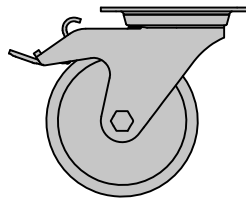
Bockrolle D100



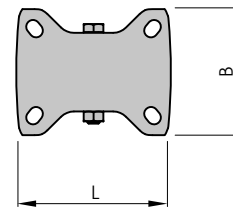
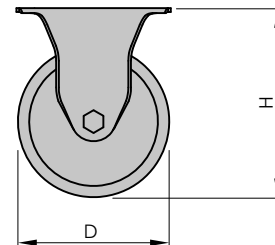
Ausführung A: Lenkrolle mit Befestigungsplatte



Ausführung B: Lenkrolle mit Befestigungsplatte und Feststeller



Ausführung C: Bockrolle



Art.-Nr.	Artikel	Ausführung	Belag	D [mm]	H [mm]	L x B [mm]	F _{max} [N]
14406	Lenkrolle mit Befestigungsplatte	A	TP	100	125	100x85	1100
14983	Lenkrolle mit Befestigungsplatte	B	TP	100	125	100x85	1100
14407	Lenkrolle mit Befestigungsplatte	A	TP	100	125	100x85	700
14984	Lenkrolle mit Befestigungsplatte	B	TP	100	125	100x85	700
14178	Lenkrolle mit Befestigungsplatte	A	PU	100	125	100x85	1500
15102	Lenkrolle mit Befestigungsplatte	B	PU	100	125	100x85	1500
14179	Lenkrolle mit Befestigungsplatte	A	PU	100	125	100x85	1300
15122	Lenkrolle mit Befestigungsplatte	B	PU	100	125	100x85	1300
14408	Bockrolle mit Befestigungsplatte	C	TP	100	125	100x85	1100

A Lenkrolle B Lenkrolle mit Feststeller C Bockrolle TP Thermoplast PU Polyurethan

Gerne bieten wir Ihnen auch weitere Varianten gemäß Ihren individuellen Anforderungen an.

Anwendung Rollen finden Anwendung bei mobilen Betriebsmitteln und Transportgeräten wie z.B. Arbeitsplätze, Transport-, Rüst- und Bereitstellungswagen, Trolleys, Bodenroller, etc. Für Standard-Anwendungen empfehlen wir den Thermoplast-Belag. Für anspruchsvollere Anwendungen eignet sich der Polyurethan-Belag. Alle Rollen sind auch in ESD-Ausführung verfügbar.

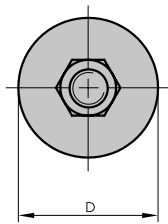
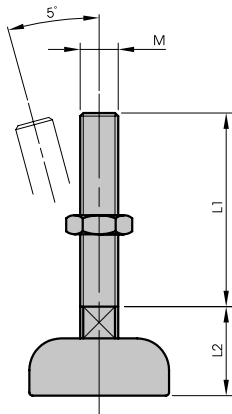
Material **Gehäuse:** Stahlblech, verzinkt und blau chromatiert, **Laufbelag:** Thermoplast, Polyurethan

Technische Änderungen vorbehalten.

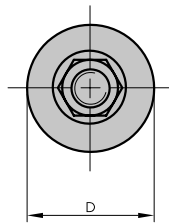
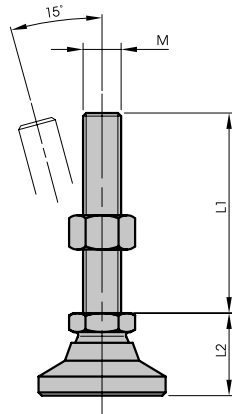


Gelenkfuß

Ausführung A



Ausführung B



Art.-Nr.	Artikel	Ausführung	D [mm]	Gewindegröße	L1 [mm]	L2 [mm]	F [kN]
10964	Gelenkfuß	A	30	M8	45	20	5
10009	Gelenkfuß	A	44	M12	60	25	10
10568	Gelenkfuß	A	44	M12	120	25	10
10569	Gelenkfuß	A	44	M16	110	35	20
10570	Gelenkfuß	A	58	M12	50	35	10
10359	Gelenkfuß	A	90	M16	50	35	20
10571	Gelenkfuß	A	90	M16	110	35	20
10233	Gelenkfuß	B	40	M12	63	26	10

Gerne bieten wir Ihnen auch weitere Varianten gemäß Ihren individuellen Anforderungen an.

Anwendung Gelenkfüße werden überwiegend als Stellfüße für Applikationen wie Maschinengestelle, Arbeitstische, u. a. eingesetzt. Durch die Kombination von neigbarem Fußteller und der stufenlosen Höhenverstellung mittels der Gewindespindel lassen sich die Applikationen auch bei unebenem Untergrund ideal ausrichten. Dabei wirken die Gelenkfüße der Ausführung B elektrisch isolierend und werden dadurch vorwiegend bei ESD-Arbeitsplätzen eingesetzt, bei denen die Ableitung mit dem ESD-Erdungsbausatz definiert allein über die Energie- bzw. Steckdosenleiste erfolgt.

Material
Ausführung A: Gewindestange und Fußteller: Stahl, verzinkt und blau chromatiert
Ausführung B: Gewindestange: Stahl, verzinkt und blau chromatiert
 Fußteller: Polyamid glasfaserverstärkt, schwarz matt

Technische Änderungen vorbehalten.

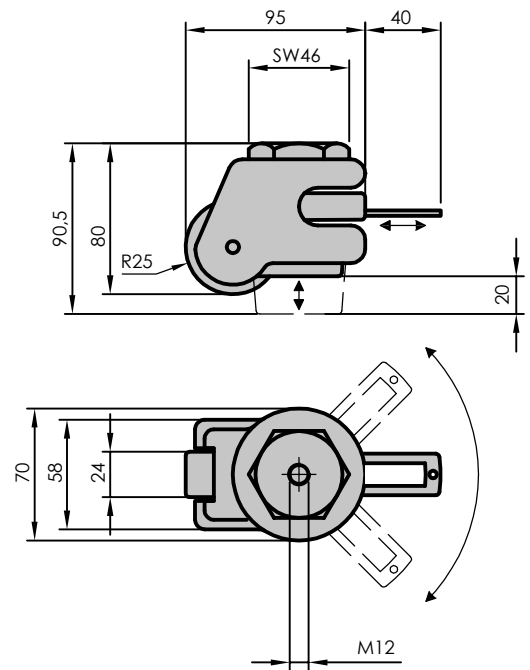
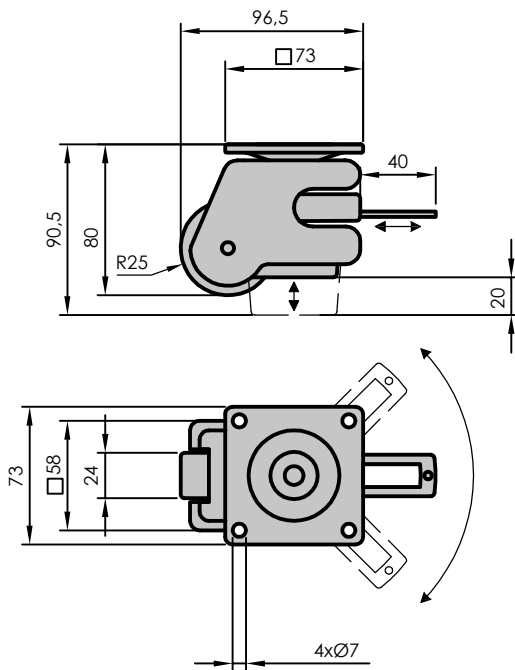
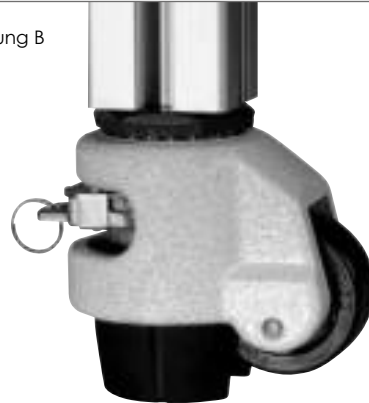


Rollenfuß

Ausführung A



Ausführung B



Art.-Nr.	Artikel	Ausführung	F [N]	Hinweise
13509	Rollenfuß mit Befestigungssatz	A	2500	Rollenfuß mit Rechteckplatte und Befestigungssatz (Sechskantschrauben DIN 933-M6x15 und Hammermutter 10er Nut M6).
13514	Rollenfuß ohne Befestigungstechnik	B	2500	Rollenfuß mit Gewindeaufnahme M12x1,75 ohne Befestigungstechnik.
13516	Rollenfuß mit Befestigungstechnik	B	2500	Rollenfuß mit Gewindeaufnahme M12x1,75 und Befestigungstechnik (Gewindestift DIN 916-M12x40).

Gerne bieten wir Ihnen auch weitere Varianten gemäß Ihren individuellen Anforderungen an.

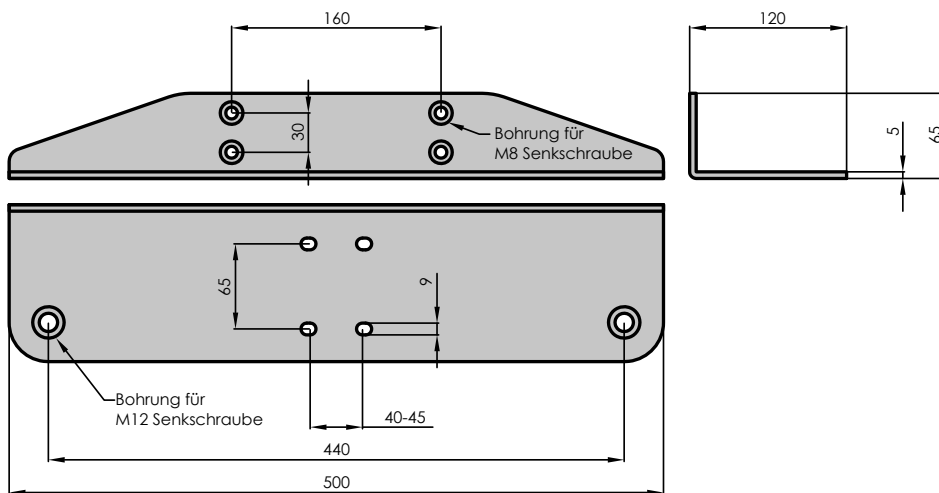
Anwendung Der Rollenfuß kann sowohl als Rolle als auch als Fuß eingesetzt werden. Mit dem integrierten Ratschenmechanismus lässt sich der Fuß ohne Zusatzwerkzeuge ein- und ausfahren. Dadurch haben Sie über die Rollenfunktion ein Höchstmass an Flexibilität bei gleichzeitig stabilem Stand über den Fuß.

Material **Gehäuse:** Aluminiumdruckguss, pulverbeschichtet lichtgrau RAL 7035; **Rolle:** Polyamid, schwarz; **Fuß:** Polyurethan, schwarz

Technische Änderungen vorbehalten.



Fahrgestell ERGOmobile



Art.-Nr.	Artikel	Hinweise
14748	Winkel für Rollenbefestigung ERGOmobile L = 500mm	
10254	Lenkrolle bodenschonend	
10256	Lenkrolle bodenschonend ESD	
10394	Senkkopfschraube M12 ISO 10642 M12x30	Befestigung Lenkrollen an Winkel
10487	Sechskantmutter mit Klemmteil ISO 7040 M12	
13162	Senkkopfschraube M8 ISO 10642 M8x16	Befestigung Winkel an Teleskophubsäule
10829	Nutenstein einschwenkbar mit Feder M8	

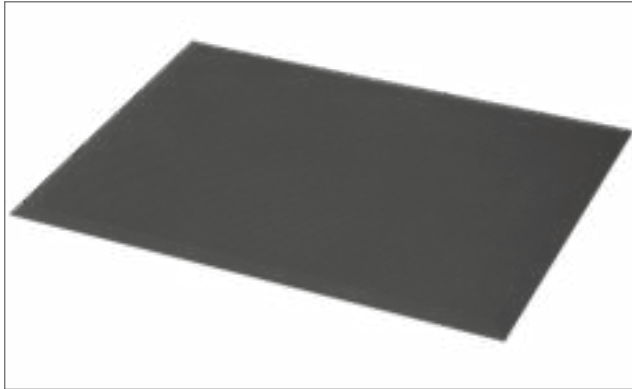
Gerne bieten wir Ihnen auch weitere Varianten gemäß Ihren individuellen Anforderungen an.

Anwendung	All in one. Mit dem ERGOmobile Prinzip schaffen Sie Ergonomie & Mobilität. Die Eigenschaften eines Wagens (Ortsflexibilität) und die einer feststehenden höhenverstellbaren Werkbank (Ergonomie & Stabilität) werden kombiniert. Der Winkel bestückt mit Lenkrollen wird an die Teleskophubsäule angebracht. Wird die Hubsäule eingefahren, hebt sich die Fußplatte vom Boden ab und die Lenkrollen sind im Eingriff. Wird die Teleskophubsäule ausgefahren, lässt sich das Arbeitsniveau dem Werker ergonomisch perfekt anpassen und die Standfestigkeit durch die abgehobenen Lenkrollen ist garantiert.
Material	Winkel: Stahlblech pulverbeschichtet lichtgrau RAL 7035

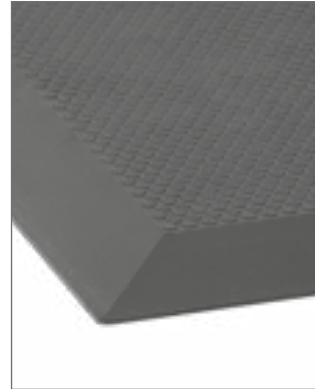
Technische Änderungen vorbehalten.



Fußmatte



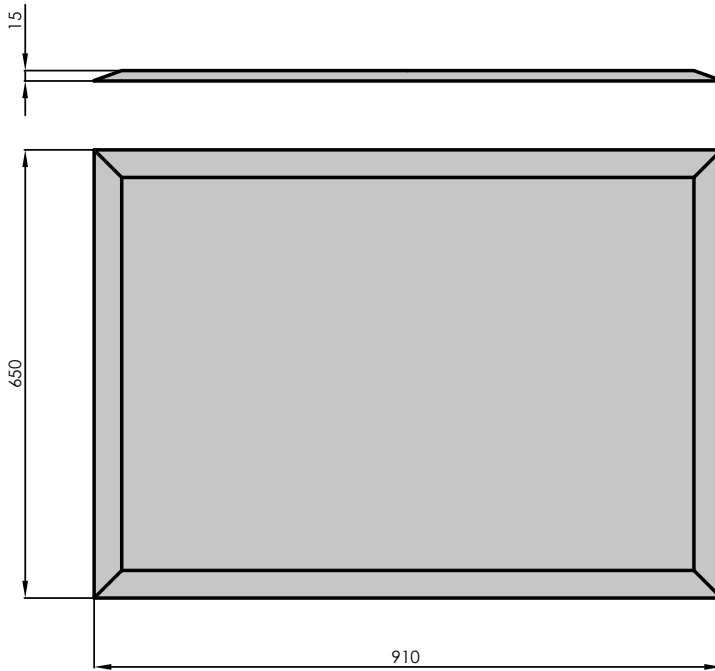
Fußmatte 910x650mm



Detailansicht Anlaufschräge



Detailansicht Oberflächenprofil



Art.-Nr.	Artikel
14863	Fußmatte 910x650mm
14837 	Fußmatte 910x650mm ESD

Gerne bieten wir Ihnen auch weitere Varianten gemäß Ihren individuellen Anforderungen an.

Anwendung Die Arbeitsplatzmatte eignet sich für den Einsatz an Steh-, Geh-Arbeitsplätzen und an Maschinen bei trockenen Umfeldbedingungen. Die Fußmatte federt die Bewegungen ab, reduziert die Belastung und schont dadurch die Gelenke der Werker. Die verbesserte Durchblutung reduziert die vorzeitige Ermüdung. Die Matten sind gegenüber Ölen, Lösungsmitteln und vielen anderen Chemikalien resistent. Wahlweise sind die Fußmatten in Standard und in ESD-Ausführung erhältlich. Durch das Entfernen der Anlaufschräge und anschließender Verklebung können beliebige Formate abgebildet werden.

Material Polyurethan PUR, schwarz

Technische Änderungen vorbehalten.



FiFo Monorail-Bodenschienen

Zentrierkappe für FiFo Monorail-Bodenschienen



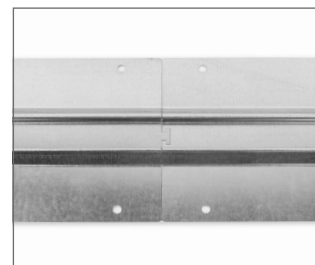
Zentrierkappe für FiFo Monorail-Bodenschiene + Bodenroller



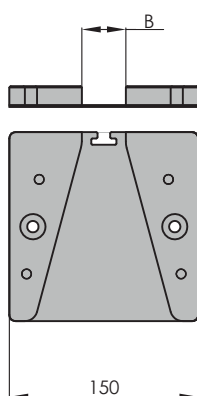
Zentrierkappe für FiFo Monorail-Bodenschiene



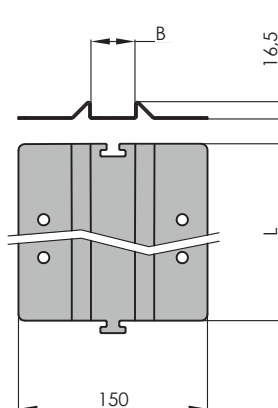
FiFo Monorail-Bodenschiene + Bodenroller



FiFo Monorail-Bodenschiene



Zentrierkappe für FiFo Monorail-Bodenschiene



FiFo Monorail-Bodenschiene

Art.-Nr.	Artikel	B [mm]	L [mm]
15319	FiFo Monorail-Bodenschiene B35, L1200	35	1200
15320	FiFo Monorail-Bodenschiene B35, L1800	35	1800
15321	FiFo Monorail-Bodenschiene B35, L2400	35	2400
15322	FiFo Monorail-Bodenschiene B45, L1200	45	1200
15323	FiFo Monorail-Bodenschiene B45, L1800	45	1800
15324	FiFo Monorail-Bodenschiene B45, L2400	45	2400
15325	Zentrierkappe für FiFo Monorail-Bodenschiene B35	35	150
15326	Zentrierkappe für FiFo Monorail-Bodenschiene B45	45	150

Gerne bieten wir Ihnen auch weitere Varianten gemäß Ihren individuellen Anforderungen an.

Anwendung Mit einem FiFo-Bahnhof (FiFo = First in First out) wird die korrekte Reihenfolge in der der Materialverarbeitung sicher gestellt. Das Kanban-Prinzip wird umgesetzt, die Bestände minimiert und durch die Visualisierung die erforderliche Übersichtlichkeit und Transparenz in der Materiallogistik geschaffen. Die robusten Bodenschienen können zur Fixierung wahlweise am Boden mit Klebestreifen befestigt oder bei Bedarf auch verschraubt werden. Über die Zentriernasen werden die einzelnen Komponenten automatisch zueinander ausgerichtet. Mit der Zentrierkappe lassen sich Bodenroller, Transport- und Materialwagen einfach und für die Rollen verschleißschonend in die Bodenschiene einführen.

Material **Bodenschienen:** Stahlblech, verzinkt; **Zentrierschenkel:** Polyethylen, schwarz

Technische Änderungen vorbehalten.

INDEX



REALISIERUNG

STREBENPROFILE



REALISIERUNG

VERBINDUNGSTECHNIK



REALISIERUNG

BODENELEMENTE



REALISIERUNG

ARBEITSPLATZGESTALTUNG

5



REALISIERUNG

ZUBEHÖR



KONSTRUKTION



REALISIERUNG

INDIVIDUAL-APPLIKATIONEN



KONSTRUKTION



REALISIERUNG

APPLIKATIONEN



TOOLS

FABRIKPLANUNG



WORKSHOPS



TOOLS

WORKSHOPS, TOOLS



REALISIERUNG LED-ARBEITSPLATZLEUCHTEN



Zentralleuchte AL30 LED



Seitenleuchte AL20 LED L



Seitenleuchte AL20 LED R

Wartungsfrei. Leistungssteigernd. Energieeffizient.

Licht ist mehr als nur Mittel zum Zweck – Licht ist ein **wichtiger Wohlfühlfaktor**. Eine optimale Arbeitsplatzbeleuchtung trägt besonders zur **Motivation** und damit zur **Leistungskraft** der Werker bei.

An der Universität Ilmenau wurde die Auswirkung von Licht auf den/die Werker/in untersucht. Maßgebende Ergebnisse daraus sind: Die korrekte Arbeitsplatzbeleuchtung reduziert die Fehlerquote, senkt die Müdigkeit, reduziert die Arbeitsunfälle, erhöht die Konzentration und trägt wesentlich zur **Produktivitätssteigerung** bei.

ASSTEC bietet die **optimalen Produkte** für die Beleuchtung von Montage-, Fertigungs- und Prüfarbeitsplätzen.

Vorteile der LED-Technologie

Für die neuen Arbeitsplatzleuchten von ASSTEC wird als Leuchtmittel durchgängig die LED-Technologie eingesetzt. Mit der neuen LED-Technologie im Vergleich zu der konventionellen Leuchtstoffröhrentechnik ergeben sich im Wesentlichen folgende Vorteile:

- Höchste Energieeffizienz durch minimalen Stromverbrauch
- 5-fache Lebensdauer der LED-Leuchtmittel
- Homogene Lichtverteilung
- Minimale Wärmeabgabe über die Lichtaustrittsseite
- Vibrationsresistent
- Keine UV-Strahlung
- Keine Gefahrenstoffe (Quecksilber)
- Wartungsfrei



Seit der Gründung von ASSTEC beschäftigen wir uns intensiv mit der idealen Beleuchtung von Industriearbeitsplätzen. Die ganzen Erkenntnisse und Erfahrungswerte haben wir in die Entwicklung der neuen Arbeitsplatzleuchte LED einfließen lassen:

Der Mehrwert

- Sehr hohe Lichtausbeute durch Hochglanzreflektortechnik
 - Im Leuchtengehäuse integriertes Vorschaltgerät / Netzteil
 - Variantenvielfalt von 10 bis 40 Watt LED-Modulnennleistung
 - Unzählige Kombinationen über Verbindungskabel darstellbar
- Lichttemperatur wahlweise mit 4.000 Kelvin (Normalweiß) oder 6.500 Kelvin (Tageslichtweiß)
 - Konstant-Licht Variante
 - Alle Varianten in der Ausführung Standard und in dimmbarer Ausführung
 - Innovative Entblendung aus Mikroprismenscheibe und Diffusorfolie
 - Keine Verschmutzung der LED-Module durch geschlossene Gehäuseform
 - Optimierter Wärmehaushalt durch Kühlrippentechnologie zur Steigerung der Lebensdauer der LED-Module
 - 8 mm Universal-Befestigungsnut passend für die gängige Verbindungstechnik
 - Ergonomische Gehäuseform zur Vermeidung von Stoßstellen



Hauptschalter Ein / Aus



8 mm Universalnut



Kühlrippen LED-Modulkühlung



Buchsen für Anschluss- und Verbindungskabel GST 18i3 / GST 18i4





Arbeitsplatzleuchten LED

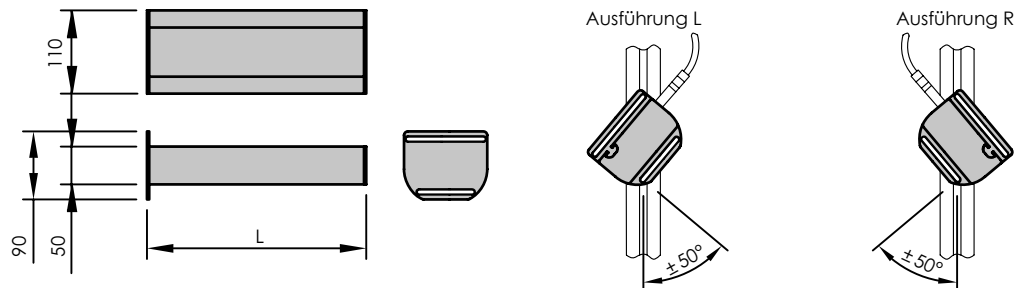
Seitenleuchte AL20 LED R



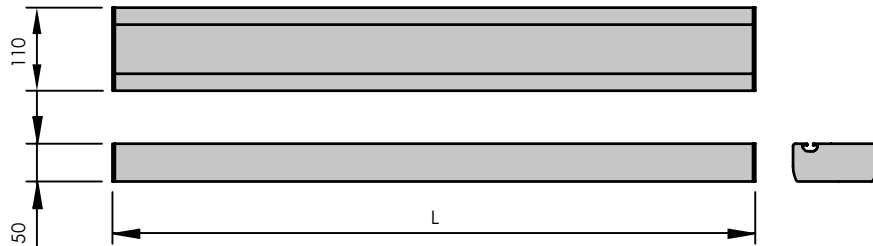
Zentralleuchte AL30 LED



AL10 LED, AL20 LED



AL30 LED, AL40 LED



Artikel	Farbtemperatur [K]		Länge [mm]	Leuchtmittel, Nennleistung [W]	Lebensdauer [h]	Stromaufnahme [A]
	4000	6500				
Arbeitsplatzleuchte AL10 LED L	14504	14689	300	LED, 10	50000	
Arbeitsplatzleuchte AL10 LED R	14505	14690	300	LED, 10	50000	
Arbeitsplatzleuchte AL20 LED L	14506	14595	580	LED, 20	50000	0,12
Arbeitsplatzleuchte AL20 LED R	14507	14605	580	LED, 20	50000	0,12
Arbeitsplatzleuchte AL30 LED	14508	14596	870	LED, 30	50000	0,17
Arbeitsplatzleuchte AL40 LED	14509	14597	1150	LED, 40	50000	0,21

Gerne bieten wir Ihnen auch weitere Varianten gemäß Ihren individuellen Anforderungen an.

Anwendung	Die Arbeitsplatzleuchten werden je nach Anforderung einzeln oder auch in unterschiedlichen Kombinationen an Arbeitsplätzen eingesetzt, bei denen eine blendfreie, individuelle, sehr hochwertige Ausleuchtung erforderlich ist. Mit der LED-Leuchtmittelbestückung wird bei den Arbeitsplatzleuchten eine sehr gute Energieeffizienz erreicht. Bei minimalem Stromverbrauch ist eine sehr hohe Lichtausbeute garantiert. Als weitere Vorteile im Vergleich zu konventionellen Leuchtstoffröhren sind anzuführen: Die ca. 5-fache Lebensdauer der LED-Leuchtmittel, eine minimale Wärmeabgabe über die Lichtaustrittsseite und die homogene Lichtverteilung bis hin zur UV-freien Lichtstrahlung. Wahlweise gibt es die Arbeitsplatzleuchte mit der Farbtemperatur 4.000K (Neutralweiß) und 6.500K (Tageslichtweiß).
Material	Gehäuse: Aluminium, natur eloxiert

Technische Änderungen vorbehalten.

Anschluss- und Verbindungskabel Steckdosenleisten
 Steckdosenleisten mit FI-Schutzschalter Energieleisten



Dimmbare Arbeitsplatzleuchten LED

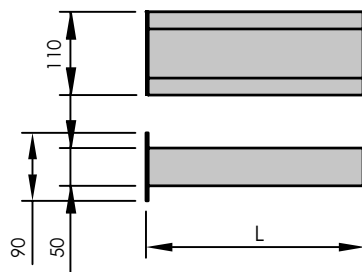
Seitenleuchte AL20 LED DIM R



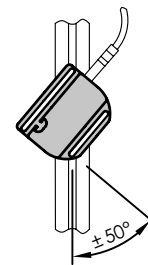
Zentralleuchte AL30 LED DIM



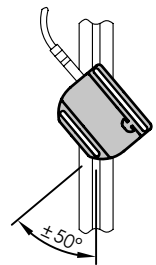
AL10 LED DIM, AL20 LED DIM



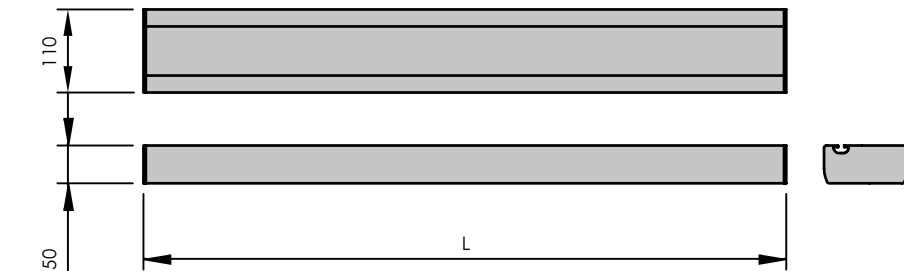
Ausführung L



Ausführung R



AL30 LED DIM, AL40 LED DIM



Artikel	Farbtemperatur [K]		Länge [mm]	Leuchtmittel, Nennleistung [W]	Lebensdauer [h]	Stromaufnahme [A]
	4000	6500				
Arbeitsplatzleuchte AL10 LED DIM L	14510	14706	300	LED, 10	50000	
Arbeitsplatzleuchte AL10 LED DIM R	14511	14707	300	LED, 10	50000	
Arbeitsplatzleuchte AL20 LED DIM L	14512	14592	580	LED, 20	50000	0,12
Arbeitsplatzleuchte AL20 LED DIM R	14513	14606	580	LED, 20	50000	0,12
Arbeitsplatzleuchte AL30 LED DIM	14514	14562	870	LED, 30	50000	0,17
Arbeitsplatzleuchte AL40 LED DIM	14515	14561	1150	LED, 40	50000	0,21

Gerne bieten wir Ihnen auch weitere Varianten gemäß Ihren individuellen Anforderungen an.

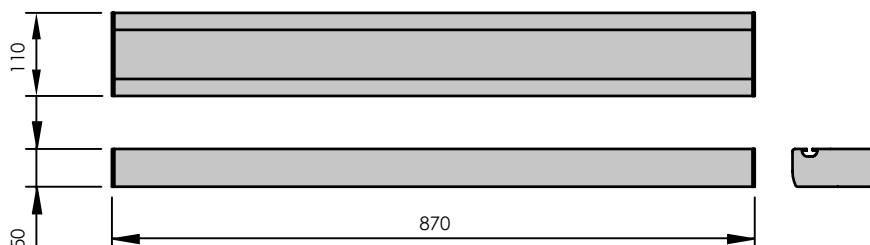
Anwendung	Die Arbeitsplatzleuchten werden je nach Anforderung einzeln oder auch in unterschiedlichen Kombinationen an Arbeitsplätzen eingesetzt, bei denen eine blendfreie, individuelle, sehr hochwertige Ausleuchtung erforderlich ist. Mit der LED-Leuchtmittelbestückung wird bei den Arbeitsplatzleuchten eine sehr gute Energieeffizienz erreicht. Bei minimalem Stromverbrauch ist eine sehr hohe Lichtausbeute garantiert. Als weitere Vorteile im Vergleich zu konventionellen Leuchtstoffröhren sind anzuführen: Die ca. 5-fache Lebensdauer der LED-Leuchtmittel, eine minimale Wärmeabgabe über die Lichtaustrittsseite und die homogene Lichtverteilung bis hin zur UV-freien Lichtstrahlung. Wahlweise gibt es die Arbeitsplatzleuchte mit der Farbtemperatur 4.000K (Neutralweiß) und 6.500K (Tageslichtweiß).
Material	Gehäuse: Aluminium, natur eloxiert

Technische Änderungen vorbehalten.

Anschluss- und Verbindungskabel Steckdosenleisten Steckdosenleisten mit FI-Schutzschalter
 Energieleisten Bedienpanel, Sensor Konstantlichtregelung



Dimmbare Arbeitsplatzleuchte LED 3.000K - 6.000K



Art.-Nr.	Artikel	Länge [mm]	Leuchtmittel, Nennleistung [W]	Lichttemperatur [K]	Lebensdauer [h]	Stromaufnahme [A]
14787	Arbeitsplatzleuchte AL30 LED DIM 3.000K - 6.000K	870	LED, 30	3.000 3.500 4.000 4.500 5.000 5.500 6.000	50.000	0,17

Gerne bieten wir Ihnen auch weitere Varianten gemäß Ihren individuellen Anforderungen an.

Anwendung Neben der Dimmfunktion zur stufenlosen Anpassung der Lichtstärke lässt sich auch die Lichtfarbe (Lichttemperatur) zwischen 3.000K und 6.000K nach Bedarf einstellen. Der Dimmtaster befindet sich in der Steckdosenleiste. Der Taster für die Selektion der Lichttemperatur ist im Leuchtgehäuse integriert. Durch Betätigung des Tasters wird der Farbwechsel in 500K-Schritten ausgeführt. Sieben Stufen stehen zur Verfügung (3.000K, 3.500K, 4.000K, 4.500K, 5.000K, 5.500K und 6.000K). Mit dieser multifunktionalen LED-Arbeitsplatzleuchte lassen sich die idealen Lichtverhältnisse kombiniert aus Lichtstärke und Lichtfarbe für anspruchsvolle Prüf- und Montageaufgaben abbilden.

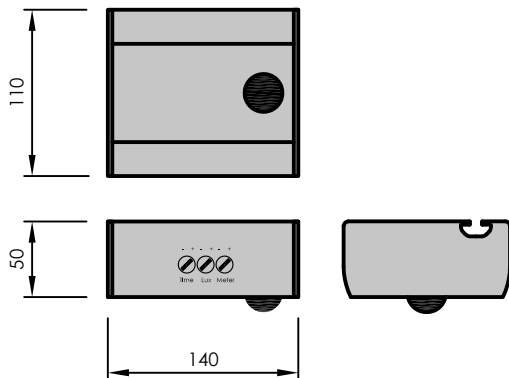
Material **Gehäuse:** Aluminium, natur eloxiert

Technische Änderungen vorbehalten.

Anschluss- und Verbindungskabel Steckdosenleisten Steckdosenleisten mit FI-Schutzschalter



Präsenzmelder für Arbeitsplatzleuchten LED



Art.-Nr.	Artikel	Hinweise
14833	Präsenzmelder für AL LED nonDIM	Einsatz für alle Standard LED-Arbeitsplatzleuchten (nicht dimmbare Ausführung).
14834	Präsenzmelder für AL LED DIM	Einsatz für alle dimmbaren LED-Arbeitsplatzleuchten.

Gerne bieten wir Ihnen auch weitere Varianten gemäß Ihren individuellen Anforderungen an.

Anwendung	Der Präsenzmelder wird eingesetzt um die Arbeitsplatzbeleuchtung bei Anwesenheit von Personen automatisch einzuschalten und bei Abwesenheit wieder automatisch auszuschalten. Dadurch wird der Energieverbrauch für die Arbeitsplatzbeleuchtung deutlich reduziert. Neben dem Erfassungsbereich und dem Schwellenwert ab dem die Leuchte(n) in Abhängigkeit der vorhandenen Umgebungsbeleuchtung ein- bzw. ausgeschaltet werden soll, lässt sich auch die Zeit bis zur Abschaltung einstellen. Der hochwertige Sensor reagiert auch auf kleinste Bewegungen, so dass auch bei sitzenden oder bewegungsarmen Tätigkeiten die Präsenz der Person erkannt wird. Durch die Verwendung von unterschiedlich langen Verbindungskabeln muss der Präsenzmelder auch nicht in unmittelbarer Nähe der Beleuchtung positioniert werden. Je nach erforderlicher Konstellation lässt sich der Präsenzmelder beliebig positionieren. Vorhandene Beleuchtungsinstallationen können mit dem Präsenzmelder einfach nachgerüstet werden.
Material	Gehäuse: Aluminium, natur eloxiert

Technische Änderungen vorbehalten.

Anschluss- und Verbindungskabel Arbeitsplatzleuchten LED Dimmbare Arbeitsplatzleuchten LED



Dimmbare Lupenleuchte

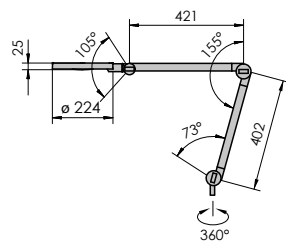
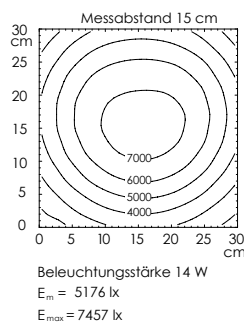
Lupenleuchte economic



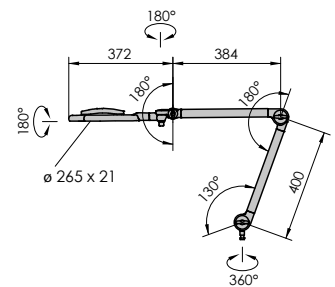
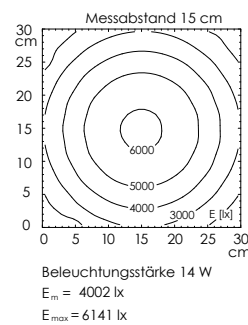
Lupenleuchte



Lupenleuchte economic



Lupenleuchte



Art.-Nr.	Artikel	Vergrößerung	Leuchtmittel, Nennleistung [W]	Lichttemperatur [K]	Lebensdauer [h]	Stromaufnahme [A]
14957	Lupenleuchte economic stufenlos dimmbar, inkl. Tischklemme	ca. 2-fach (3,5 Dioptrien)	LED, 15	5.000	50.000	0,05
14832	Lupenleuchte stufenlos dimmbar	ca. 2-fach (3,5 Dioptrien)	LED, 14	4.000	50.000	0,17
14838	Lupenleuchte stufenlos dimmbar, ESD-Ausführung	ca. 2-fach (3,5 Dioptrien)	LED, 14	4.000	50.000	0,17
14835	Tischklemme für Artikel 14832 und 14838					

Gerne bieten wir Ihnen auch weitere Varianten gemäß Ihren individuellen Anforderungen an.

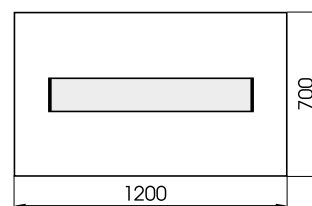
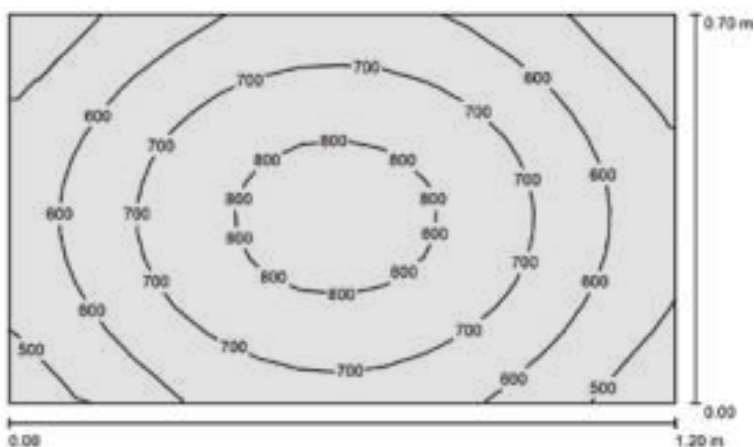
Anwendung Überall wo höchste Ansprüche an das Sehen es erfordern, ist die Lupenleuchte unersetzlich. Mit stufenloser dimmbarer LED-Technik, einer arretierbaren Gestänge-Technik mit 6 Drehachsen und einem Kopfgelenk und dem auf Augenabstand ideal ausgerichteten Sichtfeld ausgeführt, steht die Lupenleuchte für ein Optimum an Effizienz und Ergonomie. Mit der Lupenleuchte erzielen Sie verzerrungsfrei etwa die doppelte Vergrößerung durch 3,5 Dioptrien. Mit einer aufgeklebten Zusatzlinse werden 11,5 Dioptrien erzielt. Durch das An- und Abschalten einzelner Lichtsegmente¹⁾ lassen sich unterschiedliche Lichtszenarien abbilden. Dadurch lassen sich Risse oder anderweitige Unregelmäßigkeiten in der Oberflächenstruktur entdecken.

Material **Lupe:** Glas, kratzfest (Artikel 14832, 14838), PMMA (Artikel 14957); **Gestänge:** Aluminium, natur eloxiert

Technische Änderungen vorbehalten.
¹⁾ bei Artikel 14832, 14838

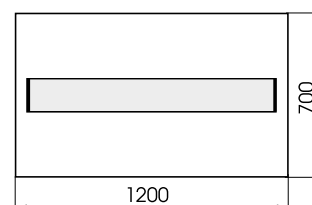
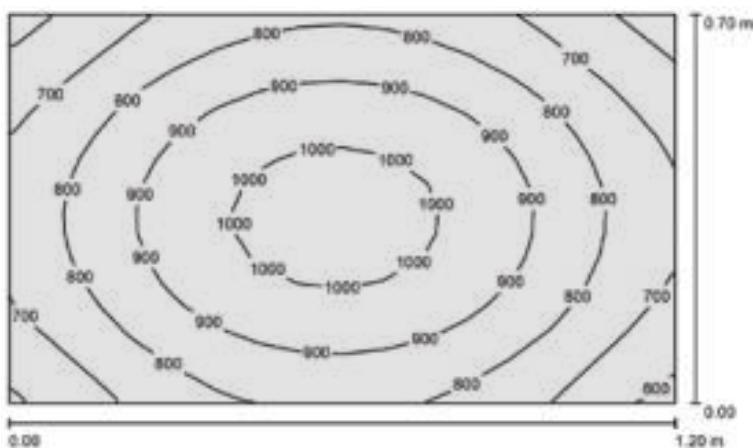
Beleuchtungsstärke

AL30 LED 4.000K



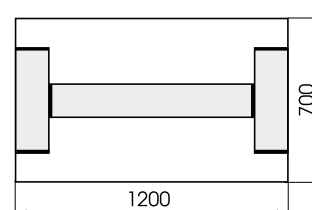
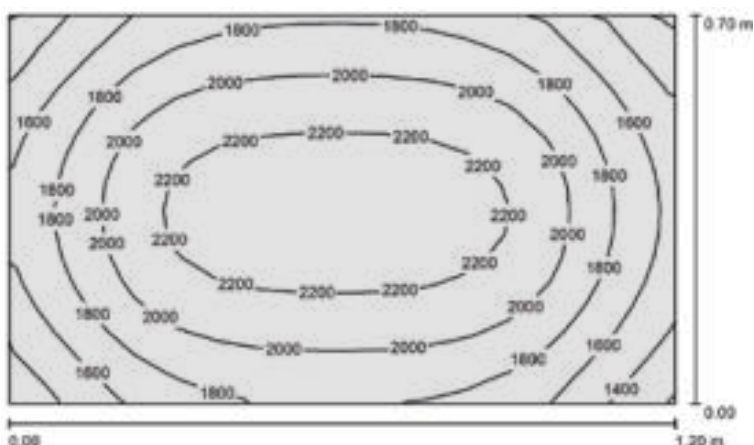
Maximalwert E_{max} [lx]	848
Mittelwert \bar{E} [lx]	659
Messabstand [mm]	1200

AL40 LED 4.000K



Maximalwert E_{max} [lx]	1050
Mittelwert \bar{E} [lx]	841
Messabstand [mm]	1200

AL30 LED 4.000K und 2x AL20 LED 4.000K



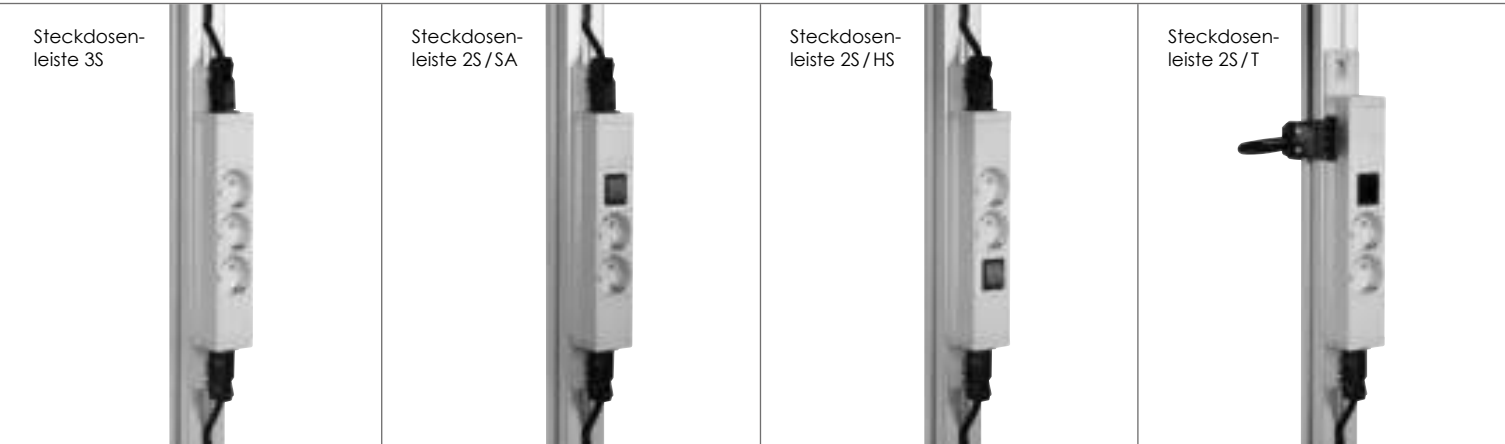
Maximalwert E_{max} [lx]	2322
Mittelwert \bar{E} [lx]	1921
Messabstand AL 30 LED 4.000 K [mm]	1200
Messabstand AL 20 LED 4.000 K [mm]	800
Neigung AL 20 LED 4.000 K [°]	25

Hinweise

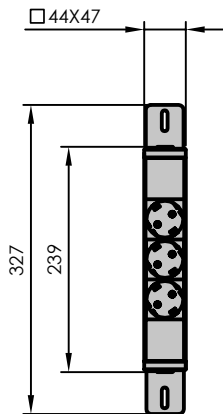
Je nach Anforderung an das Sehvermögen können die Arbeitsplatzleuchten individuell kombiniert werden. Die Diagramme 1 und 2 zeigen die Beleuchtungsstärke der einzelnen Leuchten. Bei erhöhtem Lichtbedarf sind die seitlichen Leuchten AL20 LED die ideale Ergänzung zur AL30 LED wie in Diagramm 3 zu ersehen ist.

Technische Änderungen vorbehalten.

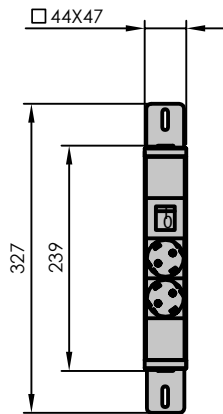
Steckdosenleisten



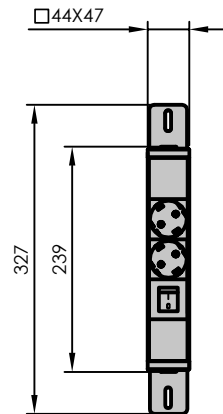
Steckdosenleiste 3S



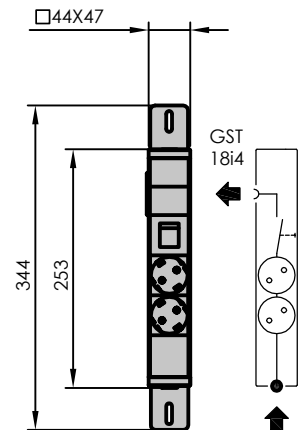
Steckdosenleiste 2S/SA



Steckdosenleiste 2S/HS



Steckdosenleiste 2S/T



S = Schuko-Steckdose, HS = Hauptschalter, SA = Schaltbarer Ausgang, A = Ausgang, T = Taster

Art.-Nr.	Artikel	Länge [mm]	U [V]	I _{max} [A]	IP
14011	Steckdosenleiste 3S	239	230	16	20
14012	Steckdosenleiste 2S/SA	239	230	16	20
13967	Steckdosenleiste 2S/HS	239	230	16	20
14013	Steckdosenleiste 2S/T	253	230	16	20

Gerne bieten wir Ihnen auch weitere Varianten gemäß Ihren individuellen Anforderungen an.

Anwendung	Mit den Steckdosenleisten wird die individuelle Energiebereitstellung am Arbeitsplatz gewährleistet. Mit den Anschluss- und den Verbindungskabeln lassen sich nach Bedarf beliebige Anordnungen und Kombinationen von Steckdosenleisten realisieren. Die fertig konfektionierten Anschluss- und Verbindungskabel vereinfachen die Installation und erhöhen die Sicherheit. Zur Befestigung der Steckdosenleisten sind Befestigungslaschen beigegefügt.
Material	Gehäuse: Aluminium, natur eloxiert

Technische Änderungen vorbehalten.

Anschluss- und Verbindungskabel **5**

Steckdosenleisten Edition Schweiz

Steckdosenleiste 3S
Edition Schweiz



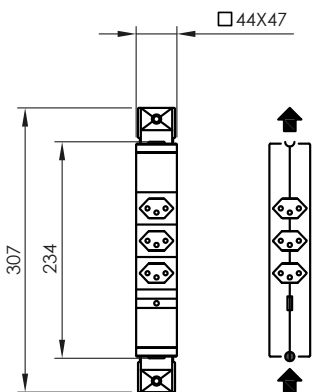
Steckdosenleiste 2S/SA
Edition Schweiz



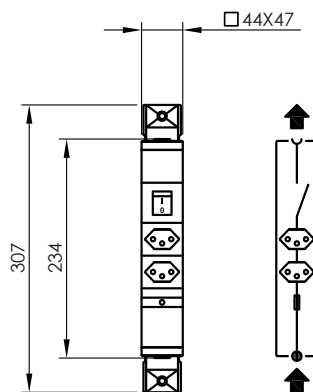
Steckdosenleiste 2S/T
Edition Schweiz



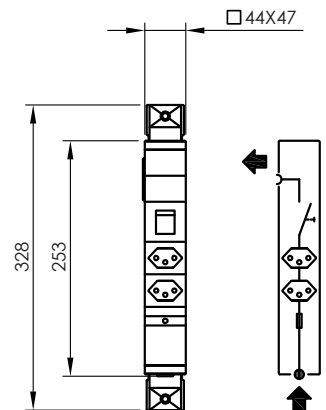
Steckdosenleiste 3S
Edition Schweiz



Steckdosenleiste 2S/SA
Edition Schweiz



Steckdosenleiste 2S/T
Edition Schweiz



S = Schuko-Steckdose, SA = Schaltbarer Ausgang, A = Ausgang, T = Taster

Art.-Nr.	Artikel	Länge [mm]	U [V]	I _{max} [A]	IP
14898	Steckdosenleiste 3S Edition CH	234	230	10	20
14899	Steckdosenleiste 2S/SA Edition CH	234	230	10	20
14632	Steckdosenleiste 2S/T Edition CH	253	230	10	20

Gerne bieten wir Ihnen auch weitere Varianten gemäß Ihren individuellen Anforderungen an.

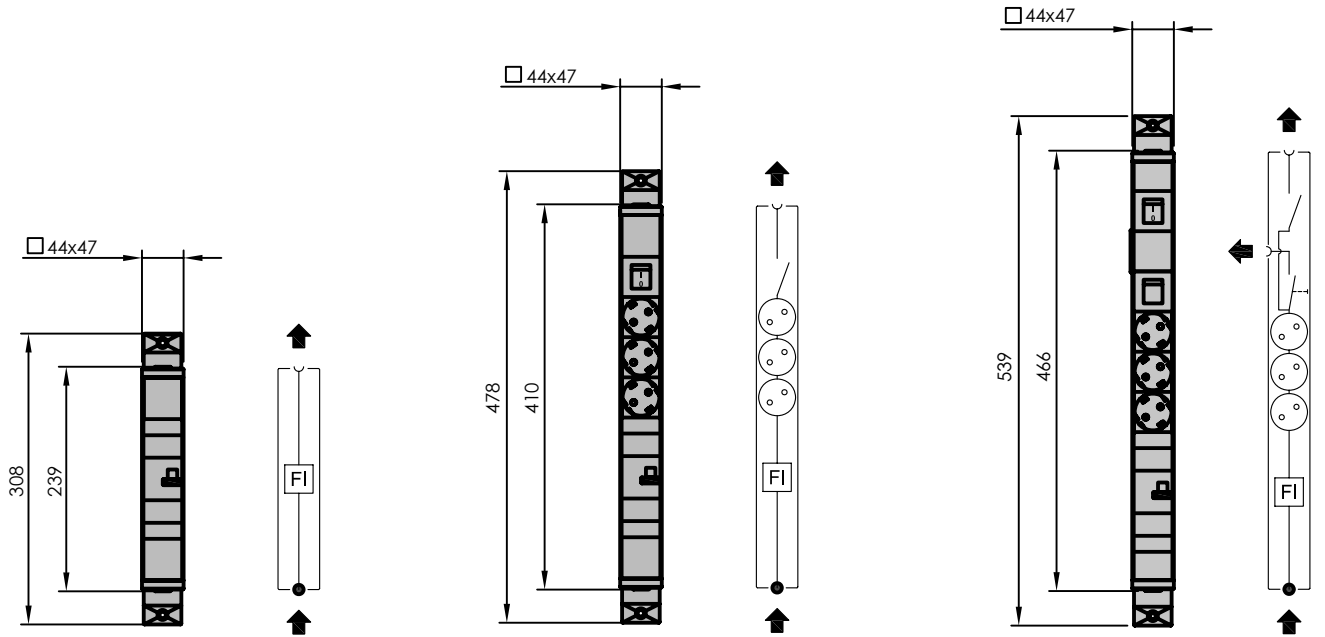
Anwendung	Mit den Steckdosenleisten wird die individuelle Energiebereitstellung am Arbeitsplatz gewährleistet. Mit den Anschluss- und den Verbindungskabeln lassen sich nach Bedarf beliebige Anordnungen und Kombinationen von Steckdosenleisten realisieren. Die fertig konfektionierten Anschluss- und Verbindungskabel vereinfachen die Installation und erhöhen die Sicherheit. Zur Befestigung der Steckdosenleisten sind Befestigungslaschen beigelegt. Alle Steckdosenleisten Edition CH sind mit einer 10A Thermoüberstromsicherung ausgeführt.
Material	Gehäuse: Aluminium, natur eloxiert

Technische Änderungen vorbehalten.

Anschluss- und Verbindungskabel **5** Fehlerstromschutzschalterleiste **5** Not-Aus Schalterleiste **5**
Zwischenkupplung GST18i3 **5**

Steckdosenleisten mit FI-Schutzschalter

Fehlerstromschutzschalterleiste



Fehlerstromschutzschalterleiste

Steckdosenleiste 3S/SA/FI

Steckdosenleiste 3S/T/SA/FI

S = Schuko-Steckdose, SA = Schaltbarer Ausgang, A = Ausgang, T = Taster

Art.-Nr.	Artikel	Länge [mm]	U [V]	I _{max} [A]	IP
14342	Fehlerstromschutzschalterleiste	239	230	16	20
14372	Steckdosenleiste 3S/SA/FI	410	230	16	20
14552	Steckdosenleiste 3S/T/SA/FI	466	230	16	20

Gerne bieten wir Ihnen auch weitere Varianten gemäß Ihren individuellen Anforderungen an.

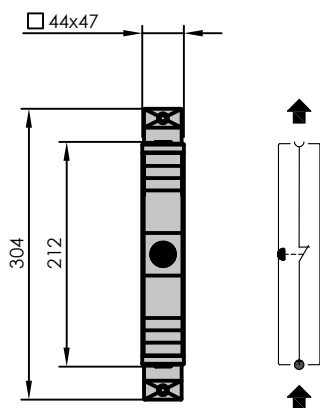
Anwendung Seit Juni 2007 ist die DIN VDE 0100 Teil 410 in Kraft. Die DIN VDE 0100 Teil 410 fordert, dass eine Absicherung aller vom Laien bedienbaren Steckdosen über einen Fehlerstromschutzschalter I ≤ 30 mA vorzusehen ist. Für die Nachrüstung bereits bestehender Arbeitsplatzsysteme ohne FI-Schutzschalter empfehlen wir den Einsatz der Fehlerstromschutzschalterleiste (Artikel 14342).

Material **Gehäuse:** Aluminium, natur eloxiert

Technische Änderungen vorbehalten.

Anschluss- und Verbindungskabel **5**

Not-Aus Schalterleiste



Art.-Nr.	Artikel	Länge [mm]	U [V]	I _{max} [A]	IP
14802	Not-Aus Schalterleiste	212	230	16	20

Gerne bieten wir Ihnen auch weitere Varianten gemäß Ihren individuellen Anforderungen an.

Anwendung	Die Not-Aus Schalterleiste führt im Gefahrenfall durch die Betätigung (Drücken) des roten Schalters zur Unterbrechung der Stromzufuhr. Nach der Beseitigung der Gefahrenstelle kann durch Drehen oder durch Herausziehen der Not-Aus Schalter wieder in seine ursprüngliche Position zurückversetzt werden. Dadurch ist die Stromzufuhr nicht mehr unterbrochen. Mit den Anschluss- und den Verbindungskabeln lässt sich die Not-Aus Schalterleiste beliebig positionieren.
Material	Gehäuse: Aluminium, natur eloxiert

Technische Änderungen vorbehalten.

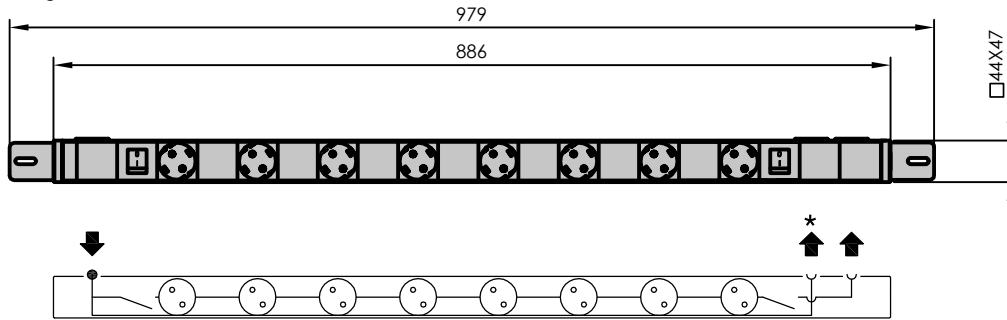
Anschluss- und Verbindungskabel  Steckdosenleisten 



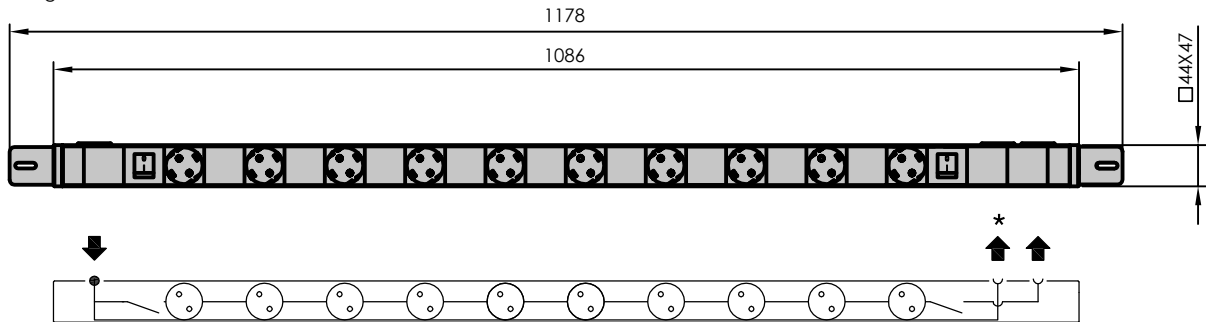
Energieleisten



Energieleiste 8S/HS/SA/A



Energieleiste 10S/HS/SA/A



S = Schuko-Steckdose, HS = Hauptschalter, SA = Schaltbarer Ausgang, A = Ausgang
 *Zusatzausgang (A) für Reihenschaltung von weiteren Steckdosen- bzw. Energieleisten

Art.-Nr.	Artikel	Länge [mm]	U [V]	I _{max} [A]	IP
14014	Energieleiste 8S/HS/SA/A	886	230	16	20
14015	Energieleiste 10S/HS/SA/A	1086	230	16	20

Gerne bieten wir Ihnen auch weitere Varianten gemäß Ihren individuellen Anforderungen an.

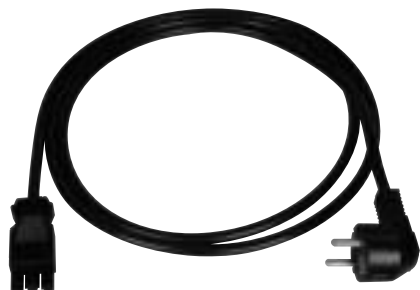
Anwendung	Mit den Energieleisten wird die individuelle Energiebereitstellung am Arbeitsplatz gewährleistet. Mit den Anschluss- und den Verbindungskabeln lassen sich nach Bedarf beliebige Anordnungen und Kombinationen von Energieleisten realisieren. Die fertig konfektionierten Anschluss- und Verbindungskabel vereinfachen die Installation und erhöhen die Sicherheit. Zur Befestigung der Energieleisten sind Befestigungslaschen beigegefügt.
Material	Gehäuse: Aluminium, natur eloxiert

Technische Änderungen vorbehalten.

Anschlusskabel

Verbindungskabel

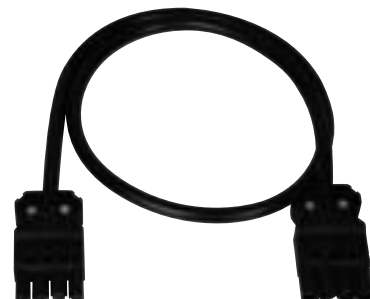
Anschlusskabel GST 18i3



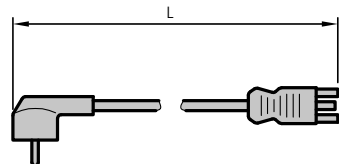
Verbindungskabel GST 18i3



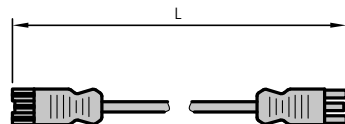
Verbindungskabel GST 18i4



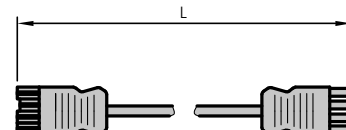
Anschlusskabel GST 18i3



Verbindungskabel GST 18i3



Verbindungskabel GST 18i4



Art.-Nr.	Artikel	Länge [mm]	Hinweise
11074	Anschlusskabel GST 18i3	500	
10007	Anschlusskabel GST 18i3	2000	
10002	Anschlusskabel GST 18i3	5000	
13480	Anschlusskabel GST 18i3	9000	
13395	Verbindungskabel GST 18i3	200	
10005	Verbindungskabel GST 18i3	500	
10004	Verbindungskabel GST 18i3	1000	
11080	Verbindungskabel GST 18i3	1500	
10003	Verbindungskabel GST 18i3	2000	
11081	Verbindungskabel GST 18i3	3000	
13888	Verbindungskabel GST 18i4	500	GST 18i4 Verbindungskabel für dimmbare Systemarbeitsplatzleuchten.
13889	Verbindungskabel GST 18i4	1000	
13890	Verbindungskabel GST 18i4	2000	

Gerne bieten wir Ihnen auch weitere Varianten gemäß Ihren individuellen Anforderungen an.

Anwendung Die Anschlusskabel werden eingesetzt um Verbraucher (z. B. Steckdosenleiste) an das Stromnetz anzubinden. Mit den Verbindungskabeln lassen sich Steckdosen-, Energieleisten und Systemarbeitsplatzleuchten untereinander beliebig kombinieren.

Material **Isolierteile:** Polyamid; **Kontaktteile:** Messing; **Schrauben:** Stahl, verzinkt und blau chromatiert

Technische Änderungen vorbehalten.

Steckdosenleisten Energieleisten Systemarbeitsplatzleuchten Dimmbare Systemarbeitsplatzleuchten



Stecker

Buchse

Zwischenkupplung

T-Stück

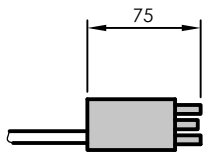
Erdungsbaustein

Handgelenkband

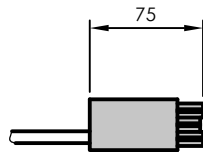
Erdungsbox

Übergangstecker

Stecker GST 18i3



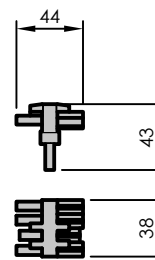
Buchse GST 18i3



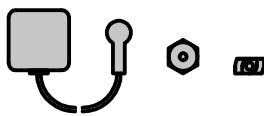
Zwischenkupplung GST 18i3



T-Stück GST 18i4



Erdungsbaustein



Art.-Nr.	Artikel	Hinweise
11039	Stecker GST 18i3	
11040	Buchse GST 18i3	
13123	Zwischenkupplung GST 18i3	
13892	T-Stück GST 18i4	
10552	Erdungsbaustein-Set 1 M.Ω	Mit Befestigungssatz für 10mm Nut
13397	Handgelenkband-Set	Textilarmband mit Spiralkabel, Druckknopfanschluss 4,5mm
14106	Erdungsbox 1 M.Ω	Druckknopfanschluss 4,5mm
14852	Übergangstecker D-CH	Für Dauerbetrieb geeignet

Gerne bieten wir Ihnen auch weitere Varianten gemäß Ihren individuellen Anforderungen an.

Anwendung Mit dem Erdungsbaustein werden ESD-Arbeitsplätze definiert über den Schutzleiter der Steckdosen- oder Energieleisten geerdet um dadurch bauteilschädliche Entladungen zu vermeiden.

Material **Isolierteile:** Polyamid; **Kontaktteile:** Messing; **Schrauben:** Stahl, verzinkt und blau chromatiert

Technische Änderungen vorbehalten.

Steckdosenleisten **5** Energieleisten **5** Systemarbeitsplatzleuchten **5** Dimmbare Systemarbeitsplatzleuchten **5**



Konstant-Lichtregelung für gleichbleibende Lichtverhältnisse

Reproduzierbar. Variabel. Energieeffizient.

Mit dem Konstant-Licht lassen sich **gleichbleibende Lichtverhältnisse** am Arbeitsplatz abbilden. Der über den Tagesablauf schwankende **Fremdlichereinfluss** wird **eliminiert**, sodass immer **gleichmäßige** und **reproduzierbare Lichtverhältnisse** vorherrschen. Das Konstant-Licht besteht aus **dimmbaren LED-Arbeitsplatzleuchten**, einem **Licht- und Präsenzsensoren**, einem **Bedienpanel** und der **Steuerung**.

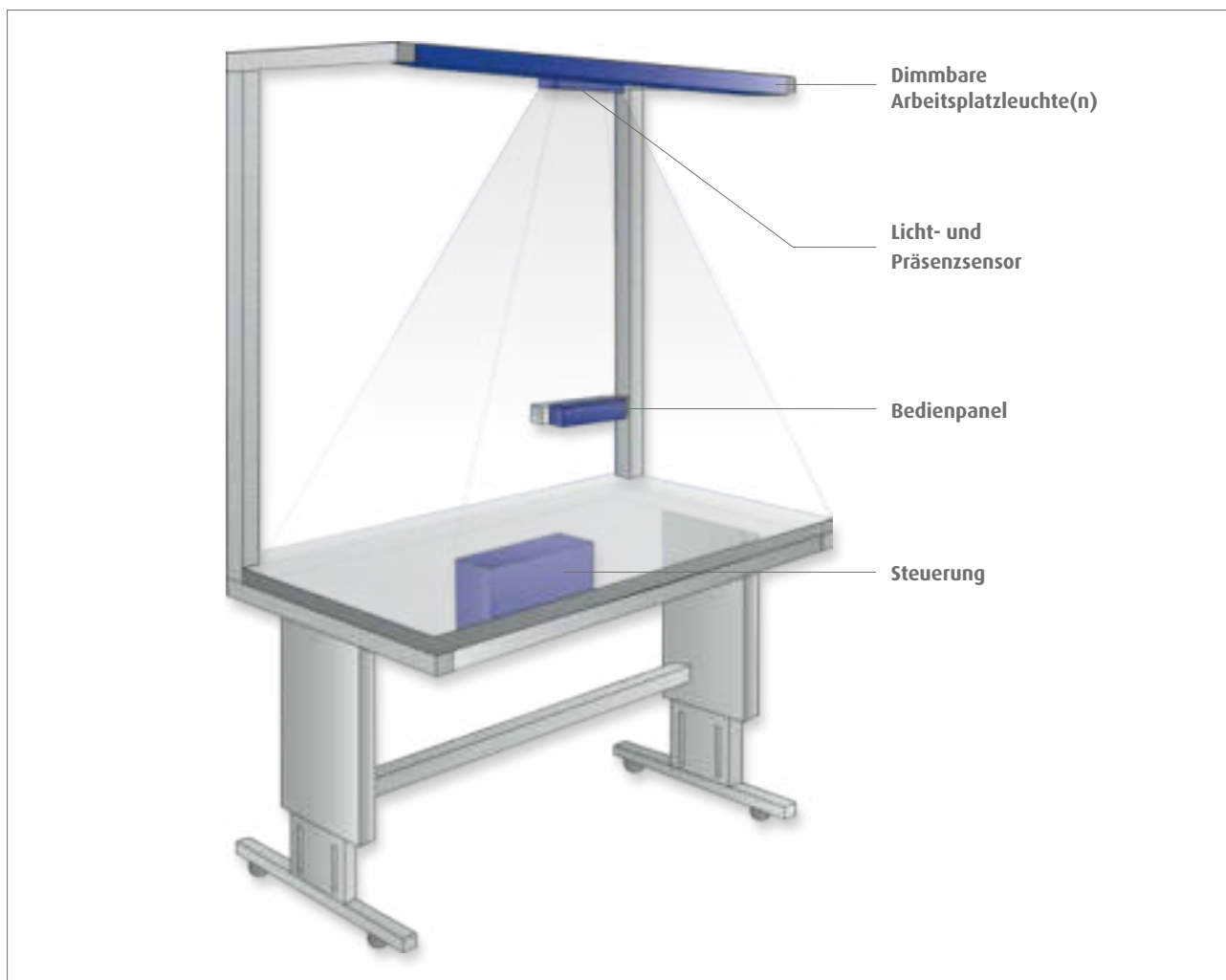
Über das Bedienpanel wird die gewünschte Helligkeit eingestellt und gespeichert. Der Lichtsensor misst die Helligkeit auf der Arbeitsfläche. Die Steuerung führt den Soll- /Ist-Abgleich durch und regelt entsprechend die dimmbaren LED-Arbeitsplatzleuchten. Abhängig davon wird mehr Kunstlicht hinzugefügt oder weggenommen.

Der **Präsenzmelder** sorgt für eine **energieeffiziente Beleuchtung**. Findet keine Bewegung am Arbeitsplatz statt, wird die Beleuchtung abgeschaltet.

Optional können bis zu **15 weitere Arbeitsplätze** angeschlossen werden.

Vorteile des Beleuchtungskonzeptes:

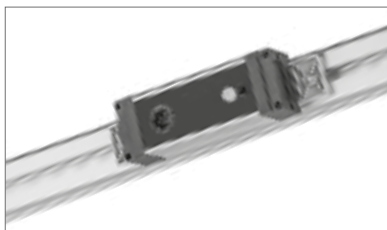
- Modulares System bietet verschiedenste Anpassungsmöglichkeiten
- Automatischer Ausgleich von Lichtschwankungen
- Konstante Lichtverhältnisse auf der Arbeitsfläche
- Automatische Abschaltung nach einer gewissen Zeit ohne Bewegung
- 15 weitere Slave-Arbeitsplätze mit steuerbar



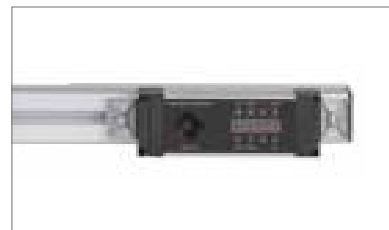
Komponenten Konstant-Licht



Arbeitsplatzleuchte AL 30 LED DIM KL



Licht- und Präsenzsensoren



Bedienpanel

Der Mehrwert

- Keine Lichtschwankungen durch Fremdlichteinfluss (reproduzierbare Lichtverhältnisse)
- Sehr hohe Lichtausbeute durch Hochglanzreflektoren
- Energieeffizienz durch LED-Technik und Präsenzmelder
- Modularer Aufbau
- Beliebige Leuchten-Kombinationen über Verbindungskabel abbildbar
- Intuitive einfache Bedienung



ASSTEC GmbH & Co. KG
 Herrenbühlstraße 9
 D-78658 Zimmern o. R. Fon
 +49 7 41.1 74 76-0 Fax
 +49 7 41.1 74 76-123
 info@asstec.net

ASSTEC.net

Konstantlichtregelung

Dimmbare Arbeitsplatzleuchten KL

Bedienpanel

Licht- und Präsenzsensoren

Steuerungen



Art.-Nr.	Artikel	Länge [mm]	Breite [mm]	Höhe [mm]	Hinweise
14574	Arbeitsplatzleuchte AL30 LED DIM KL	870	110	50	5-polige GST 1815 Stecker / Buchsen
14575	Arbeitsplatzleuchte AL20 LED DIM KL	580	110	50	
14530	Bedienpanel	150	52	44	Eingabe der Soll-Lichtstärke; Präsenzfunktion ein- und ausschaltbar
14531	Licht- und Präsenzsensoren	150	52	44	Aufnahme der Ist-Lichtstärke
14563	Master-Steuerung	260	91	160	Hauptarbeitsplatz
14564	Slave-Steuerung	260	91	160	Folgearbeitsplätze

Gerne bieten wir Ihnen auch weitere Varianten gemäß Ihren individuellen Anforderungen an.

Anwendung	<p>Konstante Lichtverhältnisse sind für reproduzierbare Prüf- und Montageaufgaben unabdingbar. Mit der Konstantlichtregelung lassen sich unabhängig von den über den Tagesablauf schwankenden Fremdlichtverhältnissen, konstante Lichtverhältnisse am Arbeitsplatz gewährleisten.</p> <p>Am Bedienpanel wird über den Tastaturblock die gewünschte Lichtstärke eingegeben. Über den Sensor erfolgt der permanente Soll-/Ist-Abgleich und die Lichtstärke der Arbeitsplatzleuchte(n) wird entsprechend angepasst.</p> <p>Im Zuge der Energieeffizienz ist zusätzlich eine Präsenzschialtung integriert, dass wenn keine Bewegungen am Arbeitsplatz stattfinden die Arbeitsplatzbeleuchtung automatisch ausgeschaltet wird. Die Präsenzfunktion kann auch ausgeschaltet werden.</p>
Material	Gehäuse Arbeitsplatzleuchte, Licht- und Präsenzsensoren, Bedienpanel: Aluminium, natur eloxiert

Technische Änderungen vorbehalten.

Konstantlichtregelung

Verbindungskabel

Anschlusskabel

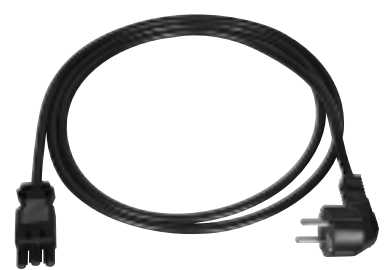
Verbindungskabel XLR 4-polig



Verbindungskabel GST 18i5



Anschlusskabel GST 18i3



Art.-Nr.	Artikel	Länge [mm]	Hinweise
14565	Verbindungskabel XLR 4-polig, L = 1 m	1000	Verbindung Steuerung mit Licht- und Präsenzsensoren; (Verbindung Steuerung mit Bedienpanel); Verbindung Master-Steuerung mit Slave-Steuerung
14566	Verbindungskabel XLR 4-polig, L = 2 m	2000	
14567	Verbindungskabel XLR 4-polig, L = 3 m	3000	
14571	Verbindungskabel GST 18i5, L = 1 m	1000	Verbindung Leuchte mit Steuerung; Verbindung Leuchte mit Leuchte
14572	Verbindungskabel GST 18i5, L = 2 m	2000	
14573	Verbindungskabel GST 18i5, L = 3 m	3000	
10007	Anschlusskabel GST 18i3	2000	Stromversorgung (Steuerung)
10002	Anschlusskabel GST 18i3	5000	

Gerne bieten wir Ihnen auch weitere Varianten gemäß Ihren individuellen Anforderungen an.

Anwendung Konstante Lichtverhältnisse sind für reproduzierbare Prüf- und Montageaufgaben unabdingbar. Mit der Konstantlichtregelung lassen sich unabhängig von den über den Tagesablauf schwankenden Fremdlichtverhältnissen, konstante Lichtverhältnisse am Arbeitsplatz gewährleisten. Am Bedienpanel wird über den Tastaturblock die gewünschte Lichtstärke eingegeben. Über den Sensor erfolgt der permanente Soll-/Ist-Abgleich und die Lichtstärke der Arbeitsplatzleuchte(n) wird entsprechend angepasst. Im Zuge der Energieeffizienz ist zusätzlich eine Präsenzschialtung integriert, dass wenn keine Bewegungen am Arbeitsplatz stattfinden die Arbeitsplatzbeleuchtung automatisch ausgeschaltet wird. Die Präsenzfunktion kann auch ausgeschaltet werden.

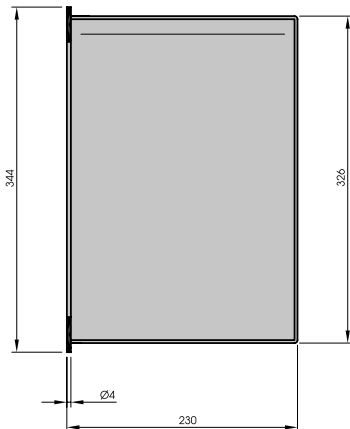
Material **Kabelmantel:** Polyvinylchlorid (PVC), schwarz; **Leiter:** Kupfer

Technische Änderungen vorbehalten.

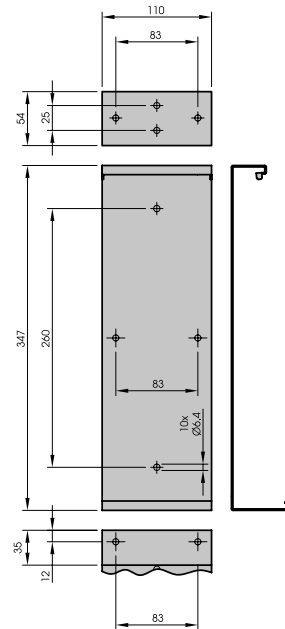


Sichttafel DIN A4 mit Drehzapfen

Sichttafelhalter



Sichttafel mit Drehzapfen



Sichttafelhalter

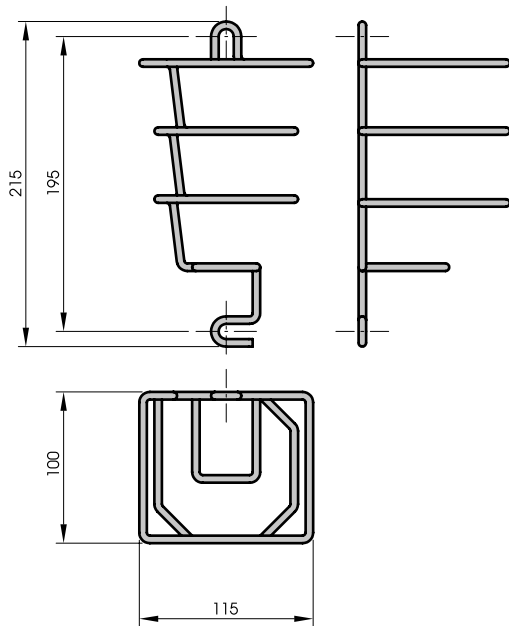
Art.-Nr.	Artikel
10078	Sichttafel DIN A4 mit Drehzapfen LE10
10366	Sichttafel DIN A4 mit Drehzapfen LE10
10214	Sichttafelhalter

Gerne bieten wir Ihnen auch weitere Varianten gemäß Ihren individuellen Anforderungen an.

Anwendung	Die Informationsbereitstellung erfolgt durch das Sichttafelssystem, das aus den Sichttafeln – die wahlweise auch in ESD-Ausführung beziehbar sind – und dem Sichttafelhalter – der bis zu 10 Sichttafeln aufnehmen kann – besteht. Das im Sichttafelhalter integrierte Bohrbild ermöglicht die vielfachsten Montagevarianten, so dass die Informationsbereitstellung immer ergonomisch optimal positioniert werden kann.
Material	Sichttafelhalter: Stahlblech, pulverbeschichtet lichtgrau RAL 7035; Sichttafel: PVC, Polyäthylen

Technische Änderungen vorbehalten.

Flaschenhalter



Art.-Nr.	Artikel
10006	Flaschenhalter

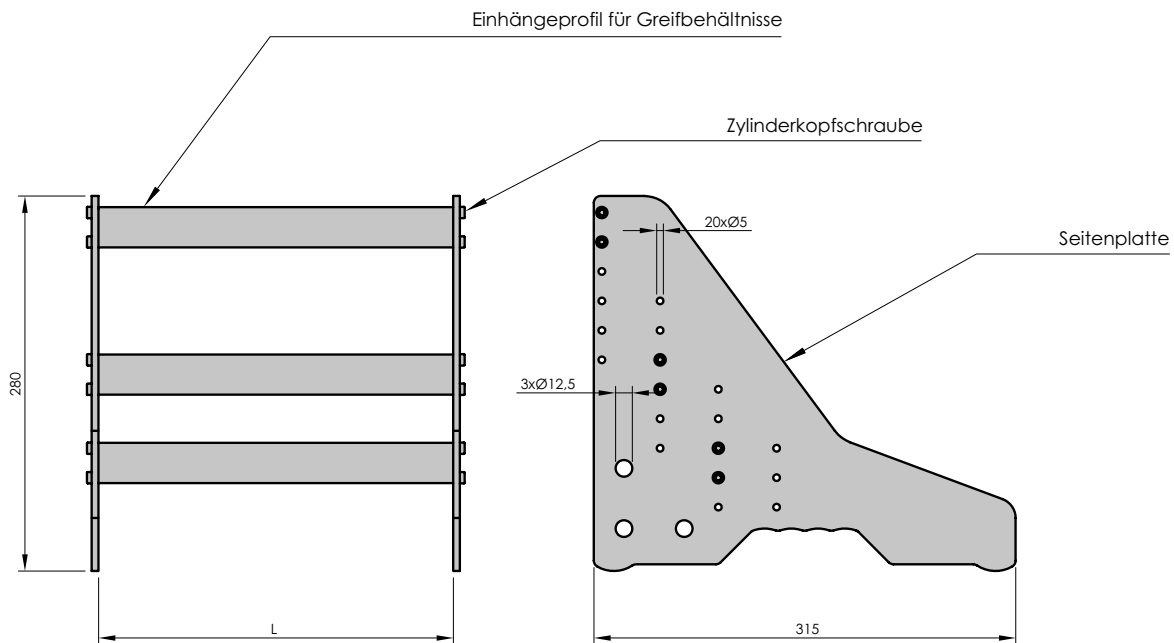
Gerne bieten wir Ihnen auch weitere Varianten gemäß Ihren individuellen Anforderungen an.

Anwendung	Der Flaschenhalter dient zur Aufnahme von Flaschen, rechteckigen Getränkebehältnissen, Sprühdosen u. a.. Ergänzend beigefügt ist der Befestigungssatz zur Anbringung an Aluminiumprofile mit 10er-Nut.
Material	Stahldraht, pulverbeschichtet weiß

Technische Änderungen vorbehalten.



Greifbehältnisregal



Art.-Nr.	Artikel	L [mm]
11058	Greifbehältnisregal	L = 312
11204	Greifbehältnisregal	L = ...

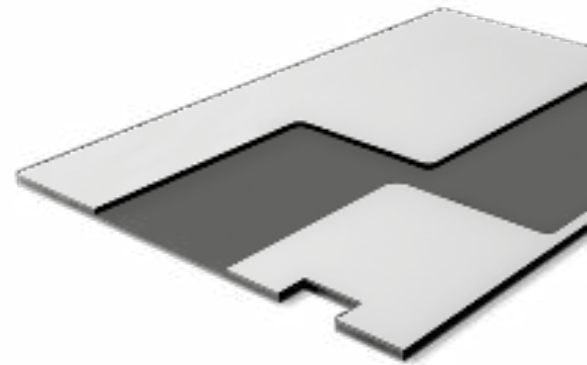
Gerne bieten wir Ihnen auch weitere Varianten gemäß Ihren individuellen Anforderungen an.

Hinweise	Das Greifbehältnisregal ist als Selbstmontagebausatz bestehend aus Seitenplatten (2 Stück), Einhängeprofilen (3 Stück) und dem erforderlichen Verbindungsmaterial (12 Stück Zylinderkopfschrauben) ausgeführt. Bei Artikel 11204 wird das Greifbehältnisregal individuell auf die vom Kunden anzugebende Länge L [mm] ausgeführt.
Anwendung	Mit dem Greifbehältnisregal lassen sich Greifbehältnisse mit Montageteilen ergonomisch am Arbeitsplatz bereitstellen. Dabei bieten die Seitenplatten mit dem eingebrachten Bohrbild verschiedenste Möglichkeiten zur Positionierung der Einhängeprofile. Die an den Seitenplatten ausgeführten Füße, garantieren mit der dadurch erreichten Punktauflage einen optimalen Stand auf der Tischplatte. Zusätzlich in die Seitenplatten eingebrachte Griffmulden ermöglichen ein perfektes Handling des gesamten Greifbehältnisregals.
Material	Seitenplatte: Polystyrol; Einhängeprofil: Aluminium, gelb chromatiert

Technische Änderungen vorbehalten.



Tischplatte Schichtstoff



Art.-Nr.	Artikel	Dekor	Kern	S [mm]	L [mm]	B [mm]
11225	Schichtstoffplatte (HPL) Zuschnitt	lichtgrau (RAL 7035)	schwarz	5	L = ... (L ≤ 2780)	B = ... (B ≤ 2060)
11226	Schichtstoffplatte (HPL) Zuschnitt	lichtgrau (RAL 7035)	schwarz	10	L = ... (L ≤ 2780)	B = ... (B ≤ 2060)
14557	Schichtstoffplatte (HPL) Zuschnitt	lichtgrau (RAL 7035)	schwarz	20	L = ... (L ≤ 2780)	B = ... (B ≤ 2060)
14805	Schichtstoffplatte ESD-Ausführung (ESD-HPL) Zuschnitt	lichtgrau (RAL 7035)	schwarz	5	L = ... (L ≤ 2500)	B = ... (B ≤ 1280)
14806	Schichtstoffplatte ESD-Ausführung (ESD-HPL) Zuschnitt	lichtgrau (RAL 7035)	schwarz	10	L = ... (L ≤ 2500)	B = ... (B ≤ 1280)
14807	Schichtstoffplatte ESD-Ausführung (ESD-HPL) Zuschnitt	lichtgrau (RAL 7035)	schwarz	15	L = ... (L ≤ 2500)	B = ... (B ≤ 1280)
14180	Schichtstoffplatte (HPL)	lichtgrau (RAL 7035)	schwarz	5	2800	2070
14181	Schichtstoffplatte (HPL)	lichtgrau (RAL 7035)	schwarz	10	2800	2070
14182	Schichtstoffplatte (HPL)	lichtgrau (RAL 7035)	schwarz	20	2800	2070
14790	Schichtstoffplatte ESD-Ausführung (ESD-HPL) ¹⁾	lichtgrau (RAL 7035)	schwarz	5	2520	1300
14791	Schichtstoffplatte ESD-Ausführung (ESD-HPL) ¹⁾	lichtgrau (RAL 7035)	schwarz	10	2520	1300
14792	Schichtstoffplatte ESD-Ausführung (ESD-HPL) ¹⁾	lichtgrau (RAL 7035)	schwarz	15	2520	1300

Gerne bieten wir Ihnen auch weitere Varianten gemäß Ihren individuellen Anforderungen an.

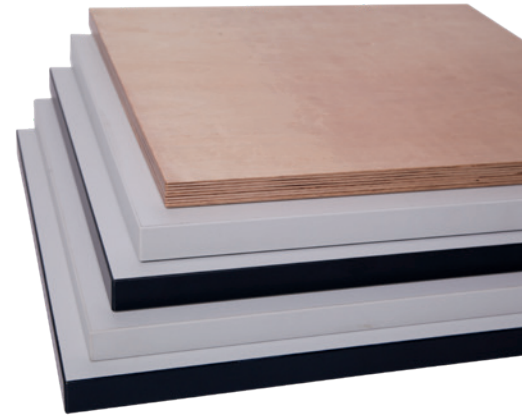
Anwendung Schichtstoff eignet sich hervorragend für die Anfertigung von robusten Tisch- und Ablageplatten. Weitere Einsatzgebiete sind Einhausungen, Maschinenverkleidungen, Trennwände, Transportbehälter, etc. Die CNC-Bearbeitung ermöglicht das Einbringen von Bohrungen, Gewinden, Taschen, Ausschnitten, etc. Der Werkstoff ist absolut feuchtigkeitsresistent und lösemittelbeständig. Mit einer wesentlich dünneren Plattenausführung lässt sich die Steifigkeit von konventionellen Pressspanplatten erzielen. Das lichtgraue Dekor mit dem schwarzen Plattenkern ermöglicht dauerhafte Beschriftungen (Gravur). Die ESD-Varianten sind volumenleiftfähig ausgeführt und entsprechen den Anforderungen der DIN EN 61340-5-1.

Material Schichtstoffplatte mit Melaminharzdekor lichtgrau RAL 7035

Technische Änderungen vorbehalten.



Tischplatte Pressspan, Furniersperrholz



Art.-Nr.	Artikel	Dekor	Kern	Umleimer	S [mm]	L [mm]	B [mm]
11193	Pressspanplatte mit Melaminharzbelag Zuschnitt	lichtgrau (RAL 7035)	Pressspan	lichtgrau (RAL 7035)	10	L = ... (L ≤ 2700)	B = ... (B ≤ 2000)
11194	Pressspanplatte mit Melaminharzbelag Zuschnitt	lichtgrau (RAL 7035)	Pressspan	lichtgrau (RAL 7035)	19	L = ... (L ≤ 2700)	B = ... (B ≤ 2000)
11195	Pressspanplatte mit Melaminharzbelag Zuschnitt	lichtgrau (RAL 7035)	Pressspan	lichtgrau (RAL 7035)	28	L = ... (L ≤ 3000)	B = ... (B ≤ 2000)
11196	Pressspanplatte mit Melaminharzbelag Zuschnitt	lichtgrau (RAL 7035)	Pressspan	lichtgrau (RAL 7035)	38	L = ... (L ≤ 3000)	B = ... (B ≤ 2000)
11197	Pressspanplatte mit Melaminharzbelag ESD-Ausführung Zuschnitt	lichtgrau (RAL 7035)	Pressspan	schwarz	19	L = ... (L ≤ 2700)	B = ... (B ≤ 2000)
11198	Pressspanplatte mit Melaminharzbelag ESD-Ausführung Zuschnitt	lichtgrau (RAL 7035)	Pressspan	schwarz	29	L = ... (L ≤ 2700)	B = ... (B ≤ 2000)
11199	Pressspanplatte mit Kautschukbelag ESD-Ausführung Zuschnitt	platingrau (RAL 7036)	Pressspan	schwarz	31	L = ... (L ≤ 2700)	B = ... (B ≤ 2000)
14428	Pressspanplatte mit Kautschukbelag ESD-Ausführung Zuschnitt	platingrau (RAL 7036)	Pressspan	schwarz	41	L = ... (L ≤ 2700)	B = ... (B ≤ 2000)
13606	Pressspanplatte mit PVC-Belag Zuschnitt	achatgrau (RAL 7038)	Pressspan	lichtgrau (RAL 7035)	31	L = ... (L ≤ 3000)	B = ... (B ≤ 1500)
11200	Pressspanplatte mit PVC-Belag Zuschnitt	achatgrau (RAL 7038)	Pressspan	lichtgrau (RAL 7035)	41	L = ... (L ≤ 3000)	B = ... (B ≤ 1500)
11203	Multiplexplatte mit Phenolharzlackierung Zuschnitt		Furniersperrholz Buche		30	L = ... (L ≤ 2500)	B = ... (B ≤ 1200)

Gerne bieten wir Ihnen auch weitere Varianten gemäß Ihren individuellen Anforderungen an.

Anwendung	Die klassische Tischplatte besteht aus einem Pressspankern mit Melaminharzdekor und einem ABS-Umleimer. Die ESD-Varianten sind volumenleitfähig ausgeführt (Ausnahme die Kante (Umleimer)) und entsprechen den Anforderungen der DIN EN 61340-5-1. Weitere Varianten sind mit Kautschuk- und PVC-Belag ausgeführt. Der Belag wird in einer Press-Klebung aufgebracht.
Material	Kern: Pressspan, Furniersperrholz Buche; Dekor: Melaminharz, Kautschuk, Polyvinylchlorid (PVC); Phenolharzlackschicht; Umleimer: Acrylnitril-Butadien-Styrol (ABS)

Technische Änderungen vorbehalten.

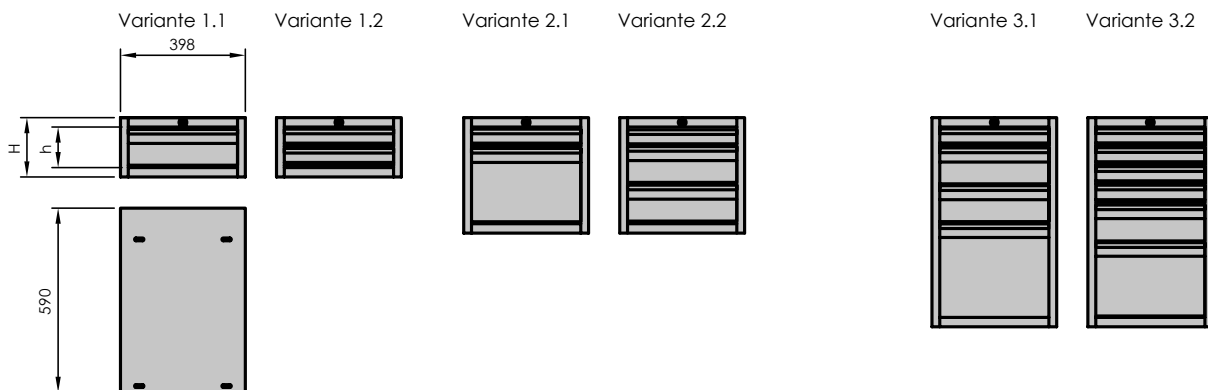


Schubladenschrank

Schubladenschrank



fahrbarer Container



Art.-Nr.	Artikel	Variante	H [mm]	Anzahl Schubladen				Hinweise	
				h = 60 mm	h = 120 mm	h = 240 mm	h = 300 mm		
14021	Schubladenschrank 120	1.1	190		1			Die bei den Schubladenschränken verwendeten Führungen garantieren eine Traglast von 40kg (400N) pro Schublade. Durch den komplett geschlossenen Korpus erhöht sich wesentlich die Stabilität der Schränke. Das Eingreifen in das Schrankinnere von unbefugten Personen ist ausgeschlossen. Die Schubladenschränke verfügen über einen hauptschlüsselfähigen Zentralverschluss mit wechselbaren Schlosskernen. Damit können auch bei feststehenden Schließkreisen im Vorfeld Schließ-Hierarchien festgelegt werden. Die Schubladen sind mit einem Einzelverschluss-Mechanismus ausgeführt, so dass bei einer geöffneten Schublade das Öffnen einer weiteren Schublade nicht möglich ist.	
14020	Schubladenschrank 2x60	1.2	190	2					
14024	Schubladenschrank 60-240	2.1	370	1		1			
14025	Schubladenschrank 60-2x120	2.2	370	1	2				
14028	Schubladenschrank 60-2x120-300	3.1	670	1	2		1		
14029	Schubladenschrank 4x60-120-240	3.2	670	4	1	1			
14019	Schubladenschrank 120 ESD	1.1	190		1				
14018	Schubladenschrank 2x60 ESD	1.2	190	2					
14022	Schubladenschrank 60-240 ESD	2.1	370	1		1			
14023	Schubladenschrank 60-2x120	2.2	370	1	2				
14026	Schubladenschrank 60-2x120-300 ESD	3.1	670	1	2		1		
14027	Schubladenschrank 4x60-120-240 ESD	3.2	670	4	1	1			
14031	Abrollband ESD	Bestehend aus Abrollrand, Befestigungssatz (4 Senkkopfschrauben und 4 Muttern) und Riffelgummi.							
12017	Lenkrollensatz bodenschonend	Bestehend aus 2 Lenkrollen mit Feststeller (Art.-Nr. 10254), 2 Lenkrollen ohne Feststeller (Art.-Nr. 10255), und dem Befestigungssatz (4 Zylinderkopfschrauben und 4 Muttern).							
12018	Lenkrollensatz ESD	Bestehend aus 2 Lenkrollen mit Feststeller (Art.-Nr. 10256), 2 Lenkrollen ohne Feststeller (Art.-Nr. 10257), und dem Befestigungssatz (4 Zylinderkopfschrauben und 4 Muttern).							

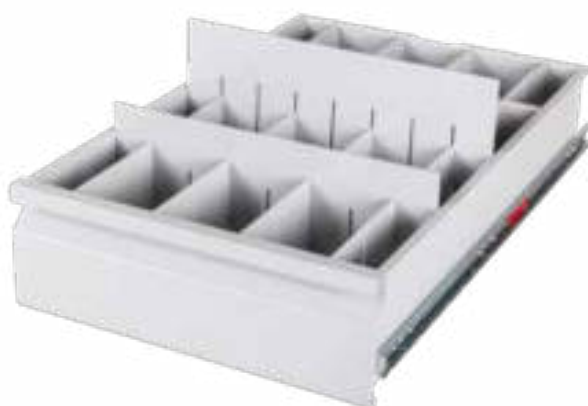
Gerne bieten wir Ihnen auch weitere Varianten gemäß Ihren individuellen Anforderungen an.

Anwendung Schubladenschränke werden wahlweise an den unterschiedlichsten Arbeitsplätzen angebracht oder in Kombination von Schubladenschrank, Lenkrollensatz und Abrollrand einzeln als fahrbarer Container genutzt. Durch die unterschiedlichsten Varianten finden Sie Ihre optimale Lösung zur Schaffung und Aufrechterhaltung der Ordnung am Arbeitsplatz.

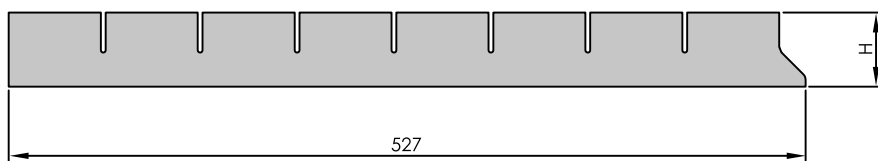
Material Stahlblech, pulverbeschichtet lichtgrau RAL 7035

Technische Änderungen vorbehalten.

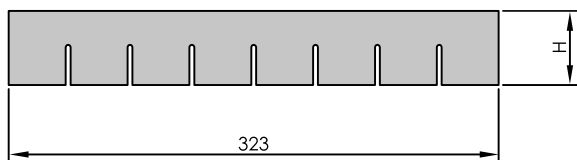
Schubladenteilung



Querteiler



Längsteiler



Art.-Nr.	Artikel	B [mm]	H [mm]	S [mm]
15112	Querteiler für 60er Schublade	527	46	3
15113	Querteiler für 120er Schublade	527	106	3
15114	Querteiler für 240er Schublade	527	226	3
15115	Längsteiler für 60er Schublade	323	46	3
15116	Längsteiler für 120er Schublade	323	106	3
15117	Längsteiler für 240er Schublade	323	226	3

Gerne bieten wir Ihnen auch weitere Varianten gemäß Ihren individuellen Anforderungen an.

Anwendung Mit der Facheinteilung lassen sich Schubladen beliebig unterteilen. Die Längs- und Querteiler haben jeweils 7 Steckpositionen. Werden alle 7 Steckpositionen belegt ist die Feldbreite BxT [mm]: 37,5x59,5. Durch Entfernen von Längs- oder Querteilern lassen sich entsprechend größere Felder abbilden.

Material Polypropylen, ähnlich lichtgrau RAL7035

Technische Änderungen vorbehalten.



Arbeitsdrehstühle

Modelle	
Isitec	Der Isitec ist ein robuster Industriestuhl mit hervorragendem Preis- Leistungsverhältnis für Fertigung, Montage und Labor. Der neu entwickelte SoftTouch- Integralschaum für Sitzfläche und Rückenlehne ist besonders resistent gegen äußere Einflüsse, und bietet trotzdem einen besonders weichen und angenehmen Sitzkomfort. Durch die vielfachen Verstellfunktionen erreichen Sie immer eine ergonomisch optimale Sitzposition. Ausgeführt für reine Sitzarbeitsplätze alternativ mit Gleitern oder Rollen, oder für Sitz-/Steharbeitsplätze mit Gleitern und Fußring findet sich immer der passende Arbeitsdrehstuhl für Ihre individuellen Anforderungen.
Neon	Der Arbeitsdrehstuhl Neon bietet durch die wechselbaren Polster Elemente kombiniert mit den zahlreichen Verstellfunktionen höchste Flexibilität und Ergonomie. Durch die anatomische Formgebung ist der Arbeitsdrehstuhl gesundheits- und damit leistungs-fördernd. Mit den zahlreichen Polsterspezifikationen läßt sich der Neon optimal an die Gegebenheiten individuell anpassen, und garantiert den multifunktionalen Einsatz. Wie auch der Isitec ist der Neon für reine Sitzarbeitsplätze alternativ mit Gleitern oder Rollen, oder für Sitz-/Steharbeitsplätze mit Gleitern und Aufstiegshilfe verfügbar.
Neon ESD	Der Neon ESD entspricht von der Ausführung dem o. a. Modell Neon mit der Ergänzung, dass die dabei verwendeten Materialien volumenleitächtig ausgeführt sind, um einen zuverlässigen ESD- Schutz zu garantieren. Ableitwiderstand: 10 ⁶ Ω bis 10 ⁹ Ω, Oberflächenwiderstand: 10 ⁵ Ω



Bild 1



Bild 2



Bild 3

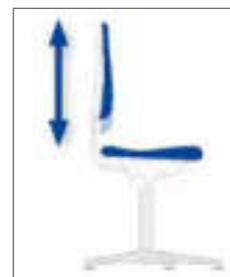


Bild 4

Verstellfunktionen	Bild	
Permanentkontakt Rückenlehne	1	Die Rückenlehne folgt den Körperbewegungen und ermöglicht die natürliche Be- und Entlastung unterschiedlicher Muskel- und Wirbelsäulenpartien.
Synchrontechnik	2	Die Synchrontechnik bewirkt den synchronen Bewegungsablauf von Sitz- und Rückenlehne und stützt die individuellen Sitzhaltungen. Die gesamte Muskulatur wird entspannt, die Durchblutung verbessert und die Bandscheiben werden entlastet.
Sitzhöhenverstellung	3	Mit einem leichten Fingerdruck kann die Sitzhöhe individuell auf die jeweilige Körpergröße und Arbeitsplatz-situation eingestellt werden. Eine umkapselte Sicherheitsfeder fängt Biege- und Wechselbelastungen federnd ab.
Rückenlehnenhöhen-verstellung	4	Eine integrierte Skala hilft bei der körpergerechten Einstellung der Rückenlehnen- Höhe für die individuelle Anpassung der Lendenwirbelstütze auf die jeweilige Körpergröße sowie den optimalen Abstützpunkt.



Bild 5



Bild 6



Bild 7



Bild 8

Polstervarianten	Bild	
Stoff	5	Weiches, atmungsaktives Textilpolster bestehend aus strapazierfähigem Bezugsstoff. Bei den ESD-Polstern werden Metallfäden eingewoben, die den erforderlichen Ableitwert garantieren. Farbvarianten: schwarz, blau, grau.
Integralschaum	6	Das Integralschaumpolster sorgt für weiches und bequemes „Luftkissen-Sitzen“, die strukturierte Oberfläche für optimalen Klima- Komfort. Die Oberfläche ist beständig gegen leichte Säuren und Laugen, abwaschbar und gut zu reinigen. Farbvarianten: schwarz, blau, grau.
Kunstleder	7	Der rutsch- und reißfeste Bezug ermöglicht weiches und bequemes Sitzen. Das Abwaschen und Reinigen ist problemlos möglich. Farbvarianten: schwarz, blau, grau.
Supertec, Superfabric	8	Der neue Supertec-Bezug besteht aus einem Textilträger der mit einer Microtec-Panzerung versehen ist. Dadurch ist das Polster sehr atmungsaktiv, komfortabel, weich und bequem und zugleich sehr widerstand-fähig, rutschfest und reinigungsfreundlich. Farbvarianten: schwarz, blau, grau.

Isitec **5** Neon **5** Neon ESD **5**



Arbeitsdrehstuhl Isitec



Ausführung: Typ A



Ausführung: Typ B



Ausführung: Typ C

Art.-Nr.	Ausführung	Verstellfunktion	Sitzhöhenverstellbereich H [mm]
13402	Typ A	Permanentkontakt mit Sitzneigung	430 - 600
13403	Typ B	Permanentkontakt mit Sitzneigung	430 - 600
13404	Typ C	Permanentkontakt mit Sitzneigung	580 - 850

Gerne bieten wir Ihnen auch weitere Varianten gemäß Ihren individuellen Anforderungen an.

Anwendung	Robuster Arbeitsdrehstuhl ausgeführt wahlweise mit Rollen oder Gleitern für reine Sitzarbeitsplätze, oder als Hochstuhl mit Gleitern für Sitz-/ Steharbeitsplätze.
Material	Fußkreuz: Kunststoff, schwarz; Polster: Integralschaum, schwarz

Technische Änderungen vorbehalten.



Arbeitsdrehstuhl Neon



Ausführung: Typ A



Ausführung: Typ B



Ausführung: Typ C



Farben Flexband

Ausführung	Permanentkontakt Rückenlehne				Synchrontechnik				Sitzhöhe H [mm] ²⁾
	orange ¹⁾	grün ¹⁾	blau ¹⁾	grau ¹⁾	orange ¹⁾	grün ¹⁾	blau ¹⁾	grau ¹⁾	
Typ A	15010	15011	15014	15013	15015	15016	15017	15018	450-620
Typ B	15019	15020	15021	15022	15023	15024	15025	15026	450-620
Typ C	15027	15028	15029	15030	15031	15032	15033	15034	590-870

¹⁾ Farbe Flexband ²⁾ Maßangabe ohne Sitzpolster



Ausführung: Typ D



Ausführung: Typ E



Ausführung: Typ F



Ausführung: Typ G

Polstervariante	Ausführung	schwarz Art.-Nr.	blau Art.-Nr.	grau Art.-Nr.
Stoff Duotec	Typ D	15012	15036	15037
Kunstleder Magic	Typ E	15038	15039	15040
Integralschaum	Typ F	15041	15042	15043
Supertec	Typ G	15044	15045	15046

Gerne bieten wir Ihnen auch weitere Varianten gemäß Ihren individuellen Anforderungen an.

Anwendung	Variantenreicher Arbeitsdrehstuhl ausgeführt wahlweise mit Rollen oder Gleitern für reine Sitzarbeitsplätze, oder als Hochstuhl mit Gleitern für Sitz-/Steharbeitsplätze.
Material	Fußkreuz: Aluminium, pulverbeschichtet schwarz; Polster: Stoff, Kunstleder, Integralschaum, Supertec

Technische Änderungen vorbehalten.



Arbeitsdrehstuhl Neon ESD



Ausführung: Typ A



Ausführung: Typ B



Ausführung: Typ C



Farben Flexband

Ausführung	Permanentkontakt Rückenlehne				Synchrontechnik				Sitzhöhe H [mm] ²⁾
	orange ¹⁾	grün ¹⁾	blau ¹⁾	grau ¹⁾	orange ¹⁾	grün ¹⁾	blau ¹⁾	grau ¹⁾	
Typ A	15047	15048	15049	15050	15051	15052	15053	15054	450-620
Typ B	15055	15056	15057	15058	15059	15060	15061	15062	450-620
Typ C	15063	15064	15065	15066	15067	15068	15069	15070	590-870

¹⁾ Farbe Flexband ²⁾ Maßangabe ohne Sitzpolster



Ausführung: Typ D



Ausführung: Typ E



Ausführung: Typ F



Ausführung: Typ G

Polstervariante	Ausführung	schwarz Art.-Nr.	blau Art.-Nr.	grau Art.-Nr.
Stoff Duotec	Typ D	15071	15072	15073
Kunstleder Magic	Typ E	15074		
Integralschaum	Typ F	15075		
Supertec	Typ G	15076		

Gerne bieten wir Ihnen auch weitere Varianten gemäß Ihren individuellen Anforderungen an.

Anwendung	ESD-Arbeitsdrehstuhl ausgeführt wahlweise mit Rollen oder Gleitern für reine Sitzarbeitsplätze, oder als Hochstuhl mit Gleitern für Sitz- / Steharbeitsplätze.
Material	Fußkreuz: Aluminium, pulverbeschichtet schwarz; Polster: Stoff, Kunstleder, Integralschaum, Supertec

Technische Änderungen vorbehalten.



Stehhilfe FIN



Artikel	Gestell	Sitzfarbe schwarz	Sitzfarbe blau	Sitzfarbe orange	Sitzfarbe basaltgrau
Stehhilfe FIN	Aluminium, gestrahlt	14443	14444	14445	14446
Stehhilfe FIN	Aluminium, anthrazit beschichtet	14447	14448	14449	14450
Stehhilfe FIN	Aluminium, anthrazit beschichtet	14451			

Gerne bieten wir Ihnen auch weitere Varianten gemäß Ihren individuellen Anforderungen an.

Anwendung	Die Stehhilfe bietet die ideale Lösung für alle Arbeiten, bei denen man normalerweise nicht sitzen kann, aber Stehen auf Dauer zu anstrengend wird. Die Stehhilfe entlastet die Person, damit diese die Leistung nicht auf das Stehen sondern auf die auszuführende Aufgabe konzentrieren kann. 60% des Körpergewichtes werden durch die Stehhilfe aufgenommen und entlasten dadurch Kreislauf, Gelenke, Bänder, Sehnen und hält die Wirbelsäule in Form.
Material	Gestell: Aluminium, wahlweise gestrahlt oder anthrazit beschichtet; Sitz: Polyurethan- Schaum in verschiedenen Farben

Technische Änderungen vorbehalten.



Tastaturauszug



Abbildung: Tastaturablage ausgezogen

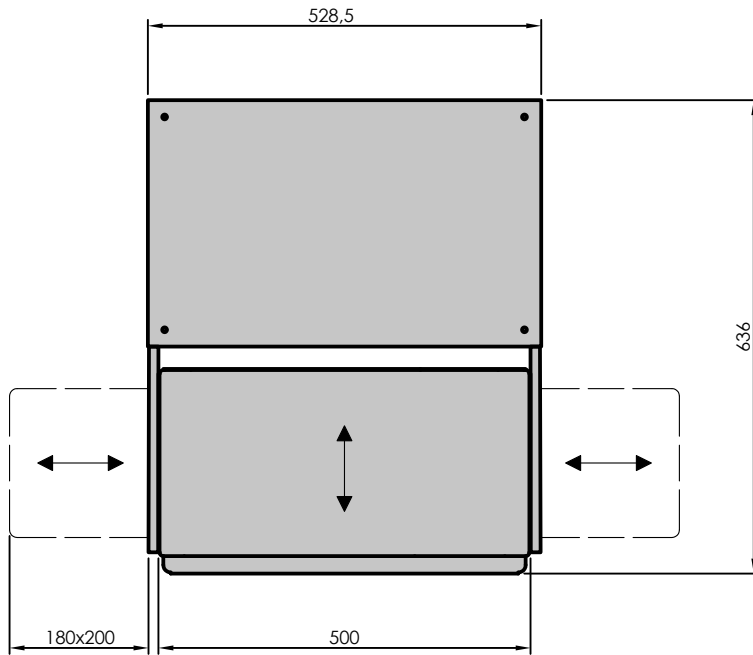
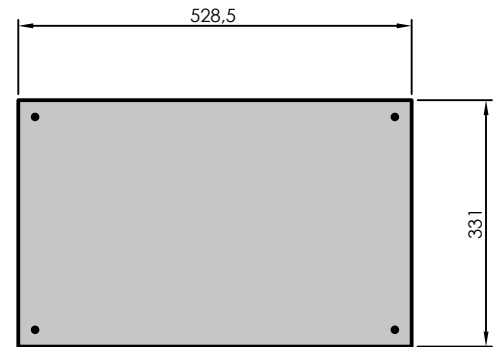


Abbildung: Tastaturablage eingeschoben



Art.-Nr.	Artikel	Hinweise
13970	Tastaturauszug ohne Mausablageplatte	
13971	Tastaturauszug mit Mausablageplatte (links/rechts)	Die Mausablageplatte ist unterhalb der Tastaturablage integriert und kann nach Bedarf für Rechts- und Linkshänder wahlweise nach rechts oder links ausgezogen werden.

Gerne bieten wir Ihnen auch weitere Varianten gemäß Ihren individuellen Anforderungen an.

Anwendung	Der Tastaturauszug dient der platzsparenden Unterbringung und Bereitstellung von PC- Tastaturen. Wird ergänzend eine Maus zur PC- Bedienung eingesetzt, ist der Tastaturauszug mit Mausablageplatte vorgesehen.
Material	Ablage Tastatur: Stahlblech, pulverbeschichtet lichtgrau RAL 7035; Mausablage: Polyethylen, schwarz

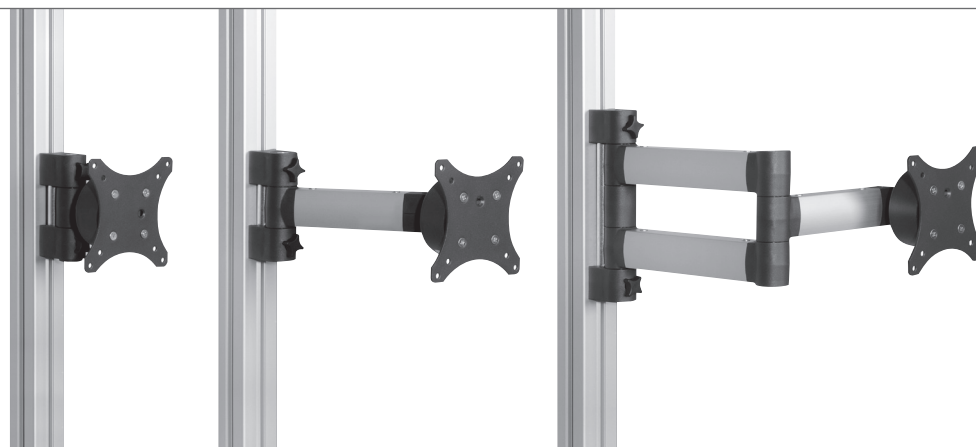
Technische Änderungen vorbehalten.



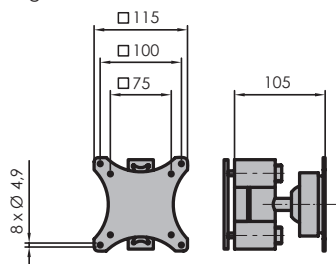
Tragschlitten

Tragarm

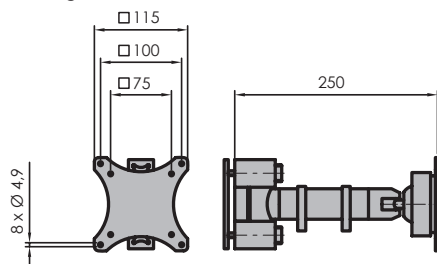
Faltarm



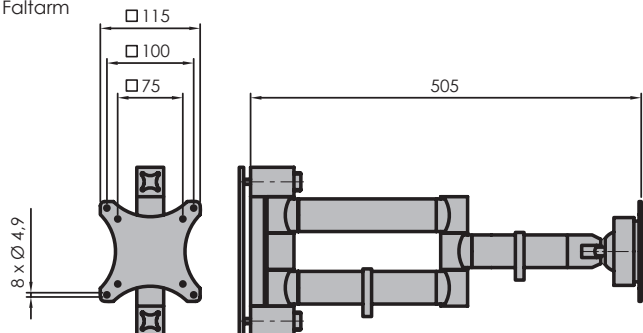
Tragschlitten



Tragarm



Faltarm



Art.-Nr.	Artikel	F [N]	Reichweite [mm]
14364	Tragschlitten	150	105
14365	Tragarm	150	250
14366	Faltarm	150	505

Gerne bieten wir Ihnen auch weitere Varianten gemäß Ihren individuellen Anforderungen an.

Anwendung Die Tragelemente werden zur sicheren, ergonomischen und platzsparenden Anbringung und Bereitstellung von Monitoren eingesetzt. Die Anschlussplatte zur Befestigung der Monitore ist mit dem VESA Befestigungsbohrbild 75 / 100 ausgeführt. Alle Tragelemente verfügen über ein Kugelgelenk für hohe Beweglichkeit auf engstem Raum. Eine Fallsicherung die wahlweise auch als Diebstahlsicherung eingesetzt werden kann ist bei allen Artikeln inklusive. Der Tragschlitten ermöglicht Flexibilität auf engstem Raum. Mit dem Tragarm lässt sich der Monitor für eine Rundumsicht optimal einstellen. Der Faltarm passt sich flexibel jedem Blickwinkel an. Durch den Faltarm besteht auch in der Tiefe ein großer Aktionsbereich.

Material Aluminium, natur eloxiert

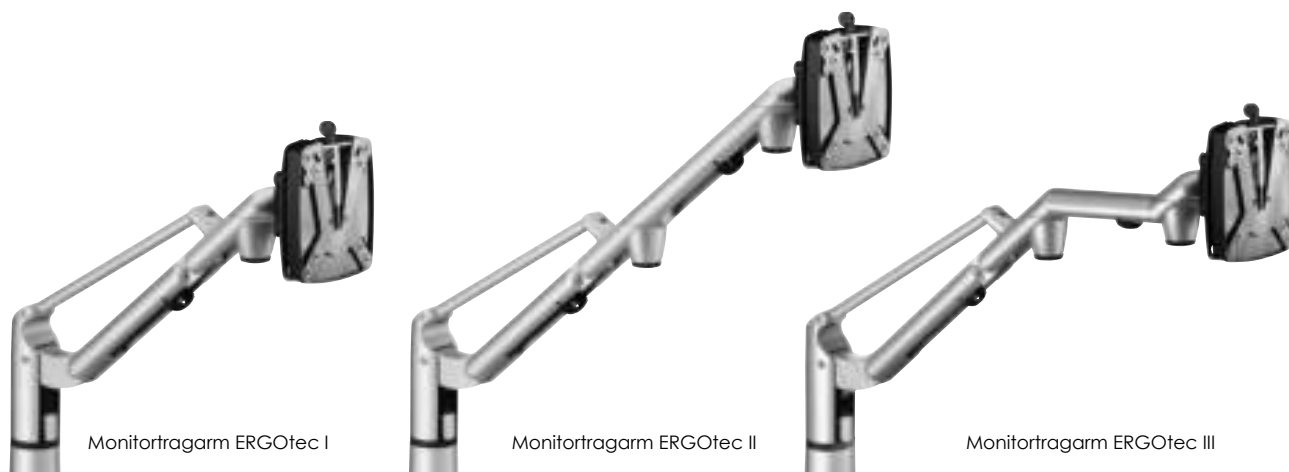
Technische Änderungen vorbehalten.



Monitortragarm ERGOtec I

Monitortragarm ERGOtec II

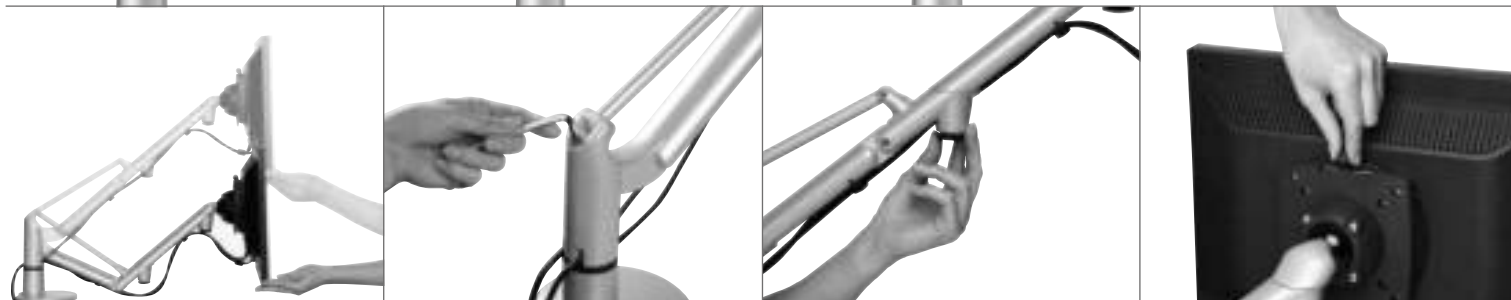
Monitortragarm ERGOtec III



Monitortragarm ERGOtec I

Monitortragarm ERGOtec II

Monitortragarm ERGOtec III



Höhenverstellung stufenlos

Justierbare Gasdruckfeder

Einstellung Gelenkwiderstand

Schnelladaption

Art.-Nr.	Artikel	m [kg]	Reichweite [mm]
14640	Monitortragarm ERGOtec I	3 – 8	397
14641	Monitortragarm ERGOtec I	7 – 15	397
14637	Monitortragarm ERGOtec II	3 – 8	547
14638	Monitortragarm ERGOtec II	7 – 15	547
14642	Monitortragarm ERGOtec III	3 – 8	547
14643	Monitortragarm ERGOtec III	7 – 15	547

Gerne bieten wir Ihnen auch weitere Varianten gemäß Ihren individuellen Anforderungen an.

Anwendung Mit dem Monitortragarm ERGOtec lassen sich Flachbildschirme dank der integrierten Gasfedertechnologie stufenlos ohne Kraftaufwand innerhalb der Reichweite beliebig im Raum positionieren. Das VESA-Bohrbild erlaubt die einfache Anbringung von Bildschirmen mit dem Befestigungsstandard 75 oder 100. Der Gelenkwiderstand lässt sich über Rändelschrauben einstellen. Dank der justierbaren Gasdruckfeder ist die perfekte Abstimmung auf das jeweilige Monitorgewicht möglich. Die Adaption des Monitortragarms erfolgt über die beigelegten Säulenadapter an der 8mm und auch an der 10mm Profillnut.

Material Aluminium-Druckguss, pulverbeschichtet weiß Aluminium ähnlich RAL 9006

Technische Änderungen vorbehalten.

Tablet-Halterung



Art.-Nr.	Artikel	Klemmweite [mm]	Tragkraft [N]
14798	Tablet-Halterung	160 – 300	7,5

Gerne bieten wir Ihnen auch weitere Varianten gemäß Ihren individuellen Anforderungen an.

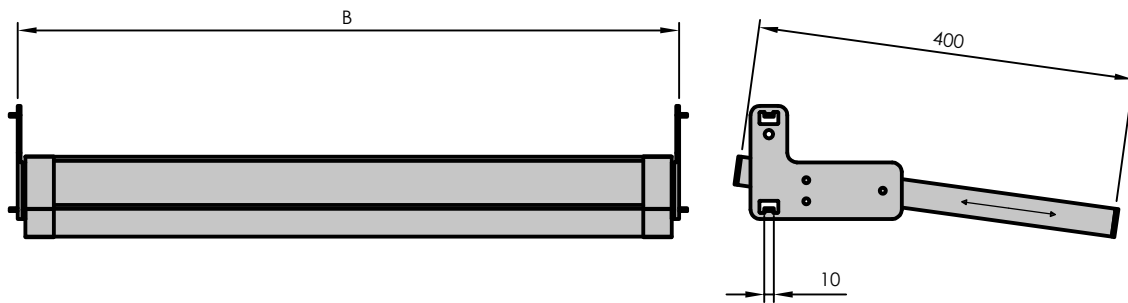
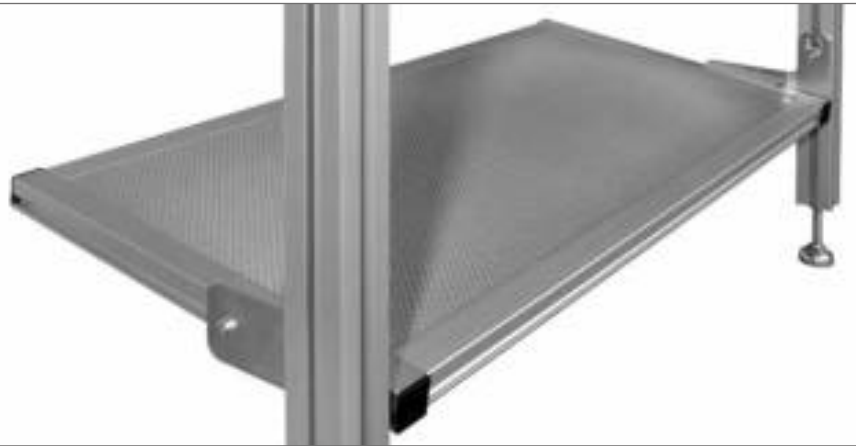
Anwendung	Klemmhalter für die Aufnahme von 7 – 10 Zoll großen Tablets. 10 Zoll Tablets können wahlweise hoch oder quer eingelegt werden. Mit dem integrierten Schnellverschluss lässt sich die Tablet-Halterung auf unsere Tragarme (Tragschlitten, Tragarm, Faltarm und ERGOtec-Serie) adaptieren.
Material	Acrylnitril-Butadien-Styrol (ABS), anthrazitgrau RAL 7016

Technische Änderungen vorbehalten.

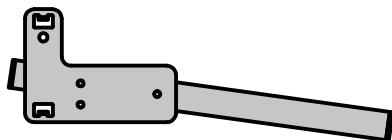
Tragschlitten, Tragarm, Faltarm  Monitortragarm ERGOtec I - III 



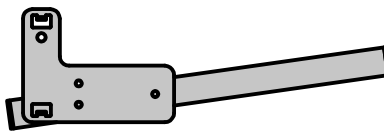
Fußauflage ECOsoft



Montagevariante I



Montagevariante II



Art.-Nr.	Artikel	T [mm]	B [mm]
13085	Fußauflage ECOsoft B = 700	400	700
13743	Fußauflage ECOsoft B = 900	400	900
13363	Fußauflage ECOsoft B = 1100	400	1100
13985	Fußauflage ECOsoft individuell	400	B = ...

Gerne bieten wir Ihnen auch weitere Varianten gemäß Ihren individuellen Anforderungen an.

Anwendung	Fußauflagen finden bei Sitz-/Steharbeitsplätzen ihre Anwendung bei denen sowohl im Sitzen als auch im Stehen ergonomisch gearbeitet werden kann. Mit der innovativen Softtouchoberfläche werden die Gelenke der Mitarbeiter sehr schonend behandelt. Der Einsatz eines Kautschukbelages garantiert eine sehr verschleißfeste und widerstandsfähige Oberfläche.
Material	Befestigungswinkel: Stahl, verzinkt und blau chromatiert; Profilrahmen: Aluminium, natur eloxiert; Trägerplatte: Polystyrol, schwarz; Belag der Fußauflage: Kautschukbelag, grau schwarz gepunktet

Technische Änderungen vorbehalten.



REALISIERUNG TELESKOPHUBSÄULEN



Sitz- /Steh-Montagearbeitsplatz mit 4 Teleskophubsäulen (blau markiert)



Hubsäule ausgefahren



Hubsäule eingefahren

Ergonomisch. Entlastend. Produktiv.

Mit den Teleskophubsäulen CLEANlift schaffen Sie **ergonomisch** optimale **Arbeitsplatzbedingungen**. Der höhenverstellbare Arbeitsplatz passt sich **individuell** an jeden Mitarbeiter und jedes Produkt an. Sie **reduzieren die Belastung** der Werker/innen, **erleichtern die Arbeit** und **steigern** damit die **Produktivität**.

Unser Arbeitsplatz passt sich an:

- Verschiedenste Körpergrößen
- Jedes Alter (Demografischer Wandel)
- Jede Tätigkeit (sitzend oder stehend)
- Jedes Produkt (niedrige oder hohe Teile)
- Um (Greif-)Wege zu verkürzen und eine Arbeitserleichterung zu schaffen



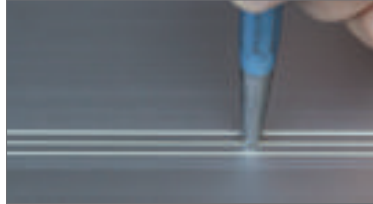
Der Mehrwert

- geschlossene Bauform
- Cleanroom tauglich
- 6 Universalnuten zur Adaption mit den gängigen Aluminiumprofilsystemen
- komplett integrierter Antrieb
- kompakte Bauform
- wahlweise 2 Antriebsversionen
- geringes Eigengewicht
- Synchronbetrieb von bis zu 12 Hubsäulen möglich
- geräuscharmer Antrieb
- Fahrgestell ERGOmobile

Öffnung der 8 mm Universal-Nut



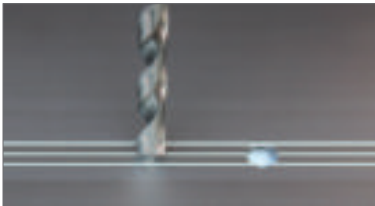
Bohrungspositionen anzeichnen



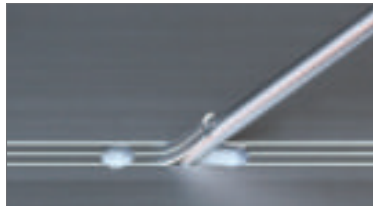
Bohrungsposition ankörnen



Bohrung Nr.1 einbringen



Bohrung Nr.2 einbringen



Befestigungsnut öffnen



Verfügbare Montagenut

Zubehör für Teleskophubsäule



Handschalter Memory



Handschalter Auf / Ab



Steuerung EU-Ausführung



Anschlusskabel für Steuerung EU-Ausführung

Fahrgestell ERGOmobile



Hubsäule eingefahren, Rollen aktiv



Hubsäule ausgefahren, Rollen inaktiv

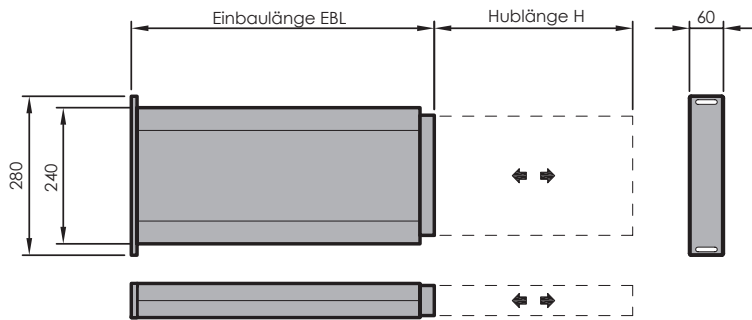


Hubsäule ausgefahren, Rollen inaktiv





Teleskophubsäule CLEANlift



Art.-Nr.	Artikel	EBL [mm]	Hublänge H [mm]	Druckkraft F [N]	V_{max} [mm/s]	Hinweise
14375	Teleskophubsäule CL350-1600	530	350	2000	9	
14377	Teleskophubsäule CL400-1600	580	400	2000	9	
14379	Teleskophubsäule CL450-1600	630	450	2000	9	
14381	Teleskophubsäule CL500-1600	680	500	2000	9	
14383	Teleskophubsäule CLH-1600	H+180	H	2000	9	Kundenspezifische Hublänge H
14376	Teleskophubsäule CL350-3200	530	350	3200	9	
14378	Teleskophubsäule CL400-3200	580	400	3200	9	
14380	Teleskophubsäule CL450-3200	630	450	3200	9	
14382	Teleskophubsäule CL500-3200	680	500	3200	9	
14384	Teleskophubsäule CLH-3200	H+180	H	3200	9	Kundenspezifische Hublänge H

Gerne bieten wir Ihnen auch weitere Varianten gemäß Ihren individuellen Anforderungen an.

Anwendung Mit der Teleskophubsäule CLEANlift wird die Basis für ergonomisch optimale Arbeitsplatzbedingungen gesetzt. Höhenverstellbare Arbeitsplätze passen sich individuell an jeden Mitarbeiter und jedes Produkt an. Mit höhenverstellbaren Betriebsmitteln wird die Belastung der Werker/innen reduziert, die Arbeit erleichtert und damit schließlich Produktivitätssteigerung generiert. Mit der geschlossenen Bauform (Reinraumanwendungen), der an 6 Stellen vorhandenen aufreißbaren 8mm Universal-Nut und der kompakten Bauform durch den komplett integrierten Antrieb wird mit dem CLEANlift der Standard für Teleskophubsäulen gesetzt.

Material **Innen- und Außenprofil:** Aluminium, natur eloxiert

Technische Änderungen vorbehalten.

Zubehör für Teleskophubsäule CLEANlift **5**

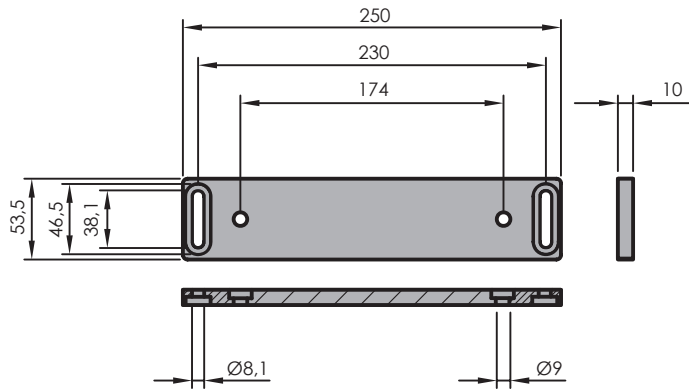
Zubehör für Teleskophubsäule CLEANlift



Handschalter Memory



Handschalter Auf / Ab



Montageplatte für Innenprofil



Steuerung EU-Ausführung



Anschlusskabel für Steuerung EU-Ausführung

Art.-Nr.	Artikel	Hinweise
14817	Steuerung für 1-3 Hubsäulen EU-Ausführung	Für den Synchronbetrieb von 1-3 Hubsäulen. EU-Ausführung.
14818	Steuerung für 1-3 Hubsäulen US-Ausführung	Für den Synchronbetrieb von 1-3 Hubsäulen. US-Ausführung.
14820	Anschlusskabel 2m für Steuerung US-Ausführung	US-Ausführung.
14821	Anschlusskabel 2m für Steuerung CH-Ausführung	CH-Ausführung.
14822	Handschalter Auf / Ab	Handschalter mit Auf, Ab Tasten.
14823	Handschalter Memory	Display-Handschalter mit Auf, Ab und Memory Tasten.
14824	Linkkabel 0,5m	1 Linkkabel zur Kaskadierung von 2 Steuerungen für den Synchronbetrieb von 4-6 Hubsäulen erforderlich.
14825	Linkkabel 1,5m	3 Linkkabel zur Kaskadierung von 3 Steuerungen für den Synchronbetrieb von 7-9 Hubsäulen erforderlich. 4 Linkkabel zur Kaskadierung von 4 Steuerungen für den Synchronbetrieb von 10-12 Hubsäulen erforderlich.
14997	Anschlusskabel 1m für Steuerung EU-Ausführung, EU-Ausführung	
14998	Anschlusskabel 2m für Steuerung EU-Ausführung, EU-Ausführung	
14386	Montageplatte Innenprofil	

Gerne bieten wir Ihnen auch weitere Varianten gemäß Ihren individuellen Anforderungen an.

Anwendung Zubehör für den Betrieb von 1 bis 12 Hubsäulen in den vielfältigsten Kombinationen.

Material **Montageplatte für Innenprofil:** Aluminium, natur eloxiert

Technische Änderungen vorbehalten.



REALISIERUNG GREIFRINNENPROFIL, TRENNSTEG



Kleinteilebereitstellung, Entnahme mit Vereinzelung über Abstreifgriff

Prozesssicher. Platzsparend. Effektiv.

Mit dem Greifrinnenprofil und den Trennstegen lässt sich die Kleinteilebereitstellung an Montagearbeitsplätzen **ergonomisch** und **wirtschaftlich** abbilden.

Die Werker/innen sind dadurch in der Lage **schnell** und **sicher** die Bauteile in einem Zuge zu vereinzeln und abzugreifen. Unterschiedliche Befestigungsvarianten an der Greifrinne ermöglichen die einfache Anbindung an Zuführstrecken, Materialebenen u. ä..

Die Montage der Trennstege erfolgt wahlweise durch **Klipsen** oder **Schrauben**. Zur Identifikation der Bauteile besteht die Möglichkeit im Rücken einen handelsüblichen **Beschriftungs-Clip** anzubringen.

Vorteile der Kleinteilebereitstellung über die Greifrinne

- Kontur zur Vereinzelung der Kleinteile im Abstreifgriff
- Clip-Mechanik zur beliebigen Befestigung der Trennstege an der Greifrinne ohne Bohren und Schrauben
- Adaption der Greifrinne über 8 mm Universalnut mit branchenüblichen Nutzensteinen
- Adaption der Greifrinne über 13 mm Nut für die Einbringung von Normmuttern (Schlüsselweite 13, M8)
- Kontur für Beschriftungs-Clip zur Artikelkennzeichnung
- Standard- und ESD-Variante von Greifrinne und Trennsteg



Greifriinnenprofil und Trennsteg zur Kleinteilbereitstellung an Montagearbeitsplätzen

Der Mehrwert

- Stabile und effektive (Klein-) Teilebereitstellung und -vereinzelung
- Flexibel anpassbar an Produktwechsel
- Reduzierter Platzbedarf
- Geringer Investitionsbedarf
- Qualitätsverbesserung
- Produktivitätssteigerung



Beschriftungs-Clips zur Fachkennzeichnung



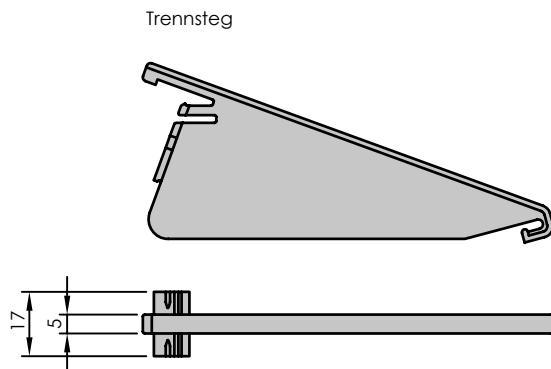
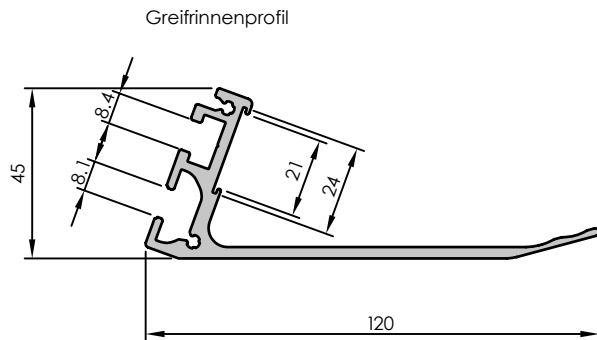
Einfaches Einrasten der Trennsteg





Greifrinnenprofil

Trennsteg für Greifrinnenprofil



Trägheitsmoment I_x [cm ⁴]	10,8
Trägheitsmoment I_y [cm ⁴]	60,3
Widerstandsmoment W_x [cm ³]	3,2
Widerstandsmoment W_y [cm ³]	7,4
Profilfläche A [cm ²]	5,9
Masse m [kg / m]	1,6

Art.-Nr.	Artikel	Länge [mm]	Hinweise
14580	Greifrinnenprofil 45x120 Zuschnitt	L = ... (0 < L ≤ 6000)	
14581	Greifrinnenprofil 45x120 Zuschnitt	L = ... (0 < L ≤ 1500)	
14578	Greifrinnenprofil 45x120	60 Stück à L = 6070	
14579	Greifrinnenprofil 45x120	60 Stück à L = 1570	
14576	Trennsteg für Greifrinnenprofil		Farbe ähnlich lichtgrau RAL 7035
14577	Trennsteg für Greifrinnenprofil		Farbe ähnlich

Gerne bieten wir Ihnen auch weitere Varianten gemäß Ihren individuellen Anforderungen an.

Anwendung	Mit den Greifrinnen und Trennstegen lässt sich die Kleinteilebereitstellung an Montagearbeitsplätzen ergonomisch und wirtschaftlich abbilden. Die Werker / innen sind in die Lage schnell und sicher die Bauteile abzugreifen. Die Greifrinne ist im Rücken mit einer 8mm Universalnut und einer Nut für die Einbringung von Normmuttern zur Anbindung an die Materialbereitstellungsebenen ausgeführt. Am Zungenende ist eine Vereinzelungskontur angebracht um im Abstreifgriff Kleinteile einzeln zu entnehmen. Mit den Trennstegen lässt sich die Greifrinne stufenlos unterteilen. Der Clip-Mechanismus der Trennstege ermöglicht ohne zu Schrauben kürzeste Montagezeiten. Zur Kennzeichnung der Fächer ist im Rücken des Greifrinnenprofils eine Kontur zur Aufnahme von Beschriftungs-Clips angebracht.
Material	Greifrinnenprofil: Aluminium, natur eloxiert; Trennsteg: POM (Polyoxymethylen)

Technische Änderungen vorbehalten.



Federzug

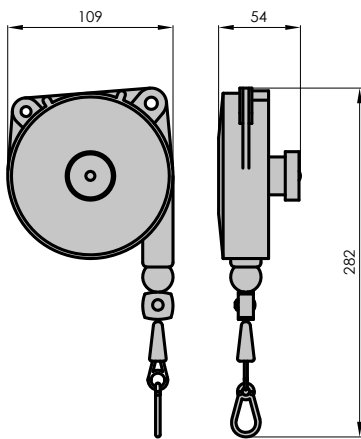


Karabinerhaken

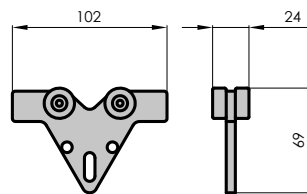
Laufwagen

Hängegleiter

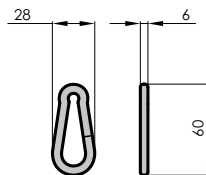
Federzug 10520, 10558



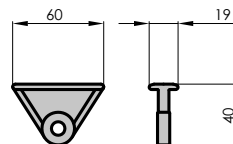
Laufwagen



Karabinerhaken



Hängegleiter



Art.-Nr.	Artikel	Träglast [kg]	Seilauszug [mm]
10520	Federzug 0,5 - 1,0kg	0,5 ... 1,0	1600
10558	Federzug 1,0 - 2,0kg	1,0 ... 2,0	1600
10559	Federzug 2,0 - 4,0kg	2,0 ... 4,0	2000
11048	Karabinerhaken		
10405	Laufwagen für Profilschiene 30x45C		
10066	Hängegleiter		

Gerne bieten wir Ihnen auch weitere Varianten gemäß Ihren individuellen Anforderungen an.

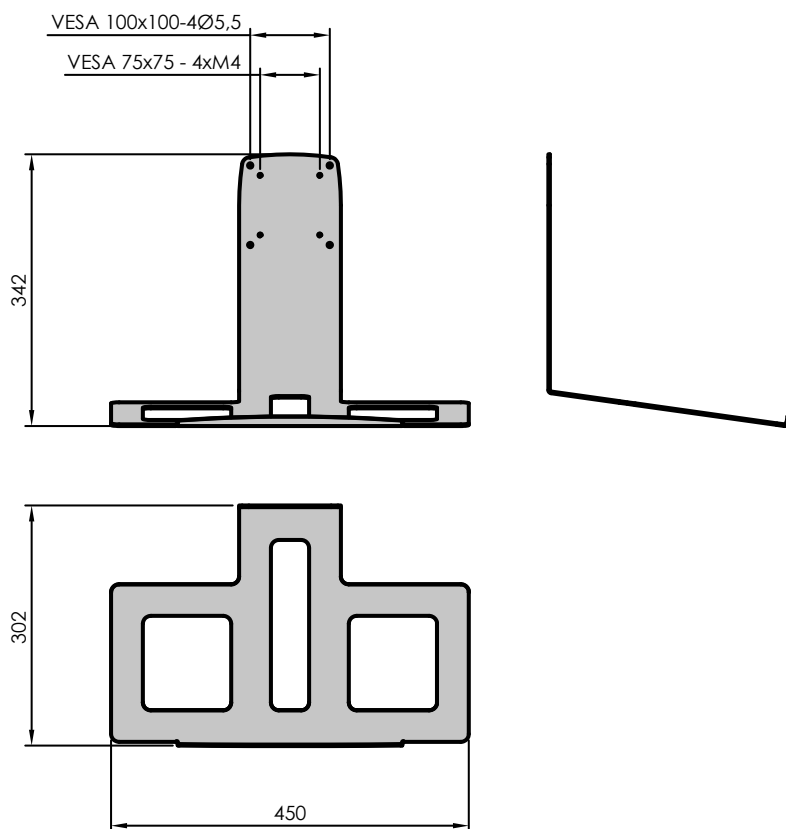
Anwendung Federzüge werden zur ergonomischen Bereitstellung von Werkzeugen wie z. B. Schraubern an Industrie-Arbeitsplätzen eingesetzt. Die Traglast und Auszugslänge ist im angegebenen Bereich einstellbar. Die Montage des Federzuges am Arbeitsplatz erfolgt über Hängegleiter oder Laufwagen mit dem Karabinerhaken. Am Stahlseil des Federzuges ist ein weiterer Karabinerhaken zur Adaption des Werkzeuges integriert.

Material **Gehäuse Federzug:** Aluminium; **Seil Federzug:** rostfreier Stahl

Technische Änderungen vorbehalten.



Bildschirm-Tastaturhalter



Art.-Nr.	Artikel
14831	Bildschirm-Tastaturhalter

Gerne bieten wir Ihnen auch weitere Varianten gemäß Ihren individuellen Anforderungen an.

Anwendung	Der Bildschirm-Tastaturhalter ermöglicht die platzsparende Ablage der Tastatur direkt beim Bildschirm auf dem Monitortragarm. Auch bei Anwendungen bei denen keine Tischplatte für die Ablage der Tastatur vorhanden ist, lässt sich der Bildschirm-Tastaturhalter hervorragend einsetzen.
Material	Stahlblech, Pulverbeschichtung lichtgrau RAL 7035

Technische Änderungen vorbehalten.



KLT-KippBox



Tischmontage Schwenkvorgang
Beladeposition in Entnahmeposition

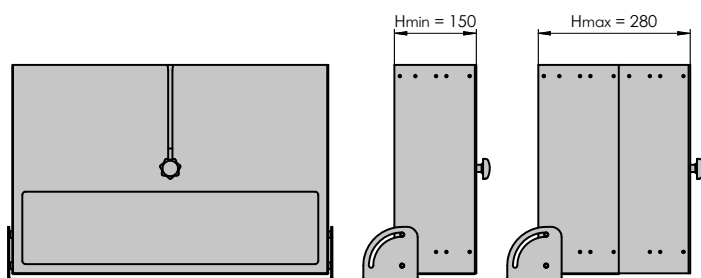


Tischmontage Entnahmeposition
14916 mit 2 KLT 400x300 längs

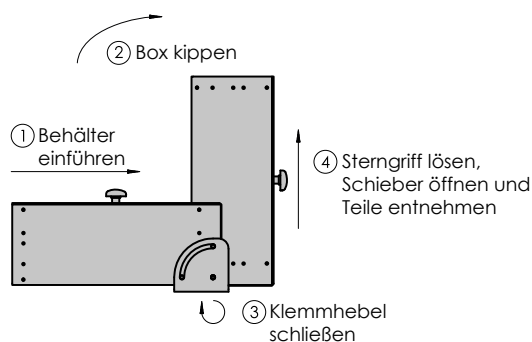


Wandmontage Entnahmeposition
14916 mit KLT 600x400 quer

KLT-KippBox 600x400 quer



Anwendung



Art.-Nr.	Artikel	Behälterformat	H ₁ [mm]	H ₂ [mm]	H ₃ [mm]	H ₄ [mm]	H ₅ [mm]
14915	KLT-KippBox 600x400 längs H= 150-280 ESD	600x400 längs	150	180	220	240	280
14916	KLT-KippBox 600x400 quer H= 150-280 ESD	600x400 quer	150	180	220	240	280
14917	KLT-KippBox 400x300 längs H= 150-280 ESD	400x300 längs	150	180	220	240	280
14918	KLT-KippBox 400x300 quer H= 150-280 ESD	400x300 quer	150	180	220	240	280

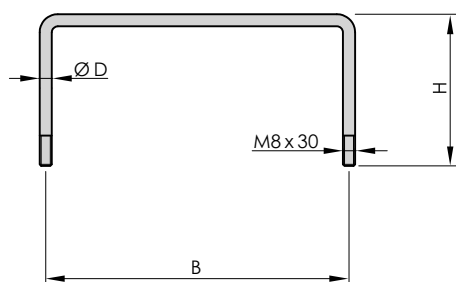
Gerne bieten wir Ihnen auch weitere Varianten gemäß Ihren individuellen Anforderungen an.

Anwendung	Mit der KLT-KippBox werden Transportbehälter zu Greifbehälter. Dabei müssen die Bauteile nicht von einem Transportbehälter in den Greifbehälter umgefüllt werden. Dies ist nicht wertschöpfend und führt i. d. R. zu Bauteilbeschädigungen. Die Behältervarianten werden dadurch deutlich minimiert. Der Behälter wird in der horizontalen Anordnung in die Box geschoben. Die Box wird gekippt und in der gewünschten Winkelstellung mit dem Klemmhebel fixiert. Der in der Box integrierte Schieber wird geöffnet und mit dem Sterngriff auf der gewünschten Position festgestellt (oder je nach Anwendung auch wieder verschlossen). Die Bauteile lassen sich dann für den Montage-, Kommissionier- oder Prüfablauf entnehmen. Das Schwenkelement ist für den Tisch- und den Wandanbau geeignet. Optional kann man mit dem Anbau einer Greifrinne die Bauteilentnahme noch perfektionieren. In die KLT-KippBox im Format 600x400 quer lassen sich auch zwei 400x300mm Behälter im Format längs einsetzen. Durch die 2-teilige Ausführung der Box können unterschiedliche Behälterhöhen abgebildet werden. Ober- und Unterteil der Box wird über mehrere Positionen vernietet. Nachträglich können die Nieten auch wieder entfernt werden und die KLT-KippBox für andere Behälterhöhen modifiziert werden.
Material	Schwenkelement: Stahlblech verzinkt, blau chromatiert; Box mit Schieber: Stahlblech, pulverbeschichtet lichtgrau RAL 7035

Technische Änderungen vorbehalten.



Trennbügel



Art.-Nr.	Artikel	B [mm]	H [mm]	D [mm]
15103	Trennbügel 200x100	200	100	7,1
15104	Trennbügel 200x200	200	200	7,1
15105	Trennbügel 300x150	300	150	7,1
15106	Trennbügel 300x300	300	300	7,1
15107	Trennbügel 400x200	400	200	7,1
15108	Trennbügel 400x400	400	400	7,1
15110	Bundmutter M8			
10829	Nutenstein M8 für 8mm Nut			
11178	Nutenstein M8 für 10mm Nut			

Gerne bieten wir Ihnen auch weitere Varianten gemäß Ihren individuellen Anforderungen an.

Anwendung	Trennbügel werden bevorzugt für die Bereitstellung von Faltpartonagen eingesetzt. Zwei Befestigungsvarianten stehen zur Verfügung. Bei der Variante 1 werden pro Bügel zwei 9mm Bohrungen in das Flächenelemente eingebracht und der Trennbügel pro Bügelseite über 2 Bundmuttern befestigt. Bei Variante 2 erfolgt die Bügelbefestigung über die Profilmuten der Aluminiumstrebenprofilen. Bei dieser Befestigungsvariante wird pro Bügelseite eine Bundmutter und ein Nutenstein (passend zur Profilmute auswählen) auf das Gewinde aufgebracht. Der Nutenstein mit dem Trennbügel wird in das Profil eingeschoben und über die Bundmutter befestigt. Durch Lösen der Bundmutter lässt sich der Trennbügel stufenlos entlang der Profilmute verschieben und neu positionieren.
Material	Trennbügel: Stahldraht, Pulverbeschichtung lichtgrau RAL 7035; Bundmutter, Nutenstein: Stahl verzinkt, blau chromatiert

Technische Änderungen vorbehalten.

INDEX



REALISIERUNG

STREBENPROFILE



REALISIERUNG

VERBINDUNGSTECHNIK



REALISIERUNG

BODENELEMENTE



REALISIERUNG

ARBEITSPLATZGESTALTUNG



REALISIERUNG

ZUBEHÖR

6



KONSTRUKTION



REALISIERUNG

INDIVIDUAL-APPLIKATIONEN



KONSTRUKTION



REALISIERUNG

APPLIKATIONEN



TOOLS

FABRIKPLANUNG



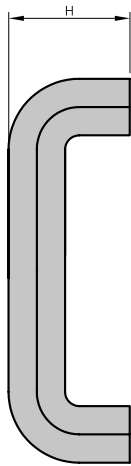
WORKSHOPS



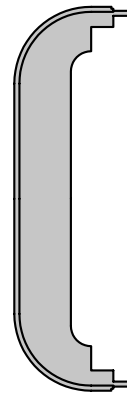
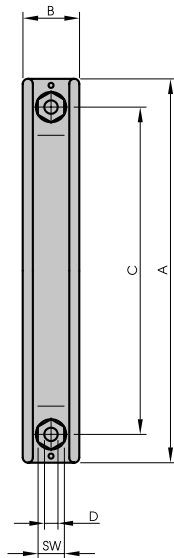
TOOLS

WORKSHOPS, TOOLS

Bügelgriff



Bügelgriff



Abdeckung Bügelgriff

Art.-Nr.	Artikel	A [mm]	B [mm]	C [mm]	D [mm]	H [mm]	SW [mm]
40173	Bügelgriff 80	90	12	80	4,5	32	7
40174	Bügelgriff 80 LE10	90	12	80	4,5	32	7
40175	Bügelgriff 120	136	16	120	5,5	48	8
40176	Bügelgriff 120 LE10	136	16	120	5,5	48	8
40177	Bügelgriff 160	188	28	160	8,5	60	13
40178	Bügelgriff 160 LE10	188	28	160	8,5	60	13
40179	Abdeckung Bügelgriff 160						
40180	Abdeckung Bügelgriff 160 LE10						

Gerne bieten wir Ihnen auch weitere Varianten gemäß Ihren individuellen Anforderungen an.

Anwendung Der Bügelgriff wird an Schwenk- und Schiebetüren, an Schubladen, Transportwagen sowie an Klappen eingesetzt.

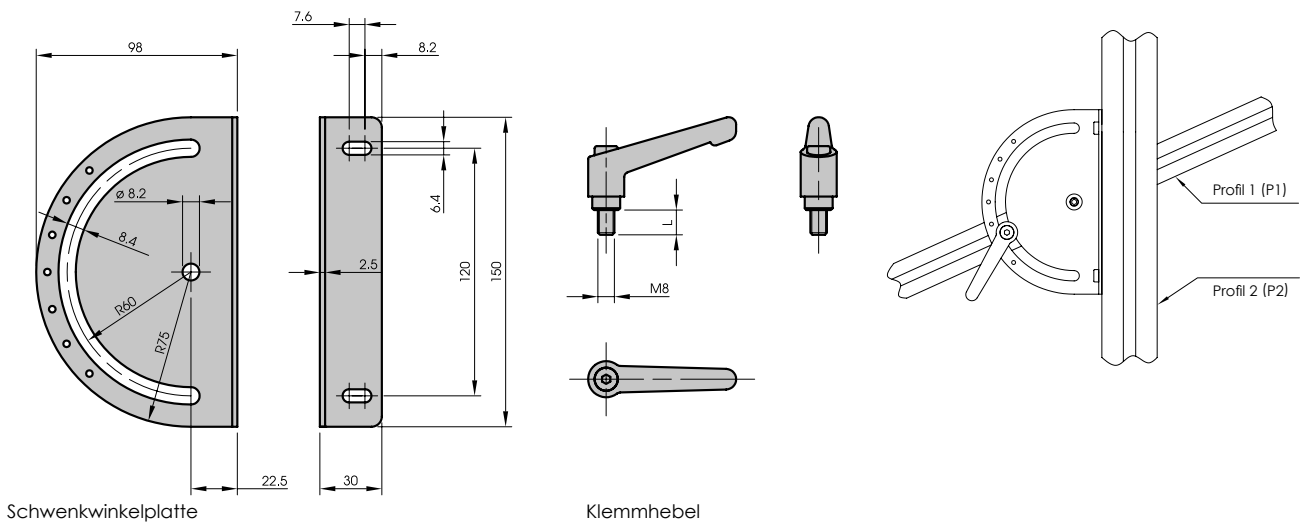
Material Polyamid glasfaserverstärkt, schwarz

Technische Änderungen vorbehalten.



Schwenkbefestigungssatz

Klemmhebel



Schwenkwinkelplatte

Klemmhebel

Art.-Nr.	Artikel	Maße / Hinweise	Nut Profil 1	Nut Profil 2
10312	Schwenkbefestigungssatz 8/8		8	8
10311	Schwenkbefestigungssatz 8/10		8	10
10314	Schwenkbefestigungssatz 10/8		10	8
10313	Schwenkbefestigungssatz 10/10		10	10
10232	Klemmhebel L12	L = 12mm		
10577	Klemmhebel L16	L = 16mm		
10578	Klemmhebel L20	L = 20mm		

Gerne bieten wir Ihnen auch weitere Varianten gemäß Ihren individuellen Anforderungen an.

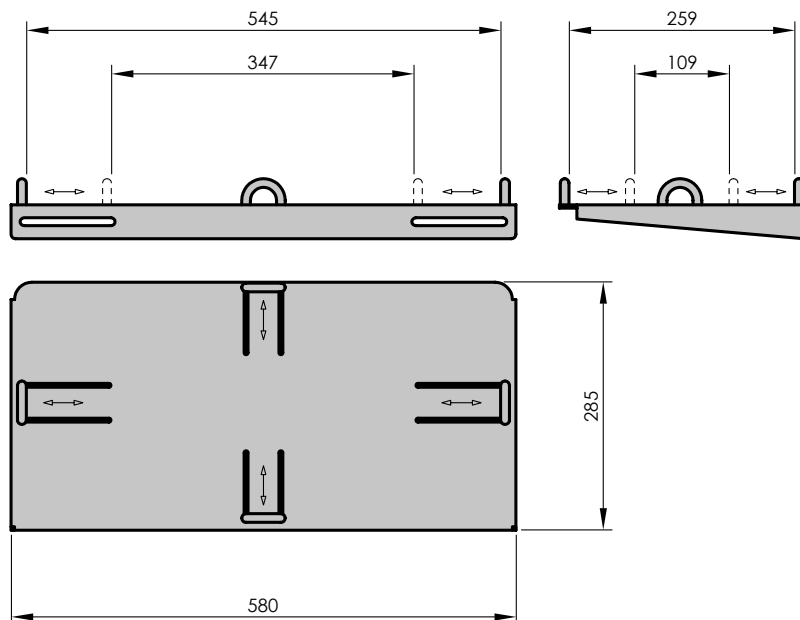
Anwendung Der Schwenkbefestigungssatz wird für Ablagen u. a. eingesetzt. Ohne die Verwendung von Werkzeugen lassen sich die Ablagen schnell und einfach ergonomisch variabel positionieren. Der Schwenkbefestigungssatz beinhaltet die komplette Verbindungstechnik inklusive Klemmhebel.

Material Stahl, verzinkt und blau chromatiert

Technische Änderungen vorbehalten.



PC-Ablage



Art.-Nr.	Artikel	Maße / Hinweise
11127	PC-Ablage	Die PC-Ablage ist als Selbstmontagebausatz ausgeführt und besteht aus einer PC-Ablageplatte, vier Fixierbügel sowie dem Befestigungsmaterial (8 Schrauben, 8 Scheiben).

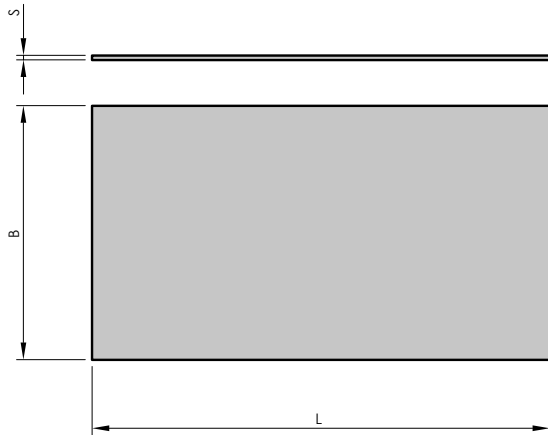
Gerne bieten wir Ihnen auch weitere Varianten gemäß Ihren individuellen Anforderungen an.







Anwendung	Mit der PC-Ablage werden PC-Tower am Arbeitsplatz sicher und platzsparend untergebracht. Dabei werden die beigelegten Fixierbügel individuell an das PC-Gehäuse angeschoben und anschließend verschraubt, so dass damit das PC-Gehäuse in jegliche horizontale Richtung sicher fixiert ist. Durch die in die Ablageplatte eingebrachten Langlöcher können die Fixierbügel bei jedem handelsüblichen PC-Gehäuse individuell positioniert werden.
Material	Ablageplatte: Stahlblech, pulverbeschichtet lichtgrau RAL 7035 Fixierbügel: Polyamid, ultramarinblau RAL 5002

Technische Änderungen vorbehalten.



Flächenelemente Schichtstoff



Art.-Nr.	Artikel	Dekor	Kern	S [mm]	L [mm]	B [mm]
11225	Schichtstoffplatte (HPL) Zuschnitt	lichtgrau (RAL 7035)	schwarz	5	L = ... (L ≤ 2780)	B = ... (B ≤ 2060)
11226	Schichtstoffplatte (HPL) Zuschnitt	lichtgrau (RAL 7035)	schwarz	10	L = ... (L ≤ 2780)	B = ... (B ≤ 2060)
14557	Schichtstoffplatte (HPL) Zuschnitt	lichtgrau (RAL 7035)	schwarz	20	L = ... (L ≤ 2780)	B = ... (B ≤ 2060)
14805 	Schichtstoffplatte ESD-Ausführung (ESD-HPL) Zuschnitt	lichtgrau (RAL 7035)	schwarz	5	L = ... (L ≤ 2500)	B = ... (B ≤ 1280)
14806 	Schichtstoffplatte ESD-Ausführung (ESD-HPL) Zuschnitt	lichtgrau (RAL 7035)	schwarz	10	L = ... (L ≤ 2500)	B = ... (B ≤ 1280)
14807 	Schichtstoffplatte ESD-Ausführung (ESD-HPL) Zuschnitt	lichtgrau (RAL 7035)	schwarz	15	L = ... (L ≤ 2500)	B = ... (B ≤ 1280)
14180	Schichtstoffplatte (HPL)	lichtgrau (RAL 7035)	schwarz	5	2800	2070
14181	Schichtstoffplatte (HPL)	lichtgrau (RAL 7035)	schwarz	10	2800	2070
14182	Schichtstoffplatte (HPL)	lichtgrau (RAL 7035)	schwarz	20	2800	2070
14790 	Schichtstoffplatte ESD-Ausführung (ESD-HPL)	lichtgrau (RAL 7035)	schwarz	5	2520	1300
14791 	Schichtstoffplatte ESD-Ausführung (ESD-HPL)	lichtgrau (RAL 7035)	schwarz	10	2520	1300
14792 	Schichtstoffplatte ESD-Ausführung (ESD-HPL)	lichtgrau (RAL 7035)	schwarz	15	2520	1300

Gerne bieten wir Ihnen auch weitere Varianten gemäß Ihren individuellen Anforderungen an.

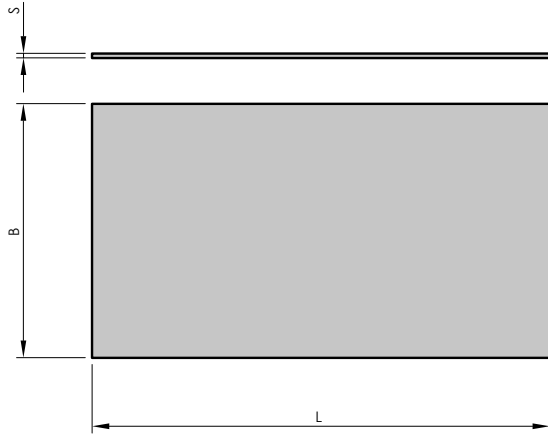
Anwendung Die Flächenelemente werden bei der Herstellung von Schutzeinrichtungen, Schutzzäunen, Trennwänden, Kabinen, Ablagen, etc. eingesetzt. Die ESD-Varianten sind volumenleifähig ausgeführt und entsprechen der DIN EN 61340-5-1.

Material Schichtstoffplatte mit Melaminharzdekor lichtgrau RAL 7035

Technische Änderungen vorbehalten.



Flächenelemente Polycarbonat



Art.-Nr.	Artikel	S [mm]	L [mm]	B [mm]
11214	Polycarbonat klar Zuschnitt	4	L = ... (L ≤ 3000)	B = ... (B ≤ 2000)
11219	Polycarbonat klar Zuschnitt	5	L = ... (L ≤ 3000)	B = ... (B ≤ 2000)
11220	Polycarbonat klar Zuschnitt	6	L = ... (L ≤ 3000)	B = ... (B ≤ 2000)
11221	Polycarbonat klar Zuschnitt	8	L = ... (L ≤ 3000)	B = ... (B ≤ 2000)
11222	Polycarbonat klar Zuschnitt	10	L = ... (L ≤ 3000)	B = ... (B ≤ 2000)
14886	Polycarbonat klar ESD-Ausführung Zuschnitt	4	L = ... (L ≤ 2000)	B = ... (B ≤ 1000)
14887	Polycarbonat klar ESD-Ausführung Zuschnitt	5	L = ... (L ≤ 2000)	B = ... (B ≤ 1000)
14888	Polycarbonat klar ESD-Ausführung Zuschnitt	6	L = ... (L ≤ 2000)	B = ... (B ≤ 1000)
14889	Polycarbonat klar ESD-Ausführung Zuschnitt	8	L = ... (L ≤ 2000)	B = ... (B ≤ 1000)
14890	Polycarbonat klar ESD-Ausführung Zuschnitt	10	L = ... (L ≤ 2000)	B = ... (B ≤ 1000)

Gerne bieten wir Ihnen auch weitere Varianten gemäß Ihren individuellen Anforderungen an.

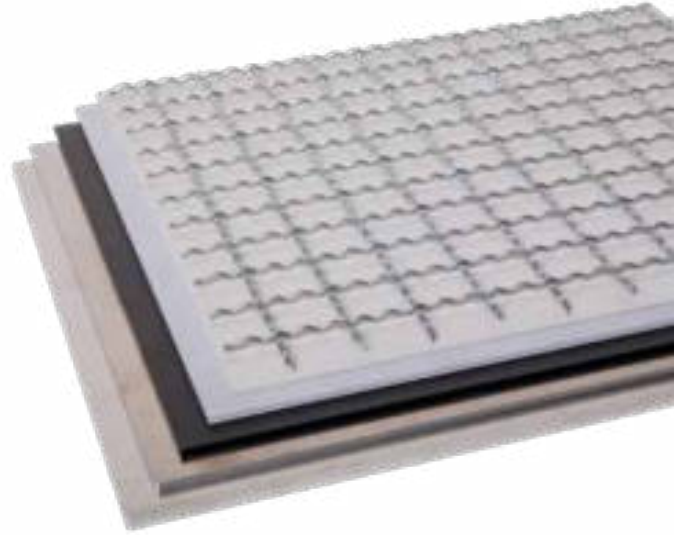
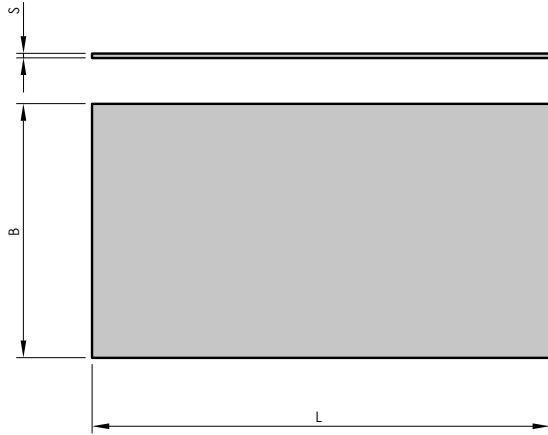
Anwendung Die Flächenelemente werden bei der Herstellung von Schutzeinrichtungen, Schutzzäunen, Trennwänden, Kabinen, Ablagen, etc. eingesetzt. Die ESD-Varianten sind volumenleifähig ausgeführt und entsprechen der DIN EN 61340-5-1.

Material Polycarbonat (PC)

Technische Änderungen vorbehalten.



Flächenelemente



Art.-Nr.	Artikel	S [mm]	L [mm]	B [mm]
11230	Polystyrol (PS) signalschwarz (RAL 9004) ESD-Ausführung Zuschnitt	5	L = ... (L ≤ 2000)	B = ... (B ≤ 1000)
14421	Polyvinylchlorid (PVC) lichtgrau (RAL 7035) Zuschnitt	5	L = ... (L ≤ 3000)	B = ... (B ≤ 1500)
14456	Wellengitter Stahl verzinkt 3 mm 30x30 Zuschnitt	5,8	L = ... (L ≤ 3000)	B = ... (B ≤ 2000)
14457	Wellengitter Stahl verzinkt 4 mm 40x40 Zuschnitt	7,3	L = ... (L ≤ 3000)	B = ... (B ≤ 2000)
14883	Aluminium AlMg3 walzblank Zuschnitt	5	L = ... (L ≤ 3000)	B = ... (B ≤ 1500)
14884	Aluminium AlMg3 walzblank Zuschnitt	10	L = ... (L ≤ 3000)	B = ... (B ≤ 1500)
11233	Stahlblech Pulverbeschichtung lichtgrau (RAL 7035) ESD-Ausführung Zuschnitt	1,5	L = ... (L ≤ 3000)	B = ... (B ≤ 1500)

Gerne bieten wir Ihnen auch weitere Varianten gemäß Ihren individuellen Anforderungen an.

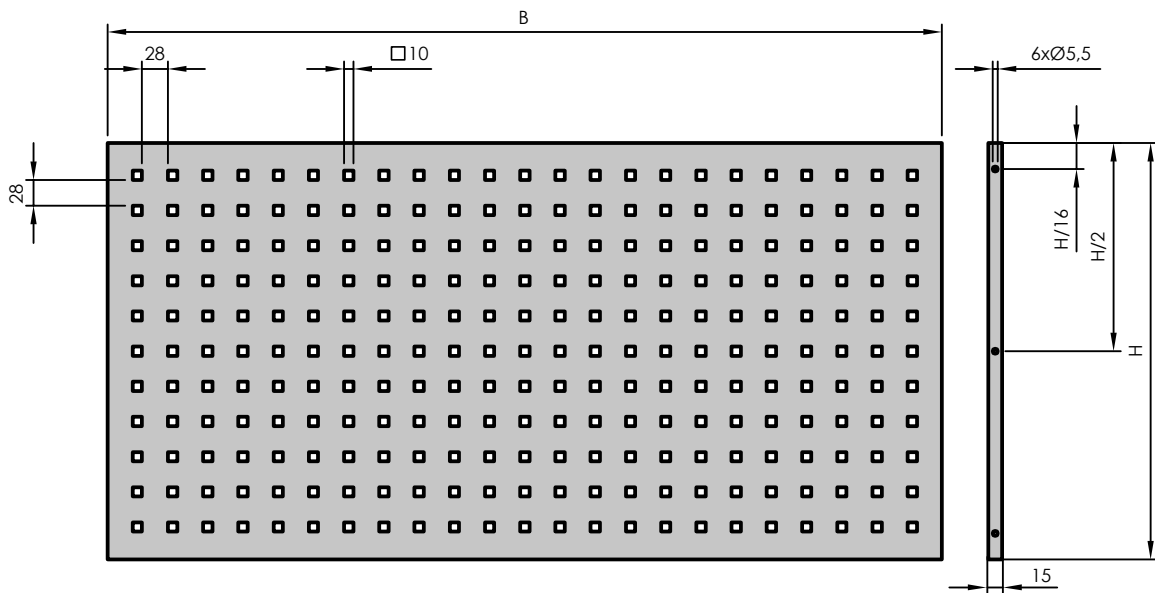
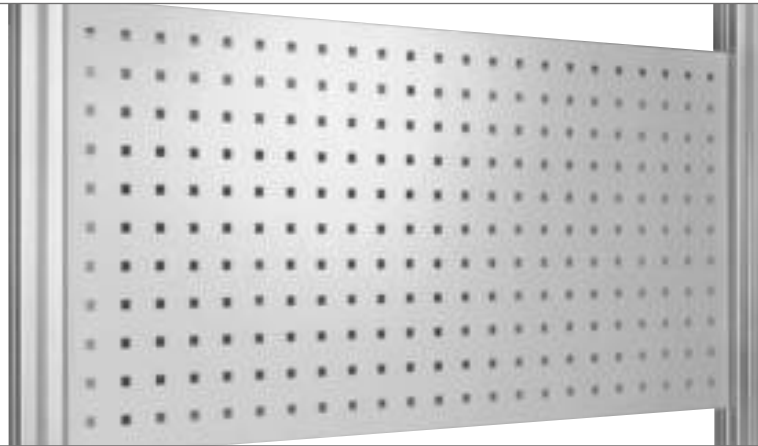
Anwendung Die Flächenelemente werden bei der Herstellung von Schutzeinrichtungen, Schutzzäunen, Trennwänden, Kabinen, Ablagen, etc. eingesetzt. Die ESD-Varianten sind volumenleifähig ausgeführt und entsprechen der DIN EN 61340-5-1.

Material Polystyrol (PS), Polyvinylchlorid (PVC), Stahl verzinkt, Stahl pulverbeschichtet, Aluminium walzblank.

Technische Änderungen vorbehalten.



Lochplatten



Art.-Nr.	Artikel	B [mm]	H [mm]
13979	Lochplatte B = 500	500	450
13980	Lochplatte B = 700	700	450
13981	Lochplatte B = 900	900	450
13982	Lochplatte B = 1100	1100	450
13983	Lochplatte B = 1400	1400	450
13984	Lochplatte individuell	B = ...	H = ...

Gerne bieten wir Ihnen auch weitere Varianten gemäß Ihren individuellen Anforderungen an.

Anwendung Die Lochplatten werden in Kombination mit den Halterungen für die Bereitstellung von Werkzeugen, Hilfs- und Betriebsmitteln am Arbeitsplatz eingesetzt. Mit den verschiedenen Halterungen lassen sich nahezu alle Werkzeuge ergonomisch und platzsparend am Arbeitsplatz bereitstellen. Mit der Vierkantlochung können Sie die ganze Bandbreite der Anordnungsvarianten umsetzen.

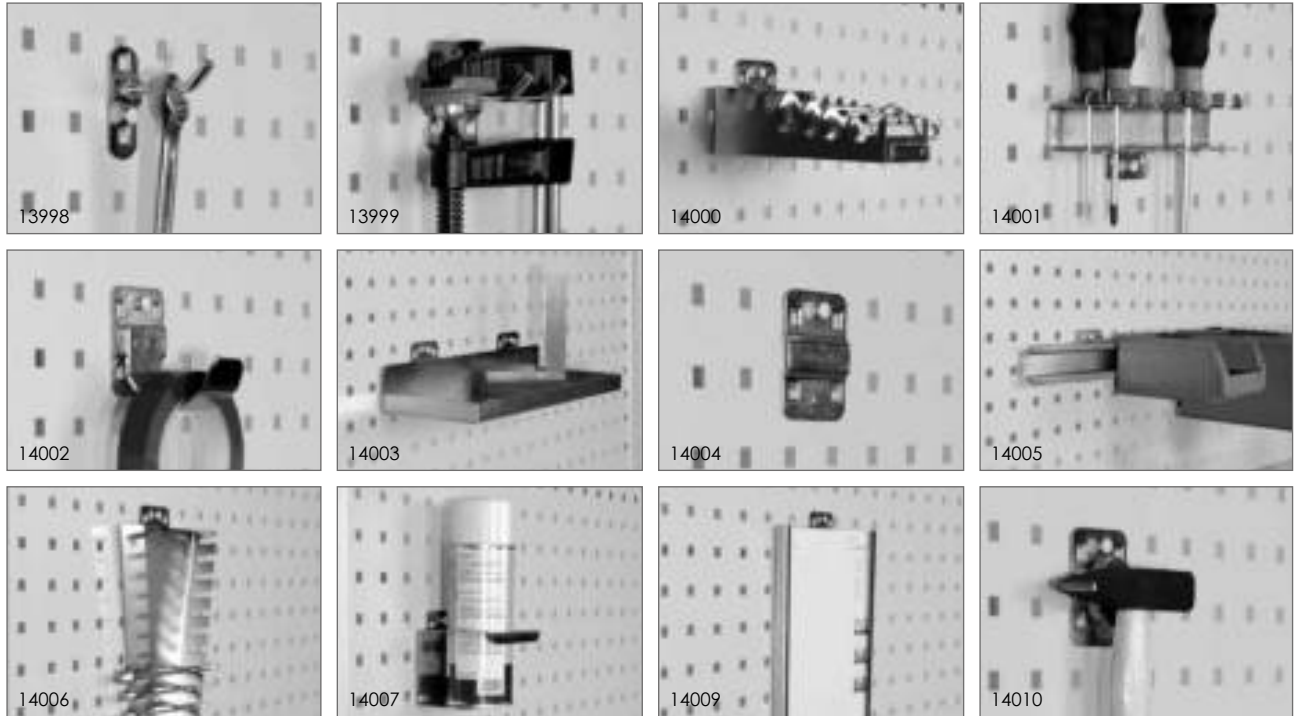
Material Stahlblech, pulverbeschichtet lichtgrau RAL 7035

Technische Änderungen vorbehalten.

Halterungen für Lochplatten **6**



Halterung für Lochplatten



Art.-Nr.	Artikel	Hinweise
13998	Werkzeughalter mit schrägem Hakenende	
13999	Werkzeughalter doppelt mit schrägem Hakenende	
14000	Schraubenschlüsselhalter	
14001	Schraubendreherhalter	
14002	Rohrhalter	
14003	Ablageboden	
14004	Grundplatte	
14005	Lagersichtkastenhalter	
14006	Schraubenschlüsselhalter senkrecht	
14007	Runddosenhalter	
14008	Papierrollenhalter	ohne Abbildung
14009	Zeichnungshalter	
14010	Magnethalter	

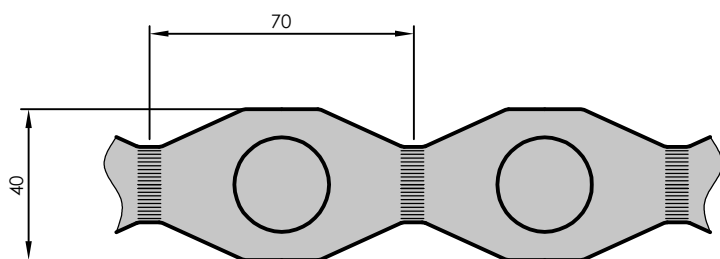
Gerne bieten wir Ihnen auch weitere Varianten gemäß Ihren individuellen Anforderungen an.

Anwendung Die Halterungen werden in Kombination mit den Lochplatten für die Bereitstellung von Werkzeugen, Hilfs- und Betriebsmitteln am Arbeitsplatz eingesetzt. Mit den verschiedenen Halterungen lassen sich nahezu alle Werkzeuge ergonomisch und platzsparend am Arbeitsplatz bereitstellen. Mit der Vierkantlochung können Sie die ganze Bandbreite der Anordnungsvarianten umsetzen.

Material Stahl, verzinkt und blau chromatiert

Technische Änderungen vorbehalten.

Magnetband BESTpoint



Art.-Nr.	Artikel
13745	Magnetband BESTpoint

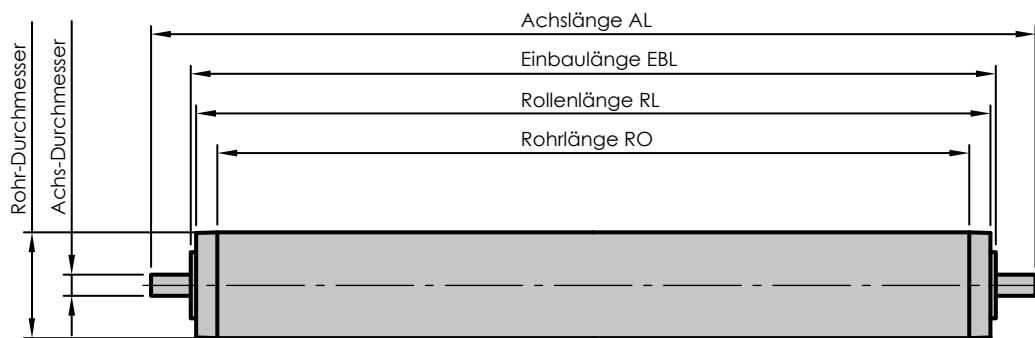
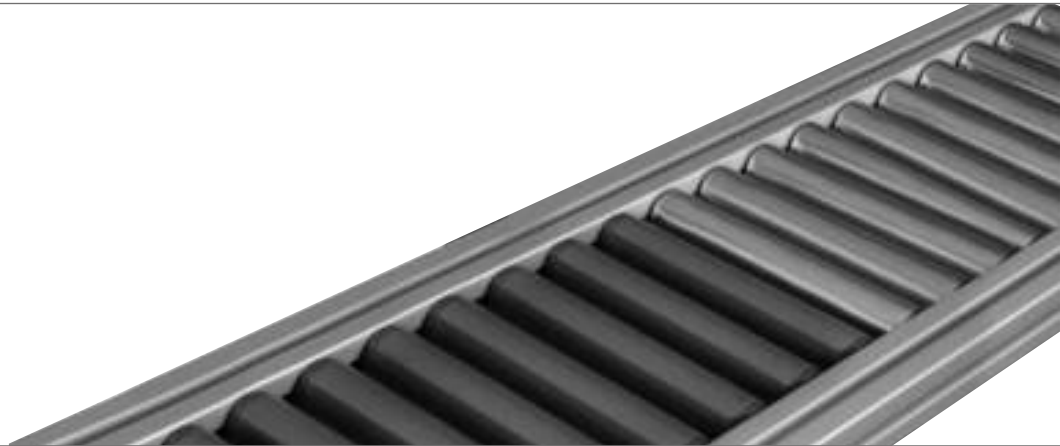
Gerne bieten wir Ihnen auch weitere Varianten gemäß Ihren individuellen Anforderungen an.

Anwendung	Das Magnetband dient zu Bereitstellung von eisenhaltigen Werkzeugen aller Art. Die Tragkraft beträgt $F = 10\text{N}$ pro Magnetglied. Das Magnetband besteht aus 10 Gliedern die abgetrennt und einzeln eingesetzt werden können.
Material	Ummantelung: PVC, schwarz

Technische Änderungen vorbehalten.



Schwerkrafttragrollen



Art.-Nr.	Artikel	Werkstoff (Rohr)	Achslänge AL [mm]	Einbaulänge EBL [mm]	Achsdurchmesser [mm]	Rohrdurchmesser [mm]
13993	Schwerkrafttragrolle EBL = 225	Hart PVC	245	225	8	40
13994	Schwerkrafttragrolle EBL = 325	Hart PVC	345	325	8	40
13995	Schwerkrafttragrolle EBL = 425	Hart PVC	445	425	8	40
13996	Schwerkrafttragrolle EBL = 525	Hart PVC	545	525	8	40
13997	Schwerkrafttragrolle individuell	Hart PVC	AL = ...	EBL = ...	8	40
13988	Schwerkrafttragrolle EBL = 225	Stahl VZ	245	225	8	40
13989	Schwerkrafttragrolle EBL = 325	Stahl VZ	345	325	8	40
13990	Schwerkrafttragrolle EBL = 425	Stahl VZ	445	425	8	40
13991	Schwerkrafttragrolle EBL = 525	Stahl VZ	545	525	8	40
13992	Schwerkrafttragrolle individuell	Stahl VZ	AL = ...	EBL = ...	8	40

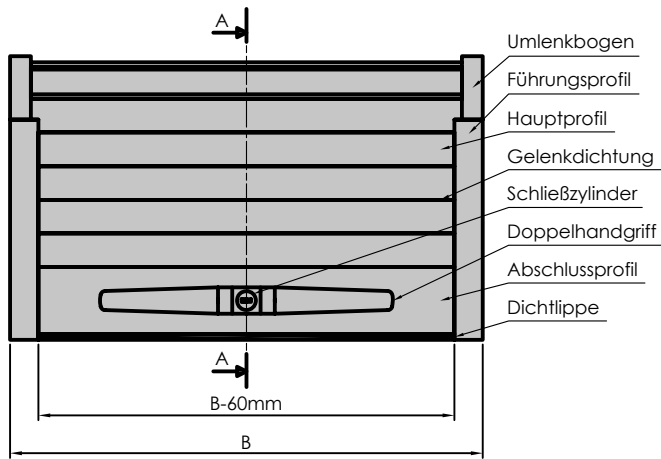
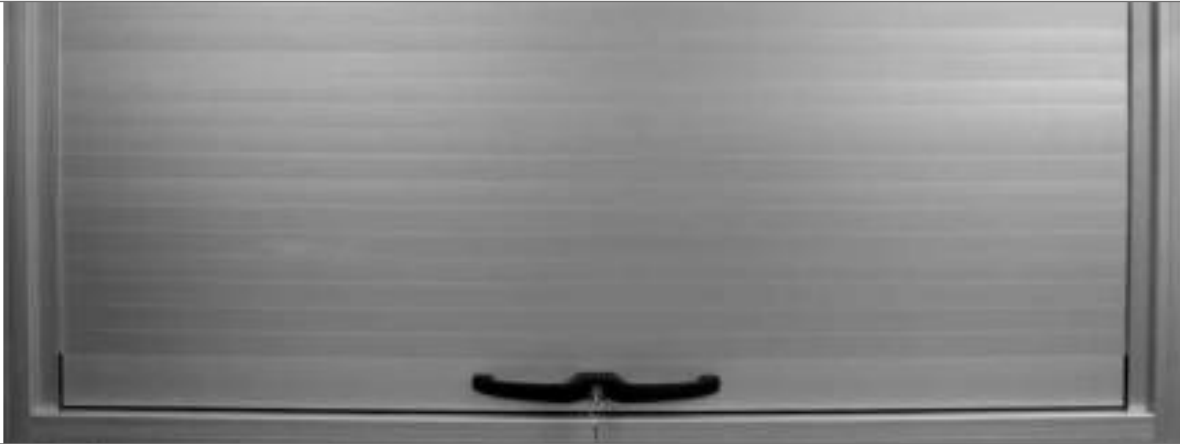
Gerne bieten wir Ihnen auch weitere Varianten gemäß Ihren individuellen Anforderungen an.

Anwendung Schwerkrafttragrollen werden für den innerbetrieblichen Materialtransport eingesetzt. Dabei kann man sowohl einzelne Arbeitsplätze miteinander verbinden, und das zu bearbeitende oder zu montierende Werkstück über Werkstückträger von A nach B transportieren, als auch die erforderlichen Komponenten über z. B. Kleinteileladungsträger (KLT) ergonomisch an den Verbrauchsstellen bereitstellen und die leeren KLT wieder vom Arbeitsplatz abtransportieren. Die Tragrollen sind mit Starrachsen ausgeführt.

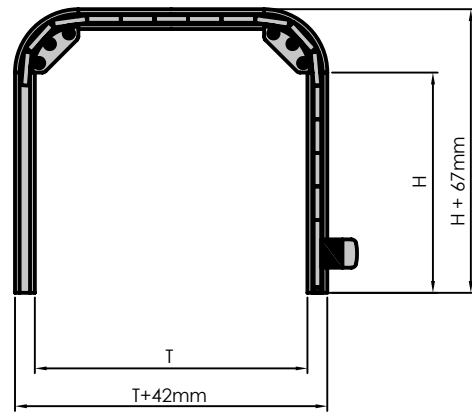
Material **Stahlrohr:** Stahl, verzinkt und blau chromatiert; **Kunststoffrohr:** Hart PVC, steingrau RAL 7030

Technische Änderungen vorbehalten.

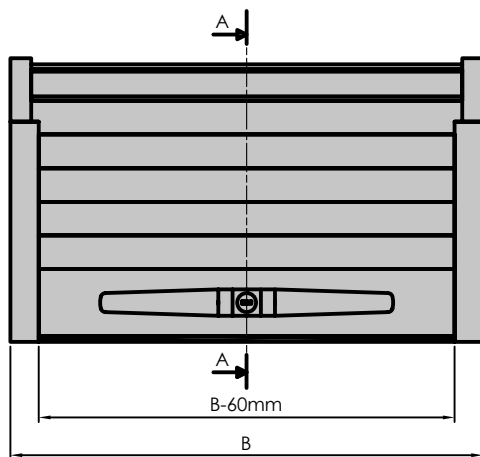
Rollladen



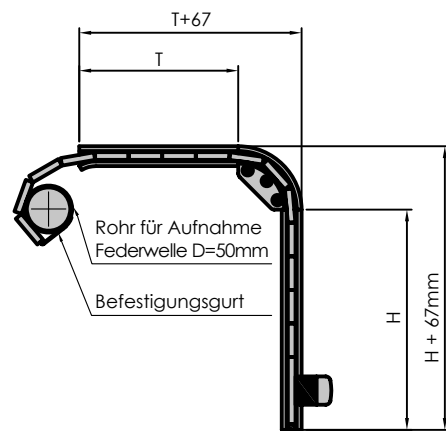
Anwendungsvariante I



Schnitt A-A

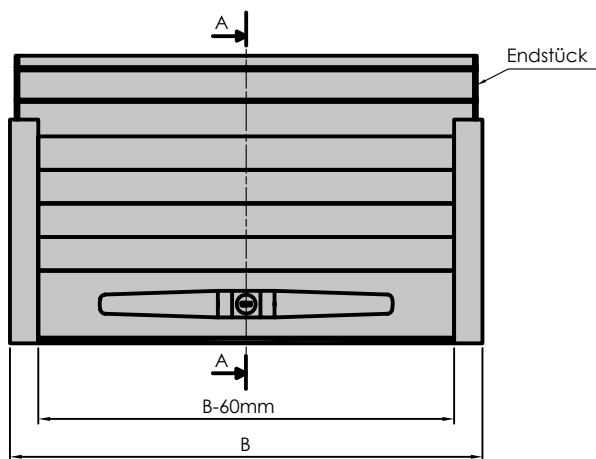


Anwendungsvariante II

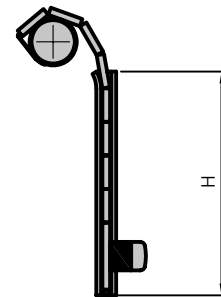


Schnitt A-A

Rollladen



Anwendungsvariante III



Schnitt A-A

Art.-Nr.	Artikel	Anwendungs- variante	B [mm]	T [mm]	H [mm]
13987	Rollladen AV I	I	B = ...	T = ...	H = ...
14016	Rollladen AV II	II	B = ...	T = ...	H = ...
14017	Rollladen AV III	III	B = ...	T = ...	H = ...

Gerne bieten wir Ihnen auch weitere Varianten gemäß Ihren individuellen Anforderungen an.

Anwendung	Industrierollladen zum Abtrennen von Arbeits- und Prüfbereichen. Mit dem in dem Handgriff integrierten Schließzylinder, lassen sich die Arbeitsbereiche mit diebstahlgefährdeter Ausrüstung abschließen. Die robuste Ausführung mit Aluminiumprofilen garantiert den langlebigen Einsatz des Rollladens. Für die Auslegung des Rollladens benötigen wir neben der Anwendungsvariante die Variablen B, T und H. Ausgeführt wird der Rollladen als vormontierter Selbstmontagebausatz.
Material	Hauptprofil, Führungsprofil und Abschlussprofil: Aluminium, natur eloxiert

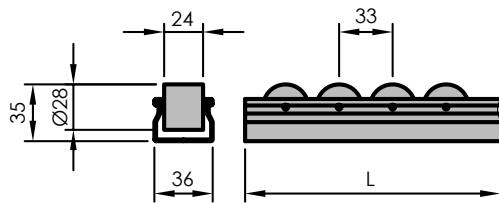
Technische Änderungen vorbehalten.



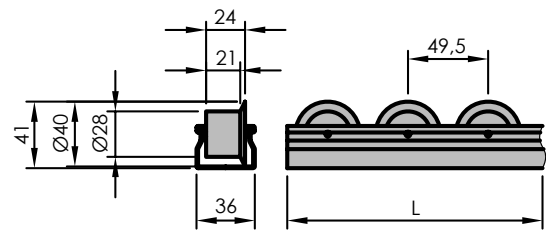
Röllchenstrecke

Röllchenstrecke ohne Spurkranz

Röllchenstrecke mit Spurkranz



Röllchenstrecke D28



Röllchenstrecke D28 SK

Art.-Nr.	Artikel	Länge [mm]	Farbe	Hinweise
50333	Röllchenstrecke D28, grau Zuschnitt	L = ... (L ≤ 4500)	grau	Kundenspezifische Länge. Ohne Spurkranz (Seitenführung).
50332	Röllchenstrecke D28, grau	4500	grau	Ohne Spurkranz (Seitenführung).
50335	Röllchenstrecke D28 SK, grau Zuschnitt	L = ... (L ≤ 4500)	grau	Kundenspezifische Länge. Mit Spurkranz (Seitenführung).
50334	Röllchenstrecke D28 SK, grau	4500	grau	Mit Spurkranz (Seitenführung).
50337	Röllchenstrecke D28, schwarz Zuschnitt	L = ... (L ≤ 4500)	schwarz	Kundenspezifische Länge. Ohne Spurkranz (Seitenführung).
50336	Röllchenstrecke D28, schwarz	4500	schwarz	Ohne Spurkranz (Seitenführung).
50339	Röllchenstrecke D28 SK, schwarz Zuschnitt	L = ... (L ≤ 4500)	schwarz	Kundenspezifische Länge. Mit Spurkranz (Seitenführung).
50338	Röllchenstrecke D28 SK, schwarz	4500	schwarz	Mit Spurkranz (Seitenführung).

Gerne bieten wir Ihnen auch weitere Varianten gemäß Ihren individuellen Anforderungen an.

Anwendung Röllchenstrecken werden branchenübergreifend für die Materialbereitstellung in (KLT-) Behältern, Blistern oder auch Kartonagen eingesetzt. Durch den einfachen Um- und Anbau sind Modifikationen von bestehenden Lösungen jederzeit möglich. Mit dem Fifo-Prinzip (first in, first out) gewährleisten Sie die Materialverwendung in der korrekten Reihenfolge. Die ESD-Varianten eignen sich für den Einsatz im EPA (Electrostatic Protected Area). Damit die Folgebehälter nach Entnahme eines Behälters nachrollen, empfehlen wir 6% Neigung vorzusehen.

Material **Streckenprofil:** Stahl, verzinkt; **Röllchen:** Polypropylen

Technische Änderungen vorbehalten.



Halterung für Röllchenstrecke



Halterung mit Endstopp Rohr

Halterung mit Endstopp Anschlag

Halterung ohne Endstopp Anschlag

Halterung mit Stopp

Halterung ohne Stopp

Art.-Nr.	Artikel	Hinweise
50354	Halterung, Röllchenstrecke ohne Endstopp Anschlag	
50355	Halterung, Röllchenstrecke mit Endstopp Anschlag	
50356	Halterung, Röllchenstrecke mit Endstopp Rohr	
58429	Halterung, Röllchenstrecke mit / ohne Stopp	Vierkant Profil, einsetzbar für Profilvarianten 30 / 30 bis 45 / 45

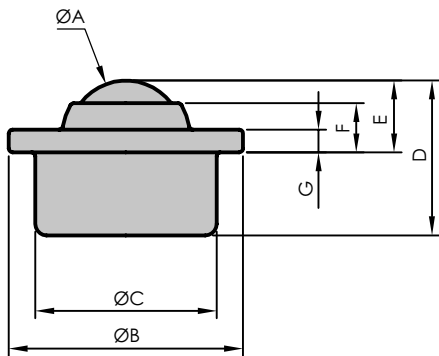
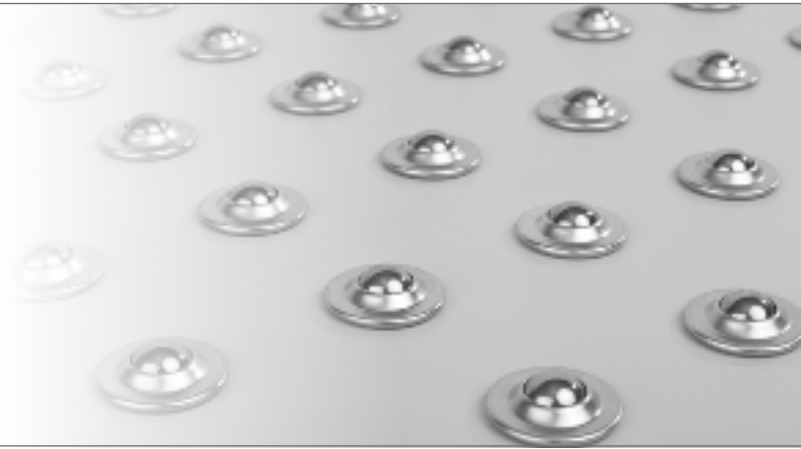
Gerne bieten wir Ihnen auch weitere Varianten gemäß Ihren individuellen Anforderungen an.

Anwendung	Röllchenstrecken werden branchenübergreifend für die Materialbereitstellung in (KLT-) Behältern, Blistern oder auch Kartonagen eingesetzt. Durch den einfachen Um- und Anbau sind Modifikationen von bestehenden Lösungen jederzeit möglich. Mit dem Fifo-Prinzip (first in, first out) gewährleisten Sie die Materialverwendung in der korrekten Reihenfolge. Die ESD-Varianten eignen sich für den Einsatz im EPA (Electrostatic Protected Area). Damit die Folgebehälter nach Entnahme eines Behälters nachrollen, empfehlen wir 6% Neigung vorzusehen.
Material	Stahl, verzinkt

Technische Änderungen vorbehalten.



Kugelrollen



Art.-Nr.	Artikel	F _{max} [N]	A [mm]	B [mm]	C [mm]	D [mm]	E [mm]	F [mm]	G [mm]
14458	Kugelrolle D24	400	15	31	24	21	9,5	6,5	3
14539	Kugelrolle D36	1000	22	45	36	30,5	10	6	3
14540	Kugelrolle D45	2000	30	55	45	37	14	8,5	4

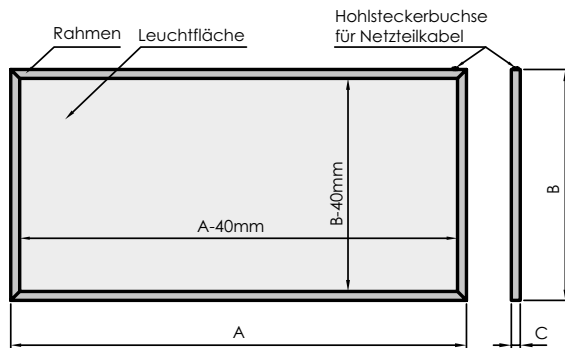
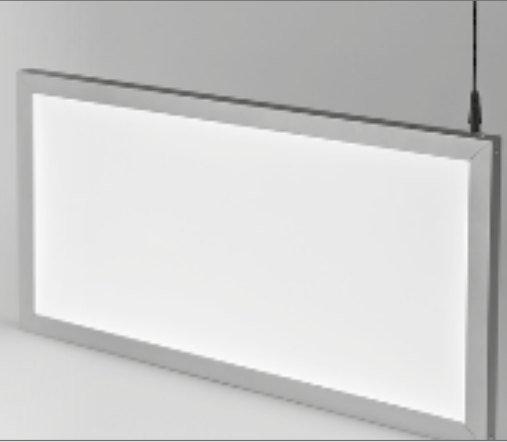
Gerne bieten wir Ihnen auch weitere Varianten gemäß Ihren individuellen Anforderungen an.

Anwendung Kugelrollen werden für den Transport von Produkten, Behältern oder Waren- und Werkstückträgern, bei denen die Möglichkeit der allseitigen horizontalen Bewegung sowie der Drehung um die vertikale Achse notwendig ist, eingesetzt. Ergänzend zur Fördertechnik lassen sich die Kugelrollen auch im Maschinen- und Anlagenbau besonders auch bei schweren Teilen einsetzen. Die Rollenteilung ist so auszulegen, dass immer 3 Kugelrollen einer Einbaureihe mit der Last beaufschlagt sind, um Kippen bzw. Verkanfen der Last zu verhindern.

Material **Gehäuse, Deckel, Lagerschale, Stützkugel:** Stahl, verzinkt; **Tragkugel:** Edelstahl 1.4034

Technische Änderungen vorbehalten.

Leuchtrahmen LED



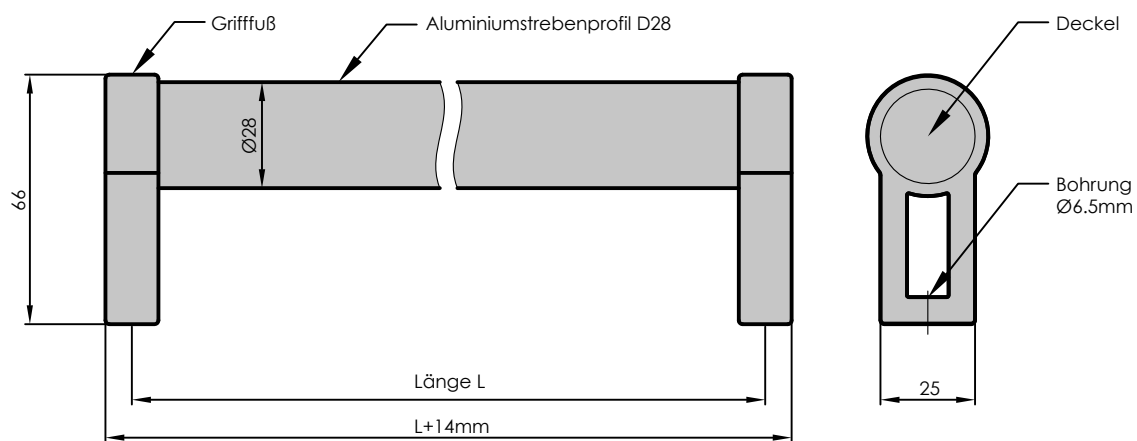
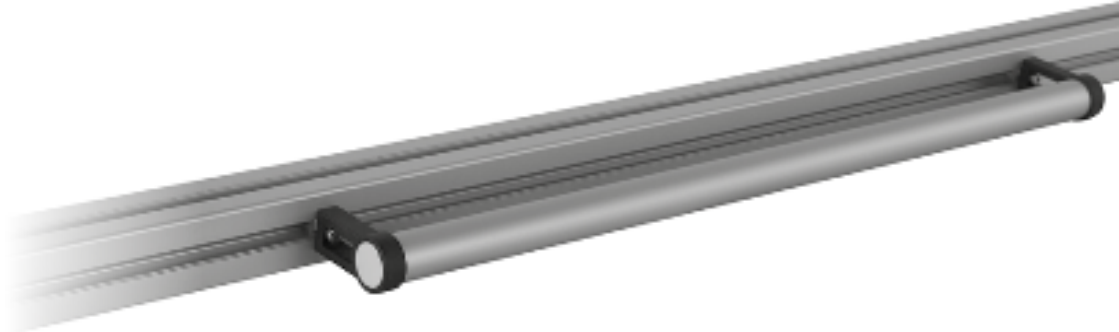
Art.-Nr.	Artikel	A [mm]	B [mm]	C [mm]	Lichteinkoppelung	Farbtemperatur [K]	Leistung [W]
14542	Leuchtrahmen LED 265x115x20mm	265	115	20	4-seitig	6500	11,5
14543	Leuchtrahmen LED 265x265x20mm	265	265	20	4-seitig	6500	17,3
14544	Leuchtrahmen LED 515x265x20mm	515	265	20	4-seitig	6500	26,9
14545	Leuchtrahmen LED 515x515x20mm	515	515	20	4-seitig	6500	36,5
14546	Leuchtrahmen LED 1015x515x20mm	1015	515	20	4-seitig	6500	55,7
14547	Leuchtrahmen LED 1015x1015x20mm	1015	1015	20	4-seitig	6500	74,9
14548	Leuchtrahmen LED individuell	A	B	20	4-seitig	6500	
14473	Steckernetzteil 27 W						27,0
14472	Tischnetzteil 60 W						60,0
14541	Tischnetzteil 90 W						90,0
14474	Anschlusskabel für Tischnetzteil L = 1,8m						

Gerne bieten wir Ihnen auch weitere Varianten gemäß Ihren individuellen Anforderungen an.

Anwendung	Leuchtrahmen eignen sich als Prüflichthintergrund zur vertikalen Anordnung bei (Prüf-)Arbeitsplätzen oder horizontal eingelassen in Tischplatten. Wird der Leuchtrahmen horizontal in eine Tischplatte eingelassen, empfehlen wir die zusätzliche Verwendung einer Verschleißplatte aus klarem Glas um die Acrylglasoberfläche nicht zu verkratzen. Leuchtrahmen zeichnen sich dadurch aus, dass die Lichtstärke über die gesamte Fläche absolut homogen ist. Die als Leuchtmittel eingesetzte LED Technologie garantiert neben höchster Energieeffizienz durch minimalen Stromverbrauch auch die 5-fache Lebensdauer der Leuchtmittel im Vergleich zur konventionellen Leuchtstoffröhrentechnik. Weitere positive Merkmale sind die sehr flache Bauform und die geringe Wärmeentwicklung der LED Module.
Material	Rahmen: Aluminium, natur eloxiert; Flächenelemente: Acrylglas

Technische Änderungen vorbehalten.

Rohrgriff D28



Art.-Nr.	Artikel	Länge [mm]	Hinweise
13540	Aluminiumstrebenprofil D28	L = ... (30 < L < 6.000)	Profilzuschnitt, Länge variabel
14782	Griffuß für Rohrgriff D28		2 Stück pro Rohrgriff
14783	Deckel für Rohrgriff D28		2 Stück pro Rohrgriff
14324	Schraube S8x25-T40		2 Stück pro Rohrgriff, selbstfurchend

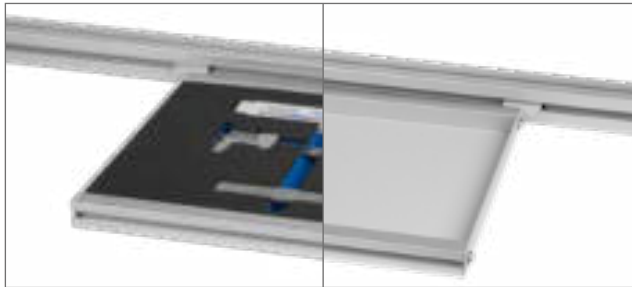
Gerne bieten wir Ihnen auch weitere Varianten gemäß Ihren individuellen Anforderungen an.

Anwendung	Der Rohrgriff D28 wird im Wesentlichen als robuster Schiebegriff für Wagen und als Türgriff eingesetzt. Die Verbauung kann horizontal oder vertikal erfolgen. Der Artikel ist als Bausatz angelegt. Durch den variablen Zuschnitt des Griffrohrs (Aluminiumstrebenprofil D28) sind unzählige Längenausführungen stufenlos ausführbar.
Material	Profil: Aluminium, natur eloxiert; Griffuß: Zink-Druckguß, Kunststoffbeschichtung schwarz; Deckel: Polyamid, telegrau 4 RAL 7047

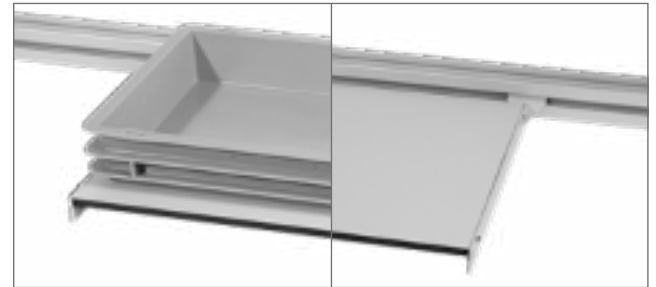
Technische Änderungen vorbehalten.



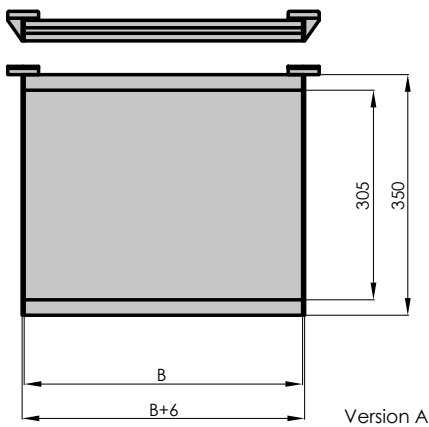
Ablage, ein- / aushängbar



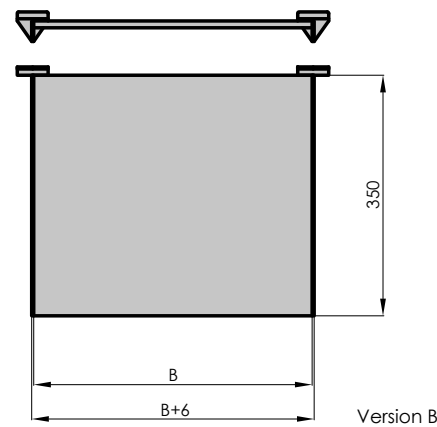
Version A



Version B



Version A



Version B

Art.-Nr.	Artikel	B [mm]	Traglast F_{max} [N]
14840	Ablage B100 Version A	105	200
14841	Ablage B200 Version A	205	200
14842	Ablage B300 Version A	305	200
14843	Ablage B400 Version A	405	200
14848	Ablage B = individuell Version A	B = ...	200
14844	Ablage B100 Version B	105	200
14845	Ablage B200 Version B	205	200
14846	Ablage B300 Version B	305	200
14847	Ablage B400 Version B	405	200
14849	Ablage B = individuell Version B	B = ...	200

Gerne bieten wir Ihnen auch weitere Varianten gemäß Ihren individuellen Anforderungen an.

Anwendung Mobile Ablageebenen eignen sich für die bedarfsorientierte Bereitstellung von Werkzeugen, Mess-/Prüfmittel und Materialien an Arbeitsplätzen und Maschinen. Die Materialebenen können in horizontale Standardprofilnuten (PB10 10mm) eingehängt werden. Dadurch ist sichergestellt, dass nur diejenigen Mess-, Betriebs-/ Hilfsmittel und Materialien bereitgestellt werden die auch für die anstehende Aufgabe benötigt werden. Suchvorgänge entfallen. Kurze Rüstzeiten, ein ergonomisches Werkzeug- / Werkstückhandling und effiziente Arbeitsabläufe werden damit real. Der Arbeitsplatz wird transparent.

Material **Konsolen:** St.-Blech, pulverbeschichtet lichtgrau RAL 7035; **Ablageboden:** High-Pressure-Laminate (HPL) lichtgrau RAL 7035; **Rahmenprofil:** Aluminium, natur eloxiert

Technische Änderungen vorbehalten.

Rahmenprofil 22,5x30

Bodenmarkierungs-Band



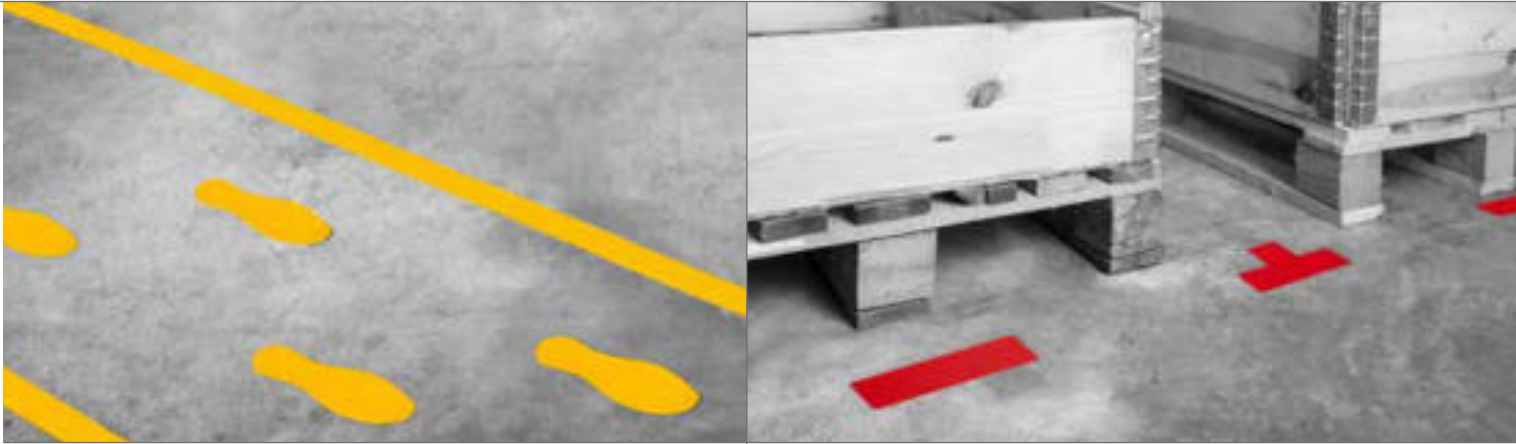
Art.-Nr.	Artikel	Breite [mm]	Länge [m]	Stärke [µm]	Farbe
14919	Bodenmarkierungs-Band rot selbstklebend 150µm	50	33	150	rot
14920	Bodenmarkierungs-Band rot selbstklebend 350µm	50	48	350	rot
14921	Bodenmarkierungs-Band gelb selbstklebend 150µm	50	33	150	gelb
14922	Bodenmarkierungs-Band gelb selbstklebend 350µm	50	48	350	gelb
14923	Bodenmarkierungs-Band rot/weiß selbstklebend 150µm	50	33	150	rot / weiß
14924	Bodenmarkierungs-Band gelb/schwarz selbstklebend 150µm	50	33	150	gelb / schwarz

Gerne bieten wir Ihnen auch weitere Varianten gemäß Ihren individuellen Anforderungen an.

Anwendung	Bodenmarkierungen erhöhen die Transparenz und schaffen Orientierung und Sicherheit in Produktions-, Lager- und Logistikbereichen. Mit den Bodenmarkierungen lassen sich Fahrwege, Stellplätze, Lagerbereiche, Parkplätze, Sperrzonen sowie Flucht- und Rettungswege transparent markieren. Mit der Verwendung von unterschiedlichen Farben lässt sich die Orientierung zusätzlich noch steigern. Die ideale Verarbeitungstemperatur liegt zwischen 18°C und 25°C. Zur Aufbringung der selbstklebenden Markierungen ist zunächst die Aufbringungsfläche von Schmutz, Öl, zu befreien. Lose Partikel sind zu entfernen. Die Bodenmarkierung ist nach der Aufbringung kräftig anzudrücken (Praxis-Tipp: mit dem Gabelstapler-Rad vollflächig befahren). Nach ca. 12 Stunden ist der Kleber ausgehärtet. Die überlappende Verklebung von Bodenmarkierungen ist zu vermeiden.
Material	Polyvinylchlorid (PVC)

Technische Änderungen vorbehalten.

Bodenmarkierungs-Symbole



Art.-Nr.	Artikel	Symbol-Form	Abmessung LxB [mm]	Stärke [µm]	Farbe
14925	Bodenmarkierungs-Symbol I-Form rot selbstklebend 350µm	I	200x50	350	rot
14926	Bodenmarkierungs-Symbol I-Form gelb selbstklebend 350µm	I	200x50	350	gelb
14927	Bodenmarkierungs-Symbol L-Form rot selbstklebend 350µm	L	100x50	350	rot
14928	Bodenmarkierungs-Symbol L-Form gelb selbstklebend 350µm	L	100x50	350	gelb
14929	Bodenmarkierungs-Symbol T-Form rot selbstklebend 350µm	T	150x50	350	rot
14930	Bodenmarkierungs-Symbol T-Form gelb selbstklebend 350µm	T	150x50	350	gelb
14931	Bodenmarkierungs-Symbol Fuß-Form gelb selbstklebend 350µm	Fuß	280x84	350	gelb

Gerne bieten wir Ihnen auch weitere Varianten gemäß Ihren individuellen Anforderungen an.

Anwendung	Bodenmarkierungen erhöhen die Transparenz und schaffen Orientierung und Sicherheit in Produktions-, Lager- und Logistikbereichen. Mit den Bodenmarkierungen lassen sich Fahrwege, Stellplätze, Lagerbereiche, Parkplätze, Sperrzonen sowie Flucht- und Rettungswege transparent markieren. Mit der Verwendung von unterschiedlichen Farben lässt sich die Orientierung zusätzlich noch steigern. Die ideale Verarbeitungstemperatur liegt zwischen 18°C und 25°C. Zur Aufbringung der selbstklebenden Markierungen ist zunächst die Aufbringungsfläche von Schmutz, Öl, zu befreien. Lose Partikel sind zu entfernen. Die Bodenmarkierung ist nach der Aufbringung kräftig anzudrücken (Praxis-Tipp: mit dem Gabelstapler-Rad vollflächig befahren). Nach ca. 12 Stunden ist der Kleber ausgehärtet. Die überlappende Verklebung von Bodenmarkierungen ist zu vermeiden.
Material	Polyvinylchlorid (PVC)

Technische Änderungen vorbehalten.

Sichttaschen aufhängbar



Art.-Nr.	Artikel	Format	Hochformat	Querformat	Stärke [µm]	Farbe
14932	Sichttasche A4 Hochformat aufhängbar rot LE10	A4	■		350	rot
14933	Sichttasche A4 Hochformat aufhängbar gelb LE10	A4	■		350	gelb
14934	Sichttasche A4 Hochformat aufhängbar blau LE10	A4	■		350	blau
14935	Sichttasche A4 Querformat aufhängbar rot LE10	A4		■	350	rot
14936	Sichttasche A4 Querformat aufhängbar gelb LE10	A4		■	350	gelb
14937	Sichttasche A4 Querformat aufhängbar blau LE10	A4		■	350	blau
14938	Sichttasche A5 Hochformat aufhängbar rot LE10	A5	■		350	rot
14939	Sichttasche A5 Hochformat aufhängbar gelb LE10	A5	■		350	gelb
14940	Sichttasche A5 Hochformat aufhängbar blau LE10	A5	■		350	blau
14941	Sichttasche A5 Querformat aufhängbar rot LE10	A5		■	350	rot
14942	Sichttasche A5 Querformat aufhängbar gelb LE10	A5		■	350	gelb
14943	Sichttasche A5 Querformat aufhängbar blau LE10	A5		■	350	blau
14944	Halter für Sichttasche A4 und A5 LE10					

Gerne bieten wir Ihnen auch weitere Varianten gemäß Ihren individuellen Anforderungen an.

Anwendung Die eindeutige Kennzeichnung von Behältern schafft Transparenz und Effizienz in Produktion, Lager und Logistik. Zur Anbringung von Auftragspapieren, Kanban-Karten, Materialkarten, Zeichnungen, Stücklisten, Warn- und Gefahrenhinweise sowie allgemeine Informationen eignen sich die Sichttaschen im Besonderen. Ausgeführt mit einem farbigen robusten Kunststoffrückens und einem transparenten Sichtfenster sind die Informationen jederzeit verfügbar. Mit dem Haltebügel lassen sich die Sichttaschen universal an nahezu jeder Behälterausführung anbringen. Der Haltebügel ist über die in dem verstärkten Kopfbereich der Sichttasche vorgesehene Lochung einfach einzuführen.

Material **Sichttasche:** Polyvinylchlorid (PVC); **Halter für Sichttasche A4 und A5:** Edelstahlradt

Technische Änderungen vorbehalten.

Sichttaschen magnetisch



Art.-Nr.	Artikel	Format	Hochformat	Querformat	Stärke [µm]	Farbe
14945	Sichttasche A4 Hochformat magnetisch rot LE10	A4	■		350	rot
14946	Sichttasche A4 Hochformat magnetisch gelb LE10	A4	■		350	gelb
14947	Sichttasche A4 Hochformat magnetisch blau LE10	A4	■		350	blau
14948	Sichttasche A4 Querformat magnetisch rot LE10	A4		■	350	rot
14949	Sichttasche A4 Querformat magnetisch gelb LE10	A4		■	350	gelb
14950	Sichttasche A4 Querformat magnetisch blau LE10	A4		■	350	blau
14951	Sichttasche A5 Hochformat magnetisch rot LE10	A5	■		350	rot
14952	Sichttasche A5 Hochformat magnetisch gelb LE10	A5	■		350	gelb
14953	Sichttasche A5 Hochformat magnetisch blau LE10	A5	■		350	blau
14954	Sichttasche A5 Querformat magnetisch rot LE10	A5		■	350	rot
14955	Sichttasche A5 Querformat magnetisch gelb LE10	A5		■	350	gelb
14956	Sichttasche A5 Querformat magnetisch blau LE10	A5		■	350	blau

Gerne bieten wir Ihnen auch weitere Varianten gemäß Ihren individuellen Anforderungen an.

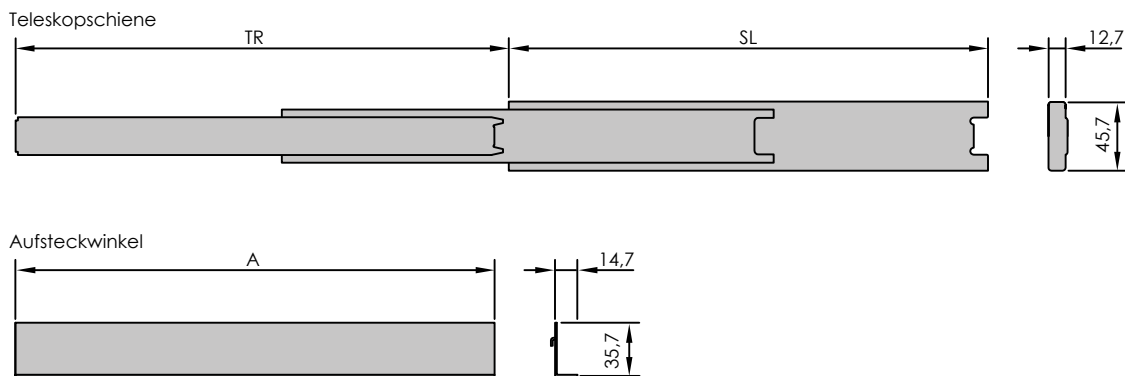
Anwendung Die eindeutige Kennzeichnung von Behältern schafft Transparenz und Effizienz in Produktion, Lager und Logistik. Zur Anbringung von Auftragspapieren, Kanban-Karten, Materialkarten, Zeichnungen, Stücklisten, Warn- und Gefahrenhinweise sowie allgemeine Informationen eignen sich die Sichttaschen im Besonderen. Ausgeführt mit einem farbigen robusten Kunststoffücken und einem transparenten Sichtfenster sind die Informationen jederzeit verfügbar. An dem verstärkten Kopfbereich ist ein 1,5mm dicker Magnetstreifen angebracht, so dass die Sichttaschen an allen eisenhaltigen Werkstoffen angeheftet werden können.

Material **Sichttasche:** Polyvinylchlorid (PVC)

Technische Änderungen vorbehalten.



Teleskopschienen ohne Kippsicherung



Art.-Nr.	Artikel	SL [mm]	TR [mm]	F _{max} [N]	A [mm]
15077	Teleskopschienenpaar mit Vollauszug SL250	250	243	410	
15078	Teleskopschienenpaar mit Vollauszug SL300	300	305	420	
15079	Teleskopschienenpaar mit Vollauszug SL350	350	356	430	
15080	Teleskopschienenpaar mit Vollauszug SL400	400	406	440	
15081	Teleskopschienenpaar mit Vollauszug SL450	450	457	450	
15082	Teleskopschienenpaar mit Vollauszug SL500	500	508	450	
15083	Teleskopschienenpaar mit Vollauszug SL550	550	559	450	
15084	Teleskopschienenpaar mit Vollauszug SL600	600	610	450	
15085	Teleskopschienenpaar mit Vollauszug SL650	650	660	440	
15100	Teleskopschienenpaar mit Vollauszug SL700	700	711	430	
15086	Aufsteckwinkel L350 für Artikel 15079				346,7
15087	Aufsteckwinkel L400 für Artikel 15080				395,7
15088	Aufsteckwinkel L450 für Artikel 15081				446,8
15089	Aufsteckwinkel L500 für Artikel 15082				496,8
15090	Aufsteckwinkel L550 für Artikel 15083, 15084, 15085, 15100				546,8

Gerne bieten wir Ihnen auch weitere Varianten gemäß Ihren individuellen Anforderungen an.

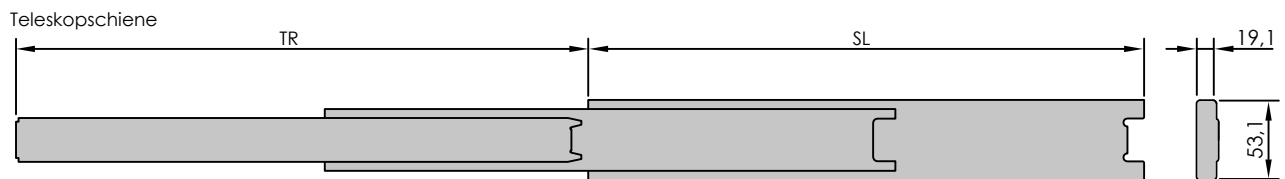
Anwendung Teleskopauszüge werden für Schubladen, ausziehbare Arbeits- und Ablagebereiche sowie für die Werkzeug- und Materialbereitstellung eingesetzt. Alle verfügbaren Varianten sind mit Vollauszug, äußerst robust und leichtgängig ausgeführt. In der geschlossenen Position wird der Auszug arretiert. Für die Boden-/Plattformmontage eignen sich besonders die dazu passenden Aufsteckwinkel.

Material **Schienenprofil, Aufsteckwinkel:** Stahlblech verzinkt, blau chromatiert

Technische Änderungen vorbehalten.



Teleskopschienen mit Kippsicherung



Art.-Nr.	Artikel	SL [mm]	TR [mm]	F _{max} [N]
15091	Teleskopschienen-Set mit Vollauszug SL350	350	355	850
15092	Teleskopschienen-Set mit Vollauszug SL400	400	430	900
15093	Teleskopschienen-Set mit Vollauszug SL450	450	480	950
15094	Teleskopschienen-Set mit Vollauszug SL500	500	530	1000
15095	Teleskopschienen-Set mit Vollauszug SL550	550	580	950
15096	Teleskopschienen-Set mit Vollauszug SL600	600	630	850
15097	Teleskopschienen-Set mit Vollauszug SL650	650	680	800
15098	Teleskopschienen-Set mit Vollauszug SL700	700	730	700
15099	Schloss für Teleskopschienen mit Kippsicherung			

Gerne bieten wir Ihnen auch weitere Varianten gemäß Ihren individuellen Anforderungen an.

Anwendung Teleskopauszüge werden für Schubladen, ausziehbare Arbeits- und Ablagebereiche sowie für die Werkzeug- und Materialbereitstellung eingesetzt. Alle verfügbaren Varianten sind mit Vollauszug, äußerst robust und leichtgängig ausgeführt. In der geschlossenen Position wird der Auszug arretiert. Die Kippsicherung ermöglicht bei übergeordneter Anordnung von mehreren Auszügen, dass nur eine Schublade geöffnet werden kann. Damit wird die Kippsicherheit bei korrekter Auslegung der Applikation gewährleistet. Weiterhin steht ein Schloss zur Verfügung um die Schubladen zu verschließen.

Material **Schienenprofil:** Stahlblech verzinkt, blau chromatiert

Technische Änderungen vorbehalten.

Paketwaage



Art.-Nr.	Artikel	Wäge- Gewicht m [kg]	Ablesegenauigkeit		Kleinstes Teile- gewicht ¹⁾ m [g]	Abmessung		
			Bereich m [kg]	Genauigkeit [d] g		B [mm]	L [mm]	H [mm]
15291	Paketwaage 0-15kg	0-15	0-6 6-15	2 5	100	318	308	75
15292	Paketwaage 0-35kg	0-35	0-15 15-35	5 10	100	318	308	75
15293	Paketwaage 0-35kg L	0-35	0-15 15-35	5 10	100	522	403	83
15294	Paketwaage 0-60kg	0-60	0-30 30-60	10 20	200	318	308	75
15295	Paketwaage 0-60kg L	0-60	0-30 30-60	10 20	200	522	403	83
15296	Paketwaage 0-150kg L	0-150	0-60 60-150	20 50	400	522	403	83
15297	Paketwaage 0-150kg XL	0-150	0-60 60-150	20 50	400	650	500	89

¹⁾ für Zählfunktion

Gerne bieten wir Ihnen auch weitere Varianten gemäß Ihren individuellen Anforderungen an.

Anwendung Die robuste Paketwaage eignet sich für den universellen Einsatz in Produktion, Lager und Versand. Das staub- und spritzwassergeschützte Auswertgerät (IP65) ist mit einem 1,4m langen Kabel mit der Waage verbunden. Die Waage verfügt im Standard über ein Justierprogramm, eine RS 232 Schnittstelle, einer Stückzahl- und Summierfunktion und einer Prozentbestimmung. Optional auf Anfrage gibt es die Waagen auch mit Akkubetrieb und DAkS-Kalibrierschein.

Material **Wäge-Platte:** Edelstahl; **Unterbau:** Stahl, lackiert

Technische Änderungen vorbehalten.

Industriewaage



Art.-Nr.	Artikel	Wäge-Gewicht m [kg]	Ablesegenauigkeit		Kleinstes Teile- gewicht ¹⁾ m [g]	Abmessung		
			Bereich m [kg]	Genauigkeit [d] g		B [mm]	L [mm]	H [mm]
15298	Industriewaage 0-15kg	0-15	0-6 6-15	2 5	40 100	300	240	110
15299	Industriewaage 0-15kg L	0-15	0-6 6-15	2 5	40 100	400	300	128
15300	Industriewaage 0-30kg	0-30	0-15 15-30	5 10	100 200	400	300	128
15301	Industriewaage 0-60kg	0-60	0-30 30-60	10 20	200 400	400	300	128
15302	Industriewaage 0-60kg L	0-60	0-30 30-60	10 20	200 400	500	400	130
15303	Industriewaage 0-150kg	0-150	0-60 60-150	20 50	400 1000	500	400	130
15304	Industriewaage 0-150kg L	0-150	0-60 60-150	20 50	400 1000	650	500	142

¹⁾ für Zählfunktion

Gerne bieten wir Ihnen auch weitere Varianten gemäß Ihren individuellen Anforderungen an.

Anwendung Die hochauflösende Industriewaage in schwerer Ausführung eignet sich besonders für den rauen Industrie-einsatz. Das staub- und spritzwassergeschützte Auswertgerät (IP65) ist mit einem 3m langen Kabel mit der Waage verbunden und hat besonders große Ziffern (Ziffernhöhe 52mm). Die Waage verfügt im Standard über ein Justierprogramm, einer RS 232 Schnittstelle, einem ISO-Protokoll, einer Stückzahl- und Summierfunktion und Checkweighing. Optional auf Anfrage gibt es die Waagen auch mit Signallampe, Analogmodul, Bluetooth-Daten-schnittstelle, Akkubetrieb, DAkKS-Kalibrierschein und Eichung.

Material **Wäge-Platte:** Edelstahl; **Unterbau:** Stahl, lackiert

Technische Änderungen vorbehalten.

INDEX



REALISIERUNG

STREBENPROFILE



REALISIERUNG

VERBINDUNGSTECHNIK



REALISIERUNG

BODENELEMENTE



REALISIERUNG

ARBEITSPLATZGESTALTUNG



REALISIERUNG

ZUBEHÖR



KONSTRUKTION



REALISIERUNG

INDIVIDUAL-APPLIKATIONEN



KONSTRUKTION



REALISIERUNG

APPLIKATIONEN

8



TOOLS

FABRIKPLANUNG



WORKSHOPS



TOOLS

WORKSHOPS, TOOLS



REALISIERUNG KISTENHUBGERÄT VARIOLIFTER1000



VARIOLifter1000 Seitenbeladung links quer



VARIOLifter1000 Frontbeladung

Ergonomisch. Flexibel. Effizient.

Kistenhubgeräte dienen zum **Heben** und **Senken** von Kleinteileladungsträgern (KLT), Blistern oder anderen Behältern.

Die am Arbeitsplatz oder an der Fertigungsmaschine erforderlichen Artikel werden in eine für die Weiterverarbeitung **ergonomisch** sinnvolle Position gebracht ohne die Werker / -innen zu belasten.

Mit dem Einsatz von Hubgeräten **entlasten** Sie Ihre Werker / -innen, **reduzieren** die **Ausfallzeiten**,

erhöhen die **Arbeitszufriedenheit** und maximieren die **Wertschöpfung**.

Mit einer **altersgerechten** und **ergonomisch** optimierten Arbeitsplatzausstattung erhöhen Sie Ihre **Flexibilität** bei der Arbeitsplatzbesetzung bei parallel gesteigerter **Produktivität**.



Neue Features bei Edition 4.0

- Ergonomisches Bedienpult mit Folientastatur, Serviceanzeige und Magnethalterung
- Absetz-Betrieb
- Tipp-Betrieb
- SPS-Ausführung
- Weitere Varianten für Automatikbetrieb
- Eingangsspannung 110 V bis 230 V
- Paring-Funktion
- Signalleuchte
- Handy-App

Art.-Nr.	Anzahl Lichttaster	Auf / Ab			Tipp-Betrieb	Absetz-Betrieb	SPS Modus
		manuell	automatisch	vollautomatisch			
15260	0	▪				▪	
15004	1	▪	▪ ¹⁾		▪	▪	
15118	1+1	▪	▪ ²⁾		▪	▪	
15119	2	▪		▪ ¹⁾	▪	▪	
15120	2+2	▪		▪ ²⁾	▪	▪	
15266	1+1						▪
Bemerkung			Voranwahl (Auf/Ab) erforderlich	Keine Voranwahl (Auf/Ab) erforderlich			

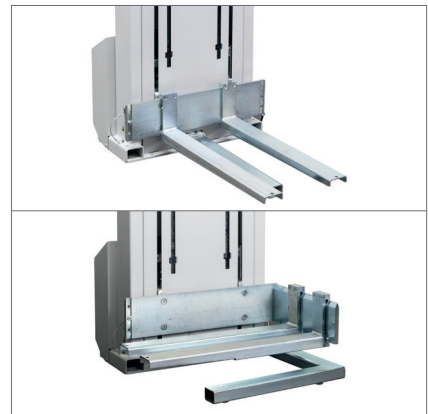
¹⁾ 1 Behälter / Ebene ²⁾ 1-2 Behälter / Ebene



Bedienpult



Lichttaster für die stufenlose Einstellung der Entnahme- / Beladeposition

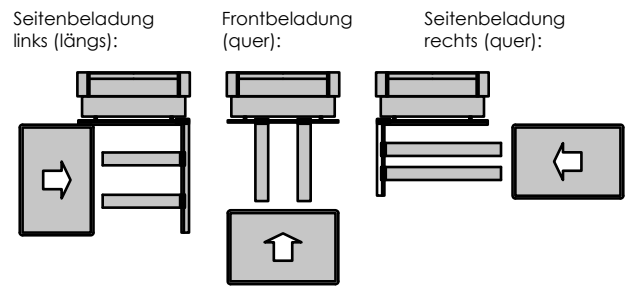


Universelle Beladeinheit für Front- und Seitenbeladung





Kistenhubgerät VARIOlifter1000



Art.-Nr.	Artikel	Hinweise
15260	Kistenhubgerät VARIOlifter1000 E4.0 ORLT ¹⁾	ohne Automatikbetrieb
15004	Kistenhubgerät VARIOlifter1000 E4.0 1RLT ¹⁾	mit Automatikbetrieb, Vorwahl Auf/Ab erforderlich; 1 Behälter/Ebene
15118	Kistenhubgerät VARIOlifter1000 E4.0 1+1RLT ¹⁾	mit Automatikbetrieb, Vorwahl Auf/Ab erforderlich; 2 Behälter/Ebene
15119	Kistenhubgerät VARIOlifter1000 E4.0 2RLT ¹⁾	mit Automatikbetrieb; 1 Behälter/Ebene
15120	Kistenhubgerät VARIOlifter1000 E4.0 2+2RLT ¹⁾	mit Automatikbetrieb; 2 Behälter/Ebene
14434	Gabelpaar S400	
14435	Gabelpaar S600	
14436	Gabelaufnahme Frontbeladung VARIOlifter1000 E4.0	
14705	Gabelaufnahme Seitenbeladung quer L=390mm	zusätzlich Artikel 14436 erforderlich
14996	Gabelaufnahme Seitenbeladung längs L=590mm	zusätzlich Artikel 14436 erforderlich
14438	Stützplatte Frontbeladung VARIOlifter1000 E4.0	
14439	Stützplatte Seitenbeladung VARIOlifter1000 E4.0	

¹⁾ RLT = Reflexions-Licht-Taster.

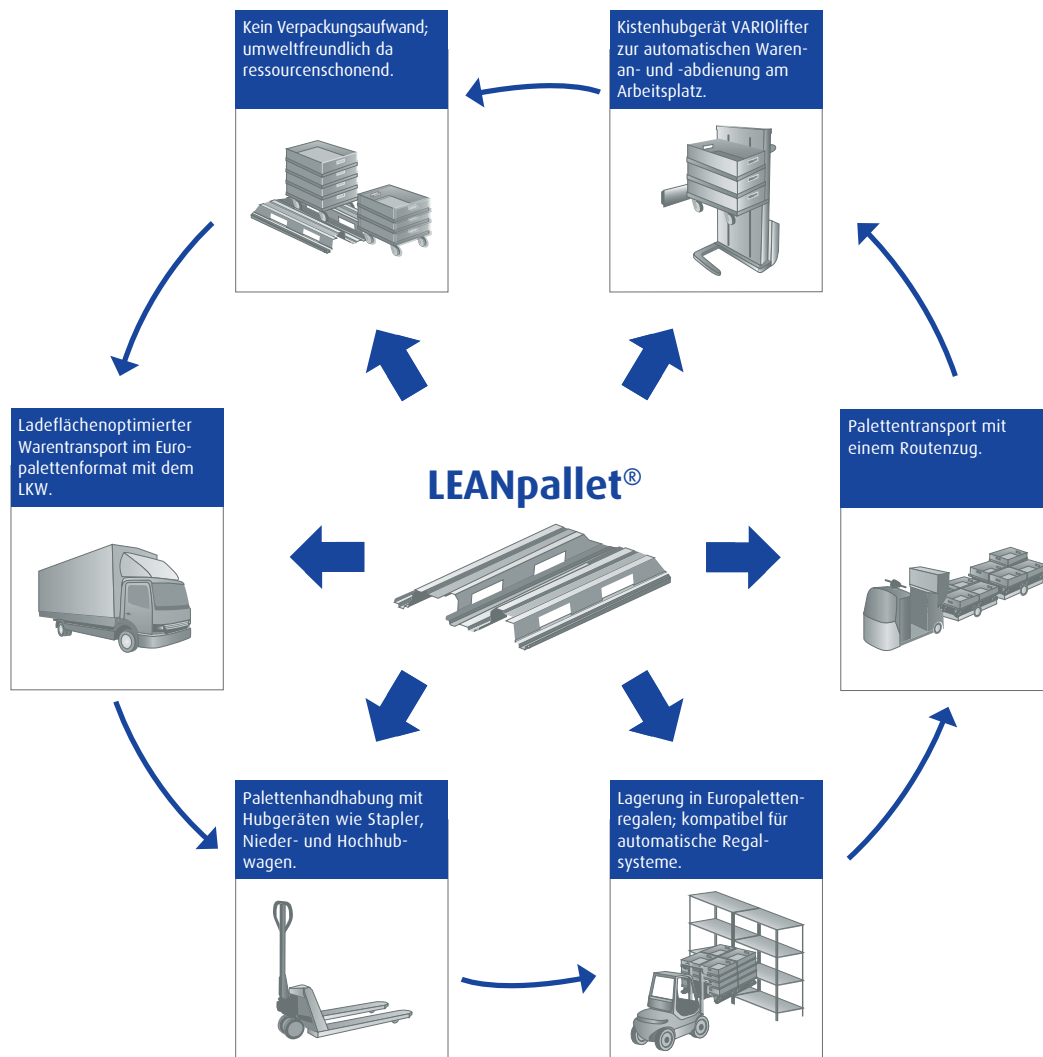
Anwendung	Das elektrische Kistenhubgerät VARIOlifter dient zum Heben und Senken von Kleinteileladungsträgern (KLT), Blistern oder anderen Behältern. Mit Bodenrollern von vorne, rechts und links quer oder längs bestückbar, bietet der VARIOlifter die maximale Flexibilität im täglichen Einsatz. Die ergonomische Positionierung der Behälter am Arbeitsplatz ist sowohl manuell über die Tasten AUF und AB als auch im Automatikbetrieb möglich. Im Automatikbetrieb wird bei der Entnahme eines Behälters automatisch zeitverzögert eine Hubbewegung um die Höhe des entnommenen Behälters durchgeführt. Bei der Beladung eines Behälters wird automatisch zeitverzögert eine Senkbewegung um die Höhe des hinzugefügten Behälters durchgeführt. Die jeweilige Arbeitshöhe kann beliebig stufenlos auf die individuellen Gegebenheiten angepasst werden. Auch bei unterschiedlichen Behälterhöhen bleibt die Arbeitshöhe immer auf dem zuvor eingestellten Wert.	
Technische Ausführung	Abmessung (ohne Gabel) BxHxT [mm]: 605x1287x296 Gabelhöhe [mm]: 95 bis 1.000 max. Tragkraft [N]: 2.000 max. Hubgeschwindigkeit [mm/sec.]: 33 Betriebsspannung U [V]: 100-240 Schutzart: IP54 IEC 529 Einschaltdauer ED: S1	<ul style="list-style-type: none"> • elektrischer Getriebemotor mit Bremse • wartungsarme Kugelumlaufspindel • Rohrgriff und Bockrollen zum Verfahren und Positionieren des VARIOlifter • abnehmbares Bedienpult (2m Kabel) mit NOT-AUS, Leuchttaster (ON, AUF, AB, MANUAL, AUTO) und SERVICE Anzeige • Reflexions-Licht-Taster für die Arbeitshöhe im Automatikbetrieb stufenlos einstellbar

Technische Änderungen vorbehalten.



REALISIERUNG

TRANSPORT- UND LAGERPALETTE LEANpallet®



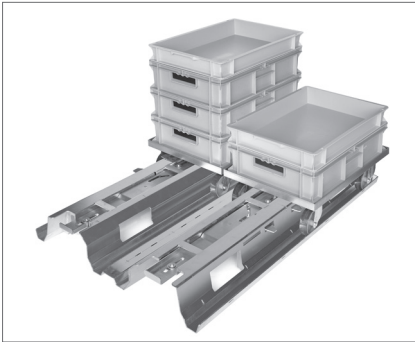
Effiziente Warenlogistik.

Die LEANpallet® wird als **Transport-** und **Lagerpalette** eingesetzt. Die Palette kann bis zu **4 Bodenroller** bestückt mit (Standard-) Behälter im **Format 600 x 400 mm** oder bis zu **2 Bodenroller** bestückt mit (Standard-) Behälter im **Format 800 x 600 mm** aufnehmen. Neben dem Warentransport wird die Palette auch zum **platzsparenden Lagern** von Roh- und Halbfabrikaten und Fertigteilen in Europalettenregalen verwendet. Das Palettenhandling erfolgt mit handelsüblichen Nieder- und

Hochhubwagen (Elektroameisen), Routenzügen und Staplern. Durch die im **Europaletten-Format** gehaltene Außenabmessung können LKWs platzoptimiert bestückt werden. Die Aufwendungen für das Warenhandling werden dadurch deutlich reduziert. Ist die Rückführung der LEANpallet® garantiert **entfällt der Verpackungsaufwand** komplett.



Transport- und Lagerpalette LEANpallet®



LEANpallet® bestückt mit 2 Bodenroller für Behälter im Format 600x400 mm

Die LEANpallet® eignet sich für den externen Warentransport (Rohmaterialanlieferung von Lieferanten, Fertigwarenlieferungen zu Kunden, Halbfabrikatbearbeitung bei externen Lieferanten) und die platzsparende Lagerung in Europaletten-Regalen. Die Bodenroller (interner Material-transport) werden aufgeschoben und über den horizontalen Verriegelungsmechanismus einfach und sicher fixiert. Die Palette wird dann über handelsübliche Transportgeräte auf dem LKW positioniert und zum Warenempfänger gebracht. Leere Paletten können platzsparend gestapelt werden. Durch die robuste Ausführung mit entsprechendem Korrosionsschutz ist die LEANpallet® prädestiniert für die raue Logistikumgebung.

Bodenroller



Bodenroller bestückt mit Behälter im Format 600x400 mm

Bodenroller werden mit (Standard-) Behältern im Format 600x400 mm oder 800x600 mm bestückt und für den innerbetrieblichen Materialtransport eingesetzt. Über die adaptierbare Griffstange lässt sich der Bodenroller einfach von A nach B schieben. Die Ausführung der Bodenroller kann mit 4 Lenkrollen oder 2 Lenkrollen und 2 Bockrollen wahlweise mit Thermoplast- oder mit Polyurethanbelag ausgeführt werden. Ergänzend ist für ölbehaftete Teile, die in Gitterkörben transportiert werden, der Bodenroller in öldichter Ausführung erhältlich, um dadurch Bodenverschmutzungen zu vermeiden.

Kistenhubgerät VARIOlifter1000



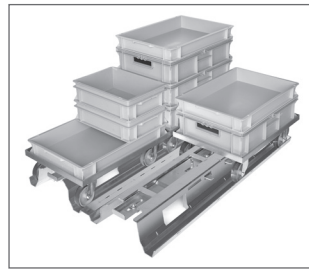
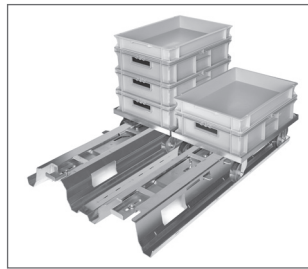
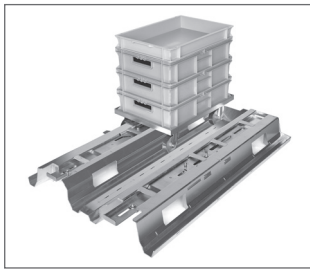
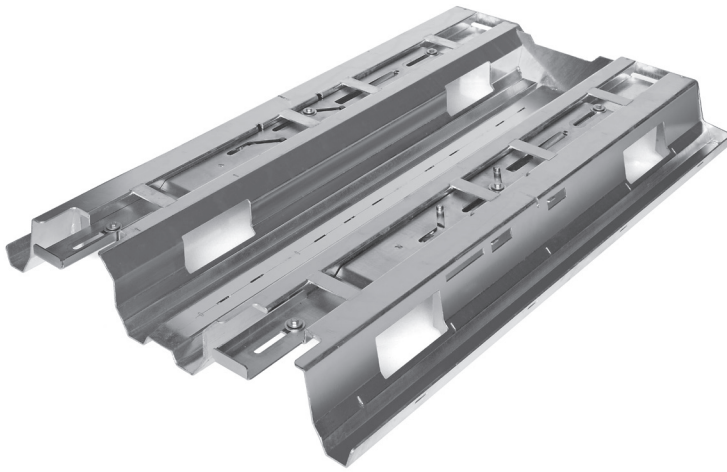
Kistenhubgerät VARIOlifter1000

Hubgeräte dienen zum Heben und Senken von Behältern und Bodenrollern mit Behältern. Einsatz finden die Hubgeräte sowohl bei Montage-, Prüf-, Versand- und Kommissionier-Arbeitsplätzen als auch an Fertigungsmaschinen. Sie entlasten die Mitarbeiter und machen das Warenhandling effizient. Das Kistenhubgerät VARIOlifter1000 ist universal einsetzbar. Mit den vielfältigen Betriebs-Modi ist immer das passende Gerät für den jeweiligen Anwendungsfall verfügbar.





Transport- und Lagerpalette LEANpallet[®]



Art.-Nr.	Artikel	Traglast F_{max} [N]	Hinweise
14558	LEANpallet [®] Version 1.1 für BR 600x400 mit 4LR	10.000	für Bodenroller Format 600x400 mit 4 Lenkrollen (LR)
14793	LEANpallet [®] Version 1.1 für BR 600x400 mit 2LR+2BR	10.000	für Bodenroller Format 600x400 mit 2 Lenkrollen (LR) + 2 Bockrollen (BR)
14794	LEANpallet [®] Version 1.1 für BR 800x600 mit 4LR	10.000	für Bodenroller Format 800x600 mit 4 Lenkrollen (LR)
14149	LEANpallet [®] Sonderausführung	10.000	für kundenspezifische Bodenroller

Gerne bieten wir Ihnen auch weitere Varianten gemäß Ihren individuellen Anforderungen an.

Anwendung	<p>Die LEANpallet[®] wird als robuste Transport- und / oder Lagerpalette für Bodenroller eingesetzt. Die Adapterpalette kann mit 1-4 Bodenroller im Format 600x400 oder mit 1-2 Bodenroller im Format 800x600 bestückt werden. Auch bei Teilbestückungen werden die Bodenroller mit dem äußerst robusten und bedienerfreundlichen Verriegelungsmechanismus einzeln verriegelt.</p> <p>Durch die Position des Verriegelungsschiebers lässt sich visuell leicht erkennen ob die Bodenroller verriegelt (Schieber ist mit der Palette bündig) oder nicht verriegelt (Schieber steht über Palette hinaus) sind.</p> <p>Bodenroller (Transportgestell mit 4 Lenkrollen oder 2 Lenk- und 2 Bockrollen) dienen zur Aufnahme von Behältern (i. d. R. KLT = Kleinteile-Ladungs-Träger im Format 600x400mm oder 400x300mm) und werden für den innerbetrieblichen Warentransport eingesetzt.</p> <p>Die LEANpallet[®] ermöglicht die Einbindung der Lieferanten und / oder Kunden in einen geregelten Routenverkehr.</p> <p>Damit entsteht im Wareneingang, bei der Anlieferung von Roh- und Halbfabrikaten, kein Umschlagaufwand und bei der Auslieferung der Fertigprodukte ist kein zusätzliches Handling zum Verpacken der Waren erforderlich.</p> <p>Die Außenabmessung der LEANpallet[®] ist im standardisierten Europalettenformat ausgeführt, so dass die Ladefläche auf dem LKW optimal belegt werden kann.</p>
Material	<p>Grundkörper: Stahlblech, galvanisch verzinkt, Verriegelungsmechanismus: Stahlblech, chemisch verzinkt und blau chromatiert</p>

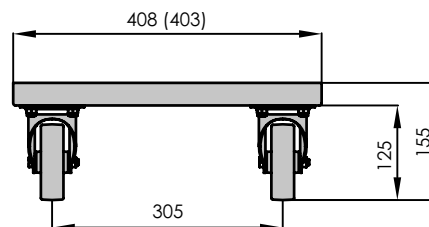
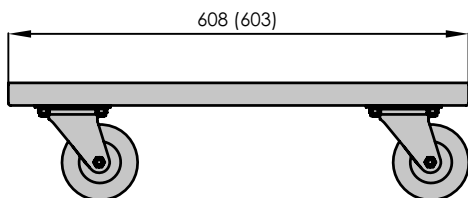
Technische Änderungen vorbehalten.



Bodenroller



Bodenroller mit 4 Lenkrollen:



Bodenroller mit 2 Lenk- und 2 Bockrollen:



Art.-Nr.	Artikel	Traglast F _{max} [N]	Hinweise
14414	Bodenroller 600x400 4LR V2.0 LE04	3.300	4 Lenkrollen
14415	Bodenroller 600x400 4LR ESD V2.0 LE04	3.300	4 Lenkrollen
14416	Bodenroller 600x400 2LR+2BR V2.0 LE04	3.300	2 Lenkrollen, 2 Bockrollen
14417	Bodenroller 600x400 2LR+2BR ESD V2.0 LE04	3.300	2 Lenkrollen, 2 Bockrollen
14144	Griffstange für Bodenroller ESD V2.0		

Gerne bieten wir Ihnen auch weitere Varianten gemäß Ihren individuellen Anforderungen an.

Anwendung	Bodenroller werden für den innerbetrieblichen Materialtransport eingesetzt, ohne dass Hub- oder Transportwagen eingesetzt werden müssen. Die Behälter (KLT = Kleinteile-Ladungs-Träger – i. d. R. im Euro-Format 600x400 mm oder 400x300 mm), in denen sich Roh- und Halbfabrikate sowie Fertigprodukte befinden, werden auf dem Bodenroller positioniert und über die gebördelte Mantelfläche sicher fixiert. Für den ergonomischen manuellen Warentransport wird die Griffstange (Artikel 14144) eingesetzt. Mit dem VARIOlifter – dem Kistenhubgerät für die Aufnahme von Bodenrollern – lassen sich die Behälter mit den Roh- und Halbfabrikaten in der Nebenzeit ohne manuellen Eingriff ergonomisch bedienen. Ergänzend können die am Arbeitsplatz bearbeiteten Produkte über den Einsatz eines weiteren VARIOlifters in der Nebenzeit ohne manuellen Eingriff abgedient werden. Mit der LEANpallet [®] – der Transport- und Lagerpalette für bis zu 4 Bodenroller – lässt sich der innerbetriebliche Materialtransport auf die externen Lieferanten (für Roh- und Halbfabrikate) und Kunden (Fertigwaren) ausdehnen.
Material	Bodenblech: verzinktes Stahlblech, Rollengehäuse: Stahlblech, verzinkt und blau chromatiert, Rollenfelge: Polyamid, Laufbelag (Lenkrolle): Thermoplast, Griffstange: Stahlrohr, pulverbeschichtet lichtgrau RAL 7035

Technische Änderungen vorbehalten.

Transport- und Lagerpalette LEANpallet[®] Kistenhubgerät VARIOlifter



Bodenroller, öldichte Ausführung

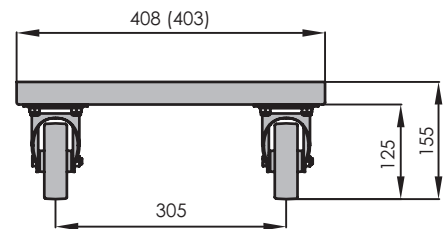
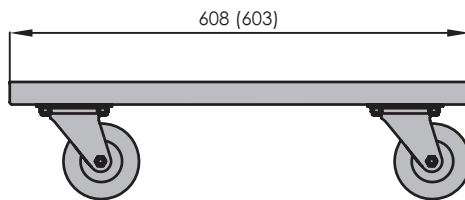


Bodenroller Öl dichte Ausführung mit Behälter KLT 600x400mm



Detailansicht Öl dichte Ecken-Ausführung

Bodenroller mit
4 Lenkrollen:



Bodenroller mit
2 Lenk- und 2 Bockrollen:



Art.-Nr.	Artikel	Traglast F_{max} [N]	Hinweise
14827	Bodenroller Öl dicht 600x400 4LR V2.0 LE01	3.300	4 Lenkrollen
14828	Bodenroller Öl dicht 600x400 4LR ESD V2.0 LE01	3.300	4 Lenkrollen
14829	Bodenroller Öl dicht 600x400 2LR+2BR V2.0 LE01	3.300	2 Lenkrollen, 2 Bockrollen
14830	Bodenroller Öl dicht 600x400 2LR+2BR ESD V2.0 LE01	3.300	2 Lenkrollen, 2 Bockrollen
14144	Griffstange für Bodenroller		

Gerne bieten wir Ihnen auch weitere Varianten gemäß Ihren individuellen Anforderungen an.

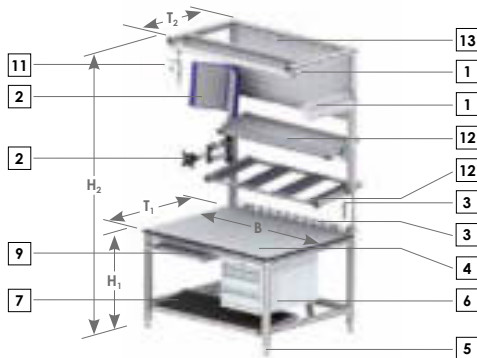
Anwendung Bodenroller werden für den innerbetrieblichen Materialtransport eingesetzt, ohne dass Hub- oder Transportwagen eingesetzt werden müssen. Die Behältnisse (KLT = Kleinteile-Ladungs-Träger – i. d. R. im Euro-Format 600x400 mm oder 400x300 mm), in denen sich Roh- und Halbfabrikate sowie Fertigprodukte befinden, werden auf dem Bodenroller positioniert und über die gebördelte Mantelfläche sicher fixiert. Für den ergonomischen manuellen Warentransport wird die Griffstange eingesetzt. Die Wanne des Bodenrollers ist durch die Versiegelung der Ecken Öl dicht ausgeführt. Damit lässt sich der Warentransport auch von ölbehafteten Teilen die oft in Gitterkörben bevorratet und transportiert werden ohne Bodenverschmutzung ausführen. Mit dem VARIOlifter – dem Kistenhubgerät für die Aufnahme von Bodenrollern – lassen sich die Behältnisse mit den Roh- und Halbfabrikaten in der Nebenzeit ohne manuellen Eingriff ergonomisch andienen. Ergänzend können die am Arbeitsplatz bearbeiteten Produkte über den Einsatz eines weiteren VARIOlifters in der Nebenzeit ohne manuellen Eingriff abgedient werden. Mit der LEANpallet[®] – der Transport- und Lagerpalette für bis zu 4 Bodenroller – lässt sich der innerbetriebliche Materialtransport auf die externen Lieferanten (für Roh- und Halbfabrikate) und Kunden (Fertigwaren) ausdehnen.

Material **Bodenblech:** verzinktes Stahlblech, **Rollengehäuse:** Stahlblech, verzinkt und blau chromatiert, **Rollenfelge:** Polyamid, **Laufbelag (Lenkrolle):** Thermoplast, **Griffstange:** Stahlrohr, pulverbeschichtet lichtgrau RAL 7035

Technische Änderungen vorbehalten.



CONFIGapps
Arbeitsplatz



0 Allgemeines, Abmessungen

Ausführung	<input type="checkbox"/> montiert	<input type="checkbox"/> Bausatz
ESD Schutz	<input type="checkbox"/> ja	<input type="checkbox"/> nein
Überbau	<input type="checkbox"/> ja	<input type="checkbox"/> nein
Profilbaureihe	<input type="checkbox"/> 10 mm Nut	<input type="checkbox"/> 8 mm Nut
Abmessungen	H ₁ [mm]: _____	H ₂ [mm]: _____
	T ₁ [mm]: _____	T ₂ [mm]: _____
	B [mm]: _____	

1 Beleuchtung ¹⁾

Technik	<input type="checkbox"/> Standard	<input type="checkbox"/> dimmbar
Lichtfarbe	<input type="checkbox"/> 4.000K	<input type="checkbox"/> 6.500K
Typen	<input type="checkbox"/> AL10 LED L (10W)	<input type="checkbox"/> AL10 LED R (10W)
	<input type="checkbox"/> AL20 LED L (20W)	<input type="checkbox"/> AL20 LED R (20W)
	<input type="checkbox"/> AL30 LED (30W)	<input type="checkbox"/> AL40 LED (40W)
	<input type="checkbox"/> AL30 LED 3.000K - 6.000K (30W)	

¹⁾ Details siehe Kapitel 5

2 Informationsbereitstellung ²⁾

Bildschirm-tragarm	<input type="checkbox"/> Tragschlitzen	<input type="checkbox"/> Tragarm
	<input type="checkbox"/> Faltarm	
Sichttafel-system	<input type="checkbox"/> ja	<input type="checkbox"/> nein

²⁾ Details siehe Kapitel 5

3 Energiebereitstellung ³⁾

FI-Schutz	<input type="checkbox"/> ja	<input type="checkbox"/> nein
Steckdosen-leiste	<input type="checkbox"/> 3S	<input type="checkbox"/> 2S/SA
	<input type="checkbox"/> 2S/HS	<input type="checkbox"/> 2S/T
Steckdosenleiste mit FI-Schutz	<input type="checkbox"/> 3S/SA/FI	<input type="checkbox"/> 3S/T/SA/FI

³⁾ Details siehe Kapitel 5

4 Tischplatte ⁴⁾

Hochdruckschichtstoffplatte (HPL)	
Dekorschicht ähnlich RAL7035 (lichtgrau), Kern schwarz	
	Standard
	ESD-Ausführung
Plattenstärke	<input type="checkbox"/> 5mm
	<input type="checkbox"/> 10mm
	<input type="checkbox"/> 20mm
	<input type="checkbox"/> 5mm
	<input type="checkbox"/> 10mm
	<input type="checkbox"/> 15mm

⁴⁾ Details siehe Kapitel 5

5 Bodenelemente ⁵⁾

Gelenkfuß	<input type="checkbox"/> ja	<input type="checkbox"/> nein
Lenkrolle	<input type="checkbox"/> Ø 80mm	<input type="checkbox"/> Ø 125mm
Feststeller	<input type="checkbox"/> ja	<input type="checkbox"/> nein

⁵⁾ Details siehe Kapitel 4

6 Schubladenschrank ⁶⁾

Ausführung	<input type="checkbox"/> Version 1.1	<input type="checkbox"/> Version 1.2
	<input type="checkbox"/> Version 2.1	<input type="checkbox"/> Version 2.2
	<input type="checkbox"/> Version 3.1	<input type="checkbox"/> Version 3.2
Position	<input type="checkbox"/> links	<input type="checkbox"/> rechts

⁶⁾ Details siehe Kapitel 5

7 Fußauflage ⁷⁾

ECOsoft	<input type="checkbox"/> ja	<input type="checkbox"/> nein
----------------	-----------------------------	-------------------------------

⁷⁾ Details siehe Kapitel 5

8 Arbeitsdrehstuhl ⁸⁾

BASEtec	<input type="checkbox"/> Gleiter (Typ A)	<input type="checkbox"/> Rollen (Typ B)
	<input type="checkbox"/> Gleiter (Typ C)	
VARIOfec	<input type="checkbox"/> Gleiter (Typ A)	<input type="checkbox"/> Rollen (Typ B)
	<input type="checkbox"/> Gleiter (Typ C)	
Polster	<input type="checkbox"/> Textil	<input type="checkbox"/> Kunststoff
	<input type="checkbox"/> Integralschaum	

⁸⁾ Details siehe Kapitel 5

9 Tastatúrauszug ⁹⁾

Tastatúrauszug	<input type="checkbox"/> ja	<input type="checkbox"/> nein
Mausablage	<input type="checkbox"/> ja	<input type="checkbox"/> nein

⁹⁾ Details siehe Kapitel 5

10 PC-Ablage ¹⁰⁾

PC-Ablage	<input type="checkbox"/> ja	<input type="checkbox"/> nein
------------------	-----------------------------	-------------------------------

¹⁰⁾ Details siehe Kapitel 5

11 Werkzeugbereitstellung

C-Schiene	<input type="checkbox"/> ja	<input type="checkbox"/> nein
Federzug	<input type="checkbox"/> 1-2kg	<input type="checkbox"/> 2-4kg
Laufwagen	<input type="checkbox"/> ja	<input type="checkbox"/> nein

12 Materialbereitstellung

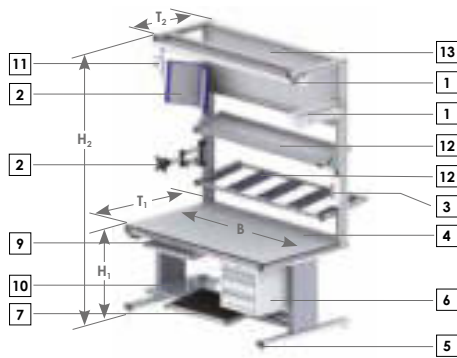
Ausführung	<input type="checkbox"/> Fläche (HPL)	<input type="checkbox"/> Röllchenstrecke
Anzahl Ebenen [St.]:	_____	
Lichte Tiefe [mm]:	_____	
Anzahl Zuführstrecken pro Ebene [St.]:	_____	

13 Lochplatte ¹¹⁾

Lochplatte	<input type="checkbox"/> B = 500mm	<input type="checkbox"/> B = 700mm
	<input type="checkbox"/> B = 900mm	<input type="checkbox"/> B = 1100mm
Halterungen	_____	

¹¹⁾ Details siehe Kapitel 6

Technische Änderungen vorbehalten.



0 Allgemeines, Abmessungen		
Ausführung	<input type="checkbox"/> montiert	<input type="checkbox"/> Bausatz
ESD Schutz	<input type="checkbox"/> ja	<input type="checkbox"/> nein
Überbau	<input type="checkbox"/> ja	<input type="checkbox"/> nein
Profilbaureihe	<input type="checkbox"/> 10mm Nut	<input type="checkbox"/> 8mm Nut
Abmessungen	H ₁ [mm]: 700-1055 H ₂ [mm]: _____ T ₁ [mm]: _____ T ₂ [mm]: _____ B [mm]: _____	
1 Beleuchtung ¹⁾		
Technik	<input type="checkbox"/> Standard	<input type="checkbox"/> dimmbar
Lichtfarbe	<input type="checkbox"/> 4.000K	<input type="checkbox"/> 6.500K
Typen	<input type="checkbox"/> AL10 LED L (10W) <input type="checkbox"/> AL10 LED R (10W) <input type="checkbox"/> AL20 LED L (20W) <input type="checkbox"/> AL20 LED R (20W) <input type="checkbox"/> AL30 LED (30W) <input type="checkbox"/> AL40 LED (40W) <input type="checkbox"/> AL30 LED 3.000K - 6.000K (30W)	
¹⁾ Details siehe Kapitel 5		
2 Informationsbereitstellung ²⁾		
Bildschirmtragarm	<input type="checkbox"/> Tragschlitzen	<input type="checkbox"/> Tragarm
	<input type="checkbox"/> faltarm	
Sichttafel-system	<input type="checkbox"/> ja	<input type="checkbox"/> nein
²⁾ Details siehe Kapitel 5		
3 Energiebereitstellung ³⁾		
FI-Schutz	<input type="checkbox"/> ja	<input type="checkbox"/> nein
Steckdosenleiste	<input type="checkbox"/> 3S	<input type="checkbox"/> 2S/SA
	<input type="checkbox"/> 2S/HS	<input type="checkbox"/> 2S/T
Steckdosenleiste mit FI-Schutz	<input type="checkbox"/> 3S/SA/FI	<input type="checkbox"/> 3S/T/SA/FI
³⁾ Details siehe Kapitel 5		
4 Tischplatte ⁴⁾		
Hochdruckschichtstoffplatte (HPL)		
Dekorschicht ähnlich RAL7035 (lichtgrau), Kern schwarz		
	Standard	ESD-Ausführung
Plattenstärke	<input type="checkbox"/> 5mm	<input type="checkbox"/> 5mm
	<input type="checkbox"/> 10mm	<input type="checkbox"/> 10mm
	<input type="checkbox"/> 20mm	<input type="checkbox"/> 15mm
⁴⁾ Details siehe Kapitel 5		

CONFIGapps Höhenverstellbarer Arbeitsplatz

5 Bodenelemente ⁵⁾		
Gelenkfuß	<input type="checkbox"/> ja	<input type="checkbox"/> nein
Lenkrolle	<input type="checkbox"/> Ø 80mm	<input type="checkbox"/> Ø 125mm
Feststeller	<input type="checkbox"/> ja	<input type="checkbox"/> nein
ERGOmobile	<input type="checkbox"/> ja	<input type="checkbox"/> nein
⁵⁾ Details siehe Kapitel 4		
6 Schubladenschrank ⁶⁾		
Ausführung	<input type="checkbox"/> Version 1.1	<input type="checkbox"/> Version 1.2
	<input type="checkbox"/> Version 2.1	<input type="checkbox"/> Version 2.2
	<input type="checkbox"/> Version 3.1	<input type="checkbox"/> Version 3.2
Position	<input type="checkbox"/> links	<input type="checkbox"/> rechts
⁶⁾ Details siehe Kapitel 5		
7 Fußauflage ⁷⁾		
ECOsoft	<input type="checkbox"/> ja	<input type="checkbox"/> nein
⁷⁾ Details siehe Kapitel 5		
8 Arbeitsdrehstuhl ⁸⁾		
BASEtec	<input type="checkbox"/> Gleiter (Typ A)	<input type="checkbox"/> Rollen (Typ B)
	<input type="checkbox"/> Gleiter (Typ C)	
VARIOfec	<input type="checkbox"/> Gleiter (Typ A)	<input type="checkbox"/> Rollen (Typ B)
	<input type="checkbox"/> Gleiter (Typ C)	
Polster	<input type="checkbox"/> Textil	<input type="checkbox"/> Kunststoff
	<input type="checkbox"/> Integralschaum	
⁸⁾ Details siehe Kapitel 5		
9 Tastatúrauszug ⁹⁾		
Tastatúrauszug	<input type="checkbox"/> ja	<input type="checkbox"/> nein
Mausablage	<input type="checkbox"/> ja	<input type="checkbox"/> nein
⁹⁾ Details siehe Kapitel 5		
10 PC-Ablage ¹⁰⁾		
PC-Ablage	<input type="checkbox"/> ja	<input type="checkbox"/> nein
¹⁰⁾ Details siehe Kapitel 5		
11 Werkzeugbereitstellung		
C-Schiene	<input type="checkbox"/> ja	<input type="checkbox"/> nein
Federzug	<input type="checkbox"/> 1-2kg	<input type="checkbox"/> 2-4kg
Laufwagen	<input type="checkbox"/> ja	<input type="checkbox"/> nein
12 Materialbereitstellung		
Ausführung	<input type="checkbox"/> Fläche (HPL)	<input type="checkbox"/> Röllchenstrecke
Anzahl Ebenen [St.]:	_____	
Lichte Tiefe [mm]:	_____	
Anzahl Zuführstrecken pro Ebene [St.]:	_____	
13 Lochplatte ¹¹⁾		
Lochplatte	<input type="checkbox"/> B = 500mm	<input type="checkbox"/> B = 700mm
	<input type="checkbox"/> B = 900mm	<input type="checkbox"/> B = 1100mm
Halterungen	_____	
¹¹⁾ Details siehe Kapitel 6		

Technische Änderungen vorbehalten.



0 Allgemeines, Abmessungen

- Ausführung** montiert Bausatz
- ESD Schutz** ja nein
- Profilbaureihe** 10mm Nut 8mm Nut
- Abmessungen** H₁ [mm]: _____ H₂ [mm]: _____

1 Bodenelemente ¹⁾

- Lenkrolle** Ø 80mm Ø 125mm
- Feststeller** ja nein
- Bockrolle** Ø 80mm Ø 125mm

¹⁾ Details siehe Kapitel 5

2 Materialebene stufenlos schwenkbar

Abmessungen B_L [mm]: _____ T_L [mm]: _____

Anzahl der Materialebenen [St.]: _____

- Werkstoff ²⁾** PS PVC
 HPL Al

²⁾ PS (Polystyrol), PVC (Polyvinylchlorid), HPL (High Pressure Laminate), Al (Aluminium)

3 Materialebene geneigt

Abmessungen B_L [mm]: _____ T_L [mm]: _____

Neigungswinkel α [°]: _____

Anzahl der Materialebenen [St.]: _____

- Werkstoff ²⁾** PS PVC
 HPL Al

²⁾ PS (Polystyrol), PVC (Polyvinylchlorid), HPL (High Pressure Laminate), Al (Aluminium)

4 Materialebene waagrecht

Abmessungen B_L [mm]: _____ T_L [mm]: _____

Anzahl der Materialebenen [St.]: _____

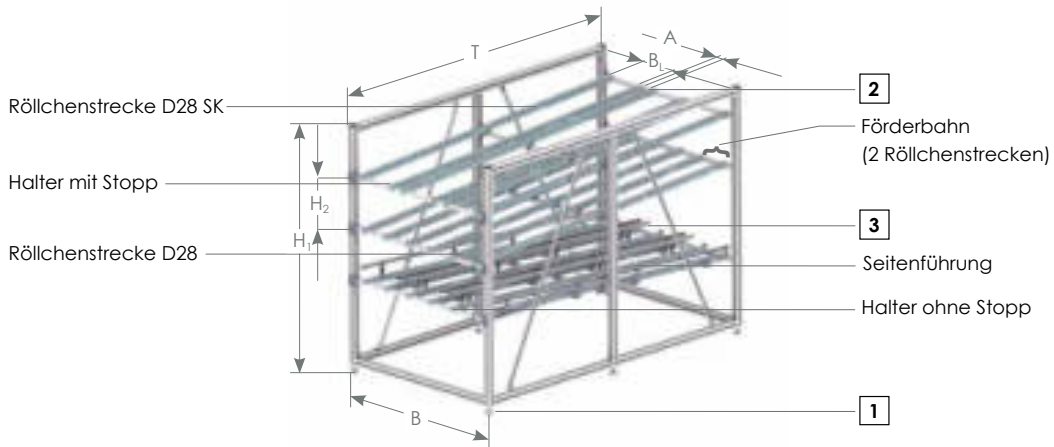
- Werkstoff ²⁾** PS PVC
 HPL Al

²⁾ PS (Polystyrol), PVC (Polyvinylchlorid), HPL (High Pressure Laminate), Al (Aluminium)

5 Griff

- Rohrgriff Anordnung** ja nein
 horizontal vertikal

- Bügelgriff** ja nein



0 Allgemeines, Abmessungen	
Ausführung	<input type="checkbox"/> montiert <input type="checkbox"/> Bausatz
ESD Schutz	<input type="checkbox"/> ja <input type="checkbox"/> nein
Profilbaureihe	<input type="checkbox"/> 10mm Nut <input type="checkbox"/> 8mm Nut
Abmessungen	H ₁ [mm]: _____ H ₂ [mm]: _____ T [mm]: _____ B [mm]: _____
1 Bodenelemente ¹⁾	
Gelenkfuß	<input type="checkbox"/> ja <input type="checkbox"/> nein
Lenkrolle	<input type="checkbox"/> Ø 80mm <input type="checkbox"/> Ø 125mm
Feststeller	<input type="checkbox"/> ja <input type="checkbox"/> nein
¹⁾ Details siehe Kapitel 4	
2 Zuführebenen	
Anzahl der Zuführebenen [St.]: _____	
Abmessung H₂ [mm]: _____	
Gefälle [%]: _____	
Anzahl der Förderbahnen ²⁾ pro Zuführebene [St.]: _____	
Abmessung B_L [mm]: _____	
Abstand A [mm]: _____	
Fördermedium	<input type="checkbox"/> Röllchenstrecke D28 <input type="checkbox"/> Röllchenstrecke D28 SK ³⁾
Seitenführung	<input type="checkbox"/> ja <input type="checkbox"/> nein
²⁾ Förderbahn besteht aus Röllchenstrecken ³⁾ SK (Spurkranz) zur Seitenführung	

3 Rückführebenen	
Anzahl der Rückführebenen [St.]: _____	
Abmessung H₂ [mm]: _____	
Gefälle [%]: _____	
Anzahl der Förderbahnen ²⁾ pro Rückführebene [St.]: _____	
Abmessung B_L [mm]: _____	
Abstand A [mm]: _____	
Fördermedium	<input type="checkbox"/> Röllchenstrecke D28 <input type="checkbox"/> Röllchenstrecke D28 SK ³⁾
Seitenführung	<input type="checkbox"/> ja <input type="checkbox"/> nein
²⁾ Förderbahn besteht aus Röllchenstrecken ³⁾ SK (Spurkranz) zur Seitenführung	

Reinigungsinsel



Reinigungsinsel M¹⁾



Dosen-/Flaschen-Halter



Papierrollen-Halter



Abfalleimer-Halter + Abfalleimer



Griff

Art.-Nr.	Artikel	B [N]	H [N]	T [N]	Bestückung
28586	Reinigungsinsel S ¹⁾	500	1800	600	- Abfalleimer-Halter + Abfalleimer (1 St.) - Kehrbesen-Halter (1 St.) - Kehrschaukel-Halter (1 St.) - Besen-Halter (1 St.) - Sichttasche DIN A4 (1 St.)
28587	Reinigungsinsel M ¹⁾	1000	1800	600	- Abfalleimer-Halter + Abfalleimer (2St.) - Kehrbesen-Halter (1 St.) - Kehrschaukel-Halter (1 St.) - Besen-Halter (1 St.) - Sichttasche DIN A4 (1 St.) - Papierrollen-Halter (1 St.) - Dosen-/Flaschen-Halter (1 St.)
28588	Reinigungsinsel L ¹⁾	1500	1800	600	- Abfalleimer-Halter + Abfalleimer (2St.) - Kehrbesen-Halter (1 St.) - Kehrschaukel-Halter (1 St.) - Besen-Halter (1 St.) - Sichttasche DIN A4 (2St.) - Papierrollen-Halter (1 St.) - Dosen-/Flaschen-Halter (2St.) - (Staub-)Sauger-Halter (1 St.)

¹⁾ Verbrauchsmaterialien sind nicht im Lieferumfang enthalten.

Gerne bieten wir Ihnen auch weitere Varianten gemäß Ihren individuellen Anforderungen an.

Anwendung Die 5S-Arbeitsgestaltung ist in der produzierenden Industrie eine Methodik abgeleitet aus den japanischen Lean Production Tools um die Arbeitsplätze sicher, sauber und übersichtlich zu gestalten. Ordnung und Sauberkeit sind Grundvoraussetzungen zur Verbesserung der Arbeitsprozesse. Das Risiko von Arbeitsunfällen sinkt deutlich. Die Reinigungsinsel – die wir in 3 Ausbaustufen anbieten – ist das passende Tool zur Durchführung der täglichen Reinigungsarbeiten und bildet den Grundstein für saubere, sichere und produktive Arbeitsbereiche. Das Basismaterial HPL (Hochdruckschichtstoffplatten) ist besonders robust, feuchtigkeitsbeständig und reinigungsfreundlich.

Material **Flächenelemente:** HPL (Hochdruckschichtstoffplatten), lichtgrau ähnlich RAL 7035

Technische Änderungen vorbehalten.



REALISIERUNG
IMOpoint



Kommunikationssäule IMOpoint in drei Ausführungsvarianten erhältlich

Informieren. Moderieren. Präsentieren.

Der IMOpoint dient als **aktive Informations- und Moderationssäule** für die innerbetriebliche **Kommunikation**. Wahlweise ist der IMOpoint ohne, mit einem und mit zwei drehbaren Kuben erhältlich. An den **magnetischen Arbeitsoberflächen** lassen sich die Unternehmens- und Abteilungsinformationen sowie Kennzahlen (Kosten, Zeit, Qualität) übersichtlich anbringen.

Die Arbeitsoberflächen sind mit handelsüblichen **Whiteboard-Markern beschreibbar** und dadurch für die Moderation von Workshops, KVP- / Kaizen Meetings, Shopfloor Management, Reporting, etc. prädestiniert.

Durch die **drehbaren Kuben** erfolgt die Fokussierung auf das Wesentliche.

Mit den am unteren Kubus angebrachten **Vorlagen- / Prospekthaltern** lassen sich Formulare, Flyer, Broschüren, etc. platzsparend bereitstellen.

Über die Lenkrollen sind Sie jederzeit **ortsflexibel** und können den IMOpoint mit wenig Kraftaufwand von A nach B verschieben.



Drehbare Kuben



Whiteboard-Oberflächen



Vorlagen- / Prospekthalter

Zur Präsentation von ...

- Unternehmensinformationen
- Kennzahlen (Kosten, Qualität, Liefertreue, Performance, Zeit)
- Auftragssteuerung
- etc.

Zur Bereitstellung von ...

- Flyern
- Broschüren
- Formularen
- etc.

Zur Moderation von ...

- Workshops
- KVP- / Kaizen Meetings
- Shopfloor Management
- Auftragssteuerung
- Regelkommunikation
- Reporting
- etc.

Individualisierung ...

- Abmessung (Standardabmessung B x T x H [mm]: 700 x 700 x 2200)
- Ausführung (Variante 1: kein drehbarer Kubus; Variante 2: ein drehbarer Kubus; Variante 3: zwei drehbare Kuben)
- Branding mit Ihrem Firmen-Logo, Slogan oder Schriftzug
- Gestaltung der Arbeitsoberflächen (Linierung, Karo, Tabelle, ...)



ASSTEC GmbH & Co. KG
 Herrenbühlstraße 9
 D-78658 Zimmern o. R. Fon
 +49 7 41.1 74 76-0 Fax
 +49 7 41.1 74 76-123
 info@asstec.net

ASSTEC.net

Informations- und Moderationssäule IMOpoint



IMOpoint700 V3 mit Druck



Magnetische Arbeits-Oberfläche



Prospekthalter



Halterung für 4 Whiteboard-Marker



Whiteboard-Oberfläche

Art.-Nr.	Artikel	Branding	Druck	Anzahl drehbare Kuben	Halterung für Whiteboard-Marker	Whiteboard-Oberfläche	Magnetische Arbeits-Oberfläche	Anzahl Vorlagen- / Prospekthalter DIN A4 hoch
28896	IMOpoint-700 V1	■				■	■	4
28897	IMOpoint-700 V1 mit Druck	■	■			■	■	4
28898	IMOpoint-700 V2	■		1	■	■	■	8
28899	IMOpoint-700 V2 mit Druck	■	■	1	■	■	■	8
28900	IMOpoint-700 V3	■		2	■	■	■	8
28901	IMOpoint-700 V3 mit Druck	■	■	2	■	■	■	8

Gerne bieten wir Ihnen auch weitere Varianten gemäß Ihren individuellen Anforderungen an.

Anwendung	Informieren, Präsentieren und Moderieren. Mit der Informations- und Moderationssäule IMOpoint700 gelingt das mit nur einem Produkt. An den magnetischen Arbeitsoberflächen lassen sich die Unternehmens- und Abteilungsinformationen sowie Kennzahlen (Kosten, Zeit, Qualität) übersichtlich anbringen. Die Arbeitsoberflächen sind mit handelsüblichen Whiteboard-Marker beschreibbar und sind dadurch für die Moderation von Workshops, KVP- / Kaizen Meetings, Shopfloor Management, Reporting, etc. prädestiniert. Durch die drehbaren Kuben erfolgt die Fokussierung auf das Wesentliche. Mit den am unteren Kubus angebrachten Vorlagen- / Prospekthalter lassen sich Formulare, Flyer, Broschüren, etc. platzsparend bereitstellen. Über die Lenkrollen sind Sie jederzeit ortsflexibel und können den IMOpoint mit wenig Kraftaufwand von A nach B verschieben.
Material	Flächenelemente: HPL (Hochdruckschichtstoffplatten) und verzinktes Stahlblech mit Whiteboard-Folie belegt

Technische Änderungen vorbehalten.

Stehpult



Stehpult



Höhenverstellung



Klemmschiene



Marker Halterung



Anschlagleiste



Fußring mit Lenkrollen (feststellbar)



Neigungsverstellung

Art.-Nr.	Artikel	Höhenverstellung	Neigungsverstellung	Fußring mit Lenkrollen (feststellbar)	Anschlagleiste	Marker Halterung	Klemmschiene
29812	Stehpult basic	■	■	■	■		
29813	Stehpult comfort	■	■	■	■	■	
29814	Stehpult premium	■	■	■	■	■	■

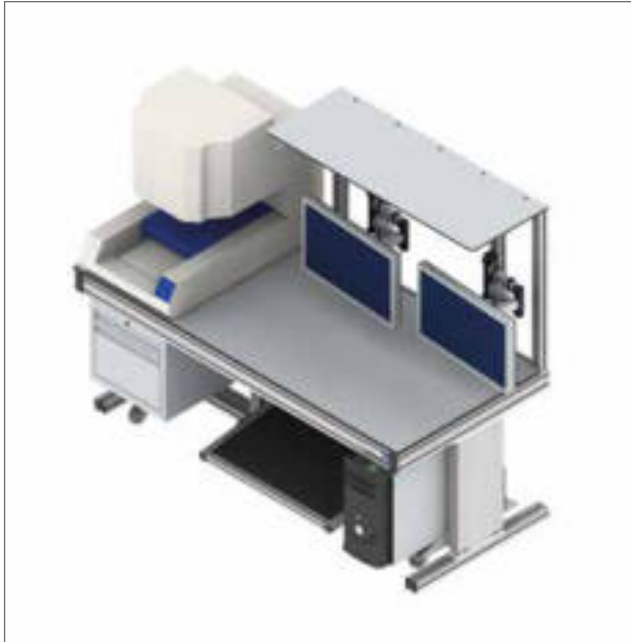
Gerne bieten wir Ihnen auch weitere Varianten gemäß Ihren individuellen Anforderungen an.

Anwendung	Der Arbeitsplatz wird mobil. Das mobile Stehpult ist in der mobilen Arbeitswelt der passende Begleiter für Meetings, Gespräche, Moderationen, etc. Durch den Haltungswechsel wird aus der statischen eine dynamische Arbeitsposition und damit die Belastung für den Körper deutlich reduziert. Arbeiten im Stehen fördert die Kreativität, das Gehirn reagiert 5% bis 20% schneller. Die höhen- und neigungsverstellbare Pultplatte in Kombination mit dem Fahrgestell ermöglicht maximale Bewegungsfreiheit. Das Aufsetzen der Füße auf den integrierten Fußring entlastet dabei den Rücken. Die Kommunikation wird effektiver, denn Besprechungen im Stehen verkürzen sich um 40%. Die Einführung von Stehpults erhöht die Arbeitszufriedenheit, führt zu einer größeren Leistungsbereitschaft und erhöht die Produktivität.
Material	Pultplatte: HPL (Hochdruckschichtstoffplatte) RAL 7035 (ähnlich lichtgrau); Gestell, Fußring: Stahl, verchromt

Technische Änderungen vorbehalten.



Prüfearbeitsplatz Mitutoyo



Prüfearbeitsplatz Mitutoyo mit Option 1-7 – Sitzposition¹⁾



Prüfearbeitsplatz Mitutoyo mit Option 1-7 – Stehposition¹⁾

Stellen Sie sich selbst Ihren individuellen Prüfearbeitsplatz zusammen. Mit dem modularen Grundbaukasten lässt sich der Arbeitsplatz nach Ihren Erfordernissen und Gegebenheiten konfigurieren.

Optionen	Prüfearbeitsplatz höhenverstellbar + mobil (ERGOmobile-Funktion)	EUR	2.340,00
	1) Fußauflage ECOsoff B = 700mm, manuell höhenverstellbar	EUR	170,00
	2) PC-Halterung mit 2 Spannbändern	EUR	60,00
	3) Steckdosenleiste 3S (3 Schuko-Dosen)	EUR	55,00 ²⁾
	4) Fehlerstromschutzschalterleiste FI	EUR	120,00
	5) Monitorfaltarm	EUR	185,00 ²⁾
	6) Ablageebene HPL RAL 7035, BxTxS [mm]: 1000x400x10	EUR	160,00
	7) Schubladenschrank 60-240	EUR	420,00
Kombipaket Prüfearbeitsplatz höhenverstellbar + mobil (ERGOmobile-Funktion), Vollausstattung (inkl. allen Optionen mit 2 Stück Monitorfaltarmen und 2 Stück Steckdosenleisten)		EUR	3.750,00 3.550,00

Gerne bieten wir Ihnen auch weitere Varianten gemäß Ihren individuellen Anforderungen an.

Anwendung	Höhenverstellbarer Prüfearbeitsplatz ausgelegt als Sitz- und Steharbeitsplatz für die ergonomische Durchführung von Mess- und Prüfaufgaben. Eine praxiserprobte Vorgehensweise ist die Einstellung der Sitzposition für die Erstellung des Prüfprogrammes. Für die Durchführung der Bauteilprüfung parallel zum Fertigungsprozess eignet sich dann besonders gut die Stehposition. All in one – mit der eingesetzten ERGOmobile-Funktion werden Höhenverstellung (Sitz-/Steharbeitsplatz, Ergonomie), die Ortsflexibilität eines Wagens und die Steifigkeit einer Werkbank kombiniert.
Material	Gestell: Aluminiumstrebenprofile, natur eloxiert; Tisch- und Ablageplatte: Kompaktschichtstoffplatte (HPL) ähnlich RAL 7035 (lichtgrau)

¹⁾Prüfearbeitsplatz mit allen Optionen; Messmaschine, Bildschirme und PC nicht im Lieferumfang enthalten
²⁾Stückpreis

Technische Änderungen vorbehalten.
Preisangaben EXW zzgl. MwSt. Stand 2016



Abrollvorrichtung für Kabeltrommeln

Zugentlastung



Abrollvorrichtung Kabeltrommel



Zugentlastung



Abrollvorrichtung für Kabeltrommeln + Zugentlastung



Abrollvorrichtung für Kabeltrommeln + Zugentlastung

Art.-Nr.	Artikel	Hinweise
200936	Abrollvorrichtung Kabeltrommel	max. Abmessung der Kabeltrommel: D _{max.} = 1000mm; B _{max.} = 700mm max. Belastung: F = 6.000 N (600 kg)
200937	Zugentlastung	Pneumatisch über Druckregelventil einstellbar (Druckluftversorgung p = 6 bar)

Gerne bieten wir Ihnen auch weitere Varianten gemäß Ihren individuellen Anforderungen an.

Anwendung	<p>Abrollvorrichtung Kabeltrommel. Die Kabeltrommel wird an der geöffneten Seite in die Abrollvorrichtung gerollt. Im Anschluss die Lager-Achse in die Kabeltrommel eingeschoben und die Abrollvorrichtung positioniert, so dass die Achse über den beiden Lagerblöcken steht. Durch das anschließende Ausfahren der elektrischen Teleskophubsäulen heben sich die Lenkrollen der Abrollvorrichtung vom Boden ab, die Fußplatten kommen am Boden zum Eingriff und damit wird die Kabeltrommel vom Boden abgehoben. Das Nachrollverhalten der Kabeltrommel kann über die Klemmhebel eingestellt werden.</p> <p>Zugentlastung. Mit der pneumatisch einstellbaren Zugentlastung wird jedes Kabel prozesssicher, schonend und zugkraftreduziert für nachfolgende Kabelverarbeitungs-Maschinen bereit gestellt. Je nach Maschinenspezifikation können damit zwischengeschaltete Zugmaschinen komplett entfallen.</p>
Material	<p>Gestell: Aluminiumprofile, natur eloxiert; Lagerblock Kabeltrommel: Polyethylen, schwarz; Seilrollen: Polyamid, weiß</p>

Technische Änderungen vorbehalten.



System-Arbeitsplatz
Schaltschrank- / Kabelbaum-Montage




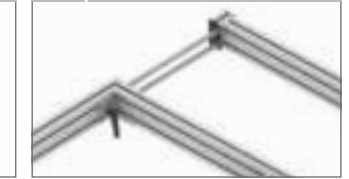





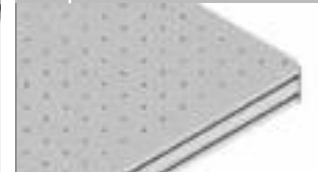


System-Arbeitsplatz für Schaltschrank- /Kabelbaum-Montage ohne Optionen. 0-90° Neigungswinkel (Abbildung in der 45° Neigungsposition).



System-Arbeitsplatz für Schaltschrank- /Kabelbaum-Montage mit Option 1-9. 0-90° Neigungswinkel (Abbildung in der 45° Neigungsposition).

Optionen

<p>1 Beleuchtung</p> 	<p>2 Werkzeugablage</p> 	<p>3 Materialablage</p> 	<p>4 Tiefenverlängerung</p> 
<p>5 Auflage mit Gleitprofil halbrund</p> 	<p>6 Auflage mit Gleitprofil flach</p> 	<p>7 Klemmhalter</p> 	<p>8 Innenkralle</p> 
<p>9 Rollbahnanschlag</p> 	<p>10 Platte für Kabelbaum-Montage</p> 		



System-Arbeitsplatz
Schaltschrank- / Kabelbaum-Montage

1	Beleuchtung. Hochwertige beidseitige Einzel-Arbeitsplatzbeleuchtung mit 2 Stück LED-Arbeitsplatzleuchten AL40 LED (4.000K), einer Steckdosenleiste mit schaltbarem Ausgang, den passenden Verbindungs- und Anschlusskabel. Die Arbeitsplatzleuchten sind stufenlos schwenkbar befestigt.
2	Werkzeugablage. Die Werkzeugablage erfolgt mit einem Lochblech im Format 450x900mm hochkant am Profilgestell montiert. Die Werkzeugbereitstellung erfolgt über diverse Halter die in der im Blech eingebrachten 4-Kant-Lochung adaptiert werden können.
3	Materialablage. Die Materialablage erfolgt über 3 Behälter-Ablagen passend für Behälter im Format 400x600mm. Die Adaption über Universalwinkel ermöglicht ein einfaches Verstellen der Ablagen (Höhe, Neigung und Tiefenversatz).
4	Tiefenverlängerung. Über die Tiefenverlängerung lässt sich die Standard-Nutzfläche von 1.600x1.800mm auf 1.600x2.200mm stufenlos erweitern.
5	Auflage mit Gleitprofil halbrund. Die Profil-Nuten der Auflagefläche sind mit einem verschleißfesten Halbrund-Gleitprofil bestückt um empfindliche Bauteile zu schützen.
6	Auflage mit Gleitprofil flach. Die Profil-Nuten der Auflagefläche sind mit einem flachen Gleitprofil bestückt um empfindliche Bauteile zu schützen.
7	Klemmhalter. Mit dem Klemmhalter lassen sich z.B. Montageplatten sicher am Gestell fixieren. Mit den eingebrachten Langlöcher und dem Klemmhebel sind unterschiedliche Plattenstärken werkzeuglos klemmbar.
8	Innenkralle. Mit der Innenkralle lassen sich nach innen gekanteten Träger-Bleche einfach auf der Auflagefläche fixieren.
9	Rollbahnanschlag. Die Anschlagfläche kann mit einer Rollenbahn bestückt werden. Dadurch wird das Aufbringen und Entnehmen von Montageplatten erleichtert.
10	Platte für Kabelbaum-Montage. Wird der Arbeitsplatz speziell für die Kabelbaum-Montage eingesetzt wird die Nutzfläche mit einer Montageplatte bestückt. Das in die Platte eingebrachte Bohrbild (Standardausführung: 50x50mm, Bohrungsdurchmesser 5mm) ermöglicht die universelle Herstellung von Kabelbäumen.

Art.-Nr.	Artikel	PB10 ¹⁾	PB8 ²⁾	ESD ³⁾	Hinweise
31728	SAP Schaltschrank- / Kabelbaum-Montage PB8 ESD		■	■	Bitte zusammen mit der Artikelnummer die gewünschten Optionen No. 1-10 angeben.
31729	SAP Schaltschrank- / Kabelbaum-Montage PB10 ESD	■		■	Ergänzend bei Option 7 und 8 die gewünschte Menge mitteilen.

¹⁾ Profilbaureihe 45mm Raster, 10mm Nut ²⁾ Profilbaureihe 40mm Raster, 8mm Nut ³⁾ ESD-Ausführung.

Anwendung	Der Arbeitsplatz wird bei der ergonomischen Schaltschrank- und / oder Kabelbaum-Montage eingesetzt. Ausgeführt ist der Montageplatz als System-Arbeitsplatz (SAP) bestehend aus einem Grundarbeitsplatz der dann mit den aufgeführten Optionen beliebig ergänzt werden kann. Bereits der Basisarbeitsplatz hat eine elektrische Höhen- und Neigungsverstellung und ist mit dem ERGOmobile-Fahrgestell für ein Maximum an Stabilität und Mobilität ausgeführt. Zum Schutz der elektronischen Bauelemente gegen elektrostatische Entladung entspricht der Arbeitsplatz den Vorgaben der DIN EN 61340-5-1 (ESD-Ausführung).
Material	Profile: Aluminium, natur eloxiert; Tisch- / Ablageplatten: HPL (Hochdruck-Schichtstoffplatte) RAL 7035 (lichtgrau); Verbindungstechnik: Stahl, verzinkt; Blechelemente: Stahl, pulverbeschichtet RAL 7035 (lichtgrau)

Technische Änderungen vorbehalten



System-Arbeitsplatz
 Schlauchbeutel-Verpackung



System-Arbeitsplatz für Schlauchbeutel-Verpackung mit Impuls-siegelgerät (Fabrikat hawo, Typ hm630 AS-8) ohne Optionen



System-Arbeitsplatz für Schlauchbeutel-Verpackung mit Impuls-siegelgerät (Fabrikat hawo, Typ hm630 AS-8) und Option 1-10

Optionen

<p>1 Beleuchtung</p> 	<p>2 Steckdosenleiste</p> 	<p>3 Informationstafel</p> 	<p>4 Bildschirm-/Tastatur-Halter *</p>  <p><small>* Bildschirm und Tastatur nicht im Lieferumfang enthalten</small></p>
<p>5 Materialschütten</p> 	<p>6 KLT-Ablagen</p> 	<p>7 Schlauchfolien-Speicher</p> 	<p>8 Zählwaage</p> 
<p>9 Ablage Label-Drucker, Etikettenspender*</p>  <p><small>* Drucker nicht im Lieferumfang enthalten</small></p>	<p>10 ERGOmobile</p> 		



System-Arbeitsplatz Schlauchbeutel-Verpackung

1	Beleuchtung. Hochwertige LED-Arbeitsplatzleuchte AL30 LED mit 4.000K Lichttemperatur (Normalweiß) und Anschlusskabel.
2	Steckdosenleiste. Zusätzliche Steckdosenleiste 2S / SA mit 2 Schuko Dosen und schaltbarem Ausgang zum Ein- / Ausschalten der LED-Arbeitsplatzleuchte.
3	Informationstafel. Sichttafelhalter mit 10 A4-Sichttafeln für die Anbringung von Prüf- und Arbeitsanweisungen, Betriebsanleitungen, etc.
4	Bildschirm- / Tastatur-Halter. Tragschlitten mit Tastaturablage zur platzsparenden Anbringung von Bildschirm und Tastatur.
5	Materialschütten. Behälter für die ergonomische Bereitstellung des Verpackungsmaterials. Die 4 Schütten sind V-förmig ausgeführt, im Radius für optimiertes Greifen angeordnet und am Auslass mit einem Schieber ausgeführt.
6	KLT-Ablagen. Unter der Tischplatte sind 2 ausziehbare Ablagen auf denen KLTs, Behälter, Schachteln, etc. abgestellt werden können vorhanden. 2 Öffnungen in der Tischplatte ermöglichen den Produktabwurf in die jeweiligen Behälter. Mit 2 Deckel lassen sich die Öffnungen in der Tischplatte verschließen.
7	Schlauchfolien-Speicher. Rotations-Speicher mit 4 wechselbaren Aufnahmedorne für die Aufnahme von Schlauchfolie (Endlos- / Rollen-Ware). Der Speicher ist im 90° Raster arretierbar. Es können auch mehrere Schlauchfolienrollen auf einem Aufnahmedorn bereit gestellt werden.
8	Zählwaage. Im Arbeitsbereich integrierte Industrie-Zählwaage, Fabrikat Kern Typ IFS 10K-4. Das Display ist an einem Tragarm befestigt. Wird die Waage nicht benötigt, wird die Aussparung in der Tischplatte mit einem Deckel verschlossen.
9	Ablage Label-Drucker, Etikettenspender. Ablage für die Integration eines Label-Druckers zur Kennzeichnung der Packstücke. Etikettenspender zum einfachen Abziehen der Etiketten von der Rolle.
10	ERGOmobile. Höhenverstellung über elektrische Teleskophubsäulen mit ERGOmobile Fahrgestell. Das ERGOmobile Fahrgestell vereinigt die Höhenverstellbarkeit (Ergonomie), Ortsflexibilität (Fahrgestell mit Lenkrollen) und die hohe Standfestigkeit des Arbeitsplatzes.

Art.-Nr.	Artikel	PB10 ¹⁾	PB8 ²⁾	ESD ³⁾	Hinweis
31439	SAP-Schlauchbeutelverpackung PB10	■			Bitte zusammen mit der Artikelnummer die gewünschten Optionen (No. 1-10) angeben. Ohne Höhenverstellung (Option 10) ist der Arbeitsplatz als Steh-Arbeitsplatz mit einer Tischplattenhöhe von H=900mm ausgeführt.
31440	SAP-Schlauchbeutelverpackung PB10 ESD	■		■	
31441	SAP-Schlauchbeutelverpackung PB8		■		
31442	SAP-Schlauchbeutelverpackung PB8 ESD		■	■	

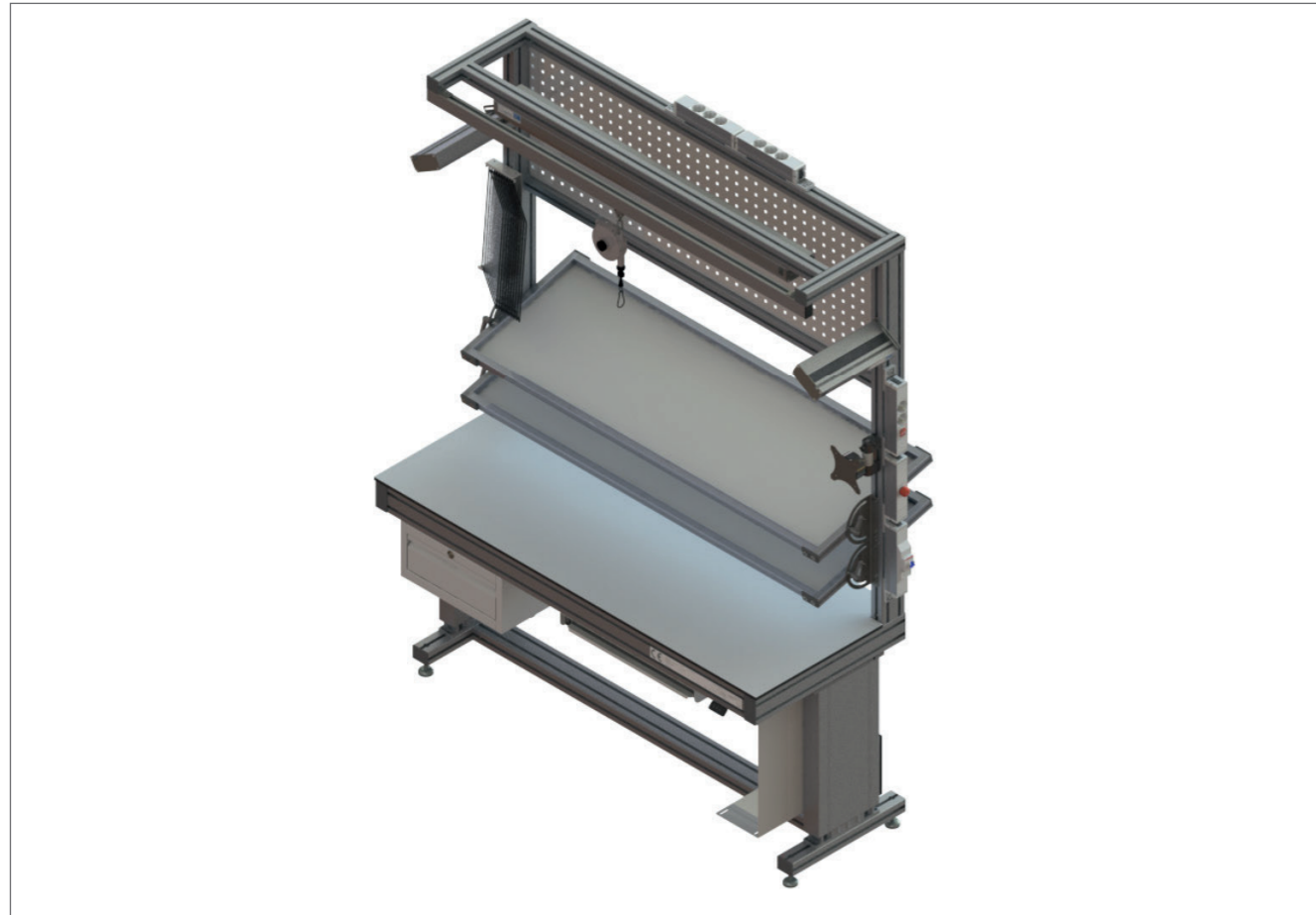
¹⁾ Profilbaureihe 45mm Raster, 10mm Nut ²⁾ Profilbaureihe 40mm Raster, 8mm Nut ³⁾ ESD-Ausführung.

Anwendung	Der Arbeitsplatz Schlauchbeutel-Verpackung wird für die manuelle Einzel-, Set- oder Bausatz-Verpackung eingesetzt. Ausgeführt ist der Arbeitsplatz als System-Standardarbeitsplatz (SAP) bestehend aus einem Basis-Arbeitsplatz der dann beliebig mit den jeweiligen Optionen ausgeführt werden kann. Bereits der Grundarbeitsplatz beinhaltet ein hochwertiges Balkenschweißgerät (Impulssiegelgerät) mit Fußtaster mit einer Nutbreite von 630mm das für den Dauereinsatz ausgelegt ist.
Material	Profile: Aluminium, natur eloxiert; Tisch- / Ablageplatten: HPL (Hochdruck-Schichtstoffplatte) RAL 7035 (lichtgrau); Verbindungstechnik: Stahl, verzinkt; Blechelemente: Stahl, pulverbeschichtet RAL 7035 (lichtgrau)

Technische Änderungen vorbehalten



SAP Montage-Arbeitsplatz



- Die Ausführung der Aluminiumprofile ist wahlweise in der Profilbaureihe 10 (Aluminium-Profilquerschnitt 45x45mm, Profilmutter 10mm) oder in der Profilbaureihe 8 (Aluminium-Profilquerschnitt 40x40mm, Profilmutter 8mm) erhältlich.
- Der Arbeitsplatz ist komplett montiert oder als Selbstmontagebausatz erhältlich.
- Die Ausführung des Arbeitsplatzes ist nach den ESD-Vorgaben gemäß DIN EN 61340-5-1 realisiert.
- Auf Kundenwunsch wird ein ESD-Messprotokoll erstellt und dem Arbeitsplatz beigelegt.
- Die Angebotserstellung erfolgt innerhalb eines halben Arbeitstages.
- Der Arbeitsplatz wird nach Auftragseingang innerhalb von 5 Arbeitstagen fertiggestellt.

System-Applikationen Mit unseren System-Applikationen (SAP) realisieren wir ergonomisch gestaltete individuelle Betriebsmittel mit kurzen Produktionszeiten und einem optimalen Preis-Leistungsverhältnis.

Immer kürzer werdende Produktlebenszyklen bei gleichzeitiger Variantenmaximierung erfordern hochflexible Betriebsmittel in der Produktion und Montage. Die auf Basis unseres modularen Aluminiumprofilsystems aufgebauten Betriebsmittel halten den industriellen Belastungen dauerhaft stand und lassen Raum für schnelle Anpassungen. So kann das Betriebsmittel durch Erkenntnisse und Rahmenbedingungen über einfache Schraubverbindungen angepasst und damit den wechselnden Anforderungen jederzeit gerecht werden.

ASSTEC GmbH & Co. KG · Herrenbühlstraße 9 · D-78688 Zimmern o. R. · Telefon: 0741/17476-0 · Fax: 0741/17476-123 · www.asstec.net · info@asstec.net

Ausgabe 2.3

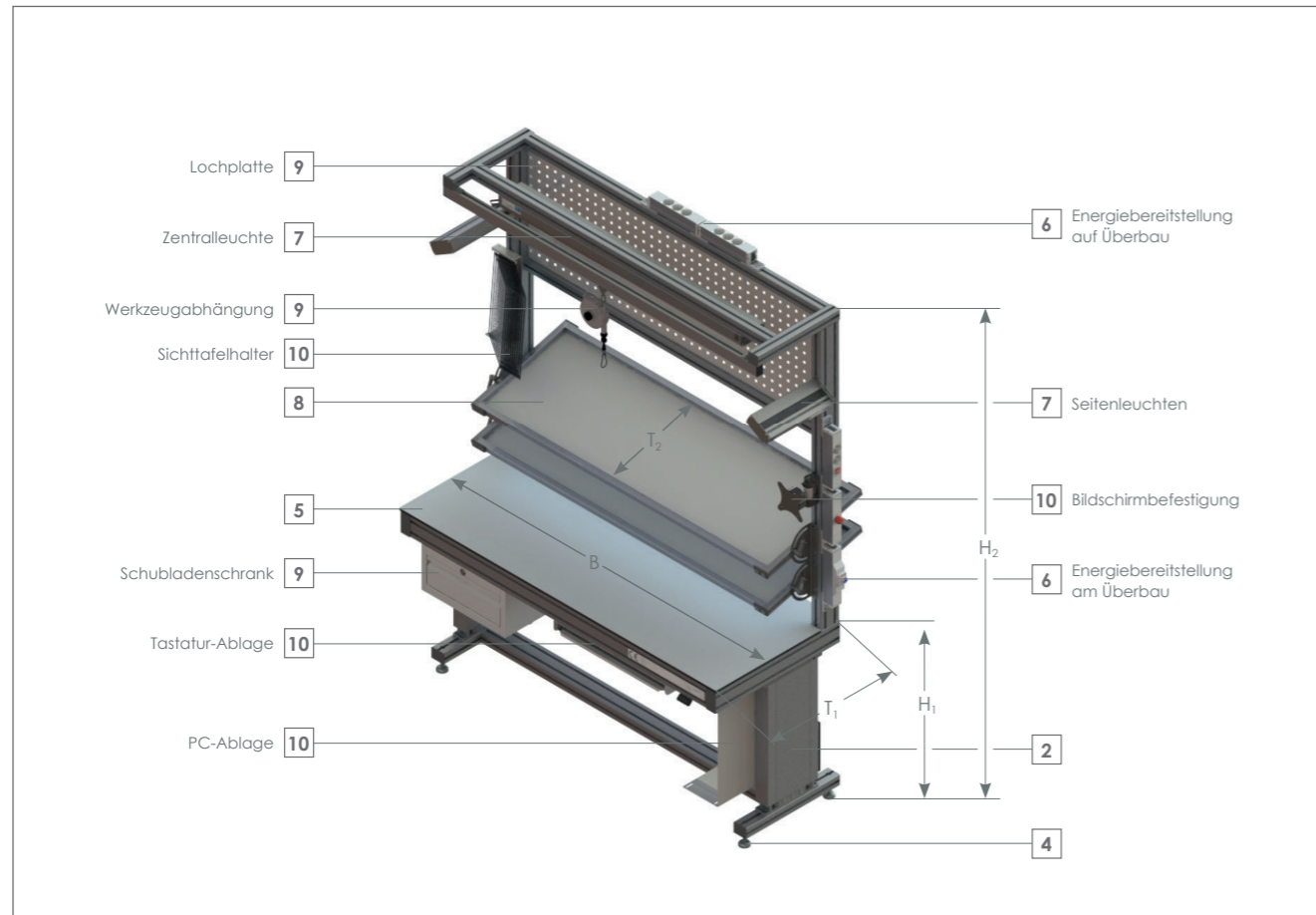


SAP Montage-Arbeitsplatz

1	Profilbaureihe, ESD-Ausführung. Die Aluminiumprofile sind wahlweise in der Profilbaureihe 10 (10mm Profilmutter, Profilquerschnitt 45x45mm) oder in der Profilbaureihe 8 (8mm Profilmutter, Profilquerschnitt 40x40mm) verfügbar. Der Arbeitsplatz kann ESD-konform (ESD) oder im Standard nicht ESD-konform (nonESD) ausgeführt werden.
2	Höhenverstellung. Der Arbeitsplatz kann statisch ohne Höhenverstellung oder ergonomisch mit elektrischer Höhenverstellung ausgeführt werden. Wird eine elektrische Höhenverstellung selektiert, ist ergänzend die Anzahl der Hubsäulen (2 oder 4 Stück), die Druckkraft (2.000N oder 3.200N pro Hubsäule) und der Hub anzugeben. Als Handtaster steht ein einfacher Auf/Ab Handtaster und ein Memory Handtaster mit Display zur Auswahl. Komponenten-Details: Seite 5-33, 5-34.
3	Abmessungen. Angabe der gewünschten Tischbreite (500mm ≤ B ≤ 2.000mm), Tischtiefe T ₁ (500mm ≤ T ₁ ≤ 1.300mm), Höhe H ₁ (H ₁ nur bei Höhenverstellung <input checked="" type="checkbox"/> nein erforderlich, 600mm ≤ H ₁ ≤ 1.300mm) und Höhe H ₂ (H _{2max} = 2.000mm, bei Option Höhenverstellung <input checked="" type="checkbox"/> ja ist das die Höhe im eingefahrenen Zustand der Teleskophubsäulen).
4	Bodenelemente. Als Bodenelemente stehen Gelenkfüße mit einer Gewindespindel zur Feinausrichtung des Arbeitsplatzes oder Lenkrollen wahlweise mit Rollendurchmesser 80mm oder 125mm zur Auswahl. Komponenten-Details: Seite 4-2-1, 4-3.
5	Tischplatte. In der nonESD-Ausführung steht wahlweise eine 10mm oder 20mm starke Hochdruck-Schichtstoffplatte zur Verfügung. In der ESD-Ausführung steht wahlweise eine 10mm oder 15mm starke Hochdruck-Schichtstoffplatte zur Verfügung. Komponenten-Details: Seite 5-21.
6	Energiebereitstellung. Es gibt 3 Positionen an denen die Energiebereitstellung erfolgen kann. Pro Position können 3 verschiedene Artikel gewählt werden. Die Position 1 ist unter der Tischplatte. Die Position 2 ist am hinteren rechten vertikalen Profil oberhalb der Tischplatte. Die Position 3 befindet sich hinten auf dem oberen horizontalen Profil. Verschiedene Steckdosenleisten, ein FI-Schutz und ein Not-Aus stehen zur Verfügung. Bei der dimmbaren Arbeitsplatzbeleuchtung muss die Steckdosenleiste mit dem Dimm-Taster (2S/T) gewählt werden. Komponenten-Details: ab Seite 5-9-1.
7	Beleuchtung. Alle Arbeitsplatzleuchten gibt es mit der Lichttemperatur 4.000K (= Normalweiß) oder 6.500K (= Tageslichtweiß). Ebenso mit und ohne Dimmfunktion. Zur Auswahl stehen die folgenden Nennleistungen 10 Watt (Leuchten-Länge: 300mm), 20 Watt (Leuchten-Länge: 580mm), 30 Watt (Leuchten-Länge: 870mm) und 40 Watt (Leuchten-Länge: 1.150mm). Die Position kann als Zentralleuchte (angebracht am vorderen horizontalen Profil) oder/und als Seitenanbauleuchte erfolgen angebracht an den beiden hinteren vertikalen Profilen. Komponenten-Details: Seite 5-3, 5-4.
8	Materialebene. Die schwenkbaren Materialebenen (max. 3 Stück) ausgeführt mit einem Rahmenprofil sind über die ganze Tischbreite ausgeführt. Die lichte Tiefe T ₂ (500mm ≤ T ₂ ≤ 1.300mm) und die Werkstoffspezifikation des Fachbodens (Hochdruck-Schichtstoffplatte (HPL) oder Aluminium (AlMg3)) ist anzugeben. Komponenten-Details: Seite 2-13, 6-2, 6-4, 6-6.
9	Werkzeugbereitstellung. Für die Werkzeugbereitstellung stehen verschiedene Schubladenschranktypen, Lochplatten und eine Werkzeugabhangung mit verschiedenen Federzügen zur Auswahl. Komponenten-Details: Seite 5-22-1, 5-36, 6-7.
10	EDV, Information. Zur Integration von einem PC am Arbeitsplatz gibt es eine PC-Halterung, eine Tastaturablage und verschiedene Monitor-Tragarme. Gedruckte Informationen können über das DIN A4 Sichtfahlsystem am Arbeitsplatz bereitgestellt werden. Komponenten-Details: Seite 5-17, 5-28, 5-29, 5-30.

Anwendung	Der Einsatz des Montage-Arbeitsplatzes erfolgt branchenübergreifend mit dem Schwerpunkt in der manuellen Montage von Fertigteilen und Baugruppen. Die ergonomische Ausführung des Arbeitssystems führt dabei zu motivierten Mitarbeitern, einer höheren Produktivität und einer besseren Produktqualität. In der Variante ESD werden die Anforderungen an das Betriebsmittel für den Schutz von ESDs (DIN EN 61340-5-1) erfüllt. Zur Sicherstellung der ESD-Fähigkeit empfehlen wir in regelmäßigen Abständen den Ableitwiderstand zu prüfen.
Material	Profil: Aluminium, natur eloxiert; Verbindungstechnik: Stahl, verzinkt; Tischplatten: HPL (Hochdruck-Schichtstoffplatte) RAL 7035 (lichtgrau); Ablageplatten: HPL (Hochdruck-Schichtstoffplatte) RAL 7035 (lichtgrau) oder Aluminium AlMg3, blank; Lenkrollen: Gehäuse: Stahlblech, verzinkt, Laufbelag: Thermoplast; Schubladenschrank: St.-Blech, pulverbeschichtet RAL 7035 (lichtgrau); Steckdosenleisten: Gehäuse: Aluminium, natur eloxiert; Arbeitsplatzleuchten: Gehäuse: Aluminium, natur eloxiert; Tastaturablage: St.-Blech, pulverbeschichtet RAL 7035 (lichtgrau); Teleskophubsäulen: Aluminium, natur eloxiert; Lochplatten: St.-Blech, pulverbeschichtet RAL 7035 (lichtgrau)

Technische Änderungen vorbehalten



1 Profilbaureihe, ESD-Ausführung

Profilbaureihe PB8 PB10
ESD nein ja

2 Höhenverstellung

nein ja
Anzahl Hub-säulen 2 4
Druckkraft pro Hubsäule 2.000N 3.200N
Hub 350mm 400mm
 450mm 500mm
Handtaster Auf/Ab Memory

3 Abmessungen

Breite B [mm] ($500 \leq B \leq 2.000$)
Tiefe T₁ [mm] ($500 \leq T_1 \leq 1.300$)
Höhe H₁¹⁾ [mm] ($600 \leq H_1 \leq 1.200$)
Höhe H₂²⁾ [mm] ($H_2 \leq 2.000$)

¹⁾ Höhe H₁ nur bei Option Höhenverstellung nein erforderlich
²⁾ bei Höhenverstellung ja Höhe H₂ bei eingefahrenen Hubsäulen

4 Bodenelemente

nein Gelenkfuß
 Lenkrolle D=80mm Lenkrolle D=125mm

5 Tischplatte

ESD HPL t=10mm HPL t=15mm
non ESD HPL t=10mm HPL t=20mm

6 Energiebereitstellung

EU

	unter TP	am Überbau	auf Überbau
nein	<input type="checkbox"/>	<input type="checkbox"/>	<input type="checkbox"/>
3S	<input type="checkbox"/>	<input type="checkbox"/>	<input type="checkbox"/>
2S-SA	<input type="checkbox"/>	<input type="checkbox"/>	<input type="checkbox"/>
2S-HS	<input type="checkbox"/>	<input type="checkbox"/>	<input type="checkbox"/>
2S-T	<input type="checkbox"/>	<input type="checkbox"/>	<input type="checkbox"/>
Not-Aus	<input type="checkbox"/>	<input type="checkbox"/>	<input type="checkbox"/>
FI	<input type="checkbox"/>	<input type="checkbox"/>	<input type="checkbox"/>

CH

	unter TP	am Überbau	auf Überbau
nein	<input type="checkbox"/>	<input type="checkbox"/>	<input type="checkbox"/>
3S	<input type="checkbox"/>	<input type="checkbox"/>	<input type="checkbox"/>
2S-SA	<input type="checkbox"/>	<input type="checkbox"/>	<input type="checkbox"/>
2D-T	<input type="checkbox"/>	<input type="checkbox"/>	<input type="checkbox"/>
Not-Aus	<input type="checkbox"/>	<input type="checkbox"/>	<input type="checkbox"/>
FI	<input type="checkbox"/>	<input type="checkbox"/>	<input type="checkbox"/>

7 Beleuchtung

nein ja
Lichtfarbe 4.000K 6.500K
Dimmfunktion ja nein
Zentralleuchte nein AL20
 AL30 AL40
Seitenleuchten³⁾ nein AL10
 AL20

³⁾ beidseitig

8 Materialebene

nein ja
Anzahl 1 2
 3
Werkstoff HPL t=5mm
 Aluminium blank t=5mm
Lichte Tiefe T₂ [mm] ($100 \leq T_2 \leq 1.210$)

9 Werkzeugbereitstellung

Lochplatte nein ja
Schubladenschrank nein V1.1
 V1.2 V2.1
 V2.2
Werkzeug-abhängung⁴⁾ nein 0,4-1,0kg
 1,0-2,0kg 2,0-4,0kg

⁴⁾ C-Schiene mit Federzug

10 EDV, Information

Bildschirmbe-festigung nein Tragschlitten
 Tragarm Faltarm
 ERGOtec I ERGOtec II
 ERGOtec III
Tastatur-Ablage nein Tastaturauszug Bildschirm /-Tastaturhalter
PC-Ablage nein ja
Sichttafel-halter-Set nein ja

INDEX



REALISIERUNG

STREBENPROFILE



REALISIERUNG

VERBINDUNGSTECHNIK



REALISIERUNG

BODENELEMENTE



REALISIERUNG

ARBEITSPLATZGESTALTUNG



REALISIERUNG

ZUBEHÖR



KONSTRUKTION



REALISIERUNG

INDIVIDUAL-APPLIKATIONEN



KONSTRUKTION



REALISIERUNG

APPLIKATIONEN



TOOLS

FABRIKPLANUNG



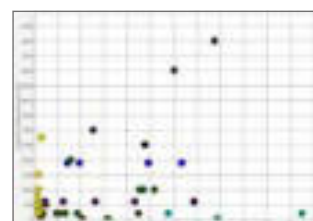
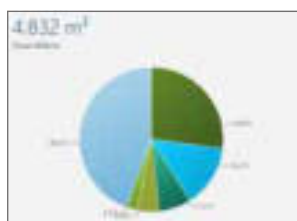
WORKSHOPS



TOOLS

WORKSHOPS, TOOLS

Software für Layout- und Materialflussplanung visTABLE®



Software

Software für die innovative und effiziente Fabrikplanung, Materialfluss- und Wertstromanalyse. Sie entwickeln das Fabriklayout unter Beachtung von optimiertem Wertstrom und Materialfluss.

Fabrikplanung. Einfacher und intuitiver Zugang zur Planungsaufgabe. Direkte Interaktion mit den Ergebnissen der Planungsschritte, auch in 3D. Sie müssen nicht hunderte von Produktdaten eingeben um valide Planungsergebnisse zu erreichen. Grobe Daten zum erwarteten Materialdurchsatz genügen, um ein gutes Blocklayout aufzubauen. Durch Betrachtung der Materialflüsse von Anfang an und durch schrittweise Verfeinerung werden Sie in der Planung konkreter und besser je mehr Detailwissen im Planungsverlauf z.B. über Produkte, Technologien und Logistik in Ihrer zukünftigen Fabrik verfügbar wird.

Materialflussanalyse. Der Materialfluss ist das Wichtigste im Produktionsunternehmen. Darum kommt es darauf an, Material schnell und direkt zwischen den notwendigen Wertschöpfungsschritten zu bewegen. visTABLE® macht diese Notwendigkeit mit den Möglichkeiten der Digitalen Fabrik zu einer kreativen Aufgabe, die zu anschaulichen und nachvollziehbaren Ergebnissen führt.

Wertstromanalyse. visTABLE® ist hervorragend mit dem Wertstromdesign kombinierbar. Visualisierungs- und Bewertungsfunktionen von visTABLE® mit direktem Bezug zu realen Layout-Objekten generieren einen wesentlichen Mehrwert gegenüber traditionellen Vorgehensweisen. Erleben des Soll-Wertstroms anhand der eigenen Produktionsstrukturen in einem digitalen Layoutmodell (2D und 3D). Der Wertstrom steht hierbei für alles was erforderlich ist, um ein Produkt vom Rohmaterial in die Hände des Kunden zu bringen. Diese Betrachtung „von Rampe zu Rampe“ fokussiert die wesentlichen Flusssysteme der Fabrik: Material- und Informationsfluss.

Ihr Nutzen:

- Lean Production gestalten
- Verschwendung in der Logistik vermeiden
- Planungsfehler frühzeitig erkennen
- KVP / Kaizen Maßnahmen
- einfache Softwarebedienung ohne CAD-Kenntnisse
- 3D Visualisierung

Wartungs- vertrag

Sie erhalten gratis die neuen Software- Updates mit erweiterten Software-Funktionalitäten und Objekten. Wir unterstützen Sie mit unserem Online- Support via Fernwartung und Kundenportal. Bei Supportanfragen garantieren wir Ihnen eine Reaktionszeit von kleiner 24 Stunden.

Basis- schulung

Nach der zweitägigen Basisschulung sind Sie in der Lage die Software visTABLE® eigenständig und nachhaltig zu bedienen.

Folgende Inhalt werden in der Schulung vermittelt:

- visTABLE® Funktionalitäten, Bedienoberfläche
- Import- und Exportfunktionen
- Erstellung eines Fabriklayouts
- Layoutbewertung und -optimierung
- Erstellung von 2D Objekten mit dem Objektmanager

Kontakt

Fon +49 7 41.1 74 76-0
 Fax +49 7 41.1 74 76-123
 Email info@asstec.net
 Web www.asstec.net



Planungstisch TOUCHtableboard



TOUCHtableboard in der 90° Position



TOUCHtableboard in der Tischposition



TOUCHtableboard in der 45° Position

<p>Anwendung</p>	<p>Das TOUCHtableboard ermöglicht es Ihrem Team gemeinsame Ideen zu entwickeln und Lösungen zu verwirklichen. Und dies auf eine natürliche und motivierende Art und Weise.</p> <p>Bisher war die Arbeit Ihres Teams auf die Interaktion mit einem Personal Computer an einem Einzelarbeitsplatz beschränkt. Ergebnisse von Meetings konnten durch die Verwendung einfacher Flip Charts nur mit Medienbrüchen in die digitale Welt überführt werden.</p> <p>Mit unserem Planungstisch präsentieren und interagieren Sie und Ihre Mitarbeiter auf eine Weise die Kreativität fördert und Berührungsängste mit der digitalen Arbeitsumgebung abbaut. Die Bedienung erfolgt dabei über den Finger oder einem Stift, so dass sich das TOUCHtableboard ideal für KVP- Projekte eignet, und über vorhandene Anschlüsse ideal in Ihre Konferenzräume integriert.</p> <p>Nutzen Sie das Potential von visTABLE® durch den Einsatz des darauf abgestimmten TOUCHtableboard, um über eine optimale Planungsunterstützung in kürzerer Zeit bessere Lösungen zu erarbeiten.</p>
<p>Nutzen</p>	<p>Gemeinsam planen. Stark präsentieren.</p> <ul style="list-style-type: none"> • gleichzeitig interagieren und kommunizieren im Team • optimale Bedienung von TOUCHtableboard • gewohnte Tischposition für alle Teilnehmer • großflächiges Display für beste Sichtbarkeit und optimale Bedienung • einfache Bedienung über Finger oder Stift • Tafelposition für Seminare, Meetings und Präsentationen
<p>Technische Ausführung</p>	<p>Höhen-/Neigungsverstellung</p> <ul style="list-style-type: none"> • kombinierte stufenlose Höhen- und Neigungsverstellung • elektrische Teleskophubsäule • Fernbedienung <p>Bildschirm</p> <ul style="list-style-type: none"> • 55" Bildschirmdiagonale • Ultra-HD (4K) Auflösung • Multi-Touch (max. 80 Berührungspunkte) • robuste, kratzfeste Antireflex-Glasoberfläche • rahmenlose Ausführung • Objekterkennungsfunktion <p>PC</p> <ul style="list-style-type: none"> • Slot-in PC • Prozessor Intel Core i5-7440EQ 4x2,9 GHz • Grafikkarte Intel HD Graphics 630 • Festspeicher 16 GB • Festplatte 256 GB SSD • Betriebssystem Windows 10 professional • WLAN-Modul
<p>Kontakt</p>	<p>Fon +49 7 41.1 74 76-0 Fax +49 7 41.1 74 76-123 Email info@asstec.net Web www.asstec.net</p>

Änderungen vorbehalten.

INDEX



REALISIERUNG

STREBENPROFILE



REALISIERUNG

VERBINDUNGSTECHNIK



REALISIERUNG

BODENELEMENTE



REALISIERUNG

ARBEITSPLATZGESTALTUNG



REALISIERUNG

ZUBEHÖR



KONSTRUKTION



REALISIERUNG

INDIVIDUAL-APPLIKATIONEN



KONSTRUKTION



REALISIERUNG

APPLIKATIONEN



TOOLS

FABRIKPLANUNG



WORKSHOPS

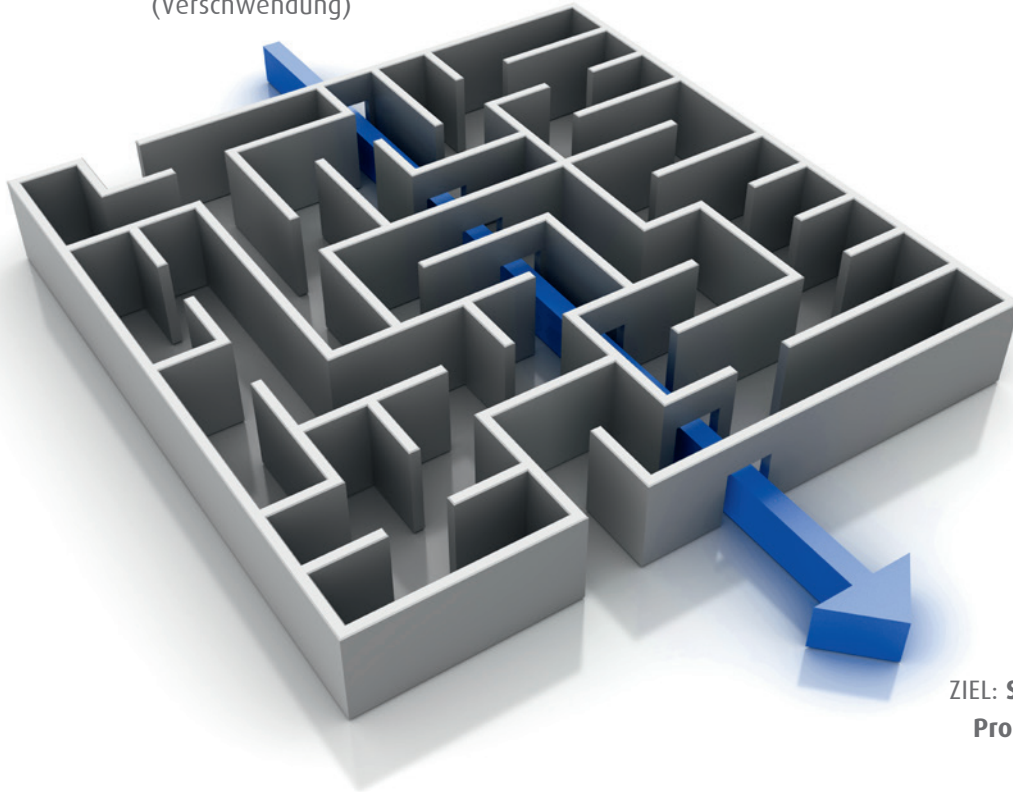


TOOLS

WORKSHOPS, TOOLS



START: **Muda**
(Verschwendung)



ZIEL: **Synchrone**
Produktion

Stabile, ergonomische und effiziente Prozesse.

Wir bieten für produzierende Betriebe **maßgeschneiderte Workshops** unter Verwendung der Lean-Methoden an, um die **Verschwendung** zu **eliminieren**, die **Wertschöpfung** zu **steigern**, die **Prozesse reproduzierbar** zu **stabilisieren** und damit die **Wettbewerbsfähigkeit** zu **erhöhen**. Bei der Durchführung der Workshops werden die Mitarbeiter rechtzeitig eingebunden und an der Lösungsfindung beteiligt. Dies führt zu einer **uneingeschränkten Akzeptanz** der erforderlichen Maßnahmen und zu einer sehr **hohen Motivation** der Beteiligten. Die Workshops finden am Ort der Wertschöpfung statt und haben immer den notwendigen **Praxisbezug**.

Folgende Workshops haben wir standardisiert:

- Unternehmens-Check (Potential-Analyse)

- Wertstromdesign
- Layout- und Materialflussplanung mit Arbeitsplatzmodellierung
- Rüstzeitreduzierung (SMED)
- Ergonomie-Check
- Prozess-Exzellenz (6-Stufenmodell)
- Cardboard-Engineering
- Video-Analyse

Darüber hinaus bieten wir auch Individual-Workshops an, die von den Inhalten auf das jeweilige Anforderungsprofil abgestimmt werden.



Unternehmens-Check (Potential-Analyse)

Bei der Potentialanalyse wird mit einem umfangreichen Fragenkatalog die Ist-Situation vom Unternehmen objektiv aufgenommen und strukturiert bewertet. Es werden 5 Bereiche unterschieden: Management, synchrone Prozesse, stabile Prozesse, Organisation und Kunde.

Der Mehrwert:

- Aufnahme und Abbildung der Ist-Situation
- Aufdeckung der Potentiale
- Benchmark zu anderen Produktionsunternehmen
- Handlungshorizont für die mittelfristige Unternehmensentwicklung

Wertstromdesign

Wertstromdesign ist ein zentrales Werkzeug des Lean Konzeptes zur Optimierung von Produktionsprozessen. Der Material- und Informationsfluss im Wertschöpfungsprozess wird aufgenommen und dokumentiert und ist eine hervorragende Grundlage um Schwachstellen und Verbesserungsmöglichkeiten zu finden und die Potentiale im Unternehmen zu heben. Entstehende Effekte sind sinkende Kosten, gesteigerte Qualität und schließlich ein hohes Maß an Kundenzufriedenheit.

Der Mehrwert:

- Durchlaufzeiten werden reduziert
- Die Produktivität wird erhöht
- Warenbestände werden abgebaut
- Verschwendungsanteile im Wertschöpfungsprozess werden eliminiert und der Wertschöpfungsanteil maximiert

Layout- und Materialflussplanung mit Arbeitsplatzmodellierung

Zunächst wird den Teilnehmern das Grundwissen der Lean-Production vermittelt und mit einem Just-in-Time Spiel aktiv vertieft. Darauf aufbauend werden verschiedene Layout-Entwürfe entwickelt. Die Entwürfe werden mit visTABLE® abgebildet, objektiv bewertet und optimiert. Anschließend werden mit der Methodik Cardboard-Engineering die Arbeitsplätze im Detail modelliert. Auf Basis der Kartonagenmodelle bietet ASSTEC dann im nächsten Schritt die Umsetzung in Industriearbeitsplätze an (nicht Bestandteil des Workshops).

Der Mehrwert:

- Ratio-Potential von bis zu 50 %
- Stabile standardisierte Prozesse dadurch Reduzierung von Beanstandungen
- Reduzierung der Durchlaufzeiten und Warenbestände
- Optimierung der Wertschöpfungskette und des Materialflusses
- Reduzierung der Planungszeit um bis zu Faktor 5 im Vergleich zu konventionellen Layoutplanungen
- Planungsbetroffene werden zu Planungsbeteiligten;

sehr hoher Motivationsgrad durch die Einbindung der Werkerinnen und Werker

Rüstzeitreduzierung (SMED)

Kurze Rüstzeiten sind die Voraussetzung für eine wirtschaftliche Auftragsproduktion im Kundentakt. Im Fokus dieses Workshops steht die strukturierte Vorgehensweise für effizientes Rüsten, um damit die Rüstzeit (= Ausfallzeit) zu minimieren. Der Workshop wird in 4 Stufen durchgeführt. Zuerst erfolgt die Ist-Aufnahme. In der Stufe 2 wird die Soll-Vorgehensweise definiert. Im nächsten Step erfolgt die Durchführung des Rüstvorgangs. In Stufe 4 wird der Maßnahmenkatalog erstellt, die Verantwortlichen definiert und das Projekt übergeben.

Der Mehrwert:

- Minimierung der Rüstzeit
- Bestände werden gesenkt, die Kapitalbindung reduziert
- Reaktionsfähigkeit auf den Kundenwunsch wird erhöht, die Lieferzeiten werden reduziert
- Maximierung der Flexibilität
- Rüstvorgänge werden standardisiert
- Verschwendung wird eliminiert
- Wertschöpfung wird gesteigert
- Erhöhung der Liefertreue

Prozess-Exzellenz (6 Stufenmodell)

In 6 Stufen und 17 Tagen zur Prozess Exzellenz. Bei dem Workshop durchlaufen die Teilnehmer in 6 Stufen die folgenden Bereiche: Ist-Aufnahme, Grundlagen der Lean-Production, Just-in-Time Spiel, Layout-Entwicklung, Spagetti-Diagramm zur Materialflussanalyse, Arbeitsplatzmodellierung mit der Methodik Cardboard-Engineering, Standardisierung und Visualisierung, Konzept zur Intralogistik, Zielerreichung, Erfolgskontrolle über Kennzahlen. Zwischen den 6 Stufen bleibt immer genügend Zeit das Erlernte zu verarbeiten und die erforderlichen Vorarbeiten für die nächsten Workshop-Tage zu erbringen.

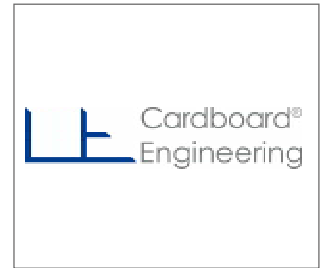
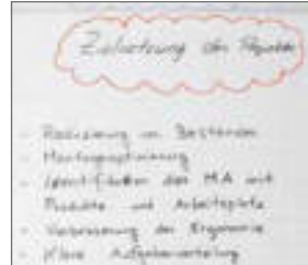
Der Mehrwert:

- Ratio-Potential bis zu 60 %
- Eliminierung der Verschwendung in Ihrer Wertschöpfungskette
- Warenbestandsreduzierung
- Verkürzung der Durchlaufzeiten
- Rüstzeitreduktion
- Stabilisierung der Prozesse und Abläufe
- Maximierung der reproduzierbaren Produktqualität

Der Umfang und die Inhalte der weiteren Workshops (Ergonomie-Check, Cardboard-Engineering, Video-Analyse) haben wir in separaten Flyern ausführlich abgebildet.



Cardboard Engineering



Inhalt	<p>Die Genialität liegt meist in der Einfachheit. So ist es auch beim Cardboard Engineering bei dem mittels Kartonagen Arbeitsplätze modelliert, Abläufe simuliert und Prozesse analysiert werden. In Teamarbeit – vor allem mit den an den Arbeitsplätzen arbeitenden Personen – wird das komplette Potenzial der beteiligten Personen genutzt und die optimale Arbeitsplatzgestaltung durchgeführt. Dadurch nähert sich das Team während des Workshops schon einem sehr hohen Perfektionsgrad an, ohne dabei Kosten für Betriebsmittel verursacht zu haben. Für eine strukturierte Modellerstellung in besonders stabiler Ausführung geeignet für Simulationen empfehlen wir die Verwendung unseres CE-Baukastens. Nachdem das Arbeitsplatzsystem als Kartonagenmodell unter Beachtung von Ergonomie und Best Point Bereitstellung von Werkzeug und Werkstück ausgeführt ist, wird es 1:1 in einen Industriearbeitsplatz umgesetzt. Durch Cardboard Engineering entfällt ein Großteil der kostenintensiven Modifikationen nach der Inbetriebnahme der Betriebsmittel während der Produktion.</p>
Nutzen	<ul style="list-style-type: none"> • Ratiopotenzial von 20 – 50% • stabile standardisierte Prozesse • Reduzierung der Durchlaufzeiten • Senkung der Warenbestände (Ware im Betrieb (WIB)) • Perfektion der Wertschöpfungskette • Optimierung des Materialflusses • sehr hoher Motivationsgrad bei den beteiligten Mitarbeiterinnen und Mitarbeitern durch die Einbindung der Werkerinnen und Werker
Zielgruppe	Werker/innen, Teamleiter, Meister, Mitarbeiter aus der Arbeitsvorbereitung
Ort	beim Kunde
Dauer	2 - 5 Tage
Termine	nach Vereinbarung
Trainer	Senior Consultant
Kontakt	<p>Fon +49 7 41.1 74 76-0 Fax +49 7 41.1 74 76-123 Email info@asstec.net</p>

Änderungen vorbehalten.

Layoutplanung mit Arbeitsplatzmodellierung



Inhalt	<p>In 5 Tagen von der Mitarbeitersensibilisierung über die Materialflussplanung mit visTABLE® hin zur Detailmodellierung der beinhalteten Arbeitsplätze.</p> <p>Stufe 1 Sensibilisierung. Den Projektteilnehmern wird das theoretische Wissen zur Lean Production Philosophie vermittelt, und mit einem Just in Time (JIT) Spiel aktiv vertieft.</p> <p>Stufe 2 Layoutentwicklung. Die Leitsätze werden definiert. Das Projektteam wird in zwei Gruppen, aufgeteilt. Jede Gruppe entwickelt auf Basis der vermittelten Theorie einen Layoutentwurf.</p> <p>Stufe 3 Layoutbewertung mit visTABLE®. Die Layoutvarianten werden in der Software visTABLE® abgebildet und objektiv bewertet. Das optimale Layout wird auf Grundlage der beiden Layoutvarianten im Team entwickelt.</p> <p>Stufe 4 Arbeitsplatzdefinition. Mit Cardboard Engineering werden mittels Kartonagen die Arbeitsplätze im Detail definiert und modelliert. Auf Basis des Kartonagenmodells bietet ASSTEC dann im nächsten Schritt die Umsetzung in Industriearbeitsplätze an (nicht Bestandteil des Workshops).</p>
Nutzen	<ul style="list-style-type: none"> · Ratiopotenzial von bis zu 50% · stabile standardisierte Prozesse dadurch Reduzierung von Beanstandungen · Reduzierung der Durchlaufzeiten und Warenbestände · Perfektion der Wertschöpfungskette und des Materialflusses · Reduzierung der Planungszeit um bis zu Faktor 5 im Vergleich zu konventionellen Layoutplanungen · Planungsbetroffene werden zu Planungsbeteiligten; sehr hoher Motivationsgrad durch die Einbindung der Werkerinnen und Werker
Zielgruppe	Werker/innen, Teamleiter, Meister, Mitarbeiter aus der Arbeitsvorbereitung
Ort	beim Kunde
Dauer	5 Tage
Termine	nach Vereinbarung
Trainer	Senior Consultant
Kontakt	<p>Fon +49 7 41.1 74 76-0 Fax +49 7 41.1 74 76-123 Email info@asstec.net</p>

Änderungen vorbehalten.

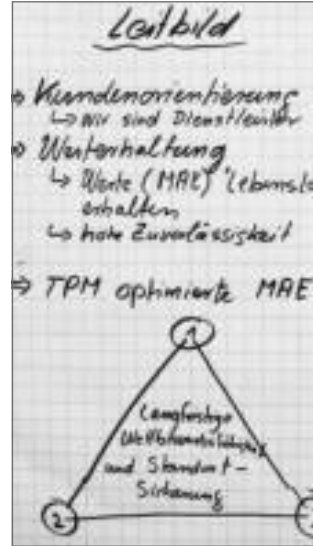
6 Stufenmodell



Inhalt	<p>In 6 Stufen innerhalb von 12 Wochen zur Prozess-Exzellenz in Ihrer Produktion.</p> <p>Stufe 1 Projektvorbereitung. Neben der Ist-Aufnahme der Projektinformationen und Kennzahlen werden mit den Führungskräften die Ziele definiert.</p> <p>Stufe 2 Schulung Theorie. In der Stufe 2 werden die Mitarbeiter mit One-Piece-Flow vertraut. Die Vor- und Nachteile verschiedener Layoutanordnungen werden herausgearbeitet und bewertet.</p> <p>Stufe 3 Workshop No.1. Der Workshop dient zur Erarbeitung des Soll-Konzeptes. Dabei wird für die Materialflussanalyse ein Spaghettidiagramm erstellt. Das Arbeitsplatzsystem wird mittels Cardboard Engineering modelliert, die Simulation der Arbeitsprozesse zur Ermittlung der Durchlaufzeiten durchgeführt. Zwischen Stufe 3 und Stufe 4 bietet Ihnen ASSTEC innerhalb 4 bis 5 Wochen die Umsetzung des Cardboard Modells in Industriearbeitsplätze an.</p> <p>Stufe 4 Workshop No.2. Die Stufe 4 beinhaltet die Optimierung des neuen Arbeitssystems. Es werden Standards festgelegt, ein Kennzahlensystem generiert und die Visualisierung zur Regelkommunikation durchgeführt.</p> <p>Stufe 5 Workshop No.3. Der Workshop dient zur Erarbeitung des Logistik-Konzeptes. Die Übertragung auf weitere Bereiche wird angestoßen.</p> <p>Stufe 6 Projektübergabe. Abschließend wird die Zielerfüllung geprüft und das Projekt an das Projektteam mit einem Maßnahmenkatalog übergeben.</p>
Nutzen	<ul style="list-style-type: none"> · Ratiopotenzial bis zu 60% · Eliminierung der Verschwendung in Ihrer Wertschöpfungskette · Warenbestandsreduzierung · Verkürzung der Durchlaufzeiten · Rüstzeitreduktion · Stabilisierung der Prozesse und Abläufe · Maximierung der reproduzierbaren Produktqualität
Zielgruppe	Werker/innen, Teamleiter, Meister, Mitarbeiter aus der Arbeitsvorbereitung und Planung, Prozessplaner
Ort	beim Kunde
Dauer	17 Tage innerhalb 12 Wochen
Termine	nach Vereinbarung
Trainer	Senior Consultant
Kontakt	<p>Fon +49 7 41.1 74 76-0 Fax +49 7 41.1 74 76-123 Email info@asstec.net</p>

Änderungen vorbehalten.

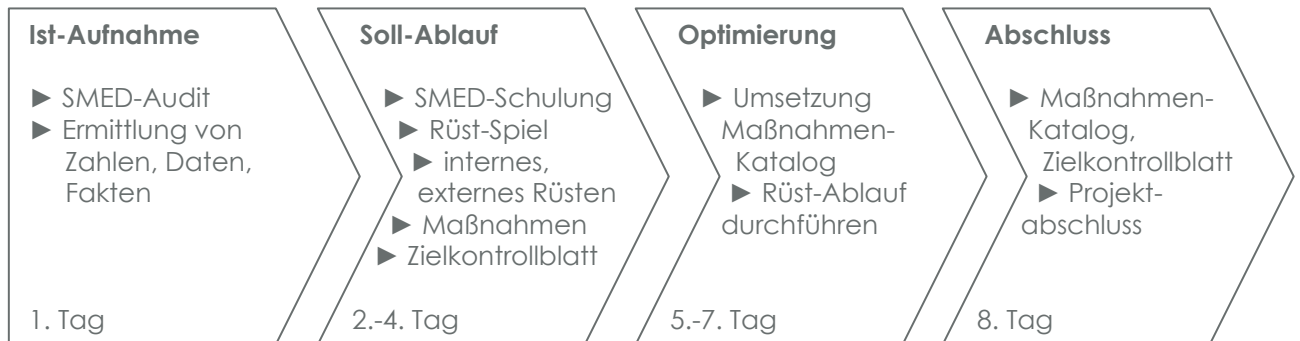
Shopfloor Management



Inhalt	<p>Manager und Führungskräfte setzen seit Jahren Lean Management und Operational Excellence-Initiativen um. Zur nachhaltigen Verankerung und kontinuierlichen Verbesserung hat sich Shopfloor Management als ein entsprechendes Führungsinstrument entwickelt. Ein konsequentes und nachhaltig ausgerichtetes Shopfloor Management umfasst Prozesse, Regeln, Verhaltensweisen, Methoden und Systeme zur Sicherstellung einer möglichst effizienten Produktion und legt den Focus auf das Geschehen an der Basis, am Ort der Wertschöpfung.</p> <p>Shopfloor-Management wird somit nicht nur als Führungsinstrument, sondern auch als Steuerungsinstrument in der Produktion verstanden. Es ermöglicht das frühzeitige Erkennen von Problemen, die regelmäßige und kurzzyklische Überprüfung der Zielerreichung und fördert eine strukturierte und methodische Problemlösung. Dabei werden die Mitarbeiter aus allen verschiedenen zuarbeitenden Bereichen (Entwicklung, Logistik, Instandhaltung, Personal, EDV) eingebunden.</p>
Nutzen	<ul style="list-style-type: none"> • Bildung von Unternehmens- und Führungskultur, Integration und Motivation der Werker vor Ort • Prozesse installieren und nachhaltig entwickeln, Prozesstransparenz • Entscheidungen beschleunigen • Mitarbeiterführung, die Führungskraft wird zum Coach • Definition, Umsetzung und Einhaltung von Standards • Optimierung des Ressourceneinsatzes • Verbesserte Prozess- und Produktqualität • Stärkung der Lean-Philosophie und des kontinuierlichen Verbesserungsprozesses • Kaskadierte Shopfloor-Management-Prozesse • Interpretation von Kennzahlen und Durchführung passender Maßnahmen • Effiziente Kommunikation durch Visualisierung
Zielgruppe	Geschäftsführer, Werkleiter, Führungskräfte aus Produktion, Qualität, Logistik, Instandhaltung und Prozessoptimierung
Ort	beim Kunde
Dauer	1 Tag (Einführung)
Termine	nach Vereinbarung
Trainer	Senior Consultant
Kontakt	<p>Fon +49 7 41.1 74 76-0 Fax +49 7 41.1 74 76-123 Email info@asstec.net</p>

Änderungen vorbehalten.

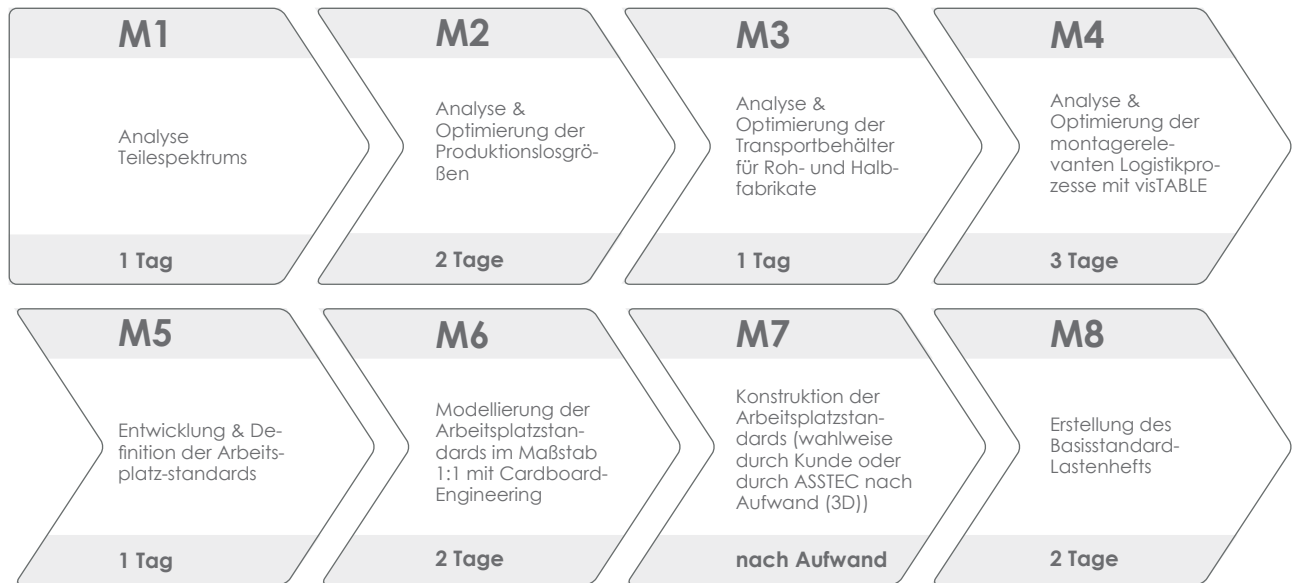
Effektives Rüsten, SMED (Single Minute Exchange of Die)



Inhalt	Die Produktlebenszyklen werden immer kürzer, die Individualisierung und Variantenvielfalt nimmt immer mehr zu (low volume, high mix). Große Lagerbestände binden zu viel Kapital. Mit dieser Realität werden die produzierenden Unternehmen täglich konfrontiert. Die Aufgabe besteht nun darin, die Produktion weg von der Serien-/Lagerproduktion hin zur auftragsbezogenen (One Piece Flow) Produktion zu wandeln. Die Verkürzung gar Vermeidung von Rüstvorgängen ist die zentrale Voraussetzung auf dem Weg zur effektiven Produktion der Losgröße 1. Mit unserem Stufenmodell werden im Workshop mit Ihren Mitarbeitern Rüstaufgaben strukturiert analysiert, methodisch optimiert und schließlich reproduzierbar standardisiert.
Nutzen	<ul style="list-style-type: none"> · deutliche Reduktion der Rüstzeit · Bestände werden gesenkt, die Kapitalbindung reduziert · Reaktionsfähigkeit auf den Kundenwunsch wird erhöht, die Lieferzeiten werden reduziert · Maximierung der Flexibilität · Rüstvorgänge werden standardisiert · Verschwendung wird eliminiert · Wertschöpfung wird gesteigert · Erhöhung der Liefertreue
Zielgruppe	Werker/innen, KVP-Verantwortliche, Prozessoptimierer, Teamleiter, Meister
Ort	beim Kunde
Dauer	8 Tage
Termine	nach Vereinbarung
Trainer	Senior Consultant
Kontakt	Fon +49 7 41.1 74 76-0 Fax +49 7 41.1 74 76-123 Email info@asstec.net

Technische Änderungen vorbehalten.

Betriebsmittel-Standardisierung für Montage, Prüfung und Versand



Inhalt	<p>Ziel des Workshops ist die Erstellung eines Lastenhefts zur Herstellung von standardisierten Arbeitsplatzsystemen (Arbeitsplatzmodulen) für Montage, Prüfung und Versand.</p> <p>Mit der strukturierten Vorgehensweise über die Meilensteine 1 bis 8 werden die Einflussgrößen die sich auf die Auslegung der Arbeitsplatzsysteme auswirken erfasst und die kundenspezifischen Anforderungen berücksichtigt.</p> <p>M1 Analyse des Teilespektrums</p> <p>M2 Analyse und Optimierung der Produktionslosgrößen</p> <p>M3 Analyse und Optimierung der Transportbehälter für Roh- und Halbfabrikate</p> <p>M4 Analyse und Optimierung der montagerelevanten Logistikprozesse mit visTABLE</p> <p>M5 Entwicklung und Definition der Arbeitsplatzstandards</p> <p>M6 Modellierung der Arbeitsplatzstandards im Maßstab 1:1 mit Cardboard-Engineering</p> <p>M7 Konstruktion der Arbeitsplatzstandards (wahlweise durch Kunde oder durch ASSTEC nach Aufwand (3D))</p> <p>M8 Erstellung des Basisstandard-Lastenhefts</p>
Nutzen	<ul style="list-style-type: none"> • einmaliger Engineering-Aufwand • Kostentransparenz bei Neuinvestitionen • kurze Beschaffungszeiten • maximale Flexibilität bei schwankender Nachfrage • passende Ressourcenbereitstellung abgestimmt auf die Produktlebenszyklen • passgenaue Lösungen unter Berücksichtigung der Kundenanforderungen • durchgängige Akzeptanz durch Einbindung der Mitarbeiter • Effizienz in der Fabrikplanung (Layout- und Materialflussplanung) durch den Einsatz von Standard-Modulen • Reduktion der Variantenvielfalt • Transparenz und kurze Reaktionszeiten bei Ersatzbedarf
Zielgruppe	Führungskräfte und Mitarbeiter aus Betriebsmittelbau, Betriebsmittelkonstruktion, Engineering, Montage, Versand, Qualitätssicherung
Ort	beim Kunde
Dauer	12 Tage (zzgl. Konstruktion der Betriebsmittel)
Termine	nach Vereinbarung
Trainer	Senior Consultant
Kontakt	<p>Fon +49 7 41.1 74 76-0</p> <p>Fax +49 7 41.1 74 76-123</p> <p>Email info@asstec.net</p>

Änderungen vorbehalten.



**WORKSHOP
TOOL**

CARDBOARD-
ENGINEERING



ASSTEC®



One-Piece-Flow Montagelinie mit Cardboard-Engineering

Modellieren. Simulieren. Analysieren.

Cardboard-Engineering ist das **kreative Gestaltungstool** für die **Modellierung von individuellen Arbeitssystemen**. In Workshops werden **Arbeitsplätze modelliert, Abläufe simuliert** und **Prozesse analysiert** ohne dabei Kosten für reale Betriebsmittel zu verursachen.

Durch die Eliminierung der Verschwendungsanteile

wird die **Wertschöpfung erhöht** und das perfekte Arbeitsplatzsystem kreiert. Die Verwendung der Komponenten aus dem Grundbaukasten verleiht dem Cardboard-Modell die erforderliche **Steifigkeit** für Simulationen. Mit den gewählten Raster-Abmessungen lassen sich die Modelle im Anschluss an die Workshops 1:1 in reale Arbeitssysteme umsetzen.



Workshop

Die Teilnehmer bei Cardboard-Engineering Workshops bestehen aus Werker / Werkerinnen, Teamleiter / Meister, Mitarbeiter aus der Arbeitsvorbereitung und bei Bedarf auch aus der Betriebsmittelkonstruktion. Durch die Einbeziehung aller Beteiligten stellt sich bei den einzelnen Mitarbeitern ein sehr **hoher Motivationsgrad ein**.

Unter der Moderation unseres Trainers werden die **Prozesse analysiert**, das **Arbeitssystem modelliert** und die neuen **Abläufe simuliert**. Ohne Schnittstellenverluste zu verursachen besteht die Möglichkeit, das im Workshop entstandene Modell von ASSTEC 1:1 in einen Industriearbeitsplatz basierend auf unseren bewährten Aluminiumprofilen umsetzen zu lassen.

Baukasten

Die im Grundbaukasten beinhaltenen Komponenten ermöglichen es, im Workshop **schnell und effektiv** zum perfekten Arbeitsplatzmodell zu kommen. Die unter Verwendung von den Baukasten-Komponenten modellierten Arbeitssysteme, verleihen den Modellen die **erforderliche Steifigkeit** für die Durchführung von **realen Simulationen**.

Die dabei eingesetzte Verbindungstechnik ist demontierbar und damit **mehrfach einzusetzen**.

Mit den vorhandenen Abmessungen der Komponenten lassen sich im Nachgang an das Cardboard-Engineering 1:1 reale Arbeitsplatzsysteme mit unserem bewährten Aluminiumprofil-Baukasten umsetzen.

Der Mehrwert

- Hoher Detaillierungs- und Perfektionsgrad
- Keine Kosten für reale Betriebsmittel
- Modelle lassen sich 1:1 umsetzen
- Motivation aller Beteiligten durch Einbeziehung im Workshop
- Alle Komponenten sind wiederverwendbar
- Reale Simulationen durch hohe Steifigkeit der Modelle möglich

Komponenten Grundbaukasten



Hartkartonprofilstab



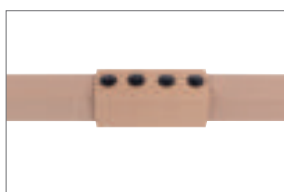
Hartkartonwinkel



Wellkartonplatte



Wellkartonplatte einseitig geritzt



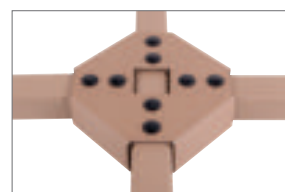
I-Knotenplatte



L-Knotenplatte



T-Knotenplatte



X-Knotenplatte



Spreizverbinder



PVC-Klebeband



Hartkartonprofilstab

Hartkartonprofilstab



Hartkartonwinkel



Hartkartonwinkel

Art.-Nr.	Artikel	Länge [mm]
60033	Hartkartonprofilstab 45x45mm	2200
60047	Hartkartonwinkel 45x45mm	2200

Gerne bieten wir Ihnen auch weitere Varianten gemäß Ihren individuellen Anforderungen an.

Anwendung Mit Cardboard Engineering werden in Workshops Arbeitsplätze modelliert, Abläufe simuliert und Prozesse analysiert ohne dabei Kosten für reale Betriebsmittel zu verursachen. Mit dem standardisierten Grundbaukasten generieren Sie einfach, schnell und realitätsgetreu das perfekte Arbeitsplatz-Modell. Der Aufbau der Grundgestelle erfolgt mit dem Hartkartonprofilstab. Der Hartkartonwinkel eignet sich u. a. auch für die Modellierung der Behälterbereitstellung und Zuführung. Mit dem 45 mm Rastermaß lassen sich die Modelle im Anschluss 1:1 mit unserem Aluminiumprofilbaukasten in Industrie-arbeitsplätze umsetzen.

Material Hartkarton

Technische Änderungen vorbehalten.

I-Knotenplatte

L-Knotenplatte

T-Knotenplatte

X-Knotenplatte

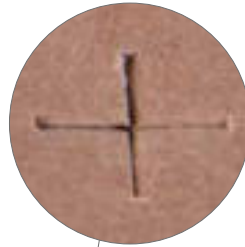
Spreizverbinder

PVC-Klebeband

Spreizverbinder



Markierung für die Spreizverbinderbohrungen



PVC-Klebeband



I-Knotenplatte



L-Knotenplatte



T-Knotenplatte



X-Knotenplatte



Art.-Nr.	Artikel
60034	I-Knotenplatte
60035	L-Knotenplatte
60036	T-Knotenplatte
60037	X-Knotenplatte
60040	Spreizverbinder
60048	PVC-Klebeband 66 m

Gerne bieten wir Ihnen auch weitere Varianten gemäß Ihren individuellen Anforderungen an.

Anwendung Mit Cardboard Engineering werden in Workshops Arbeitsplätze modelliert, Abläufe simuliert und Prozesse analysiert ohne dabei Kosten für reale Betriebsmittel zu verursachen. Mit dem standardisierten Grundbaukasten generieren Sie einfach, schnell und realitätsgetreu das perfekte Arbeitsplatz-Modell. Mit den Knotenplatten lassen sich die unterschiedlichsten Profilstabkombinationen verbinden.

Material **Knotenplatten:** Wellkarton, **Klebeband:** PVC

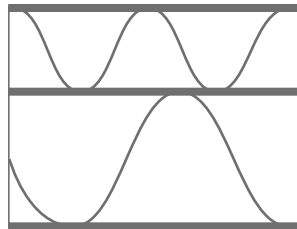
Technische Änderungen vorbehalten.

Wellkartonplatte

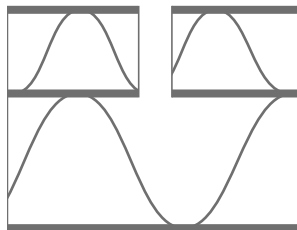


Wellkartonplatte einseitig geritzt

Wellkartonplatte



Wellkartonplatte einseitig geritzt



Art.-Nr.	Artikel	Länge [mm]	Breite [mm]	Hinweise
60038	Wellkartonplatte	1000	600	
60039	Wellkartonplatte einseitig geritzt	1000	800	Ritzraster 50mm









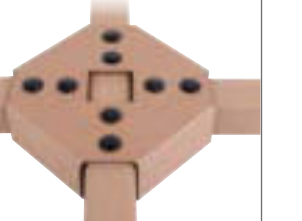

Gerne bieten wir Ihnen auch weitere Varianten gemäß Ihren individuellen Anforderungen an.

Anwendung	Mit Cardboard Engineering werden in Workshops Arbeitsplätze modelliert, Abläufe simuliert und Prozesse analysiert ohne dabei Kosten für reale Betriebsmittel zu verursachen. Mit dem standardisierten Grundbaukasten generieren Sie einfach, schnell und realitätsgetreu das perfekte Arbeitsplatz-Modell. Die Wellkartonplatten eignen sich für Tischplatten und Ablageebenen sowie zur Modellierung von Zubehörteilen.
Material	Wellkarton

Technische Änderungen vorbehalten.

Starter-Kit 25

Starter-Kit 50

<p>Hartkartonprofilstab</p> 	<p>Hartkarton L-Winkel</p> 	<p>Wellkartonplatte</p> 	<p>Wellkartonplatte einseitig geritzt</p> 	<p>PVC-Klebeband</p> 
<p>I-Knotenplatte</p> 	<p>L-Knotenplatte</p> 	<p>T-Knotenplatte</p> 	<p>X-Knotenplatte</p> 	<p>Spreizverbinder</p> 

Art.-Nr.	Artikel	Inhalt
60031	Starter-Kit 25	<ul style="list-style-type: none"> - Hartkartonprofilstab (25 St.) - Hartkarton L-Winkel (25 St.) - I-Knotenplatte (25 St.) - L-Knotenplatte (25 St.) - T-Knotenplatte (50 St.) - X-Knotenplatte (10 St.) - Spreizverbinder (500 St.) - Wellkartonplatte (5 St.) - Wellkartonplatte einseitig geritzt (5 St.) - PVC-Klebeband (3 St.)
60032	Starter-Kit 50	<ul style="list-style-type: none"> - Hartkartonprofilstab (50 St.) - Hartkarton L-Winkel (50 St.) - I-Knotenplatte (50 St.) - L-Knotenplatte (50 St.) - T-Knotenplatte (100 St.) - X-Knotenplatte (20 St.) - Spreizverbinder (1000 St.) - Wellkartonplatte (10 St.) - Wellkartonplatte, einseitig geritzt (10 St.) - PVC-Klebeband (6 St.)

Gerne bieten wir Ihnen auch weitere Varianten gemäß Ihren individuellen Anforderungen an.

Anwendung	Mit Cardboard Engineering werden in Workshops Arbeitsplätze modelliert, Abläufe simuliert und Prozesse analysiert ohne dabei Kosten für reale Betriebsmittel zu verursachen. Mit dem standardisierten Grundbaukasten generieren Sie einfach, schnell und realitätsgetreu das perfekte Arbeitsplatz-Modell. Das Starter-Kit umfasst die Basiskomponenten. Einzelkomponenten können nach Bedarf bezogen werden.
Material	Kartonprofile: Hartkarton; Knotenplatten: Wellkarton

Technische Änderungen vorbehalten.

Kartonagenmesser

Akku-Bohrmaschine

Bohrer

Rollmaßstab

Heißklebepistole

Bügelsäge

<p>Akku-Bohrmaschine</p> 	<p>Heißklebepistole</p> 	<p>Rollmaßstab</p> 	<p>Bügelsäge</p> 
<p>Kartonagenmesser</p> 	<p>Bohrer</p> 		

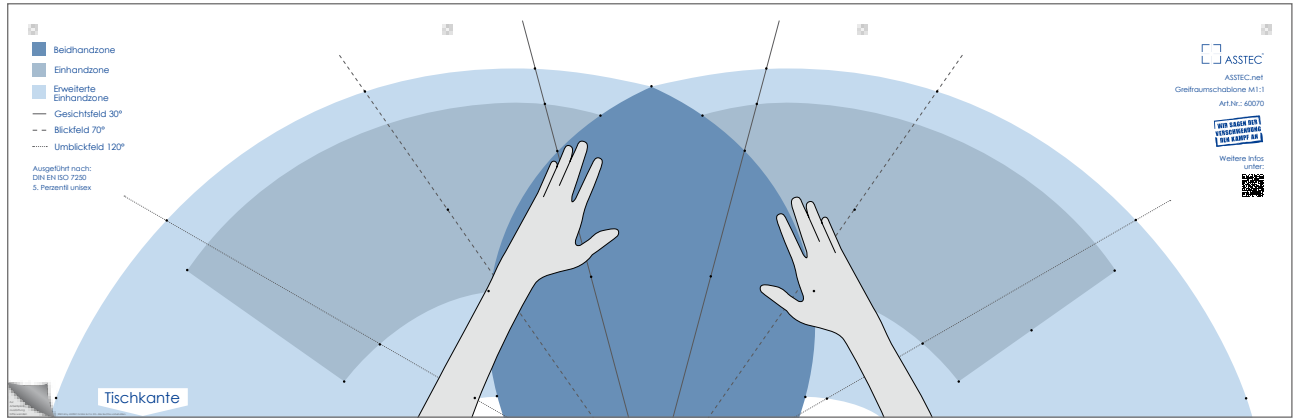
Art.-Nr.	Artikel	Hinweise
60041	Kartonagenmesser	
60042	Akku-Bohrmaschine	Inkl. 2 Akkus und Ladegerät
60043	Bohrer	Spezialbohrer für Kartonbearbeitung
60044	Rollmaßstab	
60045	Heißklebepistole	
60046	Bügelsäge	

Gerne bieten wir Ihnen auch weitere Varianten gemäß Ihren individuellen Anforderungen an.

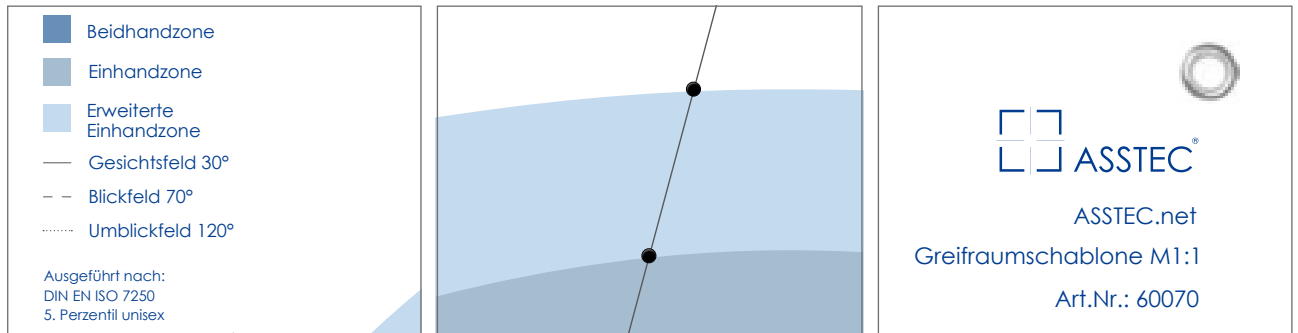
Anwendung Mit Cardboard Engineering werden in Workshops Arbeitsplätze modelliert, Abläufe simuliert und Prozesse analysiert ohne dabei Kosten für reale Betriebsmittel zu verursachen. Mit dem standardisierten Grundbaukasten generieren Sie einfach, schnell und realitätsgetreu das perfekte Arbeitsplatz-Modell. Mit den aufgeführten Werkzeugen lassen sich die Komponenten fachgerecht bearbeiten.

Technische Änderungen vorbehalten.

Greifraumschablone



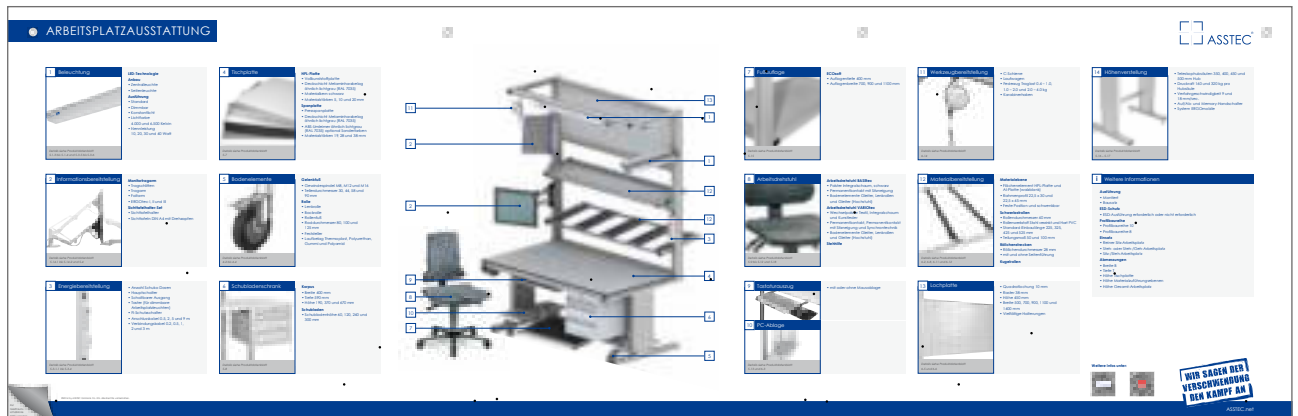
Vorderseite



Legende

Ausstattung

Öse



Rückseite

Art.-Nr.	Bezeichnung	Breite B [mm]	Höhe H [mm]
60070	Greifraumschablone	1550	500

Gerne bieten wir Ihnen auch weitere Varianten gemäß Ihren individuellen Anforderungen an.

Anwendung	Mit der im Maßstab 1:1 ausgeführten Greifraumschablone schaffen Sie ergonomisch optimierte Arbeitsbedingungen. Damit lassen sich die am Arbeitsplatz erforderlichen Arbeitsmittel wie z. B. Teilebereitstellung, Werkzeuge, Messmittel ergonomisch sinnvoll anordnen. Der Materialfluss wird optimiert, überflüssige Bewegungen eliminiert und ungünstige Körperhaltungen vermieden. Auf der Vorderseite sind die nach DIN EN ISO 7250 festgelegten Greifräume maßstäblich abgebildet. Ausstattungen ermöglichen das Übertragen der Greifräume auf den Arbeitsbereich oder das Cardboard Engineering Modell. Auf der Rückseite ist ein Leitfaden zur Konfiguration von Arbeitsplätzen aufgebracht, so dass bei der Arbeitsplatzgestaltung kein Detail vergessen wird.
Material	PVC-Gewebe, weiß

Technische Änderungen vorbehalten.