

RETAIL CATALOGUE 2011 | 2010



VOGEL'S, AV MOUNTING SOLUTIONS THAT GROW YOUR BUSINESS

To satisfy every individual consumer taste and budget, you want to sell a variety of products and features at different price points. As the expert in mounts for audio and video equipment, Vogel's offers two different brands and a full array of high quality products so you can always sell an associated product with a flat screen TV. Extra flexibility and choices that can help you grow your business.

Proud to introduce

Satisfy your "early adopter" consumers by offering them the latest solutions for their ultra-thin flat screens. Based on the latest consumer insights, Vogel's new "Virtually Invisible" THIN Series is specially designed to make ultra thin/LED screens look as slim and compact as possible. It comes in the popular sizes of 81 cm - 132 cm / 32" - 52". This exciting new line includes 1 remote-controlled wall mount and 3 regular wall mounts. Just 4 SKUs to maximise your shelf space.

Stylish additions to the 8000 Series


Two new floor stands with a stylish design have been added to the award winning Vogel's 8000 Series so you can now offer consumers even more options. This product line continues to grow rapidly because it offers clear choices in three distinct product categories: Motion+, Motion and SuperFlat™ – and a number of multi functional accessories.

Physix brand for first-time buyers

Vogel's launched its Physix by Vogel's brand to address the needs of first-time buyers. Many of these consumers feel unsure when purchasing a wall mount. They are looking for a strong and simple solution that is also easy and affordable. With Physix, you can offer these customers a complete range of wall mounts to choose from.

Today it is more important than ever to work with strong strategic partners if we are going to continue to grow and expand. Let's help each other succeed.

Gerdi Vogels
CEO Vogel's






EVERY SCREEN DESERVES
A VOGEL'S TV MOUNT

THIN Series

NEW

Remote Controlled Ultra thin/LED wall mount	12
Full Turn & Tilt Ultra thin/LED wall mount	12
Tilt Ultra thin/LED wall mount	13
Flat Ultra thin/LED wall mount	13

8000 Series

NEW

Motion+ LCD/Plasma wall mounts	16
Motion LCD/Plasma wall mounts	18
SuperFlat LCD/Plasma wall mounts	20
LCD/Plasma Floor stand	22
LED/LCD/Plasma Floor stands	23
Accessories	24

Electronic Remote controlled mount

LCD/Plasma electronic wall mount	29
----------------------------------	----

6000 Series

NEW

LCD/Plasma Wall mounts	30
Accessories	32
LCD/Plasma Ceiling Mount	33
Extra large LCD/Plasma Wall mount	34
Desk LCD/TFT mount	34
Projector solution	34
LCD Headrest mount	34
Loudspeaker mounts	35

Original Series

LCD/Plasma wall mounts	36
Loudspeaker mounts and stand	41
TV wall mounts	41

Physix by Vogel's

NEW

Turn LCD/Plasma wall mounts	42
Tilt LCD/Plasma wall mounts	44
Flat LCD/Plasma wall mounts	46
Accessories	48

General

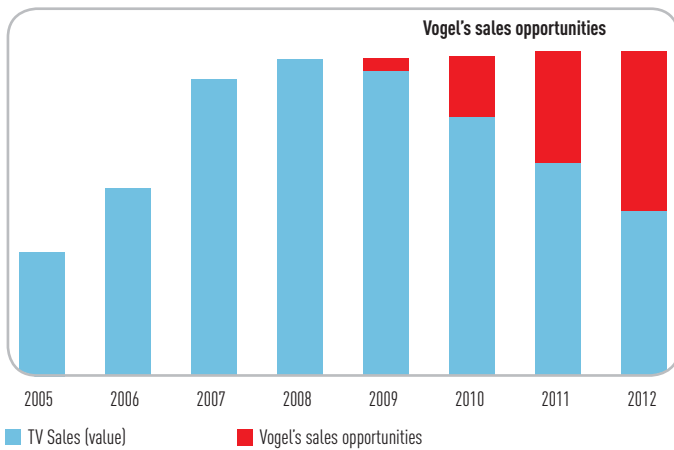
Introduction Gerdi Vogels	2
Profit margin	4
Segmentation & positioning	5
Product leadership	6
Product overview	8
Quality	50
Online sales support	51
Sales tools	52
Step-by-step	53
Vogel's National Sales Organisations & Business Partners	54
Product specifications	56
Article index	62

FILLING THE GAP

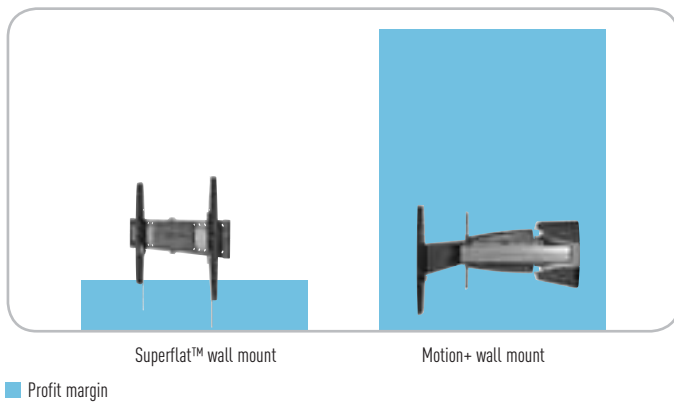
The market for flat screens has seen exponential growth over the past few years, but consumers can now buy bigger flat screen TVs for less money, thereby creating lower margins.

In view of this, it is becoming even more crucial to sell those essential flat screen accessories that bring higher profit margins.

Selling associated accessories can supplement the drop in the market. Selling flat screens without a wall mount should become a 'No-go' for all retailers, as it may mean lost sales opportunities.



MAXIMISE PROFITABILITY



Wall mounts with functionality generate more money and give you up-selling possibilities. In selling the wall mount with the TV, a greater profit margin will be realized with minimal extra cost.

"If no salesperson were available I would have left the store and come back later."

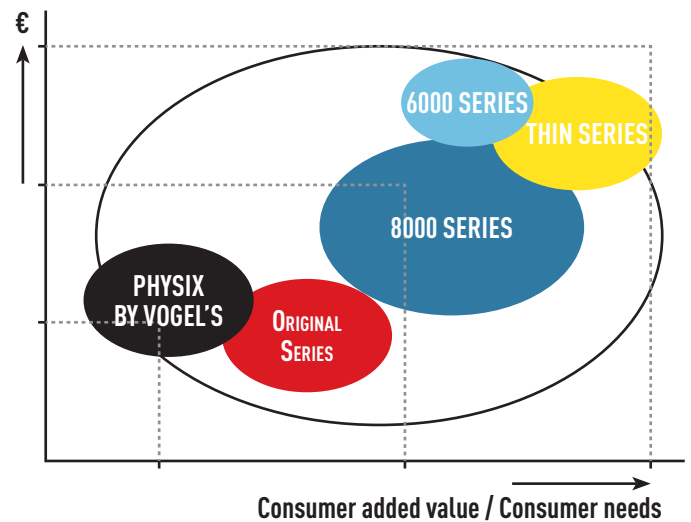


CONSUMER INSIGHTS

Vogel's carries out continuous research among consumers. These researches consult in valuable consumer feedback. Based on this feedback, Vogel's has improved its communication activities in and outside the store.

This facilitates your shopper choosing the right mount, which will help you with cross-selling and up-selling. The easier we make it for you and the shopper, the greater the margin to be made.

The pre-planned questions and messages that can really help your sales people make the deal are based on qualitative and quantitative research carried out in several countries. So use these proven concepts to improve your business results. Do you want to know more? Contact your local Vogel's representative and we are sure we will be able to help.



SEGMENTATION & POSITIONING

Vogel's has always delivered innovative concepts. Vogel's now offers different brands and product lines to meet the needs of the Retail and Consumer Electronic markets.

THIN Series

Vogel's new "Virtually Invisible" THIN Series is specially designed to make ultra thin/LED screens look as slim and compact as possible. The new designed is based on extensive consumer insights. Consumers want almost invisible mounting solutions for their ultra thin screens. These new products fit the most popular sizes of LED screens (81 cm - 132 cm / 32" - 52").



8000 Series

Vogel's 8000 Series mounting solutions is a groundbreaking range of flat screen mounts, stands and accessories. It offers high quality, space saving mounting solutions which are reliable and easy to mount, and come with a unique lifelong guarantee. There is a model to fit every screen size.



6000 Series

Vogel's 6000 Series and Evolution line is a sophisticated range of mounts. They are designed for individuals who are looking for outstanding easy to use products, that enhance the quality of their entertainment experience and favor modern design. The Forward Motion model, in particular, enables consumers to mount their TV in a cabinet or alcove.



Original Series

Vogel's Original line is a practical range of mounts that enhance the daily use of audio and video equipment. Basic solutions that are practical and functional with the outstanding quality and durability of Vogel's. For screens in every size.



Physix by Vogel's

Vogel's Physix brand targets first-time buyers who are unsure about buying a wall mount. It provides a strong and simple solution that is also easy to install and affordable. It includes turn, tilt and flat wall mounts, as well as accessories.



WINNING DESIGNS

Vogel's has produced many award-winning products over the years.



1998



2006



2008



1999



2007



2009



2000



2007



2009



2002



2007



2009



2002



2008



2006



2008



reddot design award
winner 2010

2010

In 2010, Vogel's EFW 8345 wall mount Motion+, part of Vogel's 8000 Series, was honoured with its first-ever international Red Dot Award Product Design. Vogel's is the first mounting manufacturer to receive this Award.



THIN 345

WHAT MAKES VOGEL'S SO SPECIAL?

We keep our pulse on market developments

Vogel's has a strong marketing department that has a close relationship with our business partners and end customers. They help keep us up-to-date on the latest developments and trends in our markets. In addition, we carry out independent research and visit all relevant trade shows and events to identify new market opportunities. This provides valuable input for our strategic product decisions.



PRODUCT DEVELOPMENT

Over more than 35 years, our large team of industrial designers and engineers has built up highly specialised knowledge about consumer preferences, materials, functional requirements, ergonomics, and manufacturing processes for designing mount products.

Our experts provide valuable technical input on the feasibility of new designs before starting a project. They then use advanced tools to test and fine-tune key design aspects. All Vogel's products comply with the highest industry standards for quality and safety. Only the best quality materials are used. All products are tested to carry at least 3 times the specified weight.



KEEP YOUR FLAT TV FLAT

Use Vogel's new "Virtually Invisible" THIN Series to increase your profits

The whole purpose of an ultra thin TV is having it blend into its surroundings. Vogel's new "Virtually Invisible" THIN Series of flat screen mounts meets the demands of consumers who want their TV to appear as flat as possible. This ultra thin, ultra stylish line is specially designed to make a flat screen TV look fantastic, while staying securely in place. Use the new product family to boost your accessory sales and profits in this fast growing market.

Increase margins with just 4 SKUs

The new THIN series is a range of mounts for ultra thin / LED TVs. It consists of just 4 SKUs, (1 remote-controlled wall mount and 3 regular wall mounts), which take up less than a metre of shelf space and fit the most popular sizes of LED screens (81 cm - 132 cm / 32" - 52").

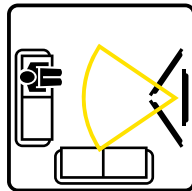
Based on consumer insights

This new range of products was developed based on consumer demands and insights. Flat screen sales continue to rise. And consumers want flat screens that are flatter and closer to the wall. They also want mounting solutions for their ultra thin screens that are flatter as well. With the THIN Series, they get ultra flat mounting solutions that provide secure support and a lifelong guarantee.

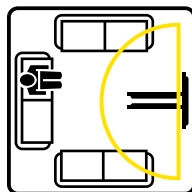
The quality you expect from an A brand in A/V mounting solutions.

Full range of wall mounts

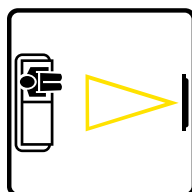
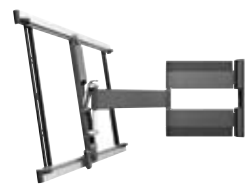
The THIN Series includes the THIN 305 FLAT wall mount, which leaves just 1.5 cm of space between the TV and the wall. The THIN 315 TILT wall mount tilts the screen 15 degrees for comfortable viewing and comes just 2 cm away from the wall. The no concessions THIN 345 FULL TURN & TILT wall mount can turn 90 degrees right and left, and tilt 20 degrees. There is just 3.5 cm of space between the wall and the TV. And it can extend up to 63 cm out from the wall. Consumers can turn the screen 20 degrees right or left without getting up using the THIN RC 355 remote controlled wall mount.



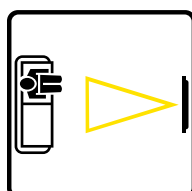
THIN RC 355



THIN 345



THIN 315



THIN 305



UNIQUE BENEFITS THIN SERIES

Smart range

Just 4 types (Flat, Tilt, Full Turn & Tilt, Remote-controlled) and 4 SKUs in the popular sizes of 81 cm - 132 cm / 32" - 52" to meet every consumer demand. Takes up limited shelf space with high impact packaging, developed based on extensive shopper research. This range consists of wall mounts and a floor stand.

Value for money

Appealing products at an attractive price which offer a high return on sales.

Fits every flat screen

Designed to fit every size flat screen available.



Lifelong guarantee

Vogel's guarantees all products in the THIN Series with a unique lifelong guarantee.



Fischer® Plugs

High-quality, robust solution that ensures easy sales.



Easy Installation

Made for anyone to install so no after sales support is required.



Modular system

Cross selling opportunities. Maximise your turnover by selling Vogel's column system and AV multi support.



L 32-52"
81 cm - 132 cm

THIN RC 355



THIN 345



THIN 315



THIN 305



THIN RC 355

Ultra Thin/LED remote controlled wall mount



mm [inch]



SIZE

81-132 cm / 32-52"
Max. Screen thickness
40 mm / 1,6"



MAX.

25 kg / 55 lbs



min. 200 x 200
max. 600 x 400

- Remote controlled wall mount
- Only 35 mm from the wall
- Turns both sides up to 20 degrees
- Smooth & silent operation



THIN 345

Ultra thin / LED full Turn & Tilt wall mount



mm [inch]



SIZE

81-132 cm / 32-52"
Max. Screen thickness
40 mm / 1,6"



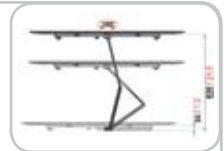
MAX.

25 kg / 55 lbs

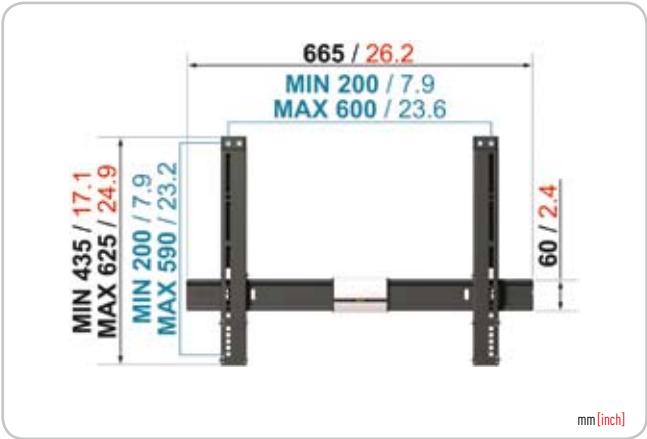


min. 200 x 200
max. 600 x 400

- Only 35 mm from the wall
- Turns both sides up to 90 degrees
- Tilt function up to 20 degrees
- Cable Inlay System (CIS®)
- Easy levelling after mounting



THIN 315
Ultra Thin/LED Tilt wall mount



mm [inch]



81-132 cm / 32-52"
Max. Screen thickness
40 mm / 1,6"



MAX. 25 kg / 55 lbs

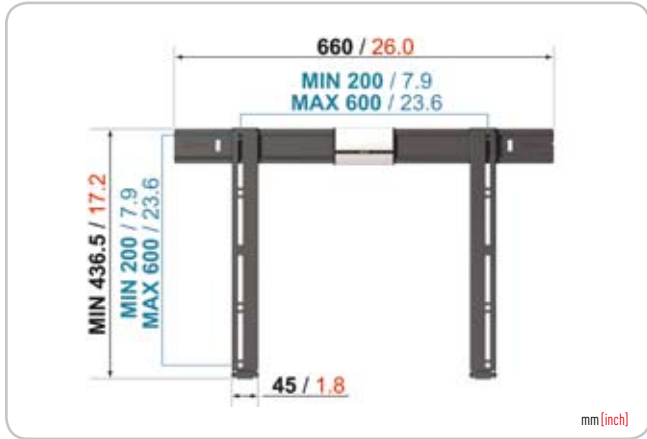


min. 200 x 200
max. 600 x 400

- Only 20 mm from the wall
- Tilt function up to 15 degrees
- Spirit level



THIN 305
Ultra thin / LED flat wall mount



mm [inch]



81-132 cm / 32-52"
Max. Screen thickness
40 mm / 1,6"



MAX. 25 kg / 55 lbs



min. 200 x 200
max. 600 x 400

- Only 15 mm from the wall
- Easy Access to cables with service positioning
- Spirit level



SIT BACK AND ENJOY

Vogel's 8000 Series lets consumers sit back and enjoy their flat screen TV more than ever before. It also lets retailers enjoy fast and easy sales. Everyone wins!

This advanced product range makes it as easy as possible to increase your turn-over. These products feature USPs that really matter to the consumer. The 8000 Series fits every flat screen TV and meets any consumer demand. All in a formula that is super easy for your sales personnel to remember. There are just 3 types of wall mounts (Motion+, Motion and SuperFlat™) and 4 sizes (S, M, L, XL) that add up to 11 SKUs. It takes up limited shelf space, limited storage space and is easy for consumers to install.

Vogel's Motion+ & Motion

If the consumer wants the ultimate movie theatre experience, sitting in front of the TV is preferred over having to watch at an angle. In fact, a consumer misses about 30 % of the view when he or she sits at an angle. The Vogel's 8000 Series Motion+ moves the TV for the best view. It turns 75 degrees side-to-side and 90 degrees perpendicular on the wall.

The Vogel's Motion mount is the ideal option for turning the TV 45 degrees side-to-side.

Vogel's SuperFlat™

The biggest advantage of a flat screen TV is the room that is saved compared to a massive old- fashioned TV. By hanging a TV on the wall, just like a painting, most space is saved and also an elegant design element is created at the same time.

A Vogel's 8000 Series SuperFlat™ mount has only 2 centimeters distance to the wall and it still leaves plenty of room for ventilation and cables. It's the perfect solution if you want to sit directly in front of the TV.


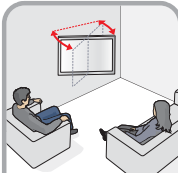
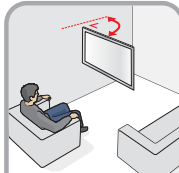
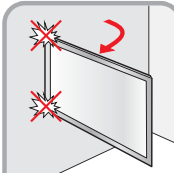
Clean up AV equipment

Most consumers have plenty of extra entertainment equipment, like a DVD player, game console or set-top box lying around. It can be cleaned up with one of our accessories. The cable column neatly hides away cables from the wall mount to the floor. The AV multi support can easily store three different devices under a flat screen TV.

Standing room only

For extra flexibility to place the flat screen TV anywhere in the room, Vogel's 8000 Series floor stand is the perfect solution. It takes up less room than a cabinet, and still a DVD player or game console can be mounted under the TV.

Mount the TV at the perfect viewing position and the cables and power socket can be tucked out of sight inside the column and foot piece.

	 Flat against the wall	 Adjustable	 Perpendicular to the wall	 SPS® Screen Protection System which protects both screen and wall
MOTION+	✓	2 x 75°	1 x 90°	✓
MOTION	✓	2 x 45°		✓
SUPERFLAT	✓			Optional

UNIQUE BENEFITS VOGEL'S 8000 SERIES

Smart range

Just 4 sizes wall mounts (S, M, L, XL), 3 types (Motion+, Motion and SuperFlat™) and 13 SKUs (including floor stand) to meet every consumer demand. Takes up limited shelf space, limited storage space and is easy to remember for sales staff. The range consist of wall mounts and a floor stand.

Value for money

Appealing products at an attractive price which offer a high return on sales.

Fits every flat screen

Extensive compatibility per category results in best overall fitment compared to competition. Overlapping categories guarantee optimum solution for every consumer and hassle free sales for retailers.



Lifelong guarantee

Vogel's guarantees all products in the 8000 Series with a unique lifelong guarantee.



fischer® Plugs

High-quality, robust solution that ensures easy sales.



Easy Installation

Made for anyone to install so no after sales support is required.



Modular system

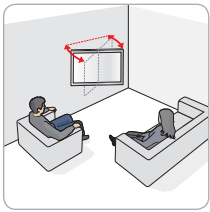
Cross selling opportunities. Maximise your turnover by selling Vogel's column system and AV multi support.

S	M	L	XL
19-26" 48 cm - 66 cm	26-37" 66 cm - 94 cm	32-50" 81 cm - 127 cm	40-65" 102 cm - 165 cm
EFW 8145	EFW 8245	EFW 8345	
EFW 8125	EFW 8225	EFW 8325	EFW 8425
EFW 8105	EFW 8205	EFW 8305	EFW 8405

8000 SERIES MOTION+

MAXIMUM FLEXIBILITY

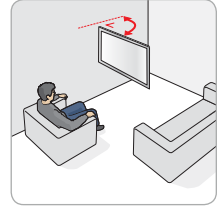
Looking for the ultimate flexibility? The Vogel's Motion+ turns 75° both ways or can be placed 90° perpendicular on the wall.



+150°
Motion+ 2-way 75° turn
 Flexibility to the max!
 Turn to the best viewing position.



Cable Inlay System (CIS®)
 The Vogel's 8000 Series features Vogel's patented Cable Inlay System that hides all unsightly cables. Use the additional 8000 Series cable column to hide & guide cables all the way to the floor.



90° corner option
 Perpendicular to the wall.
 Watch the TV from anywhere in the room.



Screen Protection System (SPS®)
 Vogel's patented Screen Protection System protects the flat screen from bumping into the wall when turning.



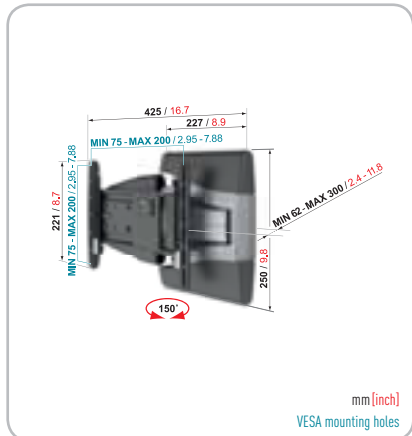
Smart Movement Mechanism (SMM®)
 Move even the biggest flat screen with the touch of a fingertip.

OTHER FEATURES:

Integrated spirit level
 Straight mounting guaranteed.

Autolock®
 Single click security. Secure the flat screen with a simple click.

EFW 8145
LCD wall mount Motion+



mm[inch]
VESA mounting holes

SIZE 48-66 cm / 19-26"

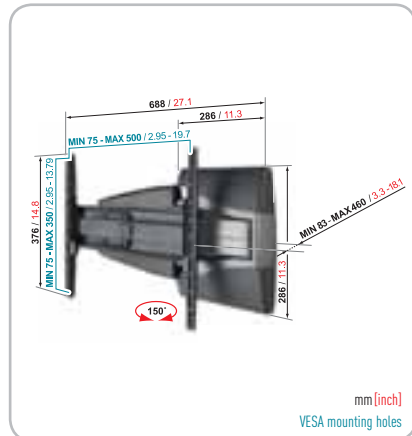
MAX. 20 kg / 44 lbs

min. 75 x 75 mm
max. 200 x 200 mm

- 150° turning range
- Full 90° corner option
- Screen Protection System (SPS®) which protects both screen and wall
- Smart Movement Mechanism (SMM®)
- Cable Inlay System (CIS®)
- Autolock®
- Integrated spirit level



EFW 8245
LCD wall mount Motion+



mm[inch]
VESA mounting holes

SIZE 66-94 cm / 26-37"

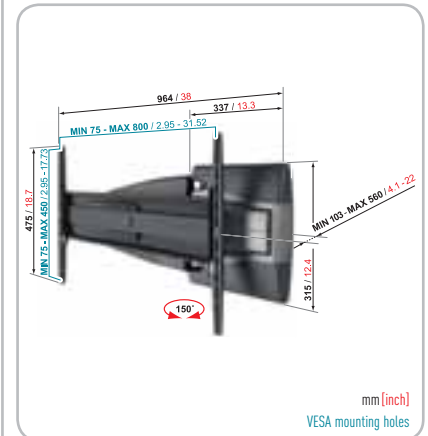
MAX. 30 kg / 66 lbs

min. 75 x 75 mm
max. 500 x 350 mm

- 150° turning range
- Full 90° corner option
- Screen Protection System (SPS®) which protects both screen and wall
- Smart Movement Mechanism (SMM®)
- Cable Inlay System (CIS®)
- Autolock®
- Integrated spirit level



EFW 8345
LCD/Plasma wall mount Motion+



mm[inch]
VESA mounting holes

SIZE 81-127 cm / 32-50"

MAX. 45 kg / 99 lbs

min. 75 x 75 mm
max. 800 x 450 mm

- 150° turning range
- Full 90° corner option
- Screen Protection System (SPS®) which protects both screen and wall
- Smart Movement Mechanism (SMM®)
- Cable Inlay System (CIS®)
- Autolock®
- Integrated spirit level

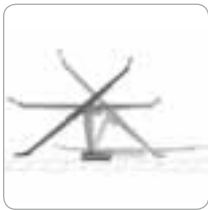
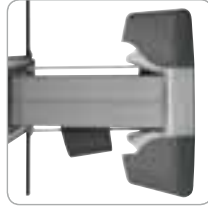


**8000
SERIES**

MOTION

MORE CONVENIENCE

Turn the TV to where it is most comfortable or to avoid outside glare. Vogel's Motion turns 45° both ways.



Motion 2-way 45° turn
Enjoy the TV from every desired angle.



Screen Protection System (SPS®)

Vogel's patented Screen Protection System protects the flat screen from bumping into the wall when turning.



Fingertip movement
Move even the biggest flat screen with the touch of a fingertip.



Cable Inlay System (CIS®)

The Vogel's 8000 Series features Vogel's patented Cable Inlay System that hides all unsightly cables. Use the additional 8000 Series cable column to hide & guide cables all the way to the floor.

OTHER FEATURES:

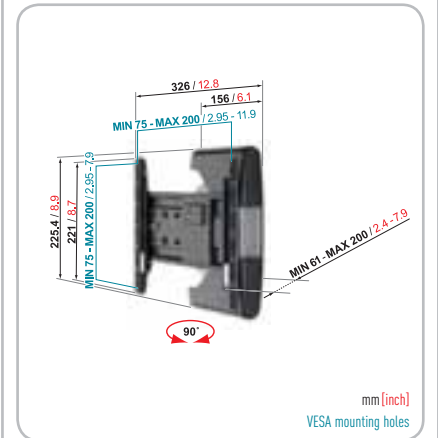


Integrated spirit level
Straight mounting guaranteed.



Autolock®
Single click security. Secure the flat screen with a simple click.

EFW 8125 LCD wall mount Motion



SIZE 48-66 cm / 19-26"

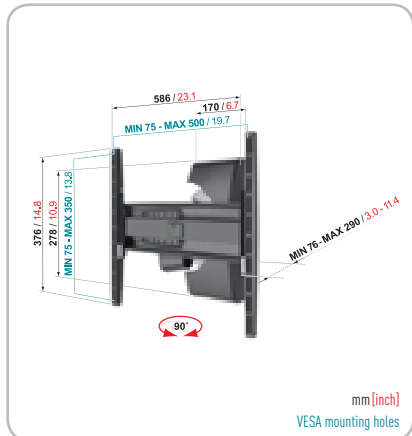
MAX. 20 kg / 44 lbs

min. 75 x 75 mm
max. 200 x 200 mm

- 90° turning range
- Cable Inlay System (CIS®)
- Autolock®
- Integrated spirit level
- Additional - Screen Protection System (SPS®)
- Additional - Smart Movement Mechanism (SMM®)



EFW 8225
LCD wall mount Motion



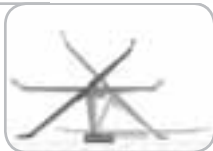
mm[inch]
VESA mounting holes

SIZE 66-94 cm / 26-37"

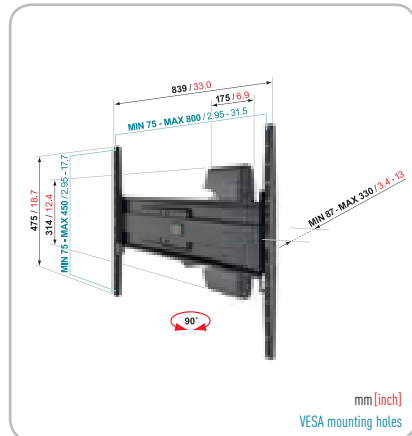
MAX. 30 kg / 66 lbs

min. 75 x 75 mm
max. 500 x 350 mm

- 90° turning range
- Cable Inlay System (CIS®)
- Autolock®
- Integrated spirit level
- Additional - Screen Protection System (SPS®)
- Additional - Smart Movement Mechanism (SMM®)



EFW 8325
LCD/Plasma wall mount Motion



mm[inch]
VESA mounting holes

SIZE 81-127 cm / 32-50"

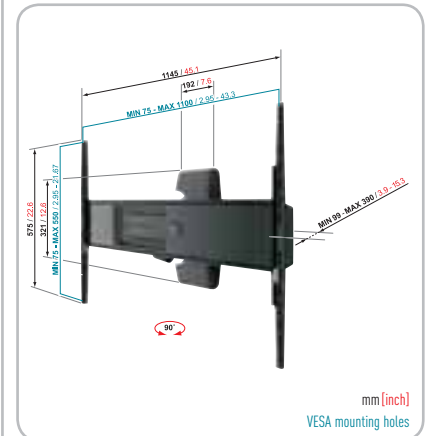
MAX. 45 kg / 99 lbs

min. 75 x 75 mm
max. 800 x 450 mm

- 90° turning range
- Cable Inlay System (CIS®)
- Autolock®
- Integrated spirit level
- Additional - Screen Protection System (SPS®)
- Additional - Smart Movement Mechanism (SMM®)



EFW 8425
LCD/Plasma wall mount Motion



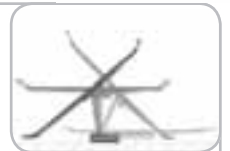
mm[inch]
VESA mounting holes

SIZE 102-165 cm / 40-65"

MAX. 70 kg / 154 lbs

min. 75 x 75 mm
max. 1100 x 550 mm

- 90° turning range
- Cable Inlay System (CIS®)
- Autolock®
- Integrated spirit level
- Additional - Screen Protection System (SPS®)
- Additional - Smart Movement Mechanism (SMM®)



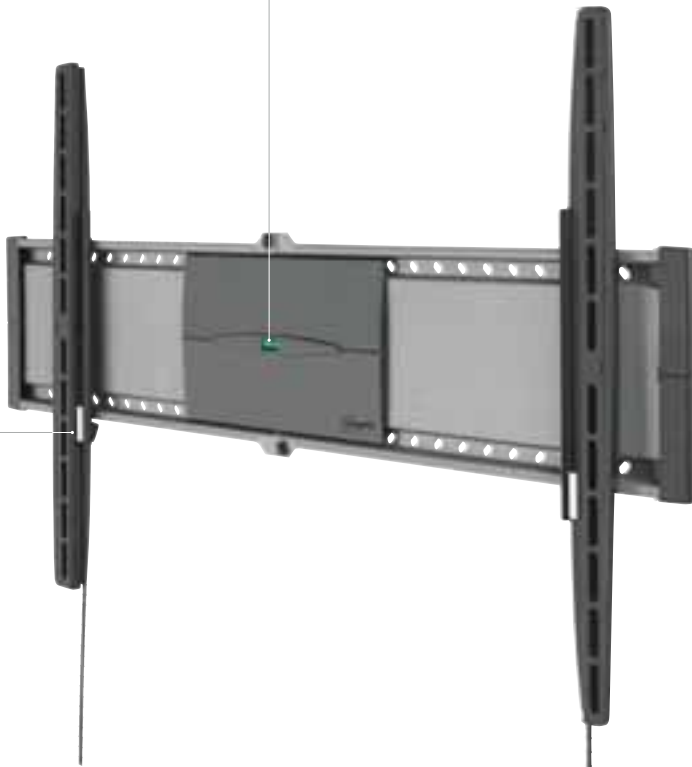
8000 SERIES SUPERFLAT

GET SKINNY

A flat screen TV creates a sophisticated look for every room. Especially when it can be hung as flat on the wall as possible.



Integrated Spirit level
Straight mounting guaranteed.

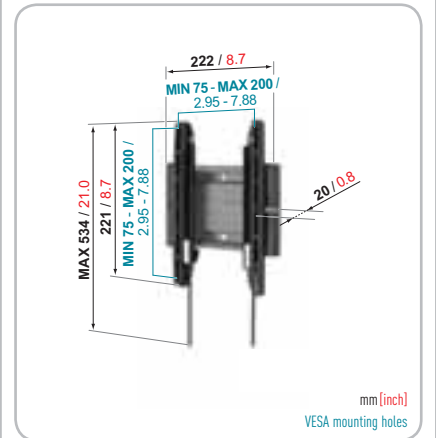


Autolock®
Single click security. Secure the expensive flat screen with a simple click.



SuperFlat
Only 20 mm from the wall. The flat screen stays flat while leaving sufficient space for cables and ventilation.

EFW 8105 LCD wall mount SuperFlat



SIZE 48-66 cm / 19-26"

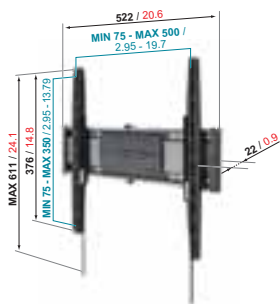
MAX. 20 kg / 44 lbs

min. 75 x 75 mm
max. 200 x 200 mm

- SuperFlat - only 20 mm from the wall
- Autolock®
- Integrated spirit level



EFW 8205
LCD wall mount SuperFlat



mm[inch]
VESA mounting holes

SIZE 66-94 cm / 26-37"

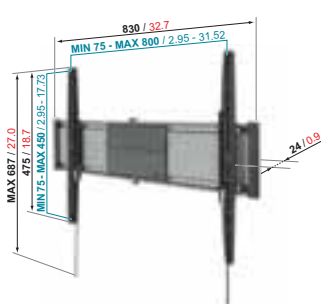
MAX. 30 kg / 66 lbs

min. 75 x 75 mm
max. 500 x 350 mm

- SuperFlat - only 22 mm from the wall
- Autolock®
- Integrated spirit level



EFW 8305
LCD/Plasma wall mount SuperFlat



mm[inch]
VESA mounting holes

SIZE 81-127 cm / 32-50"

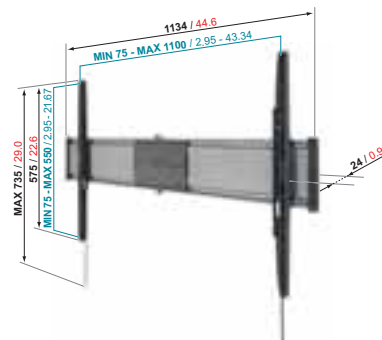
MAX. 45 kg / 99 lbs

min. 75 x 75 mm
max. 800 x 450 mm

- SuperFlat - only 24 mm from the wall
- Autolock®
- Integrated spirit level



EFW 8405
LCD/Plasma wall mount SuperFlat



mm[inch]
VESA mounting holes

SIZE 102-165 cm / 40-65"

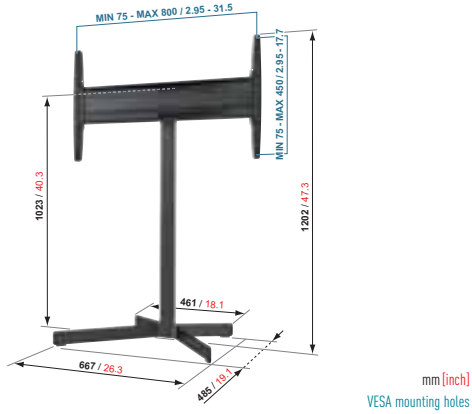
MAX. 70 kg / 154 lbs

min. 75 x 75 mm
max. 1100 x 550 mm

- SuperFlat - only 24 mm from the wall
- Autolock®
- Integrated spirit level



EFF 8330
LED/LCD/Plasma Floor stand



SIZE 81-127 cm / 32-50"

MAX. 45 kg / 99 lbs

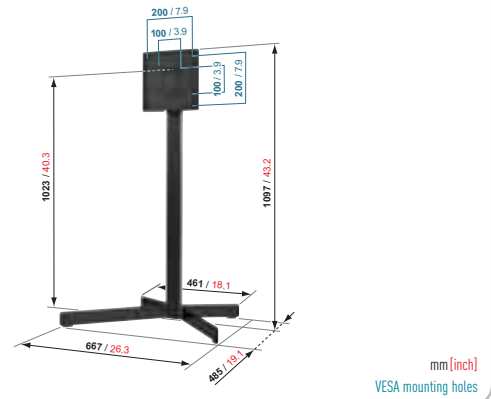
min. 75 x 75 mm
max. 800 x 450 mm

- 60° turning range
- Cable Inlay System (CIS®)
- Autolock®
- Integrated spirit level
- 1 extra color strip included
- Can be combined with 1x EFA 8825

For more designs visit www.vogels.com/mypersonalfloorstand.



EFF 8230
LED/LCD/Plasma Floor stand



SIZE 66-94 cm / 26-37"

MAX. 30 kg / 66 lbs

min. 100 x 100 mm
max. 200 x 200 mm

- 60° turning range
- Cable Inlay System (CIS®)
- 1 extra color strip included
- Can be combined with 1x EFA 8825

For more designs visit www.vogels.com/mypersonalfloorstand.



**8000
SERIES**

ACCESSORY

ORGANISE YOUR AV EQUIPMENT

Use Vogel's practical accessories to make the entertainment area even more enjoyable. The tilt module lets you tilt the TV up and down by 15 degrees so it can easily be viewed while lying on the couch or in bed. An Autolock® holds it securely in place.



Tilt module

EFA 8810, EFA 8820

Add another dimension to your viewing position with the Vogel's tilt module



Column system + AV support

EFA 8835, EFA 8840

No more messy cables! Vogel's cable column system hides all unsightly cables



Audio/DVD support

EFA 8825

The AV multi support is a sturdy mount to organise all of your AV equipment under your flat screen



Universal stud adapter

EFA 8890, EFA 8895

Stud adapter for 16" studs



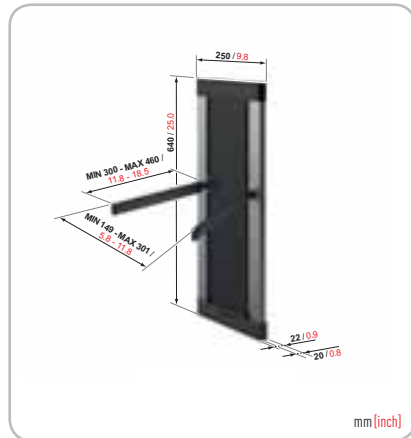
Cable cover

EFA 8740, EFA 8741

Vogel's cable cover hides all unsightly cables



EFA 8835
Cable Column 64 cm including AV multi support

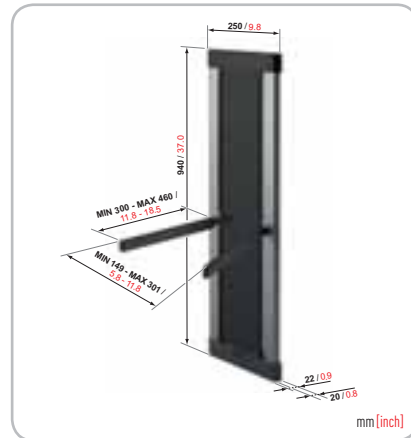


MAX. 30 kg / 66 lbs

- Cable Column - 64 cm / 25.2"
- SuperFlat™ - only 20 mm from the wall
- Cable Inlay System (CIS®)
- AV multi support included. Support adjustable in height, width and depth
- Can be used in combination with all 8000 Series wall mounts



EFA 8840
Cable Column 94 cm including AV multi support

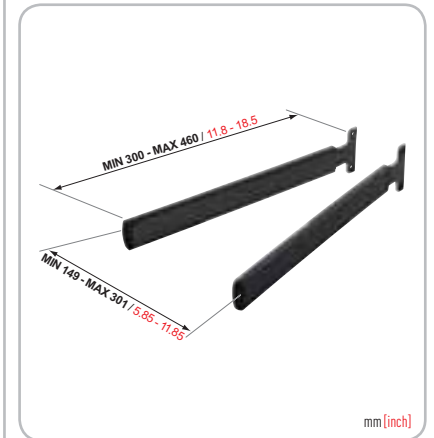


MAX. 40 kg / 88 lbs

- Cable Column - 94 cm / 37"
- SuperFlat™ - only 20 mm from the wall
- Cable Inlay System (CIS®)
- AV multi support included. Support adjustable in height, width and depth
- Can be used in combination with all 8000 Series wall mounts



EFA 8825
AV multi support

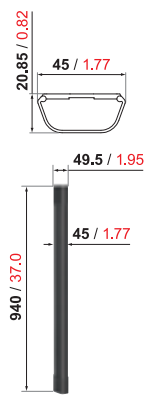


MAX. -

- Universal AV support adjustable in height, width and depth
- Must be combined with 8000 Series cable column or floor stand



EFA 8740
Universal Cable Cover



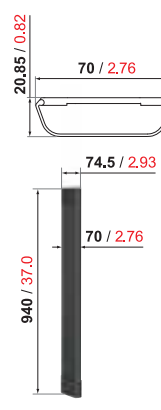
mm (inch)

SIZE 94 cm / 37"



- Cable Cover - 94 cm / 37"
- Suitable for 4 cables
- SuperFlat™ - only 20 mm from the wall
- Cable Inlay System (CIS®)
- Seamlessly fits all Vogel's solutions

EFA 8741
Universal Cable Cover



mm (inch)

SIZE 94 cm / 37"

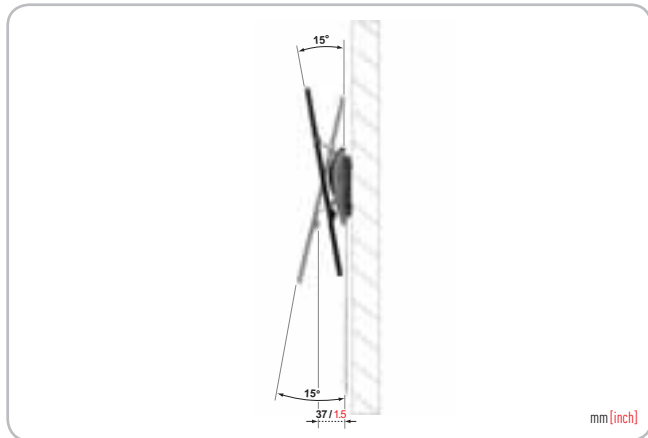


- Cable Cover - 94 cm / 37"
- Suitable for 8 cables
- SuperFlat™ - only 20 mm from the wall
- Cable Inlay System (CIS®)
- Seamlessly fits all Vogel's solutions



EFA 8810

Tilt module S/M



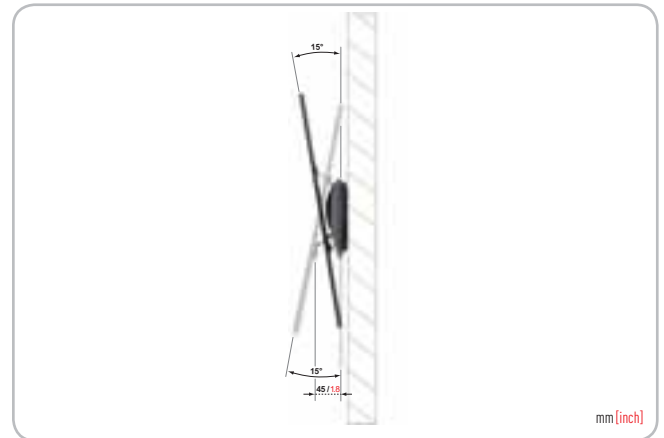
MAX.

30 kg / 66 lbs

- 30° tilt function (+/- 15°)
- Autolock® - single click security
- Fixation screw - set the ideal tilt friction for your specific flat screen
- Can be used in combination with:
EFW 8145, EFW 8245, EFW 8125, EFW 8225, EFW 8105, EFW 8205

EFA 8820

Tilt module L/XL



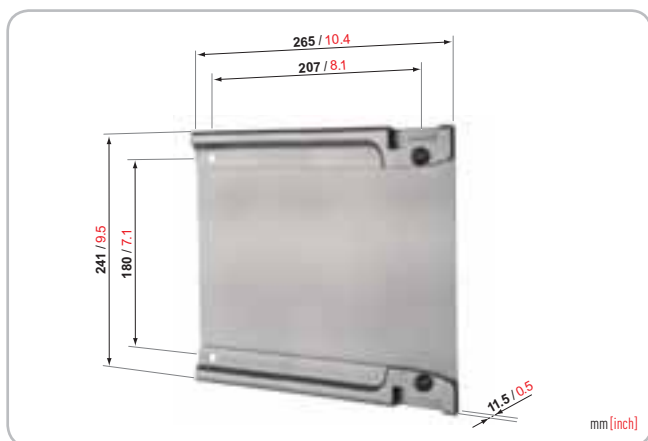
MAX.

45 kg / 99 lbs

- 30° tilt function (+/- 15°)
- Autolock® - single click security
- Fixation screw - set the ideal tilt friction for your specific flat screen
- Can be used in combination with:
EFW 8345, EFW 8325, EFW 8425, EFW 8305, EFW 8405

EFA 8890

Stud adapter



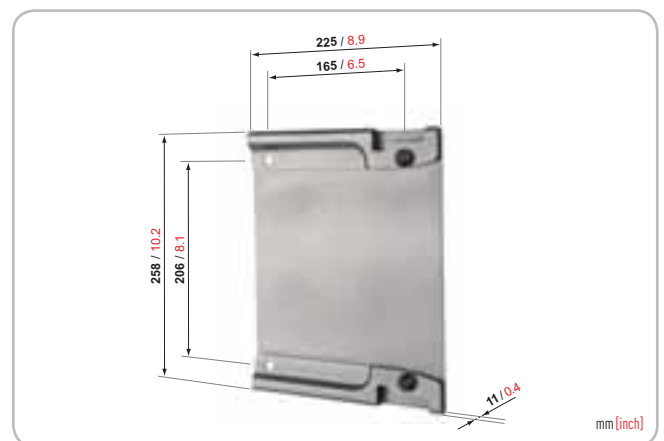
MAX.

-

- Studadapter for 16" studs
- Must be combined with EFW 8245

EFA 8895

Stud adapter



MAX.

-

- Studadapter for 16" studs
- Must be combined with EFW 8345

LET YOUR FINGERS DO THE WALKING

The Glider offers an innovative super smooth movement mechanism with the Auto Move feature which automatically moves to a preset position when the flat screen is switched on and returns to the home position when the TV is switched off.

KEY USP'S REMOTE CONTROLLED WALL MOUNT

- Remote controlled
- Unique movement mechanism in the Glider
- "Auto Move" automatically returns the flat screen to the wall
- Compatible with a learning universal remote control



"Auto Move" automatically returns the flat screen to the wall



Smart Movement Mechanism SMM®



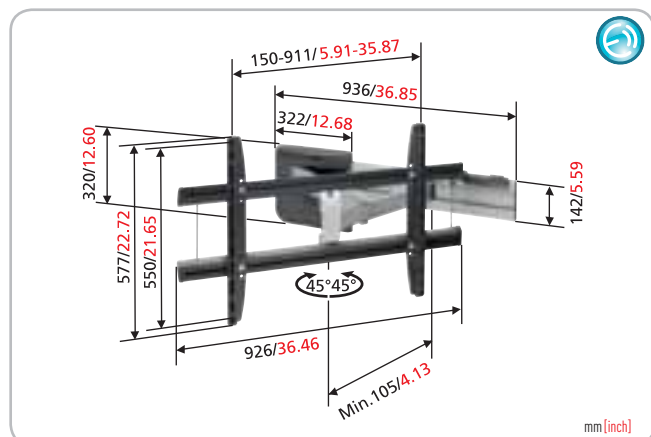
Remote controlled



EFWE 6455 RC

EFWE 6455 RC

Electronic remote controlled wall mount (Vogel's Glider™)



SIZE 107-153 cm / 42-60"

MAX. 70 kg / 154 lbs



- Unique Remote Controlled movement
- Slides your screen smoothly into the ideal viewing position
- Auto Move Function at TV switch off/on
- 3 preset memory positions
- 45 degrees left or 45 degrees right turn
- Universal (VESA)



FULL RANGE OF SOLUTIONS

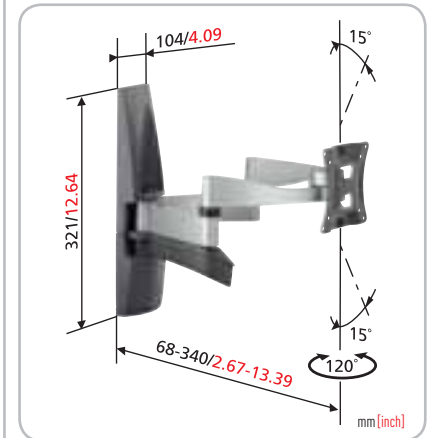
The 6000 Series offers wall mounts for displays from 14" up to 65".

KEY USP'S 6000 SERIES

- Forward Motion
- Solid aluminium construction
- Stylish award winning design
- Smart movement mechanism (SMM™)



EFW 6145 LCD/TFT wall mount

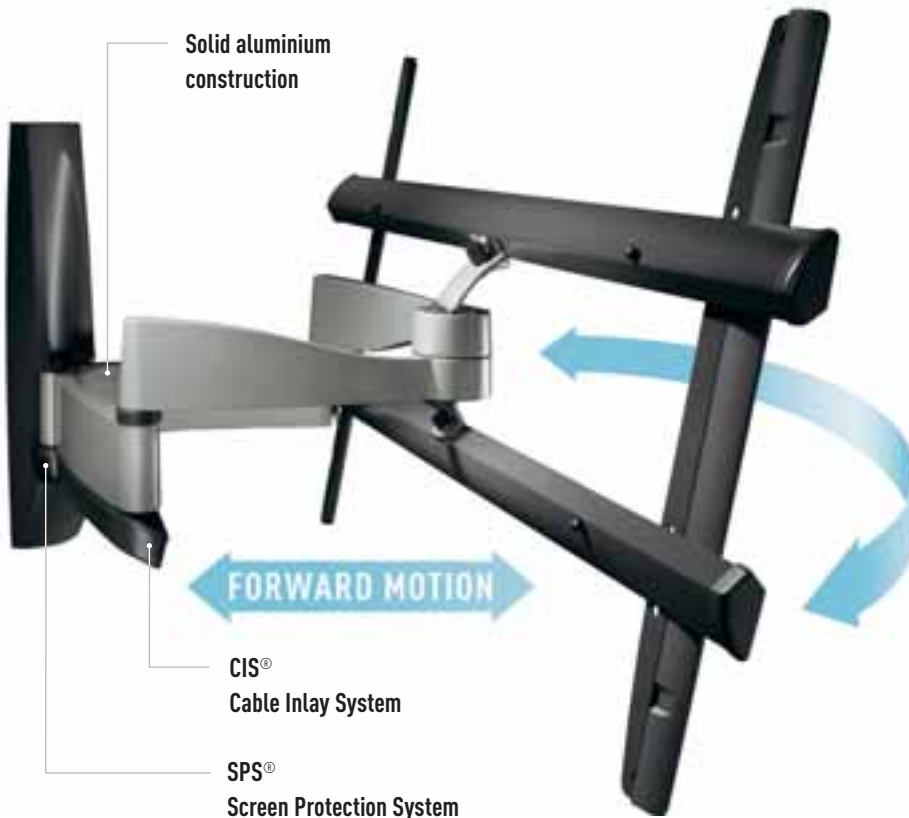


SIZE 35-66 cm / 14-26"

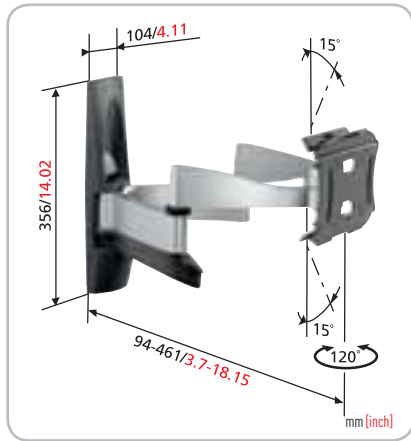
MAX. 3-15 kg / 6-33 lbs



- Tilt, turn and forward motion functions guarantee optimal viewing position
- Universal - complies with VESA MIS-D, 100 and VESA MIS-D, 75
- Unique Screen Protection System (SPS®) which protects both screen and wall
- Pre-assembled - install in just 3 easy steps
- Strips included for 200 x 100 VESA mounting holes



EFW 6245
LCD wall mount



SIZE 57-94 cm / 23-37"

MAX. 10-35 kg / 22-77 lbs

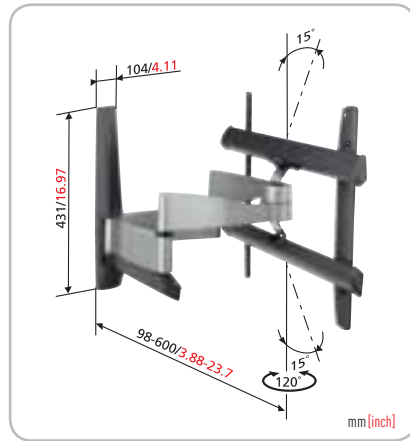


- Tilt, turn and forward motion functions guarantee optimal viewing position
- Universal - standard complies with VESA MIS-D, 100, VESA MIS-D, 75 and VESA MIS-E
- Strips included for 200x200 VESA mounting holes
- Unique Screen Protection System (SPS)**
- Pre-assembled - install in just 3 easy steps

** SPS® guaranteed up to 900mm



EFW 6345
LCD/Plasma wall mount



SIZE 81-127 cm / 32-50"

MAX. 15-45 kg / 33-99 lbs

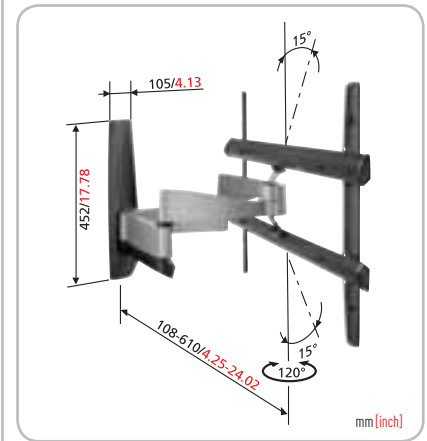


- Tilt, turn and forward motion functions guarantee optimal viewing position
- Universal - standard complies with VESA MIS-F, 700, 450
- Unique Screen Protection System (SPS) which protects both screen and wall**
- Pre-assembled - install in just 3 easy steps

** SPS® guaranteed up to 1450 mm



EFW 6445
Large LCD/Plasma wall mount



SIZE 108-165 cm / 42-65"

MAX. 15-55 kg / 33-121 lbs

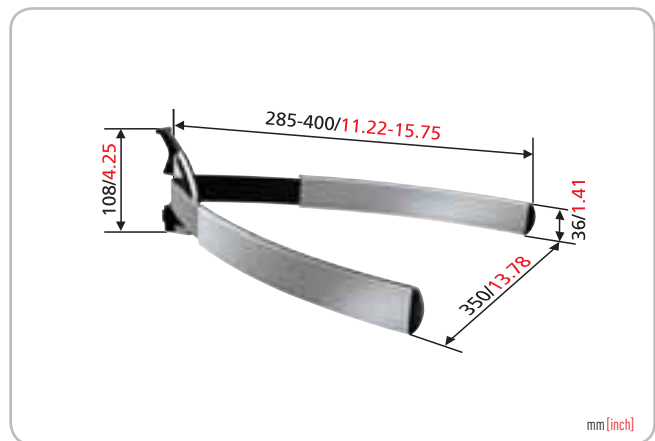


- Tilt, turn and forward motion functions guarantee optimal viewing position
- Universal - complies with VESA MIS-F, 950, 550
- Unique Screen Protection System (SPS®) which protects both screen and wall (SPS guaranteed up to 1450 mm)
- Pre-assembled - install in just 3 easy steps

** SPS® guaranteed up to 1450 mm



EFA 6825
Audio/DVD support



mm (inch)



10 kg / 22 lbs



- Can be positioned at any height in the column
- Adjustable arms, which are equipped with an anti-slip edge, fit a wide range of A/V equipment sizes
- Combine with EFA 6840 to store A/V equipment
- Pre-assembled - install in just 1 easy step.

EFA 6840
Column system



mm (inch)



max 4x EFA 6825



- 93 cm / 36.6"
- Flexible and unique AdvanCIS® - easily hide and guide cables at any height
- Combine with EFA 6825 to store A/V equipment
- Pre-assembled - install in just 1 easy step



UP AND AWAY

Introducing Vogel's new EFC 6215 ceiling mount, which is specially designed to securely suspend a LCD flat screen from the ceiling. A special solution for rooms where you are not allowed to drill in the walls. This mount has a stylish design that looks sleek and compact in any décor.

The EFC 6215 ceiling mount is made for medium size LCD flat screens from 58 cm - 81 cm / 23" - 32" inches.

All cables are neatly hidden from sight with the double Cable Inlay System (CIS®)



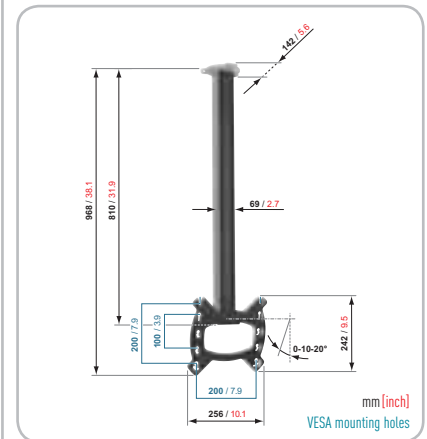
It can tilt up to 20 degrees and supports flat screens up to 30 kg / 66 lbs.

It includes a leveling function which makes it easy to hang the mount straight.



For hanging a TV over a bed or in a corner.

EFC 6215 LCD Ceiling mount



SIZE 58-81 cm / 23-32"

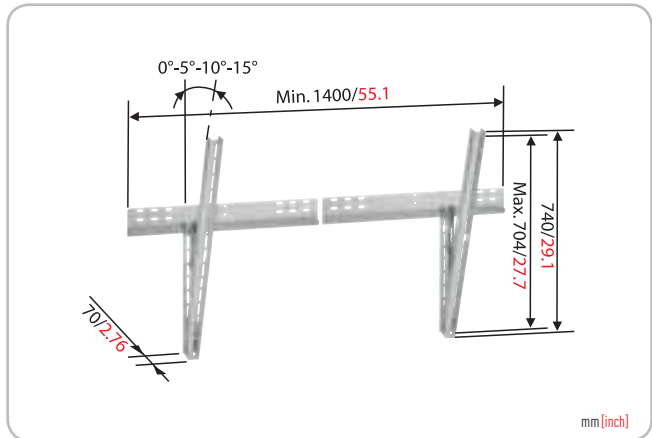
MAX. 30 kg / 66 lbs

200 x 100 mm
200 x 200 mm

- Tilt function up to 20 degrees
- Suitable for flat ceilings
- Cover included
- Double Cable Inlay System (CIS®)
- Levelling function



PFW 185
LCD/Plasma wall mount



SIZE	140-262 cm / 55-103"
MAX.	40-300 kg / 88-660 lbs
Color	● ●

- Pre-assembled - install in just 1 easy step
- Tilt function 0-5-10-15°
- Universal - complies with VESA MIS-F

EFW 1130
LCD/TFT desk + wall support



SIZE	25-61 cm / 10-24"
MAX.	10-15 kg / 22-33 lbs
Color	●

- For PC and TV use
- Choice of desk or wall mounting solution
- Adjustable height (from 20-43 cm / 7.87"-16.9")
- Cable Inlay System (CIS®) - all cables cleverly concealed and guided
- Tilt, turn & reach functions guarantee optimal viewing position
- Universal - complies with VESA MIS-D, 100 and MIS-D, 75

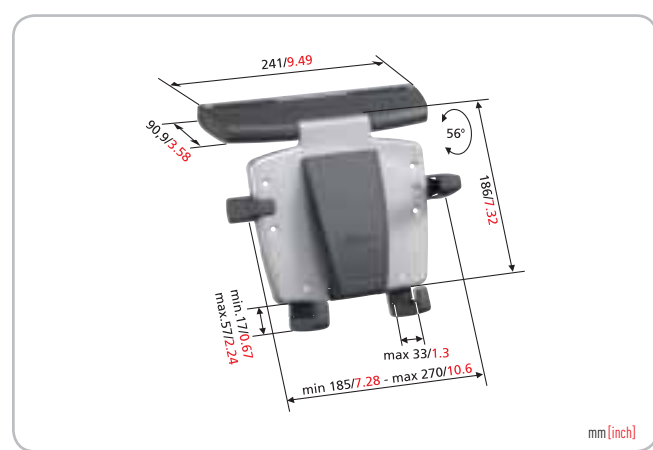
EPC 6545
Projector ceiling solution



SIZE	30-323 mm / 1.18-12.7"
MAX.	10 kg / 22 lbs
Color	●

- Ceiling cover included to hide cables and mount when not in use
- Adjust & secure feature to lock the projector in position
- Universal, fits virtually every projector

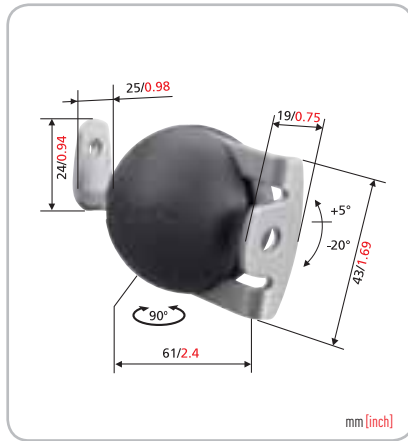
EMC 5000
LCD Headrest mount (DVDock®)



SIZE	18.5-27 cm / 7.3-10.6"
MAX.	1.5 kg / 3.3 lbs
Color	●

- Universal via adjustable arms to ensure a perfect fit for portable DVD player
- Quick release system to easy place or remove portable DVD player
- Easy install with only an Allen key. Also keeps cable connections and control buttons easily accessible
- Tilt function to eliminate reflections and get the best viewing angle

ELW 6600
Loudspeaker wall mount (Soundpointer®)

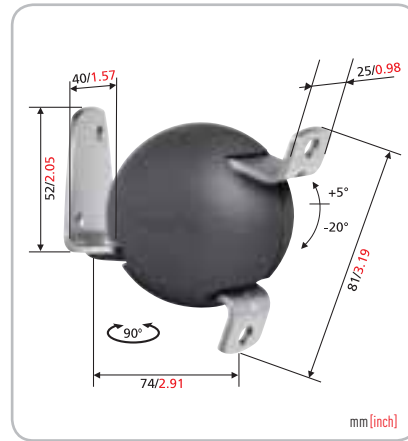


SIZE	-
MAX.	1.5 kg / 3.3 lbs
PALETTE	●

- For surround speakers up to 1.5 kg
- Tilt and turn functions guarantee optimal listening position
- Point your speaker for the best sound
- Compact and stylish design
- Very easy to install
- 2 pieces per package



ELW 6605
Loudspeaker wall mount (Soundpointer)

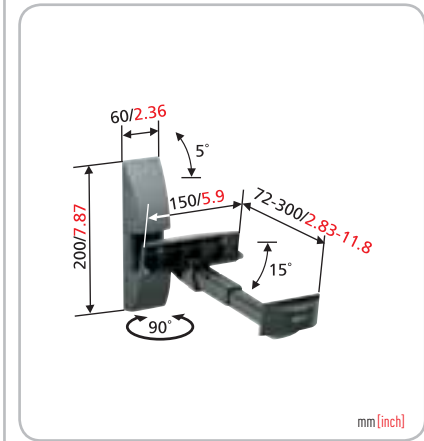


SIZE	-
MAX.	10 kg / 22 lbs
PALETTE	●

- For home cinema and stereo speakers up to 10 kg
- Tilt and turn functions guarantee optimal listening position
- Point your speaker for the best sound
- Compact and stylish design
- Very easy to install
- 2 pieces per package



VLB 200
Loudspeaker wall mount

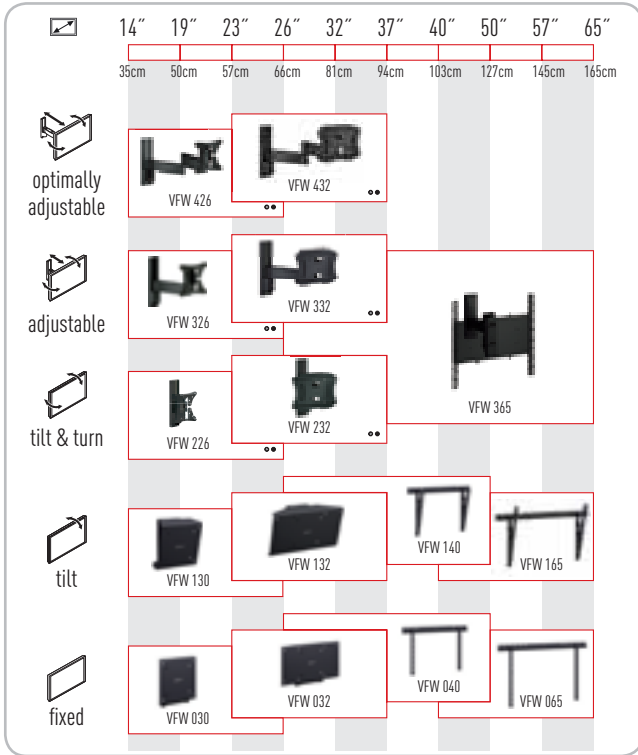


SIZE	-
MAX.	20 kg / 44 lbs
PALETTE	●

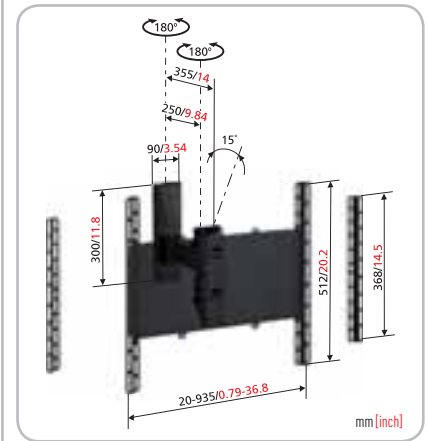
- Ideal for so-called bookshelf/standmount Hi-Fi speakers (<20 kg / 55 lbs)
- No screws required, due to the clamping construction
- 2 pieces per package



PROVIDE BASIC FUNCTIONALITY WITH VOGEL'S QUALITY



VFW 365 LCD/Plasma wall mount

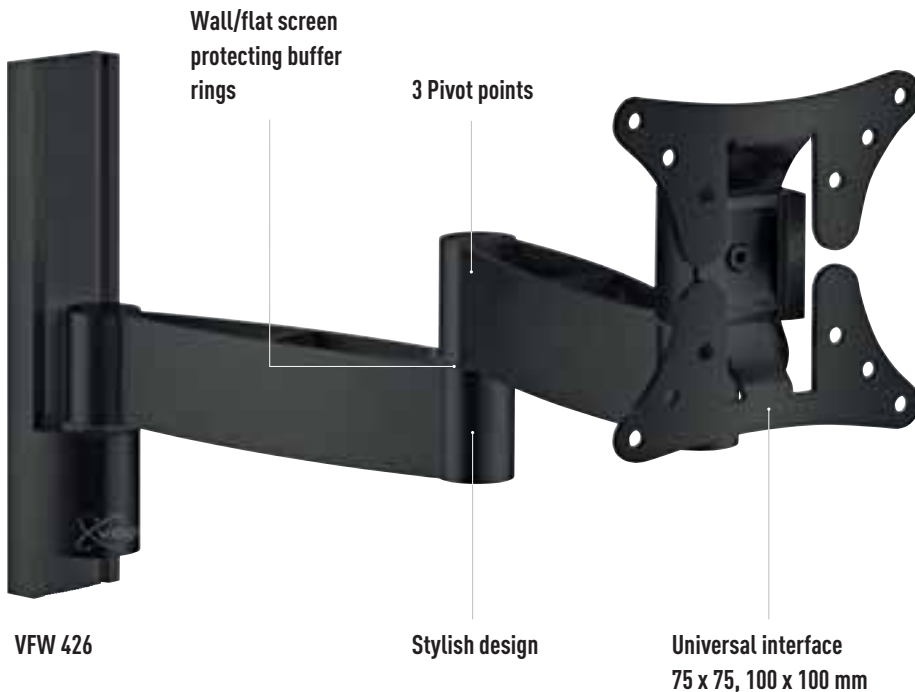


SIZE 66-165 cm / 26-65"

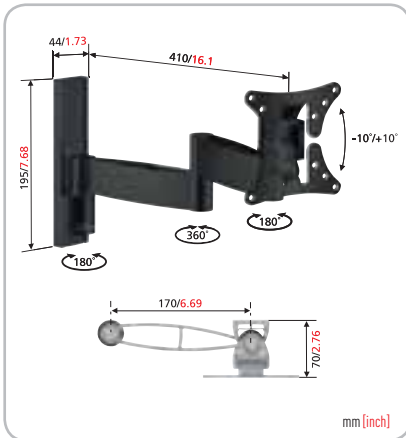
MAX. 70 kg / 154 lbs



- Universal - complies with VESA MIS-F, 935, 510
- Turn & tilt function guarantees optimal viewing position
- Cable Inlay System (CIS®) - all cables cleverly concealed
- Modular system - combine the wall mount with cable covers and multi support to store A/V equipment



VFW 426
LCD/TFT wall mount



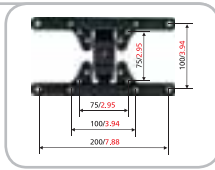
mm [inch]

SIZE 35-66 cm / 14-26"

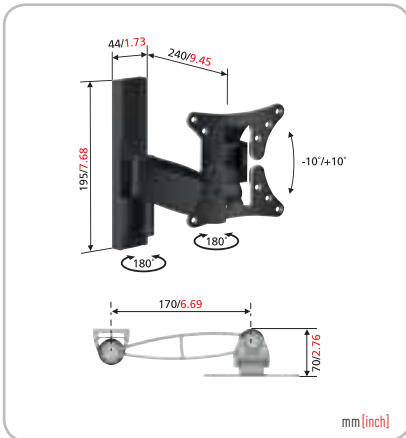
MAX. 15 kg / 33 lbs



- Three pivot points
- Universal - complies with VESA MIS-D, 100, MIS-D, 75 and MIS-E
- Strips included for 200x100 mm VESA mounting holes
- Tilt, turn and reach functions guarantee optimal viewing position
- Cable clips for guiding your cables
- Pre-assembled LCD/TFT mount simplifies mounting
- Buffer rings prevent damage to display and wall



VFW 326
LCD/TFT wall mount



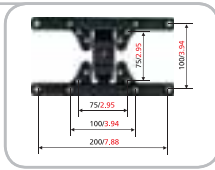
mm [inch]

SIZE 35-66 cm / 14-26"

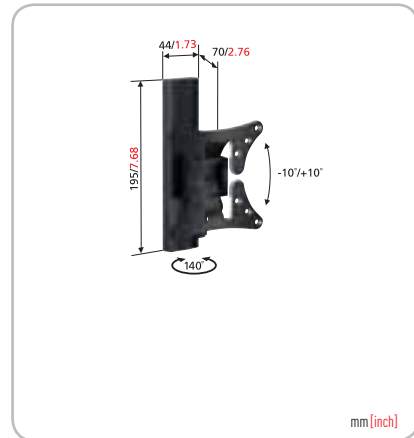
MAX. 15 kg / 33 lbs



- Two pivot points
- Universal - complies with VESA MIS-D, 100, MIS-D, 75 and MIS-E
- Strips included for 200x100 mm VESA mounting holes
- Tilt and turn functions guarantee optimal viewing position
- Cable clips for guiding your cables
- Pre-assembled LCD/TFT mount simplifies mounting
- Buffer rings prevent damage to display and wall



VFW 226
LCD/TFT wall mount



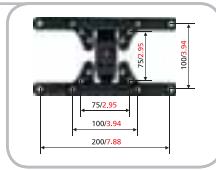
mm [inch]

SIZE 35-66 cm / 14-26"

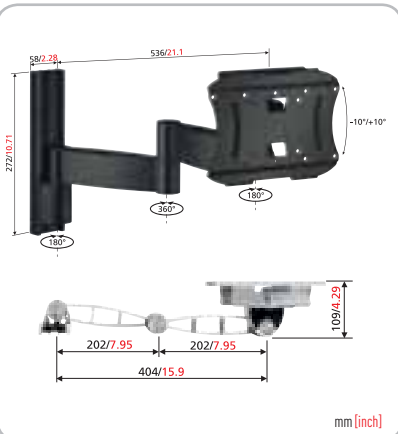
MAX. 15 kg / 33 lbs



- One pivot point
- Universal - complies with VESA MIS-D, 100, MIS-D, 75 and MIS-E
- Strips included for 200x100 mm VESA mounting holes
- Tilt and turn functions guarantee optimal viewing position
- Pre-assembled LCD/TFT mount simplifies mounting



VFW 432
LCD wall mount

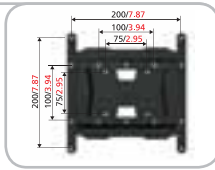


SIZE 57-94 cm / 23-37"

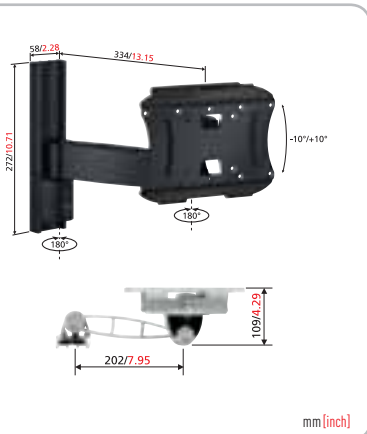
MAX. 35 kg / 77 lbs



- Three pivot points
- Tilt, turn and reach functions guarantee optimal viewing position
- Universal - complies with VESA MIS-D, 100, MIS-D, 75 and VESA MIS-E
- Strips included for VESA MIS-E 200x200 mm
- Cable clips for guiding your cables
- Spacesaving- free up space in your room
- Buffer rings prevent damage to display and wall
- Pre-assembled LCD mount simplifies mounting



VFW 332
LCD wall mount

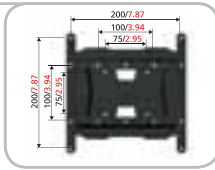


SIZE 57-94 cm / 23-37"

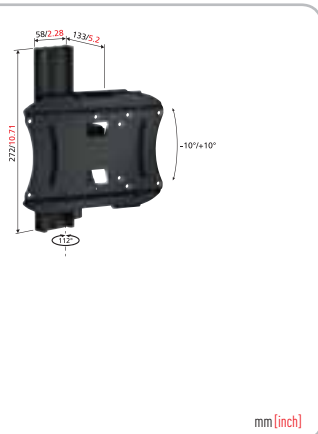
MAX. 35 kg / 77 lbs



- Two pivot points
- Tilt, turn and reach functions guarantee optimal viewing position
- Universal - complies with VESA MIS-D, 100, MIS-D, 75 and VESA MIS-E
- Strips included for VESA MIS-E 200x200 mm
- Cable clips for guiding your cables
- Spacesaving- free up space in your room
- Buffer rings prevent damage to display and wall
- Pre-assembled LCD mount simplifies mounting



VFW 232
LCD wall mount

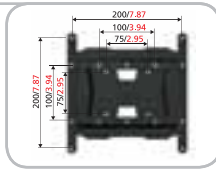


SIZE 57-94 cm / 23-37"

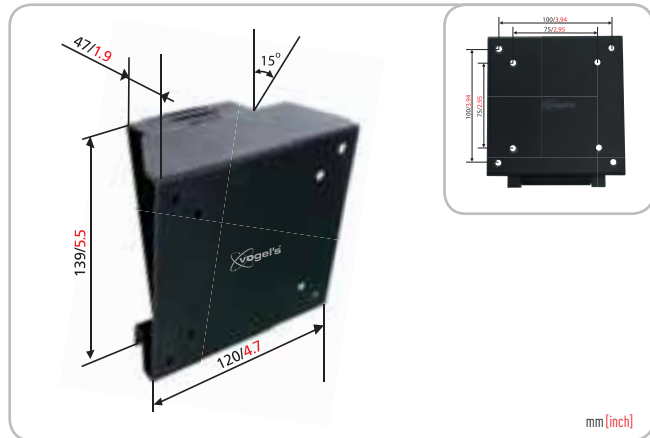
MAX. 35 kg / 77 lbs



- One pivot point
- Tilt and turn functions guarantee optimal viewing position
- Universal - complies with VESA MIS-D, 100, MIS-D, 75 and VESA MIS-E
- Strips included for VESA MIS-E 200x200 mm
- Spacesaving- free up space in your room
- Pre-assembled LCD mount simplifies mounting



VFW 130
LCD/TFT wall mount



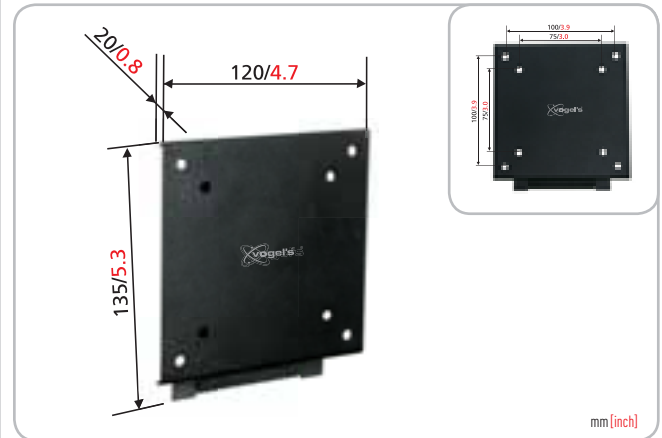
SIZE 35-77 cm / 14-30"

MAX. 30 kg / 66 lbs



- Universal - complies with VESA MIS-D, 100 and MIS-D, 75
- Tilt function 15°
- Extra slot holes
- Easy mounting (mounting hardware included)

VFW 030
LCD/TFT wall mount



SIZE 35-77 cm / 14-30"

MAX. 30 kg / 66 lbs



- Universal - complies with VESA MIS-D, 100 and MIS-D, 75
- Fixed to the wall
- Extra slot holes
- Easy mounting (mounting hardware included)

VFW 132
LCD/TFT wall mount



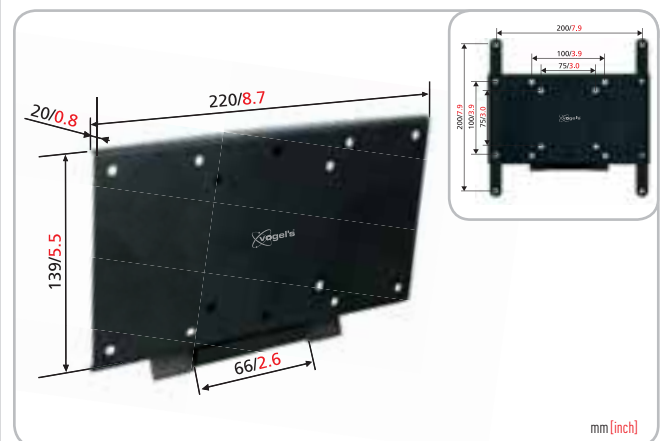
SIZE 58-94 cm / 23-37"

MAX. 45 kg / 99 lbs



- Universal - complies with VESA MIS-D, 100, VESA MIS-D, 75 and VESA MIS-E
- Strips included for 200x200 mm VESA mounting holes
- Tilt function 15°
- Extra slot holes
- Spacesaving - free up your space
- Easy mounting (mounting hardware included)

VFW 032
LCD/TFT wall mount



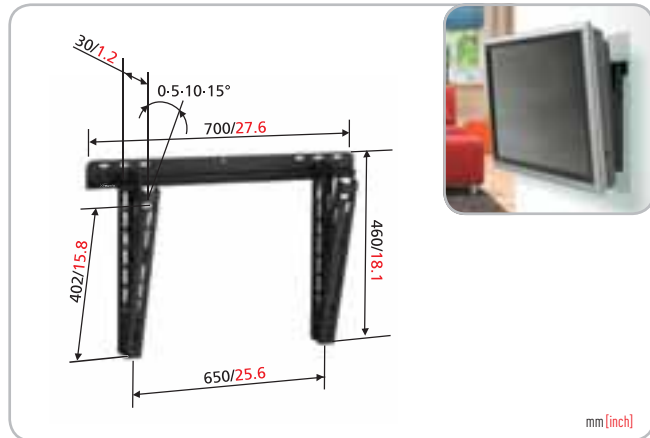
SIZE 58-94 cm / 23-37"

MAX. 45 kg / 99 lbs



- Universal - complies with VESA MIS-D, 100, VESA MIS-D, 75 and VESA MIS-E
- Strips included for 200x200 mm VESA mounting holes
- Fixed to the wall
- Extra slot holes
- Spacesaving - free up your space
- Easy mounting (mounting hardware included)

VFW 140
LCD/Plasma wall mount



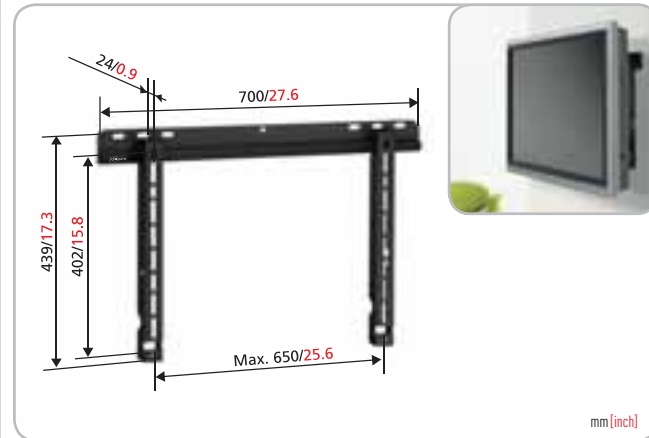
SIZE 66-127 cm / 26-50"

MAX. 70 kg / 154 lbs



- Universal - complies with VESA MIS-F, 650, 402
- Distance to the wall (30 mm / 1.2")
- Easy mounting (mounting hardware included)
- Tilt function max. 15°
- VESA mounting holes up to 650x402

VFW 040
LCD/Plasma wall mount



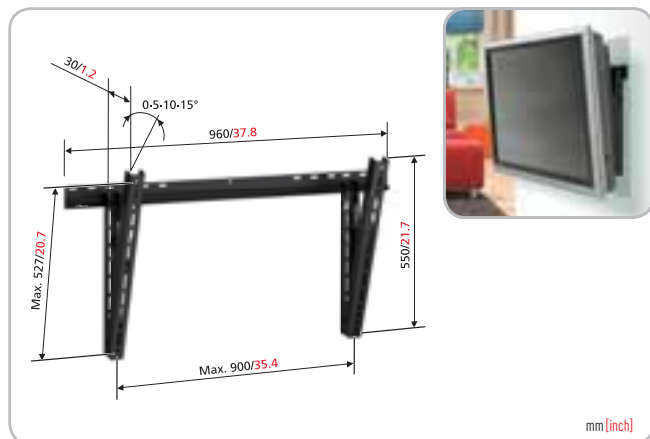
SIZE 66-127 cm / 26-50"

MAX. 70 kg / 154 lbs



- Universal - complies with VESA MIS-F, 650, 402
- Fixed to the wall
- Minimal distance to the wall (24 mm / 0.09")
- VESA mounting holes up to 650x402

VFW 165
LCD/Plasma wall mount



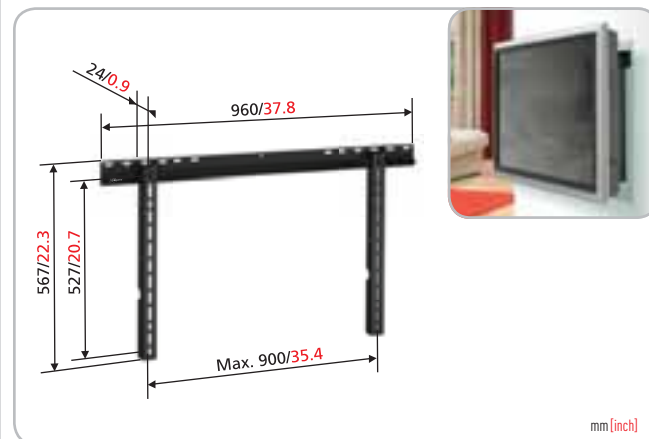
SIZE 103-165 cm / 40-65"

MAX. 70 kg / 154 lbs



- Universal - complies with VESA MIS-F, 900, 510
- Minimal distance to the wall (30 mm / 1.2")
- Easy mounting (mounting hardware included)
- Tilt function max. 15°

VFW 065
LCD/Plasma wall mount



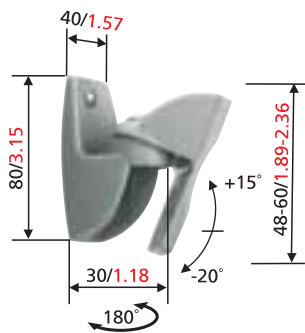
SIZE 103-165 cm / 40-65"

MAX. 100 kg / 220 lbs



- Universal - complies with VESA MIS-F, 900, 510
- Fixed to the wall
- Minimal distance to the wall (24 mm / 0.09")

VLB 500
Loudspeaker wall mount (2x)



mm [inch]



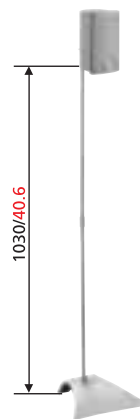
MAX.

5 kg / 11 lbs



- For surround speakers and smaller hi-fi speakers <5 kg / 11 lbs
- Tilt and turn functions guarantee optimal listening position

VLS 615
Loudspeaker stand (2x)



mm [inch]



103 cm / 40"



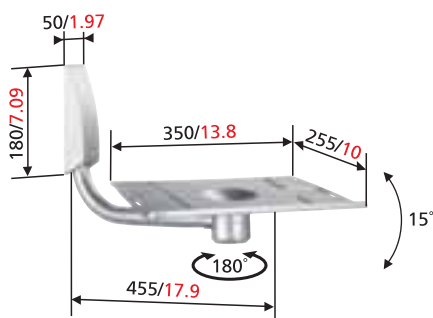
MAX.

1.5 kg / 3.3 lbs



- For Home Cinema front & surround speakers <1.5 kg / 3.3 lbs
- Cable Inlay System (CIS®)
- Spiked feet (rubber feet included for delicate floors)
- Three speaker-mounting options - suitable for most brands of surround speakers

TVB 120
TV wall mount



mm [inch]



SIZE

33-48 cm / 13-19"



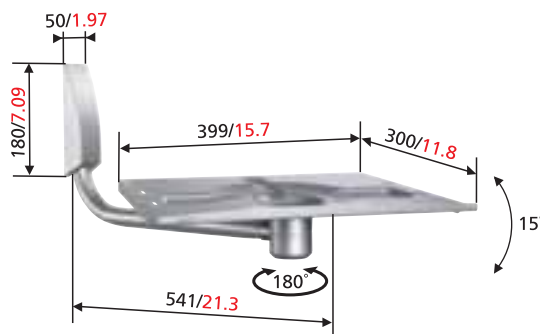
MAX.

20 kg / 44 lbs



- One pivot point
- Available in silver and black

TVB 150
TV wall mount



mm [inch]



SIZE

48-55 cm / 19-22"



MAX.

30 kg / 66 lbs



- One pivot point
- Available in silver and black

PHYSIX[®] BY VOGEL'S NO-WORRIES BRAND



Vogel's created the Physix product concept to address first-time buyers who often do not feel confident when buying a wall mount. Physix is the "no-worries" hassle-free brand for the consumer and the retailer.

Because easy products translate into easy, high margin sales. It provides a strong and simple solution that is also easy to install and affordable. Physix includes a turn, tilt and flat wall mount, as well as accessories.

Physix addresses the main insecurities that these buyers face:

- **Easy to understand**
mainstream functionality
- **Easy to select**
choose the right mount for a specific TV
- **Easy to install**
anyone can do it
- **Extremely strong & durable**
lifetime guarantee
- **Easy to buy**
very affordable

	STRONG	SIMPLE
PRODUCTS	✓	✓
PACKAGING	✓	✓
PRICING	✓	✓
MARCOM SUPPORT	✓	✓



TURN TO THE BEST VIEW

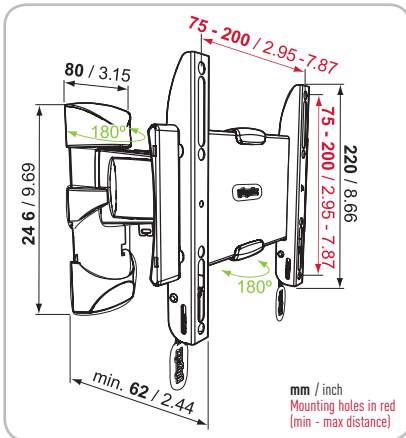
Physix Turn offers maximum flexibility to consumers!

It gives them more entertainment flexibility when visitors drop by or they want to sit in a different place. Turn lets people enjoy their TV from any position in the room.

Turn the screen up to 90 degrees left and right.



PHW 300S
LCD Wall mount Turn small



SIZE 48-66 cm / 19-26"

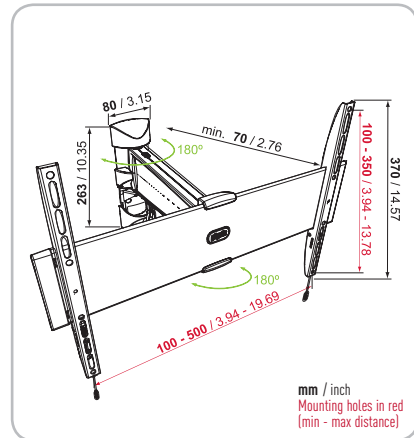
MAX. 20 kg / 44 lbs

min. 75 x 75
max. 200 x 200

- Turns both sides up to 90 degrees
- Lock/release strips for safety of the flat screen
- Easy installation



PHW 300M
LCD Wall mount Turn Medium



SIZE 66-94 cm / 26-37"

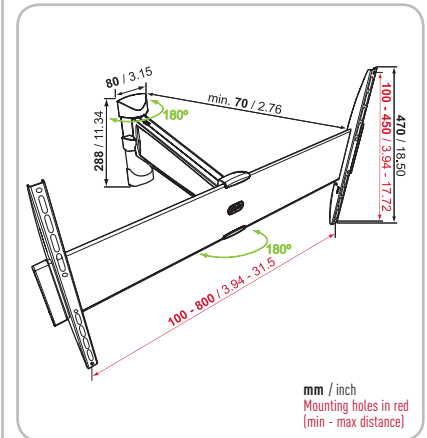
MAX. 30 kg / 66 lbs

min. 100 x 100
max. 500 x 350

- Turns both sides up to 90 degrees
- Lock/release strips for safety of the flat screen
- Easy installation



PHW 300L
LCD Wall mount Tilt Large



SIZE 81-127 cm / 32-50"

MAX. 45 kg / 99 lbs

min. 100 x 100
max. 800 x 450

- Turns both sides up to 90 degrees
- Lock/release strips for safety of the flat screen
- Easy installation

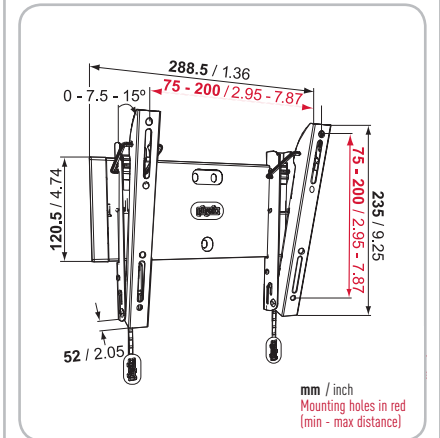


TILT TO A COMFORTABLE POSITION

Consumers do not have to strain their neck to watch TV and can make better use of wall space with Physix Tilt.

This wall mount lets them place their TV higher on the wall and lean the screen forward for a better view.

PHW 200S LCD Wall mount Tilt Small



SIZE 48-66 cm / 19-26"

MAX. 20 kg / 44 lbs

min. 75 x 75
max. 200 x 200

- Tilt function up to 15 degrees
- Lock/release strips for safety of the flat screen
- Easy installation



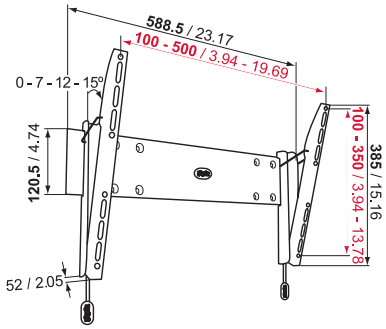
It tilts up to 15 degrees



Lock/Release strip



PHW 200M
LCD Wall mount Tilt Medium



mm / inch
Mounting holes in red
(min - max distance)

SIZE 66-94 cm / 26-37"

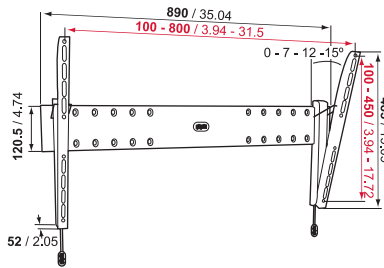
MAX. 30 kg / 66 lbs

min. 100 x 100
max. 500 x 350

- Tilt function up to 15 degrees
- Lock/release strips for safety of the flat screen
- Easy installation



PHW 200L
LCD Wall mount Tilt Large



mm / inch
Mounting holes in red
(min - max distance)

SIZE 81-127 cm / 32-50"

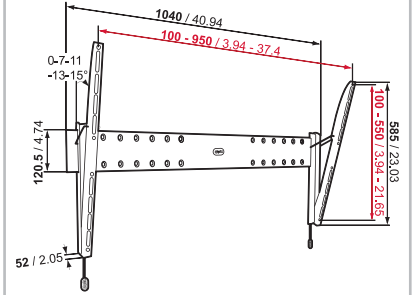
MAX. 45 kg / 99 lbs

min. 100 x 100
max. 800 x 450

- Tilt function up to 15 degrees
- Lock/release strips for safety of the flat screen
- Easy installation



PHW 200XL
LCD Wall mount Tilt Extra Large



mm / inch
Mounting holes in red
(min - max distance)

SIZE 102-165 cm / 40-65"

MAX. 70 kg / 154 lbs

min. 100 x 100
max. 950 x 550

- Tilt function up to 15 degrees
- Lock/release strips for safety of the flat screen
- Easy installation



FLAT IS BEAUTIFUL

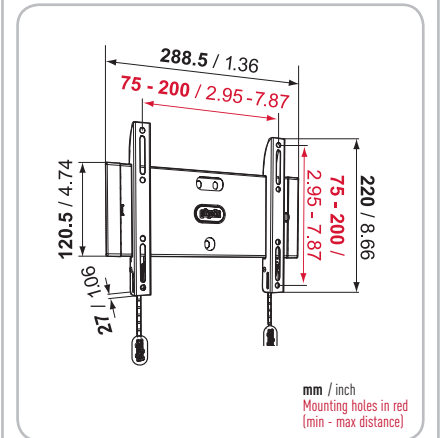
With Physix Flat, the flat screen becomes a decorative wall accent. It lays flat against the wall and there is no extra movement functionality.

It's the perfect solution for consumers who are going for a truly flat look and feel.



Lock/Release strip

PHW 100S LCD Wall mount Flat Small



SIZE 48-66 cm / 19-26"

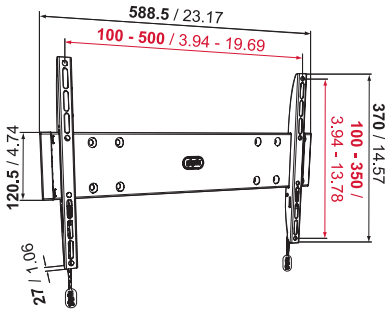
MAX. 20 kg / 44 lbs

min. 75 x 75
max. 200 x 200

- Min. distance to the wall 27mm
- Lock/release strips for safety of the flat screen
- Easy installation



PHW 100M
LCD Wall mount Flat Medium



mm / inch
Mounting holes in red
(min - max distance)

SIZE 66-94 cm / 26-37"

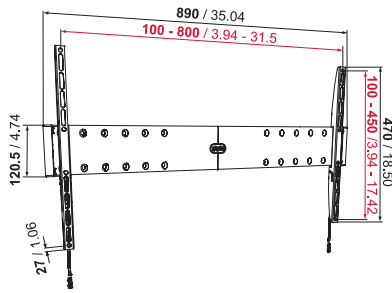
MAX. 30 kg / 66 lbs

min. 100 x 100
max. 500 x 350

- Min. distance to the wall 27mm
- Lock/release strips for safety of the flat screen
- Easy installation



PHW 100L
LCD Wall mount Flat Large



mm / inch
Mounting holes in red
(min - max distance)

SIZE 81-127 cm / 32-50"

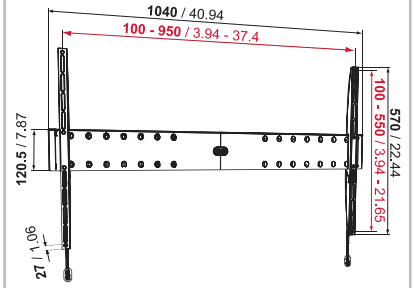
MAX. 45 kg / 99 lbs

min. 100 x 100
max. 800 x 450

- Min. distance to the wall 27mm
- Lock/release strips for safety of the flat screen
- Easy installation



PHW 100XL
LCD Wall mount Flat Extra Large



mm / inch
Mounting holes in red
(min - max distance)

SIZE 102-165 cm / 40-65"

MAX. 70 kg / 154 lbs

min. 100 x 100
max. 950 x 550

- Min. distance to the wall 27mm
- Lock/release strips for safety of the flat screen
- Easy installation



ACCESSORIES THAT ENHANCE THE ENTERTAINMENT AREA

Mix and match the following accessories with other Physix products to create a custom solution for the entertainment area.

Cable Strip

The Physix Cable Strip offers plenty of room to hide and guide all your A/V cables. Cables can easily be added or removed.

The Cable Strip can be combined with the Physix Multi Support for a complete and elegant cable-free solution. It is easy to install and can be cut to the desired length.



Cable Sleeve

For the finishing touch, combine a TURN mount with the Cable Sleeve. It cleverly bundles and hides the cables running from the back of the TV to the wall.

Reverse it to get a silver/grey exterior and/or partly fold it if the standard length is too long. Use two Cable Sleeves in a row for longer lengths of cable.



Multi-support

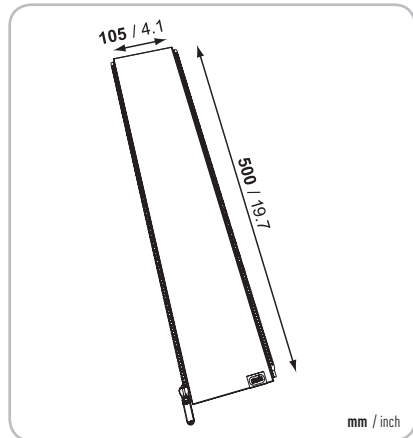
Mounting your TV flat to the wall looks fantastic, but where do you put your other audio/video hardware?

Organise your DVD recorder, set-top box or gaming console on this handy Multi Support mount.

The Multi Support can also be mounted on the wall and holds up to 10 kilograms of weight.



PHA 500
Cable Sleeve

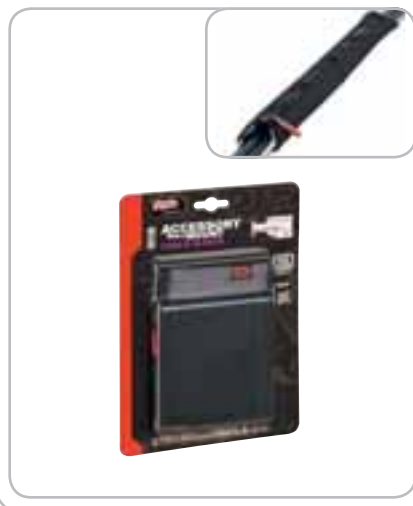


SIZE 25-50 cm / 9.8-19.7"

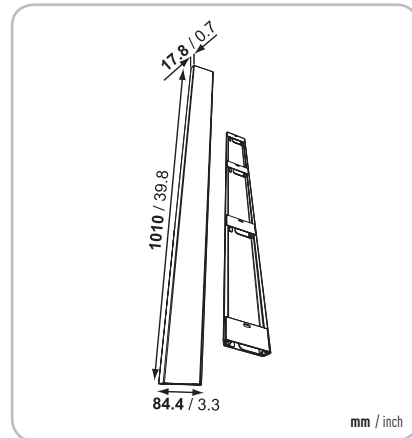
MAX. -



- Hide away all unsightly cables
- Adjustable length
- Colours black / grey



PHA 600
Cable Strip

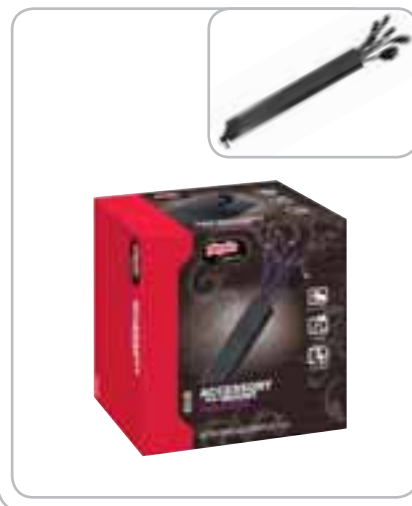


SIZE 100 cm / 39.8"

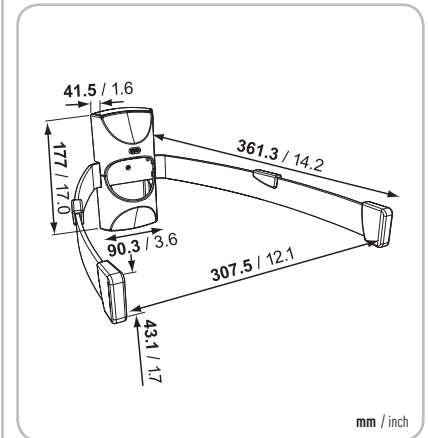
MAX. -



- Hide away all unsightly cables
- Cut to any length
- Colours black / grey



PHA 700
Multi support



SIZE -

MAX. 10 kg / 22 lbs



- Can be combined with PHA 600



ALL YOU NEED TO KNOW ABOUT COMPATIBILITY

VESA is the worldwide standard for mounting LCD/Plasma screens. The VESA logo tells you, at a glance, which screen complies with the VESA standard so you always get a perfect match. All Vogel's mounts for LCD and plasma screens are VESA compatible.



	Screen size	VESA mounting range (W mm x H mm)
S (Small)	14" - 30" / 35 cm - 77 cm	Min. 75 x 75 Max. 200 x 200
M (Medium)	23" - 37" / 57 cm - 94 cm	Min. 75 x 75 Max. 500 x 350
L (Large)	26" - 52" / 66 cm - 132 cm	Min. 75 x 75 Max. 800 x 450
XL (X-Large)	40" - 65" / 102 cm - 165 cm	Min. 75 x 75 Max. 1100 x 550

WHAT DOES TÜV MEAN FOR YOU?

For consumers, the 'GS' certification mark provides extra certainty about the safety of their Vogel's product. All Vogel's products have been thoroughly tested beforehand.

The GS certification mark is handed out by the TÜV. TÜV is an independent certification institute for products and production processes. They carry out independent quality and safety tests.

Virtually all Vogel's products have the GS certification mark. Vogel's undergoes this voluntary certification to give consumers extra proof of the safety of their Vogel's product.

Vogel's products are put through an accelerated endurance test. This test simulates the daily cycle of normal use for a product that a consumer would carry out over a 10 year period. Consumer products are also put through an overload test.



THINKING ABOUT THE ENVIRONMENT

Vogel's recognizes that maintaining an unpolluted environment is vital for a healthy life and sustainable growth for future generations. We are committed to our goals of surpassing environmental standards and being proactive in dealing with concerns for the environment.

These goals are being achieved by combining technological innovation with sound environmental business decisions at every step of a product's life cycle. Our efforts focus on complying with all applicable environmental regulations within each country in which we do business.

INTERNET

In most countries the majority of consumers go online to find information about durable products they are considering purchasing before visiting a store. Because Vogel's wants to help you sell wall mounts at the same time as the flat screen TVs, we made sure our Vogel's website makes it even easier for consumers to find the information they are looking for.

VOGEL'S WEBSITE



Increasing chances

Vogel's developed the Vogel's Internet site based on usability studies with consumers. It increases the chances that a person will choose one or more of Vogel's products once they visit the retailer. www.vogels.com

WEB TOOLS

As a supplier of smart, high-quality wall mounting systems for televisions we find it important to support the sales of our products in different ways. Next to in-store materials, training etc. we can support you on-line as well.

With just a few simple changes to the way you present Vogel's products on your website, you can enable an easy selection of products, removing buyer fear and uncertainty, not forgetting the way to communicate valuable consumer propositions, such as our promise of 100% fitment and Lifelong Guarantee, a proven way to reduce buyer remorse and returns.

Vogel's can support your virtual space management to improve visibility of products and to realize cross selling with the purchase of televisions and wall mounts.

- Integrate Vogel's product information on your website
- Integrate Vogel's FlatscreenFitter on your website
- Support online promotions with Vogel's Banners or skyscrapers

By using these tools you are able to increase sales guaranteed.

For more information on on-line support possibilities, contact Vogel's.

VOGEL'S ACADEMY



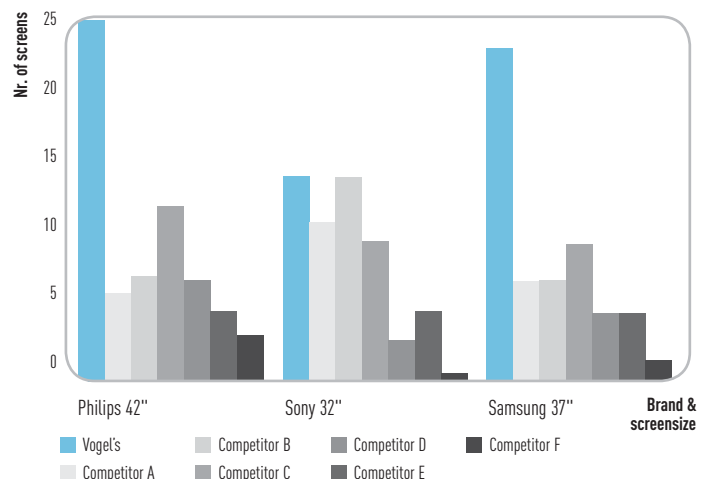
We are proud to present our E-learning system, the online Vogel's Academy. In this online tool, we help to "train the trainers". With this new strategy for training retail staff, it will increase their performance rate. This tool aims to increase the attachment rate by up-selling and cross-selling and it is specifically developed for the 8000 Series. www.vogelsacademy.com

FLATSCREENFITTER



Vogel's FlatscreenFitter® is an important online tool. Vogel's was the first company to develop and introduce an up-to-date database with current and accurate information. It contains over 10000 types of flat screen TVs, which includes all 'A-brands' and virtually every other type of flat screen on the market. Always remember that the shopper is tentative and together we can take away that uncertainty. The FlatscreenFitter can take away that barrier to make an effective sale! www.flatscreenfitter.com

NUMBER OF FLATSCREENS IN DATABASE



Vogel's has more TVs in the database than other competitors.

TRADE MARKETING SUPPORT

LET'S STAND TOGETHER

With a planned and integrated approach, trade marketing can help promote the product range.

The key to achieving this is an alliance of interest, a two-way conversation.

Only then can Vogel's become your lead brand and help you achieve profitable sales.

We can help you by sharing knowledge, replicating best practice, enhancing product displays and training sales advisors.

By becoming a strategic partner in wall mounts, our ambition is to maximise the sales in your stores and to increase profit and turnover.

Co-working

The result of such co-working will improve retailer performance within the market and will increase up-selling and cross-selling (sales of associated products).

GROW YOUR BUSINESS

We can also offer additional premium marketing support tools, subject to strategic partnership conditions. These include sales promotions, sharing consumer feedback based on market research, training and merchandising. These tools can help your business grow in response to customer needs.

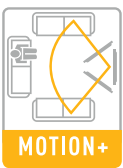


VOGEL'S SALES TIPS

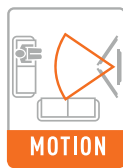
The most important factor in maximising profit margins is the presence of sales people on the shop floor. From research we know that sales people strongly influence to the decision making involved in buying a wall mount. Asking the shopper the right questions helps them make the right decision. That is why Vogel's has developed a step-by-step sales tool.

STEP 1 To get relevant background information, ask your customer. **"Where will you put your flat screen?"**

STEP 2 Ask your customer. **"What is your room situation?"**



If the room is set-up around the TV and maximum flexibility is needed, please recommend the Motion+



If the room has a corner setting and some flexibility is required, recommend the Motion



If the set-up of the room does not require any flexibility, recommend the SuperFlat

STEP 3 Explain to your customer **the benefits of the Vogel's 8000 Series mounts**

Maximise your TV enjoyment

- 2-way turn 75°
- 90 degrees corner option
- SPS®: to protect your screen and wall when turned
- CIS®: to hide all unsightly cables

Optimise your TV enjoyment

- 2-way turn 45°
- CIS®: to hide all unsightly cables

SuperFlat™ to the wall

- Only 20 mm to the wall

STEP 4 **Technical fit**

Vogel's products fit every screen. Advise the consumer on product sizes.

S 19"-26" / 48-66 cm	M 26"-37" / 66-94 cm	L 32"-50" / 81-127 cm	XL 40"-65" / 102-165 cm
EFW 8145	EFW 8245	EFW 8345	
EFW 8125	EFW 8225	EFW 8325	EFW 8425
EFW 8105	EFW 8205	EFW 8305	EFW 8405

STEP 5 Listen carefully to your customer **and possibly advise extra accessories**



Tilt module EFA 8810/8820:

To tilt your flat screen up 15 degrees and down 15 degrees, so you can easily watch TV while lying on the couch or floor



Cable column EFA 8835/8840:

Space saving column to hide unsightly cables, depth only 20 mm. Available in 64 cm (25.2") or 94 cm (37"), one AV multi support included



AV multi support EFA 8825:

To place AV equipment under your flat screen



Cable cover EFA 8740, EFA 8741

Vogel's cable cover hides all unsightly cables

ALTERNATIVE OPTION

When your customer wants to place the TV on the floor, offer the Vogel's floor stand

- Motion 2-way 30° turn
- Adjustable height
- Integrated cable storage
- Available in black or a combination of black and white



L 32"-50" / 81-127 cm

MOTION
EFA 8340

AFRICA

Country	Importer	Telephone	E-mail	Website
GH	Becks Engineering Services	+23321769933	becks@africaonline.com.gh	
ZA	Radionic Distributors Pty Ltd.	+27117405573	info@radionic.co.za	www.radionic.co.za

AMERICAS

AN	Boolchand's Curacao	+59994612262	boolchandcs@bgate.net	www.boolchand.com
	Boolchand's St Maarten	+5995422245	avinash@boolchands.com	www.boolchand.com
BR	Linear Audio	+551155894458	linearaudio@linearaudio.com.br	www.linearaudio.com.br
CL	Audio plus	+5622176466	ac@audioplus.cl	www.audioplus.cl
MX	Embodiment S.A. de C.V.	+525555951312	embodiment_mx@hotmail.com	
VE	Electrodomesticos JVG Hogar C.A.	+582122855785	cesarj10@cantv.net	www.jvg.com

ASIA-PACIFIC

AU	Canohm	+61396454700	sales@canohm.com	www.canohm.com.au
HK	Soundtronics Limited	+85225309939	info@soundtronics.com.hk	www.soundtronics.com.hk
IN	ARN Systems Pvt Ltd	+91804145999	info@arnsystems.com	www.arnsystems.com
IL	Sirius Electronics Ltd	+97237355000	sel@sel.co.il	www.sel.co.il
JP	Osscreen Co. Ltd.	+81336295040	y.sugahara@os-worldwide.com	www.os-worldwide.com
NZ	Mayo Group Ltd	+64 9 478 8853	vogels@mayogroup.co.nz	www.mayogroup.co.nz
SG	Simple & Pure Solutions Pte Ltd	+6562344168	adming@simpleNpure.com.sg	www.simplenpure.com.sg
TW	Shouyo Electronics Co. Ltd	+886227995586	joe@shouyo.com.tw	www.vogels.com.tw

EUROPE

AM	Zigzag	+37410545588	shahen@zigzag.am of ArmenS@zigzag.am	www.zigzag.am
AT	Dollmann&Co Nf S.Wechselberger	+43522342130	info@dollmann.at	
	Stefani Elektronik GmbH	+437229618710	info@stefani-elektronik.at	www.stefani-elektronik.at
AZ	Azel Azerbaijan Electronics	+99412974040	newmail@azel.net	www.azel.net
BE	Lucodex NV	+3238447282	admin@lucodex.be	www.lucodex.be
BG	Vigo	+35929588022	contact@vigo-bg.com	www.vigo-bg.com
CH	Telion AG	+41447321906	info@telion.ch	www.telion.ch
CY	MS Electronics	+35725580611	info@mstronics.com	www.mstronics.com
CZ	Easycy s.r.o.	+42261224555	vogels@vogels.cz	www.vogels.cz
DE	Schnepel GmbH & Co KG	+49574134610	info@schnepel.com	www.schnepel.com
DK	Aurora Group Denmark A/S	+4544858200	info@auroragroup.dk	www.auroragroup.dk
EE	Sandman Group	+3726512200	info@sandman.ee	www.sandman.ee
ES	Vogel's Products Ibérica SLU	+34934869970	info.es@vogels.com	www.vogels.com
FI	Aurora Group Finland Oy	+358207438060	info@auroragroup.fi	www.auroragroup.fi
FR	D.A.M.	+33164977400	dam@damdiff.com	www.dam-diffusion.com
GB	Vogel's Products UK LTD	+443302020980	info.uk@vogels.com	www.vogels.com
GE	Zakhar LLC	+99532355639	zakharllc@gol.ge of zkacharava@zakhar.ge	
GR	Kinotechniki	+302109601071	info@kinotechniki.gr	www.kinotechniki.gr
HR	Dacco D.O.O.	+38512456666	darko.veki@dacco.hr	www.dacco.hr
	TD Elektronika D.O.O.	+38512431555	td-elektronika@zg.tel.hr	www.td-elektronika.hr
HU	Steelbird	+3614637163	info@vogels.hu	www.vogels.hu
IE	Hi Fidelity Marketing	+35351424242	info@hifi.ie	www.hifi.ie
IS	Television Centre Ltd.	+3545689090	olafur@sm.is	www.sm.is
IT	Vogel's Products Italia SRL	+390224420100	info.it@vogels.com	www.vogels.com
LT	Ogmina Ltd.	+37052741750	Ruslanas.Kovsik@ogmina.lt	www.ogmina.lt
	ACME Computer Components	+37037395006	info@acme.lt	www.acc.acme.lt
LU	Lucodex NV	+3238447282	admin@lucodex.be	www.lucodex.be
LV	Latsat Ltd.	+3717813311	latsat@latsat.com	www.latsat.com
MT	YAL Home and Electronics	+35621419550	adriang@onvol.net	www.yalmalta.com
NL	Havoned B.V.	+31341359050	info@havoned.nl	www.havoned.nl
NO	Aurora Group Norway A/S	+4773829445	info@auroragroup.no	www.auroragroup.no
PT	Vogel's Products Ibérica SLU	+34934869970	info@vcpiberica.es	www.vogels.com
PL	Audio Klan	+48227779900	aklan@audioklan.com.pl	www.audioklan.com.pl
RO	VOG-Design Trade S.R.L.	+40213121909	office@vog-design.ro	www.vog-design.ro
RU	Onix Tsnib Mosstroy	+74992400304	grigorovich@privatecollection.ru	www.privatecollection.ru
SE	Aurora Group Sweden AB	+46856490850	info@auroragroup.se	www.auroragroup.se
SK	TT-Thais Trading	+4210905429926	info@vogels.sk	www.vogels.sk
SL	Technotop	+38615461850	technotop@siol.net	
SR	Av Max Group	+38132227469	avmax@ptt.yu of avmaxserbia@gmail.com	
TR	Ertekin Elektronik	+90 212 293 93 90	yurder@ertekin.com.tr	www.ertekin.com.tr
UA	Dumka	+380567782500	import@dumka.net.ua	www.dumka.net.ua

LCD / PLASMA MOUNTS

WALL MOUNTS

Type nr.		Screen size	Screen Category	Adjustability				Remote controlled (EMO®)	Fingertip Movement (by SMM)	CIS®
				Tilt	Turn	Full Turn	Perpendicular to wall			
THIN Series										
THIN RC 355	Electronic remote controlled	32-52" / 81-132cm Max. screen thickness 40mm / 1.6"	L		✓			✓	✓	
THIN 345	Full turn & Tilt	32-52" / 81-132cm Max. screen thickness 40mm / 1.6"	L	✓		✓	✓		✓	✓
THIN 315	Tilt	32-52" / 81-132cm Max. screen thickness 40mm / 1.6"	L	✓					✓	
THIN 305	SuperFlat	32-52" / 81-132cm Max. screen thickness 40mm / 1.6"	L						✓	
8000 Series										
EFW 8105	SuperFlat	19-26" / 48-66cm	S	+ EFA 8810						✓
EFW 8125	Motion	19-26" / 48-66cm	S	+ EFA 8810	✓				✓	✓
EFW 8145	Motion+	19-26" / 48-66cm	S	+ EFA 8810		✓	✓		✓	✓
EFW 8205	SuperFlat	26-37" / 66-94cm	M	+ EFA 8810						✓
EFW 8225	Motion	26-37" / 66-94cm	M	+ EFA 8810	✓				✓	✓
EFW 8245	Motion+	26-37" / 66-94cm	M	+ EFA 8810		✓	✓		✓	✓
EFW 8305	SuperFlat	32-50" / 81-127cm	L	+ EFA 8820						✓
EFW 8325	Motion	32-50" / 81-127cm	L	+ EFA 8820	✓				✓	✓
EFW 8345	Motion+	32-50" / 81-127cm	L	+ EFA 8820		✓	✓		✓	✓
EFW 8405	SuperFlat	40-65" / 101-165cm	XL	+ EFA 8820						✓
EFW 8425	Motion	40-65" / 101-165cm	XL	+ EFA 8820	✓				✓	✓
EMO										
EFWE 6455 RC	Electronic remote controlled	42-60" / 101-153cm	XL		✓			✓		✓
6000 Series										
EFW 6145	Optimally Adjustable	14-26" / 35-66cm	S	✓		✓			✓	✓
EFW 6245	Optimally Adjustable	23-37" / 57-94cm	M	✓		✓			✓	✓
EFW 6345	Optimally Adjustable	32-50" / 81-127cm	L	✓		✓			✓	✓
EFW 6445	Optimally Adjustable	42-65" / 107-165cm	XL	✓		✓			✓	✓
PFW 185	Flat & Tilt	55-103" / 140-262cm	XXL	✓						
Evolution										
EFW 1130	Desk - Wall mount	10-24" / 25-61cm	M		✓	✓	✓			✓
Physix by Vogel's										
PHW 100S	Flat	19-26" / 48-66cm	S							
PHW 200S	Tilt	19-26" / 48-66cm	S	✓						
PHW 300S	Turn	19-26" / 48-66cm	S		✓		✓			
PHW 100M	Flat	26-37" / 66-94cm	M							
PHW 200M	Tilt	26-37" / 66-94cm	M	✓						
PHW 300M	Turn	26-37" / 66-94cm	M		✓		✓			
PHW 100L	Flat	32-50" / 81-127cm	L							
PHW 200L	Tilt	32-50" / 81-127cm	L	✓						
PHW 300L	Turn	32-50" / 81-127cm	L		✓		✓			
PHW 100XL	Flat	40-65" / 102-165cm	XL							
PHW 200XL	Tilt	40-65" / 102-165cm	XL	✓						

SPS	TüV certified	VESA		Distance to wall (mm)	Max. Weight	Colour	Guarantee	Item nr.	EAN code single carton	# in outer carton	Page
		Min. (mm)	Max. (mm)								
	✓	200 x 200 / 600 x 400	35	25 kg / 55 lbs	black / grey	Lifelong	8393552	8712285317484	2	12	
	✓	200 x 200 / 600 x 400	35	25 kg / 55 lbs	black / grey	Lifelong	8393452	8712285317422	3	12	
	✓	200 x 200 / 600 x 400	20	25 kg / 55 lbs	black / grey	Lifelong	8393152	8712285317446	5	13	
	✓	200 x 200 / 600 x 400	15	25 kg / 55 lbs	black / grey	Lifelong	8393052	8712285317460	6	13	
	✓	75 x 75 / 200 x 200	20	20 kg / 44 lbs	black / grey	Lifelong	8381050	8712285315404	8	20	
optional	✓	75 x 75 / 200 x 200	61	20 kg / 44 lbs	black / grey	Lifelong	8381250	8712285315428	4	18	
✓	✓	75 x 75 / 200 x 200	62	20 kg / 44 lbs	black / grey	Lifelong	8381450	8712285315442	4	17	
	✓	75 x 75 / 500 x 350	22	30 kg / 66 lbs	black / grey	Lifelong	8382050	8712285315466	4	21	
optional	✓	75 x 75 / 500 x 350	76	30 kg / 66 lbs	black / grey	Lifelong	8382250	8712285315480	4	19	
✓	✓	75 x 75 / 500 x 350	83	30 kg / 66 lbs	black / grey	Lifelong	8382450	8712285315503	3	17	
	✓	75 x 75 / 800 x 450	24	45 kg / 99 lbs	black / grey	Lifelong	8383050	8712285315527	4	21	
optional	✓	75 x 75 / 800 x 450	87	45 kg / 99 lbs	black / grey	Lifelong	8383250	8712285315541	3	19	
✓	✓	75 x 75 / 800 x 450	103	45 kg / 99 lbs	black / grey	Lifelong	8383450	8712285315589	2	17	
	✓	75 x 75 / 1100 x 550	24	70 kg / 154 lbs	black / grey	Lifelong	8384050	8712285315640	4	21	
optional	✓	75 x 75 / 1100 x 550	99	70 kg / 154 lbs	black / grey	Lifelong	8384250	8712285315664	2	19	
✓	✓	280 x 200 / 910 x 550	105	70 kg / 154 lbs	black / silver	10 yrs / 2 yrs elec. Parts	8326504	8712285313981	1	29	
✓	✓	75 x 75 / 200 x 100	68	3-15 kg / 6-33 lbs	black / silver	10 yrs	8323504	8712285308901	3	30	
✓	✓	75 x 75 / 200 x 200	94	10-35 kg / 22-77 lbs	black / silver	10 yrs	8324504	8712285308963	2	31	
✓	✓	100 x 100 / 700 x 450	98	15-45 kg / 33-99 lbs	black / silver	10 yrs	8325504	8712285309021	2	31	
✓	✓	100 x 100 / 950 x 550	108	15-55 kg / 33-121 lbs	black / silver	10 yrs	8327504	8712285312847	1	31	
	✓	75 x 75 / ∞ x 704	52	300 kg / 660 lbs	silver	5 yrs	7311854	8712285312007	1	34	
	✓	75 x 75 / 100 x 100	90	15 kg / 33 lbs	silver	10 yrs	8310434	8712285309267	2	34	
	✓	75 x 75 / 200 x 200	27	20 kg / 44 lbs	black	Lifetime	6301100	8712285315121	4	46	
	✓	75 x 75 / 200 x 200	52	20 kg / 44 lbs	black	Lifetime	6301200	8712285315145	4	44	
	✓	75 x 75 / 200 x 200	62	20 kg / 44 lbs	black	Lifetime	6301300	8712285315169	4	43	
	✓	100 x 100 / 500 x 350	27	30 kg / 66 lbs	black	Lifetime	6302100	8712285315183	3	47	
	✓	100 x 100 / 500 x 350	52	30 kg / 66 lbs	black	Lifetime	6302200	8712285315206	3	45	
	✓	100 x 100 / 500 x 350	70	30 kg / 66 lbs	black	Lifetime	6302300	8712285315220	3	43	
	✓	100 x 100 / 800 x 450	27	45 kg / 99 lbs	black	Lifetime	6303100	8712285315244	3	47	
	✓	100 x 100 / 800 x 450	52	45 kg / 99 lbs	black	Lifetime	6303200	8712285315268	2	45	
	✓	100 x 100 / 800 x 450	70	45 kg / 99 lbs	black	Lifetime	6303300	8712285315282	2	43	
	✓	100 x 100 / 950 x 550	27	70 kg / 154 lbs	black	Lifetime	6304100	871285315305	2	47	
	✓	100 x 100 / 950 x 550	52	70 kg / 154 lbs	black	Lifetime	6304200	8712285315329	2	45	

LCD / PLASMA MOUNTS

WALL MOUNTS

Type nr.		Screen size	Screen Category	Adjustability				Remote controlled (EMO®)	Fingertip Movement (by SMM)	CIS®
				Tilt	Turn	Full Turn	Perpendicular to wall			
Original Series										
VFW 226	Tilt & Turn	14-26" / 35-66cm	S	✓	✓					
VFW 326	Adjustable	14-26" / 35-66cm	S	✓	✓					
VFW 426	Optimally Adjustable	14-26" / 35-66cm	S	✓		✓	✓			
VFW 232	Tilt & Turn	23-37" / 57-94cm	M	✓	✓					
VFW 332	Adjustable	23-37" / 57-94cm	M	✓		✓	✓			
VFW 432	Optimally Adjustable medium	23-37" / 57-94cm	M	✓	✓					
VFW 030	Fixed	14-30" / 35-77cm	S							
VFW 130	Tilt	14-30" / 35-77cm	S	✓						
VFW 032	Fixed	23-37" / 58-94cm	M							
VFW 132	Tilt	23-37" / 58-94cm	M	✓						
VFW 040	Fixed	26-50" / 66-127cm	L							
VFW 140	Tilt	26-50" / 66-127cm	L	✓						
VFW 065	Fixed	40-65" / 103-165cm	XL							
VFW 165	Tilt	40-65" / 103-165cm	XL	✓						
VFW 365	Tilt & Turn	26-65" / 66-165cm	XL	✓	✓					

FLOOR STAND

Type nr.		Screen size	Screen Category	Placement	Adjustability		Remote controlled (EMO®)		CIS®	
				Floor	Turn	Height				
8000 Series										
EFF 8340	Floor stand Motion	32-50" / 81-127cm	L	✓	✓	✓			✓	
EFF 8330	LED/LCD/Plasma floor stand	32-50"/81-127cm	L	✓	✓	✓			✓	
EFF 8230	LED/LCD/Plasma floor stand	26-37" / 66-94 cm	M	✓	✓	✓			✓	

CEILING MOUNT

Type nr.		Screen size	Screen Category	Placement	Adjustability	Remote controlled (EMO®)		CIS®	
				Ceiling	Turn				
6000 Series									
EFC 6215	LCD Ceiling mount	23-32"/58-81cm	M	✓	✓			✓	

SPS	TüV certified	VESA		Distance to wall (mm)	Max. Weight	Colour	Guarantee	Item nr.	EAN code single carton	# in outer carton	Page
		Min. (mm)	Max. (mm)								
	✓	75 x 75	200 x 100	70	15 kg / 33 lbs	silver / black	5 yrs	8301014 8301010	8712285310201 8712285317903	3	37
	✓	75 x 75	200 x 100	70	15 kg / 33 lbs	silver / black	5 yrs	8302024 8302020	8712285310225 8712285317927	3	37
	✓	75 x 75	200 x 100	70	15 kg / 33 lbs	silver / black	5 yrs	8303034 8303030	8712285310249 8712285317941	3	37
	✓	75 x 75	200 x 200	109	35 kg / 77 lbs	silver / black	5 yrs	8301204 8301200	8712285311505 8712285317965	3	38
	✓	75 x 75	200 x 200	109	35 kg / 77 lbs	silver / black	5 yrs	8302204 8302200	8712285311529 8712285317989	3	38
	✓	75 x 75	200 x 200	109	35 kg / 77 lbs	silver / black	5 yrs	8303304 8303300	8712285311809 8712285318009	3	38
	✓	75 x 75	100 x 100	26	30 kg / 66 lbs	silver / black	5 yrs	8330304 8330300	8712285307904 8712285318108	10	39
	✓	75 x 75	100 x 100	50	30 kg / 66 lbs	silver / black	5 yrs	8330314 8330310	8712285307928 8712285318184	10	39
	✓	75 x 75	200 x 200	30	45 kg / 99 lbs	silver / black	5 yrs	8330324 8330320	8712285310263 8712285318122	10	39
	✓	75 x 75	200 x 200	30	45 kg / 99 lbs	silver / black	5 yrs	8330334 8330330	8712285310287 8712285318207	6	39
	✓	75 x 75	650 x 360	24	70 kg / 154 lbs	silver / black	5 yrs	8330404 8330400	8712285309144 8712285318146	3	40
	✓	75 x 75	650 x 360	30	70 kg / 154 lbs	silver / black	5 yrs	8331404 8331400	8712285308246 8712285318221	3	40
	✓	75 x 75	900 x 510	24	100 kg / 220 lbs	silver / black	5 yrs	8330654 8330650	8712285309168 8712285318160	3	40
	✓	75 x 75	900 x 510	59	70 kg / 154 lbs	silver / black	5 yrs	8331654 8331650	8712285308260 8712285318245	3	40
	✓	75 x 75	935 x 510	125	70 kg / 154 lbs	silver / black	5 yrs	8303654 8303650	8712285312403 8712285318085	1	36

SPS	TüV certified	VESA		Distance to wall (mm)	Max. Weight	Colour	Guarantee	Item nr.	EAN code single carton	# in outer carton	Page
		Min. (mm)	Max. (mm)								
	✓	75 x 75	800 x 450		45 kg / 99 lbs	black / white	Lifelong	8383400 8383401	8712285315565 8712285316425	1	22
	✓	75 x 75	800 x 450		45 kg / 99 lbs	black	Lifelong	8383300	8712285317880	1	23
	✓	100 x 100	200 x 200		30 kg / 66 lbs	black	Lifelong	8382300	8712285317866	1	23

SPS	TüV certified	VESA	Distance to wall (mm)	Max. Weight	Colour	Guarantee	Item nr.	EAN code single carton	# in outer carton	Page
	✓	200 x 100 / 200 x 200		30 kg / 66 lbs	silver / black	Lifelong	7262154	8712285318320	2	33

ACCESSORIES

Type nr.		Screen size	Screen Category	Must be combined with			Universal	Part of Modular System	Double stud mounting	CIS®
				Wall mount	Floor / Table	Column System				
8000 Series										
EFA 8825	AV multi support				EFF 8340	EFA 8835 EFA 8840		✓		
EFA 8835	Cable column			EFW 8xxx				✓		✓
EFA 8840	Cable column			EFW 8xxx				✓		✓
EFA 8740	Cable cover						✓			✓
EFA 8741	Cable cover						✓			✓
EFA 8810	Tilt module	19-37" / 48-94 cm	S / M	EFW 81xx EFW 82xx						
EFA 8820	Tilt module	32-65" / 61-165 cm	L / XL	EFW 83xx EFW 84xx						
EFA 8890	Stud adapter	26-37" / 66-94 cm	M	EFW 8245					✓	
EFA 8895	Stud adapter Large	32-50" / 81-127 cm	L	EFW 8345					✓	
6000 Series										
EFA 6825	Audio / DVD support	width 7.3-10.6" / width 18.5-27 cm				EFA 6840		✓		
EFA 6840	Cable column			EFW 6xxx				✓		✓
EMC 5000	LCD headrest support		S				✓			
PHA Series										
PHA 700	AV multi support					PHA 600	✓			
PHA 500	Cable sleeve			PHW xxx			✓			✓
PHA 600	Cable strip			PHW xxx			✓			✓

PROJECTOR MOUNTS

Type nr.				Placement			Adjustability			CIS®
				Table	Ceiling	Wall	Tilt	Turn	Roll	
6000 Series										
EPC 6545	Ceiling solution				✓		✓	✓	✓	✓

LOUDSPEAKERS MOUNTS

WALL MOUNTS

Type nr.		Loudspeaker Size	Speaker Category	Placement		Adjustability		Loudspeaker Fixture		CIS®
				Floor	Wall	Tilt	Turn	Screws	Clamping	
6000 Series										
ELW 6600	Wall mount	Satellite	S		✓	✓	✓	✓		
ELW 6605	Wall mount	Satellite	M		✓	✓	✓	✓		
VLB 200	Wall mount	HiFi	L		✓	✓	✓		✓	✓
Original Series										
VLB 500	Wall mount	HiFi	M		✓	✓	✓	✓		
VLS 615	Stand	HiFi	S	✓				✓		✓

TV MOUNTS

WALL MOUNTS

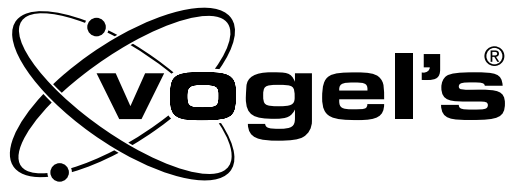
Type nr.		Screen size	Screen Category			Adjustability				CIS®
						Tilt	Turn			
Original Series										
TVB 120	Wall mount	13-19" / 33-48 cm	S			✓	✓			
TVB 150	Wall mount	19-22" / 48-55 cm	M			✓	✓			

		TüV certified	VESA		Length	Max. Weight	Colour	Guarantee	Item nr.	EAN code single carton	# in outer carton	Page
			Min. (mm)	Max. (mm)								
		✓				10 kg / 22 lbs	black / grey	Lifelong	8384250	8712285315763	6	2
		✓			64 cm / 25.2"	30 kg / 66 lbs	black / grey	Lifelong	8388350	8712285315787	3	25
		✓			94 cm / 37"	40 kg / 88 lbs	black / grey	Lifelong	8388400	8712285315800	3	25
		✓			94 cm / 37" width 45 mm / 1.77"		silver / white / black	Lifelong	8387404 / 8387401 / 8387400	8712285316845 / 8712285316821 / 8712285316807	10	26
		✓			94 cm / 37" width 70 mm / 2.76"		silver / white / black	Lifelong	8387414 / 8387411 / 8387410	8712285316890 / 8712285316883 / 8712285316869	10	26
		✓				30 kg / 66 lbs	black / grey	Lifelong	8388100	8712285315725	6	27
		✓				45 kg / 99 lbs	black / grey	Lifelong	8388200	8712285315749	6	27
		✓				30 kg / 66 lbs	black / grey	Lifelong	8388900	8712285315923	10	27
		✓				45 kg / 99 lbs	black / grey	Lifelong	8388950	8712285315824	10	27
		✓				10 kg / 22 lbs	black / silver	10 yrs	8328154	8712285309045	3	32
		✓			93 cm / 36.6"	40 kg / 88 lbs	silver	10 yrs	8328554	8712285311987	5	32
		✓				1.5 kg / 3.3 lbs	black / silver	5 yrs	8323514	8712285312427	4	24
		✓			25-50 cm/9,8-19,7" / width 10,5 cm/4"	10 kg / 22 lbs	black	Lifetime	6308700	8712285315381	4	49
		✓					black	Lifetime	6308500	8712285315343	20	49
		✓			1m / 39,4" / width 84,4cm/ 3.3"		black	Lifetime	6308600	8712285315367	4	49
		TüV certified	Mounting Range		Distance to ceiling / wall	Max. Weight	Colour	Guarantee	Item nr.	EAN code single carton	# in outer carton	Page
			Min. (mm)	Max. (mm)								
		✓	ø 30 / ø 323		76 mm / 3"	10 kg / 22 lbs	black / silver	10 yrs	8027454	8712285311420	3	34
		TüV certified				Max. Weight	Colour	Guarantee	Item nr.	EAN code single carton	# in outer carton	Page
		✓				1,5 kg / 3,3 lbs	black / silver	10 yrs	8126004	8712285312588	6	35
		✓				10 kg / 2,2 lbs	black / silver	10 yrs	8126054	8712285313080	6	35
		✓				20 kg / 44 lbs	black	5 yrs	8120200	8712285001024	3	35
		✓				5 kg / 11 lbs	black silver	5 yrs	8105000 8105004	8712285314186 8712285312564	6	41
		✓				1,5 kg / 3,3 lbs	silver	5 yrs	8200154	8712285310324	2	41
	Pivot points	TüV certified				Max. Weight	Colour	Guarantee	Item nr.	EAN code single carton	# in outer carton	Page
	1	✓				20 kg / 44 lbs	black / silver	5 yrs	8501200 8501203	8712285512001 8712285304101	3	41
	1	✓				30 kg / 6 lbs	black / silver	5 yrs	8501500 8501503	8712285304262 8712285304286	3	41

ARTICLE INDEX

Type nr.	Page
DVDock®	34
EFA 6825	32
EFA 6840	32
EFA 8740	26
EFA 8741	26
EFA 8810	27
EFA 8820	27
EFA 8825	25
EFA 8835	25
EFA 8840	25
EFA 8890	27
EFA 8895	27
EFC 6215	33
EFF 8230	23
EFF 8330	23
EFF 8340	22
EFW 1130	34
EFW 6145	30
EFW 6245	31
EFW 6345	31
EFW 6445	31
EFW 8105	20
EFW 8125	18
EFW 8145	17
EFW 8205	21
EFW 8225	19
EFW 8245	17
EFW 8305	21
EFW 8325	19
EFW 8345	17
EFW 8405	21
EFW 8425	19
EFWE 6455 RC	29
ELW 6600	35
ELW 6605	35
EMC 5000	34
EPC 6545	34
PFW 185	34
PHA 500	49

Type nr.	Page
PHA 600	49
PHA 700	49
PHW 100S	46
PHW 100M	47
PHW 100L	47
PHW 100XL	47
PHW 200S	44
PHW 200M	45
PHW 200L	45
PHW 200XL	45
PHW 300S	43
PHW 300M	43
PHW 300L	43
Soundpointer®	35
THIN RC 355	12
THIN 345	12
THIN 315	13
THIN 305	13
TVB 120	41
TVB 150	41
VFW 030	39
VFW 032	39
VFW 040	40
VFW 065	40
VFW 130	39
VFW 132	39
VFW 140	40
VFW 165	40
VFW 226	37
VFW 232	38
VFW 326	37
VFW 332	38
VFW 365	36
VFW 426	37
VFW 432	38
VLB 200	35
VLB 500	41
VLS 615	41
Vogel's Glider®	28



Vogel's PRO-AV catalogue gives a complete overview of all Vogel's mounting solutions for the professional market.

Vogel's Products B.V.
Eindhoven, The Netherlands

PX 6230 - Vogel's Holding BV 2010 © All rights reserved. Subject to printing errors, technical and price amendments.



Innovating the Audio/Video Experience

WWW.VOGELS.COM