

Vans



Commercial Vehicles

INCLUDES

Panel vans
Tools and goods

Kombis
Take crew too

Chassis cabs
Get it converted

Style, space and efficiency

Whatever you need to shift, you're better off with a Volkswagen



INSIDE



"Why I love my Caddy"

Real drivers talk about their vans



The Chooser
Find out which van suits you



Transporter Sportline
The van every van wants to be



The whole range!

Caddy, Transporter and Crafter – every van and every option

Let's go to work



Welcome to a new way of doing things

We know that picking your next van is a big decision. You want a vehicle that works as hard as you do – one that's versatile, reliable, cost-effective and stylish. We're here to help make your choice much easier.

It's 60 years since we launched the Transporter – a design classic that sets the standard for commercial vehicles to this day. And every one of those 60 years of know-how has gone into our current range. Today's



compact Caddy, versatile Transporter and spacious Crafter are easier to use, more enjoyable to drive and more reliable than ever. Now, with our best-ever fuel economy, low running costs and high resale values, they make financial sense, too.

We also received a wealth of acclaim in the recent *Fleet Van* and *What Van?* awards and the *Fleet News* FN50 reliability survey.

That's not all. We back you up with our nationwide network of dedicated Van Centres. With a wide range of products and services, and specially trained staff, they're ready to solve any problem. To find your nearest Van Centre, ring 0800 717131.

Contents

- 04 Heritage How our vans have evolved
- 10 Sportline Transporter with attitude
- 12 Bluemotion Technology Helps conserve fuel and reduce emissions
- 14 Expert advice Top tips for picking the perfect van

16 Caddy



Practical and efficient, with car-like comfort

TECHNICAL SPECS

- 45 The range in brief
- 46 Caddy van
- 52 Caddy Maxi
- 58 Caddy Maxi kombi

↑ GET THE FULL FACTS IN THE TECH SPEC PAGES AT THE BACK

24 Transporter



Still the van that others in the class strive to match

TECHNICAL SPECS

- 65 The range in brief
- 66 Transporter van
- 77 Transporter kombi
- 88 Chassis & double cab

32 Crafter



Incredible capacity – and it's refined and efficient

TECHNICAL SPECS

- 95 The range in brief
- 96 Crafter van
- 108 Chassis & double cab
- 117 Dropside & tipper

PICK YOUR IDEAL VAN WITH THE CHOOSER



- 40 Chooser Your at-a-glance guide to our full range
- 125 Extras Finance, servicing and roadside assistance
- 128 Options Paint, upholstery, audio and alloy-wheel guide

The story of van...

Six decades of constant innovation has driven the evolution of the newest Volkswagen range

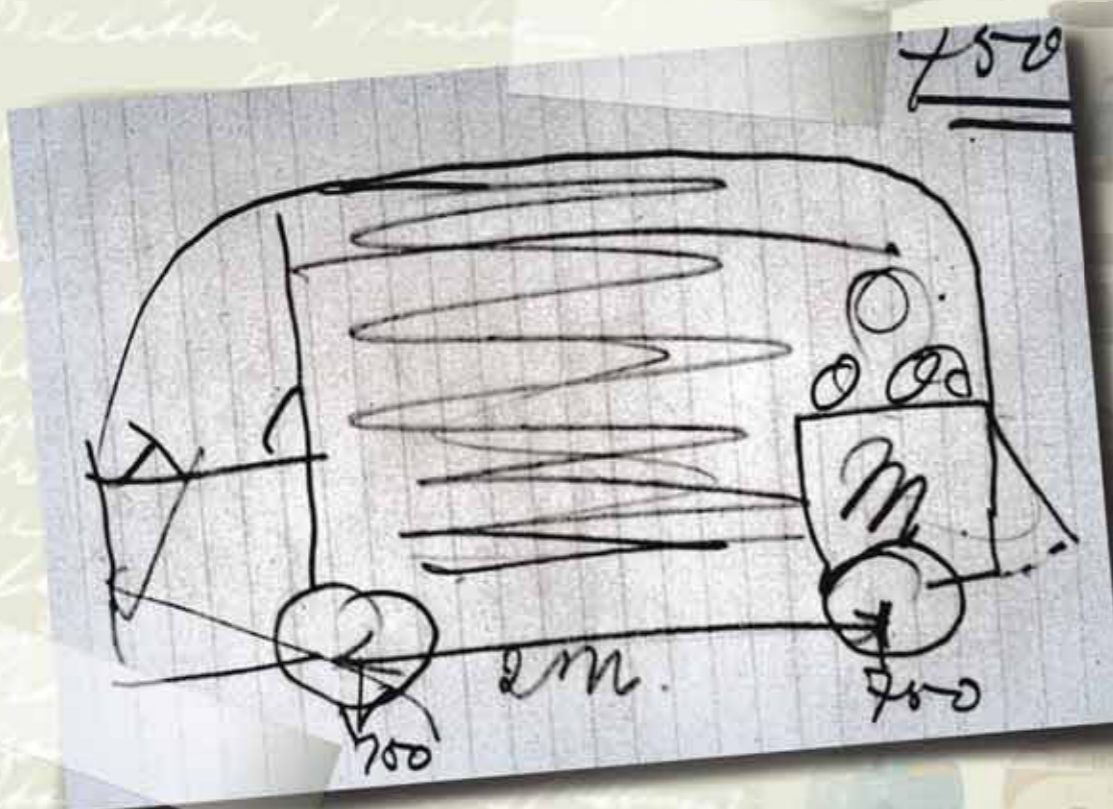


Volkswagen vans have come a long way since the first Transporter. Launched at the end of the 1940s, this design classic became a symbol for a generation and set the blueprint for a range of award-winning commercial vehicles.

A lot of hard work has been put in over the past six decades to perfect this successful formula. It's a story of constant evolution, groundbreaking innovation and countless revisions based on the things that you, the van driver, have asked for.

Today, the iconic Transporter, along with the Caddy and Crafter, is part of a superb van range that'll meet your every possible need. All three vehicle ranges deliver the qualities you have come to expect from Volkswagen: reliability, ruggedness, comfort and efficiency.

Strange to think it all began with a quick, simple sketch by a Dutch Volkswagen importer named Pon.



Right from the start

'The box on wheels' is born

Dutchman Ben Pon, the world's first Volkswagen importer, was visiting the factory at Wolfsburg, Germany, in 1947 when he spotted workers using a stripped Beetle chassis to move parts around.

Inspired by these basic but ingenious vehicles, Pon sketched his design for a Beetle-based van. He called it 'the box on wheels'.

The idea was taken up a year later when Heinrich Nordoff became the firm's general director, and the first van was launched at the 1949 Geneva Motor Show. Called the Transporter, its distinctive smiling face would soon become familiar to millions around the world. Pon and those improvising factory workers had started something huge.

Horsepower and flower power

The Transporter was an overnight success. The world had caught van fever, and by 1956 more than 100,000 vehicles had been sold. A dedicated factory in Germany was opened to cope with the demand.

The Transporter also began to develop in new directions. The iconic camper van joined the line-up in 1951, and by 1960 there were wide-bed, high-roof and double-cab versions of the Transporter.



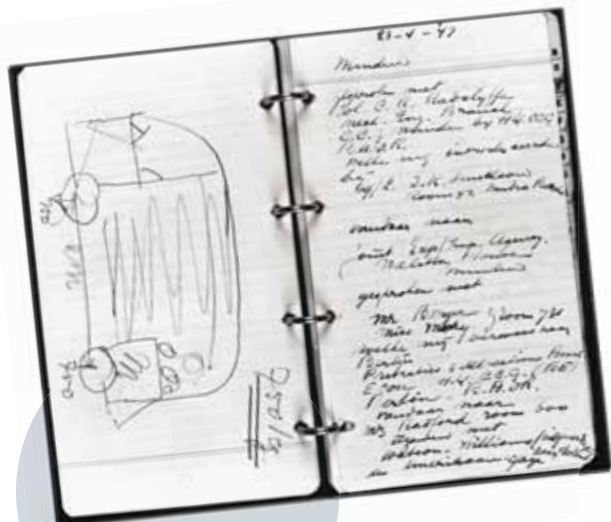
Then popular culture began to play its part. In the 1960s, the camper van and Transporter were adopted by the hippie generation. They became cult symbols of an alternative lifestyle, and images of vans painted in crazy colours, the CND symbol and psychedelic designs enthrall to this day.

But while the body remained faithful to Pon's sketch, the technology beneath was regularly improved. Millions were ploughed into research and development, and designers and engineers produced a series of innovations and revisions.

Thanks to the Transporter's widening popularity, increasing demand and improving technology, the world's growing community of van drivers enjoyed ever greater comfort, safety and performance.

Volkswagen vans through history

More than 60 years of know-how have gone into well over 10 million vans



1947
Iconic sketch
Visionary Dutch importer Ben Pon sketches an idea for a van based on the Beetle chassis. Calling it simply 'the box on wheels', he submits his concept – and a legend is born

1949
Blueprint for success
General director Heinrich Nordoff likes Pon's idea so much that he orders a working prototype



1949
First public appearance
Nicknamed 'Bulli' – meaning 'workhorse' – Nordoff's prototype is revealed to the press and public at the Geneva Motor Show. Its rounded front and split windscreen give the van a distinctive 'smiling face'

1950
Transporter is born
Full production begins, and the 'Bulli' is officially named the Transporter

1951
Taking a vacation
A whole new use is found for the Transporter when it is cleverly converted into a camper van for holidaymakers

1954
Going mainstream
The 100,000th Transporter rolls off the production line – the van soon becoming a familiar sight on British roads

1956
Meeting demand
A new dedicated factory is opened in Germany



1958-60
Variations on a theme
A van with two rows of seats – known as a 'double cab' – is launched, along with a wider version and one with a higher roof

1960s
Hippy chic
Camper van is adopted by the counter-culture, becoming a hippie icon

1962
Business is booming
The one-millionth Transporter hits the road

1967
Clearer vision
Second-generation Transporter, known as T2, does away with the split windscreen and introduces panoramic vision



1968
Unstoppable progress
Transporter sales hit two million – and counting

1969
Scooby, dooby, doo!
Sales are boosted by the release of animated cartoon series Scooby-Doo, which features a Transporter

1975
Keep on trucking
LT, a larger version of the Transporter, is launched for more applications



THIS WAY FOR MORE →

Right from the start



1979

T2 becomes T3

A third generation of the Transporter is launched. Its technological advances include: diesel (1980), water-cooled petrol engines (1982) and four-wheel drive (1985)

1981

German factory turns 25

It has produced more than five million commercial vehicles since its opening

1982

Caddy picks up the pace

Volkswagen introduces the smaller Caddy Pick-up in the UK, based on the Golf Mk1



1983

Travel in style

The Caravelle, a luxury people-carrying version of the Transporter, is launched

1990

Transporter turns 40...

...and marks the occasion by releasing T4, the fourth generation of Transporter

1995

Name says it all

Volkswagen Commercial Vehicles, an independent marque and brand name, is created

1996

Joining the club

The Caddy van, combining versatility with comfort and speed, is added to the range



1996

Putting on muscle

The LT2, a second generation of the large van, is launched in the UK

1998

Dedication's what you need

Volkswagen UK creates a commercial-vehicle division to provide a specialist service tailored for all its van customers

Time to get tough

Throwing off its flower-power image of the previous decade, Volkswagen's range toughened up in the 1970s. The launch of the LT started Volkswagen's move into the large-van sector.

The range continued to grow: the smaller Caddy Pick-up was launched in the UK in 1982; and at the turn of the 1990s, the T4 was launched, a fourth-generation Transporter with a water-cooled engine and front-wheel drive. In 1998, Volkswagen created a dedicated commercial-vehicle division to help give its large and growing number of van customers a dedicated service.

Faithful to the original

Today, there's an extensive range of Volkswagen vans to choose from. They all have a wide range of options, too, so whatever your line of work, there's a van that'll help you get the job done.

Ben Pon has passed away, but his sketch lives on through the Transporter, the vehicle that changed for ever the way the world saw vans.



2000

50 years – and going strong

The legendary Transporter van celebrates its half-century

2003

Fifth-generation Transporter

The new T5 receives critical acclaim, becoming the 2003 What Van? Van of the Year

2004-06

If it ain't broke, add to it!

The range expands to include a new version of the Caddy (2004) and the brand new Crafter (2006), the largest model in the range

2007

Who's best?

Volkswagen Commercial Vehicles celebrates the van's 60th anniversary with a performance by The Who, watched by around 71,000 Volkswagen fans in Germany

2008

More choice than ever

New Caddy Maxi range is launched in the UK. These larger versions of the successful Caddy are available as a van and a people carrier

2010

A fresh look for an icon

The Transporter and Caravelle relaunch to much acclaim. The new-look Caddy offers even better economy and practicality in a compact, car-like package



2011

Sportline, Amarok and Crafter

The Transporter Sportline arrives, adding style and comfort to the range. The Amarok joined the fleet, too – a tough 4x4 for work and play. The Crafter set new grounds for efficiency, too.



2012

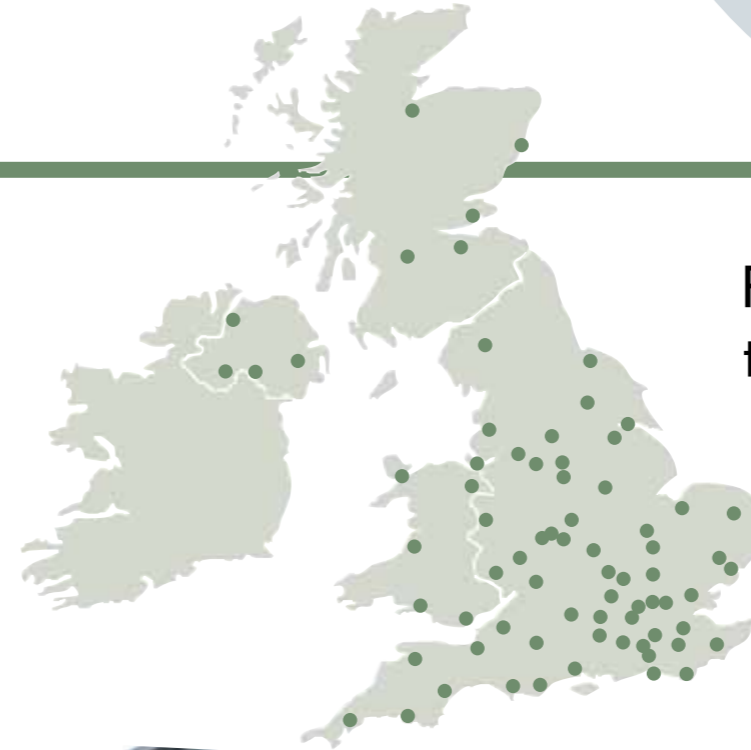
Top awards for selected models featuring BlueMotion Technology

Volkswagen starts 2012 as the most reliable van manufacturer in the Fleet News FN50 Reliability Survey, with the Caddy, Transporter and Crafter all in the top six. At the latest What Van? awards, the Amarok was named Pick-Up of the Year, the Caddy 4MOTION® won 4x4 Van of the Year, and the Transporter Sportline was the Editor's Choice. The Caddy is Fleet's Small Van of the Year, and the Transporter is Medium Panel Van as well as Fleet Van of the Year. BlueMotion Technology is now available on even more vans, so Volkswagen leads in low emissions and economy, so saving you money and helping the environment.

SEE P. 13 FOR MORE ON BLUEMOTION™ TECHNOLOGY

Bringing it all together

The Van Centre network is the backbone of what Volkswagen does for its customers. The staff are specially trained, so you benefit from 60 years of know-how about vans. The network covers the UK, offering products and services from finance to maintenance and aftersales. We even have a special team that can tailor our offerings to suit any fleet operator's needs.



For fleet information, contact the Business Centre Team on **0800 808 9998**

For advice or more information on any van, call your nearest Van Centre on **0800 717131**

LET'S GO TO WORK

The Sportline. The business

Make a real impression with the stylish Transporter trim

The Transporter Sportline lifts Volkswagen's best-seller into a bold new business class. Available as a panel van or a kombi, the Sportline features all the versatility you expect, but its dynamic performance and sleek styling will turn heads and confirm to your customers that they're dealing with the best. We know, because *What Van?* picked the Sportline as Editor's Choice in their 2012 awards. Learn more about Sportline on page 29 or visit your Van Centre.



POWERFUL & EFFICIENT

The Sportline uses the Transporter's top-of-the-range 2.0-litre BiTDI twin-turbo diesel engine. With 180PS and 400Nm of torque it has enough power for any job, while Volkswagen's advanced diesel technology means it's both refined and economical.



THE STYLE IS IN THE DETAILS

The Transporter Sportline can be a subtle promoter of your business. Sportline logos on the Gloss Black door mirrors and chrome detailing on the grille and headlights highlight a sophisticated front end, while darkened light clusters and polished-steel side bars convey a striking classiness.



A SPORTY RIDE

18" Sportline five-spoke alloy wheels – available in silver or black (above) – give the Sportline a dynamic look. Under the skin, stiff suspension – set 30mm lower than a standard Transporter – makes for a more engaging drive.

ENTERTAINED AND IN-TOUCH

The Sportline's high-tech Kenwood Multimedia System is integrated with a 7" colour touch screen and full European Garmin satellite navigation with real-time traffic info. There's also connectivity for Bluetooth phones, iPods and iPhones, so the Sportline is the ideal place for work or play.



LUXURY OFFICE ON THE MOVE

The Sportline's stylish cabin features two-tone leather upholstery, front carpet floor mats with the Sportline logo, and leather steering-wheel and gearknob covers. There's a driver's-seat armrest and semi-automatic Climatic air-conditioning to maximise driver and passenger comfort.



UP TO THE TASK

The Sportline retains all the practicality you'd expect in a normal Transporter – 6.7m³ of load space and a 1,255kg payload. The kombi version seats up to five, while long- and short-wheelbase variants widen your choice still further.

Find out more on p29 →

Technology that works for you

Our vans use a range of technologies to make them more economical than ever before. Improved mpg means less time filling up and more time on the road getting the job done



Our acclaimed Direct Shift Gearbox (DSG) helps improve your van's performance, economy and emissions. It comes with six or seven speeds and uses two clutches with electronically controlled gear selection. One clutch engages the gear you are driving in, the other has the next gear ready for you. The result is silky-smooth gearchanges that take less than four-hundredths of a second. This gives smooth, unbroken acceleration and in some cases, better fuel economy than a manual box. If you need to change gear yourself, just nudge the gear lever forwards or backwards.



4MOTION®

4MOTION® is our high-tech four-wheel-drive system. It gives you increased levels of traction, so you can usually keep going even when conditions are poor. 4MOTION® is linked to many of the van's safety systems and continuously monitors driving conditions, so when it detects wheel slip it automatically sends

just the right amount of power to the wheels that have the most grip. And it does all this in milliseconds. So when you encounter rough or unsealed roads in bad conditions, you can be confident that 4MOTION® will help to keep you safer and on the move.

HOW BLUEMOTION TECHNOLOGY WORKS FOR YOU AND THE ENVIRONMENT



At Volkswagen, we're constantly working to make our vans as efficient as possible. Our latest innovation is a range of BlueMotion Technology add-ons that help to reduce fuel consumption and carbon emissions. These energy-saving technologies include energy recuperation, automatic start/stop, low-rolling-resistance tyres and cruise control – all explained below.



ENERGY RECUPERATION

When an ordinary vehicle brakes, the energy is wasted. BlueMotion technology uses some of that momentum to turn the alternator and charge the battery. Because you are now charging the battery every time you decelerate, the alternator doesn't need to take so much power from the engine when you are accelerating or starting. This reduces the load on the engine – which helps to conserve fuel and reduce emissions. The bottom line is that you save money and help the environment, too.



START/STOP

With BlueMotion technology, you don't have to waste fuel while you are waiting at traffic lights or stuck in a jam. With start/stop, your van will automatically cut the engine when you're at a standstill – saving fuel and reducing carbon emissions. It's all under your control, too. When you stop at the lights, simply select neutral, release the clutch and the engine will automatically switch off. When you're ready to go again, just depress the clutch pedal and the engine restarts. You're ready to pull away. This clever technology means your van uses fuel only when it needs to. And if you want to turn it off, there's a switch on the dashboard.



LOW ROLLING RESISTANCE

Tyres with low rolling resistance are an important part of BlueMotion technology. When you fit these tyres, the engine doesn't have to work as hard to get the van moving and keep it moving. This saves fuel and reduces carbon emissions without compromising on performance.



CRUISE CONTROL

By keeping your van at a constant speed, you can save fuel that would normally be wasted when your speed fluctuates up and down. Not only could our cruise control system help save fuel and lower emissions, it also makes long journeys more comfortable by regulating your van's speed for you, reducing the stress on the driver. The system is especially helpful in keeping you within speed limits over long stretches, because it stops your speed creeping up unintentionally.

Pick your perfect van

There's plenty to think about when you're choosing your next vehicle



1.



HOW MANY PEOPLE WILL YOU NEED TO CARRY?



The compact Caddy carries **two people**, and the larger Transporter and Crafter are good for **three**. You can fit **five or six people** alongside your load in a Transporter kombi.

TOP TIP ■ Don't forget: people count as payload. The average adult weighs 75kg.

2.



WHERE WILL YOU BE WORKING?

Height restrictions in city centre car parks could be as low as 2.0m or 1.8m, while compact vans such as the Caddy or short-wheelbase Transporter are much easier to park in tight urban streets.

TOP TIP ■ Sliding doors make loading your van easier. Twin sliding doors on the Caddy Maxi means twice the convenience.

3.

WHAT SIZE LOAD SPACE DO YOU NEED?

4,700mm

There are two main dimensions to think about – the length or height of the largest goods or equipment that you'll expect to carry.

Long-wheelbase, medium-roof and high-roof versions of the Transporter and Crafter vans can drastically extend the versatility of your load space.

The open load spaces of the dropside and tipper Crafters offer a different way to carry unwieldy goods, as well as easy access to them. These are available in medium and long wheelbases.



Crafter long-wheelbase

TOP TIP ■ The longest load length of 4,700mm is in the long-wheelbase Crafter maxi.

■ The most common size of Euro-pallet is 0.8m x 1.2m – just under 1m².

■ Double-check the size of the loading doors, which can be slightly smaller than the overall height of the van.

4.

WHAT'S THE MAXIMUM WEIGHT YOU'LL CARRY?

A defining factor will be your van's payload. This ranges from 611kg for the Caddy, up to 2,693kg for the new CR50 medium-wheelbase Crafter.

TOP TIPS ■ Just because a van is longer and larger, it doesn't mean it can carry a heavier load. A van's wheelbase – the distance between its front and rear wheels – is a big factor.

■ Shifting very heavy loads? Consider the Crafter chassis, which can carry up to 3,022kg (excluding body).

■ The average washing machine occupies about 0.25m³ and weighs about 70kg.



5.

CHOOSE YOUR ENGINE



Engine size has a big impact on economy and performance, so decide which is more important. If you're shifting light loads over long distances, consider BlueMotion Technology, which offers up to 60.1mpg in the Caddy. But, thanks to advanced diesel technology, even the 2.0-litre BiTDI twin-turbo on the Transporter can deliver up to 36.2mpg – as well as 180PS of power.

6.

CHOOSE THE PERFECT DRIVE



4MOTION®: If you're driving off-road, optional four-wheel-drive on the Transporter and Caddy Maxi assures you of superior grip and traction – and improved safety – in slippery conditions.

Direct Shift Gearbox (DSG): a seven-speed gearbox and two automatic clutches mean fast changes and a smooth drive in city traffic. It's available on the Caddy and Transporter.





The Caddy combines a surprisingly large, versatile interior with stylish looks, especially when you add 16" Siracusa alloy wheels

Agile, versatile van about town

The compact Caddy may be the smallest vehicle in our range, but it certainly packs a lot in

The brilliant little Caddy is more practical, economical, safer and smarter than ever before, but it still boasts its celebrated car-like comfort and convenience.

The choice of four different diesel engines and the option of adding BlueMotion Technology mean you'll enjoy the benefits of lower CO₂ emissions and increased fuel efficiency, while the choice of the compact Caddy or a longer-wheelbase Caddy Maxi ensure real load-carrying versatility. Meanwhile, the Caddy's car-like ride and handling, and optional Direct Shift Gearbox (DSG), give you driving comfort that most van drivers can only dream about.



The Caddy van is so comfortable, you'll think you're in a car

MEET THE CADDY

1. Caddy van

Punches above its weight

- ✓ The widest choice of fuel-efficient and environmentally friendly options, ranging from BlueMotion Technologies through to EcoFuel
- ✓ Load volume of 3.2m³
- ✓ Payload up to 766kg
- ✓ Rear twin doors and single sliding door
- ✓ Three common-rail four-cylinder diesel engines – from 75PS to 140PS – plus BlueMotion Technology models

Get more in, get more done

You can pack a lot into a Caddy van, even though it's the smallest in the range. This Tardis-like van is ultra-versatile, with two wheelbase lengths to choose from. You can squeeze in 3.2m³ of load in the Caddy, while its bigger brother, the Caddy Maxi, will take a class-leading 4.2m³.



We've got the power

Our new range of common-rail four-cylinder diesel engines lets you pick the ideal power band for your needs. There are four on offer, ranging from 75PS through to 140PS. Each engine is quieter and more refined than ever before.



WHY I LOVE MY Caddy

Ringtons Tea & Coffee delivery driver Jason Semple finds the Caddy a joy to drive and loves how much it can hold

The Volkswagen Caddy is a real pleasure to drive. It feels like a car and is great on long journeys. That makes all the difference in my job.

The right van for the job

On a delivery run, I'll have maybe 20 or so calls per village, and we're always having to get in and out of confined spaces and cul-de-sacs. That means the short-wheelbase, 1.6TDI Caddys are ideal for us.

They're just as nifty inside, too – it's amazing what you can get into a compact space, especially if you're clever about how you pack it. The two side loading doors help massively, too – they make it so much easier when you're reaching into the van.

We're a tea and coffee merchant, so it's a bonus that the name fits with what we do – we've even written 'Tea' above where it says 'Caddy' on the back. Our customers like the look of the new vans and often comment on them. It makes people put more trust in us – it really is all about presentation.

Typically, we each travel between 14-15,000 miles per year, and most of these are urban due to the nature of the work. Fuel economy is fairly consistent

– we get 400-450 miles to a tank. The other drivers have said they haven't had to fill up as much as they did before we changed to Volkswagen.

I also love the reliability of Volkswagens – you know you're getting a good, solid piece of kit. I've had no problems at all.

MY FAVOURITE FEATURES

1 Reverse parking sensors

These are a must as far as I'm concerned – they reduce bumps, which keeps the vans looking good

2 CD player (right)

Sounds great and makes a difference on long trips



3 Twin side doors

These make loading and unloading so much easier – you don't have to think about how you position the van, because you can get to the load from either side

FEATURES IN FOCUS



Electric windows and mirrors

These optional door mirrors are electrically heated and adjustable. Perfect on a misty morning.



Direct Shift Gearbox (DSG)

The DSG has two clutches, to give smoother, faster gear changes than a conventional gearbox. That's very convenient, especially around city streets.

4MOTION®

The Caddy Maxi is now available with optional 4MOTION®, designed to give you better grip and improved safety – making it the only van in its class that's available with four-wheel drive.

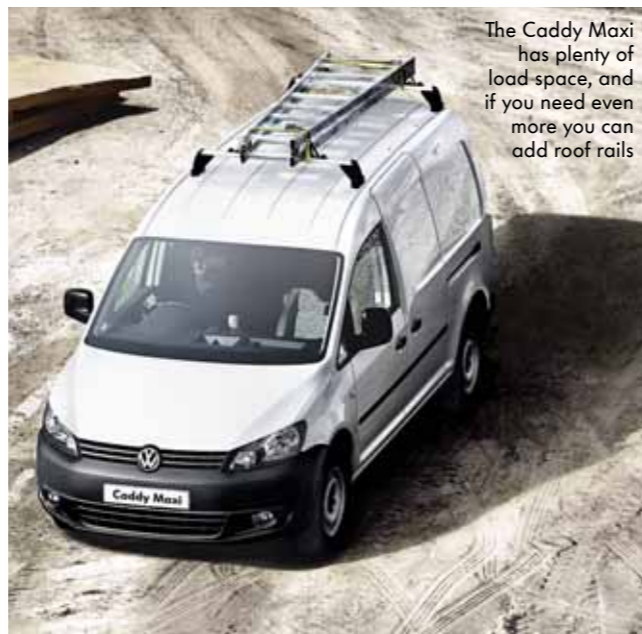
Side sliding door

The Caddy has the widest side sliding door in its class, and you have the option of adding a second door on the other side for even easier access (standard on Caddy Maxi).



Appearance packs & alloy wheels

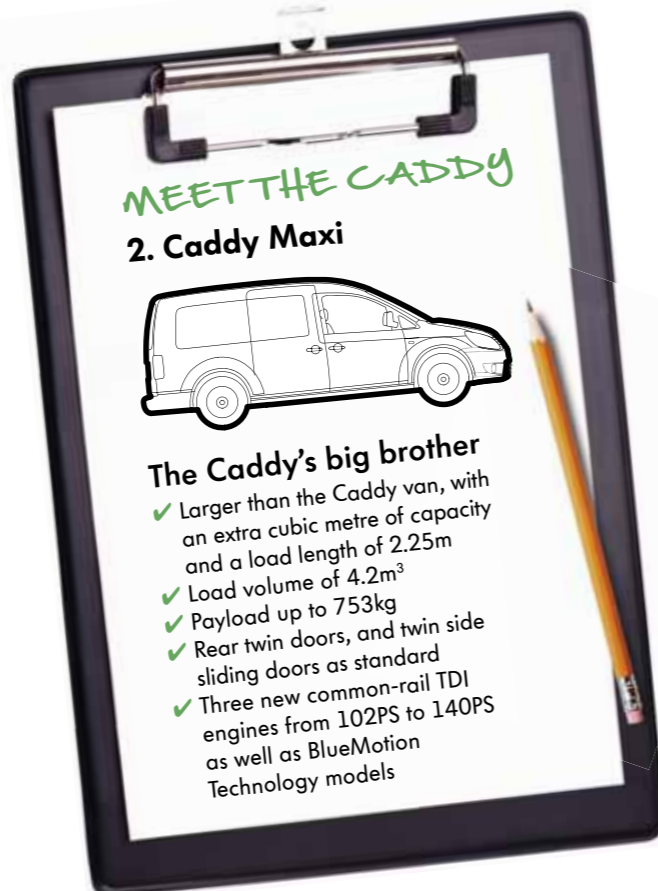
Optional body-coloured bumpers and alloy wheels – such as the 15" Kemora (above) – add a smart look.



The Caddy Maxi has plenty of load space, and if you need even more you can add roof rails

Making it work for you

The Caddy is all about efficiency. The BlueMotion Technology Start/Stop system of the 1.6-litre models will help lift your fuel economy to 60.1mpg* and reduce CO₂ emissions to an impressive 134g/km. It switches off the engine in traffic queues when it isn't working – simply depress the clutch to restart the engine. And thanks to Volkswagen's gearshift indicator and seven-speed Direct Shift Gearbox, you'll be saving money every time you change gear.



* 1.6-litre TDI 102PS BlueMotion Technology combined mpg



The Caddy's well-appointed cabin is built around you, and all controls are in easy reach

A more relaxing way to drive

If your day job brings you face-to-face with the stresses of congested city streets, the Caddy will help you get to your destination in comfort. The optional multi-function steering wheel lets you operate a range of systems – such as the radio – without taking your hands off the wheel. If the weather turns nasty, the optional automatic rain sensors will react to the rain for you – and you'll stay comfortable thanks to the 2-Zone climate control.



REMEMBER TO ASK ABOUT...



The Volkswagen Commercial Vehicles Service Plan

Now you've made all the tough choices, how about an easy one?

It can take a while to decide on the perfect Volkswagen van, but a Service Plan chooses itself.

For more information just ring your local Van Centre on 0800 717131



Go greener with the Caddy EcoFuel

If you really want to help the environment as well as your wallet, why not consider the EcoFuel version of the Caddy or Caddy Maxi? With EcoFuel you'll be running on either compressed natural gas (CNG) or biomethane. CNG reduces carbon monoxide by up to 50 per cent, nitrogen oxide emissions by 97 per cent – and there are zero particulates.

The EcoFuel version of the Caddy uses compressed natural gas (CNG) or biomethane, which both dramatically reduce emissions

SEE P. 13 FOR MORE ON BLUEMOTION™ TECHNOLOGY

Caddy with BlueMotion Technology

We're all concerned about fuel consumption and emissions, and for most businesses there are serious cost implications, too. Luckily the Caddy BlueMotion Technology range helps you stay in control – it features modified gear ratios, Start/Stop system, regenerative braking, cruise control and low-friction tyres. CO₂ output is reduced to 134g/km, and fuel consumption can fall to 55.4mpg (combined)*.



*1.6-litre TDI 102PS BlueMotion Technology combined mpg

MEET THE CADDY
3. Caddy Maxi kombi

More room, more people

- ✓ An even more versatile Caddy: capable of carrying up to five passengers, and with an interior that can be adapted to your needs
- ✓ Easily adjustable load volume between 1.6m³ and 4.1m³
- ✓ Payload up to 629kg
- ✓ Rear twin doors, and twin side sliding doors as standard
- ✓ 1.6-litre TDI engine producing 102PS

The Caddy Maxi has a load length of 2.25m, so there's even room in the back for a decent-sized step ladder



The Caddy van (top) is nimble around town; the Caddy Maxi and Maxi kombi (left) have almost a cubic metre more load space



Safety first

The Electronic Stabilisation Programme (ESP), which helps prevent accidents by reducing skids, comes as standard. In addition to standard daytime running lights, you can also benefit from turning fog lights, xenon headlights (brighter and clearer than ordinary lights) and Hill Hold Assist.

Technology for work and play

Choose Bluetooth connectivity and you'll get simple hands-free phone operation that works with most handsets on the market. An optional iPod connection shows your playlists on your radio/CD or sat-nav display.

Choose your Caddy

Turn to the back for the full specification

Caddy van



P46 →

Caddy Maxi



P52 →

Caddy Maxi kombi



P58 →

IF THIS IS THE VAN FOR YOU, CHOOSE YOUR PAINT, UPHOLSTERY, ALLOYS AND AUDIO ON P.133



Highly evolved

The Transporter started life as a great innovation, and it's been getting better and better for six decades

The original Transporter first graced British roads in 1950. Over the past 60 years it has become a huge success, and the latest fifth-generation model is safer, smarter and more efficient than ever.

With so much engineering experience built into the brand, is it any wonder that Volkswagen is setting new standards in this class? Both fuel consumption and CO₂ emissions have been reduced, and the latest generation of Electronic Stability Programme (ESP) and Hill Hold Assist come as standard. What's more, it's also the quietest and most comfortable Transporter yet.



All the space you need

Whether you're in the business of delivering parcels or fitting kitchens, the comprehensive range of models and accessories means there will be a Transporter guaranteed to meet your needs. With two wheelbase lengths you can maximise your load space from 5.8m³ to 9.3m³. There are also three roof height options, with a maximum height of 1.94m and a payload capacity of up to 1,333kg.



There are three different roof heights and two wheelbase lengths, so the Transporter will happily swallow any awkward loads



MEET THE TRANSPORTER

1. Transporter van

The original just got better

- ✓ The most efficient, safest and smartest Transporter yet
- ✓ Two wheelbase lengths and three roof heights
- ✓ Load volume up to 9.3m³
- ✓ Payload up to 1,333kg
- ✓ Rear wing doors and side sliding door come as standard
- ✓ Four new 2.0-litre TDI common-rail engines from 84PS to 180PS



WHY I LOVE MY Transporter

Charlie Clifford needs to shift lots of heavy equipment for his fitness classes – and the Transporter is more than fit for purpose

For day-to-day getting around, it's a great van especially in the city, where it's absolutely brilliant. It's very much like a car to drive – like a Golf, in fact, so it suits me for private use as well.

The right look and feel – and reliable, too I've driven Volkswagen cars in the past and I've always been impressed with their reliability and the easy, comfortable ride quality. That's what attracted me to Volkswagen when I needed to get my first commercial vehicle and I haven't been disappointed.

I've had my T26 Transporter for about a year now and so far it has been completely fault-free. It runs really smoothly, even though I'm carrying fitness equipment such as dumbbells and kettle bells. I've been impressed with the van's fuel economy as well. Diesel prices keep going up these days, so I'm glad that my T26 is better than most in terms of efficiency.

I like the interior, too – I went for the plying kit for the cargo area and rubber flooring. I've been impressed with the flooring, because it has a sort of

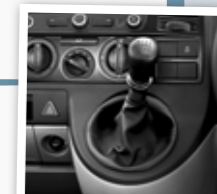
memory foam quality to it – the fitness weights and heavy items I carry bed themselves into it, which stops them from rolling around.

Overall, the Transporter is very stylish, with its sleek lines. That's good for my company's brand identity. In terms of vans on the market, I think it's the best-looking van out there.

MY FAVOURITE FEATURES

1 The dash-mounted gearstick (right)

It's really easy to use and contributes to it feeling like a car



2 The rubber floor

Acts like memory foam and allows equipment to 'bed down'

3 Van Centre experience

Someone damaged my mirror, and the Van Centre fitted a new one in an hour. Great service

FEATURES IN FOCUS



Styling

Make your Transporter look the part by adding alloy wheels – such as the 16" Cartagena – or body enhancements such as chrome side rails or a rear spoiler.

4MOTION

This all-wheel-drive system maintains traction in adverse conditions. If a wheel loses traction, the 4MOTION system reacts within milliseconds and sends power to the wheels with the most grip.

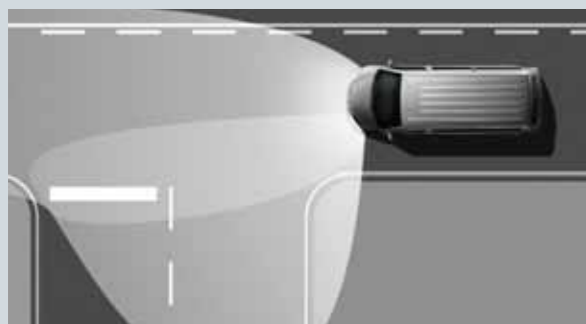
Rear parking sensors

These optional sensors take the stress out of wrestling with tight parking spots and help your van stay scuff-free.



Turning fog lights

An optional extra on the Transporter, they go a long way to reducing the risk of accidents by illuminating the road in the direction you're turning (see below).

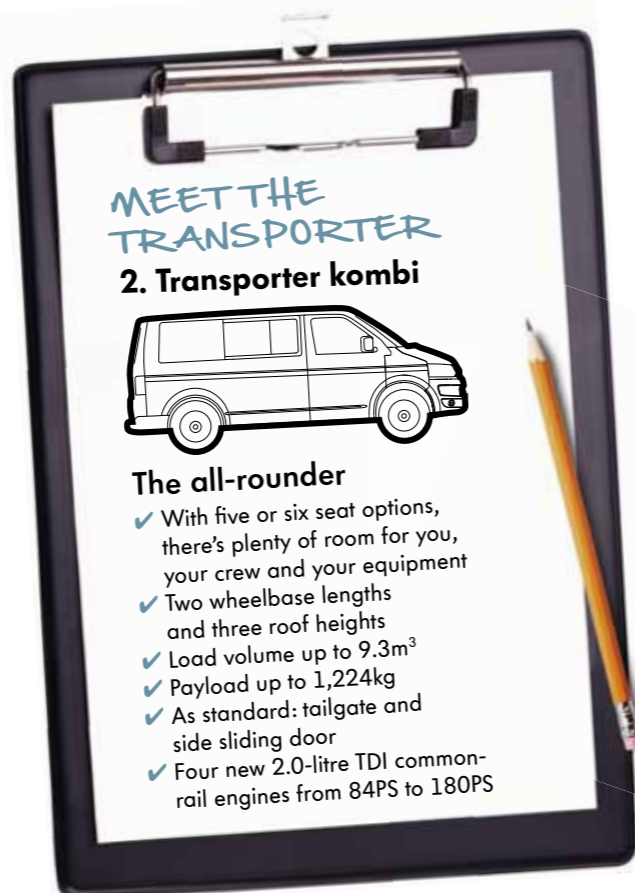


Bulkhead

As well as safeguarding your goods, the addition of a bulkhead will protect you and any passengers from the danger of loads shifting too far forward when you brake.

Daytime running lights

Accidents don't just happen at night, so for added safety, daytime running lights are dipped-beam headlights that automatically switch on when you start your vehicle.



The Transporter kombi has an extra row of seats in the back

Evolved engines

The new 2.0-litre TDI common-rail engines offer fantastic fuel economy and keep CO₂ emissions to a minimum. Improved torque ensures great performance, even if you have heavy loads. Then there's the option of a 7-speed Direct Shift Gearbox (DSG): two clutches ensure super-fast automatic gear changes – ideal for driving in congested cities.

Making your money work

The Transporter is built to help you save time and money at the pumps. Fuel-saving technologies mean that the Transporter is now more fuel-efficient than ever and emits less CO₂ than ever. For example, the gear-shift indicator lets you know the most efficient moment to change up or down, which can save you even more money.

Add some Sportline flair

The top-of-the-range Transporter is packed with style and tech

If you need a vehicle that offers all the varied talents of a standard Transporter, but with a bold, exclusive style that will make you stand out from the crowd, look no further than the striking new Sportline.

Stylish, comfortable, packed with tech

The Sportline takes Transporter comfort to a new level. The two-tone leather upholstery boasts the Sportline logo, while a driver's-seat armrest and a leather steering wheel, gearknob and gaiter complete the look. Climatic air-conditioning helps to keep things cool, and a Kenwood Multimedia System with 7" colour touchscreen, European Garmin sat-nav and Bluetooth, iPod and iPhone connectivity keep you connected and entertained.

Make a real impression

The Sportline's stylish looks aren't limited to the interior. The Sportline is available in Deep Black pearlescent paint, Reflex Silver metallic or Candy White with a Gloss Black roof. Enhancements such as 18" Sportline five-spoke alloys, stiffer suspension that sits 30mm lower than standard, and details such as Sportline logos, electrically

heated and adjustable door mirrors, chrome highlights on the grille and headlights, darkened rear light clusters and polished steel side bars all ensure that the Sportline is a real head-turner.

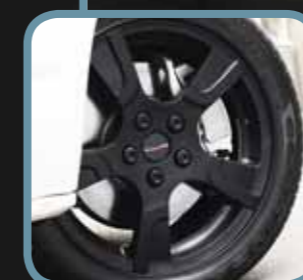
Any job, managed effortlessly

A 6.7m³ load volume, a 1,255kg payload, short- and long-wheelbase variants, and a five-seater kombi configuration mean the Sportline is just as capable as its standard Transporter siblings. And the 2.0-litre BiTDI twin-turbo diesel engine delivers a robust 180PS – power enough for any task. The new Transporter Sportline is a true performer in every sense.



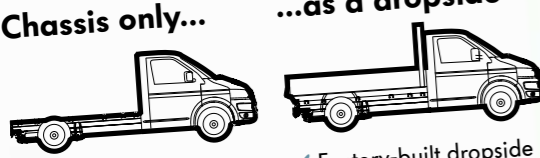
Sportline logos (above) feature on the wing mirrors and the two-tone leather trim. A Kenwood Multimedia System and Garmin sat-nav bolster the high-tech specification in the stylish cab (left), while 18" Sportline alloy wheels and polished-steel side bars complete the stylish look outside (below)

Learn more about the Sportline on p10



MEET THE TRANSPORTER

Chassis only... ...as a dropside



- ✓ Single or double cab options, with three to six seats
- ✓ Payload up to 1,425kg
- ✓ Two side doors as standard (four for double cab)
- ✓ Three new 2.0-litre TDI common-rail engines: 84PS, 102PS and 140PS

- ✓ Factory-built dropside
- ✓ Single- or double-cab options, with three to six seats
- ✓ Payload up to 1,425kg
- ✓ Two side doors as standard (four for double cab)
- ✓ Three new 2.0-litre TDI common-rail engines: 84PS, 102PS and 140PS

...or built however you want it

Whatever you need – from rescue vehicles to vans with specialist racking and tail-lifts – our Engineered For You service will sort it out. Tell the sales team at your Van Centre what you need and they'll get the vehicle built for you.

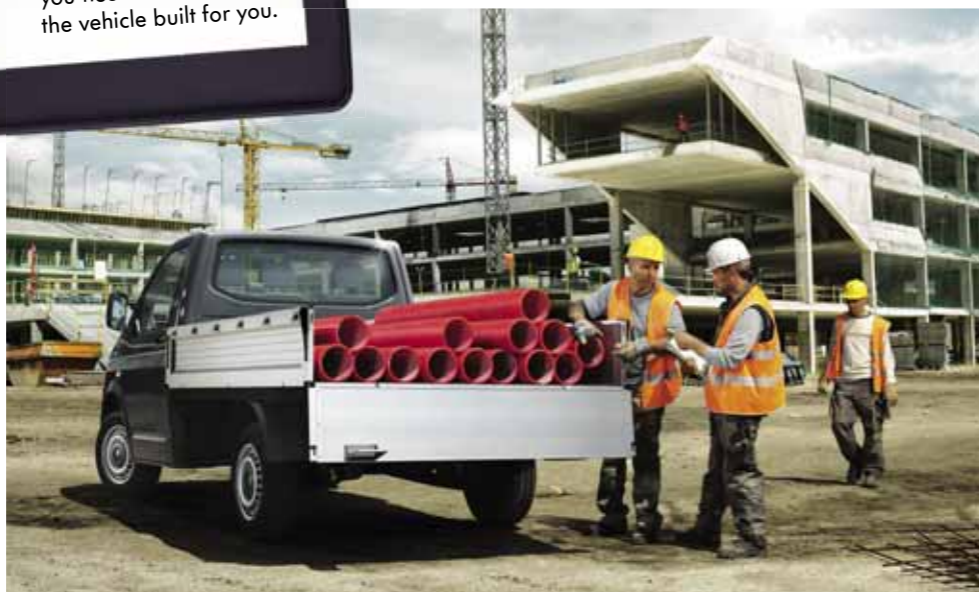
Have a good day at the office

When your van is your workplace it must be comfy. The seats have been ergonomically designed to help support your back, there's a new three-spoke steering wheel and it's even easier to find your way around the dash. The cab is quieter, too: the engines are four to five decibels quieter than their predecessors – which means it sounds half as loud to the human ear.

First-class safety

Volkswagen doesn't see your safety as an optional extra – it comes as standard. There are driver and passenger airbags, and the Electronic Stabilisation Programme (ESP) will keep your van stable if you have to swerve suddenly. And if you need to make an emergency stop, your brake lights will flash and your hazard warning lights will switch on automatically when you come to a standstill.

Hill Hold Assist means when you come to an uphill stop, the brakes stay on for a second or two after you release the pedal, giving you time to find the clutch's biting point without rolling back.



Dropsides are tough, and make loading and unloading easier



A double cab has more room for crew (above); a multifunction steering wheel (left) puts the controls at your fingertips

REMEMBER TO ASK ABOUT...



The Volkswagen Commercial Vehicles Service Plan

Now you've made all the tough choices, how about an easy one?

It can take a while to decide on the perfect Volkswagen van. But a Service Plan chooses itself.

For more information just ring your local Van Centre on 0800 717131

No more blind spots

Two extra pairs of eyes have joined the options list. When you switch on your indicator to change lanes, Lane Change Assist* uses radar to warn you if a vehicle is in your blind spot. And when you take a corner, turning fog lights help you to see pedestrians, cyclists or bollards in poorly lit areas.


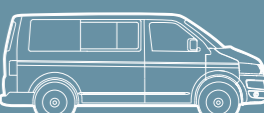


Get connected, stay connected

Transporter radio/CD players and sat-navs have optional iPod connections that show your music and playlists. Meanwhile, optional Bluetooth connectivity provides simple hands-free phone operation that's compatible with nearly all handsets.

* Not available on Chassis or Dropside

Choose your Transporter

Turn to the back for full specs

<p>Transporter</p>  <p>P.66 →</p>	<p>Transporter kombi</p>  <p>P.77 →</p>
<p>Chassis only</p>  <p>P.88 →</p>	<p>Dropside</p>  <p>P.88 →</p>

IF THIS IS THE VAN FOR YOU, CHOOSE YOUR PAINT, UPHOLSTERY, ALLOYS AND AUDIO ON P.128

Distinctive looks and a clear view from the driving position are more strings to the Crafter's bow. Others include space, efficiency, comfort and practicality



Brute force, great manners

The Crafter is as big, strong and versatile as ever.
And now, with more engine options, it's even more efficient

Thanks to its cavernous interior of up to 17m³, the Crafter has always boasted both size and strength. Now, with four 2.0-litre TDI engines to choose from, it is the most fuel-efficient Crafter we've ever made. As a result, Volkswagen's largest, most versatile van now delivers even more.

On the outside, there's a fresh, distinctive look to the Crafter's front end. But it's under the skin where performance counts, and it's here that the Crafter serves up the goods. Four state-of-the-art 2.0-litre TDI engines mean that the Crafter is just as powerful as before, but with increased torque and efficiency, and fuel consumption and emissions that are significantly reduced. And, as if that wasn't enough, the Crafter's compact, lighter engines mean payload is increased by up to 100kg. Yes, big just got even better.

The Crafter range

How long, how high, how heavy?

The Crafter is a hugely versatile van, meaning there's a model that's perfect for you. There are three wheelbases, from 3.25m to 4.33m, three roof heights (low, high and extra high) and four body lengths, from 5.24m to 7.34m. And, with a load space that ranges from 7.5m³ to 17m³ – the equivalent of five euro pallets – the Crafter panel van is capable of carrying payloads up to 2,693kg. Add in the option of even sturdier Ingimex dropside and tipper models or the ability to source a bespoke solution, and it's every option covered.



The Crafter's cab has been ergonomically designed to fit around you and offers class-leading levels of refinement, while its looks and on-road manners are peerless



WHY WE LOVE OUR

Crafter

Paul Reynolds and Damian Wright reckon the Crafter is a refreshing choice for their mobile bar business

We wanted to launch our own cocktail bar. But there weren't any sites around that we liked, so we came up with the idea of a mobile bar.

It was always our intention to increase the size of the business, and we may have to add to our fleet soon. If so, we'll definitely get another Crafter. We can get a ridiculous amount of stuff in the back – four modular bars, a marquee, draft beer pumps, chillers and all the drinks and glasses that we need.

Easy to drive, and fuel efficient

Having never driven anything other than a small van, I was a bit nervous about driving such a large vehicle, but it's so easy, and it's equally suited to long-haul trips and city driving. Most of our jobs are outside the M25, so I'm impressed by how good the fuel efficiency is. Driving right across the country from Bristol to Twickenham only uses up half a tank.

In terms of maintenance, we've not had any problems, but if any problems do arise we'll be in

touch with the Van Centre. If we were to add any accessories it would just be new alloys and a sound system. It already does everything else we need.

OUR FAVOURITE FEATURES

1 The large rear load space (below)

Given that we have to take so much equipment to the events that we do, it's a complete necessity

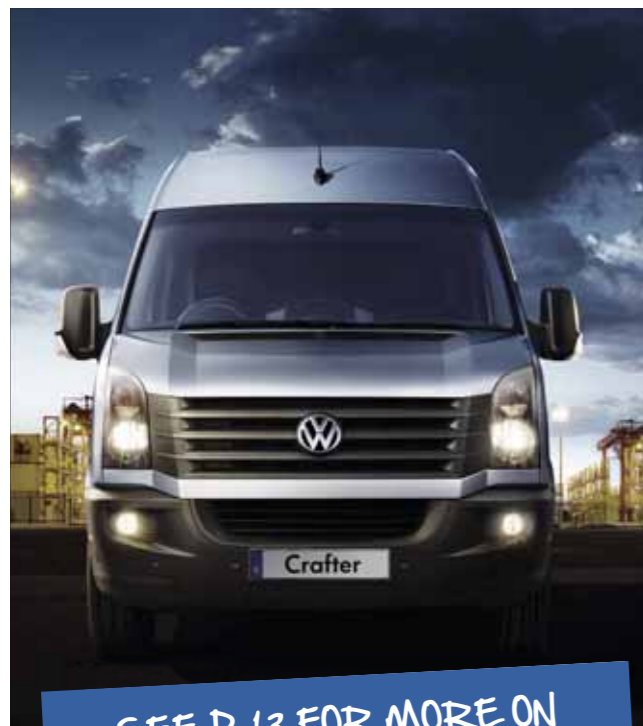
2 A driver-friendly engine

It's very comfortable and smooth to drive on long journeys, and it's really fuel efficient as well

3 The design

The Crafter looks good for a large van. It stands out, but is quite slick





SEE P. 13 FOR MORE ON BLUEMOTION™ TECHNOLOGY

Plenty of power when you need it

The Crafter is designed to be a work tool first, but it still packs plenty of punch. Four 2.0-litre TDI engines are available, from 109PS to 163PS, as well as BlueMotion Technology models. Volkswagen's ultra-efficient turbo-diesel system and common-rail fuel injection ensure high performance and impressive torque, and reduced engine noise. They're also kinder to the environment and to your pocket, with lower operating costs than those of the old model.

Big on efficiency, low on emissions

Big vans deliver to big cities. The Start/Stop system – standard on the 109PS, 143PS and 163PS BlueMotion Technology engines – helps to keep your fuel costs down, and keep emissions as low as 199g/km, by switching the engine off when in neutral. Despite its size, the Crafter already exceeds the EURO V emissions standard, and achieves EEV (Enhanced environmentally friendly Vehicle) status as standard – this is a cost option across many vehicles in its class.



The rear load area of the Crafter is capable of storing up to 17m³ of goods or equipment



Everything fits into place

No matter what sort of loads you need to move, the Crafter is ready. Accessing the rear load space – which boasts up to 4,700mm load length and 17m³ of load space – is made even easier with a side sliding door, while rear swing doors, with an option to open to an angle of 270°, provide a load width of 1,300mm. Floor and ply-wall linings protect the load bay, and a variety of bulkheads separate the cab from the cargo.

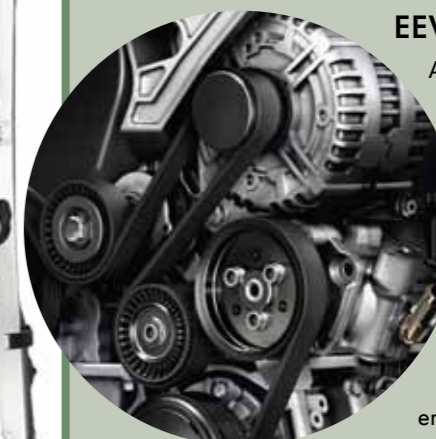
The cab that fits around you

If you travel long distances, you'll want to do so in comfort. The Crafter boasts a generously sized cabin with clearer dials, an easy-reach gearshift and an ergonomic driver's seat with suspension and height-and-reach adjustment. And Climatic air-con – creating a constant temperature of your choice – can make a huge difference to your working day.

There's so much space in the cavernous Crafter – the biggest can swallow up to five stacks of Euro pallets



FEATURES IN FOCUS



EEV as standard

All Crafters are EEV (enhanced environmentally friendly vehicle) status as standard. The Crafter uses a modified Diesel Particulate Filter (DPF) – a technology that cuts harmful emissions by cleaning exhaust gases.

Rear step

An optional extending step makes entry and exit easier – especially useful if you handle particularly heavy loads.



Steering wheel

The optional multi-function steering wheel allows you to access a trip computer and sat-nav system, making driving that little bit easier.

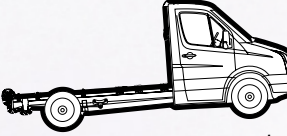
Start/Stop system

This optional feature switches the engine off after a two-second idle. When you're ready to move off again, just depress the clutch to restart the engine automatically. Simple yet effective, particularly if you tackle congested city streets on a daily basis.




MEET THE CRAFTER

Chassis only...



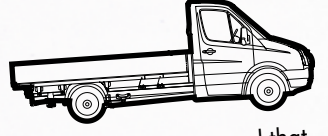
- ✓ Opt for an approved body (Tipper, Dropside or Luton) or have a body made to your specifications
- ✓ Medium-long wheelbase with chassis cab
- ✓ Long wheelbase with double cab
- ✓ Payload up to 3,022kg
- ✓ Four 2.0-litre TDI engines from 109PS to 163PS

...as a dropside



- ✓ Tough, secure load bay from Ingimex will withstand the kind of punishment that's part of everyday life as a builder, gardener or contractor
- ✓ Whether it's bags of fertiliser and tools, gravel and cement, or machinery and pipework, heavy-duty fixings keep your load in place
- ✓ Quick and easy load access combined with ladder gantry to protect the cab


...as a tipper



- ✓ Tough and robust – and that goes for its mechanicals as well as the bodywork
- ✓ A strong, simple electro-hydraulic lift from Ingimex keeps tipping all day, with clearly labelled controls on a portable pendant in the cab
- ✓ As with everything in the 'Engineered To Go' range, there's an extensive manual explaining how to handle different loads safely

...or built however you want it

Volkswagen has chosen the best bodybuilders in the country as their Accredited Converters, so when you walk into your Van Centre you can choose from a long list of bespoke bodies – from refrigerated high-top vans to dropside vans with hydraulic loading arms. With this 'Engineered For You' service, you just tell your Van Centre sales team what you need and they will get the vehicle built for you.





Whatever the job, whatever the demands, there's a Crafter to suit your needs – from passenger carriers to panel vans and tippers

You can relax under pressure

There are great safety features helping to look after you and your load. Anti-lock brakes (ABS), the skid-reducing Electronic Stability Programme (ESP) and the Traction Control System (TCS) all come as standard. And if you make an emergency stop, your brake lights will flash and your hazard warning lights switch on automatically when you come to a standstill. The steel bulkhead will help protect you from what you're carrying in the back, and the driver's airbag from whatever's in front.





The Crafter's sturdy chassis means it's easily adaptable for any task, but retains the functional and comfortable cab layout

Fully loaded with technology

There's tons of kit to help ease your journey. Gear recommendation suggests the optimal ratio for your speed, while a high final drive and optional cruise control takes the pressure off long journeys. And you should never get lost with the optional built-in sat-nav system.

Choose your Crafter

Turn to the back for the full specs

<p>Crafter van</p>  <p>P.96 →</p>	<p>Chassis only</p>  <p>P.108 →</p>
<p>Dropside</p>  <p>P.117 →</p>	<p>Tipper</p>  <p>P.117 →</p>



IF THIS IS THE VAN FOR YOU, CHOOSE YOUR PAINT, UPHOLSTERY, ALLOYS AND AUDIO ON P.128 →

Use the Chooser to find the right van for you

If you want any more help, just ask your Volkswagen Van Centre (they're all over the country). You can find the nearest one to you by ringing 0800 717131

IT'S OVER HERE →

REMEMBER TO ASK ABOUT...



The Volkswagen Commercial Vehicles Service Plan

Now you've made all the tough choices, how about an easy one?

It can take a while to decide on the perfect Volkswagen van. But a Service Plan chooses itself.

For more information just ring your local Van Centre on 0800 717131

The Chooser

Which van is the right one for you?



1. DECIDE HOW MUCH SPACE YOU NEED

2. CHECK THE MAXIMUM LOAD WEIGHT AND LENGTH

3. GET ALL THE DETAILS

Model (Gross vehicle weight)	Volume	Seats	Payload	Load length
Caddy Smallest of the trio, but don't be fooled – the Caddy holds more than you'd think.	3.2m ³	UP TO 2	681-766kg	1,781mm
Caddy Maxi Plasterer Florist Courier	4.2m ³	UP TO 2	646-750kg	2,250mm
Caddy Maxi kombi	4.1m ³	UP TO 5	611-629kg	1,824mm
Transporter This vehicle defines what a great van is all about. The first one was built in 1950, and they've been getting better and better ever since.	5.8m ³	UP TO 3	749-1,333kg	2,570mm
Transporter Plumber Electricals repairer Kitchen fitter	6.7m ³	UP TO 3	749-1,333kg	2,570mm
Transporter	6.7m ³	UP TO 3	857-1,272kg	2,970mm
Transporter	7.8m ³	UP TO 3	857-1,272kg	2,970mm
Transporter	9.3m ³	UP TO 3	857-1,272kg	2,970mm
Transporter kombi FIT YOUR CREW IN TOO	5.8m ³	UP TO 6	1,024-1,224kg	2,570mm
Transporter kombi	6.7m ³	UP TO 6	1,024-1,224kg	2,570mm
Transporter kombi	6.7m ³	UP TO 6	989-1,202kg	2,970mm
Transporter kombi	7.8m ³	UP TO 6	989-1,202kg	2,970mm
Transporter kombi	9.3m ³	UP TO 6	989-1,202kg	2,970mm

Another way of adding extra capacity is by fitting some roofbars

Extra roof height can add more capacity than vehicle length

For payload, think about the heaviest load you'll ever need to carry

Model	Volume	Seats	Payload	Load length
Crafter This van ranges in size from big to enormous. Whatever you need to carry, you can get it in the Crafter.	7.5m ³	UP TO 3	1,044kg	2,600mm
Crafter	9.0m ³	UP TO 3	1,384-2,693kg	3,265mm
Crafter	11.0m ³	UP TO 3	1,384-2,693kg	3,265mm
Crafter	11.5m ³	UP TO 3	1,384-2,693kg	3,265mm
Crafter	14.0m ³	UP TO 3	1,285-2,533kg	4,300mm
Crafter	15.0m ³	UP TO 3	1,285-2,533kg	4,300mm
Crafter	15.5m ³	UP TO 3	1,192-2,480kg	4,700mm
Crafter	17.0m ³	UP TO 3	1,192-2,480kg	4,700mm

** Maxi = extended rear overhang † Passenger seats in the back are included in the volume.

TURN OVER FOR CHASSIS ONLY, TIPPER AND DROPSIDE OPTIONS

Open vans

Get one of these if you prefer open spaces...

Chassis only
(Gross vehicle weight)

Tipper

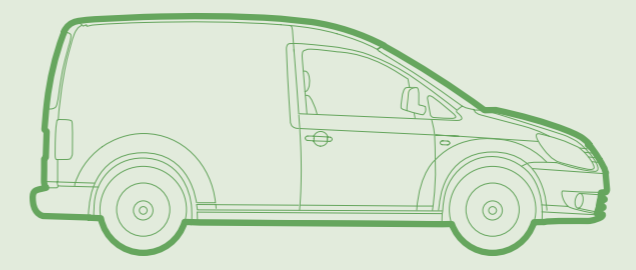
Chassis only (Gross vehicle weight)	Dropside	Tipper	Load area	Load area	Load area	Payload
Transporter long wheelbase chassis cab (3,000kg) UP TO 3 PEOPLE	Transporter long wheelbase dropside	p88	5.7 m ²			1,267-1,425kg
Transporter long wheelbase double cab (3,000kg) UP TO 7 PEOPLE	Transporter long wheelbase dropside double cab	p88	4.2 m ²			1,135-1,292kg
Crafter CR35 medium wheelbase chassis cab (3,500kg) UP TO 3 PEOPLE	Crafter CR35 medium wheelbase dropside	p117	6.9 m ²	Crafter CR35 medium wheelbase tipper	p117	1,211-1,739kg
Crafter CR35 long wheelbase chassis cab (3,500kg) UP TO 3 PEOPLE	Crafter CR35 long wheelbase dropside	p117	8.7 m ²	Crafter CR35 long wheelbase tipper	p117	1,014-1,729kg
Crafter CR50 medium wheelbase chassis cab (5,000kg) UP TO 3 PEOPLE						2,998-3,022kg
Crafter CR50 long wheelbase chassis cab (5,000kg) UP TO 3 PEOPLE						2,951-2,979kg
Crafter CR35 long wheelbase double cab (3,500kg) UP TO 7 PEOPLE	Crafter CR35 long wheelbase dropside double cab	p117	6.9 m ²	Crafter CR35 long wheelbase tipper double cab	p117	1,014-1,514kg
Crafter CR50 long wheelbase double cab (5,000kg) UP TO 7 PEOPLE						2,789kg

HOW MUCH LOAD SPACE DO YOU NEED?
WHAT WILL YOUR HEAVIEST LOAD BE?

The Caddy range

Here's where you find out all the details you need to choose your van

Caddy van



Model	Engine	Gearbox
C20	1.6TDI 75PS	5-spd man
C20	1.6TDI 75PS BlueMotion Technology	5-spd man
C20	1.6TDI 102PS	5-spd man
C20	1.6TDI 102PS BlueMotion Technology	5-spd man
C20	1.6TDI 102PS	7-spd auto DSG
C20	2.0TDI 140PS	6-spd man
C20	2.0 EcoFuel Petrol/CNG 109PS	5-spd man
C20+	1.6TDI 75PS	5-spd man
C20+	1.6TDI 102PS	5-spd man

Caddy Maxi



Model	Engine	Gearbox
C20	1.6TDI 102PS	5-spd man
C20	1.6TDI 102PS BlueMotion Technology	5-spd man
C20	1.6TDI 102PS	7-spd auto DSG
C20	2.0TDI 140PS	6-spd man
C20	2.0 EcoFuel Petrol/CNG 109PS	5-spd man
C20	2.0TDI 110PS 4MOTION®	6-spd man

Caddy Maxi kombi



Model	Engine	Gearbox
C20	1.6TDI 102PS	5-spd man
C20	1.6TDI 102PS	7-spd auto DSG

The Caddy range



Standard features

INCLUDED IN THE BASIC VAN PRICE



Caddy van

Exterior

15" steel wheels with 195/65 R15 and black centre caps
16" steel wheels with 205/55 R16 and black centre caps (140PS only)
60-litre fuel tank
Glazed asymmetric rear-wing doors
Grey bumpers
Heated rear window and wash/wipe (not C20+)
Roof rack preparation
Spare wheel – full size steel (except EcoFuel which has Tyre Mobility System)

Interior

12V socket in dashboard
2 door-activated interior lights
4 drinks holders and storage compartment in centre console
Digital clock
Dimmable dashboard illumination
Driver's seat with height, reach and rake adjustment and passenger seat with reach and rake adjustment
Full height bulkhead – solid lower and plastic mesh upper (not C20+)
Hardboard roof trim and painted half-height side panels
Interior light in headliner
Load lashing rings (6)
Manually controlled heating system with dust and pollen filter and air recirculation
Open glove compartment
'Place' cloth upholstery
RCD 210 radio/single MP3 compatible CD player with 2 speakers and AUX-in socket
Rear-view mirror with anti-dazzle function (not C20+)
Rubber floor covering
Servotronic speed-related power-assisted steering
Side sliding door on left

Safety and security

Automatic hazard lights activation under emergency braking
Driver's airbag
Electronic Stability Programme (ESP) – incorporating Anti-lock Brake System (ABS), Electronic Differential Lock (EDL), Traction Control System (TCS) and engine drag torque control (MSR)
Halogen main headlights with range control and daytime running lights
Reach and rake adjustable steering column
Jack (except EcoFuel) and tool kit
Remote central locking with deadlocks, internal locking switch and 2 remote keys
Thatcham (Cat 2) immobiliser
Windscreen wiper with variable intermittent delay and wash/wipe system

Model specific features

C20+

Full height bulkhead – solid
Heavy duty suspension to allow increased payload
Opaque glass in asymmetric rear-wing doors

BlueMotion Technology

Cruise control
Hill Hold Assist
Start/Stop system with brake energy recuperation for greater fuel and CO₂ efficiency

EcoFuel

Fuel capacity: 35.6m³ compressed gas and 13 litre reserve petrol
Trip computer with multi-function display

Turn to the back cover for the full range of colours and upholstery



Factory options – all models

PAY A BIT EXTRA FOR THESE



Caddy van

Optional on all models

Paint options

Metallic and pearl
Black – 9000

Audio and communications

Bluetooth – includes multi-function display
DAB – digital radio reception (only with radio upgrade or satellite navigation A)
Radio upgrade – RCD 310, single CD/radio MP3 file compatible with AUX-IN
Radio upgrade – RCD 510 radio with integrated 6 CD changer, SD Card reader, MP3 file compatible with AUX-IN and 2 additional speakers
Satellite navigation A – RNS 315: 5" colour touch-screen display, 4GB internal flash memory, navigation data for Europe (excluding Eastern European countries). Radio and CD player, AUX-in and 2 additional speakers. Includes trip computer and multi-function display
Satellite navigation B – RNS 510: 6.5" colour touch-screen display with 30GB HDD and SD card reader. Radio, CD and DVD player with AUX-in, voice control and 2 additional speakers. Includes trip computer and multi-function display (not with DAB)

Body and chassis

Appearance pack – body-coloured bumpers and wing mirrors (only with electric pack)¹
Protection underbody – (not with EcoFuel)
Rear door pack A – rear wing doors with opaque glass, without heated rear window and wash/wipe
Rear door pack B – tailgate with heated rear window and wash wipe
Roof rails – black
Side door pack A – left and right
Towbar – fixed ball with 13-pin socket. Includes Trailer Stability Assist operated via ESP²

¹ Please confirm colour availability with your Volkswagen Van Centre.
² An adaptor is available from Van Centres to allow connection to twin 7-pin sockets. Only one front towing eye with towbars.

Cargo area

Bulkhead pack A – bulkhead deleted (not with C20+)
Ladder flap – in roof (only with side door pack A, not with rear door pack B) (C20 only)
Load floor cover – rubber (not with EcoFuel)

Comfort and convenience

Cab comfort pack¹
Cruise control (standard on BlueMotion Technology models)
Leather pack – includes multi-function display and controls for mobile phone
Smoking pack – ashtray and cigarette lighter in lieu of 12V socket
Steering wheel – leather, multi-function, includes trip computer and multi-function display
Visibility pack – rain sensor, automatic dimming rear-view mirror and 'coming home' function
Winter pack – headlight washers, heated washer jets, washer fluid level indicator and heated driver and front passenger seats

¹ Cab carpet, height adjustable front seats, storage under front seats and vanity mirrors.

At a glance...



Start/Stop system

Standard with BlueMotion Technology, it reduces emissions and fuel consumption



Asymmetric rear doors

This clever design means that most loads can be accessed by opening just one door



Sliding door

Kerbside loads are swallowed safely and with ease by this large side sliding door



Daytime running lights

This safety feature makes sure you can always see and be seen by other drivers

The Caddy range



Factory options – all models (continued)

Caddy van

Optional on all models

Electrical

- Alternator/battery – uprated ¹ (not with BlueMotion Technology models)
- Electric pack – electric windows and electrically heated and adjustable mirrors
- Trip computer – and multi-function display

¹ 380A 72Ah battery and 140A alternator.

Heating and ventilation

- Air-conditioning – Climatic, manual air-conditioning (not with alternator/battery uprated)
- Air-conditioning – Climatronic, semi-automatic (not with rear-door pack A)

Safety and security

- Airbag pack A – front passenger airbag with deactivation switch
- Airbag pack B – front passenger airbag with deactivation switch and driver and passenger side airbags
- Airbag pack D – front passenger airbag with deactivation switch and driver and passenger side and curtain head airbags
- Alarm pack A – perimeter with back-up horn
- Alarm pack B – Thatcham category 1 with interior (cab only) and tow-away protection
- Fog lights – integrated front fog lights
- Fog lights – integrated front fog lights and cornering lights
- Hill Hold Assist – (standard on BlueMotion Technology and 4MOTION® models)
- Parking sensors – rear

Seating, trim and upholstery

- Seats – leatherette upholstery
- Seats – robust upholstery
- Seat pack A – heated driver and front passenger seats

Wheels and tyres

- Alloy wheels – 15" Kemora with 215/65 R15 tyres and steel spare wheel (not with 140PS)
- Alloy wheels – 16" Siracusa with 205/55 R16 tyres and steel spare wheel
- Alloy wheels – 17" Zolder with 205/50 R17 tyres and Tyre Mobility System (not with C20, BlueMotion Technology models or 140PS models)
- Tyres – all-weather, 215/65 R15 (not with C20+ or BlueMotion Technology models)
- Tyres – all-weather, 205/55 R16 (not with C20+ or BlueMotion Technology models)
- Tyres – winter tyres

15" Kemora alloy wheels. See the back cover for the full range



At a glance...



RCD 310 radio / CD player
DAB and MP3-compatible with multiple-speaker upgrade and AUX-in attachment



Fog lights with cornering
Reduce the risk of accidents by lighting up the road in the direction you're turning



Parking sensors (rear)
Protect your rear light clusters and panel work when you fine-tune your reversing

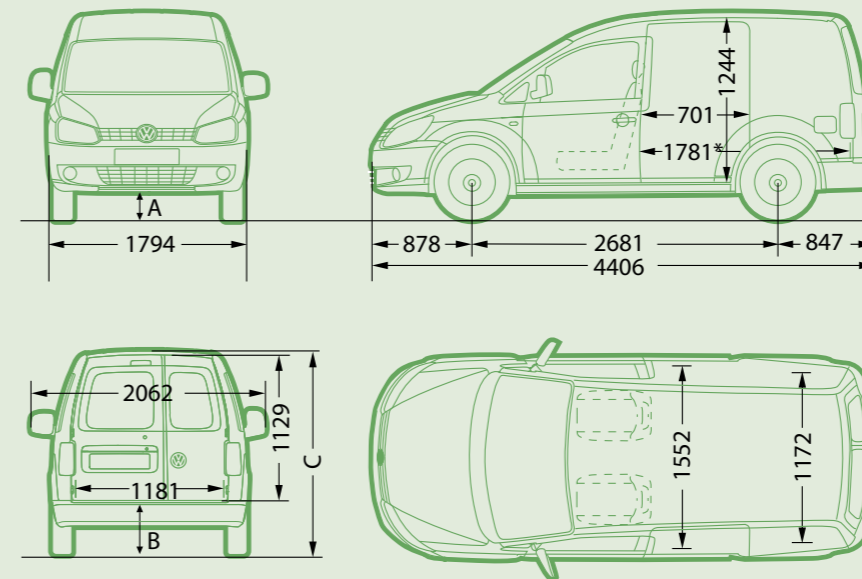


Cruise control
Relieve motorway or towing strain by setting your speed with this clever switch



Dimensions and weights

Caddy van



Wheelbase	2,681
Side sliding door	
Width	701
Height	1,100
Asymmetric rear doors	
Width	1,181
Height	1,129
Load area	3.2m ³
Turning circle (wall to wall)	11.1m

Dimensions in mm unless otherwise indicated.

Dimensions	A	B	C
Standard	156	576	1823
BlueMotion Technology	133	570	1812
4MOTION®	160	642	1873
EcoFuel	66	573	1821

- A Front ground clearance.
- B Rear load height.
- C Overall vehicle height.

Model, gross vehicle weight (kg)	Engine	Axle load limit front/rear (kg)	Trailer weight braked 12%/unbraked (kg)	Gross train weight (kg)	Unladen weight † (kg)	Payload † (kg)
Caddy van						
C20 2,175	1.6TDI 75PS	1,075 / 1,230	1,400 / 710	3,550	1,475	700
2,184	1.6TDI 75PS BlueMotion Technology	1,075 / 1,230	1,400 / 720	3,550	1,481	703
2,175	1.6TDI 102PS	1,075 / 1,230	1,500 / 710	3,650	1,478	697
2,184	1.6TDI 102PS BlueMotion Technology	1,075 / 1,230	1,500 / 720	3,650	1,484	700
2,193	1.6TDI 102PS DSG	1,075 / 1,230	1,500 / 720	3,693	1,496	697
2,188	2.0TDI 140PS	1,075 / 1,230	1,500 / 720	3,688	1,490	698
2,250	2.0 EcoFuel Petrol/CNG 109PS	1,100 / 1,250	1,300 / 750	3,400	1,569	681
C20+ 2,247	1.6TDI 75PS	1,075 / 1,285	1,400 / 710	3,500	1,481	766
2,247	1.6TDI 102PS	1,075 / 1,285	1,500 / 710	3,500	1,481	766

Roof load limit: 100kg. Trailer nose weight: 80kg.

† Unladen weight and payload includes approximately 90% fuel load and 75kg for driver.

Payload = gross vehicle weight – unladen weight.

Weights are for vehicles with standard specification. The addition of factory options or Volkswagen Van Centre fitted accessories may affect unladen weight and payload.



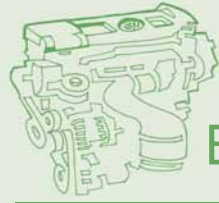
Top Caddy accessories

As well as factory options, you can also order some great extras for your Caddy that are supplied by your Van Centre. For example:

- 1 16" Sima alloy wheels
- 2 Bluetooth® Touch Phone kit (left)
- 3 Polished stainless steel side rails
- 4 Roof-bar set

For the full range, ask your Van Centre for an Accessories brochure

The Caddy range



Engine specification

Caddy van

	1.6TDI 75PS	1.6TDI 102PS	2.0TDI 140PS
Engine type	Diesel, transverse, water-cooled, in-line, variable turbine geometry turbocharger with intercooler		
No. of cylinders	4		
Cubic capacity	1,598cc	1,598cc	1,968cc
Mixture preparation/injection method	Common-rail direct injection/turbocharger		
Diesel Particulate Filter (DPF)	●	●	●
Output, PS at rpm	75 at 3,000-4,000	102 at 4,400	140 at 4,200
Torque, max. Nm/rpm	225/1,500-2,250	250/1,500-2,500	320/1,500-2,500
EU exhaust emission standard	EURO 5		
5-speed manual gearbox	●	●	–
6-speed manual gearbox	–	–	●
7-speed auto DSG	–	● ¹	–
Front-wheel-drive	●	●	●
Electrics			
Alternator (all variants)	110A		
Battery	61Ah (330A)		

	2.0 EcoFuel Petrol/CNG 109PS
Engine type	Quasi-monovalent ² (petrol engine optimised for operation with natural gas)
No. of cylinders	4
Cubic capacity	1,984cc
EU exhaust emission standard	EURO 5
Output, PS at rpm	109 at 5,400
Torque, max. Nm/rpm	160/2,250-3,500
5-speed manual gearbox	●
Front wheel drive	●
Fuel type	Natural gas (CNG) ³ /Super plus DIN EN 228 ROZ 98 ⁴

● Available.

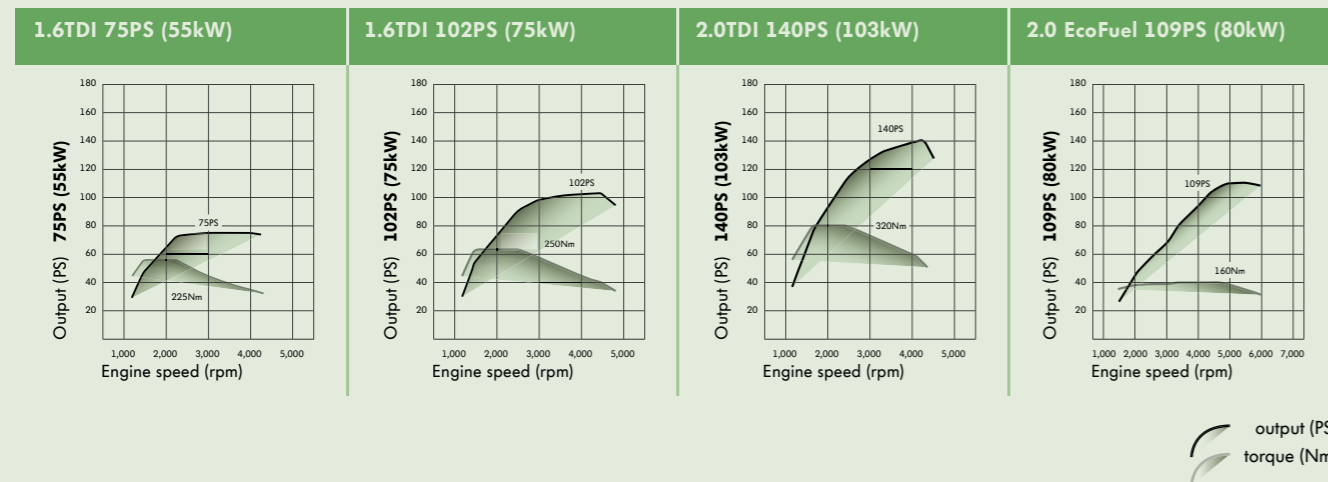
– Not available.

¹ Not available on BlueMotion Technology models.

² Primary natural gas mode; secondary petrol reserve mode.

³ H or L gas. It is possible to use bio gas.

⁴ 95 RON unleaded premium fuel may be used in which case a slight decrease in performance or higher fuel consumption must be reckoned with.



Fuel consumption and performance

Caddy van

Engine	Urban mpg (l/100km) ¹	Extra-urban mpg (l/100km) ¹	Combined mpg (l/100km) ¹	Acceleration 0-62 mph (seconds)	Top speed mph (where law permits)	CO ₂ emissions (g/km)
Caddy van						
1.6TDI 75PS	42.2 (6.7)	53.3 (5.3)	49.6 (5.7)	16.7	93	152
1.6TDI 75PS BlueMotion Technology	47.9 (5.9)	57.6 (4.9)	53.3 (5.3)	16.7	94	139
1.6TDI 102PS	42.2 (6.7)	53.3 (5.3)	48.7 (5.8)	12.2	104	152
1.6TDI 102PS BlueMotion Technology	47.9 (5.9)	60.1 (4.7)	55.4 (5.1)	12.2	106	134
1.6TDI 102PS DSG	42.8 (6.6)	53.3 (5.3)	48.7 (5.8)	12.3	104	152
2.0TDI 140PS	38.2 (7.4)	53.3 (5.3)	47.1 (6.0)	10.0	116	158

Caddy van (EcoFuel)

Engine	Urban miles per m ³ (m ³ /100km) ¹	Extra-urban miles per m ³ (m ³ /100km) ¹	Combined miles per m ³ (m ³ /100km) ¹	Acceleration 0-62 mph (seconds)	Top speed mph (where law permits)	CO ₂ emissions (g/km)
Caddy van						
2.0 EcoFuel Petrol / CNG 109PS	23.7 (11.9)	40.9 (6.9)	32.5 (8.7)	13.5	105	156

¹ With 50% payload.

EcoFuel gas consumption figures are quoted in cubic metres per 100km.

The fuel consumption and CO₂ figures for the Caddy range are provisional and have yet to be confirmed.

What is DSG?

Direct Shift Gearbox uses two automatic clutches – while one is engaged, the other is ready to accept the next gear. This ensures smoother gear changes and is ideal for stop-start city work, making life much easier for the driver.



The Caddy range



Standard features

INCLUDED IN THE BASIC VAN PRICE



Caddy Maxi

Exterior

15" steel wheels with 195/65 R15 and black centre caps
16" steel wheels with 205/55 R16 and black centre caps (140PS only)
60-litre fuel tank
Grey bumpers
Opaque asymmetric rear-wing doors
Roof rack preparation
Spare wheel – full size steel (except EcoFuel and 4MOTION® which have Tyre Mobility System)

Interior

12V socket in dashboard
2 door-activated interior lights
4 drinks holders and storage compartment in centre console
Digital clock
Dimmable dashboard illumination
Driver's seat with height, reach and rake adjustment and passenger seat with reach and rake adjustment
Full height bulkhead – solid
Hardboard roof trim and painted half-height side panels
Interior light in headliner
Load lashing rings (6)
Manually controlled heating system with dust and pollen filter and air recirculation
Open glove compartment
Place cloth upholstery
RCD 210 radio/single MP3 compatible CD player with 2 speakers and AUX-in socket
Rubber floor covering
Servotronic speed-related power-assisted steering
Side sliding doors on left and right

Safety and security

Automatic hazard lights activation under emergency braking
Driver's airbag
Electronic Stability Programme (ESP) – incorporating Anti-lock Brake System (ABS), Electronic Differential Lock (EDL), Traction Control System (TCS) and engine drag torque control (MSR)
Halogen main headlights with range control and daytime running lights
Height and rake adjustable steering column
Jack (except EcoFuel and 110PS 4MOTION®) and tool kit
Remote central locking with deadlocks, internal locking switch and 2 remote keys
Thatcham (Cat. 2) immobiliser
Windscreen wiper with variable intermittent delay and wash/wipe system

Model specific features

110PS 4MOTION®

4MOTION® all-wheel drive
Trip computer with multi-function display
Hill Hold Assist

BlueMotion Technology

Cruise control
Hill Hold Assist
Start/Stop system with brake energy recuperation for greater fuel and CO₂ efficiency

EcoFuel

16" steel wheels with 205/55 R16 tyres and black centre caps
Fuel capacity: 50.7m³ compressed gas and 13-litre reserve petrol
Trip computer with multi-function display

Turn to the back cover for the full range of colours and upholstery



At a glance...



Start/Stop system

Standard with BlueMotion Technology, it reduces emissions and fuel consumption



Opaque asymmetric rear doors

This clever design means that most loads can be accessed by opening just one door



Sliding door

Kerbside loads are swallowed safely and with ease by this large sliding side door



Daytime running lights

This safety feature makes sure you can always see and be seen by other drivers



Factory options – all models

PAY A BIT EXTRA FOR THESE



Caddy Maxi

Optional on all models

Paint options

Metallic and pearl paint
Black paint – 9000

Audio and communications

Bluetooth – includes multi-function display
DAB – digital radio reception (only with radio upgrade or with satellite navigation A)
Radio upgrade – RCD 310, single CD, MP3 compatible with AUX-IN
Radio upgrade – RCD 510, radio with integrated 6 CD changer, SD Card reader, MP3 file compatible with AUX-IN and 2 additional speakers
Satellite navigation A – RNS 315: 5" colour touch-screen display, 4GB internal flash memory, navigation data for Europe (excluding Eastern European countries). Radio and CD player, AUX-in and 2 additional speakers. Includes trip computer and multi-function display
Satellite navigation B – RNS 510: 6.5" colour touch-screen display with 30GB HDD and SD card reader. Radio, CD and DVD player with AUX-IN, voice control and 2 additional speakers. Includes trip computer and multi-function display (not with DAB)

Body and chassis

Appearance pack – body-coloured bumpers and wing mirrors (only with electric pack)¹
Protection underbody (not with EcoFuel)
Rear-door pack B – tailgate with heated rear window and wash wipe (not with ladder flap, only with bulkhead pack A)
Rear window – heated with wash/wipe (only with bulkhead pack A)
Roof rails – black

Towbar – fixed ball with 13-pin socket.
Includes Trailer Stability Assist operated via ESP²

¹ Please confirm colour availability with your Volkswagen Van Centre.
² An adaptor is available from Van Centres to allow connection to twin 7-pin sockets. Only one front towing eye with towbars.

Cargo area

Bulkhead pack A – deleted (only with rear windows, heated and wash/wipe)
Load floor cover – rubber (not with EcoFuel)

Comfort and convenience

Cab comfort pack¹
Cruise control (standard on BlueMotion Technology models)
Leather pack – includes multi-function display and controls for mobile phone
Smoking pack – ashtray and cigarette lighter in lieu of 12V socket
Steering wheel – leather, multi-function, includes trip computer and multi-function display
Visibility pack – rain sensor, automatic dimming rear-view mirror and 'coming home' function
Winter pack – headlight washers, heated washer jets, washer fluid level indicator and heated driver and front passenger seats

¹ Cab carpet, height-adjustable front seats, storage under front seats and vanity mirrors.

The Caddy range



Factory options – all models (continued)

Caddy Maxi

Optional on all models

Electrical

- Alternator/battery – uprated ¹ (not with BlueMotion Technology models)
- Electric pack – electric windows and electrically heated and adjustable mirrors
- Trip computer – and multi-function display (standard on 4MOTION®)

¹ 380A 72Ah battery and 140A alternator.

Heating and ventilation

- Air-conditioning – Climatic, manual air-conditioning (not with alternator/battery uprated)
- Air-conditioning – Climatronic, semi-automatic (only with bulkhead pack A and rear door pack C)

Safety and security

- Airbag pack A – front passenger airbag with deactivation switch
- Airbag pack B – front passenger airbag with deactivation switch and driver and passenger side airbags
- Airbag pack D – front passenger airbag with deactivation switch and driver and passenger side and curtain head airbags
- Alarm pack A – perimeter with back-up horn
- Alarm pack B – Thatcham Category 1 with interior (cab only) and tow-away protection
- Fog lights – integrated front fog lights
- Fog lights – integrated front fog lights and cornering lights
- Hill Hold Assist – (standard with BlueMotion Technology and 4MOTION® models)
- Parking sensors – rear

Seating, trim and upholstery

- Seats – leatherette upholstery
- Seats – robust upholstery
- Seat pack A – heated driver and front passenger seats

Wheels and tyres

- Alloy wheels – 15" Kemora with 215/65 R15 tyres and steel spare wheel (not with 140PS)
- Alloy wheels – 16" Siracusa with 205/55 R16 tyres and steel spare wheel
- Alloy wheels – 17" Zolder with 205/50 R17 tyres and Tyre Mobility System (not with BlueMotion Technology or 140PS)
- Tyres – all-weather, 215/65 R15 (not with BlueMotion Technology models)
- Tyres – all-weather, 205/55 R16 (not with BlueMotion Technology models)
- Tyres – winter tyres

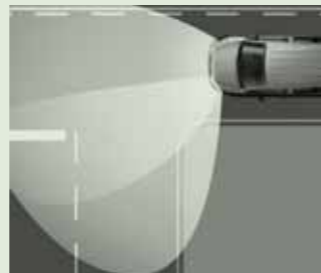
17" Zolder alloy wheels. See the back cover for the full range



At a glance...



Climatic air-conditioning
Working hard? Stuck in traffic? Keep cool with this fast-acting, easy-to-use system



Fog lights with cornering
Reduce the risk of accidents by lighting up the road in the direction you're turning



Satellite navigation B
This touch screen system will get you from A to B quickly, saving you time and money

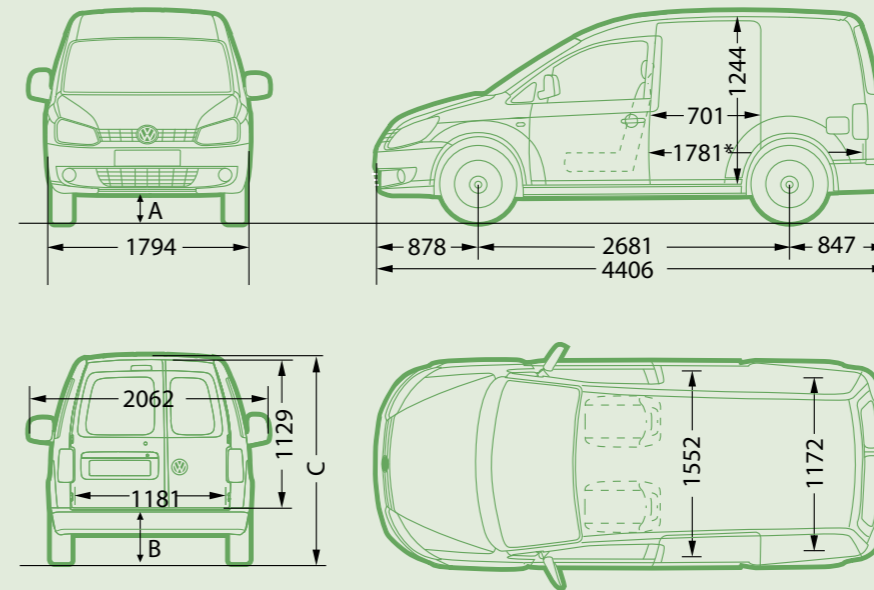


Towbar
Fixed ball with 13-pin socket. Includes Trailer Stability Assisted run via ESP



Dimensions and weights

Caddy Maxi



Wheelbase	3,006
Side sliding door	
Width	701
Height	1,110
Asymmetric rear doors	
Width	1,181
Height	1,132
Load area	4.2m ³
Turning circle (wall to wall)	12.2m

Dimensions in mm unless otherwise indicated

Dimensions	A	B	C
Standard	152	588	1836
BlueMotion Technology	152	588	1836
4MOTION®	159	652	1886
EcoFuel	88	582	1832

- A Front ground clearance
- B Rear load height
- C Overall vehicle height

Model, gross vehicle weight (kg)	Engine	Axle load limit front/rear (kg)	Trailer weight braked 12%/unbraked (kg)	Gross train weight (kg)	Unladen weight † (kg)	Payload † (kg)
Caddy Maxi						
C20 2,310	1.6TDI 102PS	1,125 / 1,300	1,500 / 740	3,650	1,560	750
2,319	1.6TDI 102PS BlueMotion Technology	1,125 / 1,300	1,500 / 750	3,650	1,566	753
2,328	1.6TDI 102PS DSG	1,150 / 1,300	1,500 / 750	3,800	1,578	750
2,327	2.0TDI 140PS	1,150 / 1,300	1,500 / 750	3,800	1,575	752
2,350	2.0 EcoFuel Petrol/CNG 109PS	1,175 / 1,300	1,300 / 750	3,400	1,704	646
2,350	2.0TDI 110PS 4MOTION®	1,200 / 1,250	1,500 / 750	3,800	1,660	690

Roof load limit: 100kg. Trailer nose weight: 80kg.

† Unladen weight and payload includes approximately 90% fuel load and 75kg for driver.

Payload = gross vehicle weight – unladen weight.

Weights are for vehicles with standard specification. The addition of factory options or Volkswagen Van Centre fitted accessories may affect unladen weight and payload.



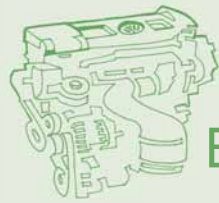
Top Caddy Maxi accessories

As well as factory options, you can also order some great extras for your Caddy that are supplied by your Van Centre. For example:

- 1 17" Sportline alloy wheels
- 2 Bluetooth® Touch Phone kit
- 3 iPod adapter (left)
- 4 Roof-rack

For the full range, ask your Van Centre for an Accessories brochure

The Caddy range



Engine specification

Caddy Maxi

	1.6TDI 102PS	2.0TDI 110PS 4MOTION®	2.0TDI 140PS
Engine type	Diesel transverse, water-cooled, in-line, variable turbine geometry turbocharger with intercooler		
No. of cylinders	4		
Cubic capacity	1,598cc	1,968cc	1,968cc
Mixture preparation/injection method	Common-rail direct injection/turbocharger		
Diesel Particulate Filter (DPF)	●	●	●
Output, PS at rpm	102 at 4,400	110 at 4,200	140 at 4,200
Torque, max. Nm/rpm	250/1,500-2,500	280/1,750-2,750	320/1,500-2,500
EU exhaust emission standard	EURO 5		
5-speed manual gearbox	●	–	–
6-speed manual gearbox	–	●	●
6-speed auto DSG	–	–	●
7-speed auto DSG	● ¹	–	–
Front-wheel drive	●	–	●
4MOTION® all-wheel drive	–	●	–
Electrics			
Alternator (all variants)	110A		
Battery	61Ah (330A)		

	2.0 EcoFuel Petrol/CNG 109PS
Engine type	Quasi-monovalent ² (petrol engine optimised for operation with natural gas)
No. of cylinders	4
Cubic capacity	1,984cc
EU exhaust emission standard	EURO 5
Output, PS at rpm	109 at 5,400
Torque, max. Nm/rpm	160/2,250-3,500
5-speed manual gearbox	●
Front wheel drive	●
Fuel type	Natural gas (CNG) ³ /Super plus DIN EN 228 ROZ 98 ⁴

● Available.

– Not available.

¹ Not available on BlueMotion Technology models.

² Primary natural gas mode; secondary petrol reserve mode.

³ H or L gas. It is possible to use bio gas.

⁴ 95 RON unleaded premium fuel may be used in which case a slight decrease in performance or higher fuel consumption must be reckoned with.

What is 4MOTION®?

The 4MOTION® all-wheel drive system reduces wheelspin in adverse conditions such as rain, snow, mud or gravel. It reacts to wheelspin in just milliseconds, sending power to the wheels with most grip, so ensuring better roadholding and improved

safety. It's available with the Caddy Maxi 110PS engine. For even stronger traction, every vehicle with 4MOTION® also has a clever locking rear differential.



Fuel consumption and performance

Caddy Maxi

Engine	Urban mpg (l/100km) ¹	Extra-urban mpg (l/100km) ¹	Combined mpg (l/100km) ¹	Acceleration 0-62 mph (seconds)	Top speed mph (where law permits)	CO ₂ emissions (g/km)
Caddy van						
1.6TDI 102PS	41.5 (6.8)	52.3 (5.4)	47.9 (5.9)	12.6	104	155
1.6TDI 102PS BlueMotion Technology	47.1 (6.0)	58.9 (4.8)	54.3 (5.2)	12.6	106	136
1.6TDI 102PS DSG	42.2 (6.7)	52.3 (5.4)	47.9 (5.9)	12.7	104	155
2.0TDI 140PS	37.7 (7.5)	52.3 (5.4)	46.3 (6.1)	10.3	116	161
2.0TDI 110PS 4MOTION®	35.8 (7.9)	48.7 (5.8)	42.8 (6.6)	12.6	106	174

Caddy Maxi (EcoFuel)

Engine	Urban miles per m ³ (m ³ /100km) ¹	Extra-urban miles per m ³ (m ³ /100km) ¹	Combined miles per m ³ (m ³ /100km) ¹	Acceleration 0-62 mph (seconds)	Top speed mph (where law permits)	CO ₂ emissions (g/km)
Caddy van						
2.0 EcoFuel Petrol/CNG 109PS	23.5 (12.0)	40.9 (6.9)	32.1 (8.8)	14.0	105	156

¹ With 50% payload.

EcoFuel gas consumption figures are quoted in cubic metres per 100km.

The fuel consumption and CO₂ figures for the Caddy range are provisional and have yet to be confirmed.



What is BlueMotion Technology?

With BlueMotion Technology not only will you be saving money, but you'll also be doing your bit for the environment. BlueMotion Technology uses a combination of modified gear ratios, regenerative braking, Start/Stop system and low-friction tyres. CO₂ output is reduced to as little as 134g/km, and fuel consumption can reach an impressive 55.4mpg (combined figure).

The Caddy range



Standard features

INCLUDED IN THE BASIC VAN PRICE



Caddy Maxi kombi

Exterior

15" steel wheels with 195/65 R15 and black centre caps
60-litre fuel tank
Glazed tailgate with heated rear window and wash/wipe
Grey bumpers
Roof rack preparation
Side sliding doors on left and right with fixed windows
Spare wheel – full size steel

Interior

12V socket in dashboard
3-seater split/folding and removable bench in the first passenger row, with ISOFIX mountings in outer seats
4 drinks holders and storage compartment in centre console
Automatic hazard lights activation under emergency braking
Rubber floor covering
Digital clock
Dimmable dashboard illumination
Driver's seat with height, reach and rake adjustment and passenger seat with reach and rake adjustment
Hardboard roof trim and side panels in rear passenger compartment
Interior light in headliner
Load lashing rings (6)
Manually controlled heating system with dust and pollen filter and air recirculation
Open glove compartment
RCD 210 radio/single MP3 compatible CD player with 2 speakers and AUX-IN socket
Servotronic speed-related power-assisted steering
Timo cloth upholstery
Solid rear side panels

Safety and security

Automatic hazard lights activation under emergency braking
Driver and front passenger airbags with front passenger airbag deactivation switch
Electronic Stability Programme (ESP) – incorporating Anti-lock Brake System (ABS), Electronic Differential Lock (EDL), Traction Control System (TCS) and engine drag torque control (MSR)
Halogen main headlights with range control and daytime running lights
Height and rake adjustable steering column
Jack and tool kit
Remote central locking with deadlocks, internal locking switch and 2 remote keys
Thatcham (Cat. 2) immobiliser
Windscreen wiper with variable intermittent delay and wash/wipe system

Turn to the back cover for the full range of available colours and upholstery



At a glance...



Sliding door

Kerbside loads are swallowed safely and with ease by this large sliding side door



Daytime running lights

This safety feature makes sure you can always see and be seen by other drivers



Electronic Stability Programme

This safety feature senses wheel slip and helps prevent skids before they happen



Opaque asymmetric rear doors

This clever design means that most loads can be accessed by opening just one door



Factory options – all models

PAY A BIT EXTRA FOR THESE



Caddy Maxi kombi

Optional on all models

Paint options

Metallic and pearl

Black – 9000

Audio and communications

CD changer – in centre console with armrest

DAB – digital radio reception

(only with radio upgrade or satellite navigation A)

Radio upgrade – RCD 310, single CD/radio MP3 file compatible with AUX-IN

Radio upgrade – RCD 510, radio with integrated 6 CD changer, SD Card reader, MP3 file compatible with AUX-IN and 4 speakers

Satellite navigation A – RNS 315: 5" colour touch-screen display, 4GB internal flash memory, navigation data for Europe (excluding Eastern European countries). Radio and CD player, AUX-in and 2 additional speakers. Includes trip computer and multi-function display

Satellite navigation B – RNS 510: 6.5" colour touch-screen display with 30GB HDD and SD card reader. Radio, CD and DVD player with AUX-IN, voice control and 2 additional speakers. Includes trip computer and multi-function display (not with DAB)

Body and chassis

Appearance pack – body-coloured bumpers ¹

Protection underbody

Rear door pack C – rear wing doors with heated rear window and wash/wipe

Roof rails – black

Towbar – fixed ball with 13-pin socket.

Includes Trailer Stability Assist operated via ESP ²

Towbar – removable ball with 13-pin socket.

Includes Trailer Stability Assist operated via ESP ²

¹ Please confirm colour availability with your Volkswagen Van Centre.

² An adaptor is available from Van Centres to allow connection to twin 7-pin sockets. Only one front towing eye with towbars.

Cargo area

Partition net for luggage compartment

Floor covering – carpet in lieu of rubber

Comfort and convenience

Cab comfort pack ¹

Cruise control

Smoking pack – ashtray and cigarette lighter in lieu of 12V socket

Steering wheel – leather, multi-function, includes trip computer and multi-function display

Winter pack – headlight washers, heated washer jets, washer fluid level indicator and heated driver and front passenger seats

Visibility pack – rain sensor, automatic dimming rear-view mirror and 'coming home' function

¹ Height-adjustable front seats, storage under front seats and vanity mirrors.

Electrical

Alternator/battery – uprated ¹

Electric pack – electric windows and electrically heated and adjustable mirrors

Trip computer – and multi-function display

¹ 380A 72Ah battery and 140A alternator.

At a glance...



Satellite navigation B

This touch screen system will get you from A to B quickly, saving you time and money



Appearance pack

If looks are important to you, why not go for body-coloured bumpers?



Multi-function steering wheel

With a range of controls at your fingertips there's no need to let go of the wheel



Climatic air-conditioning

Working hard? Stuck in traffic? Keep cool with this fast-acting, easy-to-use system

The Caddy range



Factory options – all models (continued)

Caddy Maxi kombi

Optional on all models

Heating and ventilation

Air-conditioning – Climatic, manual air-conditioning (not with alternator/battery upgraded)

Heater – auxiliary vehicle heater

Safety and security

Airbag pack B – driver and passenger side airbags

Airbag pack D – driver and passenger side and curtain head airbags

Alarm pack A – perimeter with back-up horn

Alarm pack B – with interior (cab only) and tow-away protection

Fog lights – integrated front fog lights

Fog lights – integrated front fog lights and cornering lights

Hill Hold Assist

Parking sensors – rear

Seating, trim and upholstery

Seats – leatherette upholstery

Seat pack A – heated driver and front passenger seats

Wheels and tyres

Alloy wheels – 15" Kemora with steel spare wheel (not with 140PS)

Alloy wheels – 16" Siracusa with 205/55 R16 tyres and steel spare wheel (not with 140PS)

Spare wheel – deleted

Tyres – all-weather, in combination with 16" wheels

Windows

Privacy glass – rear ¹

Window pack A – sliding windows fitted in side sliding doors

¹ All rear and side windows from B-pillar back, where fitted, are dark tinted.



16" Siracusa alloy wheels. See the back cover for the full range

At a glance...



Fog lights with cornering

Turn a corner or indicate and extra bulbs and reflectors will pick out hidden hazards



RCD 310 radio / CD player

DAB and MP3-compatible with multiple-speaker upgrade and AUX-in attachment



Cruise control

Relieve motorway or towing strain by setting your speed with this clever switch

Top Caddy Maxi kombi accessories

As well as factory options, you can also order some great extras for your Caddy Maxi kombi that are supplied by your Van Centre. For example:

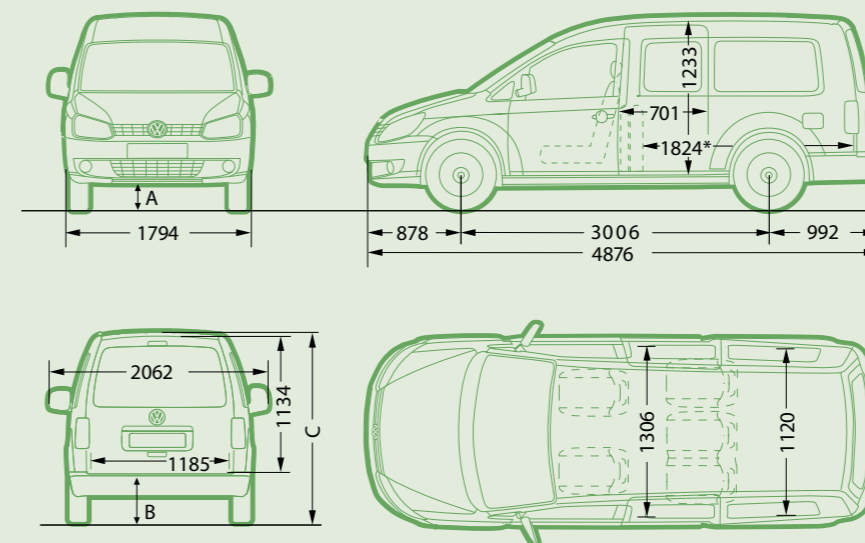
- 1 17" Sportline alloy wheels
- 2 Kenwood Multimedia system (left)
- 3 Rear spoiler
- 4 Polished stainless steel side rails

For the full range, ask your Van Centre for an Accessories brochure



Dimensions and weights

Caddy Maxi kombi



Wheelbase	2,681
Side sliding door	
Width	701
Height	1,100
Tailgate	
Width	1,185
Height	1,129
Load area	
With 1st-row seats upright	1.60m ³
With 1st-row seats double folded	3.90m ³
With 1st-row seats removed	4.10m ³
Turning circle (wall to wall)	12.2m

Dimensions in mm unless otherwise indicated.

Dimensions	A	B	C
Standard	146	575	1822

- A Front ground clearance.
- B Rear load height.
- C Overall vehicle height.

Model, gross vehicle weight (kg)	Engine	Axle load limit front/rear (kg)	Trailer weight braked 12%/unbraked (kg)	Gross train weight (kg)	Unladen weight † (kg)	Payload † (kg)
Caddy Maxi kombi						
C20 2,280	1.6TDI 102PS	1,150 / 1,230	1,500 / 750	3,650	1,651	629
2,280	1.6TDI 102PS DSG	1,175 / 1,230	1,500 / 750	3,780	1,669	611

Roof load limit: 100kg. Trailer nose weight: 80kg.

† Unladen weight and payload includes approximately 90% fuel load and 75kg for driver.

Payload = gross vehicle weight – unladen weight.

Weights are for vehicles with standard specification. The addition of factory options or Volkswagen Van Centre fitted accessories may affect unladen weight and payload.

The Caddy range



Engine specification

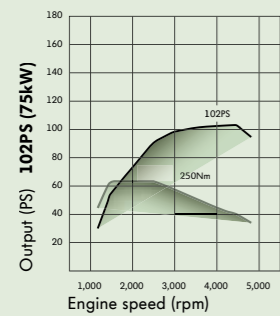
Caddy Maxi kombi

1.6TDI 102PS	
Engine type	Transverse, water-cooled in-line variable turbine geometry turbocharger with intercooler
No. of cylinders	4
Cubic capacity	1,598cc
Mixture preparation/injection method	Common-rail direct injection/turbocharger
Diesel Particulate Filter (DPF)	●
Output, PS at rpm	102 at 4,400
Torque, max. Nm/rpm	250/1,500-2,500
EU exhaust emission standard	EURO 5
5-speed manual gearbox	●
6-speed manual gearbox	–
6-speed auto DSG	–
7-speed auto DSG	●
Front-wheel drive	●
Electrics	
Alternator (all variants)	110A
Battery	61Ah (330A)

● Available.

– Not available.

1.6TDI 102PS (75kW)



output (PS)
torque (Nm)



Fuel consumption and performance

Caddy Maxi kombi

Engine	Urban mpg (l/100km) ¹	Extra-urban mpg (l/100km) ¹	Combined mpg (l/100km) ¹	Acceleration 0-62 mph (seconds)	Top speed mph (where law permits)	CO ₂ emissions (g/km)
Caddy Maxi kombi						
1.6TDI 102PS	42.8 (6.6)	54.3 (5.2)	49.6 (5.7)	13.4	104	149
1.6TDI 102PS DSG	43.5 (6.5)	54.3 (5.2)	49.6 (5.7)	13.5	104	149

¹ With 50% payload.

The fuel consumption and CO₂ figures for the Caddy range are provisional and have yet to be confirmed.

“The diesel engine has plenty of power and gets me quickly and economically between my clients”

Hannah Ingram, fitness instructor

What is DSG?

Direct Shift Gearbox uses two automatic clutches – while one is engaged, the other is ready to accept the next gear. This ensures smoother gear changes and is ideal for stop-start city work, making life much easier for the driver.





Checklist

KEEP A TRACK OF YOUR VAN AS YOU BUILD IT

Vehicle (eg: Caddy van, Caddy Maxi...)

Model (eg: C20...)

Engine spec (eg: 1.6TDI 75PS...)

Colour (eg: Candy White, Beluga Blue...)

Upholstery (eg: Classic Grey, Anthracite...)

Options (eg: Parking sensors...)

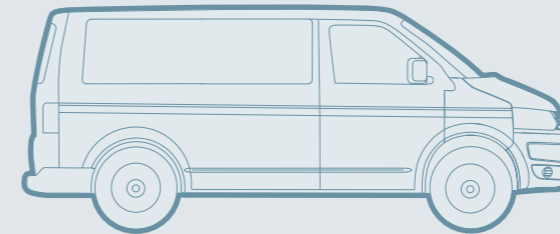
Accessories (eg: Roof bar set...)

Notes

The Transporter range

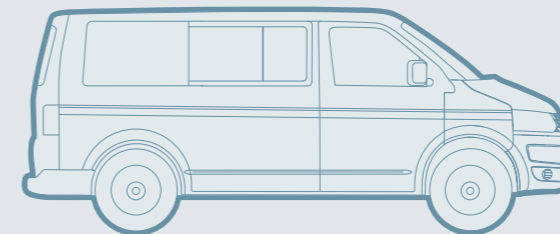
Here's where you find out all the details you need to choose your van

Transporter van



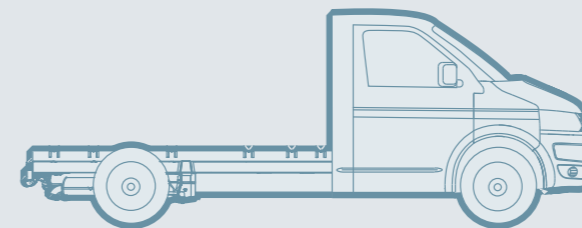
Model	Engine	Gearbox
T26 SWB	2.0TDI 84PS	5-spd man
T28 SWB	2.0TDI 84PS	5-spd man
T28 SWB	2.0TDI 102PS	5-spd man
T28 SWB	2.0TDI 140PS	6-spd man
T28 SWB	2.0BiTDI 180PS	6-spd man
T30 SWB / LWB	2.0TDI 84PS	5-spd man
T30 SWB / LWB	2.0TDI 102PS	5-spd man
T30 SWB / LWB	2.0TDI 140PS	6-spd man
T30 SWB / LWB	2.0TDI 140PS	7-spd auto DSG
T30 SWB / LWB	2.0TDI 140PS 4MOTION®	6-spd man
T30 SWB / LWB	2.0BiTDI 180PS	6-spd man
T30 SWB / LWB	2.0TDI 180PS 4MOTION®	7-spd auto DSG
T32 SWB / LWB	2.0TDI 102PS	5-spd man
T32 SWB / LWB	2.0TDI 140PS	6-spd man
T32 SWB / LWB	2.0TDI 140PS 4MOTION®	6-spd man
T32 SWB / LWB	2.0TDI 180PS Sportline	6-spd man
T32 SWB / LWB	2.0TDI 180PS Sportline	7-spd auto DSG

Transporter kombi



Model	Engine	Gearbox
T30 SWB	2.0TDI 84PS	5-spd man
T30 SWB	2.0TDI 140PS	6-spd man
T32 SWB / LWB	2.0TDI 102PS	5-spd man
T32 SWB / LWB	2.0TDI 140PS	6-spd man
T32 SWB	2.0TDI 140PS	7-spd auto DSG
T32 SWB / LWB	2.0TDI 140PS 4MOTION®	6-spd man
T32 SWB / LWB	2.0BiTDI 180PS	6-spd man
T32 SWB / LWB	2.0BiTDI 180PS	7-spd auto DSG
T32 SWB / LWB	2.0BiTDI 180PS 4MOTION®	6-spd man
T32 SWB / LWB	2.0BiTDI 180PS Sportline	6-spd man
T32 SWB / LWB	2.0BiTDI 180PS Sportline	7-spd auto DSG

Transporter chassis and double cab

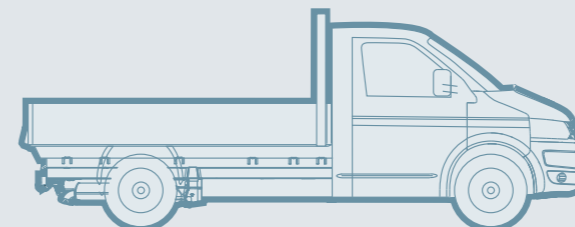


Model	Engine	Gearbox
T30 CC	2.0TDI 84PS	5-spd man
T30 CC / DC	2.0TDI 102PS	5-spd man
T30 CC / DC	2.0TDI 140PS	6-spd man
T30 CC / DC	2.0TDI 140PS	7-spd auto DSG
T30 CC / DC	2.0TDI 140PS 4MOTION®	7-spd auto DSG

SWB: short wheelbase. LWB: long wheelbase
CC: chassis cab. DC: double cab.

See factory options on chassis and double cab for further information or contact your local Van Centre.

Transporter dropside



The Transporter range



Standard features

INCLUDED IN THE BASIC VAN PRICE



Transporter van

Exterior	
80-litre lockable fuel tank	
Black wheel centre caps	
Door mirrors, electrically heated and adjustable	
Front and rear axle:	
– Anti-roll bars, front and rear (T26 front only)	
– Front MacPherson strut suspension	
– Independent suspension	
– Rear miniblock springs	
– Telescopic shock absorbers	
Front and rear towing eyes	
Galvanised full steel body	
Grey bumpers	
Heat reflective glass	
Steel wheels:	
16" x 6.5J (on 84PS, 102PS and 140PS engines)	
17" x 7J (on 180PS engines)	
Tyres:	
205/65 R16C (on 84PS, 102PS and 140PS engines)	
235/55 R17 (on 180PS engines)	
215/60 R17 all-weather (on T32 180PS models)	
Full-size spare wheel (tyre repair kit available as option)	
Unglazed rear wing doors	
Interior	
Cab area:	
2 folding and pivoted sun visors	
12V socket	
Electric front windows	
Dash mounted gear lever	
Digital clock	
Driver's seat with height, lumbar, reach and rake adjustment	
Dual passenger seat with storage box and folding seat backrest (fixed backrest with optional bulkheads)	
Interior light	
Manually controlled heating system with dust and pollen filter and air recirculation	
Place fabric seat covers	
Power steering	
RCD 210 radio/single CD player with 2 speakers	
Rev counter	
Rubber floor covering	
Storage:	
– 2 storage compartments in dash panel	
– 2 storage compartments in driver's door	
– 2 storage compartments in passenger's door	
– Drinks holder	
– Lockable glove compartment	

Interior (continued)	
Storage (continued):	
– Open storage compartment in dash panel including mobile phone holder	
– Overhead storage	
– Storage net on lower dash passenger side	
Up and downshift gear indicator	
Rear:	
2 door-activated interior lights (3 with optional high roof)	
Half-height load side lining in hardboard	
Interior entry step	
Interior roof trim in painted hardboard (low roof only)	
Load lashing rings (SWB: 6, LWB: 8)	
Rear door interior release lever	
Sheet steel flooring	
Side sliding door on left	

Safety and security	
3rd brake light	
ABS: Anti-lock Braking System	
Automatic hazard lights activation under emergency braking	
Breaksafe steering wheel lock	
Interior central locking control	
Driver and passenger (with deactivation) airbag	
Driver seatbelt warning signal	
EBC: Engine Braking Control (not 4MOTION®)	
EBD: Electronic Brakeforce Distribution	
Electronic immobiliser Transponder	
ESP: Electronic Stabilisation Programme	
Halogen main headlights with range control and daytime running function	
Height adjustable head restraints	
Height adjustable, tensioning seat belts for all outer cab seats	
Height and rake adjustable safety steering column	
Hill hold control	
Hydraulic brake system with ventilated disc brakes	
Rear differential lock (4MOTION® only)	
Rear fog light	
Remote central locking with deadlocks and internal locking control (1 fixed and 2 folding remote keys)	
TCS: Traction Control System (not 4MOTION®)	
Three-point inertia reel seat belts for all seats	
Warning buzzer for lights left on	
Windscreen wiper with variable intermittent delay and wash/wipe system	



Standard features – Sportline

Transporter Sportline van (All features in addition to standard Transporter)

Exterior	
18" x 8J Sportline five-spoke alloy wheels fitted with 255/45 R18 103 tyres, includes Tyre Mobility System. Available in Brilliant Silver or Black	
Body coloured bumpers and door handles	
Darkened rear light clusters	
Deep Black pearlescent or Reflex Silver metallic paint (Candy White with Gloss black roof available as optional extra)	
Front carpet floor mats with Sportline logo	
Front spoiler	
Gloss black door mirror covers with Sportline logo	
Gloss black upper and lower front grille with chrome detailing	
Headlights with interior chrome detailing	
Polished stainless steel side bars	
Rear parking sensors	
Rear roof spoiler	
Sportline sports suspension (30mm lower)	
Tailgate without window	
Sportline exterior badge	
Interior	
Two-tone leather upholstery with Sportline logo	
Armrests on drivers seat	
Climatic semi-automatic air-conditioning for cab	
Kenwood Multimedia System - 7" colour touch screen, full European Garmin Satellite Navigation with real time traffic information, built-in Bluetooth phone connectivity.	
Radio and single CD with DVD play back. Full iPod or iPhone connectivity with an optional lead (please ask your Van Centre for full details)	
Leather steering wheel, gearknob and gaiter	
Trip computer with multi-function display	
Safety and security	
Front fogs lights with cornering light function	
Interior central locking control	
Thatcham Category 1 alarm and immobiliser with tow away & interior cab protection	

At a glance...



Rear wing doors

Smooth, open-wide action ensures fast and easy access to your load space



Dash-mounted gear lever

Perfectly placed within easy reach of the driver for effortlessly quick gear changes



Driver and passenger airbags

Nothing is more important than your safety, so these are fitted as standard



RCD 210 Radio/CD player

MP3 compatible audio system features an easy-to-read screen and two speakers

Turn to the back cover for the full range of available colours and upholstery



The Transporter range



PAY A BIT EXTRA FOR THESE

Factory options – model specific

Transporter van

Model specific options	SWB				LWB	
	T26	T28	T30	T32	T30	T32
Body and chassis						
Rear doors – 250° hinges (not with rear door packs A or B)	-	-	-	-	○	○
Roof pack A – medium, white (not with alarm pack B, roof load rack preparation or sunroof)	-	○	○	-	○	○
Roof pack B – medium, body-coloured (not with alarm pack B, roof load rack preparation or sunroof) ¹	-	○	○	-	○	○
Roof pack C – high, white, includes high rear wing doors without windows (not with alarm pack B, roof load rack preparation, sunroof, side door pack B or DSG/4MOTION®)	-	-	-	-	○	○
Roof pack D – high, body-coloured, includes high rear wing doors without windows (not with alarm pack B, roof load rack preparation, sunroof, side door pack B or DSG/4MOTION®) ¹	-	-	-	-	○	○
Roof pack E – high, white, includes high rear wing doors with heated rear windows and wash/wipe (not with alarm pack B, roof load rack preparation, sunroof, side door pack B or DSG/4MOTION®) ²	-	-	-	-	○	○
Roof pack F – high, body-coloured, includes high rear wing doors with heated rear windows and wash/wipe (not with alarm pack B, roof load rack preparation, sunroof, side door pack B or DSG/4MOTION®) ^{1, 2}	-	-	-	-	○	○
<small>1 Roof packs: Please confirm colour availability with your Volkswagen Van Centre. 2 Vehicles with through vision have a rear-view mirror with anti-dazzle function.</small>						
Safety and security						
Lane change assist – includes visibility pack B, cruise control and trip computer (SWB, only with appearance pack, electric pack and rear door pack A or B)	○	○	○	○	-	-
Wheels and tyres						
Alloy wheels – 16" x 6.5J Cartagena with 215/65 R16 tyres, (not with 180PS)	○	○	○	-	○	-
Alloy wheels – 16" x 6.5J Miyato with 215/65 R16 tyres, (not with tyres – all-weather or 180PS)	○	○	○	-	○	-
Alloy wheels – 17" x 7J Thunder with 235/55 R17 tyres, (not with tyres – all-weather)	○	○	○	-	○	-
Alloy wheels – 18" x 8J Canberra with 255/45 R18 tyres, 4 with tyre repair kit in lieu of steel spare wheel (140PS and 180PS engines only, not with tyres – all-weather)	-	○	○	-	○	-
Tyres – all-weather, 215/65 R16 (84PS and 102PS engines only not with alloy wheels – Thunder)	○	○	○	○	○	○
Tyres – all-weather, 215/65 R16 (140PS engines only not with alloy wheels)	-	○	○	○	○	○
Tyres – all-weather, 215/65 R16 (180PS engines only, not with alloy wheels)	-	○	○	○	○	-

○ Optional.
- Not available.

18" Canberra alloy wheels. See the back cover for the full range



Top Transporter accessories

As well as factory options, you can also order some great extras that are supplied by your Van Centre. For example:



- 1 18" Dakar alloys (above)
- 2 Kenwood Multimedia system
- 3 Waterproof seat covers
- 4 Polished stainless steel side rails (below)



For the full range, ask your Van Centre for an Accessories brochure



Factory options – all models

Optional on all models

Paint options

- Metallic and pearl**
- Black – 9000
- Danish blue – 9506
- Grey white – 9904
- Stone blue – 9544
- Tornado red – 9310

Audio and communications

- Bluetooth connectivity** – includes multifunction display (only with leather pack C or satellite navigation A)
- Bluetooth premium** – includes multifunction display (only with radio upgrade and leather pack C)
- Radio upgrade** – RCD 310, single CD/radio, MP3 file compatible with AUX-IN and 4 speakers
- Radio upgrade with DAB** – RCD 310, single CD/radio, MP3 file compatible with AUX-IN and 4 speakers
- Satellite navigation A** – RNS 315: 5" colour touch-screen display with 4GB internal flash memory with navigation data for Europe (excluding Eastern European countries). Radio and CD player with AUX-in and 4 speakers. Includes trip computer and multi-function display (only with radio upgrade, not with DAB) ¹
- Satellite navigation B** – RNS 510: 6.5" colour touch-screen display with 30GB HDD and SD card reader. Radio, CD and DVD player with AUX-in, voice control and 4 speakers. Includes trip computer and multi-function display (not with DAB) ^{1, 2}

- 1 Replaces radio/in-dash CD player, includes RDS radio function with single CD and CD changer control, where fitted (audio CDs cannot be played when using navigation disc).
- 2 Battery updated to 80Ah on 84/102PS engines, 95Ah on 140/180PS engines.

Body and chassis

- Appearance pack** – electrically adjustable, heated, folding and body-coloured mirrors and body-coloured bumpers ¹
- Mud flaps** – front and rear
- Rear door pack A** – tailgate with heated rear window and wash/wipe (not with high roof packs) ²
- Rear door pack B** – tailgate without window (not with high roof packs)
- Rear door pack C** – wing doors with heated rear windows and wash/wipe (included with roof packs E and F) ²
- Roof load rack preparation** (not with medium or high roof packs)
- Side door pack A** – right only (no left door), manual (not with sunroof)
- Side door pack B** – left and right, manual (not with high roof packs)
- Towbar** – preparation with socket
- Towbar** – fixed ball with 13-pin socket ³
- Towbar** – removable ball with 13-pin socket ³

- 1 Restricted colours, check with your Van Centre.
- 2 Vehicles with through vision have a rear-view mirror with anti-dazzle function.
- 3 An adaptor is available from Van Centres, to allow connection to twin 7-pin sockets. Only one front towing eye with towbars.

At a glance...



RCD 310 radio / CD player
DAB-enabled sound with four speakers (standard fit with satellite navigation)



Satellite navigation A
Replacing the standard radio/CD unit, this will keep you headed in the right direction



Appearance pack
Why not go for stylish body-coloured bumpers and electric wing mirrors?



Factory options – all models (continued)

Transporter van

Optional on all models

Cargo area

Bulkhead pack A – high, without window, includes 2 additional C-pillar load lashing rings (not with sunroof) ¹

Bulkhead pack B – high, with window, includes 2 additional C-pillar load lashing rings (not with sunroof) ^{1,2}

Bulkhead pack C – high, with sliding window, includes 2 additional C-pillar load lashing rings (not with sunroof) ^{1, 2}

Load floor cover – rubber, with step light

Load lashing rails

Load side lining – full height hardboard (not with load lashing rails) ³

- 1 Dual passenger seat has fixed backrest with optional bulkheads.
- 2 Vehicles with through vision have a rear-view mirror with anti-dazzle function.
- 3 Side panels covered to roof, tailgate/rear doors only half-height.

Comfort and convenience

Cab comfort pack ¹

Cruise control

Smoking pack – ashtray, cigarette lighter and cup holder

Sunroof – glass, electric, front (not with roof ventilation/extraction – rear compartment, medium or high roof packs, bulkhead packs or side door pack A)

Visibility pack A – headlight washers, fluid level indicator and heated washer jets

Visibility pack B – rain sensor, automatic dimming rear-view mirror

Xenon headlights – with LED daytime running lights. Includes headlamp washer system with heated front washer jets and water fluid level indicator

- 1 Tasamo fabric upholstery, carpet in cab, storage compartments in outer side of driver and passenger seats, vanity mirrors, sunglasses holder, interior light delay, 2 reading lights, instrument dimmer, grab handles on A-pillars, two-tone horn and additional noise suppression measures.

Electrical

Alternator – updated, 180A

Alternator/battery – updated, 180A / 450A (95Ah) (not with alarm pack B)

Battery – updated (not with alarm packs)

Battery – second ¹

Electric pack – electrically heated, adjustable and folding mirrors (not with appearance pack)

S pack – alarm pack A, bulkhead pack A²

SE pack – air-conditioning pack A, alarm pack A, bulkhead pack A, seat pack A ²

Tachograph – digital, includes console on dash

Trip computer – (included with satellite navigation)

- 1 72Ah with dual passenger seat, 80Ah with single passenger seat.
- 2 It is not possible to select alternative equipment to that specified.

Heating and ventilation

Air-conditioning pack A – Climatic, cab only ¹

Charcoal canister – for ventilation system

Roof ventilation/extraction – rear compartment (not with alternator/battery updated, alarm pack B, sunroof or tyre pressure warning light)

- 1 Updated alternator: 120A on 84/102PS engines, 150A on 140/180PS engines.

At a glance...



Bulkhead – full height

Safeguards your goods and stops your load from shifting when you brake



Full height load side lining

Protect the cargo and your paintwork with these premium-grade plywood panels



Cruise control

Relieve motorway or towing strain by setting your speed with this clever switch



Climatic air-conditioning

Working hard? Stuck in traffic? Keep cool with this fast-acting, easy-to-use system

Optional on all models

Safety and security

Airbags – side and front curtain airbags (only with seat pack B)

Alarm pack A – perimeter with back-up horn ¹

Alarm pack B – Thatcham Category 1 with interior (cab only) and tow away protection (not with medium or high roof packs or roof ventilation/extraction) ²

Fog lights – front with cornering lights

Parking sensors – rear

Parking sensors – front and rear

Tyre pressure warning light – (not with roof ventilation/extraction)

- 1 Battery updated to 80Ah on 84/102PS engines, 95Ah on 140/180PS engines.
- 2 Battery updated to 95Ah.

Seating, trim and upholstery

Leather pack A – leather steering wheel, gearknob and gaiter

Leather pack C – leather steering wheel, gearknob and gaiter, includes multi-function display and controls for radio and mobile phone (only with trip computer)

Seats – leatherette upholstery

Seats – Robust upholstery

Seat pack A – driver's comfort seat ¹

Seat pack B – driver and single passenger comfort seats ²

Seat pack C – heated driver and front passenger seats (only with air-conditioning), (not with seat pack E plus)³

Seat pack E plus – dual bench seat with fold down tray in backrest (not with seat pack C)

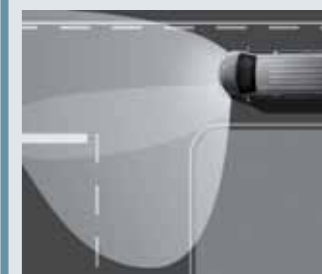
- 1 Adds armrests (height adjustment and lumbar support standard for driver's seat).
- 2 Adds armrests for both front seats, passenger height adjustment and lumbar support (height adjustment and lumbar support standard for driver's seat).
- 3 Updated alternator: 120A on 84/102PS engines, 150A on 140/180PS engines.

At a glance...



Airbags

The head-on airbags come as standard while the side-impact ones are optional



Fog lights with cornering

Reduce the risk of accidents by lighting up the road in the direction you're turning



Parking sensors

Ultrasonic pulses become warning beeps as you manoeuvre into that tight space



Seat pack B

Armrests, height adjustment and lumbar support for both driver and passenger



Factory options – Sportline

Transporter Sportline van

Optional on Sportline

Paint options

Candy White – B4B4 with Gloss Black roof

Reflex Silver – 8E8E

Deep Black – 2T2T

Body and chassis

Mud flaps – front and rear

Side-door pack B – left and right, manual

Rear Door Pack A – tailgate with heated rear window and wash/wipe ¹

Towbar – removable ball with 13-pin socket ²

¹ Vehicles with through vision have a central rear-view mirror with anti-dazzle function.

² An adaptor is available from Van Centres, to allow connection to twin 7-pin sockets. Only one front towing eye with towbars.

Cargo area

Bulkhead pack A – high, without window, includes 2 additional C-pillar load lashing rings ¹

Bulkhead pack B – high, with window, includes 2 additional C-pillar load lashing rings ¹

Load floor cover – rubber, with step light

¹ Dual passenger seat has fixed backrest with optional bulkheads.

Comfort and convenience

Cab comfort pack ¹

Cruise control

Xenon headlights – with LED daytime running lights. Includes headlamp washer system with heated front washer jets and water fluid level indicator

¹ Cab comfort pack carpet in cab, storage compartments in outer side of driver and passenger seats, vanity mirrors, sunglasses holder, interior light delay, 2 reading lights, instrument dimmer, grab handles on A-pillars, two-tone horn and additional noise suppression measures.

Electrical

Tachograph – digital, includes console on dash

Safety and security

Parking sensors – front and rear

Seating, trim and upholstery

Seat Pack C – heated driver and front passenger seats ¹

¹ Uprated alternator: 150A

At a glance...



Towbar – swan neck

This removable towbar increases your load capability. Comes with 13-pin socket



Load floor cover

Protect the cargo and your paintwork with this high-wearing rubber floor cover



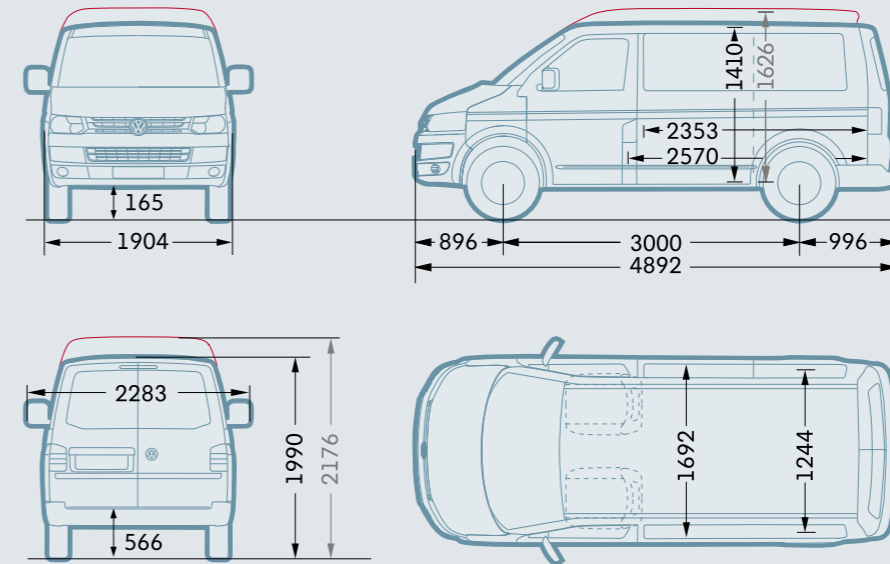
Seat Pack C

Add an extra sense of cabin comfort with heated driver and front passenger seats



Dimensions and weights

Transporter van – short wheelbase



Roof height	Low	Med
Wheelbase	3,000	3,000
Load compartment		
Length	2,570	2,570
Width	1,692	1,692
Height	1,410	1,626
Area	4.3m ³	4.3m ³
Volume	5.8m ³	6.7m ³
Width (between wheel housings)		
	1,244	1,244
Side sliding door		
Width	1,020	1,020
Height	1,284	1,284
Rear doors		
Width	1,486	1,486
Height	1,305	1,305
Turning circle (wall to wall)		
	11.9m	11.9m

□ Indicates optional roof height.
Dimensions in mm unless otherwise indicated.

The height measurements listed here may vary by ± 50mm depending on equipment fitted.
Please note vehicle drawings are not to scale

Model, gross vehicle weight (kg)	Engine	Axle load limit front/rear (kg)	Trailer weight braked 12%/unbraked (kg)	Gross train weight (kg)	Unladen weight † (kg)	Payload † (kg)
Van short wheelbase low and medium roof						
T26 2,600	2.0TDI 84PS	1,450 / 1,400	2,200 / 750	4,800	1,851	749
T28 2,800	2.0TDI 84PS	1,500 / 1,550	2,200 / 750	4,800	1,851	949
2,800	2.0TDI 102PS	1,500 / 1,550	2,200 / 750	4,900	1,851	949
2,800	2.0TDI 140PS	1,550 / 1,550	2,500 / 750	5,200	1,892	908
2,800	2.0BiTDI 180PS	1,550 / 1,550	2,500 / 750	5,200	1,939	861
T30 3,000	2.0TDI 84PS	1,500 / 1,625	2,200 / 750	4,800	1,851	1,149
3,000	2.0TDI 102PS	1,500 / 1,625	2,200 / 750	4,900	1,851	1,149
3,000	2.0TDI 140PS	1,550 / 1,625	2,500 / 750	5,200	1,892	1,108
3,000	2.0TDI 140PS DSG	1,550 / 1,625	2,500 / 750	5,300	1,904	1,096
3,000	2.0TDI 140PS 4MOTION®	1,600 / 1,625	2,500 / 750	5,300	2,014	986
3,000	2.0BiTDI 180PS	1,550 / 1,625	2,500 / 750	5,200	1,939	1,061
3,000	2.0BiTDI 180PS DSG 4MOTION®	TBA / TBA	TBA / TBA	TBA	2,081	919
T32 3,200	2.0TDI 102PS	1,600 / 1,720	2,200 / 750	4,900	1,867	1,333
3,200	2.0TDI 140PS	1,650 / 1,720	2,500 / 750	5,200	1,908	1,292
3,200	2.0TDI 140PS 4MOTION®	1,710 / 1,720	2,500 / 750	5,300	1,983	1,217
3,200	2.0TDI 180PS Sportline	1,650 / 1,720	2,500 / 750	5,200	1,975	1,255
3,200	2.0TDI 180PS Sportline DSG	1,650 / 1,720	2,500 / 750	5,300	1,995	1,205

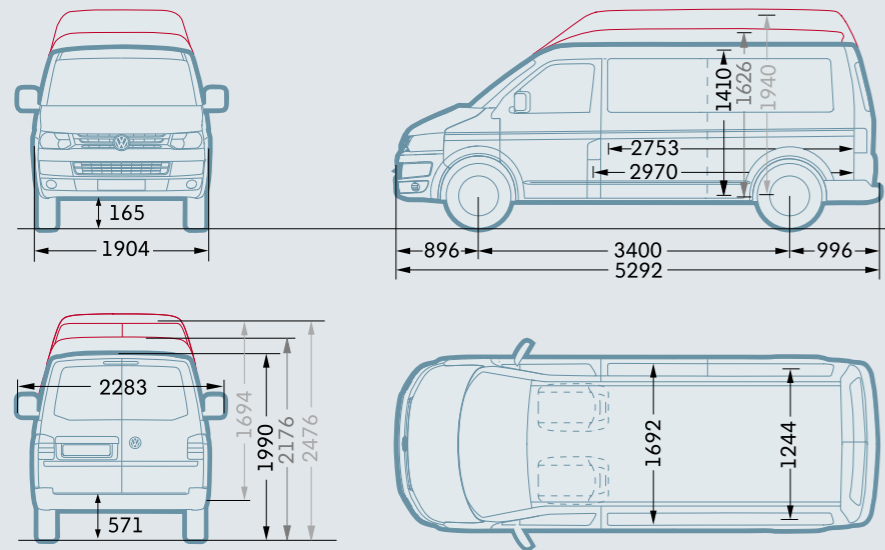
Roof load limit (not medium or high roof): maximum 150kg (with 4 roof bars). Maximum 100kg (with 2 roof bars).
Trailer nose weight: 100kg. Tailgate load limit (where fitted) is maximum 75kg. Vehicles with medium or high roof have no provision for roof loads.
† Unladen weight and payload includes approximately 90% fuel load and 75kg for driver. Payload = gross vehicle weight – unladen weight.
Weights are for vehicles with standard specification. The addition of factory options or Volkswagen Van Centre fitted accessories may affect unladen weight and payload.

The Transporter range



Dimensions and weights

Transporter van – long wheelbase



Roof height	Low	Med	High
Wheelbase	3,400	3,400	3,400
Load compartment			
Length	2,970	2,970	2,970
Width	1,692	1,692	1,692
Height	1,410	1,626	1,940
Area	5.0m ³	5.0m ³	5.0m ³
Volume	6.7m ³	7.8m ³	9.3m ³
Width (between wheel housings)			
	1,244	1,244	1,244
Side sliding door			
Width	1,020	1,020	1,020
Height	1,284	1,284	1,284
Rear doors			
Width	1,486	1,486	1,486
Height	1,305	1,305	1,694
Turning circle (wall to wall)			
	13.2m	13.2m	13.2m

□ Indicates optional roof height.
Dimensions in mm unless otherwise indicated.

The height measurements listed here may vary by ± 50mm depending on equipment fitted.
Please note vehicle drawings are not to scale

Model, gross vehicle weight (kg)	Engine	Axle load limit front/rear (kg)	Trailer weight braked 12%/unbraked (kg)	Gross train weight (kg)	Unladen weight † (kg)	Payload † (kg)
Van long wheelbase low, medium and high roof						
T30 3,000	2.0TDI 84PS	1,525 / 1,625	2,200 / 750	4,800	1,912	1,088
3,000	2.0TDI 102PS	1,525 / 1,625	2,200 / 750	4,900	1,912	1,088
3,000	2.0TDI 140PS	1,575 / 1,625	2,500 / 750	5,200	1,954	1,046
3,000	2.0TDI 140PS DSG	1,575 / 1,625	2,500 / 750	5,300	1,966	1,034
3,000	2.0TDI 140PS 4MOTION®	1,600 / 1,625	2,500 / 750	5,300	2,075	925
3,000	2.0BiTDI 180PS	1,575 / 1,625	2,500 / 750	5,200	2,001	999
3,000	2.0BiTDI 180PS DSG 4MOTION®	TBA / TBA	TBA / TBA	TBA	2,143	857
T32 3,200	2.0TDI 102PS	1,600 / 1,720	2,200 / 750	4,900	1,928	1,272
3,200	2.0TDI 140PS	1,650 / 1,720	2,500 / 750	5,200	1,970	1,230
3,200	2.0TDI 140PS 4MOTION®	1,710 / 1,720	2,500 / 750	5,300	2,039	1,161
3,200	2.0TDI 180PS Sportline	1,650 / 1,720	2,500 / 750	5,200	2,032	1,168
3,200	2.0TDI 180PS Sportline DSG	1,650 / 1,720	2,500 / 750	5,300	2,052	1,148

Roof load limit (not medium or high roof): maximum 150kg (with 4 roof bars). Maximum 100kg (with 2 roof bars).

Trailer nose weight: 100kg. Tailgate load limit (where fitted) is maximum 75kg. Vehicles with medium or high roof have no provision for roof loads.

† Unladen weight and payload includes approximately 90% fuel load and 75kg for driver. Payload = gross vehicle weight – unladen weight.

Weights are for vehicles with standard specification. The addition of factory options or Volkswagen Van Centre fitted accessories may affect unladen weight and payload.

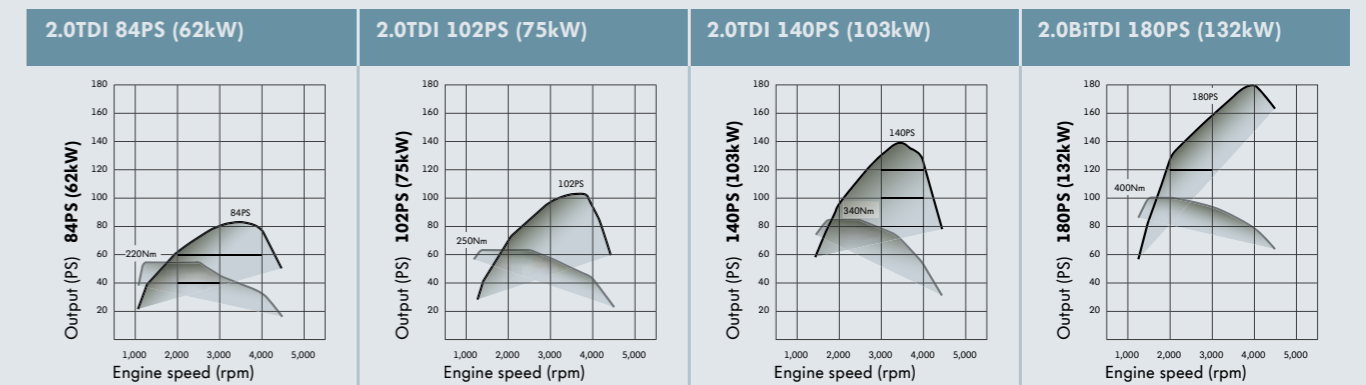


Engine specification

Transporter van

	2.0TDI 84PS	2.0TDI 102PS	2.0TDI 140PS	2.0BiTDI 180PS
Engine type	Diesel Transverse, water-cooled, in-line, variable turbine geometry turbocharger with intercooler			Transverse, water-cooled in-line bi-turbo with intercooler
Mixture preparation/injection method	Common-rail direct injection			BiTurbo common-rail direct injection
EU exhaust emission standard	EURO 5			EURO 5
No. of cylinders	4			4
Cubic capacity	1,968cc			1,968cc
Output, PS at rpm	84 at 3,500	102 at 3,500	140 at 3,500	180 at 4,000
Torque, max. Nm/rpm	220/1,250-2,500	250/1,500-2,500	340/1,750-2,500	400/1,500-2,000
Diesel Particulate Filter (DPF)	●	●	●	●
5-speed manual gearbox	●	●	–	–
6-speed manual gearbox	–	–	●	●
7-speed auto DSG	–	–	–	●
Front-wheel drive	●	●	●	●
4MOTION® all-wheel drive	–	–	●	●
Electrics				
Alternator (all variants)	110A			
Battery	61Ah (330A)			

- Available.
- Not available.



output (PS)
torque (Nm)

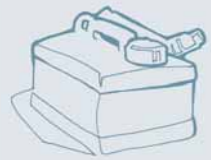
What is 4MOTION®?

4MOTION

4MOTION® all-wheel drive reduces wheelspin in adverse conditions such as rain, snow, mud or gravel. It reacts to wheelspin in just milliseconds, sending power to the wheels with most grip, so ensuring

better roadholding and improved safety. It's available with the 140PS and 180PS engines. For even stronger traction, every vehicle with 4MOTION® also has a clever locking rear differential.

The Transporter range



Fuel consumption and performance

Transporter van

Engine	Urban mpg (l/100km) ¹	Extra-urban mpg (l/100km) ¹	Combined mpg (l/100km) ¹	Acceleration 0-62 mph (seconds)	Top speed mph (where law permits)	CO ₂ emissions (g/km)
Van with low roof						
2.0TDI 84PS	29.1 (9.7)	44.8 (6.3)	37.7 (7.5)	19.7	91	198
2.0TDI 102PS	29.1 (9.7)	44.8 (6.3)	37.7 (7.5)	15.3	98	198
2.0TDI 140PS	28.8 (9.8)	43.5 (6.5)	36.7 (7.7)	12.2	107	203
2.0TDI 140PS DSG	27.2 (10.4)	40.9 (6.9)	34.4 (8.2)	12.5	107	216
2.0TDI 140PS 4MOTION®†	27.2 (10.4)	39.8 (7.1)	34.0 (8.3)	13.5	106	219
2.0BiTDI 180PS	28.8 (9.8)	42.2 (6.7)	36.2 (7.8)	9.9	119	205
2.0BiTDI 180PS DSG 4MOTION®†	25.4 (11.1)	37.7 (7.5)	32.1 (8.8)	10.6	117	232
2.0TDI 180PS Sportline	28.8 (9.8)	42.2 (6.7)	36.2 (7.8)	9.9	119	205
2.0TDI 180PS Sportline DSG	27.7 (10.2)	40.9 (6.9)	34.9 (8.1)	10.0	119	214
Van with medium roof						
2.0TDI 84PS	29.1 (9.7)	44.8 (6.3)	37.7 (7.5)	19.8	88	198
2.0TDI 102PS	29.1 (9.7)	44.8 (6.3)	37.7 (7.5)	15.4	94	198
2.0TDI 140PS	28.8 (9.8)	43.5 (6.5)	36.7 (7.7)	12.3	104	203
2.0TDI 140PS DSG	27.2 (10.4)	40.9 (6.9)	34.4 (8.2)	12.6	103	216
2.0TDI 140PS 4MOTION®†	27.2 (10.4)	39.8 (7.1)	34.0 (8.3)	13.6	102	219
2.0BiTDI 180PS	28.8 (9.8)	42.2 (6.7)	36.2 (7.8)	10.0	114	205
2.0BiTDI 180PS DSG 4MOTION®†	25.4 (11.1)	37.7 (7.5)	32.1 (8.8)	TBA	TBA	232
Van with high roof						
2.0TDI 84PS	28.8 (9.8)	40.9 (6.9)	35.8 (7.9)	21.1	91	208
2.0TDI 102PS	28.8 (9.8)	40.9 (6.9)	35.8 (7.9)	16.4	98	208
2.0TDI 140PS	27.7 (10.2)	40.9 (6.9)	34.9 (8.1)	13.1	107	214
2.0TDI 140PS DSG	27.2 (10.4)	38.2 (7.4)	33.2 (8.5)	13.0	107	224
2.0TDI 140PS 4MOTION®†	27.2 (10.4)	37.7 (7.5)	32.8 (8.6)	14.0	98	226
2.0BiTDI 180PS	28.8 (9.8)	39.8 (7.1)	34.9 (8.1)	10.3	119	21-

¹ With 50% payload and 80-litre fuel tank capacity.

* 84PS not available on T32 models.

† 4MOTION® only available on T30 models.

What is DSG?

Direct Shift Gearbox uses two automatic clutches – while one is engaged, the other is ready to accept the next gear. This ensures smoother gear changes and is ideal for stop-start city work, making life much easier for the driver.



Standard features

INCLUDED IN THE BASIC VAN PRICE

Transporter kombi

Exterior	
80-litre lockable fuel tank	
Black wheel centre caps	
Door mirrors, electrically heated and adjustable	
Front and rear towing eyes	
Front and rear axle:	
– Anti-roll bars, front and rear	
– Front MacPherson strut suspension	
– Independent suspension	
– Rear miniblock springs	
– Telescopic shock absorbers	
Galvanised full steel body	
Grey bumpers	
Heat reflective glass	
Steel wheels:	16" x 6.5J (on 84PS, 102PS and 140PS engines)
	17" x 7J (on 180PS engines)
Tyres:	205/65 R16C (on 84PS, 102PS and 140PS engines)
	235/55 R17 (on 180PS engines)
	215/60 R17 all-weather (on T32 180PS models)
Full-size spare wheel (tyre repair kit available as option)	
Tailgate with heated rear window and wash/wipe system	
Interior	
Cab area:	
2 folding and pivoted sun visors	
12V socket	
Electric front windows	
Dash mounted gear lever	
Digital clock	
Driver's seat with height, lumbar, reach and rake adjustment	
Manually controlled heating system with dust and pollen filter and air recirculation	
Place fabric seat covers	
Power steering	
Interior light	
Rear-view mirror with anti-dazzle function	
RCD 210 radio/single CD player with 2 speakers	
Rev counter	
Rubber floor covering	
Single passenger seat with reach and rake adjustment	
Storage:	
– 2 storage compartments in dash panel	
– 2 storage compartments in driver's door	
– 2 storage compartments in passenger's door	
– Drinks holder	
– Lockable glove compartment	
– Open storage compartment in dash panel including mobile phone holder	
– Overhead storage	
– Storage net on lower dash passenger side	
Up and downshift gear indicator	

Interior (continued)
Rear:
2 door-activated interior lights
3-seat bench in first row – dual seat right, single seat left
Ashtray
Childlocks (not on optional unglazed rear doors)
Interior entry step
Rear door interior release lever
Rubber floor covering
Side sliding door on left
Sliding windows in side door and opposite
Solid rear side panels
Safety and security
3rd brake light
ABS: Anti-lock Braking System
Automatic hazard lights activation under emergency braking
Breaksafe steering wheel lock
Interior central locking control
Driver and passenger (with deactivation) airbag
Driver seatbelt warning signal
EBD: Electronic Brakeforce Distribution
Electronic immobiliser Transponder
ESP: Electronic Stabilisation Programme
Halogen main headlights with range control and daytime running function
Height adjustable head restraints
Height adjustable, tensioning seatbelts for outer cab seats
Height and rake adjustable safety steering column
Hill hold control
Hydraulic brake system with ventilated disc brakes
Rear differential lock (4MOTION® only)
Rear fog light
Remote central locking with deadlocks and internal locking control (1 fixed and 2 folding remote keys)
TCS: Traction Control System (not 4MOTION®)
Three-point inertia reel seat belts for all seats

The Transporter range



INCLUDED IN THE BASIC VAN PRICE

Standard features – Sportline

Transporter Sportline kombi

(All features in addition to standard Transporter kombi)

Exterior
18" x 8J Sportline five-spoke alloy wheels fitted with 255/45 R18 103 tyres, includes Tyre Mobility System. Available in Brilliant Silver or Black
Body-coloured bumpers and door handles
Darkened rear light clusters
Deep Black pearlescent or Reflex Silver metallic paint (Candy White with Gloss black roof available as optional extrat)
Front carpet floor mats with Sportline logo
Front spoiler
Gloss black door mirror covers with Sportline logo
Gloss black upper and lower front grille with chrome detailing
Headlights with interior chrome detailing
Polished stainless steel side bars
Rear parking sensors
Rear roof spoiler
Sportline sports suspension (30mm lower)
Sportline exterior badge
Privacy glass
Tailgate with heated window and wash/wipe
Interior
Two-tone leather upholstery with Sportline logo
Armrests on drivers seat
Single front passenger seat with height adjustment, lumbar and armrests
Climatic – semi-automatic air-conditioning for cab
Kenwood Multimedia System – 7" colour touch screen, full European Garmin Satellite Navigation with real time traffic information, built-in Bluetooth phone connectivity.
Radio and single CD with DVD play back. Full iPod or iPhone connectivity with an optional lead (please ask your Van Centre for full details)
Leather steering wheel, gearknob and gaiter covers
Trip computer with multi-function display
Safety and security
Front fogs lights with cornering light function
Thatcham Category 1 alarm and immobiliser with tow away & interior cab protection

At a glance...



Side sliding door

Kerbside loads are swallowed safely and with ease by this large, sliding door



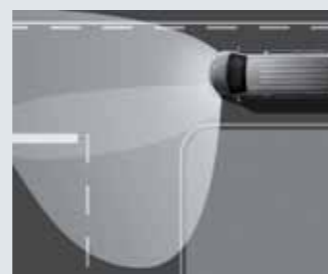
Leather upholstery

Carry crew in style, with two-tone leather upholstery on the Sportline kombi



Climatic air-conditioning

Working hard? Stuck in traffic? Keep cool with this fast-acting, easy-to-use system



Fog lights with cornering

Reduce the risk of accidents by lighting up the road in the direction you're turning

PAY A BIT EXTRA FOR THESE



Factory options – model specific

Transporter kombi

Model specific options	SWB		LWB
	T30	T32	T32
Body and chassis			
Rear doors – 250° hinges (only with rear door packs C or D or high roof packs)	–	–	○
Roof pack A – medium, white (not with alarm pack B, roof load rack preparation, sunroof or air-conditioning pack C)	○	–	○
Roof pack B – medium, body-coloured (not with alarm pack B, roof load rack preparation, sunroof or air-conditioning pack C) ¹	○	–	○
Roof pack C – high, white, includes high rear wing doors without windows (not with alarm pack B, roof load rack preparation, sunroof, air-conditioning pack C or side door packs B or C)	–	–	○
Roof pack D – high, body-coloured, includes high rear wing doors without windows (not with alarm pack B, roof load rack preparation, sunroof, air-conditioning pack C or side door packs B or C) ¹	–	–	○
Roof pack E – high, white, includes high rear wing doors with heated rear windows and wash/wipe (not with alarm pack B, privacy glass, roof load rack preparation, sunroof, air-conditioning pack C or side door packs B or C) ²	–	–	○
Roof pack F – high, body-coloured, includes high rear wing doors with heated rear windows and wash/wipe (not with alarm pack B, privacy glass, roof load rack preparation, sunroof, air-conditioning pack C or side door packs B or C) ^{1, 2}	–	–	○
Safety and security			
Lane change assist – includes visibility pack B, cruise control and trip computer (SWB, only with appearance pack or electric pack, not with rear door pack C or D, roof packs C, D, E or F, or visibility pack B)	○	○	–
Wheels and tyres			
Alloy wheels – 16" x Cartagena with 215/65 R16 tyres	○	–	–
Alloy wheels – 16" x Miyato with 215/65 R16 tyres	○	–	–
Alloy wheels – 17" x Thunder with 235/55 R17 tyres (140PS engines only, not with tyres – all-weather)	○	–	–
Alloy wheels – 18" x Canberra with 255/45 R18 tyres (four with tyre repair kit in lieu of spare wheel) (140PS engines only, not with tyres – all-weather)		○	–

- Options.
- Not available.

18" Canberra alloy wheels. See the back cover for the full range

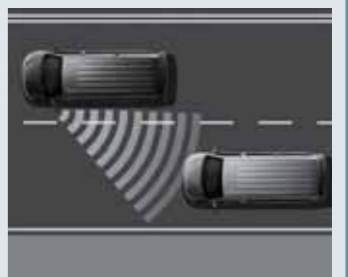


At a glance...



Appearance pack

Why not go for body-coloured bumpers and electric mirrors and electric windows?



Lane change assist

Flashing LED lights in the external mirrors warn of vehicles lurking in your blind spots



Satellite navigation A

Replacing the standard radio/CD unit, this will keep you headed in the right direction



Transporter kombi

Optional on all models

Paint options

- Metallic and pearl**
- Black – 9000
- Danish blue – 9506
- Grey white – 9904
- Stone blue – 9544
- Tornado red – 9310

Audio and communications

- Bluetooth** – includes multi-function display (only with leather pack C or satellite navigation A)
- Bluetooth premium** – includes multi-function display (only with radio upgrade and leather pack C)
- Radio upgrade** – RCD 310, single CD/radio, MP3 compatible with AUX-IN and 4 speakers
- Radio upgrade with DAB** – RCD 310, single CD/radio, MP3 compatible with AUX-IN and 4 speakers
- Satellite navigation A** – RNS 315: 5" colour touch-screen display with 4GB internal flash memory with navigation data for Europe (excluding Eastern European countries). Radio and CD player with AUX-in and 4 speakers. Includes trip computer and multi-function display (only with radio upgrade, not with DAB) ¹
- Satellite navigation B** – RNS 510: 6.5" colour touch-screen display with 30GB HDD and SD card reader. Radio, CD and DVD player with AUX-in, voice control and 4 speakers. Includes trip computer and multi-function display (not with DAB) ^{1,2}

¹ Replaces radio/in-dash CD player, includes RDS radio function with single CD and CD changer control, where fitted (audio CDs cannot be played when using navigation disc).
² Battery upgraded to 80Ah on 84/102PS engines, 95Ah on 140/180PS engines.

Body and chassis

- Appearance pack** – electrically adjustable, heated, folding and body-coloured mirrors and body-coloured bumpers (not with electric pack)
- Mud flaps** – front and rear
- Rear door pack B** – tailgate without window (not with high roof packs) ¹
- Rear door pack C** – wing doors with heated rear windows and wash/wipe (included with roof packs E and F)
- Roof load rack preparation** (not with medium or high roof packs)
- Side door pack B** – left and right, manual (not with high roof packs)
- Side door pack C** – left and right, power latching (only with air-conditioning pack B or C, not with air-conditioning pack A, alarm packs, high roof packs or tyre pressure warning light)
- Towbar** – fixed ball with 13-pin socket ²
- Towbar** – removable ball with 13-pin socket ²

¹ Vehicles without through vision do not have a central rear-view mirror.
² An adaptor is available from Van Centres, to allow connection to twin 7-pin sockets. Only one front towing eye with towbars.

At a glance...



RCD 310 radio / CD player
 DAB-enabled sound with four speakers (standard fit with satellite navigation)



Satellite navigation B
 This touch screen system will get you from A to B quickly, saving you time and money



Roof load rack preparation
 Built-in tracks provide strong, adaptable location for robust roof bars and racks



Cruise control
 Relieve motorway or towing strain by setting your speed with this clever switch

Optional on all models

Comfort and convenience

- Cab comfort pack** ¹
- Cruise control**
- Smoking pack** – ashtray, cigarette lighter and cup holder
- Sunroof** – glass, electric, front (not with air-conditioning pack C, roof ventilation/extraction-rear compartment, side door pack A, medium or high roof packs)
- Visibility pack A** – headlight washers, fluid level indicator and heated washer jets
- Visibility pack B** – rain sensor and automatic dimming rear-view mirror
- Xenon headlights** – with LED daytime running lights. Includes headlamp washer system with heated front washer jets and water fluid level indicator

¹ Tasamo fabric upholstery, carpet in cab, storage compartments in outer side of driver and passenger seats, vanity mirrors, sunglasses holder, interior light delay, 2 reading lights, instrument dimmer, grab handles on A-pillars, two-tone horn and vent on B-pillar.

Electrical

- Alternator** – uprated 180A (95Ah) (not with air-conditioning pack C)
- Alternator/battery** – uprated 180A/450A (95Ah) (not with alarm packs or side-door pack C)
- Battery** – second (included with parking heater A and B) ¹
- Battery** – uprated 450A (95Ah) (not with alarm pack B or side door pack C)
- Electric pack** – electrically heated, adjustable and folding mirrors (not with appearance pack)
- Tachograph** – digital, includes console on dash
- Trip computer** (included and satellite navigation)

¹ Battery – second: 72Ah with dual passenger seat, 80Ah with single passenger seat.

Heating and ventilation

- Air-conditioning pack A** – Climatic, dash (not with rear heater) ¹
- Air-conditioning pack B** – Climatic, dash with rear heater ²
- Air-conditioning pack C** – Climatic, dash and rear, with rear heater and rear roof vents (not with alternator – uprated, roof ventilation/extraction, sunroof or roof packs)
- Charcoal canister** – for ventilation system
- Heater** – rear (included with air-conditioning packs B and C, not with air-conditioning pack A)
- Parking heater A** – with timer, includes battery – second ³
- Parking heater B** – with timer and remote control, includes battery – second ³
- Roof ventilation/extraction** – rear compartment (not with alarm pack B, sunroof, air-conditioning pack C or tyre pressure warning light)

¹ Uprated alternator: 120A on 84/102PS engines, 150A on 140/180PS engines.
² Uprated alternator: 140A on 84/102PS engines, 180A on 140/180PS engines.
³ Battery – second: 72Ah with dual passenger seat, 80Ah with single passenger seat.

At a glance...



Headlight washers
 Get these with Visibility pack A and put the sparkle back in those beams!



Folding door mirrors
 Electric pack includes mirrors that tuck in out of harm's way when you park



Climatic air-conditioning
 Working hard? Stuck in traffic? Keep cool with this fast-acting, easy-to-use system



Fog lights with cornering
 Reduce the risk of accidents by lighting up the road in the direction you're turning

The Transporter range



Factory options – all models (continued)

Transporter kombi

Optional on all models

Safety and security

Airbags – side and front curtain airbags
(not with seat packs E or E plus)¹

Alarm pack A – perimeter with back-up horn¹

Alarm pack B – Thatcham Category 1 with interior (cab only) and tow-away protection
(not with medium or high roof packs or roof ventilation/extraction)²

Fog lights – front with cornering lights

Parking sensors – rear

Parking sensors – front and rear

Tyre pressure warning light – (not with roof ventilation/extraction or side door pack C)

¹ Battery updated to 80Ah on 84/102PS engines, 95Ah on 140/180PS engines.

² Battery updated to 95Ah.

Seating, trim and upholstery

Leather pack A – leather steering wheel, gearknob and gaiter

Leather pack C – includes multi-function display and controls for radio and mobile phone (only with trip computer)

Seats – leatherette upholstery

Seats – Robust upholstery¹

Seat pack A – driver's comfort seat (not with seat pack D)²

Seat pack B – driver and single passenger comfort seats
(not with seat pack D)³

Seat pack C – heated driver and front passenger seats
(only with air-conditioning, not with seat pack E plus)⁴

Seat pack D – swivelling driver and single passenger seats

(not with airbags – side and front curtain or seat packs A or B)⁵

Seat pack E – dual passenger seat (not with airbags – side and front curtain)

Seat pack E plus – dual passenger seat with fold down tray in backrest (not with airbags – front and side curtain or seat pack B, C or D)

Seat pack F – 3 seat bench in lieu of dual seat left, single seat right

¹ Driver and front passenger seats are in 'Robust' rear seats are in Leatherette.

² Comfort seat: adds armrests (height adjustment and lumbar support standard for driver's seat).

³ Comfort seats: adds armrests for both front seats, passenger height adjustment and lumbar support (height adjustment and lumbar support standard for driver's seat).

⁴ Updated alternator: 120A on 84/102PS engines, 150A on 140/180PS engines.

⁵ Swivel seats include lumbar support and armrests but do not have height adjustment.

Wheels and tyres

Tyres – all-weather, 215/65 R16 (84/102PS engines only, not with alloy wheels – Thunder)

Tyres – all-weather (140PS engines only, not with alloy wheels)

Tyres – all-weather (180PS engines only, not with alloy wheels)¹

¹ All-weather tyres are standard on T32 180PS BITDI

Windows

Privacy glass – rear (not with roof packs E or F)¹

¹ All rear and side windows from B-pillar back, where fitted, are dark tinted.

Top Transporter kombi accessories

As well as factory options, you can also order some great extras that are supplied by your Van Centre. For example:



1 18" Dakar alloys (above)

2 Bluetooth® Touch Phone kit

3 Monster mats

4 Polished stainless steel side rails (below)



For the full range, ask your Van Centre for an Accessories brochure

The Transporter range



Factory options – Sportline

Transporter Sportline kombi

Optional on Sportline kombi

Paint options

Candy White with Gloss Black roof

Reflex Silver

Deep Black

Body and chassis

Mud flaps – front and rear

Side door pack B – left and right, manual

Towbar – removable ball with 13-pin socket¹

¹ An adaptor is available from Van Centres to allow connection to twin 7-pin sockets. Only one front towing eye with towbars.

Comfort and convenience

Cab comfort pack¹

Cruise control

Xenon headlights – with LED daytime running lights. Includes headlamp washer system with heated front washer jets and water fluid level indicator

¹ Cab comfort pack carpet in cab, storage compartments in outer side of driver and passenger seats, vanity mirrors, sunglasses holder, interior light delay, 2 reading lights, instrument dimmer, grab handles on A-pillars, two-tone horn and additional noise suppression measures.

Electrical

Tachograph - digital – includes console on dash

Safety and security

Parking sensors – front and rear

Seating, trim and upholstery

Seat Pack C – heated driver and front passenger seats¹

¹ Updated alternator: 150A

At a glance...



Towbar – swan neck

This removable towbar increases your load capability. Comes with 13-pin socket



Cruise control

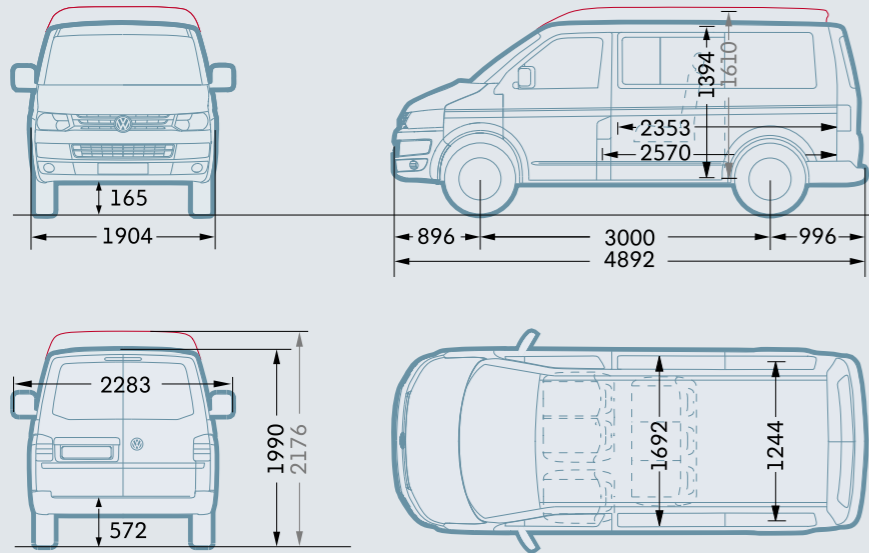
Relieve motorway or towing strain by setting your speed with this clever switch

The Transporter range



Dimensions and weights

Transporter kombi – short wheelbase

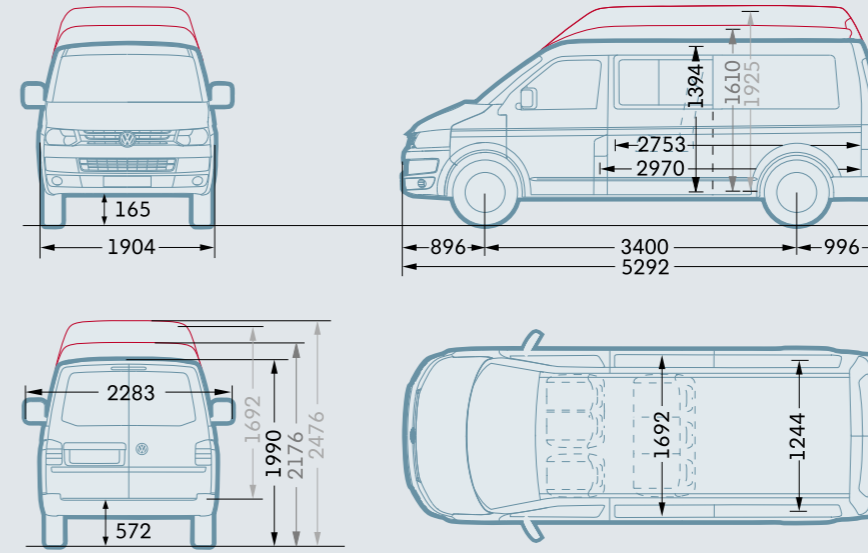


The height measurements listed here may vary by ± 50mm depending on equipment fitted.
Please note vehicle drawings are not to scale

Roof height	Low	Med
Wheelbase	3,000	3,000
Passenger compartment		
Length	2,570	2,570
Width	1,692	1,692
Height	1,394	1,610
Area	4.3m ³	4.3m ³
Volume	5.8m ³	6.7m ³
Width (between wheel housing)		
	1,244	1,244
Side sliding door		
Width	1,020	1,020
Height	1,268	1,268
Tailgate		
Width	1,486	1,486
Height	1,295	1,295
Turning circle (wall to wall)		
	11.9m	11.9m
Load space (seat-back to doors)		
1st rear row	1,339	1,339

□ Indicates optional roof height.
Dimensions in mm unless otherwise indicated.

Transporter kombi – long wheelbase



The height measurements listed here may vary by ± 50mm depending on equipment fitted.
Please note vehicle drawings are not to scale

Roof height	Low	Med	High
Wheelbase	3,400	3,400	3,400
Passenger compartment			
Length	2,970	2,970	2,970
Width	1,692	1,692	1,692
Height	1,394	1,610	1,925
Area	5.0m ³	5.0m ³	5.0m ³
Volume	6.7m ³	7.8m ³	9.3m ³
Width (between wheel housings)			
	1,244	1,244	1,244
Side sliding door			
Width	1,020	1,020	1,020
Height	1,268	1,268	1,268
Tailgate			
Width	1,486	1,486	-
Height	1,295	1,295	-
Rear doors[†]			
Width	-	-	1,486
Height	-	-	1,692
Turning circle (wall to wall)			
	13.2m	13.2m	13.2m
Load space (seat-back to doors)			
1st rear row	1,739	1,739	1,739

† High roof only available with rear doors.
□ Indicates optional roof height.
Dimensions in mm unless otherwise indicated.

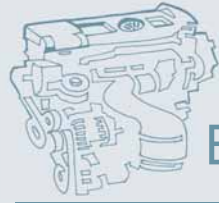
Model, gross vehicle weight (kg)	Engine	Axle load limit front/rear (kg)	Trailer weight braked 12%/unbraked (kg)	Gross train weight (kg)	Unladen weight [†] (kg)	Payload [†] (kg)	
Kombi short wheelbase; low and medium roof							
T30	3,000	2.0TDI 84PS	1,500 / 1,600	2,200 / 750	4,800	1,976	1,024
	3,000	2.0TDI 140PS	1,550 / 1,600	2,500 / 750	5,200	1,976	1,024
T32	3,200	2.0TDI 102PS	1,600 / 1,680	2,200 / 750	4,900	1,976	1,224
	3,200	2.0TDI 140PS	1,650 / 1,680	2,500 / 750	5,200	1,976	1,224
	3,200	2.0TDI 140PS DSG	1,650 / 1,680	2,500 / 750	5,300	1,984	1,216
	3,200	2.0TDI 140PS 4MOTION®	1,700 / 1,720	2,500 / 750	5,300	2,088	1,112
	3,200	2.0BiTDI 180PS	1,650 / 1,680	2,500 / 750	5,200	2,028	1,172
	3,200	2.0BiTDI 180PS DSG	1,650 / 1,680	2,500 / 750	5,300	2,047	1,153
	3,200	2.0TDI 180PS 4MOTION®	1,700 / 1,720	2,500 / 750	5,300	2,148	1,052
	3,200	2.0BiTDI 180PS Sportline	1,650 / 1,680	2,500 / 750	5,200	2,098	1,102
	3,200	2.0BiTDI 180PS Sportline DSG	1,650 / 1,680	2,500 / 750	5,300	2,112	1,088

Roof load limit (not medium or high roof): maximum 150kg (with 4 roof bars). Maximum 100kg (with 2 roof bars).
Trailer nose weight: 100kg. Tailgate load limit (where fitted) is maximum 75kg.
Vehicles with medium roof have no provision for roof loads.
† Unladen weight and payload includes approximately 90% fuel load and 75kg for driver.
Payload = gross vehicle weight – unladen weight.

Weights are for vehicles with standard specification. The addition of factory options or Volkswagen Van Centre fitted accessories may affect unladen weight and payload.

Model, gross vehicle weight (kg)	Engine	Axle load limit front/rear (kg)	Trailer weight braked 12%/unbraked (kg)	Gross train weight (kg)	Unladen weight [†] (kg)	Payload [†] (kg)	
Kombi long wheelbase; low, medium and high roof							
T32	3,200	2.0TDI 102PS	1,625 / 1,680	2,200 / 750	4,900	1,997	1,203
	3,200	2.0TDI 140PS	1,675 / 1,680	2,500 / 750	5,200	2,032	1,168
	3,200	2.0TDI 140PS DSG	1,675 / 1,680	2,500 / 750	5,300	2,047	1,153
	3,200	2.0TDI 140PS 4MOTION®	1,700 / 1,720	2,500 / 750	5,300	2,151	1,049
	3,200	2.0BiTDI 180PS	1,675 / 1,680	2,500 / 750	5,200	2,091	1,109
	3,200	2.0BiTDI 180PS DSG	1,675 / 1,680	2,500 / 750	5,300	2,109	1,091
	3,200	2.0BiTDI 180PS 4MOTION®	1,700 / 1,720	2,500 / 750	5,300	2,211	989
	3,200	2.0BiTDI 180PS Sportline	1,675 / 1,680	2,500 / 750	5,200	2,163	1,037
	3,200	2.0BiTDI 180PS Sportline DSG	1,675 / 1,680	2,500 / 750	5,300	2,176	1,024

Roof load limit (not medium or high roof): maximum 150kg (with 4 roof bars). Maximum 100kg (with 2 roof bars).
Trailer nose weight: 100kg. Tailgate load limit (where fitted) is maximum 75kg.
Vehicles with medium roof have no provision for roof loads.
† Unladen weight and payload includes approximately 90% fuel load and 75kg for driver.
Payload = gross vehicle weight – unladen weight.
Weights are for vehicles with standard specification. The addition of factory options or Volkswagen Van Centre fitted accessories may affect unladen weight and payload.

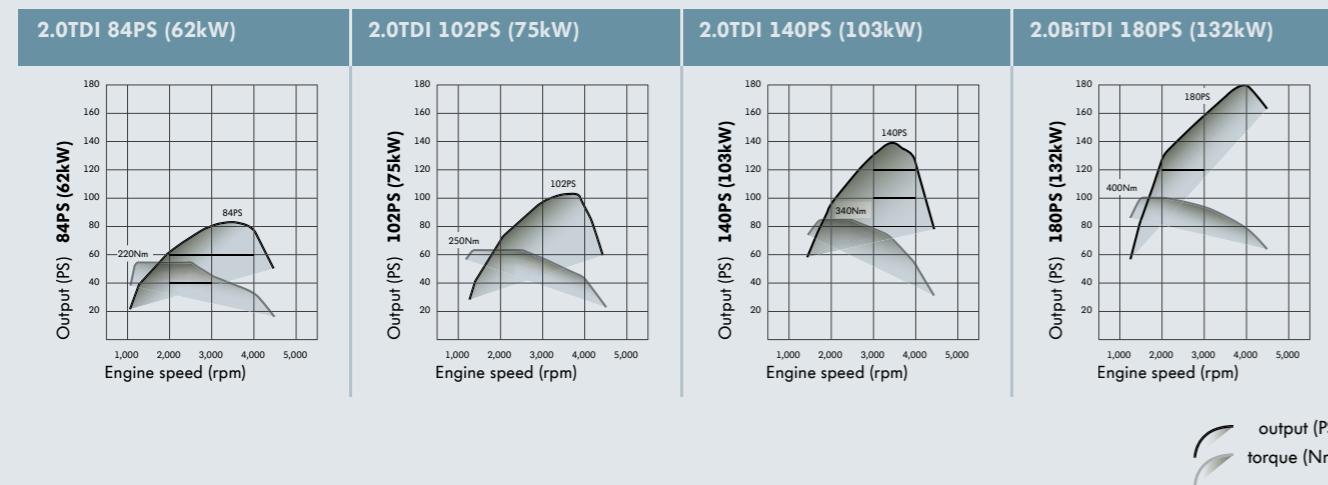


Engine specification

Transporter kombi

	2.0TDI 84PS	2.0TDI 102PS	2.0TDI 140PS	2.0BiTDI 180PS
Engine type	Diesel, transverse, water-cooled, in-line, variable turbine geometry turbocharger with intercooler			Transverse, water-cooled in-line bi-turbo with intercooler
Mixture preparation/injection method	Common-rail direct injection			BiTurbo common-rail direct injection
EU exhaust emission standard	EURO 5			EURO 5
No. of cylinders	4			4
Cubic capacity	1,968cc			1,968cc
Output, PS at rpm	84 at 3,500	102 at 3,500	140 at 3,500	180 at 4,000
Torque, max. Nm/rpm	220/1,250-2,500	250/1,500-2,500	340/1,750-2,500	400/1,500-2,000
Diesel Particulate Filter (DPF)	●	●	●	●
5-speed manual gearbox	●	●	–	–
6-speed manual gearbox	–	–	●	●
7-speed auto DSG	–	–	●	●
Front-wheel drive	●	●	●	●
Electrics				
Alternator (all variants)	110A			
Battery	61Ah (330A)			

- Available.
- Not available.



What is 4MOTION®?



4MOTION® all-wheel drive reduces wheelspin in adverse conditions such as rain, snow, mud or gravel. It reacts to wheelspin in just milliseconds, sending power to the wheels with most grip, so ensuring

better roadholding and improved safety. It's available with the 140PS and 180PS engines. For even stronger traction, every vehicle with 4MOTION® also has a clever locking rear differential.



Fuel consumption and performance

Transporter kombi

Engine	Urban mpg (l/100km) ¹	Extra-urban mpg (l/100km) ¹	Combined mpg (l/100km) ¹	Acceleration 0-62 mph (seconds)	Top speed mph (where law permits)	CO ₂ emissions (g/km)
Kombi with low roof						
2.0TDI 84PS	29.1 (9.7)	44.8 (6.3)	37.7 (7.5)	21.2	88	198
2.0TDI 102PS	29.7 (9.5)	46.3 (6.1)	38.7 (7.3)	16.4	98	193
2.0TDI 140PS	28.8 (9.8)	43.5 (6.5)	36.7 (7.7)	13.2	104	203
2.0TDI 140PS DSG	27.7 (10.2)	42.2 (6.7)	35.3 (8.0)	13.0	107	211
2.0TDI 140PS 4MOTION®	27.2 (10.4)	39.8 (7.1)	34.0 (8.3)	13.6	106	219
2.0BiTDI 180PS	28.8 (9.8)	42.2 (6.7)	36.2 (7.8)	10.4	114	205
2.0BiTDI 180PS DSG	27.7 (10.2)	40.9 (6.9)	34.9 (8.1)	10.2	119	214
2.0BiTDI 180PS 4MOTION®	26.9 (10.5)	39.2 (7.2)	33.6 (8.4)	10.6	117	221
2.0BiTDI 180PS Sportline	28.8 (9.8)	42.2 (6.7)	36.2 (7.8)	10.3	119	205
2.0BiTDI 180PS Sportline DSG	27.7 (10.2)	40.9 (6.9)	34.9 (8.1)	10.2	119	214
Kombi with medium roof						
2.0TDI 84PS	29.1 (9.7)	44.8 (6.3)	37.7 (7.5)	21.2	88	198
2.0TDI 102PS	29.7 (9.5)	46.3 (6.1)	38.7 (7.3)	16.5	94	193
2.0TDI 140PS	28.8 (9.8)	43.5 (6.5)	36.7 (7.7)	13.2	104	203
2.0TDI 140PS DSG	27.7 (10.2)	42.2 (6.7)	35.3 (8.0)	13.1	103	211
2.0TDI 140PS 4MOTION®	27.2 (10.4)	39.8 (7.1)	34.0 (8.3)	13.7	102	219
2.0BiTDI 180PS	28.8 (9.8)	42.2 (6.7)	36.2 (7.8)	10.4	114	205
2.0BiTDI 180PS DSG	27.7 (10.2)	40.9 (6.9)	34.9 (8.1)	10.3	114	214
2.0BiTDI 180PS 4MOTION®	26.9 (10.5)	39.2 (7.2)	33.6 (8.4)	10.7	113	221
Kombi with high roof						
2.0TDI 102PS	29.4 (9.6)	42.2 (6.7)	36.7 (7.7)	16.6	90	203
2.0TDI 140PS	27.7 (10.2)	40.9 (6.9)	34.9 (8.1)	13.4	100	214
2.0TDI 140PS DSG	27.7 (10.2)	39.2 (7.2)	34.0 (8.3)	13.3	99	219
2.0TDI 140PS 4MOTION®	27.2 (10.4)	37.7 (7.5)	32.8 (8.6)	14.1	98	226
2.0BiTDI 180PS	28.8 (9.8)	39.8 (7.1)	34.9 (8.1)	10.7	109	214
2.0BiTDI 180PS DSG	27.7 (10.2)	38.7 (7.3)	33.6 (8.4)	10.6	109	214
2.0BiTDI 180PS 4MOTION®	26.9 (10.5)	37.2 (7.6)	32.5 (8.7)	11.0	108	229

¹ With 50% payload and 80 litre fuel tank capacity.
 * 84PS not available on T32 models.

What is DSG?

Direct Shift Gearbox uses two automatic clutches – while one is engaged, the other is ready to accept the next gear. This ensures smoother gear changes and is ideal for stop-start city work, making life much easier for the driver.



The Transporter range



Standard features

INCLUDED IN THE BASIC VAN PRICE



Transporter chassis and double cab

Exterior

80-litre lockable fuel tank
Black wheel centre caps
Door mirrors, electrically heated and adjustable
Front and rear axle:
– Anti-roll bars, front and rear
– Front MacPherson strut suspension
– Independent suspension
– Rear miniblock springs
– Telescopic shock absorbers
Front towing eye
Galvanised full steel body
Grey bumpers
Heat-reflective glass
Ladder frame at rear
Steel wheels: 16" x 6.5J
Tyres: 205/65 R16C (on 84PS, 102PS and 140PS manual engines)
205/65 R16 (on 140PS 4MOTION® double cab only)
215/65 R16C (on 140PS 4MOTION® chassis cab only)
215/65 R16C (on 140PS DSG engines)
Full-size spare wheel (tyre repair kit available as option)

Interior

Cab area:
2 folding and pivoted sun visors
12V socket
Electric front windows
Dash mounted gear lever
Digital clock
Driver's seat with height, lumbar, reach and rake adjustment
Dual passenger seat with storage box
Interior light
Manually controlled heating system with dust and pollen filter and air recirculation
Place fabric seat covers
Power steering
RCD 210 radio/single CD player with 2 speakers
Rear-view mirror with anti-dazzle function
Remote central locking with deadlocks (1 fixed and 3 folding remote keys)
Rev counter
Rubber floor covering

Interior (continued)

Storage:
– 2 storage compartments in dash panel
– 2 storage compartments in driver's door
– 2 storage compartments in passenger door
– Drinks holder
– Lockable glove compartment
– Open storage compartment in dash panel including mobile phone holder
– Overhead storage
– Storage net on lower dash passenger side
Up and downshift gear indicator
Double cab passenger area:
2 side doors with fixed windows
3-seat bench with storage underneath
Childlocks
Interior entry steps
Interior roof and side trim in grey painted hardboard
Rubber floor covering

Safety and security

ABS: Anti-lock Braking System
Automatic hazard lights activation under emergency braking
Breaksafe steering wheel lock
Driver and passenger (with deactivation) airbag
Driver seatbelt warning signal
EBC: Engine Braking Control
EBD: Electronic Brakeforce Distribution
Electronic immobiliser Transponder
ESP: Electronic Stabilisation Programme
Halogen main headlights with range control
Height adjustable head restraints
Height adjustable, tensioning seat belts for all outer cab seats
Height and rake adjustable safety steering column
Hill hold control
Hydraulic brake system with ventilated disc brakes
Rear fog light
TCS: Traction Control System (not 4MOTION®)
Three-point inertia reel seat belts for all seats
Warning buzzer for lights left on
Windscreen wiper with variable intermittent delay and wash/wipe system

Turn to the back cover for the full range of colours and upholstery



Factory options – all models

PAY A BIT EXTRA FOR THESE



Transporter chassis and double cab

Optional on all models

Paint options

Metallic and pearl
Black – 9000
Danish blue – 9506
Grey white – 9904
Stone blue – 9544
Tornado red – 9310

Audio and communications

Bluetooth connectivity – includes multifunction display (only with leather pack C or satellite navigation A)
Bluetooth premium – includes multi-function display (only with radio upgrade and leather pack C)
Radio upgrade – RCD 310, single CD/radio, MP3 file compatible with AUX-IN and 4 speakers
Radio upgrade with DAB – RCD 310, single CD/radio, MP3-file compatible with AUX-IN and 4 speakers
Satellite navigation A – RNS 315: 5" colour touch-screen display with 4GB internal flash memory with navigation data for Europe (excluding Eastern European countries). Radio and CD player with AUX-in and 4 speakers. Includes trip computer and multi-function display (only with radio upgrade, not with DAB) ^{1,2}
Satellite navigation B – RNS 510: 6.5" colour touch-screen display with 30GB HDD and SD card reader. Radio, CD and DVD player with AUX-in, voice control and 4 speakers. Includes trip computer and multi-function display (not with DAB) ^{1,2}

¹ Satellite navigation A and B: Replaces radio/in-dash CD player, includes RDS radio function with single CD and CD changer control, where fitted (audio CDs cannot be played when using navigation disc).
² Battery updated to 80Ah on 84/102PS engines, 95Ah on 140/180PS engines.

Body and chassis

Dropside body – alloy
Mud flaps – front and rear (only with factory fitted dropside body)
Towbar – fixed ball with 13-pin socket ¹

¹ An adaptor is available from Van Centres, to allow connection to twin 7-pin sockets.

Comfort and convenience

Cab comfort pack ¹
Cruise control
Smoking pack – ashtray, cigarette lighter and cup holder
Visibility pack A – headlight washers, fluid level indicator and heated washer jets
Visibility pack B – rain sensor and automatic dimming rear-view mirror

¹ Tasamo fabric seat trim, storage compartments in outer side of driver and passenger seats, vanity mirrors, sunglasses holder, interior light delay, 2 reading lights, instrument dimmer, grab handles on A-pillars, two-tone horn and additional noise suppression measures. Additionally Double cab has vent on B-pillar.

Electrical

Battery – second 72Ah
Tachograph – digital, includes console on dash
Trip computer (included with satellite navigation)

At a glance...



Satellite navigation A

Replacing the standard radio/CD unit, this will keep you headed in the right direction



Dropside body – alloy

This factory option is made with double-skinned panels with forged steel hinges



Towbar – fixed swan neck

This fixed towbar increases your load capability. Comes with 13-pin socket



Cruise control

Relieve motorway or towing strain by setting your speed with this clever switch



Factory options – all models (continued)

Transporter chassis and double cab

Optional on all models

Heating and ventilation

Air-conditioning pack A – Climatic, cab only ¹

Charcoal canister – for ventilation system

¹ Up-rated alternator: 120A on 84/102PS engines, 150A on 140/180PS engines.

Safety and security

Airbags – side and front curtain airbags (only with seat pack B)

Alarm pack A – perimeter with back-up horn ¹

Alarm pack B – with interior (cab only) and tow-away protection ²

Fog lights – front and cornering lights

¹ Battery uprated to 80Ah on 84/102PS engines, 95Ah on 140PS engines.

² Battery uprated to 95Ah.

Seating, trim and upholstery

Leather pack A – leather steering wheel, gearknob and gaiter

Leather pack C – includes multi-function display and controls for radio and mobile phone (only with trip computer)

Seats – leatherette upholstery

Seats – Robust upholstery ¹

Seat pack A – driver's comfort seat ²

Seat pack B – driver's and single passenger comfort seats ³

Seat pack C – heated driver and front passenger seats

(only with air-conditioning, not with seat pack E plus) ⁴

Seat pack E plus – dual bench seat with fold-down tray in backrest (not with seat pack B or C)

¹ Driver and front passenger seats are in 'Robust' rear seats are in Leatherette

² Comfort seat: Adds armrests (height adjustment and lumbar support standard for driver's seat).

³ Comfort seat: Adds armrests for both front seats, passenger height adjustment and lumbar support (height adjustment and lumbar support standard for driver's seat).

⁴ Up-rated alternator: 120A on 84/102PS engines, 150A on 140PS engines.

Wheels and tyres

Alloy wheels – 16" x 6.5J Cartagena with 215/65 R16 tyres

Alloy wheels – 16" x 6.5J Miyato with 215/65 R16 tyres

Alloy wheels – 17" x 7J Thunder with 235/55 R17 tyres (not with tyres – all-weather)

Tyre pressure warning light

Tyres – all-weather, 215/65 R16

(84PS and 102PS engines only)

Tyres – all-weather, 215/65 R16

(140PS engine only, not with alloy wheels)

Windows

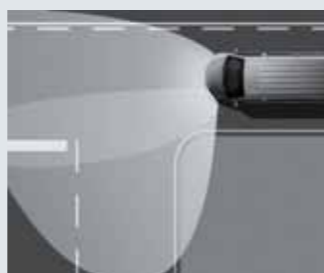
Heated rear cab window

At a glance...



Airbags

The head-on airbags come as standard while the side-impact ones are optional



Fog lights with cornering

Reduce the risk of accidents by lighting up the road in the direction you're turning

Top Transporter accessories

As well as factory options, you can also order some great extras that are supplied by your Van Centre. For example:

- 1 Bluetooth® Touch Phone kit
- 2 Monster mats (below)
- 3 Mudflaps – front and rear
- 4 iPod adaptor

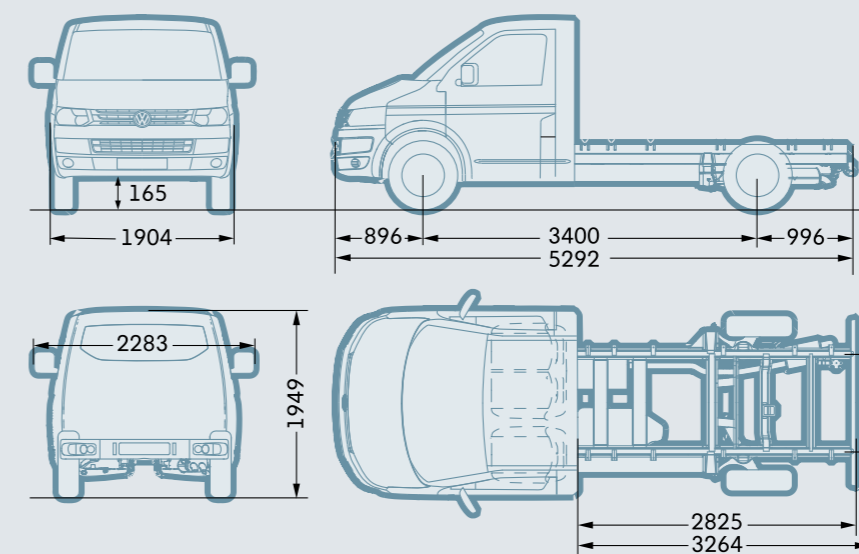


For the full range, ask your Van Centre for an Accessories brochure



Dimensions and weights

Transporter chassis cab – long wheelbase



Wheelbase	3,400
Turning circle (wall to wall)	13.2m

Dimensions in mm unless otherwise indicated.

Unbodied. The height measurements listed here may vary by ± 50mm depending on equipment fitted. Please note vehicle drawings are not to scale

Model, gross vehicle weight (kg)	Engine	Axle load limit front/rear (kg)	Trailer weight braked 12%/unbraked (kg)	Gross train weight (kg)	Unladen weight † (kg)	Payload † (kg)
Chassis cab / long wheelbase						
T30 3,000	2.0TDI 84PS	1,525 / 1,680	2,200 / 750	4,800	1,575 (1,760)	1,425 (1,240)
3,000	2.0TDI 102PS	1,525 / 1,680	2,200 / 750	4,900	1,575 (1,760)	1,425 (1,240)
3,000	2.0TDI 140PS	1,575 / 1,680	2,500 / 750	5,200	1,610 (1,795)	1,390 (1,205)
3,000	2.0TDI 140PS DSG	1,575 / 1,680	2,500 / 750	5,300	1,623 (1,808)	1,377 (1,192)
3,000	2.0TDI 140PS 4MOTION®	1,600 / 1,680	2,500 / 750	5,300	1,733 (1,918)	1,267 (1,082)

Roof load limit: maximum 50kg (chassis cab). Maximum 75kg (double cab).

Trailer nose weight: 100kg.

Figures in brackets on weight tables indicate optional dropside weights where different.

† Unladen weight and payload includes approximately 90% fuel load and 75kg for driver.

Payload = gross vehicle weight – unladen weight.

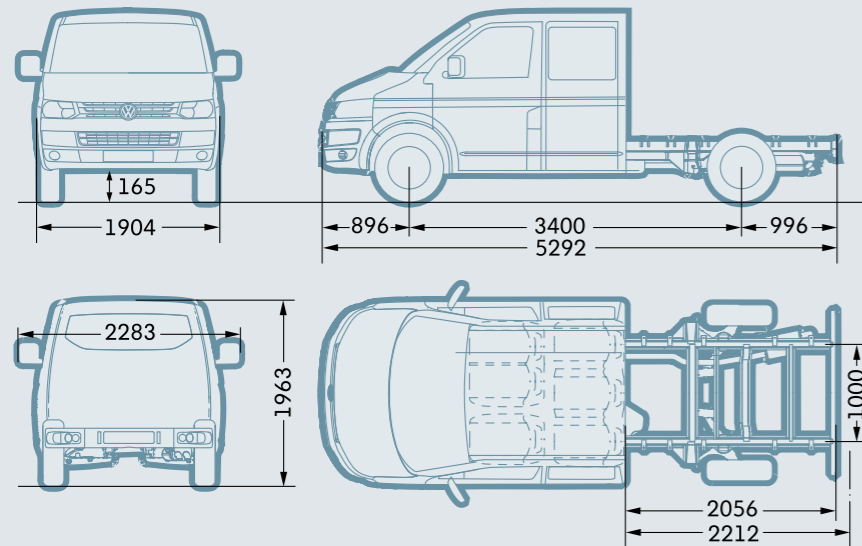
Weights are for vehicles with standard specification. The addition of factory options or Volkswagen Van Centre fitted accessories may affect unladen weight and payload.

The Transporter range



Dimensions and weights

Transporter double cab – long wheelbase



Wheelbase	3,400
Turning circle (wall to wall)	13.2m

Dimensions in mm unless otherwise indicated.

Unbodied. The height measurements listed here may vary by ± 50 mm depending on equipment fitted. Please note vehicle drawings are not to scale

Model	gross vehicle weight (kg)	Engine	Axle load limit front/rear (kg)	Trailer weight braked 12%/unbraked (kg)	Gross train weight (kg)	Unladen weight † (kg)	Payload † (kg)
Double cab long wheelbase							
T30	3,000	2.0TDI 102PS	1,600 / 1,680	2,200 / 750	4,900	1,708 (1,858)	1,292 (1,142)
	3,000	2.0TDI 140PS	1,600 / 1,680	2,500 / 750	5,200	1,743 (1,893)	1,257 (1,107)
	3,000	2.0TDI 140PS DSG	1,600 / 1,680	2,500 / 750	5,300	1,756 (1,906)	1,244 (1,094)
	3,000	2.0TDI 140PS 4MOTION®	1,600 / 1,680	2,500 / 750	5,300	1,865 (2,013)	1,135 (987)

Roof load limit: maximum 50kg (chassis cab). Maximum 75kg (double cab).

Trailer nose weight: 100kg.

Figures in brackets on weight tables indicate optional dropside weights where different.

† Unladen weight and payload includes approximately 90% fuel load and 75kg for driver.

Payload = gross vehicle weight – unladen weight.

Weights are for vehicles with standard specification. The addition of factory options or Volkswagen Van Centre fitted accessories may affect unladen weight and payload.



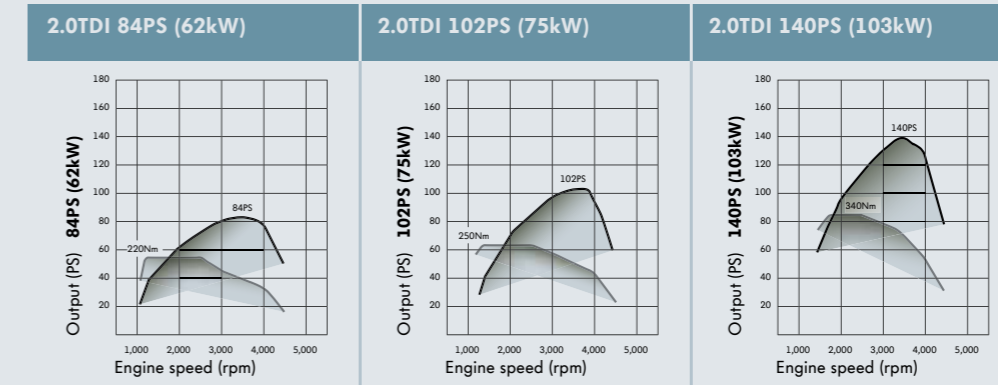
Engine specification

Transporter chassis and double cab

	2.0TDI 84PS	2.0TDI 102PS	2.0TDI 140PS
Engine type	Diesel, transverse, water-cooled, in-line, variable turbine geometry turbocharger with intercooler		
No. of cylinders	4		
Cubic capacity	1,968cc		
Mixture preparation/injection method	Common-rail direct injection method		
Diesel Particulate Filter (DPF)	●	●	●
Output, PS at rpm	84 at 3,500	102 at 3,500	140 at 3,500
Torque, max. Nm/rpm	220/1,250-2,500	250/1,500-2,500	340/1,750-2,500
EU exhaust emission standard	EURO 5		
5-speed manual gearbox	●	●	–
6-speed manual gearbox	–	–	●
7-speed auto DSG	–	–	●
Front-wheel drive	●	●	●
4MOTION® all-wheel drive	–	–	●
Electrics			
Alternator (all variants)	110A		
Battery	61Ah (330A)		

● Available.

– Not available.



Fuel consumption and performance

Engine	Urban mpg (l/100km) ¹	Extra-urban mpg (l/100km) ¹	Combined mpg (l/100km) ¹	Acceleration 0-62 mph (seconds)	Top speed mph (where law permits)	CO ₂ emissions (g/km)
Chassis and double cab (fuel consumption and performance dependent on body fitted)						
LWB 2.0TDI 84PS	29.4 (9.6)	42.2 (6.7)	36.7 (7.7)	19.5	83	203
2.0TDI 102PS (chassis cab only)	29.4 (9.6)	42.2 (6.7)	36.7 (7.7)	15.2	88	203
2.0TDI 102PS (double cab only)	28.8 (9.8)	40.9 (6.9)	35.8 (7.9)	15.9	89	208
2.0TDI 140PS	27.7 (10.2)	40.9 (6.9)	34.9 (8.1)	12.4 [12.7]	97 [98]	214
2.0TDI 140PS DSG	27.2 (10.4)	38.2 (7.4)	33.2 (8.5)	12.3 [12.6]	96 [98]	224
2.0TDI 140PS 4MOTION®	27.2 (10.4)	37.7 (7.5)	32.8 (8.6)	13.0 [13.5]	95 [96]	226

¹ With 50% payload and 80 litre fuel tank capacity.

Figures in square brackets are for double cab models, where different.



Checklist

KEEP A TRACK OF YOUR VAN AS YOU BUILD IT

Vehicle (eg: Transporter van...)

Model (eg: T26 SWB, T30 LWB...)

Engine spec (eg: 2.0TDI 84PS...)

Wheelbase (eg: short, long...)

Roof height (eg: low, medium, high...)

Colour (eg: Candy White, Indian Blue...)

Upholstery (eg: Classic Grey...)

Options (eg: Lane change assist...)

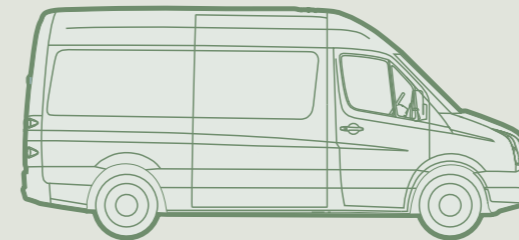
Accessories (eg: iPod adapter, roof bar set...)

Notes

The Crafter range

Here's where you find out all the details you need to choose your van

Crafter van



Model	Engine	Gearbox
CR30 SWB	2.0TDI 109PS	6-spd man
CR35 SWB / MWB / LWB / Maxi	2.0TDI 109PS	6-spd man
CR35 MWB / LWB	2.0TDI 109PS	6-spd man
	BlueMotion Technology	
CR35 MWB / LWB / Maxi	2.0TDI 136PS	6-spd man
CR35 MWB / LWB / Maxi	2.0TDI 143PS	6-spd man
CR35 MWB / LWB	2.0TDI 143PS	6-spd man
	BlueMotion Technology	
CR35 MWB / LWB / Maxi	2.0TDI 163PS	6-spd man
CR35 MWB / LWB	2.0TDI 163PS	6-spd man
	BlueMotion Technology	
CR50 MWB / LWB / Maxi	2.0TDI 109PS	6-spd man
CR50 MWB / LWB / Maxi	2.0TDI 143PS	6-spd man
CR50 MWB / LWB / Maxi	2.0TDI 163PS	6-spd man

Crafter chassis and double cab



Model	Engine	Gearbox
CR35 MWB CC / LWB CC	2.0TDI 109PS	6-spd man
CR35 MWB CC / LWB CC	2.0TDI 136PS	6-spd man
CR35 MWB CC / LWB CC	2.0TDI 143PS	6-spd man
CR35 MWB CC / LWB CC	2.0TDI 163PS	6-spd man
CR50 MWB CC / LWB CC	2.0TDI 109PS	6-spd man
CR50 MWB CC / LWB CC	2.0TDI 143PS	6-spd man
CR50 MWB CC / LWB CC	2.0TDI 163PS	6-spd man
CR35 LWB DC	2.0TDI 109PS	6-spd man
CR35 LWB DC	2.0TDI 136PS	6-spd man
CR50 LWB DC	2.0TDI 109PS	6-spd man

Crafter dropside & tipper



Model	Engine	Gearbox
Dropside		
CR35 MWB / LWB CC & DC	2.0TDI 109PS	6-spd man
CR35 MWB / LWB CC & DC	2.0TDI 136PS	6-spd man
CR35 MWB / LWB CC	2.0TDI 143PS	6-spd man
CR35 MWB / LWB CC	2.0TDI 163PS	6-spd man
Tipper		
CR35 MWB CC / LWB DC	2.0TDI 109PS	6-spd man
CR35 MWB CC / LWB DC	2.0TDI 136PS	6-spd man
CR35 MWB CC	2.0TDI 143PS	6-spd man
CR35 MWB CC	2.0TDI 163PS	6-spd man

SWB: short wheelbase. MWB: medium wheelbase. LWB: long wheelbase
Maxi: extended rear overhang. CC: chassis cab. DC: double cab.

The Crafter range



Standard features

INCLUDED IN THE BASIC VAN PRICE



Crafter van

Exterior

- 75-litre fuel tank with lockable cap
- Black bumpers with integrated front step
- Externally adjustable external convex mirrors with indicators
- Front and rear towing eyes (front only on CR50)
- Lateral side marker lights (LWB and LWB maxi)
- Sheet steel flooring
- Side sliding door on left
- Unglazed rear wing doors
- Front and rear axle:
 - Anti-roll bar, front
 - (front and rear on all CR50 and CR35 LWB vans)
 - Front transverse leaf spring independent suspension
 - Rear rigid axle with leaf springs
 - (CR30 and CR35 van only – single leaf, CR50 – triple leaf)
 - Telescopic shock absorbers
- Wheels and tyres:
 - Black wheel centre caps
 - Steel wheels: 16" x 5.5J (CR30 and CR50 only)
 - 16" x 6.5J (CR35 only)
 - Rear wheels: Single: CR30 and CR35
 - Twin: CR50
 - Tyres: 205/75 R16C (CR30 only)
 - 235/65 R16C (CR35 only)
 - 195/75 R16C (CR50 only)
 - Tyre repair kit and compressor

Interior

- Cab area:**
 - 12V socket
 - 2 folding and pivoted sun visors
 - Digital clock
 - Digital tachograph (CR50 only)
 - Dimmable dashboard illumination
 - Driver's seat with height, reach and rake adjustment
 - Dual passenger seat with storage box and folding tray in backrest
 - Electric windows
 - Full height steel bulkhead without window
 - Grab handles
 - Interior light (including 2 reading lights)
 - Interior side door entry step
 - Manually controlled heating system with charcoal filter and air recirculation
 - Power steering
 - Radio/single CD player, MP3 compatible, with 5 speakers
 - Rev counter
 - Rubber floor covering
 - Tasamo fabric seat covers – Anthracite
- Storage:
 - 5 drinks holders
 - Document holder on centre console
 - Glove compartment
 - Overhead storage (max load 5kg)

Interior (continued)

- Storage (continued):
 - Storage compartment in right step
 - Storage compartments (open and closed) in doors
 - Storage tray in centre console
 - Storage tray on dashboard
- Rear area:**
 - Door-activated interior lighting
 - Full height steel bulkhead without window
 - Interior side door entry step
 - Load lashing rings – 2 on B-pillar
 - Load lashing rings – floor mounted (SWB: 6, MWB: 8, LWB: 10, LWB maxi: 12)
 - Rear-door interior release lever

Safety and security

- ABS: Anti-lock Braking System
- Automatic hazard lights activation under emergency braking
- Brake pad wear, failure and fluid level indicators
- Driver's airbag
- EBA: Electronic Brake Assist
- EBD: Electronic Brakeforce Distribution
- EDL: Electronic Differential Lock
- Electronic steering wheel lock
- Engine immobiliser 'Transponder'
- ESP: Electronic Stabilisation Programme – load adjusting
- Halogen main headlights with headlight range control
- Height-adjustable head restraints
- Height-adjustable seat belts for all outer cab seats
- Hydraulic brake system with front ventilated and rear solid disc brakes (front and rear ventilated on CR50)
- Parking lights (SWB and MWB)
- Rear fog light
- Remote central locking with 2 remote keys
- Seat-belt warning light for driver
- Speed limiter: 56mph (90km/h) on CR50 models only
- TCS: Traction Control System
- Thatcham Category 1 alarm with interior (front and rear) and tow-away protection and back-up horn
- Third brake light
- Three-point inertia-reel seat belts for all seats
- Warning buzzer for lights left on
- Windscreen wiper with variable intermittent delay and wash/wipe system

Model specific features

BlueMotion Technology

- Cruise control
- Start/Stop system with brake energy recuperation for greater fuel and CO₂ efficiency
- Rear axle ratio of 3.923:1
- Warning buzzer and light for driver seatbelt not fastened

At a glance...



Document holder

Keep any important papers safe and to hand in this convenient holder



Load lashing rings

Sturdy fixings in the floor and on the door pillars let you tie down your load securely



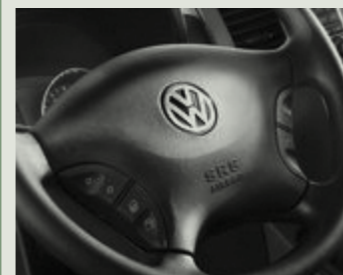
Full height steel bulkhead

Stack it high while keeping it safe thanks to this strong piece of cab protection



Overhead storage

Useful stowage space that can take up to 5kg of your stuff, vital or otherwise



Driver's airbag

Nothing is more important than your safety, so this item is fitted as standard



Electric windows

Allows the driver one-touch fingertip control of both side windows in the cab



Electronic Stability Programme

This safety feature senses wheel slip and helps prevent skids before they happen



Radio/CD player

MP3 compatible, its five speakers will keep you informed and entertained

Turn to the back cover for the full range of available colours and upholstery





Factory options – model specific

Crafter van

Model specific options	SWB		MWB		LWB		LWB maxi	
	CR30	CR35	CR35	CR50	CR35	CR50	CR35	CR50
Body and chassis								
Roof pack A – low roof	-	-	o	o	-	-	-	-
Roof pack B – extra high roof, white	-	-	o	o	o	o	o	o
Roof pack C – extra high roof, body-coloured (exterior only)	-	-	o	o	o	o	o	o
Side marker lights	-	-	o	o	●	●	●	●
Step – rear, in bumper (not with towbars)	o	o	-	-	o	o	o	o
Step – rear, in bumper, includes side marker lights (not with towbars)	-	-	o	o	-	-	-	-
Step – rear, full width (not with parking sensors – front and rear, spare wheel – steel or towbars, or medium wheelbase)	o	o	-	-	o	o	o	o
Step – rear, full width (not with parking sensors – front and rear, spare wheel – steel or towbars)	-	-	-	o	-	-	-	-
Step – rear, full width includes side marker lights (not with parking sensors – front and rear, spare wheel – steel or towbars) ¹	o	-	o	-	-	-	-	-
<small>1 Full-width step has only one front towing eye on CR35 models</small>								
Cargo area								
Bulkhead pack F – sliding door in bulkhead, includes folding single passenger seat on bulkhead (not with roof packs)	-	-	o	o	o	o	o	o
Bulkhead pack G – sliding door in bulkhead, includes folding single passenger seat on bulkhead (only with roof pack B or C)	-	-	o	o	o	o	o	o
Electrical								
Alternator/Battery – uprated (not with heated windscreen, tachograph – digital)	o	o	o	-	o	-	o	-
Battery – uprated 110Ah (not with alternator – uprated, heated windscreen or tachograph – digital)	o	o	o	-	o	-	o	-
Tachograph – digital (standard on CR50, not with alternator/battery – uprated or battery – uprated)	o	o	o	●	o	●	o	●
Engine and transmission								
Speed limiter 90km/h	o	o	o	●	o	●	o	●
Speed limiter 100km/h	o	o	o	-	o	-	o	-
Speed limiter 120km/h	o	o	o	-	o	-	o	-
Safety and security								
Tyre pressure warning light	-	o	o	-	o	-	o	-
Wheels and tyres								
Alloy wheels – 16" Altamont 235/65 R16C	o	-	-	-	-	-	-	-
Alloy wheels – 16" Altamont 235/65 R16C	-	o	o	-	o	-	o	-
Alloy wheels – 17" Hedemora 235/60 R17C	o	o	o	-	o	-	o	-
Tyres – all-weather	-	o	o	-	o	-	o	-

- Standard.
- Optional.
- Not available.

Top Crafter accessories

As well as factory options, you can also order some great extras that are supplied by your Van Centre. For example:

- 1 Plylining kit
- 2 Rubber mats
- 3 Mudflaps – front and rear
- 4 Waterproof seat covers
- 5 Roof bar set (below)



For the full range, ask your Van Centre for an Accessories brochure

Did you know?

If you need more capacity in your Crafter you can choose a roof pack with an extra high roof



Factory options – all models

Optional on all models

Paint options

Metallic – (includes wooden load floor cover)

Pearl effect – (includes wooden load floor cover)

Deep Black – 3092

Danish Blue – 9506

Audio and communications

Radio Upgrade – RCD 3002 with double sized DIN, CD Driver and front speakers

Radio Upgrade – RCD 4002 with double sized DIN, integrated 6-CD changer (MP3 capable) and front speakers

Satellite navigation A – RNS 4010: colour screen with arrow navigation (CD) and Bluetooth functionality

Satellite navigation B – RNS 5010: high-resolution touch display with map navigation (DVD) and Bluetooth functionality

Body and chassis

Mud flaps – front

Mud flaps – front and rear

Indicators – wing-mounted

Indicators – wing-mounted (includes side marker lights)

Roof load rack preparation

Side door pack A – right only (no left door)

Side door pack B – left and right

Side door pack C – deleted, left

Spare wheel – steel (not with step – rear, full width)

Towbar pack A – preparation, with socket¹

Towbar pack B – preparation with bracket, socket and cable^{1,2}

Towbar pack C

– fixed ball with 13-pin socket (not with rear steps)^{1,2,3,4}

Towbar pack D

– removable ball with 13-pin socket (not with rear steps)^{1,2,3,4}

Towbar pack E

– jaw type with 13-pin socket (not with rear steps)^{1,2,3,4}

Trailer hitch preparation – with hitch ball (lockable and removable) and increased towing capacity to 3.5 tonnes (CR35 Only)⁵

1 In most circumstances, for commercial use, a tachograph will be required when towing equipment is fitted.

2 Only 1 front towing eye on CR30 and CR35 models.

3 An adaptor is available from Volkswagen Van Centres, to allow connection to twin 7-pin sockets.

4 Towing weight 2 tonnes.

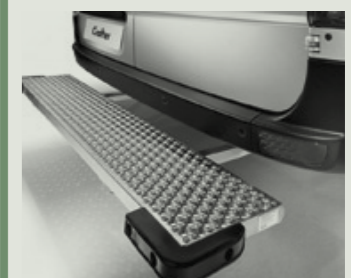
5 Changes front axle ratio: please contact your local Van Centre for more details.

At a glance...



Bulkhead packs

Fixed high window, sliding window, sliding door, fold-down seat – the choice is yours



Full-width rear step

This strong step with an anti-slip surface, makes loading and unloading easier



Towbars

Fit a fixed (or removable) ball or jaw-type and you can haul an extra two tonnes



Skylights

Can be fitted to the cab and/or load compartment to let light flood in



Factory options – all models (continued)

Crafter van

Optional on all models

Cargo area

Bulkhead pack A – high with window

Bulkhead pack B – high with sliding window

Bulkhead pack E – deleted (not with load floor cover wooden/rubber or metallic/pearl effect paint)

Load floor cover – wooden

(not with load lashing rings – deleted)¹

Load floor cover – rubber

(not with load lashing rings – deleted)

Load lashing rails – on load floor (only with load floor cover – wooden, not with parking brake – hill hold control. Standard with Bluemotion Technology)

Load lashing rails – on side panel

Load lashing rails – on side panel and load floor (only with load floor cover – wooden, not with parking brake – hill hold control. Standard with Bluemotion Technology)

Load lashing rails – on side panel and roof frame

Load lashing rails – on side panel, load floor and roof frame (only with load floor cover – wooden, not with parking brake – hill hold control. Standard with Bluemotion Technology)

Load side lining – hardboard

Load side lining – plywood

Rear doors – wing doors with heated windows and wash/wipe, dipping rear-view mirror and storage nets on rear doors

Rear doors – 270° hinges

Roof ventilator – in passenger/load compartment

Skylight – in passenger/load compartment, fixed

¹ Standard with metallic/pearl effect paint.

Comfort and convenience

Armrest – driver's seat (includes armrest in door panel)

Cruise control

Headlight washers (included with visibility pack)

Parking brake – hill hold control (not with start/stop function)

Steering wheel – height and reach adjustable

Steering wheel – multi-function, includes trip computer (included with satellite navigation packs)

Temperature display – external (included with air-conditioning, satellite navigation packs and steering wheel – multi-function)

Visibility pack – rain sensor, headlight washers and automatic light sensor

Electrical

Alternator – uprated 180A (not with battery – uprated or heated windscreen, included with air-conditioning)

Electric mirrors – heated and adjustable

Engine and transmission

Stop/Start function – (not with parking brake – hill hold control. Standard with BlueMotion Technology)

At a glance...



Load floor cover

Made of high-quality rubber so that you and your cargo don't slip and slide



Multi-function steering wheel

With a range of controls at your fingertips there's no need to let go of the wheel



Cruise control

Relieve motorway or towing strain by setting your speed with this clever switch

Optional on all models

Heating and ventilation

Air-conditioning – Climatic, includes temperature display, external¹

¹ Alternator uprated to 180A.

Safety and security

Airbag pack A – passenger

Airbag pack B – passenger, side and front curtain airbags (only with seat packs B or D)

Fog lights – front, integrated in bumper

Keys – 2 additional keys

Hill Hold Assist¹

Lights – daytime running

Parking sensors – front and rear (only with electric mirrors, not with step – rear, full width)

Reversing camera – includes 7" monitor on dashboard (not with parking sensors)

Reversing camera with front and rear parking sensors – includes 7" monitor on dashboard

(only with electric mirrors, not with step – rear, full width)

¹ Not in conjunction with Stop/Start system.

Seating, trim and upholstery

Seats – Timo fabric upholstery

Seats – leatherette upholstery

Seats – Robust upholstery

Seat pack A – driver's seat with lumbar support

Seat pack B – driver and single passenger seat with lumbar support and inner armrest

Seat pack C – driver only with suspension and lumbar support

Seat pack D – driver and single passenger seat with suspension, lumbar support and inner armrest

Seat pack G – heated driver's seat

Seat pack H – heated driver and front passenger seats

Windows

Heated windscreen (only with visibility pack, not with alternator – uprated, alternator/battery uprated or battery – uprated)

At a glance...



Climatic air-conditioning

Working hard? Stuck in traffic? Keep cool with this fast-acting, easy-to-use system



Reversing camera

The bird's-eye rear view, this gives you, takes the strain and worry out of parking



Heated windscreen

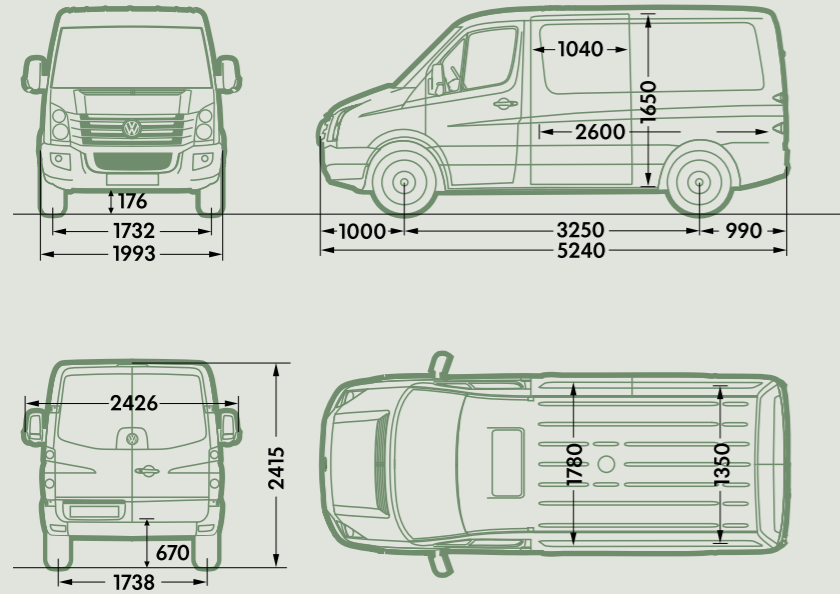
Beat the weather and get off to a quick start on a frosty or misty morning

The Crafter range



Dimensions and weights

Crafter van – short wheelbase



Wheelbase	3,250
Load compartment	
Volume	7.5m ³
Side sliding door	
Width	1,040
Height	1,520
Rear doors	
Width	1,565
Height	1,540
Turning circle (wall to wall)	12.3m

Dimensions in mm unless otherwise indicated.

The height measurements listed for dimensions are based on vehicles of standard specification, and may differ by approx ± 40mm depending on equipment fitted. Please note, vehicle drawings are not to scale.

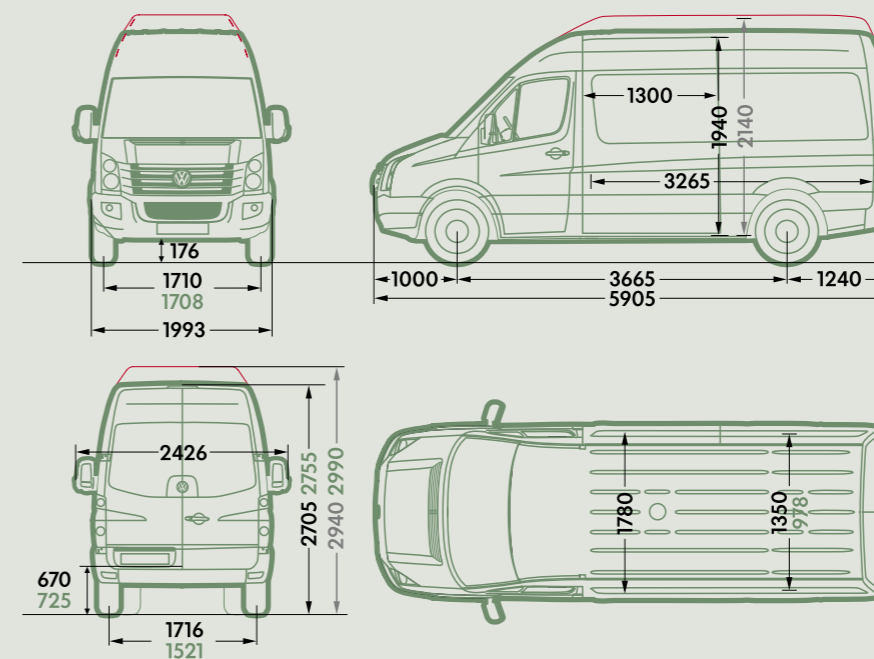
Model, gross vehicle weight (kg)	Engine	Axle load limit front/rear (kg)	Trailer weight braked 12%/unbraked (kg)	Gross train weight (kg)	Unladen weight † (kg)	Payload † (kg)
CR30 / CR35 van short wheelbase low roof						
CR30 3,000	2.0TDI 109PS	1,650 / 1,800	2,000 / 750	5,000	1,956	1,044
CR35 3,500	2.0TDI 109PS	1,650 / 1,800	2,000 / 750	5,500	1,981	1,519

Roof load limit: 300kg (low roof). 150kg (high roof). Trailer nose weight: 100kg. All data is provisional.

† Unladen weight and payload includes approximately 90% fuel load and 75kg for driver. Payload = gross vehicle weight – unladen weight.

Weights are for vehicles with standard specification. The addition of factory options or Volkswagen Van Centre fitted accessories may affect unladen weight and payload.

Crafter van – medium wheelbase



Roof height	High	Ex High
Wheelbase	3,665	3,665
Load compartment		
Volume	11.0m ³	11.5m ³
Side sliding door		
Width	1,300	1,300
Height	1,820	1,820
Rear doors		
Width	1,565	1,565
Height	1,840	1,840
Turning circle (wall to wall)		
	13.6m	13.6m

Figures in different colour indicate CR50 dimensions, where different.

□ Indicates optional roof height.

Dimensions in mm unless otherwise indicated.

The height measurements listed for dimensions are based on vehicles with standard specification, and may differ by approx ± 40mm depending on equipment fitted. Please note vehicle drawings are not to scale.

Model, gross vehicle weight (kg)	Engine	Axle load limit front/rear (kg)	Trailer weight braked 12%/unbraked (kg)	Gross train weight (kg)	Unladen weight † (kg)	Payload † (kg)
CR35 / CR50 van medium wheelbase high and extra high roof						
CR35 3,500	2.0TDI 109PS	1,650 / 2,250	2,000 / 750	5,500	2,088	1,412
3,500	2.0TDI 109PS	1,650 / 2,250	2,000 / 750	5,500	2,095	1,405
	BlueMotion Technology					
3,500	2.0TDI 136PS	1,650 / 2,250	2,000 / 750	5,500	2,088	1,412
3,500	2.0TDI 143PS	1,650 / 2,250	2,000 / 750	5,500	2,098	1,402
3,500	2.0TDI 143PS	1,650 / 2,250	2,000 / 750	5,500	2,105	1,395
	BlueMotion Technology					
3,500	2.0TDI 163PS	1,650 / 2,250	2,000 / 750	5,500	2,116	1,384
3,500	2.0TDI 163PS	1,650 / 2,250	2,000 / 750	5,500	2,105	1,395
	BlueMotion Technology					
CR50 5,000	2.0TDI 109PS	1,850 / 3,500	2,000 / 750	7,000	2,307	2,693
5,000	2.0TDI 143PS	1,850 / 3,500	2,000 / 750	7,000	2,317	2,683
5,000	2.0TDI 163PS	1,850 / 3,500	2,000 / 750	7,000	2,335	2,665

Roof load limit: 300kg (low roof). 150kg (high roof). Trailer nose weight: 100kg. All data is provisional.

† Unladen weight and payload includes approximately 90% fuel load and 75kg for driver. Payload = gross vehicle weight – unladen weight.

Weights are for vehicles with standard specification. The addition of factory options or Volkswagen Van Centre fitted accessories may affect unladen weight and payload.

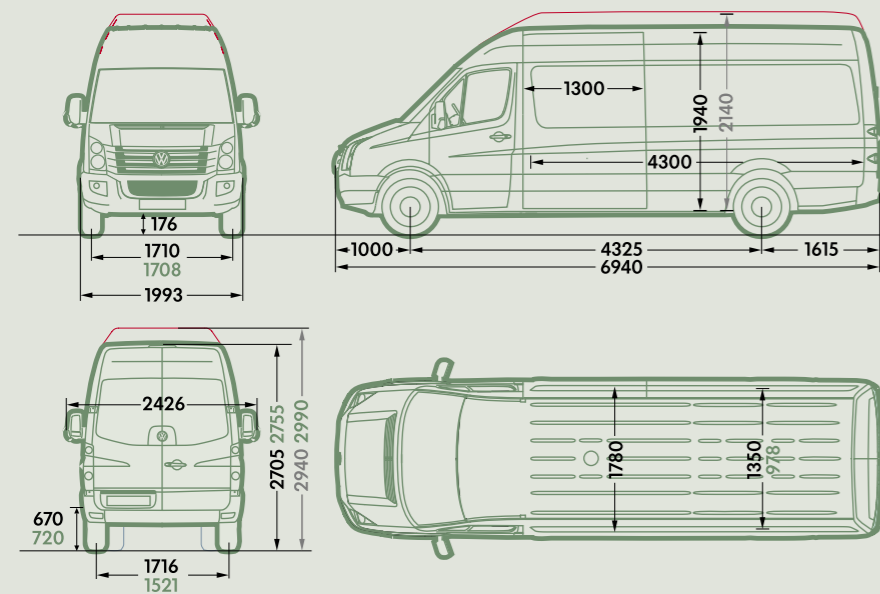
Please note: For CR35 and CR50 models with an appropriate combination of engine, rear axle and tow bar options, it is possible to obtain up to 3,500kg braked towing capacity and a 'Gross train weight' increase. Please consult your nearest Van Centre for details, including available axle ratio options to suit vehicle requirements. For aftermarket towing above the standard 2,000kg, the vehicle gross train weight plating must be up-rated in the UK.

The Crafter range



Dimensions and weights (continued)

Crafter van – long wheelbase



Roof height	High	Ex High
Wheelbase	4,325	4,325
Load compartment		
Volume	14.0m ³	15.0m ³
Side sliding door		
Width	1,300	1,300
Height	1,820	1,820
Rear doors		
Width	1,565	1,565
Height	1,840	1,840
Turning circle (wall to wall)	15.6m	15.6m

Figures in different colour indicate CR50 dimensions, where different.
 Indicates optional roof height.
 Dimensions in mm unless otherwise indicated.

The height measurements listed for dimensions are based on vehicles with standard specification, and may differ by approx ± 40mm depending on equipment fitted.
 Please note vehicle drawings are not to scale.

Model, gross vehicle weight (kg)	Engine	Axle load limit front/rear (kg)	Trailer weight braked 12%/unbraked (kg)	Gross train weight (kg)	Unladen weight † (kg)	Payload † (kg)
CR35 / CR50 van long wheelbase high and extra high roof						
CR35 3,500	2.0TDI 109PS	1,650 / 2,250	2,000 / 750	5,500	2,237	1,263
3,500	2.0TDI 109PS BlueMotion Technology	1,650 / 2,250	2,000 / 750	5,500	2,244	1,256
3,500	2.0TDI 136PS	1,650 / 2,250	2,000 / 750	5,500	2,237	1,263
3,500	2.0TDI 143PS	1,650 / 2,250	2,000 / 750	5,500	2,244	1,253
3,500	2.0TDI 143PS BlueMotion Technology	1,650 / 2,250	2,000 / 750	5,500	2,254	1,246
3,500	2.0TDI 163PS BlueMotion Technology	1,650 / 2,250	2,000 / 750	5,500	2,254	1,246
3,500	2.0TDI 163PS	1,650 / 2,250	2,000 / 750	5,500	2,265	1,235
CR50 5,000	2.0TDI 109PS	1,850 / 3,500	2,000 / 750	7,000	2,467	2,533
5,000	2.0TDI 143PS	1,850 / 3,500	2,000 / 750	7,000	2,477	2,523
5,000	2.0TDI 163PS	1,850 / 3,500	2,000 / 750	7,000	2,495	2,505

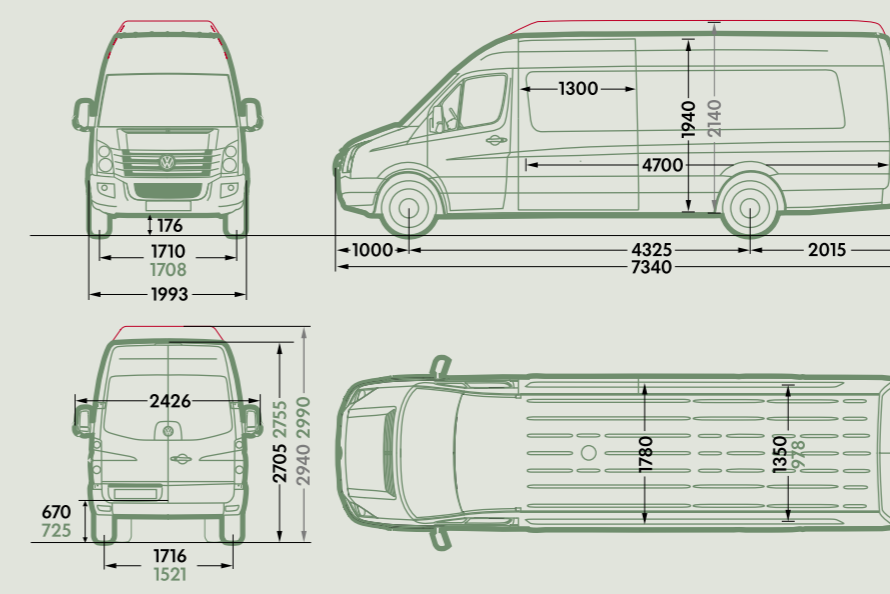
Roof load limit: 300kg (low roof). 150kg (high roof). Trailer nose weight: 100kg. All data is provisional.

† Unladen weight and payload includes approximately 90% fuel load and 75kg for driver. Payload = gross vehicle weight – unladen weight.

Weights are for vehicles with standard specification. The addition of factory options or Volkswagen Van Centre fitted accessories may affect unladen weight and payload.

Please note: For CR35 and CR50 models with an appropriate combination of engine, rear axle and tow bar options, it is possible to obtain up to 3,500kg braked towing capacity and a 'Gross train weight' increase. Please consult your nearest Van Centre for details, including available axle ratio options to suit vehicle requirements.
 For aftermarket towing above the standard 2,000kg, the vehicle gross train weight plating must be up-rated in the UK.

Crafter van – long wheelbase maxi



Roof height	High	Ex High
Wheelbase	4,325	4,325
Load compartment		
Volume	15.5m ³	17.0m ³
Side sliding door		
Width	1,300	1,300
Height	1,820	1,820
Rear doors		
Width	1,565	1,565
Height	1,840	1,840
Turning circle (wall to wall)	15.6m	15.6m

Figures in different colour indicate CR50 dimensions, where different.
 Indicates optional roof height.
 Dimensions in mm unless otherwise indicated.

The height measurements listed for dimensions are based on vehicles with standard specification, and may differ by approx ± 40mm depending on equipment fitted.
 Please note vehicle drawings are not to scale.

Model, gross vehicle weight (kg)	Engine	Axle load limit front/rear (kg)	Trailer weight braked 12%/unbraked (kg)	Gross train weight (kg)	Unladen weight † (kg)	Payload † (kg)
CR35 / CR50 van long wheelbase maxi[‡] high and extra high roof						
CR35 3,500	2.0TDI 109PS	1,650 / 2,250	2,000 / 750	5,500	2,290	1,210
3,500	2.0TDI 136PS	1,650 / 2,250	2,000 / 750	5,500	2,280	1,220
3,500	2.0TDI 143PS	1,650 / 2,250	2,000 / 750	5,500	2,290	1,210
3,500	2.0TDI 163PS	1,650 / 2,250	2,000 / 750	5,500	2,308	1,192
CR50 5,000	2.0TDI 109PS	1,850 / 3,500	2,000 / 750	7,000	2,520	2,480
5,000	2.0TDI 143PS	1,850 / 3,500	2,000 / 750	7,000	2,520	2,480
5,000	2.0TDI 163PS	1,850 / 3,500	2,000 / 750	7,000	2,538	2,462

Roof load limit: 300kg (low roof). 150kg (high roof). Trailer nose weight: 100kg. All data is provisional.

† Unladen weight and payload includes approximately 90% fuel load and 75kg for driver.

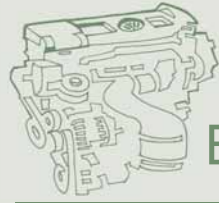
‡ Maxi = extended rear overhang.

Payload = gross vehicle weight – unladen weight.

Weights are for vehicles with standard specification. The addition of factory options or Volkswagen Van Centre fitted accessories may affect unladen weight and payload.

Please note: For CR35 and CR50 models with an appropriate combination of engine, rear axle and tow bar options, it is possible to obtain up to 3,500kg braked towing capacity and a 'Gross train weight' increase. Please consult your nearest Van Centre for details, including available axle ratio options to suit vehicle requirements.
 For aftermarket towing above the standard 2,000kg, the vehicle gross train weight plating must be up-rated in the UK.

The Crafter range



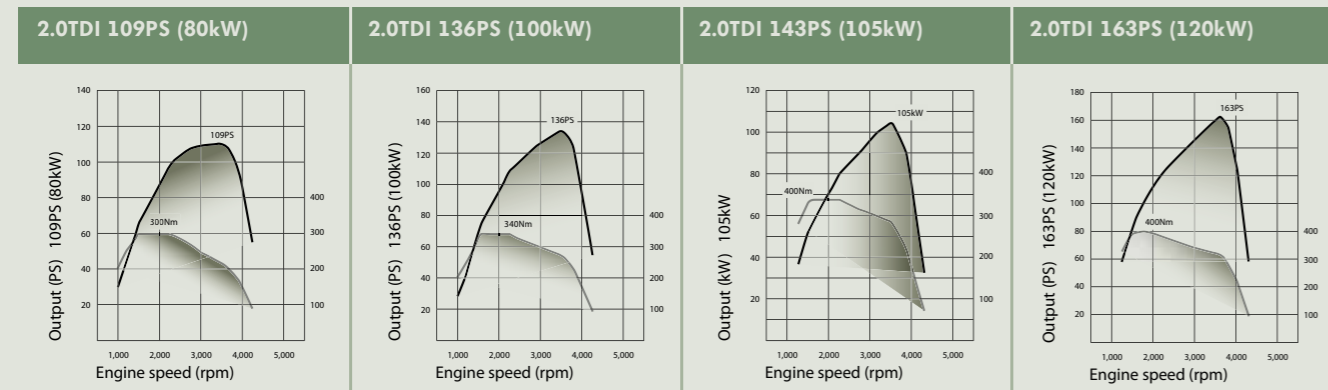
Engine specification

Crafter van

	2.0TDI 109PS	2.0TDI 136PS	2.0TDI 143PS	2.0TDI 163PS
No. of cylinders	4			
Cubic capacity	1,968cc			
Mixture preparation/injection method	Diesel, common-rail, direct injection			
EU exhaust emission standard	EURO V and EEV [†]			
Output, PS at rpm	109 at 3,500	136 at 3,500	143 at TBC	163 at 3,600
Torque, max. Nm/rpm	300 at 1,500-2,250	340 at 1,575-2,250	TBC	400 at 1,800
Diesel Particulate Filter (DPF)	●	●	●	●
6-speed manual gearbox	●	●	●	●
Rear-wheel drive	●	●	●	●
Electrics				
Alternator (all variants)	110A, 140A or 180A depending on optional equipment			
Battery (all variants)	72Ah, 95Ah or 100Ah depending on optional equipment			

● Standard.

[†] Enhanced Environmentally friendly Vehicle - the emission measure below the maximum limit for EURO V standards.



output (PS)
torque (Nm)



Fuel consumption and performance

Crafter van

Engine	Urban mpg (l/100km) ¹	Extra-urban mpg (l/100km) ¹	Combined mpg (l/100km) ¹	Top speed mph (where law permits)	CO ₂ emissions (g/km)
Van with low roof (short wheelbase)					
CR30 2.0TDI 109PS	28.0 (10.1)	36.2 (7.8)	32.8 (8.6)	91	226
CR35 2.0TDI 109PS	28.0 (10.1)	36.2 (7.8)	32.8 (8.6)	91	226
Van with high roof (medium wheelbase and long wheelbase)					
CR35 2.0TDI 109PS	28.0 (10.1)	36.2 (7.8)	32.8 (8.6)	91	226
2.0TDI 109PS	29.4 (9.6)	37.2 (7.6)	34.0 (8.3)	91	218
BlueMotion Technology					
2.0TDI 136PS	28.0 (10.1)	36.2 (7.8)	32.8 (8.6)	96	226
2.0TDI 143PS	30.7 (9.2)	37.7 (7.5)	34.9 (8.1)	98	213
2.0TDI 143PS	32.5 (8.7)	38.7 (7.3)	36.2 (7.8)	98	205
BlueMotion Technology					
2.0TDI 163PS	32.5 (8.7)	37.7 (7.5)	35.8 (7.9)	98	208
2.0TDI 163PS	34.4 (8.2)	38.7 (7.3)	37.2 (7.6)	98	199
BlueMotion Technology					
CR50 2.0TDI 109PS	24.3 (11.5)	32.5 (8.7)	29.1 (9.7)	56 (83)	247
2.0TDI 143PS	28.5 (9.9)	37.2 (7.6)	33.6 (8.4)	56 (88)	221
2.0TDI 163PS	30.7 (9.2)	37.7 (7.5)	34.9 (8.1)	56 (90)	213
Van with optional extra high roof (long wheelbase)					
CR35 2.0TDI 109PS	28.0 (10.1)	36.2 (7.8)	32.8 (8.6)	91	226
2.0TDI 136PS	28.0 (10.1)	36.2 (7.8)	32.8 (8.6)	96	226
2.0TDI 143PS	30.7 (9.2)	37.7 (7.5)	34.9 (8.1)	98	213
2.0TDI 163PS	32.5 (8.7)	37.7 (7.5)	35.8 (7.9)	98	209
CR50 2.0TDI 109PS	24.3 (11.5)	32.5 (8.7)	29.1 (9.7)	56 (83)	247
2.0TDI 143PS	30.7 (9.2)	37.7 (7.5)	34.9 (8.1)	56 (90)	213
2.0TDI 163PS	30.7 (9.2)	37.7 (7.5)	34.9 (8.1)	56 (90)	213

¹ With 50% payload.

The figures listed apply to vehicles with manual gearbox, without optional extras.

Figures in square brackets show top speed for vehicles without speed limiter.

Figures above show vehicles fitted with standard axle ratio.



What is BlueMotion Technology?

With BlueMotion Technology not only will you be saving money, but you'll also be doing your bit for the environment. BlueMotion Technology uses a combination of modified gear ratios, regenerative braking, Start/Stop system and cruise control. CO₂ output is reduced to as little as 199g/km, and fuel consumption can reach an impressive 37.2mpg (combined figure).

The Crafter range



Standard features

INCLUDED IN THE BASIC VAN PRICE



Crafter chassis and double cab

Exterior

- 75-litre fuel tank with lockable cap
- Black bumpers with integrated front step
- Externally adjustable external convex mirrors with indicators, (fitted to brace on driver and passenger sides for CR50 only)
- Front and rear towing eyes
- Heat reflective glass
- Preparation for side marker lights (MWB and LWB only)
- Roof marker lights
- Front and rear axle:
 - Anti-roll bar, front (front and rear on all CR50 vans)
 - Front transverse leaf spring independent suspension
 - Rear rigid axle with leaf springs (CR35 chassis and double cabs – double leaf; CR50 – triple leaf)
 - Telescopic shock absorbers
- Wheels and tyres:
 - Black wheel centre caps
 - Steel wheels: 16" x 5.5J (CR50 only)
16" x 6.5J (CR35 only)
 - Rear wheels: Single: CR35
Twin: CR50
 - Tyres: 235/65 R16C (CR35 only)
195/75 R16C (CR50 only)
 - Tyre repair kit and compressor

Interior

- Cab area:**
- 12V socket
- 2 folding and pivoted sun visors
- Digital clock
- Digital tachograph (CR50 only)
- Dimmable dashboard illumination
- Driver's seat with height, reach and rake adjustment
- Dual passenger seat with storage box and folding tray in backrest
- Electric windows
- Grab handles
- Interior light (including 2 reading lights)
- Manually controlled heating system with charcoal filter and air recirculation
- Power steering
- Radio/single CD player, MP3 compatible with 5 speakers
- Remote central locking with 2 remote keys
- Rev counter
- Rubber floor covering
- Tasamo fabric seat covers

Interior (continued)

- Storage:**
 - 5 drinks holders
 - Document holder on centre console
 - Glove compartment
 - Overhead storage (max load 5kg)
 - Storage compartment in right step
 - Storage compartments (open and closed) in doors
 - Storage tray in centre console
 - Storage tray on dashboard
- Double cab passenger area only:**
 - 2 passenger doors on each side
 - 4-seat bench with storage box
 - Childlocks
 - Hinged side windows
 - Interior entry steps

Safety and security

- ABS: Anti-lock Braking System
- Automatic hazard lights activation under emergency braking
- Brake pad wear, failure and fluid level indicators
- Bulb failure monitor deactivation
- Driver's airbag
- EBA: Electronic Brake Assist
- EBD: Electronic Brakeforce Distribution
- EDL: Electronic Differential Lock
- ESP: Electronic Stabilisation Programme – load adjusting
- Electronic steering wheel lock
- Engine immobiliser 'Transponder'
- Halogen main headlights with range control and daytime running function
- Height adjustable head restraints
- Height adjustable seat belts for all outer cab seats
- Hill Hold Assist – hill hold control
- Hydraulic brake system with front ventilated and rear solid disc brakes (front and rear ventilated on CR50)
- Rear fog light
- Seat belt warning light for driver
- Speed limiter: 56mph (90km/h) on CR50 models
- TCS: Traction Control System (not 4MOTION)
- Thatcham Category 1 alarm with interior and tow-away protection and back-up horn
- Three-point inertia-reel seat belts for all seats
- Warning buzzer for lights left on
- Windscreen wiper with variable intermittent delay and wash/wipe system



Factory options – model specific

Crafter chassis and double cab

Model specific options	MWB		LWB			
	Chassis cab		Chassis cab		Double cab	
	CR35	CR50	CR35	CR50	CR35	CR50
Electrical						
Alternator/Battery – uprated (not with heated windscreen, tachograph – digital)	○	–	○	–	○	–
Battery – uprated 110Ah (not with alternator – uprated, heated windscreen or tachograph – digital)	○	–	○	–	○	–
Tachograph – digital	○	●	○	●	○	●*
Engine and transmission						
Speed limiter: 90km/h	○	●	○	●	○	●*
Speed limiter: 100km/h	○	–	○	–	○	–
Speed limiter: 120km/h	○	–	○	–	○	–
Safety and security						
Tyre pressure warning light	○	–	○	–	○	–
Wheels and tyres						
Alloy wheels – 16" Altamont 235/65 R16C	○	–	○	–	○	–
Tyres – all-weather	○	–	○	–	○	–

- Standard.
- Optional.
- Not available.
- * Not available on double cab

At a glance...



Overhead storage

Handy storage compartment that can take 5kg of your stuff, vital or otherwise



Folding tray in backrest

Part of the dual passenger seat, it features cup-holders and storage box



Electronic Stability Programme

This safety feature senses wheel slip and helps prevent skids before they happen



Radio/CD player

MP3-compatible, its five speakers will keep you informed and entertained

Turn to the back cover for the full range of available colours and upholstery





Factory options – all models

Crafter chassis and double cab

Optional on all models

Paint options

Standard paint

Metallic paint

Pearl paint

Deep Black – 3092

Danish Blue – 9506

Audio and communications

Radio Upgrade – RCD 3002 with double sized DIN, CD Driver and front speakers

Radio Upgrade – RCD 4002 with double sized DIN, integrated 6-CD changer (MP3 capable) and front speakers

Satellite navigation A – RNS 4010: colour screen with arrow navigation (CD) and Bluetooth functionality

Satellite navigation B – RNS 5010: colour screen with map navigation (DVD) and Bluetooth functionality

Body and chassis

Factory dropside body – alloy, includes side marker lights

Mud flaps – front

Mud flaps – front and rear

(only with factory dropside body – alloy fitted)

Towbar pack A – preparation, with socket¹

Towbar pack B – preparation with bracket, socket and cable^{1,2}

Towbar pack C

– fixed ball with 13-pin socket^{1,2,3,4}

Towbar pack D

– removable ball^{1,2,3,4}

Towbar pack E

– jaw type with 13-pin socket^{1,2,3,4}

Trailer hitch preparation – with hitch ball (lockable and removable) and increased towing capacity to 3.5tonne (CR35 Only)

¹ In most circumstances, for commercial use, a tachograph will be required when towing equipment is fitted.

² Only 1 front towing eye on CR30 and CR35 models.

³ An adaptor is available from Volkswagen Van Centres, to allow connection to twin 7-pin sockets.

⁴ Not with rear steps

Cargo area

Ladder carrier – on front panel

(only with factory dropside body – alloy fitted)

Ladder carrier – rear

(only with factory dropside body – alloy fitted)

Ladder carrier – front and rear

(only with factory dropside – alloy fitted)

At a glance...



Dropside body

With its high-impact, lightweight materials, this will cope with the toughest of jobs



Towbars

Fit a fixed (or removable) ball or jaw-type and you can haul an extra two tonnes



Cruise control

Relieve motorway or towing strain by setting your speed with this clever switch



Multi-function steering wheel

With a range of controls at your fingertips there's no need to let go of the wheel

Optional on all models

Comfort and convenience

Armrest – driver's seat (includes armrest in door panel)

Cruise control

Headlight washers

Steering wheel – height and reach adjustable

Steering wheel – multi-function, includes trip computer (included with satellite navigation packs)

Temperature display – external (included with air-conditioning, satellite navigation packs and steering wheel – multi-function)

Visibility pack – rain sensor, headlight washers and automatic light sensor

Parking brake – hill hold control (standard on Shiftmatic)

Electrical

Alternator – uprated 180A (not with battery – uprated or heated windscreen, included with air-conditioning)

Bulb failure monitor – warning light

Electric mirrors – heated and adjustable

Engine and transmission

Stop/start function

(not with parking brake - hill hold control. Standard with BlueMotion Technology)

Heating and ventilation

Air-conditioning – Climatic, includes temperature display, external

Safety and security

Airbag pack A – passenger

Airbag pack B – passenger, side and front curtain airbags (only with seat packs B or D)

Fog lights – front, integrated into bumper

Keys – 2 additional keys

Lights – daytime running

Seating, trim and upholstery

Seats – Timo fabric upholstery

Seats – Leatherette upholstery

Seats – Robust upholstery

Seat pack A – driver's seat with lumbar support

Seat pack B – driver and single passenger seat with lumbar support and inner armrest

Seat pack C – driver only with suspension and lumbar support

Seat pack D – driver and single passenger seat with suspension, lumbar support and inner armrest

Seat pack G – heated driver's seat

Seat pack H – heated driver and front passenger seats

Wheels and tyres

Spare wheel – steel

Windows

Heated windscreen (only with visibility pack, not with alternator – uprated, alternator/battery uprated or battery – uprated)

Rear window in cab – with dipping rear-view mirror

Top Crafter accessories

As well as factory options, you can also order some great extras that are supplied by your Van Centre. For example:



- 1 Rubber floor mats (above)
- 2 Headlight protectors
- 3 Rear parking aid

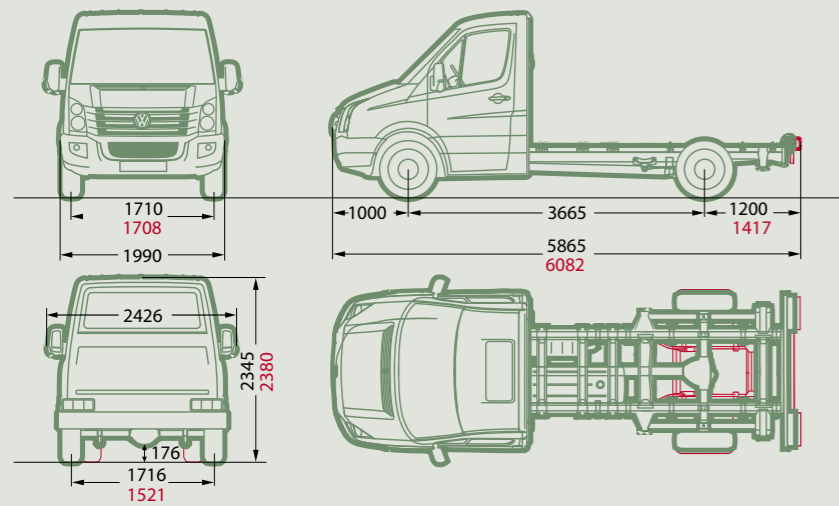
For the full range, ask your Van Centre for an accessories brochure

The Crafter range



Dimensions and weights

Crafter chassis cab – medium wheelbase



Wheelbase	3,665
Recommended constructional external length	
CR35	3,670
CR50	3,845
Turning circle (wall to wall)	13.5m

Figures in different colour indicate CR50 dimensions, where different.
Dimensions in mm unless otherwise indicated.

The height measurements listed for dimensions are based on vehicles with standard specification, and may differ by approx ± 40mm depending on equipment fitted.
Please note vehicle drawings are not to scale.

Model, gross vehicle weight (kg)	Engine	Axle load limit front/rear (kg)	Trailer weight braked 12%/unbraked (kg)	Gross train weight (kg)	Unladen weight † (kg)	Payload † (kg)
Chassis cab medium wheelbase						
CR35 3,500	2.0TDI 109PS	1,650 / 2,250	2,000 / 750	5,500	1,761	1,739
3,500	2.0TDI 136PS	1,650 / 2,250	2,000 / 750	5,500	1,761	1,739
3,500	2.0TDI 143PS	1,650 / 2,250	2,000 / 750	5,500	1,789	1,711
3,500	2.0TDI 163PS	1,650 / 2,250	2,000 / 750	5,500	1,789	1,711
CR50 5,000	2.0TDI 109PS	1,850 / 3,500	2,000 / 750	7,000	1,978	3,022
5,000	2.0TDI 143PS	1,850 / 3,500	2,000 / 750	7,000	1,984	3,016
5,000	2.0TDI 163PS	1,850 / 3,500	2,000 / 750	7,000	2,002	2,998

Roof load limit: 100kg. Trailer nose weight: 100kg. All data is provisional.

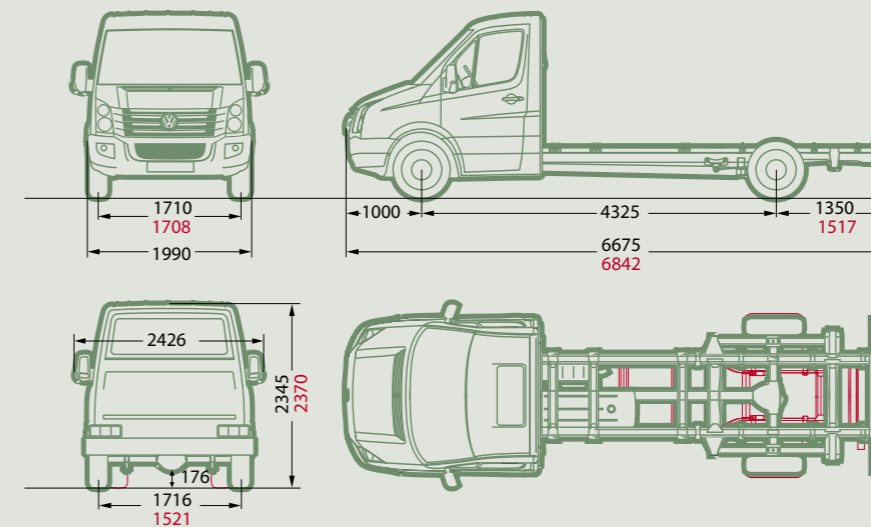
† Unladen weight and payload includes approximately 90% fuel load and 75kg for driver. Payload = gross vehicle weight – unladen weight.

Weights are for vehicles with standard specification. The addition of factory options or Volkswagen Van Centre fitted accessories may affect unladen weight and payload.

Please note: For CR35 and CR50 models with an appropriate combination of engine, rear axle and tow bar options, it is possible to obtain up to 3,500kg braked towing capacity and a 'Gross train weight' increase. Please consult your nearest Van Centre for details, including available axle ratio options to suit vehicle requirements.

For aftermarket towing above the standard 2,000kg, the vehicle gross train weight plating must be up-rated in the UK.

Crafter chassis cab – long wheelbase



Wheelbase	4,325
Recommended constructional external length	
CR35	4,425
CR50	4,610
Turning circle (wall to wall)	15.6m

Figures in different colour indicate CR50 dimensions, where different.
Dimensions in mm unless otherwise indicated.

The height measurements listed for dimensions are based on vehicles with standard specification, and may differ by approx ± 40mm depending on equipment fitted.
Please note vehicle drawings are not to scale.

Model, gross vehicle weight (kg)	Engine	Axle load limit front/rear (kg)	Trailer weight braked 12%/unbraked (kg)	Gross train weight (kg)	Unladen weight † (kg)	Payload † (kg)
Chassis cab long wheelbase						
CR35 3,500	2.0TDI 109PS	1,650 / 2,250	2,000 / 750	5,500	1,782	1,718
3,500	2.0TDI 136PS	1,650 / 2,250	2,000 / 750	5,500	1,782	1,718
3,500	2.0TDI 143PS	1,650 / 2,250	2,000 / 750	5,500	1,804	1,696
3,500	2.0TDI 163PS	1,650 / 2,250	2,000 / 750	5,500	1,804	1,696
CR50 5,000	2.0TDI 109PS	1,850 / 3,500	2,000 / 750	7,000	2,021	2,979
5,000	2.0TDI 143PS	1,850 / 3,500	2,000 / 750	7,000	2,031	2,969
5,000	2.0TDI 163PS	1,850 / 3,500	2,000 / 750	7,000	2,049	2,951

Roof load limit: 100kg. Trailer nose weight: 100kg. All data is provisional.

† Unladen weight and payload includes approximately 90% fuel load and 75kg for driver. Payload = gross vehicle weight – unladen weight.

Weights are for vehicles with standard specification. The addition of factory options or Volkswagen Van Centre fitted accessories may affect unladen weight and payload.

Please note: For CR35 and CR50 models with an appropriate combination of engine, rear axle and tow bar options, it is possible to obtain up to 3,500kg braked towing capacity and a 'Gross train weight' increase. Please consult your nearest Van Centre for details, including available axle ratio options to suit vehicle requirements.

For aftermarket towing above the standard 2,000kg, the vehicle gross train weight plating must be up-rated in the UK.

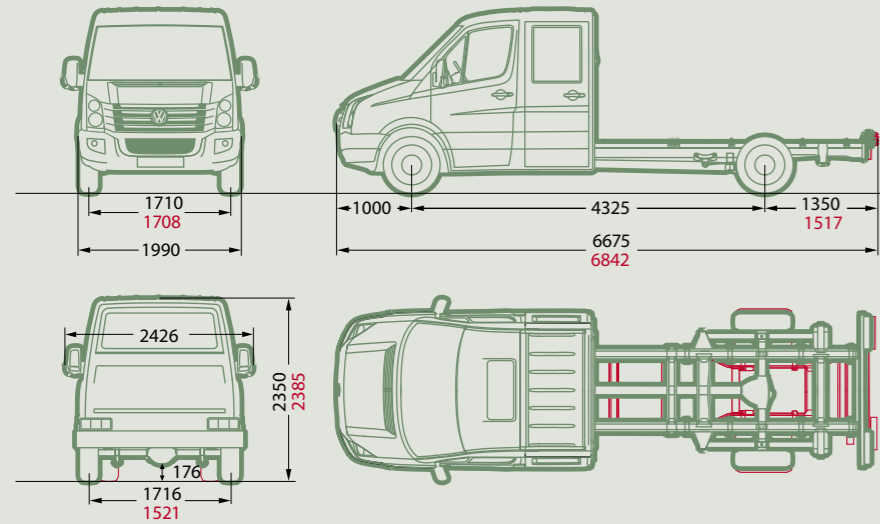
“Knowing that approved converters have to meet Volkswagen’s exacting standards was reassuring”
Terry Millard, On-Site

The Crafter range



Dimensions and weights

Crafter double cab – long wheelbase



Wheelbase	4,325
Recommended constructional external length	
CR35	3,440
CR50	3,610
Turning circle (wall to wall)	15.6m

Figures in different colour indicate CR50 dimensions, where different.

Dimensions in mm unless otherwise indicated.

The height measurements listed for dimensions are based on vehicles with standard specification, and may differ by approx ± 40mm depending on equipment fitted. Please note vehicle drawings are not to scale.

Model, gross vehicle weight (kg)	Engine	Axle load limit front/rear (kg)	Trailer weight braked 12%/unbraked (kg)	Gross train weight (kg)	Unladen weight † (kg)	Payload † (kg)
Double cab long wheelbase						
CR35 3,500	2.0TDI 109PS	1,800 / 2,250	2,000 / 750	5,500	1,986	1,514
3,500	2.0TDI 136PS	1,800 / 2,250	2,000 / 750	5,500	1,986	1,514
CR50 5,000	2.0TDI 109PS	2,000 / 3,500	2,000 / 750	7,000	2,211	2,789

Roof load limit: 100kg. Trailer nose weight: 100kg. All data is provisional.

† Unladen weight and payload includes approximately 90% fuel load and 75kg for driver. Payload = gross vehicle weight – unladen weight.

Weights are for vehicles with standard specification. The addition of factory options or Volkswagen Van Centre fitted accessories may affect unladen weight and payload.

Please note: For CR35 and CR50 models with an appropriate combination of engine, rear axle and tow bar options, it is possible to obtain up to 3,500kg braked towing capacity and a 'Gross train weight' increase. Please consult your nearest Van Centre for details, including available axle ratio options to suit vehicle requirements. For aftermarket towing above the standard 2,000kg, the vehicle gross train weight plating must be up-rated in the UK.



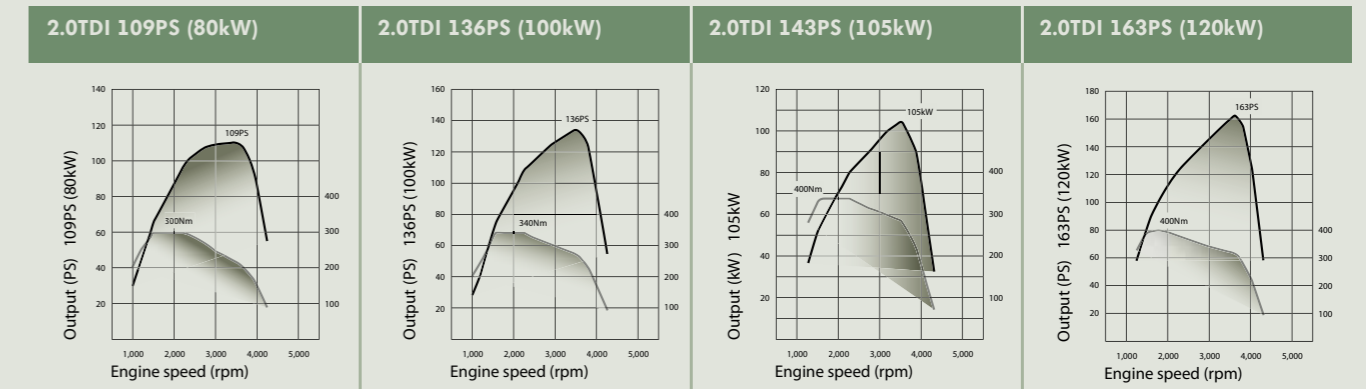
Engine specification

Crafter chassis and double cab

	2.0TDI 109PS	2.0TDI 136PS	2.0TDI 143PS	2.0TDI 163PS
No. of cylinders	4			
Cubic capacity	1968cc			
Mixture preparation/injection method	Diesel, common-rail, direct injection			
EU exhaust emission standard	EURO V and EEV †			
Output, PS at rpm	109 at 3,500	136 at 3,500	143 at TBC	163 at 3,600
Torque, max. Nm/rpm	300 at 1,500-2,250	340 at 1,575-2,250	TBC	400 at 1,800
Diesel Particulate Filter (DPF)	●	●	●	●
6-speed manual gearbox	●	●	●	●
Rear-wheel drive	●	●	●	●
Electrics				
Alternator (all variants)	110A, 140A or 180A depending on optional equipment			
Battery (all variants)	72Ah, 95Ah or 100Ah depending on optional equipment			

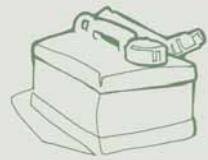
● Standard.

† Enhanced Environmentally friendly Vehicle – the emission measure below the maximum limit for EURO 5 standards.



output (PS)
torque (Nm)

The Crafter range



Fuel consumption and performance

Crafter chassis and double cab

Engine	Urban mpg (l/100km) ¹	Extra-urban mpg (l/100km) ¹	Combined mpg (l/100km) ¹	Top speed mph (where (law permits)	CO ₂ emissions (g/km)
Chassis cab with optional dropside (medium wheelbase and long wheelbase)					
CR35 2.0TDI 109PS	26.9 (10.1)	33.6 (8.4)	31.0 (9.1)	84	239
2.0TDI 136PS	26.9 (10.1)	33.6 (8.4)	31.0 (9.1)	87	239
2.0TDI 143PS	30.7 (9.2)	37.7 (7.5)	34.9 (8.1)	88	213
2.0TDI 163PS	31.4 (9.0)	37.2 (7.6)	34.9 (8.1)	91	213
CR50 2.0TDI 109PS	24.6 (11.5)	32.5 (8.7)	29.1 (9.7)	78	255
2.0TDI 143PS	TBC	TBC	TBC	TBC	TBC
2.0TDI 163PS	TBC	TBC	TBC	82	TBC
Double cab with optional dropside (long wheelbase)					
CR35 2.0TDI 109PS	26.9 (10.1)	33.6 (8.4)	31.0 (9.1)	84	239
2.0TDI 136PS	26.9 (10.1)	33.6 (8.4)	31.0 (9.1)	87	239
CR50 2.0TDI 109PS	24.6 (11.5)	32.5 (8.7)	29.1 (9.7)	78	255

¹ With 50% payload.

Some figures are provisional.

The figures listed apply to vehicles with manual gearbox, without optional extras.

Figures in square brackets show top speed for vehicles without speed limiter.



Standard features

INCLUDED IN THE BASIC VAN PRICE



Crafter dropside and tipper

Exterior
75-litre fuel tank with lockable cap
Black bumpers with integrated front step
Externally adjustable external convex mirrors with indicators (on brace on both driver and passenger sides)
Front and rear towing eyes
Front and rear axle:
– Anti-roll bar, front
– Front transverse leaf spring independent suspension
– Rear rigid axle with leaf springs
– Telescopic shock absorbers
Heat reflective glass
Wheels and tyres:
– Black wheel centre caps
– Steel wheels: 16" x 6.5J
– Rear wheels: Single
– Tyres: 235/65 R16C
Tyre repair kit and compressor
Preparation for side marker lights (MWB and LWB only)
Roof marker lights

Interior
Cab area:
2 folding and pivoted sun visors
12V socket
Digital clock
Dimmable dashboard illumination
Driver's seat with height, reach and rake adjustment
Dual passenger seat with storage box and folding tray in backrest
Electric windows
Grab handles
Interior light (including 2 reading lights)
Manually controlled heating system with charcoal filter and air recirculation
Power steering
Radio/single CD player, MP3 compatible with 5 speakers
Rev counter
Rubber floor covering
Tasamo fabric seat covers – Anthracite

Interior (continued)
Storage:
– 5 drinks holders
– Document holder on centre console
– Glove compartment
– Overhead storage (max load 5kg)
– Storage compartment in right step
– Storage compartments (open and closed) in doors
– Storage tray in centre console
– Storage tray on dashboard
Double cab passenger area:
2 side passenger doors on each side
4-seat bench with storage box
Childlocks
Hinged side windows
Interior entry steps

Safety and security
ABS: Anti-lock Braking System
Automatic hazard lights activation under emergency braking
Brake pad wear, failure and fluid level indicators
Bulb failure monitor deactivation
Driver's airbag
Driver's seat with height, reach and rake adjustment
EBA: Electronic Brake Assist
EBD: Electronic Brakeforce Distribution
EDL: Electronic Differential Lock
Electronic steering wheel lock
Engine immobiliser 'Transponder'
ESP: Electronic Stabilisation Programme – load adjusting
Halogen main headlights with headlight range control
Height adjustable head restraints
Height adjustable seat belts for all outer cab seats
Hydraulic brake system with front ventilated and rear solid disc brakes (front and rear ventilated on CR50)
Rear fog light
Remote central locking with 2 remote keys
Seat belt warning light for driver
TCS: Traction Control System
Thatcham Category 1 alarm with interior and tow-away protection and back-up horn
Three-point inertia reel seat belts for all seats
Warning buzzer for lights left on
Windscreen wiper with variable intermittent delay and wash/wipe system

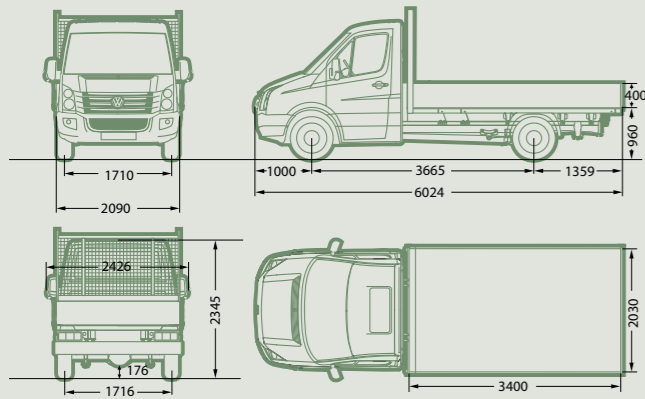
The Crafter range



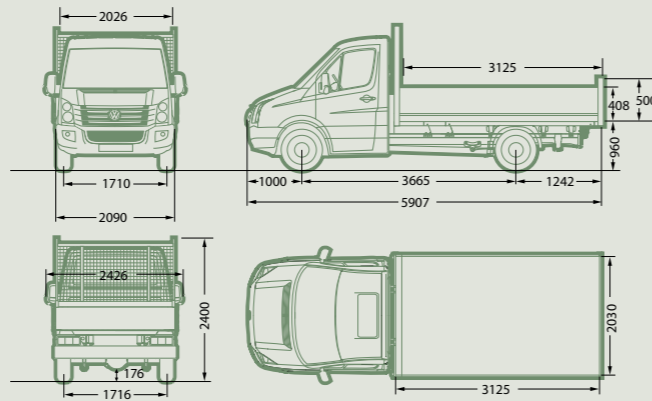
Dimensions and weights

Crafter dropside and tipper – chassis cab medium wheelbase

Dropside



Tipper



Wheelbase	3,365
Load area	
CR35 volume	6.9m ³
Turning circle (wall to wall)	13.5m

Dimensions in mm unless otherwise indicated.

The height measurements listed for dimensions are based on vehicles with standard specification, and may differ by approx ± 40mm depending on equipment fitted.

Please note vehicle drawings are not to scale.

Model, gross vehicle weight (kg)	Engine	Axle load limit front/rear (kg)	Trailer weight braked 12%/unbraked (kg)	Gross train weight (kg)	Unladen weight † (kg)	Payload † (kg)
Dropside medium wheelbase						
CR35 3,500	2.0TDI 109PS	1,650 / 2,250	2,000 / 750	5,500	2,131	1,369
Tipper medium wheelbase						
CR35 3,500	2.0TDI 109PS	1,650 / 2,250	2,000 / 750	5,500	2,261	1,239

Roof load limit: 100kg. Trailer nose weight: 100kg. All data is provisional.

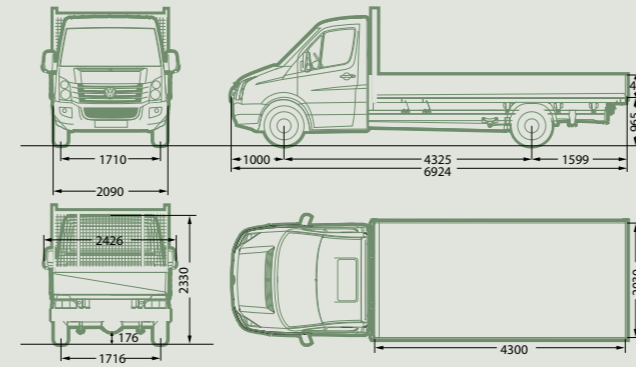
† Unladen weight and payload includes approximately 90% fuel load and 75kg for driver. Payload = gross vehicle weight – unladen weight.

Weights are for vehicles with standard specification. The addition of factory options or Volkswagen Van Centre fitted accessories may affect unladen weight and payload.

Please note: For CR35 and CR50 models with an appropriate combination of engine, rear axle and tow bar options, it is possible to obtain up to 3,500kg braked towing capacity and a 'Gross train weight' increase. Please consult your nearest Van Centre for details, including available axle ratio options to suit vehicle requirements.

For aftermarket towing above the standard 2,000kg, the vehicle gross train weight plating must be up-rated in the UK.

Crafter dropside – chassis cab long wheelbase



Wheelbase	4,325
Load area	
CR35 volume	8.7m ³
Turning circle (wall to wall)	15.6m

Dimensions in mm unless otherwise indicated.

The height measurements listed for dimensions are based on vehicles with standard specification, and may differ by approx ± 40mm depending on equipment fitted.

Please note vehicle drawings are not to scale.

Model, gross vehicle weight (kg)	Engine	Axle load limit front/rear (kg)	Trailer weight braked 12%/unbraked (kg)	Gross train weight (kg)	Unladen weight † (kg)	Payload † (kg)
Dropside long wheelbase						
CR35 3,500	2.0TDI 109PS	1,650 / 2,250	2,000 / 750	5,500	2,202	1,298

Roof load limit: 100kg. Trailer nose weight: 100kg. All data is provisional.

† Unladen weight and payload includes approximately 90% fuel load and 75kg for driver. Payload = gross vehicle weight – unladen weight.

Weights are for vehicles with standard specification. The addition of factory options or Volkswagen Van Centre fitted accessories may affect unladen weight and payload.

Please note: For CR35 and CR50 models with an appropriate combination of engine, rear axle and tow bar options, it is possible to obtain up to 3,500kg braked towing capacity and a 'Gross train weight' increase. Please consult your nearest Van Centre for details, including available axle ratio options to suit vehicle requirements.

For aftermarket towing above the standard 2,000kg, the vehicle gross train weight plating must be up-rated in the UK.

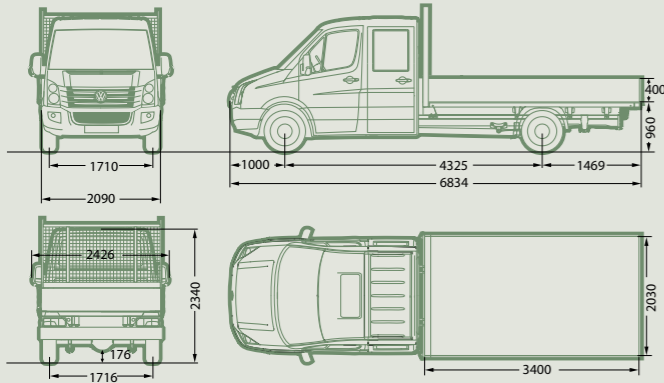
The Crafter range



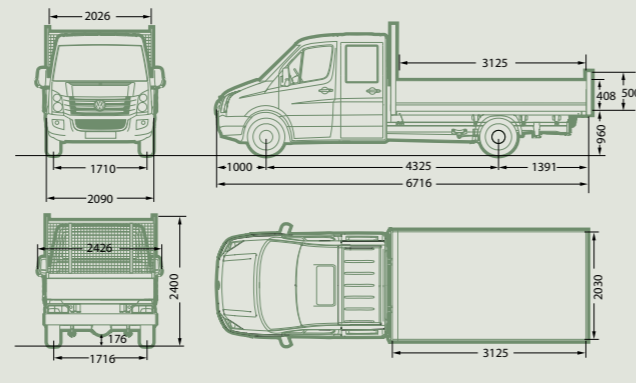
Dimensions and weights

Crafter dropside and tipper – double cab long wheelbase

Dropside



Tipper



Wheelbase	4,325
Load area	
CR35 volume	6.9m ³
Turning circle (wall to wall)	15.6m

Dimensions in mm unless otherwise indicated.

The height measurements listed for dimensions are based on vehicles with standard specification, and may differ by approx ± 40mm depending on equipment fitted.

Please note vehicle drawings are not to scale.

Model, gross vehicle weight (kg)	Engine	Axle load limit front/rear (kg)	Trailer weight braked 12%/unbraked (kg)	Gross train weight (kg)	Unladen weight † (kg)	Payload † (kg)
Tipper double cab long wheelbase						
CR35 3,500	2.0TDI 109PS	1,800 / 2,250	2,000 / 750	5,500	2,486	1,014

Roof load limit: 100kg. Trailer nose weight: 100kg. All data is provisional.

† Unladen weight and payload includes approximately 90% fuel load and 75kg for driver. Payload = gross vehicle weight – unladen weight.

Weights are for vehicles with standard specification. The addition of factory options or Volkswagen Van Centre fitted accessories may affect unladen weight and payload.

Please note: For CR35 and CR50 models with an appropriate combination of engine, rear axle and tow bar options, it is possible to obtain up to 3,500kg braked towing capacity and a 'Gross train weight' increase. Please consult your nearest Van Centre for details, including available axle ratio options to suit vehicle requirements. For aftermarket towing above the standard 2,000kg, the vehicle gross train weight plating must be up-rated in the UK.



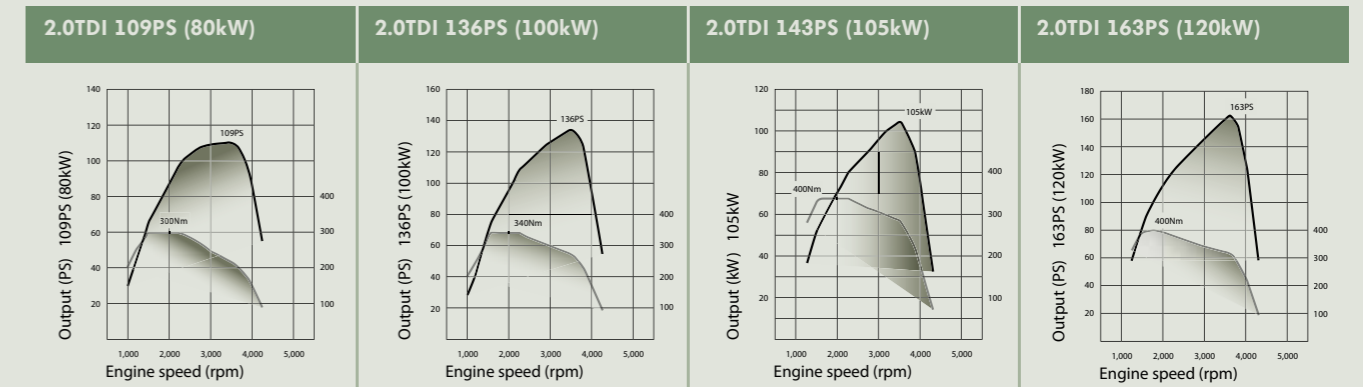
Engine specification

Crafter dropside and tipper

	2.0TDI 109PS	2.0TDI 136PS	2.0TDI 143PS	2.0TDI 163PS
No. of cylinders	4			
Cubic capacity	1968cc			
Mixture preparation/injection method	Diesel, common-rail, direct injection			
EU exhaust emission standard	EURO V and EEV †			
Output, PS at rpm	109 at 3,500	136 at 3,500	143 at TBC	163 at 3,600
Torque, max. Nm/rpm	300 at 1,500-2,250	340 at 1,575-2,250	TBC	400 at 1,800
Diesel Particulate Filter (DPF)	●	●	●	●
6-speed manual gearbox	●	●	●	●
Rear-wheel drive	●	●	●	●
Electrics				
Alternator (all variants)	110A, 140A or 180A depending on optional equipment			
Battery (all variants)	72Ah, 95Ah or 100Ah depending on optional equipment			

● Standard.

† Enhanced Environmentally friendly Vehicle – the emissions measure below the maximum limit for EURO V standards.



output (PS)
torque (Nm)



Checklist

KEEP A TRACK OF YOUR VAN AS YOU BUILD IT



Vehicle (eg: Crafter van...)

Model (eg: CR35 MWB...)

Engine spec (eg: 2.0TDI 109PS BlueMotion Technology...)

Wheelbase (eg: short, medium...)

Roof height (eg: high, extra high...)

Colour (eg: Spanish Red, Grey White...)

Upholstery (eg: Robust cloth/Classic Grey...)

Options (eg: Bulkhead pack B...)

Accessories (eg: plying kit, roof bar set...)

Notes

Notes

Extras

The maximum mileage/time parameters vary by model. For more detailed information on LongLife Service regimes and their suitability for your requirements, please contact your local Van Centre.

If you'd like a more traditional service regime, your vehicle can be adapted by your Volkswagen Van Centre or Authorised Repairer to the Time/Distance regime. This can be done when you buy the vehicle or when an inspection service is carried out.

High quality parts

When you fit replacement parts to your vehicle, you need to know they'll stand the test of time. Volkswagen Quality Parts® are constructed to the highest standards and are cheaper than you may think.



quote or buy online. All our insurance products are designed to ease the pain of making a claim.

6 Warranties for peace of mind

It's great to know that if the worst happens (and that's pretty rare), it'll get sorted without a fuss.²

Three-year warranty

All Volkswagen Crafter vans come with a three-year unlimited-mileage warranty, which protects your vehicle against the failure of most mechanical and electrical components due to manufacturing defects.

This 36 months consists of a two-year manufacturer's warranty with unlimited mileage plus a further one-year unlimited mileage Van Centre warranty.

All other Volkswagen Commercial Vehicles come with a three-year / 100,000 miles warranty. This consists of a two-year manufacturer's warranty with unlimited mileage plus a further one-year/100,000 miles (whichever is soonest) Van Centre warranty.

Should the mileage exceed 100,000 within the first two years, the manufacturer's two-year warranty will still be valid. If you want additional cover for subsequent years or higher mileage, you can buy it from an authorised Volkswagen Van Centre or Van Service Centre. However, you would have to buy this additional warranty before your van reaches 100,000 miles.

Accessories warranty

At Volkswagen Commercial Vehicles, we take just as much pride in our accessories range as we do in our vehicles. They are developed and tested to ensure they're fit for purpose and meet the standards you would expect of a Volkswagen accessory. As a result, we're pleased to offer a two-year warranty on all our accessories.³

In addition, if you order your accessories at the same time as you order your new vehicle, we will increase this to a three-year warranty in line with your vehicle warranty.



5 Vehicle insurance gets you covered

We want you to start enjoying your new van from day one – and you can, thanks to the complimentary seven-day cover from Volkswagen Commercial Vehicle Insurance. Call free on 0800 316 7896 (lines are open Monday to Friday 8am-9pm, Saturday 9am-5pm), provide a few details, and a cover note will be sent to your Van Centre. They will tax your vehicle and you can drive it away.

Visit www.insurewithvwc.co.uk to see all our insurance products, get a

...and two more ways you can drive one

1 Used vans that are Volkswagen assured

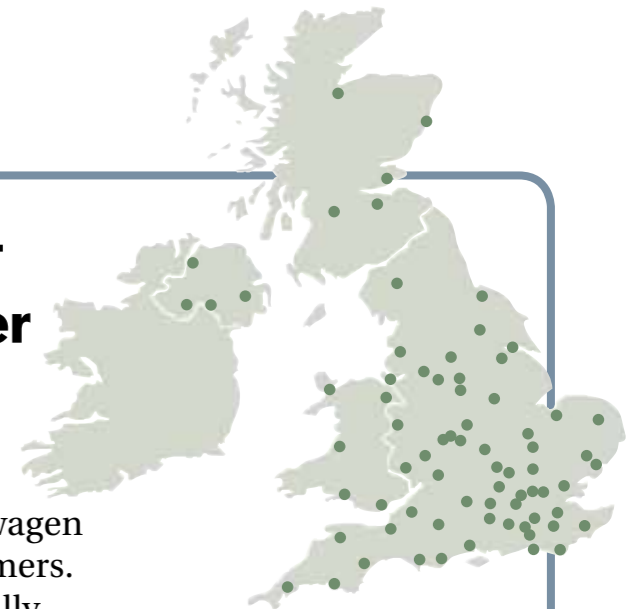
An increasing number of Volkswagen Van Centres are able to offer total peace of mind when you purchase a used van. You can rest easy, confident that every Volkswagen Assured Used Commercial Vehicle has been subjected to a comprehensive range of specialist checks to make them as safe a choice as a new Volkswagen van.

2 Volkswagen Van Rental

Many Volkswagen Van Centres offer a cost-effective van rental service. It comes with the assurance that every van is late model, low-mileage and presented in a high-quality condition that reflects your business operation. Long-term business rental is also available. For more information on Volkswagen Van Rental, call 0844 558 1588.

Bringing it all together

Our network of Van Centres is the backbone of everything Volkswagen does for its customers. All staff are specially trained, which means you can benefit from know-how built up over 60 years of experience. Our network covers the whole country, and offers a wide range of products and services.



If you want advice or more information, call your nearest Van Centre on **0800 717131**

The small print and the footnotes

- 1 Volkswagen Commercial Vehicle Finance is a trading name of Volkswagen Financial Services (UK) Limited. Subject to status. Finance available to over 18s only.
- 2 Full details of Volkswagen warranties are available from your authorised Volkswagen Van Centre or Van Service Centre.
- 3 Unless otherwise stated. Some accessories come with a manufacturer warranty only.

Some of the vehicles shown are fitted with optional equipment at extra charge. All data given and specifications are in accordance with information available at the time of going to print and are subject to change without notice. Vehicles not in current UK stock and customer order vehicles may take a number of weeks for delivery. Certain combinations of vehicle specifications and factory fitted extras are not compatible and therefore all orders received are subject to confirmation. Models, factory fitted options and paint and upholstery options subject to availability. Please check details and availability with an appropriate authorised Volkswagen Van Centre at the time of ordering.

Volkswagen Commercial Vehicle Insurance is a trading name of Volkswagen Insurance Service (Great Britain) Limited, an appointed representative of Volkswagen Financial Services (UK) Limited, Brunswick Court, Yeomans Drive, Blakelands, Milton Keynes MK14 5LR. Registered in England number 2835230. Volkswagen Commercial Vehicle Insurance is sold, underwritten and administered by Allianz Insurance plc registered in England number 84638. Registered office 57 Ladymead, Guildford, Surrey GU1 1DB. Volkswagen Financial Services (UK) Limited and Allianz Insurance plc are authorised and regulated by the Financial Services Authority. Volkswagen Financial Services (UK) Limited and Allianz Insurance plc are not part of the same corporate group

Alloys

UNDERSTAND THE TECH WITH OUR JARGON BUSTER

What does that mean?

Caddy



15" Kemora

16" Siracusa

17" Zolder
Not available on
Caddy Maxi kombi

Transporter



16" Cartagena

16" Miyato

17" Thunder



18" Canberra
Not available on Transporter
chassis/double cab

18" 5-Spoke Sportline
Brilliant Silver
Only available on
Transporter Sportline

18" 5-Spoke Sportline
Black
Only available on
Transporter Sportline

Crafter



16" Altamont



17" Hedemora

Other alloy wheels are available. Ask your local Van Centre for an Accessories brochure, or call 0800 717131



ABS – Anti-lock Braking System

It can be very challenging to stop a van quickly on a slippery road. ABS helps take much of the effort and stress out of a situation. In fact, even an average driver can stop more effectively with ABS than a professional driver without. The theory is simple – a wheel that is locked and skidding has less grip than a wheel that is not. For example, if you try to pull away too quickly on ice your wheels spin because there's no traction. So ABS stops the wheels skidding while you slow down, which means you actually slow faster and can still steer as you come to a stop.

EDL – Electronic Differential Lock

This uses the ABS sensors on the driven wheels to determine if one wheel is spinning faster than the others. It uses the ABS system to momentarily apply braking to balance out the traction needs of the driven wheels. Front-wheel drive vehicles usually have the most recognisable 'feel', as they produce the typical ABS-type pulsating sound and feel when they're activated during a wheel spin.

ESP – Electronic Stabilisation Programme

When a vehicle is driven in situations close to its limit, ESP makes it easier to control by providing greater directional stability. By applying the brakes on individual wheels it generates forces that help to keep the vehicle moving in the right direction. The system is permanently active and utilises the ABS, EBD, EDL and TCS safety systems. However, it cannot override the physical limits of the vehicle. If a driver pushes the vehicle beyond such limits, ESP cannot prevent an accident. On Crafter models, the ESP sensor takes any load into account and adjusts its response accordingly.

ARP – Active Rollover Protection

As part of the ESP system, ARP recognises an impending rollover and rapidly applies braking to selective wheels to reduce the likelihood of it happening. Especially useful on a vehicle with a high centre of gravity such as a van. ARP detects excessive lateral force if, for example, a van is driven too fast into a corner, which could cause a rollover.

TCS – Traction Control System

Traction control helps to limit tyre slip under acceleration on slippery surfaces, thus helping the driver to

retain proper control. Using sensors at each wheel, the system recognises when traction has been lost and momentarily applies braking to that wheel to help it regain grip. Traction control does not increase traction, though, it simply attempts to stop a vehicle's wheels spinning. In some vehicles, TCS is also known as ASR.

EBA – Electronic Brake Assist

Helps to shorten stopping distances, especially when a van is fully laden. In an emergency, when maximum brake pressure is required, a sensor recognises this need and uses a hydraulic booster to aid the driver.

EBD – Electronic Brakeforce Distribution

Helps prevent the rear-end from breaking away under heavy braking by ensuring maximum braking performance at both the front and rear wheels. Brake 'fading', as a result of overheating, is also counteracted.

DPF – Diesel Particulate Filter

This system removes particulates from diesel exhausts, making a major contribution to the reduction of particulate contaminants in the environment.

EB – Engine Braking Control

Prevents the driven wheels from locking owing to the braking effect of the engine when the accelerator pedal is suddenly released, or the vehicle is braked with a gear engaged.

BlueMotion Technology

Reduces the impact of Volkswagen vehicles on the environment by adding refinements to reduce fuel consumption and cut CO₂ emissions.

Passive safety

Refers to measures that help protect the occupants against injury or help reduce injury severity in the event of an accident. Passive safety measures include the safety belt system, the airbags*, the rigid occupant cell and the crumple zones at the front of the vehicle. Safety features built into the body, front and rear, help to dissipate most of the impact energy. All these elements help to provide excellent all-round protection.

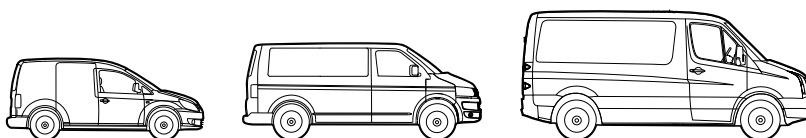
SCR Catalyst

A means of converting nitrogen oxides (also referred to as NO_x) into nitrogen (N₂) and water (H₂O). AdBlue® is injected into the stream of exhaust gas and the chemical reaction takes place within the SCR Catalyst.

*Airbags are supplemental restraint systems only and will not deploy under all accident circumstances. Always use seat belts and child seating appropriate for their size and age. All child seating must satisfy the current legislation standards.



Sign up for all the latest news,
offers and great competitions at
www.volkswagen-vans.co.uk/vanmail



Issue: January 2012

Printed in UK. CVW100GVBR

This Vans brochure supersedes all previous publications

www.volkswagen-vans.co.uk