

The new BMW X6



Sheer  
Driving Pleasure







Experience a Coupe like no other.



For the world's boulevards and avenues.  
And all roads – where eyes can't follow you.





Fire meets water.

A form against the norm.



Whatever the road throws at it, thanks to xDrive,  
the new BMW X6 remains unruffled.



A new challenge to the tightest bends:  
Dynamic Performance Control.







Penetrating elegance. Into every detail.

Four doors are unusual enough for a Coupe.  
For something really unique, just open one.

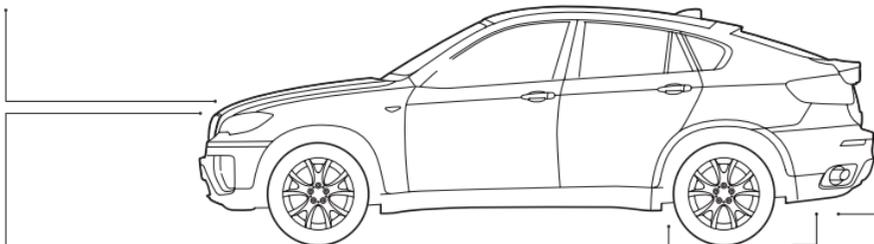


This has gone in.

The pleasure you get from driving a BMW is the result of fine engineering – always setting the benchmark because it is based on much more than engine power. This is the tradition behind BMW EfficientDynamics. It includes the visionary CleanEnergy hydrogen-powered engine, already used in a number of completely emission-free BMW 7 Series Saloons. Also going into production soon is the BMW ActiveHybrid – an intelligent, demand-oriented combination of internal combustion engine and electric motor. And every BMW already includes a multi-award-winning BMW EfficientDynamics technology package as standard that boosts dynamics even further while significantly reducing fuel consumption and CO<sub>2</sub> emissions.

#### High Precision Injection

In this cutting-edge generation of petrol direct injection, the Piezo injectors are positioned very close to the spark plugs. They inject the fuel at high pressure and with extreme precision. Several injections are possible per ignition process. Thanks to fast and flexible electronic control, the timing and quantity of the injections can be precisely adjusted to the power requirement, the temperature and the pressure in the cylinder – for more output and greater efficiency.



#### Air vent control

Engine management signals the engine's current cooling capacity requirements constantly while driving, rendering a permanent airstream through the radiator unnecessary. The air vents in front of the radiator open or close depending on the environmental temperature and road speed. When shut they improve aerodynamics, shorten the engine's warm-up time and so reduce fuel consumption.

#### Tyres with reduced rolling-resistance

While driving, tyres are constantly changing shape. This uses up energy and thus fuel. Tyres with reduced rolling-resistance have an improved design and use special materials for their road treads and side walls, thus reducing deformation.

#### Brake Energy Regeneration

To supply a battery with electrical energy, the generator (alternator) is permanently driven using engine power, which demands additional fuel consumption. Brake Energy Regeneration means the generator usually only generates electricity when the driver either takes the foot off the accelerator or brakes – previously unused kinetic energy is transformed in coasting mode into electrical energy before being fed into the battery. In this way, electricity is generated while coasting, without consuming fuel.

Some BMW EfficientDynamics features are dependent on the car's equipment and are not available for all model variants. Your BMW partner will be happy to provide you with information on all equipment details.

And this is what comes out.

Thanks to innovative features of EfficientDynamics, BMW has been able to significantly reduce CO<sub>2</sub> emissions in many models. But that's just for starters. We're carrying on our research with EfficientDynamics – in the quest to bring you more driving pleasure and less emissions.

■ Standard equipment □ Optional equipment



■ **Xenon Headlights for high and low beam** incl. automatic headlight range control and headlight washing system, for much better illumination of the road ahead in bad weather, at night or in poor visibility. The four light rings offer a daytime driving light function, and can also be used as parking lights.

□ **Adaptive Headlights** with variable light distribution, incl. turning lights, illuminate bends by optimal electromechanical adjustment of the swivelling headlights as soon as the driver turns the steering wheel (only in combination with Xenon lights). The turning light in the fog lights is automatically activated even at a standstill, when the indicator is used or with a steering lock of over 10 degrees – up to a speed of 40 km/h.

□ **High-beam assistant** aids the driver at night by automatically switching from high to low beam for oncoming traffic and cars ahead or when street lighting is sufficient.



■ **Fog lights** in free-form technology, integrated in the front air dam, ensure extra safety in poor visibility.



■ **Headlight washing system** provides optimal illumination of the road ahead in all weather conditions. Headlights are automatically cleaned in parallel with the windscreen when the lights are on.



□ **Lights package** includes rear reading lights, rear footwell lights, indirectly lit door pockets and inside door handles, exit lights, and proximity illumination in the outside door handles. This ensures that the area around the door is evenly lit when the door is unlocked, making getting in and out easy and safe.



■ **Dynamic Braking Lights** make it easier for drivers following from behind to see how hard you are applying the brakes. If you are braking normally, the brake lights cover a larger area; only during emergency braking do the brake lights start to flash. This allows following traffic to distinguish between a slight tap on the brakes and full braking – for even greater safety on the road.

■ Standard equipment   □ Optional equipment



■ **Rain sensor incl. automatic driving lights control:** Once activated, the rain sensor automatically switches on the windscreen wipers and controls wiper frequency, depending on how hard it is raining. This feature includes automatic driving lights control switching on the low-beam headlights automatically, for example, when it gets dark or when entering a tunnel.



■ **Exterior mirrors, electrically adjustable and heated,** finished in body colour (mirror foot in black), in aspheric design and blue-tinted.  
□ **Exterior mirrors, with automatic anti-glare function,** incl. fold-in function and automatic parking function.



□ **Sun-insulating glass** for the rear side windows (behind the B-pillar) and rear window; these tinted windows reduce sun glare and ensure a pleasant temperature inside the car even in hot weather.



□ **Shadow Line, high-gloss** covers window cavity cover and window frames in Black, high-gloss.  
□ **Exterior Line, Aluminium satinated** for window cavity cover and window frames. Window guide and finishers (B- and C-pillars) in Black, high-gloss.



□ **Roof railing, Silver:** Available to lend the exterior of the new BMW X6 an individual touch.



□ **Roof railing, Black matt:** matched harmoniously to the car's design, the roof railing provides the foundation for BMW's multifunctional roof support for effortless and safe transportation of luggage, bicycles, surfboards, etc.



□ **Aluminium running boards** (105 mm wide) with rubber inserts give the BMW X6 a particularly individual touch.

■ Standard equipment   □ Optional equipment



**Front ornamental grille** with titanium-coloured slats in the kidney grille and chrome surround (standard on the X6 xDrive50i and X6 xDrive35d). (Shown here in combination with the sports package; with radiator grille in contrasting colour).



**Tailpipes:** The X6 xDrive35i, X6 xDrive30d and X6 xDrive35d models come with two single tailpipes. The exhaust system is made of high-quality stainless steel. The visible tailpipes are trimmed with a chrome surround.



**Tailpipes:** For the X6 xDrive50i model the exhaust system with two rectangular tailpipes is made of high-quality stainless steel, the rear ends are bordered with a chrome surround.

■ Standard equipment   □ Optional equipment



■ BMW light-alloy wheels **star-spoke 232**, 9 J x 19-inch, with 255/50 R 19 runflat tyres (standard for X6 xDrive35i, X6 xDrive30d and X6 xDrive35d).



□ BMW light-alloy wheels **V-spoke 257**, 9 J x 19-inch with 255/50 R 19 runflat tyres (standard for X6 xDrive50i).



□ BMW light-alloy wheels **star-spoke 258** with mixed tyres and runflat technology, 9 J x 19-inch with 255/50 R 19 tyres at the front, 10 J x 19-inch with 285/45 R 19 tyres at the rear (only available in combination with sports package).



□ BMW light-alloy wheels **star-spoke 259** with mixed tyres and runflat technology, 10 J x 20-inch with 275/40 R 20 tyres at the front, 11 J x 20-inch with 315/35 R 20 tyres at the rear.



□ **BMW light-alloy wheels Y-spoke 214** with mixed and runflat tyres, 10 J x 20-inch at the front on 275/40 R 20 tyres, 11 J x 20-inch at the rear on 315/35 R 20 tyres.

■ Standard equipment   □ Optional equipment



■ **Sports leather steering wheel** incl. multifunction buttons for the steering wheel, three-spoke and gearshift paddles.



□ **Voice control system** for adjusting e.g. radio station, navigation routes and telephone entries while driving. Functions are shown on the Control Display at the same time (this feature is included in the optional navigation system Professional\*).



□ **Steering wheel heating:** Just press a button to quickly warm up the steering wheel rim – a particularly pleasant amenity in winter.



■ **Start/Stop button** for starting the engine. After inserting the ignition key you can start or stop the engine by pressing the button.



■ **Dynamic Performance Control Display** in the instrument panel. Shows the distribution of drive by xDrive between the front and rear axle, and the flexible distribution of power between the rear wheels by Dynamic Performance Control.

■ Standard equipment   □ Optional equipment



■ **Controller** is the central iDrive input element (for driver and passenger). Additional functions can be activated from the Control Display using this rotary/push button. Menu navigation is oriented to the four cardinal points. Four different menus are available: Climate, Communication, Entertainment and on-board info (optional navigation).



■ **Functional bookmarks:** With these buttons, the driver and passenger can save their most frequently used navigation, audio (e.g. certain radio stations or CD tracks) or telephone functions on eight separate buttons for rapid access.



■ **Control Display** with TFT screen (6.5-inch, colour). Shows the functions activated by the Controller (e.g. on-board computer or radio). In conjunction with the optional navigation system Professional\* or with the TV function, the screen measures 8.8 inches.



□ **Navigation system Professional\*** with colour 8.8-inch display, traffic guidance provided by voice information, arrows and street maps. The split-screen function allows you, for example, to view radio and navigation data simultaneously.



□ **TV function** allows you to use the Control Display as a television when the vehicle is stationary. Both analogue and digital (DVB-T) channels broadcast by terrestrial stations can be received.



□ **Rear view camera** clearly shows the area behind the vehicle on the Control Display, where interactive road line markings show for example, whether the target parking space is large enough for the vehicle. The rear view camera is activated automatically when the reverse gear is selected.



□ **Park Distance Control (PDC)**, front (standard at the rear), makes parking and manoeuvring easier in the narrowest spaces; the distance between the vehicle and the nearest obstacle is signalled acoustically as well as visually in the Control Display.



□ **Auxiliary heating with remote control**, ideal in winter and in cold weather. When you step into your vehicle, the windscreen is already free of ice and the interior is already pleasantly warm.

\* Not available in all countries. Please consult your BMW partner.

■ Standard equipment   □ Optional equipment



■ **Cruise control with braking function** facilitates comfortable driving at a pre-selected speed (30–250 km/h).



■ **Six-speed automatic transmission with Steptronic.** Gears are shifted very quickly and smoothly for optimum performance.



■ **Parking brake with Auto-Hold function** provides the convenience of being able to hold and release the vehicle by means of a button in the central console.  
□ **Sports button** to select a firmer suspension setting (integrated with the Adaptive Drive option).



■ **Cupholders** (two) in the centre console at the front.



■ **Armrest, front** on the tunnel console, can be positioned separately for driver and passenger, with storage compartment.



■ **Storage options** for a wide range of items are available in the central console, rear, in the front and rear doors and in a stowaway tray in the rear on the right.  
■ **AUX-IN** connection for an external audio source, e.g. an MP3 player.



■ **Knee pads**, for driver and front passenger, in the centre console. Ensure greater comfort and lateral support – especially when cornering at speed.

■ Standard equipment   □ Optional equipment



■ **Automatic air conditioning**, incl. microfilter, to provide an ideal climate in any season, automatic temperature and air volume control, vent programme and rear ventilation; settings displayed on Control Display (standard on the X6 xDrive35i and X6 xDrive30d).



□ **2-zone automatic air conditioning**, incl. Automatic Air Recirculation (AAR) with circulation filter, sun and condensation sensors, automatic temperature control (separate for driver and passenger) as well as air volume control; display and settings on the Control Display (standard on the X6 xDrive50i and X6 xDrive35d).



□ **4-zone automatic air conditioning**. As for 2-zone air conditioning, plus the climate in the rear area of the vehicle can be separately controlled with two dials and a display. This feature includes an additional blower and footspace air outlet in the rear.



■ **Radio BMW Professional**, 4-channel amplifier, 2-tuner reception, antenna diversity, scan function, CD player, MP3 decoder, 6 loudspeakers.  
□ **DAB tuner** for additional reception of digital radio programs.  
□ **USB/audio interface** in the storage compartment under the front armrest for connecting a USB stick or external audio sources such as an iPod.



□ **CD changer**, 6-disc single slot changer, with features including scan function, random play and MP3 decoder; installed in the glove compartment.



□ **HiFi System Professional** with a 600 watt digital amplifier and 16 loudspeakers guarantees a high-intensity audio experience at every seat.  
□ **HiFi System** with digital amplifier (205 watt) and 12 loudspeakers, as well as digital equalizing which adapts the sound optimally to the shape of the vehicle interior.



□ **Head-Up Display** shows relevant information, for example current speed, directly in the driver's field of vision. Arrow directions for navigation, for instance, can also be shown. Height and brightness of the display can be individually adjusted, so that the driver can fully concentrate on the traffic at all times.

■ Standard equipment   □ Optional equipment



□ **BMW Individual instrument panel** with fine leather cover lends the interior a highly exclusive look.



□ **Sports seats** for driver and passenger, highly contoured seat sides for optimal lateral support. Seat height, seat angle and backrest angle are electrically adjustable, thigh support manually adjustable. The driver's seat, driver's head restraint height, exterior mirrors and steering column feature a memory function.



■ **Standard seats**, with manual adjustment forward/back, for driver's seat angle, headrest height and angle, as well as electrical adjustment for seat height, and backrest angle.



□ **Comfort seats** for driver and passenger. The seats have comfort head-restraints with electrically adjustable head-restraint height and mechanically folding side bolsters. The thigh support and upper seat back are also electrically adjustable, as is the seat height.



■ **Two rear seats**, with sporty, individual character (not adjustable) and integral head restraints. The seats also come with the fold-out central armrest and two cupholders in the rear centre console.

■ Standard equipment   □ Optional equipment



□ **Lumbar support** on driver's and front passenger's seats, electrically adjustable for height and depth, to provide a perfectly ergonomic seating position and support your back muscles.



□ **Seat adjustment, electric**, of driver's and front passenger's seats, with memory function for driver's seat, steering column and exterior mirrors, including easy access (standard on the X6 xDrive50i and X6 xDrive35d).



□ **Seat heating for driver and front passenger:** Seat surfaces and backrests with heating in three stages for pleasant temperatures shortly after setting off.



□ **Active seat ventilation** provides a noticeably more comfortable ride. Fans in the seat base and backrest blow air through the seat covers (available for the driver and passenger in conjunction with Nevada leather, perforated and comfort seats).

□ **Active seats for driver and front passenger** provide a relaxed seating position even over long distances. The seat moves up and down on either side, cyclically mobilising the pelvis and lumbar spine (available in conjunction with comfort seats).



□ **Glass roof**, electric, with integral sun protection, comfort opening and closing via vehicle key and fingertip control.



□ **Roofliner** in Anthracite; the A-, B-, C- and D-pillar trim as well as the sun visors and roof grab handles are finished in refined Black (included in Sports Package).



□ **Interior mirror and exterior mirror**, with automatic anti-glare function which activates once a certain light intensity from following vehicles is reached. With fold-in function for exterior mirror.

□ **Alarm system with remote control:** In any attempt to break into and manipulate your car, the alarm system sets off a loud signal and immediately switches on the hazard warning lights.

■ Standard equipment   □ Optional equipment



■ **Rear seat backrest**, can be 60:40 asymmetrically split and individually folded down.



■ **Luggage compartment cover**, folding, can be removed easily and stowed away practically under the luggage compartment floor.



□ **Storage package** including an illuminated storage box under the front centre console with a 12-V socket, two lashing rails with four lashing points in the luggage compartment, multifunction hooks and storage nets left.



□ **Adaptive fastening system** for firmly securing differently-sized pieces of luggage (available in combination with the storage compartment package.)

■ Standard equipment   □ Optional equipment



□ **Sunblinds:** Manual sunblinds on each rear side window for reliable protection from intense sun glare.



□ **DVD system** in the rear offers an independently controllable DVD player with a fold-down 8-inch screen. The system can be operated by wireless remote control, has sockets for two headphones and a video source, and is compatible with infra-red headphones. In conjunction with the TV function, the same TV programme can be viewed simultaneously on the front (at a standstill) and rear screens.



■ **Cupholders** integrated in the rear centre console.



□ **Seat heating at the rear:** Same as the electric heating of the driver's and front passenger's seats, with heating in two stages, available in conjunction with leather upholstery.



□ **Ski bag** for clean and safe transport of up to four pairs of skis with up to four occupants in the car; whenever the ski bag is not required, it remains stored conveniently and out of sight behind the centre armrest.



■ **Sockets (12-V)**, one in the front storage box, one in the rear centre console and one in the luggage compartment.



■ **Central locking** for the doors, fuel cap, incl. electronic immobiliser and remote control with automatically recharging key battery.  
□ **Comfort access** for opening and locking the vehicle without holding the remote control. The engine can also be started without the key using the Start/Stop button.



□ **BMW Welt:** Taking delivery of a car has always ranked among the best moments for any driver. Now that moment can become a truly unforgettable day – at the new BMW Welt, the experience and delivery centre in Munich, Germany. Visit the Museum, tour the plant or explore the Technology studio: BMW Welt brings you the true fascination of BMW. Experience more online at [www.bmw-welt.com](http://www.bmw-welt.com).

■ Standard equipment   □ Optional equipment   – Not available

Safety	X6 xDrive35i	X6 xDrive50i	X6 xDrive30d	X6 xDrive35d
<b>Active headrests</b> front	■	■	■	■
<b>Airbags:</b>				
– Driver and front passenger airbags (with seat occupancy detector)	■	■	■	■
– Head airbags (for front and 2nd row passengers)	■	■	■	■
– Side airbag for driver and front passenger, integrated into seat	■	■	■	■
<b>Alarm system</b>	□	□	□	□
<b>Brakes:</b>				
– Disc brakes at the front, inner-vented	■	■	■	■
– Disc brakes at the rear, inner-vented	■	■	■	■
<b>Central locking with electronic immobiliser</b> , crash sensor	■	■	■	■
<b>Child seat ISOFIX attachment</b> in the rear	■	■	■	■
<b>Dynamic Braking Lights</b>	■	■	■	■
<b>Dynamic Stability Control</b> (DSC, incl. ABS, CBC and traction control DTC) with additional functions	■	■	■	■
<b>Hill Descent Control</b> (HDC)	■	■	■	■
<b>Parking brake</b> , electromechanical, with Auto-Hold function	■	■	■	■
<b>Rollover sensor</b>	■	■	■	■
<b>Safety body shell:</b>				
– Bumper system with impact cushions in aluminium at the front and steel at the rear; bumpers regenerate to their original shape in collisions of up to 4 km/h, deformation elements front and rear at up to 15 km/h	■	■	■	■
– Door-integrated side impact protection	■	■	■	■
<b>Seat belts:</b>				
– Ergonomic belt system at the rear with 3-point seat belts for all seats	■	■	■	■
– Inertia-reel seat belts with pyrotechnical belt tensioner and belt force governor	■	■	■	■

Exterior design	X6 xDrive35i	X6 xDrive50i	X6 xDrive30d	X6 xDrive35d
<b>Aluminium running boards</b>	□	□	□	□
<b>Double kidney grille</b> with kidney slats in Black (X6 xDrive50i and X6 xDrive35d Titanium-coloured) and chrome surround	■	■	■	■
<b>Exterior line, Aluminium satinated</b>	□	□	□	□
<b>Exterior mirrors in body colour</b> , lower segment in black, electrically adjustable, aspherical and heated, tinted glass	■	■	■	■
<b>Metallic paint</b>	□	□	□	□
<b>Roof railing</b> in Black matt or Silver colour	□	□	□	□
<b>Shadow Line</b> , high-gloss	□	□	□	□

Equipment packages	X6 xDrive35i	X6 xDrive50i	X6 xDrive30d	X6 xDrive35d
<b>Navigation system Professional*</b> , with integrated preparation for <b>Bluetooth mobile phone</b> , telematics-compatible (incl. voice control, BMW Assist* and BMW Online*)	□	□	□	□
<b>Sports package</b> (incl. sports seats with electric adjustment, star-spoke 258 light-alloy wheels with mixed tyres and Individual roofliner in Anthracite)	□	□	□	□

\* Not available in all countries. Please consult your BMW partner.

■ Standard equipment   □ Optional equipment   – Not available

Wheels	X6 xDrive35i	X6 xDrive50i	X6 xDrive30d	X6 xDrive35d
<b>Runflat indicator and runflat tyres</b>	■	■	■	■
<b>Wheels:</b>				
– Light-alloy wheels star-spoke 232, 9 J x 19-inch with 255/50 R 19 runflat tyres	■	□	■	■
– Light-alloy wheels V-spoke 257, 9 J x 19-inch with 255/50 R 19 runflat tyres	□	■	□	□
– Light-alloy wheels star-spoke 258 with mixed tyres, 9 J x 19-inch with 255/50 R 19 tyres at the front, 10 J x 19-inch with 285/45 R 19 runflat tyres at the rear (only in combination with sports package)	□	□	□	□
– Light-alloy wheels Y-spoke 214 with mixed tyres, 10 J x 20-inch with 275/40 R 20 tyres at the front, 11 J x 20-inch with 315/35 R 20 runflat tyres at the rear	□	□	□	□
– Light-alloy wheels star-spoke 259 with mixed tyres, 10 J x 20-inch with 275/40 R 20 tyres at the front, 11 J x 20-inch with 315/35 R 20 runflat tyres at the rear	□	□	□	□

Interior design	X6 xDrive35i	X6 xDrive50i	X6 xDrive30d	X6 xDrive35d
<b>Instrument panel with circular speedometer</b> and rev counter, plus tank level and fuel consumption gauges	■	■	■	■
<b>Interior trims:</b>				
– Aluminium Flywheel black	□	□	□	□
– Brushed Aluminium, Shadow, fine grain	□	□	□	□
– Fine-wood trim Ash Grain	□	■	□	□
– Fine-wood trim Bamboo Grain, dark	□	□	□	□
– Graphite, matt	■	–	■	■
<b>Roofliner in Anthracite</b>	□	□	□	□
<b>Upholstery:</b>				
– Alcantara/leather combination	□	□	□	□
– Exclusive Nappa leather, extended	□	□	□	□
– Nevada leather	□	□	□	□
– Nevada leather, perforated (only in combination with active seat ventilation)	□	□	□	□
– Twill Cloth	■	■	■	■

Transmission and technology	X6 xDrive35i	X6 xDrive50i	X6 xDrive30d	X6 xDrive35d
<b>6-cylinder in-line diesel engine</b> with four-valve technology	–	–	■	■
<b>6-cylinder in-line petrol engine</b> with four-valve technology	■	–	–	–
<b>6-speed automatic transmission</b> with Steptronic and gearshift paddles on the sports leather steering wheel	■	■	■	■
<b>8-cylinder V petrol engine</b> with four-valve technology	–	■	–	–
<b>Active Steering</b> incl. Servotronic	□	□	□	□
<b>Adaptive Drive (Dynamic Drive and EDC)</b>	□	□	□	□
<b>Brake Energy Regeneration</b>	■	■	■	■
<b>Common Rail Technology</b>	–	–	■	■
<b>Diesel particle filter</b>	–	–	■	■
<b>Double-joint spring strut front axle</b>	■	■	■	■
<b>Double-VANOS</b> , double variable camshaft control	■	■	–	–
<b>Dynamic Performance Control</b> for effective power distribution at the rear axle	■	■	■	■

■ Standard equipment   □ Optional equipment   – Not available

Transmission and technology	X6 xDrive35i	X6 xDrive50i	X6 xDrive30d	X6 xDrive35d
<b>Emissions standard: EU4</b>	■	■	■ <sup>1</sup>	■ <sup>1</sup>
<b>High Precision Injection</b> (petrol direct injection)	■	■	–	–
<b>Multilink rear axle</b>	■	■	■	■
<b>Self-levelling</b> with pneumatic rear suspension	□	■	□	□
<b>Turbocharger</b> with variable turbine geometry	–	–	■	–
<b>Twin Turbo</b>	■	■	–	–
<b>Variable Twin Turbo</b>	–	–	–	■
<b>xDrive</b> (all-wheel drive system with variable torque distribution)	■	■	■	■

Driver assistance	X6 xDrive35i	X6 xDrive50i	X6 xDrive30d	X6 xDrive35d
<b>Cruise control with braking function</b>	■	■	■	■
<b>Head-up Display</b>	□	□	□	□
<b>High-beam assistant</b>	□	□	□	□
<b>Park Distance Control (PDC)</b> , front (standard at the rear)	□	□	□	□
<b>Rear view camera</b>	□	□	□	□

Light and sight	X6 xDrive35i	X6 xDrive50i	X6 xDrive30d	X6 xDrive35d
<b>Adaptive Headlights with variable light distribution including turning lights</b>	□	□	□	□
<b>Exterior mirrors</b> with automatic anti-glare function, incl. fold-in function and automatic parking function	□	□	□	□
<b>Fog lights with free-form reflector</b> incl. heated front windscreen washer nozzles and exterior mirrors	■	■	■	■
<b>Interior mirror</b> with automatic anti-glare function	■	■	■	■
<b>Lights package</b> incl. vicinity lights integrated in exterior door handles, door trim and interior door handle lighting, rear reading lights and rear footwell illumination	□	□	□	□
<b>Rain sensor</b> , incl. automatic driving lights control	■	■	■	■
<b>Xenon Headlights for high and low beam</b> incl. automatic headlight range control, headlight washing system and four light rings (daytime driving and parking lights)	■	■	■	■

Interior equipment	X6 xDrive35i	X6 xDrive50i	X6 xDrive30d	X6 xDrive35d
<b>Automatic air conditioning</b>	■	–	■	–
<b>Automatic air conditioning, 2-zone</b> (incl. AAR, condensation and solar sensors and residual heat function) with air outlets in the rear	□	■	□	■
<b>Automatic air conditioning, 4-zone</b> (with separate temperature control in the rear)	□	□	□	□
<b>Climate comfort windscreen</b>	□	□	□	□
<b>Seats/seat comfort:</b>				
– 4 seats, incl. 2 rear seats with sporty individual character and integral head-restraints	■	■	■	■
– Active seats for driver and passenger	□	□	□	□
– Comfort seats for driver and front passenger, electric seat adjustment with additional functions incl. lumbar support	□	□	□	□
– Lumbar support for driver and front passenger, electrically adjustable	□	□	□	□
– Rear seats, asymmetrically foldable (60:40)	■	■	■	■
– Seat heating for driver and front passenger	□	□	□	□
– Seat heating in the rear	□	□	□	□

For an explanation of the footnotes see the following page.

■ Standard equipment   □ Optional equipment   – Not available

Interior equipment	X6 xDrive35i	X6 xDrive50i	X6 xDrive30d	X6 xDrive35d
– Seat adjustment, electric	□	■	□	■
– Seat adjustment, partially electric	■	–	■	–
– Sports seats for driver and front passenger (incl. electric seat adjustment)	□	□	□	□
<b>Steering column adjustment</b> , electric, in height and length	□	■	□	■
<b>Steering wheel heating</b>	□	□	□	□
<b>Steering wheels:</b>				
– Sports leather steering wheel, three-spoke, multifunction	■	■	■	■
<b>Sun blinds</b> for rear side windows	□	□	□	□
<b>Windscreen with grey shade band</b>	■	■	■	■

Comfort and interior equipment	X6 xDrive35i	X6 xDrive50i	X6 xDrive30d	X6 xDrive35d
<b>Adaptive fastening system</b>	□	□	□	□
<b>Comfort access system</b> (for keyless entry and engine start)	□	□	□	□
<b>Cup holders</b> , front and rear	■	■	■	■
<b>Glass roof</b> , electric, tilt/slide functions, convenient operation via vehicle key	□	□	□	□
<b>Skibag</b>	□	□	□	□
<b>Start/Stop button</b>	■	■	■	■
<b>Storage facilities with anti-slip lining in the doors</b> , front, centre console, storage box in luggage compartment (lockable)	■	■	■	■
<b>Storage package</b> (incl. 12-V socket, net and lashing rails in luggage compartment)	□	□	□	□
<b>Tailgate</b> , with intermediate stop function	■	■	■	■
<b>Tailgate operation</b> , automatic	□	□	□	□
<b>Window lifts</b> , electrical, with one-touch control, comfort switch and trap release	■	■	■	■

Entertainment, communication and information	X6 xDrive35i	X6 xDrive50i	X6 xDrive30d	X6 xDrive35d
<b>BMW ConnectedDrive – Telematics Services:</b> *				
– BMW Assist	□	□	□	□
– BMW Online	□	□	□	□
– BMW TeleServices	□	□	□	□
<b>Control Display</b> , 6.5-inch	■	■	■	■
<b>Controller</b>	■	■	■	■
<b>Functional bookmarks</b>	■	■	■	■
<b>Navigation system Professional*</b> with 8.8" colour display, arrow and map display, CD and DVD drive for navigation DVD and voice control	□	□	□	□
<b>Navigation system Professional*</b> , with integrated preparation for Bluetooth mobile phone, telematics-compatible (incl. voice control, BMW Assist* and BMW Online*)	□	□	□	□
<b>Preparation for mobile phone</b> Business with Bluetooth interface including comfort connection for mobile phone music player and BMW Assist*	□	□	□	□
<b>Radio/audio:</b>				
– AUX-IN connection in centre console	■	■	■	■
– CD changer for six CDs, in glove compartment	□	□	□	□

<sup>1</sup> The X6 xDrive30d and xDrive35d comply with emissions standard EU4 (N1-G3).   \* Not available in all countries. Please consult your BMW partner.

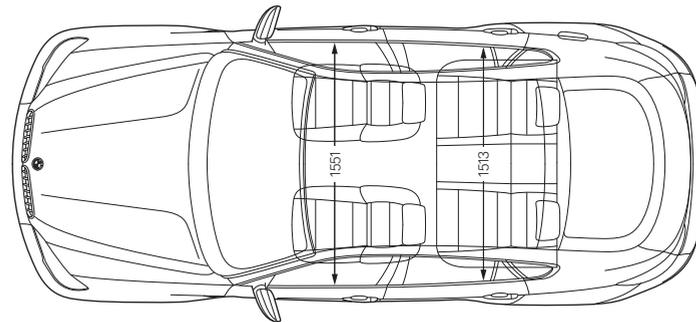
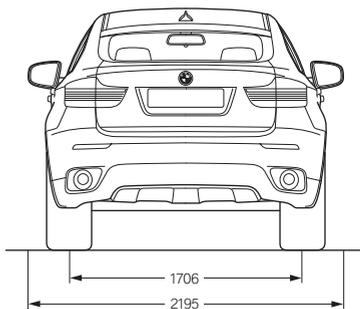
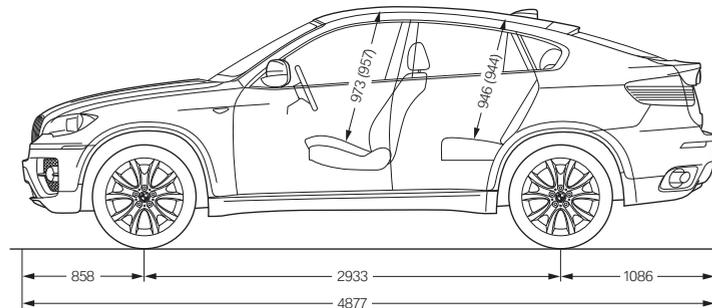
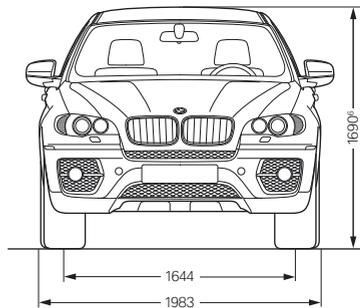
■ Standard equipment   □ Optional equipment   – Not available

Entertainment, communication and information	X6 xDrive35i	X6 xDrive50i	X6 xDrive30d	X6 xDrive35d
– DAB tuner	□	□	□	□
– DVD changer in the glove compartment, with multi-channel audio system	□	□	□	□
– DVD system in the rear	□	□	□	□
– HiFi loudspeaker system	□	□	□	□
– HiFi system Professional	□	□	□	□
– Radio BMW Professional, incl. MP3-compatible CD drive	■	■	■	■
– USB/audio interface	□	□	□	□
<b>TV function</b>	□	□	□	□

Technical data		X6 xDrive35i	X6 xDrive50i	X6 xDrive30d	X6 xDrive35d
<b>Weight</b>					
Unladen EU <sup>1</sup>	kg	2,145	2,265	2,150	2,185
Max. permissible	kg	2,670	2,840	2,675	2,710
Permitted load	kg	600 [650]	650	600 [650]	600 [650]
Permitted axle load, front/rear	kg	1,280/1,470	1,400/1,520	1,280/1,470	1,320/1,480
Permitted roof load	kg	100	100	100	100
Permitted trailer load, unbraked	kg	750	750	750	750
Permitted trailer load, braked, max. 12% gradient	kg	2,700/3,500 <sup>5</sup>	3,500	2,700/3,500 <sup>5</sup>	2,700/3,500 <sup>5</sup>
Permitted trailer load, braked, max. 8% gradient	kg	2,700/3,500 <sup>5</sup>	3,500	2,700/3,500 <sup>5</sup>	2,700/3,500 <sup>5</sup>
<b>Engine<sup>2</sup></b>					
Cylinders/valves		6/4	8/4	6/4	6/4
Capacity	cc	2979	4395	2993	2993
Max. output	kW (hp) rpm	225 (306) 5,800–6,250	300 (407) 5,500–6,400	173 (235) 4,000	210 (286) 4,400
Max. torque	Nm rpm	400 1,300–5,000	600 1,750–4,500	520 2,000–2,750	580 1,750–2,250
<b>Transmission</b>					
Standard transmission ratios	I/II :1 III/IV :1 V/VI/R :1	4.17/2.34 1.52/1.14 0.87/0.69/3.40	4.17/2.34 1.52/1.14 0.87/0.69/3.40	4.17/2.34 1.52/1.14 0.87/0.69/3.40	4.17/2.34 1.52/1.14 0.87/0.69/3.40
Final drive ratio	:1	3.91	3.64	3.64	3.64
<b>Performance</b>					
Top speed	km/h	240	250 <sup>4</sup>	220	236
Acceleration 0–100 km/h	s	6.7	5.4	8.0	6.9
<b>Fuel consumption<sup>3</sup></b>					
Urban	l/100 km	14.9	17.6	10.4	10.5
Extra-urban	l/100 km	8.6	9.5	7.0	7.1
Combined	l/100 km	10.9	12.5	8.2	8.3
CO <sub>2</sub> emissions	g/km	262	299	217	220
Tank capacity, approx.	l	85	85	85	85

For an explanation of the footnotes see the following page.

Technical data	X6 xDrive35i	X6 xDrive50i	X6 xDrive30d	X6 xDrive35d
<b>Wheels</b>				
Tyre dimensions	255/50 R 19	255/50 R 19	255/50 R 19	255/50 R 19
Wheel dimensions	9 J x 19	9 J x 19	9 J x 19	9 J x 19
Material	light-alloy	light-alloy	light-alloy	light-alloy



<sup>1</sup> The figure quoted includes a 90 per cent tank filling, 68 kg for the driver and 7 kg for luggage. Unladen weight applies to vehicles with standard specification. Optional equipment may increase this figure.  
<sup>2</sup> The petrol engines are designed for RON 98 fuel. They may also be run on RON 95 with a slight decrease in power output.  
<sup>3</sup> All engines meet the EU4 (N1) emissions standard, the new X6 xDrive30d and X6 xDrive35d comply with emissions standard EU4 (N1-G3). Fuel consumption is determined in accordance with the ECE driving cycle made up of approximately one third urban and two thirds extra-urban driving (based on the distance covered). CO<sub>2</sub> emissions are measured in addition to fuel consumption. Fuel consumption is determined for vehicles with standard equipment. Optional equipment (such as wider tyres) can have a significant impact on fuel consumption and on performance.  
<sup>4</sup> Electronically limited.  
<sup>5</sup> In conjunction with the special option increased trailer load.  
<sup>6</sup> Height with roof railing is 1699 mm.

Values in [ ] apply to vehicles with self-levelling pneumatic rear suspension or in combination with Adaptive Drive.

The BMW X6 shown in this brochure has the exterior colour Vermilion red metallic. The upholstery is Nevada leather Oyster, with interior trim in Bamboo Grain, dark.

All dimensions in the technical drawings in millimetres. Height includes roof antenna. Luggage compartment capacity (VDA method) 570 – 1,450 litres. Values in ( ) are for vehicles with a sliding roof.

More about BMW



Sheer  
Driving Pleasure

[www.bmw.com](http://www.bmw.com)

### BMW Recycling.

Your BMW is the product of a comprehensive recycling concept. But what exactly does that mean in practice? It means that all the requirements of recycling are taken into account from the start, in the initial development of a BMW. One example is careful material selection designed to preserve resources and to ensure efficient recycling compatible with the environment. Each BMW is designed and built for simple and economic recycling after its long running life. Since 1994, we have been collecting the know-how required for this purpose at the unique BMW Recycling and Dismantling Centre (RDC) near Munich. At the same time, the BMW Group is establishing a complete network of vehicle recycling facilities within Europe, focusing in the process on the high standards of quality and environmental care that BMW is renowned for. Please contact your BMW partner on all matters regarding your end-of-life vehicle. They will be happy to help.

The models illustrated in this brochure show the specifications for the German market. In part, they include optional equipment and accessories not fitted as standard. According to the specific requirements of other markets, alterations in models, standard and optional equipment, as described in this brochure, may occur. For precise information please contact your BMW partner. Subject to change in design and equipment.

© BMW AG, Munich/Germany. Not to be reproduced wholly or in part without written permission of BMW AG, Munich.

BMW recommends Castrol