



Dear {FIRST_NAME|Valued Customer},

As a Fireline Contractor, you have specific needs when it comes to the backflow industry. We will provide 2 great newsletters this month just for you. Please enjoy this week's content and stay tuned later this month for another edition full of information and savings.

REPAIR TIP

DCDA Type I or Type II - Spotting the Difference

" I am testing an assembly on a fire sprinkler system. The assembly is a DCDA Type II. The bypass piping is different from a standard DCDA . How do I test this assembly? Can you give me some general information about this unit? "

Doug: Double Check Detector Assemblies are now manufactured in either a Type 1 (standard) or a Type II. DCDA's are normally used on fire sprinkler systems to prevent backflow and to detect low flow demands up to 2 gpm through the bypass piping. Let's take a look at the basic difference between the Type I and II. The DCDA Type 1 has been around for years and is considered the standard version. This assembly consists of a main line Double Check Valve Assembly and attached bypass piping that includes a water meter and a bypass Double Check Valve Assembly. The Type I bypass piping configuration connects between the inlet shutoff valve and check #1 of the main line assembly and ends between check valve #2 and the outlet shutoff valve on the main line assembly.



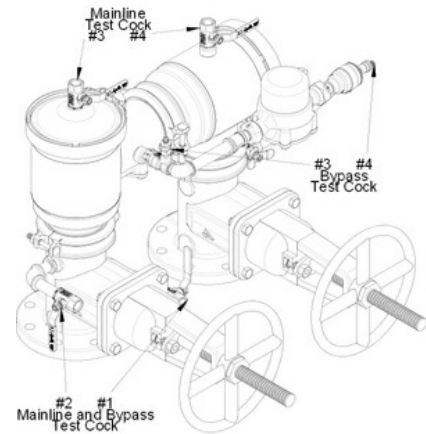
Mark: The DCDA Type II is relatively new to the backflow prevention industry. Although the function of the Type I and Type II is the same, they will look a little different. The Type II consists of a main line Double



Check Valve Assembly and attached bypass piping that includes a water meter and a bypass Single Check Valve Assembly. The Type II bypass piping configuration begins between check #1 and check #2 of the main line assembly and terminates between check valve #2 and the outlet shutoff valve

on the main line assembly. The Single Check Valve Assembly on the Type II is testable and must hold at least 1.0 psid. This bypass assembly consists of an inlet and outlet shutoff valve with a test cock on either side of the check valve.

Doug: Now that we know the difference in configuration of the Type I and Type II DCDA, we can take a look at how to test and record the readings for the Type II. When you test a Type II you will only be testing 3 check valves. Basically we need to remember that Check #1 of the main line assembly also serves as the bypass check #1 and the single check serves as the bypass check #2. So the main line assembly will test the same as a standard DCA. For the bypass, you will use the same test procedures as a standard DCA, but you will only be testing a single check valve.



Mark: There are a couple of ways to record the test results for the Type II bypass Single Check Assembly. One theory is that the test results for the Check #1 of the main line assembly should also be recorded as the Check #1 of the bypass. In some cases, the water authority may require a second test for the Check #1 of the main line

	Check No. 1	Check No. 2	Air-Inlet Valve or Relief Valve	#1 Gate or Ball (Circle One)	#2 Gate or Ball (Circle One)
Test Before Repairs	(Mark Leaked _____ Closed Tight _____)	(Mark Leaked _____ Closed Tight _____)	Opened at _____ lbs. Differential Pressure	(Mark One) Leaked _____ Closed _____ Tight _____	(Mark One) Leaked _____ Closed _____ Tight _____
	Diff Press	Diff Press			
Repairs and New Materials					
Test After Repairs	(Mark Leaked _____ Closed Tight _____)	(Mark Leaked _____ Closed Tight _____)	Opened at _____ lbs. Differential Pressure	(Mark One) Leaked _____ Closed _____ Tight _____	(Mark One) Leaked _____ Closed _____ Tight _____

assembly. Simply perform the test again and record the results separately on the report. Another theory is that

the single check should only have one test result and should be recorded as such on the test report. This simply means that you will only record 3 test results on the test form. It is best to contact your local water authority to find out how they want their test forms completed.

Relief, Reducing & Automatic Control Valve

Parts Available

Altitude Control Valves

Automatic Control Valves

Pressure Sustaining Valves

Pressure Reducing or Regulating Valves



Pressure Relief Valves

Fire Pump Relief Valves

Backpressure Control Valves

Temperature & Pressure Regulating Valves



Call our Sales Team Today!
(800) 575-9618



**Referral
Rewards
Program**



**YOU KNOW US, YOU TRUST US
SHARE US WITH A FRIEND!**

AS OUR WAY OF SAYING THANKS, BOTH OF YOU WILL RECEIVE \$25!*

(Certain Restrictions Apply)

Thank you for being a valued customer and please let us know if we can assist you in any way. If you have questions about anything in this newsletter or suggestions for future newsletters, please email shannonw@backflowparts.com. We appreciate your input and look forward to hearing from you.

Sincerely,
Your Team at American Backflow Products



If you no longer wish to receive these emails, please reply to this message with "Unsubscribe" in the subject line or simply click on the following link: [Unsubscribe](#)

American Backflow Products
7580-A W Tennessee St
Tallahassee, Florida 32304
US