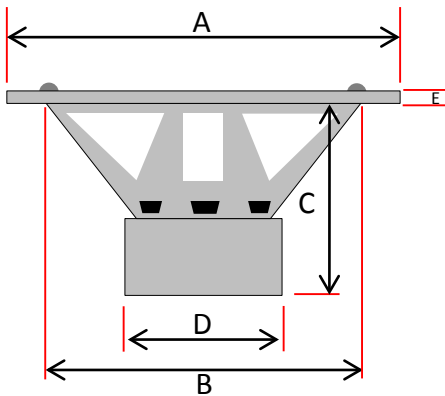




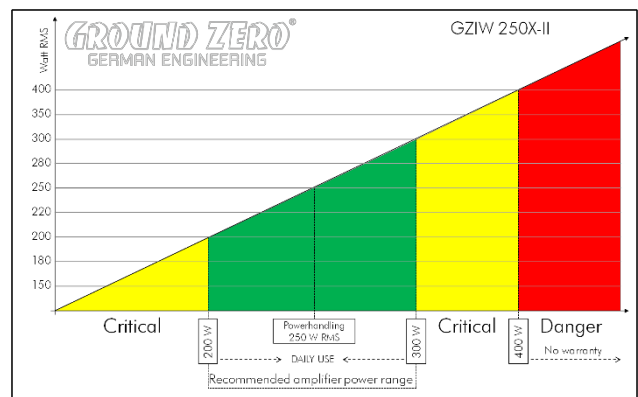
TECHNICAL SPECIFICATIONS

Product name	GZIW 250X-II
Product type	Subwoofer chassis
H.Art .nr.	113390
Diameter	257 mm / 10.12" incl. Gasket 262 mm / 10.32"
Mounting diameter	230 mm / 9.06"
Mounting depth	129 mm / 5.08"
Magnet dimension	126 x 60 x 24 mm
Total weight	3,75 KG
Voice coil diameter	50 mm / 2"
Voice coil winding height	23 mm / 0.91"
Voice coil wire material	Copper
Voice coil former material	Kapton
Top plate height	8 mm / 0.315"
Linear excursion (one direction)	7,5 mm / 0.295"
Effective Xmax	16 mm / 0.63"
Top Plate and T-Yoke color	Black
Basket material	Steel
Basket color	Orange (<2011) / Black (2011>)
Spider	1x Polycot
Surround	Rubber
Cone	IMPP
Dustcap	PP inverse / Logo print
Magnetcover	PVC Boot

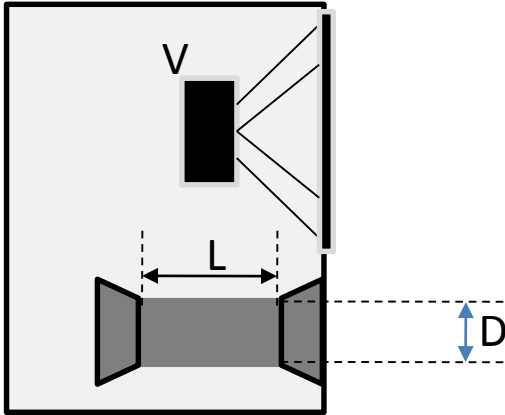
Gasket	PVC Gasket
Terminal	Chrome push terminal
Power handling	250 WRMS
Impedance	4 Ohm
Re	3.4 Ohm
Res	30.1 Ohm
FS	30.1Hz
Qms	7.89
Qes	0.47
Qts	0.44
Rms	2.3 kg/s
Cms	0.29 mm/N
Mms	97,2 gr
BL	11.5 N/A
SPL	86 dB
VAS	43.8 L / 1.55 cu.ft
Le	2 mH
Recommended freq. response	40 – 150 Hz
Recommended amplifier power	200 – 300 WRMS @ 4 Ohm
Sound Quality	☺ (max. ☺☺☺☺☺☺)
SPL Competition	☺ (max. ☺☺☺☺☺☺)
Low bass performance 20-50Hz	☺ (max. ☺☺☺☺☺☺)
Mid bass performance 50-80Hz	☺☺ (max. ☺☺☺☺☺☺)



A	257 mm / 10.12 " incl. Gasket 262 mm / 10.32"
B	230 mm / 9.06"
C	129 mm / 5.08"
D	145 mm / 5.71"
E	15 mm / 0.59"



BOX RECOMMENDATION



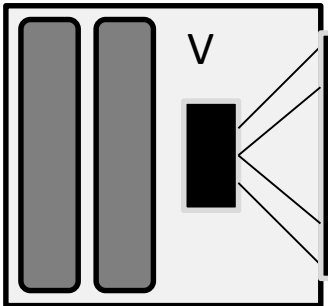
Medium size vented box

V: 30 L / 1.06cu.ft

D: 80 mm / 3"

L: 210 mm / 8.3"

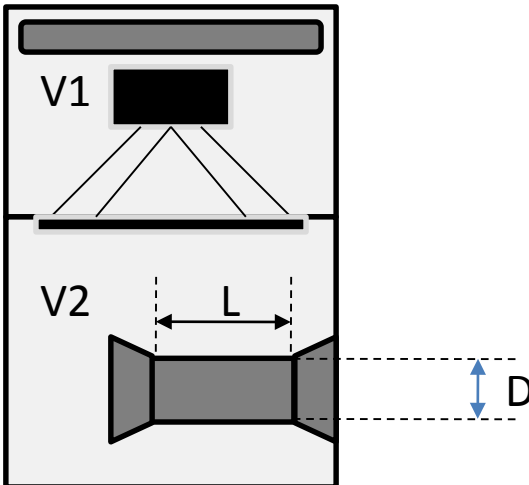
No damping



Small size sealed box

12 - 20 L / cu.ft

40 - 60% polyester wool



Medium size bandpassbox

V1: 12 L / 0.424 cu.ft

V2: 25 L / 0.883 cu.ft

D: 100 mm / 4"

L: 190 mm / 7.5"

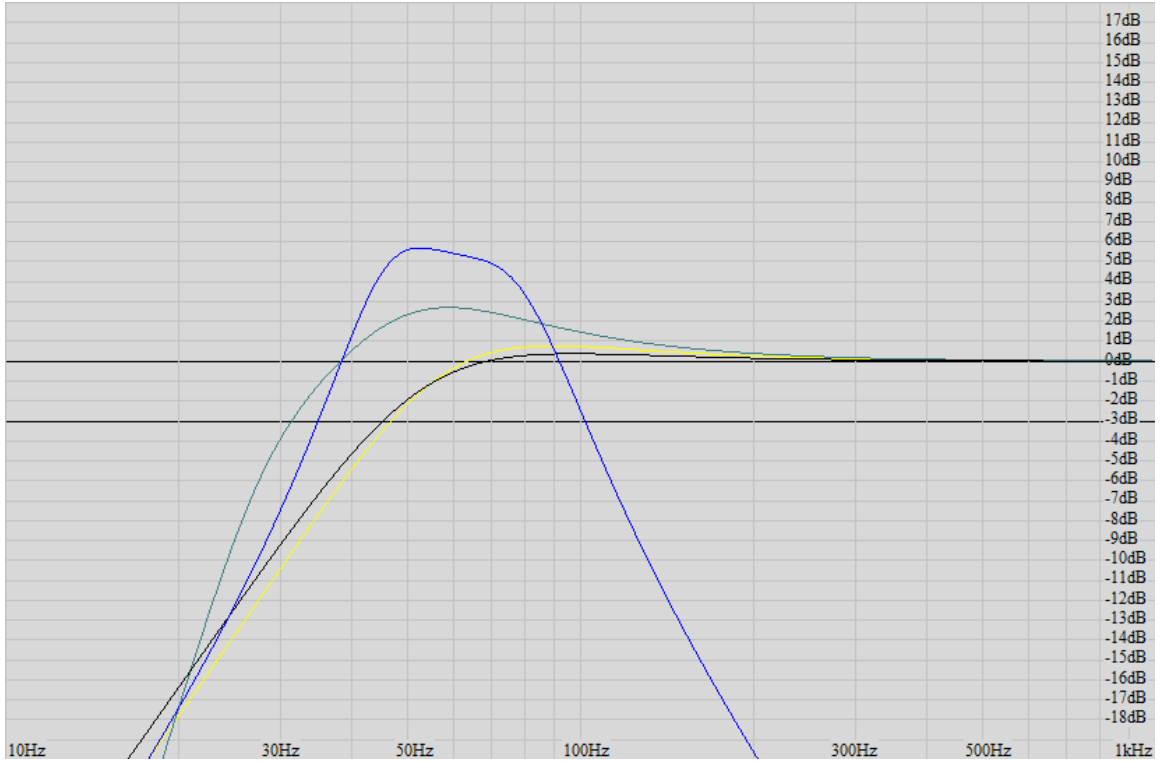
20% polyester wool in V1

No damping in V2

Die hier aufgeführten Gehäusevorschläge sind nur einige, der möglichen Varianten.
Bitte beachten Sie zudem, dass die finale Abstimmung, speziell die Port Längen je nach Fahrzeug und eigenem Geschmack variiert werden sollte.
*Above-mentioned enclosure recommendations are just a few possible variations.
Please note that you should find the perfect tuning, especially port length, based on your car and own taste.*



BOX RECOMMENDATION



Curve	Type	Volume	F3/ Qtc
Green	Vented	56 L / 1.98 cu.ft	30 Hz
Yellow	Sealed	35 L / 1.24 cu.ft	46 Hz / 0.91
Black	Sealed	50 L / 1.77 cu.ft	45 Hz / 0.84
Blue	Bandpass 4th order	V1: 27 L / 0.95 cu.ft V2: 33 L / 1.17 cu.ft	Centerfreq. 59 Hz

Die hier aufgeführten Gehäusevorschläge sind nur einige, der möglichen Varianten.
 Bitte beachten Sie zudem, dass die finale Abstimmung, speziell die Port Längen je nach Fahrzeug und eigenem Geschmack variiert werden sollte.
Above-mentioned enclosure recommendations are just a few possible variations.
Please note that you should find the perfect tuning, especially port length, based on your car and own taste.

