

DATE: \_\_\_\_\_ PROJECT: \_\_\_\_\_ TYPE: \_\_\_\_\_

CATALOG NUMBER LOGIC:



\*120V only

**CATALOG NUMBER LOGIC**

Example: UL - HU - F - LED - TR - x113 - FL - WHP - 12 - 11 - INC - MT

**MATERIAL**

(Blank) - Aluminum B - Brass S- Stainless Steel

**SERIES**

UL - Recessed Uplight

**INSTALLATION**

F - Flush

S - Surface

**FIXTURE**

HU - Hume Series

**SOURCE**

LED - Chip on Board Technology

**HOUSING**

TR - Integral Driver

**LED TYPE**

**Available with Narrow Spot Optic**

x105 - 36W/2.7K/80CRI	x109 - 36W/2.7K/90CRI
x106 - 36W/3K/80CRI	x110 - 36W/3K/90CRI
x107 - 36W/3.5K/80CRI	x111 - 36W/3.5K/90CRI
x108 - 36W/4K/80CRI	x112 - 36W/4K/90CRI

**Available with NFL, FL, and WFL Optics**

x113 - 34W/2.7K/80CRI	x117 - 34W/2.7K/90CRI
x114 - 34W/3K/80CRI	x118 - 34W/3K/90CRI
x115 - 34W/3.5K/80CRI	x119 - 34W/3.5K/90CRI
x116 - 34W/4K/80CRI	x120 - 34W/4K/90CRI

**OPTICS**

NSP - Narrow Spot (11°) NFL - Narrow Flood (25°) FL - Flood (43°) WFL - Wide Flood (56°)

**FINISH (See page 2 for full-color swatches)**

Standard Finishes (BZP, BZW, BLP, BLW, WHP, WHW, SAP, VER)

Premium Finish (ABP, AMG, AQW, BCM, BGE, BPP, CAP, CMG, CRM, HUG, NBP, OCP, RMG, SDS, SMG, TXF, WCP, WIR)

Also available in RAL Finishes

**LENS TYPE**

9 - Clear (Standard) 12 - Soft Focus 13 - Rectilinear

**SHIELDING**

11 - Honeycomb Baffle

**CONTROL**

ELV - Dimming Driver (For use with Electronic Low Voltage Dimmer)\*

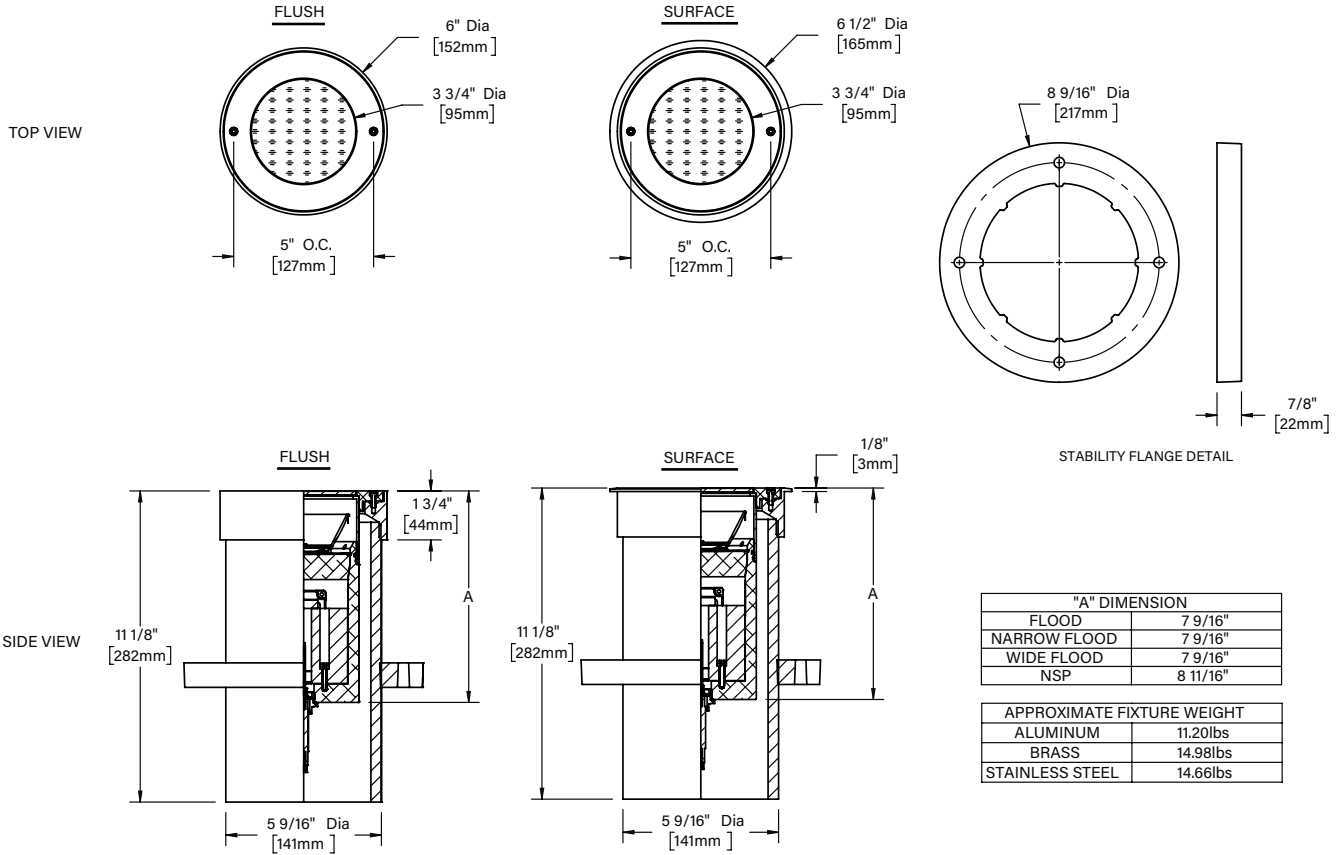
INC - Dimming Driver (For use with Incandescent Dimmer)\*

010 - 0-10V Dimming Driver (Dimming 1 - 100% )

**INPUT VOLTAGE**

MT - 120-277 VAC

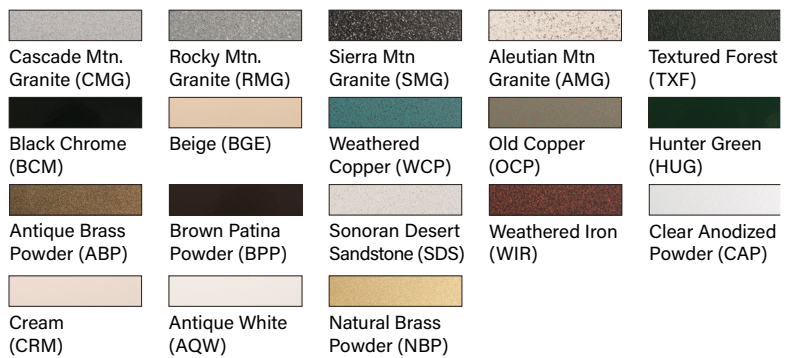
DATE: \_\_\_\_\_ PROJECT: \_\_\_\_\_ TYPE: \_\_\_\_\_



**STANDARD FINISHES**



**PREMIUM FINISHES**



[Click Here](#) to view larger, full-color swatches of all available finishes on our website.

DATE:	PROJECT:	TYPE:
-------	----------	-------

ACCESSORIES (Configure separately)

## SPECIFICATIONS

ELECTRICAL	WATTAGE WIRING DRIVER	34W & 36W LED 18GA Stranded, XLPE, 150°C, 600V wire. With one (1) 900mA, Class II, constant current integral driver. 50/60Hz. >0.9 Power Factor, 5A in-rush current (typical at 120VAC), ≤20%THD (nominal at 120VAC full load). Output over-voltage, over-current, and short circuit protection with auto recovery. Dimming driver for use with 0-10V, Incandescent, Standard TRIAC, or ELV dimmers. 1-100% range. *TRIAC/ELV dimming at 120VAC only.
PHYSICAL	OPTICS MATERIALS BODY CAP FINISH WARRANTY CERTIFICATION & LISTING	Interchangeable optics permit changes in the field. Furnished in copper-free aluminum (6061-T6). Unibody design with enclosed, water-proof wireway and integral heat sink is fully machined from solid billet. Anti-condensation and corrosion vent equalizes fixture pressure and eliminates potential for damage to internal components. Fully machined and accommodates two (2) lens or louver media. StarGuard, our 15-stage chromate-free process cleans and conversion coats aluminum components prior to application of Class 'A' TGIC polyester powder coating and is RoHS compliant. 5-year limited warranty. UL tested to IESNA LM-79. UL Listed. Certified to CAN/CSA/ANSI Standards. RoHS compliant. Suitable for indoor or outdoor use, in wet locations, and for installation within 4' of the ground. IP66 Rated. Made in the USA with sustainable processes.

# LAMP & DRIVER DATA

DATE: \_\_\_\_\_ PROJECT: \_\_\_\_\_ TYPE: \_\_\_\_\_

DRIVER DATA	Type	AC Input Range	Frequency Hz	Power Factor at Full Load (Efficiency)	THD	In Rush Current	Operating Current	Operation Ambient Temperature	Dimmer Type	Dimmer Range
	Integral	120-277VAC	50/60	>0.9	<20%	120VAC - 5 / 277VAC - 6	900mA	-30°C - 90°C	Triac/ELV/0-10	1-100%

## L70 DATA

BK No.	CCT (Typ.)	CRI (Typ.)	Input Watts (Typ.)	L70 Data	Angle	CBCP	Delivered Lumens	Multiplier
x113	2700	80	34	50,000	25	8,372	3,325	0.90
<b>x113</b>	<b>2700</b>	<b>80</b>	<b>34</b>	<b>50,000</b>	<b>43</b>	<b>4,372</b>	<b>3,326</b>	0.90
x113	2700	80	34	50,000	56	3,556	3,265	0.90
x114	3000	80	34	50,000	25	8,413	3,341	0.91
<b>x114</b>	<b>3000</b>	<b>80</b>	<b>34</b>	<b>50,000</b>	<b>43</b>	<b>4,393</b>	<b>3,342</b>	0.91
x114	3000	80	34	50,000	56	3,573	3,281	0.91
x115	3500	80	34	50,000	25	8,955	3,557	0.97
<b>x115</b>	<b>3500</b>	<b>80</b>	<b>34</b>	<b>50,000</b>	<b>43</b>	<b>4,676</b>	<b>3,558</b>	0.97
x115	3500	80	34	50,000	56	8,804	3,493	0.97
x116	4000	80	34	50,000	25	9,271	3,682	1.00
<b>x116</b>	<b>4000</b>	<b>80</b>	<b>34</b>	<b>50,000</b>	<b>43</b>	<b>4,841</b>	<b>3,683</b>	1.00
x116	4000	80	34	50,000	56	3,938	3,616	1.00
x117	2700	90	34	50,000	25	6,746	3,099	0.81
<b>x117</b>	<b>2700</b>	<b>90</b>	<b>34</b>	<b>50,000</b>	<b>43</b>	<b>3,522</b>	<b>2,680</b>	0.81
x117	2700	90	34	50,000	56	2,865	2,631	0.81
x118	3000	90	34	50,000	25	6,812	2,705	0.81
<b>x118</b>	<b>3000</b>	<b>90</b>	<b>34</b>	<b>50,000</b>	<b>43</b>	<b>3,557</b>	<b>2,706</b>	0.81
x118	3000	90	34	50,000	56	2,894	2,657	0.81
x119	3500	90	34	50,000	25	7,719	3,065	0.86
<b>x119</b>	<b>3500</b>	<b>90</b>	<b>34</b>	<b>50,000</b>	<b>43</b>	<b>4,030</b>	<b>3,066</b>	0.86
x119	3500	90	34	50,000	56	3,279	3,011	0.86
x120	4000	90	34	50,000	25	8,273	3,285	0.89
<b>x120</b>	<b>4000</b>	<b>90</b>	<b>34</b>	<b>50,000</b>	<b>43</b>	<b>4,320</b>	<b>3,286</b>	0.89
x120	4000	90	34	50,000	56	3,514	3,227	0.89
x105	2700	80	36	50,000	11	23,306	1,500	0.89
x106	3000	80	36	50,000	11	27,190	1,750	1.04
x107	3500	80	36	50,000	11	25,605	1,648	0.98
x108	4000	80	36	50,000	11	26,118	1,681	1.00
x109	2700	90	36	50,000	11	14,557	937	0.62
x110	3000	90	36	50,000	11	19,814	1,275	0.73
x111	3500	90	36	50,000	11	17,572	1,131	0.69
x112	4000	90	36	50,000	11	18,283	1,177	0.70

## OPTICS

Optic	Angle
Narrow Spot	11°
Narrow Spot w/ #12 Lens	12°
Narrow Spot w/ #13 Lens	13° x 53°
Narrow Flood	25°
Flood	43°
Wide Flood	56°

**B-K LIGHTING**

**MADE IN THE USA**

559.438.5800 | INFO@BKLIGHTING.COM | BKLIGHTING.COM

THIS DOCUMENT CONTAINS PROPRIETARY INFORMATION OF B-K LIGHTING, INC. AND ITS RECEIPT OR POSSESSION DOES NOT CONVEY ANY RIGHTS TO REPRODUCE, DISCLOSE ITS CONTENTS, OR TO MANUFACTURE, USE OR SELL ANYTHING IT MAY DESCRIBE. REPRODUCTION, DISCLOSURE OR USE WITHOUT SPECIFIC WRITTEN AUTHORIZATION OF B-K LIGHTING, INC. IS STRICTLY FORBIDDEN.