

PRODUCT CATALOGUE 2023

BRAUN Modular System.

Smart viticulture made in Germany



We celebrate our anniversary: **65 years of BRAUN Maschinenbau.**

Our company's motto "clean around the vine – without chemicals" may have been around for six decades, but it is more relevant than ever: today there is no question about how important sustainable agriculture is. BRAUN Maschinenbau manufactures in second generation innovative agricultural machinery for ecological viticulture and orcharding.



The signs were pointing to growth and in the 1970s, deliveries to other European countries began. The robust and innovative agricultural machines "Made in Germany" were also highly demanded overseas already in the 1980s.



The history of BRAUN Maschinenbau begins in 1958 in the middle of the Palatinate vineyards: In the small village of Burrweiler, Stefan Braun Sr. founded the company for agricultural machinery.

At the new company headquarters with modern production technology, tradition is combined with innovation: Numerous national and international prizes and awards are proof of the high quality standard of the devices in the typical BRAUN orange.





Stefan Braun Junior moved from Mannesmann-Rexroth to his father's company in 1994 and continued to drive the international orientation of the company: Today, BRAUN Maschinenbau supplies customers all over the world and has thus developed into a global player for equipment in organic viticulture and fruit growing. We are pleased that the third generation is already in the starting blocks. In this way, pioneering machine solutions for sustainable viticulture and fruit growing will continue to be developed in the future.

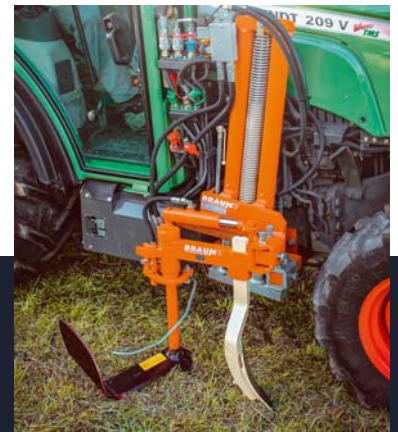
40 years of LUV PERFEKT. Optimal under-vine cultivation – without chemicals.



LUV 1983
40 years ago, BRAUN launched the dished ploughshare and cultivator – LUV for short. The innovative agricultural machine enabled shallower tillage and disturbed weed growth without the use of herbicides. The LUV provided higher ground speed and greater area output.



LUV 1993
We developed the LUV further over the years: A robust vertical lift made it more flexible to use. Improvements such as a remote control with integrated pressure adjustment, improved coulter attachment and pushbutton design increased the ease of operation.



LUV 2013
Finally, 10 years ago, the LUV Perfekt Modular was added to the range. With this version, additional BRAUN implements such as a rotary gyroscope, under-vine sickle mower and demoulder can be quickly and easily attached to the basic unit.

We present: New products 2023.

Foldable extension frame RL:

The new folding frame RL for holding tools in second row. Ideally suited for working open and grassed aisles in alternation.



Under-vine cultivator UV/P:

Compared to the UV/E, the new under-vine cultivator UV/P is guided parallel. Due to the special geometry of the ploughshare, the soil is not thrown further during the swerve on the vine than during the work between the vines. In this way you guarantee the passability of the alley.

Other:

- VPA Autonomy Kit for tractors without speed signal
- Extension kit floating feeler arm for the LUV
- Under vine plough disc for the modular LUV



Actiroll Uno ballasting:

With the practical ballast carrier for the Actiroll Uno, you can attach 16 weights of 25 kg each. This increases the contact pressure on the vegetation and decisively improves the work result.

Table of contents. Our solutions in viticulture and orcharding.



Under vine cultivation 6

Dished ploughshare and cultivator LUV Perfekt	8
Ordering examples	16
Under-vine cultivator UV/E and UV/P	18
Ordering examples	20
Disc plough, rotary star tiller and finger weeder	22
Ordering examples	30
Thread mower and vine trunk cleaner	34
Ordering examples	36



Hydraulic lifts and mid-mounting frames 40

Precise vertical hydraulic lifts	42
Mid-mounting frames and width adjustments	48
Ordering examples	50
Individual mid-mounting frames and width adjustments	52



Implement carriers 62

Universal cultivator frame UKR	64
Cultivator frame Vario	68
Adjustable frame Vario II	72
Front-mounting frames	78
Ordering examples	80



Soil cultivation 86

Mounting frame and foldable extension frame RL	88
Cultivator tools	92
Disc harrow packages	96
Rotary star tiller packages	98
Para-plough	100
Cultivator rollers	102
Ordering examples	108
StellAir	118
Acticult	120
Power harrow and seeder	122



Greening care 124

Actiroll	126
Ordering examples	128
Mowers	130
Ordering examples	134



Vineyard Pilot Assistant 136

VPA	138
Ordering examples	142



Hydraulic units 148



Other 154

Merchandise	156
Purchase advice	160
Product info and dimensions	164
Terms and conditions	178
Publishing details	185

Please note: With the publication of this price list, all previous ones become invalid.

General note: The images shown are for reference only. The actual products may differ.



Precise and sustainable. Under vine cultivation.



Mechanical weed control in the under-vine area is crucial for environmentally friendly and sustainable cultivation of your row crops. BRAUN offers you a wide range of products for the ecological treatment under the vines in viticulture and orcharding. The motto “clean around the vine – without chemicals” describes our central corporate philosophy. The modular design of our equipment allows flexible adaptation to all required work situations.

Dished ploughshare and cultivator LUV Perfekt

► Page 8

Ordering examples

LUV Perfekt

► Page 16

Under-vine cultivators UV/P and UV/E

► Page 18

Ordering examples

Under-vine cultivators UV/P and UV/E

► Page 20

Disc plough, rotary star tiller, and finger weeder

► Page 22

Ordering examples

Disc plough, rotary star tiller, and finger weeder

► Page 30

Vine trunk cleaner

► Page 34

Ordering examples

Vine trunk cleaner

► Page 36





LUV Perfekt. Basic unit and accessories.

The BRAUN dished ploughshare and cultivator LUV Perfekt is designed for fast and environmentally friendly work around the vine. The flat blade drives under the vegetation between the vines and cuts through the roots of the weeds a few centimeters below the surface. The attachment of preliminary tools such as the concave coultter disc, straight coultter disc and rigid leg with various blades is designed for ease of use.

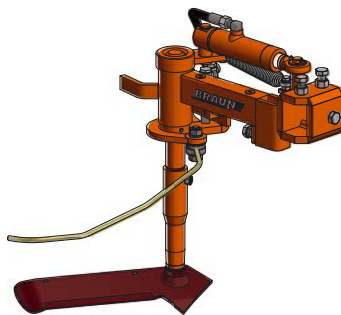
→ environmentally friendly weed control



01101

LUV Perfekt

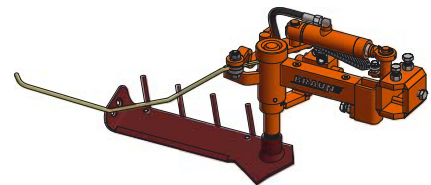
As standard equipped with 350 or 500 mm ploughshare, universally adjustable feeler arm and hoses. The feeler arm 01178 / 011781 shown is available as an option.



01311

Modular LUV Perfekt

The modular LUV Perfekt has a short shaft with splines to which, in addition to the familiar flat blade, other vineyard machines can be mounted.



01301

LUV Perfekt OB

The LUV Perfekt with short shaft has been specially designed for orchards and crops with low-hanging branches. It comes as standard with 500 or 650 mm ploughshare.



01105



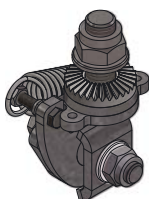
01106



043034



01191



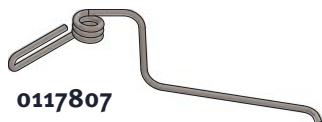
0117801



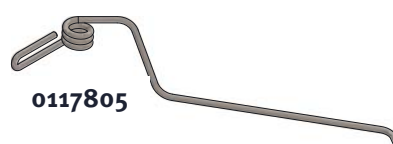
0117806



0117804



0117807



0117805



Ref. No.	Article	Weight	Price excl. VAT
Dished ploughshare and cultivator LUV Perfekt with 350 mm blade			
01101	right	31 kg	
01102	left	31 kg	
Dished ploughshare and cultivator LUV Perfekt with 500 mm blade			
01103	right	32 kg	
01104	left	32 kg	
Dished ploughshare and cultivator LUV Perfekt with 350 mm blade. modular system with short spine shaft			
01311	right	33 kg	
01312	left	33 kg	
Dished ploughshare and cultivator LUV Perfekt with 500 mm blade. modular system with short spine shaft			
01313	right	34 kg	
01314	left	34 kg	
Undervine weeder LUV Perfekt OB with flat blade 500 mm with short shaft for orchards			
01301	right	32 kg	
01302	left	32 kg	
LUV valve controls			
01105	single electro-magnetic	6 kg	
01106	dual electro-magnetic	15 kg	
043034	Mounting bracket for valve control on Vario / UKR frame	0.8 kg	
Spring kit for LUV feeler arm			
01191	right	0.09 kg	
01192	left	0.09 kg	
NEW: floating feeler arm for the LUV			
00117801	Feeler arm holder for floating feeler arm right	1.5 kg	
001178101	Feeler arm holder for floating feeler arm left	1.5 kg	
00117806	Flexible feeler 350 right German galvanised	0.7 kg	
001178106	Flexible feeler 350 left German galvanised	0.7 kg	
00117807	Flexible feeler 350 right French galvanised	0.7 kg	
001178107	Flexible feeler 350 left French galvanised	0.7 kg	
00117804	Flexible feeler 500 right German galvanised	0.7 kg	
001178104	Flexible feeler 500 left German galvanised	0.7 kg	
00117805	Flexible feeler 500 right French galvanised	0.8 kg	
001178105	Flexible feeler 500 left French galvanised	0.8 kg	

The LUV units are equipped with the following hoses as standard: right – NW10 x 750 and NW13 x 750, left – NW10 x 2000 and NW13 x 2000.

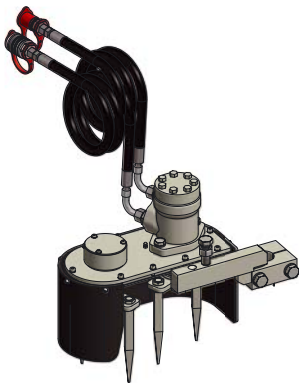
The remote controls are equipped with the following hoses as standard: NW10 x 1500 and NW13 x 1500.

You can find hose extensions on page 153.

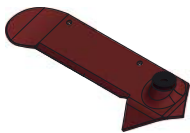
LUV Perfekt. Blades and accessories.



Various root separating devices can be attached to the ploughshares, which separate the roots from the soil after driving under the turf. We also offer extension wings for demanding and demanding knives for pulling out the soil between the vines. Extended by the rotary tiller, the LUV is optimally equipped for actively destroying the root system of the weeds.



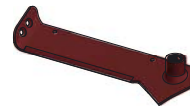
01153



0012151



001211301



001218401



0013650



01146



001211301+001208



001220



01150



01349



01351



Ref. No.	Article	Weight	Price excl. VAT
Rotary tiller (with two harrows)			
01153	right	38 kg	
01154	left	38 kg	
Flat blade			
0012151	350 mm, right	2.5 kg	
00121511	350 mm, left	2.5 kg	
001211301	500 mm, right	3.5 kg	
001211311	500 mm, left	3.5 kg	
Demounding blade			
01146	350 mm, right	4.5 kg	
01147	350 mm, left	4.5 kg	
0012073	500 mm, right	6 kg	
00120731	500 mm, left	6 kg	
Demounding extension wing for flat blade			
001208	right	2 kg	
0012081	left	2 kg	
Separator for flat blade			
001220	350 mm, right	0.8 kg	
0012201	350 mm, left	0.8 kg	
001217	500 mm, right	1.2 kg	
0012171	500 mm, left	1.2 kg	
Vibrating fingers			
01150	350 mm	1.7 kg	
01167	500 mm	2 kg	
Reamer / Cure cep for flat blade			
01349	350 mm, right	2.5 kg	
01350	350 mm, left	2.5 kg	
01351	500 mm, right	2.5 kg	
01352	500 mm, left	2.5 kg	
Flat blade, splined			
001218401	500 mm, right	4 kg	
001218411	500 mm, left	4 kg	
0013651	650 mm, right	4 kg	
00136511	650 mm, left	4 kg	

The rotary tiller is equipped with the following hoses as standard: NW10 x 1500.

You can find hose extensions on page 153.

Note: When changing the blade, please make sure to retighten the fixing bolt (M16 x 50 10.9) to 300 Nm after one hour of operation.

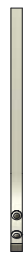
LUV Perfekt. Preliminary tools and accessories.



The BRAUN LUV Perfekt can be equipped with preliminary tools in just a few steps. This allows you to run rigid legs with diverse blades as well as straight coulters discs and concave coulters discs in front to allow the ploughshare to penetrate the soil more easily and to achieve a clean separation of the under vine area from the grassed alley.

→ breaking the soil and protecting the coulters shaft

→ clean separation of the understock area from the alley



01125



011251



01126



04128



01142



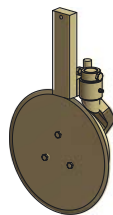
01140



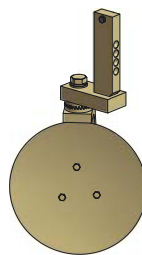
01144



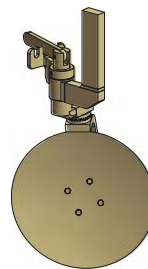
01148



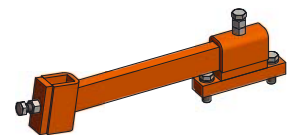
01115



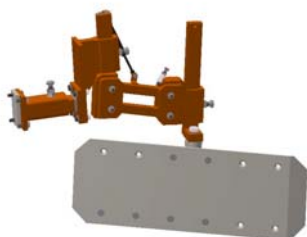
01117



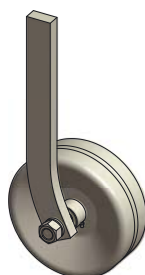
01121



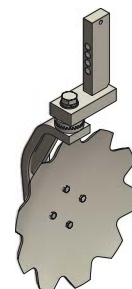
01123



01325



01151



01171



Ref. No.	Article	Weight	Price excl. VAT
Rigid legs for the attachment of ploughshares and blades as preliminary tools			
01125	straight	5 kg	
011251	offset to rear	5.3 kg	
01126	offset to right	6 kg	
01127	offset to left	6 kg	
Ploughshare with replaceable blades			
01140	right	5.2 kg	
01141	left	5.2 kg	
Ploughshare without replaceable blades			
01142	right	3 kg	
01143	left	3 kg	
Ploughshare half heart shaped			
01144	right	1.76 kg	
01145	left	1.76 kg	
Ripper leg foot			
04128	right / left	1.5 kg	
Goose foot blades			
01148	right	1 kg	
01149	left	1 kg	
Straight coulter disc ø 300 mm with depth wheel			
01115	right	11.5 kg	
01116	left	11.5 kg	
Concave coulter discs			
01117	ø 300 mm, right	10 kg	
01118	ø 300 mm, left	10 kg	
011171	ø 300 mm, right, toothed	10.5 kg	
011181	ø 300 mm, left, toothed	10.5 kg	
01119	ø 350 mm, right	12.5 kg	
01120	ø 350 mm, left	12.5 kg	
01121	ø 350 mm with quick adjustment, right	13 kg	
01122	ø 350 mm with quick adjustment, left	13 kg	
01123	Bracket for second concave coulter, right	9.24 kg	
01124	Bracket for second concave coulter, left	9.24 kg	
Depth wheel with bent leg for LUV bracket			
01151	right	12 kg	
01152	left	12 kg	
Soil and stone deflector			
01324	right	57.66 kg	
01325	left	57.66 kg	

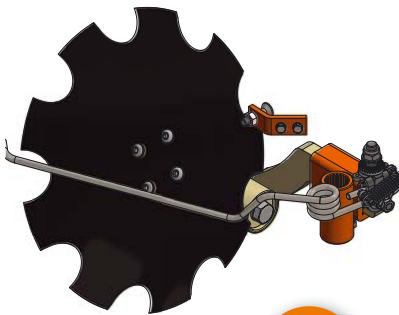
Modular LUV Perfekt. **Modular implements.**



Equip the modular LUV with a wide variety of under-vine implements that – like the standard flat blade – work between the vines and avoid the plants via a hydraulic feeler arm control to prevent damage to the vines. The implements simply attach onto the splined shaft of the base unit.

→ **ecological weed control**

→ **simple attachment and detachment to the basic implement**

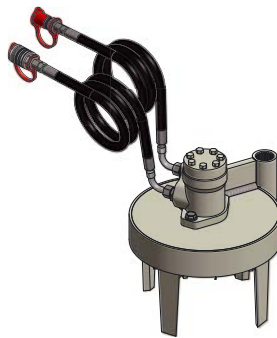


New

01385

Under-vine swivel scalloped disc

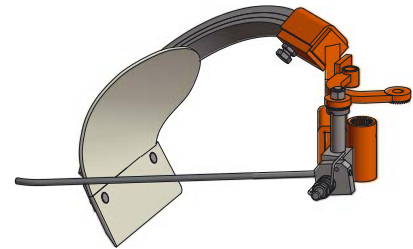
Our new development for the modular LUV: the under vine plough disc, which can be pivoted and tilted and with which, depending on the setting, you can both plough as with a disc plough as well as undercut the turf and transport out the soil from the under vine area.



01353

Rotary gyroscope

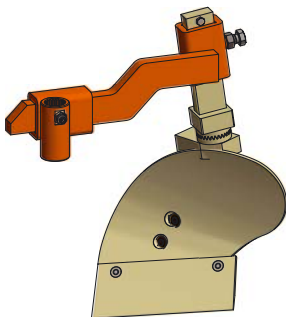
Rotary gyroscope for loosening and crumbling the soil in the under vine area and removing tall grasses.



01379

Demoulder

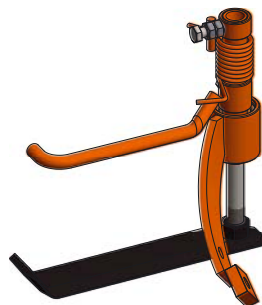
Demoulder “Col de cygne” for clearing dams and larger masses of soil between the vines.



01179

Demoulder

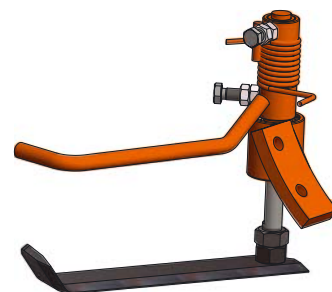
Demoulder for clearing plowed rows of vines.



01380

Reamer for “Col de cygne”

The reamer stays longer in working position and removes weeds that are at the very base of the vine.



011792

Reamer for demoulder

The reamer stays longer in working position and removes weeds that are at the very base of the vine.



Ref. No.	Article	Weight	Price excl. VAT
Rotary gyroscope			
01353	right	30 kg	
01354	left	30 kg	
Demouder for modular system LUV			
01179	right	20.5 kg	
011791	left	20.5 kg	
Reamer for demouder			
011792	right	4.5 kg	
0117921	left	4.5 kg	
Demouder "Col de cygne"			
01379	right	20.5 kg	
013791	left	20.5 kg	
Reamer for "Col de cygne"			
01380	right	4.5 kg	
013801	left	4.5 kg	
NEW: Ploughing disc for the modular LUV – price includes feeler			
01385	460 mm, right	19.5 kg	
01386	460 mm, left	19.5 kg	
01387	400 mm, right	18.8 kg	
01388	400 mm, left	18.8 kg	

The under-vine rotator is equipped with the following hoses as standard: NW10 x 1500.
You can find hose extensions on page 153.

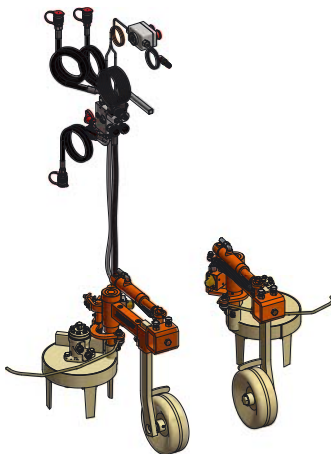
LUV Perfekt. Ordering examples.



The BRAUN dished ploughshare and cultivator LUV Perfekt can be mounted mid-axle with our vertical hydraulic lifts as well as with our implement carriers in the front and rear.



Ref. No.	Article	Qty.	Price excl. VAT
LUV Perfekt with rotary tiller, both sides → Optimally equipped for active destruction of the root system of the weeds and leveling of the dam Minimum oil requirement on both sides: approx. 30–35 l/min (two separate circuits)			
01101	Dished ploughshare and cultivator LUV Perfekt with 350 mm blade, right	1	
01102	Dished ploughshare and cultivator LUV Perfekt with 350 mm blade, left	1	
01106	Dual electro-magnetic valve control	1	
01115	Straight coulter disc ø 300 mm, right	1	
01116	Straight coulter disc ø 300 mm, left	1	
01153	Rotary tiller, right	1	
01154	Rotary tiller, left	1	
BRAUN modular solution total:			



LUV Perfekt modular with rotary gyroscope → Optimally equipped for heavy and stony soils Minimum oil requirement on both sides: approx. 44 l/min			
01311	Dished ploughshare and cultivator LUV Perfekt with 350 mm blade, modular system, right	1	
01312	Dished ploughshare and cultivator LUV Perfekt with 350 mm blade, modular system, left	1	
01106	Dual electro-magnetic valve control	1	
01353	Rotary gyroscope, right	1	
01354	Rotary gyroscope, left	1	
01151	Depth wheel with bent leg for LUV bracket, right	1	
01152	Depth wheel with bent leg for LUV bracket, left	1	
BRAUN modular solution total:			



LUV Perfekt for orcharding → For orcharding, with short coulter shaft and high-mounted feeler arm attachment Minimum oil requirement on both sides: approx. 24 l/min			
01301	Undervine weeder LUV Perfekt OB with flat blade 500 mm, right	1	
01302	Undervine weeder LUV Perfekt OB with flat blade 500 mm, left	1	
01106	Dual electro-magnetic valve control	1	
BRAUN modular solution total:			



LUV Perfekt. Ordering examples.

Ref. No. Article Qty. Price
excl. VAT

LUV Perfekt with goose foot blade as pre-tool
→ Optimally equipped for heavy and stony soils
Minimum oil requirement on both sides: approx. 24 l/min

01103	Dished ploughshare and cultivator LUV Perfekt with 500 mm blade, right	1	
01104	Dished ploughshare and cultivator LUV Perfekt with 500 mm blade, left	1	
01106	Dual electro-magnetic valve control	1	
01178	Floating feeler arm, right	1	
011781	Floating feeler arm, left	1	
01125	Rigid leg straight	2	
01148	Goose foot blades, right	1	
01149	Goose foot blades, left	1	
01351	Cure ceps for standard knife 500 mm, right	1	
01352	Cure ceps for standard knife 500 mm, left	1	

BRAUN modular solution total:

LUV Perfekt with two concave coulters
→ Optimally equipped for summer work in leafy alleys
Minimum oil requirement on both sides: approx. 24 l/min

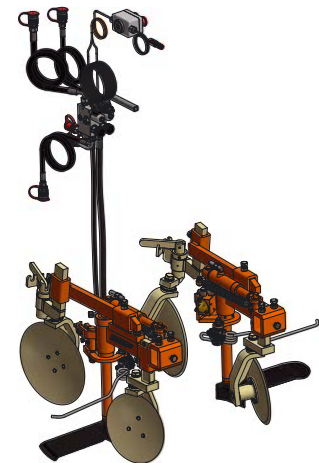
01101	Dished ploughshare and cultivator LUV Perfekt with 350 mm blade, right	1	
01102	Dished ploughshare and cultivator LUV Perfekt with 350 mm blade, left	1	
01106	Dual electro-magnetic overriding control	1	
01178	Floating feeler arm, right	1	
011781	Floating feeler arm, left	1	
01117	Concave disc coulters ø 300 mm, right	1	
01118	Concave disc coulters ø 300 mm, left	1	
01123	Bracket for second concave disc coulters, right	1	
01124	Bracket for second concave disc coulters, left	1	
01121	Concave disc coulters ø 350 mm with quick adjustment, right	1	
01122	Concave disc coulters ø 350 mm with quick adjustment, left	1	

BRAUN modular solution total:

LUV Perfekt modular with demounder, both sides
→ For plowing plowed rows of vines
Minimum oil requirement on both sides: approx. 24 l/min

01311	Dished ploughshare and cultivator LUV Perfekt with 350 mm blade, modular system, right	1	
01312	Dished ploughshare and cultivator LUV Perfekt with 350 mm blade, modular system, left	1	
01179	Demounder, right	1	
011791	Demounder, left	1	
01106	Dual electro-magnetic valve control	1	

BRAUN modular solution total:



Under-vine cultivator UV/P and UV/E. And accessories.



The BRAUN under-vine cultivator is suitable for ploughing off soil masses in the under-vine area. This device has no problem pulling dams and larger masses of soil between the vines into the alley.

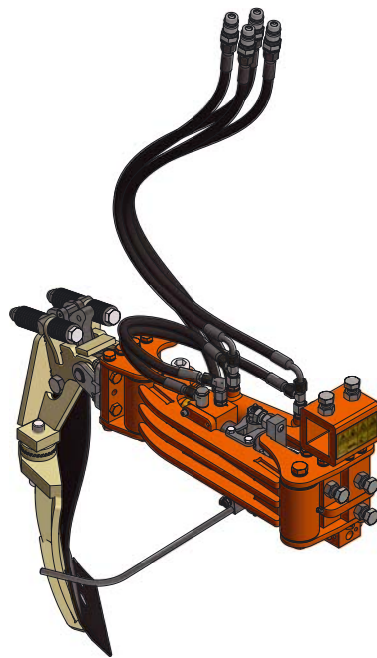
→ for ploughing off mounded-up soil in the under-vine area

→ for keeping the under-vine area free of weeds

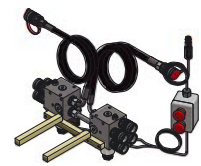
02116

Under-vine cultivator UV/P
The BRAUN under-vine cultivator UV/P is the further development of the proven UV/E and works even more precisely thanks to the parallelogram and new feeler arms.*

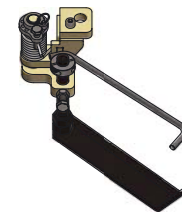
* Please note: Not suitable for low vines.



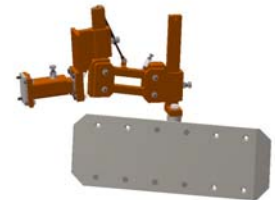
02120



02121

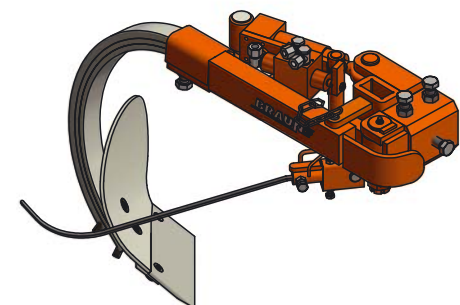


02118



01325

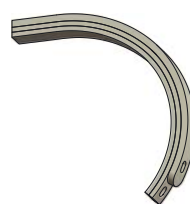
Ref. No.	Article	Weight	Price excl. VAT
Under-vine cultivator UV/P			
02116	right	72 kg	
02117	left	72 kg	
Reamer for UV/P			
02118	right	4.2 kg	
02119	left	4.2 kg	
Electro-magnetic valve control			
02120	Single valve control, for hydraulic lifts	7.8 kg	
02121	Dual valve control, for cultivators and implement carriers	12.5 kg	
Soil and stone deflector			
01324	right	57.66 kg	
01325	left	57.66 kg	



02112

Under-vine cultivator UV/E

The UV/E Cultivator is suitable for ploughing off soil masses in the under-vine area. It's no problem for this device to pull dams and larger soil masses from between the vines into the alley.



0021074



01144



0021072



0021071



0021070



02110

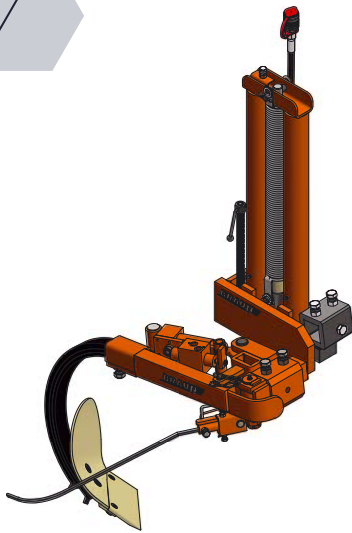
Ref. No.	Article	Weight	Price excl. VAT
Under-vine cultivator UV/E			
02112	right	39 kg	
02113	left	39 kg	
0021074	Cultivator tine, C-shaped – All ploughshares can be attached to these particularly strong cultivator tines.	8 kg	
Ploughshares			
01144	with blade half heart shaped, right	1.76 kg	
01145	with blade half heart shaped, left	1.76 kg	
0021072	with replaceable blades, right	5 kg	
0021090	with replaceable blades, left	5 kg	
0021071	with non replaceable blades, right	3 kg	
0021091	with non replaceable blades, left	5 kg	
Reamer			
02110	right	4.5 kg	
02111	left	4.5 kg	
Summer knife with grooming effect			
0021070	right	3.3 kg	
0021092	left	3.3 kg	

The UV/P and UV/E under-vine cultivators are equipped with the following hoses as standard: NW13 x 1500 and NW10 x 1500. You can find hose extensions on page 153.

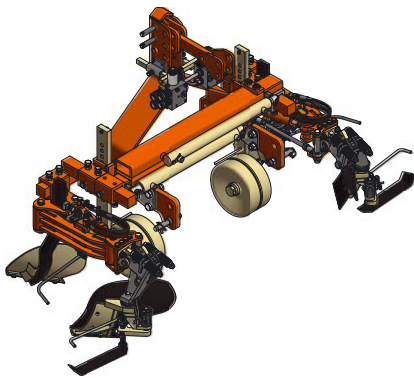
Under-vine cultivator UV/P and UV/E. Ordering examples.



Our under-vine cultivators UV/E and UV/P can be mounted in the intermediate axle area on our precise vertical lifts as well as on implement carriers in the front and rear area on both sides.



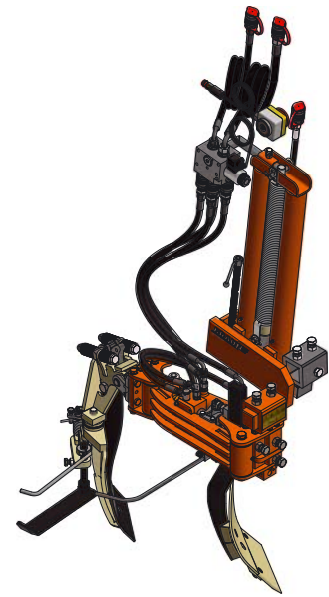
Ref. No.	Article	Qty.	Price excl. VAT
BRAUN Under-vine cultivator UV/E attached to vertical hydraulic lift → For plowing plowed rows of vines Minimum oil requirement one sided: approx. 15 l/min			
02112	Under-vine cultivator UV/E, right	1	
01207	Precise vertical lift EW (single acting), right	1	
BRAUN modular solution total:			



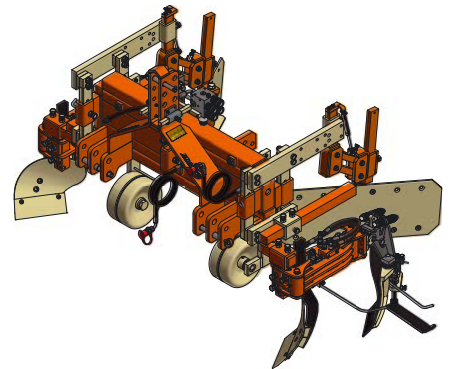
Ref. No.	Article	Qty.	Price excl. VAT
New: The BRAUN Under-vine cultivator UV/P mounted on the UKR universal cultivator frame → For plowing off in the under-vine area. for row widths: 2.00–2.20 m			
02116	Under-vine cultivator UV/P, right	1	
02117	Under-vine cultivator UV/P, left	1	
02118	Reamer for UV/P, right	1	
02119	Reamer for UV/P, left	1	
02121	Dual valve control UV/P for cultivators and implement carriers	1	
043034	Attachment for LUV valve control onto cultivator	2	
01125	Rigid leg straight	2	
01140	Ploughshare with replaceable blades, right	1	
01141	Ploughshare with replaceable blades, left	1	
040082	Universal cultivator frame UKR, dual tube, tube length 800 mm	1	
041052	Pair of sliders for UKR dual tube	1	
041044	Hydraulic width adjustment	1	
04413	Push- / Pull-extension kit	1	
04323	Support wheel for cultivator, right	1	
04324	Support wheel for cultivator, left	1	
01180	Bracket 60 x 25 to 50 x 50 for support wheels	2	
BRAUN modular solution total:			



Ref. No.	Article	Qty.	Price excl. VAT
<p>New: The BRAUN Under-vine cultivator UV/P attached to vertical hydraulic lift → Perfectly suited for plowing plowed rows of vines. Minimum oil requirement one sided: approx. 12 l/min</p>			
02116	Under-vine cultivator UV/P, right	1	
01207	Precise vertical lift EW (single acting), right	1	
02118	Reamer for UV/P, right	1	
02120	Single valve control UV/P for hydraulic lifts	1	
01126	Rigid leg offset, right	1	
01141	Ploughshare with replaceable blades, left	1	
BRAUN modular solution total:			



Ref. No.	Article	Qty.	Price excl. VAT
<p>The new BRAUN Under-vine cultivator UV/P mounted on the width adjustable frame Vario II. → For plowing off in the under-vine area. The stone deflector prevents the soil from falling back into the alley. for row widths: 2.20–3.00 m</p>			
02116	Under-vine cultivator UV/P, right	1	
02117	Under-vine cultivator UV/P, left	1	
02118	Reamer for UV/P, right	1	
02119	Reamer for UV/P, left	1	
02121	Dual valve control UV/P for cultivators and implement carriers	1	
043034	Attachment for LUV valve control onto cultivator	2	
01125	Rigid leg straight	2	
01140	Ploughshare with replaceable blades, right	1	
01141	Ploughshare with replaceable blades, left	1	
04391	Vario 2 adjustable frame 2.00–3.00 m	1	
04392	Mounting bracket for finger weeder, right	1	
04393	Mounting bracket for finger weeder, left	1	
04411	Retrofit bracket for stone deflector on Vario frame, right	1	
04412	Retrofit bracket for stone deflector on Vario frame, left	1	
01324	Soil and stone deflector, right	1	
01325	Soil and stone deflector, left	1	
04323	Support wheel for cultivator R/H	1	
04324	Support wheel for cultivator L/H	1	
BRAUN modular solution total:			



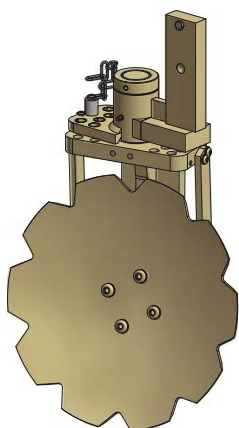


Disc plough. Basic unit.

The BRAUN disc plough is a cost-effective device for mechanical weed control in the under vine area. During rotation, the toothed hollow disc cleanly cuts the grass edge, throwing the soil between the vines. Thus, the unloved weeds are covered with soil and disturbed in their growth. In addition, by mounding the soil on the vine, you protect it well from the winter weather. High driving speeds are possible with the BRAUN disc plough.

→ ecological weed control

→ high area output

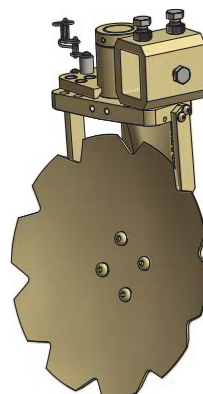


01168 / 01170

Disc plough with hole pattern for easy adjustment of the blade angle.

01168: Diameter 400 mm
01170: Diameter 460 mm

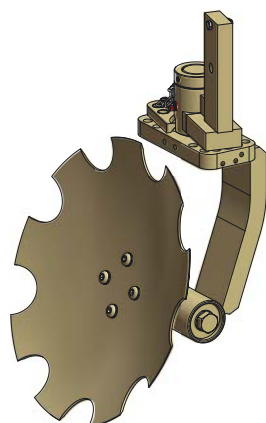
Including wear protection
(ref. no.: 00117411)



01169 / 01171

Disc plough with hole pattern and LUV bracket
01169: Diameter 400 mm
01171: Diameter 460 mm

Including wear protection
(ref. no.: 00117411)

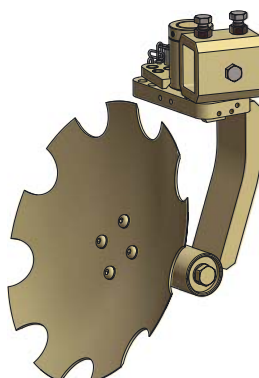


011681 / 011701

Disc plough with hole pattern and angle adjustment.

011681: Diameter 400 mm
011701: Diameter 460 mm

Including wear protection
(ref. no.: 001168106)



011682 / 011702

Disc plough with hole pattern, angle adjustment and LUV square bar bracket
011682: Diameter 400 mm
011702: Diameter 460 mm

Including wear protection
(ref. no.: 00117411)



Ref. No.	Article	Weight	Price excl. VAT
Disc plough ø 400 mm with hole pattern adjustment			
01168	right / left	24.3 kg	
Disc plough ø 400 mm with hole pattern and angle adjustment			
011681	right	27.7 kg	
0116811	left	27.7 kg	
Disc plough ø 460 mm with hole pattern adjustment			
01170	right / left	25 kg	
Disc plough ø 460 mm with hole pattern and angle adjustment			
011701	right	28.5 kg	
0117011	left	28.5 kg	
Disc plough ø 400 mm with hole pattern adjustment and LUV square bar bracket			
01169	right	25.3 kg	
011691	left	25.3 kg	
Disc plough ø 400 mm with hole pattern, angle adjustment and LUV square bar bracket			
011682	right	28.0 kg	
0116821	left	28.0 kg	
Disc plough ø 460 mm with hole pattern adjustment and LUV square bar bracket			
01171	right	26.2 kg	
011711	left	26.2 kg	
Disc plough ø 460 mm with hole pattern, angle adjustment and LUV square bar bracket			
011702	right	28.8 kg	
0117021	left	28.8 kg	



Disc plough. Accessories.

The BRAUN disc plough is a cost-effective device for mechanical weed control in the under vine area. During rotation, the toothed hollow disc cleanly cuts the grass edge, throwing the soil between the vines. Thus, the unwanted weeds are covered with soil and disturbed in their growth. In addition, by mounding the soil on the vine, you protect it well from the winter weather. High driving speeds are possible with the BRAUN disc plough.

→ ecological weed control

→ high area output



00117411



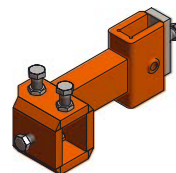
001168106



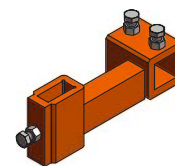
01155



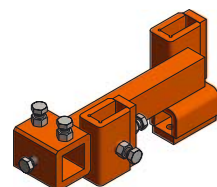
01128



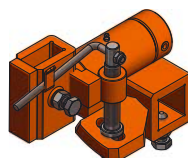
01136



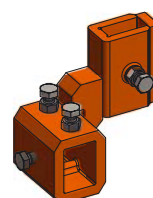
01132



01159



01173



01194



Ref. No.	Article	Weight	Price excl. VAT
Wear protection for disc plough 01168 and 01170 (and rotary star tiller dual)			
00117411	right / left	0.6 kg	
Bearing wear protection disc plough with angle adjustment			
001168106	right	0.35 kg	
001168107	left	0.35 kg	
Short bracket for rigid leg			
01128	right / left	8 kg	
011281	Mounting body for bracket 01128	0.1 kg	
Short bracket for rigid leg, adjustable angle			
01155	right	6.2 kg	
01156	left	6.2 kg	
Long bracket for rigid leg			
01132	right / left	6.7 kg	
Long bracket for rigid leg, adjustable angle			
01136	right	6.7 kg	
01137	left	6.7 kg	
Universal bracket for two rigid legs			
01159	right	20 kg	
01160	left	20 kg	
Universal support, continuously adjustable			
01172	right	16 kg	
01173	left	16 kg	
Special bracket			
01194	right	7.6 kg	
01195	left	7.6 kg	

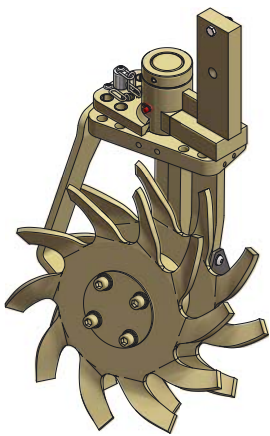


Rotary star tiller. Basic unit and accessories.

The BRAUN rotary star tiller loosens the soil around the vines and sustainably disturbs the weed growth in the under vine area. The working principle is similar to that of the disc plough, with two to four star elements mounted instead of the hollow disc. The tines of these stars are bent in such a way that they do not produce furrows that can develop into water channels.

→ ecological weed control

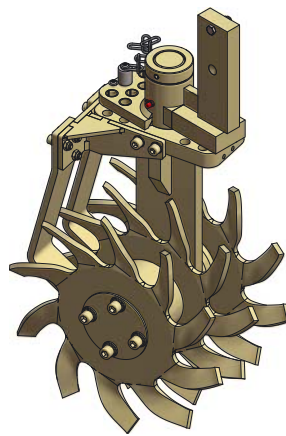
→ high area output



01174

Rotary star tiller dual

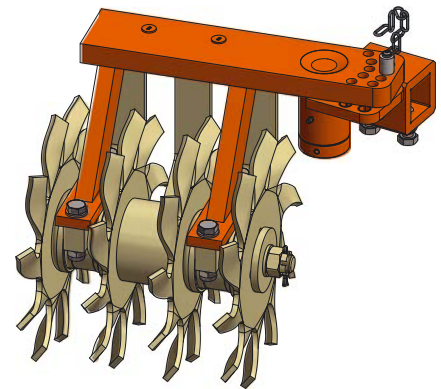
Rotary star tiller dual with hole pattern adjustment and rigid leg. Including wear protection.



01175

Rotary star tiller triple

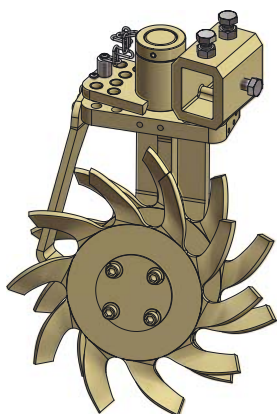
Rotary star tiller triple with hole pattern adjustment and rigid leg.



01320

Rotary star tiller quadruple

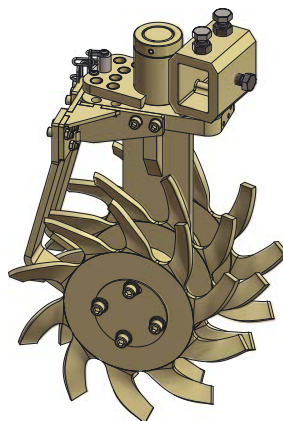
Hole pattern adjustment and square bar bracket. Ideal for orcharding.



01176

Rotary star tiller dual with square bar bracket

Rotary star tiller dual with hole pattern adjustment and square bar bracket. Including wear protection.



01177

Rotary star tiller triple with square bar bracket

Rotary star tiller triple with hole pattern adjustment and square bar bracket.



0117407



00117411



Ref. No.	Article	Weight	Price excl. VAT
Rotary star tiller, dual with hole pattern adjustment			
01174	right	32.5 kg	
011741	left	32.5 kg	
Rotary star tiller, triple with hole pattern adjustment			
01175	right	39 kg	
011751	left	39 kg	
Rotary star tiller, dual with hole pattern adjustment and square bracket			
01176	right	32.5 kg	
011761	left	32.5 kg	
Rotary star tiller, triple with hole pattern adjustment and square bracket			
01177	right	39 kg	
011771	left	39 kg	
Side deflectors for rotary star tiller			
0117407	double	2.6 kg	
0117507	triple	3.5 kg	
Bearing wear protection rotary dual star tiller			
00117411	right / left	0.6 kg	
Rotary star tiller, quadruple (for orchards)			
01320	right	61 kg	
01321	left	61 kg	

Rotary tiller stars can be replaced with disc ploughs.

Conversion kit rotary tiller to disc plough 00117409:

Variant A; to 400 mm disc plough

Variant B; to 460 mm disc plough

Finger weeder. Basic unit and accessories.



The finger weeder removes weeds directly on the plant very gently and at the same time it levels the soil in the under-vine area. In combination with the rotary star tiller, it is a popular piece of equipment for ecological weed control in the under-vine area. It is available in two different sizes and degrees of hardness.

→ easily combinable

→ mechanical weed control



011802

Finger weeder

Diameter: 540 mm. Hardness: medium.



011823

Finger weeder

Diameter: 700 mm. Hardness: hard.



04394



01244



01183



01184



Ref. No.	Article	Weight	Price excl. VAT
Finger weeder ø 540 mm with adjustable shaft			
011802	middle (yellow)	27.6 kg	
011803	hard (red)	27.6 kg	
Finger weeder ø 700 mm with adjustable shaft			
011822	middle (yellow)	42 kg	
011823	hard (red)	40 kg	
04394	Mounting bracket with shifted square brackets 50 x 50	6.6 kg	
For the attachment of the finger weeder to hydraulic lift additionally needed			
01244	Holder to lift	9.7 kg	
Mounting bracket for finger weeder on mower			
01183	right	14 kg	
011831	left	14 kg	
Angle-adjustable mounting bracket for finger weeder on mower			
01184	right	18.5 kg	
011841	left	18.5 kg	

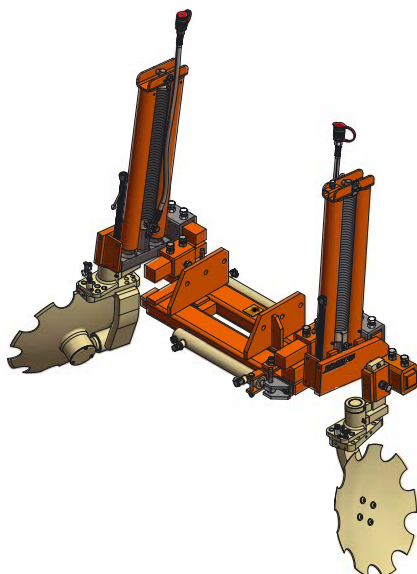
Weeders and ploughs dics. Ordering examples.



The BRAUN disc plough, the BRAUN rotary star tiller and the finger weeder can be used and combined in many ways. Due to the simple design, the BRAUN implement carriers can be equipped with them in just a few steps. They can be mounted in the mid-axle area as well as in the front and rear.



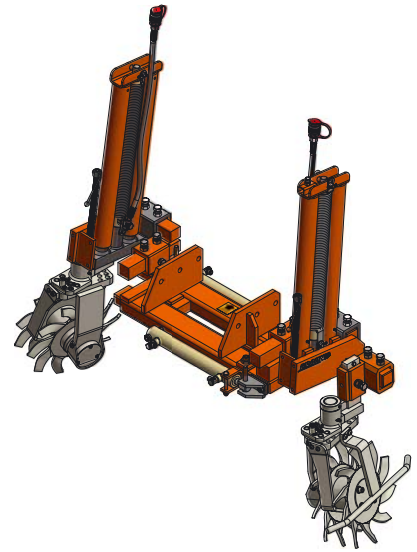
Ref. No.	Article	Qty.	Price excl. VAT
BRAUN disc plough on the precise vertical lift → For mounding and turning the soil in the under-vine area and covering the weeds			
01242	Precise vertical lift compact, EW, right	1	
00124204	Mounting plate for compact lift with implement clamp right	1	
011701	Disc plough ø 460 mm with hole pattern and angular adjustment, right	1	
01194	Special bracket, right	1	
01151	Depth wheel with bent leg for LUV bracket, right	1	
BRAUN modular solution total:			



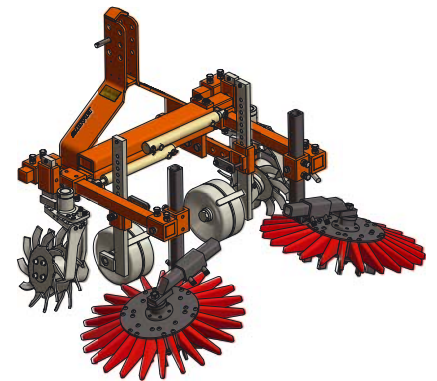
Ref. No.	Article	Qty.	Price excl. VAT
The BRAUN disc plough with precise vertical lift and width adjustment → For mounding and turning the soil in the under-vine area and covering the weeds			
02207	Hydraulic width adjustment, double sided mid-mounting frame	1	
01205	Precise vertical lift EW 500 mm, right	1	
01206	Precise vertical lift EW 500 mm, left	1	
011701	Disc plough ø 460 mm, hole pattern and angular adjustment, right	1	
0117011	Disc plough ø 460 mm, hole pattern and angular adjustment, left	1	
01128	Short bracket with U-clamp for rigid leg	2	
BRAUN modular solution total:			



Ref. No.	Article	Qty.	Price excl. VAT
The BRAUN width adjustment with precise vertical lift equipped with rotary star tillers, double sided → For mounting in the mid-axle area			
02207	Hydraulic width adjustment, double sided mid-mounting frame	1	
01207	Precise vertical lift EW (single-acting), right	1	
01208	Precise vertical lift EW (single-acting), left	1	
01174	Rotary star tiller, dual with hole pattern adjustment, right	1	
011741	Rotary star tiller, dual with hole pattern adjustment, left	1	
0117407	Side deflectors for rotary star tiller, dual	2	
01155	Short bracket with U-clamp 60 x 25 mm, laterally adjustable, right	1	
01156	Short bracket with U-clamp 60 x 25 mm, laterally adjustable, left	1	
BRAUN modular solution total:			



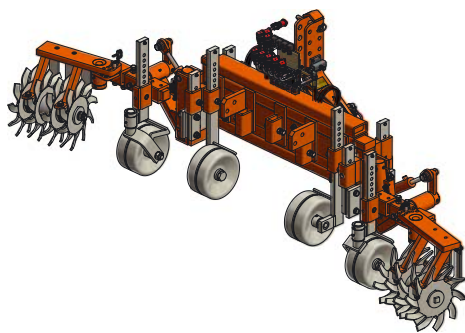
Ref. No.	Article	Qty.	Price excl. VAT
Universal Cultivator Frame UKR equipped with rotary star tiller and finger weeder → For loosening the soil in the under-vine area at high driving speeds and avoiding the erosion gully for row widths: 1.70–2.30 m			
040072	Universal cultivator frame UKR, dual tube, tube length 700 mm	1	
041052	Pair of slides for UKR dual tube	1	
041044	Hydraulic width adjustment	1	
01155	Short bracket with U-clamp 60 x 25 mm, laterally adjustable, right	1	
01156	Short bracket with U-clamp 60 x 25 mm, laterally adjustable, left	1	
01174	Rotary star tiller, dual with hole pattern adjustment, right	1	
011741	Rotary star tiller, dual with hole pattern adjustment, left	1	
04394	Mounting bracket with shifted square brackets 50 x 50 mm	2	
011823	Finger weeder 700 mm, rigid (red), with adjustable arm	2	
04323	Support wheel for cultivator, right	1	
04324	Support wheel for cultivator, left	1	
04321	Mounting bracket for support wheels	2	
BRAUN modular solution total:			



Weeders and ploughs dics. Ordering examples.



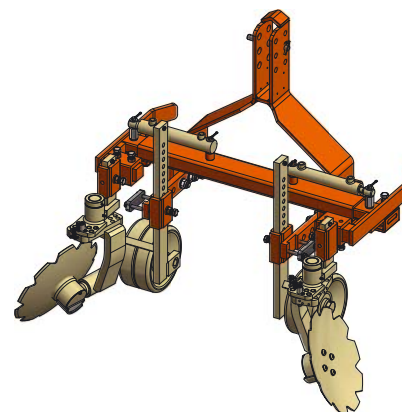
The BRAUN disc plough, the BRAUN rotary star tiller and the finger weeder are highly versatile and can be combined. Thanks to the simple design, they can be fitted to BRAUN implement carriers in just a few steps. They are suitable for mid-axle attachment as well as front and rear mounting.



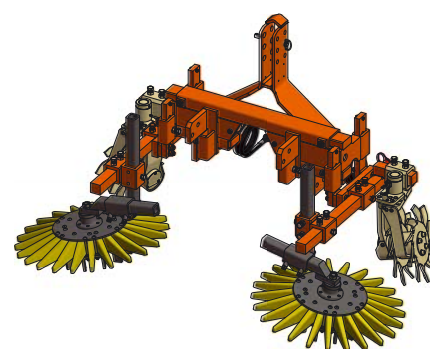
Ref. No.	Article	Qty.	Price excl. VAT
Width adjustable frame Vario II with rotary star tiller with four star wheels → Perfect for wide-area plants with separate height and side slope adjustment of the rotary star tillere for row widths: 2.70–3.70 m			
04391	Width adjustable frame Vario II	1	
04388	Bracket for mounting the LUV-devices double-legged, right	1	
043881	Bracket for mounting the LUV-devices double-legged, left	1	
04323	Support wheel for cultivator, right	1	
04324	Support wheel for cultivator, left	1	
01128	Short bracket for rigid leg	2	
04405	Swivel ground wheel for modular / UKR chassis, right	1	
04406	Swivel ground wheel for modular / UKR chassis, left	1	
01214	Universal hydraulic lift PA with hydraulical inclination adjustment, right	1	
01215	Universal hydraulic lift PA with hydraulical inclination adjustment, left	1	
01320	Rotary star tiller, quadruple, right	1	
01321	Rotary star tiller, quadruple, left	1	
590101	hydraulic unit electr. 2 x DW, 3 x EW	1	
043034	Attachment for Remote Control LUV to Cultivator	2	
BRAUN modular solution total:			



Ref. No.	Article	Qty.	Price excl. VAT
Swivel scalloped disc mounted on the universal cultivator frame UKR → For plowing a mound of earth for row widths: 1.60–2.10 m			
04009	Universal cultivator frame UKR, tube length 900 mm	1	
041051	Pair of slides with deflectors for universal cultivator frame	1	
04104	Hydraulic width adjustment	1	
04321	Bracket for support wheels	2	
04323	Support wheel for cultivator, right	1	
04324	Support wheel for cultivator, left	1	
01128	Short bracket with U-clamp 60 x 25 mm	2	
011701	Disc plough ø 460 mm, hole pattern and angular adjustment, right	1	
0117011	Disc plough ø 460 mm, hole pattern and angular adjustment, left	1	
BRAUN modular solution total:			



Ref. No.	Article	Qty.	Price excl. VAT
Rotary star tiller and finger weeder combination on the cultivator Vario → For loosening the soil in the under-vine area at high driving speeds and avoiding the erosion gully. for row widths: 2.10–2.50 m			
04303	Cultivator frame Vario HZ 4 BV 900–1,300 mm	1	
04392	Mounting bracket for finger weeder, right	1	
04393	Mounting bracket for finger weeder, left	1	
04394	Mounting bracket with shifted square brackets 50 x 50	2	
011822	Finger weeder, 700 mm, medium (yellow), with adjustable arm	2	
01176	Rotary star tiller, dual with hole pattern adjustment and square bracket, right	1	
011761	Rotary star tiller, dual with hole pattern adjustment and square bracket, left	1	
04375	Pair of support legs for para-plough	1	
BRAUN modular solution total:			



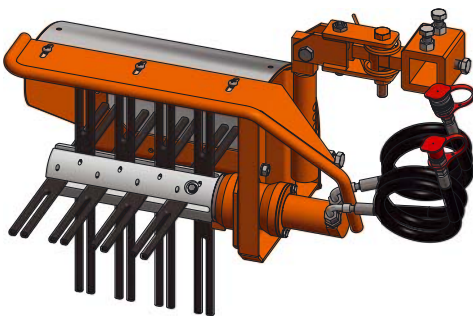
Vine trunk cleaner. Basic unit and accessories.



The BRAUN vine trunk cleaner RP W1 and RP W2 is the optimal tool for removing water shoots and for mowing in the under-vine area. Due to the geometry of the rubber punchers and the material composition, the device is particularly gentle on the vines and has a long service life.

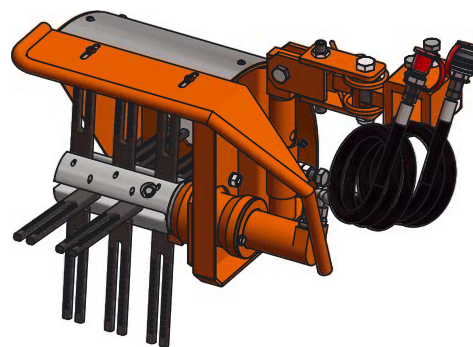
→ gentle on the vines

→ robust and low-wear rubber punchers



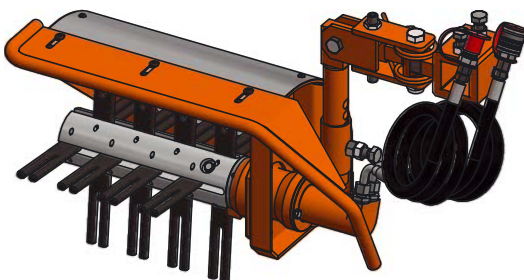
03101

Vine Trunk Cleaner W1
with 16 rubber punchers.
Working height: 350 mm



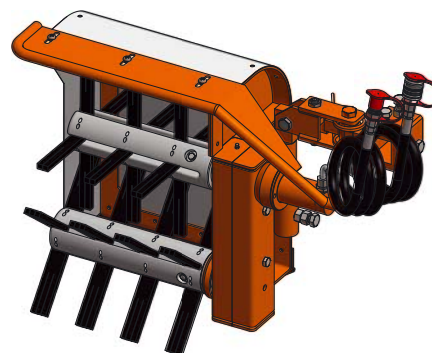
03103

Vine Trunk Cleaner W1/K
Short version with 12 rubber punchers.
Working height: 350 mm



03126

Vine Trunk Cleaner W1/N
Low version with 16 rubber punchers.
Working height: 220 mm



03105

Vine Trunk Cleaner W2
With second shaft for higher vines.
Working height: 600 mm

*The vine trunk cleaners are equipped with the following hoses as standard: NW10 x 1500.
You can find hose extensions on page 153.*



0031011



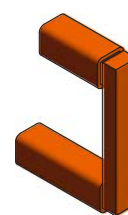
0031014



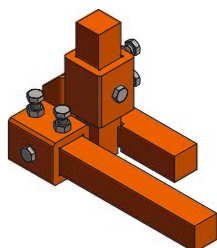
0031051



0031052



03109



03207

Mount for attachment to the
BRAUN Alpha series mulcher

Ref. No.	Article	Weight	Price excl. VAT
Vine trunk cleaner RP W1			
03101	right	38 kg	
03102	left	38 kg	
Vine trunk cleaner RP W1/K (short version)			
03103	right	35 kg	
03104	left	38 kg	
Vine trunk cleaner RP W1/N (low version)			
03126	right	35 kg	
03127	left	35 kg	
Vine trunk cleaner RP W2 (600 mm working height)			
03105	right	49 kg	
03106	left	49 kg	
Rubber punchers			
0031011	Rubber puncher for vine trunk cleaner RP W1	0.075 kg	
0031014	Rubber puncher for vine trunk cleaner RP W1/K (short version), narrow	0.05 kg	
0031051	Rubber punchers for vine trunk cleaner RP W2, 600 mm, wide	0.05 kg	
0031052	Rubber punchers for vine trunk cleaner RP W2, 600 mm, narrow	0.05 kg	
Set of rubber puncher for vine trunk cleaner RP W1			
0031010	16 pieces	0.8 kg	
Connector for vine trunk cleaner on mower			
03109	right	4 kg	
03110	left	4 kg	
Mounting bracket for thread mower on mower			
03207	right	24 kg	
03208	left	24 kg	

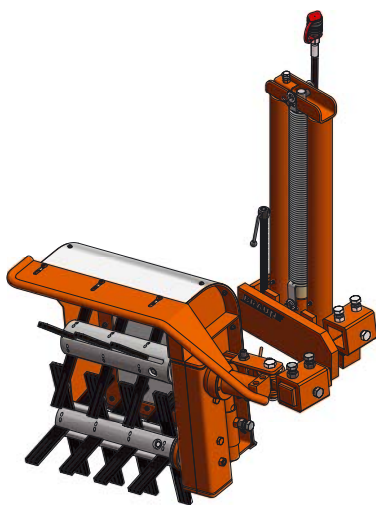
Vine trunk cleaner. Ordering examples.



You can attach the BRAUN vine trunk cleaners in the mid-axle area, to BRAUN mowers and to the Vario and UKR implement carriers. This allows you to complete various tasks in one pass.



Ref. No.	Article	Qty.	Price excl. VAT
BRAUN Vine trunk cleaner W1 → To remove the watershoots on the vine trunk Working height 350 mm			
03101	Vine trunk cleaner RP W1, right	1	
01207	Precise vertical lift EW (single-acting), right	1	
BRAUN modular solution total:			

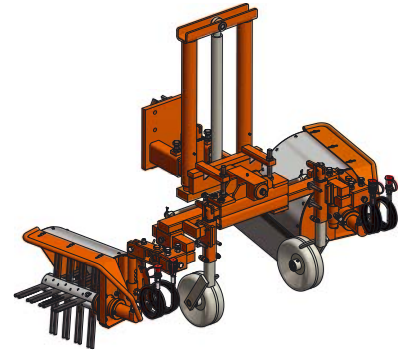


Ref. No.	Article	Qty.	Price excl. VAT
BRAUN Vine trunk cleaner W2 → To remove the watershoots on the vine trunk Working height 600 mm			
03105	Vine trunk cleaner RP W2 (600 mm working high), right	1	
01207	Precise vertical lift EW (single-acting), right	1	
BRAUN modular solution total:			

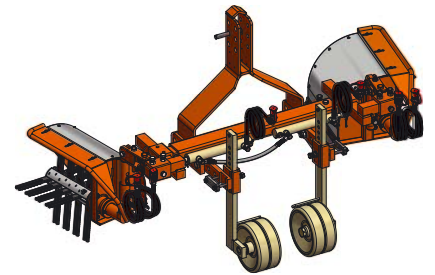


Vine trunk cleaner. Ordering examples.

Ref. No.	Article	Qty.	Price excl. VAT
BRAUN Vine trunk cleaner W1 in front mounting → Optimally equipped for the removal of water shoots in flat vineyard sites Working height 350 mm			
03101	Vine trunk cleaner RP W1, right	1	
03102	Vine trunk cleaner RP W1, left	1	
02210	Front mounting with single-hydraulic lift and width adjustment	1	
01107	Support wheel spindle adjustable, right	1	
01108	Support wheel spindle adjustable, left	1	
BRAUN modular solution total:			



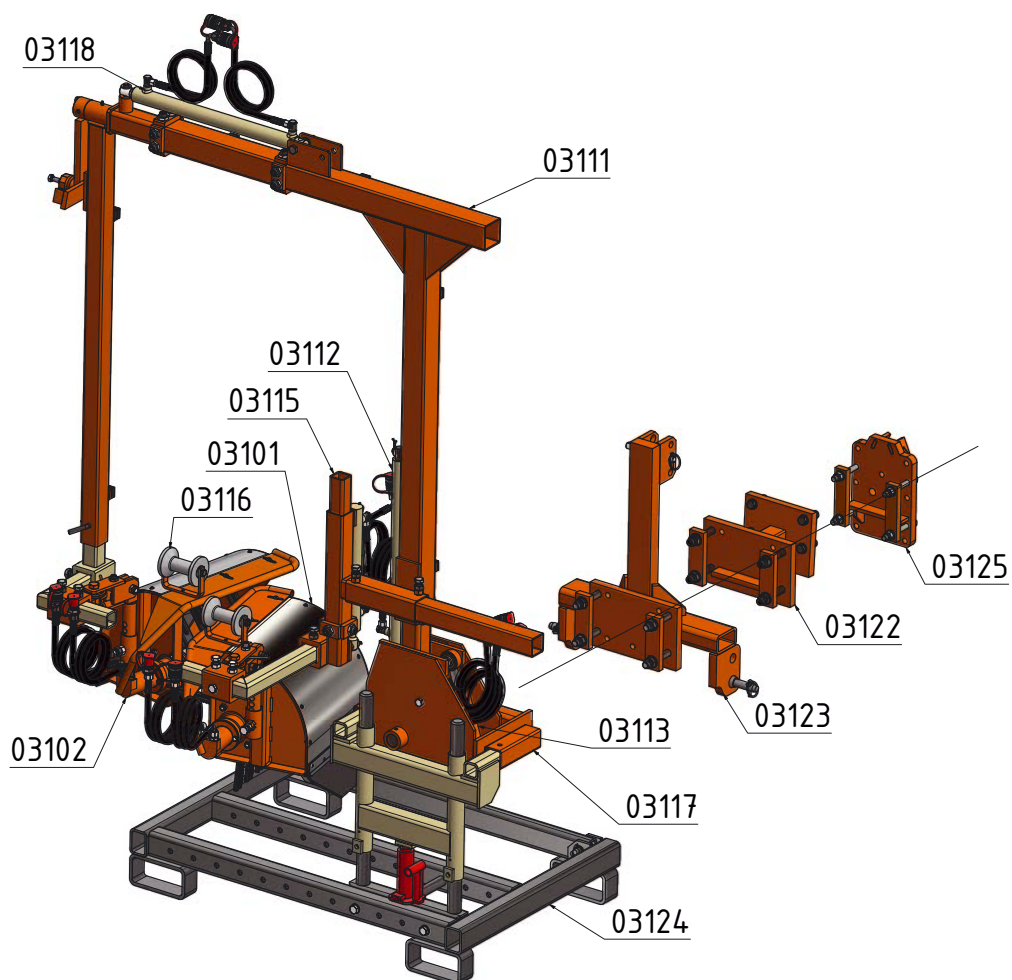
Ref. No.	Article	Qty.	Price excl. VAT
BRAUN Vine trunk cleaner W1 in front mounting at the UKR → For tractors with front linkage, for removal of the watershoots on both sides Working height 350 mm			
04009	Universal cultivator frame UKR, tube length 900 mm	1	
04105	Pair of sliding piece	1	
04104	Hydraulic width adjustment	1	
03101	Vine trunk cleaner RP W1, right	1	
03102	Vine trunk cleaner RP W1, left	1	
04323	Support wheel for cultivator, right	1	
04324	Support wheel for cultivator, left	1	
04321	Bracket for support wheels, right	2	
04375	Pair of support legs for para-plough	1	
BRAUN modular solution total:			



Over-row vine trunk cleaner.



With the over-row frame in the front attachment, you can guide the vine trunk cleaners on both sides of the vine and remove both water shoots on the vine trunk and weeds in the under-vine area much more efficiently. The width and height of the over-row frame can be adjusted hydraulically.





Ref. No.	Article	Weight	Price excl. VAT
Over-row frame with vine trunk cleaner consisting of			
03125	Adapter for ERO front mounting plate	17.6 kg	
03117	Foot section	36 kg	
03111	Over-row basic framework	300 kg	
03112	Hydraulic height adjustment of the basic frame with single-acting (EW) cylinder	8.5 kg	
03113	Side slope adjustment with double-acting (DW) cylinder	30 kg	
03118	Width adjustment with double-acting (DW) cylinder	7.6 kg	
03115	Inner column height adjustment with double-acting (DW) cylinder	26 kg	
Optionally			
03116	Wire loading roll	1 kg	
03123	Mounting adaptor for front hydraulics	51 kg	
03124	Storage / support device	190.5 kg	



Hydraulic lifts and mid-mounting frames



With our hydraulic width adjustments and mounting brackets, you will find a solution for mounting a wide variety of devices in the mid-axle area of the tractor for every tractor and every requirement in the vineyard. By using the additional mounting space in the mid-axle area, you get a short working tool that enables fast turning. Our variety of precise vertical lifts allows you to easily as well as precisely guide the height of the devices in the under-vine area.

Precise vertical lifts

► Page 42

Mid-mounting frames and width adjustments

► Page 48

Ordering examples

► Page 50

More mid-mounting frames and width adjustments

► Page 52



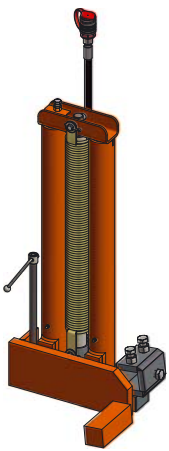
Precise vertical hydraulic lifts.



The BRAUN precise vertical hydraulic lifts consist of two ground round steels of high strength, two strong-walled steel tubes with integrated plain bearings and dirt wipers. This makes the hydraulic lifts so stable that they are suitable for attaching a wide variety of devices from the BRAUN portfolio.

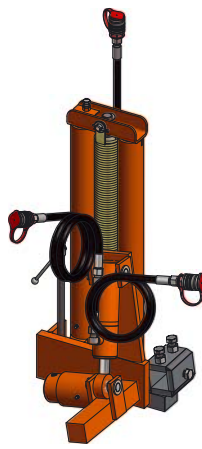
→ depth control of the BRAUN devices

→ available in single- and double-acting



01207

Precise vertical hydraulic lift EW
with return spring



01218

Precise vertical hydraulic lift EW
with return spring and hydraulic side
slope adjustment



01225

Precise vertical hydraulic lift EW
with return spring and short plate for
space-saving attachment of devices in
the intermediate axle area.



01234

Precise vertical hydraulic lift EW
with return spring, extended plate and
lugs for support wheel



01107

Supporting wheel, spindle adjustable
Depth wheels for depth guidance of the
devices, mountable on hydraulic lifts



01109

Supporting wheel, single adjustment
Depth wheels for depth guidance of the
devices, mountable on hydraulic lifts



Ref. No.	Article	Weight	Price excl. VAT
Precise vertical lift EW (single-acting)			
01205	right	63.5 kg	
01206	left	63.5 kg	
Precise vertical lift EW (single-acting) with return spring			
01207	right	63.5 kg	
01208	left	63.5 kg	
Precise vertical lift DW (double-acting)			
01209	right	63.5 kg	
01210	left	63.5 kg	
Precise vertical lift EW (single-acting) with return spring and inclination			
01218	right	83.5 kg	
01219	left	83.5 kg	
Precise vertical lift DW (double-acting) with inclination			
01220	right	83.5 kg	
01221	left	83.5 kg	
Precise vertical lift EW (single-acting) with return spring and short plate			
01225	right	63.5 kg	
01226	left	63.5 kg	
Precise vertical lift EW with pull-back spring, long plate			
01234	right	63.5 kg	
01235	left	63.5 kg	
Supporting wheel stem adjustable ø 250 mm, B = 95 mm			
01107	right	13.6 kg	
01108	left	13.6 kg	
Supporting wheel stem adjustable, wide version ø 250 mm, B = 125 mm			
01113	right	16 kg	
01114	left	16 kg	
Supporting wheel single adjustment ø 250 mm, B = 95 mm			
01109	right	7.5 kg	
01110	left	7.5 kg	

The lifts are equipped with the following hose as standard: NW8 x 1250.
You can find hose extensions on page 153.

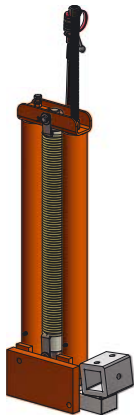
Precise vertical hydraulic lifts.



The BRAUN precise vertical hydraulic lifts consist of two ground round steels of high strength, two strong-walled steel tubes with integrated plain bearings and dirt wipers. This makes the hydraulic lifts so stable that they are suitable for attaching a wide variety of devices from the BRAUN portfolio.

→ depth control of the BRAUN devices

→ available in single- and double-acting



01247

Precise vertical lift, compact special, EW for tractors with limited mid-mounting space *



01230

Precise vertical hydraulic lift EW with return spring for front attachment



01245

Precise vertical hydraulic lift EW with return spring and hydraulic side slope adjustment for front attachment



01242

Precise vertical hydraulic lift, compact EW
Compact version of the precise vertical hydraulic lift for extremely space-saving attachment in the mid-axle area. *

Mounting plates

for 01242 / 01243
01247 / 01248



00124204 / 00124209

for implement + support wheel



00124205 / 00124208

for implement e.g. LUV



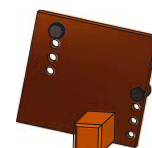
00124207

for rigid legs



00124210

for implement angles



001242051

adjustable height

* Mounting plate additionally required



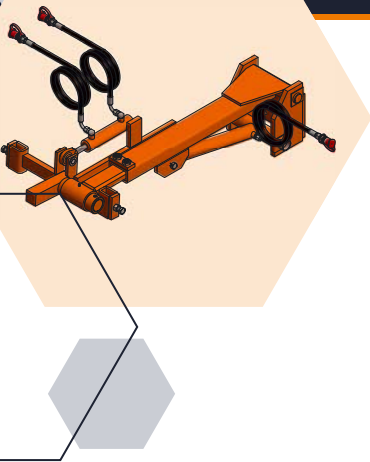
Ref. No.	Article	Weight	Price excl. VAT
Precise vertical lift, compact special, EW			
01247	right	63 kg	
01248	left	63 kg	
Precise vertical lift DW, long plate			
01236	right	63.5 kg	
01237	left	63.5 kg	
Precise vertical lift EW with return spring, for front attachment			
01230	right	63.5 kg	
01231	left	63.5 kg	
Precise vertical lift EW with return spring for front attachment and inclination			
01245	right	80 kg	
01246	left	80 kg	
Precise vertical lift, compact, EW			
01242	right	63 kg	
01243	left	63 kg	
Implement mounting plates for precise vertical hydraulic lift, compact 01242 / 01243			
00124204	Square steel mounting plate with implement clamp and square tool bar (50 x 25), right	9 kg	
00124304	Square steel mounting plate with implement clamp and square tool bar (50 x 25), left	8.5 kg	
00124205	Square steel mounting plate with square tool bar (50 x 50), right	6.9 kg	
00124305	Square steel mounting plate with square tool bar (50 x 50), left	6.9 kg	
00124207	Square steel mounting plate with implement clamp (60 x 25), right	8.2 kg	
00124307	Square steel mounting plate with implement clamp (60 x 25), left	8.2 kg	
00124210	Square steel mounting plate with implement clamp (50 x 50), right	7.6 kg	
00124310	Square steel mounting plate with implement clamp (50 x 50), left	7.6 kg	
001242051	extended, right, height-adjustable	9.5 kg	
001243051	extended, left, height-adjustable	9.5 kg	
Mounting plates for compact special lift 01247 / 01248			
124208	Square tool bar right SPECIAL 6.5°	6.9 kg	
124209	With implement clamp right SPECIAL 6.5°	8.5 kg	
124308	Square tool bar left SPECIAL 6.5°	6.9 kg	
124309	With implement clamp left SPECIAL 6.5°	8.5 kg	

The lifts are equipped with the following hose as standard: NW8 x 1250.

The lifts for front mounting are equipped with the following hose as standard: NW8 x 3000.

You can find hose extensions on page 153.

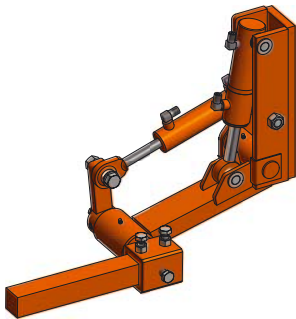
Special lifts. For wide rows.



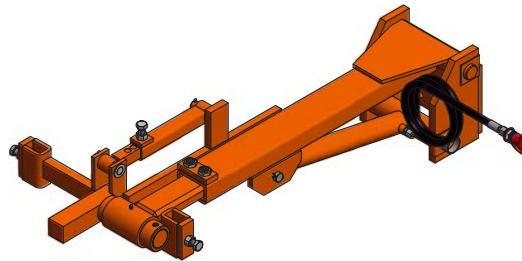
Specially designed for orchards and vineyards with inverted cultivation, our universal hydraulic lift PA and telescopic hydraulic lifts offer you the optimal solution for compact mounting of the under-vine cultivation equipment in the mid-axle area of the tractor.

→ to attach devices for under vine cultivation
in wide rows

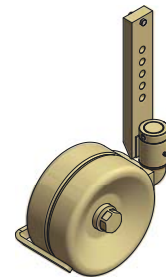
→ to compensate for side slope



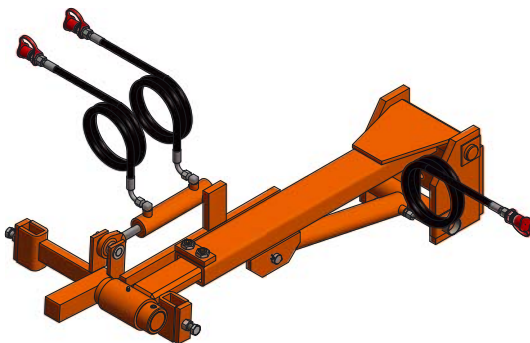
01214
Universal hydraulic lift PA



01305
Telescopic hydraulic lift
with mechanical side slope adjustment



01340



01309
Telescopic hydraulic lift
with hydraulic side slope adjustment



01224
Adapter plate for
universal
hydraulic lift PA



Ref. No.	Article	Weight	Price excl. VAT
Universal hydraulic lift PA with mechanical inclination adjustment			
01212	right	47 kg	
01213	left	47 kg	
Universal hydraulic lift PA with hydraulic inclination adjustment			
01214	right	50 kg	
01215	left	50 kg	
Adapter plate for universal hydraulic lift PA			
01224	right / left	9.66 kg	
Telescopic hydraulic lift with mechanical side slope adjustment			
01305	right	94 kg	
01306	left	94 kg	
Telescopic hydraulic lift with hydraulic side slope adjustment			
01309	right	110 kg	
01310	left	110 kg	
Swivelling support wheel for universal and telescopic hydraulic lift			
01340	right	18.5 kg	
013401	left	18.5 kg	

The PA universal hydraulic lifts are equipped with the following hose as standard: NW8 x 2500.

The telescopic hydraulic lifts are equipped with the following hose as standard: NW8 x 2500.

You can find hose extensions on page 153.

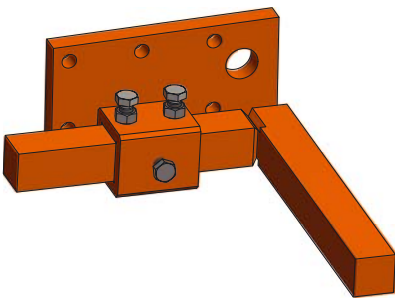
Mid-mounting frames and width adjustments.



We offer individual mid-axle frames for each tractor model to attach devices for under-vine cultivation in the mid-axle area. With the BRAUN mounting brackets and hydraulic width adjustments you have the possibility to use the additional mounting space efficiently and to drive intelligent device combinations in one pass.

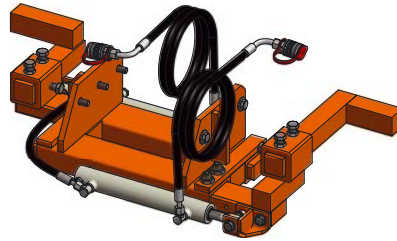
→ compact attachment option in the mid-axle area

→ efficient under-vine cultivation



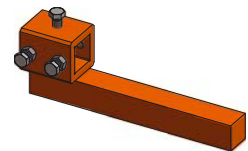
02203

Single-sided mounting bracket for tractors with device mounting plates in the mid-axle area with square for uncomplicated mounting of the BRAUN lifts and under-vine cultivation devices.



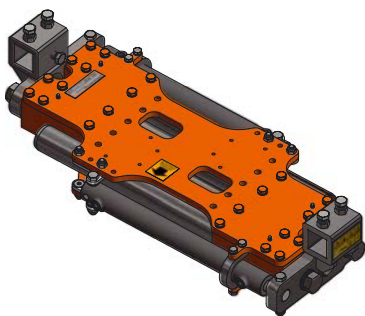
02207

Hydraulic width-adjustable mid-axle frame for tractors with device mounting plates for attaching the BRAUN lifts and under-vine cultivation devices on both sides.



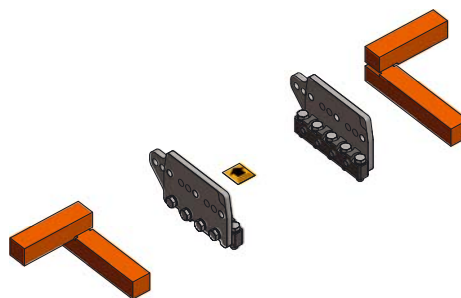
02206

Extension arm
50 x 50 mm



02304

Basis for hydraulic width adjustment II
The hydraulic width adjustment II is the width adjustment in the mid-axle attachment that can be extended even further, with a total adjustment range of 800 mm. It can also be retrofitted for the BRAUN Vineyard Pilot Assistant. Currently only available for Fendt Vario models.



02401

Side plates and implement mounting brackets BV II
For mounting the BV II width adjustment on the tractor.



Ref. No.	Article	Weight	Price excl. VAT
Mid-mounting brackets for tractors with implement mounting plates			
02203	right	18 kg	
02204	left	18 kg	
Mid-mounting brackets for tractors without implement mounting plates			
022031	right	40 kg	
022041	left	40 kg	
Extension arm			
02206	50 x 50 mm	11.3 kg	
Hydraulic width adjustment for unusual tractor types			
022070	Kit for mid-mounted hydraulic width adjustment	62 kg	
Hydraulic width adjustment for the mid-axle area			
02207	for tractors with mounting plates	120 kg	
022071	for tractors without mounting plates	168.5 kg	
Width adjustment II			
02301	Base plate 500 mm	133 kg	
02302	Base plate 600 mm	154 kg	
02303	Base plate 700 mm	135 kg	
02304	Base plate 800 mm	160 kg	
02305	Base plate 900 mm	163 kg	
02401	Adapter plates for width adjustment for Fendt Vario	32 kg	

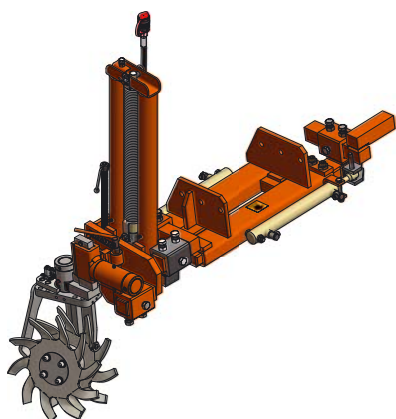
The width adjustments are equipped with the following hoses as standard: NW8 x 1500 and NW8 x 580.
You can find hose extensions on page 153.

We offer mounting brackets and width adjusters for a wide range of tractor makes and models. You are sure to find an individual solution for your tractor's mid-axle coupling on pages 52–61. When ordering, please state the tractor make, tractor type and year of construction, e.g. Fendt Vario 211 V.

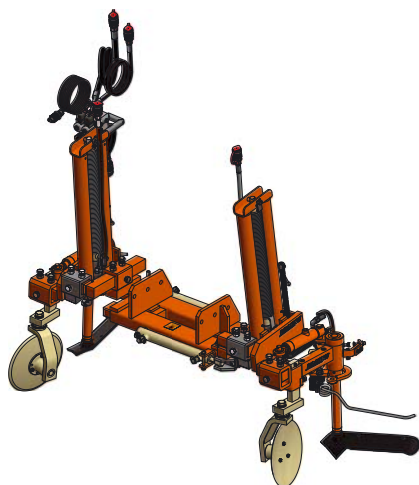
Mid-mounting. Ordering examples.



With our hydraulic width adjustments and mounting brackets, you will find a solution for mounting a wide variety of devices in the mid-axle area of the tractor for every tractor and every requirement in the vineyard. By using the additional mounting space in the mid-axle area, you get a short working tool that enables fast turning. Our variety of precise vertical lifts allows you to easily as well as precisely guide the height of the devices in the under-vine area.



Ref. No.	Article	Qty.	Price excl. VAT
Rotary star tiller mounted on precise vertical lift and width adjustment → Rotary star tiller in mid-axle mounting for loosening the soil in the under-vine area Adjustment range 600 mm			
01174	Rotary star tiller, dual with hole pattern adjustment, right	1	
01207	Precise vertical lift EW (single-acting), right	1	
01172	Universal bracket, right	1	
02207	Hydraulic width adjustment, double sided mid-mounting frame	1	
BRAUN modular solution total:			



Ref. No.	Article	Qty.	Price excl. VAT
Width adjustment with precise vertical lifts, equipped with LUV, double sided → For undercutting the dam in the under-vine area for row widths: 1.90–2.50 m			
01101	Dished ploughshare and cultivator LUV Perfekt with 350 mm blade, right	1	
01102	Dished ploughshare and cultivator LUV Perfekt with 350 mm blade, left	1	
01106	Dual electro-magnetic valve control	1	
01178	Floating feeler arm right	1	
011781	Floating feeler arm left	1	
01117	Concave disc couler ø 300 mm, right	1	
01118	Concave disc couler ø 300 mm, left	1	
01207	Precise vertical lift EW (single-acting), right	1	
01208	Precise vertical lift EW (single-acting), left	1	
02207	Hydraulic width adjustment, double sided mid-mounting frame	1	
BRAUN modular solution total:			

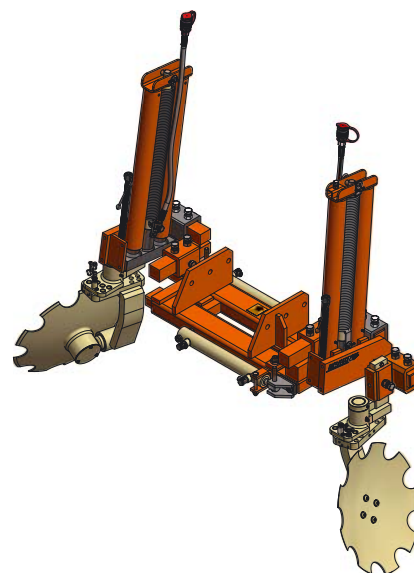


Mid-mounting. Ordering examples.

Ref. No.	Article	Qty.	Price excl. VAT
Mid-mounting bracket with precise vertical lift, equipped with vine trunk cleaner → The mounting bracket allows the attachment of under-vine cultivation equipment in the mid-axle area Working height 350 mm			
02203	Mounting bracket for conventional tractor units with mounting plates, right	1	
01207	Precise vertical lift EW (single-acting), right	1	
03101	Vine trunk cleaner RP W1, right	1	
BRAUN modular solution total:			






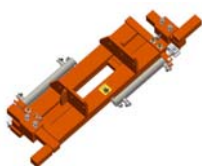



Ref. No.	Article	Qty.	Price excl. VAT
Mid-axle width adjustment with precise vertical lift, equipped with concave coultter disc → Hydraulic width-adjustable implement carrier for mid-axle mounting Adjustment range 600 mm			
02207	Hydraulic width adjustment, double-sided mid-mounting frame	1	
01207	Precise vertical lift EW (single-acting), right	1	
01208	Precise vertical lift EW (single-acting), left	1	
011701	Disc plough ø 460 mm, hole pattern and angular adjustment, right	1	
0117011	Disc plough ø 460 mm, hole pattern and angular adjustment, left	1	
01128	Short bracket with U-clamp 60 x 25 mm for rigid leg	2	
BRAUN modular solution total:			



More mid-mounting frames and width adjustments.



In the following section you will find mid-mounting frames and width adjustments for many tractor makes and models. On request, we can also manufacture a suitable mid axle frame for your tractor, should you not find the required console or width adjustment in this list.

Ref. No.	Example	Article	Price excl. VAT
02207 Hydraulic width adjustments for tractors with mounting plates			
022070203500		Hydraulic width adjustment Fendt Vario (500) Line width 1.7–2.2 m	
022070203600		Hydraulic width adjustment Fendt Vario (600) Line width 1.8–2.4 m	
022070203700		Hydraulic width adjustment Fendt Vario (700) Line width 1.9–2.5 m	
022070203800		Hydraulic width adjustment Fendt Vario (800) Line width 2.0–2.6 m	
022070201470		Hydraulic width adjustment Fendt 3 cyl. control (470) Line width 1.7–2.2 m	
022070201600		Hydraulic width adjustment Fendt 3 cyl. control (600) Line width 1.8–2.4 m	
022070201700		Hydraulic width adjustment Fendt 3 cyl. control (700) Line width 1.9–2.5 m	



More mid-mounting frames and width adjustments.

Ref. No.	Example	Article	Price excl. VAT
022070202470		Hydraulic width adjustment Fendt 4 cyl. control (470) Line width 1.7–2.2 m	
022070202600		Hydraulic width adjustment Fendt 4 cyl. control (600) Line width 1.8–2.4 m	
022070202700		Hydraulic width adjustment Fendt 4 cyl. control (700) Line width 1.9–2.5 m	
022071501500		Hydraulic width adjustment Kubota M5001 Narrow (500) Line width 1.7–2.2 m	
022071501600		Hydraulic width adjustment Kubota M5001 Narrow (600) Line width 1.8–2.4 m	
022071501700		Hydraulic width adjustment Kubota M5001 Narrow (700) Line width 1.9–2.5 m	
022070702600		Hydraulic width adjustment Deutz 5105-5115 DS TTV (600) Line width 1.8–2.4 m	
022070702700		Hydraulic width adjustment Deutz 5105-5115 DS TTV (700) Line width 1.9–2.5 m	
022071201510		Hydraulic width adjustment Dexheimer 480/490 SI (510) Line width 1.7–2.2 m	


More mid-mounting frames and width adjustments.



Ref. No.	Example	Article	Price excl. VAT
022071	Hydraulic width adjustment for tractors without mounting plates		
0220711401500		Hydraulic width adjustment 500 JD 5090 GV suspended front axle (500) Line width 1.7–2.2 m	
0220711401600		Hydraulic width adjustment 500 JD 5090 GV suspended front axle (600) Line width 1.8–2.4 m	
0220711401700		Hydraulic width adjustment 500 JD 5090 GV suspended front axle (700) Line width 1.9–2.5 m	
0220711302700		Hydraulic width adjustment MF 3709 V suspended front axle (700) Line width 1.9–2.5 m	
0220710311500		Hydraulic width adjustment NH T4.80-110 VNF (Terraglide) (500) Line width 1.7–2.2 m	
0220710311600		Hydraulic width adjustment NH T4.80-110 VNF (Terraglide) (600) Line width 1.8–2.4 m	


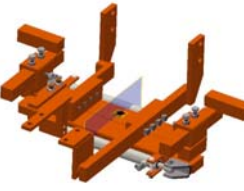
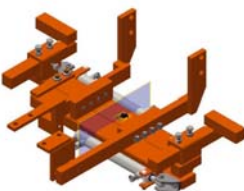





More mid-mounting frames and width adjustments.


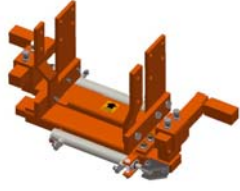
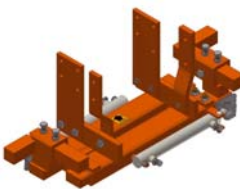
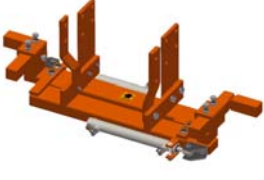
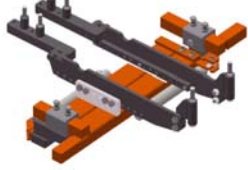
Ref. No.	Example	Article	Price excl. VAT
0220710311700		Hydraulic width adjustment NH T4.80-110 VNF (Terraglide) (700) Line width 1.9–2.5 m	
0220710309650		Hydraulic width adjustment NH T4050/60NF. T4.95/105NF (Supersteer) (650) Line width 1.85–2.45 m	
0220710307550		Hydraulic width adjustment NH T4030/40NF. T4.75/85NF (Supersteer) (550) Line width 1.75–2.25 m	
0220710307700		Hydraulic width adjustment NH T4030/40NF. T4.75/85NF (Supersteer) (700) Line width 1.9–2.5 m	
0220710310500		Hydraulic width adjustment NH T4. 60-110V/N (500) Line width 1.7–2.2 m	
0220710310600		Hydraulic width adjustment NH T4. 60-110V/N (600) Line width 1.8–2.4 m	
0220710310700		Hydraulic width adjustment NH T4. 60-110V/N (700) Line width 1.9–2.5 m	
0220710503600		Hydraulic width adjustment Claas Nexos 210-250VL (from 2017) (600) Line width 1.8–2.4 m	

More mid-mounting frames and width adjustments.



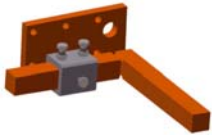
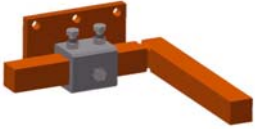


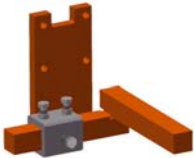


Ref. No.	Example	Article	Price excl. VAT
022071	Hydraulic width adjustment for tractors without mounting plates		
0220710503700		Hydraulic width adjustment Claas Nexos 210-250VL (from 2017) (700) Line width 1.9–2.5 m	
0220710306600		Hydraulic width adjustment NH T4. 60-110N/F (Supersteer)(600) Line width 1.8–2.4 m	
0220710306700		Hydraulic width adjustment NH T4. 60-110N/F (Supersteer)(700) Line width 1.9–2.5 m	
0220710305500		Hydraulic width adjustment NH T4020-40V/N. T4.65-85V/N (500) Line width 1.7–2.2 m	
0220710305600		Hydraulic width adjustment NH T4020-40V/N. T4.65-85V/N (600) Line width 1.8–2.4 m	
0220710305700		Hydraulic width adjustment NH T4020-40V/N. T4.65-85V/N (700) Line width 1.9–2.5 m	



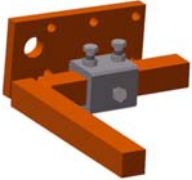

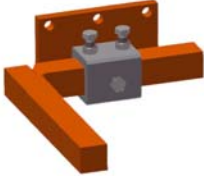
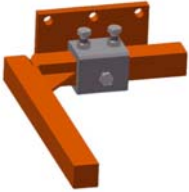

Ref. No.	Example	Article	Price excl. VAT
0220710308460		Hydraulic width adjustment NH TN 4050-60V/N. T 4.95-105V/N (460) Line width 1.65–2.15 m	
0220710308600		Hydraulic width adjustment NH TN 4050-60V/N. T 4.95-105V/N (600) Line width 1.8–2.4 m	
0220710308700		Hydraulic width adjustment NH TN 4050-60V/N. T 4.95-105V/N (700) Line width 1.9– 2.5 m	
0220710701500		Hydraulic width adjustment Deutz Agroplus 410-430 V/S/F (500) Line width 1.7–2.2 m	
0220710701600		Hydraulic width adjustment Deutz Agroplus 410-430 V/S/F (600) Line width 1.8–2.4 m	
0220710701700		Hydraulic width adjustment Deutz Agroplus 410-430 V/S/F (700) Line width 1.9–2.5 m	
0220710312700		Hydraulic width adjustment NH T4, 80-110 LP (700) Line width 1.9–2.5 m	

More mid-mounting frames and width adjustments.









Ref. No.	Example	Article	Price excl. VAT
02203	Mid-mounting brackets for tractors with implement mounting plates, right		
0220302031		Mid-mounting bracket viticulture for Fendt Vario, right	
0220302011		Mid-mounting bracket viticulture for Fendt Schalter, right	
0220302012		Mid-mounting bracket plantation for Fendt Schalter, right	
0220302032		Mid-mounting bracket plantation for Fendt Vario, right	
0220315011		Mid-mounting bracket viticulture for Kubota M5111 Narrow, right	
0220306021		Mid-mounting bracket viticulture for Deutz-Fahr (Same) Agroplus 320 V/S/F Agroplus 330 V/S/F Agroplus S90, right	
022030702		Mid-mounting bracket viticulture for Deutz 5105-5115 DS TTV, right	



Ref. No.	Example	Article	Price excl. VAT
02204 Mid-mounting brackets for tractors with implement mounting plates, left			
0220402031		Mid-mounting bracket viticulture for Fendt Vario, left	
0220402032		Mid-mounting bracket Plantage for Fendt Vario, left	
0220402011		Mid-mounting bracket viticulture for Fendt Schalter, left	
0220402012		Mid-mounting bracket Plantage for Fendt Schalter, left	
0220415011		Mid-mounting bracket viticulture for Kubota M5111 Narrow, left	
0220406021	<p style="color: orange; text-align: center;">No photo available</p>	Mid-mounting bracket viticulture for Deutz-Fahr (Same) Agroplus 320 V/S/F Agroplus 330 V/S/F Agroplus S90, left	




More mid-mounting frames and width adjustments.



Ref. No.	Example	Article	Price excl. VAT
022041	Mid-mounting brackets for tractors without implement mounting plates, left		
0220403091		Mid-mounting bracket viticulture for NH T4050/60NF, T4.95/105NF (Supersteer), left	
02204103071		Mid-mounting bracket viticulture for NH T4030/40NF, T4.75/85NF (Supersteer), left	
02204103011		Mid-mounting bracket viticulture for NH TN 55-75V, TN 60-75VA, left	
02204103041		Mid-mounting bracket viticulture for NH TN 60-90F, TN 95NA, TN 75-95FA (Supersteer), left	
02204103051		Mid-mounting bracket viticulture for NH T 4020-40V/N, T 4.65-85V/N, left	
02204103101		Mid-mounting bracket viticulture for NH T4. 60-110V/N, left	



More mid-mounting frames and width adjustments.

Ref. No.	Example	Article	Price excl. VAT
022031	Mid-mounting brackets for tractors without implement mounting plates, right		
0220303091		Mid-mounting bracket viticulture for NH T4050/60NF, T4.95/105NF (Supersteer), right	
02203103071		Mid-mounting bracket viticulture for NH T4030/40NF, T4.75/85NF (Supersteer), right	
02203103011		Mid-mounting bracket viticulture for NH TN 55-75V, TN 60-75VA, right	
02203103041	No photo available	Mid-mounting bracket viticulture for NH TN 60-90F, TN 95NA, TN 75-95FA (Supersteer), right	
02203103051		Mid-mounting bracket viticulture for NH T 4020-40V/N, T 4.65-85V/N, right	
02203103081		Mid-mounting bracket viticulture for NH T 4050-60V/N, T 4.95-105V/N, right	
02203103101		Mid-mounting bracket viticulture for NH T4. 60-110V/N, right	
02203103061		Mid-mounting bracket viticulture for NH T4.90-110 F, right	
02203103111		Mid-mounting bracket viticulture for NH T4.80-110 VNF (Terraglide), right	
02203103122		Mid-mounting bracket plantation for NH T4. 80-110 LP, right	



Customised and flexible. Implement carriers.



Our mounting frames and implement carriers are particularly robust and are ideal for attaching our under-vine cultivation products. Whether rear- or front-mounted, you can individually adapt our implement carriers to your row width via hydraulic width adjustment and thus achieve optimum working results.

Universal Cultivator Frame UKR

► Page 64

Cultivator frame Vario

► Page 68

Implement carrier frame Vario II

► Page 72

Accessories for implement carriers Vario and Vario II

► Page 74

Front mounting frames

► Page 78

Ordering examples

► Page 80



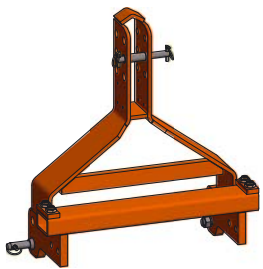
Universal Cultivator Frame UKR. Basic frame.



The BRAUN Universal Cultivator Frame UKR is a lightweight implement carrier for mounting on the front or rear hydraulics. The implement carrier has a hydraulic width adjustment for individual adaptation to your row widths. The UKR is characterized by its lightweight design and high diversity of variants. It consists of the UKR base frame, sliding parts and the hydraulic width adjustment.

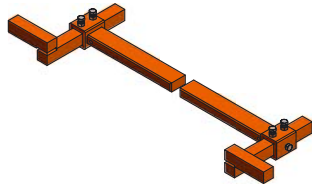
→ for front and rear hydraulics

→ many combination possibilities



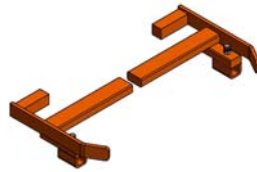
04007

UKR-basic frame. single tube with an adjustment range of 300–600 mm



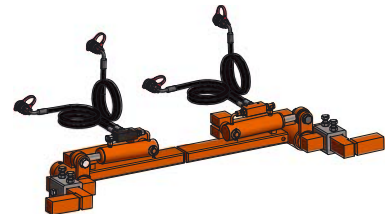
04105

Pair of sliding parts for UKR single tube



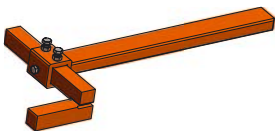
041051

Pair of sliding parts with deflector for UKR single tube



041462

Pair of sliding parts with side slope adjustment for UKR single tube



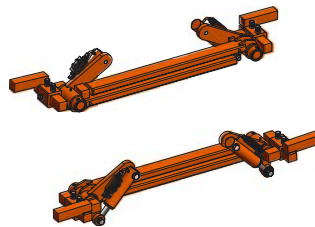
041053

Single-sided sliding parts for UKR single tube



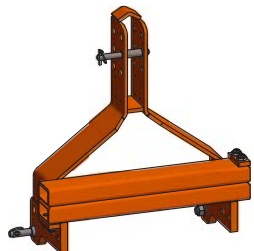
04146

Single-sided sliding parts with side slope adjustment for UKR single tube



04148

Pair of sliding parts with side slope adjustment for UKR double tube



040072

UKR-basic frame double tube with an adjustment range of 600–1.000 mm



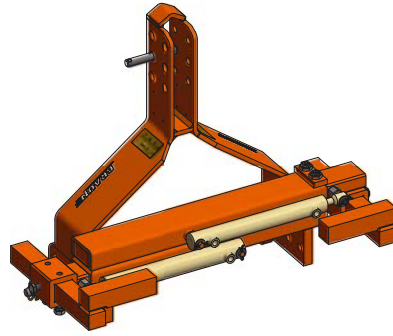
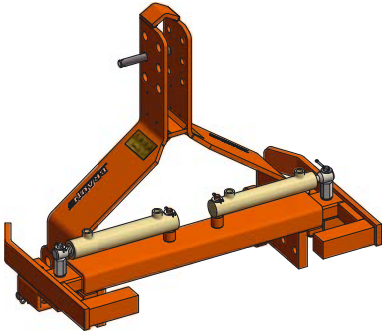
041052

Pair of sliding parts for UKR double tube



041044

Hydraulic width adjustment for UKR



Completed UKR:
Assemble your UKR from the articles below. Choose a single or double tube base frame, matching sliding pieces and the hydraulic width adjustment.

Ref. No.	Article	Weight	Price excl. VAT
Universal cultivator frame UKR, single tube			
04007	Tube length 700 mm	48.2 kg	
04008	Tube length 800 mm	50 kg	
04009	Tube length 900 mm	52 kg	
04010	Tube length 1,000 mm	54 kg	
04011	Tube length 1,100 mm	55.8 kg	
04013	Tube length 1,300 mm	60 kg	
Sliding pieces for UKR single tube			
04105	Pair of sliding pieces	60 kg	
041051	Pair of sliding pieces with deflectors	35 kg	
041053	Sliding piece, one side	34 kg	
04146	Sliding piece with side slope adjustment, right	31 kg	
041461	Sliding piece with side slope adjustment, left	31 kg	
041462	Pair of sliding pieces with side slope adjustment for UKR 04008	67 kg	
Universal cultivator frame UKR, double tube			
040042	Tube length 450 mm, cat. 0	46.0 kg	
040072	Tube length 700 mm	61.5 kg	
040082	Tube length 800 mm	65 kg	
040092	Tube length 900 mm	69.2 kg	
040102	Tube length 1,000 mm	73 kg	
040112	Tube length 1,100 mm	76.8 kg	
040132	Tube length 1,300 mm	84.3 kg	
Sliding pieces for UKR double tube			
041052	Pair of sliding pieces	86 kg	
04148	Pair of sliding pieces with side slope adjustment	110 kg	
Hydraulic width adjustment			
04104	Hydraulic width adjustment (double sided) for UKR single tube	20 kg	
04153	Hydraulic width adjustment (single sided) for UKR single tube	10 kg	
041044	Hydraulic width adjustment (double sided) for UKR double tube	20 kg	

The width adjustments for the UKR are equipped with the following hoses as standard: NW8 x 1500.

The 04153 width adjustment is equipped with the following hose as standard: NW8 x 2000.

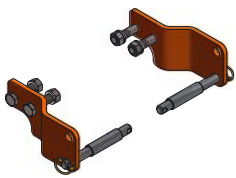
You can find hose extensions on page 153.

Universal Cultivator Frame UKR. *Accessories.*



The BRAUN Universal Cultivator Frame UKR is a lightweight implement carrier for mounting on the front or rear hydraulics. The implement carrier has a hydraulic width adjustment for individual adaptation to your row widths. The UKR is characterized by its lightweight design and high diversity of variants. Select the appropriate accessories on this page and upgrade the UKR to the right implement carrier for your individual purposes.

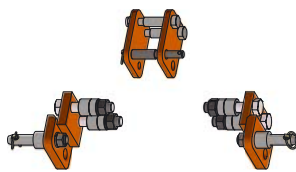
The UKR single tube can also be equipped as a light cultivator. Corresponding tines and brackets can be found on pages 94–95 and 109.



043035



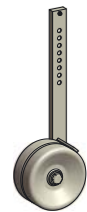
04413



040003*



04375



04323



04406



04338



04397



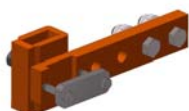
04396



043381



043211



04321

* The 040003 is only an example.
You can find further attachment options on p. 177.



Ref. No.	Article	Weight	Price excl. VAT
Lower link reinforcement			
043035	Lower link reinforcement for UKR	8.6 kg	
Three-point extension and widening for implement carrier			
040003	for mounting on any front linkage, CAT I / II	21.4 kg	
Push-pull extension for implement carrier			
04413	Enables flexible conversion as a front and rear implement carrier	26.5 kg	
Pair of support legs			
04375	support to tip the para plough (plus 04321 2 pcs. required)	26.8 kg	
Rigid support wheels			
04323	steel wheel, right, \varnothing 250 mm B = 130 mm	18.5 kg	
04324	steel wheel, left, \varnothing 250 mm B = 130 mm	18.5 kg	
04338	pneumatic wheel, right, \varnothing 340 mm B = 150 mm	14 kg	
04339	pneumatic wheel, left, \varnothing 340 mm B = 150 mm	14 kg	
Swivelling support wheels			
04405	right	20 kg	
04406	left	20 kg	
Spindle adjustable support wheels			
04396	pneumatic-tyred	16.5 kg	
04397	steel wheel	20.5 kg	
Bolt-on bracket for spindle-adjustable support wheel			
04399	right	9 kg	
043991	left	9 kg	
Hydraulically adjustable pneumatic support wheels			
043381	right	26 kg	
043391	left	26 kg	
Bracket			
04321	for support wheels	7.5 kg	
043211	for support wheels long version, right	14 kg	
043212	for support wheels long version, left	14 kg	

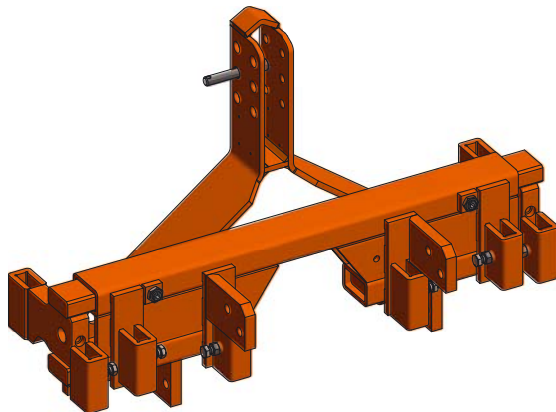
The hydraulically adjustable support wheels are equipped with the following hose as standard: NW8 x 2000.
You can find hose extensions on page 153.



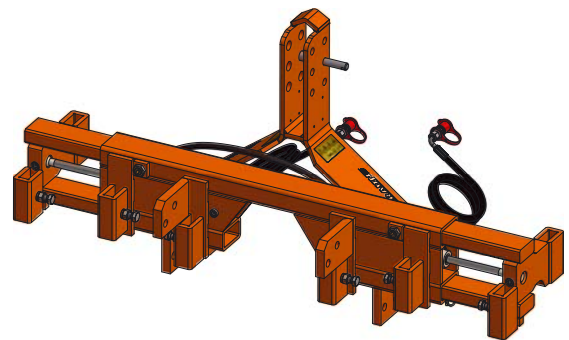
Cultivator frame Vario. Basic frame.

The BRAUN cultivator Vario is a versatile implement carrier for all soil work. Not only can it be configured as a cultivator with the appropriate cultivator tools and used as an implement carrier for mounting cardan shaft driven machines, but it is also already equipped with suitable brackets for mounting under-vine cultivation implements.

- versatile implement carrier, e.g. for under-vine cultivation
- universal implement for all soil maintenance work in orchards and vineyards



04342
Cultivator frame M Z 4 BV
mechanically width-adjustable frame.
working width: 1,100–1,600 mm



04343
Cultivator frame H Z 4 BV
hydraulically width-adjustable frame.
working width: 1,100–1,600 mm

Note: Products for soil cultivation, such as mounting frames and cultivator tools as well as power take off driven machines, which you can attach to the Vario, can be found in the next chapter "Soil cultivation".



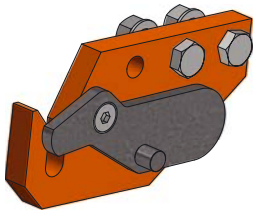
Ref. No.	Article	Weight	Price excl. VAT
Cultivator frame Vario MZ 4			
04298	Cultivator frame Vario MZ 4 BV 800–1,200 mm	157.6 kg	
04300	Cultivator frame Vario MZ 4 BV 800–1,200 mm	155 kg	
04302	Cultivator frame Vario MZ 4 BV 900–1,300 mm	155 kg	
04340	Cultivator frame Vario MZ 4 BV 1,000–1,400 mm	160 kg	
04342	Cultivator frame Vario MZ 4 BV 1,100–1,600 mm	170 kg	
Cultivator frame Vario HZ 4 BV			
04299	Cultivator frame Vario HZ 4 BV 700–1,100 mm	164 kg	
04301	Cultivator frame Vario HZ 4 BV 800–1,200 mm	175 kg	
04303	Cultivator frame Vario HZ 4 BV 900–1,300 mm	175 kg	
04341	Cultivator frame Vario HZ 4 BV 1,000–1,400 mm	180 kg	
04343	Cultivator frame Vario HZ 4 BV 1,100–1,600 mm	183 kg	
Cultivator frame Vario MZ/HZ 6 BV			
04304	Cultivator frame Vario MZ 6 BV 1,250–1,750 mm	190 kg	
04305	Cultivator frame Vario HZ 6 BV 1,250–1,750 mm	240 kg	
Cultivator frame Vario MZ/HZ 8 BV			
04382	Cultivator frame Vario MZ 8 BV 1,500–2,000 mm	250 kg	
04383	Cultivator frame Vario HZ 8 BV 1,500–2,000 mm	240 kg	
04344	Cultivator frame Vario MZ 8 B V 1,700–2,200 mm	230 kg	
04345	Cultivator frame Vario HZ 8 BV 1,700–2,200 mm	250 kg	
Cultivator frame Vario MZ/HZ 10 BV			
04370	Cultivator frame Vario MZ 10 BV 2,200–2,700 mm	280 kg	
04371	Cultivator frame Vario HZ 10 BV 2,200–2,700 mm	300 kg	
04372	Cultivator frame Vario MZ 10 BV 2,700–3,300 mm	310 kg	
04373	Cultivator frame Vario HZ 10 BV 2,700–3,300 mm	330 kg	

The cultivators are equipped with the following hoses as standard: NW8 x 1500.
You can find hose extensions on page 153.

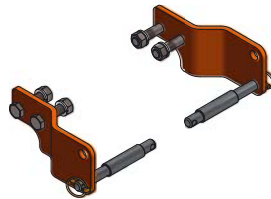
Cultivator frame Vario. Accessories.



Here you will find general accessories for the Vario cultivator. such as mounting plates. three-point reinforcement and support legs for safe transport.



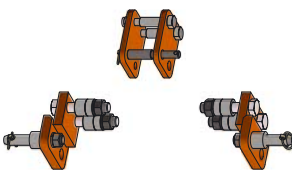
0043033



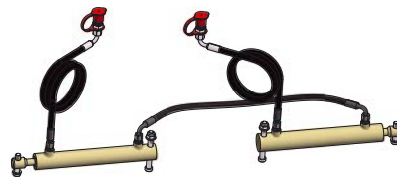
043035



04413



040003*



04104111



04375

* The 040003 is only an example.
You can find further attachment options on p. 177.



Ref. No.	Article	Weight	Price excl. VAT
Hydraulic width adjustment retrofit kit			
04104108	Working width 800–1,200 mm (for 04300)	20 kg	
04104109	Working width 900–1,300 mm (for 04302)	20 kg	
04104110	Working width 1,000–1,400 mm (for 04340)	20 kg	
04104111	Working width 1,100–1,600 mm (for 04342)	20 kg	
04104112	Working width 1,250–1,750 mm (for 04304)	20 kg	
04104115	Working width 1,500–2,000 mm (for 04382)	20 kg	
04104117	Working width 1,700–2,200 mm (for 04344)	20 kg	
04104122	Working width 2,200–2,700 mm (for 04370)	20 kg	
04104127	Working width 2,700–3,300 mm (for 04372)	20 kg	
Implement mounting plate for attaching power harrows, rotary tillers and rollers with cat. I components			
0043033	right	7.14 kg	
00430331	left	7.14 kg	
Implement mounting plate for attaching power harrows, rotary tillers and rollers with cat. II components			
0043053	Implement mounting plate with cat. II components, right	7.14 kg	
00430531	Implement mounting plate with cat. II components, left	7.14 kg	
Lower link reinforcement			
043035	Lower link reinforcement for UKR	8.6 kg	
Three-point extension and widening for implement carrier			
040003	For mounting on any front linkage. Cat. I / II	21.4 kg	
Push-pull extension for implement carrier			
04413	Enables flexible conversion as a front and rear implement carrier	26.5 kg	
Pair of support legs			
04375	Pair of support legs	26.8 kg	

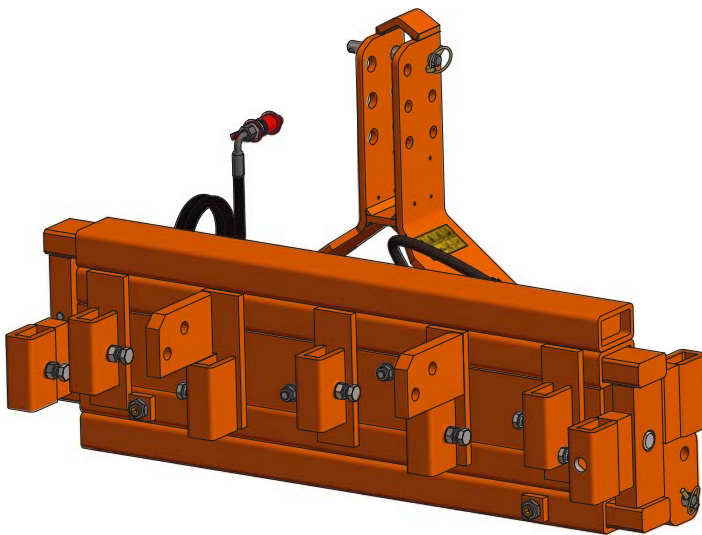
Implement carrier frame Vario II.



The Vario II is a solid implement carrier for front or rear hydraulics. With a total adjustment travel of 1,000 mm and its torsion-resistant design, it is ideal for carrying implements for under-vine cultivation in wide-area systems. In addition, like the Vario cultivator, it can be upgraded to a fully-fledged cultivator.

→ particularly robust and torsion-resistant

→ adjustment range of 1 m in total



04391

Vario II

Solid implement carrier for front and rear hydraulics. Double-guided sliders for robustness and durability. Suitable for wide-area crops with its large adjustment travel.

Ref. No.	Article	Weight	Price excl. VAT
Vario II implement carrier frame			
04391	Row width 2.00–3.00 m	305 kg	
04395	Row width 1.80–2.80 m	250 kg	



Particularly robust and torsion-resistant

With the implement carrier frame Vario II, as a supplement to the Vario cultivator with greater adjustment travel and a particularly robust and torsion-resistant design, you can cover a wider range of row widths. With a total adjustment range of 1.000 mm, the Vario II allows you to cultivate different row widths. In order to guarantee this large adjustment travel, the adjustment frame had to be designed to be particularly robust and torsion-resistant. In contrast to the Vario cultivator, the Vario II therefore does not have a power take off shaft passage, so that no driven machines can be attached. Otherwise, further mounting frames, all cultivator tools and also implements for under-vine cultivation can be attached to the Vario II without any problems, as usual also with the Vario cultivator. Thus, the Vario II is a solid, durable and flexible implement carrier and cultivator in one.

The Vario II is available in two versions:

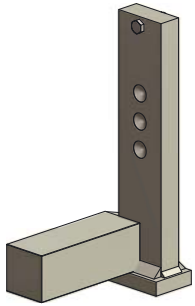
- for row widths 1.80–2.80 m
- for row widths 2.00–3.00 m

The Vario II implement carrier frame is equipped with the following hoses as standard: NW8 x 1500. You can find hose extensions on page 153.

Implement carriers Vario and Vario II. **Accessories.**



Brackets for the Vario and Vario II implement carriers to hold under-vine cultivation implements. such as the BRAUN LUV Perfekt dished ploughshare and cultivator, the BRAUN rotary star tiller, finger weeder and many more.



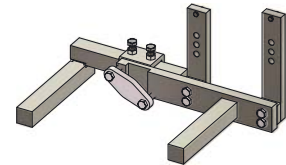
04312



04388



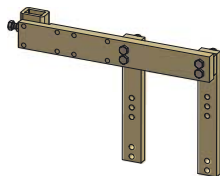
043892



043921



04392



04411



04394



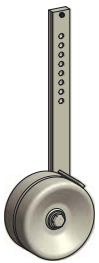
Ref. No.	Article	Weight	Price excl. VAT
Brackets for mounting LUV, rotary star tiller or disc plough			
04312	right	7.5 kg	
04356	left	7.5 kg	
Brackets double-legged for mounting LUV, rotary star tiller or disc plough			
04388	right	18 kg	
043881	left	18 kg	
Bracket with side slope adjustment			
043892	right	55 kg	
043893	left	55 kg	
Multifunctional bracket for mounting two implements plus support wheel			
043921	right	37 kg	
043931	left	37 kg	
Bracket for mounting rotary star tiller and finger weeder on Vario			
04392	right	32 kg	
04393	left	32 kg	
Retrofit kit bracket stone deflector			
04411	right	19.9 kg	
04412	left	19.9 kg	
Mounting bracket with 90° shifted square brackets 50 x 50			
04394	Mounting bracket with 90° shifted square brackets 50 x 50	6.6 kg	

The brackets with side slope adjustment are equipped with the following hose as standard: NW8 x 2000.
You can find hose extensions on page 153.

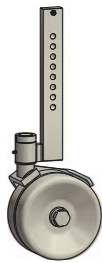
Implement carriers Vario and Vario II. *Accessories.*



For the depth guidance of the BRAUN Vario and Vario II implement carriers, we offer you the matching support wheels here. The designs range from steel and pneumatic wheels, to those with rigid legs or spindle-adjustable, to hydraulically adjustable support wheels.



04323



04406



04397



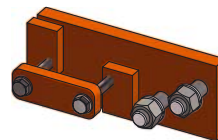
04338



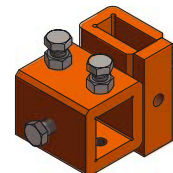
04396



043381



04399



01180



Ref. No.	Article	Weight	Price excl. VAT
Steel support wheel			
04323	right, \emptyset 250 mm W = 130 mm	18.5 kg	
04324	left, \emptyset 250 mm W = 130 mm	18.5 kg	
Pneumatic support wheel			
04338	right, \emptyset 340 mm W = 150 mm	14 kg	
04339	left, \emptyset 340 mm W = 150 mm	14 kg	
Swivelling support wheels			
04405	right	20 kg	
04406	left	20 kg	
Spindle adjustable support wheels			
04396	Pneumatic-tyred	16.5 kg	
04397	Steel wheel	20.5 kg	
Hydraulically adjustable pneumatic support wheels			
043381	right	28.2 kg	
043391	left	28.2 kg	
Bolt-on bracket for spindle adjustable support wheel			
04399	right	9 kg	
043991	left	9 kg	
Bracket for support wheels			
01180	Bracket 60 x 25 on 50 x 50	6.3 kg	

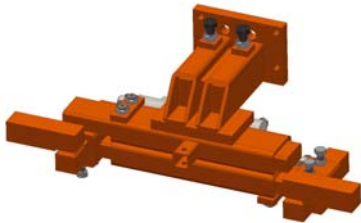
The hydraulically adjustable support wheels are equipped with the following hose as standard: NW8 x 2000.
You can find hose extensions on page 153.

Front mounting frames.



Hydraulically adjustable front implement carriers for tractors without front hydraulics. The pick-up of implements in the front attachment is ensured via our front attachment brackets. For this, the tractor must have an implement mounting plate in the front area.

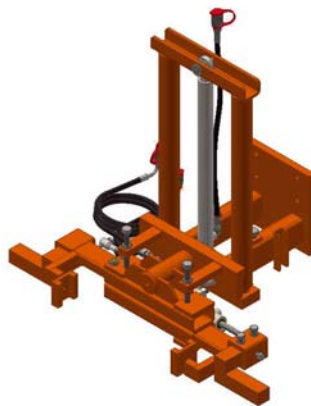
→ for tractors without front hydraulics



02208

Front mounted width adjustment

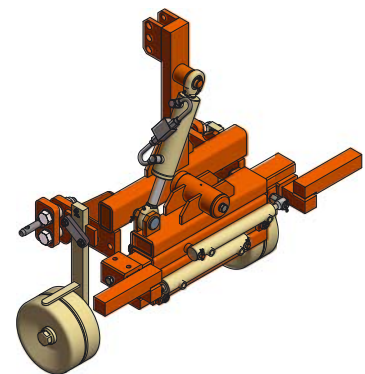
Hydraulic width adjustment for front mounting.



02210

Front-mounted mono lift

The mono lift for front mounting incl. hydraulic width adjustment on both sides.



02216

Front-mounted mono lift with side slope adjustment

including hydraulic width adjustment (support wheels optional accessories)

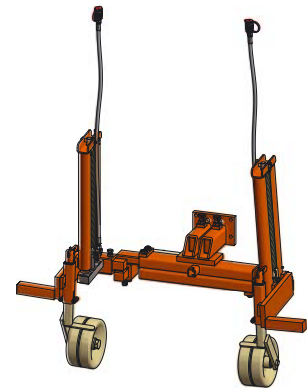
Ref. No.	Article	Weight	Price excl. VAT
Front-mounting on tractors with mounting plates			
02210	Front mounting with single-hydraulic lift and width adjustment	200 kg	
02208	Hydraulic width adjustment for front-mounting plates	100 kg	
02216	Front mounting unit with single hydraulic lift, width adjustment and side slope correction	217 kg	

Please fill in the dimension sheets on pages 162 and 163 and send them with your order!

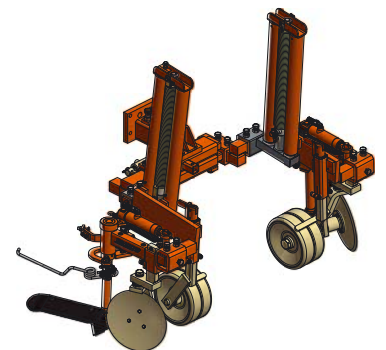
The width adjustment for front mounting is equipped with the following hoses as standard: NW8 x 3000.
You can find hose extensions on page 153.



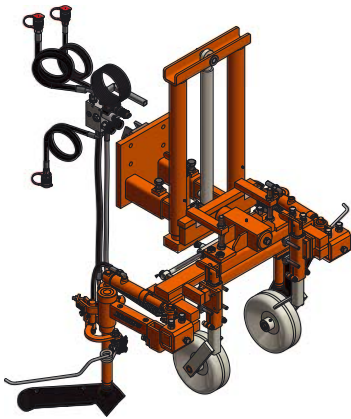
Ref. No.	Article	Qty.	Price excl. VAT
Width adjustment for front mounting with hydraulic lifts and support wheels → For tractors where mid-axle attachment is not possible. Adjustment range 400–600 mm			
02208	Hydraulic width adjustment for front-mounting plates	1	
01230	Precise vertical lift EW (single-acting), for front attachment, right	1	
01231	Precise vertical lift EW (single-acting), for front attachment, left	1	
01113	Support wheel, screw adjustable, right	1	
01114	Support wheel, screw adjustable, left	1	
BRAUN modular solution total:			



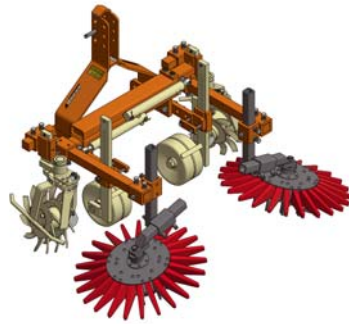
Ref. No.	Article	Qty.	Price excl. VAT
Width adjustment for front mounting with precise vertical lifts and LUV, double-sided → For mounting implements on the front mounting plate. Particularly suitable for narrow vineyards. for row widths: 1.70–2.10 m			
02208	Hydraulic width adjustment for front mounting both-sided	1	
01230	Precise vertical lift EW for front mounting, right	1	
01231	Precise vertical lift EW for front mounting, left	1	
01101	Dished ploughshare and cultivator LUV Perfekt with 350 mm blade, right	1	
01102	Dished ploughshare and cultivator LUV Perfekt with 350 mm blade, left	1	
01178	Floating feeler arm, right	1	
011781	Floating feeler arm, left	1	
01106	Dual electro-magnetic valve control	1	
01113	Support wheel screw adjustable, right	1	
01114	Support wheel screw adjustable, left	1	
01117	Concave disc coultter ø 300 mm, right	1	
01118	Concave disc coultter ø 300 mm, left	1	
BRAUN modular solution total:			



Implement carriers. Ordering examples.



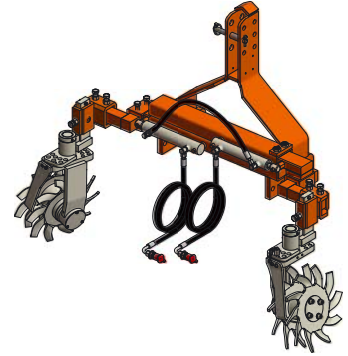
Ref. No.	Article	Qty.	Price excl. VAT
Front mounting with mono lift, equipped with LUV, double-sided → Excellent for under-vine cultivation in flat vineyard sites for row widths: 1.40–1.80 m			
02210	Front mounting with single-hydraulic lift and width adjustment	1	
01101	Dished ploughshare and cultivator LUV Perfekt with 350 mm blade, right	1	
01102	Dished ploughshare and cultivator LUV Perfekt with 350 mm blade, left	1	
01178	Floating feeler arm, right	1	
011781	Floating feeler arm, left	1	
01106	Dual electro-magnetic valve control	1	
01107	Support wheel spindle adjustable, right	1	
01108	Support wheel spindle adjustable, left	1	
BRAUN modular solution total:			



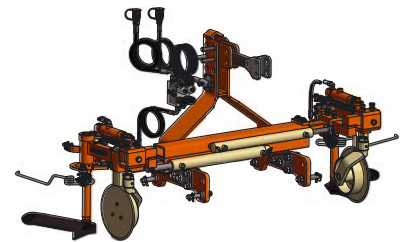
Ref. No.	Article	Qty.	Price excl. VAT
Universal cultivator frame UKR equipped with rotary star tiller and finger weeder → For loosening the soil in the under-vine area at high driving speeds and avoiding the erosion gully for row widths: 1.70–2.30 m			
040072	Universal cultivator frame UKR, dual tube, tube length 700 mm	1	
041052	Pair of slides for UKR dual tube	1	
041044	Hydraulic width adjustment	1	
01155	Short bracket with U-clamp 60 x 25 mm laterally adjustable, right	1	
01156	Short bracket with U-clamp 60 x 25 mm laterally adjustable, left	1	
01174	Rotary star tiller with dual star wheels and multiple hole and pin adjustment pattern, right	1	
011741	Rotary star tiller with dual star wheels and multiple hole and pin adjustment pattern, left	1	
0117407	Side deflectors for rotary star tiller, dual	2	
04394	Mounting bracket with shifted square brackets 50 x 50 mm	2	
011823	Finger weeder 700 mm, rigid (red), with adjustable arm	2	
04323	Support wheel for cultivator, right	1	
04324	Support wheel for cultivator, left	1	
04321	Bracket for support wheels	2	
BRAUN modular solution total:			



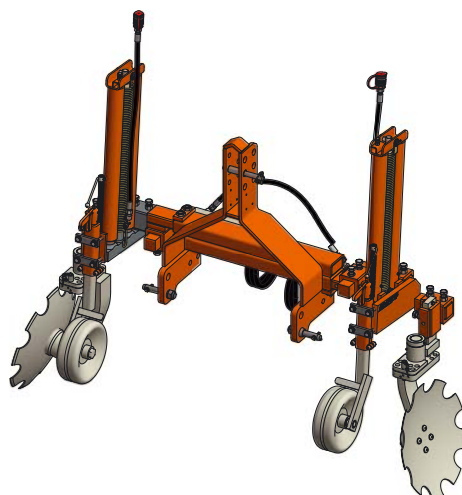
Ref. No.	Article	Qty.	Price excl. VAT
Universal cultivator frame UKR equipped with rotary star tiller → To accommodate the rotary star tiller to loosen the soil in the under-vine area. for row widths: 1.80–2.40 m			
040072	Universal cultivator frame UKR, dual tube, tube length 700 mm	1	
041052	Pair of slides for UKR dual tube	1	
041044	Hydraulic width adjustment	1	
01155	Short bracket with U-clamp 60 x 25 mm, laterally adjustable, right	1	
01156	Short bracket with U-clamp 60 x 25 mm, laterally adjustable, left	1	
01174	Rotary star tiller, dual with hole pattern adjustment, right	1	
011741	Rotary star tiller, dual with hole pattern adjustment, left	1	
04375	Pair of support legs for para-plough	1	
04321	Bracket for support legs	2	
BRAUN modular solution total:			



Ref. No.	Article	Qty.	Price excl. VAT
Universal cultivator frame UKR equipped with push-pull extension and LUV double-sided → For universal mounting of working tools in the front and rear areas. for row widths: 2.00–2.70 m			
040082	Universal cultivator frame UKR, dual tube, tube length 800 mm	1	
041052	Pair of slides for UKR dual tube	1	
041044	Hydraulic width adjustment	1	
04413	Push- / Pull-extension kit	1	
043034	Attachment for Remote Control LUV to Cultivator	1	
01101	Dished ploughshare and cultivator LUV Perfekt with 350 mm blade, right	1	
01102	Dished ploughshare and cultivator LUV Perfekt with 350 mm blade, left	1	
01106	Dual electro-magnetic valve control	1	
01178	Floating feeler arm, right	1	
011781	Floating feeler arm, left	1	
01115	Straight disc coulter ø 300 mm with depth wheel, right	1	
01116	Straight disc coulter ø 300 mm with depth wheel, left	1	
04375	Pair of support legs for para-plough	1	
BRAUN modular solution total:			

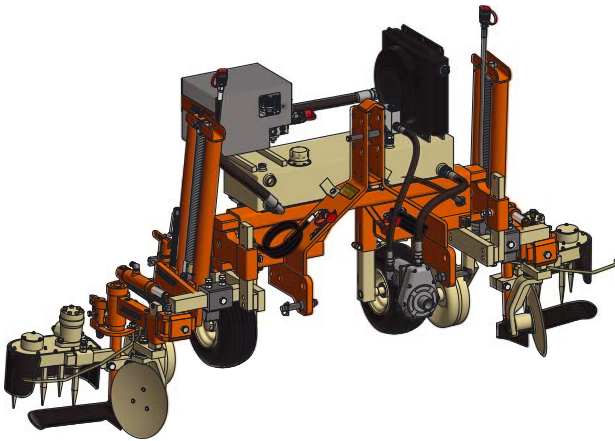


Implement carriers. Ordering examples.



Ref. No.	Article	Qty.	Price excl. VAT
----------	---------	------	--------------------

UKR double tube equipped with precise vertical lift and disc ploughs. double-sided → UKR in front mounting with front hydraulics for row widths: 2.20–3.20 m			
040092	Universal cultivator frame UKR, dual tube, tube length 900 mm	1	
041052	Pair of slides for UKR dual tube	1	
041044	Hydraulic width adjustment	1	
01207	Precise vertical lift EW, right	1	
01208	Precise vertical lift EW, left	1	
01128	Short bracket with U-clamp 60 x 25 mm for rigid leg	2	
011701	Disc plough \varnothing 460 mm, hole pattern an angular adjustment, right	1	
0117011	Disc plough \varnothing 460 mm, hole pattern an angular adjustment, left	1	
01107	Support wheel spindle adjustable, right	1	
01108	Support wheel spindle adjustable, left	1	
04321	Bracket for support wheels	2	
04375	Pair of support legs	1	
BRAUN modular solution total:			



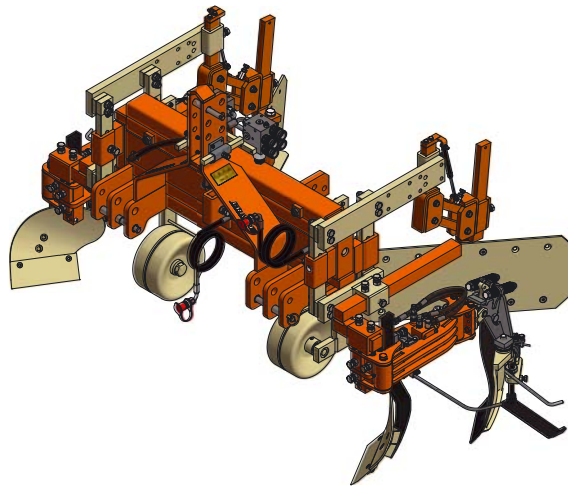
Ref. No.	Article	Qty.	Price excl. VAT
----------	---------	------	--------------------

Cultivator Vario with LUV and rotary tiller on precise vertical lifts
 → For driving under and crumbling the soil in the under-vine area with tractor-independent oil supply.
 for row widths: 2.50–3.00 m

04343	Cultivator frame Vario HZ 4 BV 1,100–1,600 mm	1	
01207	Precise vertical lift EW (single-acting), right	1	
01208	Precise vertical lift EW (single-acting), left	1	
01101	Dished ploughshare and cultivator LUV Perfekt with 350 mm blade, right	1	
01102	Dished ploughshare and cultivator LUV Perfekt with 350 mm blade, left	1	
04388	Bracket for mounting the LUV devices, double legged, right	1	
043881	Bracket for mounting the LUV devices, double legged, left	1	
01153	Rotary tiller, right	1	
01154	Rotary tiller, left	1	
01107	Support wheel spindle adjustable, right	1	
01108	Support wheel spindle adjustable, left	1	
01117	Concave disc coulter ø 300 mm, right	1	
01118	Concave disc coulter ø 300 mm, left	1	
04399	Bolt-on bracket for support wheel spindle adjustment, right	1	
043991	Bolt-on bracket for support wheel spindle adjustment, left	1	
04396	Support wheel spindle adjustable, pneumatic tires for Vario / UKR	2	
04375	Pair of support legs for para-plough	1	
590106	External oil unit without reservoir oil pump with gearbox, oil cooler and 3-fold hydraulic bloc	1	
5900091	Hydraulic unit COMFORT (expandable)	1	
5900092	Add-on: Hydro motor extension with additional oil flow	1	

BRAUN modular solution total:

Implement carriers. Ordering examples.

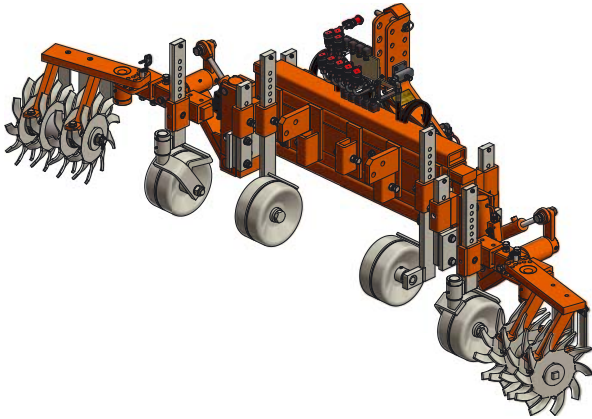


Ref. No.	Article	Qty.	Price excl. VAT
----------	---------	------	--------------------

Width adjustable frame Vario II with the BRAUN under-vine cultivator UV/P
 → Carrier frame for rear mounting for plowing the row of vines. The mounted stone deflectors prevent the soil from falling back onto the alley.
 for row widths: 2.20–3.00 m

04391	Vario 2 adjustable frame 2.00–3.00 m	1	
04392	Mounting bracket for finger weeder, right	1	
04393	Mounting bracket for finger weeder, left	1	
04411	Retrofit kit bracket stone deflector, right	1	
04412	Retrofit kit bracket stone deflector, left	1	
01324	Soil and stone deflector, right	1	
01325	Soil and stone deflector, left	1	
04323	Support wheel for cultivator, right	1	
04324	Support wheel for cultivator, left	1	
043034	Attachment for Remote Control LUV to Cultivator	2	
02116	Under-vine cultivator UV/P, right	1	
02117	Under-vine cultivator UV/P, left	1	
02118	Reamer for UV/P, right	1	
02119	Reamer for UV/P, left	1	
02121	Dual valve control UV/P for cultivators and implement carriers	1	
01126	Rigid leg offset, right	1	
01127	Rigid leg offset, left	1	
01140	Turf stripper exchangeable blades, rigid leg, right	1	
01141	Turf stripper exchangeable blades, rigid leg, left	1	

BRAUN modular solution total:



Ref. No.	Article	Qty.	Price excl. VAT
Width adjustable frame Vario II with quadruple rotary star tillers → Perfect for wide-area plants with separate height and side slope adjustment of the rotary star tiller for row widths: 2.70–3.70 m			
04391	Vario 2 adjustable frame 2.00–3.00 m	1	
04388	Bracket for adaption on LUV, right	1	
043881	Bracket for adaption on LUV, left	1	
04323	Support wheel for cultivator, right	1	
04324	Support wheel for cultivator, left	1	
01128	Short bracket with U-clamp 60 x 25 mm for rigid leg	2	
04405	Swivel ground wheel for modular / UKR chassis, right	1	
04406	Swivel ground wheel for modular / UKR chassis, left	1	
01214	Universal hydraulic lift PA with hydraulical inclination adjustment, right	1	
01215	Universal hydraulic lift PA with hydraulical inclination adjustment, left	1	
01320	Rotary star tiller, quadruple, right	1	
01321	Rotary star tiller, quadruple, left	1	
590101	Hydraulic unit electr. 2 x DW, 3 x EW	1	
043034	Attachment for Remote Control LUV to Cultivator	2	
BRAUN modular solution total:			



Ecological and effective. Soil cultivation.



Due to the modular design, you can use our robust Vario and Vario II frames by attaching our tools for cultivation in the lane. Whether for breaking up and loosening hard soil structures, for aerating compacted lanes or for preparing the seedbed, we provide you with individual solutions for your needs.

Mounting frame and foldable extension frame RL

► Page 88

Cultivator tools

► Page 92

Disc harrow and rotary star tiller packages

► Page 96

Para-plough

► Page 100

Cultivator rollers

► Page 102

Ordering examples

► Page 108

StellAir

► Page 118

Acticult

► Page 120

Power harrow & seeder

► Page 122

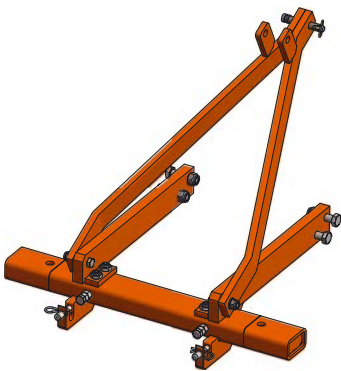


Soil cultivation. Mounting frame + foldable extension frame RL.



In the following chapter you will find our product portfolio for cultivating the soil in the alley. We offer you a wide range of tools to turn the Vario and Vario II into fully-fledged implements for cultivating open and grassed alleys. Whether as cultivators, harrows or implement carriers, our frames can be used flexibly. Equipped with the right tines, handles and shares, with concave coulter disc or rotary star tiller packages as well as with paraplough tines and corresponding accessories, you will succeed in ecological soil cultivation in orchards and vineyards.

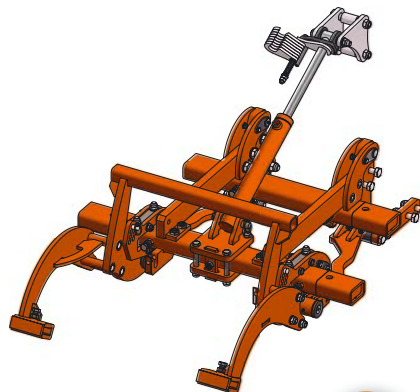
- for loosening the hard soil structure as a cultivator in front of driven machines
- extension by second tool level
- configuration as disc harrow, spring tine cultivator, layer cultivator, paraplough, etc.



04306

Mounting frame

The mounting frame gives you a second tool level for holding additional cultivator legs, paraplough tines, disc harrow or rotary star tiller packages.



04415

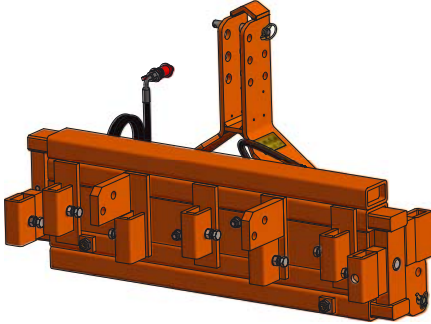
Foldable extension frame RL

The new foldable frame RL for holding tools in second level. Ideally suited to cultivate open and grassed alleys in alternation if you have mounted under-vine cultivation implements in alternation.

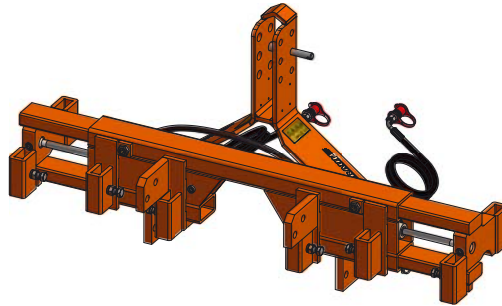
New



Suitable for the following:



04391
Implement carrier frame Vario II



04343
Cultivator frame Vario

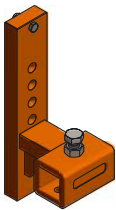
Ref. No.	Article	Weight	Price excl. VAT
Mounting frame for cultivator			
04306	Tube length 600 mm	83 kg	
04307	Tube length 700 mm	90 kg	
04308	Tube length 800 mm	65 kg	
041042	Hydraulic width adjustment for mounting frame	20 kg	
NEW: The folding frame RL – for flexible treatment of grassed and open alleys			
04415	Folding frame RL	268 kg	

The RL foldable frame is equipped with the following hoses as standard: NW10 x 2000.
You can find hose extensions on page 153.

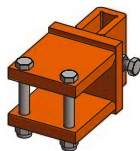
Mounting brackets for cultivator tools.



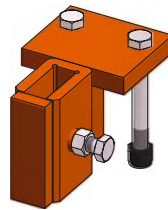
For mounting the various tines and legs of the BRAUN soil cultivation portfolio, we offer a wide range of suitable and perfectly matched brackets, so that you can easily mount the corresponding tools in just a few steps. On the following pages you will find a wide selection of tools for soil cultivation.



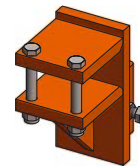
04161



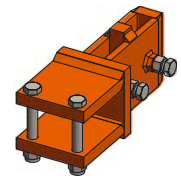
04138



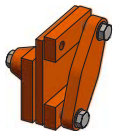
041381



04346



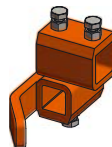
04309



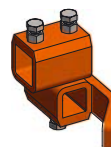
04310



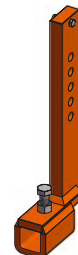
04349



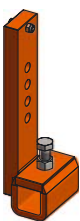
04350



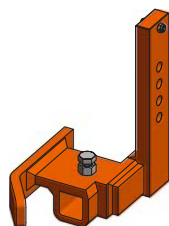
04351



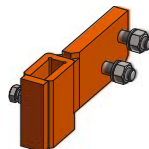
04347



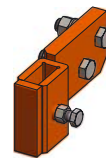
04311



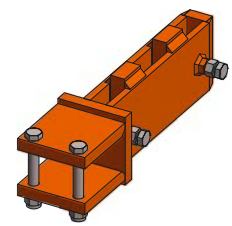
04348



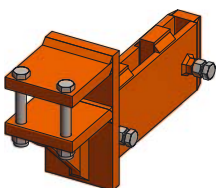
041601



04160



043681



04368



04398



Ref. No.	Article	Weight	Price excl. VAT
Brackets for cultivator shares			
04138	Bracket for cultivator tooth	10 kg	
041381	Cutting disc mounting bracket for 04138	6 kg	
04346	Middle bracket for cultivator tooth	13 kg	
04309	Bracket with double clamps	11.9 kg	
04310	Bracket for mounting frame on longitudinal beam	7.3 kg	
Bracket for cultivator tines			
04347	Bracket for cultivator tines middle	4.7 kg	
04311	Bracket for cultivator tines	5.3 kg	
Bracket for cultivator tines with deflector			
04348	right	9 kg	
04349	left	9 kg	
Bracket for cultivator tines with deflector only in combination with 04312 or 04313			
04350	right	6.5 kg	
04351	left	6.5 kg	
Brackets for swivel cutting disc			
043682	Bracket for swivel cutting disc and chisel foot leg	12 kg	
04368	Attachment for cult. tooth and swivelling coulter	12 kg	
043681	Bracket for ripper	18 kg	
Bolt-on bracket on cultivator			
04160	right	9 kg	
041601	left	9 kg	
Bracket for C- and S-shaped tines in connection with 04138			
04386	right / left	6.3 kg	
Bracket for C- and S-shaped tines in connection with 04310			
04384	right	7 kg	
043841	left	7 kg	
Bracket especially for the folding frame (04415)			
04161	Bracket for cultivator tines middle	6.05 kg	
Bracket especially for the folding frame (04415)			
04161	Bracket for cultivator tines middle	6.05 kg	
Bracket for mounting frame			
04398	Hose holder for mounting frame	0.4 kg	

Soil cultivation. Cultivator tools.



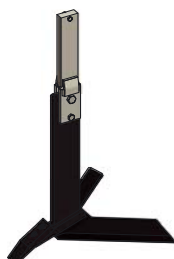
Equipped with the appropriate legs and chisels, the BRAUN Vario or Vario II easily loosen the soil in the alley, mix the upper, humus-rich layer and loosen weeds including roots. Whether as a cultivator in front of cardan shaft driven machines for upstream loosening of hard soil structures, or as a full-fledged cultivator with a second tool level, with BRAUN cultivator tools you will achieve excellent working results.

→ longer service life of power take off driven machines
due to prior loosening of the soil

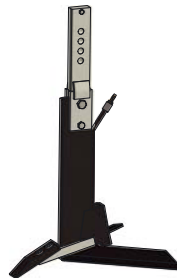
→ full two-bar cultivator



04317



04319



043192



0431709



04318



04316



04364



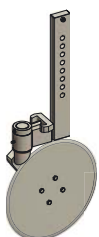
04315



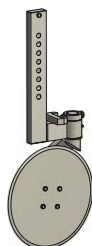
0431509



04378



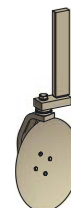
04360



04361



04407



04374



04369



Ref. No.	Article	Weight	Price excl. VAT
Thin ripper legs			
04317	Thin ripper leg without winged foot, with shearbolt	10.7 kg	
04319	Thin ripper leg with winged foot, with shearbolt	13.7 kg	
043192	Thin ripper leg with winged foot for liquid fertilizer	16.2 kg	
0431709	Thin ripper leg with winged foot for granular fertilizer and direct seeding	10.5 kg	
04364	Chisel for thin ripper leg	1 kg	
Chisel foot legs			
04315	Chisel foot leg with chisel foot	11.8 kg	
0431509	Chisel foot for granular fertilizer	13.3 kg	
04378	Chisel foot leg with chisel foot leg and shear	15 kg	
04318	Chisel foot for chisel foot leg	2 kg	
04316	Winged foot, working width 500 mm	3 kg	
Deflector for wing blade with stem			
04352	right	5.8 kg	
04353	left	5.8 kg	
Disc plough ø 350 mm for cultivator			
04374	right	14.2 kg	
043741	left	14.2 kg	
Disc plough ø 350 mm with crown plate adjustment for cultivator			
04369	right	14 kg	
043691	left	14 kg	
Cutting disc – straight ø 350 mm with depth limiting ring			
04314	right	17.5 kg	
04360	left	16.2 kg	
Swivelling cutting disc ø 350 mm			
04361	right	15.5 kg	
04362	left	15.5 kg	
Serrated cutting disc, rigid ø 500 mm			
04407	right / left	20.5 kg	

Soil cultivation. Cultivator tools.



Equip the Vario and Vario II with the following tines and coulters for cultivating the upper soil structure. With the special coulters geometry, you achieve good mixing of the moving soil.



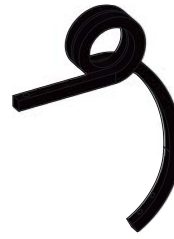
04139



041390



041391



04380



04113*



04130



04131



04132



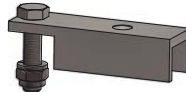
04128



04108*



041081*



043801



04325

**Can only be used on UKR single tube.*



Ref. No.	Article	Weight	Price excl. VAT
Cultivator tooth (730 x 60 x 25 mm)			
04139	straight	8.7 kg	
Cranked cultivator tooth (730 x 60 x 25 mm)			
041390	right	9 kg	
041391	left	9 kg	
S-shaped spring tines			
04380	right	13.2 kg	
04381	left	13.2 kg	
043801	Addition for S-shaped spring tines	0.7 kg	
Cultivator tines and brackets			
04113	C-shaped cultivator tines	8 kg	
04108	Bracket for cultivator tines	8 kg	
041081	Bracket for cultivator tines and three-point suspension, right	8 kg	
0410811	Bracket for cultivator tines and three-point suspension, left	8 kg	
Blades			
04128	Ripper foot (16 x 40 x 300 mm), curved	1.5 kg	
04130	Goose foot shaped blade 200 mm	1.9 kg	
04131	Goose foot shaped blade 250 mm	2.2 kg	
04132	Goose foot shaped blade 300 mm	2 kg	
Ploughing body FW 8, with rigid leg, 60 x 25 mm			
04325	right	16.5 kg	
04326	left	16.5 kg	

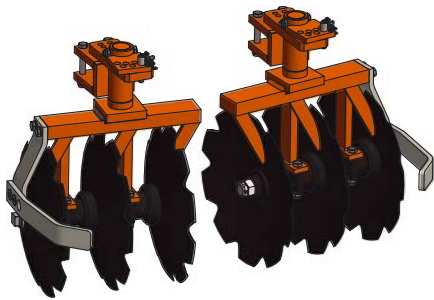
Soil cultivation. Disc harrow packages.



With the help of the BRAUN disc harrow you loosen the upper soil layer, break up clods of soil and thus achieve a good crumbling for seedbed preparation. It also enables a high working speed for weed control. The BRAUN disc harrow packages can be mounted in two rows on the Vario cultivator. The disc angle can be easily adjusted using the hole pattern plate. This means that plowing in and out can be carried out without much effort and without having to change the bolts.

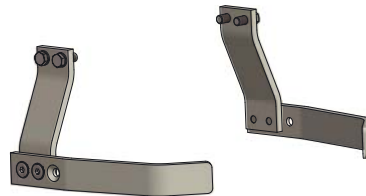
→ loosening of the upper soil structure

→ good crumbling for seedbed preparation



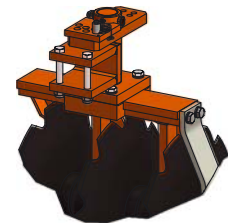
04328

Set of 3 disc harrows, swivelling



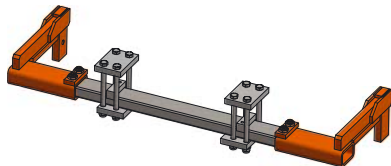
043282

Pair of deflectors for disc harrows



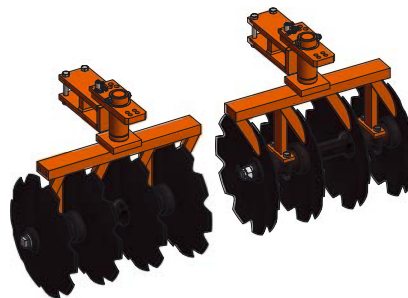
043284

Set of 3 disc harrows, swivelling and slideable



0439010

Cross beam for disc harrow and rotary star tiller



043291

Set of 4 disc harrows



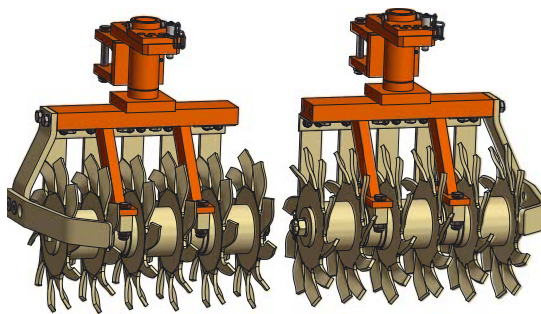
Ref. No.	Article	Weight	Price excl. VAT
Disc harrows, swivelling			
04328	Set of 3 disc harrows, swivelling	152 kg	
04329	Set of 4 disc harrows, swivelling	178 kg	
04379	Set of 5 disc harrows, swivelling	210 kg	
04377	Set of 6 disc harrows, swivelling	245 kg	
Deflectors			
043282	Pair of deflectors for disc harrows	5.2 kg	
Disc harrows, swivelling and slideable			
043284	Set of 3 disc harrows, swivelling and slideable	166 kg	
043294	Set of 4 disc harrows, swivelling and slideable	192 kg	
043794	Set of 5 disc harrows, swivelling and slideable	224 kg	
043774	Set of 6 disc harrows, swivelling and slideable	180 kg	
Cross beam for disc harrows			
0439010	Length 1,050 mm	63.7 kg	
0439011	Length 1,100 mm	68.5 kg	
0439012	Length 1,250 mm	74.8 kg	
0439015	Length 1,500 mm	85.8 kg	
0439017	Length 1,700 mm	92.9 kg	
Disc harrows for mounting frame			
043281	Set of 3 disc harrows only for X-configuration, swivelling	154 kg	
043291	Set of 4 disc harrows only for X-configuration, swivelling	190 kg	

Soil cultivation. Rotary star tiller packages.

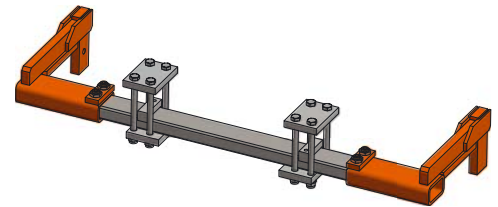


Our rotary star tiller packages, which you can attach in two rows to the Vario cultivator, are ideal for scarifying grassed-over lanes, disturbing summer growth and loosening the soil on the surface. With our width-adjustable mounting frames, you can thus cultivate the entire surface of the soil in the row.

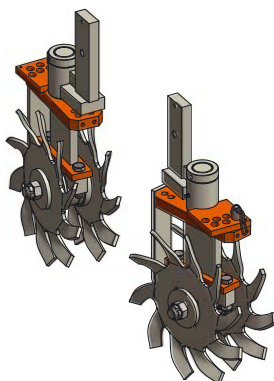
→ scarifying of grassed rows



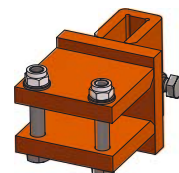
04476
Set of 6 rotary star tillers



0439010
Cross beam for disc harrow and rotary star tiller



04473
Pair of rotary star tillers with dual star wheels for Vario; mounted in central position



044731
Mounting bracket for rotary star tiller for central mounting on cross beam



Ref. No.	Article	Weight	Price excl. VAT
Sets of rotary star tillers			
04474	Set of 4 rotary star tillers	145 kg	
04475	Set of 5 rotary star tillers	165 kg	
04476	Set of 6 rotary star tillers	186.5 kg	
04477	Set of 7 rotary star tillers	206 kg	
04478	Set of 8 rotary star tillers	226 kg	
04479	Set of 9 rotary star tillers	247 kg	
04480	Set of 10 rotary star tillers	267 kg	
Sets of rotary star tillers, swivelling and slideable			
044744	Set of 4 rotary star tillers, swivelling and slideable	160 kg	
044754	Set of 5 rotary star tillers, swivelling and slideable	180 kg	
044764	Set of 6 rotary star tillers, swivelling and slideable	200 kg	
Cross beam for rotary star tillers, width adjustable			
0439010	Length 1,050 mm	63.7 kg	
0439011	Length 1,100 mm	68.5 kg	
0439012	Length 1,250 mm	74.8 kg	
0439015	Length 1,500 mm	85.8 kg	
0439017	Length 1,700 mm	92.9 kg	
Sets of rotary star tillers for mounting frame			
044741	Set of 4 rotary star tillers on mounting frame	158 kg	
044761	Set of 6 rotary star tillers on mounting frame	242 kg	
044771	Set of 7 rotary star tillers on mounting frame	220 kg	
044781	Set of 8 rotary star tillers on mounting frame	240 kg	
Rotary star tillers for center mounting on the cultivator frame			
04473	Pair of rotary star tillers with dual star wheels	65 kg	
Mounting brackets for rotary star tillers			
044731	for central mounting on cross beam	12.5 kg	

Soil cultivation. Para-plough.



The Paraplough consists of arched tines 70 cm long, to which chisel-like shares are mounted. These lift and break the soil without destroying the natural stratification. The Paraplough is therefore ideal for aerating and loosening compacted full harvester and tractor tracks.

→ aeration and loosening of compacted tracks



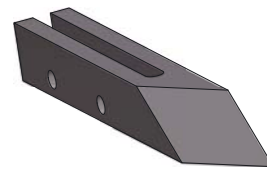
04335

Para-plough tines with chisel blade



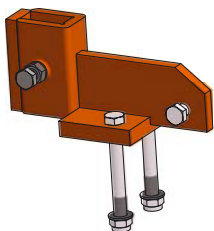
043352

Para-plough tines with chisel blade for granular fertiliser

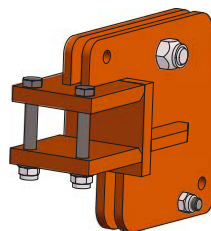


00433402

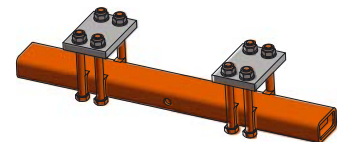
Chisel for para-plough tines



043321



04332



04333



Ref. No.	Article	Weight	Price excl. VAT
Para-plough tines with chisel blade			
04334	right	27 kg	
04335	left	27 kg	
Para-plough tines with chisel blade for liquid fertilization			
043341	right	28,5 kg	
043351	left	28,5 kg	
Para-plough tines with chisel blade for granular fertiliser			
043342	right	30 kg	
043352	left	30 kg	
Brackets for para-plough			
04332	for para-plough tines	22 kg	
043321	for swivelling coulter on para-plough tine	18,5 kg	
Cross beam for para-plough			
04333	Working width 850 mm	65 kg	
0433311	Working width 1,150 mm	39 kg	
0433312	Working width 1,250 mm	36 kg	
0433313	Working width 1,300 mm	36 kg	
Chisel for para-plough tines			
00433402	right	4,8 kg	
00433502	left	4,8 kg	
04375	Pair of support legs for para-plough	26,8 kg	
Fertiliser tank			
04410	Fertiliser tank Economy 150 l with diaphragm pump	30 kg	
044101	Electric remote control	1 kg	
044102	Bracket for fertilizer tank on cultivator	6 kg	

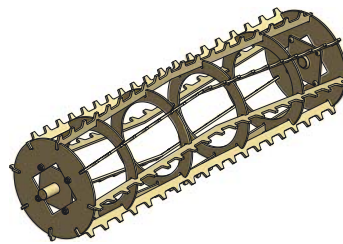
Soil cultivation. Cultivator rollers.



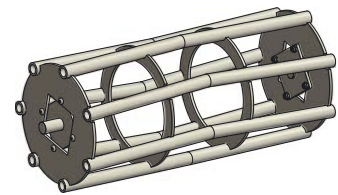
The cultivator Vario can be operated as a short cultivator with or without various following rollers, in combination with other cultivation equipment, or with the additional tool level as a full-fledged two-bar cultivator with following rollers for reconsolidation. BRAUN offers you a wide range of solutions for this, tailored to your needs.



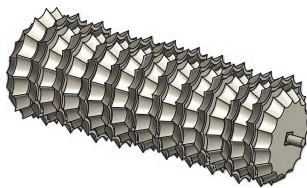
04144 + 041440* + 0414420*



04150



041231



04365



04170



04181

Ref. No.	Article	Weight	Price excl. VAT
Three-point linkages			
04144	Spindle adjustable	56 kg	
041440	Complement for three-point suspension (spindle tube and arms)	25 kg	
041442	Spindle adjustable, heavy version	90 kg	
0414420	Complement for three-point suspension (spindle tube and arms), heavy version	40 kg	
Crumbler roller ø 300 mm			
04119	Working width 750 mm	14 kg	
04149	Working width 880 mm	16 kg	
04120	Working width 1,000 mm	18 kg	
04150	Working width 1,100 mm	26 kg	
04121	Working width 1,250 mm	22 kg	
04122	Working width 1,500 mm	33 kg	

*Note: For variants of the three-point-mounting, refer to the tables on page 104, 105, 106 and 107.



Ref. No.	Article	Weight	Price excl. VAT
Crumbler roller ø 400 mm			
041191	Working width 750 mm	16 kg	
041491	Working width 880 mm	18 kg	
041201	Working width 1,000 mm	20 kg	
041501	Working width 1,100 mm	22 kg	
041211	Working width 1,250 mm	24 kg	
041221	Working width 1,500 mm	30 kg	
041451	Working width 1,800 mm	60 kg	
Pipe roller ø 300 mm			
041231	Working width 750 mm	27 kg	
04177	Working width 880 mm	27 kg	
04123	Working width 1,000 mm	27 kg	
041232	Working width 1,100 mm	27 kg	
04124	Working width 1,250 mm	35 kg	
041241	Working width 1,500 mm	35 kg	
041242	Working width 1,750 mm	35 kg	
Güttler packer roller			
04365	Working width 980 mm (11 ring pairs)	180 kg	
043651	Working width 1,070 mm (12 ring pairs)	196 kg	
04366	Working width 1,340 mm (15 ring pairs)	244 kg	
043661	Working width 1,600 mm (18 ring pairs)	293 kg	
Spade roller harrow			
04170	1,000 mm	43.5 kg	
04171	1,100 mm	49 kg	
04172	1,250 mm	50 kg	
04173	1,500 mm	60 kg	
Parallel brackets with ball bearings			
04174	1,000 mm	40 kg	
04175	1,100 mm	40 kg	
04178	1,250 mm	40 kg	
04176	1,500 mm	60 kg	
Star roller cracker			
04181	SE 11 (1,120 mm)	200 kg	
04182	SE 12 (1,250 mm)	210 kg	
04183	SE 15 (1,500 mm)	240 kg	

Cultivator rollers. **Variants.**



The roller size affects the length of the roller yoke, the spindle tube and the holder arms. Select the three-point suspension variants here depending on the selected roller size.

Variant	Variant description	Ref. No.	Article
04144	Spindle adjustable three-point linkages Variant by width of the cross yoke		
A	Yoke for crumbler roller 750 mm	0041180410	Yoke length for crumbler roller = 720 mm
B	Yoke for crumbler roller 880 mm	0041180420	Yoke length for crumbler roller = 840 mm
C	Yoke for crumbler roller 1,000 mm	0041180430	Yoke length for crumbler roller = 950 mm
D	Yoke for crumbler roller 1,100 mm	0041180440	Yoke length for crumbler roller = 1,070 mm
E	Yoke for crumbler roller 1,250 mm	0041180450	Yoke length for crumbler roller = 1,200 mm
F	Yoke for crumbler roller (light version) 1,500 mm	0041180460	Yoke length for crumbler roller = 1,450 mm



Variant	Variant description	Ref. No.	Article
041440	Complement for three-point suspension (spindle tube and arms) Complement: Length of spindle and arms		
A	on UKR or Vario	0041180208	Spindle tube length 800 mm
		00414306	Arms length 620 mm
B	on UKR with LUV 350 mm	0041180210	Spindle tube length 1,000 mm
		00414306	Arms length 620 mm
C	on UKR with LUV 500 mm	0041180212	Spindle tube length 1,200 mm
		00414606	Arms length 750 mm
D	ob UKR with two disc ploughs	0041180212	Spindle tube length 1,200 mm
		00414406	Arms length 850 mm
E	on Vario with LUV 350 mm or 500 mm	0041180208	Spindle tube length 800 mm
		00414606	Arms length 750 mm
F	on Vario with two disc ploughs	0041180210	Spindle tube length 1,000 mm
		00414406	Arms length 850 mm
G	on mounting frame	0041180212	Spindle tube length 1,200 mm
		00414206	Arms length 400 mm
H	on mounting frame with S-shaped spring tines	0041180212	Spindle tube length 1,200 mm
		00414506	Arms length 520 mm
I	on mounting frame with disc harrows in X-configuration	0041180214	Spindle tube length 1,350 mm
		00414706	Arms length 720 mm, bent

Cultivator rollers. **Variants.**



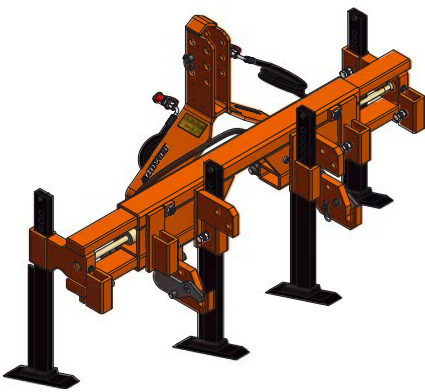
The roller size affects the length of the roller yoke, the spindle tube and the holder arms. Select the three-point suspension variants here depending on the selected roller size.

Variant	Variant description	Ref. No.	Article
041442	Spindle adjustable three-point linkages, heavy version Length of roller yoke for rollers from 1,50 m and all Güttler packer roller		
A	Yoke for all rollers from 1,500 mm	00414420410	Yoke length 1,465 mm, heavy version
B	Yoke for all rollers from 1,800 mm	00414420420	Yoke length 1,780 mm, heavy version
C	Yoke for Güttler packer roller 980 mm	00414420460	Yoke length 910 mm, heavy version
D	Yoke for Güttler packer roller 1,070 mm	00414420470	Yoke length 999 mm, heavy version
E	Yoke for Güttler packer roller 1,160 mm	00414420480	Yoke length 1,088 mm, heavy version
F	Yoke for Güttler packer roller 1,250 mm	00414420430	Yoke length 1,177 mm, heavy version
G	Yoke for Güttler packer roller 1,340 mm	00414420490	Yoke length 1,266 mm, heavy version
H	Yoke for Güttler packer roller 1,420 mm	00414420400	Yoke length 1,355 mm, heavy version
I	Yoke for Güttler packer roller 1,510 mm	00414420440	Yoke length 1,445 mm, heavy version
K	Yoke for Güttler packer roller 1,600 mm	00414420450	Yoke length 1,533 mm, heavy version

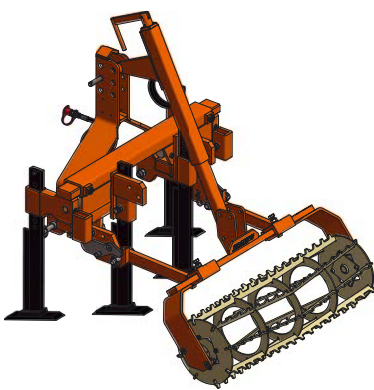


Variant	Variant description	Ref. No.	Article
0414420	Complement for three-point suspension (spindle tube and arms), heavy version Complement: Length of spindle and arms, heavy version		
A	on mounting frame (heavy version), bent	0041180212	Spindle tube length 1,200 mm
		004144204	Arms length 400 mm, heavy version
B	on mounting frame (heavy version) with S-shaped spring tines, bent	0041180212	Spindle tube length 1,200 mm
		004144205	Arms length 520 mm, heavy version
C	on mounting frame (heavy version) 400 mm	0041180212	Spindle tube length 1,200 mm
		004144302	Arms length 400 mm, heavy version
D	on mounting frame (heavy version) 520 mm	0041180212	Spindle tube length 1,200 mm
		004144305	Arms length 520 mm, heavy version
E	on mounting frame (heavy version) 620 mm	0041180209	Spindle tube length 900 mm
		004144306	Arms length 620 mm, heavy version
F	on mounting frame (heavy version) 850 mm	0041180210	Spindle tube length 1,000 mm
		004144308	Arms length 850 mm, heavy version
G	on mounting frame (heavy version) 750 mm, bent, with disc harrows in X-configuration	0041180214	Spindle tube length 1,350 mm
		004144209	Arms length 720 mm, heavy version
I	on mounting frame (heavy version) with disc harrow and roller up to 1,5 m	0041180214	Spindle tube length 1,350 mm
		004144207	Arms length 720 mm, heavy version

Soil cultivation. Ordering examples.



Ref. No.	Article	Qty.	Price excl. VAT
Cultivator Vario HZ 4 BV → Classic cultivator to break up the hard soil and prevent the formation of a tiller bottom for row widths: 1.60–2.00 m			
04343	Cultivator frame Vario HZ 4 BV 1,100–1,600 mm	1	
04315	Chisel foot leg with chisel foot	4	
0043033	Feeder plate for devices complete Cat. I, right	1	
00430331	Feeder plate for devices complete Cat. I, left	1	
BRAUN modular solution total:			

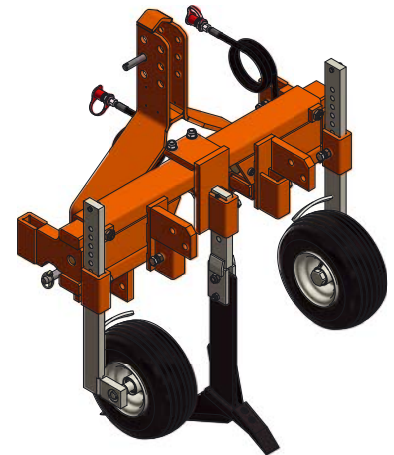


Ref. No.	Article	Qty.	Price excl. VAT
Cultivator frame Vario HZ 4 BV → Classic cultivator to break up the hard soil and prevent the formation of a tillerpan for row widths: 1.60–2.00 m			
04341	Cultivator frame Vario HZ 4 BV 1,000–1,400 mm	1	
04315	Chisel foot leg with chisel foot	4	
04144	Three-point linkage for attachment frame	1	
041440	Complement for three-point suspension (spindle tube and arms)	1	
04120	Crumbler roller ø 300 mm, working width 1,000 mm	1	
0043033	Feeder plate for devices complete Cat. I, right	1	
00430331	Feeder plate for devices complete Cat. I, left	1	
BRAUN modular solution total:			

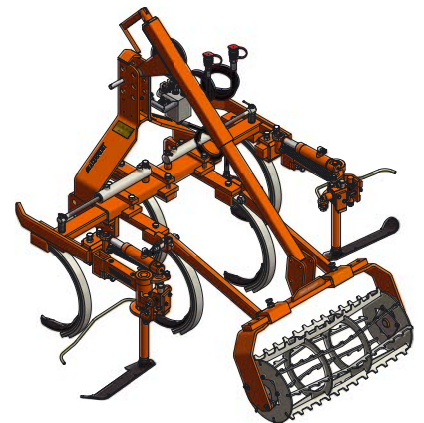


Soil cultivation. Ordering examples.

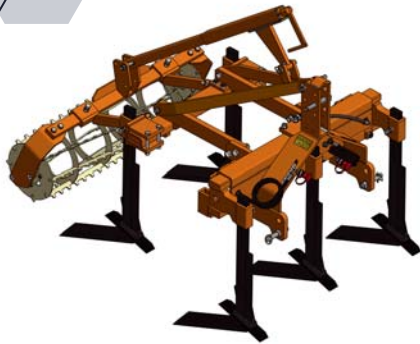
Ref. No.	Article	Qty.	Price excl. VAT
Cultivator frame Vario HZ 4 BV → Front cultivator with mid-mounted winged foot for ripping up full harvester tracks from row widths of 1.70 m			
04341	Cultivator frame Vario HZ 4 BV 1,000–1,400 mm	1	
04346	Middle bracket for cultivator tooth	1	
043035	Lower link reinforcement for implement carriers Vario and UKR	1	
04338	Support wheel for cultivator, right	1	
04339	Support wheel for cultivator, left	1	
04319	Thin ripper leg with winged foot and shearbolt	1	
BRAUN modular solution total:			



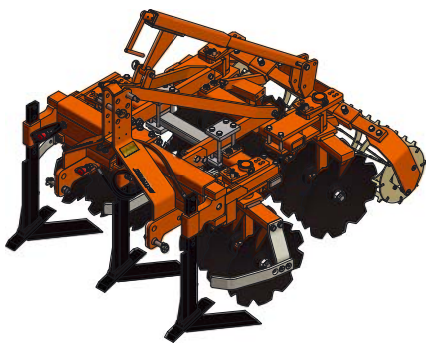
Ref. No.	Article	Qty.	Price excl. VAT
UKR with C-shape cultivator tines and LUV, double-sided → Spring tine cultivator for light tillage, equipped with LUV for simultaneous under-vine cultivation. for row widths: 1.40–2.00 m			
04007	Universal cultivator frame UKR, tube length 700 mm	1	
041051	Pair of slides with deflectors for universal cultivator frame	1	
04104	Hydraulic width adjustment	1	
04108	Bracket for cultivator tines	2	
041081	Bracket for cultivator tines and three-point suspension, right	2	
0410811	Bracket for cultivator tines and three-point suspension, left	1	
04113	C-shaped cultivator tines	5	
04128	Ripper foot (16 x 40 x 300 mm), curved	5	
01101	LUV Perfekt R/H weeder unit with 350 mm blade	2	
01102	LUV Perfekt L/H weeder unit with 350 mm blade	1	
01106	Dual electro-magnetic overriding control	1	
043034	Attachment for Remote Control LUV to Cultivator	1	
04144	Three-point linkage for attachment frame	1	
041440	Complement for three-point suspension (spindle tube and arms)	1	
04119	Crumbler roller ø 300 mm, working width 750 mm	1	
BRAUN modular solution total:			



Soil cultivation. Ordering examples.



Ref. No.	Article	Qty.	Price excl. VAT
Cultivator frame Vario HZ 4 BV → Cultivator with chisel foot legs and winged feet for working open vineyard alleys for row widths: 1.80–2.00 m			
04343	Cultivator frame Vario HZ 4 BV 1,100–1,600 mm	1	
04306	Mounting frame long version	1	
04138	Attachment for cultivator tooth	2	
04346	Middle bracket for cultivator tooth	1	
04315	Chisel foot leg with chisel foot	5	
04316	Winged foot, working width 500 mm	5	
04144	Three-point linkage for attachment frame	1	
041440	Complement for three-point suspension (spindle tube and arms)	1	
04150	Crumbler roller ø 300 mm, working width 1,100 mm	1	
BRAUN modular solution total:			



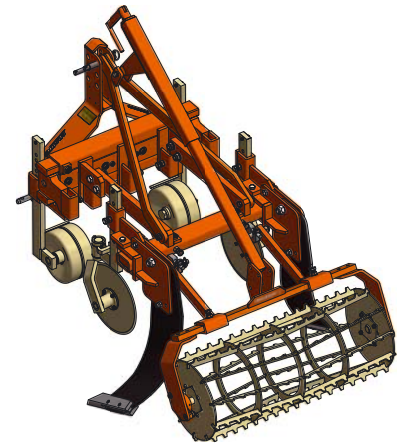
Ref. No.	Article	Qty.	Price excl. VAT
X-shape disc harrow with 3 chisel shares and roller tiller → For surface loosening and crumbling of the soil at high driving speeds. for row widths: 1.80–2.20 m			
04343	Cultivator frame Vario HZ 4 BV 1,100–1,600 mm	1	
04306	Mounting frame long version	1	
04346	Middle bracket for cultivator tooth	1	
04315	Chisel foot leg with chisel foot	3	
04316	Winged foot, working width 500 mm	3	
04328	Set of 3 disc harrows, swivelling	1	
043281	Set of 3 disc harrows only for X-configuration, swivelling	1	
0439011	Cross beam for disc harrows, length 1,100 mm	1	
04144	Three-point linkage for attachment frame	1	
041440	Complement for three-point suspension (spindle tube and arms)	1	
04120	Crumbler roller ø 300 mm, working width 1,000 mm	1	
BRAUN modular solution total:			



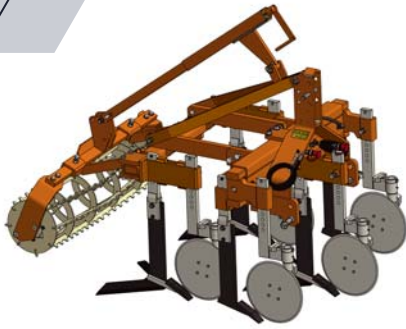
Ref. No.	Article	Qty.	Price excl. VAT
Cultivator Vario → Cultivator equipped with disc harrow sets for loosening and crumbling the soil for row widths: 1.70–2.00 m			
04343	Cultivator frame Vario HZ 4 BV 1,100–1,600 mm	1	
04306	Mounting frame for cultivator, tube length 600 mm	1	
04346	Middle bracket for cultivator tooth	1	
04315	Chisel foot leg with chisel foot	3	
04316	Winged foot, suitable for chisel foot leg	3	
04328	Set of 3 disc harrows (swivelling)	1	
04144	Three-point linkage, spindle adjustable	1	
041440	Complement for three-point suspension (spindle tube and arms)	1	
04150	Crumbler roller working width 1,100 mm – ø 300 mm	1	
BRAUN modular solution total:			



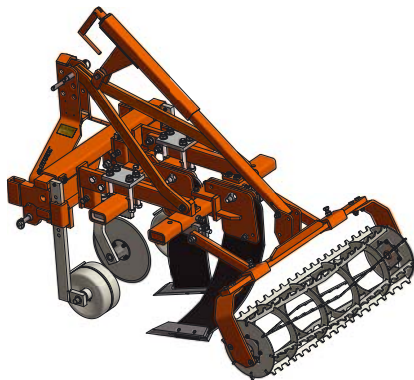
Ref. No.	Article	Qty.	Price excl. VAT
Cultivator frame Vario equipped with paraploUGH tines → Deep cultivator and subsoiler to counteract compaction in the alley for row widths: 1.60–2.00 m			
04302	Cultivator frame Vario MZ 4 BV 900–1,300 mm	1	
04306	Mounting frame long version	1	
04332	Bracket for para-plough tines	2	
04333	Cross beam for para-plough, working width 850 mm	1	
04334	Para plough tines with chisel, right	1	
04335	Para plough tines with chisel, left	1	
043321	Bracket for swivelling coulter on para-plough tine	1	
04361	Swivelling disc coulter, right	1	
04144	Three-point linkage for attachment frame	1	
041440	Complement for three-point suspension (spindle tube and arms)	1	
04120	Crumbler roller ø 300 mm, working width 1,000 mm	1	
04323	Support wheel for cultivator R/H	1	
04324	Support wheel for cultivator L/H	1	
04375	Pair of support legs for para-plough	1	
BRAUN modular solution total:			



Soil cultivation. Ordering examples.



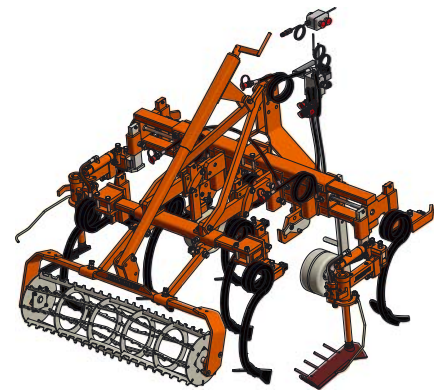
Ref. No.	Article	Qty.	Price excl. VAT
Cultivator frame Vario HZ 4 BV → Winged foot cultivator for ventilation of greened alleys for row widths: 1.40–1.90 m			
04343	Cultivator frame Vario HZ 4 BV 1,100–1,600 mm	1	
04306	Mounting frame long version	1	
04368	Attachment for cultivator tooth and swivelling disc coulters	1	
043681	Bracket for ripper	2	
04319	Thin ripper leg with winged foot	3	
04317	Thin ripper leg without winged foot	2	
04361	Swivelling disc coulters, right	3	
04362	Swivelling disc coulters, left	2	
04144	Three-point linkage for attachment frame	1	
041440	Complement for three-point suspension (spindle tube and arms)	1	
04150	Crumbler roller ø 300 mm, working width 1,100 mm	1	
BRAUN modular solution total:			



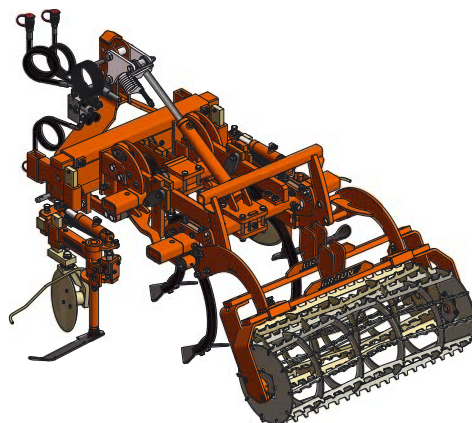
Ref. No.	Article	Qty.	Price excl. VAT
Cultivator frame Vario equipped with para-plough tines → Deep cultivator and subsoiler for eliminating compaction in the alley for row widths: 1.60–2.00 m			
04302	Cultivator frame Vario MZ 4 BV 900–1,300 mm	1	
04306	Mounting frame long version	1	
04332	Bracket for para-plough tines	2	
04333	Cross beam for para-plough, working width 850 mm	1	
04334	Para plough tines with chisel, right	1	
04335	Para plough tines with chisel, left	1	
043321	Bracket for swivelling coulters on para-plough tine	1	
04362	Swivelling disc coulters, left	1	
04144	Three-point linkage for attachment frame	1	
041440	Complement for three-point suspension (spindle tube and arms)	1	
04120	Crumbler roller ø 300 mm, working width 1,000 mm	1	
04323	Support wheel for cultivator R/H	1	
04324	Support wheel for cultivator L/H	1	
04138	Attachment for cultivator tooth	2	
04375	Pair of support legs for para-plough	1	
BRAUN modular solution total:			



Ref. No.	Article	Qty.	Price excl. VAT
Cultivator frame Vario HZ 6 BV with strong spring tines → Strong cultivator with spring tines for loosening heavy clay or rocky soils for row widths: 1.90–2.40 m			
04305	Cultivator frame Vario HZ 6 BV 1,250–1,750 mm	1	
04306	Mounting frame long version	1	
04346	Middle bracket for cultivator tooth	1	
04138	Attachment for cultivator tooth	2	
04310	Bracket for mounting frame on longitudinal beam	2	
04311	Bracket for cultivator tines	1	
04384	Bracket for C- and S-shaped tines in connection with 04310, right	1	
043841	Bracket for C- and S-shaped tines in connection with 04310, left	1	
04386	Bracket for C- and S-shaped tines in connection with 04138, right / left	2	
04348	Bracket for cultivator tines with deflector, right	1	
04349	Bracket for cultivator tines with deflector, left	1	
04323	Support wheel for cultivator, right	1	
04324	Support wheel for cultivator, left	1	
04380	S-shaped spring tines, right	3	
04381	S-shaped spring tines, left	4	
043801	Addition for S-shaped spring tines	7	
04131	Goose foot 250 mm	7	
04144	Three-point linkage for attachment frame	1	
041440	Complement for three-point suspension (spindle tube and arms)	1	
04121	Roller tiller 1.250 mm – ø 300 mm	1	
04312	Adjustment for LUV or disc ploughshare, right	1	
04356	Adjustment for LUV or disc ploughshare, left	1	
01103	LUV Perfekt with 500 mm blade	1	
01104	LUV Perfekt with 500 mm blade	1	
01106	Dual electro-magnetic overriding control	1	
043034	Attachment for Remote Control LUV to Cultivator	1	
BRAUN modular solution total:			



Soil cultivation. Ordering examples.

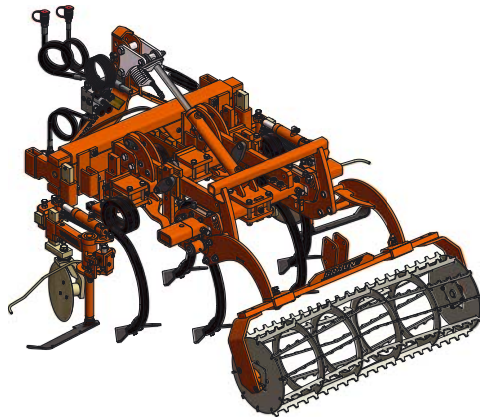


Ref. No.	Article	Qty.	Price excl. VAT
----------	---------	------	--------------------

Cultivator Vario with foldable extension frame and strong spring tines
 → Strong cultivator with foldable frame for working open and grassed alleys in alternation
 for row widths: 2.20–2.70 m

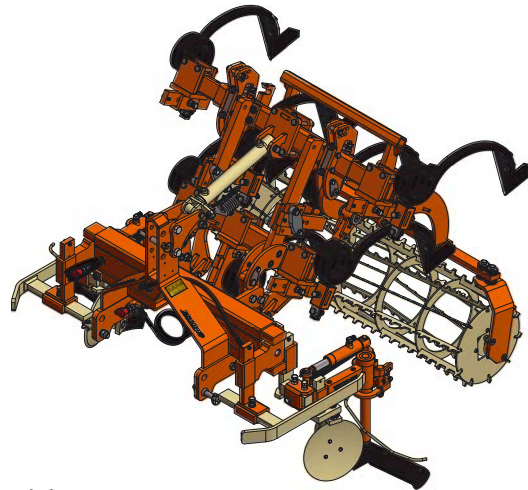
04303	Cultivator frame Vario HZ 4 BV 900–1,300 mm	1	
04415	Foldable extension frame RL	1	
043681	Bracket for ripper	1	
04161	Bracket for cultivator tines, middle	1	
04380	S-shaped spring tines, right	2	
04381	S-shaped spring tines, left	1	
04131	Goose foot 250 mm	3	
043801	Addition for S-shaped spring tines	3	
04312	Adjustment for LUV or disc ploughshare, right	1	
04356	Adjustment for LUV or disc ploughshare, left	1	
01101	LUV Perfekt with 350 mm blade, right	1	
01102	LUV Perfekt with 350 mm blade, left	1	
01106	Dual electro-magnetic overriding control	1	
043034	Attachment for Remote Control LUV to Cultivator	1	
01118	Disc ploughshare ø 300 mm, left	1	
01117	Disc ploughshare ø 300 mm, right	1	
04310	Bracket for mounting frame on longitudinal beam	2	
04386	Bracket for C- and S-shaped tines in connection with 04138, right / left	2	
0041180502	Bearing for roller bow	1	
00411805021	Bearing for roller bow	1	
0041180440	Roller cross head	1	
041501	Crumbler roller ø 400 mm, working width 1,100 mm	1	

BRAUN modular solution total:



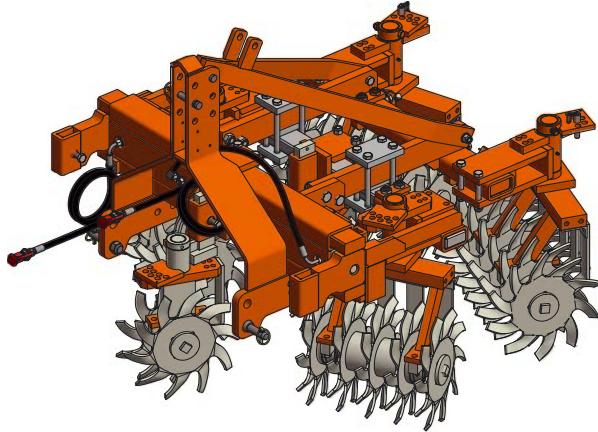
Ref. No.	Article	Qty.	Price excl. VAT
Cultivator Vario with foldable extension frame and strong spring tines → Strong cultivator with foldable frame for working open and grassed alleys in alternation for row widths: 2.20–2.60 m			
04343	Cultivator frame Vario HZ 4 BV 1,100–1,600 mm	1	
04415	Foldable extension fram RL	1	
043681	Bracket for ripper	1	
04161	Bracket for cultivator tines middle	1	
04380	S-shaped spring tines, right	3	
04381	S-shaped spring tines, left	2	
04131	Goosefoot 250 mm	5	
043801	Addition for S-shaped spring tines	5	
04310	Bracket for mounting frame on longitudinal beam	2	
04138	Attachment for cultivator tooth	2	
04386	Bracket for C- and S-shaped tines in connection with 04138, right / left	4	
04312	Adjustment for LUV or disc ploughshare R/H	1	
04356	Adjustment for LUV or disc ploughshare L/H	1	
01101	LUV Perfekt R/H weeder unit with 350 mm blade	1	
01102	LUV Perfekt L/H weeder unit with 350 mm blade	1	
01106	Dual electro-magnetic overriding control	1	
043034	Attachment for Remote Control LUV to Cultivator	1	
01117	Concave disc coulter ø 300 mm, right	1	
01118	Concave disc coulter ø 300 mm, left	1	
0041180502	Bearing for roller bow	1	
00411805021	Bearing for roller bow	1	
0041180450	Roller cross head	1	
041211	Crumbler roller ø 400 mm, working width 1,250 mm	1	
BRAUN modular solution total:			

Soil cultivation. Ordering examples.



Ref. No.	Article	Qty.	Price excl. VAT
----------	---------	------	--------------------

Ref. No.	Article	Qty.	Price excl. VAT
Cultivator Vario with foldable extension frame and strong spring tines → Strong cultivator with foldable frame for working open and grassed alleys in alternation for row widths: 2.60–3.00 m			
04383	Cultivator frame Vario HZ 8 BV 1,500–2,000 mm	1	
04415	Foldable extension frame RL	1	
043681	Bracket for ripper	1	
04161	Bracket for cultivator tines middle	1	
04380	S-shaped spring tines, right	4	
04381	S-shaped spring tines, left	3	
04131	Goosefoot 250 mm	7	
043801	Addition for S-shaped spring tines	7	
04310	Bracket for mounting frame on longitudinal beam	2	
04138	Attachment for cultivator tooth	4	
04386	Bracket for C- and S-shaped tines in connection with 04138, right / left	6	
04312	Adjustment for LUV or disc ploughshare R/H	1	
04356	Adjustment for LUV or disc ploughshare L/H	1	
01101	LUV Perfekt R/H weeder unit with 350 mm blade	1	
01102	LUV Perfekt L/H weeder unit with 350 mm blade	1	
01106	Dual electro-magnetic overriding control	1	
043034	Attachment for Remote Control LUV to Cultivator	1	
01117	Concave disc coultter ø 300 mm, right	1	
01118	Concave disc coultter ø 300 mm, left	1	
0041180502	Bearing for roller bow	1	
00411805021	Bearing for roller bow	1	
0041180460	Roller cross head	1	
041221	Crumbler roller ø 400 mm, working width 1,500 mm	1	
BRAUN modular solution total:			



Ref. No.	Article	Qty.	Price excl. VAT
Cultivator frame Vario with rotary star tiller packages in X-configuration → For scarifying grassed alleys, disturbing summer growth and surface soil loosening for row widths: 1.80–2.00 m			
04343	Cultivator frame Vario HZ 4 BV 1,100–1,600 mm	1	
04306	Mounting frame long version	1	
04346	Middle bracket for cultivator tooth	1	
044731	Mounting brackets for rotary star tillers on cross beam for central mounting	1	
04473	Pair of rotary star tillers with dual star wheels for central mounting	1	
04476	Pair of 6 rotary star tillers	1	
044761	Set of 6 rotary star tillers on mounting frame	1	
0439011	Cross beam for disc harrows, length 1,100 mm	1	
BRAUN modular solution total:			

Soil cultivation. **StellAir.**



The BRAUN StellAir rotary star tiller cultivator is the perfect implement for loosening the upper crump of the soil. The built-in rotary star tillers scarify the grassed alleys and contribute to the disturbance of the summer growth. This implement offers the special feature that it can be used alone or in combination with tines to work the soil on the different horizons.

- for scarifying grassed rows
- for disturbing summer growth
- for superficial soil loosening



042120

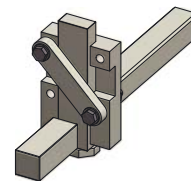
StellAir 120 without vertical lifting



00421120



04231



04227



Ref. No.	Article	Weight	Price excl. VAT
StellAir 90			
042100	without vertical lifting	355 kg	
042101	with vertical lifting	395 kg	
StellAir 120			
042120	without vertical lifting	385 kg	
042121	with vertical lifting	425 kg	
StellAir 150			
042150	without vertical lifting	535 kg	
042151	with vertical lifting	575 kg	
StellAir 180			
042180	without vertical lifting	225 kg	
042181	with vertical lifting	255 kg	
Mechanical spindle adjustment			
00421000	Mechanical spindle adjustment for roller StellAir	6,5 kg	
Roller for StellAir			
00421090	Roller for StellAir 90	105 kg	
00421120	Roller for StellAir 120	120 kg	
00421140	Roller for StellAir 140	130 kg	
00421150	Roller for StellAir 150	150 kg	
00421180	Roller for StellAir 180	180 kg	
Tin ripper leg for StellAir			
04231	right	22,5 kg	
04232	left	22,5 kg	
Rotary star tillers			
01176	Rotary star tiller with dual star wheels and LUV-pocket, right	32,5 kg	
011761	Rotary star tiller with dual star wheels and LUV-pocket, left	32,5 kg	
Brackets			
04227	Pair of mounting brackets for LUV on Acticult	30 kg	

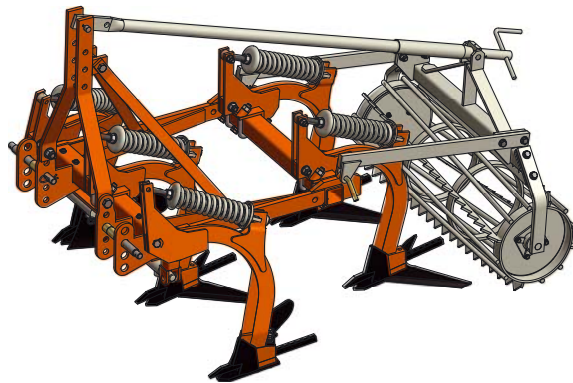
Soil cultivation. Acticult.



The BRAUN Acticult cultivator is particularly suitable for working in heavy and stony soils. The spring packs mix the soil very effectively.

→ to loosen hard soil structures

→ to thoroughly stir the soil



042030

Acticult 74 B1



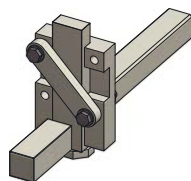
004224



004225



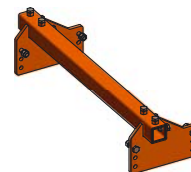
004226



04227



004227



04228



Ref. No.	Article	Weight	Price excl. VAT
Acticult			
042020	Acticult 70 B1 working width 1.1–1.3 m	335 kg	
042030	Acticult 74 B1 working width 1.16–1.46 m	335 kg	
042040	Acticult 88 B1 working width 1.3–1.6 m	350 kg	
042050	Acticult 105 B1 working width 1.45–1.75 m	425 kg	
042060	Acticult 125 B1 working width 1.65–1.95 m	440 kg	
042070	Acticult 150 B2 working width 2.05–2.35 m	560 kg	
042080	Acticult 185 B2 working width 2.35–2.65 m	640 kg	
042090	Acticult 200 B2 working width 2.45–2.75 m	640 kg	
Hydraulics			
04223	Steep vertical hydraulic lift for Acticult	50 kg	
04221	Hydraulic width adjustment for Acticult	20 kg	
04220	Hydraulically roller adjustment	20 kg	
Mouldboard plough for Acticult			
004224	right	5.11 kg	
0042241	left	5.11 kg	
004225	Winged foot for Acticult	1.8 kg	
004226	Chisel for Acticult	1.6 kg	
Accessories			
04227	Pair of mounting brackets for LUV on Acticult	30 kg	
004227	Multi leaf spring for Acticult	7.15 kg	
04228	Cross beam for Acticult	34 kg	

Soil cultivation. Power harrow and seeder.



The BRAUN power harrow works with vertically rotating blades and is ideally suited for seedbed preparation and levelling the tramline.

- to prepare the seedbed
- to create a fine-grained soil structure

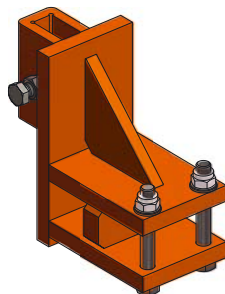


09010101125

Power harrow 125 PW
with small seeder 140 l

BRAUN power harrow with packer roller and mounted seeding unit, attached to implement carrier Vario. With this combination you can manage three operations in one:

- Breaking and cultivating the ground
- Sowing of 30–3,000 grams per acre
- Pressing on the seed



090110



Ref. No.	Article	Weight	Price excl. VAT
Power harrow SW			
09010101100	Power harrow 100 SW with rod-type roll 1,000 mm	340 kg	
09010101125	Power harrow 125 SW with rod-type roll 1,250 mm	375 kg	
09010101150	Power harrow 150 SW with rod-type roll 1,500 mm	410 kg	
09010101175	Power harrow 175 SW with rod-type roll 1,750 mm	450 kg	
Power harrow PW			
09010102100	Power harrow 100 PW with packer roll 1,000 mm	420 kg	
09010102125	Power harrow 125 PW with packer roll 1,250 mm	460 kg	
09010102150	Power harrow 150 PW with packer roll 1,500 mm	530 kg	
09010102175	Power harrow 175 PW with packer roll 1,750 mm	580 kg	
Accessories			
090100	Pivoting side plate for power harrow	40 kg	
090101	4 stepped gearing for rotary harrow	40 kg	
Rod-type rolls			
090109001100	Rod-type roll 100	30 kg	
090109001125	Rod-type roll 125	40 kg	
090109001150	Rod-type roll 150	45 kg	
090109001175	Rod-type roll 175	50 kg	
Packer roll			
090109002100	Packer roll 100	40 kg	
090109002125	Packer roll 125	45 kg	
090109002150	Packer roll 150	50 kg	
090109002175	Packer roll 175	55 kg	
Alignment arbor			
090109003100	Alignment arbor 100	40 kg	
090109003125	Alignment arbor 125	50 kg	
090109003150	Alignment arbor 150	55 kg	
090109003175	Alignment arbor 175	65 kg	
Seeder			
09010301	Seeder 140 litres	60 kg	
09010301200	Seeder 200 litres	50 kg	
09010302200	Seeder 200 litres	50 kg	
Brackets			
090103010	Bracket seeder for power harrow	65 kg	
090110	Bracket for sharp chisel	18 kg	



Effective without chemicals. Greening care.



The advantages of planting vegetation in the vineyard are manifold: they serve as protection against erosion and and compaction, favours the build-up of humus and the binding of important nutrients in the soil. With our products you can comfortably achieve efficient and ecological cultivation of the grassed alleys.

BRAUN Actiroll

► Page 126

Ordering examples

BRAUN Actiroll

► Page 128

BRAUN Mowers

► Page 130

Ordering examples

BRAUN Mowers

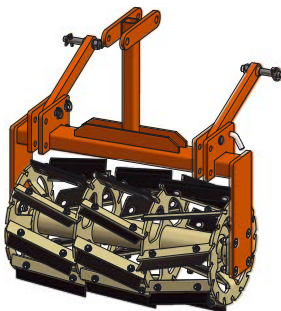
► Page 134



BRAUN Actiroll.



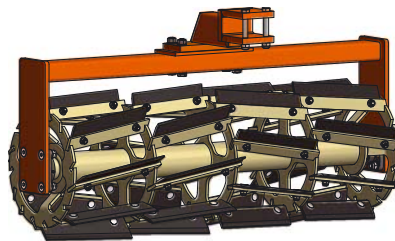
The BRAUN Actiroll is the alternative to mowing, with which you can protect the soil in the alley from drying out and erosion. By folding over tall vegetation in the vineyard, a so-called mowing carpet is created, which promotes shade tilth. The open roller bodies reduce the risk of blockage – even in wet soils. Due to the variable running direction, there is no right or wrong way. Depending on the direction of rotation, the blades work more or less aggressively. The Actiroll Uno can be flexibly mounted at the front or rear.



04510850

Actiroll Uno

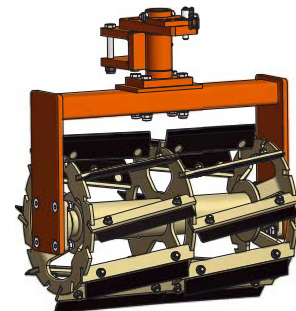
The Actiroll Uno consists of a single roller for direct attachment to the front and rear of the tractor. It can also be mounted on our Vario cultivator frame.



04521250

Actiroll Duo, rigid roller

The width-adjustable Actiroll Duo variant is a double roller that is modularly integrated into the base frame of the proven X-shape disc harrow. The two small, angle-adjustable rollers are in the front row. These can be adjusted via the hydraulic width adjustment of the Vario. The rear row consists of the rigid, wide roller.



04520600

Pair of Actiroll Duo rollers with hole pattern adjustment

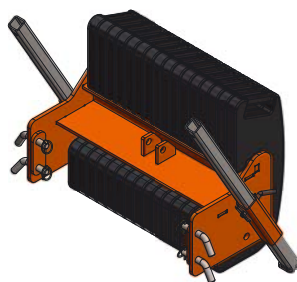
The Actiroll Duo width-adjustable version is a double roller that is modularly integrated into the base frame of the proven X-shaped disc harrow. The two small, angle-adjustable rollers form the front row. These can be adjusted via the hydraulic width adjustment of the Vario. The rear row is formed by the rigid, wide roller.



04530900

Actiroll Standard

This model consists of a rigid frame in which two smaller rollers are arranged in a V-shape in the front row and an angle-adjustable, wide roller runs behind it.

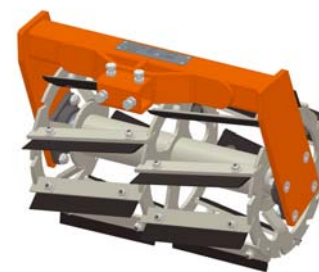


New

04500

Ballast carrier with case weights

In order to increase the contact pressure and thus achieve a better work result, we have developed the ballast carrier with case weights for the Actiroll Uno. You can attach a total weight of 400 kg to this (16 x 25 kg).



New

04540600

Actiroll for over-the-row tractors

The new Actiroll with special mounting for over-the-row tractors with a working width of 500 and 600 mm.

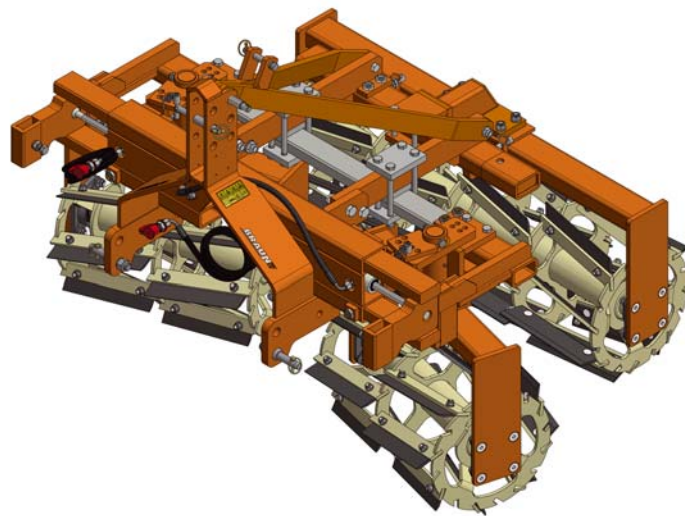


Ref. No.	Article	Weight	Price excl. VAT
Actiroll Uno			
04510850	Working width 850 mm	220 kg	
04510900	Working width 900 mm	240 kg	
04511250	Working width 1,250 mm	220 kg	
04511400	Working width 1,400 mm	285 kg	
04511500	Working width 1,500 mm	320 kg	
04511600	Working width 1,600 mm	350 kg	
04511800	Working width 1,800 mm	330 kg	
Actiroll Duo			
04520600	Pair of Actiroll Duo rollers with hole pattern adjustment	150 kg	
04521250	Single roller, working width 1,250 mm	220 kg	
Actiroll Standard			
04530900	Working width 900 mm	455 kg	
04531250	Working width 1,200 mm	490 kg	
04531400	Working width 1,400 mm	495 kg	
Ballasting for Actiroll Uno			
04500	Ballast holder for Actiroll Uno	42 kg	
04501	Box weight 25 kg per piece	25 kg	
Actiroll for Over-the-row tractors 500 mm			
04540500	right / left	113 kg	
04540501	right	113 kg	
04540502	left	113 kg	
Actiroll for over-the-row tractors 600 mm			
04540600	right	113 kg	
04540601	left	113 kg	

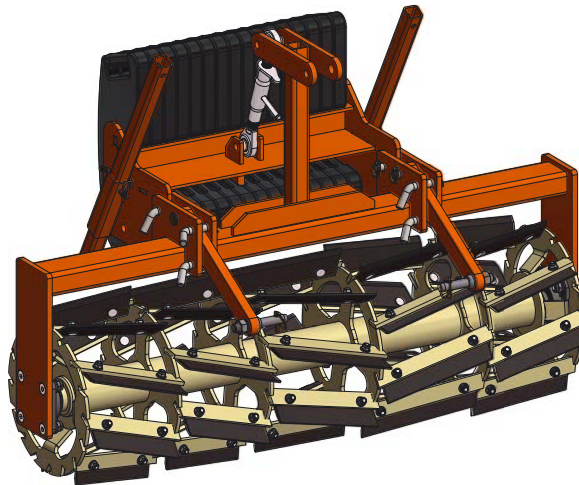


BRAUN Actiroll.

The BRAUN Actiroll is the alternative to mowing, with which you can protect the soil in the alley from drying out and erosion. By folding over tall vegetation in the vineyard, a so-called mowing carpet is created, which promotes shade tilth. The open roller bodies reduce the risk of blockage – even in wet soils. Due to the variable running direction, there is no right or wrong way. Depending on the direction of rotation, the blades work more or less aggressively. The Actiroll Uno can be flexibly mounted at the front or rear.



Ref. No.	Article	Qty.	Price excl. VAT
Actiroll Duo → Width-adjustable greening roller for pushing over tall greening in the alley for row widths: 1.80–2.40 m			
04343	Cultivator frame Vario HZ 4 BV 1,100–1,600 mm	1	
04306	Mounting frame long version	1	
0439011	Cross beam for disc harrows, length 1,100 mm	1	
04520600	Actiroll roller with hole pattern adjustment	1	
04521250	Actiroll roller width = 1,250 mm	1	
BRAUN modular solution total:			



Ref. No.	Article	Qty.	Price excl. VAT
Actiroll Uno with added ballast → For bending and folding over tall grass and crushing clumps of soil Outer width 1,600 mm			
04511400	Actiroll Uno 1,400 mm	1	
04500	Ballast carrier for Actiroll Uno	1	
04501	Box weight 25 kg	16	
BRAUN modular solution total:			

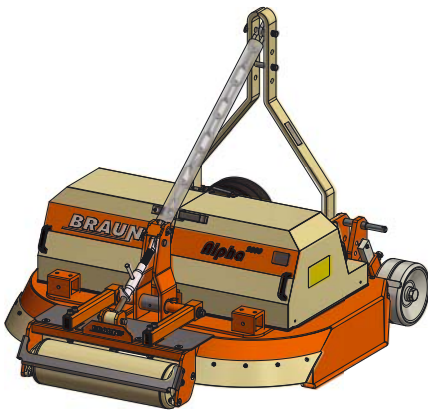
Mowers. Alpha series.



By mowing the greened vineyard areas, you return important nutrients to the soil for humus formation. Our mowers are also ideal for shredding vineyards and sawn timber. The Alpha series is hydraulically adjustable in width and thus suitable for different vineyard dimensions. The BRAUN Alpha series also includes the Alpha sensotronic, which adjusts to the row width independently of the side via the sensors. Manual control of the side sections is also possible via the hydraulic width adjustment.

→ extremely robust and durable

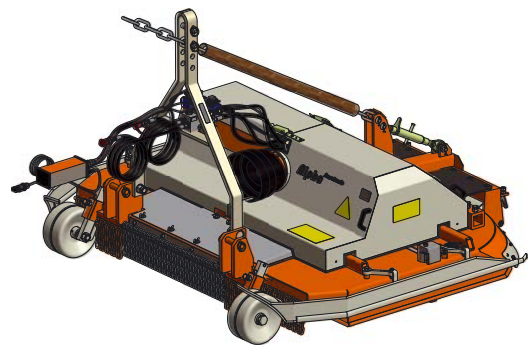
→ hydraulically infinitely variable width adjustment



0713180

Alpha 2000

Infinitely hydraulically adjustable mower to fit your vineyard widths. With precisely mounted side parts and thus extremely robust and durable.



0719253

Alpha Sensotronic

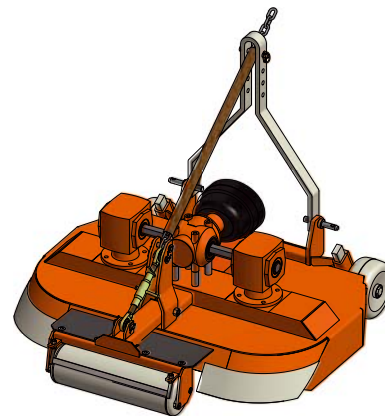
Both side parts have sensors that detect the rows and adjust the working width automatically and independently of the side. The side parts can also be adjusted and fixed independently of each other.



0710106

Avant

Integrated implement mounting for disc plough and vine trunk cleaner. Linear side slope adjustment mechanically or hydraulically.



072014

Avant Duplex

The twin-rotor Avant Duplex mower is specifically designed for vineyards with only one row width. The two blade carriers ensure first-class cutting performance and even distribution of mulch material.



Ref. No.	Article	Weight	Price excl. VAT
Mower "Alpha 2000"			
0711140	Working width 1,100–1,400 mm	510 kg	
0712160	Working width 1,200–1,600 mm	535 kg	
0713180	Working width 1,300–1,800 mm	560 kg	
0714190	Working width 1,400–1,900 mm	585 kg	
0715200	Working width 1,500–2,000 mm	654 kg	
0717220	Working width 1,650–2,200 mm	715 kg	
0719250	Working width 1,900–2,500 mm	850 kg	
Mower "Alpha Sensotronic"			
0712163	Working width 1,200–1,600 mm	520 kg	
0713183	Working width 1,300–1,800 mm	540 kg	
0714193	Working width 1,400–1,900 mm	580 kg	
0715203	Working width 1,500–2,000 mm	610 kg	
0717223	Working width 1,650–2,200 mm	719 kg	
0719253	Working width 1,900–2,500 mm	886 kg	
Universal-joint shaft for mower series Alpha			
07005	Universal-joint shaft with free wheel & friction clutch	19 kg	
070051	Universal-joint shaft with friction clutch	15 kg	
Mower Avant			
0710106	Working width 1,000 mm, lower link hitch cat. I	230 kg	
0711116	Working width 1,100 mm, lower link hitch cat. I	240 kg	
0712126	Working width 1,200 mm, lower link hitch cat. I	250 kg	
Mower Avant duplex			
072014	Working width 1,400 mm, lower link hitch cat. I	420 kg	
072015	Working width 1,500 mm, lower link hitch cat. I (cat. 2 on request)	460 kg	
072016	Working width 1,500 mm, lower link hitch cat. I (cat. 2 on request)	500 kg	

The Alpha 2000 mowers are equipped with the following hoses as standard: NW8 x 2500.

The Alpha Sensotronic mowers are equipped with the following hoses as standard: NW10 x 1500 and NW12 x 1500.
You can find hose extensions on page 153.

The Avant mowers are equipped with chain, mechanical side displacement and adjustable roller as standard, without cardan shaft.

Mowers. Alpha series.



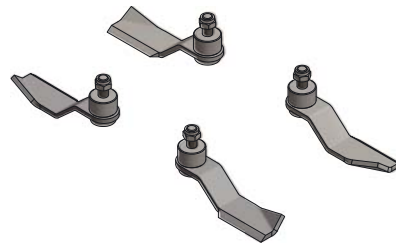
We offer different gearbox variants for the Alpha 2000 so that you can also use your BRAUN mower flexibly in front attachment. With the help of the integrated mounting brackets for our under-vine cultivation equipment, such as vine trunk cleaners, thread mowers and finger weeders, several operations can be carried out at the same time.

→ can be combined with implements for the under-vine cultivation



Front-mounted variants

for tractors with reversible seat or front attachment for tractors with front power take-off.



00713027

Complete set of blades

Complete set of blades for Alpha 2000 and Alpha sensotronic mowers, consisting of 2 blades each, left and right, bushes and screws.



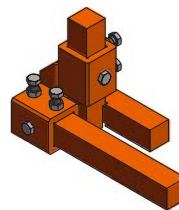
01183



01184



03109



03207

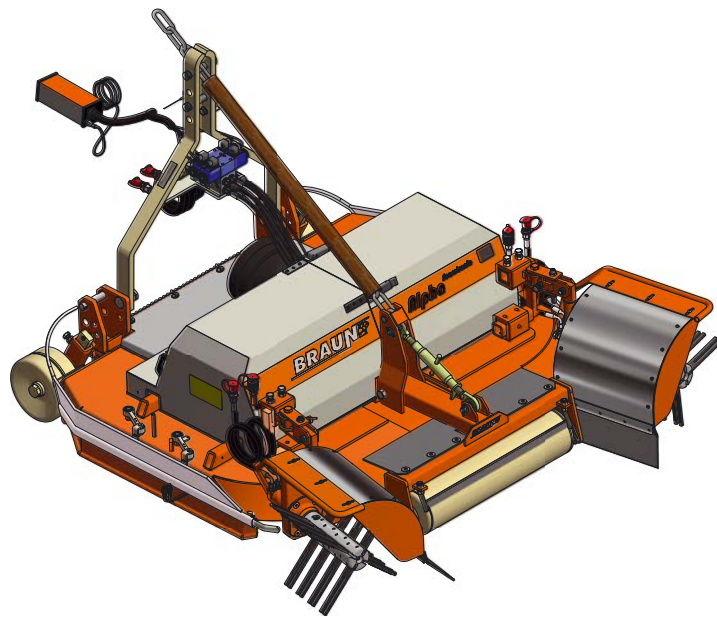


Ref. No.	Article	Weight	Price excl. VAT
Additional charge for mower front mounting			
07006	Mower front mounting	45 kg	
07007	for tractors with front and rear mounting reversible seat	45 kg	
07009	for tractors with front mounting	45 kg	
Complete knife set			
00713027	Consisting of: 2 each right and left knives incl. screws, bushings and nuts	8.74 kg	
Mounting bracket for finger weeder on mower, rigid			
01183	right	14 kg	
011831	left	14 kg	
Mounting bracket for finger weeder on mower, angle adjustable			
01184	right	18.5 kg	
011841	left	18.5 kg	
04394	Mounting bracket with shifted square brackets 50 x 50	6.6 kg	
Mounting bracket for vine trunk cleaner on mower			
03109	right	4 kg	
03110	left	4 kg	
Mounting bracket for thread mower on mower			
03207	right	24 kg	
03208	left	24 kg	

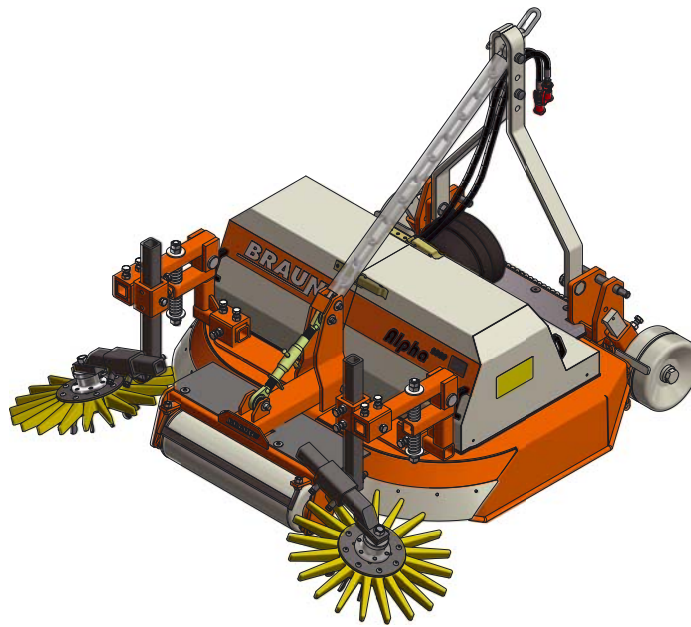
Mowers. Alpha series.



We have integrated mounting brackets to attach additional BRAUN under-vine cultivation equipment. This allows you to expand the mowers of the Alpha series modularly and thus enables you to complete several operations in one.



Ref. No.	Article	Qty.	Price excl. VAT
Mower Alpha sensotronic, equipped with vine trunk cleaner, double-sided → For mowing of greened vineyards and orchards and simultaneous removal of water shoots on the vine for row widths: 2.10–2.70 m			
0719253	Mower "Alpha Sensotronic" 1,900–2,500 mm	1	
07005	Universal-joint shaft with free wheel & friction clutch	1	
03109	Connector for vine trunk cleaner on mower, right	1	
03110	Connector for vine trunk cleaner on mower, left	1	
03101	Vine trunk cleaner RP W1, right	1	
03102	Vine trunk cleaner RP W1, left	1	
BRAUN modular solution total:			



Ref. No.	Article	Qty.	Price excl. VAT
Mower Alpha 2000, equipped with finger weeders, double-sided → For mowing of greened vineyards and orchards and simultaneous under-vine cultivation for row widths: 1.60–2.10 m			
0713180	Mower “Alpha 2000” 1,300–1,800 mm	1	
07005	Universal-joint shaft with free wheel & friction clutch	1	
01183	Mounting bracket for finger weeder on mower, right	1	
011831	Mounting bracket for finger weeder on mower, left	1	
04394	Mounting bracket with shifted square brackets 50 x 50	2	
011802	Finger weeder 540 mm, middle (yellow) with adjustable shaft	2	
BRAUN modular solution total:			



Innovative and smart. **Vineyard Pilot Assistant.**



The world's first autonomous system for orchards and vineyards with intelligent, fully automatic positioning of the implements to the plant.

Vineyard Pilot Assistant

The future. Now.

► **Page 138**

Vineyard Pilot Assistant

System and implements

► **Page 140**

Vineyard Pilot Assistant

Ordering examples

► **Page 142**



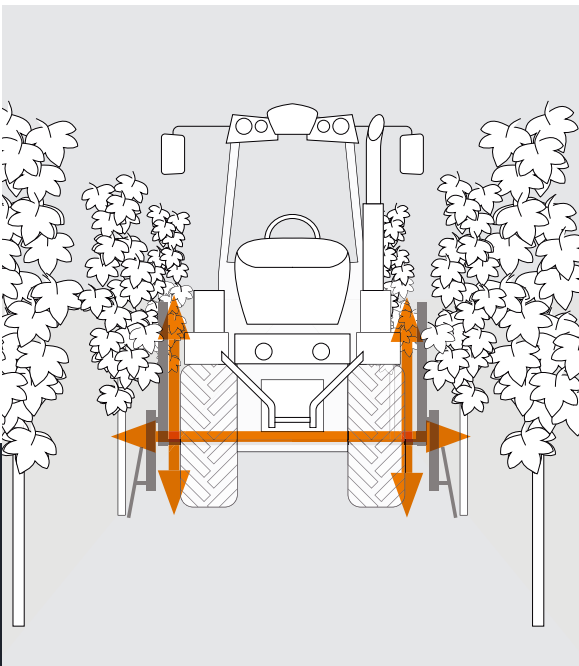
Vineyard Pilot Assistant. The future. Now.



The Vineyard Pilot Assistant (VPA) is the world's first tractor attachment for viticulture featuring automatic, smart positioning of the implements and autonomous steering along the vine row.

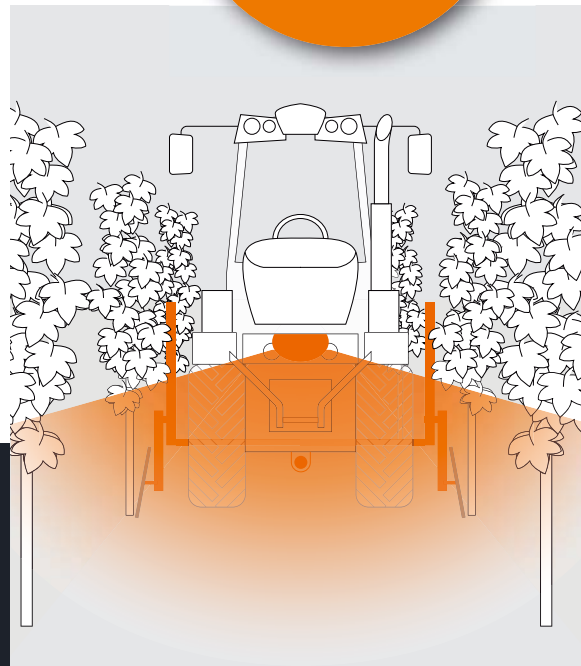
The future. Now. Vineyard Pilot Assistant.

Smart Viticulture made in Germany



Smart technology – optimal results

The VPA automatically ensures optimal positioning of the implements in the BRAUN modular system relative to the vine. With the VPA's smart technology, even slopes and rows of old vines are no problem!



Advanced sensor capabilities

The VPA creates a virtual image of the actual vine row in real-time. Using lasers, it detects both the vines and the ground contour. Together with the speed signal from the tractor and a position sensor, it creates a three-dimensional profile image of the vine row.



Autonomous steering of the tractor

The Row Crop Pilot (RCP) automatically controls the tractor's steering. This takes the strain off the driver, who can perform other tasks in parallel.



Cover more ground

Get multiple tasks done in one pass. Plus: automatic positioning of the implements means the vehicle can move faster – even in rows of established vines or on sloping terrain.



Less stress for the driver

Autonomous tractor steering and implement positioning take the strain off the driver.*



Reduced soil compaction

A reduction in the number of passes has a positive effect on soil compaction.*



Lower fuel consumption

Fewer passes mean less fuel is used.



Prevent damage to the vine

Autonomous steering and smart implement control minimise damage to the vine – even with inexperienced drivers.*



Optional 2 years of Vineyard Cloud

Use the successful Vineyard Cloud viticulture app free of charge for two years to plan daily tasks for the VPA, monitor progress in real-time and document all activities.

*Confirmed by an independent study



Real-time monitoring in the cockpit and app-based control

The performance of the VPA can be viewed on a monitor in real-time. In addition, the work steps and results can be automatically transmitted to the Vineyard Cloud, enabling digital management of field operations. An extra benefit for you: two years of access to the digital field record system are optionally included with the VPA.



Vineyard Pilot Assistant. System and implements.



The world's first autonomous system for orchards and vineyards with intelligent, fully automatic positioning of the implements to the plant.

- autonomous positioning of the implements to the vine
- semi-autonomous driving in the vine aisle
- more area output with improved work result



08001

VPA system

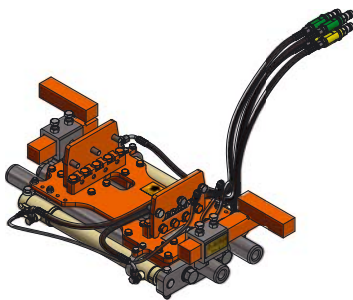
The VPA autonomously positions the tools of the BRAUN modular system to the plant in row crop according to the parameters selected by the driver.



08003

Autonomy kit

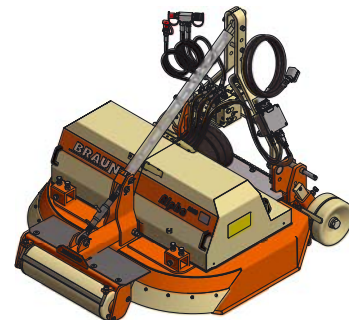
The sensory basis of the VPA. It consists of a laser installed at the front and a position sensor, with the help of which a three-dimensional environment profile is generated. The VPA's software processes the data from the environment sensors and forwards it to the hydraulic block.



02308



01280



0713188



Ref. No.	Article	Weight	Price excl. VAT
VPA system			
o8001	Vineyard Pilot Assistant	72 kg	
Autonomy kits			
o8003	Autonomy kit	30 kg	
o8007	Autonomy kit for tractors without speed signal	0 kg	
Track guidance			
o8002	Row Crop Pilot	0 kg	
o8008	Retrofit kit track guidance	0 kg	
Optional: The digital impact file			
o8009	Vineyard Cloud		Upon request
Accessories			
o8005	Hose rack for Fendt models	6.5 kg	
o8006	Deflector plate for width adjustment II	1.8 kg	
03124	Storage device for front attachments	190.5 kg	

The Vineyard Pilot Assistant is equipped with the following hoses as standard: NW10 x 1500 and NW13 x 1500.
You can find hose extensions on page 153.

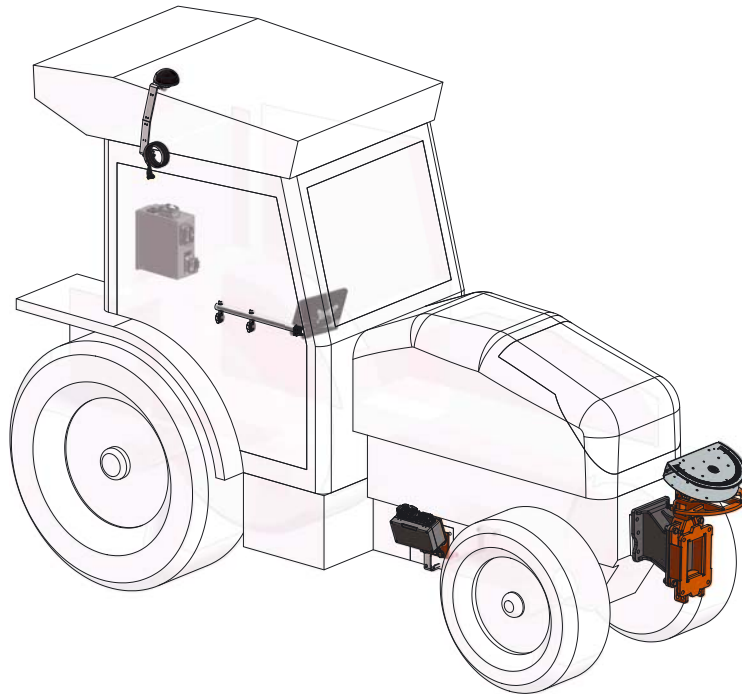
Ref. No.	Article	Weight	Price excl. VAT
Add-on implements			
Width adjustment II VPA			
02308	600 mm	154 kg	
02309	700 mm	157 kg	
02310	800 mm	160 kg	
02311	900 mm	163 kg	
Implements			
Precise vertical lift VPA (double acting) 500 mm			
01280	right	63.5 kg	
01281	left	63.5 kg	
Implements			
Mower VPA "Alpha 2000"			
0713188	Working width 1,300–1,800 mm	585 kg	
0714198	Working width 1,400–1,900 mm	585 kg	

The width adjustments for VPA are equipped with the following hoses as standard: NW8 x 1250 and NW8 x 1500.
The lifts for VPA are equipped with the following hose as standard: NW8 x 2500.
The mowers for VPA are equipped with the following hoses as standard: NW10 x 1500 and NW12 x 1500.
You can find hose extensions on page 153.

Vineyard Pilot Assistant. Ordering examples.

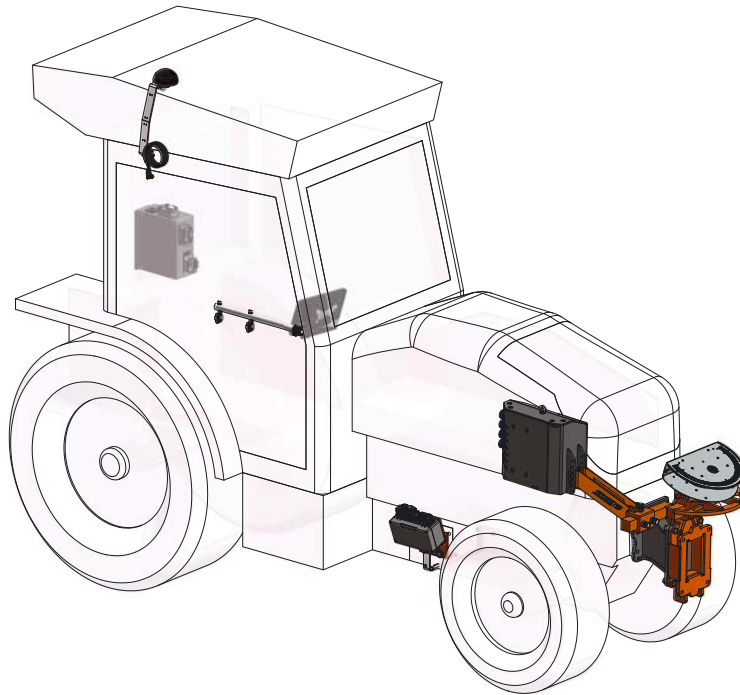


The VPA autonomously positions the tools to the plant according to the parameters selected by the driver. In combination with the RCP (Row Crop Pilot), the control of the tractor is also automated – for a completely autonomous crossing.



Ref. No.	Article	Qty.	Price excl. VAT
Lane guidance with the Row Crop Pilot (RCP) → Even at high driving speeds, the Row Crop Pilot always finds the ideal path by detecting the surrounding crop. Listed here is the variant for tractors with lane guidance preparation, e.g. Fendt			
o8003	Autonomy kit	1	
o8002	Row Crop Pilot	1	
BRAUN modular solution total:			

Lane guidance with the Row Crop Pilot (RCP) → Even at high driving speeds, the Row Crop Pilot always finds the ideal path by detecting the surrounding crop. Listed here is the variant for tractors without lane guidance preparation and speed signal			
o8002	Row Crop Pilot	1	
o8007	Autonomy kit for tractors without speed signal	1	
o8008	Retrofit kit: track guidance	1	
BRAUN modular solution total:			



Ref. No.	Article	Qty.	Price excl. VAT
----------	---------	------	--------------------

<p>Vineyard Pilot Assistant (VPA) → The VPA positions the implements in the mid-axle area fully automatically to the plant – even at high speeds. Listed here is the variant for tractors with lane guidance preparation, e.g. Fendt</p>			
o8001	Vineyard Pilot Assistant	1	
o8003	Autonomy kit	1	
BRAUN modular solution total:			

<p>Vineyard Pilot Assistant (VPA) → The VPA positions the implements in the mid-axle area fully automatically to the plant – even at high speeds. Listed here is the variant for tractors without lane guidance preparation and speed signal</p>			
o8001	Vineyard Pilot Assistant	1	
o8007	Autonomy kit for tractors without speed signal	1	
BRAUN modular solution total:			

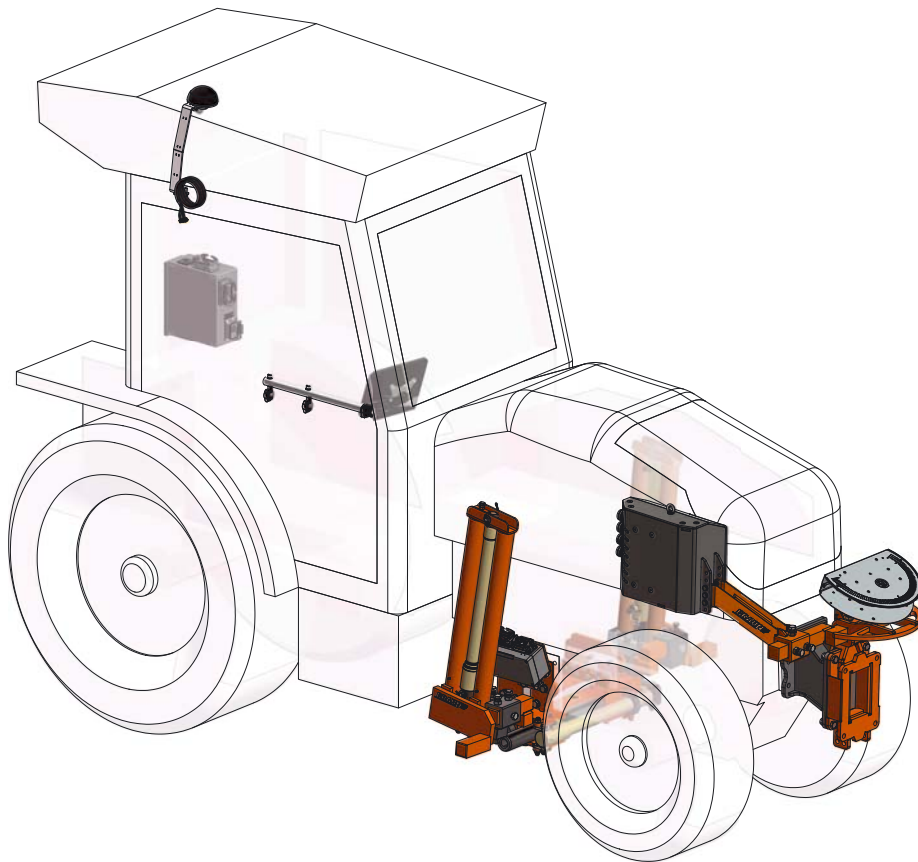
Vineyard Pilot Assistant. Ordering examples.



Ref. No.	Article	Qty.	Price excl. VAT
Vineyard Pilot Assistant (VPA) with VPA width adjustment II and VPA vertical lift → The VPA positions the implements in the mid-axle area fully automatically to the plant – and that at high speeds. Listed here is the variant for tractors with lane guidance preparation, e.g. Fendt.			
o8001	Vineyard Pilot Assistant	1	
o8003	Autonomy kit	1	
o2308	VPA width adjustment II, 600 mm range	1	
o1280	Precise vertical lift VPA (double acting) 500 mm, right	1	
o1281	Precise vertical lift VPA (double acting) 500 mm, left	1	
BRAUN modular solution total:			

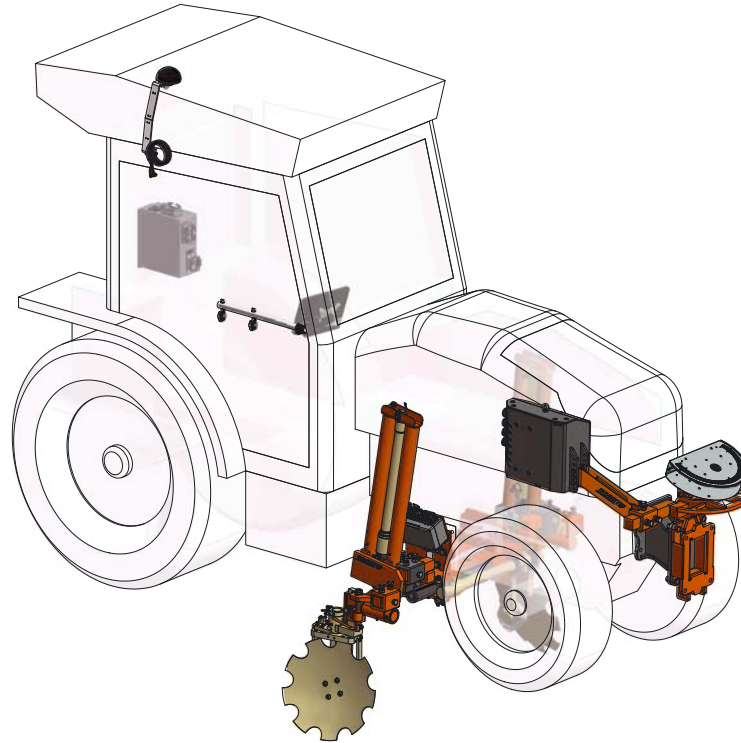
Vineyard Pilot Assistant (VPA) and RowCropPilot (RCP) with VPA width adjustment II and VPA vertical lift → The VPA positions the implements in the mid-axle area fully automatically to the plant while the RCP steers the vehicle (semi-)autonomously in the lane at high driving speeds. Listed here is the variant for tractors with lane guidance preparation, e.g. Fendt.			
o8001	Vineyard Pilot Assistant	1	
o8003	Autonomy kit	1	
o2308	VPA width adjustment II, 600 mm range	1	
o1280	Precise vertical lift VPA (double acting) 500 mm, right	1	
o1281	Precise vertical lift VPA (double acting) 500 mm, left	1	
o8002	Row Crop Pilot	1	
BRAUN modular solution total:			

Vineyard Pilot Assistant (VPA) with VPA width adjustment II and VPA vertical lift. → The VPA positions the implements in the mid-axle area fully automatically to the plant – even at high speeds. Listed here is the variant for tractors without lane guidance preparation and speed signal.			
o8001	Vineyard Pilot Assistant	1	
o2308	VPA width adjustment II, 600 mm range	1	
o1280	Precise vertical lift VPA (double acting) 500 mm, right	1	
o1281	Precise vertical lift VPA (double acting) 500 mm, left	1	
o8007	Autonomy kit for tractors without speed signal	1	
BRAUN modular solution total:			

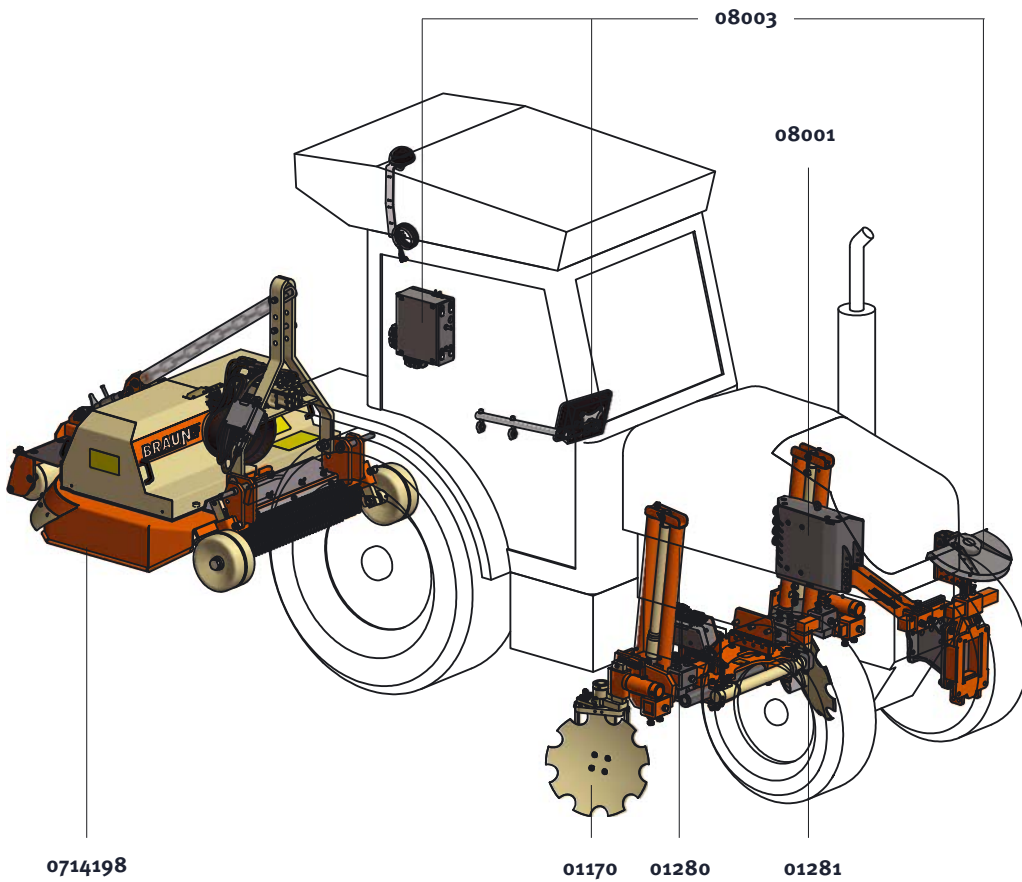


Vineyard Pilot Assistant. Ordering examples.

Vineyard Pilot Assistant. Ordering examples.



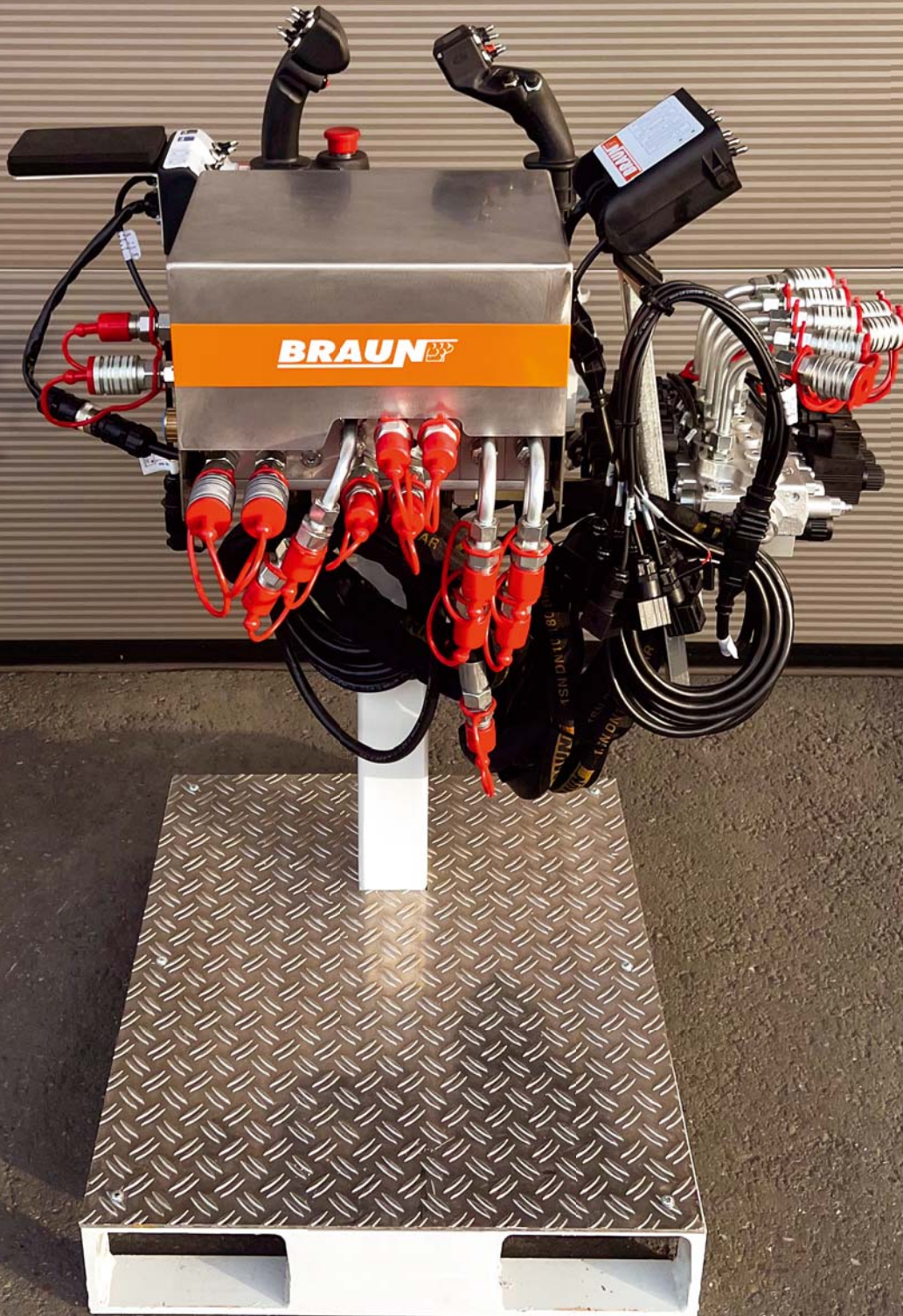
Ref. No.	Article	Qty.	Price excl. VAT
Vineyard Pilot Assistant (VPA) with VPA width adjustment II, VPA vertical lift, and under-vine cultivator tools → The VPA positions the implements in the mid-axle area fully automatically to the plant – even at high speeds. Listed here is the variant for tractors with lane guidance preparation, e.g. Fendt.			
o8001	Vineyard Pilot Assistant	1	
o8003	Autonomy kit	1	
o2308	VPA width adjustment II, 600 mm range	1	
o1280	Precise vertical lift VPA (double acting) 500 mm, right	1	
o1281	Precise vertical lift VPA (double acting) 500 mm, left	1	
o1172	Universal support, right	1	
o1173	Universal support, left	1	
o1170	Disc plough ø 460 mm with hole pattern adjustment	2	
BRAUN modular solution total:			



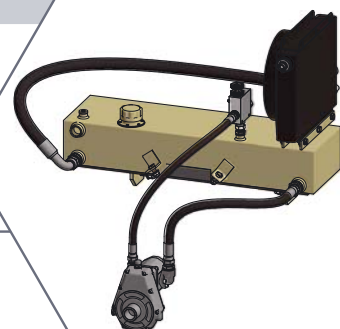
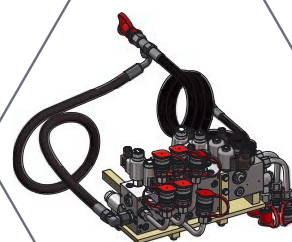
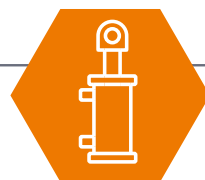
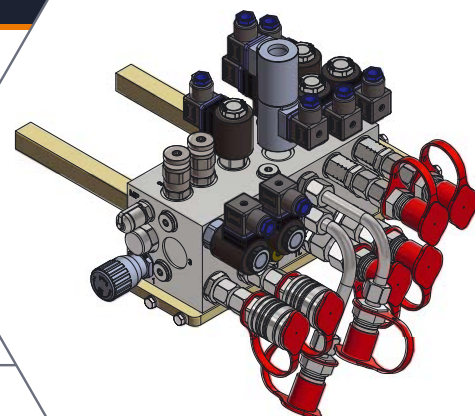
Ref. No.	Article	Qty.	Price excl. VAT
Vineyard Pilot Assistant (VPA) → Autonomous positioning of the implements to the vines as well as semi-autonomous driving in the row. for row widths: 2.10–2.70 m (as shown)			
08001	Vineyard Pilot Assistant	1	
08003	Autonomy kit	1	
02308	Width adjustment II, 600 mm range	1	
01280	Precise vertical lift VPA (double acting) 500 mm, right	1	
01281	Precise vertical lift VPA (double acting) 500 mm, left	1	
01172	Universal support, right	1	
01173	Universal support, left	1	
01170	Disc plough Ø 460 mm, hole pattern adjustment	2	
0714198	Mower VPA “Alpha 2000” 1,400–1,900 mm	1	
08002	Row Crop Pilot	1	
03124	Storage / support device	1	
BRAUN modular solution total:			



Powerful and robust. Hydraulic units.



The demands on tractor hydraulics are constantly increasing. Our hydraulic units are perfectly matched to our powerful attachments.

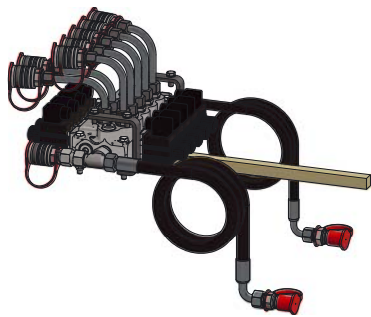


Hydraulic units.

We offer a variety of hydraulic units so that you can also use our implements with tractors with few hydraulic connections and low hydraulic power.

→ more hydraulic connections

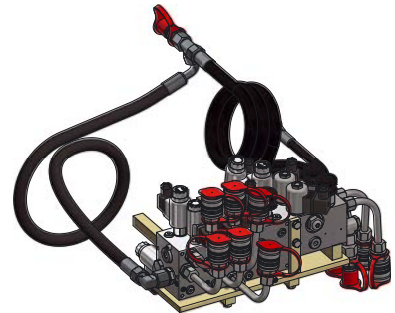
→ higher hydraulic power



590101

Hydraulic unit Basic

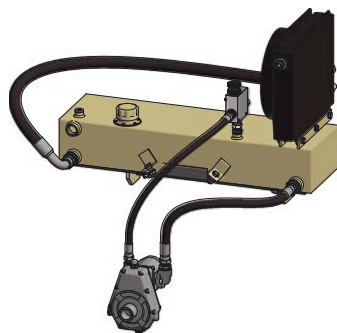
5-fold electrically confirmed, 3 x EW, 2 x DW, with oil flow controller, e.g. for LUV Perfect double-sided in the mid-axle area with precise vertical hydraulic lift 01207 / 01208, hydraulic width adjustment and rotary tiller 01153 / 01154.



590005

Hydraulic unit Standard

With 4 control units and integrated LUV control block, 1 x EW for LUV, 1 x EW for extended oil circuit (e.g. rotary gyroscope), 2 x EW for hydraulic lifts, 1 x DW for hydraulic width adjustments.



590105

External oil supply

Consisting of oil tank, oil pump with gearbox, oil cooler and 3-compartment control block. Suitable for UKR and Vario.



Ref. No.	Article	Weight	Price excl. VAT
Hydraulic unit 3-way, hand operated			
590001	with 2 x DW, 1 x EW, and oil flow regulator	13 kg	
Hydraulic unit 3-way, hand operated			
590002	with 1 x DW, 2 x EW, and oil flow regulator	13 kg	
Hydraulic unit 5-way, hand operated			
590003	with 2 x DW, 3 x EW, and oil flow regulator	16 kg	
Hydraulic unit STANDARD			
590005	with 4 controllers and integrated LUV control block	10 kg	
Hydraulic unit BASIC			
590101	5-way electronic, with 2 x DW, 3 x EW, and oil flow regulator, joystick	16 kg	
590103	5-way electronic, with 2 x DW, 3 x EW, and oil flow regulator, control box	16 kg	
External oil unit with reservoir oil pump			
590105	with gearbox, oil cooler, and 3-fold hydraulic bloc	120 kg	
External oil unit without reservoir oil pump			
590106	with gearbox, oil cooler, and 3-fold hydraulic bloc	100 kg	

The hydraulic units are equipped with the following hoses as standard: NW10 x 3000 and NW13 x 3000.
You can find hose extensions on page 153.

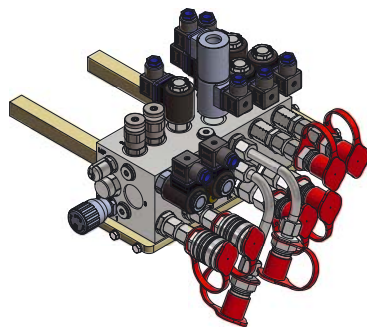
Hydraulic units.



Consisting of oil tank, oil pump with gearbox, oil cooler and 3-compartment control block. Suitable for UKR and Vario.

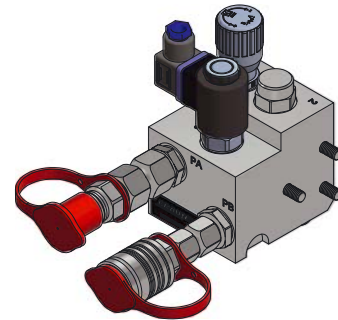
→ more hydraulic connections

→ higher hydraulic power



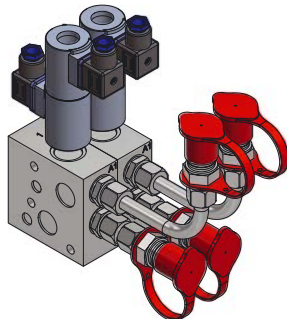
5900091

Hydraulic block Comfort, expandable for double-sided operation, electrically confirmed, integrated LUV control block with oil flow regulator, includes 1 DW and 2 EW, for example for hydraulic width adjustment with hydraulic lifts and LUV. Comfort control panel with joystick and adjustable armrest. Incl. USB socket (e. g. for charging the cell phone).



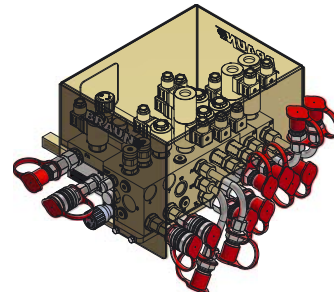
5900092

Add-on hydro motor extension with additional oil flow regulator
For example for under-vine rotary harrow on LUV.



5900093

Add-on DW extension, 2 x DW
For example for separate side slope adjustment.



Hydraulic block configuration (ex.)

For example, for width-adjustable implement carrier with hydraulic lifts, side slope adjustment, LUV and rotary gyroscope.



Ref. No.	Article	Weight	Price excl. VAT
Hydraulic unit COMFORT, extendable: <ul style="list-style-type: none"> – Electrically operated – Integrated LUV function with oil flow regulator – Switching valves for LUV units, single – Bracket for mounting on UKR and Vario – Comfort control panel with joystick and adjustable armrest – USB slot (e.g. for charging mobile phone) 			
5900091	1 x DW (e.g. for width adjustment) 2 x EW with floating position (e.g. for hydraulic lifts)	27,5 kg	
Add-on: Hydro motor extension with additional oil flow			
5900092	for ex. for rotary tiller (with two harrows) on the LUV Perfect	3,1 kg	
Add-on: 2 x DW			
5900093	for ex. for separate side slope adjustment	4,2 kg	

The hydraulic unit COMFORT is equipped with the following hoses as standard: NW13 x 1500 and NW16 x 1500.

Standard hose extensions

Ref. No.	Article	Price excl. VAT
Hydraulic hose extension incl. protective hose		
540301855151500	Hydraulic hose extension L 18/18 NW16 x 1500	
540301855152500	Hydraulic hose extension L 18/18 NW16 x 2500	
540301855153500	Hydraulic hose extension L 18/18 NW16 x 3500	
540301855154500	Hydraulic hose extension L 18/18 NW16 x 4500	
540301556131500	Hydraulic hose extension L 15/15 NW13 x 1500	
540301556132500	Hydraulic hose extension L 15/15 NW13 x 2500	
540301556133500	Hydraulic hose extension L 15/15 NW13 x 3500	
540301556134500	Hydraulic hose extension L 15/15 NW13 x 4500	
540301257101500	Hydraulic hose extension L 12/12 NW10 x 1500	
540301257102500	Hydraulic hose extension L 12/12 NW10 x 2500	
540301257103500	Hydraulic hose extension L 12/12 NW10 x 3500	
540301257104500	Hydraulic hose extension L 12/12 NW10 x 4500	



Other

Merchandise, advice and dimensions



This section provides you with all the essential information about our BRAUN merchandise and promotional items. You also have the opportunity to enter your vineyard specifications and data on a form, so that we can offer you the best possible advice. In addition, we have provided illustrations which will help you to determine the required products and dimensions.

Merchandise

Representing success together

► **Page 156**

Purchase advice

Your requirements – our expertise

► **Page 160**

Product info and dimensions

LUV Perfekt on Vario cultivator

► **Page 164**

Attachment kit Vario cultivator and UKR

► **Page 176**

Terms and conditions

► **Page 178**

Publishing details

► **Page 185**



Representing success together. Show that you are part of our team with our high-quality BRAUN merchandise and promotional items. Order your favourite items today!



Ref. No.	Description	Price excl. VAT
BRAUN shirt / blouse White with orange embroidered logo Material: 100 % cotton		
9900225	Men's size: Size S	POA
9900226	Men's size: Size M	POA
9900227	Men's size: Size L	POA
9900228	Men's size: Size XL	POA
9900229	Women's size (waisted): Size S	POA
9900234	Women's size (waisted): Size M	POA
9900235	Women's size (waisted): Size L	POA
BRAUN polo shirt Anthracite grey with orange embroidered logo Material: 100 % cotton		
9900209	Men's size: Size S	
9900210	Men's size: Size M	
9900211	Men's size: Size L	
9900212	Men's size: Size XL	
9900213	Women's size (waisted): Size S	
9900214	Women's size (waisted): Size M	
9900215	Women's size (waisted): Size L	
BRAUN soft shell jacket Anthracite grey with orange embroidered logo Material: 100 % polyester		
9900209	Men's size: Size S	
9900210	Men's size: Size M	
9900211	Men's size: Size L	
9900212	Men's size: Size XL	
Sleeveless soft shell jacket Anthracite grey with orange embroidered logo Material: 100 % polyester		
9900209	Men's size: Size S	
9900210	Men's size: Size M	
9900211	Men's size: Size L	
9900212	Men's size: Size XL	



9900216
BRAUN cap
Anthracite grey with orange
embroidered logo. Onesize



9900217
BRAUN winter beanie
Anthracite grey with orange embroidered logo,
material: 60 % cotton,
40 % acrylic



9900218
BRAUN fabric bag
Size: 37 x 45 cm, 100 % cotton



9900199
BROWN rectangular banner flag
Size: 120 x 300 cm, with grommets
and pole sleeve



9900200
BRAUN beach flag
Size: 80 x 205 cm, with base
and transport bag

Other. Merchandise.

Representing success together. Show that you are part of our team with our high-quality BRAUN merchandise and promotional items. Order your favourite items today!



9900216

BRAUN spiral notebook
A4 size, squared

9900220

BRAUN spiral notebook
A5 size, squared

9900221

Braun notepad
A6 size, squared



9900222

BRAUN USB stick
4 GB



9900223

BRAUN ballpoint pen
black ink, pack of 10



9900224

BRAUN folding meter stick
2 m, pack of 10



Ref. No.	Description	Price excl. VAT
BRAUN roll-up banner with transport bag Size: 100 x 200 cm		
Product overview theme		
9900236	German	
9900242	French	
9900245	Italian	
9900239	English	
VPA theme		
9900238	German	
9900244	French	
9900247	Italian	
9900241	English	



9900197

Four-way implement display platform
 BRAUN exhibition implement stand for
 showrooms, trade fairs, etc.
 With 4 sturdy arms for presenting
 various BRAUN implements.
 Includes four A4-sized brochure holders
POA

Other. Vineyard specifications and data.





Your request – our expertise. Fill out your vineyard specifications and details here, and we guarantee you optimum advice and products entirely in line with your requirements and wishes.

Contact

Name: _____

Street, number: _____

Town / city, postcode: _____

Phone: _____

Fax: _____

Email: _____

Specifications

Tractor type

Power	kW:	PS:	
Number of control units	DW:	EW:	
Oil pump capacity l/min			
Auxiliary tank	Yes <input type="radio"/>	No <input type="radio"/>	
Tyres	Front:	Rear:	
Exhaust	Top:	Bottom:	
Front hydraulics	Cat. 1:	Cat. 2:	
Rear hydraulics	Cat. 1:	Cat. 2:	
Hydraulic connections	Front <input type="radio"/>	Mid-mount <input type="radio"/>	Rear <input type="radio"/>

Vineyard data

Row width _____

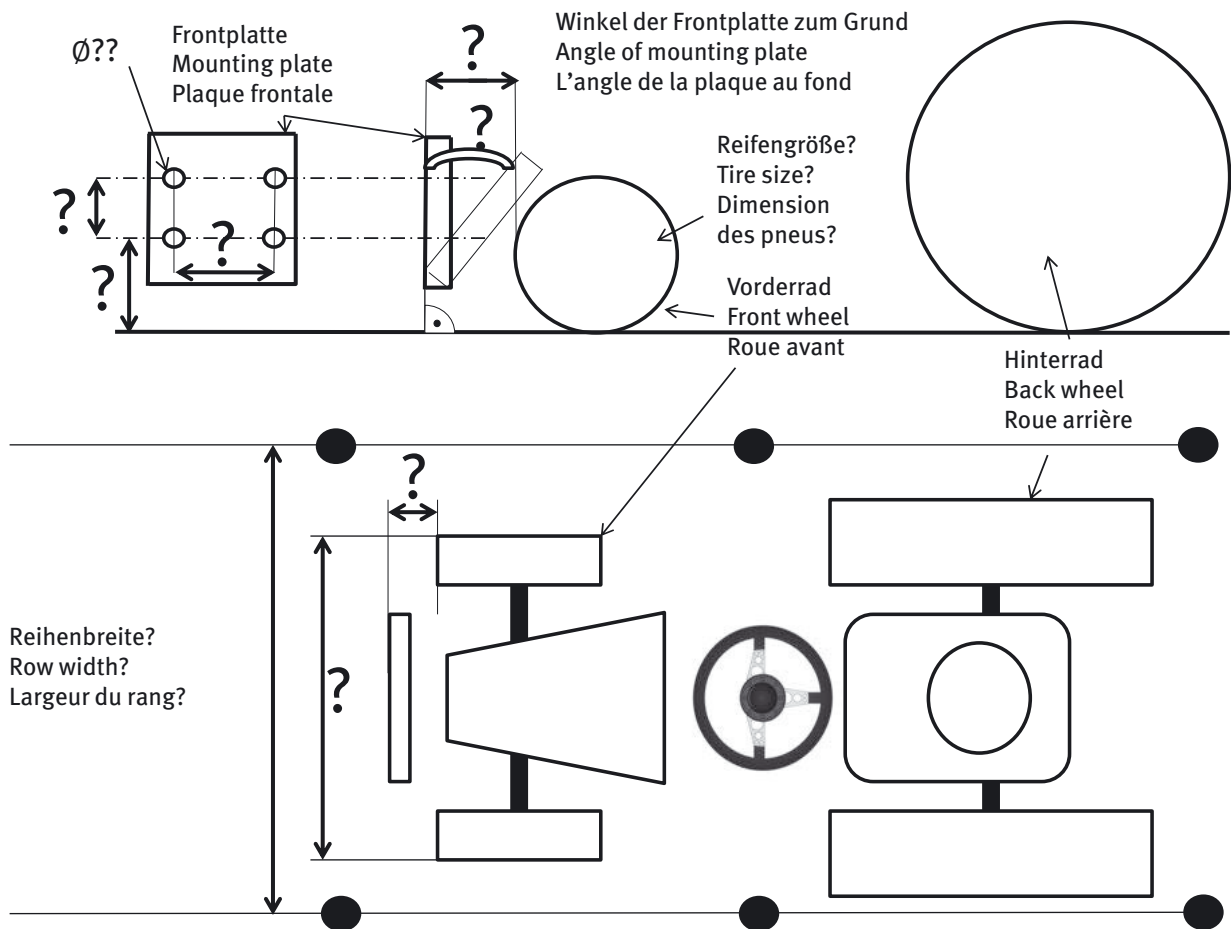
Distance between vines _____

Soil type _____

Terrain Level Slope Gradient in %: _____

Contact person

Name: _____ Signature: _____

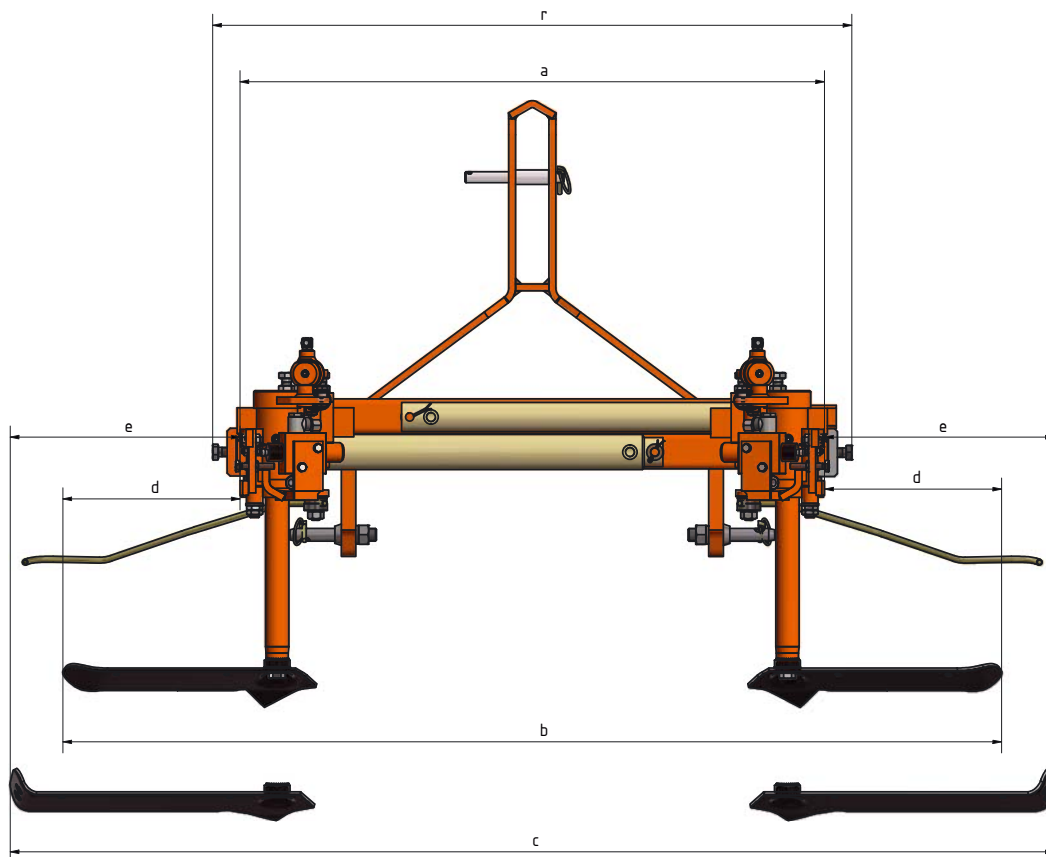


Other. Dimensions LUV on UKR.

The following illustration will help you determine the overall width of the UKR with LUV units fitted.

Dimensions min. adjustment in mm

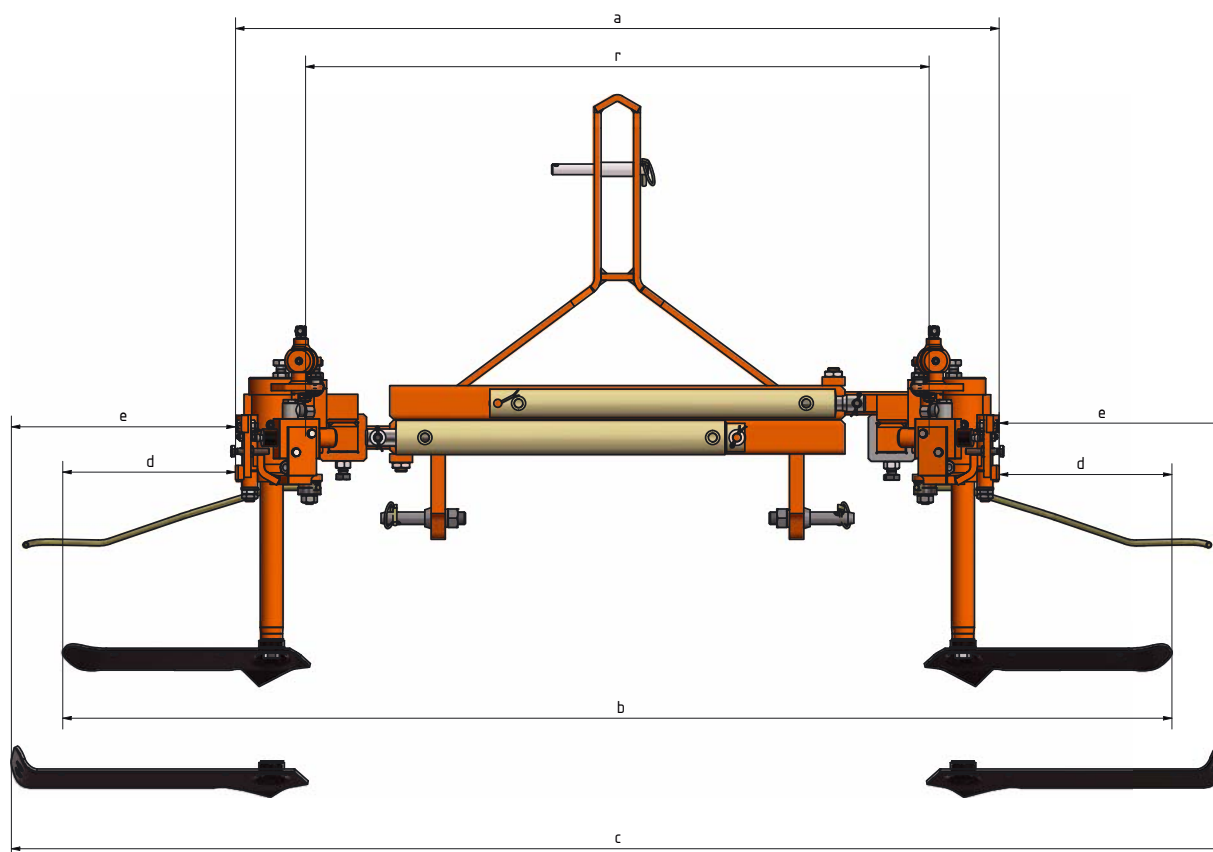
UKR size	Stroke	Frame width	LUV 350 mm		LUV 500 mm	
			Overall width	LUV assembly	Overall width	LUV assembly
		r	b	d	c	e
700	600	996	1,510	300	1,690	395
800	1,000	1,096	1,610	300	1,790	395
900	1,000	1,196	1,710	300	1,890	395
1,000	1,000	1,296	1,810	300	1,990	395
1,100	1,000	1,396	1,910	300	2,090	395
1,300	1,000	1,596	2,110	300	2,290	395





Dimensions max. adjustment in mm

UKR size	Stroke	Frame width	Frame width incl. LUV	LUV 350 mm		LUV 500 mm	
				Overall width	LUV assembly	Overall width	LUV assembly
		r	a	b	d	c	e
700	600	996	1,242	1,842	300	2,032	395
800	1,000	1,096	1,342	1,942	300	2,132	395
900	1,000	1,196	1,442	2,042	300	2,232	395
1,000	1,000	1,296	1,542	2,142	300	2,332	395
1,100	1,000	1,396	1,642	2,242	300	2,432	395
1,300	1,000	1,596	1,842	2,442	300	2,632	395

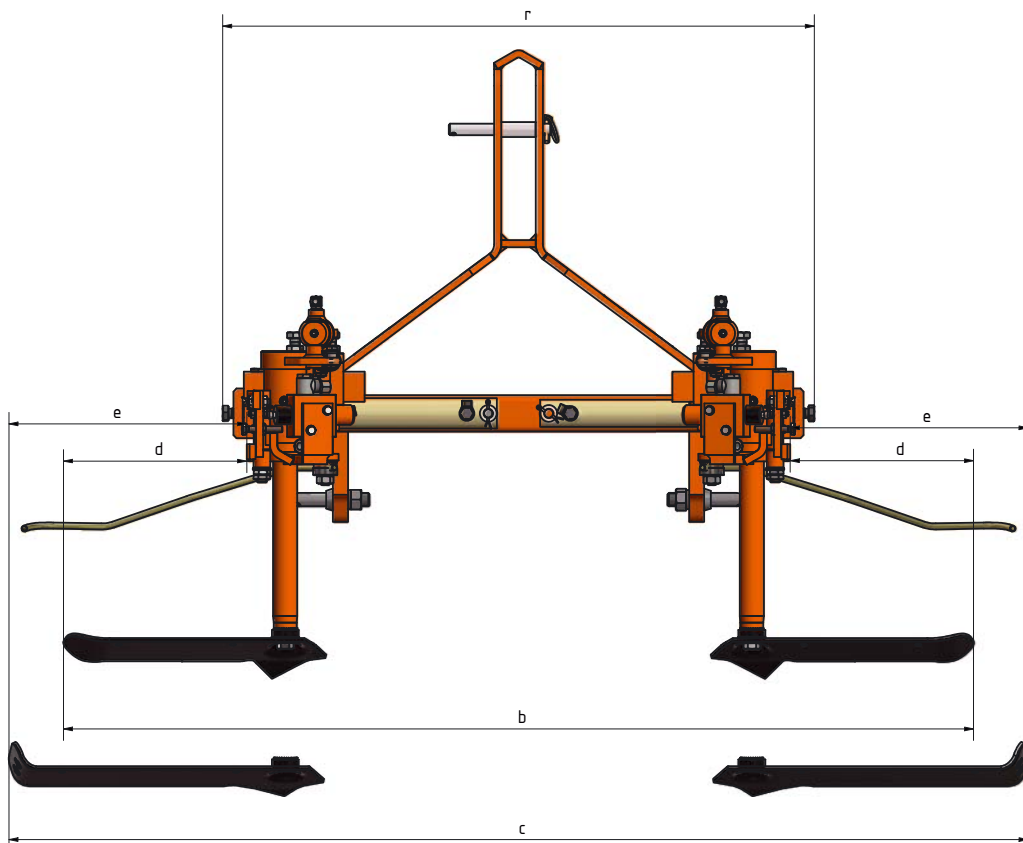


Other. Dimensions LUV on UKR.

The following illustration will help you determine the overall width of the UKR with LUV units fitted.

Dimensions min. adjustment in mm

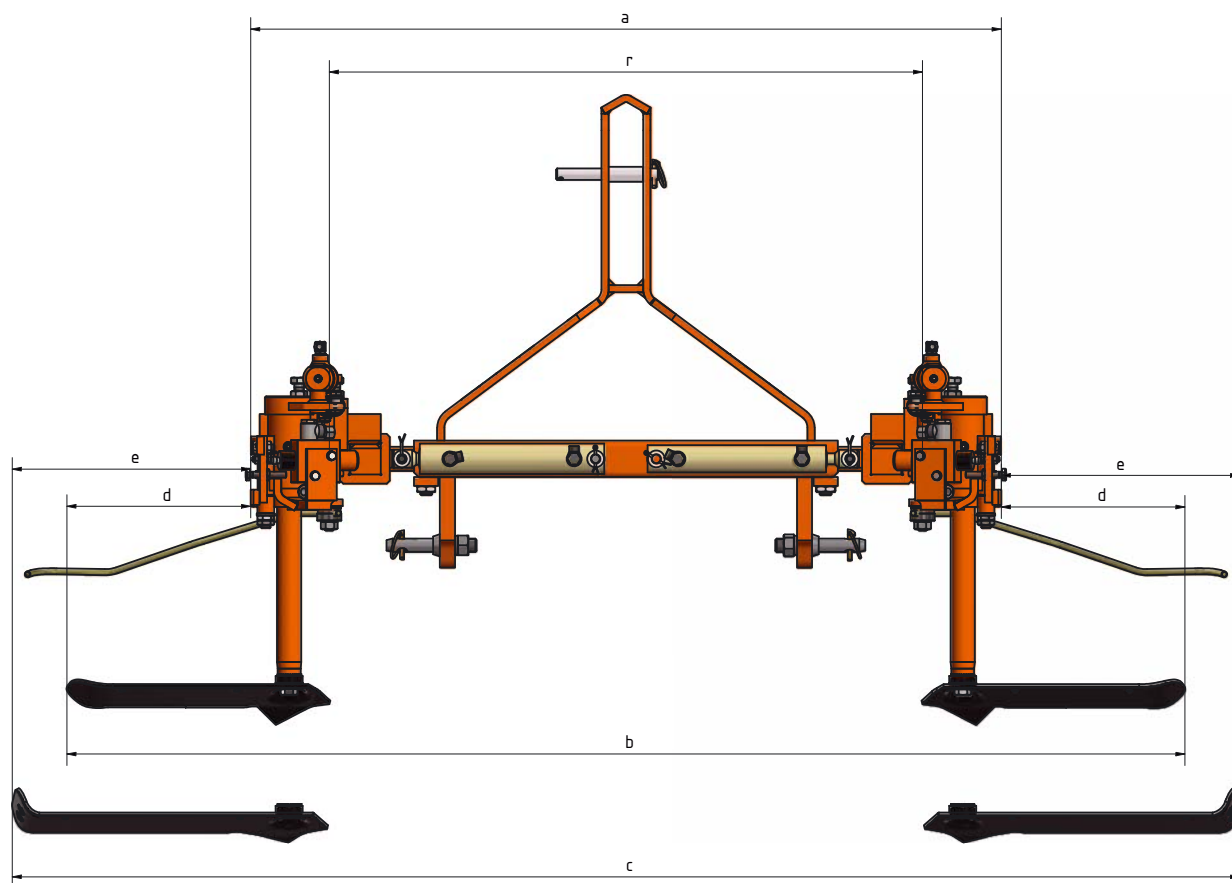
UKR size	Stroke	Frame width	LUV 350 mm		LUV 500 mm	
			Overall width	LUV assembly	Overall width	LUV assembly
		r	b	d	c	e
700	400	980	1,507	300	1,690	395
800	400	1,080	1,607	300	1,790	395
900	500	1,180	1,707	300	1,890	395
1,000	600	1,280	1,807	300	1,990	395
1,100	600	1,380	1,907	300	2,090	395
1,300	600	1,580	2,107	300	2,290	395





Dimensions max. adjustment in mm

UKR size	Stroke	Frame width	Frame width incl. LUV	LUV 350 mm		LUV 500 mm	
				Overall width	LUV assembly	Overall width	LUV assembly
		r	a	b	d	c	e
700	400	980	1,240	1,840	300	2,030	395
800	400	1,080	1,340	1,940	300	2,130	395
900	500	1,180	1,440	2,040	300	2,230	395
1,000	600	1,280	1,540	2,140	300	2,330	395
1,100	600	1,380	1,640	2,240	300	2,430	395
1,300	600	1,580	1,840	2,440	300	2,630	395

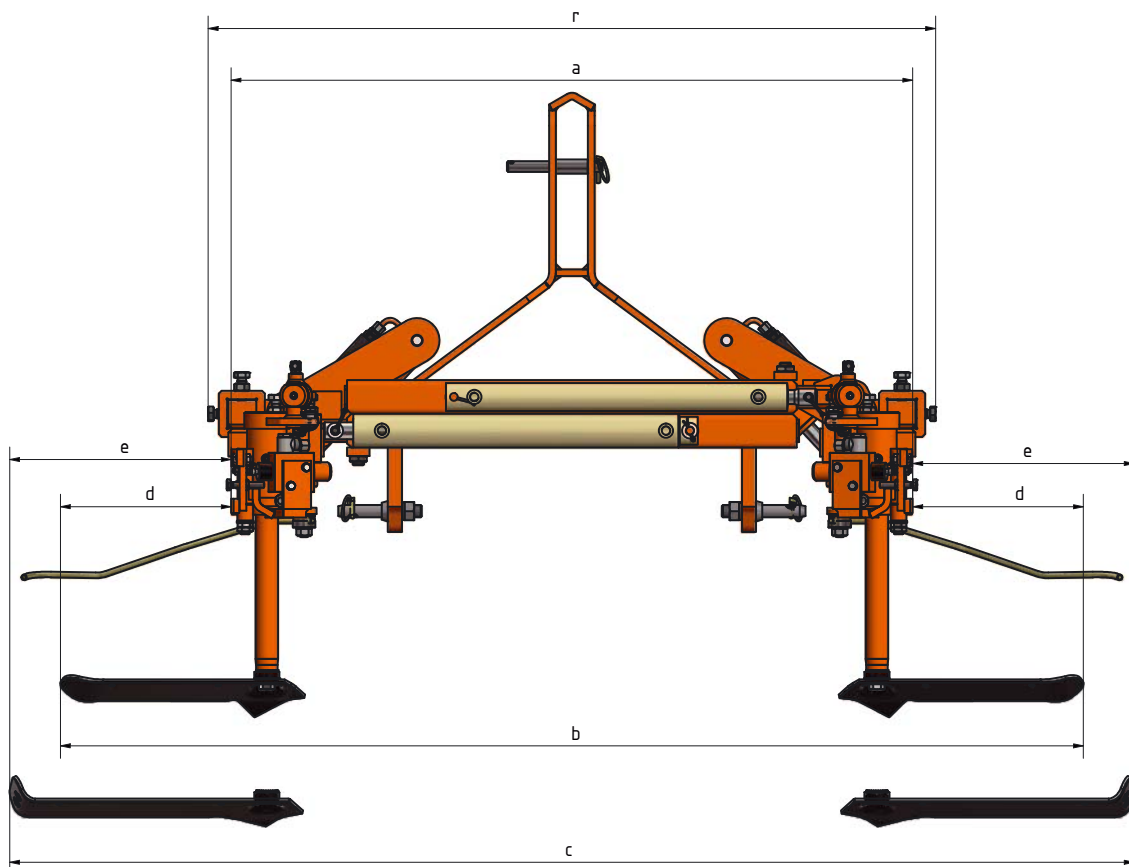


Other. Dimensions LUV on UKR.

The following illustration will help you determine the overall width of the UKR with LUV units fitted.

Dimensions min. adjustment in mm

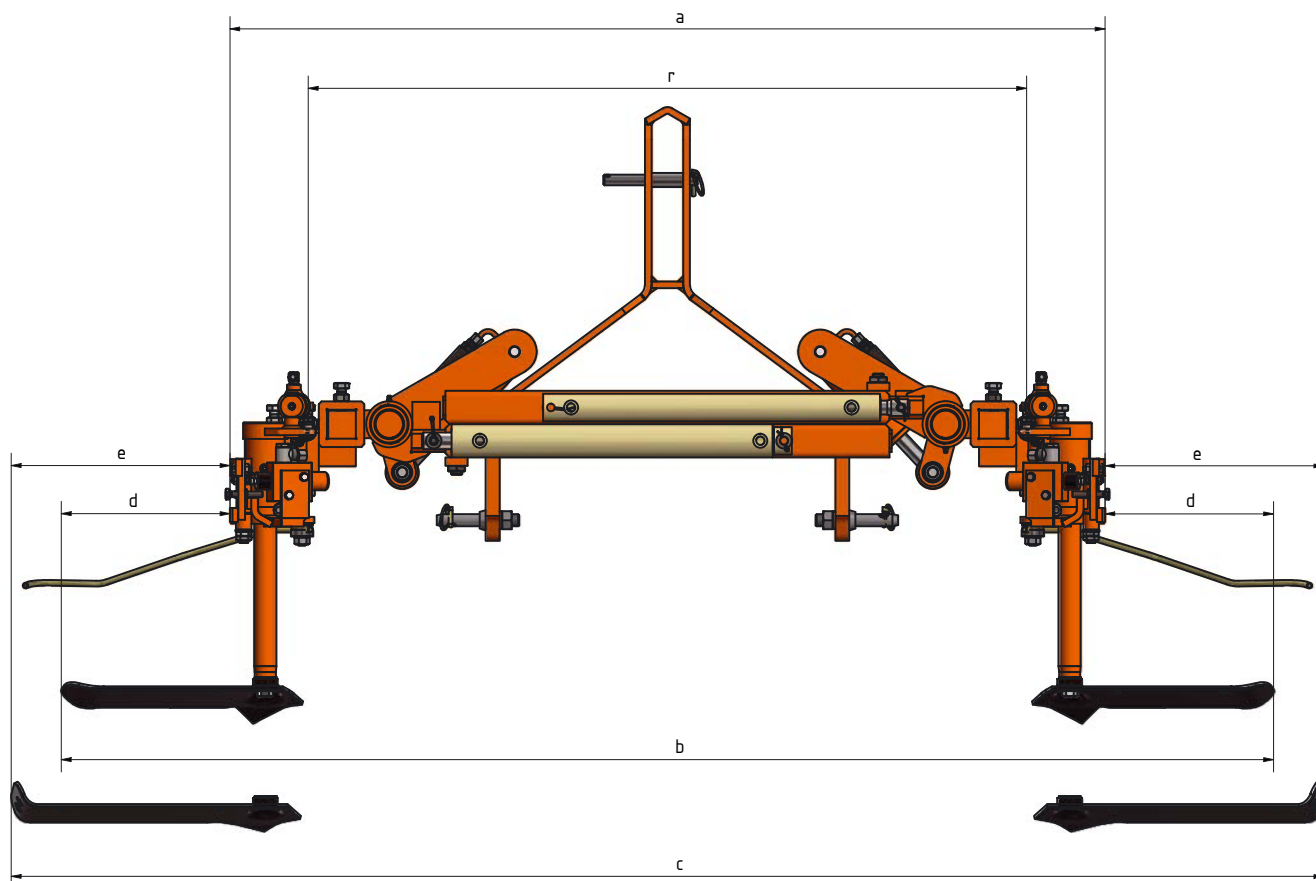
UKR size	Stroke	Frame width	LUV 350 mm		LUV 500 mm	
			Overall width	LUV assembly	Overall width	LUV assembly
		r	b	d	c	e
800	1,000	1,294	1,820	300	2,000	395
900	1,000	1,394	1,920	300	2,100	395
1,000	1,000	1,494	2,020	300	2,200	395
1,100	1,000	1,594	2,120	300	2,300	395
1,300	1,000	1,794	2,320	300	2,500	395





Dimensions max. adjustment in mm

UKR size	Stroke	Frame width	Frame width incl. LUV	LUV 350 mm		LUV 500 mm	
				Overall width	LUV assembly	Overall width	LUV assembly
		r	a	b	d	c	e
800	1,000	1,294	1,577	2,177	300	2,367	395
900	1,000	1,394	1,677	2,277	300	2,467	395
1,000	1,000	1,494	1,777	2,377	300	2,567	395
1,100	1,000	1,594	1,877	2,477	300	2,667	395
1,300	1,000	1,744	2,077	2,677	300	2,867	395

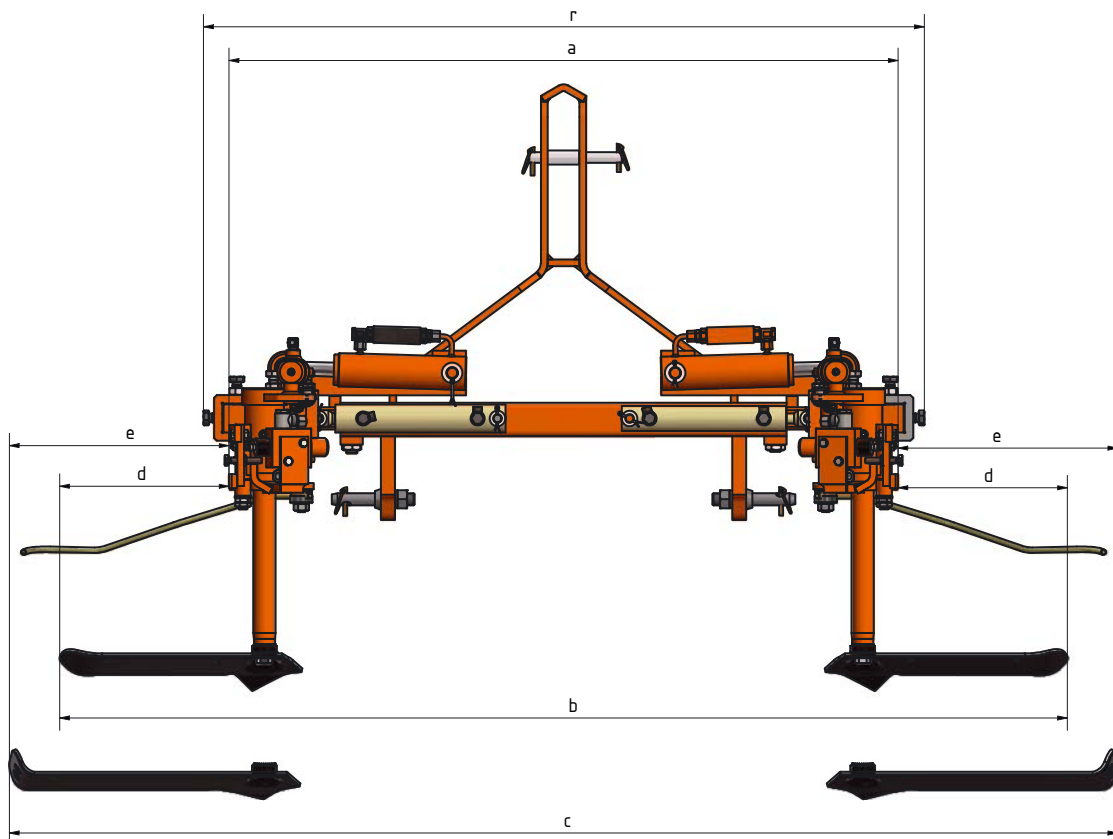


Other. Dimensions LUV on UKR.

The following illustration will help you determine the overall width of the UKR with LUV units fitted.

Dimensions min. adjustment in mm

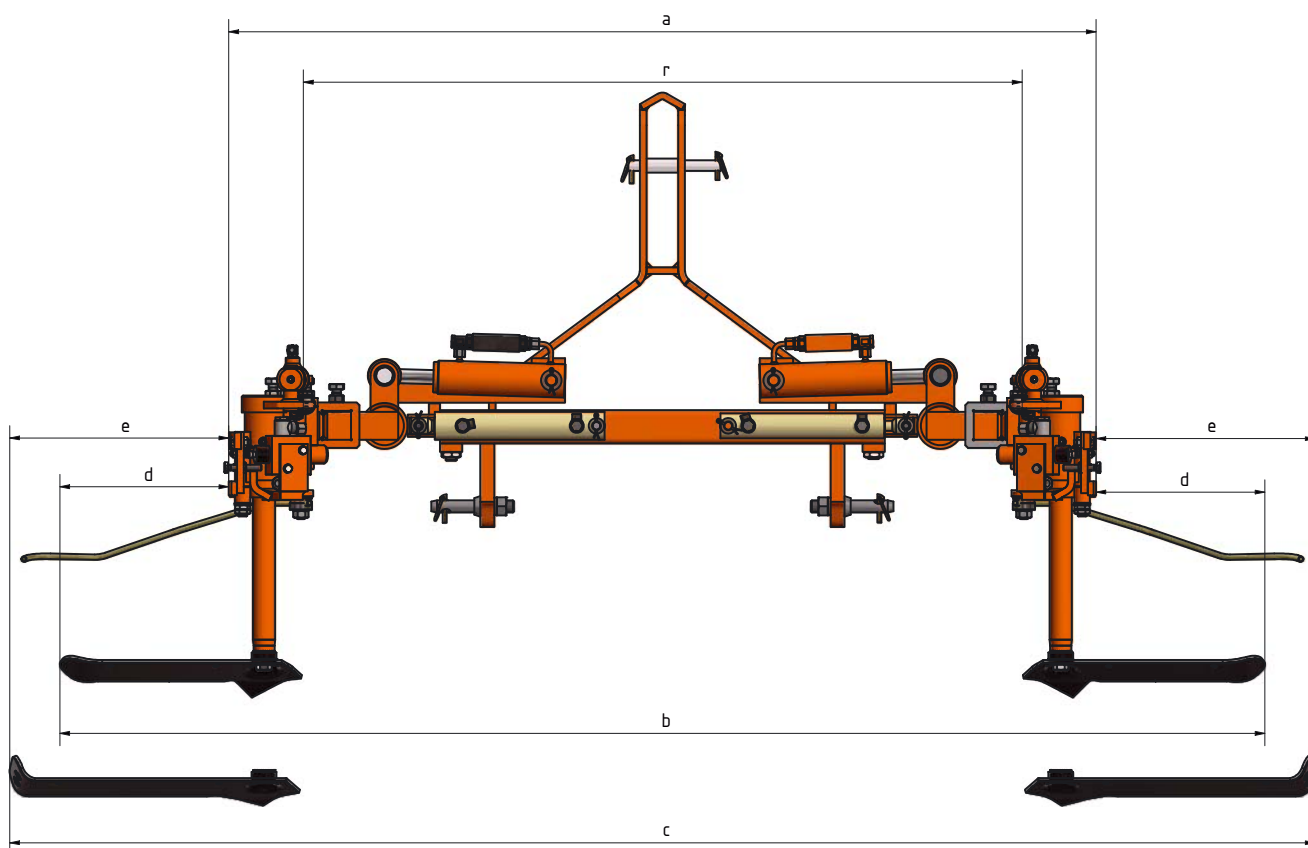
UKR size	Stroke	Frame width	LUV 350 mm		LUV 500 mm	
			Overall width	LUV assembly	Overall width	LUV assembly
		r	b	d	c	e
700	400	1,193	1,707	300	1,890	395
800	400	1,293	1,807	300	1,990	395
900	500	1,393	1,907	300	2,090	395
1,000	600	1,493	2,007	300	2,190	395
1,100	600	1,593	2,107	300	2,290	395
1,300	600	1,793	2,307	300	2,490	395





Dimensions max. adjustment in mm

UKR size	Stroke	Frame width	Frame width incl. LUV	LUV 350 mm		LUV 500 mm	
				Overall width	LUV assembly	Overall width	LUV assembly
		r	a	b	d	c	e
700	400	1,193	1,460	2,060	300	2,250	395
800	400	1,293	1,560	2,160	300	2,350	395
900	500	1,393	1,660	2,260	300	2,450	395
1,000	600	1,493	1,760	2,360	300	2,550	395
1,100	600	1,593	1,860	2,460	300	2,650	395
1,300	600	1,793	2,060	2,660	300	2,850	395

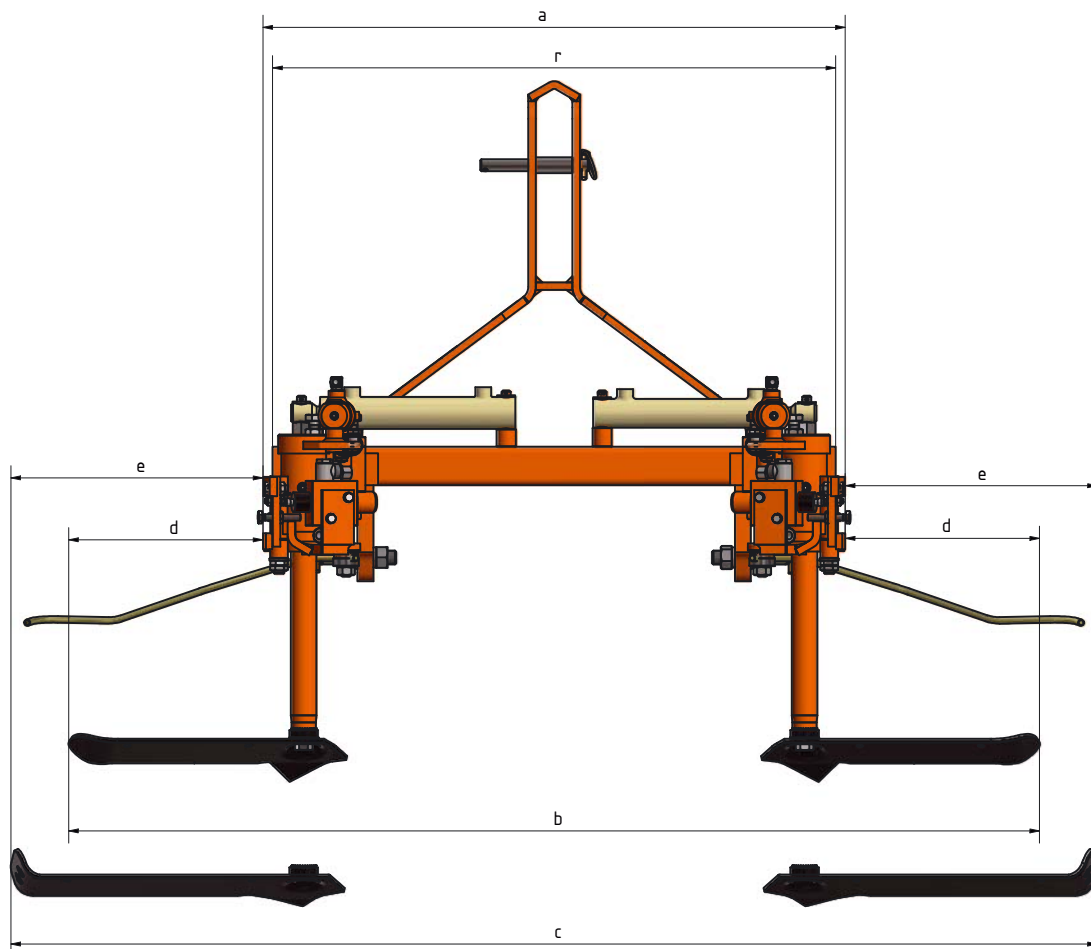


Other. Dimensions LUV on UKR.

The following illustration will help you determine the overall width of the UKR with LUV units fitted.

Dimensions max. adjustment in mm

UKR size	Stroke	Frame width	Frame width incl. LUV	LUV 350 mm		LUV 500 mm	
				Overall width	LUV assembly	Overall width	LUV assembly
		r	a	b	d	c	e
700	400	880	910	1,510	300	1,700	395
800	400	980	1,010	1,610	300	1,800	395
900	500	1,080	1,110	1,710	300	1,900	395
1,000	600	1,180	1,210	1,810	300	2,000	395
1,100	600	1,280	1,310	1,910	300	2,100	395
1,300	600	1,480	1,510	2,110	300	2,300	395





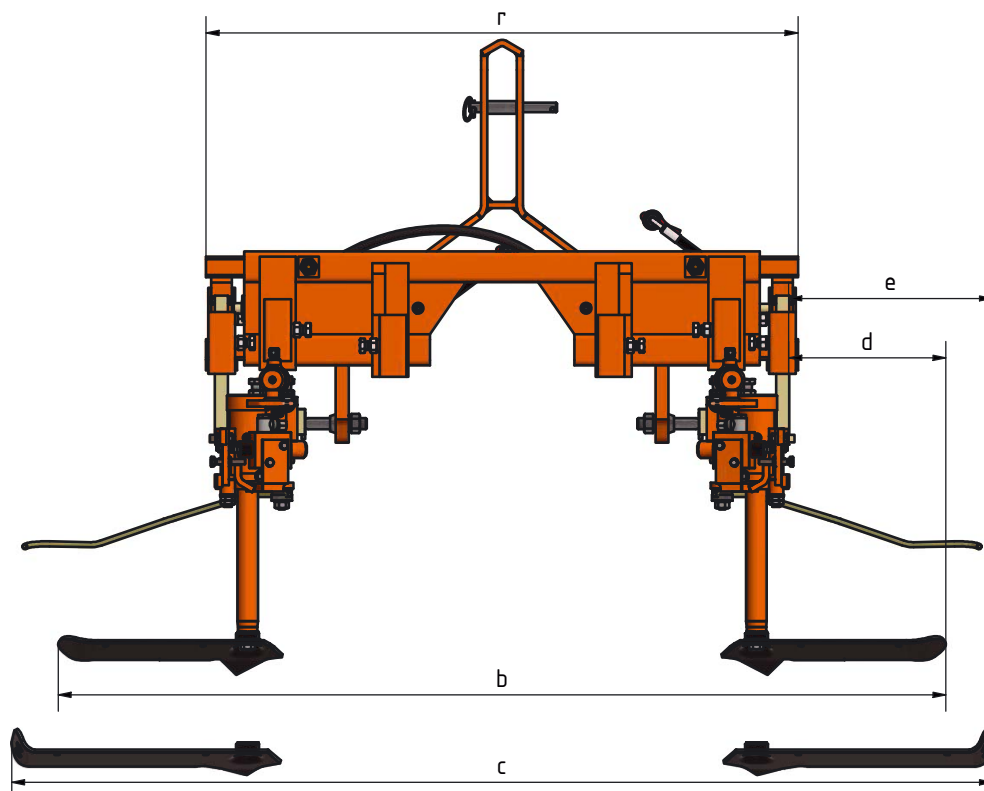
Other. Dimensions LUV on UKR.

Other. Dimensions LUV on VARIO.

The following illustration will help you determine the overall width of the Vario cultivator with LUV units fitted.

Dimensions min. adjustment in mm

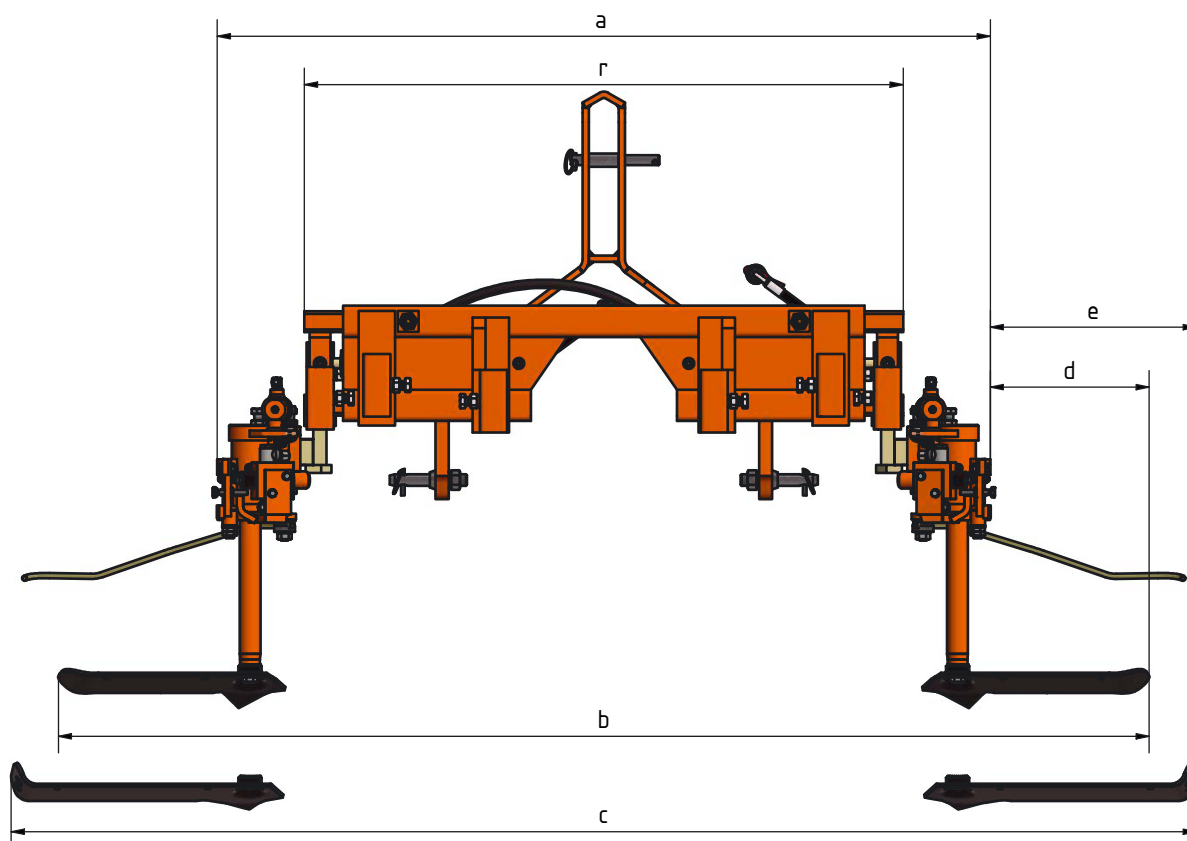
Cultivator size	Stroke	Frame width	LUV 350 mm		LUV 500 mm	
			Overall width	LUV assembly	Overall width	LUV assembly
		r	b	d	c	e
700	400	760	1,360	300	1,550	395
800	400	832	1,432	300	1,622	395
900	400	932	1,532	300	1,722	395
1,000	400	1,032	1,632	300	1,822	395
1,100	500	1,148	1,748	300	1,938	395
1,250	500	1,296	1,896	300	2,086	395
1,500	500	1,548	2,148	300	2,338	395
1,700	500	1,748	2,348	300	2,538	395
2,200	500	2,248	2,848	300	3,038	395
2,700	600	2,746	3,346	300	3,536	395





Dimensions max. adjustment in mm

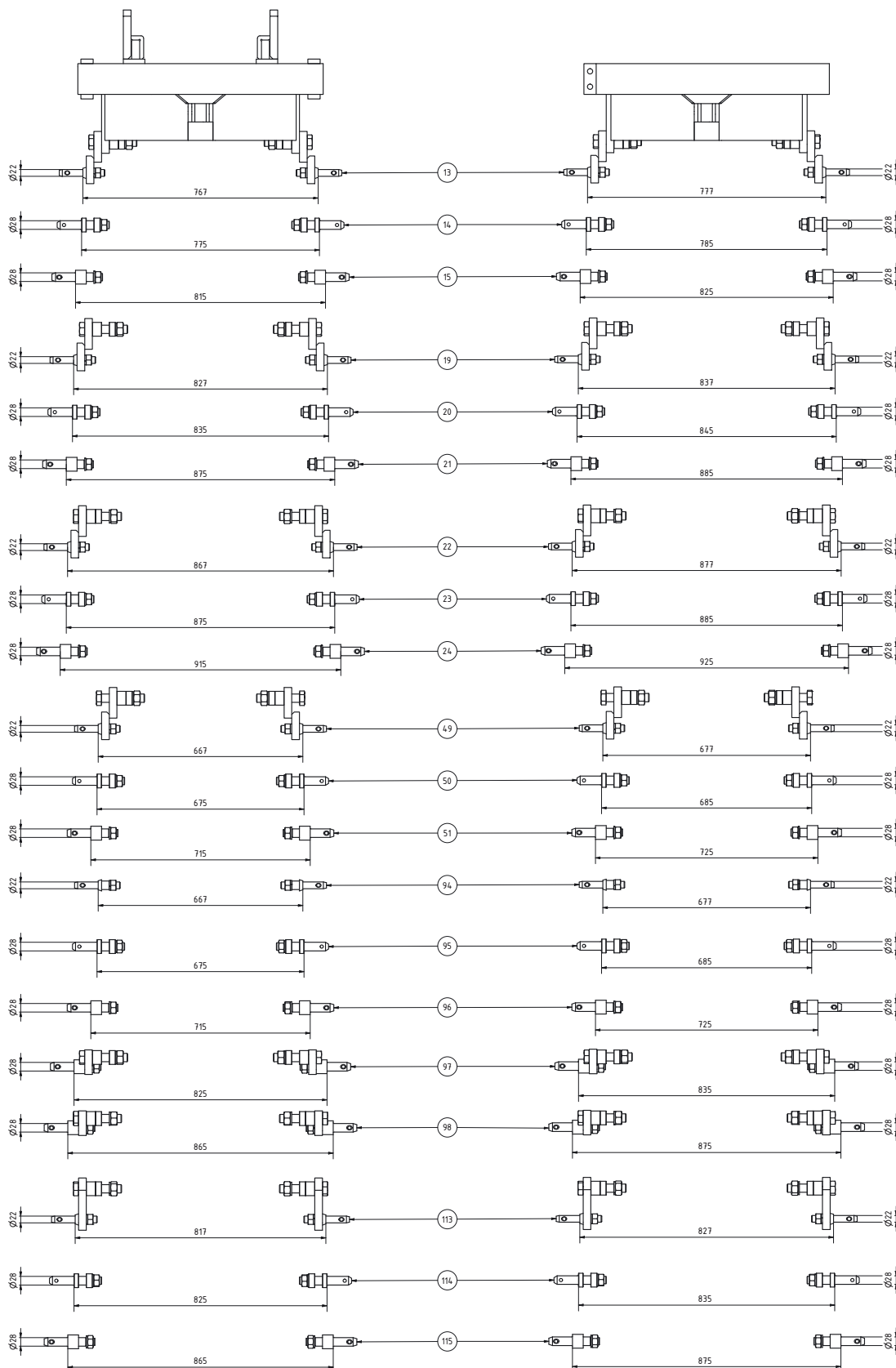
Cultivator size	Stroke	Frame width	Frame width incl. LUV	LUV 350 mm		LUV 500 mm	
				Overall width	LUV assembly	Overall width	LUV assembly
		r	a	b	d	c	e
700	400	760	1,093	1,693	300	1,883	395
800	400	832	1,165	1,765	300	1,955	395
900	400	932	1,265	1,865	300	2,055	395
1,000	400	1,032	1,365	1,965	300	2,155	395
1,100	500	1,148	1,481	2,081	300	2,271	395
1,250	500	1,296	1,629	2,229	300	2,419	395
1,500	500	1,548	1,881	2,481	300	2,671	395
1,700	500	1,748	2,081	2,681	300	2,871	395
2,200	500	2,248	2,581	3,181	300	3,371	395
2,700	600	2,746	3,079	3,679	300	3,869	395



Other. Dimensions Vario cultivator and UKR.

Cultivator basic width
800 mm – 2,700 mm

UKR basic width
800 mm – 1,300 mm



subtract 5 mm for the 700 mm frames

subtract 40 mm for the 700 mm frames



Find your attachment kit to extend / widen the cultivator:

Step 1

Measure the fitted size of your lower link







Step 2

Select the number of the variant from the drawings

Step 3

Search for this number in the following list to be able to select the appropriate attachment kit

Note: Further attachment dimensions can be found in our operating instructions

Drawing no.	Ref. No.		Article	Price
1, 4, 7, 10, 13, 16, 19, 22, 25, 28, 31, 34, 37, 40, 43, 46, 49, 52, 55, 58, 61, 64, 67, 70, 73, 76, 79, 82, 85, 88	040001		Widening / extension cat. I pin	
2, 5, 8, 11, 14, 17, 20, 23, 26, 29, 32, 35, 38, 41, 44, 47, 50, 53, 56, 59, 62, 65, 68, 71, 74, 77, 80, 83, 86, 89	040002		Widening / extension cat. II pin narrow	
3, 6, 9, 12, 15, 18, 21, 24, 27, 30, 33, 36, 39, 42, 45, 48, 51, 54, 57, 60, 63, 66, 69, 72, 75, 78, 81, 84, 87, 90	040003		Widening / extension cat. II pin wide	
91, 94			Lower link pin cat. I	
92, 95	040004		Standard cat. II pin narrow	
93, 96	040005		Standard cat. II pin wide	
97, 98, 99, 100	040006		Widening cat. II pin wide	
101, 104, 107, 110, 113, 116, 119, 122, 125, 128, 131, 134, 137, 140, 143, 146	040007		Extension cat. I pin	
102, 105, 108, 111, 114, 117, 120, 123, 126, 129, 132, 135, 138, 141, 144, 147	040008		Extension cat. II pin narrow	
103, 106, 109, 112, 115, 118, 121, 124, 127, 130, 133, 136, 139, 142, 145, 148	040009		Extension cat. II pin wide	
101, 104, 107, 110, 113, 116, 119, 122, 125, 128, 131, 134, 137, 140, 143, 146	040010		Extension downwards cat. I pin	
102, 105, 108, 111, 114, 117, 120, 123, 126, 129, 132, 135, 138, 141, 144, 147	040011		Extension downwards cat. II pin narrow	
103, 106, 109, 112, 115, 118, 121, 124, 127, 130, 133, 136, 139, 142, 145, 148	040012		Extension downwards cat. II pin wide	

1. General scope of application

Contracts of sale and other delivery contracts are entered into exclusively on the basis of our General Terms and Conditions of Sale and Delivery below. These General Terms and Conditions of Delivery (henceforth "GTCD") apply in principle to all deliveries, services and offers provided by Braun Maschinenbau GmbH, Albert-Einstein-Strasse 10, 76829 Landau in der Pfalz, Germany (henceforth "Braun") unless they are amended or excluded expressly and in writing.

The buyer / purchaser declares his express agreement to the applicability of our General Terms and Conditions of Delivery upon entering into the contract. Different terms and conditions shall not be recognised and shall not form part of the contract, even without the express written objection of Braun. Our General Terms and Conditions of Delivery shall also apply to future contracts of sale and other delivery contracts even if they are not expressly referred to. Verbal agreements ancillary to concluded contracts shall not be valid. Ancillary agreements and amendments to contracts must be made in writing in order to be effective. The written form according to these General Terms and Conditions of Sale and Delivery shall be deemed to have been observed also in the case of transmission by telecommunication means (email, fax).

2. Conclusion of contract, documents, technical norms, prices, packing, transportation insurance

2.1. Braun's offers are subject to change and non-binding.

The documents relating to an offer along with pictures, drawings, weight and dimension information, performance descriptions and other descriptions of characteristics as well as other information about contractual products and services are also non-binding. Particular characteristics of the goods to be delivered shall be considered guaranteed only when these have been expressly agreed in writing. Any reference to standards or agreed specifications on its own shall serve only as a more detailed description of goods or services and shall not be considered a warranty of characteristics.

2.2. The purchaser's order constitutes a binding offer to enter into a contract, which Braun may accept within two weeks. A contract shall come

into being only upon written confirmation of the order by Braun. The contents of the contract shall be based exclusively on the order confirmation and declaration of acceptance.

3. Prices, shipping

3.1. All prices are quoted ex works excluding shipping costs and packing, plus value-added tax at the respectively applicable rate on the date of the invoice.

3.2. Goods are shipped at the expense and risk of the purchaser. The purchaser shall take out transportation insurance.

3.3. Delivered machinery and auxiliary materials shall be assembled by the purchaser.

3.4. Goods may be returned only by prior agreement, less 20 % return costs.

4. Payment, default of payment, set-off, right of retention

4.1. Unless agreed otherwise, all payments are to be made within 10 days of the invoice date with 2 % discount or within 30 days of the invoice date net without deduction.

All payments shall be made in euro free of transaction charges to Braun's account. The date on which payment is credited to Braun's account shall be decisive for the timeliness of the payment.

In the case of customer-specific systems (custom-made products) or variants of the same, Braun in principle has the right to advance payment in the amount of two-thirds of the agreed purchase price.

Braun reserves the right to demand full payment in advance or a downpayment from the purchaser.

4.2. If the purchaser falls into default with any payment, the statutory provisions shall apply.

4.3. The purchaser shall be entitled to set-off even if notices of defects or counterclaims are asserted only if the counterclaims are recognised by declaratory judgement, recognised by Braun, or undisputed. The purchaser shall be authorised to exercise a right of retention only if his counterclaim is based on the same contractual relationship.



5. Delivery time, delay

5.1. Stated delivery dates are non-binding. Binding delivery dates shall be expressly designated as such in writing with the addition of “guaranteed delivery”.

5.2. The delivery period begins with the dispatch of the order confirmation, but not before the documents, drawings, approvals and other formalities to be provided by the purchaser have been supplied or before the agreed advance payments have been made. The delivery period shall be deemed met if, by the time of its expiry, the delivery item has left the works or Braun has given notice of its readiness for dispatch.

5.3. If the purchaser is in default in respect of an essential obligation resulting from the contractual relationship, Braun shall be entitled to extend the delivery period by the period of the delay.

5.4. The purchaser must without delay take delivery of goods notified as ready for collection or dispatch in accordance with the contract. In this case, notification of readiness for dispatch shall be deemed equivalent to dispatch. If the purchaser is in default of acceptance or culpably breaches other duties to cooperate, Braun shall be entitled to demand compensation for damages incurred by Braun in this respect. If shipment is delayed at the request or fault of the purchaser, Braun shall store the object of sale; the purchaser shall bear the costs of storage, insurance and protective measures, etc. as well as the risk of storage.

Without further proof, he shall pay at least 0.5 % of the order value per week of the delay, up to a maximum of 5 %. Braun may set a reasonable period for the purchaser to take delivery if the purchaser does not accept the goods at the time of delivery. Braun's right to demand payment of the purchase price remains unaffected. Upon expiry of this period, Braun by written declaration may cancel the contract in whole or in part and demand damages. Braun reserves the right to assert further claims.

5.5. Custom-made products may not be exchanged or returned.

5.6. Events of force majeure shall entitle Braun to postpone delivery for the duration of the hindrance plus a subsequent reasonable restart period.

All events for which Braun is not responsible and which cannot be averted shall be considered events of force majeure, in particular monetary, trade policy or other sovereign measures, strikes, lockouts, significant operational disruptions (e.g. fire, machine breakdown, a shortage or scarcity of raw materials and / or energy irrespective of the cause, including in particular supply bottlenecks, performance disruptions or other supply difficulties affecting raw material suppliers or other upstream suppliers of Braun, disruptions in the packing and handling process or transportation bottlenecks) and obstruction of traffic routes which are not of only short duration and make delivery substantially more difficult or impossible. Braun shall inform the purchaser of the occurrence and of the end of the event.

5.7. Braun shall be entitled to make partial deliveries or render partial services, provided that this is reasonable for the purchaser.

6. Passing of risk

Unless agreed otherwise, the risk passes to the purchaser when the goods leave the supplying works or warehouse from which the shipment is dispatched, but no later than when the goods are handed over to the transportation person. If the goods are ready for dispatch or collection and the collection or dispatch is delayed for reasons for which Braun is not responsible, the risk shall pass to the purchaser upon receipt by the purchaser of the notification that the goods are ready for dispatch or collection.

7. Provision in the case of return transportation to Braun

The purchaser shall bear the risk and the costs of return transportation of the delivery item, insofar as the return transportation takes place after a withdrawal by Braun due to conduct contrary to the contract or a breach of obligation by the purchaser, or as a gesture of goodwill by Braun.

8. Warranty / liability

8.1. Notification of defects Purchaser's claims for defects shall exist only if the purchaser inspects the goods immediately upon receipt and without delay notifies Braun in writing that there

is a defect. Hidden defects must be notified to Braun by the purchaser immediately after their discovery.

8.2. Liability for material defects The delivery is free of material defects if it meets the subjective requirements within the meaning of section 434 (2) of the German Civil Code (*Bürgerliches Gesetzbuch*, BGB). The delivery meets the subjective requirements if it has the agreed quality.

The agreed quality shall be determined exclusively in accordance with Braun's product specification or the agreed performance description. Other or more extensive subjective or objective requirements within the meaning of section 434 (3) BGB, characteristics and features than the expressly agreed quality of the delivery are not owed.

Any warranty for a particular purpose, functionality, compatibility, duration of use or durability after the passing of risk that goes beyond the warranty for this agreed quality shall be assumed only insofar as this is agreed expressly and in writing.

In all other respects, the risk of suitability and use shall be borne exclusively by the purchaser.

Having regard to the foregoing, Braun shall be liable for a material defect as follows:

a) Insofar as the delivery item has a material defect at the time of the passing of risk, Braun shall be entitled, at its discretion, to remedy the defect (subsequent improvement) or deliver a thing free of defects (replacement). Braun shall be granted a reasonable time and opportunity to effect a cure. The place of performance for the cure is the agreed destination of the delivery item. Braun reserves the right to carry out the cure, if necessary, at Braun's place of business. Braun shall bear the necessary expenses for the cure. Braun reserves the right to refuse to effect a cure or bear the expenses of the cure insofar as the cure is possible only at disproportionate expense within the meaning of section 439 (4) BGB. If the delivery item has been taken by the purchaser to a place other than the contractually agreed destination and the expenses of the cure increase as a result, the additional expenses shall be borne by the purchaser.

b) The purchaser is not entitled to remedy defects himself or have them remedied unless Braun is in default with the remediation of defects or he is forced to remedy the defect due to imminent

danger or this has been expressly agreed. In this case, the remediation of the defect may be carried out only by competent persons. Braun shall be liable for the consequences of this self-help only insofar as the purchaser has acted in accordance with Braun's instructions. Braun shall reimburse the purchaser for the costs of the self-help up to the amount of the expenses which Braun would have had to bear without the self-help by the purchaser.

c) In the event of replacement, the purchaser shall return the defective thing properly packaged. Replaced parts shall become the property of Braun and shall be returned to Braun.

d) If the cure has failed, the purchaser can optionally demand a reduction of the purchase price, or declare his withdrawal from the contract. Cure shall be deemed to have failed with the second failed attempt unless, based on the subject matter of the contract, further attempts at cure are reasonable and acceptable to the purchaser.

The purchaser may only assert claims for damages owing to the defect if cure has failed, unless claims for damages are limited or excluded under section 8.3.

e) Any warranty for defects in the delivered goods which are caused by normal wear and tear is excluded. If operating and maintenance instructions are not followed, if modifications are made to the delivery item or if parts are replaced, all warranties shall be void unless the purchaser proves that the defect was not caused by this.

f) Section 478 BGB shall remain unaffected unless the defect is based on advertising statements or other contractual agreements which do not originate from Braun, or if the purchaser has given a special guarantee to the end consumer. Any warranty is also excluded if the purchaser himself was not required on the basis of statutory provisions to fulfil warranty rights with respect to the end consumer or did not raise this objection to a claim made against him. This shall also apply if the purchaser has undertaken a guarantee with respect to the end consumer that exceeds the statutory requirements.

8.3. Limitation of liability Braun shall be liable in case of intent and gross negligence.

Braun shall furthermore be liable:

– for defects which were fraudulently concealed or whose absence was guaranteed



– as well as in case of culpability for death, bodily injury or injury to health
– or in case of culpable breach of a material contractual obligation (a material contractual obligation is an obligation which must be fulfilled to enable the proper performance of the contract, and which the purchaser may normally expect to be fulfilled).

Any mandatory statutory liability, in particular under the German Product Liability Act (*Produkthaftungsgesetz*, ProdHaftG), shall remain unaffected.

However, for damages due to lack of the guaranteed quality or durability but which do not occur directly on the goods, Braun shall be liable only if the risk of any such damage is obviously included in the guarantee of quality and durability.

In all other respects, Braun's liability – on any grounds whatsoever – shall be excluded. Insofar as Braun is liable due to a negligent breach of a typical contractual obligation, liability shall be limited to the typically foreseeable damage.

In the event of breach of a precontractual obligation or an obstacle to performance that already exists when the contract is entered into (sections 311 (2) and 311a BGB), Braun's liability for damages shall be limited to the negative interest.

In so far as Braun's liability is excluded or limited, this also applies to the personal liability of Braun's salaried employees, hourly workers, associates, representatives and vicarious agents.

9. Limitation

All purchaser's claims for defects shall become statute-barred one year after the passing of risk. A cure does not affect the limitation period. For intentional, grossly negligent or fraudulent conduct, as well as for claims under the German Product Liability Act, the statutory periods shall apply. The statutory periods shall also apply in the event of culpability for death, bodily injury or injury to health. In the event of a claim under a right of recourse pursuant to section 8.2. f) the statutory limitation periods shall also apply.

10. Sales documents

10.1. Within one year after carrying out the last order, Braun shall be entitled to have at its disposal any tools made for special (customer-specific) parts as it sees fit. This also applies in respect of any invoiced portion of tool costs.

10.2. All rights to tools, drawings, designs and plans produced by Braun, particularly patent rights, copyright and inventor's rights, shall belong exclusively to Braun. All sales documents such as catalogues, sample books, price lists etc. which are made available to the purchaser remain the property of Braun and are to be returned on request (cf. section 2.1.)

11. Retention of title

11.1. Braun shall retain title to the goods it delivers (goods subject to retention of title) until receipt of all payments under the delivery contract. If the purchaser is a merchant, the delivered goods shall remain the property of Braun until all claims, including all current account balance claims, to which Braun is entitled against the purchaser now or in the future, have been settled.

In the event that the purchaser acts contrary to the contract, e.g. payment default, Braun after first setting a reasonable period has the right to take back the goods subject to retention of title. If Braun takes back the goods subject to retention of title, this shall constitute a withdrawal from the contract. The costs of the return shall be borne by the purchaser.

Braun is entitled to utilise the goods subject to retention of title after taking them back. After deduction of a reasonable amount for the utilisation costs, the utilisation proceeds shall be set off against the amounts owed by the purchaser to Braun.

11.2. The purchaser is to treat the goods subject to retention of title with care and sufficiently insure them at his own expense against fire and water damage and theft. Maintenance and inspection work which becomes necessary is to be carried out by the purchaser at his own expense.

11.3. The purchaser is entitled to sell and / or to use the goods in the ordinary course of business, provided he is not in payment default. Pledging, leasing or transfer of ownership by way of security as well as any other transfer to third parties is not allowed.

The purchaser already now as security assigns to Braun to their full extent the corresponding claims (including securities and ancillary rights) against his customer or third parties resulting from the resale concerning the goods subject to retention of title.

Braun revocably authorises the purchaser to collect the claims assigned to Braun for the account of Braun in the name of the purchaser. The collection authorisation can be revoked at any time if the purchaser does not properly fulfil his payment obligations or if there is a reason for filing for insolvency. If this is the case, Braun may demand that the purchaser informs Braun of the assigned claims and their debtors, provides all information required for collection, hands over the relevant documents and notifies the debtors of the assignment.

The purchaser is in principle not authorised to collect claims by way of factoring, unless at the same time the factor's obligation is established to effect counter-performance in the amount of the claims directly to Braun for as long as Braun's claims against the purchaser still exist.

11.4. Any processing or transformation by the purchaser of the goods subject to retention of title shall in every case be performed for Braun. If the goods subject to retention of title are processed with other objects not belonging to Braun, Braun shall acquire co-ownership of the new object in the ratio of the value of the goods subject to retention of title (final invoice amount including VAT) to the other processed objects at the time of processing.

If the goods subject to retention of title are inseparably mixed with other objects not belonging to Braun, Braun shall acquire co-ownership of the new object in the ratio of the value of the goods subject to retention of title (final invoice amount including VAT) to the other mixed objects at the time of mixing.

If the purchaser's object in consequence of the mixing is regarded as the principal object, the purchaser and Braun agree that the purchaser shall transfer co-ownership of this object to Braun on a proportionate basis; Braun hereby accepts the transfer. The purchaser shall keep for Braun the sole or co-ownership of any object that thus arises.

11.5. In the event of third-party access to the goods subject to retention of title, particularly

seizures, the purchaser shall point out Braun's ownership and promptly notify Braun so that Braun can enforce its property rights. The purchaser shall bear the costs of the actual and legal pursuit of Braun's property to which title has been retained by way of security, insofar as such costs cannot be recovered from third parties.

11.6. Braun undertakes to release securities to which Braun is entitled insofar as the realisable value of Braun's securities exceeds the claims being secured by more than 10 %, although it is up to Braun to decide which securities to release.

11.7. In the case of deliveries in other legal systems where the retention of title regulations do not have the same securing effect as in Germany, the purchaser shall do everything in his power to provide Braun with corresponding security interests without delay. The purchaser shall cooperate in all measures, such as registrations, publications etc., which are necessary and expedient for the effectiveness and enforceability of these security interests. Failure to fulfil the foregoing obligation shall be regarded as a material breach of contract.

12. No contractual right of withdrawal and flat-rate damages

After entering into the contract, the purchaser shall have no contractual right of withdrawal. In the event that Braun nevertheless agrees to a withdrawal, Braun shall be entitled to payment of damages.

This shall be calculated at a flat rate as follows: In the event that the purchaser declares his withdrawal from the contract no later than 6 weeks before the specified delivery date, Braun shall be entitled to claim 30 % of the agreed gross purchase price of the order as damages, unless the purchaser proves that damage was not incurred at all or was not incurred in the amount of the flat rate.

In the event of withdrawal within 6 weeks prior to the specified delivery date, the flat rate shall increase to 45 %.

The purchaser cannot derive any right of withdrawal from these flat-rate damages.



13. Industrial property rights

13.1. Braun reserves its property rights, copyrights and other proprietary rights to all diagrams, drawings, calculations and other documents. The purchaser shall be entitled to pass these on to third parties or publish them only with the written consent of Braun, irrespective of whether these documents are marked as confidential or not.

13.2. With the sale of the products, the purchaser is not granted any right or licences to patents owned by Braun or administered by Braun, or to which Braun holds licences. However, this does not mean that the purchaser is not entitled to use and sell the products delivered under this contract.

13.3. The purchaser undertakes to notify Braun without delay of any claims by third parties of infringement of proprietary rights with respect to the products delivered by Braun. Braun shall be entitled, but not required, to assume the legal defence at its own expense and under its own responsibility.

13.4. Reverse engineering, i.e. backward analysis, of products delivered by Braun is not permitted.

13.5. Braun's products are in some cases controlled by software. The purchaser shall receive a non-exclusive, non-transferable and temporally unlimited right to use the software in conjunction with the products delivered by us, subject to the condition precedent of full payment of the purchase price, unless otherwise contractually agreed.

Braun shall remain the owner of the copyright as well as all other industrial property rights. The purchaser is not allowed to remove any security mechanisms that may be present. He is also not allowed to make copies of the software and remove copyright notices. Passing on the software to third parties, in particular without the associated product, is not permitted. The software may not be modified, combined or adapted. Nor is any reverse compilation, disassembly or decompilation allowed.

13.6. In the event of culpable violation of provisions under section 13, the purchaser shall pay a contractual penalty to be determined

by Braun at its reasonable discretion for each case of violation, which may be reviewed by the competent local court (*Amtsgericht*) or district court (*Landgericht*).

13.7. Claims for defects due to software errors shall exist only insofar as the defect in the subject matter of the licence restricts its usability. The provisions under section 8 shall apply accordingly, with the following restriction: All liability of Braun for software malfunctions shall be excluded in the event of a concrete breach of the purchaser's duties of care in connection with the software, unless the purchaser proves that the software malfunction is not due to the concrete breach of his own duties of care.

14. Confidentiality

The parties undertake to treat as confidential all commercial and technical details, business secrets and other confidential information of the respective other party to the contract which are not in the public domain and which become known to them in the course of their business relationship and not to use them for any purpose other than the purpose of the contract.

15. Data protection

When initiating and executing a contract, it is necessary to process contact and interaction data from the purchaser's contact persons. Braun processes this personal data on the basis of a legitimate interest in ensuring the traceability of the business relationship and supporting communication during the performance of the contractual relationship. For the purpose of initiation and performance of contracts and for subsequent services, Braun shall transmit employee contact data to the purchaser to enable orderly communication and performance. The purchaser may use this data only for the implementation of the respective contractual relationship with Braun.

16. Place of fulfilment, place of jurisdiction, applicable law

16.1. Place of fulfilment and place of jurisdiction for delivery and payments (including actions on documentary evidence, cheques and bills of exchange) as well as all disputes arising

between Braun and the purchaser from contracts entered into between Braun and the purchaser is the location of the registered office of Braun. However, Braun is also entitled to bring an action against the purchaser at his place of residence and / or place of business.

16.2. Relationships between the contracting parties shall be governed exclusively by applicable law in the Federal Republic of Germany. The application of private international law and the United Nations Convention on Contracts for the International Sale of Goods (CISG) is excluded.

Warranty services may be performed only by authorised firms after prior consultation with us.



Publishing details

Published by

BRAUN Maschinenbau GmbH
represented by its managing director, Stefan Braun

Albert-Einstein-Str. 10
76829 Landau in der Pfalz
Germany
Phone: + 49 (0) 63 41 / 9 50 55 00
Fax: + 49 (0) 63 41 / 9 50 55 22
Email: info@braun-maschinenbau.de
<https://braun-maschinenbau.info>

Editorial team

BRAUN Maschinenbau GmbH
Person legally responsible for content: Stefan Braun

Graphic design

Publik. Agentur für Kommunikation GmbH
Havellandstr. 12
68309 Mannheim
Germany
www.agentur-publik.de

Printing

Englram Partner GmbH & Co. KG
Siemensstr. 3
67454 Hassloch
Germany
www.englram.de

Photo credits

BRAUN Maschinenbau GmbH
Jonas Werner / www.jonas-werner.com

Year of publication 2023

Note: The 2022 price list is no longer valid as of 1 January 2023.

Information pursuant to section 5 of the German Telemedia Act (TMG) / section 18 of the German State Media Treaty (MStV):

BRAUN Maschinenbau GmbH
Albert-Einstein-Str. 10
76829 Landau in der Pfalz
Germany

Commercial register (Handelsregister) 3308
Landau registration court

represented by its managing director, Stefan Braun

Contact:

Phone: + 49 (0) 63 41 / 9 50 55 00
Fax: + 49 (0) 63 41 / 9 50 55 22
Email: info@braun-maschinenbau.de

VAT ID:

VAT identification number pursuant to section 27a of the German Value-Added Tax Act (UStG):
DE813346712

Responsible for editorial content / responsible within the meaning of section 18 MStV:

Stefan Braun

Online dispute resolution:

The European Commission provides a platform for out-of-court online dispute resolution (ODR platform), which can be accessed at <https://ec.europa.eu/consumers/odr/>

We are neither willing nor obliged to participate in dispute resolution proceedings before a consumer arbitration body (section 36 of the German Consumers' Dispute Settlement Act (VSBG)).

Please note:
Subject to changes and errors

BRAUN 


Awarded:



BRAUN Maschinenbau GmbH
Albert-Einstein-Str. 10
76829 Landau / Pfalz
Germany

T +49 (0) 6341 - 950 55 00
info@braun-maschinenbau.com

 braun_maschinenbau

 www.braun-maschinenbau.com