



BRAUN 

BRAUN MACHINERY ENABLES YOU TO NURTURE THE BLESSINGS OF THE VINES



PRODUCT CATALOGUE 2020

BRAUN MODULAR SYSTEM.

Individual solutions
for fruit growing and viticulture
all over the world.

Made in Germany



The BRAUN Modular System for different types of work





BRAUN Solutions for fruit growing and viticulture. The machines.

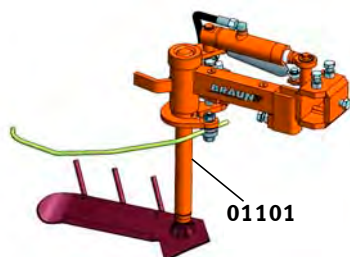
	BRAUN Dished Ploughshare, Cultivator LUV <i>Perfekt</i> and accessories	Product group	Page
	BRAUN Under-vine cultivator UV/F-UV/E and accessories	02	32 - 33
	BRAUN Vine Trunk Cleaner <i>W1</i> <i>W2</i>	03	34 - 39
	BRAUN Mounting brackets for front and articulated tractors	02	40 - 45
	BRAUN Universal-Cultivator-Frame <i>UKR</i> and accessories	041	46 - 49
	BRAUN Universal-Cultivator-Frame <i>Vario BV</i> and accessories	043	50 - 75
	BRAUN Cultivator Actiroll	045	76 - 77
	BRAUN Mowers fixed / adjustable width	07	78 - 83
	BRAUN Power Harrow with Seeding attachment	09	84 - 85
Terms and conditions of sale, technical instructions, trade shows			starting on 86



LUV PERFECT. BASIC DEVICE.

- 1 To maintain the area around the vine trunk free of weeds
- 2 To cultivate and loosen soil around the vine trunk and under the vines

BRAUN Dished ploughshare and Cultivator LUV *Perfekt* and accessories



LUV *Perfekt*

Fitted as standard with 350 or 500 mm ploughshare, universally adjustable fitted with switches and hoses. The LUV device is very stable and robust. Attachments like the coulter disc, depth limiting disc or rigid legs are designed to be easily interchanged and adapted as part of the BRAUN modular system.



Modular System with short spline shaft

Instead of the long spline shaft with welded tooth lock crown plate, the improved version of the LUV *Perfekt* has a short shaft with splines. Multiple vineyard machines can be mounted on this mounting point.



Single electro-magnetic overriding control

consisting of a DB – manually adjustable valve, electric solenoid valve and E-push button control box with a button. The e-control box is provided with two magnets and cables, so it can be placed on the tractor in an ergonomic way.

Dual electro-magnetic overriding control

as described above, but everything in duplicate. Oil fuel distributor to the right and left unit can be operated separately.

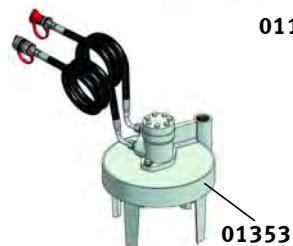


Mounting bracket for electro-magnetic overriding control on Vario/UKR frame



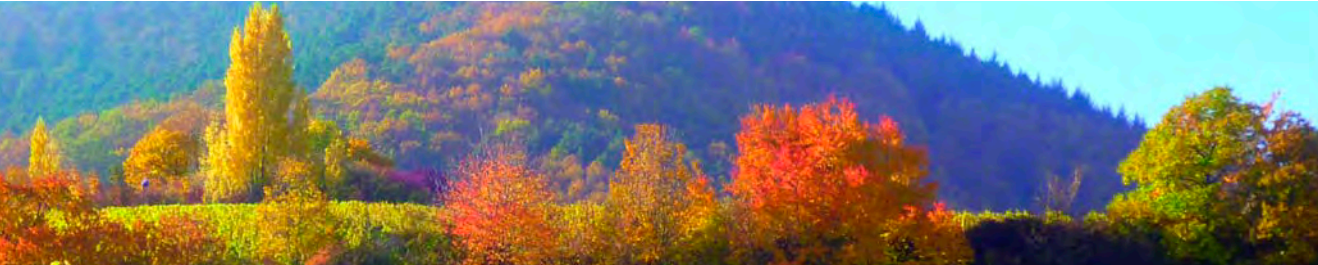
Rotary tiller (with two harrows)

Equipped with strong hydraulic oil flow, destroys even high weeds and will achieve long term weed control under the vines.



Rotary gyroscope

for loosening and crumbling the soil under the vines and elimination of tall grasses.



Dished ploughshare and cultivator LUV *Perfekt* and accessories

Ref. No.	Article	Weight in kg	Price excl. VAT
	Dished ploughshare and cultivator LUV <i>Perfekt</i> with flat blade 350 mm or 500 mm, complete with hydraulic hoses and connectors		
01101	right (350 mm)	31,0	
01102	left (350 mm)	31,0	
01103	right (500 mm)	32,0	
01104	left (500 mm)	32,0	
01311	Modular system with short spline shaft, right (350 mm)	38,0	
01312	Modular system with short spline shaft, left (350 mm)	38,0	
01313	Modular system with short spline shaft, right (500 mm)	40,0	
01314	Modular system with short spline shaft, left (500 mm)	40,0	
01105	Single electro-magnetic overriding control with manually adjustable pressure valve and solenoid	8,0	
01106	Dual electro-magnetic overriding control with two manually adjustable pressure valves, two solenoid valves and oil flow	10,0	
043034	Mounting bracket for electro-magnetic overriding control on Vario/UKR frame	0,65	
01153	Rotary tiller, right	30,0	
01154	Rotary tiller, left	30,0	
01353	Rotary gyroscope, right	30,0	
01354	Rotary gyroscope, left	30,0	
01601	Front pole with lateral and inclination adjustment, right	50,0	
01602	Front pole with lateral and inclination adjustment, left	50,0	

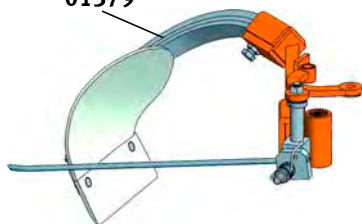


LUV PERFECT. BASIC DEVICE.

- 1 To maintain the area around the vine trunk free of weeds
- 2 To cultivate and loosen soil around the vine trunk and under the vines

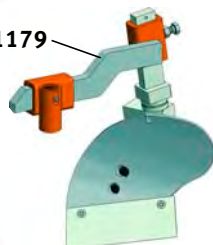
BRAUN Dished ploughshare and Cultivator LUV *Perfekt* and accessories

01379



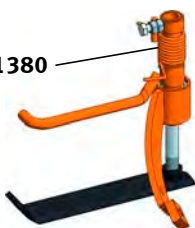
Demander
Col de cygne (01379)

01179



Demander
for LUV modular system (01179)

01380



Reamer for demander (col de cygne) (01380)

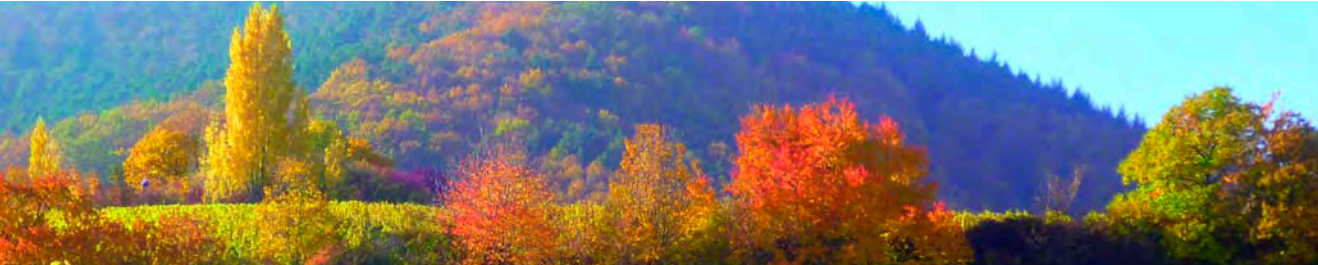
011792



Reamer for demander (011792)



Stone protection shield



Dished ploughshare and cultivator LUV *Perfekt* and accessories

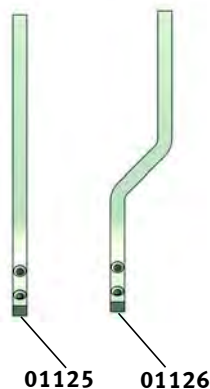
Ref. No.	Article	Weight in kg	Price excl. VAT
01179	Demounder, right	21,0	
011791	Demounder, left	21,0	
011792	Reamer for demounder, right	4,5	
0117921	Reamer for demounder, left	4,5	
01379	Demounder (col de cygne), right	21,0	
013791	Demounder (col de cygne), left	21,0	
01380	Reamer for demounder (col de cygne), right	4,5	
013801	Reamer for demounder (col de cygne), left	4,5	
	Stone protection shield		
01324	right	51,0	
01325	left	51,0	



LUV PERFECT. BASIC DEVICE.

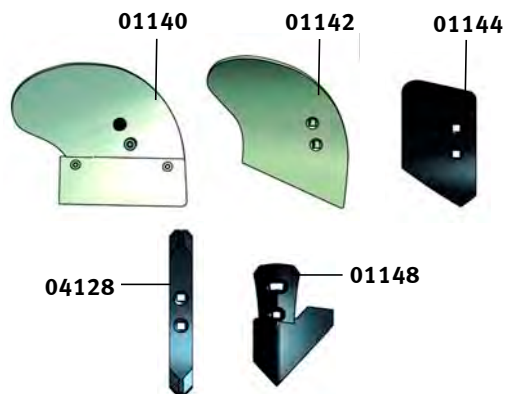
- 1 To maintain the area around the vine trunk free of weeds
- 2 To cultivate and loosen soil around the vine trunk and under the vines

BRAUN Dished ploughshare and Cultivator LUV *Perfekt* and accessories

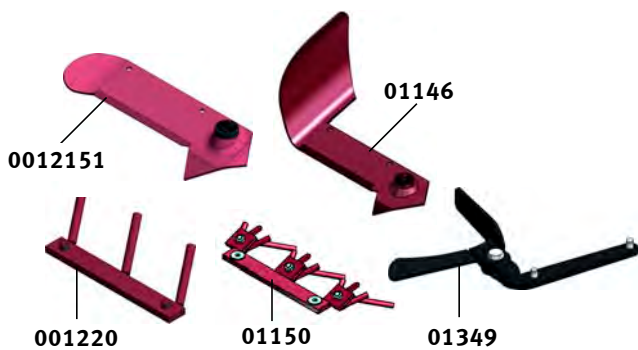


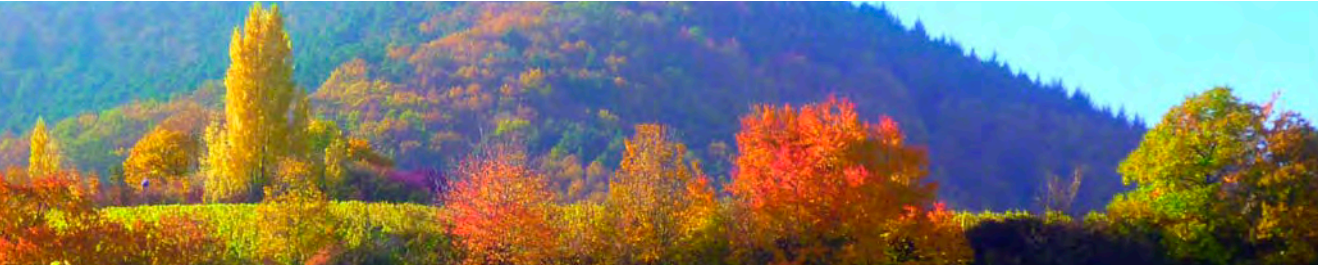
Rigid leg straight
can hold many types of shares.

Rigid leg offset
can hold many ploughshares.



Ploughshares and Knives
Different ploughshares and knives are available for your desired work method or requirements.





Dished ploughshare and cultivator LUV *Perfekt* and accessories

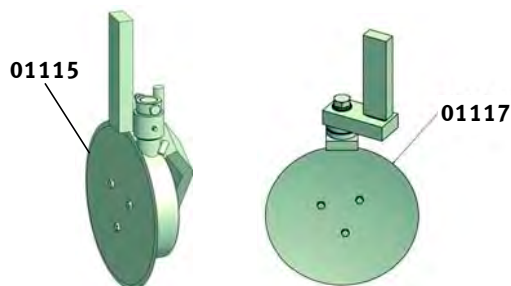
Ref. No.	Article	Weight in kg	Price excl. VAT
01125	Rigid leg straight, right/left for goose foot shaped attachment, cultivator and ploughing body	5,0	
01126	Rigid leg offset for all feet and ploughshares	5,0	
01127	right left	5,0	
01140	Ploughshare with replaceable blades	5,0	
01141	right left	5,0	
01142	Ploughshare without replaceable blades	3,0	
01143	right left	3,0	
01144	Ploughshare half heart shaped	1,5	
01145	right left	1,5	
04128	Ripper leg foot, curved 16 x 40 x 300, right / left	1,5	
01148	Goose foot blade 1/2, right	1,0	
01149	Goose foot blade 1/2, left	1,0	
0012151	Flat blade 350 mm for LUV R/H, right	2,7	
00121511	Flat blade 350 mm for LUV L/H, left	2,7	
01146	Pull out/demounging knife 350 mm, right	5,0	
01147	Pull out/demounging knife 350 mm, left	5,0	
001220	Separator for flat blade 350 mm R/H, right	0,5	
0012201	Separator for flat blade 350 mm L/H, left	0,5	
01150	Vibrating fingers with three spurs for flat blade 350 mm	1,7	
01349	Reamer (cure cep) for standard blade 350 mm, right	3,0	
01350	Reamer (cure cep) for standard blade 350 mm, left	3,0	
001211301	Flat blade 500 mm for LUV R/H, right	5,0	
001211311	Flat blade 500 mm for LUV L/H, left	5,0	
0012073	Pull out/demounging knife 500 mm, right	5,0	
00120731	Pull out/demounging knife 500 mm, left	5,0	
001208	Extension wing for demounging, for flat blade 500 mm, right	1,7	
0012081	Extension wing for demounging, for flat blade 500 mm, left	1,7	
001217	Separator for flat blade 500 mm, right	0,6	
0012171	Separator for flat blade 500 mm, left	0,6	
01167	Vibrating fingers with four spurs for flat blade 500 mm, right	2,0	
011671	Vibrating fingers with four spurs for flat blade 500 mm, left	2,0	
01351	Reamer (cure cep) for standard blade 500 mm, right	3,0	
01352	Reamer (cure cep) for standard blade 500 mm, left	3,0	



LUV PERFECT. BASIC DEVICE.

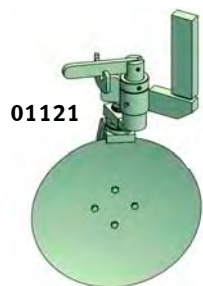
- 1 To maintain the area around the vine trunk free of weeds
- 2 To cultivate and loosen soil around the vine trunk and under the vines

BRAUN Dished ploughshare and Cultivator LUV *Perfekt* and accessories



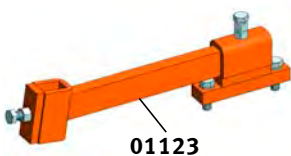
Straight Coultter disc 300mm Ø, with depth limiting ring (01115 - right side / 01116 - left side)

with depth limiting ring 300 mm diameter, it is a straight coultter cutting disc which is suitable for cutting ground that is not hard. It is provided with an 80 mm wide internal ring which functions as a support wheel.



Concave Coultter disc 300 mm Ø/350 mm Ø (01117 - right side / 01118 - left side)

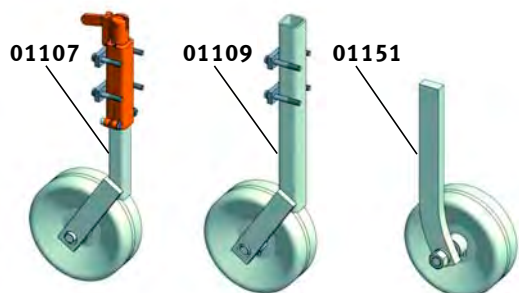
is a curved disc for cutting grass edges and leading the ploughshare into the ground. It can be set to mound up modestly.



01121

Concave Clearing disc 350 mm Ø, quick adjustment (01121 - right side/ 01122 - left side)

used in conjunction with the LUV for returning material that has rolled onto the grassed aisle. This device is designed for vineyards with side slopes, but excellent on level vineyards, particularly in stoney situations

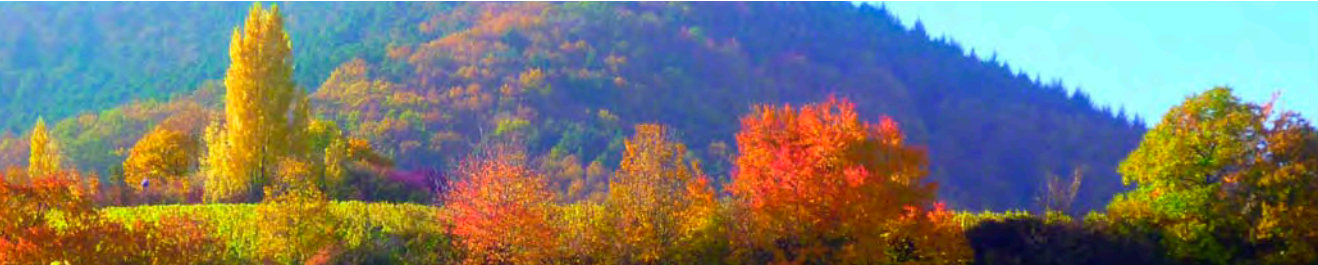


Clamp adjustable land wheel

provided with a tab and two clamped screws. A spanner is needed to adjust it. Otherwise please see version described below.

Screw adjustable depth wheel

A simple manual adjustment, without any tools. The bearing and seal of the wheel ensures years of life without repair.



Dished ploughshare and cultivator LUV *Perfekt* and accessories

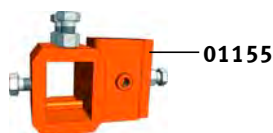
Ref. No.	Article	Weight in kg	Price excl. VAT
01115 01116	Straight Coulter disc 300 mm Ø , with depth limiting ring, swivel wheel with tapered roller bearings, dust and waterproof right left	11,5 11,5	
01117 01118	Concave Coulter disc 300 mm Ø , angle adjustment Tapered roller bearing, dust and waterproof right left	11,0 11,0	
01119 01120	Concave Coulter disc 350mm Ø , angle adjustment Tapered roller bearing, dust and waterproof right left	12,5 12,5	
01121 01122	Concave Coulter disc 350 mm Ø , quick adjustment Tapered roller bearing dust and waterproof, to be used with bracket Nr. 01123/01124 right left	15,0 15,0	
01123 01124	Bracket for second concave coulter right left	8,5 8,5	
01107 01108	Screw adjustable support wheel with ball bearings, narrow wheel, dust- and waterproof right left	9,0 9,0	
01113 01114	Screw adjustable support wheel with ball bearings, wide wheel, dust- and waterproof right left	16,0 16,0	
01109 01110	Clamp adjustable land wheel with ball bearings, dust and waterproof right left	7,5 7,5	
01151 01152	Depth wheel with bent leg for LUV bracket right left	12,0 12,0	



LUV PERFECT. BASIC DEVICE.

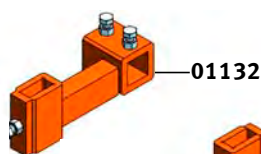
- 1 To maintain the area around the vine trunk free of weeds
- 2 To cultivate and loosen soil around the vine trunk and under the vines

BRAUN Dished ploughshare and Cultivator LUV *Perfekt* and accessories



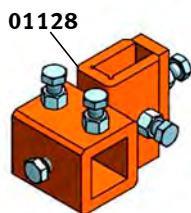
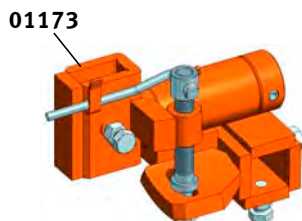
Short bracket for rigid leg

can hold all short tools, for example rigid leg with goose foot blade or swivel scalloped disc.



Long bracket for rigid leg

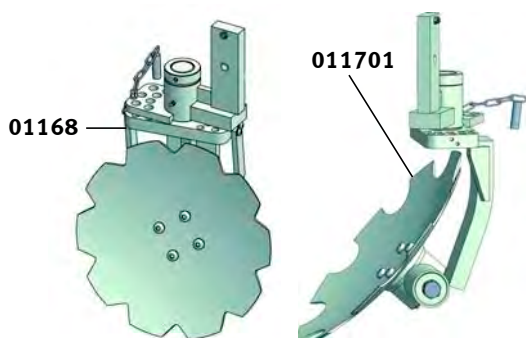
can accommodate all feet and ploughshares.



Universal swivel tool bracket with screw adjustment

Angles can be simply changed without the use of tools.

Short universal bracket



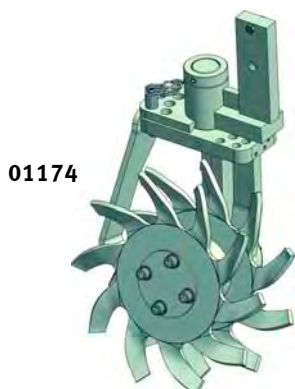
Swivel scalloped disc with hole pattern and angular adjustment

The disc plough angle can be adjusted without tools:

- completely enclosed bearing
- extremely narrow construction
- with stone and dirt scrapers

With the swivelling universal mounting, the horizontal angle can also be adjusted without tools.

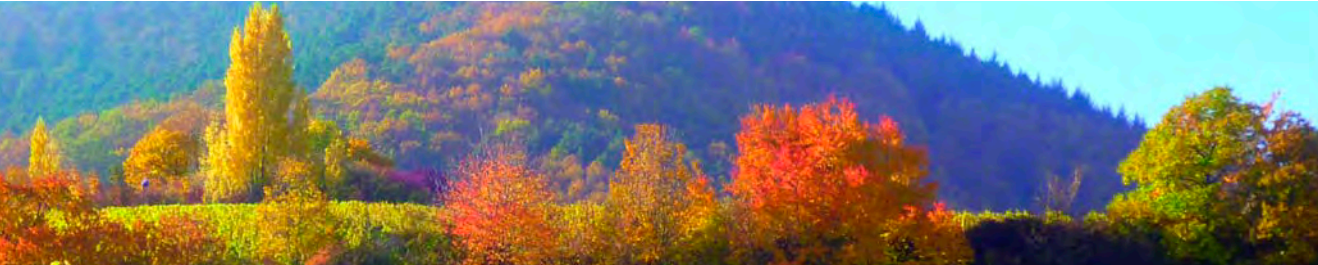
The universal mounting is extremely stable for other tools like plough or cultivator. The swivel scalloped disc can be mid-mounted with the universal bracket on the hydraulic lift or can be mounted on both sides of the Vario cultivator.



Rotary star tiller BRAUN with multiple hole and pin configuration

The BRAUN Rotary star tiller can be mounted with universal brackets on both sides of the tractor either

- between the wheels
- front mounted or
- rear mounted.



Dished ploughshare and cultivator LUV *Perfekt* and accessories

Ref. No.	Article	Weight in kg	Price excl. VAT
01155 01156	Short bracket with U-clamp 60 x 25 mm lateral adjustment right, square 50 mm left, square 50 mm	5,0 5,0	
01132 01133	Long bracket with U-clamp 60 x 25 mm for rigid leg right, square 50 mm left, square 50 mm	6,7 6,7	
01136 01137	Long bracket with U-clamp 60 x 25 mm lateral adjustment right, square 50 mm left, square 50 mm	6,7 6,7	
01159 01160	Universal bracket with U-clamp 60 x 25 mm for rigid handle with blade or disc plough and C-shaped tine, or two disc ploughs in a row right, square 50 mm left, square 50 mm	20,0 20,0	
01163 01164	Laterally adjustable universal bracket with U-clamp 60 x 25mm for rigid handle with blade or disc plow and C- shaped tines, or two disc ploughs in a row right, square 50 mm left, square 50 mm	20,0 20,0	
01172 01173	Universal support, without tool, continuously adjustable right left	16,0 16,0	
01128	Short bracket with U-clamp 60 x 25 mm for rigid leg Square 50 mm right/left	8,0	
011281	Mounting body for U-bracket, 60 x 25 mm for using rigid leg 50 x 25 mm in combination with bracket: 01128 f.e.	0,1	
01168	Swivel scalloped disc Ø 400 mm, hole pattern adjustment	25,0	
011681 0116811	Swivel scalloped disc Ø 400 mm, hole pattern and angular adjustment right left	25,0 25,0	
01170	Swivel scalloped disc Ø 460 mm, hole pattern adjustment	28,0	
011701 0117011	Swivel scalloped disc Ø 460 mm, hole pattern and angular adjustment right left	28,0 28,0	
01174	Rotary star tiller with dual star wheels, right side with hole and pin adjustment pattern	32,5	
011741	Rotary star tiller with dual star wheels, left side with hole and pin adjustment pattern	32,5	



ROTARY STAR TILLER

- 1 For breaking up lumps and cultivating around the vines
- 2 For clearing weeds and conditioning the soil

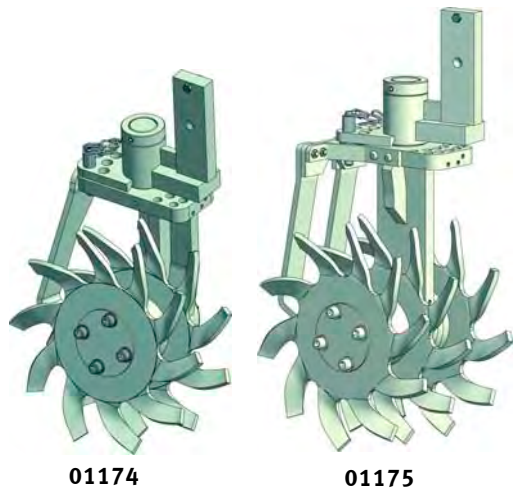
BRAUN Rotary star tiller

Rotary star tiller BRAUN with multiple hole and pin configuration

The Rotary star tiller will break up lumps and cultivate around the vines thereby clearing weeds and conditioning the soil. Multiple hole and pin configuration permits many angles. Angles can be simply changed **without** the use of tools. The BRAUN universal mount allows for an easy tilt angle adjustment, performed by a simple crank.

The BRAUN Rotary star tiller can be mounted on both sides of the tractor either

- between the wheels
- front mounted or
- rear mounted.

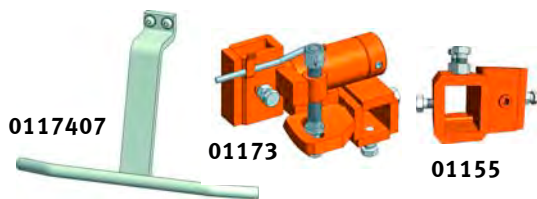


01174

01175

Side deflectors for Rotary star tiller

Universal swivel tool bracket with screw adjustment
Angles can be simply changed without the use of tools.

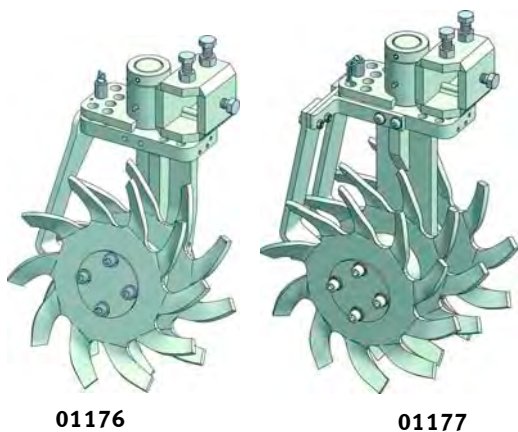


0117407

01173

01155

Implement mounting bracket

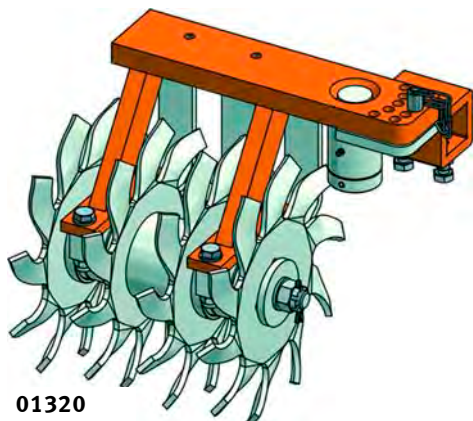


01176

01177

Rotary star tiller (dual, triple) with hole and pin adjustment pattern and square bracket

Rotary star tiller with four star wheels for orchards



01320



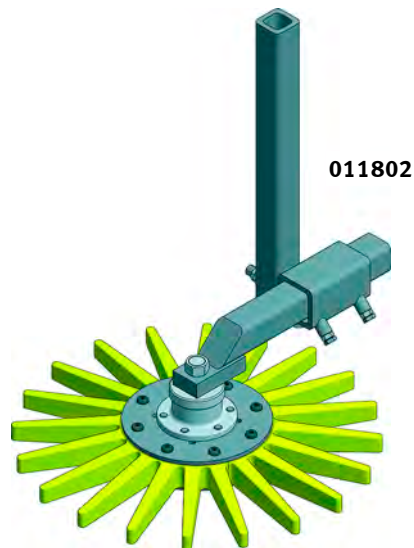
BRAUN Rotary star tiller

Ref. No.	Article	Weight in kg	Price excl. VAT
01174	Rotary star tiller with dual star wheels, right side with multiple hole and pin adjustment pattern	32,5	
011741	Rotary star tiller with dual star wheels, left side with multiple hole and pin adjustment pattern	32,5	
01175	Rotary star tiller with triple star wheels, right side with multiple hole and pin adjustment pattern	35,5	
011751	Rotary star tiller with triple star wheels, left side with multiple hole and pin adjustment pattern	39,5	
0117407	Side deflectors for Rotary star tiller, double	2,6	
0117507	Side deflectors for Rotary star tiller, triple	2,6	
01172	Universal swivel tool bracket with screw adjustment right	16,0	
01173	left	16,0	
01155	Implement mounting bracket right, square 50 mm	5,0	
01156	left, square 50 mm	5,0	
01176	Rotary star tiller with dual star wheels, right side with multiple hole and pin adjustment pattern and square bracket	32,5	
011761	Rotary star tiller with dual star wheels, left side with multiple hole and pin adjustment pattern and square bracket	32,5	
01177	Rotary star tiller with triple star wheels, right side with multiple hole and pin adjustment pattern and square bracket	39,0	
011771	Rotary star tiller with triple star wheels, left side with multiple hole and pin adjustment pattern and square bracket	39,0	
01320	Rotary star tiller with four star wheels for orchards, right	61,0	
01321	Rotary star tiller with four star wheels for orchards, left	61,0	



FINGER WEEDER

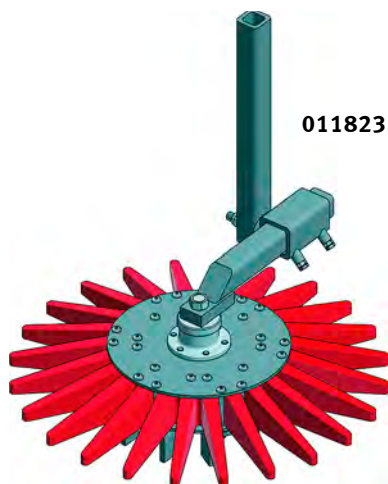
- 1 For breaking up lumps and cultivating around the vines
- 2 For clearing weeds and conditioning the soil



011802

Finger weeder

Finger weeder, Ø 540 mm

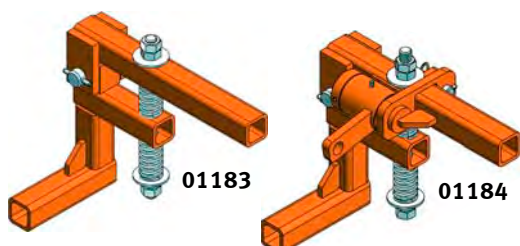


011823

Finger weeder, Ø 700 mm



Four cornered adjustable position clamp
Square tool bar for vertical hydraulic lift



Finger weeder mounting bracket for mower
Angle adjustable finger weeder mounting bracket for mower



Finger weeder

Ref. No.	Article	Weight in kg	Price excl. VAT
011802	Finger weeder Ø 540 mm, medium (yellow), with adjustable arm	27,6	
011803	Finger weeder Ø 540 mm, rigid (red), with adjustable arm	27,6	
011822	Finger weeder Ø 700 mm, medium (yellow), with adjustable arm	27,6	
011823	Finger weeder Ø 700 mm, rigid (red), with adjustable arm	27,6	
04394	Four cornered adjustable position clamp	8,0	
01244	Square tool bar, for vertical hydraulic lift	10,0	
01183	Finger weeder mounting bracket for mower, right	14,0	
011831	Finger weeder mounting bracket for mower, left	14,0	
01184	Angle adjustable finger weeder mounting bracket for mower, right	14,0	
011841	Angle adjustable finger weeder mounting bracket for mower, left	14,0	

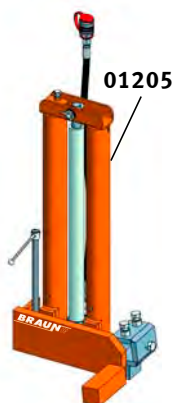


LUV PERFECT. BASIC DEVICE.

- 1 To maintain the area around the vine trunk free of weeds
- 2 To cultivate and loosen soil around the vine trunk and under the vines

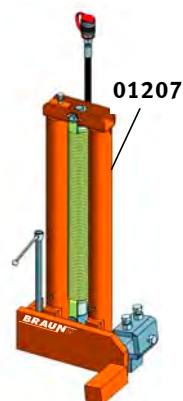
EW = single acting
DW = double acting

BRAUN Dished ploughshare and Cultivator LUV *Perfekt* and accessories



Precise vertical hydraulic lift EW – single acting displacement cylinder made of two round polished steel of high strength two thick-walled steel tubes with integrated bearings and dirt protection.

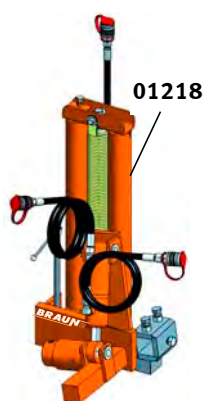
Genuine engineering work. Robust and suitable for all sizes of tractors.



Precise vertical hydraulic lift DW – double acting

features the same design as above but with double acting lift cylinders.

In addition to the LUV this item is used for lifting the vine stem cleaner, mulchers and pulling out vineyard posts.

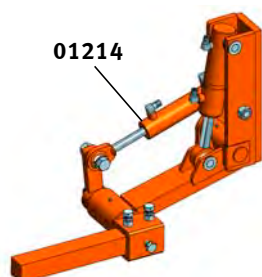


Precise vertical hydraulic lift with return spring

favourable, if used to lift ploughshares or coulter discs while breaking ground.

Precise vertical hydraulic lift EW – single acting displacement cylinder

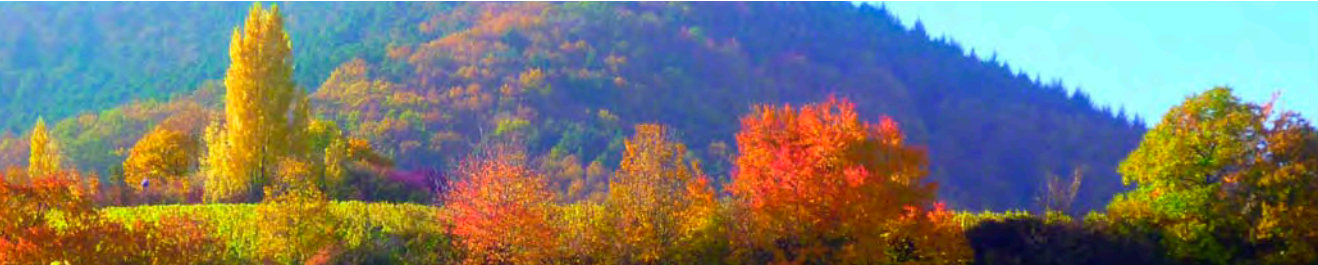
with hydraulic side slope adjustment.



Universal hydraulic lift PA

applicable in vineyards with side slopes and in orchards.

Can be mechanically or hydraulically adjusted to side slopes.



Dished ploughshare and cultivator LUV *Perfekt* and accessories

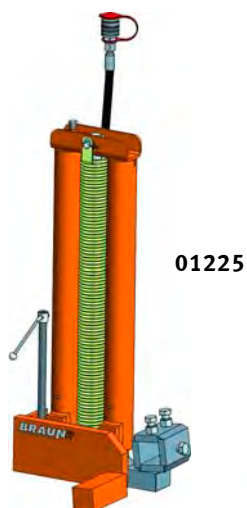
Ref. No.	Article	Weight in kg	Price excl. VAT
01205	Precise vertical lift EW (single acting) with EW (single acting)-cylinder lift 500 mm adjusting spindle, hydr. hose and connectors right	63,5	
01206	left	63,5	
01207	Precise vertical hydraulic lift EW (single acting) with spring right	63,5	
01208	left	63,5	
01209	Precise vertical hydraulic lift DW (double acting) with DW (double acting)-cylinder lift 500 mm hydr. hoses and connectors right	63,5	
01210	left	63,5	
01216	Precise vertical hydraulic lift EW (single acting) with hydraulic side slope adjustment right	83,5	
01217	left	83,5	
01218	Precise vertical hydraulic lift EW (single acting) with hydraulic side slope adjustment & spring right	83,5	
01219	left	83,5	
01220	Precise vertical hydraulic lift DW (double acting) with hydraulic side slope adjustment right	83,5	
01221	left	83,5	
01212	Universal hydraulic lift PA mechanical adjustment on side slope hydr. hoses and connectors right	47,0	
01213	left	47,0	
01214	Universal hydraulic lift PA hydraulic side slopes adjustment hydr. hoses and connectors right	50,0	
01215	left	50,0	



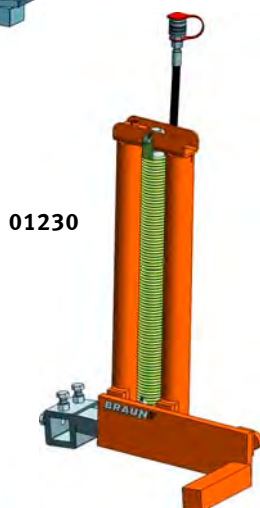
LUV *PERFEKT*. BASIC DEVICE.

- 1 To maintain the area around the vine trunk free of weeds
- 2 To cultivate and loosen soil around the vine trunk and under the vines

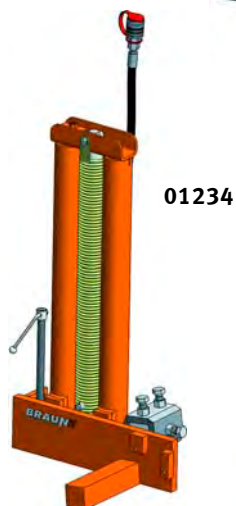
BRAUN Dished ploughshare and Cultivator LUV *Perfekt* and accessories



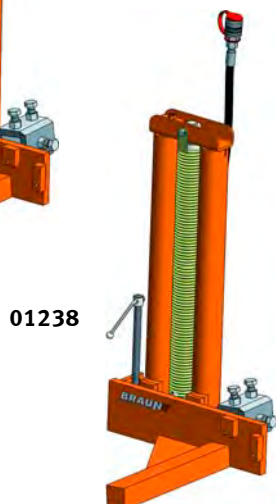
Precise vertical hydraulic lift EW
with short plate and return spring



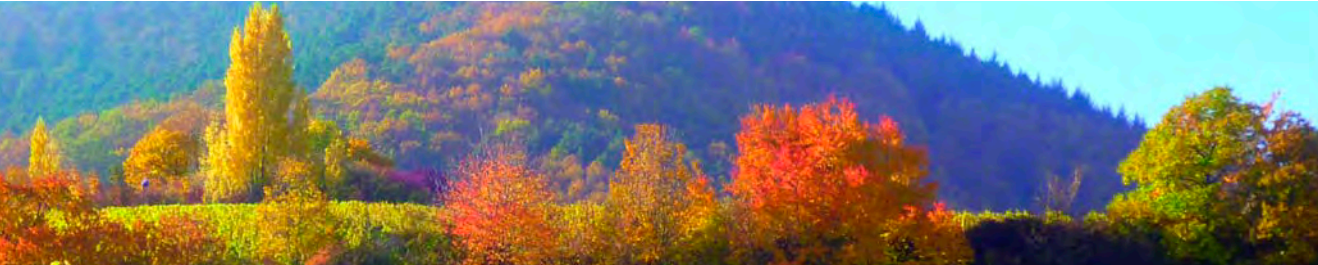
Precise vertical hydraulic lift EW - front mounted
with return spring



Precise vertical hydraulic lift EW
with extended plate and bracket for depth wheel



Precise vertical hydraulic lift EW
with extended plate, extended shaft and bracket for depth wheel



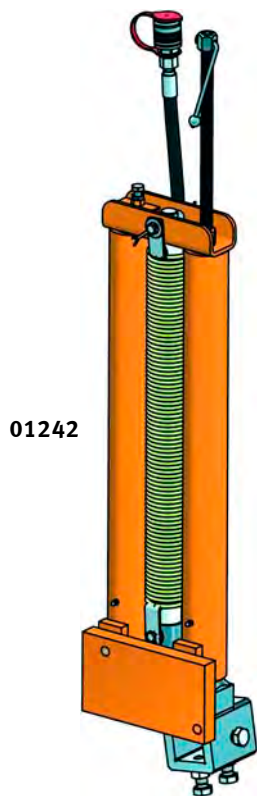
Dished ploughshare and cultivator LUV *Perfekt* and accessories

Ref. No.	Article	Weight in kg	Price excl. VAT
01225 01226	<p>Precise vertical hydraulic lift EW with EW (single acting)-cylinder lift 500 mm adjusting spindle, hydr. hose and connectors, with return spring with short plate, right with short plate, left</p>	63,5 63,5	
01227 01228	<p>Precise vertical hydraulic lift DW with DW (double acting)-cylinder lift 500 mm with short plate, right with short plate, left</p>	63,5 63,5	
01230 01231	<p>Precise vertical hydraulic lift EW - front mounted with return spring right left</p>	63,5 63,5	
01232 01233	<p>Precise vertical hydraulic lift DW - front mounted right left</p>	63,5 63,5	
01234 01235	<p>Precise vertical hydraulic lift EW with return spring, extended plate and bracket for depth wheel right left</p>	63,5 63,5	
01236 01237	<p>Precise vertical hydraulic lift DW with extended plate and bracket for depth wheel right left</p>	63,5 63,5	
01238 01239	<p>Precise vertical hydraulic lift EW with return spring, extended plate, extended shaft, gusset plate and bracket for depth wheel right left</p>	63,5 63,5	
01240 01241	<p>Precise vertical hydraulic lift DW with extended plate, extended shaft, gusset plate and bracket for depth wheel right left</p>	63,5 63,5	



LUV PERFECT. BASIC DEVICE.

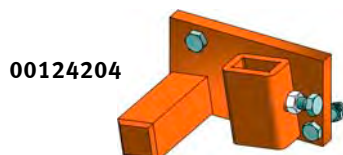
- 1 To maintain the area around the vine trunk free of weeds
- 2 To cultivate and loosen soil around the vine trunk and under the vines



01242

BRAUN Dished ploughshare and Cultivator LUV *Perfekt* and accessories

Precise vertical hydraulic lift EW



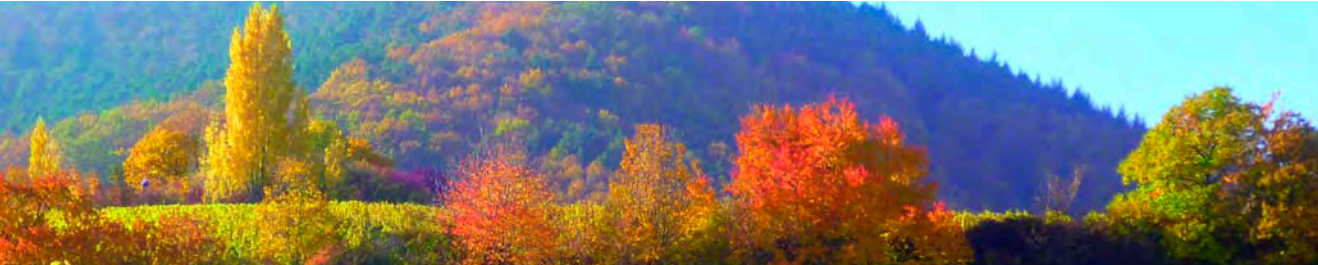
00124204

Square steel mounting plate and implement clamp
and square tool bar (50x50) for precise vertical lift EW, compact version



00124205

Square steel mounting plate with square tool bar (50x50)
for precise vertical lift EW, compact version



Dished ploughshare and cultivator LUV *Perfekt* and accessories

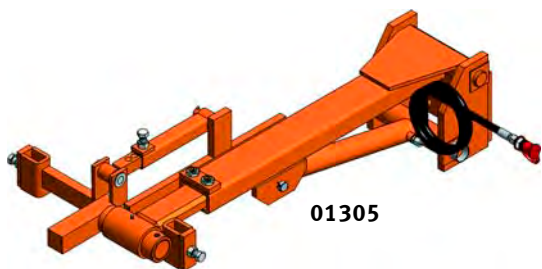
Ref. No.	Article	Weight in kg	Price excl. VAT
	Precise vertical hydraulic lift EW		
01242	right	63,0	
01243	left	63,0	
	Square steel mounting plate and implement clamp and square tool bar (50x50) for precise vertical hydraulic lift EW, compact version		
00124204	right	8,5	
00124304	left	8,5	
	Square steel mounting plate with square tool bar (50x50) for precise vertical hydraulic lift, compact version		
00124205	right	6,9	
00124305	left	6,9	



LUV PERFECT. BASIC DEVICE.

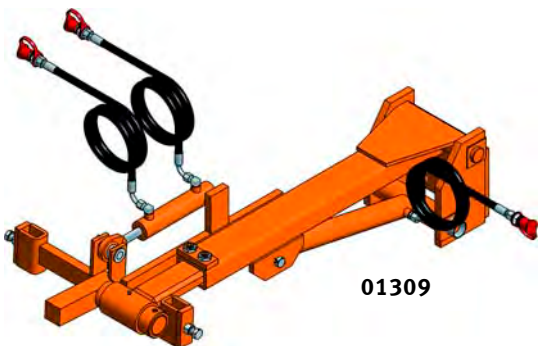
- 1 To maintain the area around the vine trunk free of weeds
- 2 To cultivate and loosen soil around the vine trunk and under the vines

BRAUN Dished ploughshare and Cultivator LUV *Perfekt* and accessories



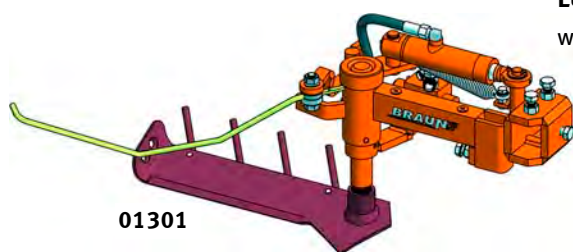
01305

Telescopic hydraulic lift
with side slope adjustment (mechanical)
right



01309

Telescopic hydraulic lift
with side slope control (hydraulic)
with hydraulic hoses and connectors
right



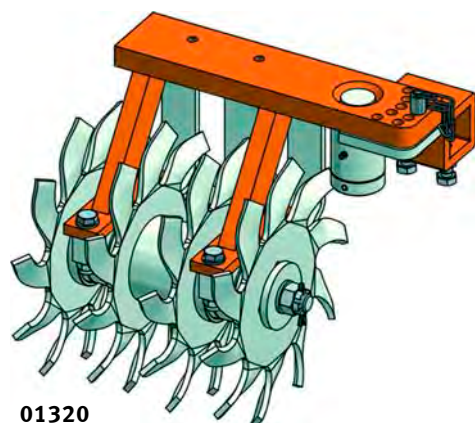
01301

LUV *Perfekt* undervine weeder
with short shaft for orchards



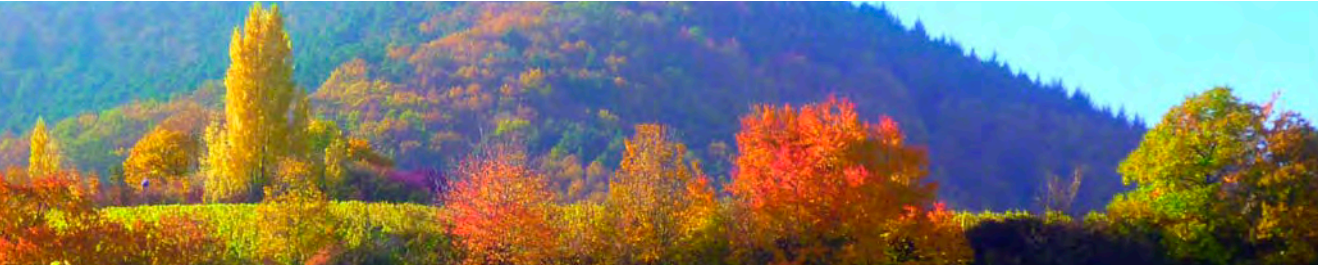
0012184

Flat blade/KB 500 mm with spline bush



01320

Rotary star tiller with four star wheels for orchards



Dished ploughshare and cultivator LUV *Perfekt* and accessories

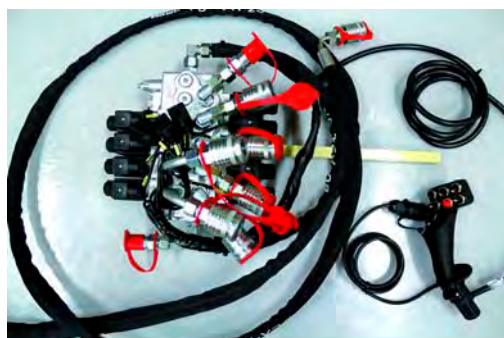
Ref. No.	Article	Weight in kg	Price excl. VAT
01305 01306	Telescopic hydraulic lift with side slope adjustment (mechanical) right left	48,0 48,0	
01309 01310	Telescopic hydraulic lift with side slope control (hydraulic) with hydraulic hoses and connectors right left	48,0 48,0	
01301 01302	Undervine weeder LUV <i>Perfekt</i> with short shaft for orchards right left	42,0 42,0	
001218401 001218411	Flat blade/KB with spline bush 500 mm right left	4,0 4,0	
01320 01321	Rotary star tiller with four star wheels for orchards right left	61,0 61,0	



LUV PERFECT. BASIC DEVICE.

- 1 To maintain the area around the vine trunk free of weeds
- 2 To cultivate and loosen soil around the vine trunk and under the vines

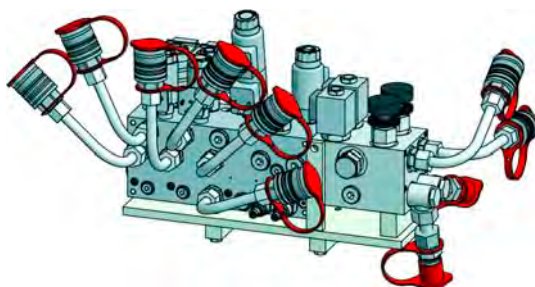
BRAUN Dished ploughshare and Cultivator LUV *Perfekt* and accessories



Hydraulic control block

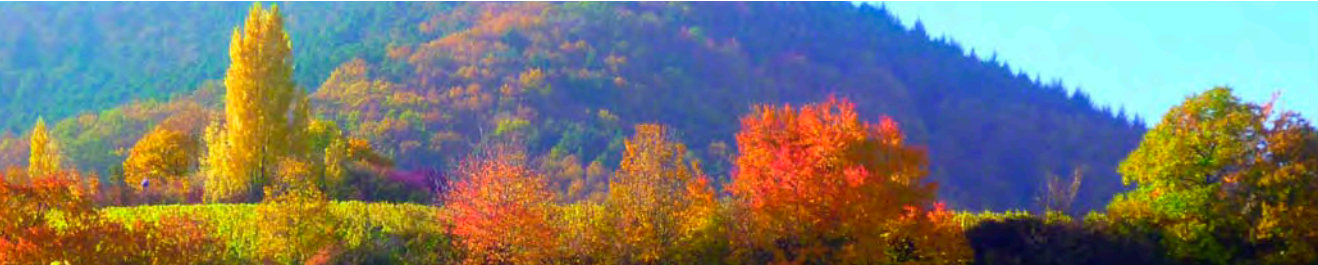
5-way, electronically joystick operated, 3 x EW, 2 x DW
with oil flow regulator

f.e. for a mid mounted, double sided LUV *Perfekt* undervine weeder,
with hydraulically width adjustment, vertical liftings and one paire of rotary tillers
01153/01154



Hydraulic control block

4-way. electronically joystick operated, 2 x EW, 2 x DW
with oil flow regulator and LUV block included



Dished ploughshare and cultivator LUV *Perfekt* and accessories

Ref. No.	Article	Weight in kg	Price excl. VAT
590001	Hydraulic control block 3-way, lever operated, 2 x DW (double acting), 1 x EW (single acting) with oil flow regulator f.e. for double sided undervine weeder LUV <i>Perfekt</i> equipped with rotary tillers 01153/01154 and hydraulically width adjustment	13,0	
590002	Hydraulic control block 3-way, lever operated, 2 x EW (single acting), 1 x DW (double acting) with oil flow regulator f.e. for undervine weeder LUV <i>Perfekt</i> on one side, equipped with rotary tiller 01153 and vertical hydraulic lift	13,0	
590003	Hydraulic control block 5-way, lever operated, 3 x EW (single acting), 2 x DW (double acting) with oil flow regulator f.e. for double sided undervine weeder LUV <i>Perfekt</i> vertical hydraulic lifts left/right 01207/01208, hydraulically width adjustment and rotary tillers 01153/01154	16,0	
590005	Hydraulic control block, 4-way, electronically joystick operated, 2 x EW, 2 x DW, with oil flow regulator and LUV block included	10,0	
590101	Hydraulic control block, 5-way, electronically joystick operated, 3 x EW (single acting), 2 x DW (double acting) with oil flow regulator f.e. for double sided undervine weeder LUV <i>Perfekt</i> vertical hydraulic lifts left/right 01207/01208, hydraulically width adjustment and rotary tillers 01153/01154	16,0	
590105	External oil-supply consisting of: Oil-tank, oil-pump with gearbox, oil-cooler and 3-way hydraulic control block	120,0	
590106	External oil-supply consisting of: Oil-tank, oil-pump with gearbox, oil-cooler without hydraulic control block	100,0	



LUV PERFEKT. BASIC DEVICE.

- 1 To maintain the area around the vine trunk free of weeds
- 2 To cultivate and loosen soil around the vine trunk and under the vines

BRAUN Modular System

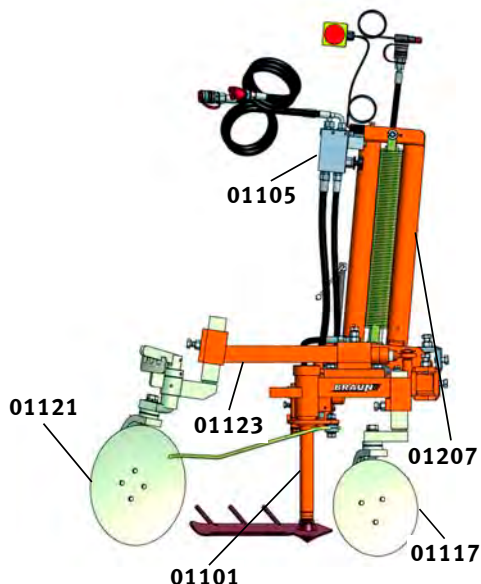
Solutions for different types of work

Combinations and examples of orders BRAUN LUV *Perfekt*

Dished ploughshare and Cultivator LUV *Perfekt*

Equipped with

➔ summer work in leafy alleys, one-sided



Ref. No.	Article	Quantity	Price excl. VAT
01101	LUV <i>Perfekt</i> right	1	
01105	Single electro-magnetic overriding control	1	
01117	Concave coultter disc 300 mm	1	
01123	Bracket for clearing disc, right	1	
01121	Concave clearing disc 350mm, quick adjustment	1	
01207	Precise vertical hydraulic lift with return spring and single-acting cylinder	1	

BRAUN Modular Solution total:

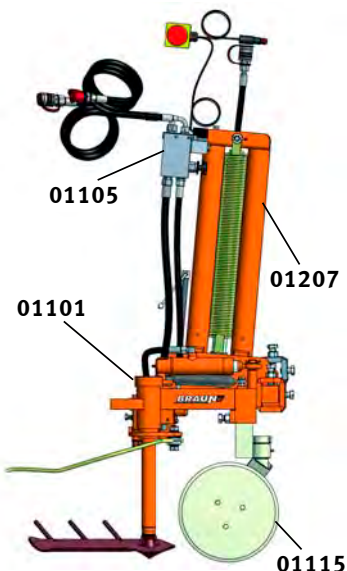
01101	LUV <i>Perfekt</i> right	1	
01105	Single electro-magnetic overriding control	1	
01117	Concave coultter disc 300 mm	1	
01207	Precise vertical hydraulic lift with return spring and single-acting cylinder	1	

BRAUN Modular Solution total:

Dished ploughshare and Cultivator LUV *Perfekt*

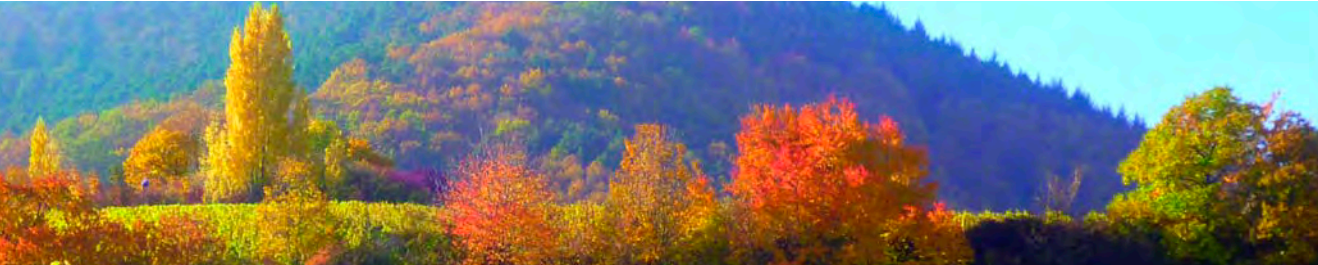
Equipped with

➔ straight coultter disc 300 mm with depth limiting rim



Ref. No.	Article	Quantity	Price excl. VAT
01101	LUV <i>Perfekt</i> right	1	
01105	Single electro-magnetic overriding control	1	
01115	Straight Coultter disc 300mm with depth limiting ring	1	
01207	Precise vertical hydraulic lift with return spring and single-acting cylinder	1	

BRAUN Modular Solution total:



Dished ploughshare and cultivator LUV *Perfekt* | combinations

BRAUN Modular System

Solutions for different types of work

Combinations and examples of orders **BRAUN LUV *Perfekt***

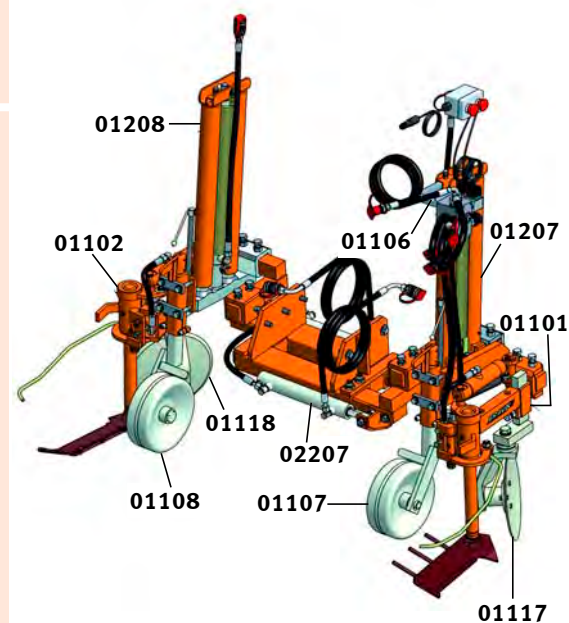
LUV *Perfekt* mid-mounted, both-sided

Equipped with

→ hydraulic width adjustment for leafy alleys

Ref. No.	Article	Quantity	Price excl. VAT
01101	LUV <i>Perfekt</i> 350 mm, right	1	
01102	LUV <i>Perfekt</i> 350 mm, left	1	
01106	Dual electro-magnetic overriding control	1	
01107	Screw adjustable land wheel, right	1	
01108	Screw adjustable land wheel, left	1	
01117	Concave coulter disc 300 mm, right	1	
01118	Concave coulter disc 300 mm, left	1	
01207	Precise vertical hydraulic lift EW with return spring and single-acting cylinder, right	1	
01208	Precise vertical hydraulic lift EW with return spring and single-acting cylinder, left	1	
02207	Hydraulically width adjustable frame	1	

BRAUN Modular Solution total:



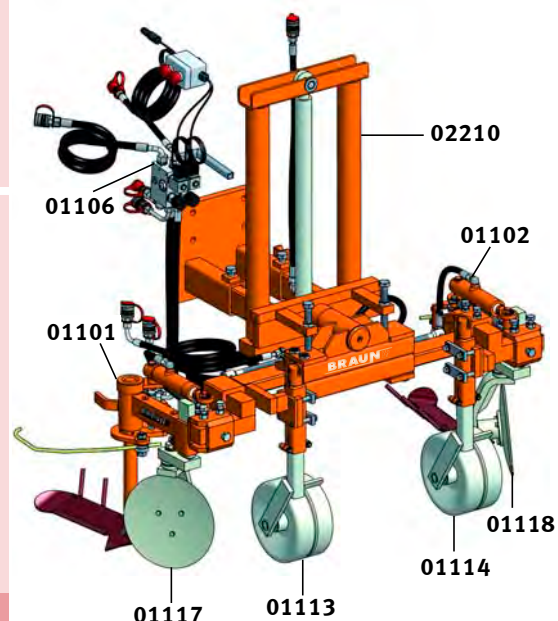
LUV *Perfekt* mid-mounted, both-sided

Equipped with

→ single hydraulic lift, hydraulic width adjustment and pair of Screw adjustable land wheels

Ref. No.	Article	Quantity	Price excl. VAT
01101	LUV <i>Perfekt</i> 350 mm, right	1	
01102	LUV <i>Perfekt</i> 350 mm, left	1	
01106	Dual electro-magnetic overriding control	1	
01117	Concave coulter disc 300 mm, right	1	
01118	Concave coulter disc 300 mm, left	1	
02210	Mono front mounting with single hydr. lift (depth wheels included)	1	

BRAUN Modular Solution total:





LUV PERFEKT. BASIC DEVICE.

- 1 To maintain the area around the vine trunk free of weeds
- 2 To cultivate and loosen soil around the vine trunk and under the vines

BRAUN Modular System

Solutions for different types of work

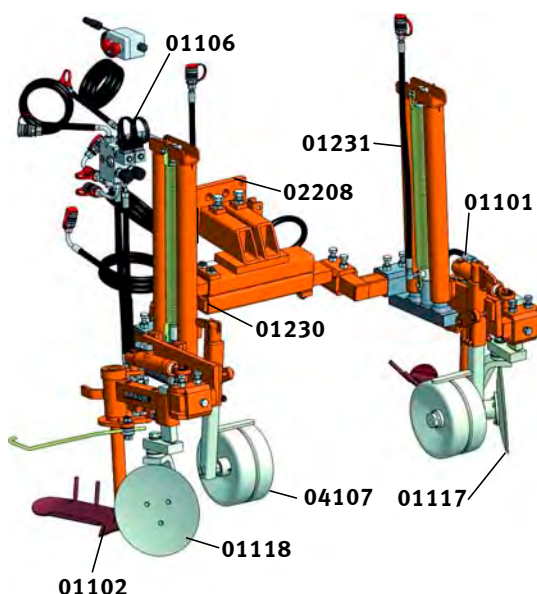
Combinations and examples of orders BRAUN LUV *Perfekt*

LUV *Perfekt* front mounted

Equipped with

➔ both-sided separate vertical hydraulic lift

022121



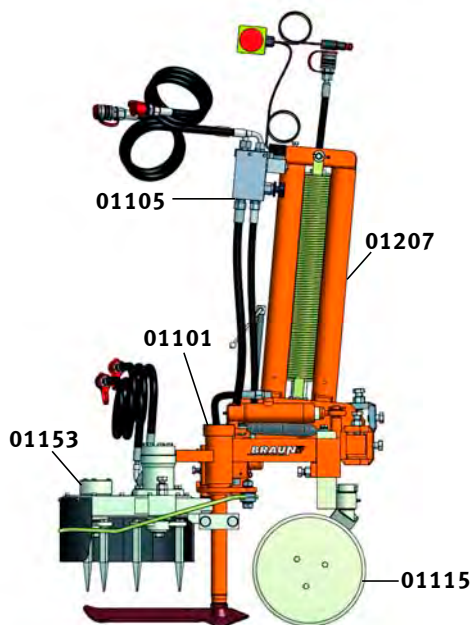
Ref. No.	Article	Quantity	Price excl. VAT
01101	LUV <i>Perfekt</i> 350 mm right	1	
01102	LUV <i>Perfekt</i> 350 mm left	1	
01106	Dual electro-magnetic overriding control	1	
01113	Screw adjustable land wheel, right	1	
01114	Screw adjustable land wheel, left	1	
01117	Concave coulter disc 300 mm, right	1	
01118	Concave coulter disc 300 mm, left	1	
01230	Precise vertical hydraulic lift with return spring front mounted, right	1	
01231	Precise vertical hydraulic lift with return spring für Frontanbau, left	1	
02208	Hydraulically width adjustable mounting frame for front mounting both-sided	1	

BRAUN Modular solution total:

LUV *Perfekt*, one-sided

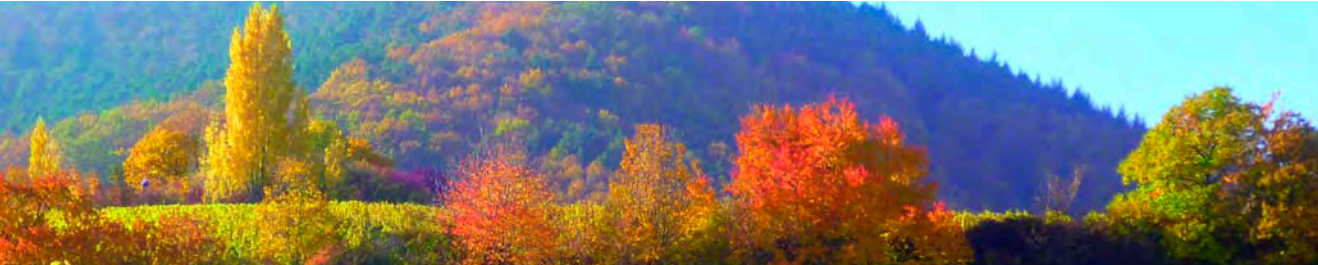
Equipped with

➔ suitable for heavy soils



Ref. No.	Article	Quantity	Price excl. VAT
01101	LUV <i>Perfekt</i> 350 mm, right	1	
01105	Single electro-magnetic overriding control	1	
01115	Straight Coulter disc 300 mm	1	
01153	Rotary tiller, right	1	
01207	Precise vertical hydraulic lift EW with return spring and single-acting cylinder, right	1	

BRAUN Modular solution total:



Dished ploughshare and cultivator LUV *Perfekt* | combinations

BRAUN Modular System

Solutions for different types of work

Combinations and examples of orders BRAUN LUV *Perfekt*

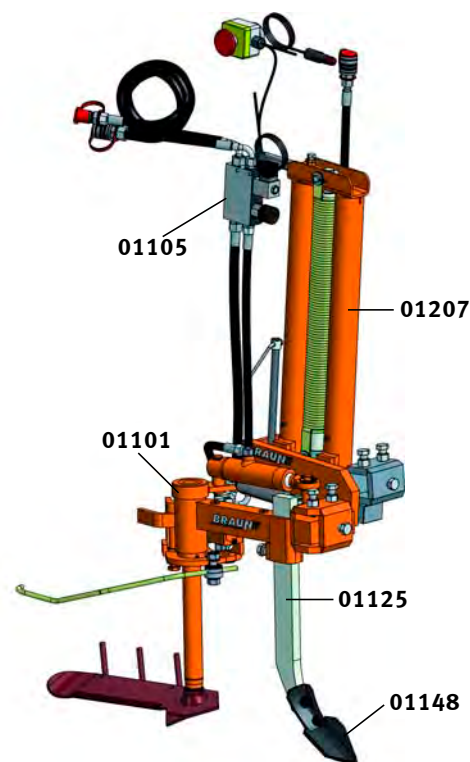
LUV *Perfekt*

Equipped with

➔ heavy and stony soils in cultured alleys

Ref. No.	Article	Quantity	Price excl. VAT
01101	LUV <i>Perfekt</i> 350 mm, right	1	
01105	Single electro-magnetic overriding control	1	
01125	Rigid leg, right	1	
01148	Goose foot blade 1/2, right	1	
01207	Precise vertical hydraulic lift EW with return spring and single-acting cylinder, right	1	

BRAUN Modular Solution total:



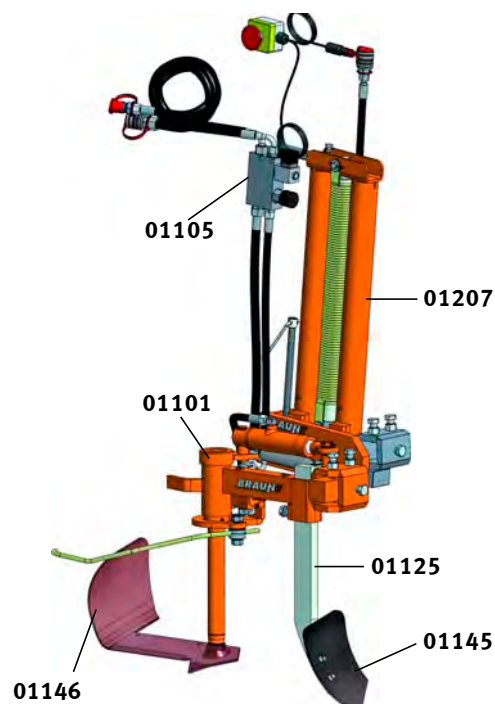
LUV *Perfekt*

Equipped with

➔ demounting previously mounded rows in vineyards

Ref. No.	Article	Quantity	Price excl. VAT
01101	LUV <i>Perfekt</i> 350 mm right	1	
01105	Single electro-magnetic overriding control	1	
01125	Rigid leg offset, right	1	
01145	Half heart ploughshare	1	
01146	Pull out knife, right	1	
01207	Precise vertical hydraulic lift EW with return spring and single-acting cylinder, right	1	

BRAUN Modular Solution total:





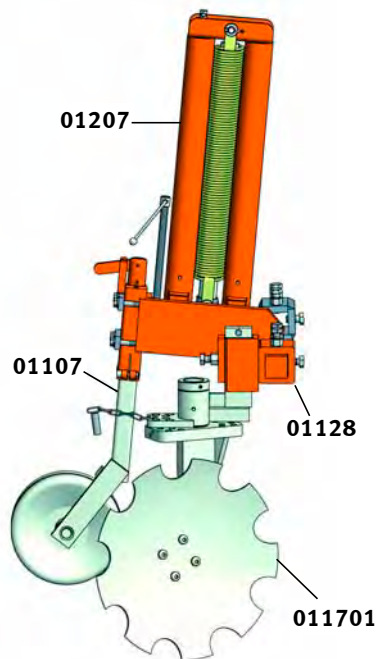
LUV PERFECT. BASIC DEVICE.

- 1 To maintain the area around the vine trunk free of weeds
- 2 To cultivate and loosen soil around the vine trunk and under the vines

BRAUN Modular System

Solutions for different types of work

Combinations and examples of orders BRAUN LUV *Perfekt*



Precise vertical hydraulic lift 500 mm hub, right

Equipped for

➔ mounded up rows in vineyards

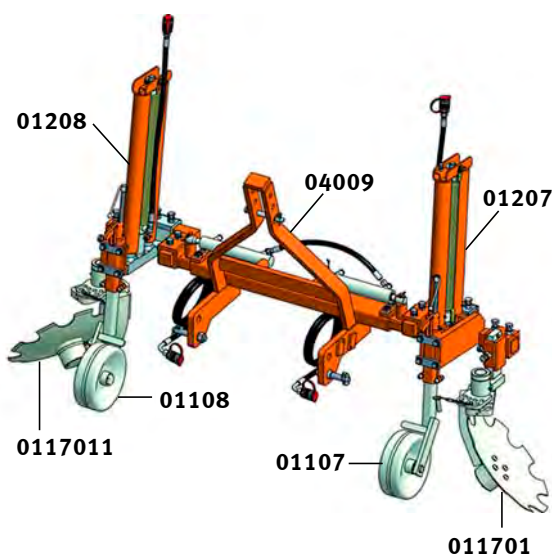
Ref. No.	Article	Quantity	Price excl. VAT
01207	Precise vertical hydraulic lift EW with return spring and single-acting cylinder, right	1	
011701	Swivel scalloped disc 460 mm hole pattern and angular adjustment right	1	
01107	Screw adjustable land wheel, right	1	
01128	Short bracket for rigid leg, right/left	1	

BRAUN Modular Solution total:

Swivel scalloped discs, front-mounted for front hydraulic

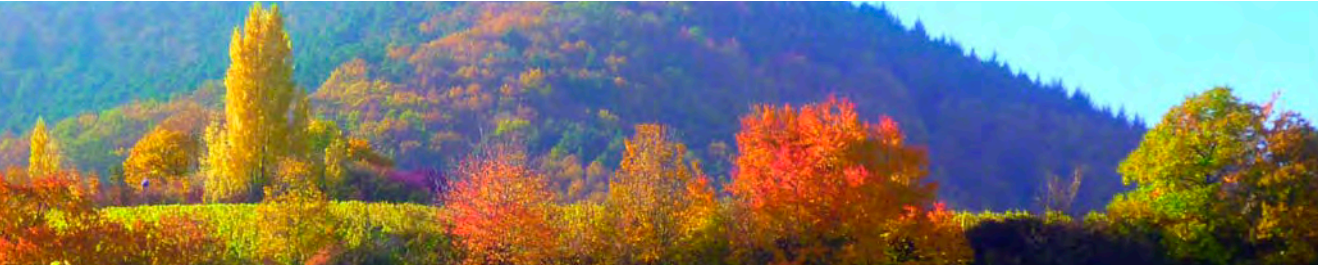
Equipped with

➔ both-sided separate vertical hydraulic lift



Ref.	Article	Quantity	Price excl. VAT
04009	UKR-basic frame, single tube 900 mm	1	
04105	Pair of sliding parts of UKR, single tube	1	
04104	Hydr. width adjustment (double sided) for UKR Extending distance 1.000 mm	1	
01207	Precise vertical hydraulic lift EW with return spring and single-acting cylinder, right	1	
01208	Precise vertical hydraulic lift EW with return spring and single-acting cylinder, left	1	
01128	Short bracket for rigid leg right/left	2	
011701	Swivel scalloped disc 460 mm hole pattern and angular adjustment, right	1	
0117011	Swivel scalloped disc 460 mm hole pattern and angular adjustment, left	1	
01107	Screw adjustable land wheel, right	1	
01108	Screw adjustable land wheel, left	1	

BRAUN Modular Solution total:



Dished ploughshare and cultivator LUV *Perfekt* | combinations

BRAUN Modular System

Solutions for different types of work

Combinations and examples of orders BRAUN LUV *Perfekt*

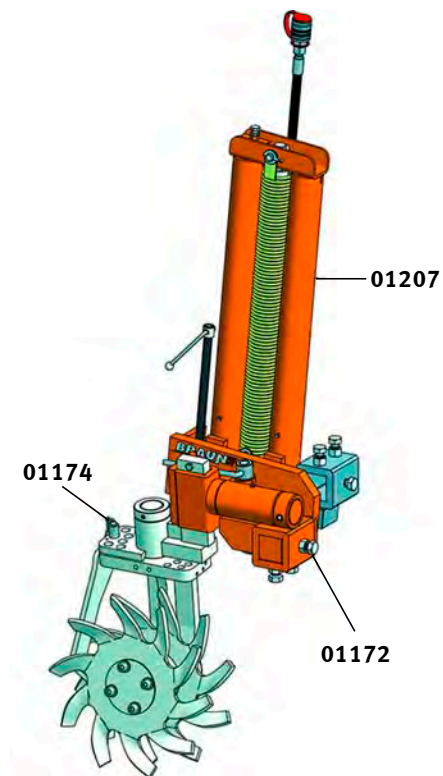
Precise vertical hydraulic lift with Rotary star tiller

Equipped for

➔ mechanical weed control under vines and to loosen soil along the vine rows

Ref. No.	Article	Quantity	Price excl. VAT
01207	Precise vertical hydraulic lift EW with return spring and single-acting cylinder, right	1	
01172	Universal swivel tool bracket with screw adjustment, right	1	
01174	Rotary star tiller with dual star wheels, right side with right hole and pin adjustment pattern	1	

BRAUN Modular Solution total:



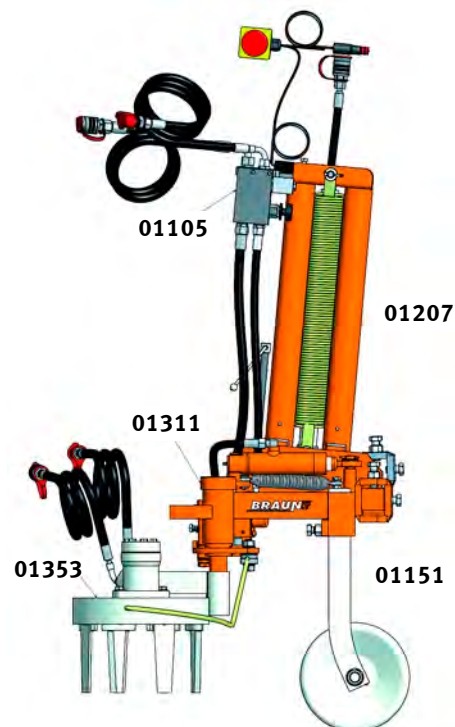
LUV *Perfekt* with short blade shaft

Equipped for

➔ crumble work between the vines

Ref. No.	Article	Quantity	Price excl. VAT
01311	LUV <i>Perfekt</i> , right with short spline shaft 350 mm	1	
01105	Single electro-magnetic overriding control	1	
01353	Rotary gyroscope, right	1	
01151	Depth wheel with bent leg for LUV bracket, right	1	
01207	Precise vertical hydraulic lift EW with return spring and single-acting cylinder, right	1	

BRAUN Modular Solution total:





UNDER-VINE CULTIVATOR UV/F | UV/E

- 1 For demounding between the vines
- 2 For underriding the bad weed ground

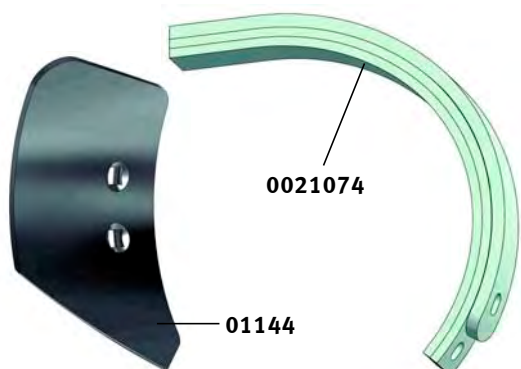
BRAUN Under-vine cultivator UV/F - UV/E and accessories



Under-vine cultivator UV/F - UV/E

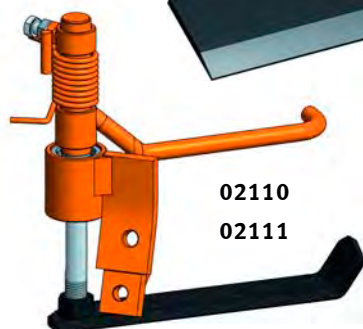
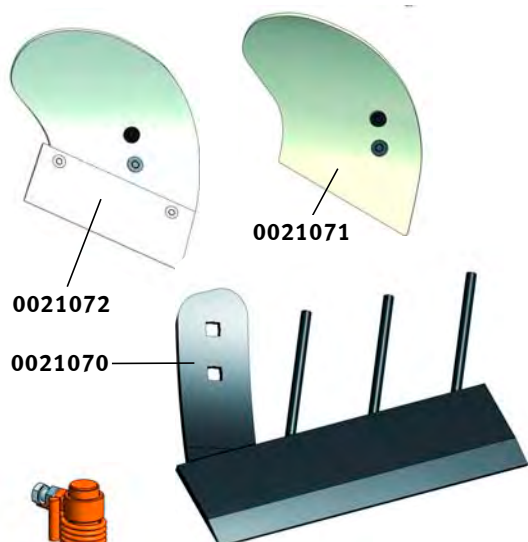
to lift or lower the Under-vine cultivator it needs to be mounted on a precise vertical lift.

The under-vine cultivator can be also mounted on rippers/cultivators.



Cultivator tine, C-shaped (spring-tine)

All ploughs and ploughshares can be installed on these exceptionally strong cultivators.



Reamer

adapts to the vine row and removes remaining soil from the trunk.



BRAUN Under-vine cultivator and accessories

Ref. No.	Article	Weight in kg	Price excl. VAT
02105	Mid mounted flat blade cultivator UV / F fully hydraulic with remote tension and pressure control with cultivator (leaf spring) and ploughing knives right	22,0	
02106	left	22,0	
02112	Mid mounted flat blade cultivator UV / E fully hydraulic with electrical ratchet system with cultivator (leaf spring) and ploughing knives right	22,0	
02113	left	22,0	
02110	Reamer right	4,5	
02111	left	4,5	
0021074	Cultivator tine, C-shaped (leaf spring)	8,0	
0021072	Ploughshare for C-shaped tine with replaceable blades right	5,0	
0021090	left	5,0	
0021071	Ploughshare for C-shaped tine with non replaceable blades right	3,0	
0021091	left	3,0	
01144	Ploughshare for C-shaped tine with blade half heart shaped right	1,5	
01145	left	1,5	
0021070	Summer knife with grooming effect for C-shaped tine right	3,0	
0021092	left	3,0	



VINE TRUNK CLEANER *RP W 1* | *RP W 2*

- 1 For the removal of vine suckers
- 2 Springtime maintenance such as growth between the vines can be controlled
- 3 Clears vine pruning's from under vines in preparation for mulching

BRAUN Vine Trunk Cleaner *RP W 1* | *RP W 2* and over-row frame

Vine Trunk Cleaner *RP W 1* | *RP W 2*

Our Vine Trunk Cleaner is designed to be industry applicable for efficient and environmental work around the vine. With its modular construction, you can mount this implement on the BRAUN Mulcher/Mower *Alpha* and *Avant*, and on the BRAUN Cultivator *Vario* or on the Universal Cultivator frame.

This allows all spring maintenance jobs to be completed in **one step**.

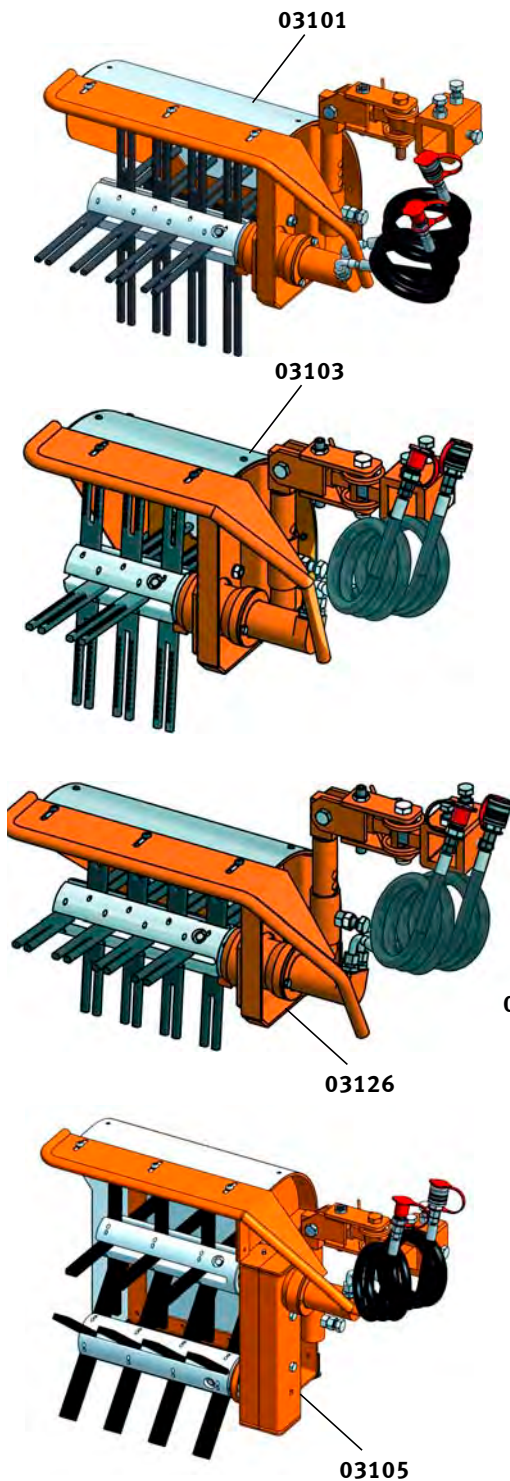
Vine Trunk Cleaner *RP W 1* | *RP W 2*

Two implements that facilitate the ecological management of your vineyard in numerous ways.

Rubber punchers



0031011 0031014 0031012 0031013 0031071 0031072 0031051 0031052





BRAUN Vine Trunk Cleaner *RP W 1* | *RP W 2* and over-row frame

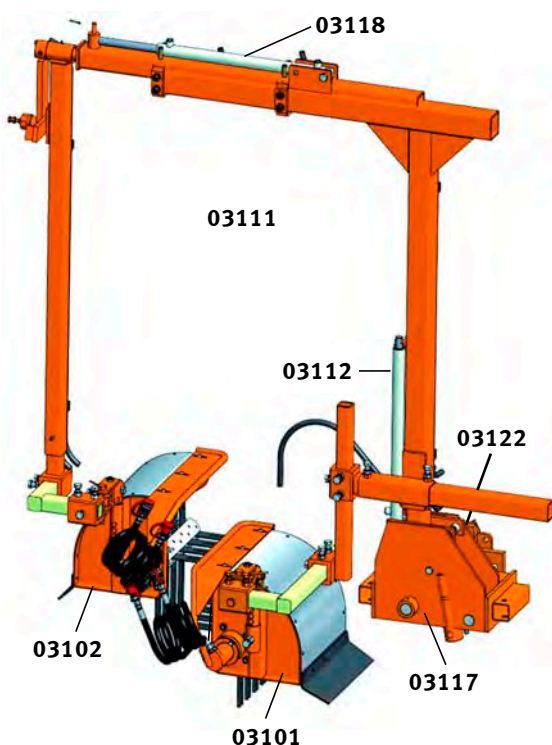
Ref. No.	Article	Weight in kg	Price excl. VAT
03101 03102	Vine trunk cleaner <i>W 1</i> Working height 350 mm, with dust cover, hydr. hoses and connectors right left	32,0 32,0	
03103 03104	Vine trunk cleaner <i>W1/K</i> short version Working height 350 mm with dust cover, hydr. hoses and connectors right left	32,0 32,0	
03126 03127	Vine trunk cleaner <i>W1/N</i> low version Working height 220 mm with dust cover, hydr. hoses and connectors right left	35,0 35,0	
03105 03106	Vine trunk cleaner <i>W 2</i> Working height 600 mm with dust cover, hydr. hoses and connectors right left	38,0 38,0	
03109 03110	Adaptor for mounting the vine trunk cleaner on mowers <i>Alpha</i> right left	8,0 8,0	
0031011 0031014 0031012 0031013 0031071 0031072 0031051 0031052	Rubber punchers Rubber punchers for <i>RP W1</i> (new version) Rubber punchers for <i>RP W1/N</i> (short version) Rubber punchers for <i>RP W1</i> , long, wide Rubber punchers for <i>RP W1</i> , long, narrow Rubber punchers for <i>RP W2</i> , 750 mm, wide Rubber punchers for <i>RP W2</i> , 750 mm, narrow Rubber punchers for <i>RP W2</i> , 600 mm, wide Rubber punchers for <i>RP W2</i> , 600 mm, narrow	0,05 0,05 0,05 0,05 0,05 0,05 0,05 0,05	



VINE TRUNK CLEANER

- 1 For the removal of vine suckers
- 2 Springtime maintenance such as growth between the vines can be controlled
- 3 Clears vine pruning's from under vines in preparation for mulching

BRAUN Over-row frame Example of possible combinations



Over-row frame

➔ to work one grape vine line from both sides

Ref. No.	Article	Quantity	Price excl. VAT
03111	Over-row basic framework, for vine trunk cleaner	1	
03118	Width adjustment with double-acting cylinder DW	1	
03112	Hydraulic height adjustment of the basic frame with single-acting cylinder EW	1	
03117	Foot section	1	
03122	Adaptor for all common types of tractor fronts	1	
03101	Vine trunk cleaner W 1, right	1	
03102	Vine trunk cleaner W 1, left	1	

BRAUN Modular Solution total:



BRAUN Over-row frame | combination

Ref. No.	Article	Weight in kg	Price excl. VAT
	Over-row vine trunk cleaner consists of:		
03122	Adaptor for all common types of tractor fronts	12,0	
03117	Foot section	15,0	
03111	Over-row basic framework for vine trunk cleaner with hoses, mechanical width adjustment mechanical height adjustment of the exterior pillars, and intake pipes for the Vine stem cleaner	30,0	
03112	Hydraulic height adjustment of the basic frame with single-acting cylinder EW	3,0	
03113	Side slope adjustment with double-acting cylinder DW	30,0	
03118	Width adjustment with double-acting cylinder DW	5,0	
03115	Inner column height adjustment with double-acting cylinder DW	11,0	
03116	Wire loading roll	1,0	
03123	Mounting adapter for front hydraulics	18,0	



VINE TRUNK CLEANER *RP W1* | *RP W2*

- 1 For the removal of vine suckers
- 2 Springtime maintenance such as growth between the vines can be controlled
- 3 Clears vine pruning's from under vines in preparation for mulching

BRAUN Vine Trunk Cleaner *RP W 1* | *RP W 2* Examples of possible combinations

Vine Trunk Cleaner *W 1* Working height 350 mm

→ mid-mounted one-sided

Ref. No.	Article	Quantity	Price excl. VAT
03101	Vine Trunk Cleaner <i>W1</i> right	1	
01207	Precise vertical hydraulic lift EW with return spring and single-acting cylinder, right	1	

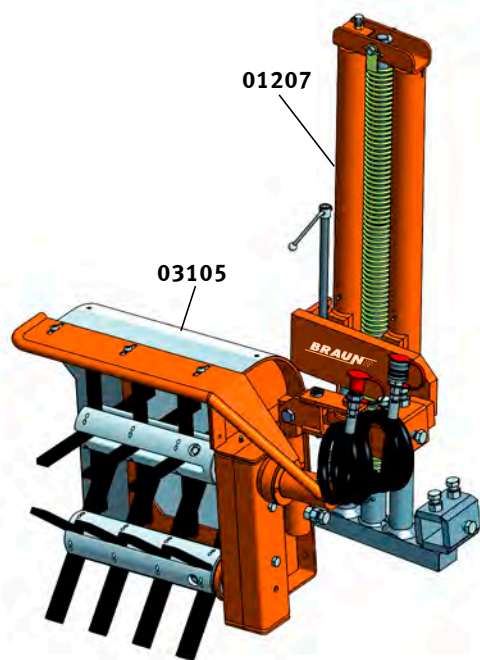
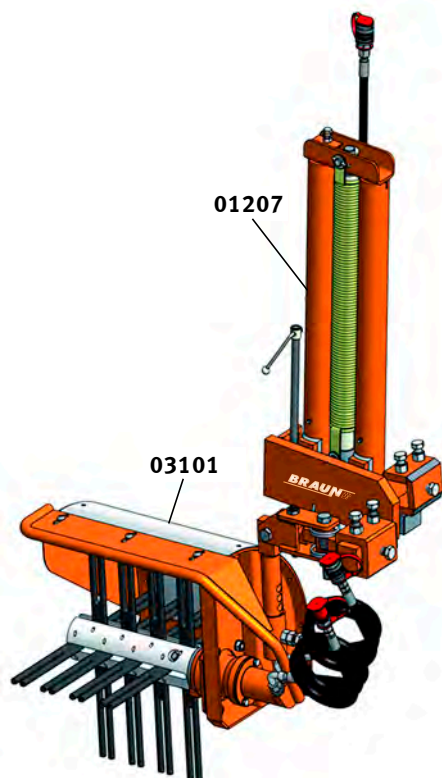
BRAUN Modular Solution total:

Vine trunk cleaner *W 2* Working height 600 mm

→ mid-mounted one-sided

Ref. No.	Article	Quantity	Price excl. VAT
03105	Vine Trunk Cleaner <i>W2</i> , right	1	
01207	Precise vertical hydraulic lift EW with return spring and single-acting cylinder, right	1	

BRAUN Modular Solution total:





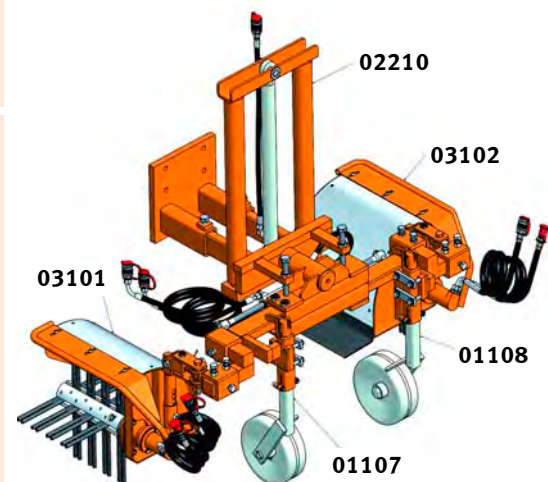
BRAUN Vine Trunk Cleaner *RP W 1* | *RP W 2* | Combinations

Vine Trunk Cleaner *W 1* Working height 350 mm

→ Front mounting for flat vineyards

Ref. No.	Article	Quantity	Price excl. VAT
03101	Vine Trunk Cleaner <i>W 1</i> right	1	
03102	Vine Trunk Cleaner <i>W 1</i> left	1	
02210	Front mounting with single-hydraulic lift (incl. land wheels)	1	

BRAUN Modular Solution total:

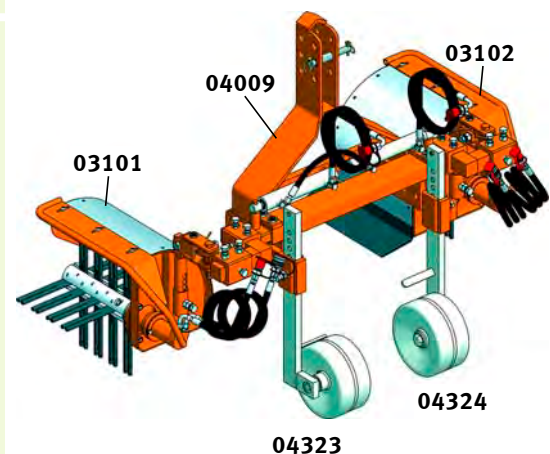


Vine Trunk Cleaner *W 1* Working height 350 mm

→ Front mounting for front linkage

Ref. No.	Article	Quantity	Price excl. VAT
04009	UKR-basic frame, single tube 900 mm	1	
04105	Pair of sliding parts of UKR, single tube	1	
04104	Hydr. width adjustment (double sided) for UKR Extending distance 500 mm	1	
03101	Vine trunk cleaner <i>W 1</i> , right	1	
03102	Vine trunk cleaner <i>W 1</i> , left	1	
04323	Support wheel for cultivator/UKR, right	1	
04324	Support wheel for cultivator/UKR, left	1	
04321	Leg holder for supporting wheels, right/left	2	

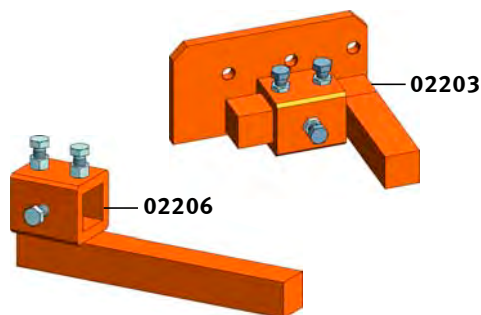
BRAUN Modular Solution total:



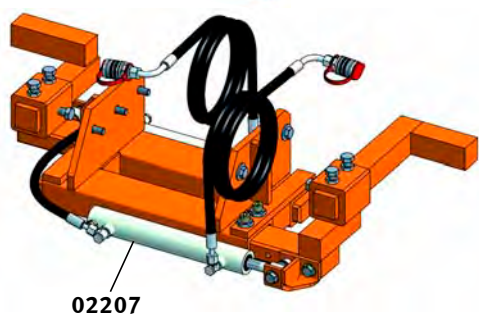


MOUNTING BRACKETS

1 To hold devices front and mid mounted



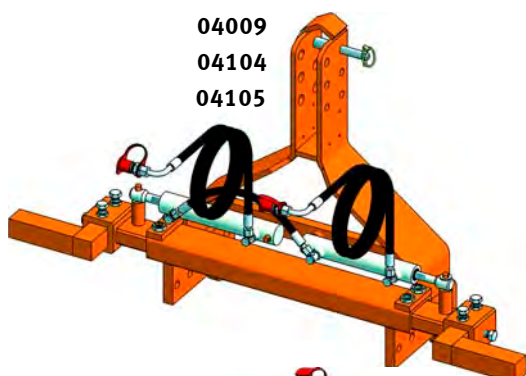
BRAUN Mounting brackets for front mounted and articulated tractors



Hydraulically width adjustable both-sided mid mounting frame

The best set up for the undervine cultivator/weeder LUV. Allows for quick and efficient turning of tight headland and steep slopes, which cannot be performed with front mounted machines.

The LUV equipment can be operated perfectly stable.

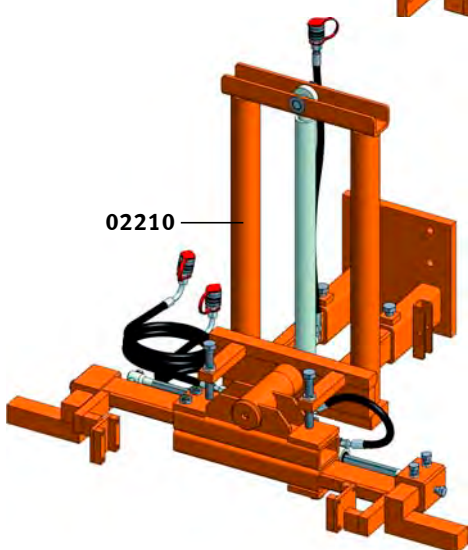


Front mounting UKR

used with tractors with front linkage.

Front mounted universal frame UKR with hydraulic width adjustment.

Very advantageous tool carrier.



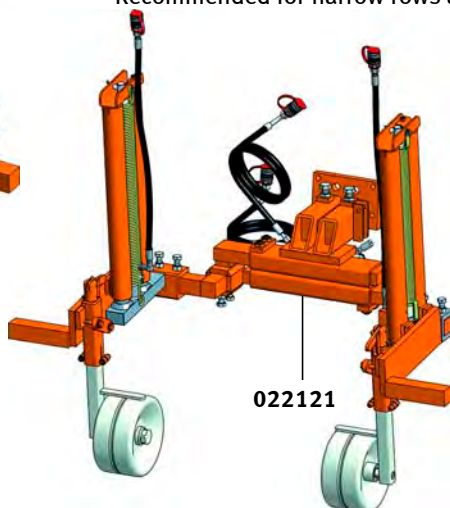
Front mounting with single hydraulic lift

recommended for flat vineyards without tapering ends.

Front mounting with vertical hydraulic lift right/left

Each plough can be lifted and adjusted individually.

Recommended for narrow rows and vineyards with side slopes.





BRAUN Mounting brackets

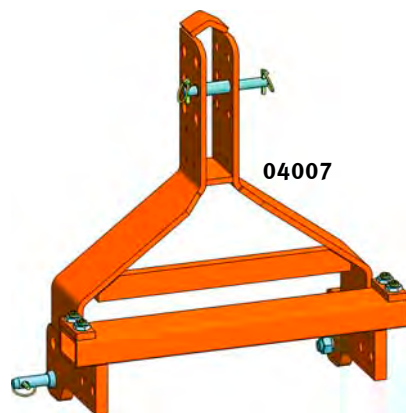
Ref. No.	Article	Weight in kg	Price excl. VAT
02203	Mounting bracket for conventional tractor units with mounting plates - 50 mm square right	18,0	
02204	left	18,0	
022031	Mounting bracket for conventional tractor units without mounting plates - 50 mm square right	40,0	
022041	left	40,0	
02206	Attachable extension Square 50 mm, right/left	11,3	
022070	Kit for centre-mounted units with hydraulic width adjustment for exotic types of tractors	62,0	
02207	Hydraulically width adjustment, double sided mid mounting frame for tractors with equipment mounting plates for mid mounting both-sided 50 mm square with hydr. hoses and connectors Minimum width 1.500 to maximum width range 3.500 mm	140,0	
022071	Hydraulically width adjustment, double sided mid mounting frame for tractors without equipment mounting plates for mid mounting both-sided 50 mm square with hydr. hoses and connectors Minimum width 1.500 to maximum width range 3.500 mm	145,0	
02208	Hydraulically width adjustment for front mounting both-sided 50 mm square with hydr. hoses and connectors Minimum width 1.500 to maximum width range 3.500 mm	180,0	
04009	Front mounting frame for front hydraulic Consists of: UKR-basic frame, single tube 900 mm	120,0	
04104	Hydr. width adjustment (double sided) for UKR		
04105	Pair of sliding parts of UKR, single tube Minimum width 1.400 to maximum width range 3.000 mm		
02210	Front mounting with single-hydraulic lift 500 mm hydr. width adjustment Square 50 mm with 2 supporting wheels, adjustable spindle Minimum width 1.400 to maximum width range 2.500 mm	200,0	
022121	Front mounting with right and left precise vertical hydraulic lift lifting 500 mm, hydr. width adjustable mounting frame with square 50 mm and 2 screw adjustable depth wheels, ball bearings, consists of the following no: 01207, 01208, 02208, 01113, 01114. Minimum width 1.400 to maximum width range 3.000 mm	220,0	
02213	Mounting brackets for articulated tractors one sided front square 50 mm right	22,0	
02214	left	22,0	



MOUNTING BRACKETS

1 To hold devices front and mid mounted

Frontmounting versions for front hydraulic



UKR-basic frame, single tube

Length of tube 700 mm (04007)

Length of tube 800 mm

Length of tube 900 mm

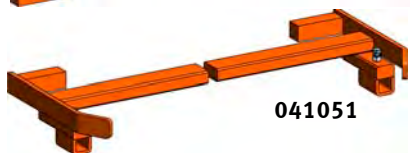
Length of tube 1.000 mm

Length of tube 1.100 mm

Length of tube 1.300 mm



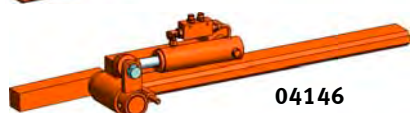
Pair of sliding parts for UKR single tube



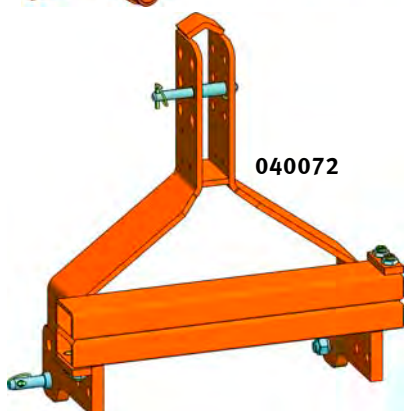
Pair of sliding parts for UKR single tube with side deflectors



Sliding part single sided



Sliding part single sided with hydraulic side slope



UKR-basic frame, double tube

Length of tube 700 mm (040072)

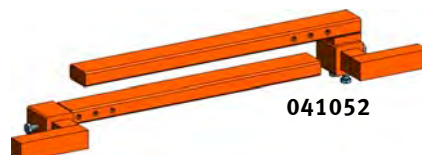
Length of tube 800 mm

Length of tube 900 mm

Length of tube 1.000 mm

Length of tube 1.100 mm

Length of tube 1.300 mm



Pair of sliding parts for UKR double tube



Hydraulic width adjustment



BRAUN Mounting brackets

Ref. No.	Article	Weight in kg	Price excl. VAT
	UKR-basic frame, single tube		
04007	Length of tube 700 mm (Extending distance 300 mm)	65,0	
04008	Length of tube 800 mm (Extending distance 400 mm)	65,0	
04009	Length of tube 900 mm (Extending distance 500 mm)	65,0	
04010	Length of tube 1.000 mm (Extending distance 600 mm)	65,0	
04011	Length of tube 1.100 mm (Extending distance 600 mm)	65,0	
04013	Length of tube 1.300 mm (Extending distance 600 mm)	65,0	
04105	Pair of sliding parts for UKR, single tube	35,0	
041051	Pair of sliding parts for UKR, single tube with side deflectors	35,0	
041053	Sliding parts single sided, right/left	25,0	
04146	Sliding parts single sided with hydraulic slide slope, right	31,0	
041461	Sliding parts single sided with hydraulic slide slope, left	31,0	
	UKR-basic frame, double tube		
040072	Length of tube 700 mm (Extending distance 600 mm)	60,0	
040082	Length of tube 800 mm (Extending distance 1.000 mm)	70,0	
040092	Length of tube 900 mm (Extending distance 1.000 mm)	80,0	
040102	Length of tube 1.000 mm (Extending distance 1.000 mm)	95,0	
040112	Length of tube 1.100 mm (Extending distance 1.000 mm)	105,0	
040132	Length of tube 1.300 mm (Extending distance 1.000 mm)	120,0	
041052	Pair of sliding parts for UKR double tube	60,0	
04104	Hydraulic width adjustment (double sided) for UKR single tube	20,0	
041044	Hydraulic width adjustment (double sided) for UKR double tube	20,0	
04153	Hydraulic width adjustment (single sided) for UKR with 04146/041461	10,0	



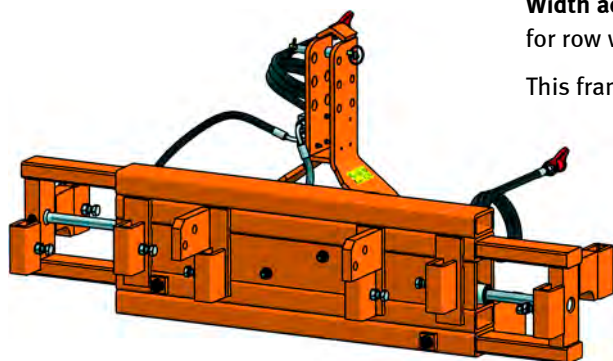
MOUNTING BRACKETS

1 To hold devices front and mid mounted

BRAUN width adjustable frame *Vario II* for front and rear mounting

Width adjustable frame *Vario II*
for row width from 1,80 to 3 meters

This frame permits an extending distance of one meter.



04391

Ref. No.	Article	Weight in kg	Price excl. VAT
	<i>Vario II</i> Width adjustable frame for row width from 1,80 - 3,00 m		
04391	Width adjustable frame, row width 2,00 - 3,00 m	220,0	
04395	Width adjustable frame, row width 1,80 - 2,80 m	265,5	



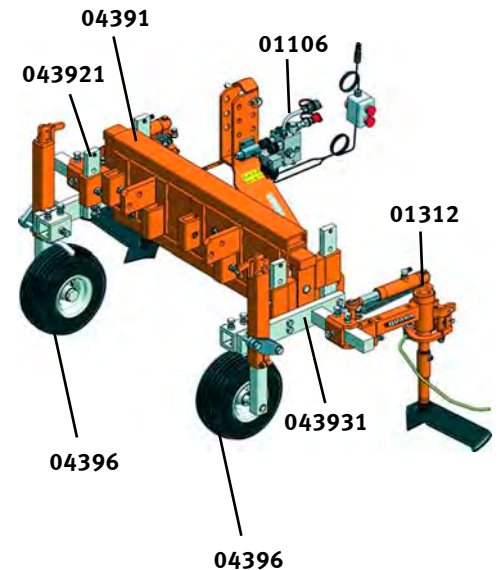
BRAUN Width adjustable frame | Combinations and Examples of orders

Width adjustable frame *Vario II*

➔ Front mounting for front hydraulic lift

Ref. No.	Article	Quantity	Price excl. VAT
04391	Width adjustable frame <i>Vario II</i>	1	
043921	Multifunctional bracket, right	1	
043931	Multifunctional bracket, left	1	
04396	Support wheel spindle adjustable, pneumatic tired for cultivator/UKR	2	
01311	LUV <i>Perfekt</i> modular 350 mm, right	1	
01312	LUV <i>Perfekt</i> modular 350 mm, left	1	
01106	Dual electro-magnetic overriding control	1	
043034	Bracket for overriding control for cultivator	1	

BRAUN Modular Solution total:

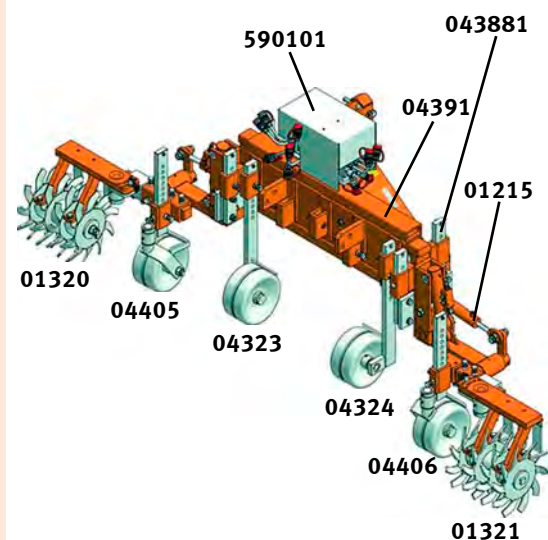


Width adjustable frame *Vario II*

➔ Front mounting for front hydraulic lift for wide rows

Ref. No.	Article	Quantity	Price excl. VAT
04391	Width adjustable frame <i>Vario II</i>	1	
04388	Bracket for mounting the LUV-devices double-legged, right	1	
043881	Bracket for mounting the LUV-devices double-legged, left	1	
04323	Support wheel for cultivator/UKR, right	1	
04324	Support wheel for cultivator/UKR, left	1	
01128	Short bracket for rigid leg	2	
04405	Swivelling depth wheel, right	1	
04406	Swivelling depth wheel, left	1	
01214	Universal hydraulic lift PA, right	1	
01215	Universal hydraulic lift PA, left	1	
01320	Rotary star tiller, four star wheels, right	1	
01321	Rotary star tiller, four star wheels, left	1	
590101	Hydraulic controll block 5-way electronically operated, 3 x EW, 2 x DW with oil flow regulator	1	

BRAUN Modular Solution total:

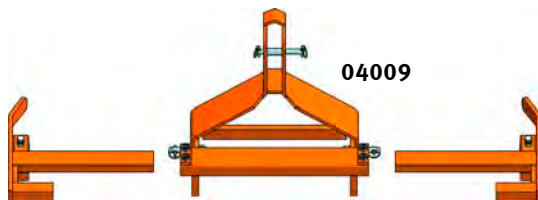




UNIVERSAL-CULTIVATOR-FRAME UKR

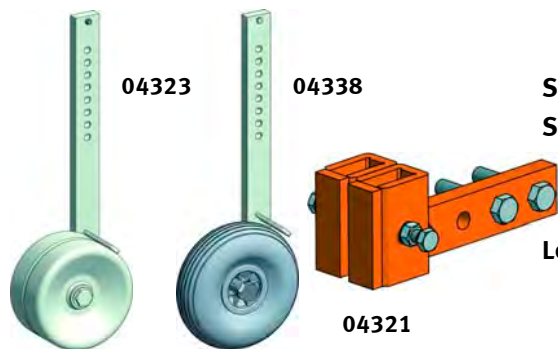
- 1 Carrier plate for front- and rear-linkage
- 2 Spring tines cultivator for light soil works

BRAUN Universal-Cultivator-Frame UKR and accessories



Base frame UKR

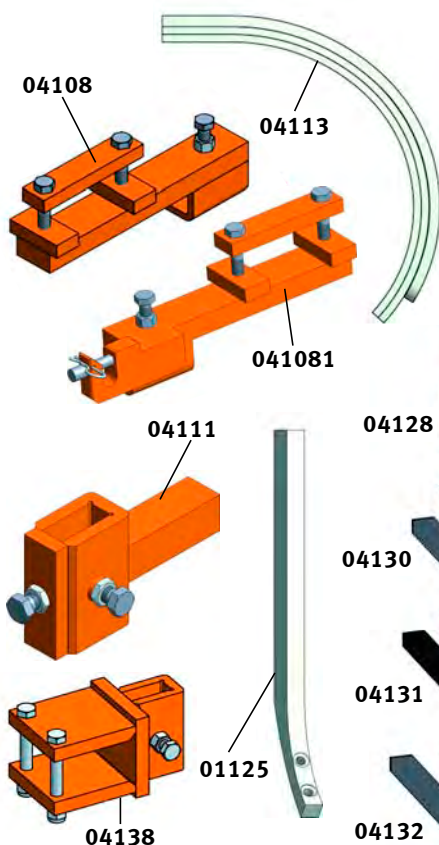
can also be used as a subsoiler, three point linkage with hydraulic width adjustment for LUV *Perfekt* rear and front mounted.



Support wheel for cultivator/UKR

Support wheel pneumatic-tired for cultivator/UKR

Leg holder for supporting wheels



Cultivator brackets

are made of high quality steel.
Suitable for C and S shaped tines.

Different blades for ripper leg

All common share types can be fixed on the shaft of the cultivator.

Bracket for ripper leg (04138)

Heavy style



BRAUN Universal-Cultivator-Frame *UKR* and accessories

Ref. No.	Article	Weight in kg	Price excl. VAT
	UKR-basic frame, single tube		
04007	Length of tube 700 mm (Extending distance 300 mm)	65,0	
04008	Length of tube 800 mm (Extending distance 400 mm)	65,0	
04009	Length of tube 900 mm (Extending distance 500 mm)	65,0	
04010	Length of tube 1.000 mm (Extending distance 600 mm)	65,0	
04011	Length of tube 1.100 mm (Extending distance 600 mm)	65,0	
04013	Length of tube 1.300 mm (Extending distance 600 mm)	65,0	
04104	Hydraulic width adjustment for UKR with hydraulic hoses, connectors and cylinder	20,0	
041051	Pair of telescoping extensions for UKR single tube with side deflectors for mech. and hyd. width adjustment with holders for cultivator tines	35,0	
	Support wheel for cultivator <i>Vario</i>/UKR frame		
04323	right	18,0	
04324	left	18,0	
	Support wheel pneumatic-tired		
04338	right	13,0	
04339	left	13,0	
04321	Mounting bracket for support wheel, right/left	3,0	
04108	Bracket for C and S shaped cultivator tines	8,0	
041081	Bracket for C and S shaped cultivator tines, right	8,0	
0410811	Bracket for C and S shaped cultivator tines, left	8,0	
04111	Bracket for rigid leg only in conjunction with part no: 04108	3,0	
04112	Bracket for rigid leg	8,0	
	Bracket short for rigid leg		
01128	right/left	8,0	
04113	C-shaped cultivator tines without ripper	8,0	
01125	Rigid leg straight (25mm) right / left	5,0	
	Rigid leg offset		
01126	right	6,0	
01127	left	6,0	



UNIVERSAL-CULTIVATOR-FRAME UKR

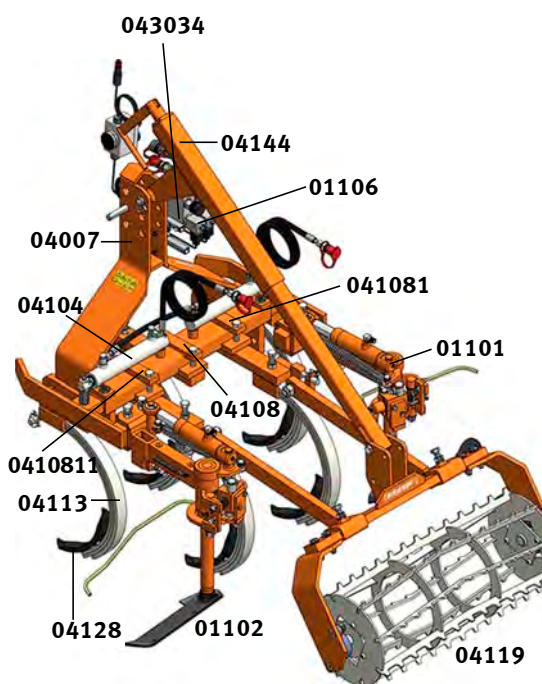
- 1 Carrier plate for front- and rear-linkage
- 2 Spring tines cultivator for light soil works

BRAUN Universal-Cultivator-Frame UKR Combinations and examples of orders

Universal-Cultivator-Frame UKR

Equipped with

➔ C-shaped tines, LUV and crumb roller



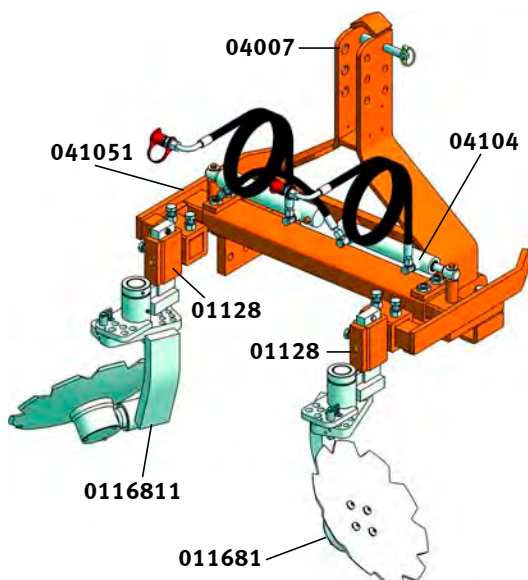
Ref. No.	Article	Quantity	Price excl. VAT
04007	UKR-basic frame, single tube 700 mm	1	
041051	Pair of sliding parts UKR single tube with side deflectors	1	
04104	Hydraulic width adjustment for UKR Extending distance 300 mm	1	
04108	Bracket for cultivator tines	1	
041081	Bracket for cultivator tines and three point linkage, right	1	
0410811	Bracket for cultivator tines and three point linkage, left	1	
04113	Cultivator tines, C-shape	5	
04128	Ripper tine 16 x 40 x 300 mm	5	
01101	LUV <i>Perfekt</i> 350 mm, right	1	
01102	LUV <i>Perfekt</i> 350 mm, left	1	
01106	Dual electro-magnetic overriding control	1	
043034	Bracket for overriding control for cultivator	1	
04144	Spindle adjustable three-point-mounting, mounted on UKR	1	
04119	Crumbler roller 750 mm, without frame	1	

BRAUN Modular Solution total:

Universal-Cultivator-Frame UKR

Equipped with

➔ Carrier plate in the rear, with swivel scalloped discs, both-sided



Ref. No.	Article	Quantity	Price excl. VAT
04007	UKR-basic frame, single tube 700 mm	1	
041051	Pair of sliding parts UKR single tube with side deflectors	1	
04104	Hydraulic width adjustment for UKR Extending distance 300 mm	1	
01128	Short bracket with U-clamp 60 x 25 mm	2	
011681	Swivel scalloped disc 400 mm, hole pattern and angular adjustment, right	1	
0116811	Swivel scalloped disc 400 mm, hole pattern and angular adjustment, left	1	

BRAUN Modular Solution total:



BRAUN Universal-Cultivator-Frame UKR | Combinations

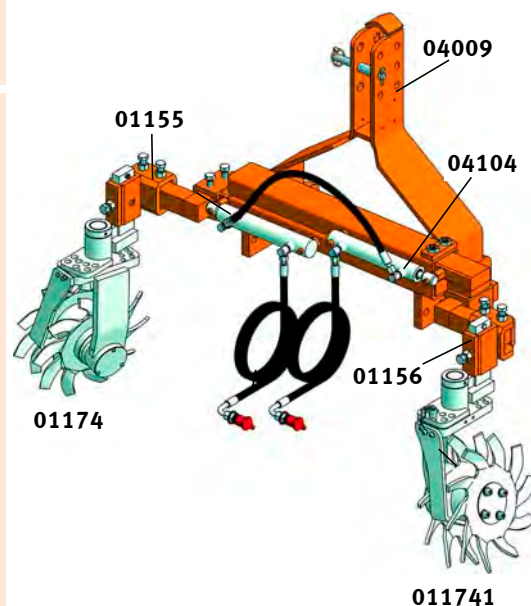
Universal-Cultivator-Frame UKR

Equipped with

➔ Rotary star tiller both-sided

Ref. No.	Article	Quantity	Price excl. VAT
040092	UKR-basic frame, double tube 900 mm	1	
041052	Pair of sliding parts for UKR double tube	1	
04104	Hydraulic width adjustment for UKR Extending distance 1.000 mm	1	
01155	Short bracket for rigid leg, right	1	
01156	Short bracket for rigid leg, left	1	
01174	Rotary star tiller with dual star wheels hole and pin adjustment pattern, right	1	
011741	Rotary star tiller with dual star wheels hole and pin adjustment pattern, left	1	

BRAUN Modular Solution total:



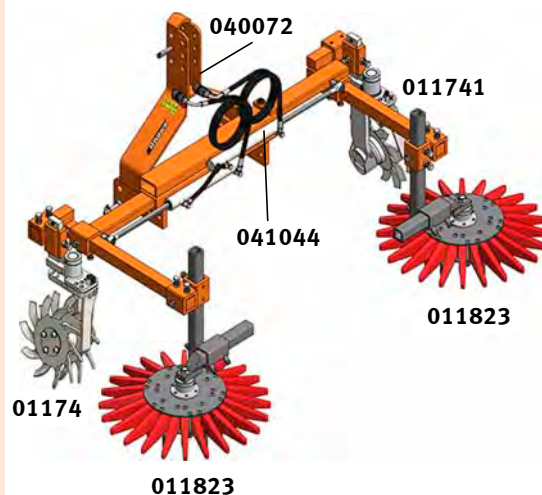
Universal-Cultivator-Frame UKR

Equipped with

➔ Rotary star tillers and finger weeders both-sided

Ref. No.	Article	Quantity	Price excl. VAT
040072	UKR-basic-frame, double tube 700 mm	1	
041052	Pair of sliding parts for UKR double tube	1	
041044	Hydraulic width adjustment (double sided) Extending distance 600 mm	1	
01155	Implement mounting bracket, right	1	
01156	Implement mounting bracket, left	1	
01174	Rotary star tiller, dual star wheels, right	1	
011741	Rotary star tiller, dual star wheels, left	1	
04394	Bracket with four-cornered brackets, shifted	2	
011823	Finger weeder Ø 700 rigid (red) with adjustable handle	2	

BRAUN Modular Solution total:





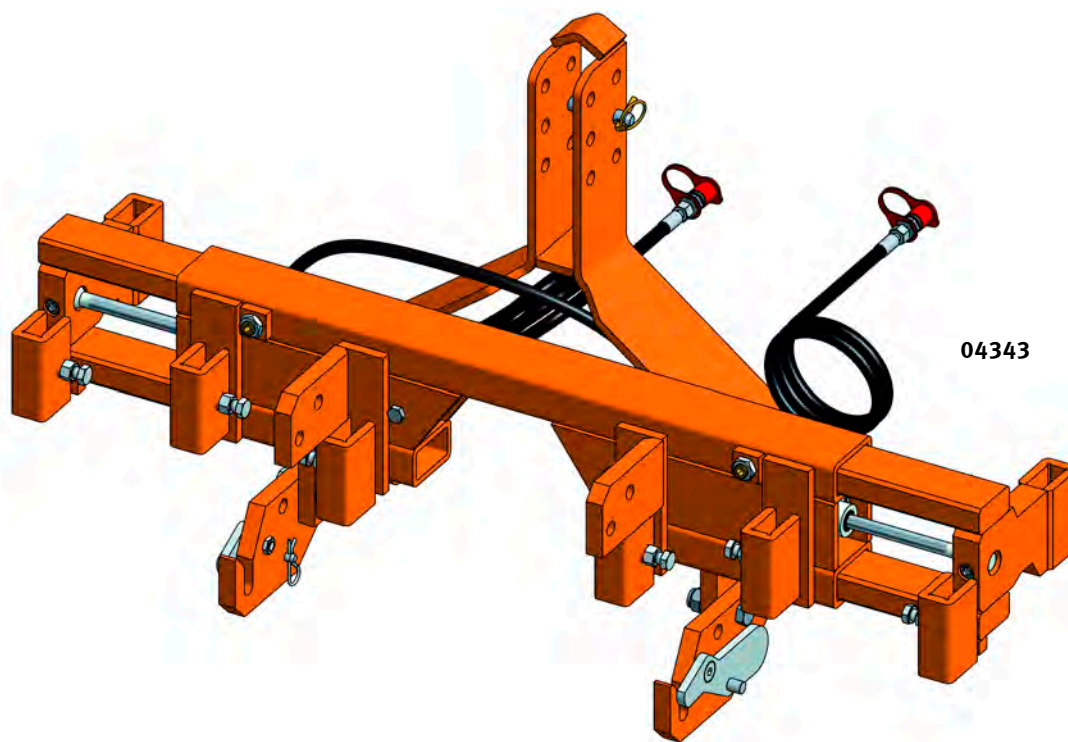
CULTIVATOR VARIO. BASIC DEVICE.

- 1 For all soil work
- 2 To loosen hard soil structure
- 3 For aeration and the regeneration of moss-grown soils and grassed aisles

BRAUN Cultivator Vario

The universal implement for all soil maintenance work in fruit cultivation and viticulture

The **universal** implement for all soil maintenance work in fruit cultivation and viticulture. With its **modular construction**, you can supplement the Cultivator with other BRAUN components to specifically tackle the variety of work you need to do. The Cultivator Vario is an implement that will enable you to cultivate and nurture your vineyard in a variety of ways **without chemicals**.



Distinctive BRAUN advantages are:

- An implement for **all** types of soil work
- **Prolonged implement service/life** (rotary cutter, rotary harrow, etc.) thanks to the prior loosening of the hard soil structure with the basic Vario unit
- **Additional applications:**
 - Short cultivator with depth control through roller/crumblers or tillage rollers.
 - Multiple additional applications** through attachable frames, so that the basic unit becomes:
 - an implement carrier for Vine Stem Cleaner, LUV *Perfekt*, disc plough, and more
 - a disc set
 - a spring tine cultivator
 - a ripper cultivator
 - a para-plough

Our Vario frame permits multi tasking.



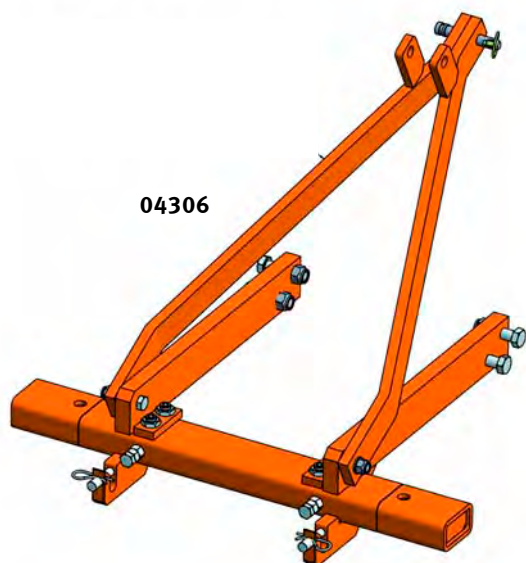
BRAUN Cultivator *Vario* and accessories

Ref. No.	Article	Weight in kg	Price excl. VAT
04300	Cultivator frame M Z 4 BV mechanically adjustable, without implements Working width 800 - 1.200 mm	155,0	
04302	Working width 900 - 1.300 mm	155,0	
04340	Working width 1.000 - 1.400 mm	160,0	
04342	Working width 1.100 - 1.600 mm	170,0	
04301	Cultivator frame H Z 4 BV hydraulically adjustable, without implements Working width 800 - 1.200 mm	175,0	
04303	Working width 900 - 1.300 mm	175,0	
04341	Working width 1.000 - 1.400 mm	180,0	
04343	Working width 1.100 - 1.600 mm	200,0	
04304	Cultivator frame M Z 6 BV mechanically adjustable, without implements Working width 1.250 - 1.750 mm	190,0	
04305	Cultivator frame H Z 6 BV hydraulically adjustable, without implements Working width 1.250 - 1.750 mm	210,0	
04382	Cultivator frame M Z 8 BV mechanically adjustable, without implements Working width 1.500 - 2.000 mm	220,0	
04383	Cultivator frame H Z 8 BV hydraulically adjustable, without implements Working width 1.500 - 2.000 mm	240,0	
04344	Cultivator frame M Z 8 BV mechanically adjustable, without implements Working width 1.700 - 2.200 mm	230,0	
04345	Cultivator frame H Z 8 BV hydraulically adjustable, without implements Working width 1.700 - 2.200 mm	250,0	
04370	Cultivator frame M Z 10 BV mechanically adjustable, without implements Working width 2.200 - 2.700 mm	280,0	
04371	Cultivator frame H Z 10 BV hydraulically adjustable, without implements Working width 2.200 - 2.700 mm	300,0	
04372	Cultivator frame M Z 10 BV mechanically adjustable, without implements Working width 2.700 - 3.300 mm	310,0	
04373	Cultivator frame H Z 10 BV hydraulically adjustable, without implements Working width 2.700 - 3.300 mm	330,0	
04104108	Hydraulic width adjustment Upgrade kit for cultivator frame with hydraulic hoses, connectors and cylinders Working width 800 - 1.200 mm	20,0	
04104109	Working width 900 - 1.300 mm		
04104110	Working width 1.000 - 1.400 mm		
04104111	Working width 1.100 - 1.600 mm		
04104112	Working width 1.250 - 1.750 mm		
04104115	Working width 1.500 - 2.000 mm		
04104117	Working width 1.700 - 2.200 mm		
04104122	Working width 2.200 - 2.700 mm		
04104127	Working width 2.700 - 3.300 mm		



CULTIVATOR VARIO. BASIC DEVICE.

- 1 For all soil work
- 2 To loosen hard soil structure
- 3 For aeration and the regeneration of moss-grown soils and grassed aisles



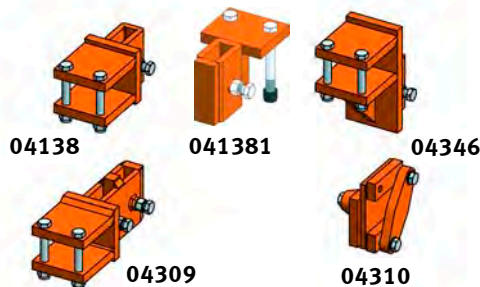
BRAUN Cultivator Vario

The universal implement for all soil maintenance work in fruit cultivation and viticulture

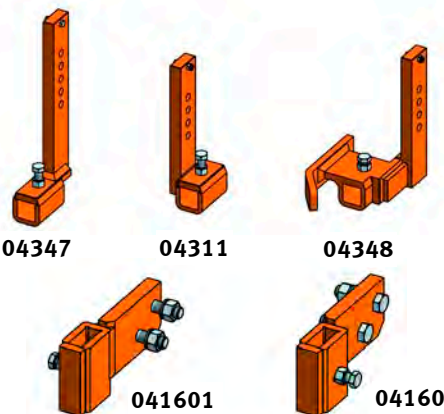
The **modular system** allows multiple use of the cultivator Vario BV.

It can be easily changed into a subsoiler, blade cultivator, para-plough, cultivator, attachment support.

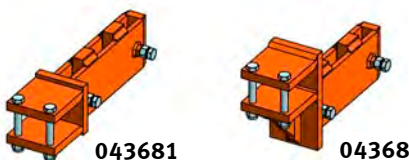
The mounting frame can be easily attached to the cultivator with 4 bolts and a top link pin.



Numerous bolt on brackets and clamps for various cultivator adaptations are available.



04160 and 041601 permits **mounting additional tools** on the cultivator instead of a cultivator frame.



These two brackets 043681 and 04368 permit a cutting disc to be fixed in the front bracket while the leg or tine is fitted to the rear bracket. The cutting disc cuts the grass and the ripper leg runs along the same cut groove, without damaging the surface turf.

The turf can be aerated without damage.



BRAUN Cultivator *Vario* and accessories

Ref. No.	Article	Weight in kg	Price excl. VAT
	Three point extension mounting frame with cross beam for <i>Vario</i> Cultivator The mechanically adjustable telescoping extension allows for expansion of the working width		
04306	Working width 600 mm	61,0	
04307	Working width 700 mm	61,0	
04308	Working width 800 mm	65,0	
041042	Hydraulic width adjustment Upgrade kit for mounting frame with hydr. hoses, connectors and cylinder 300 mm adjustment range each side	20,0	
04138	Bracket for cultivator Heavy duty design for winged foot and chisel foot leg	9,0	
041381	Cutting disc mounting bracket for 04138	6,0	
04346	Bracket for cultivator - center beam Heavy duty design for winged foot and chisel foot leg	16,0	
04309	Bracket with double clamps for cultivator and crumbler roller frame	11,9	
04310	Bracket for mounting frame on longitudinal beam for various legs and fertilizer injection unit	7,3	
04347	Support for cultivator tines middle of the cultivator in conjunction with no: 04138	5,3	
04311	Bracket for cultivator tines/legs	4,6	
04348	Bracket for cultivator tines/legs with fender right	6,1	
04349	left	6,1	
04350	Bracket for cultivator tines/legs with fender only in conjunction with numbers : 04312 or 04313 right	5,4	
04351	left	5,4	
043682	Bracket for swivel cutting disc and chisel foot leg	12,0	
04368	Central bracket for solid ripper leg and swivel cutting disc	12,0	
043681	Bracket for solid ripper leg, cutting disc and swivel cutting disc	18,0	
04160	Bolt-on bracket onto toolbar cultivator, right	9,0	
041601	Bolt-on bracket onto toolbar cultivator, left	9,0	
04384	Bracket in conjunction with 04310 for C- and S-shaped tines, right	6,5	
043841	Bracket in conjunction with 04310 for C- and S-shaped tines, left	6,5	
04386	Bracket for C- and S-shaped tines, right/left	4,0	

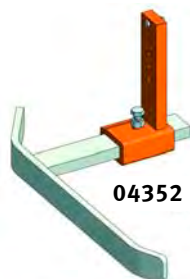


CULTIVATOR VARIO. BASIC DEVICE.

- 1 For all soil work
- 2 To loosen hard soil structure
- 3 For aeration and the regeneration of moss-grown soils and grassed aisles

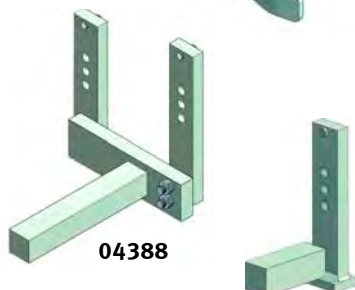
BRAUN Cultivator Vario

The universal implement for all soil maintenance work in fruit cultivation and viticulture



04352

Side deflector for thin ripper leg

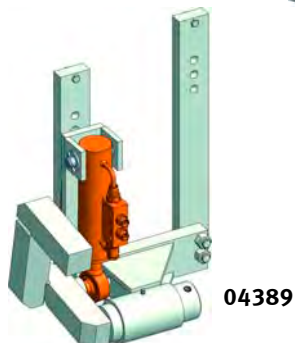


04388

Bracket for mounting LUV-devices or disc plough

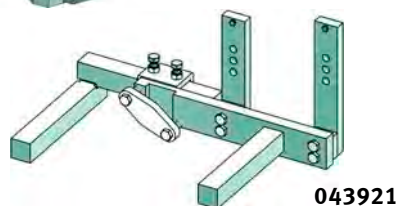


04312



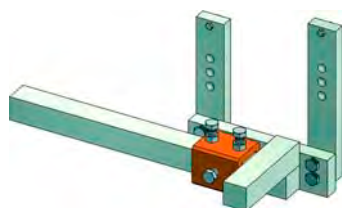
04389

Bracket with hydraulic side slope adjustment



043921

Multifunctional bracket for mounting Rotary star tiller and Finger weeder clamp for depth wheel included



04392

Bracket for mounting disc ploughs or rotary star tillers in combination with fingerweeder



04394

Bracket with four-cornered brackets shifted



BRAUN Cultivator *Vario* and accessories

Ref. No.	Article	Weight in kg	Price excl. VAT
04352	Deflector for wing blade with stem right	5,8	
04353	left	5,8	
04312	Bracket for mounting the LUV devices or disc ploughs right Square 50 mm	7,5	
04356	left Square 50 mm	7,5	
04388	double-legged, right Square 50 mm	18,0	
043881	double-legged, left Square 50 mm	18,0	
04389	Bracket with hydraulic side slope, right	37,0	
043891	Bracket with hydraulic side slope, left	37,0	
043921	Multifunctional bracket for mounting f.e. Rotary star tiller and Finger weeder, clamp for depth wheel included right	32,0	
043931	left	32,0	
04392	Bracket for mounting disc ploughs or rotary star tillers, right	32,0	
04393	Bracket for mounting disc ploughs or rotary star tillers, left	32,0	
04394	Bracket with four-cornered brackets shifted	8,0	



CULTIVATOR VARIO. BASIC DEVICE.

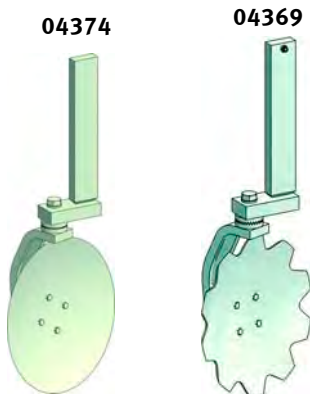
- 1 For all soil work
- 2 To loosen hard soil structure
- 3 For aeration and the regeneration of moss-grown soils and grassed aisles

BRAUN Cultivator Vario

The universal implement for all soil maintenance work in fruit cultivation and viticulture

Swivel scalloped disc

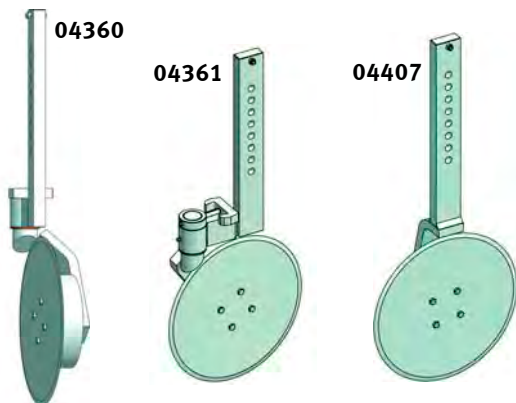
Basic swivel scalloped disc with crown plate adjustment



Cutting disc

(with or without support wheel option) is used as a precutter in conjunction with the winged foot (04319) and thin ripper leg (04317), or only the leg to prevent damage to turf.

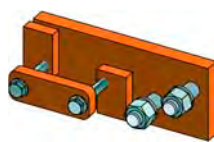
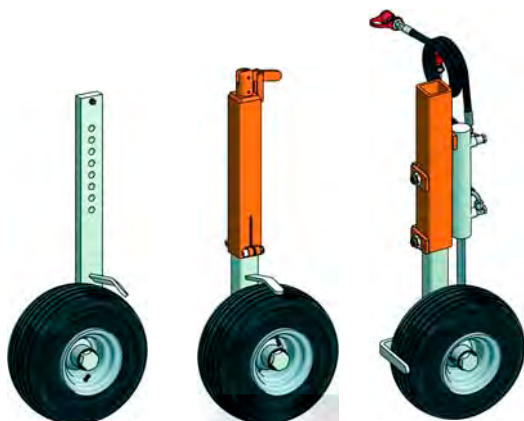
Rigid cutting disc (not swivelling)



Support wheel for cultivator/UKR



Support wheel pneumatic tired for cultivator/UKR



Bolt on plate with clamping bracket for adjustable depth wheel

04338

04396

043381

04399



BRAUN Cultivator *Vario* and accessories

Ref. No.	Article	Weight in kg	Price excl. VAT
04321	Leg holder for supporting wheels right	9,0	
04322	left	9,0	
04374	Disc plough 350 mm for cultivator with holder 60 x 25 mm right	11,5	
043741	left	11,5	
04369	Basic swivel scalloped disc with crown plate adjustment for cultivator right	11,5	
043691	left	11,5	
04314	Cutting Disc - straight (large 350 mm) with depth limiting ring right	16,2	
04360	left	16,2	
04361	Swivelled Cutting Disc right	15,5	
04362	left	15,5	
04407	Rigid cutting disc (not swivelling)	16,5	
04323	Support wheel for cultivator/UKR right	18,0	
04324	left	18,0	
04405	Support wheel swivelling for cultivator/UKR right	19,0	
04406	left	19,0	
04397	Support wheel spindle adjustable for cultivator/UKR right/left	21,0	
04338	Support wheel pneumatic tired for cultivator/UKR right	13,0	
04339	left	13,0	
04396	Support wheel spindle adjustable, pneumatic tired, for cultivator/UKR right/left	13,0	
043381	Support wheel pneumatic, hydraulically width adjustable	23,0	
04399	Bolt on plate with clamping bracket for adjustable depth wheel right	4,0	
043991	left	4,0	



CULTIVATOR VARIO. BASIC DEVICE.

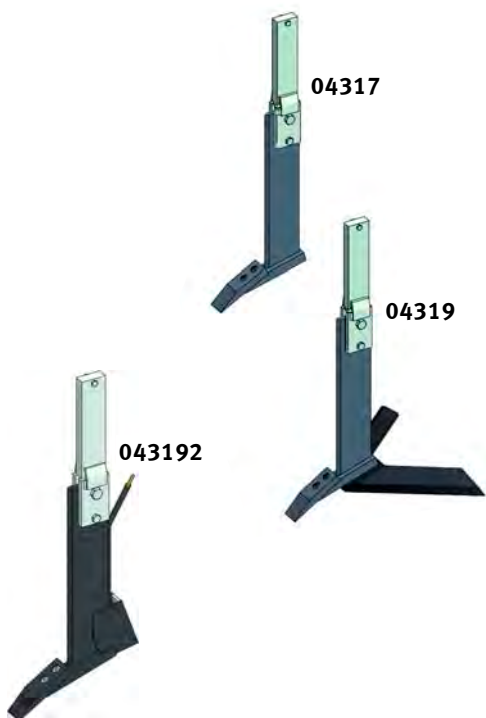
- 1 For all soil work
- 2 To loosen hard soil structure
- 3 For aeration and the regeneration of moss-grown soils and grassed aisles

BRAUN Cultivator Vario

The universal implement for all soil maintenance work in fruit cultivation and viticulture

Winged foot

The winged foot aerates leafy aisles or rather destroys wild herbs.



Winged foot for liquid fertilizer



Chisel foot for chisel foot leg (04318)

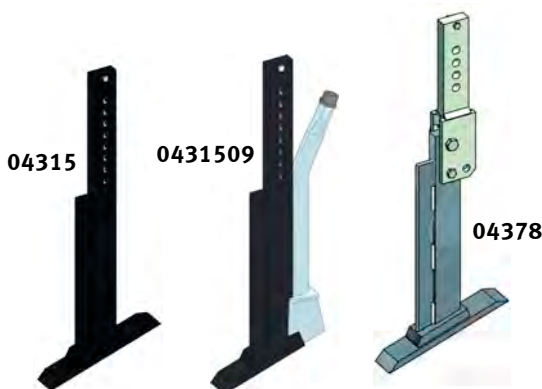
Chisel for thin ripper leg (04364)

Chisel foot

Chisel foot leg with chisel foot (04315)

Chisel foot leg for granular fertilizer (0431509)

Chisel foot leg with chisel foot and shear (04378)





BRAUN Cultivator *Vario* and accessories

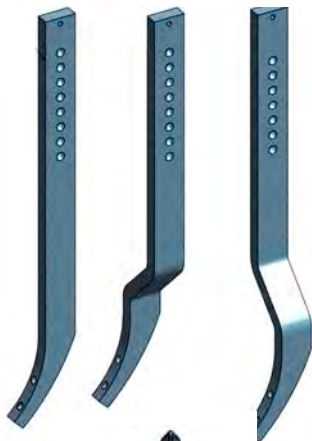
Ref. No.	Article	Weight in kg	Price excl. VAT
043192	Winged foot leg for winged foot and LIQUID FERTILIZER	13,7	
04317	Thin ripper leg WITHOUT winged foot, with shearbolt right/left	10,7	
04319	Thin ripper leg with winged foot, with shearbolt right/left	13,7	
04318	Chisel foot for chisel foot leg	2,0	
04316	Winged foot, working width 500 mm suitable with chisel foot for chisel foot leg	3,0	
04364	Chisel for thin ripper leg	1,0	
04315	Chisel foot leg with chisel foot right/left	11,8	
0431509	Chisel foot for granular fertilizer	11,0	
04378	Chisel foot leg with chisel foot leg and shear right/left	15,0	



CULTIVATOR VARIO. BASIC DEVICE.

- 1 For all soil work
- 2 To loosen hard soil structure
- 3 For aeration and the regeneration of moss-grown soils and grassed aisles

04139 041390 041391



04128



04130



04131



04132



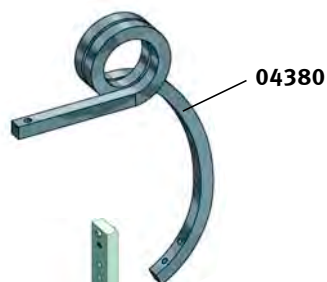
BRAUN Cultivator Vario

The universal implement for all soil maintenance work in fruit cultivation and viticulture

Cultivator tines

Different blades for cultivator leg

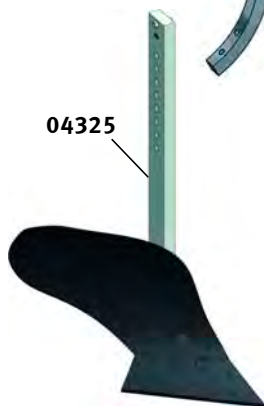
All common share types can be fixed on the shaft of the cultivator.



04380

S-shaped tines (04380)
for rocky or clay soils.

04325



Mouldboard plough FW 8



BRAUN Cultivator *Vario* and accessories

Ref. No.	Article	Weight in kg	Price excl. VAT
04139	Cultivator tine 730 x 60 x 25 mm	8,5	
041390	Cultivator tine (offset) 730 x 60 x 25 mm, right	8,5	
041391	Cultivator tine (offset) 730 x 60 x 25 mm, left	8,5	
04128	Ripper foot - curved 16 x 40 x 300 mm	1,5	
04130	Goose foot shaped blade Heavy style, 200 mm	1,2	
04131	Goose foot shaped blade Heavy style, 250 mm	1,6	
04132	Goose foot shaped blade Heavy style, 300 mm	2,0	
04380	S-shaped tines 30 x 30 mm right	12,7	
04381	S-shaped tines 30 x 30 mm left	12,7	
043801	Supplement for S-shaped tines	0,7	
04325	Ploughing body FW 8, with rigid leg, 60 x 25 mm right	16,5	
04326	left	16,5	

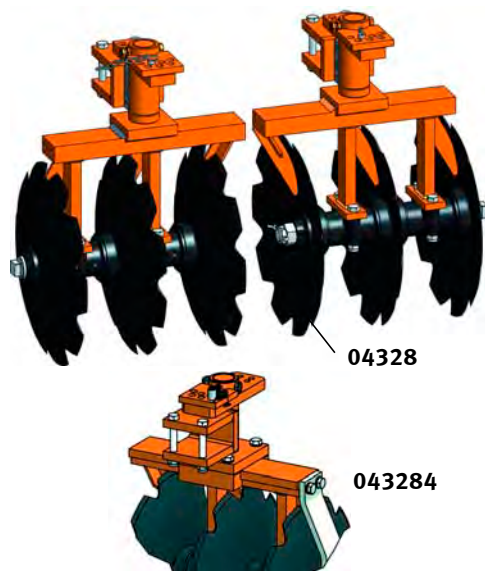


CULTIVATOR VARIO. BASIC DEVICE.

- 1 For all soil work
- 2 To loosen hard soil structure
- 3 For aeration and the regeneration of moss-grown soils and grassed aisles

BRAUN Cultivator Vario

The universal implement for all soil maintenance work in fruit cultivation and viticulture

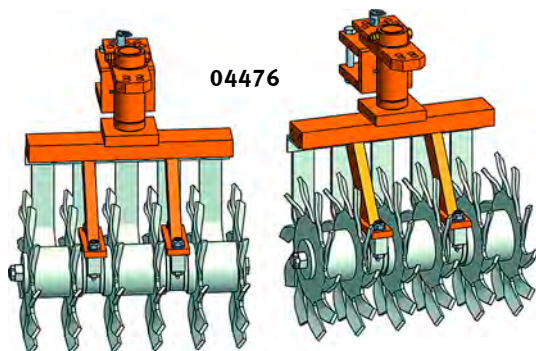


Disc harrows

With the set of disc harrows weed control can be achieved at a high working speed. Especially if used with the tried and tested winged foot and leg this will cut the weeds in a wide area with few tools.

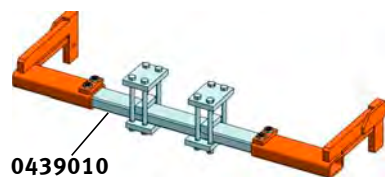
The discs angle can be easily adjusted with the hole pattern plate without screws. 360° rotation allows discing both out and in.

Horizontally slideable brackets for disc harrows



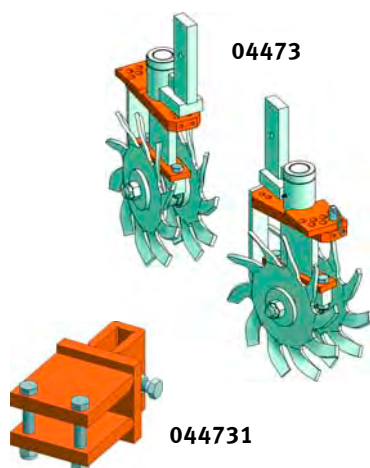
Rotary star tiller

to scarifie or to loosen the soil superficially in the row.



Cross beam mounting for set of disc harrows

The disc set is positioned parallel to the Vario cultivator. When the cultivator is extended, the set of disc harrows follow. Part of the BRAUN Vario modular system.



Pair of Rotary star tillers with double star wheels for center mounting on the cultivator frame

Mounting bracket for rotary star tiller on cross beam



BRAUN Cultivator *Vario* and accessories

Ref. No.	Article	Weight in kg	Price excl. VAT
04328	Set of 3 disc harrows, adjustable	95,0	
04329	Set of 4 disc harrows, adjustable	95,0	
04379	Set of 5 disc harrows, adjustable	130,0	
04377	Set of 6 disc harrows, adjustable	180,0	
043282	Pair of deflector for disc harrows	5,2	
043284	Horizontally slideable bracket for disc harrows	20,0	
04474	Set of 4 Rotary star tillers	138,0	
04475	Set of 5 Rotary star tillers	154,0	
04476	Set of 6 Rotary star tillers	170,0	
04477	Set of 7 Rotary star tillers	186,0	
04478	Set of 8 Rotary star tillers	202,0	
04479	Set of 9 Rotary star tillers	218,0	
04480	Set of 10 Rotary star tillers	234,0	
044744	Horizontally slideable bracket for Rotary star tiller	20,0	
0439010	Cross beam for disc harrows parallel with cultivator width adjustment Working width 1.000 mm	36,0	
0439011	Working width 1.100 mm	38,0	
0439012	Working width 1.200 mm	40,0	
0439015	Working width 1.500 mm	43,0	
0439017	Working width 1.700 mm	46,0	
043281	Set of 3 discs on mounting frame for disc harrows in X-configuration	95,0	
043291	Set of 4 discs on mounting frame for disc harrows in X-configuration	120,0	
044741	Set of 4 Rotary star tillers on mounting frame only for X-configuration	138,0	
044761	Set of 6 Rotary star tillers on mounting frame only for X-configuration	160,0	
044771	Set of 7 Rotary star tillers on mounting frame only for X-configuration	186,0	
044781	Set of 8 Rotary star tillers on mounting frame only for X-configuration	202,0	
04473	Pair of Rotary star tillers with double star wheels, for center mounting on the cultivator frame	65,0	
044731	Mounting bracket for Rotary star tiller on cross beam	12,5	

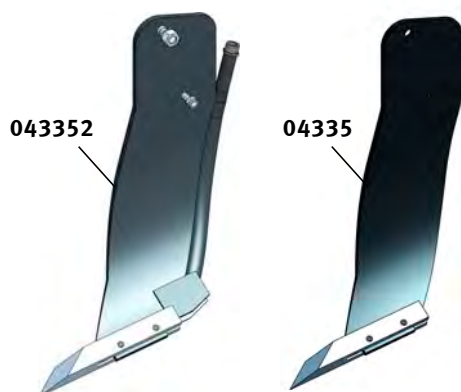


CULTIVATOR VARIO. BASIC DEVICE.

- 1 For all soil work
- 2 To loosen hard soil structure
- 3 For aeration and the regeneration of moss-grown soils and grassed aisles

BRAUN Cultivator Vario

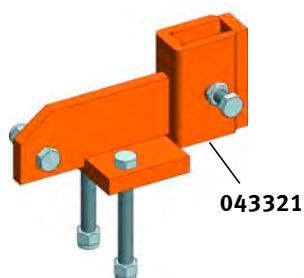
The universal implement for all soil maintenance work in fruit cultivation and viticulture



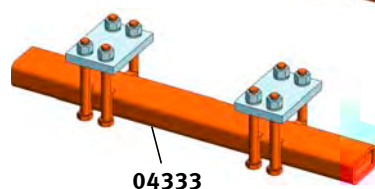
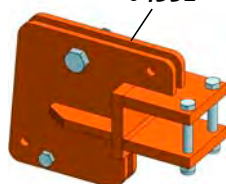
Paraplough

The BRAUN Vario cultivator, using the cross bar, brackets and paraplough tines can be converted into a para plough with little time.

00433402



04332



Nitrogen maintenance of the vine – realizable with the BRAUN Modular System Cultivator Vario

1. Control of chlorosis through the combination of AHL und iron chelate.
2. Loosening and aeration of the grassed aisle between the rows without damage of the turf.



BRAUN Cultivator *Vario* and accessories

Ref. No.	Article	Weight in kg	Price excl. VAT
04332	Bracket for Paraplough right / left	18,5	
043321	Bracket for swivel coulters to be mounted at the paraplough bracket	18,5	
04333	Cross bar for bracket with no. 04332	36,0	
0433311	Working width 850 mm		
0433312	Working width 1.150 mm		
0433313	Working width 1.250 mm		
04334	Paraplough tines with chisel blade	26,0	
04335	right	26,0	
	left		
043341	Paraplough tines with chisel blade, for liquid manure	28,5	
043351	right	28,5	
	left		
043342	Paraplough tines with chisel blade for granular fertiliser	28,5	
043352	right	28,5	
	left		
00433402	Chisel for paraplough tines	4,8	
00433502	right	4,8	
	left		
04375	Pair of support legs for paraplough	35,0	
	<i>Liquid fertiliser</i>		
04410	Fertiliser tank Economy 150 l with diaphragm pump all fittings incl. equipment of brace 2-fold	30,0	
044101	Electric remote control Combined with the tank 04410 with gauges and switches	1,0	
044102	Fertiliser tank bracket for cultivator	6,0	



CULTIVATOR VARIO. BASIC DEVICE.

- 1 For all soil work
- 2 To loosen hard soil structure
- 3 For aeration and the regeneration of moss-grown soils and grassed aisles

BRAUN Cultivator Vario

The universal implement for all soil maintenance work in fruit cultivation and viticulture

Crumbler roller

is designed for heavy duty.

The toothed edges are arrow-shaped and curved, thereby it's perfectly stable. No pulling to the left or right.

The roller has a diameter of 340mm or 400mm with bolted bearing shaft, therefore the consumables can be easily replaced.

Spade roller harrow

The spade roller harrow allows a better oxygen supply of roots by breaking up soil, and thus supports the regeneration of vegetation.

Ideal for slopes because the ground is cut open with the chisel feet and the spade roller breaks up large chunks of soil at a greater depth. The working depth is regulated by a crumbler roller which also stabilizes the spade roller harrow.

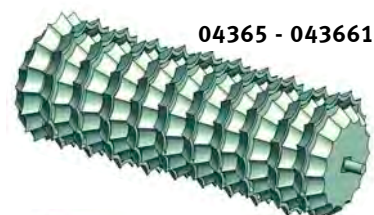
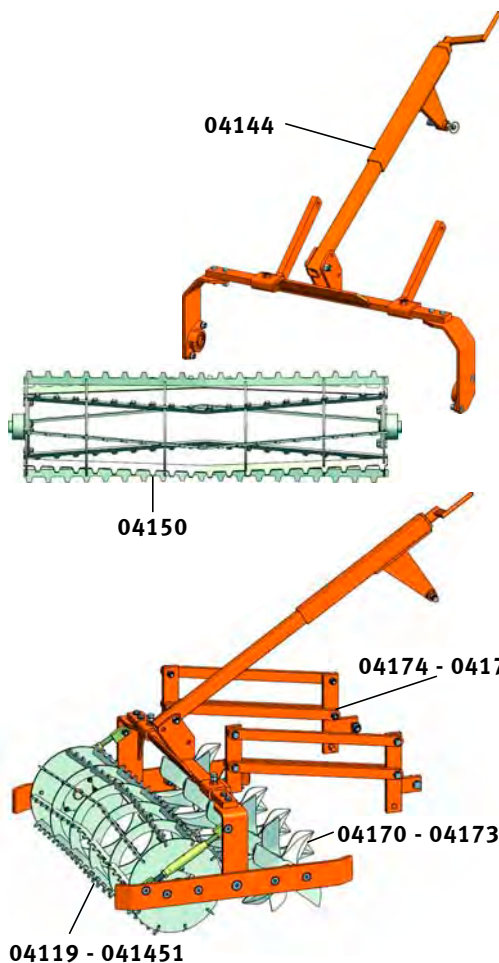
Star cracker roller

crumbles, merges and compacts vegetated and open soils.

Güttler Packer roller

for preparation of heavy clay based soil for sowing.

Pipe roller





BRAUN Cultivator *Vario* and accessories

Ref. No.	Article	Weight in kg	Price excl. VAT
04144	Spindle adjustable three-point-mounting for all crumbler rollers mounted on the mounting frame (Ref. No.: 04306)	27,0	
041442	Spindle adjustable three-point-mounting for all rollers over 1.500 mm	27,0	
04119	Crumbler roller 750 mm, unframed	14,0	
04149	Crumbler roller 880 mm, unframed	16,0	
04120	Crumbler roller 1.000 mm, unframed	18,0	
04150	Crumbler roller 1.100 mm, unframed	20,0	
04121	Crumbler roller 1.250 mm, unframed	22,0	
04122	Crumbler roller 1.500 mm, unframed	24,5	
041191	Crumbler roller 750 mm, unframed ø 400 mm	16,0	
041491	Crumbler roller 880 mm, unframed ø 400 mm	18,0	
041201	Crumbler roller 1.000 mm, unframed ø 400 mm	20,0	
041501	Crumbler roller 1.100 mm, unframed ø 400 mm	22,0	
041211	Crumbler roller 1.250 mm, unframed ø 400 mm	24,0	
041221	Crumbler roller 1.500 mm, unframed ø 400 mm	26,0	
041451	Crumbler roller 1.800 mm, unframed ø 400 mm	28,0	
041231	Pipe roller 750 mm, unframed	27,0	
04177	Pipe roller 880 mm, unframed	27,0	
04123	Pipe roller 1.000 mm, unframed	27,0	
041232	Pipe roller 1.100 mm, unframed	27,0	
04124	Pipe roller 1.250 mm, unframed	35,0	
041241	Pipe roller 1.500 mm, unframed	35,0	
041242	Pipe roller 1.750 mm, unframed	35,0	
04365	Güttler Packer roller 1.000 mm with ball bearings, unframed	180,0	
043651	Güttler Packer roller 1.100 mm with ball bearings, unframed	200,0	
04366	Güttler Packer roller 1.300 mm with ball bearings, unframed	250,0	
043661	Güttler Packer roller 1.600 mm with ball bearings, unframed	280,0	
04170	Spade roller harrow 1.000 mm	40,0	
04171	Spade roller harrow 1.100 mm	45,0	
04172	Spade roller harrow 1.250 mm	50,0	
04173	Spade roller harrow 1.500 mm	60,0	
04174	Parallel bracket with ball bearings 1.000 mm	40,0	
04175	Parallel bracket with ball bearings 1.100 mm	40,0	
04178	Parallel bracket with ball bearings 1.250 mm	40,0	
04176	Parallel bracket with ball bearings 1.500 mm	60,0	
04181	Star cracker roller SE 11 1.120 mm	200,0	
04182	Star cracker roller SE 12 1.250 mm	210,0	
04183	Star cracker roller SE 15 1.500 mm	220,0	



CULTIVATOR VARIO. BASIC DEVICE.

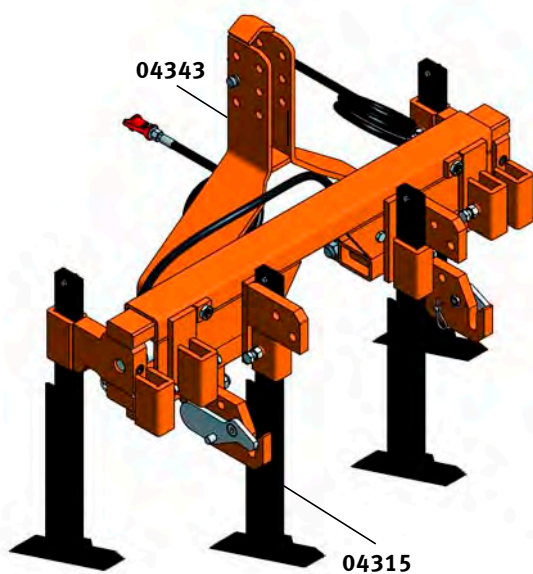
- 1 For all soil work
- 2 To loosen hard soil structure
- 3 For aeration and the regeneration of moss-grown soils and grassed aisles

BRAUN Cultivator Vario Combinations and examples of orders

Cultivator Vario HZ 4 BV for row width 1,60 - 2,00 m

Equipped with

➔ **classical Cultivator, inclusive adaption plate with chisel blade and leg for breaking up of hard soil and avoiding forming blocks**



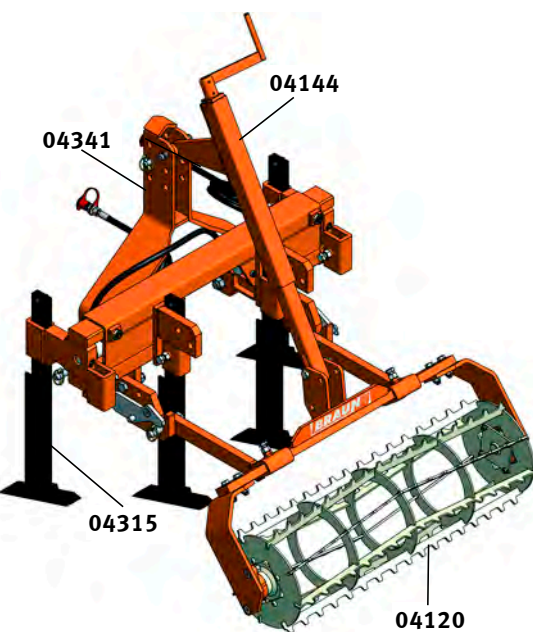
Ref. No.	Article	Quantity	Price excl. VAT
04343	Cultivator Vario HZ 4 BV, hydr. adjustable Working width 1.100 - 1.600 mm	1	
04315	Chisel blade leg with chisel blade	4	

BRAUN Modular Solution total:

Cultivator Vario HZ 4 BV for row width 1,60 - 2,00 m

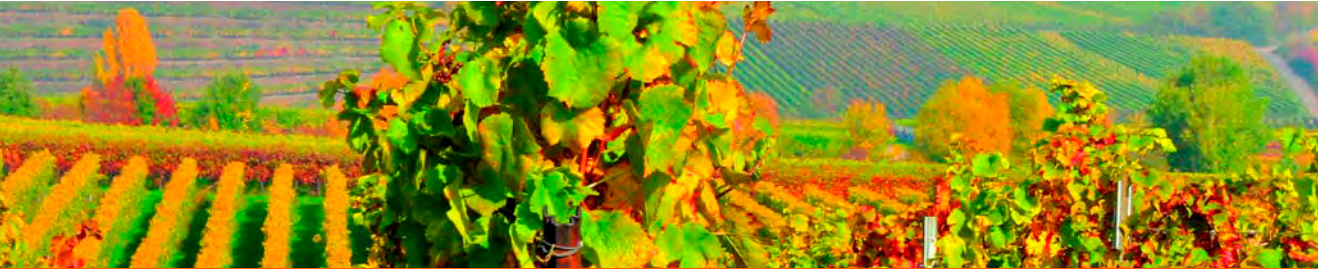
Equipped with

➔ **short cultivator, chisel blades and crumb roller for subsoiling of medium soil**



Ref. No.	Article	Quantity	Price excl. VAT
04341	Cultivator Vario HZ 4 BV, hydr. adjustable Working width 1.000 - 1.400 mm	1	
04315	Chisel blade leg with chisel blade	4	
04144	Spindle adjustable three-point-mounting, (directly mounted on the cultivator) short version	1	
04120	Crumbler roller 1.000 mm, unframed	1	

BRAUN Modular Solution total:



BRAUN Cultivator *Vario* | Combinations

Cultivator *Vario* HZ 4 BV for row width 1,80 - 2,00 m

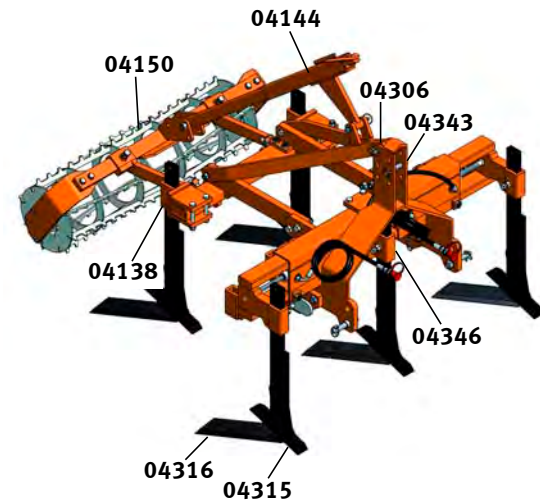
Equipped for

➔ **working with light soil**

High passage and light tools ensure clog-free cultivation

Ref. No.	Article	Quantity	Price excl. VAT
04343	Cultivator <i>Vario</i> HZ 4 BV, hydr. adjustable Working width 1.100 - 1.600 mm	1	
04306	Mounting frame for cultivator 600 mm	1	
04138	Bracket for cultivator	2	
04346	Bracket for cultivator, middle	1	
04315	Chisel blade leg with chisel blade, right	5	
04316	Wing-share for chisel tine	5	
04144	Spindle adjustable three-point-mounting, (mounted on the mounting frame)	1	
04150	Crumbler roller 1.100 mm	1	

BRAUN Modular Solution total:



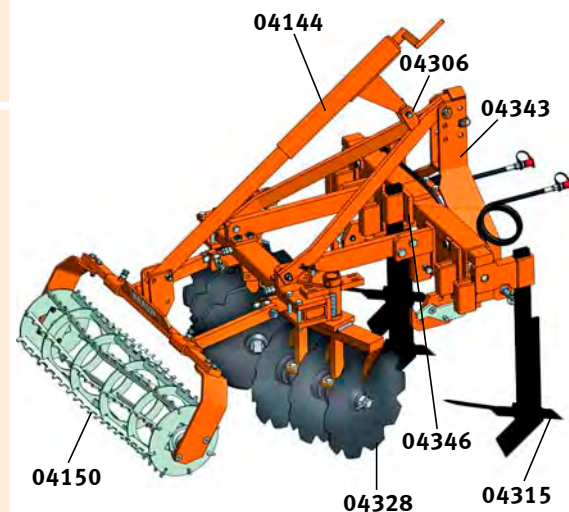
Cultivator *Vario* HZ 4 BV for row width 1,70 - 2,00 m

Equipped with

➔ **disc harrows and wing blade for weed control
to work at high speed**

Ref. No.	Article	Quantity	Price excl. VAT
04343	Cultivator <i>Vario</i> HZ 4 BV, hydr. adjustable Working width 1100 - 1600 mm	1	
04306	Mounting frame for cultivator 600 mm	1	
04346	Bracket for cultivator, middle	1	
04315	Chisel blade leg with chisel blade, right	3	
04316	Wing-share for chisel tine	3	
04328	Pair of three swiveling disc harrows	1	
04144	Spindle adjustable three-point-mounting, (mounted on the mounting frame)	1	
04150	Crumbler roller 1.100 mm	1	

BRAUN Modular Solution total:





CULTIVATOR VARIO. BASIC DEVICE.

- 1 For all soil work
- 2 To loosen hard soil structure
- 3 For aeration and the regeneration of moss-grown soils and grassed aisles

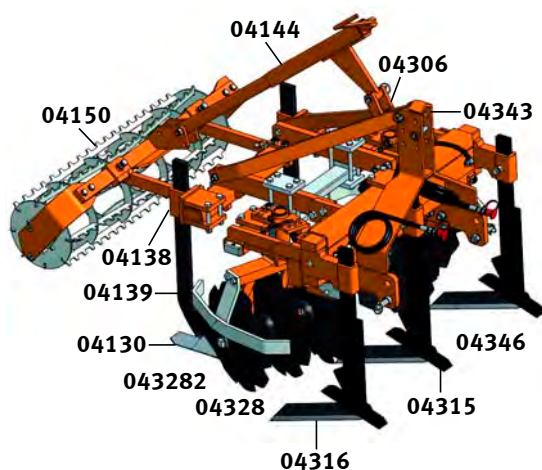
BRAUN Cultivator Vario Combinations and examples of orders

Cultivator Vario HZ 4 BV

Equipped for

➔ working with light soil

High passage and light tools ensure clog-free cultivation

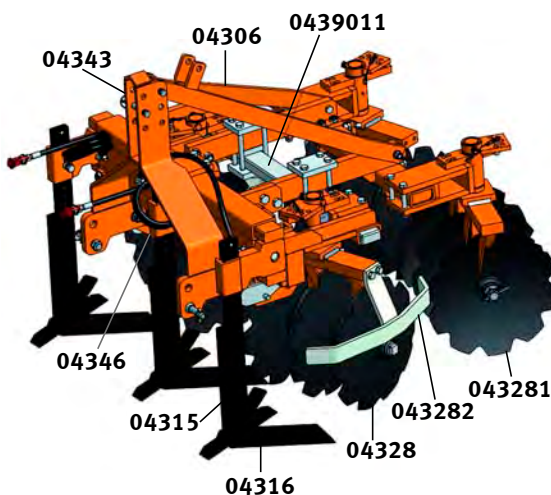


Ref. No.	Article	Quantity	Price excl. VAT
04343	Cultivator Vario HZ 4 BV, hydr. adjustable Working width 1.100 - 1.600 mm	1	
04306	Mounting frame for cultivator, 600 mm	1	
04138	Bracket for cultivator	2	
04346	Bracket for cultivator tine, middle	1	
04315	Chisel blade leg with chisel blade, right	3	
04316	Wing-share for chisel tine	3	
04139	Cultivator tine	2	
04130	Goose foot blade, 200 mm	2	
0439011	Cross beam for disc harrows	1	
04328	Pair of three way swivel disc harrows	1	
04144	Spindle adjustable three-point-mounting, (mounted on the mounting frame)	1	
04150	Crumbler roller 1.100 mm	1	

BRAUN Modular Solution total:

Cultivator Vario HZ 4 BV for row width 1,80 - 2,00 m

Equipped with ➔ triple disc harrows, X-shaped



Ref. No.	Article	Quantity	Price excl. VAT
04343	Cultivator Vario HZ 4 BV, hydr. adjustable Working width 1.100 - 1.600 mm	1	
04306	Mounting frame for cultivator 600 mm	1	
04346	Bracket for cultivator tine, middle	1	
04315	Chisel blade leg with chisel blade, right	3	
04316	Wing-share for chisel tine	3	
04328	Pair of three way swivel disc harrows	1	
043281	Pair of 3-fold disc harrows on swiveled mounting frame	1	
0439011	Cross beam for disc harrows	1	

BRAUN Modular Solution total:



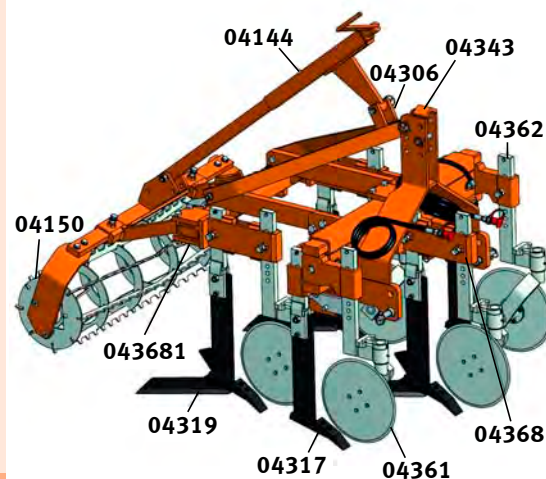
BRAUN Cultivator *Vario* | Combinations

Cultivator *Vario* HZ 4 BV

Equipped with → **Wing blades and swivel coulters**
to aerate plantation

Ref. No.	Article	Quantity	Price excl. VAT
04343	Cultivator <i>Vario</i> HZ 4 BV, hydr. adjustable Working width 1.100 - 1.600 mm	1	
04306	Mounting frame for cultivator, 600 mm	1	
04368	Bracket middle for cultivator and swivel coulters	1	
043681	Bracket for cultivator leg and swivel coulters	2	
04319	Wing blade with leg	3	
04317	Wing blade leg without wing blade	2	
04361	Swivel coulter, right	3	
04362	Swivel coulter, left	2	
04144	Spindle adjustable three-point-mounting, (mounted on the mounting frame)	1	
04150	Crumbler roller 1.100 mm	1	

BRAUN Modular Solution total:

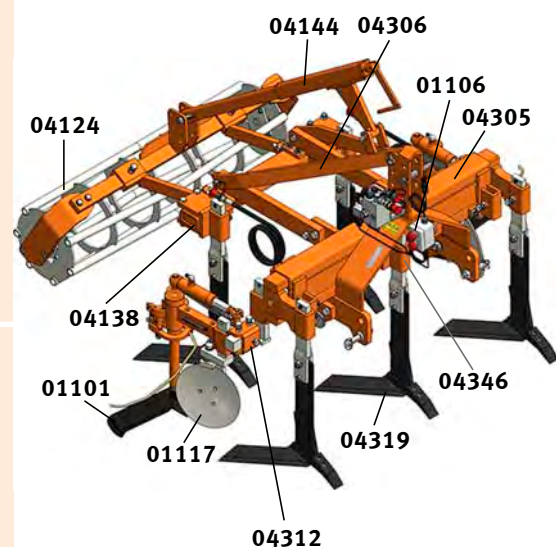


Cultivator *Vario* HZ 6 BV

Equipped with → **Wing blades, LUV-devices,
concave coulter and pipe roller**
Aeration and regeneration of mossy weed rows or weed control

Ref. No.	Article	Quantity	Price excl. VAT
04305	Cultivator <i>Vario</i> HZ 6 BV, hydr. adjustable Working width 1.250 - 1.750 mm	1	
04306	Mounting frame for cultivator, 600 mm	1	
04346	Bracket for cultivator tine, middle	1	
04138	Bracket for cultivator tine	2	
04319	Wing blade with leg	5	
04144	Spindle adjustable three-point-mounting, (mounted on the mounting frame)	1	
04124	Pipe roller 1.250 mm	1	
04312	Bracket for mounting LUV-device, square 50 mm, right	1	
04356	Bracket for mounting LUV-device, square 50 mm, left	1	
01101	LUV <i>Perfekt</i> , right	1	
01102	LUV <i>Perfekt</i> , left	1	
01106	Dual electro-magnetic overriding control	1	
043034	Bracket for override control for cultivator	1	
01117	Concave Coulter disc 300 mm, right	1	
01118	Concave Coulter disc 300 mm, left	1	

BRAUN Modular Solution total:



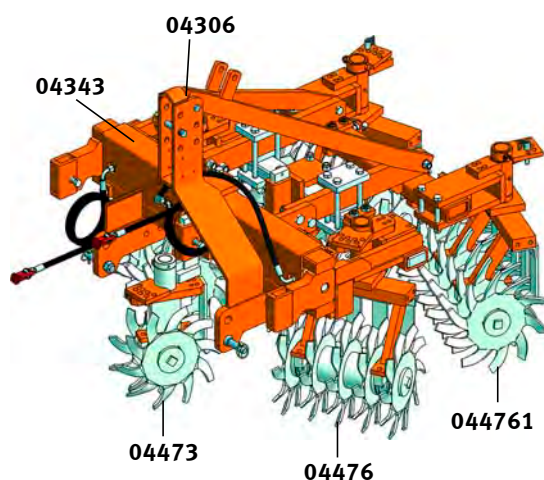


CULTIVATOR VARIO. BASIC DEVICE.

- 1 For all soil work
- 2 To loosen hard soil structure
- 3 For aeration and the regeneration of moss-grown soils and grassed aisles

Cultivator *Vario* HZ 4 BV for row width 1,80 - 2,00 m

Equipped as → **Rotary star tiller in X-configuration**
for superficial soil working in the rows



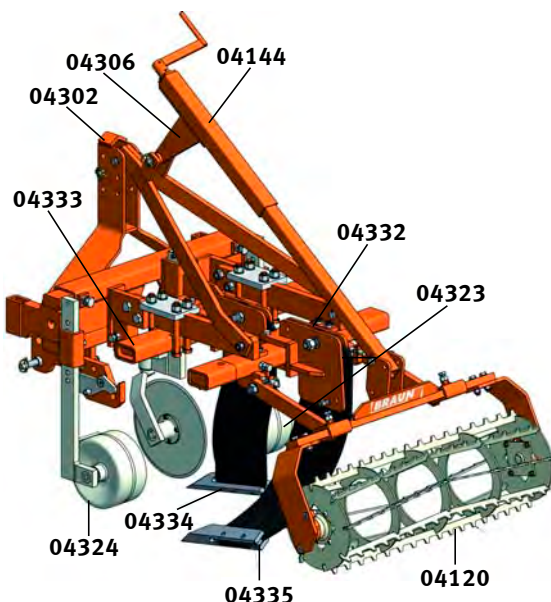
Ref. No.	Article	Quantity	Price excl. VAT
04343	Cultivator <i>Vario</i> HZ 4 BV, hydr. adjustable Working width 1.100 - 1.600 mm	1	
04306	Mounting frame for cultivator 600 mm	1	
04346	Bracket for cultivator, middle	1	
044731	Mounting bracket for rotary star tiller on cross beam	1	
04473	Pair of rotary star tillers with double star wheels for center mounting on the cultivator frame	1	
04476	Set of 6 swivel Rotary star tillers	1	
044761	Set of 6 swivel Rotary star tillers on mounting frame, only for X-configuration	1	
0439011	Cross beam for disc harrows, Rotary star tiller	1	

BRAUN Modular Solution total:

BRAUN Modular Solution total:

Cultivator *Vario* MZ 4 BV for row width 1,60 - 2,00 m

Equipped as → **Paraplough with land wheels and crumbler roller**
to subsoiling leafy alleys



Ref. No.	Article	Quantity	Price excl. VAT
04302	Cultivator <i>Vario</i> MZ 4 BV, mech. adjustable, Working width 900 - 1.300 mm	1	
04306	Mounting frame for cultivator 600 mm	1	
04332	Bracket for paraplough	2	
04333	Cross bar for bracket 04332, working width 850 mm	1	
04334	Paraplough tines, right	1	
04335	Paraplough tines, left	1	
043321	Clamp for swivel cutting disc on paraplough	1	
04361	Swivel coulter, right	1	
04144	Spindle adjustable three-point-mounting (mounted on the mounting frame)	1	
04120	Crumbler roller 1.000 mm	1	
04323	Land wheel for cultivator, right	1	
04324	Land wheel for cultivator, left	1	
04138	Bracket for cultivator tine	2	
04375	Pair of supporting legs for paraplough	1	

BRAUN Modular Solution total:

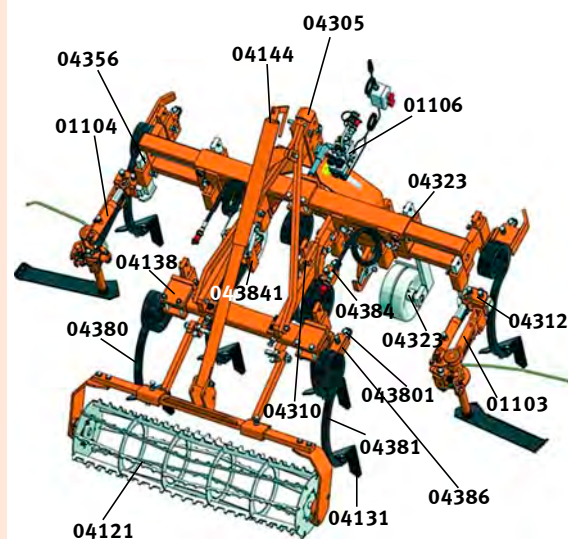


BRAUN Cultivator *Vario* | Combinations

Cultivator *Vario* HZ 6 BV

Equipped as → **conventional cultivator,**
with S shaped tines, land wheels and crumbler roller

Ref. No.	Article	Quantity	Price excl. VAT
04305	Cultivator HZ 6 BV hydr. adjustable, Working width 1.250 - 1.750 mm	1	
04306	Mounting frame for cultivator 600 mm	1	
04346	Bracket for cultivator tine, middle	1	
04138	Bracket for cultivator tine	2	
04310	Centre mounting bracket for longitudinal cultivator beam	2	
04311	Bracket for cultivator tine	1	
04384	Bracket for cultivator tine with 04310, right	1	
043841	Bracket for cultivator tine with 04310, left	1	
04386	Bracket with 04138	2	
04348	Bracket for cultivator tine with side deflector, right	1	
04349	Bracket for cultivator tine with side deflector, left	1	
04323	Land wheel for cultivator, right	1	
04324	Land wheel for cultivator, left	1	
04380	S shaped tines, right	3	
04381	S shaped tines, left	4	
043801	Supplement for S shaped tines	7	
04131	Goosefoot 250 mm	7	
04144	Spindle adjustable three-point-mounting (mounted on the mounting frame)	1	
04121	Crumbler roller 1.250 mm	1	
04312	Bracket for mounting the LUV devices, square 50 mm, right	1	
04356	Bracket for mounting the LUV devices, square 50 mm, left	1	
01103	LUV <i>Perfekt</i> right, 500 mm	1	
01104	LUV <i>Perfekt</i> left, 500 mm	1	
01106	Dual electro-magnetic overriding control	1	



BRAUN Modular Solution total:

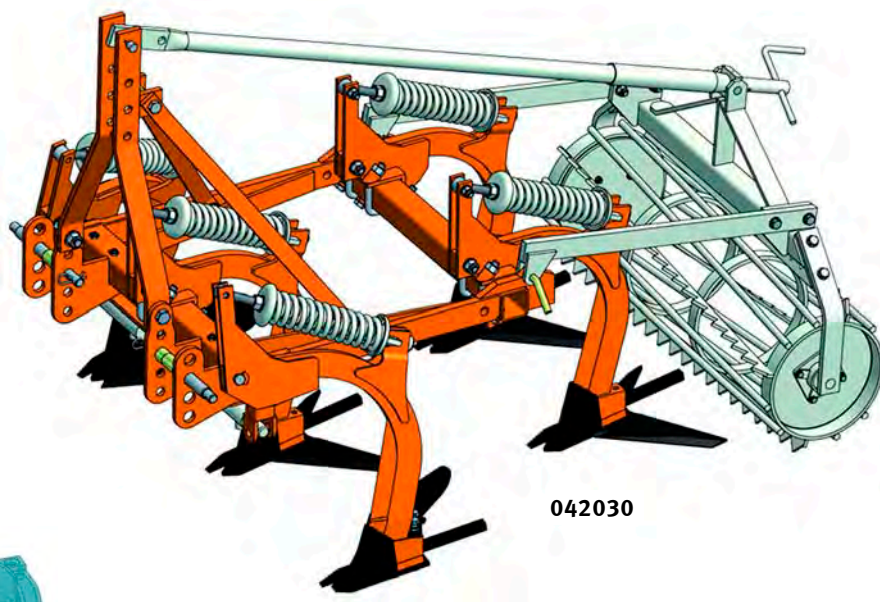


CULTIVATOR VARIO. BASIC DEVICE.

- 1 For all soil work
- 2 To loosen hard soil structure
- 3 For aeration and the regeneration of moss-grown soils and grassed aisles

BRAUN Acticult Cultivator

The universal implement for all soil maintenance work in fruit cultivation and viticulture



042030

004224



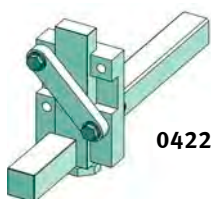
004225



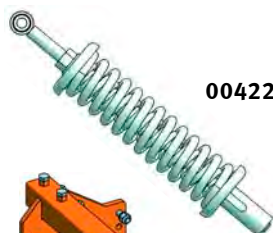
004226



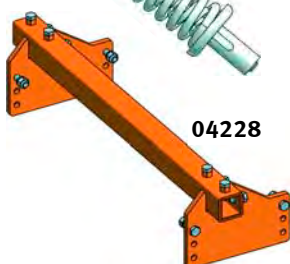
04227



004227



04228



Acticult Cultivator

The Acticult-Cultivator is suitable for working with difficult and rocky soils. The soil is actually stirred by the spring packages.

Acticult spare parts and accessories

Mouldboard plough

Winged foot

Chisel

Bracket for mounting LUV-undervine weeders on Acticult frame

Multi-leaf spring

Cross bar



BRAUN Acticult and accessories

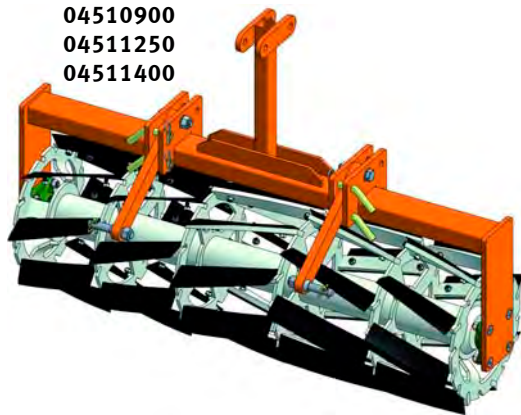
Ref. No.	Article	Weight in kg	Price excl. VAT
042020	Acticult 70 B1 Working width 1.000 - 1.300 mm	335,0	
042030	Acticult 74 B1 Working width 1.160 - 1.460 mm	335,0	
042040	Acticult 88 B1 Working width 1.300 - 1.600 mm	350,0	
042050	Acticult 105 B1 Working width 1.450 - 1.750 mm	425,0	
042060	Acticult 125 B1 Working width 1.650 - 1.950 mm	440,0	
042070	Acticult 150 B1 Working width 2.050 - 2.350 mm	560,0	
042080	Acticult 185 B1 Working width 2.350 - 2.650 mm	670,0	
042090	Acticult 200 B1 Working width 2.450 - 2.750 mm	670,0	
04223	Steep vertical hydraulic lift for Acticult	20,0	
04221	Hydraulically width adjustment for Acticult	20,0	
04220	Hydraulically roller adjustment	20,0	
004224	Mouldboard plough for Acticult, right	3,0	
0042241	Mouldboard plough for Acticult, left	3,0	
004225	Winged foot for Acticult	3,0	
004226	Chisel for Acticult	1,5	
04227	Pair of brackets for mountig LUV-undervine weeders on Acticult frame	30,0	
004227	Multi leaf spring for Acticult	8,0	
04228	Cross bar for Acticult	22,0	



ACTIROLL *UNO* | *DUO*

- 1 To push down the tall revegetation
- 2 To breakup the soil and organic remains

04510850
04510900
04511250
04511400



BRAUN Actiroll

Actiroll *Uno*

The Actiroll Uno is a single roll for direct mounting in the front or rear of the tractor.

The mounting on our cultivator frame *Vario* is also possible.

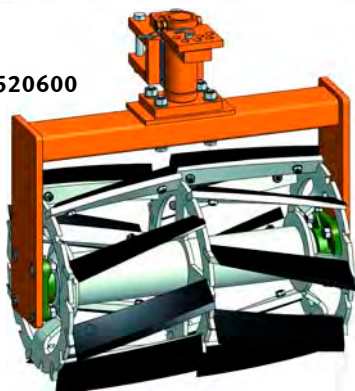
04521250



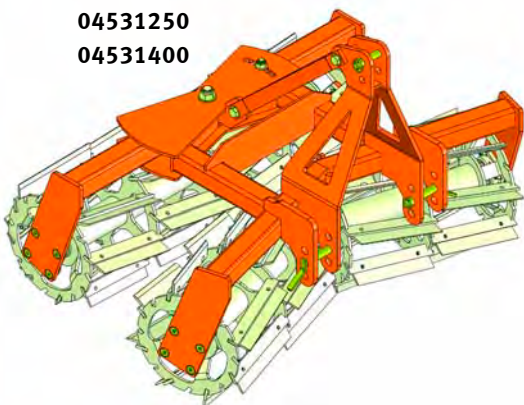
Actiroll *Duo* | Element with hole pattern adjustment

The width-adjustable version Actiroll *Duo* is a double roller which is modularly integrated into the base frame of the proven X-form disc harrow. Two smaller, angle adjustable rolls form the front row. These can be moved together or apart through the hydraulic width adjustment. The back row consists of a wider roller.

04520600



04530900
04531250
04531400



Actiroll *Standard*

The Actiroll consists of a rigid frame with two series of rollers rows.

The front row is divided into two smaller rollers. These are available in V-form. A width angularly adjustable roll forms the second row.



Ref. No.	Article	Weight in kg	Price excl. VAT
04510850	Actiroll Uno Working width 850 mm Overall width 920 mm	220,0	
04510900	Actiroll Uno Working width 900 mm Overall width 970 mm	240,0	
04511250	Actiroll Uno Working width 1.250 mm Overall width 1.320 mm	290,0	
04511400	Actiroll Uno Working width 1.400 mm Overall width 1.470 mm	350,0	
04511500	Actiroll Uno Arbeitsbreite 1.500 mm Außenbreite 1.570 mm	290,0	
04511600	Actiroll Uno Arbeitsbreite 1.600 mm Außenbreite 1.670 mm Further working widths upon request	350,0	
04520600	Actiroll with hole pattern adjustment	150,0	
04521250	Actiroll Duo Working width 1.250 mm Overall width 1.320 mm Further working widths upon request	290,0	
04530900	Actiroll Standard Working width 900 mm Overall width 1.000 mm	455,0	
04531250	Actiroll Standard Working width 1.200 mm Overall width 1.300 mm	490,0	
04531400	Actiroll Standard Working width 1.400 mm Overall width 1.500 mm Further working widths upon request	525,0	



MOWER ALPHA 2000 | SENSOTRONIC

- 1 For mowing grassed vineyards and orchards
- 2 For mulching of vine and orchard prunings

BRAUN Mower

Mower Alpha 2000

- hydraulic continuously adjustable
- the warp-resistant base frame with maintenance-free and precision-mounted side plates make the *Alpha 2000* a robust and durable implement.

Working width:

- 1.100 - 1.400 mm
- 1.200 - 1.550 mm
- 1.300 - 1.800 mm
- 1.400 - 1.900 mm
- 1.500 - 2.000 mm
- 1.650 - 2.200 mm
- 1.900 - 2.500 mm

0713180



Mower Avant with clever details

- features a sturdy construction and specialized design. The tapered form of the mower front pushes stems to the side and minimizes the risk of vine trunks and stakes getting snagged.
- The linear side thrust is a mechanical function with lock-in adjustment (no tools required). It is also possible to have hydraulic linear side thrust.
- The *Avant* also boasts additional implement mounts, stable support wheels and a robust construction that allows for the mulching of vine prunings.

Working width:

- 1.000 mm
- 1.100 mm
- 1.200 mm



0710106

Mower Avant Duplex – the compact BRAUN-Mower for fix alley width

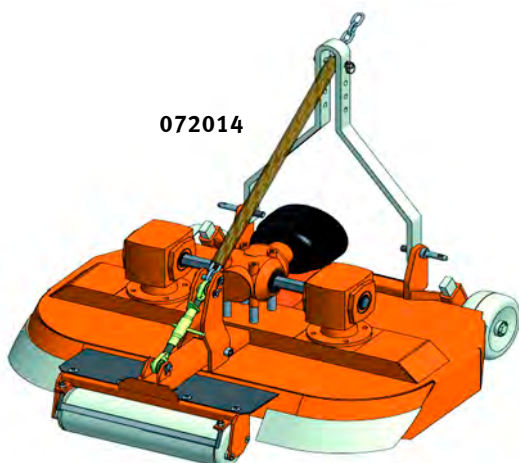
The twin-rotor Mower *Avant duplex* is specifically designed for vineyards with only one row width. The two blade carriers, each with two blades rotating around the axle, ensures a first class cutting process and even distribution of mulch material.

The very compact design is ideal for combination with front mounting implements. Adjustment of the cutting height is continuous rather than at set levels. *Avant duplex* features the same advantages as the *Alpha Mower* (additional equipment mounts, stable support, wheels, robust construction allows for mulching of vine prunings).

Working width:

- 1.400 mm
- 1.500 mm
- 1.600 mm

072014





BRAUN Mower Avant | Alpha

Ref. No.	Article	Weight in kg	Price excl. VAT
0711140	Mower Alpha 2000 Working width 1.100 - 1.400 mm, lower linkage Cat. I	510,0	
0712160	Mower Alpha 2000 Working width 1.200 - 1.550 mm, lower linkage Cat. I	535,0	
0713180	Mower Alpha 2000 Working width 1.300 - 1.800 mm, lower linkage Cat. I	560,0	
0714190	Mower Alpha 2000 Working width 1.400 - 1.900 mm, lower linkage Cat. I	585,0	
0715200	Mower Alpha 2000 Working width 1.500 - 2.000 mm, lower linkage, Cat. II (Cat. I upon request)	610,0	
0717220	Mower Alpha 2000 Working width 1.650 - 2.200 mm lower linkage, Cat. II (Cat. I upon request)	635,0	
0719250	Mower Alpha 2000 Working width 1.900 - 2.500 mm lower linkage, Cat. II	680,0	
0710106	Mower Avant Working width 1.000 mm, lower linkage Cat. I	230,0	
0711116	Mower Avant Working width 1.100 mm, lower linkage Cat. I	240,0	
0712126	Mower Avant Working width 1.200 mm, lower linkage Cat. I The mowers Avant are equipped as standard with chain, mechanical side displacement and adjustable roller without universal-joint shaft	250,0	
07002	Power take off shaft with free wheel (for Avant)	20,0	
072001	Hydraulic side displacement (for Avant)	20,0	
072014	Mower Avant Duplex 140 Working width 1.400 mm, lower linkage Cat. I	420,0	
072015	Mower Avant Duplex 150 Working width 1.500 mm, lower linkage Cat. I (Cat II upon request)	460,0	
072016	Mower Avant Duplex 160 Working width 1.600 mm, lower linkage Cat. I (Cat II upon request)	500,0	



MOWER ALPHA 2000 | SENSOTRONIC

- 1 For mowing grassed vineyards and orchards
- 2 For mulching of vine and orchard prunings

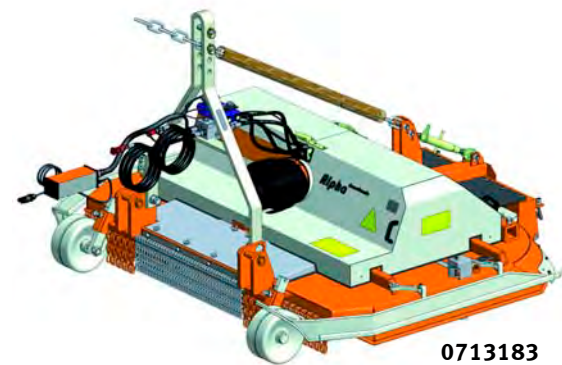
BRAUN Mower



Mower Alpha 2000 Front/Rear

for all tractors with reversible seat or as front mounting for all tractors and caterpillars with front power take-off.

The mower Alpha 2000 can be optionally powered with an oil motor.



Mower Alpha sensotronic

The intelligent BRAUN Mower Alpha sensotronic can automatically adjust the working width with its instant sensing device. The 250 mm per cylinder stroke results in a width adjustment range of 500 mm (with Alpha sensotronic 1.300-1.800 mm)

Integrated electronic control enables the following possibilities:

1) Double-sided automated operation

Individual scanning with sensors and the asymmetrical piloting allow for the sides to adjust to the width of the row independently of one another.

2) One-sided automated operation (i.e. on terraced terrain)

Both sides can be separately switched into the automatic mode. With the electronic control, the side that faces into the slope can be manually positioned. The side leaning towards the vine row can be contacted with the sensor. This prevents a side of the Mulcher from pushing into the slope.

3) Manual control

In manual mode each side of the Mower can be individually set at a specific width either apart or together and this width can be fixed.



BRAUN Mower Avant | Alpha

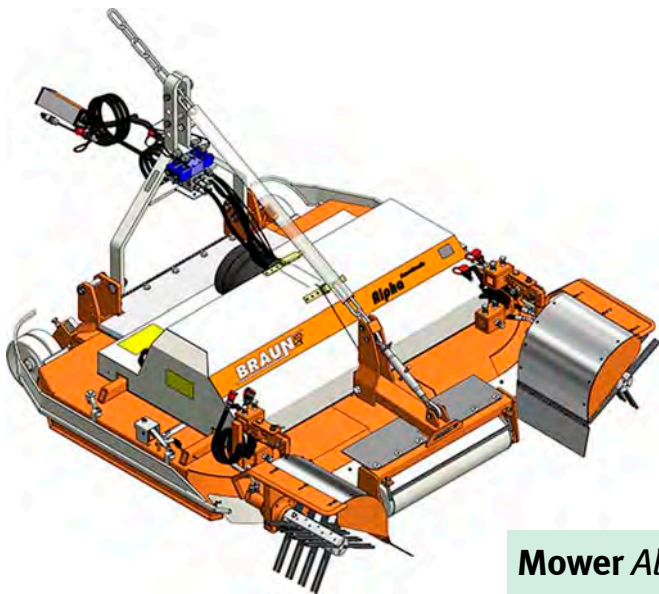
Ref. No.	Article	Weight in kg	Price excl. VAT
0712163	Mower Alpha sensotronic Working width 1.200 - 1.550 mm, lower linkage Cat. I	520,0	
0713183	Mower Alpha sensotronic Working width 1.300 - 1.800 mm, lower linkage Cat. I	540,0	
0714193	Mower Alpha sensotronic Working width 1.400 - 1.900 mm, lower linkage Cat. I	580,0	
0715203	Mower Alpha sensotronic Working width 1.500 - 2.000 mm, lower linkage Cat. II (Cat. I upon request)	610,0	
0717223	Mower Alpha sensotronic Working width 1.650 - 2.200 mm, lower linkage Cat. II (Cat. I upon request)	680,0	
0719253	Mower Alpha sensotronic Working width 1.900 - 2.500 mm, lower linkage Cat. II The mowers Alpha are equipped as standard with supporting wheels without universal-joint shaft	720,0	
07005	Power take off shaft with free wheel & friction clutch (for Alpha)	15,0	
070051	PTO shaft for front mounted mower with overriding clutch	15,0	
07006	Extra charge: Mower with front mounting	45,0	
07007	Mower for tractors with front and rear mounting reversible seat, gear unit mounting on tractors with reversible seat for "pushing"	45,0	
07009	Mower for front directed tractors front/rear mounting with additional gear unit Special dimensions upon request	45,0	



MOWER ALPHA 2000 | SENSOTRONIC

- 1 For mowing grassed vineyards and orchards
- 2 For mulching of vine and orchard prunings

BRAUN Mower Combinations and examples of orders



Mower Alpha sensotronic

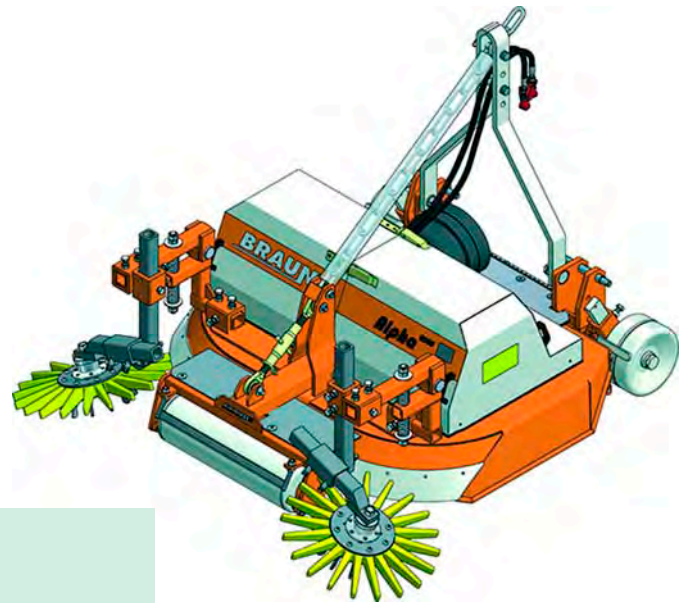
Equipped with → **Vine Trunk Cleaners**
for simultaneously mowing grassed aisles
and cleaning vine stems

Ref. No.	Article	Quantity	Price excl. VAT
0719253	Mower Alpha sensotronic, Working width 1,90 - 2,50 m	1	
07005	Power take off shaft (with free wheel and friction clutch) (not shown)	1	
03109	Adapter for mounting the vine trunk cleaner on mowers, right	1	
03110	Adapter for mounting the vine trunk cleaner on mowers, left	1	
03101	Vine trunk cleaner W1, right	1	
03102	Vine trunk cleaner W1, left	1	

BRAUN Modular Solution total:



BRAUN Mower Avant | Alpha | Combinations



Mower Alpha 2000

Equipped with → **Finger weeders**
for simultaneously mowing grassed aisles
and effecting mechanical weed control

Ref. No.	Article	Quantity	Price excl. VAT
0713180	Mower Alpha 2000, Working width 1,30 - 1,80 m	1	
07005	Power take off shaft (with free wheel and friction clutch) (not shown)	1	
01183	Mounting bracket for Finger weeder on Mower, right	1	
011831	Mounting bracket for Finger weeder on Mower, left	1	
04394	Bracket for corner clamp, adjustable	2	
011802	Finger weeder Ø 540 mm medium (yellow), with adjustable handle	2	

BRAUN Modular Solution total:



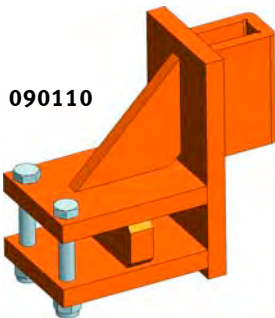
POWER HARROW SW / PW

- 1 Seed bed preparation
- 2 Creation of fine grained soil structure

BRAUN Power Harrow

The modular system – All on one mounting frame

From a simple power harrow to a power harrow with seeder and *Vario* cultivator frame in front.



090110

Solid power harrow

with welded gear unit, thereby:

- no leakage
- no distortion of the unit
- big deflector

Power harrow equipped with:

- Packer roller and deflector
- levelling bar
- movable side plates
- Power take off shaft with friction clutch



09010102125

BRAUN Cultivator frame extended with power harrow and seeder – by using this combination you manage **three worksteps in one:**

- to break and cultivate the ground
- precise sowing at the rate of 30 grams per hectare to 3 kg
- to roll the seeded ground



09010101125

Working width (mm)	Weight with Pipe roller (kg)	Weight with Packer roller (kg)
1.000	340	420
1.250	402	510
1.500	445	550
1.750	550	630



BRAUN Power Harrow

Ref. No.	Article	Weight in kg	Price excl. VAT
09010101100	Power harrow 100 SW with rod-type roller, working width 1.000 mm with movable side plates and power take off shaft with friction clutch	340,0	
09010101125	Power harrow 125 SW with rod-type roller, working width 1.250 mm with movable side plates and power take off shaft with friction clutch	375,0	
09010101150	Power harrow 150 SW with rod-type roller, working width 1.500 mm with movable side plates and power take off shaft with friction clutch	410,0	
09010101175	Power harrow 175 SW with rod-type roller, working width 1.750 mm with movable side plates and power take off shaft with friction clutch	450,0	
09010102100	Power harrow 100 PW with packer roller, working width 1.000 mm with movable side plates and power take off shaft with friction clutch	420,0	
09010102125	Power harrow 125 PW with packer roller, working width 1.250 mm with movable side plates and power take off shaft with friction clutch	460,0	
09010102150	Power harrow 150 PW with packer roller, working width 1.500 mm with movable side plates and power take off shaft with friction clutch	500,0	
09010102175	Power harrow 175 PW with packer roller, working width 1.750 mm with movable side plates and power take off shaft with friction clutch	580,0	
090100	Pivoting side plate for power harrow	40,0	
090101	4 stepped gearing for power harrow	40,0	
090109001100	Rod-type roller 100	30,0	
090109001125	Rod-type roller 125	40,0	
090109001150	Rod-type roller 150	45,0	
090109001175	Rod-type roller 175	50,0	
090109002100	Packer roller 100	40,0	
090109002125	Packer roller 125	45,0	
090109002150	Packer roller 150	50,0	
090109002175	Packer roller 175	55,0	
090109003100	Levelling bar 100	40,0	
090109003125	Levelling bar 125	50,0	
090109003150	Levelling bar 150	55,0	
090109003175	Levelling bar 175	65,0	
09010301	Seeder, 140 liter tank	60,0	
09010301200	Seeder, 200 liter tank	50,0	
09010302200	Seeder, 200 liter stainless steel tank	50,0	
090103010	Fixture seeder for power harrow	65,0	
090110	Seeder drive wheel with flexible shaft	18,0	



BRAUN Terms and Conditions of Sale and Delivery

Status: 16.03.2016

1. Validity, supplementary applicability of BRAUN Maschinenbau GmbH Assembly Conditions

- 1.1. The standard delivery conditions (henceforth referred to as SDC) are applicable for all deliveries, services and offers from the company BRAUN Maschinenbau GmbH, Albert-Einstein-Straße 10, 76829 Landau (henceforth referred to as the supplier), unless they are explicitly modified or declared invalid in written form. Alternate standard business conditions will not be recognized and, except with the explicit written agreement of the supplier, shall not be considered the terms of the contract.
- 1.2. Standard Conditions of Assembly are applicable when the supplier assumes responsibility for the assembly (SCA), supplementary to the SDC.

2. Contractual agreement, documents, technical standards, prices, packaging, transportation insurance

- 2.1. Supplier's quotes are subject to confirmation and are non-binding.
The contract is considered binding when the purchaser has confirmed the order in writing or provided a written declaration of acceptance within the period of time determined by the purchaser.
- 2.2. Documents associated with a quote, as well as diagrams, drawings, weight and dimensional data, performance and other quality descriptions or any other information on the products and services of the contract are only approximately binding. Specific qualities of the products to be delivered are only guaranteed with an explicit written agreement. Reference to standards or agreed upon specifications alone represent only an approximate description of performance and not a guarantee of product qualities.

3. Delivery

- 3.1. All prices are applicable ex works excluding delivery costs and packaging, plus value-added tax (VAT) in the applicable amount.
- 3.2. Shipping of goods shall be at the purchaser's expense and risk. Transport insurance is to be secured by the purchaser.
- 3.3. Machines and auxiliary material are to be assembled by the purchaser.
- 3.4. Product return may be undertaken only upon prior agreement, less 20% for return shipping cost.

4. Delivery time, delays

- 4.1. Quoted delivery dates and times are, in general, not binding, unless they are explicitly agreed upon in writing.
The delivery period begins with the sending of the order confirmation, however not before the submission of any documents, diagrams, approvals and other formalities required from the purchaser, and upon the payment of any agreed upon deposits.
- 4.2. Should the purchaser be in arrears regarding a significant obligation under the terms of the contract, then the supplier is entitled to extend the delivery period an equal amount of time as the payment is delayed. No. 5 is valid accordingly.

5. Acceptance

Delivered goods shall be accepted by the purchaser, even if they are defective, as the purchaser is entitled to all statutory warranty rights. The purchaser shall carry any costs for storage, insurance, security measures, etc., that arise from delayed acceptance. Unless acceptable evidence is provided, the purchaser shall pay a minimum of 0,5% and a maximum of 5% of the cost of the order per week. The supplier is entitled to provide the purchaser with a deadline for the acceptance of goods in written form, should the purchaser not accept the goods within the delivery timeframe. The supplier's right to demand the purchase price remains unaffected. Upon expiry of the of the delivery time frame, the supplier can annul the contract either partially or in its entirety with written notice and demand compensation.

- 5.1. Custom orders may not be exchanged or returned.



Terms and Conditions of Sale and Delivery

6. Payment

- 6.1. Unless otherwise agreed, all payments must be made within 10 days of invoicing with 2% discount or within 30 days of invoicing at net value without discount. All payments to be made in Euros via the payment options made available by the supplier.

The supplier is entitled to a deposit of two thirds of the agreed-upon purchase price for specific purchaser orders (custom-made articles) or variations thereof.

- 6.2. Statutory regulations shall apply should the purchaser be in default of a required payment.
- 6.3. The purchaser is only then entitled to compensation, even where notices of defects or claims are proven to be lawful, when the counter-claim has been lawfully established and acknowledged by the supplier or is undisputed. The purchaser is entitled to the right of retention of goods only if the purchaser's counterclaim is based on the same contractual agreement.

7. Warranty/Liability

- 7.1. Purchaser claims based on defects shall only be in effect when the purchaser has submitted a claim within the required timeframe pursuant to § 377 HGB (General Business Terms and Conditions).

- 7.2. Should there be a defect in the product that is proven to be the responsibility of the supplier, the supplier, excluding any and all lawful rights of the purchaser, is obligated to withdraw from the contract, to reduce the purchase price (discount), or to comply or fulfill the contract, unless the supplier is entitled to refuse to comply with the contract on the basis of lawful regulations.

The purchaser shall grant the supplier a reasonable timeframe within which to fulfill the contract. The supplier shall carry any costs required to repair any deficiencies in the product, as long as these costs do not increase because the object of the contract is at different location than the one where the contract is being fulfilled. Should it be impossible to fulfill the contract, the purchaser is entitled to demand a reduction in the purchase price (discount) or to declare his/her intention to withdraw from the contract.

The second attempt to fulfill the contract shall be considered unsuccessful if based on circumstances other than the further reasonable attempts to fulfill the contract, which are in compliance with the objects of the contract, and could be considered reasonable demands made on the supplier. The purchaser may claim damages under the following conditions if a further attempt to fulfill the contract is unsuccessful. The purchaser's right to assertion of further damage claims according to the following conditions shall remain unaffected by this.

- 7.3. The purchaser's right to claim damages expires one year after delivery of the product to the purchaser, unless, the supplier fraudulently misrepresented the defect; in this case, the standard lawful regulations apply. The supplier's obligations in numbers 7.4 and 7.5 remain unaffected thereby.

- 7.4. The supplier is obligated, according to the lawful regulations, to take back the new goods or to reduce discount the purchase price, even without the otherwise compulsory timeframe limits, if the purchaser's receiving party, as the consumer of the purchased new moveable item (consumer goods purchase), was entitled to demand the return of the goods by the purchaser or the reduction (discount) of the purchase price due to the defect of the product, or if the purchaser is confronted with the resulting right of recourse.

Furthermore, the supplier is obligated to assume responsibility for the purchaser's expenses, in particular transportation, infrastructure, work and material expenses, expenses that the purchaser is responsible for within the framework of the retroactive fulfillment of the contract due to a passing of the risk of the existing defects of the product from supplier to the purchaser. This right of claim is excluded if the supplier has lawfully fulfilled its inspection and complaint obligations, pursuant to § 377 HGB (German Commercial Code).

- 7.5. The obligation pursuant to item 7.4 is removed, in as far as it has to do with a defect resulting from advertising statements or other contractual agreements, that do not originate from the supplier, or if the purchaser gave the consumer a special guarantee. The obligation is also removed if the purchaser himself was not obligated towards the consumer, on the basis of the lawful regulations on the exercising of warranty rights or did not undertake to the option made available to him to make a claim. This applies as well if the purchaser has assumed responsibility for the warranty towards the consumer beyond the legal requirements.

- 7.6. In accordance with lawful regulations, the supplier carries unlimited liability for damages to life, body and health that are the result of negligence or a wilful breach of obligations by the supplier, his lawful represen-



tatives or agents, as well as for damages that are included in the liability pursuant to the Product Liability Act. For damages that are not included in clause 1, and are due to a wilful or grossly negligent breach of contract, or fraudulent intent by the supplier, his lawful representatives or agents, the supplier is liable in accordance with lawful regulations.

In this case, however, the liability for damages is limited to predictable and typically resulting damages, in as far as the supplier, his lawful representatives or agents have not acted deliberately. If the supplier has provided a guarantee of quality and/or durability for the product or parts thereof, then the supplier is liable for damages that are the result of defective quality or durability, within the scope of this guarantee.

For damages, however, that are not directly evident in the product the supplier is only then liable if the risk of such a defect can be clearly included under the guarantee of quality and durability.

7.7. The supplier is also liable for damages that are caused by simple negligence, in as far as the negligence affects those contractual obligations, that are of significant importance for the fulfilling of the contract objectives (material contractual obligations). The supplier is however only liable for those damages that are typically associated with the contract and are predictable.

7.8. A further-reaching liability is excluded, regardless of the legal nature of the asserted claim; this applies in particular for wrongful claims or claims for reimbursement of ineffective expenses instead of service.

The supplier's liability remains unaffected by this pursuant to items 7.2 to 7.5 of this contract. In as far as the supplier's liability is excluded or limited, this also applies for the personal liability of employees wage-earners, colleagues, representatives and replacement employees of the supplier.

7.9. The purchaser's rights to claim damages due to defects shall become statute-bared one year after delivery of the product. This does not apply if the supplier, his lawful representatives, or his agents are proven to be responsible for loss of life, damage to body or health, or if the supplier or his lawful representatives have acted with intent or with gross negligence, or if the supplier's agents have acted with intent.

8. Sales Documents

8.1. The supplier is entitled to make use of tools that were made for special parts (custom-made) at his discretion within one year of the implementation of the last final order. This applies also in the case where a portion of the costs of the tools was invoiced.

8.2. All rights shall be exclusively reserved by the supplier for tools, diagrams, drafts and plans that were created by the supplier, in particular patent, invention and copyrights.

All sales documents, such as catalogues, sample books, price lists, etc, made available to the purchaser, shall remain the property of the supplier and shall be returned upon request (cf. No. 2.2).

9. Reservation of proprietary rights

9.1. The delivered product (conditional goods) shall remain the property of the supplier until all requirements have been met, including all amounts paid from current accounts payable to the supplier by the purchaser. In the case of non-compliant contractual handling by the purchaser, such as default of payment, the supplier is entitled to repossess the conditional goods after the expiry of a previously agreed-upon timeframe. The repossessing of the conditional goods by the supplier shall represent a withdrawal from the contract. The impounding of the conditional goods by the supplier shall be a withdrawal from the contract. The supplier is entitled to make use of the conditional goods after consultation. After deduction of an appropriate processing amount, the proceeds shall be put towards the amount owed by the purchaser to the supplier.

9.2. The purchaser is obligated to handle the conditional goods carefully and to insure them sufficiently against fire, water and damage due to theft at replacement value. The costs for any maintenance and inspection work required shall be carried by the purchaser.

9.3. The purchaser is entitled to sell and/or use the conditional goods according to specifications in the course of business, as long as the purchaser is not in arrears of payment.

Pledges or security transfers are unacceptable. The accounts receivable (including all outstanding current account balances) resulting from the further sale of the conditional goods or on the basis of other legal



Terms and Conditions of Sale and Delivery

grounds (insurance, unlawful act) shall be transferred in their entirety to the supplier by the purchaser by way of security; the supplier shall hereby accept the transfer. The supplier grants the purchaser the revocable authority to collect the accounts receivables on the purchaser's account in the purchaser's own name.

The direct debit authorization can be cancelled at any time, if the purchaser does not correctly fulfill his payment obligations. The purchaser is not authorized to assign the receivables, even for the purpose of receivables collection by way of factoring, unless an obligation is simultaneously imposed on the factor to effect payment of consideration equal to the amount of the receivables directly to the supplier, while settlement of all of the supplier's accounts receivables is pending.

- 9.4. Processing or restructuring of the conditional goods by the purchaser will be undertaken in all cases for the supplier.

Should the conditional goods be processed with other items that do not belong to the supplier, the supplier shall acquire the co-ownership of the new item in an amount proportional to the value of the conditional goods (final invoice amount including VAT) in relation to the other mixed-processed items at the time of processing. Should the purchaser's item be considered the primary item as a result of the processing, and if the purchaser and supplier are in agreement that the purchaser shall transfer to the supplier proportional co-ownership of the product, the supplier shall hereby assume the transfer. The purchaser shall hold the resulting sole or co-ownership of the product for the supplier.

- 9.5. Should the conditional goods be seized by third parties, in particular pledges, the purchaser shall draw attention to the supplier's ownership rights and immediately notify the supplier, so that the supplier is able to implement his ownership rights. If the third party is not in a position to reimburse the supplier any expenses, legal or otherwise, that result from these circumstances, then the purchaser shall be liable for said expenses.

- 9.6. The supplier is obligated to release the securities entitled to the supplier in as far as the realisable value of the supplier's securities surpasses the accounts receivable to be secured by more than 10 %; it falls upon the supplier to select the securities to be released.

- 9.7. **Deliveries for field tests** must have our prior approval. Our payment conditions shall remain thereby unchanged. The field tests shall take place immediately at the start of the possible service time.

The trial may last one day at most. The trial run may only be a portion of the work to be undertaken. Should the trial run not take place to the satisfaction of the receiver, the purchaser shall immediately inform us and give us the opportunity to undertake a further trial in the presence of one of our authorized agents.

The appliance shall be transferred if functioning perfectly. An appliance shall be considered transferred, when it has been in use by the receiving party for more than one day. The purchaser is only then entitled to return the appliance to us if it has not performed perfectly during the trial period. In this case, the appliance can no longer be used and must be returned immediately. The purchaser shall carry any required follow-up costs, if the wear and tear can be traced to a timeframe of use of several days.

10. Place of performance, Court of Jurisdiction and Applicable Law

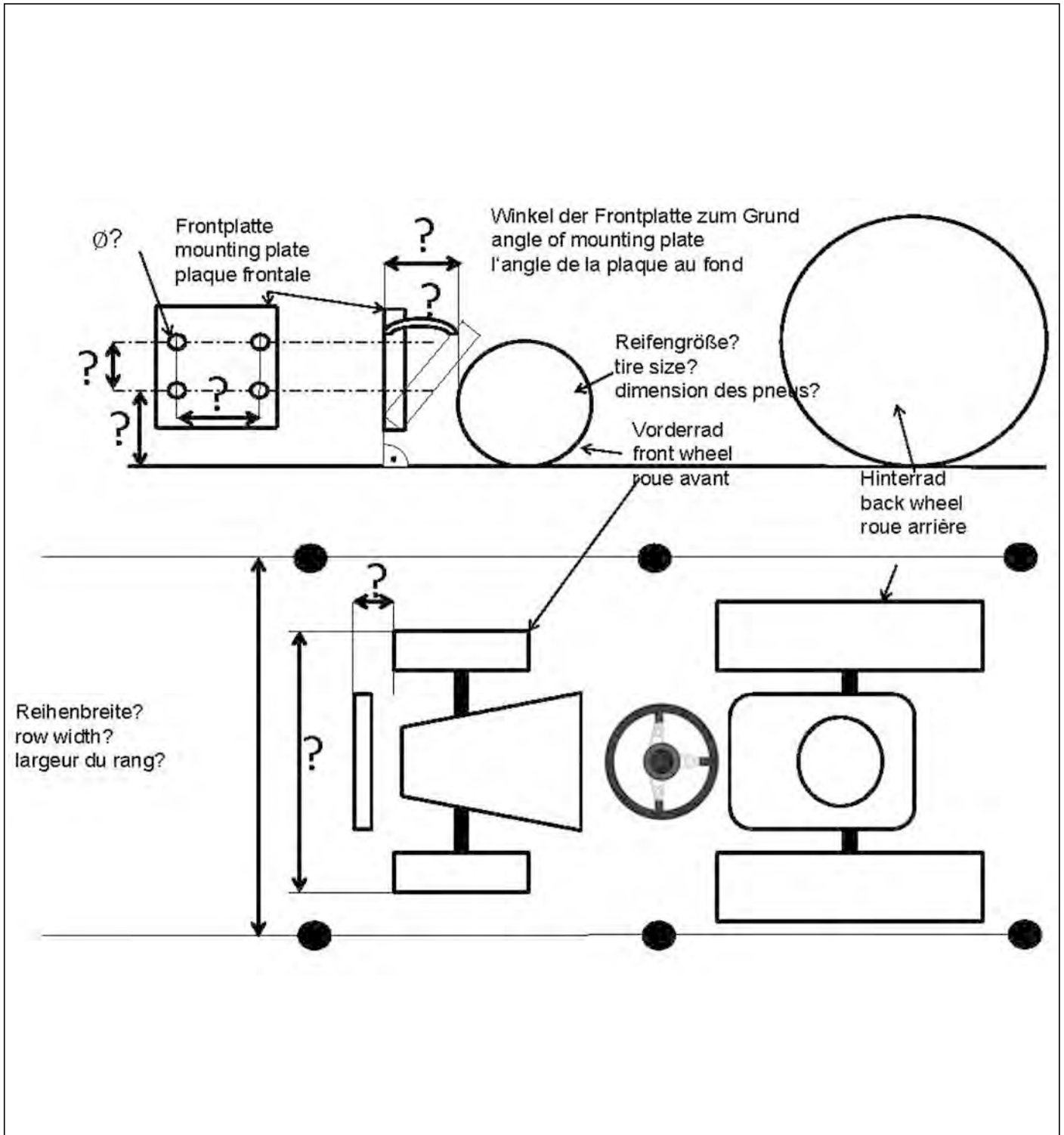
- 10.1. The place of performance and court of jurisdiction for deliveries and payments (including checks and bills of exchange), as well as for all disagreements between the Braun Maschinenbau GmbH and the purchaser that arise from the contract finalized between the purchaser and the Braun Maschinenbau GmbH shall be the supplier's registered office, and therefore the local district court of D-Landau/Pfalz. However, the Braun Maschinenbau GmbH is also entitled to press charges against the purchaser at the purchaser's home or registered business office.

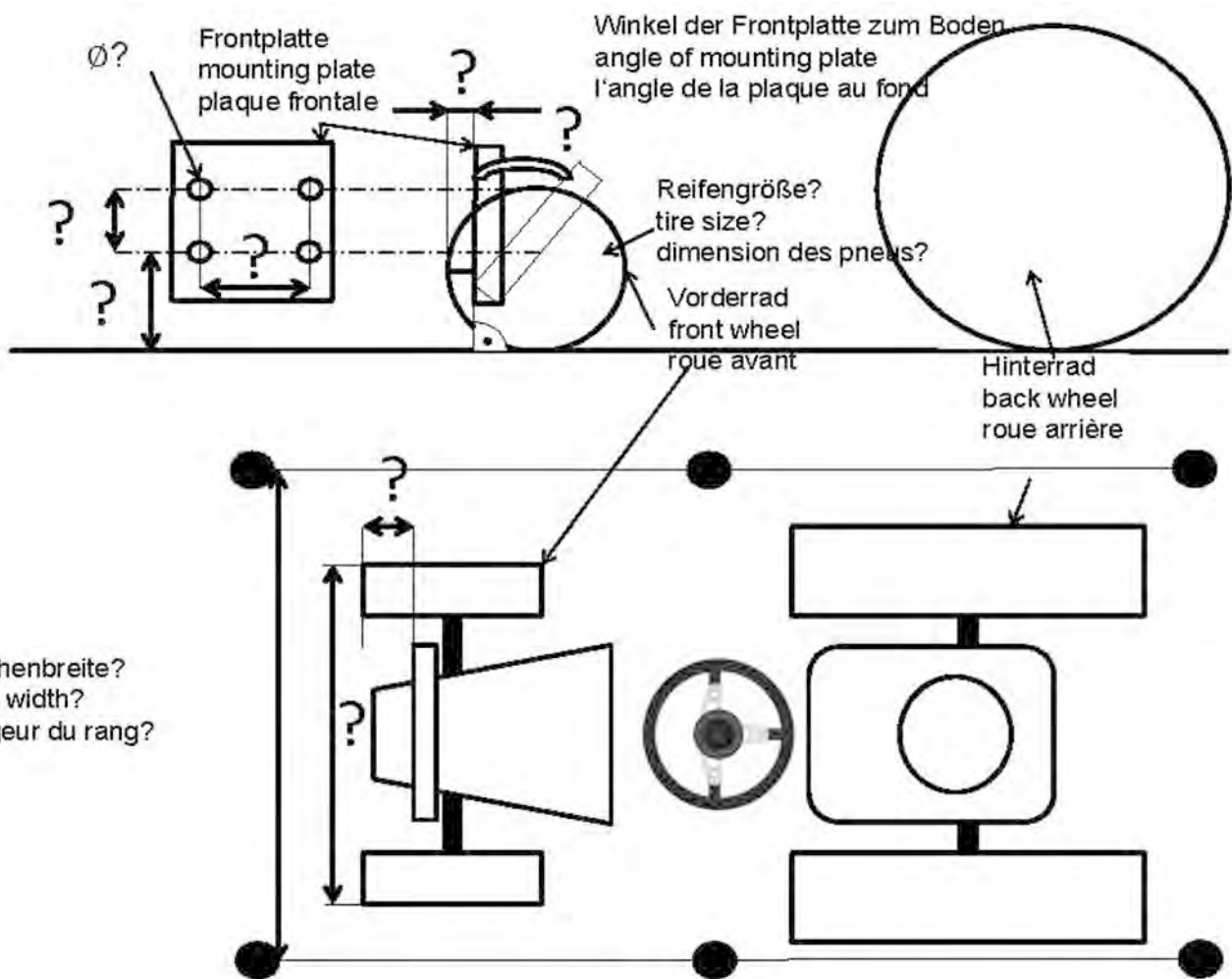
- 10.2. The relations between the contractual parties shall be regulated exclusively in accordance with the laws applying in the Federal Republic of Germany. The application of the standard law governing the international purchase of movable objects and the law governing the finalization of international purchase contracts for movable objects is excluded.

Warranties may only be executed by companies assigned after prior consultation with us.



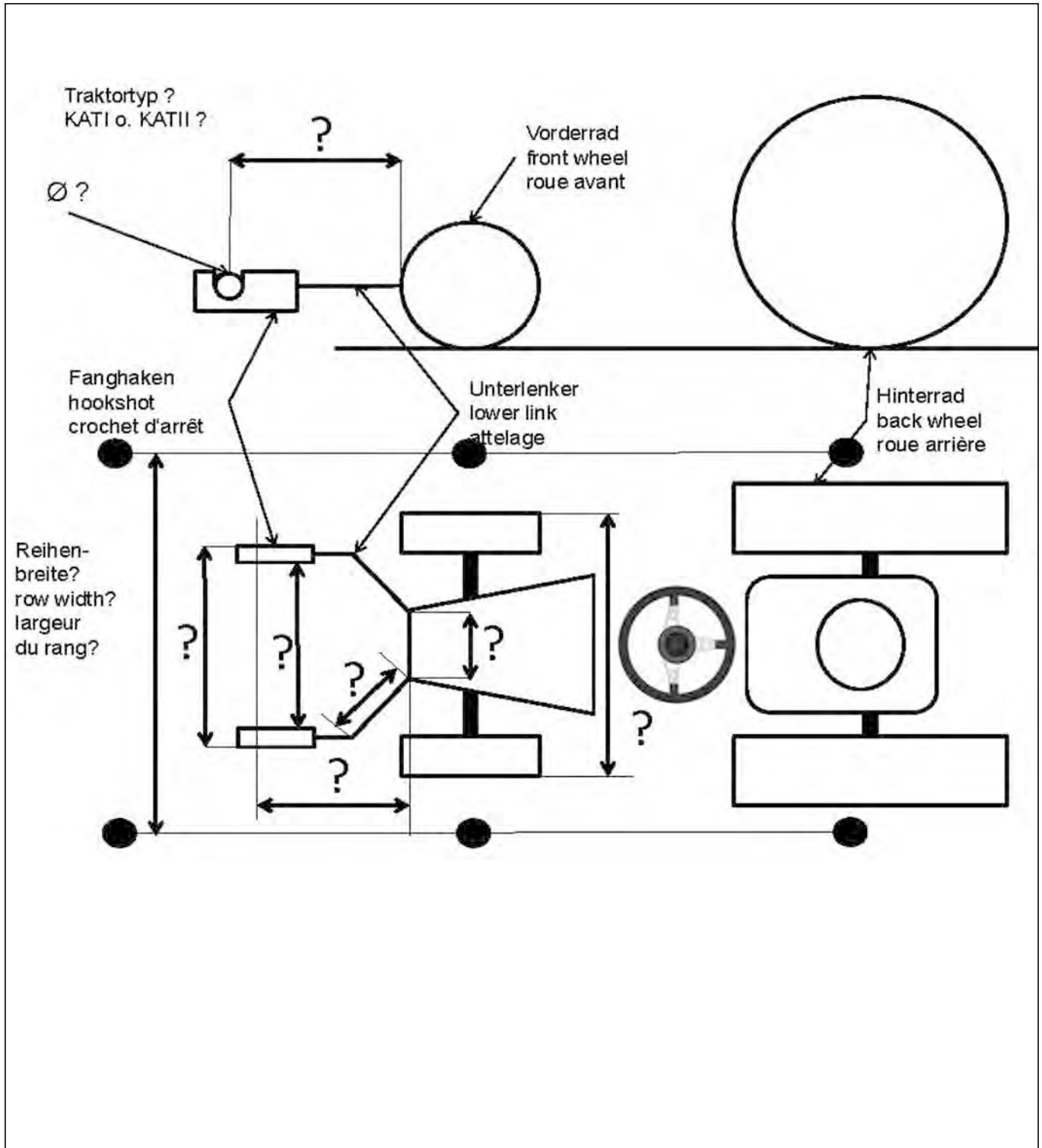
Technical data and vineyard instructions







Technical data and vineyard instructions

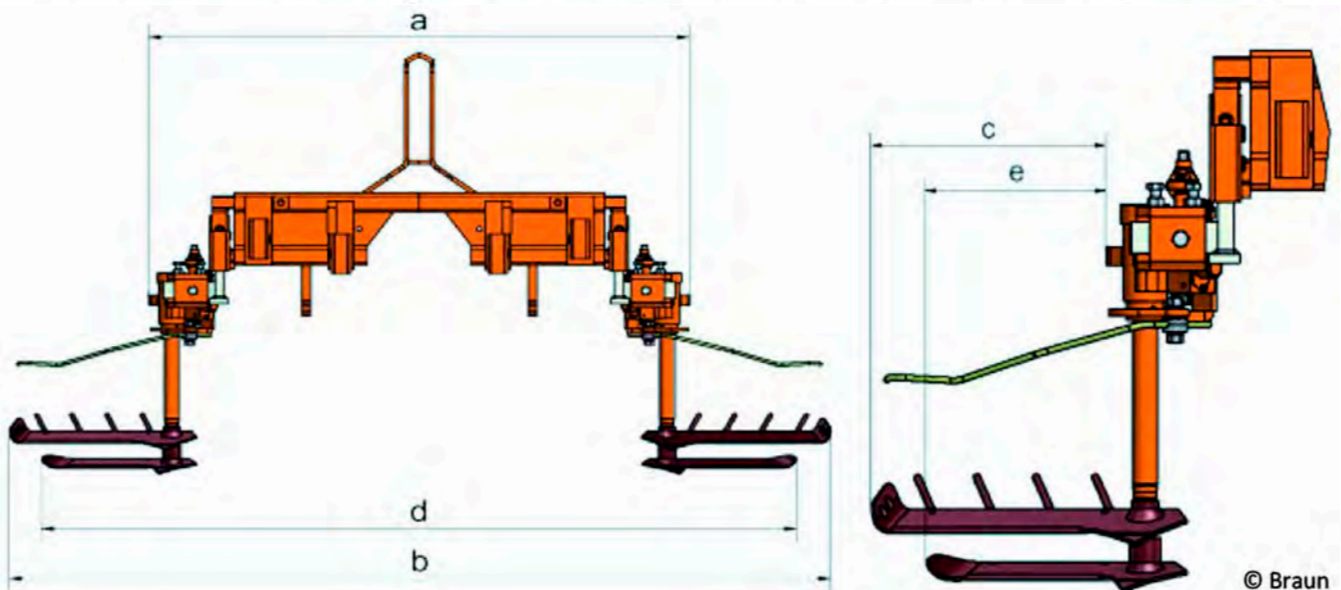




Dimensions with LUV *Perfekt* mounted on *Vario* cultivator

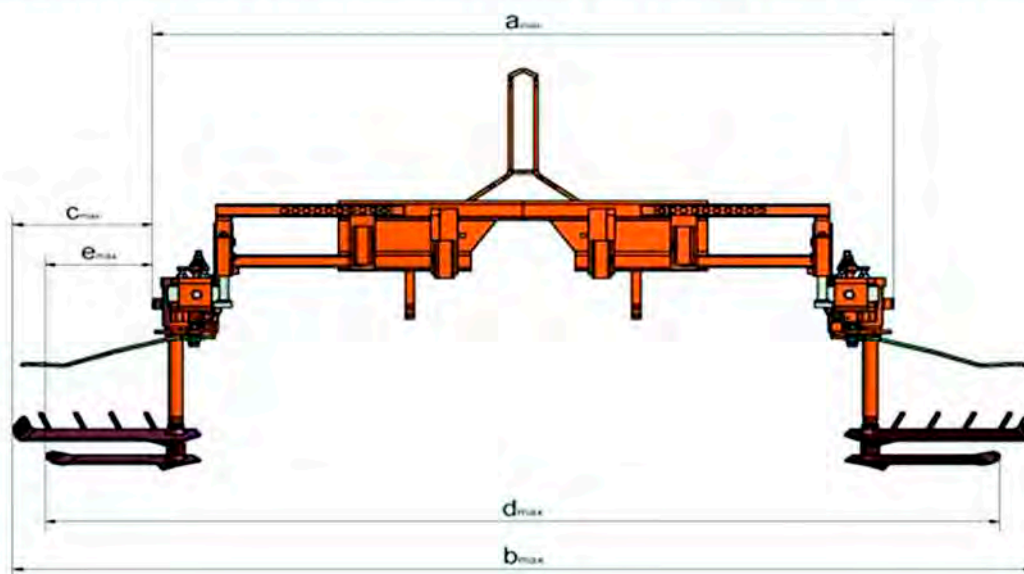
Assembly with „square“ mounting bracket on the outside

Working length	LUV 500mm			LUV 350mm	
	Length of the frame with LUV	Total length	Blade length	Total length	Blade length
	a	b	c	d	e
800 - 1200 mm	1165 mm	1925 mm	380 mm	1745 mm	290 mm
900 - 1300 mm	1265 mm	2025 mm	380 mm	1845 mm	290 mm
1000 - 1400 mm	1365 mm	2125 mm	380 mm	1945 mm	290 mm
1100 - 1600 mm	1465 mm	2225 mm	380 mm	2045 mm	290 mm
1250 - 1750 mm	1615 mm	2375 mm	380 mm	2195 mm	290 mm
1500 - 2000 mm	1865 mm	2625 mm	380 mm	2445 mm	290 mm
1700 - 2200 mm	2065 mm	2825 mm	380 mm	2645 mm	290 mm
2200 - 2700 mm	2565 mm	3325 mm	380 mm	3145 mm	290 mm
2700 - 3300 mm	3065 mm	3825 mm	380 mm	3645 mm	290 mm





		LUV 500mm		LUV 350mm	
Working length	Length of the frame with LUV	Total length	Blade length	Total length	Blade length
	a_{max}	b_{max}	c_{max}	d_{max}	e_{max}
800 - 1200 mm	1565 mm	2325 mm	380 mm	2145 mm	290 mm
900 - 1300 mm	1665 mm	2425 mm	380 mm	2245 mm	290 mm
1000 - 1400 mm	1765 mm	2525 mm	380 mm	2345 mm	290 mm
1100 - 1600 mm	1965 mm	2725 mm	380 mm	2545 mm	290 mm
1250 - 1750 mm	2115 mm	2875 mm	380 mm	2695 mm	290 mm
1500 - 2000 mm	2365 mm	3125 mm	380 mm	2945 mm	290 mm
1700 - 2200 mm	2565 mm	3325 mm	380 mm	3145 mm	290 mm
2200 - 2700 mm	3065 mm	3825 mm	380 mm	3645 mm	290 mm
2700 - 3300 mm	3665 mm	4425 mm	380 mm	4245 mm	290 mm



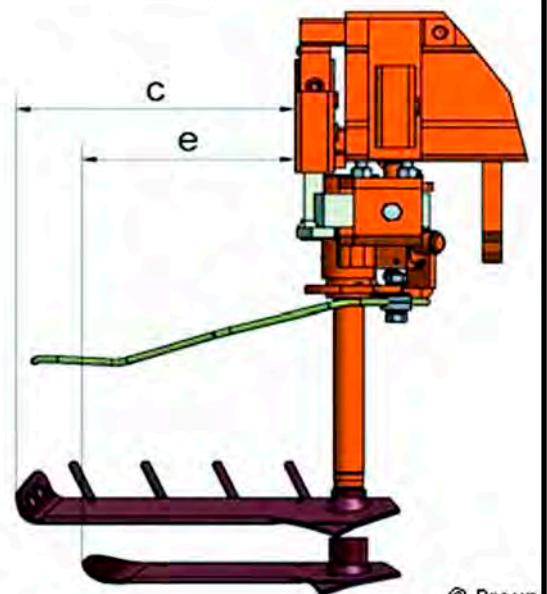
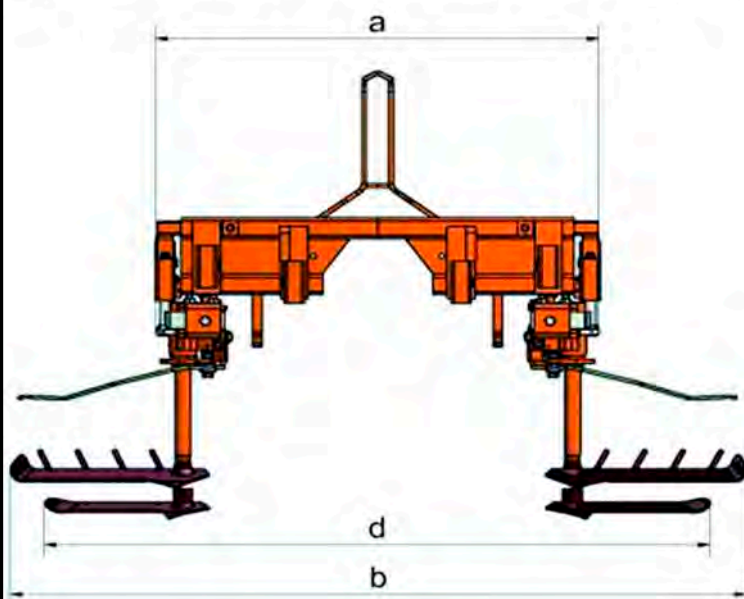
© Braun



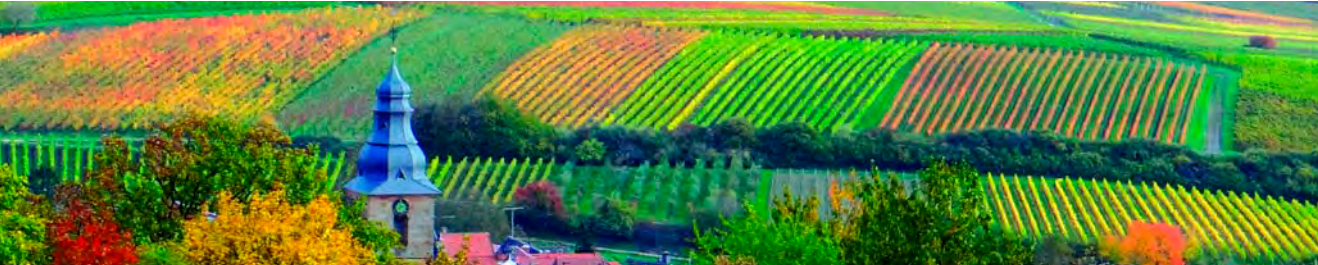
Dimensions with LUV *Perfekt* mounted on *Vario* cultivator

Assembly with „square“ mounting bracket on the inside

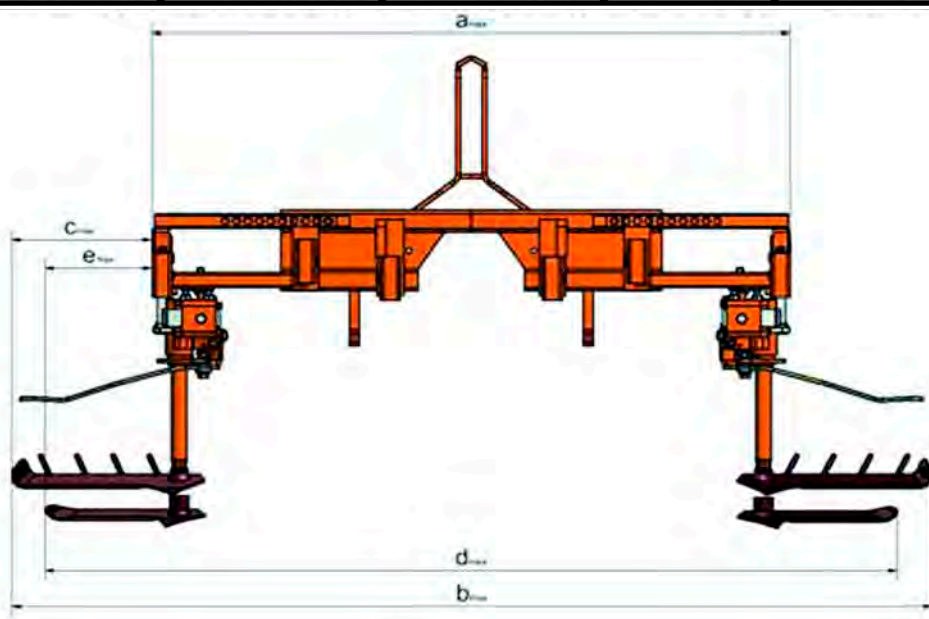
		LUV 500mm		LUV 350mm	
Working length	Length of the frame with LUV	Total length	Blade length	Total length	Blade length
	a	b	c	d	e
800 - 1200 mm	835 mm	1575 mm	370 mm	1395 mm	280 mm
900 - 1300 mm	935 mm	1675 mm	370 mm	1495 mm	280 mm
1000 - 1400 mm	1035 mm	1775 mm	370 mm	1595 mm	280 mm
1100 - 1600 mm	1135 mm	1875 mm	370 mm	1695 mm	280 mm
1250 - 1750 mm	1285 mm	2025 mm	370 mm	1845 mm	280 mm
1500 - 2000 mm	1535 mm	2275 mm	370 mm	2095 mm	280 mm
1700 - 2200 mm	1735 mm	2475 mm	370 mm	2295 mm	280 mm
2200 - 2700 mm	2235 mm	2975 mm	370 mm	2795 mm	280 mm
2700 - 3300 mm	2735 mm	3475 mm	370 mm	3295 mm	280 mm



© Braun



		LUV 500mm		LUV 350mm	
Working length	Length of the frame with LUV	Total length	Blade length	Total length	Blade length
	a_{max}	b_{max}	c_{max}	d_{max}	e_{max}
800 - 1200 mm	1235 mm	1975 mm	370 mm	1795 mm	280 mm
900 - 1300 mm	1335 mm	2075 mm	370 mm	1895 mm	280 mm
1000 - 1400 mm	1435 mm	2175 mm	370 mm	1995 mm	280 mm
1100 - 1600 mm	1635 mm	2375 mm	370 mm	2195 mm	280 mm
1250 - 1750 mm	1785 mm	2525 mm	370 mm	2345 mm	280 mm
1500 - 2000 mm	2035 mm	2775 mm	370 mm	2595 mm	280 mm
1700 - 2200 mm	2235 mm	2975 mm	370 mm	2795 mm	280 mm
2200 - 2700 mm	2735 mm	3475 mm	370 mm	3295 mm	280 mm
2700 - 3300 mm	3335 mm	4075 mm	370 mm	3895 mm	280 mm



© Braun



Trade shows

BRAUN Maschinenbau is represented on the following trade shows:

Germany

Agrartage | Nieder-Olm

Intervitis Interfructa | Stuttgart

Veitshöchheimer Weinbautage | Veitshöchheim

International

Sitevi Montpellier | France

Vinitech Sifel Bordeaux | France

Agriacma Mezzocorona/Trient | Italy

Agriest Tech | Italy

Enovitis Milano | Italy

Enolitech & Vinitaly | Italy

Interpoma Bolzano | Italy

Expovin Moldova | Moldova

VinTest Bukarest | Romania

FIMA Zaragoza | Spain

We are looking forward to your visit!

Imprint

Concept, text and CADs

BRAUN Maschinenbau GmbH

Photos

BRAUN Maschinenbau GmbH

Helios Design

ImageDirekt

Cover photo

Alois Müller

Design and DTP

Helios Design | Gabriele Schneider

Printing

Birghan GmbH | Engram Partner GmbH & Co.KG

Changes and errors excepted



BRAUN Maschinenbau GmbH
Albert-Einstein-Straße 10
D-76829 Landau/Pfalz
Tel.: + 49 63 41/950 55-00
Fax: + 49 63 41/950 55-22
info@braun-maschinenbau.com
www.braun-maschinenbau.com