

# KUKJE 4225CH Branson Tractor

## Parts Catalogue



# CONTENTS

GROUP NO	GROUP NAME	PAGE
00242_01	CYLINDER BLOCK)	6
00242_02	GEAR CASE	8
00242_03	FLYWHEEL HOUSING & OIL PAN	10
00242_04	CYLINDER HEAD & HEAD COVER	12
00242_05	INTAKE MANIFOLD	15
00242_06	BRAKET, COMPRESSOR	17
00242_07	EXHAUST MANIFOLD & SILENCER	19
00242_08	CAM SHAFT & DRIVING GEAR	21
00242_09	CRANK SHAFT & PISTON	23
00242_10	BALANCER	25
00242_11	LUB. OIL SYSTEM	27
00242_12	COOLING SYSTEM	29
00242_13	FUEL INJECTION PUMP	31
00242_14	FUEL INJECTION SYSTEM	33
00242_15-1	FUEL SYSTEM	35
00242_15-2	FUEL SYSTEM(2017.12)	37
00242_16	STARTING MOTOR	39
00242_17	GENERATOR & ELECTRIC DEVICE	41
00242_18	DPF & DPF APPLICATION SYSTEM	43
00242_19	DPF 'S SENSOR OPTION	45
00242_20	DATAPLATE	47
C000	PR25CH	49
C001	LEVER ACCELERATOR	51
C002-1	STEERING COLUMN	53
C002-2	STEERING COLUMN	55
C004	FRONT ALXE BRACKET	57
C009-1	CENTER PIN SUPPORTER	59
C009-2	CENTER PIN SUPPORTER(2018.12~)	61
C010	TIE ROD	63
C012-1	RING GEAR, DIFFERENTIAL GEAR	65
C012-2	RING GEAR, DIFFERENTIAL GEAR	67
C019-1	GEAR CASE, FRONT AXLE	69
C019-2	GEAR CASE, FRONT AXLE	71
C020	SPACER	73
C023	COVER SHAFT	75

GROUP NO	GROUP NAME	PAGE
C032	P.S.T CYLINDER	77
C034	P.S.T HOSE	79
C036	FLY WHEEL HOUSING	81
C038	PTO DAMPER	83
C039-1	HYD SHIFT TRANSMISSION HOUSING	85
C039-2	HYD SHIFT TRANSMISSION HOUSING	87
C040	HYD SHIFT TRANSMISSION GEAR	89
C041	HYD SHIFT TRANSMISSION PEDAL	91
C043	FRONT DRIVE&RANGE SHIFT LEVER	93
C044	FRONT DRIVE & RANGE SHIFT LEVER	95
C045-1	GEAR,IND PTO SPEED CHANGE	97
C045-2	GEAR,IND PTO SPEED CHANGE	100
C046	REAR AXLE CASE, PTO SHIFT	103
C047	ROD ASSY, PTO & 4WD	105
C048-1	HOUSING, REAR AXLE	107
C048-2	HOUSING, REAR AXLE	109
C049	DRIVING PART, REAR AXLE	111
C050	BRAKE	114
C052	LEVER ASSY, PTO & 4WD	116
C053	BRAKE LINK	118
C054	SUPPORT, BRAKE	120
C055-1	PARKING BRAKE	122
C055-2	PARKING BRAKE	124
C099	HYD PUMP	126
C101	CASE, HYD CYLINDER	128
C102-1	IND PTO SUPPPT	130
C102-2	IND PTO SUPPPT	132
C104	PISTON ASS'Y	134
C108	SAFTY VALVE	136
C109	STOP VALVE	138
C111-1	HYD CONTROL POSITION TYPE	140
C111-2	HYD CONTROL POSITION TYPE	142
C113	DRAFT CONTROL	144
C114	HYD PIPING	146
C115	OIL COOLER	148

GROUP NO	GROUP NAME	PAGE
C118	HYD FILTER	150
C119-1	ELE'C WIRING	152
C119-2	ELE'C WIRING	154
C119-3	ELE'C WIRING	156
C124-1	BATTERY	158
C124-2	BATTERY	160
C125-1	SWITCH	162
C125-2	SWITCH	164
C131	HORN	166
C132	LAMP	168
C134	METER ASS'Y	170
C135-1	BONNET	172
C135-2	BONNET(201812~)	174
C136-1	BONNET SUPPORT	176
C136-2	BONNET SUPPORT	178
C136-3	BONNET SUPPORT(2019.10~)	180
C137	DASH BOARD	182
C139	FOOT REST ASS'Y	184
C141-1	FUEL TANK	186
C141-2	FUEL TANK	188
C144-1_422	NAME PLATE	190
C144-2	NAME PLATE	192
C146	TOP LINK, LIFT LINK	194
C150-1	LOWER LINK	196
C150-2	LOWER LINK	198
C152	DRAWBAR HITCH	200
C160	FRONT WEIGHT	202
C161-1	ENGINE SUB	204
C161-2	ENGINE SUB	206
C191-1	4PORT ASS'Y	208
C191-2	4PORT ASS'Y	210
C192	NUMBER PLATE	212
C193	CABIN FREAM ASS'Y	214
C194-1	FENDER ASS'Y	216
C194-2	FENDER ASS'Y	218



FIG 00242\_01

CYLINDER BLOCK)

Year/Month

4225CH

2020/01

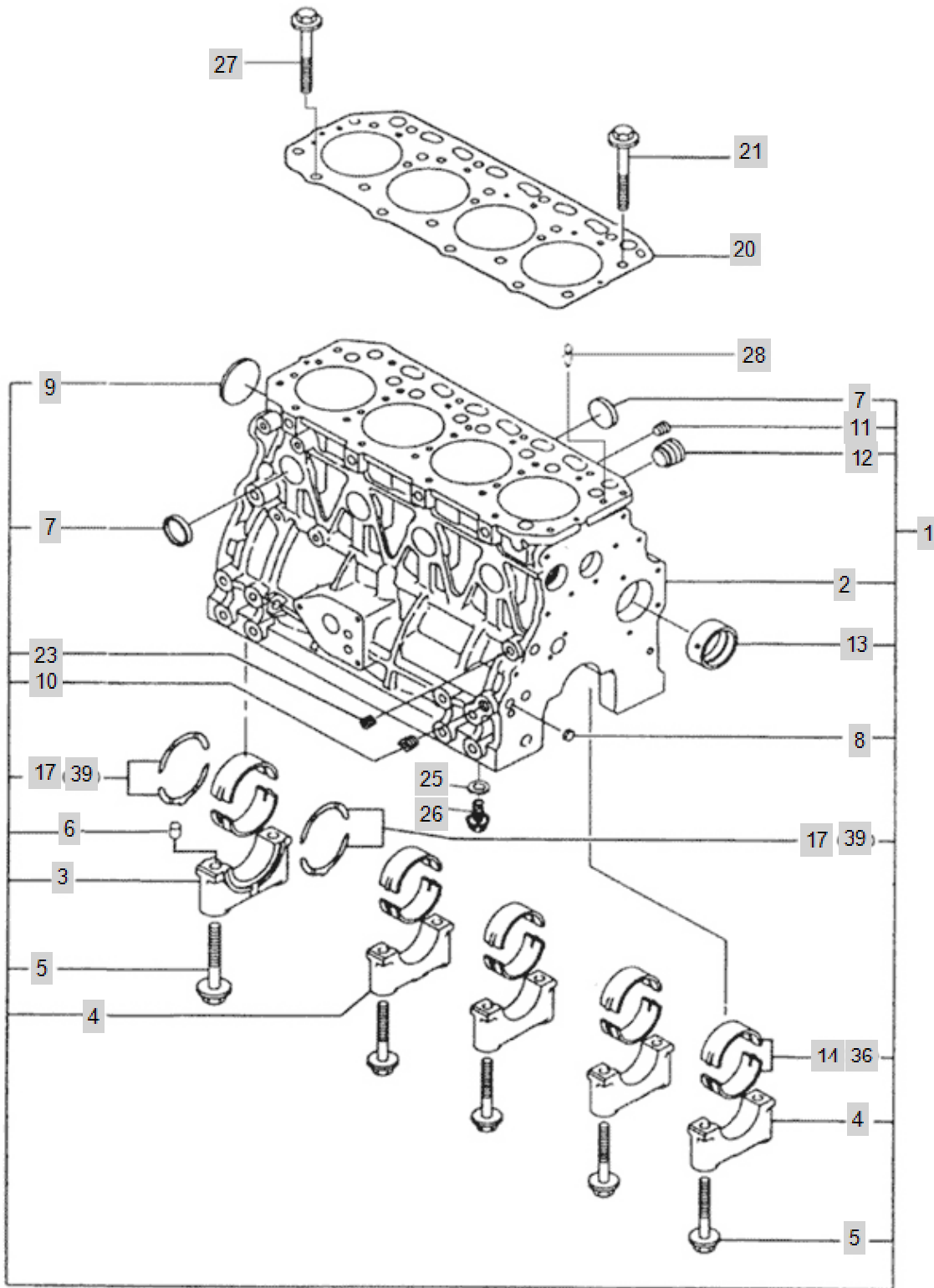




FIG 00242\_02

GEAR CASE

Year/Month

4225CH

2020/01

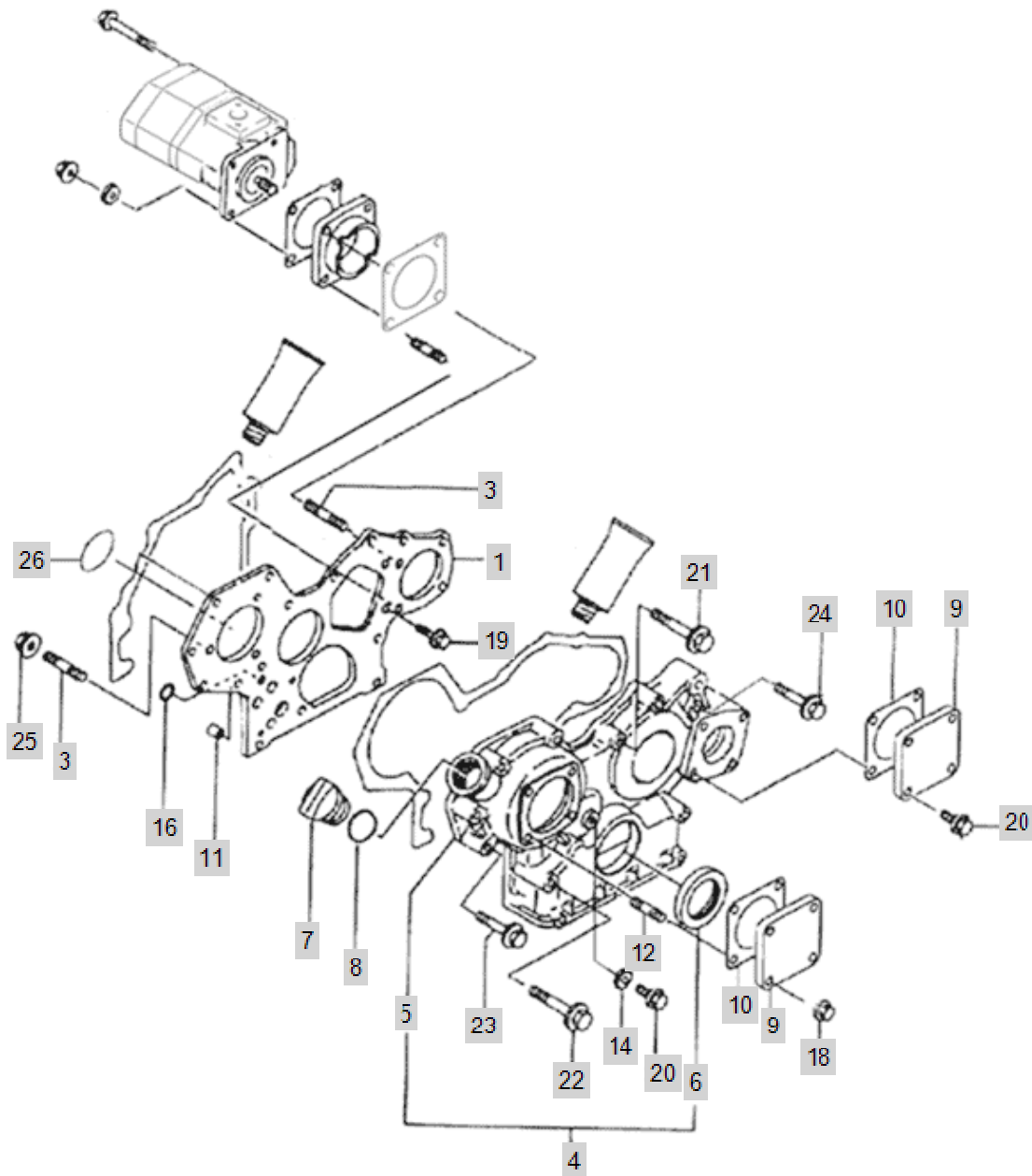






FIG 00242\_03

FLYWHEEL HOUSING & OIL PAN

Year/Month

4225CH

2020/01

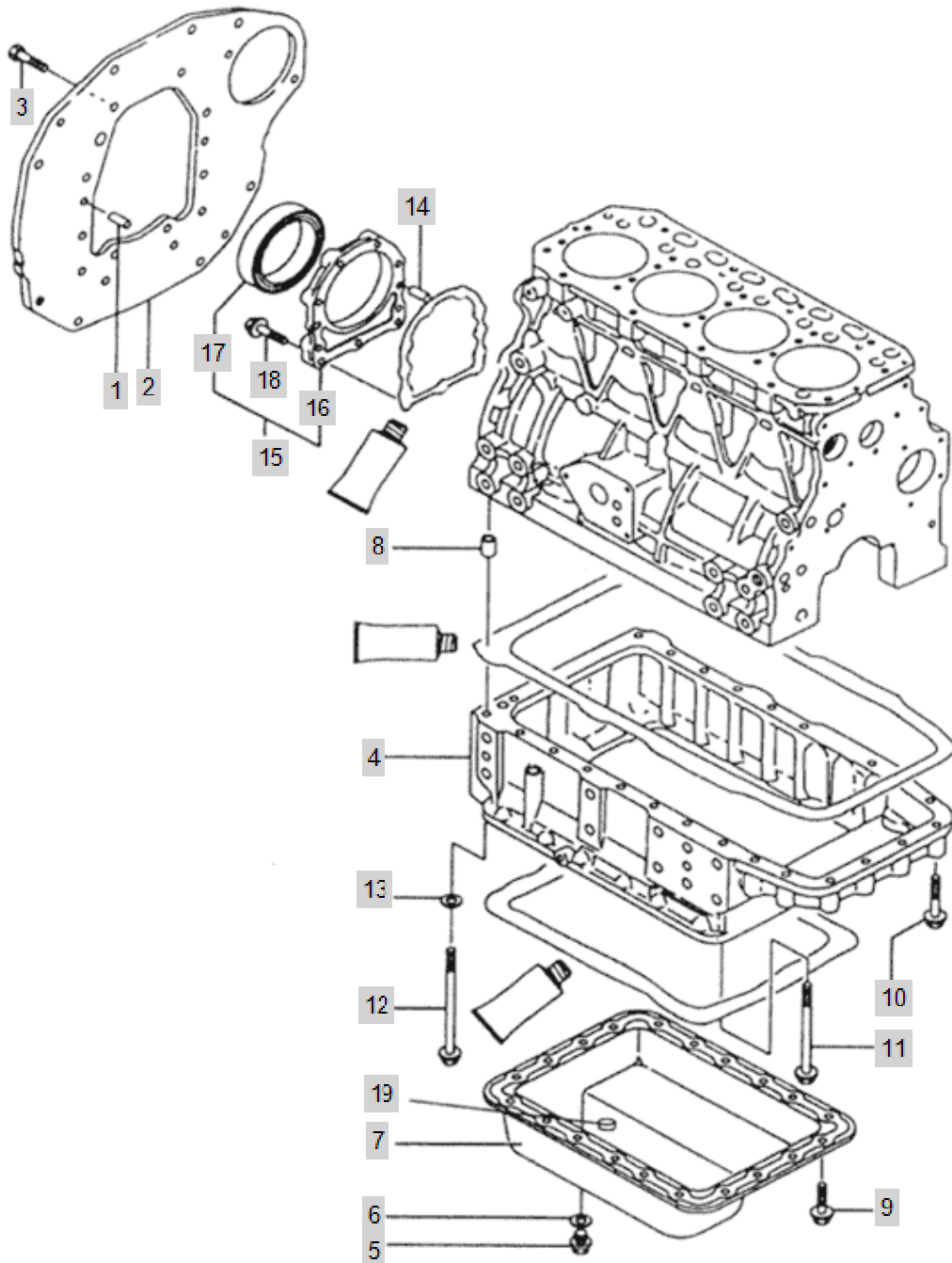




FIG 00242\_04

CYLINDER HEAD & HEAD COVER

Year/Month

4225CH

2020/01

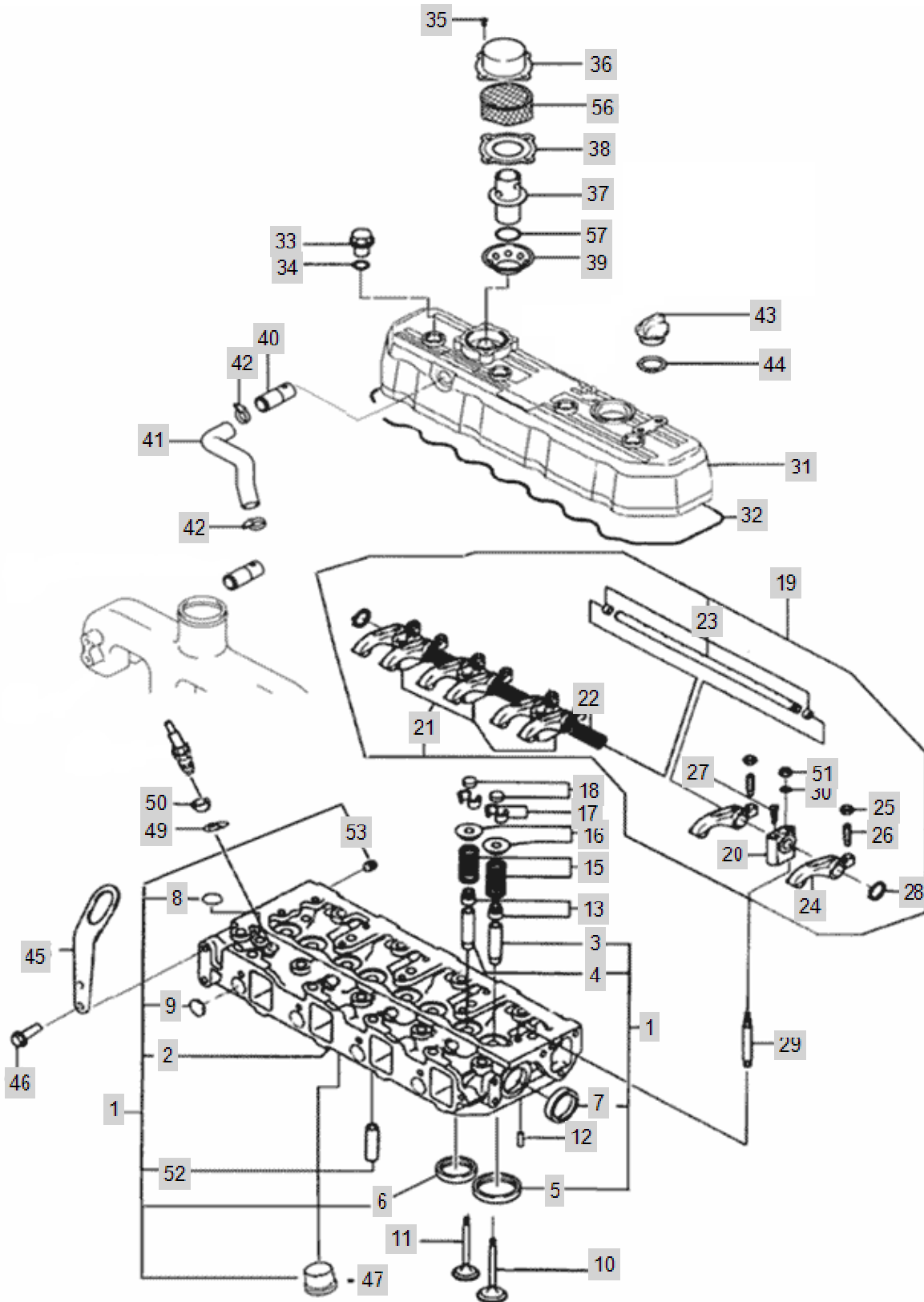


FIG 00242_04		CYLINDER HEAD & HEAD COVER			Year/Month
4225CH					2020/01
KeyNo.	Part Number	Part Name	Quantity	Other	
1	EA00003239A	CYLINDER HAED ASSY	1		
2	EA00003238A	DATA PLATE	1		
3	HRA0400102B4	GUIDE,VALVESTEM	4		
4	HRA0400103B4	GUIDE,VALVESTEM	4		
5	HRA0400104B4	SEAT,ENGINEINTAKEVALVE	4		
6	HRA0400105B4	SEAT,ENGINE EXHAUST VALVE	4		
7	27241-400000	PLUG (D40)	2		
8	27241-220000	PLUG,EXPANSION	4		
9	27241-220000	PLUG,EXPANSION	4		
10	HRA0400200A4	VALVE,INTAKE	4		
11	HRA0400300A4	VALVE,EXHAUST	4		
12	22312-040100	PIN, DOWEL (4-10)	2		
13	HA03070000A4	SEAL,VALVESTEM	8		
15	HRA0400700A4	SPRING,VALVE	8		
16	HRA0400800A4	RETAINER,VALVESPRING	8		
17	HRA0400900A4	COTTER,VALVE	16		
18	HK03680000B4	CAP,VALVE	8		
19	HRA0401100B2	LEVER,ROCKER	1		
20	HRA0401200A4	SUPPORT,ROCKERLEVER	1		
21	HRA0401300A4	SUPPORT,ROCKERLEVER	3		
22	HRA0401400A4	SPRING,COMPRESSION	3		
23	HRA0401500A2	SHAFT,ROCKERLEVER	1		
24	HRA0401600A4	LEVER,ROCKER	8		
25	AF02110000E4	SCREW,RKRLEVERADJUSTING	8		
26	HH05280000A4	NUT,VALVEADJUSTING	8		
27	26921-080102	SCREW,SLOTTEDSET	1		
28	22242-000190	SNAP RING, SHAFT (Φ 19)	2		
29	HRA0401800A4	STUD	4		
30	22117-120000	WASHER, PLAIN (Φ 12)	4		
31	HRA0402300C0	COVER, VALVE	1		
32	HRA0402400B3	GASKET,VALVECOVER	1		
33	HA03520000B4	NUT,HEXAGONCAP	4		
34	24311-000140	O-RING, DYNAMIC (Φ14)	4		
35	26587-040102	SCREW,FILLISTERHEADCAP	4		
36	HRA0403600A4	COVER,BREATHER	1		
37	HRA0403700A4	Valve, Pressure Relief	1		
38	HRA0403800A4	GASKET,BREATHER	1		
39	HRA0403900A4	PLATE,BREATHERADJUSTING	1		
40	HRA0404000A4	TUBE,BREATHER	1		
41	HRA0404100C3	HOSE, BREATHER	1		
42	23080-021000	CLAMP,VBAND	2		
43	HC03470000B4	CAP,FILTER	1		
44	24311-000320	O-RING, DYNAMIC (Φ32)	1		
45	HK03530000A4	BRACKET,LIFTING	1		
46	26106-080162	SCREW,HEXFLANGEHEADCAP	2		



FIG 00242\_05

INTAKE MANIFOLD

Year/Month

4225CH

2020/01

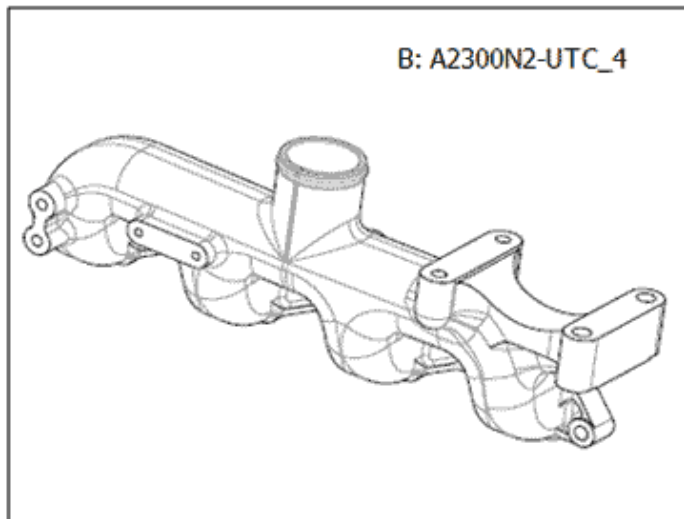
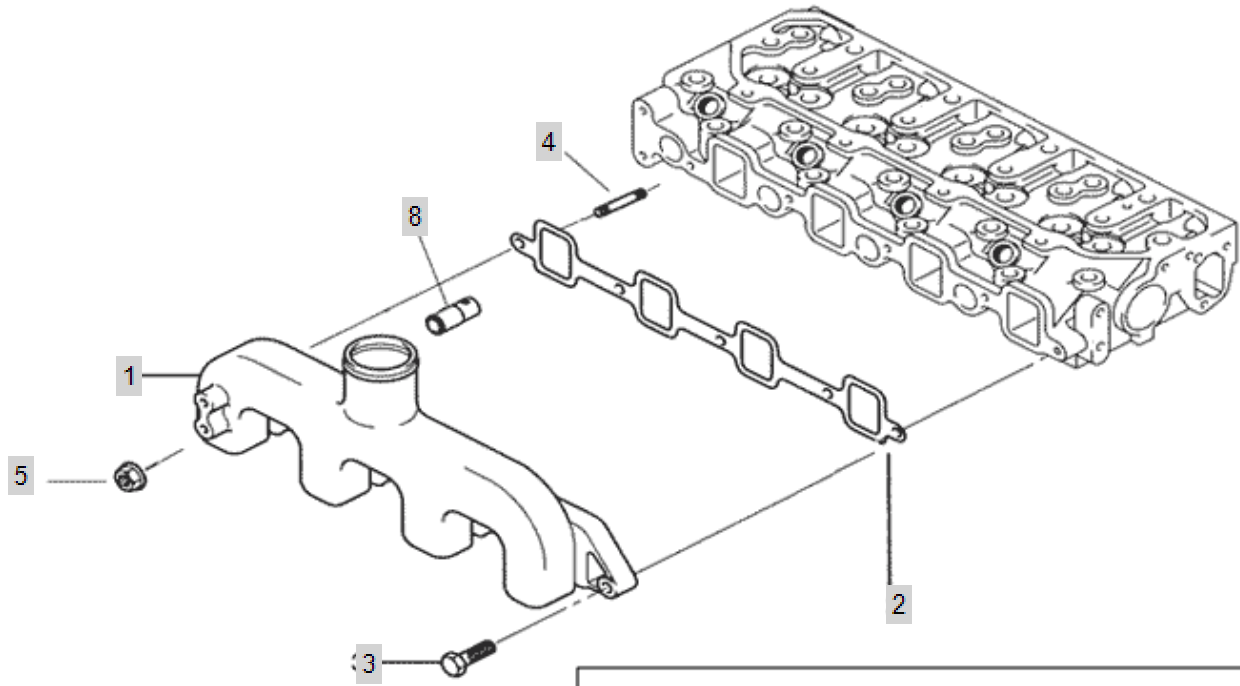






FIG 00242\_06

BRAKET, COMPRESSOR

Year/Month

4225CH

2020/01

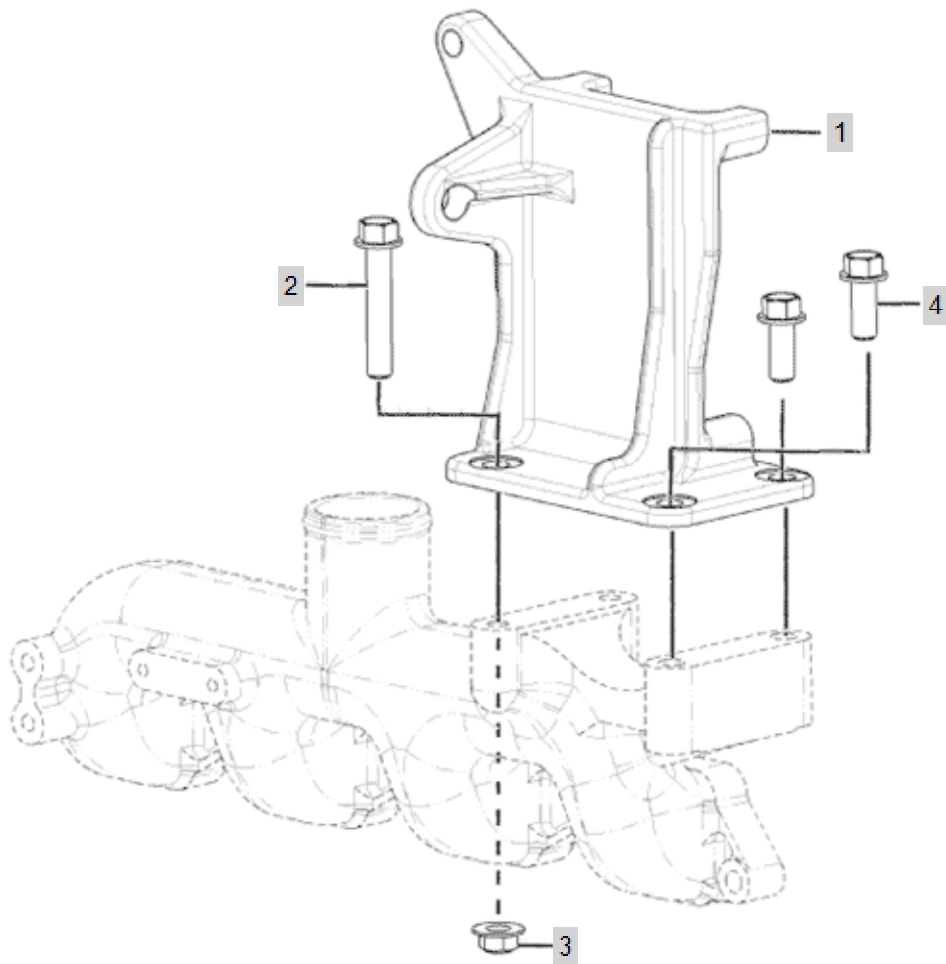




FIG 00242\_07

EXHAUST MANIFOLD & SILENCER

Year/Month

4225CH

2020/01

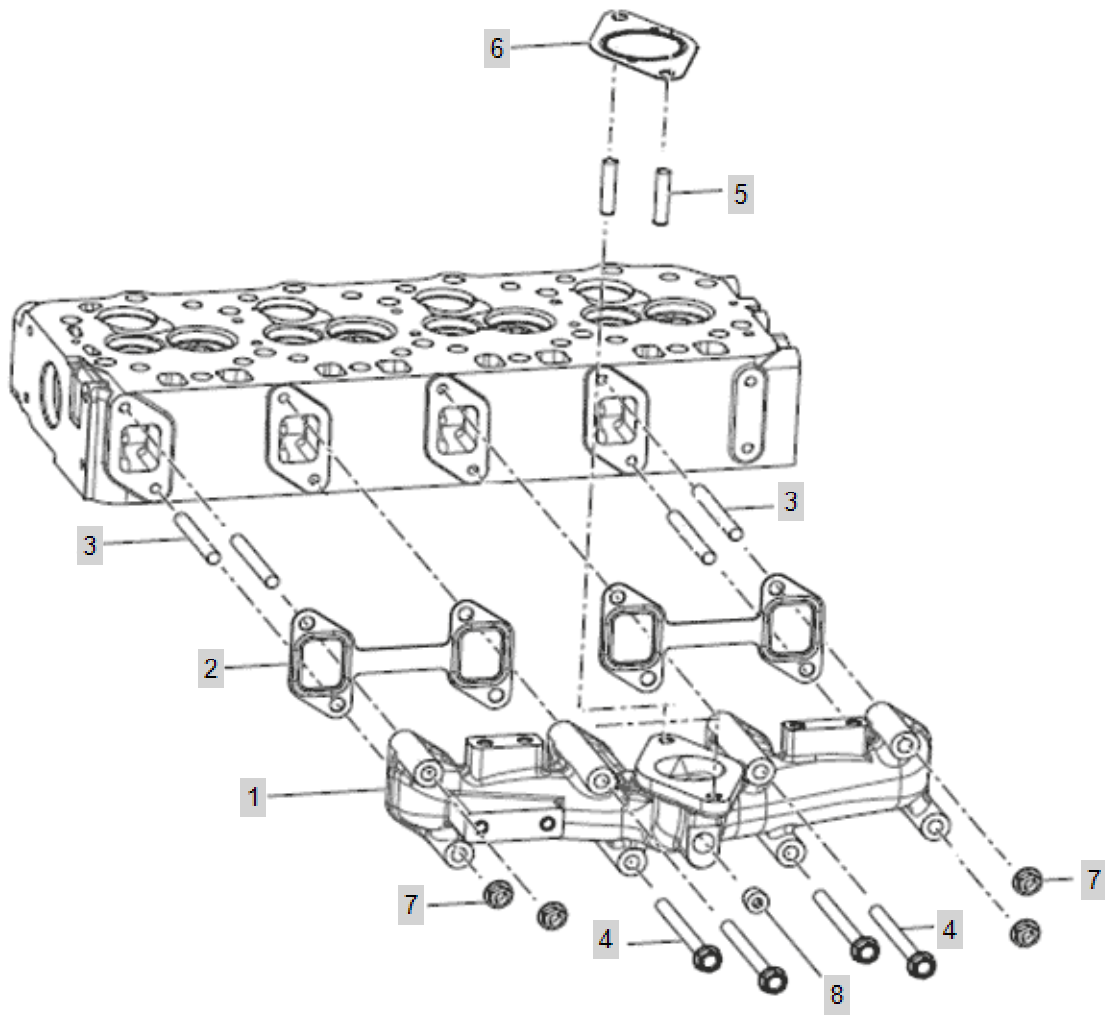




FIG 00242\_08

CAM SHAFT & DRIVING GEAR

Year/Month

4225CH

2020/01

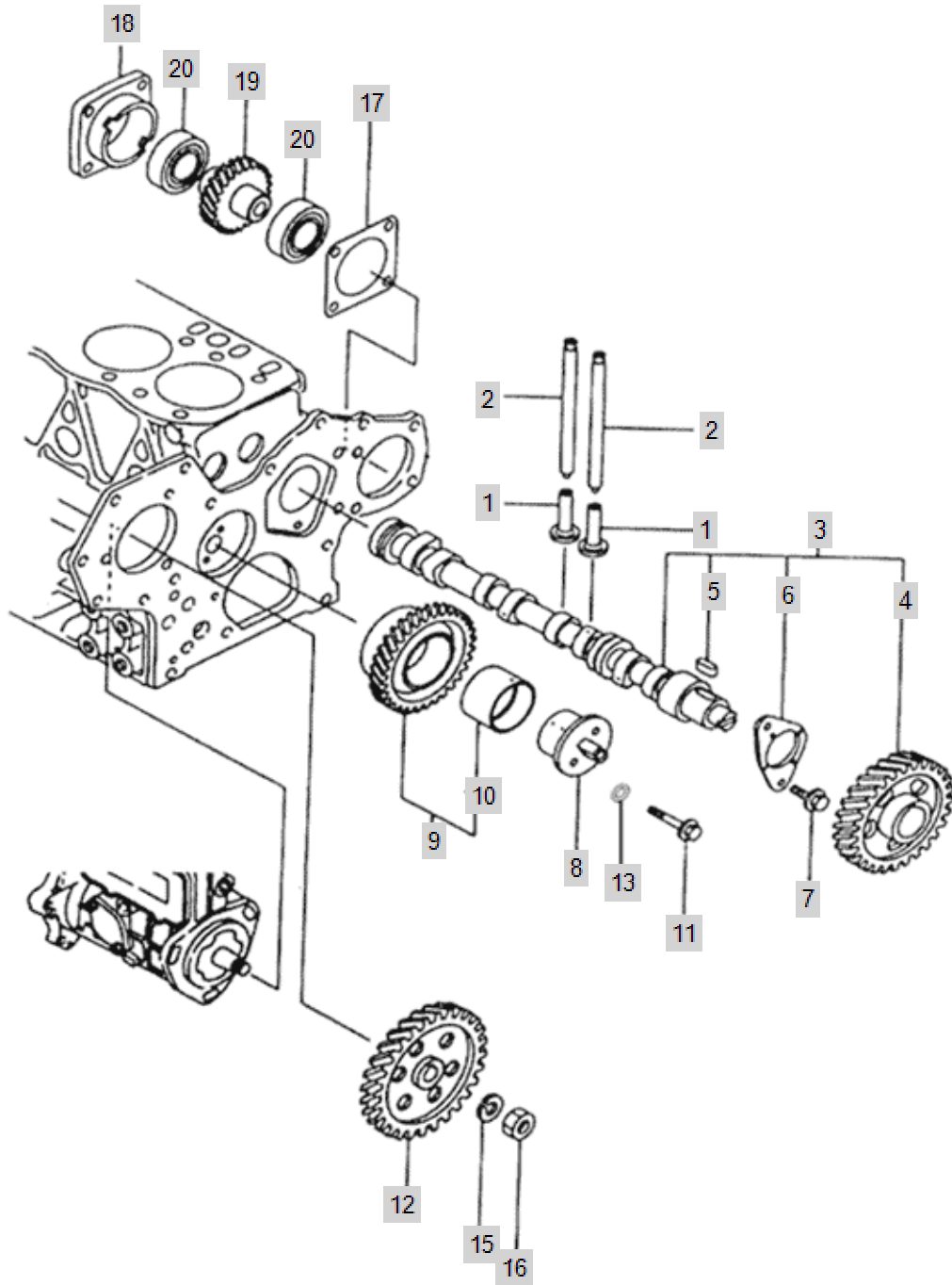




FIG 00242\_09

CRANK SHAFT & PISTON

Year/Month

4225CH

2020/01

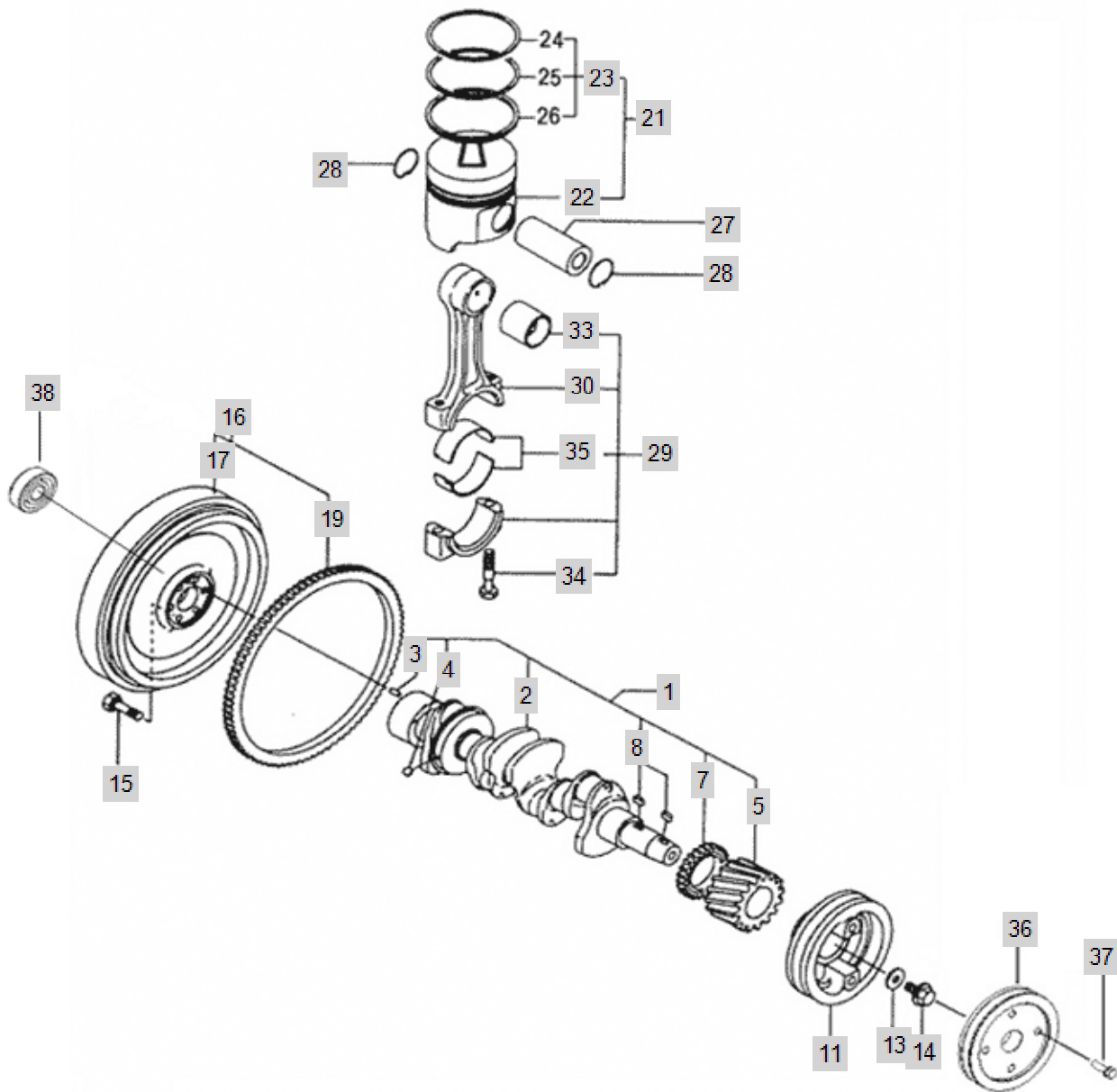






FIG 00242\_10

BALANCER

Year/Month

4225CH

2020/01

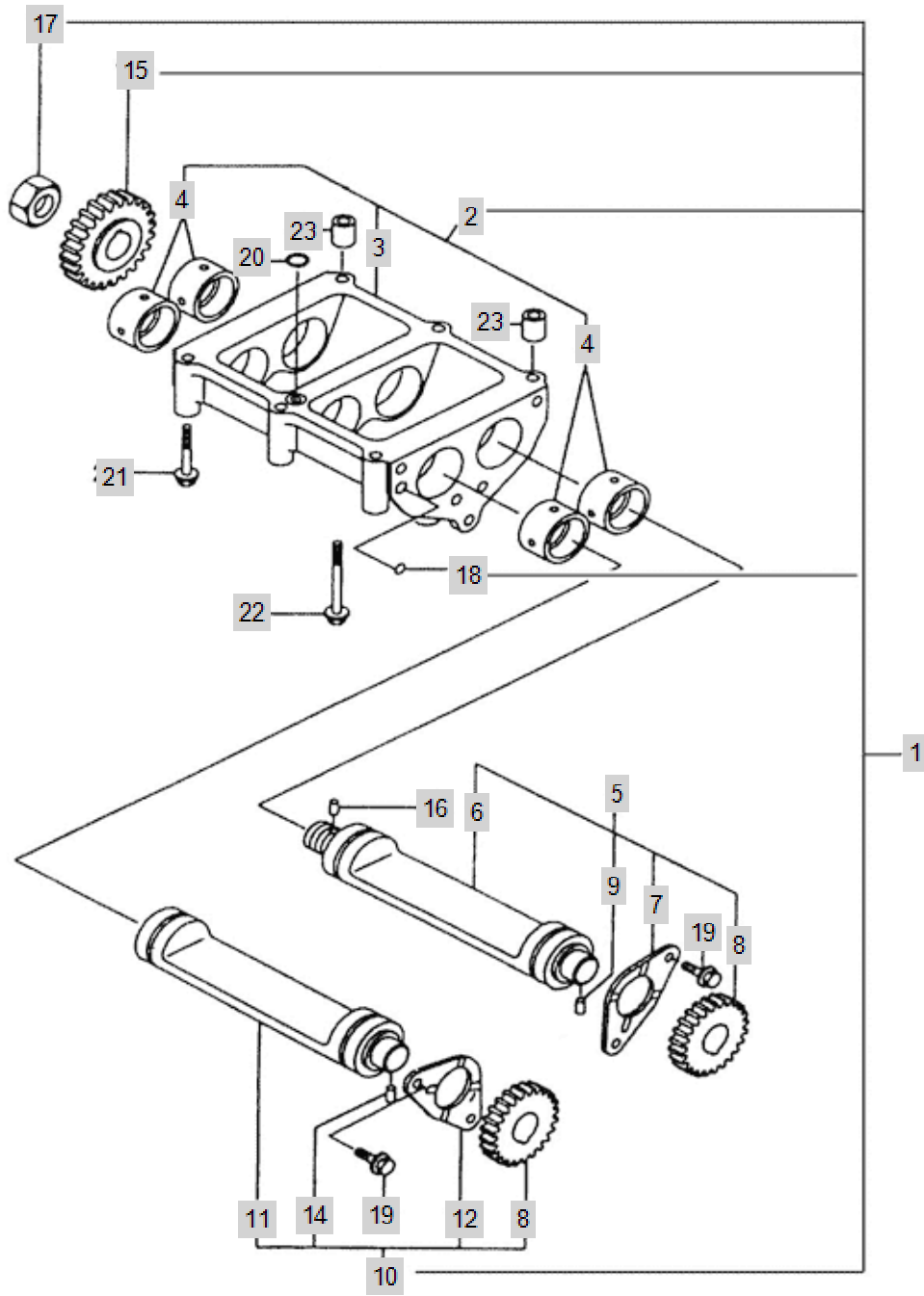




FIG 00242\_11

LUB. OIL SYSTEM

Year/Month

4225CH

2020/01

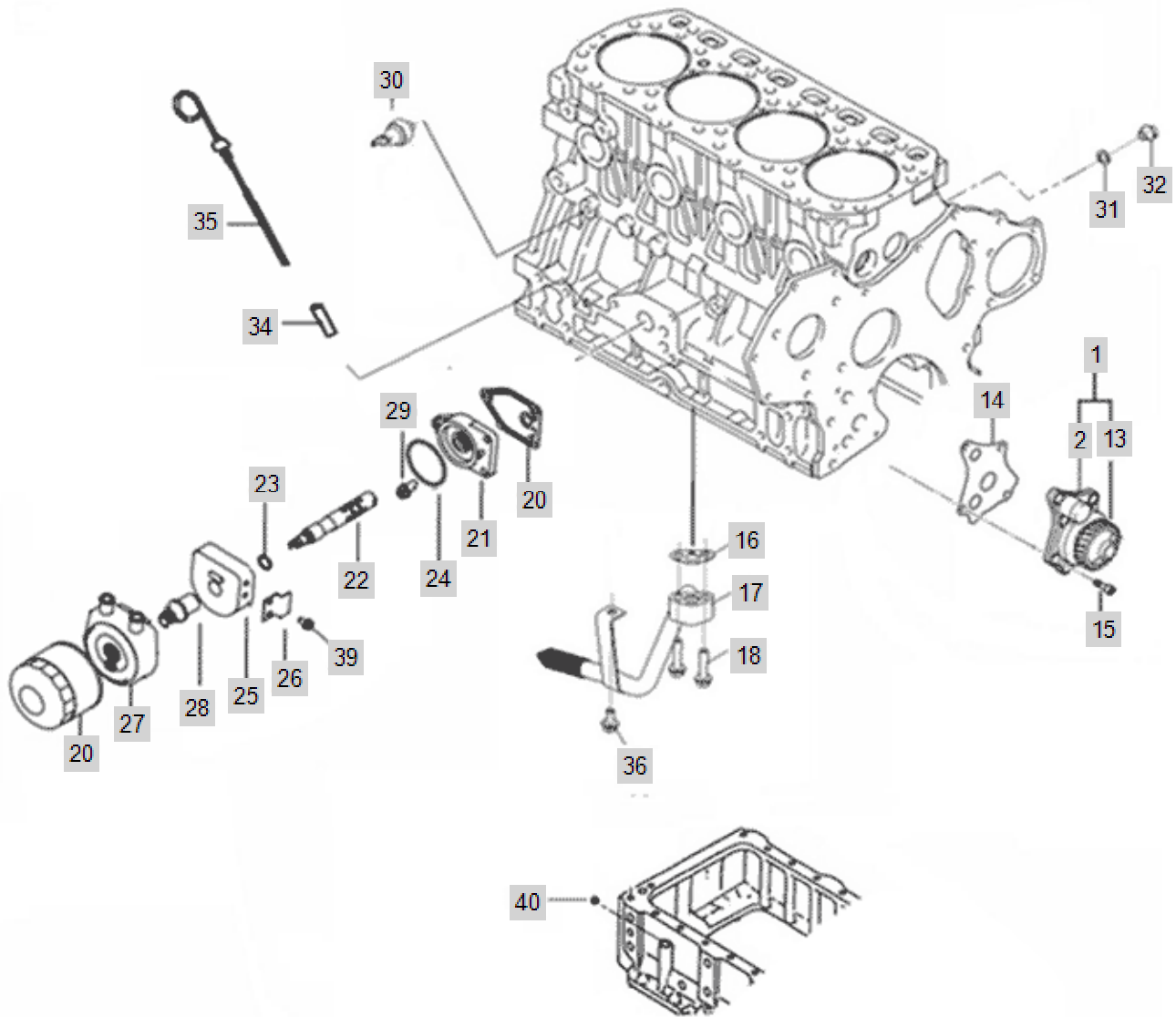




FIG 00242\_12

COOLING SYSTEM

Year/Month

4225CH

2020/01

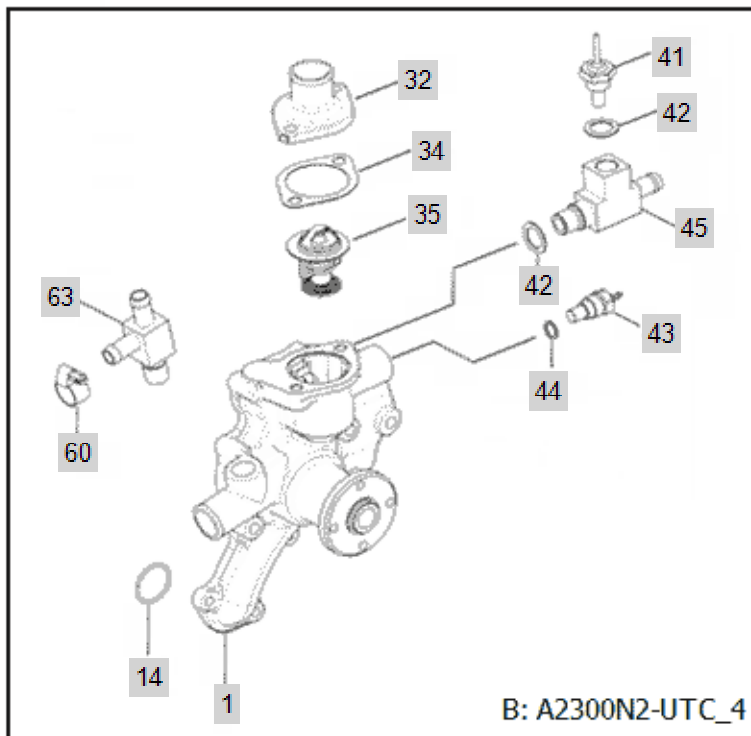
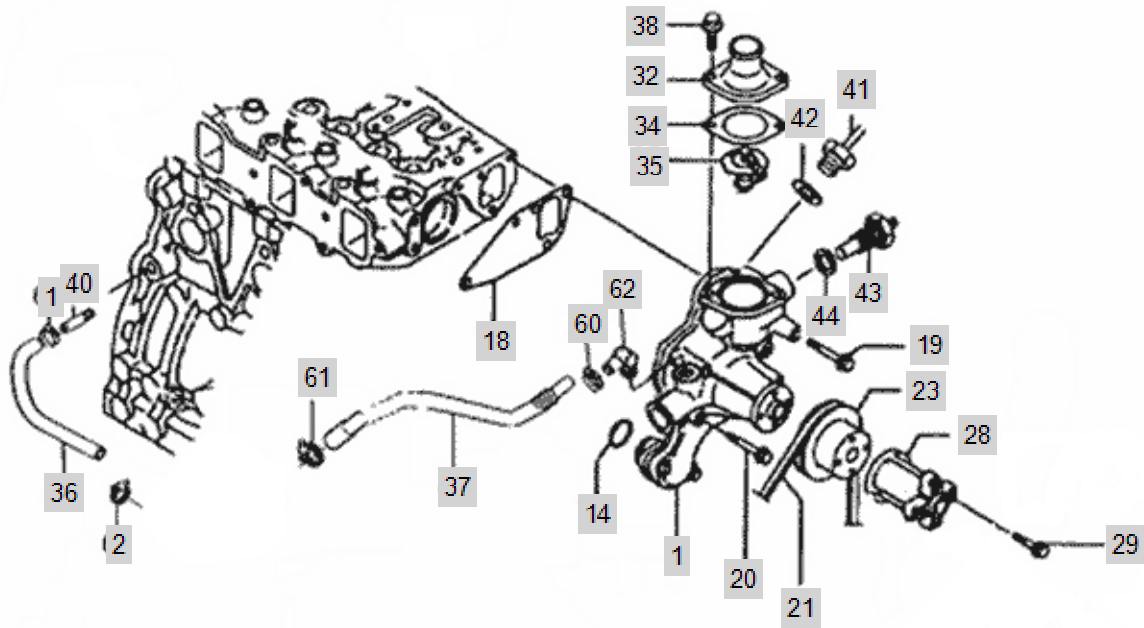




FIG 00242\_13

FUEL INJECTION PUMP

Year/Month

4225CH

2020/01

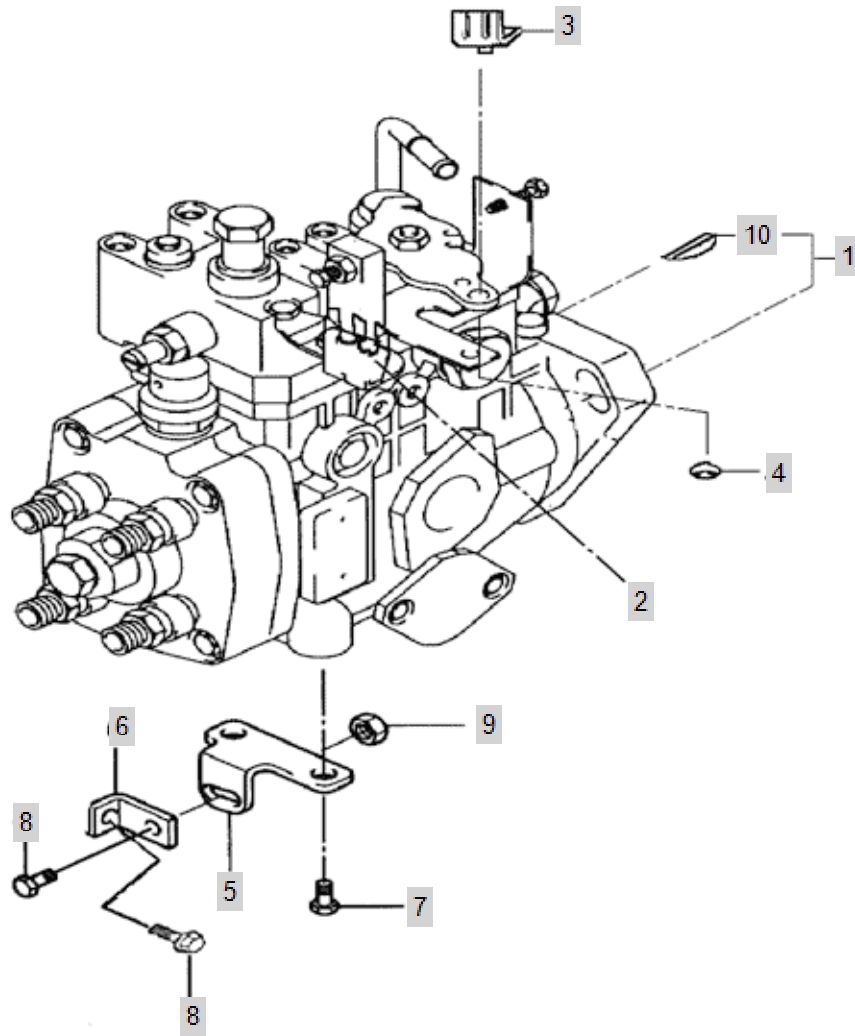






FIG 00242\_14

### FUEL INJECTION SYSTEM

Year/Month

4225CH

2020/01

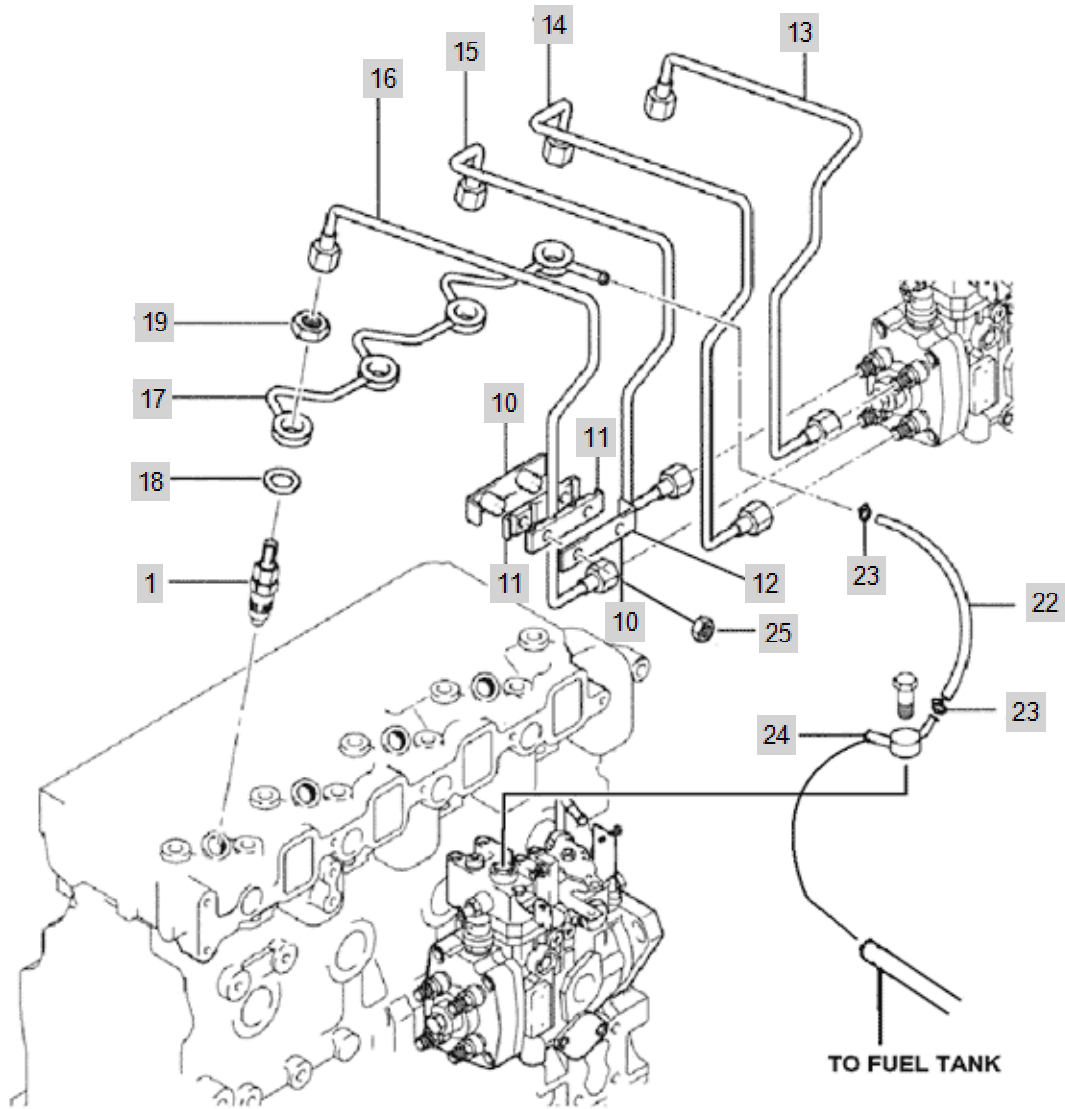




FIG 00242\_15-  
1  
4225CH

# FUEL SYSTEM

Year/Month

2020/01

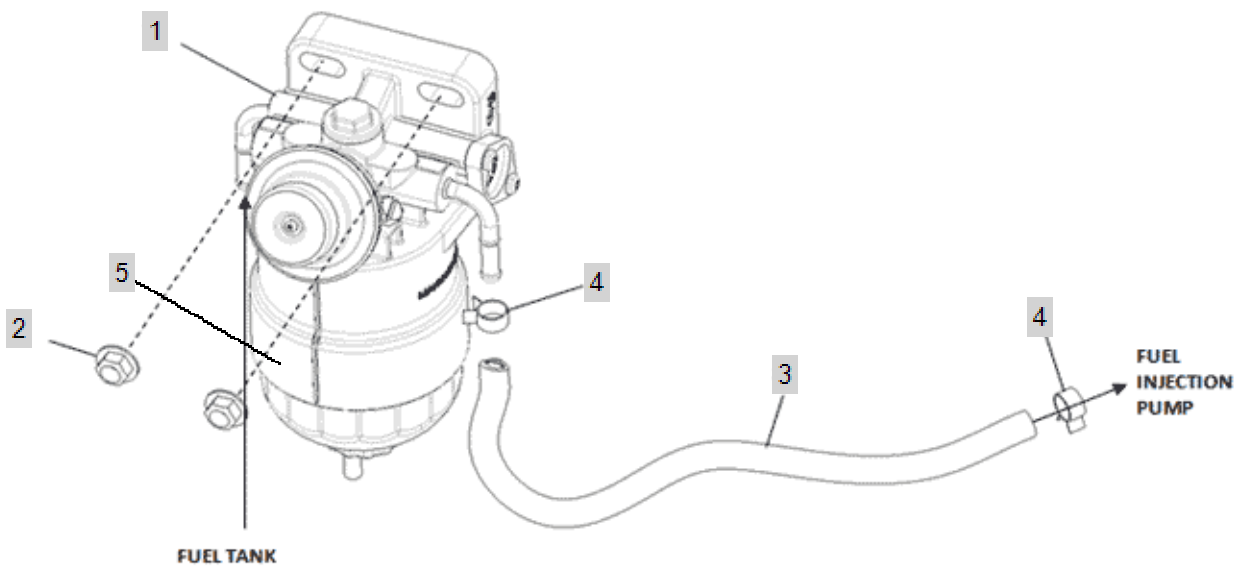




FIG 00242\_15-  
2  
4225CH

FUEL SYSTEM(2017.12)

Year/Month

2020/01

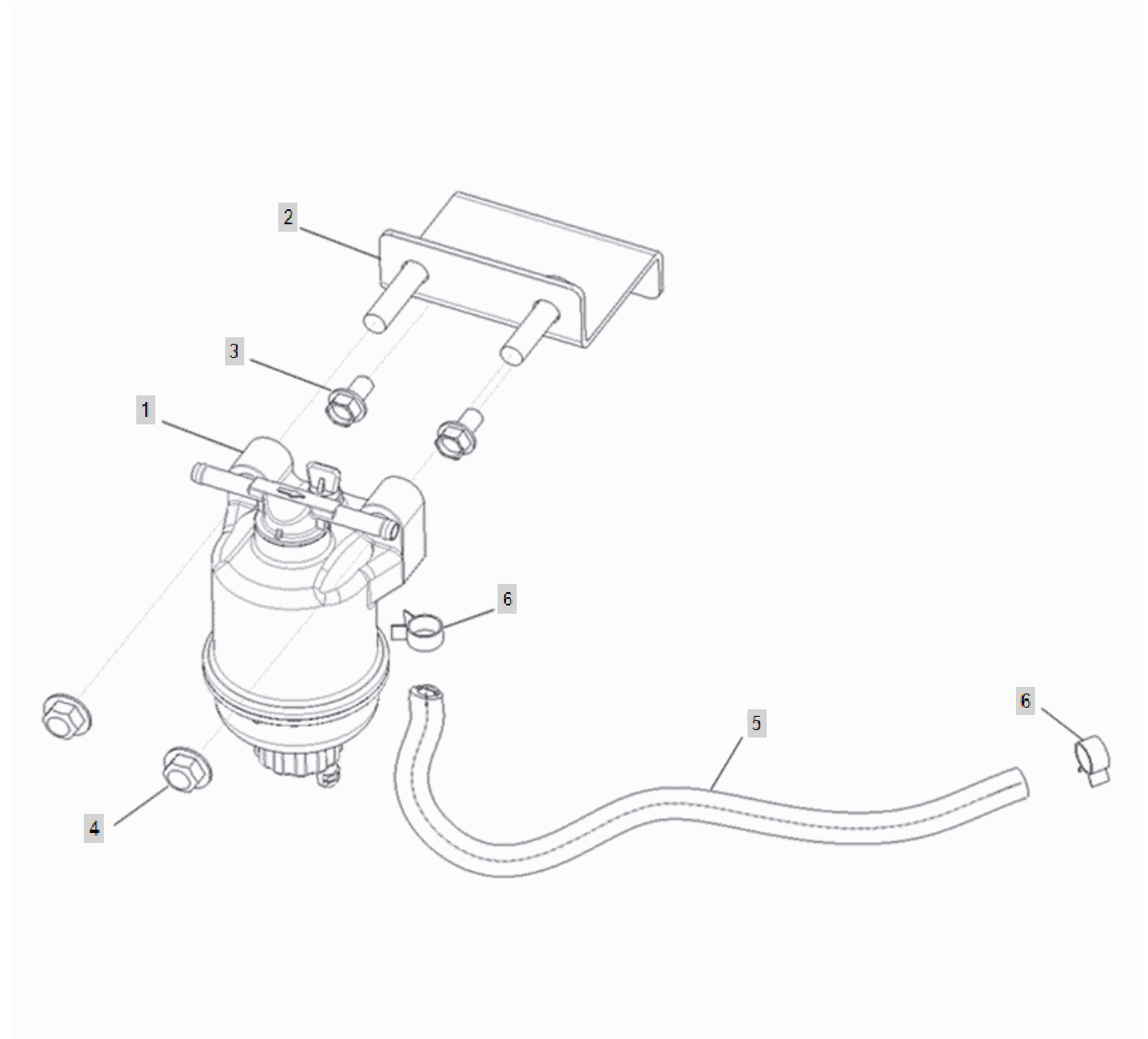




FIG 00242\_16

STARTING MOTOR

Year/Month

4225CH

2020/01

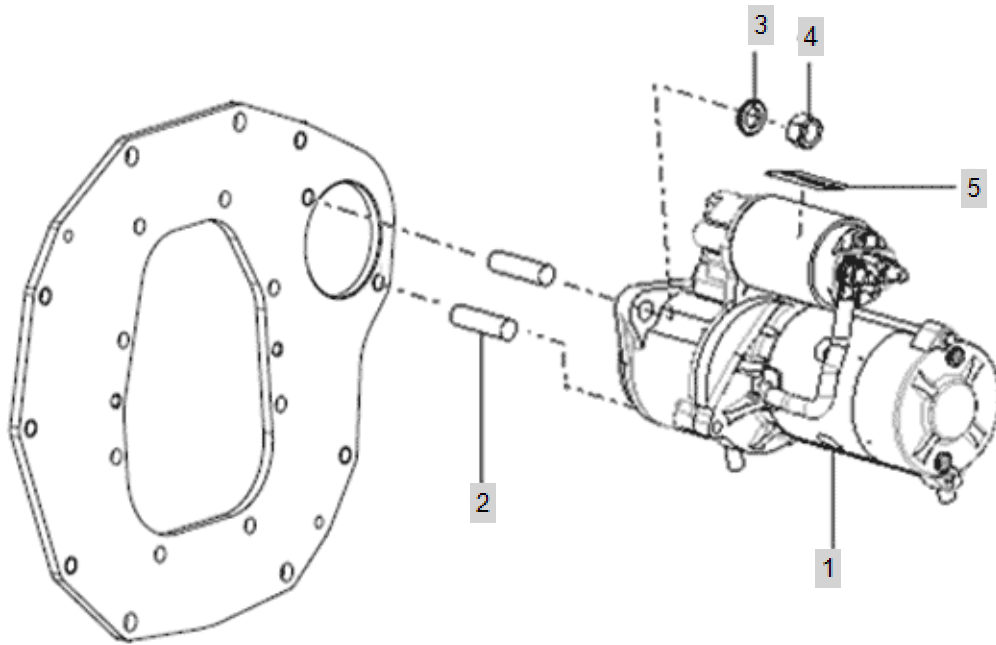






FIG 00242\_17

GENERATOR & ELECTRIC DEVICE

Year/Month

4225CH

2020/01

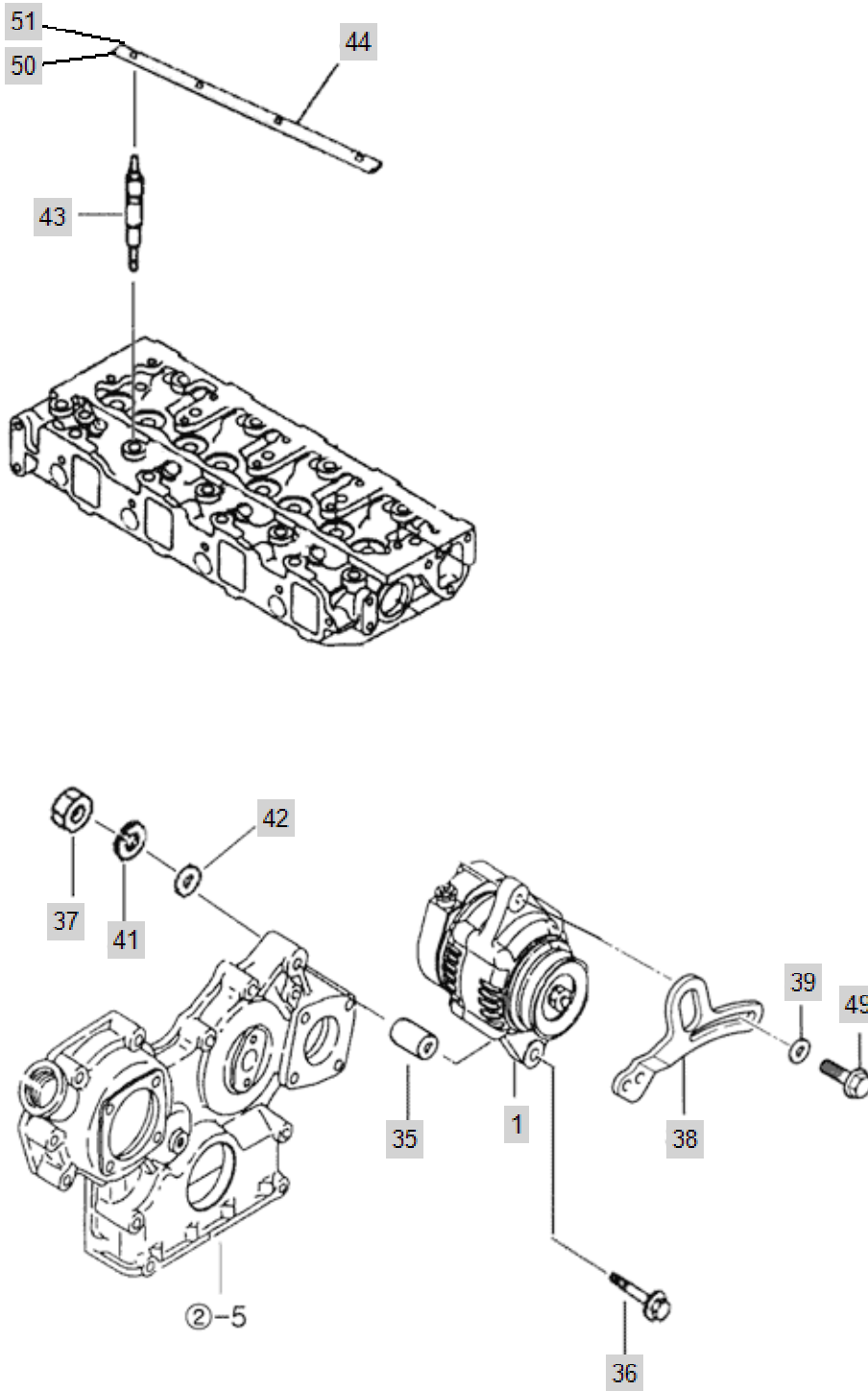




FIG 00242\_18

DPF & DPF APPLICATION SYSTEM

Year/Month

4225CH

2020/01

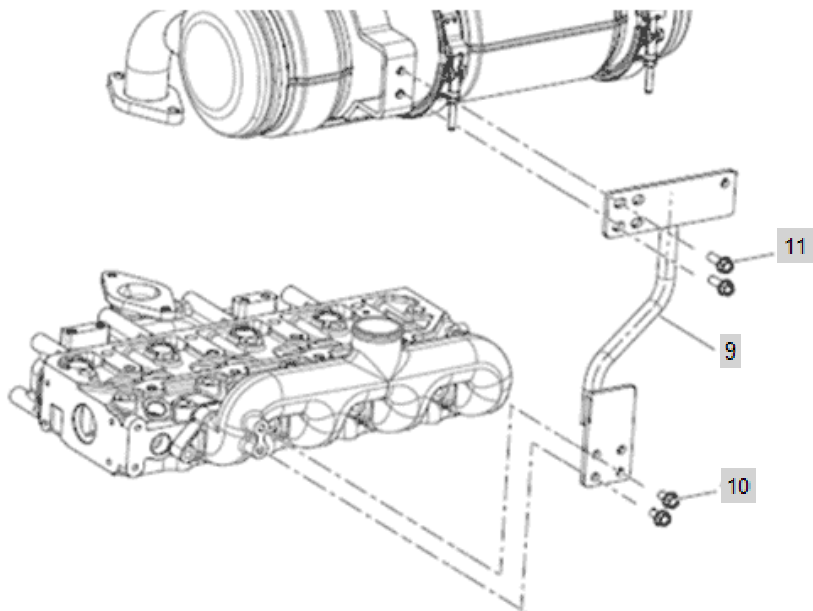
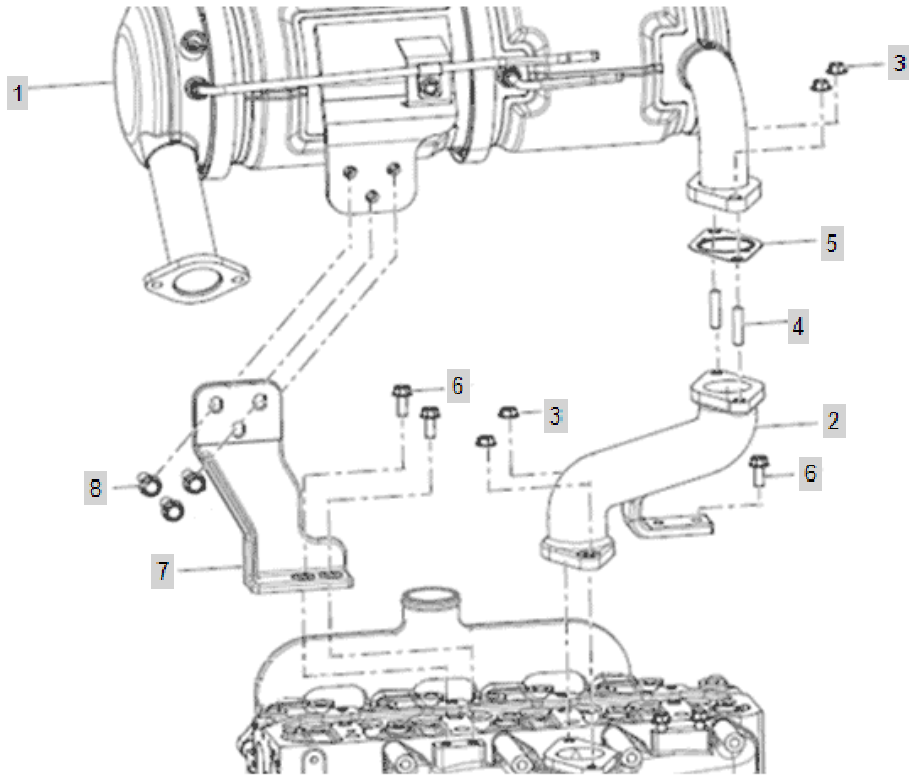




FIG 00242\_19

DPF 'S SENSOR OPTION

Year/Month

4225CH

2020/01

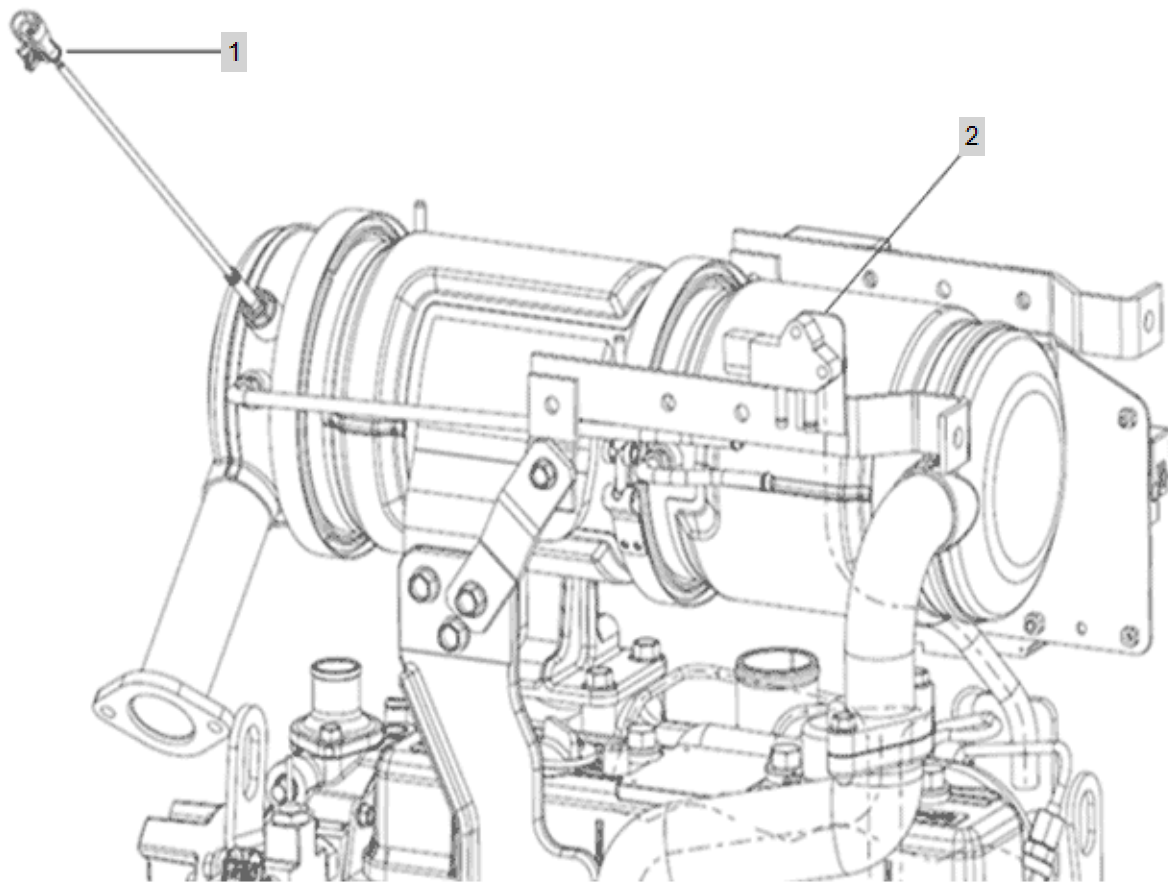




FIG 00242\_20

DATAPLATE

Year/Month

4225CH

2020/01

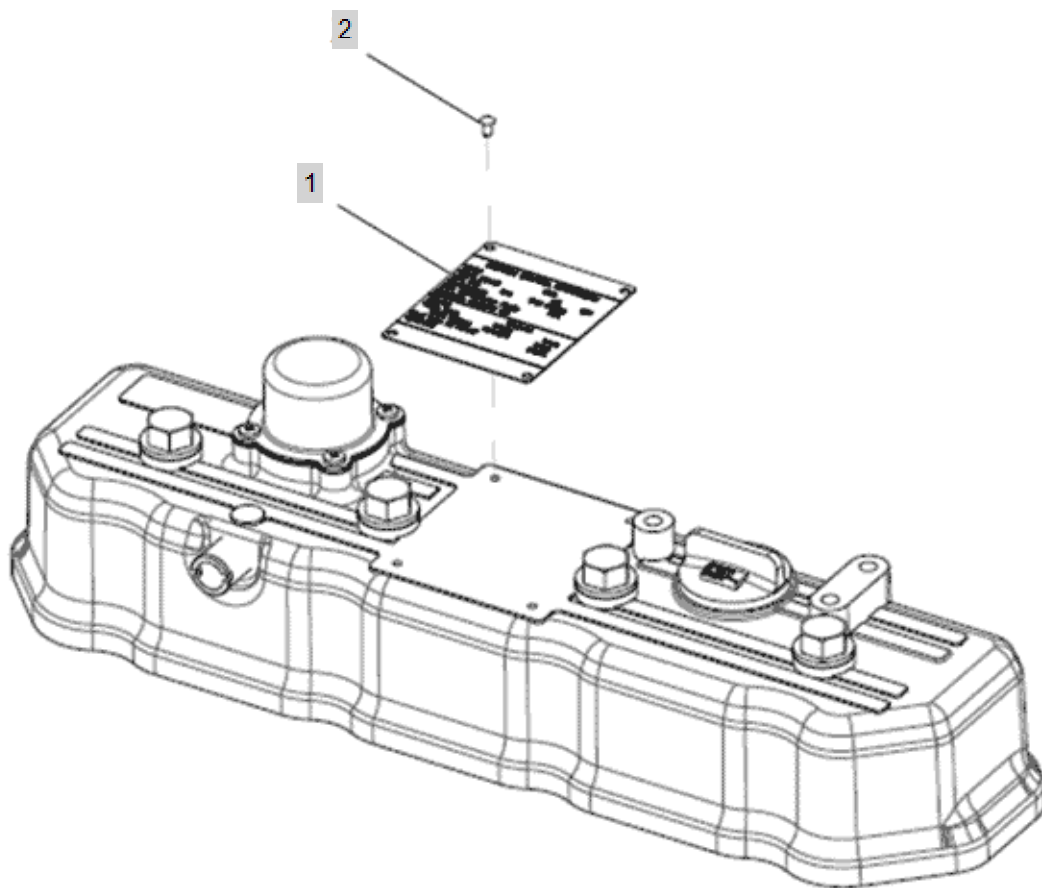






FIG C000

PR25CH

Year/Month

4225CH

2020/01



Primo 25CH SIS



2 ENGINE

3



FIG C001

LEVER ACCELERATOR

Year/Month

4225CH

2020/01

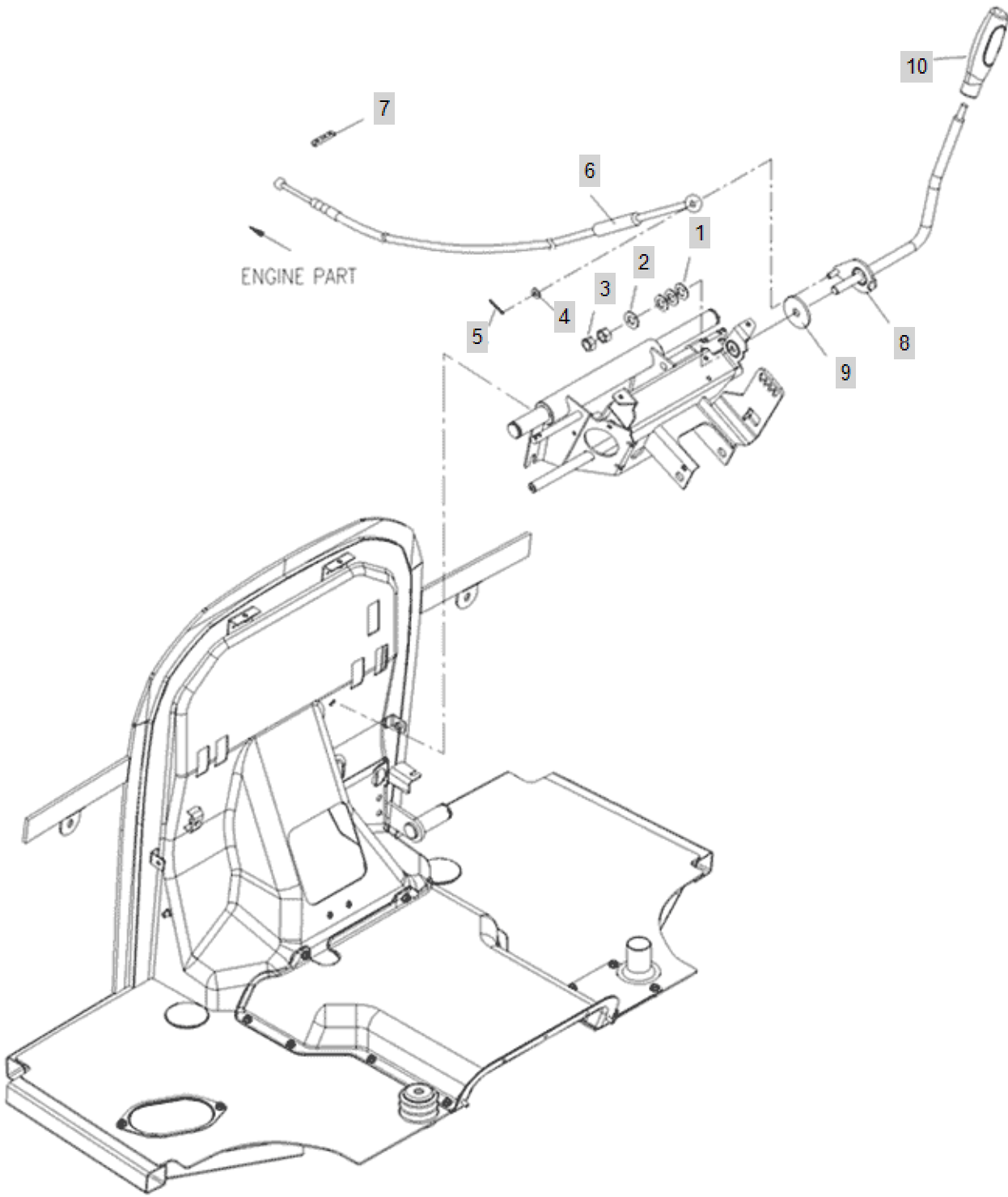




FIG C002-1

STEERING COLUMN

Year/Month

4225CH

2020/01

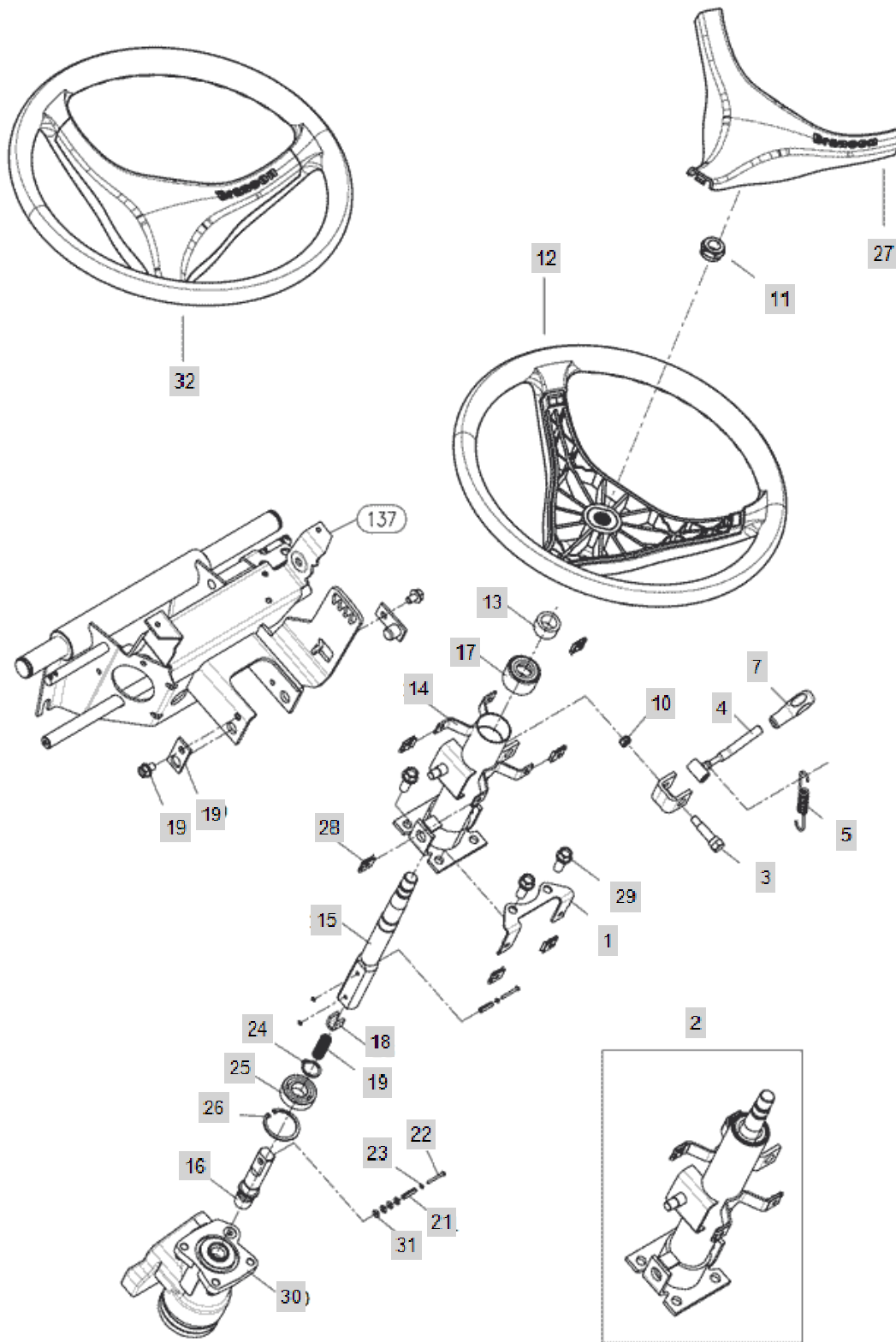




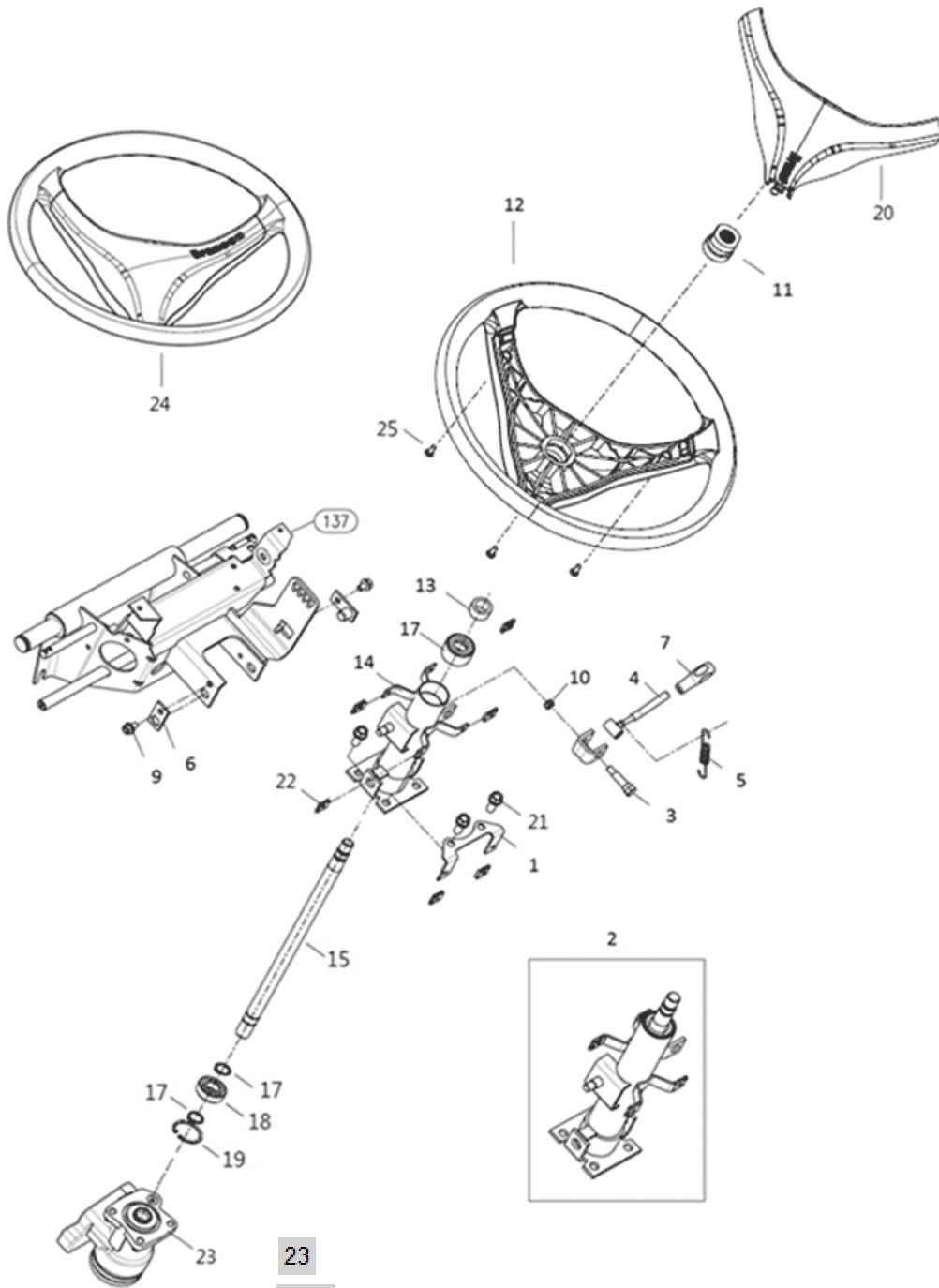
FIG C002-2

STEERING COLUMN

Year/Month

4225CH

2020/01



23  
23-assy





FIG C004

FRONT ALXE BRACKET

Year/Month

4225CH

2020/01

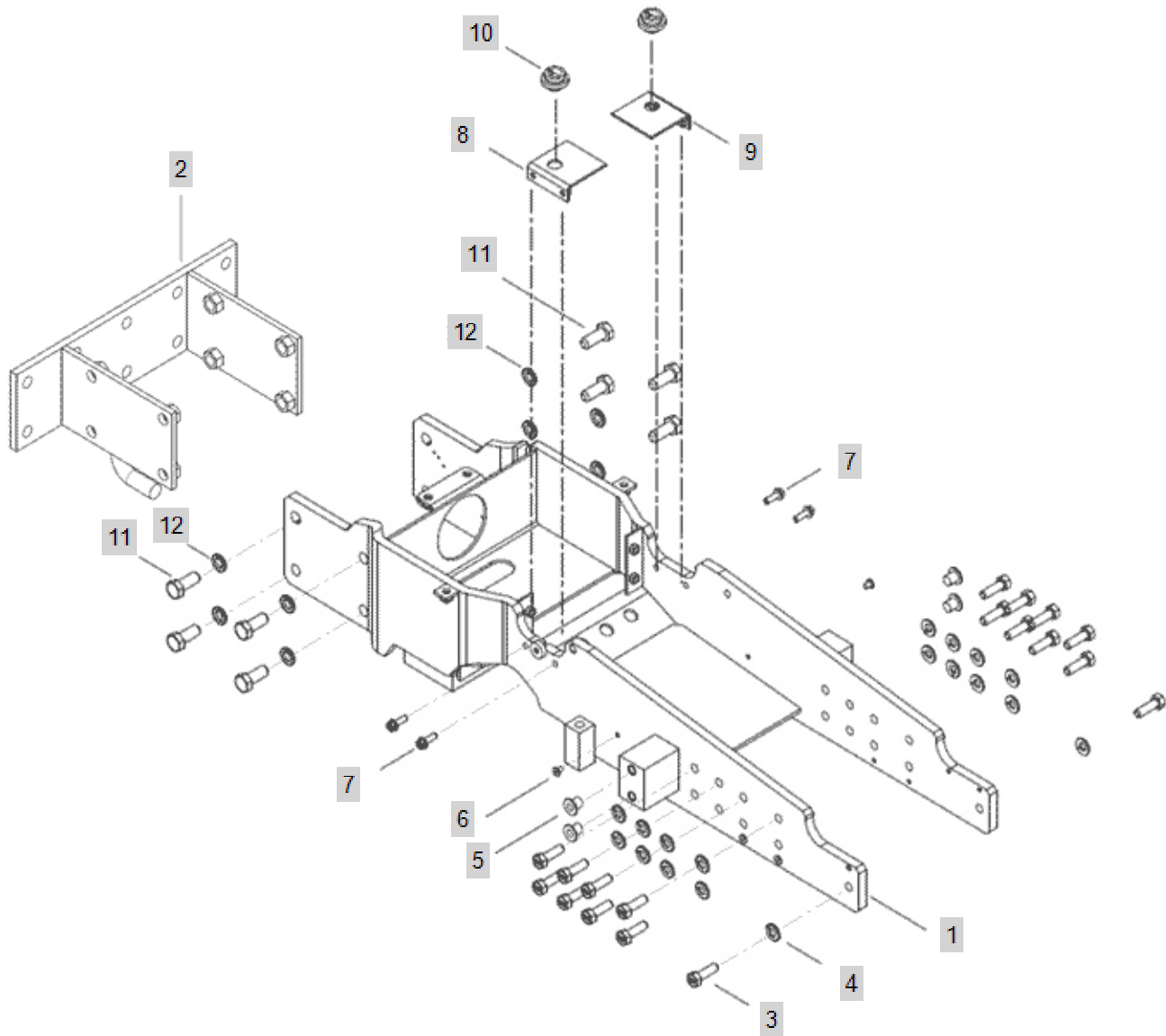




FIG C009-1

CENTER PIN SUPPORTER

Year/Month

4225CH

2020/01

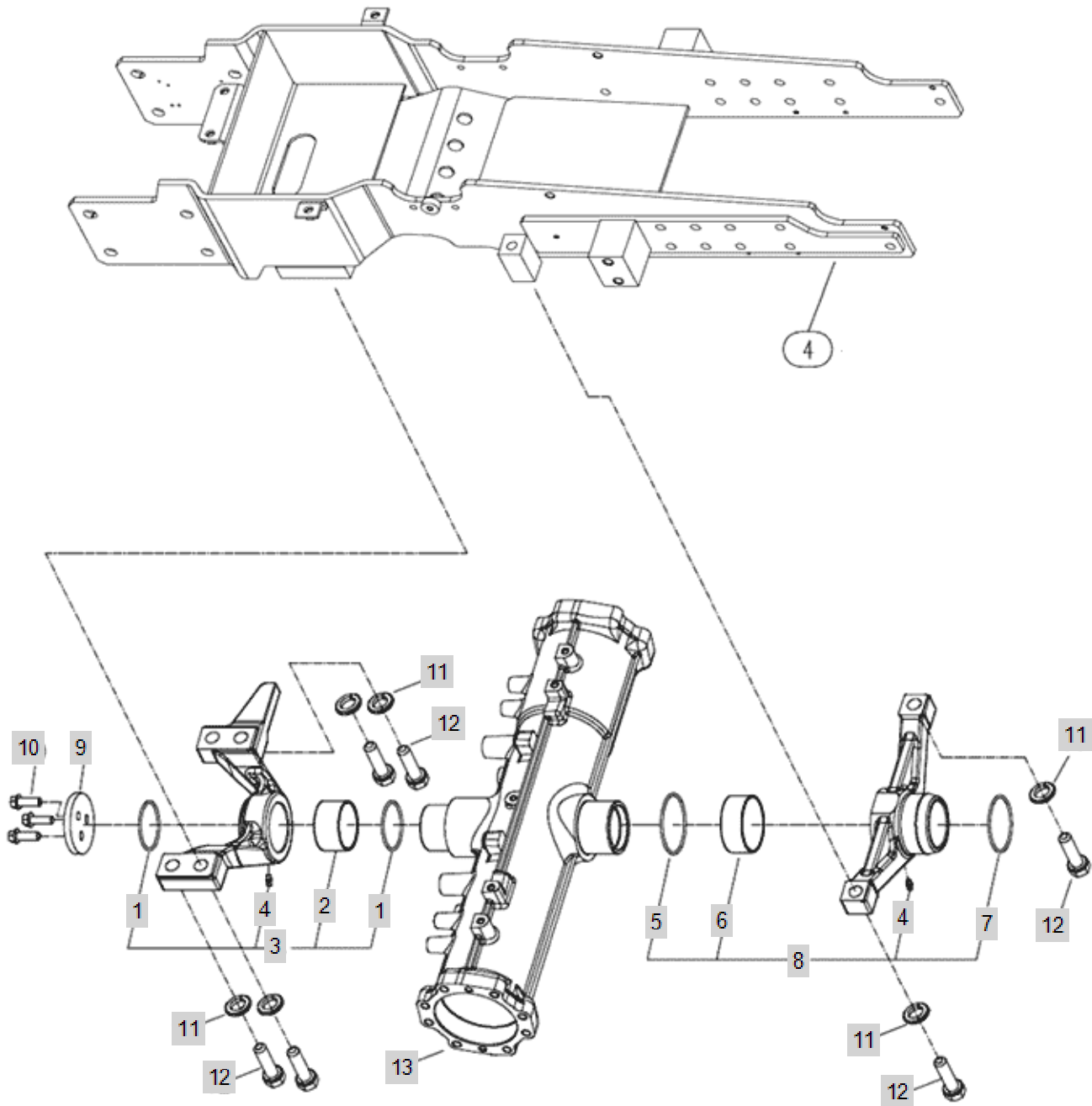




FIG C009-2

CENTER PIN SUPPORTER(2018.12~)

Year/Month

4225CH

2020/01

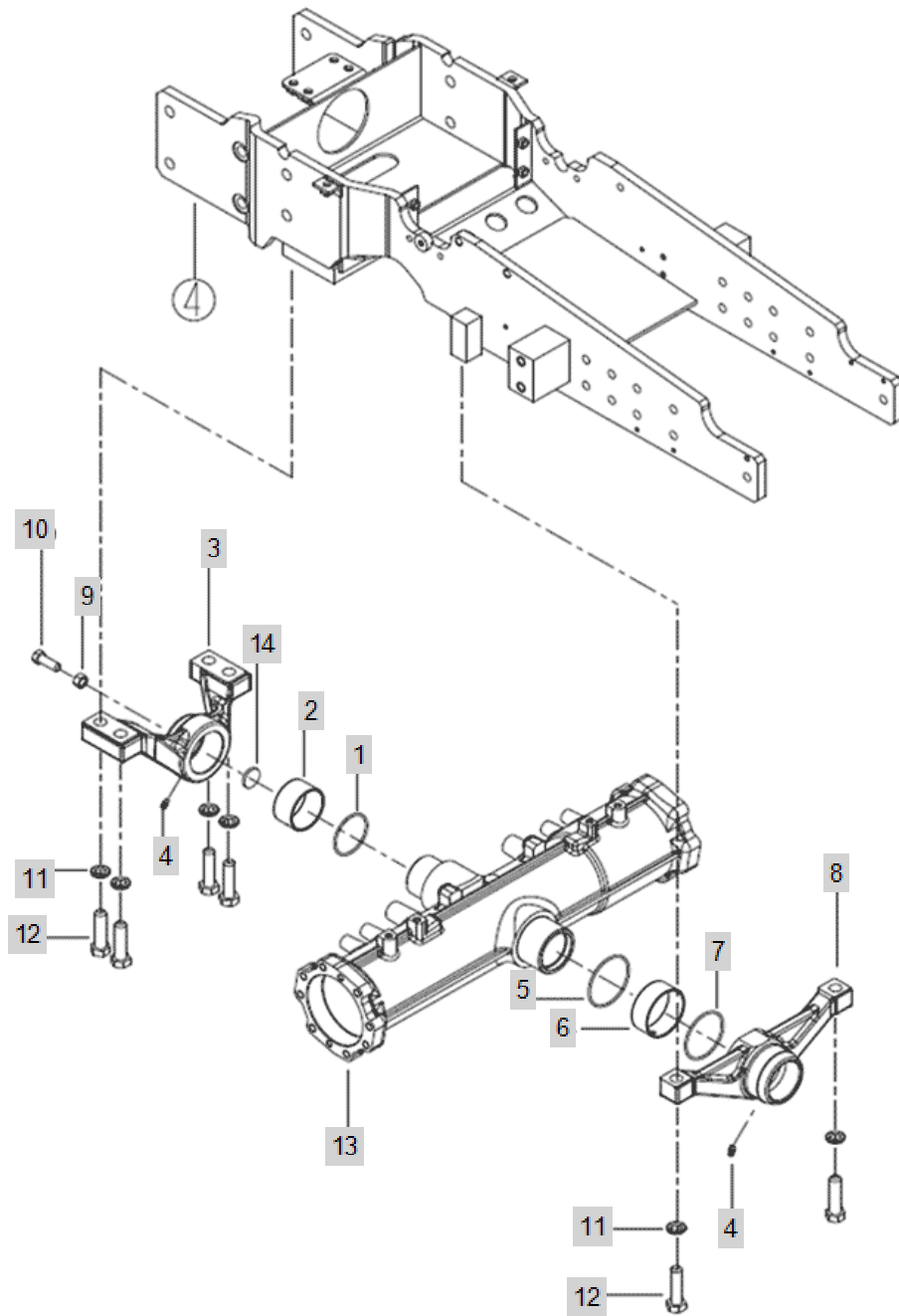














FIG C012-2

RING GEAR, DIFFERENTIAL GEAR

Year/Month

4225CH

2020/01

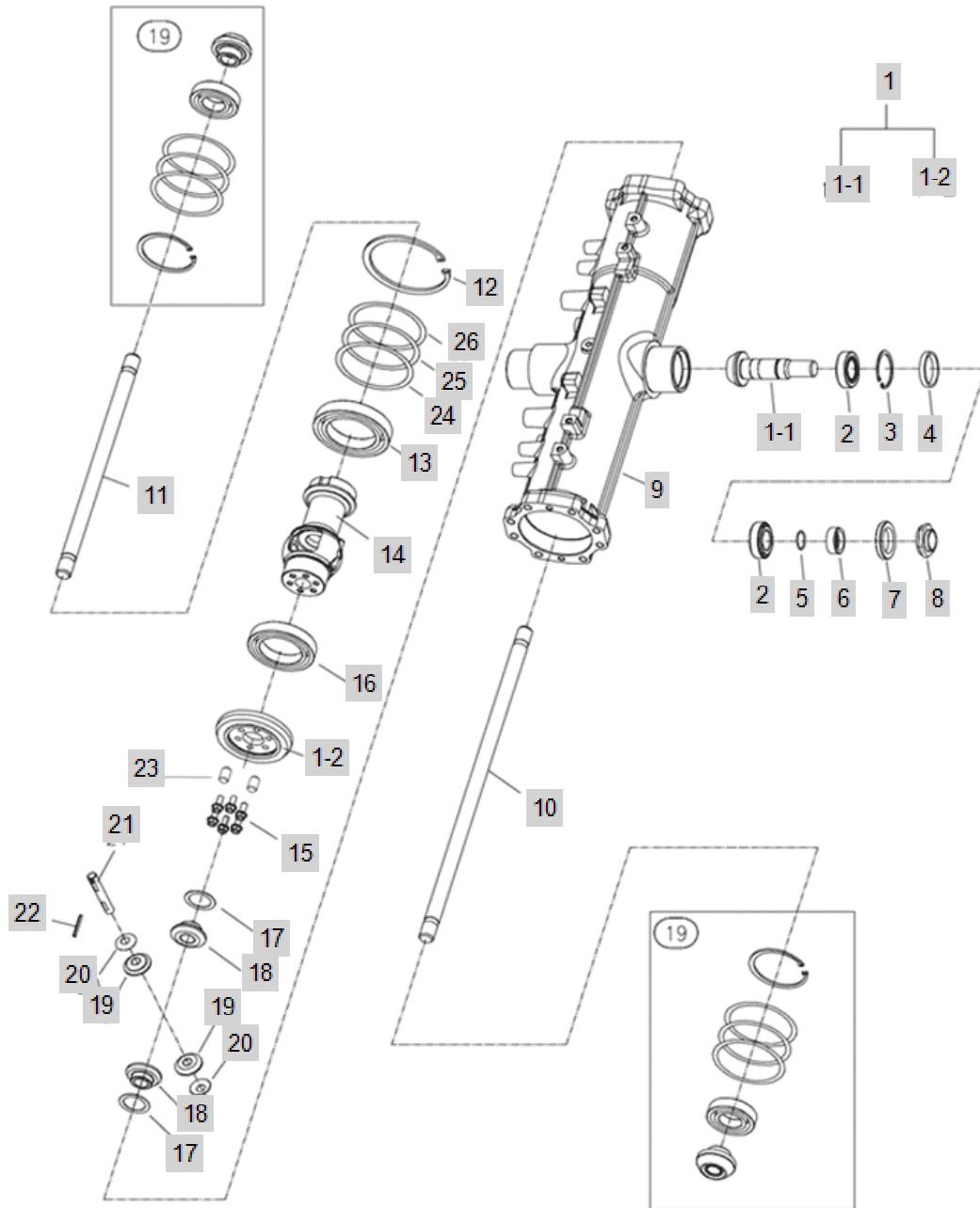




FIG C019-1

GEAR CASE, FRONT AXLE

Year/Month

4225CH

2020/01

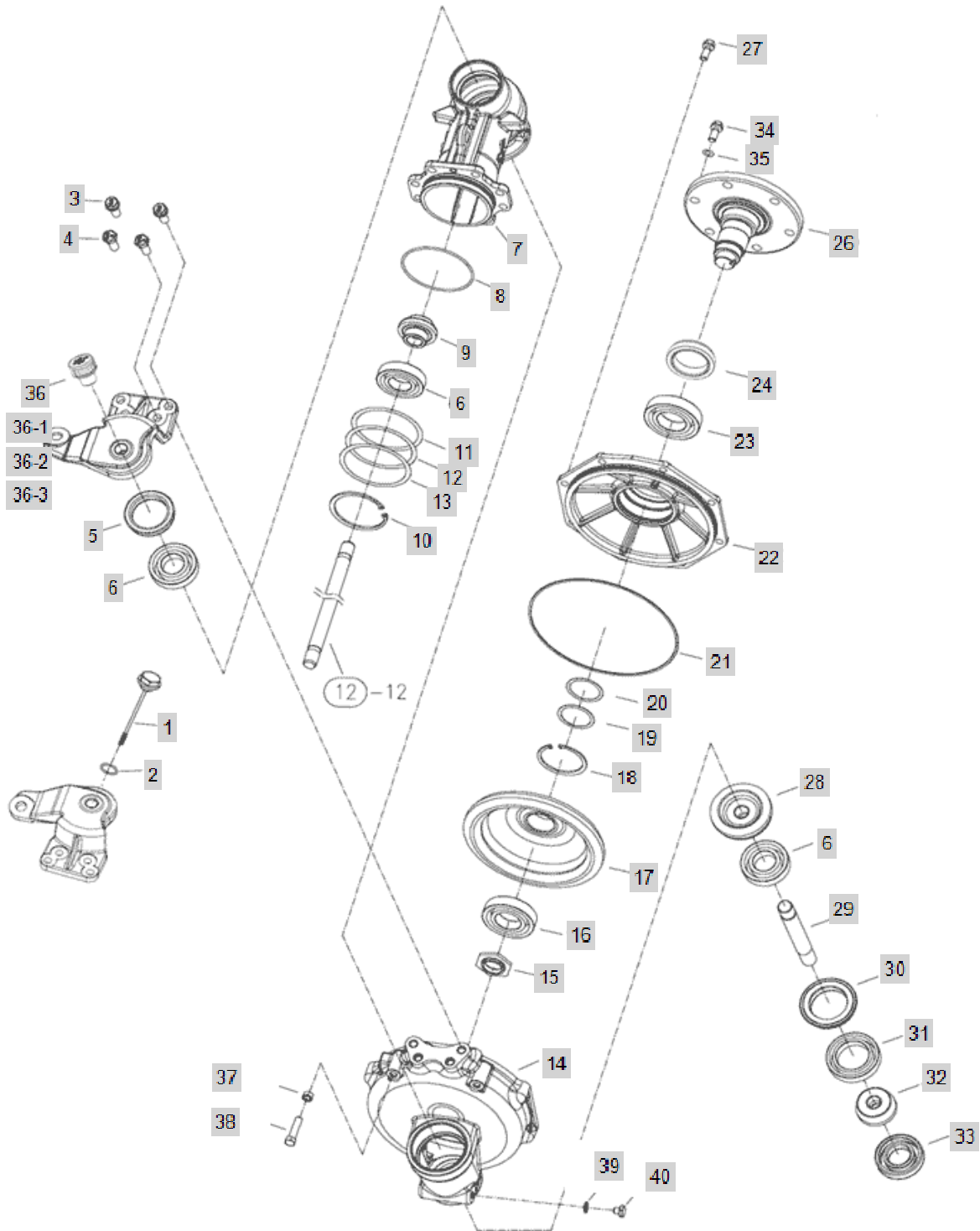


FIG C019-1		GEAR CASE, FRONT AXLE			Year/Month
4225CH					2020/01
KeyNo.	Part Number	Part Name	Quantity	Other	
1	TA00033805A	OIL GUAGE	1		
1	TA00041646A	DIP STICK	1		
2	24311-000180	O-RING, DYNAMIC (Φ18)	2		
3	TA00033468B	BOLT W/ WASHER	4		
4	TA00033475A	RIMER BOLT	4		
5	FE78010000B	OIL SEAL (55X72X13.5)	2		
6	24101-062074	BALL BEARING (#6207)	6		
7	TA00033457C	CASE, FRONT GEAR	2		
7	TA00041533B	FRONT GEAR CASE L	2		
8	24321-001050	O-RING	2		
9	TA00033461A	PINION, FRONT 1ST SHAFT	2		
10	22252-000720	RING, CIRCLIP (Φ 72)	2		
11	TA00033489A	SHIM 0.2T	2		
12	TA00033488A	SHIM 0.3T	2		
13	TA00033487A	SHIM 0.5T	2		
14	TA00033458B	GEAR BOX, FRONT	2		
15	TA00033481A	LOCK NUT	2		
16	24101-062084	Bearing, Ball (#6208)	2		
17	TA00033474A	GEAR, BEVEL 49T	2		
18	22252-000850	RING, CIRCLIP (Φ 85)	2		
19	TA00033486A	SHIM 0.2T	1		
20	TA00033485A	SHIM 0.5T	1		
21	TA00033939A	O RING	2		
22	TA00033459B	BEARING CASE, FRONT	1		
23	24101-062094	BALL BEARING (#6209)	2		
24	TA00041352A	OILSEAL (AO26 TYPE)	2		
26	TA00033460A	SPINDLE, FRONT	2		
27	TA00033469A	BOLT W/ WASHER	16		
28	TA00033463A	FRONT 2ND AXLE LH	2		
29	TA00033464A	FRONT 2ND SHAFT	2		
30	TC60110000A3	SEAL	2		
31	24101-060104	Bearing, Ball (#6010)	2		
32	TA00033473A	GEAR, BEVEL 11T	2		
33	TC60340000A4	BEARING(TM207C3)	2		
34	TD23120000A4	BOLT	12		
35	22217-140000	WASHER, SPRING (Φ 14)	12		
36	TC60790000C3	CAP, OIL	1		
36-1	TA00049842A	AIR BREATHER	1		
36-2	TA00049843A	ADAPHER	1		
36-3	24311-000220	O-RING, DYNAMIC (Φ22)	1		
37	26716-100001	NUT	1		
38	26116-100452	BOLT	1		
39	22190-100000	WASHER	2		
40	23887-100002	SCREW,HEXAGONHEADCAP	2		

FIG C019-2

GEAR CASE, FRONT AXLE

Year/Month

4225CH

2020/01

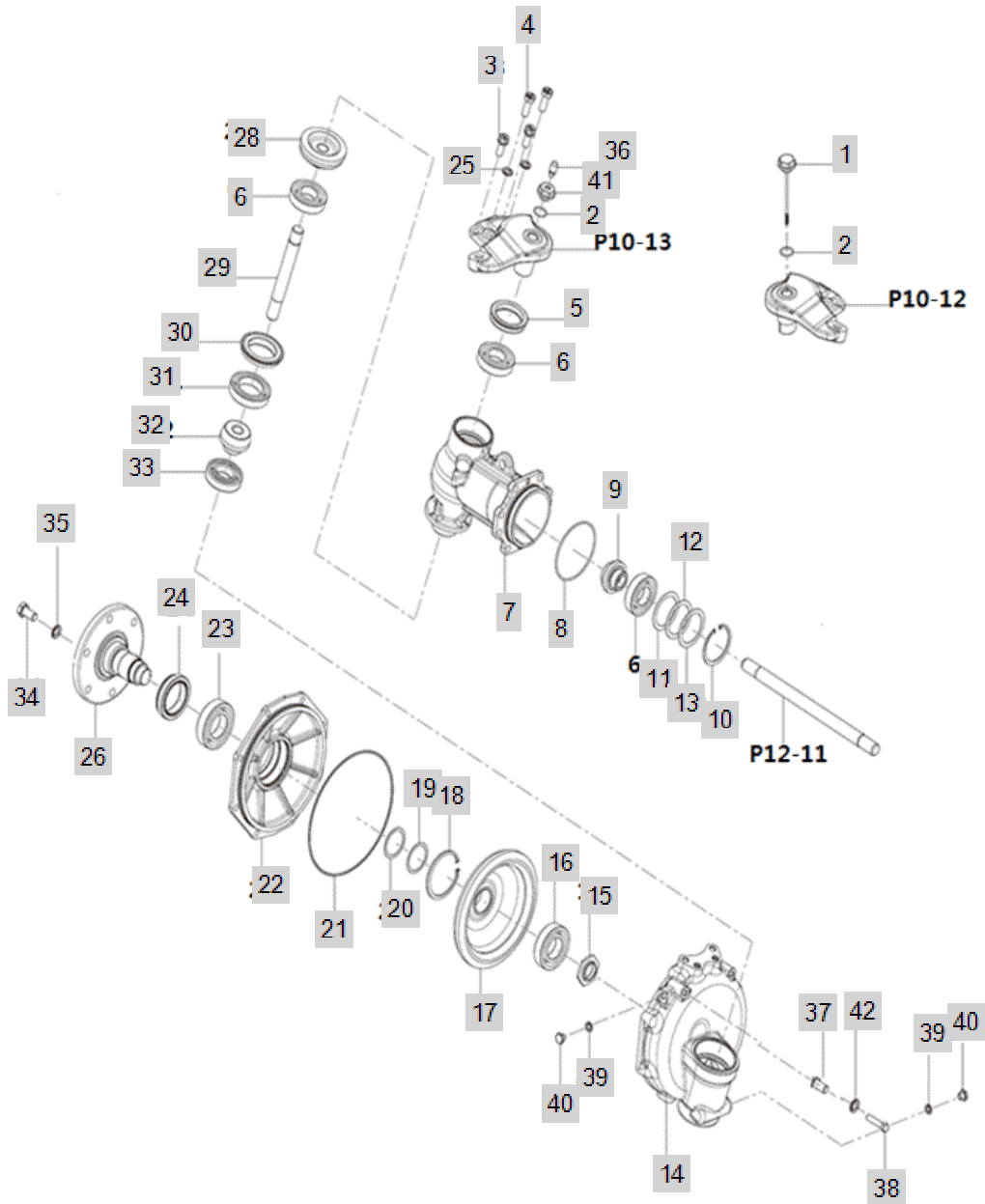


FIG C019-2		GEAR CASE, FRONT AXLE			Year/Month
4225CH					2020/01
KeyNo.	Part Number	Part Name	Quantity	Other	
1	TA00033805A	OIL GUAGE	1		
2	24311-000220	O-RING, DYNAMIC (Φ22)	2		
3	TA00033468A	BOLT W/ WASHER	4		
4	TA00033475A	RIMER BOLT	4		
5	FE78010000A	SEAL,OIL -> FE78010000B	2		
6	24101-062074	BALL BEARING (#6207)	6		
7	TA00033457C	CASE, FRONT GEAR	2		
8	24321-001050	O-RING	2		
9	TA00033461A	PINION, FRONT 1ST SHAFT	2		
10	22252-000720	RING, CIRCLIP (Φ 72)	2		
11	TA00033489A	SHIM 0.2T	2		
12	TA00033488A	SHIM 0.3T	2		
13	TA00033487A	SHIM 0.5T	2		
14	TA00033458B	GEAR BOX, FRONT	2		
15	TA00033481A	LOCK NUT	2		
16	24101-062084	Bearing, Ball (#6208)	2		
17	TA00033474A	GEAR, BEVEL 49T	2		
18	22252-000850	RING, CIRCLIP (Φ 85)	2		
19	TA00033486A	SHIM 0.2T	1		
20	TA00033485A	SHIM 0.5T	1		
21	TA00033939A	O RING	2		
22	TA00033459B	BEARING CASE, FRONT	1		
23	24101-062094	BALL BEARING (#6209)	2		
24	TA00041359A	OILSEAL	2		
25	22217-120000	WASHER, SPRING (Φ 12)	2		
26	TA00033460A	SPINDLE, FRONT	2		
27	TA00033469A	BOLT W/ WASHER	16		
28	TA00033463A	FRONT 2ND AXLE LH	2		
29	TA00033464A	FRONT 2ND SHAFT	2		
30	TC60110000A3	SEAL	2		
31	24101-060104	Bearing, Ball (#6010)	2		
32	TA00033473A	GEAR, BEVEL 11T	2		
33	TC60340000A4	BEARING(TM207C3)	2		
34	TD23120000A4	BOLT	12		
35	22217-140000	WASHER, SPRING (Φ 14)	12		
36	TA00049842A	AIR BREATHER	1		
37	TA00058614A	STOPER	2		
38	26112-100502		2		
39	22190-100000	WASHER	4		
40	23887-100002	SCREW,HEXAGONHEADCAP	4		
41	TA00049843A	ADAPHER	1		
42	22217-100000	WASHER, SPRING (Φ 10)	2		



FIG C020

SPACER

Year/Month

4225CH

2020/01

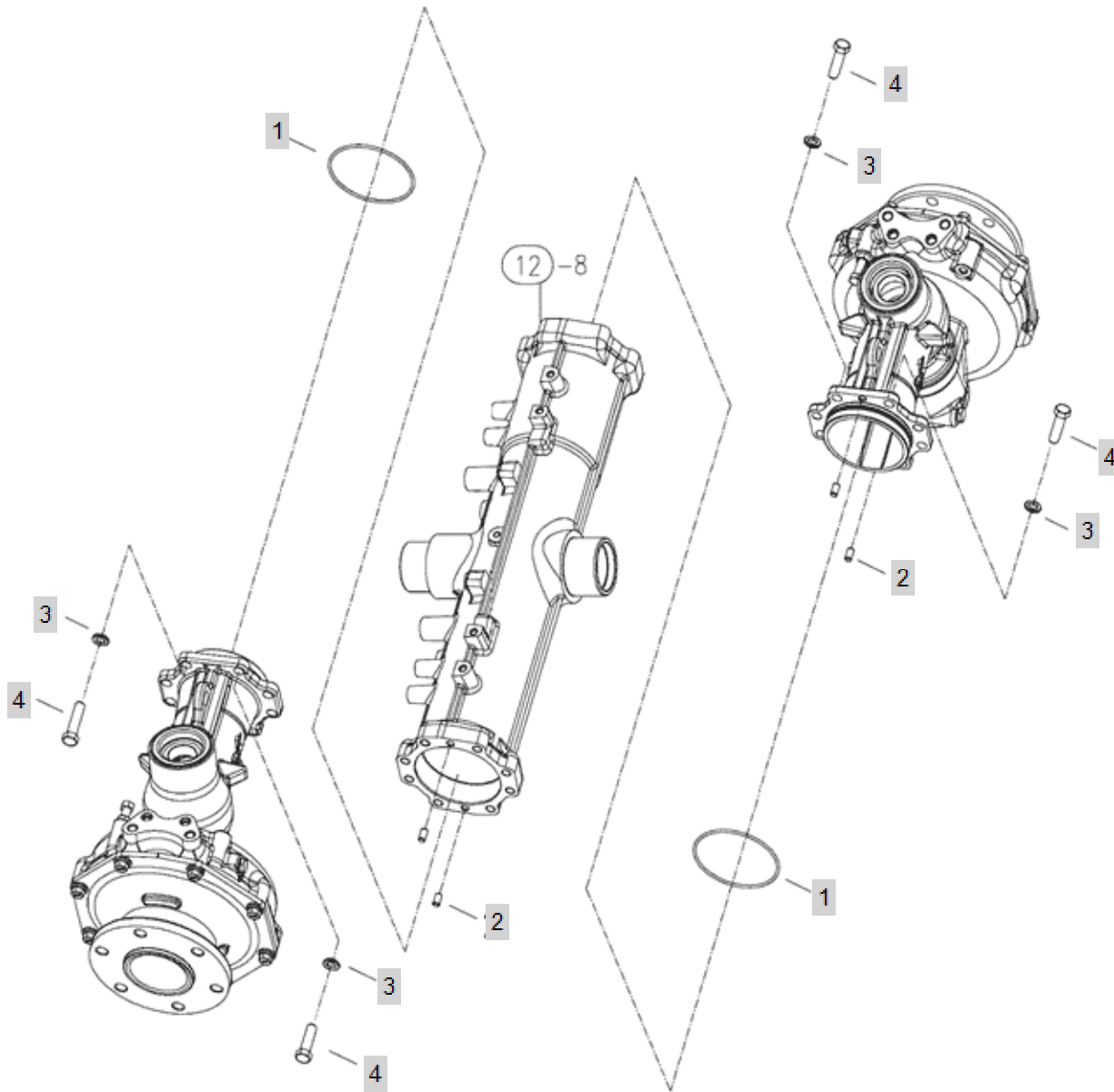




FIG C023

COVER SHAFT

Year/Month

4225CH

2020/01

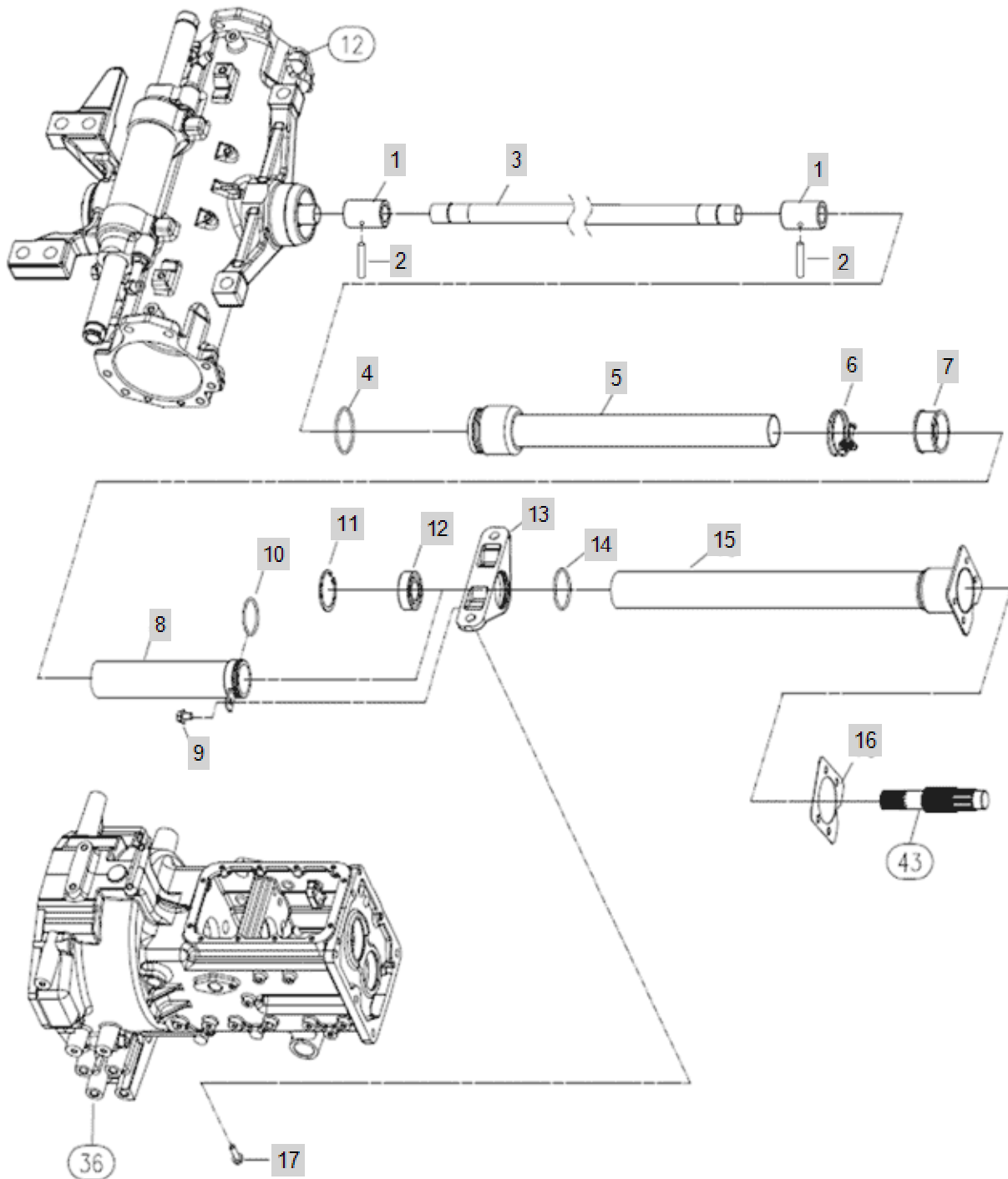




FIG C032

P.S.T CYLINDER

Year/Month

4225CH

2020/01

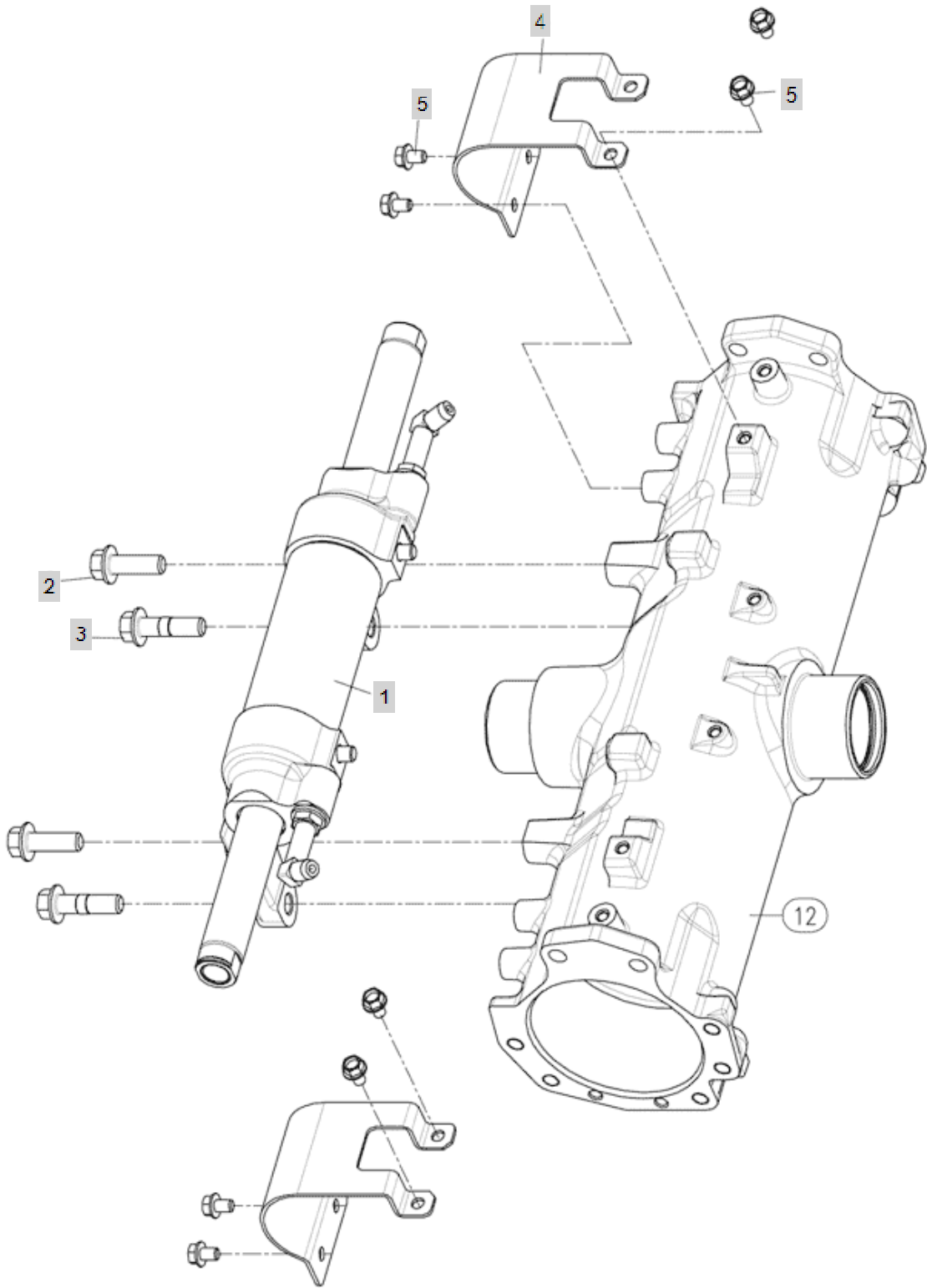




FIG C034

P.S.T HOSE

Year/Month

4225CH

2020/01

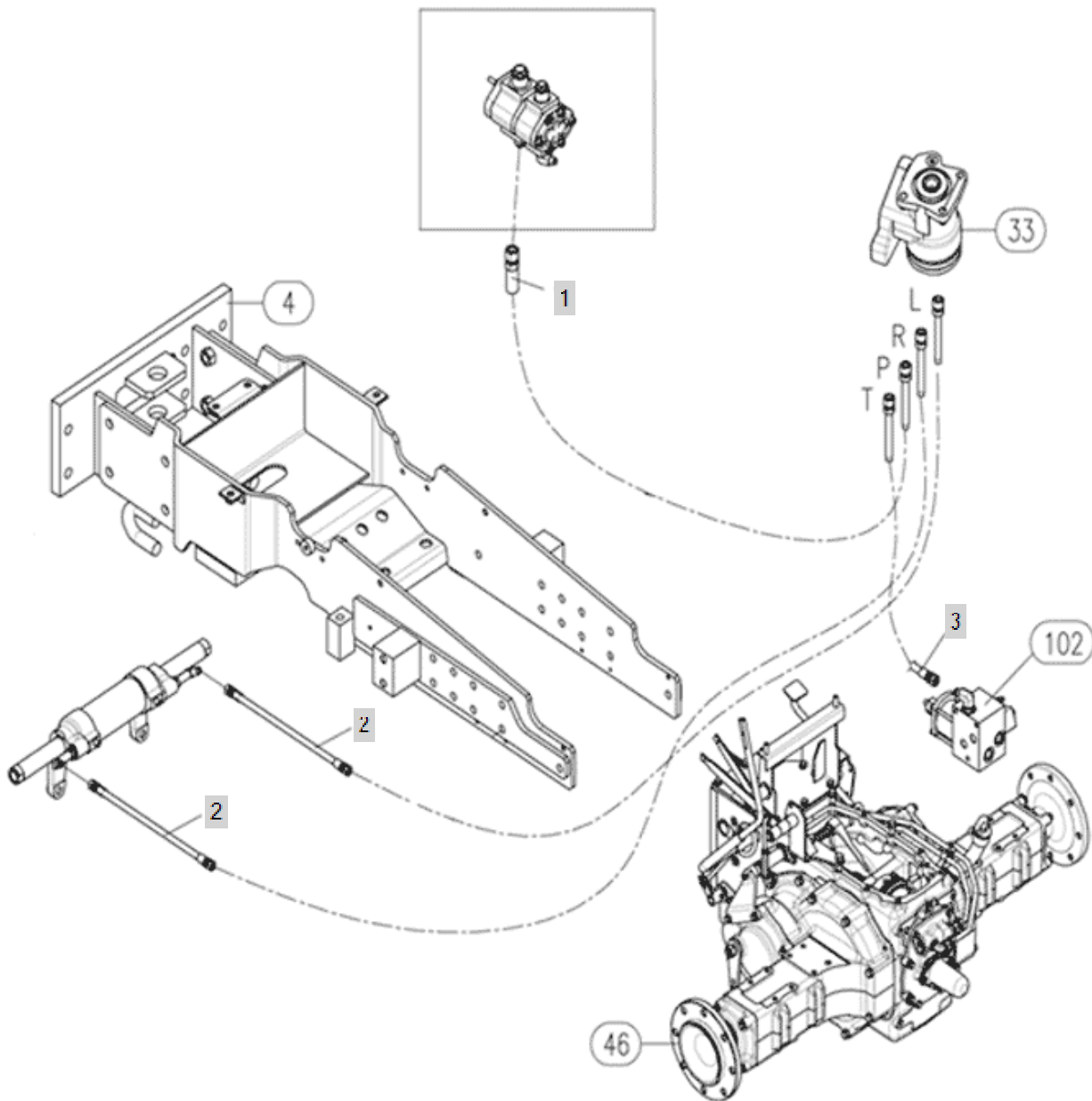






FIG C036

FLY WHEEL HOUSING

Year/Month

4225CH

2020/01

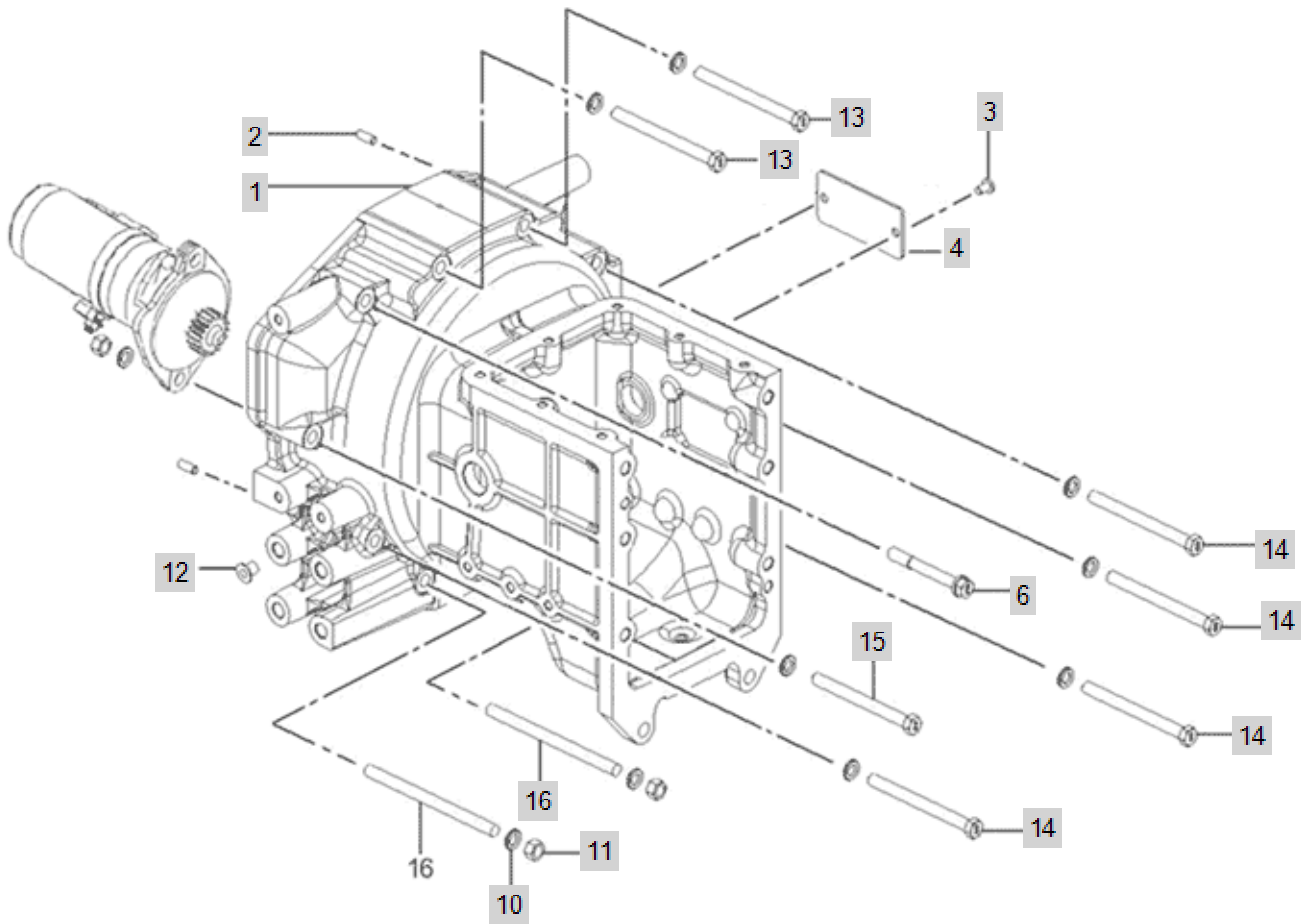




FIG C038

PTO DAMPER

Year/Month

4225CH

2020/01

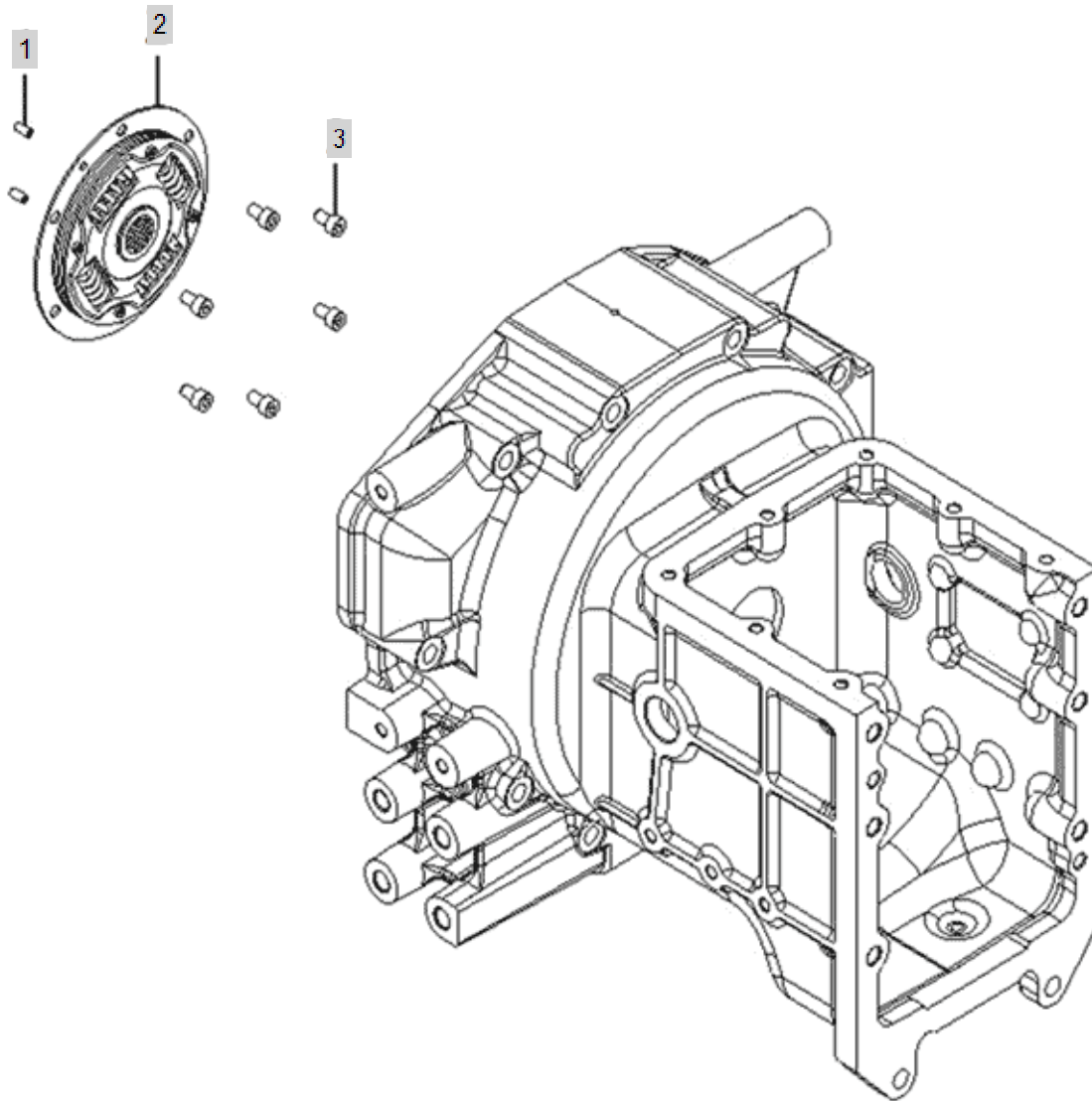




FIG C039-1

HYD SHIFT TRANSMISSION HOUSING

Year/Month

4225CH

2020/01

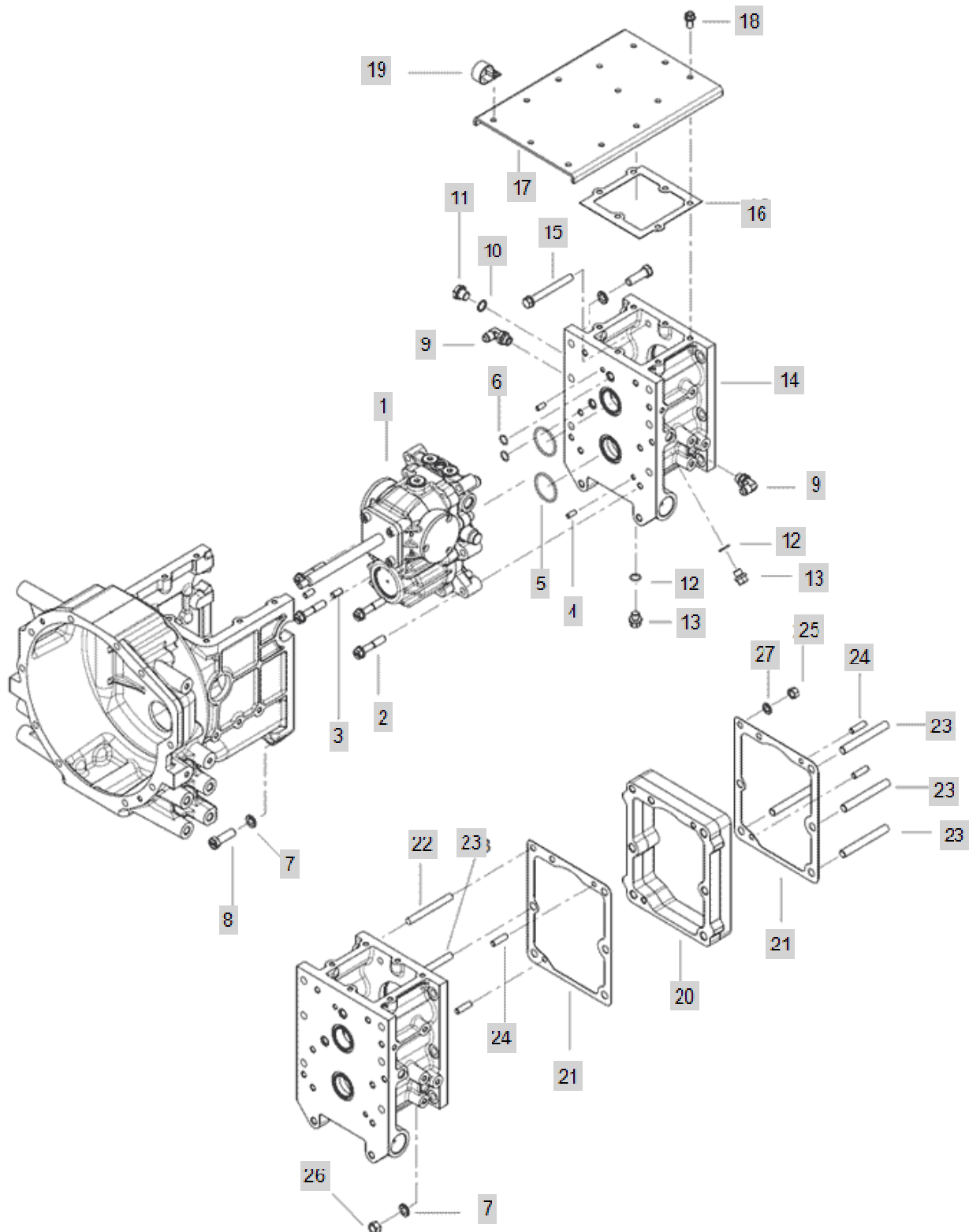




FIG C039-2

HYD SHIFT TRANSMISSION HOUSING

Year/Month

4225CH

2020/01

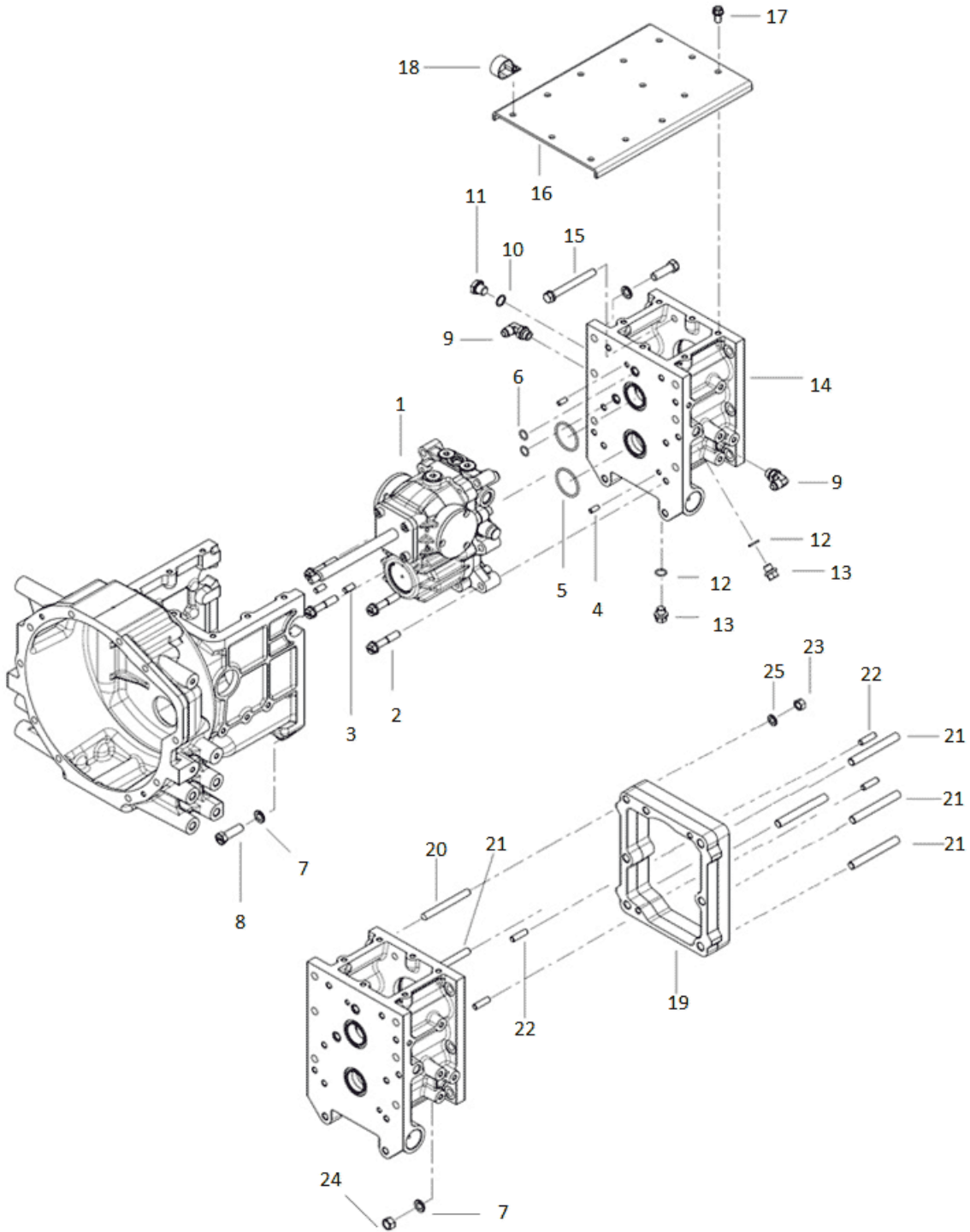






FIG C040

HYD SHIFT TRANSMISSION GEAR

Year/Month

4225CH

2020/01

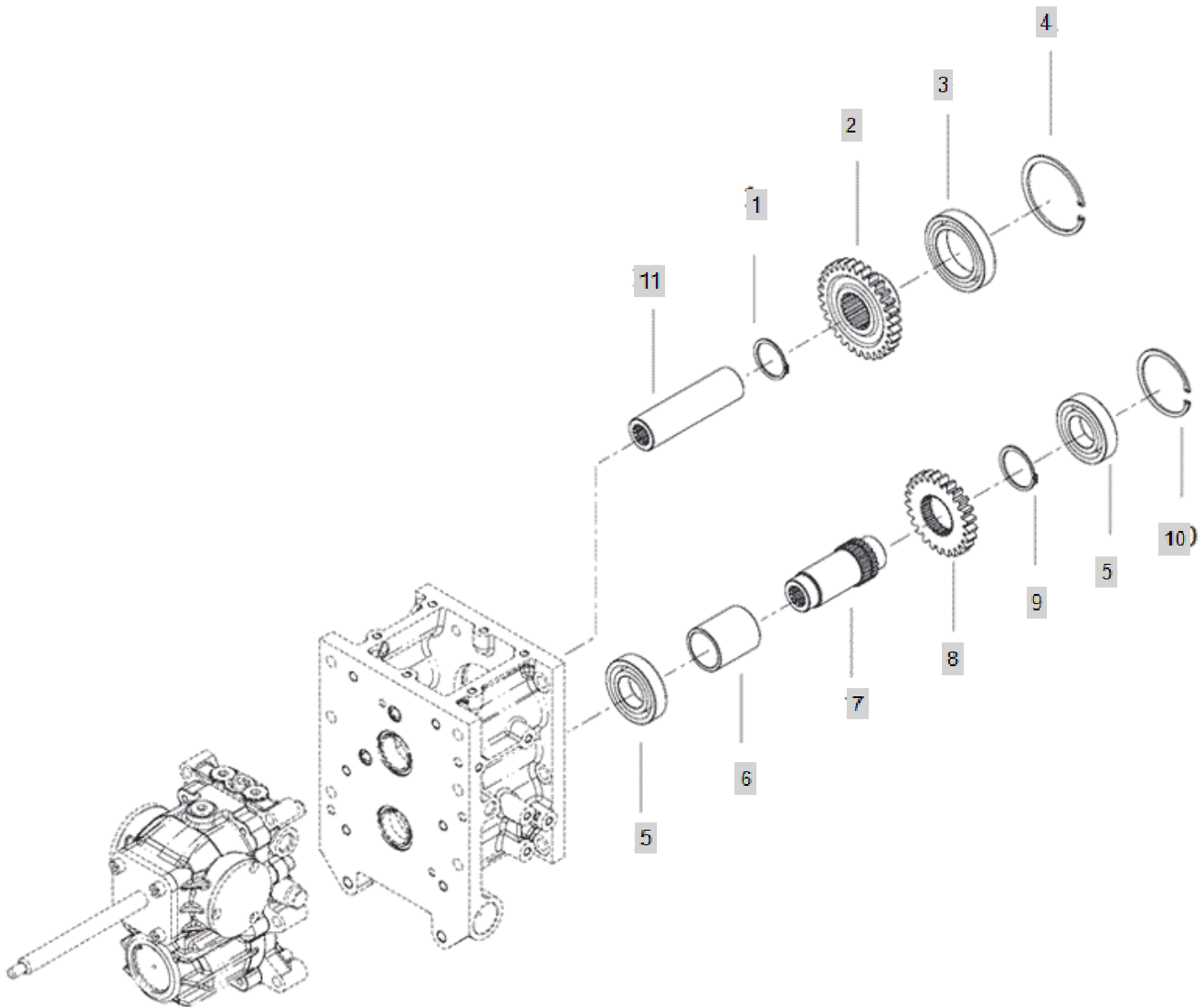




FIG C041

HYD SHIFT TRANSMISSION PEDAL

Year/Month

4225CH

2020/01

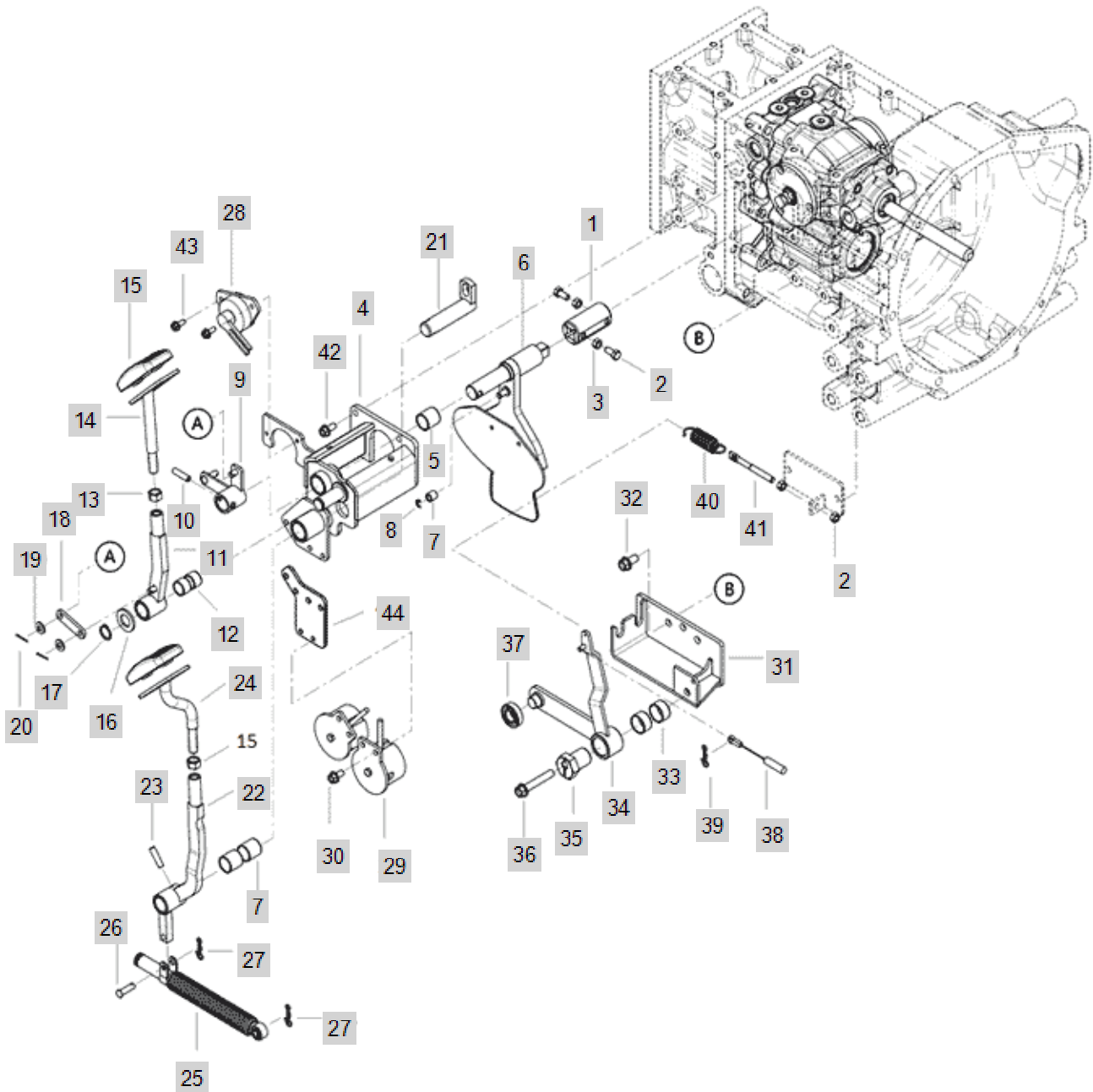


FIG C041		HYD SHIFT TRANSMISSION PEDAL			Year/Month
4225CH					2020/01
KeyNo.	Part Number	Part Name	Quantity	Other	
1	TA00046853A	JOINT, HST PEDAL	1		
2	26116-080182	CAPSCREW(19M7139)	2		
3	26716-080002	NUT,HEX (D8)	4		
4	TA00044797A	BRACKET ASSY, HST PEDAL	1		
5	24550-022250	BUSH	3		
6	TA00044792B	PEDAL ASSY, FRONT	1		
7	TA00033126A	ROLLER	1		
8	22272-000060	RING, CIRCLIP (Φ 06)	1		
9	TA00044804A	SAHFT	1		
10	22351-080030	PIN, SPRING (8-30)	1		
11	TA00044802A	PEDAL ASS'Y(F)	1		
12	24550-019150	BUSH	2		
13	26716-120002	BOLT,CYLINDER HEAD(B)	2		
14	TA00039030A	PEDAL ASS'Y	1		
15	TA00001508A	PEDAL COVER	2		
16	22137-180000	WASHER, PLAIN (Φ 18)	1		
17	22242-000190	SNAP RING, SHAFT (Φ 19)	1		
18	TA00040409B	PLATE	1		
19	22137-080000	WASHER, PLAIN (Φ 08)	2		
20	22417-160180	PIN , COTTER (1-18)	2		
21	TA00044834A	SHAFT ASSY	1		
22	TA00044806A	PEDAL ASS'Y(R)	1		
23	22351-080030	PIN, SPRING (8-30)	1		
24	TA00039029A	PEDAL ASS'Y	1		
25	RA00007052A	OIL DAMPER(HANIL)	1		
26	22486-080240		1		
27	RR51230000C4	PIN 10, COME-OFF SNAP	2		
28	TCD9110000B2	SWITCH ASSY	1		
29	HA00000037A	CRUISE MAGNET	2		
30	26106-080162	SCREW,HEXFLANGEHEADCAP	4		
31	TA00044862A	BRACKET ASSY	1		
32	26106-100202	HEX BOLT, (10-20)	2		
33	24550-025150	BUSH 25X15	2		
34	TA00044859A	BRACKET ASSY	1		
35	TA00001830C	SHAFT	1		
36	26106-100602	BOLT	1		
37	24104-060034	Bearing, Ball (#6003) Dubble Cap	1		
38	TA00045086A	WIRE	1		
39	RR47070000B4	PIN 6, COME-OFF SNAP	1		
40	TA00041386A	SPRING	1		
41	CA00009062A	BOLT	1		
42	26106-080182	SCREW,HEXFLANGEHEADCAP	4		
43	26106-060162	HEXFLANGE BOLT	2		

FIG C043

FRONT DRIVE&RANGE SHIFT LEVER

Year/Month

4225CH

2020/01

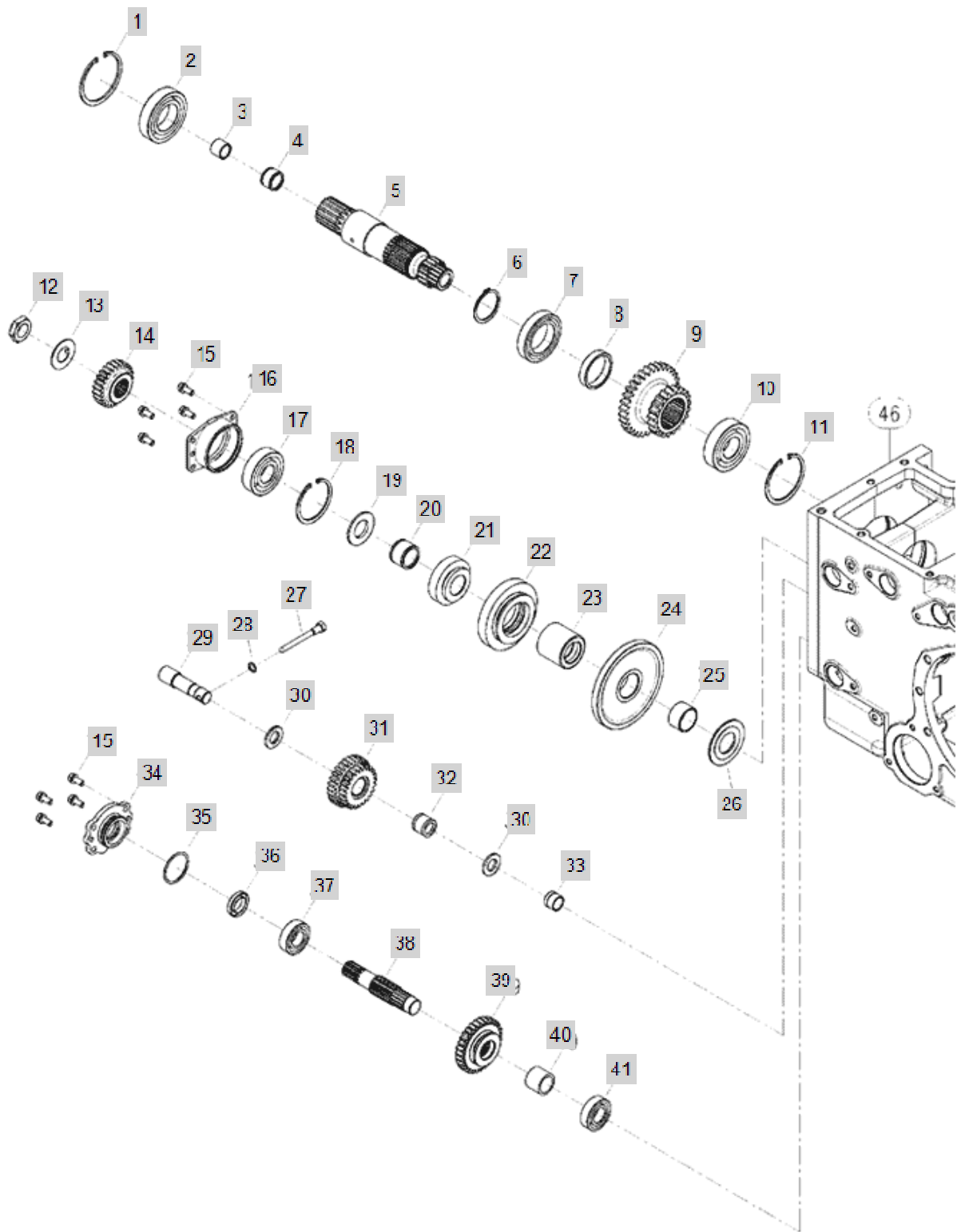


FIG C043		FRONT DRIVE&RANGE SHIFT LEVER			Year/Month
4225CH					2020/01
KeyNo.	Part Number	Part Name	Quantity	Other	
1	22242-000500	SNAP RING, SHAFT (Φ50)	1		
2	24101-062094	BALL BEARING (#6209)	1		
3	TN45180000A4	BUSH,BEARING	1		
4	24161-253020	Bearing, Needle (#25-30-20)	1		
5	TA00015849A	SHAFT GEAR 16T(HST)	1		
5-1	TN43040000A3	GEAR16RANGESHIFT	1		
6	22242-000500	SNAP RING, SHAFT (Φ50)	1		
7	24101-060104	Bearing, Ball (#6010)	1		
8	TN43060000A4	COLLAR	1		
9	TA00031461A	GEAR2ND3RDRANGESHIFT	1		
10	24101-063074	Bearing, Ball (#6307)	1		
11	22252-000800	RING, CIRCLIP (Φ 80)	1		
12	TN43110000A4	LOCKNUT	1		
13	TT57020000A4	WASHER	1		
14	TN43130000A3	GEAR25FRONTDRIVE	1		
15	26013-080202	Bolt, Hexa (8-20)	8		
16	TN43150000A3	CASEBEARING	1		
17	24101-063064	Bearing, Ball (#6306)	1		
18	22252-000720	RING, CIRCLIP (Φ 72)	1		
19	TN43190000A4	THRUSTWASHER	1		
20	24161-323827	Bearing, Needle (#32-38-27)	1		
21	TA00031460A	GEAR16,RANGE SHIFT 3RD	1		
22	TN43220000B3	GEAR 30T,RANGE SHIFT 2ND	1		
23	TN43230000B3	CALLAR	1		
24	TN43240000B3	GEAR 56T,SUB SHIFT 1ST	1		
25	TT57080000B4	BUSH	1		
26	TT57100000B4	WASHER,THRUST	1		
27	TN43330000A4	BOLT	1		
28	23414-100000	PLAIN WASHER (D10)	1		
29	TN43260000A4	SHAFT, FRONT DRIVE IDLE	1		
30	TN43270000A4	THRUSTWASHER	2		
31	TN43290000A3	GEARFRONTDRUVEIDLE	1		
32	24161-202825	NEEDLE BEARIN (#20-28-25)	1		
33	TN43300000A4	COLLAR	1		
34	TN43350000A3	CASEOILSEAL	1		
35	TN43360000A4	O-RING	2		
36	24421-254008	Seal, Oil (#25-40-08)	1		
37	24101-062054	Bearing, Ball (#6205)	1		
38	TN43390000A3	SHAFTFRONTDRIVELINE	1		
39	TN43400000A3	GEARFRONTDRIVE	1		
40	TN43450000A4	COLLAR	1		
41	24101-062054	Bearing, Ball (#6205)	1		

FIG C044

FRONT DRIVE & RANGE SHIFT LEVER

Year/Month

4225CH

2020/01

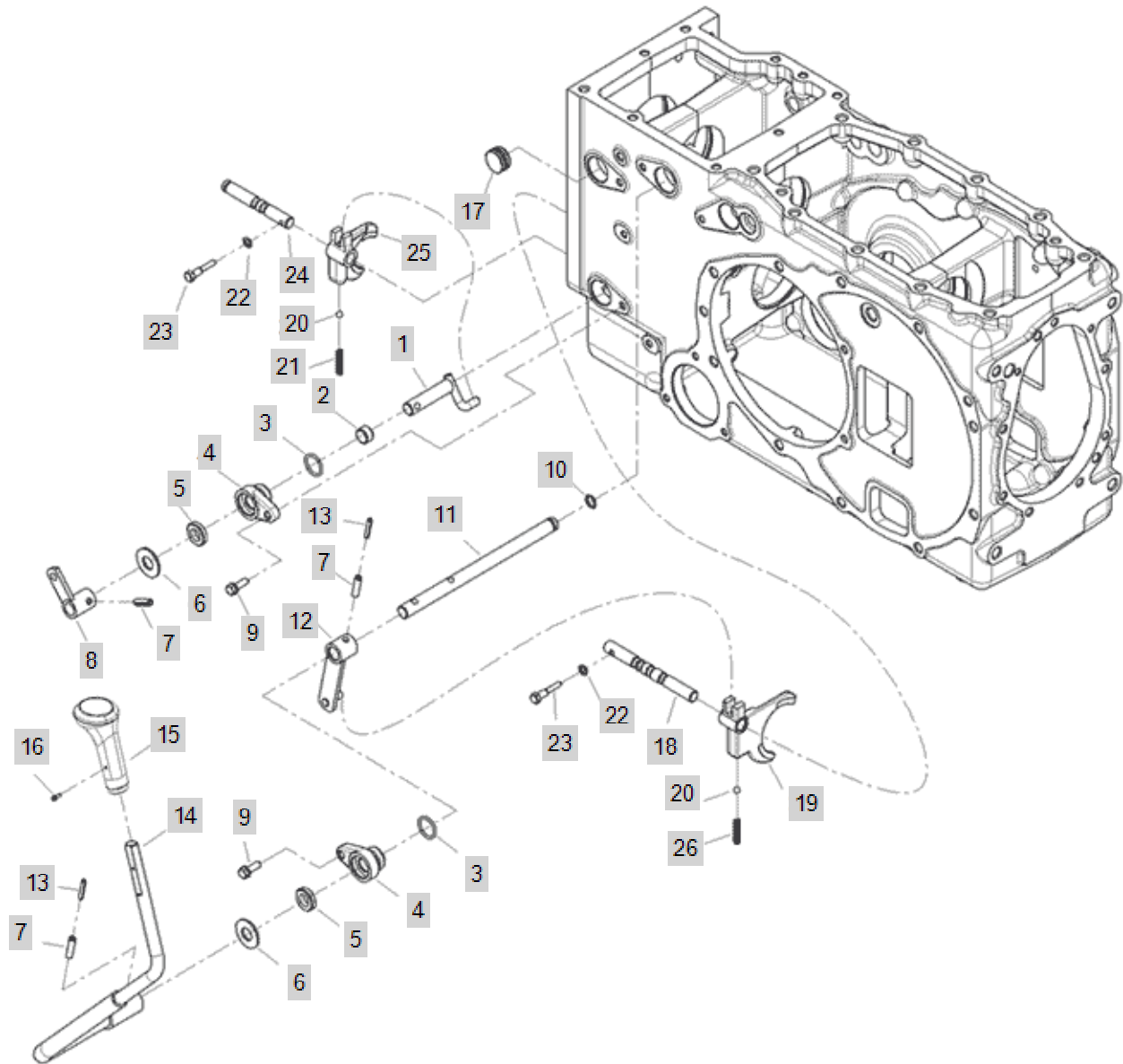






FIG C045-1

GEAR,IND PTO SPEED CHANGE

Year/Month

4225CH

2020/01

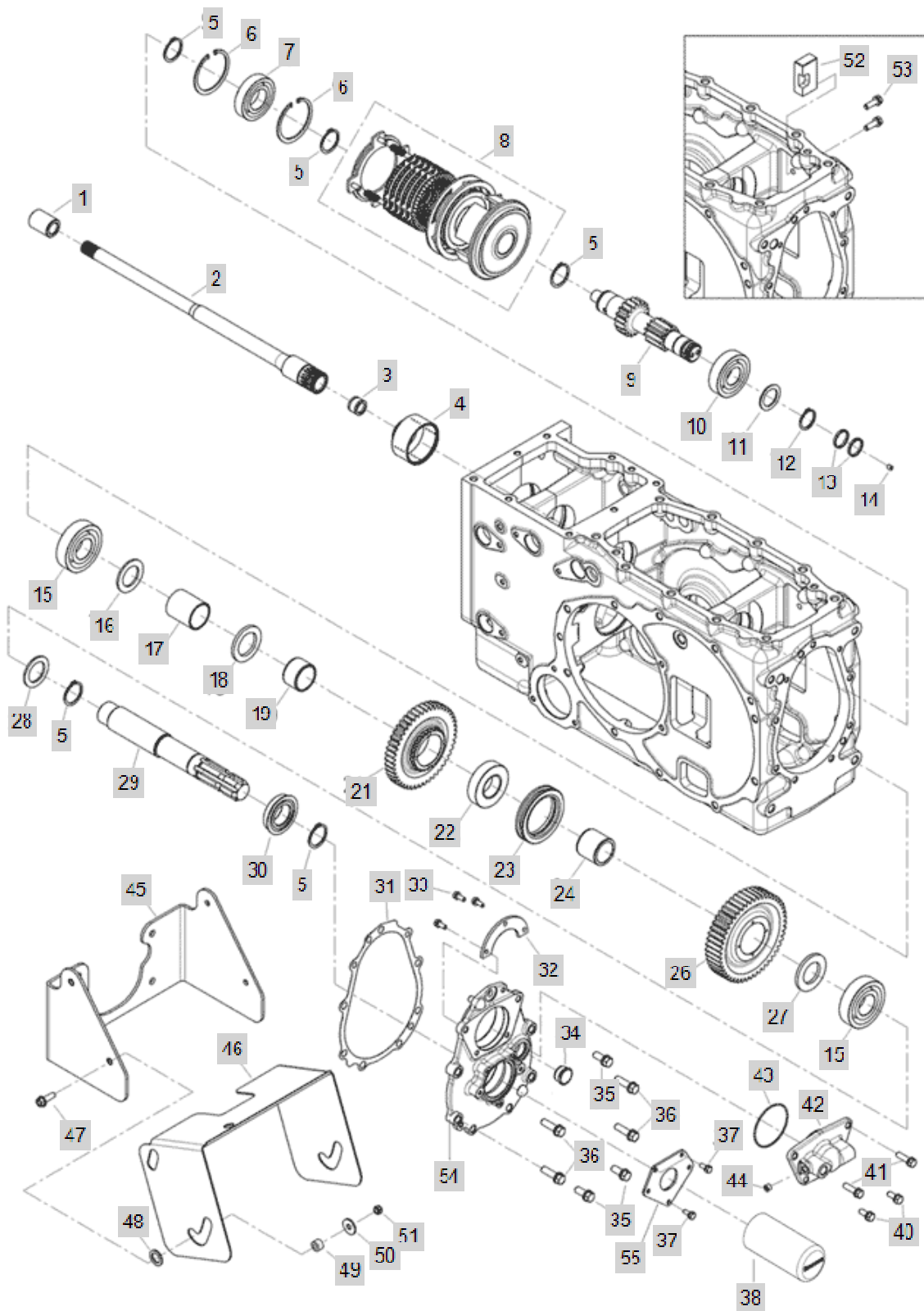


FIG C045-1		GEAR,IND PTO SPEED CHANGE			Year/Month
4225CH					2020/01
KeyNo.	Part Number	Part Name	Quantity	Other	
1	TN4520000A4	JOINT	1		
2	TA00015848A	PTO SHAFT(HST)	1		
3	24161-182417	Bearing, Needle (#18-24-17)	1		
4	NT45480000A3	PTO COUPLING	1		
5	22242-000350	SNAP RING, SHAFT (Φ 35)	5		
6	22252-000720	RING, CIRCLIP (Φ 72)	2		
7	24101-062074	BALL BEARING (#6207)	1		
8	TA00026514B	PTO CLUTCH PACK	1		
9	NT45920000A2	SHAFT, PTO SHIFT	1		
10	24101-063064	Bearing, Ball (#6306)	1		
11	TN45520000A4	COLLAR	1		
12	22242-000300	SNAP RING, SHAFT (Φ 30)	1		
13	TT64070000B4	SEAL RING	2		
14	TT64080000A4	RETAININGSCREWM7X1	1		
15	24101-063074	Bearing, Ball (#6307)	2		
16	NT45670000B4	THRUST WASHER	1		
17	NT45680000B4	SPACER	1		
18	NT45440000B4	COLLAR	1		
19	TA00033210A	NEEDLE BUSH D	2		
21	TA00033211A	GEAR 46T, PTO	1		
22	TZ45100000A3	HUB,P.T.O	2		
23	TZ45110000B4	SLEEVE,P.T.O	2		
24	TA00033209A	NEEDLE BUSH B	1		
26	TA00033212A	GEAR 49T, PTO	1		
27	TZ45140000A4	COLLAR	1		
28	TN45120000A4	WASHER	1		
29	NT45130000B3	shaft, PTO	1		
30	TT62040000A3	PTO OIL SEAL QLF35X60X19	1		
31	NT45740000A3	PACKING, PTO SHAFT HOUSING	1		
32	NT45640000A4	Bearing Cover	1		
33	26013-060162	Bolt, Hexa (6-16)	3		
34	TCA8130000A4	SIGHTGLASS -> NT45690000A4	1		
35	26013-100252	SCREW,CAPTIVEWASHERCAP	3		
36	26013-100352	Bolt, Hexa (10-35)	4		
37	26013-060162	Bolt, Hexa (6-16)	3		
38	TA00046868A	COVER, PTO	1		
40	26013-080202	Bolt, Hexa (8-20)	2		
41	26013-080302	HEX BOLT W/WASHER	2		
42	NT45620000A3	Seal Case	1		
43	24341-000700	O-RING, FIX (Φ70)	1		
44	23871-010000	PLUG	1		
45	TA00000738B	BRACKET, PTO SHAFT COVER	1		
46	TA00000739B	COVER, PTO SHAFT	1		
47	26106-080252	SCREW,HEXFLANGEHEADCAP	4		
48	FB80520000A4	RUBBER	8		



FIG C045-2

GEAR,IND PTO SPEED CHANGE

Year/Month

4225CH

2020/01

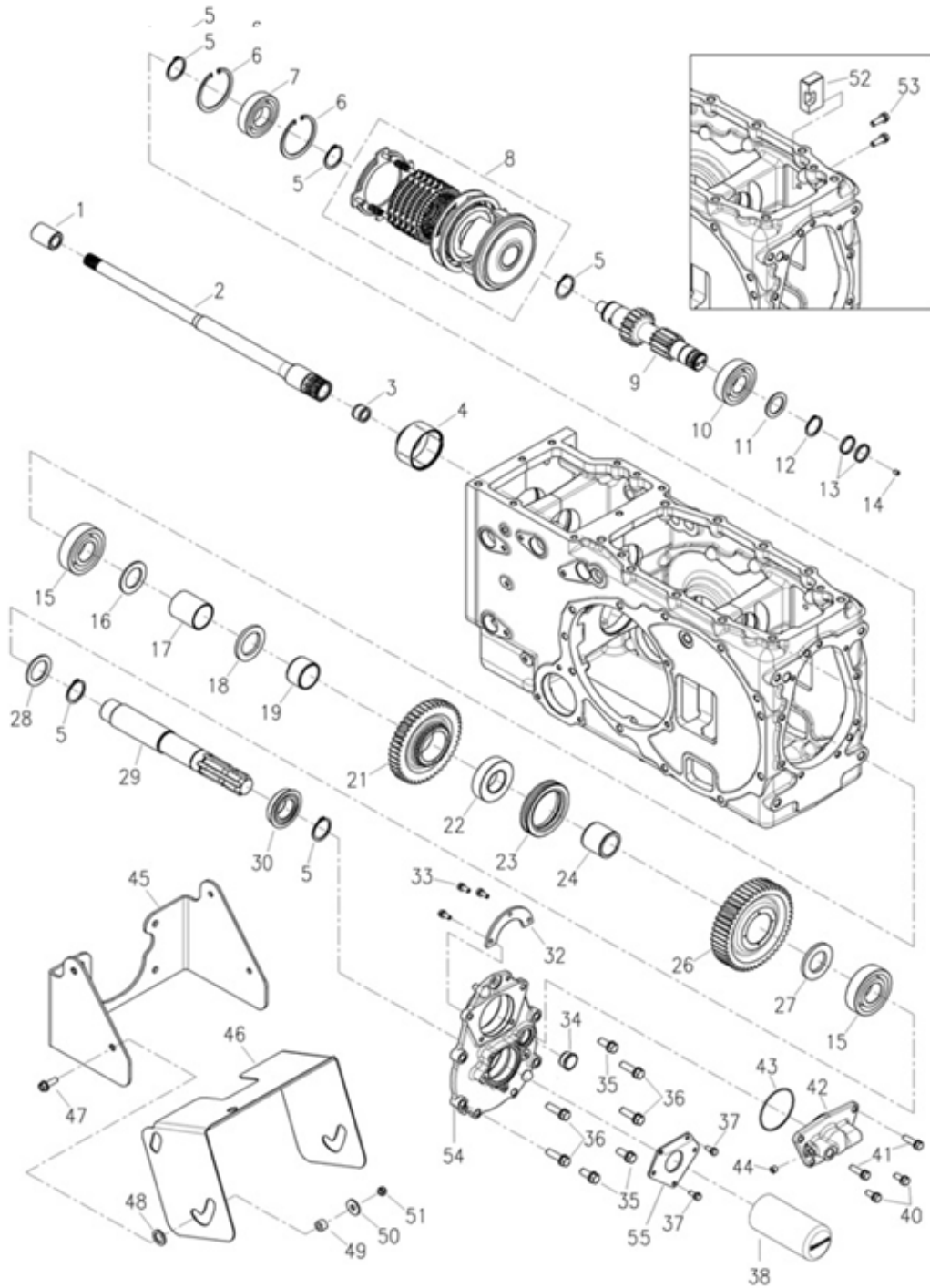


FIG C045-2		GEAR,IND PTO SPEED CHANGE			Year/Month
4225CH					2020/01
KeyNo.	Part Number	Part Name	Quantity	Other	
1	TN4520000A4	JOINT	1		
2	TA00015484A	FLOODLAMP	1		
2-1	TZ45220000C	SHAFT,P.T.O DRIVE	1		
3	24161-182417	Bearing, Needle (#18-24-17)	1		
4	NT45480000A3	PTO COUPLING	1		
5	22242-000350	SNAP RING, SHAFT (Φ 35)	5		
6	22252-000720	RING, CIRCLIP (Φ 72)	2		
7	24101-062074	BALL BEARING (#6207)	1		
8	TA00026514C	PTO CLUTCH PACK	1		
9	NT45920000A2	SHAFT, PTO SHIFT	1		
10	24101-063064	Bearing, Ball (#6306)	1		
11	TN45520000A4	COLLAR	1		
12	22242-000300	SNAP RING, SHAFT (Φ 30)	1		
13	TT64070000B4	SEAL RING	2		
14	TT64080000A4	RETAININGSCREWM7X1	1		
15	24101-063074	Bearing, Ball (#6307)	2		
16	NT45670000B4	THRUST WASHER	1		
17	NT45680000B4	SPACER	1		
18	NT45440000B4	COLLAR	1		
19	TA00033210A	NEEDLE BUSH D	2		
21	TA00033211A	GEAR 46T, PTO	1		
22	TZ45100000A3	HUB,P.T.O	2		
23	TZ45110000B4	SLEEVE,P.T.O	2		
24	TA00033209A	NEEDLE BUSH B	1		
26	TA00033212A	GEAR 49T, PTO	1		
27	TZ45140000A4	COLLAR	1		
28	TN45120000A4	WASHER	1		
29	NT45130000B3	shaft, PTO	1		
30	TT62040000A3	PTO OIL SEAL QLF35X60X19	1		
32	NT45640000A4	Bearing Cover	1		
33	26013-060162	Bolt, Hexa (6-16)	1		
34	TCA8130000A4	SIGHTGLASS -> NT45690000A4	1		
35	26013-100252	SCREW,CAPTIVEWASHERCAP	3		
36	26013-100352	Bolt, Hexa (10-35)	4		
37	26013-060162	Bolt, Hexa (6-16)	3		
38	TA00046868A	COVER, PTO	1		
40	26013-080202	Bolt, Hexa (8-20)	1		
41	26013-080302	HEX BOLT W/WASHER	2		
42	NT45620000A3	Seal Case	1		
43	24341-000700	O-RING, FIX (Φ70)	1		
44	23871-010000	PLUG	1		
45	TA00000738D	BRACKET, PTO SHAFT COVER	1		
46	TA00000739F	COVER, PTO SHAFT	1		
47	26106-080252	SCREW,HEXFLANGEHEADCAP	4		
48	FB80520000A4	RUBBER	8		



FIG C046

REAR AXLE CASE, PTO SHIFT

Year/Month

4225CH

2020/01

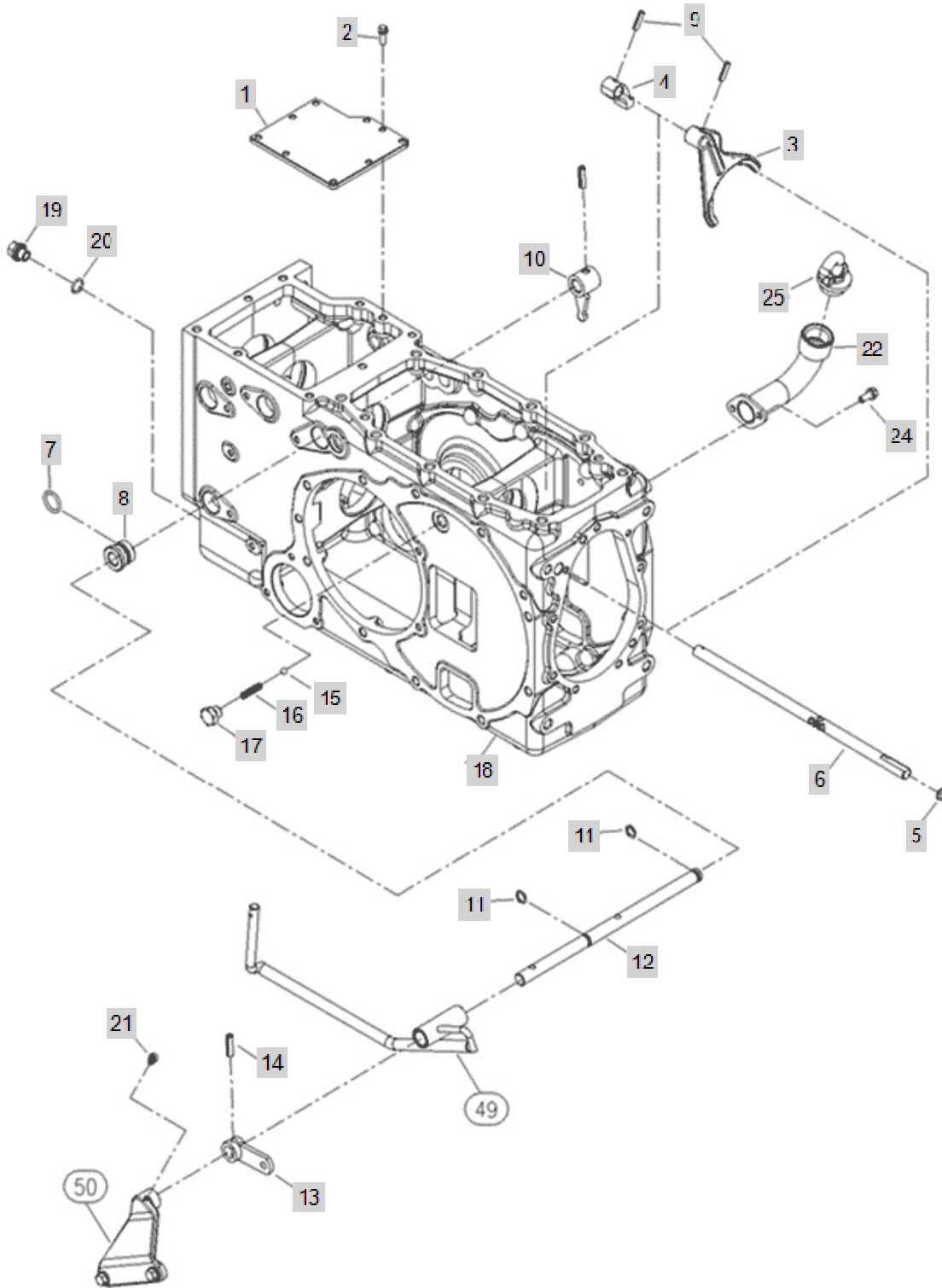






FIG C047

ROD ASSY, PTO & 4WD

Year/Month

4225CH

2020/01

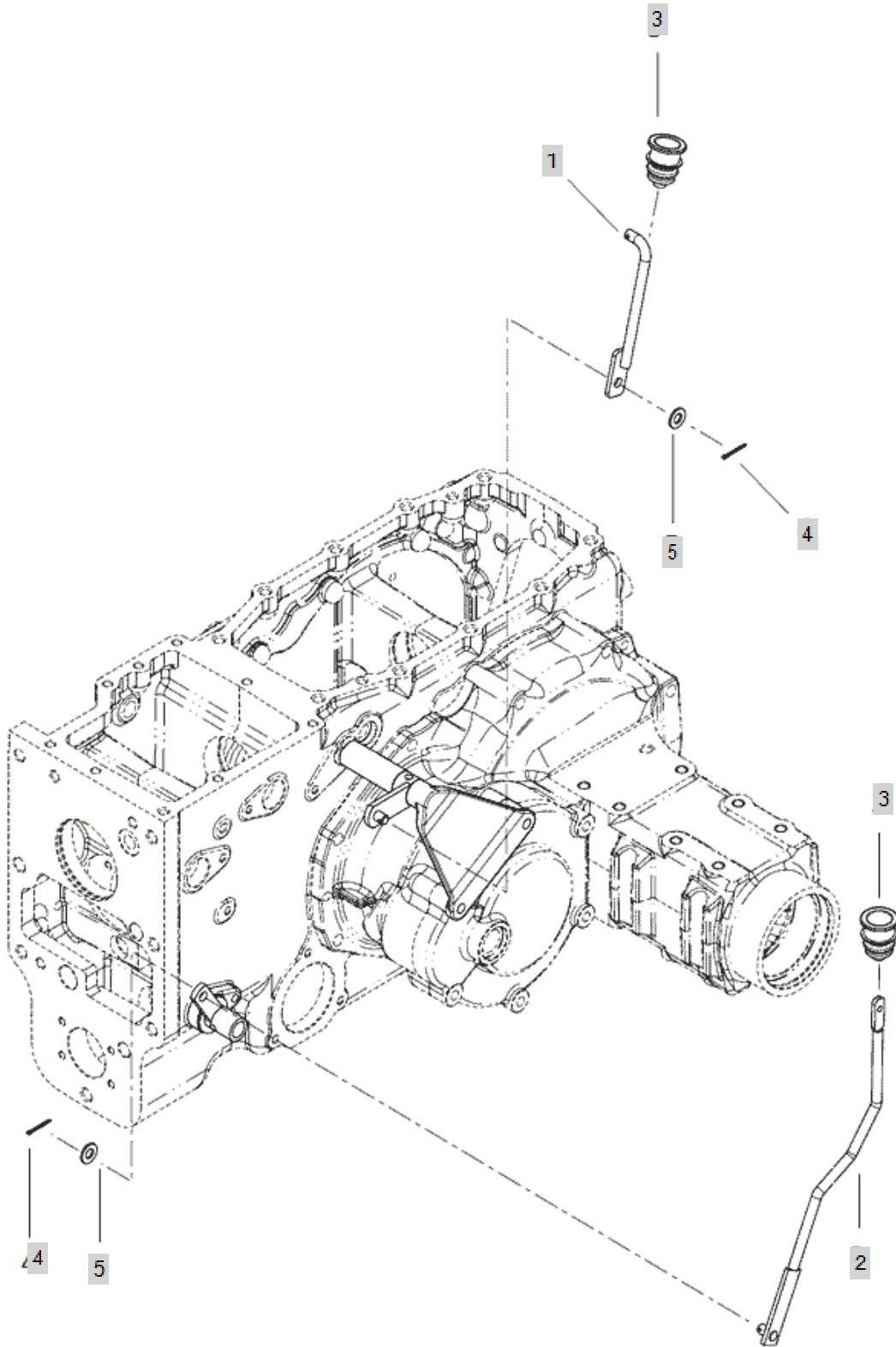




FIG C048-1

HOUSING, REAR AXLE

Year/Month

4225CH

2020/01

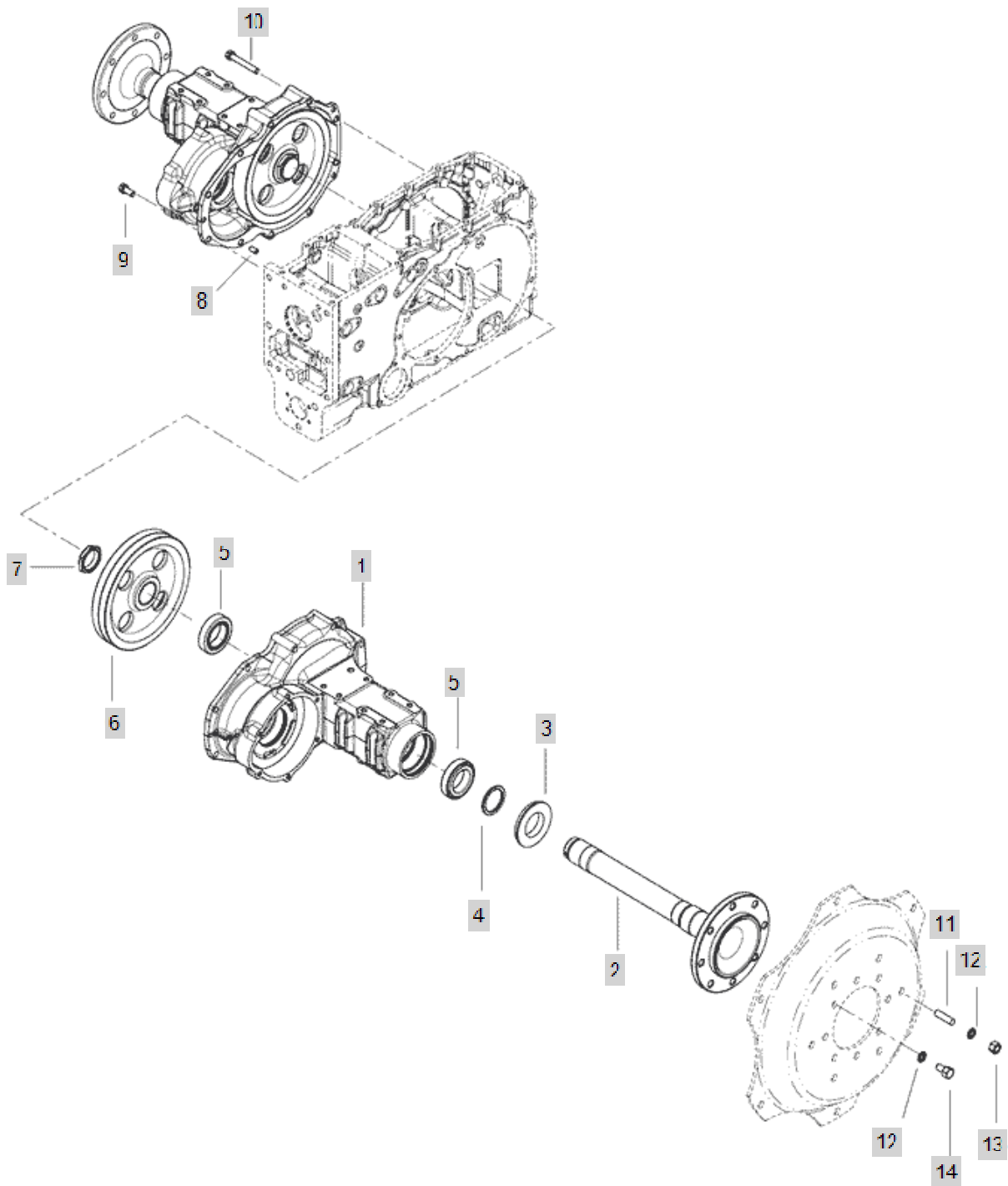




FIG C048-2

HOUSING, REAR AXLE

Year/Month

4225CH

2020/01

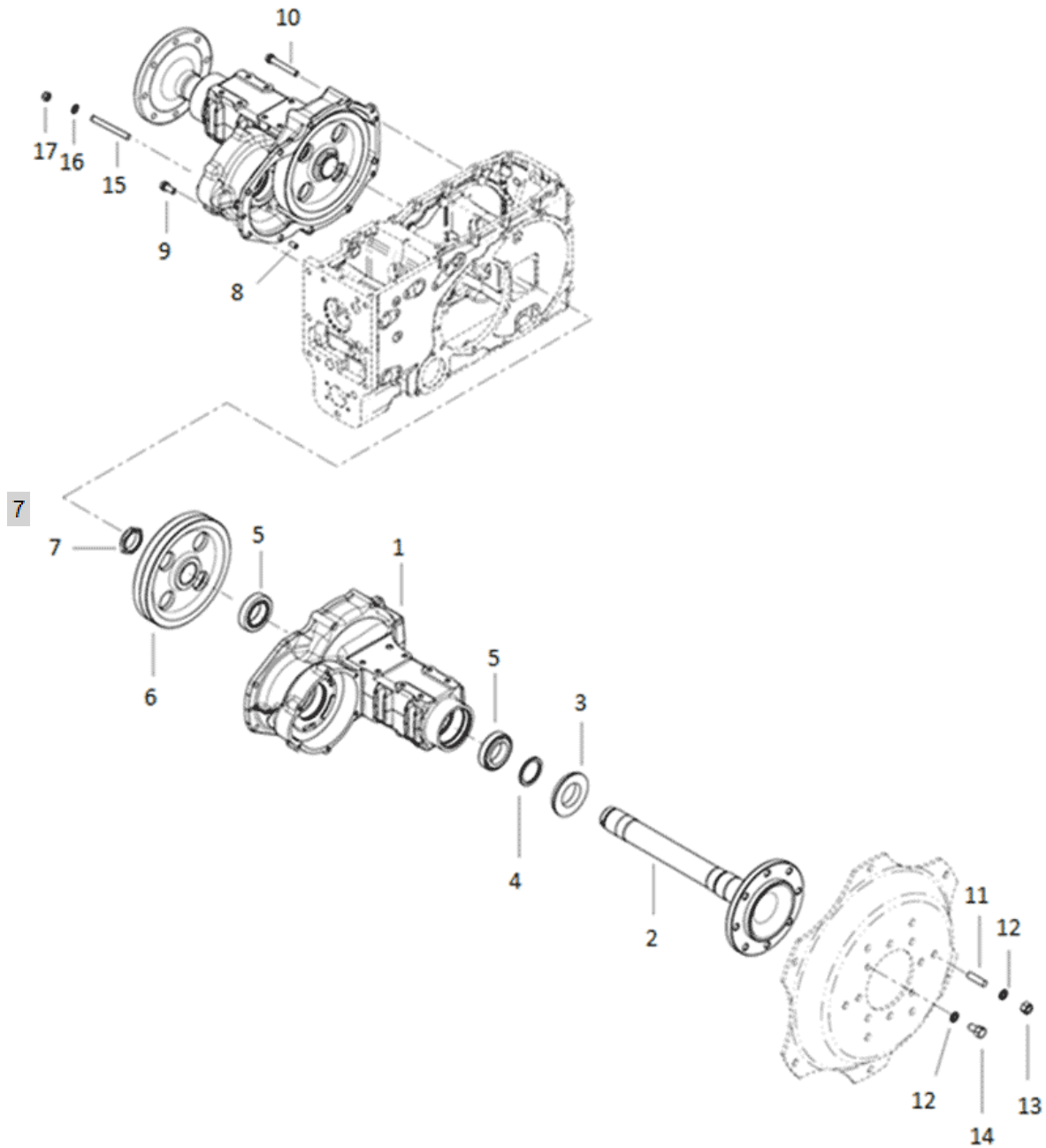




FIG C049

DRIVING PART, REAR AXLE

Year/Month

4225CH

2020/01

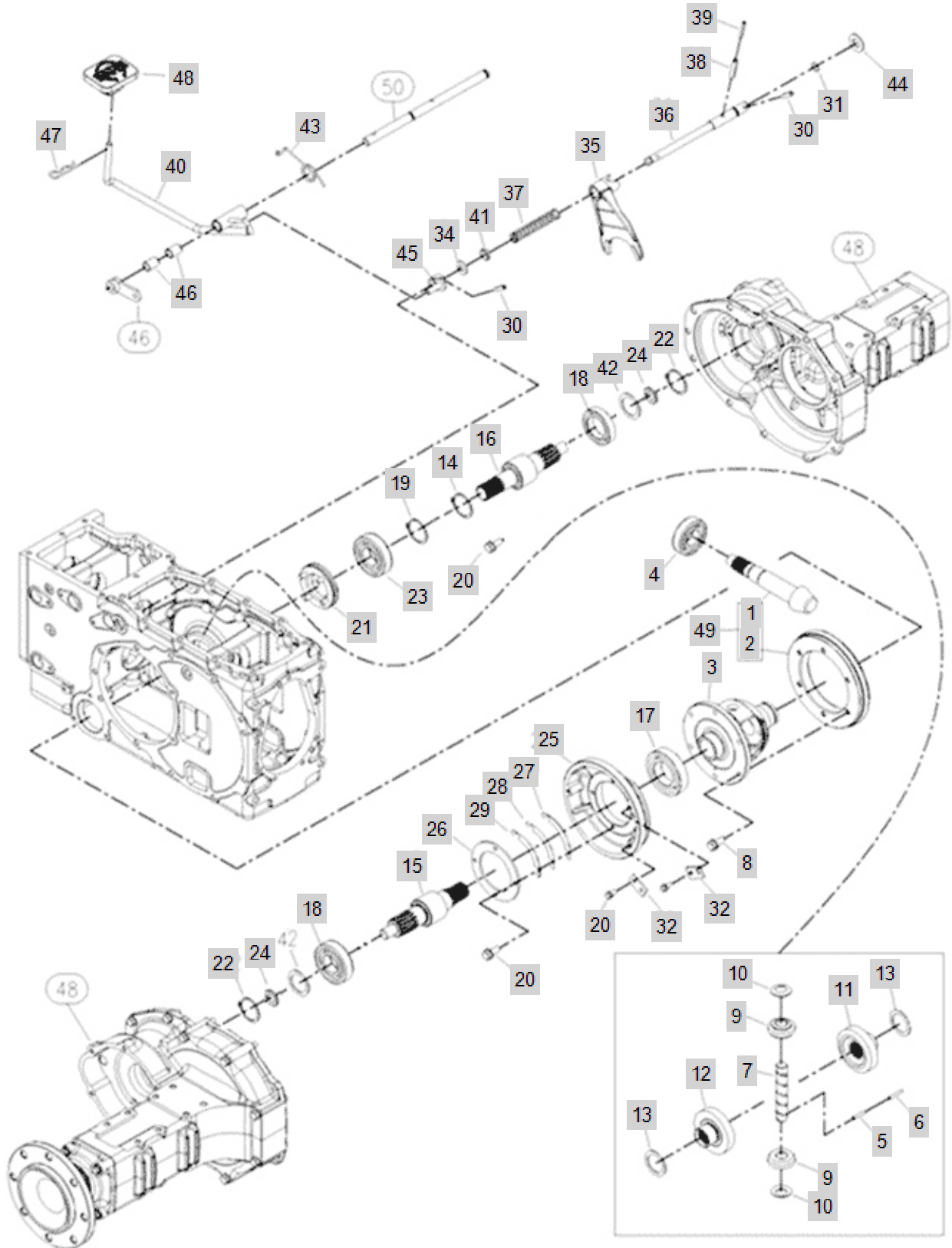


FIG C049		DRIVING PART, REAR AXLE			Year/Month
4225CH					2020/01
KeyNo.	Part Number	Part Name	Quantity	Other	
1	TN49510000B2	COUNTERSAHFT	1		
2	TN49520000D2	RINGGEAR	1		
3	TN49030000E2	CASE,DIFFERENTIAL	1		
4	TT78020000A3	BEARINGNJ307R	1		
5	22312-060360	PIN, DOWEL (6-36)	1		
6	22351-060032	PIN, SPRING (6-32)	1		
7	TF64080000A4	PINIONSHAFT	1		
8	TF64090000A4	BOLT	6		
9	TF64100000B3	PINION	2		
10	TF64110000A4	PINIONLINER	2		
11	TF64120000C3	차동사이드기어(A)	1		
12	TF64130000A3	DIFF.SIDEGEAR(B)	1		
13	TF64140000B4	SIDEGEARLINER	2		
14	22252-000800	RING, CIRCLIP (Φ 80)	1		
15	TA00032603D	FINAL PINION(L)	1		
16	TA00032596D	FINAL PINION(R)	1		
17	24101-062114	Bearing, Ball (#6211)	1		
18	TF64190000A4	BALL BEARING (#6308HL1) -> TF64190000A3	2		
19	22242-000500	SNAP RING, SHAFT (Φ50)	1		
20	26013-080202	Bolt, Hexa (8-20)	4		
21	TF64250000B3	THRUST, DIFF-LOCK ASSY	1		
22	22252-000900	RING, CIRCLIP (Φ 90)	2		
23	24101-060104	Bearing, Ball (#6010)	1		
24	22242-000400	SNAP RING, SHAFT (Φ 40)	2		
25	TN49550000B2	CARRIOR	1		
26	TN49590000A4	RETAINER	1		
27	TZ49560000A4	SHIMA	3		
28	TZ49570000A4	SHIMB	3		
29	TZ49580000A4	SHIMC	2		
30	22351-080032	PIN, SPRING (8-32)	2		
31	24311-000160	O-RING, DYNAMIC (Φ16)	1		
32	TB32360000A4	RETAINER	2		
34	TN49380000A4	WASHER	1		
35	TN49400000A2	FORK DIFFERENTIAL LOCK	1		
36	TA00027271B	SHAFT	1		
37	TN49430000A4	SPRING	1		
38	22351-080040	PIN, SPRING (8-40)	1		
39	22351-050040	PIN, SPRING (5-04)	1		
40	TA00027273A	DIFFERENTIAL PEDAL	1		
41	24421-152507	Seal, Oil (#15-25-07)	1		
42	TA00044074A	SPACER (50x40x3T)	2		
43	TA00027363A	TORSION SPRING	1		
44	TT69090000B4	COLLAR	1		
45	TA00027987B	LINK	1		
46	TT70080000A4	BUSH	2		





FIG C050

BRAKE

Year/Month

4225CH

2020/01

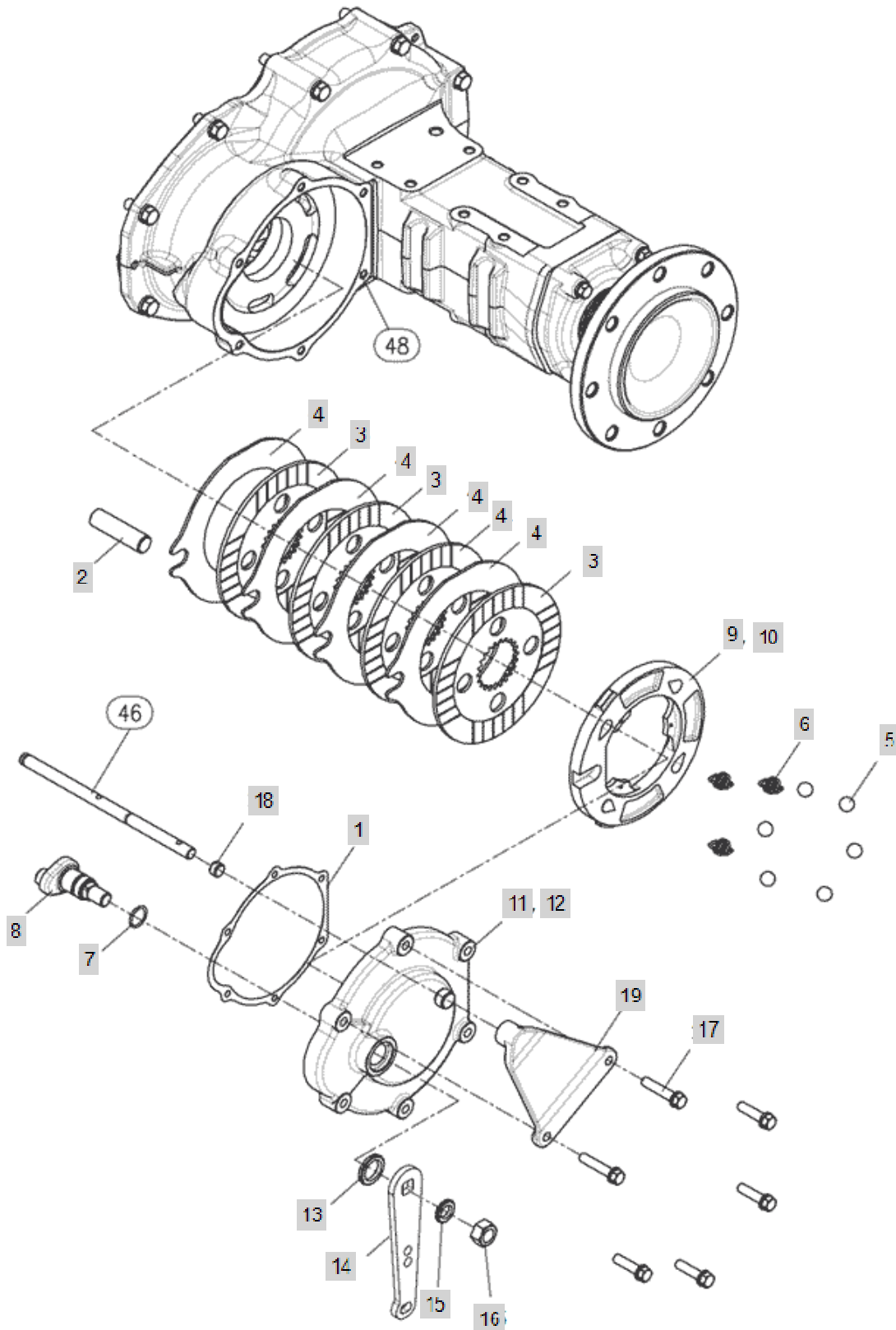




FIG C052

LEVER ASSY, PTO & 4WD

Year/Month

4225CH

2020/01

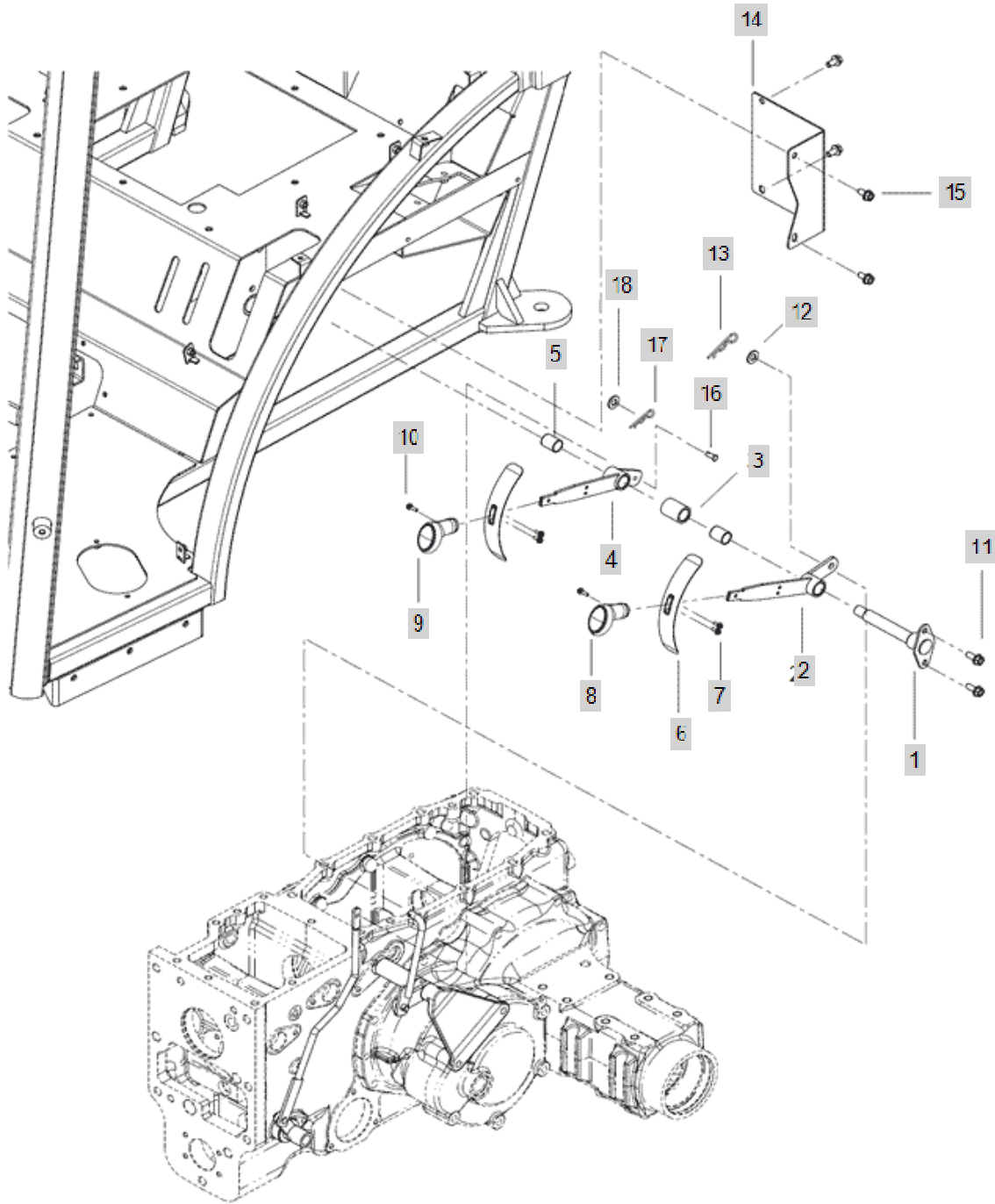




FIG C053

BRAKE LINK

Year/Month

4225CH

2020/01

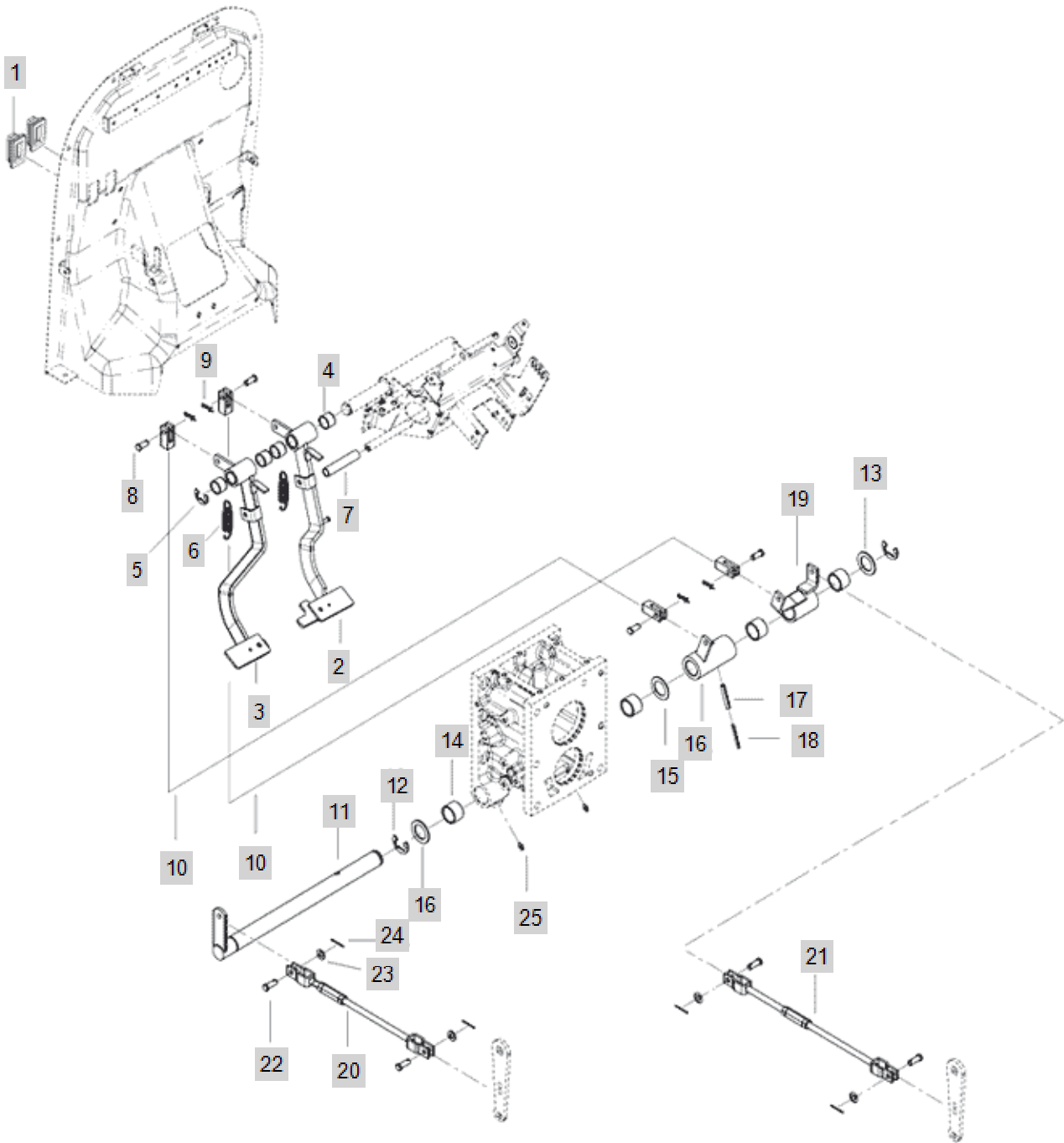




FIG C054

SUPPORT, BRAKE

Year/Month

4225CH

2020/01

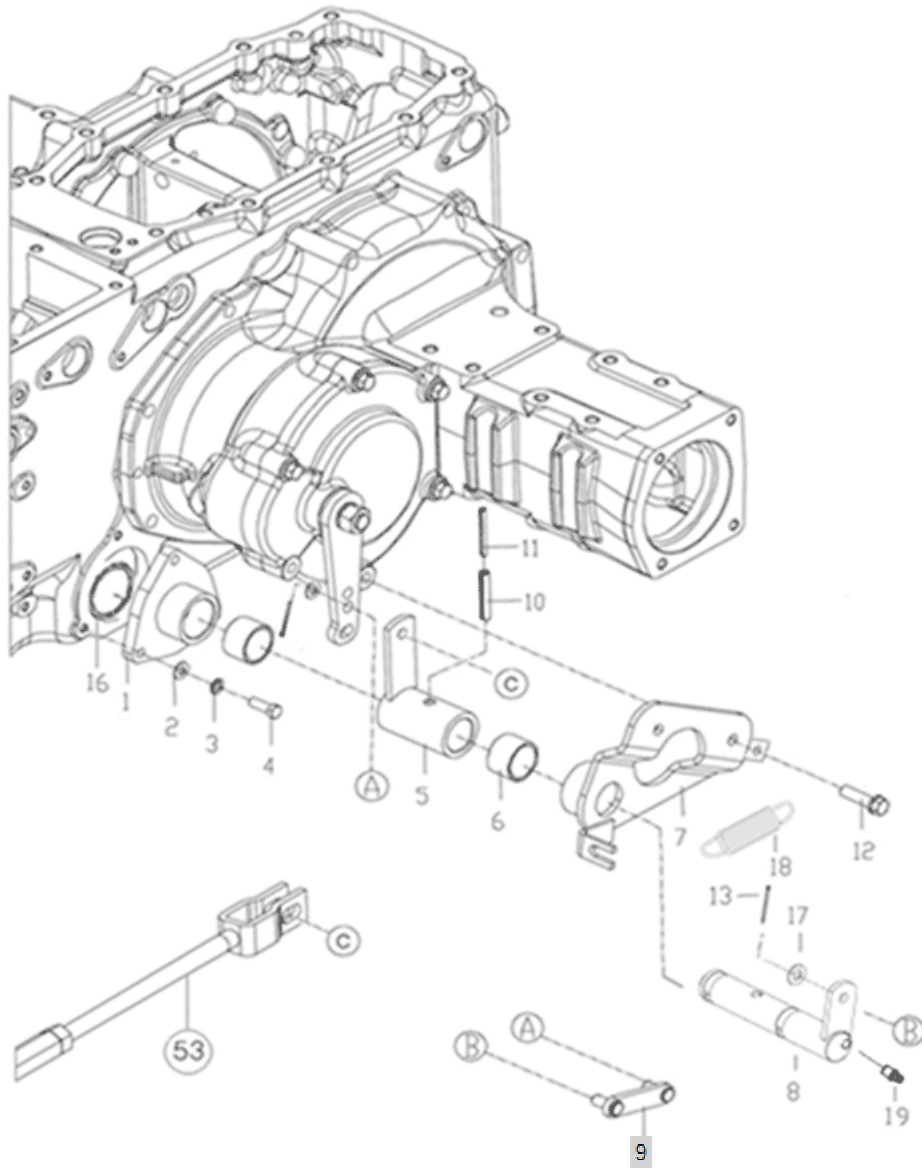






FIG C055-1

PARKING BRAKE

Year/Month

4225CH

2020/01

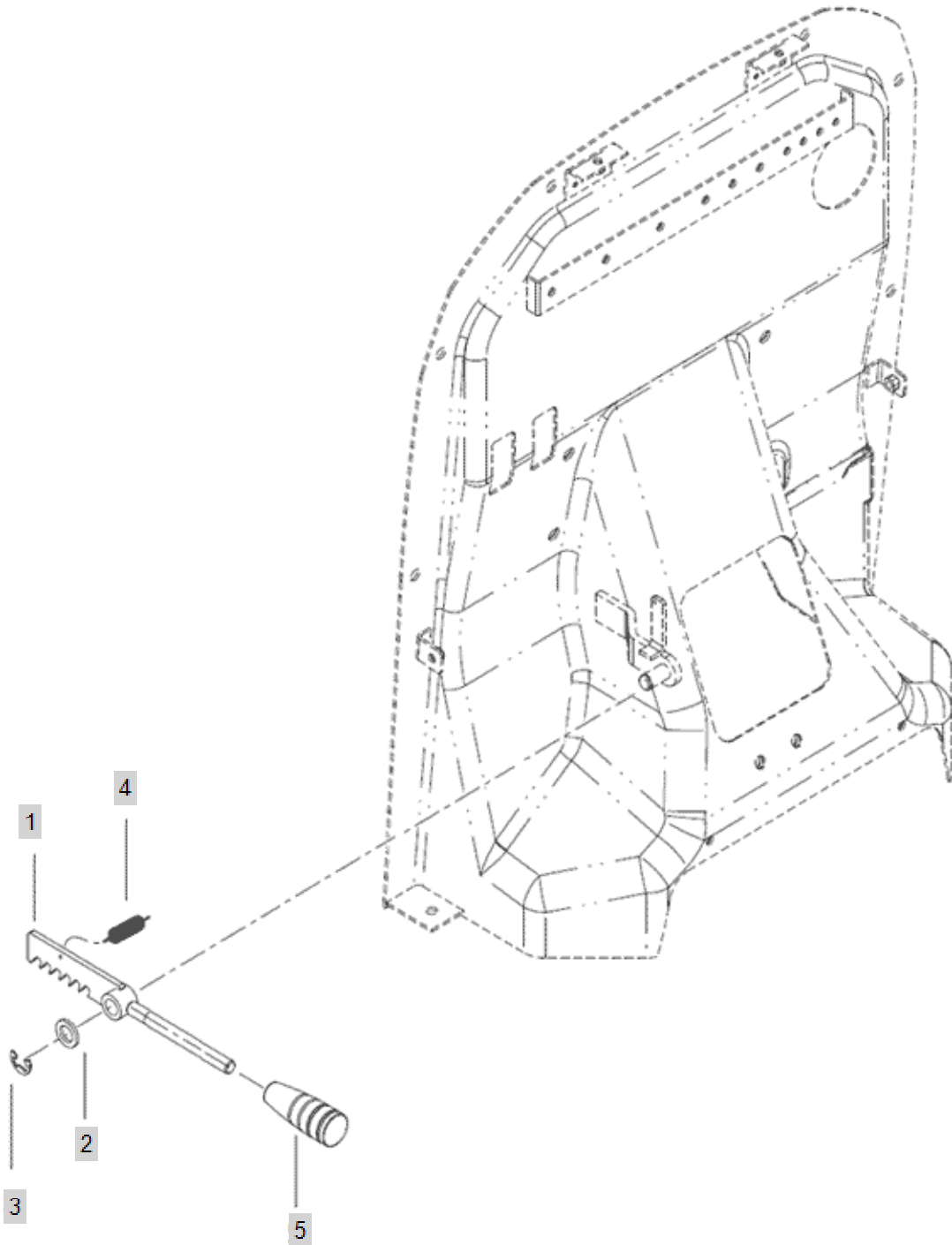




FIG C055-2

PARKING BRAKE

Year/Month

4225CH

2020/01

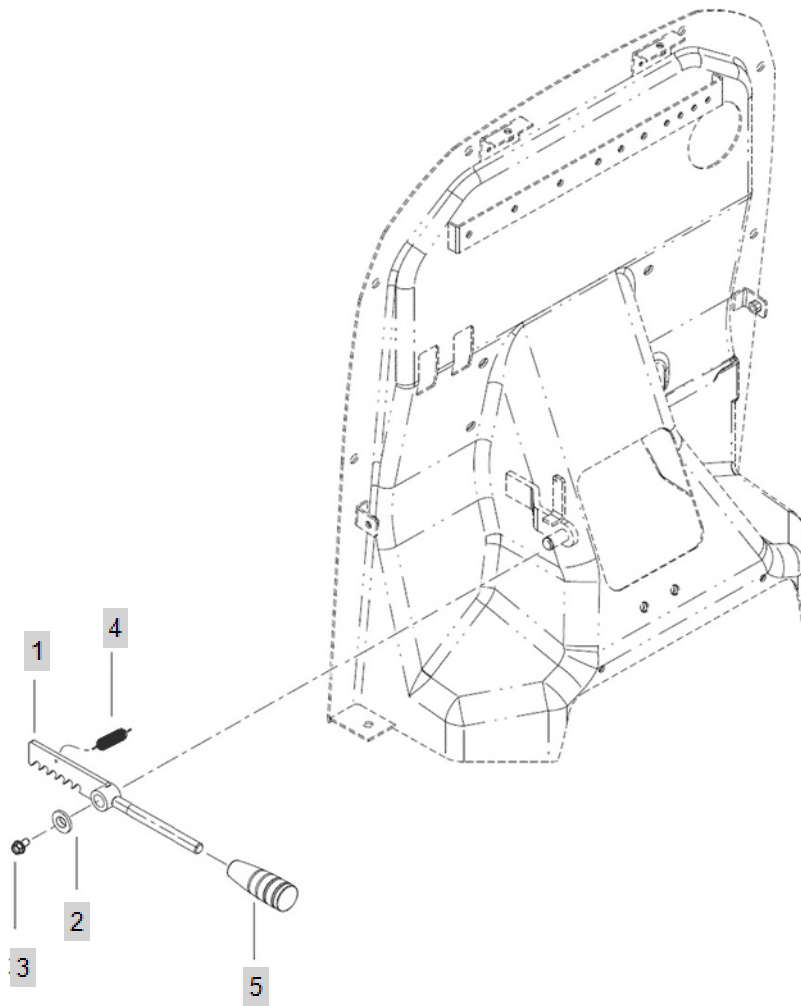




FIG C099

HYD PUMP

Year/Month

4225CH

2020/01

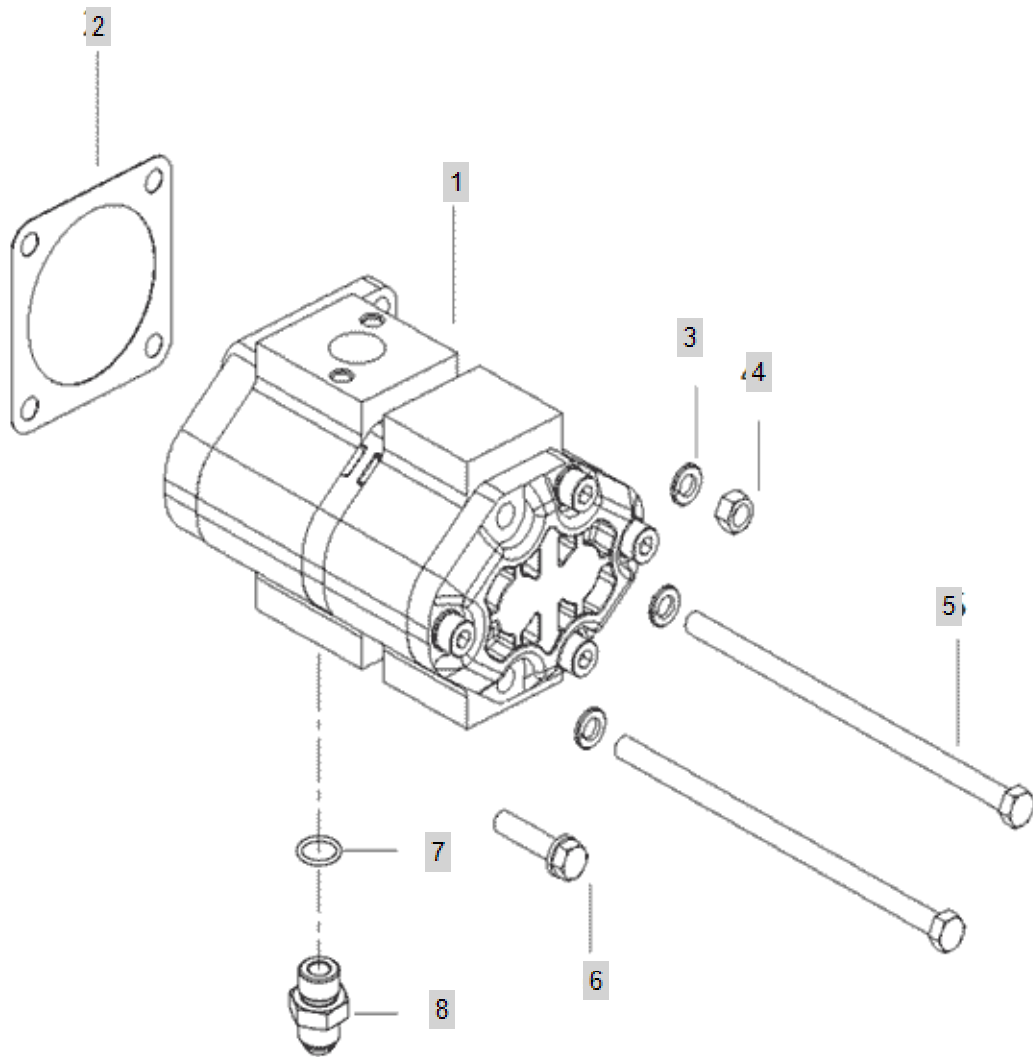




FIG C101

CASE, HYD CYLINDER

Year/Month

4225CH

2020/01

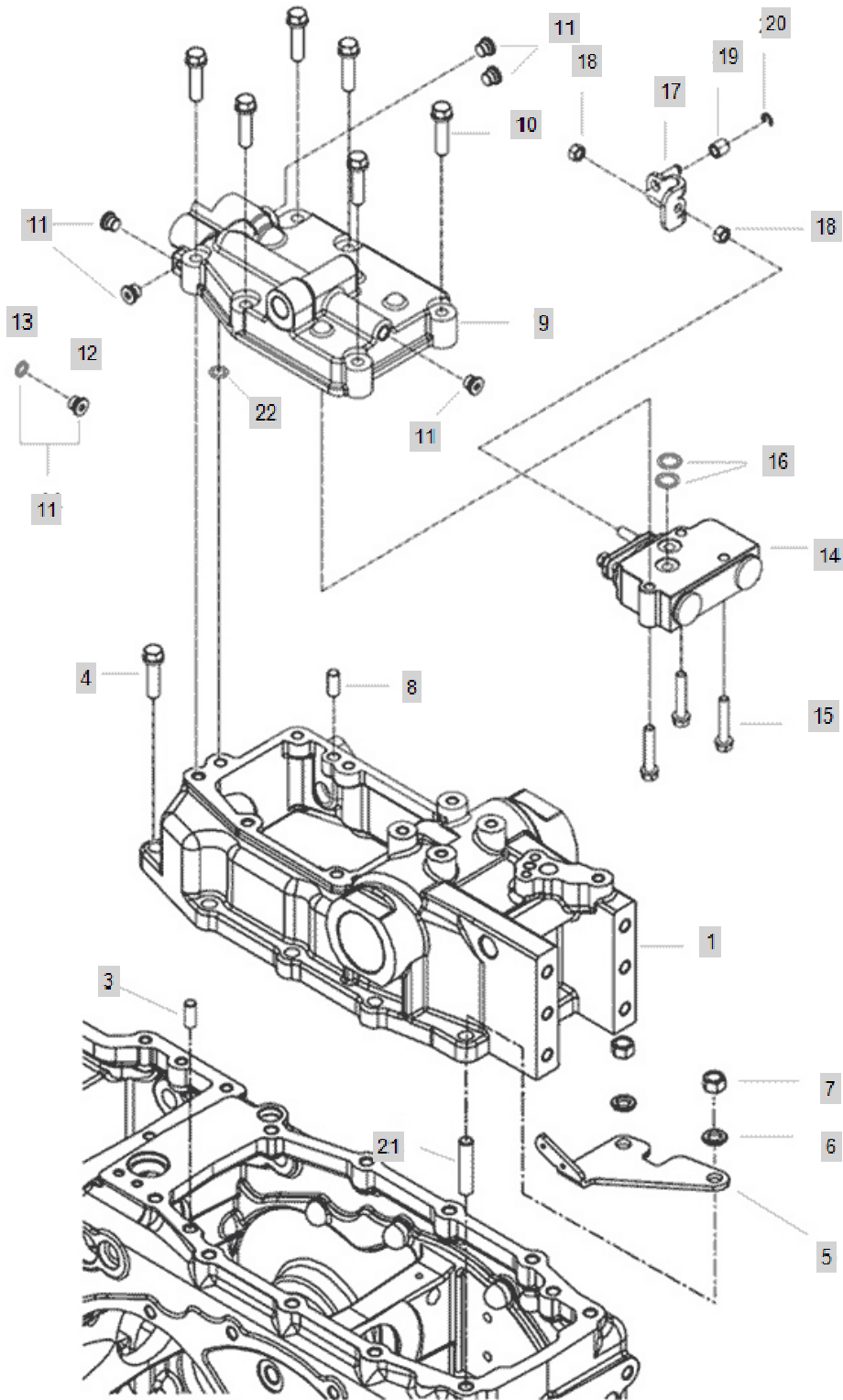






FIG C102-1

IND PTO SUPPPT

Year/Month

4225CH

2020/01

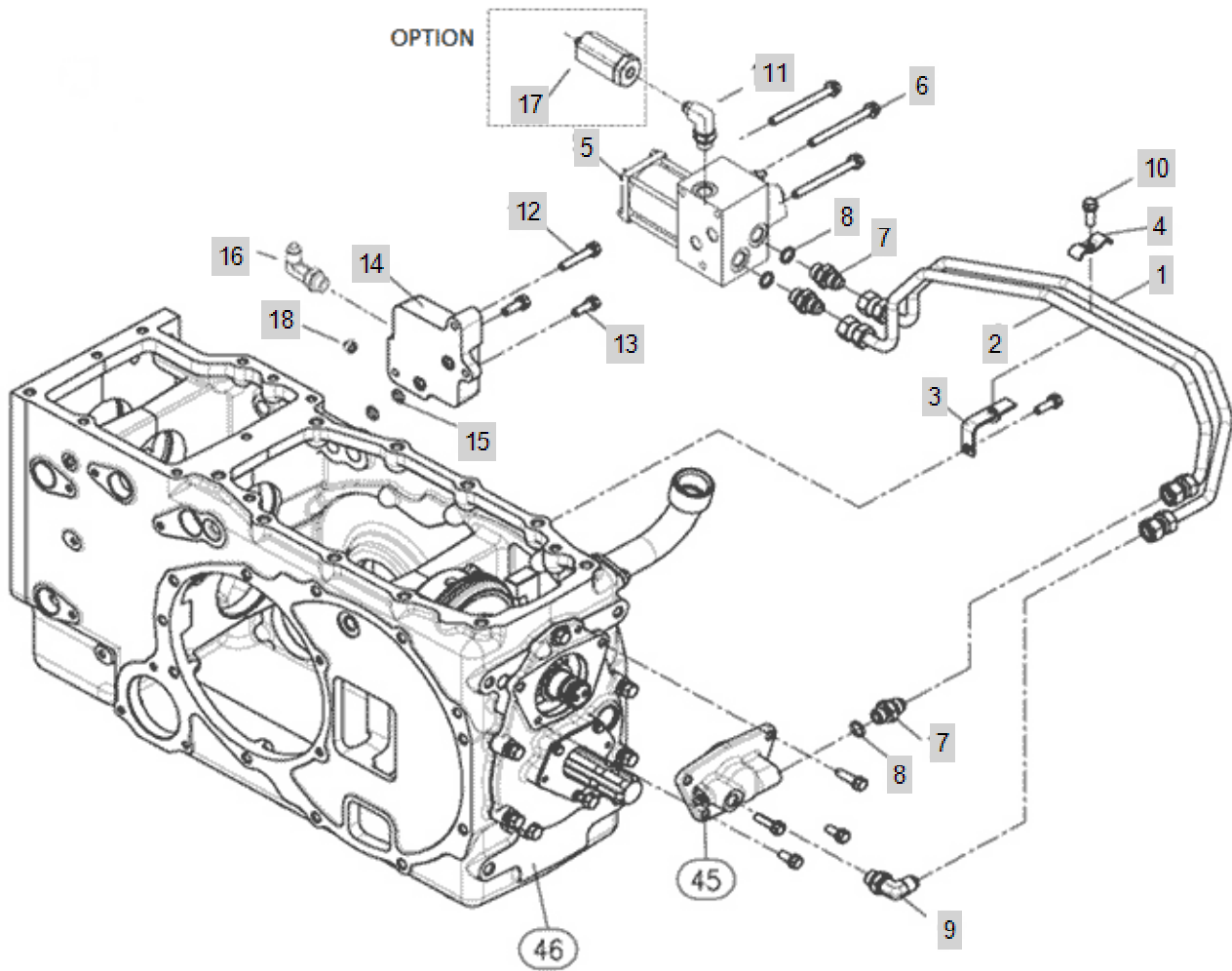












FIG C108

SAFTY VALVE

Year/Month

4225CH

2020/01

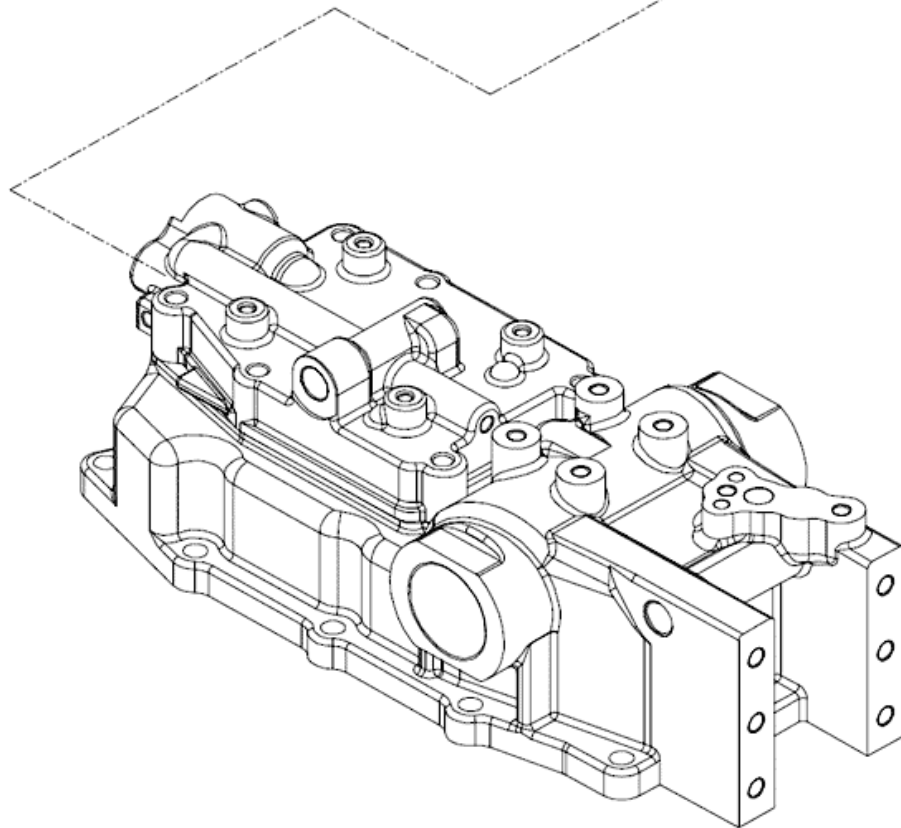
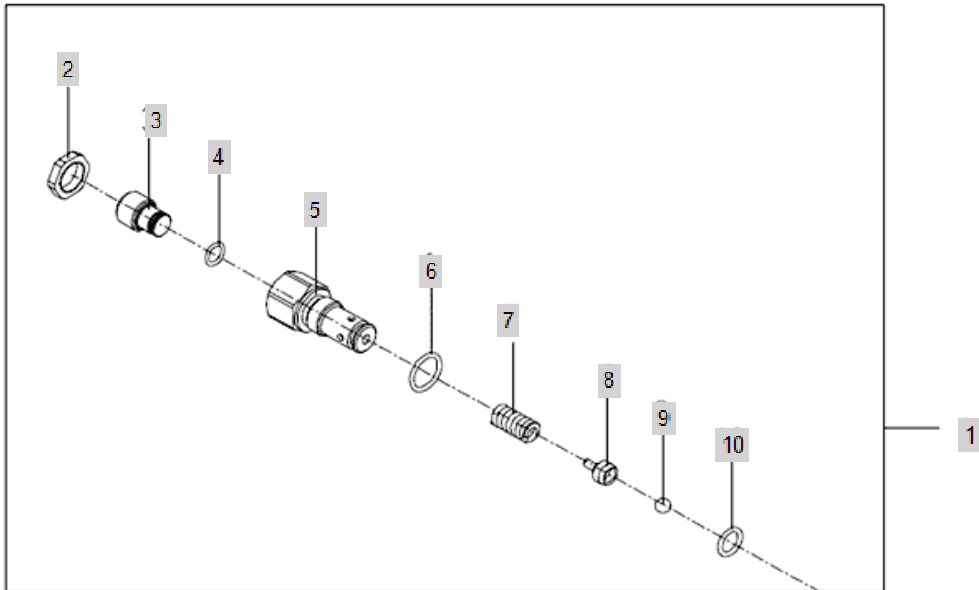






FIG C109

STOP VALVE

Year/Month

4225CH

2020/01

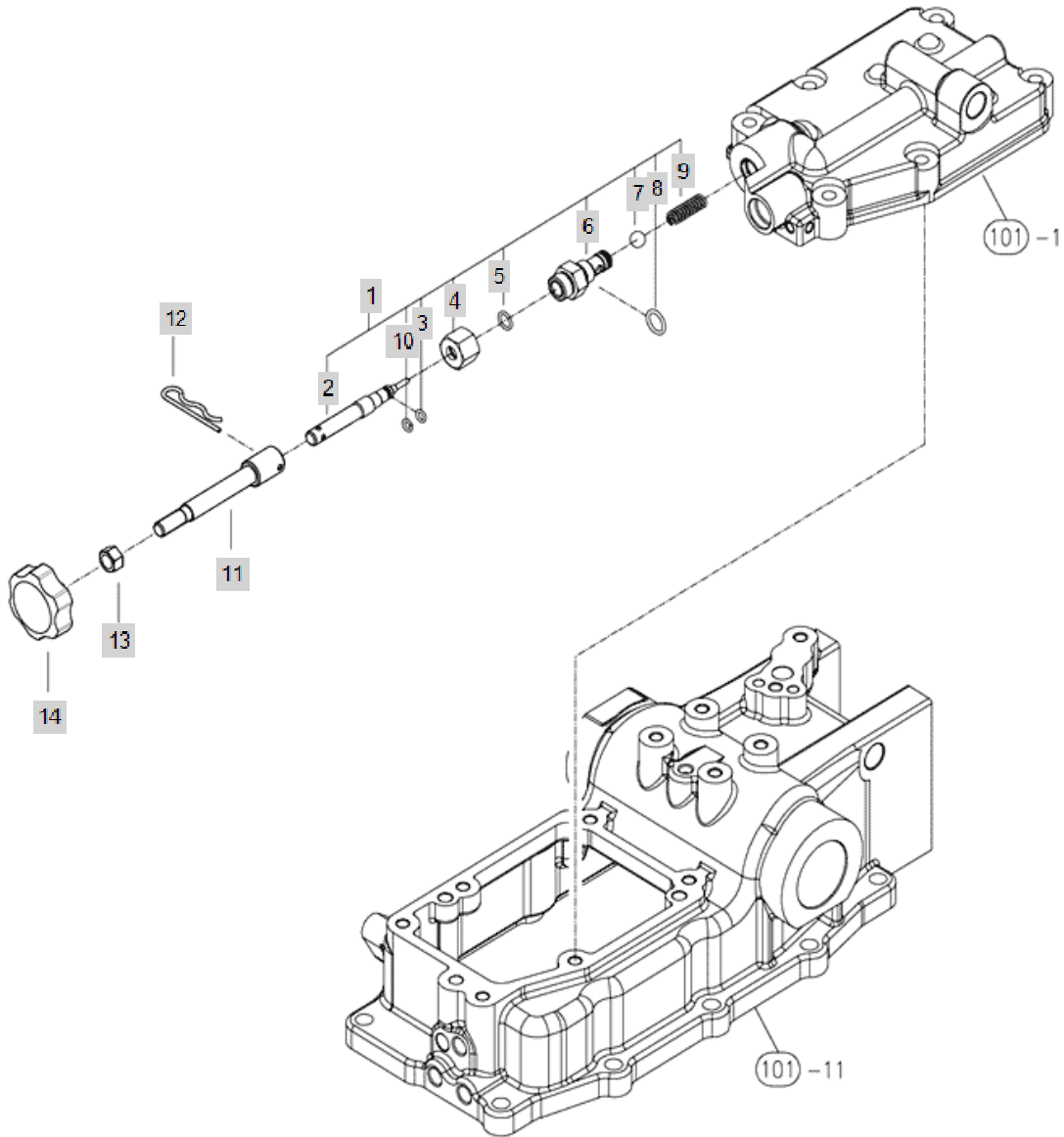








FIG C111-2

HYD CONTROL POSITION TYPE

Year/Month

4225CH

2020/01

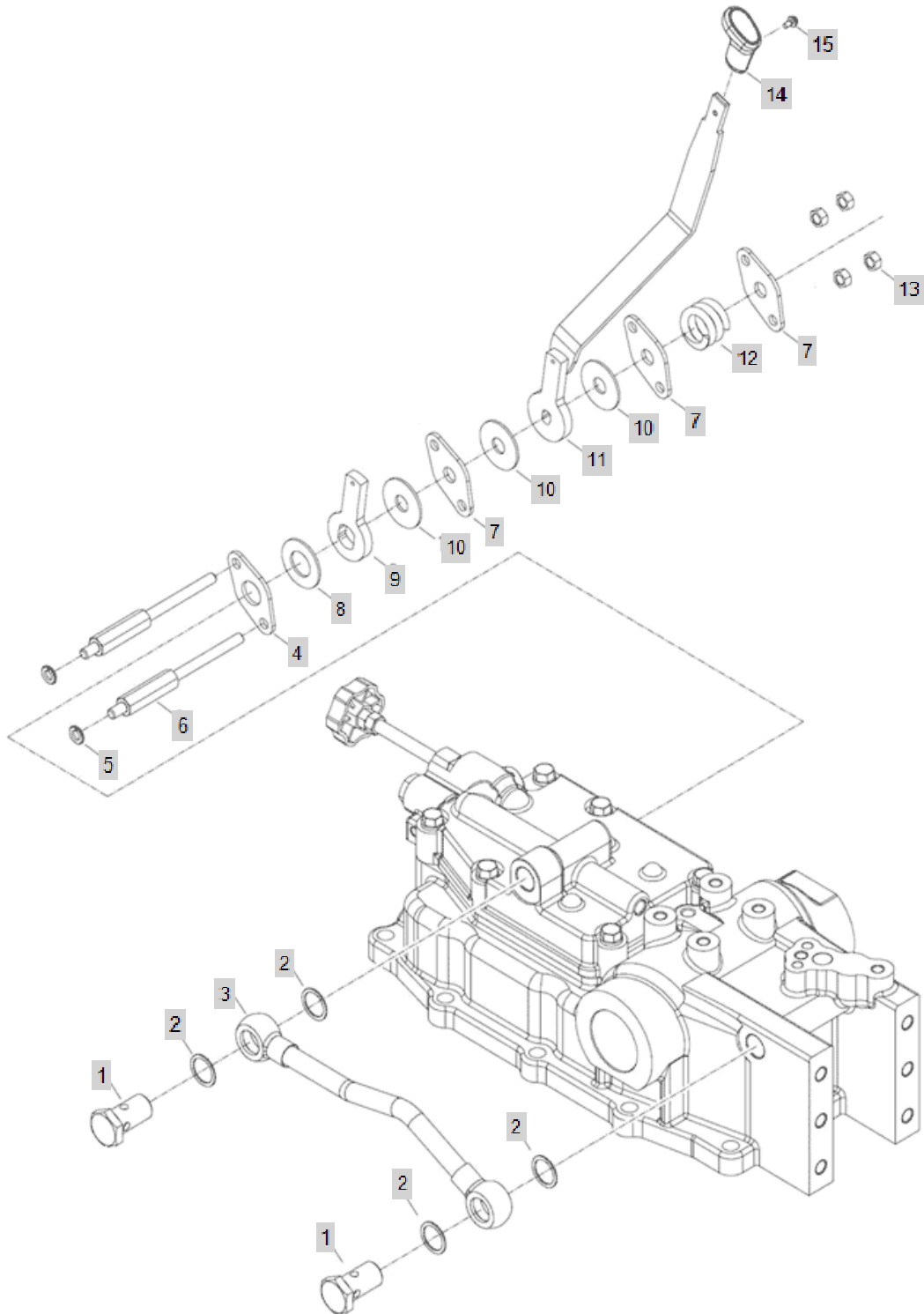




FIG C113

DRAFT CONTROL

Year/Month

4225CH

2020/01

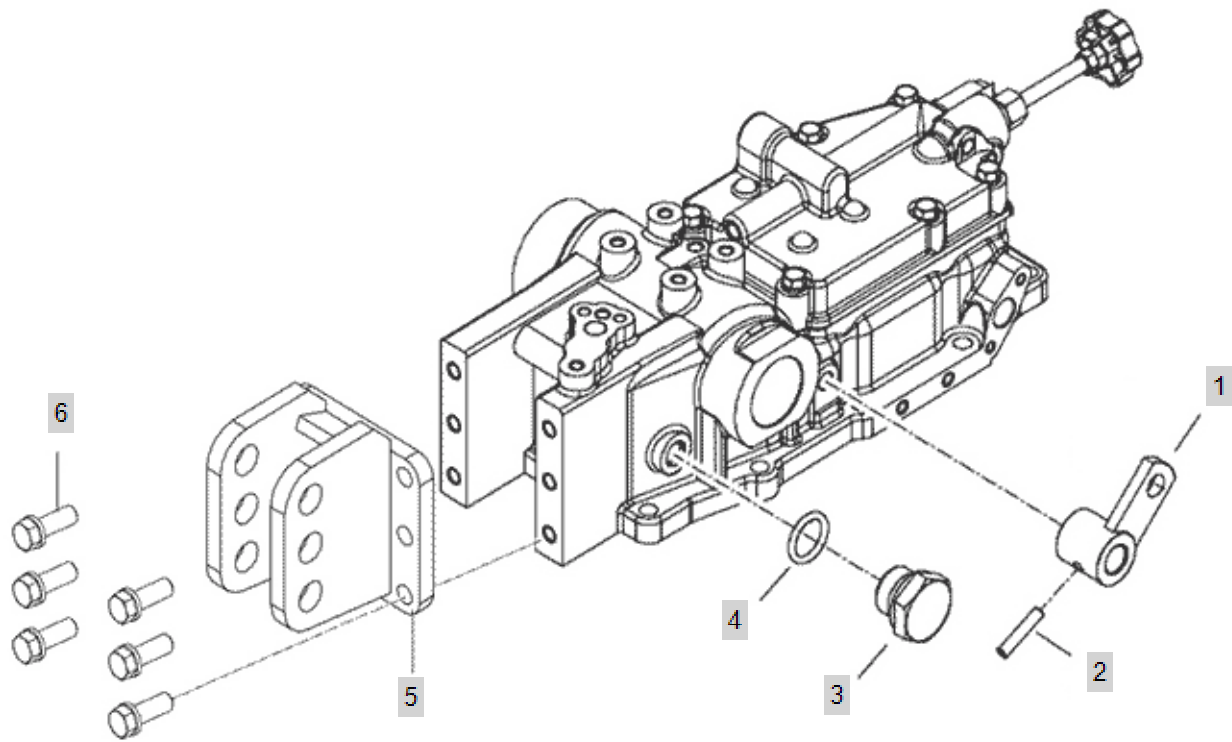






FIG C114

HYD PIPING

Year/Month

4225CH

2020/01

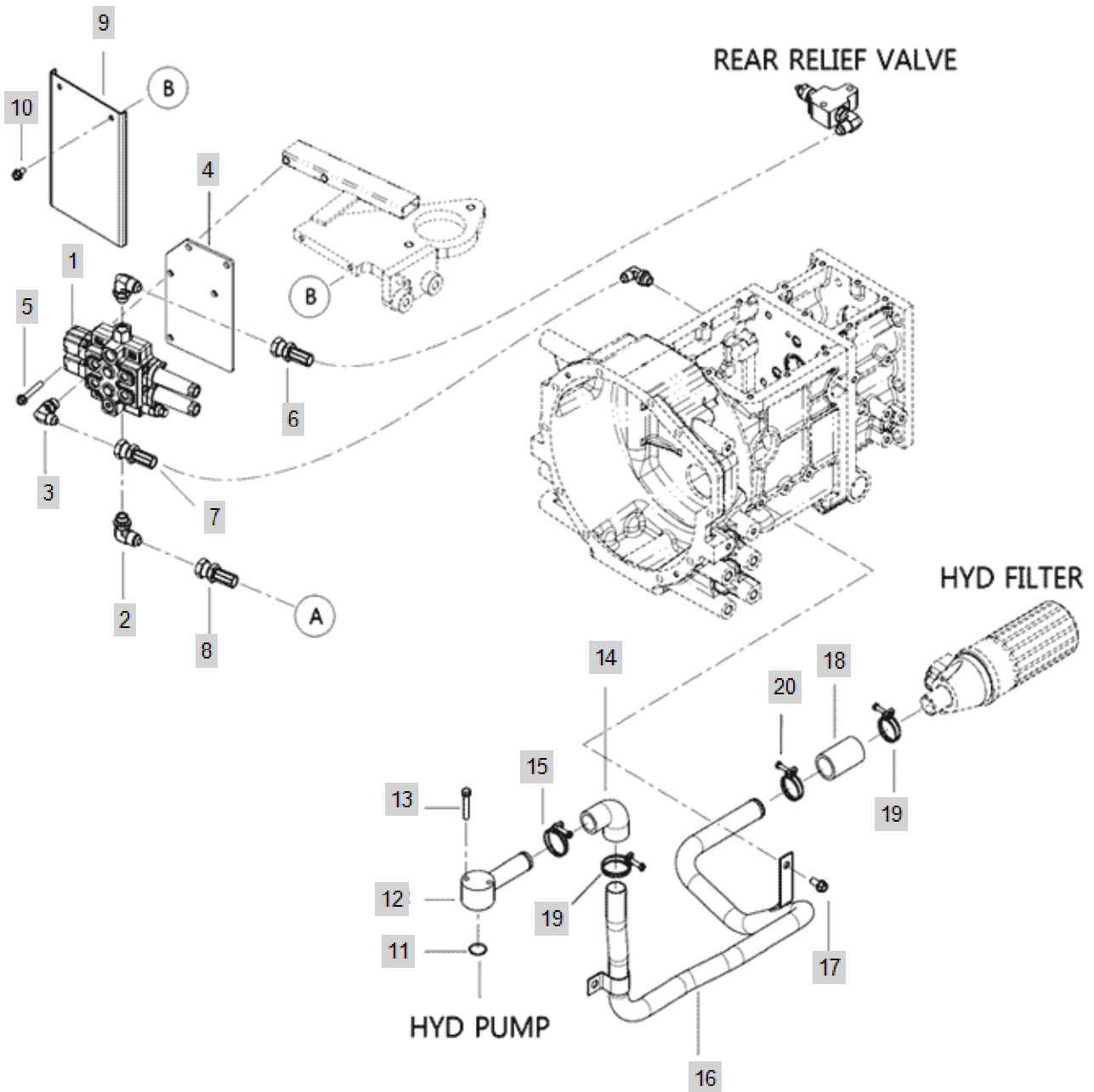




FIG C115

OIL COOLER

Year/Month

4225CH

2020/01

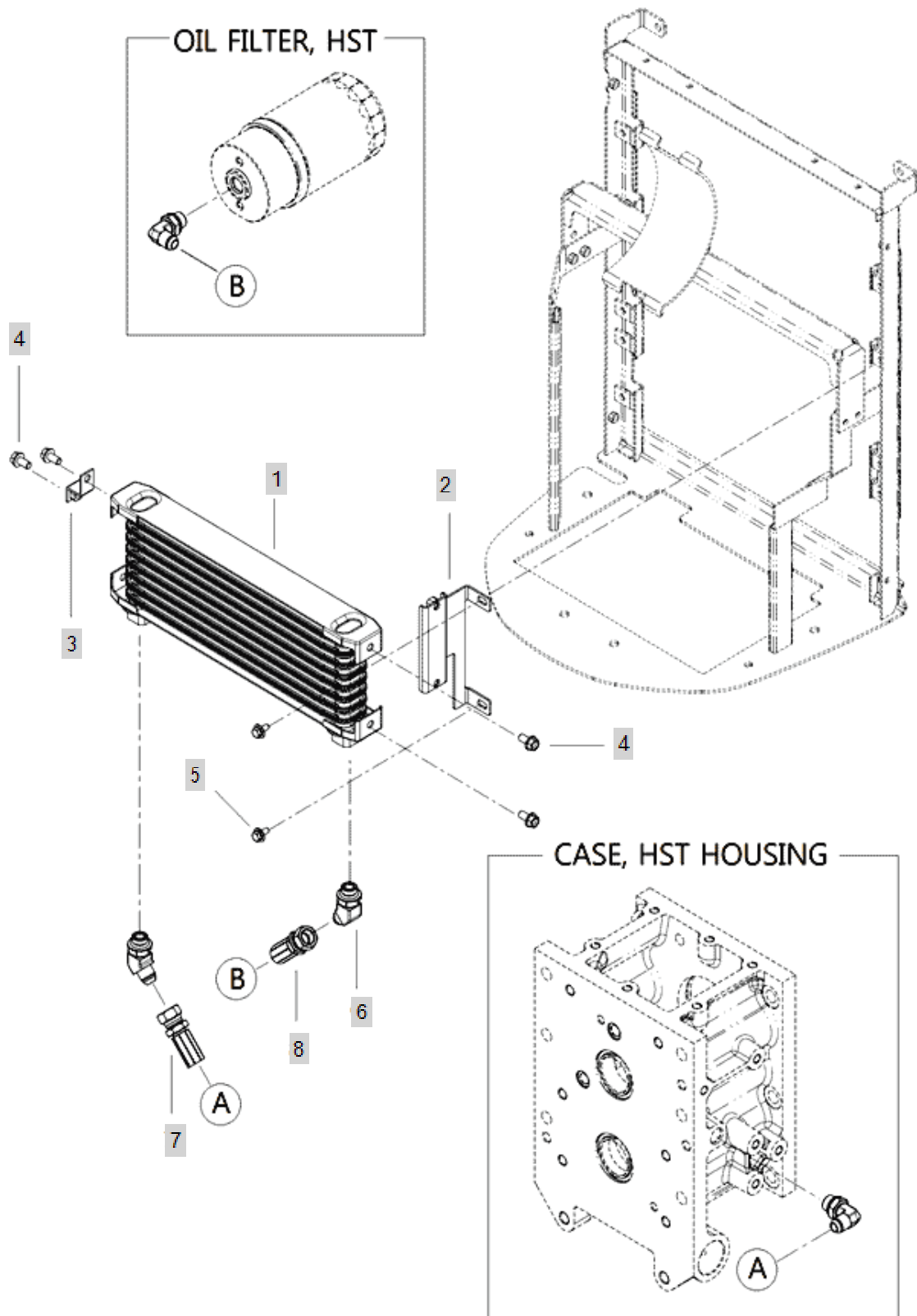




FIG C118

HYD FILTER

Year/Month

4225CH

2020/01

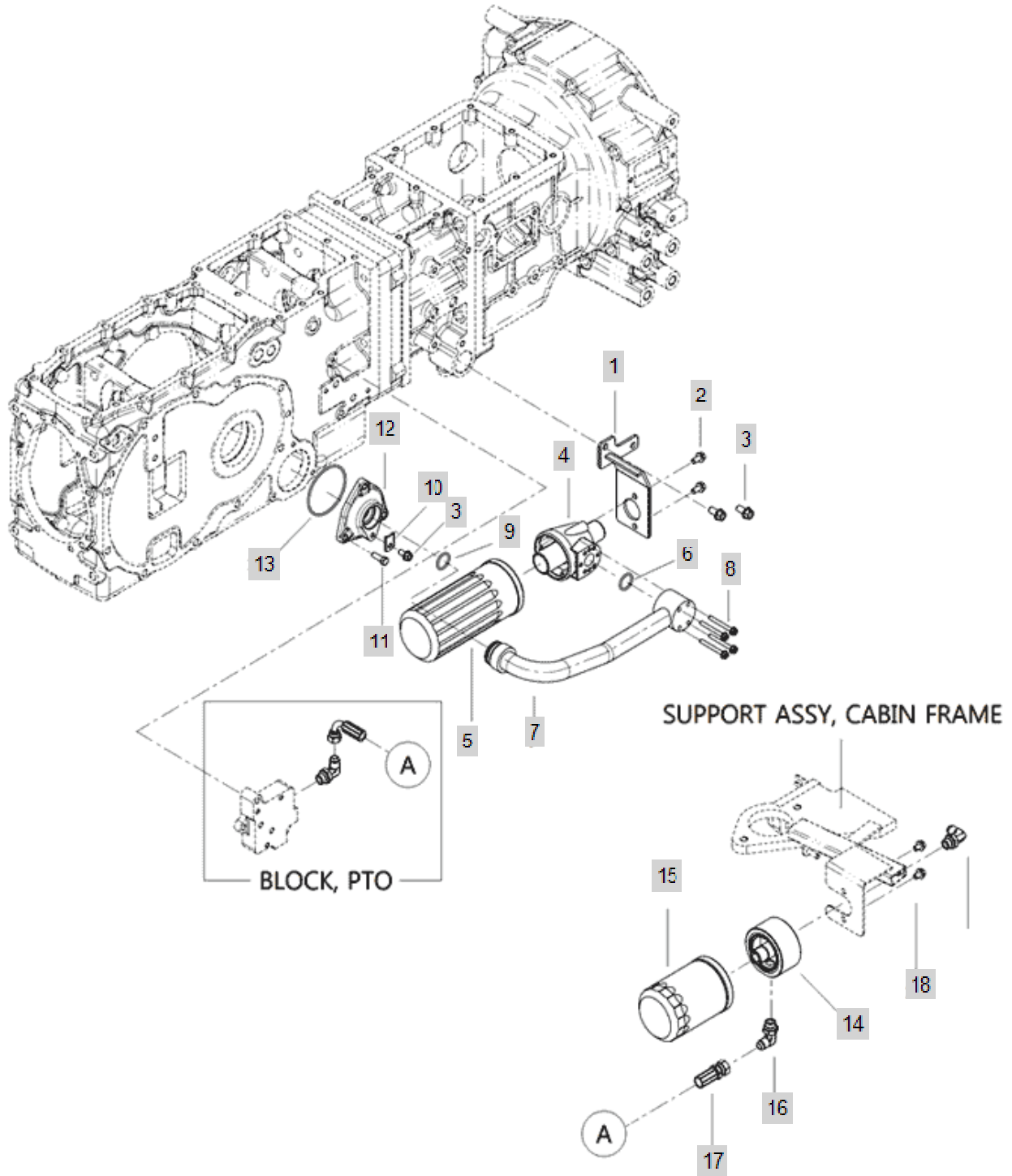




FIG C119-1

ELE'C WIRING

Year/Month

4225CH

2020/01

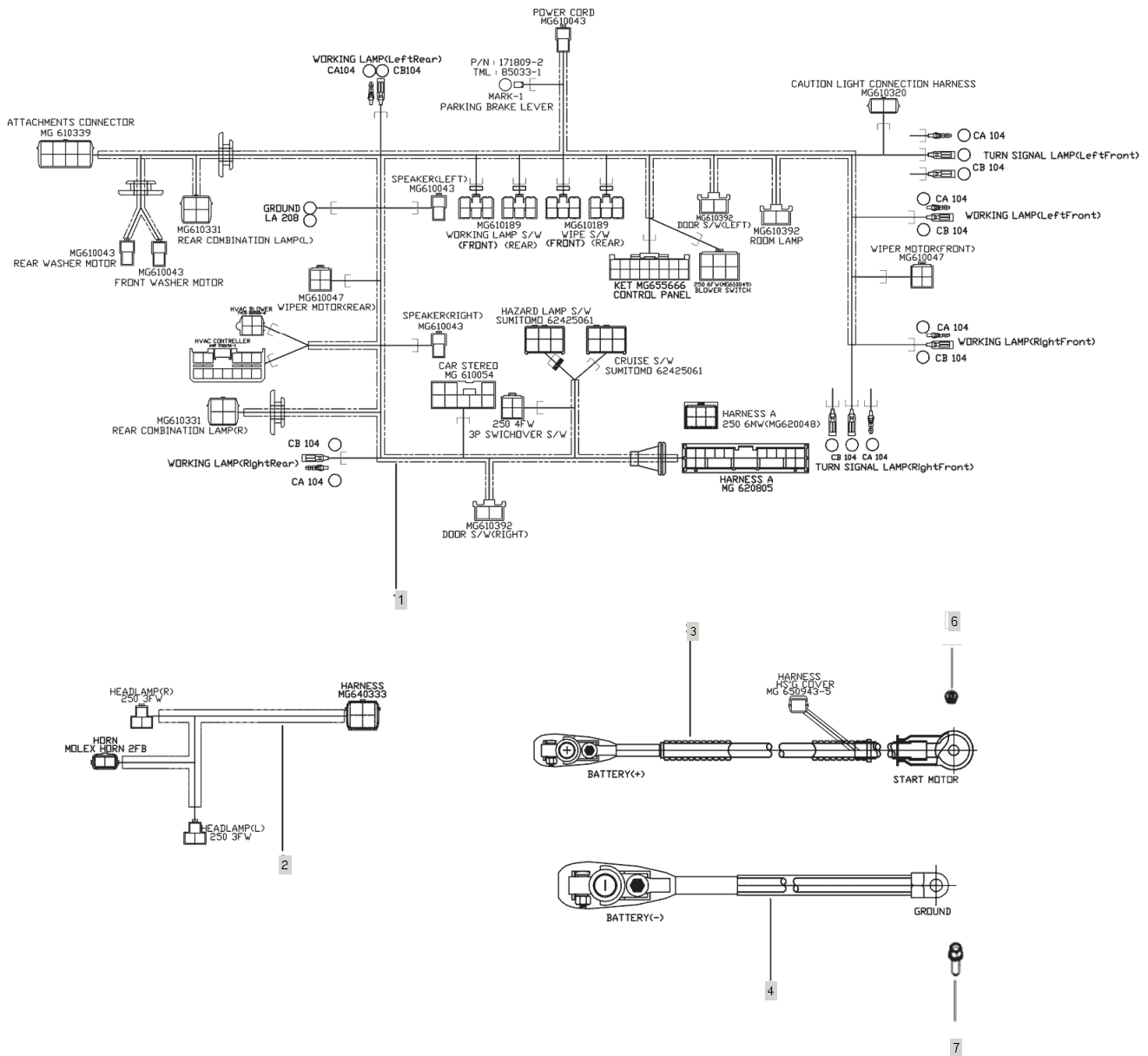






FIG C119-2

ELE'C WIRING

Year/Month

4225CH

2020/01

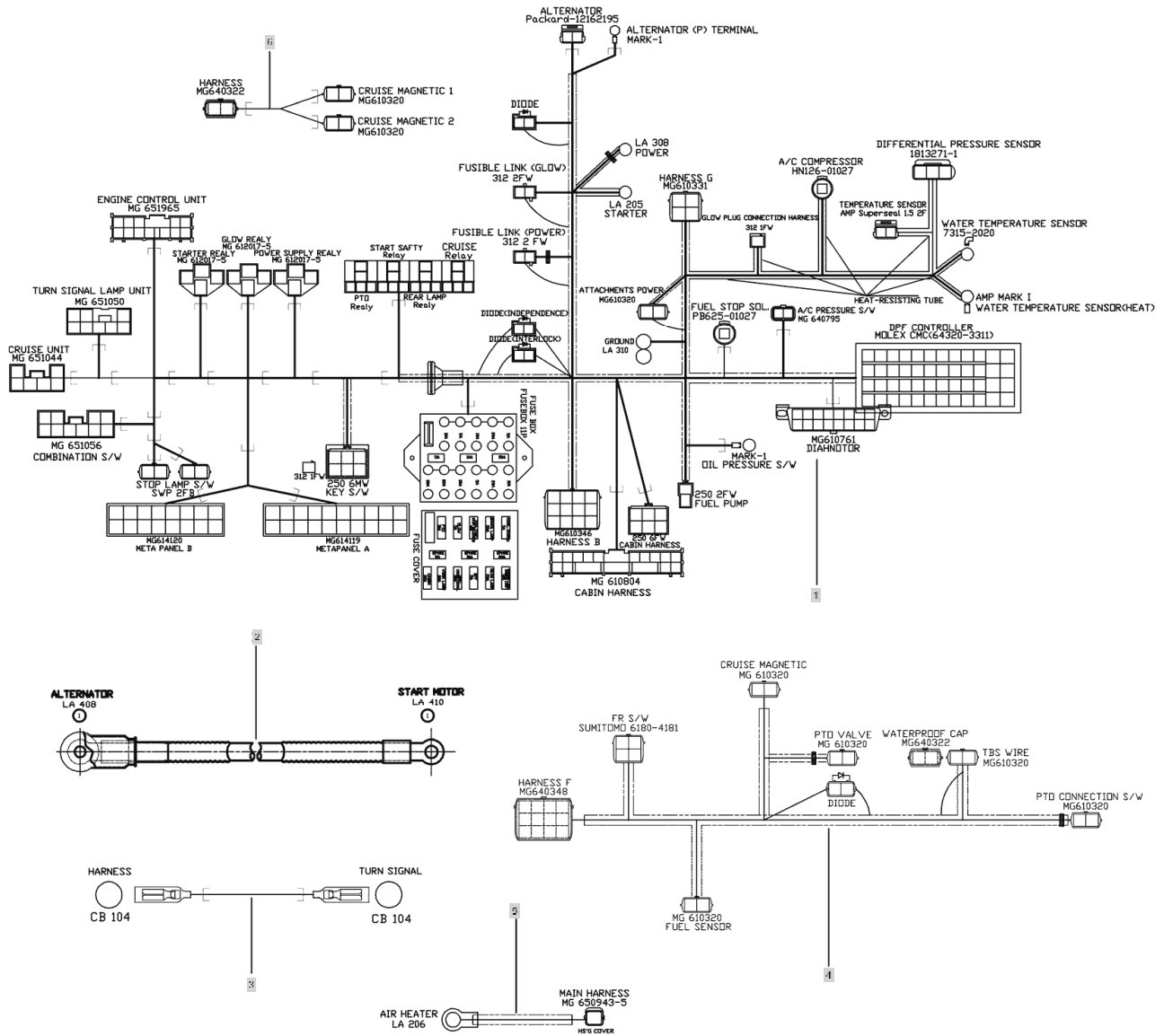




FIG C119-3

ELE'C WIRING

Year/Month

4225CH

2020/01

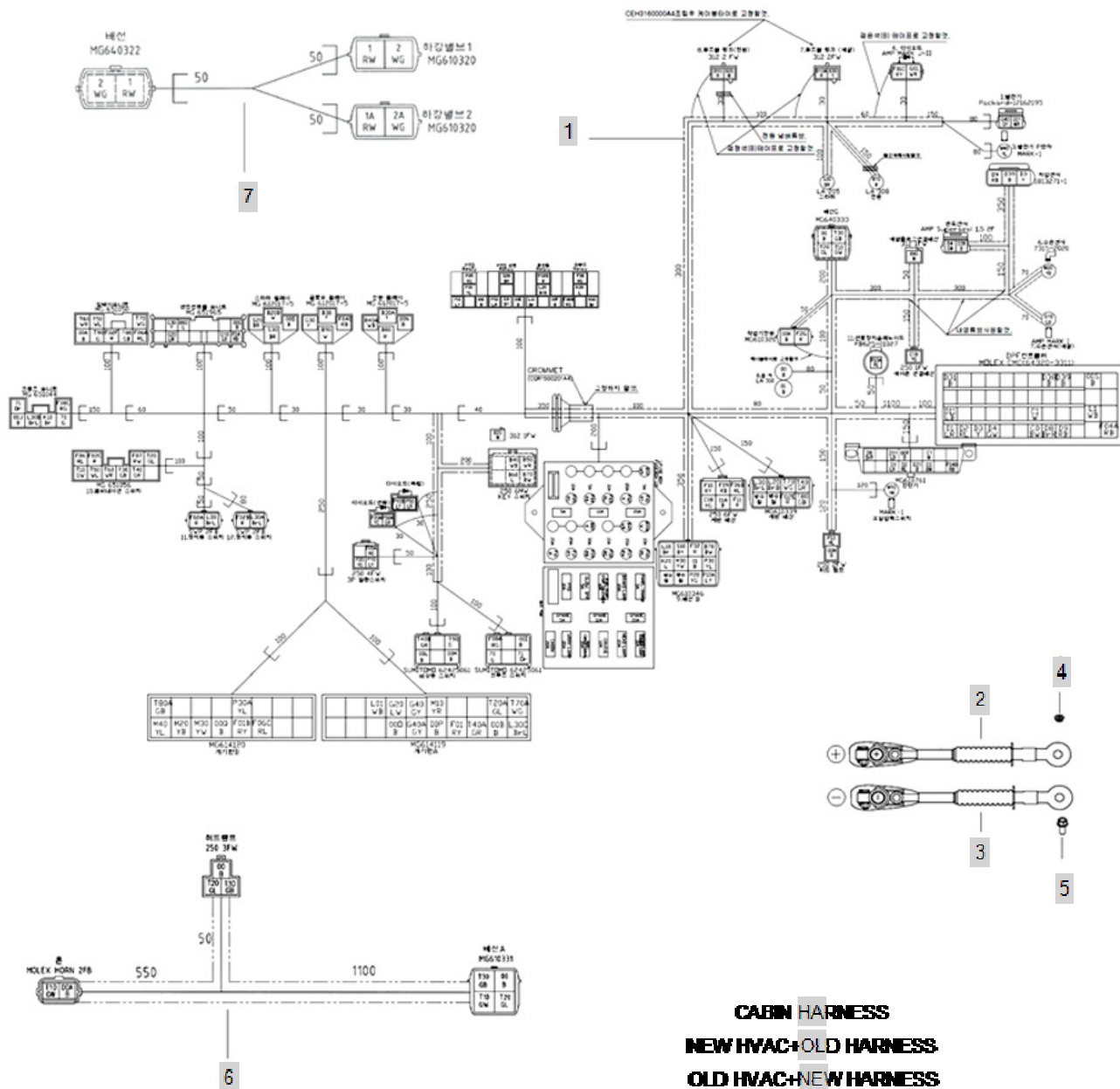




FIG C124-1

BATTERY

Year/Month

4225CH

2020/01

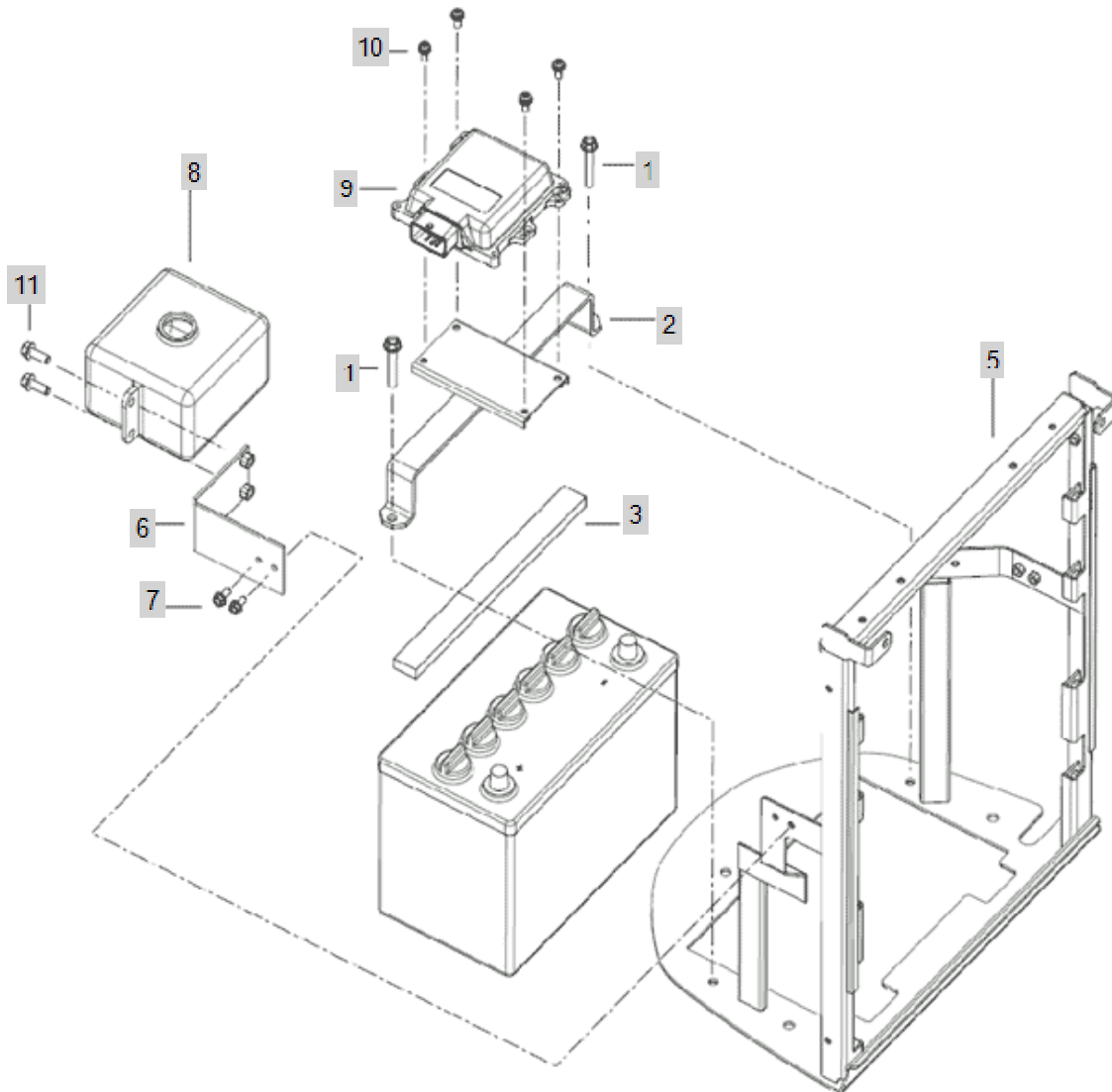




FIG C124-2

BATTERY

Year/Month

4225CH

2020/01

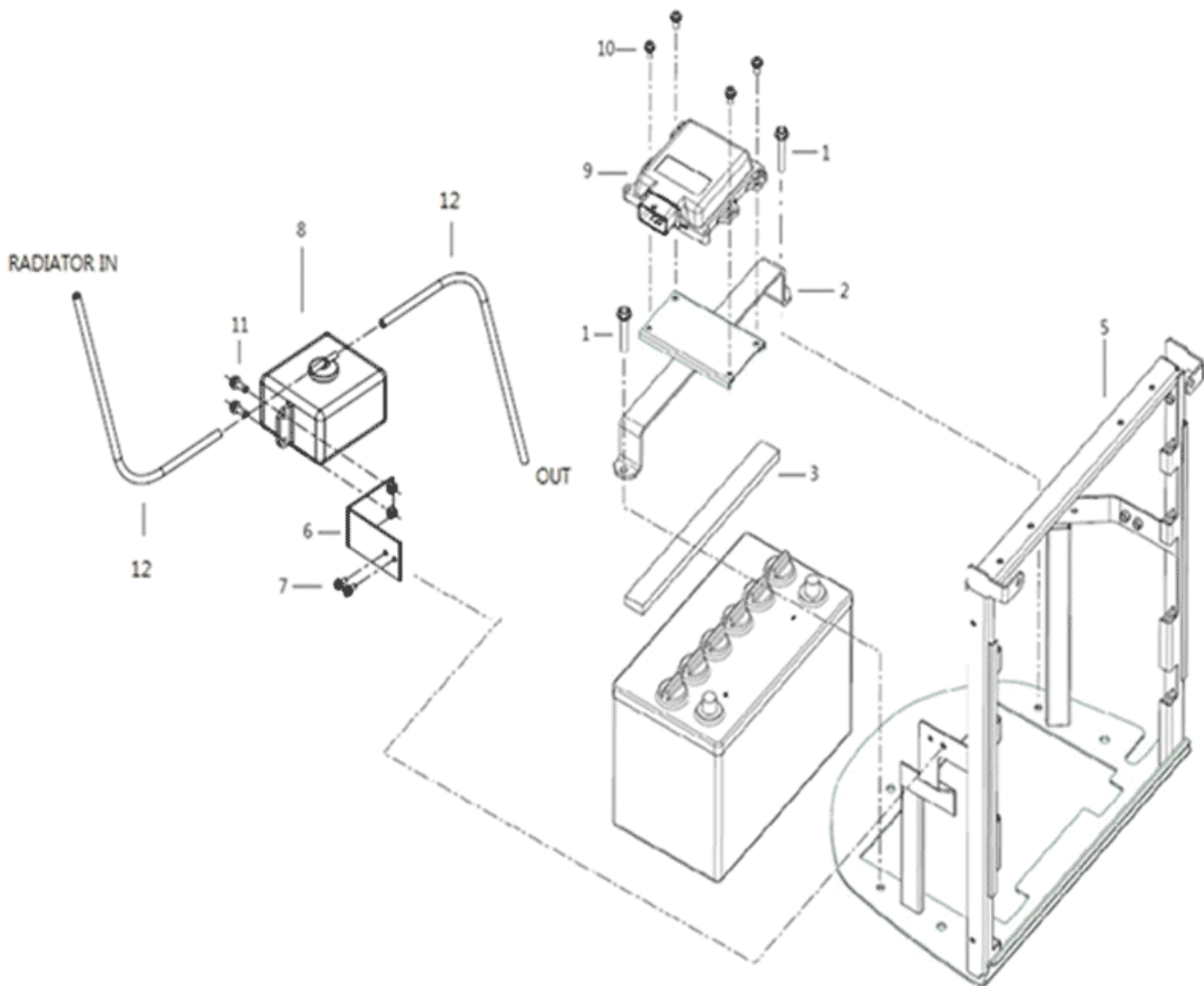






FIG C125-1

SWITCH

Year/Month

4225CH

2020/01

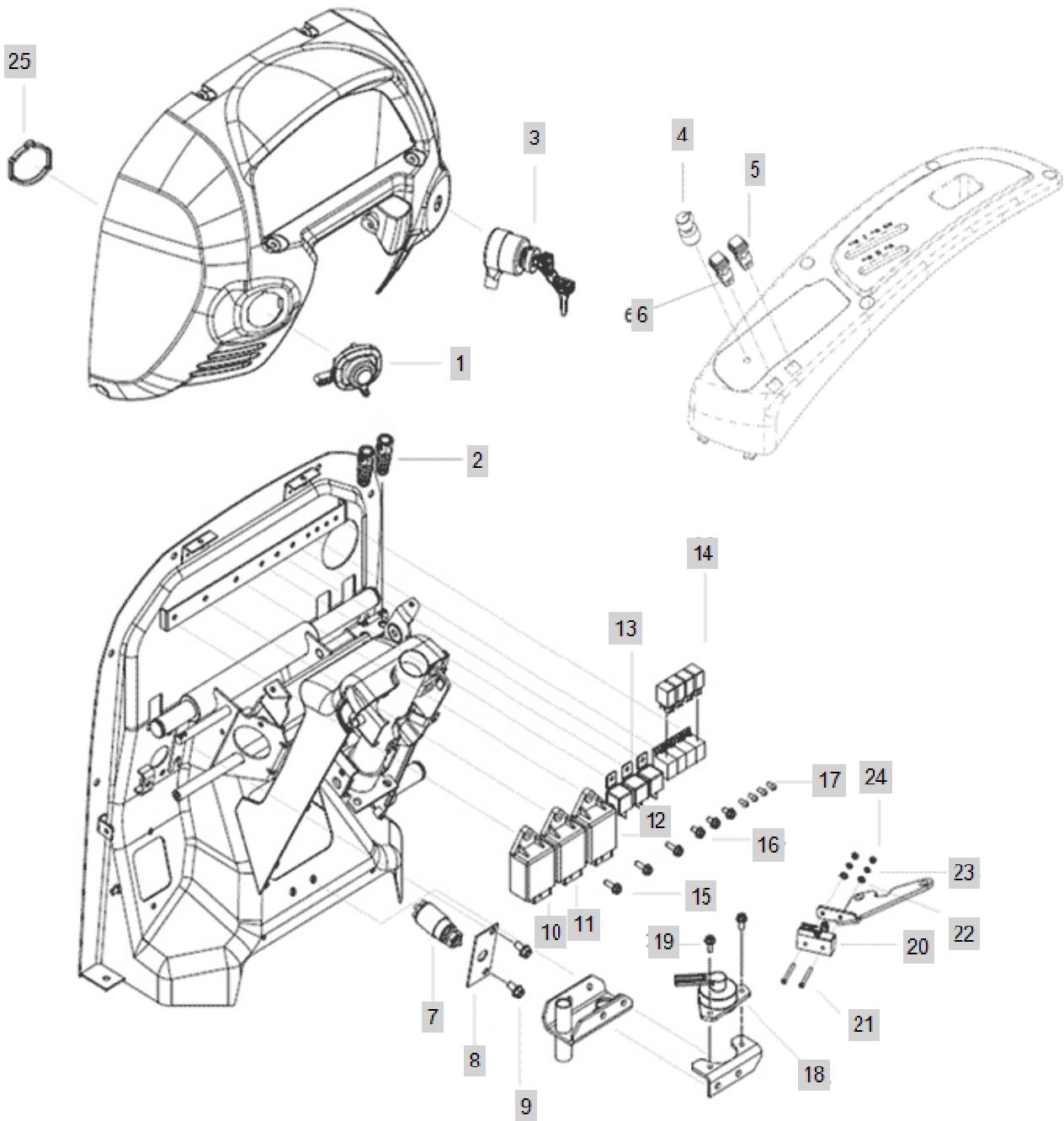




FIG C125-2

SWITCH

Year/Month

4225CH

2020/01

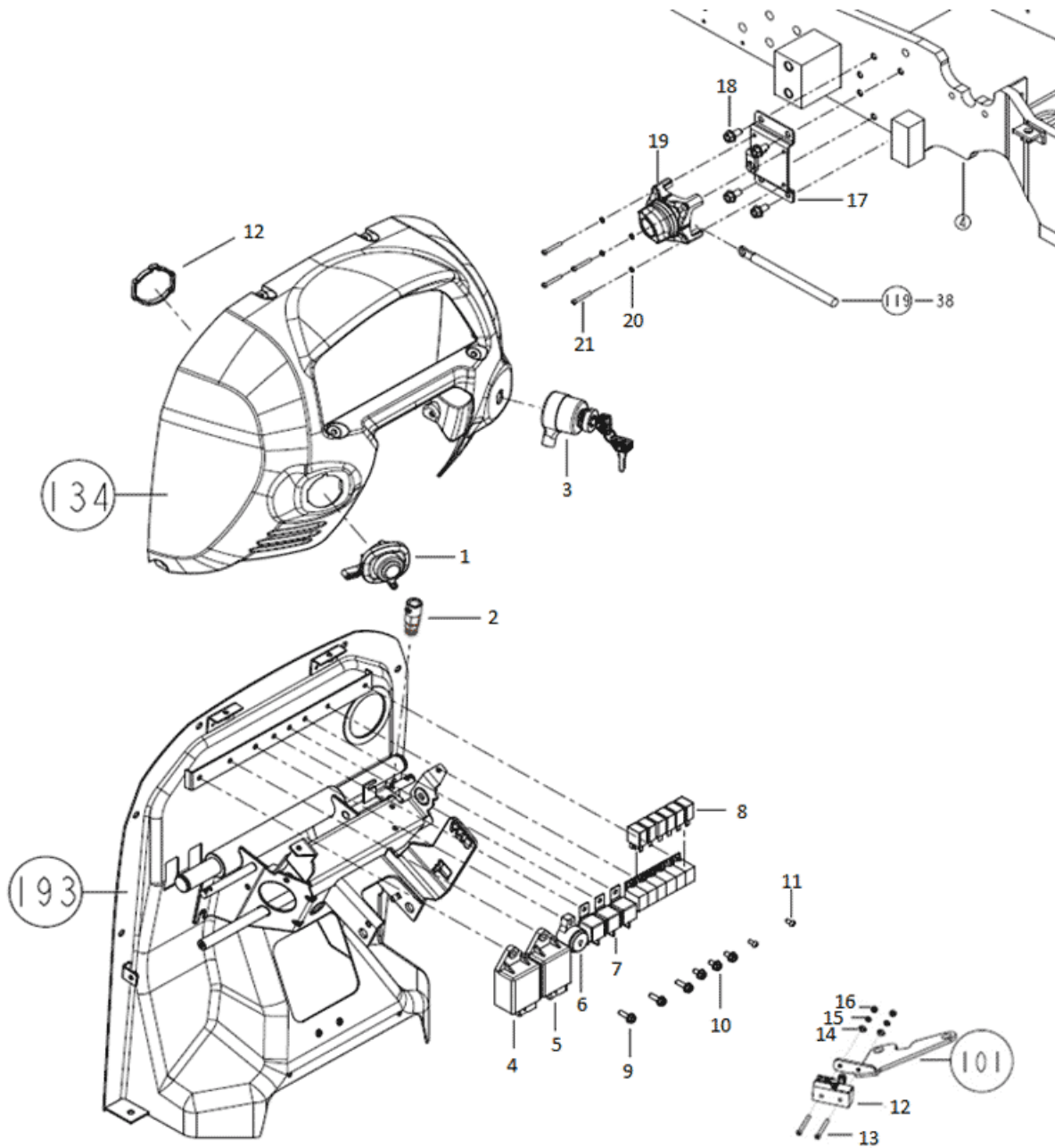




FIG C131

HORN

Year/Month

4225CH

2020/01

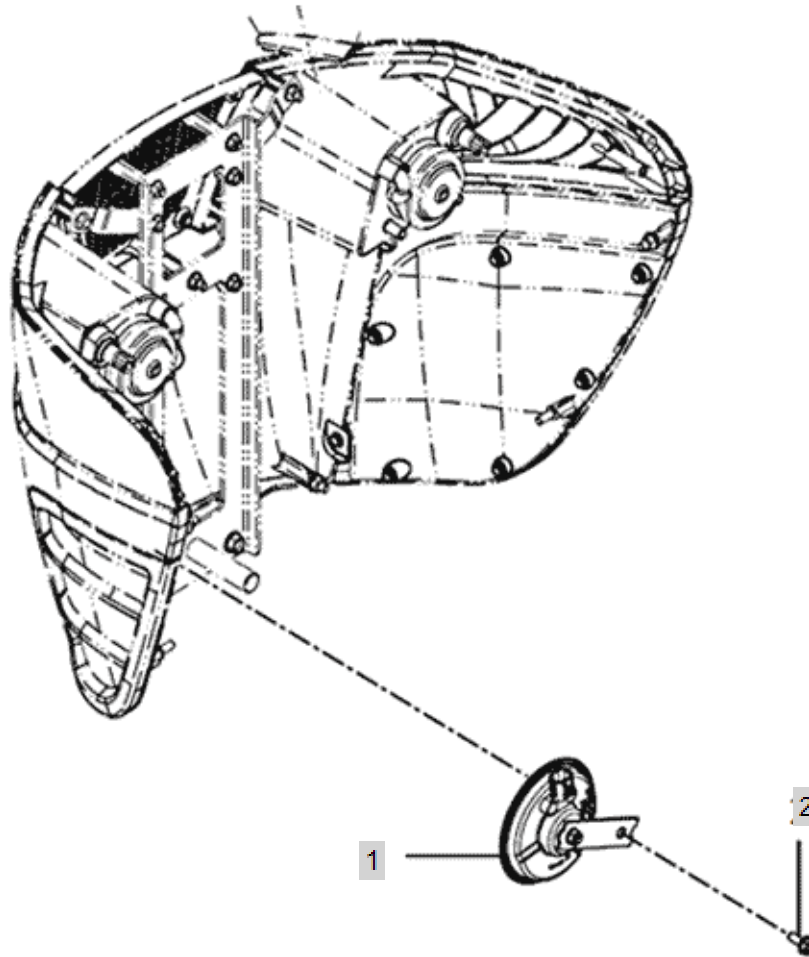




FIG C132

LAMP

Year/Month

4225CH

2020/01

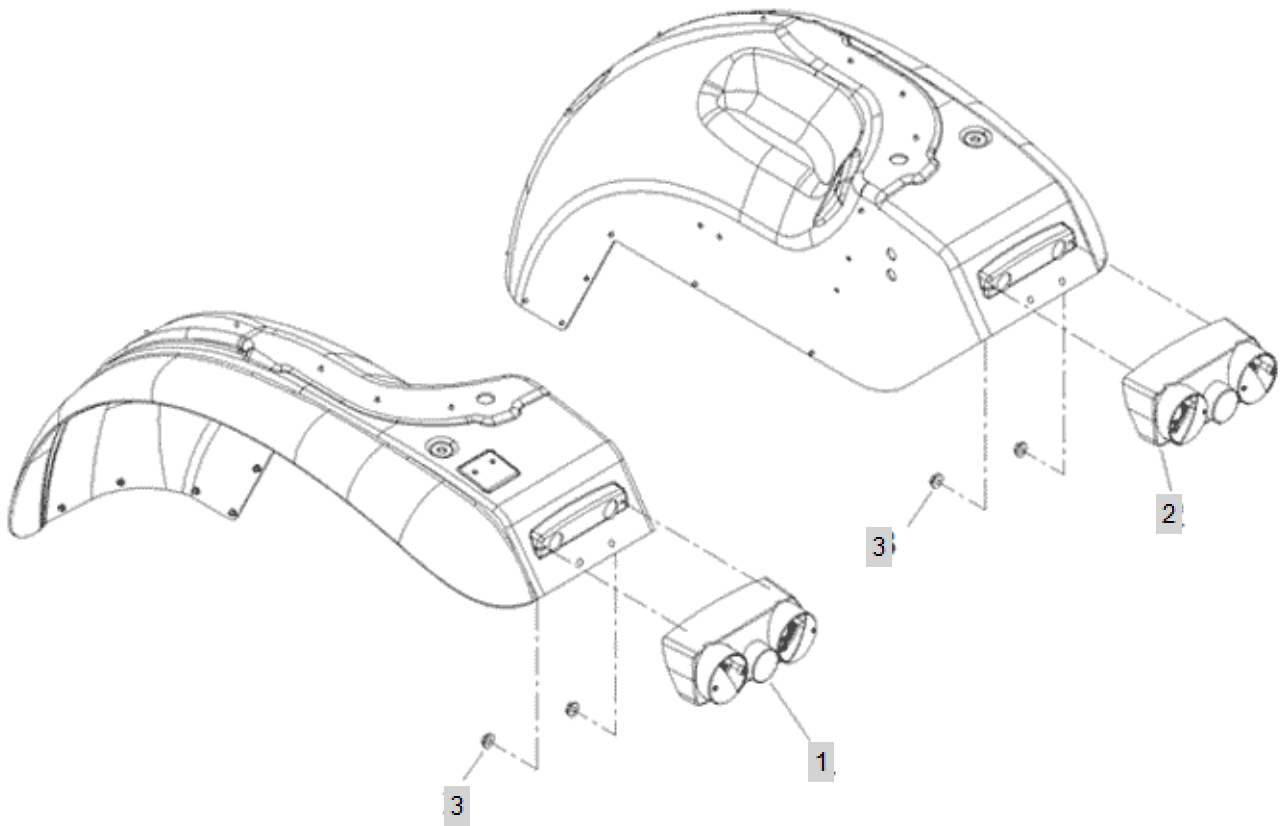






FIG C134

METER ASS'Y

Year/Month

4225CH

2020/01

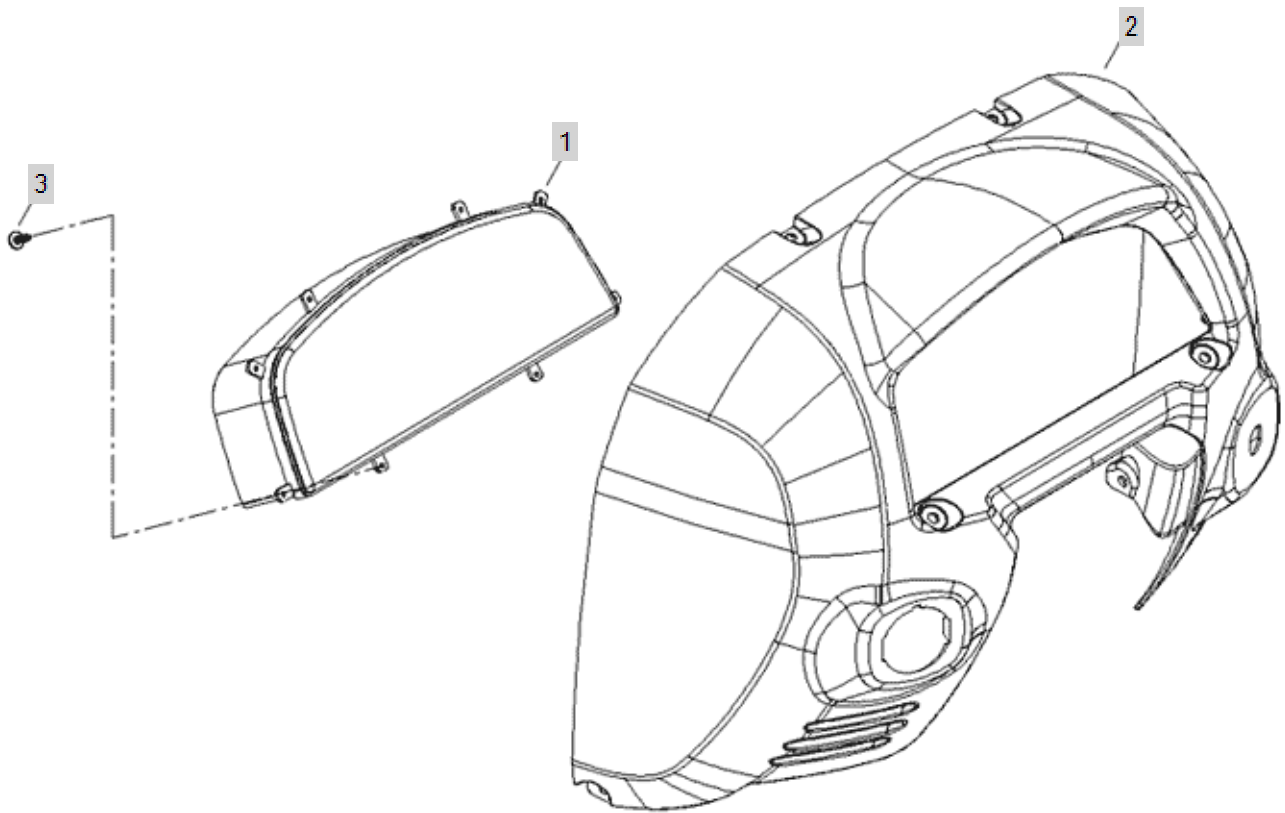




FIG C135-1

BONNET

Year/Month

4225CH

2020/01

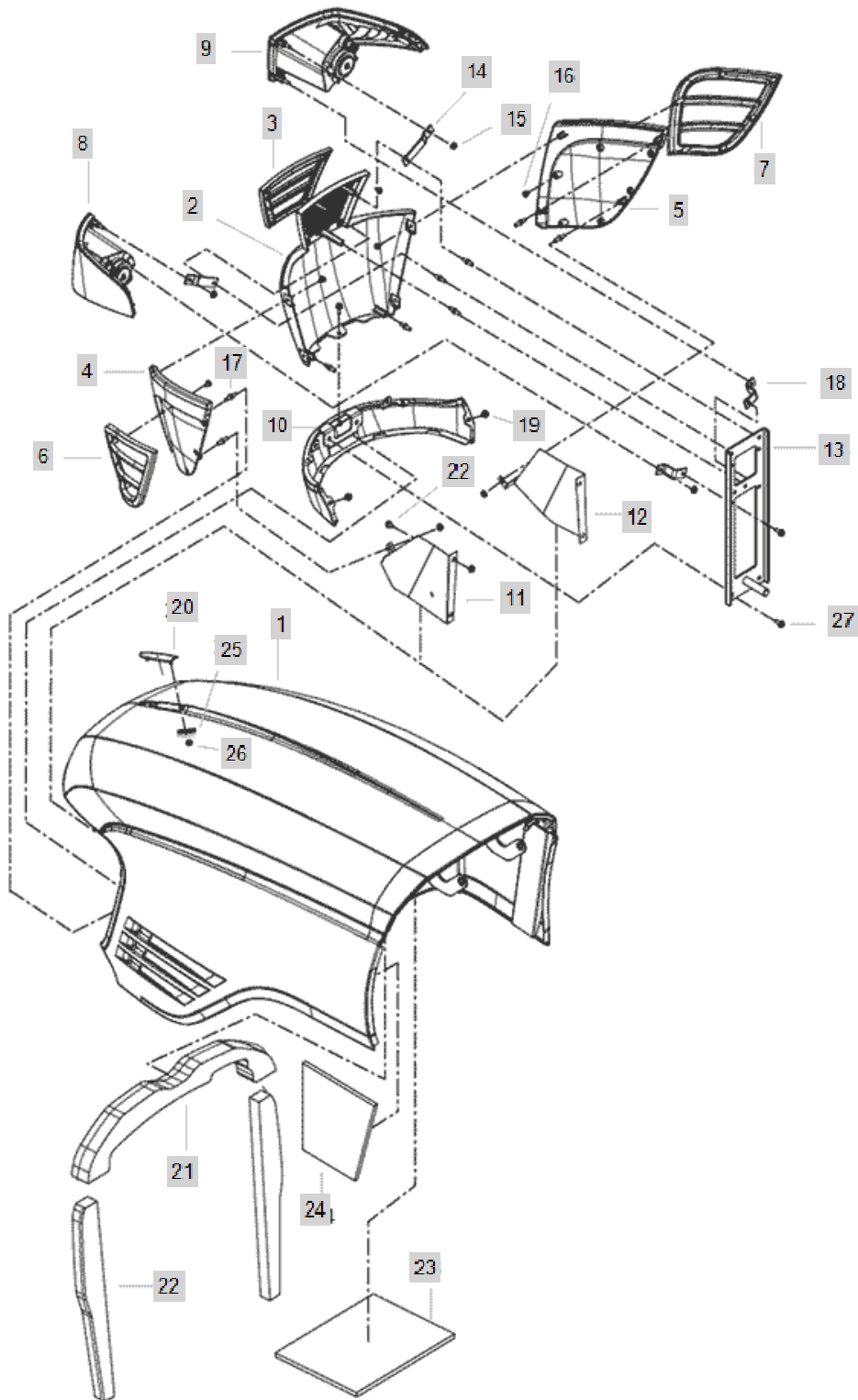




FIG C135-2

BONNET(201812~)

Year/Month

4225CH

2020/01

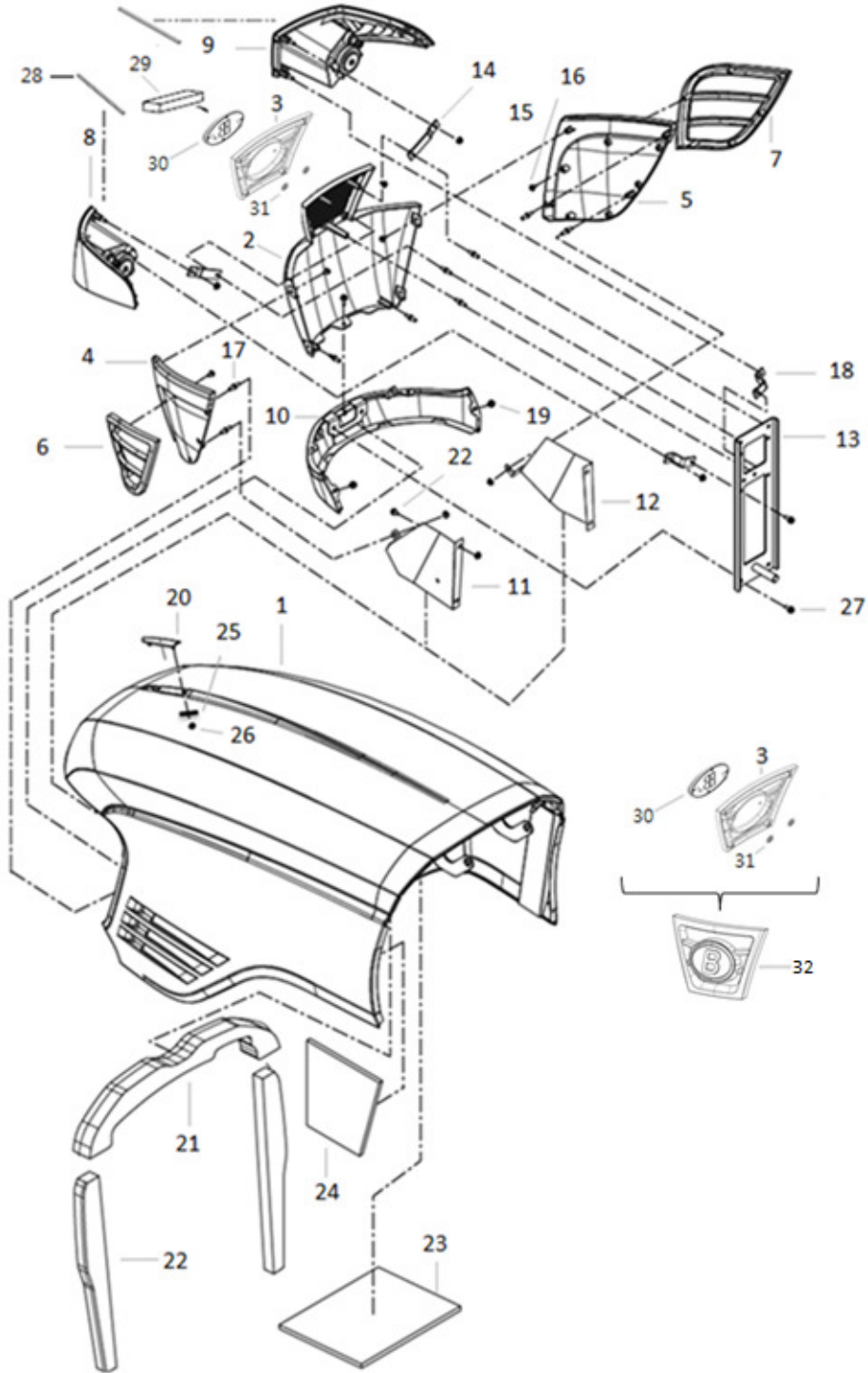




FIG C136-1

BONNET SUPPORT

Year/Month

4225CH

2020/01

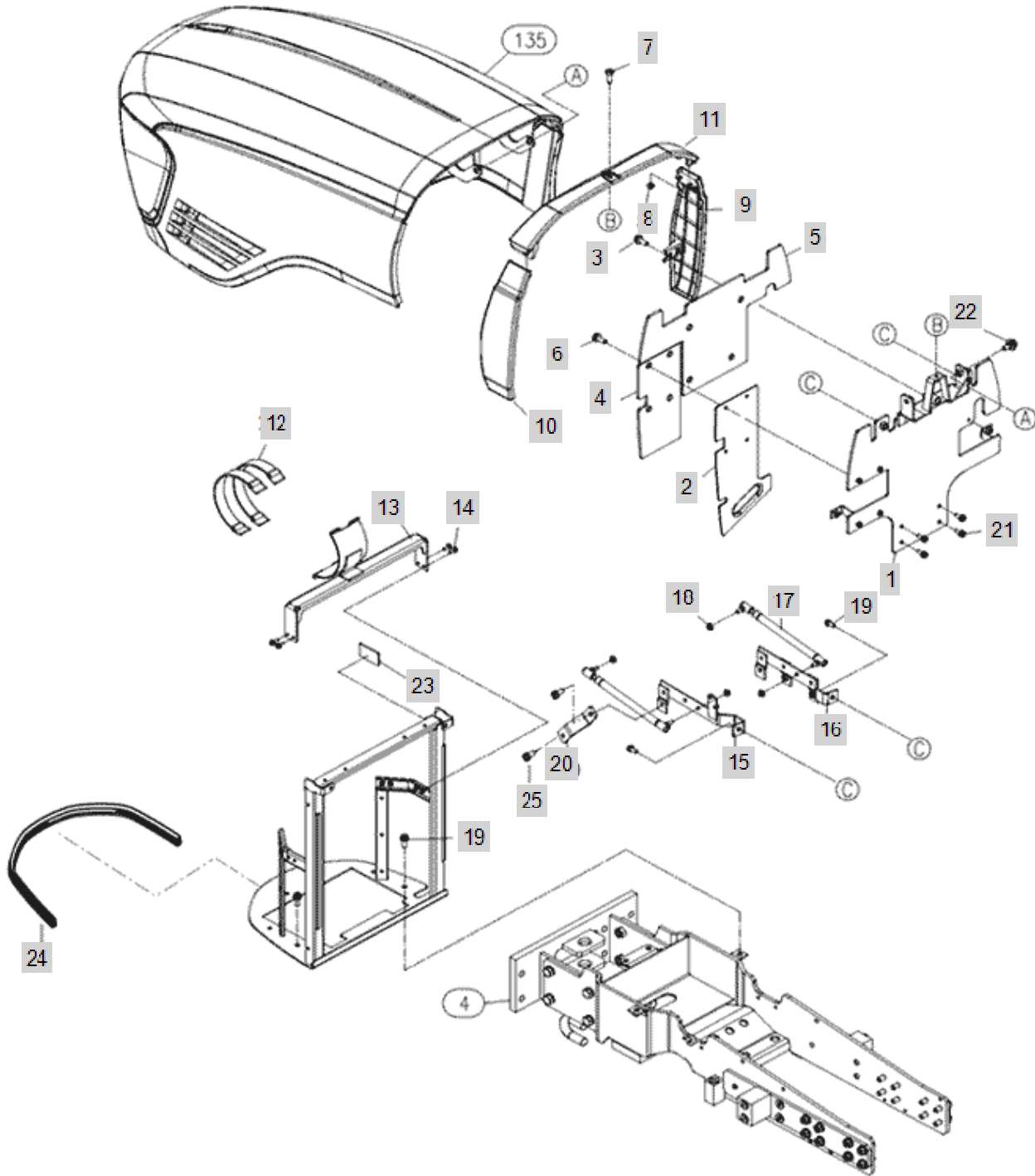






FIG C136-2

BONNET SUPPORT

Year/Month

4225CH

2020/01

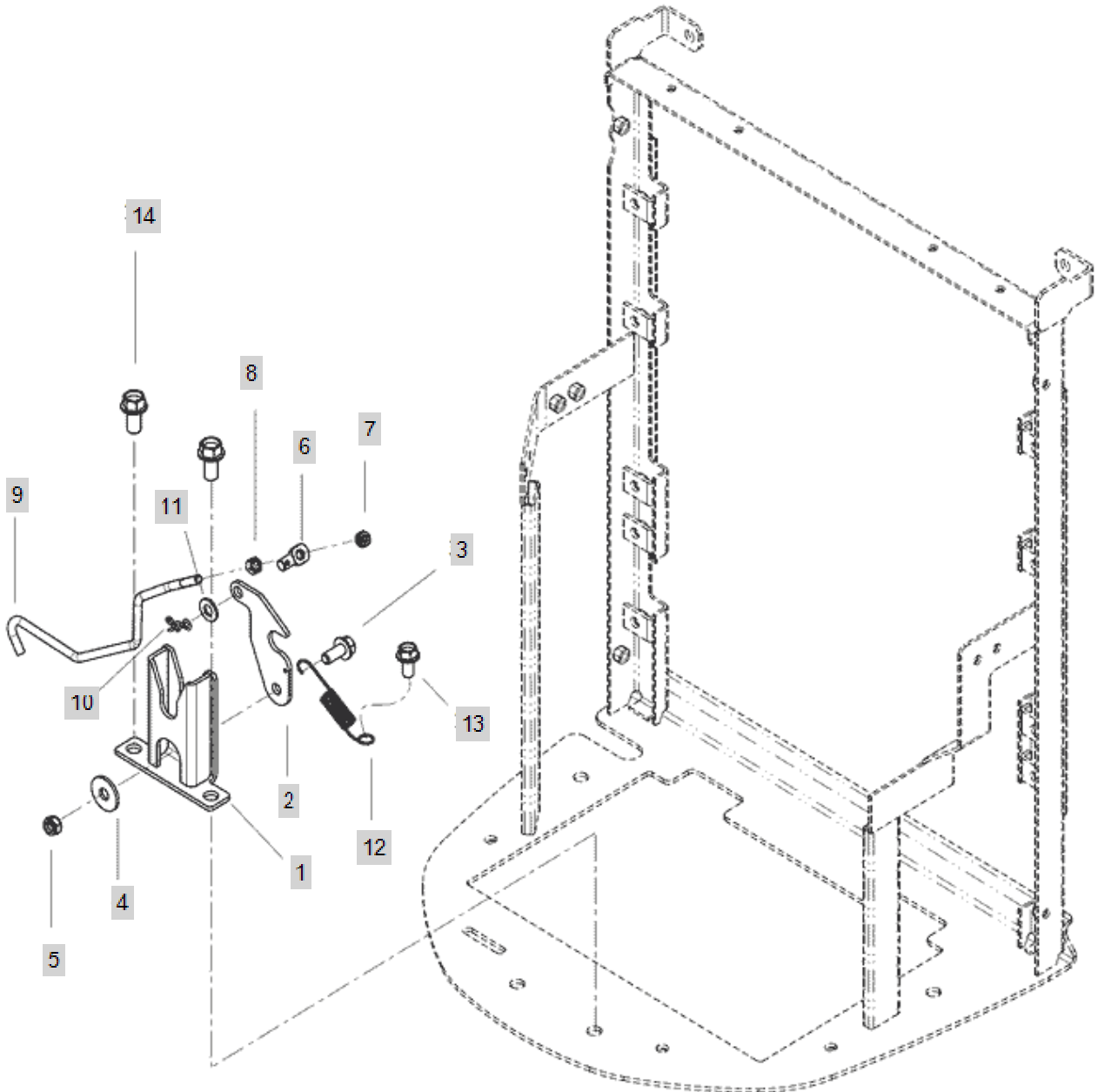




FIG C136-3

BONNET SUPPORT(2019.10~)

Year/Month

4225CH

2020/01

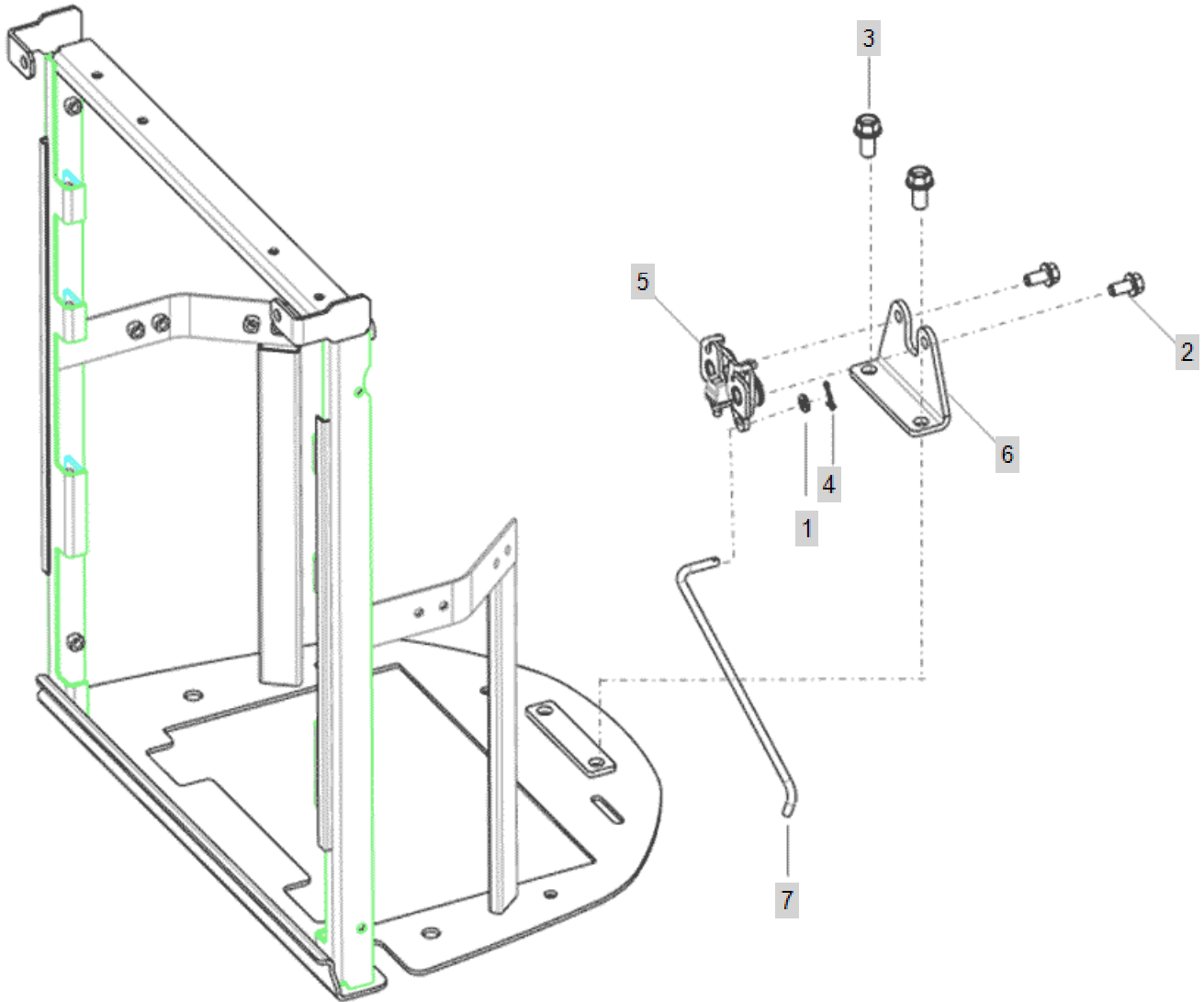




FIG C137

DASH BOARD

Year/Month

4225CH

2020/01

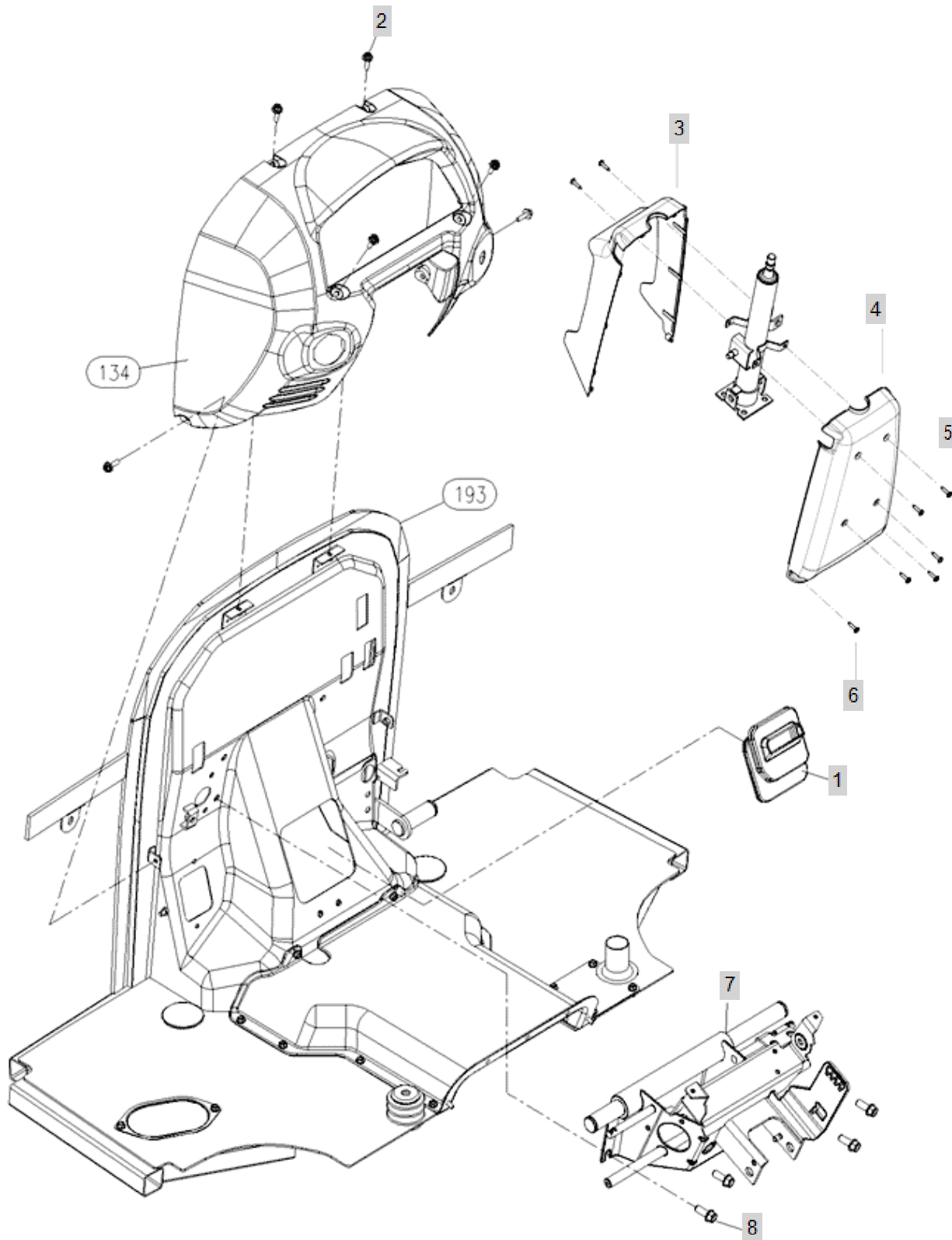




FIG C139

FOOT REST ASS'Y

Year/Month

4225CH

2020/01

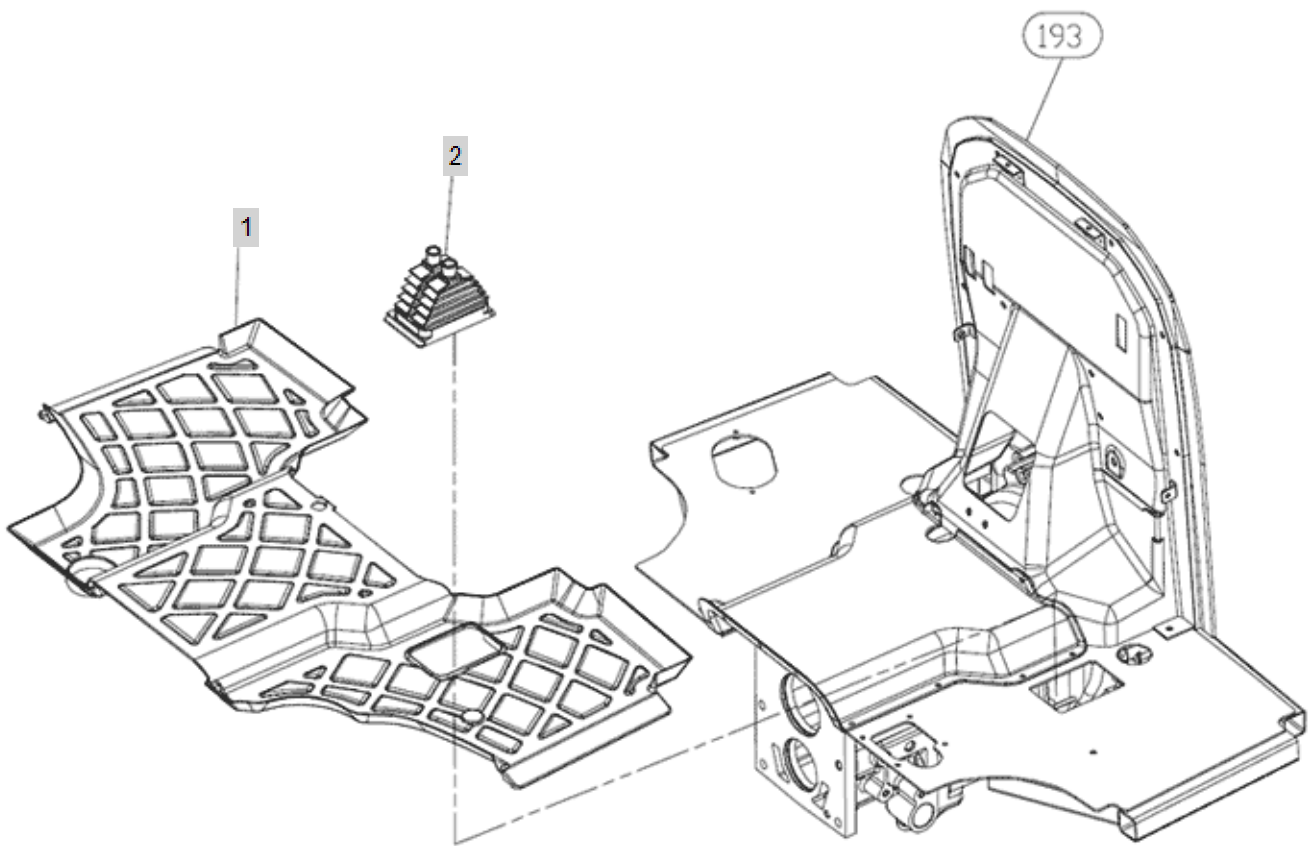






FIG C141-1

FUEL TANK

Year/Month

4225CH

2020/01

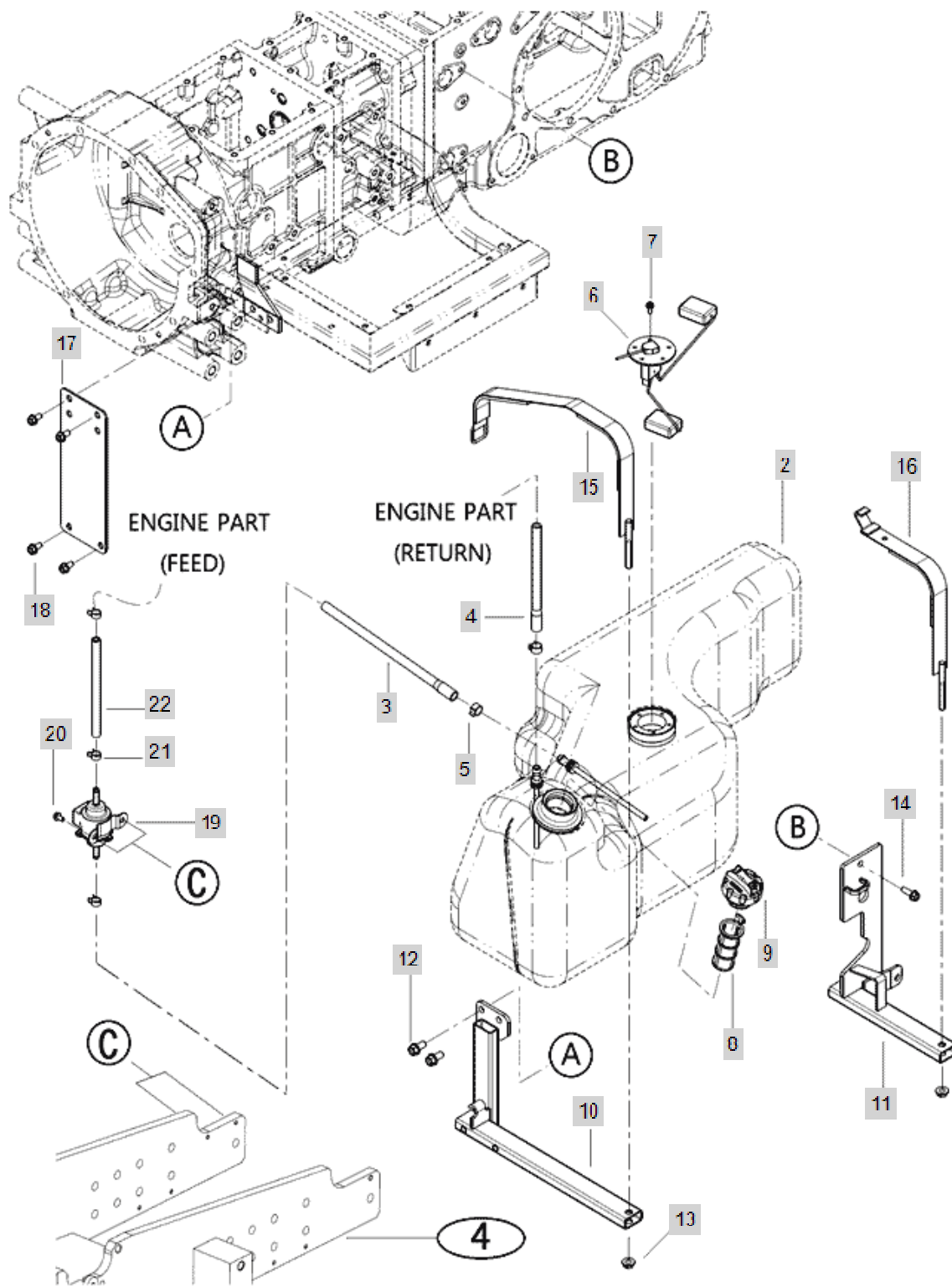




FIG C141-2

FUEL TANK

Year/Month

4225CH

2020/01

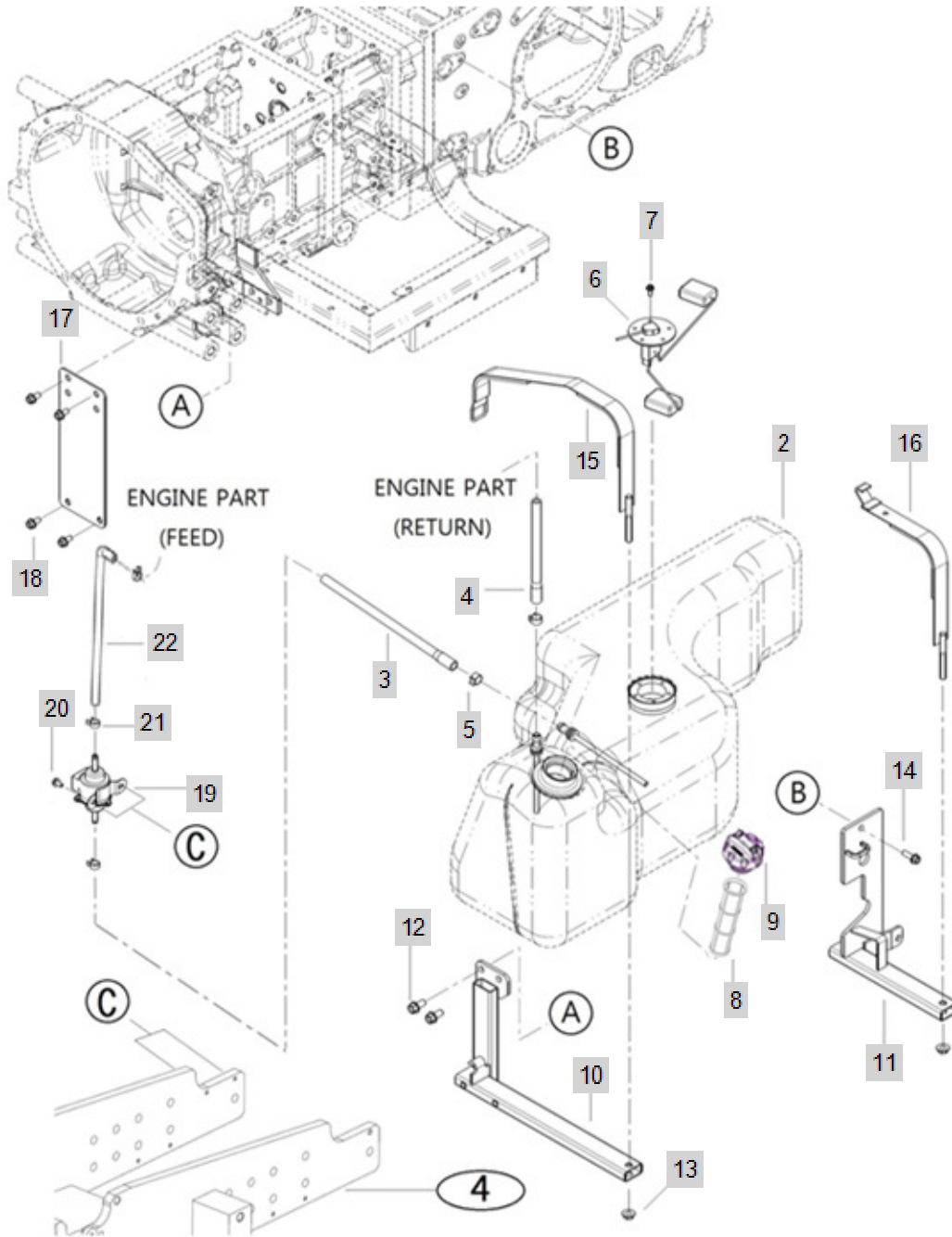




FIG C144-  
1 422  
4225CH

NAME PLATE

Year/Month

2020/01

**Branson 3725Ch**  
**Branson 4225Ch**

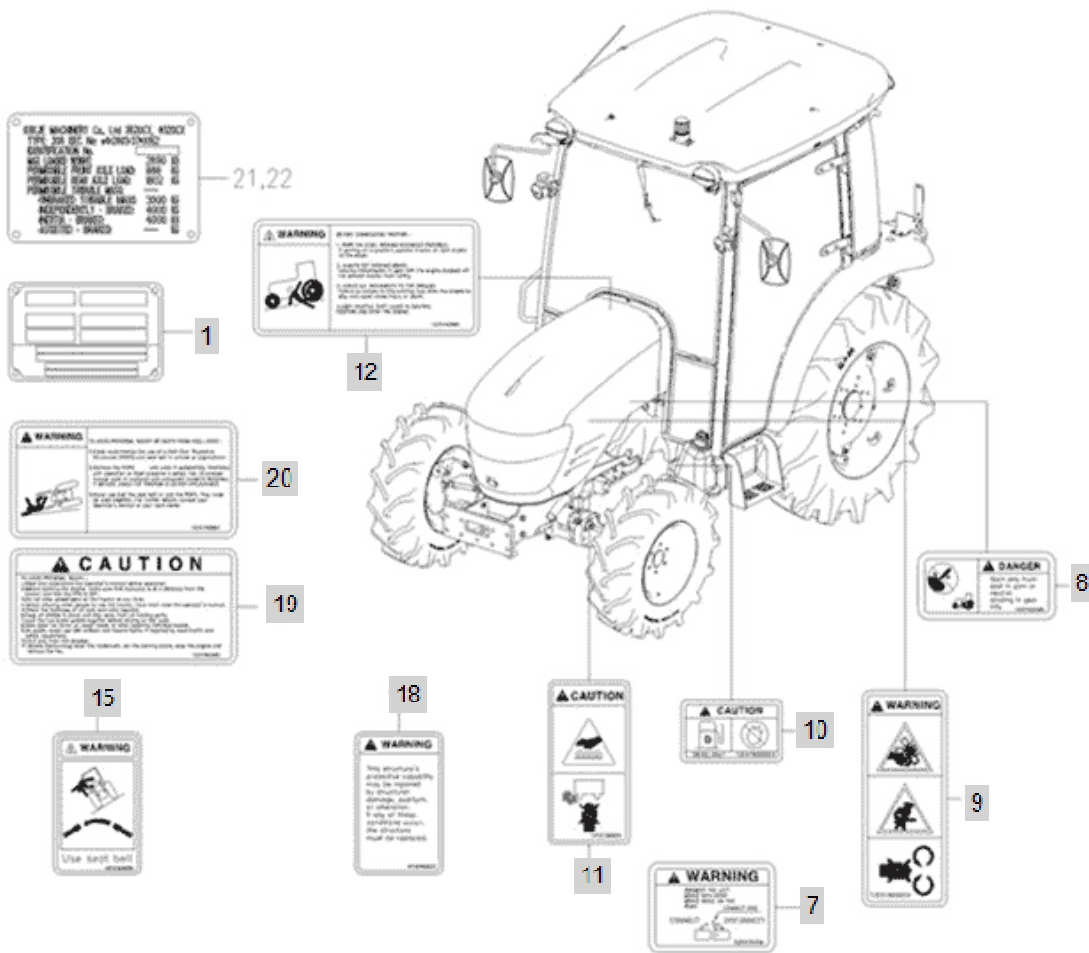
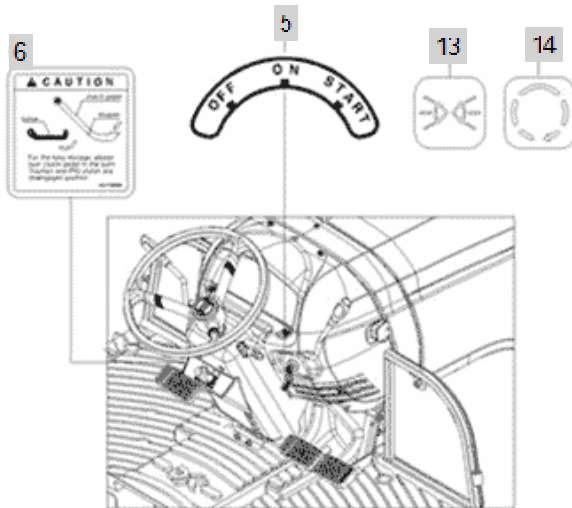




FIG C144-2

NAME PLATE

Year/Month

4225CH

2020/01

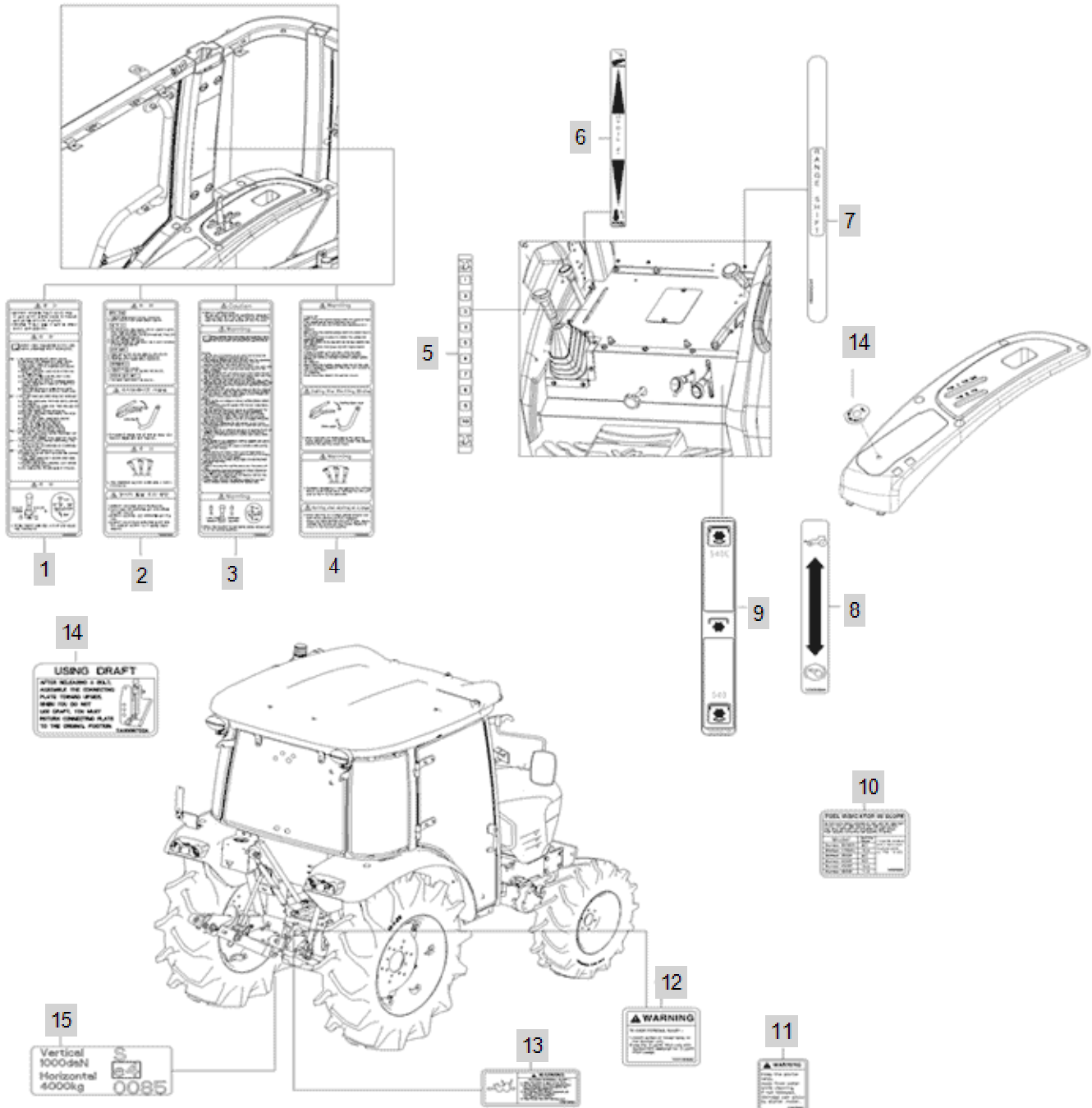






FIG C146

TOP LINK, LIFT LINK

Year/Month

4225CH

2020/01

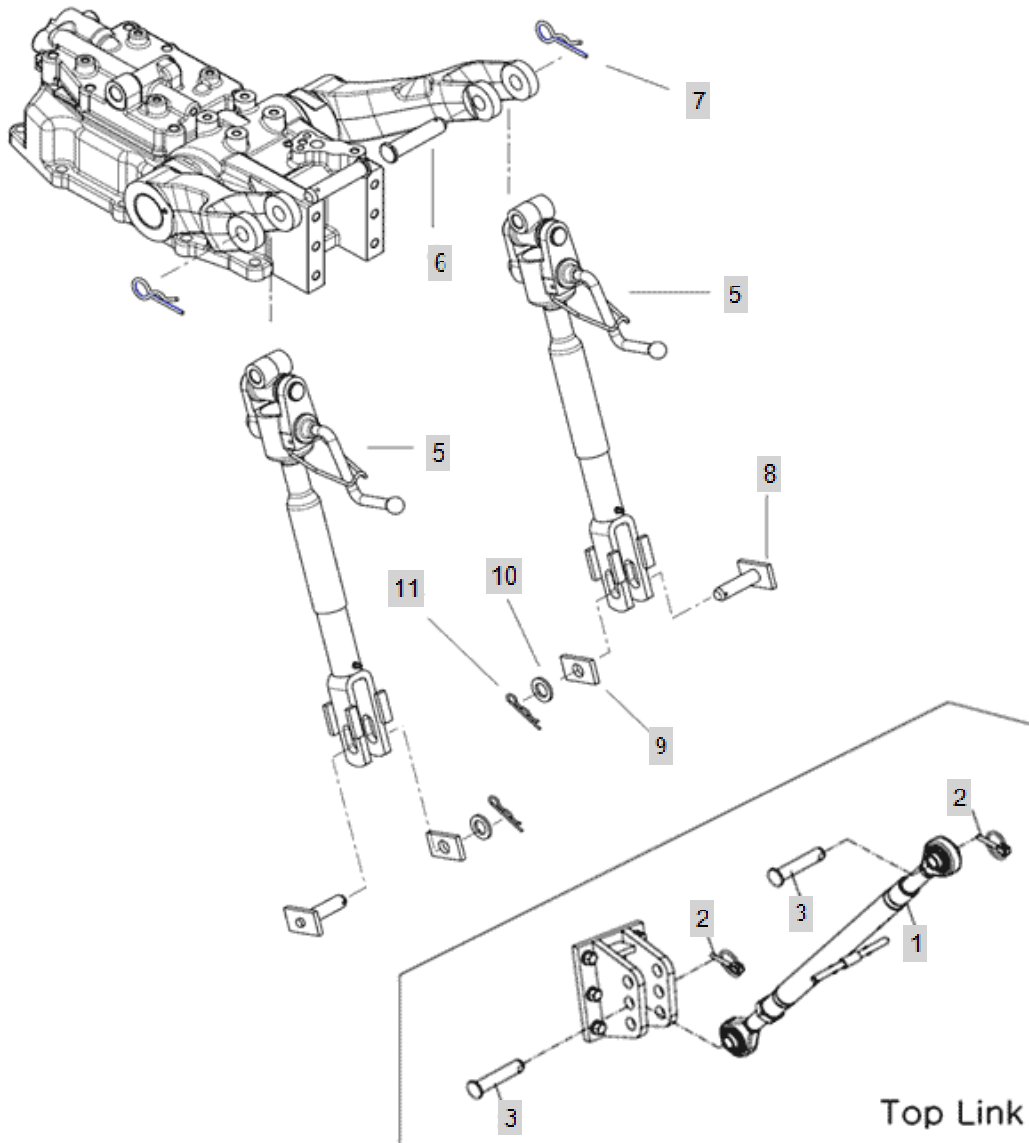
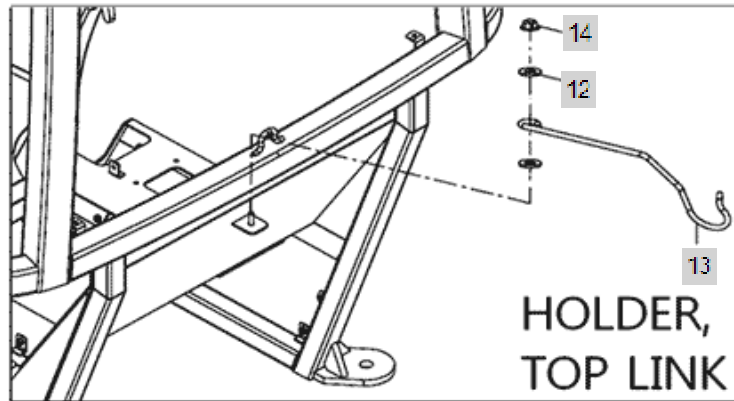




FIG C150-1

LOWER LINK

Year/Month

4225CH

2020/01

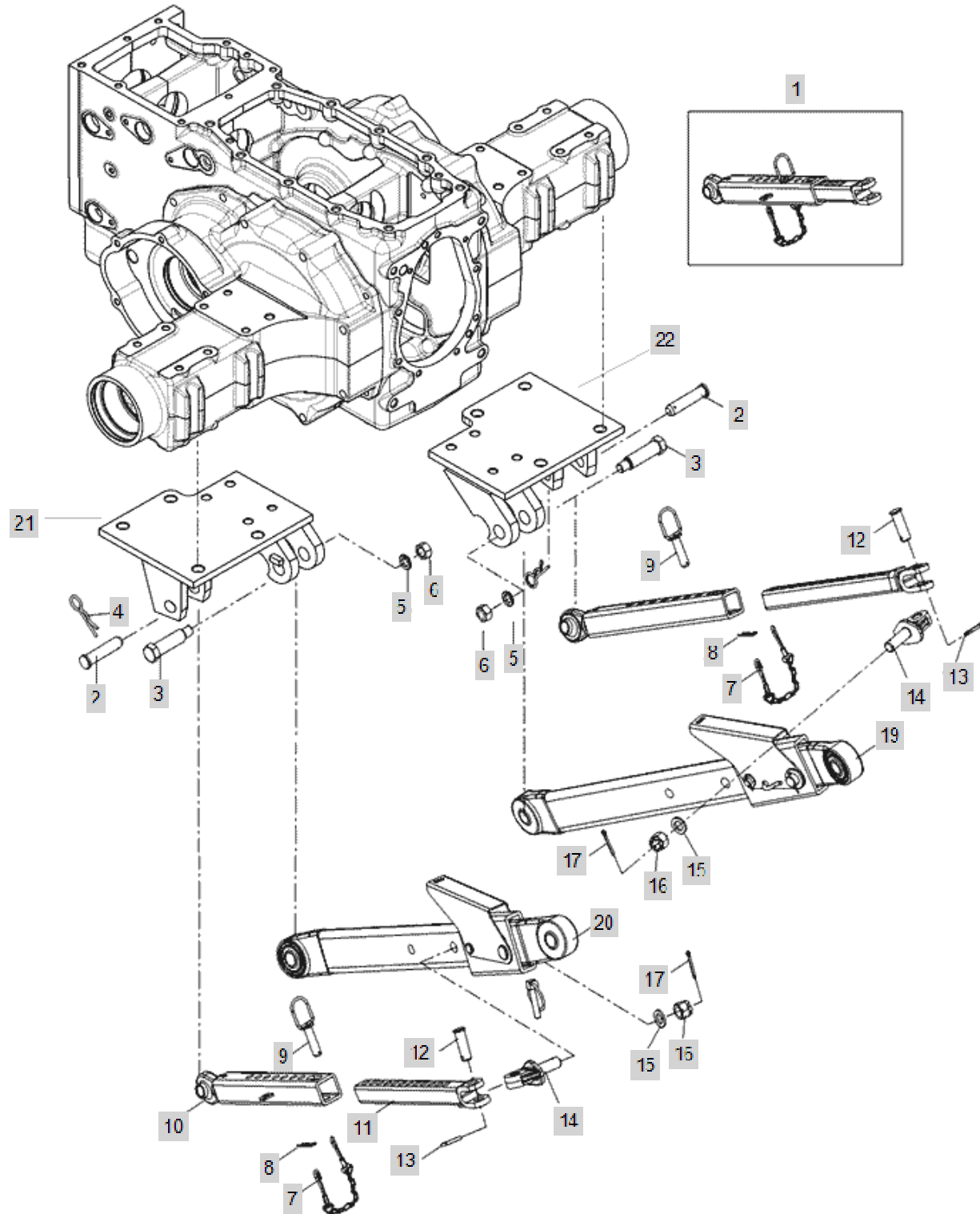








FIG C152

DRAWBAR HITCH

Year/Month

4225CH

2020/01

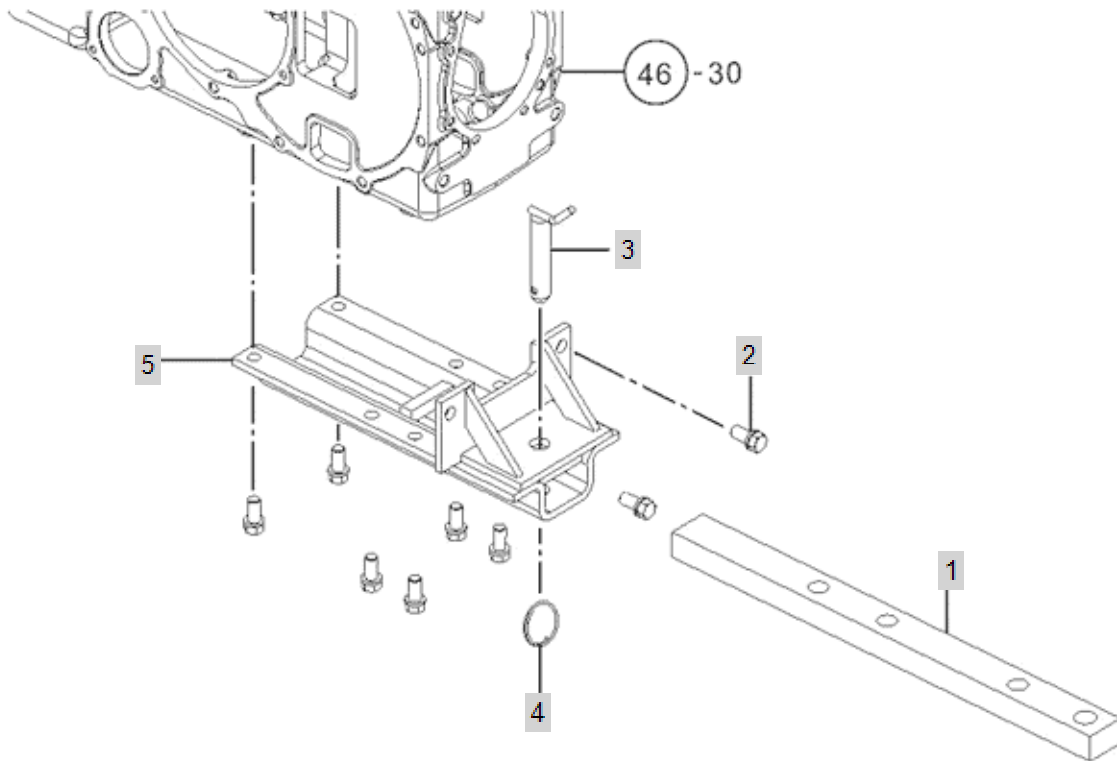






FIG C160

FRONT WEIGHT

Year/Month

4225CH

2020/01

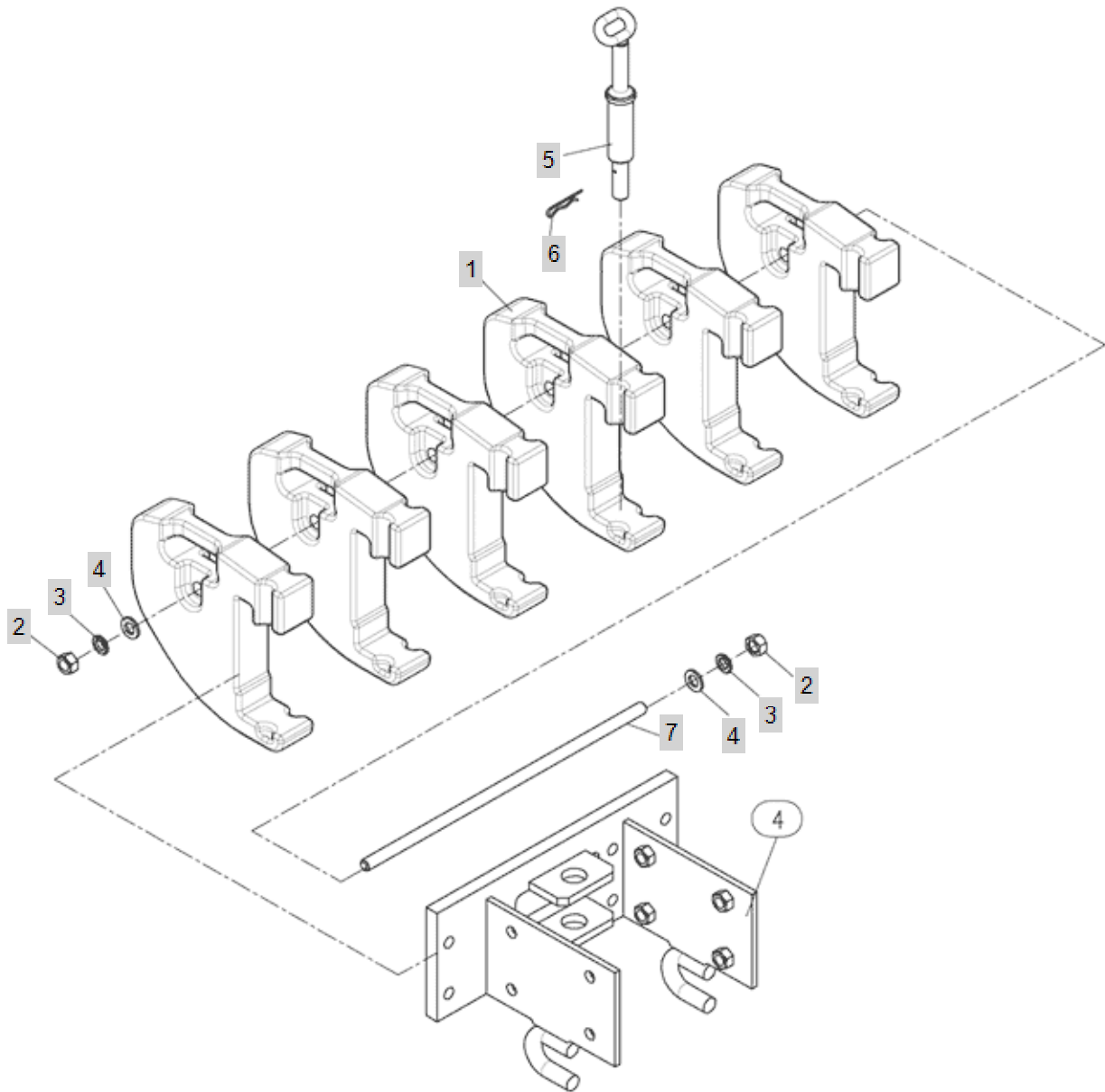




FIG C161-1

ENGINE SUB

Year/Month

4225CH

2020/01

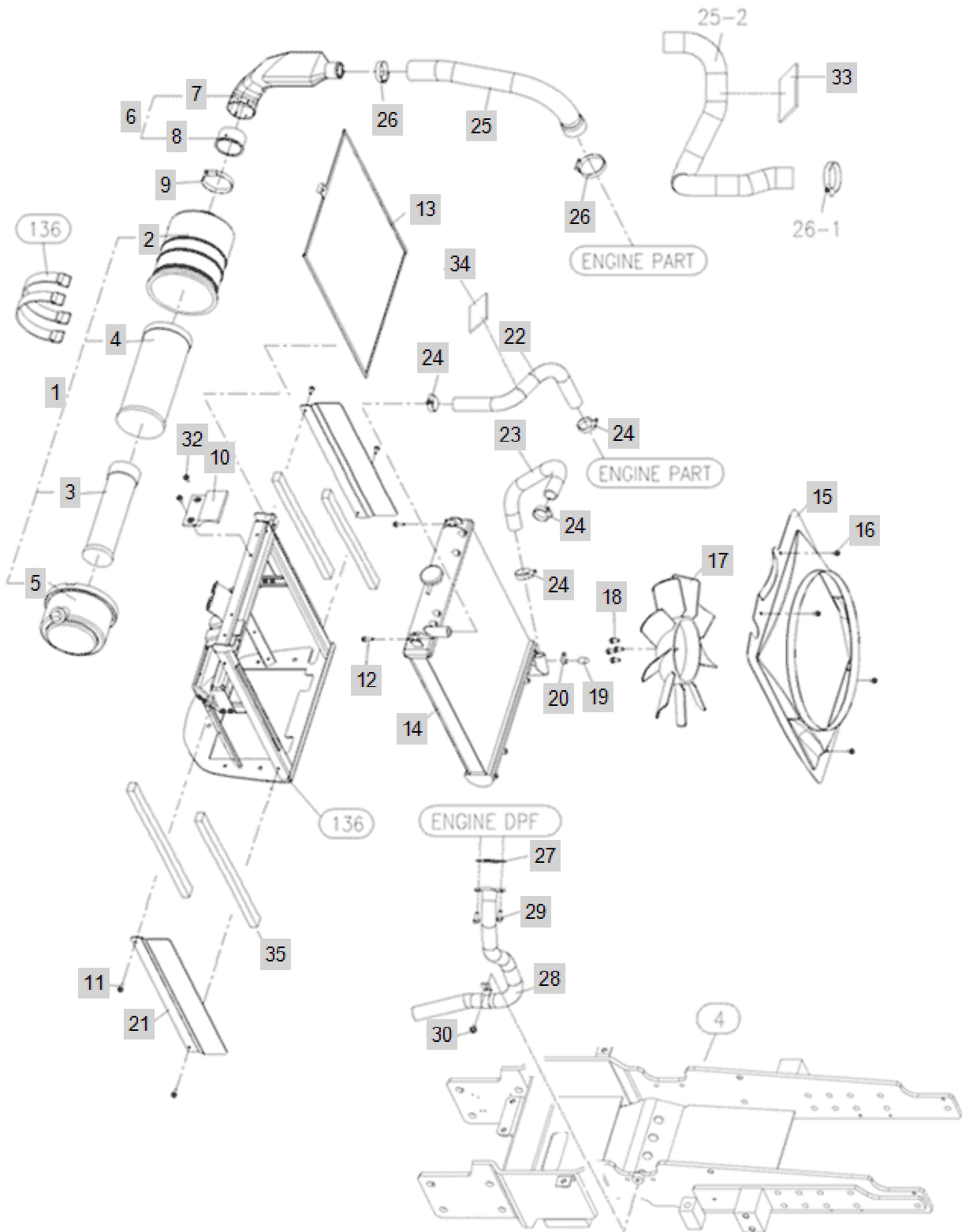




FIG C161-2

ENGINE SUB

Year/Month

4225CH

2020/01

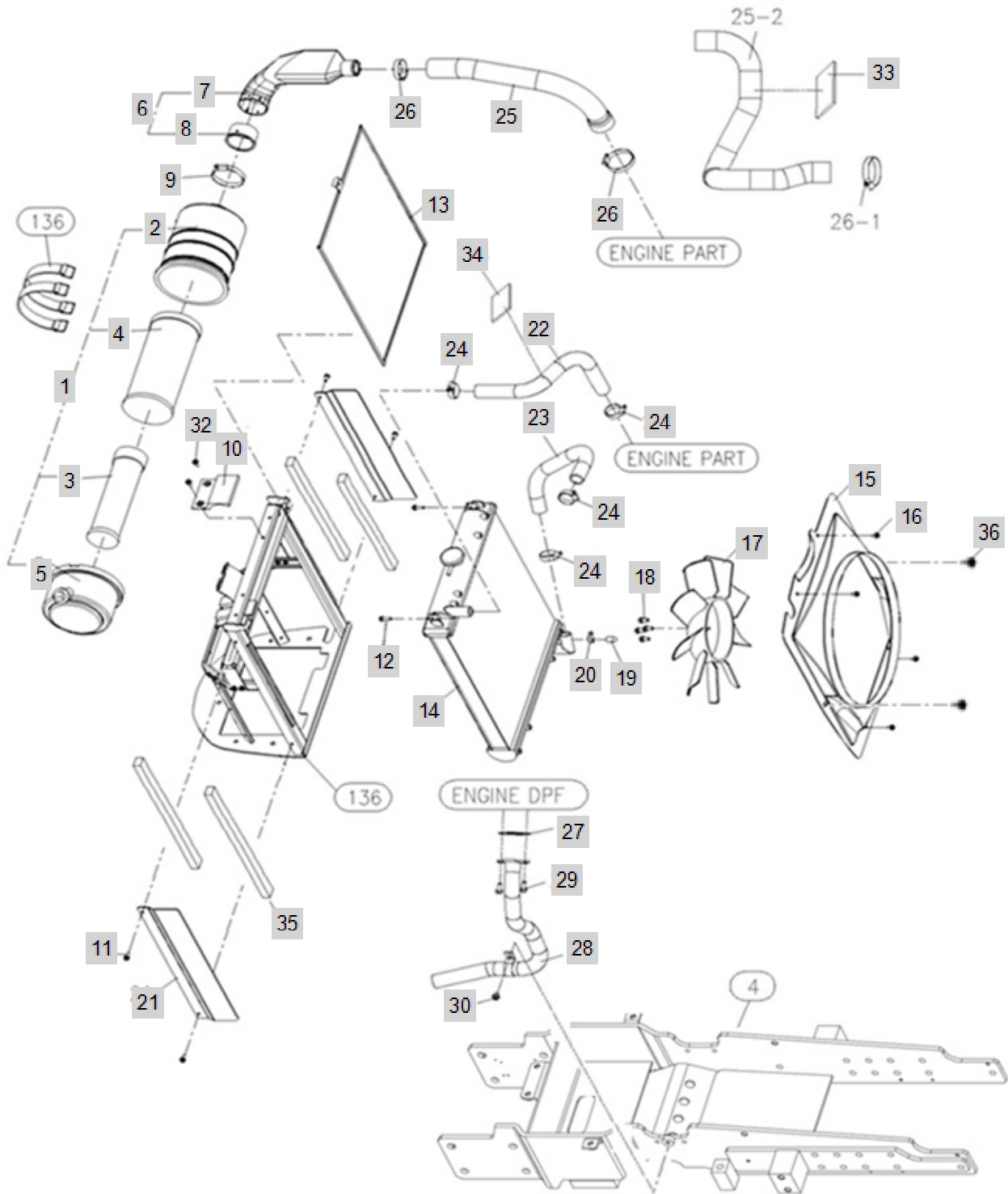




FIG C191-1

4PORT ASS'Y

Year/Month

4225CH

2020/01

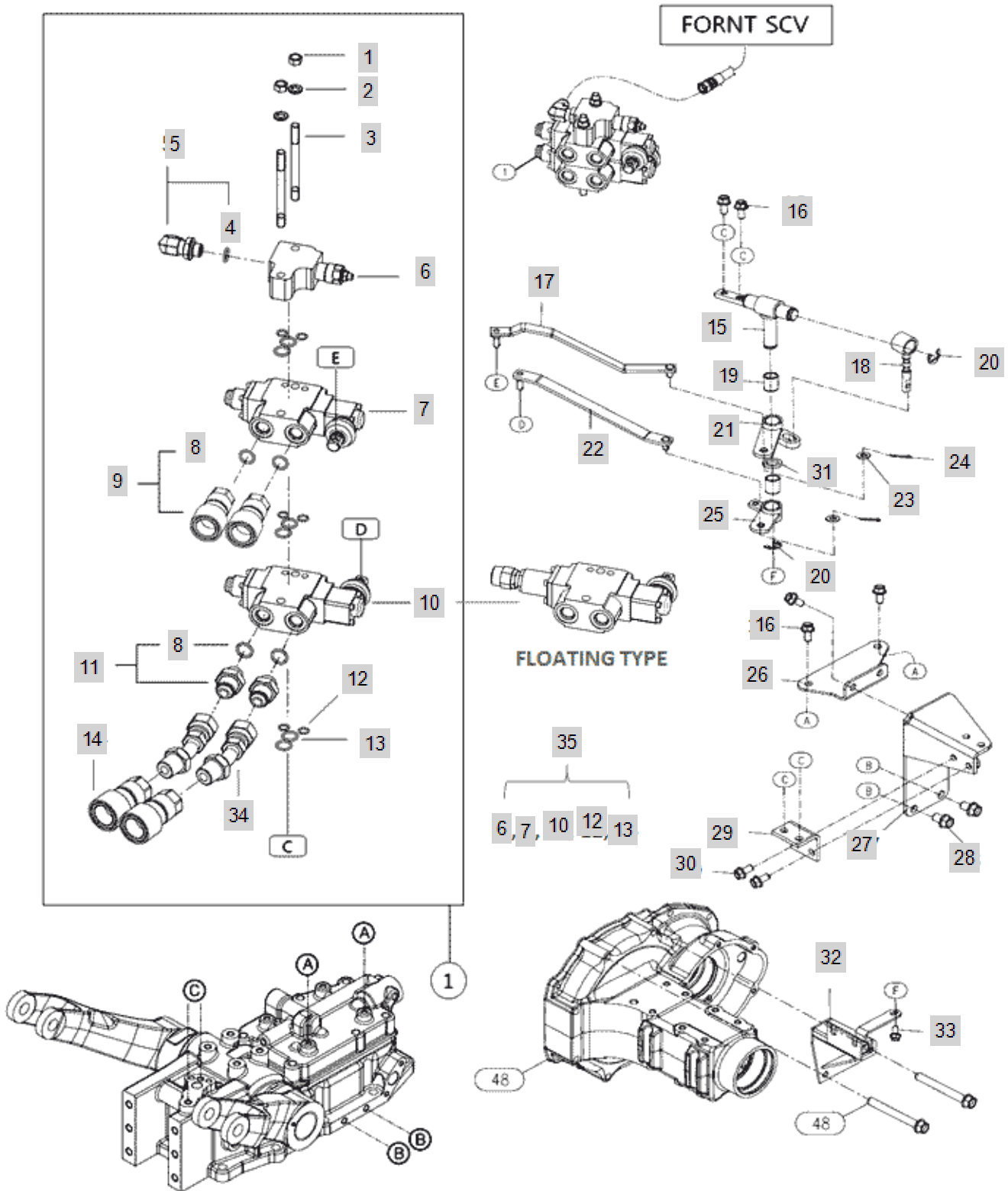






FIG C191-2

4PORT ASS'Y

Year/Month

4225CH

2020/01

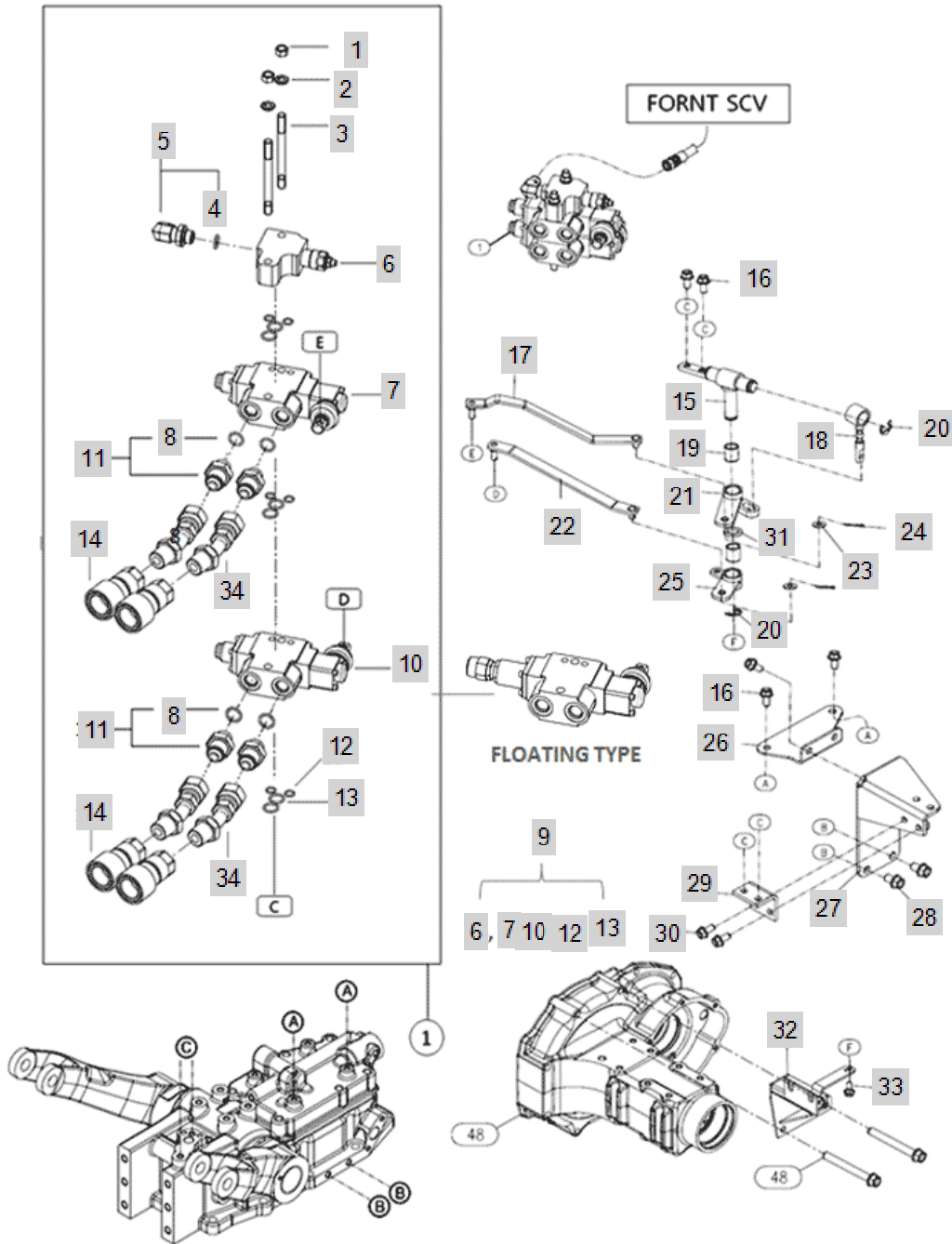




FIG C192

NUMBER PLATE

Year/Month

4225CH

2020/01

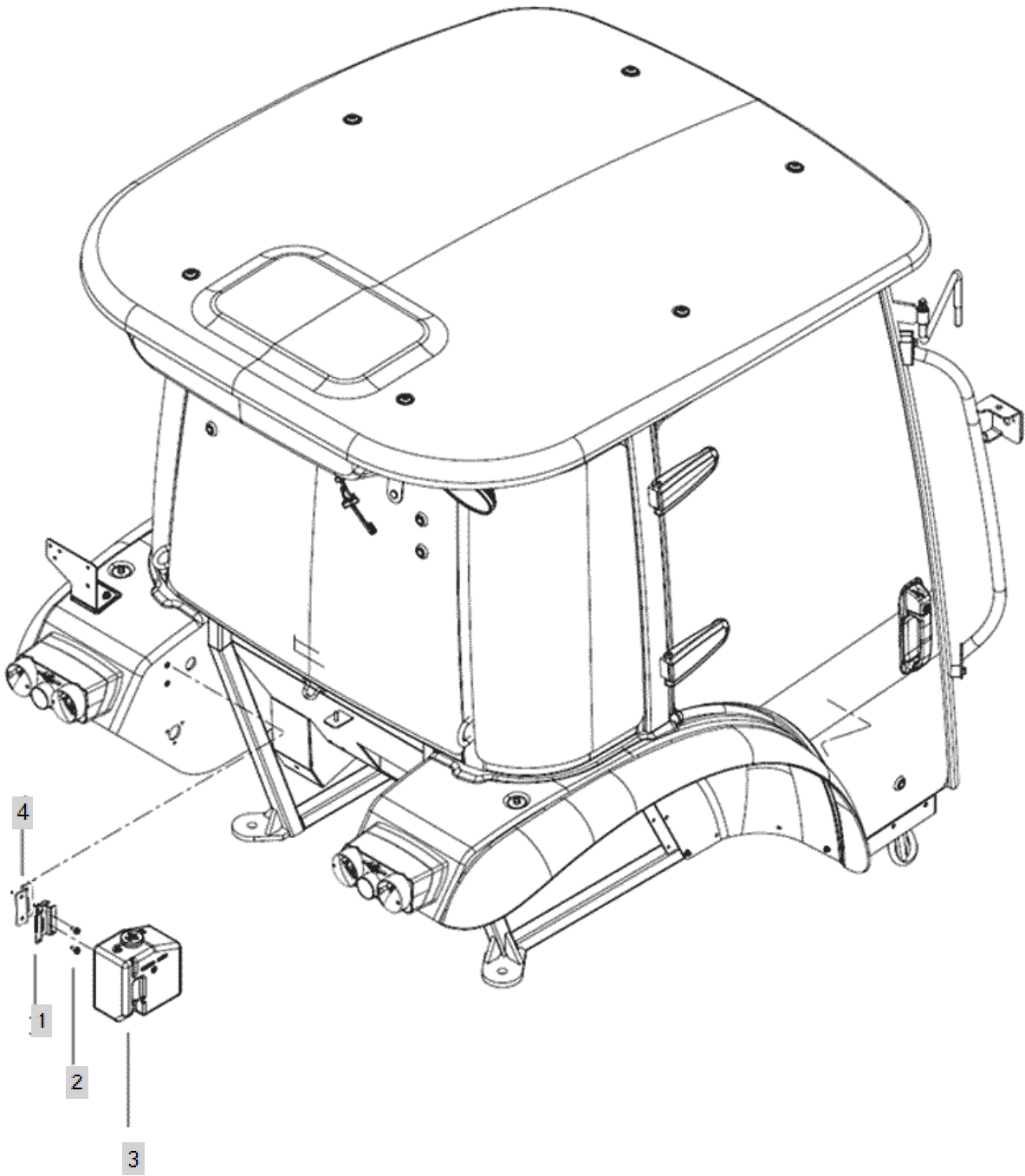




FIG C193

CABIN FREAM ASS'Y

Year/Month

4225CH

2020/01

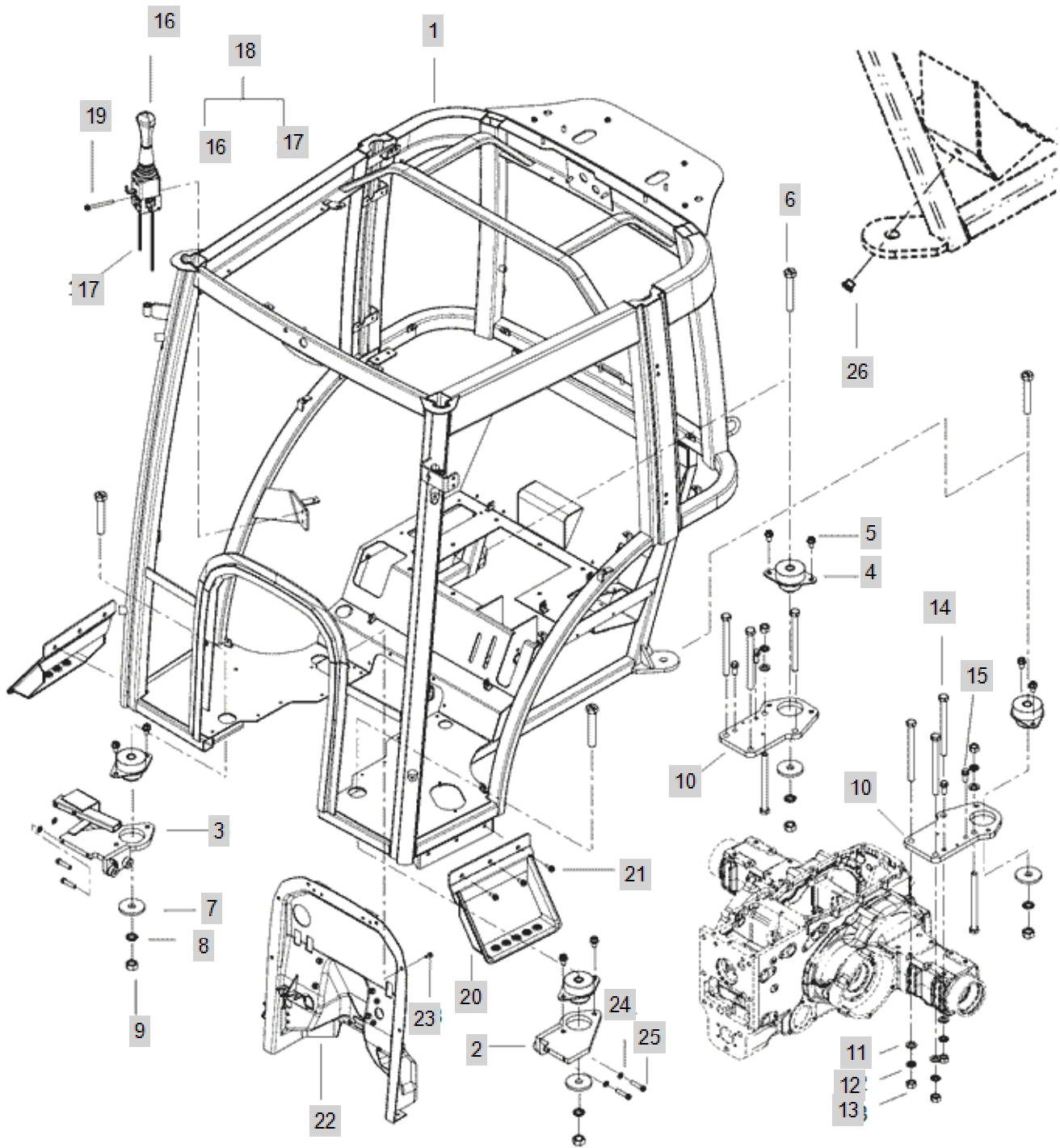




FIG C194-1

FENDER ASS'Y

Year/Month

4225CH

2020/01

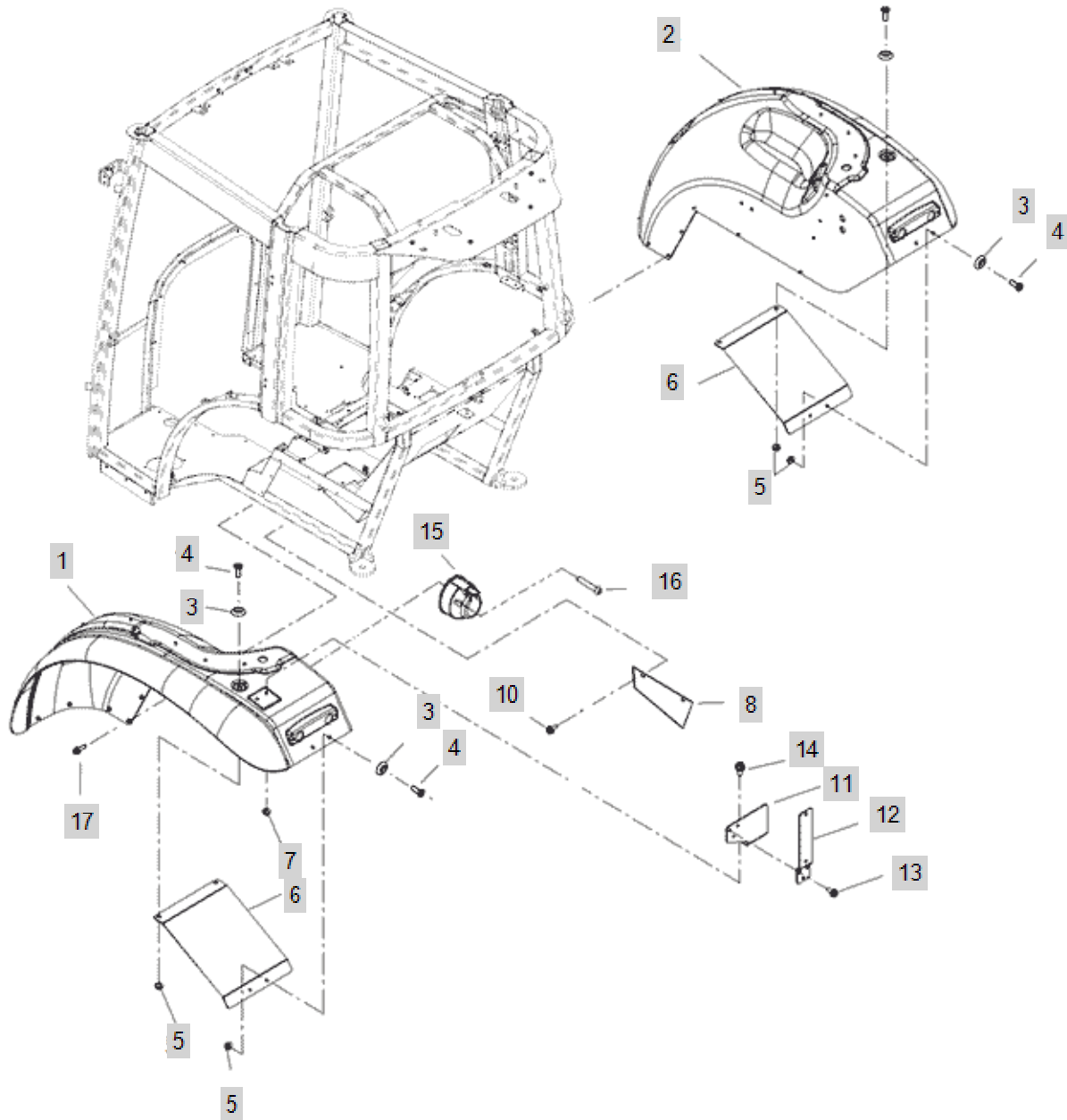






FIG C194-2

FENDER ASS'Y

Year/Month

4225CH

2020/01

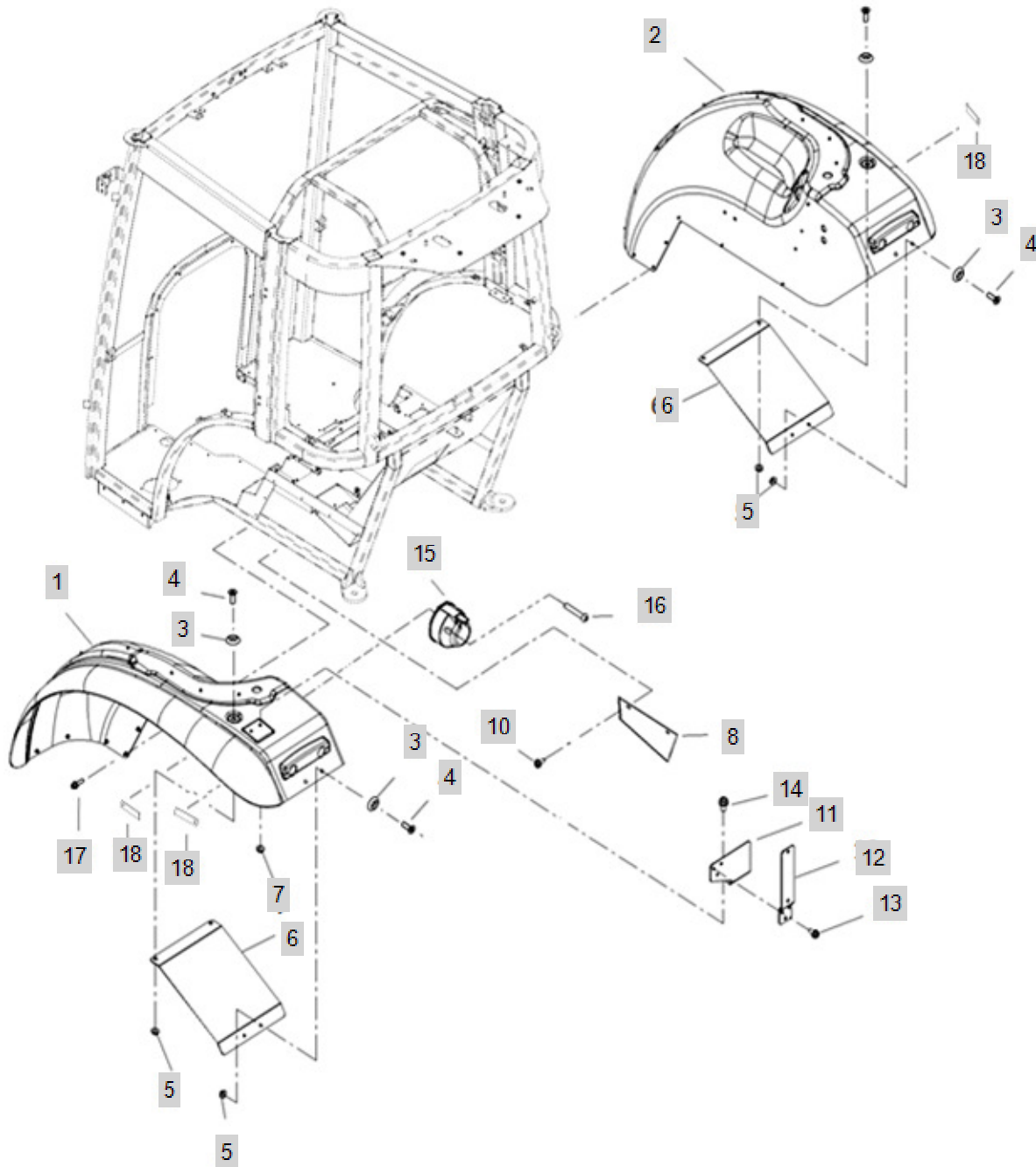




FIG C194-3

FENDER ASS'Y

Year/Month

4225CH

2020/01

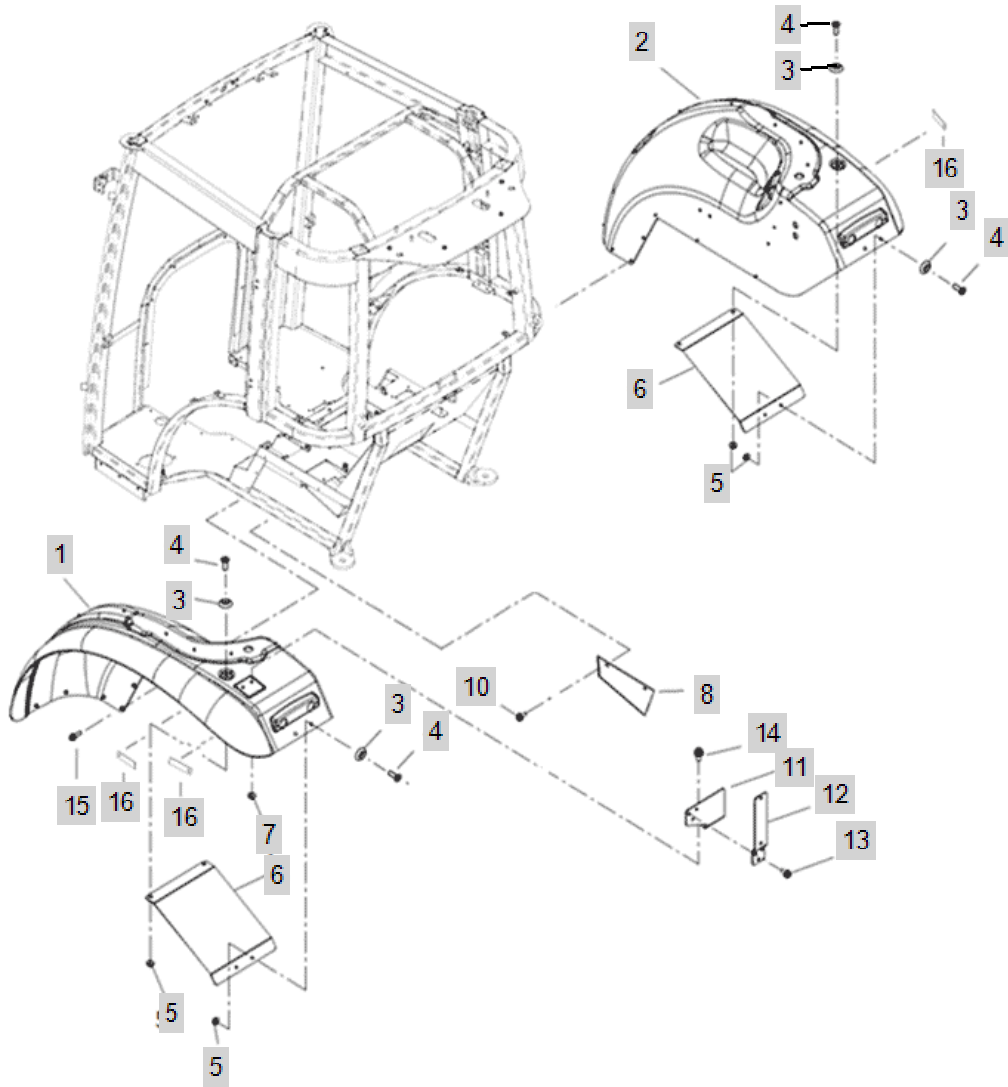




FIG C195

PILLAR COVER ASS'Y

Year/Month

4225CH

2020/01

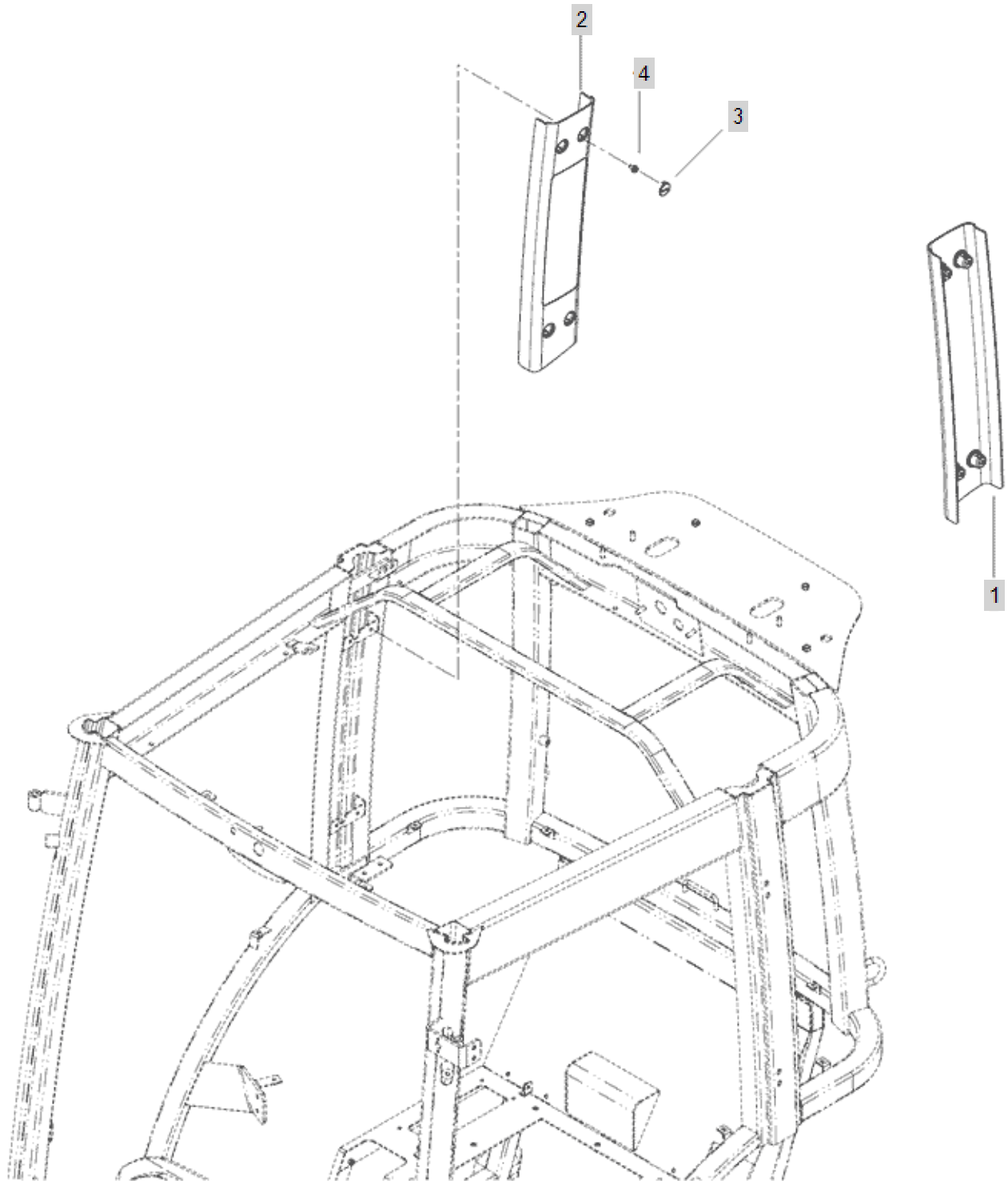




FIG C196-1

FRONT WINDOWS ASS'Y

Year/Month

4225CH

2020/01

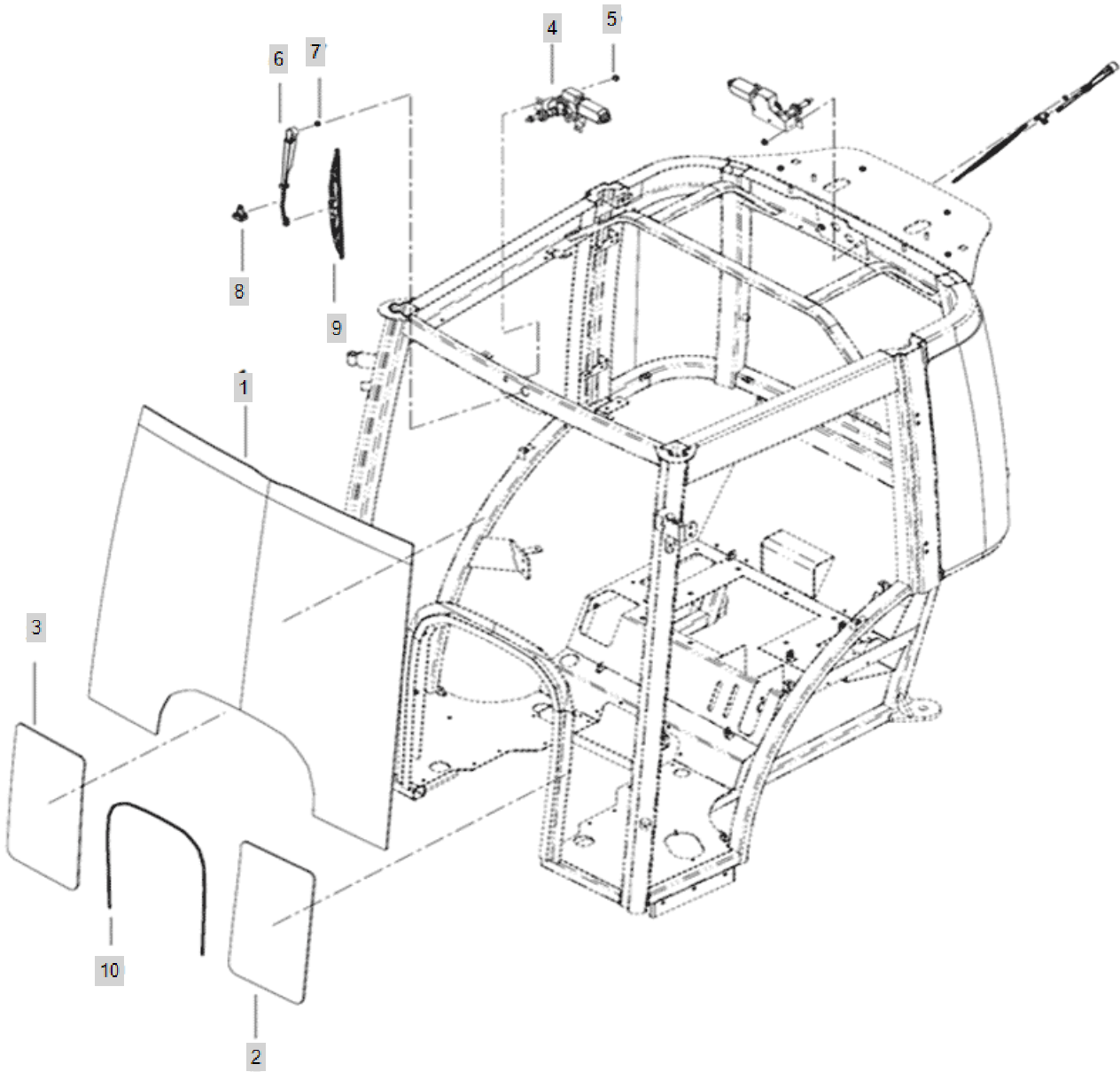






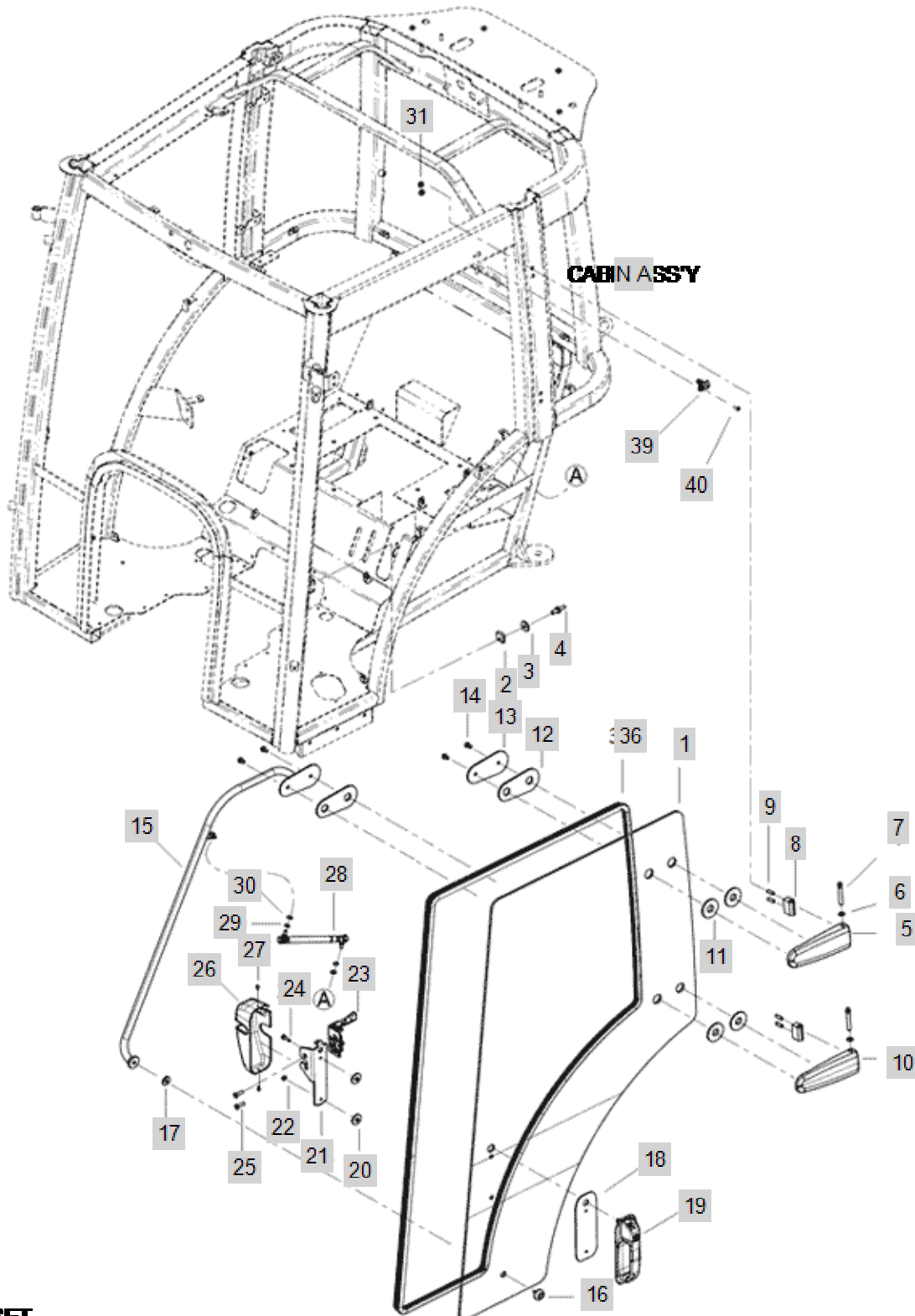
FIG C197

DOOR ASS'Y

Year/Month

4225CH

2020/01



**KEY SET**

FIG C197		DOOR ASS'Y			Year/Month
4225CH					2020/01
KeyNo.	Part Number	Part Name	Quantity	Other	
CABIN ASS'Y	TA00046884I	25CH ASS'Y	1		
1	TA00046117A	DOOR GLASS	1		
1	TA00046119A	DOOR GLASS	1		
2	TA00020155A	NUT	2		
3	TA00020156A	WASHER	2		
4	TA00020157A	BOLT	2		
5	TA00046256A	HINGE	2		
6	TA00046257A	BUSH	4		
7	TA00046258A	PIN	4		
8	TA00046263A	SUPPORT	4		
9	TA00046259A	BOLT	8		
10	TA00047044A	HINGE B	2		
11	TA00046260A	PACKING A, RUBBER	8		
12	TA00046261A	PACKING B, RUBBER	4		
13	TA00046262A	PLATE	2		
14	26022-080162	SCREW AND WASHER ASSEMBLY	8		
15	TA00046120A	INNER DOOR HANDLE (LH)	1		
15	TA00046129A	INNER DOOR HANDLE (RH)	1		
16	TA00020714A	CUSHION BOLT -> THA4903000A9	2		
17	THA4904000A9	PACKING 1	2		
18	TA00044197A	HANDLE PACKING	2		
19	TA00044198A	HANDLE	2		
20	TA00029055A	PACKING A	2		
21	TA00046820A	BRACKET L	1		
21	TA00046821A	BRACKET R	1		
22	26367-060002	Nut, Hexa (Φ6)	2		
23	TA00044195A	DOOR LATCH(L)	1		
23	TA00044196A	DOOR LATCH(R)	1		
24	26106-060252	Screw, (6-25)	2		
25	26577-080302	(+)SCREW	4		
26	TA00046854A	COVER L	1		
26	TA00046855A	COVER R	1		
27	26023-040122	SCREW 4X12	4		
28	TA00026423A	GAS SPRING(DOOR)	2		
29	22217-080000	WASHER, SPRING (Φ 08)	4		
30	22127-080000	WASHER, PLAIN (D80)	4		
31	26367-080002	HEX FLANGE NUT (Φ8)	8		
32	TA00046254A	HINGE ASSY, DOOR	1		
33	TA00046289A	ASS'Y, HINGE	1		
34	TA00046290A	ASS'Y, HINGE	1		
35	TA00046255A	HINGE ASSY, DOOR	1		
36	TA00046643A	DOOR PACKING	2		
37	TA00046116A	DOOR ASS'Y	1		
38	TA00046118A	DOOR ASS'Y	1		
39	HA00001249A	DOOR SWITCH	2		



FIG C198

REAR WINDOWS ASS'Y

Year/Month

4225CH

2020/01

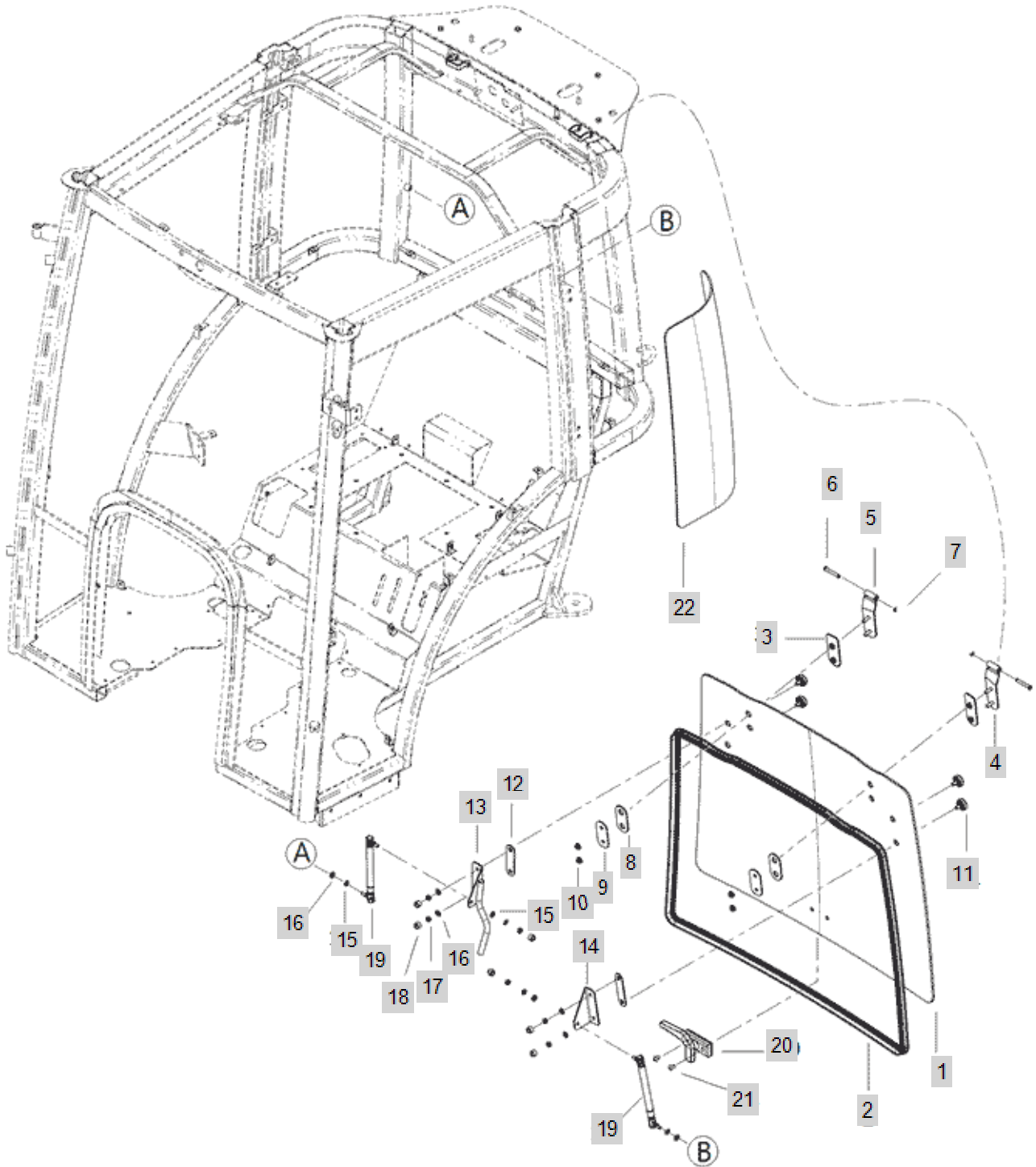




FIG C199

SIDE MIRROR ASS'Y

Year/Month

4225CH

2020/01

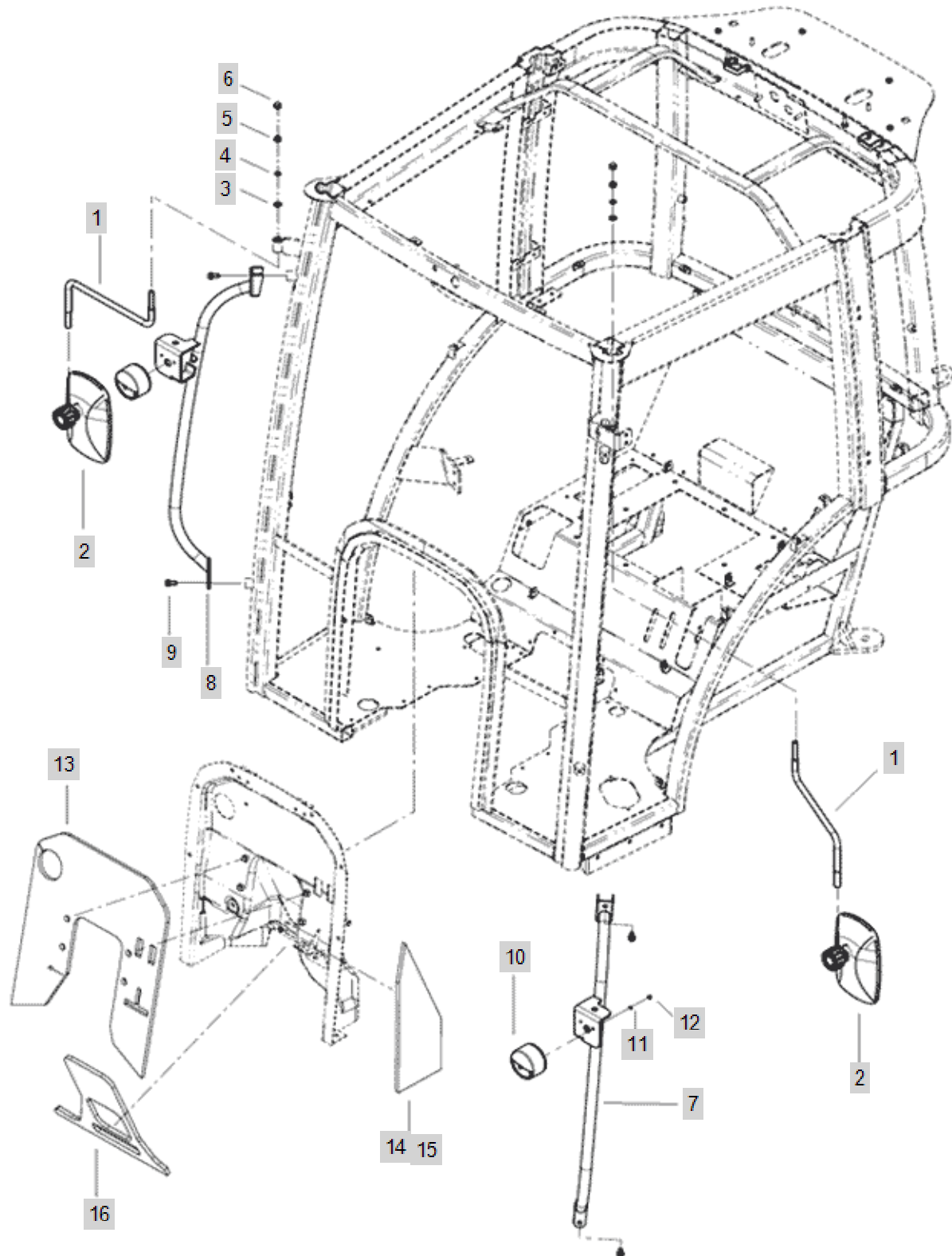






FIG C200

ROOF ASS'Y

Year/Month

4225CH

2020/01

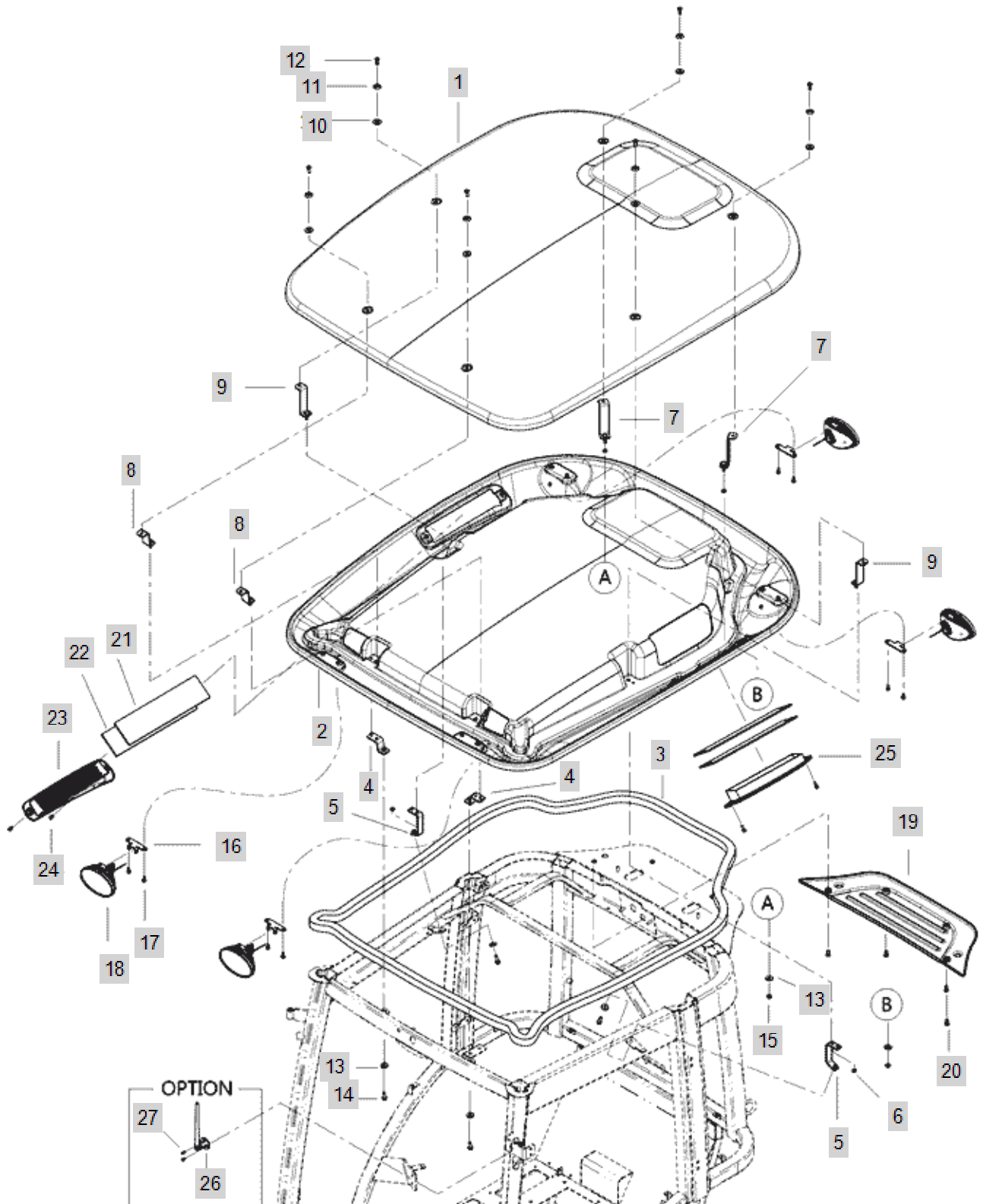




FIG C201-1

CEILING ASS'Y

Year/Month

4225CH

2020/01

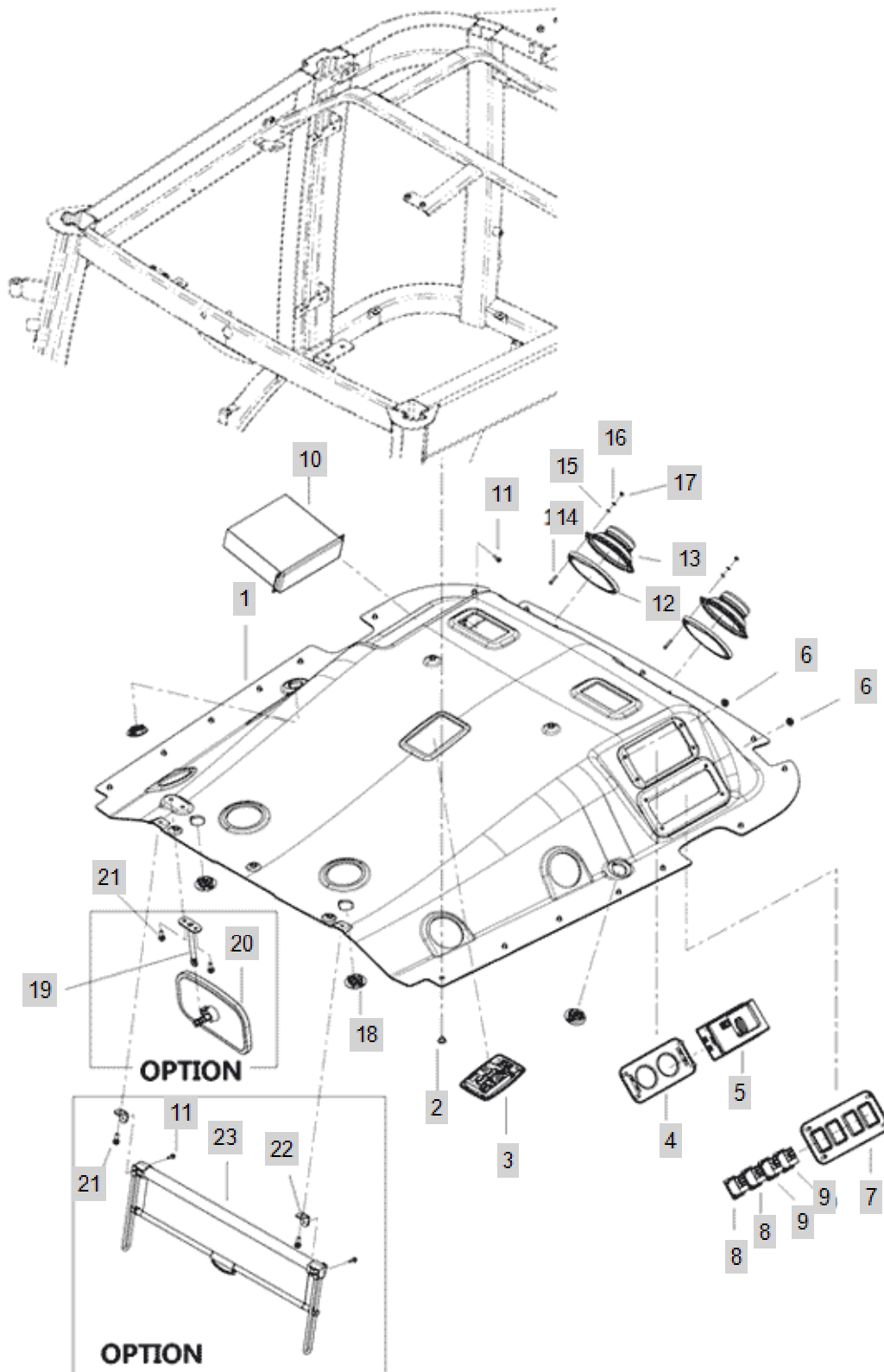




FIG C201-2

CEILING ASS'Y

Year/Month

4225CH

2020/01

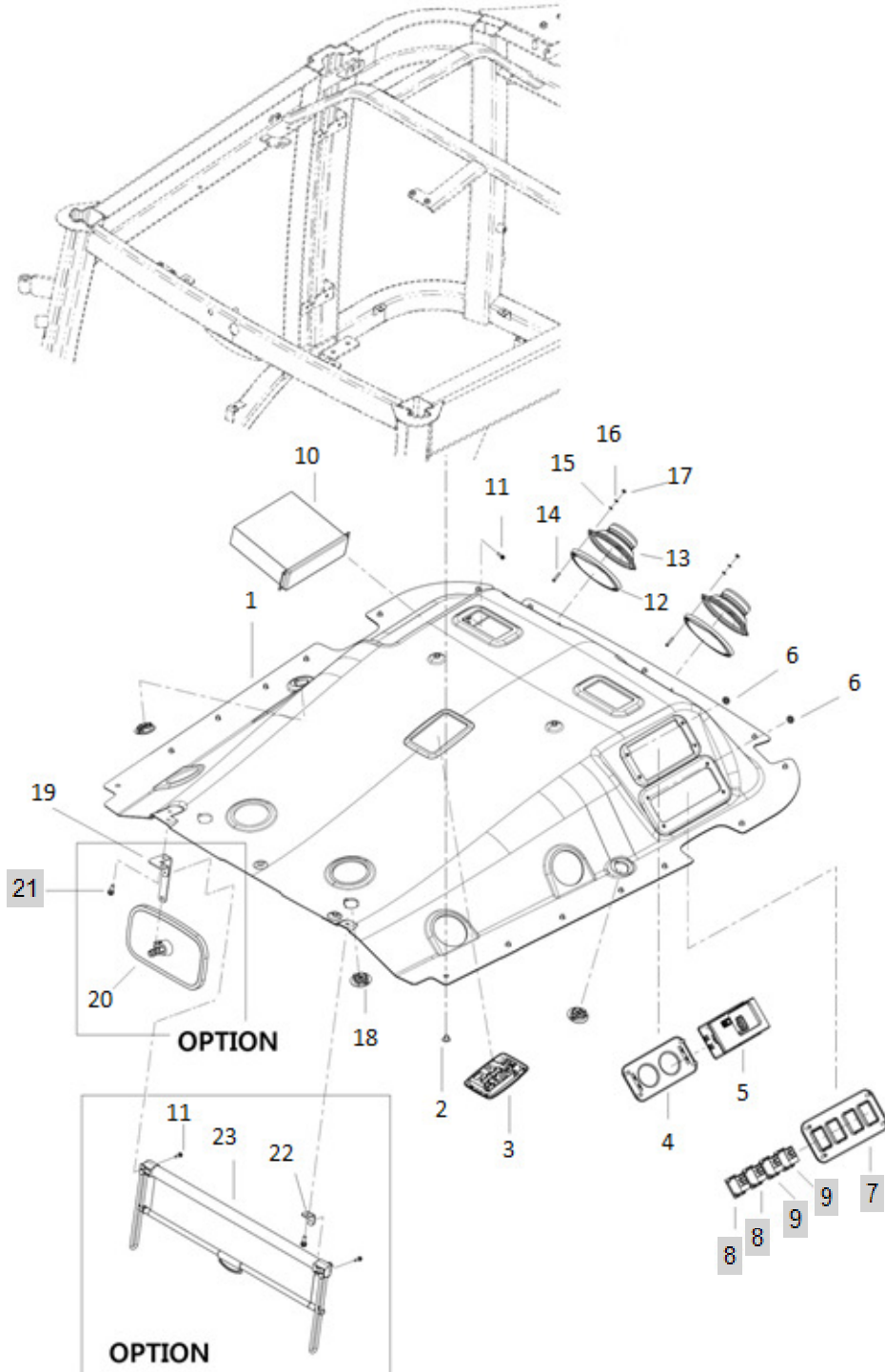




FIG C202

A/C DUCT ASS'Y

Year/Month

4225CH

2020/01

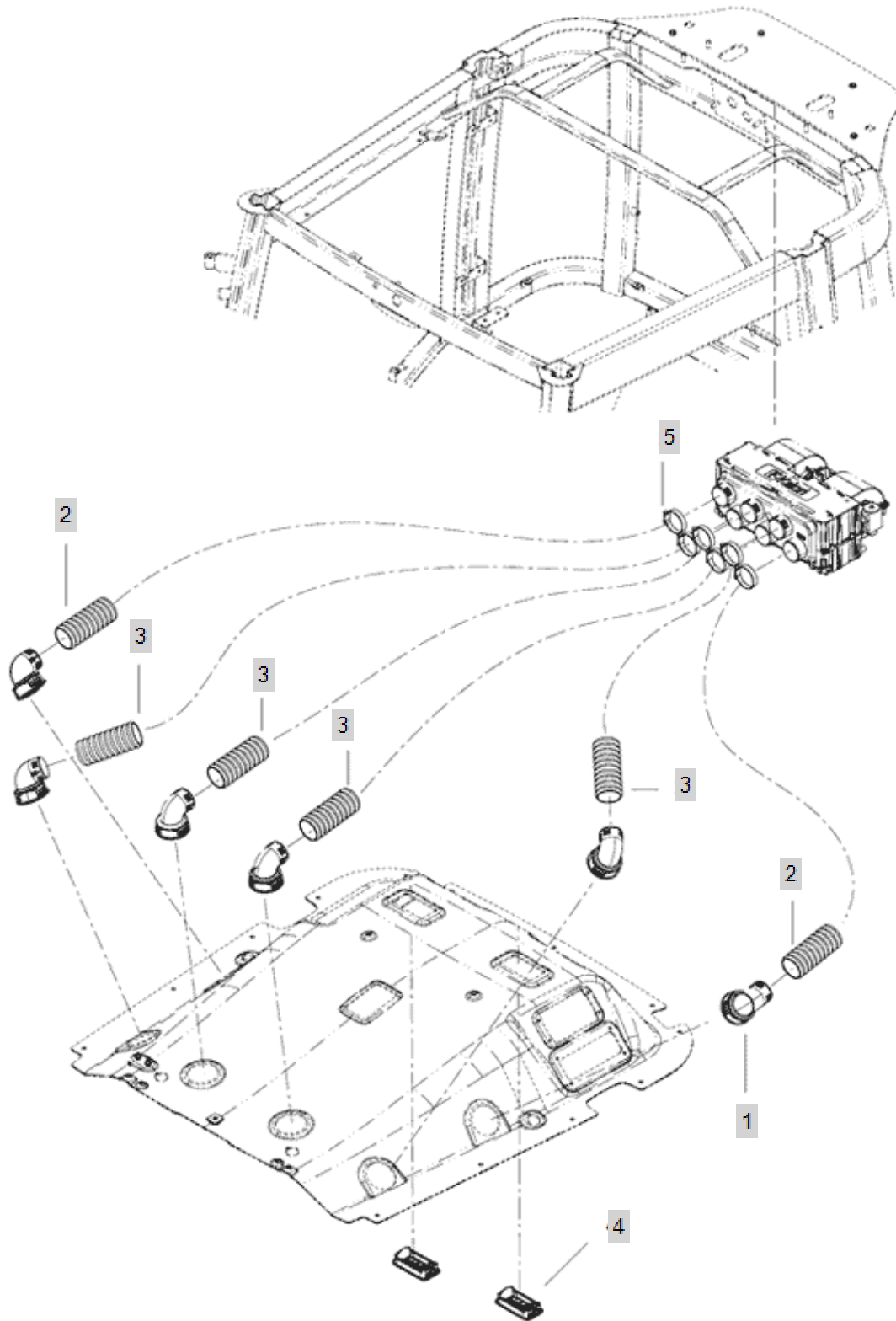






FIG C203-1

A/C ASS'Y ,CABIN

Year/Month

4225CH

2020/01

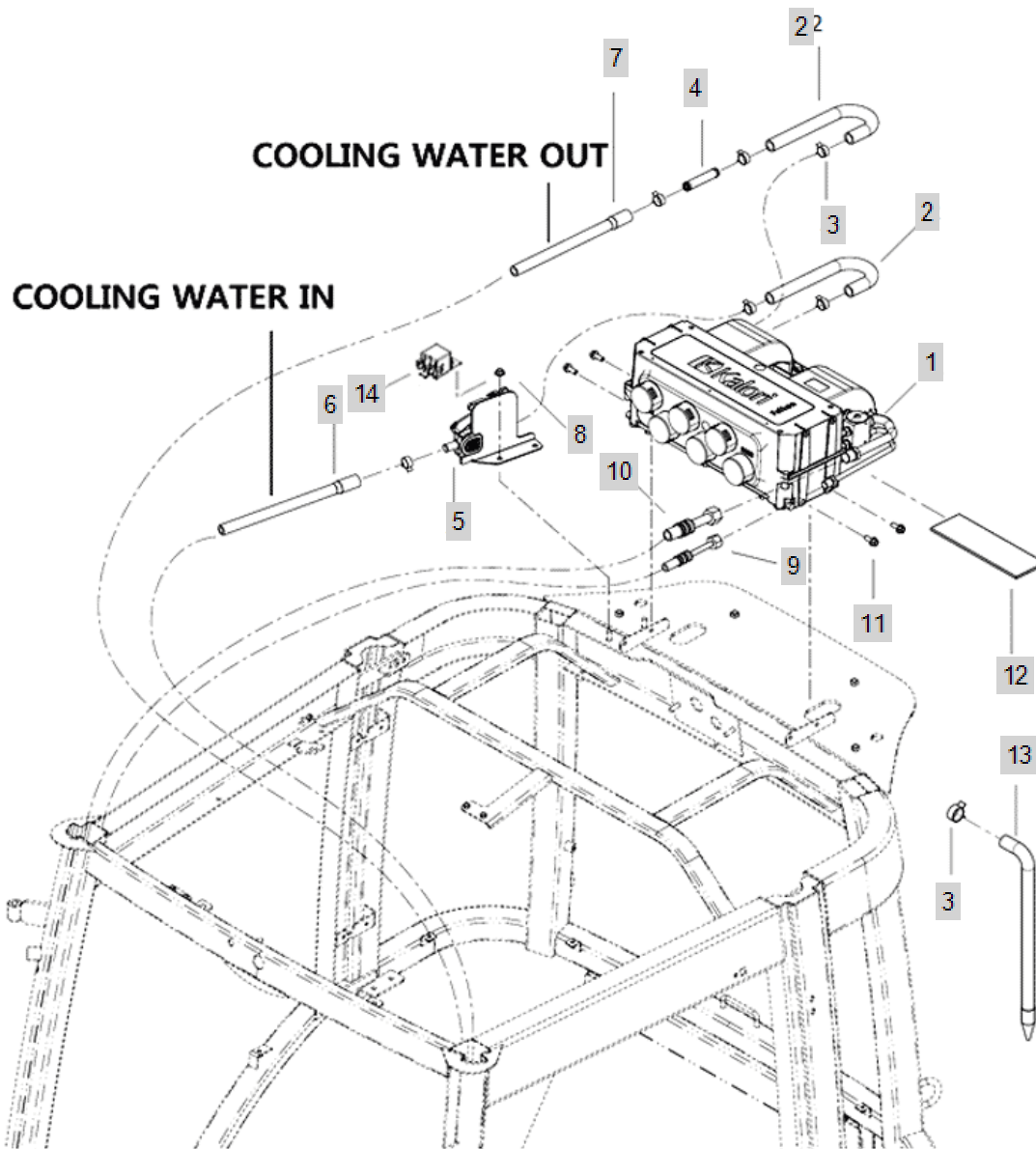




FIG C203-2

A/C ASS'Y ,CABIN(2019.03~)

Year/Month

4225CH

2020/01

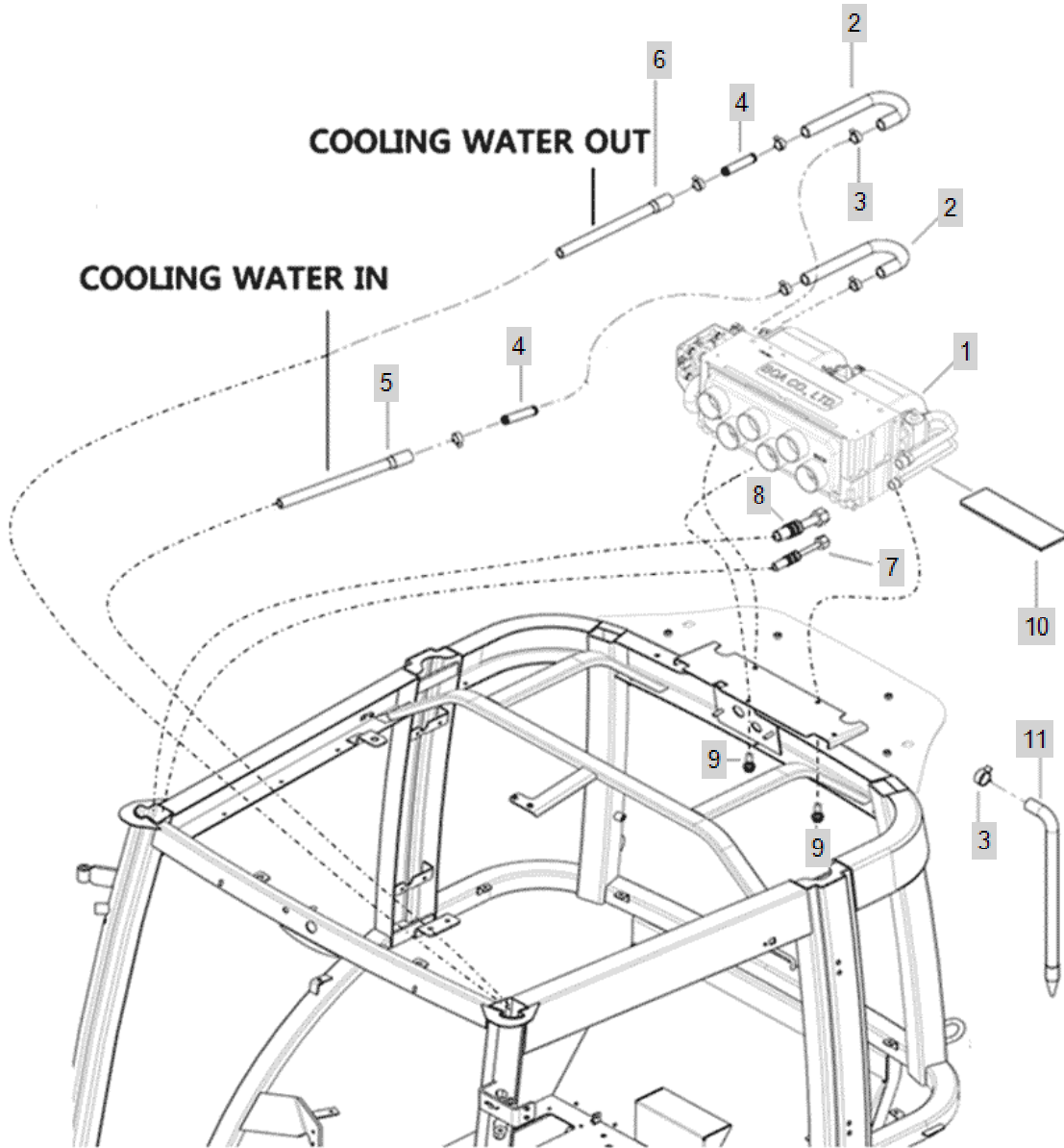




FIG C204-1

A/C ASSEMBLY

Year/Month

4225CH

2020/01

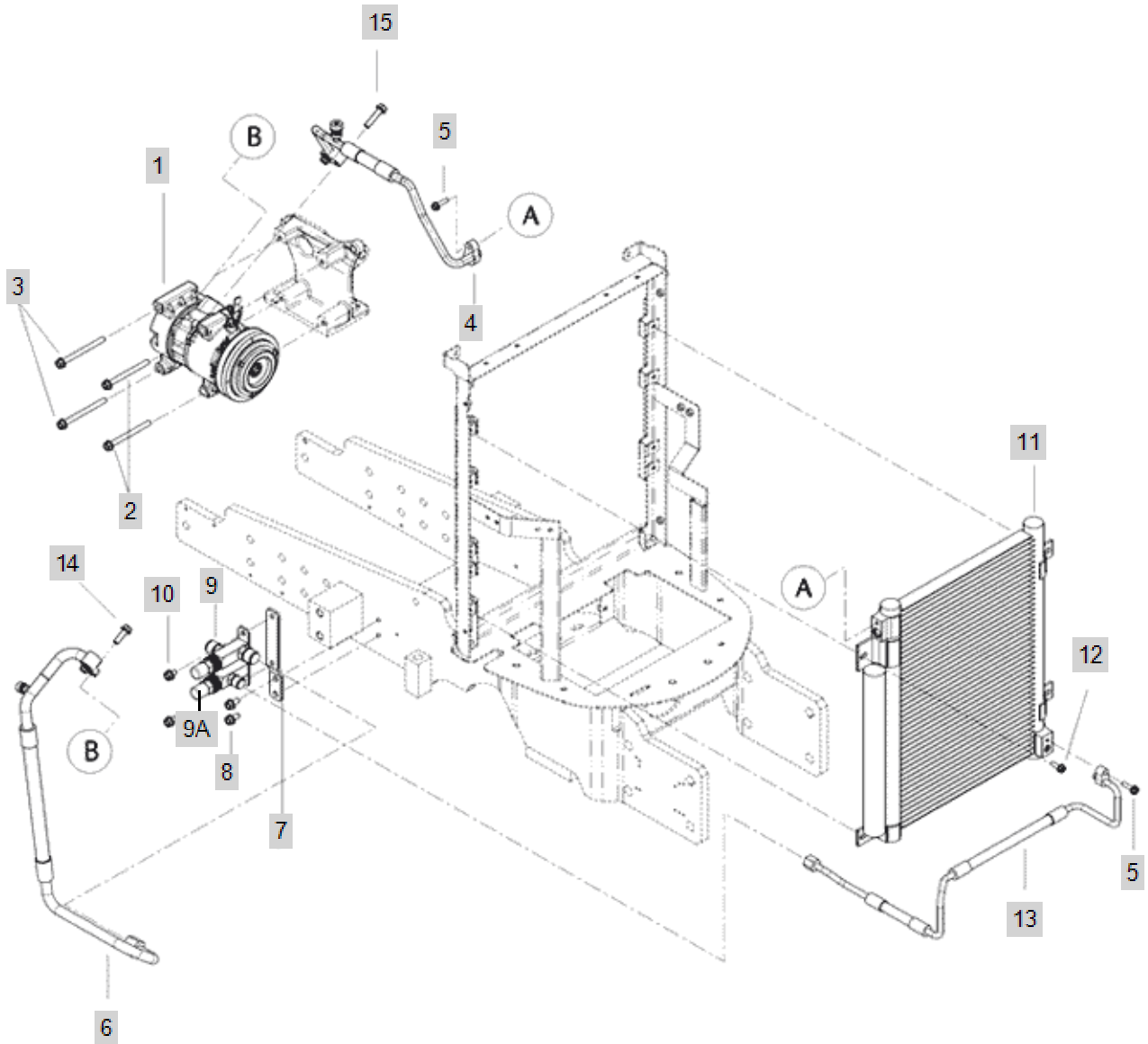




FIG C204-2

AIR CONDITIONER ASSEMBLY(2017.10.20)

Year/Month

4225CH

2020/01

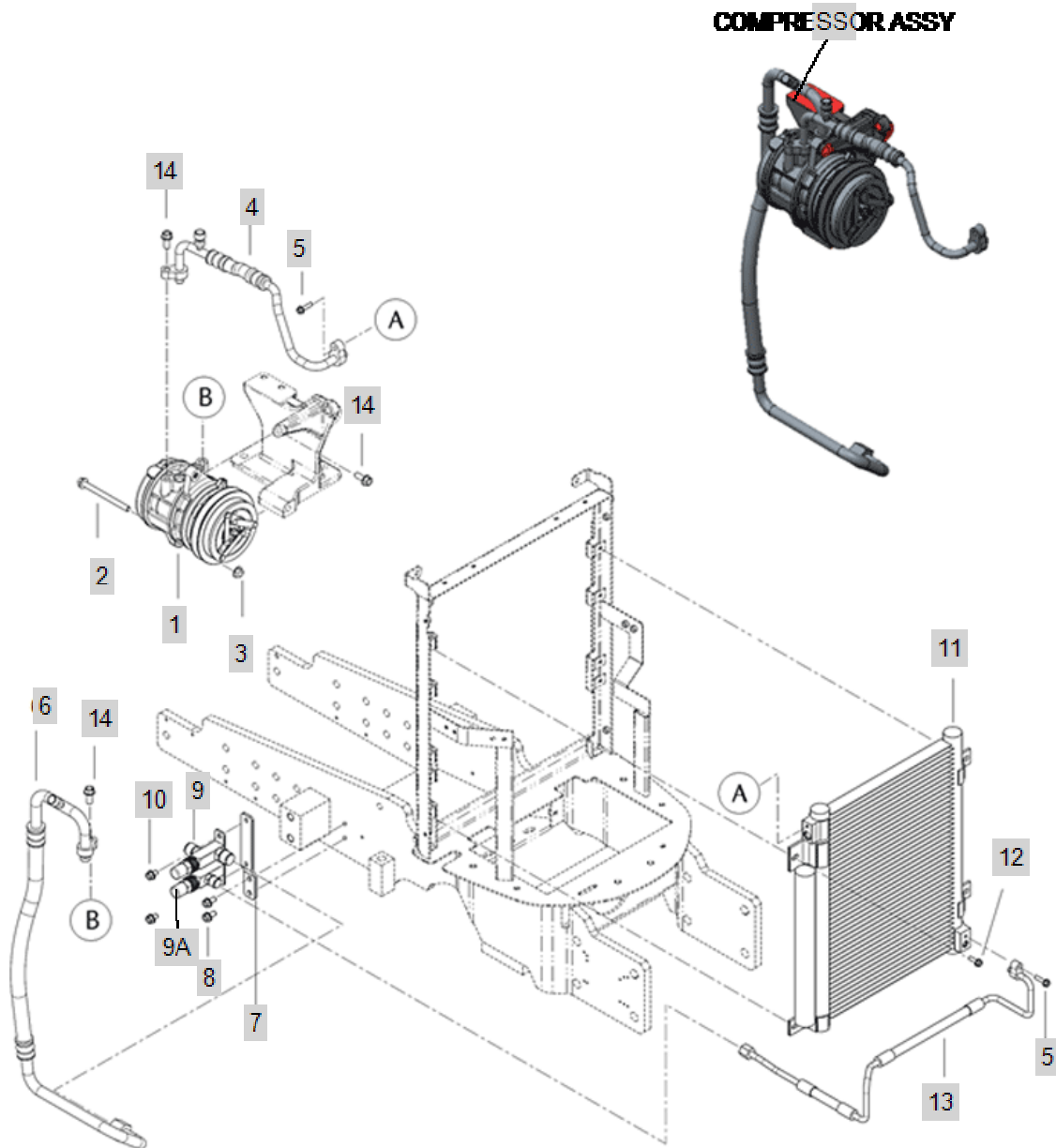






FIG C205

COMPRESSOR

Year/Month

4225CH

2020/01

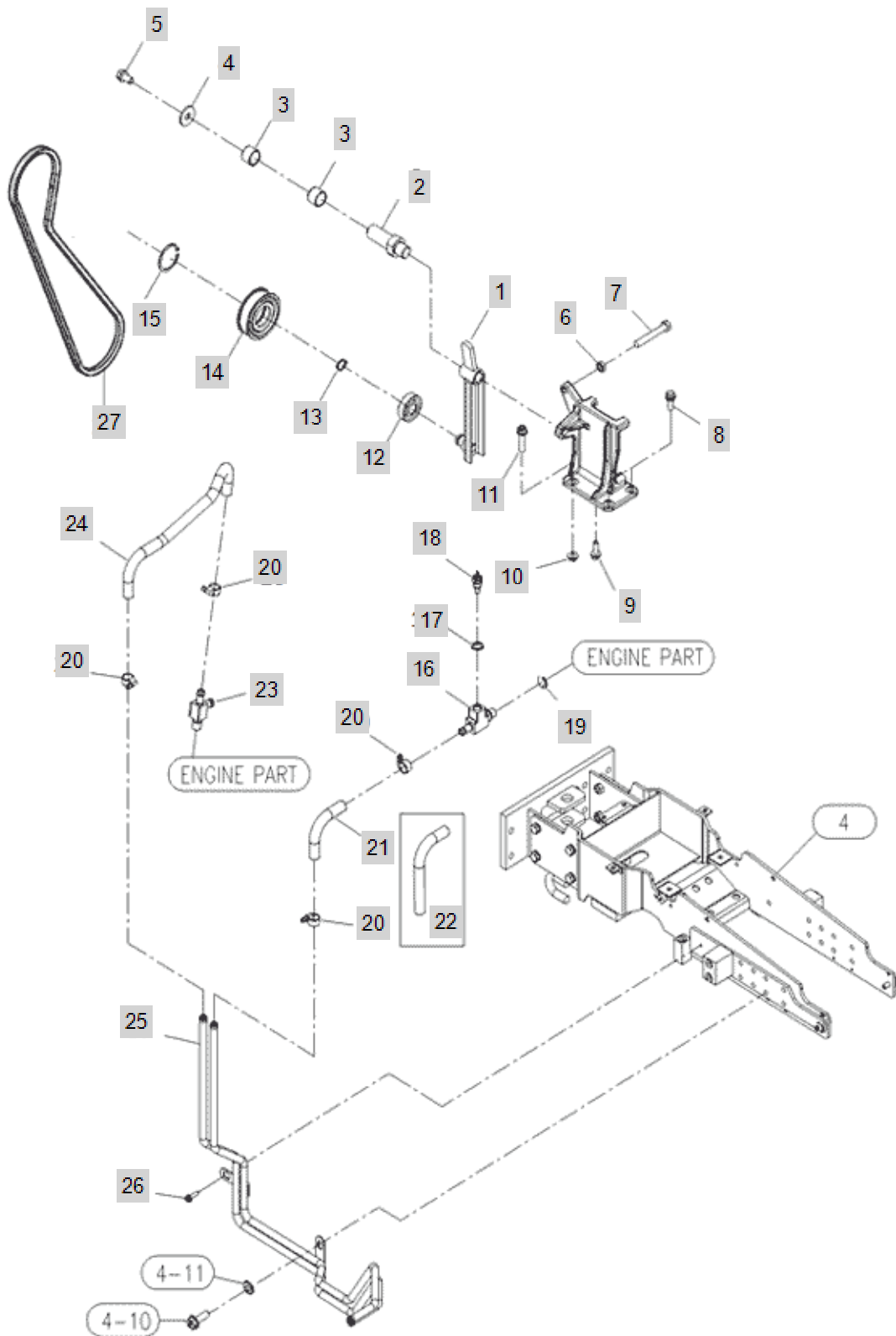




FIG C206

SEAT

Year/Month

4225CH

2020/01

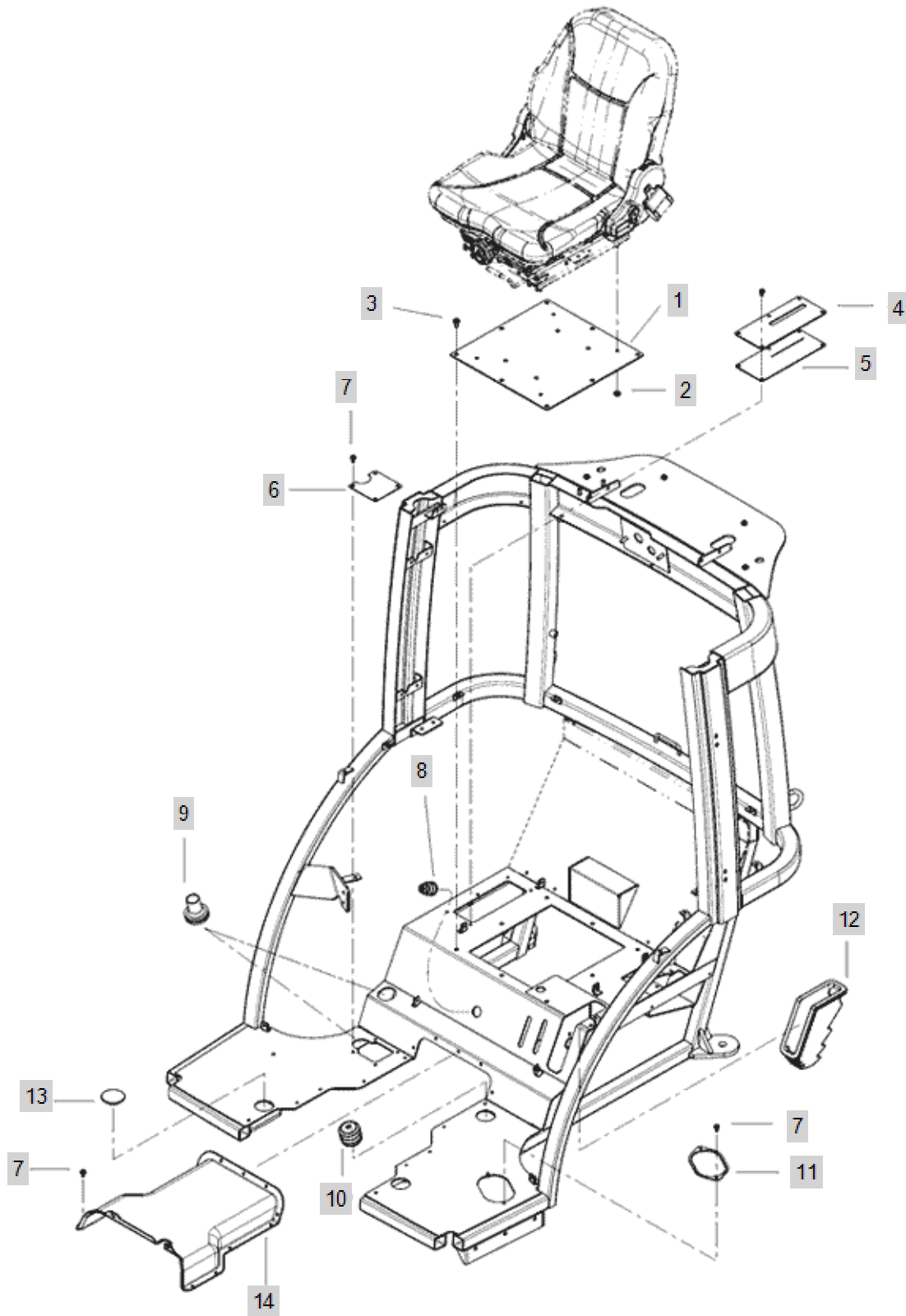




FIG C207

LEFT LEVER COVER

Year/Month

4225CH

2020/01

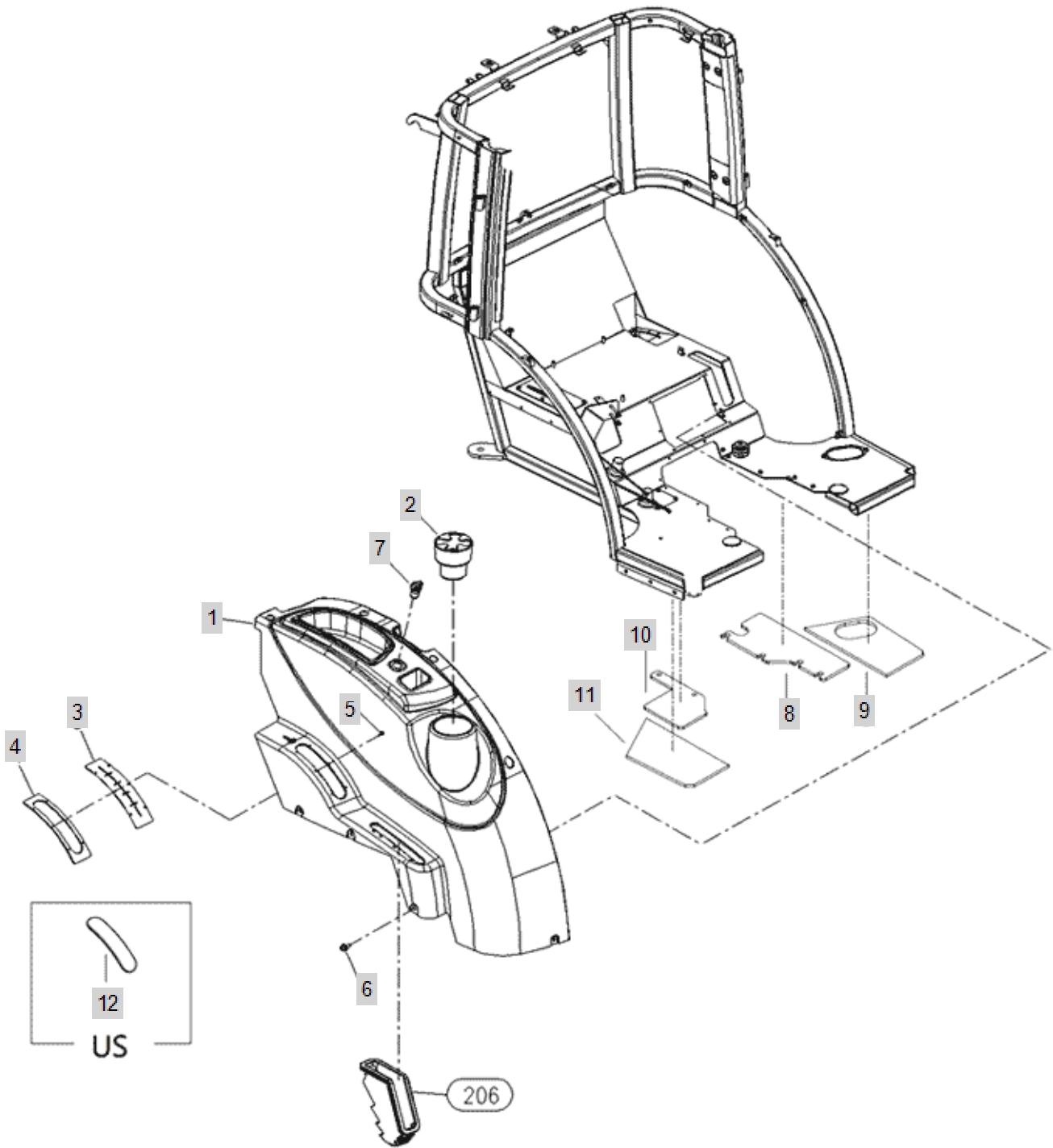




FIG C208-1

RIGHT LEVER COVER

Year/Month

4225CH

2020/01

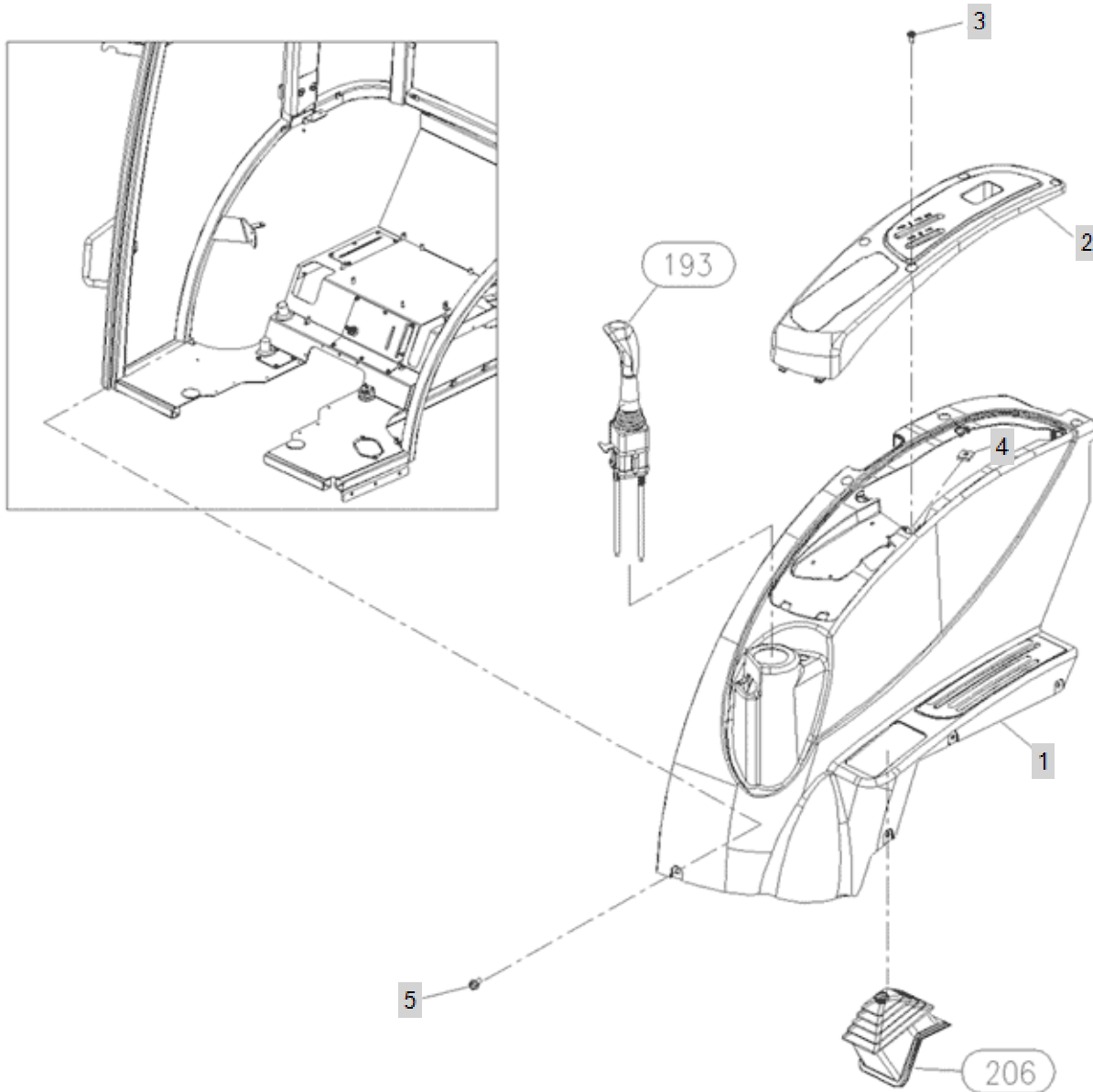






FIG C208-2

RIGHT LEVER COVER

Year/Month

4225CH

2020/01

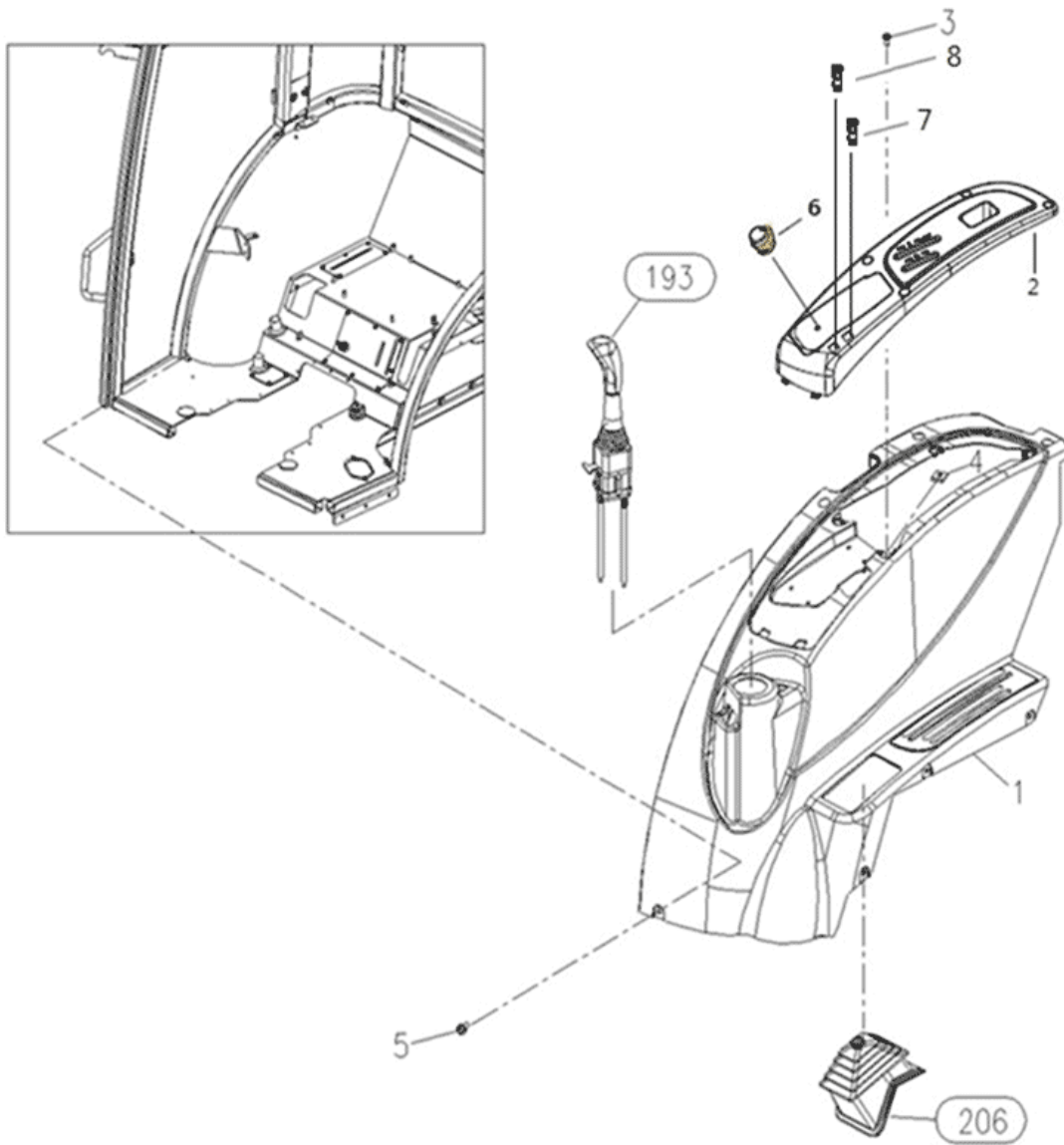




FIG C209

SCV LEVER

Year/Month

4225CH

2020/01

