

DHM SERIES HAY MOWERS

Models

BUSH HOG® DHM7, DHM8, DHM9, DHM10

Revised 10/20

PARTS MANUAL SECTION 119



An Operator's Manual was shipped with the equipment. The Operator's Manual is an integral part of the safe operation of this machine and must be maintained with the unit at all times. **READ, UNDERSTAND, and FOLLOW** the Safety and Operation Instructions contained in this manual before operating the equipment. If the Operator's Manual is not with the equipment, contact your dealer or Bush Hog to obtain a copy before operating the equipment.

Safety Video

Important Operating and Safety Instructions are found in the Mower Safety Video that can be instantly accessed on the internet at:
www.algqr.com/bve



www.algqr.com/bve



BUSH HOG®

2501 Griffin Ave.
Selma, AL 36703
Parts Ordering 1-800-304-2836
www.bushhog.com

ATENCIÓN!

LEA EL INSTRUCTIVO

Si No Lee Ingles, Pida Ayuda a Alguien
Que Si Lo Lea Para Que le Traduzca las
Medidas de Seguridad.



A MEMBER OF THE
ALAMO GROUP
ALWAYS ON THE CUTTING EDGE®

©2019 Alamo Group Inc.

Table of Content

DHM SERIES

HAY MOWERS

MODELS DHM7, DHM8, DHM9, DHM10

DHM7

Drive Belts and Shielding	119-1-1
Mainframe Hitch and Related Parts	119-2-1 to 119-2-3
Frame and Canvas Parts	119-3-1 to 119-3-2
Cutter Bar and Gearbox	119-4-1 to 119-4-3
Driveshaft Assembly.....	119-5-1 to 119-5-2
Hydraulic Cylinder Assy.....	119-6-1
Decals, Logo	119-7-1
Decals, Safety	119-7-2 to 119-7-3

DHM8

Drive Belts and Shielding	119-1-2 to 119-1-3
Mainframe Hitch and Related Parts	119-2-4 to 119-2-6
Frame and Canvas Parts	119-3-3 to 119-3-4
Cutter Bar and Gearbox	119-4-4 to 119-4-6
Driveshaft Assembly.....	119-5-3 to 119-5-4
Hydraulic Cylinder Assy	See Mainframe Hitch and Related Parts
Decals, Logo	119-7-1
Decals, Safety	119-7-2 to 119-7-3

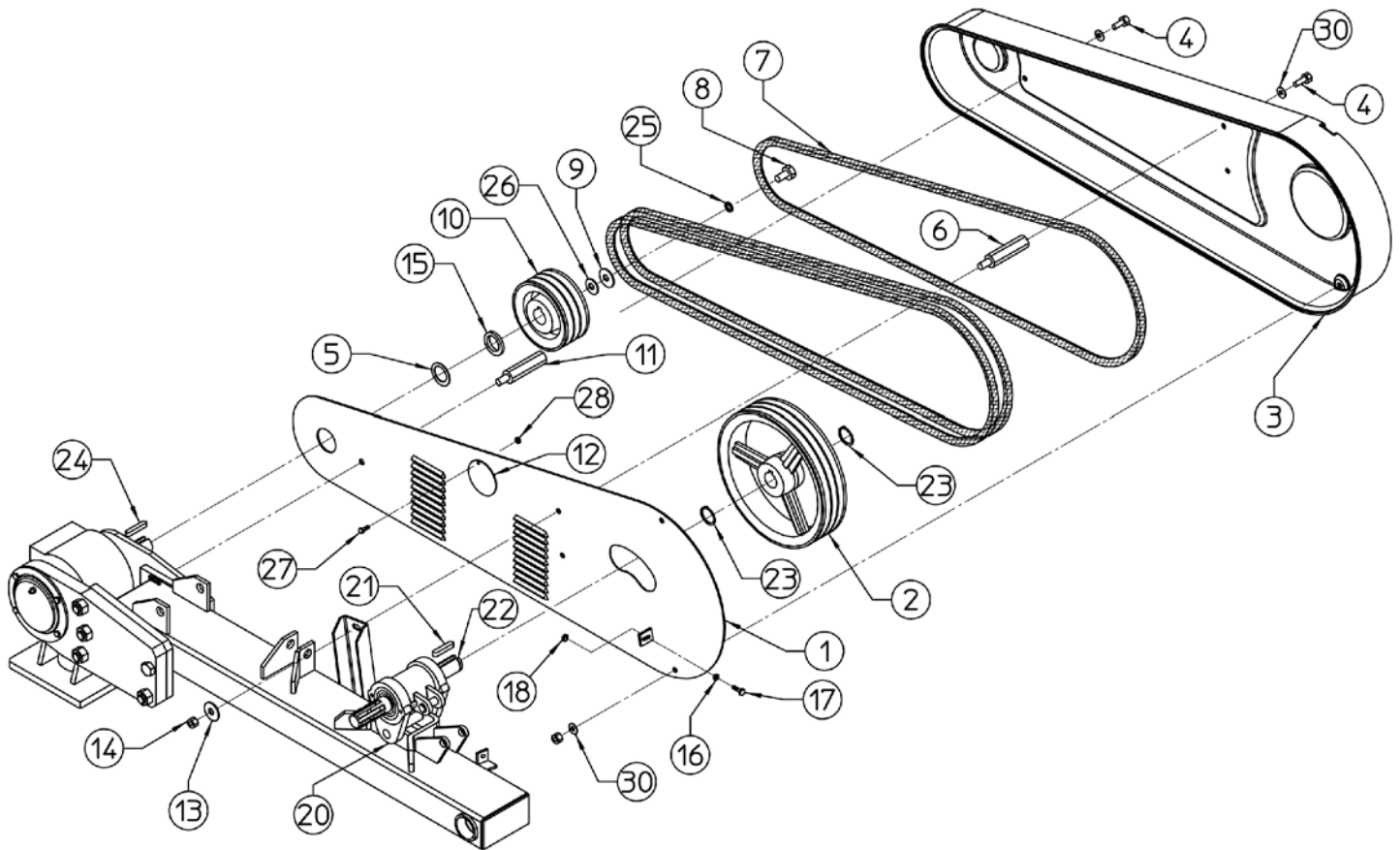
DHM9

Drive Belts and Shielding	119-1-2 to 119-1-3
Mainframe Hitch and Related Parts	119-2-4 to 119-2-6
Frame and Canvas Parts	119-3-5 to 119-3-6
Cutter Bar and Gearbox	119-4-7 to 119-4-9
Driveshaft Assembly.....	119-5-3 to 119-5-4
Hydraulic Cylinder Assy	See Mainframe Hitch and Related Parts
Decals, Logo	119-7-1
Decals, Safety	119-7-2 to 119-7-3

DHM10

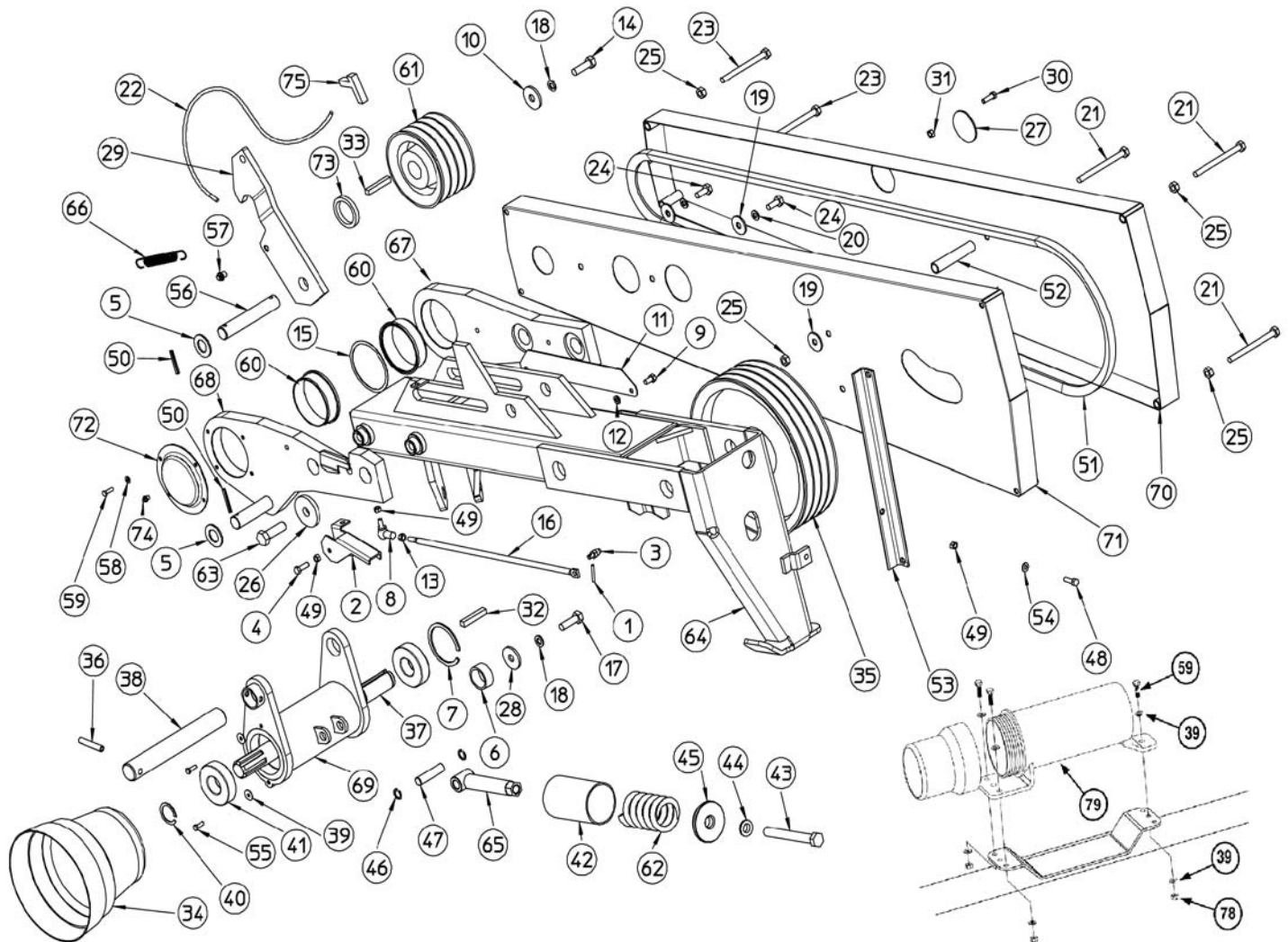
Drive Belts and Shielding	119-1-2 to 119-1-3
Mainframe Hitch and Related Parts	119-2-4 to 119-2-6
Frame and Canvas Parts	119-3-7 to 119-3-8
Cutter Bar and Gearbox	119-4-10 to 119-4-12
Driveshaft Assembly.....	119-5-5 to 119-5-6
Hydraulic Cylinder Assy	See Mainframe Hitch and Related Parts
Decals, Logo	119-7-1
Decals, Safety	119-7-2 to 119-7-3

DHM7 HAY MOWER DRIVE BELTS and SHIELDING



Ref. No.	Part No.	Description	Qty.	SPN
1	100.918	INTERNAL COVER	1	100.918
2	100.224	PULLEY	1	100.224
3	100.919	OUTER COVER	1	100.919
4	70618	SCREW M10 x 1.5 x 20 8.8 ZN	5	600.227
5	200.475	SPACER SCREW	1	200.475
6	100.921	SPACER SCREW	4	100.921
7	610.033	BELT	4	610.033
8	630.015	SCREW, M12 x 1.75 x 40 8.8 ZN	1	630.015
9	500.160	WASHER	1	500.160
10	100.225	PULLEY	1	100.225
11	100.920	SPACER SCREW	1	100.920
12	100.313	PLUG	1	100.313
13	600.092	WASHER Ø12 x 36 x 2.5	2	600.092
14	44154BH	NUT M10 X 1.5 ZN	4	600.029
15	100.205	BUSH	1	100.205
16	610.185	WASHER D.9	1	610.185
17	44299BH	SCREW M8 x 1.25 x 25 8.8 ZN	1	600.702
18	44185BH	NUT M8 x 1.25	1	600.076
20	100.756	SUPPORT	1	100.756
21	610.154	TAB	1	610.154
22	100.761	PTO SHAFT	1	100.761
23	600.333	SNAP RING	2	600.333
24	610.505	TAB	1	610.505
25	44200BH	WASHER Ø13 (M12)	1	600.018
27	620.275	SCREW M4 x .07 x 16	1	620.275
28	610.718	NUT, M4	1	610.718
30	15830	WASHER Ø10.5	7	600.322

DHM8, DHM9, DHM10 HAY MOWER DRIVE BELTS and SHIELDING

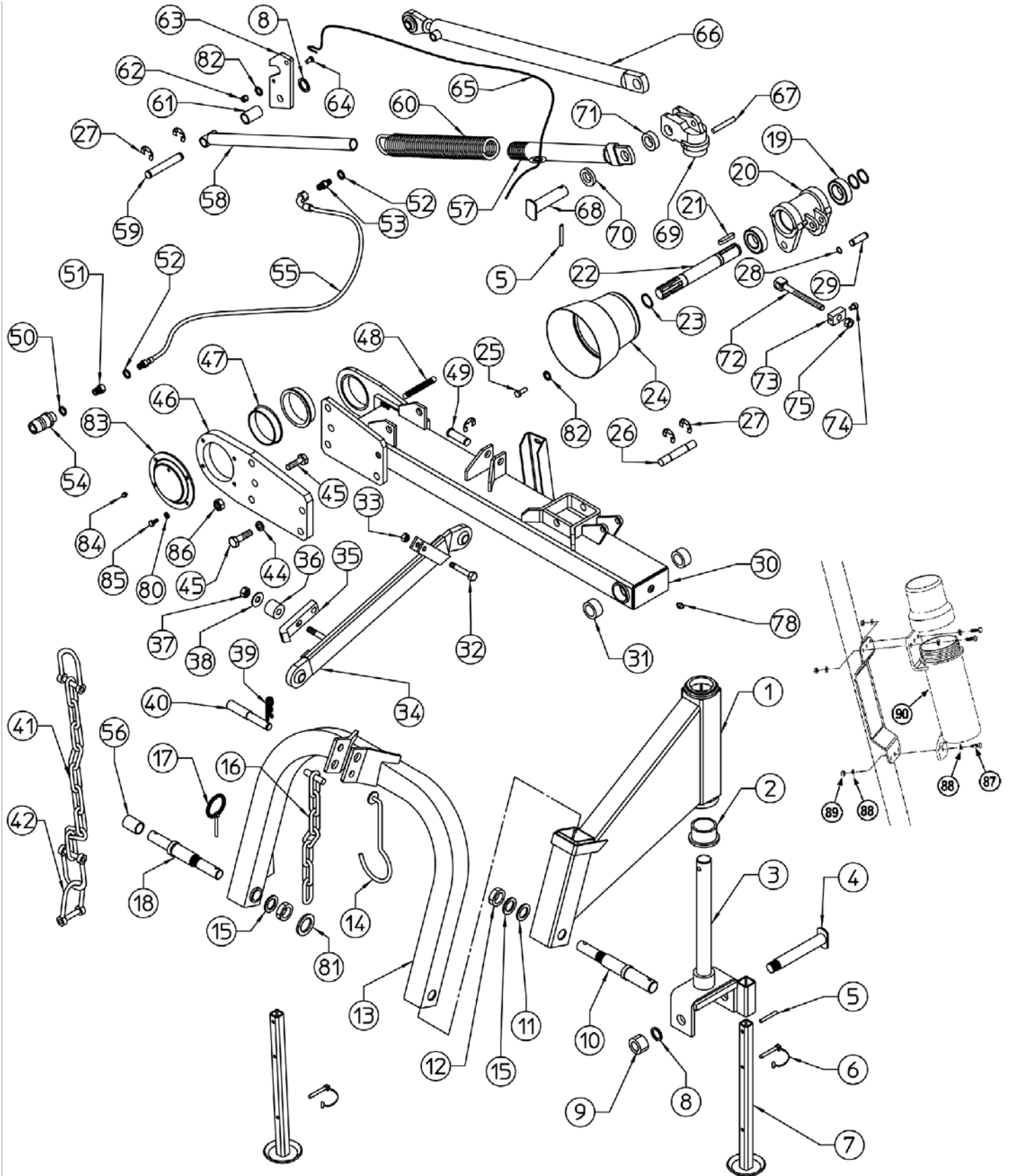


Ref. No.	Part No.	Description	Qty.	SPN
1	600.306	PLUG 3 x 30	1	600.306
2	110.429	LEVER	1	110.429
3	110.486	PIN	1	110.486
4	44184	SCREW, M8 x 1.25 x 45 8.8 ZN	1	600.551
5	110.493	WASHER	6	110.493
6	110.482	SPACER	1	110.482
7	620.480	SNAP RING	1	620.480
8	630.931	BALL JOINT M8	1	630.931
9	44316BH	SCREW, M8 x 1.25 x 16 8.8 ZN	2	600.061
10	100.487	WASHER	2	110.487
11	110.476	PROTECTION	1	110.476
12	44311BH	LOCKWASHER Ø8.4 (M8)	4	600.229
13	71251	NUT, M8 x 1.25 ZN	1	600.037
14	620.475	SCREW, M12 x 1.75 x 40 10.9	1	620.475
15	100.352	SHIM	2	100.352
16	110.477	TIE ROD	1	110.477
17	630.967	SCREW, M12 x 1.75 x 40 12.9	1	630.967
18	44200BH	SPRING WASHER Ø13 (M12)	5	600.018
19	620.250	WASHER Ø11(30 x 2.5)	4	620.250
20	600.024	WASHER Ø10.5	4	600.024

DHM8, DHM9, DHM10 HAY MOWER DRIVE BELTS and SHIELDING

Ref. No.	Part No.	Description	Qty.	SPN
21	600.206	SCREW, M10 x 1.5 x 120 8.8 ZN	4	600.206
22	610.160	ROPE	1	610.160
23	110.021	SCREW	2	110.021
24	44340BH	SCREW, M10 x 1.5 x 25 8.8 ZN	9	600.006
25	44154BH	NUT, M10 x 1.5 ZN	24	600.029
26	110.423	WASHER	4	110.423
27	100.313	PLUG	1	100.313
28	110.487	WASHER	2	110.487
29	110.424	HOOK	1	110.424
30	630.100	SCREW, M4 x 16	1	630.100
31	610.718	NUT, M4	1	610.718
32	630.969	TAB	1	630.969
33	610.505	TAB	1	610.505
34	620.442	HOOD	1	620.442
35	100.224	PULLEY	1	100.224
36	600.540	SPRING PIN Ø10 x 45	1	600.540
37	110.478	INPUT SHAFT	1	110.478
38	100.959	PIN	1	100.958
39	600.135	WASHER Ø6.6 x 18 x 1.6	8	600.135
40	600.333	SNAP RING	1	600.333
41	620.248	BEARING	2	620.248
42	100.969	SPACER	1	100.969
43	620.249	BELT TENSION SCREW	1	620.249
44	100.970	WASHER	1	100.970
45	100.968	TIGHTENER WASHER	1	100.968
46	600.533	RETAINING RING	2	600.533
47	100.758	PIN	1	100.758
48	44299BH	SCREW, M8 x 1.25 x 25 8.8 ZN	3	600.702
49	44185BH	NUT M8	6	600.076
50	640.007	SPRING PIN Ø6 x 40	2	640.007
51	620.251	BELT	4	620.251
52	110.022	SPACER	2	110.022
53	110.016	BELT COVER SUPPORT	1	110.016
54	610.185	WASHER Ø9 (24 x 2)	3	610.185
55	44299BH	SCREW, M6 x 1 x 16 10.9 ZN	2	600.702
56	110.426	PIN	1	110.426
57	220.159	PIN	1	220.159
58	600.514	FLATWASHER Ø6.4	4	600.514
59	630.003	SCREW, M6 x 1 x 20 8.8 ZN	7	630.003
60	610.232	BUSH	2	610.232
61	100.225	PULLEY	1	100.225
62	100.967	PTO SPRING	1	100.967
63	610.510	SCREW, M16 x 2 x 50 10.9 ZN	4	610.510
64	110.420	FRAME	1	110.420
65	100.965	TIGHTENER ROD	1	100.965
66	110.425	SPRING	1	110.425
67	110.421	GEARBOX SUPPORT	1	110.421
68	110.422	GEARBOX SUPPORT	1	110.422
69	110.479	PTO SUPPORT	1	110.479
70	100.964	BELT REAR COVER	1	100.964
71	110.427	BELT FRONT COVER	1	110.427
72	110.488	COVER	1	110.488
73	110.015	SHIM	1	110.015
74	600.124	GREASE NIPPLE, M6	4	600.124
75	620.357	HANDLE	1	620.357
78	600.472	NUT, M6 DIN 980	3	600.472
79	50035829	CANISTER	1	230.457

DHM7 HAY MOWER MAINFRAME HITCH and RELATED PARTS



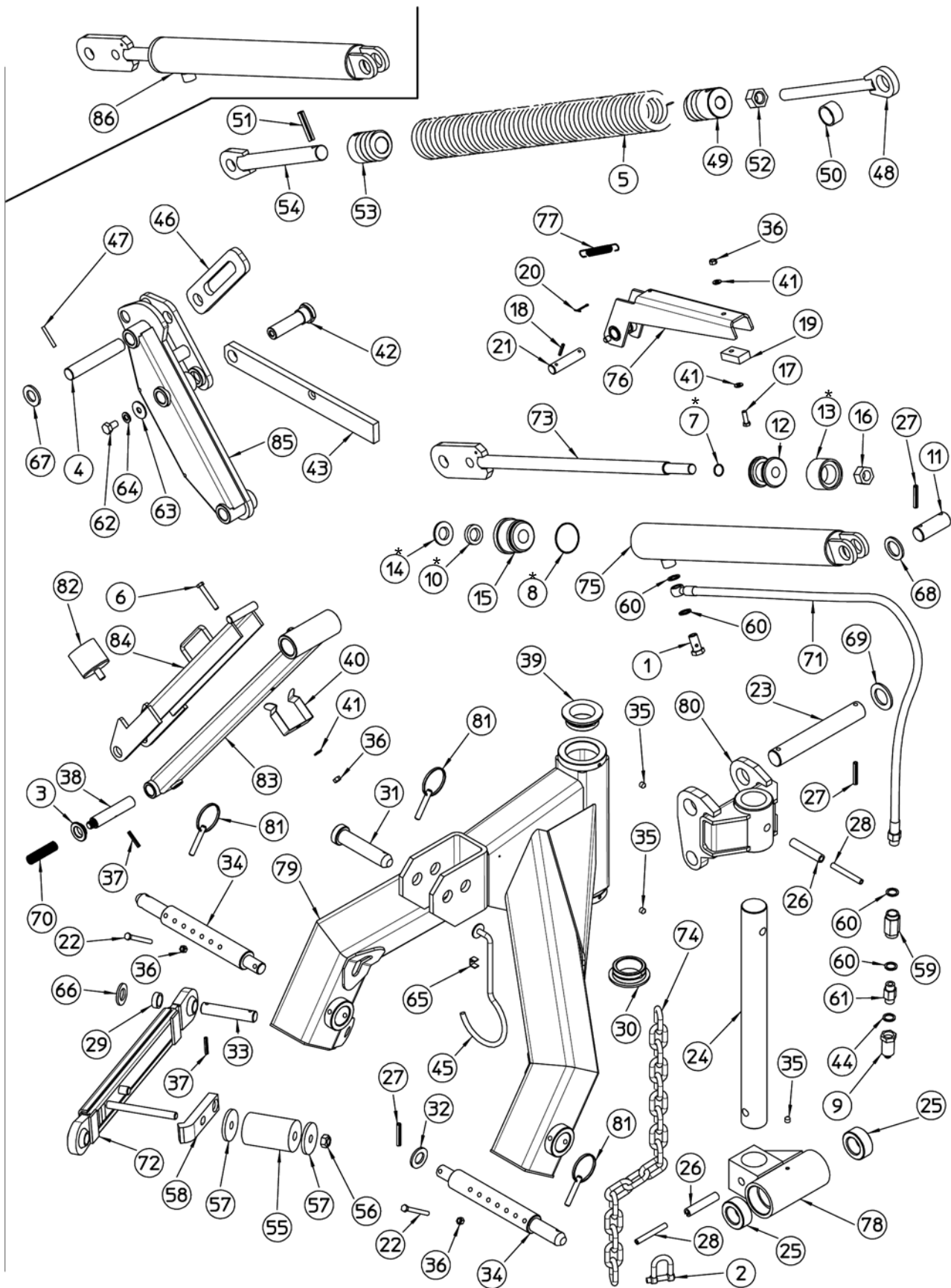
DHM7 HAY MOWER MAINFRAME HITCH and RELATED PARTS

Ref. No.	Part No.	Description	Qty.	SPN
1	100.162	SUPPORT	1	100.162
2	100.236	BUSH	1	100.236
3	100.163	PIN SUPPORT	1	100.163
4	100.164	PIN	1	100.164
5	20803	SPRING PIN	3	600.027
6	610.186	PIN	2	610.186
7	100.166	PARKING STAND	2	100.166
8	44125BH	WASHER Ø21 (M20)	2	600.632
9	71230	NUT, M20 x 2.5	1	600.717
10	100.175	PIN	1	100.175
11	600.336	WASHER Ø25 (M24)	1	600.336
12	610.150	NUT, LOW HEX M24 X 2 PL. DIM	2	610.150
13	----	3-POINT HITCH	1	100.161
14	100.253	SUPPORT	1	100.253
15	44101BH	WASHER Ø25	2	600.246
16	110.368	CHAIN	1	110.368
17	600.017	PIN	3	600.017
18	100.280	PIN	1	100.280
19	600.608	BEARING	2	600.608
20	100.756	SUPPORT	1	100.756
21	610.154	TAB	1	610.154
22	100.761	PTO SHAFT	1	100.761
23	600.333	SNAP RING	4	600.333
24	620.442	HOOD	1	620.442
25	600.650	SCREW, M8 x 1.25 x 12	2	600.650
26	100.757	PIN	1	100.757
27	610.152	SNAP RING	5	610.152
28	600.533	SNAP RING	2	600.533
29	100.758	PIN	1	100.758
30	----	MAIN FRAME	1	110.409
31	100.198	BUSH	2	100.198
32	600.754	SCREW, M12 x 1.75 x 55 8.8 ZN	1	600.754
33	44528	NUT, M12	1	600.077
34	110.466	SAFETY HOOK	1	110.466
35	100.168	HOOK	1	100.168
36	100.201	SPRING	1	100.201
37	44818BH	NUT, M14	1	600.075
38	610.231	WASHER Ø14 (40 x 4)	1	610.231
39	600.308	SPLIT PIN	1	600.308
40	200.343	PIN	1	200.343
41	110.367	CHAIN	1	110.367
42	610.118	SHACKLES	3	610.118
44	19486	WASHER Ø17	1	600.180
45	620.361	SCREW, M16 x 2 x 60 10.9 ZN	5	620.361
46	110.407	BOX SUPPORT	1	110.407
47	100.831	BUSH	2	100.831
48	100.235	SPRING	1	100.235
49	100.176	PIN	1	100.176
50	600.269	COPPER WASHER	1	600.269

DHM7 HAY MOWER MAINFRAME HITCH and RELATED PARTS

Ref. No.	Part No.	Description	Qty.	SPN
51	600.428	NIPPLE	1	600.428
52	600.039	COPPER WASHER	3	600.039
53	200.192	NIPPLE	1	200.192
54	600.273	QUICK COUPLING	1	600.273
55	610.143	HOSE	1	610.143
56	400.045	BUSH	1	400.045
57	100.170	OUTER TUBE	1	100.170
58	100.171	INNER TUBE	1	100.171
59	100.202	PIN	1	100.202
60	100.172	SPRING	1	100.172
61	100.204	BUSH	1	100.204
62	44185BH	NUT	1	600.076
63	110.029	HOOK	1	110.029
64	110.053	SCREW	1	110.053
65	610.160	ROPE	1	610.160
66	100.169	CYLINDER, 40 MM DIA. - COMPLETE	1	100.169
67	610.168	SPRING PIN	1	610.168
68	100.073	PIN	1	100.173
69	100.165	UPPER SUPPORT	1	100.165
70	100.251	BUSH	1	100.251
71	100.252	BUSH	1	100.252
72	100.746	TIE ROD	1	100.746
73	100.745	SUPPORT	1	100.745
74	610.941	SCREW, M10 x 1.5 x 16 8.8 ZN	2	610.941
75	600.032	SCREW, M16	2	600.032
78	600.124	GREASE NIPPLE	2	600.124
80	600.514	WASHER Ø6.4	4	600.514
81	200.165	WASHER	1	200.165
82	610.185	WASHER Ø9 (24 x 2)	3	610.185
83	110.411	COVER	1	110.411
84	600.034	GREASE NIPPLE	1	600.034
85	600.236	SCREW, M6 x 1 x 20	4	600.236
86	630.407	NUT, M16	4	630.407
87	630.003	SCREW, M6 x 1 x 20 8.8 ZN	3	630.003
88	600.135	WASHER Ø6.6 x 18 x 1.6	6	600.135
89	600.472	NUT, M6 DIN 980	3	600.472
90	50035829	CANISTER	1	230.457

DHM8, DHM9, DHM10 HAY MOWER MAINFRAME HITCH and RELATED PARTS



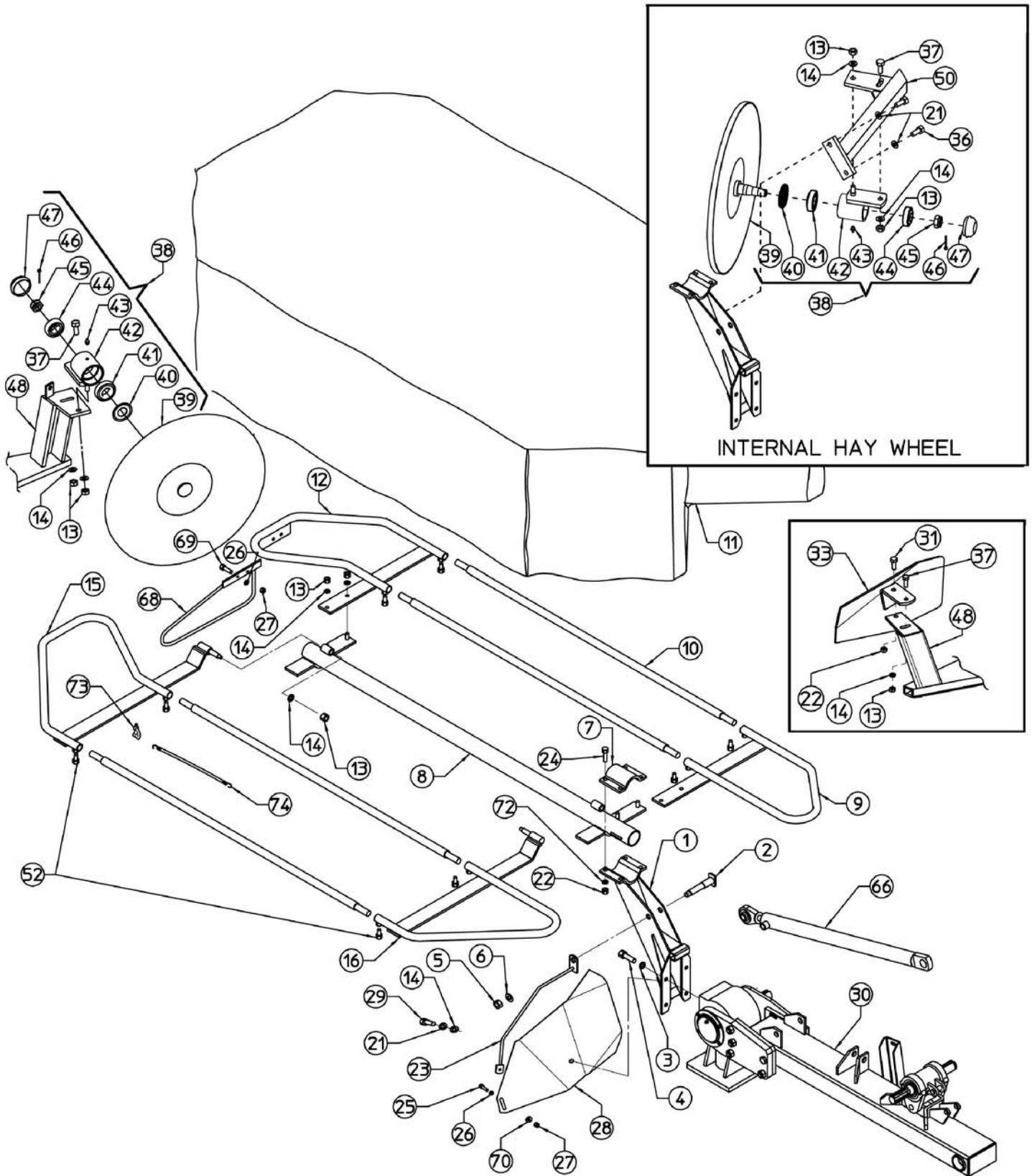
DHM8, DHM9, DHM10 HAY MOWER MAINFRAME HITCH and RELATED PARTS

Ref. No.	Part No.	Description	Qty.	SPN
1	600.040	FITTING D 3/8	1	600.040
2	610.118	SHACKLES	3	610.118
3	110.475	SPACER	2	110.475
4	110.459	PIN	1	110.459
5	100.979	SPRING PIN	1	100.979
6	630.005	SCREW, M8 x 1.25 x 55 8.8 ZN	1	630.005
7	----	*O-RING (Ø20.29)	-	----
8	----	*O-RING OR 832 (Ø52.39 x 3.53)	-	----
9	600.273	QUICK COUPLING	1	600.273
10	----	*GASKET B 137098	-	----
11	110.447	PIN	1	110.447
12	110.495	PISTON	1	110.495
13	----	*GASKET DBM 236173	-	----
14	----	*GASKET WRM 098129	-	----
15	110.470	CYLINDER HEAD	1	110.470
16	631.383	NUT, M20 x 1.5 ZN	1	631.383
17	44299BH	SCREW, M8 x 1.25 x 25 8.8 ZN	3	600.702
18	600.182	SPRING PIN Ø5 x 30	2	600.182
19	110.450	NYLON PROTECTION5 x 30	1	110.450
20	92517	SPLIT PIN Ø4 x 30	1	600.112
21	110.449	PIN	1	110.449
22	600.400	SCREW, M8 x 1.25 x 80 8.8 ZN	2	600.400
23	110.445	PIN	1	110.445
24	100.954	PIN	1	100.954
25	110.480	BUSHING	2	110.480
26	620.247	SPRING PIN Ø16 x 80	2	620.247
27	20803	SPRING PIN Ø8 x 50	7	600.027
28	66866	SPRING PIN Ø10 x 80	2	600.033
29	110.398	BUSHING	3	110.398
30	110.484	BUSHING	1	110.484
31	110.011	3 POINT HITCH PIN	1	110.011
32	600.336	WASHER Ø25	2	600.336
33	110.455	PIN	2	110.455
34	100.951	HITCH PIN	2	100.951
35	600.124	GREASE NIPPLE, M6	4	600.124
36	44185BH	NUT, M8	6	600.076
37	600.538	SPRING PIN Ø6 x 35	5	600.538
38	110.454	PIN	1	110.454
39	100.953	BUSHING	1	100.953
40	110.453	LOCKING SPRING	1	110.453
41	44216	WASHER Ø8.4	2	600.115
42	110.483	PIN	1	110.483
43	110.458	ROD	1	110.458
44	630.048	WASHER	1	630.048
45	100.253	SUPPORT	1	100.253

DHM8, DHM9, DHM10 HAY MOWER MAINFRAME HITCH and RELATED PARTS

Ref. No.	Part No.	Description	Qty.	SPN
46	110.457	ROD PLATE	1	110.457
47	600.539	SPRING PIN Ø6 x 45	7	600.539
48	100.977	SPRING SUPPORT	1	100.977
49	100.978	SPRING HEAD	1	100.978
50	100.976	SPACER	1	100.976
51	620.252	SPRING PIN Ø12 x 45	1	620.252
52	600.200	NUT, M22	1	600.200
53	100.980	SPRING HEAD	1	100.980
54	100.981	SPRING SUPPORT	1	100.981
55	110.009	RUBBER SPRING	1	110.009
56	44818BH	NUT, M14	1	600.075
57	110.010	WASHER	2	110.010
58	100.168	HOOK	1	100.168
59	610.144	VALVE	1	610.144
60	3678416	WASHER 3/8"	2	620.452
61	600.416	UNION CONN. 3/8-1/2	1	600.416
62	44204BH	SCREW, M12 x 1.75 x 25 8.8 ZN	5	600.441
63	600.845	WASHER, M12 x 36 x 4	1	600.845
64	44200BH	SPRING WASHER Ø13 (M12)	5	600.018
65	200.992	CLIP	1	200.992
66	600.042	WASHER Ø23	4	600.042
67	110.493	WASHER Ø.26	6	110.493
68	110.135	WASHER Ø.31 x 48 x 4	2	110.135
69	110.494	WASHER Ø.36 x 56 x 4	2	110.494
70	110.485	SPRING	1	110.485
71	630.949	HOSE	1	630.949
72	110.003	SAFETY ROD	1	110.003
73	110.469	CYLINDER ROD	1	110.469
74	110.367	CHAIN	1	110.367
75	110.468	CYLINDER BARREL	1	110.468
76	110.448	CYLINDER STOP	1	110.448
77	220.123	SPRING	1	220.123
78	100.956	PIVOTING SUPPORT	1	100.956
79	----	3 POINT HITCH	1	110.443
80	110.444	HEAD SUPPORT	1	110.444
81	600.017	PIN	3	600.017
82	630.968	RUBBER	1	630.968
83	110.451	TIE ROD	1	110.451
84	110.452	TIE ROD	1	110.452
85	110.456	LEVER	1	110.456
86	110.446	CYLINDER - COMPLETE	1	110.446
*	630.950	CYLINDER GASKET SET	1	630.950

DHM7 HAY MOWER FRAME and CANVAS PARTS



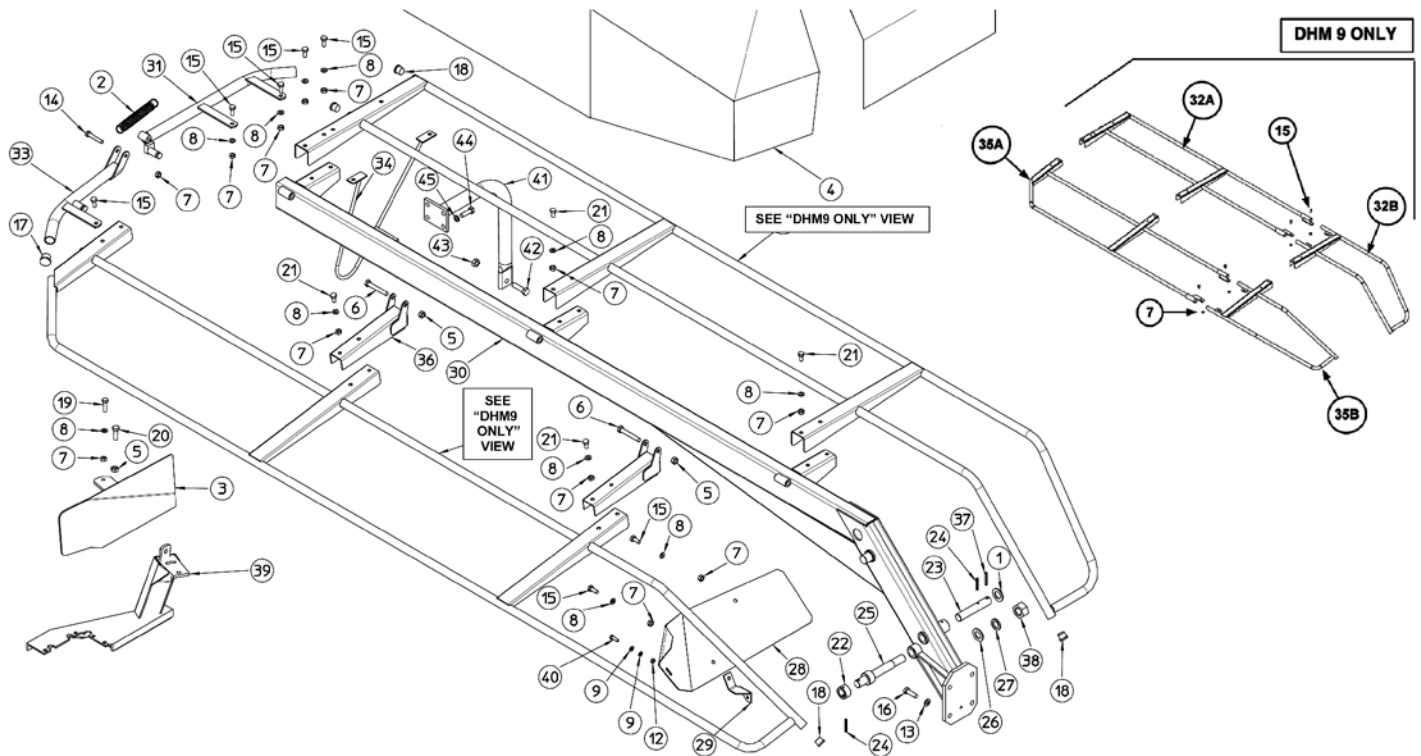
DHM7 HAY MOWER FRAME and CANVAS PARTS

Ref. No.	Part No.	Description	Qty.	SPN
1	100.190	SUPPORT	1	100.190
2	100.174	PIN	1	100.174
3	44200BH	SPRING WASHER Ø13 (M12)	4	600.018
4	620.788	SCREW, M12 x 1.75 x 30 10.9 ZN	4	620.788
5	600.080	NUT, M16	1	600.080
6	44308	WASHER Ø17	1	600.031
7	100.192	OUTER SUPPORT	1	100.192
8	100.937	FRAME TUBE	1	100.937
9	100.194	FRAME	1	100.194
10	100.256	DISTANCE TUBE	4	100.256
11	110.592	PROTECTION CANVAS W/ DECALS – DHM7	1	110.592
12	110.402	FRAME	1	110.402
13	44154BH	NUT, M10 x 1.5 ZN	7	600.029
14	15830	WASHER, Ø10.5 (M10)	8	600.322
15	100.195	FRAME	1	100.195
16	100.196	FRAME	1	100.196
21	44198	SPRING WASHER Ø10.5 (M10)	1	600.024
22	44528	NUT, M12 x 1.75 ZN	5	600.077
23	100.328	ARM	1	100.328
24	600.754	SCREW, M12 x 1.75 x 55 8.8 ZN	4	600.754
25	45001BH	SCREW, M8 x 1.25 x 30 8.8 ZN	1	600.757
26	44216	WASHER Ø8.4 (M8)	3	600.115
27	44185BH	LOCKNUT, M8 x 1.25	3	600.076
28	100.188	PLATE DEFLECTOR	1	100.188
29	44202	SCREW, M10 x 1.5 x 30 8.8 ZN	1	600.148
31	44281BH	SCREW, M12 x 1.75 x 35 8.8 ZN	1	600.616
33	110.378	CONVEYOR	1	110.378
36	44340BH	SCREW, M10 x 1.5 x 25 8.8 ZN	2	600.006
37	44489BH	SCREW, M10 x 1.5 x 35 8.8 ZN	1	600.641
38	100.763	HAY WHEEL ASSY	1	100.763
39	100.881	HAY WHEEL	1	100.881
40	600.011	DUST COVER	1	600.011
41	600.012	BEARING 30205	1	600.012
42	100.569	HUB	1	100.569
43	600.124	GREASE NIPPLE	1	600.124
44	600.014	BEARING 30204	1	600.014
45	600.015	NUT, M18 x 1.5	1	600.015
46	20166	SPLIT PIN, 3 x 30	1	600.301
47	205.654	CUP	1	205.654
48	110.392	SUPPORT	1	110.392
50	100.766	SUPPORT	1	100.766
52	70618	SCREW, M10 x 1.5 x 20 8.8 ZN	8	600.227
66	100.169	CYLINDER, 40MM DIA. - COMPLETE	1	100.169
68	110.401	SUPPORT	1	110.401
69	44299BH	SCREW, M8 x 1.25 x 25 8.8 ZN	1	600.702
70	610.185	WASHER Ø9 /24 x 2	4	610.185
72	44269	WASHER Ø13 (M12)	4	600.089
73	600.761	“D” SHACKLE	2	600.761
74	110.048	ELASTIC	1	110.048

DHM8 HAY MOWER FRAME and CANVAS PARTS

Ref. No.	Part No.	Description	Qty.	SPN
16	630.839	SCREW, M12 x 1.75 x 35 10.9 ZN	4	630.839
17	200.309	PLUG	2	200.309
18	600.854	PLUG	8	600.854
19	44489BH	SCREW, M10 x 1.5 x 35 8.8 ZN	1	600.641
20	44281BH	SCREW, M12 x 1.75 x 35 8.8 ZN	1	600.616
21	70618	SCREW, M10 x 1.5 x 20 GALV.	10	600.227
22	110.432	BUSH	1	110.432
23	110.433	PIN	1	110.433
24	600.539	SPRING PIN M6 x 45	7	600.539
25	110.140	PIN	1	110.140
26	600.336	WASHER Ø25 (M24)	2	600.336
27	44101BH	WASHER Ø25 (M24)	1	600.246
28	110.491	HAY DEFLECTOR	1	110.491
29	110.013	PLATE DEFLECTOR SUPPORT	1	110.013
30	110.431	FRAME	1	110.431
31	100.991	PROTECTION	1	100.991
32	110.438	PROTECTION	1	110.438
33	100.990	PROTECTION	1	100.990
34	110.440	EXTERNAL PROTECTION	1	110.440
35	110.435	PIVOTING PROTECTION	1	110.435
36	100.987	PROTECTION PIVOTING	3	100.987
37	20803	SPRING PIN Ø8 x 50	7	600.027
38	620.319	NUT, M24 ZN	1	620.319
39	110.127	EXTERNAL SUPPORT	1	110.127
40	44299BH	SCREW, M8 x 1.25 x 25 8.8 ZN	3	600.702
41	100.985	SUPPORT	1	100.985
42	640.023	SCREW, M14 x 2 x 45 10.9 ZN	1	640.023
43	600.009	NUT, M14 x 2 ZN	2	600.009
44	44204BH	SCREW, M12 x 1.75 x 25 8.8 ZN	5	600.441
46	44269	WASHER Ø13 (M12) ZN	4	600.089

DHM9 HAY MOWER FRAME and CANVAS PARTS



Ref. No.	Part No.	Description	Qty.	SPN
1	110.493	WASHER, 26 x 39 X 3	6	110.493
2	200.279	SPRING	1	200.279
3	110.465	HAY DEFLECTOR	1	110.465
4	110.594	COVER CANVAS W/ DECALS – DHM9	1	110.594
5	44528	NUT M12 x 1.75 ZN	4	600.077
6	600.826	SCREW, M12 x 1.75 x 75 x 8.8 ZN	3	600.826
7	44154BH	LOCKNUT M10 x 1.5 ZN	24	600.029
8	15830	WASHER M10.5	19	600.322
9	610.185	WASHER, M9 24 x 2	3	610.185
12	44185BH	NUT M8 ZN	6	600.076
13	44233BH	SPRING WASHER Ø15 (M14)	10	600.086
14	610.500	SCREW, M10 x 1.5 x 60 8.8 ZN	1	610.500
15	44340BH	SCREW, M10 x 1.5 x 25 8.8 ZN	9	600.006

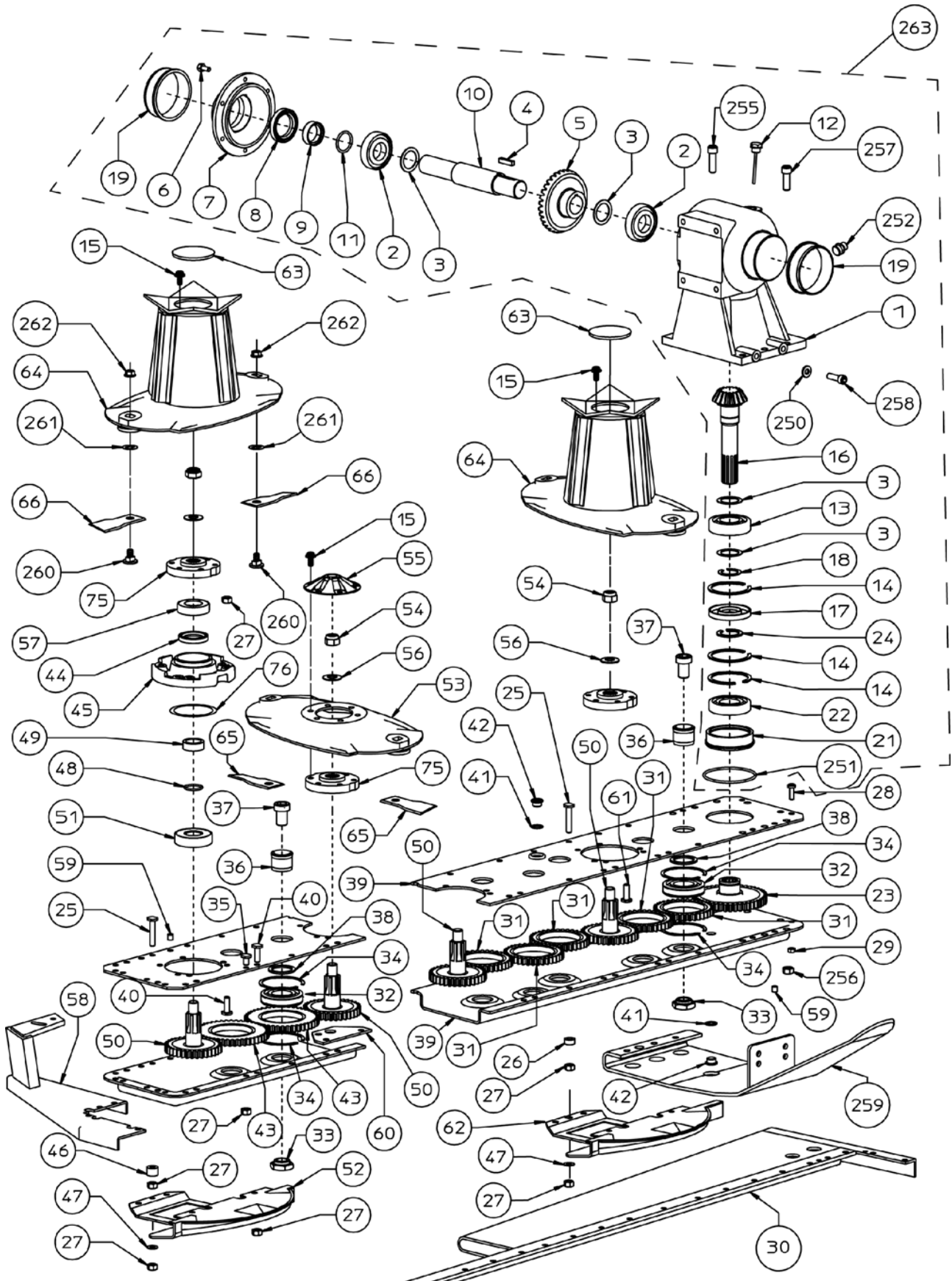
DHM9 HAY MOWER FRAME and CANVAS PARTS

Ref. No.	Part No.	Description	Qty.	SPN
16	620.322	SCREW, M14 x 2 x 35 10.9 ZN	4	620.322
17	200.309	PLUG	2	200.309
18	600.854	PLUG	8	600.854
19	44489BH	SCREW, M10 x 1.5 x 35 8.8 ZN	1	600.641
20	44281BH	SCREW, M12 x 1.75 x 35 8.8 ZN	1	600.616
21	70618	SCREW, M10 x 1.5 x 20 GALV.	10	600.227
22	110.432	BUSH	1	110.432
23	110.433	PIN	1	110.433
24	600.539	SPRING PIN M6 x 45	7	600.539
25	110.140	PIN	1	110.140
26	600.336	WASHER Ø25 (M24)	2	600.336
27	44101BH	WASHER Ø25 (M24)	1	600.246
28	110.491	HAY DEFLECTOR	1	110.491
29	110.013	PLATE DEFLECTOR SUPPORT	1	110.013
30	110.430	FRAME	1	110.430
31	100.991	PROTECTION	1	100.991
32A	120.002	PROTECTION RH	1	120.002
32B	120.004	PROTECTION LH	1	120.004
33	100.990	PROTECTION	1	100.990
34	110.440	EXTERNAL PROTECTION	1	110.440
35A	110.997	PIVOTING PROTECTION PART RH	1	110.997
35B	110.999	PIVOTING PROTECTION PART LH	1	110.999
36	100.987	PROTECTION PIVOTING	3	100.987
37	20803	SPRING PIN Ø8 x 50	7	600.027
38	620.319	NUT, M24 ZN	1	620.319
39	110.127	EXTERNAL SUPPORT	1	110.127
40	44299BH	SCREW, M8 x 1.25 x 25 8.8 ZN	3	600.702
41	100.985	SUPPORT	1	100.985
42	640.023	SCREW, M14 x 2 x 45 10.9 ZN	1	640.023
43	600.009	NUT, M14 x 2 ZN	2	600.009
44	44204BH	SCREW, M12 x 1.75 x 25 8.8 ZN	5	600.441
45	44200BH	WASHER Ø13 (M12)	5	600.018
46	600.188	WASHER Ø15 (M14) ZN	4	600.188

DHM10 HAY MOWER FRAME and CANVAS PARTS

Ref. No.	Part No.	Description	Qty.	SPN
16	620.322	SCREW, M14 x 2 x 35 10.9 ZN	4	620.322
17	200.309	PLUG	2	200.309
18	600.854	PLUG	8	600.854
19	44489BH	SCREW, M10 x 1.5 x 35 8.8 ZN	1	600.641
20	44281BH	SCREW, M12 x 1.75 x 35 8.8 ZN	1	600.616
21	70618	SCREW, M10 x 1.5 x 20 GALV.	10	600.227
22	110.432	BUSH	1	110.432
23	110.433	PIN	1	110.433
24	600.539	SPRING PIN M6 x 45	7	600.539
25	110.140	PIN	1	110.140
26	600.336	WASHER Ø25 (M24)	2	600.336
27	44101BH	WASHER Ø25 (M24)	1	600.246
28	110.491	HAY DEFLECTOR	1	110.491
29	110.013	PLATE DEFLECTOR SUPPORT	1	110.013
30	110.497	FRAME	1	110.497
31	100.991	PROTECTION	1	100.991
32	100.989	PROTECTION	1	100.989
33	100.990	PROTECTION	1	100.990
34	110.440	EXTERNAL PROTECTION	1	110.440
35	100.988	PIVOTING PROTECTION	1	100.988
36	100.987	PROTECTION PIVOTING	3	100.987
37	20803	SPRING PIN Ø8 x 50	7	600.027
38	620.319	NUT, M24 ZN	1	620.319
39	110.127	EXTERNAL SUPPORT	1	110.127
40	44299BH	SCREW, M8 x 1.25 x 25 8.8 ZN	3	600.702
41	100.985	SUPPORT	1	100.985
42	640.023	SCREW, M14 x 2 x 45 10.9 ZN	1	640.023
43	600.009	NUT, M14 x 2 ZN	2	600.009
44	44204BH	SCREW, M12 x 1.75 x 25 8.8 ZN	5	600.441
45	44200BH	WASHER Ø13 (M12)	5	600.018
46	600.188	WASHER Ø15 (M14) ZN	4	600.188

DHM7 HAY MOWER CUTTERBAR and GEARBOX



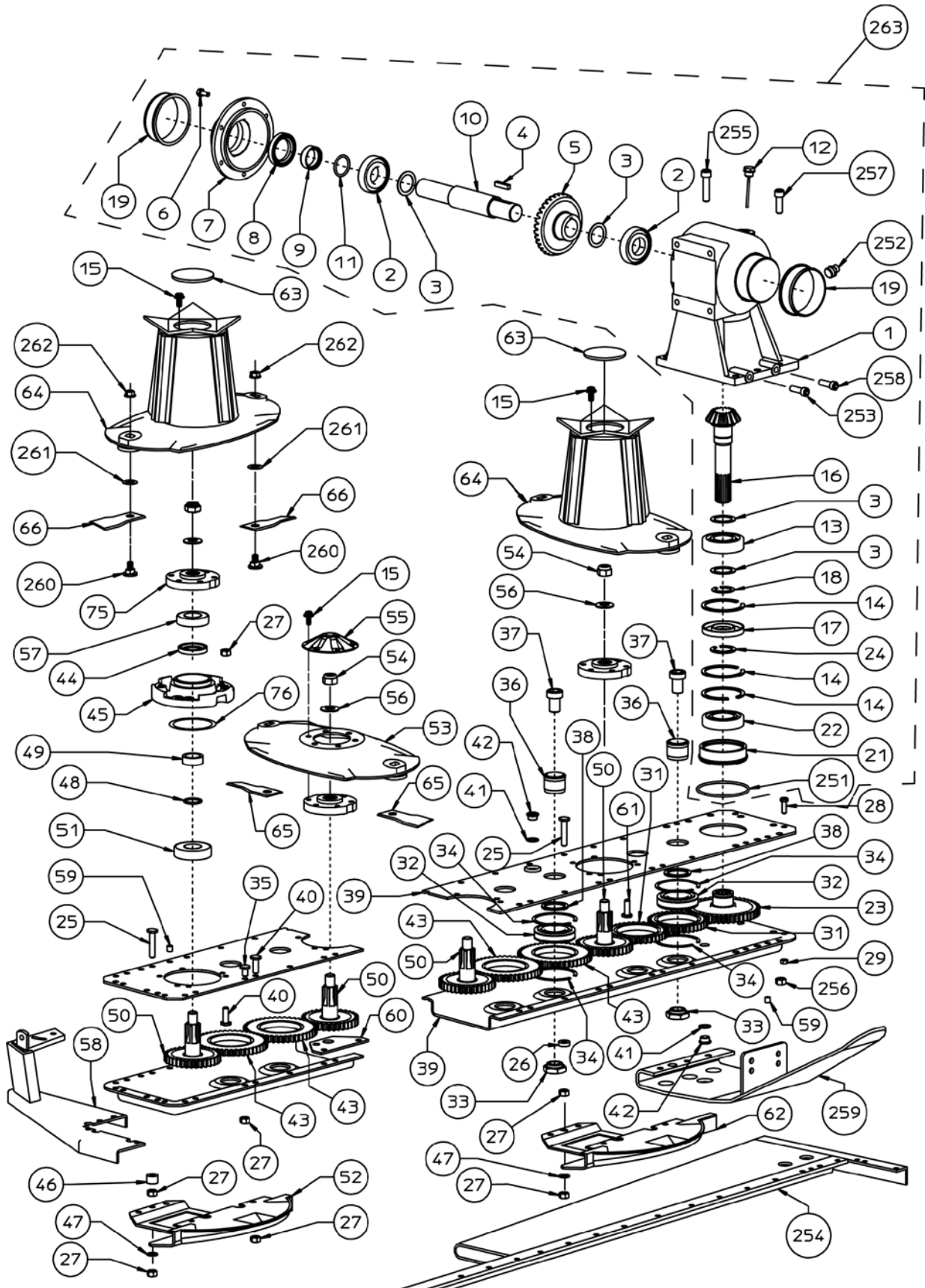
DHM7 HAY MOWER CUTTER BAR and GEARBOX

Ref. No.	Part No.	Description	Qty.	SPN
1	----	GEARBOX CASING	1	100.882
2	70797	BEARING	2	620.129
3	100.883	WASHER	4	100.883
4	620.141	TAB	1	620.141
5	71211	BEVEL GEAR	1	100.772
6	44153BH	SCREW	8	620.130
7	100.770	COVER	1	100.770
8	71215	OIL SEAL	1	620.156
9	100.884	BUSH	1	100.884
10	100.771	DRIVE SHAFT	1	100.771
11	70081	RING OR	1	620.171
12	100.774	PLUG	1	100.774
13	70082	BEARING	1	620.172
14	70121	SNAP RING	3	620.148
15	620.244	SCREW	30	620.244
16	71220	SPROCKET	1	100.773
17	70180	SEAL	1	620.161
18	70110	RING	1	620.145
19	100.831	BUSH	2	100.831
21	100.885	BEARING BUSH	1	100.885
22	71280	BEARING	1	620.173
23	71280	GEAR	1	100.779
24	70250	SNAP RING	1	620.146
25	100.783	SCREW	5	100.783
26	100.792	DISTANCE	3	100.792
27	50075259	NUT	86	620.136
28	71250	SCREW	4	620.131
29	44185BH	NUT	4	620.174
30	110.397	REAR REINFORCEMENT	1	110.397
31	71269	GEAR	5	100.801
32	71236	BEARING	11	620.126
33	100.98	NUT	11	100.798
34	100.804	SNAP RING	11	100.804
35	71231	SCREW	21	100.787
36	100.797	DISTANCE PIN	11	100.797
37	71234	SCREW	11	100.786
38	100.785	DISTANCE	11	100.785
39	100.888	SUPPORT (UPPER & LOWER)	1	100.888
40	71228	SCREW	49	100.782
41	71248	WASHER	3	620.175
42	71249	PLUG	3	100.789
43	71270	GEAR	6	100.802
44	70781	SEAL	5	620.159
45	110.418	DISC SUPPORT	5	110.418
46	100.793	DISTANCE	2	100.793
47	100.795	WASHER, BELLEVILLE SPRING	5	100.795
48	71240	RING OR	5	620.165
49	71241	BUSH	5	100.803
50	71243	GEAR	5	100.800
51	620.176	BEARING	5	620.176
52	100.995	SLIDING SUPPORT	3	100.995
53	110.463	CUTTING DISC	3	110.463
54	71244	NUT	5	620.139
55	100.996	DISC COVER	3	100.996

DHM7 HAY MOWER CUTTER BAR and GEARBOX

Ref. No.	Part No.	Description	Qty.	SPN
56	71245	WASHER	5	620.150
57	620.128	BEARING	5	620.128
58	110.392	SUPPORT DEFLECTOR	1	110.392
59	620.143	SPRING PIN	2	620.143
60	100.890	HOOK	1	100.890
61	71223	SCREW	6	100.790
62	110.001	SLIDING SUPPORT	2	110.001
63	100.791	PLUG	2	100.791
64	110.464	DISC CONVEY	2	110.464
65	110.118	CLOCKWISE KNIFE	4	110.118
66	110.119	COUNTER CLOCKWISE KNIFE	6	110.119
75	100.993	DISC SUPPORT	5	100.993
76	630.576	RING OR	5	630.576
250	15830	WASHER	4	600.322
251	71221	RING OR	1	620.164
252	620.152	VENT PLUG, 3/8" GAS	1	620.152
255	620.243	SCREW	3	620.243
256	50030946	NUT	8	620.137
257	620.133	SCREW	5	620.133
258	70618	SCREW	2	600.227
259	110.381	SUPPORT	1	110.381
260	100.796	SCREW	10	100.796
261	100.821	WASHER	10	100.821
262	100.794	NUT	10	100.794
263	110.038	GEARBOX ASSY, CUTTER BAR	1	110.038

DHM8 HAY MOWER CUTTERBAR and GEARBOX



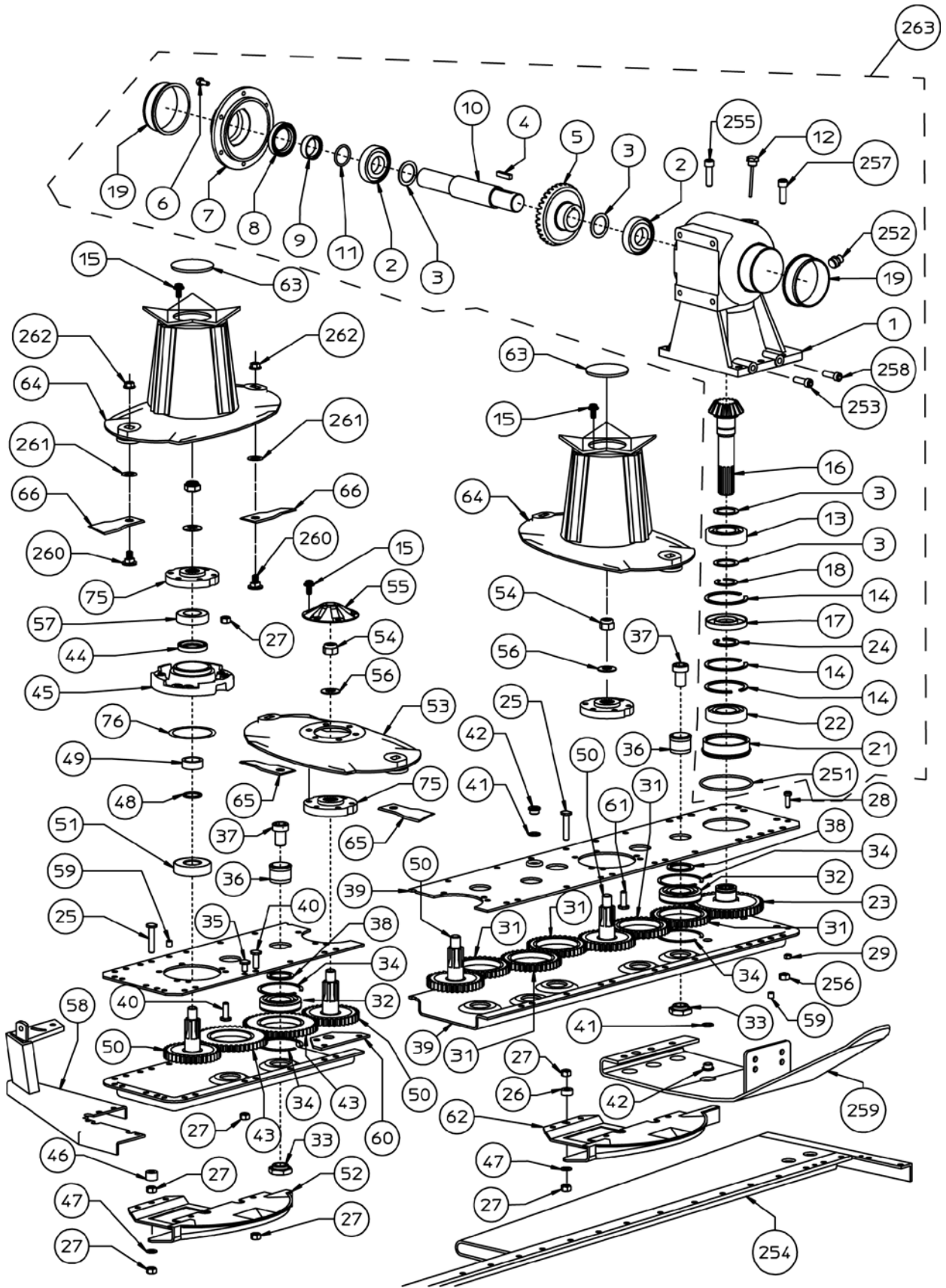
DHM8 HAY MOWER CUTTER BAR and GEARBOX

Ref. No.	Part No.	Description	Qty.	SPN
1	----	GEARBOX CASING	1	100.882
2	70797	BEARING	2	620.129
3	100.883	WASHER	4	100.883
4	620.141	TAB	1	620.141
5	71211	BEVEL GEAR	1	100.772
6	44153BH	SCREW, M10 x 1.5 x 22 8.8 ZN	8	620.130
7	100.770	COVER	1	100.770
8	71215	OIL SEAL	1	620.156
9	100.884	BUSH	1	100.884
10	100.771	DRIVE SHAFT	1	100.771
11	70081	RING OR	1	620.171
12	100.774	PLUG	1	100.774
13	70082	BEARING	1	620.172
14	70121	SNAP RING	3	620.148
15	620.244	SCREW, M10 x 20	36	620.244
16	71220	SPROCKET	1	100.773
17	70180	SEAL	1	620.161
18	70110	RING	1	620.145
19	610.232	BUSH	2	610.232
21	100.885	BEARING BUSH	1	100.885
22	71280	BEARING	1	620.173
23	71225	GEAR	1	100.779
24	70250	SNAP RING	1	620.146
25	100.783	SCREW	6	100.783
26	100.792	DISTANCE	4	100.792
27	50075259	NUT M10	102	620.136
28	71250	SCREW, M8 x 25 8.8	4	620.131
29	44185BH	NUT M8	4	620.174
31	71269	GEAR	2	100.801
32	71236	BEARING	12	620.126
33	100.798	NUT	12	100.798
34	100.804	SNAP RING	24	100.804
35	71231	SCREW	24	100.787
36	100.797	DISTANCE PIN	12	100.797
37	71234	SCREW	12	100.786
38	100.785	DISTANCE	12	100.785
39	100.887	SUPPORT (UPPER & LOWER)	1	100.887
40	71228	SCREW	62	100.782
41	71248	WASHER	3	620.175
42	71249	PLUG	3	100.789
43	71270	GEAR	10	100.802
44	70781	SEAL	6	620.159
45	71239	DISC SUPPORT	6	100.799
46	100.793	DISTANCE	2	100.793
47	100.795	WASHER, BELLEVILLE SPRING	6	100.795
48	71240	RING OR	6	620.165
49	71241	BUSH	6	100.803
50	71243	GEAR	6	100.800
51	620.176	BEARING	6	620.176
52	100.995	SLIDING SUPPORT	5	100.995
53	110.463	CUTTING DISC	4	110.463
54	71244	NUT, M20 x 1.5	6	620.139
55	100.996	DISC COVER	4	100.996

DHM8 HAY MOWER CUTTER BAR and GEARBOX

Ref. No.	Part No.	Description	Qty.	SPN
56	71245	WASHER	6	620.150
57	620.128	BEARING	6	620.128
58	110.127	SUPPORT DEFLECTOR	1	110.127
59	620.143	SPRING PIN	2	620.143
60	100.890	HOOK	1	100.890
61	71223	SCREW	4	100.790
62	110.001	SLIDING SUPPORT	1	110.001
63	100.791	PLUG	2	100.791
64	110.464	DISC CONVEY	2	110.464
65	100.367	CLOCKWISE KNIFE	6	100.367
66	100.366	COUNTER CLOCKWISE KNIFE	6	100.366
75	100.993	DISC SUPPORT	6	100.993
251	71221	RING OR	1	620.164
252	620.152	VENT PLUG, 3/8" GAS	1	620.152
253	620.245	SCREW, M10 x 1.5 x 25 12.9	1	620.245
254	110.380	REAR REINFORCEMENT	1	110.380
255	620.243	SCREW, HSHCS M12 x 1.75 x 50 12.9	3	620.243
256	50030946	NUT, M12 x 1.75	8	620.137
257	620.133	SCREW, HSHCS M12 x 1.75 x 40 12.9	5	620.133
258	620.134	SCREW, HSHCS M10 x 1.5 x 22 12.9	1	620.134
259	100.986	SLIDING SUPPORT	1	110.986
260	100.796	SCREW	12	100.796
261	100.821	WASHER	12	100.821
262	100.794	NUT	12	100.794
263	110.038	GEARBOX ASSY, CUTTER BAR	1	110.038

DHM9 HAY MOWER CUTTERBAR and GEARBOX



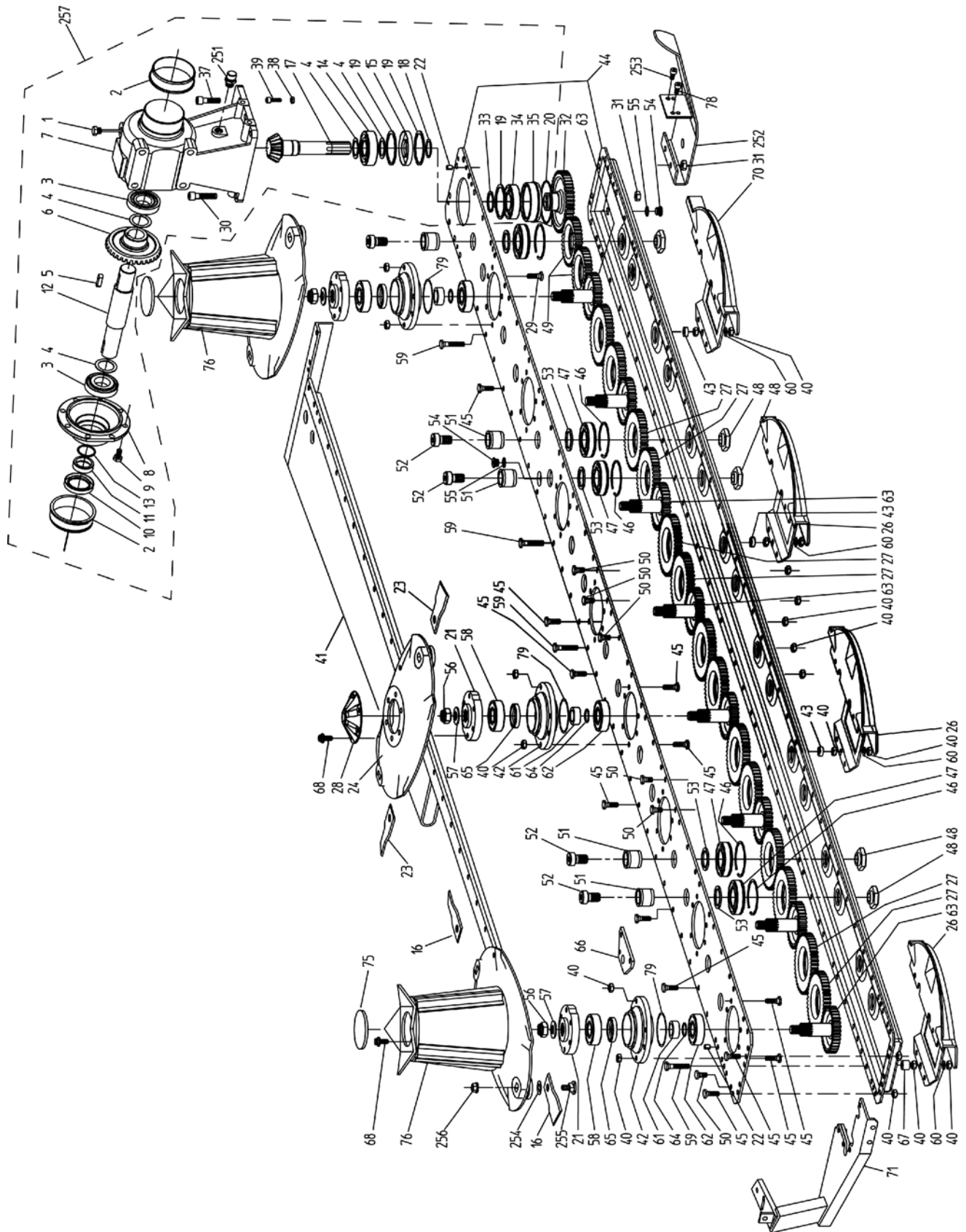
DHM9 HAY MOWER CUTTER BAR and GEARBOX

Ref. No.	Part No.	Description	Qty.	SPN
1	----	GEARBOX CASING	1	100.992
2	70797	BEARING	2	620.129
3	100.883	WASHER	4	100.883
4	620.141	TAB	1	620.141
5	71211	BEVEL GEAR	1	100.772
6	44153BH	SCREW, M10 x 1.5 x 22 8.8 ZN	8	620.130
7	100.770	COVER	1	100.770
8	71215	OIL SEAL	1	620.156
9	100.884	BUSH	1	100.884
10	100.771	DRIVE SHAFT	1	100.771
11	70081	RING OR	1	620.171
12	100.774	PLUG	1	100.774
13	70082	BEARING	1	620.172
14	70121	SNAP RING	3	620.148
15	620.244	SCREW, M10 x 20	42	620.244
16	71220	SPROCKET	1	100.773
17	70180	SEAL	1	620.161
18	70110	RING	1	620.145
19	610.232	BUSH	2	610.232
21	100.885	BEARING BUSH	1	100.885
22	71280	BEARING	1	620.173
23	71225	GEAR	1	100.779
24	70250	SNAP RING	1	620.146
25	100.783	SCREW	7	100.783
26	100.792	DISTANCE	4	100.792
27	50075259	NUT M10	118	620.136
28	71250	SCREW, M8 x 25 8.8	4	620.131
29	620.174	NUT M8	4	620.174
31	71269	GEAR	5	100.801
32	71236	BEARING	15	620.126
33	100.798	NUT	15	100.798
34	100.804	SNAP RING	30	100.804
35	71231	SCREW	31	100.787
36	100.797	DISTANCE PIN	15	100.797
37	71234	SCREW	15	100.786
38	100.785	DISTANCE	15	100.785
39	100.886	SUPPORT (UPPER & LOWER)	1	100.886
40	71228	SCREW	71	100.782
41	71248	WASHER	3	620.175
42	71249	PLUG	3	100.789
43	71270	GEAR	10	100.802
44	70781	SEAL	7	620.159
45	71239	DISC SUPPORT	7	100.799
46	100.793	DISTANCE	6	100.793
47	100.795	WASHER, BELLEVILLE SPRING	7	100.795
48	71240	RING OR	7	620.165
49	71241	BUSH	7	100.803
50	71243	GEAR	7	100.800
51	620.176	BEARING	7	620.176
52	100.995	SLIDING SUPPORT	5	100.995
53	110.463	CUTTING DISC	5	110.463
54	71244	NUT, M20 x 1.5	7	620.139
55	100.996	DISC COVER	5	100.996

DHM9 HAY MOWER CUTTER BAR and GEARBOX

Ref. No.	Part No.	Description	Qty.	SPN
56	71245	WASHER	7	620.150
57	620.128	BEARING	7	620.128
58	110.127	SUPPORT DEFLECTOR	1	110.127
59	620.143	SPRING PIN	2	620.143
60	100.890	HOOK	1	100.890
61	71223	SCREW	7	100.790
62	110.001	SLIDING SUPPORT	2	110.001
63	100.791	PLUG	2	100.791
64	110.464	DISC CONVEY	2	110.464
65	100.367	CLOCKWISE KNIFE	8	100.367
66	100.366	COUNTER CLOCKWISE KNIFE	6	100.366
75	100.993	DISC SUPPORT	7	100.993
251	71221	RING OR	1	620.164
252	620.152	VENT PLUG, 3/8" GAS	1	620.152
253	620.245	SCREW, M10 x 1.5 x 25 12.9	1	620.245
254	110.380	REAR REINFORCEMENT	1	110.380
255	620.243	SCREW, HSHCS M12 x 1.75 x 50 12.9	3	620.243
256	50030946	NUT, M12 x 1.75	8	620.137
257	620.133	SCREW, HSHCS M12 x 1.75 x 40 12.9	5	620.133
258	70618	SCREW, HSHCS M10 x 1.5 x 22 12.9	2	620.134
259	100.986	SLIDING SUPPORT	1	110.986
260	100.796	SCREW	14	100.796
261	100.821	WASHER	14	100.821
262	100.794	NUT	14	100.794
263	110.509	GEARBOX ASSY, CUTTER BAR	1	110.509

DHM10 HAY MOWER CUTTERBAR and GEARBOX



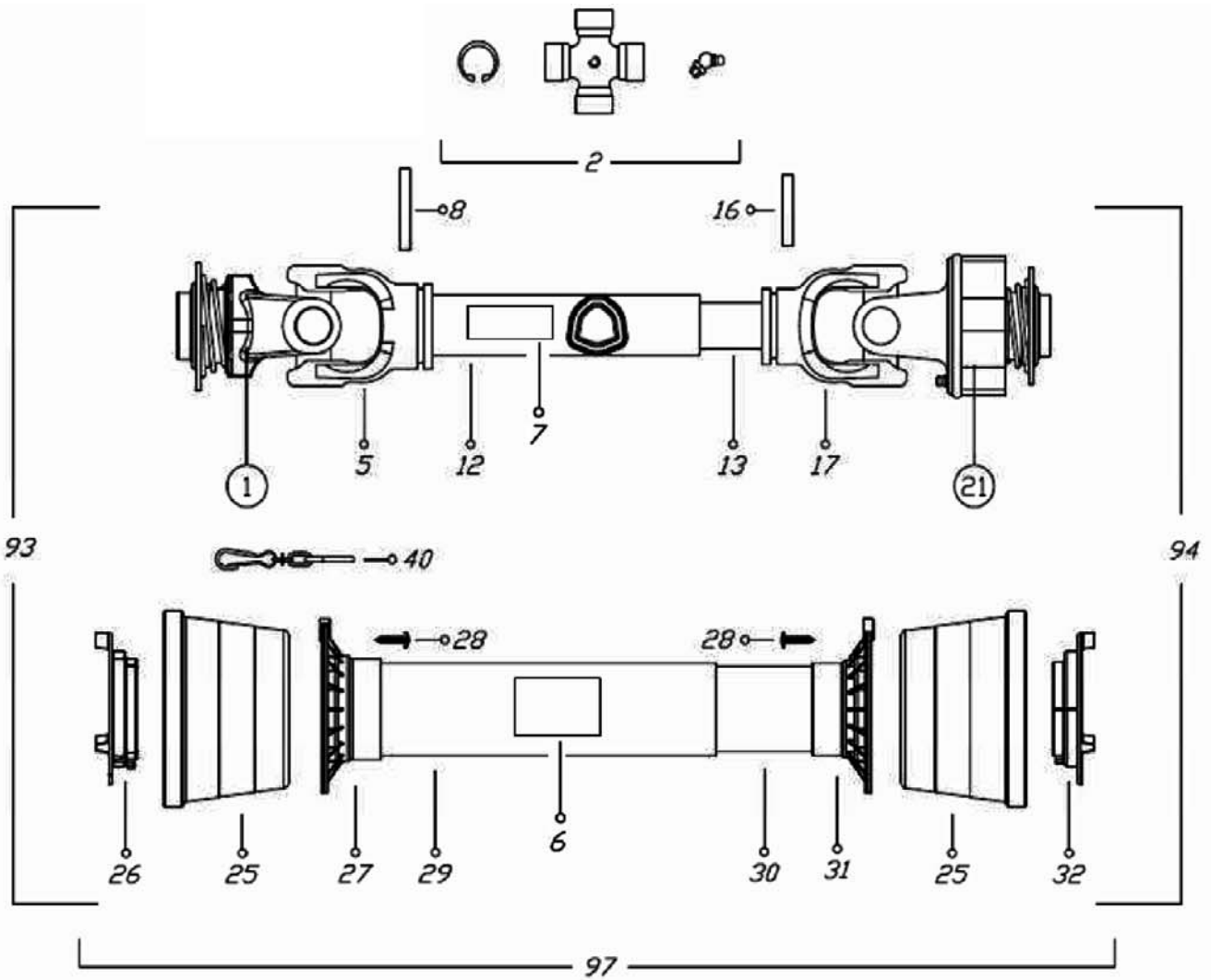
DHM10 HAY MOWER CUTTER BAR and GEARBOX

Ref. No.	Part No.	Description	Qty.	SPN
1	100.774	PLUG	1	100.774
2	610.232	BUSH	2	610.232
3	70797	BEARING	2	620.129
4	100.883	WASHER	4	100.883
5	620.141	TAB	1	620.141
6	71211	BEVEL GEAR	1	100.772
7	-----	GEARBOX CASING	1	100.992
8	100.770	COVER	1	100.770
9	44153BH	SCREW, M10 x 1.5 x 22 8.8 ZN	8	620.130
10	71215	OIL SEAL	1	620.156
11	100.884	BUSH	1	100.884
12	100.771	DRIVE SHAFT	1	100.771
13	70081	RING OR	1	620.171
14	70082	BEARING	1	620.172
15	70180	SEAL	1	620.161
16	100.366	COUNTER CLOCKWISE KNIFE	8	100.366
17	71220	SPROCKET	1	100.773
18	70110	RING	1	620.145
19	70121	SNAP RING	3	620.148
20	71221	O-RING GASKET	1	620.164
21	100.993	DISC SUPPORT	8	100.993
22	620.143	SPRING PIN, M10 x 12	2	620.143
23	100.367	CLOCKWISE KNIFE	8	100.367
24	110.463	CUTTING DISC	6	110.463
26	100.995	SLIDING SUPPORT	7	100.995
27	71270	GEAR	14	100.802
28	100.996	DISC COVER	1	100.996
29	71223	SCREW	1	100.790
30	620.243	SCREW, M12 x 1.75 x 50 12.9	3	620.243
31	50030946	NUT, M12 x 1.75	8	620.137
32	100.906	GEAR	1	100.906
33	70250	SNAP RING	1	620.146
34	71280	BEARING	1	620.173
35	-----	BEARING BUSH	1	100.885
37	620.133	SCREW, HSHCS M12 x 1.75 x 40 12.9	5	620.133
38	620.174	NUT, M8 x 1.25	4	620.174
39	71250	SCREW, M8 x 25 8.8	4	620.131
40	50075259	NUT M10	128	620.136
41	100.997	REAR REINFORCEMENT	1	100.997
42	110.418	BEARING DISC SUPPORT	8	110.418
43	100.792	DISTANCE	6	100.792
44	100.998	SUPPORT (UPPER & LOWER)	1	100.998
45	71228	SCREW	97	100.782
46	100.804	SNAP RING	16	100.804
47	71236	BEARING	16	620.126
48	100.798	NUT	16	100.798
49	71269	GEAR	2	100.801
50	71231	SCREW	31	100.787
51	100.797	DISTANCE PIN	16	100.797
52	71234	SCREW	16	100.786
53	100.785	DISTANCE	16	100.785
54	71249	PLUG	2	100.789
55	71248	WASHER	2	620.175

DHM10 HAY MOWER CUTTER BAR and GEARBOX

Ref. No.	Part No.	Description	Qty.	SPN
56	71244	NUT, M20 x 1.5	8	620.139
57	71245	WASHER	8	620.150
58	620.128	BEARING	8	620.128
59	100.783	SCREW	8	100.783
60	100.795	WASHER, BELLEVILLE SPRING	8	100.795
61	71241	BUSH	8	100.803
62	620.176	BEARING	8	620.176
63	71243	GEAR	8	100.800
64	71240	RING OR	8	620.165
65	70781	SEAL	8	620.159
66	100.890	HOOK	1	100.890
67	100.793	DISTANCE	2	100.793
68	620.244	SCREW, M10 x 20	48	620.244
70	110.001	SLIDING SUPPORT	1	110.001
71	110.127	SUPPORT DEFLECTOR	1	110.127
75	100.791	PLUG	2	100.791
76	110.464	DISC CONVEY	2	110.464
77	500.056	PLUG	1	500.056
78	620.245	SCREW, M10 x 1.5 x 25 12.9	1	620.245
79	630.576	RING OR	8	630.576
251	620.152	VENT PLUG, 3/8" GAS	1	620.152
252	100.986	SLIDING SUPPORT	1	100.986
253	70618	SCREW, HSHCS M10 x 1.5 x 22 12.9	2	620.134
254	100.821	WASHER	16	100.821
255	100.796	SCREW	16	100.796
256	100.794	NUT	16	100.794
257	110.509	GEARBOX ASSY, CUTTER BAR	1	110.509

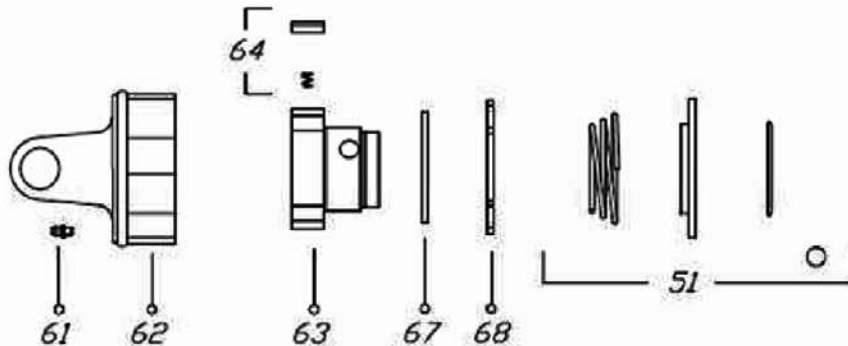
DHM7 HAY MOWER DRIVESHAFT ASSEMBLY



①



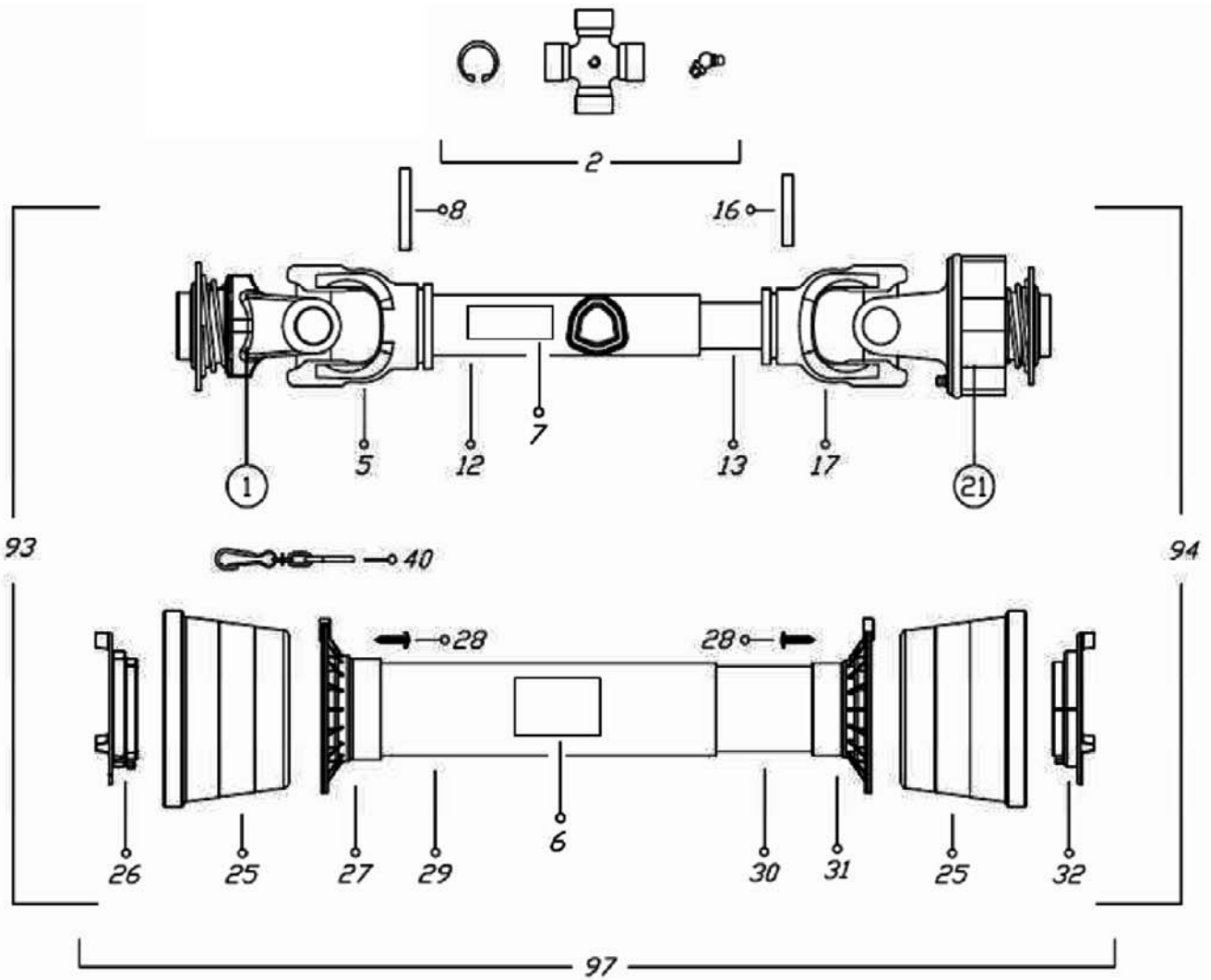
②



DHM7 HAY MOWER DRIVESHAFT ASSEMBLY

Ref. No.	Part No.	Description	Qty.	SPN
	630.430	DRIVESHAFT ASSEMBLY	1	630.430
1	64692	YOKE	1	620.825
2	64694	CROSS JOURNAL ASSY	2	610.235
5	50064182	OUTER TUBE YOKE)	1	610.236
6	78608	LABEL, DANGER ROTATING	1	001.411
7	78786	LABEL, DANGER SHIELD	1	001.316
8	78577	FLEXIBLE PIN	1	610.208
12	----	CM. 100 CARDAN TUBE	1	610.209
13	----	CM. 100 CARDAN TUBE	1	610.237
16	78578	FLEXIBLE PIN	1	610.211
17	50064184	INNER TUBE YOKE	1	610.238
21	620.898	FREE WHEEL	1	620.898
25	----	CONE SHIELD BELL 03-04	2	630.400
26	630.401	OUTER BEARING 03-04	1	630.401
27	----	OUTER BASE CONE 03-04	1	630.402
28	630.389	SCREW	6	630.389
29	----	OUTER SAFETY TUBE	1	630.403
30	----	INNER SAFETY TUBE	1	630.404
31	----	INNER BASE CONE 03-04	1	630.405
32	630.406	INNER BEARING 03-04	1	630.406
40	----	CHAIN	1	610.068
51	620.830	BALL COLLAR KIT	2	620.830
61	----	GREASE NIPPLE	1	610.206
62	----	OUTER CASING WITH YOKE	1	610.354
63	----	HUB 1-3/8" Z6	1	630.396
64	----	RATCHET TOOTH	3	620.873
67	----	RETAINING RING	1	620.874
68	610.253	CIRCLIP	1	610.253
93	630.408	OUTER HALF SHAFT	1	630.408
94	630.409	INNER HALF SHAFT	1	630.409
97	630.410	SAFETY GUARD	1	630.410

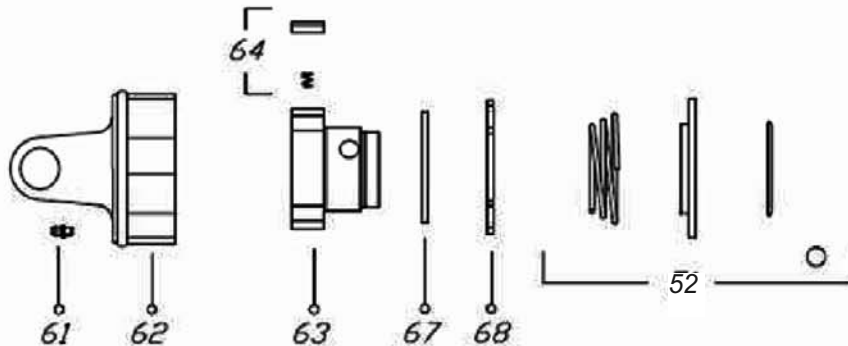
DHM8, DHM9 HAY MOWER DRIVESHAFT ASSEMBLY



①



②



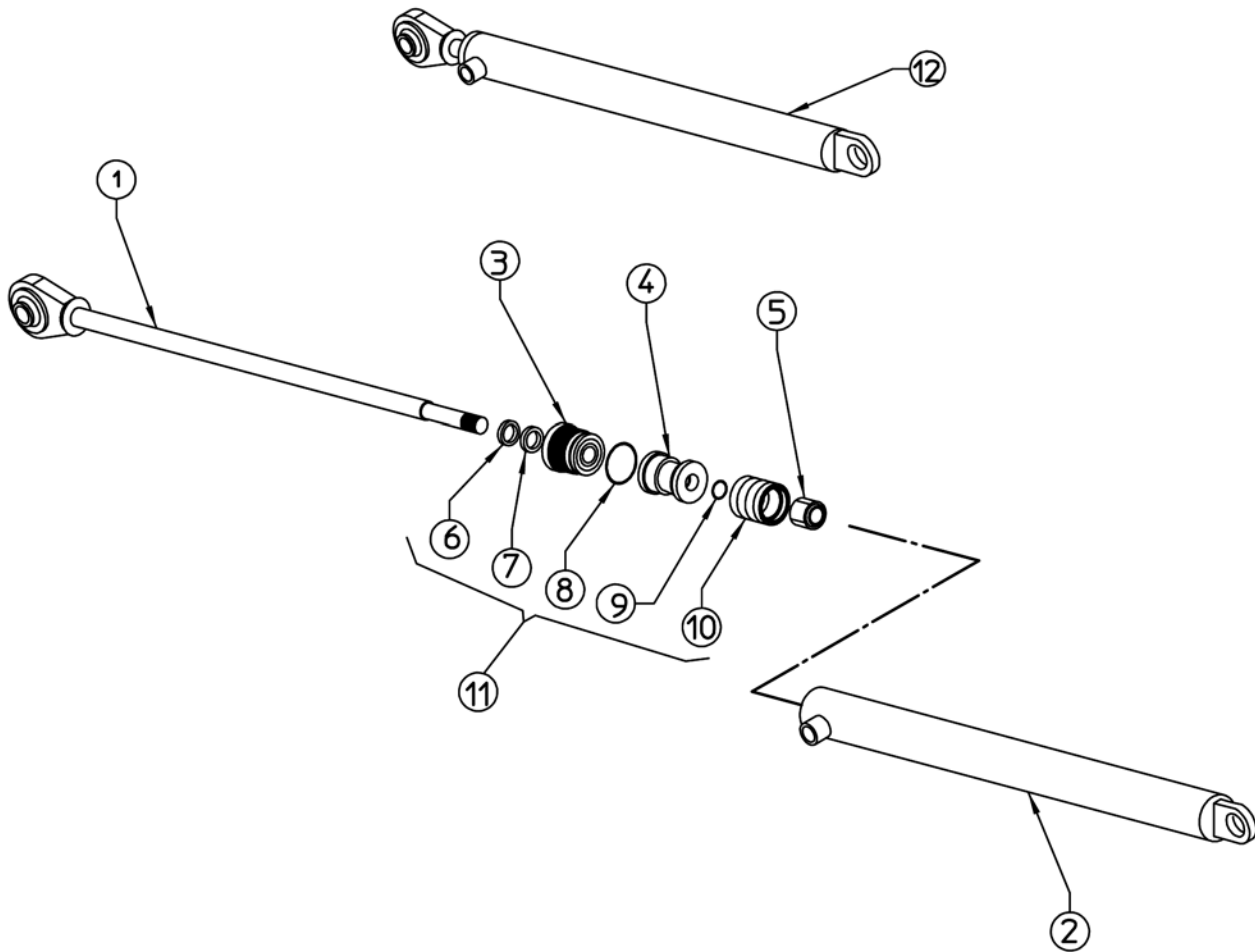
DHM8, DHM9 HAY MOWER DRIVESHAFT ASSEMBLY

Ref. No.	Part No.	Description	Qty.	SPN
	630.932	DRIVESHAFT ASSEMBLY	1	630.932
1	630.382	YOKE	1	630.382
2	610.368	CROSS JOURNAL ASSY	2	610.368
5	610.370	OUTER TUBE YOKE	1	610.370
6	78608	LABEL, DANGER ROTATING	1	001.411
7	78786	LABEL, DANGER SHIELD	1	001.316
8	630.383	FLEXIBLE PIN	1	630.383
12	----	CM. 100 CARDAN TUBE	1	610.372
13	----	CM. 100 CARDAN TUBE	1	610.373
16	630.384	FLEXIBLE PIN	1	630.384
17	610.375	INNER TUBE YOKE	1	610.375
21	630.385	FREE WHEEL	1	630.385
25	----	CONE SHIELD BELL 05-06	2	630.386
26	630.387	OUTER BEARING 05	1	630.387
27	----	OUTER BASE CONE 05-06	1	630.388
28	630.389	SCREW	6	630.389
29	----	OUTER SAFETY TUBE	1	630.972
30	----	INNER SAFETY TUBE	1	630.973
31	----	INNER BASE CONE 05-06	1	630.392
32	630.393	INNER BEARING 05	1	630.393
40	----	CHAIN	1	610.068
51	630.394	BALL COLLAR KIT	1	630.394
52	620.830	BALL COLLAR KIT	1	620.830
61	----	GREASE NIPPLE	1	610.206
62	----	OUTER CASING WITH YOKE	1	630.395
63	----	HUB 1-3/8" Z6	1	630.396
64	----	RATCHET TOOTH	3	620.873
67	----	RETAINING RING	1	620.874
68	610.253	CIRCLIP	1	610.253
93	630.974	OUTER HALF SHAFT	1	630.974
94	630.975	INNER HALF SHAFT	1	630.975
97	630.976	SAFETY GUARD	1	630.976

DHM10 HAY MOWER DRIVESHAFT ASSEMBLY

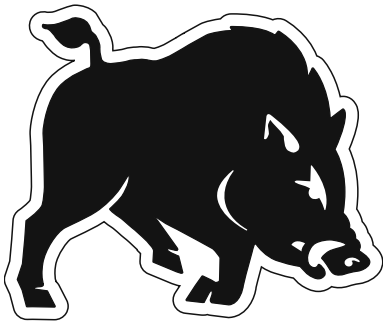
Ref. No.	Part No.	Description	Qty.	SPN
	620.237	DRIVESHAFT ASSEMBLY	1	620.237
1	620.079	YOKE	1	620.079
2	620.080	CROSS JOURNAL ASSY	2	620.080
5	620.081	OUTER TUBE YOKE	1	620.081
6	630.720	LABEL, DANGER ROTATING	1	630.720
7	630.719	LABEL, DANGER SHIELD	1	001.316
8	630.383	FLEXIBLE PIN	1	630.383
12	----	CM. 100 CARDAN TUBE	1	620.083
13	----	CM. 100 CARDAN TUBE	1	610.373
16	630.384	FLEXIBLE PIN	1	630.384
17	620.085	INNER TUBE YOKE	1	620.085
21	630.851	FREE WHEEL	1	630.851
25	----	CONE SHIELD BELL 05-06	2	630.386
26	630.852	OUTER BEARING	1	630.852
27	----	OUTER BASE CONE 05-06	1	630.388
28	630.389	SCREW	6	630.389
29	----	OUTER SAFETY TUBE	1	630.878
30	----	INNER SAFETY TUBE	1	630.879
31	----	INNER BASE CONE 05-06	1	630.392
32	630.880	INNER BEARING 05	1	630.880
40	----	CHAIN	1	610.068
51	----	BALL COLLAR KIT	1	610.057
52	630.394	BALL COLLAR KIT	1	630.394
61	69356	GREASE NIPPLE	1	610.216
62	----	OUTER CASING WITH YOKE	1	620.270
63	----	HUB 1-3/8" Z6	1	630.396
64	----	RATCHET TOOTH	3	620.873
67	----	RETAINING RING	1	620.874
68	610.253	CIRCLIP	1	610.253
93	620.094	OUTER HALF SHAFT	1	620.094
94	630.882	INNER HALF SHAFT	1	630.882
97	630.883	SAFETY GUARD	1	630.883

DHM7 HAY MOWER CYLINDER ASSEMBLY



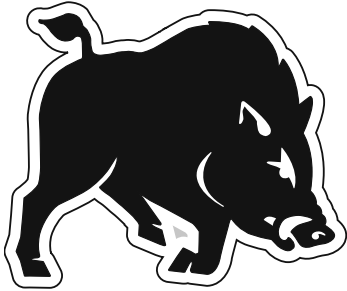
Ref. No.	Part No.	Description	Qty.	SPN
1	100.741	ROD	1	100.741
2	100.742	CYLINDER BARREL	1	100.742
3	210.288	CYLINDER HEAD	1	210.288
4	220.668	PISTON	1	220.668
5	610.646	NUT	1	610.646
6	----	GASKET WRM 078110 (ROD Ø20)	1	610.025
7	----	GASKET POLYPAC B 110078 (ROD Ø20)	1	610.027
8	----	O-RING OR 139 (Ø32.09 x 3.53)	1	610.026
9	----	O-RING 219 (Ø15.08 x 2.62)	1	610.029
10	----	GASKET POLYPAC DBM 157118	1	610.028
11	600.895	CYLINDER GASKET SET	1	600.895
12	100.169	CYLINDER ASSEMBLY	1	100.169

DHM7, DHM8, DHM9, DHM10 HAY MOWER LOGO DECALS



1

BUSH HOG®



2

BUSH HOG®

DHM7

3

DHM8

4

DHM9

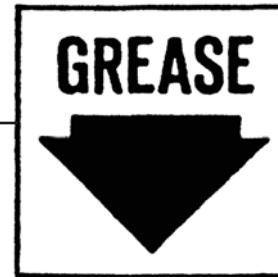
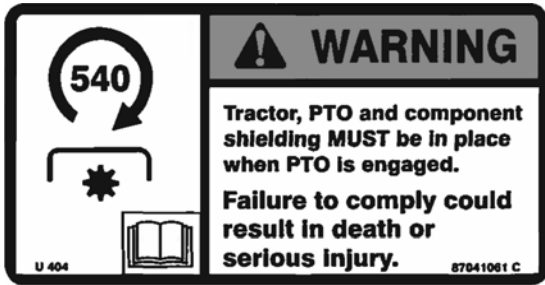
5

DHM10

6

Ref. No.	Part No.	Description	Qty.
1	50065309	Bush Hog Decal 3.25" x 14.85" (DHM7)	1
	50061049	Bush Hog Decal 4.85 "x 22.00"(DHM8/9/10)	1
2	50058089	Bush Hog Decal 2.42" x 11"	1
3	50078273	DHM7 Model Decal	1
4	50078274	DHM8 Model Decal	1
5	50078275	DHM9 Model Decal	1
6	50078276	DHM10 Model Decal	1

DHM7, DHM8, DHM9, DHM10 HAY MOWER SAFETY DECALS



DHM7, DHM8, DHM9, DHM10 HAY MOWER SAFETY DECALS



6



7



8

Ref. No.	Part No.	Description	Qty.	SPN
1	001.318	Warning Decal , 540 RPM -Shielding	1	001.318
2	001.075	Gease Point Lable	4	001.075
3	001.319	Warning Decal, Jackstand	1	001.319
4	52740	Oil Leak Warning Decal	1	52740
5	001.317	Warning Decal, Thrown Objects	1	001.317
6	001.695	Caution Decal, Disconnect	1	001.695
7	001.320	Warning Decal, Read Manual	1	001.320
8	D559	WarningDecal, Genuine Bush Hog Parts	1	—



BUSH HOG[®]

2501 Griffin Ave. • Selma, AL 36703
www.bushhog.com