

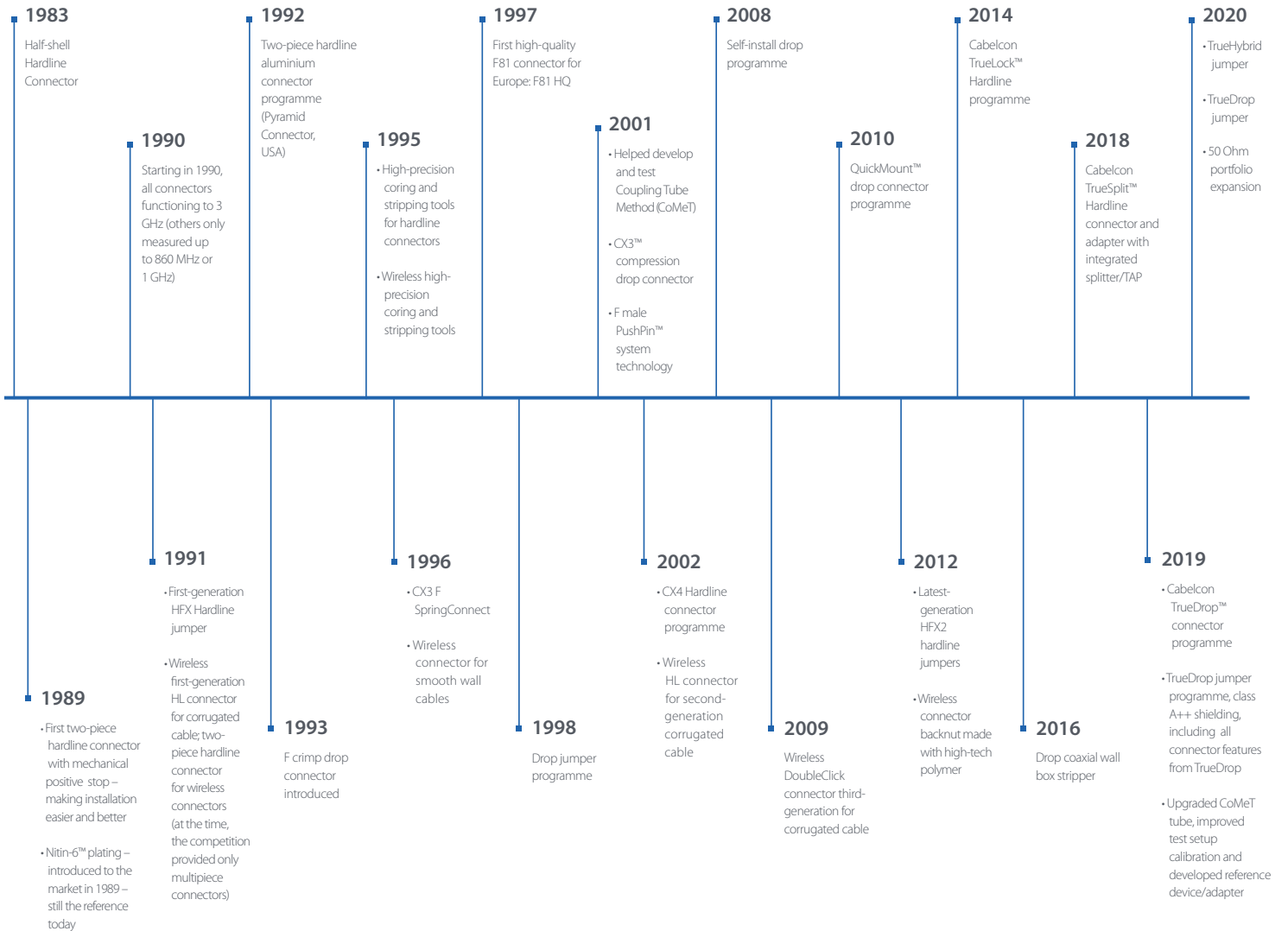
Allows for spiral binding

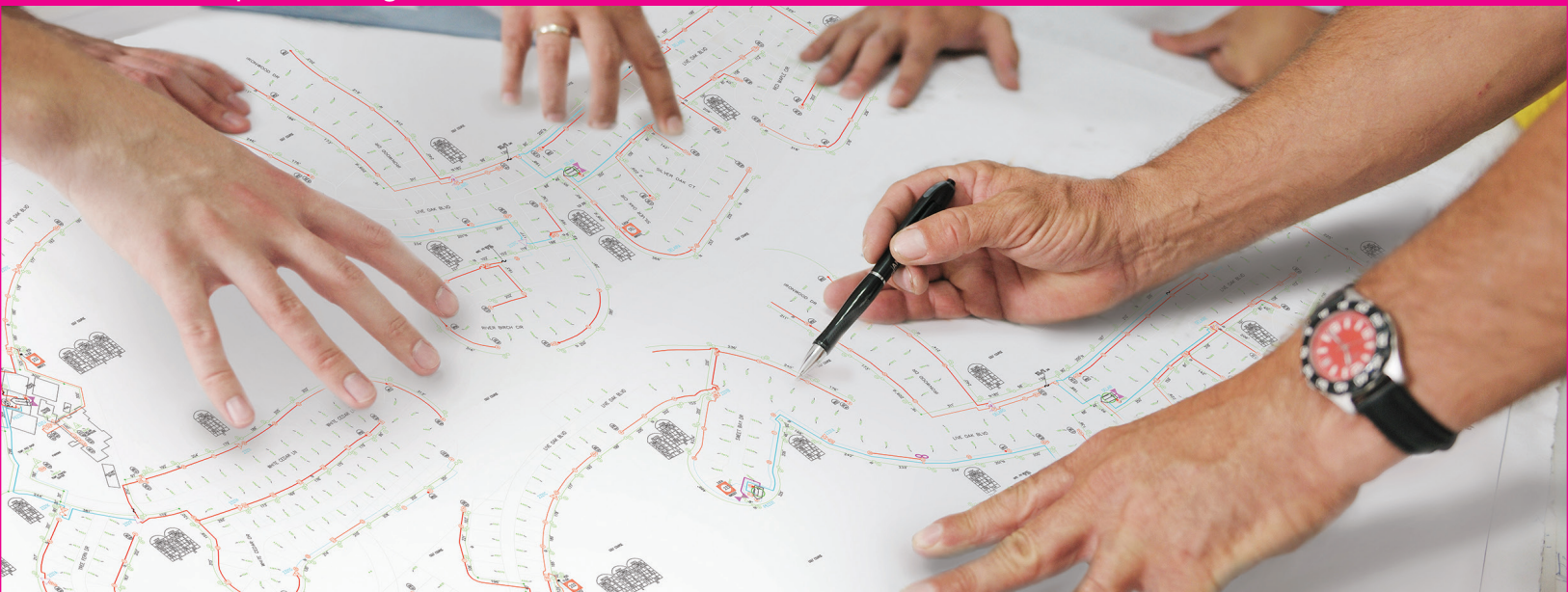
Cabelcon
An Amphenol Company

Wireless, HFC and Satellite Networks

Core Products EMEA

RF Innovations Overview





Contents

| | |
|--|----|
| RF Innovations Overview | 2 |
| Cabelcon Wireless Portfolio | 4 |
| HFC Network Architecture | 11 |
| Cabelcon RF Trunk Portfolio | 14 |
| Cabelcon TrueSplit™ Portfolio | 27 |
| Cabelcon TrueDrop™ Portfolio | 33 |
| Cabelcon Satellite Portfolio | 46 |

Cabelcon offers a comprehensive line of connectors, jumpers, and accessories for wireless, broadband communications and CATV systems. Our product portfolio addresses the challenges installers face in the field, from physical barriers around installation sites to adverse weather conditions. That's why our solutions are built with features that enable fast and easy installation, such as field-installable compression connectors requiring low activation force. Additionally, many of our products are available as preconnectorized solutions under our jumper portfolio.



Cabelcon Wireless Portfolio

Cabelcon's 50 Ohm wireless product series is available now.

Superior passive intermodulation (PIM) performance ensures efficient 5G data transfer at increased speeds.

While the mobile and wireless networks contend with increasing performance demands, like 5G upgrades, they still require 50 Ohm connectors and jumpers. The Cabelcon 50 Ohm portfolio delivers world-class performance to enhance your network reliability.

We are changing for you – get to know our NEW portfolio



Easier and Faster Installation



Superior Electrical Performance



Intelligent Design

| RF DoubleClick Connectors | RF Compact Connectors | Coaxial Jumper |
|--|---|--|
| Easier and Faster Installation | | |
| 90-second installation time vs. less than five minutes for traditional connectors | 90-second installation time vs. less than five minutes for traditional connectors | Plug-and-play solution |
| | 20% size reduction compared to DoubleClick | Available for 1/4-in, 3/8-in and 1/2-in standard and super flex cables |
| Intelligent Design | | |
| High-tech polymer ferrule: 360° seal at the cable jacket | High-tech polymer ferrules: 360-degree seal on the outer conductor, by an O-ring | High-quality soldered connection |
| DoubleClick technology: Dual Grip on outer conductor, allows a more stable connection for the best PIM performance | | |
| “Super-sealing” interface: Creates a watertight interface with special polymer eliminating O-rings | | “Super-sealing” available through Water Boots |
| Superior Electrical Performance | | |
| Return loss (VSWR): 5-8 dB improvement vs. available solutions | | |
| Intermodulation (PIM): 18 dB improvement vs. available solutions | | |
| Best-in-Class Plating | | |
| Nitin-6™ plating adds excellent corrosion resistance and long-term conductivity and reliability to the nut, brass gripper, and body of the connector | | |
| White bronze inner conductor | | |



92954010



52087840

Wireless 50 Ohm Portfolio

RF DoubleClick Connectors

The 50 Ohm wireless connectors provide easy cable preparation and connector installation. Available for use with various standard cables using standard interfaces, the connector features a two-piece design.

Address space concerns with our NEW Cabelcon RF Compact Connectors.

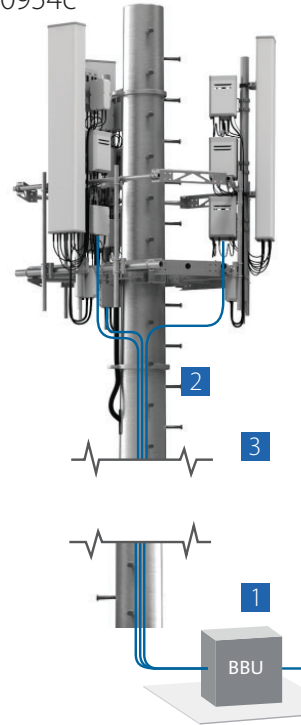
The tooling dramatically cuts the time required to prepare cable and the POM ferrule design eliminates the need to hammer a backnut onto the cable.

Coaxial Jumpers

Take your installation experience to the next level with C-Jumpers. Fully factory preinstalled, available in most configurations required to connect RRH and antennas.

All products have superior intermodulation (PIM) performance and low return loss (VSWR) ensures efficient high-speed data transfer of 5G technologies.

00954c



1 Base Band Unit

2 Remote Radio Head

- Wireless 50 Ohm connectors
- Wireless 50 Ohm jumpers

3 Antenna

- Wireless 50 Ohm connectors
- Wireless 50 Ohm jumpers

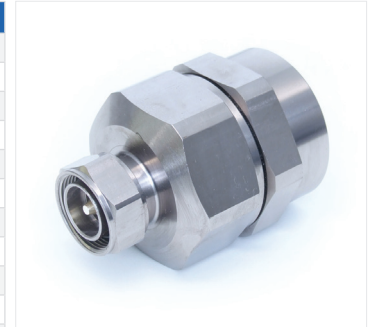
| Interface Available | | | | | | |
|---|--------------------|-------------------|------|--------|-------|---------|
| 7/16 (DIN) | 4.1/9.5 (mini DIN) | 4.3/10 (mini DIN) | N | Nex-10 | | |
| Available in; Male straight and right angle, Female in straight | | | | | | |
| Cabelcon products are available for the following cable sizes: | | | | | | |
| Connectors | ¼ in | 3/8 in | ½ in | 7/8 in | 1¼ in | 15/8 in |
| Jumpers | ¼ in | 3/8 in | ½ in | - | - | - |

| Parameter | Measurement Conditions | Cabelcon Compact 4.3/10M Connector | |
|-----------------|------------------------|------------------------------------|---------|
| | | Better Than | Typical |
| Return Loss | 50-1000 MHz | 35 dB | 37.8 dB |
| | 1000-2000 MHz | 30 dB | 33.3 dB |
| | 2000-3000 MHz | 30 dB | 33.3 dB |
| | 3000-4000 MHz | 30 dB | 36.1 dB |
| | 4000-5000 MHz | 33 dB | 36.1 dB |
| | 5000-6000 MHz | 35 dB | 38.0 dB |
| Intermodulation | 2 x 20 W | 171 dBc | |

Wireless Portfolio

RF DoubleClick Wireless Connectors and Tools

| Cable Type | Item Number | Name | Description |
|-------------------|-------------|-------------------------------|---|
| 1/2-in Super Flex | 50041250-02 | 7/16M-412/50-DC | 7/16 DIN Male DoubleClick Connector for 1/2-in Super flex cable |
| | 50041251-02 | 90-7/16M-412/50-DC | 90-degree Right angle 7/16 DIN Male DoubleClick Connector for 1/2-in Super flex cable |
| | 52041250-02 | 7/16F-412/50-DC | 7/16 DIN Female DoubleClick Connector for 1/2-in Super flex cable |
| | 58041250-02 | 4.3/10M-412/50-DC | 4.3/10 DIN Male DoubleClick Connector for 1/2-in Super flex cable |
| | 58041251-02 | 90-4.3/10M-412/50-DC | 90-degree Right angle 4.3/10 Male DoubleClick Connector for 1/2-in Super flex cable |
| | 60041250-02 | 4.3/10F-412/50-DC | 4.3/10 DIN Female DoubleClick Connector for 1/2-in Super flex cable |
| | 76041250-02 | NM/50-412/50-DC | N Male DoubleClick Connector for 1/2-in Super flex cable |
| | 76041251-02 | 90-NM/50-412/50-DC | 90-degree Right angle N Male DoubleClick Connector for 1/2-in Super flex cable |
| | 78041250-02 | NF/50-412/50-DC | N Female DoubleClick Connector for 1/2-in Super flex cable |
| | 28041250 | DUALSTRIP TOOL TYPE 412/50-DC | DualStrip Tool for 1/2-in Super flex cable for DoubleClick Connector |
| 1/2-in Corrugated | 50051250-02 | 7/16M-512/50-DC | 7/16 DIN Male DoubleClick Connector for 1/2-in corrugated cable |
| | 50051251-02 | 90-7/16M-512/50-DC | 90-degree Right angle 7/16 DIN Male DoubleClick Connector for 1/2-in corrugated cable |
| | 52051250-02 | 7/16F-512/50-DC | 7/16 DIN Female DoubleClick Connector for 1/2-in corrugated cable |
| | 58051250-02 | 4.3/10M-512/50-DC | 4.3/10 DIN Male DoubleClick Connector for 1/2-in corrugated cable |
| | 58051251-02 | 90-4.3/10M-512/50-DC | 90-degree Right angle 4.3/10 Male DoubleClick Connector for 1/2-in corrugated cable |
| | 60051250-02 | 4.3/10F-512/50-DC | 4.3/10 DIN Female DoubleClick Connector for 1/2-in corrugated cable |
| | 76051250-02 | NM/50-512/50-DC | N Male DoubleClick Connector for 1/2-in corrugated cable |
| | 76051251-02 | 90-NM/50-512/50-DC | 90-degree Right angle N Male DoubleClick Connector for 1/2-in corrugated cable |
| | 78051250-02 | NF/50-512/50-DC | N Female DoubleClick Connector for 1/2-in corrugated cable |
| | 28051251 | DUALSTRIP TOOL TYPE 512/50-DC | DualStrip Tool for 1/2-in corrugated for DoubleClick Connector |
| 7/8-in Corrugated | 50087850-01 | 7/16M-878/50-DC | 7/16 DIN Male DoubleClick Connector for 7/8-in corrugated cable |
| | 50087851-01 | 90-7/16M-878/50-DC | 90-degree Right angle 7/16 DIN Male DoubleClick Connector for 7/8-in corrugated cable |
| | 52087850-02 | 7/16F-878/50-DC | 7/16 DIN Female DoubleClick Connector for 7/8-in corrugated cable |
| | 58087850-02 | 4.3/10M-878/50-DC | 4.3/10 DIN Male DoubleClick Connector for 7/8-in corrugated cable |
| | 58087851-02 | 90-4.3/10M-878/50-DC | 90-degree Right angle 4.3/10 DIN Male DoubleClick Connector for 7/8-in corrugated cable |
| | 60087850-02 | 4.3/10F-878/50-DC | 4.3/10 DIN Female DoubleClick Connector for 7/8-in corrugated cable |
| | 76087850-02 | NM/50-878/50-DC | N Male DoubleClick Connector for 7/8-in corrugated cable |
| | 78087850-01 | NF/50-878/50-DC | N Female DoubleClick Connector for 7/8-in corrugated cable |
| | 28087851 | DUALSTRIP TOOL TYPE 878/50-DC | DualStrip tool for 7/8-in corrugated for DoubleClick Connector |

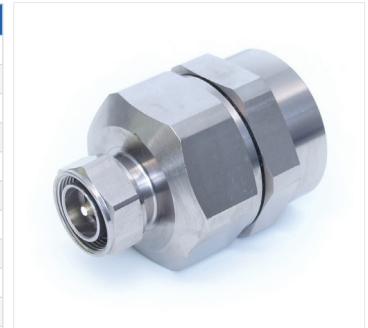


50095850

Wireless Portfolio

RF DoubleClick Wireless Connectors and Tools

| Cable Type | Item Number | Name | Description |
|------------------------|-------------|-------------------------------|---|
| 1 1/4-in Corrugated | 50091450-01 | 7/16M-914/50-DC | 7/16 DIN Male DoubleClick Connector for 1 1/4-in corrugated cable |
| | 52091450-01 | 7/16F-914/50-DC | 7/16 DIN Female DoubleClick Connector for 1 1/4-in corrugated cable |
| | 60091450-01 | 4,3/10F-914/50-DC | 4.3/10 Female DoubleClick Connector for 1 1/4-in corrugated cable |
| | 76091450-01 | NM/50-914/50-DC | N Male DoubleClick Connector for 1 1/4-in corrugated cable |
| | 78091450-01 | NF/50-914/50-DC | N Female DoubleClick Connector for 1 1/4-in corrugated cable |
| | 28091451 | DUALSTRIP TOOL TYPE 914/50-DC | DualStrip Tool for 1 1/4-in corrugated for DoubleClick Connector |
| 1 5/8-in Corrugated | 50095850-01 | 7/16M-958/50-DC | 7/16 DIN Male DoubleClick Connector for 1 5/8-in corrugated cable |
| | 52095850-01 | 7/16F-958/50-DC | 7/16 DIN Female DoubleClick Connector for 1 5/8-in corrugated cable |
| | 60095850-01 | 4,3/10F-958/50-DC | 4.3/10 Male DoubleClick Connector for 1 5/8-in corrugated cable |
| | 76095850-01 | NM/50-958/50-DC | N Male DoubleClick Connector for 1 5/8-in corrugated cable |
| | 78095850-01 | NF/50-958/50-DC | N Female DoubleClick Connector for 1 5/8-in corrugated cable |
| | 28095851 | DUALSTRIP TOOL TYPE 958/50-DC | DualStrip Tool for 1 5/8-in corrugated for DoubleClick Connector |



50095850

Wireless Portfolio

RF Compact Connectors

| Cable Type | Item Number | Name | Description |
|-------------------|-------------|------------------------------|---|
| 1/2-in Corrugated | 28051240 | DUALSTRIP TOOL TYPE 512/50-C | DualStrip Tool for 1/2-in corrugated for Compact Connector |
| | 50051240 | 7/16M-512/50-C | 7/16 DIN Male Compact Connector for 1/2-in corrugated cable |
| | 52051240 | 7/16F-512/50-C | 7/16 DIN Female Compact Connector for 1/2-in corrugated cable |
| | 58051240 | 4.3/10M-512/50-C | 4.3/10 DIN Male Compact Connector for 1/2-in corrugated cable |
| | 60051240 | 4.3/10F-512/50-C | 4.3/10 DIN Female Compact Connector for 1/2-in corrugated cable |
| | 76051240 | NM/50-512/50-C | N Male Compact Connector for 1/2-in corrugated cable |
| | 78051240 | NF/50-512/50-C | N Female Compact Connector for 1/2-in corrugated cable |
| 7/8-in Corrugated | 28087840 | DUALSTRIP TOOL TYPE 878/50-C | DualStrip tool for 7/8-in corrugated for Compact Connector |
| | 50087840 | 7/16M-878/50-C | 7/16 DIN Male Compact Connector for 7/8-in corrugated cable |
| | 52087840 | 7/16F-878/50-C | 7/16 DIN Female Compact Connector for 7/8-in corrugated cable |
| | 58087840 | 4.3/10M-878/50-C | 4.3/10 DIN Male Compact Connector for 7/8-in corrugated cable |
| | 60087840 | 4.3/10F-878/50-C | 4.3/10 DIN Female Compact Connector for 7/8-in corrugated cable |
| | 76087840 | NM/50-878/50-C | N Male Compact Connector for 7/8-in corrugated cable |
| | 78087840 | NF/50-878/50-C | N Female Compact Connector for 7/8-in corrugated cable |



50051240, Front



50051240, Back



52087840, Front



52051240, Back



60051240, Front



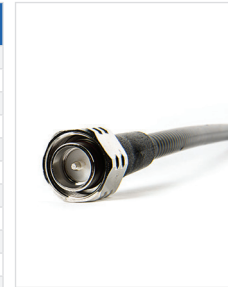
60051240, Back

New in Wireless Portfolio

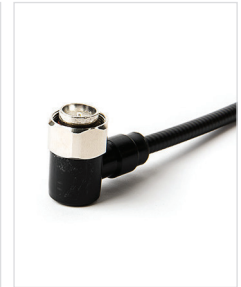
Coaxial Jumpers – Wireless Pre-Connectorised Solution

| New Item Number | Cabelcon Name | Description |
|-----------------|-------------------------------------|--|
| 92244010 | 4.3/10M-½-in-4.3/10M/PE/1.0 BOOT | Standard ½-in Wireless jumper. 4.3/10 Male to 4.3/10 Male. 1 m with boot |
| 92244030 | 4.3/10M-½-in-4.3/10M/PE/3.0 BOOT | Standard 1/2-in Wireless jumper. 4.3/10 Male to 4.3/10 Male. 3 m with boot |
| 92244060 | 4.3/10M-½-in-4.3/10M/PE/6.0 BOOT | Standard 1/2-in Wireless jumper. 4.3/10 Male to 4.3/10 Male. 6 m with boot |
| 92214010 | 7/16M-½-in-4.3/10M/PE/1.0 BOOT | Standard 1/2-in Wireless jumper. 7/16 Male to 4.3/10 Male. 1 m with boot |
| 92214030 | 7/16M-½-in-4.3/10M/PE/3.0 BOOT | Standard 1/2-in Wireless jumper. 7/16 Male to 4.3/10 Male. 3 m with boot |
| 92214060 | 7/16M-½-in-4.3/10M/PE/6.0 BOOT | Standard 1/2-in Wireless jumper. 7/16 Male to 4.3/10 Male. 6 m with boot |
| 92211010 | 7/16M-½-in-7/16M/PE/1.0 BOOT | Standard 1/2-in Wireless jumper. 7/16 Male to 7/16 Male. 1 m with boot |
| 92211030 | 7/16M-½-in-7/16M/PE/3.0 BOOT | Standard 1/2-in Wireless jumper. 7/16 Male to 7/16 Male. 3 m with boot |
| 92211060 | 7/16M-½-in-7/16M/PE/6.0 BOOT | Standard 1/2-in Wireless jumper. 7/16 Male to 7/16 Male. 6 m with boot |
| 92254010 | 90-4.3/10M-½-in-4.3/10M/PE/1.0 BOOT | Standard 1/2-in Wireless jumper. right angle 4.3/10 Male to 4.3/10 Male. 1 m with boot |
| 92254030 | 90-4.3/10M-½-in-4.3/10M/PE/3.0 BOOT | Standard 1/2-in Wireless jumper. right angle 4.3/10 Male to 4.3/10 Male. 3 m with boot |
| 92254060 | 90-4.3/10M-½-in-4.3/10M/PE/6.0 BOOT | Standard 1/2-in Wireless jumper. right angle 4.3/10 Male to 4.3/10 Male. 6 m with boot |
| 92251010 | 90-4.3/10M-½-in-7/16M/PE/1.0 BOOT | Standard 1/2-in Wireless jumper. right angle 4.3/10 Male to 7/16 Male. 1 m with boot |
| 92251030 | 90-4.3/10M-½-in-7/16M/PE/3.0 BOOT | Standard 1/2-in Wireless jumper. right angle 4.3/10 Male to 7/16 Male. 3 m with boot |
| 92251060 | 90-4.3/10M-½-in-7/16M/PE/6.0 BOOT | Standard 1/2-in Wireless jumper. right angle 4.3/10 Male to 7/16 Male. 6 m with boot |
| 92224010 | 90-7/16M-½-in-4.3/10M/PE/1.0 BOOT | Standard 1/2-in Wireless jumper. right angle 7/16 Male to 4.3/10 Male. 1 m with boot |
| 92224030 | 90-7/16M-½-in-4.3/10M/PE/3.0 BOOT | Standard 1/2-in Wireless jumper. right angle 7/16 Male to 4.3/10 Male. 3 m with boot |
| 92224060 | 90-7/16M-½-in-4.3/10M/PE/6.0 BOOT | Standard 1/2-in Wireless jumper. right angle 7/16 Male to 4.3/10 Male. 6 m with boot |
| 92544010 | 4.3/10M-½-in-4.3/10M/PE/1.0 BOOT | Flexible 1/2-in Wireless jumper. 4.3/10 Male to 4.3/10 Male. 1 m with boot |
| 92544030 | 4.3/10M-½-in-4.3/10M/PE/3.0 BOOT | Flexible 1/2-in Wireless jumper. 4.3/10 Male to 4.3/10 Male. 3 m with boot |
| 92544060 | 4.3/10M-½-in-4.3/10M/PE/6.0 BOOT | Flexible 1/2-in Wireless jumper. 4.3/10 Male to 4.3/10 Male. 6 m with boot |
| 92514010 | 7/16M-½-in-4.3/10M/PE/1.0 BOOT | Flexible 1/2-in Wireless jumper. 7/16 Male to 4.3/10 Male. 1 m with boot |
| 92514030 | 7/16M-½-in-4.3/10M/PE/3.0 BOOT | Flexible 1/2-in Wireless jumper. 7/16 Male to 4.3/10 Male. 3 m with boot |
| 92514060 | 7/16M-½-in-4.3/10M/PE/6.0 BOOT | Flexible 1/2-in Wireless jumper. 7/16 Male to 4.3/10 Male. 6 m with boot |
| 92511010 | 7/16M-½-in-7/16M/PE/1.0 BOOT | Flexible 1/2-in Wireless jumper. 7/16 Male to 7/16 Male. 1 m with boot |
| 92511030 | 7/16M-½-in-7/16M/PE/3.0 BOOT | Flexible 1/2-in Wireless jumper. 7/16 Male to 7/16 Male. 3 m with boot |
| 92511060 | 7/16M-½-in-7/16M/PE/6.0 BOOT | Flexible 1/2-in Wireless jumper. 7/16 Male to 7/16 Male. 6 m with boot |
| 92521010 | 90-7/16M-½-in-7/16M/PE/1.0 BOOT | Flexible 1/2-in Wireless jumper. right angle 7/16 Male to 7/16 Male. 1 m with boot |
| 92521030 | 90-7/16M-½-in-7/16M/PE/3.0 BOOT | Flexible 1/2-in Wireless jumper. right angle 7/16 Male to 7/16 Male. 3 m with boot |
| 92521060 | 90-7/16M-½-in-7/16M/PE/6.0 BOOT | Flexible 1/2-in Wireless jumper. right angle 7/16 Male to 7/16 Male. 6 m with boot |
| 92944010 | 4.3/10M-3/8-in-4.3/10M/PE/1.0 BOOT | Flexible 3/8-in Wireless jumper. 4.3/10 Male to 4.3/10 Male. 1 m with boot |
| 92944030 | 4.3/10M-3/8-in-4.3/10M/PE/3.0 BOOT | Flexible 3/8-in Wireless jumper. 4.3/10 Male to 4.3/10 Male. 3 m with boot |
| 92944060 | 4.3/10M-3/8-in-4.3/10M/PE/6.0 BOOT | Flexible 3/8-in Wireless jumper. 4.3/10 Male to 4.3/10 Male. 6 m with boot |
| 92954010 | 90-4.3/10M-3/8-in-4.3/10M/PE/1.0 | Flexible 3/8-in Wireless jumper. Right angle 4.3/10 Male to 4.3/10 Male. 1 m |
| 92954030 | 90-4.3/10M-3/8-in-4.3/10M/PE/3.0 | Flexible 3/8-in Wireless jumper. Right angle 4.3/10 Male to 4.3/10 Male. 3 m |
| 92954060 | 90-4.3/10M-3/8-in-4.3/10M/PE/6.0 | Flexible 3/8-in Wireless jumper. Right angle 4.3/10 Male to 4.3/10 Male. 6 m |
| 92644010 | 4.3/10M-¼-in-4.3/10M/PE/1.0 | Flexible 1/4-in Wireless jumper. 4.3/10 Male to 4.3/10 Male. 1 m |
| 92644030 | 4.3/10M-¼-in-4.3/10M/PE/3.0 | Flexible 1/4-in Wireless jumper. 4.3/10 Male to 4.3/10 Male. 3 m |
| 92644060 | 4.3/10M-¼-in-4.3/10M/PE/6.0 | Flexible 1/4-in Wireless jumper. 4.3/10 Male to 4.3/10 Male. 6 m |

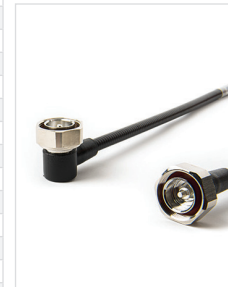
Other configurations available upon request



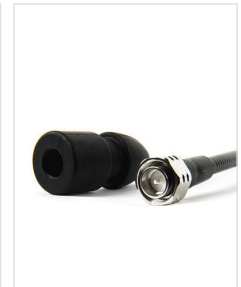
92244010, 4.310M-½-4.310MPE1.0



92954010, 90-4.310M-3/8S-4.310MPE1.0



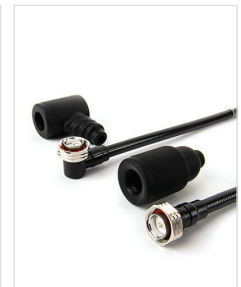
92224010, 90-7/16M-½-4.310MPE1.0



92244010, 4.310M-½-4.310MPE1.0 BOOT



Right Angle BOOT



92224010, 90-7/16M-½-4.310MPE1.0 BOOT

Cabelcon | An Amphenol Company

Wireless, HFC and Satellite Networks | DS-70-0105 Rev. 1.4

Allows for spiral binding

New in Wireless Portfolio

Coaxial Jumpers – Wireless Pre-Connectorised Solution (Number Creation Attributes)*

| Wireless Jumper Item Number Attributes | | | | | |
|--|----------------|-----|-----|-----|------------|
| Description | # 1 & 2 | # 3 | # 4 | # 5 | # 6, 7 & 8 |
| Wireless Jumper | 92 PE/70 LSZH™ | - | - | - | - |
| 3/8-inch Standard | - | 0 | - | - | - |
| 1/2-inch Standard | - | 1 | - | - | - |
| 1/2-inch Standard with Boot | - | 2 | - | - | - |
| 3/8-inch Standard with Boot | - | 3 | - | - | - |
| 1/2-inch Flexible | - | 4 | - | - | - |
| 1/2-inch Flexible with Boot | - | 5 | - | - | - |
| 1/4-inch Flexible | - | 6 | - | - | - |
| 1/4-inch Flexible with Boot | - | 7 | - | - | - |
| 3/8-inch Flexible | - | 8 | - | - | - |
| 3/8-inch Flexible with Boot | - | 9 | - | - | - |
| Interface 1; Right Angle 7/16 Female | - | - | 0 | - | - |
| Interface 1; 7/16 Male | - | - | 1 | - | - |
| Interface 1; Right Angle 7/16 Male | - | - | 2 | - | - |
| Interface 1; 7/16 Female | - | - | 3 | - | - |
| Interface 1; 4.3/10 Male | - | - | 4 | - | - |
| Interface 1; Right Angle 4.3/10 Male | - | - | 5 | - | - |
| Interface 1; 4.3/10 Female | - | - | 6 | - | - |
| Interface 1; N Male | - | - | 7 | - | - |
| Interface 1; N Female | - | - | 8 | - | - |
| Interface 1; Right Angle 4.3/10 Female | - | - | 9 | - | - |
| Interface 2; Right Angle 7/16 Female | - | - | - | 0 | - |
| Interface 2; 7/16 Male | - | - | - | 1 | - |
| Interface 2; Right Angle 7/16 Male | - | - | - | 2 | - |
| Interface 2; 7/16 Female | - | - | - | 3 | - |
| Interface 2; 4.3/10 Male | - | - | - | 4 | - |
| Interface 2; Right Angle 4.3/10 Male | - | - | - | 5 | - |
| Interface 2; 4.3/10 Female | - | - | - | 6 | - |
| Interface 2; N Male | - | - | - | 7 | - |
| Interface 2; N Female | - | - | - | 8 | - |
| Interface 2; Right Angle 4.3/10 Female | - | - | - | 9 | - |
| Jumper Length; 1 Meter | - | - | - | - | 10 |
| Jumper Length; 3 Meter | - | - | - | - | 30 |
| Jumper Length; 3.6 Meter | - | - | - | - | 36 |
| Jumper Length; 12 Meter | - | - | - | - | 120 |

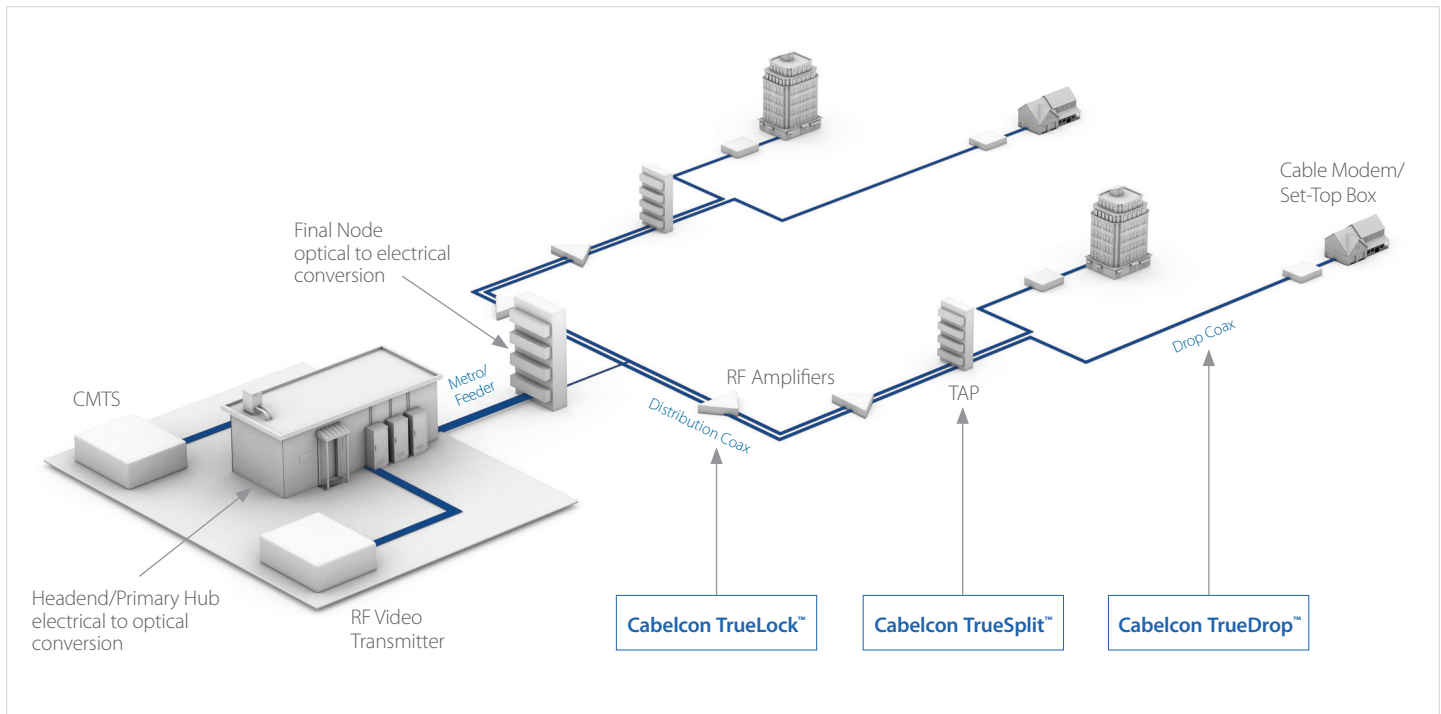
| Wireless Jumper Item Number Attributes | | | | | |
|---|---------------|-----|-----|-----|------------|
| Description | # 1 & 2 | # 3 | # 4 | # 5 | # 6, 7 & 8 |
| Wireless Jumper | 72 PE/71 LSZH | - | - | - | - |
| 3/8-inch Standard | - | 0 | - | - | - |
| 1/2-inch Standard | - | 1 | - | - | - |
| 1/2-inch Standard with Boot | - | 2 | - | - | - |
| 3/8-inch Standard with Boot | - | 3 | - | - | - |
| 1/2-inch Flexible | - | 4 | - | - | - |
| 1/2-inch Flexible with Boot | - | 5 | - | - | - |
| 1/4-inch Flexible | - | 6 | - | - | - |
| 1/4-inch Flexible with Boot | - | 7 | - | - | - |
| 3/8-inch Flexible | - | 8 | - | - | - |
| 3/8-inch Flexible with Boot | - | 9 | - | - | - |
| Interface 1; Next 10 Male | - | - | 0 | - | - |
| Interface 1; Next 10 Female | - | - | 1 | - | - |
| Interface 1; Right Angle Next 10 Male | - | - | 2 | - | - |
| Interface 1; Right Angle Next 10 Female | - | - | 3 | - | - |
| Interface 1; 4.3/10 Male | - | - | 4 | - | - |
| Interface 1; Right Angle 4.3/10 Male | - | - | 5 | - | - |
| Interface 1; 4.3/10 Female | - | - | 6 | - | - |
| Interface 1; MQ4 Male | - | - | 7 | - | - |
| Interface 1; MQ5 Male | - | - | 8 | - | - |
| Interface 1; Right Angle 4.3/10 Female | - | - | 9 | - | - |
| Interface 2; Next 10 Male | - | - | - | 0 | - |
| Interface 2; Next 10 Female | - | - | - | 1 | - |
| Interface 2; Right Angle Next 10 Male | - | - | - | 2 | - |
| Interface 2; Right Angle Next 10 Female | - | - | - | 3 | - |
| Interface 2; 4.3/10 Male | - | - | - | 4 | - |
| Interface 2; Right Angle 4.3/10 Male | - | - | - | 5 | - |
| Interface 2; 4.3/10 Female | - | - | - | 6 | - |
| Interface 2; MQ4 Male | - | - | - | 7 | - |
| Interface 2; MQ5 Female | - | - | - | 8 | - |
| Interface 2; Right Angle 4.3/10 Female | - | - | - | 9 | - |
| Jumper Length; 1 Meter | - | - | - | - | 10 |
| Jumper Length; 3 Meter | - | - | - | - | 30 |
| Jumper Length; 3.6 Meter | - | - | - | - | 36 |
| Jumper Length; 12 Meter | - | - | - | - | 120 |

*Note: there are two rules when building the item number:

1. Male always goes on the left and female to the right.
2. The biggest interface always goes on the left and the smaller interface goes on the right. The right angle always goes on the left.

HFC Network Architecture

In HFC applications like fibre deep or node+X, the RF connectivity choices you make at your headend, node, amp, and tap can dramatically impact your network's bottom line starting on day one, extending throughout its lifespan. Cabelcon addresses your specific needs through a comprehensive portfolio of hardline, splitters, connectors and recently upgraded hardline and drop jumper portfolios.



HFC New Product Releases – DOCSIS 4.0 Ready

Cabelcon TrueHybrid Jumpers

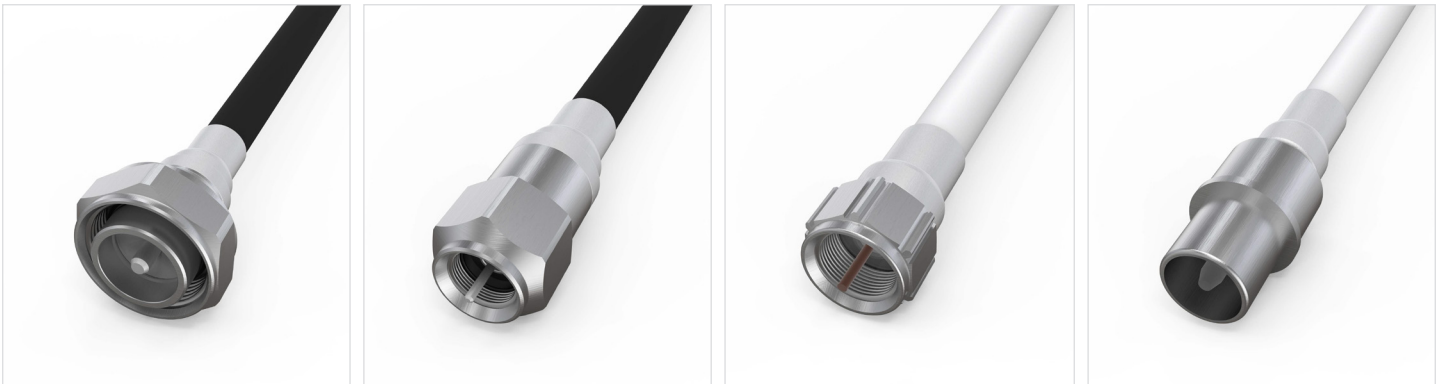
New jumpers with crimped connectors

- Higher power handling
- Improved design and cable size
- Enhanced connection system on inner/outer conductor reduces risk of noise/IMD in the network
- Maximum possible A++ shielding
- Connector cannot rotate
- High-contact surface
- Waterproof even after years of installation
- Simpler construction with less possibility for manufacturing issues

Cabelcon TrueDrop™ Jumpers

CX3™ portfolio upgrade and consolidation

- Round crimp connection between connector and cable
- Larger conical mating surface provides better alignment and O-ring seating
- Better F male thread engagement
- Dielectric stop disables dielectric push-through
- Grooved nut for better grip, easier tightening, and quicker installation
- Wider sleeve heel provides 360° electrical contact for all cables
- A++ jumper shielding





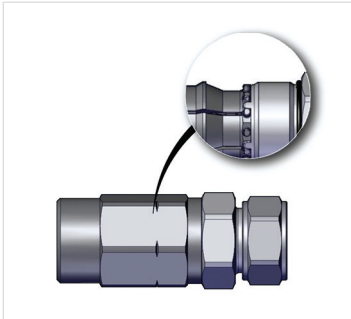
Cabelcon RF Trunk Portfolio

Covering most standard global cable manufacturers, our Cabelcon TrueLock™ and TrueHybrid Jumpers portfolio is available in all IEC and SCTE standard interfaces.

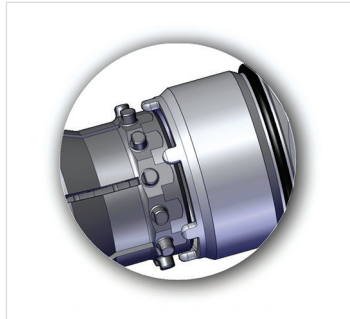
Cabelcon TrueLock™ Portfolio

Value Proposition

Performing to 3 GHz & minimising loss and maximum shielding – the TrueLock locking system is ready for DOCSIS 4.0+ full duplex



TrueLock locking system | ZA-3955



Rounded tabs in the locking system design provide proper seating | ZA-3954

Features and Benefits

| | |
|--|--|
| Reduced tightening torque | Eases installation, especially in tight or difficult installation sites |
| Industry's first true locked connector | Prevents cable from turning during installation |
| Two-piece activator system | Provides for correct pressure when tightening connector and reduces risk of intermodulation distortion (IMD) |
| Multislotted ferrule | Provides uniform grip on outer conductor and improves electrical performance |
| Multigrip seizing mechanism | Applies uniform grip on inner conductor and reduces risk of IMD |
| Backwards-compatible product | No new installation tools or training required |
| Utilises unique Nitin-6™ plating | Extremely resistant to chemical, salt, oils, and pollutants |

TrueLock Connector Interfaces

Same industry-standard interfaces will be available on the TrueLock range as in previous Cabelcon connector offerings

| | | | | |
|---------|---------|--------|--------|--------|
| 3.5/12M | 3.5/12F | 5/8M | 5/8MU | FM |
| FF | IEC14M | IEC14F | PG11MU | PG11MU |

Cabelcon TrueLock™ Portfolio – General Specification

- A design requiring less torque to tighten to a full mechanical stop, which is especially useful in tight or difficult installation sites
- A locking mechanism that prevents the cable from turning when tightening the backnut
- A unique two-piece design that helps ensure correct pressure when tightening the connector
- No additional training required for installers

| Technical Data Interface Type | Splice Connector and Reducer | IEC14 Connector | 3.5/12 Connector | F Connector | 5/8 + PG11 Male Pin — with (MU) or without Swivel Nut (M) |
|--|---|---|--|---|---|
| |  |  |  |  |  |
| Transfer Impedance (CoMeT) 5-30 MHz | Class A++ | Class A++ | Class A++ | Class A++ | Class A++ |
| Screening Attenuation (CoMeT) 30-3.000 MHz | Class A++ | Class A++ | Class A++ | Class A++ | Class A++ |
| Intermodulation 3rd Order @ 2 x 37 dBm | < -160 dBc | < -160 dBc | < -160 dBc | < -160 dBc | < -160 dBc |
| Sealing Test (IEC IP-code) | IP X8 30 meter / 8 hour | IP X8 30 meter / 8 hour | IP X8 30 meter / 8 hour | IP X8 30 meter / 8 hour | IP X8 30 meter / 8 hour |
| Return Loss @ 1.0 GHz | < -30 dB | < -25 dB | < -35 dB | < -30 dB | < -30dB |
| Return Loss @ 2.0 GHz | < -20 dB | < -25 dB | < -30 dB | < -30 dB | < -28dB |
| Return Loss @ 3.0 GHz | < -20 dB | < -20 dB | < -30 dB | < -28 dB | < -25dB |
| Insertion Loss @ 1.0 GHz | < -0.10 dB | < -0.20 dB | < -0.08 dB | < -0.10 dB | < -0.10dB |
| Insertion Loss @ 2.0 GHz | < -0.10 dB | < -0.20 dB | < -0.08 dB | < -0.10 dB | < -0.10dB |
| Insertion Loss @ 3.0 GHz | < -0.12 dB | < -0.20 dB | < -0.10 dB | < -0.12 dB | < -0.12dB |
| Amp Rating @ 20 °C Increase | 21A | 10A | 18A | 7A | 21A |
| Maximum Tensile Strength | > 50% better than cable spec. | > 50% better than cable spec. | > 50% better than cable spec. | > 50% better than cable spec. | > 50% better than cable spec. |

General connector performance may change depending on cable type

Cabelcon TrueLock™ Connectors

| Cable Type/ Interface | Splicer | IEC14M | PG11/IECM | IEC14F | 3.5/12M | 3.5/12F | FM | FF | 5/8M | 5/8MU | PG11M | PG11MU | NM | EM |
|--------------------------|-------------|-------------|-------------|-------------|-------------|-------------|-------------|-------------|-------------|-------------|-------------|-------------|-------------|-------------|
| -TL101 | 31000101-02 | | | | 49010100-01 | | 53010100-02 | | 57010100-01 | | 63010100-01 | 63010114-01 | | |
| -TL111 | 31000111-02 | | | | | | 53011100-01 | | | | | | | |
| -TL121 | 31000121-02 | | | | 49012100-01 | | 53012100-01 | | 57012100-01 | | | | | |
| -TL202 | 31000202-01 | 45020200-01 | | 47020200-01 | 49020200-01 | 51020200-01 | 53020200-01 | 55020200-01 | 57020200-01 | 57020210-01 | 63020200-01 | 63020215-01 | 75020200-01 | |
| -TL202FI | | | | | 49020201-01 | | 53020201-01 | | | | | | | |
| -TL205 | | | | | 49020500-01 | | | | 57020504-01 | | | | | |
| -TL212 | 31000212-01 | 45021200-01 | | | 49021200-02 | | 53021200-01 | 55021200-01 | 57021204-01 | | 63021200-01 | 63021214-01 | | |
| -TL220STI | | | | | 49022001-02 | | 53022000-03 | | 57022000-03 | | | | | 82022000-03 |
| -TL222 | | | | | 49022200-02 | | 53022200-02 | | 57022200-02 | | | | | |
| -TL232 | 31000232-01 | 45023200-01 | 45123200-01 | | 49023200-02 | 51023200-01 | 53023200-01 | 55023205-01 | 57023204-01 | 57023214-01 | 63023200-01 | 63023214-01 | 75023200-01 | |
| -TL238STI | | | | | 49023803-02 | | | | | | | | | |
| -TL243 | 31000243-01 | 45024300-01 | | | 49024300-01 | | 53024300-01 | 55024300-01 | 57024304-01 | | | | | |
| -TL244 | 31000244-01 | 45024400-01 | | | 49024400-01 | | 53024400-02 | 55024400-01 | 57024404-01 | | | 63024414-01 | | |
| -TL245 | | | | | 49024500-01 | | 53024500-01 | | | | | | | |
| -TL246 | | | | | | | 53024600-01 | | | | | | | |
| -TL250TI SHORT | | | | | 49025002-01 | | | | | | | | | |
| -TL303 | 31000303-01 | 45030300-01 | | 47030300-01 | 49030300-02 | 51030300-01 | 53030300-02 | 55030300-01 | 57030304-01 | 57030314-01 | 63030304-01 | | | |
| -TL303TI | | | | | 49030312-01 | | | | | | | | | |
| -TL306FI | | | | | 49030601-01 | | | | 57030601 | | | | | |
| -TL309 | 31000309-01 | | | | 49030900-01 | | 53030900-01 | | 57030900-01 | | | | | |
| -TL310STI | | | | | 49031001-01 | | | | | | | | | |
| -TL312STI | | | | | 49031201-01 | | | | | | | | | |
| -TL313 | 31000313-01 | 45031300-01 | | | 49031300-01 | | 53031300-01 | | 57031304-01 | | 63031300-01 | | | |
| -TL319TI | 31020319-01 | 45031902-01 | | | 49031902-01 | | 53031902-01 | 55031902-01 | 57031902-01 | | | | | |
| -TL322 | | | | | 49032200-01 | | | | | | | | | |
| -TL326 | | | | | 49032600-01 | | | | | | | | | |
| -TL343TI | | | | | 49034302-01 | | 53034300-01 | | | | | | | |
| -TL363 | 31000363-01 | | | | 49036300-01 | | 53036300-01 | 55036300-01 | 57036303-01 | | 63036304-01 | | | |
| -TL383STI | | | | | 49038300-01 | | 53038300-01 | | | | | | | |
| -TL402 | | | | | 49040200-01 | | 53040200-01 | | | | | | | |
| -TL404 | 31000404-01 | 45040400-01 | | | 49040400-01 | | 53040400-01 | 55040400-01 | 57040404-01 | | | | | |
| -TL406 | | | | | 49040600-01 | | | | 57040604-01 | | | | | |
| -TL412 | 31000412-01 | | | | 49041200-01 | | | | | 57041214-01 | | | | |



31000525



45025200-01



31000616-01



49038300-01 M



53030300-02 F

If a desired connector is not listed, please contact our customer care centre (+45 55 98 55 99) for availability.

Cabelcon TrueLock™ Connectors

| Cable Type/ Interface | Splicer | IEC14M | PG11/IECM | IEC14F | 3.5/12M | 3.5/12F | FM | FF | 5/8M | 5/8MU | PG11M | PG11MU | NM | EM |
|--------------------------|-------------|-------------|-----------|-------------|-------------|-------------|-------------|-------------|-------------|-------------|-------------|-------------|----|----|
| -TL413 | 31000413-01 | 45041300-01 | | | 49041300-01 | 51041300-01 | 53041300-01 | 55041300-01 | 57041304-01 | 57041317-01 | | 63041314-01 | | |
| -TL414 | 31000414-01 | 45041400-01 | | | 49041400-01 | | 53041400-02 | 55041400-01 | 57041404-01 | 57041414-01 | 63041400-01 | 63041415-01 | | |
| -TL417STI | 31020417-01 | | | | 49041701-01 | | 53041701-01 | | | | | | | |
| -TL418 | | | | | 49041800-01 | 51041800-01 | | | | | | | | |
| -TL419TI | 31020419-01 | 45041902-01 | | | 49041902-01 | | 53041902-01 | 55041902-01 | 57041902-01 | | | | | |
| -TL424 | 31000424-01 | 45042400-01 | | | 49042400-02 | | 53042400-01 | 55042400-01 | 57042404-02 | | | | | |
| -TL424FI | | | | | 49042401-01 | | | | | | | | | |
| -TL427 | 31000427-01 | | | | 49042700-01 | | 53042700-01 | 55042700-01 | | | | | | |
| -TL434 | 31000434-01 | | | | | | | | | | | | | |
| -TL434TI | | 45043402-01 | | | 49043402-01 | | | | | 57043417-01 | | | | |
| -TL441TI | | 45044102-01 | | | 49044102-01 | | | 55044102-01 | | | | | | |
| -TL444 | 31000444-01 | 45044400-01 | | | 49044400-02 | | 53044400-01 | 55044400-01 | 57044404-01 | | | | | |
| -TL470TI | | | | | 49047002-01 | | | | | | | | | |
| -TL494STI | 31010494-01 | 45049401-01 | | | 49049400-01 | | 53049405-01 | 55049400-01 | 57049404-01 | | | | | |
| -TL494TI | | | | | 49049402-01 | | | | | | | | | |
| -TL501 | | | | | 49050100-01 | | | | | | | | | |
| -TL502 | | | | | 49050200-01 | | | | 57050205-01 | | | | | |
| -TL505 | 31000505-01 | | | | 49050500-02 | | 53050500-01 | 55050500-01 | | | | 63050514-01 | | |
| -TL505TI | 31021505-01 | 45050502-01 | | | 49050502-02 | | 53050502-01 | 55050502-01 | | 57050517-01 | | | | |
| -TL506TI | 31020506-01 | | | | 49050602-01 | | | | 57050602-02 | | | | | |
| -TL515 | 31000515-01 | 45051500-01 | | 47051500-01 | 49051500-02 | 51051500-01 | 53051500-02 | | 57051504-01 | | | | | |
| -TL517STI | | | | | 49051700-01 | | 53051700-01 | | 57051700-01 | | | | | |
| -TL525 | 31000525-01 | 45052500-01 | | 47052500-01 | 49052500-02 | 51052500-01 | 53052500-01 | 55052500-01 | 57052500-01 | 57052510-01 | | 63052514-01 | | |
| -TL530TI | | | | | 49053002-01 | | | | | | | | | |
| -TL540TI SHORT | 31020540 | | | | 49054002-01 | | 53054002-01 | | 57054002-01 | 57054012-01 | | | | |
| -TL540TI | 31030540 | 45054003 | | | 49054003-02 | | 53054003-01 | 55054003 | 57054003-01 | 57054013-01 | | | | |
| -TL606 | | | | | 49060600-01 | | 53060600-01 | | | | | | | |
| -TL609TI | 31020609-01 | | | | 49060902-01 | | | | 57060904-01 | | | | | |
| -TL610TI | | | | | 49061002-01 | | 53061002-01 | | 57061002-01 | | | | | |
| -TL611STI | | | | | 49061102-01 | | 53061102-01 | | 57061100-01 | | | | | |
| -TL612 | | 45061200-01 | | 47061200-01 | 49061200-01 | 51061200-01 | 53061200-01 | | | | | | | |
| -TL616 | 31000616-01 | 45061600-01 | | 47061600-02 | 49061600-01 | | 53061600-01 | | 57061600-01 | 57061614-01 | 63061600-01 | | | |
| -TL619TI | 31020619-01 | | | | 49061902-01 | | | | 57061902-01 | | | | | |



31000525



45052500-01



31000616-01
Splice



49038300-01 M



53030300-02 F

If a desired connector is not listed, please contact our customer care centre (+45 55 98 55 99) for availability.

Cabelcon TrueLock™ Connectors

| Cable Type/ Interface | Splicer | IEC14M | PG11/IECM | IEC14F | 3.5/12M | 3.5/12F | FM | FF | 5/8M | 5/8MU | PG11M | PG11MU | NM | EM |
|--------------------------|-------------|--------|-----------|-------------|-------------|---------|-------------|-------------|-------------|-------------|-------|--------|----|----|
| -TL626 | 31000626-01 | | | | 49062600-01 | | | | 57062600-01 | | | | | |
| -TL636 | 31000636-01 | | | | 49063600-01 | | | | 57063600-01 | | | | | |
| -TL646 | 31000646-01 | | | | 49064600-01 | | 53064600-01 | 55064600-01 | 57064600-01 | 57064614-01 | | | | |
| -TL655 | 31000655-01 | | | | 49065500-01 | | 53065500-01 | 55065500-01 | 57065504-01 | | | | | |
| -TL666TI | | | | | 49066602-02 | | | | | 57066614-01 | | | | |
| -TL676 | 31000676-01 | | | | 49067600-01 | | | 55067600-01 | | | | | | |
| -TL696STI | | | | | 49069603-01 | | 53069602-01 | | | | | | | |
| -TL701 | | | | | 49070100-02 | | | | | | | | | |
| -TL702TI | | | | | 49070202-02 | | | | | | | | | |
| -TL703STI | | | | | 49070300-03 | | | | | | | | | |
| -TL704TI | | | | | | | | | 57070402-01 | | | | | |
| -TL705FI | | | | | 49070501-02 | | | | | | | | | |
| -TL706STI | | | | | 49070601-02 | | | | 57070601-01 | | | | | |
| -TL707 | | | | | 49070700-02 | | | | 57070700-01 | | | | | |
| -TL707TI | | | | | 49070702-02 | | | | 57070707-01 | | | | | |
| -TL711STI | | | | | 49071102-01 | | | | | | | | | |
| -TL717 | | | | | 49071700-02 | | | | | | | | | |
| -TL719TI | | | | | 49071902-02 | | | | 57071904-01 | | | | | |
| -TL730TI | | | | | 49073002-02 | | | | | | | | | |
| -TL777TI | | | | | 49077702-02 | | | | | | | | | |
| -TL787TI | 31020787-01 | | | | 49078702-02 | | | | 57078707-01 | 57078717-01 | | | | |
| -TL797TI | | | | | 49079702-02 | | | | | | | | | |
| -TL802STI | | | | | 49080205-02 | | | | | | | | | |
| -TL808 | | | | | 49080800-02 | | | | | | | | | |
| -TL818 | | | | | 49081800-02 | | | | | | | | | |
| -TL828 | 31000828-02 | | | 47082800-01 | 49082800-02 | | | | | 57082814-02 | | | | |
| -TL830TI | | | | | 49083002-02 | | | | | | | | | |
| -TL838TI | | | | | 49083802-01 | | | | | | | | | |
| -TL858 | | | | | 49085800-02 | | | | | | | | | |
| -TL888TI | | | | | 49088802-02 | | | | | | | | | |
| -TL898TI | | | | | 49089802-02 | | | | | | | | | |
| -09 | | | | | 49090900 | | | | | | | | | |



31000525



45052500-01



31000616-01
Splice



49038300-01 M

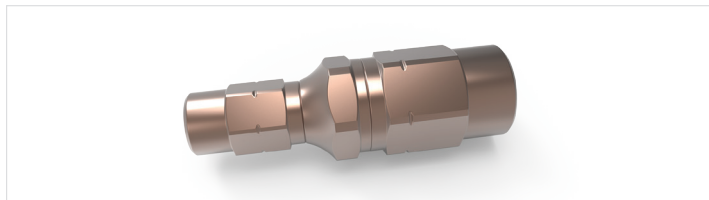


53030300-02 F

If a desired connector is not listed, please contact our customer care centre (+45 55 98 55 99) for availability.

Cabelcon TrueLock™ Splice Reducers

| Cable Type | Cable Type SR | Item Number | Item Name/Description |
|------------|---------------|----------------|-----------------------|
| -TL101 | -TL111 | 33000500-02 | SR TL101-TL111 |
| | -TL202 | 33001000-01 | SR TL101-TL202 |
| | -TL212 | 33002000-01 | SR TL101-TL212 |
| | -TL232 | 33003200-01 | SR TL101-TL232 |
| | -TL243 | 33003915-01 | SR TL101-TL243 |
| | -TL303 | 33004000-01 | SR TL101-TL303 |
| | -TL313 | 33005000-01 | SR TL101-TL313 |
| | -TL363 | 33006000-01 | SR TL101-TL363 |
| | -TL404 | 33007000-01 | SR TL101-TL404 |
| | -TL413 | 33010700-01 | SR TL101-TL413 |
| | -TL444 | 33010708 | SR TL101-TL444 |
| | -TL505 | 33011000-01 | SR TL101-TL505 |
| | -TL525 | 33013000-01 | SR TL101-TL525 |
| | -TL646 | 33019000-01 | SR TL101-TL646 |
| -TL655 | 33014500-01 | SR TL101-TL655 | |
| -TL111 | -TL202 | 33026040-01 | SR TL111-TL202 |
| -TL202 | -TL212 | 33026500-01 | SR TL202-TL212 |
| | -TL232 | 33026650-01 | SR TL202-TL232 |
| | -TL303 | 33027000-01 | SR TL202-TL303 |
| | -TL303 | 33028000-01 | SR TL202-TL313 |
| | -TL404 | 33030000-01 | SR TL202-TL404 |
| | -TL413 | 33033530-01 | SR TL202-TL413 |
| | -TL414 | 33031000-01 | SR TL202-TL414 |
| | -TL505 | 33034000-01 | SR TL202-TL505 |
| | -TL525 | 33036000-01 | SR TL202-TL525 |
| | -TL655 | 33037500-01 | SR TL202-TL655 |
| | -TL787TI | 33036003-01 | SR TL202-TL787TI |
| | -TL616 | 33072691-01 | SR TL205-TL616 |
| | -TL232 | 33071295-01 | SR TL212-TL232 |
| | -TL404 | 33054000-01 | SR TL212-TL404 |
| -TL413 | 33057200-01 | SR TL212-TL413 | |
| -TL434 | 33057210-01 | SR TL212-TL434 | |
| -TL444 | 33057390-01 | SR TL212-TL444 | |
| -TL505 | 33058000-01 | SR TL212-TL505 | |
| -TL636 | 33064500-01 | SR TL212-TL636 | |



33064500-01

| Cable Type | Cable Type SR | Item Number | Item Name/Description |
|------------|---------------|--------------------|-----------------------|
| -TL232 | -TL246 | 33071380-01 | SR TL232-TL246 |
| | -TL303 | 33071650-01 | SR TL232-TL303 |
| | -TL313 | 33071675-01 | SR TL232-TL313 |
| | -TL363 | 33071700-01 | SR TL232-TL363 |
| | -TL404 | 33072000-01 | SR TL232-TL404 |
| | -TL413 | 33072358-01 | SR TL232-TL413 |
| | -TL419TI | 35007210-01 | SR TL232-TL419TI |
| | -TL444 | 33072350-01 | SR TL232-TL444 |
| | -TL506TI | 35007505-01 | SR TL232-TL506TI |
| | -TL525 | 33072550-01 | SR TL232-TL525 |
| | -TL540TI | 35007500-01 | SR TL232-TL540TI |
| | -TL646TI | 33072595-01 | SR TL232-TL646 |
| | -TL676 | 33072598-01 | SR TL232-TL676 |
| | -TL232 | 33071296-01 | SR TL243-TL232 |
| -TL413 | 33071331-01 | SR TL243-TL413 | |
| -TL212 | 33026640-01 | SR TL244-TL212 | |
| -TL232 | 33026654-01 | SR TL244-TL232 | |
| -TL404 | 33073000-01 | SR TL303-TL404 | |
| -TL413 | 33076500-01 | SR TL303-TL413 | |
| -TL414 | 33074000-01 | SR TL303-TL414 | |
| -TL303 | 33072670-01 | SR TL313-TL303 | |
| -TL414 | 33095000-01 | SR TL313-TL414 | |
| -TL424 | 33095003-01 | SR TL313-TL424 | |
| -TL319TI | 33076610-01 | SR TL319TI-TL419TI | |
| -TL363 | 33110300-01 | SR TL363-TL414 | |
| -TL404 | 33112020-01 | SR TL404-TL413 | |
| -TL419TI | 33119502-01 | SR TL414-TL419TI | |
| -TL424 | 33119500-01 | SR TL414-TL424 | |
| -TL616 | 33123000-01 | SR TL414-TL616 | |
| -TL540TI | 33135400-01 | SR TL506TI-TL540TI | |
| -TL515 | 33130600-01 | SR TL515-TL616 | |
| -TL303 | 33079000-01 | SR TL303-TL525 | |
| -TL616 | 33132000-01 | SR TL525-TL616 | |
| -TL646 | 33132400-01 | SR TL525-TL646 | |
| -09 | 33090600-01 | SR TL655-09 | |
| -TL636 | 33136600-01 | SR TL655-TL636 | |
| -TL646 | 33136610-01 | SR TL655-TL646 | |
| -TL808 | 33136670-01 | SR TL655-TL808 | |

If a desired connector is not listed, please contact our customer care centre (+45 55 98 55 99) for availability.

Cabelcon TrueLock™ Tools

- DualStrip™ tool
- Coring and stripping tool
- Torque wrench
- Conductor cleaner
- Installation tools available for all hardline connectors



28052575



98107300-01



98107300-01A

| Product Name/Type | Part Number |
|--|-------------|
| Coring and Stripping Tool -TL319TI | 98103060-01 |
| Coring and Stripping Tool -TL494 TI | 98104150-01 |
| Coring and Stripping Tool -TL540TI Short | 98105400-03 |
| Coring and Stripping Tool -TL540TI | 98107300-01 |
| Coring and Stripping Tool -TL383STI | 98110200-03 |
| Coring and Stripping Tool -TL220STI | 98120102-01 |
| Coring and Stripping Tool -TL517STI | 98120405-01 |
| Coring and Stripping Tool -TL611STI | 98120505-01 |
| DualStrip™ Tool -TL212 / -TL243 | 28021275 |
| DualStrip Tool -TL303 | 28030375 |
| DualStrip Tool -TL363 | 28036375 |
| DualStrip Tool -TL515 | 28051575 |
| DualStrip Tool -TL525 | 28052575 |
| Shrink Sleeve TCS-7 19/6-75S 120 cm | 97100245 |
| Grounding Ring Type 2 | 98028562 |
| Grounding Ring Type 3 | 98028563 |
| Grounding Ring Type 4 | 98028564 |
| Grounding Ring Type 5 | 98028565 |
| Grounding Ring Type 6 | 98028566 |
| Nut and Washer for 5/8 in | 99900555 |

Cabelcon TrueLock™ Portfolio – Supported Cable Brands

Compatibility with Most Coaxial Cable Manufacturers

We are able to provide hardline trunk solutions for most legacy coaxial cable in all of the world. In the case you do not find your supplier on this extensive list, we are happy to help you identify the right solution for you.

| | | | |
|-----------------------------------|---------------------------|-----------------------|----------------------------|
| ABB | CAVICEL S.p.A. | Huber + Suhner | Pope |
| Acome | CCH Dour | Ikusu | RFR |
| Alcatel-Lucent Enterprise | CommScope | Interkabel | RFS Kabelmetal |
| Amphenol Broadband Solutions | Condumex Inc. | ITC Thermo Cable GmbH | SAT World |
| Andrew Cables | Czech Cable | Kabelwerk Eupen AG | Satlan |
| Axing AG | Delta Group | Kabel Rheydt (Nexan) | Siemens |
| Becker Varis | DKT Comega | Katherein | Sytronic Kabel GmbH |
| Bedeia | Draka Comteq B.V. | Klas Kablo | TechniSat |
| Belden | Dätwyler | Leoni AG | Tianjie Cable |
| Beta LaserMike (NDC Technologies) | EET Europarts | Macab | TKF Connectivity Solutions |
| Beta Cavi | Ericsson | NEK Kabel AS | Triax |
| Bieffe Cavi | F&G | Nexans | Trilogy Communications |
| Bosch | FMC | Nexans Schweiz AG | Vacha Kabel GmbH |
| Braun teleCom GmbH | Fracarro | NK Communications | Volex |
| Cablerie Seneffoise | Francofa Eurodis | NK Networks | Webro |
| CAE Group | Fuba | NKF Kabel B.V. | Wilhelm Sihh Jr. GmbH |
| Cavel | Fujikura | NKT Cables | Witronic AG |
| Cavi Europack | G.ecol.cables S.r.l. | Nordix S. A. | |
| | Hansen Technology Co. Ltd | Ören Kablo | |
| | Hirschmann | Pirelli | |

To order the appropriate connector for your cable, please use one of the following options:

1. Click here: www.Cabelcon.com
2. Contact our customer care centre:
+ 45 55 98 55 99

New TrueHybrid Jumpers

Features and Value Proposition

- Higher power handling
- Improved design and cable size
- Enhanced connection system on inner/outer conductor, reduces risk of noise/IMD in the network
- Maximum possible A++ shielding
- Connector cannot rotate
- High contact surface
- Unable to have water penetration even after years of installation
- One of the most flexible jumpers on the market
- Designed for installation in tight spaces
- Available from 0.3 m to 10 m
- Soldered innerconductor for stable performance over time


Benefits







- Space savings — shorter connector
- Reduced need for right-angled connectors due to space savings
- Cable flexibility ensures optimal patch management

Typical Specifications of TrueHybrid Jumpers

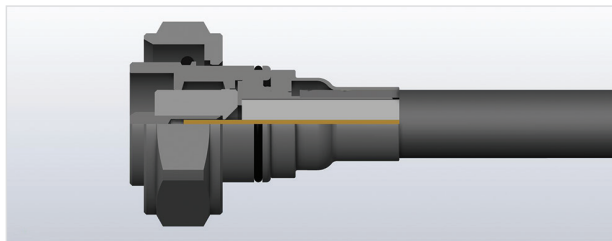
| Product Name/Type | Product Description |
|--------------------------------|---|
| 5/8MU-CXJHFX2-5/8MU/0.7 | 93575707 |
| Cable Minimum Bend Radius | 108 mm |
| Frequency Range | 0.3-3000 MHz |
| Impedance (nominal) | 75 Ohm |
| Amp. Rating: (measured) | 12.5 A @ 10 °C increase |
| (calculated) | 17.6 A @ 20 °C increase |
| Transfer Impedance (CoMeT) | < 0.9 m Ohm/m @ 5-30 MHz < 0.6 m Ohm/item @ 5-30 MHz |
| Screening Attenuation (CoMeT) | Class A++ > 110 dB @ 30-1000 MHz > 95 dB @ 1000-2000 MHz > 85 dB @ 2000-3000 MHz |
| Return Loss (IEC 61169-1) | Typical |
| 0.3-500 MHz | -28.6 dB |
| 500-860 MHz | -28.4 dB |
| 860-1000 MHz | -27.1 dB |
| Temperatures | |
| Installation: | 5 °C to +50 °C |
| Operation: | -40 °C to IPX8 |
| Storage: | -40 °C to IPX8 |
| Sealing Test | |
| (IEC IP-code) | 1 m/24 hours +70 °C |
| O-ring | EPDM |
| Base Material | |

New TrueHybrid Jumpers – Technical Specs

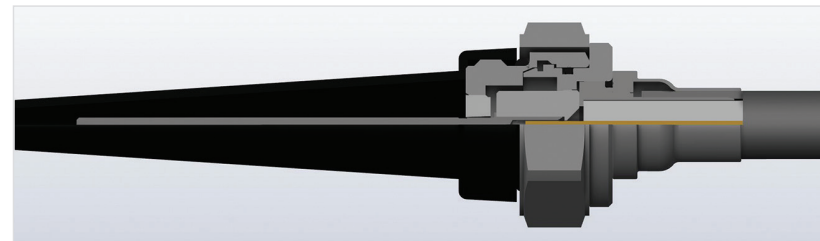
| TrueHybrid Jumper Cable Attributes | | | | | | | | | |
|------------------------------------|------------------|--------------|------------|-----------------|------------|-----------------|--------------------|-----------|---|
| Cable Types | Centre Conductor | Insulation | 1.Screen | 2.Screen | 3.Screen | Jacket | Transfer impedance | Shielding | Photo |
| RG7Cu Black PVC | Solid Copper | Gas Injected | Bonded | Annealed Copper | Not Bonded | PVC Black | Class A++ | Class A++ |  |
| | Diameter 1.21 mm | Foam PE | CuPet foil | Wire 69% | CuPet foil | Diameter 8.2 mm | | | |

| Technical Data (average values) | 3.5/12 Male | 3.5/12 Female | 5/8 Male swivel PG11 Male swivel | 5/8 Female | F Male | IEC Male |
|--|---|---|---|---|---|---|
| |  |  |  |  |  |  |
| Transfer impedance (CoMet) 5-30 Mhz | A++ | A++ | A++ | A++ | A++ | A++ |
| Screening attenuation (CoMet) 30-3000 Mhz | A++ | A++ | A++ | A++ | A++ | A++ |
| Intermodulation 3rd order @ 2x 30 dBm | -150 dBc | -150 dBc | -150 dBc | -150 dBc | -130 dBc | -150 dBc |
| Amp. Rating @ 10 / 20 degree C increase | 12A / 17A | 12A / 17A | 12A / 17A | 12A / 17A | 5A / 7A | 8A / 11A |
| Sealing Test (IEC IP-code) | IP X8 30 m / 8 hour | IP X8 30 m / 8 hour | IP X8 30 m / 8 hour | IP X8 30 m / 8 hour | IP X8 30 m / 8 hour | IP X8 30 m / 8 hour |
| Return Loss 5-1.000 MHz (0.6m jumper) | -30 dB | -30 dB | -30 dB | -30 dB | -30 dB | -25 dB |
| Return Loss 1.000-2.000 MHz (0.6m jumper) | -25 dB | -25 dB | -25 dB | -25 dB | -25 dB | -20 dB |
| Return Loss 2.000-2.000 MHz (0.6m jumper) | -20 dB | -20 dB | -20 dB | -20 dB | -20 dB | -15 dB |
| Insertion Loss 5-1.000 MHz (0.6m jumper) | -0,25 dB | -0,25 dB | -0,25 dB | -0,25 dB | -0,25 dB | -0,25 dB |
| Insertion Loss 1.000-2.000 MHz (0.6m jumper) | -0,35 dB | -0,35 dB | -0,35 dB | -0,35 dB | -0,35 dB | -0,35 dB |
| Insertion Loss 2.000-3.000 MHz (0.6m jumper) | -0,45 dB | -0,45 dB | -0,45 dB | -0,45 dB | -0,45 dB | -0,45 dB |
| Maximum Tensile Strength | 30 Kgf | 30 Kgf | 30 Kgf | 30 Kgf | 30 Kgf | 30 Kgf |

For more accurate data on a specific jumper, please check the data sheet for that application.



3.5/12 Male Cross Section



5/8 Male Cross Section

Hardline Jumper HFX vs. THJP X Reference List

| HFX2 Cross Reference | | | |
|---------------------------------|------------------------------|-----------------------------------|---------------------------|
| Current HFX2 Jumper Item Number | Item Name/Description | New TrueHybrid Jumper Item Number | Item Name/Description |
| 93454507-03 | IEC14M-CXJHFX2-IEC14M/0.7 | 84454507 | IEC14M-THJP-IEC14M/0.7 |
| 93454508-03 | IEC14M-CXJHFX2-IEC14M/0.8 | 84454508 | IEC14M-THJP-IEC14M/0.8 |
| 93454520-03 | IEC14M-CXJHFX2-IEC14M/2.0 | 84454520 | IEC14M-THJP-IEC14M/2.0 |
| 93494507-04 | 3.5/12M-CXJHFX2-IEC14M/0.7 | 84494507 | 3.5/12M-THJP-IEC14M/0.7 |
| 93494510-04 | 3.5/12M-CXJHFX2-IEC14M/1.0 | 84494510 | 3.5/12M-THJP-IEC14M/1.0 |
| 93494903-04 | 3.5/12M-CXJHFX2-3.5/12M/0.35 | 84494903 | 3.5/12M-THJP-3.5/12M/0.35 |
| 93494905-04 | 3.5/12M-CXJHFX2-3.5/12M/0.5 | 84494905 | 3.5/12M-THJP-3.5/12M/0.5 |
| 93494906-04 | 3.5/12M-CXJHFX2-3.5/12M/0.6 | 84494906 | 3.5/12M-THJP-3.5/12M/0.6 |
| 93494907-04 | 3.5/12M-CXJHFX2-3.5/12M/0.7 | 84494907 | 3.5/12M-THJP-3.5/12M/0.7 |
| 93494908-04 | 3.5/12M-CXJHFX2-3.5/12M/0.8 | 84494908 | 3.5/12M-THJP-3.5/12M/0.8 |
| 93494910-04 | 3.5/12M-CXJHFX2-3.5/12M/1.0 | 84494910 | 3.5/12M-THJP-3.5/12M/1.0 |
| 93494912-04 | 3.5/12M-CXJHFX2-3.5/12M/1.2 | 84494912 | 3.5/12M-THJP-3.5/12M/1.2 |
| 93494915-04 | 3.5/12M-CXJHFX2-3.5/12M/1.5 | 84494915 | 3.5/12M-THJP-3.5/12M/1.5 |
| 93494920-04 | 3.5/12M-CXJHFX2-3.5/12M/2.0 | 84494920 | 3.5/12M-THJP-3.5/12M/2.0 |
| 93495103-04 | 3.5/12M-CXJHFX2-3.5/12F/0.3 | 84495103 | 3.5/12M-THJP-3.5/12F/0.3 |
| 93495105-04 | 3.5/12M-CXJHFX2-3.5/12F/0.5 | 84495105 | 3.5/12M-THJP-3.5/12F/0.5 |
| 93495107-04 | 3.5/12M-CXJHFX2-3.5/12F/0.7 | 84495107 | 3.5/12M-THJP-3.5/12F/0.7 |
| 93495108-04 | 3.5/12M-CXJHFX2-3.5/12F/0.8 | 84495108 | 3.5/12M-THJP-3.5/12F/0.8 |
| 93495110-04 | 3.5/12M-CXJHFX2-3.5/12F/1.0 | 84495110 | 3.5/12M-THJP-3.5/12F/1.0 |
| 93495115-04 | 3.5/12M-CXJHFX2-3.5/12F/1.5 | 84495115 | 3.5/12M-THJP-3.5/12F/1.5 |
| 93495120-04 | 3.5/12M-CXJHFX2-3.5/12F/2.0 | 84495120 | 3.5/12M-THJP-3.5/12F/2.0 |
| 93495307-04 | 3.5/12M-CXJHFX2-FM/0.7 | 84495307 | 3.5/12M-THJP-FM/0.7 |
| 93495907-04 | 3.5/12M-CXJHFX2-5/8F/0.7 | 84495907 | 3.5/12M-THJP-5/8F/0.7 |
| 93495912-04 | 3.5/12M-CXJHFX2-5/8F/1.2 | 84495912 | 3.5/12M-THJP-5/8F/1.2 |
| 93535908-03 | FM-CXJHFX2-5/8F/0.8 | 84535908 | FM-THJP-5/8F/0.8 |
| 93575705-03 | 5/8MU-CXJHFX2-5/8MU/0.5 | 84575705 | 5/8MU-THJP-5/8MU/0.5 |
| 93575710-03 | 5/8MU-CXJHFX2-5/8MU/1.0 | 84575710 | 5/8MU-THJP-5/8MU/1.0 |
| 93575720-03 | 5/8MU-CXJHFX2-5/8MU/2.0 | 84575720 | 5/8MU-THJP-5/8MU/2.0 |
| 93575910-03 | 5/8MU-CXJHFX2-5/8F/1.0 | 84575910 | 5/8MU-THJP-5/8F/1.0 |
| 93575915-03 | 5/8MU-CXJHFX2-5/8F/1.5 | 84575915 | 5/8MU-THJP-5/8F/1.5 |
| 93575920-03 | 5/8MU-CXJHFX2-5/8F/2.0 | 84575920 | 5/8MU-THJP-5/8F/2.0 |
| 93585713-03 | 90-5/8MU-CXJHFX2-5/8MU/1.3 | 84585713 | 90-5/8MU-THJP-5/8MU/1.3 |
| 93635307-03 | PG11MU-CXJHFX2-FM/0.7 | 84635307 | PG11MU-THJP-FM/0.7 |
| 93636307-03 | PG11MU-CXJHFX2-PG11MU/0.7 | 84636307 | PG11MU-THJP-PG11MU/0.7 |
| 93001705-04 | JPTL363-CXJHFX2-3.5/12M/0.55 | 84001705 | JPTL363-THJP-3.5/12M/0.55 |
| 93001710-04 | JPTL363-CXJHFX2-3.5/12M/1.0 | 84001710 | JPTL363-THJP-3.5/12M/1.0 |
| 93002115-03 | JPTL611STI-CXJHFX2-5/8MU/0.8 | 84002115 | JPTL611STI-THJP-5/8MU/0.8 |
| 93002612-03 | JPTL705FI-CXJHFX2-IEC14M/0.8 | 84002612 | JPTL705FI-THJP-IEC14M/0.8 |
| 93000331-03 | JPTL202-CXJHFX2-IEC14M/0.8 | 84000331 | JPTL202-THJP-IEC14M/0.8 |
| 93010980-03 | JPTL505-CXJHFX2-PG11MU/0.7 | 84010980 | JPTL505-THJP-PG11MU/0.7 |



93494912-04

TrueHybrid Hardline Jumpers

| TrueHybrid Jumper | |
|-------------------|---------------------------|
| Item Number | Item Name/Description |
| 84454507 | IEC14M-THJP-IEC14M/0.7 |
| 84454508 | IEC14M-THJP-IEC14M/0.8 |
| 84494507 | 3.5/12M-THJP-IEC14M/0.7 |
| 84494510 | 3.5/12M-THJP-IEC14M/1.0 |
| 84494903 | 3.5/12M-THJP-3.5/12M/0.35 |
| 84494905 | 3.5/12M-THJP-3.5/12M/0.5 |
| 84494906 | 3.5/12M-THJP-3.5/12M/0.6 |
| 84494907 | 3.5/12M-THJP-3.5/12M/0.7 |
| 84494908 | 3.5/12M-THJP-3.5/12M/0.8 |
| 84494910 | 3.5/12M-THJP-3.5/12M/1.0 |
| 84494915 | 3.5/12M-THJP-3.5/12M/1.5 |
| 84494920 | 3.5/12M-THJP-3.5/12M/2.0 |
| 84494925 | 3.5/12MTHJP-3.5/12M/2.5 |
| 84495103 | 3.5/12M-THJP-3.5/12F/0.3 |
| 84495105 | 3.5/12M-THJP-3.5/12F/0.5 |
| 84495107 | 3.5/12M-THJP-3.5/12F/0.7 |
| 84495108 | 3.5/12M-THJP-3.5/12F/0.8 |
| 84495110 | 3.5/12M-THJP-3.5/12F/1.0 |
| 84495115 | 3.5/12M-THJP-3.5/12F/1.5 |
| 84495120 | 3.5/12M-THJP-3.5/12F/2.0 |
| 84495307 | 3.5/12M-THJP-FM/0.7 |
| 84535908 | FM-THJP-5/8F/0.8 |
| 84574915 | 5/8MU-THJP-3.5/12M/1.5 |
| 84575705 | 5/8MU-THJP-5/8MU/0.5 |
| 84575710 | 5/8MU-THJP-5/8MU/1.0 |
| 84575715 | 5/8MU-THJP-5/8MU/1.5 |
| 84575720 | 5/8MU-THJP-5/8MU/2.0 |
| 84575905 | 5/8MU-THJP-5/8F/0.5 |
| 84575910 | 5/8MU-THJP-5/8F/1.0 |
| 84575915 | 5/8MU-THJP-5/8F/1.5 |
| 84575920 | 5/8MU-THJP-5/8F/2.0 |
| 84606010 | 5/8FU-THJP-5/8FU/1.0 |

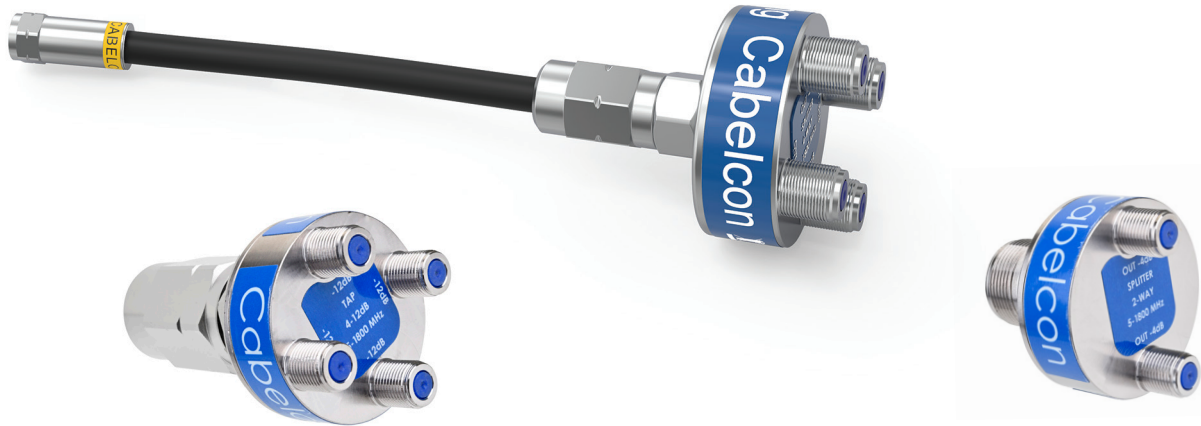
Other configurations available upon request

Cabelcon | An Amphenol Company

| TrueHybrid Jumper | |
|-------------------|-----------------------------|
| Item Number | Item Name/Description |
| 84064508 | JPTL202-THJP-IEC14M/0.8 |
| 84074906 | JPTL419TI-THJP-3.5/12M/0.55 |
| 84084906 | JPTL319TI-THJP-3.5/12M/0.55 |
| 84094917 | JPTL212-THJP-3.5/12M/1.7 |
| 84014508 | JPTL306FI-THJP-IEC14M/0.8 |
| 84104508 | JPTL363-THJP-3.5/12M/0.55 |
| 84114917 | JPTL363-THJP-3.5/12M/1.7 |
| 84124906 | JPTL619TI-THJP-3.5/12M/0.55 |
| 84034917 | JPTL636-THJP-3.5/12M/1.7 |
| 84134507 | JPTL655-THJP-IEC14M/0.7 |
| 84044508 | JPTL655-THJP-IEC14M/0.8 |
| 84055708 | JPTL611STI-THJP-5/8MU/0.8 |
| 84144906 | JPTL616-THJP-3.5/12M/0.55 |
| 84154917 | JPTL616-THJP-3.5/12M/1.7 |
| 84024508 | JPTL705FI-THJP-IEC14M/0.8 |

Wireless, HFC and Satellite Networks | DS-70-0105 Rev. 1.4

Allows for spiral binding



Cabelcon TrueSplit™ Portfolio

- Cabelcon TrueSplit™ connector (CTSC) is a standard hardline Cabelcon TrueLock™ connector with a 2/3/4 way splitter/TAP with F ports integrated into the head
- TrueSplit adapter (CTSA) is a splitter/TAP with 1 F or 3.5/12 F input port and 2/3/4 output F ports
- TrueSplit jumper (CTSJ) is standard TrueSplit connector with a pre-assembled 0.5 m RG6 cable input with F male Cabelcon TrueDrop™ connector and 2/3/4 output F ports

Cabelcon TrueSplit™ Portfolio

Value Proposition

- Future-ready for enhanced DOCSIS 4.0+ full duplex applications
- 5 MHz to 1.8 GHz enables future CapEx & OpEx savings
- Smallest splitter/TAP solution = less space needed
- Best shielding of minimum A++ and noise protection in the market
- Nitin-6™ plated brass housing
- Circular design enables optimal port access and achieves most equal signal distribution possible
- Insulation between output ports = reduced “crosstalk”
- Moisture-protected ports
- Less components = less stock
- Indoor, outdoor, and underground applicable
- No new installation tools or training needed
- Power through up to 2 ampere available

Best shielding >A++ and noise protection intermodulation < -115 dBc in the market

Minimalistic design requires the least space while maximising long-term performance

High-precision CNC-produced brass Nitin-6™ plated body and F Female ports enable optimal signal transmission

For more Information
please go to our website:
www.Cabelcon.com

Cabelcon TrueSplit™ Connector (CTSC)

- Connect splitter and TAP directly to the trunk line cable
- Available for most common cables



TrueSplit Adapter (CTSA)

- Utilise existing Cabelcon TrueLock™ connectors
- F female and 3.5/12 F interface available
- 2-, 3-, and 4-way splitters/taps are available for each



TrueSplit Jumper (CTSJ)

- Plug-and-play solution
- Factory installed on A+ cable



Wall-Mount Clip for TrueSplit Portfolio

- One single metal clip on/off for all TrueSplit types
- Item number 98400000



Cabelcon TrueSplit™ Connectors

| Cable Type/Interface | CTSC-02 | CTSC-02-P | CTSC-1-6-P | CTSC-1-8-P | CTSC-1-10-P | CTSC-1-12-P | CTSC-1-16-P | CTSC-1-20-P | CTSC-1-24-P | CTSC-1-30-P |
|----------------------|----------------|-------------------|--------------|--------------|---------------|---------------|---------------|---------------|---------------|---------------|
| Description | SPLITTER 2-WAY | SPLITTER 2-WAY-2A | TAP 1-6dB-2A | TAP 1-8dB-2A | TAP 1-10dB-2A | TAP 1-12dB-2A | TAP 1-16dB-2A | TAP 1-20dB-2A | TAP 1-24dB-2A | TAP 1-30dB-2A |
| -TL101 | 13010120 | 13010121 | 13101106 | 13101108 | 13101110 | 13101112 | 13101112 | 13101120 | 13101124 | 13101130 |
| -TL212 | 13021220 | 13021221 | 13212106 | | | 13212112 | | 13212120 | | |
| -TL232 | 13023220 | 13023221 | 13232106 | 13232108 | 13232110 | 13232112 | 13232116 | 13232120 | 13232124 | 13232130 |
| -TL244 | 13024420 | 13024421 | 13244106 | | | 13244112 | | 13244120 | | |
| -TL303 | 13030320 | 13030321 | 13303106 | 13303108 | 13303110 | 13303112 | 13303116 | 13303120 | 13303124 | 13303130 |
| -TL444 | 13044420 | 13030321 | 13444106 | 13444108 | 13444110 | 13444112 | 13444116 | 13444120 | 13444124 | 13444130 |
| -TL505 | 13050520 | 13050521 | 13505106 | | | 13505112 | | 13505120 | | |
| -TL525 | 13052520 | 13052521 | 13525106 | 13525108 | 13525110 | 13525112 | 13525116 | 13525120 | 13525124 | 13525130 |
| -TL540TI | 13054020 | 13054021 | 13540106 | 13540108 | 13540110 | 13540112 | 13540116 | 13540120 | 13540124 | 13540130 |
| -TL655 | 13065520 | 13065521 | 13655106 | 13655108 | 13655110 | 13655112 | 13655116 | 13655120 | 13655124 | 13655130 |
| -TL787TI | 13078720 | 13078721 | 13787106 | 13787108 | 13787110 | 13787112 | 13787116 | 13787120 | 13787124 | 13787130 |
| -TL828 | 13082820 | 13082821 | 13828106 | 13828108 | 13828110 | 13828112 | 13828116 | 13828120 | 13828124 | 13828130 |

TS = TrueSplit is available for all other Cabelcon TrueLock™ types not listed, but upon request

| Cable Type/Interface | CTSC-03 | CTSC-2-8-P | CTSC-2-10-P | CTSC-2-12-P | CTSC-2-16-P | CTSC-2-20-P | CTSC-2-24-P | CTSC-2-28-P |
|----------------------|----------------|--------------|---------------|---------------|---------------|---------------|---------------|---------------|
| Description | SPLITTER 3-WAY | TAP 2-8dB-2A | TAP 2-10dB-2A | TAP 2-12dB-2A | TAP 2-16dB-2A | TAP 2-20dB-2A | TAP 2-24dB-2A | TAP 2-28dB-2A |
| -TL101 | 13010130 | 13101208 | 13101210 | 13101212 | 13101212 | 13101220 | 13101224 | 13101228 |
| -TL212 | 13021230 | 13101208 | | 13212212 | | 13212220 | | |
| -TL232 | 13023230 | 13232208 | 13232210 | 13232212 | 13232216 | 13232220 | 13232224 | 13232228 |
| -TL244 | 13024430 | 13244208 | | 13244212 | | 13244220 | | |
| -TL303 | 13030330 | 13303208 | 13303210 | 13303212 | 13303216 | 13303220 | 13303224 | 13303228 |
| -TL444 | 13044430 | 13444208 | 13444210 | 13444212 | 13444216 | 13444220 | 13444224 | 13444228 |
| -TL505 | 13050530 | 13505208 | | 13505212 | | 13505220 | | |
| -TL525 | 13052530 | 13525208 | 13525210 | 13525212 | 13525216 | 13525220 | 13525224 | 13525228 |
| -TL540TI | 13054030 | 13540208 | 13540210 | 13540212 | 13540216 | 13540220 | 13540224 | 13540228 |
| -TL655 | 13065530 | 13655208 | 13655210 | 13655212 | 13655216 | 13655220 | 13655224 | 13655228 |
| -TL787TI | 13078730 | 13787208 | 13787210 | 13787212 | 13787216 | 13787220 | 13787224 | 13787228 |
| -TL828 | 13082830 | 13828208 | 13828210 | 13828212 | 13828216 | 13828220 | 13828224 | 13828228 |

TS = TrueSplit is available for all other TrueLock types not listed, but upon request

| Cable Type/Interface | CTSC-04 | CTSC-4-10* | CTSC-4-12* |
|----------------------|----------------|------------|------------|
| Description | SPLITTER 4-WAY | TAP 4-10dB | TAP 4-12dB |
| -TL101 | 13010140 | 13101410 | 13828410 |
| -TL212 | 13021240 | | 13212412 |
| -TL232 | 13023240 | 13232410 | 13232412 |
| -TL243 | 13024340 | | |
| -TL244 | 13024440 | | 13244412 |
| -TL303 | 13030340 | 13303410 | 13303412 |
| -TL313 | 13031340 | | |
| -TL444 | 13044440 | 13444410 | 13444412 |
| -TL505 | 13050540 | | 13505412 |
| -TL525 | 13052540 | 13525410 | 13525412 |
| -TL540TI | 13054040 | 13540410 | 13540412 |
| -TL655 | 13065540 | 13655410 | 13655412 |
| -TL787TI | 13078740 | 13787410 | 13787412 |
| -TL828 | 13082840 | 13828410 | 13828412 |

TS = TrueSplit is available for all other TrueLock types not listed, but upon request

*Four-way TAP (internally terminated, no OUT port)



13052520



13052530



13052540

Cabelcon TrueSplit™ Adapters – F Female

| Item Number | Name | Description | 60V 2A Power-Through |
|-------------|----------------|-------------------|----------------------|
| 13000120-01 | CTSA-02-FF | SPLITTER 2-WAY | |
| 13000122-01 | CTSA-02-P-FF | SPLITTER 2-WAY-2A | ✓ |
| 13001060-01 | CTSA-1-6-P-FF | TAP 1-6dB-2A | ✓ |
| 13001080-01 | CTSA-1-8-P-FF | TAP 1-8dB-2A | ✓ |
| 13001100-01 | CTSA-1-10-P-FF | TAP 1-10dB-2A | ✓ |
| 13001120-01 | CTSA-1-12-P-FF | TAP 1-12dB-2A | ✓ |
| 13001160-01 | CTSA-1-16-P-FF | TAP 1-16dB-2A | ✓ |
| 13001200-01 | CTSA-1-20-P-FF | TAP 1-20dB-2A | ✓ |
| 13001240-01 | CTSA-1-24-P-FF | TAP 1-24dB-2A | ✓ |
| 13001300-01 | CTSA-1-30-P-FF | TAP 1-30dB-2A | ✓ |



13000120

| Item Number | Name | Description | 60V 2A Power-Through |
|-------------|---------------|----------------|----------------------|
| 13000130-01 | CTSA-03-FF | SPLITTER 3-WAY | |
| 13002080-01 | CTSA-2-8-P-FF | TAP 2-8dB-2A | ✓ |
| 13002100-01 | CTSA-2-10P-FF | TAP 2-10dB-2A | ✓ |
| 13002120-01 | CTSA-2-12P-FF | TAP 2-12dB-2A | ✓ |
| 13002160-01 | CTSA-2-16P-FF | TAP 2-16dB-2A | ✓ |
| 13002200-01 | CTSA-2-20P-FF | TAP 2-20dB-2A | ✓ |
| 13002240-01 | CTSA-2-24P-FF | TAP 2-24dB-2A | ✓ |
| 13002280-01 | CTSA-2-28P-FF | TAP 2-28dB-2A | ✓ |



13000120

| Item Number | Name | Description | 60V 2A Power-Through |
|-------------|--------------|----------------|----------------------|
| 13000140-01 | CTSA-04-FF | SPLITTER 4-WAY | |
| 13004100-01 | CTSA-4-10-FF | TAP 4-10dB | * |
| 13004120-01 | CTSA-4-12-FF | TAP 4-12dB | * |



13000120

*Four-way TAP (internally terminated, no OUT port)

Cabelcon TrueSplit™ Adapters – 3.5/12 F

| Item no. | Name | Description | 60V 2A Power-Through |
|----------|---------------------|-------------------|----------------------|
| 12000120 | CTSA-02-3.5/12F | SPLITTER 2-WAY | |
| 12000122 | CTSA-02-P-3.5/12F | SPLITTER 2-WAY-2A | ✓ |
| 12001060 | CTSA-1-6-P-3.5/12F | TAP 1-6dB-2A | ✓ |
| 12001080 | CTSA-1-8-P-3.5/12F | TAP 1-8dB-2A | ✓ |
| 12001100 | CTSA-1-10-P-3.5/12F | TAP 1-10dB-2A | ✓ |
| 12001120 | CTSA-1-12-P-3.5/12F | TAP 1-12dB-2A | ✓ |
| 12001160 | CTSA-1-16-P-3.5/12F | TAP 1-16dB-2A | ✓ |
| 12001200 | CTSA-1-20-P-3.5/12F | TAP 1-20dB-2A | ✓ |
| 12001240 | CTSA-1-24-P-3.5/12F | TAP 1-24dB-2A | ✓ |
| 12001300 | CTSA-1-30-P-3.5/12F | TAP 1-30dB-2A | ✓ |



12000120

| Item no. | Name | Description | 60V 2A Power-Through |
|----------|---------------------|----------------|----------------------|
| 12000130 | CTSA-03-3.5/12F | SPLITTER 3-WAY | |
| 12002080 | CTSA-2-8-P-3.5/12F | TAP 2-8dB-2A | ✓ |
| 12002100 | CTSA-2-10-P-3.5/12F | TAP 2-10dB-2A | ✓ |
| 12002120 | CTSA-2-12-P-3.5/12F | TAP 2-12dB-2A | ✓ |
| 12002160 | CTSA-2-16-P-3.5/12F | TAP 2-16dB-2A | ✓ |
| 12002200 | CTSA-2-20-P-3.5/12F | TAP 2-20dB-2A | ✓ |
| 12002240 | CTSA-2-24-P-3.5/12F | TAP 2-24dB-2A | ✓ |
| 12002280 | CTSA-2-28-P-3.5/12F | TAP 2-28dB-2A | ✓ |



12000130

| Item no. | Name | Description | 60V 2A Power-Through |
|----------|-------------------|----------------|----------------------|
| 12000140 | CTSA-04-3.5/12F | SPLITTER 4-WAY | |
| 12004100 | CTSA-4-10-3.5/12F | TAP 4-10dB | * |
| 12004120 | CTSA-4-12-3.5/12F | TAP 4-12dB | * |



12000140

*Four-way TAP (internally terminated, no OUT port)

Cabelcon TrueSplit™ Jumpers – F Male

| Item no. | Name | Description | 60V 2A Power-Through |
|-------------|----------------------|----------------------------------|----------------------|
| 14920005-01 | CTSJ-02-FM/B/0.5 | FM-CXJ6A+-2 WAY SPLITTER/B/0.5 | |
| 14921005-01 | CTSJ-02-P-FM/B/0.5 | FM-CXJ6A+-2-P WAY SPLITTER/B/0.5 | ✓ |
| 14110605-01 | CTSJ-1-6-P-FM/B/0.5 | FM-CXJ6A+-TAP 1-6dB/B/0.5 | ✓ |
| 14110805-01 | CTSJ-1-8-P-FM/B/0.5 | FM-CXJ6A+-TAP 1-8dB/B/0.5 | ✓ |
| 14111005-01 | CTSJ-1-10-P-FM/B/0.5 | FM-CXJ6A+-TAP 1-10dB/B/0.5 | ✓ |
| 14111205-01 | CTSJ-1-12-P-FM/B/0.5 | FM-CXJ6A+-TAP 1-12dB/B/0.5 | ✓ |
| 14111605-01 | CTSJ-1-16-P-FM/B/0.5 | FM-CXJ6A+-TAP 1-16dB/B/0.5 | ✓ |
| 14112005-01 | CTSJ-1-20-P-FM/B/0.5 | FM-CXJ6A+-TAP 1-20dB/B/0.5 | ✓ |
| 14112405-01 | CTSJ-1-24-P-FM/B/0.5 | FM-CXJ6A+-TAP 1-24dB/B/0.5 | ✓ |
| 14113005-01 | CTSJ-1-30-P-FM/B/0.5 | FM-CXJ6A+-TAP 1-30dB/B/0.5 | ✓ |



14920005

| Item no. | Name | Description | 60V 2A Power-Through |
|-------------|----------------------|--------------------------------|----------------------|
| 14930005-01 | CTSJ-03-FM/B/0.5 | FM-CXJ6A+-3 WAY SPLITTER/B/0.5 | |
| 14120805-01 | CTSJ-2-8-P-FM/B/0.5 | FM-CXJ6A+-TAP 2-8dB/B/0.5 | ✓ |
| 14121005-01 | CTSJ-2-10-P-FM/B/0.5 | FM-CXJ6A+-TAP 2-10dB/B/0.5 | ✓ |
| 14121205-01 | CTSJ-2-12-P-FM/B/0.5 | FM-CXJ6A+-TAP 2-12dB/B/0.5 | ✓ |
| 14121605-01 | CTSJ-2-16-P-FM/B/0.5 | FM-CXJ6A+-TAP 2-16dB/B/0.5 | ✓ |
| 14122005-01 | CTSJ-2-20-P-FM/B/0.5 | FM-CXJ6A+-TAP 2-20dB/B/0.5 | ✓ |
| 14122405-01 | CTSJ-2-24-P-FM/B/0.5 | FM-CXJ6A+-TAP 2-24dB/B/0.5 | ✓ |
| 14122805-01 | CTSJ-2-28-P-FM/B/0.5 | FM-CXJ6A+-TAP 2-28dB/B/0.5 | ✓ |



14930005

| Item no. | Name | Description | 60V 2A Power-Through |
|-------------|--------------------|--------------------------------|----------------------|
| 14940005-01 | CTSJ-04-FM/B/0.5 | FM-CXJ6A+-4 WAY SPLITTER/B/0.5 | |
| 14141005-01 | CTSJ-4-10-FM/B/0.5 | FM-CXJ6A+-TAP 4-10dB/B/0.5 | * |
| 14141205-01 | CTSJ-4-12-FM/B/0.5 | FM-CXJ6A+-TAP 4-12dB/B/0.5 | * |



14940005

*Four-way TAP (internally terminated, no OUT port)



Cabelcon TrueDrop™ Portfolio

Cabelcon TrueDrop™ Connectors and Jumpers

The family of TrueDrop products, which previously consisted of only connectors, has now been expanded to include jumpers. The TrueDrop portfolio features breakthroughs that deliver improved performance when compared to F-compression connectors. The result is less network noise, greater ease of use, and better overall reliability.

- Larger conical mating surface provides better alignment and mating quality with all ports, compared to standard connectors

- Wider sleeve heel provides 360-Degree electrical contact for all cables
- Improved seating prevents O-ring damage pre- and post-installation and at re-installation
- Dielectric stop at F nut boosts installation quality
- Grooved nut for better grip, easier tightening, and quicker installation
- Straight knurling for improved grip on nut

Cabelcon TrueDrop™ Portfolio – Main Values

Cabelcon TrueDrop™ Connectors and Jumpers*

CX3™ portfolio upgrade and consolidation

- Larger conical mating surface provides better alignment and O-ring seating
- Better Female thread engagement
- Dielectric stop disables dielectric push-through
- Grooved nut for better grip, easier tightening, and quicker installation
- Wider sleeve heel provides 360° electrical contact for all cables
- Higher cable torsion and straight knurling for improved grip and installation
- A++ jumper shielding

* Legacy products will be available until stocks are exhausted.
Updated products available now.

For more Information
please go to our website:
www.Cabelcon.com

Connections You Can Trust



99909941



TrueDrop Jumper

Cabelcon TrueDrop™ Connector – F Standard Compression

Features/Interface

Improved Interface Seal

1. O-ring not damaged by thread/installation

F Nut: Larger Thread Engagement Area and Finger-Friendly Design

1. Compensates for varying F Female thread qualities
2. More strong mechanical contact between F Female and F Male ports prevents loosening of connectors
3. Nut Design eases tightening F Nut on Port
4. F Nut tightening quality improved

Mating Surface: Self-Centering and Maximising Electrical Contact

1. Compensating for varying Female surface qualities
2. Ensuring 360-Degree RF tightness

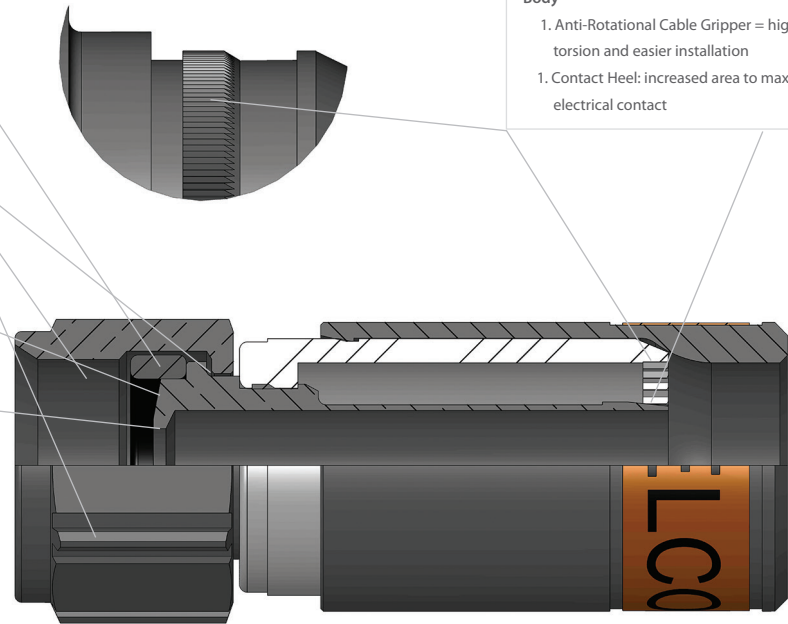
Dielectric Stop

1. Prevention of pass/push through

Features/Body

Body

1. Anti-Rotational Cable Gripper = higher cable torsion and easier installation
1. Contact Heel: increased area to max. electrical contact



Benefits

1. Mating Surface

- a. Optimum mechanical and RF fit
 - Less maintenance calls
 - No more loose F connector
 - Best possible noise and ingress protection

2. F Nut

- a. Ensures high torque and low resistance
 - Less maintenance calls
 - No more loose F connector
 - Best possible noise and ingress protection

3. Stop

- a. Flawless installation features
 - Less maintenance calls
 - Safe installation with mechanical stop for cable

4. Interface Seal

- a. Improved repeat installations with seal intact
 - Best possible moisture, noise, and ingress protection

5. Body

- a. New internal design improves handling and cable aging issues

| Cabelcon TrueDrop™ Item Number | Name | Description |
|--|----------------------------|--|
| F Male Feed-Through with Interface Seal | | |
| 99909916-02 | F-59-TD 3.7 TRUE DROP | for MINI RG59 cable dielectric ø. 3.4-3.5 mm |
| 99909921-01 | F-59-TD 3.9 TRUE DROP | for RG59 cable dielectric ø. 3.6-3.7 mm |
| 99909935-02 | F-59-TD 3.9 HEC TRUE DROP | for RG59 HEC cable dielectric ø. 3.6-3.7 mm |
| 99909941-01 | F-6-TD 4.9 TRUE DROP | for RG6 cable dielectric ø. 4.6-4.7 mm |
| 99909946-01 | F-6-TD 5.1 TRUE DROP | for RG6 cable dielectric ø. 4.8-4.9 mm |
| 99909951 | F-6-TD 4.9 SHORT TRUE DROP | for RG6 cable dielectric ø. 4.6-4.7 mm |
| 99909445-04 | F-6-TD 5.1 SHORT TRUE DROP | for RG6 cables dielectric ø. 4.8-4.9 mm |

Cabelcon TrueDrop™ Connectors – with F QuickMount™ Compression

Features/Interface

Mating Surface: Self-Centering and Maximising Electrical Contact

1. Compensating for varying Female surface qualities
2. Ensuring 360-Degree RF tightness

F Nut: Larger Thread Engagement Area and Finger-Friendly Design

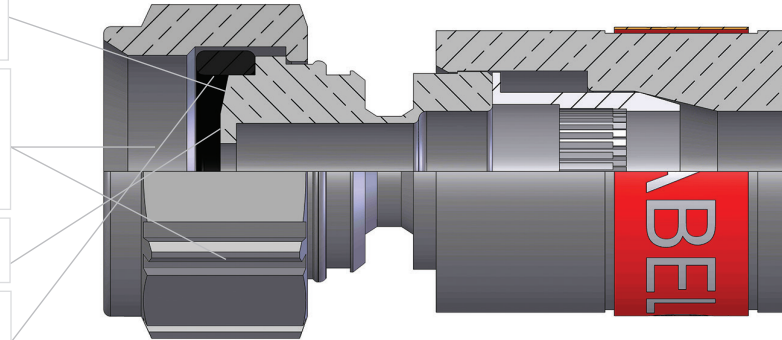
1. Compensates for varying F Female thread qualities
2. More strong mechanical contact between F Female and F Male ports prevents loosening of connectors
3. Nut design eases tightening F Nut on Port

Dielectric Stop

1. Prevention of pass/push-through

Improved Interface Seal

1. O-ring not damaged by thread/installation



Benefits



1. Mating Surface
 - a. Optimum mechanical and RF fit
 - Less maintenance calls
 - No more loose F connector
 - Best possible noise and ingress protection
2. F Nut
 - a. Ensures high torque and low resistance
 - Less maintenance calls
 - No more loose F connector
 - Best possible noise and ingress protection
3. Stop
 - a. Flawless installation features.
 - Less maintenance calls
 - Safe installation with mechanical stop for cable
4. Interface Seal
 - a. Improved repeat installations with seal intact.
 - Best possible moisture, noise and ingress protection
5. New Body
 - a. New internal design improves handling and cable aging issues

| New Cabelcon TrueDrop™ Item Number | Name | Description |
|--|--|----------------------------|
| F Male Mini PushPin™ without Interface Seal | | |
| 99909902 | FM-MINI-TD QM 3.1 W/O O-RING TRUE DROP | for MINI 3.1 mm cable |
| 99909903 | FM-MINI-TD QM 4.0 W/O O-RING TRUE DROP | for MINI 4.0 mm cable |
| 99909904 | FM-MINI-TD QM 4.5 W/O O-RING TRUE DROP | for MINI 4.5 mm cable |
| 99909906 | FM-MINI-TD QM 5.0 W/O O-RING TRUE DROP | for MINI/RG59 5.0 mm cable |
| F Male Feed-Through without Interface Seal | | |
| 99909901 | F-MINI-TD QM 4.0 SHORT TRUE DROP | for MINI 4.0 mm cable |
| 99909909 | F-MINI-TD QM 4.5 SHORT TRUE DROP | for MINI 4.5 mm cable |
| 99909910 | F-MINI-TD QM 5.0 SHORT TRUE DROP | for MINI 5.0 mm cable |
| 99909911-01 | F-59-TD QM 6.0 TRUE DROP | for RG59 6.0 mm cable |
| 99909912-01 | F-6-TD QM 7.0 TRUE DROP | for RG6 7.0 mm cable |
| F Male Feed-Through with Interface Seal | | |
| 99909913-01 | F-6-TD QM 7.0 W/O O-RING TRUE DROP | for RG6 7.0 mm cable |
| 99909914-01 | F-6-TD QM 7.0 SHORT W/O O-RING TRUE DROP | for RG6 7.0 mm cable |

Cabelcon TrueDrop™ Portfolio – General Specifications

Features

- Conical Interface
- O-Ring
- Grooved Nut
- Cable Gripper
- Support Sleeve: Dielectric Stop and Contact Heel
- Enhanced F Nut Thread

| Technical Data*† | Cabelcon TrueDrop™ Standard Compression | TrueDrop QuickMount™ Connector*† |
|--|---|---|
| |  |  |
| Transfer Impedance (CoMeT) 5-30 MHz | Class A++ | Class A++ |
| Screening Attenuation (CoMet) 30-3.000 MHz | Class A++ | Class A++ |
| Intermodulation 3 rd Order @ 2 x 20 dBm | < -167 dBc | < -130 dBc |
| Sealing Test (IEC IP-code) | IP X8 30 meter/8 hour | IP X8 30 meter/8 hour |
| Return Loss @ 1.0 GHz | < -39 dB | < -32 dB |
| Return Loss @ 2.0 GHz | < -39 dB | < -25 dB |
| Return Loss @ 3.0 GHz | < -39 dB | < -22 dB |
| Insertion Loss @ 1.0 GHz | < -0.01 dB | < -0.10 dB |
| Insertion Loss @ 2.0 GHz | < -0.02 dB | < -0.10 dB |
| Insertion Loss @ 3.0 GHz | < -0.05 dB | < -0.10 dB |
| Maximum Tensile Strength | > 50% better than cable specifications | > 50% better than cable specifications |

* Data is cable dependent

† General connector performance may change depending on cable type

Other Drop Connectors

IEC & BNC Compression and SC Self-Install Connectors

| Item Number | Name | Description |
|---|---------------------------------------|--|
| F with Standard F Nut Self-Install | | |
| 99909621-03 | F-59-TD SELF INSTALL 3.9 NI TRUE DROP | For RG6 6.0 mm cable, with 3.6 mm dielectric |
| 99909631-03 | F-6-TD SELF INSTALL 4.9 NI TRUE DROP | For RG6 7.0 mm cable, with 4.6 mm dielectric |
| 99909636-02 | F-6-TD SELF INSTALL 5.1 NI TRUE DROP | For RG6 7.0 mm cable, with 4.8 mm dielectric |
| F with SpringConnect Self-Install | | |
| 99909673 | F SC-56 5.1 SELF INSTALL | For RG6 7.0 mm cable, with 4.6-4.8 mm dielectric |
| IEC Self-Install | | |
| 99909686 | IECM-56 5.1 SELF INSTALL | For RG6 7.0 mm cable, with 4.6-4.8 mm dielectric |
| 99909692 | 90-IECM-56 5.1 SELF INSTALL | For RG6 7.0 mm cable, with 4.6-4.8 mm dielectric |
| 99909690 | IECF-56 5.1 SELF INSTALL | For RG6 7.0 mm cable, with 4.6-4.8 mm dielectric |
| 99909691 | 90-IECF-56 5.1 SELF INSTALL | For RG6 7.0 mm cable, with 4.6-4.8 mm dielectric |
| IEC TD Standard Compression | | |
| 99909982 | IECM-59-TD 3.9 | For RG59 6.0 mm cable with 3.6 mm dielectric |
| 99909484-04 | IECM-6-TD 4.9 | For RG6 7.0 mm cable with 4.6 mm dielectric |
| 99909486-04 | IECM-6-TD 5.1 | For RG6 7.0 mm cable with 4.8 mm dielectric |
| 99909992 | IECF-59-TD 3.9 | For RG59 6.0 mm cable with 3.6 mm dielectric |
| 99909494-04 | IIIECF-6-TD 4. | For RG6 7.0 mm cable with 4.6 mm dielectric |
| 99909496-03 | IIIECF-6-TD 5.1 | For RG6 7.0 mm cable with 4.8 mm dielectric |



99909673



99909686



99909692



99909690



99909691



99909494-01

| Item Number | Name | Description |
|---|----------------------------|---|
| 90-Degree Right Angle F Male Connector | | |
| 99530053-01 | 90-FM-59-ALM 3.7/6.4 HQ | MINI RG59 5,0mm cable, with dielectric ø. 3.5 mm |
| 99530059-01 | 90-FM-56-ALM 5.1/8.4 HQ | For RG6 7.0 mm cable, with 4.8 mm dielectric |
| 99909597 | 90-FM-56-CX3 7,0 QM | For RG6 7.0 mm cable |
| MCX Male Connectors | | |
| 99909804-01 | MCX-60-CX3 MINI 4.5 | For MINI 4.5 mm cable |
| 99909805 | MCX-59-CX3 5.0 QM | For MINI 5.0 mm cable |
| 99909835 | MCX-60-MINI 3.0/4.5 AU PIN | MINI 4,0mm cable, with dielectric ø. 2.8 mm |
| BNC Male Connectors | | |
| 99909462-01 | BNCM-60-CX3 MINI 3.1 | For MINI 3.1 mm cable |
| 99909463-01 | BNCM-60-CX3 MINI 4.0 | For MINI 4.0 mm cable |
| 99909464-03 | BNCM-60-CX3 MINI 4.5 | For MINI 4.5 mm cable |
| 99909465-01 | BNCM-60-CX3 MINI 5.0 | For MINI 5.0 mm cable |
| BNC TD Standard Compression | | |
| 99909972 | BNCM-59-TD 3.7 | MINI RG59 5,0mm cable with dielectric ø. 3.5 mm |
| 99909973 | BNCM-59-TD 3.9 | For RG59 6.0 mm cable with 3.6 mm dielectric |
| 99909474-04 | BNCM-59-TD 3.9/HEC | For RG59 6,7mm HEC cable with dielectric ø. 3.6mm |
| 99909475-04 | BNCM-6-TD 4.9 | For RG6 7.0 mm cable with 4.6 mm dielectric |
| 99909476-04 | BNCM-6-TD 5.1 | For RG6 7.0 mm cable with 4.8 mm dielectric |
| 99909478-02 | BNCM-6-TD 5.7 | For RG6 cable dielectric ø.5.4-5.5 mm |

Drop Connectors for RG11 Cables

| Product Type/Name | Part Number | Product Description |
|---|-------------|--|
| F Male PushPin™ System CX3™ Standard Compression | | |
| FM-RG11-CX3 7.5 | 99909510-02 | For RG11 10.0 mm cable, with 7.3 mm dielectric |
| FM-RG11Q-CX3 7.5 | 99909515-02 | For RG11 10.5 mm cable, with 7.3 mm dielectric |
| F Male PushPin System CX3 QuickMount™ Connector | | |
| FM-RG11-CX3 QM 10.5 | 99909538-02 | For RG11 10.0-10.5 mm cable |
| FM-RG11Q-CX3 QM 11.0/1.7 | 99909539 | For RG11 10.5-11.0 mm cable |
| FM-RG11-CX3 QM 11.3 | 99909558 | For Tellu7 11.0 mm cable |
| IEC Male PushPin System CX3 Standard Compression | | |
| IEC14M-RG11-CX3 7.5 | 99909535-02 | For RG11 10.0 mm cable, with 7.3 mm dielectric |
| 5/8 MU PushPin System CX3 Standard Compression | | |
| 5/8 MU-RG11-CX3 7.5 | 99909525-02 | For RG11 10.0 mm cable, with 7.3 mm dielectric |
| 5/8 MU PushPin System CX3 QuickMount | | |
| 5/8 MU-RG11-CX3 QM 10.5 | 99909528-02 | For RG11 10.0-10.5 mm cable |
| 3.5/12 Male and Female PushPin System CX3 Standard Compression | | |
| 3.5/12F-RG11-CX3 7.5 | 99909530-02 | For RG11 10.0-10.5 mm cable |
| 3.5/12 Male and Female PushPin System CX3 QuickMount | | |
| 3.5/12M-RG11-CX3 QM 10.5 | 99909524-01 | For RG11 10.0-10.5 mm cable |
| BNC Male PushPin System CX3 Standard Compression | | |
| BNCM-RG11Q CX3 7.5 | 99909536-02 | For RG11 10.0-10.5 mm cable |
| BNC Male PushPin System CX3 QuickMount | | |
| BNCM-RG11-CX3 QM 10.5 | 99909541-01 | For RG11 10.0-10.5 mm cable |



99909510-02



99909525-02

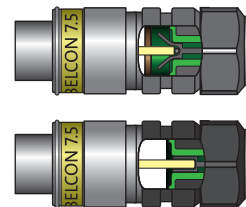


99909538-02



99909520-02

CX3™ RG11 F-connector



Position one:
The pin grips the inner conductor and makes sure that the cable is always inserted correctly in the connector.

Position two:
The pin locks the inner conductor as the cable is inserted while the pin is pushed forward in place – indicating that the cable is correctly installed.

The example above is our CX3 RG11 F-connector but the principle is the same for our other CX3 types.

Functions of Our Innovative PushPin system:

- The pin is protected in the body during transport (except CX3 5/8M) and is automatically pushed in place during cable installation (before compression)
- Eliminates blind entry when installing, offering visible indication of properly installed cable PushPin technology, and is available in all CX3 RG7/11 connectors, CX3 mini connectors, and in some RG6/59 connector types. BNC and RCA connectors also feature the unique system.

Cabelcon TrueDrop™ Jumper

Meet Our Next Generation of Solutions Upgraded to Deliver World-Class Performance

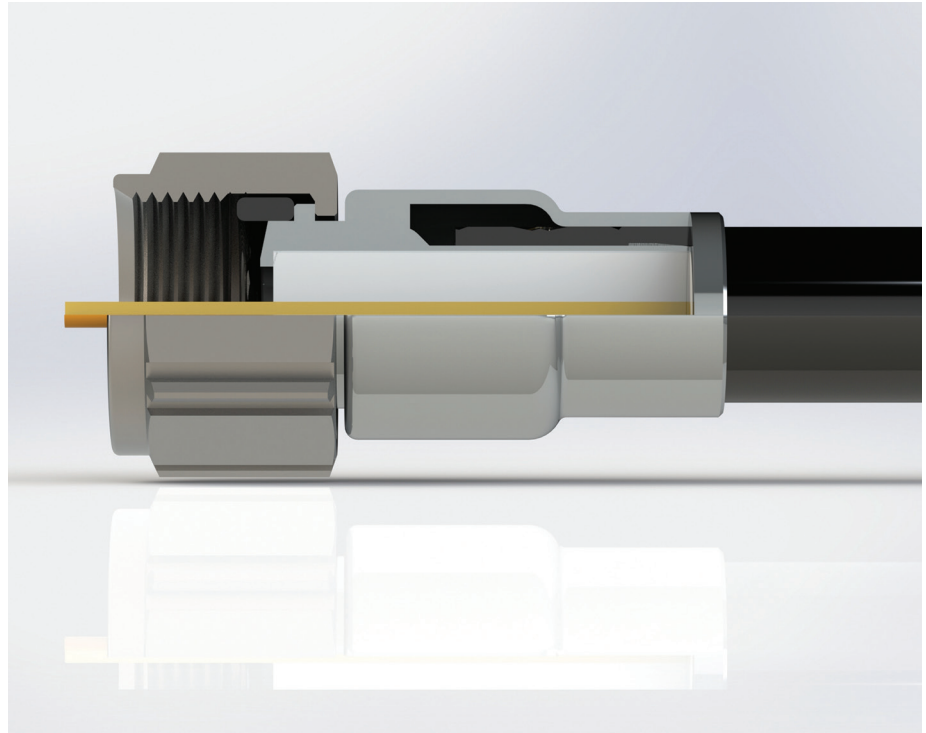
Our RG59 and RG6 drop jumpers have been enhanced with the latest innovation—round crimp, factory-installable interfaces for secure, dependable connections. They are now part of the Cabelcon TrueDrop™ connector family that features breakthrough technology to reduce network noise, improve ease of use, and optimise performance.

Design Updates

- New body and improved crimp technology for minimal transfer impedance
- Self-centred mating surfaces deliver 360-degree electrical contact and ensure a proper fit in a variety of connectors
- F-nuts with finger-friendly design and larger thread engagement areas that compensates for varying threads to ensure strong mechanical contact
- Larger conical mating surfaces for better alignment and improved port mating
- Optional Wing Nut for FM RG59 application available, tool less installation/finger-tightening

Benefits

- Improved fit, reducing risk of loose F connectors—the conical interface creates a more secure mechanical connection that results in reduced resistance and high torque
- Less maintenance calls—the superior fit guards against loose F connectors and delivers enhanced ingress, noise, and moisture protection
- Seals remain intact for easier repeat installation



Cabelcon TrueDrop™ Jumper Portfolio






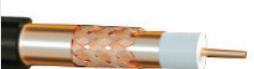
Drop Jumpers – RG59 Fly Leads and RG6 Drop Jumpers 0.2 m to 15+ m

| TDJ Item Number | TDJ Name | Interface 1 | Interface 2 | Typical Application | Length m |
|---|--|----------------------|----------------------|---------------------|----------|
| RG59 White PVC A++ Tri-Shield Cable (Alu Foil/Tin-Plated Copper Braid/Alu Foil) | | | | | |
| 95110204 | FM-TDJ59A++-FM/W/0.4 | F Male | F Male | Indoor | 0.4 |
| 95110215 | FM-TDJ59A++-FM/W/1.5 | F Male | F Male | Indoor | 1.5 |
| 95110240 | FM-TDJ59A++-FM/W/4.0 | F Male | F Male | Indoor | 4.0 |
| 95110250 | FM-TDJ59A++-FM/W/5.0 | F Male | F Male | Indoor | 5.0 |
| 95110275 | FM-TDJ59A++-FM/W/7.5 | F Male | F Male | Indoor | 7.5 |
| 95110295 | FM-TDJ59A++-FM/W/10.0 | F Male | F Male | Indoor | 10.0 |
| 95211005 | FM-TDJ59A++-FM/W/0.5 | F Male | F Male | Indoor | 0.5 |
| 95211008 | FM-TDJ59A++-FM/W/0.8 | F Male | F Male | Indoor | 0.8 |
| 95211012 | FM-TDJ59A++-FM/W/1.2 | F Male | F Male | Indoor | 1.2 |
| 95211020 | FM-TDJ59A++-FM/W/2.0 | F Male | F Male | Indoor | 2.0 |
| 95211030 | FM-TDJ59A++-FM/W/3.0 | F Male | F Male | Indoor | 3.0 |
| 95215025 | FM-TDJ59A++-IECF/W/2.5 | F Male | IEC Male | Indoor | 2.5 |
| 95220202 | FM SC-TDJ59A++-FM SC/W/0.2 | F Male SpringConnect | F Male SpringConnect | Indoor | 0.2 |
| 95220205 | FM SC-TDJ59A++-FM SC/W/0.5 | F Male SpringConnect | F Male SpringConnect | Indoor | 0.5 |
| 95220295 | FM SC-TDJ59A++-FM SC/W/10.0 | F Male SpringConnect | F Male SpringConnect | Indoor | 10.0 |
| 95222005 | FM SC-TDJ59A++-FM SC/W/0.5 | F Male SpringConnect | F Male SpringConnect | Indoor | 0.5 |
| 95222015 | FM SC-TDJ59A++-FM SC/W/1.5 | F Male SpringConnect | F Male SpringConnect | Indoor | 1.5 |
| 95222020 | FM SC-TDJ59A++-FM SC/W/2.0 | F Male SpringConnect | F Male SpringConnect | Indoor | 2.0 |
| 95222320 | FM SC-TDJ59A++-FM SC/W/2.0 (KDG) Class A++ | F Male SpringConnect | F Male SpringConnect | Indoor | 2.0 |
| 95222325 | FM SC-TDJ59A++-FM SC/W/2.5 | F Male SpringConnect | F Male SpringConnect | Indoor | 2.5 |
| 95260225 | FM SC-TDJ59A++-IECF/W/2.5 | F Male SpringConnect | IEC Female | Indoor | 2.5 |
| 95260250 | FM SC-TDJ59A++-IECF/W/5.0 | F Male SpringConnect | IEC Female | Indoor | 5.0 |
| RG59 White HFFR Dca A++ Tri-Shield Cable (Alu Foil/Tin-Plated Copper Braid/Alu Foil) | | | | | |
| 95110615 | FM WN-TDJ59Dca++-FM WN/W/1.5 | F Male Wing Nut | F Male Wing Nut | Indoor | 1.5 |
| 95110630 | FM WN-TDJ59Dca++-FM WN/W/3.0 | F Male Wing Nut | F Male Wing Nut | Indoor | 3.0 |
| 95110650 | FM WN-TDJ59Dca++-FM WN/W/5.0 | F Male Wing Nut | F Male Wing Nut | Indoor | 5.0 |
| 95110699 | FM WN-TDJ59Dca++-FM WN/W/10.0 | F Male Wing Nut | F Male Wing Nut | Indoor | 10.0 |
| RG6 Black PVC A++ Tri-Shield Cable (Alu Foil/Tin-Plated Copper Braid/Alu Foil) | | | | | |
| 96210006 | FM SC-TDJ6A++-FM/B/0.6 | F Male SpringConnect | F Male | Indoor | 0.6 |
| 96303006 | FM-TDJ6A++-FF/S/B/0.6 | F Male | F Female | Outdoor | 0.6 |
| 96400002 | FM-TDJ6A++-FM/S/B/0.2 | F Male | F Male | Outdoor | 0.2 |
| 96400003 | FM-TDJ6A++-FM/S/B/0.3 | F Male | F Male | Outdoor | 0.3 |
| 96400004 | FM-TDJ6A++-FM/S/B/0.4 | F Male | F Male | Outdoor | 0.4 |
| 96400005 | FM-TDJ6A++-FM/S/B/0.5 | F Male | F Male | Outdoor | 0.5 |
| 96400007 | FM-TDJ6A++-FM/S/B/0.7 | F Male | F Male | Outdoor | 0.7 |
| 96400025 | FM-TDJ6A++-FM/S/B/2.5 | F Male | F Male | Outdoor | 2.5 |
| 96400030 | FM-TDJ6A++-FM/S/B/3.0 | F Male | F Male | Outdoor | 3.0 |
| RG6 Black PVC A++ Tri-Shield Cable (Alu Foil/Tin-Plated Copper Braid/Alu Foil) | | | | | |
| 96114001 | FM-TDJ6A++-FM/S/B/0.35 | F Male | F Male | Outdoor | 0.35 |
| 96114002 | FM-TDJ6A++-FM/S/B/0.2 | F Male | F Male | Outdoor | 0.2 |
| 96114003 | FM-TDJ6A++-FM/S/B/0.3 | F Male | F Male | Outdoor | 0.3 |
| 96114004 | FM-TDJ6A++-FM/S/B/0.4 | F Male | F Male | Outdoor | 0.4 |
| 96114005 | FM-TDJ6A++-FM/S/B/0.5 | F Male | F Male | Outdoor | 0.5 |
| 96114006 | FM-TDJ6A++-FM/S/B/0.6 | F Male | F Male | Outdoor | 0.6 |
| 96114007 | FM-TDJ6A++-FM/S/B/0.7 | F Male | F Male | Outdoor | 0.7 |
| 96114008 | FM-TDJ6A++-FM/S/B/0.8 | F Male | F Male | Outdoor | 0.8 |
| 96114010 | FM-TDJ6A++-FM/S/B/1.0 | F Male | F Male | Outdoor | 1.0 |
| RG6 Black PVC A++ Tri-Shield Cable (Copper Foil/Copper Braid/Copper Foil) | | | | | |
| 96110402 | FM-TDJ6CuA++-FM/S/B/0.2 | F Male | F Male | Outdoor | 0.2 |
| 96110403 | FM-TDJ6CuA++-FM/S/B/0.3 | F Male | F Male | Outdoor | 0.3 |
| 96110404 | FM-TDJ6CuA++-FM/S/B/0.4 | F Male | F Male | Outdoor | 0.4 |
| 96110405 | FM-TDJ6CuA++-FM/S/B/0.5 | F Male | F Male | Outdoor | 0.5 |

Other configurations available upon request
 WN = Wing Nut; S = Sealed (Watertight w/ O-Ring); W = White; B = Black



Cabelcon TrueDrop™ Jumper – Cable Attributes

| TrueDrop™ Jumper Cable Attributes | | | | | | | | | |
|-----------------------------------|-------------------|--------------|-------------|-----------------|-------------|-----------------|----------------------|----------------------|---|
| Cable Types | Centre Conductor | Insulation | 1.Screen | 2.Screen | 3.Screen | Jacket | Transfer Impedance | Shielding | Photo |
| RG59 Black PVC | Solid Hard Copper | Gas Injected | Bonded | Tinned Copper | Bonded | PVC Black | A+ and A++ available | A+ and A++ available |  |
| | Diameter 0.81 mm | Foam PE | AL-Pet foil | Wire 70% | AL-Pet foil | Diameter 5.6 mm | | | |
| RG59 White HFFR-Dca | Solid Hard Copper | Gas Injected | Bonded | Tinned Copper | Bonded | HFFR White | A+ and A++ available | A+ and A++ available |  |
| | Diameter 0.81 mm | Foam PE | AL-Pet foil | Wire 70% | AL-Pet foil | Diameter 5.6 mm | | | |
| RG59 White PVC | Solid Hard Copper | Gas Injected | Bonded | Tinned Copper | Bonded | PVC White | A+ and A++ available | A+ and A++ available |  |
| | Diameter 0.81 mm | Foam PE | AL-Pet foil | Wire 70% | AL-Pet foil | Diameter 5.6 mm | | | |
| RG6 Black PVC | Solid Copper | Gas Injected | Bonded | Tinned Copper | Bonded | PVC Black | A+ and A++ available | A+ and A++ available |  |
| | Diameter 1.02 mm | Foam PE | AL-Pet foil | Wire 68% | AL-Pet foil | Diameter 6.6 mm | | | |
| RG6 White PVC | Solid Copper | Gas Injected | Bonded | Tinned Copper | Bonded | PVC White | A+ and A++ available | A+ and A++ available |  |
| | Diameter 1.02 mm | Foam PE | AL-Pet foil | Wire 68% | AL-Pet foil | Diameter 6.6 mm | | | |
| RG6Cu Black PVC | Solid Copper | Gas Injected | Bonded | Annealed Copper | Not Bonded | PVC Black | A+ and A++ available | A+ and A++ available |  |
| | Diameter 1.02 mm | Foam PE | CuPet foil | Wire 70% | CuPet foil | Diameter 6.6 mm | | | |

Cabelcon TrueDrop™ Jumper Portfolio

– General Specifications

Features

- Conical Interface
- O-Ring
- Grooved Nut
- Enhanced Compression Technology
- Support Sleeve: Dielectric Stop and Contact Heel
- Enhanced F Nut Thread

| Technical Data | F Male RG6 A++ | F male RG59 A++ | F Male SpringConnect RG59 A++ | F Male Wing Nut RG59 A++ |
|--|---|--|---|---|
| |  |  |  |  |
| | Rendering 99909578 | Rendering 99909577 | Rendering 99909575 | Rendering 99909577 Wing Nut |
| Transfer Impedance (CoMet) 5-30 Mhz | Class A++ | Class A++ | Class A++ | Class A++ |
| Screening Attenuation (CoMet) 30-3.000 Mhz | Class A++ | Class A++ | Class A++ | Class A++ |
| Intermodulation 3rd Order @ 2 x 20 dBm | < -160 dBc | < -160 dBc | < -160 dBc | < -160 dBc |
| Sealing Test (IEC IP-code) | IP X8 1 meter/24 hour | | | |
| Return Loss @ 1.0 GHz | < -23 dB | < -25 dB | < -23dB | < -25 dB |
| Return Loss @ 2.0 GHz | < -22 dB | < -23 dB | < -20dB | < -23 dB |
| Return Loss @ 3.0 GHz | < -22 dB | < -19 dB | < -16dB | < -19 dB |
| Insertion Loss @ 1.0 GHz | < -0.10 dB | < -0.13 dB | < -0.12 dB | < -0.13 dB |
| Insertion Loss @ 2.0 GHz | < -0.10 dB | < -0.14 dB | < -0.13 dB | < -0.14 dB |
| Insertion Loss @ 3.0 GHz | < -0.12 dB | < -0.18 dB | < -0.16 dB | < -0.18 dB |
| Maximum Tensile Strength | > 38 Kgf; >373 N | >30 Kgf >324 N | >30 Kgf >294 N | >30 Kgf >324 N |

Cabelcon TrueDrop™ Compression Tools and Strippers

Drop Compression Tools and Strippers

| Product Type/Name | Part Number | Product Description |
|--|-------------|---|
| Compression Tools | | |
| COMPRESSION TOOL MINI/RG59/6 MULTIMEDIA | 98029075 | Compression tool IEC/F/BNC/SHORT |
| TD/CX3 POCKET TOOL 59/6 F & IEC COMPRESSION TOOL | 98029070 | Compression tool IEC/F |
| COMPRESSION TOOL TD/CX3 RG59/6 WB Wall box compression tool | 98029046-02 | Wall box compression tool (if limited space is available, no rotating head) |
| COMPRESSION TOOL TD/CX3 ALL SIZE F TD. BNC & IEC for RG6/7/11/59 | 98029072-01 | For all listed F/FM/IEC M & F/BNCM compression connectors (RG59/6/11) |
| COMPRESSION TOOL RG11 UNIVERSAL | 98029073 | For all listed RG11/Tellu7 compression connectors |
| TD/CX3 POCKET TOOL 59/6 BNC Male COMPRESSION TOOL | 98029074 | Compression tool pocket version for BNC male connector |
| PLUNGER TIPS KIT FOR 98029072+46 TrueDrop | 98029997-01 | Plunger tip kit Cabelcon TrueDrop™ for 98029072 & 98029072 |
| Cable Strippers | | |
| CABLE STRIPPER ROTARY RG 6/59 FOR MINI. ALM AND UNIV CRIMP | 98501010 | For 3.0-7.0 mm cable |
| CABLE STRIPPER RG6/59 W. HEX 11 SPANNER | 98501040-02 | For 3.0-7.0 mm cable |
| CABLE STRIPPER O/D RG6/59 WB FOR OUTDOOR PE CABLE | 98501080 | Wall Box Cable Stripper (if limited space is available) |
| CABLE STRIPPER I/D RG6/59 WB FOR INDOOR PVC CABLE | 98501083 | Wall Box Cable Stripper (if limited space is available) |
| CABLE STRIPPER ROTARY RG11 FOR COMP. AND CRIMP ONLY | 98501102 | For 10.0-11.00 mm cable |
| CABLE STRIPPER LDT MINI | 98500995 | Cable stripper Mini, for 4.0 - 5.0 mm cables |
| REPLACEMENT BLADE 98501010/98501011 | 98501015 | Replacement blade for 98501010 + 98501011 |
| CABLE STRIPPER MINI Ø5 WB | 98501085 | Wall box cable stripper for mini 5.0 mm cable (if limited space is available) |
| CABLE STRIPPER - HARDLINE. RG8. RG11 and RG213 | 98501105 | Cable stripper RG11/8/213, for trunk connector installation |
| Torque wrench | | |
| TORQUE WRENCH HEX 14 mm 4.5NM TW 409 4.5NM | 98029095 | Torque wrench 4,5NM, for HEX 14 mm nut (FM) |
| TORQUE WRENCH HEX 22 mm 9.0NM 3.5/12M | 98029110 | Torque wrench 9,0NM, for HEX 22 mm nut (3.5/12M) |
| TORQUE WRENCH AH HEX 11 mm 4.5NM | 98029080-01 | Torque wrench 4,5NM, for HEX 11 mm nut (F) |
| Mounting, installation & rubber support | | |
| RUBBER TOOL FOR CABLE SUPPORT CABLE DIAMETER 3.0-12.0 mm | 98028785 | Supporting grip on cable when pushing connector on cable |
| INSTALLATION TOOL FOR F CONN. | 98028798-02 | Installation/tightening tool for F Interface (HEX 11 mm) |
| INSTALLATION TOOL FOR BNC CONN HT-2206 | 98028796 | Installation/tightening tool for BNC Interface |
| MOUNTING TOOL FOR GF-UE W. PLASTIC HANDLE | 98028804 | Mounting/push tool for F male HEX 11 mm connector mounting |
| MOUNTING TOOL FOR F CONNECTOR W. PLASTIC HANDLE | 98028805-01 | Mounting/push tool for F male connector mounting |
| LOCKING terminator tools | | |
| LOCKING TERMINATOR TOOL SHORT | 98030005 | Locking terminator tool for 99901915 & 99901917 (LT-R75ST) |
| CTPT-R75 Tool for Theft-Proof Terminator | 98030006 | Locking terminator tool for 99901915 & 99901917 (LT-R75ST) |
| Security shield & tool | | |
| SECURITY SHIELD Ø 20.0 mm | 98028795 | Security Lock for drop F connectors |
| SECURITY SHIELD TOOL Ø 20 FOR F-CRIMP AND F-COMPRESSION | 98028794-01 | Security Lock tool for 98028795, security shield Ø 20.0 mm |
| Seal ring | | |
| SEAL RING 1/2" FOR F CONN | 99900902 | Drop F connector Interface external interface seal |
| HEX crimp tools | | |
| CRIMP TOOL ALM/RG11 .324/.475 | 98028830-01 | Hex crimp tool size .324in/.475in (ALM / RG11 ALM) |
| CRIMP TOOL ALM/UNIV .324/.360 | 98028840-01 | Hex crimp tool size .324in/.360in (ALM / UNIV&EPA) |
| CRIMP TOOL UNIV/RG11 .360/.475 | 98028850-01 | Hex crimp tool size .360in/.475in (UNIV&EPA / RG11 ALM&EPA) |
| Conductor cleaner | | |
| CONDUCTOR CLEANER CC-200EUR | 256 | Cable Centre Conductor Cleaner |



98501010



98029070



98028795



98501080



98029046

Adapters and Accessories

| Product Type/Name | Part Number | Product Description |
|-------------------------------|-------------|--------------------------------|
| 180-Degree Adapters | 86555500 | 180-FF-FF-HQ |
| 90-Degree Adapters | 99530035-03 | 90-FM-FF-HQ |
| 90-Degree Adapters | 99900600 | 90-FM-FF ANGEL |
| Adapters | 87303002 | BNCF 75 Ohm — BNCF 75 Ohm |
| Adapters | 87304500-01 | BNCF 75 Ohm — IECM |
| Adapters | 87304900-01 | BNCF 75 Ohm — 3.5/12M |
| Adapters | 87305502 | BNCF75 Ohm — FF HQ SHORT |
| Adapters | 87315502-01 | BNCM 75 Ohm — FF HQ |
| Adapters | 87535502-03 | FM SC-FF LONG MODEL HQ |
| Adapters | 87535510-01 | FM PUSH ON-FF HQ |
| Adapters | 99455510-01 | IECM-FF-HQ |
| Adapters | 99475510-02 | IECF-FF-HQ |
| Adapters | 99534510 | FM-IECM |
| Adapters | 99534710 | FM-IECF |
| Adapters | 99550021 | F-81-HQ CHASSIS |
| Adapters | 99550025-03 | F-81-HQ-1 Nitin CC |
| Adapters | 99550044-02 | F-81-HQ GROUNDING BLOCK CC |
| Adapters | 99550045-02 | F-81HQ DUAL GROUNDING BLOCK |
| Adapters | 99550050-01 | F-81-HQ-D Nitin CC |
| Adapters | 99900450 | F-71-M-S |
| Adapters | 99900500 | F-81 |
| Attenuators F Male - F Female | 90000005 | ATTENUATOR FM-FF 3 dB |
| Attenuators F Male - F Female | 90000010 | ATTENUATOR FM-FF 6 dB |
| Attenuators F Male - F Female | 90000015 | ATTENUATOR FM-FF 10 dB |
| Attenuators F Male - F Female | 90000025 | ATTENUATOR FM-FF 16 dB |
| Attenuators F Male - F Female | 90000030 | ATTENUATOR FM-FF 20 dB |
| Industrial Connectors | 99900513 | F-61DD-HQ W/NUT & TEETH WASHER |
| Industrial Connectors | 99900514 | F-61-HQ-2 (PCB-MOUNT) |
| Industrial Connectors | 99900515-02 | F-61-90SRP-D-HQ (PCB-MOUNT) |

| Product Type/Name | Part Number | Product Description |
|-------------------------|-------------|---------------------------------|
| Locking Terminators | 99901850 | CTP-R75 SHORT W.THREAD |
| Locking Terminators | 99901910 | LT-R75S SHORT |
| Locking Terminators | 99901915 | LT-R75ST SHORT W.THREAD |
| Locking Terminators | 99901917 | LT-R75ST SHORT W.THREAD Nitin |
| Nut & O-ring - IECM-CX3 | 99900570-01 | M14 NUT + O-RING F. CX3™+CRIMP |
| Nuts & Washers | 99900550-01 | NUT AND WASHER FOR F-81 |
| Nuts & Washers | 99900552 | NUT AND TEETH WASHER F-81 |
| Port Terminators | 89450006 | IECM-R75 PORT TERMINATOR |
| Port Terminators | 89535502-01 | FM R75-FF MALE TERMINATOR Nitin |
| Port Terminators | 99902004-02 | FM SC-R75 1/4-HQ Nitin |
| Port Terminators | 99902008-01 | TR-59-1/4-HQ Nitin |



99900518-01



99900550-01



99902008-01



99550045-02



99900552



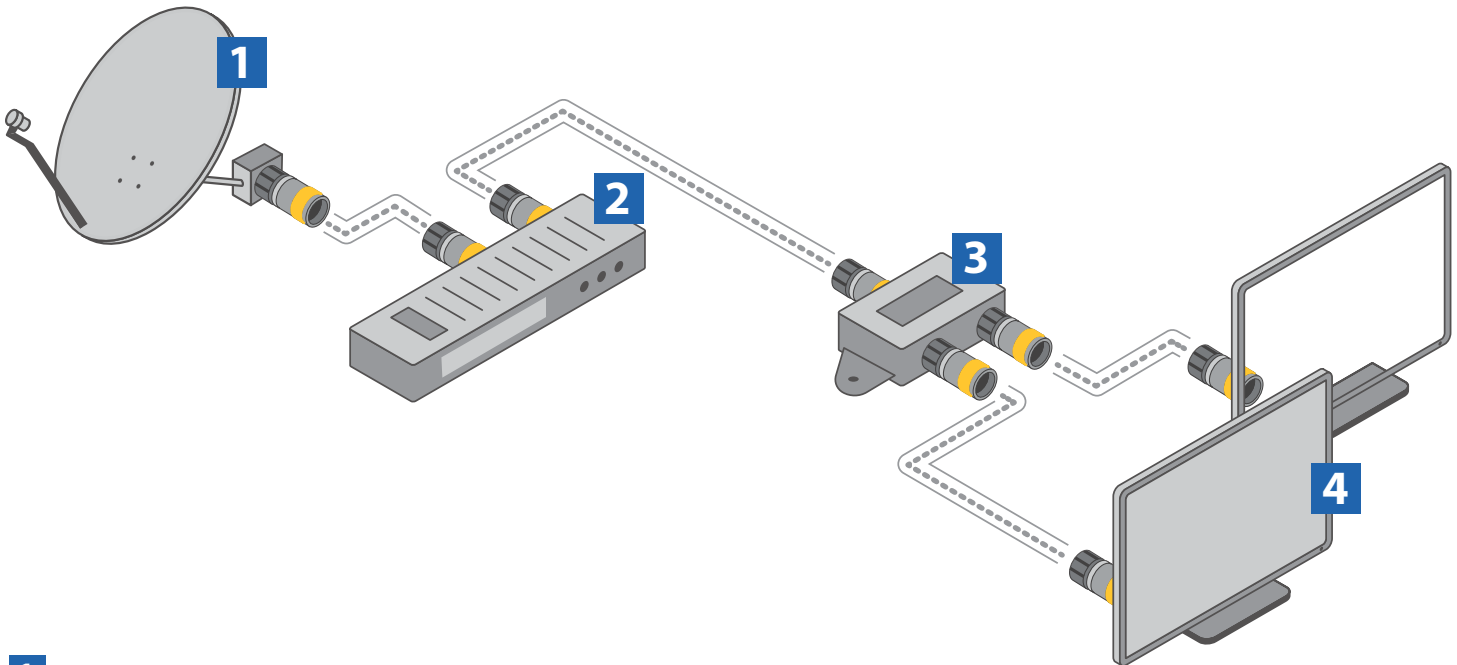
99901915



Cabelcon Satellite Portfolio

From physical barriers around installation sites to adverse weather conditions, we understand the challenges installers face in the field. That is why our satellite and wireless products are built with features that are bendable for fast and easy installation.

Satellite Portfolio



- 1** Satellite Dish
- 2** Satellite Receiver
- 3** Splitter
- 4** Television

Satellite Portfolio

Features/Interface

Mating Surface: Self-Centering and maximising electrical contact

1. Compensating for varying Female surface qualities
2. Ensuring 360-Degree RF tightness

F Nut: Larger thread engagement area and finger friendly design

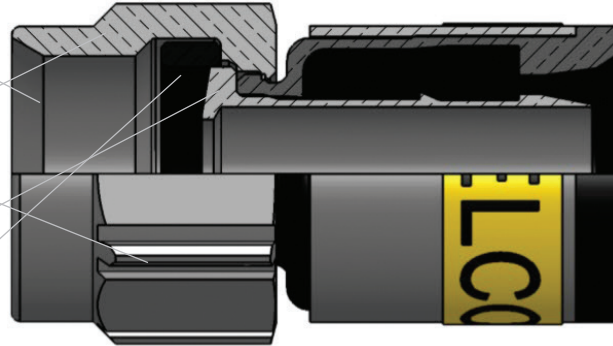
1. Compensates for varying F Female thread qualities
2. More strong mechanical contact between F Female and F Male ports prevents loosening of connectors
3. Nut design eases tightening F Nut on port

Dielectric Stop

1. Prevention of pass/push through

Improved Interface Seal

1. O-ring not damaged by thread/installation



| Item Number | Name |
|-------------|--------------------------------|
| 99909621-05 | F-59-TD SELF INSTALL 3.9 NiTiN |
| 99909631-04 | F-6-TD SELF INSTALL 4.9 NiTiN |
| 99909636-04 | F-6-TD SELF INSTALL 5.1 NiTiN |



99909631



98501080



98501040-02



98501010



Tools and Resources

For more Information
please go to our website:
www.Cabelcon.com

Request for Quote
[+ 45 55 98 55 99](tel:+4555985599)

Customer Care
[+ 45 55 98 55 99](tel:+4555985599)

To find the appropriate product to fit
your cable, please use our online tool,
using your cable as the input.

Search for Cables


Manufacturer:

Cable description:
Full or part of description.

| | Minimum | Maximum | Sorted by |
|--------------------------|----------------------|----------------------|------------------------------|
| Inner conductor: | <input type="text"/> | <input type="text"/> | in mm. <input type="radio"/> |
| Dielectric: | <input type="text"/> | <input type="text"/> | in mm. <input type="radio"/> |
| Outer conductor: | <input type="text"/> | <input type="text"/> | in mm. <input type="radio"/> |
| Outer sheath: | <input type="text"/> | <input type="text"/> | in mm. <input type="radio"/> |
| Cabelcon Type (CC Type): | <input type="text"/> | | <input type="radio"/> |

Search cable for:

| | |
|--|---------------------------------------|
| Connectors, splice connectors and jumpers >> | <input type="button" value="Search"/> |
| Splice reducers and SR jumpers >> | <input type="button" value="Search"/> |
| Crimp connectors >> | <input type="button" value="Search"/> |
| Compression connectors >> | <input type="button" value="Search"/> |

 An Amphenol Company

LET'S CONNECT!



Amphenol Cabelcon reserves the right to improve, enhance and modify the features and specifications of Amphenol Cabelcon products without prior notification. A complete listing of the trademarks of Amphenol Cabelcon is available at www.Cabelcon.com/opcomm/trademarks. All other trademarks are the properties of their respective owners. Amphenol Cabelcon is ISO 9001 certified.
© 2019, 2021, 2022 Amphenol Cabelcon. All rights reserved. September 2022

Allows for spiral binding