

## Illume

Specifications Guide / Valid thru February 2023

**Please Note:** Items and pricing are subject to change without prior notice.

## Construction Specifications

### **Doors and Drawer Fronts:**

Doors and drawer fronts in the Illume line feature an MDF core with high-quality PerfectSense laquered boards and edge-banding in Gloss or Matte Finishes.

### **Hinges:**

BLUM Concealed Clip-On Hinges with BLUMOTION Soft-Close and Quick-Release Technology. Hinges are six-way adjustable and open at 110°. Please note: Lazy Susan, Easy Reach, and Wall Pie Cut cabinets do not feature the soft-close mechanism.

### **Drawers:**

The Illume line includes the BLUM Tandembox Deluxe Metal Drawer System with a Pearl Grey Interior. Tandembox drawers have concealed Full-Extension Slides and Integrated BLUMOTION Soft-Close technology with a 75 lb dynamic load capacity.

### **Shelving:**

3/4" thick Engineered Furniture Board (EFB) shelves, edge-banded in White Linen textured laminate. The adjustable shelves are supported by metal shelf clips. All standard depth base cabinetry includes an 18" deep adjustable shelf, wall cabinetry 12" deep adjustable shelves, and tall cabinetry 21" deep adjustable shelves.

### **Box:**

The Illume line features Cutting-Edge Threespine(R) construction. Sides, top & bottom panels are 3/4" Engineered Furniture Board (EFB) with front edges edge-banded in White Linen Textured Laminate & White Linen Interior. The back panel is 1/4" Medium Density Fiberboard (MDF) with 5/8" thick hanging rails.

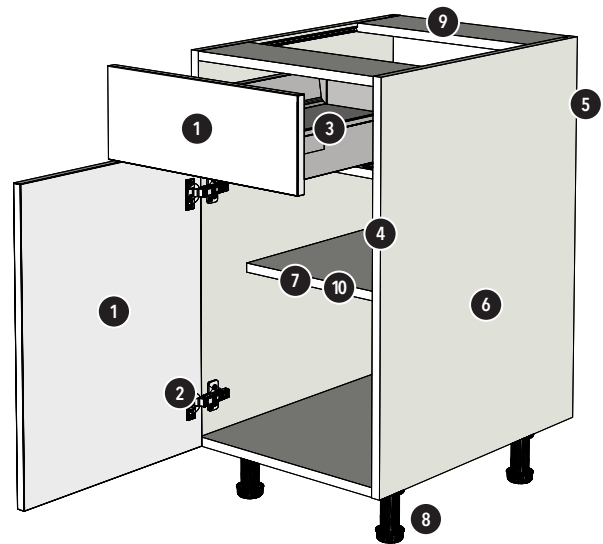
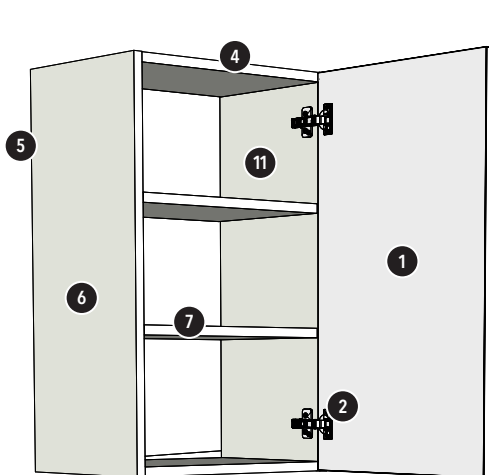
### **Toe Kick:**

Adjustable furniture feet included with Base & Tall Cabinets for easy leveling during installation; included are clip-on brackets for toe kick trim attachment.

Matching lengths of Toe Kick are available to purchase separately. Toe Kick is 3/4" Engineered Furniture Board (EFB) with edge-banding on all sides.

## Construction Specifications

- 1 3/4" MDF slab door & drawer front
- 2 BLUM Concealed Clip-On Hinges with BLUMOTION Soft-Close and Quick-Release Technology. Hinges are six-way adjustable and open at 110°
- 3 BLUM Tandembox Deluxe Metal Drawer System with a Pearl Grey Interior, 2-5/8" interior drawer height
- 4 3/4" Machine Edge-Banding, matches White Linen interiors
- 5 1/4" Engineered Furniture Board (EFB) back panel with 5/8" hanging rails, finished with White Linen Textured Laminate
- 6 3/4" Engineered Furniture Board (EFB) side panels, finished with White Linen Textured Laminate
- 7 3/4" Engineered Furniture Board (EFB) adjustable shelving, Edge-Banded with White Linen Textured Laminate
- 8 Black plastic furniture feet, adjustable from 3-3/4" to 5-3/8"
- 9 5-1/2" wide panel beams, front and rear
- 10 Base cabinet has 18" deep shelves
- 11 Wall cabinets are 13" deep with 12" interior depth



Featuring  


## 5 Year Limited Warranty

### COVERAGE OF WARRANTY

Fabuwood Cabinetry Corp ("Fabuwood") is pleased to provide the following limited warranty on all cabinets imported to and assembled and sold in the United States by Fabuwood. This warranty does not cover cabinets sold or shipped outside of the United States. This limited warranty is subject to all limitations, exclusions, disclaimers and procedures set forth herein. Fabuwood warrants to the original purchasing consumer that all cabinets purchased from Fabuwood will be free from all unnatural defects in material and workmanship in accordance with the Fabuwood quality standards sheet under normal residential use for 5 years from the date of the original purchase or as long as the original purchasing consumer owns the home in which such cabinets are installed, whichever is less. This warranty is non transferable to subsequent owners of the home.

### EXCLUSIONS

**THIS WARRANTY SUPERSEDES ANY AND ALL PREVIOUS WARRANTIES BY FABUWOOD AND CONSTITUTES THE EXCLUSIVE REMEDY AGAINST FABUWOOD FOR ALL DEFECTS, DAMAGES AND WORKMANSHIP. THERE ARE NO IMPLIED WARRANTIES EXTENDING BEYOND THE TERMS OF THIS WARRANTY. FABUWOOD SHALL NOT BE LIABLE FOR ANY INDIRECT, SPECIAL, PUNITIVE, INCIDENTAL OR CONSEQUENTIAL COSTS, EXPENSES OR DAMAGES. THIS WARRANTY GIVES YOU SPECIFIC LEGAL RIGHTS, AND YOU MAY ALSO HAVE OTHER RIGHTS, WHICH VARY FROM STATE TO STATE. IT IS POSSIBLE THAT ONE OR MORE OF THE LIMITATIONS AND EXCLUSIONS IN THIS WARRANTY MAY NOT APPLY TO YOU. THIS WARRANTY APPLIES ONLY TO FABUWOOD PRODUCTS PURCHASED ON OR AFTER MARCH 15, 2014**

### LIMITATIONS

This warranty shall become void if the cabinets, cabinetwork, drawer slides or hinges are modified from its original form, improperly installed or damaged prior to or during the installation, or used in any way other than for residential purposes. This warranty covers only parts and materials of the cabinets as supplied by Fabuwood. This warranty does not cover any products used or installed in connection with cabinets, such as gas or electric appliances, countertops, or plumbing fixtures. This warranty does not apply to products installed in locations that do not maintain year-round environmental controls. This warranty shall not apply to damages caused by transportation, storage, dirt, chemicals, exposure to moisture, humidity or excessive heat or cold, nor does it cover defects arising from normal wear and tear, misuse, neglect, accidents, alterations, improper use or failure to maintain properly, house settling, or acts of God. No installer, retailer, distributor, agent or employee of Fabuwood has the authority to alter the obligations or limitations in this warranty.

### QUALITY STANDARDS

This warranty covers all damages and unnatural defects that are deemed as such under the current Fabuwood Quality Standards sheet. The current Fabuwood Quality Standards sheet is available for download in the dealer login section of the Fabuwood website ([www.fabuwood.com](http://www.fabuwood.com)), which should be reviewed at each time a claim for warranty service is being considered. Fabuwood reserves the right to modify or change the Fabuwood Quality Standards sheet at any time without notice.

### DISCLAIMERS

The following is a brief recap of some of the characteristics of the wood and finishes on the cabinets you are about to purchase. Please read them carefully. If some of these characteristics concern you, please choose something else. We bring these characteristics to your attention so you will realize that Fabuwood

will not be held responsible for these variations in your cabinetry. It is important to note that wood products claimed as defective are most often the result of atmospheric conditions such as excess moisture and humidity. Fabuwood strongly recommends testing the intended location of the products for such conditions prior to installation.

**WOOD AND COLOR VARIATIONS:** Wood is a product of nature, and since no two trees are alike, cabinets may vary in color, texture and grain. Wood characteristics naturally occurring such as variations in color, grain, mineral streaks, pinholes and knots are not considered defects. Color variations in cabinets are also a natural occurrence due to species, age, character of cabinets, and exposure to UV light and sunlight. For these reasons, new and/or replacement cabinets may not match display samples and/or existing cabinets. This may result in overall color variations, but is not considered a defect.

**WOOD DOORS:** Wood by nature will undergo expansion and contraction movements year after year as it compensates and adjusts to ever changing atmospheric humidity and temperature conditions. It is very common for center panels on doors to shrink, expand or move during these transitions. Typically, the panel will return to its normal position within a year once it has adjusted to seasonal changes. It is for these same reasons that it is very common for doors to warp during these periods. Doors that are warped up to 1/4" are not considered defective. Note: It is advisable to check if the door was properly installed, since doors that appear warped are very often the result of improper installation.

**PAINTED FINISHES:** Plywood is a non-porous, smooth grained wood. Additionally, wood by nature undergoes periods of expansion and contraction while it adjusts to atmospheric conditions mentioned above. As such, finish stress lines may become visible on painted cabinets especially at the joints. Any such occurrence is not considered a defect.

**GLAZED FINISHES:** A glazed finish by character is an uneven finish. Some edges and profiles will have heavier hang up than others and glazing may vary cabinet to cabinet, door to drawer and item to item. This may result in overall color variations but is not considered a defect.

### WARRANTY PERFORMANCE

If a defect does occur within the terms and conditions of this warranty such defective part will be repaired or replaced by Fabuwood at its sole discretion. Fabuwood will not provide or pay for the cost of removal of defective product, transportation of defective, repaired or replaced product or installation of repaired or replaced product. Fabuwood will not be responsible for any shipping damages to the defective, replaced or repaired product. If defective item has been discontinued or is not available at the time, Fabuwood reserves the right to replace the item with the most similar item available in Fabuwood's inventory at that time. Fabuwood cannot guarantee that the finish of any replacement will exactly match the finish and appearance of the defective item due to the natural aging process of the wood and finishes of the cabinets. Fabuwood may require at its discretion that the customer submit a clear photo, or that a company representative view the item being claimed before honoring this warranty.

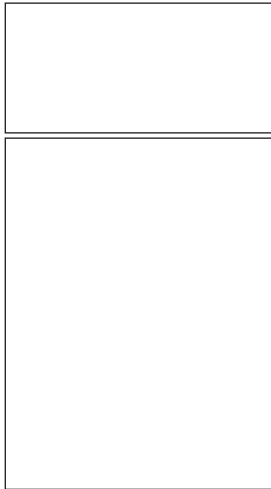
### CLAIMS

To submit a claim covered under this warranty, the original proof of purchase and full payment or copies thereof must be provided. Please email all documents to [customerservice@fabuwood.com](mailto:customerservice@fabuwood.com). Your dealer will contact you once your claim has been reviewed.

### NOTE

Please do not send back any items to Fabuwood prior to receiving proper authorization from customer service. Fabuwood takes no responsibility on any items sent back to Fabuwood without proper return authorization.

## Door Styles

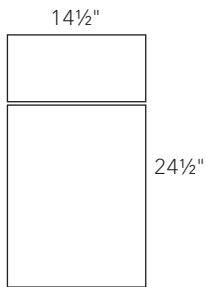


### CATALINA

COLOR	FINISH
Bianco (ICBA)	High-Quality PerfectSense Lacquered Boards with High Gloss
Grigio (ICGA)	High-Quality PerfectSense Lacquered Boards with High Gloss
Bianco (ICBM)	High-Quality PerfectSense Lacquered Boards with Matte Finish
Carbone (ICCM)	High-Quality PerfectSense Lacquered Boards with Matte Finish

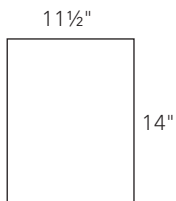
- *¾" MDF slab door and drawer front*
- *White Linen textured laminate interior*

## Sales Tools



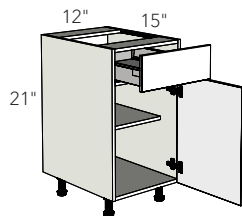
### DOOR SAMPLES WITH DRAWER FRONT

ITEM	DESCRIPTION	NET PRICE
SDICBA	Gloss Bianco	60
SDICGA	Gloss Grigio	60
SDICBM	Matte Bianco	60
SDICCM	Matte Carbone	60



### SMALL DOOR SAMPLES

ITEM	DESCRIPTION	NET PRICE
SDICBA-2	Gloss Bianco	40
SDICGA-2	Gloss Grigio	40
SDICBM-2	Matte Bianco	40
SDICCM-2	Matte Carbone	40

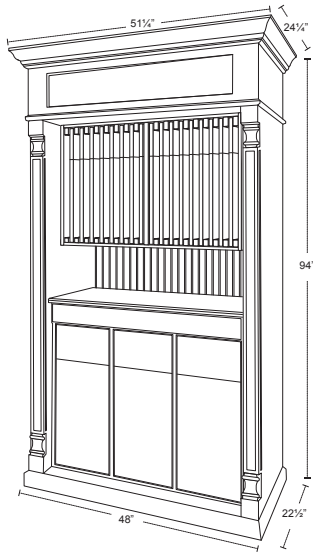


### FRAMELESS MINI BASE

ITEM	DESCRIPTION	NET PRICE
ICBA MBS	BASE SAMPLE 12"W X 21"H X 15"D	COMING SOON

- MBS is 21" high before attaching Adjustable Furniture Feet

## Sales Tools



### SELLING CENTER

ITEM	DESCRIPTION	NET PRICE
DEALER SELLING CENTER	FABUWOOD SELLING CENTER	1700



### SAMPLE PACKAGES

ITEM	DESCRIPTION	NET PRICE
SMALL SAMPLE PACKAGE	SMALL SAMPLE PACKAGE	570
DEALER PACKAGE	LITERATURE AND ACCESSORIES	795



### DIGITAL BROCHURE

ITEM	DESCRIPTION	NET PRICE
DIGITAL BROCHURE QR	QR CODE KEY RING	23



### STYLE GUIDE

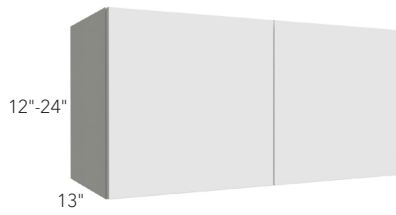
ITEM	DESCRIPTION	NET PRICE
SG22	25PK. 2022 STYLE GUIDE BROCHURE	60

## Loose Items

ITEM	DESCRIPTION	LIST
EDGE-BAND	Additional edge banding (price per linear foot)	10
SK BASE	Skin for base cabinet with adhesion	125
SK MC	Skin for microwave wall cabinet with adhesion - 21" x 42" (to finish sides of 30" & 36" that will be trimmed on site)	185
SK TALL	Skin for tall cabinet with adhesion - 24"x 91-1/2" (to use for 90 & 84 side panels to be trimmed on site)	370
SK W30	Skin for 30" high wall cabinet with adhesion	74
SK W36	Skin for 36" high wall cabinet with adhesion	110
SK W42	Skin for 42" high wall cabinet with adhesion	110
SK WD	Skin for wall with drawer cabinet with adhesion - 15" x 60" (to finish sides of 48" & 54" to be trimmed on site)	245
SK T13D	Skin for Tall 13" deep cabinet with adhesion	250



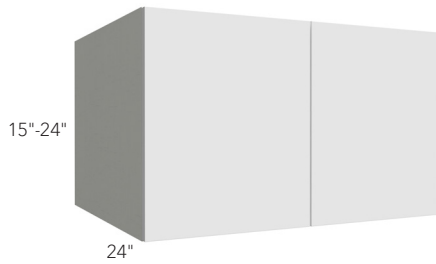
## 12" - 24" High Wall Cabinets



### DOUBLE DOOR

ITEM	Gloss	Matte
W3012	480	480
W3312	510	510
W3612	510	510
W3015	510	510
W3315	530	530
W3615	540	540
W3018	530	530
W3318	550	550
W3618	565	565
W3024	620	620
W3324	655	655
W3624	675	675

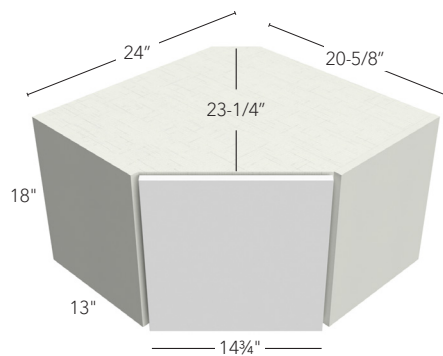
## 12" - 24" High & 24" Deep Wall Cabinets



### 24" DEEP

ITEM	Gloss	Matte
W242424*	660	660
W301224	545	545
W301824	605	605
W302424*	730	730
W331224	565	565
W331824	630	630
W332424*	775	775
W361224	585	585
W361824	650	650
W362424*	835	835

\* Has 1 shelf

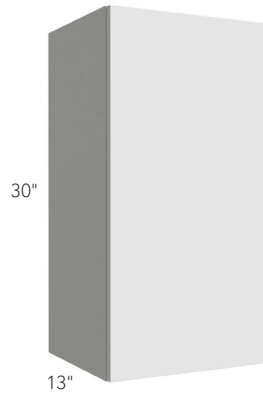


### DIAGONAL CORNER

ITEM	Gloss	Matte
WDC2415	580	580
WDC2418	605	605

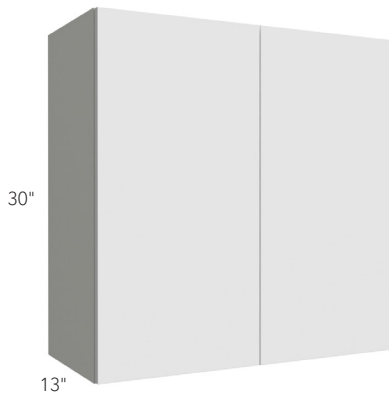
- 9mm thick door bumper

## 30" High Wall Cabinets



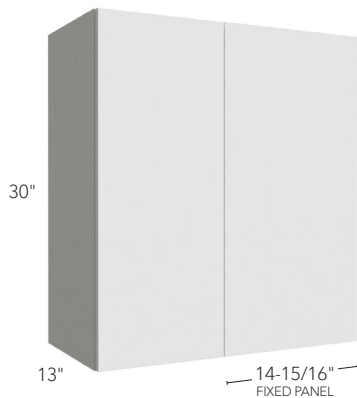
### SINGLE DOOR

ITEM	Gloss	Matte
W0930	440	440
W1230	460	460
W1530	485	485
W1830	525	525
W2130	555	555
W2430SD	590	590



### DOUBLE DOOR

ITEM	Gloss	Matte
W2430	630	630
W2730	665	665
W3030	700	700
W3330	730	730
W3630	760	760



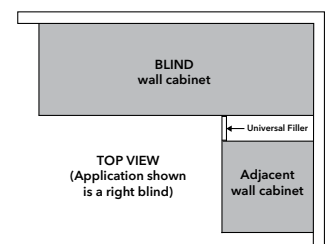
**BLIND RIGHT SHOWN**

### SINGLE DOOR BLIND

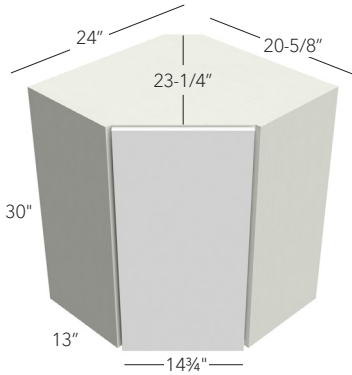
ITEM	Gloss	Matte
WBC2730	745	745
WBC3030	780	780
WBC3630	845	845

- Must use filler on adjacent side (not supplied)
- Dimensions are rounded off to nearest 1/16"

	Act.	Door	Open (door side)
WBC2730	27"	11-7/8"	11-1/4"
WBC3030	30"	14-7/8"	14-1/4"
WBC3630	36"	20-7/8"	20-3/16"



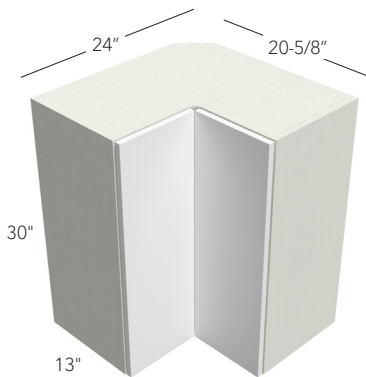
## 30" High Wall Cabinets



### DIAGONAL CORNER

ITEM	Gloss	Matte
WDC2430	790	790

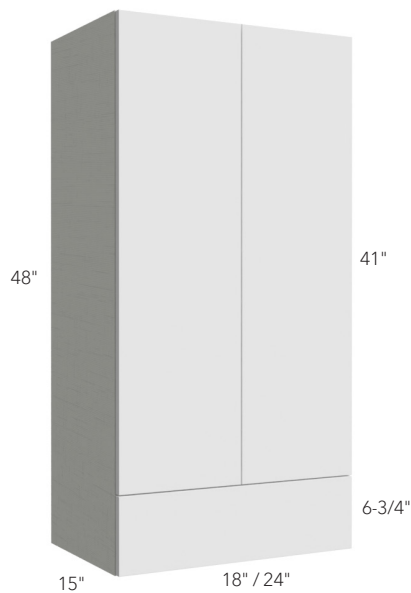
- 9mm thick door bumper



### PIE CUT CORNER

ITEM	Gloss	Matte
WPC2430	940	940

- Soft close hinge not available

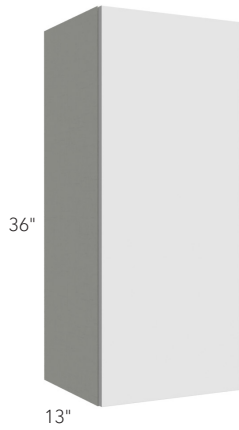


### WALL WITH DRAWER

ITEM	Gloss	Matte
WD1848*	1005	1005
WD2448	1195	1195

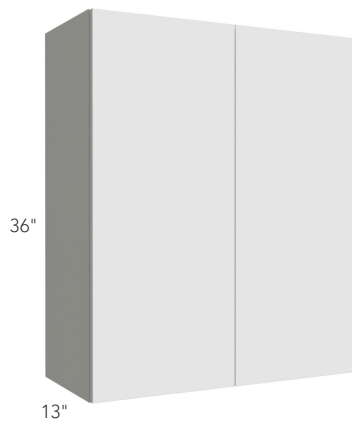
- \* Has one door. Need to indicate R or L at time of order

## 36" High Wall Cabinets



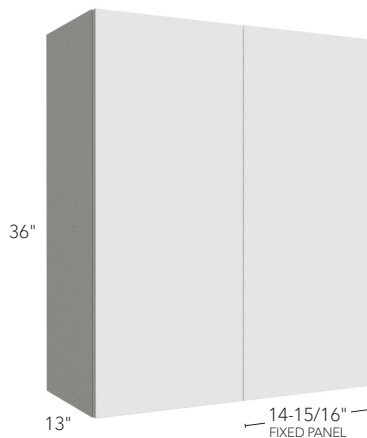
### SINGLE DOOR

ITEM	Gloss	Matte
W0936	485	485
W1236	505	505
W1536	540	540
W1836	575	575
W2136	615	615
W2436SD	650	650



### DOUBLE DOOR

ITEM	Gloss	Matte
W2436	725	725
W2736	760	760
W3036	800	800
W3336	845	845
W3636	880	880



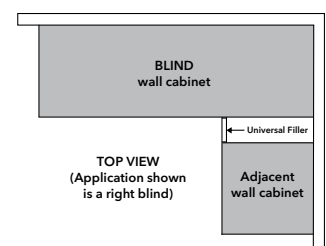
**BLIND RIGHT SHOWN**

### SINGLE DOOR BLIND

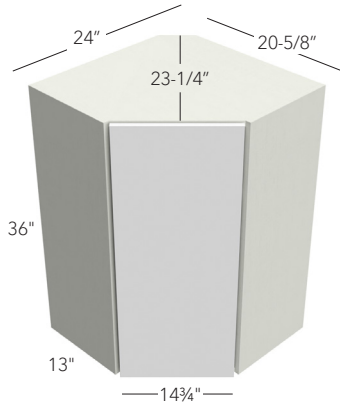
ITEM	Gloss	Matte
WBC2736	825	825
WBC3036	870	870
WBC3636	940	940

- *Must use filler on adjacent side (not supplied)*
- *Dimensions are rounded off to closest 1/8"*

	Act.	Door	Open (door side)
WBC2736	27"	11-7/8"	11-1/4"
WBC3036	30"	14-7/8"	14-1/4"
WBC3636	36"	20-7/8"	20-3/16"



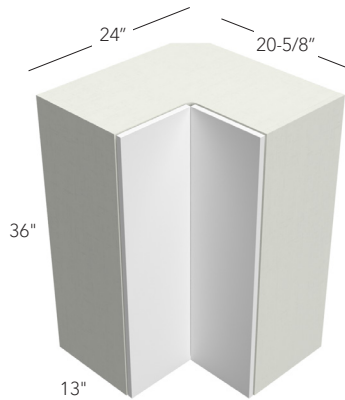
## 36" High Wall Cabinets



### DIAGONAL CORNER

ITEM	Gloss	Matte
WDC2436	860	860

- 9mm thick door bumper



### PIE CUT CORNER

ITEM	Gloss	Matte
WPC2436	1015	1015

- Soft close hinge not available

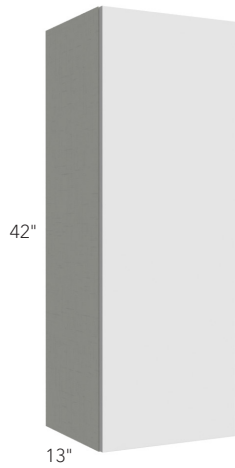


### WALL WITH DRAWER

ITEM	Gloss	Matte
WD1854*	1040	1040
WD2454	1245	1245

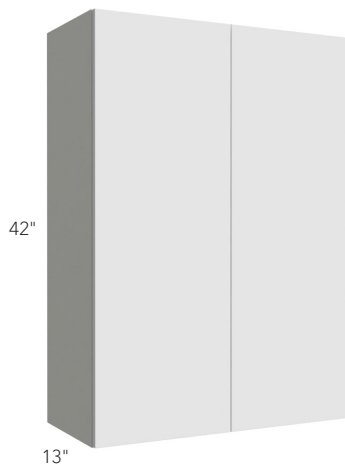
- \* Has one door. Need to indicate R or L at time of order

## 42" High Wall Cabinets



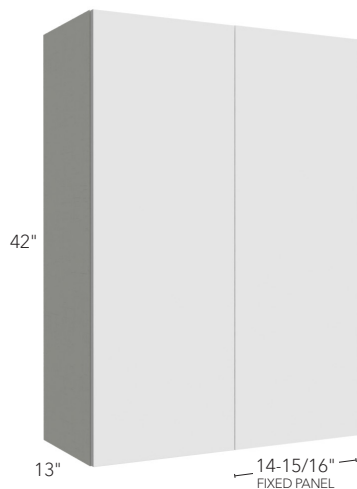
### SINGLE DOOR

ITEM	Gloss	Matte
W0942	520	520
W1242	550	550
W1542	585	585
W1842	630	630
W2142	675	675
W2442SD	720	720



### DOUBLE DOOR

ITEM	Gloss	Matte
W2442	790	790
W2742	830	830
W3042	880	880
W3342	925	925
W3642	965	965

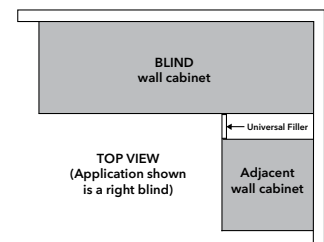


### SINGLE DOOR BLIND

ITEM	Gloss	Matte
WBC2742	905	905
WBC3042	950	950
WBC3642	1035	1035

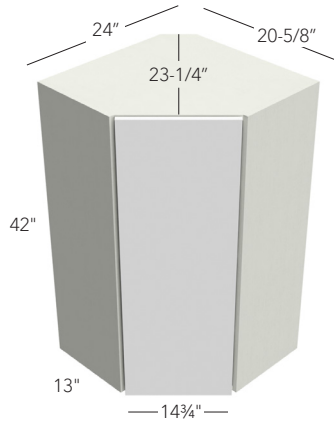
- Must use filler on adjacent side (not supplied)
- Dimensions are rounded off to closest 1/8"

	Act.	Door	Open (door side)
WBC2742	27"	11-7/8"	11-1/4"
WBC3042	30"	14-7/8"	14-1/4"
WBC3642	36"	20-7/8"	20-3/16"



BLIND RIGHT SHOWN

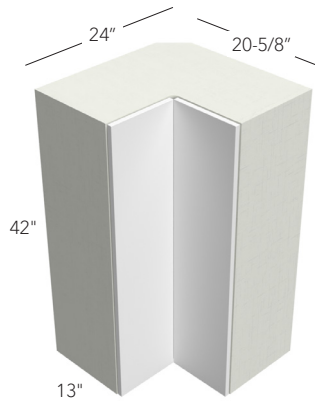
## 42" High Wall Cabinets



### DIAGONAL CORNER

ITEM	Gloss	Matte
WDC2442	960	960

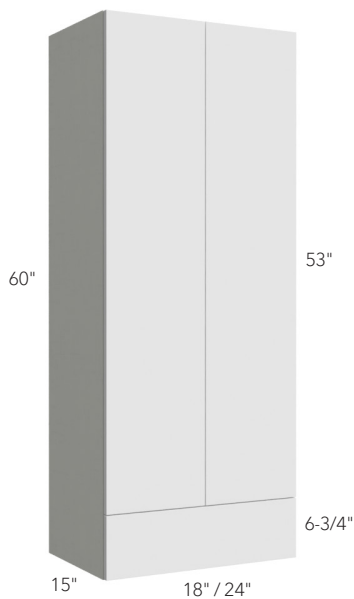
- 9mm thick door bumper



### PIE CUT CORNER

ITEM	Gloss	Matte
WPC2442	1140	1140

- Soft close hinge not available



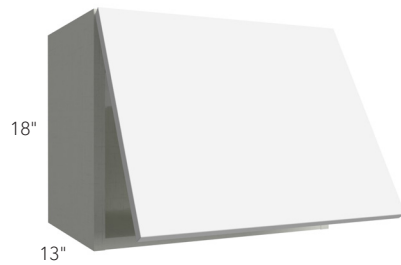
### WALL WITH DRAWER

ITEM	Gloss	Matte
WD1860*	1080	1080
WD2460	1295	1295

- \* Has one door. Need to indicate R or L at time of order



## Specialty Wall Cabinets



### WALL APPLIANCE

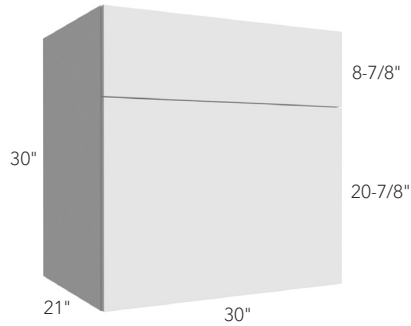
ITEM	Gloss	Matte
WAC2418	1035	1035
WAC3018	1080	1080
WAC3318	1105	1105
WAC3618	1120	1120

- Shipped with a support bracket to be removed before cabinet installation

### LIFT-UP

ITEM	Gloss	Matte
W1815LU	805	805
W2115LU	825	825
W2415LU	835	835
W2715LU	850	850
W3015LU	870	870
W3315LU	895	895
W3615LU	905	905
W1818LU	820	820
W2118LU	835	835
W2418LU	850	850
W2718LU	875	875
W3018LU	895	895
W3318LU	925	925
W3618LU	935	935
W421224LU	1115	1115
W481224LU	1035	1035

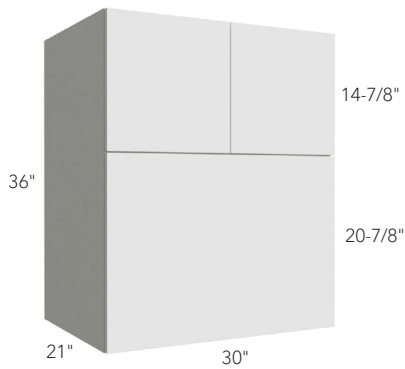
## Microwave Wall Cabinets



### 30" MICROWAVE

ITEM	Gloss	Matte
MC303021	865	865

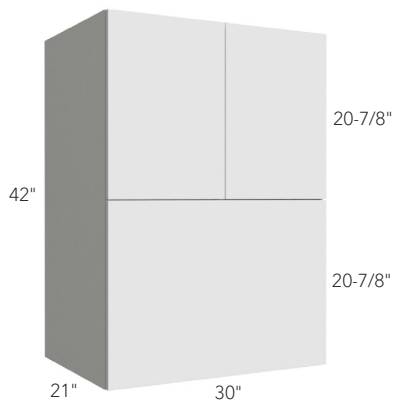
- Full closed front:  
Max opening 28-1/2"W x 19-3/4"H
- Lift-up door with standard clip-on hinges
- Front panel attaches with clips for easy removal and install



### 36" MICROWAVE

ITEM	Gloss	Matte
MC303621	980	980

- Full closed front:  
Max opening 28-1/2"W x 19-3/4"H
- Front panel attaches with clips for easy removal and install

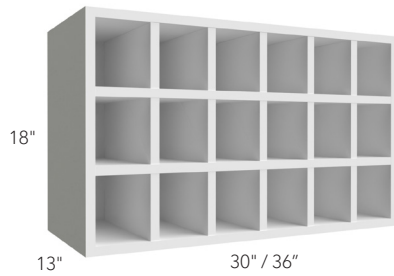


### 42" MICROWAVE

ITEM	Gloss	Matte
MC304221	1110	1110

- Full closed front:  
Max opening 28-1/2"W x 19-3/4"H
- Front panel attaches with clips for easy removal and install

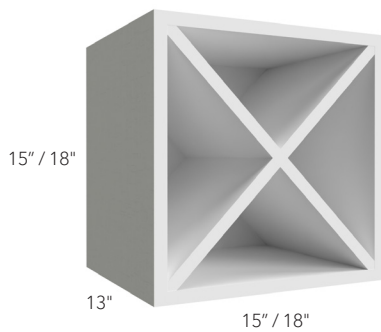
## Wine Cabinets



### WINE RACK

ITEM	Gloss	Matte
WR3018	1030	1030
WR3618	1155	1155

- Matching finished interior
- 30" Fits 18 bottles
- 36" Fits 21 bottles

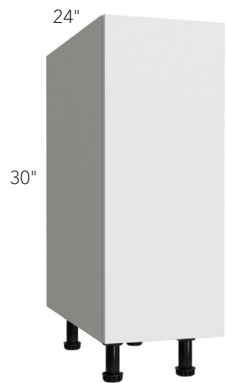


### WINE RACK

ITEM	Gloss	Matte
WR15X15	530	530
WR18X18	620	620

- Matching finished interior

## Base Cabinets

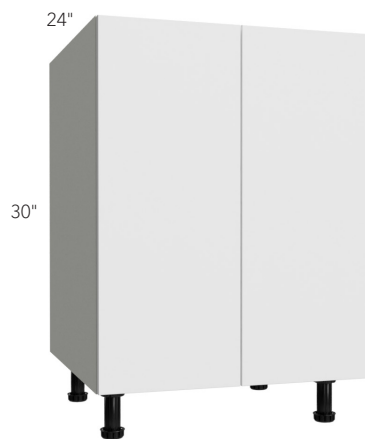


### FULL HEIGHT SINGLE DOOR

ITEM	Gloss	Matte
B09FD	520	520
B12FD	565	565
B15FD	605	605
B18FD	645	645
B21FD	685	685
B24SFD	720	720

- *Trash Can available on pg. 27*
- *Roll Out available on pg. 26*

*Note: Need to indicate R or L at time of order*

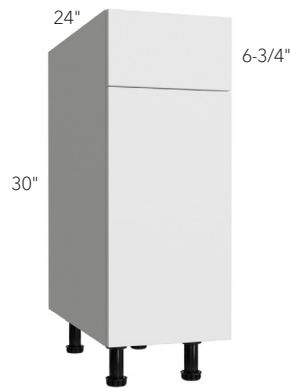


### FULL HEIGHT DOUBLE DOOR

ITEM	Gloss	Matte
B24FD	760	760
B27FD	800	800
B30FD	840	840
B33FD	885	885
B36FD	915	915

- *Two 18" deep shelves included*
- *Roll Out available on pg. 26*

## Base Cabinets

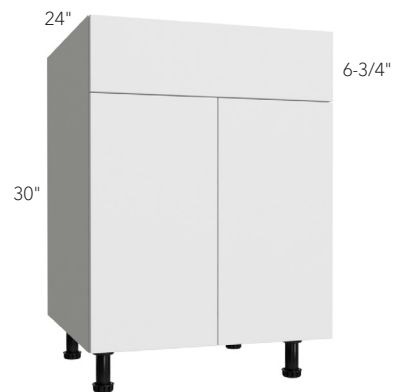


### SINGLE DOOR

ITEM	Gloss	Matte
B12	720	720
B15	760	760
B18	805	805
B21	840	840
B24SD	880	880

- *Trash Can available on pg. 27*
- *Roll Out available on pg. 26*

*Note: Need to indicate R or L at time of order*

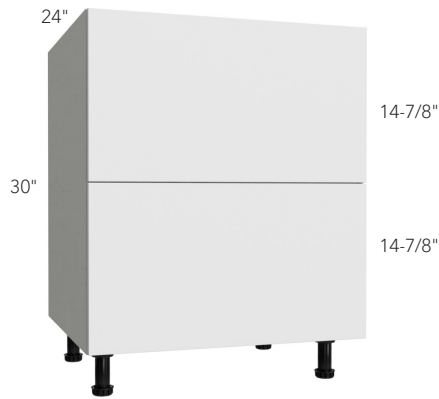


### DOUBLE DOOR

ITEM	Gloss	Matte
B24	930	930
B27	965	965
B30	1015	1015
B33	1060	1060
B36	1105	1105

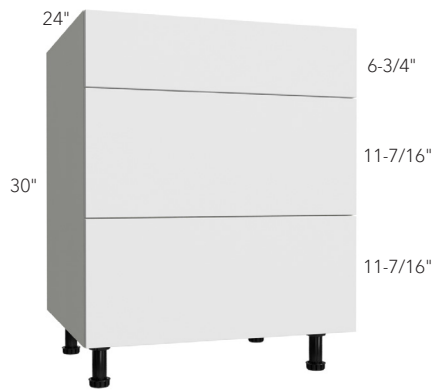
- *Roll Out available on pg. 26*

## Drawer Base Cabinets



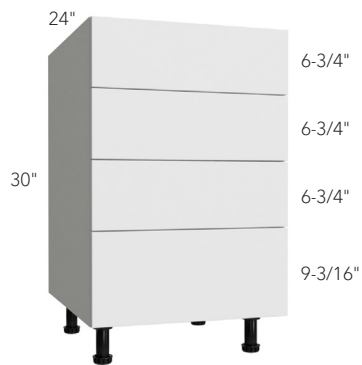
### 2 DRAWER

ITEM	Gloss	Matte
DB27-2	1100	1100
DB30-2	1155	1155
DB33-2	1195	1195
DB36-2	1245	1245



### 3 DRAWER

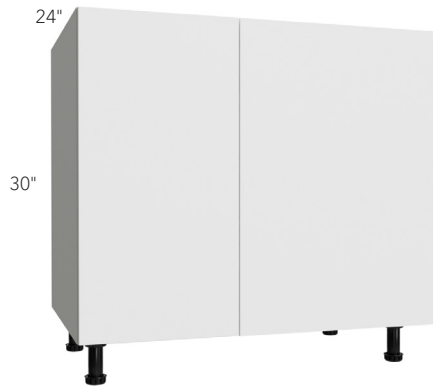
ITEM	Gloss	Matte
DB12-3	1085	1085
DB15-3	1120	1120
DB18-3	1170	1170
DB21-3	1220	1220
DB24-3	1270	1270
DB27-3	1325	1325
DB30-3	1380	1380
DB33-3	1435	1435
DB36-3	1485	1485



### 4 DRAWER

ITEM	Gloss	Matte
DB12-4	1265	1265
DB15-4	1305	1305
DB18-4	1365	1365
DB21-4	1420	1420

## Blind Base Cabinets

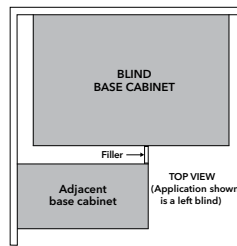


### BLIND FULL HEIGHT DOOR

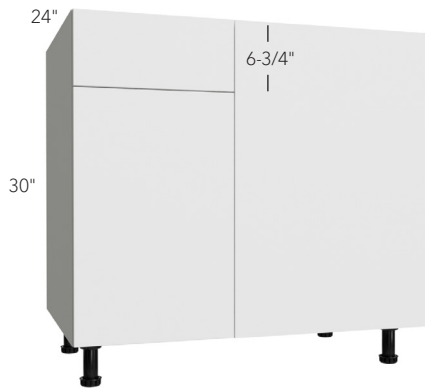
ITEM	Gloss	Matte
BLB36/39FD	955	955
BLB39/42FD	1000	1000
BLB42/45FD	1040	1040
BLB48/51FD	1140	1140

- Must use filler on adjacent wall (not supplied)
- Measurements are rounded off to closest 1/8"
- Includes two 18" deep shelves

**Note:** Need to indicate R or L at time of order



	Act.	Min.	Door	Open
BLB36/39FD	30"	36"	8-7/8"	8-11/32"
BLB39/42FD	33"	39"	11-7/8"	11-11/32"
BLB42/45FD	36"	45"	14-7/8"	14-11/32"
BLB48/51FD	42"	48"	20-7/8"	20-11/32"

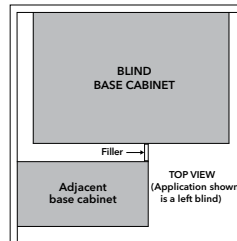


### BLIND

ITEM	Gloss	Matte
BLB36/39	1120	1120
BLB39/42	1140	1140
BLB42/45	1180	1180
BLB48/51	1285	1285

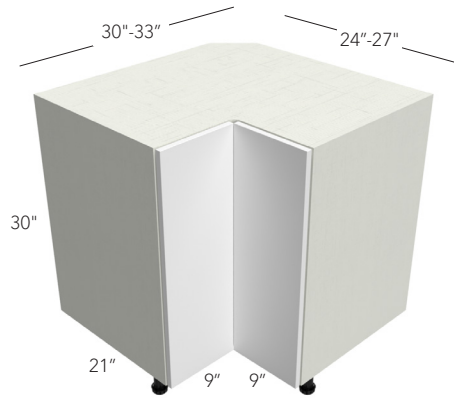
- Must use filler on adjacent wall (not supplied)
- Measurements are rounded off to closest 1/8"

**Note:** Need to indicate R or L at time of order



	Act.	Min.	Door	Open
BLB36/39	30"	36"	8-7/8"	8-11/32"
BLB39/42	33"	39"	11-7/8"	11-11/32"
BLB42/45	36"	45"	14-7/8"	14-11/32"
BLB48/51	42"	48"	20-7/8"	20-11/32"

## Corner Base Cabinets

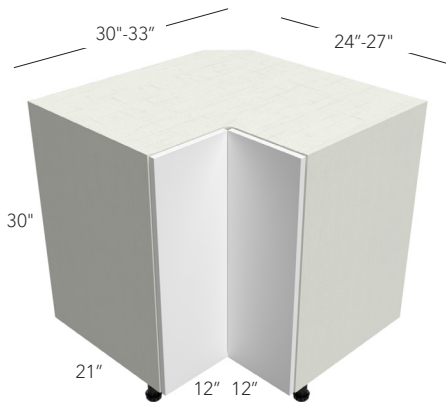


### EASY REACH

ITEM	Gloss	Matte
ERB33	935	935
ERB36	1020	1020

- Center shelf is adjustable
- Soft close hinge not available

*Note: Need to indicate R or L at time of order*



### LAZY SUSAN

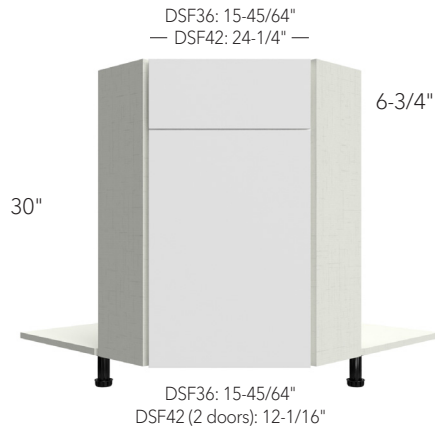
ITEM	Gloss	Matte
LSB33	1165	1165
LSB36	1315	1315

- Both Lazy Susan trays rotate independently
- Center tray is mounted on a 3/4" adjustable shelf
- Soft close hinge not available

*Note: Need to indicate R or L at time of order*



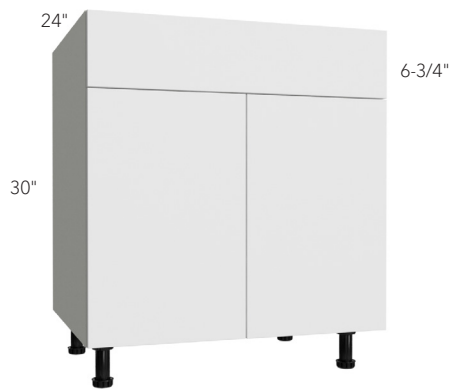
## Sink Base Cabinets



### DIAGONAL SINK FRONT

ITEM	Gloss	Matte
DSF36**	675	675
DSF42*	825	825
DSF36FD**	650	650
DSF42FD*	800	800

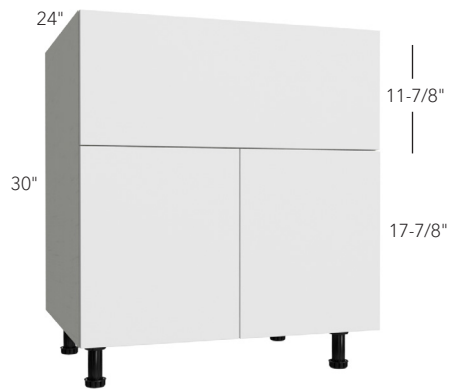
- Tilt Out available on pg. 28
- \* Includes two doors
- \*\* Note: Need to indicate R or L at time of order



### SINK BASE

ITEM	Gloss	Matte
SB21	650	650
SB24	725	725
SB24SD*	685	685
SB27	750	750
SB30	795	795
SB33	830	830
SB36	865	865

- \* Single door cabinet. Need to indicate R or L at time of order
- Tilt Out available on pg. 28

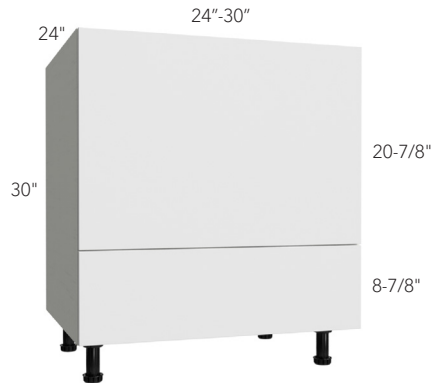


### FARM SINK

ITEM	Gloss	Matte
FS30	1010	1010
FS33	1060	1060
FS36	1110	1110

- Cut opening on job site
- Note: To avoid damage please apply extra care when cutting the front panel.

## Specialty Base Cabinets

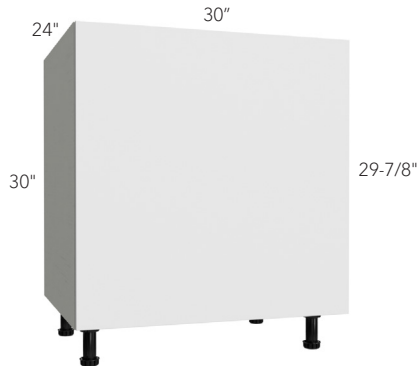


### MICROWAVE

ITEM	Gloss	Matte
BMC24	1115	1115
BMC30	1230	1230

- Front panel attaches with clips for easy removal and install
- Max opening:  
 BMC24 = 22-1/2"W x 19-3/4"H  
 BMC30 = 28-1/2"W x 19-3/4"H

*Note: To avoid damage to the frame & side panels, please apply extra care when cutting the front panel.*

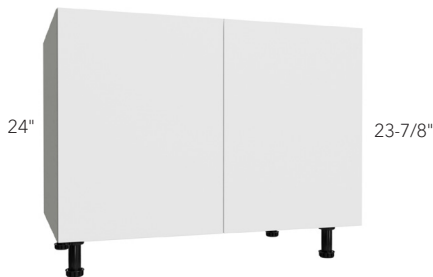


### OVEN

ITEM	Gloss	Matte
BOC30	700	700

- Front panel attaches with clips for easy removal and install
- Max opening: 28-1/2"W x 28-1/2"H

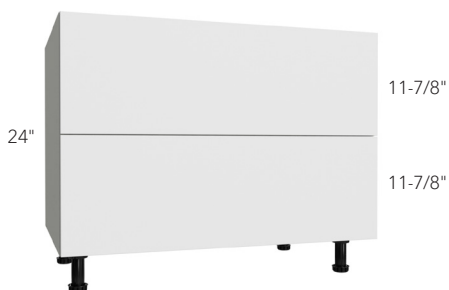
*Note: To avoid damage to the frame & side panels, please apply extra care when cutting the front panel.*



### RANGE TOP BASE

ITEM	Gloss	Matte
RTB30	735	735
RTB36	840	840
RTB48	880	880

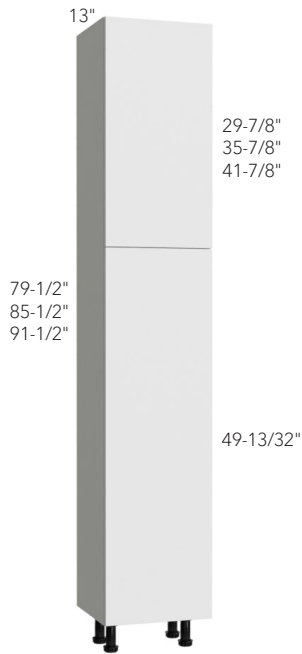
- Comes with 1 adjustable shelf



### RANGE TOP DRAWER BASE

ITEM	Gloss	Matte
RTDB30-2	1090	1090
RTDB36-2	1175	1175
RTDB48-2	1320	1320

## 13" Deep Tall Pantry Cabinets

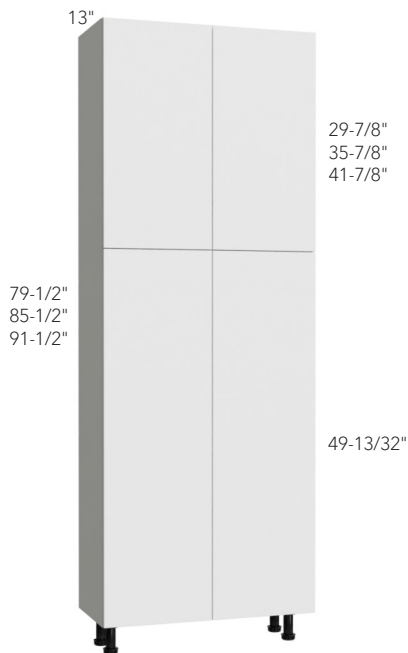


### SINGLE DOOR 13" DEEP

ITEM	Gloss	Matte
TP151384	1010	1010
TP181384	1095	1095
TP241384SD	1245	1245
TP151390	1055	1055
TP181390	1130	1130
TP241390SD	1290	1290
TP151396	1100	1100
TP181396	1180	1180
TP241396SD	1355	1355

- 12" deep shelves
- 84" & 90" high - 5 shelves
- 96" high - 6 shelves
- Roll Out Drawer available on pg. 26

**Note:** Need to indicate R or L at time of order

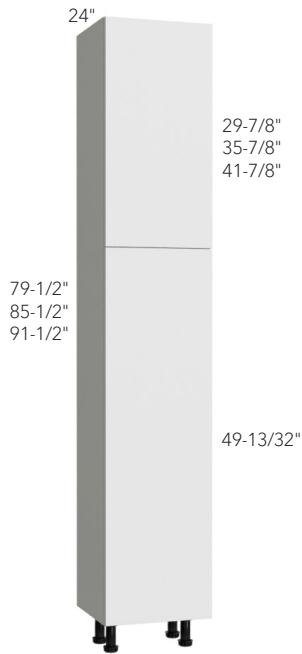


### DOUBLE DOOR 13" DEEP

ITEM	Gloss	Matte
TP241384	1360	1360
TP241390	1435	1435
TP241396	1495	1495
TP301384	1515	1515
TP301390	1590	1590
TP301396	1665	1665

- 12" deep shelves
- 84" & 90" high - 5 shelves
- 96" high - 6 shelves
- Roll Out Drawer available on pg. 26

## 24" Deep Tall Pantry Cabinets

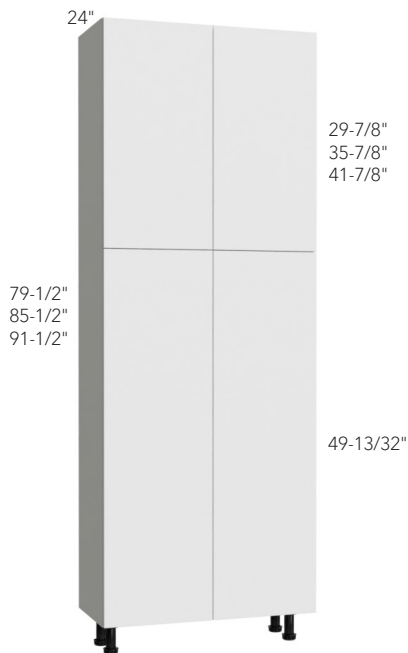


### SINGLE DOOR

ITEM	Gloss	Matte
TP152484	1205	1205
TP182484	1290	1290
TP242484SD	1480	1480
TP152490	1320	1320
TP182490	1345	1345
TP242490SD	1540	1540
TP152496	1305	1305
TP182496	1405	1405
TP242496SD	1625	1625

- 21" deep shelves
- 84" & 90" high - 5 shelves
- 96" high - 6 shelves
- Roll Out Drawer available on pg. 26

**Note:** Need to indicate R or L at time of order

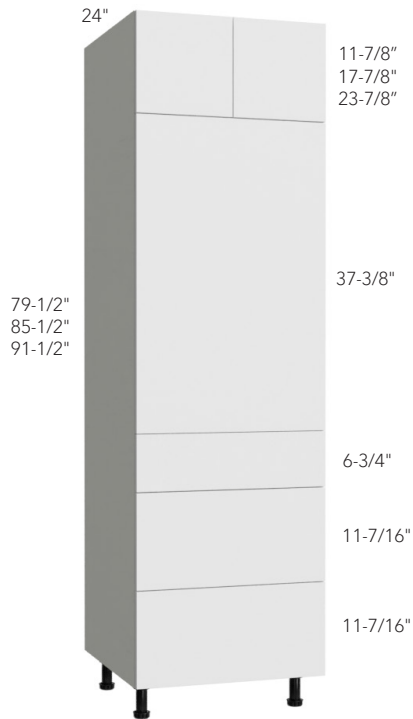


### DOUBLE DOOR

ITEM	Gloss	Matte
TP242484	1600	1600
TP242490	1685	1685
TP242496	1765	1765
TP302484	1785	1785
TP302490	1870	1870
TP302496	1960	1960

- 21" deep shelves
- 84" & 90" high - 5 shelves
- 96" high - 6 shelves
- Roll Out Drawer available on pg. 26

## Oven Cabinets



### SINGLE OVEN CABINET W/ 3 DRAWERS ON THE BOTTOM

ITEM	Gloss	Matte
OC2484S-3	2110	2110
OC3084S-3	2295	2295
OC2490S-3	2160	2160
OC3090S-3	2360	2360
OC2496S-3*	2260	2260
OC3096S-3*	2470	2470

\* Has one shelf in top cabinet.

**When using two appliances:**

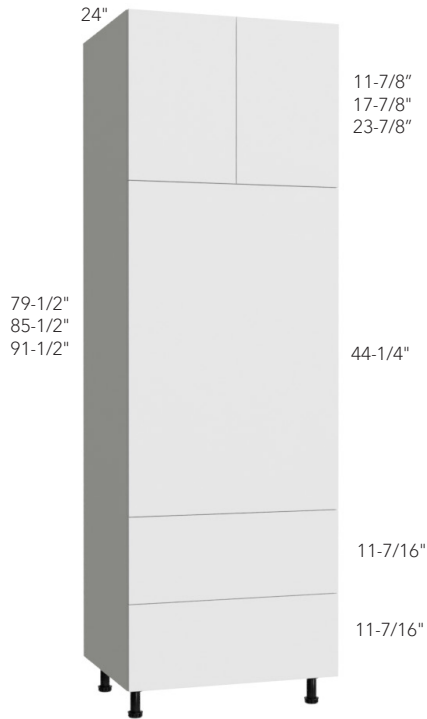
to support top appliance, PLY-3/4 to be purchased separately.

Fixed shelf to be installed on the jobsite by a qualified installer.

Full panel face frame to be trimmed on site (not by Fabuwood).

**Note:** To avoid damage to the frame & side panels, please apply extra care when cutting the front panel.

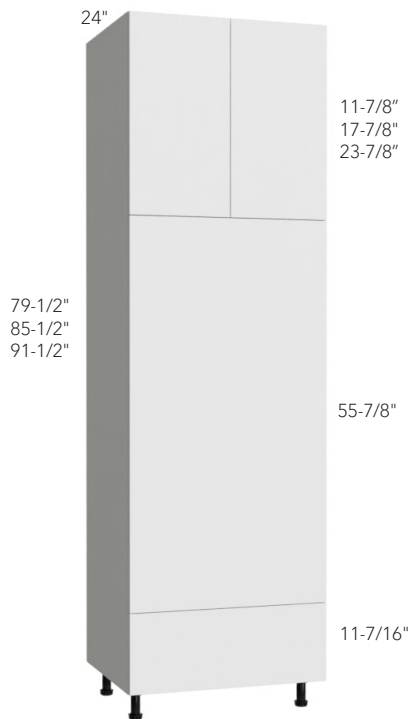
## Oven Cabinets



### COMBO OVEN CABINET W/ 2 DRAWERS ON BOTTOM

ITEM	Gloss	Matte
OC2484C	1970	1970
OC3084C	2150	2150
OC2490C	2020	2020
OC3090C	2215	2215
OC2496C*	2115	2115
OC3096C*	2325	2325

- Includes top shelf

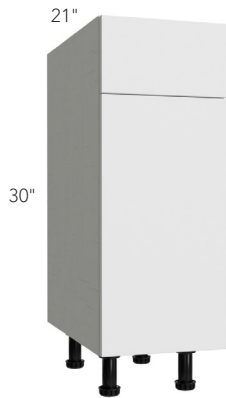


### DOUBLE OVEN CABINET W/ 1 DRAWER ON BOTTOM

ITEM	Gloss	Matte
OC2484D	1690	1690
OC3084D	1850	1850
OC2490D	1745	1745
OC3090D	1915	1915
OC2496D*	1840	1840
OC3096D*	2025	2025

- Includes top shelf

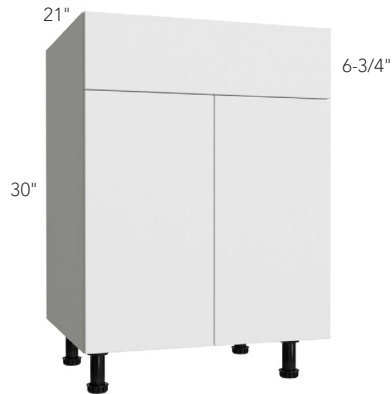
Vanities



**FULL HEIGHT SINGLE DOOR VANITY BASE**

ITEM	Gloss	Matte
VB12	710	710
VB15	745	745
VB18	785	785

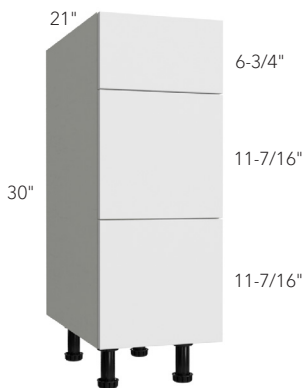
- Shelf depth: 18"
- Note: Need to indicate R or L at time of order



**VANITY BASE**

ITEM	Gloss	Matte
VB24	910	910
VB27	950	950
VB30	990	990
VB33	1040	1040
VB36	1080	1080

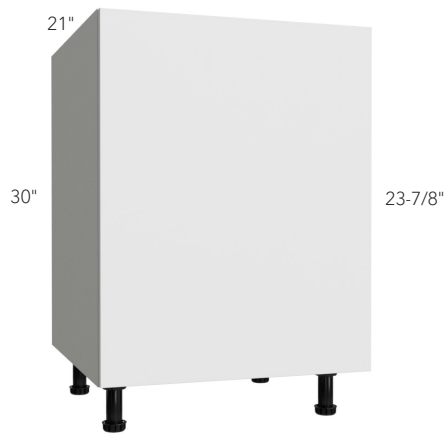
- Shelf depth: 18"



**VANITY DRAWER BASE ( 3 DRAWERS )**

ITEM	Gloss	Matte
VDB12	1045	1045
VDB15	1080	1080
VDB18	1130	1130

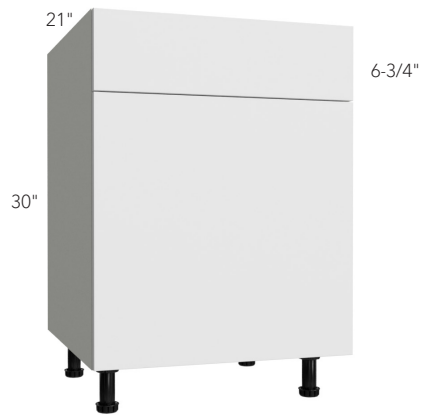
Vanities



**VANITY SINK BASE (FULL HEIGHT SINGLE DOOR)**

ITEM	Gloss	Matte
VSB24SFD	635	635

- *Includes two shelves*

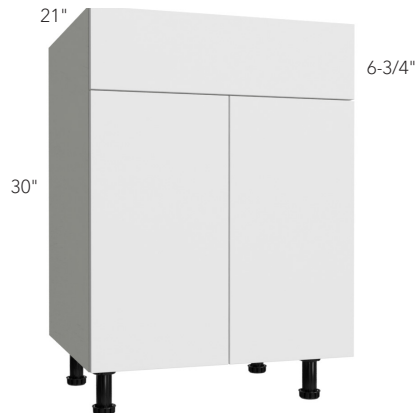


**VANITY SINK BASE (SINGLE DOOR WITH DRAWER)**

ITEM	Gloss	Matte
VSB24SD	665	665

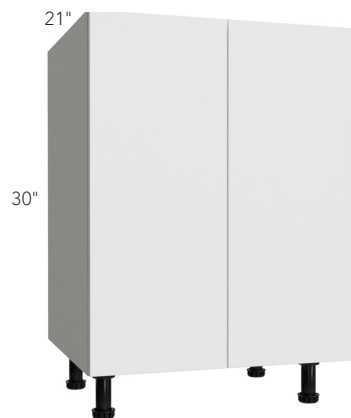


Vanities



**VANITY SINK BASE (SAME LOOK AS 2 DOOR/DRAWER BASE)**

ITEM	Gloss	Matte
VSB24	705	705
VSB27	735	735
VSB30	775	775
VSB33	810	810
VSB36	845	845

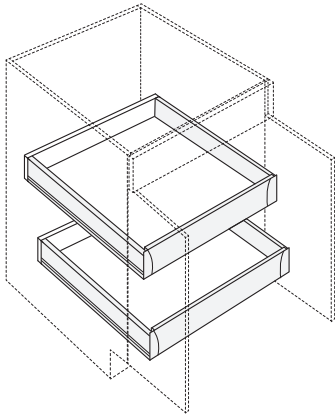


**VANITY SINK BASE (FULL HEIGHT 2 DOORS )**

ITEM	Gloss	Matte
VSB24FD	680	680
VSB27FD	710	710
VSB30FD	745	745
VSB33FD	780	780
VSB36FD	805	805

- Includes two shelves

**Base / Accessories**



**ROLL OUT**

ITEM	LIST
ROD-B15 ILLUME	505
ROD-B18 ILLUME	520
ROD-B21 ILLUME	550
ROD-B24 ILLUME	555
ROD-B27 ILLUME	625
ROD-B30 ILLUME	630
ROD-B33 ILLUME	640
ROD-B36 ILLUME	645

## Waste Solutions / Accessories

**TC15**

**TC18 & TC21**

**TC15FHD**

**TC18FHD & TC21FHD**


### TRASH CAN

ITEM	LIST
TC15 ILLUME	1115
TC18 ILLUME	1185
TC21 ILLUME	1185

- Cabinet not included, cabinet must be ordered separately
- TC15 = one 35qt can + 1 bag bin  
TC18 & TC21 = two 35qt cans
- Tandembox heavy-duty full extension runners
- White Tandembox Drawer
- 175lb static, 150lb dynamic load rating

### TRASH CAN FULL-HEIGHT DOOR

ITEM	LIST
TC15FHD ILLUME	1120
TC18FHD ILLUME	1190
TC21FHD ILLUME	1190

- Cabinet not included, cabinet must be ordered separately
- TC15FHD = one 50qt can + 1 bag bin  
TC18FHD & TC21FHD = two 50qt cans
- Tandembox heavy-duty full extension runners
- White Tandembox Drawer
- 175lb static, 150lb dynamic load rating

**Sink / Accessories**



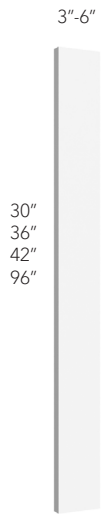
**TILT OUT**

ITEM	LIST
TILTOUT 11"	210
TILTOUT 14"	210
TILTOUT 24"	210

- *TILTOUT 11 - available for DSF36, DSF42\*, SB27\*, VSB27\**
- *TILTOUT 14 - available for SB21, SB24, SB24SD, SB33\*, SB36\*, VSB24, VSB24SD, VSB33\*, VSB36\**
- *TILTOUT 24 - SB30, VSB30*

\* gets 2 trays

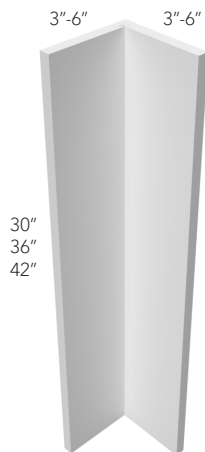
## Fillers / Accessories



### WALL, TALL & BASE

ITEM	Gloss	Matte
WF330	59	59
WF336	72	72
WF342	80	80
WF630	91	91
WF636	105	105
WF642	115	115
TF396	145	145
TF696	280	280
BF3*	98	98
BF6*	190	190

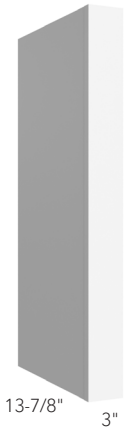
- \* Base fillers are a flat panel and do not come with toe-kick recessed  
 • Fillers are finished on two sides and edge-banded on all four edges



### CORNER FILLER

ITEM	Gloss	Matte
CF330	130	130
CF336	145	145
CF342	165	165
CF630	160	160
CF636	180	180
CF642	205	205

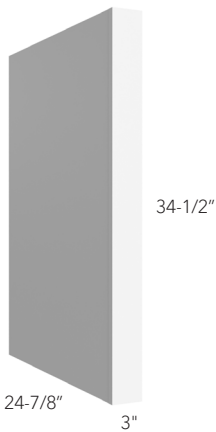
## Columns / Accessories



### WALL COLUMNS

ITEM	Gloss	Matte
CLM-30	485	485
CLM-36	550	550
CLM-42	600	600

- Sides are flush finished
- Back is unfinished



### BASE COLUMN

ITEM	Gloss	Matte
CLM-BASE	740	740

- Sides are flush finished
- Back is unfinished



### TALL COLUMN

ITEM	Gloss	Matte
CLM-84	1485	1485
CLM-90	1565	1565
CLM-96	1670	1670

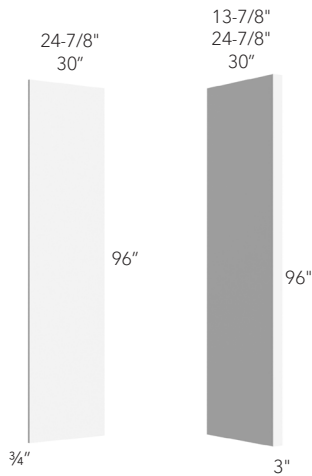
- Sides are flush finished
- Back is unfinished

## End Panels / Accessories



### WALL RETURNS

ITEM	Gloss	Matte
WEP1430 x 3	230	230
WEP1436 x 3	260	260
WEP1442 x 3	290	290

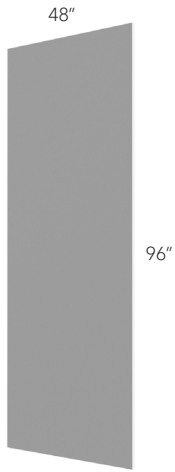


### END PANEL

ITEM	Gloss	Matte
BEP	250	250
VBEP	245	245
REP2596*	780	780
REP3096*	1025	1025
REP1496 x 3	490	490
REP2596 x 3	880	880
REP3096 x 3	1125	1125

- \* Finished on two sides and edge-banded on all four edges
- Edge-banded all around
- End panels with filler have flush finished sides and edge-banding on all four edges
- BEP: 24-7/8"W x 34-1/2"H
- VBEP: 21-7/8"W x 34-1/2"H

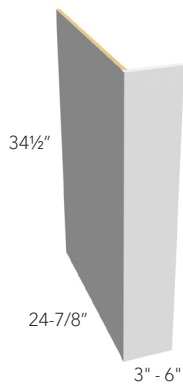
## Panels / Accessories



### MDF

ITEM	Gloss	Matte
PAN-3/4	1455	1455

- One side of panel has the finished side matching the face of the door.
- No edge-band



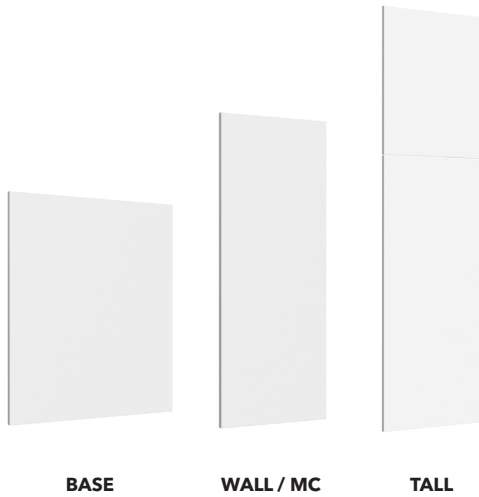
### DISHWASHER RETURN END PANEL

ITEM	Gloss	Matte
DWR3	370	370
DWR6	425	425

- Dishwasher End Panels with filler have flush finished sides and edge-banding on all four edges



## Wainscot Panels / Accessories



### WAINSCOT PANEL

ITEM	Gloss	Matte
WP-BASE	250	250
WP-VBASE	230	230
WP-W12	96	96
WP-W15	110	110
WP-W18	130	130
WP-W24	155	155
WP-W30	135	135
WP-W36	190	190
WP-W42	210	210
WP-MC30	240	240
WP-MC36	275	275
WP-MC42	325	325
WP-WD48	255	255
WP-WD54	300	300
WP-WD60	325	325
WP-W1224D	145	145
WP-W1524D	165	165
WP-W1824D	185	185
WP-W2424D	225	225
WP-TP84	655	655
WP-TP90	685	685
WP-TP96	745	745
WP-TP8413D	430	430
WP-TP9013D	445	445
WP-TP9613D	485	485

- **Dimensions:**

Base: 24-7/8"W x 29-7/8"H

Wall (13"D): 13-7/8"W x 29-7/8" / 35-7/8" / 41-7/8"H

Wall (24"D): 24-7/8"W x 12"/15"/18"/24"H

Wall Drawer: 15-7/8"W x 48"/54"/60"H

Tall (13"D): 13-7/8"W Bottom door is 49-1/2"H

Tall (24"D): 24-7/8"W Bottom door is 49-1/2"H

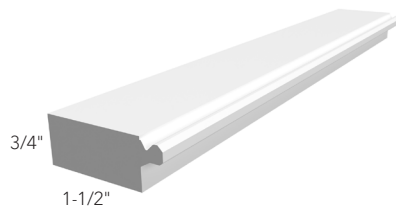
## Moldings (8') / Accessories



### TOE KICK

ITEM	Gloss	Matte
TK8	160	160
BBM	265	265

- Edge-banded all 4 edges



### STARTER

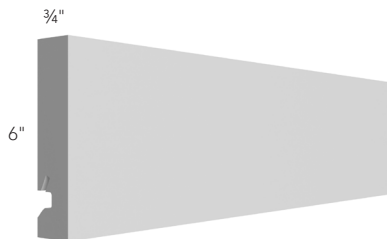
ITEM	Gloss	Matte
STRM-8	175	175



### LIGHT RAIL

ITEM	Gloss	Matte
LRM	200	200

- Use with STRM-8 to install LRM to be flushed with front of door

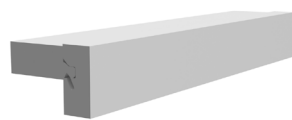


### STRAIGHT VALANCE

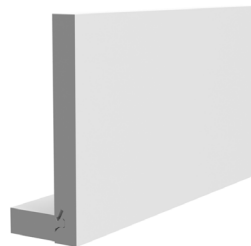
ITEM	Gloss	Matte
VST-6	270	270

- Use STRM-8 for Soffit build-up

#### EXAMPLES OF STRM-8 APPLICATION:



LRM + STRM-8



VST-6 + STRM-8



Copyright © 2022-23 by Fabuwood Cabinetry Corp.

All rights reserved.

No part of this publication may be reproduced, distributed, or transmitted in any form or by any means, including photocopying, scanning, or other electronic or mechanical methods, including online sharing, without the prior written permission of Fabuwood Cabinetry Corp.

