



# **PRO-AV CATALOGUE 2020 - 2021**



# About Vogel's

What began as a personal quest for perfection has evolved into an internationally successful company that manufactures a highly distinctive range of mounts and support systems for audio and video equipment. Vogel's products combine versatile functionality and robust performance with sleek design. Since 1973, Vogel's solutions have been based on the talent and commitment of people who care passionately about the products they create and the customers who use them. Since developing the world's first loudspeaker mount in 1973, we have produced a steady stream of award-winning solutions that make people's lives more enjoyable.

Quality is one of our most important criteria. That's why our products meet the strictest industry norms for quality and safety. We only use premium materials of the highest quality. All products for the professional market are tested to bear at least 5 times the indicated load.

Our products stand out because of our eye for detail when it comes to design. You will find Vogel's everywhere: not only in living rooms, bedrooms and kitchens, but also in major airports, shopping centers, restaurants, hotels, football stadiums and hospitals. All products are developed to provide an extra dimension of personal comfort for today and tomorrow.

# TABLE OF CONTENT

About Vogel's .....	<b>3</b>	PUC 29 Series - poles.....	<b>67</b>
The Quality Signature.....	<b>5</b>	PUC 29 Series - display interface bars.....	<b>68</b>
Quality guaranteed.....	<b>6</b>	PUC 29 Series - display interface strips 3D.....	<b>70</b>
Pro-AV Mount Advisor.....	<b>7</b>	PUC 29 Series - accessories.....	<b>71</b>
Connect-it modular concept.....	<b>8</b>	PUC 29 Series - kits floor stand.....	<b>74</b>
Connect-it wall.....	<b>9</b>	PUC 29 Series - kits trolley.....	<b>75</b>
Connect-it wall - display interface bars.....	<b>10</b>	LED video walls.....	<b>76</b>
Connect-it wall - display interface strips .....	<b>14</b>	LED video walls - wall mount supports.....	<b>78</b>
Connect-it wall - accessories .....	<b>18</b>	PFW 1000 Series.....	<b>81</b>
Connect-it ceiling .....	<b>20</b>	PFW 2000 Series.....	<b>83</b>
PUC 21 Series.....	<b>21</b>	PFW 3000 Series.....	<b>85</b>
PUC 21 Series - ceiling plate and poles.....	<b>22</b>	PFW 4000 Series.....	<b>87</b>
PUC 24 Series.....	<b>24</b>	PFW 6000 Series.....	<b>90</b>
PUC 24 Series - ceiling plates.....	<b>25</b>	XXL wall mounts.....	<b>93</b>
PUC 24 Series - poles.....	<b>26</b>	Pop-out video wall mounts.....	<b>96</b>
PUC 24 Series - display interfaces.....	<b>27</b>	Medical wall mounts.....	<b>99</b>
PUC 24 Series - accessories.....	<b>28</b>	Motorized display trolleys.....	<b>101</b>
PUC 24 Series - ceiling kits .....	<b>29</b>	Motorized display trolleys - kits.....	<b>102</b>
PUC 25 Series.....	<b>32</b>	Motorized display wall mount & kit.....	<b>104</b>
PUC 25 Series - ceiling plates.....	<b>33</b>	Motorized solutions - accessories.....	<b>105</b>
PUC 25 Series - poles.....	<b>35</b>	Motorized touch table.....	<b>107</b>
PUC 25 Series - accessories .....	<b>36</b>	Video conferencing furniture.....	<b>109</b>
Connect-it ceiling kits - fixed .....	<b>39</b>	Video conferencing speakers.....	<b>111</b>
Connect-it ceiling kits - turn function.....	<b>40</b>	Samsung OMN-D solution.....	<b>113</b>
Connect-it ceiling kits - double pole.....	<b>41</b>	Trolleys and stand.....	<b>115</b>
Height adjustable display ceiling mounts .....	<b>45</b>	Trolleys and stand - accessories.....	<b>116</b>
Connect-it floor.....	<b>46</b>	Trolleys and stand PlasmaBoy ® .....	<b>117</b>
PUC 27 Series - floor plates.....	<b>48</b>	Floor stands - stainless steel.....	<b>119</b>
PUC 27 Series - trolley frames.....	<b>50</b>	Floor stands - interface and accessory.....	<b>120</b>
PUC 27 Series - poles.....	<b>51</b>	Monitor mounts.....	<b>122</b>
PUC 27 Series - accessories.....	<b>52</b>	TabLock® for iPad and Galaxy Tab.....	<b>125</b>
PUC 27 Series - kits floor mounted.....	<b>56</b>	Universal TabLock® .....	<b>127</b>
PUC 27 Series - kits floor stand single pole.....	<b>57</b>	TabLock® accessories.....	<b>128</b>
PUC 27 Series - kits floor stand double pole...	<b>58</b>	Colour your world.....	<b>130</b>
PUC 27 Series - kits trolley single pole.....	<b>61</b>	Projector ceiling lift systems.....	<b>132</b>
PUC 27 Series - kits trolley double pole.....	<b>62</b>	Projector ceiling lift systems - accessories ...	<b>134</b>
Universal video wall solutions.....	<b>64</b>	Projector ceiling mounts.....	<b>137</b>
PUC 29 Series - floor bases.....	<b>65</b>	Projector ceiling mounts - accessories.....	<b>141</b>
PUC 29 Series - floor / ceiling bases.....	<b>66</b>	Index.....	<b>142</b>



# The Quality Signature

There is a big difference between buying a mount or stand and choosing a Vogel's. Choosing a Vogel's is something else altogether. It means you don't simply want to mount a device to save space or keep it from falling on the ground. It signifies you are not just looking for a piece of metal you want to hide behind a nicely designed TV, interactive tablet or high-end projector, but a smart solution that is just as much beautifully designed as it is functional. A product that carries a device, protects it and is easy to install. A stage for the entertainment or experience each device promises to deliver.

Thoughtfully crafted, a Vogel's solution guarantees these five elements that define The Quality Signature:

- Ease-of-use
- Design
- Innovation
- Reliability
- Ease-of-installation

# Quality guaranteed

## **TÜV NORD**

The TÜV NORD label is an additional confirmation that Vogel's products are safe. All Vogel's products for the consumer market and the professional market are tested thoroughly, so they meet the strict requirements of this certification agency. TÜV NORD is an independent certification authority for products and manufacturing processes. They carry out independent quality and safety tests and are recognized globally as the label of excellent quality.

Almost all Vogel's products carry the TÜV NORD label. Vogel's has this voluntary certification carried out as additional proof that its products are safe. Part of this process is an accelerated sustainability test. All certified products for professional use are tested to carry at least five times the indicated weight without collapsing (deformation is possible). Certified products for consumer use are tested to carry at least three times the indicated weight.

## **Fischer fixing systems**

Professionals around the world trust the innovative products, materials and services by Fischer for mounting solutions. We have chosen the Fischer wall plugs because of their great expertise and proven solidity. This is reflected in the high quality of their products and possibilities for different wall types.



# Pro-AV Mount Advisor

Pro-AV  
mount  
advisor

vogel's



## Find the exact solution you need

Vogel's has developed the Pro-AV Mount Advisor. The product range of Vogel's consists of an extensive number of (modular) products. It is possible to compose a solution for nearly every application.

It will help you to quickly find the correct solution for your installation. In a few steps you can find the exact solution you need. With the Pro-AV Mount Advisor you will save a lot of time! It's a great help for everybody looking for the perfect Vogel's solution.

Once you have your configuration complete, send it as a PDF file by e-mail to a customer, a colleague or to your Vogel's contact. Check out the Pro-AV Mount Advisor on the Vogel's website **[vogels.com/pro-avmountadvisor](http://vogels.com/pro-avmountadvisor)**.

So many mounting options, unlimited solutions...

Configure your solution in just a few easy steps!



# Connect-it modular concept

## Limited components, unlimited possibilities

Vogel's Connect-it modular concept consists of a complete range of universal ceiling-, wall- and floor solutions for all kind of displays.

The modularity of Connect-it is unique. With only a few standard components you can create solutions for almost every situation. From basic, single display solutions to more complex, multiple display solutions such as back-to-back, side-by-side, floor to ceiling and even all kind of video walls.

## Universal display interface for multiple solutions

The modular display interface consists of two separate components: an interface bar and a set of two display interface strips. The interface bar is for the horizontal display fitment and the display interface strips are for the vertical fitment. The combination of bars and strips creates the perfect fitment for any display. Whether you require a ceiling solution, a wall solution, a floor solution or a video wall solution, a Connect-it display interface is needed.

- Connect-it wall
- Connect-it ceiling
- Connect-it floor



# Connect-it wall



## **Connect-it wall**

Connect-it wall consists of two separate components: a display interface bar and a set of two display interface strips.

## **Display interface bar**

The interface bar is for the horizontal display fitment and the display interface strips are for the vertical fitment. The interface bar is available in eight different lengths from 290 to 3315 mm.

## **Display interface strips**

The two display interface strips determine the height of the interface and are available in five different lengths from 295 to 1130 mm.

## PFB 3402

Display interface bar

## PFB 3405

Display interface bar

## DISPLAY INTERFACE BARS



### Specifications

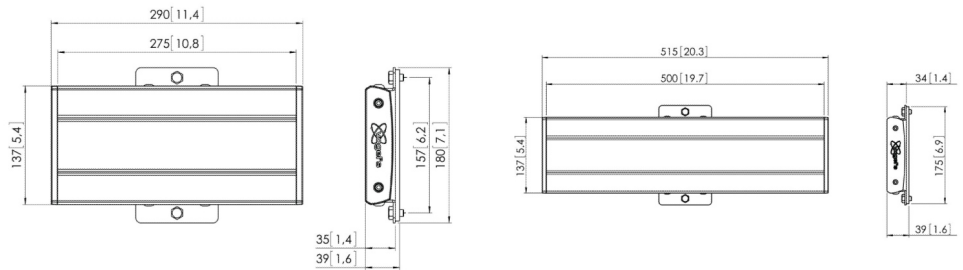
Max. weight load on wall (kg)	53	53
Width (mm)	290	515
Min. horizontal hole pattern (mm)	100	100
Max. horizontal hole pattern (mm)	225	450

### Guarantee

TÜV certified		
Guarantee	5 years	5 years

### General

Colour	Silver   Black	Silver   Black
Article number	7234024 (Silver) 7234020 (Black)	7234054 (Silver) 7234050 (Black)
EAN single box	8712285323027 (Silver) 8712285329401 (Black)	8712285318764 (Silver) 8712285329425 (Black)



## PFB 3407

Display interface bar



53  
715  
100  
650

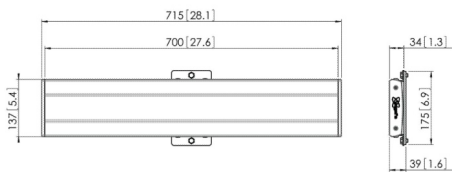


5 years

Silver | Black

7234074 (Silver)  
7234070 (Black)

8712285318788 (Silver)  
8712285329449 (Black)



## PFB 3409

Display interface bar



53  
915  
100  
850

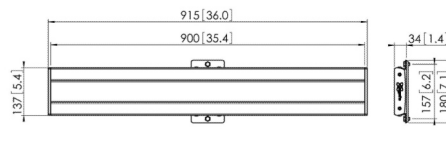


5 years

Silver | Black

7234094 (Silver)  
7234090 (Black)

8712285318801 (Silver)  
8712285329463 (Black)



## PFB 3411

Display interface bar



106  
1175  
100  
1110

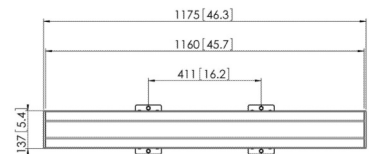


5 years

Silver | Black

7234114 (Silver)  
7234110 (Black)

8712285318825 (Silver)  
8712285329487 (Black)



## PFB 3419

Display interface bar

## PFB 3427

Display interface bar

## DISPLAY INTERFACE BARS



### Specifications

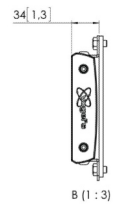
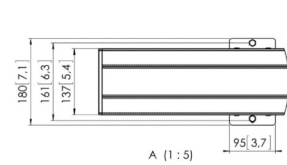
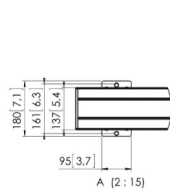
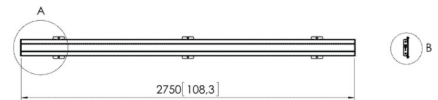
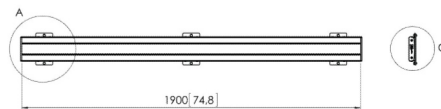
Max. weight load on wall (kg)	160	160
Width (mm)	1915	2750
Min. horizontal hole pattern (mm)	100	100
Max. horizontal hole pattern (mm)	1850	2700

### Guarantee

TÜV certified		
Guarantee	5 years	5 years

### General

Colour	Silver   Black	Silver   Black
Article number	7234194 (Silver) 7234190 (Black)	7234274 (Silver) 7234270 (Black)
EAN single box	8712285330209 (Silver) 8712285328749 (Black)	8712285330223 (Silver) 8712285328763 (Black)



**PFB 3433**

Display interface bar



160

3300

100

3250



5 years

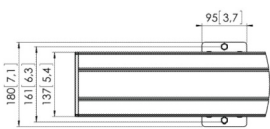
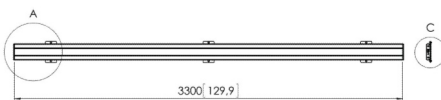
Silver | Black

7234334 (Silver)

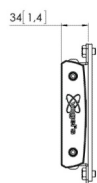
7234330 (Black)

8712285330247 (Silver)

8712285328787 (Black)



A (1 : 5)



C (1 : 3)

## DISPLAY INTERFACE STRIPS

### PFS 3204

Display interface strips heavy weight



### PFS 3208

Display interface strips heavy weight



#### Specifications

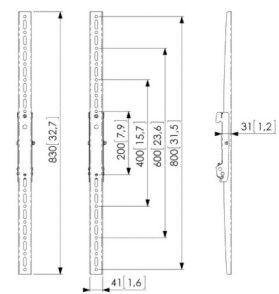
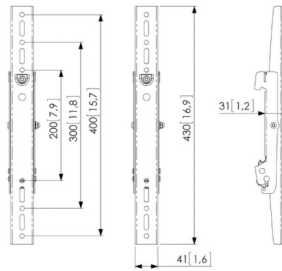
Max. weight load (kg)	160	160
Min. vertical hole pattern (mm)	200	200
Max. vertical hole pattern (mm)	400	800
Height (mm)	430	830
Tilt	Tilt -3°/+3°	Tilt -3°/+3°

#### Guarantee

TÜV certified		
Guarantee	5 years	5 years

#### General

Colour	Black	Black
Article number	7232040	7232080
EAN single box	8712285329302	8712285329326



## PFS 3302

Display interface strips tilt



80  
75  
270  
295

Tilt up to 20°

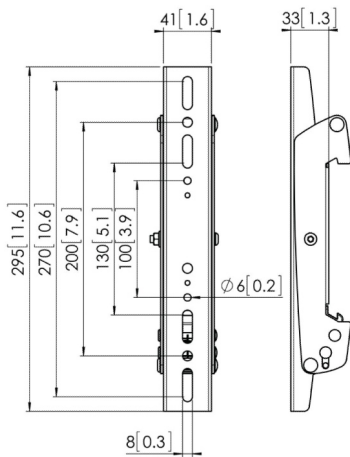


5 years

Black

7233020

8712285323041



## PFS 3304

Display interface strips tilt



80  
100  
420  
450

Tilt up to 20°

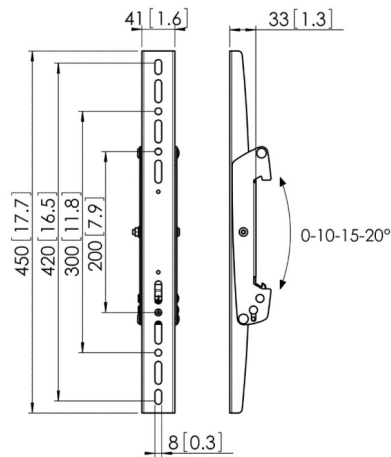


5 years

Black

7233040

8712285318863



## PFS 3306

Display interface strips tilt



80  
200  
600  
630

Tilt up to 20°

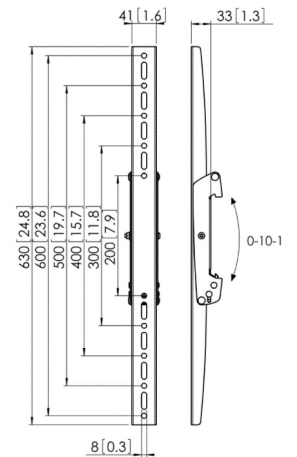


5 years

Black

7233060

8712285318900



## DISPLAY INTERFACE STRIPS

### PFS 3308

Display interface strips tilt



### PFS 3311



Display interface strips tilt



#### Specifications

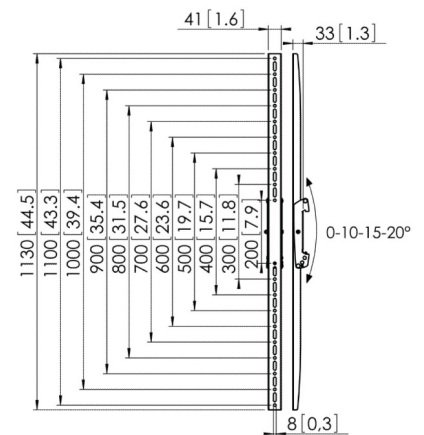
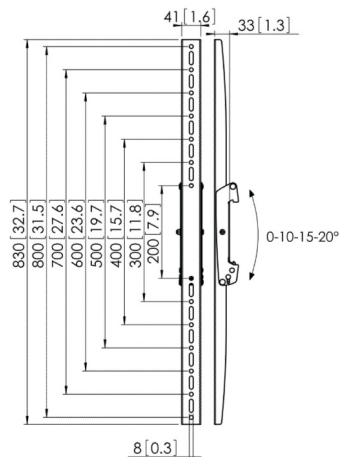
Max. weight load (kg)	80	80
Min. vertical hole pattern (mm)	200	200
Max. vertical hole pattern (mm)	800	1100
Height (mm)	830	1130
Tilt	Tilt up to 20°	Tilt up to 20°

#### Guarantee

TÜV certified		
Guarantee	5 years	5 years

#### General

Colour	Black	Black
Article number	7233080	7233110
EAN single box	8712285318924	8712285318948





**PFS 3504**

Display interface strips 3D adjustable



80

100

400

482

Tilt -3°/+7°

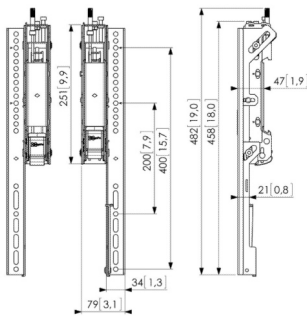


5 years

Black

7235040

8712285328800



**PFS 3508**

Display interface strips 3D adjustable



80

200

800

857

Tilt -3°/+7°

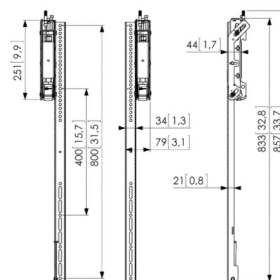


5 years

Black

7235080

8712285328824





**PFA 9122**

Z-Bracket for PFS 3504



80

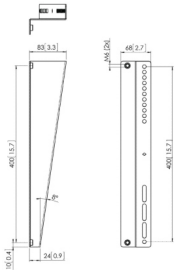
Tilt up to 8°

5 years

Black

7291220

8712285328664



**PFA 9109**

Padlock for PFS

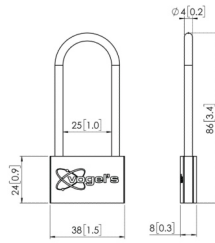


5 years

Black

7291090

8712285321023





# Connect-it ceiling

## **Connect-it ceiling**

Depending on the situation you choose the right ceiling plate and required pole length. The modular display interface can be selected based on the fitment of your display. With the standard Connect-it components it is also possible to create a diversity of multiple display solutions; back-to-back, side-by-side, etc. All of this including the well-known ease-of-installation features.

## **PUC 21/24 Series**

When you need a ceiling solution (single display) for small- to medium-sized displays you can choose the PUC 21 or PUC 24 Series.

## **PUC 25 Series**

When you are in need of a ceiling solution for medium- to large-sized displays and you want to create a diversity of multiple displays: back-to-back or side-by-side, etc. then choose the PUC 25 Series.

## **PUC 29 Series**

Do you want to built a video wall or you need a ceiling solution for large- to XL-sized displays then choose the PUC 29 Series.



# PUC 21 Series

## Small- to medium-sized displays

The PUC 21 Series is part of the modular Connect-it system with which you can create a ceiling solution. The ceiling plate allows you to install the mount to any flat ceiling. The round shape of the poles makes the PUC 21 Series perfectly suitable for suspended ceilings. The poles are equipped with a CIS® cable management system, which ensures that all cables are concealed.

## Display mounting

For small VESA sizes up to 200x200 mm, there are two special display interfaces with a step-by-step tilt function (see page 27). These interfaces are also compatible with the PUC 24 Series poles .

## Key features

- Quick and easy to install
- Aluminium, easy to cut to length
- TÜV-5 certified
- Compatible with projector mounts PPC 1500/2500 (see page 137)

## PUC 21 Series contains:

- Ceiling plates for flat ceilings
- Poles (three lengths)
- Small display interfaces
- Accessories

## CEILING PLATE AND POLES

**PUC 1011**  
Ceiling plate fixed

**PUC 2108**  
Pole



### Specifications

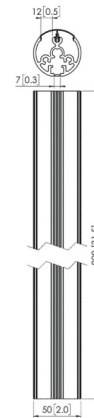
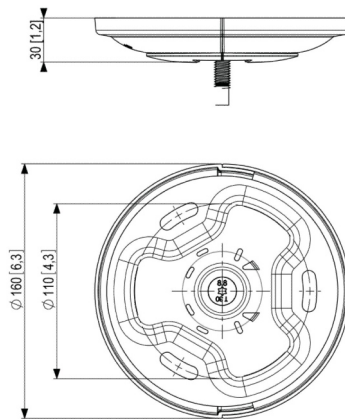
Max. weight load (kg)	30	30
Length (mm)		800
Ceiling types	Flat ceiling	

### Guarantee

TÜV certified		
Guarantee	5 years	5 years

### General

Colour	Black	Silver
Article number	7210110	7221084
EAN single box	8712285319365	8712285317149



**PUC 2115**

Pole



30

1500

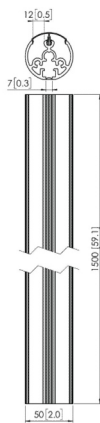


5 years

Silver

7221154

8712285317163



**PUC 2130**

Pole



30

3000

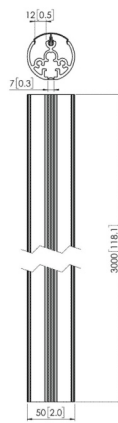


5 years

Silver

7221304

8712285317187





# PUC 24 Series

## Small- to medium-sized displays

The PUC 24 Series is part of the modular Connect-it system with which you can create a ceiling solution for small- to medium-sized displays.

Thanks to its round shape and the 360° turn function, a suspended ceiling can also be completed quickly and professionally. The tilt function in the ceiling plate ensures that the support can also be mounted to inclined ceilings. All existing Connect-it accessories can be used with the PUC 24 Series. The innovative nut channel now makes it easy to add accessories after installation. The PUC 24 Series is also equipped with a CIS® cable management system that allows you to quickly and easily take cables out of sight.

The PUC 24 poles are available in two different colours and four lengths. The lengths are easy to shorten.

## Display mounting

For small VESA sizes, Vogel's has developed two special display interfaces with a step-by-step tilt function. For large VESA sizes, it is possible to use the conventional display interface bars and display interface strips from the modular Connect-it system (see page 10-17).

## Key features

- Quick and easy to install
- Strong and flexible options for use
- Add accessories after installation
- Stylish and innovative design
- TÜV-5 certified

## PUC 24 Series contains:

- Ceiling plate and truss adapter
- Poles (four lengths)
- Small display interfaces
- Display interface bars and strips
- Accessories
- PUC 24 ceiling kits



CEILING PLATES

**PUC 1045**

Ceiling plate turn and tilt



**PUC 1051**

Truss adapter



**Specifications**

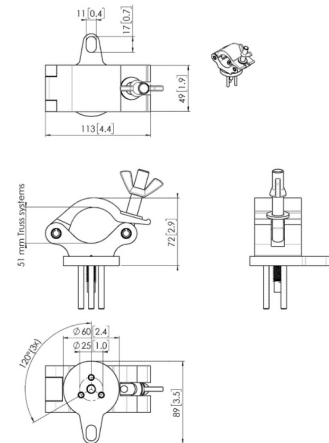
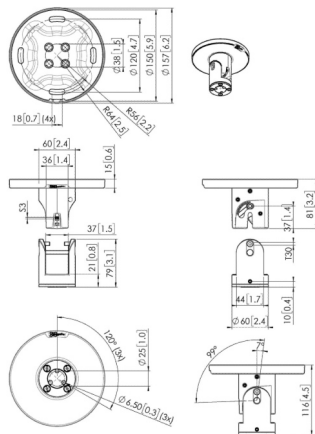
Max. weight load (kg)	40	40
Turn	Up to 360°	
Tilt	Tilt up to 90°	
Ceiling types	Flat / inclined ceiling	Truss system
Ceiling plate options	Inclined (multi directional)	Truss system

**Guarantee**

TÜV certified		
Guarantee	5 years	5 years

**General**

Colour	Black	Stainless Steel
Article number	7210450	7210514
EAN single box	8712285343940	8712285344404



## POLES

### PUC 2408

Pole



### PUC 2415

Pole



### PUC 2422

Pole



### PUC 2430

Pole



#### Specifications

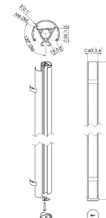
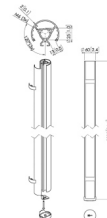
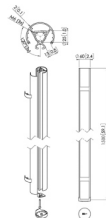
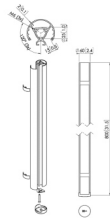
Max. weight load (kg)	40	40	40	40
Length (mm)	800	1500	2200	3000

#### Guarantee

TÜV certified				
Guarantee	5 years	5 years	5 years	5 years

#### General

Colour	Silver   Black	Black   Silver	Black   Silver	Black   Silver
Article number	7224084 (Silver) 7224080 (Black)	7224150 (Black) 7224154 (Silver)	7224220 (Black) 7224224 (Silver)	7224300 (Black) 7224304 (Silver)
EAN single box	8712285344442 (Silver) 8712285344428 (Black)	8712285344466 (Black) 8712285344480 (Silver)	8712285344503 (Black) 8712285344527 (Silver)	8712285344541 (Black) 8712285344565 (Silver)



INTERFACES

**PFI 3015**  
Display interface

**PFI 3045**  
Display interface



**Specifications**

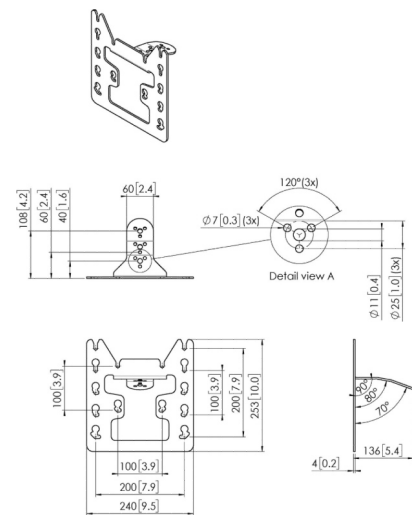
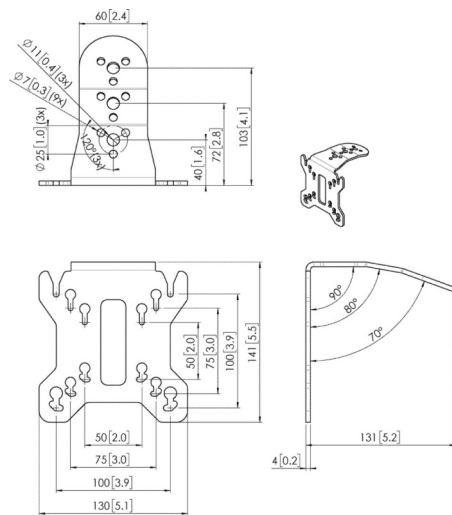
Max. weight load (kg)	30	30
Min. screen size (inch)	10	19
Max. screen size (inch)	32	43
Tilt	Tilt up to 20°	Tilt up to 20°
Hole pattern (VESA)	50 mm x 50 mm 75 mm x 75 mm 100 mm x 100 mm	100 mm x 100 mm 200 mm x 100 mm 200 mm x 200 mm

**Guarantee**

TÜV certified		
Guarantee	5 years	5 years

**General**

Colour	Black	Black
Article number	7230150	7230450
EAN single box	8712285343865	8712285343889



## ACCESSORIES

### PFA 9149

T-Slot nuts



### PUA 9515

Girder / H-beam clamp  
70-180 mm



### PUA 9516

Girder / H-beam clamp  
150-300 mm



### PUA 9510

Stabilization kit for PUC 24



### Specifications

Max. weight load (kg)

80

80

H-beam size

70-180 mm

150-300 mm

### Guarantee

TÜV certified



Guarantee

5 years

5 years

5 years

5 years

Guarantee on Electrical Parts

### General

Colour

Silver

Black

Black

Stainless Steel

Article number

7291490

7295154

7295164

7295104

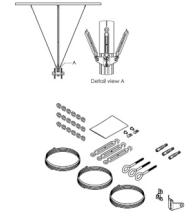
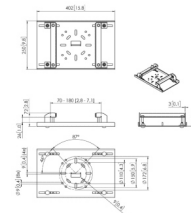
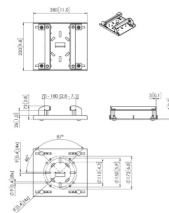
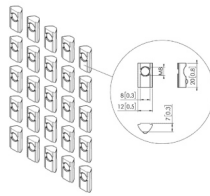
EAN single box

8712285345425

8712285345166

8712285345180

8712285335884



CEILING KITS

**CT240811**  
Ceiling mount turn

**CT241511**  
Ceiling mount turn

**CT242211**  
Ceiling mount turn

**CT243011**  
Ceiling mount turn



**Specifications**

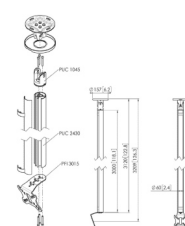
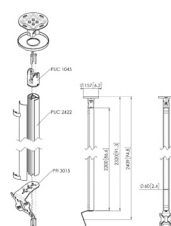
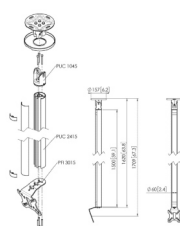
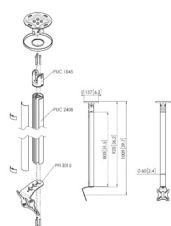
Max. weight load (kg)	30	30	30	30
Length (mm)	934	1779	2469	3269
Min. screen size (inch)	10	10	10	10
Max. screen size (inch)	32	32	32	32
Min. VESA hole pattern (mm)	50 x 50	50 x 50	50 x 50	50 x 50
Max. VESA hole pattern (mm)	100 x 100	100 x 100	100 x 100	100 x 100
Ceiling types	Flat / inclined ceiling	Flat / inclined ceiling	Flat / inclined ceiling	Flat / inclined ceiling
Turn	Up to 360°	Up to 20°	Up to 360°	Up to 360°

**Guarantee**

TÜV certified				
Guarantee	5 years	5 years	5 years	5 years

**General**

Colour	Black   Silver	Black   Silver	Black   Silver	Black   Silver
Article number	7955010 (Black) 7955014 (Silver)	7955030 (Black) 7955034 (Silver)	7955060 (Black) 7955064 (Silver)	7955080 (Black) 7955084 (Silver)
EAN single box	8712285346880 (Black) 8712285346866 (Silver)	8712285346965 (Black) 8712285346941 (Silver)	8712285347047 (Black) 8712285347023 (Silver)	8712285347122 (Black) 8712285347108 (Silver)



## CEILING KITS

**CT240822**  
Ceiling mount turn



**CT241522**  
Ceiling mount turn



**CT242222**  
Ceiling mount turn



**CT243022**  
Ceiling mount turn



### Specifications

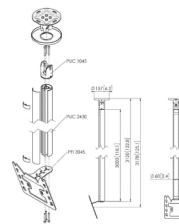
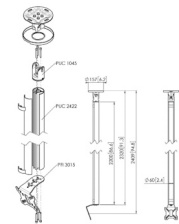
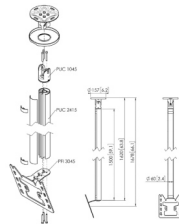
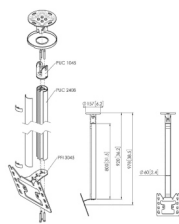
Max. weight load (kg)	30	30	30	30
Length (mm)	987	1803	2503	3203
Min. screen size (inch)	19	19	19	19
Max. screen size (inch)	43	43	43	43
Min. VESA hole pattern (mm)	100 x 100	100 x 100	100 x 100	100 x 100
Max. VESA hole pattern (mm)	200 x 200	200 x 200	200 x 200	200 x 200
Ceiling types	Flat / inclined ceiling	Flat / inclined ceiling	Flat / inclined ceiling	Flat / inclined ceiling
Turn	Up to 360°	Up to 360°	Up to 360°	Up to 360°

### Guarantee

TÜV certified				
Guarantee	5 years	5 years	5 years	5 years

### General

Colour	Black   Silver	Silver   Black	Black   Silver	Black   Silver
Article number	7955020 (Black) 7955024 (Silver)	7955044 (Silver) 7955040 (Black)	7955070 (Black) 7955074 (Silver)	7955090 (Black) 7955094 (Silver)
EAN single box	8712285346927 (Black) 8712285346903 (Silver)	8712285346989 (Silver) 8712285347009 (Black)	8712285347085 (Black) 8712285347061 (Silver)	8712285347160 (Black) 8712285347146 (Silver)



CEILING KITS

**CT240844**  
Ceiling mount turn

**CT241544**  
Ceiling mount turn

**CT242244**  
Ceiling mount turn

**CT243044**  
Ceiling mount turn



**Specifications**

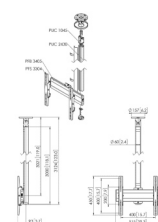
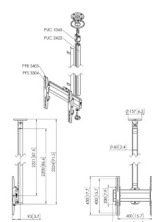
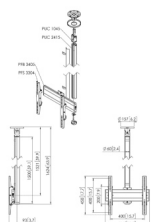
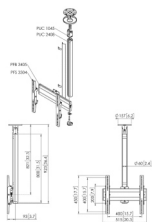
Max. weight load (kg)	40	40	40	40
Max. screen size (inch)	65	65	65	65
Length (mm)	1046	1746	2446	3246
Min. VESA hole pattern (mm)	100 x 100	100 x 100	100 x 100	100 x 100
Max. VESA hole pattern (mm)	400 x 400	400 x 400	400 x 400	400 x 400
Turn	Up to 360°	Up to 360°	Up to 360°	Up to 360°

**Guarantee**

TÜV certified				
Guarantee	5 years	5 years	5 years	5 years

**General**

Colour	Black   Silver	Black   Silver	Black   Silver	Black   Silver
Article number	7955100 (Black) 7955104 (Silver)	7955110 (Black) 7955114 (Silver)	7955120 (Black) 7955124 (Silver)	7955130 (Black) 7955134 (Silver)
EAN single box	8712285347207 (Black) 8712285347184 (Silver)	8712285347245 (Black) 8712285347221 (Silver)	8712285347283 (Black) 8712285347269 (Silver)	8712285347320 (Black) 8712285347306 (Silver)





# PUC 25 Series

## **Medium- to large-sized displays**

The PUC 25 Series is part of the modular Connect-it system with which you can create a ceiling solution for medium- to large-sized displays.

The poles of the PUC 25 Series are equipped with a multiple cable inlay system with which you can quickly and simply ensure that all cables are hidden. The pole is made of aluminium and therefore, it can simply be cut at the required length.

Multiple displays can easily be installed back-to-back, on top of each other or next to each other.

Combine this pole with one of the Connect-it ceiling plates, Connect-it display interface bar and Connect-it interface strips (see page 10-17) for a complete ceiling solution.

## **Key features**

- CIS® cable management
- Aluminium, easy to cut to length
- Multiple display mounting
- Safety end cap included

## **PUC 25 Series contains:**

- Ceiling plates
- Poles (three lengths)
- Display interface bars and strips
- Accessories
- PUC 25 ceiling kits



CEILING  
PLATES

**PUC 1060**  
Ceiling plate fixed

**PUC 1065**  
Ceiling plate turn

**PUC 1070**  
Ceiling plate tilt



**Specifications**

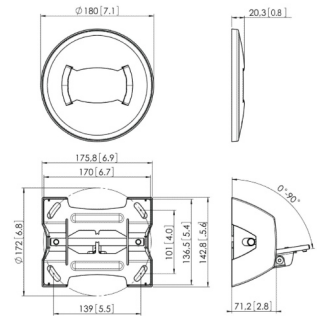
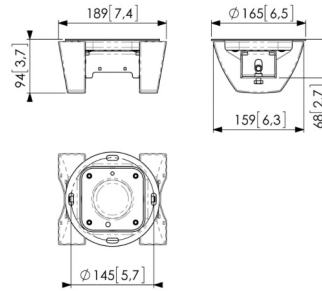
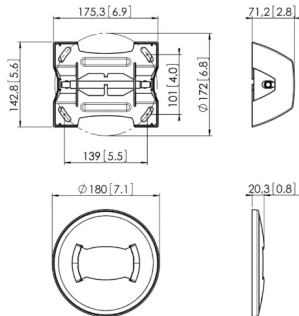
Max. weight load (kg)	80	80	80
Turn		Up to 360°	
Tilt			Tilt up to 90°
Ceiling types	Flat ceiling	Flat ceiling	Flat / inclined ceiling
Ceiling plate options	Flat (fixed)	Flat (turn function)	Flat / inclined 0-90°

**Guarantee**

TÜV certified			
Guarantee	5 years	5 years	5 years

**General**

Colour	Black	Black	Black
Article number	7210604	7210650	7210704
EAN single box	8712285318665	8712285324123	8712285318689



## CEILING PLATES

**PUC 1080**  
Ceiling plate turn and tilt



**PUC 1090**  
Truss adapter



### Specifications

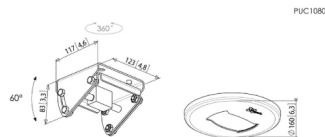
Max. weight load (kg)	80	80
Turn	Up to 360°	
Tilt	Tilt up to 60°	
Ceiling types	Flat / inclined ceiling	Truss system
Ceiling plate options	Inclined (multi directional)	Truss system

### Guarantee

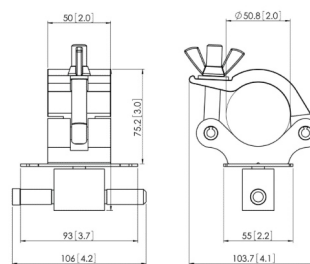
TÜV certified		
Guarantee	5 years	5 years

### General

Colour	Black	Silver
Article number	7210804	7210904
EAN single box	8712285320767	8712285319389



PUC 1080



POLES

**PUC 2508**

Pole

**PUC 2515**

Pole

**PUC 2530**

Pole



**Specifications**

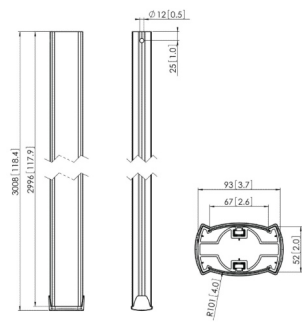
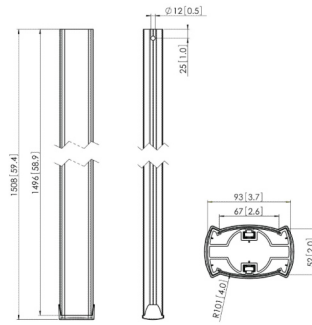
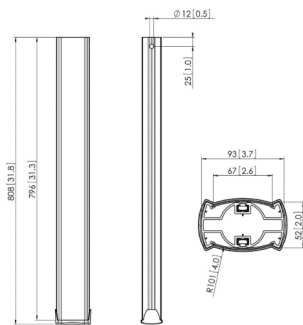
Max. weight load (kg)	80	80	80
Length (mm)	800	1500	3000

**Guarantee**

TÜV certified			
Guarantee	5 years	5 years	5 years

**General**

Colour	Silver   Black	Silver   Black	Silver   Black
Article number	7225084 (Silver) 7225080 (Black)	7225154 (Silver) 7225150 (Black)	7225304 (Silver) 7225300 (Black)
EAN single box	8712285318702 (Silver) 8712285329340 (Black)	8712285318726 (Silver) 8712285329364 (Black)	8712285318740 (Silver) 8712285329388 (Black)



ACCESSORIES

**PUA 9507**  
Accessory tray for PUC 24/25/27



**PFA 9127**  
Accessory clamp for PUC 24/PUC 25/PUC 27



**PFA 9103**  
Floor plate for PUC 25



**Specifications**

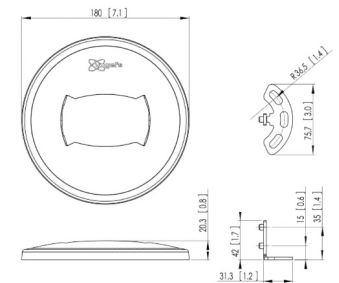
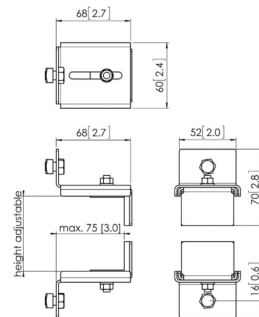
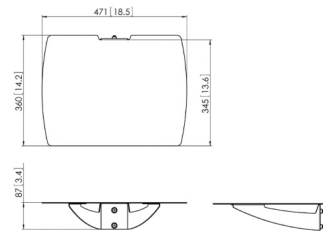
Max. weight load (kg)	10	10	
Colour	Silver   Black	Black	Black

**Guarantee**

Guarantee	5 years	5 years	5 years
-----------	---------	---------	---------

**General**

Colour	Silver   Black	Black	Black
Article number	7295094 (Silver) 7295095 (Black)	7091270	7291030
EAN single box	8712285321047 (Silver) 8712285325045 (Black)	8712285331985	8712285320729



**PUA 9503**

Pole coupler for PUC 25



80

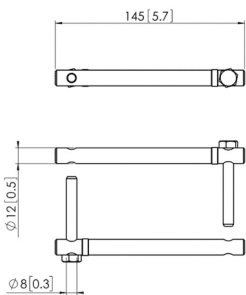
Silver

5 years

Silver

7295054

8712285319402



**PUA 9504**

Stabilisation kit for PUC 25



Silver

5 years

Silver

7295064

8712285319426

**PFA 9107**

Pole cover for PUC 25



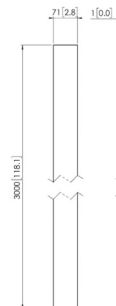
White

5 years

White

7291071

8712285320989



**PFA 9108**

Ceiling cover for PUC 25



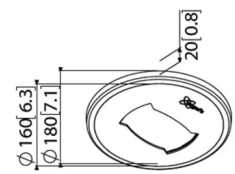
White

5 years

White

7291081

8712285321009

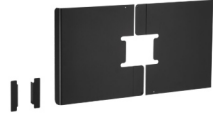


mm (inch)

## ACCESSORIES

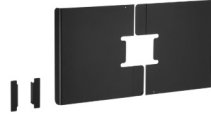
### PFA 9115

Back cover landscape  
42-47"



### PFA 9116

Back cover landscape  
50-55"



### PFA 9120

Back cover portrait 42-47"



### PFA 9121

Back cover portrait 50-55"



### Specifications

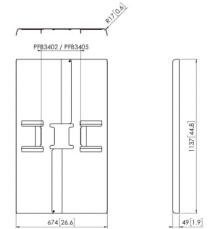
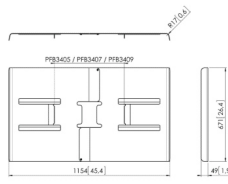
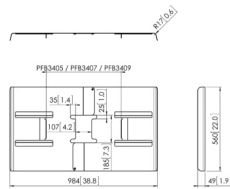
Min. screen size (inch)	42	50	42	50
Max. screen size (inch)	47	55	47	55
Colour	Black	Black	Black	Black

### Guarantee

Guarantee	5 years	5 years	5 years	5 years
-----------	---------	---------	---------	---------

### General

Colour	Black	Black	Black	Black
Article number	7291150	7291160	7291200	7291210
EAN single box	8712285324864	8712285324888	8712285327469	8712285327483



CEILING KITS -  
FIXED

**C0844**

Ceiling mount fixed ceiling

**C1544**

Ceiling mount fixed ceiling

**C3044**

Ceiling mount fixed ceiling



**Specifications**

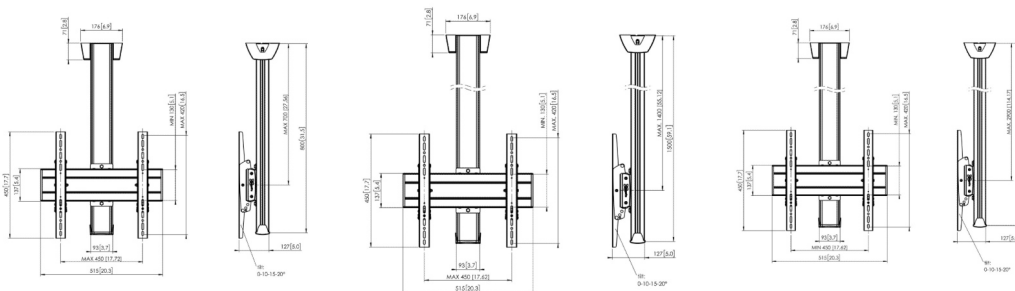
Max. weight load (kg)	80	80	80
Length (mm)	800	1500	3000
Max. screen size (inch)	65	65	65
Max. VESA hole pattern (mm)	450 x 420	450 x 420	450 x 420
Ceiling types	Flat ceiling	Flat ceiling	Flat ceiling

**Guarantee**

TÜV certified			
Guarantee	5 years	5 years	5 years

**General**

Colour	Silver   Black	Black   Silver	Silver   Black
Article number	7950014 (Silver) 7950010 (Black)	7990020 (Black) 7950024 (Silver) 7950020 (Black)	7950034 (Silver) 7950030 (Black)
EAN single box	8712285332104 (Silver) 8712285332128 (Black)	8712285346828 (Black) 8712285332142 (Silver) 8712285332166 (Black)	8712285332180 (Silver) 8712285332203 (Black)



## CEILING KITS - TURN

**CT0844**  
Ceiling mount turn

**CT1544**  
Ceiling mount turn

**CT3044**  
Ceiling mount turn



### Specifications

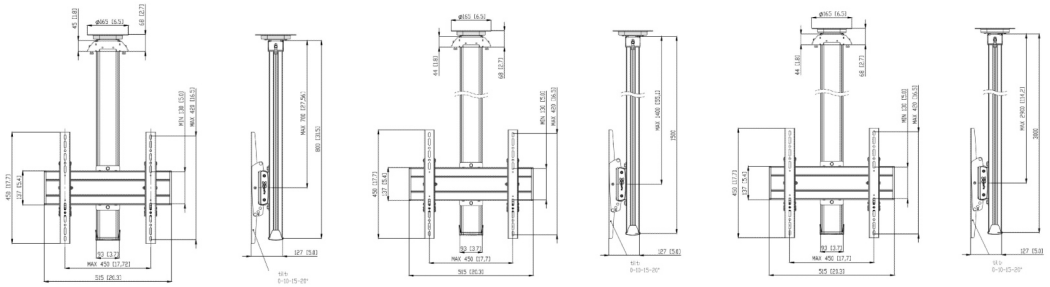
Max. weight load (kg)	80	80	80
Length (mm)	800	1500	3000
Max. screen size (inch)	65	65	65
Max. VESA hole pattern (mm)	450 x 420	450 x 420	450 x 420
Turn	Up to 360°	Up to 360°	Up to 360°
Ceiling types	Flat ceiling	Flat ceiling	Flat ceiling

### Guarantee

TÜV certified			
Guarantee	5 years	5 years	5 years

### General

Colour	Silver   Black	Silver   Black	Silver   Black
Article number	7950084 (Silver) 7950080 (Black)	7950094 (Silver) 7950090 (Black)	7950104 (Silver) 7950100 (Black)
EAN single box	8712285332388 (Silver) 8712285332401 (Black)	8712285332425 (Silver) 8712285332449 (Black)	8712285332463 (Silver) 8712285332487 (Black)





## CEILING KITS - DOUBLE POLE

### CD1564

Ceiling mount double pole



### CD3064

Ceiling mount double pole



#### Specifications

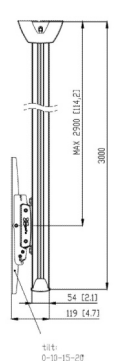
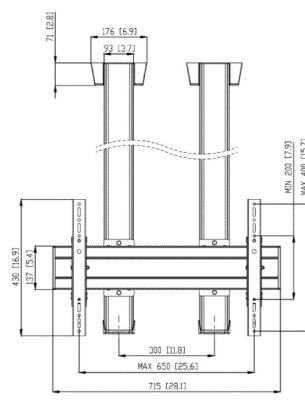
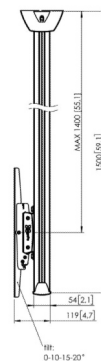
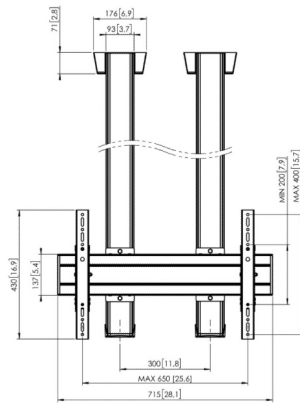
Max. weight load (kg)	160	160
Length (mm)	1500	3000
Min. screen size (inch)	65	65
Max. VESA hole pattern (mm)	650 x 400	650 x 400
Ceiling types	Flat ceiling	Flat ceiling

#### Guarantee

TÜV certified		
Guarantee	5 years	5 years

#### General

Colour	Silver   Black	Silver   Black
Article number	7950044 (Silver) 7950040 (Black)	7950064 (Silver) 7950060 (Black)
EAN single box	8712285332227 (Silver) 8712285332241 (Black)	8712285332302 (Silver) 8712285332326 (Black)



## CEILING KITS - DOUBLE POLE

### CD1584

Ceiling mount double pole



### CD3084

Ceiling mount double pole



#### Specifications

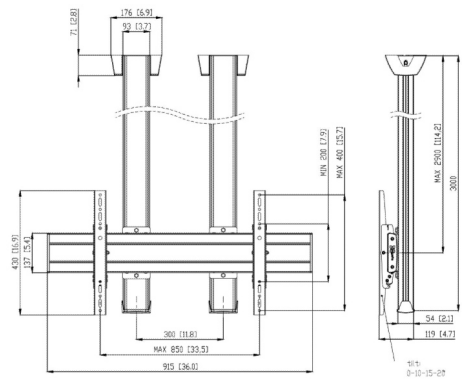
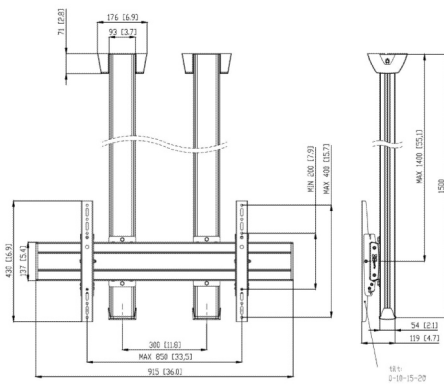
Max. weight load (kg)	160	120
Length (mm)	1500	3000
Min. screen size (inch)	65	65
Max. VESA hole pattern (mm)	850 x 400	850 x 400
Ceiling types	Flat ceiling	Flat ceiling

#### Guarantee

TÜV certified		
Guarantee	5 years	5 years

#### General

Colour	Silver   Black	Silver   Black
Article number	7950054 (Silver) 7950050 (Black)	7950074 (Silver) 7950070 (Black)
EAN single box	8712285332265 (Silver) 8712285332289 (Black)	8712285332340 (Silver) 8712285332364 (Black)





### DRINKEN

Witbier	€ 1,20
Bitter	€ 1,20
Guinness	€ 1,20
Heineken	€ 1,20
Amstel	€ 1,20
Beck's	€ 1,20
Hoegaarden	€ 1,20
Stout	€ 1,20
IPA	€ 1,20
Non-alcoholisch	€ 0,80
Water	€ 0,50
Softdrink	€ 0,80
Wijn	€ 1,50
Prosecco	€ 1,50
Champagne	€ 2,00

### SNOEP

Wafels	€ 1,50
Chocolade	€ 1,50
Broodjes	€ 1,50
Salade	€ 1,50
Worstjes	€ 1,50
Wafels met chocolade	€ 1,50
Wafels met fruit	€ 1,50
Wafels met slagroom	€ 1,50
Wafels met speculaas	€ 1,50

### DRINKEN

Witbier	€ 1,20
Bitter	€ 1,20
Guinness	€ 1,20
Heineken	€ 1,20
Amstel	€ 1,20
Beck's	€ 1,20
Hoegaarden	€ 1,20
Stout	€ 1,20
IPA	€ 1,20
Non-alcoholisch	€ 0,80
Water	€ 0,50
Softdrink	€ 0,80
Wijn	€ 1,50
Prosecco	€ 1,50
Champagne	€ 2,00





# Height adjustable ceiling mounts

## **Complete kits**

For small displays, there are two complete ceiling mount kits available, including a universal ceiling plate, height adjustable pole and a VESA 200x200 mm display interface with tilt function.

## **Key features**

- Adjustable in height (telescopic pole)
- For flat and inclined ceilings
- CIS® cable management
- Post-installation levelling

## CEILING MOUNTS

### PFC 555

Display ceiling mount



### PFC 585

Display ceiling mount



#### Specifications

Max. weight load (kg)	20	20
Min. screen size (inch)	19	19
Max. screen size (inch)	43	43
Ceiling types	Flat / inclined ceiling	Flat / inclined ceiling
Min. distance to ceiling (mm)	550	830
Max. distance to ceiling - center display (mm)	810	1380
Tilt	Tilt up to 20°	Tilt up to 20°
Hole pattern (VESA)	100 mm x 100 mm 200 mm x 100 mm 200 mm x 200 mm	100 mm x 100 mm 200 mm x 100 mm 200 mm x 200 mm

#### Guarantee

TÜV certified



Guarantee

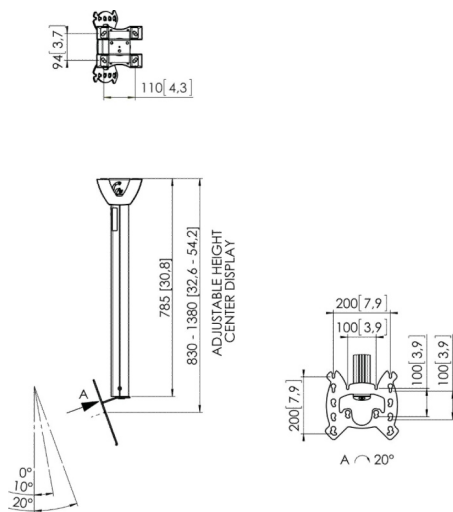
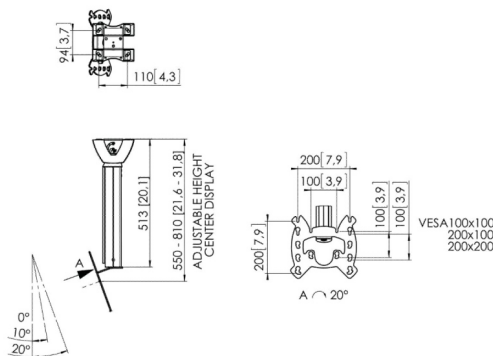
5 years



5 years

#### General

Colour	Silver	Silver
Article number	7305554	7305854
EAN single box	8712285330742	8712285330766



# Connect-it floor



## **Trolleys and floor stands**

Flexibility is the key feature of the Connect-it trolleys and floor stands, from a basic single to any imaginable multiple solution.

Creating a video conferencing trolley or stand is easy with the standard components and the wide range of accessories. With Connect-it floor you can create your own custom set-up. The length of the pole in combination with the weight and VESA of the display lead to the perfect Connect-it floor solution.

With each solution don't forget to order an interface bar and display interface strips, which depend on the screen size (see page 10-17).

## **Key features**

- Flexible modular system
- Multiple display mounting
- Modular display interface for a perfect fit
- Extensive cable space

## **Floor solution Series contains:**

- Floor plates
- Trolley frames
- Poles (PUC 27 Series)
- Display interface bars and -strips
- Accessories
- Connect-it floor kits

# Floor solutions

## How to choose the correct floor solution?

- Choose floor stand or trolley
- Choose length of the pole
- Check the weight of your display
- Length of the pole in combination with the weight of the display determine the size of the foot plate or trolley frame

See overview for your perfect solution:

		Floor stands					Trolleys	
		back-to-back			floor mounted			
Pole	Length	PFF 7020	PFF 7030	PFF 7040	PFF 7050	PFF 7060	PFT 8520	PFT 8530
<b>PUC 2715</b>	<b>1,5 m</b>	105 kg	160 kg	2x 80 kg	2x 100 kg	(2x) 150 kg	105 kg	160 kg
<b>PUC 2718</b>	<b>1,8 m</b>	80 kg	160 kg	2x 60 kg	2x 80 kg	(2x) 150 kg	80 kg	160 kg
<b>PUC 2720</b>	<b>2,0 m</b>	60 kg	120 kg	2x 40 kg	2x 65 kg	(2x) 150 kg	60 kg	150 kg

**PFF 7020**

Floor plate

**PFF 7030**

Floor plate

FLOOR PLATES



**Specifications**

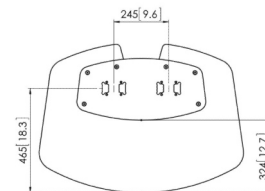
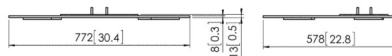
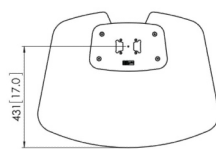
Depth (mm)	578	662
Height (mm)	13	13
Width (mm)	772	912

**Guarantee**

TÜV certified		
Guarantee	5 years	5 years

**General**

Colour	Silver   Black	Silver   Black
Article number	7327024 (Silver) 7327020 (Black)	7327034 (Silver) 7327030 (Black)
EAN single box	8712285323768 (Silver) 8712285323744 (Black)	8712285323805 (Silver) 8712285323782 (Black)





**PFF 7040**

Floor plate back-to-back



580  
13  
820

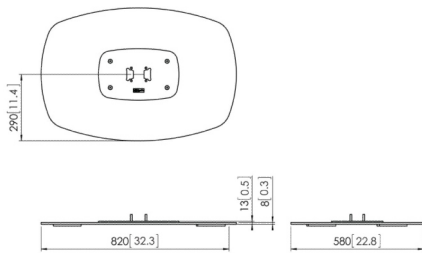


5 years

Black

7327040

8712285323829



**PFF 7050**

Floor plate back-to-back



680  
13  
897

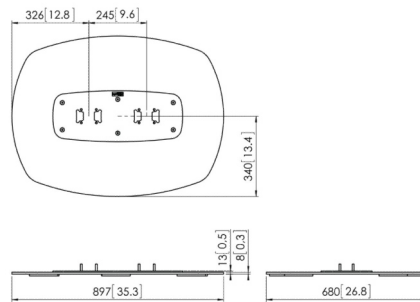


5 years

Black

7327050

8712285323843



**PFF 7060**

Floor mounting plate



225  
5  
351

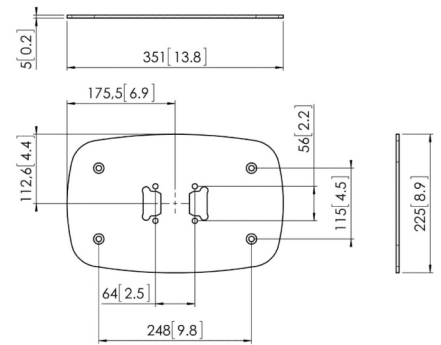


5 years

Silver | Black

7327064 (Silver)  
7327060 (Black)

8712285323881 (Silver)  
8712285323867 (Black)



## PFT 8520

Trolley frame

## PFT 8530

Trolley frame

## TROLLEY FRAMES



### Specifications

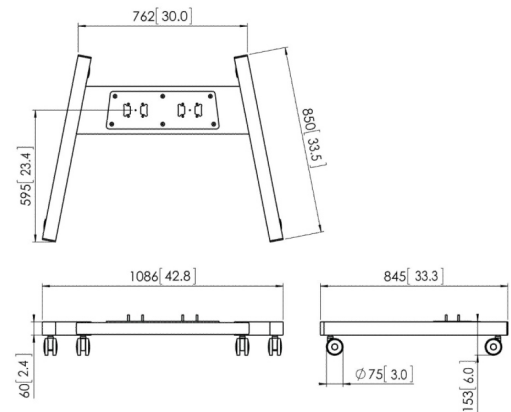
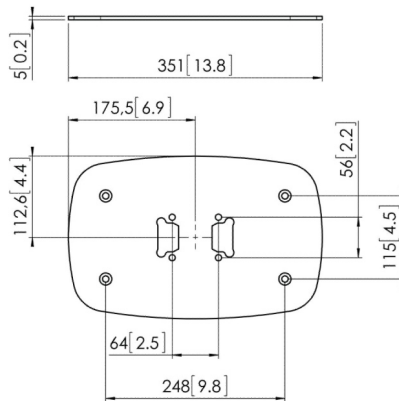
Depth (mm)	826	849
Height (mm)	140	153
Width (mm)	978	1086

### Guarantee

TÜV certified		
Guarantee	5 years	5 years

### General

Colour	Silver   Black	Silver   Black
Article number	7328524 (Silver) 7328520 (Black)	7328534 (Silver) 7328530 (Black)
EAN single box	8712285323928 (Silver) 8712285323904 (Black)	8712285323966 (Silver) 8712285323942 (Black)



POLES

**PUC 2715**

Pole



**PUC 2718**

Pole



**PUC 2720**

Pole



**Specifications**

Max. weight load (kg)

1500

1800

2000

Length (mm)

**Guarantee**

TÜV certified



Guarantee

5 years

5 years

5 years

**General**

Colour

Silver | Black

Silver | Black

Silver | Black

Article number

7227154 (Silver)  
7227150 (Black)

7227184 (Silver)  
7227180 (Black)

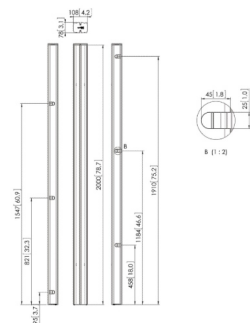
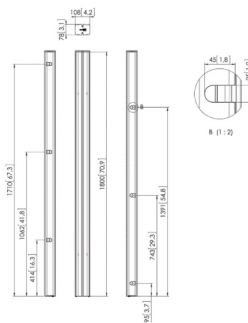
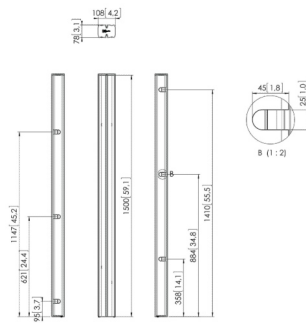
7227204 (Silver)  
7227200 (Black)

EAN single box

8712285323645 (Silver)  
8712285323621 (Black)

8712285323683 (Silver)  
8712285323669 (Black)

8712285323720 (Silver)  
8712285323706 (Black)



ACCESSORIES

**PVA 5050**

Camera/speaker holder



**PVA 5070**

Camera/speaker holder



**Specifications**

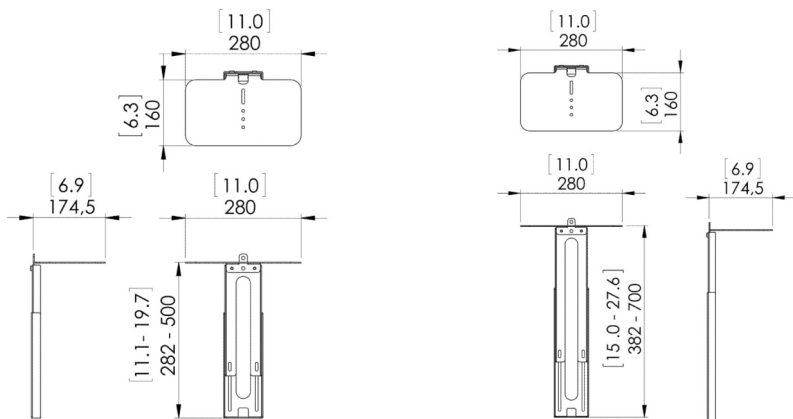
Max. weight load (kg)	10	10
Min. screen size (inch)	40	55
Max. screen size (inch)	55	90

**Guarantee**

Guarantee	5 years	5 years
-----------	---------	---------

**General**

Colour	Black	Black
Article number	7015050	7015070
EAN single box	8712285329128	8712285329104



**PFA 9112**

Locking cabinet

**PFA 9113**

Locking cabinet

**PUA 9507**

Accessory tray for PUC 24/25/27



10

5 years

5 years

5 years

Silver

Silver

Silver | Black

7291124

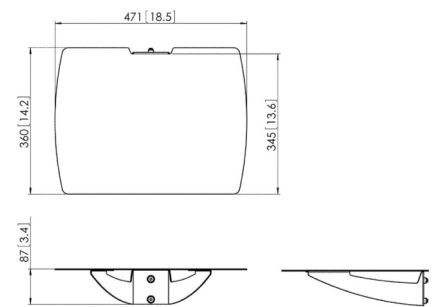
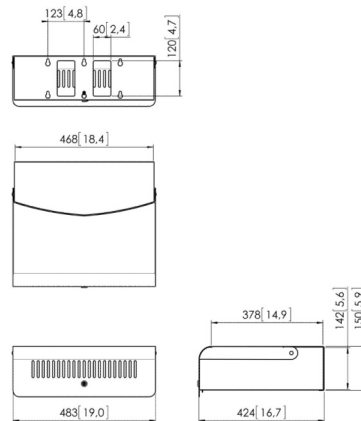
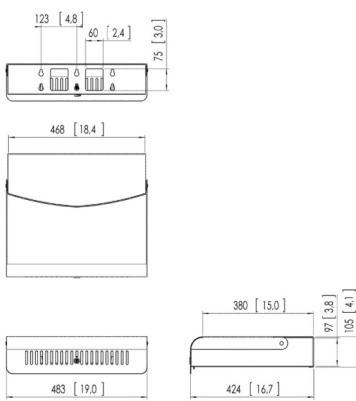
7291134

7295094 (Silver)  
7295095 (Black)

8712285324024

8712285324048

8712285321047 (Silver)  
8712285325045 (Black)



ACCESSORIES

**PFA 9114**

Wheels heavy duty



**PFA 9124**

Grip for PUC 27/PUC 29



**Specifications**

Max. weight load (kg)

160

**Guarantee**

Guarantee

5 years

5 years

**General**

Colour

Silver

Black

Article number

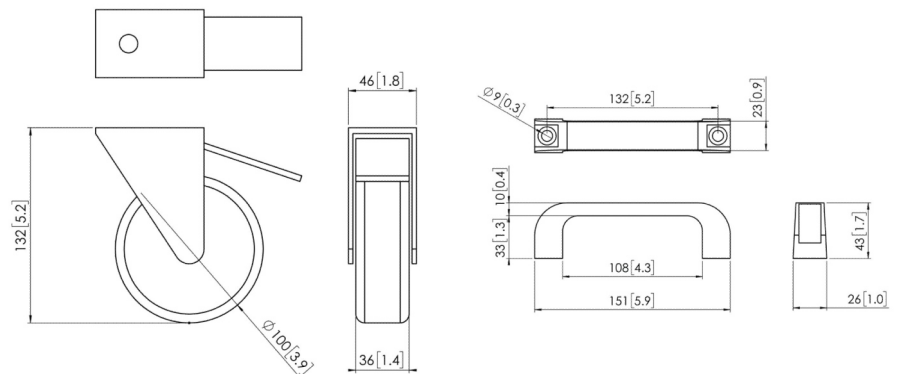
7291144

7291240

EAN single box

8712285324062

8712285330186



**PFA 9127**

Accessory clamp for PUC 24/PUC 25/PUC 27



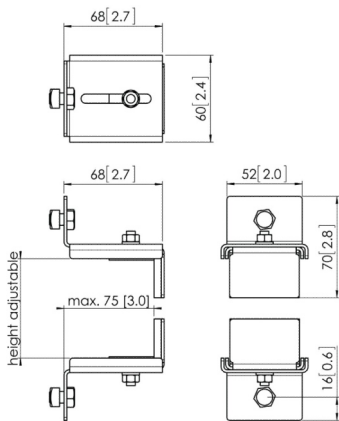
10

5 years

Black

7091270

8712285331985



## FLOOR MOUNTED KITS

### FM1544

Floor stand, fixed to the floor



### FM1844

Floor stand, fixed to the floor



### FM2044

Floor stand, fixed to the floor



#### Specifications

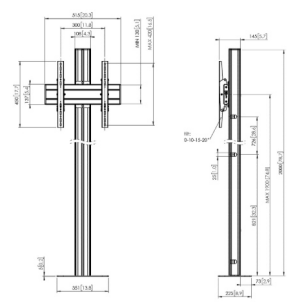
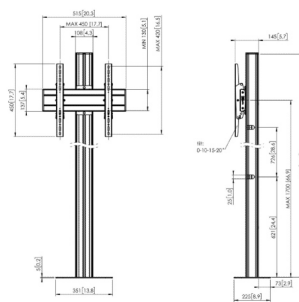
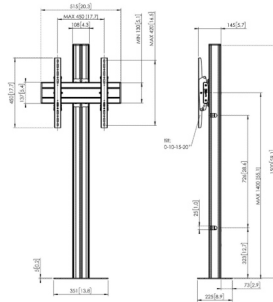
Max. weight load (kg)	80	80	80
Max. screen size (inch)	65	65	65
Height (mm)	1500	1800	2000
Min. VESA hole pattern (mm)	100 x 100	100 x 100	100 x 100
Max. VESA hole pattern (mm)	420 x 450	450 x 420	450 x 420

#### Guarantee

TÜV certified			
Guarantee	5 years	5 years	5 years

#### General

Colour	Black   Silver	Black   Silver	Black   Silver
Article number	7952010 (Black) 7952014 (Silver)	7952020 (Black) 7952024 (Silver)	7952030 (Black) 7952034 (Silver)
EAN single box	8712285332869 (Black) 8712285332883 (Silver)	8712285332906 (Black) 8712285332920 (Silver)	8712285332944 (Black) 8712285332968 (Silver)





FLOOR STAND KITS

**F1544**  
Floor stand

**F1844**  
Floor stand

**F2044**  
Floor stand



**Specifications**

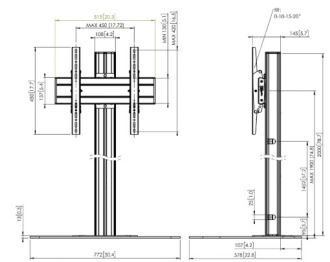
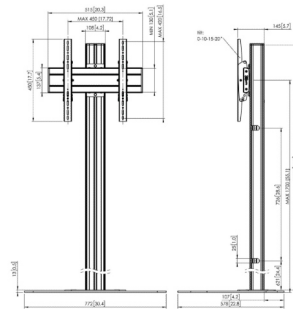
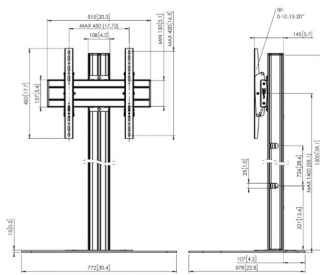
Max. weight load (kg)	80	80	80
Max. screen size (inch)	65	65	65
Height (mm)	1500	1800	2000
Min. VESA hole pattern (mm)	100 x 100	100 x 100	100 x 100
Max. VESA hole pattern (mm)	450 x 420	420 x 450	450 x 420

**Guarantee**

TÜV certified			
Guarantee	5 years	5 years	5 years

**General**

Colour	Black   Silver	Black   Silver	Black   Silver
Article number	7951010 (Black) 7951014 (Silver)	7951020 (Black) 7951024 (Silver) 7991020 (Black)	7951030 (Black) 7951034 (Silver)
EAN single box	8712285332500 (Black) 8712285332524 (Silver)	8712285332548 (Black) 8712285332562 (Silver) 8712285346804 (Black)	8712285332586 (Black) 8712285332609 (Silver)



## FLOOR STAND KITS

### FD1564

Floor stand double pole



### FD1864

Floor stand double pole



### FD2064

Floor stand double pole



#### Specifications

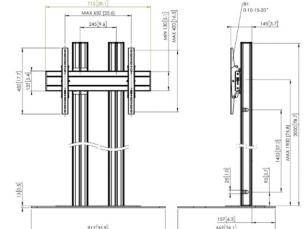
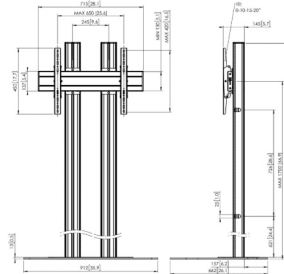
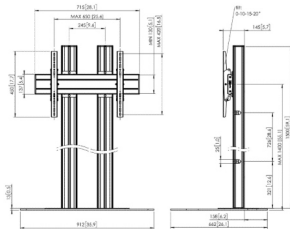
Max. weight load (kg)	80	80	80
Min. screen size (inch)	65	65	65
Height (mm)	1500	1800	2000
Min. VESA hole pattern (mm)	100 x 100	100 x 100	100 x 100
Max. VESA hole pattern (mm)	650 x 420	650 x 420	650 x 420

#### Guarantee

TÜV certified			
Guarantee	5 years	5 years	5 years

#### General

Colour	Black   Silver	Black   Silver	Black   Silver
Article number	7951040 (Black) 7951044 (Silver)	7951060 (Black) 7951064 (Silver)	7951080 (Black) 7951084 (Silver)
EAN single box	8712285332623 (Black) 8712285332647 (Silver)	8712285332708 (Black) 8712285332722 (Silver)	8712285332784 (Black) 8712285332807 (Silver)



**FD1584**

Floor stand double pole



120

65

1500

100 x 100

850 x 400



5 years

Black | Silver

7951050 (Black)  
7951054 (Silver)

8712285332661 (Black)  
8712285332685 (Silver)

**FD1884**

Floor stand double pole



120

65

1800

100 x 100

850 x 400



5 years

Black | Silver

7951070 (Black)  
7951074 (Silver)

8712285332746 (Black)  
8712285332760 (Silver)

**FD2084**

Floor stand double pole



120

65

2000

100 x 100

850 x 400

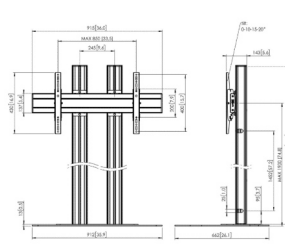
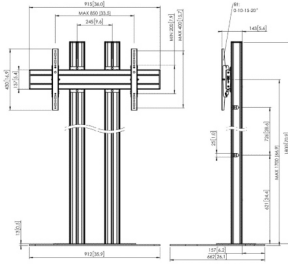
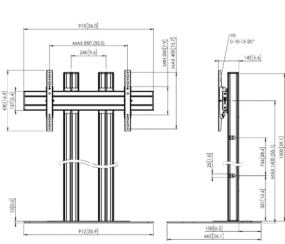


5 years

Black | Silver

7951090 (Black)  
7951094 (Silver)

8712285332821 (Black)  
8712285332845 (Silver)





TROLLEY KITS

**T1544**  
Trolley

**T1844**  
Trolley

**T2044**  
Trolley



**Specifications**

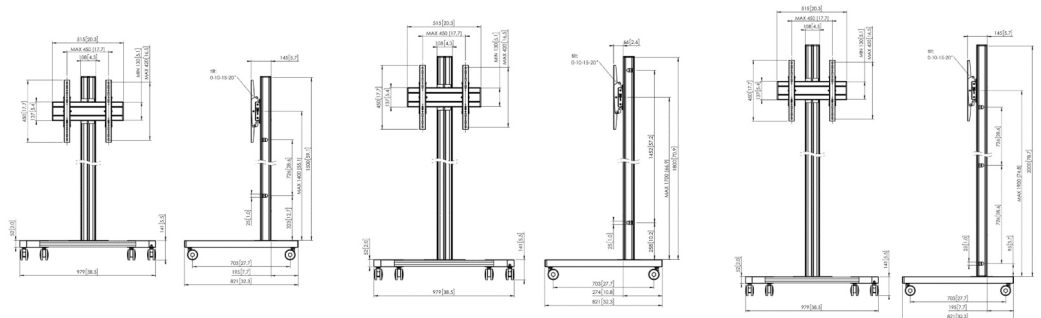
Max. weight load (kg)	80	80	80
Max. screen size (inch)	65	65	65
Height (mm)	1641	1941	2141
Min. VESA hole pattern (mm)	100 x 100	100 x 100	100 x 100
Max. VESA hole pattern (mm)	450 x 420	450 x 420	420 x 450

**Guarantee**

TÜV certified			
Guarantee	5 years	5 years	5 years

**General**

Colour	Black   Silver	Black   Silver	Black   Silver
Article number	7953010 (Black) 7953014 (Silver)	7953020 (Black) 7953024 (Silver) 7993020 (Black)	7953030 (Black) 7953034 (Silver)
EAN single box	8712285332982 (Black) 8712285333002 (Silver)	8712285333026 (Black) 8712285333040 (Silver) 8712285346781 (Black)	8712285333064 (Black) 8712285333088 (Silver)



## TROLLEY KITS

**TD1564**  
Trolley double pole



**TD1864**  
Trolley double pole



**TD2064**  
Trolley double pole



### Specifications

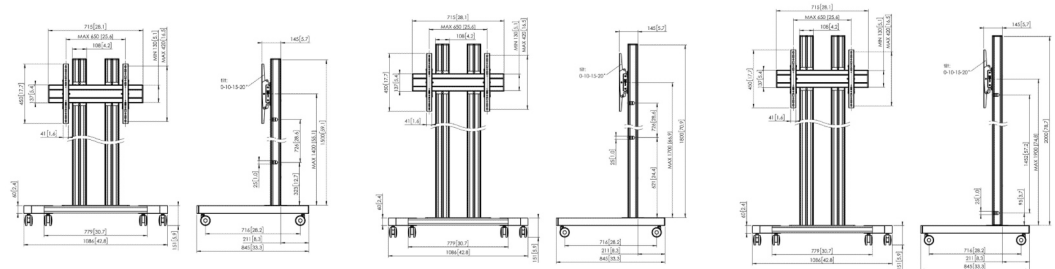
Max. weight load (kg)	80	80	80
Min. screen size (inch)	65	65	65
Height (mm)	1651	1951	2151
Min. VESA hole pattern (mm)	100 x 100	100 x 100	100 x 100
Max. VESA hole pattern (mm)	650 x 420	650 x 420	650 x 420

### Guarantee

TÜV certified			
Guarantee	5 years	5 years	5 years

### General

Colour	Black   Silver	Black   Silver	Black   Silver
Article number	7953040 (Black) 7953044 (Silver)	7953060 (Black) 7953064 (Silver)	7953080 (Black) 7953084 (Silver)
EAN single box	8712285333101 (Black) 8712285333125 (Silver)	8712285333187 (Black) 8712285333200 (Silver)	8712285333262 (Black) 8712285333286 (Silver)



**TD1584**

Trolley double pole



150

65

1651

100 x 100

850 x 400

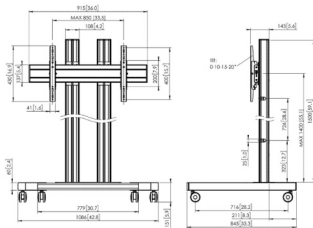


5 years

Black | Silver

7953050 (Black)  
7953054 (Silver)

8712285333149 (Black)  
8712285333163 (Silver)



**TD1884**

Trolley double pole



150

65

1951

100 x 100

850 x 400

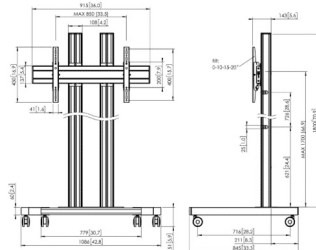


5 years

Black | Silver

7953070 (Black)  
7953074 (Silver)

8712285333224 (Black)  
8712285333248 (Silver)



**TD2084**

Trolley double pole



150

65

2151

100 x 100

850 x 400

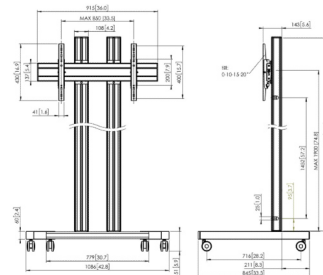


5 years

Black | Silver

7953090 (Black)  
7953094 (Silver)

8712285333309 (Black)  
8712285333323 (Silver)





# Universal video wall solutions

## A new revolution

Vogel's always keeps pushing the boundaries of video wall mounting solutions. The complete range of universal video wall solutions of our existing Connect-it system, is expanded with applications for LCD video walls - in terms of size, position, mobility and flexibility.

In addition, we can also offer solutions for LED tiles, for a futureproof standard. This universal and modular concept excels in quality and ease of installation. And being Vogel's, it also looks great of course.

## Height, width and quality

A minimal number of linkable components can be combined to create a mounting solution for all sizes of video walls. Vogel's existing Connect-it interface bars and display strips are the basis for any LCD video wall mounting solution. In addition we have dedicated strip sets for mounting LED tiles as well. The unique connectable uprights allow video walls to ascend to great heights.

With this revolution, we open up an entirely new level of showing your content. Whether you need a ceiling, floor-to-wall, floor-to-ceiling, free-standing, back-to-back, fixed or mobile solution, installation is clear and simple. One system for a host of applications, which is as durable as it is versatile, and with easy access for maintenance.



## FLOOR BASES

<b>PFF 7920</b> Video wall floor stand base	<b>PFA 9129</b> Video wall cross bar 1150 mm	<b>PFA 9130</b> Video wall cross bar 1500 mm	<b>PFT 8920</b> Video wall trolley base
--	---	---	--



### Specifications

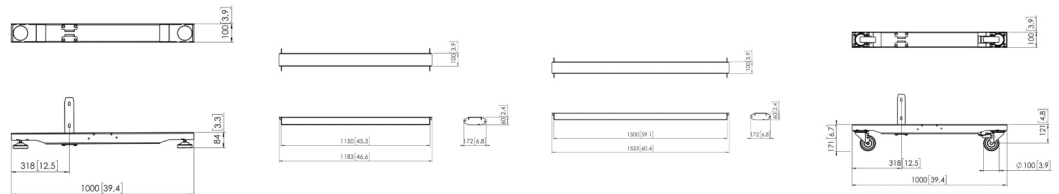
Max. weight load (kg)	202.5			202.5
Height (mm)	84	60	60	171
Length (mm)	1000	1150	1500	1000
Width (mm)	100	172	172	100

### Guarantee

TÜV certified				
Guarantee	5 years	5 years	5 years	5 years

### General

Colour	Black	Black	Black	Black
Article number	7279200	7291290	7291300	7289200
EAN single box	8712285336669	8712285336683	8712285336706	8712285336645



FLOOR / CEILING BASES

**PFF 7965**

Floor / ceiling mounting plate adjustable

**PFA 9132**

Floor / ceiling support



**Specifications**

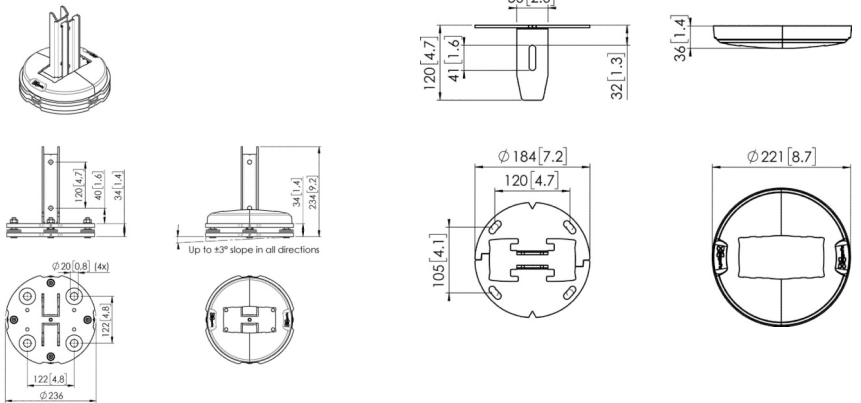
Max. weight load (kg)	337.5	
Height (mm)	234	120
Length (mm)	236	184
Width (mm)	236	184

**Guarantee**

TÜV certified		
Guarantee	5 years	5 years

**General**

Colour	Black	Black
Article number	7279650	7291320
EAN single box	8712285343186	8712285336829



POLES

**PUC 2920**  
Pole 200 cm

**PUC 2927**  
Pole 270 cm

**PUC 2933**  
Pole 330 cm



**Specifications**

Length (mm)

2000

2700

3300

**Guarantee**

TÜV certified



Guarantee

5 years

5 years

5 years

**General**

Colour

Black

Black

Black

Article number

7229200

7229270

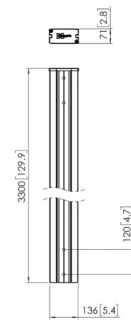
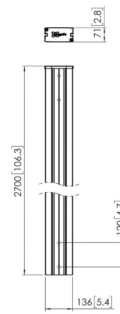
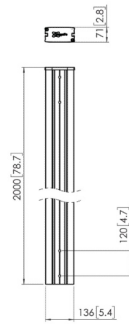
7229330

EAN single box

8712285335761

8712285336720

8712285336744



## DISPLAY INTERFACE BARS

**PFB 3402**  
Display interface bar

**PFB 3405**  
Display interface bar

**PFB 3407**  
Display interface bar

**PFB 3409**  
Display interface bar



### Specifications

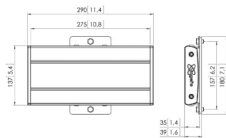
Width (mm)	290	515	715	915
Min. horizontal hole pattern (mm)	100	100	100	100
Max. horizontal hole pattern (mm)	225	450	650	850

### Guarantee

TÜV certified				
Guarantee	5 years	5 years	5 years	5 years

### General

Colour	Silver   Black	Silver   Black	Silver   Black	Silver   Black
Article number	7234024 (Silver) 7234020 (Black)	7234054 (Silver) 7234050 (Black)	7234074 (Silver) 7234070 (Black)	7234094 (Silver) 7234090 (Black)
EAN single box	8712285323027 (Silver) 8712285329401 (Black)	8712285318764 (Silver) 8712285329425 (Black)	8712285318788 (Silver) 8712285329449 (Black)	8712285318801 (Silver) 8712285329463 (Black)



**PFB 3411**

Display interface bar

**PFB 3419**

Display interface bar

**PFB 3427**

Display interface bar

**PFB 3433**

Display interface bar



1175

1915

2750

3300

100

100

100

100

1110

1850

2700

3250



5 years



5 years



5 years



5 years

Silver | Black

7234114 (Silver)  
7234110 (Black)

8712285318825 (Silver)  
8712285329487 (Black)

Silver | Black

7234194 (Silver)  
7234190 (Black)

8712285330209 (Silver)  
8712285328749 (Black)

Silver | Black

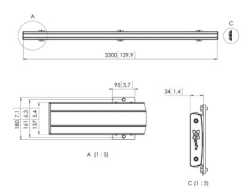
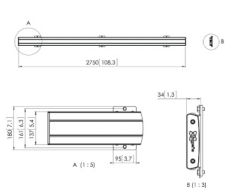
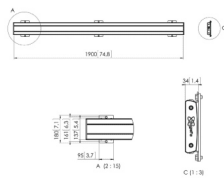
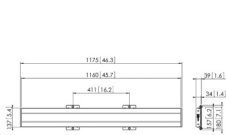
7234274 (Silver)  
7234270 (Black)

8712285330223 (Silver)  
8712285328763 (Black)

Silver | Black

7234334 (Silver)  
7234330 (Black)

8712285330247 (Silver)  
8712285328787 (Black)



## DISPLAY INTERFACE STRIPS

### PFS 3504

Display interface strips 3D adjustable



### PFS 3508

Display interface strips 3D adjustable



#### Specifications

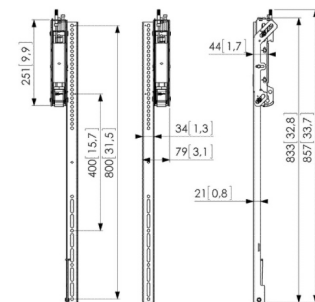
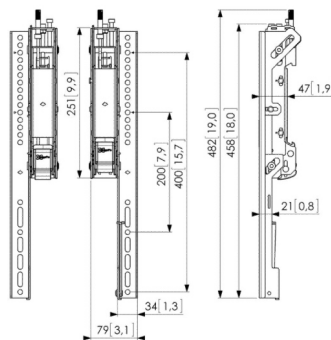
Max. weight load (kg)	80	80
Min. vertical hole pattern (mm)	100	200
Max. vertical hole pattern (mm)	400	800
Max. height of interface (mm)	482	857
Tilt	Tilt -3°/+7°	Tilt -3°/+7°

#### Guarantee

TÜV certified		
Guarantee	5 years	5 years

#### General

Colour	Black	Black
Article number	7235040	7235080
EAN single box	8712285328800	8712285328824



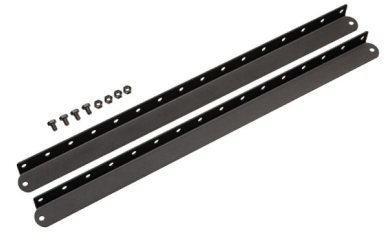
# ACCESSORIES

## PFA 9141

Wall support sliding bracket basic kit long

## PFA 9142

Wall support extension kit 2 arms



### Specifications

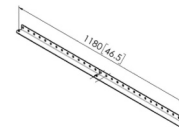
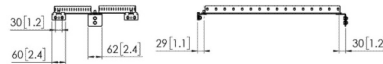
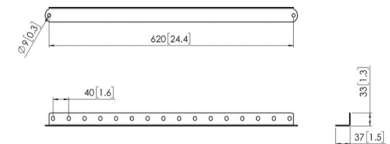
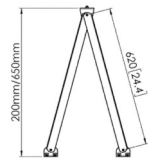
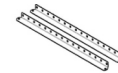
Max. weight load (kg)		
Length (mm)	620	620
Depth (mm)	31	
Adjustable depth	•	

### Guarantee

TÜV certified		
Guarantee	5 years	5 years

### General

Colour	Black	Black
Article number	7291410	7291420
EAN single box	8712285342967	8712285343223



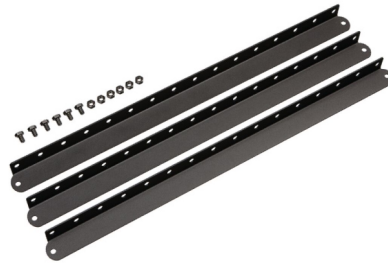
# ACCESSORIES

## PFA 9143

Wall support extension kit 3 arms

## PFA 9144

Wall support sliding bracket basic kit short



### Specifications

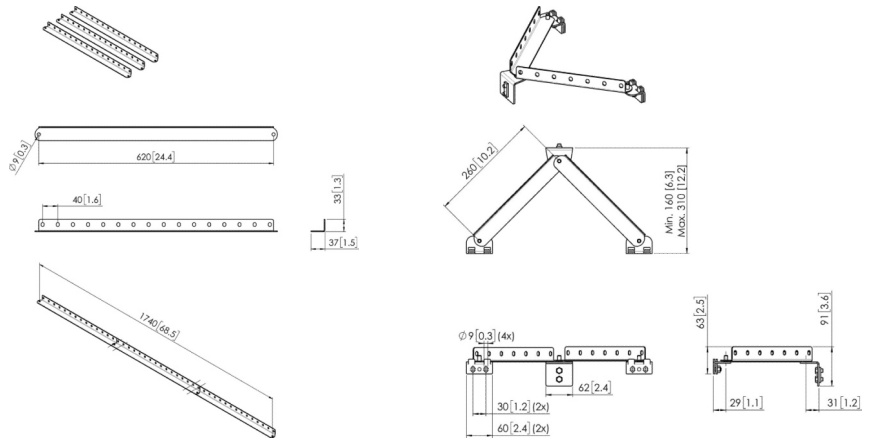
Max. weight load (kg)		
Length (mm)	620	260
Depth (mm)		
Adjustable depth		

### Guarantee

TÜV certified		
Guarantee	5 years	5 years

### General

Colour	Black	Black
Article number	7291430	7291440
EAN single box	8712285343247	8712285343261





**PFA 9131**

Pole coupler for PUC 29



**PFA 9104**

Bar coupler for PFB 34xx



5 years



5 years

Black

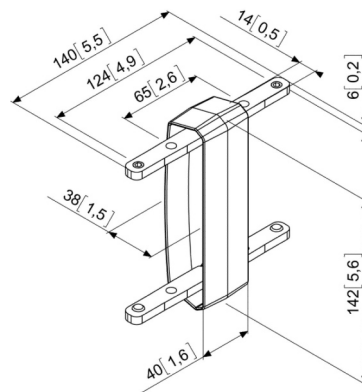
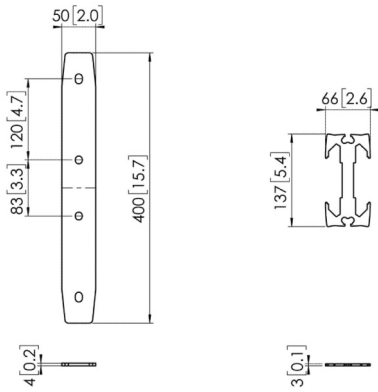
7291310

8712285336805

Black

7291040

8712285320743



## FLOOR STAND KITS

### FVW2255

Video wall floor stand 2x2

### FVW3347

Video wall Floor stand 3x3

### FVW3355

Video wall floor stand 3x3



#### Specifications

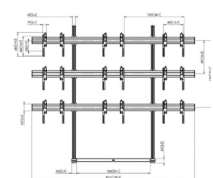
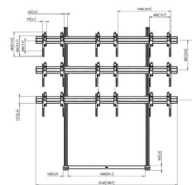
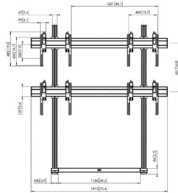
Max. weight load (kg)	80	45	45
Min. screen size (inch)	46	46	55
Max. screen size (inch)	55	47	55
Height (mm)	2091	2790	2790

#### Guarantee

TÜV certified			
Guarantee	5 years	5 years	5 years

#### General

Colour	Black	Black	Black
Article number	7922550	7933470	7933550
EAN single box	8712285338526	8712285339684	8712285338540



TROLLEY KITS

**TVW2255**

Video wall trolley 2x2

**TVW3347**

Video wall trolley 3x3

**TVW3355**

Video wall trolley 3x3



**Specifications**

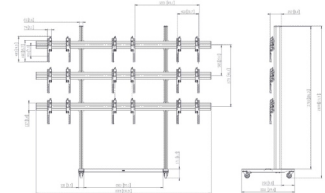
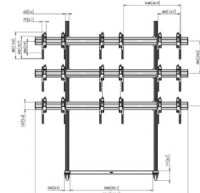
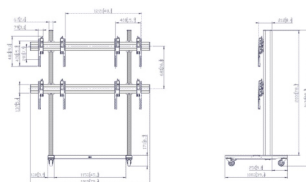
Max. weight load (kg)	113	45	45
Min. screen size (inch)	46	46	55
Max. screen size (inch)	55	47	55
Height (mm)	2178	2878	2878

**Guarantee**

TÜV certified			
Guarantee	5 years	5 years	5 years

**General**

Colour	Black	Black	Black
Article number	7922560	7933480	7933560
EAN single box	8712285338564	8712285339707	8712285338588





# LED video walls

## Wall mount supports for LED video walls

LED video wall technology is increasingly being used in public places. The reason for this is the improvement of LED tile quality and the endless opportunities for expanding a video wall without bezels.

## Improved technology

The pixel pitches are becoming smaller and smaller, leading to substantial improvements in the image quality of LED video walls. Even at a close range, the image remains sharp and clear.

## LED video wall mount supports

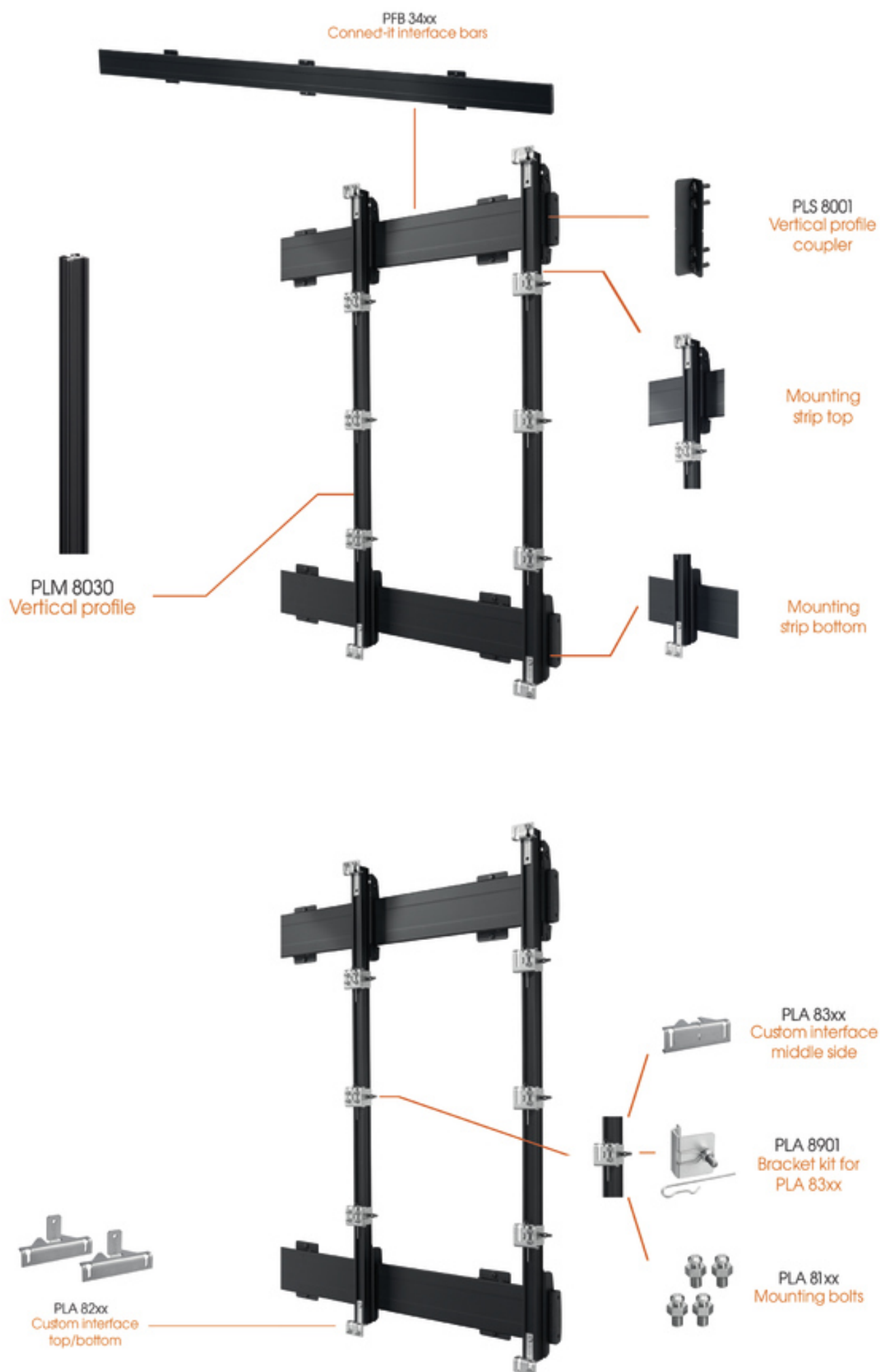
The number of LED tiles that can be connected to each other is endless, meaning that there is no standard size for a video wall anymore. As far as mounting options are concerned, no (VESA) standardization set has (yet) been adopted.

Vogel's closely follows the developments in the market and offers an up to date universal range of mounting options. As the universal LED video wall mounts are compatible with Connect-it, flat to the wall, ceiling and floor mounting options can be supplied.

## Dedicated LED interfaces and bolts

Vogel's has dedicated PLA 82/PLA 83 LED interface accessories and PLA 81/PLA 87 LED mounting bolts for specific LED tiles available. Contact us for more information.

# Universal LED video wall mount





**PLA 8301**

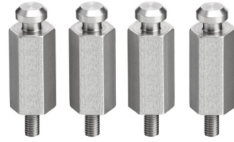
LED interface accessory

**PLA 8105**

LED mounting bolts M5, 4pcs

**PLA 8705**

LED mounting bolts extended M5



5 years



5 years



5 years

Stainless Steel

7183014

8712285339202

Stainless Steel

7181054

8712285338984

Stainless Steel

7187054

8712285340024



# PFW 1000 Series

## **Designed for various markets**

Whether displaying in the hospitality, the office market or other businesses, it's all about providing your guests and customers with the best possible services. The PFW 1000 Series is, thanks to its clean aesthetics and slim profile, perfect to make your content pop. The included discrete padlock ensures that your display is secured.

## **Key features**

- Stylish high-end design
- VESA 50x50, 75x75, 100x100 mm
- Theft-delaying padlock
- Continuous smooth tilt
- TÜV certified



**PFW 1030**  
Display wall mount turn & tilt

**PFW 1040**  
Display wall mount turn & tilt

## 1000 SERIES



### Specifications

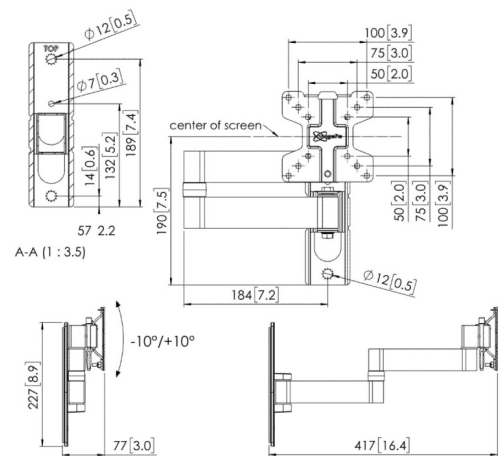
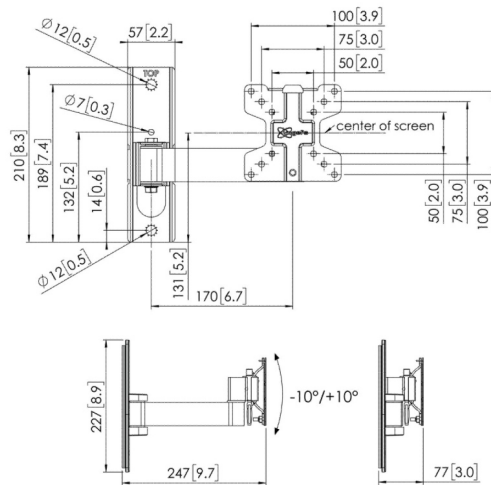
Max. weight load (kg)	16	16
Min. screen size (inch)	10	10
Max. screen size (inch)	28	28
Number of pivot points	2	3
Turn	Up to 120°	Up to 180°
Tilt	Tilt -10°/+10°	Tilt -10°/+10°
Lock options	Lock included / integrated	Lock included / integrated
Max. distance to the wall (mm)	247	417
Min. VESA hole pattern (mm)	50 x 50	50 x 50
Max. VESA hole pattern (mm)	100 x 100	100 x 100

### Guarantee

TÜV certified		
Guarantee	5 years	5 years

### General

Colour	Black	Black
Article number	7310300	7310400
EAN single box	8712285342424	8712285342448





# PFW 2000 Series

## **Designed with the hospitality market in mind**

Hospitality is about providing your guests with the best possible services. One of those services is in-room entertainment, of which guests expect nothing but the best. The PFW 2000 Series is, thanks to its clean aesthetics and slim profile, perfect to make your content shine. The included discrete padlock ensures that your HotelTV is secure. This, together with TÜV certification, guarantees a slim and safe solution.

## **Key features**

- Stylish high-end design
- VESA 75x75, 100x100, 200x200 mm
- Post-installation levelling
- Theft-delaying padlock
- Continuous smooth tilt
- TÜV certified





# PFW 3000 Series

## **Designed for the high demanding hospitality market**

In-room entertainment is a big part of a guest's experience. Vogel's understands that and designed the PFW 3000 Series to give everybody an outstanding AV experience. We make sure that the content is viewable from every angle. The mount's discrete padlock ensures that a HotelTV or any other display is secure in most occasions. With a maximum fitment of 400x400 mm the mount can hold a large range of displays. The TÜV certified 3000 Series provides an exceptional safe and elegant solution.

## **Key features**

- Stylish high-end design
- VESA 100x100, 200x200, 400x400 mm
- Post-installation levelling
- Theft-delaying padlock
- Continuous smooth tilt
- TÜV certified
- Cable management

## 3000 SERIES

**PFW 3030**  
Display wall mount turn & tilt



**PFW 3040**  
Display wall mount turn & tilt



### Specifications

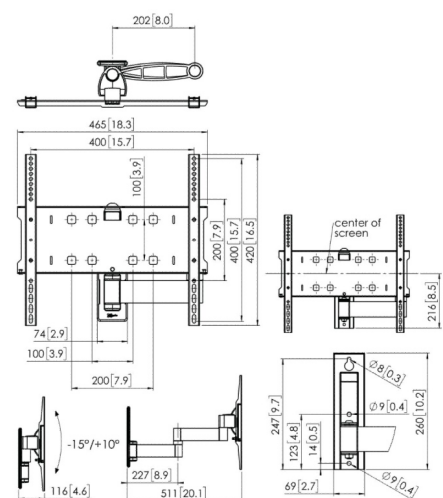
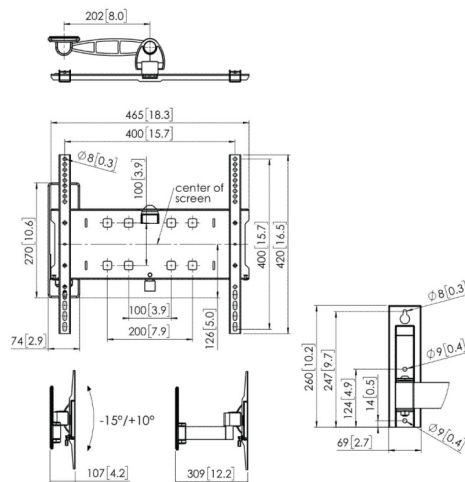
Max. weight load (kg)	35	35
Min. screen size (inch)	32	32
Max. screen size (inch)	55	55
Number of pivot points	2	3
Turn	Motion (up to 120°)	Up to 180°
Tilt	Tilt -15°/+10°	Tilt -15°/+10°
Lockable	•	•
Max. distance to the wall (mm)	309	511
Min. VESA hole pattern (mm)	100 x 100	100 x 100
Max. VESA hole pattern (mm)	400 x 400	400 x 400

### Guarantee

TÜV certified		
Guarantee	5 years	5 years

### General

Colour	Black	Black
Article number	7330300	7330400
EAN single box	8712285335167	8712285335181





# PFW 4000 Series

## **Maximum security in public places**

A straightforward wall mount with the renowned Vogel's quality. A simple and affordable solution for installing displays in public spaces where supervision is limited. Displays can be locked in two ways for an optimal theft-prevention solution.

## **Attractive design and price**

The 4000 Series offers a reliable Vogel's wall mount for displays from 10" to 80". The wall mounts ensure a completely flat wall installation and are available in fixed and tilting versions. The tilt function can be adjusted in steps, making higher mounted displays easy to see and read.

## **Always level**

Specially shaped drill holes allow the position of the wall plate to be adjusted once it has been mounted to the wall. This ensures that the mount is always level. Everything you need for installation is supplied in the box, including high-quality mounting materials. This ensures that you have everything to hand.

## **Key features**

- Tilt in steps 0°, 7°, 12° and 15°
- VESA max. 600x400 mm
- Fixed tilt position
- Autolock®
- Locking bar and padlock

## 4000 SERIES

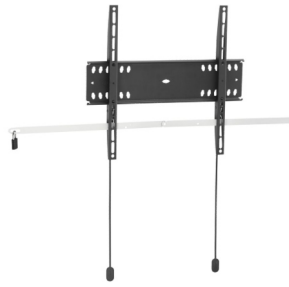
### PFW 4200

Display wall mount fixed



### PFW 4500

Display wall mount fixed



### PFW 4700

Display wall mount fixed



#### Specifications

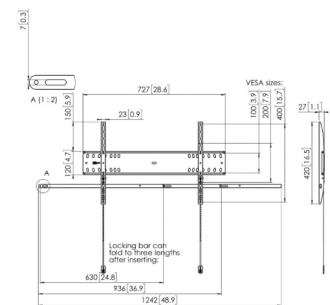
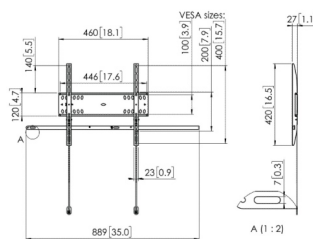
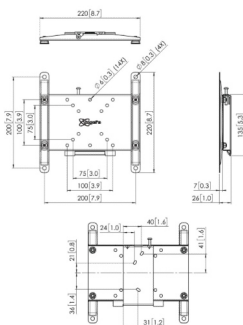
Max. weight load (kg)	30	50	75
Min. screen size (inch)	10	42	55
Max. screen size (inch)	43	55	80
Tilt			
Lockable	•	•	•
Min. distance to the wall (mm)	27	27	27
Min. VESA hole pattern (mm)	50 x 50	100 x 100	100 x 100
Max. VESA hole pattern (mm)	200 x 200	400 x 400	600 x 400

#### Guarantee

TÜV certified			
Guarantee	5 years	5 years	5 years

#### General

Colour	Black	Black	Black
Article number	7042000	7045000	7047000
EAN single box	8712285330988	8712285338601	8712285338649



## PFW 4210

Display wall mount tilt



## PFW 4510

Display wall mount tilt



## PFW 4710

Display wall mount tilt



### Specifications

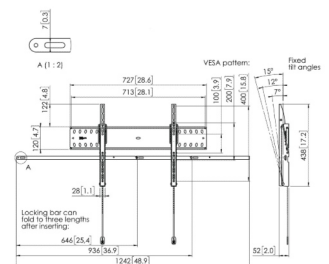
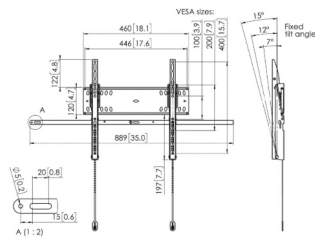
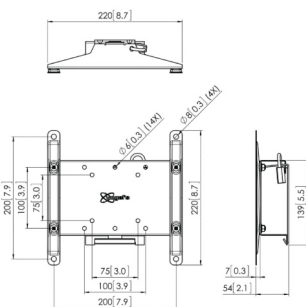
Max. weight load (kg)	30	50	75
Min. screen size (inch)	10	42	55
Max. screen size (inch)	43	55	65
Tilt	Tilt up to 15°	Tilt up to 15°	Tilt up to 15°
Lockable	•	•	•
Min. distance to the wall (mm)	53	52	52
Min. VESA hole pattern (mm)	50 x 50	100 x 100	100 x 100
Max. VESA hole pattern (mm)	200 x 200	400 x 400	600 x 400

### Guarantee

TÜV certified			
Guarantee	5 years	5 years	5 years

### General

Colour	Black	Black	Black
Article number	7042100	7045100	7047100
EAN single box	8712285331008	8712285338625	8712285338663







# PFW 6000 Series

## **The amazing 6000 Series heavy-duty wall mounts**

Meet our 'next level' professional wall mounts. This series combines all we know about quality and ease-of-installation. For instance, post-installation levelling, self-centering screws and easy access for maintenance. All of this for displays up to 120" and max. 230 kg.

The design of the 6000 Series is both robust and elegant. There are several models available as fixed wall mount or tilting up to 15°. In addition, all types have an easy accessible integrated lock. As always with Vogel's, these wall mounts come with a 5-year material and manufacturing error warranty.

## **Key features**

- Easy levelling and installation
- Horizontal levelling (post-installation)
- Self-centering display bolts
- Easy accessible integrated lock
- Locked service position
- Tilt function up to 15°
- TÜV certified

## 6000 SERIES

### PFW 6400

Display wall mount fixed

### PFW 6410

Display wall mount tilt

### PFW 6800

Display wall mount fixed



### Specifications

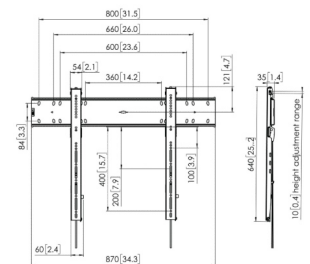
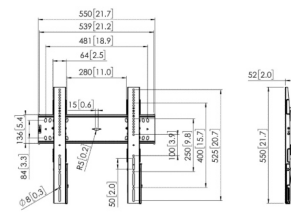
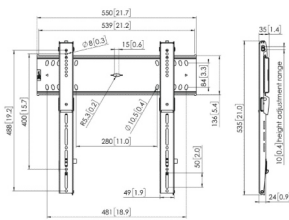
Max. weight load (kg)	100	75	100
Min. screen size (inch)	46	46	55
Max. screen size (inch)	65	65	80
Tilt		Tilt up to 15°	
Levelling function	Post-installation horizontal levelling	Post-installation horizontal levelling	Post-installation horizontal levelling
Lock options	Lock included / integrated	Lock included / integrated	Lock included / integrated
Min. distance to the wall (mm)	35	52	35
Min. VESA hole pattern (mm)	75 x 75	75 x 75	75 x 75
Max. VESA hole pattern (mm)	400 x 400	400 x 400	800 x 400

### Guarantee

TÜV certified			
Guarantee	5 years	5 years	5 years

### General

Colour	Black	Black	Black
Article number	7364000	7364100	7368000
EAN single box	8712285334122	8712285334146	8712285334160







# XXL wall mounts

## **For heavy weight displays up to 227 kg**

When mounting a display that is heavier or bigger than average, you must be certain to use the correct mounting system. Vogel's offers a range of display wall mounts for displays of different weight classes, which are also handy for positioning in a recess or corner.

## **The heavy-weights among wall mounts**

Robust yet flexible that is what the XXL Series offers in this range of display wall mounts. And each with its own specific features. The heaviest displays can still be turned and tilted easily and can even be rotated from landscape to portrait perspective in one simple movement.

## **Installation facilitated**

All you need for installation is supplied in the box, ensuring that you have everything to hand. The mounting materials are of the highest quality. Not only are the wall mounts suitable for the heaviest displays, the mounting materials are also specially selected for this purpose.

## XXL WALL MOUNTS

### PFW 6850

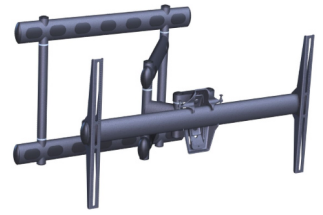
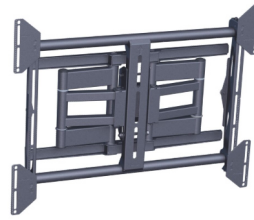
Display wall mount turn and tilt

### PFW 6851

Display wall mount turn and tilt

### PFW 6852

Display wall mount turn and tilt



#### Specifications

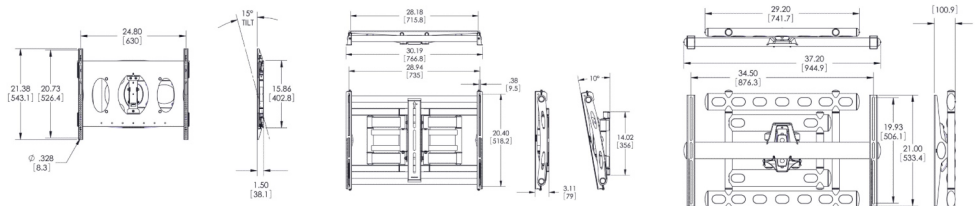
Max. weight load (kg)	40	80	136
Min. screen size (inch)	42	42	40
Max. screen size (inch)	65	85	98
Number of pivot points	3	3	3
Turn	Up to 180°	Up to 90°	Up to 180°
Tilt	Tilt up to 15°	Tilt up to 10°	Tilt -10°/+10°
Min. distance to the wall (mm)	38	79	101
Max. distance to the wall (mm)	749	404	658
Max. VESA hole pattern (mm)	630 x 526	820 x 650	985 x 665

#### Guarantee

TÜV certified			
Guarantee	5 years	5 years	5 years

#### General

Colour	Black	Black	Black
Article number	7368500	7368510	7368520
EAN single box	8712285323362	8712285323386	8712285323409







# Pop-out video wall mounts

## Pop-out video wall mounts

Pop-out video wall mounts are making installation and service of video walls very easy. By just gently pressing on the display the spring loaded mechanism will be released and will push the display forward. The unique top-adjustable display mounting strips provide alignment along the x, y and z axis to ensure that all displays can be exactly leveled and aligned. Beside the pop-out mechanism the tilt service position is creating even more space to install and service any display.

## Key features

- Spring-loaded display pop-out mechanism
- Audible click sound confirms the display is pushed-in correctly
- Top-adjustable display mounting strips to align and level all displays in a video wall
- Custom spacers for most displays, saving drastically on installation time

## POP-OUT VIDEO WALL MOUNTS

### PFW 5870

Display video wall module fixed

### PFW 6870

Display video wall module pop-out



#### Specifications

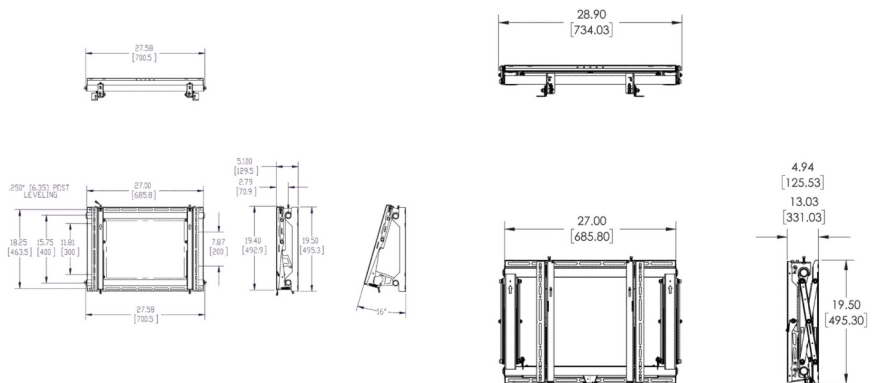
Max. weight load (kg)	72	72
Min. screen size (inch)	37	37
Max. screen size (inch)	65	65
Min. distance to the wall (mm)	129	127
Max. VESA hole pattern (mm)	600 x 400	600 x 400

#### Guarantee

TÜV certified		
Guarantee	5 years	5 years

#### General

Colour	Black	Black
Article number	7358700	7368700
EAN single box	8712285331725	8712285323461









# Medical wall mounts

## **Stylish wall mount for every TV**

Vogel's offers a healthcare solution with the medical mounts. With these Vogel's medical mounts you will be able to mount a display to the wall in order to give the patient the best possible AV experience.

The medical mount can be easily adjusted in height and depth. In addition it is possible to turn and tilt the screen. With these features you can create the ideal viewing angle. This will reduce the chance on neck and back complaints. It is possible to keep the cables out of sight in the arm. An anti-septic powder coating assists in controlling the spread of diseases.

## **Medical wall mounts**

These wall mounts have four pivot points and are suitable for screens up to 29" (74 cm). The weight capacity of the product is 1-4 or 3-8 kg. The wall mount is suitable for screens that meet VESA hole patterns of 75x75 or 100x100 mm. Tablets can be installed by using our attractive TabLock® enclosures.

## **Key features**

- Gas spring supported arm
- Anti-septic powder coating
- Internal cable management
- Ergonomic design
- TÜV certified

**PMW 7014**  
Medical wall mount

**PMW 7038**  
Medical wall mount

**PMA 7901**  
Medical wall box

## MEDICAL WALL MOUNTS



### Specifications

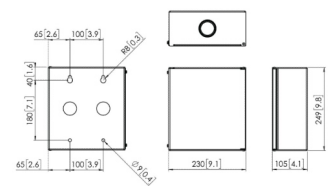
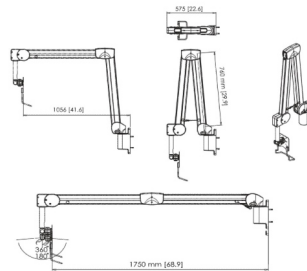
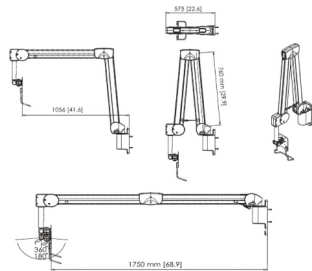
Max. weight load (kg)	4	8	
Max. screen size (inch)	29	29	
Turn	Up to 360°	Up to 360°	
Tilt	Tilt up to 90°	Tilt up to 90°	
Max. distance to the wall (mm)	1750	1750	
Hole pattern (VESA)	75 mm x 75 mm 100 mm x 100 mm	75 mm x 75 mm 100 mm x 100 mm	

### Guarantee

TÜV certified			
Guarantee	2 years	2 years	5 years

### General

Colour	White	White	White
Article number	7370141	7370381	7379011
EAN single box	8712285334788	8712285334801	8712285334825





# Motorized display trolleys

## Motorized trolleys

Interactive displays are very popular for education and business use. For different users the height needs to be adjusted and as interactive displays can be quite heavy, a motorized trolley or wall mount proves to be a perfect solution. Vogel's motorized trolleys are available in two versions. A basic version with an optional PC holder and a version with a stylish cabinet for PC and cable storage.

## Display mounting

In order to mount a display to your motorized solution you simply choose the appropriate Vogel's Connect-it interface bar (PFB 34xx) and display strips (PFS 32xx) to create the perfect fit (see page 10-17).

## Key features

- Adjustable in height up to 65 cm
- Ample storage space for AV equipment
- Solid construction
- Suitable for heavy displays

## PFTE 7111

Display trolley motorized with cabinet

## PFTE 7112

Display trolley motorized

# MOTORIZED TROLLEYS



### Specifications

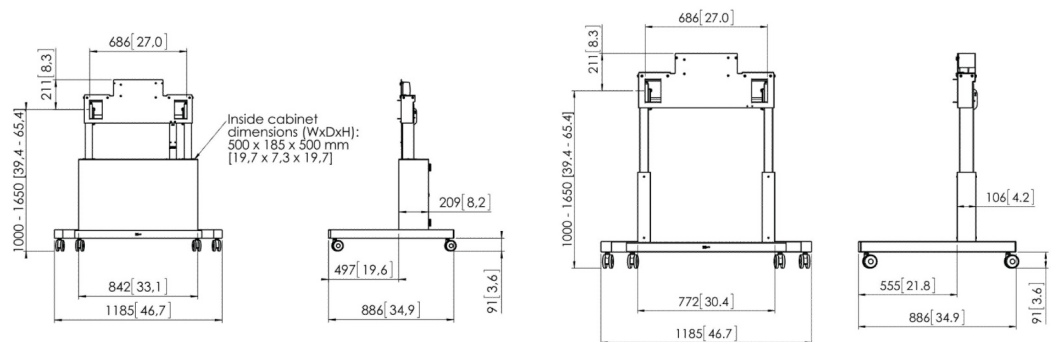
Max. weight load (kg)	160	160
Min. screen size (inch)	42	42
Max. screen size (inch)	86	86
Remote controlled	•	•
Motorized	•	•
Travel	650	650

### Guarantee

TÜV certified		
Guarantee	5 years	5 years

### General

Colour	Silver	Black
Article number	7371114	7371124
EAN single box	8712285323560	8712285323584



## MOTORIZED TROLLEY KITS

### TE1164

Display trolley motorized with cabinet



### TE1264

Motorized trolley



#### Specifications

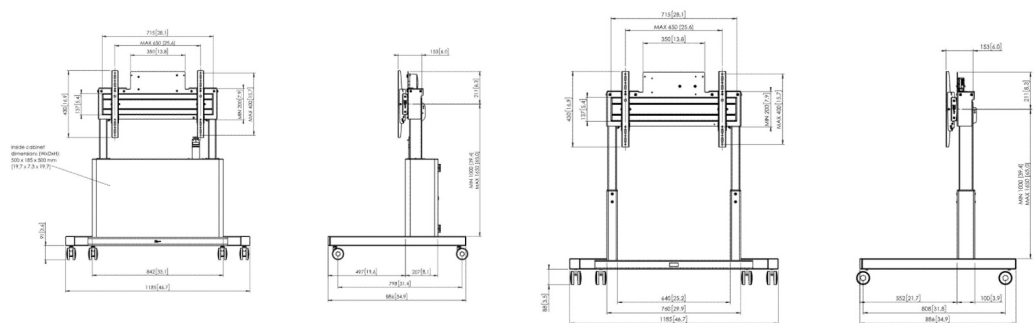
Max. weight load (kg)	160	160
Min. screen size (inch)	42	42
Max. screen size (inch)	86	86
Remote controlled	•	•
Motorized	•	•
Travel	650	650
Hole pattern (VESA)	600 mm x 400 mm	600 mm x 400 mm

#### Guarantee

TÜV certified		
Guarantee	5 years	5 years

#### General

Colour	Silver	Black
Article number	7911644	7912644
EAN single box	8712285339721	8712285339745





# Motorized display wall mount

## Motorized display wall mount

Interactive displays mounted to a wall need height adjustment to comply with users of different heights, especially in education but also for business use. As interactive displays are heavy, the Vogel's PFWE 7150 is a stylish and ergonomic solution. This motorized wall mount can be installed directly to the wall. For weaker walls there are optional wall mount supports.

## Display mounting

In order to mount a display to your motorized solution you simply choose the appropriate Vogel's Connect-it interface bar (PFB 34xx) and display strips (PFS 32xx) to create the perfect fit (see page 10-17).

## Key features

- Stylish high-end design
- Adjustable in height up to 65 cm
- Ergonomic design
- Suitable for heavy displays

## PFWE 7150

Display wall mount motorized

## WE5064

Display wall mount motorized

# MOTORIZED DISPLAY WALL MOUNT & KIT



### Specifications

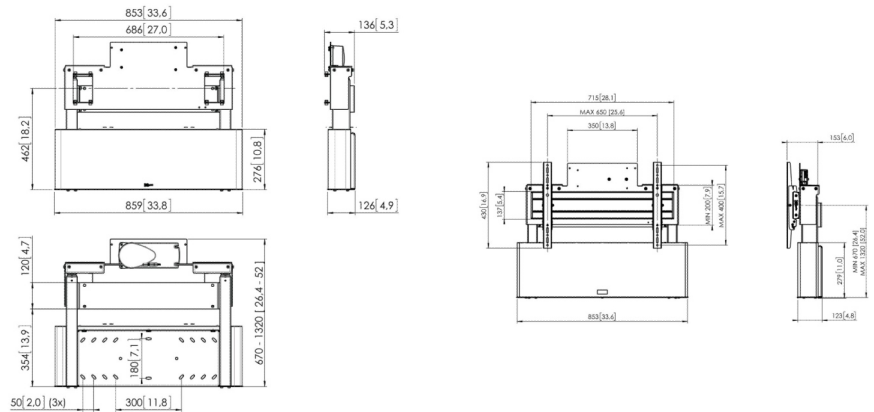
Max. weight load (kg)	160	160
Min. screen size (inch)	42	42
Max. screen size (inch)	86	86
Remote controlled	•	•
Motorized	•	•
Travel	650	650
Hole pattern (VESA)		600 mm x 400 mm

### Guarantee

Guarantee	5 years	5 years
-----------	---------	---------

### General

Colour	Silver	Silver
Article number	7371504	7950644
EAN single box	8712285323607	8712285339769





ACCESSORIES

**PFA 9117**

Wall mount support for PFWE 7150



**PFA 9118**

PC holder for PFTE 7112



**PFA 9119**

Electronic safety strip



**Specifications**

**Guarantee**

Guarantee

5 years

5 years

2 years

**General**

Colour

Black

Black

Black

Article number

7291170

7291180

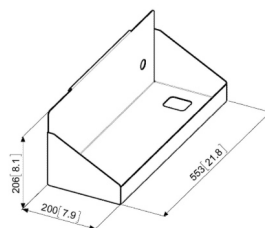
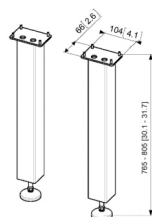
7291190

EAN single box

8712285324000

8712285323980

8712285324086





# Motorized touch table

## Supporting interactivity in every aspect

Whether it is a museum, trade fair or a university, the touch table allows you to show your content at its best. Vogel's touch table is designed to be used by multiple people at the same time. When you use the standup position, the touch table is perfect for presentations. If the display is completely flat, you have an immersive surface to draw and interact with its content. Thanks to its lift and tilt actuators there will always be an ergonomic and comfortable position to interact with it.

The table features a cabinet with ample space for a PC. The cabinet is lockable so you can be sure your electronics are safe.

## Key features

- Adjustable in height up to 500 mm (center display: 800-1300 mm)
- Ample storage space for AV equipment
- Solid construction
- Ergonomic design
- Suitable for heavy displays
- Tilt function 0-90°
- VESA 700x400 mm

**PFTE 7121**

Touch table motorized cabinet

MOTORIZED TOUCH TABLE



**Specifications**

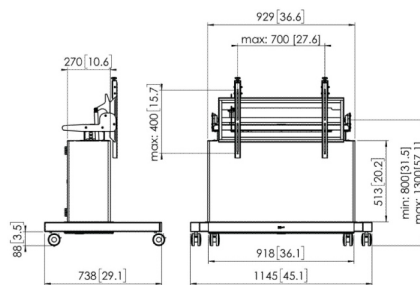
Max. weight load (kg)	160
Min. screen size (inch)	50
Max. screen size (inch)	86
Max. distance to floor - center display (mm)	1300
Remote controlled	•
Motorized	•
Travel	500
Min. VESA hole pattern (mm)	100 x 100
Max. VESA hole pattern (mm)	700 x 400

**Guarantee**

Guarantee	5 years
-----------	---------

**General**

Colour	Silver
Article number	7371214
EAN single box	8712285337161



# Video conferencing

## **Furniture specially designed for video conferencing**

In situations where people heavily depend on video conferencing, a professional solution is an absolute necessity. It is not just choosing the right equipment that is important; the right set-up also needs careful consideration. Standard TV furniture is simply not sufficient. The design and styling of Vogel's video conferencing furniture take the equipment's storage and connection options into account. It offers full installation of display and equipment in one stylish piece of furniture.

## **Attention to design and detail**

Vogel's supplies various models of video conferencing furniture, each with its own specific features. What they all have in common is their superior finish and quality. The storage cabinets are easy accessible (from the front and/or rear) and offer ample space for AV equipment.

## **Display mounting**

In order to mount one or two displays, you choose a Connect-it interface bar and display interface strips to create the perfect fit (see page 10-17).

## **Mount your camera and speaker**

Easily mount a camera/speaker onto the furniture with a holder (see page 52).



## VIDEO CONFERENCING

### PVF 4112

Video conferencing furniture



### PFF 5100

Video conferencing furniture



### PFF 5211

Video conferencing furniture



#### Specifications

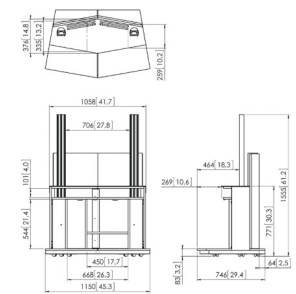
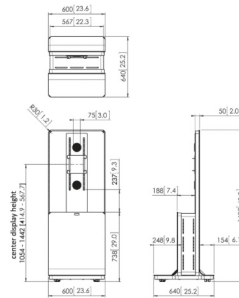
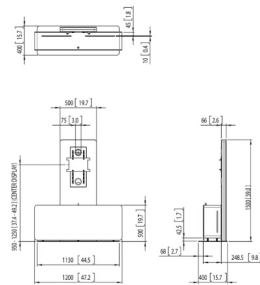
Max. weight load (kg)	80	80	80
Max. screen size (inch)	90	55	90
Lockable	•		

#### Guarantee

TÜV certified			
Guarantee	5 years	5 years	5 years

#### General

Colour	Silver   White	Silver	Silver
Article number	7141124 (Silver) 7141121 (White)	7321514	7321524
EAN single box	8712285330346 (Silver) 8712285330384 (White)	8712285322563	8712285326844





# Video conferencing speakers

## **Amplified video conferencing speakers**

Good sound quality is critical if you want to have a productive video conference. However, it is not easy to find. Most video conferencing systems focus on video, with a good or even excellent display and camera. But their speakers are often nothing more than a small table unit with low audio quality.

Vogel's developed a unique range of speakers, specially designed for video conferencing. Our speakers give you a truly high-quality voice audio experience to match the video quality.

## **Natural sound**

The core of the loudspeaker is the built-in Digital Sound Processor (DSP), which makes the speaker sound like your video conferencing partners are actually in the room with you. Nearly all traditional loudspeakers are optimized for music reproduction. In contrast, our speakers with a DSP are tuned for natural-sounding speech. Even the positioning of your video conferencing partners is clear due to the stereo setup.

The Vogel's video conferencing speakers are available in several sizes, optimized for smaller and larger rooms.

## **Camera/speaker holder**

Easily mount your speaker with the camera/speaker holder (see page 52).

## VIDEO CONFERENCING SPEAKERS

<b>PVA 4307</b> Video conferencing speaker	<b>PVA 4310</b> Video conferencing speaker	<b>PVA 4316</b> Video conferencing speaker
---	---	---



### Specifications

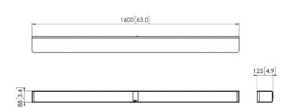
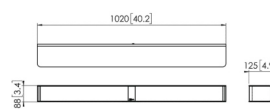
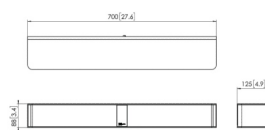
Width (mm)	700	1020	1600
Depth (mm)	125	125	125
Height (mm)	91	91	91
Speaker output in decibel (dB)	89	92	95
Standby Power Consumption (W)	0.3	0.3	0.3
Remote control standard	RS-232 RS-485	RS-232 RS-485	RS-232 RS-485
Voltage	120 V, 60 Hz 220 V, 50 Hz 230 V, 50 Hz	120 V, 60 Hz 220 V, 50 Hz 230 V, 50 Hz	120 V, 60 Hz 220 V, 50 Hz 230 V, 50 Hz

### Guarantee

Guarantee	2 years	2 years	2 years
-----------	---------	---------	---------

### General

Colour	Black	Black	Black
Article number	7243070	7243100	7243160
EAN single box	8712285333668	8712285333682	8712285333705





# Solution for OMN-D Series

## **Claim customers attention**

There is always a tough competition in claiming the attention of customers passing by stores. As well as there is a need for effective customer communication inside the store. It forces businesses to make the right choice of displays on which to show their message both outside and inside the store. Samsung developed the ideal solution with a double-sided display, the Samsung OM46N-D & OM55N-D.

Vogel's created a retail display mount exclusively designed for the Samsung's OMN-D Series double sided displays, for both 46" and 55" sizes, to maximize this dual communication display.

## **Ideal solution for both ceiling and floor**

Vogel's PFFC 4655 can be used to mount OM46N-D or OM55N-D. With this solution, Vogel's offers the best way to mount this display with just one product. This new retail display mounting solution includes a ceiling mount, floor mount and floor-to-ceiling mount option to suit the possibilities and preferences of the store where it is to be installed.

## **Mount without drilling**

There are times when it is not possible to drill holes in the ceiling or floor, or you simply want the option to easily relocate the device at any time. For these cases, Vogel's also has a special base available, which does not require any drilling.

## **Key features**

- Easy and quick installation
- Lightweight aluminium profiles
- Cable management system



# SOLUTION FOR SAMSUNG OMN-D SERIES

## PFFC 4655

Mount for Samsung OMN-D

## PFF 2046

Floor plate for Samsung OM46N-D

## PFF 2055

Floor plate for Samsung OM55N-D



### Specifications

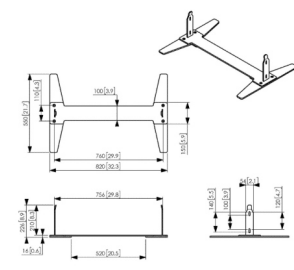
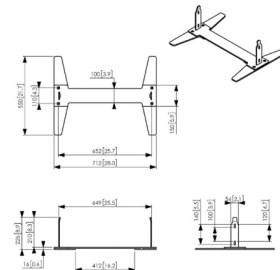
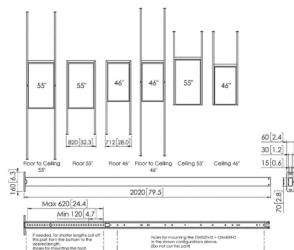
Min. screen size (inch)	46		
Max. screen size (inch)	55		
Depth (mm)	160	550	550
Height (mm)	2020	225	225

### Guarantee

Guarantee	5 years	5 years	5 years
-----------	---------	---------	---------

### General

Colour	Black	Black	Black
Article number	7346550	7320460	7320550
EAN single box	8712285345289	8712285345548	8712285345562



# Trolleys and stands



## **Superb quality and design**

The series of AV trolleys are designed to provide maximum communication power or design integration. The trolley needs to be combined with the Connect-it interface bars and display interface strips.

To create a complete video conferencing solution use the Vogel's camera/speaker holders and speakers (see page 52/111).

## **Display mounting**

In order to mount one or two displays, you choose the display interface bar and strips to create the perfect fit (see page 10-17).

## **Key features**

- Stylish design
- Full cable management
- Suitable for video conferencing

# TROLLEYS AND STAND

**PFF 2420**  
Display floor stand

**PFT 2515**  
Display trolley

**PFT 2520**  
Display trolley



**Specifications**

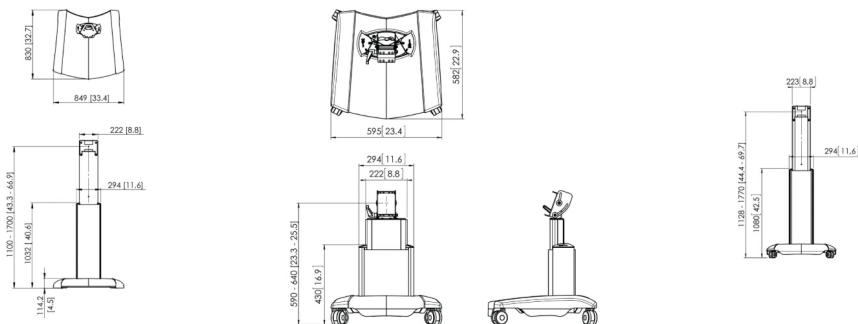
Max. weight load (kg)	70	70	55
Min. screen size (inch)	32	32	32
Max. screen size (inch)	65	65	65
Min. distance to floor - center display (mm)	1100	590	1130
Max. distance to floor - center display (mm)	1700	640	1770
Adjustable height	•	•	•

**Guarantee**

TÜV certified			
Guarantee	5 years	5 years	5 years

**General**

Colour	Black	Black	Black
Article number	7324205	7325155	7325210
EAN single box	8712285331107	8712285331121	8712285331145



## PFA 9033

Accessory shelf

## PFA 9034

Locking cabinet

## PFA 9052

Locking cabinet

## ACCESSORIES



### Specifications

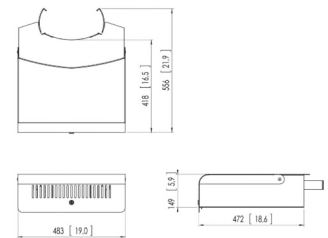
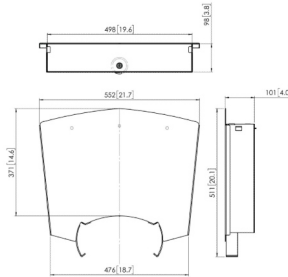
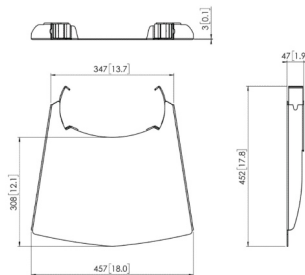
Max. weight load (kg)	10	10	20
Lockable		•	•

### Guarantee

TÜV certified			
Guarantee	5 years	5 years	5 years

### General

Colour	Silver	Silver	Silver
Article number	7390334	7390344	7390524
EAN single box	8712285315008	8712285315022	8712285322808



PLASMABOY®  
TROLLEYS AND  
STAND

**PB 175**

Display trolley

**PB 150**

Display trolley

**PB 050**

Display table stand



**Specifications**

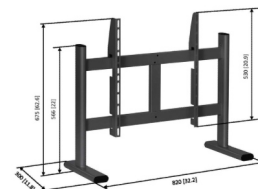
Max. weight load (kg)	50	50	50
Min. screen size (inch)	36	36	36
Max. screen size (inch)	55	55	55
Max. horizontal hole pattern (mm)	670	670	670
Max. vertical hole pattern (mm)	510	510	510

**Guarantee**

Guarantee	5 years	5 years	5 years
-----------	---------	---------	---------

**General**

Colour	Black	Black	Black
Article number	7321750	7321500	7320500
EAN single box	8712285336188	8712285336164	8712285336140





# Floor stands

## **Stylish brushed stainless steel floor stands**

These stylish brushed stainless steel floor stands can be used in many different locations like boardrooms, hotel lobby's, retail shops, custom install showrooms, car showrooms, shows and exhibitions.

Combine the floor stand with a special turn and tilt unit and display interface, and you can easily create a perfect configuration.

The optional accessory shelf can easily be mounted to the floor stand at any desired height.

## **Key features**

- Stylish design
- Brushed stainless steel floor stands
- Stainless steel floor mounting stand
- CIS® Cable Inlay System

## FLOOR STANDS

**PFF 1550**  
Display floor stand



**PFF 1570**  
Display floor stand



**PFA 9011**  
Display floor mounting stand



### Specifications

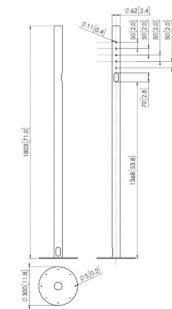
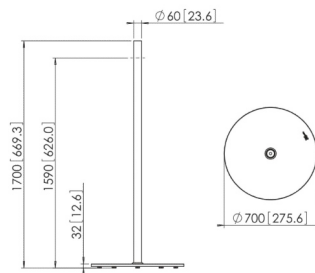
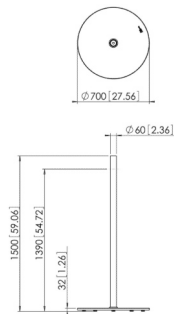
Max. weight load (kg)	45	40	60
Min. screen size (inch)	19	19	19
Max. screen size (inch)	55	55	65
Max. distance to floor - center display (mm)	1390	1590	1568

### Guarantee

TÜV certified			
Guarantee	5 years	5 years	5 years

### General

Colour	Stainless Steel	Stainless Steel	Stainless Steel
Article number	7321554	7321704	7390114
EAN single box	8712285313783	8712285313806	8712285306914

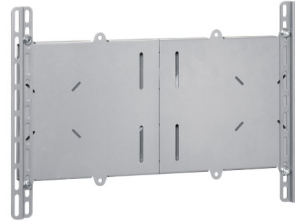


## FLOOR STANDS INTERFACE AND ACCESSORY

**PFA 9001**  
Turn & tilt unit



**FAU 3150**  
Display interface



**PFA 9038**  
Accessory shelf



### Specifications

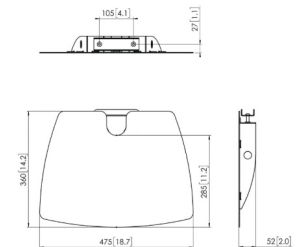
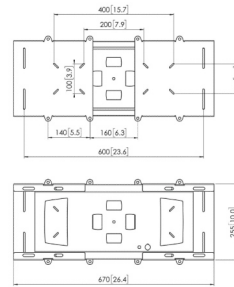
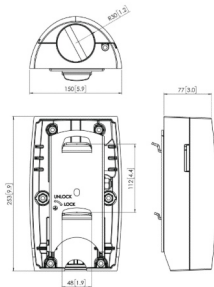
Max. weight load (kg)	60	70	10
Min. screen size (inch)		30	
Max. screen size (inch)		65	

### Guarantee

TÜV certified			
Guarantee	5 years	5 years	5 years

### General

Colour	Silver	Silver	Silver
Article number	7390014	7331504	7390384
EAN single box	8712285305467	8712285305443	8712285316081







# Monitor mounts

## **Professional mounting with a monitor mount**

By securing your computer monitor to a Vogel's monitor mount, not only do you save space on your desk, but you can also adjust the monitor's position to precisely match your personal preferences. Day after day! We offer a suitable monitor mount for every situation and budget. All mounts meet the strict quality requirements that Vogel's applies to her products.

## **Multiple mounting options**

The Flexmount™ allows you to install any monitor mount in up to six different ways without having to purchase extra accessories: desk clamp, thru-desk, wall, grommet hole, side bolt and reverse wall.

## **Solid yet sophisticated**

Vogel's mounts are designed for intensive, professional use without compromising on design. The sophisticated appearance is suitable for any desk and interior.

## **Key features**

- Flexible viewing height
- Movable arm for minimal space on your desk
- Tilt and rotate your monitor in any direction
- Ergonomic design
- Easy to install
- VESA 75x75, 100x100 mm

## MONITOR MOUNTS

### PFD 8522

Monitor mount static

### PFD 8523

Monitor mount static

### PFD 8541

Monitor mount dynamic



#### Specifications

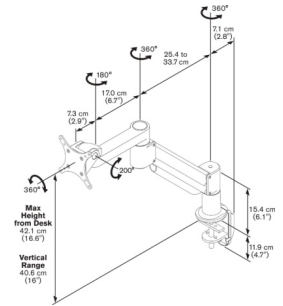
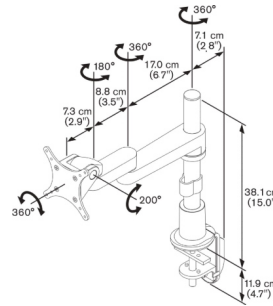
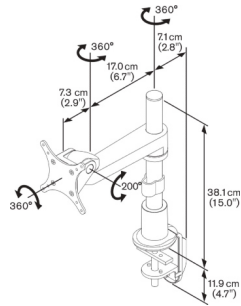
Min. weight load, kg (lbs)	0	0	2
Max. weight load (kg)	13	13	5.7
Min. screen size (inch)	10	10	10
Max. screen size (inch)	29	29	29
Gas spring	-	-	•

#### Guarantee

Guarantee	10 years	10 years	10 years
-----------	----------	----------	----------

#### General

Colour	Silver	Silver	Silver   White
Article number	7185224	7185234	7185414 (Silver) 7185411 (White)
EAN single box	8712285318344	8712285318368	8712285318405 (Silver) 8712285338922 (White)



**PFD 8543**

Monitor mount dynamic



5.6

11

10

29

•

10 years

Silver | White

7185434 (Silver)  
7185431 (White)

8712285318429 (Silver)  
8712285338953 (White)

**PFA 9102**

Dual monitor adapter for PFD mounts



12

10

24

10 years

Silver

7191024

8712285318382

**PFA 9125**

Dual monitor mount adapter

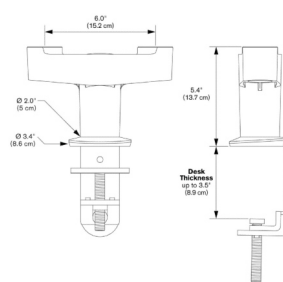
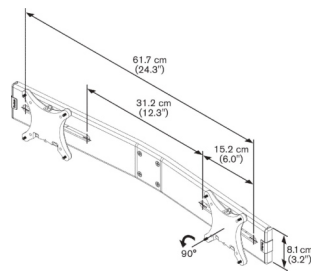
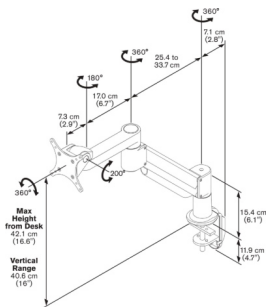


5 years

Silver | White

7291254 (Silver)  
7291251 (White)

8712285330421 (Silver)  
8712285338977 (White)





# TabLock®

## **Professional enclosures for your tablet**

More often, iPads or Android tablets can be found in public areas, such as airports, museums and showrooms. They are ideal for viewing video files, product information and for interactive communication.

In order to use a tablet in public, it needs a secure enclosure that gives accessibility for users, while simultaneously providing protection against theft or unauthorised use. Vogel's has developed the perfect tablet solution: TabLock®.

## **Several versions for iPad and Galaxy Tab**

Most models of the Vogel's TabLock (Apple iPad and Samsung Galaxy Tab) have two versions. One version has an accessible home button, which allows users to close the current application and start another. The other version has the home button completely hidden. The pin-openings can be used to turn the tablet on or off, and to adjust the volume. The Lock & Key system, which is a unique locking mechanism within the TabLock, prevents theft but still gives quick access to the tablet.



# TabLock® for iPad and Galaxy Tab

## Key features

- Theft preventing
- Quick and easy installation
- Internal cable management possible
- Pin holes for power and volume buttons to prevent unauthorized operation (depending on the model)
- Wifi, 3G/4G and bluetooth functionality are unimpeded
- Portrait or landscape position possible
- VESA 100x100 mm mounting holes for mounting the TabLock on all Vogel's VESA compatible mounts
- Direct wall mounting is possible

**Check our website for latest models**

# Universal TabLock®



## **Universal tablet enclosure for your tablet**

Tablets are great for providing information in public spaces, such as retail shops, museums, showrooms and exhibitions. However, they are easy to damage or steal, and there are so many different versions. Vogel's developed the Universal TabLock® enclosure to protect your tablet while still allowing access to the touch screen. Because of the universal design, the Universal TabLock is perfect for iPads, Galaxy Tabs and any other tablet up to 10 inch.

## **Sleek design and high-quality materials**

A safe tablet enclosure does not have to be clunky and difficult to use. The sleek design of the Vogel's Universal TabLock fits in with the high-end image you want to provide for your customers. It is easy to install and use, and does not compromise the user experience. The Universal TabLock is made of high-quality materials: 3 mm steel and high-end aluminium. The enclosure can be mounted directly to the wall, or to any compatible Vogel's mounts. The top panel closes with a unique push-in lock, securing the tablet and preventing access to the mounting screws.

**PTS 2010**  
Universal TabLock

UNIVERSAL TABLOCK®



**Specifications**

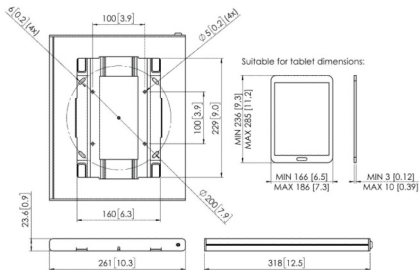
Max. weight load (kg)	3
Min. screen size (inch)	9
Max. screen size (inch)	10
Hole pattern (VESA)	100 mm x 100 mm

**Guarantee**

Guarantee	5 years
-----------	---------

**General**

Colour	Silver
Article number	7495264
EAN single box	8712285331183



TABLOCK®  
ACCESSORIES

**PTA 3101**  
Floor stand

**PTA 3102**  
Table stand



**Specifications**

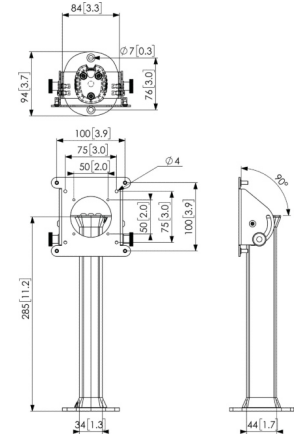
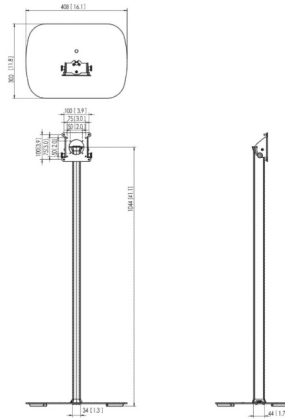
Max. weight load (kg)	3	3
Tilt	Tilt up to 90°	Tilt up to 90°
Cable management	Integrated cable management	Integrated cable management
Hole pattern (VESA)	50 mm x 50 mm 75 mm x 75 mm 100 mm x 100 mm	50 mm x 50 mm 75 mm x 75 mm 100 mm x 100 mm

**Guarantee**

TÜV certified		
Guarantee	5 years	5 years

**General**

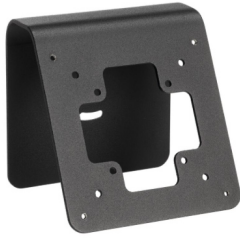
Colour	Black	Black
Article number	7493110	7493120
EAN single box	8712285334726	8712285334740





**PTA 3103**

Wall / table mount



10

50 mm x 50 mm  
75 mm x 75 mm  
100 mm x 100 mm

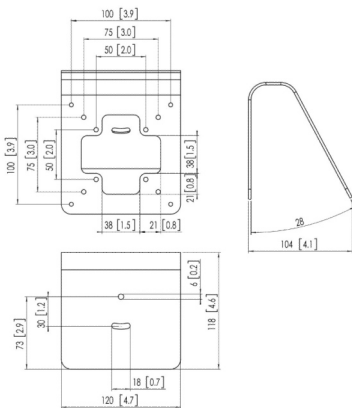


5 years

Black

7493130

8712285335242



**PTA 3105**

Table stand with foot plate



3

Tilt up to 90°  
Integrated cable management

50 mm x 50 mm  
75 mm x 75 mm  
100 mm x 100 mm

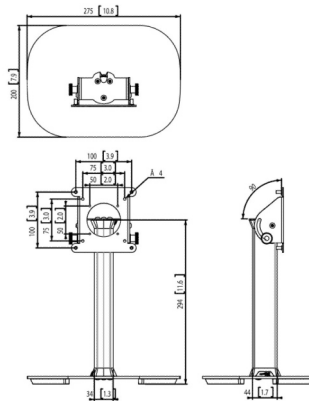


5 years

Black

7493150

8712285334764



Universal TabLock®

Colour  
your world



# Colour your world

The Universal TabLock is meticulously designed to fit, secure and compliment iPad, Galaxy Tab and most other tablets up to 10 inch. Its sleek design fits with the high-end image you want to express. The beautiful anodized aluminium compliments that image. But truly expressing your brand with a secure tablet enclosure was impossible. Until now.

Vogel's offers four exciting ways to express your brand with the versatile TabLock: branding, wrapping, powder coating and anodizing. Each of these finishes offer a different look and feel.

## **Brand your world**

Add your logo to your TabLock

## **Wrap your world**

Wrap your TabLock with a unique design

## **Powder coat**

Colour your TabLock with powder coating

## **Anodize your world**

Provide your TabLock with a premium finish

Design your own TabLock online:

**[colouryourworldwithvogels.com](http://colouryourworldwithvogels.com)**



# Lift systems

## **Projector ceiling lift systems**

The PPL ceiling lift systems are the perfect solution for integrating projectors into ceilings in board rooms, home cinemas, auditoriums and conference halls. Not only is the projector neatly hidden, it is also theft delaying. The lifts run whisper quiet and offer two very easy and accurate adjustable positions: top and show. Having an adjustable top position has the advantage that the ceiling finishing kit can be perfectly aligned. And in some cases it is not needed to create a construction to fill up the internal spacing between structural and false ceiling. The motion of the PPL lift systems is triggered by a very reliable motor that moves the lift with an accuracy of less than one millimeter.

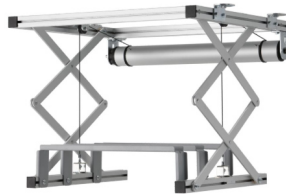
## **Key features**

- Durable
- Product price ratio
- Easy to install
- Easy to control
- Lightweight and solid construction

## PROJECTOR LIFT SYSTEMS

### PPL 2035

Projector lift system



### PPL 2100

Projector lift system



#### Specifications

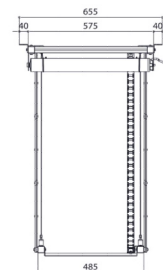
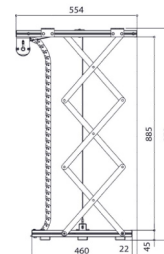
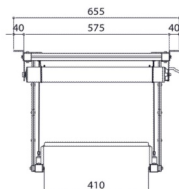
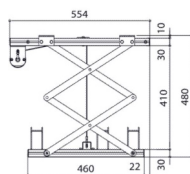
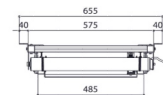
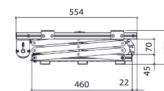
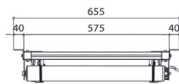
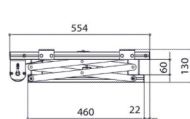
Max. weight load (kg)	15	30
Depth (mm)	554	554
Width (mm)	567	575
Min. distance to ceiling (mm)	130	155
Max. distance to ceiling (mm)	480	970
Voltage	220 V, 50 Hz 230 V, 50 Hz	220 V, 50 Hz 230 V, 50 Hz
Max. projector size	400 x 450 mm	570 x 600 mm

#### Guarantee

TÜV certified		
Guarantee on Electrical Parts	2 years	2 years

#### General

Colour	Silver	Silver
Article number	7020354	7021004
EAN single box	8712285338342	8712285338380



**PPL 2170**

Projector lift system



**PPL 2500**

Projector lift system



30
554
575
255
1979
220 V, 50 Hz 230 V, 50 Hz
570 x 600 mm

70
890
790
705
5705
230 V, 50 Hz
570 x 600 mm



2 years



2 years

Silver

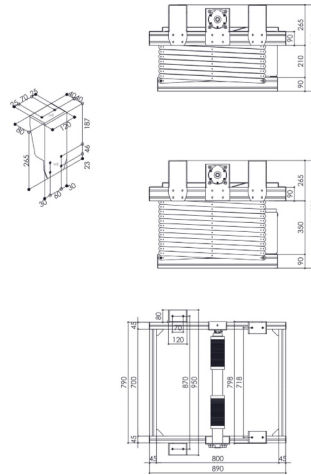
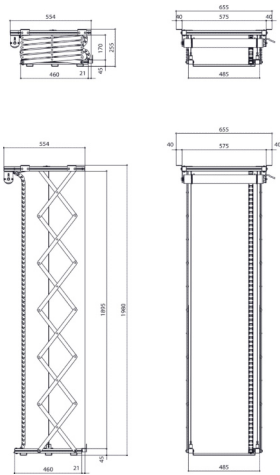
7021704

8712285338427

Black

7025000

8712285338465



## ACCESSORIES

### PPA 901

Ceiling tile holder



### PPA 902

RF remote control kit



### PPA 903

Control pad for RF remote control kit



#### Specifications

Voltage

220 V, 50 Hz  
230 V, 50 Hz

220 V, 50 Hz  
230 V, 50 Hz

Width (mm)

600

#### Guarantee

TÜV certified

Guarantee

2 years

2 years

2 years

#### General

Colour

White

White

White

Article number

7099011

7099021

7099081

EAN single box

8712285338182

8712285338205

8712285338243

**PPA 904**

Low voltage contact



220 V, 50 Hz  
230 V, 50 Hz

2 years

White

7099041

8712285338267

**PPA 905**

Interface switch 12V



220 V, 50 Hz  
230 V, 50 Hz

2 years

Silver

7099054

8712285338304



# Projector ceiling mounts

Vogel's offers a complete range of projector ceiling mounts. These projector mounts are especially designed for the latest generation projectors weighing up to 30 kg. The range includes basic projector ceiling mounts and height adjustable kits with telescopic poles.

## **Universal projector interface**

All mounts come with a universal projector interface. This projector interface is equipped with fine-tune adjustability for precise alignment to the projection surface. Once aligned, the projector stays in position. Turning the unique friction ring will eliminate all play from the interface connections, making the mount a solid and very stable solution.

## **Height adjustable projector ceiling mount kits**

The height adjustable projector ceiling mount kits can be used when the height of the ceiling is not known or when flexibility is required. These mounts come in three lengths offering variable height adjustment from 400 to 1350 mm. This range of projector ceiling mounts is suitable for mounting to flat and inclined ceilings up to 90°. The CIS® Cable Inlay System runs the full length of the pole and even allows for cable routing after installation. This inlay system offers sufficient space for all cables and enables you to hide these in a matter of seconds.



## PROJECTOR MOUNTS

### PPC 1500

Projector ceiling mount



### PPC 2500



Projector ceiling mount



#### Specifications

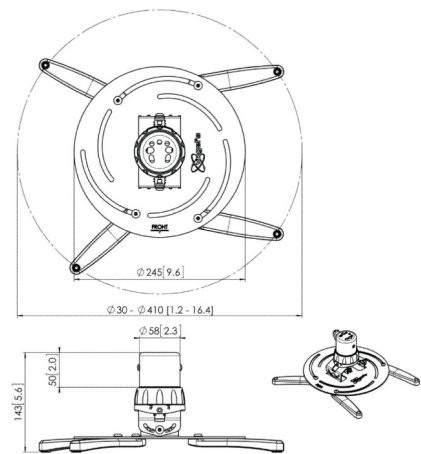
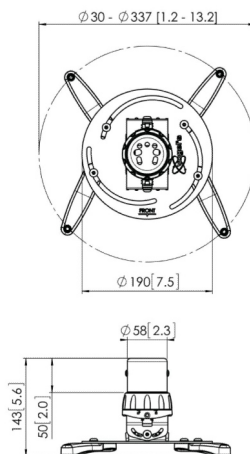
Max. weight load (kg)	20	30
Range (diameter)	30 - 337 mm	30 - 410 mm
Min. distance to ceiling (mm)	124	124
Max. distance to ceiling (mm)	124	124
Tilt	Tilt up to 15°	Tilt up to 15°

#### Guarantee

TÜV certified		
Guarantee	5 years	5 years

#### General

Colour	Silver   White	Silver
Article number	7015014 (Silver) 7015001 (White)	7025004
EAN single box	8712285325069 (Silver) 8712285325144 (White)	8712285325229



## PROJECTOR MOUNTS

### PPC 1540

Projector ceiling mount



### PPC 1555

Projector ceiling mount



#### Specifications

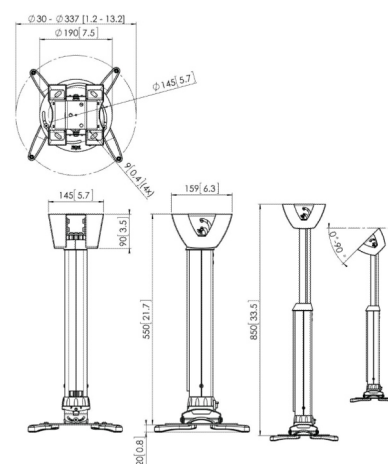
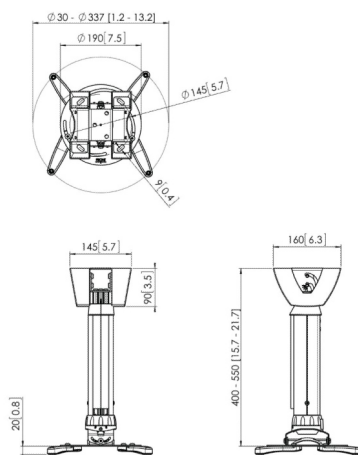
Max. weight load (kg)	20	20
Range (diameter)	30 - 337 mm	30 - 337 mm
Min. distance to ceiling (mm)	400	550
Max. distance to ceiling (mm)	550	850
Tilt	Tilt up to 15°	Tilt up to 15°

#### Guarantee

TÜV certified		
Guarantee	5 years	5 years

#### General

Colour	Silver   White	Silver   White
Article number	7015404 (Silver) 7015401 (White)	7015554 (Silver) 7015551 (White)
EAN single box	8712285325083 (Silver) 8712285325168 (White)	8712285325106 (Silver) 8712285325182 (White)



## PPC 1585

Projector ceiling mount



20

30 - 337 mm

850

1350

Tilt up to 15°



5 years

Silver | White

7015854 (Silver)  
7015851 (White)

8712285325120 (Silver)  
8712285325205 (White)

## PPC 2540

Projector ceiling mount



30

30 - 410 mm

400

550

Tilt up to 15°



5 years

Silver

7025404

8712285325243

## PPC 2555

Projector ceiling mount



30

30 - 410 mm

550

850

Tilt up to 15°

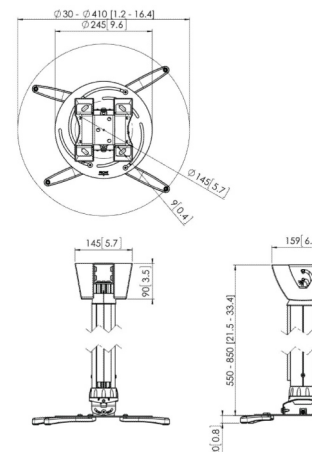
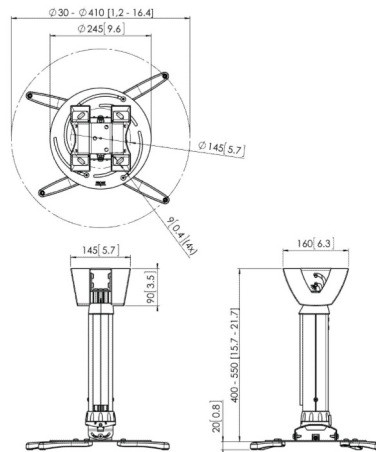
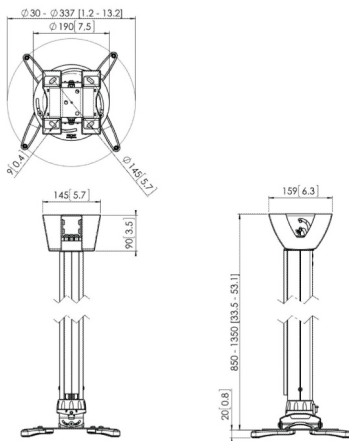


5 years

Silver

7025554

8712285325267



## PPC 2585

Projector ceiling mount

## PROJECTOR MOUNTS



### Specifications

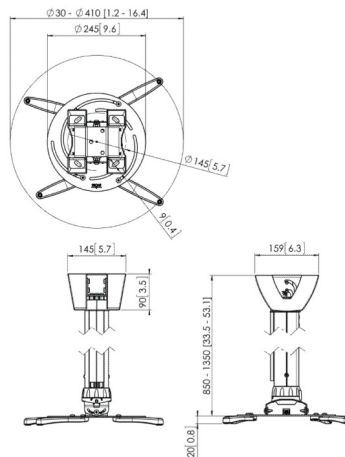
Max. weight load (kg)	30
Range (diameter)	30 - 410 mm
Min. distance to ceiling (mm)	850
Max. distance to ceiling (mm)	1350
Tilt	Tilt up to 15°

### Guarantee

TÜV certified	
Guarantee	5 years

### General

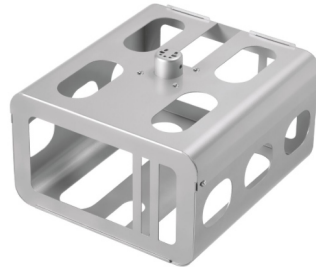
Colour	Silver
Article number	7025854
EAN single box	8712285325281



ACCESSORIES

**PPA 310**

Projector anti theft housing



**PPA 320**

Projector anti theft housing



**Specifications**

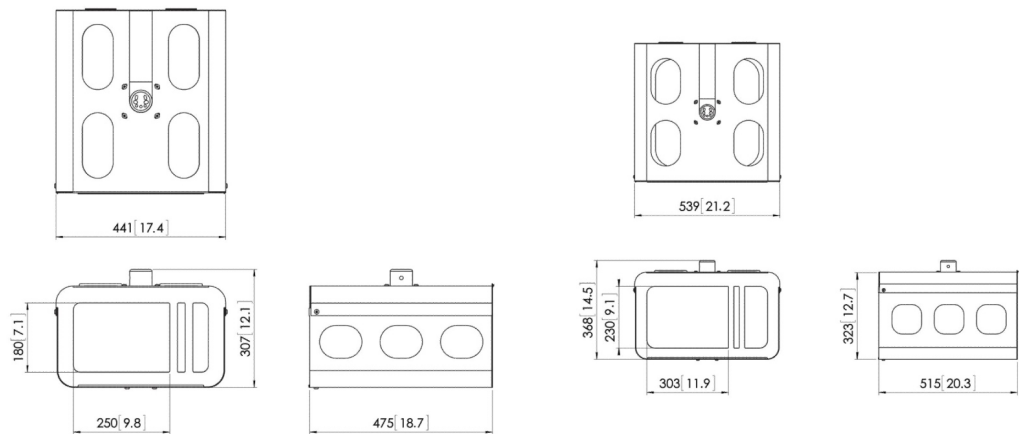
Height (mm)	264	323
Width (mm)	341	539
Depth (mm)	475	515
Max. projector size	410 x 410 x 130 mm	510 x 460 x 180 mm

**Guarantee**

Guarantee	5 years	5 years
-----------	---------	---------

**General**

Colour	Silver	Silver
Article number	7093104	7093204
EAN single box	8712285322709	8712285322723



Type nr.	Pag.	Type nr.	Pag.	Type nr.	Pag.	Type nr.	Pag.	Type nr.	Pag.
<b>C</b>									
C0844	39	PFA 9109	19	PFF 7030	48	PLA 8105	79	PUC 2530	35
C1544	39	PFA 9112	53	PFF 7040	49	PLA 8201	78	PUC 2715	51
C3044	39	PFA 9113	53	PFF 7050	49	PLA 8301	79	PUC 2718	51
CD1564	41	PFA 9114	54	PFF 7060	49	PLA 8705	79	PUC 2720	51
CD1584	42	PFA 9115	38	PFF 7920	65	PLA 8901	78	PUC 2920	67
CD3064	41	PFA 9116	38	PFF 7965	66	PLM 8030	78	PUC 2927	67
CD3084	42	PFA 9117	105	PFFC 4655	113	PLS 8001	78	PUC 2933	67
CT0844	40	PFA 9118	105	PFI 3015	27	PMA 7901	99	PVA 4307	111
CT1544	40	PFA 9119	105	PFI 3045	27	PMW 7014	99	PVA 4310	111
CT240811	29	PFA 9120	38	PFS 3204	14	PMW 7038	99	PVA 4316	111
CT240822	30	PFA 9121	38	PFS 3208	14	PPA 310	141	PVA 5050	52
CT240844	31	PFA 9122	19	PFS 3302	15	PPA 320	141	PVA 5070	52
CT241511	29	PFA 9124	54	PFS 3304	15	PPA 901	134	PVF 4112	109
CT241522	30	PFA 9125	123	PFS 3306	15	PPA 902	134		
CT241544	31	PFA 9126	18	PFS 3308	16	PPA 903	134	<b>T</b>	
CT242211	29	PFA 9127	36	PFS 3311	16	PPA 904	135	T1544	61
CT242222	30	PFA 9127	37	PFS 3504	17	PPA 905	135	T1844	61
CT242244	31	PFA 9129	65	PFS 3504	14	PPC 1500	137	T2044	61
CT243011	29	PFA 9130	65	PFS 3508	17	PPC 1540	138	TD1564	62
CT243022	30	PFA 9131	73	PFS 3508	14	PPC 1555	138	TD1584	63
CT243044	31	PFA 9132	66	PFT 2515	115	PPC 1585	139	TD1864	62
CT3044	40	PFA 9141	71	PFT 2520	115	PPC 2500	137	TD1884	63
		PFA 9142	71	PFT 8520	50	PPC 2540	139	TD2064	62
		PFA 9143	72	PFT 8530	50	PPC 2555	139	TD2084	63
		PFA 9144	72	PFT 8920	65	PPC 2585	140	TE1164	102
<b>F</b>									
F1544	57	PFA 9145	18	PFTE 7111	101	PPL 2035	132	TE1264	102
F1844	57	PFA 9149	28	PFTE 7112	101	PPL 2100	132	TVW2255	75
F2044	57	PFA 9158	94	PFTE 7121	107	PPL 2170	133	TVW3347	75
FAU 3150	120	PFB 3402	10	PFW 1030	81	PPL 2500	133	TVW3355	75
FD1564	58	PFB 3402	10	PFW 1040	81	PTA 3101	128		
FD1584	59	PFB 3405	10	PFW 2020	83	PTA 3102	128	<b>W</b>	
FD1864	58	PFB 3405	10	PFW 2030	83	PTA 3103	129	WE5064	104
FD1884	59	PFB 3407	11	PFW 2040	83	PTA 3105	129		
FD2064	58	PFB 3407	10	PFW 3030	85	PTS 2010	127		
FD2084	59	PFB 3409	11	PFW 3040	85	PUA 9503	37		
FM1544	56	PFB 3409	10	PFW 4200	87	PUA 9504	37		
FM1844	56	PFB 3411	11	PFW 4210	88	PUA 9507	36		
FM2044	56	PFB 3411	11	PFW 4500	87	PUA 9507	37		
FVW2255	74	PFB 3419	12	PFW 4510	88	PUA 9510	28		
FVW3347	74	PFB 3419	11	PFW 4700	87	PUA 9515	28		
FVW3355	74	PFB 3427	12	PFW 4710	88	PUA 9516	28		
		PFB 3427	11	PFW 5870	96	PUC 1011	22		
		PFB 3433	13	PFW 6400	90	PUC 1045	25		
<b>P</b>									
PB 050	117	PFB 3433	11	PFW 6410	90	PUC 1051	25		
PB 150	117	PFC 555	45	PFW 6800	90	PUC 1060	33		
PB 175	117	PFC 585	45	PFW 6810	91	PUC 1065	33		
PFA 9001	120	PFD 8522	122	PFW 6815	91	PUC 1070	33		
PFA 9011	119	PFD 8523	122	PFW 6850	93	PUC 1080	34		
PFA 9033	116	PFD 8541	122	PFW 6851	93	PUC 1090	34		
PFA 9034	116	PFD 8543	123	PFW 6852	93	PUC 2108	22		
PFA 9038	120	PFF 1550	119	PFW 6855	94	PUC 2115	23		
PFA 9052	116	PFF 1570	119	PFW 6858	94	PUC 2130	23		
PFA 9102	123	PFF 2046	113	PFW 6870	96	PUC 2408	26		
PFA 9103	36	PFF 2055	113	PFW 6875	97	PUC 2415	26		
PFA 9104	18	PFF 2420	115	PFW 6880	97	PUC 2422	26		
PFA 9104	73	PFF 5100	109	PFW 6885	97	PUC 2430	26		
PFA 9107	37	PFF 5211	109	PFW 6910	91	PUC 2508	35		
PFA 9108	37	PFF 7020	48	PFW 7150	104	PUC 2515	35		









**Follow Vogel's:**



[/Vogels/Experience](#)



[/Vogels/Experience](#)



[/company/vogels](#)



[/Vogels/Experience](#)



[/Vogels/Experience](#)

**Disclaimer:** While every effort is made to ensure the accuracy of the information provided, Vogel's shall not be held responsible for any errors. This also applies to mistakes or omissions in respect of prices or measurements.