

# GROUND ZERO<sup>®</sup>

GERMAN ENGINEERING

## Datasheet

GZRW 12XSPL



**GROUND ZERO** GmbH – Erlenweg 25, 85658 Eggening, Germany



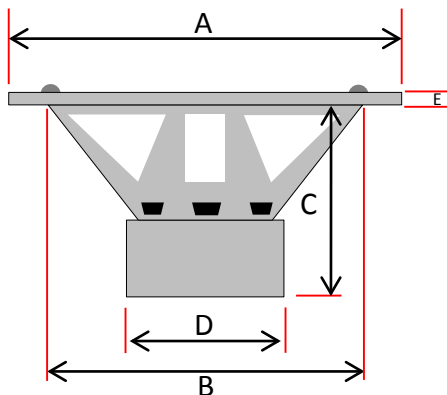
GroundZeroAudioCom

[www.ground-zero-audio.com](http://www.ground-zero-audio.com)  
[info@ground-zero-audio.com](mailto:info@ground-zero-audio.com)

## TECHNICAL SPECIFICATIONS

Product name	GZRW 12XSPL	Gasket material	Foam
Product type	Subwoofer driver	Terminal type	Black-chromed push terminal
Outer diameter	311 mm / 12.24"	Power handling	1500WSPL (1000 WRMS)*
Mounting diameter	288 mm / 11.34"	Impedance	2x 2 ohms
Mounting depth	166 mm / 6.54"	$R_{e(Serial)}$	3,88 ohms
Magnet dimension	(2x) 170 x 20 mm	$R_{es}$	36.0 ohms
Total weight	9.0 kg	$F_s$	31.8 Hz
Voice coil diameter	75 mm / 3" round wire	$Q_{ms}$	7.028
Voice coil winding height	35 mm / 1.38"	$Q_{es}$	0.758
Voice coil wire material	Copper	$Q_{ts}$	0.684
Voice coil former material	Aluminum	$R_{ms}$	9.347 kg/s
Top plate / height	10 mm / 0.39"	$C_{ms}$	0.076 mm/N
Linear excursion (one direction)	18 mm / 0.70"	$M_{ms}$	328.5 gr
Effective Xmax	45 mm / 1.78"	BL	18.34 N/A
Top Plate and T-Yoke color	Black	SPL (1w/1m)	82.8 dB
Basket material	Steel	$V_{AS}$	27.2 L / 0.96 cu.ft
Basket color	Yellow	$L_e$	3.377 mH
Spider material	(2x) POLYCOT	$S_d$	502,73 cm <sup>2</sup>
Surround type	High-roll sandwich foam	Recommended frequency range	35 – 100 Hz
Cone material	Reinforced paper	Recommended amplifier power	800 – 1500 WRMS (@ 4 / 1 ohms)
Dustcap material	Convex IMPP with 3-D logo		
Magnet cover	PVC		

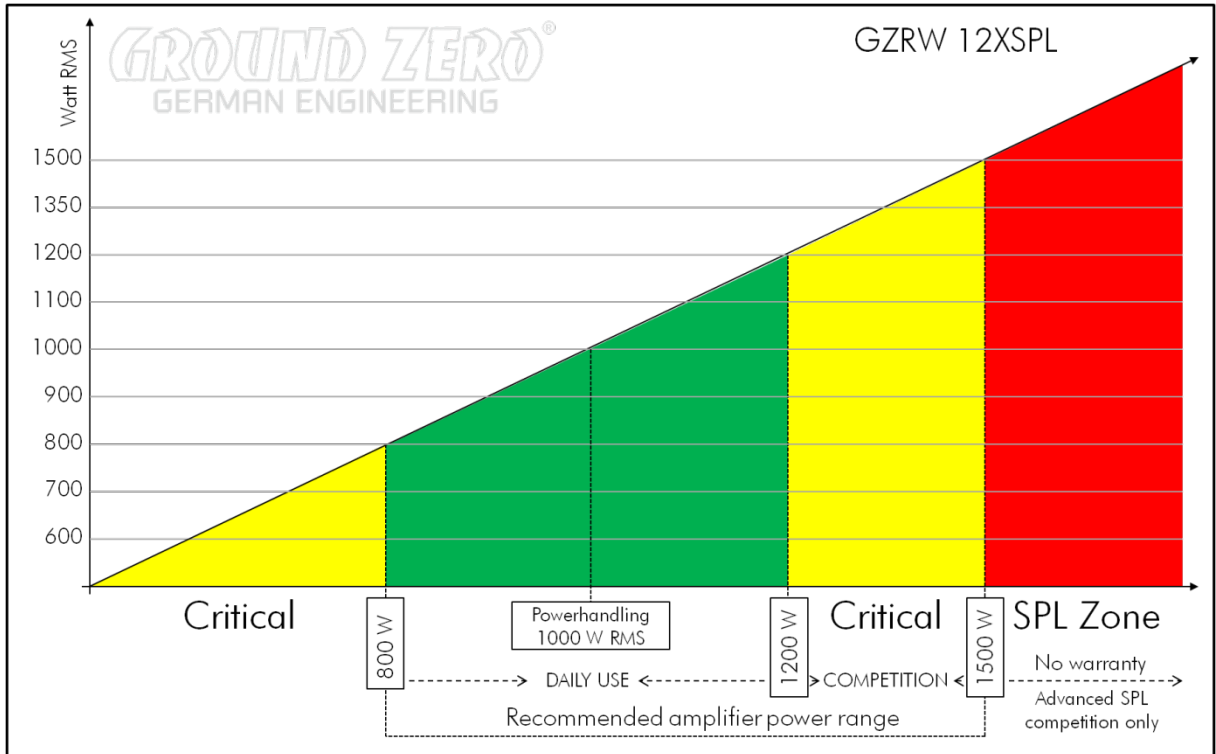
\* max. power handling is only for recommended enclosure applicable



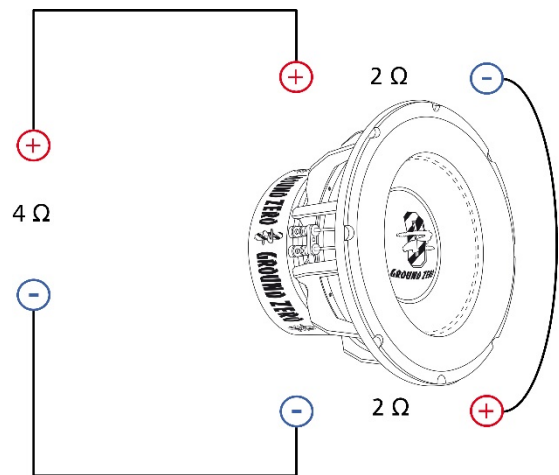
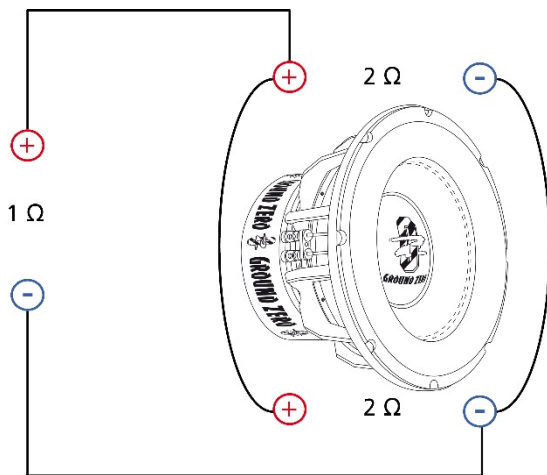
A	311 mm / 12.24"
B	288 mm / 11.34"
C	166 mm / 6.54"
D	190 mm / 7.48"
E	6 mm / 0.24"



## POWER RECOMMENDATION



## WIRING OPTIONS



## ENCLOSURE RECOMMENDATION

<b>Bassreflex / vented</b> (Grün / green)	70 Liter netto / 2.47 cu.ft. net <b>Recommended enclosure !</b>
Port (dimensions)	100 mm / 4"
Portlänge / port length	160 mm / 6.3"
F <sub>3</sub> (-3 dB)	28 Hz
<b>Bassreflex / vented</b> (Orange / orange)	50 Liter netto / 1.77 cu.ft. net <b>Minimum volume</b>
Port (dimensions)	100 mm / 4"
Portlänge / port length	220 mm / 8.66"
F <sub>3</sub> (-3 dB)	30 Hz
<b>Bandpass 4<sup>th</sup> order</b> (Blau / blue)	16 Liter netto geschlossen / 0.56 cu.ft. net sealed 40 Liter netto ventiliert / 1.41 cu.ft. net vented <b>limited frequency range</b>
Port (diameter)	100 mm / 4"
Portlänge / port length	290 mm / 11.42"
F <sub>b</sub> (tuning frequency)	55 Hz
Bandbreite / bandwidth (-3dB)	31 – 92 Hz
<b>Geschlossen / sealed</b> (rot / red)	40 Liter netto / 1.41 cu.ft. net <b>Recommended enclosure volume</b>
Q <sub>tc</sub> / F <sub>3</sub> (-3 dB)	0.89 / 34 Hz
<b>Geschlossen / sealed</b> (violett / violet)	30 Liter netto / 1.06 cu.ft. net <b>Minimum enclosure volume</b>
Q <sub>tc</sub> / F <sub>3</sub> (-3 dB)	0.94 / 36 Hz

