

SUB^{ENERGY} BOX

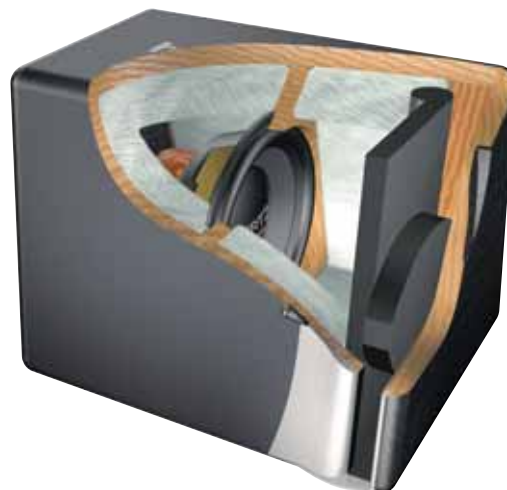
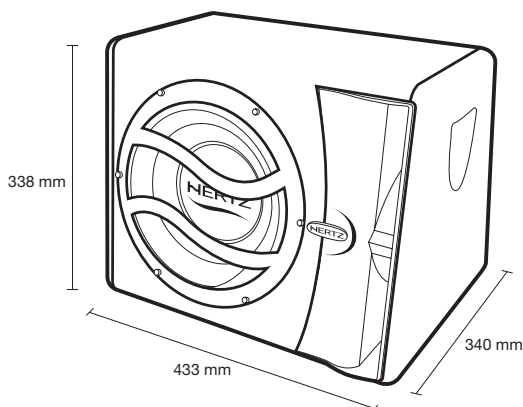
EBX 250 R 700 Watt



Technical Specifications

Component	Reflex Sub Box	
Size	mm	250 (10")
Power Handling (Watt)	peak	700
	continuous program	350
Impedance	Ohm	4
Frequency response	Hz	28-300
Sensitivity	dB/SPL	93
B	mm	433
L	mm	340
H	mm	338
Magnet	Single magnet high density flux ferrite	
Cone	Water-repellent pressed paper	

- 1 20 and 25 mm MDF Box, to minimise the system losses.
- 2 Truncated pyramid section to eliminate internal vibrations.
- 3 Xponential Flanged Duct[®] for powerful, undistorted emission.
- 4 Slanted rear panel to ease the enclosure installation next to the seats.
- 5 Bevelled finishings for safe installation.
- 6 Long excursion subwoofer.
- 7 The handles, carved into the wooden box, ease the enclosure manipulation.
- 8 Central coating in molded polyamide; it is shock-proof and resistant to abrasions.
- 9 Absorbing material to optimise the system damping.
- 10 Die-cast steel grille to prevent vibrations and compression.
- 11 Anti-scratch, epoxy paint.



energy

New ENERGY: Raw power, refined style

ENERGY loudspeakers are the result of the HERTZ team's long experience and continuous research into automobile acoustics, as well as the deep knowledge of installation procedures. Their advanced engineering has been successfully combined with refined cosmetics to match with their high efficiency, stunning dynamics and musical accuracy. The 18 different components are the perfect way to ensure effortless reproduction in the most demanding situations. Add a powerful amplifier; the excellent timbre and high power handling make ENERGY the ideal choice for every system.

COMP

ENERGY woofers ensure excellent acoustic quality, thanks to a powerful and symmetrical motor structure and to the pressed paper "V" cone. The DIN size basket and the compact size make it easy to install in almost every factory OEM location. With the EV 165L, the long throw voice coil design and water repellent non-pressed paper cone provide deep, tight bass output.



ULTRA flat

EM 100 midrange: with its small size and shallow depth it can be installed in locations that would have been deemed impossible until now. The perfect addition ensuring excellent acoustic quality in challenging locations.



Compact SIZE

ET 20 is a revolutionary tweeter with Tetolon dome; its unique design was conceived to ensure state-of-the-art performance in the smallest space. The provided mounting hardware allows easy installation in the most challenging locations.



CX 200 and **CX 300** ENERGY system crossovers feature an aggressive, cosmetically appealing housing which protects the efficient, refined network: easy installation, reference acoustical performance in the mobile environment and the utmost reliability.



COAX

ECX ENERGY COAX feature the world renowned Tetolon dome tweeter with built-in crossover. Off-axis response can be controlled with the proprietary RHFC™ technology. ECX 87 has an excellent dome-cone tweeter with built-in crossover. In addition to this, ECX 690 has a Mylar supertweeter to ensure the best possible efficiency and high frequency extension. No other coaxial components can ensure the outstanding sound linearity, off-axis response and timbre quality of ENERGY loudspeakers.



SUB

ENERGY ES subwoofers were designed to work best when used in small enclosures. However, their electro-acoustic parameters are optimised for use in many different enclosure types; both in terms of typology (sealed box, reflex, bandpass, etc.) and in size, ensuring extraordinary versatility and performance. The use of a long excursion mobile voice coil and a high flux density double magnet have created subwoofers that can stand very high power with outstanding musicality and bursting dynamics. The special finish and butyl rubber rings offer protection along with an aggressive look.



Refined style