

PROFESSIONAL 2017 / 2018 COMPUTER ACCESSORIES

roline[®] Designed for Professionals



www.secomp-international.com
<http://shop.roline.com>





Catalog 2017/2018

roline[®]
Designed for Professionals

THE QUALITY LINE



PROFESSIONAL PRODUCTS FOR PROFESSIONAL USERS

- **ROLINE Brand Packings with EAN-Code and 7-Language-Stickers**
 - **Methodical Quality Inspections for all Products**
 - **2 Years Warranty for all ROLINE Products**
 - **Free Marketing and Technical Support**
 - **All Products available from Stock**
 - **Bonded Warehouse**
 - **Best Prices**



Jose Horstman
Export Manager



Esther Hutter
Export Administration



Leonarda Moccia
Executive Assistant



Kirsten Langer
Export Administration
Shipping Department

Valued Customer our Commitment to you!

Product Selection

All products are acquired from established and experienced manufactures across the globe, which lead the way within the computer accessory industry. To a large extent they are produced according to our internal specifications. Our products comply with all relevant technical requirements including the RoHS, WEEE & CE regulations.



ROLINE Brand

A brand that you can trust! - ROLINE is a brand name for high quality accessories and a product that is of very good quality, excellent reliability and also attractively priced. ROLINE branded products come with a 2-year warranty.

roline[®]
Designed for Professionals

VALUE Brand

Quality products and highly aggressive pricing makes the VALUE range ideally suited for Distribution Partners. All VALUE products are supplied with a 1-year warranty.

Value[®]

Quality Control

All our products are tested systematically according to DIN-ISO 2859 rules. They are tested under real working conditions, which shows confidence in the quality of product we supply to the trade.



On Stock

All catalogue products are on stock or will be available within a short period of time.



Good Price

High purchasing volume and long-term relationships with highly specialised manufactures gives you the advantage to buy always at competitive prices 'value for money'.



Service and Support

We provide assistance and guidance for technical questions & product enquiries against our entire Computer Accessory product portfolio.



Please contact us now!

Quality and Service Performance

CONTENTS - 11 product chapters providing easy selection.

N



NEWSSHOP - New Products

ROLINE EASY Patch Cord, UTP / S/FTP Cat.6A.....	NEW.2	ACTIVE OPTICAL (AOC) Cables	
ROLINE EASY Patch Cord Removal Tool	NEW.2	VALUE UHD HDMI 4K2K Active Cables	NEW.5
VALUE Cable Cabinet Management 19"	NEW.2	ROLINE UHD HDMI 4K2K Active Cables	NEW.5
ROLINE Type C Cables	NEW.3	VALUE HDMI Switch	NEW.5
VALUE Card Reader / Hub Type C	NEW.3	ROLINE Vertical Adjustment Plate	NEW.6
ROLINE Type C Cables to VGA/DP/HDMI/DVI	NEW.4	Monitor Stand (Tempered Glass)	NEW.6
VALUE / ROLINE 8K4K HDMI Cables	NEW.4		
VALUE UHD HDMI 4K2K Active Cables	NEW.5		

1



Network Components / Cables

Fast- / Gigabit Ethernet Converter	1.02	Patch Panels	1.26 - 1.30
Fast- / Gigabit Ethernet Switches	1.03 - 1.04	Mount Boxes	1.30 - 1.31
Media Converters	1.04	Modular Plugs, Couplers, Junction Boxes	1.32 - 1.33
PoE Injectors / PoE Switches	1.05 - 1.06	Fibre Optic Jumper Cables	1.33 - 1.36
Industrial Networking	1.06 - 1.07	FO Cleaning Accessories	1.36
TP Cables Overview	1.08 - 1.09	FO Adapter	1.37
Installation Cables	1.10 - 1.12	MPO Cabling System	1.38
Patch Cords	1.13 - 1.24	19" LCD KVM Consoles	1.39
Cable Assembly	1.25	19" Wall Cabinets	1.40

2



Surveillance / IP Cameras

ROLINE IP Cameras	2.02 - 2.03	PoE Extenders	2.07
ROLINE Network Video Recorder	2.03, 2.04, 2.05	PoE Injectors	2.07
VALUE IP Cameras	2.05	PoE Splitters	2.08
VALUE Network Video Recorder	2.05	PoE Switches	2.08
VALUE HD-TVI Cameras	2.06		
VALUE HD-TVI Digital Video Recorder	2.06		

3



Switchboxes / Hubs

"Star" KVM Switches	3.02	KVM DisplayPort Switches	3.06
19" Desktop" KVM Switches	3.03	KVM HDMI Switches	3.07, 3.08, 3.09, 3.10
19" KVM Switches	3.03 - 3.05	KVM Gigabit Ethernet Extender	3.09
19" LCD KVM Switches	3.05	Manual USB Switches	3.10 - 3.11
IP KVM / KVM Extenders	3.07, 3.09	USB 2.0 / 3.0 Hubs	3.11 - 3.14
KVM Switches with USB Hub	3.08 - 3.10	USB 3.0 Hubs (Type C)	3.14
KVM DVI Switches / Extender	3.07, 3.08		
KVM DVI Dual Head Switches	3.06		

4



Computer Cables / Connectors / Adapters

ROLINE - THE difference	4.02 - 4.03	HDMI Cables	4.16 - 4.19
USB 2.0 / USB 3.0 / USB 3.1 Cables	4.04 - 4.11	DisplayPort Cables	4.20 - 4.22
USB Extenders	4.07	Audio / Video Cables / Adapters	4.26 - 4.27
FireWire Cables	4.09	SATA Cables	4.28, 4.29, 4.30
Cables assembly	4.12	Gender Changers	4.30
9-pole / 25-pole / Serial / -Link Cables	4.13	Internal Power Cables	4.31
Printer Cables, parallel	4.13	Power Cords	4.32 - 4.33
Keyboard Cables PS/2	4.14	Telephone Cables / Accessories; Ferrites	4.33
Monitor Connection Cables VGA	4.14 - 4.15	Adapters VGA/DVI/HDMI/DP	4.24 - 4.26, 4.28
Monitor Connection Cables DVI	4.15 - 4.16	Adapters / Converters	4.34 - 4.38

5



Peripheral Devices

I/O Cards	5.02 - 5.04	Barcode Scanner	5.07
Card Readers	5.04	Presenter	5.07
HDD Enclosures / Mobile Racks	5.05	Keypad / Calculator Keypad	5.08
HDD Docking Station	5.06	Mouses	5.08
Mounting Material	5.06	Mouspads	5.08
19" Industrial Server Chassis	5.07		

6



Mobile Computing

Gigabit Ethernet Converter + Hub	6.02	Stand for Apple Watch.....	6.10
USB Card Reader	6.05	Security Locks.....	6.10
Sync- & Charging Cables / Adapters	6.03 – 6.05		
3.5mm Audio Adapters.....	6.06		
Docking Stations.....	6.06		
USB Charger	6.06 – 6.07		
Stand / Holder for Notebook / Tablet	6.08 – 6.10		
Stand / Holder for Smartphones.....	6.08 – 6.10		

7



Multimedia

USB Display Adapters	7.02	HDMI Matrix Switches	7.11
Audio/Video Extenders over TP	7.03 – 7.05	Audio Adapters / Converters	7.12
HDMI Extenders	7.04 – 7.07	Headsets	7.13
Wireless HDMI Audio/Video Systems	7.05	Bluetooth Speaker.....	7.13
UHD HDMI Active Cables	7.07	Audio Extractor	7.13
Audio/Video Splitters	7.08 – 7.10	Video Grabber / Converter	7.13
Audio/Video Switches	7.11 – 7.12	Multimedia Audio/Video Modules	7.14

8



UPS Systems / Power Distribution

Line-Interactive UPS	8.02 – 8.03	USB Power Cables.....	8.06
Online UPS	8.03	USB Chargers / Car Chargers	8.06 – 8.07
Power Strips	8.04	Power Cords	8.08
IP Power Strip / Remote Switch	8.05	Power Extension Cables.....	8.08
Universal Power Adapters	8.06		

9



Test / Measurement / Tools

Cable Testers / Network Tools.....	9.02	Cable Ties / Installation Tools / Clips.....	9.08
Crimping Pliers / Tools.....	9.03 – 9.05	Cable Tunnel Organizers	9.08
Service Kits.....	9.05 – 9.08		

10



Office Equipment / Consumables

Mouse Pads	10.02	Wall / Ceiling Projector Mount	10.17
Wristrests	10.02	Monitor Stand	10.18
VESA Adapters	10.03 – 10.04	Printer Tables	10.19
LCD Monitor Arms / Mounts.....	10.03 – 10.10	PC Workstations	10.14, 10.19 – 10.20
Wall Mount Workstation	10.11	Cleaning Sets.....	10.21 – 10.22
Monitor / PC Stands	10.11, 10.14		
ROLINE Modular Systems	10.12 – 10.13		
PC Holder	10.15 – 10.16		

11



TV Holders / Furnitures

TV Wall Holders.....	11.02 – 11.05, 11.09	Digital Signage.....	11.07 – 11.08
TV Ceiling Holders	11.04	TV Board/Stand / Sideboards	11.09
TV Mobile Cart	11.05 – 11.06	Cable Box	11.09

%



SELLOFF - as long as we have stock

ROLINE Networking Products	A.02	Smartphone Accessories.....	A.12
VALUE/ROLINE Patch Cords / FO Cables.....	A.03-A.05	VALUE Wireless A/V Receiver for Smartphones	A.13
Surveillance Products	A.06	ROLINE DVI Video Splitter	A.13
Internal Hubs.....	A.07	ROLINE 4K2K HDMI Switch	A.14
SATA Cables / Adapters.....	A.08	VALUE USB Charger	A.14
ROLINE / VALUE HDMI Cables	A.09	ROLINE Wall Mount Kits	A.15
ROLINE RS-232 PCI Adapter	A.10	Screwdriver Sets.....	A.15
VALUE/ ROLINE Bluetooth Headsets	A.10, A.11	ROLINE Cleaning Products	A.16
ROLINE Desktop Stand for Tablet.....	A.11		

ROLINE EASY Patch UTP Patch Cord Cat. 6A
Cat.6A
U/UTP

Unshielded twisted pair patch cable with RJ-45 connectors on both sides. The special connector allows you to easily remove the cable from e.g. your patchpanel (by pulling at the kink protection - even better in collaboration with our 19.06.1032 Easy Patch Removal Tool). It fits perfectly in any high density network environment!

- Patch cable for networking connections between devices
- Prepared unshielded Twisted Pair cable with RJ-45 connectors on both ends
- Durable due to moulded kink protection
- Flexible cable, suitable for narrow bending
- Contact settings 1:1, in accordance with the EIA/TIA 568 standard
- Construction: 4-pair stranded copper wire


roline
 Designed for Professionals

Available November 2017

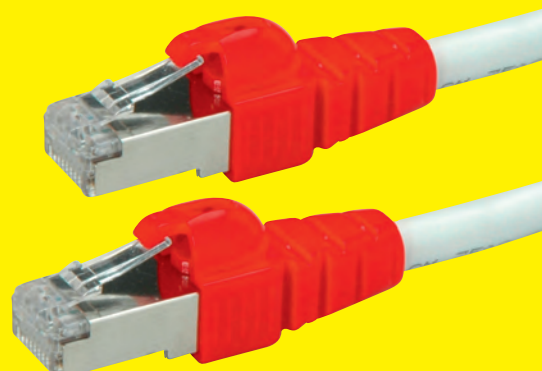
Order-No. – P.U.

ROLINE EASY Patch UTP Patch Cord Cat. 6A, white, 0.3 m	21.15.2460	– 125
ROLINE EASY Patch UTP Patch Cord Cat. 6A, white, 0.5 m	21.15.2461	– 100
ROLINE EASY Patch UTP Patch Cord Cat.6A, white, 1.0 m	21.15.2462	– 120
ROLINE EASY Patch UTP Patch Cord Cat.6A, white, 2.0 m	21.15.2463	– 80
ROLINE EASY Patch UTP Patch Cord Cat.6A, white, 3.0 m	21.15.2464	– 70
ROLINE EASY Patch UTP Patch Cord Cat.6A, white, 5.0 m	21.15.2465	– 50

ROLINE EASY Patch S/FTP Patch Cord Cat.6A
Cat.6A
S/FTP

Twisted pair patch cable with RJ-45 connectors on both sides. The special connector allows you to easily remove the cable from e.g. your patchpanel (by pulling at the kink protection - even better in collaboration with our 19.06.1032 Easy Patch Removal Tool). It fits perfectly in any high density network environment and data centers!

- Patch cable for networking connections between devices
- Prepared shielded Twisted Pair cable with RJ-45 connectors on both ends
- Durable due to moulded kink protection
- Flexible cable, suitable for narrow bending
- Contact settings 1:1, in accordance with the EIA/TIA 568 standard
- Construction: 4-pair stranded copper wire


roline
 Designed for Professionals

Available November 2017

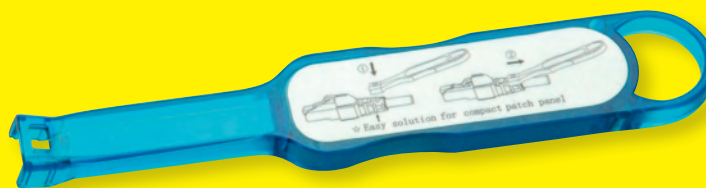
Order-No. – P.U.

ROLINE EASY Patch S/FTP Patch Cord Cat.6A, white, 0.3 m	21.15.2470	– 125
ROLINE EASY Patch S/FTP Patch Cord Cat.6A, white, 0.5 m	21.15.2471	– 100
ROLINE EASY Patch S/FTP Patch Cord Cat.6A, white, 1.0 m	21.15.2472	– 120
ROLINE EASY Patch S/FTP Patch Cord Cat.6A, white, 2.0 m	21.15.2473	– 80
ROLINE EASY Patch S/FTP Patch Cord Cat.6A, white, 3.0 m	21.15.2474	– 70
ROLINE EASY Patch S/FTP Patch Cord Cat.6A, white, 5.0 m	21.15.2475	– 50

EASY Patch Cord, Removal Tool Clamp

Removal Tool for our Easy Patch cords! Helps you to easily remove your High Density ROLINE Easy Patch cords.

- Handy and easy to use
- Removal tool made of plastic with instructions directly on itself
- Only for our ROLINE Easy Patch Cords (e.g. 21.15.2474)


Order-No. – P.U.

EASY Patch Cord, Removal Tool Clamp, green	19.06.1032	– 5
--	------------	-----

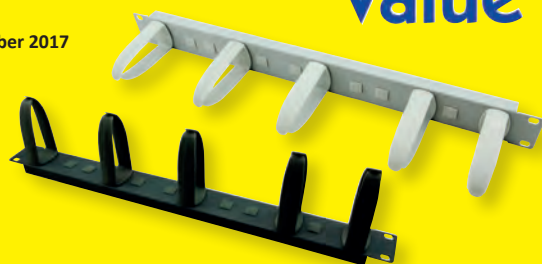
Available November 2017

19" Cable Management plate with Horizontal/Vertical Cable Rings for Cabinets

- Essential piece of equipment for server or data cabinets environments
- Suitable for mounting on all 19" data cabinets and server racks, allowing cables to be neatly routed for a higher reliability of connections throughout the cabinet or rack
- The cable rings create an ideal bend radius for the networking cables and greatly assists keeping the rack neat, they can be used vertically or horizontally
- Designed to give extra support for patch leads and prevents obscuring other equipment and to prevent cable strain
- Makes installation neater and more professional
- Cables slide in and out comfortably with out falling out by themselves

- 1UH quality metal bar
- 5 cable rings (hooks) for great cable management
- Contents: 19"-Panel, 5 cable rings (hooks)

Available November 2017


Order-No. – P.U.

19" Cable Management Plate with Horizontal/Vertical Cable Rings for Cabinets, grey	26.99.0345	– 20
19" Cable Management Plate with Horizontal/Vertical Cable Rings for Cabinets, black	26.99.0346	– 20

VALUE USB Type C 3.1 to Gigabit Ethernet Converter

With this adapter, you are able to easily connect your Macbook, Ultrabook, Notebook/Laptop or PC with USB Type C interface to a Gigabit Ethernet LAN network!

This converter is a cost effective solution

to convert a USB 3.1 Type C port into a 10/100/1000 Base-T Ethernet port

- Supports 10/100/1000 Mbit/s auto-sensing capability
- Supports USB 3.0/2.0
- Type C Connector

- Bus powered
- Supports both full-duplex and half-duplex operation in Gigabit Ethernet
- Supports Windows XP/Vista/7/8/10, Mac OS X
- Contents: Converter, manual



Order-No. – P.U.

VALUE USB Type C 3.1 to Gigabit Ethernet Converter

12.99.1115 – 10

Available November 2017

ROLINE Cable USB Micro B + Type C M/M to USB2.0 A M, OTG

- USB Type C and micro B combo allows the cable to perform 2-in-1 functionality
- Allows you to transfer data from your mobile device
- Connect the cable to your Smartphone or tablet and charge your device by connecting the USB connector into your wall charger or transfer data by connecting it with your computer
- Colour: black

Available November 2017

Order-No. – P.U.

ROLINE Cable USB Micro B + Type C M/M to USB2.0 A M, OTG, black, 1.0 m

11.02.8328 – 10



Designed for Professionals

Type Micro B Connector Male



Type C Connector Male

ROLINE USB Type C + Micro B to USB A , M/F

- USB Type C and micro B combo allows the cable to perform 2-in-1 functionality
- Allows you to transfer data from your mobile device
- Connect the cable to your Smartphone

or tablet and charge your device by connecting the USB connector into your wall charger or transfer data by connecting it with your computer

- Colour: black

Available November 2017

Order-No. – P.U.

ROLINE USB Type C + Micro B to USB A, M/F, black, 1.0 m

11.02.8327 – 10



Designed for Professionals

Type Micro B Connector Male



Type C Connector Male

ROLINE USB 3.1 Type C Cable, C-C, M/F

- High quality cable with improved shielding
- With the new reversible Type C connectors at both ends
- Gold-plated contacts for low wear at high plugging cycles
- Reduces wear and tear on your Type C connector or your Type C device
- Serves as a high-quality, durable USB Type C extension cable
- Suitable for data transfer rates of up to 10 Gbit/s

Available November 2017

Order-No. – P.U.

ROLINE USB 3.1 Type C Cable, C-C, M/F, black, 0.15 m

11.02.9015 – 10



Designed for Professionals



VALUE CardReader Typ C + 3x USB 3.0, SD/Micro SD Card Reader

Transfer your precious vacation pictures/videos from the memory card of your DSLR, digital camera or other equipment to your tablet, Macbook or other USB Type C device!

- Suitable for Smartphone+Tablets
- Supports USB 2.0

- Card Reader works with multiple media, as e.g. SD (Secure Digital) Card, SDHC, Micro SD
- Contents: Card Reader

Order-No. – P.U.

VALUE CardReader Typ C + 3x USB 3.0, SD/Micro SD Card Reader

15.99.6252 – 20



Available November 2017



ROLINE USB 3.1 Type C Cable, C-A, M/F, OTG

USB 3.1 Type C cables in the new SuperSpeed quality offer a transmission with up to 5 Gbit/s!

- High quality USB 3.1 cable with one USB Type C connector (male) and one Type A (female)
- Meets standard USB 3.1 with transfer rates up to 5 Gbit/s



Order-No. – P.U.

ROLINE USB 3.1 Type C Cable, C-A, M/F, OTG, black, 0.15 m

11.02.9030 – 10



Designed for Professionals

Available November 2017



ROLINE Cables Type C - VGA, DVI, HDMI, DisplayPort

- **USB 3.1 Cable Type C to VGA/DVI/HDMI/DisplayPort for Macbook**
 - Connect your MacBook with USB-C port to any correspondent display or projector
 - This adapter allows you to mirror your MacBook display to your TV or display
 - No power adapter required
 - Supports maximum resolutions up to 1920 x 1080 @60Hz (Full HD 1080p) – Type C- VGA
 - Supports maximum resolutions up to 3840x2160 @ 30Hz- Type C- DVI
 - Supports maximum resolutions up to 3840x2160 @ 60Hz- Type C- HDMI/DP
-
- Connectors: VGA Male and Type C Male (11.04.5820/11.04.5821/11.04.5822)
 - Connectors: DVI Male and Type C Male (11.04.5830/11.04.5831)
 - Connectors: HDMI Male and Type C Male (11.04.5840/11.04.5841)
 - Connectors: DisplayPort Male and Type C Male (11.04.5845/11.04.5846)
 - DisplayPort Version 1.2 allows increased resolutions, higher refresh rates, and greater color depth

	Order-No.	–	P.U.
ROLINE Cable Type C - VGA, M/M, black, 1.0 m	11.04.5820	–	10
ROLINE Cable Type C - VGA, M/M, black, 2.0 m	11.04.5821	–	10
ROLINE Cable Type C - VGA, M/M, black, 3.0 m	11.04.5822	–	10
ROLINE Cable Type C - DVI, M/M, black, 1.0 m	11.04.5830	–	10
ROLINE Cable Type C - DVI, M/M, black, 2.0 m	11.04.5831	–	10
ROLINE Cable Type C - HDMI, M/M, black, 1.0 m	11.04.5840	–	10
ROLINE Cable Type C - HDMI, M/M, black, 2.0 m	11.04.5841	–	10
ROLINE Cable Type C - DisplayPort, v1.2, M/M, black, 1.0 m	11.04.5845	–	10
ROLINE Cable Type C - DisplayPort, v1.2, M/M, black, 2.0 m	11.04.5846	–	10

1080p
FULL HD

2160p
ULTRA HD

4K2K

Available November 2017

roline
Designed for Professionals

ROLINE GOLD Monitor Cables, DVI (24+1) - HDMI, Dual Link

- DVI-D dual link version with (24+1)-pin assignment
- HDMI connector
- ROLINE GOLD cable with gold plated contacts and metal connector housing
- Nylon-reinforced cable outer material for a better stability
- Thumbscrews for DVI connector


roline
Designed for Professionals

Order-No. – **P.U.**

ROLINE GOLD Monitor Cable, DVI (24+1) - HDMI, Dual Link, M/M, 1.0 m	11.04.5890	–	10
ROLINE GOLD Monitor Cable, DVI (24+1) - HDMI, Dual Link, M/M, 2.0 m	11.04.5891	–	10
ROLINE GOLD Monitor Cable, DVI (24+1) - HDMI, Dual Link, M/M, 3.0 m	11.04.5892	–	10
ROLINE GOLD Monitor Cable, DVI (24+1) - HDMI, Dual Link, M/M, 5.0 m	11.04.5893	–	10
ROLINE GOLD Monitor Cable, DVI (24+1) - HDMI, Dual Link, M/M, 7.5 m	11.04.5894	–	5
ROLINE GOLD Monitor Cable, DVI (24+1) - HDMI, Dual Link, M/M, 10.0 m	11.04.5895	–	5

VALUE HDMI 8K (7680 x 4320) Ultra HD Cables + Ethernet

High quality HDMI cable with HDMI connectors for optimal transmission of digital UHD signals at data rates up to 35.8 Gbit/s. For transfer of films in digital cinema quality with up to 8k at 60Hz.

- Gold plated contacts for higher durability

REMARK: Product similar to picture


- HDMI Ethernet Channel- Adds high-speed networking to an HDMI link, allowing users to take full advantage of their IP-enabled devices without a separate ethernet cable
- 8k support- Enables video resolutions up to 4320p @60Hz far beyond 1080p, supporting next-generation displays
- Cable with HDMI male connector on both sides
- High quality cable with golden metal connector housing and shell for better shielding

4320p
8K4K
Value

Available November 2017

Order-No. – **P.U.**

VALUE HDMI 8K (7680 x 4320) Ultra HD Cable + Ethernet, M/M, 1.0 m	11.99.5901	–	10
VALUE HDMI 8K (7680 x 4320) Ultra HD Cable + Ethernet, M/M, 2.0 m	11.99.5902	–	10
VALUE HDMI 8K (7680 x 4320) Ultra HD Cable + Ethernet, M/M, 3.0 m	11.99.5903	–	10

ROLINE HDMI 8K (7680 x 4320) Ultra HD Cables + Ethernet

High quality HDMI cable with HDMI connectors for optimal transmission of digital UHD signals at data rates up to 35.8 Gbit/s. For transfer of films in digital cinema quality with up to 8K at 60Hz.

- HDMI Ethernet Channel- Adds high-speed networking to an HDMI link, allowing users to take full advantage of their IP-enabled devices without a separate ethernet cable
- Audio Return Channel- Allows a HDMI-connected TV with a built-in tuner to send audio data „upstream“ to a surround audio system, eliminating the need for a separate audio cable
- 3D- Defines input/output protocols for major 3D video formats
- **8K support - Enables video resolutions up to 4320p @60Hz far beyond 1080p, supporting next-generation displays**
- Cable with HDMI male connector on both sides
- High quality cable with golden metal connector housing and shell for better shielding
- Gold plated contacts for higher durability


Order-No. – **P.U.**

ROLINE HDMI 8K (7680 x 4320) Ultra HD Cable + Ethernet, M/M, 1.0 m	11.04.5901	–	10
ROLINE HDMI 8K (7680 x 4320) Ultra HD Cable + Ethernet, M/M, 2.0 m	11.04.5902	–	10
ROLINE HDMI 8K (7680 x 4320) Ultra HD Cable + Ethernet, M/M, 3.0 m	11.04.5903	–	10
ROLINE HDMI 8K (7680 x 4320) Ultra HD Cable + Ethernet, M/M, 5.0 m	11.04.5905	–	10

4320p
8K4K

Available November 2017

roline
Designed for Professionals

VALUE UHD HDMI 4K2K Active Cables

This cable achieves resolutions with up to 4K UHD (3840x2160) @ 60Hz in up to 10m distance between data source and receiver! It's 3D capable and audio transmission is included.

Available November 2017



- For a total length of 25 meters between computer and monitor
- Active repeater is integrated in the connectors
- Hardware solution, no software required
- No external power supply needed
- Connectors: HDMI Type A M
- Max. resolution: 3840x2160 @60Hz



Order-No. – P.U.

VALUE UHD HDMI 4K2K Active Cable, M/M, 10.0 m	14.99.3451	– 5
VALUE UHD HDMI 4K2K Active Cable, M/M, 15.0 m	14.99.3452	– 5
VALUE UHD HDMI 4K2K Active Cable, M/M, 20.0 m	14.99.3453	– 5
VALUE UHD HDMI 4K2K Active Cable, M/M, 25.0 m	14.99.3454	– 5

VALUE Cable UHD HDMI Active Optical (AOC)

With our UHD (3840x2160 @60Hz) capable HDMI fiber cable you have the possibility to establish a connection of up to 50m between your devices. The active cable (AOC) does not require a separate power supply and is particularly well suited for routing in a cable duct.



- Total length of the terminal distance (e.g., from notebook / laptop to beamer or PC to monitor): 50 meters
- Hardware solution, no software required
- A signal repeater is installed in the connectors
- No external power supply required
- Low plug dimensions
- Maximum resolution of up to 3840x2160 @60Hz



Available November 2017

Order-No. – P.U.

VALUE Cable UHD HDMI Active Optical (AOC), M/M, 50.0 m	14.99.3482	– 1
--	------------	-----

ROLINE Cable UHD HDMI Active Optical (AOC)

With our UHD (3840x2160 @60Hz) capable HDMI fiber cable you have the possibility to establish a connection of up to 50m between your devices. The active cable (AOC) does not require a separate power supply and is particularly well suited for routing in a cable duct.



- Total length of the terminal distance (e.g., from notebook / laptop to beamer or PC to monitor): 50 meters
- Hardware solution, no software required
- A signal repeater is installed in the connectors
- No external power supply required
- Low plug dimensions
- Maximum resolution of up to 3840x2160 @60Hz



Available November 2017

Order-No. – P.U.

ROLINE Cable UHD HDMI Active Optical (AOC), M/M, 50 m	14.01.3482	– 2
---	------------	-----

ROLINE DisplayPort Cables (AOC)



With our UHD (3840x2160 @60Hz) capable DisplayPort fiber cable you have the possibility to establish a connection of up to 30m between your devices. The active cable (AOC) does not require a separate power supply and is particularly well suited for routing in a cable duct.



- Total length of the terminal distance (e.g., from notebook / laptop to beamer or PC to monitor): up to 50 meters
- Hardware solution, no software required
- A signal repeater is installed in the connectors
- No external power supply required
- Low plug dimensions
- Maximum resolution of up to 3840x2160 @60Hz

Available November 2017



Order-No. – P.U.

ROLINE DisplayPort Cable (AOC), M/M, 30m	14.01.3490	– 1
ROLINE DisplayPort Cable (AOC), M/M, 50m	14.01.3492	– 1

VALUE HDMI / Mini DisplayPort / HDMI to HDMI Switch

Displays the video output of 2 HDMI or Mini DisplayPort sources on a monitor, TV, or projector.



Allows several HDMI and DisplayPort sources to be connected to one HDMI display like e.g. a monitor, TV, projector.

- Connectors input 3-way: 2x HDMI Type A F, 1x Mini DisplayPort F
- Connector output: 1x HDMI F
- Supports 480p, 720p, 1080i and 1080p resolution, 1920 x 1080 (nominal)
- Selects input source via push button
- LED indication for source selection
- Plug & play, no software required
- HDCP supported



Contents: Switch, power supply, manual

Available November 2017

Order-No. – P.U.

VALUE HDMI / Mini DisplayPort/ HDMI to HDMI Switch	14.99.3540	– 15
--	------------	------

VALUE HDMI / Mini DisplayPort / DisplayPort to HDMI Switch

Displays the video output of an HDMI, DisplayPort or Mini DisplayPort sources on a monitor, TV, or projector.



Allows several HDMI and DisplayPort sources to be connected to one HDMI display like e.g. a monitor, TV, projector.

- Connectors input 3-way: 1x HDMI Type A F, 1x DisplayPort F, 1x Mini DisplayPort F
- Connector output: 1x HDMI F
- Supports 480p, 720p, 1080i and 1080p resolution, 1920 x 1080 (nominal)
- Selects input source via push button
- LED indication for source selection
- Plug & play, no software required
- HDCP supported



Contents: Switch, power supply, manual

Available November 2017

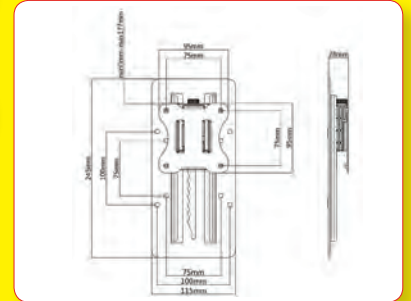
Order-No. – P.U.

VALUE HDMI / Mini DisplayPort/ DisplayPort to HDMI Switch	14.99.3541	– 15
---	------------	------

ROLINE Vertical VESA Adjustment Plate

Adapter for enhancing the VESA holder of your screen or TV mount. Especially recommended for a perfect height adjustment of two monitors placed beside to each other (e.g. on a monitor bridge).

- Perfect option to add more VERTICAL adjustability (15 cm mobility to go up and down) to an existing monitor mount
- Track-mounted monitor holder
- perfect to e.g. adjust two different monitors to the same height on an LCD bridge
- Easy installation on most monitor mounts with standard VESA plates (75mm x 75mm/100mm x 100mm)
- The toothed track keeps the adjustment smooth and stable
- Maximum load up to 8 kg



roline[®]
Designed for Professionals

Order-No. – P.U.

ROLINE Vertical VESA Adjustment plate

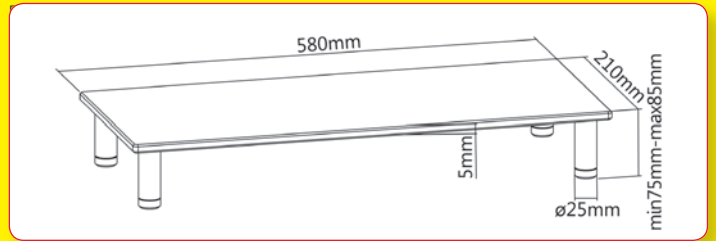
17.03.1101 – 16

Available November 2017

LCD Monitor Stand, Tempered Glass Surface Risers (Square) with Adjustable Metal Feet

High-quality, height-adjustable glass table with a load capacity of up to 20 kg. There is a thread in the well designed metal feet with which the glass table can be perfectly adjusted for each surface.

- Compact design with smooth edges all around
- Increased storage room beneath the desktop
- Create extra storage (ca. 500 x 210 mm) for your keyboard or documents and office stationery under the platform; besides the placed monitor, there is an additional room, e.g. for speakers or other technical devices
- Stepless height settings for your free height adjustment (75- 85 mm)
- Max. loading: 20 kg
- Dimensions of stand (LxWxH): 580 x 210 x 75- 85 mm



Suggested Screen Size: up to 81cm (13"-32")
Max. Load: 20 kg
Adjustable Height: 75mm- 85mm
Glass Thickness: 5mm
Material: Glass, Stainless Steel



Available November 2017

Order-No. – P.U.

LCD Monitor Stand, Tempered Glass Surface Risers (Square) with Adjustable Metal Feet

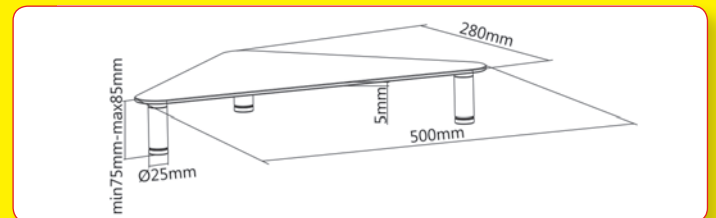
17.02.3376 – 6



LCD Monitor Stand, Tempered Glass Surface Risers (Triangle) with Adjustable Metal Feet

High-quality, height-adjustable glass table with a load capacity of up to 20 kg. There is a thread in the well designed metal feet with which the glass table can be perfectly adjusted for each surface.

- Compact design with smooth edges all around
- For a perfect organization especially on square desks
- Increased storage room beneath the desktop; besides the placed monitor, there is an additional room, e.g. for speakers or other technical devices
- Create extra storage (ca. 500 x 280 mm) for documents and office stationery under the platform
- Stepless height settings for your free height adjustment (75- 85 mm)
- Max. loading: 20 kg
- Dimensions of stand (LxWxH): 580 x 280 x 75- 85 mm



Suggested Screen Size: up to 81cm (13"-32")
Max. Load: 20 kg
Adjustable Height: 75mm- 85mm
Glass Thickness: 5mm
Material: Glass, Stainless Steel
Dimensions: 580 x 280 x 85mm



Available November 2017

Order-No. – P.U.

LCD Monitor Stand, Tempered Glass Surface Risers (Triangle) with Adjustable Metal Feet

17.02.3377 – 10





roline[®]
Designed for Professionals

Network Components / Cables

1

Fast- / Gigabit Ethernet Converter	1.02
Fast- / Gigabit Ethernet Switches	1.03 – 1.04
Media Converters	1.04
PoE Injectors / PoE Switches	1.05 – 1.06
Industrial Networking	1.06 – 1.07
TP Cables Overview	1.08 – 1.09
Installation Cables	1.10 – 1.12
Patch Cords	1.13 – 1.24
Cable Assembly	1.25
Patch Panels	1.26 – 1.30
Mount Boxes	1.30 – 1.31
Modular Plugs, Couplers, Junction Boxes	1.32 – 1.33
Fibre Optic Jumper Cables	1.33 – 1.36
FO Cleaning Accessories	1.36
FO Adapter	1.37
MPO Cabling System	1.38
19" LCD KVM Consoles	1.39
19" Wall Cabinets	1.40

VALUE USB 2.0 to Fast Ethernet Converter

Cost-effective solution for connecting a PC or notebook with USB port to a 10/100 network.

- USB 2.0 to 10/100Mbit/s controller
- Compliant with USB 2.0, USB 1.1
- Supports both full-duplex and half-duplex operations

- Supports USB to ethernet bridging or vice versa in hardware
- Supported Operating Systems: Windows 2000/XP/Vista/7, Mac OS X
- Contents: Converter, driver CD



Order-No. – P.U.

VALUE USB 2.0 to Fast Ethernet Converter

12.99.1107 – 10

VALUE USB 3.1 to Gigabit Ethernet Converter

This converter is a cost effective solution to convert a USB 3.1 port into a 10/100/1000Base-T Ethernet port

- Supports 10/100/1000 Mbit/s auto-sensing capability
- Supports USB 3.0
- Type C Connector
- Bus powered

- Supports both full-duplex and half-duplex operation in Gigabit Ethernet
- Supports Windows XP / 7 / 8 / 10, Mac OS X
- Contents: Converter, manual



Order-No. – P.U.

VALUE USB 3.1 to Gigabit Ethernet Converter

12.99.1115 – 10

VALUE USB 3.0 to Gigabit Ethernet Converter + Hub 3x

This converter is a cost effective solution to convert a USB 3.0 port into a 10/100/1000Base-T Ethernet port

- Supports 10/100/1000 Mbit/s auto-sensing capability
- Supports USB 3.0
- Bus powered
- Supports both full-duplex and half-duplex operation in Gigabit Ethernet
- Hub function, 3x
- Supports Windows XP/7/8/10, Mac OS X

- Contents: Converter



Order-No. – P.U.

VALUE USB 3.0 to Gigabit Ethernet Converter + Hub 3x

12.99.1108 – 10

ROLINE USB 3.0 to Gigabit Ethernet Converter + Hub 3x

This converter is a cost effective solution to convert a USB 3.0 port into a 10/100/1000Base-T Ethernet port

- Supports 10/100/1000 Mbit/s auto-sensing capability
- Supports USB 3.0
- Bus powered

- Supports both full-duplex and half-duplex operation in Gigabit Ethernet
- Hub function, 3x
- Supports Windows XP/7/8/10, Mac OS X
- Contents: Converter, driver CD



Order-No. – P.U.

ROLINE USB 3.0 to Gigabit Ethernet Converter + Hub 3x

12.02.1107 – 5

VALUE USB 3.0 to Gigabit Ethernet Converter

This converter is a cost effective solution to convert a USB 3.0 port into a 10/100/1000Base-T Ethernet port

- Supports 10/100/1000 Mbit/s auto-sensing capability
- Supports USB 3.0
- Bus powered

- Supports both full-duplex and half-duplex operation in Gigabit Ethernet
- Supports Windows XP/7/10, Mac OS X
- Contents: Converter with moulded USB cable, driver CD



Order-No. – P.U.

VALUE USB 3.0 to Gigabit Ethernet Converter

12.99.1105 – 10

ROLINE USB 3.0 to Gigabit Ethernet Converter

This converter is a cost effective solution to convert a USB 3.0 port into a 10/100/1000Base-T Ethernet port

- Supports 10/100/1000 Mbit/s auto-sensing capability
- Supports USB 3.0
- Bus powered
- Supports both full-duplex and half-duplex operation in Gigabit Ethernet
- Supports Windows XP/7, Mac OS X
- Contents: Converter, driver CD



Order-No. – P.U.

ROLINE USB 3.0 to Gigabit Ethernet Converter

12.02.1106 – 10

ROLINE USB 3.1 to Gigabit Ethernet Converter

This converter is a cost effective solution to convert a USB 3.1 port into a 10/100/1000Base-T Ethernet port

- Supports 10/100/1000 Mbit/s auto-sensing capability
- Supports USB 3.0
- Type C Connector
- Bus powered
- Supports both full-duplex and half-duplex operation in Gigabit Ethernet
- Supports Windows XP / 7 / 8 / 10, Mac OS X
- Contents: Converter, manual



Order-No. – P.U.

ROLINE USB 3.1 to Gigabit Ethernet Converter

12.02.1109 – 10

ROLINE Fast Ethernet Switch, Pocket

Very flat pocket size switch in stable metal casing.

- Ports: 5x/8x 10/100BaseTX
- Metal casing
- Auto-MDI/MDIX
- Auto-Negotiation
- Store and Forward
- Non-Blocking
- Supports full-duplex and Flow Control
- MAC addresses: 2K
- Dimensions:
79 x 62 x 20 mm / 94 x 62 x 20 mm
- Power supply: 5 VDC 1.2A or over USB connection from the PC
- Contents: Switch, power supply, USB power cable, manual



roline
Designed for Professionals

Order-No. – P.U.

ROLINE Fast Ethernet Switch, Pocket, 5 Ports	21.14.3133 – 4
ROLINE Fast Ethernet Switch, Pocket, 8 Ports	21.14.3134 – 4

ROLINE Gigabit Ethernet Switch, Pocket

This product is compact in size, making it ideal for SOHO users with limited space to strengthen its network connection.

- 4x 10/100/1000BaseTX ports
- Very compact, metal pocket size casing
- Auto-MDI/MDIX
- Auto-negotiation
- Store and forward switching
- Non-blocking
- MAC addresses: 1K
- Power supply: 5 VDC 1.2A or over USB connection from the PC
- Contents: Switch, power supply, USB power cable, manual



roline
Designed for Professionals

Order-No. – P.U.

ROLINE Gigabit Ethernet Switch, Pocket, 4 Ports	21.14.3514 – 4
---	----------------

ROLINE 19" Gigabit Ethernet Switch

- 24x 10/100/1000Mbit/s Gigabit Ethernet ports
- 2x 10/100/1000Mbit/s SFP Ports
- Compliant with the IEEE802.3 10Base-T Ethernet, IEEE802.3u 100Base-TX, IEEE802.3ab 1000Base-T specifications
- Supports auto-negotiation and auto-MDI/MDI-X detection
- Supports full/half-duplex transfer mode
- Store-and-Forward switching method
- IEEE 802.3x flow control for full-duplex mode
- Backpressure flow control for half-duplex mode
- MAC addresses: 8K
- 19" rack mountable
- Contents: Switch, power cord, 19" rack mount kit, driver CD, manual



roline
Designed for Professionals

Order-No. – P.U.

ROLINE Gigabit Ethernet Switch, 24x 10/100/1000 Ports + 2x SFP Ports	21.14.3519 – 1
--	----------------

ROLINE Gigabit Switch, Web-Smart

This Gigabit switch allows the transfer of data over Gigabit Ethernet through copper or fibre optical connections.

- Connections: 5x shielded RJ-45 ports and 1x mini GBIC modular slot (fibre optical)
- Mini GBIC port enables the installation of one SX/LC module (21.14.3500/1/2)
- Supports auto-negotiation, full-duplex mode and auto-MDI/MDIX detection
- Supports store and forward switching
- Web Smart management
- Dimensions (WxDxH):
144 x 105 x 26 mm
- Power supply over included external power adapter
- Contents: Switch, power supply (7,5V DC, 1A), CD (manual)



roline
Designed for Professionals

Order-No. – P.U.

ROLINE Gigabit Switch, 5x RJ-45 + 1 SFP-Slot, Web-Smart	21.14.3506 – 1
ROLINE Mini-GBIC Modul SX/LC, Multi Mode	21.14.3500 – 1
ROLINE Mini-GBIC Module LX/LC, Single Mode, 10 km	21.14.3501 – 1
ROLINE Mini-GBIC Module LX/LC, Single Mode, 20 km	21.14.3502 – 1

ROLINE Gigabit Ethernet Switch, unmanaged

- Provides 8x 10/100/1000Mbit/s Gigabit Ethernet ports
- All 10/100/1000M ports support auto-negotiation and auto-MDI/MDI-X detection
- Supports full/half-duplex transfer mode for 10/100Mbit/s
- Supports full-duplex transfer mode for 1000Mbit/s
- Store-and-Forward switching method
- Wire-speed packet filtering and forwarding rate
- Supports IEEE 802.3x flow control
- Supports Jumbo Frame up to 9.6K bytes
- MAC Address Table: 8K
- Buffer Memory: 256K bytes
- LED Indication
- Environment Operating Temperature: 0°C ~ 40°C (main device)
- Dimensions (WxDxH): 155 x 86 x 26 mm
- Contents: Switch, power supply (5V DC, 1A), manual



roline
Designed for Professionals

Order-No. – P.U.

ROLINE Gigabit Ethernet Switch, 8x RJ-45, unmanaged

21.14.3521 – 1

ROLINE Gigabit Ethernet Switch, 5x (4xGbE + 1xGbic(SFP))

- Provides 4x TP 10/100/1000Mbit/s Gigabit Ethernet ports and 1x Gbic (SFP) 100/1000Mbit/s
- Fibre: MultiMode 50/125µm, 60/125µm, SingleMode 9/125µm
- All 10/100/1000M ports support auto-negotiation and auto-MDI/MDI-X detection
- Supports full/half-duplex transfer mode for 10/100Mbit/s
- Supports full-duplex transfer mode for 1000Mbit/s
- Store-and-Forward switching method
- Wire-speed packet filtering and forwarding rate
- Supports IEEE 802.3x flow control
- Supports Jumbo Frame up to 8K Bytes
- MAC Address Table: 2K
- Buffer Memory: 128 kBytes
- LED Indication
- Environment Operating Temperature: 0°C ~ 40°C (main device)
- Dimensions (WxDxH): 148 x 107 x 29 mm
- Contents: Switch, power supply (5V DC, 1A), manual



NEW

roline
Designed for Professionals

Order-No. – P.U.

ROLINE Gigabit Ethernet Switch, 5x (4xGbE + 1xGbic(SFP))

21.14.3522 – 1

ROLINE Fast Ethernet Converter

- These converters are the ideal connectivity solution for networks using a combination of STP and fibre optic types
- Provides media conversion from STP to multimode ST or LC media types
- TP port: 10/100BaseTX (RJ-45) with auto-MDI/MDIX detection, auto negotiation, full/half-duplex support
- FX port: 100Base-FX, Duplex SC resp. ST, full-duplex
- For multimode fibre cable: 62.5/125 µm and 50/125 µm
- Supports full wire speed conversion for 10/100Mbit/s speed and media types
- Supports DIN rail mounting and wall mounting
- Power over included power supply
- These converters have no repeater function
- Contents: Converter, power supply, manual

21.13.1070/71:

- Loop-back-test
- Configuration: TP Mode, TP Duplex, TP Speed
- Dimensions (WxDxH): 108 x 72 x 23 mm
- 6 LEDs: TP Speed, Link/Activity, Power, Duplex, Fiber Signal

21.13.1072/73:

- Dimensions (WxDxH): 64 x 59 x 21 mm
- 3 LEDs: TP Speed, Link/Activity, Power



roline
Designed for Professionals

Order-No. – P.U.

ROLINE Fast Ethernet Converter, RJ-45 to ST

21.13.1072 – 10

ROLINE Fast Ethernet Converter, RJ-45 to SC

21.13.1073 – 10

ROLINE RC-100FX/SC Fast Ethernet Converter, RJ-45 to SC, Loop-back

21.13.1071 – 5

ROLINE RC-100FX/ST Fast Ethernet Converter, RJ-45 to ST, Loop-back

21.13.1070 – 5

ROLINE Gigabit Converter

- Convert a fiber optic (FX) signal into a Twisted Pair (TP) signal. And we offer you the according modules.
- Connections: 1x RJ-45 on the TP side / 1x (21.13.1069) resp. 2x (21.13.1067) Mini GBIC modular slot on the fibre optical side
- Compliant with 1000BaseT and 1000BaseSX/LX Gigabit Ethernet standards
- TP port supports full-duplex, auto-MDI/MDIX, auto-negotiation
- Each SFP slot supports both singlemode and multimode, or mixed
- Link Loss Forwarding (LLF) / Link Fault Pass Through (LFP)
- Power supply over included external power supply
- Contents: Converter, power supply, CD

21.13.1069:

- Dimensions (WxDxH): 73 x 108 x 23 mm

21.13.1067:

- Dimensions (WxDxH): 74 x 102 x 22 mm

21.14.3500:

- Mini GBIC Modul SX/LC: The maximum cable length for the fibre optic cable is 220 m (62.5/125 µm fibre) and 500 m (50/125 µm fibre)



roline
Designed for Professionals

Order-No. – P.U.

ROLINE Gigabit Converter, incl. mini GBIC, RJ45 to LC

21.13.1069 – 5

ROLINE Gigabit Converter, RJ-45 to Mini GBIC

21.13.1067 – 2

ROLINE Mini-GBIC Modul SX/LC, Multi Mode

21.14.3500 – 1

ROLINE Mini-GBIC Module LX/LC, Single Mode, 10 km

21.14.3501 – 1

ROLINE Mini-GBIC Module LX/LC, Single Mode, 20 km

21.14.3502 – 1

VALUE Gigabit PoE Injector

The VALUE Gigabit PoE Injector is a so-called PSE, a unit to supply power for e.g. surveillance cameras, and LAN devices such as access points, bridges and routers over Ethernet cable.

A PSE supplies the current together with the data in the network cable. It doesn't need no longer an additional own power supply of the device.

- Supply of data and power into the network cables
- Connectors: 1x RJ-45 port (Data In, Data input), 1x IEC power socket (Power In, input power supply), 1x RJ-45

port (Data & Power Out, output data and power)

- Compatible with 802.3af and 802.3at
- Power via PoE: up to 30W
- LED indicators for Power, Link / Act. and PoE
- Output voltage: 802.3af standard (46V-55V DC)

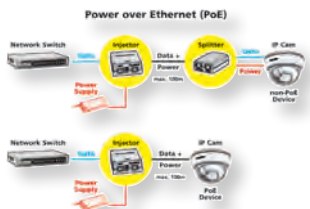
- Contents: Injector, manual



Order-No. – P.U.

VALUE Gigabit PoE Injector

21.99.1498 – 10



ROLINE Gigabit PoE Injector

The ROLINE Gigabit PoE Injector is a so-called PSE, a unit to supply power for e.g. surveillance cameras, and LAN devices such as access points, bridges and routers over Ethernet cable.

A PSE supplies the current together with the data in the network cable. It doesn't need no longer an additional own power supply of the device.

- Supply of data and power into the network cables
- Connectors: 1x RJ-45 port (Data In,

Data input), 1x IEC power socket (Power In, input power supply), 1x RJ-45 port (Data & Power Out, output data and power)

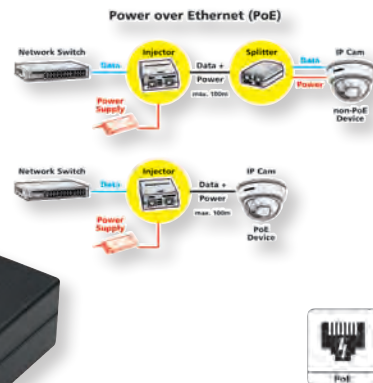
- Compatible with 802.3af and 802.3at
- Power via PoE: up to 30W
- LED indicators for Power, Link / Act. and PoE
- Output voltage: 802.3af standard (46V-52V DC)
- Contents: Injector, manual



Order-No. – P.U.

ROLINE Gigabit PoE Injector

21.13.1199 – 6



ROLINE PoE Gigabit Injector

With this ROLINE Gigabit Ethernet PoE injector you can supply with power simultaneously 4 PoE-capable workgroup switches, network cameras, access points, IP phones, etc. via TP connecting cable

- Inputs: 4x 10/100/1000 ports for data
- Outputs: 4x 10/100/1000 ports for data and power
- Supports PoE IEEE 802.3af / at: Up to 30 W per port can be fed into the TP cable
- Power supply via terminal block or external DC power supply (48V to) 56V DC Port
- Weight: 190 g

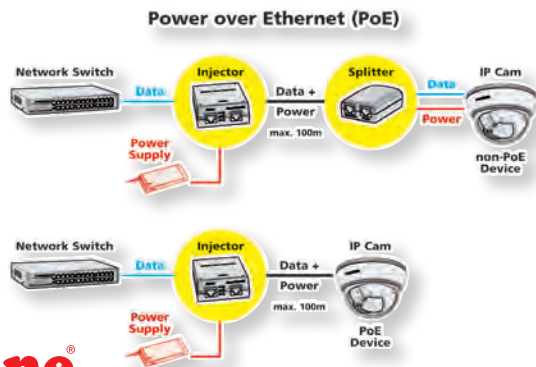
- Dimensions (L x W x H): 94 x 62 x 20 mm
- Metal housing



Order-No. – P.U.

ROLINE PoE Gigabit Injector, 4 Ports

21.13.1198 – 1



VALUE PoE Switch, Gigabit Ethernet, 8 Ports

This Gigabit Ethernet PoE switch is designed for small or medium network environments to strengthen its network connection. It converts standard 100~240V/AC power into low-voltage DC that runs over an existing LAN cable to power up Power over Ethernet (PoE) compliant network accessories like e.g. workgroup switches, network cameras, access points, IP-phones.

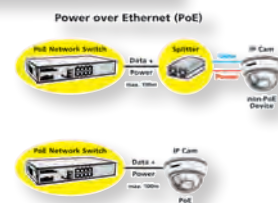
- 8x 10/100/1000 Mbit/s Auto-Negotiation PoE ports with 1 Gigabit Uplink Port
- Compliant with IEEE802.3af standard (IEEE802.3, 802.3u, 802.3af, 802.3x)
- IEEE802.3x flow control for Full-Duplex Mode and back-pressure for Half-Duplex Mode
- Bandwidth 18Gbit/s
- Detects your PoE devices according to PoE standard
- Supports automatic detect functionality to protect the system when the system power is overloaded or there is non-POE device
- LED indicators for monitoring power, link, activity and speed
- Switching method: Store-and-forward
- Metal casing
- Contents: Switch, power cord, manual



Order-No. – P.U.

VALUE PoE Switch, Gigabit Ethernet, 8 Ports

21.99.1194 – 1

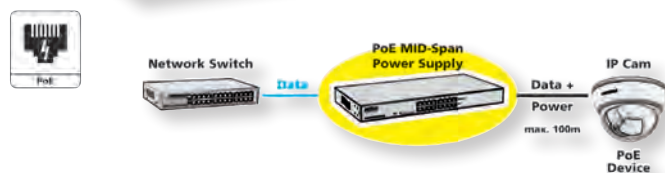


ROLINE 19" PoE MID-Span Power Supply

8-way injector that supplies IEEE 802.3af Power over Ethernet (PoE) compliant network accessories like e. g. workgroup switches, network cameras, access points, IP-phones with data and power over one LAN cable.

- Data-in Ports: 8x 10/100BaseTX, Data + Power-out Ports: 8x 10/100BaseTX
- Standards: IEEE 802.3 10BaseT, IEEE 802.3u 100BaseTX, IEEE 802.3x Flow Control, IEEE 802.3af PoE
- Max. power output: 48 VDC / 15.4 W per port
- PoE capable ports: Port 1-8 up to 15.4 W per port

- PoE power budget: 110 W
- Max. power consumption (without PoE): 122 W (12 W)
- Status LEDs
- Metal casing, 19" rack-mountable (rack-mount kit included)
- Active cooling with integrated fan
- Internal power supply
- Dimensions (WxDxH): 440 x 220 x 44 mm
- Contents: Switch, power cord, rack mount kit, manual



roline
Designed for Professionals

Order-No. – P.U.

ROLINE 19" PoE MID-Span Power Supply, 8 Midspanports

21.13.1181 – 1

ROLINE Gigabit Ethernet Switch 8 Ports (4x PoE Ports)

8-way Gigabit Ethernet switch that supplies IEEE 802.3af/at Power over Ethernet (PoE) (ports 1- 4) compliant network accessories like e. g. workgroup switches, network cameras, access points, IP-phones with data and power over one LAN cable.

- Data-in Ports: 8x 10/100/1000 BaseTX, Data + Power-out Ports: 4x 10/100/1000BaseTX
- Standards: IEEE 802.3 10BaseT, IEEE 802.3u 100BaseTX, IEEE 802.3x Flow Control, IEEE 802.3af/at PoE

- PoE capable ports: Port 1-4 up to 30 W per port
- PoE power budget: 60 W
- Status LEDs
- Metal casing
- External power supply (5 V DC, 1.3A)
- Dimensions (WxDxH): 165 x 118 x 39 mm
- Contents: Switch, main adapter, manual



roline
Designed for Professionals

Order-No. – P.U.

ROLINE Gigabit Ethernet Switch 8 Ports (4x PoE Ports)

21.13.1183 – 1

ROLINE Fast Ethernet Switches for Industrial Environments, unmanaged

- Fast Ethernet switch with 5/8 shielded 10/100 Base-T copper ports
- Wide operating temperature range for temperature critical environment
- Auto MDI/MDI-X crossover function
- Supports IEEE 802.3x flow control for full-duplex operation
- Supports back-pressure flow control for half-duplex operation
- Supports DIN-rail mounting and panel mounting
- Fanless, rugged metal casing
- Operating Temperature: - 20 °C- +70 °C
- DC Input via terminal block or DC power jack (6.3mm / 2.0mm)
- Contents: Switch

21.13.1155/21.13.1156

- Power: Input: 5- 30 VDC, consumption: 2.15W resp. 2.3W (max)
- Dimensions: 95 x 40 x 80 mm (WxDxH)

21.13.1157

- Power: Input: 4.5- 50V DC, consumption: 3.4W (max.)
- Dimensions: 140 x 106 x 40 mm (WxDxH)



roline
Designed for Professionals

Order-No. – P.U.

ROLINE Industrial Switch, 5x RJ-45, unmanaged

21.13.1155 – 1

ROLINE Industrial Switch, 8x RJ-45, unmanaged

21.13.1156 – 1

ROLINE Industrial Switch, 16x RJ-45, unmanaged

21.13.1157 – 1

ROLINE Gigabit Industrial Switch, managed

A managed 6-port Gigabit Ethernet switch which is featured with five copper ports, one mini-GBIC (SFP) port and the following advantages in a small footprint box.

- Provides 5 10/100/1000Base-T ports and 1x 1000Base-SX port
- Provides in-band web-based management interface
- All copper ports support auto-negotiation and auto-MDI/MDI-X detection
- Provides full wire speed forwarding
- Supports 802.3x flow control for full-duplex and backpressure for half-duplex
- Provides port status, statistic monitoring and control function
- Supports port-based and 802.1Q Tag-based VLAN
- Provides QoS function
- Provides 802.1x authentication
- Supports configuration backup and upload

- Provides port link aggregation (trunking) function
- Provides port mirroring function
- Industrial-rated emission and immunity performance
- Power: Input: 6,5- 32V DC, Consumption: 3.6W (max.)
- Operating Temperature- 40 °C- +70 °C
- DC Input via terminal block or DC power jack (6.3mm/2.0mm)
- Dimensions: 144 X 104.5 X 26mm (WxDxH)
- As according Power Supply Unit we recommend 21.13.1226
- Contents: Switch, power supply, manual, 1x GBIC



roline
Designed for Professionals

Order-No. – P.U.

ROLINE Gigabit Industrial Switch, 5x RJ-45, 1x LC, managed

21.13.1159 – 1

ROLINE Fast Ethernet Switches with Fiber Port for Industrial Environments

- Eight Fast Ethernet copper ports and (optional) fiber ports
- Port 7 and Port 8 provide either 10/100BaseT or 100BaseFX (model dependent)
- All copper ports support auto-negotiation and auto-MDI/MDIX configuration
- Unmanaged switches for industrial environments
- Provides wire speed store and forward switching
- Wide operating temperature range for temperature critical environment
- Industrial-rated emission and immunity performance
- Fanless, extra rugged metal housing
- Support DIN rail mounting and panel mounting
- As according power supply we recommend using DIN-rail power supply unit 21.13.1226



Order-No. – P.U.

ROLINE Industrial Switch, 7x RJ-45, 1x ST, unmanaged	21.13.1151 – 1
ROLINE Industrial Switch, 7x RJ-45, 1x SC, unmanaged	21.13.1152 – 1
ROLINE Industrial Switch, 6x RJ-45, 2x ST, unmanaged	21.13.1153 – 1
ROLINE Industrial Switch, 6x RJ-45, 2x SC, unmanaged	21.13.1154 – 1

ROLINE Converter for Industrial Environments, RS232 - Multimode Optical Fiber

- Transparent conversion for all RS-232 signals
- Designed for industrial environments
- RS-232 surge, ESD, and isolation protection
- DIN-rail and panel mounting support
- Wide power voltage range support
- Terminal block and DC plug power connectors
- Wide operating temperature range
- Industrial-rated emission and immunity performance
- Fanless, rugged metal housing
- Power: Input: 7-30 VDC
- As according power supply we recommend using DIN-rail power supply unit 21.13.1226



Order-No. – P.U.

ROLINE Industrial Converter RS232 - Multimode Optical Fiber, ST	21.13.1140 – 1
ROLINE Industrial Converter RS232 - Multimode Optical Fiber, SC	21.13.1141 – 1

ROLINE Converter for Industrial Environments, 10/100Base-T - Multimode Optical Fiber

- Support full wire speed copper-to-fiber media conversion for 10/100Mbit/s speed and media types
- Support auto-negotiation 10/100Mbit/s or forced mode on TP copper port
- Auto MDI/MDIX
- Provide comprehensive manual configuration settings
- Transparent conversion to 802.1Q VLAN tagged packets
- Low power consumption
- Two power interface types: screw terminal block and DC plug
- Supports DIN-rail mounting and optional screwed plane mounting
- Industrial-rated emission and immunity performance
- Fanless, rugged metal casing
- As according power supply we recommend using DIN-rail power supply unit 21.13.1226



Order-No. – P.U.

ROLINE Industrial Converter 10/100Base-T - Multimode Optical Fiber, ST	21.13.1142 – 1
ROLINE Industrial Converter 10/100Base-T - Multimode Optical Fiber, SC	21.13.1143 – 1
ROLINE Industrial Mini Converter, 10/100TX - 100FX (SC)	21.13.1147 – 1

ROLINE Gigabit Ethernet Industrial Switch

- Provides 8 10/100/1000Mbps copper ports
- Auto-negotiation
- Auto MDI/MDI-X crossover function
- Supports IEEE 802.3x flow control for full duplex
- Supports back pressure flow control for half duplex
- Fully non-blocking Gigabit full wire speed switching performance
- Jumbo frame support
- Alarm relay output for power failure event and configured port link fault events
- Wide operating temperature range
- Supports Green Ethernet power saving
- Supports IEEE 802.3az Energy Efficient Ethernet
- Supports DIN-Rail mounting and panel mounting
- Industrial-rated emission and immunity performance
- Contents: Switch, power supply, manual



Order-No. – P.U.

ROLINE Gigabit Ethernet Industrial Switch, 8x	21.13.1161 – 1
---	----------------

MEAN WELL DIN-Rail Power Supply Unit

- Type: constant current limiting
- DIN-rail mounting
- LED indication

Technical data:	21.13.1226	21.13.1228
Output voltage:	24 VDC	48 VDC
Output current:	0 to 2 A	0 to 1.6 A
Output power:	45 W	75 W
Input:	85...264 VAC	85...264 VAC
Dimensions (mm):	78 x 93 x 67	56 x 125 x 100



Order-No. – P.U.

MEAN WELL DR-45-24 DIN-Rail Power Supply Unit, 45W 24V DC	21.13.1226 – 1
MEAN WELL DR-75-48 DIN-Rail Power Supply Unit, 75W 48V DC	21.13.1228 – 1

TWISTED-PAIR-CABLES

OVERVIEW

On the following pages we keep repeating the aspects described herein.

- Please pay attention in particular on the notes shielding, transmission quality and fire protection.
- You will find the corresponding buttons and logos, placed again at the various products.



General Information

„Twisted pair“ is the English name for network cable with twisted or stranded wire pairs. Twisted pair cables provide a better protection against external alternating magnetic fields and electrostatic interference. Likewise, the crosstalk between adjacent pairs is reduced within the cable.

– The insulation of the wires as well as the sheath of the cable as a whole are often made of PVC, but now often made of a halogen-free low-smoke plastic mixture.

More on this in the section fire safety.

The copper wires of installing cables are made of solid wires while patch cables are made of stranded wires, usually produced with 7 individual wires.

– The diameter of the wires are defined in AWG. Solid wires typically have a thickness of 22 to 24 AWG, stranded wires AWG 24-27th

AWG	Diameter		Cross section
	(inch)	(mm)	(mm ²)
22	0.0253	0.644	0.326
23	0.0226	0.573	0.258
24	0.0201	0.511	0.205
25	0.0179	0.455	0.162
26	0.0159	0.405	0.129
27	0.0142	0.361	0.102

Shielding

There are different approaches whether and how twisted-pair cables are being protect. In this case, significant differences in the quality of the cable are related to the intended use. Especially at higher transmission rates and for greater lengths shielded cables have a significantly better transmission quality.

– It is important that the decision is made consistently in terms of shielding for an installation.

– The following shielding types are within our product portfolio:

U / UTP (unscreened / unshielded twisted pair) or short-UTP:

- These cables have neither a common shield, nor an individual shield for each separate twisted pair.
- They have the lowest protection against electromagnetic influences.



U/UTP

F / UTP (Foiled / Unshielded Twisted Pair) or short FTP:

- The pairs are unshielded, the cable has a full shield aluminium-laminated foil that wraps all the pairs together.
- A version thereof is S / UTP (Screened / Unshielded Twisted Pair):
- The pairs are also unshielded, the overall shield consists of a tinned copper braid. The quality of this cable is much higher than for U / UTP cables.



F/UTP

SF / UTP (Foiled / Unshielded Twisted Pair) or simply S / FTP:

- The pairs are unshielded, there is an overall shield made of aluminium-laminated foil and also a tinned copper braid.
- The protective effect of this combination is again higher than with a simple shielding.



SF/UTP

S / FTP (screened / shielded twisted pair) or simply S / FTP:

- All wire pairs are shielded with aluminium laminated foil, and there is an overall shielding of a tinned copper braid.
- The paired shielding attenuates the disruption of the pairs („crosstalk“) considerably. The combination of foil and braid also has the highest possible protection against electromagnetic influences from outside.

(Green: laminated aluminum foil / Red: tinned copper braid)



S/FTP

Quality

Twisted pair cable – as well as the associated components (e.g., junction boxes) – are classified according to transmission quality into classes or categories. Each class or category covers various requirements and quality standards. The concept of category (abbreviated „Cat.“) is mainly extracted from the American standardization (EIA / TIA), the class of the international (ISO / IEC) or from the European (EN).

– There is a distinction between data for individual parts or components (patch cables, connectors, installation cables, patch panels, etc.) and information for so-called links. Links can be used as a permanent link (Patch Panel + Installation + cable junction box) and as a channel (s. Figure above), which includes the patch cable.

– The class C to EA (corresponding categories 3 to 6A) are defined and valid. Class F (equivalent to Category 7) is defined, but the standardization is not further pursued. The FA class is currently in the process of standardization.

Two comments on it:

1. The Class EA (equivalent to Category 6A) was specified so that 10 Gigabit Ethernet can be transmitted.
 2. For classes from F (equivalent categories as of 7) the current state of RJ-45 due to the close contact assembly cannot meet the required specifications.
- If patch cables are still designated „Cat.7“, it is just because the cable (material) meets the requirements of Cat.7 – even the highest quality RJ-45 maximum fulfills Cat.6A.

– In order to achieve optimal performance from your network, all components (patch cables, connectors, installation cables, patch panels, etc.) of a link must support the same category or class.

– The component with the lowest performance determines the transmission class (Link Class) of the entire system. When using e.g. a Cat 5e cable with Cat. 6 connector components, the entire link still only fulfils Class D (Cat.5e).



Category	Class	Max. Frequency	Application
3	C	16 MHz	Fast Ethernet
5e	D	100 MHz	Gigabit Ethernet
6	E	250 MHz	Gigabit Ethernet
6A	EA	500 MHz	10 Gigabit Ethernet
7	F	600 MHz	10 Gigabit Ethernet
7A	FA	1 GHz	40 Gigabit Ethernet (under Discussion)

TWISTED-PAIR-CABLES

OVERVIEW

Fire protection: flame resistance, smoke-free, halogen-free

Particularly in large installations, it is important that attention is paid to the needs of fire protection. There are three important must-haves for the cable sheath and wire insulation. These properties are flame resistance, low-smoke and zero halogen.

Flame resistance:

– A cable is classified as flame retardant in accordance with IEC 60332, if it does not or only a specified short piece continues to burn, while the rest of the cable is set on fire for a long time.

Smoke poverty:

– The idea is that in case of fire not too much smoke may be released. To test the smoke poverty according to IEC 61034 cable pieces are placed in a chamber for a long time under fire and the light transmittance of the resulting smoke measured by photocell inside the chamber.

Halogen-free:

– The measurement of halogen-free is prescribed in IEC 60754. Halogens in the material on the one hand lead to combustion toxic fumes and on the other hand to the formation of corrosive or caustic acids.

LSOH:

– There is often also the name Low Smoke Zero Halogen (LSZH or LSOH) for the classification of cable material. In this case, although reference is made to smoke and zero halogen poverty, but not on the flame resistance.

Therefore, we call on the following pages individually the three properties described above.

*** Halogenfree
Flame retardant
Low Smoke**

Our products

Cat.5e

Cat.6

Cat.6A

Cat.7

roline[®]
Designed for Professionals

Value[®]

VALUE Patchcords

VALUE has a budget patch cables product line with a very good price / performance ratio. Available in the Category 5e, 6, 6a and „7“ in various shielding types, lengths and colors.

ROLINE Patchcords

Quality makes the difference!

ROLINE offers a wide range of high quality patch cables with reserves in the transmission quality even in critical environments.

Available in the Category 5e, 6, 6a and „7“ in various shielding types, lengths and colors. 2 years warranty!

ROLINE Components – Recommendation for structured cabling

Category	Type	LAN Cable		Wall Jack		Patch Panel		Patch Cord		Test / Certification
Cat.5e	UTP	21.15.0511	300m	25.16.8506	w/F	26.11.0349	blk	21.15.0505	5m	GHMT / z1325a-04-D
Cat.5e	UTP	21.15.0512	100m	25.16.8501	iv/F	26.11.0347	lgrey			
Cat.5e	UTP			25.16.8406	w/S					
Cat.5e	UTP			25.16.8401	iv/S					
Cat.5e	S/FTP	21.15.0019	100m	25.16.8487	w/F	26.11.0328	blk	21.15.0305	5m	GHMT / z1326a-04-D
Cat.5e	S/FTP	21.15.0020	300m	25.16.8486	iv/F	26.11.0329	lgrey			
Cat.5e	S/FTP			25.16.8387	w/S					
Cat.5e	S/FTP			25.16.8386	iv/S					
Cat.6	UTP	21.15.0990	100m	25.16.8494	w/F	26.11.0362	blk	21.15.0935	5m	GHMT / z2329b-10-E (Flush) / z2330b-10-E (Surface)
Cat.6	UTP	21.15.0991	300m	25.16.8500	iv/F	26.11.0361	lgrey			
Cat.6	UTP			25.16.8394	w/S					
Cat.6	UTP			25.16.8395	iv/S					
Cat.6	S/FTP	21.15.0890	100m	25.16.8492	w/F	26.11.0351	blk	21.15.0835	5m	GHMT / z2365b-10-E (Flush) / z2364b-10-E (Surface)
Cat.6	S/FTP	21.15.0891	300m	25.16.8493	iv/F	26.11.0361	lgrey			
Cat.6	S/FTP			25.16.8392	w/S					
Cat.6	S/FTP			25.16.8393	iv/S					

VALUE Components – Recommendation for structured cabling

Category	Type	LAN Cable		Wall Jack		Patch Panel		Patch Cord		Test / Certification
Cat.5e	UTP	21.99.0596	300m	25.16.8506	w/F	26.99.0349	blk	21.99.0505	5m	Laboratory 100m Channel / Class D
Cat.5e	UTP			25.16.8501	iv/F	26.99.0347	lgrey			
Cat.5e	UTP			25.16.8406	w/S					
Cat.5e	UTP			25.16.8401	iv/S					
Cat.5e	S/FTP	21.99.0196	300m	25.16.8487	w/F	26.99.0328	blk	21.99.0105	5m	Laboratory 100m Channel / Class D
Cat.5e	S/FTP			25.16.8486	iv/F	26.99.0329	lgrey			
Cat.5e	S/FTP			25.16.8387	w/S					
Cat.5e	S/FTP			25.16.8386	iv/S					
Cat.6	UTP	21.99.0995	300m	25.99.8494	w/F	26.99.0362	blk	21.99.0905	5m	Laboratory 100m Channel / Class E
Cat.6	UTP			25.99.8394	w/S	26.99.0355	lgrey			
Cat.6	S/FTP	21.99.0892		25.99.8392		26.99.0353	blk	21.99.0805	5m	Laboratory 100m Channel / Class E
Cat.6	S/FTP			25.99.8492		26.99.0354	lgrey			
Cat.6a	UTP	21.99.1685		25.16.8484		26.99.0359	lgrey	21.99.0875	5m	Laboratory 100m Channel / Class E
Cat.6a	UTP			25.16.8579		26.99.0358	blk			
Cat.6a	S/FTP	21.99.0882		25.16.8579		26.11.0359	blk	21.99.0865	5m	Laboratory 100m Channel / Class E
Cat.6a	S/FTP	21.99.0884		25.16.8484		26.11.0360	lgrey			

F - Flush Mount / S - Surface Mount w - white / iv - ivory

VALUE UTP Cable Cat.5e

- Structured building cabling
- Impedance: 100 Ohm
- Length: 300 m
- Colour: Grey
- Construction: 8 lines, copper, solid wire AWG24

For a structured cabling system we recommend to use the following components:
 VALUE Cat.5e UTP Cable, Solid Wire, AWG24, 300 m: 21.99.0596
 ROLINE Cat.5e Flush/Surface Mount Wall Jack, unshielded: 25.16.8506 (white), 25.16.8501 (ivory)/25.16.8406 (white), 25.16.8401 (ivory)
 VALUE Cat.5e 19" Patch Panel, 24 Ports, unshielded: 26.99.0349 (black), 26.99.0347 (light grey)
 VALUE Cat.5e UTP Patch Cord, grey, 5 m: 21.99.0505

Our in-house laboratory has tested this cable-plug combination, in a Channel of 100 meters, in compliance with Class D specifications.



Order-No. – P.U.

VALUE UTP Cable Cat.5e, Solid Wire, AWG24, 300 m 21.99.0596 – 2

ROLINE UTP Cable Cat.5e

- Structured building cabling
- Impedance: 100 Ohm
- Colour: Grey
- Construction (21.15.0512/11): 8 lines, copper, solid wire AWG24
- Construction (21.15.0518/20): 8 lines, copper, stranded wire AWG24

For a structured cabling system we recommend to use the following components:
 ROLINE Cat.5e UTP Cable, Solid Wire, AWG24: 21.15.0512 (100 m), 21.15.0511 (300 m)
 ROLINE Cat.5e Flush/Surface Mount Wall Jack, unshielded: 25.16.8506 (white), 25.16.8501 (ivory)/25.16.8406 (white), 25.16.8401 (ivory)
 ROLINE Cat.5e 19" Patch Panel, 24 Ports, unshielded: 26.11.0349 (black), 26.11.0347 (light grey)
 ROLINE Cat.5e UTP Patch Cord, grey, 5 m: 21.15.0505

Our in-house laboratory has tested this cable-plug combination, in a Channel of 100 meters, in compliance with Class D specifications.



Order-No. – P.U.

ROLINE UTP Cable Cat.5e, Solid Wire, 100 m	21.15.0512 – 2
ROLINE UTP Cable Cat.5e, Solid Wire, 300 m	21.15.0511 – 1
ROLINE UTP Cable Cat.5e, Stranded Wire, 100 m	21.15.0518 – 2
ROLINE UTP Cable Cat.5e, Stranded Wire, 300 m	21.15.0520 – 1

VALUE FTP Cable Cat.5e

- Structured building cabling
- Impedance: 100 Ohm
- Length: 300 m
- Colour: Grey
- Construction: 8 lines, copper, solid wire, complete shielding with aluminium clad polyester foil

For a structured cabling system we recommend to use the following components:
 VALUE Cat.5e FTP Cable, Solid Wire, 300 m: 21.99.0196
 ROLINE Cat.5e Flush/Surface Mount Wall Jack, shielded: 25.16.8487 (white), 25.16.8486 (ivory)/25.16.8387 (white), 25.16.8386 (ivory)
 VALUE Cat.5e 19" Patch Panel, 24 Ports, shielded: 26.99.0328 (black), 26.99.0329 (light grey)
 VALUE Cat.5e FTP Patch Cord, grey, 5 m: 21.99.0105

Our in-house laboratory has tested this cable-plug combination, in a Channel of 100 meters, in compliance with Class D specifications.



Order-No. – P.U.

VALUE FTP Cable Cat.5e, Solid Wire, 300 m 21.99.0196 – 2

ROLINE FTP Cable Cat.5e

- Structured building cabling
- Impedance: 100 Ohm
- Colour: Grey
- Construction (21.15.0009/10): 8 lines, copper, solid wire AWG24, screening: alu-laminated foil
- Construction (21.15.0119/21): 8 lines, copper, stranded wire AWG26, screening: alu-laminated foil

For a structured cabling system we recommend to use the following components:
 ROLINE Cat.5e FTP Cable, Solid Wire, AWG24: 21.15.0009 (100 m), 21.15.0010 (300 m)
 ROLINE Cat.5e Flush/Surface Mount Wall Jack, shielded: 25.16.8487 (white), 25.16.8486 (ivory)/25.16.8387 (white), 25.16.8386 (ivory)
 ROLINE Cat.5e 19" Patch Panel, 24 Ports, shielded: 26.11.0329 (light grey), 26.11.0328 (black)
 ROLINE Cat.5e FTP Patch Cord, grey, 5 m: 21.15.0105

Our in-house laboratory has tested this cable-plug combination, in a Channel of 100 meters, in compliance with Class D specifications.



Order-No. – P.U.

ROLINE FTP Cable Cat.5e, Solid Wire, 100 m	21.15.0009 – 2
ROLINE FTP Cable Cat.5e, Solid Wire, 300 m	21.15.0010 – 1
ROLINE FTP Cable Cat.5e, Stranded Wire, 100 m	21.15.0119 – 2
ROLINE FTP Cable Cat.5e, Stranded Wire, 300 m	21.15.0121 – 1

ROLINE S/FTP Cable Cat.5e

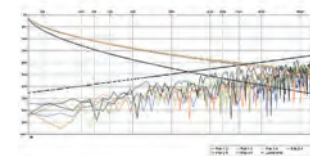
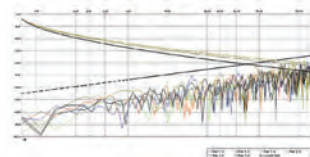
- Structured building cabling
- Impedance: 100 Ohm
- Colour: Grey
- Construction (21.15.0019/20): 8 lines, copper, solid wire AWG24, screening: alu-laminated foil, shielding: copper braid
- Construction (21.15.0319/21): 8 lines, copper, stranded wire AWG26, screening: alu-laminated foil, shielding: copper braid
- Diagram: attenuation/near end crosstalk

For a structured cabling system we recommend to use the following components:
 ROLINE Cat.5e S/FTP Cable, Solid Wire, AWG24: 21.15.0019 (100 m), 21.15.0020 (300 m)
 ROLINE Cat.5e Flush/Surface Mount Wall Jack, shielded: 25.16.8487 (white), 25.16.8486 (ivory)/25.16.8387 (white), 25.16.8386 (ivory)
 ROLINE Cat.5e 19" Patch Panel, 24 Ports, shielded: 26.11.0329 (light grey), 26.11.0328 (black)
 ROLINE Cat.5e S/FTP Patch Cord, grey, 5 m: 21.15.0305

Our in-house laboratory has tested this cable-plug combination, in a Channel of 100 meters, in compliance with Class D specifications.

Order-No. – P.U.

ROLINE S/FTP Cable Cat.5e, Solid Wire, 100 m	21.15.0019 – 2
ROLINE S/FTP Cable Cat.5e, Solid Wire, 300 m	21.15.0020 – 1
ROLINE S/FTP Cable Cat.5e, Stranded Wire, 100 m	21.15.0319 – 2
ROLINE S/FTP Cable Cat.5e, Stranded Wire, 300 m	21.15.0321 – 1



VALUE UTP Cable Cat.6

- Structured building cabling
- Impedance: 100 Ohm
- Colour: Grey
- Construction: 8 lines, copper, solid wire AWG24

For a structured cabling system we recommend to use the following components:
 VALUE Cat.6 UTP Cable, Solid Wire, AWG24, 300 m: 21.99.0995
 VALUE Cat.6 Flush/Surface Mount Wall Jack, unshielded, white: 25.99.8494/25.99.8394
 VALUE Cat.6 19" Patch Panel, 24 Ports, unshielded: 26.99.0351 (black), 26.99.0352 (grey)
 VALUE Cat.6 UTP Patch Cord, grey, 5 m: 21.99.0905

Our in-house laboratory has tested this cable-plug combination, in a Channel of 100 meters, in compliance with Class E specifications.



Order-No. – P.U.

VALUE UTP Cable Cat.6, Solid Wire, AWG24, 300 m

21.99.0995 – 2

ROLINE UTP Cable Cat.6

- Structured building cabling
- Impedance: 100 Ohm
- Colour: Grey
- Construction: 8 lines, copper, solid wire

For a structured cabling system we recommend to use the following components:
 ROLINE Cat.6 UTP Cable, Solid Wire, AWG23: 21.15.0990 (100 m), 21.15.0991 (300 m)
 ROLINE Cat.6 Flush Mount Wall Jack, unshielded: 25.16.8494 (white), 25.16.8500 (ivory)
 ROLINE Cat.6 Surface Mount Wall Jack, unshielded: 25.16.8394 (white), 25.16.8395 (ivory)
 ROLINE Cat.6 19" Patch Panel, 24 Ports, unshielded: 26.11.0355 (light grey), 26.11.0362 (black), ROLINE Cat.6 UTP Patch Cord, grey, 5 m: 21.15.0935.

The accredited German laboratory GHMT has tested and certified this product combination, in a Channel of 100 meters, as being compliant to Class E specifications; certificate no. z2329b-10-E (with flush mount)/z2330b-10-E (with surface mount).



Order-No. – P.U.

ROLINE UTP Cable Cat.6 / Class E, Solid Wire, AWG23, 100 m

21.15.0990 – 1

ROLINE UTP Cable Cat.6 / Class E, Solid Wire, AWG23, 300 m

21.15.0991 – 1

ROLINE UTP Cable Cat.6 / Class E, Stranded, AWG23, 300 m

21.15.0992 – 1

ROLINE UTP Cable Cat.6 / Class E, Solid Wire, AWG24, 300m, halogen-free*

21.15.1789 – 1

VALUE S/FTP (PiMF) Cable Cat.6/Class E

- Structured building cabling
- Impedance: 100 Ohm
- Colour: Grey
- Construction:
 - 8 lines, solid copper wire, AWG23
 - pairs shielded with aluminium foil
 - complete shielding in tinned copper braid

For a structured cabling system we recommend to use the following components:
 21.99.0892 VALUE S/FTP Cat 6/Class E solid wire installation cable
 25.99.8392/25.99.8492 VALUE Cat.6/Class E Surface / flush box
 26.99.0353/26.99.0354 VALUE Cat.6/Class E 19" Patch Panel, black/grey
 21.99.0805 VALUE S/FTP Patch Cable Cat.6, 5m

This product combination has been measured in our own laboratory in the Channel of 100 meters, in compliance with Class E specifications



Order-No. – P.U.

VALUE S/FTP-(PiMF) Cable Cat.6/Class E, Solid Wire, 300.0 m

21.99.0892 – 1

ROLINE S/FTP-(PiMF) Cable Cat.6/Class E

- Structured building cabling
- Impedance: 100 Ohm
- Colour: Grey
- Construction:
 - 8 lines, solid copper wire, AWG23
 - pairs shielded with aluminium foil
 - complete shielding in tinned copper braid

For a structured cabling system we recommend to use the following components:
 ROLINE Cat.6 S/FTP Cable, Solid Wire, AWG23: 21.15.0890 (100 m), 21.15.0891 (300 m)
 ROLINE Cat.6 Flush Mount Wall Jack, shielded: 25.16.8492 (white), 25.16.8493 (ivory)
 ROLINE Cat.6 Surface Mount Wall Jack, shielded: 25.16.8392 (white), 25.16.8393 (ivory)
 ROLINE Cat.6 19" Patch Panel, 24 Ports, shielded: 26.11.0351 (light grey), 26.11.0361 (black), ROLINE Cat.6 S/FTP Patch Cord, grey, 5 m: 21.15.0835.

The accredited German laboratory GHMT has tested and certified this product combination, in a Channel of 100 meters, as being compliant to Class E specifications; certificate no. z2365b-10-E (with flush mount)/z2364b-10-E (with surface mount).



Order-No. – P.U.

ROLINE S/FTP-(PiMF) Cable Cat.6/Class E, Solid Wire, AWG 23, 100 m

21.15.0890 – 2

ROLINE S/FTP-(PiMF) Cable Cat.6/Class E, Solid Wire, AWG 23, 300 m

21.15.0891 – 1

ROLINE S/FTP-(PiMF) Cable Cat.6/Class E, Stranded, AWG 23, 300 m

21.15.0892 – 1

ROLINE S/FTP-(PiMF) Cable Cat.6/Class E, Solid Wire, AWG 23, 300m, halogen-free*

21.15.1889 – 1

VALUE UTP Cable Cat.6A

- Cable for structured building cabling
- 300 meter/box
- Impedance: 100 Ohm
- Construction:
 - 8 lines, solid copper wire
- Colour: grey

For a structured unshielded cabling system Cat.6A we recommend to use the following components:
 VALUE Cat.6A UTP Cable, Solid Wire: 21.99.1685(300m)
 Flush Mount Wall Jack for Keystones, 2-port: 25.16.8579
 ROLINE Cat.6 Keystone, RJ45, unshielded: 26.11.0337
 19" Keystone Patch Panel, 24 Ports, unshielded: 26.11.0358 (black)/26.11.0357 (grey)
 VALUE Cat.6A UTP Patch Cord, grey, 5 m: 21.99.0875



Order-No. – P.U.

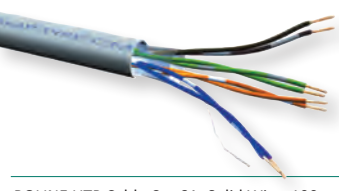
VALUE UTP Cable Cat.6A, Solid Wire, 300 m

21.99.1685 – 2

ROLINE UTP Cable Cat.6A

- Cables for structured building cabling, data rates up to 10 Gbit/s
- 100 or 300 meter/box
- Impedance: 100 Ohm
- Construction:
 - 8 lines, solid copper wire
- Colour: grey

For a structured unshielded cabling system Cat.6A we recommend to use the following components:
 ROLINE Cat.6A UTP Cable, Solid Wire: 21.15.1685(300m)
 Flush Mount Wall Jack for Keystones, 2-port: 25.16.8579
 ROLINE Cat.6 Keystone, RJ45, unshielded: 26.11.0337
 19" Keystone Patch Panel, 24 Ports, unshielded: 26.11.0356/26.11.0357
 ROLINE Cat.6A UTP Patch Cord, grey, 5 m: 21.15.1665



Order-No. – P.U.

ROLINE UTP Cable Cat.6A, Solid Wire, 100 m

21.15.1684 – 4

ROLINE UTP Cable Cat.6A, Solid Wire, LSOH, 100 m

21.15.1686 – 4

ROLINE UTP Cable Cat.6A, Solid Wire, 300 m

21.15.1685 – 2

ROLINE UTP Cable Cat.6A, Solid Wire, LSOH, 300 m

21.15.1687 – 2

ROLINE UTP Cable Cat.6A, Stranded, 300 m

21.15.1682 – 1

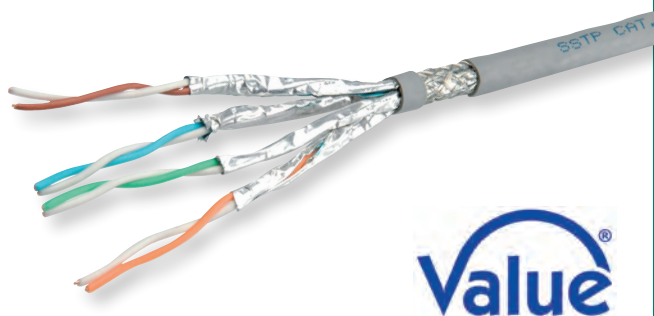
VALUE S/FTP Cable Cat.6A

- Cable for structured building cabling
- 300 meter / box
- Impedance: 100 Ohm
- Construction:
 - 8 lines, solid copper wire, AWG23
 - pairs shielded with aluminium foil
 - complete shielding in tinned copper braid
- Colour: grey

For a structured Cat. 6A S/FTP Cabling we recommend to use the following components:

The following products combination has been tested:

- 21.99.0884 VALUE S/FTP Cable, Cat. 6A, Solid Wire
- 25.16.8484 Surface Wall Mount Frame
- 25.16.8579 Flush Mount Wall Outlet for Keystones, 2port
- 26.99.0366 VALUE Cat.6A Keystone, RJ-45, shielded, toolless
- 26.11.0359/.0360 Keystone 19" Module frame Cat.5/Cat.6/Cat.6A, 24 Ports, shielded grey/black
- 21.99.0865 VALUE S/FTP Patch Cord Cat.6A, grey, 5m



Value[®]

Order-No. – P.U.

VALUE S/FTP Cable Cat.6A, Solid Wire, 300 m

21.99.0884 – 1

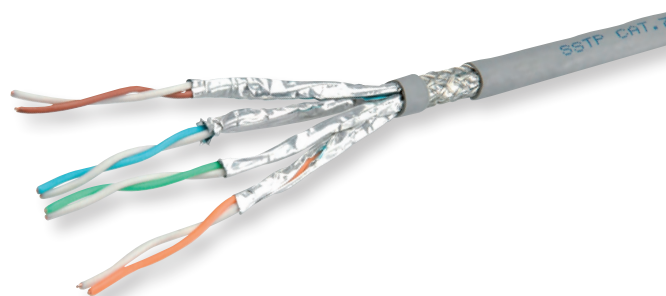
ROLINE S/FTP Cable Cat.6A

- Cable for structured building cabling
- 300 meter / box ; 100 meter as coil
- Impedance: 100 Ohm
- Construction:
 - 8 lines, solid copper wire, AWG23
 - pairs shielded with aluminium foil
 - complete shielding in tinned copper braid
- Colour: grey

For a structured Cat. 6A S/FTP Cabling we recommend to use the following components:

The following products combination has been tested:

- 21.15.0883 ROLINE S/FTP Cable, Cat. 6A, Solid Wire, AWG23
- 25.16.8579 Flush Mount Wall Outlet for Keystones, 2-port
- 26.11.0367 ROLINE Cat. 6A Keystone, RJ-45, Shielded, Silver
- 26.11.0359/.0360 ROLINE Patchpanel for Keystones 19", 24x
- 21.15.0865 ROLINE S/FTP Patch Cable Cat. 6A, Grey



roline[®]
Designed for Professionals

Order-No. – P.U.

ROLINE S/FTP Cable Cat.6A, Solid Wire, LSOH, 100 m

21.15.0883 – 4

ROLINE S/FTP Cable Cat.6A, Solid Wire, LSOH, 300 m

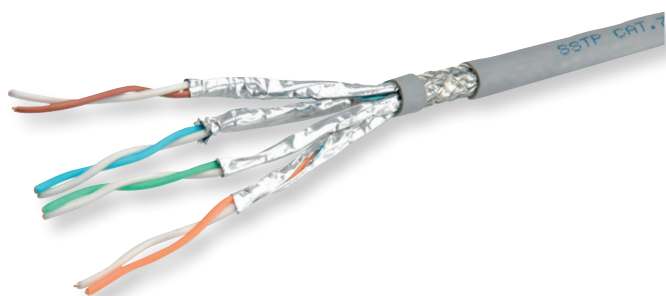
21.15.0884 – 1

ROLINE S/FTP Cable Cat.6A, Stranded, 300 m

21.15.0882 – 1

ROLINE S/FTP PiMF Cable Cat.7

- Cable for structured building cabling
- Impedance: 100 Ohm
- 100 meter as coil / 300 meter as box
- 3P certified
- Construction: 8 lines, solid copper wire, AWG23 / Pairs shielded with aluminium foil / Complete shielding in copper braid



roline[®]
Designed for Professionals

Order-No. – P.U.

ROLINE S/FTP PiMF Cable Cat.7, Solid Wire, 100m

21.15.0001 – 5

ROLINE S/FTP PiMF Cable Cat.7, Solid Wire, 300m

21.15.0003 – 1

ROLINE S/FTP PiMF Cable Cat.7, Solid Wire, halogen-free, 100 m

21.15.0002 – 2

ROLINE S/FTP PiMF Cable Cat.7, Solid Wire, halogen-free, 300 m

21.15.0004 – 1

ROLINE UTP Patch Cord Cat.5e, Retractable

- For a fast network connection without any cable hassle, ideal for travellers
- Flat cable with two unshielded RJ-45 connectors
- In housing with auto-roll-extender, stretches out to a total length of 2 m
- Length scales in inches and centimetres printed on cable
- Cable colour: Black



roline[®]
Designed for Professionals

Order-No. – P.U.

ROLINE UTP Patch Cord Cat.5e, black, 2.0 m, Retractable

21.15.0591 – 20

VALUE UTP Patch Cord Cat.5e

Cat.5e

U/UTP

- Prepared cable with unshielded RJ-45 plug on both ends (without coding) incl. kink protection.
- Connection cable for structured building cabling.
- Impedance: 100 Ohm.
- Contact settings 1:1 in accordance with EIA / TIA 568, 8 lines.
- Construction: internal line 8 wires



Order-No. – P.U.

VALUE UTP Patch Cord Cat.5e, grey, 0.5 m	21.99.0500 – 250
VALUE UTP Patch Cord Cat.5e, grey, 1.0 m	21.99.0501 – 200
VALUE UTP Patch Cord Cat.5e, grey, 2.0 m	21.99.0502 – 150
VALUE UTP Patch Cord Cat.5e, grey, 3.0 m	21.99.0503 – 100
VALUE UTP Patch Cord Cat.5e, grey, 5.0 m	21.99.0505 – 70
VALUE UTP Patch Cord Cat.5e, grey, 7.0 m	21.99.0507 – 50
VALUE UTP Patch Cord Cat.5e, grey, 10.0 m	21.99.0510 – 40
VALUE UTP Patch Cord Cat.5e, grey, 15.0 m	21.99.0515 – 25
VALUE UTP Patch Cord Cat.5e, grey, 20.0 m	21.99.0520 – 20

ROLINE UTP Patch Cord Cat.5e, crossover / Adapter

Cat.5e

U/UTP

21.15.0603

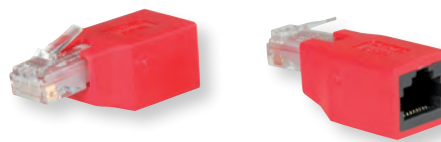
- Prepared UTP connection cable with crimped RJ-45 connectors on both sides
- Crossed version for special applications such as the cascading of hubs/switches or for direct connection between two PCs
- Very flexible cable
- Impedance: 100 Ohm
- Construction: 8 wires
- Colours (cable and connectors): grey



21.17.3076

- Converts each patch cable into a crossover patch cable, which is necessary for special applications such as cascading of hubs / switches or for the direct connection of two PCs
- UTP version
- Cat.5e compliant
- Suitable for 10/100/1000Base-T applications
- Crossover assignment pairs (pair 1,2 with 3,6)
- Dimensions: 45 x 20 x 18 mm

roline
Designed for Professionals



Order-No. – P.U.

ROLINE UTP Patch Cord Cat.5e, crossover, grey, 3 m	21.15.0603 – 50
ROLINE RJ45 Crossover Adapter UTP, Cat.5e	21.17.3076 – 50

ROLINE UTP Patch Cord Cat.5e

Cat.5e

U/UTP

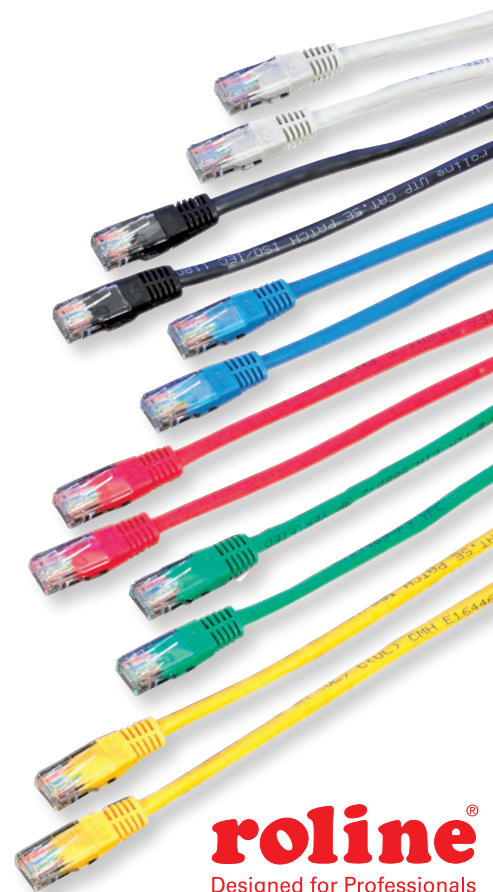
- Patch cable for networking connections between devices.
- Prepared unshielded Twisted Pair cable with RJ-45 connectors on both ends. Durable due to moulded kink protection.
- Flexible cable, suitable for narrow bending. High quality plugs with gold plated contacts.
- Contact settings 1:1, in accordance with the EIA/TIA 568 standard.
- Construction: 4-pair stranded copper wire.



For a structured cabling system we recommend to use the following components:

ROLINE Cat.5e UTP Cable, Solid Wire, AWG24:
21.15.0512 (100 m), 21.15.0511 (300 m);
ROLINE Cat.5e Flush/Surface Mount Wall Jack, unshielded: 25.16.8506 (white), 25.16.8501 (ivory)/25.16.8406 (white), 25.16.8401 (ivory);
ROLINE Cat.5e 19" Patch Panel, 24 Ports, unshielded: 26.11.0349 (black), 26.11.0347 (light grey);
ROLINE Cat.5e UTP Patch Cord, grey, 5 m: 21.15.0505.
Our in-house laboratory has tested this cable-plug combination, in a Channel of 100 meters, in compliance with Class D specifications.

Length	grey	red	yellow	green	blue	black	– P.U.
0.5 m	21.15.0500	21.15.0521	21.15.0522	21.15.0523	21.15.0524	21.15.0525	– 100
1 m	21.15.0501	21.15.0531	21.15.0532	21.15.0533	21.15.0534	21.15.0535	– 100
2 m	21.15.0502	21.15.0541	21.15.0542	21.15.0543	21.15.0544	21.15.0545	– 100
3 m	21.15.0503	21.15.0551	21.15.0552	21.15.0553	21.15.0554	21.15.0555	– 50
5 m	21.15.0505	21.15.0561	21.15.0562	21.15.0563	21.15.0564	21.15.0565	– 50
7 m	21.15.0507						– 50
10 m	21.15.0510	21.15.0421	21.15.0422	21.15.0423	21.15.0424	21.15.0425	– 40
15 m	21.15.0515	21.15.0431	21.15.0432	21.15.0433	21.15.0434	21.15.0435	– 30
20 m	21.15.0519	21.15.0441	21.15.0442	21.15.0443	21.15.0444	21.15.0445	– 20



roline
Designed for Professionals

VALUE FTP Patch Cord Cat.5e

Cat.5e F/UTP

- Prepared cable with screened RJ-45 plug on both ends (without coding) incl. kink protection.
- Connection cable for structured building cabling.
- Impedance: 100 Ohm.
- Contact settings 1:1 in accordance with EIA / TIA 568, 8 lines.
- Construction: Internal line 8 wires. Complete screening: aluminium laminated foil
- Colour: grey



Value[®]

Order-No. – P.U.

VALUE FTP Patch Cord Cat.5e, grey, 0.5 m	21.99.0100 – 250
VALUE FTP Patch Cord Cat.5e, grey, 1.0 m	21.99.0101 – 200
VALUE FTP Patch Cord Cat.5e, grey, 2.0 m	21.99.0102 – 150
VALUE FTP Patch Cord Cat.5e, grey, 3.0 m	21.99.0103 – 100
VALUE FTP Patch Cord Cat.5e, grey, 5.0 m	21.99.0105 – 70
VALUE FTP Patch Cord Cat.5e, grey, 7.0 m	21.99.0107 – 50
VALUE FTP Patch Cord Cat.5e, grey, 10.0 m	21.99.0110 – 40
VALUE FTP Patch Cord Cat.5e, grey, 15.0 m	21.99.0115 – 25
VALUE FTP Patch Cord Cat.5e, grey, 20.0 m	21.99.0120 – 20

ROLINE FTP Patch Cord Cat.5e, crossover / Adapter

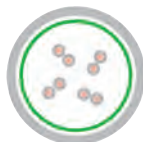
Cat.5e F/UTP

21.15.0203

- Prepared cable with shielded RJ-45 connectors on both ends, incl. kink protection
- Crossed version for special applications such as the cascading of hubs/switches or for the direct connection between two PCs
- Construction: 8 wires copper; complete shielding aluminium laminated foil
- Colours (cable and connectors): Grey

21.17.3077

- Converts each patch cable into a crossover patch cable, which is necessary for special applications such as cascading of hubs / switches or for the direct connection of two PCs
- S/FTP version, shielded, also used for UTP applications
- Cat 5e compliant, Gigabit compatible
- Suitable for 10/100/1000Base-T applications
- Crossover assignment pairs (pair 1,2 with 3,6)
- Dimensions: 45 x 20 x 18 mm



roline[®]
Designed for Professionals

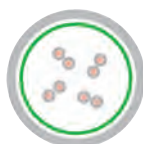
Order-No. – P.U.

ROLINE FTP Patch Cord Cat.5e, crossover, grey, 3 m	21.15.0203 – 50
ROLINE RJ45 Crossover Adapter STP, Cat.5e	21.17.3077 – 50

ROLINE FTP Patch Cord Cat.5e

Cat.5e F/UTP

- Patch cable for networking connections between devices. Prepared double shielded Twisted Pair cable with screened RJ-45 connectors on both ends. Durable due to moulded kink protection.
- Flexible cable, suitable for narrow bending. High quality plugs with gold plated contacts.
- Contact settings 1:1, in accordance with the EIA/TIA 568 standard.
- Construction: 4-pair stranded copper wire. Complete shielding with aluminium clad polyester foil.



For a structured cabling system we recommend to use the following components:

ROLINE Cat.5e FTP Cable, Solid Wire, AWG24: 21.15.0009 (100 m), 21.15.0010 (300 m);
ROLINE Cat.5e Flush/Surface Mount Wall Jack, shielded: 25.16.8487 (white), 25.16.8486 (ivory)/25.16.8387 (white), 25.16.8386 (ivory),
ROLINE Cat.5e 19" Patch Panel, 24 Ports, shielded: 26.11.0329 (light grey), 26.11.0328 (black);
ROLINE Cat.5e FTP Patch Cord, grey, 5 m: 21.15.0105.

Our in-house laboratory has tested this cable-plug combination, in a Channel of 100 meters, in compliance with Class D specifications.

Length	grey	red	yellow	green	blue	black	– P.U.
0.5 m	21.15.0100	21.15.0181	21.15.0182	21.15.0183	21.15.0184	21.15.0185	– 100
1 m	21.15.0101	21.15.0131	21.15.0132	21.15.0133	21.15.0134	21.15.0135	– 100
2 m	21.15.0102	21.15.0141	21.15.0142	21.15.0143	21.15.0144	21.15.0145	– 100
3 m	21.15.0103	21.15.0151	21.15.0152	21.15.0153	21.15.0154	21.15.0155	– 50
5 m	21.15.0105	21.15.0161	21.15.0162	21.15.0163	21.15.0164	21.15.0165	– 50
7 m	21.15.0107						– 50
10 m	21.15.0110	21.15.0451	21.15.0452	21.15.0453	21.15.0454	21.15.0455	– 40
15 m	21.15.0115	21.15.0461	21.15.0462	21.15.0463	21.15.0464	21.15.0465	– 30
20 m	21.15.0120	21.15.0471	21.15.0472	21.15.0473	21.15.0474	21.15.0475	– 20

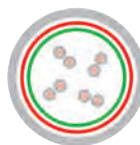


roline[®]
Designed for Professionals

VALUE S/FTP Patch Cord Cat.5e

Cat.5e SF/UTP

- Prepared cable with screened RJ-45 plug on both ends incl. kink protection
- Connection cable for a structured building cabling
- Impedance: 100 Ohm
- Contact settings 1:1 in accordance with EIA/TIA568
- Construction: Internal line 8 wires copper wire
- Complete screening aluminium laminated foil with additional braided shield



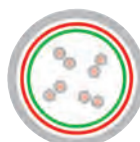
Order-No. – P.U.

VALUE S/FTP Patch Cord Cat.5e, grey, 0.5 m	21.99.0300 – 250
VALUE S/FTP Patch Cord Cat.5e, grey, 1.0 m	21.99.0301 – 200
VALUE S/FTP Patch Cord Cat.5e, grey, 2.0 m	21.99.0302 – 150
VALUE S/FTP Patch Cord Cat.5e, grey, 3.0 m	21.99.0303 – 100
VALUE S/FTP Patch Cord Cat.5e, grey, 5.0 m	21.99.0305 – 70
VALUE S/FTP Patch Cord Cat.5e, grey, 7.0 m	21.99.0307 – 50
VALUE S/FTP Patch Cord Cat.5e, grey, 10.0 m	21.99.0310 – 40
VALUE S/FTP Patch Cord Cat.5e, grey, 15.0 m	21.99.0315 – 25
VALUE S/FTP Patch Cord Cat.5e, grey, 20.0 m	21.99.0320 – 20

ROLINE S/FTP Patch Cord Cat.5e

Cat.5e SF/UTP

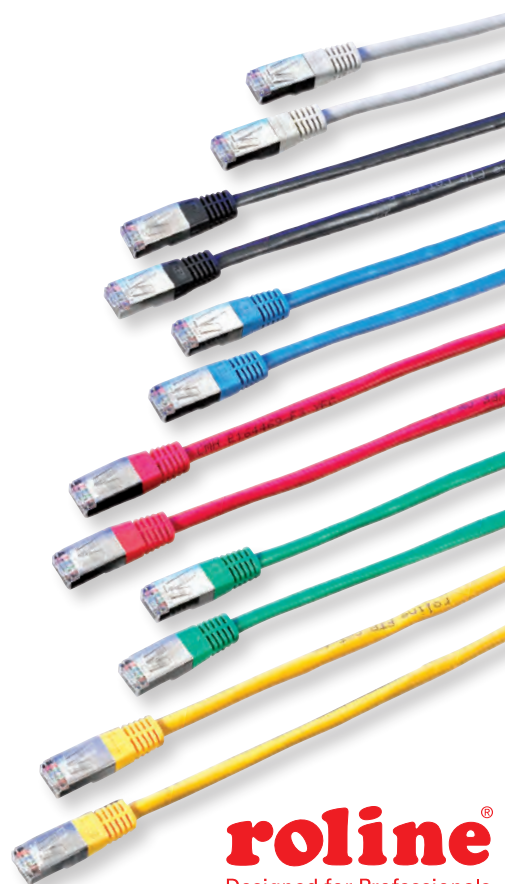
- Patch cable for networking connections between devices.
- Prepared double shielded Twisted Pair cable with screened RJ-45 connectors on both ends. Durable due to moulded kink protection.
- Flexible cable, suitable for narrow bending. High quality plugs with gold plated contacts.
- Contact settings 1:1, in accordance with the EIA/TIA 568 standard.
- Construction: 4-pair stranded copper wire.
- Complete braid shielding and aluminium clad polyester foil.



For a structured cabling system we recommend to use the following components:

ROLINE Cat.5e S/FTP Cable, Solid Wire, AWG24:
 21.15.0019 (100 m), 21.15.0020 (300 m);
 ROLINE Cat.5e Flush/Surface Mount Wall Jack, shielded: 25.16.8487 (white),
 25.16.8486 (ivory)/25.16.8387 (white), 25.16.8386 (ivory); ROLINE Cat.5e 19" Patch
 Panel, 24 Ports, shielded: 26.11.0329 (light grey), 26.11.0328 (black);
 ROLINE Cat.5e S/FTP Patch Cord, grey, 5 m: 21.15.0305.
 Our in-house laboratory has tested this cable-plug combination, in a Channel of 100
 meters, in compliance with Class D specifications.

Length	grey	red	yellow	green	blue	black	– P.U.
0.5 m	21.15.0300	21.15.0381	21.15.0382	21.15.0383	21.15.0384	21.15.0385	– 100
1 m	21.15.0301	21.15.0331	21.15.0332	21.15.0333	21.15.0334	21.15.0335	– 100
2 m	21.15.0302	21.15.0341	21.15.0342	21.15.0343	21.15.0344	21.15.0345	– 100
3 m	21.15.0303	21.15.0351	21.15.0352	21.15.0353	21.15.0354	21.15.0355	– 50
5 m	21.15.0305	21.15.0361	21.15.0362	21.15.0363	21.15.0364	21.15.0365	– 50
7 m	21.15.0307						– 50
10 m	21.15.0310	21.15.0721	21.15.0722	21.15.0723	21.15.0724	21.15.0725	– 40
15 m	21.15.0315	21.15.0731	21.15.0732	21.15.0733	21.15.0734	21.15.0735	– 30
20 m	21.15.0320	21.15.0741	21.15.0742	21.15.0743	21.15.0744	21.15.0745	– 20



VALUE UTP Patch Cord, Cat.6

Cat.6

U/UTP

- Patch cable for networking connections between devices.
- Prepared unshielded Twisted Pair cable with RJ-45 connectors on both ends.
- Durable due to moulded kink protection.
- Flexible cable, suitable for narrow bending.
- Plugs with gold plated contacts.
- Contact settings 1:1, in accordance with the EIA/TIA 568 standard
- Construction: 4-pair stranded wire.


For a structured cabling system we recommend to use the following components:

VALUE Cat.6 UTP Cable, Solid Wire, AWG24, 300 m: 21.99.0995.

VALUE Cat.6 Flush/Surface Mount Wall Jack, unshielded, white: 25.99.8494/25.99.8394;

VALUE Cat.6 19" Patch Panel, 24 Ports, unshielded:

26.99.0351 (black), 26.99.0352 (grey);

VALUE Cat.6 UTP Patch Cord, grey, 5 m: 21.99.0905.

Our in-house laboratory has tested this cable-plug combination, in a Channel of 100 meters, in compliance with Class E specifications.

Length	grey	red	yellow	green	blue	black	white	- P.U.
0.5 m	21.99.0900	21.99.1521	21.99.1522	21.99.1523	21.99.1524	21.99.1525	21.99.1526	- 250
1 m	21.99.0901	21.99.1531	21.99.1532	21.99.1533	21.99.1534	21.99.1535	21.99.1536	- 200
1.5 m	21.99.0950	21.99.0951	21.99.0952	21.99.0953	21.99.0954	21.99.0955	21.99.0956	- 150
2 m	21.99.0902	21.99.1541	21.99.1542	21.99.1543	21.99.1544	21.99.1545	21.99.1546	- 150
3 m	21.99.0903	21.99.1551	21.99.1552	21.99.1553	21.99.1554	21.99.1555	21.99.1556	- 100
5 m	21.99.0905	21.99.1561	21.99.1562	21.99.1563	21.99.1564	21.99.1565	21.99.1566	- 70
7 m	21.99.0907	21.99.1571	21.99.1572	21.99.1573	21.99.1574	21.99.1575	21.99.1576	- 50
10 m	21.99.0910	21.99.1581	21.99.1582	21.99.1583	21.99.1584	21.99.1585	21.99.1586	- 40

VALUE UTP Cable Cat.6, halogen-free

Cat.6

U/UTP

- Patch cable for networking connections between devices.
- Prepared unshielded Twisted Pair cable with RJ-45 connectors on both ends.
- Durable due to moulded kink protection.
- Flexible cable, suitable for narrow bending.
- High quality plugs with gold plated contacts.
- Contact settings 1:1, in accordance with the EIA/TIA 568 standard
- Construction: 4-pair stranded copper wire.
- Halogen-free, flame retardant, low smoke.



Halogenfree
Flame retardant
Low Smoke

For a structured halogen-free cabling system we recommend to use the following components:

ROLINE Cat.6 UTP Cable, Solid Wire, LSOH, 300 m: 21.15.1789

VALUE Cat.6 Flush/Surface Mount Wall Jack, unshielded, white: 25.99.8494/25.99.8394

VALUE Cat.6 19" Patch Panel, 24 Ports, unshielded:

26.99.0351 (black), 26.99.0352 (grey)

VALUE Cat.6 UTP Patch Cord, grey, LSOH: 21.99.0205

Our in-house laboratory has tested this cable-plug combination, in a Channel of 100 meters, in compliance with Class E specifications.

Length	grey	red	yellow	green	blue	black	white	- P.U.
0.5 m	21.99.0200	21.99.1021	21.99.1022	21.99.1023	21.99.1024	21.99.1025	21.99.1026	- 250
1 m	21.99.0201	21.99.1031	21.99.1032	21.99.1033	21.99.1034	21.99.1035	21.99.1036	- 200
1.5 m	21.99.0250	21.99.0251	21.99.0252	21.99.0253	21.99.0254	21.99.0255	21.99.0256	- 150
2 m	21.99.0202	21.99.1041	21.99.1042	21.99.1043	21.99.1044	21.99.1045	21.99.1046	- 150
3 m	21.99.0203	21.99.1051	21.99.1052	21.99.1053	21.99.1054	21.99.1055	21.99.1056	- 100
5 m	21.99.0205	21.99.1061	21.99.1062	21.99.1063	21.99.1064	21.99.1065	21.99.1066	- 70
7 m	21.99.0207	21.99.1071	21.99.1072	21.99.1073	21.99.1074	21.99.1075	21.99.1076	- 50
10 m	21.99.0210	21.99.1081	21.99.1082	21.99.1083	21.99.1084	21.99.1085	21.99.1086	- 40

ROLINE UTP Patch Cord, Cat.6

Cat.6 U/UTP

- Patch cable for networking connections between devices.
Prepared unshielded Twisted Pair cable with RJ-45 connectors on both ends.
- Durable due to moulded kink protection.
- Flexible cable, suitable for narrow bending.
- High quality plugs with gold plated contacts.
- Contact settings 1:1, in accordance with the EIA/TIA 568 standard.
- Construction: 4-pair stranded copper wire.

For a structured cabling system we recommend to use the following components:
 ROLINE Cat.6 UTP Cable, Solid Wire, AWG23: 21.15.0990 (100 m), 21.15.0991 (300 m);
 ROLINE Cat.6 Flush Mount Wall Jack, unshielded: 25.16.8494 (white), 25.16.8500 (ivory);
 ROLINE Cat.6 Surface Mount Wall Jack, unshielded: 25.16.8394 (white), 25.16.8395 (ivory);
 ROLINE Cat.6 19" Patch Panel, 24 Ports, unshielded: 26.11.0355 (light grey), 26.11.0362 (black);
 ROLINE Cat.6 UTP Patch Cord, grey, 5 m: 21.15.0935.
 The accredited German laboratory GHMT has tested and certified this product combination, in a Channel of 100 meters, as being compliant to Class E specifications; certificate no. z2329b-10-E (with flush mount)/z2330b-10-E (with surface mount).



roline
Designed for Professionals

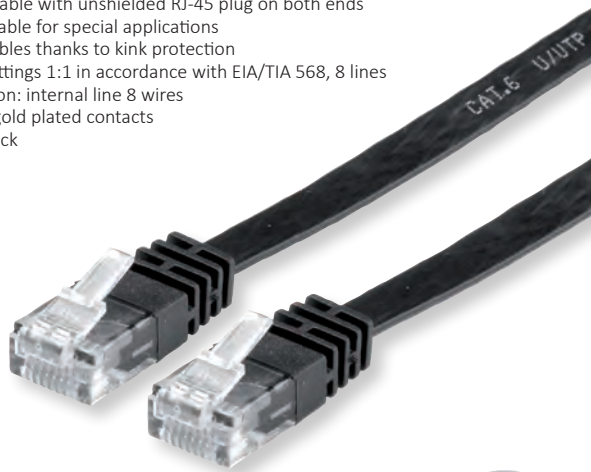


Length	grey	red	yellow	green	blue	black	white	orange	- P.U.
0.3 m	21.15.1510	21.15.1511	21.15.1512	21.15.1513	21.15.1514	21.15.1515	21.15.1516	21.15.1517	- 50
0.5 m	21.15.0930	21.15.1521	21.15.1522	21.15.1523	21.15.1524	21.15.1525	21.15.1526	21.15.1527	- 100
1 m	21.15.0931	21.15.1531	21.15.1532	21.15.1533	21.15.1534	21.15.1535	21.15.1536	21.15.1537	- 100
1.5 m	21.15.0923	21.15.0924	21.15.0925	21.15.0926	21.15.0927	21.15.0928	21.15.0929	21.15.0921	- 100
2 m	21.15.0932	21.15.1541	21.15.1542	21.15.1543	21.15.1544	21.15.1545	21.15.1546	21.15.1547	- 100
3 m	21.15.0933	21.15.1551	21.15.1552	21.15.1553	21.15.1554	21.15.1555	21.15.1556	21.15.1557	- 50
5 m	21.15.0935	21.15.1561	21.15.1562	21.15.1563	21.15.1564	21.15.1565	21.15.1566	21.15.1567	- 50
7 m	21.15.0937	21.15.1571	21.15.1572	21.15.1573	21.15.1574	21.15.1575	21.15.1576	21.15.1577	- 50
10 m	21.15.0940	21.15.1581	21.15.1582	21.15.1583	21.15.1584	21.15.1585	21.15.1586	21.15.1587	- 40
15 m	21.15.0945	21.15.1591	21.15.1592	21.15.1593	21.15.1594	21.15.1595	21.15.1596	21.15.1597	- 30
20 m	21.15.0950	21.15.1601	21.15.1602	21.15.1603	21.15.1604	21.15.1605	21.15.1606	21.15.1607	- 20

VALUE UTP Patch Cord, Cat.6

Cat.6 U/UTP

- Prepared cable with unshielded RJ-45 plug on both ends
- Extra flat cable for special applications
- Durable cables thanks to kink protection
- Contact settings 1:1 in accordance with EIA/TIA 568, 8 lines
- Construction: internal line 8 wires
- Plug with gold plated contacts
- Colour: black



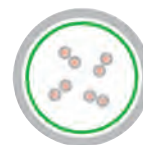
Order-No. - P.U.

VALUE UTP Patch Cord, Cat.6, extra-flat, black, 0.5 m	21.99.0960 - 40
VALUE UTP Patch Cord, Cat.6, extra-flat, black, 1.0 m	21.99.0961 - 40
VALUE UTP Patch Cord, Cat.6, extra-flat, black, 1.5 m	21.99.0964 - 40
VALUE UTP Patch Cord, Cat.6, extra-flat, black, 2.0 m	21.99.0962 - 40
VALUE UTP Patch Cord, Cat.6, extra-flat, black, 3.0 m	21.99.0963 - 40
VALUE UTP Patch Cord, Cat.6, extra-flat, black, 5.0 m	21.99.0965 - 40

VALUE FTP Patch Cord, Cat.6

Cat.6 F/UTP

- Prepared cable with shielded RJ-45 plug on both ends
- Durable cables thanks to kink protection
- Extra flat cable for special applications
- Contact settings 1:1 in accordance with EIA/TIA 568, 8 lines
- Construction: internal line 8 wires, pairs shielded with aluminium clad foil
- Plug with gold plated contacts
- Colour: black



Order-No. - P.U.

VALUE FTP Patch Cord, Cat.6, extra-flat, black, 0.5 m	21.99.0970 - 40
VALUE FTP Patch Cord, Cat.6, extra-flat, black, 1.0 m	21.99.0971 - 40
VALUE FTP Patch Cord, Cat.6, extra-flat, black, 1.5 m	21.99.0974 - 40
VALUE FTP Patch Cord, Cat.6, extra-flat, black, 2.0 m	21.99.0972 - 40
VALUE FTP Patch Cord, Cat.6, extra-flat, black, 3.0 m	21.99.0973 - 40
VALUE FTP Patch Cord, Cat.6, extra-flat, black, 5.0 m	21.99.0975 - 40

VALUE S/FTP (PiMF) Patch Cord, Cat.6

Cat.6

S/FTP

- Prepared shielded Twisted Pair cable with RJ-45 connectors on both sides. Used as patch cable in wiring cabinet or as direct connection cable between devices.
- Flexible cable suitable for narrow bending.
- Contact settings 1:1, according to EIA/TIA 568, 8 wires.
- Construction: 8 wires stranded copper wire, braid shield. Pairs shielded with aluminium clad polyester foil.
- Impedance: 100 Ohm

For a structured cabling system we recommend to use the following components:
 ROLINE Cat.6 S/FTP Cable, Solid Wire, AWG23: 21.15.0890 (100 m), 21.15.0891 (300 m).
 VALUE Cat.6 Flush/Surface Mount Wall Jack, shielded, white: 25.99.8492/25.99.8392.
 VALUE Cat.6 19" Patch Panel, 24 Ports, shielded: 26.99.0353 (black), 26.99.0354 (grey).
 VALUE Cat.6 S/FTP Patch Cord, grey, 5 m: 21.99.0805.

Our in-house laboratory has tested this cable-plug combination, in a Channel of 100 meters, in compliance with Class E specifications.



Length	grey	red	yellow	green	blue	black	white	- P.U.
0.5 m	21.99.0800	21.99.1321	21.99.1322	21.99.1323	21.99.1324	21.99.1325	21.99.1326	- 250
1 m	21.99.0801	21.99.1331	21.99.1332	21.99.1333	21.99.1334	21.99.1335	21.99.1336	- 200
1.5 m	21.99.0811	21.99.0812	21.99.0813	21.99.0814	21.99.0815	21.99.0816	21.99.0817	- 150
2 m	21.99.0802	21.99.1341	21.99.1342	21.99.1343	21.99.1344	21.99.1345	21.99.1346	- 150
3 m	21.99.0803	21.99.1351	21.99.1352	21.99.1353	21.99.1354	21.99.1355	21.99.1356	- 100
5 m	21.99.0805	21.99.1361	21.99.1362	21.99.1363	21.99.1364	21.99.1365	21.99.1366	- 70
7 m	21.99.0807	21.99.1371	21.99.1372	21.99.1373	21.99.1374	21.99.1375	21.99.1376	- 50
10 m	21.99.0810	21.99.1381	21.99.1382	21.99.1383	21.99.1384	21.99.1385	21.99.1386	- 40

VALUE S/FTP Patch Cord Cat.6, halogen-free

Cat.6

S/FTP

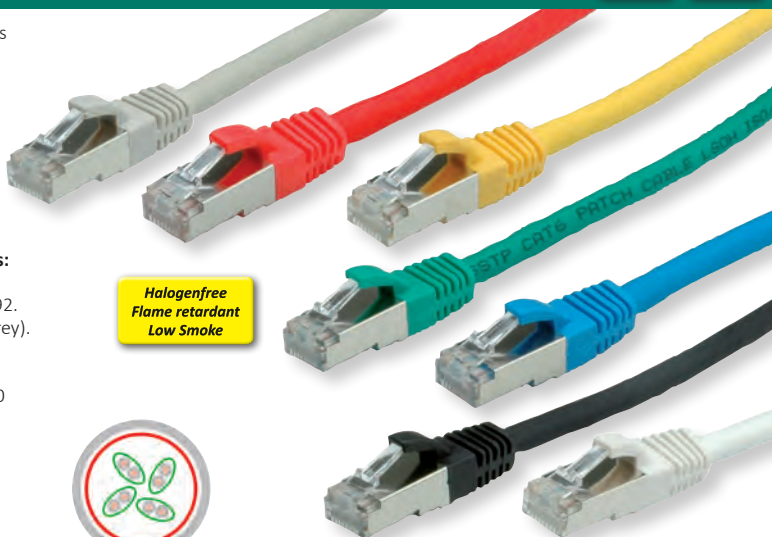
- Prepared shielded Twisted Pair cable with RJ-45 connectors on both sides. Used as patch cable in wiring cabinet or as direct connection cable between devices.
- Flexible cable suitable for narrow bending.
- Contact settings 1:1, according to EIA/TIA 568, 8 wires.
- Construction: 8 wires stranded copper wire, braid shield. Pairs shielded with aluminium clad polyester foil.
- Impedance:100 Ohm.
- Cable jacketing: LSOH- Low Smoke Zero Halogen - cable emits limited smoke and no halogens when exposed to high sources of heat.

For a structured cabling system we recommend to use the following components:
 ROLINE Cat.6 S/FTP Cable, Solid Wire, LSOH: 21.15.1889.
 VALUE Cat.6 Flush/Surface Mount Wall Jack, shielded, white: 25.99.8492/25.99.8392.
 VALUE Cat.6 19" Patch Panel, 24 Ports, shielded: 26.99.0353 (black), 26.99.0354 (grey).
 VALUE Cat.6 S/FTP Patch Cord, LSOH, grey, 5 m: 21.99.0705.

Our in-house laboratory has tested this cable-plug combination, in a Channel of 100 meters, in compliance with Class E specifications.



Halogenfree
Flame retardant
Low Smoke



Length	grey	red	yellow	green	blue	black	white	- P.U.
0.5 m	21.99.0700	21.99.1221	21.99.1222	21.99.1223	21.99.1224	21.99.1225	21.99.1226	- 250
1 m	21.99.0701	21.99.1231	21.99.1232	21.99.1233	21.99.1234	21.99.1235	21.99.1236	- 200
1.5 m	21.99.0711	21.99.0712	21.99.0713	21.99.0714	21.99.0715	21.99.0716	21.99.0717	- 150
2 m	21.99.0702	21.99.1241	21.99.1242	21.99.1243	21.99.1244	21.99.1245	21.99.1246	- 150
3 m	21.99.0703	21.99.1251	21.99.1252	21.99.1253	21.99.1254	21.99.1255	21.99.1256	- 100
5 m	21.99.0705	21.99.1261	21.99.1262	21.99.1263	21.99.1264	21.99.1265	21.99.1266	- 70
7 m	21.99.0707	21.99.1271	21.99.1272	21.99.1273	21.99.1274	21.99.1275	21.99.1276	- 50
10 m	21.99.0710	21.99.1281	21.99.1282	21.99.1283	21.99.1284	21.99.1285	21.99.1286	- 40

ROLINE S/FTP (PiMF) Patch Cord, Cat.6

Cat.6

S/FTP

- Patch cable for networking connections between devices. Prepared double shielded Twisted Pair cable with screened RJ-45 connectors on both ends.
- Durable due to moulded kink protection. Flexible cable, suitable for narrow bending.
- High quality plugs with gold plated contacts.
- Contact settings 1:1, in accordance with the EIA/TIA 568 standard.
- Construction: 4-pair stranded copper wire.
- Complete braid shielding. Pairs shielded with aluminium clad polyester foil.

For a structured cabling system we recommend to use the following components:

ROLINE Cat.6 S/FTP Cable, Solid Wire, AWG23: 21.15.0890 (100 m), 21.15.0891 (300 m);
 ROLINE Cat.6 Flush Mount Wall Jack, shielded: 25.16.8492 (white), 25.16.8493 (ivory);
 ROLINE Cat.6 Surface Mount Wall Jack, shielded: 25.16.8392 (white), 25.16.8393 (ivory);
 ROLINE Cat.6 19" Patch Panel, 24 Ports, shielded: 26.11.0351 (light grey), 26.11.0361 (black);
 ROLINE Cat.6 S/FTP Patch Cord, grey, 5 m: 21.15.0835.

The accredited German laboratory GHMT has tested and certified this product combination, in a Channel of 100 meters, as being compliant to Class E specifications; certificate no. z2365b-10-E (with flush mount)/z2364b-10-E (with surface mount).



Length	grey	red	yellow	green	blue	black	white	orange	brown	pink	violet	- P.U.
0.3 m	21.15.1310	21.15.1311	21.15.1312	21.15.1313	21.15.1314	21.15.1315	21.15.1316	21.15.1317	21.15.1318	21.15.1319	21.15.1320	- 50
0.5 m	21.15.0830	21.15.1321	21.15.1322	21.15.1323	21.15.1324	21.15.1325	21.15.1326	21.15.1327	21.15.1328	21.15.1329	21.15.1330	- 100
1 m	21.15.0831	21.15.1331	21.15.1332	21.15.1333	21.15.1334	21.15.1335	21.15.1336	21.15.1337	21.15.1338	21.15.1339	21.15.1340	- 100
1.5 m	21.15.0823	21.15.0824	21.15.0825	21.15.0826	21.15.0827	21.15.0828	21.15.0829	21.15.0821	21.15.0842	21.15.0843	21.15.0844	- 100
2 m	21.15.0832	21.15.1341	21.15.1342	21.15.1343	21.15.1344	21.15.1345	21.15.1346	21.15.1347	21.15.1348	21.15.1349	21.15.1350	- 100
3 m	21.15.0833	21.15.1351	21.15.1352	21.15.1353	21.15.1354	21.15.1355	21.15.1356	21.15.1357	21.15.1358	21.15.1359	21.15.1360	- 50
5 m	21.15.0835	21.15.1361	21.15.1362	21.15.1363	21.15.1364	21.15.1365	21.15.1366	21.15.1367	21.15.1368	21.15.1369	21.15.1370	- 50
7 m	21.15.0837	21.15.1371	21.15.1372	21.15.1373	21.15.1374	21.15.1375	21.15.1376	21.15.1377	21.15.1378	21.15.1379	21.15.1380	- 50
10 m	21.15.0840	21.15.1381	21.15.1382	21.15.1383	21.15.1384	21.15.1385	21.15.1386	21.15.1387	21.15.1388	21.15.1389	21.15.1390	- 40
15 m	21.15.0845	21.15.1391	21.15.1392	21.15.1393	21.15.1394	21.15.1395	21.15.1396	21.15.1397	21.15.1398	21.15.1399	21.15.1400	- 30
20 m	21.15.0850	21.15.1401	21.15.1402	21.15.1403	21.15.1404	21.15.1405	21.15.1406	21.15.1407	21.15.1408	21.15.1409	21.15.1410	- 20

VALUE UTP Patch Cord Cat.6A

Cat.6A

U/UTP

- The cheap solution for data transfer rates of up to 10 Gbit/s and a bandwidth of 500 MHz
- Patch cable for networking connections between devices
- Prepared shielded Twisted Pair cable (PiMF) with RJ-45 connectors on both ends.
- Durable due to moulded kink protection.
- Flexible cable, suitable for narrow bending.
- Impedance: 100 Ohm
- Contact settings 1:1, in accordance with the EIA/TIA 568 standard.
- Construction: 8 lines, pairs shielded with aluminium foil, complete shielding in tinned copper braid

For a structured shielded Cat.6A cabling system we recommend to use the following components:

VALUE Cat.6A UTP Cable, Solid Wire, 300 m: 21.99.1681
 Flush Mount Wall Jack for Keystone: 25.16.8579
 Surface Wall Mount Frame: 25.16.8484
 VALUE Cat.6A Keystone, RJ-45, shielded: 26.99.0366
 19" Keystone Patch Panel: 26.11.0358 / 26.11.0359
 VALUE Cat.6A S/FTP Patch Cord, 5 m: 21.99.0875



Length	grey	red	yellow	green	blue	black	white	- P.U.
0.5 m	21.99.0870	21.99.1420	21.99.1430	21.99.1440	21.99.1450	21.99.1460	21.99.1470	- 100
1 m	21.99.0871	21.99.1421	21.99.1431	21.99.1441	21.99.1451	21.99.1461	21.99.1471	- 100
1.5 m	21.99.1480	21.99.1481	21.99.1482	21.99.1483	21.99.1484	21.99.1485	21.99.1486	- 100
2 m	21.99.0872	21.99.1422	21.99.1432	21.99.1442	21.99.1452	21.99.1462	21.99.1472	- 100
3 m	21.99.0873	21.99.1423	21.99.1433	21.99.1443	21.99.1453	21.99.1463	21.99.1473	- 50
5 m	21.99.0875	21.99.1425	21.99.1435	21.99.1445	21.99.1455	21.99.1465	21.99.1475	- 50
7 m	21.99.0876	21.99.1426	21.99.1436	21.99.1446	21.99.1456	21.99.1466	21.99.1476	- 40
10 m	21.99.0877	21.99.1427	21.99.1437	21.99.1447	21.99.1457	21.99.1467	21.99.1477	- 40
15 m	21.99.0878	21.99.1428	21.99.1438	21.99.1448	21.99.1458	21.99.1468	21.99.1478	- 30
20 m	21.99.0879	21.99.1429	21.99.1439	21.99.1449	21.99.1459	21.99.1469	21.99.1479	- 20

VALUE S/FTP Patch Cord Cat.6A

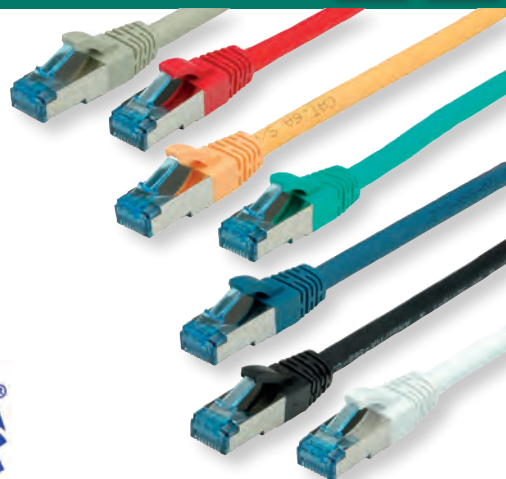
Cat.6A S/FTP

The cheap solution for data transfer rates of up to 10 Gbit/s and a bandwidth of 500 MHz. Patch cable for networking connections between devices.

For a structured shielded Cat.6A cabling system we recommend to use the following components:

- Prepared shielded Twisted Pair cable (PiMF) with RJ-45 connectors on both ends.
- Durable due to moulded kink protection. Flexible cable, suitable for narrow bending.
- Impedance: 100 Ohm. Contact settings 1:1, in accordance with the EIA/TIA 568 standard.
- Construction: 8 lines, pairs shielded with aluminium foil, complete braided shielding.

- VALUE Cat.6A S/FTP Cable, Solid Wire, 100 m: 21.99.0881.
- Flush Mount Wall Jack for Keystone: 25.16.8579.
- Surface Wall Mount Frame: 25.16.8484.
- VALUE Cat.6A Keystone, RJ-45, shielded: 26.99.0366.
- 19" Keystone Patch Panel: 26.11.0359.
- VALUE Cat.6A S/FTP Patch Cord, 5 m: 21.99.0865.



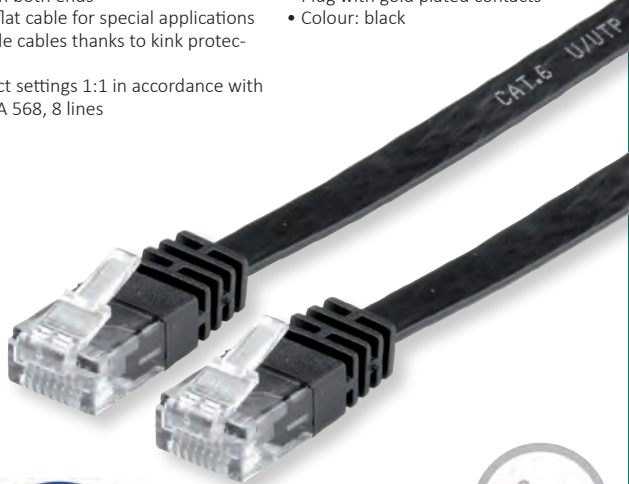
Length	grey	red	yellow	green	blue	black	white	- P.U.
0.5 m	21.99.0860	21.99.1920	21.99.1930	21.99.1940	21.99.1950	21.99.1960	21.99.1970	- 100
1 m	21.99.0861	21.99.1921	21.99.1931	21.99.1941	21.99.1951	21.99.1961	21.99.1971	- 100
1.5 m	21.99.1990	21.99.1991	21.99.1992	21.99.1993	21.99.1994	21.99.1995	21.99.1996	- 100
2 m	21.99.0862	21.99.1922	21.99.1932	21.99.1942	21.99.1952	21.99.1962	21.99.1972	- 100
3 m	21.99.0863	21.99.1923	21.99.1933	21.99.1943	21.99.1953	21.99.1963	21.99.1973	- 50
5 m	21.99.0865	21.99.1925	21.99.1935	21.99.1945	21.99.1955	21.99.1965	21.99.1975	- 50
7 m	21.99.0866	21.99.1926	21.99.1936	21.99.1946	21.99.1956	21.99.1966	21.99.1976	- 40
10 m	21.99.0867	21.99.1927	21.99.1937	21.99.1947	21.99.1957	21.99.1967	21.99.1977	- 40
15 m	21.99.0868	21.99.1928	21.99.1938	21.99.1948	21.99.1958	21.99.1968	21.99.1978	- 30
20 m	21.99.0869	21.99.1929	21.99.1939	21.99.1949	21.99.1959	21.99.1969	21.99.1979	- 20

VALUE UTP Patch Cord, Cat.6A

Cat.6A U/UTP

- Prepared cable with unshielded RJ-45 plug on both ends
- Extra flat cable for special applications
- Durable cables thanks to kink protection
- Contact settings 1:1 in accordance with EIA/TIA 568, 8 lines

- Construction: internal line 8 wires
- Plug with gold plated contacts
- Colour: black



Order-No. - P.U.

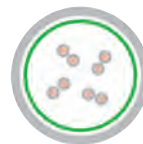
VALUE UTP Patch Cord, Cat.6A, black, 0.5 m, extra-flat	21.99.0820 - 40
VALUE UTP Patch Cord, Cat.6A, black, 1.0 m, extra-flat	21.99.0821 - 40
VALUE UTP Patch Cord, Cat.6A, black, 1.5 m, extra-flat	21.99.0824 - 40
VALUE UTP Patch Cord, Cat.6A, black, 2.0 m, extra-flat	21.99.0822 - 40
VALUE UTP Patch Cord, Cat.6A, black, 3.0 m, extra-flat	21.99.0823 - 40
VALUE UTP Patch Cord, Cat.6A, black, 5.0 m, extra-flat	21.99.0825 - 40

VALUE FTP Patch Cord, Cat.6A

Cat.6A F/UTP

- Prepared cable with shielded RJ-45 plug on both ends
- Durable cables thanks to kink protection
- Extra flat cable for special applications
- Contact settings 1:1 in accordance with EIA/TIA 568, 8 lines

- Construction: internal line 8 wires, pairs shielded with aluminium clad foil
- Plug with gold plated contacts
- Colour: black



Order-No. - P.U.

VALUE FTP Patch Cord, Cat.6A, black, 0.5 m, extra-flat	21.99.0830 - 40
VALUE FTP Patch Cord, Cat.6A, black, 1.0 m, extra-flat	21.99.0831 - 40
VALUE FTP Patch Cord, Cat.6A, black, 1.5 m, extra-flat	21.99.0834 - 40
VALUE FTP Patch Cord, Cat.6A, black, 2.0 m, extra-flat	21.99.0832 - 40
VALUE FTP Patch Cord, Cat.6A, black, 3.0 m, extra-flat	21.99.0833 - 40
VALUE FTP Patch Cord, Cat.6A, black, 5.0 m, extra-flat	21.99.0835 - 40

ROLINE UTP Patch Cord, Cat.6, slim

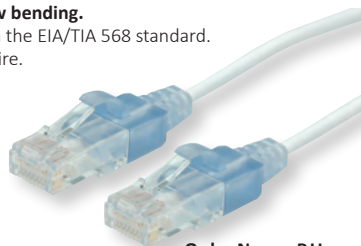
Cat.6

U/UTP

- Patch cable for networking connections between devices.
- Prepared unshielded Twisted Pair cable with RJ-45 connectors on both ends.
- Durable due to moulded kink protection.
- **Slim, flexible cable, suitable for narrow bending.**
- Contact settings 1:1, in accordance with the EIA/TIA 568 standard.
- Construction: 4-pair stranded copper wire.



roline
Designed for Professionals



Order-No. – P.U.

ROLINE UTP Patch Cord, Cat.6, slim, white, 0.5 m	21.15.0960 – 100
ROLINE UTP Patch Cord, Cat.6, slim, white, 1.0 m	21.15.0961 – 100
ROLINE UTP Patch Cord, Cat.6, slim, white, 1.5 m	21.15.0964 – 100
ROLINE UTP Patch Cord, Cat.6, slim, white, 2.0 m	21.15.0962 – 100
ROLINE UTP Patch Cord, Cat.6, slim, white, 3.0 m	21.15.0963 – 50
ROLINE UTP Patch Cord, Cat.6, slim, white, 5.0 m	21.15.0965 – 50

ROLINE UTP Patch Cord Cat.6A, slim

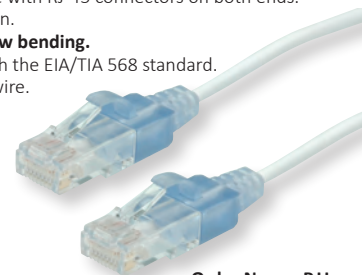
Cat.6A

S/FTP

- Patch cable for networking connections between devices.
- Prepared unshielded Twisted Pair cable with RJ-45 connectors on both ends.
- Durable due to moulded kink protection.
- **Slim, flexible cable, suitable for narrow bending.**
- Contact settings 1:1, in accordance with the EIA/TIA 568 standard.
- Construction: 4-pair stranded copper wire.



roline
Designed for Professionals



Order-No. – P.U.

ROLINE UTP Patch Cord Cat.6A, slim, white, 0.5 m	21.15.0970 – 100
ROLINE UTP Patch Cord Cat.6A, slim, white, 1.0 m	21.15.0971 – 100
ROLINE UTP Patch Cord Cat.6A, slim, white, 1.5 m	21.15.0974 – 100
ROLINE UTP Patch Cord Cat.6A, slim, white, 2.0 m	21.15.0972 – 100
ROLINE UTP Patch Cord Cat.6A, slim, white, 3.0 m	21.15.0973 – 50
ROLINE UTP Patch Cord Cat.6A, slim, white, 5.0 m	21.15.0975 – 50

ROLINE GOLD S/FTP Patch Cord Cat.6A

Cat.6A

S/FTP

Patch cable for networking connections between devices

- Prepared double shielded Twisted Pair cable with screened RJ-45 connectors on both ends
- Durable due to moulded kink protection

- Suitable for PoE applications and multimedia applications were the extension is working over TP
- High quality plugs with gold plated contacts
- Textile cable jacket

- Contact settings 1:1, in accordance with the EIA/TIA 568 standard
- Construction: 4-pair stranded copper wire, complete braid shielding, pairs shielded with aluminium clad polyester foil



roline
Designed for Professionals



Order-No. – P.U.

ROLINE GOLD S/FTP Patch Cord Cat.6A, 0.5 m	21.15.2180 – 100
ROLINE GOLD S/FTP Patch Cord Cat.6A, 1.0 m	21.15.2181 – 100
ROLINE GOLD S/FTP Patch Cord Cat.6A, 2.0 m	21.15.2182 – 100
ROLINE GOLD S/FTP Patch Cord Cat.6A, 3.0 m	21.15.2183 – 50
ROLINE GOLD S/FTP Patch Cord Cat.6A, 5.0 m	21.15.2185 – 50
ROLINE GOLD S/FTP Patch Cord Cat.6A, 7.0 m	21.15.2186 – 40
ROLINE GOLD S/FTP Patch Cord Cat.6A, 10.0 m	21.15.2187 – 40
ROLINE GOLD S/FTP Patch Cord Cat.6A, 15.0 m	21.15.2188 – 30
ROLINE GOLD S/FTP Patch Cord Cat.6A, 20.0 m	21.15.2189 – 20

COMPONENT LEVEL Patch Cords - Considerations

100% Component Level Tested

Cat.6

Cat.6A

U/UTP

S/FTP

As streaming media applications such as video and multimedia become commonplace, the demands for faster data rates will increase and spawn new applications that will benefit from the higher bandwidth offered by Category 6 or 6A.

When it comes to structured cabling performance, the objectives of a standard are both to ensure the performance of present, foreseen and perhaps unforeseen applications, and to allow interoperability of components from multiple manufacturers that make up a structured cabling system.

When a structured cabling system has components from different manufacturers, the overall performance margin can drop, due to the need to work with connectivity that may be anywhere in the performance envelope defined by the standard for a channel or permanent link.

COMPONENT LEVEL Patch Cords - Considerations

When a new cabling system is installed, the installed cabling becomes a permanent infrastructure in the building. The cable itself is routed through hidden pathways within walls, under floors and in ceilings or in cable trays and conduit. Upon completion

of the installation, each permanent link is certified from the termination in a patch panel to the outlet or jack in the work area or office at the other end.

Nevertheless the quality and performance of connecting hardware as patch cords have a tremendous impact on the performance of a cabling channel. The patch cords are after all the first component in the channel in either direction.

ROLINE Category 6 / 6A Component LEVEL cords are 100% transmission tested to component level performance as specified in TIA/EIA-568-B.2-1.

- They are assembled in a controlled environment using advanced manufacturing techniques to insure consistent quality.
- These patch cords have been tested on **COMPONENT LEVEL**. This means, you can add them to ANY Permanent Link that fulfils Cat.6 / Cat.6A and the resulting Channel will also fulfil Cat.6 / Cat.6A.

Even more, combining any components (patch cords, jacks, patchpanels, wall boxes) that are tested on **COMPONENT LEVEL**, will result in a Channel that fulfils the norm.

ROLINE Category 6 / 6A Component LEVEL patch cords have a

- protection of the plug latch,- durable cable strain relief, Are flexible,
- LSOH (flame retardant, low smoke and halogen free)
- and last but not least they are compatible with both T568A and T568B cabling systems.

These patch cords are designed for greater flexibility and service life and are available in seven colors (grey / red / yellow / green / blue / black / white / orange / brown / pink / purple) and in eleven standard lengths.

Please see therefore the next following pages.

Key Features:

- Transmission performance TIA/EIA 568-B.2-1 Component, permanent link, and channel level
- 100% factory transmission tested to Component Level per TIA/EIA 568-B.2-1
- T568A/B Wiring Scheme
- Durable flexible cable strain relief
- Maximum strength and durability construction

Halogenfree
Flame retardant
Low Smoke

ROLINE UTP Cable Cat.6 Component Level, LSOH

100% Component Level Tested

Cat.6

U/UTP

- Patch cable for networking connections between devices.
- Prepared unshielded Twisted Pair cable with RJ-45 connectors on both ends.
- Durable due to moulded kink protection.
- Flexible cable, suitable for narrow bending.
- High quality plugs with gold plated contacts.
- Contact settings 1:1, in accordance with the EIA/TIA 568 standard.
- Construction: 4-pair stranded copper wire.
- Halogen-free, flame retardant, low smoke.
- 100 % Component level testing



Halogenfree
Flame retardant
Low Smoke

roline[®]
Designed for Professionals

Length	grey	red	yellow	green	blue	black	white	orange	brown	pink	purple	P.U.
0.3m	21.15.2940	21.15.2941	21.15.2942	21.15.2943	21.15.2944	21.15.2945	21.15.2946	21.15.2947	21.15.2948	21.15.2949	21.15.2950	- 50
0.5m	21.15.2500	21.15.2510	21.15.2520	21.15.2530	21.15.2540	21.15.2550	21.15.2560	21.15.2570	21.15.2580	21.15.2590	21.15.2900	- 100
1 m	21.15.2501	21.15.2511	21.15.2521	21.15.2531	21.15.2541	21.15.2551	21.15.2561	21.15.2571	21.15.2581	21.15.2591	21.15.2901	- 100
1.5 m	21.15.2504	21.15.2514	21.15.2524	21.15.2534	21.15.2544	21.15.2554	21.15.2564	21.15.2574	21.15.2584	21.15.2594	21.15.2904	- 100
2 m	21.15.2502	21.15.2512	21.15.2522	21.15.2532	21.15.2542	21.15.2552	21.15.2562	21.15.2572	21.15.2582	21.15.2592	21.15.2902	- 100
3 m	21.15.2503	21.15.2513	21.15.2523	21.15.2533	21.15.2543	21.15.2553	21.15.2563	21.15.2573	21.15.2583	21.15.2593	21.15.2903	- 50
5 m	21.15.2505	21.15.2515	21.15.2525	21.15.2535	21.15.2545	21.15.2555	21.15.2565	21.15.2575	21.15.2585	21.15.2595	21.15.2905	- 50
7.5m	21.15.2506	21.15.2516	21.15.2526	21.15.2536	21.15.2546	21.15.2556	21.15.2566	21.15.2576	21.15.2586	21.15.2596	21.15.2906	- 40
10 m	21.15.2507	21.15.2517	21.15.2527	21.15.2537	21.15.2547	21.15.2557	21.15.2567	21.15.2577	21.15.2587	21.15.2597	21.15.2907	- 40
15 m	21.15.2508	21.15.2518	21.15.2528	21.15.2538	21.15.2548	21.15.2558	21.15.2568	21.15.2578	21.15.2588	21.15.2598	21.15.2908	- 30
20 m	21.15.2509	21.15.2519	21.15.2529	21.15.2539	21.15.2549	21.15.2559	21.15.2569	21.15.2579	21.15.2589	21.15.2599	21.15.2909	- 20

ROLINE S/FTP Patch Cord Cat.6 Component Level, LSOH

100% Component Level Tested

Cat.6

S/FTP

- Patch cable for networking connections between devices.
- Prepared double shielded Twisted Pair cable with screened RJ-45 connectors on both ends.
- Durable due to moulded kink protection
- Flexible cable, suitable for narrow bending.
- High quality plugs with gold plated contacts.
- Contact settings 1:1, in accordance with the EIA/TIA 568 standard.
- Construction: 4-pair stranded copper wire. Complete braid shielding.
- Pairs shielded with aluminium clad polyester foil.
- Halogen-free, flame retardant, low smoke.
- 100% Component Level testing



Halogenfree
Flame retardant
Low Smoke

roline[®]
Designed for Professionals

Length	grey	red	yellow	green	blue	black	white	orange	brown	pink	purple	P.U.
0.3m	21.15.2951	21.15.2952	21.15.2953	21.15.2954	21.15.2955	21.15.2956	21.15.2957	21.15.2958	21.15.2959	21.15.2960	21.15.2961	- 50
0.5m	21.15.2600	21.15.2610	21.15.2620	21.15.2630	21.15.2640	21.15.2650	21.15.2660	21.15.2670	21.15.2680	21.15.2690	21.15.2910	- 100
1 m	21.15.2601	21.15.2611	21.15.2621	21.15.2631	21.15.2641	21.15.2651	21.15.2661	21.15.2671	21.15.2681	21.15.2691	21.15.2911	- 100
1.5 m	21.15.2604	21.15.2614	21.15.2624	21.15.2634	21.15.2644	21.15.2654	21.15.2664	21.15.2674	21.15.2684	21.15.2694	21.15.2914	- 100
2 m	21.15.2602	21.15.2612	21.15.2622	21.15.2632	21.15.2642	21.15.2652	21.15.2662	21.15.2672	21.15.2682	21.15.2692	21.15.2912	- 100
3 m	21.15.2603	21.15.2613	21.15.2623	21.15.2633	21.15.2643	21.15.2653	21.15.2663	21.15.2673	21.15.2683	21.15.2693	21.15.2913	- 50
5 m	21.15.2605	21.15.2615	21.15.2625	21.15.2635	21.15.2645	21.15.2655	21.15.2665	21.15.2675	21.15.2685	21.15.2695	21.15.2915	- 50
7.5m	21.15.2606	21.15.2616	21.15.2626	21.15.2636	21.15.2646	21.15.2656	21.15.2666	21.15.2676	21.15.2686	21.15.2696	21.15.2916	- 40
10 m	21.15.2607	21.15.2617	21.15.2627	21.15.2637	21.15.2647	21.15.2657	21.15.2667	21.15.2677	21.15.2687	21.15.2697	21.15.2917	- 40
15 m	21.15.2608	21.15.2618	21.15.2628	21.15.2638	21.15.2648	21.15.2658	21.15.2668	21.15.2678	21.15.2688	21.15.2698	21.15.2918	- 30
20 m	21.15.2609	21.15.2619	21.15.2629	21.15.2639	21.15.2649	21.15.2659	21.15.2669	21.15.2679	21.15.2689	21.15.2699	21.15.2919	- 20

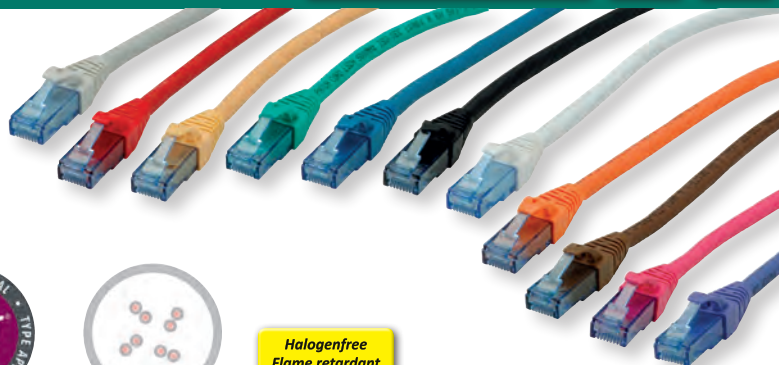
ROLINE UTP Patch Cord Cat.6A, Component Level, LSOH

100% Component Level Tested

Cat.6A

U/UTP

- Patch cable for networking connections between devices.
- Prepared unshielded Twisted Pair cable with RJ-45 connectors on both ends.
- Durable due to moulded kink protection.
- Flexible cable, suitable for narrow bending.
- High quality plugs with gold plated contacts.
- Contact settings 1:1, in accordance with the EIA/TIA 568 standard.
- Construction: 4-pair stranded copper wire.
- Halogen-free, flame retardant, low smoke.
- 100 % Component level testing



Halogenfree
Flame retardant
Low Smoke

roline[®]
Designed for Professionals

Length	grey	red	yellow	green	blue	black	white	orange	brown	pink	purple	P.U.
0.3m	21.15.2981	21.15.2982	21.15.2983	21.15.2984	21.15.2985	21.15.2986	21.15.2987	21.15.2988	21.15.2989	21.15.2990	21.15.2991	- 50
0.5m	21.15.2700	21.15.2710	21.15.2720	21.15.2730	21.15.2740	21.15.2750	21.15.2760	21.15.2770	21.15.2780	21.15.2790	21.15.2920	- 100
1m	21.15.2701	21.15.2711	21.15.2721	21.15.2731	21.15.2741	21.15.2751	21.15.2761	21.15.2771	21.15.2781	21.15.2791	21.15.2921	- 100
1.5m	21.15.2704	21.15.2714	21.15.2724	21.15.2734	21.15.2744	21.15.2754	21.15.2764	21.15.2774	21.15.2784	21.15.2794	21.15.2924	- 100
2m	21.15.2702	21.15.2712	21.15.2722	21.15.2732	21.15.2742	21.15.2752	21.15.2762	21.15.2772	21.15.2782	21.15.2792	21.15.2922	- 100
3m	21.15.2703	21.15.2713	21.15.2723	21.15.2733	21.15.2743	21.15.2753	21.15.2763	21.15.2773	21.15.2783	21.15.2793	21.15.2923	- 50
5m	21.15.2705	21.15.2715	21.15.2725	21.15.2735	21.15.2745	21.15.2755	21.15.2765	21.15.2775	21.15.2785	21.15.2795	21.15.2925	- 50
7.5m	21.15.2706	21.15.2716	21.15.2726	21.15.2736	21.15.2746	21.15.2756	21.15.2766	21.15.2776	21.15.2786	21.15.2796	21.15.2926	- 40
10m	21.15.2707	21.15.2717	21.15.2727	21.15.2737	21.15.2747	21.15.2757	21.15.2767	21.15.2777	21.15.2787	21.15.2797	21.15.2927	- 40
15m	21.15.2708	21.15.2718	21.15.2728	21.15.2738	21.15.2748	21.15.2758	21.15.2768	21.15.2778	21.15.2788	21.15.2798	21.15.2928	- 30
20m	21.15.2709	21.15.2719	21.15.2729	21.15.2739	21.15.2749	21.15.2759	21.15.2769	21.15.2779	21.15.2789	21.15.2799	21.15.2929	- 20

ROLINE S/FTP Patch Cord Cat.6A, Component Level, LSOH

100% Component Level Tested

Cat.6A

S/FTP

- Patch cable for networking connections between devices.
- Prepared double shielded Twisted Pair cable with screened RJ-45 connectors on both ends.
- Durable due to moulded kink protection.
- Flexible cable, suitable for narrow bending.
- High quality plugs with gold plated contacts.
- Contact settings 1:1, in accordance with the EIA/TIA 568 standard.
- Construction: 4-pair stranded copper wire. Complete braid shielding.
- Pairs shielded with aluminium clad polyester foil.
- Halogen-free, flame retardant, low smoke.
- 100 % Component level testing



Halogenfree
Flame retardant
Low Smoke

roline[®]
Designed for Professionals

Length	grey	red	yellow	green	blue	black	white	orange	brown	pink	purple	P.U.
0.3m	21.15.2970	21.15.2971	21.15.2972	21.15.2973	21.15.2974	21.15.2975	21.15.2976	21.15.2977	21.15.2978	21.15.2979	21.15.2980	- 50
0.5m	21.15.2800	21.15.2810	21.15.2820	21.15.2830	21.15.2840	21.15.2850	21.15.2860	21.15.2870	21.15.2880	21.15.2890	21.15.2930	- 100
1m	21.15.2801	21.15.2811	21.15.2821	21.15.2831	21.15.2841	21.15.2851	21.15.2861	21.15.2871	21.15.2881	21.15.2891	21.15.2931	- 100
1.5m	21.15.2804	21.15.2814	21.15.2824	21.15.2834	21.15.2844	21.15.2854	21.15.2864	21.15.2874	21.15.2884	21.15.2894	21.15.2934	- 100
2m	21.15.2802	21.15.2812	21.15.2822	21.15.2832	21.15.2842	21.15.2852	21.15.2862	21.15.2872	21.15.2882	21.15.2892	21.15.2932	- 100
3m	21.15.2803	21.15.2813	21.15.2823	21.15.2833	21.15.2843	21.15.2853	21.15.2863	21.15.2873	21.15.2883	21.15.2893	21.15.2933	- 50
5m	21.15.2805	21.15.2815	21.15.2825	21.15.2835	21.15.2845	21.15.2855	21.15.2865	21.15.2875	21.15.2885	21.15.2895	21.15.2935	- 50
7.5m	21.15.2806	21.15.2816	21.15.2826	21.15.2836	21.15.2846	21.15.2856	21.15.2866	21.15.2876	21.15.2886	21.15.2896	21.15.2936	- 40
10m	21.15.2807	21.15.2817	21.15.2827	21.15.2837	21.15.2847	21.15.2857	21.15.2867	21.15.2877	21.15.2887	21.15.2897	21.15.2937	- 40
15m	21.15.2808	21.15.2818	21.15.2828	21.15.2838	21.15.2848	21.15.2858	21.15.2868	21.15.2878	21.15.2888	21.15.2898	21.15.2938	- 30
20m	21.15.2809	21.15.2819	21.15.2829	21.15.2839	21.15.2849	21.15.2859	21.15.2869	21.15.2879	21.15.2889	21.15.2899	21.15.2939	- 20

VALUE S/FTP Patch Cord Cat.6A, solid

Cat.6A S/FTP

Patch cable for networking connections between devices

- Prepared double shielded Twisted Pair cable with screened RJ-45 connectors on both ends
- Durable due to moulded kink protection

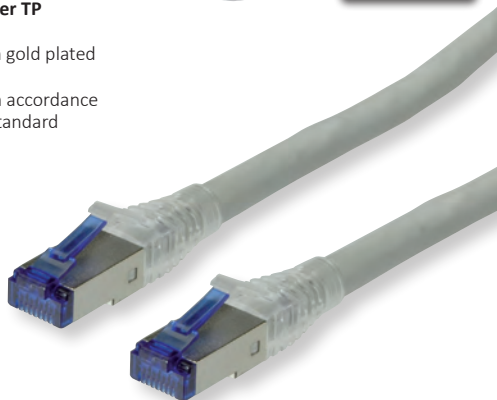
- Construction: 4-pair solid copper wire, complete braid shielding, pairs shielded with aluminium clad polyester foil



Halogenfree
Flame retardant
Low Smoke

Suitable for PoE applications and multimedia applications where the extension is working over TP

- High quality plugs with gold plated contacts
- Contact settings 1:1, in accordance with the EIA/TIA 568 standard



Value

Order-No. – P.U.

VALUE S/FTP Patch Cord Cat.6A, solid, LSOH, grey, 20.0 m	21.99.0844 – 5
VALUE S/FTP Patch Cord Cat.6A, solid, LSOH, grey, 30.0 m	21.99.0846 – 5
VALUE S/FTP Patch Cord Cat.6A, solid, LSOH, grey, 50.0 m	21.99.0847 – 2
VALUE S/FTP Patch Cord Cat.6A, solid, LSOH, grey, 70.0 m	21.99.0848 – 2
VALUE S/FTP Patch Cord Cat.6A, solid, LSOH, grey, 90.0 m	21.99.0849 – 2

ROLINE S/FTP Patch Cord Cat.6A, solid

Cat.6A S/FTP

Patch cable for networking connections between devices

- Prepared double shielded Twisted Pair cable with screened RJ-45 connectors on both ends
- Durable due to moulded kink protection

- Construction: 4-pair solid copper wire, complete braid shielding, pairs shielded with aluminium clad polyester foil



* Halogenfree
Flame retardant
Low Smoke

Suitable for PoE applications and multimedia applications where the extension is working over TP

- High quality plugs with gold plated contacts
- Contact settings 1:1, in accordance with the EIA/TIA 568 standard



roline
Designed for Professionals

Order-No. – P.U.

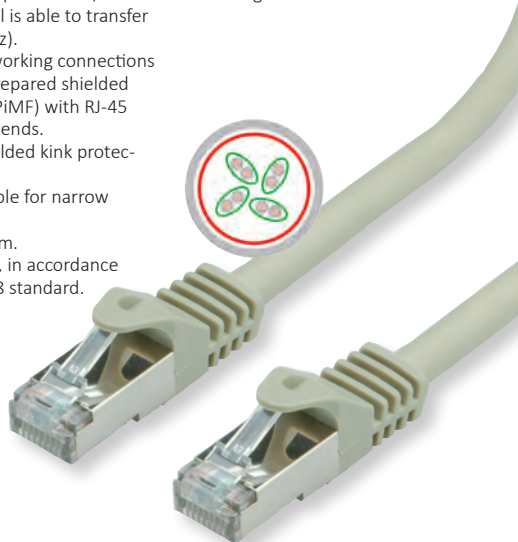
ROLINE S/FTP Patch Cord Cat.6A, solid, grey, 20.0 m	21.15.0870 – 5
ROLINE S/FTP Patch Cord Cat.6A, solid, grey, 30.0 m	21.15.0871 – 5
ROLINE S/FTP Patch Cord Cat.6A, solid, grey, 50.0 m	21.15.0872 – 2
ROLINE S/FTP Patch Cord Cat.6A, solid, grey, 70.0 m	21.15.0873 – 2
ROLINE S/FTP Patch Cord Cat.6A, solid, grey, 90.0 m	21.15.0875 – 2
ROLINE S/FTP Patch Cord Cat.6A, solid, *LSOH, grey, 20.0 m	21.15.0874 – 5
ROLINE S/FTP Patch Cord Cat.6A, solid, *LSOH, grey, 30.0 m	21.15.0876 – 5
ROLINE S/FTP Patch Cord Cat.6A, solid, *LSOH, grey, 50.0 m	21.15.0877 – 2
ROLINE S/FTP Patch Cord Cat.6A, solid, *LSOH, grey, 70.0 m	21.15.0878 – 2
ROLINE S/FTP Patch Cord Cat.6A, solid, *LSOH, grey, 90.0 m	21.15.0879 – 2

VALUE S/FTP Cable (Cat.7), with RJ-45 connectors (500 MHz)

Cat.7 S/FTP

- The cheap solution for data transfer rates of up to 10 Gbit/s and a bandwidth of 500 MHz; up to 40Gbit/s for Cat.7 (cable material is able to transfer category 7 - 600 MHz).
- Patch cable for networking connections between devices. Prepared shielded Twisted Pair cable (PiMF) with RJ-45 connectors on both ends.
- Durable due to moulded kink protection.
- Flexible cable, suitable for narrow bending.
- Impedance: 100 Ohm.
- Contact settings 1:1, in accordance with the EIA/TIA 568 standard.

- Construction: 8 lines, pairs shielded with aluminium foil, complete braided shielding.



Value

Order-No. – P.U.

VALUE S/FTP Cable (Cat.7), with RJ-45 connectors (500 MHz), grey, 0.5 m	21.99.0850 – 100
VALUE S/FTP Cable (Cat.7), with RJ-45 connectors (500 MHz), grey, 1.0 m	21.99.0851 – 100
VALUE S/FTP Cable (Cat.7), with RJ-45 connectors (500 MHz), grey, 2.0 m	21.99.0852 – 100
VALUE S/FTP Cable (Cat.7), with RJ-45 connectors (500 MHz), grey, 3.0 m	21.99.0853 – 50
VALUE S/FTP Cable (Cat.7), with RJ-45 connectors (500 MHz), grey, 5.0 m	21.99.0855 – 50

ROLINE S/FTP Cable (Cat.7), with RJ-45 connectors (500 MHz), LSOH

Cat.7 S/FTP

- The cheap solution for data transfer rates of up to 10 Gbit/s for Cat.6a bandwidth of 500 MHz; up to 40 Gbit/s for Cat.7 (cable material is able to transfer Category 7 - 600 MHz)
- Patch cord for networking connections between devices
- Prepared shielded Twisted Pair cable (PiMF) with RJ-45 connectors on both ends
- Durable due to moulded kink protection
- Flexible cable, suitable for narrow bending
- Impedance: 100 Ohm
- Colour: grey
- Contact settings 1:1, in accordance with the EIA/TIA 568 standard

- Construction: 8 lines + pairs shielded with aluminium foil, complete shielding in tinned copper braid



Halogenfree
Flame retardant
Low Smoke

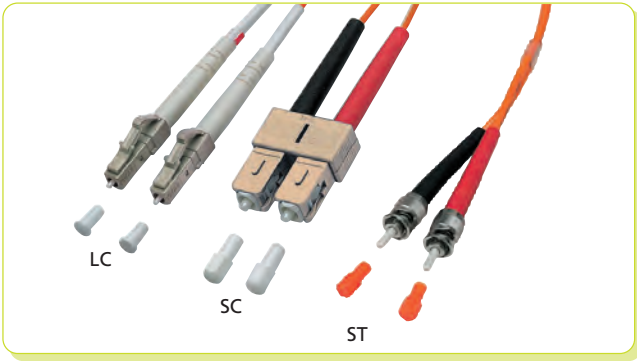


roline
Designed for Professionals

Order-No. – P.U.

ROLINE S/FTP Cable (Cat.7), with RJ-45 connectors (500 MHz), LSOH, grey, 0.5 m	21.15.0854 – 100
ROLINE S/FTP Cable (Cat.7), with RJ-45 connectors (500 MHz), LSOH, grey, 1.0 m	21.15.0851 – 100
ROLINE S/FTP Cable (Cat.7), with RJ-45 connectors (500 MHz), LSOH, grey, 2.0 m	21.15.0852 – 100
ROLINE S/FTP Cable (Cat.7), with RJ-45 connectors (500 MHz), LSOH, grey, 3.0 m	21.15.0853 – 50
ROLINE S/FTP Cable (Cat.7), with RJ-45 connectors (500 MHz), LSOH, grey, 5.0 m	21.15.0855 – 50

Cable Assembly Inquiry Form



Fiber Optic Cable

Fiber Type

- Multimode 62,5/125 µm
- Multimode 50/125 µm
- Single mode 9/125 µm

Fiber Quality

- OM1
- OM2
- OM3
- OM4
- OS1
- OS2

Number of Fibers (1/2/4/8/12/24 ...) _____

Cable Type

- Indoor (Duplex)
- Indoor trunk, Breakout Cable
- Outdoor trunk / Universal Cable
- Underground Cable (longitudinally waterproof, rodent protection)

Plug Type

Side A

- LC
- SC
- ST
- E2000
- 8° Diagonal Cross section (single mode only)
- Other _____

Side B

- LC
- SC
- ST
- E2000
- 8° Diagonal Cross section (single mode only)
- Other _____

Cable Length / Options

- Length: _____
- Labeling

Side A

Side B

Pulling Aid

(Breakout, Universal and underground cables)

Quantity: _____

Your additional technical notes: _____

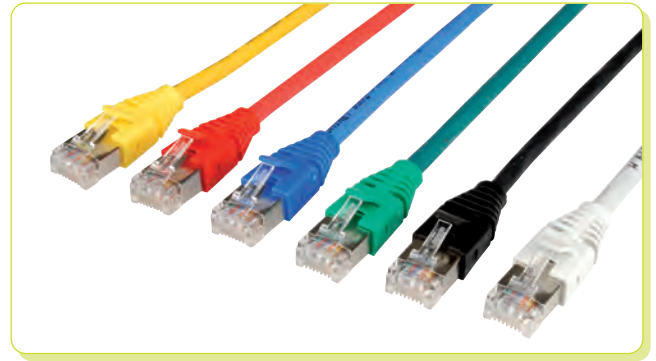
Your contact details

Customer-No. : _____

Contact Person: _____

Phone: _____

e-Mail : _____



Twisted Pair Wire

Cable Type

Brandname / Class (e.g. Draka, Leoni Kerpen, Cat. 6a): _____

PVC / Halogen-Free / PE-Sheath / PUR-Sheath: _____

Color: _____

- Stranded Wire Flexible patch cord
- Stranded Wire Fixed Installation Cable
- Flat
- Round

Technical Note: _____

Shielding

- UTP=U/UTP
- FTP=F/FTP
- S/FTP=SF/UTP (Cat.5e)
- S/FTP=S/FTP (Cat.6) (PIMF)

Plug Type

Brandname / Class: e.g. RJ11 / RJ12 / RJ45 (Cat.5e / Cat.6) / HiRose TM11, TM21, TM31 / GG45 / Siemon Tera / EC7 / BTR Field Plug, ...

Side A _____ Side B _____

Color Plug Side A _____ Side B _____

Pin Assignment

- 1:1 EIA / TIA 568A
- 1:1 EIA / TIA 568B

Customer-specific assignment

Side A

- Pin 1
- Pin 2
- Pin 3
- Pin 4
- Pin 5
- Pin 6
- Pin 7
- Pin 8

Side B

- Pin
- Pin
- Pin
- Pin
- Pin
- Pin
- Pin
- Pin

Quantity _____

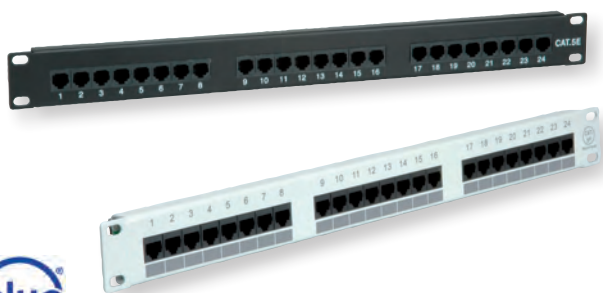
Your additional technical notes: _____

Please call us for a telephone consultation

Important Note: Individual cable assemblies require a written order. All orders are final. Subsequent requests of cancellation, refunds or exchange cannot be accepted.

VALUE Cat.5e 19" Patch Panel, 24 Ports, UTP

- The panel complies with the EIA/TIA 568 TSB40a standard
- The cable connection on the back is implemented via LSA-plus connection technology with colour coding on the top in accordance with EIA/TIA 568 A/B
- 24 unshielded ports



Order-No. – P.U.

VALUE Cat.5e 19" Patch Panel, 24 Ports, UTP, black 26.99.0349 – 5

VALUE Cat.5e 19" Patch Panel, 24 Ports, UTP, light grey 26.99.0347 – 5

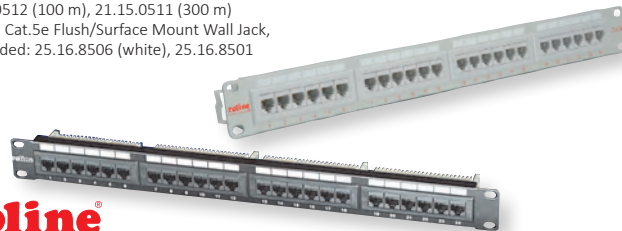
ROLINE Cat.5e 19" Patch Panel, 24 Ports, UTP

- The UTP patch panels are compliant with EIA/TIA 568 TSB40a
- LSA-plus technology
- 24 unshielded ports

(ivory)/25.16.8406 (white), 25.16.8401 (ivory)
 ROLINE Cat.5e 19" Patch Panel, 24 Ports, unshielded: 26.11.0349 (black), 26.11.0347 (light grey)
 ROLINE Cat.5e UTP Patch Cord, grey, 5 m: 21.15.0505
 Our in-house laboratory has tested this cable-plug combination, in a Channel of 100 meters, in compliance with Class D specifications.

For a structured unshielded cabling system we recommend to use the following components:

ROLINE Cat.5e UTP Cable, Solid Wire, AWG24: 21.15.0512 (100 m), 21.15.0511 (300 m)
 ROLINE Cat.5e Flush/Surface Mount Wall Jack, unshielded: 25.16.8506 (white), 25.16.8501



Order-No. – P.U.

ROLINE Cat.5e 19" Patch Panel, 24 Ports, UTP, black 26.11.0349 – 5

ROLINE Cat.5e 19" Patch Panel, 24 Ports, UTP, light grey 26.11.0347 – 5

VALUE Cat.5e 19" Patch Panel, 24 Ports, STP

- The VALUE Cat.5e patch panels comply with the EIA/TIA 568 TSB40a standard
- The cable connection on the back is implemented via LSA-plus connection technology with colour coding on the top in accordance with EIA/TIA 568
- Casing and covering hood of sheet steel
- 24 shielded Ports



Order-No. – P.U.

VALUE Cat.5e 19" Patch Panel, 24 Ports, STP, black 26.99.0328 – 5

VALUE Cat.5e 19" Patch Panel, 24 Ports, STP, light grey 26.99.0329 – 5

ROLINE Cat.5e 19" Patch Panel, 24 Ports, STP

- The panels comply with the EIA / TIA 568 Cat. 5e TSB40A standard
- The cable connection on the back is implemented via LSA-plus connection technology with colour coding on the top in accordance with EIA/TIA 568
- Sheet steel housing and cover
- 24 shielded Ports

ROLINE Cat.5e Flush/Surface Mount Wall Jack, shielded: 25.16.8487 (white), 25.16.8486 (ivory)/25.16.8387 (white), 25.16.8386 (ivory)
 ROLINE Cat.5e 19" Patch Panel, 24 Ports, shielded: 26.11.0329 (light grey), 26.11.0328 (black)
 ROLINE Cat.5e S/FTP Patch Cord, grey, 5 m: 21.15.0305
 Our in-house laboratory has tested this cable-plug combination, in a Channel of 100 meters, in compliance with Class D specifications.

For a structured cabling system we recommend to use the following components:

ROLINE Cat.5e S/FTP Cable, Solid Wire, AWG24: 21.15.0019 (100 m), 21.15.0020 (300 m)



Order-No. – P.U.

ROLINE Cat.5e 19" Patch Panel, 24 Ports, STP, black 26.11.0328 – 3

ROLINE Cat.5e 19" Patch Panel, 24 Ports, STP, light grey 26.11.0329 – 3

VALUE Cat.6/Class E 19" Patch Panel, 24 Ports, UTP

- Cost-effective VALUE patch panels for use in Fast Ethernet and Gigabit Ethernet networks
- The panels comply with the EIA/TIA 568A
- The cable connection on the back is implemented via LSA-plus connection technology with colour coding on the top in accordance with EIA/TIA 568
- 24 unshielded ports



Order-No. – P.U.

VALUE Cat.6/Class E 19" Patch Panel, 24 Ports, UTP, black 26.99.0362 – 5

VALUE Cat.6/Class E 19" Patch Panel, 24 Ports, UTP, light grey 26.99.0355 – 5

ROLINE Lockable RJ45 Plug with Key

- Provides a cost effective solution to secure an exposed network jack by restricting access from an unauthorized user with an endpoint devices like network switches, routers and servers
- For blocking unused ports on a switch to prevent unauthorized access
- To prevent damage of an upgrade port on a wide range of devices
- Snaps securely into any industry-standard RJ45 port, physically restricting and blocking cord access to unauthorized users and to prevent tampering, such as the insertion of a foreign object into the jack

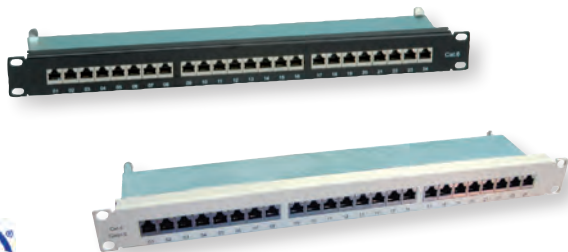


Order-No. – P.U.

ROLINE Lockable RJ45 Plug with Key 21.17.3067 – 10

VALUE Cat.6/Class E 19" Patch Panel, 24 Ports STP

- The VALUE Cat.6/Class E 19" patch panels fulfil the Cat.6/Class E Permanent Link Standard and is ideal for Gigabit Ethernet networks
- Cable assembly takes place using LSA-plus piercing terminals with colour coding on the top in accordance with EIA/TIA 568
- Sheet steel housing and cover



Order-No. – P.U.

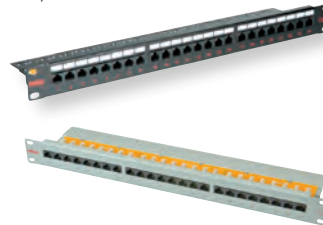
VALUE Cat.6/Class E 19" Patch Panel, 24 Ports, STP, black	26.99.0353 – 5
VALUE Cat.6/Class E 19" Patch Panel, 24 Ports, STP, grey	26.99.0354 – 5

ROLINE Cat.6/Class E 19" Patch Panel, 24 Ports UTP

- The ROLINE Cat.6/Class E 19" patch panels fulfil the Cat.6/Class E Permanent Link Standard and is ideal for Gigabit Ethernet networks
- Cable assembly takes place using LSA-plus piercing terminals with colour coding on the top in accordance with EIA/TIA 568

For a structured cabling system we recommend to use the following components:
 ROLINE Cat.6 UTP Cable, Solid Wire, AWG23: 21.15.0990 (100 m), 21.15.0991 (300 m)
 ROLINE Cat.6 Flush Mount Wall Jack, unshielded: 25.16.8494 (white), 25.16.8500 (ivory)
 ROLINE Cat.6 Surface Mount Wall Jack, unshielded: 25.16.8394 (white), 25.16.8395 (ivory)
 ROLINE Cat.6 19" Patch Panel, 24 Ports, unshielded: 26.11.0355 (light grey), 26.11.0362 (black); ROLINE Cat.6 UTP Patch Cord, grey, 5 m: 21.15.0935

The accredited German laboratory GHMT has tested and certified this product combination, in a Channel of 100 meters, as being compliant to Class E specifications; certificate no. z2329b-10-E (with flush mount)/z2330b-10-E (with surface mount).



Order-No. – P.U.

ROLINE Cat.6/Class E 19" Patch Panel, 24 Ports, UTP, black	26.11.0362 – 3
ROLINE Cat.6/Class E 19" Patch Panel, 24 Ports, UTP, light grey	26.11.0355 – 3

ROLINE Cat.6/Class E 19" Patch Panel, 24 Ports STP

- The ROLINE Cat.6/Class E 19" patch panels fulfil the Cat.6/Class E Permanent Link Standard and is ideal for Gigabit Ethernet networks
- Cable assembly takes place using LSA-plus piercing terminals with colour coding on the top in accordance with EIA/TIA 568
- Sheet steel housing and cover

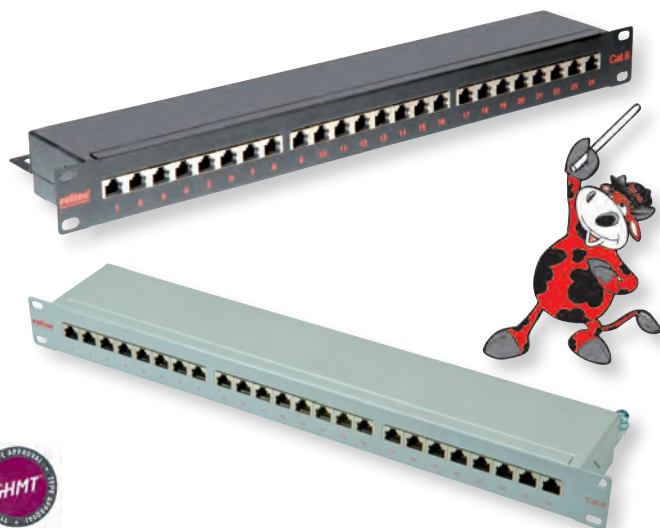
For a structured cabling system we recommend to use the following components:
 ROLINE Cat.6 S/FTP Cable, Solid Wire, AWG23: 21.15.0890 (100 m), 21.15.0891 (300 m)
 ROLINE Cat.6 Flush Mount Wall Jack, shielded: 25.16.8492 (white), 25.16.8493 (ivory)
 ROLINE Cat.6 Surface Mount Wall Jack, shielded: 25.16.8392 (white), 25.16.8393 (ivory)
 ROLINE Cat.6 19" Patch Panel, 24 Ports, shielded: 26.11.0351 (light grey), 26.11.0361 (black)
 ROLINE Cat.6 S/FTP Patch Cord, grey, 5 m: 21.15.0835

The accredited German laboratory GHMT has tested and certified this product combination, in a Channel of 100 meters, as being compliant to Class E specifications; certificate no. z2365b-10-E (with flush mount) / z2364b-10-E (with surface mount).



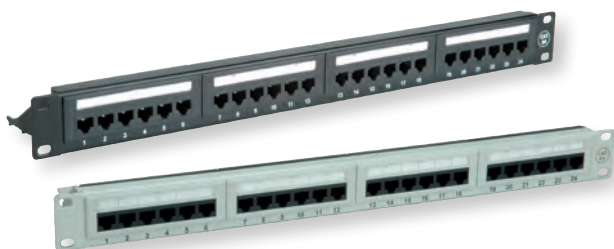
Order-No. – P.U.

ROLINE Cat.6/Class E 19" Patch Panel, 24 Ports, STP, black	26.11.0361 – 3
ROLINE Cat.6/Class E 19" Patch Panel, 24 Ports, STP, light grey	26.11.0351 – 3



VALUE Cat.6A 19" Patch Panel, 24 Ports UTP

- The VALUE Cat. 6A 19" patch panels fulfil the Cat. 6A/Class EA permanent link standard and are ideal for 10 Gigabit Ethernet networks
- Cable assembly takes place using LSA plus piercing terminals with colour coding on the top in accordance with EIA/TIA 568A
- Sheet steel



Order-No. – P.U.

VALUE Cat.6A 19" Patch Panel, 24 Ports, UTP, black, black	26.99.0358 – 5
VALUE Cat.6A 19" Patch Panel, 24 Ports, UTP, grey	26.99.0359 – 5

VALUE Cat.6A 19" Patch Panel, 24 Ports STP

- The VALUE Cat. 6A 19" patch panels fulfil the Cat. 6A/Class EA permanent link standard and are ideal for 10 Gigabit Ethernet networks
- Cable assembly takes place using LSA plus piercing terminals with colour coding on the top in accordance with EIA/TIA 568A
- Sheet steel housing and cover



Order-No. – P.U.

VALUE Cat.6A 19" Patch Panel, 24 Ports, STP, black	26.99.0360 – 5
VALUE Cat.6A 19" Patch Panel, 24 Ports, STP, grey	26.99.0361 – 5

ROLINE Cat.5e Keystone Jack, RJ-45, UTP

- The system is composed of a 19" patch panel frame and the UTP Cat.5e RJ-45 keystone jack
- Assembling takes place over LSA-plus
- Colour code on the keystone jacks based on the standard EIA/TIA 568 A and 568 B

For a structured unshielded Cat.5e cabling system we recommend to use the following components:

ROLINE Cat.5e UTP Cable, Solid Wire, AWG24:
21.15.0512 (100 m), 21.15.0511 (300 m)
ROLINE Flush Mount Wall Jack for Keystones, unloaded: 25.16.8579
ROLINE Cat.5e Keystone, RJ-45, unshielded:
26.11.0343 (light grey), 26.11.0342 (black)

ROLINE Cat.5e 19" Keystone Patch Panel, 24 Ports, unshielded: 26.11.0344 (black), 26.11.0345 (light grey)
ROLINE Cat.5e UTP Patch Cord, grey, 5 m: 21.15.0505
Our in-house laboratory has tested this cable-plug combination, in a Channel of 100 meters, in compliance with Class D specification.

Order-No. – P.U.

ROLINE Cat.5e Keystone Jack, RJ-45, UTP, black	26.11.0342 – 60
Keystone 19" Module frame Cat.5/Cat.6, 24 Ports, blank, UTP, black	26.11.0357 – 5
ROLINE Cat.5e Keystone Jack, RJ-45, UTP, light grey	26.11.0343 – 60
Keystone 19" Module frame Cat.5/Cat.6, 24 Ports, blank, UTP, light grey	26.11.0356 – 5



roline
Designed for Professionals

ROLINE Cat.6 19"-Patch Panel, 24P, Half Height Unit

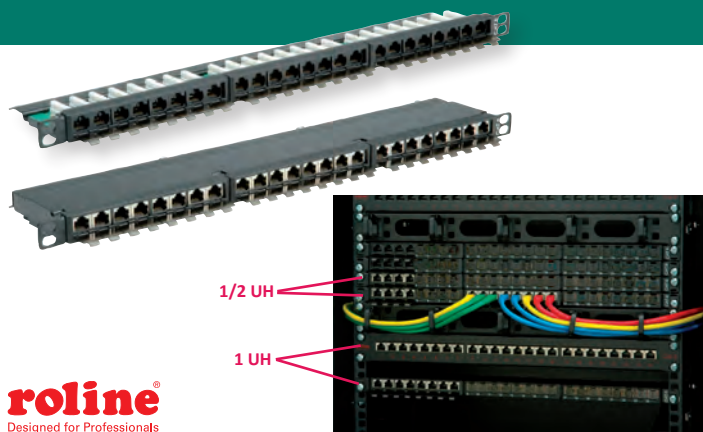
- The ROLINE Cat. 6/Class E 19" patch panels fulfil the Cat 6/Class E Permanent Link Standard and are ideal for Gigabit Ethernet networks
- Cable assembly takes place using LSA-plus piercing terminals with colour coding on the top in accordance with EIA/TIA 568
- The patch panel delivers a high density offering with the benefit of a single row of piercing terminals. The single row of

terminals means that the installation is straight forward. As the panel is only 0.5U in height it allows, by using two panels together, the ability to present 48 ports in 1U of rack space.

- Every port is equipped with a protective flap
- Casing of sheet steel
- Bar for strain relief with cable ties
- Installation height: only 0.5U (half height: 22 mm)

Order-No. – P.U.

ROLINE Cat.6 19"-Patch Panel, 24P, UTP, black, 0.5 U. (Half height unit), black	26.11.0372 – 6
ROLINE Cat.6 19"-Patch Panel, 24P, STP, black, 0.5 U. (Half height unit), black	26.11.0373 – 6



roline
Designed for Professionals

VALUE Keystone Jack, Cat.6, RJ-45, UTP, 180°, Tool-free

Tool-free

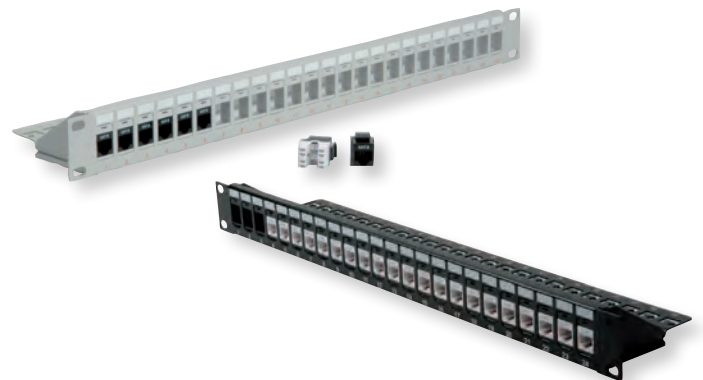
Cat.6/Class E Keystone jack for installation in a Keystone blank 19" patch panel module frame.

- Unshielded construction
- Colour code on the keystone jacks is based on the standard EIA/TIA 568 A and 568 B
- Toolless installation
- Colour: white



Order-No. – P.U.

VALUE Keystone Jack, Cat.6, RJ-45, UTP, 180°, tool-free, white	26.99.0363 – 40
Keystone 19" Module frame Cat.5/Cat.6, 24 Ports, blank, UTP, light grey	26.11.0356 – 5
Keystone 19" Module frame Cat.5/Cat.6, 24 Ports, blank, UTP, black	26.11.0357 – 5



ROLINE Cat.6/Class E Keystone Jack, RJ-45, UTP, Tool-free

Tool-free

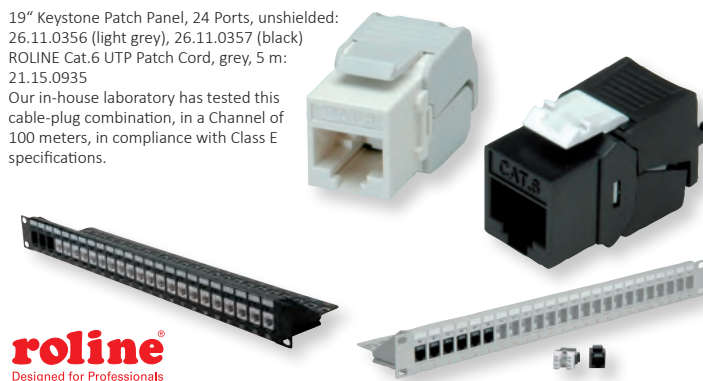
- The system is composed of a 19" patch panel frame and the UTP Cat.6 RJ-45 keystone jacks
- Assembling of cables and keystones takes place over LSA-plus or toolless
- Colour code on the keystone jacks, based on the standard EIA/TIA 568 A and 568 B

For a structured unshielded Cat.6 cabling system we recommend to use the following components:
ROLINE Cat.6 UTP Cable, Solid Wire, AWG23:
21.15.0990 (100 m), 21.15.0991 (300 m)
Flush Mount Wall Jack for Keystones, unloaded: 25.16.8579
ROLINE Cat.6 Keystone, RJ-45, unshielded:
26.11.0352 (black), 26.11.0353 (white)

19" Keystone Patch Panel, 24 Ports, unshielded: 26.11.0356 (light grey), 26.11.0357 (black)
ROLINE Cat.6 UTP Patch Cord, grey, 5 m: 21.15.0935
Our in-house laboratory has tested this cable-plug combination, in a Channel of 100 meters, in compliance with Class E specifications.

Order-No. – P.U.

ROLINE Cat.6/Class E Keystone Jack, RJ-45, UTP, tool-free, black	26.11.0352 – 60
Keystone 19" Module frame Cat.5/Cat.6, 24 Ports, blank, UTP, black	26.11.0357 – 5
ROLINE Cat.6 Keystone Jack, RJ-45, UTP, tool-free, white	26.11.0353 – 60
Keystone 19" Module frame Cat.5/Cat.6, 24 Ports, blank, UTP, light grey	26.11.0356 – 5



roline
Designed for Professionals

ROLINE Cat.6/Class E Keystone Jack, RJ-45, STP, Tool-free

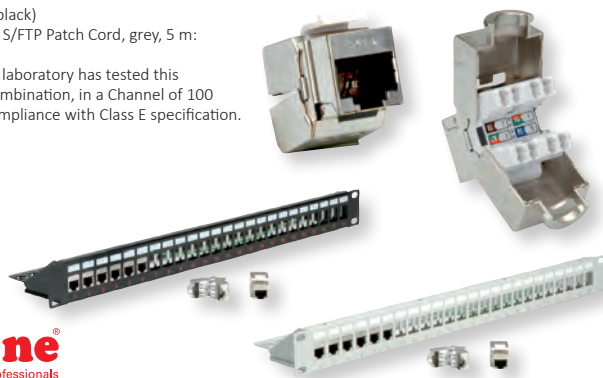
Tool-free

- The ROLINE Cat. 6/Class E 19" keystone patch panel system is composed of a 19" STP patch panel frame (please order separately!) and these shielded Cat.6 RJ-45 keystone jacks
- Colour code on the keystone jacks based on the standard EIA/TIA 568
- Colour: silver

For a structured shielded Cat.6 cabling system we recommend to use the following components:

ROLINE Cat.6 S/FTP Cable, Solid Wire, AWG23: 21.15.0890 (100 m), 21.15.0891 (300 m)
 ROLINE Flush Mount Wall Jack for Keystones, unloaded: 25.16.8579
 ROLINE Cat.6 Keystone, RJ-45, shielded: 26.11.0358
 ROLINE Cat.6 19" Keystone Patch Panel, 24 ports, shielded: 26.11.0359 (light grey),

26.11.0360 (black)
 ROLINE Cat.6 S/FTP Patch Cord, grey, 5 m: 21.15.0835
 Our in-house laboratory has tested this cable-plug combination, in a Channel of 100 meters, in compliance with Class E specification.



roline
 Designed for Professionals

Order-No. – P.U.

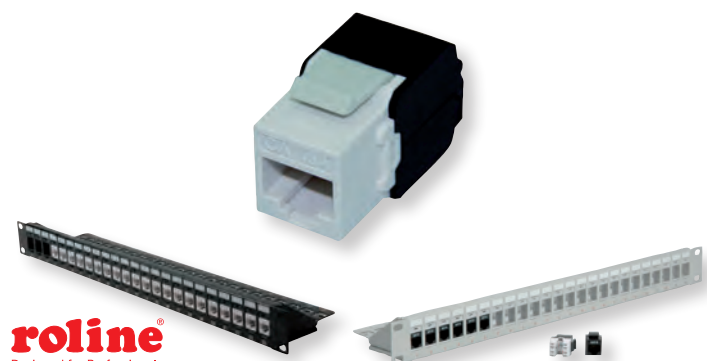
ROLINE Cat.6/Class E Keystone Jack, RJ-45, STP, tool-free, silver	26.11.0358 – 60
Keystone 19" Module frame Cat.5/6/6A, 24 Ports, STP, black	26.11.0360 – 5
Keystone 19" Module frame Cat.5/6/6A, 24 Ports, STP, light grey	26.11.0359 – 5

ROLINE Keystone Jack, Cat. 6A, RJ-45, UTP, Tool-free

Tool-free

- The Cat.6A keystones support data transfer rates of up to 10 GBit/s and a bandwidth of 500 MHz
- Colour code on the keystone jacks is based on the standard EIA/TIA 568

- Can be used together with Keystone Module frame 26.11.0357 (black) or 26.11.0356 (light grey), Flush Mount Wall Outlet for Keystones, 2-port (25.16.8579)
- Colour: white



roline
 Designed for Professionals

Order-No. – P.U.

ROLINE Keystone Jack, Cat. 6A, RJ-45, UTP, tool-free, white	26.11.0337 – 50
Keystone 19" Module frame Cat.5/Cat.6, 24 Ports, blank, UTP, black	26.11.0357 – 5
Keystone 19" Module frame Cat.5/Cat.6, 24 Ports, blank, UTP, light grey	26.11.0356 – 5

VALUE Cat.6A Keystone, RJ-45, STP, Tool-free

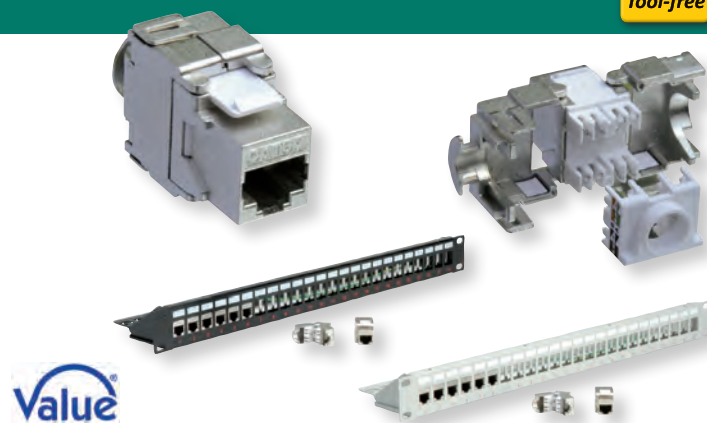
Tool-free

The low-cost solution for Cat 6A cabling for data rates up to 10Gbit/s!

Cat.6/Class E Keystone jack for installation in a Keystone blank 19" patch panel module frame.

- Connect the cable to the Keystones on modified LSA connections

- Toolless mounting- without using a LSA tool: cable wires are simply placed into the guides of Keystone module, the module is closed and compressed- the connection is ready for use
- Colour code on the Keystone jacks based on the standard EIA/TIA 568 A & B
- Colour: silver



Value

Order-No. – P.U.

VALUE Cat.6A Keystone, RJ-45, STP, tool-free, silver	26.99.0366 – 40
Keystone 19" Module frame Cat.5/Cat.6/Cat.6A, 24 Ports, STP, black	26.11.0360 – 5
Keystone 19" Module frame Cat.5/Cat.6/Cat.6A, 24 Ports, STP, light grey	26.11.0359 – 5

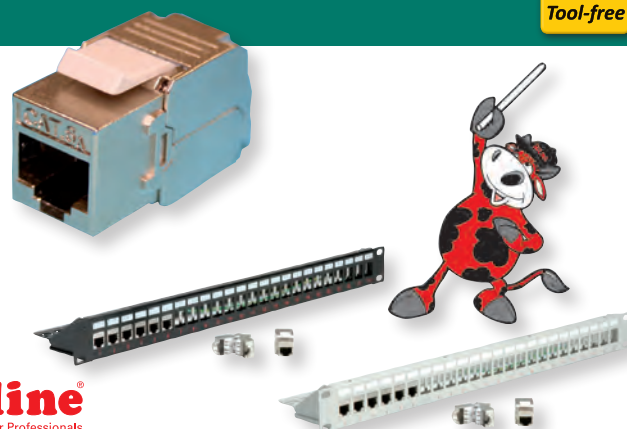
ROLINE Keystone Jack, Cat.6A, RJ-45, STP, Tool-free

Tool-free

Keystone in proven ROLINE quality!

- The ROLINE Cat.6A Keystones are ideal for use in Gigabit Ethernet networks. They support data transfer rates up to 10 Gbit/s with a bandwidth of 500 MHz
- Connect the cable to the Keystones via LSA connections without special tools - place the cable ends simply into the guides (with color coding), close and compress the module- the connection is ready for use

- The Keystone modules can be „latched“ into a 19" module support rack, which is optionally available in black (26.11.00360) or light gray (26.11.0359). Or in combination with a module receptacle (25.16.8579) you can realise a junction box.
- The Keystones are coded according to EIA/TIA 568



roline
 Designed for Professionals

Order-No. – P.U.

ROLINE Keystone Jack, Cat.6A, RJ-45, STP, tool-free, silver	26.11.0367 – 50
Keystone 19" Module frame Cat.5/Cat.6/Cat.6A, 24 Ports, STP, black	26.11.0360 – 5
Keystone 19" Module frame Cat.5/Cat.6/Cat.6A, 24 Ports, STP, light grey	26.11.0359 – 5

ROLINE Surface Wallbox for Keystones

- Wall Mount surface box with modular outlet
- Supports up to 6 RJ-45 Keystone Connectors
- Space saving, easy to install
- Plastic material
- Colour: White



- Remark: Keystones are not included. Please order them separately.

roline
Designed for Professionals

Order-No. – P.U.

ROLINE Surface Wallbox for 6x Keystones, white	26.11.0380 – 20
--	-----------------

ROLINE Cat.5e Wall Mount Patch Panel

- The ROLINE connection takes place using LSA plus cable clamps marked with the appropriate colour coding EIA / TIA 568A specifications. The screen connection and strain relief takes place using metallic cable clips.
- The cable connection takes place using LSA plus cable clamps marked with the appropriate colour coding EIA / TIA 568A specifications. The screen connection and strain relief takes place using metallic cable clips

- Housing and dust cover: metal



Order-No. – P.U.

ROLINE Cat.5e Wall Mount Patch Panel, 8 Ports, STP, black	26.11.0310 – 10
ROLINE Cat.5e Wall Mount Patch Panel, 8 Ports, STP, light grey	26.11.0304 – 10

ROLINE Cat.6 10" Patch Panel

- For smaller Network Installations 10"-Patch Panels are used
- This ROLINE 10"-Patchpanel offers 12 Ports
- Shielded version, Metal-Casing
- The Panel complies to the Standard of Cat. 6

- The cable connection on the back is implemented via LSA plus technology with colour coding in accordance with standard



roline
Designed for Professionals

Order-No. – P.U.

ROLINE Cat.6 10" Patch Panel, 12 Ports, STP, grey	26.11.0315 – 5
---	----------------

VALUE Cat.6 Surface/Flush Mount Wall Jack

- The VALUE Cat.6/Class E wall mount jacks fulfil the Cat.6/Class E Permanent Link Standard and are ideal for gigabit ethernet networks
- Cable assembly takes place using LSplus piercing terminals with colour coding on the top in accordance with EIA/TIA 568



Order-No. – P.U.

VALUE Cat.6 Surface Mount Wall Jack, STP, white	25.99.8392 – 20
VALUE Cat.6 Surface Mount Wall Jack, UTP, white	25.99.8394 – 20
VALUE Cat.6 Flush Mount Wall Jack, STP, white	25.99.8492 – 20
VALUE Cat.6 Flush Mount Wall Jacks, UTP, white	25.99.8494 – 20

ROLINE Surface Mount Wall Jack, Cat.5e

- The wall jacks are suitable for a transmission rate of 100Mbit/s and are fitted with two jacks
- Fully screened box in a metal housing; provides high security against EMI
- Cable assembly takes place using LSA-plus piercing terminals with colour coding on the top in accordance with EIA/TIA 568
- 45° tilted plug assembly

Wall Jack, shielded: 25.16.8487 (white), 25.16.8486 (ivory)/25.16.8387 (white), 25.16.8386 (ivory)
 ROLINE Cat.5e 19" Patch Panel, 24 Ports, shielded: 26.11.0329 (light grey), 26.11.0328 (black); ROLINE Cat.5e S/FTP Patch Cord, grey, 5 m: 21.15.0305.
 Our in-house laboratory has tested this cable-plus combination, in a Channel of 100 meters, in compliance with Class D specifications.

For a structured shielded cabling system we recommend to use the following components:

ROLINE Cat.5e S/FTP Cable, Solid Wire, AWG24: 21.15.0019 (100 m), 21.15.0020 (300 m); ROLINE Cat.5e Flush/Surface Mount



roline
Designed for Professionals

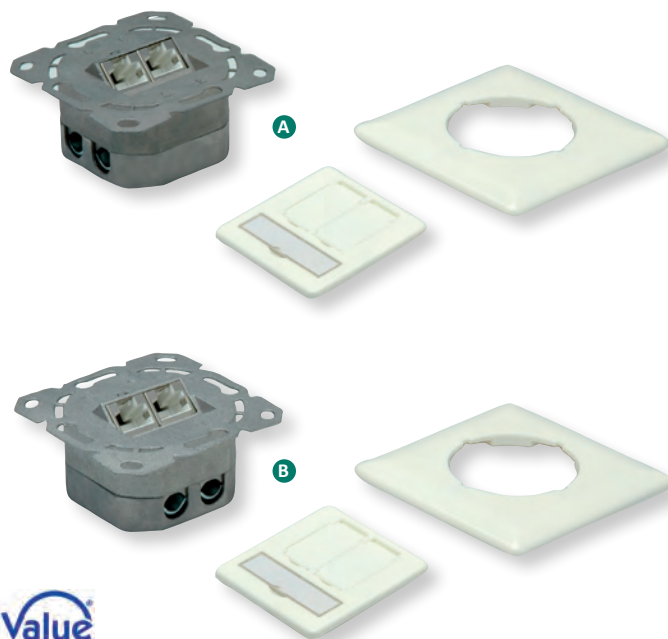
Order-No. – P.U.

ROLINE Surface Mount Wall Jack, Cat.5e, STP, ivory	25.16.8386 – 20
ROLINE Flush Mount Wall Jack, Cat.5e, STP, ivory	25.16.8486 – 20
ROLINE Surface Mount Wall Jack, Cat.5e, STP, white	25.16.8387 – 20
ROLINE Flush Mount Wall Jack, Cat.5e, STP, white	25.16.8487 – 20
ROLINE Surface Mount Wall Jack, Cat.5e, UTP, ivory	25.16.8401 – 20
ROLINE Flush Mount Wall Jack, Cat.5e, UTP, ivory	25.16.8501 – 20
ROLINE Surface Mount Wall Jack, Cat.5e, UTP, white	25.16.8406 – 20
ROLINE Flush Mount Wall Jack, Cat.5e, UTP, white	25.16.8506 – 20
ROLINE Faceplate for Flush Mount Wall Jack, white	25.16.8398 – 20
ROLINE Faceplate for Flush Mount Wall Jack, ivory	25.16.8399 – 20

VALUE Cat.6A Flush Mount Wall Jack, STP

- The VALUE Cat.6A wall jacks fulfil the Cat.6/Class EA Permanent Link Standard and are ideal for gigabit ethernet networks
- Fully screened box in a metal housing, provides security against EMI (shielded version)

- Cable assembly takes place using LSplus piercing terminals with colour coding on the top in accordance with EIA/TIA 568



Order-No. – P.U.

VALUE Cat.6A Flush Mount Wall Jack, STP, horizontal, white	A 25.99.8490 – 20
VALUE Cat.6A Flush Mount Wall Jack, STP, vertical, white	B 25.99.8491 – 20

ROLINE Cat.5e/Cat.6 Keystone Jack, RJ-45

- For data transfer rates of up to 1000Mbit/s
- Cable assembly takes place using LSA-plus piercing terminals with colour coding on the top in accordance with EIA/TIA 568

For a structured unshielded Cat.5e cabling system we recommend to use the following components:

ROLINE Cat.5e UTP Cable, Solid Wire, AWG24: 21.15.0512 (100 m), 21.15.0511 (300 m)
 Flush Mount Wall Jack for Keystones, unloaded: 25.16.8579
 ROLINE Cat.5e Keystone, RJ-45, unshielded: 26.11.0343 (light grey), 26.11.0342 (black)
 19" Keystone Patch Panel, 24 Ports, unshielded: 26.11.0356 (light grey), 26.11.0357 (black)
 ROLINE Cat.5e UTP Patch Cord, grey, 5 m: 21.15.0505

For a structured unshielded Cat.6 cabling system we recommend to use the following components:

ROLINE Cat.6 UTP Cable, Solid Wire, AWG23: 21.15.0990 (100 m), 21.15.0991 (300 m)
 Flush Mount Wall Jack for Keystones, unloaded: 25.16.8579
 ROLINE Cat.6 Keystone, RJ-45, unshielded: 26.11.0353
 19" Keystone Patch Panel, 24 Ports, unshielded: 26.11.0356 (light grey), 26.11.0357 (black)
 ROLINE Cat.6 UTP Patch Cord, grey, 5 m: 21.15.0935

For a structured shielded Cat.6 cabling system we recommend to use the following components:

ROLINE Cat.6 S/FTP Cable, Solid Wire, AWG23: 21.15.0890 (100 m), 21.15.0891 (300 m)
 ROLINE Flush Mount Wall Jack for Keystones, unloaded: 25.16.8579
 ROLINE Cat.6 Keystone, RJ-45, shielded: 26.11.0358
 ROLINE Cat.6 19" Keystone Patch Panel, 24 ports, shielded: 26.11.0359 (light grey), 26.11.0360 (black)
 ROLINE Cat.6 S/FTP Patch Cord, grey, 5 m: 21.15.0835
 Our in-house laboratory has tested this cable-plug combination, in a Channel of 100 meters, in compliance with Class E specification.

For a structured shielded Cat.6 cabling system we recommend to use the following components:

ROLINE Cat.6 S/FTP Cable, Solid Wire, AWG23: 21.15.0890 (100 m), 21.15.0891 (300 m)
 Flush Mount Wall Jack for Keystones, unloaded: 25.16.8579
 ROLINE Cat.6 Keystone, RJ-45, shielded: 26.11.0358
 19" Keystone Patch Panel, 24 ports, shielded: 26.11.0359 (light grey), 26.11.0360 (black)
 ROLINE Cat.6 S/FTP Patch Cord, grey, 5 m: 21.15.0835
 Our in-house laboratory has tested this cable-plug combination, in a Channel of 100 meters, in compliance with Class D resp. Class E specifications.



roline
Designed for Professionals

Order-No. – P.U.

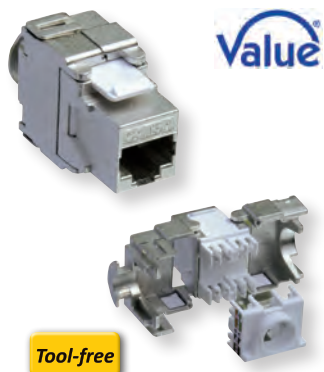
ROLINE Cat.5e Keystone Jack, RJ-45, UTP, light grey	A	26.11.0343	– 60
ROLINE Cat.6 Keystone Jack, RJ-45, UTP, tool-free, white	B	26.11.0353	– 60
ROLINE Cat.6/Class E Keystone Jack, RJ-45, STP, tool-free, silver	C	26.11.0358	– 60
Flush Mount Wall Outlet for Keystones, 2-port	D	25.16.8579	– 20
Surface Wall Mount Frame	E	25.16.8484	– 20

VALUE Cat.6A Keystone, RJ-45, STP, tool-free

The low-cost solution for Cat 6A cabling for data rates up to 10Gbit/s!

Cat.6/Class EA Keystone jack for installation in a Keystone blank 19" patch panel module frame.

- Connect the cable to the Keystones on modified LSA connections
- Toolless mounting- without using a LSA tool: cable wires are simply placed into the guides of Keystone module, the module is closed and compressed- the connection is ready for use
- Colour code on the Keystone jacks based on the standard EIA/TIA 568 A & B
- Colour: silver



Value

Tool-free

Order-No. – P.U.

VALUE Cat.6A Keystone, RJ-45, STP, tool-free, silver	A	26.99.0366	– 40
Flush Mount Wall Outlet for Keystones, 2-port	B	25.16.8579	– 20
Surface Wall Mount Frame		25.16.8484	– 20

ROLINE Surface Mount Wall Jack, Cat.6

- The ROLINE Cat.6/Class E wall outlet sockets fulfil the Cat.6/Class E Permanent Link standard and are ideal for Gigabit Ethernet networks
- Fully screened box in a metal housing, provides security against EMI (shielded version)
- Cable assembly takes place using LSA-plus piercing terminals with colour coding on the top in accordance with EIA/TIA 568
- 45° tilted plug assembly

For a structured shielded cabling system we recommend to use the following components:

ROLINE Cat.6 S/FTP Cable, Solid Wire, AWG23: 21.15.0890 (100 m), 21.15.0891 (300 m)
 ROLINE Cat.6 Flush Mount Wall Jack, shielded: 25.16.8492 (white), 25.16.8493 (ivory)
 ROLINE Cat.6 Surface Mount Wall Jack, shielded: 25.16.8392 (white), 25.16.8393 (ivory)
 ROLINE Cat.6 19" Patch Panel, 24 Ports, shielded: 26.11.0351 (light grey), 26.11.0361 (black); ROLINE Cat.6 S/FTP Patch Cord, grey, 5 m: 21.15.0835.

For a structured unshielded cabling system we recommend to use the following components:

ROLINE Cat.6 UTP Cable, Solid Wire, AWG23: 21.15.0990 (100 m), 21.15.0991 (300 m)
 ROLINE Cat.6 Flush Mount Wall Jack, unshielded: 25.16.8494 (white), 25.16.8500 (ivory)
 ROLINE Cat.6 Surface Mount Wall Jack, unshielded: 25.16.8394 (white), 25.16.8395 (ivory)
 ROLINE Cat.6 19" Patch Panel, 24 Ports, unshielded: 26.11.0355 (light grey), 26.11.0362 (black); ROLINE Cat.6 UTP Patch Cord, grey, 5 m: 21.15.0935.

The accredited German laboratory GHMT has tested and certified this product combination, in a Channel of 100 meters, as being compliant to Class E specifications; certificate no. z2329b-10-E (with flush mount)/z2330b-10-E (with surface mount).

The accredited German laboratory GHMT has tested and certified this product combination, in a Channel of 100 meters, as being compliant to Class E specifications; certificate no. z2365b-10-E (with flush mount)/z2364b-10-E (with surface mount).

roline
Designed for Professionals



Order-No. – P.U.

ROLINE Surface Mount Wall Jack, Cat.6, STP, white	A	25.16.8392	– 20
ROLINE Surface Mount Wall Jack, Cat.6, STP, ivory	B	25.16.8393	– 20
ROLINE Flush Mount Wall Jack, Cat.6, STP, white		25.16.8492	– 20
ROLINE Flush Mount Wall Jack, Cat.6, STP, ivory		25.16.8493	– 20
ROLINE Surface Mount Wall Jack, Cat.6, UTP, white		25.16.8394	– 20
ROLINE Surface Mount Wall Jacks, Cat.6, UTP, ivory		25.16.8395	– 20
ROLINE Flush Mount Wall Jack, Cat.6, UTP, white		25.16.8494	– 20
ROLINE Flush Mount Wall Jack, Cat.6, UTP, ivory		25.16.8500	– 20
ROLINE Faceplate for Flush Mount Wall Jack, white		25.16.8398	– 20
ROLINE Faceplate for Flush Mount Wall Jack, ivory		25.16.8399	– 20

ROLINE Keystone Jack, Cat.6A, RJ-45, tool-free

- The Cat.6A keystones support data transfer rates of up to 10 GBit/s and a bandwidth of 500 MHz
- Assembling takes place over LSA plus
- Colour code on the keystone jacks is based on the standard EIA/TIA 568

Our in-house laboratory has tested these cable-plug combinations, in a Channel of 100 meters, in compliance with Class EA specifications.

For a structured shielded Cat.6A cabling system we recommend to use the following components:

ROLINE Cat.6A S/FTP Cable, Solid Wire, 300 m: 21.15.0881; ROLINE Cat.6A Keystone, RJ-45, shielded: 21.11.0367; Flush Mount Wall Jack for Keystones: 25.16.8579; ROLINE Cat.6A 19" Keystone Patch Panel Module frame STP: 26.11.0360/0356; ROLINE Cat.6A S/FTP Patch Cord, 5 m: 21.15.0865.



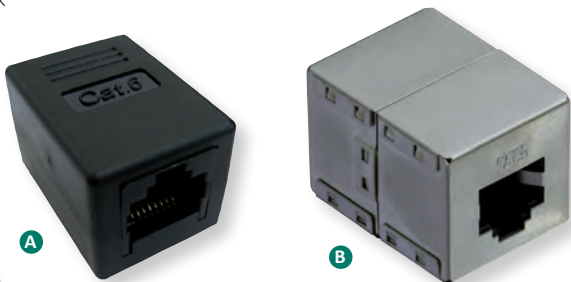
roline
Designed for Professionals

Order-No. – P.U.

ROLINE Keystone Jack, Cat. 6A, RJ-45, UTP, tool-free, white	A	26.11.0337	– 50
ROLINE Keystone Jack, Cat.6A, RJ-45, STP, tool-free, silver	B	26.11.0367	– 50
Flush Mount Wall Outlet for Keystones, 2-port		25.16.8579	– 20
Surface Wall Mount Frame		25.16.8484	– 20

VALUE RJ-45 Modular Couplers, Cat.6

- The couplers are available in 2 versions:
 - shielded with metal housing, colour: silver
 - unshielded with plastic housing, colour: black
- The couplers are able to extend Cat.6 cables
- All couplers with eight contacts, 1:1 connected



Value

Order-No. – P.U.

VALUE RJ-45 Modular Coupler, Cat.6, UTP, black	A 21.99.3001 – 20
VALUE RJ-45 Modular Coupler, Cat.6, STP, silver	B 21.99.3002 – 20

RJ-45 Keystone Modular Couplers, Cat.6

- The couplers are available in 2 versions:
 - shielded with metal housing, colour: silver
 - unshielded with plastic housing, colour: black
- The couplers are able to extend Cat.6 cables
- All couplers with eight contacts, 1:1 connected
- Can be installed in suitable keystone patch panels, e.g.:
 - Keystone Blank Patch Panel, 24 Ports, unshielded, light grey (26.11.0356)
 - Keystone Blank Patch Panel, 24 Ports, unshielded, black (26.11.0357)
 - Keystone Blank Patch Panel, 24 Ports, shielded, light grey (26.11.0359)
 - Keystone Blank Patch Panel, 24 Ports, shielded, black (26.11.0360)



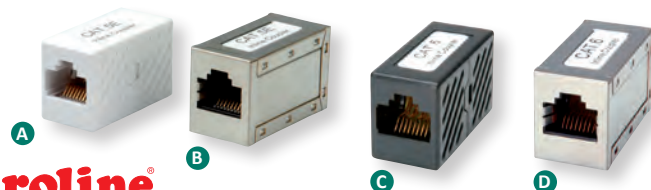
roline
Designed for Professionals

Order-No. – P.U.

VALUE RJ-45 Keystone Modular Coupler, Cat.6, UTP, black	A 21.99.3003 – 20
VALUE RJ-45 Keystone Modular Coupler, Cat.6, STP	B 21.99.3004 – 20
ROLINE RJ-45 Keystone Modular Coupler, Cat.6, UTP, black	A 21.17.3003 – 20
ROLINE RJ-45 Keystone Modular Coupler, Cat.6, STP, silver	B 21.17.3004 – 20

ROLINE Cat.5e Modular Couplers

- The ROLINE couplers are available in two versions:
 - shielded with metal housing to safe the signals against electrical and magnetic interferences, colour: silver
 - unshielded with plastic housing, colour: white resp. black
- The couplers are able to extend Cat.5e resp. Cat.6 cables
- All couplers with eight contacts, 1:1 connected



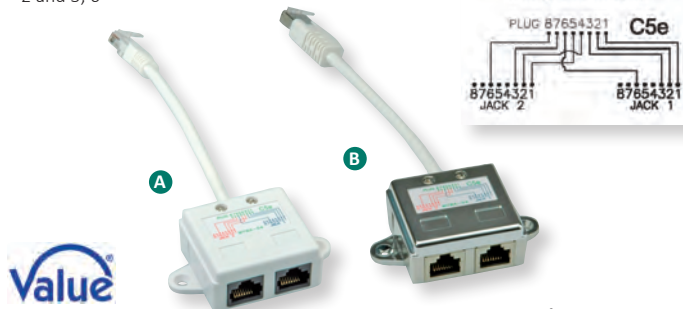
roline
Designed for Professionals

Order-No. – P.U.

ROLINE Cat.5e Modular Coupler, UTP, white	A 21.17.3001 – 20
ROLINE Cat.5e Modular Coupler, STP, silver	B 21.17.3002 – 20
ROLINE RJ-45 Modular Coupler, Cat.6, UTP, black	C 21.17.3043 – 200
ROLINE RJ-45 Modular Coupler, Cat.6, STP, silver	D 21.17.3041 – 200

VALUE T-Adapters Cat.5e

- For the use with two 10/100 LAN connections over one (full wired) 8-wire cable
- Connection cable (17 cm) with RJ-45 plug; adapter with two RJ-45 jacks
- Pin assignment of connectors: pairs 1, 2 and 3, 6
- Wiring scheme on the adapter
- For Cat. 5e installations
- Note: The adapters can be used only pairwise



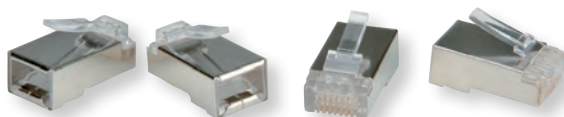
Value

Order-No. – P.U.

VALUE T-Adapter Cat.5e, UTP, white	A 21.99.3045 – 50
VALUE T-Adapter Cat.5e, STP, silver	B 21.99.3050 – 50

ROLINE Modular Plugs

- For Cat.5e/Cat.6 cabling systems
- Modular plugs shielded/unshielded
- 12.01.1087/1089, 21.17.3060/3061 for stranded wire
- 21.17.3062 for solid wire; with insert
- Package unit: 10 pieces



roline
Designed for Professionals

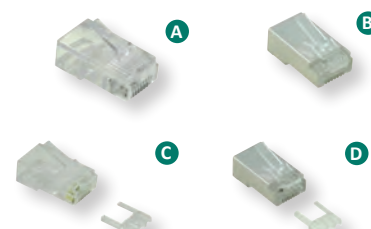
Order-No. – P.U.

ROLINE Cat.5e Modular Plug, 8p8c, UTP, for Stranded Wire, 10 pcs.	12.01.1087 – 100
ROLINE Cat.5e Modular Plug, 8p8c, STP, for Stranded Wire, 10 pcs.	12.01.1089 – 100
ROLINE Cat.6 Modular Plug, UTP, for Stranded Wire, 10 pcs.	21.17.3060 – 50
ROLINE Cat.6 Modular Plug, STP, for Stranded Wire, 10 pcs.	21.17.3061 – 50
ROLINE Cat.6 Modular Plug, UTP, for Solid Wire, 10 pcs.	21.17.3062 – 50
ROLINE Cat.6 Modular Plug, STP, for Solid Wire, 10 pcs.	21.17.3063 – 50

VALUE Cat.6/6A Modular Plug, UTP, for Stranded Wire

- Modular Plugs unshielded
- Gold plated
- For stranded wire
- Package unit 10 /100 connectors

Value



Order-No. – P.U.

VALUE Cat.5e Modular Plug, UTP, for Stranded Wire, 10 pcs.	A 21.99.3060 – 50
VALUE Cat.5e Modular Plug, STP, for Stranded Wire, 10 pcs.	B 21.99.3061 – 50
VALUE Cat.6 Modular Plug, UTP, for Stranded Wire, 10 pcs.	C 21.99.3062 – 50
VALUE Cat.6 Modular Plug, STP, for Stranded Wire, 10 pcs.	D 21.99.3063 – 50
VALUE Cat.6/6A Modular Plug, UTP, for Stranded Wire, 100 pcs.	21.99.3064 – 5
VALUE Cat.6/6A Modular Plug, STP, for Stranded Wire, 100 pcs.	21.99.3065 – 5

VALUE Kink Protection Hood for RJ-45

- Kink protection hood for RJ45 cables
- Suitable for round cables with max. external diameter 6.5 mm
- Not suitable for HiRose plugs
- Package unit 10 connectors



Order-No. – P.U.

VALUE Kink protection hood for RJ-45, grey, grey, 10 pcs.

12.99.0000 – 10

VALUE Junction Box Cat.6A

- The VALUE Junction box is used to repair or extend Cat.6A cables
- With this box all 4 or 8 wired installation cables with AWG24 and with an outside diameter from 4mm can be installed
- Equipped with the modern LSA connection technology, all cables in accordance with EIA/TIA 568A or 568B can be easily installed



A

Order-No. – P.U.

VALUE Junction Box Cat.6A, UTP

A 21.99.3048 – 25

VALUE Junction Box Cat.6A, STP

21.99.3049 – 25

ROLINE Cat.6/6A Wall Jacks Keystone

Cat.6 Keystones in ROLINE quality for use in Gigabit Ethernet networks or in Cat.6A 10 Gigabit Ethernet networks with a bandwidth of 500 MHz

- Connect the cable to the Keystones without the use of tools- the cable wires are simply placed in the guides, the module should be closed and compressed- ready is the connection
- Toolless Assembling
- The Keystone modules can be hooked into a 19" module (unshielded: 26.11.0357 26.11.0356 in black or light gray / black or shielded 26.11.0360 26.11.0359 in light gray). Or together with a flush mount wall jack module for keystones 25.16.8579 they become a junction box

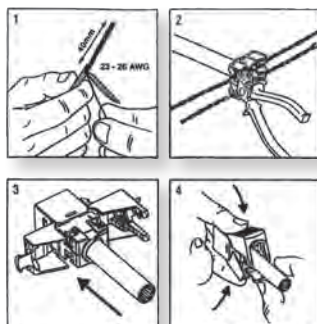
- Colour code on the keystone jacks is based on the standard EIA/TIA 568
- The ROLINE Cat 6 / Class E 19"-Keystones satisfy the transmission properties of a Cat 6 / Class E links
- The ROLINE Cat 6A / Class EA 19"-Keystones meet the transmission properties of a Cat 6A / Class EA links
- Unique wire management stuffer cap separates pairs, prevents crossed pairs, and reduces crosstalk

Shielded Versions:

- Shield housing made of die-cast solid zinc for better ANEXT and EMI protection.



Tool-free



Order-No. – P.U.

ROLINE Cat.6/Class E Keystone Jack SLIM, RJ-45, UTP, tool-free, black

26.11.0375 – 50

ROLINE Keystone Jack, Cat. 6A, RJ-45, UTP, tool-free, SLIM, black

26.11.0376 – 50

ROLINE Cat.6/Class E Keystone Jack, RJ-45, STP, SLIM, tool-free, silver

26.11.0377 – 50

ROLINE Keystone Jack, Cat.6A, RJ-45, STP, tool-free, SLIM, silver

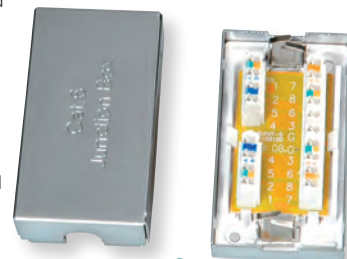
26.11.0378 – 50

ROLINE Junction Boxes

The ROLINE junction box is used to repair or extend Cat.5e and Cat.6 cables.

- Four different types are available, two UTP types for the unshielded cable and two STP types for the shielded cable
- With this box all 4 or 8 wired installation cables with AWG24 and with a cover from 4 mm (UTP type) up to 6.2 mm (STP type) can be installed
- Equipped with the LSA connection technology, all cables in accordance with EIA/TIA 568 can be easily installed
- With the use of the STP type junction

box, it's safe against electrical and magnetical interferences



A

roline
Designed for Professionals

Order-No. – P.U.

ROLINE Junction Box Cat.5e, STP

21.17.3035 – 100

ROLINE Junction Box Cat.5e, UTP

21.17.3036 – 200

ROLINE Junction Box Cat.6, STP

A 21.17.3065 – 20

ROLINE Junction Box Cat.6, UTP

21.17.3066 – 20

ROLINE Cat.6A Keystone Modular Coupler, STP

- The shielded RJ-45 couplers are able to extend Twisted Pair Cat.6A cables
- Best transmission characteristics for pair combination 1/2 and 3/6 (as used by all Ethernet versions)
- Hole Housing of metal to safe the signals against electrical and magnetical interferences
- 8 contacts, 1:1 connected



Order-No. – P.U.

roline
Designed for Professionals

ROLINE Cat.6A Keystone Modular Coupler, STP

21.17.3006 – 20

ROLINE Keystone Holder (26.11.0375/0376) for DIN Rail

- Cable access variable 45° from the top or at the bottom, connection direction 45° downwards
- Construction width 1 unit
- Potential equalization via an integrated potential equalization plate
- Integrated dust cover
- Snap mechanism
- Suitable modules: 26.11.0375 or 26.11.0376

NEW

roline
Designed for Professionals



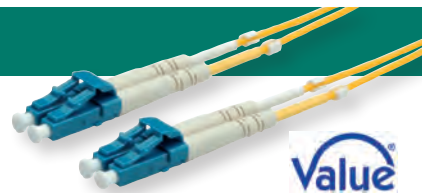
Order-No. – P.U.

ROLINE Keystone Holder (26.11.0375/0376) for DIN Rail

26.11.0339 – 20

VALUE Fibre Optic Jumper Cables, 9/125 µm, LC/LC

- VALUE Fibre Optic Jumper cables, single-mode, for long distance wiring with good price performance ratio.
- Duplex cable with fibre type single-mode 9/125 µm
- Available lengths: 0.5m, 1m, 2m, 3m, 5m, 10m, 15m, 20m
- Color: yellow



	Order-No.	P.U.	Order-No.	P.U.
VALUE Fibre Optic Jumper Cable, 9/125 µm, LC/LC, yellow, 0.5 m	21.99.8780	- 10	VALUE Fibre Optic Jumper Cable, 9/125 µm, LC/LC, yellow, 5.0 m	21.99.8785 - 5
VALUE Fibre Optic Jumper Cable, 9/125 µm, LC/LC, yellow, 1.0 m	21.99.8781	- 10	VALUE Fibre Optic Jumper Cable, 9/125 µm, LC/LC, yellow, 10.0 m	21.99.8789 - 5
VALUE Fibre Optic Jumper Cable, 9/125 µm, LC/LC, yellow, 2.0 m	21.99.8782	- 10	VALUE Fibre Optic Jumper Cable, 9/125 µm, LC/LC, yellow, 15.0 m	21.99.8786 - 5
VALUE Fibre Optic Jumper Cable, 9/125 µm, LC/LC, yellow, 3.0 m	21.99.8783	- 5	VALUE Fibre Optic Jumper Cable, 9/125 µm, LC/LC, yellow, 20.0 m	21.99.8787 - 5

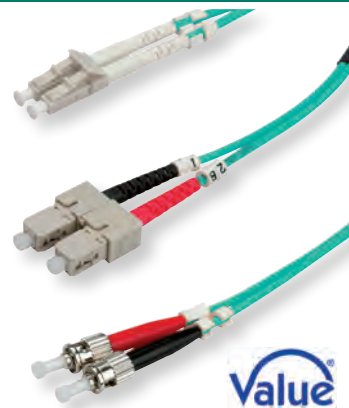
VALUE Fibre Optic Jumper Cables, 50/125µm, OM3

- VALUE Fibre Optic Jumper Cables with OM3 quality for high performance wiring
- Duplex Cable with fibre type Multi-mode 50/125µm, OM3
- Available length: 0,5m, 1m, 2m, 3m, 5m, 10m, 15m and 20m
- Color: turquoise

LC

SC

ST



Length	Type LC/LC	P.U.	Type LC/ST	P.U.	Type LC/SC	P.U.
0.5 m	21.99.8700	- 10	21.99.8720	- 10	21.99.8710	- 10
1 m	21.99.8701	- 10	21.99.8721	- 10	21.99.8711	- 10
2 m	21.99.8702	- 10	21.99.8722	- 10	21.99.8712	- 10
3 m	21.99.8703	- 5	21.99.8723	- 5	21.99.8713	- 5
5 m	21.99.8705	- 5	21.99.8725	- 5	21.99.8715	- 5
10 m	21.99.8708	- 10	21.99.8728	- 10	21.99.8718	- 10
15 m	21.99.8706	- 5				
20 m	21.99.8707	- 5				

ROLINE Fibre Optic Jumper Cables, 50/125µm, OM3

- ROLINE Fibre Optic Jumper Cables with OM3 quality for high performance wiring
- The quality of the connectors and fibres and an optimal assembly procedure lead to extremely good characteristics in respect of insertion loss and reflection
- Compact conductor (fibre movable in secondary coating)
- Duplex Cable with fibre type Multi-mode 50/125µm, OM3
- Cable construction: Kevlar tension reduction, PVC outer coating, Ø 2.8 x 6 mm
- Color: turquoise

LC

SC

ST



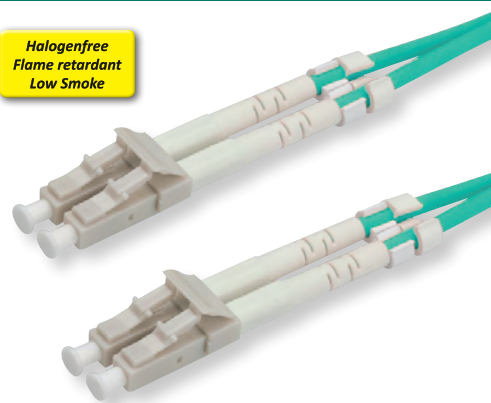
Length	Type LC/LC	P.U.	Type LC/ST	P.U.	Type LC/SC	P.U.
0.5 m	21.15.8700	- 10	21.15.8720	- 10	21.15.8710	- 10
1 m	21.15.8701	- 10	21.15.8721	- 10	21.15.8711	- 10
2 m	21.15.8702	- 10	21.15.8722	- 10	21.15.8712	- 10
3 m	21.15.8703	- 5	21.15.8723	- 5	21.15.8713	- 5
5 m	21.15.8705	- 5	21.15.8725	- 5	21.15.8715	- 5
10 m	21.15.8708	- 10	21.15.8728	- 10	21.15.8718	- 10
15 m	21.15.8706	- 5				
20 m	21.15.8707	- 5				

roline
Designed for Professionals

ROLINE FO Jumper Cables 50/125µm OM3, Low-Loss-Connector

- Security for the future! The OM3 fiber and connector quality with very low insertion loss ensure an excellent quality at very high bandwidths.
- Material and assembly in ROLINE quality
- The cable assembled with „low-loss“ connectors achieve very good values for insertion loss and reflection. In comparison:
 - Typical attenuation of a standard LC connector: 0.5 dB
 - Typical attenuation of a low-loss LC connector: 0.15 dB
- Duplex cables with fiber type Multi-mode 50/125µm, OM3
- Color: turquoise

Halogenfree
Flame retardant
Low Smoke



	Order-No.	P.U.
ROLINE FO Jumper Cable 50/125µm OM3, LC/LC, Low-Loss-Connector, turquoise, 0.5 m	21.15.8820	- 5
ROLINE FO Jumper Cable 50/125µm OM3, LC/LC, Low-Loss-Connector, turquoise, 1.0 m	21.15.8821	- 5
ROLINE FO Jumper Cable 50/125µm OM3, LC/LC, Low-Loss-Connector, turquoise, 2.0 m	21.15.8822	- 5
ROLINE FO Jumper Cable 50/125µm OM3, LC/LC, Low-Loss-Connector, turquoise, 3.0 m	21.15.8823	- 5
ROLINE FO Jumper Cable 50/125µm OM3, LC/LC, Low-Loss-Connector, turquoise, 5.0 m	21.15.8825	- 5
ROLINE FO Jumper Cable 50/125µm OM3, LC/LC, Low-Loss-Connector, turquoise, 10 m	21.15.8828	- 5
ROLINE FO Jumper Cable 50/125µm OM3, LC/LC, Low-Loss-Connector, turquoise, 15 m	21.15.8829	- 5
ROLINE FO Jumper Cable 50/125µm OM3, LC/LC, Low-Loss-Connector, turquoise, 20 m	21.15.8830	- 5

roline
Designed for Professionals

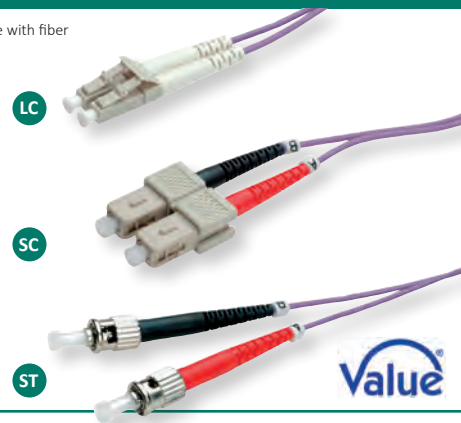
VALUE Fibre Optic Jumper Cables, 50/125 µm, OM4

OM4 fiber for existing 1 and 10 Gbit/s applications as well as future 40 and 100 Gbit/s systems. Allows extended reach upwards of 550 meters at 10 Gbit/s for ultra long building backbones and medium length campus backbones. With an laser bandwidth

of 4700 MHz– km (more than double the IEEE requirement for 10 Gbit/s 300 meter support), the OM4 fiber is also especially well suited for shorter distances in data centers and high performance computing applications.

- VALUE OM4 Fibre Optic Jumper cable with fiber type 50/125 µm
- Color: purple

Length	Type LC/LC – P.U.	Type LC/ST – P.U.	Type LC/SC – P.U.
0.5 m	21.99.8750 – 10	21.99.8770 – 10	21.99.8760 – 10
1 m	21.99.8751 – 10	21.99.8771 – 10	21.99.8761 – 10
2 m	21.99.8752 – 10	21.99.8772 – 10	21.99.8762 – 10
3 m	21.99.8753 – 5	21.99.8773 – 5	21.99.8763 – 5
5 m	21.99.8755 – 5	21.99.8775 – 5	21.99.8765 – 5
10 m	21.99.8758 – 5	21.99.8778 – 5	21.99.8768 – 5
15 m	21.99.8756 – 5		
20 m	21.99.8757 – 5		



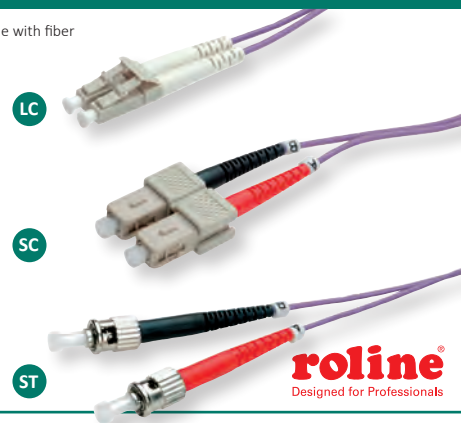
ROLINE Fibre Optic Jumper Cables, 50/125 µm, OM4

OM4 fiber for existing 1 and 10 Gbit/s applications as well as future 40 and 100 Gbit/s systems. Allows extended reach upwards of 550 meters at 10 Gbit/s for ultra long building backbones and medium length campus backbones. With an laser bandwidth

of 4700 MHz– km (more than double the IEEE requirement for 10 Gbit/s 300 meter support), the OM4 fiber is also especially well suited for shorter distances in data centers and high performance computing applications.

- ROLINE OM4 Fibre Optic Jumper cable with fiber type 50/125 µm
- Color: purple

Length	Type LC/LC – P.U.	Type LC/ST – P.U.	Type LC/SC – P.U.
0.5 m	21.15.8750 – 10	21.15.8770 – 10	21.15.8760 – 10
1 m	21.15.8751 – 10	21.15.8771 – 10	21.15.8761 – 10
2 m	21.15.8752 – 10	21.15.8772 – 10	21.15.8762 – 10
3 m	21.15.8753 – 5	21.15.8773 – 5	21.15.8763 – 5
5 m	21.15.8755 – 5	21.15.8775 – 5	21.15.8765 – 5
10 m	21.15.8758 – 5	21.15.8778 – 5	21.15.8768 – 5
15 m	21.15.8756 – 5		
20 m	21.15.8757 – 5		



ROLINE FO Jumper Cables 50/125µm OM4, Low-Loss-Connector

Security for the future! The OM4 fiber and connector quality with very low insertion ensure an excellent quality at very high bandwidths.

- It supports 10 Gb/s Ethernet, Fibre Channel, and OIF applications to 550 meters, extends the system cost benefits to ultra long building backbones and medium length campus backbones.

The cable assembled with „low– loss“ connectors achieve very good values for insertion loss and reflection. In comparison:

- Typical attenuation of a standard LC connector: 0.5 dB
- Typical attenuation of a low– loss LC connector: 0.15 dB

- Modal Bandwidth: 4700 MHz– km (this bandwidth is based on application– specific implementation of the EMBC requirements)
- Duplex cables with fiber type Multi– mode 50/125µm, OM4

	Order-No.	– P.U.
ROLINE FO Jumper Cable 50/125µm OM4, LC/LC, Low–Loss–Connector, violet, 0.5 m	21.15.8850	– 3
ROLINE FO Jumper Cable 50/125µm OM4, LC/LC, Low–Loss–Connector, violet, 1.0 m	21.15.8851	– 3
ROLINE FO Jumper Cable 50/125µm OM4, LC/LC, Low–Loss–Connector, violet, 2.0 m	21.15.8852	– 3
ROLINE FO Jumper Cable 50/125µm OM4, LC/LC, Low–Loss–Connector, violet, 3.0 m	21.15.8853	– 3
ROLINE FO Jumper Cable 50/125µm OM4, LC/LC, Low–Loss–Connector, violet, 5.0 m	21.15.8855	– 3
ROLINE FO Jumper Cable 50/125µm OM4, LC/LC, Low–Loss–Connector, violet, 10 m	21.15.8858	– 3
ROLINE FO Jumper Cable 50/125µm OM4, LC/LC, Low–Loss–Connector, violet, 15 m	21.15.8859	– 5
ROLINE FO Jumper Cable 50/125µm OM4, LC/LC, Low–Loss–Connector, violet, 20 m	21.15.8860	– 5



Halogenfree
Flame retardant
Low Smoke

roline
Designed for Professionals

ROLINE FO Jumper Cables 50/125µm OM4, Low-Loss-Connector, for Data Center

This fibre optic cable with the new connector significantly reduces the amount of space needed in rack, helping to control costs and improve efficiency

- To double the density of fibers per rack and improve handling in Central Offices and Data Centres

- The new connector significantly reduces the amount of space needed, helping to control costs and improve efficiency.
- For a more efficient handling the connector of the fibre optic cable is equipped with a rigid, extended lever that employs a new way of push/pull mechanism

- For both installation and for ongoing handling, vertical space and finger access at the connection are needed

- The OM4 fiber and connector quality ensures an excellent quality at very high bandwidths.
- Color: purple

	Order-No.	– P.U.
ROLINE FO Jumper Cable 50/125µm OM4, LC/LC, Low-Loss-Connector, 0.5 m	21.15.8870	– 5
ROLINE FO Jumper Cable 50/125µm OM4, LC/LC, Low-Loss-Connector, 1.0 m	21.15.8871	– 5
ROLINE FO Jumper Cable 50/125µm OM4, LC/LC, Low-Loss-Connector, 2.0 m	21.15.8872	– 5
ROLINE FO Jumper Cable 50/125µm OM4, LC/LC, Low-Loss-Connector, 3.0 m	21.15.8873	– 5
ROLINE FO Jumper Cable 50/125µm OM4, LC/LC, Low-Loss-Connector, 5.0 m	21.15.8875	– 5
ROLINE FO Jumper Cable 50/125µm OM4, LC/LC, Low-Loss-Connector, 10 m	21.15.8880	– 5
ROLINE FO Jumper Cable 50/125µm OM4, LC/LC, Low-Loss-Connector, 15 m	21.15.8885	– 5
ROLINE FO Jumper Cable 50/125µm OM4, LC/LC, Low-Loss-Connector, 20 m	21.15.8890	– 5



Halogenfree
Flame retardant
Low Smoke

roline
Designed for Professionals

VALUE Fibre Optic Jumper Cable, 50/125 µm, LSOH, LC/LC, OM4

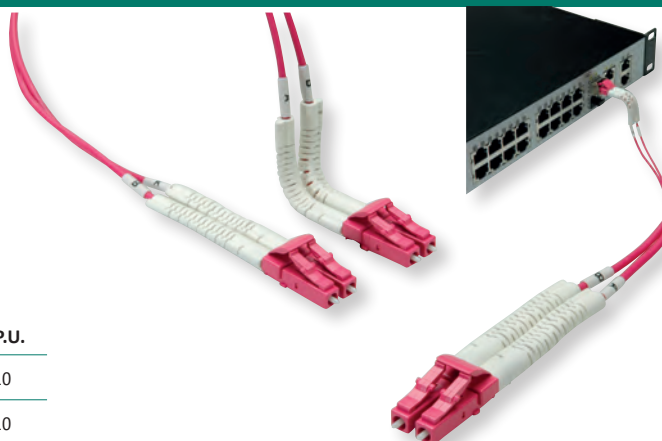
OM4 fiber for existing 1 and 10 Gbit/s applications as well as future 40 and 100 Gbit/s systems. Allows extended reach upwards of 550 meters at 10 Gbit/s for ultra long building backbones and medium length campus backbones. With a laser bandwidth of 4700 MHz-km (more than double the IEEE requirement for 10 Gbit/s 300 meter support), the OM4 fiber is also especially well suited for shorter reach in data centers and high performance computing applications.

- VALUE OM4 Fibre Optic Jumper cable with fiber type 50/125 µm
- Color: purple

**Halogenfree
Flame retardant
Low Smoke**

Order-No. – P.U.

VALUE Fibre Optic Jumper Cable, 50/125 µm, LSOH, LC/LC, OM4, violet, 0.5 m	21.99.8790 – 10
VALUE Fibre Optic Jumper Cable, 50/125 µm, LSOH, LC/LC, OM4, violet, 1.0 m	21.99.8791 – 10
VALUE Fibre Optic Jumper Cable, 50/125 µm, LSOH, LC/LC, OM4, violet, 2.0 m	21.99.8792 – 10
VALUE Fibre Optic Jumper Cable, 50/125 µm, LSOH, LC/LC, OM4, violet, 3.0 m	21.99.8793 – 10
VALUE Fibre Optic Jumper Cable, 50/125 µm, LSOH, LC/LC, OM4, violet, 5.0 m	21.99.8794 – 5



Value

NEW

ROLINE FO SLIM Jumper Cable 50/125µm OM4, LC/LC, OD 1.2mm

- It supports 10 Gb/s Ethernet, Fibre Channel, and OIF applications to 550 meters, extends the system cost benefits to ultra long building backbones and medium length campus backbones.
- Material and clothing in ROLINE quality
- The cable assembled with „low-loss“ connectors achieve very good values for insertion loss and reflection. In comparison:
 - Typical attenuation of a standard LC connector: 0.5 dB
 - Typical attenuation of a low-loss LC connector: 0.15 dB
- Outer diameter: 1.2 x 2.4mm
- UPC polish

- Modal Bandwidth: 4700 MHz-km (this bandwidth is based on application-specific implementation of the EMBC requirements)
- Duplex cables with fiber type Multi-mode 50/125µm, OM4



roline
Designed for Professionals

Order-No. – P.U.

ROLINE FO SLIM Jumper Cable 50/125µm OM4, LC/LC, OD 1.2mm, violet, 1.0 m	21.15.9261 – 10
ROLINE FO SLIM Jumper Cable 50/125µm OM4, LC/LC, OD 1.2mm, violet, 2.0 m	21.15.9262 – 10
ROLINE FO SLIM Jumper Cable 50/125µm OM4, LC/LC, OD 1.2mm, violet, 3.0 m	21.15.9263 – 10
ROLINE FO SLIM Jumper Cable 50/125µm OM4, LC/LC, OD 1.2mm, violet, 5.0 m	21.15.9264 – 5
ROLINE FO SLIM Jumper Cable 50/125µm OM4, LC/LC, OD 1.2mm, violet, 10.0 m	21.15.9265 – 5

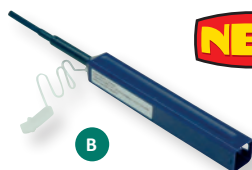
VALUE Fibre Optic Cleaning Pen for SC/LC Plug

- Ergonomic and comfortable design for SC/LC cleaning SC connections
- Consistent cleaning results due to its precise mechanical action
- Economical solution with up to 800 endface cleanings in one unit possible
- Cleans both APC and UPC connectors
- Effective on a variety of contaminants, including: Dust / Lint / Oil / Grease



Value

NEW



Order-No. – P.U.

VALUE Fibre Optic Cleaning Pen for SC Plug, 2.5mm	A 13.99.3006 – 5
VALUE Fibre Optic Cleaning Pen for LC Plug, 1.25mm	B 13.99.3007 – 5

VALUE Fibre Optic Universal-Cleaning Cassette

- Can be used for any optical fiber cables plug type independently
- The cassette cleaner wipes away contaminants from optical connector end face
- Designed for all types of connectors
- Compact size for easy hand-held operations
- Dry-clean without the use of harmful substances
- Cleaning micro fibers are densely stranded and debris free
- Constructed with anti-static material
- Up to 500 cleanings per unit possible
- Contents: 100 Cleaning-Tissues



Value

NEW

Order-No. – P.U.

VALUE Fibre Optic Universal-Cleaning Cassette

13.99.3005 – 5

Portable Laser Fiber Checker Pro

- For the quick test of Fibre Optic cables.
- Sends a visible (650 nm) strong laser signal through the cable-breaking points become transparent by a visible light in the area of the damage
- Universal-connector can be used with common connector types (ST, SC, FC and others)

- Reversible between continuous and pulsing ray
- Both Multi-mode and Single-mode distances suitable
- Batteries (not included in delivery): 2x Mignon (AA) 1.5V (LR06)



NEW

Value



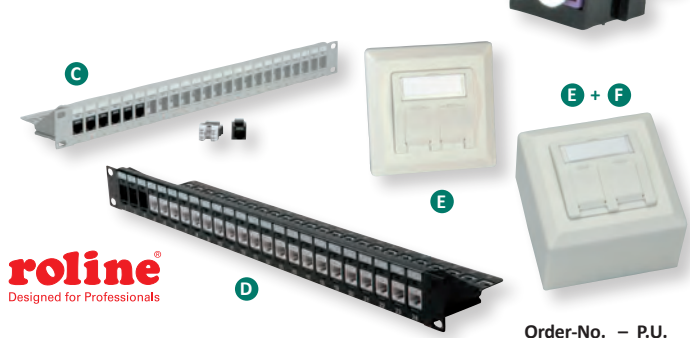
Order-No. – P.U.

Portable Laser Fiber Checker Pro

13.99.3011 – 25

ROLINE Fiber Optic Keystone Jacks

- ROLINE quality keystone adapter for fiber optic cabling
- 2x LC / 2x LC plug
- For installation in fiber optic front plates or for extending fiber optic jumper cables
- High quality plastic housing with keystone technicque
- Sleeve of the ferrule made of phosphor-bronze (PB)
- For Multimode fiber optic jumper cables
- Can be used with 19" Patch Panel Module frame (26.11.0357 or 26.11.0356)
- Can be used together with a Flush Mount Wall Jack for keystones, 2-port (25.16.8579) or with a Surface Wall Mount Frame (25.15.8484)



roline
Designed for Professionals

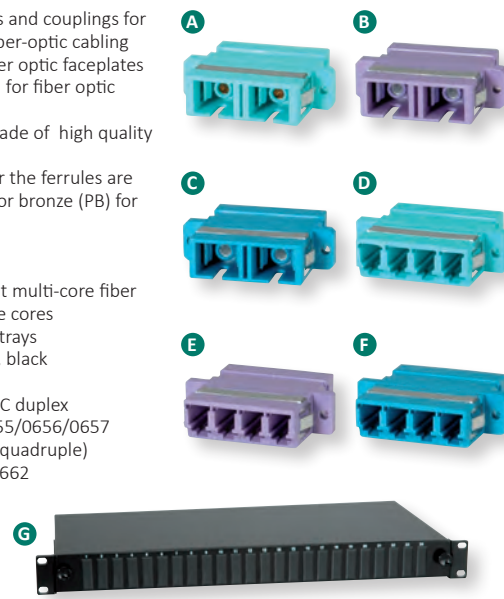
	Order-No.	P.U.
ROLINE Fiber Optic Keystone Jack, LC Duplex, Multimode, OM3	A	21.17.0001 - 20
ROLINE Fiber Optic Keystone Jack, LC/LC Duplex, Multimode, OM4	B	21.17.0002 - 20
Keystone 19" Module frame Cat.5/Cat.6, 24 P., blank, UTP, light grey	C	26.11.0356 - 5
Keystone 19" Module frame Cat.5/Cat.6, 24 Ports, blank, UTP, black	D	26.11.0357 - 5
Flush Mount Wall Outlet for Keystones, 2-port	E	25.16.8579 - 20
Surface Wall Mount Frame	F	25.16.8484 - 20

VALUE Fibre Optic Adapters

- Fiber optic adapters and couplings for the cost effective fiber-optic cabling
- For mounting in fiber optic faceplates or for the extension for fiber optic cables
- The adapters are made of high quality plastic
- The guide sleeve for the ferrules are available in phosphor bronze (PB) for OM3/OM4

- 21.99.0650**
- 19" FO panel to split multi-core fiber optic cable on single cores
 - Prepared for splice trays
 - 1.5 mm sheet steel, black
 - Cable entry: PG 13
 - Space for max. 24 SC duplex couplings 21.99.0655/0656/0657 or 24 LC couplings (quadruple) 21.99.0660/0661/0662

Value



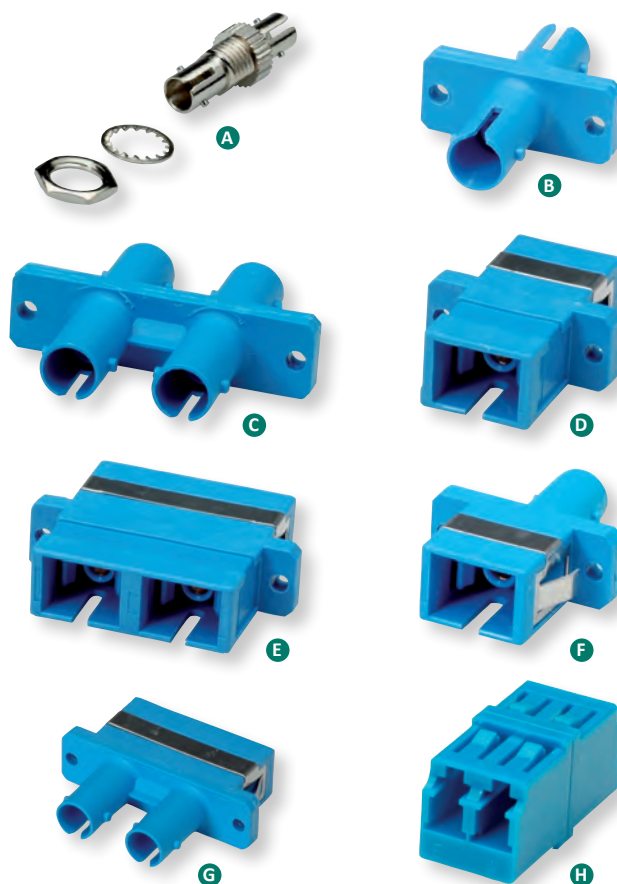
	Order-No.	P.U.
VALUE Fibre Optic Adapter SC/SC Duplex, OM3, PB	A	21.99.0655 - 50
VALUE Fibre Optic Adapter SC/SC Duplex, OM4, PB	B	21.99.0656 - 50
VALUE Fibre Optic Adapter SC/SC Duplex, OS2, Z	C	21.99.0657 - 50
VALUE Fibre Optic Adapter LC quadruple, OM3, PB	D	21.99.0660 - 50
VALUE Fibre Optic Adapter LC quadruple, OM4, PB	E	21.99.0661 - 50
VALUE Fibre Optic Adapter LC quadruple, OS2, Z	F	21.99.0662 - 50
VALUE 19" splice box empty 1U, extendable, 24x SC-DX quadruple	G	21.99.0650 - 4

ROLINE Fibre Optic Adapters

- Fiber optic adapters and couplings for the cost effective fiber-optic cabling
- For mounting in fiber optic faceplates or for the extension for fiber optic cables
- The ST simplex adapters are made of metal, all other adapters from high quality plastic
- The guide sleeve for the ferrules are available for every type and version of phosphor bronze (PB) as well as a version of zirconium (Z)
- The version of zirconium ferrule is also suitable for single-mode

roline
Designed for Professionals

	Order-No.	P.U.
ROLINE Fibre Optic Adapter, ST, Thread, MultiMode, PB	A	21.17.0015 - 50
ROLINE Fibre Optic Adapter, ST, Thread, SingleMode, Z	A	21.17.0011 - 50
ROLINE Fibre Optic Adapter, ST, Flange, MultiMode, PB	B	21.17.0025 - 50
ROLINE Fibre Optic Adapter, ST, Flange, SingleMode, Z	B	21.17.0021 - 50
ROLINE Fibre Optic Adapter, ST Duplex, MultiMode, PB	C	21.17.0035 - 50
ROLINE Fibre Optic Adapter, ST Duplex, SingleMode, Z	C	21.17.0031 - 50
ROLINE Fibre Optic Adapter SC Simplex Multimode, PB	D	21.17.0075 - 50
ROLINE Fibre Optic Adapter SC Simplex Single-Mode, Z	D	21.17.0071 - 50
ROLINE Fibre Optic Adapter SC Duplex Multimode, PB	E	21.17.0085 - 50
ROLINE Fibre Optic Adapter SC Duplex Single-Mode, Z	E	21.17.0081 - 50
ROLINE Fibre Optic Adapter ST/SC Simplex Multimode, PB	F	21.17.0105 - 50
ROLINE Fibre Optic Adapter ST/SC Simplex Single-Mode, Z	F	21.17.0101 - 50
ROLINE Fiber Optic Adapter ST/SC Duplex Multimode, PB	G	21.17.0125 - 50
ROLINE Fiber Optic Adapter ST/SC Duplex Single-Mode, Z	G	21.17.0121 - 50
ROLINE Fiber Optic Adapter LC Duplex Multimode, PB	H	21.17.0145 - 50
ROLINE Fibre Optic Adapter LC Duplex Single-Mode, Z	H	21.17.0141 - 50



ROLINE MPO (multi-fibre push-on) Cabling System

The MPO (multi-fibre push-on) cabling system is an easy-to-use solution based on a high density connector and ribbon-fiber cables with 12 cores. This system is commonly used in data centers but also e.g. between server rooms. It is designed for reliable and quick operations with the obvious benefits of less space requirements and improved scalability. The pre-terminated MPO cables can fan-out to other connections, usually to LC, to interconnect with standard-density products or services, using modules or fan-out cables.

Key Facts MPO

- Fully supports all optical fiber applications within the Ethernet family
- Modular solution with reusable modules and cables
- High-density cabling saves pathway space and gives improved airflow compared to traditional cable bundles
- Cables are pre-terminated in the factory to the correct length with high density connectivity

MPO components

MPO connectors contact usually 12 fibers in a single connection. A connection must be stable and its ends correctly aligned. These aspects are essential for achieving the required transmission. MPO connectors are available in a male version (with pins) or a female version (without pins). The pins ensure that the fronts of the connectors are exactly aligned on contact and that the end-faces of the fibers are not offset. Remark: all cables are halogen-free (LSOH). The connectors are low-loss connectors with a very low attenuation.

1. Cables

MPO cables are delivered already terminated. That requires greater care in planning in advance but it has a number of advantages: short installation times, tested and guaranteed quality and great reliability.

Trunk cables:

Trunk cables serve as a permanent link connecting the MPO modules to each other. Trunk cables are available with 12 fibers. Their ends are terminated with 12-fiber MPO connectors female version (without pins).

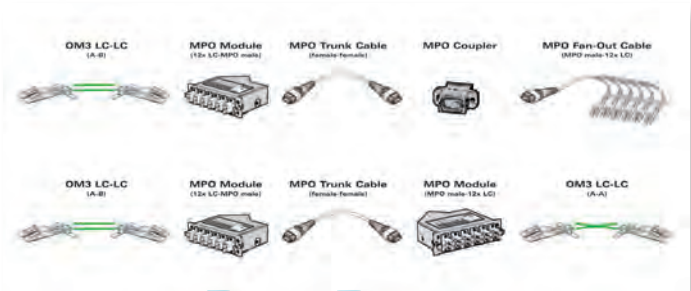
Fan-Out cables:

Fan-Out cables are used for the connection of a MPO cable to standard-density connectors, usually to 12 LC connectors.

Fiber optic - Cable OM3:

Please see the ROLINE Fiber optic jumper cable 50/125µm OM3 in the catalogue on page 1.35.

The key point of each installation is to ensure the correct wiring from transceiver to receiver. In case of using a set of cassettes, trunkcables and duplex patchcords- you need to follow a certain guideline for the polarity method of the trunkcables. The case described in the graphic is according to the polarity A method, means the duplex fibre optic jumper cables MUST be CROSS connected on one side and STRAIGHT connected on the second side.



2. Adapters

Adapters are used to connect two MPO connectors. They enforce that both keys are up. So the two connectors are connected while in the same position in relation to each other.

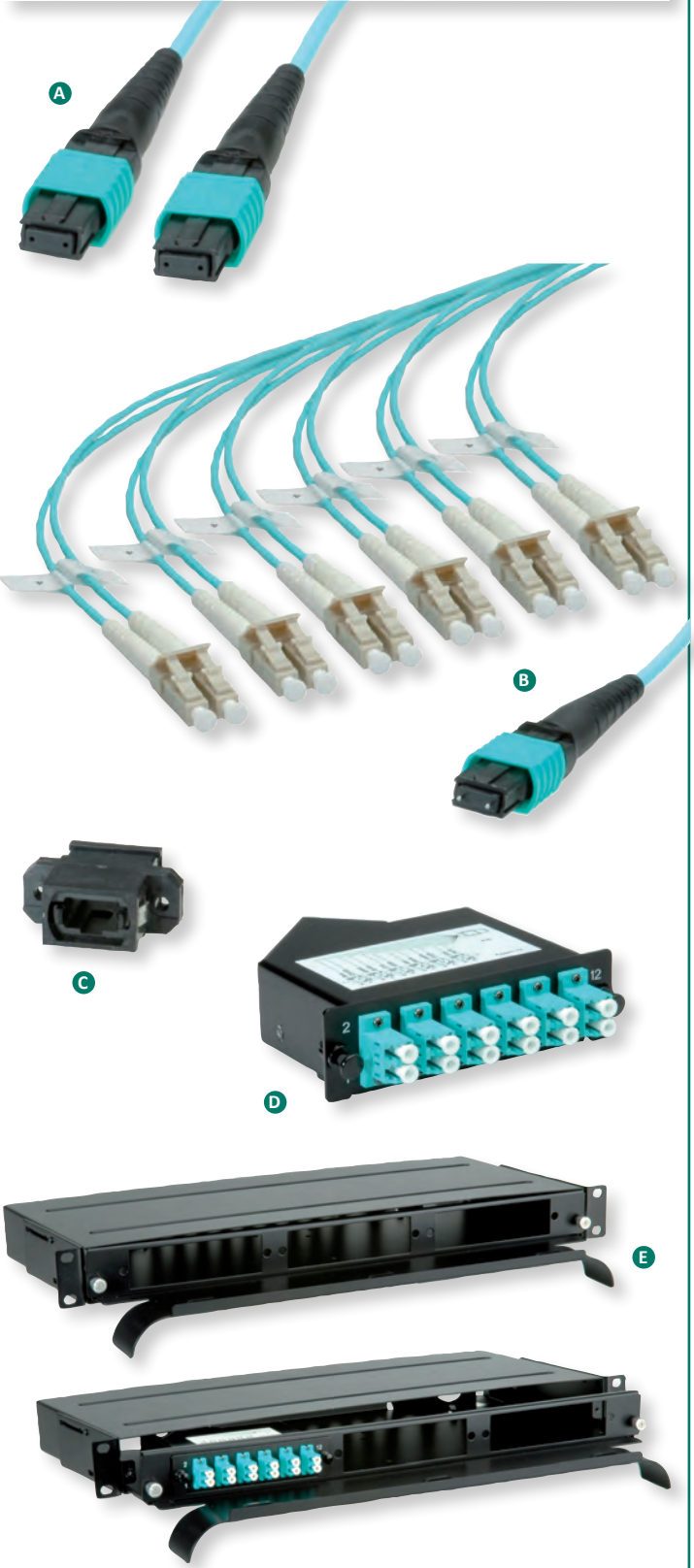
3. Modules

Modules and adapter plates are what connect the permanent link to the standard-density patch cable.

The MPO module enables the user to take the fibers brought by a trunk cable and distribute them to a duplex cable. As already assembled units, the MPO modules are fitted with 12 fibers and have LC adapters on the front side and MPO at the rear. The modules can be built in panels to be installed in a 19" rack.

Connection rules

- When creating an MPO connection, always use one male connector and one female connector plus one MPO adapter.
- Never connect a male to a male or a female to a female. With a female-to-female connection, the fiber cores of the two connectors will not be at the exact same height because the guide pins are missing. That will lead to losses in performance. A male-to-male connection has even more disastrous results. There the guide pins hit against guide pins so no contact is established. This can also damage the connectors.
- Never dismantle an MPO connector. The pins are difficult to detach from an MPO connector and the fibers might break in the process.



roline[®]
Designed for Professionals

Order-No. – P.U.

ROLINE MPO Trunk Cable 50/125µm OM3, MPO/MPO, turquoise, 3m	A 21.17.0303 – 10
ROLINE MPO Trunk Cable 50/125µm OM3, MPO/MPO, turquoise, 5m	A 21.17.0305 – 10
ROLINE MPO Trunk Cable 50/125µm OM3, MPO/MPO, turquoise, 10m	A 21.17.0310 – 5
ROLINE MPO Trunk Cable 50/125µm OM3, MPO/MPO, turquoise, 15m	A 21.17.0315 – 5
ROLINE MPO Fan-Out Cable 50/125µm OM3, MPO/12x LC, turquoise, 2m	B 21.17.0300 – 5
ROLINE MPO/MPO Coupler	C 21.17.0319 – 10
ROLINE MPO-Modul, MPO-Male /12x LC - Female	D 21.17.0348 – 3
ROLINE MPO-Panel 19" for 3 Modules	E 21.17.0349 – 1

VALUE / ROLINE 19" LCD KVM Consoles

The professional solution for server-management.

- 19" LCD console combines the function of a keyboard, a touchpad and a 43 cm/48 cm TFT together in a 1 U casing for a 19" rack
- For an installation depth of 63 to 90 cm
- Keyboard layout: English (UK), others on demand
- Contents: Console, rails with mounting accessories, rack mount brackets, keys, KVM cable (HDDB-15/VGA + 2x PS/2, 1.8 m), USB cable, power supply, power cord, CD with manual, quick installation guide
- **Technical particularity of the ROLINE consoles:** Dual rail design for independent panel and keyboard drawer. Panel can be left open while rack door is closed, so that it can e. g. be used as a surveillance monitor.

Monitor data:

- Panel protected by tempered glass
- Active 43 cm/48 cm matrix TFT display
- Max. resolution (nominal): 1280 x 1024 Pixel (4:3 Format) or 1920 x 1080 Pixel (DVI, 4:3 Format), 1440 x 900 Pixel (16:10 Format)
- Refresh rate: up to 80 kHz
- Contrast: 400:1
- Brightness: 250 cd/m²



Recommended switches and cables (ONLY for ROLINE Consoles):

- 14.01.3224 ROLINE 19" KVM Switch, 1 User- 8 PC, USB and PS/2
- 14.01.3225 ROLINE 19" KVM Switch, 1 User- 16 PC, USB and PS/2
- Cable for PS/2: 11.01.5521 (1.8 m), 11.01.5522 (3 m)
- Cable for USB: 11.01.5525 (1.8 m), 11.01.5526 (3 m)



26.99.010x



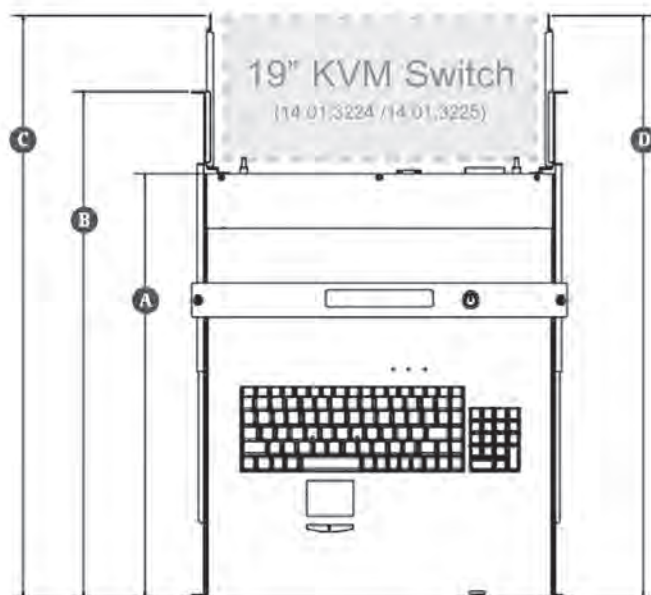
26.50.008x,
26.50.030x,
26.50.020x

Dimensions (mm)

	A	B	C	D
VALUE 19" KVM Console, 43 cm (26.99.010x)	645	570- 850	-	645
VALUE 19" KVM Console, 48 cm (26.99.011x)	645	570- 850	-	645
ROLINE 19" KVM Console, 43 cm (26.50.008x, 26.50.030x)	460	560- 870	640	640
ROLINE 19" KVM Console, 48 cm (26.50.020x)	530	635- 950	730	730

Legend:

- A- Installation depth of console
- B- Distance of 19" cabinet's vertical posts
- C- Installation depth of console with switch (14.01.3324/5)
- D- Length of rails



	Order-No.	- P.U.
VALUE 19" LCD KVM Console, 43 cm (17") TFT, VGA, USB + PS/2, UK	26.99.0100	- 1
VALUE 19" LCD KVM Console, 43 cm (17") TFT, VGA, USB + PS/2, German	26.99.0101	- 1
VALUE 19" LCD KVM Console, 43 cm (17") TFT, VGA, USB + PS/2, Swiss	26.99.0102	- 1
VALUE 19" LCD KVM Console, 43 cm (17") TFT, VGA, USB + PS/2, French	26.99.0103	- 1
VALUE 19" LCD KVM Console, 48 cm (19") TFT, VGA, USB + PS/2, UK	26.99.0110	- 1
VALUE 19" LCD KVM Console, 48 cm (19") TFT, VGA, USB + PS/2, German	26.99.0111	- 1
VALUE 19" LCD KVM Console, 48 cm (19") TFT, VGA, USB + PS/2, Swiss	26.99.0112	- 1
VALUE 19" LCD KVM Console, 48 cm (19") TFT, VGA, USB + PS/2, French	26.99.0113	- 1
ROLINE 19" LCD KVM Console, 43 cm (17") TFT, VGA, USB + PS/2, UK	26.50.0081	- 1
ROLINE 19" LCD KVM Console, 43 cm (17") TFT, VGA, USB + PS/2, German	26.50.0082	- 1
ROLINE 19" LCD KVM Console, 43 cm (17") TFT, VGA, USB + PS/2, Swiss	26.50.0083	- 1
ROLINE 19" LCD KVM Console, 43 cm (17") TFT, VGA, USB + PS/2, French	26.50.0084	- 1
ROLINE 19" LCD KVM Console, 43 cm (17") TFT, DVI-I, USB + PS/2, UK	26.50.0301	- 1
ROLINE 19" LCD KVM Console, 43 cm (17") TFT, DVI-I, USB + PS/2, D	26.50.0302	- 1
ROLINE 19" LCD KVM Console, 43 cm (17") TFT, DVI-I, USB + PS/2, CH	26.50.0303	- 1
ROLINE 19" LCD KVM Console, 43 cm (17") TFT, DVI-I, USB + PS/2, French	26.50.0304	- 1
ROLINE 19" LCD KVM Console, 48 cm (19") TFT, VGA, USB + PS/2, UK	26.50.0201	- 1
ROLINE 19" LCD-KVM Console, 48 cm (19") TFT, VGA, USB + PS/2, German	26.50.0202	- 1
ROLINE 19" LCD-KVM Console, 48 cm (19") TFT, VGA, USB + PS/2, Swiss	26.50.0203	- 1
ROLINE 19" LCD-KVM Console, 48 cm (19") TFT, VGA, USB + PS/2, French	26.50.0204	- 1



VALUE Stand/Wall Mount Cabinets with Glass Front

- VALUE stand/wall mount cabinets for the installation of active and passive network components
- Toughened glass front with lock with rotary handle, the direction of opening the door can be changed according to the requirement, the opening degree of the door is more than 180°
- Quick open side door, convenient for equipment installation and maintaining
- One cable channel on the top and the other on the bottom
- 19" standard installation, installation depth can be adjusted according to the requirement
- Colour: black (RAL 7021)
- Remark: Delivery as an assembly set
- Maximum load capacity: 60kg
- Contents: Wall mount rack, grounding set, installation material



Order-No. – P.U.

VALUE 19" Wall Mount Rack 6U, 368x570x450mm (HxWxD)	26.99.0146 – 1
VALUE 19" Wall Mount Rack 6U, 368x570x600mm (HxWxD)	26.99.0147 – 1
VALUE 19" Wall Mount Rack 9U, 505x570x450mm (HxWxD)	26.99.0149 – 1
VALUE 19" Wall Mount Rack 9U, 505x570x600mm (HxWxD)	26.99.0150 – 1
VALUE 19" Wall Mount Rack 12U, 640x570x450mm (HxWxD)	26.99.0151 – 1
VALUE 19" Wall Mount Rack 12U, 640x570x600mm (HxWxD)	26.99.0152 – 1
VALUE 19" Wall Mount Rack 15U, 775x570x450mm (HxWxD)	26.99.0154 – 1
VALUE 19" Wall Mount Rack 15U, 775x570x600mm (HxWxD)	26.99.0155 – 1
VALUE 19" Wall Mount Rack 18U, 910x570x450mm (HxWxD)	26.99.0157 – 1
VALUE 19" Wall Mount Rack 18U, 910x570x600mm (HxWxD)	26.99.0158 – 1



VALUE Network / Server Cabinets 42U

VALUE 19"-Cabinets, black, in 42 U, with two versions - as Server and as Cabling Cabinet

- Server Cabinet in BxT 800x1000mm with vented doors on front and back side
- Cabling Cabinet in BxT 800x800mm with a glass door on the front side and a back door in sheet steel
- Two pairs of 19"-profiles
- All doors are lockable with single point locking
- Both Cabinet versions have 4 castors as well as 4 adjustable feet
- Demountable side panels, convenient for installation and maintenance
- Top cover of Server Cabinet with cable entry opening possibility
- Top cover of Cabling Cabinet with cable entry opening possibility and with 4 cooling fans included
- All cabinets come with 3 fixed shelves and a pair of vertical cable management

REMARK:

Please be aware that the cabinets are assembled.

To avoid damage during transport, a special care is needed.

The transport sizes are different (larger) to the mentioned dimensions in the description.

The transport has to be done in a vertical position!



Order-No. – P.U.

VALUE Network Cabinet 42U, 2000x800x800 mm	A 26.99.0810 – 1
VALUE Server Cabinet 42U, 2000x800x1000 mm	B 26.99.0820 – 1





Surveillance / IP Cameras

2

ROLINE IP Cameras	2.02 – 2.03
ROLINE Network Video Recorder	2.03, 2.04, 2.05
VALUE IP Cameras	2.05
VALUE Network Video Recorder	2.05
VALUE HD-TVI Cameras	2.06
VALUE HD-TVI Digital Video Recorder	2.06
PoE Extenders	2.07
PoE Injectors	2.07
PoE Splitters	2.08
PoE Switches	2.08

ROLINE Fix Bullet IP Cameras

- Up to 5 megapixel resolution
- Angle of view: 75°/83° (4mm lens)
- 3D DNR & DWDR & BLC
- Standard video compression with high compression ratio
- Progressive scan CMOS, capture motion video without incised margin
- Support dual stream, and the sub-stream for mobile surveillance
- Built-in IR Illuminators up to 30 meters
- Removable IR-cut Filter with auto switch for Day & Night Function
- PoE (Power over Ethernet) 802.3af

- Weather-proof IP66 rated housing
- Electronic shutter for different surveillance environments
- Other functions: alarm, reset button, mirror, etc.
- Compact design, Built-in bracket



roline
Designed for Professionals

Order-No. – P.U.

ROLINE 3 MPx Fix Bullet IP Camera, RBOF3-1, IR-LED, PoE, 4mm fix 75°, IP66 for outdoor use

21.19.7308 – 1

ROLINE 5 MPx Fix Bullet IP Camera, RBOF5-1, IR-LED, PoE, 4mm fix 83°, IP66 for outdoor use

21.19.7315 – 1

ROLINE Fix Bullet IP Camera, WLAN

- Up to 2 megapixel (1920 × 1080) resolution
- Angle of view: 85°(4mm lens)
- 3D DNR / DWDR / BLC
- Standard video compression with high compression ratio
- Progressive scan CMOS
- Built-in Micro SD/SDHC/SDXC card slot, up to 64 GB
- Built-in IR Illuminators up to 30 meters
- Support Wi-Fi (IEEE802.11b/g, 802.11n Draft), WPS connection
- Removable IR-cut Filter with auto switch for Day & Night Function
- PoE (Power over Ethernet) 802.3af

- Weather-proof IP66 rated housing
- Support dual stream, and the sub-stream for mobile surveillance
- Electronic shutter for different surveillance environments
- Other functions: heartbeat, mirror, reset button, etc.
- Compact design, Built-in bracket



roline
Designed for Professionals

Order-No. – P.U.

ROLINE 2 MPx Fix Bullet IP Camera, RBOF2-1W, Full-HD, IR-LED, PoE, 4mm fix 85°, WLAN, IP66

21.19.7306 – 1

ROLINE 5 MPx Var. Bullet IP Camera, RBOV5-1, IR-LED, PoE, 2.8 -12mm, IP66 for outdoor use

The ROLINE RBOV5-1 is a compact 5 MP HD PoE Day / Night network camera for outdoor use. It is equipped with a 5-MP sensor, which enables smooth playback up to 20 fps and a resolution of 2560 x 1920. This ultra-compact camera is suitable thanks Bullet IP66 certified enclosure for outdoor use.

- Up to 5 megapixel 2560 x 1920 @ 20 fps resolution
- FullHD 1080p Video
- Digital Wide Dynamic Range
- Angle of view: 80 – 28.7° (2.8 – 12 mm motorized lens)
- IR-cut Filter with auto switch for Day & Night Function
- Built-in IR Illuminators up to 30 meters
- Support dual stream, and the sub-stream for mobile surveillance
- DC12V & PoE (Power over Ethernet) 802.3af

- Weather-proof IP66 rated housing
- Built-in Micro SD/SDHC/SDXC card slot, up to 128 GB
- Supports H.264+
- Other functions: heartbeat, reset button, mirror, etc. CCTV Mobile is a mobile monitoring application for iPhone / iPad / Android. Monitoring products which based on the H.264 codec are supported. It can be used to view the live image from the NVR, network cameras, encoders, etc. It is also possible to access the recorded data to create video and still image shooting, to control alarm outputs and PTZ cameras.



roline
Designed for Professionals

Order-No. – P.U.

ROLINE 5 MPx Var. Bullet IP Camera, RBOV5-1, IR-LED, PoE, 2.8 -12mm, IP66 for outdoor use

21.19.7317 – 1

ROLINE Fixed Dome IP Cameras

- Up to 5 megapixel resolution
- Angle of view: up to 85°(4mm lens)
- 3D DNR / DWDR / BLC
- Standard video compression with high compression ratio
- Progressive scan CMOS
- Built-in Micro SD/SDHC/SDXC card slot, up to 64 GB
- Built-in IR Illuminators up to 30 meters
- **21.19.7307:** Support Wi-Fi (IEEE802.11b/g, 802.11n Draft), WPS connection
- Removable IR-cut Filter with auto switch for Day & Night Function
- PoE (Power over Ethernet) 802.3af
- Weather-proof IP66 rated housing
- Support dual stream, and the sub-stream for mobile surveillance
- Electronic shutter for different surveillance environments
- Other functions: heartbeat, mirror, reset button, etc.
- Impact Protection



ROLINE 2 MPx Fixed Dome IP Camera, RDOF2-1W, Full-HD, IR-LED, PoE, 4mm fix 85°, WLAN, IP66	Order-No. – P.U.
ROLINE 4 MPx Fixed Dome IP Camera, RDOF 4.1, IR-LED, PoE, 4mm lens (83° angle of view), IP66 for indoor and outdoor use	21.19.7307 – 1
ROLINE 5 MPx Fixed Dome IP Camera, RDOF5-1, IR-LED, PoE, 4mm fix 75°, IP66 IK10 for outdoor use	21.19.7309 – 1
	21.19.7316 – 1

ROLINE Cube IP Camera, WLAN

The ROLINE RCIF3-1W is a compact 3 MP HD PoE Day / Night network camera for indoor use. It is equipped with a 3-MP sensor, which enables smooth playback up to 20 fps and a resolution of 2048 x 1536

This compact Cube camera can be integrated via a LAN cable or wireless in the existing network.

- Up to 3 megapixel (2048 X 1536 @ 20 fps) resolution
- Angle of view: 70°(4mm lens)
- 3D DNR & DWDR & BLC
- Standard video compression with high compression ratio
- Progressive scan CMOS

- Built-in Micro SD/SDHC/SDXC card slot, up to 64 GB
- Built-in IR Illuminators up to 10 meters
- PIR detection (80° up to 10 meters)
- Two-way audio
- Built-in microphone and speaker
- Support Wi-Fi (IEEE802.11b/g, 802.11n Draft), WPS connection
- Removable IR-cut Filter with auto switch for Day & Night Function
- PoE (Power over Ethernet) 802.3af
- Support dual stream, and the sub-stream for mobile surveillance
- Integrated mount for easy installation
- Other functions: heartbeat, mirror, reset button, etc.



ROLINE 3 MPx Cube IP Camera, RCIF3-1W, IR-LED, PoE, 4mm fix 70°, WLAN	Order-No. – P.U.
	21.19.7304 – 1

ROLINE Network Video Recorder with 4 Channels and 1 Hard Drive Bay

The ROLINE RNR0104P is a network video recorder with support for up to 4 network cameras and up to 4 PoE ports. The integrated PoE Switch the NVR can supply the cameras directly with electricity. For local Display an HDMI or VGA monitor can be connected to the complete operation and configuration is then performed using the mouse. In this way, no additional PC is required for playback.

- 4 channels view & record NVR

- HDMI and VGA output at up to 1920 x 1080 resolution
- HDD quota and group management
- 1x RJ-45 10/100/1000 Mbps self-adaptive Ethernet interface
- 4 independent POE network interfaces for built-in switch (120W, 802.3af)
- Locking and unlocking record files
- Incoming bandwidth: 40/80Mbps
- 1x SATA interface for 1 HDDs(Type 3.5)
- 2x USB 2.0 ports
- 19-inch rack-mounted 1U chassis
- Support network detection, including network delay, packet loss, etc.



ROLINE 4 Channel NVR with 4-Port PoE, RNR0104P, network video recorder with 4 channels and 1 hard drive bay, 4 Port PoE Switch, local VGA / HDMI video connector	Order-No. – P.U.
	21.19.7310 – 1

ROLINE 4 MPx Pan / Tilt IP Camera RPIF4-1W, IR-LED, Wifi, PoE, 2.8 mm fix 106° for Indoor Surveillance Applications



The ROLINE RPIF4-1W is a compact pan/tilt 4 Megapixel WiFi / PoE and Day / Night network camera for indoor use. It is equipped with a 4 MP sensor that enables a smooth playback up to 20 fps with a resolution of 2688x1520 pixels.

Features:

- Up to 4 megapixel (2688 x 1520) resolution
- FullHD 1080p video
- Angle of view: 106°(2,8mm lens)
- Removable IR-cut Filter with auto switch for Day & Night Function

- Dual video streams
- 120dB Wide Dynamic Range
- Pan & tilt rotation
- Built-in Micro SD/SDHC/SDXC card slot, up to 128 GB
- DC12V & PoE
- Support H.264+
- Built-in IR Illuminators up to 10 meters
- Support Wi-Fi (IEEE802.11b/g, 802.11n Draft), WPS connection
- Electronic shutter for different surveillance environments
- Other functions: heartbeat, mirror, reset button, etc.

CCTV Mobile is a mobile monitoring application for iPhone / iPad / Android. Monitoring products which based on the H.264 codec are supported. It can be used to view the live image from the NVR, network cameras, encoders, etc. It is also possible to access the recorded data to create video and still image shooting, to control alarm outputs and PTZ cameras.

- Contents: camera, CD, mounting plate, screws, power supply



Order-No. – P.U.

ROLINE 4 MPx Pan / Tilt IP Camera RPIF4-1W, IR-LED, Wifi, PoE, 2.8 mm fix 106° for indoor surveillance applications

21.19.7311 – 1

ROLINE 5 MPx Var. Dome IP Camera, RDOV5-1, IR-LED, PoE, 2.8-12mm, IP66, IK10 for Outdoor Use



The ROLINE RDOV5-1 is a compact 5 MP HD PoE Day / Night network camera for outdoor use. It is equipped with a 4-MP sensor, which enables smooth playback up to 20 fps and a resolution of 2560 x 1920. This ultra-compact camera is suitable thanks to Bullet IP66 certified enclosure for outdoor use.

- Up to 5 megapixel 2560 x 1920 @ 20 fps resolution
- FullHD 1080p Video
- Digital Wide Dynamic Range
- Angle of view: 80 – 28.7°(2.8 – 12 mm

- motorized lens)
- IR-cut Filter with auto switch for Day & Night Function
- Support dual stream, and the sub-stream for mobile surveillance
- Built-in IR Illuminators up to 20 meters
- DC12V & PoE (Power over Ethernet) 802.3af
- Weather-proof IP66 rated housing
- Vandal proof IK10
- Built-in Micro SD/SDHC/SDXC card slot, up to 128 GB
- Supports H.264+

Other functions: alarm, reset button, mirror, etc. CCTV Mobile is a mobile monitoring application for iPhone / iPad / Android. Monitoring products which based on the H.264 codec are supported. It can be used to view the live image from the NVR, network cameras, encoders, etc. It is also possible to access the recorded data to create video and still image shooting, to control alarm outputs and PTZ cameras.



Order-No. – P.U.

ROLINE 5 MPx Var. Dome IP Camera, RDOV5-1, IR-LED, PoE, 2.8-12mm, IP66, IK10 for outdoor use

21.19.7318 – 1

ROLINE 8CH NVR with 8-port PoE, RNR0208P, 2HDD, HDMI/VGA



The ROLINE RNR0208P is an 8 channel network video recorder in a 19 inch (1U) housing and is therefore suitable for rack and table installations. The RNR0208P has an integrated 8 port PoE switch and can power the cameras directly. An monitor with HDMI or VGA connector can be connected to the local display, the complete operation and configuration can then be made by mouse. In this way, no additional PC is required for video playback.

- 8 channels view & record NVR

- HDMI and VGA output at up to 1920 x 1080 resolution
- HDD quota and group management
- 1x RJ-45 10/100/1000 Mbps self-adaptive Ethernet interface
- 8 independent POE network interfaces for built-in switch (120W, 802.3af)
- Locking and unlocking record files
- Incoming bandwidth: 80Mbps
- 2x SATA interfaces for 2 HDDs(Type 3.5)
- 1x USB 2.0 port 1x USB 3.0 port
- 19-inch rack-mounted 1U chassis
- Support network detection, including

network delay, packet loss, etc. CCTV Mobile is a mobile monitoring application for iPhone / iPad / Android. Monitoring products which based on the H.264 codec are supported. It can be used to view the live image from the NVR, network cameras, encoders, etc. It is also possible to access the recorded data to create video and still image shooting, to control alarm outputs and PTZ cameras.



Order-No. – P.U.

ROLINE 8CH NVR with 8-port PoE, RNR0208P, 2HDD, HDMI/VGA

21.19.7314 – 1

ROLINE Mounting Box for Bullet Camera



Supported Models: IB836B-EHF3, IB836B-EHT, IB836B-HF3, IB836B-HT, IB8382-EF3, IB8382-ET, IB8382-F3, IB8382-T, IB9371-EHT, IB9371-HT, IB9381-EHT, IB9381-HT



Order-No. – P.U.

ROLINE Mounting Box for Bullet Camera

21.19.7312 – 1

ROLINE Wall Mounting Adapter for Dome Camera

21.19.7313 – 1

VALUE Fix Bullet Network Cameras



The VALUE VBOF is a compact HD PoE Day / Night network camera with up to 1.3/2 megapixel resolution for outdoor use. The high resolution in conjunction with a smooth playback at up to 25 frames per second allows for accurate identification.



This ultra-compact camera is suitable thanks Bullet IP66 certified enclosure for outdoor use. To be able to adapt to changing light conditions quickly, the VBOF features an IR cut filter and IR illuminators with a range of up to 30 meters. By integrating a number of advanced standard functions, such as motion detection, tamper detection, and Power Over Ethernet 802.3af, the VBOF1-1 is the ideal solution for your request to an external monitor.

- Up to 2 megapixel resolution
- Angle of view: 73.1°(4mm lens)
- 3D DNR & DWDR & BLC
- Standard video compression with high compression ratio
- Progressive scan CMOS, capture motion video without incised margin
- Support dual stream, and the sub-stream for mobile surveillance
- Built-in IR illuminators up to 30 meters



Order-No. – P.U.

VALUE 1.3 MP Fix Bullet Network Camera, VBOF 1.1, IR-LED, PoE, 4mm lens (73.1 ° viewing angle), IP66 for outdoor use

21.99.1635 – 1

VALUE 2 MP Fix Bullet Network Camera, VBOF 2.1, IR-LED, PoE, 4mm lens (85 ° angle of view), IP66 for outdoor use

21.99.1636 – 1

VALUE Fixed Dome Network Cameras



The VALUE VDOF is a compact HD PoE Day / Night network camera with up to 1.3/2 megapixel resolution for indoor and outdoor use. The high resolution in conjunction with a smooth playback at up to 25 frames per second, allows for accurate identification.



This compact and vandal-resistant dome camera is IP66 and IK10 thanks certified housing suitable for outdoor use. To be able to adapt to changing light conditions quickly, the VDOF features an IR cut filter and IR illuminators with a range of up to 30 meters.

By integrating a number of advanced standard functions, such as motion detection, tamper detection, and Power Over Ethernet 802.3af, the VDOF is the ideal solution for your request to an external monitor.



Order-No. – P.U.

VALUE 1.3 MPx Fixed Dome Network Camera, VDOF 1.1, IR-LED, PoE, 2.8mm Lens (92.5 ° viewing angle), IP66 for indoor and outdoor use

21.99.1637 – 1

VALUE 2 MP Fixed Dome Network Camera, VDO F2-1, IR LED, PoE, 2.8mm lens (106 ° field of view), IP66 for indoor and outdoor use

21.99.1638 – 1

VALUE Cube Network Camera, WLAN



The VALUE VCIF1-1W is a compact 1 Megapixel HD PoE Day / Night network camera for indoor use. It is equipped with a 1-MP sensor, which enables smooth playback up to 25 fps and a resolution of 1280 x 720th This compact Cube camera can be * integrated into the existing network via a LAN cable or wireless.



To be able to adapt to changing light conditions quickly, the VCIF1-1W features an IR cut filter and IR illuminators with a range of up to 10 meters. In order to ensure a more accurate detection, the camera has a PIR sensor to detect motion at a distance of 10m.

* For wireless operation, a separate power supply (12V 1.5A) is required.

- Up to 3 megapixel (2048 X 1536 @ 20 fps) resolution
- Angle of view: 70°(4mm lens)
- 3D DNR & DWDR & BLC
- Standard video compression with high compression ratio
- Progressive scan CMOS
- Built-in Micro SD/SDHC/SDXC card slot, up to 64 GB
- Built-in IR illuminators up to 10 meters
- PIR detection (80° up to 10 meters)
- Two-way audio



Order-No. – P.U.

VALUE 1 MPx Cube Network Camera, VCF1-1W, IR LED, wireless, PoE, 2.8mm Lens (68 ° viewing angle), for indoor use

21.99.1639 – 1

VALUE Network Video Recorder with 4 Channels and 1 Hard Drive Bay



The VALUE VND0104P is a 4-channel network video recorder in desktop housing, making it suitable for table installations. The VND0104P has an integrated 4-port PoE switch and can allow the cameras directly supplied with electricity. For local Display an HDMI or VGA monitor can be connected to the complete operation and configuration is then performed using the mouse.

In this way, no additional PC is required for playback.

- 4 channels view & record NVR
- HDMI and VGA output at up to 1920 x 1080 resolution
- HDD quota and group management
- 1x RJ-45 10/100/1000 Mbps self-adaptive Ethernet interface
- 4 independent POE network interfaces for built-in switch (802.3af)
- Locking and unlocking record files
- Incoming bandwidth: 25Mbps
- 1x SATA interfaces for 1 HDD(Type 3.5)
- 2x USB 2.0 ports
- 19-inch rack-mounted 1U chassis

- Support network detection, including network delay, packet loss, etc.



Order-No. – P.U.

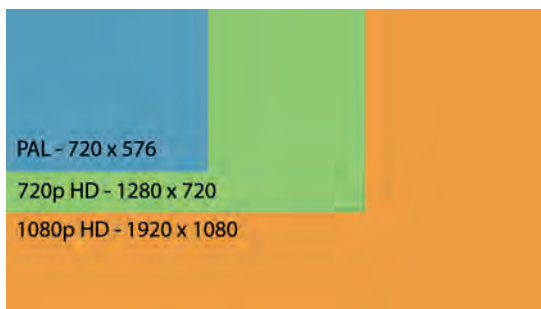
VALUE 4 Channel NVR with 4-Port PoE, VND0104P, Network Video Recorder with 4 Channels and 1 Hard Drive Bay, 4 Port PoE Switch, local VGA / HDMI video connector

21.99.1640 – 1

HD-TVI is Full HD 1080P via Coax Cable



The new HD-TVI Standard supports analog transmission of HD video recording at a resolution of 1080p over distances of up to 500m via coaxial cable or 200m when using a twisted pair cable. HD-TVI uses a low-frequency signal that is largely insensitive to electromagnetic interference, so that the transmission is very reliable. Since the data is not compressed, a real-time display in megapixel resolution is possible without latency. The HD-TVI technology is ideal for upgrading analog systems to HD, because existing facilities are simply taken over and thus investments can be protected in existing infrastructures.



Plug & Play via coax cable

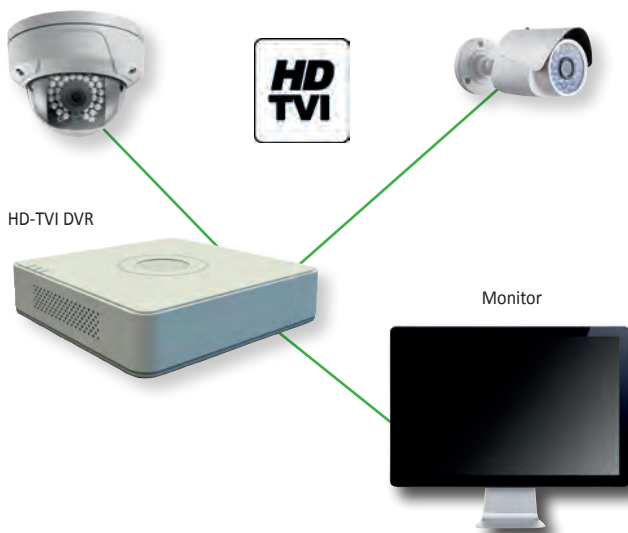
The adjustment of the OSD menu has never been so easy! Thanks to UTC technology all video and data signals can be transmitted via the coaxial cable, means no additional cables (RS485) are required – and via plug & play, everything can connect automatically. The result is exceptional flexibility and easy installation compared to conventional analogue systems: Users can now use existing facilities for the transmission of pictures in HD quality without making large investments.

High compatibility with tribrid-technology

The tribrid-technology of the new HD-TVI series offers seamless compatibility - a real revolution in the field of professional security monitoring. The HD-TVI DVRs can process video signals from analog, HD TVI-, CIF, WD and IP megapixel cameras and allow easy integration of different technologies. Thanks to auto-sensing everything goes automatically and the installation is a breeze. Users can now enjoy and take advantage of 1080p resolution without replacing existing equipment and infrastructure. This makes HD DVRs TVI your first choice for retrofitting existing systems.

Analogue Camera

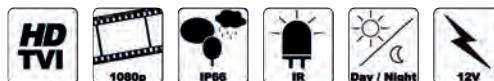
HD-TVI Camera



VALUE 1080p Bullet HD-TVI Camera



- Up to 2 megapixel (1920 × 1080) resolution
- HD-TVI video transmission via coaxial cable
- Viewing angle: 105.8° (2.8mm objectiv)
- Built-in IR Illuminators up to 20 meters
- Weather-proof IP66 rated housing
- Impact protection IK10
- OSD menu on UTC



Order-No. – P.U.

VALUE 1080p Bullet HD-TVI Camera VTBOF2-1

21.99.1641 – 1

VALUE 1080p Fixed Dome HD-TVI Camera



- Up to 2 megapixel (1920 × 1080) resolution
- HD-TVI video transmission via coaxial cable
- Viewing angle: 105.8° (2.8mm objectiv)
- Built-in IR Illuminators up to 20 meters
- Weather-proof IP66 rated housing
- Impact protection IK10
- OSD menu on UTC



Order-No. – P.U.

VALUE 2 MPx Fixed Dome HD-TVI Camera VTDOF2-1

21.99.1642 – 1

VALUE 1080p HD-TVI DVR Recorder



- 4 channels view & record HD-TVI Digital Video Recorder
- HDMI and VGA output up to 1920 x 1080 resolution
- HD-TVI video transmission via coaxial cable
- 1x RJ-45 10/100 Mbps adaptive Ethernet interface
- 1x SATA interfaces for 1 HDD (Type 3.5)
- 2x USB 2.0 ports



Order-No. – P.U.

VALUE 1080p HD-TVI DVRV, 4 Channels, with Local VGA/HDMI Conn. 21.99.1643 – 1

VALUE Gigabit PoE Injector



The VALUE Gigabit PoE Injector is a so-called PSE, a unit to supply power for e.g. surveillance cameras, and LAN devices such as access points, bridges and routers over Ethernet cable.

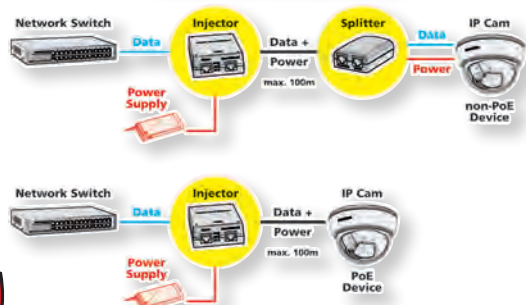
A PSE supplies the current together with the data in the network cable. It doesn't need no longer an additional own power supply of the device.

- Supply of data and power into the network cables
- Connectors: 1x RJ-45 port (Data In, Data input), 1x IEC power socket (Power In, input power supply), 1x RJ-45 port (Data & Power Out, output data

- and power)
- Compatible with 802.3af and 802.3at
- Power via PoE: up to 30W
- LED indicators for Power, Link / Act. and PoE
- Output voltage: 802.3af standard (46V-55V DC)
- Contents: Injector, manual



Power over Ethernet (PoE)



Order-No. – P.U.

VALUE Gigabit PoE Injector

21.99.1498 – 10

ROLINE Gigabit PoE Injector



The ROLINE Gigabit PoE Injector is a so-called PSE, a unit to supply power for e.g. surveillance cameras, and LAN devices such as access points, bridges and routers over Ethernet cable.

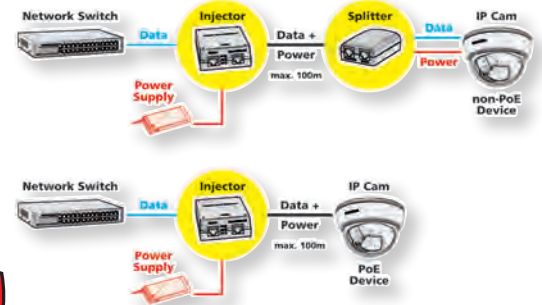
A PSE supplies the current together with the data in the network cable. It doesn't need no longer an additional own power supply of the device.

- Supply of data and power into the network cables
- Connectors: 1x RJ-45 port (Data In, Data input), 1x IEC power socket (Power In, input power supply), 1x RJ-45 port (Data & Power Out, output data and power)

- Compatible with 802.3af and 802.3at
- Power via PoE: up to 30W
- LED indicators for Power, Link / Act. and PoE
- Output voltage: 802.3af standard (46V-52V DC)
- Contents: Injector, manual



Power over Ethernet (PoE)



Order-No. – P.U.

ROLINE Gigabit PoE Injector

21.13.1199 – 6

ROLINE PoE Gigabit Injector



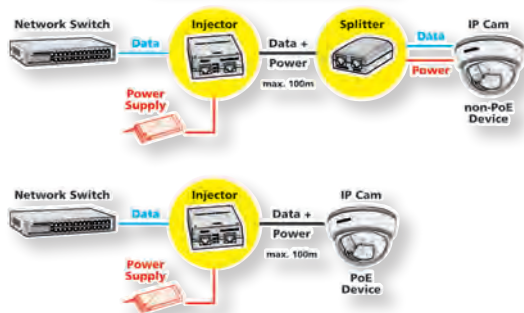
With this ROLINE Gigabit Ethernet PoE injector you can supply with power simultaneously 4 PoE-capable workgroup switches, network cameras, access points, IP phones, etc. via TP connecting cable

- Inputs: 4x 10/100/1000 ports for data
- Outputs: 4x 10/100/1000 ports for data and power
- Supports PoE IEEE 802.3af / at: Up to 30 W per port can be fed into the TP cable
- Power supply via terminal block or external DC power supply (48V to) 56V DC Port
- Weight: 190 g

- Dimensions (L x W x H): 94 x 62 x 20 mm
- Metal housing



Power over Ethernet (PoE)



Order-No. – P.U.

ROLINE PoE Gigabit Injector, 4 Ports

21.13.1198 – 1

ROLINE Gigabit PoE+ Extender



- 2 port Gigabit PoE extender designed for extending connection distance for another 100m on both ends via Cat-5e cable or better
- For covering longer distances by cascading multiple PoE extender together on a network
- No need any additional power supply
- LAN cable to power IEEE 802.3at compliant network accessories
- Features PoE awareness to verify whether the network device receive power is IEEE 802.3at compliant, or only the data will be sent through LAN cable
- No special networking cable required
- Input: 1x 10/100/1000 ports for data and power

- Output: 1x 10/100/1000 ports for data and power
- By adding PoE devices, it's possible to use an existing standard Cat.5e/6 Ethernet cable without a new electrical outlet for both power and data
- Supports PoE IEEE 802.3af/at
- Own power supply via PoE-consumption about 2W
- Metal enclosure- Wall mounting
- Contents: Power over Ethernet Injector (incl. power cable, 1.5 m), manual



Order-No. – P.U.

ROLINE Gigabit PoE+ Extender, 2 Port

21.13.1188 – 1

VALUE PoE Fast Ethernet Switch, 5 Ports (4x PoE)

Designed for small or medium network environment to strengthen its network connection. This product is compact in size, making it ideal for desktop users with limited space. The switch features 4 IEEE 802.3af Power over Ethernet (PoE) ports supplying up to 15.4 W per port. This product can convert standard 100~240V/AC power into low-voltage DC that runs over an existing LAN cable to power up IEEE 802.3af compliant network accessories like e.g. workgroupswitches, network-cameras, access points, IP-phones.

- 4x 10/100Mbit/s Fast Ethernet ports
- 4 ports are 802.3af-compliant PoE-enabled PSE ports
- Each port provides up to 15.4 W power
- Auto-MDI/MDIX
- Auto-negotiation
- Supports 802.3x flow control for full-duplex and backpressure for half-duplex
- Provides full wire speed forwarding
- Fanless design
- LED indicators
- Casing: metal
- Internal power supply
- Dimensions (LxWxH): 92 x 82 x 22 mm
- Contents: Switch, power cord, manual



Order-No. – P.U.

VALUE PoE Fast Ethernet Switch, 5 Ports, (4x PoE)

21.99.1196 – 1

VALUE 19" PoE Fast Ethernet Switch, 8 Ports

Designed for small or medium network environment to strengthen its network connection. This product is compact in size, making it ideal for desktop users with limited space. The switch features 4 IEEE 802.3af Power over Ethernet (PoE) ports supplying up to 15.4 W per port. This product can convert standard 100~240V/AC power into low-voltage DC that runs over an existing LAN cable to power up IEEE 802.3af compliant network accessories like e.g. workgroupswitches, network-cameras, access points, IP-phones.

- Each port provides up to 15.4 W power
- Auto-MDI/MDIX
- Auto-negotiation
- Supports 802.3x flow control for full-duplex and backpressure for half-duplex
- Provides full wire speed forwarding
- LED indicators
- Casing: metal
- Internal power supply
- Dimensions (LxWxH): 280 x 180 x 44 mm
- Content: Switch, power cord, manual



Order-No. – P.U.

VALUE PoE Fast Ethernet Switch, 8 Ports + 1 Gigabit Ethernet Combo Port

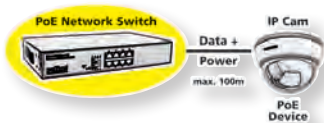
21.99.1197 – 1

ROLINE PoE Fast Ethernet Switch

The ROLINE PoE Fast Ethernet Switch is designed for small network environment to strengthen its network connection. It's also specially designed for video surveillance in buses, trains, subway cars and emergency vehicles. This product is compact in size, making it ideal for every user with limited space.

- Auto-MDI/MDIX, Auto-negotiation
- Casing: metal
- External power supply (40 W)

- 5x 10/100BaseTx ports, including 1x/4x PoE (Power over Ethernet) port
- PoE port 802.3af compliant
- PoE port(s) provides 48 VDC with up to 15.4 W power



Order-No. – P.U.

ROLINE PoE Fast Ethernet Switch, 5 Ports (1x PoE)

21.13.1190 – 2

ROLINE PoE Fast Ethernet Switch, 5 Ports (4x PoE)

21.13.1189 – 2

ROLINE PoE Fast Ethernet Switch, 130 W, 8 Ports

21.13.1191 – 2

ROLINE High Power PoE Splitter, 30W

- High power PoE splitter which integrates Power over Ethernet (PoE) technology to PoE incapable network device by just using a single Cat.5 cable for both power and data transaction
- For easier, cost-effective PoE network installation, the PoE splitter is the best solution to protect original investment.
- IEEE 802.3at and 802.3af compliance
- Support 10BASE-T, 100BASE-TX, and 1000BASE-T
- Support Alternative A or Alternative B PoE input over Cat.5
- Provide a power class selection DIP for demanding power from PSE

- Support Type 1 PSE classification (for power up to 13 Watts min.) and Type 2 PSE 2-event classification (for power up to 30 Watts)
- Regulated DC power output with four optional voltages
- Flexible mounting support, light weight and compact
- Metal housing
- Dimension: 73 x 85 x 24 mm



Order-No. – P.U.

ROLINE High Power PoE Splitter, 30W

21.13.1172 – 1



Switchboxes / Hubs

3

“Star” KVM Switches	3.02
19“Desktop” KVM Switches	3.03
19” KVM Switches	3.03 – 3.05
19” LCD KVM Switches	3.05
KVM DVI Dual Head Switches	3.06
KVM DisplayPort Switches	3.06
IP KVM / KVM Extenders	3.07, 3.09
KVM Switches with USB Hub	3.08 – 3.10
KVM DVI Switches / Extender	3.07, 3.08
KVM HDMI Switches	3.07, 3.08, 3.09, 3.10
KVM Gigabit Ethernet Extender	3.09
Manual USB Switches	3.10 – 3.11
USB 2.0 / 3.0 Hubs	3.11 – 3.14
USB 3.0 Hubs (Type C)	3.14

VALUE KVM Switch „Star“ 1 User - 2/4 PCs, VGA, USB

- Two/four PCs can be handled with one monitor, one keyboard and one mouse
- Console side Connector: 1x HD15 F, 2x USB Type A
- Switching can be done by several ways:
 - Hot keys (keyboard combination)
 - Manual switching with direct-access port selectors on top of the switch
- Max. resolution: 1920 x 1200 @ 75Hz
- LEDs for easy status monitoring
- USB bus powered
- No firmware or drivers required for Windows



Value®

Technical Data:	14.99.3261	14.99.3267
Monitor connection:	1x HD15 F	1x HD15 F
Keyboard connection:	1x USB Type A F*	1x USB Type A F*
Mouse connection:	1x USB Type A F*	1x USB Type A F*
PC monitor connection:	2x HD15 M*	4x HD15 M*
PC keyboard connection*:	1x USB Type A F*	-
PC mouse connection*:	1x USB Type A F*	-
PC mouse and keyboard*:	-	4x USB Type A M*
Max. resolution (nominal):	1024 x 768	1920 x 1440
Casing:	Plastic	Plastic

*attached moulded Cables

Order-No. – P.U.

VALUE KVM Switch „Star“ 1 User - 2 PCs, VGA, USB A 14.99.3261 – 5

VALUE KVM Switch „Star“ 1 User - 4 PCs, USB B 14.99.3267 – 5

ROLINE KVM Switch „Star“ 1 User - 2 PCs, Audio, USB

One USB keyboard, USB mouse and
VGA monitor controls two computers

- Automatic KVM-Switch with attached moulded cables
- Computer selection via hot key
- Easy to install, no software required
- Keyboard, mouse and monitor emulation
- Audio (speaker) enabled
- LEDs for easy status monitoring
- No power supply needed
- Contents: Switch with 2 integrated KVM cables (each 1.1 m)
- Contents: Switch, manual



Technical data:	14.01.3234
PC Monitor connection:	1x VGA
PC Keyboard / Mouse connection:	2x USB Type A
Audio connection:	2x 3.5 mm stereo plug
Keyboard/mouse emulation:	yes
Max. resolution (nominal):	1920 x 1080

roline®
Designed for Professionals

Order-No. – P.U.

ROLINE KVM Switch „Star“ 1 User - 2 PCs, Audio, USB

14.01.3234 – 3

VALUE KVM Switch „Star“ 1 User - 2 PCs, USB, DVI, Audio

- Controls two computers from a single console (USB keyboard, DVI monitor, USB mouse)
- Switch with two attached KVM cables (each 1.2 m)
- Max. resolution (nominal): 1920 x 1080 @ 60Hz
- Connectors console side: 1x DVI, 2x USB, 2x 3.5mm audio plug
- Connectors computer side: 2x DVI, 2x USB, 4x 3.5mm audio plug
- Supports independent audio switching
- Easy switching by push buttons or hot keys; auto scan function
- Keyboard and mouse emulation
- LED display for PC status monitoring
- Hot-swapping and plug & play
- Bus powered
- Supports Windows 98SE/ME/2000/XP/2003 Server/Vista
- Contents: Switch with attached KVM cables (each 1.2 m), manual



Technical Data:	14.99.3259
Monitor connection:	1x DVI-I F
Keyboard connection:	1x USB Type A F
Mouse connection:	1x USB Type A F
Audio connection:	2x 3.5 mm stereo plug
PC monitor connection*:	2x DVI M
PC keyboard/mouse connection*:	2x USB Type A M
PC audio connection*:	4x 3.5 mm stereo plug*
Max. resolution (nominal):	1920 x 1080
Casing:	Plastic

*attached moulded Cables

Value®

Order-No. – P.U.

VALUE KVM Switch „Star“, 1 User - 2 PCs, USB, DVI, Audio

14.99.3259 – 5

VALUE KVM Switch „Star“ 1 User - 2 PCs, DVI / HDVideo, USB

This 2-port USB KVM Star switch employs HDMI display technology for use with high definition digital monitors and HDTVs. With integrated digital audio, it also allows users to experience high-definition sound.

- Controls 2 computers from a single USB console (keyboard/mouse)
- Supports HD audio
- Easy switching by push buttons or hot keys from USB keyboard
- Supports Auto-Scan function
- Max. resolution (nominal): 1920 x 1200
- Connectors console side: 1x DVI (display interface), 2x USB (keyboard, mouse)
- Connectors computer side: 2x HD (display interface), 2x USB (keyboard/mouse)
- LEDs for PC and audio status monitoring
- Hot-swapping and plug & play
- Self powered through USB connection
- Contents: Switch with KVM cables (each 1.3 m), manual, power supply



Technical data:	14.99.3256
Monitor connection:	1x HDVideo F
Keyboard connection:	1x USB Type A F
Mouse connection:	1x USB Type A F
PC monitor connection:	2x HDVideo F
PC keyboard/mouse connection:	2x USB Type A M
Max. resolution (nominal):	1920 x 1200
Dimensions:	65 x 85 x 25 mm
Weight:	330 g

Value®

Order-No. – P.U.

VALUE KVM Switch „Star“, 1 User - 2 PCs, DVI / HDVideo, USB

14.99.3256 – 3

VALUE KVM Switch, 1 User - 2/4 PCs, DVI, USB, Audio

- Automatic KVM Switch
- Up to 2/4 PCs can be used with only one Keyboard (USB), one mouse (USB) and one monitor (DVI-I)
- PC side connectors: 2x/4x DVI F, 2x/4x USB Type B, 2x 3.5 mm Stereo Jack
- Console side connectors: 1x DVI F, 2x USB Type A, 2x 3.5 mm Stereo Jack
- The switching can be done on several ways:
 - Automatically in a scan run
 - Manually by buttons on front side of switchbox
 - Hot key (keyboard combination)
- Fully compliant with USB 1.1
- LEDs for easy status monitoring
- Contents: KVM Switch, manual, cables



Technical Data:

Monitor connection:	1x DVI F	1x DVI F
Keyboard connection:	1x USB Type A F	1x USB Type A F
Mouse connection:	1x USB Type A F	1x USB Type A F
Audio connection:	2x 3.5mm Stereo Jack	2x 3.5mm Stereo Jack
PC monitor connection:	2x DVI (DVI-I) F	4x DVI (DVI-I) F
PC connection:	2x USB Type B F	4x USB Type B F
Max. resolution (nominal):	2560x1600	2560x1600
PC audio connection:	1x 3.5mm Stereo Jack	1x 3.5mm Stereo Jack
Casing:	Metal	Metal

Order-No. – P.U.

VALUE KVM Switch, 1 User - 2 PCs, DVI, USB, Audio	14.99.3246 – 10
VALUE KVM Switch, 1 User - 4 PCs, DVI, USB, Audio	14.99.3247 – 8

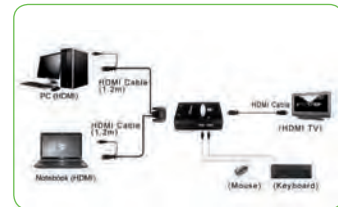
VALUE KVM Switch „Star“, 1 User - 2 PCs, HDMI, USB

This 2-port USB KVM Star switch employs HDMI display technology for use with high definition digital monitors and HDTVs.

- Contents: Switch with KVM cables (each 1.2 m), manual



- Controls 2 computers from a single USB console (keyboard/mouse)
- Easy switching by push buttons or hot keys from USB keyboard
- Supports Auto-Scan function
- Max. resolution (nominal): 1920 x 1200
- Connectors console side: 1x HDMI, 2x USB (keyboard, mouse)
- Connectors computer side: 2x HDMI, 1x USB (keyboard/mouse)
- LEDs for PC and audio status monitoring
- Hot-swapping and plug & play
- Self powered through USB connection



Technical data:

Monitor connection:	1x HDVideo F
Keyboard connection:	1x USB Type A F
Mouse connection:	1x USB Type A F
PC monitor connection:	2x HDVideo F
PC keyboard/mouse connection:	2x USB Type A M
Max. resolution (nominal):	1920 x 1200
Dimensions:	65 x 85 x 25 mm
Weight:	330 g



Order-No. – P.U.

VALUE KVM Switch „Star“, 1 User - 2 PCs, HDMI, USB	14.99.3250 – 6
--	----------------

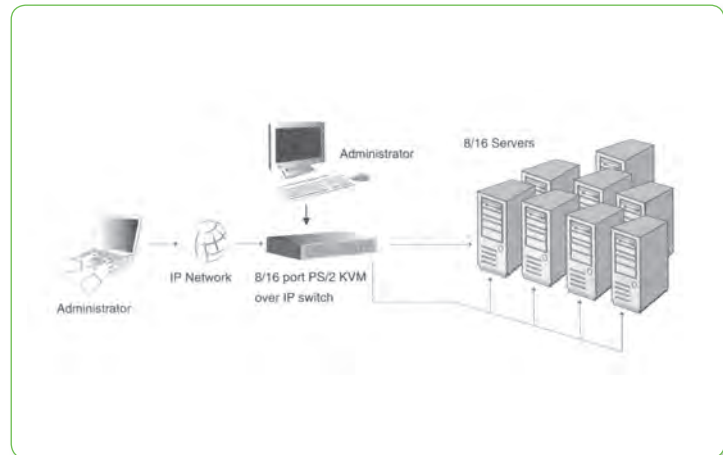
VALUE 19“ KVM Switch with OSD, 1 User - 8 PCs, VGA, USB

- Up to 8 PCs can be handled with one keyboard, one mouse and one monitor
- The switching can be done on several ways:
 - Manually by buttons on the front side of the switchbox
 - Hot key (keyboard combination)
 - Through OSD (On Screen Display)
- Max. resolution (nominal): 1920 x 1440
- Cascadable
- 19“ rack mountable
- Remark: For connecting PCs special cable 11.99.5503 (3 m length, with HD15 and USB) has to be ordered separately
- Contents: Switch, power supply, 19“ brackets, manual



Technical data:

Monitor VGA-connection:	1x HD 15-pin F
Keyboard connection:	1x USB type A / PS/2
Mouse connection:	1x USB type A / PS/2
PC-connection:	8x SPHD 15-pin F
Housing:	metal
Dimensions:	438 x 170 x 44 mm
Height:	1 U
Power supply:	9 VDC 1 A
Power supply output	-



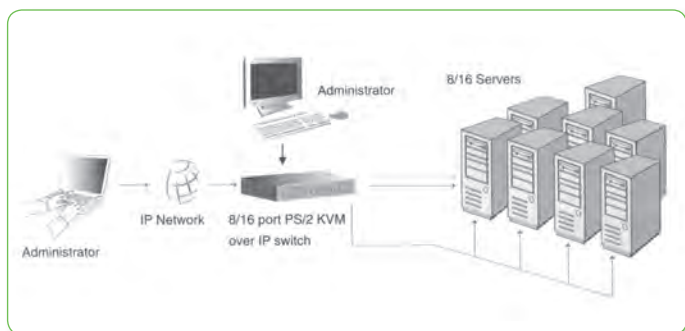
Order-No. – P.U.

VALUE 19“ KVM Switch with OSD, 1 User - 8 PCs, VGA, USB	14.99.3214 – 2
VALUE KVM Cable USB, VGA + USB for 14.99.3214/15, 3 m	11.99.5503 – 10

VALUE 19" KVM Switch with OSD, PS/2+USB

- Automatic KVM Switch
- Up to 8/16 PCs can be handled with one keyboard, one mouse and one monitor
- The switch is cascadable, up to 64/128 PCs can be handled with one keyboard, mouse and one monitor
- The switching can be done on several ways:
 - Automatically in a scan run (Scan Interval adjustable: 5- 99 sec.)
 - Manually by buttons on front side of the switchbox
 - Hot key (keyboard combination)
 - Through OSD (On Screen Display)
- Max. resolution (nominal): 1280 x 1024 (local unit); 1024 x 786 (remote unit with optional IP module)
- Hot-swappable function
- LEDs for channel display
- 19"-rack mountable
- Remote control over standard IP connection: Supports an optional remote console over VALUE IP Module (please order 14.99.3030 separately)
- Remark: For connecting PCs, special cables are needed, that have to be ordered separately (3 m length, USB: 11.99.5501; 3 m length, PS/2: 11.99.5502)
- Contents: KVM switch, power supply, 19" brackets, manual

REMARK: Product similar to picture

Technical Data:	14.99.3222	14.99.3223
Monitor connection:	1x HD15 F	1x HD15 F
Keyboard connection:	1x USB Type A F	1x USB Type A F
Mouse connection:	1x USB Type A F	1x USB Type A F
PC connection:	8x SPHD15 F	16x SPHD15 F
Casing:	Metal	Metal
Dimensions (WxDxH):	448 x 190 x 44 mm	448 x 190 x 44 mm
Height:	1 U	1 U
Power supply:	5V DC, 1A	5V DC, 1A

Order-No. – P.U.

VALUE 19" KVM Switch with OSD, 1 User - 8 PCs, PS/2+USB	14.99.3222	- 2
VALUE 19" KVM Switch with OSD, 1 User - 16 PCs, PS/2+USB	14.99.3223	- 2
VALUE IP Module for KVM Switch 14.99.3222/14.99.3223	14.99.3030	- 1
VALUE KVM Cable (USB) for 14.99.3222/.3223, black, 3.0 m	11.99.5501	- 8
VALUE KVM Cable (PS/2) for 14.99.3222/.3223, black, 3.0 m	11.99.5502	- 8

VALUE 19" LCD KVM Consoles & Switches

The professional solution for server management.

VALUE 19" consoles:

- The VALUE 19" LCD consoles combine the function of a keyboard, a touchpad and a 43 cm TFT together in a 1 U casing for a 19" rack
- Easy to install, single rail design
- Supports USB and PS/2 keyboard and mouse, VGA
- For an installation depth of 63 cm

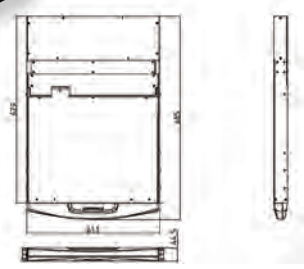
Monitor data 43/48 cm

- Panel protected by tempered glass
- Active 43/48 cm matrix TFT display
- Screen ratio: 4:3
- Max. resolution (nominal): 1920 x 1080 Pixel

- Contents:
Console, rails with mounting accessories, rack mount brackets, keys, KVM cable (HDDB-15/VGA + 2x PS/2, 1.8m), USB cable, power supply, power cord, CD with manual, quick installation guide

VALUE 19" KVM switches

- Additional to 19" LCD KVM Consoles
- Up to 8 PCs can be controlled with one keyboard, one mouse and one monitor
- Supports both PS/2 and USB interface for connecting to PC ports conveniently
- No software required- easy PC selection via On Screen Display (OSD), push buttons, hot-keys
- Hot-pluggable- add or remove connected PCs without powering off the KVM switch or PCs
- Contents: switch, rails with mounting accessories, rack mount brackets, KVM cable (HDDB-15/VGA + 1x USB + 2x PS/2, 1.8m), power adapter, power cord, CD with manual, quick installation guide



Order-No. – P.U.

VALUE 19" LCD KVM Console, 43 cm (17") TFT, VGA, USB + PS/2, UK	26.99.0100	- 1
VALUE 19" LCD KVM Console, 43 cm (17") TFT, VGA, USB + PS/2, German	26.99.0101	- 1
VALUE 19" LCD KVM Console, 43 cm (17") TFT, VGA, USB + PS/2, Swiss	26.99.0102	- 1
VALUE 19" LCD KVM Console, 43 cm (17") TFT, VGA, USB + PS/2, French	26.99.0103	- 1
VALUE 19" LCD KVM Console, 48 cm (19") TFT, VGA, USB + PS/2, UK	26.99.0110	- 1
VALUE 19" LCD KVM Console, 48 cm (19") TFT, VGA, USB + PS/2, German	26.99.0111	- 1
VALUE 19" LCD KVM Console, 48 cm (19") TFT, VGA, USB + PS/2, Swiss	26.99.0112	- 1
VALUE 19" LCD KVM Console, 48 cm (19") TFT, VGA, USB + PS/2, French	26.99.0113	- 1
VALUE 19" LCD KVM Switch 1 User - 8PCs, 43 cm (17") TFT (4:3), VGA, USB + PS/2, UK	26.99.0170	- 1
VALUE 19" LCD KVM Switch 1 User - 8PCs, 43 cm (17") TFT (4:3), VGA, USB + PS/2, D	26.99.0171	- 1
VALUE 19" LCD KVM Switch 1 User - 8PCs, 43 cm (17") TFT (4:3), VGA, USB + PS/2, CH	26.99.0172	- 1
VALUE 19" LCD KVM Switch 1 User - 8PCs, 43 cm (17") TFT (4:3), VGA, USB + PS/2, F	26.99.0173	- 1
VALUE 19" LCD KVM Switch 1 User - 8PCs, 48 cm (19") TFT (4:3), VGA, USB + PS/2, UK	26.99.0180	- 1
VALUE 19" LCD KVM Switch 1 User - 8PCs, 48 cm (19") TFT (4:3), VGA, USB + PS/2, D	26.99.0181	- 1
VALUE 19" LCD KVM Switch 1 User - 8PCs, 48 cm (19") TFT (4:3), VGA, USB + PS/2, CH	26.99.0182	- 1
VALUE 19" LCD KVM Switch 1 User - 8PCs, 48 cm (19") TFT (4:3), VGA, USB + PS/2, F	26.99.0183	- 1

ROLINE 19" LCD KVM Consoles

The professional solution for server-management.

ROLINE 19" consoles:

- The ROLINE 19" LCD Console combines the function of a keyboard, a touchpad and a 43 cm/48 cm TFT together in a 1 U casing for a 19" rack
- For an installation depth of 63 to 90 cm
- Keyboard layout: English (UK)

- Technical particularity of the ROLINE consoles: Dual rail design for independent panel and keyboard drawer. Panel can be left open while rack door is closed, so that it can e.g. be used as a surveillance monitor.

Monitor data:

- Panel protected by tempered glass
- Active 43 cm/48 cm matrix TFT display
- Max. resolution (nominal): 1280 x 1024 Pixel (4:3 Format) or 1920 x 1080 Pixel (DVI, 4:3 Format) 1440 x 900 Pixel (16:10 Format)
- Refresh rate: up to 80 KHz
- Contrast: 400:1
- Brightness: 250 cd/m²

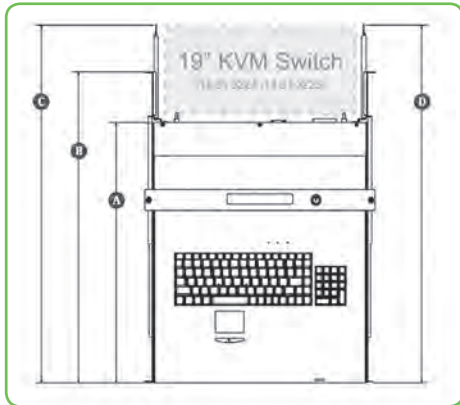
- Contents: Console, rails with mounting accessories, rack mount brackets, keys, KVM cable (HDDB-15/VGA + 2x PS/2, 1.8 m), USB cable, power supply, power cord, CD with manual, quick installation guide

ROLINE 19" KVM Switches:

- For combination with the ROLINE 19" LCD KVM Consoles
- Up to 8/16 PCs can be controlled with one keyboard, one mouse and one monitor
- Supports both PS/2 and USB interface for connecting to PC ports conveniently
- No software required- easy PC selection via On Screen Display (OSD), push buttons, hot-keys
- Hot-pluggable- add or remove connected PCs without powering off the KVM switch or PCs
- Support two layers password security protection and search PC server name
- Keyboard status restored when switching PCs
- Please find adequate Cat. 5 and IP modules on the following pages

- **Remark:** Please order KVM cables separately:
Cable for PS/2: 11.01.5521, 11.01.5522
Cable for USB: 11.01.5525, 11.01.5526

- Contents: Switch, installaion brackets, screws, manual



roline[®]
Designed for Professionals

Dimensions (mm)

	A	B	C	D
ROLINE 19" KVM Console, 43 cm (26.50.008x)	460	560 – 870	640	640
ROLINE 19" KVM Console, 48 cm (26.50.020x / 030x)	530	635 – 950	730	730

Legend:

- A – Installation depth of console
- B – Distance of 19" cabinet's vertical posts
- C – Installation depth of console with switch (14.01.3224/5)
- D – Length of rails



	Order-No. – P.U.
ROLINE 19" LCD KVM Console, 43 cm (17") TFT, VGA, USB + PS/2, UK	26.50.0081 – 1
ROLINE 19" LCD KVM Console, 43 cm (17") TFT, VGA, USB + PS/2, German	26.50.0082 – 1
ROLINE 19" LCD KVM Console, 43 cm (17") TFT, VGA, USB + PS/2, Swiss	26.50.0083 – 1
ROLINE 19" LCD KVM Console, 43 cm (17") TFT, VGA, USB + PS/2, French	26.50.0084 – 1
ROLINE 19" LCD KVM Console, 48 cm (19") TFT, VGA, USB + PS/2, UK	26.50.0201 – 1
ROLINE 19" LCD-KVM Console, 48 cm (19") TFT, VGA, USB + PS/2, German	26.50.0202 – 1
ROLINE 19" LCD-KVM Console, 48 cm (19") TFT, VGA, USB + PS/2, Swiss	26.50.0203 – 1
ROLINE 19" LCD-KVM Console, 48 cm (19") TFT, VGA, USB + PS/2, French	26.50.0204 – 1
ROLINE 19" LCD KVM Console, 43 cm (17") TFT, DVI-I, USB + PS/2, UK	26.50.0301 – 1
ROLINE 19" LCD KVM Console, 43 cm (17") TFT, DVI-I, USB + PS/2, D	26.50.0302 – 1
ROLINE 19" LCD KVM Console, 43 cm (17") TFT, DVI-I, USB + PS/2, CH	26.50.0303 – 1
ROLINE 19" LCD KVM Console, 43 cm (17") TFT, DVI-I, USB + PS/2, French	26.50.0304 – 1
ROLINE 19" KVM Switch VGA, 1 User - 8 PCs, USB + PS/2	14.01.3224 – 2
ROLINE 19" KVM Switch VGA, 1 User - 16 PCs, USB + PS/2	14.01.3225 – 2
ROLINE KVM Cable Switch - PC, PS/2 for 14.01.3224 and 14.01.3225, 1.8 m	11.01.5521 – 8
ROLINE KVM Cable Switch - PC, PS/2, 3.0 m, for 14.01.3224 and 14.01.3225	11.01.5522 – 4
ROLINE KVM Cable Switch - PC, USB, 1.8 m, for 14.01.3224 and 14.01.3225	11.01.5525 – 8
ROLINE KVM Cable Switch - PC, USB, 3.0 m, for 14.01.3224 and 14.01.3225	11.01.5526 – 4



ROLINE Dual Head KVM Switch, 1 User - 2/4 PCs, DVI, Audio

- Supports DVI dual head graphic cards
- Controls two computers with one USB keyboard, USB mouse and two/four DVI monitors
- Audio function (speaker, microphone)
- Supports DVI-D Single Link
- Max. resolution (nominal): up to 1920 x 1200
- Front panel push buttons, keyboard hot-keys or mouse (optional) for easy computer selection
- Auto scan function with selectable scan time interval
- Auto skip for inactive ports
- Easy to install- no software required
- Hot-pluggable
- Supported Operating Systems: Windows, Mac
- Contents: Switch, power supply, manual



roline
Designed for Professionals

Technical data:

Monitor connection:

Keyboard/mouse connection:

Audio connection:

PC monitor connection:

PC keyboard/mouse connection:

PC audio connection:

Max. resolution (nominal):

Dimensions (WxDxH):

Power supply:

14.01.3361

2x DVI F

2x USB type A F

2x 3.5 mm F

4x DVI F

2x USB type B F

4x 3.5 mm F

1920 x 1200

42 x 200 x 80 mm

9 VDC, 1 A

14.01.3362

2x DVI F

2x USB type A F

2x 3.5 mm F

8x DVI F

4x USB type B F

8x 3.5 mm F

1920 x 1200

44 x 340 x 114 mm

9 VDC, 1 A

Order-No. – P.U.

ROLINE Dual Head KVM Switch, 1 User - 2 PCs, DVI, Audio

14.01.3361 – 2

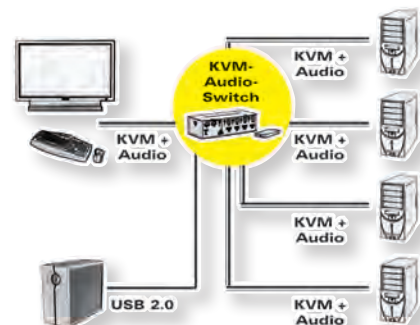
ROLINE Dual Head KVM Switch, 1 User - 4 PCs, DVI, Audio

14.01.3362 – 2

VALUE KVM Switch, 1 User - 4 PCs, HDMI 4K2K, USB, Audio, USB Hub



- 4-port KVM switch with HDMI, USB and USB hub
- One console controls up to 4 HDMI graphic PCs and one additional USB device
- Integrated 1-port USB 2.0 hub
- Microphone support
- Fully compliant with HDMI High Speed
- Supports nominal 480p, 720p, 1080i and 1080p; 3840x2160 (30Hz)
- 3D capable
- Switching via front panel push buttons or IR remote control
- Keyboard and mouse emulation
- Supports Windows 98SE/ME/2000/XP/Vista/7/8
- Contents: Switch, power supply, remote control, manual



Technical data:

Monitor connection:

Keyboard connection:

Mouse connection:

Audio connection:

PC monitor connection:

PC keyboard/mouse connection:

PC audio connection:

Dimensions (WxDxH):

14.99.3337

1x HDMI F

1x USB Type A

1x USB Type A

1x 3.5 mm audio jack

4x HDMI F

4x USB Type B

4x 3.5 mm audio jack

46.5 x 170 x 75 mm

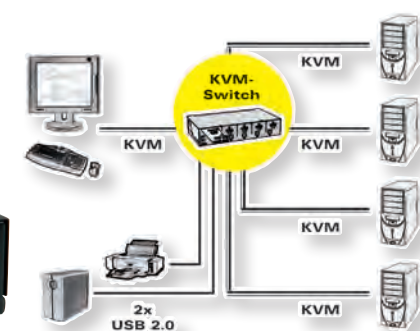
Order-No. – P.U.

VALUE KVM Switch, 1 User - 4 PCs, HDMI 4K2K, USB, Audio, USB Hub

14.99.3337 – 5

ROLINE KVM Switch, 1 User - 2/4 PCs, DisplayPort, with USB Hub

- Control 2/4 computers from a single USB console (DisplayPort monitor, USB mouse and keyboard)
- Supports DisplayPort with a resolution up to 2560 x 1600
- Integrated 1-port USB 2.0 hub allows 2/4 computers to share a USB device
- Front panel push button or hot-key function for easy computer selection
- No software required
- Supports Windows
- Contents: KVM switch, power supply, manual



Technical data:

Monitor connection:

Keyboard/mouse connection:

PC monitor connection:

PC keyboard/mouse connection:

Dimensions (WxDxH):

Max. resolution (nominal)

Dimensions (HxWxD)

14.01.3327

1x DP F

2x USB type B F

2x DP F

2x USB type B F

40 x 125 x 70 mm

1920 x 1200

40 x 125 x 70 mm

14.01.3329

1x DP F

2x USB type B F

4x DP F

4x USB type B F

44 x 220 x 130 mm

1920 x 1200

44 x 220 x 130 mm

Order-No. – P.U.

ROLINE KVM Switch, 1 User - 2 PCs, DisplayPort, with USB Hub

14.01.3327 – 4

ROLINE KVM Switch, 1 User - 4 PCs, DisplayPort, with USB Hub

14.01.3329 – 1

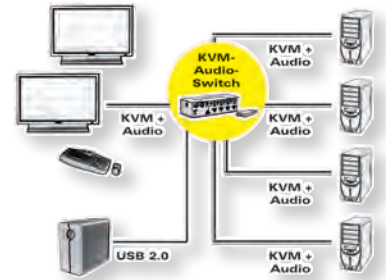
roline
Designed for Professionals



VALUE KVM Switch, 1 User - 4 PCs, HDMI, USB, Audio, USB Hub, Matrix



- Can be used as a 4 in to 2 out Matrix Switch with keyboard / Mouse support
- The 2 HDMI output ports can be from the same or different sources (matrix functionality)
- 4-port KVM switch with HDMI, USB and USB hub
- One console controls up to 4 HDMI graphic PCs and one additional USB device
- Integrated 1-port USB 2.0 hub
- Fully compliant with HDMI High Speed
- Supports nominal 480p, 720p, 1080i and 1080p; 1920x1200
- 3D capable
- Switching via front panel push buttons or IR remote control
- Keyboard and mouse emulation
- Supports Windows XP/Vista/7/8
- Contents: Switch, power supply, remote control, manual



Technical data:	14.99.3340
Monitor connection:	2x HDMI F
Keyboard connection:	1x USB Type A
Mouse connection:	1x USB Type A
Audio connection:	1x 3.5 mm audio jack
PC monitor connection:	4x HDMI F
PC keyboard/mouse connection:	4x USB Type B
PC audio connection:	4x 3.5 mm audio jack
Dimensions (WxDxH):	171 x 75.5 x 46.5 mm
Power supply output	5V 1A

Order-No. – P.U.

VALUE KVM Switch, 1 User - 4 PCs, HDMI, USB, Audio, USB Hub, Matrix 14.99.3340 – 5

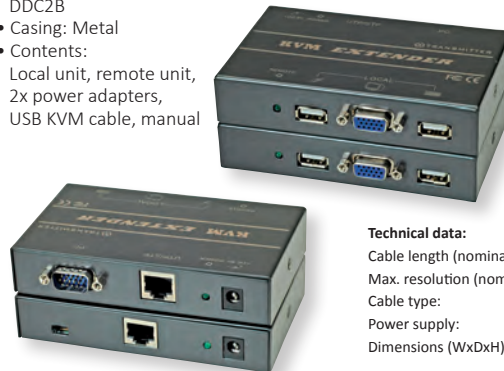


VALUE KVM Extender over Cat. 5, VGA, USB

USB KVM extender allows access to a computer system from up to 150 meters away from a remote USB console (USB keyboard, monitor and USB mouse).

- USB KVM extender allows access to a computer system from up to 150 meters away from a remote USB console (USB keyboard, mouse and VGA monitor)
- One Cat.5e cable connects the local and remote unit- up to 150 m away
- Dual console operation- control your system from both the local and remote console
- Max. video resolution (nominal): 1280 x 1024

- Auto resolution of the active console
- Supports VGA, SVGA
- Local monitor supports DDC, DDC2, DDC2B
- Casing: Metal
- Contents: Local unit, remote unit, 2x power adapters, USB KVM cable, manual



Technical data:	14.99.3328
Cable length (nominal):	up to 150 m
Max. resolution (nominal):	1280 x 1024 (depends on cable length)
Cable type:	Cat.5e TP cable
Power supply:	5 VDC, 1 A
Dimensions (WxDxH):	82 x 25 x 13 mm

Connectors:	remote unit	local unit
Monitor:	1x HD 15-pin F	1x HD 15-pin F
Mouse/keyboard:	2x USB type A F	2x USB type A F
PC connection:	1x HD 15-pin F	1x HD 15-pin F

Order-No. – P.U.

VALUE VGA KVM Extender over RJ-45, USB 14.99.3328 – 5



VALUE KVM Extender over Cat.5, DVI/VGA, USB

KVM extension over up to 150 m

- Supports DVI with high resolution video up to 1920 x 1200 (WUXGA), 1920 x 1080 (Full HD)
- Extends IR control by the Cat.5 connection
- For professional A/V applications
- Audio output on the remote unit
- No drivers, no software required
- Stable, metal housing
- 2x external power supplies
- Console unit connectors: Monitor: 1x DVI; keyboard/mouse: 2x USB A; audio: 1x MIC, 1x speaker; 1x RJ-45
- Computer unit connectors: Monitor: 2x DVI; keyboard/mouse: 2x USB A; audio: 1x MIC, 1x speaker; 1x RJ-45, 1x USB B

- Contents: Local unit, remote unit, 2x DVI/VGA adapter, 2x power supply, manual



Technical data:	14.99.3040
Cable length (nominal):	up to 150 m
Max. resolution (nominal):	1920 x 1200 (WUXGA)
Cable type:	Cat.5e TP cable
Dimensions (HxWxD):	36 x 180 x 90 mm

Connectors:	remote unit	local unit
Monitor:	1x DVI F	2x DVI F
Mouse/keyboard:	2x USB Type A F	2x USB Type A F
		1x USB Type B F
Audio:	3.5mm 1x MIC, 1x speaker	3.5mm 1x MIC, 1x speaker

Order-No. – P.U.

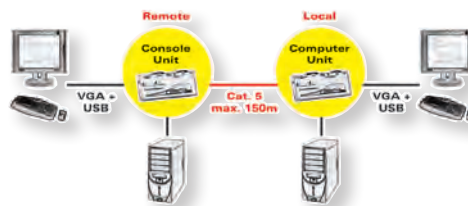
VALUE KVM Extender over Cat.5, DVI/VGA, USB, 150 m 14.99.3040 – 2



ROLINE Smart KVM Extender, VGA, USB

Smart combination of KVM Extender, KVM Switch and PC Share

- Remotely locates the keyboard, mouse and monitor up to 150 m away from a computer
- Connection of the Computer Unit and Station Unit via Cat. 5e TP cable
- Supports USB consoles
- Video compensation can be adjusted by hot key to ensure the optimum signal quality for any length of cable within the limit
- Locates the computer away from your desk and work area, saving you valuable space
- Allows two users to share one computer both in local and remote areas
- Beeps confirmation for key control makes the operation easier and cross-checked
- Easy installation
- Supports standard USB keyboards and mice
- Compatible with XGA, VGA and SVGA system
- Contents: Local unit with power supply unit, remote unit, manual



Example of use: ROLINE KVM extension for remote operation of a workplace. The system provides a local, and a remote unit to connect another console. This can be operated via a Cat5 cable with remote VGA and USB control unit. Up to 150 m away from the PC, the console can be placed in convenient access while the PC is installed themselves in a safe environment.

roline[®]
Designed for Professionals

Order-No. – P.U.

ROLINE Smart KVM Extender, VGA, USB

14.01.3249 – 6

Technical Data:

Max resolution (nominal):

14.01.3249

1024 x 768

(depends on cable length)
(recommended:
solid wire AWG24)

Cable type:

Cat.5e TP cable

Cable length:

up 150 m

Power supply for local unit:

9V DC, 600mA

Dimensions (each WxDxH):

156 x 65 x 20 mm

Connections:

Local Unit

Remote Unit

Monitor:

1x HD15 F

1x HD15 F

Mouse/keyboard:

1x USB F

1x USB F

PC connection:

1x SPHD15 F

1x SPHD15 F

ROLINE KVM Extender over Cat.5, DVI, USB

KVM extension over up to 100 m

- Supports DVI with high resolution video up to 1600 X 1200 (UXGA), 1920 x 1200 (WUXGA), 1920 x 1080 (Full HD)
- Ability to extend IR control through the Cat.5 connection
- Supports PS/2 and USB PC or KVM
- Ideal for professional audio/video applications
- Audio output on the remote unit
- No drivers needed or software required
- Stable, metal housing
- Power supplied by a single power supply unit
- Console unit connectors: Monitor: 1x DVI; keyboard/mouse: 2x USB A; audio: 1x MIC, 1x speaker; 1x RJ-45
- Computer unit connectors: Monitor: 1x DVI; keyboard/mouse: USB + PS/2 (Y-cable included); audio: 1x MIC, 1x speaker; 1x RJ-45
- Contents: Local unit, remote unit, 1x power supply, manual



roline[®]
Designed for Professionals

Order-No. – P.U.

ROLINE KVM Extender over Cat.5, DVI, USB, 100 m

14.01.3040 – 1

Technical data:

Cable length (nominal):

14.01.3040

up to 100 m

(depends on cable length)

Max. resolution (nominal):

1920 x 1080 /
1600 x 1200 (UXGA)

Cable type:

Cat.5e TP cable

Power supply:

12VDC; 1.0A

Dimensions (HxWxD):

27 x 131 x 130 mm

Connectors:

remote unit

local unit

Monitor:

1x DVI F

1x DVI F

Mouse/keyboard:

2x USB Type A F

USB Type B F

ROLINE KVM Extender over Cat.5, HDMI, USB

4K2K

- Ideal for KVM extension, applications of AV extension, interactive digital signage
- No software or driver required
- Plug & play
- Extend transmission up to 70m at Full HD 1080p, and 40m at 4K/2K @30Hz
- HDTV compatible (720p, 1080i, 1080p, 4K/2K)
- HDCP & EDID compliant pass-through
- Support CEC and auto-equalization
- Supports High Definition Audio (HD) Surround Sound Supports; triple Audio Line Outs (S/PDIF on TOSLINK / S/PDIF on RCA / Stereo on Earphone Jack)
- Bi-directional IR extension
- Supports HDMI local loopback in Transmitter (TX) box
- Bracket mountable
- Power supply unit included

Technical specifications:

- Max resolution (nominal): 3840 x 2160 (4K2K @30Hz)
- Dimensions: 31 x 131 x 150 mm
- Power supply: 5V DC; 2A

- Connectors:
Transmitter: 2x HDMI socket, 2x USB Type A female, 1x USB type B connector female, 1x RJ-45 socket (LAN)
Receiver: 1x HDMI socket, 2x USB Type A female, 1x RJ-45 socket (LAN), 3x Audio Line Outs (S / PDIF over TOSLINK / S / PDIF RCA / stereo via jack)
- Contents: Transceiver unit, receiver unit, 2x power supply, manual



roline[®]
Designed for Professionals



digital
signage

Order-No. – P.U.

ROLINE KVM Extender over Twisted Pair, HDMI, USB

14.01.3046 – 1

ROLINE KVM Extender over Gigabit Ethernet, DVI, USB

KVM extension over Gigabit Ethernet through Cat.5 connection

- Supports DVI with high resolution video up to 1920 x 1200 (WUXGA), 1920 x 1080 (Full HD)
- Supports USB PC or KVM switch
- Ideal for professional video applications
- 8 selections on the DIP rotary switch available for pairing
- Up to 4 pairings can be transmitted simultaneously over the Gigabit Ethernet switch (max. 3 stages)
- Stable, metal housing
- Power supply via an external power supply
- Correspondent receiver unit: 14.01.3045



Technical specifications:

- Max resolution (nominal): 1920 x 1200 (WUXGA), 1920 x 1080 (Full HD)
- Dimensions: 31 x 131 x 150 mm
- Power supply: 12V DC; 1.5A
- Connectors: DVI Female, USB B connector female, RJ-45 socket (LAN)
- Contents: Transmitter unit, 1x power supply, patchcable, manual

Technical data:

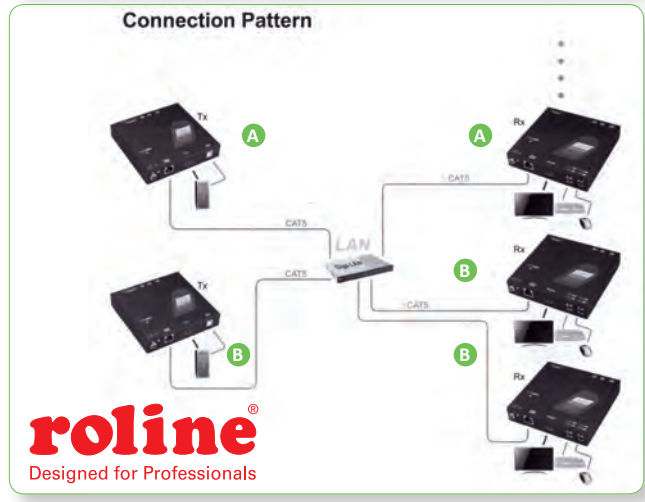
	14.01.3044	14.01.3045
Cable length (nominal):	up to 100 m	
Max. resolution (nominal):	1920 x 1080 (depends on cable length)	
Cable type:	Cat.5e TP cable	
Power supply:	12VDC; 1.5A	
Dimensions (HxWxD):	30 x 132 x 150 mm	

Connectors:	Receiver (remote unit)	Transmitter (local unit)
Monitor:	1x HDMI F	1x HDMI F
Mouse/keyboard:	4x USB Type A F	USB Type B F

Order-No. – P.U.

ROLINE KVM Extender over Gigabit Ethernet, DVI, USB, Transmitter (TX) 14.01.3044 – 4

ROLINE KVM Extender over Gigabit Ethernet, DVI, USB, Receiver (RX) 14.01.3045 – 4



ROLINE KVM Extender over Gigabit Ethernet, HDMI, USB

1080p FULL HD

KVM extension over Gigabit Ethernet through Cat.5 connection

- Supports HDMI with high resolution video up to 1920 x 1080 (Full HD)
- Supports USB PC or KVM switch
- Ideal for professional video applications
- 8 selections on the DIP rotary switch available for pairing
- Up to 4 pairings can be transmitted simultaneously over the Gigabit Ethernet switch (max. 3 stages)
- HDCP-compliant
- No drivers needed or software required
- Stable, metal housing
- Correspondent receiver unit: 14.01.3043



Technical specifications:

- Max resolution (nominal): 1920 x 1080 (Full HD)
- Dimensions: 31 x 131 x 150 mm
- Power supply: 12V DC; 1.5A
- Connectors: HDMI jack, USB B connector, RJ-45 socket (LAN)
- Transmitter (TX) unit connectors: Monitor: 1x HDMI; 1x USB type B F; 1x RJ45
- Contents: Transmitter unit, power adapter, patch cable, CD with manual, Quick Start Guide



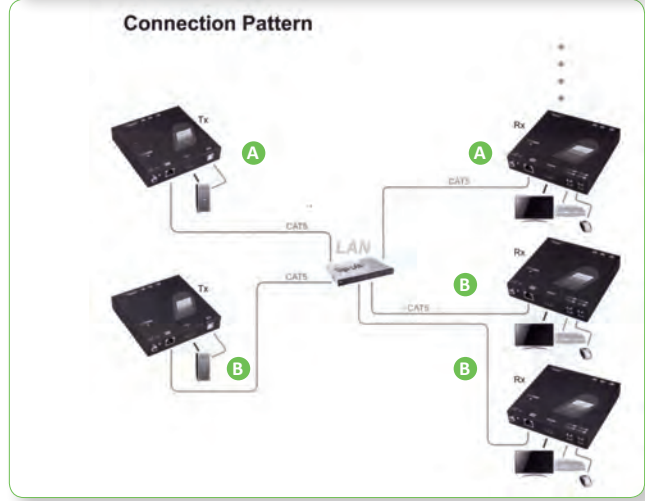
	14.01.3042	14.01.3043
Cable length (nominal):	up to 100 m	
Max. resolution (nominal):	1920 x 1080 / 1920 x 1200 (WUXGA) (depends on cable length)	
Power supply:	12VDC; 1.5A	
Dimensions (HxWxD):	30 x 132 x 150 mm	

Connectors:	Receiver (remote unit)	Transmitter (local unit)
Monitor:	1x DVI F	1x DVI F
Mouse/keyboard:	4x USB Type A F	1x USB Type B F
Power supply output	DC 12V; 1,5A	DC 12V; 1,5A

Order-No. – P.U.

ROLINE KVM Extender over Gigabit Ethernet, HDMI, USB, Transmitter (TX) 14.01.3042 – 4

ROLINE KVM Extender over Gigabit Ethernet, HDMI, USB, Receiver (RX) 14.01.3043 – 4



VALUE KVM Extender over Cat.6, HDMI, 4x USB

1080p FULL HD

KVM extension over up to 60 m through the Cat.6 connection

- Supports HDMI with high resolution video up to 1920 x 1080 (Full HD)
- Supports USB PC or KVM switch
- Ideal for professional video applications
- HDCP-compliant
- No drivers needed or software required
- Stable, metal housing
- Power supplied
- Receiver (RX) unit connectors: Monitor: 1x HDMI; 4x USB type A F; 1x Mini USB 5-pin F, 2x RJ45
- Transmitter (TX) unit connectors: Monitor: 1x HDMI; 2x Mini USB 5-pin F; 2x RJ45
- Contents: Transmitter unit, receiver unit, 2x power supply, manual



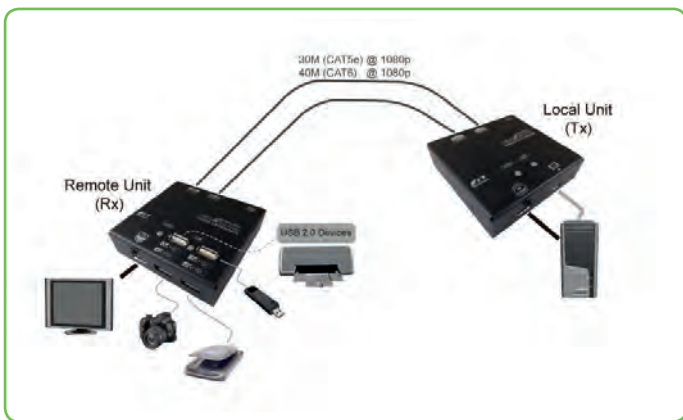
Technical data:	14.99.3041
Cable length (nominal):	up to 60 m
Max. resolution (nominal):	1920 x 1080 (depends on cable length)
Cable type:	Cat.6 TP cable
Power supply:	5VDC; 1A
Dimensions (HxWxD):	22 x 84 x 78 mm

Connectors:	Receiver (remote unit)	Transmitter (local unit)
Monitor:	1x HDMI F	1x HDMI F
Peripheral devices:	4x USB Type A F	1x USB Mini 5-pin F

Order-No. – P.U.

VALUE KVM Extender over Cat.6, HDMI, 4x USB, 60 m

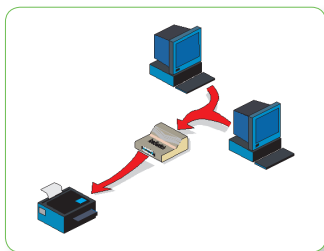
14.99.3041 – 4



VALUE Manual USB 2.0 Printer Switches

- This USB Switch offers the possibility for 2 PCs to share a single USB device such as a printer, scanner or digital camera
- Access to the USB device manually via button on the switch
- Supports USB 2.0
- Two LEDs indicate the active Port
- Bus-powered mode

• Contents: USB Switch



Technical information	14.99.5032	14.99.5034
Input connections	2x USB Type B	4x USB Type B
Output connections	1x USB Type A	1x USB Type A
Dimensions (HxWxD)	90 x 70 x 25 mm	90 x 70 x 25 mm

Order-No. – P.U.

VALUE Manual USB 2.0 Printer Switch, 2 Ports

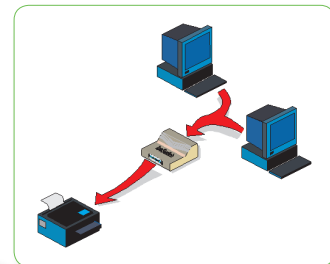
14.99.5032 – 10

VALUE Manual USB 2.0 Printer Switch, 4 Ports

14.99.5034 – 10

ROLINE Manual USB 2.0 Printer Switches

- This USB switch offers the possibility for 2 PCs to share a single USB device (e.g. a USB printer or scanner)
- Access to the USB device is via push button on switch or via hot key on keyboard
- Supports USB 2.0
- Two LEDs for port status indication
- Bus-powered mode, no external power supply needed
- Remark: Product similar to picture (4-port version)
- Contents: Switch, manual



Technical information	14.01.2332	14.01.2334
Input connections	2x USB Type B	4x USB Type B
Output connections	1x USB Type A	1x USB Type A
Dimensions (HxWxD)	-	-

Order-No. – P.U.

ROLINE Manual USB 2.0 Printer Switch, 2 Ports

14.01.2332 – 20

ROLINE Manual USB 2.0 Printer Switch, 4 Ports

14.01.2334 – 20

ROLINE Manual USB 3.0 Switch, 2 Ports

Excellent solution to share an USB device- as e. g. a printer, scanner, flash drive- between two PCs.

- Compatible with USB 3.0, USB 2.0, USB 1.1
- Switch the USB device port between PCs via Push button or Hot Key
- USB Bus powered, no additional power adapter or wall outlet required
- Plug-and-Play, no software or drivers required
- LED indicator

- Supported Operating Systems: Windows 2000/ XP / Vista / 7 / 8, Mac OS 10.3 and higher
- Contents: Switch, manual



Technical information	14.01.2325
Input connections	2x USB Type B
Output connections	1x USB Type A
Dimensions (HxWxD)	-

Order-No. – P.U.	
ROLINE Manual USB 3.0 Switch, 2 Ports	14.01.2325 – 10

ROLINE USB 3.0 Peripheral Sharing Device

- Enables 2/4 computers to share 4 USB 3.0 devices
- Simple port selection via remote port selector for a convenient switch placement
- USB 3.0 compliant, supporting data transfer rates of up to 5Gbps
- Backwards compatible with USB 2.0 and USB1.1
- LEDs indicates which computer is active
- Over-current protection
- Multiplatform support – Windows (Vista/7/8/8.1/10) and Mac OS X 10.3+
- Bus-powered
- Micro USB power jack for additional power supply
- Hot pluggable, no additional driver or software required
- Contents: Switch, 2x/4x USB 3.0 cables (Type A/B, 1.1m), 1x remote port selector, manual



Order-No. – P.U.

ROLINE USB 3.0 Peripheral Sharing Device, 2 PCs, 4x USB 3.0 Ports	14.01.2312 – 3
ROLINE USB 3.0 Peripheral Sharing Device, 4 PCs, 4x USB 3.0 Ports	14.01.2314 – 3

Technical information	14.01.2312	14.01.2314
Input connections	2x USB Type B	4x USB Type B
Output connections	4x USB Type A	4x USB Type A

VALUE USB 2.0 Notebook Hub, 4 Ports

- This hub can connect up to four USB devices
- Compact and nice design with attached USB cable
- Fully backwards compatible with USB 1.1
- Automatically switches to the highest speed supported by the connected device
- LED display for power and port-status
- Power is supplied by PC interface
- Contents: Hub, attached USB cable (3 cm)

Technical data:

PC connection:	1x USB type A (attached cable)
Input:	4x USB type A
Dimensions (WxDxH):	90 x 44 x 14 mm
Power supply (for 14.99.5016):	5 VDC, 2 A



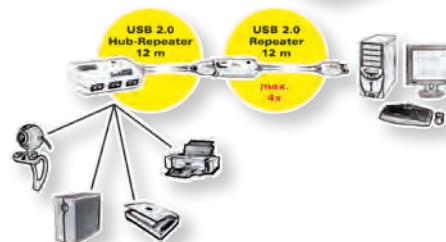
Order-No. – P.U.	
VALUE USB 2.0 Notebook Hub, 4 Ports	14.99.5015 – 20
VALUE USB 2.0 Notebook Hub, 4 Ports, with power supply	14.99.5016 – 20

ROLINE USB 2.0 Hub, with Repeater

This hub with an active repeater cable extends the distance between the hub and the computer up to 12 m.

- Active extension of USB 2.0 bus
- The extension acts like a USB hub with 12 m cable
- Full compliance with USB 2.0, USB 1.1
- Plug & play, no additional drivers required
- Power over USB port from the PC

- Additional extension: With its unique design, this hub can lock to USB 2.0 active repeater cable 12.04.1086 by clipping- which offers another 12 m of length. With up to 5 of this hub & repeater cables chained together, you can reach a maximum distance of up to 60 m. The active repeater cable 12.04.1086 is only compatible with 12.04.1085 and can't be separately used.



Technical information	12.04.1085	12.04.1086
Side A connection (PC)	1x USB Type A Male	Type A Male
Side B connection (Peripherals)	4x USB Type A Female	Type A Female
Length	12 m	12 m

Order-No. – P.U.

ROLINE USB 2.0 Hub, 4 Ports, with Repeater, 12.0 m	12.04.1085 – 10
ROLINE USB 2.0 Active Repeater Cable for 12.04.1085, 12.0 m	12.04.1086 – 10





Light

Light



ROLINE USB Hubs „Black and White“

- These hubs allow you to connect up to 4/7 USB peripheral devices to your computer or notebook over one USB port
- Stylish „Black and White“ design and compact size
- USB 2.0, compatible with USB 1.1
- Power LED
- Plug & play
- Bus-power and self-power mode (power supply included)
- **14.02.5011:** stand for upstanding or flat mounting included
- **Contents:** Hub, power supply, USB 2.0 cable, manual

Remark 11.02.8849:

- Special USB connection cable for the ROLINE hubs 14.02.5011
- For the connection between the hub (14.02.5011) and a USB device (e.g. printer, scanner, ...)

roline[®]
Designed for Professionals

Technical data:	14.02.5013	14.02.5011	14.02.5027	14.02.5028
PC connection:	1x USB 2.0 5-Pin Mini	1x USB 2.0 Type B	1x USB 3.0 Type B	1x USB 3.0 Micro B
Input:	4x USB 2.0 Type A	7x USB 2.0 Type A	4x USB 3.0 Type A	7x USB 3.0 Type A
Dimensions (WxDxH):	18 x 65 x 40 mm	85 x 25 x 70 mm	23 x 100 x 63 mm	26 x 145 x 63 mm

	Order-No. – P.U.
ROLINE USB 2.0 Hub „Black and White“, 4 Ports, with Power Supply	A 14.02.5013 – 20
ROLINE USB 2.0 Hub „Black & White“, 7 Ports, with Power Supply	B 14.02.5011 – 10
ROLINE USB 2.0 Cable type A/B for USB Hub 14.02.5011, 12 m	11.02.8849 – 5
ROLINE USB 3.0 Hub „Black & White“, 4 Ports, with Power Supply	C 14.02.5027 – 10
ROLINE USB 3.0 Hub „Black & White“, 7 Ports, with Power Supply	D 14.02.5028 – 5

ROLINE USB 3.0 Hub with Repeater

This hub with an active repeater cable extends the distance between the hub and the computer up to 10 m.

- Active extension of USB 3.0 bus
- The extension acts like a USB hub with 10 m cable
- Full compliance with USB 2.0, USB 1.1

- Plug & play, no additional drivers required
- USB Bus powered
- Cascadable one time
- Power adapter (5V/3.5A, included) for heavy powerconsumption devices
- Compatible with Win XP / 7
- Contents: Cable



roline
Designed for Professionals

Technical data:

- Connectors: 1x USB type A M, 4x USB Type A F
- Cable length: 10 m
- Housing dimensions: 81 x 40 x 17 mm

Order-No. – P.U.

ROLINE USB 3.0 Hub, 4 Ports, with Repeater, 10.0 m

12.04.1097 – 4

VALUE USB 3.0 Desktop Hubs

These hubs can connect up to four / seven USB devices with SuperSpeed

- 4x/ 7x USB 3.0 Type A SuperSpeed ports
- Data transfer rates of up to 5.0 Gbit/s
- Fully backwards compatible with USB 2.0

- Hot-swappable
- Battery charger function
- Dimensions (HxWxD): 15 x 85 x 59 mm
- Power supply (5V, 2A/4A) included
- Colour: Black
- Contents: Hub, power supply, USB 3.0 cable (1.1 m), manual



Technical data:

- | | | |
|---------------------|--|--|
| PC connection: | 14.99.5012
1x USB 3.0 Micro Type B | 14.99.5047
1x USB 3.0 Micro Type B |
| Input: | 4x USB 3.0 Type A | 7x USB 3.0 Type A |
| Dimensions (HxWxD): | 15 x 85 x 59 mm | 15 x 85 x 59 mm |
| Power supply: | 5V 2A | 5V 4A |

Order-No. – P.U.

VALUE USB 3.0 Desktop Hub, 4 Ports, with Power Supply

14.99.5012 – 5

VALUE USB 3.0 Desktop Hub, 7 Ports, with Power Supply

14.99.5047 – 5

ROLINE USB 3.0 Hub

This hub can connect up to four USB devices with SuperSpeed

- Data transfer rates of up to 5 Gbit/s
- Fully backwards compatible with USB 2.0, USB 1.1
- PC connection: 1x USB 3.0 Type B

- Input: 4 USB 3.0 Type A SuperSpeed ports
- LED status indicator for each port
- Hot-swappable
- Colour: Black
- Contents: Hub, power supply, USB 3.0 cable



roline
Designed for Professionals

Technical data:

- | | |
|---------------------|-------------------|
| PC connection: | 1x USB 3.0 Type B |
| Input: | 4x USB 3.0 Type A |
| Dimensions (HxWxD): | 24 x 95 x 55 mm |
| Power supply: | 5V 4A |

Order-No. – P.U.

ROLINE USB 3.0 Hub, 4 Ports, with Power Supply

14.02.5015 – 10

ROLINE USB 3.0 Hub

This hub can connect up to four USB devices with SuperSpeed

- Data transfer rates of up to 5 Gbit/s
- Fully backwards compatible with USB 2.0, USB 1.1
- PC connection: 1x USB 3.0 Type B
- Input: 4 USB 3.0 Type A SuperSpeed ports

- LED status indicator for each port
- Hot-swappable
- Colour: Black
- Contents: Hub, power supply, USB 3.0 cable



roline
Designed for Professionals

Technical data:

- | | |
|---------------------|-------------------|
| PC connection: | 1x USB 3.0 Type A |
| Input: | 4x USB 3.0 Type A |
| Dimensions (HxWxD): | 22 x 84 x 51 mm |
| Power supply: | 5V 4A |

Order-No. – P.U.

ROLINE USB 3.0 Hub, 4 Ports, with Power Supply

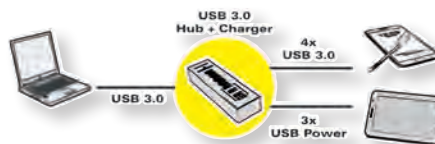
14.02.5040 – 5

ROLINE USB 3.0 Hub with Charging Ports

This hub can connect up to four USB devices with SuperSpeed

- Data transfer rates of up to 5 Gbit/s
- Fully backwards compatible with USB 2.0, USB 1.1
- PC connection: 1x USB 3.0 Type B
- Input: 4 USB 3.0 Type A SuperSpeed ports
- LED status indicator for each port
- Hot-swappable
- Colour: Black
- Contents: Hub, power supply, USB 3.0 cable

roline
Designed for Professionals



Technical data:

PC connection:	1x USB 3.0 Type B
Input:	4x USB 3.0 Type A
Charging Ports:	3x USB Typ A
Dimensions (HxWxD):	24 x 38 x 133 mm
Power supply:	5V 4A



Order-No. – P.U.

ROLINE USB 3.0 Hub, 4 Ports + 3x Charging Ports

14.02.5042 – 5

ROLINE USB 3.0 Hub, Type C Connection

This ROLINE hub can connect up to four USB 3.0 devices (Type A) to a USB Type C port

- Data transfer rates of up to 5 Gbit/s
- Fully backwards compatible with USB 2.0, USB 1.1
- LED status indicator for each port
- Hot-swappable
- Colour: Black
- Contents: Hub, power supply, USB 3.0 cable



Technical information

14.02.5035

PC connection	1x USB Type C
Device connection	4x USB Type A
Dimensions (HxWxD)	15 x 90 x 40 mm

roline
Designed for Professionals

Order-No. – P.U.

ROLINE USB 3.0 Hub, 4 Ports, Type C Connection Cable, with Power Supply

14.02.5035 – 5

ROLINE USB 3.1 Hub, Type C Connection, with PD

This ROLINE hub can connect up to four USB 3.0 devices (Type A) to a USB Type C port and has 1 additional Type C Power Delivery port (1x PD)

- Data transfer rates of up to 5 Gbit/s
- Fully backwards compatible with USB 2.0, USB 1.1
- Hot-swappable
- Colour: silver
- Contents: Hub



Technical information

14.02.5045

PC connection	1x USB Type C
Device connection	4x USB Type A
Dimensions (HxWxD)	11 x 94 x 181 mm

roline
Designed for Professionals

Order-No. – P.U.

ROLINE USB 3.1 Hub, 4 Ports, Type C Connection Cable, w. Power Delivery (PD)

14.02.5045 – 10

VALUE USB 3.1 to Gigabit Ethernet Converter + Hub 3x

This converter is a cost effective solution to convert a USB 3.1 port type C into a 10/100/1000Base-T Ethernet port

- Supports 10/100/1000 Mbit/s auto-sensing capability
- Supports USB 3.0
- Bus powered

- Supports both full-duplex and half-duplex operation in Gigabit Ethernet
- Hub function, 3x
- Supports Windows XP/7/8, Mac OS X
- Contents: Converter



Value

NEW

Order-No. – P.U.

VALUE USB 3.1 to Gigabit Ethernet Converter + Hub 3x

12.99.1109 – 10

VALUE CardReader Typ C + 3x USB 3.0, SD/Micro SD Card Reader

- Suitable for Smartphone+Tablets
- Transfer your precious vacation pictures/videos from the memory card of your digital camera on your tablet, Macbook ...
- Supports USB 2.0

- Card Reader works with multiple media, as e.g. SD (Secure Digital) Card, SDHC, Micro SD
- Contents: Card Reader

roline
Designed for Professionals

NEW



Order-No. – P.U.

VALUE CardReader Typ C + 3x USB 3.0, SD/Micro SD Card Reader

15.99.6252 – 20



Computer Cables / Connectors / Adapters

4

ROLINE- THE difference.	4.02 – 4.03
USB 2.0 / USB 3.0 / USB 3.1 Cables	4.04 – 4.11
USB Extenders	4.07
FireWire Cables	4.09
Cables assembly.	4.12
9-pole / 25-pole / Serial /-Link Cables	4.13
Printer Cables, parallel	4.13
Keyboard Cables PS/2	4.14
Monitor Connection Cables VGA	4.14 – 4.15
Monitor Connection Cables DVI.	4.15 – 4.16
HDMI Cables.	4.16 – 4.19
DisplayPort Cables.	4.20 – 4.22
Audio / Video Cables / Adapters	4.26 – 4.27
SATA Cables	4.28, 4.29, 4.30
Gender Changers.	4.30
Internal Power Cables	4.31
Power Cords	4.32 – 4.33
Telephone Cables / Accessories; Ferrites	4.33
Adapters VGA/DVI/HDMI/DP	4.24 – 4.26, 4.28
Adapters / Converters	4.34 – 4.38

ROLINE – The Difference is QUALITY!

The products of the brand ROLINE are developed for professional users and differ in their quality substantially from comparable products in the IT environment. The high compatibility in combination with other devices is extraordinary.

ROLINE products meet the norms and directives that are prescribed by the EU, as e.g. CE, ErP, RoHS and REACH. The specifications and defaults of the various standards and technologies are strictly followed.

The difference between ROLINE and standard products – exemplary clarification by some product categories:

roline[®]
Designed for Professionals

Good Shielding
ROLINE Cable



Bad Shielding
Cheap Cable



USB Cable

a) ROLINE USB Cable

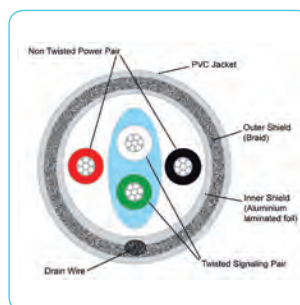
- the data wires meet AWG28
- the power wires meet AWG24 (the lower the AWG number, the higher the cross section)
- the used material is solid copper
- the shielding consists of a foil screen and a tinned copper braid shield with a coverage of more than 65%

b) Cheap USB Cables

- the data wires meet AWG 30 and worse
- the power wires meet AWG 30 and worse
- the used material is CCA = solid aluminium covered with a thin copper coating
- the shielding consists of a foil screen and a braided shield composed of an alloy with a coverage of less than 30% or completely without a shielding

Influence:

- data loss due to bad electrical characteristics of pair of wires
- already on short distances the power supply of the connected devices is no longer assured because of a too big ohmic resistance of the power wire pair
- high susceptibility due to bad shield characteristics results in data loss and data transfer errors



USB 2.0 Cable

USB 3.0 Cable



Standard Cable (Centronics, RS 232, VGA, Audio+Video)

a) ROLINE Standard Cable

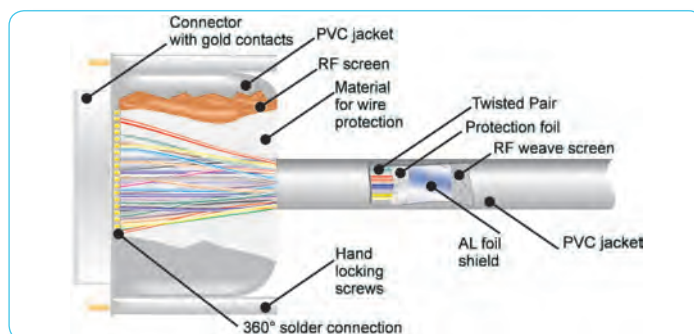
- the data wires meet AWG28
- the used material is solid copper
- the shielding consists of a foil screen with drain wire and – depending on the type – additionally of a tinned copper braid shield and a shielded connector housing
- the contacts of the connector are gold plated

b) Cheap Standard Cable

- the data wires meet AWG 30 and worse
- the used material is CCA = solid aluminium covered with a thin copper coating, or CCS = solid steel covered with a thin copper coating
- the shielding consists of a foil screen without a drain wire, braid shield is missing and the connector housing is not shielded
- the contacts of the connector are not gold plated but – at best – gold touched

Influence:

- data loss due to bad electrical characteristics of pair of wires
- already on short distances no more data transfer is possible because the disturbance of the data signal by a too big ohmic resistance of the power wire pair is becoming too strong
- high susceptibility due to bad shield characteristics result in data loss and data transfer errors
- after a low number of contact durability no more trouble-free contacting is possible, which causes sporadic interrupts or complete failure



SVGA Cable for high Resolutions

a) ROLINE SVGA Cable

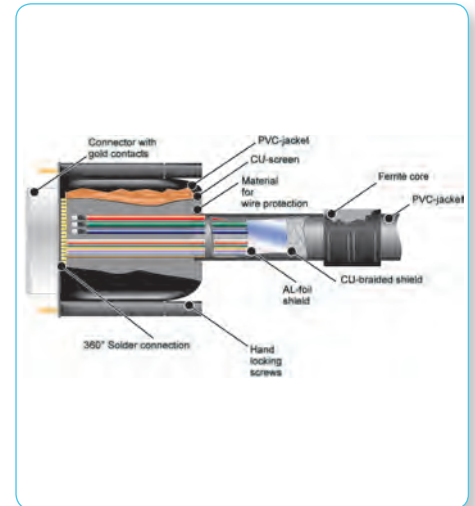
- the RGB wires are coaxial cables with 75 Ohm
- the data wires meet AWG28 and there are – depending on the cable – 7 or 9 of them
- the used material is solid copper
- the shielding consists of a foil screen with drain wire and a tinned copper braid plus a shielded connector housing
- the contacts of the connector are gold plated

b) Cheap SVGA Cable

- for the RGB signals no coaxial wires are used
- the data wires meet AWG 30 and worse; there are max. 4 of them
- the used material is CCS = solid steel covered with a thin copper coating
- the shielding consists of a foil screen without a drain wire, braid shield is missing and the connector housings are not shielded
- the contacts of the connector are not gold plated but – at best – gold touched

Influence:

- very bad pictures already on short distances because of bad electrical characteristics of the data wires and because of missing RGB coaxial wires
- already on short distances no more synchronisation is possible because the disturbance of the data signal by a too big ohmic resistor of the cable is becoming too strong
- high susceptibility due to bad shield characteristics result in interference of the picture transmission
- after a low number of contact durability no more trouble-free contacting is possible, which causes sporadic interrupts or complete failure



HDMI High Speed Cable for high Resolutions

a) ROLINE HDMI High Speed Cable

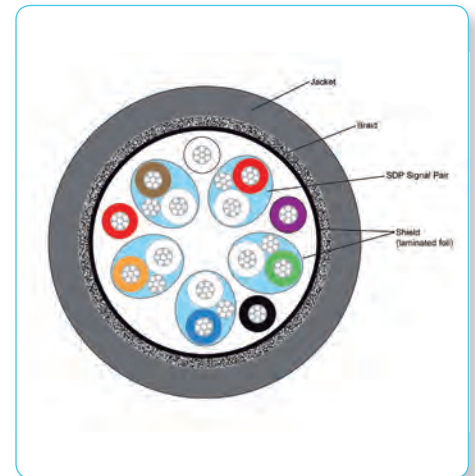
- 5 separately shielded twisted wire pairs
- 4 data wires meet AWG 30 up to 24 – depending on the length of the cable
- the used material is solid copper
- the shielding consists of a foil screen and a tinned copper braid plus a shielded connector housing
- the contacts of the connector are gold plated

b) Cheap HDMI High Speed Cable

- there are no twisted wire pairs used
- the data wires meet AWG 30 and worse
- the used material is CCS = solid steel covered with a thin copper coating
- there is no shield for the single twisted wire pairs
- the total shield consists of a foil screen and a braid shield with very low coverage, or the braid shield is totally missing
- the contacts of the connector are not gold plated but – at best – gold touched

Influence:

- no picture transmission already on short distances due to bad electrical characteristics of the data wires
- high susceptibility due to bad shield characteristics result in interference of the picture transmission
- after a low number of contact durability no more trouble-free contacting is possible, which causes sporadic interrupts or complete failure



Patch Cords

a) ROLINE Patch Cords

- the cables were tested by the GHMT in Germany and meet the norms Cat.6
- the used material is solid copper
- the RJ-45 connectors are assembled with 50 µm gold plating

b) Cheap Patch Cords

- the cables don't meet any norm and don't pass any test
- the used material is CCA = solid aluminium covered with a thin copper coating
- the RJ-45 connectors are assembled with max. 3 µm gold plating or are only gold touched

- after a low number of contact durability no more trouble-free contacting is possible, which causes sporadic interrupts or complete failure



Influence:

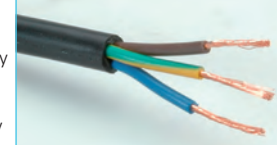
- the data transfer speeds of 100Mbit/s resp. 250Mbit/s can't be reached
- after bending the cable several times the nonelastic material leads to in interruption and data loss

Power Cords

a) ROLINE Power Cords

- the wires meet a cross section of 0.75 mm² (= standard size) up to a length of 2 m
- the used material is solid copper
- the cables meet the guide lines and norms regarding the equipment safety

ROLINE Power Cord



b) Cheap Power Cords

- the wires meet a cross section of only 0.1 – 0.2 mm² up to a length of 2 m
- the cables do not meet the guide lines and norms regarding the equipment safety because they are approved up to 10A but do only guarantee equipment safety for up to max. 1A



Influence:

- there is a major risk of overheating the cable as soon as it is used with high-powered devices (with more than 1 A of power consumption)

VALUE USB 2.0 Hi-Speed Cables

- High quality USB cable with different types of USB connector
- For the connection of devices with USB connector; e.g. digital cameras, mobile phones, MP3 players or PDAs
- Meets standard USB 2.0 (transfer rate up to 480 Mbit/s)
- Colour: white



Value

Order-No. – P.U.

VALUE USB 2.0 Cable, A - B, M/M, 0.8 m	11.99.8809 – 50
VALUE USB 2.0 Cable, A - B, M/M, 1.8 m	11.99.8819 – 100
VALUE USB 2.0 Cable, A - B, M/M, 3.0 m	11.99.8831 – 100
VALUE USB 2.0 Cable, A - B, M/M, 4.5 m	11.99.8841 – 100
VALUE USB 2.0 Cable, A - A, M/M, 0.8 m	11.99.8909 – 50
VALUE USB 2.0 Cable, A - A, M/M, 1.8 m	11.99.8919 – 100
VALUE USB 2.0 Cable, A - A, M/M, 3.0 m	11.99.8931 – 100
VALUE USB 2.0 Cable, A - A, M/M, 4.5 m	11.99.8944 – 100
VALUE USB 2.0 Cable, A - A, M/F, 0.8 m	11.99.8946 – 50
VALUE USB 2.0 Cable, A - A, M/F, 1.8 m	11.99.8949 – 100
VALUE USB 2.0 Cable, A - A, M/F, 3.0 m	11.99.8961 – 100
VALUE USB 2.0 Cable, A - Micro B, M/M, 0.15 m	11.99.8751 – 50
VALUE USB 2.0 Cable, A - Micro B, M/M, 0.8 m	11.99.8754 – 10
VALUE USB 2.0 Cable, A - Micro B, M/M, 1.8 m	11.99.8752 – 10
VALUE USB 2.0 Cable, A - Micro B, M/M, 3.0m	11.99.8755 – 10
VALUE USB 2.0 Cable, Micro A - Micro B, M/M, 1.8 m	11.99.8753 – 10
VALUE USB 2.0 Cable, A - 5-Pin Mini, M/M, 0.8 m	11.99.8708 – 10
VALUE USB 2.0 Cable, A - 5-Pin Mini, M/M, 1.8 m	11.99.8718 – 20
VALUE USB 2.0 Cable, A - 5-Pin Mini, M/M, 3.0 m	11.99.8730 – 10

ROLINE USB 2.0 Hi-Speed Cables

- High quality USB cable with different types of USB connector
- Improved shielding
- For the connection of devices with USB connector; e.g. digital cameras, mobile phones, MP3 players or PDAs
- Meets standard USB 2.0 (transfer rate up to 480 Mbit/s)
- Colour: black



roline[®]
Designed for Professionals

Order-No. – P.U.

ROLINE USB 2.0 Cable, A - B, M/M, 0.8 m	11.02.8808 – 50
ROLINE USB 2.0 Cable, A - B, M/M, 1.8 m	11.02.8818 – 100
ROLINE USB 2.0 Cable, A - B, M/M, 3.0 m	11.02.8830 – 100
ROLINE USB 2.0 Cable, A - B, M/M, 4.5 m	11.02.8845 – 100
ROLINE USB 2.0 Cable, A - A, M/M, 0.8 m	11.02.8908 – 50
ROLINE USB 2.0 Cable, A - A, M/M, 1.8 m	11.02.8918 – 100
ROLINE USB 2.0 Cable, A - A, M/M, 3.0 m	11.02.8930 – 100
ROLINE USB 2.0 Cable, A - A, M/M, 4.5 m	11.02.8945 – 100
ROLINE USB 2.0 Cable, A - A, M/F, 0.8 m	11.02.8947 – 50
ROLINE USB 2.0 Cable, A - A, M/F, 1.8 m	11.02.8948 – 100
ROLINE USB 2.0 Cable, A - A, M/F, 3.0 m	11.02.8960 – 100
ROLINE USB 2.0 Cable, A - Micro B, M/M, 0.15 m	11.02.8310 – 25
ROLINE USB 2.0 Cable, A - Micro B, M/M, 0.8 m	11.02.8754 – 10
ROLINE USB 2.0 Cable, A - Micro B, M/M, 1.8 m	11.02.8752 – 10
ROLINE USB 2.0 Cable, A - Micro B, M/M, 3.0 m	11.02.8755 – 10
ROLINE USB 2.0 Cable, Micro A - Micro B, M/M, 1.8 m	11.02.8753 – 10
ROLINE USB 2.0 Cable, A - 5-Pin Mini, M/M, 0.8 m	11.02.8708 – 10
ROLINE USB 2.0 Cable, A - 5-Pin Mini, M/M, 1.8 m	11.02.8719 – 20
ROLINE USB 2.0 Cable, A - 5-Pin Mini, M/M, 3.0 m	11.02.8730 – 10

ROLINE GOLD USB 2.0 Hi-Speed Cables

USB 2.0 Hi-Speed cable with high quality and improved shielding.

- The plugs are gold coated to enhance their contact durability
- Nylon-reinforced outer material for a better stability
- Supports data transfer rates of up to 480 Mbit/s



Type A

Type B

5-Pin Mini

Micro

Order-No. – P.U.

ROLINE GOLD USB 2.0 Cable, A - B, M/M, 1.8 m	11.02.8802 – 10
ROLINE GOLD USB 2.0 Cable, A - B, M/M, 3.0 m	11.02.8803 – 10
ROLINE GOLD USB 2.0 Cable, A - B, M/M, 4.5 m	11.02.8805 – 5
ROLINE GOLD USB 2.0 Cable, A - 5-Pin Mini, M/M, 0.8 m	11.02.8821 – 10
ROLINE GOLD USB 2.0 Cable, A - 5-Pin Mini, M/M, 1.8 m	11.02.8822 – 10
ROLINE GOLD USB 2.0 Cable, A - 5-Pin Mini, M/M, 3.0 m	11.02.8823 – 10
ROLINE GOLD USB 2.0 Cable, A - Micro B, M/M, 0.8 m	11.02.8825 – 10
ROLINE GOLD USB 2.0 Cable, A - Micro B, M/M, 1.8 m	11.02.8826 – 10

roline[®]
Designed for Professionals

ROLINE GOLD USB 2.0 OTG Cable, A + Micro B - Micro B

- USB cable with a combined connector consisting of a foldable type A (connector) and a Micro B (connector) on one side and another Micro B (connector) on the other side
- Improved shielding
- For the connection of devices with Micro USB connector; e.g. digital cameras, mobile phones, MP3 players or PDAs
- Meets standard USB 2.0 (transfer rate up to 480 Mbit/s)
- Colour: black/golden



11.02.8314



11.02.8319

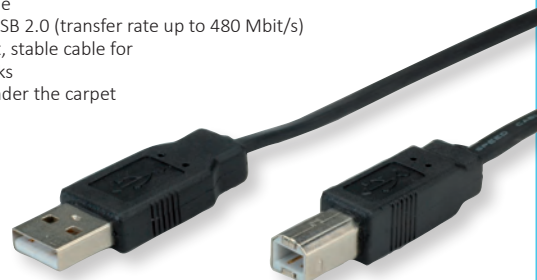
Order-No. – P.U.

ROLINE GOLD USB 2.0 OTG Cable, A + Micro B - Micro B, M/M, 1.0 m 11.02.8314 – 25

ROLINE GOLD LED USB 2.0 Cable, reversible, A-Micro B, M/M, 1.0 m 11.02.8319 – 10

ROLINE USB 2.0 Flat Cables

- USB Flat Cable for connection of an USB peripheral device with the USB port of your PC
- USB Type A-B cable
- Meets standard USB 2.0 (transfer rate up to 480 Mbit/s)
- Ultra light and flat, stable cable for use with notebooks
- Just hide it e.g. under the carpet
- Colour: black



Order-No. – P.U.

ROLINE USB 2.0 Flat Cable, 0,8 m 11.02.8867 – 10

ROLINE USB 2.0 Flat Cable, 1,8 m 11.02.8868 – 20

ROLINE Magnetic USB2.0 Cable, A - MicroB/Type C

- High quality USB cable with one Type A and one Micro USB B connector
- Improved shielding
- For the connection of devices with Micro USB connector; e.g. digital cameras, mobile phones, MP3 players or PDAs
- Meets standard USB 2.0 (transfer rate up to 480 Mbit/s)
- Magnetic adapter seamlessly attaches to the cable once they are in close proximity
- Helps to protect the Micro USB B port (e.g. smartphone, tablet) from dust
- Unlike a constant plug-in and unplugging of a normal cable, both ports can be protected during frequent use due to their magnetic connection.
- Attach and detach this magnetic connector through magnetic force
- **For additional magnetic connectors please order the item 11.02.8313 or 11.02.8309 (Type C) (3 pieces)**



Order-No. – P.U.

ROLINE Magnetic USB2.0 Cable, A-MicroB, M/M, 1.0 m 11.02.8312 – 10

ROLINE Detachable Magnetic Connector for 11.02.8312, 3 pcs. 11.02.8313 – 20

ROLINE Detachable Magnetic Connector for 11.02.8312, Type C, 3 pcs. 11.02.8309 – 20

ROLINE USB 2.0 Special Cables

- High quality USB cable with one Type A and one Micro USB connector
- Improved shielding
- For the connection of devices with Micro USB connector; e.g. digital cameras, mobile phones, MP3 players or PDAs
- Meets standard USB 2.0 (transfer rate up to 480 Mbit/s)
- Colour: black



Order-No. – P.U.

ROLINE USB 2.0 Cable, reversible, A - Micro B, M/M, 1.0 m A 11.02.8765 – 10

ROLINE USB 2.0 Spiral Cable, A - Micro B, M/M, 1.0 m B 11.02.8317 – 10

ROLINE USB 2.0 Cables, A - Micro B, TPE

- High quality USB cable with one Type A and one Micro USB connector
- Improved shielding
- For the connection of devices with Micro USB connector; e.g. digital cameras, mobile phones, MP3 players or PDAs
- Meets standard USB 2.0 (transfer rate up to 480 Mbit/s)
- Elastic and very flexible
- Material: TPE (thermoplastic elastomer)

Order-No. – P.U.

ROLINE USB 2.0 Cable, A - Micro B, M/M, black, 1.0 m A 11.02.8760 – 10

ROLINE USB 2.0 Cable, A - Micro B, M/M, white, 1.0 m B 11.02.8761 – 10

ROLINE USB 2.0 Cable, A - Micro B, M/M, pink, 1.0 m C 11.02.8762 – 10

ROLINE USB 2.0 Cable, A - Micro B, M/M, green, 1.0 m D 11.02.8763 – 10



VALUE Lightning to USB Cables for iPhone, iPod, iPad

- For the connection of devices like the iPhone 5, 5s, 6, 6plus, 6s, 6s plus, iPod Touch (5th generation), the iPod Nano (7th generation), the iPad (4th generation), and the iPad Mini (all generations)
- It is NOT compatible with cables and peripherals designed for its predecessor, unless used with an adapter
- High quality USB cable with one Type A (male) and one Lightning connector
- Improved shielding
- Meets standard USB 2.0 (transfer rate up to 480 Mbit/s)



Order-No. – P.U.

VALUE Lightning to USB Cable for iPhone, iPod, iPad, black, 0.15 m 11.99.8326 – 20

VALUE Lightning to USB Cable for iPhone, iPod, iPad, black, 1.0 m 11.99.8321 – 20

VALUE Lightning to USB Cable for iPhone, iPod, iPad, black, 1.8 m 11.99.8322 – 20

ROLINE Lightning to USB Cables for iPhone, iPod, iPad

- For the connection of devices like the iPhone 5, 5s, 6, 6 plus, 6s, 6s plus, iPod Touch (5th generation), the iPod Nano (7th generation), the iPad (4th generation), and the iPad Mini (all generations)
- It is NOT compatible with cables and peripherals designed for its predecessor, unless used with an adapter
- High quality USB cable with one Type A (male) and one Lightning connector
- Improved shielding
- Meets standard USB 2.0 (transfer rate up to 480 Mbit/s)



Order-No. – P.U.

ROLINE Lightning to USB Cable for iPhone, iPod, iPad, white, 0.15 m 11.02.8326 – 20

ROLINE Lightning to USB Cable for iPhone, iPod, iPad, white, 1.0 m 11.02.8321 – 20

ROLINE Lightning to USB Cable for iPhone, iPod, iPad, white, 1.8 m 11.02.8322 – 20

USB Charge & Sync Adapter 8pin - Micro B

- Compatibility: for most Apple / Android / Windows smartphones/tablets including iPhone 6 Plus / 6 / 5s / 5c / 5 / iPad Air / iPad mini / mini 2 / iPad 4th generation and iPod nano 7th generation, Samsung Galaxy (S5/S4/S3/S2 Note4/ Note3/Note2/ Note Tab3/Tab2), other Android & Windows Smartphones / Tablets...
- Lighting and micro USB combo allows the cable to perform 2-in-1 functionality
- Allows you to transfer data from your mobile device
- Connects to your iPhone, iPad, or iPod with Lightning Connector or Android smartphone and charges/syncs by connecting the USB connector into your wall charger or computer



Order-No. – P.U.

VALUE Adapter 8pin-MicroB, M/F, black 11.99.8324 – 20

ROLINE Adapter 8pin-MicroB, M/F, white 11.02.8324 – 20

USB Charge & Sync Cables 8pin + Micro B

- Compatibility: for most Apple / Android / Windows smartphones/tablets including iPhone 6 Plus / 6 / 5s / 5c / 5 / iPad Air / iPad mini / mini 2 / iPad 4th generation and iPod nano 7th generation, Samsung Galaxy (S5/S4/S3/S2 Note4/ Note3/Note2/ Note Tab3/Tab2), other Android & Windows Smartphones / Tablets...
- Lighting and micro USB combo allows the cable to perform 2-in-1 functionality
- Allows you to transfer data from your mobile device
- Connects to your iPhone, iPad, or iPod with Lightning Connector or Android smartphone and charges/syncs by connecting the USB connector into your wall charger or computer



Order-No. – P.U.

VALUE 8pin + MicroB to USB Charge & Sync Cable, black, 1.0 m 11.99.8325 – 10

ROLINE 8pin + MicroB to USB Charge & Sync Cable, white, 1.0 m 11.02.8325 – 10

VALUE/ROLINE USB 2.0 Cables, OTG

- High quality USB cable with one Type A (female) and one Micro B USB connector
- For the connection of devices with Micro USB connector; e.g. digital cameras, mobile phones, MP3 players or PDAs
- Not suitable for Samsung Galaxy S3 mini (GT-I8190)
- Meets standard USB 2.0 (transfer rate up to 480 Mbit/s)
- Colour: black



Order-No. – P.U.

VALUE USB 2.0 Cable, A - Micro B, F/M, OTG, 0.15 m 11.99.8311 – 100

ROLINE USB 2.0 Cable, A - Micro B, F/M, OTG, 0.15 m 11.02.8311 – 25

USB 2.0 Charging Cables, Micro B - Micro B

- Charging cable for USB devices with USB Micro B connector
- To connect an USB device with USB Micro B to another device with USB Micro B connector for charging
- Only charging, no data transfer
- Not suitable for NOKIA or BLACKBERRY
- Color: white/black
- Length: 0,3m



Order-No. – P.U.

VALUE USB 2.0 Charging Cable, Micro B - Micro B, M/M, 0.3m A 11.99.8307 – 25

ROLINE USB 2.0 Charging Cable, Micro B - Micro B, M/M, 0.3m B 11.02.8307 – 10

ROLINE USB 2.0 LED Charging Cable

- For Power Charging, Data Sync and Data Transfer
- LED lighting effect lets you know your device is charging (RED color while charging, continuous BLUE color when the charging process is finished)
- Supports data transfer- you can move music, pictures, videos and any other files to and from your device
- Cable design prevents kinks, knots or tangles in the cable
- Color: black

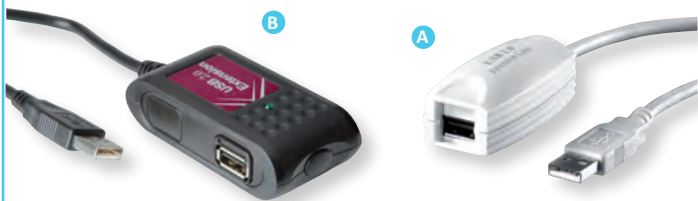
Order-No. – P.U.

ROLINE USB 2.0 LED Charging Cable, A - Micro B, M/M, 1.0 m 11.02.8318 – 10



VALUE USB 2.0 Extension Cable

- Supports USB 2.0
- The cable extends the distance of a USB 2.0 device by 5 m
- Meets USB 2.0 specifications and works with low-speed, high-speed and full-speed devices
- Hot-pluggable
- Cable length: 5 m



Order-No. – P.U.

VALUE USB 2.0 Extender, 1 Port, white, 5.0 m	A 12.99.1100 – 10
VALUE USB 2.0 Extender, 2 Ports, black, 5.0 m	B 12.99.1089 – 10

ROLINE USB 2.0 Extension Cable

- Supports USB 2.0
- The cable extends the distance of a USB 2.0 device by 5 m
- The cable acts as a single port hub, which means that multiple cables can be cascaded to increase the distance between your computer and USB 2.0 devices
- Meets USB 2.0 specifications and works with low-speed, high-speed and full-speed devices
- Hot-pluggable
- Contents: Cable



Order-No. – P.U.

ROLINE USB 2.0 Extension Cable, 1 Port, white, 5.0 m	A 12.04.1088 – 10
ROLINE USB 2.0 Extension Cable, 1 Port, black, 5.0 m	B 12.04.1089 – 10

VALUE USB 2.0 Extension Cable, active

- Supports USB 2.0
- The cable extends the distance of a USB 2.0 device by 12 m
- Meets USB 2.0 specifications and works with low-speed, high-speed and full-speed devices
- Hot-pluggable
- Cable length: 12 m



Order-No. – P.U.

VALUE USB 2.0 Extension Cable, active with Repeater, black, 12.0 m	12.99.1110 – 10
--	-----------------

ROLINE USB 2.0 Extension Cable, active

- Active USB extension cable- ensures good signal quality to meet USB specification, even over a distance of 15 meters
- Active USB extension cable
- Compliant with USB 2.0
- Supports data transfer rates of up to 480 Mbit/s
- Cable length: 15 m
- Connectors: USB type A M to USB type A F
- Hot-swappable, plug & play, no drivers required
- Power supply over USB port from the PC
- Supported operating systems: Windows 98SE / 2000 / XP / Vista / 7, Mac OS X
- Contents: Cable



Order-No. – P.U.

ROLINE USB 2.0 Extension Cable, active, 15 m	12.04.1091 – 5
--	----------------

ROLINE USB 2.0 Hub with Repeater

This hub with an active repeater cable extends the distance between the hub and the computer up to 12 m.

With its unique design, this hub can lock to USB 2.0 Active Repeater Cable 12.04.1086 by clipping- which offers another 12 m of length- between USB A Male and Female end. With up to 5 of this hub & USB Active Repeater Cables chained together, you can reach for a maximum distance up to 60 meters.

- 4x USB 2.0 ports
- Full compliance with USB 2.0 / 1.1 specification
- Plug & play, no additional drivers required
- Cable length: 12 m
- Housing dimensions: 81.7 x 41 x 16.7 mm
- Connectors: 1x USB Type A Male and 4x USB Type A Female
- Supports Windows
- Contents: Cable



Order-No. – P.U.

ROLINE USB 2.0 Hub, 4 Ports, with Repeater, 12.0 m	12.04.1085 – 10
ROLINE USB 2.0 Active Repeater Cable for 12.04.1085, 12.0 m	12.04.1086 – 10

VALUE USB 1.1 Extender over RJ-45

- Allows you to extend the connection to a USB peripheral device up to 45 meters by using a Cat.5e/6 patch cable
- Applications: e.g. WEB camera, surveillance camera, scanner, printer
- Compliant with USB 1.1
- Supports full-speed (12 Mbit/s) or low-speed (1.5 Mbit/s) USB devices
- Supports Windows 98SE/2000/XP/Vista
- Contents: Master unit (RJ-45 Female; USB Type A Male with 10 cm cable), remote unit (RJ-45 Female; USB Type A Female with 10 cm cable)
- Contents: Master Unit, Remote Unit



Order-No. – P.U.

VALUE USB 1.1 Extender over RJ-45	12.99.1121 – 10
-----------------------------------	-----------------

VALUE USB 2.0 Extension Cable, Active

Active USB extension cable - ensures good signal quality to meet USB specification, even over a distance of 30 meters

- Active USB extension cable
- Compliant with USB 2.0
- Supports data transfer rates of up to 480 Mbit/s
- Cable length: 30 m
- Connectors: USB type A M to USB type A F
- Hot-swappable, plug & play, no drivers required
- Power supply over USB port from the PC
- Supported operating systems: Windows XP/Vista/7/8, Mac OS X
- Contents: Cable

Value



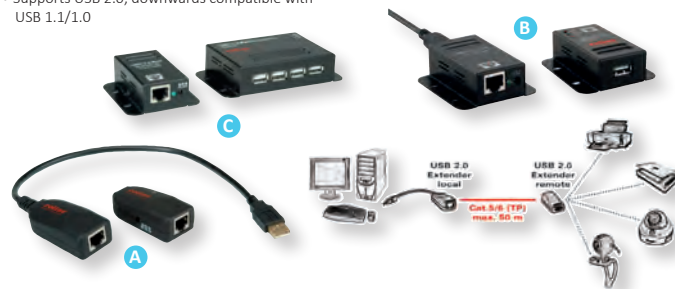
Order-No. – P.U.

VALUE USB 2.0 Extension Cable, active, black, 30.0 m

12.99.1111 – 5

ROLINE USB 2.0 Extender over RJ-45, max. 50m

- Extend your USB port over RJ-45 (up to 50 meters)
- For example to connect a USB printer in another room with your PC
- Supports USB 2.0, downwards compatible with USB 1.1/1.0
- Hot plug
- No additional software for extender required
- Connection via Cat.5e/Cat. 6 Twisted Pair cable
- Supports data rates up to 480Mbit/s



roline
Designed for Professionals

Order-No. – P.U.

ROLINE USB 2.0 Extender over RJ-45, max. 50m

A 12.04.1100 – 5

ROLINE USB 2.0 Extender over RJ-45, PoC, 1x USB, max. 50m

B 12.04.1102 – 4

ROLINE USB 2.0 Extender over RJ-45, PoC, 4x USB, max. 50m

C 12.04.1101 – 4

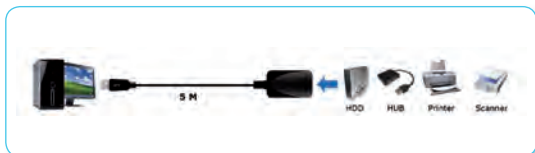
ROLINE USB 3.0 Active Repeater Cable

Extends the connection distance of an external HDD, hub, printer, scanner or other USB 3.0 device to your computer by 5 meters.

- Active USB extension cable- ensures good signal quality
- Compliant with SuperSpeed USB 3.0, USB 2.0, USB 1.1
- Supports data rates up to 5 Gbit/s
- Plug & play
- Supported Operating Systems: Windows 2000/XP/Vista/7, Mac OS
- Contents: USB 3.0 Active repeater cable



roline
Designed for Professionals



Order-No. – P.U.

ROLINE USB 3.0 Active Repeater Cable, black, 5.0 m

12.04.1096 – 8

ROLINE USB 3.0 Hub with Repeater

This hub with an active repeater cable extends the distance between the hub and the computer up to 10 m.

- 4x USB 3.0 ports
- Full compliance with USB 2.0 / 1.1 specification
- Plug & play, no additional drivers required
- USB Bus powered
- Cable length: 10 m

- Housing dimensions: 81 x 40 x 17 mm
- Connectors: 1x USB Type A Male and 4x USB Type A Female
- Supports Windows XP / 7
- Power adapter (5V/3.5A, included) for heavy power consumption devices
- Contents: Cable

roline
Designed for Professionals



Order-No. – P.U.

ROLINE USB 3.0 Hub, 4 Ports, with Repeater, 10.0 m

12.04.1097 – 4

ROLINE USB 3.0 Extension Cable

- Supports USB 3.0
- The cable extends the distance of a USB 3.0 device by 10 m
- The cable acts as a single port hub
- Meets USB 3.0 specifications and works with low-speed, high-speed and full-speed devices
- Hot-pluggable
- Color: black
- Contents: Cable



roline
Designed for Professionals

Order-No. – P.U.

ROLINE USB 3.0 Extension Cable, 1 Port, 10.0 m

12.04.1087 – 2

ROLINE USB 3.0 Active Repeater Cables

Extends the connection distance of an external HDD, hub, printer, scanner or other USB 3.0 device to your computer by 20 meters.

- Active USB extension cable- ensures good signal quality
- Compliant with SuperSpeed USB 3.0, USB 2.0, USB 1.1
- Supports data rates up to 5 Gbit/s
- Plug & play
- Supported Operating Systems: Windows 2000/XP/Vista/7/8, Mac OS
- Contents: USB 3.0 Active repeater cable



roline
Designed for Professionals

Order-No. – P.U.

ROLINE USB 3.0 Active Repeater Cable, black, 10.0 m

12.04.1080 – 5

ROLINE USB 3.0 Active Repeater Cable, black, 15.0 m

12.04.1081 – 5

ROLINE USB 3.0 Active Repeater Cable, black, 20.0 m

12.04.1082 – 5

VALUE USB 3.0 SuperSpeed Cables

A new major feature of USB 3.0 is SuperSpeed bus, which increases the maximum transfer rate to 5.0 Gbit/s. USB 3.0 receptacles are compatible with USB 2.0 device plugs for the respective physical form factors. The cables can be used with PCs with the actual Type A F.

Color: white



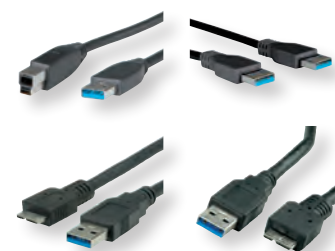
Order-No. – P.U.

VALUE USB 3.0 Cable, A - B, M/M, 0.8 m	11.99.8869 – 10
VALUE USB 3.0 Cable, A - B, M/M, 1.8 m	11.99.8870 – 50
VALUE USB 3.0 Cable, A - B, M/M, 3.0 m	11.99.8871 – 50
VALUE USB 3.0 Cable, A - A, M/M, 1.8 m	11.99.8975 – 50
VALUE USB 3.0 Cable, A - A, M/M, 3.0 m	11.99.8976 – 50
VALUE USB 3.0 Cable, A - A, M/F, 0.8 m	11.99.8977 – 50
VALUE USB 3.0 Cable, A - A, M/F, 1.8 m	11.99.8978 – 50
VALUE USB 3.0 Cable, A - Micro A, M/M, 0.8 m	11.99.8872 – 10
VALUE USB 3.0 Cable, A - Micro A, M/M, 2.0 m	11.99.8874 – 10
VALUE USB 3.0 Cable, A - Micro B, M/M, 0.15m	11.99.8876 – 10
VALUE USB 3.0 Cable, A - Micro B, M/M, 0.8 m	11.99.8873 – 10
VALUE USB 3.0 Cable, A - Micro B, M/M, 2.0 m	11.99.8875 – 10
VALUE USB 3.0 Cable, A - Micro B, M/M, 3.0 m	11.99.8877 – 10

ROLINE USB 3.0 SuperSpeed Cables

USB 3.0 SuperSpeed cables with high quality and improved shielding for transfer rates of up to 5 Gbit/s. USB 3.0 receptacles are partly compatible with USB 2.0 device plugs for the respective physical form factors. The cables can be used with PCs with the actual type A interface. The new USB 3.0 Type B connectors are not downwards compatible.

• Colour: black



Designed for Professionals

Order-No. – P.U.

ROLINE USB 3.0 Cable, A - B, M/M, 0.8 m	11.02.8869 – 10
ROLINE USB 3.0 Cable, A - B, M/M, 1.8 m	11.02.8870 – 50
ROLINE USB 3.0 Cable, A - B, M/M, 3.0 m	11.02.8871 – 50
ROLINE USB 3.0 Cable, A - A, M/M, 1.8 m	11.02.8970 – 50
ROLINE USB 3.0 Cable, A - A, M/M, 3.0 m	11.02.8971 – 50
ROLINE USB 3.0 Cable, A - A, M/F, 0.8 m	11.02.8977 – 50
ROLINE USB 3.0 Cable, A - A, M/F, 1.8 m	11.02.8978 – 50
ROLINE USB 3.0 Cable, A - Micro A, M/M, 0.8 m	11.02.8872 – 10
ROLINE USB 3.0 Cable, A - Micro A, M/M, 2.0 m	11.02.8874 – 10
ROLINE USB 3.0 Cable, A - Micro B, M/M, 0.15 m	11.02.8876 – 25
ROLINE USB 3.0 Cable, A - Micro B, M/M, 0.8 m	11.02.8873 – 10
ROLINE USB 3.0 Cable, A - Micro B, M/M, 2.0 m	11.02.8875 – 10
ROLINE USB 3.0 Cable, A - Micro B, M/M, 3.0 m	11.02.8877 – 10

ROLINE GOLD USB 3.0 SuperSpeed Cables

USB 3.0 SuperSpeed cable with high quality and improved shielding.

- The contact plugs are gold coated to enhance their contact durability
- Nylon-reinforced outer material for a better stability
- Supports data transfer rates of up to 5 Gbit/s
- Connectors:
USB 3.0 Type A M to Type B M or
USB 3.0 Type A M to Type Micro B M

Order-No. – P.U.

ROLINE GOLD USB 3.0 Cable, A - B, M/M, 0.8 m	11.02.8900 – 10
ROLINE GOLD USB 3.0 Cable, A - B, M/M, 1.8 m	11.02.8902 – 10
ROLINE GOLD USB 3.0 Cable, A - B, M/M, 3.0 m	11.02.8903 – 10
ROLINE GOLD USB 3.0 Cable, A - Micro B, M/M, 0.8 m	11.02.8878 – 10
ROLINE GOLD USB 3.0 Cable, A - Micro B, M/M, 2.0 m	11.02.8879 – 10



Designed for Professionals

ROLINE FireWire Cables

- The IEEE1394b Standard is a new, serial High speed Bus-standard. It is the successor of IEEE1394a and provides the user with transfer rates up to 800 Mbps
- The Cable with the 9/9 pin connector offers you the maximum data transfer rate and integrated power transmission
- Colour: black



Designed for Professionals

Order-No. – P.U.

ROLINE IEEE1394b FireWire Cable, 9/9-pin, A-A, 1.8 m	11.02.9518 – 20
ROLINE IEEE1394b FireWire Cable, 9/6-pin, A-B, 1.8 m	11.02.9618 – 20
ROLINE IEEE1394b FireWire Cable, 9/4-pin, A-C, 1.8 m	11.02.9718 – 20

VALUE/ROLINE USB 3.0 „DOME“ Cables

- Brings your computer's USB port directly on your desktop
- Two USB 3.0 ports: One for data, one for power/charging
- Supports SuperSpeed USB 3.0 with data rates of up to 5 Gbit/s
- Backwards compatible with USB 2.0, USB 1.1
- Integrated magnet, which allows you to „stick“ it on metal surfaces or furniture



Designed for Professionals

Order-No. – P.U.

VALUE USB 3.0 „DOME“ Cable, black, 1.5 m	A 11.99.8999 – 12
ROLINE USB 3.0 „DOME“ Cable, black, 1.5 m	B 11.02.8999 – 12

VALUE USB 3.1 Cables, PD (Power Delivery)

The new SuperSpeed+ USB 10 Gbit/s (USB 3.1) specification adds a 10 Gbit/s speed mode that uses a more efficient data encoding and will deliver more than twice the effective data throughput performance of existing SuperSpeed USB over enhanced, fully backward compatible USB connectors and cables.

- Supports USB Power Delivery up to 20V / 5A

Value
Designed for Professionals



Order-No. – P.U.

VALUE USB 3.1 Cable, with PD (Power Delivery) 20V3A, with Emark, C-C, M/M, 0,5 m	11.99.9015	– 20
VALUE USB 3.1 Cable, with PD (Power Delivery) 20V3A, with Emark, C-C, M/M, 1,0 m	11.99.9016	– 10
VALUE USB 3.1 Cable, PD (Power Delivery) 20V5A, with Emark, C-C, M/M, 0,5 m	11.99.9050	– 20
VALUE USB 3.1 Cable, PD (Power Delivery) 20V5A, with Emark, C-C, M/M, 1,0 m	11.99.9051	– 10
VALUE USB 3.1 Cable, A-C, M/M, 0,5 m	11.99.9010	– 20
VALUE USB 3.1 Cable, A-C, M/M, 1 m	11.99.9011	– 10

ROLINE USB 3.1 Cables, C-Micro B

- Compatible with existing USB 3.0 software stacks and device protocols
- Works with both existing 5Gbit/s USB 3.0 hubs and devices, as well as USB 2.0 products
- The USB type-C defines a new small reversible-plug connector for USB 3.1 devices
- The type-C plug can be used at both host and device side, replacing multiple type-B and type-A connectors and cables
- USB 3.1 high-speed cable in high quality with improved shielding
- Data transfer rates up to 10 Gbit/s
- Only suitable for USB standard power supply to 5V / 900mA!
- Type: C - Micro B
- Length: 0.5 m / 1 m
- Colour: black



roline
Designed for Professionals

Order-No. – P.U.

ROLINE USB 3.1 Cable, C-Micro B, M/M, black, 0.5 m	11.02.9005	– 20
ROLINE USB 3.1 Cable, C-Micro B, M/M, black, 1.0 m	11.02.9006	– 10

VALUE Cableadapter, USB3.1, C-A, OTG

- High quality USB 3.1 cable with one Type A (female) and one Type C USB connector (male)
- Meets standard USB3.1 (transfer rate up to 10 Gbit/s)

- Colour: black



Value
Designed for Professionals

Order-No. – P.U.

VALUE Cableadapter, USB3.1, C-A, M/F, OTG, black, 0.15 m	11.99.9030	– 25
--	------------	------

ROLINE USB 3.1 Cables, PD (Power Delivery)

The new SuperSpeed+ USB 10 Gbit/s (USB 3.1) specification adds a 10 Gbit/s speed mode that uses a more efficient data encoding and will deliver more than twice the effective data throughput performance of existing SuperSpeed USB over enhanced, fully backward compatible USB connectors and cables.

roline
Designed for Professionals



Order-No. – P.U.

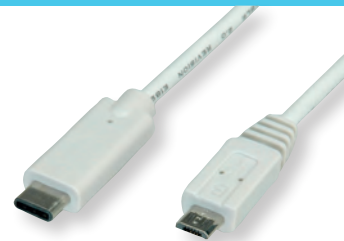
- High quality cable with improved shielding
- With the new reversible Type C connectors at both ends
- Gold-plated contacts for low wear at high plugging cycles
- Suitable for data transfer rates of up to 10 Gbit/s
- Supports USB Power Delivery to 20V / 5A

ROLINE USB 3.1 Cable, PD (Power Delivery) 20V5A, with Emark, C-C, M/M, 0,5 m	11.02.9050	– 20
ROLINE USB 3.1 Cable, PD (Power Delivery) 20V5A, with Emark, C-C, M/M, 1,0 m	11.02.9051	– 10
ROLINE USB 3.1 Cable, A-C, M/M, black, 0,5 m	11.02.9010	– 20
ROLINE USB 3.1 Cable, A-C, M/M, black, 1,0 m	11.02.9011	– 10

ROLINE / VALUE USB 2.0 Cables, C - Micro B

To connect smartphones, tablet PCs, external hard drives, MP3 players and other micro B USB devices to your PC, laptop or charger with the new type C connection.

- USB 2.0 connection cable with micro B to type C male/male connector
- Suitable for data transfer rates of up to 480 Mbit/s
- Backwards compatible with USB 1.0
- Connectors: 1x USB Micro B connector, 1x USB type C connector
- Type: C - Micro B
- Colour: white / black



Value
roline
Designed for Professionals

Order-No. – P.U.

VALUE USB 2.0 Cable, C - Micro B, M/M, white, 1.0 m	11.99.9020	– 10
VALUE USB 2.0 Cable, C - Micro B, M/M, white, 2.0 m	11.99.9021	– 10
ROLINE USB 2.0 Cable, C - Micro B, M/M, black, 1.0 m	11.02.9020	– 10
ROLINE USB 2.0 Cable, C - Micro B, M/M, black, 2.0 m	11.02.9021	– 10

ROLINE Cableadapter, USB3.1, C-A, M/F, OTG

- High quality USB 3.1 cable with one Type A (female) and one Type C USB connector (male)
- Meets standard USB3.1 (transfer rate up to 10 Gbit/s)
- Colour: black



roline
Designed for Professionals

Order-No. – P.U.

ROLINE Cableadapter, USB3.1, C-A, M/F, OTG, black, 0.15 m	11.02.9030	– 10
---	------------	------

VALUE Adapter, USB 3.1, C-Micro B, OTG

- Connect your Apple Macbook, or Lumia Smartphone to a computer or USB charger for transferring data or charging
- Reversible Design
- Plug and unplug easily without checking for the connector orientation (for type C connector)
- OTG functionality
- Data transfer rate up to 10Gbit/s, USB3.1 standard
- Colour: black



Order-No. – P.U.

VALUE Adapter, USB3.1, C - Micro B, M/F, OTG

12.99.3190 – 10

ROLINE Adapter, USB3.1, A - C, M/F

- Active USB interface converter with a male USB Type-A and a female USB Type-C receptacle
- To plug new coming USB-C devices or cables into your existing computer/ laptop
- USB3.1 SuperSpeed 10G data transfer performance
- Power charging with over current protection 5V@1000mA
- Colour: black
- **REMARK: This dongle supports both, USB data communication and power**

charging features, but does NOT support USB-C DisplayPort Alternate Mode video device, such as USB-C to HDMI adapter.



Order-No. – P.U.

ROLINE Adapter, USB3.1, A - C, M/F

12.03.2995 – 10

ROLINE Cable USB MicroB + C M/M to USB2.0 A M/F, OTG

- Compatibility: for most Android / Windows smartphones/tablets ...
- **Type C and micro USB combo allows the cable to perform 2-in-1 functionality**
- Allows you to transfer data from your mobile device
- Connects to your Smartphone or Android smartphone and charges/syncs by connecting the USB connector into your wall charger or computer
- Colour: black



Designed for Professionals

Order-No. – P.U.

ROLINE Cable USB MicroB + C M/M to USB2.0 A M/F, OTG, black, 1.0 m 11.02.8328 – 10



ROLINE USB 3.1 Cable, C-C

To protect the Type C plug of your PC, Macbook, Notebook or other devices. Also enhances the length of e.g. an adapter, so that you have more workspace on your desk!

- High quality cable with improved shielding
- With the new reversible Type C connectors at both ends
- Gold-plated contacts for low wear at high plugging cycles
- Suitable for data transfer rates of up to 10 Gbit/s



Designed for Professionals



Order-No. – P.U.

ROLINE USB 3.1 Cable, C-C, M/F, black, 0.2 m

11.02.9015 – 10

ROLINE Type C + MicroB to USB A

- Compatibility: for most Android / Windows smartphones/tablets ...
- **Type C and micro USB combo allows the cable to perform 2-in-1 functionality**
- Allows you to transfer data from your mobile device
- Connects to your Smartphone or Android smartphone and charges/syncs by connecting the USB connector into your wall charger or computer
- Colour: black



Designed for Professionals



Order-No. – P.U.

ROLINE Type C + MicroB to USB A, M/F, black, 1.0 m

11.02.8327 – 10

ROLINE GOLD USB 3.1 Cable, A-C

- Improved data encoding for more efficient data transfer leading to higher throughput and improved I/O power efficiency
- The contact plugs are gold coated to enhance their contact durability
- Compatible with existing USB 3.0 software stacks and device protocols
- Works with both existing 5Gbit/s USB 3.0 hubs and devices, as well as USB 2.0 products
- USB 3.1 high-speed cable in high quality with improved shielding
- Only suitable for USB standard power supply to 5V / 900mA!
- Type: A-C



Designed for Professionals

Order-No. – P.U.

ROLINE GOLD USB 3.1 Cable, A-C, M/M, 0.5 m

11.02.9012 – 20

ROLINE GOLD USB 3.1 Cable, A-C, M/M, 1.0 m

11.02.9013 – 10

ROLINE GOLD USB 3.1 Cable, C-Micro B

- Improved data encoding for more efficient data transfer leading to higher throughput and improved I/O power efficiency
- The contact plugs are gold coated to enhance their contact durability
- Compatible with existing USB 3.0 software stacks and device protocols
- Works with both existing 5Gbit/s USB 3.0 hubs and devices, as well as USB 2.0 products
- USB 3.1 high-speed cable in high quality with improved shielding
- Data transfer rates up to 10 Gbit/s
- Only suitable for USB standard power supply to 5V / 900mA!

- Type: C- Micro B
- Length: 0.5 m



Designed for Professionals

Order-No. – P.U.

ROLINE GOLD USB 3.1 Cable, C-Micro B, M/M, 0.5 m

11.02.9025 – 20

ROLINE GOLD USB 3.1 Cable, C-Micro B, M/M, 1.0 m

11.02.9026 – 10

Cable Assembly Inquiry Form

Universal Serial Bus Cables

Type of Plug

Side A

- USB 2.0 A Male
- USB 2.0 Mini A Male
- USB 2.0 Micro A Male

- USB 3.0 A Male
- USB 3.0 Micro A Male

other _____

open end

Length _____
 Color _____
 Quantity _____

Side B

- USB 2.0 A Male
- USB 2.0 A Female
- USB 2.0 B Male
- USB 2.0 Mini A Male
- USB 2.0 5-pin Mini B Male
- USB 2.0 Micro A Male
- USB 2.0 Micro B Male

- USB 3.0 A Male
- USB 3.0 A Female
- USB 3.0 B Male
- USB 3.0 Micro B Male

other _____

open end

We reserve the right to decline infeasible assemblies or inquiries deemed technically or economically unsound

Telephone Cables

Type of Plug:

Side A

- RJ-10 (4P4C)
- RJ-11 (6P4C)
- RJ-12 (6P6C)
- RJ-45 (8P8C)
- TAE-F Male
- TAE-N Male

- other _____
- open end

Pin assignment:

Side A

- Pin 1 _____
- Pin 2 _____
- Pin 3 _____
- Pin 4 _____
- Pin 5 _____
- Pin 6 _____
- Pin 7 _____
- Pin 8 _____
- S - shielding _____

Side B

- RJ-10 (4P4C)
- RJ-11 (6P4C)
- RJ-12 (6P6C)
- RJ-45 (8P8C)
- TAE-F Male
- TAE-F Female
- TAE-N Male
- TAE-N Female
- other _____
- open end

Side B

- Pin _____
- Pin _____
- Pin _____
- Pin _____
- Pin _____
- Pin _____
- Pin _____
- Pin _____
- S _____



Length _____
 Color _____
 Cable Type (spiral/flat/UTP/STP) _____
 Quantity _____

Standard Cables

Type of Plug

Side A

- Sub-D 9-pole Male
- Sub-D 9-pole Female
- Sub-D 15-pole Male
- Sub-D 15-pole Female
- Sub-D 25-pole Male
- Sub-D 25-pole Female
- HD 15-pole Male
- HD 15-pole Female
- Centronics 36 Male

- other _____
- open end

Side B

- Sub-D 9-pole Male
- Sub-D 9-pole Female
- Sub-D 15-pole Male
- Sub-D 15-pole Female
- Sub-D 25-pole Male
- Sub-D 25-pole Female
- HD 15-pole Male
- HD 15-pole Female
- Centronics 36 Male
- Centronics 36 Female
- other _____
- open end

Pin assignment

- | Side A | Side B |
|--------|-----------|
| Pin 1 | Pin _____ |
| Pin 2 | Pin _____ |
| Pin 3 | Pin _____ |
| Pin 4 | Pin _____ |
| Pin 5 | Pin _____ |
| Pin 6 | Pin _____ |
| Pin 7 | Pin _____ |
| Pin 8 | Pin _____ |
| Pin 9 | Pin _____ |
| Pin 10 | Pin _____ |
| Pin 11 | Pin _____ |
| Pin 12 | Pin _____ |

- | Side A | Side B |
|--------|-----------|
| Pin 13 | Pin _____ |
| Pin 14 | Pin _____ |
| Pin 15 | Pin _____ |
| Pin 16 | Pin _____ |
| Pin 17 | Pin _____ |
| Pin 18 | Pin _____ |
| Pin 19 | Pin _____ |
| Pin 20 | Pin _____ |
| Pin 21 | Pin _____ |
| Pin 22 | Pin _____ |
| Pin 23 | Pin _____ |
| Pin 24 | Pin _____ |

- | Side A | Side B |
|---------------|-----------|
| Pin 25 | Pin _____ |
| Pin 26 | Pin _____ |
| Pin 27 | Pin _____ |
| Pin 28 | Pin _____ |
| Pin 29 | Pin _____ |
| Pin 30 | Pin _____ |
| Pin 31 | Pin _____ |
| Pin 32 | Pin _____ |
| Pin 33 | Pin _____ |
| Pin 34 | Pin _____ |
| Pin 35 | Pin _____ |
| Pin 36 | Pin _____ |
| S - shielding | S _____ |

Length _____
 Color _____
 Cable Type (UTP/STP) _____
 Connector housing _____
 (PVC/full metal/metalized, straight, angled)



Your contact details

Customer-no. : _____
Contact person: _____
Phone: _____
e-Mail : _____

Important note: Individual cable assemblies require a written order. All orders are final. Subsequent requests of cancellation, refunds or exchange cannot be accepted.

ROLINE RS232 Cables

- Cable with two 25-pole D-Sub connectors
- Connector casing moulded with special plastic for best strain relief
- Connects a switchbox with a computer or two serial interfaces
- Very good screening prevents data loss and electromagnetic interference
- 25 lines connected 1:1
- Hand locking screws
- Screen line connected to the cable foil screen and both connectors
- Bronze contacts with gold coating



roline
Designed for Professionals

Order-No. – P.U.

ROLINE RS232 Cable, M - M, 3.0 m	11.01.3530 – 50
ROLINE RS232 Cable, M - M, 6.0 m	11.01.3560 – 25
ROLINE RS232 Cable, M - M, 4.5 m	11.01.3545 – 25
ROLINE RS232 Cable, M - M, 1.8 m	11.01.3518 – 50
ROLINE RS232 Cable, M - M, 9.0 m	11.01.3590 – 25
ROLINE RS232 Cable, M - F, 1.8 m	11.01.3618 – 25
ROLINE RS232 Cable, M - F, 3.0 m	11.01.3630 – 50
ROLINE RS232 Cable, M - F, 4.5 m	11.01.3645 – 25
ROLINE RS232 Cable, M - F, 6.0 m	11.01.3660 – 25
ROLINE RS232 Cable, M - F, 9.0 m	11.01.3690 – 20
ROLINE RS232 Cable, F - F, 1.8 m	11.01.3718 – 50
ROLINE RS232 Cable, F - F, 3.0 m	11.01.3730 – 50

ROLINE Parallel Printer Cables

- For printers with Centronics connection
- Cable with 25-pole D-Sub plug and 36-pole Centronics plug
- 25 lines
- Screen line connected with the foil screen and both plugs
- Connector casing moulded with special plastic, for optimal strain reduction, cable break not possible
- Very good screening prevents data loss and electromagnetic interference
- Thumbscrews
- Bronze contacts with gold coating



roline
Designed for Professionals

Connection list for parallel printer cable

25-pole connector: 1-14|15|16|17|18|19|20|21|22|23|24|25
36-pole connector: 1-14|32|31|36|33|19|21|23|25|27|29|30

Order-No. – P.U.

ROLINE Parallel Printer Cable, DB25 M - C36 M, grey, 1.8 m	11.01.1018 – 50
ROLINE Parallel Printer Cable, DB25 M - C36 M, grey, 3.0 m	11.01.1030 – 50
ROLINE Parallel Printer Cable, DB25 M - C36 M, grey, 4.5 m	11.01.1045 – 25
ROLINE Parallel Printer Cable, DB25 M - C36 M, grey, 6.0 m	11.01.1060 – 25
ROLINE Parallel Printer Cable, DB25 M - C36 M, grey, 9.0 m	11.01.1090 – 20

ROLINE Serial Link Cables

- Connects two PCs via the serial interface, whereby the cable acts as a null modem
- Two 9-pole D-Sub sockets
- Connector casing moulded with special plastic, so optimal strain reduction, cable break not possible
- Very good screening prevents data loss and electromagnetic interference



roline
Designed for Professionals

9-pole F: 1|7|2|3|4|6|8|5|9
9-pole F: 7|1|3|2|6|8|4|5|9

Order-No. – P.U.

ROLINE Serial Link Cable, DB9 F/F, 1.8 m	11.01.9018 – 50
ROLINE Serial Link Cable, DB9 F/F, 3.0 m	11.01.9030 – 50

VALUE RS232 Cables

- Cable with two 9-pole D-Sub connectors, assembled
- Connects e.g. the serial IBM AT interface with a switchbox
- All lines connected 1:1
- Screen line connected with the foil screen and both connectors



Value

A

Order-No. – P.U.

VALUE RS232 Cable, DB9 M - M, 1.8 m	11.99.6018 – 50
VALUE RS232 Cable, DB9 M - F, 1.8 m	11.99.6218 – 50
VALUE RS232 Cable, DB9 M - F, 3.0 m	11.99.6233 – 50
VALUE RS232 Cable, DB9 M - F, 1.0 m Screw/Nuts	NEW A 11.99.6210 – 50

ROLINE RS232 Cables

- Cable with two 9-pole D-Sub connectors
- Connects e.g. the serial IBM AT interface with a switchbox
- All lines connected 1:1
- Screen line connected with the foil screen and both connectors



roline
Designed for Professionals

Order-No. – P.U.

ROLINE RS232 Cable, DB9 M - M, 1.8 m	11.01.6018 – 50
ROLINE RS232 Cable, DB9 M - F, 1.8 m	11.01.6218 – 50
ROLINE RS232 Cable, DB9 M - F, 3.0 m	11.01.6230 – 50
ROLINE RS232 Cable, DB9 M - F, 6.0 m	11.01.6260 – 25
ROLINE RS232 Cable, DB9 M - F, 10.0 m	11.01.6290 – 25
ROLINE RS232 Cable, DB9 F - F, 1.8 m	11.01.5918 – 50

ROLINE Modem Cables

- Cable with a 9-pole D-Sub socket and a 25-pole D-Sub plug
- Connects PC and modem
- Connector casing moulded with special plastic, thus optimal strain reduction, no cable breaks
- Very good screening prevents data loss and electromagnetic interference
- Hand locking screws
- Bronze contacts with gold coating



roline
Designed for Professionals

DB9 F 1|2|3|4|5|6|7|8|9
DB25 M 8|3|2|20|7|6|4|5|22

Order-No. – P.U.

ROLINE Modem Cable, DB9 F - DB25 M, 1.8 m	11.01.4518 – 50
ROLINE Modem Cable, DB9 F - DB25 M, 3.0 m	11.01.4530 – 50
ROLINE Modem Cable, DB9 F - DB25 M, 6.0 m	11.01.4560 – 20

ROLINE Serial Printer Cables

- Cable with a 9-pole D-Sub socket and a 25-pole D-Sub plug
- Connects PC and modem
- Connector casing moulded with special plastic, thus optimal strain reduction, no cable breaks
- Very good screening prevents data loss and electromagnetic interference
- Hand locking screws
- Bronze contacts with gold coating



roline
Designed for Professionals

DB9 F: 1|2|3|4|5|6|7|8|9
DB25 M: 8|3|2|20|7|6|4|5|22

Order-No. – P.U.

ROLINE Serial Printer Cable, DB9 F - DB25 M, 1.8 m	11.01.4618 – 50
ROLINE Serial Printer Cable, DB9 F - DB25 M, 3.0 m	11.01.4630 – 50

ROLINE PS/2 Cables

- Extends the keyboard or mouse cable of a PC, e.g. for location of the computer under a table or for connection to a switchbox
- Cable with 6-pole Mini DIN plug and socket, 1:1



roline[®]
Designed for Professionals

Order-No. – P.U.

ROLINE PS/2 Cable, M - F, 1.8 m	11.01.5618 – 50
ROLINE PS/2 Cable, M - F, 3.0 m	11.01.5630 – 50
ROLINE PS/2 Cable, M - F, 6.0 m	11.01.5660 – 25
ROLINE PS/2 Cable, M - F, 10.0 m	11.01.5690 – 25
ROLINE PS/2 Cable, M - M, 1.8 m	11.01.5818 – 50
ROLINE PS/2 Cable, M - M, 3.0 m	11.01.5830 – 50
ROLINE PS/2 Cable, M - M, 6.0 m	11.01.5860 – 25

ROLINE VGA Cables, HD15

- Cable for connection of a monitor to a graphics card or to a switch
- 14 lines and additionally a screen line which is connected to the foil screen of the cable and to both connectors
- Moulded connector casings
- Hand-locking screws



roline[®]
Designed for Professionals

Order-No. – P.U.

ROLINE VGA Cable, HD15, F/M, 1.8 m	11.01.6518 – 50
ROLINE VGA Cable, HD15, F/M, 3.0 m	11.01.6530 – 50
ROLINE VGA Cable, HD15, F/M, 6.0 m	11.01.6560 – 25
ROLINE VGA Cable, HD15, F/M, 10.0 m	11.01.6590 – 25
ROLINE VGA Cable, HD15, M/M, 1.8 m	11.01.6618 – 50
ROLINE VGA Cable, HD15, M/M, 3.0 m	11.01.6630 – 50

VALUE SVGA Cables, HD15

- Quality cable for connection of a monitor to a graphics card or VGA splitter or amplifier
- Suitable for covering long distances (depending on graphics card and resolution) with high resolution
- Double-shielded cable (braided and foil shield) consisting of: 3 coax lines for

the RGB signals and 7 AWG28 wires
• Thumbscrews

Value[®]



Order-No. – P.U.

VALUE SVGA Cable, HD15, M/M, 2.0 m	11.99.5252 – 20
VALUE SVGA Cable, HD15, M/M, 3.0 m	11.99.5253 – 20
VALUE SVGA Cable, HD15, M/M, 6.0 m	11.99.5256 – 10
VALUE SVGA Cable, HD15, M/M, 10.0 m	11.99.5257 – 5
VALUE SVGA Cable, HD15, M/M, 15.0 m	11.99.5258 – 2
VALUE SVGA Cable, HD15, M/M, 20.0 m	11.99.5259 – 2

ROLINE HQ VGA Cables, HD15

- High quality cable for connection of a monitor to a graphics card or VGA splitter or amplifier
- Suitable for covering long distances (depending on graphics card and resolution) with high resolution; with amplifier up to 100 m
- Double-shielded cable (braided and foil shield)
- **3 coax lines for the RGB signals and 7 AWG28 wires (13 wires connected)**
- **Pin 9 (missing) and Pin 15 (not connected)**
- Thumbscrews



roline[®]
Designed for Professionals

Order-No. – P.U.

ROLINE HQ VGA Cable, HD15, M/M, 2.0 m	11.04.5202 – 20
ROLINE HQ VGA Cable, HD15, M/M, 3.0 m	11.04.5203 – 20
ROLINE HQ VGA Cable, HD15, M/M, 6.0 m	11.04.5206 – 10
ROLINE HQ VGA Cable HD15, M/M, 10.0 m	11.04.5210 – 5
ROLINE HQ VGA Cable HD15, M/M, 15.0 m	11.04.5215 – 2
ROLINE HQ VGA Cable, HD15, M/M, 20.0 m	11.04.5220 – 2
ROLINE HQ VGA Cable, HD15, M/M, 30.0 m	11.04.5230 – 2
ROLINE HQ VGA Cable, HD15, M/F, 2.0 m	11.04.5302 – 20
ROLINE HQ VGA Cable, HD15, M/F, 3.0 m	11.04.5303 – 20
ROLINE HQ VGA Cable, HD15, M/F, 6.0 m	11.04.5306 – 10
ROLINE HQ VGA Cable, HD15, M/F, 10.0 m	11.04.5310 – 5
ROLINE HQ VGA Cable, HD15, M/F, 20.0 m	11.04.5320 – 2
ROLINE HQ VGA Cable, HD15, M/F, 30.0 m	11.04.5330 – 2

ROLINE HQ VGA Cables + Ferrite, HD15

- High quality cable for connection of a monitor to a graphics card or VGA splitter or amplifier
- As monitor connection cable with two additional ferrite cores
- **3 coax lines for the RGB signals and 7 AWG28 wires (13 wires connected)**
- **Pin 9 (missing) and Pin 15 (not connected)**
- Connector casings moulded
- Double screened cable (braided and foil shield)
- Hand locking screws



roline[®]
Designed for Professionals

Order-No. – P.U.

ROLINE HQ VGA Cable + Ferrite, HD15, M/M, 2.0 m	11.04.5252 – 20
ROLINE HQ VGA Cable + Ferrite, HD15, M/M, 20.0 m	11.04.5270 – 2
ROLINE HQ VGA Cable + Ferrite, HD15, M/F, 2.0 m	11.04.5352 – 20
ROLINE HQ VGA Cable + Ferrite, HD15, M/M, 10.0 m	11.04.5260 – 5
ROLINE HQ VGA Cable + Ferrite, HD15, M/M, 15.0 m	11.04.5265 – 2
ROLINE HQ VGA Cable + Ferrite, HD15, M/M, 6.0 m	11.04.5256 – 10
ROLINE HQ VGA Cable + Ferrite, HD15, M/M, 3.0 m	11.04.5253 – 20
ROLINE HQ VGA Cable + Ferrite, HD15, M/M, 30.0 m	11.04.5280 – 2
ROLINE HQ VGA Cable + Ferrite, HD15, M/F, 3.0 m	11.04.5353 – 20
ROLINE HQ VGA Cable + Ferrite, HD15, M/F, 6.0 m	11.04.5356 – 10
ROLINE HQ VGA Cable + Ferrite, HD15, M/F, 10.0 m	11.04.5360 – 5
ROLINE HQ VGA Cable + Ferrite, HD15, M/F, 20.0 m	11.04.5370 – 2
ROLINE HQ VGA Cable + Ferrite, HD15, M/F, 30.0 m	11.04.5380 – 2

ROLINE HQ VGA Cables + Ferrite + DDC, HD15

- High quality cable for connection of a monitor to a graphics card or VGA splitter or amplifier
- Additionally with two ferrite cores and DDC functionality
- **3 coax lines for the RGB signals and 9 AWG28 wires (all pins connected, incl. pin 9 and pin 15)**
- Double screened cable (braided and foil shielding)
- Thumbscrews



roline[®]
Designed for Professionals

Order-No. – P.U.

ROLINE HQ VGA Cable + Ferrite + DDC, HD15, M/M, 2.0 m	11.04.5652 – 20
ROLINE HQ VGA Cable + Ferrite + DDC, HD15, M/M, 3.0 m	11.04.5653 – 20
ROLINE HQ VGA Cable + Ferrite + DDC, HD15, M/M, 6.0 m	11.04.5656 – 10
ROLINE HQ VGA Cable + Ferrite + DDC, HD15, M/M, 10.0 m	11.04.5660 – 5
ROLINE HQ VGA Cable + Ferrite + DDC, HD15, M/M, 15.0 m	11.04.5665 – 2
ROLINE HQ VGA Cable + Ferrite + DDC, HD15, M/M, 20.0 m	11.04.5670 – 2
ROLINE HQ VGA Cable + Ferrite + DDC, HD15, M/F, 2.0 m	11.04.5651 – 20
ROLINE HQ VGA Cable + Ferrite + DDC, HD15, M/F, 3.0 m	11.04.5654 – 20
ROLINE HQ VGA Cable + Ferrite + DDC, HD15, M/F, 6.0 m	11.04.5655 – 10
ROLINE HQ VGA Cable + Ferrite + DDC, HD15, M/F, 10.0 m	11.04.5659 – 5

ROLINE Combi Cables, VGA + Audio

- To connect in an easy way PC or Switch with your PC
- The separate cable VGA and 3.5 mm Audio are now combined in only one cable
- On both side are HD15 M and 3.5 mm M connectors
- Colour: dark grey



	Order-No. – P.U.
ROLINE Combi Cable, VGA + Audio, M-M, 3.0 m	11.04.5153 – 20
ROLINE Combi Cable, VGA + Audio, M-M, 6.0 m	11.04.5156 – 10
ROLINE Combi Cable, VGA + Audio, M-M, 10.0 m	11.04.5160 – 5
ROLINE Combi Cable, VGA + Audio, M-M, 15.0 m	11.04.5162 – 3
ROLINE Combi Cable, VGA + Audio, M-M, 20.0 m	11.04.5164 – 2

VALUE DVI Cables, DVI (18+5) - HD15

- Used for the connection of a TFT monitor with an analogue DVI connector to a standard VGA graphic card
- Cable with one DVI male connector and one HD15 male connector



	Order-No. – P.U.
VALUE DVI Cable, DVI (18+5) - HD15, M/M, 2.0 m	11.99.5420 – 25
VALUE DVI Cable, DVI (18+5) - HD15, M/M, 3.0 m	11.99.5430 – 20
VALUE DVI Cable, DVI (18+5) - HD15, M/M, 5.0 m	11.99.5449 – 10

ROLINE DVI Cables, DVI (12+5) - HD15

- Used for the connection of a TFT monitor with a DVI connector to a standard VGA card
- Cable with one DVI Male connector and one HD15 Male connector



	Order-No. – P.U.
ROLINE DVI Cable, DVI (12+5) - HD15, M/M, 2.0 m	11.04.5420 – 25
ROLINE DVI Cable, DVI (12+5) - HD15, M/M, 3.0 m	11.04.5430 – 20
ROLINE DVI Cable, DVI (12+5) - HD15, M/M, 5.0 m	11.04.5450 – 10

VALUE Monitor DVI Cables, DVI (24+1), Dual Link

- DVI is the standard for the digital transmission between graphic card and digital monitor (e.g. TFT)
- Advantage: No quality loss during digital/analog conversion
- Colour: black



	Order-No. – P.U.
VALUE Monitor DVI Cable, DVI (24+1), Dual Link, M/M, 1.0 m	11.99.5521 – 40
VALUE Monitor DVI Cable, DVI (24+1), Dual Link, M/M, 2.0 m	11.99.5525 – 25
VALUE Monitor DVI Cable, DVI (24+1), Dual Link, M/M, 3.0 m	11.99.5535 – 20
VALUE Monitor DVI Cable, DVI (24+1), Dual Link, M/M, 5.0 m	11.99.5555 – 10
VALUE Monitor DVI Cable, DVI (24+1), Dual Link, M/M, 7.5 m	11.99.5556 – 10
VALUE Monitor DVI Cable, DVI (24+1), Dual Link, M/M, 10.0 m	11.99.5595 – 10
VALUE Monitor DVI Cable, DVI (24+1), Dual Link, M/F, 1.0 m	11.99.5562 – 10
VALUE Monitor DVI Cable, DVI (24+1), Dual Link, M/F, 2.0 m	11.99.5563 – 10
VALUE Monitor DVI Cable, DVI (24+1), Dual Link, M/F, 3.0 m	11.99.5564 – 10
VALUE Monitor DVI Cable, DVI (24+1), Dual Link, M/F, 5.0 m	11.99.5565 – 5

ROLINE Monitor Cables, DVI (24+1), Dual Link

DVI is a video interface standard designed to provide very high visual quality on digital display devices such as flat panel LCD computer displays and digital projectors. It was developed to replace the VGA connector standard. It is designed for carrying uncompressed digital video data to a display.



- Advantage: No quality loss during digital/analog conversion
- Colour: Black

	Order-No. – P.U.
ROLINE Monitor Cable, DVI (24+1), Dual Link, M/M, 1.0 m	11.04.5521 – 25
ROLINE Monitor Cable, DVI (24+1), Dual Link, M/M, 2.0 m	11.04.5525 – 25
ROLINE Monitor Cable, DVI (24+1), Dual Link, M/M, 3.0 m	11.04.5535 – 20
ROLINE Monitor Cable, DVI (24+1), Dual Link, M/M, 5.0 m	11.04.5555 – 10
ROLINE Monitor Cable, DVI (24+1), Dual Link, M/M, 7.5 m	11.04.5556 – 10
ROLINE Monitor Cable, DVI (24+1), Dual Link, M/M, 10.0 m	11.04.5595 – 10
ROLINE Monitor Cable, DVI (24+1), Dual Link, M/M, 15.0 m	11.04.5598 – 4
ROLINE Monitor Cable, DVI (24+1), Dual Link, M/M, 20.0 m	11.04.5599 – 3

ROLINE HQ Monitor Cables, DVI (24+1), Dual Link

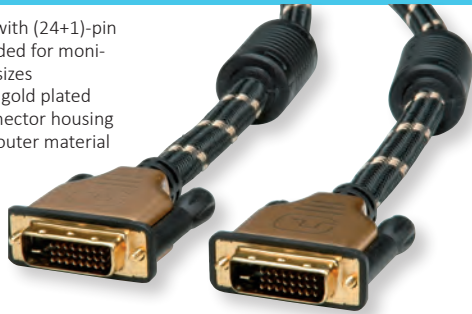
- DVI-D dual link version with (24+1)-pin assignment, recommended for monitors with bigger screen sizes
- ROLINE cable with gold plated contacts and metal connector housing
- Nylon-reinforced cable outer material for a better stability
- Thumbscrews



	Order-No. – P.U.
ROLINE HQ Monitor Cable, DVI (24+1), Dual Link, M/M, 1.0 m	11.04.5860 – 25
ROLINE HQ Monitor Cable, DVI (24+1), Dual Link, M/M, 2.0 m	11.04.5861 – 25
ROLINE HQ Monitor Cable, DVI (24+1), Dual Link, M/M, 3.0 m	11.04.5862 – 20
ROLINE HQ Monitor Cable, DVI (24+1), Dual Link, M/M, 5.0 m	11.04.5863 – 10
ROLINE HQ Monitor Cable, DVI (24+1), Dual Link, M/M, 7.5 m	11.04.5864 – 10
ROLINE HQ Monitor Cable, DVI (24+1), Dual Link, M/M, 10.0 m	11.04.5865 – 10

ROLINE GOLD Monitor Cables, DVI (24+1), Dual Link

- DVI-D dual link version with (24+1)-pin assignment, recommended for monitors with bigger screen sizes
- ROLINE Gold cable with gold plated contacts and metal connector housing
- Nylon-reinforced cable outer material for a better stability
- Ferrite cores
- Thumbscrews



roline[®]
Designed for Professionals

Order-No. – P.U.

ROLINE GOLD Monitor Cable, DVI (24+1), Dual Link, M/M, 1.0 m	11.04.5511 – 10
ROLINE GOLD Monitor Cable, DVI (24+1), Dual Link, M/M, 2.0 m	11.04.5512 – 10
ROLINE GOLD Monitor Cable, DVI (24+1), Dual Link, M/M, 3.0 m	11.04.5513 – 10
ROLINE GOLD Monitor Cable, DVI (24+1), Dual Link, M/M, 5.0 m	11.04.5514 – 10
ROLINE GOLD Monitor Cable, DVI (24+1), Dual Link, M/M, 7.5 m	11.04.5515 – 6
ROLINE GOLD Monitor Cable, DVI (24+1), Dual Link, M/M, 10.0 m	11.04.5518 – 5

VALUE Monitor Cables, DVI (18+1) - HDMI

DVI is partially compatible with the HDMI standard in digital mode (DVI-D). The main difference is that DVI typically carries no audio data.

- Connectors: DVI-D (18+1) to HDMI
- E. g. to connect a TFT monitor with DVI connector to a TV tuner card with HDMI connector
- Colour: Black



Value[®]

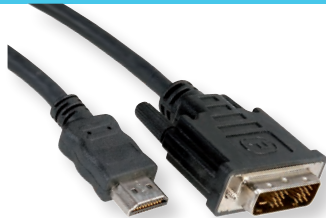
Order-No. – P.U.

VALUE Monitor Cable, DVI (18+1) - HDMI, M/M, 1.0 m	11.99.5519 – 20
VALUE Monitor Cable, DVI (18+1) - HDMI, M/M, 2.0 m	11.99.5522 – 20
VALUE Monitor Cable, DVI (18+1) - HDMI, M/M, 3.0 m	11.99.5532 – 20
VALUE Monitor Cable, DVI (18+1) - HDMI, M/M, 5.0 m	11.99.5552 – 10
VALUE Monitor Cable, DVI (18+1) - HDMI, M/M, 10.0 m	11.99.5553 – 5

ROLINE DVI Cables, DVI (18+1) - HDMI

DVI is partially compatible with the HDMI standard in digital mode (DVI-D). The main difference is that DVI typically carries no audio data.

- High quality shielded cable
- Connectors: DVI-D (18+1) to HDMI
- E.g. to connect a TFT monitor with DVI connector to a TV tuner card with HDMI connector
- Colour: Black



roline[®]
Designed for Professionals

Order-No. – P.U.

ROLINE DVI Cable, DVI (18+1) - HDMI, M/M, 1.0 m	11.04.5519 – 20
ROLINE DVI Cable, DVI (18+1) - HDMI, M/M, 2.0 m	11.04.5522 – 20
ROLINE DVI Cable, DVI (18+1) - HDMI, M/M, 3.0 m	11.04.5532 – 20
ROLINE DVI Cable, DVI (18+1) - HDMI, M/M, 5.0 m	11.04.5552 – 10
ROLINE DVI Cable, DVI (18+1) - HDMI, M/M, 10.0 m	11.04.5553 – 5

ROLINE Monitor Cable, DVI (24+1) - HDMI, Dual Link, M/M

Connect your Ultrabook, Notebook/ Laptop or PC with e.g. an HDMI to a DVI monitor or projector with DVI - with a maximum resolution of 3840x2160 @60Hz!

- ROLINE cable with gold plated contacts and silver metal connector housing
- High quality shielded cable
- Maximum resolution: 3840x2160 @60Hz
- DVI-D dual link version with (24+1)-pin assignment
- Nylon-reinforced cable outer material for a better stability
- Connectors: DVI-D (24+1) to HDMI
- E.g. to connect a monitor with DVI connector to a TV tuner card with HDMI connector

NEW



roline[®]
Designed for Professionals

Order-No. – P.U.

ROLINE Monitor Cable, DVI (24+1) - HDMI, Dual Link, M/M, 1.0 m	11.04.5870 – 10
ROLINE Monitor Cable, DVI (24+1) - HDMI, Dual Link, M/M, 2.0 m	11.04.5871 – 10
ROLINE Monitor Cable, DVI (24+1) - HDMI, Dual Link, M/M, 3.0 m	11.04.5872 – 10
ROLINE Monitor Cable, DVI (24+1) - HDMI, Dual Link, M/M, 5.0 m	11.04.5873 – 10
ROLINE Monitor Cable, DVI (24+1) - HDMI, Dual Link, M/M, 7.5 m	11.04.5874 – 5
ROLINE Monitor Cable, DVI (24+1) - HDMI, Dual Link, M/M, 10.0 m	11.04.5875 – 5

VALUE HDMI High Speed Cables

1080p FULL HD 3D capable

- HDMI supports standard, enhanced, or high-definition video, plus multi-channel digital audio on a single cable. It transmits all ATSC HDTV standards and supports 8-channel digital audio, with bandwidth to spare to accommodate future enhancements and requirements.



Value[®]

Order-No. – P.U.

VALUE HDMI High Speed Cable, M/M, 1.0 m	11.99.5526 – 20
VALUE HDMI High Speed Cable, M/M, 2.0 m	11.99.5527 – 20
VALUE HDMI High Speed Cable, M/M, 3.0 m	11.99.5537 – 20
VALUE HDMI High Speed Cable, M/M, 5.0 m	11.99.5557 – 10
VALUE HDMI High Speed Cable, M/M, 10.0 m	11.99.5558 – 10
VALUE HDMI High Speed Cable, M/M, 15.0 m	11.99.5534 – 5
VALUE HDMI High Speed Cable, M/M, 20.0 m	11.99.5536 – 5

ROLINE HDMI High Speed Cables

1080p FULL HD 3D capable

- By delivering crystal-clear, all-digital audio and video via a single cable, HDMI dramatically simplifies cabling and helps provide consumers with the highest-quality home theater experience.
- HDMI High Speed increases single-link bandwidth to 340 MHz (10.2 Gbit/s)
- HDMI High Speed supports 10-bit, 12-bit and 16-bit (RGB or YCbCr) color depths, for stunning rendering of over one billion colors in unprecedented detail
- ROLINE cable with high quality shielding



roline[®]
Designed for Professionals

Order-No. – P.U.

ROLINE HDMI High Speed Cable, M/M, 1.0 m	11.04.5571 – 20
ROLINE HDMI High Speed Cable, M/M, 2.0 m	11.04.5572 – 20
ROLINE HDMI High Speed Cable, M/M, 3.0 m	11.04.5573 – 20
ROLINE HDMI High Speed Cable, M/M, 5.0 m	11.04.5575 – 10
ROLINE HDMI High Speed Cable, M/M, 10.0 m	11.04.5576 – 5
ROLINE HDMI High Speed Cable, M/M, 15.0 m	11.04.5577 – 5
ROLINE HDMI High Speed Cable, M/M, 20.0 m	11.04.5578 – 5

ROLINE GOLD HDMI Hi-Speed Cables



- Cable with HDMI male connector on both sides
- High quality cable with golden metal connector housing and shell for better shielding
- Gold plated contacts for higher durability
- Nylon-reinforced outer material for a better stability



Order-No. – P.U.

ROLINE GOLD HDMI High Speed Cable, M/M, 1.0 m	11.04.5561 – 20
ROLINE GOLD HDMI High Speed Cable, M/M, 2.0 m	11.04.5562 – 20
ROLINE GOLD HDMI High Speed Cable, M/M, 3.0 m	11.04.5563 – 20
ROLINE GOLD HDMI High Speed Cable, M/M, 5.0 m	11.04.5565 – 10
ROLINE GOLD HDMI High Speed Cable, M/M, 10.0 m	11.04.5566 – 5
ROLINE GOLD HDMI High Speed Cable, M/M, 15.0 m	11.04.5560 – 5
ROLINE GOLD HDMI High Speed Cable, M/M, 20.0 m	11.04.5564 – 5

VALUE HDMI High Speed Cables + Ethernet

HDMI High Speed Cables with Ethernet - offering even more HDTV features.

- HDMI Ethernet Channel - Adds high-speed networking to an HDMI link, allowing users to take full advantage of their IP-enabled devices without a separate ethernet cable
- Audio Return Channel- Allows an HDMI-connected TV with a built-in tuner

to send audio data „upstream“ to a surround audio system, eliminating the need for a separate audio cable

- Supports 3D video formats
- For Video resolutions far beyond 1080p, supporting next-generation displays



Order-No. – P.U.

VALUE HDMI High Speed Cable + Ethernet, M/F, black, 1.0 m	11.99.5574 – 10
VALUE HDMI High Speed Cable + Ethernet, M/F, black, 2.0 m	11.99.5575 – 10
VALUE HDMI High Speed Cable + Ethernet, M/F, black, 3.0 m	11.99.5576 – 10
VALUE HDMI High Speed Cable + Ethernet, M/F, black, 5.0 m	11.99.5577 – 5
VALUE HDMI High Speed Cable + Ethernet, M/M, black, 1.0 m	11.99.5541 – 10
VALUE HDMI High Speed Cable + Ethernet, M/M, black, 2.0 m	11.99.5542 – 10
VALUE HDMI High Speed Cable + Ethernet, M/M, black, 3.0 m	11.99.5543 – 10
VALUE HDMI High Speed Cable + Ethernet, M/M, black, 5.0 m	11.99.5544 – 10
VALUE HDMI High Speed Cable + Ethernet, M/M, black, 7.5 m	11.99.5544 – 10
VALUE HDMI High Speed Cable + Ethernet, M/M, black, 10.0 m	11.99.5546 – 5
VALUE HDMI High Speed Cable + Ethernet, M/M, black, 15.0 m	11.99.5547 – 5
VALUE HDMI High Speed Cable + Ethernet, M/M, black, 20.0 m	11.99.5548 – 5
VALUE HDMI High Speed Cable + Ethernet, M/M, white, 1.0 m	11.99.5701 – 10
VALUE HDMI High Speed Cable + Ethernet, M/M, white, 2.0 m	11.99.5702 – 10
VALUE HDMI High Speed Cable + Ethernet, M/M, white, 3.0 m	11.99.5703 – 10
VALUE HDMI High Speed Cable + Ethernet, M/M, white, 5.0 m	11.99.5705 – 10
VALUE HDMI High Speed Cable + Ethernet, M/M, white, 7.5 m	11.99.5706 – 10
VALUE HDMI High Speed Cable + Ethernet, M/M, white, 10.0 m	11.99.5710 – 5
VALUE HDMI High Speed Cable + Ethernet, M/M, white, 15.0 m	11.99.5715 – 5
VALUE HDMI High Speed Cable + Ethernet, M/M, white, 20.0 m	11.99.5720 – 5

ROLINE GOLD HDMI High Speed Cable + Ethernet, 3D-Swivel

- ROLINE Gold cables for premium applications
- HDMI Ethernet Channel
- Audio Return Channel
- Supports 3D video formats
- For video resolutions far beyond 1080p, supporting next-generation displays
- Cable with HDMI male connector on both sides

- One connector with swivel functionality, so that the cable will not be bent, when there is only small space to the wall
- High quality cable with golden metal connector housing and shell for better shielding
- Gold plated contacts for enhanced durability
- Nylon-reinforced cable outer material for a better stability



Order-No. – P.U.

ROLINE GOLD HDMI High Speed Cable + Ethernet, 3D-Swivel, 2.0 m	11.04.5507 – 10
--	-----------------

ROLINE HDMI High Speed Cables + Ethernet

ROLINE HDMI High Speed Cables with Ethernet - offering even more HDTV features.

- HDMI Ethernet Channel
- Audio Return Channel
- 3D- Defines input/output protocols for major 3D video formats
- Video resolution: 1920 x 1080
- Quality cable with improved shielding
- Colour: black
- Cable with HDMI male connector on both sides



Order-No. – P.U.

ROLINE HDMI High Speed Cable + Ethernet, M/M, black, 1.0 m	11.04.5541 – 10
ROLINE HDMI High Speed Cable + Ethernet, M/M, black, 2.0 m	11.04.5542 – 10
ROLINE HDMI High Speed Cable + Ethernet, M/M, black, 3.0 m	11.04.5543 – 10
ROLINE HDMI High Speed Cable + Ethernet, M/M, black, 5.0 m	11.04.5545 – 10
ROLINE HDMI High Speed Cable + Ethernet, M/M, black, 7.5 m	11.04.5544 – 10
ROLINE HDMI High Speed Cable + Ethernet, M/M, black, 10.0 m	11.04.5547 – 5
ROLINE HDMI High Speed Cable + Ethernet, M/M, black, 15.0 m	11.04.5548 – 5
ROLINE HDMI High Speed Cable + Ethernet, M/M, black, 20.0 m	11.04.5549 – 5
ROLINE HDMI High Speed Cable + Ethernet, M/M, black, 30.0 m	11.04.5546 – 2
ROLINE HDMI High Speed Cable + Ethernet, M/M, white, 1.0 m	11.04.5701 – 10
ROLINE HDMI High Speed Cable + Ethernet, M/M, white, 2.0 m	11.04.5587 – 10
ROLINE HDMI High Speed Cable + Ethernet, M/M, white, 3.0 m	11.04.5703 – 10
ROLINE HDMI High Speed Cable + Ethernet, M/M, white, 5.0 m	11.04.5588 – 10
ROLINE HDMI High Speed Cable + Ethernet, M/M, white, 7.5 m	11.04.5706 – 10
ROLINE HDMI High Speed Cable + Ethernet, M/M, white, 10.0 m	11.04.5710 – 5
ROLINE HDMI High Speed Cable + Ethernet, M/M, white, 15.0 m	11.04.5715 – 5
ROLINE HDMI High Speed Cable + Ethernet, M/M, white, 20.0 m	11.04.5720 – 5

VALUE HDMI High Speed Cables + Ethernet, LSOH

HDMI High Speed Cables with Ethernet - offering even more HDTV features.

- HDMI Ethernet Channel - Adds high-speed networking to an HDMI link, allowing users to take full advantage of their IP-enabled devices without a separate ethernet cable
- Audio Return Channel- Allows an HD-

MI-connected TV with a built-in tuner to send audio data „upstream“ to a surround audio system, eliminating the need for a separate audio cable

- Supports 3D video formats
- For Video resolutions far beyond 1080p, supporting next-generation displays

***Halogenfree
Flame Retardant
Low Smoke**



Order-No. – P.U.

VALUE HDMI High Speed Cable + Ethernet, LSOH*, M/M, black, 1.0 m	11.99.5731 – 10
VALUE HDMI High Speed Cable + Ethernet, LSOH*, M/M, black, 2.0 m	11.99.5732 – 10
VALUE HDMI High Speed Cable + Ethernet, LSOH*, M/M, black, 3.0 m	11.99.5733 – 10
VALUE HDMI High Speed Cable + Ethernet, LSOH*, M/M, black, 5.0 m	11.99.5735 – 10
VALUE HDMI High Speed Cable + Ethernet, LSOH*, M/M, black, 7.5 m	11.99.5736 – 10
VALUE HDMI High Speed Cable + Ethernet, LSOH*, M/M, black, 10 m	11.99.5740 – 5
VALUE HDMI High Speed Cable + Ethernet, LSOH*, M/M, black, 15 m	11.99.5745 – 5
VALUE HDMI High Speed Cable + Ethernet, LSOH*, M/M, black, 20 m	11.99.5750 – 5

ROLINE HDMI High Speed Cables + Ethernet, LSOH

ROLINE HDMI High Speed Cables with Ethernet - offering even more HDTV features.

- HDMI Ethernet Channel
- Audio Return Channel
- 3D- Defines input/output protocols for major 3D video formats
- Video resolution: 1920 x 1080
- Quality cable with improved shielding
- Colour: black
- Cable with HDMI male connector on both sides

***Halogenfree
Flame Retardant
Low Smoke**



Order-No. – P.U.

ROLINE HDMI High Speed Cable + Ethernet, LSOH*, M/M, black, 1.0 m	11.04.5731 – 10
ROLINE HDMI High Speed Cable + Ethernet, LSOH*, M/M, black, 2.0 m	11.04.5732 – 10
ROLINE HDMI High Speed Cable + Ethernet, LSOH*, M/M, black, 3.0 m	11.04.5733 – 10
ROLINE HDMI High Speed Cable + Ethernet, LSOH*, M/M, black, 5.0 m	11.04.5735 – 10
ROLINE HDMI High Speed Cable + Ethernet, LSOH*, M/M, black, 7.5 m	11.04.5736 – 10
ROLINE HDMI High Speed Cable + Ethernet, LSOH*, M/M, black, 10 m	11.04.5740 – 5
ROLINE HDMI High Speed Cable + Ethernet, LSOH*, M/M, black, 15 m	11.04.5745 – 5
ROLINE HDMI High Speed Cable + Ethernet, LSOH*, M/M, black, 20 m	11.04.5750 – 5

ROLINE Notebook HDMI High Speed Cables + Ethernet

High quality HDMI High Speed Cable with Ethernet - offering even more HDTV features.

- HDMI Ethernet Channel
- Audio Return Channel
- 3D- Defines input/output protocols for major 3D video formats
- Video resolution: 1920 x 1080
- Quality cable with improved shielding
- Colour: black
- Cable with HDMI male connector on both sides



Order-No. – P.U.

ROLINE Notebook HDMI High Speed Cable + Ethernet, M/M, black, 1.0 m	11.04.5591 – 20
ROLINE Notebook HDMI High Speed Cable + Ethernet, M/M, black, 2.0 m	11.04.5592 – 20
ROLINE Notebook HDMI High Speed Cable + Ethernet, M/M, black, 3.0 m	11.04.5593 – 20
ROLINE Notebook HDMI High Speed Cable + Ethernet, M/M, black, 5.0 m	11.04.5594 – 10

ROLINE HDMI High Speed Cables + Ethernet

- Audio Return Channel
- 3D- Defines input/output protocols for major 3D video formats
- Video resolution: 1920 x 1080
- Cable with HDMI male connector on both sides
- High quality cable with silver metal connector housing and shell for better shielding
- Gold plated contacts for higher durability
- Nylon-reinforced outer material for a better stability



Order-No. – P.U.

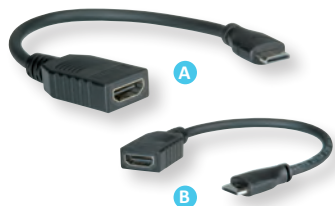
ROLINE HDMI High Speed Cable + Ethernet, M/M, 1.0 m	11.04.5850 – 10
ROLINE HDMI High Speed Cable + Ethernet, M/M, 2.0 m	11.04.5851 – 10
ROLINE HDMI High Speed Cable + Ethernet, M/M, 3.0 m	11.04.5852 – 10
ROLINE HDMI High Speed Cable + Ethernet, M/M, 5.0 m	11.04.5853 – 10
ROLINE HDMI High Speed Cable + Ethernet, M/M, 7.5 m	11.04.5854 – 5
ROLINE HDMI High Speed Cable + Ethernet, M/M, 10.0 m	11.04.5855 – 5

VALUE HDMI High Speed Cables + Ethernet, Type C/D

For the connection of e. g. mobile phones, smart phones, PDAs, digital cameras.

- HDMI Ethernet Channel
- Audio Return Channel
- 3D- Defines input/output protocols for major 3D video formats
- Connectors: HDMI Type A F to HDMI Type C (Mini HDMI) M or Type D (Micro HDMI) M

- Quality cable with improved shielding
- Colour: black



Order-No. – P.U.

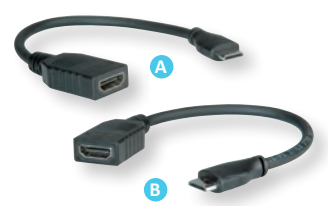
VALUE HDMI High Speed Cable + Ethernet, A - C, F/M, 0.15 m	A 11.99.5586 – 25
VALUE HDMI High Speed Cable + Ethernet, A - D, F/M, 0.15 m	B 11.99.5584 – 25

ROLINE HDMI High Speed Cables + Ethernet, Type C/D

For the connection of e. g. mobile phones, smart phones, PDAs, digital cameras.

- HDMI Ethernet Channel
- Audio Return Channel
- 3D- Defines input/output protocols for major 3D video formats
- Connectors: HDMI Type A F to HDMI Type C (Mini HDMI) M or Type D (Micro HDMI) M

- Quality cable with improved shielding
- Colour: black



Order-No. – P.U.

ROLINE HDMI High Speed Cable + Ethernet, A - C, F/M, 0.15 m	A 11.04.5586 – 10
ROLINE HDMI High Speed Cable + Ethernet, A - D, F/M, 0.15 m	B 11.04.5584 – 10

VALUE HDMI High Speed Cables + Ethernet, Type C/D

For the connection of e. g. mobile phones, smart phones, PDAs, digital cameras.

- Video resolution: 1920 x 1080 Pixel
- Connectors:
 - HDMI Type A M to HDMI Type C (Mini HDMI) M
 - HDMI Type A M to HDMI Type D (Micro HDMI) M
- Quality cable with gold plated contacts for enhanced durability



Type A Type C Type D



Order-No. – P.U.

VALUE HDMI High Speed Cable + Ethernet, A - C, M/M, 0.8 m	11.99.5578	– 10
VALUE HDMI High Speed Cable + Ethernet, A - C, M/M, 2.0 m	11.99.5580	– 10
VALUE HDMI High Speed Cable + Ethernet, A - D, M/M, 0.8 m	11.99.5579	– 10
VALUE HDMI High Speed Cable + Ethernet, A - D, M/M, 2.0 m	11.99.5581	– 10

ROLINE HDMI High Speed Cables + Ethernet, Type C/D

For the connection of e. g. mobile phones, smart phones, PDAs, digital cameras.

- Video resolution: 1920 x 1080 Pixel
- Connectors:
 - HDMI Type A M to HDMI Type C (Mini HDMI) M
 - HDMI Type A M to HDMI Type D (Micro HDMI) M
- Quality cable with improved shielding



Type A Type C Type D

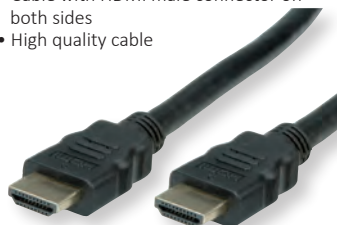


Order-No. – P.U.

ROLINE HDMI High Speed Cable + Ethernet, A - C, M/M, 0.8 m	11.04.5568	– 10
ROLINE HDMI High Speed Cable + Ethernet, A - C, M/M, 2.0 m	11.04.5580	– 10
ROLINE HDMI High Speed Cable + Ethernet, A - D, M/M, 0.8 m	11.04.5569	– 10
ROLINE HDMI High Speed Cable + Ethernet, A - D, M/M, 2.0 m	11.04.5581	– 10

VALUE HDMI Ultra HD Cables + Ethernet

- HDMI Ethernet Channel- Adds high-speed networking to an HDMI link, allowing users to take full advantage of their IP-enabled devices without a separate ethernet cable
- Audio Return Channel- Allows an HDMI-connected TV with a built-in tuner to send audio data „upstream“ to a surround audio system, eliminating the need for a separate audio cable
- 3D- Defines input/output protocols for major 3D video formats
- 4K support- Enables video resolutions up to 2160p60 far beyond 1080p, supporting next-generation displays
- Cable with HDMI male connector on both sides
- High quality cable



Order-No. – P.U.

VALUE HDMI Ultra HD Cable + Ethernet, M/M, black, 1.0 m	11.99.5680	– 10
VALUE HDMI Ultra HD Cable + Ethernet, M/M, black, 2.0 m	11.99.5681	– 10
VALUE HDMI Ultra HD Cable + Ethernet, M/M, black, 3.0 m	11.99.5682	– 10
VALUE HDMI Ultra HD Cable + Ethernet, M/M, black, 5.0 m	11.99.5683	– 10

ROLINE HDMI Ultra HD Cables + Ethernet

- HDMI Ethernet Channel- Adds high-speed networking to an HDMI link, allowing users to take full advantage of their IP-enabled devices without a separate ethernet cable
- Audio Return Channel- Allows an HDMI-connected TV with a built-in tuner to send audio data „upstream“ to a surround audio system, eliminating the need for a separate audio cable
- 3D- Defines input/output protocols for major 3D video formats. 4K support- Enables video resolutions up to 2160p60 far beyond 1080p, supporting next-generation displays.
- High quality cable with metal connector housing and shell for better shielding
- Gold plated contacts for higher durability



Order-No. – P.U.

ROLINE HDMI Ultra HD Cable + Ethernet, M/M, 1.0 m	11.04.5680	– 10
ROLINE HDMI Ultra HD Cable + Ethernet, M/M, 2.0 m	11.04.5681	– 10
ROLINE HDMI Ultra HD Cable + Ethernet, M/M, 3.0 m	11.04.5682	– 10
ROLINE HDMI Ultra HD Cable + Ethernet, M/M, 5.0 m	11.04.5683	– 10
ROLINE HDMI Ultra HD Cable + Ethernet, M/M, 7.5 m	11.04.5684	– 10
ROLINE HDMI Ultra HD Cable + Ethernet, M/M, 10.0 m	11.04.5685	– 10
ROLINE HDMI Ultra HD Cable + Ethernet, M/M, 15.0 m	11.04.5686	– 10
ROLINE HDMI Ultra HD Cable + Ethernet, M/M, 20.0 m	11.04.5687	– 10

ROLINE GOLD HDMI High Speed Cable + Ethernet

- HDMI Ethernet Channel- Adds high-speed networking to an HDMI link, allowing users to take full advantage of their IP-enabled devices without a separate ethernet cable
- Audio Return Channel- Allows an HDMI-connected TV with a built-in tuner to send audio data „upstream“ to a surround audio system, eliminating the need for a separate audio cable
- 3D- Defines input/output protocols for major 3D video formats
- Video resolution: 1920 x 1080
- Cable with HDMI male connector on both sides
- High quality cable with golden metal connector housing and shell for better shielding
- Gold plated contacts for higher durability
- Nylon-reinforced outer material for a better stability



Order-No. – P.U.

ROLINE GOLD HDMI High Speed Cable + Ethernet, M/M, 1.0 m	11.04.5501	– 20
ROLINE GOLD HDMI High Speed Cable + Ethernet, M/M, 2.0 m	11.04.5502	– 20
ROLINE GOLD HDMI High Speed Cable + Ethernet, M/M, 3.0 m	11.04.5503	– 20
ROLINE GOLD HDMI High Speed Cable + Ethernet, M/M, 5.0 m	11.04.5505	– 10
ROLINE GOLD HDMI High Speed Cable + Ethernet, M/M, 7.5 m	11.04.5504	– 6
ROLINE GOLD HDMI High Speed Cable + Ethernet, M/M, 10.0 m	11.04.5506	– 5
ROLINE GOLD HDMI High Speed Cable + Ethernet, M/M, 15.0 m	11.04.5508	– 5
ROLINE GOLD HDMI High Speed Cable + Ethernet, M/M, 20.0 m	11.04.5510	– 5

ROLINE PREMIUM HDMI Ultra HD Cable + Ethernet

- HDMI Ethernet Channel- Adds high-speed networking to an HDMI link, allowing users to take full advantage of their IP-enabled devices without a separate ethernet cable
- Audio Return Channel- Allows an HDMI-connected TV with a built-in tuner to send audio data „upstream“ to a surround audio system, eliminating the need for a separate audio cable
- 3D- Defines input/output protocols for major 3D video formats
- 4K support- Enables video resolutions up to 2160p60 far beyond 1080p, supporting next-generation displays
- Cable with HDMI male connector on both sides
- High quality cable with golden metal connector housing and shell for better shielding
- Gold plated contacts for higher durability



Order-No. – P.U.

ROLINE PREMIUM HDMI Ultra HD Cable + Ethernet, M/M, 1.0 m	11.04.5801	– 10
ROLINE PREMIUM HDMI Ultra HD Cable + Ethernet, M/M, 2.0 m	11.04.5802	– 10
ROLINE PREMIUM HDMI Ultra HD Cable + Ethernet, M/M, 3.0 m	11.04.5803	– 10
ROLINE PREMIUM HDMI Ultra HD Cable + Ethernet, M/M, 4.5 m	11.04.5804	– 10
ROLINE PREMIUM HDMI Ultra HD Cable + Ethernet, M/M, 7.5 m	11.04.5805	– 5



VALUE DP/ Mini DisplayPort Cables HDTV

- DisplayPort is a digital display interface standard that defines a new digital audio/video interconnection. The intention of the DisplayPort is to be used primarily between a computer and its display monitor, or a computer and a home-theater.
- Remark: The MiniDP/DisplayPort-HDTV cable is only working in one direction: the DisplayPort plug has to be connected to the source device (e.g. graphic card)



Value

Order-No. – P.U.

VALUE DisplayPort Cable, DP - HDTV, M/M, black, 1.0 m	11.99.5780 – 10
VALUE DisplayPort Cable, DP - HDTV, M/M, black, 2.0 m	11.99.5781 – 10
VALUE DisplayPort Cable, DP - HDTV, M/M, black, 3.0 m	11.99.5782 – 10
VALUE DisplayPort Cable, DP - HDTV, M/M, black, 4.5 m	11.99.5783 – 10
VALUE DisplayPort Cable, DP - HDTV, M/M, black, 10.0 m NEW	11.99.5784 – 5
VALUE Mini DisplayPort Cable, Mini DP-HDTV, M/M, black, 1.0 m	11.99.5790 – 10
VALUE Mini DisplayPort Cable, Mini DP-HDTV, M/M, black, 2.0 m	11.99.5791 – 10
VALUE Mini DisplayPort Cable, Mini DP-HDTV, M/M, black, 3.0 m	11.99.5792 – 10
VALUE Mini DisplayPort Cable, Mini DP-HDTV, M/M, black, 4.5 m	11.99.5793 – 10

ROLINE DP / Mini DisplayPort Cables HDTV

- DisplayPort is a digital display interface standard that defines a new digital audio/video interconnection. The intention of the DisplayPort is to be used primarily between a computer and its display monitor, or a computer and a home-theater.
- Remark: The MiniDP/DisplayPort-HDTV cable is only working in one direction: the DisplayPort plug has to be connected to the source device (e.g. graphic card)



roline®
Designed for Professionals

Order-No. – P.U.

ROLINE DisplayPort Cable, DP - HDTV, M/M, 1.0 m	11.04.5780 – 10
ROLINE DisplayPort Cable, DP - HDTV, M/M, 2.0 m	11.04.5781 – 10
ROLINE DisplayPort Cable, DP - HDTV, M/M, 3.0 m	11.04.5782 – 10
ROLINE DisplayPort Cable, DP - HDTV, M/M, 4.5 m	11.04.5783 – 10
ROLINE Mini DisplayPort Cable, Mini DP-HDTV, M/M, 1.0 m	11.04.5790 – 10
ROLINE Mini DisplayPort Cable, Mini DP-HDTV, M/M, 2.0 m	11.04.5791 – 10
ROLINE Mini DisplayPort Cable, Mini DP-HDTV, M/M, 3.0 m	11.04.5792 – 10
ROLINE Mini DisplayPort Cable, Mini DP-HDTV, M/M, 4.5 m	11.04.5793 – 10

VALUE DP / Mini DisplayPort Cables UHDTV

- DisplayPort is a digital display interface standard that defines a new digital audio/video interconnection. The intention of the DisplayPort is to be used primarily between a computer and its display monitor, or a computer and a home-theater.
- Remark: The Mini DP/ DisplayPort-UHDTV cable is only working in one direction: the Mini DisplayPort plug has to be connected to the source device (e.g. graphic card)



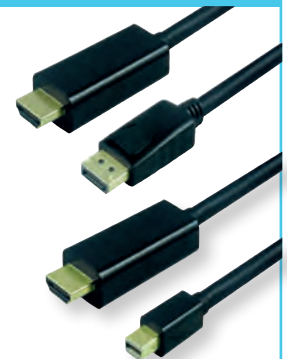
Value

Order-No. – P.U.

VALUE DisplayPort Cable, DP - UHDTV, M/M, black, 1.0 m	11.99.5785 – 10
VALUE DisplayPort Cable, DP - UHDTV, M/M, black, 2.0 m	11.99.5786 – 10
VALUE DisplayPort Cable, DP - UHDTV, M/M, black, 3.0 m	11.99.5787 – 10
VALUE DisplayPort Cable, DP - UHDTV, M/M, black, 5.0 m	11.99.5788 – 10
VALUE DisplayPort Cable, DP - UHDTV, M/M, black, 7.5 m NEW	11.99.5789 – 10
VALUE Mini DisplayPort Cable, Mini DP-UHDTV, M/M, black, 1.0 m	11.99.5795 – 10
VALUE Mini DisplayPort Cable, Mini DP-UHDTV, M/M, black, 2.0 m	11.99.5796 – 10
VALUE Mini DisplayPort Cable, Mini DP-UHDTV, M/M, black, 3.0 m	11.99.5797 – 10

ROLINE DP / Mini DisplayPort Cables UHDTV

- HDMI supports standard, enhanced, or high-definition video, plus multi-channel digital audio on a single cable. It transmits all ATSC HDTV standards and supports 8-channel digital audio, with bandwidth to spare to accommodate future enhancements and requirements.
- DP is a digital display interface standard that defines a new digital audio/video interconnection. The intention of the DisplayPort is to be used primarily between a computer and its display monitor, or a computer and a home-theater.
- Remark: The MiniDP / DisplayPort-UHDTV cable is only working in one direction: the Mini DisplayPort plug has to be connected to the source device (e.g. graphic card)



roline®
Designed for Professionals

Order-No. – P.U.

ROLINE DisplayPort Cable, DP - UHDTV, M/M, black, 1.0 m	11.04.5785 – 10
ROLINE DisplayPort Cable, DP - UHDTV, M/M, black, 2.0 m	11.04.5786 – 10
ROLINE DisplayPort Cable, DP - UHDTV, M/M, black, 3.0 m	11.04.5787 – 10
ROLINE Mini DisplayPort Cable, Mini DP-UHDTV, M/M, black, 1.0 m	11.04.5795 – 10
ROLINE Mini DisplayPort Cable, Mini DP-UHDTV, M/M, black, 2.0 m	11.04.5796 – 10
ROLINE Mini DisplayPort Cable, Mini DP-UHDTV, M/M, black, 3.0 m	11.04.5797 – 10

VALUE DisplayPort Cables, DP-DP

DisplayPort is a digital display interface standard that defines a new digital audio/video interconnection. The intension of the DisplayPort is to be used primarily between a computer and its display monitor, or a computer and a home-theater.

- Compliant DP v1.1



Value

Order-No. – P.U.

VALUE DisplayPort Cable, DP-DP, M/M, 1.0 m	11.99.5601 – 20
VALUE DisplayPort Cable, DP-DP, M/M, 2.0 m	11.99.5602 – 10
VALUE DisplayPort Cable, DP-DP, M/M, 3.0 m	11.99.5603 – 10
VALUE DisplayPort Cable, DP-DP, M/M, 5.0 m	11.99.5605 – 10
VALUE DisplayPort Cable, DP-DP, M/M, 7.5 m	11.99.5604 – 6
VALUE DisplayPort Cable, DP-DP, M/M, 10.0 m	11.99.5609 – 5

ROLINE DisplayPort Cables, DP-DP

DisplayPort is a digital display interface standard that defines a new digital audio/video interconnection. The intension of the DisplayPort is to be used primarily between a computer and its display monitor, or a computer and a home-theater. The DisplayPort and the HDMI signal are compatible.

- ROLINE quality cable with improved shielding
- Compliant DP v1.2 (for length up to 3m)



roline®
Designed for Professionals

Order-No. – P.U.

ROLINE DisplayPort Cable, DP-DP, M/M, 1.0 m	11.04.5601 – 20
ROLINE DisplayPort Cable, DP-DP, M/M, 2.0 m	11.04.5602 – 10
ROLINE DisplayPort Cable, DP-DP, M/M, 3.0 m	11.04.5603 – 20
ROLINE DisplayPort Cable, DP-DP, M/M, 5.0 m	11.04.5605 – 10
ROLINE DisplayPort Cable, DP-DP, M/M, 7.5 m	11.04.5604 – 10
ROLINE DisplayPort Cable, DP-DP, M/M, 10.0 m	11.04.5609 – 5

VALUE DisplayPort Cables, DP-DP

DisplayPort is a digital display interface standard that defines a new digital audio/video interconnection. The intension of the DisplayPort is to be used primarily between a computer and its display monitor, or a computer and a home-theater.

- Compliant DP v1.1



*Halogenfree
Flame Retardant
Low Smoke



Order-No. – P.U.

VALUE DisplayPort Cable, DP-DP, LSOH, M/M, 1.0 m	11.99.5761 – 20
VALUE DisplayPort Cable, DP-DP, LSOH, M/M, 2.0 m	11.99.5762 – 10
VALUE DisplayPort Cable, DP-DP, LSOH, M/M, 3.0 m	11.99.5763 – 10
VALUE DisplayPort Cable, DP-DP, LSOH, M/M, 5.0 m	11.99.5764 – 10
VALUE DisplayPort Cable, DP-DP, LSOH, M/M, 7.5 m	11.99.5765 – 10
VALUE DisplayPort Cable, DP-DP, LSOH, M/M, 10.0 m	11.99.5766 – 5

ROLINE DisplayPort Cables, DP-DP

DisplayPort is a digital display interface standard that defines a new digital audio/video interconnection. The intension of the DisplayPort is to be used primarily between a computer and its display monitor, or a computer and a home-theater. The DisplayPort and the HDMI signal are compatible.

- ROLINE quality cable with improved shielding
- Compliant DP v1.2 (for length up to 3m)



*Halogenfree
Flame Retardant
Low Smoke



Order-No. – P.U.

ROLINE DisplayPort Cable, DP-DP, LSOH, M/M, 1.0 m	11.04.5761 – 20
ROLINE DisplayPort Cable, DP-DP, LSOH, M/M, 2.0 m	11.04.5762 – 20
ROLINE DisplayPort Cable, DP-DP, LSOH, M/M, 3.0 m	11.04.5763 – 20
ROLINE DisplayPort Cable, DP-DP, LSOH, M/M, 5.0 m	11.04.5764 – 10
ROLINE DisplayPort Cable, DP-DP, LSOH, M/M, 7.5 m	11.04.5765 – 10
ROLINE DisplayPort Cable, DP-DP, LSOH, M/M, 10.0 m	11.04.5766 – 5

ROLINE DisplayPort Cables, DP-DP, v1.2

- Cable with DisplayPort male connector on both sides
- Double shielded
- High quality cable with golden shell for better shielding
- Gold plated contacts for enhanced durability
- Nylon-reinforced outer material for a better stability



Order-No. – P.U.

ROLINE DisplayPort Cable, DP-DP, v1.2, M/M, 1.0 m	11.04.5880 – 20
ROLINE DisplayPort Cable, DP-DP, v1.2, M/M, 2.0 m	11.04.5881 – 20
ROLINE DisplayPort Cable, DP-DP, v1.2, M/M, 3.0 m	11.04.5882 – 20
ROLINE DisplayPort Cable, DP-DP, v1.2, M/M, 5.0 m	11.04.5883 – 10

ROLINE DisplayPort Cables, v1.3/v1.4 (5K), DP-DP

DisplayPort is a digital display interface standard that defines a new digital audio/video interconnection. The intension of the DisplayPort is to be used primarily between a computer and its display monitor, or a computer and a home-theater. The DisplayPort and the HDMI signal are compatible.

- ROLINE quality cable with improved shielding
- Cable with DisplayPort male connector on both sides
- Maximum resolution 5120 x 2880 @60Hz (5K)
- Colour: Black
- Compliant DP v1.4



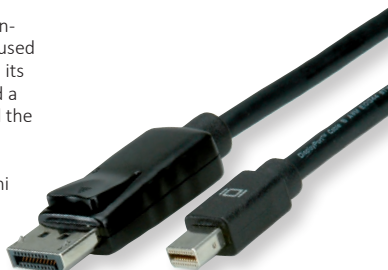
Order-No. – P.U.

ROLINE DisplayPort Cable, v1.3/v1.4 (5K), DP-DP, M/M, black, 1.0 m	11.04.5810 – 20
ROLINE DisplayPort Cable, v1.3/v1.4 (5K), DP-DP, M/M, black, 2.0 m	11.04.5811 – 10
ROLINE DisplayPort Cable, v1.3/v1.4 (5K), DP-DP, M/M, black, 3.0 m	11.04.5812 – 10
ROLINE DisplayPort Cable, v1.3/v1.4 (5K), DP-DP, M/M, black, 5.0 m	11.04.5813 – 10

VALUE DisplayPort Cables, DP - Mini DP

DisplayPort is a digital display interface standard that defines a new digital audio/video interconnection. The intension of the DisplayPort is to be used primarily between a computer and its display monitor, or a computer and a home-theater. The DisplayPort and the HDMI signal are compatible.

- Cable with DisplayPort male to Mini DisplayPort male (e.g. for MAC)
- Compliant DP v1.1



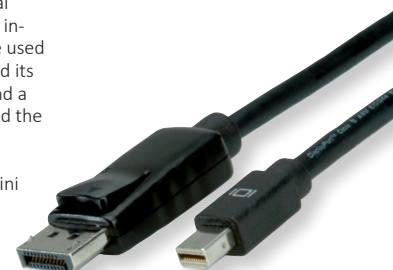
Order-No. – P.U.

VALUE DisplayPort Cable, DP - Mini DP, M/M, 1.0 m	11.99.5634 – 20
VALUE DisplayPort Cable, DP - Mini DP, M/M, 2.0 m	11.99.5635 – 20
VALUE DisplayPort Cable, DP - Mini DP, M/M, 3.0 m	11.99.5636 – 20
VALUE DisplayPort Cable, DP - Mini DP, M/M, 5.0 m	11.99.5637 – 10

ROLINE DisplayPort Cables, DP - Mini DP

DisplayPort is a digital display interface standard that defines a new digital audio/video interconnection. The intension of the DisplayPort is to be used primarily between a computer and its display monitor, or a computer and a home-theater. The DisplayPort and the HDMI signal are compatible.

- Cable with DisplayPort male to Mini DisplayPort male (e.g. for MAC)
- Compliant DP v1.1



Order-No. – P.U.

ROLINE DisplayPort Cable, DP - Mini DP, M/M, 1.0 m	11.04.5634 – 20
ROLINE DisplayPort Cable, DP - Mini DP, M/M, 2.0 m	11.04.5635 – 20
ROLINE DisplayPort Cable, DP - Mini DP, M/M, 3.0 m	11.04.5636 – 20
ROLINE DisplayPort Cable, DP - Mini DP, M/M, 5.0 m	11.04.5637 – 10

ROLINE DisplayPort Cables, Mini DP - Mini DP

DisplayPort is a digital display interface standard that defines a new digital audio/video interconnection. The intention of the DisplayPort is to be used primarily between a computer and its display monitor, or a computer and a home-theater.

- Compliant DP v1.1

roline
Designed for Professionals



Order-No. – P.U.

ROLINE DisplayPort Cable, Mini DP - Mini DP, M/M, 2.0 m	11.04.5640 – 20
ROLINE DisplayPort Cable, Mini DP - Mini DP, M/M, 3.0 m	11.04.5641 – 20

VALUE DisplayPort Cable, DP-DVI (24+1)

DisplayPort is a digital display interface standard that defines a new digital audio/video interconnection. The intention of the DisplayPort is to be used primarily between a computer and its display monitor, or a computer and a home-theater.

- LSOH
- Compliant DP v1.1
- Remark: The DisplayPort-DVI cable is only working in one direction: the DisplayPort plug has to be connected to the source device (e.g. graphic card)

Value



Order-No. – P.U.

VALUE DisplayPort Cable, DP-DVI (24+1), M/M, 1.0 m	11.99.5613 – 10
VALUE DisplayPort Cable, DP-DVI (24+1), M/M, 2.0 m	11.99.5610 – 10
VALUE DisplayPort Cable, DP-DVI (24+1), M/M, 5.0 m	11.99.5612 – 10
VALUE DisplayPort Cable, DP-DVI (24+1), M/M, 3.0 m	11.99.5611 – 10
VALUE DisplayPort Cable, DP-DVI (24+1), LSOH, M/M, 1.0 m	11.99.5614 – 10
VALUE DisplayPort Cable, DP-DVI (24+1), LSOH, M/M, 2.0 m	11.99.5615 – 10
VALUE DisplayPort Cable, DP-DVI (24+1), LSOH, M/M, 3.0 m	11.99.5616 – 10
VALUE DisplayPort Cable, DP-DVI (24+1), LSOH, M/M, 5.0 m	11.99.5617 – 10

Halogenfree

ROLINE GOLD DisplayPort Cables, DP-DP

DisplayPort is a digital display interface standard that defines a new digital audio/video interconnection. The intention of the DisplayPort is to be used primarily between a computer and its display monitor, or a computer and a home-theater. The DisplayPort and the HDMI signal are compatible.

- Cable with DisplayPort male connector on both sides
- Double shielded
- High quality cable with golden shell for better shielding

- Gold plated contacts for enhanced durability
- Nylon-reinforced outer material for a better stability
- Compliant DP v1.2

roline
Designed for Professionals



Order-No. – P.U.

ROLINE GOLD DisplayPort Cable, DP-DP, M/M, 1.0 m	11.04.5644 – 10
ROLINE GOLD DisplayPort Cable, DP-DP, M/M, 2.0 m	11.04.5645 – 10
ROLINE GOLD DisplayPort Cable, DP-DP, M/M, 3.0 m	11.04.5646 – 10
ROLINE GOLD DisplayPort Cable, DP-DP, M/M, 5.0 m	11.04.5647 – 5
ROLINE GOLD DisplayPort Cable, DP-DP, M/M, 7.5 m	11.04.5648 – 6
ROLINE GOLD DisplayPort Cable, DP-DP, M/M, 10.0 m	11.04.5649 – 5

ROLINE DisplayPort Cable, DP-DVI (24+1)

DisplayPort is a digital display interface standard that defines a new digital audio/video interconnection. The intention of the DisplayPort is to be used primarily between a computer and its display monitor, or a computer and a home-theater.

- Compliant DP v1.1
- Remark: The DisplayPort-DVI cable is only working in one direction: the DisplayPort plug has to be connected to the source device (e.g. graphic card)



roline
Designed for Professionals

Order-No. – P.U.

ROLINE DisplayPort Cable, DP-DVI (24+1), M/M, 1.0 m	11.04.5613 – 10
ROLINE DisplayPort Cable, DP-DVI (24+1), M/M, 2.0 m	11.04.5610 – 10
ROLINE DisplayPort Cable, DP-DVI (24+1), M/M, 3.0 m	11.04.5611 – 10
ROLINE DisplayPort Cable, DP-DVI (24+1), M/M, 5.0 m	11.04.5612 – 10
ROLINE DisplayPort Cable, DP-DVI (24+1), LSOH, M/M, 1.0 m	11.04.5771 – 20
ROLINE DisplayPort Cable, DP-DVI (24+1), LSOH, M/M, 2.0 m	11.04.5772 – 20
ROLINE DisplayPort Cable, DP-DVI (24+1), LSOH, M/M, 3.0 m	11.04.5773 – 20
ROLINE DisplayPort Cable, DP-DVI (24+1), LSOH, M/M, 5.0 m	11.04.5774 – 10

Halogenfree

ROLINE Cables Type C - VGA, DVI, HDMI, DisplayPort

• USB 3.1 Cable Type C to VGA/DVI/HDMI/DisplayPort for Macbook

- Connect your MacBook with USB-C port to any correspondent display or projector
- This adapter allows you to mirror your MacBook display to your TV or display
- No power adapter required
- Supports maximum resolutions up to 1920 x 1080 @60Hz (Full HD 1080p) – Type C- VGA
- Supports maximum resolutions up to 3840x2160 @ 30Hz- Type C- DVI
- Supports maximum resolutions up to 3840x2160 @ 60Hz- Type C- HDMI/DP

- Connectors: VGA Male and Type C Male (11.04.5820/11.04.5821/11.04.5822)
- Connectors: DVI Male and Type C Male (11.04.5830/11.04.5831)
- Connectors: HDMI Male and Type C Male (11.04.5840/11.04.5841)
- Connectors: DisplayPort Male and Type C Male (11.04.5845/11.04.5846)
- DisplayPort Version 1.2 allows increased resolutions, higher refresh rates, and greater color depth

NEW



Order-No. – P.U.

ROLINE Cable Type C - VGA, M/M, black, 1.0 m	11.04.5820 – 10
ROLINE Cable Type C - VGA, M/M, black, 2.0 m	11.04.5821 – 10
ROLINE Cable Type C - VGA, M/M, black, 3.0 m	11.04.5822 – 10
ROLINE Cable Type C - DVI, M/M, black, 1.0 m	11.04.5830 – 10
ROLINE Cable Type C - DVI, M/M, black, 2.0 m	11.04.5831 – 10
ROLINE Cable Type C - HDMI, M/M, black, 1.0 m	11.04.5840 – 10
ROLINE Cable Type C - HDMI, M/M, black, 2.0 m	11.04.5841 – 10
ROLINE Cable Type C - DisplayPort, v1.2, M/M, black, 1.0 m	11.04.5845 – 10
ROLINE Cable Type C - DisplayPort, v1.2, M/M, black, 2.0 m	11.04.5846 – 10

roline
Designed for Professionals

ROLINE GOLD 4K2K DisplayPort Adapters, Active, v1.2, DP – HDMI / DVI

- If you want to connect a graphic card with DisplayPort Female to a monitor by using a HDMI cable, you need this DisplayPort to HDMI /DVI adapter
- Connectors: DisplayPort Male, HDMI or DVI Female
- DisplayPort version 1.2 allows increased resolutions, higher refresh rates, and greater color depth
- Max. resolution: 3840 x 2160 (@30Hz)
- Active



• Remark: The DisplayPort-HDMI / DVI adapter is only working in one direction: the DisplayPort plug has to be connected to the source device (e.g. graphic card)



Order-No. – P.U.

ROLINE GOLD 4K2K DisplayPort-HDMI Adapter, v1.2, DP-HDMI, M/F	12.03.3170	- 10
ROLINE GOLD 4K2K DisplayPort-DVI Adapter, v1.2, DP - DVI, M/F	12.03.3175	- 10

ROLINE GOLD Mini DisplayPort Adapters, active, v1.2, Mini DP – VGA / DVI

- For connecting a graphic card with Mini DisplayPort connector to a VGA / DVI monitor by using a VGA/DVI M-M cable
- Connectors: Mini DisplayPort Male and VGA Female or DVI Female
- Cable length: ca. 10 cm
- DisplayPort Version 1.2 allows increased resolutions, higher refresh rates, and greater color depth



• Remark: The Mini DisplayPort-VGA/ DVI adapter is only working in one direction: the DisplayPort plug has to be connected to the source device (e.g. graphic card)



Order-No. – P.U.

ROLINE GOLD 4K2K Mini DisplayPort-VGA Adapter, v1.2, Mini DP - VGA M/F	12.03.3171	- 10
ROLINE GOLD 4K2K Mini DisplayPort-DVI Adapter, v1.2, MiniDP - DVI M/F	12.03.3176	- 10

ROLINE / VALUE USB 3.1 Type C Adapters

- These USB Type C to different types of display adapter (VGA /DVI/HDMI/DP) are designed for connecting PCs with built-in USB-C connector to the correspondent display devices.
- Some will additionally help you e.g. continue to use your older USB-A peripherals, charge your devices, provide extra ports and take advantage of USB Type-C's ability to output 4K video
- Material: aluminium or silver coating plastic housing

12.03.3200



12.03.3202



12.03.3205 / silver / Alu



12.03.3230



12.03.3210



12.99.3210



12.03.3225



Order-No. – P.U.

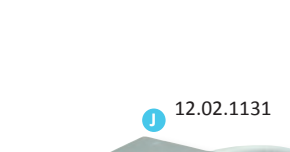
ROLINE Type C - VGA Adapter, M/F	A	12.03.3200	- 10
VALUE Type C - VGA Adapter, M/F, + 1x USB3.0 A F, + 1x Type C (Power Delivery) NEW		12.99.3201	- 10
ROLINE Type C - VGA Adapter, M/F, + 1x USB3.0 A F, + 1x Type C (Power Delivery)	B	12.03.3202	- 10
VALUE Type C - DVI Adapter, M/F, black NEW		12.99.3205	- 10
ROLINE Type C - DVI Adapter, M/F	C	12.03.3205	- 10
VALUE Type C - HDMI Adapter, M/F	D	12.99.3210	- 10
ROLINE Type C - HDMI Adapter, M/F	E	12.03.3210	- 10
ROLINE Type C - HDMI Adapter, + 1x Type C PD, M/F NEW		12.03.3211	- 10
ROLINE Type C - HDMI/VGA Adapter, M/F NEW		12.03.3215	- 5
ROLINE Type C - DisplayPort Adapter, v1.2, M/F	F	12.03.3220	- 10
ROLINE Type C - DisplayPort Adapter, + 1x Type C PD, v1.2, M/F NEW		12.03.3221	- 10
VALUE Type C - Mini DisplayPort Adapter, v1.2, M/F	H	12.99.3225	- 10
ROLINE Type C - Mini DisplayPort Adapter, v1.2, M/F	G	12.03.3225	- 10
ROLINE Type C - DVI Adapter, M/F, 1x USB 3.0 A F, 1x PD (Power Delivery)	I	12.02.1130	- 10
VALUE Type C - HDMI Adapter, M/F, 1x USB3.0 A F, 1x Type C F (Power Delivery) NEW		12.99.1131	- 10
ROLINE Type C - HDMI Adapter, M/F, 1x USB3.0 A F, 1x PD (Power Delivery)	J	12.02.1131	- 10
ROLINE Type C - 2x HDMI Adapter, M/F	K	12.02.1132	- 10
ROLINE Type C - VGA/HDMI/DP Adapter, M/F NEW	L	12.03.3230	- 2



12.03.3220



12.99.3225



14.5V / 2A

12.02.1131

5V / 900mA



20V / 3A

12.02.1130 / silver color / plastic



12.02.1132



VALUE / ROLINE VGA / DVI/ HDMI / DP / Mini DP Adapters

DVI - VGA



A

A1 12.03.3105

A2 12.03.3110

HDMI - VGA



B

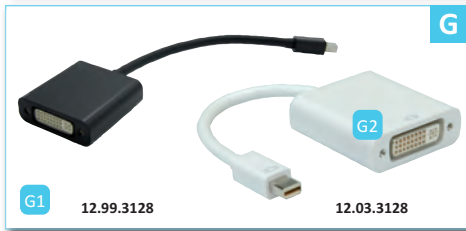
B1 12.99.3113

B2 12.99.3114

B3 12.03.3114

B4 12.03.3117

Mini DP - DVI



G

G1 12.99.3128

G2 12.03.3128

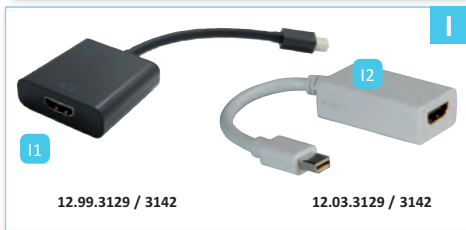
Mini DP - VGA



H

H1 12.99.3125

Mini DP - HDMI



I

I1 12.99.3129 / 3142

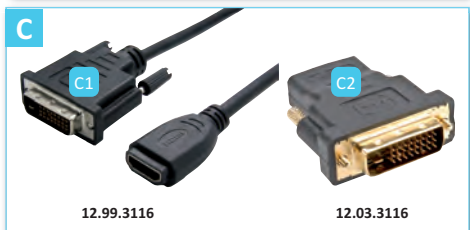
I2 12.03.3129 / 3142



H2

12.03.3125 / 3140

DVI - HDMI



C

C1 12.99.3116

C2 12.03.3116

DP - VGA



J

J1 12.99.3135

DP - DVI



K

K1 12.99.3133

DP - HDMI



L

L1 12.99.3134 / 3144

Mini DP - DP



M

12.03.3130

HDMI - DVI



D

D1 12.99.3115

D2 12.03.3115

DP - HDMI



J2

12.03.3135 / 3146

DP - DVI



K2

12.03.3133

DP - HDMI



L2

12.03.3134 / 3144

DP - Mini DP



N

12.03.3132

HDMI - HDMI



E

E1 12.99.3123

E2 12.99.3151

E3 12.03.3151

HDMI - HDMI Mini



F

F1 12.99.3120

F2 12.99.3152

F3 12.03.3152



PASSIVE vs ACTIVE – Products

DisplayPort is a special case in terms of Active vs Passive. It really comes down to the question of whether or not you're using multi-monitor graphics card with 3 or more non-DisplayPort screens and/or the display(s) have a native resolution higher than 1920 x 1080@60Hz.

For most basic connections to a single Full HD monitor, a basic passive DisplayPort cable or adapter will be sufficient to get your screen working. This assumes your source device is DP++ compatible, please check.

MDP - DP/DVI/HDMI**



P

12.03.3150

MDP - HDMI/VGA**



Q

12.03.3161

The reason high-end gaming PCs using 3+ monitors require an active DisplayPort-to-HDMI or -DVI adapter is because most of the use video cards only have 2 TMDS clocks, and they're already in use by the GPU's actual HDMI and DVI sockets. By plugging in a passive adapter, it's one TMDS short (because of how DisplayPort sockets pass through HDMI/DVI data to the adapter).

Note:
The DisplayPort adapters are only working in one direction: the DisplayPort plug has to be connected to the source device (e.g. graphic card).

VALUE / ROLINE VGA / DVI/ HDMI / DP / Mini DP Adapters

What's the difference between passive and active products?

Passive Adapters have a huge advantage because there is only copper wire between the source and display, the signal is never processed by hardware or software which may adjust or strip important data from the stream – Exception Display Port Adapters.

12.03.3105

- For connecting a VGA monitor to a DVI-I graphic card
- Adapter with HD15 Female and DVI-A Male

12.03.3110

- For connecting a DVI-I monitor to a VGA graphic card
- Adapter with HD15 Male and DVI-A Female

12.99.3115 / 12.03.3115:

- For connecting a DVI-D cable to a HDMI interface
- Adapter with HDMI Male and 24+1 DVI Female (DVI-D)

12.99.3116 / 12.03.3116:

- For connecting a HDMI cable to a DVI interface
- Adapter with 24+1 DVI Male (DVI-D) and HDMI Female

12.99.3120 / 12.99.3152 / 12.03.3152:

- For combination of a HDMI cable and a device with HDMI-Mini connection
- Adapter with HDMI Female and HDMI-Mini Male

What are the benefits of using Active adapters and converters?

Active products can have a huge advantage when working with long cable runs and video conversion applications. In terms of video converters, active units generally have hardware inside to improve your image.

12.99.3123 / 12.99.3151 / 12.03.3151:

- For the connection of two HDMI cables

12.99.3135 / 12.03.3135 / 12.03.3146:

- For combination of a VGA cable and a source device with DisplayPort connection
- Adapter with DisplayPort Male and HD15 Female

12.99.3133 / 12.03.3133:

- For combination of a DVI cable and a source device with DisplayPort connection
- Adapter with DisplayPort Male and 24+1 DVI-D Female

12.99.3134 / 12.99.3144 / 12.03.3134 / 12.03.3144:

- For combination of a HDMI cable and a source device with DisplayPort connection
- Adapter with DisplayPort Male and HDMI Female

12.99.3125 / 12.03.3125 / 12.03.3140:

- For combination of a VGA cable and a source device with Mini DisplayPort connection
- Adapter with Mini DisplayPort Male and HD15 Female

Should I choose an Active or Passive product?

This can be a tough decision. The first step in choosing is to investigate what your requirements are in terms of content/copy protection, video resolution, cable length. Then, compare those needs to the specifications.

12.99.3128 / 12.03.3128:

- For connecting a graphic card with Mini DisplayPort connector to a DVI monitor by using a DVI M-M cable
- Adapter with Mini DisplayPort Male and DVI Female

12.99.3129 / 12.99.3142 / 12.03.3129/12.03.3142:

- For connecting a graphic card with Mini DisplayPort connector to a HDMI monitor by using a HDMI M-M cable
- Adapter with Mini DisplayPort Male and HMDI Female

12.03.3130:

- If you want to connect e.g. your notebook with Mini DP port to a monitor with DP port by using a regular DP cable, you need this adapter
- Adapter with DisplayPort Female and Mini DisplayPort Male

12.03.3132:

- Adapter with DisplayPort Male and Mini DisplayPort Female



12.99.3113 / 12.99.3114 / 12.03.3114/12.03.3117:

- HDMI to VGA Adapter provides you the interoperability of notebooks/laptops systems (with a HDMI out interface) with analog projectors/ displays (with VGA connector).
- Connect the laptop to an extended display (with VGA connector) or in mirrored mode with VGA projectors

REMARK for 12.03.3117: has additional Audio functionality

12.99.3150 / 12.03.3161:

- For connecting a graphic card with (Mini) DisplayPort connector to a monitor by using a DVI/DP/ HDMI cable or VGA/HDMI cable
- Cable length: ca. 10 cm

- Remark: The adapter is only working in one direction: the (Mini) DisplayPort plug has to be connected to the source device (e.g. graphic card) and only ONE single output available (DVI or HDMI or DP - 12.99.3150) or (HDMI or VGA - 12.03.3161)

Picture	Brand	Order-No. – P.U.	Adapter / Cableadapter	Type	Connector	Length	Version	Active	Passive	Color	Max. nom. Resolution	4K2K (@30Hz)
A1	ROLINE	12.03.3105 – 50	Adapter	DVI – VGA	M/F	–	–	–	yes	black	1920 x 1080 (*)	–
A2	ROLINE	12.03.3110 – 50	Adapter	DVI – VGA	F/M	–	–	–	yes	black	1920 x 1080 (*)	–
B1	VALUE	12.99.3113 – 10	Adapter	HDMI – VGA	M/F	–	–	yes	–	black	1920 x 1080	–
B2	VALUE	12.99.3114 – 10	Cableadapter	HDMI – VGA	M/F	0.15	–	yes	–	black	1920 x 1080	–
B3	ROLINE	12.03.3114 – 10	Cableadapter	HDMI – VGA	M/F	0.15	–	yes	–	white	1920 x 1080	–
B4	ROLINE	12.03.3117 – 10	Adapter	HDMI – VGA	M/F	–	–	yes	–	black	1920 x 1080	–
C1	VALUE	12.99.3116 – 50	Cableadapter	DVI – HDMI	M/F	0.15	–	–	yes	black	1600 x 1080	–
C2	ROLINE	12.03.3116 – 50	Adapter	DVI – HDMI	M/F	–	–	–	yes	black	1920 x 1080	–
D1	VALUE	12.99.3115 – 50	Cableadapter	HDMI – DVI	M/F	0.15	–	–	yes	black	1600 x 1080	–
D2	ROLINE	12.03.3115 – 50	Adapter	HDMI – DVI	M/F	–	–	–	yes	black	1920 x 1080	–
E1	VALUE	12.99.3123 – 20	Cableadapter	HDMI – HDMI	F/F	0.15	–	–	yes	black	1920 x 1080	–
E2	VALUE	12.99.3151 – 20	Adapter	HDMI – HDMI	F/F	–	–	–	yes	black	1920 x 1080	–
E3	ROLINE	12.03.3151 – 20	Adapter	HDMI – HDMI	F/F	–	–	–	yes	black	1920 x 1080	–
F1	VALUE	12.99.3120 – 25	Cableadapter	HDMI – HDMI Mini	F/M	0.15	–	–	yes	black	1920 x 1080	–
F2	VALUE	12.99.3152 – 20	Adapter	HDMI – HDMI Mini	F/M	–	–	–	yes	black	1920 x 1080	–
F3	ROLINE	12.03.3152 – 20	Adapter	HDMI – HDMI Mini	F/M	–	–	–	yes	black	1920 x 1080	–
G1	VALUE	12.99.3128 – 10	Cableadapter	Mini DP – DVI	M/F	0.15	v 1.1	–	yes	black	1920 x 1080	–
G2	ROLINE	12.03.3128 – 10	Cableadapter	Mini DP – DVI	M/F	0.1	v 1.1a	–	yes	white	1920 x 1080	–
	ROLINE	12.03.3137 – 10	Cableadapter	Mini DP – DVI	M/F	0.1	v 1.2	–	yes	white	3840 x 2160	yes
H1	VALUE	12.99.3125 – 10	Cableadapter	Mini DP – VGA	M/F	0.15	v 1.1	yes	–	black	1920 x 1080	–
H2	ROLINE	12.03.3125 – 10	Cableadapter	Mini DP – VGA	M/F	0.15	v 1.1a	yes	–	white	1920 x 1080	–
H2	ROLINE	12.03.3140 – 10	Cableadapter	Mini DP – VGA	M/F	0.15	v 1.2	yes	–	white	1920 x 1080	–
I1	VALUE	12.99.3129 – 10	Cableadapter	Mini DP – HDMI	M/F	0.15	v 1.1	–	yes	black	1920 x 1080	–
I1	VALUE	12.99.3142 – 10	Cableadapter	Mini DP – HDMI	M/F	0.15	v 1.2	–	yes	black	3840 x 2160	yes
I2	ROLINE	12.03.3129 – 10	Cableadapter	Mini DP – HDMI	M/F	0.1	v 1.1a	–	yes	white	1920 x 1080	–
I2	ROLINE	12.03.3142 – 10	Cableadapter	Mini DP – HDMI	M/F	0.15	v 1.2	yes	–	white	3840 x 2160	yes
M	ROLINE	12.03.3130 – 20	Adapter	Mini DP – DP	M/F	–	v 1.2	–	yes	black	3840 x 2160	yes
N	ROLINE	12.03.3132 – 20	Cableadapter	DP – Mini DP	M/F	0.1	v 1.2	–	yes	white	3840 x 2160	yes
J1	VALUE	12.99.3135 – 10	Cableadapter	DP – VGA	M/F	0.15	v 1.1	yes	–	black	1920 x 1080	–
J2	ROLINE	12.03.3135 – 10	Cableadapter	DP – VGA	M/F	0.15	v 1.1a	yes	–	white	1920 x 1080	–
J2	ROLINE	12.03.3146 – 10	Cableadapter	DP – VGA	M/F	0.15	v 1.2	yes	–	white	1920 x 1080	–
K1	VALUE	12.99.3133 – 10	Cableadapter	DP – DVI	M/F	0.15	v 1.1	–	yes	black	1920 x 1080	–
K2	ROLINE	12.03.3133 – 10	Cableadapter	DP – DVI	M/F	0.1	v 1.1a	–	yes	white	1920 x 1080	–
	ROLINE	12.03.3136 – 10	Cableadapter	DP – DVI	M/F	0.1	v 1.2	–	yes	white	3840 x 2160	yes
L1	VALUE	12.99.3134 – 10	Cableadapter	DP – HDMI	M/F	0.15	v 1.1	–	yes	black	1920 x 1080	–
L1	VALUE	12.99.3144 – 10	Cableadapter	DP – HDMI	M/F	0.15	v 1.2	–	yes	black	3840 x 2160	yes
L2	ROLINE	12.03.3134 – 10	Cableadapter	DP – HDMI	M/F	0.1	v 1.1a	–	yes	white	1920 x 1080	yes
L2	ROLINE	12.03.3144 – 10	Cableadapter	DP – HDMI	M/F	0.15	v 1.2	yes	–	white	3840 x 2160	yes
L3	ROLINE	12.03.3160 – 10	Cableadapter	DP – HDMI	M/F	0.1	v 1.2	yes	–	white	3840 x 2160	yes
	ROLINE	12.03.3162 – 10	Cableadapter	DP – HDMI	M/F	0.1	v 1.2	yes	–	white	3840 x 2160	yes
P	VALUE	12.99.3150 – 20	Cableadapter	Mini DP – HDMI/DP/DVI**	M/F	0.1	v 1.1	yes	–	black	1920 x 1080	–
Q	ROLINE	12.03.3161 – 5	Cableadapter	Mini DP – HDMI/VGA**	M/F	0.1	v 1.2	yes	–	silver	3840 x 2160	yes

* depends on graphic card / ** only ONE single output available (DVI or HDMI or DP - 12.99.3150) / (HDMI or VGA - 12.03.3161)

VALUE DisplayPort - VGA / DVI / HDMI Adapter, M/F, v1.2

- You want to connect your graphics card with DisplayPort connector to a DVI monitor? Or a display device with VGA input? Or a TV with an HDMI connection? The solution is the VALUE Adapter Cable DisplayPort- VGA / DVI / HDMI
- Cable length: ca. 10 cm
- Adapter with DisplayPort connector and VGA, DVI and HDMI socket.
- Note: The DisplayPort adapter only works in one direction: the DisplayPort connector is only on the data source side can be used (eg graphics card) and only ONE single output is available (VGA or DVI or HDMI)



Order-No. – P.U.

VALUE DisplayPort - VGA / DVI / HDMI Adapter, v1.2, Active

12.99.3153 – 20

VALUE Mini DisplayPort - DVI / DP / HDMI Adapter, M/F, v1.2

- You want to connect your graphics card with Mini DisplayPort connector to a DVI monitor? Or a display device with DisplayPort input? Or a TV with an HDMI connection? The solution is the VALUE Adapter Cable with Mini DisplayPort to DVI, DP and HDMI.
- Cable length: ca. 10 cm
- Adapter with Mini DisplayPort connector and DP, DVI and HDMI socket.
- Note: The Mini DisplayPort adapter only works in one direction: the Mini DisplayPort connector is only on the data source side can be used (eg graphics card) and only ONE single output is available (DVI or HDMI or DP)



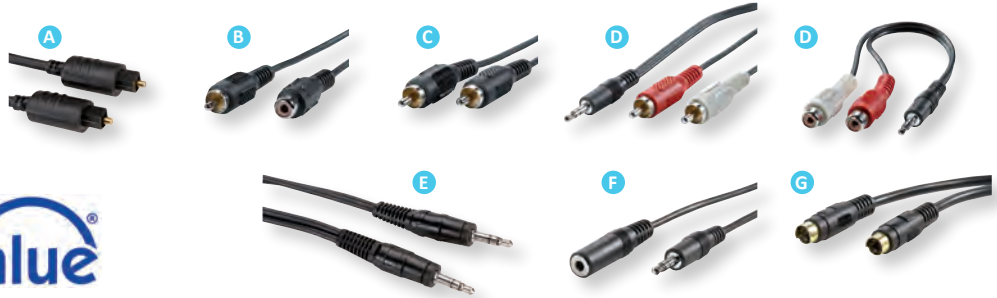
Order-No. – P.U.

VALUE Mini DisplayPort - DVI/DP/HDMI Adapter, M/F, v1.2, Active

12.99.3154 – 20

VALUE / ROLINE Audio / Video Cables

- Area of application: multimedia, home theater and hi-fi systems (connection between DVD players or game consoles equipped with a Dolby Digital / dts decoder ...)



Audio / Video Cable	Length	Order-No. – P.U.
AV-Fiber Cable (Picture A)		
VALUE Fiber Cable Toslink M-M	1.0 m	11.99.4381 – 50
VALUE Fiber Cable Toslink M-M	2.0 m	11.99.4382 – 30
VALUE Fiber Cable Toslink M-M	3.0 m	11.99.4383 – 20
ROLINE Fiber Cable Toslink M-M	1.0 m	11.09.4381 – 50
ROLINE Fiber Cable Toslink M-M	2.0 m	11.09.4382 – 30
ROLINE Fiber Cable Toslink M-M	3.0 m	11.09.4383 – 20
ROLINE Fiber Cable Toslink M-M	5.0 m	11.09.4385 – 10
ROLINE Fiber Cable Toslink M-M	10.0 m	11.09.4389 – 5
Cinch Cable (Picture B)		
VALUE Cinch Cable simplex M-F	5.0 m	11.99.4325 – 30
VALUE Cinch Cable simplex M-F	10.0 m	11.99.4329 – 20
VALUE Cinch Cable duplex M-F	5.0 m	11.99.4326 – 20
VALUE Cinch Cable duplex M-F	10.0 m	11.99.4330 – 15
ROLINE Cinch Cable duplex M-F	5.0 m	11.09.4326 – 20
ROLINE Cinch Cable duplex M-F	10.0 m	11.09.4330 – 15
Cinch Cable (Picture C)		
VALUE Cinch Cable simplex M-M	2.5 m	11.99.4332 – 50
VALUE Cinch Cable simplex M-M	5.0 m	11.99.4335 – 30
VALUE Cinch Cable simplex M-M	10.0 m	11.99.4339 – 20
VALUE Cinch Cable duplex M-M	2.5 m	11.99.4333 – 25
VALUE Cinch Cable duplex M-M	5.0 m	11.99.4336 – 20
VALUE Cinch Cable duplex M-M	10.0 m	11.99.4338 – 15
ROLINE Cinch Cable duplex M-M	2.5 m	11.09.4333 – 25
ROLINE Cinch Cable duplex M-M	5.0 m	11.09.4336 – 20
ROLINE Cinch Cable duplex M-M	10.0 m	11.09.4338 – 15

Audio / Video Cable	Length	Order-No. – P.U.
3.5mm Cinch Cable (Picture D)		
VALUE 3.5mm (M) Cinch (2x M) Cable	1.5 m	11.99.4341 – 50
VALUE 3.5mm (M) Cinch (2x M) Cable	5.0 m	11.99.4345 – 30
VALUE 3.5mm (M) Cinch (2x F) Cable	0.2 m	11.99.4340 – 100
ROLINE 3.5mm (M) Cinch (2x M) Cable	1.5 m	11.09.4341 – 50
ROLINE 3.5mm (M) Cinch (2x M) Cable	5.0 m	11.09.4345 – 30
ROLINE 3.5mm (M) Cinch (2x M) Cable	10.0 m	11.09.4349 – 20
ROLINE 3.5mm (M) Cinch (2x F) Cable	0.2 m	11.09.4340 – 100
3.5mm Cable (Picture E)		
ROLINE 3.5mm Cable M-M	0.2 m	11.09.4500 – 150
ROLINE 3.5mm Cable M-M	1.0 m	11.09.4501 – 100
ROLINE 3.5mm Cable M-M	2.0 m	11.09.4502 – 50
ROLINE 3.5mm Cable M-M	3.0 m	11.09.4503 – 30
ROLINE 3.5mm Cable M-M	5.0 m	11.09.4505 – 20
ROLINE 3.5mm Cable M-M	10.0 m	11.09.4510 – 10
3.5mm Extension Cable (Picture F)		
VALUE 3.5mm Extension Cable M-F	2.0 m	11.99.4352 – 20
VALUE 3.5mm Extension Cable M-F	3.0 m	11.99.4353 – 50
VALUE 3.5mm Extension Cable M-F	5.0 m	11.99.4355 – 30
VALUE 3.5mm Extension Cable M-F	10.0 m	11.99.4359 – 20
ROLINE 3.5mm Extension Cable M-F	2.0 m	11.09.4352 – 20
ROLINE 3.5mm Extension Cable M-F	3.0 m	11.09.4353 – 50
ROLINE 3.5mm Extension Cable M-F	5.0 m	11.09.4355 – 30
ROLINE 3.5mm Extension Cable M-F	10.0 m	11.09.4359 – 20
S-Video Cable, Mini DIN 4pol. M-M (Picture G)		
VALUE S-Video Cable	3.0 m	11.99.4363 – 50
VALUE S-Video Cable	5.0 m	11.99.4365 – 30
VALUE S-Video Cable	10.0 m	11.99.4369 – 20

VALUE / ROLINE Audio Adapters

	Order-No. – P.U.
VALUE 3.5mm Adapter, 1x 3.5mm M to 2x 3.5mm F	A 11.99.4440 – 100
VALUE 3.5mm Adapter, 1x 3.5mm M to 2x RCA F	B 11.99.4441 – 100
ROLINE 4 Conductor 3.5 mm Stereo Plug (speaker+microphone), 15 cm	C 11.09.4441 – 20
ROLINE 3.5 mm Stereo Coupler, F/F	D 11.09.4442 – 10
ROLINE Stereo Adapter 3.5 mm Male - 6.35 mm Female	E 11.09.4443 – 10
ROLINE Stereo Adapter 6.35 mm Male - 3.5 mm Female	F 11.09.4444 – 10
ROLINE Stereo Adapter 3.5 mm Male - 2.5 mm Female	G 11.09.4445 – 10
ROLINE Stereo Adapter 2.5 mm Male - 3.5 mm Female	H 11.09.4446 – 10
ROLINE Audio Converter Digital to Analogue	I 14.01.3441 – 5



ROLINE GOLD Audio / Video Cables

- The plugs are gold coated to enhance their contact durability
- Nylon-reinforced outer material for a better stability
- Color: Black / Gold

Audio- / Video Cables	Length	Order-No. – P.U.
Cinch-Extension Cable (Picture A)		
ROLINE GOLD Cinch-Extension Cable simplex M / F, red	2.5m	11.09.4234 – 10
ROLINE GOLD Cinch-Extension Cable simplex M / F, white	2.5m	11.09.4235 – 10
ROLINE GOLD Cinch-Extension Cable simplex M / F, yellow	2.5m	11.09.4236 – 10
ROLINE GOLD Cinch-Extension Cable simplex M / F, red	5.0m	11.09.4254 – 5
ROLINE GOLD Cinch-Extension Cable simplex M / F, white	5.0m	11.09.4255 – 5
ROLINE GOLD Cinch-Extension Cable simplex M / F, yellow	5.0m	11.09.4256 – 5
ROLINE GOLD Cinch-Extension Cable simplex M / F, red	10m	11.09.4294 – 5
ROLINE GOLD Cinch-Extension Cable simplex M / F, white	10m	11.09.4295 – 5
ROLINE GOLD Cinch-Extension Cable simplex M / F, yellow	10m	11.09.4296 – 5
Cinch Cable (Picture B)		
ROLINE GOLD Cinch Cable simplex M / M, red	2.5m	11.09.4231 – 10
ROLINE GOLD Cinch Cable simplex M / M, white	2.5m	11.09.4232 – 10
ROLINE GOLD Cinch Cable simplex M / M, yellow	2.5m	11.09.4233 – 10
ROLINE GOLD Cinch Cable simplex M / M, red	5.0m	11.09.4251 – 5
ROLINE GOLD Cinch Cable simplex M / M, white	5.0m	11.09.4252 – 5
ROLINE GOLD Cinch Cable simplex M / M, yellow	5.0m	11.09.4253 – 5
ROLINE GOLD Cinch Cable simplex M / M, red	10m	11.09.4291 – 5
ROLINE GOLD Cinch Cable simplex M / M, white	10m	11.09.4292 – 5
ROLINE GOLD Cinch Cable simplex M / M, yellow	10m	11.09.4293 – 5
3.5mm-to-Cinch Cable (Picture C)		
ROLINE GOLD Audio Cable 3.5mm Stereo – 2x Cinch (RCA), M / M	2.5m	11.09.4273 – 10
ROLINE GOLD Audio Cable 3.5mm Stereo – 2x Cinch (RCA), M / M	5.0m	11.09.4276 – 5
ROLINE GOLD Audio Cable 3.5mm Stereo – 2x Cinch (RCA), M / M	10m	11.09.4279 – 5
3.5mm Cable (Picture D)		
ROLINE GOLD 3.5mm Audio Cable M / M	2.5m	11.09.4283 – 10
ROLINE GOLD 3.5mm Audio Cable M / M	5.0m	11.09.4285 – 5
ROLINE GOLD 3.5mm Audio Cable M / M	10m	11.09.4289 – 5
3.5mm Extension Cable (Picture E)		
ROLINE GOLD 3.5mm Audio-Extension Cable M / F	2.5m	11.09.4753 – 10
ROLINE GOLD 3.5mm Audio-Extension Cable M / F	5.0m	11.09.4755 – 5
ROLINE GOLD 3.5mm Audio-Extension Cable M / F	10m	11.09.4759 – 5
3.5mm Adapter		
ROLINE GOLD Stereo Adapter 6.35 mm M – 3.5 mm F (Picture F)	11.09.4211 – 10	
ROLINE GOLD Stereo Adapter 3.5 mm M – 6.35 mm F (Picture G)	11.09.4212 – 10	
ROLINE GOLD 3.5mm Adaptercable (1x M, 2x F) (Picture H)	0.2m	11.09.4213 – 10
S-Video Cable, Mini DIN 4pin M / M		
ROLINE GOLD S-Video Cable, M / M	2.5m	11.09.4263 – 10
ROLINE GOLD S-Video Cable, M / M	5.0m	11.09.4265 – 5
ROLINE GOLD S-Video Cable, M / M	10m	11.09.4269 – 5



roline[®]
Designed for Professionals

Antenna Cable 75 Ohm, 9,5mm	Length	Order-No. – P.U.
ROLINE GOLD Antenna Cable M / F	2.5m	11.09.4243 – 10
ROLINE GOLD Antenna Cable M / F	5.0m	11.09.4245 – 5
ROLINE GOLD Antenna Cable M / F	10m	11.09.4249 – 5

VALUE Cableadapter, VGA+Audio - HDMI, M/F

- Easy and simple solution to connect media and display devices
- Ideal for projectors, presentations or any other audio/visual project (e.g. multimedia presentation) you may have
- Allows the upscaling of analog VGA signals to digital HDMI signals, ideal for connecting PCs and laptops to HDMI displays such as HDTVs
- Supports both video and audio, 1080p resolution
- The converter takes audio from the computer via 3.5mm connector and embeds it to the HDMI output along with the video
- The cableadapter features a MicroB USB port for an connection to a USB power source (connection is required)
- VGA cable adapter: 0.15m Audio cable length: 0.5m USB cable length: 1m
- Maximum resolution: 1920 x 1080
- Color: black



Order-No. – P.U.

VALUE Cableadapter, VGA+Audio - HDMI, M/F, 0.15 m

12.99.3117 – 10

VALUE Cableadapter, Micro HDMI - VGA, M/F

- Micro HDMI to VGA Cableadapter provides you the interoperability of notebooks/laptops systems (with a Micro HDMI out interface) with analog projectors/ displays (with VGA connector).
- Connect the laptop to an extended display (with VGA connector) with VGA projectors.
- Audio is not supported over the VGA cable, it will be transmitted separately (3.5mm F)
- HDCP compliant
- Molded strain relief
- The approx. 10cm cableadapter reduces stain on the HDMI port of your tablet
- Maximum resolution: 1920 x 1080
- Length: 0.15m
- Color: black



Order-No. – P.U.

VALUE Cableadapter, Micro HDMI - VGA, M/F, 0.15 m

12.99.3118 – 10

VALUE Cableadapter, HDMI - VGA+Audio, M/F, (Stereo)

Use modern notebooks with HDMI output on display units which have a VGA input!

- Easy and simple solution to connect media and display devices
- Ideal for projectors, presentations or any other audio/visual project (e.g. multimedia presentation) you may have
- Supports both video and audio, 1080p resolution
- The audio signal from the HDMI source is transmitted to the audio input using a 3.5mm plug
- The cableadapter features a MicroB USB port for an connection to a USB power source (connection is required)
- Maximum resolution: 1920 x 1080 (1080p)
- Color: silver/black



Order-No. – P.U.

VALUE Cableadapter, HDMI - VGA+Audio, M/F, (Stereo)

12.99.3119 – 10

- Length: 0.15m (HDMI)
- Note: this adapter works only in one direction from HDMI to VGA

ROLINE Cableadapter, VGA+Audio - HDMI, M/F, (7.1CH Audio Converter)

- Easy and simple solution to connect media and display devices
- Ideal for projectors, presentations or any other audio/visual project (e.g. multimedia presentation) you may have
- Allows the upscaling of analog VGA signals to digital HDMI signals, ideal for connecting PCs and laptops to HDMI displays such as HDTVs
- Supports both video and audio, 1080p resolution
- The converter takes audio from the computer via USB connector and embeds it to the HDMI output along with the video
- VGA cable adapter: 0.15m USB cable length: 0.15m
- Maximum resolution: 1920 x 1080
- Color: black



roline
Designed for Professionals

Order-No. – P.U.

ROLINE Cableadapter, VGA+Audio - HDMI, M/F, (7.1CH Audio Converter)

12.03.3119 – 10

VALUE Internal SATA 3.0 Gbit/s Cable

- Cables for the connection of a SATA 3.0 Gbit/s (SATA II) HDD to a Serial ATA controller
- Support data transfer rates of up to 3.0 Gbit/s
- Compatible with SATA 1.5 Gbit/s (SATA I)
- Narrow cable design to increase internal air flow
- 4-pin cable with ground wires
- Connectors: 2x internal 7-pin SATA



Order-No. – P.U.

VALUE Internal SATA 3.0 Gbit/s Cable, 0.5 m

11.99.1555 – 100

VALUE Internal SATA 3.0 Gbit/s Cable, 1.0 m

11.99.1560 – 100

VALUE Internal SATA 3.0 Gbit/s Cable, angled, 0.5 m

11.99.1556 – 100

VALUE Internal SATA 3.0 Gbit/s Cable, angled, 1.0 m

11.99.1561 – 100

ROLINE Internal SATA 3.0 Gbit/s Cable

- The narrow high quality cable design simplifies cable, routing and installation and improves the internal air flow.
- Connect your high-speed Serial ATA device (e. g. HDD) to a Serial ATA Controller
 - Support data transfer rates of up to 3.0 Gbit/s (SATA II)
 - Compatible with SATA 1.5 Gbit/s (SATA I)
 - 4-pin cable with ground wires
 - Connectors: 2x internal 7-pin SATA



roline
Designed for Professionals

Order-No. – P.U.

ROLINE Internal SATA 3.0 Gbit/s Cable, 0.5 m

11.03.1555 – 100

ROLINE Internal SATA 3.0 Gbit/s Cable, 1.0 m

11.03.1560 – 100

ROLINE Internal SATA 3.0 Gbit/s Cable, angled, 0.5 m

11.03.1556 – 100

ROLINE Internal SATA 3.0 Gbit/s Cable, angled, 1.0 m

11.03.1561 – 100

ROLINE Internal SATA 3.0 Gbit/s Cable with Latch

Utilizing the SATA II specification and with its unique locking latch, you can rest assured your system is safe and secure.

- Connect your high-speed Serial ATA device (e. g. HDD) to a Serial ATA Controller
- Support data transfer rates of up to 3.0 Gbit/s

- Compatible with SATA 1.5 Gbit/s (SATA I)
- With latch on both connectors
- Narrow cable design to increase internal air flow
- 4-pin cable with ground wires
- Connectors: 2x internal 7-pin SATA



roline
Designed for Professionals

Order-No. – P.U.

ROLINE Internal SATA 3.0 Gbit/s Cable with Latch, 0,5 m	11.03.1554 – 50
ROLINE Internal SATA 3.0 Gbit/s Cable with Latch, 1,0 m	11.03.1559 – 50

VALUE Internal SATA 6.0 Gbit/s Cable with Latch

Some of the advantages of the new ATA series (SATA technology) are conditional on the use of relatively thin and flexible cables, which simplifies the use in the computer substantially and also brings a clear improvement to the air flow inside the computer housing.

- Support data transfer rates of up to 6.0 Gbit/s
- Compatible with SATA 1.5 Gbit/s (SATA I) and 3.0 Gbit/s (SATA II)
- 4-pin cable with ground wires
- Connectors: 2x internal 7-pin SATA with latch on both connectors



Value

Order-No. – P.U.

VALUE Internal SATA 6.0 Gbit/s Cable with Latch, 0,5 m	11.99.1550 – 20
VALUE Internal SATA 6.0 Gbit/s Cable with Latch, 1,0 m	11.99.1551 – 20

ROLINE Internal SATA 6.0 Gbit/s Cables with Latch

Utilizing the SATA III specification and with its unique locking latch, you can rest assured your system is safe and secure.

- Connect your high-speed Serial ATA device (e. g. HDD) to a Serial ATA Controller
- Support data transfer rates of up to 6.0 Gbit/s
- Compatible with SATA 1.5 Gbit/s (SATA I) and 3.0 Gbit/s (SATA II)
- Cable With latch on both connectors
- Narrow cable design to increase internal air flow
- 4-pin cable with ground wires
- Connectors: 2x internal 7-pin SATA



roline
Designed for Professionals

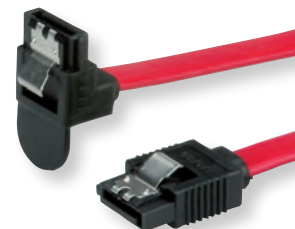
Order-No. – P.U.

ROLINE Internal SATA 6.0 Gbit/s Cable with Latch, 0,5 m	11.03.1552 – 50
ROLINE Internal SATA 6.0 Gbit/s Cable with Latch, 1,0 m	11.03.1553 – 50

ROLINE Internal SATA 6.0 Gbit/s Cables, angled, with Latch

Utilizing the SATA III specification and with its unique locking latch, you can rest assured your system is safe and secure.

- Connect your high-speed Serial ATA device (e. g. HDD) to a Serial ATA Controller
- Support data transfer rates of up to 6.0 Gbit/s
- Compatible with SATA 1.5 Gbit/s (SATA I) and 3.0 Gbit/s (SATA II)
- Cable with latch on both connectors
- Cable with connector angled to one side, with pull for easy removal
- Narrow cable design to increase internal air flow
- 4-pin cable with ground wires
- Connectors: 2x internal 7-pin SATA



roline
Designed for Professionals

Order-No. – P.U.

ROLINE Internal SATA 6.0 Gbit/s Cable, angled, with Latch, 0,5 m	11.03.1564 – 25
ROLINE Internal SATA 6.0 Gbit/s Cable, angled, with Latch, 1,0 m	11.03.1565 – 25

ROLINE SATA 3.0 Gbit/s Data and Power Cable (4-pin HDD)

Serial ATA is a high performance interface for IDE storage devices, and is the evolutionary replacement for the longstanding ATA physical storage interface

- High quality combo-cable for a SATA HDD
- Can be utilized alongside the existing PC architecture without the need for physical modification
- The thin serial ATA cables also significantly improve airflow within a computer's chassis
- Transfer rate: up to 3.0 Gbit/s (SATA II)
- 4-pin cable with ground wire for data transfer
- 4 wires for the power supply (with adapter 5.25 power connector to SATA power connector)

- Connectors: SATA power and data connector to 7-pin SATA data and 4-pin 5.25 power connector



roline
Designed for Professionals

Order-No. – P.U.

ROLINE SATA 3.0 Gbit/s Data and Power Cable (4-pin HDD), 1,0 m	11.03.1250 – 30
--	-----------------

ROLINE External SATA 3.0 Gbit/s Cables

ROLINE high quality HDD cables for the connection of an external SATA hard disk.

- Support data transfer rates of up to 3.0 Gbit/s (SATA II)
- Compatible with SATA 1.5 Gbit/s (SATA I)
- 4-pin cable with ground wires
- Connectors: 2x external 7-pin SATA 3.0 Gbit/s



roline
Designed for Professionals

Order-No. – P.U.

ROLINE External SATA 3.0 Gbit/s Cable, 0,5 m	11.03.1575 – 50
ROLINE External SATA 3.0 Gbit/s Cable, 1,0 m	11.03.1580 – 50

ROLINE External SATA 6.0 Gbit/s Cable

ROLINE high quality HDD cables for the connection of an external SATA hard disk.

- Support data transfer rates of up to 6.0 Gbit/s (SATA III)
- Compatible with SATA 3.0 Gbit/s (SATA II), SATA 1.5 Gbit/s (SATA I)
- 4-pin cable with ground wires
- Connectors: 2x external 7-pin SATA 3.0 Gbit/s

Order-No. – P.U.

ROLINE External SATA 6.0 Gbit/s Cable, 0.5 m 11.03.1548 – 50

ROLINE External SATA 6.0 Gbit/s Cable, 1.0 m 11.03.1549 – 50

roline[®]
Designed for Professionals



ROLINE SAS Data and Power Cable

- High quality combi cable for the actual SATA/SAS technique for connecting HDDs
- Supports SATA 3.0 Gbit/s (SATA II), SATA 1.5 Gbit/s (SATA I) and SAS
- Connectors:
1x Internal SATA/SAS data connector (SF-8482) to
1x 4-pin HDD plug and 2x 7-pin SATA data connector

Order-No. – P.U.

ROLINE SAS Data and Power Cable, 0.5 m 11.03.1065 – 20

roline[®]
Designed for Professionals



ROLINE Adapter, mSATA SSD to 2.5 SATA 22pin

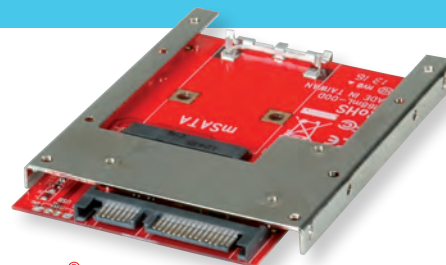
Best Solution that convert and easily retain mSATA SSD as normally standard 2.5 SATA SSD

- Convert Full Size mSATA SSD to 2.5 Form Factor
- Supports up to SATA 6Gb/s
- Compatible with 2.5 SATA drive mechanical specifications
- 22 pin SATA (signals and power) male connector on board
- Transparent to the operating system and no driver required
- Latch mSATA connector on board, no need the screw for the retention of mSATA module
- Contents: adapter, 2.5 drive metal frame (with 8 mounting holes and 4 HDD screws), manual

Order-No. – P.U.

ROLINE Adapter, mSATA SSD to 2.5 SATA 22pin 11.03.1567 – 10

roline[®]
Designed for Professionals



VALUE PS/2 to USB Adapter

- Only for USB / PS/2 combo mice
- USB mouse has to be connected to the adapter and the adapter has to be connected to the PS/2 port of the PC
- Ports: 1x USB Type A F, 1x PS/2 M

Value[®]



B



Order-No. – P.U.

VALUE PS/2 to USB Adapter, Mouse, green A 12.99.1072 – 25

VALUE PS/2 to USB Adapter, Keyboard, purple B 12.99.1073 – 25

ROLINE USB 2.0 Gender Changer, Type A F/F

- Compact and small design
- Adaption of frequent USB interfaces
- Colour: Black

roline[®]
Designed for Professionals

A



B



Order-No. – P.U.

ROLINE USB 2.0 Gender Changer, Type A F/F A 12.03.2960 – 50

ROLINE USB 3.0 Gender Changer, Type A F/F B 12.03.2991 – 20

ROLINE Mini Gender Changers

- Connection between two similar connectors
- Low leverage on the computer connector due to compact construction (17 mm long)
- All lines are connected 1:1
- Incl. locking screws

Order-No. – P.U.

ROLINE Mini Gender Changer, 9-pin M - M 12.03.2025 – 50

ROLINE Mini Gender Changer, 9-pin F - F 12.03.2030 – 50

ROLINE Mini Gender Changer, 15-pin HD M - M 12.03.2016 – 50

ROLINE Mini Gender Changer, 15-pin HD F - F 12.03.2021 – 50

ROLINE Mini Gender Changer, 25-pin M - M 12.03.2005 – 50

ROLINE Mini Gender Changer, 25-pin F - F 12.03.2010 – 50



roline[®]
Designed for Professionals

ROLINE Internal Power Supply Cables

- **11.03.1016: (A)**
• Extension cable from the power supply to the ATX 2.0 motherboard; 24-pin motherboard connector (M/F); length: 0.3 m
- **11.03.1019: (B)**
• For connection of a power supply to a Intel Pentium mainboard with P4 port via standard power supply and HDD-4-pin power plug; length: 0.15m
- **11.03.1021: (C)**
• Additional power supply cable for mainboard and CPU. Plugs: Power 8 pin PCI Express > HDD-4-pin power plug (3 pin connected); length: 0.15 m
- **11.03.1010: (D)**
• Internal power supply cables for an additional type 5.25 or type 3.5 disk drives; Y-model; 4-pin HDD M to 4-pin HDD F / 4-pin FDD F; length: 0.3 m
- **11.03.1005: (E)**
• Internal power supply cables for two additional type 5.25 disk drives; Y-model; 4-pin HDD M to 2x 4-pin HDD F; length: 0.3 m
- **11.03.1003: (F)**
• To expand the 4-pin HDD plug to four 4-pin HDD plugs, angled (90°); length: 2x 0.45 m; distance between 4-pin HDD plug and first angled 4-pin HDD plug: 0.3 m; distance between first angled 4-pin HDD plug and second angled 4-pin HDD plug: 0.15 m
- **11.03.1050: (G)**
• To convert the 4-pin HDD plug to two SATA power connectors; to connect two SATA devices to one 4-pin HDD plug; length: 2x 0.12 m
- **11.03.1055: (H)**
• Adapter cable for converting the 4-pin HDD interface to the SATA power connector; 4-pin cable, connections: 4-pin HDD plug to 15-pin SATA power connector; length: 0.15 m
- **11.03.1061: (I)**
• Adapter cable for converting the 4-pin HDD interface to the SATA power connector; 4-pin HDD plug to 15-pin SATA power connector; angled (90°); length: 0.1 m
- **11.03.1060: (J)**
• Adapter for converting the 4-pin HDD interface to the SATA power connector
- **11.03.1040: (K)**
• Y-adapter cable for converting the SATA power connector to up to 3 additional 4-pin HDD plugs; 3x 4-pin HDD plug to 1x SATA; length 11.5 cm and 12.5 cm
- **11.03.1041: (L)**
• Y-adapter cable for converting one SATA power connector to up to 3 additional SATA power connectors; 3x SATA M to 1x SATA; length 0.24 m and 0.23 m
- **11.03.1042: (M)**
• Extension cable for a SATA power connection; SATA M to SATA F; length: 0.3 m



	Order-No. – P.U.
ROLINE ATX 2.0 Power Extension Cable, 24-pin, 0.3 m	11.03.1016 – 50
ROLINE Internal Power Cable, 4-pin HDD/ ATX12V-P4 4-pin Power, 0.15 m	11.03.1019 – 10
ROLINE Internal Power Cable, 8 pin PCI Express Plug - P4 Plug, 0.15 m	11.03.1021 – 10
ROLINE Int. Y-Power Cable, 4-pin HDD to 4-pin HDD+4-pin FDD, 0.3 m	11.03.1010 – 100
ROLINE Internal Y-Power Cable, 4-pin HDD to 2x 4-pin HDD, 0.3 m	11.03.1005 – 100
ROLINE Internal Y-Power Cable, 4-pin HDD to 4x 4-pin HDD (90°), 0.15 m	11.03.1003 – 50
ROLINE Internal Y-Power Cable, 4-Pin HDD to 2x SATA, 0.12 m	11.03.1050 – 50
ROLINE Power Adapter Cable, 4-Pin HDD to SATA, 0.15 m	11.03.1055 – 50
ROLINE Power Adapter Cable, 4-pin HDD to SATA (90°), 0.1 m	11.03.1061 – 25
ROLINE Power Adapter, 4-pin HDD to SATA	11.03.1060 – 25
ROLINE Internal Y-Power Cable, SATA to 3x 4-pin HDD	11.03.1040 – 25
ROLINE Internal Y-Power Cable, SATA to 3x SATA	11.03.1041 – 25
ROLINE SATA Power Extension Cable, 0.3 m	11.03.1042 – 25

VALUE / ROLINE Monitor Power Cables

- Monitor power cable with moulded plugs
- Connectors: IEC 320-C14 plug to IEC 320-C13 plug
- Nominal data: 250V AC/10A
- Colour: black



Value

Order-No. – P.U.

VALUE Monitor Power Cable, black, 0.5 m, IEC 320 C14 - C13	19.99.1505 – 20
VALUE Monitor Power Cable, black, 1.0 m, IEC 320 C14 - C13	19.99.1510 – 20
VALUE Monitor Power Cable, black, 1.8 m, IEC 320 C14 - C13	19.99.1515 – 50
VALUE Monitor Power Cable, black, 3.0 m, IEC 320 C14 - C13	19.99.1530 – 50
ROLINE Monitor Power Cable, black, 0.5 m, IEC 320 C14 - C13	19.08.1505 – 50
ROLINE Monitor Power Cable, black, 1.0 m, IEC 320 C14 - C13	19.08.1510 – 30
ROLINE Monitor Power Cable, black, 1.8 m, IEC 320 C14 - C13	19.08.1515 – 50
ROLINE Monitor Power Cable, black, 3.0 m, IEC 320 C14 - C13	19.08.1530 – 50

VALUE / ROLINE Monitor Power Cables

- Monitor power cable with moulded plugs
- Connectors: IEC 320-C14 plug to IEC 320-C13 plug
- Nominal data: 250V AC/10A

Value

Order-No. – P.U.

VALUE Monitor Power Cable, white, 1.8 m, IEC 320 C14 - C13	19.99.1516 – 50
ROLINE Monitor Power Cable, red, 1.8 m, IEC 320 C14 - C13	19.08.1520 – 25
ROLINE Monitor Power Cable, yellow, 1.8 m, IEC 320 C14 - C13	19.08.1521 – 25
ROLINE Monitor Power Cable, blue, 1.8 m, IEC 320 C14 - C13	19.08.1522 – 25
ROLINE Monitor Power Cable, green, 1.8 m, IEC 320 C14 - C13	19.08.1523 – 25

VALUE Power Cable, straight IEC Connector

Cable with safety plug 90° angulate (German safety plug) and IEC 320-C13

- Plugs: German safety plug to C13 plug
- Nominal data: 250V AC/2.5A
- Colour: black



Value

Order-No. – P.U.

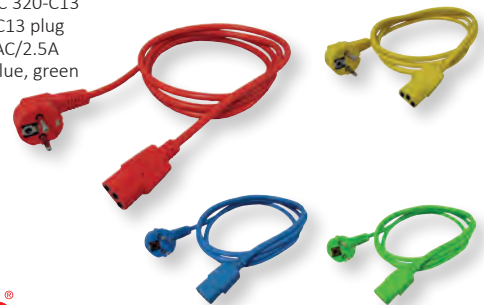
VALUE Power Cable, straight IEC Connector, black, 1.8 m	19.99.1018 – 50
VALUE Power Cable, straight IEC Connector, white, 1.8 m	19.99.1019 – 50
VALUE Power Cable, angled IEC Connector, black, 1.8 m	19.99.1118 – 50
VALUE Power Cable, straight Compaq Connector, black, 1.8 m	19.99.1028 – 20

ROLINE Power Cable, straight IEC Connector

Cable with safety plug 90° angulate (german type) and IEC 320-C13

- Plugs: safety plug to C13 plug
- Nominal data: 250V AC/2.5A
- Colour: red, yellow, blue, green

NEW

roline
Designed for Professionals

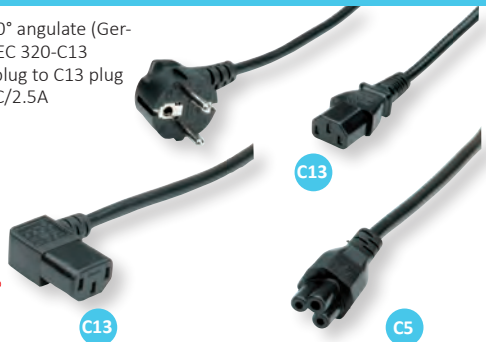
Order-No. – P.U.

ROLINE Power Cable, straight IEC Connector, red, 1.8 m	19.08.1010 – 25
ROLINE Power Cable, straight IEC Connector, yellow, 1.8 m	19.08.1011 – 25
ROLINE Power Cable, straight IEC Connector, blue, 1.8 m	19.08.1012 – 25
ROLINE Power Cable, straight IEC Connector, green, 1.8 m	19.08.1013 – 25

ROLINE Power Cable, straight IEC Connector

Cable with safety plug 90° angulate (German safety plug) and IEC 320-C13

- Plugs: German safety plug to C13 plug
- Nominal data: 250V AC/2.5A
- Colour: black

roline
Designed for Professionals

Order-No. – P.U.

ROLINE Power Cable, straight IEC Connector, 1.8 m	19.08.1018 – 50
ROLINE Power Cable, straight IEC Connector, 3.0 m	19.08.1030 – 50
ROLINE Power Cable, angled IEC Connector, 1.8 m	19.08.1118 – 50
ROLINE Power Cable, straight Compaq Connector, 1.8 m	19.08.1028 – 20

VALUE Power Cord German Safety Plug, IEC320 - C19 16A

Cable often used for UPS from 3000 VA and for connecting Blade servers.

- Connection cable 16 A with IEC320 C19 Female and German safety plug, angled
- Cable: H05VV-F 3G1.5 3x 1.5mm²
- Nominal data: 250 VAC/16 A
- Colour: black



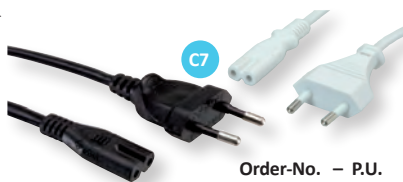
Value

Order-No. – P.U.

VALUE Power Cord German Type, IEC320 - C19 16A, black, 2.0 m	19.99.1552 – 20
VALUE Power Cord German Type, IEC320 - C19 16A, black, 3.0 m	19.99.1553 – 20
ROLINE Power Cord German Type, IEC320 - C19 16A, black, 2.0 m	19.08.1552 – 14
ROLINE Power Cord German Type, IEC320 - C19 16A, black, 3.0 m	19.08.1553 – 10
ROLINE Power Cord IEC320/C19 - C20 16A, black, 2.0 m	19.08.1562 – 14
ROLINE Power Cord IEC320/C19 - C20 16A, black, 3.0 m	19.08.1563 – 10

VALUE / ROLINE Euro Power Cables, 2-Pin

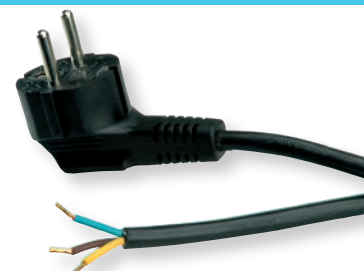
- Suitable e.g. for notebook power supply
- Connectors: Europlug to IEC320-C7 plug
- Moulded plugs
- 250V AC/2.5A



	Order-No.	P.U.
VALUE Euro Power Cable, 2-pin, black, 1.8 m	19.99.2096	- 100
VALUE Euro Power Cable, 2-pin, white, 1.8 m	19.99.2095	- 100
VALUE Euro Power Cable, 2-pin, black, 3.0 m	19.99.2092	- 50
VALUE Euro Power Cable, 2-pin, black, 5.0 m	19.99.2094	- 50
ROLINE Euro Power Cable, 2-pin, black, 1.8 m	19.07.2096	- 100
ROLINE Euro Power Cable, 2-pin, black, 3.0 m	19.07.2073	- 50
ROLINE Euro Power Cable, 2-pin, black, 5.0 m	19.07.2078	- 50

ROLINE Power Cable with German Type Connector / Open End, AC 230V

- Cable with German Type male connector, 16A / 230V ~
- Cable: H05VV-F 3G1 3x 0.75mm²
- Nominal data: 250 VAC/16 A
- Colour: black



	Order-No.	P.U.
ROLINE Power Cable w. German connector / open end, AC 230V, black, 1.8 m	19.08.1110	- 10
ROLINE Power Cable w. German connector / open end, AC 230V, black, 3.0 m	19.08.1111	- 10

VALUE / ROLINE Y-Power Cable, 2x straight IEC Connector

- Cable with safety plug 90° angled (German Type plug) and 2x IEC 320-C13 plug straight
- Suitable for PC and monitor power connection
 - Connectors: German Type plug to 2x C13 plug
 - Nominal data: 250V AC/10A
 - Colour: black



	Order-No.	P.U.
VALUE Y-Power Cable, 2x straight IEC Connector, 1.8 m	19.99.1022	- 50
ROLINE Y-Power Cable, 2x straight IEC Connector, 1.8 m	19.08.1022	- 50

RJ-12 Cable, 6P4C

- 4-wire flat telephone cable with 6-pole 4-contact RJ-12 (Western) plug
- Colour: white
- All pins connected 1: 1



	Order-No.	P.U.
RJ-12 Cable, 6P4C, 6 m	11.04.1906	- 10
RJ-12 Cable, 6P4C, 15 m	11.04.1915	- 10

ROLINE Cat.5e Modular Plug, 8P8C

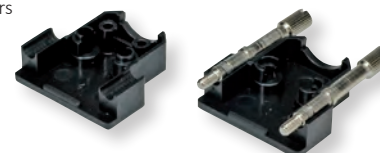
- Unshielded modular plug for round cables
- For stranded wire AWG26
- For Cat.5e cabling systems
- Package unit: 10 pieces



	Order-No.	P.U.
ROLINE Cat.5e Modular Plug, 8p8c, UTP, for Stranded Wire, 10 pcs.	12.01.1087	- 100
ROLINE Cat.5e Modular Plug, 8p8c, STP, for Stranded Wire, 10 pcs.	12.01.1089	- 100
ROLINE Kink protection hood for RJ-45, grey, 10 pcs.	12.01.1085	- 100

D-Sub Connector Casings

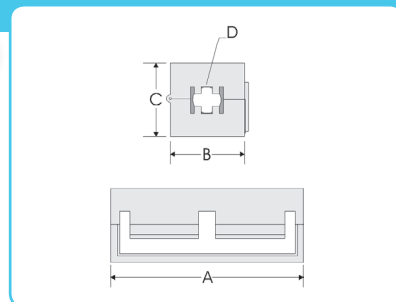
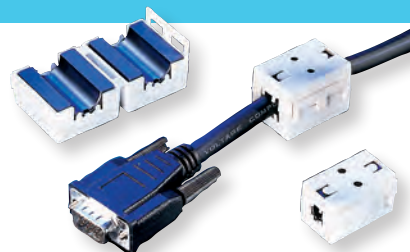
- Suitable for D-Sub plug connectors
- Screwed, stable plastic casing
- Internal strain reduction
- With UN-4-40 locking screws which can't be lost
- Without connector



	Order-No.	P.U.
D-Sub Connector Casing 9-pin/HD15	12.01.4005	- 200
D-Sub Connector Casing 15-pin	12.01.4010	- 200
D-Sub Connector Casing 25-pin	12.01.4015	- 200

Filter Ferrite Cores

- For interference suppression on data lines
- For PC and peripherals
- Simple subsequent assembly
- Split conduit cores
- Nylon clip casing
- Protected against damage
- The casing clamps securely on the cable
- Universal application
- Casing UL 94-V-0



	Order-No.	P.U.
Filter Ferrite - 6.5 mm	11.05.1006	- 200
Filter Ferrite - 10 mm	11.05.1010	- 190

Model	Dimensions in mm				Impedance (Ohm)		Frequency Range
	A	B	C	D	25MHz	100MHz	
Filter-ferrite-6.5	32.0	19.5	19.0	6.5	125	275	300MHz
Filter-ferrite-10	32.0	24.5	23.0	10.0	130	290	300MHz

Should not be mounted on the cable any further away than 10 cm from the plug!

VALUE Converter Cable USB Type C to Serial

- Quick solution for the use of peripheral devices with serial interfaces (e.g. modems, digital cameras, printers) with notebooks or computers with USB interface using a USB Type C connector
- Full compliance with USB 2.0, USB 1.1
- Data transfer rate of over 1Mbit/s
- Supports RS232 serial interface
- Supports automatic handshake mode
- Supports remote wakeup and power management
- Power Mode: Bus-powered
- Connections: 1x USB Type C, 1x DB 9-pin connector, 1x DB 25-pin connector
- Supported Operating Systems: Windows 98, 2000, XP, Vista, Win 7 / 8 / 10, Mac OS X
- Contents: Converter cable, adapter DB9 F-DB25 M, driver CD



Order-No. – P.U.

VALUE Converter Cable USB Type C to Serial, black, 1.8 m

12.99.1161 – 5

VALUE Converter Cable USB to Serial

- Quick solution for the use of peripheral devices with serial interfaces (e.g. modems, digital cameras, printers) with notebooks or computers with USB interface
- Data transfer rate of over 1Mbit/s
- Connections: 1x USB Type A, 1x DB 9-pin connector
- Equivalent to the USB 1.1 specification
- Length: 1.8 m
- Contents: Converter cable, adapter DB9 F-DB25 M, driver CD



Order-No. – P.U.

VALUE Converter Cable USB to Serial, 1.8 m

12.99.1160 – 10

ROLINE USB to 2x RS232 Converter

- Converts one PC USB Port into two serial ports
- To connect two serial devices (e.g. modem) with the USB port of a PC or notebook
- Ideal for notebook users
- Supports data transfer rates of up to 1Mbit/s
- No external power supply is needed
- Supported operating systems: Windows 2000/XP/Vista/7
- Contents: Converter, driver CD, manual notebook



Order-No. – P.U.

ROLINE USB to 2x RS232 Converter

12.02.1048 – 20

ROLINE Converter Cable USB to RS232+DB25

- Ideal for notebooks that nowadays only offer USB interfaces
- To connect one serial device (e.g. modem) and one parallel device (e.g. printer) to the USB port of a PC or notebook
- No external power supply needed
- Supported operating systems: Windows 2000/XP/Vista/7
- Contents: Converter, driver CD, manual

roline
Designed for Professionals



Order-No. – P.U.

ROLINE Converter Cable USB to RS232+DB25

12.02.1049 – 20

ROLINE Converter Cable USB to Serial

- With this converter you can easily connect peripheral devices, such as analogue and ISDN modems, digital cameras and handheld computers, which have a serial interface to an USB environment
- Easy installation
 - True plug & play
 - Supports automatic handshake mode
 - Supports remote wake up and power management

- Needs no interrupt (IRQ)
- Length: 1.8 m
- Supported operating systems: Windows 98SE/ME/2000/XP/7/8
- Contents: Converter cable, driver CD, manual



roline
Designed for Professionals

Order-No. – P.U.

ROLINE Converter Cable USB to Serial, 1.8 m

12.02.1160 – 10

ROLINE USB 2.0 to RS232 Adapter, for DIN Rail

- Converter to connect serial devices to a USB port on your PC
- Compatible with USB 2.0, USB 1.1, USB 1.0
 - Data transfer rate of up to 115 Kbit/s
 - 15 KV ESD protection for all RS232 ports
 - Connectors: 1x DB9 Male, 1x Mini USB type B
 - For DIN Rail mounting
 - Windows 98SE/ME/2000/Server 2003/XP/Server 2008/XP/Vista/7
 - Power supply over Mini USB type B connector (40mA)
 - Contents: Converter, driver CD, manual



roline
Designed for Professionals

Order-No. – P.U.

ROLINE USB 2.0 to RS232 Adapter, for DIN Rail, 1 Port

12.02.1001 – 4

ROLINE USB 2.0 to RS232 Adapter, for DIN Rail, 2 Ports

12.02.1002 – 4

ROLINE USB 2.0 to RS232 Adapter, for DIN Rail, 4 Ports

12.02.1003 – 4

ROLINE USB 2.0 to RS232 Adapter, with Isolation, for DIN Rail, 1 Port

12.02.1007 – 2

ROLINE USB 2.0 to RS422/485 Adapter, with Isolation, for DIN Rail

- Converter to connect serial devices to a USB port on your PC
- Mode: Asynchronous serial communication
- Compatible with USB 2.0, USB 1.1, USB 1.0
- Isolation 3000 VDC (optical)
- Connectors: 5-pin terminal block, 1x Mini USB type B
- Data transfer rate of up to 115 Kbit/s
- Terminal resistance and Echo mode
- DIP switches for terminal settings
- Signals: TX+, TX-, RX+, RX-, SGND
- Protection: 15 KV ESD protection for all signals, RS-422/485 signals surge protection
- Status LEDs
- For DIN rail mounting
- Power supply over Mini USB type B connector (54 mA)
- Windows 98SE/ME/2000/Server 2003/XP/Server 2008/XP/Vista/7
- Contents: Converter, USB cable, driver CD, manual

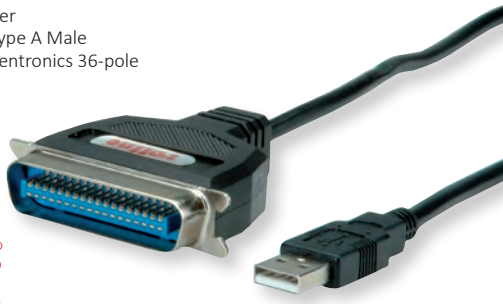


Order-No. – P.U.

ROLINE USB 2.0 to RS422/485 Adapter, with Isolation, for DIN Rail 12.02.1004 – 4

ROLINE USB to IEEE1284 Converter, C36

- For the connection of a printer with parallel port (IEEE 1284) to a PC with USB port
- USB specification revision 1.1 compliant
- Truly bi-directional communication between PC and printer
- Connection PC: USB type A Male
- Connection printer: Centronics 36-pole Male
- Bus powered
- Length: 1.8 m
- Colour: black
- Supported operating systems: Windows 2000/XP/Vista/7, Mac OS X
- Contents: Converter cable

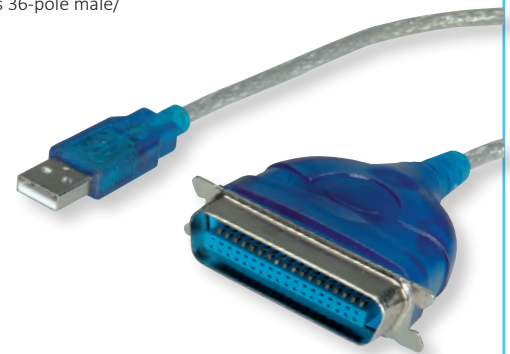


Order-No. – P.U.

ROLINE USB to IEEE1284 Converter, C36, 1.8 m 12.02.1073 – 10

VALUE USB to IEEE1284 Converter Cable

- To connect a printer with parallel interface (IEEE1284) to a PC with USB port
- Easy to install
- Power supplied by USB interface
- Connector: Centronics 36-pole male/USB Type A Male
- Colour: turquoise (semi translucent)
- Contents: Converter cable



Order-No. – P.U.

VALUE USB to IEEE1284 Converter Cable, 1.8 m 12.99.1150 – 10

VALUE USB to RS-485 Converter

- This converter provides an extra Serial Com port via USB connection**
- To connect serial devices (e.g. modem) to one USB port
 - Can be configured to work with RS-485 peripherals
 - Full compliance with the USB specification 1.1
 - Supports data transfer rates of up to 3 Mbit/s
 - USB bus powered - no external power supply is needed
 - Plug & play
 - Supports Windows 98SE / ME / 2000 / XP / Vista / 7
 - Contents: Converter, driver CD, manual

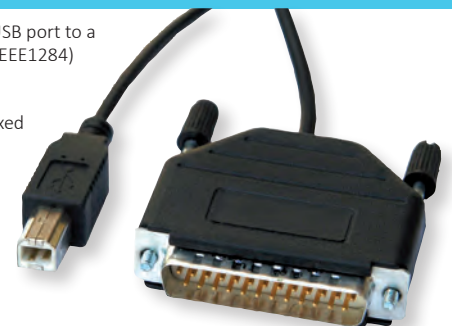


Order-No. – P.U.

VALUE USB to RS-485 Converter 12.99.1074 – 25

Converter Cable Parallel to USB

- To connect a printer with USB port to a PC with parallel interface (IEEE1284)
- Easy to install
- Power supplied by external power supply unit that is fixed to the converter
- Connection PC: parallel interface (IEEE1284) DB25 F
- Connection printer: USB type B
- Length: 1.8 m
- Colour: black
- Contents: Converter (cable length: 1.8 m) with moulded Power Supply Unit

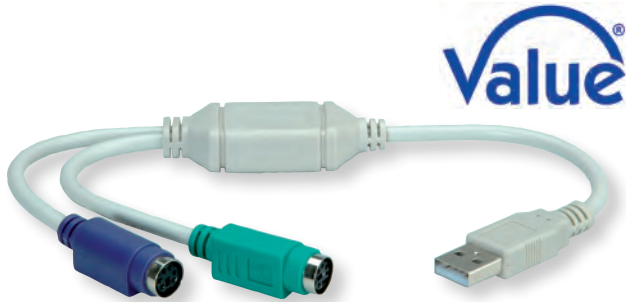


Order-No. – P.U.

Converter Cable Parallel to USB, 1.8 m 12.02.1074 – 1

VALUE USB to 2x PS/2 Adapter Cable

- Ideal for the use with actual notebooks, which do not offer PS/2 ports any longer
- The converter offers two additional PS/2 ports e.g. to connect keyboard and mouse
- Compact converter for the connection to the USB interface of a notebook or PC
- Power over USB interface
- Connection: 1x USB Type A Male, 2x PS/2 F



Order-No. – P.U.

VALUE USB to 2x PS/2 Adapter Cable

12.99.1075 – 50

ROLINE USB 2.0 to SATA/IDE Converter

- Allows IDE and SATA devices to be connected simultaneously to one USB port
- For hard disk drives, CD-ROM, CD-RW, DVD-ROM, DVD-RW
- Connector computer side: USB 2.0
- Connector device side: IDC 40-pin Male, SATA
- USB 2.0 and USB 1.1/1.0 compliant
- Supports ATA/ATAPI-6 spec. 1.0 and SATA 1.5 Gbit/s (SATA I) or SATA 3.0 Gbit/s (SATA II)
- Supports data transfer rates of up to 480 Mbit/s
- Hot plug & play
- Supports Windows 98SE/ME/2000/XP/7
- Contents: Adapter, power supply with IDE and SATA power adapter, power cord, SATA cable, driver CD, manual



Order-No. – P.U.

ROLINE USB 2.0 to SATA/IDE Converter

12.02.1057 – 20

VALUE USB 3.0 to SATA 6.0 Gbit/s Adapter

- Easy way to connect a SATA 6.0 Gbit/s hard disk to a computer or notebook over a SuperSpeed USB 3.0 port
- Suitable for type 2.5/3.5 Serial ATA HDD/SSD
- Compliant with USB 3.0, USB 2.0, USB 1.1
- Compliant with SATA 6.0 Gbit/s, SATA 3.0 Gbit/s, SATA 1.5 Gbit/s
- Supports transfer rates of up to 5.0 Gbit/s
- Connection to computer: USB 3.0
- Connection to HDD: 15-pin SATA power + 7-pin SATA data
- Hot-swappable, plug & play
- Length USB cable: 1.20 m
- Power supply included
- Supported Operating Systems: 2000/XP/Vista/7/8
- Contents: Adapter, power supply, manual



Order-No. – P.U.

VALUE USB 3.0 to SATA 6.0 Gbit/s Adapter, 1.2 m

12.99.1049 – 10

ROLINE USB 3.0 to SATA 6Gb/s Adapter

- Easy way to connect a SATA 6.0 Gbit/s hard disk to a computer or notebook over a SuperSpeed USB 3.0 port
- Suitable for type 2.5/3.5 Serial ATA HDD/SSD
- Compliant with USB 3.0, USB 2.0, USB 1.1
- Compliant with SATA 6.0 Gbit/s, SATA 3.0 Gbit/s, SATA 1.5 Gbit/s
- Supports transfer rates of up to 5.0 Gbit/s
- Connection to computer: USB 3.0
- Connection to HDD: 15-pin SATA power + 7-pin SATA data
- Hot-swappable, plug & play
- Length USB cable: 0.15 m
- Supported Operating Systems: 2000/XP/Vista/7/8
- Contents: Adapter, manual



Order-No. – P.U.

ROLINE USB 3.0 to SATA 6Gb/s Adapter, 0.15 m

12.02.1043 – 10

VALUE USB 3.1 to SATA 6.0 Gbit/s Adapter

- Easy way to connect a SATA 6.0 Gbit/s hard disk to a computer or notebook over a SuperSpeed USB 3.1 port
- Suitable for type 2.5/3.5 Serial ATA HDD/SSD
- Compliant with USB 3.0, USB 2.0
- Compliant with SATA 6.0 Gbit/s, SATA 3.0 Gbit/s, SATA 1.5 Gbit/s
- Supports transfer rates of up to 5.0 Gbit/s
- Connection to computer: USB 3.1
- Connection to HDD: 15-pin SATA power + 7-pin SATA data
- Hot-swappable, plug & play
- Length USB cable: 1 m
- Supported Operating Systems: 2000/XP/Vista/7/8
- Contents: Adapter, power supply, manual



Order-No. – P.U.

VALUE USB 3.1 to SATA 6.0 Gbit/s Adapter, 1 m

12.99.1050 – 10

ROLINE Device Server 1x RS232, for DIN Rail, black

- Expands RS232 COM ports over Ethernet networking
- Mode: Asynchronous serial communication
- Connectors: 1x DB9 M, 1x RJ-45 (10/100 Mbit/s)
- 10/100 Mbit/s, auto MDI/MDIX
- Gateway, IP address
- Baud rate up to 460.3 Kbit/s
- Operation mode: VSP COM (Virtual Serial Port), TCP Server, TCP Client, UDP, Paired Mode
- Signals: TXD, RXD, RTS, CTS, DTR, DSR, DCD, GND
- Flow Control: RTS/CTS, X-On/X-Off
- Supports HTTP, DHCP, ICMP (PING), Static IP and ARP
- 15 kV ESD protection for RS232 serial port
- For DIN Rail mounting
- Power connectors: 2-pin terminal block, DC socket
- Power Input: 9- 30VDC or main adapter 12 VDC, 1A
- Supported Operating Systems: Windows 2000 / XP / 2008 / Vista / 7 / 8 (32/64-bit)



Order-No. – P.U.

ROLINE Device Server 1x RS232, for DIN Rail, black

15.06.0503 – 4

VALUE RS-232 Extender over TP

- Offers the possibility to extend your RS232 Ports over twisted pair, up to 1000 m
- Sends RS-232 signals with a data transfer rate of 230kbit/s
- Durable metal casing
- Supports Full-Duplex data transfer
- Hardware solution, no compatibility problems
- Contents: 2x Transceiver, 2x Power Supply (9V DC, 300mA), Manual, Null-Modem cable DB9 M-M (20cm)

Technical data:

RS-232 connection: 1x DB9 F
 TP port: 1x RJ-45
 Casing : Metal
 Dimensions (LxWxH): 92 x 34 x 22 mm



Order-No. – P.U.

VALUE RS-232 Extender over TP

14.99.3456 – 10

ROLINE USB to RS232 Extender Over Cat.5, w. DIN Rail Kit

- Connectors: DB9 F (RS-232), RJ-45 F (Ethernet), USB 5-Pin Mini F
- Connection between both units over Cat.5e cable
- High speed baud rate up to 921.6 kBit/s at 100 m
- Data transfer rate of up to 115.2 kBit/s at 1.2 km
- Compatible with all RS-232 protocols
- Supports Full-duplex
- Built-in 15 kV ESD protection for all RS-232 signals
- Built-in 600 W surge protection for RJ-45 port
- For DIN rail mounting (DIN rail kit included) or desktop use
- Hardware solution, no software required

- RS-232 port powered technology
- Contents: RS232 Extender, main adapter (12V, 1A), CD, manual



Order-No. – P.U.

ROLINE USB to RS232 Extender Over Cat.5, w. DIN Rail Kit

15.06.0026 – 4

ROLINE RS-232 Extender over TP, for DIN Rail

- Connectors: DB9 F (RS-232), RJ-45 F (Ethernet)
- Connection between both units by Cat.5e cable
- High speed baud rate up to 921.6 Kbit/s at 100 m
- Data transfer rate of up to 115.2 Kbit/s at 1.2 km
- Compatible with all RS-232 protocols
- Supports Full-duplex
- Built-in 15 kV ESD protection for all RS-232 signals
- Built-in 600 W surge protection for RJ-45 port
- For DIN rail mounting (DIN rail kit included) or desktop use
- Hardware solution, no software required
- RS-232 port powered technology
- Contents: Sender, receiver, manual



Order-No. – P.U.

ROLINE RS-232 Extender over TP, for DIN Rail

14.01.3456 – 2

ROLINE RS-232 over Ethernet Adapter

- This adapter easily allows to connect a current RS-232 serial device to a 10/100 LAN over ethernet connection. It provides a quick, simple and cost-effective way to access, manage and configure RS-232 devices and equipment over the internet from anywhere in the world or over the house internal IP LAN.
- Expands one RS-232 serial port on system via ethernet connection
 - Ethernet: 10/100 Mbit/s, Auto-select 10BaseT or 100BaseTX
 - Cable length: 30 cm
 - Supports Windows XP / 7 / 8 / 8.1 / 10
 - Contents: Adapter (DB-9 male, RJ-45 female), power supply (5 V DC, 1 A), driver CD, manual



Order-No. – P.U.

ROLINE RS-232 over Ethernet Adapter

15.06.0016 – 10

Converter RS232-RS485, without or with Galvanic Isolation

- DCE/DTE adjustable
- Full duplex transfer over 4 lines
- Only the data lines are converted
- 25 pin socket on the RS232 side
- Power supply via mains adapter
- Robust plastic casing
- Contents: converter, power supply unit (9V DC, 300mA), manual

Technical data:

RS-232 connection: D-Sub 25-pin F
 RS-485 connection: Terminal block (4 clamps)
 Data transfer rate: Up to ca. 100 Kbit/s
 Transfer distance: Up to ca. 1 km
 Power supply: DC 9V, 200mA
 Weight: 60 g
 Dimensions (WxDxH): 74.5 x 54 x 18.5 mm



Order-No. – P.U.

Converter RS232-RS485, without Galvanic Isolation

12.02.1028 – 20

Converter RS232-RS485, with Galvanic Isolation

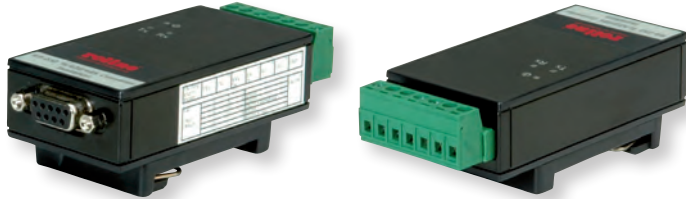
12.02.1029 – 10

ROLINE Converter RS232 to RS422/485, with Isolation, for DIN Rail

- Converts RS232 signals to RS-422 or RS-485
- Fully compliant with PC serial COM ports
- Isolation 3000 VDC (optical)
- Connectors: RS232: DB9 Female, RS-422/485: 7-pin terminal block
- Auto toggling by hardware
- Data transfer rate of up to 115.2 Kbit/s
- Terminal resistance and Echo mode
- DIP switches for terminal settings
- Signals: TXD, RXD, RTS, CTS, GND for RS232
- Protection: 15 KV ESD protection for all signals, RS-422/485 signals surge protection
- Status LEDs
- For DIN rail mounting
- DC power supply 10*30 V (built-in surge protector)
- Hardware solution, no software required

Environmental Limits:
 Operating Temperature: -30° ~ 75°C
 Storage Temperature: -40° ~ 85°C
 Ambient Relative Humidity: 5 ~ 95%
 Non-Condensing

- Contents: converter, manual



roline
 Designed for Professionals

Order-No. – P.U.

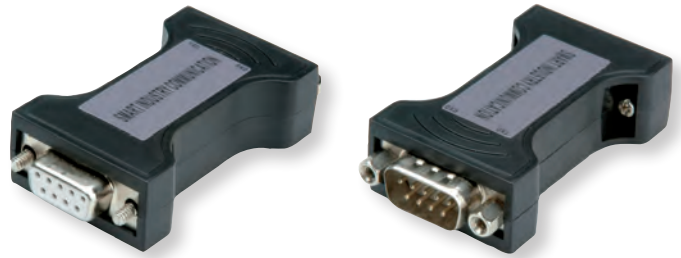
ROLINE Converter RS232 to RS422/485, with Isolation, for DIN Rail 12.02.1005 – 4

ROLINE Converter RS232 to RS-422/485, with Isolation, for DIN Rail, Professional 12.02.1006 – 4

ROLINE RS232 to RS-422/485 Converter, Din Rail, self powered 12.02.1008 – 4

VALUE RS232 Optical Coupler

- To connect serial devices to a RS232 port on your PC with a electrical isolation
- Data transfer rate of up to 56.25 kbit/s
 - 2.5 kV ESD protection for RS232 ports
 - With galvanic isolation
 - Easy to connect, no configuration, no power supply
 - Connectors: 1x DB9 Male, 1x DB9 Female
 - Contents: Coupler, manual



Value
 Order-No. – P.U.

VALUE RS232 Optical Coupler

12.99.1015 – 30

ROLINE Device Server over Ethernet RS232 & Printer Port Replicator

roline
 Designed for Professionals

With Ethernet hot-plug and system auto-detect capability, user can expand RS232 COM and printer LPT port easily without complex software configuration.

- Expands RS232 COM and Printer LPT ports over Ethernet networking
- Works similar as a PCIe add-on card operating experience with Ethernet Hot-Plug capability.
- Supports secured connection between PC host and Device Server
- Plug & Play
- Supports:
 - Port auto-mapping with real time data transmit and receive communication

- Physical COM and LPT port accessed via device manager
- Up to 12 COM and 3 LPT ports working on windows system simultaneously
- Accesses tradition COM and LPT port by using existing software
- Low power consumption
- 15kV ESD protection for all serial signals (meets IEC-61000-4-2 standard)
- Supports: Microsoft Client: XP / 7 / 8 / 8.1 (X86/X64), Microsoft Server: 2003 / 2008 / 2012R2 (X64)
- Contents: Device Server, USB power cable

Technical Data:
 Serial Communication:
 Interface: RS232
 Baud rate: 50bps ~115.2Kbps
 Stop bit: 1, 1.5, 2
 Parity: even, odd, none, mark, space
 Ethernet Flow Control: Xon/Xoff (software)
 FIFO: 1Kbyte Hardware / per port
 Connector: DB9 Male
 Signal: DCD, TxD, RxD, RTS, CTS, DTR, DSR, GND, RI
 Protection: ±15kV ESD IEC60000-4-2 Air Discharge
 ±8kV ESD IEC61000-4-2 Contact Discharge
 ±4kV ESD IEC61000-4-2 Level2 Line-to-Line

Parallel Communication:
 Interface: IEEE1284 Printer Support
 FIFO: 1Kbyte Hardware / per port
 Speed: Maximum 2.7Mbps
 Connector: DB25 Female

Ethernet Communication:
 Number of Ports: 2x RJ45 (Upstream to Ethernet Switch / Downstream to PC Host)
 Speed: 10/100 Mbps, auto MDI/MDIX

Input Voltage: 5 to 12VDC
 Power Consumption: 2.5W @ 5VDC
 Connector: DC-Jack
 Weight: 150g
 Dimensions: 121 x 81.93 x 27mm



Order-No. – P.U.

ROLINE Device Server over Ethernet RS232 & Printer Port Replicator 15.06.0500 – 6

ROLINE Device Server over Ethernet 2x RS232 Port Replicator

roline
 Designed for Professionals

With Ethernet hot-plug and system auto-detect capability, user can expand RS232 COM port easily without complex software configuration.

- Expands RS232 COM ports over Ethernet networking
- Works similar as a PCIe add-on card operating experience with Ethernet Hot-Plug capability.
- Supports secured connection between PC host and Device Server
- Plug & Play
- Supports:
 - Port auto-mapping with real time data transmit and receive communication
 - Physical COM port accessed via device manager

- Up to 256 COM and 3 LPT ports working on windows system simultaneously
- Accesses tradition COM port by using existing software
- Low power consumption
- 15kV ESD protection for all serial signals (meets IEC-61000-4-2 standard)
- Supports: Microsoft Client: XP / 7 / 8 / 8.1 (X86/X64), Microsoft Server: 2003 / 2008 / 2012R2 (X64)
- Contents: device server, 1x USB power cable

Technical Data:
 Serial Communication:
 Interface: RS232
 Baud rate: 50bps ~115.2Kbps
 Stop bit: 1, 1.5, 2
 Parity: even, odd, none, mark, space
 Ethernet No. of Ports: 2x / 4x port
 Flow Control: Xon/Xoff (software)
 FIFO: 1Kbyte Hardware / per port
 Connector: DB9 Male
 Signal: DCD, TxD, RxD, RTS, CTS, DTR, DSR, GND, RI
 Protection: ±15kV ESD IEC60000-4-2 Air Discharge
 ±8kV ESD IEC61000-4-2 Contact Discharge
 ±4kV ESD IEC61000-4-2 Level2 Line-to-Line

Ethernet communication:
 Number of Ports: 2x RJ45 (Upstream to Ethernet Switch / Downstream to PC Host)
 Speed: 10/100 Mbps, auto MDI/MDIX

Input Voltage: 5 to 12VDC
 Power Consumption: 2.5W @ 5VDC
 Connector: DC-Jack
 Weight: 150g
 Dimensions: 121 x 81.93 x 27mm



Order-No. – P.U.

ROLINE Device Server over Ethernet 2x RS232 Port Replicator 15.06.0501 – 6

ROLINE Device Server over Ethernet 4x RS232 Port Replicator 15.06.0502 – 6



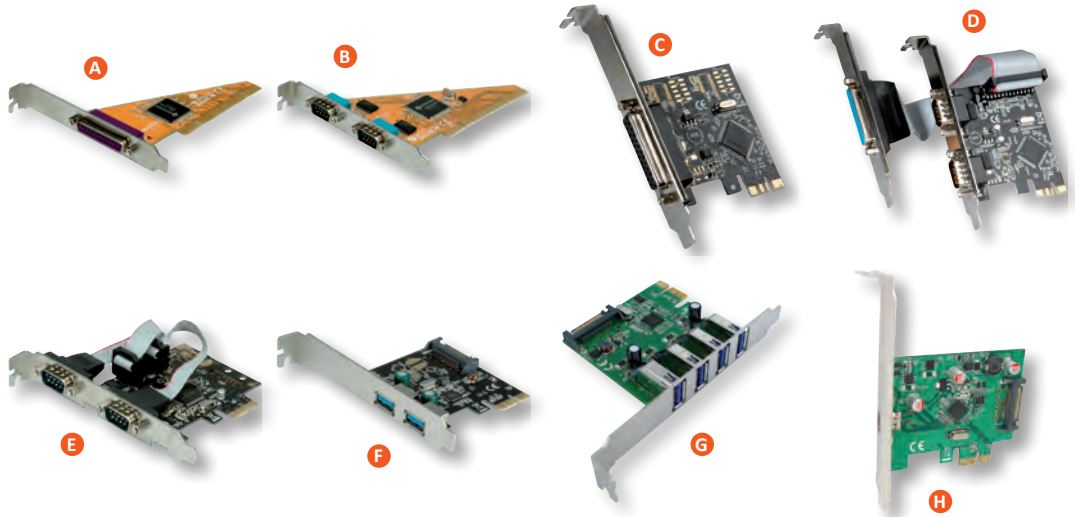
Peripheral Devices

I/O Cards	5.02 – 5.04
Card Readers	5.04
HDD Enclosures / Mobile Racks	5.05
HDD Docking Station	5.06
Mounting Material.	5.06
19" Industrial Server Chassis	5.07
Barcode Scanner	5.07
Presenter	5.07
Keypad / Calculator Keypad	5.08
Mouses	5.08
Mouspads.	5.08

VALUE I/O Cards

Upgrade your PC with additional interfaces like e.g. USB 2.0, USB 3.0, USB 3.1, Serial ATA and EPP/ECP parallel resp. RS232 serial ports.

- PCI adapters
- PCI-Express adapters
- Contents: Adapter, driver CD, manual



	Picture	Interfaces	Connectors	Card type	Order-No.	- P.U.
VALUE PCI Adapter, 1x Parallel ECP/EPP Port	A	LPT 1-3	1x DB25 F external	PCI	15.99.2088	- 20
VALUE PCI Adapter, 2x Serial RS232, D-Sub 9 Port	B	COM 1-256	2x DB9 M external	PCI	15.99.2086	- 20
VALUE PCI-Express Adapter, 1x Parallel ECP/EPP Port	C	LPT 1-3	1x DB25 F external	PCI-Express x1	15.99.2114	- 10
VALUE PCI-Express Adapter, 2x Serial RS232 D-Sub 9 + 1x Parallel EPP/ECP Ports	D	COM 1-256, LPT 1-3	2x DB9 M/1x DB25 F	PCI-Express x1	15.99.2116	- 10
VALUE PCI-Express Adapter, 2x Serial RS232 D-Sub 9 Ports	E	COM 1-256	2x DB9 M	PCI-Express x1	15.99.2118	- 10
VALUE PCI-Express Adapter, 2x USB 3.0, 5 Gbit/s	F	USB 3.0	2x USB 3.0 Type A F	PCI-Express x1	15.99.2111	- 5
VALUE PCI-Express Adapter, 4x USB 3.0, 5 Gbit/s	G	USB 3.0	4x USB 3.0 Type A F	PCI-Express x1	15.99.2115	- 5
VALUE PCI-Express Adapter, 1x Port Type C USB3.1	H	USB 3.1	1x USB 3.1 Type C F	PCI-Express x1	15.99.2119	- 10

ROLINE I/O Cards

Upgrade your PC with additional interfaces like e.g. USB 2.0, USB 3.0, USB 3.1, SATA and parallel EPP/ECP resp. RS-232 serial ports.

- PCI adapters
- PCI-Express adapters
- Cardbus adapters
- ExpressCard/34 adapters
- Contents: Adapter, driver CD, manual

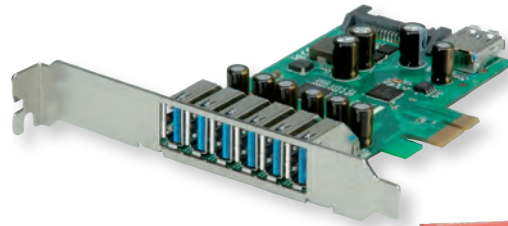


	Picture	Interfaces	Connectors	Card type	Order-No.	- P.U.
ROLINE PCI-Express Adapter, 2x USB 3.0 Ports	A	USB 3.0	2x USB 3.0 type A external	PCI-Express x1	15.06.2113	- 10
ROLINE PCI-Express Adapter, 4x USB 3.0, 5 Gbit/s	B	USB 3.0	4x USB 3.0 type A external	PCI-Express x1	15.06.2117	- 10
ROLINE ExpressCard/34 to CardBus Adapter	C	CardBus	1x CardBus	ExpressCard/34	15.06.2149	- 10
ROLINE PCI-Express x4 Adapter, 2x Ports Type C USB3.1	D	USB 3.1	2x USB 3.1 Type C	PCI-Express x1	15.06.2143	- 10
ROLINE PCI-Express x4 Adapter, 2x Ports Type A USB3.1	E	USB 3.1	2x USB 3.1 Type A	PCI-Express x1	15.06.2144	- 10

ROLINE PCI-Express Adapter, 6x+1x USB 3.0

Expand your PC with six SuperSpeed USB 3.0 ports.

- 6x External and 1x Internal USB 3.0 Type-A Ports
- Supports PCIe 1.0 and PCIe 2.0 motherboard
- PCIe v2 x1 Lane Host Adapter
- Compliant with USB3.0 Specification Revision 1.0
- Support USB3.0, USB2.0 and USB1.1 devices
- Compliant with PCI Express Specification 2.0
- Low Profile PCIe Form Factor
- Provides 5V/1A USB bus power to USB devices from Motherboard PCIe slot directly, or sufficient 5V current from PC power supply if 15Pin SATA Power connector connected
- Supports: Windows 7 / 8 / 10, Vista, XP (64bit/32bit) and 64bit 2008 R2
- Regular size PCIe bracket on board and Low Profile PCIe Bracket included
- Contents: Adapter, low profile bracket, driver CD, manual



roline®

Designed for Professionals

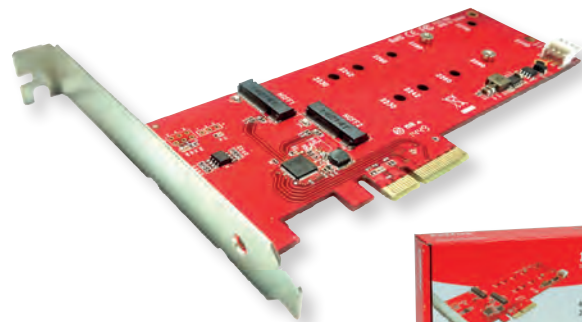
Order-No. – P.U.

ROLINE PCI-Express Adapter, 6x+1x USB 3.0

15.06.2134 – 10

ROLINE PCIe Adapter 2x 110mm M.2 SATA SSD

- Hardware PCIe Adapter 2x 110mm M.2 NGFF SSD
- Supports 6Gbps, 3Gbps SATA based M.2 NGFF 110mm, 80mm, 60mm, 42mm, 30mm SSD
- 2x M.2 NGFF type 22110-D5-B connector on board
- Movable M.2 NGFF stand-off and multiple plated-holes supports type 22110, 2280, 2260, 2242 and 2230 SSD
- Supports dual-sided SSD module 1.5mm component height on the top and bottom side
- 4pin power connector on board (12V)
- Transparent to the operating system and no driver required
- Supports: Windows 7 / 8 / 10, Vista, Server 2008/2012 (64bit/32bit), Mac OS 10.x
- Contents: Adapter, driver CD, manual



roline®

Designed for Professionals

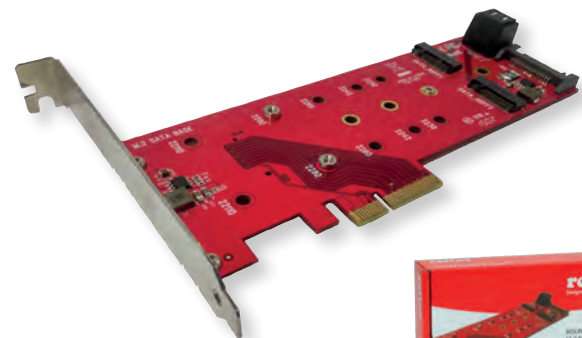
Order-No. – P.U.

ROLINE PCIe Adapter 2x 110mm M.2 SATA SSD

15.06.2171 – 10

ROLINE PCIe Adapter 2x SATA M.2 NGFF + 1x PCIe M.2 NGFF

- Hardware PCIe Adapter 2x SATA M.2 NGFF SSD + 1x PCIe M.2 NGFF SSD
- Supports M.2 NGFF 110mm, 80mm, 60mm, 42mm SSD
- 2x M.2 NGFF type 22110-D5-B + 1x M.2 NGFF type 22110-D5-M connector on board and 2x 7pin SATA connector
- Movable M.2 NGFF stand-off and multiple plated-holes supports type 22110, 2280, 2260, 2242 and 2230 SSD
- Supports dual-sided SSD module 1.5mm component height on the top and bottom side
- 1x 15 pin power connector on board
- Transparent to the operating system and no driver required
- Supports: Windows 7 / 8 / 10, Vista, Server 2008/2012 (64bit/32bit), Mac OS 10.x
- Contents: Adapter, driver CD, manual



roline®

Designed for Professionals

Order-No. – P.U.

ROLINE PCIe Adapter 2x SATA M.2 NGFF + 1x PCIe M.2 NGFF

15.06.2172 – 10

ROLINE PCIe 3.0 x4 3.3V5A Host Adapter for PCIe-NVMe M.2 110mm SSD

- PCIe 3.0 x4 NVMe and PCIe-AHCI M.2 SSD work in main board PCIe x4 bus slot
- PCI Express 3.0 x4 Lane Host adapter
- Supports PCIe Gen3 and PCIe Gen2 M.2 NGFF 110mm, 80mm, 60mm, 42mm SSD
- M.2 NGFF type 22110-D5-M connector on board
- Movable M.2 NGFF stand-off and multiple plated-holes supports type 22110, 2280, 2260 and 2242 SSD
- Supports PCIe 3.0, PCIe 2.0 motherboard
- Supports dual-sided SSD module 1.5mm component height on the top and bottom side
- Compliant with PCI Express 3.0
- Pin header on board for drive LED connection
- Low Profile PCIe Form Factor
- Low Profile PCIe bracket on board and Regular size bracket included
- Transparent to the operating system and no board driver required
- Operating system: Windows 10, Win8.1, Windows Server 2012 R2
- Supports M.2 PCIe SSD High Power 3.3V5A
- Contents: Adapter, driver CD, manual

roline
Designed for Professionals



Order-No. – P.U.

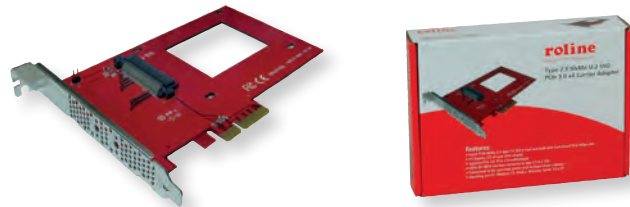
ROLINE PCIe 3.0 x4 3.3V5A Host Adapter for PCIe-NVMe M.2 110mm SSD

15.06.2193 – 10

ROLINE 2.5" NVMe U.2 SSD PCIe 3.0 x4 Carrier Adapter

- Connect your PCIe-NVMe U.2 2.5" SSD card (disk) to your desktop, server or workstation
- Works in mainboard PCIe x4 bus slot
- Supports PCIe 3.0, PCIe 2.0 motherboard
- Compliant with PCI Express 3.0
- 68Pin SFF-8639 interface connector to 2.5" U.2 SSD
- Transparent to the operating system and no board driver required
- Windows 10, Win8.1, Windows Server 2012 R2
- Microsoft Update to support NVMe Express by using native drivers in Windows 7 or Windows Server 2008 R2
- Contents: Adapter, manual

roline
Designed for Professionals



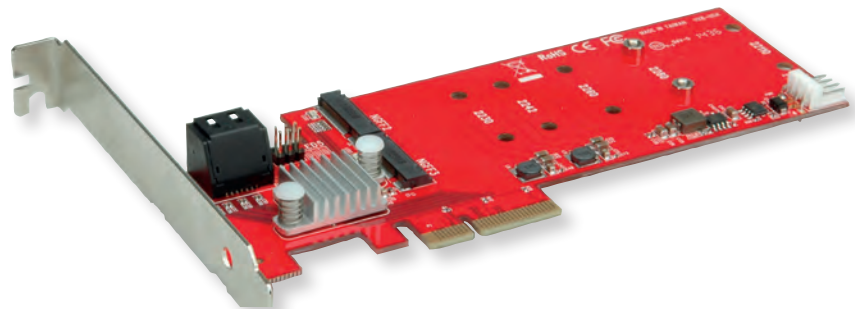
Order-No. – P.U.

ROLINE 2.5" NVMe U.2 SSD PCIe 3.0 x4 Carrier Adapter

15.06.2194 – 10

ROLINE PCIe Adapter RAID

- Hardware PCIe Adapter 2x 110mm M.2 NGFF SSD
- Supports 6Gbps, 3Gbps SATA based M.2 NGFF 110mm, 80mm, 60mm, 42mm, 30mm SSD
- 2x M.2 NGFF type 22110-D5-B connector on board
- Movable M.2 NGFF stand-off and multiple plated-holes supports type 22110, 2280, 2260, 2242 and 2230 SSD
- Supports dual-sided SSD module 1.5mm component height on the top and bottom side
- 4pin power connector on board (12V)
- Transparent to the operating system and no driver required
- Supports: Windows 7 / 8 / 10, Vista, Server 2008/2012 (64bit / 32bit), and Mac OS 10.x
- Contents: Adapter, driver CD, manual



Order-No. – P.U.

ROLINE PCIe Adapter RAID, 2x M.2+2x SATA

15.06.2119 – 10

roline
Designed for Professionals

SD Card Reader VALUE CardReader Type C + 3x USB 3.0, SD/Micro

- Suitable for Smartphone+Tablets, DSLR, photo equipment
- Transfer your precious vacation pictures/videos from the memory card of your digital camera on your tablet, Macbook ...
- Supports USB 2.0
- Card Reader works with multiple media, as e.g. SD (Secure Digital) Card, SDHC, Micro SD
- Contents: Card Reader

NEW

roline
Designed for Professionals



Order-No. – P.U.

VALUE CardReader Type C + 3x USB 3.0, SD/Micro SD Card Reader

15.99.6252 – 20

ROLINE CardReader Type C

- Suitable for Smartphone+Tablets, DSLR, photo equipment
- Transfer your precious vacation pictures/videos from the memory card of your digital camera on your tablet, Macbook ...
- Supports USB 2.0
- Card Reader works with multiple media, as e.g. SD (Secure Digital) Card, SDHC, MS (Memory Stick), MS Duo, mini/micro SD
- No adapter required for Micro SD/M2 Cards
- Power Delivery Function (for charging of devices via the additional type-C connection; 20V3A)
- Contents: Card Reader

roline
Designed for Professionals



Order-No. – P.U.

ROLINE CardReader Type C + 2x USB3.0, 1x PD (Power Delivery)

15.08.6257 – 10

VALUE USB 2.0 Notebook Card Reader 50+

- Read and write to the most popular flash cards - CF/SD/SDXC/MMC/Mini SD/T-Flash/ MS/MS Duo
- USB 2.0 & USB 1.1 compatible
- Supports Hot-swapping
- Read/Write LED indicator
- Compact and modern white/black design
- USB Bus-powered, no external power supply is needed
- Supports Windows 2000/ME/XP/Vista/10
- Contents: Card Reader, USB cable (75 cm), driver CD, manual



Value

Order-No. – P.U.

VALUE USB 2.0 Notebook Card Reader 50+, white/black

15.99.6231 – 20

ROLINE USB 2.0 Notebook Card Reader 50+

- Read & write to the most popular flash cards like SD, SDHC, Micro SD (TF), CF, MD, MMC, MS and many variants
- Very easy installation, supports plug & play
- Compact and flat housing, ideal for mobile use
- USB 2.0, USB 1.1 compatible
- USB bus-powered, no external power supply is needed
- LEDs for status indication
- Dimensions (WxDxH): 93 x 52 x 8 mm
- Contents: Card Reader, USB cable Type A/5-pin Mini



roline
Designed for Professionals

Order-No. – P.U.

ROLINE USB 2.0 Notebook Card Reader 50+, black

15.08.6247 – 10

VALUE USB 3.0 Mini Card Reader, external

- Supports USB 3.0, compliant with USB 2.0, USB 1.1
- Supports Extended Capacity SD memory cards (SDXC)
- Supports SDHC memory cards
- Supports MSPRO-HG Duo 8-bit mode
- Supports MSXC memory cards
- Supports CF v4.1 with PIO mode
- Supported Operating Systems: Windows 2000/XP/Vista/7/10, Mac OS X
- Contents: Card Reader+Hub, USB3.0 Cable (Type A / 5pin Mini), driver CD, manual



Value

Order-No. – P.U.

VALUE USB 3.0 Mini Card Reader, external, white

15.99.6250 – 8

ROLINE USB 3.0 Multi Card Reader, external

- Supports SuperSpeed USB 3.0, compliant with USB 2.0, USB 1.1
- Card Reader works with multiple media, as e.g. CF (Compact Flash) Card I/II, SD (Secure Digital) Card, SDHC, SDXC, MMC (MultiMedia Card), MS (Memory Stick), MS Pro, MS Duo, microSD and many variants
- Supports Extended Capacity SD memory cards (SDXC)
- No adapter required for Micro SD/M2 Cards
- Supported Operating Systems: Windows 2000/XP/Vista/7/10, Mac OS X
- Contents: Card reader, USB 3.0 cable (50 cm)



roline
Designed for Professionals

Order-No. – P.U.

ROLINE USB 3.0 Multi Card Reader, external, black

15.08.6250 – 5

VALUE External Type 2.5 SATA HDD/SSD Pocket Enclosure with USB 2.0

- Transfer rate of USB 2.0 Hi-Speed up to 480 Mbit/s
- For type 2.5 HDD/SSDs with height up to 9.5 mm
- External interface: USB, internal interface: SATA
- Aluminium material for excellent heat-dissipation
- Supports bus power mode over included USB Y- cable and self-power mode over optional power supply
- LEDs for power and bus activities indication
- Hot-swappable and plug & play
- Supports Windows ME/2000/XP/Vista/10
- Contents: HDD/SSD Enclosure, USB cable



Value

Technical data:

Internal connection:	1x SATA
External connection:	1x USB 2.0
Dimensions (WxDxH):	83 x 131 x 16 mm
Casing:	Metal, black
Power supply:	over included Y-USB cable or optional power supply

Order-No. – P.U.

VALUE External Type 2.5 SATA HDD/SSD Pocket Enclosure with USB 2.0 16.99.4204 – 10

VALUE External Type 2.5 SATA 6.0 Gbit/s HDD/SSD Enclosure with USB 3.1 Type C

- Portable Drive Enclosure with USB Type C connector
- Input Interface: SATA 6Gbit/s
- Output Interface: USB Type C
- Compatible: 2.5 SATA HDD/SSD
- Compliant with SuperSpeed USB 3.0 specification with data transfer rates of up to 10 Gbit/s
- Supports type 2.5 HDD/SSDs with SATA connection and height up to 9.5 mm
- Color: Silver
- Plug & play
- Housing: Aluminium
- Supported Operating Systems: Windows XP/7/8/8.1/10
- Contents: HDD Enclosure, manual



Value

Order-No. – P.U.

VALUE External Type 2.5 SATA 6.0 Gbit/s HDD/SSD Enclosure with USB 3.1 Type C 16.99.4212 – 10

ROLINE 2.5 + 3.5 SATA HDD Docking Station, USB 3.0

- Easy way to connect a SATA 6.0 Gbit/s hard disk to a computer or notebook over a SuperSpeed USB 3.0 port
- Suitable for type 2.5/3.5 Serial ATA HDD/SSD (up to 4TB)
- Compliant with USB 3.0, USB 2.0, USB 1.1
- Compliant with SATA 6.0 Gbit/s, SATA 3.0 Gbit/s, SATA 1.5 Gbit/s
- Supports transfer rates of up to 5.0 Gbit/s
- Connection to computer: USB 3.0
- Connection to HDD: 15-pin SATA power + 7-pin SATA data
- Hot-swappable, plug & play
- Length USB cable: 1 m
- Power supply included
- Supported Operating Systems: Windows XP/ Vista / 7 / 8 / 10 / Server 2003 & 2008 (32-/64-bit)
- Contents: HDD Docking station, USB cable, power supply, manual



roline
Designed for Professionals

Order-No. – P.U.

ROLINE 2.5 + 3.5 SATA HDD Docking Station, USB3.0

16.01.4121 – 5

ROLINE 2.5 + 3.5 SATA HDD Docking Station, USB 3.0, HD Copy-Function

- Easy way to connect a SATA 6.0 Gbit/s hard disk to a computer or notebook over a SuperSpeed USB 3.0 port
- 2 SATA- HD can be copied directly, without Software
- Suitable for type 2.5/3.5 Serial ATA HDD/SSD (up to 4TB capacity)
- Compliant with USB 3.0, USB 2.0, USB 1.1
- Compliant with SATA 6.0 Gbit/s, SATA 3.0 Gbit/s, SATA 1.5 Gbit/s
- Supports transfer rates of up to 5.0 Gbit/s
- Connection to computer: USB 3.0
- Connection to HDD: 15-pin SATA power + 7-pin SATA data
- Hot-swappable, plug & play
- Length USB cable: 1 m
- Power supply included
- Supported Operating Systems: Windows XP/ Vista / 7 / 8 / (32 / 64-bit) / 10 / Mac OS X
- Contents: HDD Docking station, USB cable, power supply, manual



roline
Designed for Professionals

Order-No. – P.U.

ROLINE 2.5 + 3.5 SATA HDD Docking Station, USB3.0, HD Copy-Function

16.01.4122 – 5

External Type 3.5 HDD Plug-In Enclosure USB 3.0 / S-ATA 6G

Smart HDD plug-in casing. Plug your HDD directly in the slot without screwdrivers and additional casings.

- Fits for all type 3.5 SATA 6 Gbit/s HDDs
- Connectors: Internal SATA, External USB 3.0
- Stable metal plug in casing
- Integrated fan prevents overheating
- Colour: Black
- Contents: HDD Casing, Power Supply Unit, USB Cable (1.5 m), Manual



Technical data:

Internal connection: SATA 7-pin M
External connection: USB 3.0
Fan: 1
Dimensions (WxDxH): 45 x 126 x 207 mm
Power supply: over included power supply (12V, 2A)

Order-No. – P.U.

External Type 3.5 HDD Plug-In Enclosure USB 3.0 / S-ATA 6G

16.01.4142 – 1

HDD Mounting Adapter Type 3.5/2.5

16.01.3031:

- This hard disk mounting adapter serves for installation of type 2.5 hard disks into a free type 3.5 slot
- For installation of type 2.5 hard disks in a type 3.5 slot
- Nickel plated
- Contents: 2 brackets, screws

16.01.3006:

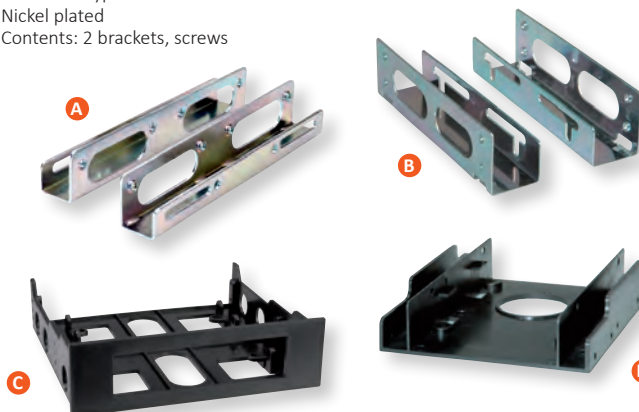
- For installation of type 3.5 enclosures (e. g. floppy drives) in an (open) type 5.25 slot
- Solid ABS-plastic, black
- Screws included

16.01.3028:

- This hard disk mounting adapter serves for installation of type 3.5 hard disks into a free type 5.25 slot
- Nickel plated
- Contents: 2 brackets, screws

16.01.3007:

- For the installation of up to two type 2.5 HDDs into any type 3.5 drive bay of a computer case
- Solid plastic, black
- Screws included



Order-No. – P.U.

HDD Mounting Adapter Type 3.5/2.5

A 16.01.3031 – 25

HDD Mounting Adapter, Type 3.5/5.25

B 16.01.3028 – 50

Floppy Mounting Adapter Frame, Type 3.5/5.25, black

C 16.01.3006 – 40

HDD Mounting Adapter Type 3.5 for 2x Type 2.5 HDDs, black

D 16.01.3007 – 20

VALUE 19" Industrial Rack-Mount Server Chassis

- Versatile 4U 19" industrial PC housing
- Rugged construction and design for harsh industrial environment
- Supports ATX/Baby AT motherboard
- Hold-Down clamp design to protect plug-in cards from vibration
- Shock resistant drive bracket exposed
- A lockable front door for dust-proof integrity and running security
- 12x12 cm ball bearing fan with replaceable air filter on the front for a better ventilation, rear space for the installation of two fans à 80x80 mm
- Space for installation of an ATX power supply (not included in delivery)
- Max Mainboard Size: 305x270 mm (12" x 10,6")
- Color: Black
- Optional accessories: Telescope rail 19.99.0114
- Contents: Casing, screws



Technical Data:
 Type 5.25 slots: 3
 Type 3.5 slots: 8x int. (HDD),
 Dimensions (WxLxH): 178 x 480 x 485/530*mm
 Weight: 10 kg
 Connectors front: 2x USB 2.0
 Fan front: 120 mm

*) with holder

Order-No. – P.U.

VALUE 19" Industrial Rack-Mount Server Chassis STD, black	19.99.0104 – 1
VALUE Telescopic rails for VALUE Ind. Rack-Mount Server Chassis, 510-820 mm	19.99.0114 – 1

VALUE CCD Scanner 2009U USB

- Its 80mm scan width of the scanner reads all common barcodes, such as EAN codes, PZN, ISBN, etc.
- Easy and convenient Data retrieval-even from the distance
- Simply connect via USB
- CCD touch scanner for bar codes
- 80 mm scanning width
- Reads all commercial bar code types
- With trigger on the underside



Order-No. – P.U.

VALUE CCD Scanner 2009U USB, grey	A 18.99.3070 – 1
VALUE CCD Scanner 2009U USB, black	B 18.99.3076 – 1

VALUE 1D Laser Scanner S-61 USB

If you are looking for an entry-level device that brings reliable performance, is easy to use and impresses with its price, then the laser scanner VALUE S-61 is the right one. Especially in applications with medium scanning volume, for example in the retail sector makes its perfect. The integration could not be easier thanks to the USB port. Reads all standard 1D bar codes with its advanced laser engine accurate and fast (72 scan lines / sec.). By single-line laser technology and the accurate targeting falls when collecting barcodes from lists and menus easily. To increase the lifetime of the laser is a flashing scan mode available, in which the laser pulses. The S-61 has a larger

scanning field as CCD scanners, reading distance and maximum width of readable barcodes will depend on the resolution. Users will appreciate the ergonomic housing and the low weight of the laser scanner, whereby the continuous operation is not strained unnecessarily.

- Easy and convenient Data retrieval-even from the distance
- Versatile laser scanner for all 1D bar codes
- Powerful laser engine for high throughput
- Simply connect via USB
- Customizable by lightweight body and ergonomic shape
- Connection over USB



VALUE 1D Laser Scanner S-61 USB

Order-No. – P.U.

18.99.3071 – 1

VALUE Wireless Presenter, USB

This 2.4 GHz RF Wireless Presenter will offer you increased control for more effective presentations.

- USB receiver stores conveniently inside the remote
- Up to 30 m of wireless range
- Built-in laser pointer
- Compatible with most presentation applications
- Intuitive slideshow controls (Start/Exit; Countdown timer start/pause; Page Up/Page Down)- buttons are easy to find by touch
- Screen-hide button
- No software required

- Plug & play wireless receiver
- Supports Windows 2000/XP/ Vista/7/8/10
- LCD display for Status/low battery
- Contents: presenter, receiver, AAA battery, manual



VALUE Wireless Presenter, USB

Order-No. – P.U.

18.99.1002 – 5

ROLINE Numeric Keypad, USB

The USB numeric keypad is ideal for the mobile user either at home or in the office. The low profile keys are comfortable, easy to use and the perfect complement to your notebook. Great for anyone working on spreadsheets, accounting or financial applications.

- Slim, light design
- 19 keys
- Easy plug & play
- Cable length: 95 cm



roline[®]
Designed for Professionals

Order-No. – P.U.

ROLINE Numeric Keypad, USB

18.02.3229 – 10

ROLINE Calculator Keypad, 2x USB 3.0 Hub

Unique combination of commercial calculator, keypad and USB 3.0 Hub with 2 ports.

- Fast switching between commercial calculator and keypad mode
- In keypad mode, you expand your notebook keyboard to the usual numeric keypad- the entering of numbers it's safer, more comfortable and faster
- In calculator mode, you can use the basic arithmetical operations plus square root function and the function of a tax calculation. (the device keep the result via buffer). The result of a calculation can be sent to the PC (eg, for further use in an Excel sheet).

- PC Keypad and commercial calculator
- 2x USB 3.0 Hub
- Plug & Play
- Easily transfer your typo to Excel
- Powered by battery, solar cells or the USB interface
- USB cable length: about 1.40 m
- Contents: Calculator / numeric keypad, USB cable, user manual



roline[®]
Designed for Professionals

Order-No. – P.U.

ROLINE Calculator Keypad, 2x USB 3.0 Hub

18.02.2900 – 10

ROLINE Mouse, optical, USB

- Super high sensitive 1600/1200/800 cpi (switchable)
- USB connector
- Surface: Red rubber coating
- Suitable for right and left-handed users
- Supported Operating Systems: Windows 2000/XP/Vista/7/10
- Contents: Mouse



roline[®]
Designed for Professionals



Order-No. – P.U.

ROLINE Mouse, optical, USB, red/black

A 18.01.1082 – 10

ROLINE Mouse, optical, cordless, USB, red/black

B 18.01.1083 – 10

VALUE Mouse, optical, USB

- 3 button mouse
- With integrated scroll wheel
- USB connector
- Optical resolution: 1000 dpi
- Color: Blue/black
- Supports Windows 98SE/ME/2000/XP/Vista/7/10



Value[®]

Order-No. – P.U.

VALUE Mouse, optical, USB, blue/black

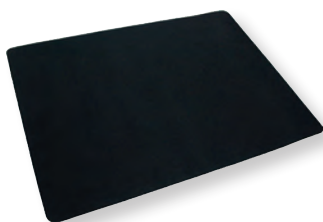
A 18.99.1076 – 40

VALUE Mouse, optical, cordless, USB, blue/black

B 18.99.1072 – 60

ROLINE Soft Gaming Pad

- Designed for professional gamers
- Provides excellent gliding of the mouse
- Natural rubber base for maximum grip on any surface
- Excellent performance for laser and optical mice
- Material: Surface: high performance textile surface / Base: nature rubber
- Dimensions: 350x260x3mm
- Colour: Black



roline[®]
Designed for Professionals

Order-No. – P.U.

ROLINE Soft Gaming Pad, black

18.01.2044 – 20

ROLINE Gaming Mouse Pad

- Designed for professional gamers
- Provides excellent gliding of the mouse
- The fine textured weave increases accuracy and speed, decreases friction
- Sliding fast and reduce wrist strain without the height difference between pad and desk
- Anti-slippery silicone base gives maximum grip
- Compatible with laser and optical mice
- Material: Surface: high quality textile / Base: premium silicone adhesive
- Dimensions: 350x260x3mm
- Colour: Black



roline[®]
Designed for Professionals

Order-No. – P.U.

ROLINE Gaming Mouse Pad

18.01.2045 – 20



Mobile Computing

Gigabit Ethernet Converter + Hub	6.02
Sync- & Charging Cables / Adapters	6.03 – 6.05
USB Card Reader	6.05
3.5mm Audio Adapters	6.06
Docking Stations	6.06
USB Charger	6.06 – 6.07
Stand / Holder for Notebook / Tablet	6.08 – 6.10
Stand / Holder for Smartphones	6.08 – 6.10
Stand for Apple Watch	6.10
Security Locks	6.10

VALUE USB 3.0 to Gigabit Ethernet Converter + Hub

This converter is a cost effective solution to convert a USB 3.0 port into a 10/100/1000Base-T Ethernet port

- Supports 10/100/1000 Mbit/s auto-sensing capability
- Supports USB 3.0
- Bus powered
- Supports both full-duplex and half-duplex operation in Gigabit Ethernet
- Hub function, 3x

- Supports Windows XP/7/8, Mac OS X
- Contents: Converter



Order-No. – P.U.

VALUE USB 3.0 to Gigabit Ethernet Converter + Hub 3x

12.99.1108 – 10

ROLINE USB 3.0 to Gigabit Ethernet Converter + Hub

This converter is a cost effective solution to convert a USB 3.0 port into a 10/100/1000Base-T Ethernet port

- Supports 10/100/1000 Mbit/s auto-sensing capability
- Supports USB 3.0
- Bus powered

- Supports both full-duplex and half-duplex operation in Gigabit Ethernet
- Hub function, 3x
- Supports Windows XP/7/8, Mac OS X
- Contents: Converter, driver CD



roline
Designed for Professionals

Order-No. – P.U.

ROLINE USB 3.0 to Gigabit Ethernet Converter + Hub 3x

12.02.1107 – 5

VALUE USB 3.1 to Gigabit Ethernet Converter + Hub 3x

This converter is used to connect your device to a Gigabit Ethernet network using a USB 3.1 Type C interface.

- Supports USB 3.0, compatible with USB 2.0 and 1.1
- Easy installation - just plug the converter into the USB port, connect the LAN cable - done
- Supports Gigabit Ethernet with Auto-negotiation, Auto-MDI /-MDIX and half / full duplex
- LED indicators for link and speed
- Additional USB hub function with 3 USB 3.0 Type A ports
- Power supply via the USB interface

NEW



Order-No. – P.U.

VALUE USB 3.1 to Gigabit Ethernet Converter + Hub 3x

12.99.1109 – 10

ROLINE USB 3.1 to Gigabit Ethernet Converter

This converter is a cost effective solution to convert a USB 3.1 port into a 10/100/1000Base-T Ethernet port

- Supports 10/100/1000 Mbit/s auto-sensing capability
- Supports USB 3.0
- Type C Connector
- Bus powered

- Supports both full-duplex and half-duplex operation in Gigabit Ethernet
- Supports Windows XP/7/8, Mac OS X
- Contents: Converter, manual



roline
Designed for Professionals

Order-No. – P.U.

ROLINE USB 3.1 to Gigabit Ethernet Converter

12.02.1109 – 10

VALUE USB 3.1 to Gigabit Ethernet Converter

This converter is a cost effective solution to convert a USB 3.1 port into a 10/100/1000Base-T Ethernet port

- Supports 10/100/1000 Mbit/s auto-sensing capability
- Supports USB 3.0
- Type C Connector
- Bus powered
- Supports both full-duplex and half-duplex operation in Gigabit Ethernet
- Supports Windows XP/7/8, Mac OS X
- Contents: Converter, manual



Order-No. – P.U.

VALUE USB 3.1 to Gigabit Ethernet Converter

12.99.1115 – 10

ROLINE UTP Patch Cord Cat.5e, Retractable

- For a fast network connection without any cable hassle, ideal for travellers
- Flat cable with two unshielded RJ-45 connectors
- In housing with auto-roll-extender, stretches out to a total length of 2 m
- Length scales in inches and centimetres printed on cable
- Cable colour: Black



roline
Designed for Professionals

Order-No. – P.U.

ROLINE UTP Patch Cord Cat.5e, black, 2.0 m, Retractable

21.15.0591 – 20

VALUE USB 2.0 Cables, OTG

- High quality USB cable with one Type A (female) and one Micro B USB connector
- For the connection of devices with Micro USB connector; e.g. digital cameras, mobile phones, MP3 players or PDAs
- Not suitable for Samsung Galaxy S3 mini (GT-I8190)
- Meets standard USB 2.0 (transfer rate up to 480 Mbit/s)
- Colour: black



Order-No. – P.U.

VALUE USB 2.0 Cable, A - Micro B, F/M, OTG, 0.15 m	11.99.8311 – 100
ROLINE USB 2.0 Cable, A - Micro B, F/M, OTG, 0.15 m	11.02.8311 – 25

ROLINE USB 2.0 Y Cable

- For the connection of high-power USB 2.0 devices as e. g. external HDDs
- Very helpful if you want to connect your USB 2.0 device with Micro USB B (smartphone, tablet, digital camera) with an external HDD which needs additional power from a second USB port like PC/notebook/USB charger
- OTG functionality

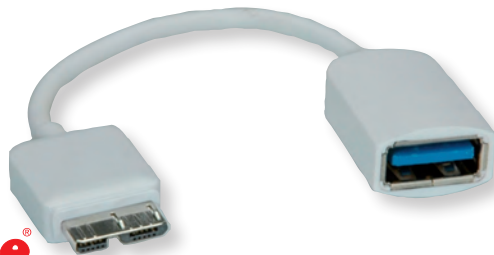


Order-No. – P.U.

ROLINE USB 2.0 Y Cable, 2x Type A M/F - 1x MicroB M, 1m	19.08.1009 – 25
---	-----------------

ROLINE Cableadapter, USB 3.0, OTG

- High quality USB cable with one Type A (female) and one Micro USB connector
- Improved shielding
- For the connection of devices with Micro USB connector; e.g. digital cameras, mobile phones, MP3 players
- Meets standard USB 3.0
- Colour: white



Order-No. – P.U.

ROLINE Cableadapter, USB3.0, A-MicroB, F/M, OTG, 0.10 m	11.02.8315 – 25
---	-----------------

VALUE Cableadapter, USB 3.1, C-A, M/F, OTG

- High quality USB 3.1 cable with one Type A (female) and one Type C USB connector (male)
- Meets standard USB3.1 (transfer rate up to 10 Gbit/s)
- Colour: black



Order-No. – P.U.

VALUE Cableadapter, USB3.1, C-A, M/F, OTG, black, 0.15 m	11.99.9030 – 25
--	-----------------

ROLINE Cableadapter, USB3.1, C-A, M/F, OTG

- High quality USB 3.1 cable with one USB Type C connector (male) and one Type A (female)
- Meets standard USB 3.1 with transfer rates up to 5 Gbit/s



Order-No. – P.U.

ROLINE Cableadapter, USB3.1, C-A, M/F, OTG, black, 0.2 m	11.02.9030 – 10
--	-----------------

VALUE Adapter, USB 3.1, OTG

- Connect your Apple Macbook, or Lumia Smartphone to a computer or USB charger for transferring data or charging
- Reversible Design
- Plug and unplug easily without checking for the connector orientation (for type C connector)
- OTG functionality
- Data transfer rate up to 10Gbit/s, USB3.1 standard
- Colour: black



Order-No. – P.U.

VALUE Adapter, USB3.1, C - Micro B, M/F, OTG	12.99.3190 – 10
--	-----------------

VALUE Lightning to USB Cables for iPhone, iPod, iPad

- Lightning is a proprietary computer bus and power connector created by Apple Inc. to replace its previous proprietary 30-pin dock connector, intended to connect mobile devices like iPhones to host computers.
- Using 8 pins instead of 30, Lightning is significantly more compact than the 30-pin dock connector and can be inserted with either side facing up
- For the connection of devices like the iPhone 5, 5s, 6, 6plus, 6s, 6s plus, iPod Touch (5th generation), the iPod Nano (7th generation), the iPad (4th generation), and the iPad Mini (all generations)
- It is NOT compatible with cables and peripherals designed for its predecessor, unless used with an adapter
- High quality USB cable with one Type A (male) and one Lightning connector
- Improved shielding
- Meets standard USB 2.0 (transfer rate up to 480 Mbit/s)



Order-No. – P.U.

VALUE Lightning to USB Cable for iPhone, iPod, iPad, black, 0.15 m 11.99.8326 – 20

VALUE Lightning to USB Cable for iPhone, iPod, iPad, black, 1.0 m 11.99.8321 – 20

VALUE Lightning to USB Cable for iPhone, iPod, iPad, black, 1.8 m 11.99.8322 – 20

VALUE Lightning Adapter / Cables

- Compatibility: for most Apple / Android / Windows smartphones/ tablets including iPhone 6 Plus / 6 / 5s / 5c / 5 / iPad Air / iPad mini / mini 2 / iPad 4th generation and iPod nano 7th generation, Samsung Galaxy (S5/S4/S3/S2 Note4/Note3/Note2/ Note Tab3/Tab2), other Android & Windows Smartphones / Tablets...
- Lighting and micro USB combo allows the cable to perform 2-in-1 functionality
- Allows you to transfer data from your mobile device
- Connects to your iPhone, iPad, or iPod with Lightning Connector or Android smartphone and charges/syncs by connecting the USB connector into your wall charger or computer



Order-No. – P.U.

VALUE Adapter 8pin-MicroB, M/F, black 11.99.8324 – 20

VALUE 8pin + MicroB to USB Charge & Sync Cable, black, 1.0 m 11.99.8325 – 10

ROLINE Type C + MicroB to USB A Cable , M/F

- Compatibility: for most Android / Windows smartphones/tablets ...
- Type C and Micro USB combo allows the cable to perform 2-in-1 functionality**
- Allows you to transfer data from your mobile device
- Connects to your Smartphone or Android smartphone and charges/syncs by connecting the USB connector into your wall charger or computer
- Colour: black

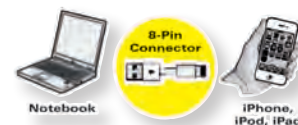


Order-No. – P.U.

ROLINE Type C + MicroB to USB A Cable , M/F, black, 1.0 m 11.02.8327 – 10

ROLINE Lightning to USB Cables for iPhone, iPod, iPad

- Lightning is a proprietary computer bus and power connector created by Apple Inc. to replace its previous proprietary 30-pin dock connector, intended to connect mobile devices like iPhones to host computers.
- Using 8 pins instead of 30, Lightning is significantly more compact than the 30-pin dock connector and can be inserted with either side facing up
- For the connection of devices like the iPhone 5, 5s, 6, 6 plus, 6s, 6s plus, iPod Touch (5th generation), the iPod Nano (7th generation), the iPad (4th generation), and the iPad Mini (all generations)
- It is NOT compatible with cables and peripherals designed for its predecessor, unless used with an adapter
- High quality USB cable with one Type A (male) and one Lightning connector
- Improved shielding
- Meets standard USB 2.0 (transfer rate up to 480 Mbit/s)



Order-No. – P.U.

ROLINE Lightning to USB Cable for iPhone, iPod, iPad, white, 0.15 m 11.02.8326 – 20

ROLINE Lightning to USB Cable for iPhone, iPod, iPad, white, 1.0 m 11.02.8321 – 20

ROLINE Lightning to USB Cable for iPhone, iPod, iPad, white, 1.8 m 11.02.8322 – 20

ROLINE Lightning Adapter/Cables

- Compatibility: for most Apple / Android / Windows smartphones/ tablets including iPhone 6 Plus / 6 / 5s / 5c / 5 / iPad Air / iPad mini / mini 2 / iPad 4th generation and iPod nano 7th generation, Samsung Galaxy (S5/S4/S3/S2 Note4/Note3/Note2/ Note Tab3/Tab2), other Android & Windows Smartphones / Tablets...
- Lighting and micro USB combo allows the cable to perform 2-in-1 functionality
- Allows you to transfer data from your mobile device
- Connects to your iPhone, iPad, or iPod with Lightning Connector or Android smartphone and charges/syncs by connecting the USB connector into your wall charger or computer



Order-No. – P.U.

ROLINE Adapter 8pin-MicroB, M/F, white 11.02.8324 – 20

ROLINE 8pin + MicroB to USB Charge & Sync Cable, white, 1.0 m 11.02.8325 – 10

VALUE USB 2.0 Charging Cables

Charging cable for USB devices with USB Micro B connector

- To connect a USB device with USB Micro B to another device with USB Micro B connector for charging
- Only charging, no data transfer
- Not suitable for NOKIA or BLACKBERRY
- Color: white (11.99.8307) / black (11.02.8307)**
- Length: 0,3m



roline
Designed for Professionals

Value



Order-No. – P.U.

VALUE USB 2.0 Charging Cable, Micro B - Micro B, M/M, 0.3m 11.99.8307 – 25

ROLINE USB 2.0 Charging Cable, Micro B - Micro B, M/M, 0.3m 11.02.8307 – 10

ROLINE Cable USB MicroB + C M/M to USB2.0 A M, OTG

- Compatibility: for most Android / Windows smartphones/tablets ...
- Type C and micro USB combo allows the cable to perform 2-in-1 functionality
- Allows you to transfer data from your mobile device
- Connects to your Smartphone or Android smartphone and charges/syncs by connecting the USB connector into your wall charger or computer
- Colour: black



roline
Designed for Professionals

Order-No. – P.U.

ROLINE Cable USB MicroB + C M/M to USB2.0 A M/F, OTG, black, 1.0 m 11.02.8328 – 10

ROLINE Magnetic USB2.0 Cable, A-MicroB / Type C

- High quality USB cable with one Type A and one Micro USB B connector
- Improved shielding
- For the connection of devices with Micro USB connector; e.g. digital cameras, mobile phones, MP3 players or PDAs
- Meets standard USB 2.0 (transfer rate up to 480 Mbit/s)
- Magnetic adapter seamlessly attaches to the cable once they are in close proximity
- Helps to protect the Micro USB B port (e.g. smartphone, tablet) from dust
- Unlike a constant plug-in and unplugging of a normal cable, both ports can be protected during frequent use due to their magnetic connection.
- Attach and detach this magnetic connector through magnetic force

• For additional magnetic connectors please order the item 11.02.8313 or 11.02.8309 (Type C) (3 pieces)



Order-No. – P.U.

ROLINE Magnetic USB2.0 Cable, A-MicroB, M/M, 1.0 m 11.02.8312 – 10

ROLINE Detachable Magnetic Connector for 11.02.8312, 3 pcs. 11.02.8313 – 20

ROLINE Detachable Magnetic Connector for 11.02.8312, Type C, 3 pcs. 11.02.8309 – 20

ROLINE GOLD USB 2.0 OTG Cable, A + Micro B - Micro B

- USB cable with a combined connector consisting of a foldable type A (connector) and a Micro B (connector) on one side and another Micro B (connector) on the other side
- Improved shielding
- For the connection of devices with Micro USB connector; e.g. digital cameras, mobile phones, MP3 players or PDAs
- Meets standard USB 2.0 (transfer rate up to 480 Mbit/s)
- Colour: black/golden



NEW

roline
Designed for Professionals

Order-No. – P.U.

ROLINE GOLD USB 2.0 OTG Cable, A + Micro B - Micro B, M/M, 1.0 m 11.02.8314 – 25

ROLINE GOLD LED USB 2.0 Cable, Reversible, A-Micro B

- USB 2.0 Hi-Speed cable with high quality and improved shielding.
- For the connection of devices with Micro USB connector; e.g. digital cameras, mobile phones, MP3 players or PDAs
- Improved shielding
- The plugs are gold coated to enhance their contact durability
- Nylon-reinforced outer material for a better stability
- Supports data transfer rates of up to 480 Mbit/s
- High quality USB cable with one Type A and one Micro USB connector
- Meets standard USB 2.0 (transfer rate up to 480 Mbit/s)
- Quick Charge 2.0
- With practical LED display, which shows the current loading status of the connected device



• Colour: gold and black

roline
Designed for Professionals

Order-No. – P.U.

ROLINE GOLD LED USB 2.0 Cable, reversible, A-Micro B, M/M, 1.0 m 11.02.8319 – 10

VALUE CardReader Typ C + 3x USB 3.0, SD/Micro SD Card Reader

- Suitable for Smartphone+Tablets
- Transfer your precious vacation pictures/videos from the memory card of your digital camera on your tablet, Macbook ...
- Supports USB 2.0
- Card Reader works with multiple media, as e.g. SD (Secure Digital) Card, SDHC, Micro SD



NEW

roline
Designed for Professionals

Order-No. – P.U.

VALUE CardReader Typ C + 3x USB 3.0, SD/Micro SD Card Reader 15.99.6252 – 20

ROLINE CardReader Typ C + 2x USB 3.0, 1x PD (Power Delivery)

- Suitable for Smartphone+Tablets
- Transfer your precious vacation pictures/videos from the memory card of your digital camera on your tablet, Macbook ...
- Supports USB 2.0
- Card Reader works with multiple media, as e.g. SD (Secure Digital) Card, SDHC, MS (Memory Stick), MS Duo, mini/micro SD
- No adapter required for Micro SD/M2 Cards
- Power Delivery Function (for charging of devices via the additional type-C connection; 20V3A)
- Contents: Card Reader



roline
Designed for Professionals

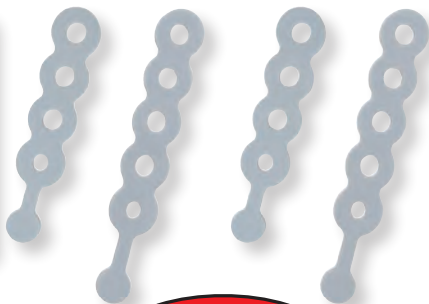
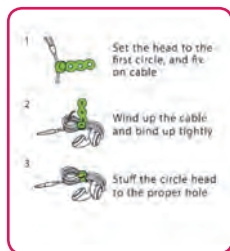
Order-No. – P.U.

ROLINE CardReader Typ C + 2x USB 3.0, 1x PD (Power Delivery) 15.08.6257 – 10

Hook-and-loop stripes

With this silicon stripes, it's possible to neatly arrange all the cables that you use in your daily business, e.g. headphone or adapter cables. For an easy cable management of your household!

- Versatile and reusable design
- User-friendly
- The detachable silicone closure allows easy but secure closure and opening
- Durable and elastic silicone material
- 4 gray hook-and-loop stripes- available in two different lengths



roline
Designed for Professionals

NEW

Order-No. – P.U.

Hook-and-loop stripes, 4 pcs.

19.08.3251 – 25

VALUE / ROLINE 3.5mm Adapters

- Use in multimedia environment
- Adapter to connect 3,5mm Stereo male plug to 2 x 3,5mm Stereo female plug (Audio)



Order-No. – P.U.

VALUE 3.5mm Adapter, 1x 3.5mm M to 2x 3.5mm F

A 11.99.4440 – 100

VALUE 3.5mm Adapter, 1x 3.5mm M to 2x RCA F

B 11.99.4441 – 100

ROLINE 4 Conductor 3.5 mm Stereo Plug (speaker+microphone), 15 cm C 11.09.4441 – 20

VALUE Smartphone Adapter (iPhone/Android) to HDMI

Compact 2-in-1 HDMI adapter for smartphones like iPhone and Android

- High performance video adapter, which streams iPhone/Android multimedia applications to HDMI output (up to 1080p)
- Mirrors the display and transfer the audio signals from your iPhone or Android to your HDMI Monitor/TV
- Ideal for multimedia watching
- Supports:
 - iPhone version: iPhone 5 / 5C / 5S / 6 / 6 Plus / 6S / 6S Plus
 - Android devices: most of the Android mobile
- Plug and Play
- Power supply needed (via USB Micro B F connection, 5VDC, max. 0.5A)
- Smartphone connection via USB A F connection
- Requires the use of an APP for optimal functionality
- Contents: Adapter, manual



Value

Order-No. – P.U.

VALUE Smartphone Adapter (iPhone/Android) to HDMI

12.99.1140 – 10

ROLINE Dual Head Docking Station, HDMI, USB 3.0

The Dual Head docking station for net-/notebooks provides a quick and easy connection to the workplace peripherals that you use every day.

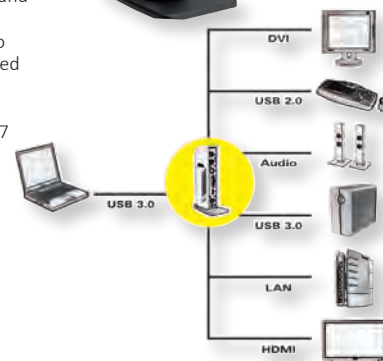
- Contents: Docking Station, power supply, USB cable, stand, driver CD, manual

Connection to net-/notebook:

- 1x USB 3.0 Type B F

Connection for peripheral devices

- 1x DVI-I monitor output- supports video resolutions up to 1920 x 1080
- 1x HDMI monitor output- supports video resolutions up to 1920 x 1080 (FullHD)
- 4x USB 2.0 ports make connections quick and easy
- 2x USB 3.0 for HDD or other fast USB USB 3.0 devices, ideal for use with „quick access“ devices
- 1x RJ45 Gigabit LAN jack
- 1x 3,5mm mikrophone jack on the front
- 1x 3,5mm headphone jack on the front
- Gain instant access to your keyboard, monitor, mouse and all peripherals with one USB plug
- DualView lets you expand your work area across your notebook screen and external monitor
- Dual display settings- Allows you to switch between mirror and extended video mode
- Plug & Play
- Supports Windows 2000/XP/Vista/7



roline
Designed for Professionals

Order-No. – P.U.

ROLINE Dual Head Docking Station for Net-/Notebooks, „Black and White“, USB 3.0

12.02.1042 – 5

VALUE USB Wall- / Car Charger, 2 Port, 10W

For charging mobile devices, even two at one time.

- Wall /car power adapter with two USB type A F connectors
- It's handy to use whether at home or in the hotel
- For charging smart phones, tablet PCs (e. g. iPad), MP3 players ...
- Input range: 100- 240 V AC, 50- 60 Hz / 12-24 VDC
- Output voltage: 5 V
- Output rate: 10 W (2 A)



Technical data:	19.99.1057	19.99.1059
Input:	100-240 V AC, 50-60 Hz	12-24 V DC, 2.1A max.
Output:	2x USB Type A F	2x USB Type A F
Power:	10W (5VDC;2A)	10W (5VDC; .12A)
Dimensions:	65x36x80mm	33x35mm



Order-No. – P.U.

VALUE USB Wall Charger, 2 Port, 10W	A 19.99.1057 – 20
VALUE USB Car Charger, 2 Port, 10W	B 19.99.1059 – 20

ROLINE USB Car Charger, 2 Port, 15W

Now you can easily charge your tablet PC, iPad, smart phone, iPhone, MP3 player and other USB devices in your car!

- Connector: 2x USB type A F
- Input voltage: DC 12 V- 24 V
- Output voltage: 5 V DC/ 3100 mA max.



Technical data:	19.07.1054	19.07.1055
Input:	12-24 V DC	12-24 V DC
Output:	2x USB A F	2x USB A F
Power:	15,5W (5VDC;3,1A)	15,5W (5VDC;3,1A)
Dimensions:	33 x 60 mm	38 x 75 mm



Order-No. – P.U.

ROLINE USB Car Charger, 2 Port, 15W	A 19.07.1054 – 10
ROLINE LED USB Car Charger, 2 Port, 15W	B 19.07.1055 – 10

ROLINE USB QC3.0 Car Charger, 2 Port, (A + C), 12W

Now you can easily charge your tablet PC, iPad, smart phone, iPhone, MP3 player and other USB devices in your car!

- Quick Charge 3.0
- Connector: 1x USB Type A F, 1x Type C F
- Input voltage: DC 12 V- 24 V
- Output voltage: 5 V DC/ 2400 mA max.



Order-No. – P.U.

ROLINE USB QC3.0 Car Charger, 2 Port, (A + C), 12W	19.07.1053 – 20
--	-----------------

VALUE Car Charger with 4x USB 2.0 Ports

- 4 port USB car charger with two ports in front (where you plug in the car adapter-cigarette lighter) and two ports extension for the backseat
- Super convenient on long trips, because 4 devices (tablets/smartphones ...) can be charged simultaneously
- The 4x USB 2.0 ports are equipped with blue LED indicator
- The cable for the backseat port extension is about 1.8m long and has a clip which helps you to attach it to the pockets behind the front seats
- Power Output: 48 W (4x 5V DC, 2.4A)
- Smart IC, detects the correct maximum output for the plugged in device
- Material: ABS+PC



Order-No. – P.U.

VALUE Car Charger with 4x USB 2.0 ports, black	19.99.1063 – 10
--	-----------------

VALUE USB Wall Charger (EU+UK)

For charging mobile devices, even two at one time.

- Wall power adapter with two USB type A F connectors and 2 adapters (EU+UK)
- It's handy to use whether at home or in the hotel
- For charging smart phones, tablet PCs (e. g. iPad), MP3 players ...
- Input range: 100- 240 V AC, 50- 60 Hz
- Output voltage: 5 V
- Output rate: 10 W (2 A)
- Dimensions: 42 x 42 x 25 mm



Order-No. – P.U.

VALUE USB Wall Charger (EU+UK), 2 Ports, 10W	19.99.1061 – 20
--	-----------------

ROLINE USB Charging Stations

For charging smart phones, tablet PCs (e. g. iPad), MP3 players ...

- Power and charge up to 5/7 devices at once in one convenient location on your desktop, counter top, lobby, or waiting room.
- Perfect for home or office use, most cell phones and tablets fit in station's slots without removing protective cases (slot widths- 19mm)

- 5/7 Powered USB Ports (5x 2.4A)- Simply connect your own charging cable and the charging station will charge up to 5/7 devices, including smartphones and high-powered devices such as tablets
- Organize up to 5/7 devices- 5/7 slots with anti-scratch silicone pads organize your devices even with the cases still on
- Surge protection on each port

- Built-in smart charging chipset provides and determines the charge needed for your device, delivering a steady and safe charge
- Power in a compact space
- Power Supply: 19VDC; 3.4A
- Output: 5x/7x 2.4A
- Contents: USB charger, power adapter



roline[®]
Designed for Professionals



Technical data:	19.07.1050	19.07.1051
Number of ports:	5	7
Output:	5x USB 2.0 A, F	7x USB 2.0 A, F
Input Voltage:	100 - 240V AC, 50 - 60Hz	100 - 240V AC, 50 - 60Hz
Output Voltage:	5VDC	5VDC
Power Output rate:	5x 5V DC 2.4A	7x 5V DC 2.4A
Colour:	black	black
Material (housing):	plastic	plastic

Order-No. – P.U.

ROLINE USB Charging Station, 5 Port 19.07.1050 – 4

ROLINE USB Charging Station, 7 Port 19.07.1051 – 10

ROLINE Tablet Holder, flexible, VESA compatible

- This type of mount is perfect for business users who need to use their hardware in different locations: in a home office, in a business office, on the sales floor, at a client location, at a trade show, on vacation or while traveling.
- Moveable bases create stable device displays wherever, and whenever, they are needed.

17.03.0025 ROLINE Adjustable Tablet Holder

- Suitable for portrait or landscape screen alignment; to browse, read, watch movies ...
- Support for 18 cm- 25.65 cm (7"-10.1") tablets and all iPad variants (7" tablets must be fixed vertically in holder)
- Holder for Tablet PC, iPad and Ebook
- Scratch protection for the back of the tablet
- Lockable (compatible with notebook security lock- „security holes“)- for this functionality please order optional 19.99.3022
- Meet VESA 100 (100 x 100 mm)
- Dimensions: 205 x 175 x 40 mm
- Colour: white

ROLINE Wall Mounting Bracket for Tablet Holder 17.03.0025

- Screen position can be easily and instantly adjusted
- For mounting / fixing of the tablet holder 17.03.0025 on a wall
- Meet VESA 100 (100 x 100 mm)
- Colour: white

ROLINE Tabletop Stand/Freestanding base for Tablet holder 17.03.0025

- Solid stand for tablet holder 17.03.0025
- Non slip pad underneath
- Screen position can be easily and instantly adjusted
- Mounting solution: free standing base
- Meet VESA 100 (100 x 100 mm)
- Colour: white

ROLINE Swivel Tablet Stand for Tablet holder 17.03.0025

- Solid stand for tablet holder 17.03.0025
- Screen position can be easily and instantly adjusted
- Firm top base with non slip rubber underneath
- Pan: 360° / Tilt : 270°
- Meet VESA 100 (100 x 100 mm)
- Dimensions: 157 x 157 x 140 mm
- Colour: white



A



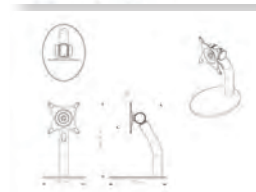
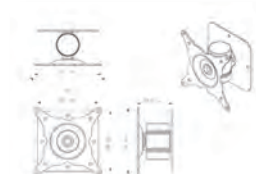
B



C



D



roline[®]
Designed for Professionals

Order-No. – P.U.

ROLINE Tablet Holder, flexible, VESA compatible A 17.03.0025 – 10

ROLINE Wall Mounting Bracket for Tablet Holder 17.03.0025 B 17.03.0026 – 10

ROLINE Tabletop Stand/Freestanding base for Tablet holder 17.03.0025 C 17.03.0027 – 4

ROLINE Swivel Tablet Stand for Tablet holder 17.03.0025 D 17.03.0028 – 6

VALUE Holder for iPad/Ebook/Tablet

- Wall/under desk (clamp) cabinet mount for most of the tablets like iPad1, iPad2, iPad3, iPad 4, iPad Air and iPad Air 2, Samsung Galaxy 10.1 and Tab 2
- 360° rotation of panel and base
- Flexible angle between two legs of 36°~ 180°
- Adjustable top leg length of 26-64mm
- Die casting joint part connecting aluminum arms with length of 120mm
- Freely ±30° tilted silicone feet for holding your tablets perfectly
- Tilt of panel: ±125°
- Tilt of arms: ±100°
- Material: aluminum/steel/plastic



Order-No. – P.U.

VALUE Holder for iPad/Ebook/Tablet, Wall- / Under Cabinet Mount, 4 Joints A 17.99.1150 – 5

VALUE Holder for iPad/Ebook/Tablet, Clamp Type, 4 Joints B 17.99.1151 – 5

ROLINE Holder for iPad/Ebook/Tablet, Wallmount

- Wall/under cabinet mount for most of the tablets like iPad1, iPad2, iPad3, iPad 4, iPad Air and iPad Air 2, Samsung Galaxy 10.1 and Tab 2
- 360° rotation of panel and base
- Flexible angle between two legs of 36°~ 180°
- Adjustable top leg length of 26-64mm
- Die casting joint part connecting aluminum arms with length of 120mm
- Freely ±30° tilted silicone feet for holding your tablets perfectly
- Tilt of panel: ±125°
- Tilt of arms: ±100°
- Material: aluminum/steel/plastic



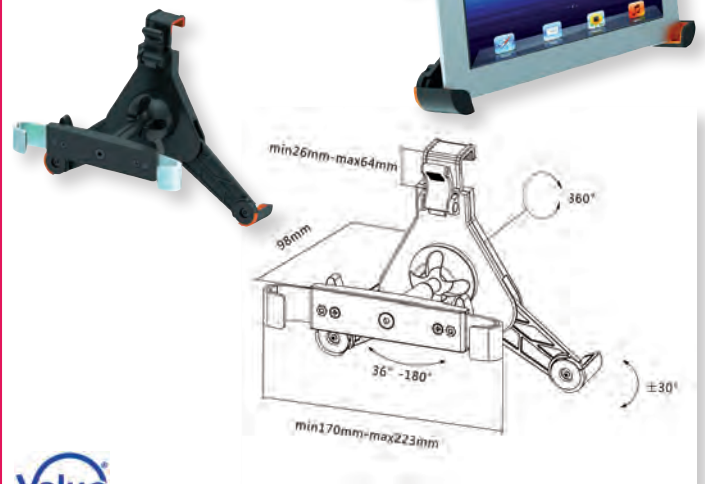
roline[®]
Designed for Professionals

Order-No. – P.U.

ROLINE Holder for iPad/Ebook/Tablet, Wallmount, 4 Joints 17.03.0023 – 5

VALUE Universal Tablet Headrest Holder

- Car headrest holder for iPad 1/2/3/4/ Air/Air2, 8.9"-10.4" Galaxy and other tablets
- Range of headrest pin width: 156mm~186mm
- Suit headrest pins up to 16mm in diameter
- Flexible angle between two legs of 36°~ 180°
- Adjustable top leg length of 26-64mm
- Freely ±30° tilted silicone feet for holding your iPad perfectly
- 360° rotation allows portrait and landscape viewing
- Easy and secure attachment
- Clamper width:184mm
- Material: steel + plastic



Value[®]

Order-No. – P.U.

VALUE Universal Tablet Headrest Holder 17.99.1152 – 10

ROLINE Universal Tablet Headrest Holder

- Car headrest holder for iPad 1/2/3/4/Air/Air2, 8.9"-10.4" Galaxy and other tablets
- Range of headrest pin width: 156mm~186mm
- Suit headrest pins up to 16mm in diameter
- Flexible angle between two legs of 36°~ 180°
- Adjustable top leg length of 26-64mm
- Freely ±30° tilted silicone feet for holding your iPad perfectly
- 360° rotation allows portrait and landscape viewing
- Easy and secure attachment
- Clamper width:184mm
- Material: steel + plastic



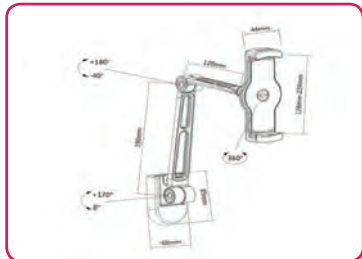
roline[®]
Designed for Professionals

Order-No. – P.U.

ROLINE Universal Tablet Headrest Holder 17.03.0024 – 5

VALUE Holder for iPad/Ebook/Tablet, Wall- / Under Cabinet Mount

- Wall/under cabinet mount for most of the tablets like iPad, Samsung Galaxy 10.1 and Tab 2 etc.
- 360° rotation of panel and base
- The casting joint part connecting aluminum arms with length of 120mm, 190 mm
- Silicone feet for holding your tablets perfectly
- Adjustable Length: 128-224mm
- Tilt of panel: 360°
- Tilt of arms: 0° - 170°, - 40° - +180°
- Material: aluminum/steel/plastic

Order-No. – P.U.

VALUE Holder for iPad/Ebook/Tablet, Wall- / Under Cabinet Mount, black, 4 Joints 17.99.1158 – 10

ROLINE Aluminium Stand for Smartphones/Apple Watch

- Stand for Smartphones with additional stand functionality for Apple Watch
- Compatibility with 38mm and 42mm of Apple Watch Sport, Apple Watch
- Place for where the Apple Watch rests is made of a soft, durable TPU material to keep the back of your watch scratch-free
- Rubber mat underneath the stand
- Material: aluminium, rubber bottom
- Colour: silver
- Material: Aluminum
- Dimensions: 95x 124 x 45mm
- Content: Desktop stand (Remark: smartphone is not included)




Order-No. – P.U.

ROLINE Aluminium Stand Smartphones/Apple Watch, silver 17.03.0030 – 10

ROLINE Sport Set Mount Smartphone Holder

- Easy installation
 - Fits for smartphone sizes: from 8,9 cm to 16cm screen size (3.5" - 6.3")
 - Universal- snap-on design makes it very helpful under different circumstances: use your smartphone, GPS navigator, etc. during sport, office activities...
 - Portable on fitness equipment, bikes- watch videos, listen to music while exercising
 - The 4 point connection ensures a stable link and 360° rotation with no risk of accidental release and the extendable sports phone sheath provides firm grip for almost any size smartphone
 - 360° Rotational design
 - Anti-slip functionality
 - Clamp: 95 x 72 x 45mm
 - Holder: 115 x 95 x 43mm
 - Min-Max Opening: Clamp:1- 46mm
 - Material-Made: plastic, metal and rubber
- Content: Clamp + Sport Phone Holder (Remark: smartphone is not included)



Order-No. – P.U.

ROLINE Sport Set Mount Smartphone Holder 17.03.0031 – 5



VALUE Universal Smartphone / Tablet Lock

Glue-On Locking Plate with a built in security slot

- Application: stores, display units, trade shows and more
- Easy to use: loop the cable around a fixed object and secure the locking head into the locking plate on the tablet/ iPad/ Smartphone

- 3mm industrial glue- this plates are removable and offer a perfect balance between security, aesthetics and the ability to remove without damaging the devices or leaving glue behind
- Steel cable: 4mm thick, ca. 1.6 m length with PVC coating
- Content: 1x glue-on Locking Plate (45x45mm) with a built in security slot, 1x strong steel cable, 2x keys
- Contents: Anti-Theft Cable with keys




Order-No. – P.U.

VALUE Universal Smartphone / Tablet Lock, with key 19.99.3025 – 5

VALUE Notebook Cable Security Lock

Suitable for all notebooks with „security hole“

- Easy use and installation: tie the steel cable around any furniture or something like that
- Install the security lock in the „security hole“ and lock it with the key
- Zinc alloy housing and brass cylinder
- Satin nickel plated standard, other finishes available upon request
- 7-pin tumbler mechanism
- Steel made tubular keys, nickel plated
- Key withdrawals in one position only

- 90 degrees turn to unlock
- Stainless steel cable: 5 mm diameter, 1.7 m length, dark grey with transparent PVC coating
- Contents: Anti-Theft Cable with keys




Order-No. – P.U.

VALUE Notebook Cable Security Lock, with key 19.99.3022 – 50



Multimedia

7

USB Display Adapters	7.02
Audio/Video Extenders over TP	7.03 – 7.05
HDMI Extenders	7.04 – 7.07
Wireless HDMI Audio/Video Systems	7.05
UHD HDMI Active Cables	7.07
Audio/Video Splitters	7.08 – 7.10
Audio/Video Switches	7.11 – 7.12
HDMI Matrix Switches	7.11
Audio Adapters / Converters	7.12
Headsets	7.13
Bluetooth Speaker	7.13
Audio Extractor	7.13
Video Grabber / Converter	7.13
Multimedia Audio/Video Modules	7.14

VALUE USB Display Adapter, USB 3.0 to VGA

- Compliant with USB 3.0 specification revision 1.0
- Compliant to USB A/V standard
- USB upstream port supporting SuperSpeed/HighSpeed data rate (5 Gbit/s / 480Mbit/s)
- Video output up to 1920 x 1080 @ 60 Hz in USB 3.0 application
- Video output 800 x 600 in USB 2.0 application
- Plug & Play
- Contents: USB display adapter



Value[®]

Order-No. – P.U.

VALUE USB Display Adapter, USB3.0 to VGA

12.99.1037 – 10



ROLINE USB Display Adapter, USB - DVI/VGA

Quick add-on of a monitor, LCD or projector with DVI or VGA connector through a single USB 2.0 port of your PC or notebook.

- Minimum cost for having equivalent extra video card performance
- Small form factor for easy portability
- Enlarges the area of screen and allows you to have more convenience for windows allocation
- Supported resolutions: 640 x 480, 800 x 600, 1024 x 768, 1280 x 720, 1280 x 768, 1280 x 800, 1280 x 1024, 1366 x 768, 1400 x 1050, 1600 x 1200, 1680 x 1050, 1920 x 1080

- Supported modes: Mirrored Desktop, Extended Desktop, Primary Display
- Up to 6 USB Display Adapters can work simultaneously
- Plug & play, easy for installation and use
- Hot-pluggable; Add or remove monitor without system reboot
- For connection of a VGA (HD15) device the included DVI/VGA converter has to be used
- Colour: Charcoal grey
- Supports Windows 2000/XP/Vista/7
- Contents: USB Display Adapter, DVI to VGA converter, USB cable (90 cm), driver CD, manual



roline[®]
Designed for Professionals

Order-No. – P.U.

ROLINE USB Display Adapter, USB - DVI/VGA

12.02.1051 – 5

ROLINE USB Display Adapter, USB - DVI/VGA, high resolution

12.02.1052 – 5



ROLINE USB 3.0 Display Adapter, HDMI, 4K2K, black

3D capable 4K2K

- Add one monitor or projector through a single USB 3.0 port to your PC or notebook
- Video output: HDMI
- Supports high resolutions up to 3840x2160 (nominal)
- Supported modes: Extended desktop, Mirrored desktop, Primary display
- Downwards compatible with USB 2.0 (lower resolution and video performance)
- Hot-pluggable- add or remove a monitor without system reboot
- Various USB display adapters can work simultaneously (up to six, dependent upon system)
- Contents: USB Display Adapter, USB cable (40 cm), driver CD, manual



digital signage

Connectors:

PC: 1x USB 3.0
Peripherals: 1x HDMI

roline[®]
Designed for Professionals

Order-No. – P.U.

ROLINE USB 3.0 Display Adapter, HDMI, 4K2K, black

12.02.1034 – 5



VALUE USB 3.0 Mini DP Docking Station

- USB 3.0 Mini DP docking station
- Upstream connection: 1x USB3.0
- Downstream connection 2x USB3.0
- HDMI port with a resolution: up to 1920 x 1080
- 1x RJ45 Ethernet port (Ethernet 10/100) network can be accessed through the USB port
- Power Mode: Bus-powered
- Supported Operating System: Windows 7/ 8/ 8.1/10 and Mac OS 10
- Dimensions: 305 x 120 x 20 mm
- Contents: Adapter

- book peripherals (printer, scanner...)
- 1x HDMI F port for video output
- 1x DP F port for video output
- 1x RJ45- 10/100 Ethernet LAN port

Connectors back side:
 - 1x USB 3.0 M
 - 1x Mini DP M

Connectors front side:

- 2x USB3.0 Type A F for connection of computer/note-



Order-No. – P.U.

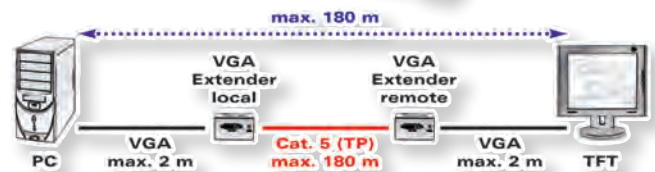
VALUE USB3.0 Mini DP Docking Station

12.99.1041 – 10

VALUE VGA Extender over Twisted Pair

- Extension of VGA signal over Cat. 5e cable, up to 80 m
- Equalization length is adjustable
- VGA signal gain is adjustable
- Durable metal casing
- Supports power over cable technique, only one unit has to be connected to power
- Hardware solution, no compatibility problems
- Contents: Local unit, remote unit, 1x power supply (12V DC, 600mA) for remote unit, VGA cable HD15 M-M (1.2 m), manual

Technical data: **each unit**
 1x USB 3.0
 VGA connection: 1x HD15 F
 TP ports: 1x RJ-45
 Max. resolution (nominal): 1280 x 1024 @ 60Hz
 Casing: Metal
 Power supply: 12V DC, 1A



Order-No. – P.U.

VALUE VGA Extender over Twisted Pair, 80 m

14.99.3431 – 10

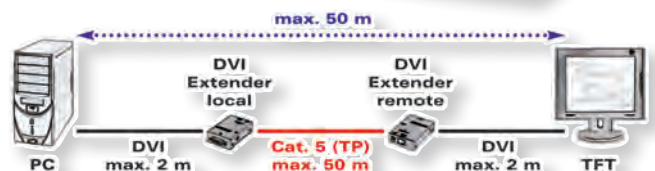
VALUE VGA Extender over Twisted Pair, 180 m

14.99.3430 – 10

ROLINE Active DVI Extender over Twisted Pair

- DVI Extender (one Local and one Remote Unit) in combination with a twisted pair cable extends a DVI-D video signal up to 50 meters
- Max. distance from local unit to remote unit: 50 m
- Supports DVI-D
- EDID Function
- Max. resolution (nominal): 1920 x 1080
- Metal housing
- Contents: Local unit (RJ-45 F, DVI F), remote unit (RJ-45 F, DVI F), 2x power supply, manual

Technical Data:
 Max. resolution (nom.): 1920 x 1080
 Local Unit: 1x RJ-45 F, 1x DVI F
 Remote Unit: 1x RJ-45 F, 1x DVI F



Order-No. – P.U.

ROLINE Active DVI Extender over Twisted Pair, 50 m

14.01.3408 – 5

VALUE HDMI + LAN Extender over Twisted Pair

3D
capable

1080p
FULL HD

The transmission distance of the HDMI signal can be extended up to 100 meters by using a single Cat. 5e/6 cable

- CAT5e/6 cable follows the standard of IEEE-568B
- HDCP pass-through
- Supports uncompressed HDMI signal
- 1080p@60Hz@48bit pixels
- 3D pass-through.
- CEC pass-through.
- Supports uncompressed audio such as LPCM
- Supports compressed audio such as DTS Digital, Dolby Digital (including DTS-HD and Dolby True HD)
- Supports 340MHz/3.4Gbps per channel (10.2Gbps all channel) bandwidth.

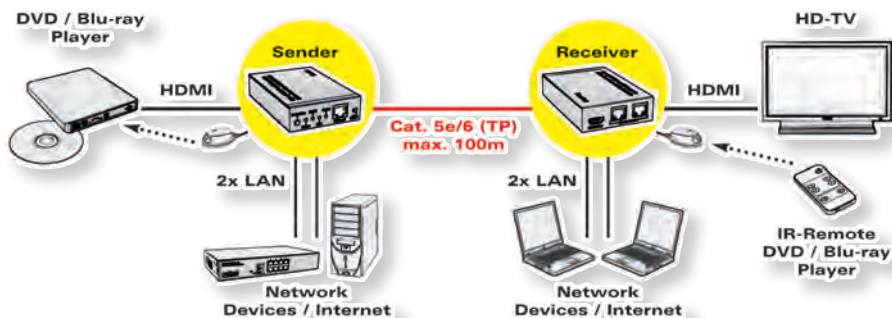
- Built-in IR extender function allows IR remote control of Source devices from remote viewing location by sending IR commands received in the vicinity of the Display back to the Source devices.
- Stable metal casing
- Power supply included in delivery
- Contents: Transmitter (2x RJ-45 F, HDMI F), Receiver (2x RJ-45, HDMI F), 2 power supply (5V DC, 2A) for receiver, manual



Technical Data:

Max. resolution (nominal):	1.920 x 1.200, 1080p
Local unit:	3x RJ-45 F, 1x HDMI F
Remote unit:	3x RJ-45 F, 1x HDMI F
Power supply:	DC 5V; 2A
Dimensions:	25 x 110 x 75 mm
Receiver:	1x RJ45 F, 1x HDMI F

Dimensions: TR: 29 x 180 x 98 mm / R: 24 x 72 x 121 mm



Order-No. – P.U.

VALUE HDMI + LAN Extender over Twisted Pair, 100 m

14.99.3461 – 5

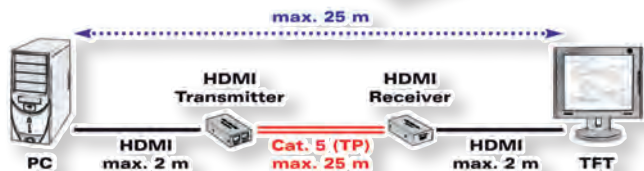
VALUE HDMI Extender over TP

3D
capable

1080p
FULL HD

- The transmission distance of the HDMI signal can be extended up to 25 meters by using two Cat. 5e/6 cables
- Max. resolution (nominal) while using two Cat.5e cables, 25 m: 1080p
- HDCP pass-through
- Stable metal casing
- Power supply included in delivery

- Contents: Transmitter (2x RJ-45 F, HDMI F), Receiver (2x RJ-45, HDMI F), 1x power supply (5V DC, 2A) for receiver, manual



Technical Data:

Max. resolution (nominal):	1.920 x 1.200, 1080p
Local unit:	2x RJ-45 F, 1x HDMI F
Remote unit:	2x RJ-45 F, 1x HDMI F
Dimensions:	20 x 45 x 80 mm
Power supply:	DC 5V; 2A

Order-No. – P.U.

VALUE HDMI Extender over Twisted Pair, 25 m

14.99.3460 – 5

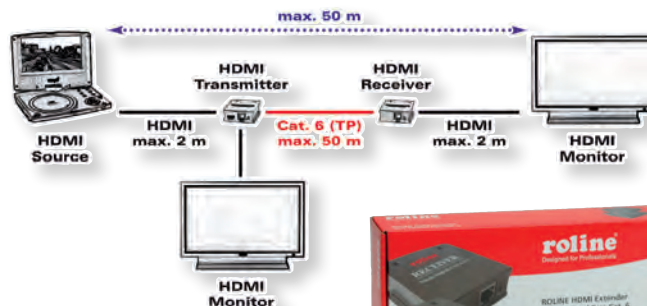
ROLINE HDMI Extender over TP

3D
capable

1080p
FULL HD

- The transmission distance of the HDMI signal can be extended up to 50 meters by using only one Cat.6 cable
- Additional HDMI port on transmitter to connect a local display
- Max. resolution (nominal) over 50 meters: 1920 x 1080, 1080p
- Works with HDMI switch, HDMI splitter and all kinds of HDMI/HDCP source and output displays

- No software installation required
- Metal housing
- Power supply included
- Contents: Transmitter (1x RJ-45 F, 2x HDMI F), Receiver (1x RJ-45 F, 1x HDMI F), 2x power supply (for transmitter), manual

Designed for Professionals


Technical data (14.01.3461):

Max. resolution (nominal):	1.920 x 1.200, 1080p
Transmitter:	RJ-45 F, 2x HDMI F
Receiver:	RJ-45 F, 1x HDMI F

Technical data (14.01.3462):

Max. resolution (nominal):	1.920 x 1.200, 1080p
Transmitter:	RJ-45 F, 1x HDMI F
Receiver:	RJ-45 F, 1x HDMI F



Order-No. – P.U.

ROLINE HDMI Extender over Twisted Pair, Cat.6, 50m

14.01.3461 – 5

ROLINE HDMI Extender over Twisted Pair, Cat.5/6, 100 m

14.01.3462 – 1

ROLINE HDMI Extender over Twisted Pair, Cat.5/6, chainable

1080p FULL HD

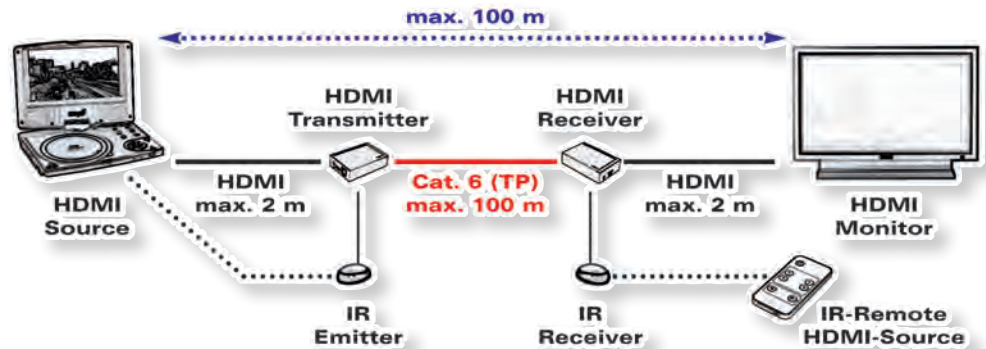
The transmission distance of the HDMI signal can be extended up to 100 m by using one Cat.5e or Cat.6 cable.

- Easily connect the transmitter and the receiver unit with a twisted pair cable of up to 100 m length
- Max. resolution (nominal) over 100 m: 1920 x 1200, 1080p
- Supports uncompressed HDMI signal
- Supports CEC pass-through
- Supports uncompressed audio stereo
- External infrared emitters- allow using the remote control of the source device

- Metal housing
- Power supply included in content of delivery
- Contents: Transmitter (1x RJ-45 F, 2x HDMI F), receiver (3x RJ-45 F, 1x HDMI F), infrared extender transmitter, infrared extender receiver, 2x power supply, 2x cables IR (1.1m), 2x serial cables (3.5mm/DB9F, 1.1m), manual



Technical data (14.01.3468):
 Max. resolution (nominal): 1.920 x 1.200, 1080p
 Transmitter: RJ-45 F, 2x HDMI F
 Receiver: RJ-45 F, 1x HDMI F
 Technical data (14.01.3469):
 Max. resolution (nominal): 1.920 x 1.200, 1080p
 Receiver: 3x RJ-45 F, 1x HDMI F
 Dimensions: 115 x 91 x 28mm



roline[®]
 Designed for Professionals

Order-No. – P.U.

ROLINE HDMI Extender over TP, Cat.5/6, chainable, 100 m	A+B	14.01.3468	- 1
ROLINE HDMI Receiver over TP, for 14.01.3468, 100 m	B	14.01.3469	- 1



VALUE Wireless A/V System, HDMI

1080p FULL HD

The ROLINE Wireless Audio/Video system transmits an HDMI signal wireless from an HD source device (e. g. DVD player, set-top-box, game console or a computer) to an HD TV or HD projector. So e. g. a TV set can be installed totally flexible and independent of a TV connection.

- Built-in-antenna for wireless data transmission of up to 30 m
- Resolution HDMI: Full HD 1080p (up to 1920 x 1080 nominal)
- External infrared emitter for extending the IR remote receiving function of e. g. your DVD player remote control
- HDCP compatible
- Contents: transmitter, receiver, external infrared emitter, 2x power supply, manual



Value[®]



Order-No. – P.U.

VALUE Wireless Audio/Video System, HDMI, 30.0 m	14.99.3411	- 1
---	------------	-----

ROLINE Wireless A/V System, HDMI

3D capable 1080p FULL HD

The ROLINE Wireless Audio/Video system transmits an HDMI signal wireless from an HD source device (e. g. DVD player, set-top-box, game console or a computer) to an HD TV or HD projector. So e. g. a TV set can be installed totally flexible and independent of a TV connection.

- Supports Frequency range up to 5GHz
- With dual antenna for WiFi
- Resolution HDMI: Full HD 1080p (up to 1920 x 1080 nominal)
- External infrared emitter for extending the IR remote receiving function of e. g. your DVD player remote control
- HDCP compatible

- Wireless data transmission of up to 50 m
- Compliant with IEEE 802.11n WLAN standard



roline[®]
 Designed for Professionals



Order-No. – P.U.

ROLINE Wireless Audio/Video System, HDMI, 30.0 m	14.01.3411	- 1
--	------------	-----

ROLINE DisplayPort Extender over Twisted Pair, Cat.5/6, 70m

The transmission distance of the DisplayPort signal can be extended up to 70 m by using one Cat.5e or Cat.6 cable.

- Ideal for display applications in conference rooms, classrooms & training facilities etc.
- Extend the DisplayPort signal up to 70 meters by using only one Cat.5/6 cable
- Support Phantom Power – use a single power supply at either the transmitter or receiver unit (Tx & Rx)
- EDID migration ensures the optimum video performance
- Max. resolution (nominal) over 70 meters: 1920x1080 @60Hz
- HDTV compatible
- HDCP compliant

- LED Indicator
- Plug & Play
- Metal housing
- Power supply included in delivery (12 VDC, 1.5A)
- Contents: Transmitter (1x RJ-45 F, 1x DP F), receiver (1x RJ-45 F, 1x DP F), 1x power supply, manual



roline[®]
Designed for Professionals

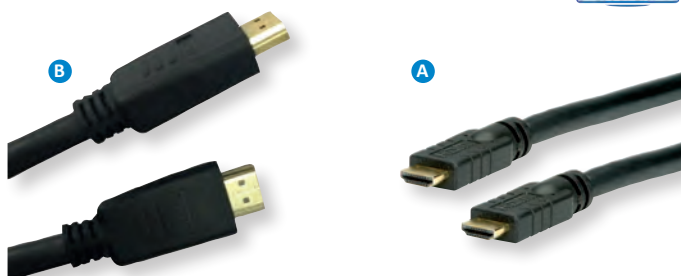
Order-No. – P.U.

ROLINE DisplayPort Extender over Twisted Pair, Cat.5/6, 70m, 100 m 14.01.3471 – 3

ROLINE HDMI 4K2K Active Cables

3D capable 4K2K

- For a total length of up to 40 meters between computer and monitor
- Active repeater is integrated in the connectors
- Hardware solution, no software required
- No external power supply needed
- Connectors: HDMI Type A M
- Max. resolution: 3840 x 2160 (@30Hz)
- Color: Black



roline[®]
Designed for Professionals

Order-No. – P.U.

ROLINE HDMI 4K2K Active Cable, M/M, 10.0 m

A 14.01.3430 – 5

ROLINE HDMI 4K2K Active Cable, M/M, 25.0 m

B 14.01.3435 – 5

ROLINE HDMI 4K2K Active Cable, M/M, 40.0 m

C 14.01.3436 – 5

ROLINE HDMI High Speed Cable with Repeater

3D capable 1080p FULL HD

- For a total length of 30 meters between PC and monitor
- Hardware solution, no software required
- Integrated repeater without external power supply
- Dimensions of repeater: 15 x 23 x 75 mm
- Color: black
- Contents: cable with integrated repeater



roline[®]
Designed for Professionals

Order-No. – P.U.

ROLINE HDMI High Speed Cable, M - M, with Repeater, 30 m

14.01.3465 – 1

ROLINE HDMI High Speed Cable with Ethernet with Repeater

3D capable 1080p FULL HD

- For a total length of 25 meters between computer and monitor
- Active repeater is integrated in the connectors
- Hardware solution, no software required
- No external power supply needed
- Connectors: HDMI Type A M
- Color: Black



roline[®]
Designed for Professionals

Order-No. – P.U.

ROLINE HDMI High Speed Cable w.Eth., M - M, with Repeater, 25 m 14.01.3466 – 1

VALUE UHD HDMI 4K2K Active Cables

This cable achieves resolutions with up to 4K UHD (3840x2160) @ 60Hz in up to 25m distance between data source and receiver! It's 3D capable and audio transmission is included.

- For a total length of 25 meters between computer and monitor
- Active repeater is integrated in the connectors
- Hardware solution, no software required
- No external power supply needed
- Connectors: HDMI Type A M
- Max. resolution: 3840x2160 @60Hz



Order-No. – P.U.

VALUE UHD HDMI 4K2K Active Cable, M/M, 10.0 m	14.99.3451 – 5
VALUE UHD HDMI 4K2K Active Cable, M/M, 15.0 m	14.99.3452 – 5
VALUE UHD HDMI 4K2K Active Cable, M/M, 20.0 m	14.99.3453 – 5
VALUE UHD HDMI 4K2K Active Cable, M/M, 25.0 m	14.99.3454 – 5

VALUE Cable UHD HDMI Active Optical (AOC)

With our UHD (3840x2160 @60Hz) capable HDMI fiber cable you have the possibility to establish a connection of up to 50m between your devices. The active cable (AOC) does not require a separate power supply and is particularly well suited for routing in a cable duct.

- Total length of the terminal distance (e.g., from notebook / laptop to beamer or PC to monitor): 50 meters
- Hardware solution, no software required
- A signal repeater is installed in the connectors
- No external power supply required
- Low plug dimensions
- Maximum resolution of up to 3840x2160 @60Hz



Order-No. – P.U.

VALUE Cable UHD HDMI Active Optical (AOC), M/M, 50.0 m	14.99.3482 – 1
--	----------------

ROLINE Cable UHD HDMI Active Optical (AOC)

With our UHD (3840x2160 @60Hz) capable HDMI fiber cable you have the possibility to establish a connection of up to 50m between your devices. The active cable (AOC) does not require a separate power supply and is particularly well suited for routing in a cable duct.

- Total length of the terminal distance (e.g., from notebook / laptop to beamer or PC to monitor): 50 meters
- Hardware solution, no software required
- A signal repeater is installed in the connectors
- No external power supply required
- Low plug dimensions
- Maximum resolution of up to 3840x2160 @60Hz



roline
Designed for Professionals

Order-No. – P.U.

ROLINE Cable UHD HDMI Active Optical (AOC), M/M, 50 m	14.01.3482 – 2
---	----------------

ROLINE DisplayPort Cables (AOC)

With our UHD (3840x2160 @60Hz) capable DisplayPort fiber cable you have the possibility to establish a connection of up to 50m between your devices. The active cable (AOC) does not require a separate power supply and is particularly well suited for routing in a cable duct.

- Total length of the terminal distance (e.g., from notebook / laptop to beamer or PC to monitor): 30 meters
- Hardware solution, no software required
- A signal repeater is installed in the connectors
- No external power supply required
- Low plug dimensions
- Maximum resolution of up to 3840x2160 @60Hz



roline
Designed for Professionals

Order-No. – P.U.

ROLINE DisplayPort Cable (AOC), M/M, 30m	14.01.3490 – 1
ROLINE DisplayPort Cable (AOC), M/M, 50m	14.01.3492 – 1

ROLINE Ultra HD HDMI Repeater, 4K2K

Allows you to extend the transmission range of your HDMI connection by up to 20m in total. Supports a maximum resolution of up to 3840x2160 @60Hz!

This 4k2k HDMI repeater regenerates the incoming HDMI Signal by decoding and re-encoding it to a new standard HDMI signal, so it can extend the transmission range without degradation. Up to 20 meters transmission distance. The repeater supports a resolution up to Ultra HD (4K)

- Support 3D and up to 3840x2160 @60Hz
- Compliant with HDCP
- Compatible to Full-HD 1080P
- Frequency bandwidth: up to 340MHz

- Input/output resolution
HD:480i@60Hz, 576i@50Hz, 480p@60Hz, 1080p@50Hz, 1080p@60Hz, 1080i@50Hz, 1080p@30Hz, 1080p@25Hz, 1080p@24Hz, 2160P@30Hz, 2160P@60Hz
- Dimensions (WxHxD): 28 x 13 x 51mm



roline
Designed for Professionals



Order-No. – P.U.

ROLINE Ultra HDMI Repeater, 4K2K	14.01.3459 – 10
----------------------------------	-----------------

Converter Scart/HDMI to HDMI 720p/1080p

- The SCART+HDMI to HDMI converter can convert 480i(NTSC)/576i(PAL) format signal to 720p/1080p HDMI signal output
- SCART input interface: DVD, set-top box, other players
 - SCART input format: PAL/NTSC-M/NTSC4.43/SECAM/PAL-M/PAL-N
- HDMI input format: 480i/576i/480p/576p/720p@50/60Hz, 1080i@50/60Hz, 1080p@50/60Hz
- HDMI output interface: connect with high definition TV or high definition projector
 - HDMI output format: 720p@50/60Hz, 1080p@50/60Hz
 - Audio output format: Digital coaxial audio, analog stereo audio
- 3.5mm audio interface: Connect with analog audio amplifier or headphones input interface
- Digital coaxial output: Connect with digital audio amplifier
- SCART audio is integrated into HDMI out as well as pass-through to earphone or sound box output
- Automatically detect RGB(50/60Hz), Composite Video(NTSC/PAL);
- Color: Black
- Material: metal case
- Contents: converter, manual, power adapter

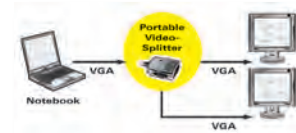


Order-No. – P.U.

Converter Scart/HDMI to HDMI 720p/1080p 14.01.3463 – 10

VALUE VGA Video Splitters, 2/4-way

- Duplicates VGA video signals to two/ four video outputs
- Applications: multimedia, presentations, demos, etc.
- Max. resolution (nominal): 1920 x 1440 (14.99.3523) 1920 x 1080 (14.99.3527/3529)
- Video bandwidth: 250 MHz / 500 MHz
- Supports DDC and DDC2 on Port 1 (14.99.3523)
- Video input: 1x HD15 M, Video output: 2x / 4x HD15 F
- Contents: Video splitter (cable length: 65 cm + 30 cm USB cable for power supply- 14.99.3523) 14.99.3527 /14.99.3529 – splitter, main adapter 9VDC, 300mA



Technical data:	14.99.3523	14.99.3527	14.99.3529
VGA input:	1x HD15 M	1x HD15 M	1x HD15 M
VGA output:	2x HD15 F	2x HD15 F	4x HD15 F
Video bandwidth:	250 MHz	500 MHz	500 MHz
Max. resolution (nominal):	1920 x 1440	1920 x 1080	1920 x 1080

Order-No. – P.U.

VALUE Portable VGA Video Splitter, 250 MHz, 2-way	14.99.3523 – 5
VALUE VGA Video Splitter, 500 MHz, 2-way	14.99.3527 – 10
VALUE VGA Video Splitter, 500 MHz, 4-way	14.99.3529 – 10

ROLINE VGA Video Splitter, 450 MHz, 2/4-way

- Applications
 - High Quality Multimedia Presentations
 - Video Conferencing
 - Education
 - Public Broadcasting Systems
 - Demos
- Duplicates one video signal to two outputs
- Supports 450 MHz bandwidth
- Max. resolution (nominal): 1920 x 1440
- DDC compatible
- USB Bus powered (USB power cable included)
- Cascadable
- Plastic casing
- Contents: Splitter, USB power cable (1.1m)



roline
Designed for Professionals

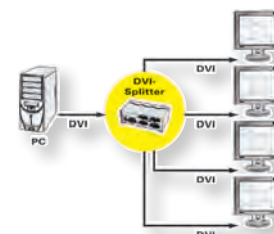
Technical Data:	14.01.3534	14.01.3536
Input:	1x HD15 M	1x HD15 M
Output:	2x HD15 F	4x HD15 F
VGA bandwidth (-3db):	450MHz	450MHz
Max resolution (nominal):	1920x1080	1920x1080
Cable distance:	30 m	30 m
Power supply:	5VDC, 0.5A	5VDC, 0.5A

Order-No. – P.U.

ROLINE VGA Video Splitter, 450 MHz, 2-way	14.01.3534 – 3
ROLINE VGA Video Splitter, 450 MHz, 4-way	14.01.3536 – 3

VALUE DVI Video Splitter

- Applications: multimedia, presentations, demos, etc.
- Duplicates DVI Video signals to two/ four DVI Video outputs
- Video-bandwidth: 225MHz
- Max. resolution: 1920x1080
- Supports cascading of splitters
- Contents: Splitter, main adapter, manual



Technical Data:	14.99.3501	14.99.3503
Input:	1x DVI F	1x DVI F
Output:	2x DVI F	4x DVI F
Max. resolution (nominal):	1920 x 1080	1920 x 1080
Dimensions (LxWxH):	155 x 70 x 23 mm	155 x 70 x 23 mm
Power supply:	5V DC, 2A	5V DC, 2A



Order-No. – P.U.

VALUE DVI Video Splitter, 2-way	14.99.3501 – 5
VALUE DVI Video Splitter, 4-way	14.99.3503 – 5

ROLINE DVI Video Splitter

- Applications: multimedia, presentations, demos, etc.
- Duplicates DVI Video signals to two DVI Video outputs
- Max. resolution: 1920x1200
- Supports cascading of splitters
- Contents: Splitter, main adapter, manual



Technical Data:
 Input video: 1x DVI F
 Output video: 2x DVI F
 Input audio: 1x 3,5mm F
 Output audio: 2x 3,5mm F
 Max. resolution (nominal): 1920 x 1200
 Dimensions (LxWxH): 180 x 85 x 20 mm
 Power supply: 9V DC, 0,6A



Order-No. – P.U.

ROLINE DVI Video Splitter, 2-way

14.01.3550 – 6

ROLINE HDMI to VGA Splitter

1080p FULL HD

- Duplicates a HDMI video signal to two VGA video signals
- Connectors: 1 HDMI Input (e.g. DVD-player), 2 VGA outputs
- Supports 1920 x 1080, 1080p
- No software installation required
- Contents: splitter, manual



Order-No. – P.U.

ROLINE HDMI to VGA Splitter, 2-way

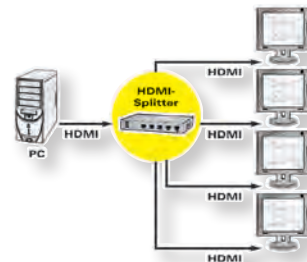
14.01.3526 – 5

VALUE HDMI Splitter

3D capable

1080p FULL HD

- Shows the HDMI signal of one device to four/eight HDMI outputs
- E.g. for application at presentations or trainings
- Connectors: 5x / 8x HDMI Female (1x input, 4x / 8x output)
- Max. resolution (nominal): 1920 x 1080
- Supports 480i, 480p, 720i, 720p, 1080i and 1080p
- Status LEDs
- On/off switch
- Contents: HDMI Splitter, power supply, manual



Technical data:	14.99.3506	14.99.3507
Input:	1x HDMI F	1x HDMI F
Output:	4x HDMI F	8x HDMI F
Dimensions (WxDxH):	185 x 116 x 32 mm	310 x 156 x 32 mm



Order-No. – P.U.

VALUE HDMI Splitter, 4-way

14.99.3506 – 10

VALUE HDMI Splitter, 8-way

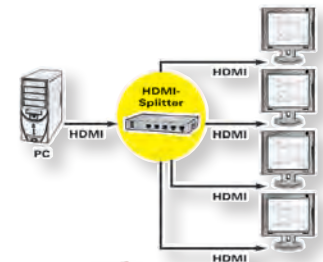
14.99.3507 – 10

ROLINE HDMI Splitter

3D capable

1080p FULL HD

- Duplicates a HDMI video signal to two/four HDMI video signals
- Connectors: 1 HDMI Input (e.g. DVD-player), 2/4 HDMI outputs
- Supports 480i, 480p, 720i, 720p, 1080i, 1080p
- Supports VGA, SVGA, XGA, UXGA
- Supports up to 5 m cable on input side and on output side
- Plug & play, easy to install and simple to operate
- No software installation required
- No power supply needed (14.01.3552)
- Contents: splitter, manual, power supply (14.01.3553)



Technical data:	14.01.3552	14.01.3553
Input:	1x HDMI F	1x HDMI F
Output:	2x HDMI F	4x HDMI F



Order-No. – P.U.

ROLINE HDMI Splitter, 2-way

A 14.01.3552 – 5

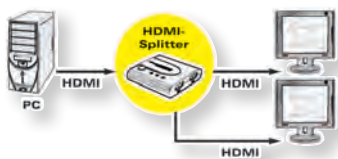
ROLINE HDMI Splitter, 4-way

B 14.01.3553 – 2

VALUE HDMI Splitter, 4K2K

4K2K 3D capable 2160p ULTRA HD

- Duplicates a HDMI video signal to two HDMI video signals with a 4K resolution
- Connectors: 1 HDMI Input (e.g. DVD-player), 2/8 HDMI outputs
- Supports 480i, 480p, 720i, 720p, 1080i, 1080p, 3840 x 2160 (@60Hz)
- Supports VGA, SVGA, XGA, UXGA
- Supports 3D
- Plug & play, easy to install and simple to operate
- No software installation required
- Contents: splitter, manual, power-supply



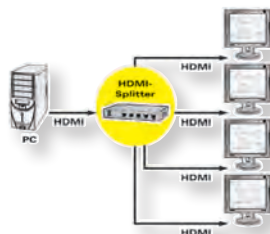
Order-No. - P.U.

VALUE HDMI Splitter, 4K2K, 2-way 14.99.3582 - 10

ROLINE HDMI Splitter, 4K2K

4K2K 2160p ULTRA HD

- Duplicates a HDMI video signal to 2/4/8 HDMI video signals with a 4K resolution
- Connectors: 1 HDMI Input (e.g. DVD-player), 2/4/8 HDMI outputs
- Supports 480i, 480p, 720i, 720p, 1080i, 1080p, 3840 x 2160 (@30Hz)
- Supports VGA, SVGA, XGA, UXGA
- Supports 3D
- Plug & play, easy to install and simple to operate
- No software installation required
- Contents: splitter, manual, powersupply



Order-No. - P.U.

ROLINE HDMI Splitter, 4K, 2-way 14.01.3585 - 5

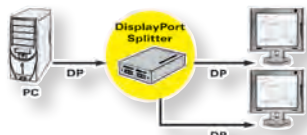
ROLINE HDMI Splitter, 4K, 4-way 14.01.3586 - 5

ROLINE HDMI Splitter, 4K, 8-way 14.01.3582 - 5

ROLINE DisplayPort Splitter

4K2K

- The DisplayPort splitter allows single DP source to be displayed on two/four DP input monitors simultaneously
- Supports video resolution up to 3840 x 2160 (@30Hz) and audio up to PCM 7.1 (32-192 kHz sample rate)
- Supports 1.62/2.7 Gb/s data rate (Low/High bit rate)
- Ideal device for your DP source to applications like multi display, information sharing, advertising program
- Remark: the device supports only DisplayPort mode, it can not connect DP to HDMI level shift convert
- Contents: splitter, power supply, manual



Order-No. - P.U.

ROLINE DisplayPort Splitter, 2-way 14.01.3590 - 10

ROLINE DisplayPort Splitter, 4-way 14.01.3591 - 5

ROLINE HDMI/DisplayPort Switch

1080p FULL HD

- Allows several HDMI and DisplayPort sources to be connected to one HDMI display like e.g. a monitor, TV, projector.
- Connectors input 2/4-way: 2x HDMI Type A F, 2x DisplayPort F (2 ports, each with 1 HDMI connector and 1 DisplayPort connector, whereof only 1 connector can be used)
- Connector output: 1x HDMI F
- Supports 480p, 720p, 1080i and 1080p resolution, 1920 x 1080 (nominal)
- Selects input source via push button
- LED indication for source selection
- Plug & play, no software required
- HDCP supported
- Contents: Switch, power supply, manual



Technical Data:	14.01.3572	14.01.3574
Input:	1x HDMI A F/DisplayPort F*	2x HDMI A F
	1x HDMI A F/DisplayPort F*	2x DisplayPort F
Output:	1x HDMI	1x HDMI
Max. resolution (nominal):	1920 x 1080	1920 x 1080
Dimensions (WxDxH):	157 x 65 x 20 m	157 x 65 x 20 m
Power supply:	5VDC; 2A	5VDC; 2A

*) 2 ports, each with 1 HDMI connector and 1 DisplayPort connector, whereof only 1 connector can be used

Order-No. - P.U.

ROLINE HDMI/DisplayPort Switch, 2-way 14.01.3572 - 6

ROLINE HDMI/DisplayPort Switch, 4-way 14.01.3574 - 6

VALUE HDMI Switch, Automatic

3D capable **1080p** FULL HD

- Shows the Video output of 2/3 HDMI devices like e.g. DVD player, video camera or game console on one monitor
- Supports HDMI High Speed
- Video input can be switched automatically or by button on the switch
- Supports nominal resolution of up to 1920 x 1080
- Supports high-resolution display of up to 480p, 576p, 720p, 1080i, 1080p
- Supports uncompressed audio such as LPCM
- Supports compressed audio such as DTS Digital, Dolby Digital (incl. DTS-HD and Dolby True HD)
- No power supply needed
- Colour: Black
- Contents: HDMI switch



Order-No. – P.U.

VALUE HDMI Switch, Automatic, 2-way 14.99.3566 – 5

VALUE HDMI Switch, Automatic, 3-way 14.99.3565 – 5

ROLINE HDMI Switch, 4K2K, 3-way

4K2K **2160p** ULTRA HD

- Shows the Video output of 3 HDMI devices like e.g. DVD player, video camera or game console on one monitor
- Supports HDMI High Speed
- Video input can be switched automatically or by button on the switch
- Supports nominal resolution of up to 3840 x 2160@60Hz
- Supports high-resolution display of up to 480p, 576p, 720p, 1080i, 1080p,
- Supports uncompressed audio such as LPCM
- Supports compressed audio such as DTS Digital, Dolby Digital (including DTS-HD and Dolby True HD)
- Power supply needed (5VDC, 1A)
- Colour: Black
- Contents: HDMI switch



Designed for Professionals



Order-No. – P.U.

ROLINE 4K2K HDMI Switch, 3-way

14.01.3575 – 5

ROLINE HDMI Matrix Switch

3D capable **1080p** FULL HD

- Four HDMI High Speed input signals can be switched to two/four HDMI High Speed output devices
- Supports Full HD
- Supports 3D
- Max. resolution (nominal): 1920 x 1080
- Supports 480i, 480p, 720i, 720p, 1080i and 1080p
- Supports Blu-ray 24/50/60fs/HD-DVD/xvYCC
- Supported digital audio formats: DTS-HD/Dolby-trueHD/LPCM7.1/DTS/Dolby-AC3/DSD
- Input devices can be switched by IR remote control or by push buttons on the switch
- Contents: Switch, power supply, remote control, manual



Designed for Professionals



Order-No. – P.U.

ROLINE HDMI Matrix Switch, 4 x 2 (Full HD, 1080P) A 14.01.3566 – 1

ROLINE HDMI Matrix Switch, 4 x 4 (4K2K @30Hz) B 14.01.3567 – 5

ROLINE HDMI Matrix Switch, 4K2K

4K2K **3D** capable

- Four HDMI High Speed input signals can be switched to two HDMI High Speed output devices
- Supports Full HD
- Supports 3D
- Max. resolution (nominal): 3840 x 2160 @30Hz
- Supports 480i, 480p, 720i, 720p, 1080i and 1080p, 2160p
- Supports Blu-ray 24/50/60fs/HD-DVD/xvYCC
- Supported digital audio formats: DTS-HD/Dolby-trueHD/LPCM7.1/DTS/Dolby-AC3/DSD
- Input devices can be switched by IR remote control or by push buttons on the switch
- Contents: Switch, power supply, remote control, manual
- Contents: HDMI Matrix Switch, power supply, remote control, QIG



Designed for Professionals



Order-No. – P.U.

ROLINE HDMI 4K2K Matrix Switch, 4 x 2, with Remote Control

14.01.3578 – 5

ROLINE HDMI/VGA/DP to HDMI Switch / Converter

- High performance video adapter, which supports three types of input sources (HDMI / DP / VGA) and one HDMI output
- Ideal for multimedia applications
- Support maximum resolution up to 4K2K (HDMI or DP 4096x2160 @60Hz) and up to 1080p (VGA)
- Easy to install and simple to use
- Source selection by- auto detect / IR remote / Select button on the front panel
- LED Status
- Power adapter (5VDC, 1A)



roline
Designed for Professionals



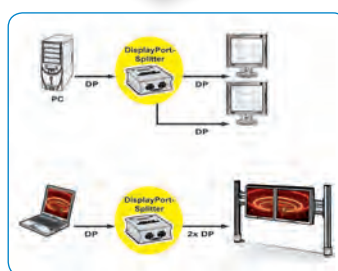
Order-No. – P.U.

ROLINE HDMI/VGA/DP to HDMI Switch / Converter

14.01.3568 – 5

VALUE Display Port Splitter (Hub), 2 Ports

- Offers solutions for digital entertainment center, conference room presentation, school and corporate training environments...
- This is a two ports DisplayPort hub, designed for transmitting signals from one DisplayPort source device to two DisplayPort displays
- This hub owns both SST and MST functions- which allow you to enjoy one picture with dual monitors or independent pictures on each monitor respectively
- Connected to earlier revisions of DisplayPort, the hub can act as a video splitter
- Support DisplayPort 1.2
- Max. resolution up to 4K2K@30Hz (3840x2160)
- HDCP 1.3 compliant
- EDID 1.4 compliant
- Power supply included in delivery (5 VDC, 2A)
- Contents: splitter, manual, power supply



Value
®

Order-No. – P.U.

VALUE Display Port Splitter (Hub), 2 Ports

14.99.3590 – 5

VALUE / ROLINE Audio Adapters



roline
Designed for Professionals

Order-No. – P.U.

VALUE 3.5mm Adapter, 1x 3.5mm M to 2x 3.5mm F	A	11.99.4440	– 100
VALUE 3.5mm Adapter, 1x 3.5mm M to 2x RCA F	B	11.99.4441	– 100
VALUE Toslink Optical Adapter(Female) to 3.5mm Mini Jack Plug Adapter(Male)	C	11.99.4447	– 50
ROLINE 4 Conductor 3.5 mm Stereo Plug (speaker+microphone), 15 cm	D	11.09.4441	– 20
ROLINE 3.5 mm Stereo Coupler, F/F	E	11.09.4442	– 10
ROLINE Stereo Adapter 3.5 mm Male - 6.35 mm Female	F	11.09.4443	– 10
ROLINE Stereo Adapter 6.35 mm Male - 3.5 mm Female	G	11.09.4444	– 10
ROLINE Stereo Adapter 3.5 mm Male - 2.5 mm Female	H	11.09.4445	– 10
ROLINE Stereo Adapter 2.5 mm Male - 3.5 mm Female	J	11.09.4446	– 10
ROLINE Toslink Optical Adapter(Female) to 3.5mm Mini Jack Plug Adapter(Male)	K	11.09.4447	– 50

VALUE Audio Converter Digital to Analogue

- Connects a LCD TV, CD/DVD player or set-top box with digital output to an analogue amplifier with stereo input.
- Converts digital audio signals from Toslink (optical) or RCA (coaxial) to analogue Stereo 2x RCA
 - Supports up to 24bit/96kHz
 - Power supply included
 - Contents: Audio converter, power supply, manual



Value
®

Order-No. – P.U.

VALUE Audio Converter - Digital to Analogue

14.99.3441 – 6

ROLINE Audio Converter Digital to Analogue

- Connects a LCD TV, CD/DVD player or set-top box with digital output to an analogue amplifier with stereo input.
- Converts digital audio signals from Toslink (optical) or RCA (coaxial) to analogue Stereo 2x RCA
 - Supports up to 24bit/192kHz
 - Power supply included
 - Contents: Audio converter, power supply, manual



roline
Designed for Professionals

Order-No. – P.U.

ROLINE Audio Converter Digital to Analogue

14.01.3441 – 5

ROLINE Y Audio Cable with 3.5 mm Stereo Plug

- Audio Y-cable for connection of a speaker/headphone with volume control
- Connectors:
 - 1x 3.5 mm stereo plug M, 3-pole, for connection to a speaker output, eg on the PC or iPod
 - 2x 3.5 mm jack, 3-pole, for connecting speakers or headphones
- Volume control for both lines, separately adjustable for each output line
- Colour: black
- Length: 30 cm



Order-No. – P.U.

ROLINE Y Audio Cable with 3.5 mm Stereo Plug (2x speaker lines) 11.09.4439 – 25

VALUE Stereo Headsets

- Ideal device for multimedia applications and video conferencing
- With integrated microphone (not 15.99.1316)
- With volume control on the cable
- Connection to PC over 3.5 mm stereo plug
- Cable length: ca. 1.8 m



Order-No. – P.U.

VALUE Stereo Headphone with Volume Control, light grey A 15.99.1316 – 50

VALUE Headset, with Volume Control, black B 15.99.1301 – 20

VALUE Headset, with Volume Control, grey C 15.99.1304 – 10

G-SOUND Headsets

- Attractive products with modern design, ideal for multimedia applications
- Quick and easy installation
- With volume control on the cable
- Padded earpieces



Order-No. – P.U.

G-SOUND Headset De Luxe A 15.08.1318 – 10

G-SOUND Headset Multimedia, silver/white B 15.08.1303 – 10

G-SOUND Headset Multimedia, black C 15.08.1304 – 10

ROLINE Bluetooth Speaker, waterproof

- Portable Bluetooth speaker
- IP X6 waterproof (splashing water, to avoid a completely submersed in water functionality)
- Stereo sound, passive radiator for enhanced bass
- Bluetooth 3.0, range up to 10 meters
- Hands-free function and built-in microphone
- Playing music up to 5 hours, charging time 2.5 hours
- Line-in port(AUX-in) for use with music players
- Micro USB charging
- Unique design with portable hook
- Built-in Lithium-Ion battery (1000mAh)
- Speaker diameter: 45mm
- Speaker Impedence: 4 Ohm
- Speaker power output: 2x 3W
- Color: black
- Contents: Headset, audio cable, USB charging cable, manual



Order-No. – P.U.

ROLINE Bluetooth Speaker, waterproof 15.08.0990 – 5

ROLINE HDMI 4K2K Audio Extractor LPCM 7.1

The ROLINE HDMI 4K2K Audio Extractor allows to uncouple audio signals from the HDMI signal.

Not all monitors have good speakers. With the extractor you can redirect the audio signals via S/PDIF (optical) or analog via 3.5mm ports on a speaker system, the pure image signal goes to the screen.

- Supports HDMI, HDCP 1.2
- Audio-rate (sampling frequency for S/PDIF as HDMI) to 192kHz
- Supports high bit-rate audio
- Supports video resolution up 4K2K and 3D
- HBR audio supported
- Supports CEC bypass

- Supports up to 4 x 3.5 mm phone jacks for analog multi-channel audio outputs
- Power supply (5 V DC, 2 A) included
- Contents: extractor, power adapter, user manual
- Contents: Extractor, main adapter, manual



Order-No. – P.U.

ROLINE HDMI 4K2K Audio Extractor LPCM 7.1 14.01.3442 – 10



LIFEVIEW Video Editor USB DeLuxe

- Create your home video library
- Real-time Mpeg 4/2/1 encoding
- Burn edited files onto DVD, VCD, SVCD etc.
- Capture video source from VHS, V8 etc.
- Burn your own DVD and VCD
- Connectors: USB to S-Video, Composite Video, Audio (R), Audio (L)
- Supported Operating Systems: Windows XP/Vista/7
- Contents: Video Editor USB, installation CD, quick installation guide



Order-No. – P.U.

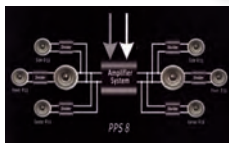
LIFEVIEW Video Editor USB DeLuxe 15.08.1594 – 1

BLUEDIO Headset R+, BT 4.0 HiFi, NFC

Comfortable headset with Bluetooth and NFC functionality for wireless music enjoyment

- Stylish design
- Adjustable headband and comfortable ear cushions (the pads offers a optimum comfort)
- High level of comfort
- Provides a high-definition wireless sound
- Digital, intelligent sound optimization (intelligent control of the built-in speakers - per side 1x subwoofer (50mm), 3x 13mm Neodymium)
- NFC (Near Field Communication) functionality (wireless connection to mobile devices such as smartphones)
- Bluetooth (v4.0, aptX profiles, A2DP, AVRCP, HFP, HSP)
- Easy connect to Bluetooth enabled devices due to the Bluetooth 4.0 + EDR technology
- Smartphones, tablet PCs, computer or MP3 player can be connected via Bluetooth or via cable to the headset

- Offers a wide motion range (max. range: up to 20m) and a long battery life
- Thanks to the integrated microphone a hands-free phone calls are possible
- Colour: black
- Contents: Headset, 3.5mm audio Micro USB charging cable, velvet bag



Bluedio
— FEELING MUSIC —

Order-No. — P.U.

BLUEDIO Headset R+, BT 4.0 HiFi, NFC

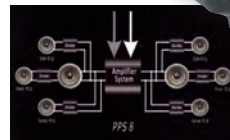
15.08.1350 — 1

BLUEDIO Headset R2 BT 4.0 HiFi

Comfortable headset with Bluetooth functionality for wireless music enjoyment

- Stylish design
- Adjustable headband and comfortable ear cushions (the pads offers a optimum comfort)
- High level of comfort
- Provides a high-definition wireless sound
- Digital, intelligent sound optimization (intelligent control of the built-in speakers - per side 1x subwoofer (50mm), 3x 13mm Neodymium)
- Bluetooth (v4.0, profiles: aptX, A2DP, AVRCP, HFP, HSP)
- Easy connect to Bluetooth enabled devices due to the Bluetooth 4.0 + EDR technology
- Smartphones, tablet PCs, computer or MP3 player can be connected via Bluetooth to the headset
- Offers a wide motion range (max. range: up to 20m) and a long battery life

- Thanks to the integrated microphone a hands-free phone calls are possible
- Colour: black
- Contents: Headset, Micro USB charging cable, velvet bag



Bluedio
— FEELING MUSIC —

Order-No. — P.U.

BLUEDIO Headset R2 BT 4.0 HiFi

15.08.1351 — 1

VALUE A/V Modules

Multimedia connection system: computer, video, audio, control or network connections can be easily integrated with the modular multimedia connection system in switch programs. With the unsightly, lying around or hanging cables is now finally concluded. The system is cost-effective and future-proof as it can be expanded at any time to new interfaces.

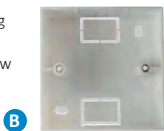
25.99.8200 - VALUE A/V Faceplate, 86x86mm

- Triple gang, 86mm x 86mm
- White plastic triple gang frame
- Triple 44 x 66 mm wide aperture for 3 x 22mm modules
- Color: White



25.99.8201 - VALUE A/V Wall Cup, 86x86mm

- Flush wall mounted back boxes for AV wall plates
- The boxes are designed to be quickly fitted into partitioned walls (horizontally or vertically)
- Cable access points and standard fixing centres for face plates
- This AV back box is 42mm deep to allow most AV wall plates to fit
- Wall cup, 86mm x 86mm x 42mm
- Color: White



25.99.8202 - VALUE A/V Module (2xAudio, 1x Video)

- Ideal for home offices, conference rooms, classrooms, board rooms
- Plug-in installation on both sides of the plate, no soldering necessary
- Plus three phono connections for composite video plus audio
- Connection: RCA Composite Video Audio Male Jacks
- Color: White



25.99.8203 - VALUE A/V Module (HDMI F adapter,angled)

- Ideal for home offices, conference rooms, classrooms, board rooms
- Wall plate HDMI socket
- For use with HDMI cables
- This convenient wall plate has a female connector on the front and in back for easy installation
- The rear socket is aligned such that a side entry HDMI cable should pass through one of the side knock-outs in a wall cup (25.99.8201)



REMARK: Depending on the used plug size some modification may be necessary, no additional possibility for using another A/V module type in the same wall cup

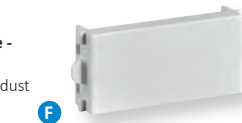
25.99.8204 - VALUE A/V Module (USB 2.0 Type A)

- Ideal for home offices, conference rooms, classrooms, board Mount an external USB port quickly and easily with our USB face plates
- Easy to install
- Compliant USB 2.0
- Color: White
- 1 x USB-A Female



25.99.8205 - VALUE A/V Module - Blind plate

- Protects your wall mount from dust
- Easy to install and remove
- Color: White



25.99.8206 - VALUE Cable Exit Brush Wall Plate, 86x86mm

- Soft, densely packed Nylon bristles protect cable jackets from damage and prevent cables from falling behind the wall
- This single gang wall plate with brush bristles allows the cables running behind your walls to exit the wall and connect to your devices for neat professional look
- The aperture is large enough for VGA, HDMI, DVI, DisplayPort, Cat5e/6 and other types of cables



Order-No. — P.U.

VALUE A/V Faceplate, 86x86mm, white

A 25.99.8200 — 20

VALUE A/V Wall Cup, 86x86mm, white

B 25.99.8201 — 5

VALUE A/V Module (2xAudio, 1x Video)

C 25.99.8202 — 20

VALUE A/V Module (HDMI F adapter,angled)

D 25.99.8203 — 20

VALUE A/V Module (USB 2.0 Type A)

E 25.99.8204 — 20

VALUE A/V Module - Blind plate

F 25.99.8205 — 20

VALUE Cable Exit Brush Wall Plate, 86x86mm

G 25.99.8206 — 10



NEW

Value[®]



UPS Systems / Power Distribution

8

Line-Interactive UPS	8.02 – 8.03
Online UPS	8.03
Power Strips	8.04
IP Power Strip / Remote Switch	8.05
Universal Power Adapters	8.06
USB Power Cables	8.06
USB Chargers / Car Chargers	8.06 – 8.07
Power Cords	8.08
Power Extension Cables	8.08

VALUE UPS, Line-Interactive, USB Port

Quality Protection for Small Servers, Workstation & PC

- Line interactive design
- Boost and buck AVR (Auto voltage regulation)
- Fully digitized microprocessor controlled
- Energy saving function (UPS green mode)
- 50/60Hz frequency auto sensing and selection
- Cold start function (DC power on)
- Lightning and surge protection
- Short circuit and overload protection
- Advanced battery management (ABM technology)

- Tel/Modem internet surge suppression
- Smart USB communication port
- Automatically charging when UPS off
- History record of power failure events
- Back up, on-line, battery status, power status display by software
- Schedule shutdown & reboot
- Windows 98/Me/NT/2000/XP/2003/7/8/10
- Contents: UPS, Software, Cable-Set



Description	Output (VA/W)	Backup time	Dimensions (HxWxD)	Weight	Internal cooling	Order-No.	- P.U.
VALUE UPS, Line-Interactive, 400VA, USB Port	400 / 240	4 min	135 x 97 x 320 mm	4.5 kg	Passive	19.99.3424	- 1
VALUE UPS, Line-Interactive, 600VA, USB Port	600 / 420	4 min	135 x 97 x 320 mm	4.5 kg	Passive	19.99.3426	- 1
VALUE UPS, Line-Interactive, 800VA, USB Port	800 / 480	3 min	135 x 97 x 320 mm	6.5 kg	Passive	19.99.3428	- 1
VALUE UPS, Line-Interactive, 1200VA, USB Port	1200 / 720	3 min	192 x 382 x 130 mm	14 kg	Passive	19.99.3430	- 1

Special Battery for UPS Systems

- Maintenance free spare battery for all actual and former UPS models
- Spare battery for e.g. ROLINE, APC, EATON, VALUE, Fujitsu, Effekta, POWERWARE, AEG, FISKARS, BESTPOWER and others
- Contents: Battery



Description	Dimensions (HxWxD)	Weight	Order-No.	- P.U.
Special Battery for UPS 12V 7Ah	100x65x155 mm	2.6 kg	19.49.1207	- 1
Special Battery for UPS 12V 9Ah	100x65x155 mm	3 kg	19.49.1209	- 1
Special Battery for UPS 12V 12Ah	100x100x155 mm	3.9 kg	19.49.1212	- 1
Special Battery for UPS 12V 17Ah	167x76x181 mm	5.8 kg	19.49.1217	- 1
Special Battery for UPS 12V 5Ah	107x70x90 mm	1.8 kg	19.49.1205	- 1

ROLINE LineSecure / LineSecure II – Line Interactive UPS

LineSecure UPS's work with the „buck & boost“ line interactive technology; used when reliable protection against strong voltage fluctuations is essential. Protect against: power failure, power sag, power surge, under voltage, over voltage.

Product features:

- Compact, quiet, user-friendly
- Desktop and 19" RM models
- Short circuit and overload protection
- AVR (Automatic Voltage Regulation)
- ABM (Automatic Battery Management) increases battery life up to 50%
- Telephone/Modem connections
- Shutdown software including License for 1 server
- Serial Port for advanced Power Management Software (incl. in content of delivery)
- UPS Management Software :
Windows NT/ 2k / XP / 7 / 8 / 10 / Server 2003 / 2008 / 2012 x86/x64, MAC OS X (Intel) 10.6.x, 10.7.x, 10.8.x Mountain Lion, 10.9.x Mavericks/MAC OS
- Contents: UPS, Software, Cable Set



roline ups

Description	Output (VA/W)	Backup time	Dimensions (HxWxD)	Weight	Internal cooling	Order-No.	- P.U.
ROLINE LineSecure1000	1000 / 700	3 min	210 x 140 x 436 mm	15 kg	Active, fan	19.40.1110	- 1
ROLINE LineSecure1500	1500 / 960	3 min	226 x 170 x 450 mm	6.9 kg	Active, fan	19.40.1115	- 1
ROLINE LineSecure 1000R	1000 / 670	3 min	84 x 483 x 430 mm	20 kg	Active, fan	19.40.1111	- 1
ROLINE LineSecure 1500R	1500 / 960	3 min	130 x 483 x 381 mm	25 kg	Active, fan	19.40.1116	- 1
ROLINE LineSecure II 1000	1000 / 700	3 min	210 x 140 x 436 mm	15 kg	Active, fan	19.40.1112	- 1
ROLINE LineSecure II 1500	1500 / 960	3 min	226 x 170 x 450 mm	6.9 kg	Active, fan	19.40.1117	- 1
ROLINE LineSecure II 2000	2000 / 1300	3 min	226 x 170 x 450 mm	30 kg	Active, fan	19.40.1120	- 1
ROLINE LineSecure II 1000R	1000 / 670	3 min	84 x 483 x 430 mm	20 kg	Active, fan	19.40.1113	- 1
ROLINE LineSecure II 1500R	1500 / 960	3 min	130 x 483 x 381 mm	25 kg	Active, fan	19.40.1119	- 1
ROLINE LineSecure II 2000R	2000 / 1300	3 min	130 x 483 x 381 mm	29 kg	Active, fan	19.40.1121	- 1
ROLINE UPS 19" Rail Kit 2/3U 58-90 cm			58-90 cm, 2 UH	0.4 kg		19.40.2177	- 1

ROLINE DesignSecure – Line Interactive UPS

- Compact designed UPS in futuristic design
- For Workstations and PCs
- LineInteractive UPS
- AVR (Automatic Voltage Regulation)
- Digital status display
- Integrated overvoltage protection
- Telephone/Modem connections
- USB Port for advanced Power Management Software (incl. in content of delivery)
- EMI/RFI Noise Filter
- Dimensions (HxLxW) 168 x 105 x 334 mm
- Backup Time: up to 4 Minutes
- Contents: UPS, Software, Cable Set

Technical data:
 Input:
 Voltage: 230 V +/- 25%
 Frequency: 50 Hz +/- 10% (automatic detection)
 Breaker or protection for overload and short circuit
 Automatic UPS shut down in case of overload
 Output (battery mode):
 Voltage: simulated sinus at 230 V +/- 5%
 Frequency: 50 Hz +/- 1Hz
 Circuit time: 2/4 milliseconds reaction time
 Voltage regulation (AVR): 9% - 25% to nominal voltage
 Telephone protection
 Short circuit protection



Description	Output (VA/W)	Backup time	Dimensions (HxWxD)	Weight	Internal cooling	Order-No. – P.U.
ROLINE DesignSecure 525	525/315	3 min	168 x 105 x 334 mm	5.8 kg	Passive	19.40.1205 – 1
ROLINE DesignSecure 625	625/375	3 min	168 x 105 x 334 mm	6.4 kg	Passive	19.40.1206 – 1
ROLINE DesignSecure 825	825/495	2 min	168 x 105 x 334 mm	6.3 kg	Passive	19.40.1208 – 1
ROLINE DesignSecure 1200	1200/720	3 min	168 x 105 x 334 mm	14 kg	Passive	19.40.1212 – 1
ROLINE DesignSecure 2000	2000 / 1200	2 min	192 x 130 x 382 mm	16 kg	Passive	19.40.1220 – 1

ROLINE ProSecure II / III – Online UPS

The ROLINE ProSecure Series - for optimum power protection is a truly state of the art online double conversion UPS, ideal for all essential computer systems and servers. Protects against: power failure, power sag, power surge, under voltage, over voltage, switch transient, line noise, frequency variation, harmonic distortion.

Product features:

- Cold start function (DC power on)
- Lightning and surge protection
- Battery replacement warning
- Emergency Power Off function
- Battery remain time display
- LCD display front panel
- Power factor correction
- Support USB communication
- Multiple language LCD display
- On line output voltage selected
- Hot swappable battery by user
- True on-line technology provides all power protection
- Pure sine-wave output with less than 3% THD
- Fully digitized microprocessor controlled
- Short Circuit and overload protection
- Advanced management (ABM)



- Automatic battery charge in UPS off mode
- Automatic diagnostics & battery check
- RS-232 communication port with monitoring software
- Network/fax/modem surge protection
- Extended back up time with battery pack
- Load segmentation receptacles controllable
- High efficiency mode selectable
- Fan speed auto control when loads varies
- UPS Management Software:
 Windows NT/ 2k/ XP / 7 / 8 / 10 / Server 2003 / 2008 / 2012 x86/x64, MAC OS X (Intel) 10.6.x, 10.7.x, 10.8.x Mountain Lion, 10.9.x Mavericks/MAC OS
- Contents: UPS, Software, Cable Set

Technical data:

Input:
 Input voltage range: 160 VAC - 276 VAC
 Frequency: 50 Hz
 Input power factor: 0.97
 Freq. window from mains: 45 - 65 Hz
 Synchronization window: ± 3 Hz
 Output:
 Output voltage: 208/220/230/240 VAC, selectable from LCD panel
 Voltage regulation: ± 2%
 Voltage distortion: < 5% THD at full non-linear load, < 3% THD at full linear load
 Overload capacity: 100 - 125% 1 min., 125 - 150% 10 sec
 Efficiency: greater than 86%



Description	Output (VA/W)	Backup time	Dimensions (HxWxD)	Weight	Internal cooling	Order-No. – P.U.
ROLINE ProSecure II 700 - Online UPS	700 / 490	5 min	235 x 155 x 410 mm	15 kg	Active, fan	19.40.1081 – 1
ROLINE ProSecure II 1000 - Online UPS	1000 / 700	6 min	235 x 155 x 410 mm	16 kg	Active, fan	19.40.1082 – 1
ROLINE ProSecure II 1500 - Online UPS	1500 / 1050	5 min	235 x 155 x 410 mm	20 kg	Active, fan	19.40.1083 – 1
ROLINE ProSecure II 2000 - Online UPS	2000 / 1400	6 min	365 x 216 x 405 mm	31 kg	Active, fan	19.40.1084 – 1
ROLINE ProSecure II 3000 - Online UPS	3000 / 2100	5 min	365 x 216 x 405 mm	37 kg	Active, fan	19.40.1085 – 1
ROLINE ProSecure II 700 RM1U - Online UPS, 19" Rack Version	700 / 490	4 min	44 x 428 x 610 mm; 1 UH	16 kg	Active, fan	19.40.1086 – 1
ROLINE ProSecure II 1000 RM1U - Online UPS, 19" Rack Version	1000 / 700	2 min	44 x 428 x 610 mm; 1 UH	16 kg	Active, fan	19.40.1087 – 1
ROLINE ProSecure II 700 RM2U - Online UPS, 19" Rack Version	700 / 490	6 min	88 x 428 x 425 mm; 2 UH	16 kg	Active, fan	19.40.1088 – 1
ROLINE ProSecure II 1000 RM2U - Online UPS, 19" Rack Version	1000 / 700	5 min	88 x 428 x 425 mm; 2 UH	17 kg	Active, fan	19.40.1089 – 1
ROLINE ProSecure II 1500 RM2U - Online UPS, 19" Rack Version	1500 / 1050	5 min	88 x 428 x 425 mm; 2 UH	18 kg	Active, fan	19.40.1090 – 1
ROLINE ProSecure II 2000 RM2U - Online UPS, 19" Rack Version	2000 / 1400	6 min	88 x 428 x 610 mm; 2 UH	32 kg	Active, fan	19.40.1091 – 1
ROLINE ProSecure II 3000 RM2U - Online UPS, 19" Rack version	3000 / 2100	5 min	88 x 428 x 610 mm; 2 UH	32 kg	Active, fan	19.40.1092 – 1
ROLINE ProSecure III 1000 - Online UPS	1000 / 900	3 min	238 x 152 x 420 mm	14 kg	Active, fan	19.40.1062 – 1
ROLINE ProSecure III 1500 - Online UPS	1500 / 1350	5 min	235 x 155 x 410 mm	20 kg	Active, fan	19.40.1063 – 1
ROLINE ProSecure III 2000 - Online UPS	2000 / 1800	3 min	358 x 225 x 420 mm	31 kg	Active, fan	19.40.1064 – 1
ROLINE ProSecure III 3000 - Online UPS	3000 / 2700	5 min	365 x 216 x 405 mm	37 kg	Active, fan	19.40.1065 – 1
ROLINE ProSecure III 1000 RM2U - Online UPS, 19" Rack Version, black	1000 / 900 @ Pf. 0,9	3 min	88 x 428 x 425 mm; 2 UH	17 kg	Active, fan	19.40.1069 – 1
ROLINE ProSecure III 1500 RM2U - Online UPS, 19" Rack Version, black	1500 / 1350 @ Pf. 0,9	3 min	88 x 428 x 425 mm; 2 UH	18 kg	Active, fan	19.40.1070 – 1
ROLINE ProSecure III 2000 RM2U - Online UPS, 19" Rack Version, black	2000 / 1800 @ Pf. 0,9	3 min	88 x 428 x 610 mm; 2 UH	32 kg	Active, fan	19.40.1071 – 1
ROLINE ProSecure III 3000 RM2U - Online UPS, 19" Rack Version, black	3000 / 2700 @ Pf. 0,9	3 min	88 x 428 x 610 mm; 2 UH	33 kg	Active, fan	19.40.1072 – 1

VALUE Power Strips

- 3/6-way power strip with plastic housing
- Sockets are 45° rotated
- Colour: white

Technical data:

- Wire: H05VV-F 3G 1.50 mm²
- Cable length: up to 10 m
- Illuminated 2-pole rocker switch
- Max. load: 250 VAC, 10/16A, 3600 W



Order-No. – P.U.

VALUE Power Strip, 3-way, white, 1.5 m	19.99.1040 – 20
VALUE Power Strip, 3-way, white, 3 m	19.99.1042 – 10
VALUE Power Strip, 3-way, with Switch, white, 1.5 m	19.99.1041 – 20
VALUE Power Strip, 3-way, with Switch, white, 3 m	19.99.1043 – 10
VALUE Power Strip, 3-way, with Switch, white, 6 m	19.99.1065 – 10
VALUE Power Strip, 3-way, with Switch, white, 10 m	19.99.1066 – 10
VALUE Power Strip, 6-way, white, 1.5 m	19.99.1044 – 20
VALUE Power Strip, 6-way, white, 3 m	19.99.1046 – 10
VALUE Power Strip, 6-way, with Switch, white, 1.5 m	19.99.1045 – 20
VALUE Power Strip, 6-way, with Switch, white, 3 m	19.99.1047 – 10
VALUE Power Strip, 6-way, with Switch, white, 6 m	19.99.1067 – 10
VALUE Power Strip, 6-way, with Switch, white, 10 m	19.99.1068 – 10
VALUE Power Strip, 3-way UTE, white, 3 m	19.99.1048 – 1
VALUE Power Strip, 6-way UTE, white, 3 m	19.99.1049 – 1
VALUE Power Strip, 3-way, with Switch, Surge Protection, white, 1.5 m	A 19.99.1070 – 20
VALUE Power Strip, 6-way, with Switch, Surge Protection, white, 1.5 m	B 19.99.1071 – 20



ROLINE Power Strip

- 6 AC outlets, rotated 45°
- Children safety shutters
- 5 standard sockets plus 1 „block space“ socket
- 10 A resettable circuit breaker
- 1-pole rocker switch, lighted
- Max. load 10 A 230 V
- Power cord 1.8 m length, with right angle power plug



roline
Designed for Professionals

Order-No. – P.U.

ROLINE Power Strip, 6-way	19.07.1601 – 20
ROLINE Power Strip, 6-way, Surge Protection	19.07.1606 – 20
ROLINE Power Strip, 1+5-way, Master/Slave	19.07.1610 – 20

ROLINE Power Wall Outlet, 2x USB Charger

- Electrical Rating : 16A, 250 VAC
- S1/S3 Type MOV (Metal-Oxid Varistor) Technology
- Children safety
- Max. Peak Spike Current : 12.000 A
- Max. Spike Voltage 6 kV
- Power ON Indicator (LED indicator)
- 2-port 5V/2.1A USB Charger



roline
Designed for Professionals

Order-No. – P.U.

ROLINE Power Wall Outlet, 2x USB Charger	A 19.07.1616 – 10
ROLINE Power Wall Outlet, 2x USB Charger, UTE version	B 19.07.1617 – 10

VALUE IP Power Strip

The VALUE IP power strip provides the on/off-switching of electrical devices over a TCP/IP network. Easily connect the VALUE IP power strip to a power supply system and the network. After allocating a free IP address, every single port can be independantly switched with every common webbrowser.

- For installation in a 19" cabinet, height: 1U
- Easy and quick plug & play installation
- Easy and flexible configuration over a webbrowser
- IP adress fix or over DHCP
- LED indication for power status of every port
- Digital display for total power
- Mail and SNMP-Server
- Automatic circuit breaker protection
- SSL-encryption
- Contents: IP power bar



Technical data:

Connections: RJ-45, Ethernet 10/100Mbit, front side
 Output: 8x IEC320 C13 (10A)
 Input: 1x IEC320 C20 (16A)
 Rocker switch: Back side, lighted, 2-pole
 Indication: 8 LEDs
 Protocol: http
 Addressing: DHCP or fix IP-Address
 Dimensions (WxDxH): 430 x 90 x 44 mm



Order-No. – P.U.

VALUE IP Power Strip, 8-way

19.99.3405 – 1

ROLINE PDU for Cabinets

- 19" socket (1UH) for installation in 19" cabinets, incl. installation angle
- Arrangement of sockets: 45°
- Profile of anodized aluminium

- Cable type: 2.0m H05VV-F 3G 1,50mm², black
- Max load/power: 16A 3600W; VDE / GS tested
- Color: ALU / light gray RAL 7035
- Width: 440mm



Order-No. – P.U.

ROLINE PDU for Cabinet, 9x socket, 45°, 16A, Aluminium, 2m	19.07.1620 – 10
ROLINE PDU for Cabinet, 9x socket, 45°, 16A, black, 2m	19.07.1621 – 10
ROLINE 19" PDU for Cabinet 8x 2300W, IEC320 C14 M, Aluminium, 2m	19.07.1622 – 10
ROLINE 19" PDU for Cabinet 8x 2300W, IEC320 C14 M, black, 2m	19.07.1623 – 10
ROLINE 19" PDU for Cabinet 9x socket, 45°, 16A, UTE Version, black, 2m	19.07.1624 – 10

ROLINE USB Wall Chargers

- For charging of mobile devices (tablets / smartphones)
- Quick Charge 2.0 supported (19.11.1025 / 19.11.1028 / 19.11.1024 only 1 Port)
- Multi-Protection: Over Current / Short Circuit / Over Voltage Protection
- Compact Design

- PowerIQ technology- identifies what kind of device is plugged into and delivers the proper voltage/amperage
- Input: 100- 240 V AC, 50- 60 Hz

Technical data:	19.11.1025	19.11.1026	19.11.1027	19.11.1028	19.11.1024
Input:	100 - 240 VAC	100 - 240 VAC	100 - 240 VAC	100 - 240 VAC	100 - 240 VAC
Output:	1x USB A F (5V 2.4A; 9V 1.8A; 12V 1.3A)	2x USB A F (5V; 2.4A)	3x USB A F (5V; 2.4A) 1x USB C F (5V; 3A)	5x USB A F (5V; 2.4A) 1x USB A F (5V 2.4A; 9V 2A; 12V 2A)	1x USB A F 3.6V-6.5V/3A, 6.5V-9V/2A, 9V-12V/2A (max. 24 W)
Power (max.):	16W	5VDC; 4.8A	5VDC; 8A	60W	24W
Dimensions:	37 x 24 x 82 mm	64 x 27 x 88 mm	28 x 58 x 90 mm	28 x 66 x 100 mm	
Additional features	IQ technology QC 2.0 (Quick Charge)	IQ technology	IQ technology	IQ technology 1x QC 2.0 (Quick Charge)	QC 3.0 (Quick Charge)



Order-No. – P.U.

ROLINE USB Wall Charger, 1 Port, QC2.0, 12W	A	19.11.1025 – 10
ROLINE USB Wall Charger, 2 Port, 24W	B	19.11.1026 – 10
ROLINE USB Charger, 4 Ports (3x USB + 1x USB C), max. 40W	C	19.11.1027 – 10
ROLINE USB Charger, 6 Ports (5x USB + 1x USB QC2.0), max. 60W	D	19.11.1028 – 10
ROLINE USB Wall Charger, 1 Port, QC3.0, 24W	E	19.11.1024 – 10



ROLINE USB Wall Charger, 1x C Port, 65W

For charging or as a PSU over the USB port of your device.

- For charging of mobile devices (tablets / smartphones)
- Multi-Protection: Over Current / Short Circuit / Over Voltage Protection
- Compact Design
- Power IQ technology- identifies what kind of device is plugged into and delivers the proper voltage/amperage
- Input: 100- 240 V AC, 50- 60 Hz
- Output: 5V-3A, 9V-3A, 15V-3A, 20V-3.5A (max. 65 W)



NEW

roline
Designed for Professionals

Order-No. – P.U.

ROLINE USB Wall Charger, 1x C Port, 65W

19.11.1029 – 10

Universal Wall Power Supply

For small devices as battery alternative or spare part

- Input: 230V/50 Hz
- Output: 500 mA
- Connection cable length: 1.5 m
- Voltage (VDC): 3 / 4.5 / 6 / 7.5 / 9 / 12 selectable with sliding switch
- Polarity +/- reversible (with plug adaptor)
- Contents: Power Supply Unit with 6 removable plugs (3.5 / 1.4x4 / 2.1x5 / 2.5x5.5 / 0.75x2.5 / 35x3.5 mm)



Order-No. – P.U.

Universal Wall Power Supply 500mA

19.11.1097 – 1

Universal Wall Power Supply 1000mA

19.11.1098 – 1

VALUE USB Power Chargers

- Wall chargers resp. car charger with 2 USB type A F connectors
- For power supply and charging of devices with external power supply over USB
- E.g. for MP3 players, mobile phones, smart phones etc.
- Handy to use whether at home or in the hotel



Technical data:	19.99.1057	19.99.1059
Input:	100-240 V AC, 50-60 Hz	12-24 V DC, 2.1A max.
Output:	2x USB Type A F	2x USB Type A F
Power:	10W (5VDC;2A)	10W (5VDC; .12A)
Dimensions:	65x36x80mm	33x35mm

Order-No. – P.U.

VALUE USB Wall Charger, 2 Ports, 10W

A 19.99.1057 – 20

VALUE USB Car Charger, 2 Port, 10W

B 19.99.1059 – 20

VALUE USB Wall Charger (EU+UK)

For charging mobile devices, even two at one time.

- Wall power adapter with two USB type A F connectors and 2 adapters (EU+UK)
- It's handy to use whether at home or in the hotel
- For charging smart phones, tablet PCs (e. g. iPad), MP3 players ...
- Input range: 100- 240 V AC, 50- 60 Hz
- Output voltage: 5 V
- Output rate: 10 W (2 A)
- Dimensions: 42 x 42 x 25 mm



Value

Order-No. – P.U.

VALUE USB Wall Charger (EU+UK), 2 Ports, 10W

19.99.1061 – 20

ROLINE USB Power Car Charger

- Car charger with 2 USB type A F connectors
- For power supply and charging of devices with external power supply over USB
- E.g. for MP3 players, mobile phones, smart phones etc.

roline
Designed for Professionals



Technical data:	19.07.1054	19.07.1055
Input:	12-24 V DC	12-24 V DC
Output:	2x USB A F	2x USB A F
Power:	15,5W (5VDC;3,1A)	15,5W (5VDC;3,1A)
Dimensions:	33 x 60 mm	38 x 75 mm

Order-No. – P.U.

ROLINE USB Car Charger, 2 Port, 15W

A 19.07.1054 – 10

ROLINE LED USB Car Charger, 2 Port, 15W

B 19.07.1055 – 10

ROLINE USB QC3.0 Car Charger, 2 Port, (A + C), 12W

Now you can easily charge your tablet PC, iPad, smart phone, iPhone, MP3 player and other USB devices in your car!

- Connector: 1x USB Type A F, 1x Type C F
- Input voltage: DC 12 V- 24 V
- Output voltage: 5 V DC/ 2400 mA max.



roline
Designed for Professionals

Order-No. – P.U.

ROLINE USB QC3.0 Car Charger, 2 Port, (A + C), 12W

19.07.1053 – 20

ROLINE USB 3.0 Y Cable

- For the connection of high-power SuperSpeed USB 3.0 devices as e. g. external HDDs
- Very helpful if you want to connect your USB 3.0 device to a PC with USB 2.0 ports



roline
Designed for Professionals

Order-No. – P.U.

ROLINE USB 3.0 Y Cable, 2x Type A M - 1x Micro B M, 1.8 m

19.08.1008 – 10

VALUE Car Charger with 4x USB 2.0 ports

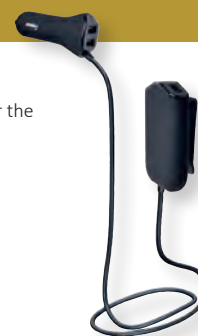
- 4 port USB car charger with two ports in front (where you plug in the car adapter- cigarette lighter) and two ports extension for the backseat
- Super convenient on long trips, because 4 devices (tablets/smartphones ...) can be charged simultaneously
- The 4x USB 2.0 ports are equipped with blue LED indicator
- The cable for the backseat port extension is about 1.8m long and has a clip which helps you to attach it to

- the pockets behind the front seats
- Power Output: 48 W (4x 5V DC, 2.4A)
- Smart IC, detects the correct maximum output for the plugged in device
- Material: ABS+PC

Order-No. – P.U.

VALUE Car Charger with 4x USB 2.0 ports, black

19.99.1063 – 10



ROLINE USB Charging Stations

- For charging smart phones, tablet PCs (e. g. iPad), MP3 players ...
- Power and charge up to 5/7 devices at once in one convenient location on your desk-top, counter top, lobby, or waiting room.
- Perfect for home or office use, most cell phones and tablets fit in station's slots without removing protective cases (slot widths- 19mm)
- 5/7 Powered USB Ports (5x 2.4A) - Simply connect your own charging cable and the charging station will charge up to 5/7 devices, including smartphones and high-powered devices such as tablets
- Organize up to 5/7 devices- 5/7 slots with anti-scratch silicone pads organize your devices even with the cases still on
- Surge protection on each port
- Built-in smart charging chipset provides and determines the charge needed for your device, delivering a steady and safe charge
- Power in a compact space
- Power Supply: 19VDC; 3.4A
- Output: 5x/7x 2.4A
- Contents: USB charger, power adapter



Technical data:	19.07.1050	19.07.1051
Number of ports:	5	7
Output:	5x USB 2.0 A, F	7x USB 2.0 A, F
Input Voltage:	100 - 240V AC, 50 - 60Hz	100 - 240V AC, 50 - 60Hz
Output Voltage:	5VDC	5VDC
Power Output rate:	5x 5V DC 2.4A	7x 5V DC 2.4A
Colour:	black	black
Material (housing):	plastic	plastic



Order-No. – P.U.

ROLINE USB Charging Station, 5 Port

19.07.1050 – 4

ROLINE USB Charging Station, 7 Port

19.07.1051 – 10

roline
Designed for Professionals

Monitor Power Cable, black

- Monitor power cable with moulded plugs
- Connectors: IEC 320-C14 plug to IEC 320-C13 plug
- Nominal data: 250V AC/10A
- Colour: black



Order-No. – P.U.

VALUE Monitor Power Cable, black, 0.5 m, IEC 320 C14 - C13	19.99.1505 – 20
VALUE Monitor Power Cable, black, 1.0 m, IEC 320 C14 - C13	19.99.1510 – 20
VALUE Monitor Power Cable, black, 1.8 m, IEC 320 C14 - C13	19.99.1515 – 50
VALUE Monitor Power Cable, black, 3.0 m, IEC 320 C14 - C13	19.99.1530 – 50
ROLINE Monitor Power Cable, black, 0.5 m, IEC 320 C14 - C13	19.08.1505 – 50
ROLINE Monitor Power Cable, black, 1.0 m, IEC 320 C14 - C13	19.08.1510 – 30
ROLINE Monitor Power Cable, black, 1.8 m, IEC 320 C14 - C13	19.08.1515 – 50
ROLINE Monitor Power Cable, black, 3.0 m, IEC 320 C14 - C13	19.08.1530 – 50

Monitor Power Cable, colored

- Monitor power cable with moulded plugs
- Connectors: IEC 320-C14 plug to IEC 320-C13 plug
- Nominal data: 250V AC/10A



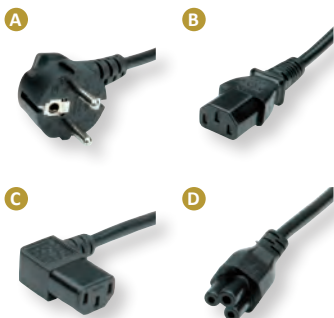
Order-No. – P.U.

VALUE Monitor Power Cable, white, 1.8 m, IEC 320 C14 - C13	19.99.1516 – 50
ROLINE Monitor Power Cable, red, 1.8 m, IEC 320 C14 - C13	19.08.1520 – 25
ROLINE Monitor Power Cable, yellow, 1.8 m, IEC 320 C14 - C13	19.08.1521 – 25
ROLINE Monitor Power Cable, blue, 1.8 m, IEC 320 C14 - C13	19.08.1522 – 25
ROLINE Monitor Power Cable, green, 1.8 m, IEC 320 C14 - C13	19.08.1523 – 25

VALUE Power Cables

Cable with safety plug 90° angled (German Type plug) (A) and IEC 320-C13 (B/C) resp. 3-pin notebook plug (Compaq plug IEC 320-C5) (D)

- Plugs:
19.99.1018, 19.99.1118: German Type plug to C13 plug
19.99.1028: German Type plug to C5 plug
- Nominal data: 250 VAC/2.5 A



Order-No. – P.U.

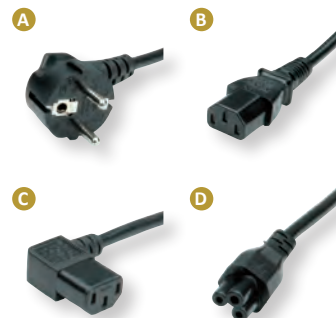
VALUE Power Cable, straight IEC Connector, black, 1.8 m	19.99.1018 – 50
VALUE Power Cable, straight IEC Connector, white, 1.8 m	19.99.1019 – 50
VALUE Power Cable, angled IEC Connector, black, 1.8 m	19.99.1118 – 50
VALUE Power Cable, straight Compaq Connector, black, 1.8 m	19.99.1028 – 20

Value[®]

ROLINE Power Cables

Cable with safety plug 90° angled (German Type plug) (A) and IEC 320-C13 (B/C) resp. 3-pin notebook plug (Compaq plug IEC 320-C5) (D)

- Plugs:
19.08.1018, 19.08.1030, 19.08.1118: German Type plug to C13 plug
19.08.1028: German Type plug to C5 plug
- Nominal data: 250 VAC/2.5 A
- Colour: black



Order-No. – P.U.

ROLINE Power Cable, straight IEC Connector, 1.8 m	19.08.1018 – 50
ROLINE Power Cable, straight IEC Connector, 3.0 m	19.08.1030 – 50
ROLINE Power Cable, angled IEC Connector, 1.8 m	19.08.1118 – 50
ROLINE Power Cable, straight Compaq Connector, 1.8 m	19.08.1028 – 20

roline[®]
Designed for Professionals

16A Power Cords

Cables often used for UPS from 3000 VA and for connecting Blade servers.

- Connection cable 16 A with IEC320 C19 Female and German Type plug, angled (A)
- Extension cable 16 A with IEC320 C19

- Female and C20 Male (B)
- Cable: H05VV-F 3G1.5 3x 1.5mm²
- Nominal data: 250 VAC/16 A
- Colour: black



Order-No. – P.U.

VALUE Power Cord German Type, IEC320 - C19 16A, black, 2.0 m	19.99.1552 – 20
VALUE Power Cord German Type, IEC320 - C19 16A, black, 3.0 m	19.99.1553 – 20
ROLINE Power Cord German Type, IEC320 - C19 16A, black, 2.0 m	19.08.1552 – 14
ROLINE Power Cord German Type, IEC320 - C19 16A, black, 3.0 m	19.08.1553 – 10
ROLINE Power Cord IEC320/C19 - C20 16A, black, 2.0 m	19.08.1562 – 14
ROLINE Power Cord IEC320/C19 - C20 16A, black, 3.0 m	19.08.1563 – 10

VALUE Extension Cable with German Type Connectors

- Extension cable with German Type male and female connector, 16A / 230V ~
- Cable: H05VV-F 3G1.5 3x 1.5mm²
- Nominal data: 250 VAC/16 A
- Colour: black



Order-No. – P.U.

VALUE Extension Cable w. German Type connectors, AC 230V, black, 3 m	19.99.1166 – 20
VALUE Extension Cable w. German Type connectors, AC 230V, black, 5 m	19.99.1167 – 20
VALUE Extension Cable w. German Type connectors, AC 230V, black, 10 m	19.99.1168 – 10

Value[®]

Please see also Chapter 4 / Page 4.22 - 4.23 for additional Cable Types



Test / Measurement / Tools

9

Cable Testers / Network Tools	9.02 – 9.03
Crimping Pliers / Tools	9.03 – 9.05
Fibre Optic Cleaning Products	9.06
Service Kits	9.07 – 9.09
Cable Ties / Installation Tools / Clips	9.10
Cable Tunnel Organizers	9.10

VALUE LAN Quicker Cable Tester

- For the quick test of RJ-45/UTP, RJ-45/STP cabling
- OPEN, SHORT and CROSS test function
- LED indicator on both main unit and remote unit
- Beep sound warning
- Step/Auto select function
- Low battery indication
- Auto power off

- Small size, easy to carry
- Carrying case included
- Ideal for LAN installation
- Dimensions: 104 x 78 x 33 mm
- Contents: Cable tester, 9V battery, carrying case



Order-No. – P.U.

VALUE LAN Quicker Cable Tester

13.99.3001 – 5

VALUE LAN Cable Multifunction Tester

- The tester can check UTP and STP Cat.5e, Cat.6, Cat.6a and coaxial cables
- It can identify and locate the distance to an open or short circuit
- Uses TDR (Time Domain Reflectometer) to measure the length and distance to the defective of a cable

- Identification of wiring and pin assignment
- LCD backlight display
- Low battery indication



Order-No. – P.U.

VALUE LAN Cable Multifunction Tester

13.99.3002 – 1

VALUE LANtest Multi-Network Cable + PoE Tester

- Continuity testing of coax cables with BNC connectors and 8-pole data lines w. fitted RJ-45 connectors
- The device recognises open and short-circuited (wire/wire or wire/shield) connections
- A two-line display (LEDs) indicates sequentially which pin of the RJ-45 connector at cable end A is connected with which pin at cable end B and manual or automatic switch advancing is possible; in the case of a short-circuit more than two LEDs light up simultaneously
- The device has 2 RJ-45 sockets; with the supplied Remote Kit cables laid in the wall can also be tested
- Two adapter cables (BNC/RJ-45) are supplied for testing coax cables
- PoE check- the PoE Finder allows the network administrator to find out if a

network cable is supplied via PoE. Just plug in the network cable that has to be tested. The LED of the PoE finder will shine if the cable is supplied with power.

- Battery (not included in delivery): 1x E-block 9V (6LR61/AM-6)



Order-No. – P.U.

VALUE LANtest Multi-Network Cable + PoE Tester

13.99.3003 – 5

HOBBS LANtest Multinetwork Cable Tester

- Continuity testing of coax cables with BNC connectors and 8-pole data lines w. fitted RJ-45 connectors
- The device recognises open and short-circuited (wire/wire or wire/shield) connections
- A two-line display (LEDs) indicates sequentially which pin of the RJ-45 connector at cable end A is connected with which pin at cable end B and manual or automatic switch advancing is possible; in the case of a short-circuit more than two LEDs light up simultaneously
- The device has 2 RJ-45 sockets; with the supplied Remote Kit cables laid in the wall can also be tested
- Two adapter cables (BNC/RJ-45) are supplied for testing coax cables
- Battery (not included in delivery): 1x E-block 9V (6LR61/AM-6)



Order-No. – P.U.

HOBBS LANtest Multinetwork Cable Tester

13.01.3383 – 20

VALUE PoE / PoE+ - Tester/Detector

With the increase of connecting PoE equipment over data lines you can damage sensitive equipment (like e.g. IP-telephony, access points, routers, network cameras, etc.) with a simple misconnection, therefore you may protect your investment in expensive network equipment by testing the lines before you plug in anything.

The new useful PoE Finder allows the network administrator to find out in one second if a network cable is supplied with current. Protect old devices and quickly and easily find wires supplied with current. The use of the PoE Finder is very easy. Just plug in the network cable that has to be tested. The LED of the PoE finder will shine if the cable is supplied with power.

- Compact designed PoE tester ideal for testing of PoE installations
- Compliant with 802.3af / 802.3at PoE standard and passive PoE at 10/100/1000 data rates
- Test mode A PoE (pins 12, 36) (Endspan)
- Test mode B PoE (pins 45, 78) (Midspan)



Order-No. – P.U.

VALUE PoE - Tester/Detector

A 13.99.3009 – 20

VALUE PoE/PoE+ - Tester/Detector

B 13.99.3010 – 20

HOBBES PoE Finder



PoE (Power over Ethernet) that is power over the LAN cabling becomes more and more important and is used for general applications like e.g. IP-telephony, access points, routers, newwork cameras, etc.

The useful PoE Finder allows the network administrator

to find out in one second if a network cable is supplied with current. Protect old devices and quickly and easily find wires supplied with current. The use of the PoE Finder is very easy. Just plug in the network cable that has to be tested. The LED of the PoE finder will shine if the cable is supplied with power.



Order-No. – P.U.

HOBBES PoE Finder

13.01.3342 – 1

HOBBES LANtest Multinetwork PoE Cable Tester

- Easy verification for cabling faults including discontinuity, open wires, shorts (short-circuited- wire/wire or wire/shield- connections), miswiring and crossed pairs is quickly detected with the LANtest's unique LED display
- Wiring configuration for Cat5, coaxial and modular telephone cables by comparing one transmitting end to another receiving end
- Continuity testing of coax cables with BNC connectors and 8-pole data lines w. fitted RJ-45 connectors
- A two-line display (LEDs) indicates sequentially which pin of the RJ-45 connector at cable end A is connected with which pin at cable end B and manual or automatic switch advancing is possible; in the case of a short-circuit more than two LEDs light up simultaneously

- The device has 2 RJ-45 sockets; with the supplied Remote Kit cables laid in the wall can also be tested
- Two adapter cables (BNC/RJ-45) are supplied for testing coax cables
- Check the existence of PoE in a second
- Identifies the type of PSE, whether the PoE voltage is detected on the pair 12-36 (Endspan), or on the 45-78 (Midspan)
- Compliant with IEEE802.3af and IEEE802.3at standard
- Battery (not included in delivery):
1x E-block 9V (6LR61/AM-6)



Order-No. – P.U.

HOBBES LANtest Multinetwork PoE Cable Tester

13.01.3371 – 20

Network Tool Set

- **1x Punch Down Tool** - for inserting wire into insulation-displacement connectors on e.g. punch down blocks, patch panels, keystone modules, surface mount boxes
- **1x LAN Tester**
 - Line tester for continuity test of Cat.5/6/6A and ISDN network lines
 - Separate receiver for long length cable, the main unit and separate receiver can be attached to each other via a lateral guide rail
 - Connection test with LED display for 8 single wires and shielding / detection of continuity, misalignment, interruption, short circuit, crossover cable
 - Power supply via 9VDC block battery (not supplied)
 - Compatible with the following connectivity modular plugs: RJ45 (8P8C), RJ12 (6P6C), RJ11 (6P4C, 6P2C)
 - Supported network standards: 10Base-T, 10Base-T2, 285A, TIA568A / 568B

- **1x Cable Stripper** - with 4 different blades for cutting the PVC jacket of cables of various sizes
- **1x RJ45 Crimping Tool**



Order-No. – P.U.

Network Tool Set, 4 pcs.

19.06.2034 – 10

VALUE Crimping Tool 8P8C

- Solid metal pliers for cutting, stripping and crimping
- For RJ-45 connectors with 8 pins and 8 contacts



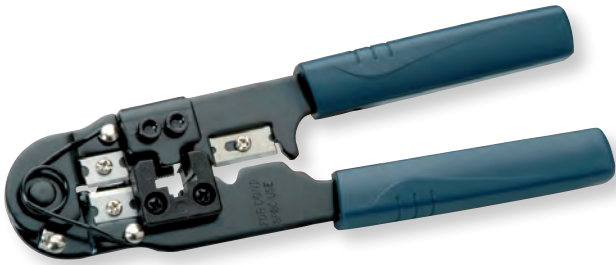
Order-No. – P.U.

VALUE Crimping Tool 8P8C

25.99.8791 – 5

Crimping Tool 8-Pin 8-Contact

- Solid metal pliers for cutting, stripping and crimping
- For RJ45 connectors with 8 pins and 8 contacts



Order-No. – P.U.

Crimping Tool 8-Pin 8-Contact

19.06.1020 – 10

VALUE Multifunction Crimping Tool 8P+6P+4P

- For 4/6/8-pole modular plugs
- Suitable for cutting, insulation removal (ribbon cable) and crimping
- Fitted with a forced lock with unlocking capability in the case of incorrect use
- Universally usable
- Robust metal tongs

The logo for Value, featuring the word "Value" in a blue sans-serif font with a blue arc above it.



Order-No. – P.U.

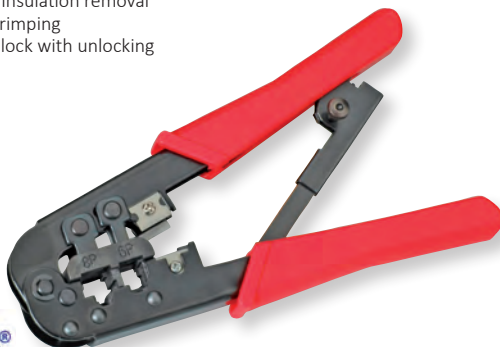
VALUE Multifunction Crimping Tool 8P+6P+4P

25.99.8790 – 5

VALUE Universal Crimping Tool 8P6P, 6P4C

- For 6/8-pole crimping modular plugs (RJ-11, RJ-12, RJ-45)
- Suitable for cutting, insulation removal (ribbon cable) and crimping
- Fitted with a forced lock with unlocking capability
- Universally usable
- Robust metal tongs

The logo for Value, featuring the word "Value" in a blue sans-serif font with a blue arc above it.



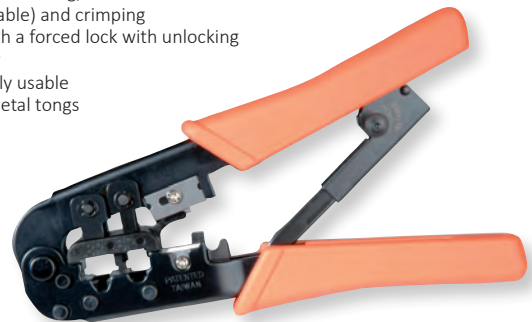
Order-No. – P.U.

VALUE Universal Crimping Tool 8P6P, 6P4C

25.99.8792 – 5

Universal Modular Crimping Tool

- For crimping modular plug: 8p8c/RJ-45, 6p6c/RJ-12 and 6p4c/RJ-11
- Suitable for cutting, insulation removal (ribbon cable) and crimping
- Fitted with a forced lock with unlocking capability
- Universally usable
- Robust metal tongs



Order-No. – P.U.

Universal Modular Crimping Tool

19.06.1021 – 5

Universal Crimping Tool for Modular Plugs

- For 4/6/8-pole modular plugs from AMP System WE or DEC (RJ-12 and MMJ)
- Suitable for cutting, insulation removal (ribbon cable) and crimping
- Fitted with a forced lock with unlocking capability in the case of incorrect use
- Universally usable
- Robust metal tongs



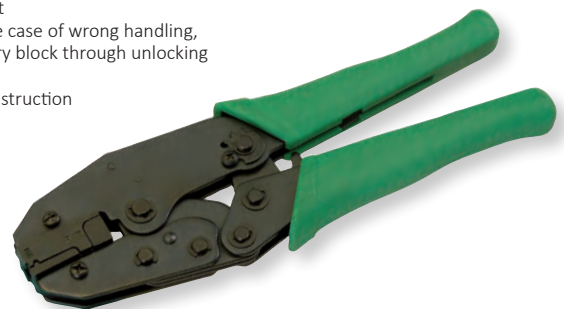
Order-No. – P.U.

Universal Crimping Tool for Modular Plugs

19.06.1048 – 10

Crimping Tool for Hirose RJ-45 Plug, TM11/TM21

- Special crimping tool only suitable for HiRose modular plugs TM11
- Presses the connectors and the housing screening together in one movement
- In possible case of wrong handling, compulsory block through unlocking function
- Stable construction
- Metal



Order-No. – P.U.

Crimping Tool for Hirose RJ-45 Plug, TM11, green

19.06.1029 – 10

Crimping Tool for Hirose RJ-45 Plug, TM21, blue

19.06.1031 – 10

VALUE Universal Wire Stripper

- Light weight, compact, cost-effective stripper, simple to operate.
- Adjustable stripping blade for different insulation thickness, prevents damage of shielding and conductors
- For stripping coaxial cables RG59, RG6, RG7/11
- For stripping round networking cables
- For stripping flat 4P/6P/8P telephone cables

- The cassette can be reversed to change different coaxial cables
- For cutting cables
- Weight: ca. 70 g



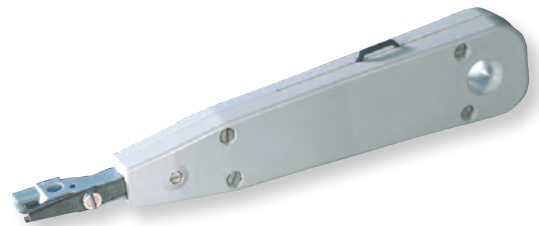
Order-No. – P.U.

VALUE Universal Wire Stripper

25.99.8793 – 6

VALUE IDC Tool

- Excellent value for money
- Punch down tool for terminating into Cat. 5 patch panels with IDC blocks



Order-No. – P.U.

VALUE IDC Tool

25.99.8799 – 20

Cutting pliers for coaxial cables

- Cable cutter for coaxial cables
- Blade lock function for better safety and easier storage
- Stable construction
- Metal



Order-No. – P.U.

Cutting pliers for coaxial cables

19.06.1061 – 10

VALUE Wire Cutter / Stripping Tool

- For quick, repetitive cutting, light weight, compact, cost-effective cutter, simple to operate.
- Stainless steel
- Cuts 10-22 AWG solid conductors
- Long-life spring and low-profile lock for quick, repetitive cutting
- Vinyl cushion grip resists slipping



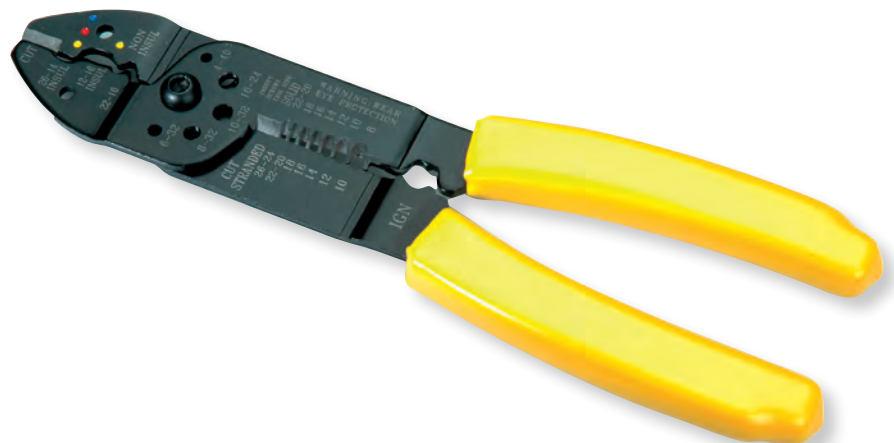
Order-No. – P.U.

VALUE Wire Cutter / Stripping Tool

19.06.1023 – 10

VALUE Wire Crimper / Stripper / Cutter Tool

- For quick, repetitive stripping and cutting, light weight, compact, cost-effective stripper, simple to operate.
- Stainless steel
- Precision ground stripping holes offer easy, consistent jacket removal
- Strips 8-22 AWG solid and 10-24 AWG stranded conductors
- Multiple functions include plier nose, strippers, cutter, looping holes
- Looping holes and serrated nose for bending, pulling and shaping wires
- Vinyl cushion grip resists slipping



Order-No. – P.U.

VALUE Wire Crimper / Stripper / Cutter Tool

19.06.1022 – 10

VALUE Fibre Optic Universal-Cleaning Products

13.99.3005 - VALUE Fibre Optic Universal Cleaning Cassette

- Application range: can be used for any optical fiber cables plug type independently
- The cassette cleaner wipes away contaminants from optical connector end face
- Designed for all types of connectors
- Compact size for easy hand-held operations
- Dry-clean without the use of harmful substances
- Cleaning micro fibers are densely stranded and debris free
- Constructed with anti-static material
- Up to 500 cleanings per unit possible
- Contents: 100 Cleaning-Tissues

13.99.3006 - VALUE Fibre Optic Cleaning Pen for SC Plug, 2.5mm

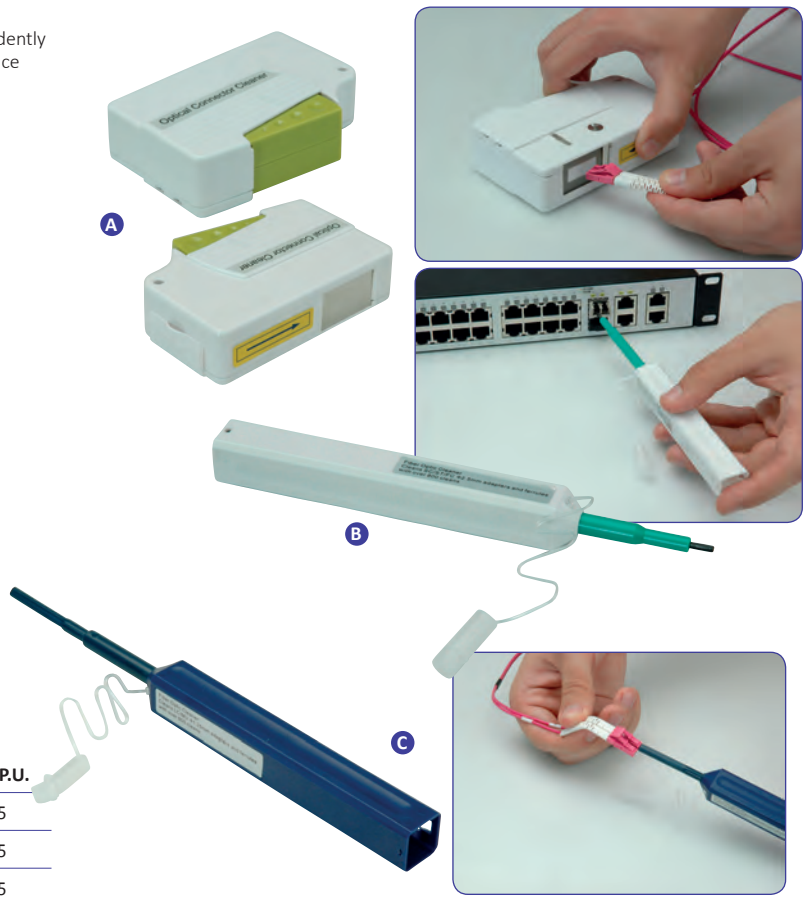
- Ergonomic and comfortable design for cleaning SC connections
- Consistent cleaning results due to its precise mechanical action
- Economical solution with up to 800 endface cleanings in one unit possible
- Cleans both APC and UPC connectors
- Effective on a variety of contaminants, including: Dust / Lint / Oil / Grease

13.99.3007 - VALUE Fibre Optic Cleaning Pen for LC Plug, 1.25mm

- Ergonomic and comfortable design for cleaning SC connections
- Consistent cleaning results due to its precise mechanical action
- Economical solution with up to 800 endface cleanings in one unit possible
- Cleans both APC and UPC connectors
- Effective on a variety of contaminants, including: Dust / Lint / Oil / Grease



	Order-No. – P.U.
VALUE Fibre Optic Universal-Cleaning Cassette	A 13.99.3005 – 5
VALUE Fibre Optic Cleaning Pen for SC Plug, 2.5mm	B 13.99.3006 – 5
VALUE Fibre Optic Cleaning Pen for LC Plug, 1.25mm	C 13.99.3007 – 5



Portable Laser Fiber Optic Checker Pro

For the quick test of Fibre Optic cables.

- Sends a visible (650 nm) strong laser signal through the cable- braking points become transparent by a visible light in the area of the damage
- Universal-connector can be used with common connector types (ST, SC, FC and others)
- Reversible between continuous and pulsing ray
- Both Multi-mode and Single-mode distances suitable
- Batteries (not included in delivery): 2x Mignon (AA) 1.5V (LR06)



	Order-No. – P.U.
Portable Laser Fiber Checker Pro	13.99.3011 – 25

Precision Screwdriver Set, Aluminium, 9 in 1

- Slotted and Phillips chrome vanadium bits for general purpose applications
- Convenient bit storage in handle
- Handy pocket clip design
- Magnetic tip holds bits securely
- Anodized aluminium alloy handle is knurled for a secure grip
- Ideal for glasses, jewellery, watches, hobby works and the most mobile applications
- Contents: Handle, 9 pcs. bits: slotted 2.0 mm, 3.0 mm, Phillips #000, #00, #0, #1, T-bits T4, T5, T6



Order-No. – P.U.

Precision Screwdriver Set, Aluminium, 9 in 1

19.06.1002 – 5

Electronic Mini Screwdriver Set, 12-in-1

- This kit is perfect for technicians, do-it-yourself or anyone who needs to carry a useful precision tool while travelling
- High quality CRV steel material, with deluxe leather bag
- Ideal for repairing glasses, mobiles, electronic & computer or any precision equipment
- Contents:
 - 1 handle with fast chuck
 - 3 Phillips screw bits PH000, PH00, PH0
 - 3 slotted screw bits 1.5, 2, 2.5 mm
 - 6 T-screw bits T5, T6, T7, T8, T9, T10



Order-No. – P.U.

Electronic Mini Screwdriver Set, 12-in-1

19.06.2032 – 20

28-in-1 Screwdriver Set

- Mini screwdriver series
- Plastic etui
- Precasted holder for tools to avoid loss
- Heavy-Duty handle made of plastic for comfortable operation
- Fast turning swivel caps on handle
- Tools made of Chrome Vanadium alloy
- Contents:
 - 1 Handle with bit holder
 - 5 Phillips bits: PH000, PH00, PH0, PH1, PH2
 - 5 Slotted bits: SL1.5, SL1.7, SL2, SL3, SL4
 - 8 T-bits: T5, T6, T7, T8, T9, T10, T15, T20
 - 7 Hex bits: HN3, HN3.5, HN4, HN4.5, HN5, HN5.5, HN6
 - 2 U shape antenna remover
 - 1 Hex bit extender
 - Leather casing



Order-No. – P.U.

28-in-1 Screwdriver Set

19.06.2085 – 20

Precision Pliers + Screwdriver Set, 19-piece

- This kit is perfect for technicians, do-it-yourself or anyone who needs to carry a useful precision tool while travelling
- High quality CRV steel material, with deluxe bag in grey and black colour
- Ideal for repairing glasses, mobiles, electronic & computer or any precision equipment
- Contents:
 - 1 long long-nose plier
 - 1 long-nose plier
 - 1 angled long-nose plier
 - 1 flat-nose plier
 - 1 crusher
 - 1 wire cutting plier
 - 1 tweezer
 - 3 Phillips screwdrivers PH00 x50 mm, PH0 x50 mm, PH1 x50 mm
 - 3 slotted screwdrivers 2 x50 mm, 2,5 x50 mm, 3 x50 mm
 - 6 torx screwdrivers T6 x50 mm, T7 x50 mm, T8 x50 mm, T9 x50 mm, T10 x50 mm, T15 x50 mm



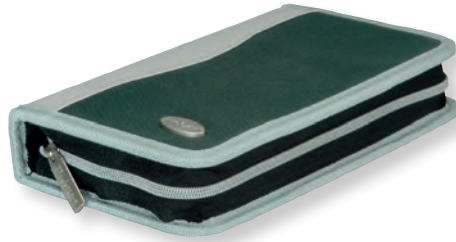
Order-No. – P.U.

Precision Pliers + Screwdriver Set, 19-piece

19.06.2033 – 20

Electronic Precision Tool-Kit

- All the necessary tools in a mini zipper bag (245 x 140 x 40 mm)
- The right equipment wherever you are
- Contents:
 - 2 Precision screwdrivers: 2.0x50, 2.4x 50
 - 2 Precision Phillips screwdrivers: #100x50, #0x75
 - 2 Screwdrivers: slot: 5x100, Phillips: 1x100
 - 2 Pliers: side cutter (127 mm), long nose (152 mm)
 - 1 Tweezer: Fine tip straight (120 mm)
 - 1 Sliding magnifier
 - 1 Flash light



Order-No. – P.U.

Electronic Precision Tool-Kit

19.06.2029 – 30

Precision Tool Kit, 73 pieces

- Ideal for opening, refurbishing, repairing Smartphone, PAD, notebook, camera and video games.
- Complete, comprehensive kit
- It includes the essential tools for the repair and refurbish market
- It allows opening of tablets, notebooks, electronic device cases such as Apple, HTC, Samsung, Sony etc.
- 58pcs driver Kit:
 - 42pcs/ 4.0x28 mm, AISI 8660 Cr-Mo-V steel (- #000, #00, #0, #1, #2 /- 1.0, 1.3, 1.5, 2.0, 2.5, 3.0, 3.5, 4.0 mm /- T3, T4 /- T5H, T6H, T7H, T8H, T9H, T10H, T15H, T20H /- 0.7, 0.9, 1.3, 1.5, 2.0, 2.5, 3.0, 3.5, 4.0 mm /- #0, #1, #2 /- 3.0 mm /- #0, #1 /- 3.0 mm /- Pentalobe: P2, P5, P6 (iPhone, MacBook Air, MacBook Pro))
 - 6 pcs 4.0x30 mm, material: 50BV30 Cr-V steel (- 2.5, 3.0, 3.5, 4.0, 4.5, 5.0 mm)
 - 5 pcs diam. 6.3x25mm, material: AISI 6150 Cr-V steel (- #2, 6.0 mm, 4.5, 5.0, 6.0 mm)
 - 2 pcs diam. 6.3x38mm, material: AISI 6150 Cr-V steel (Torx plus socket, TS3.8, TS4.5)
 - 1 pcs diam. 4.0mm to diam. 1/4" adaptor 50 mm
 - 1 pcs diam. 4.0x125mm extension bar
 - 1 pcs TPR non-slip handle

Kit includes:

Opening and prying tools

- Prying Paddle 30.5x30.5x30.5mm
- Opening Lever (POM) 88.7mm
- Opening Lever (POM) 84.4mm
- Suction Cup diameter: 36mm
- Point-Blade Solder Aid Tools (155mm)
- Solder Aid Tools (140mm)
- Fork-Blade Solder Aid Tools (173mm)
- Double-end Metal Spudger (185mm)
- Metal spudger tool (123x12mm)
- Tweezers: super fine tip straight 120.5 mm / fine tip curved 120.5 mm / super fine tip straight 120.5 mm
- Static protection tools: Wrist Strap 3m, to avoid sensitive electronic components, from electrostatic damage
- Lineal
- Precision Knife
- Tool bag (233x150x55 mm)



Order-No. – P.U.

Precision Tool Kit, 73 pieces

19.06.2047 – 8

Electronics Master Kit

- Ideal for electronic / electric telecommunications and computer service workers
- Contents:
 - 127 mm side cutter
 - 127 mm long nose plier
 - 114 mm bent nose plier
 - 152 mm side cutter
 - 152 mm long nose plier
 - 203 mm combination plier
 - 241 mm water pump plier
 - 241 mm crimping tool
 - 6 pcs. precision screw drivers
 - Duplex colour screw drivers: Phillips: 3x75, 5x, 6x100, 6x38 mm / slotted: 3x75, 5x, 6x100, 6x38 mm / Nut: 5 mm, 6 mm
 - Testing driver
 - Alignment driver
 - Utility knife
 - 152 mm tweezer
 - IC Extractor
 - 7 pcs. Folding type hex key wrench
 - Brush
 - 3 prong holder
 - Flash light
 - Inspection mirror
 - 6 pcs. Open-end wrench set
 - 152 mm stainless scissors
 - 5 pcs. File set
 - 152 mm adjustable wrench
 - 3 pcs. soldering aid kit
 - Utility component storage box
- Carpenter hammer
- Oil can
- Parts tube
- Heat sink
- 3.3 m measuring ruler
- Solder wick
- Soldering iron stand
- Solder core
- Desoldering pump
- 30 W ceramic 3 way soldering iron
- 2 pcs. removable pallets
- Tool-carrying case (456 x 330 x 105 mm)
- Lockable



Order-No. – P.U.

Electronics Master Kit

19.06.2045 – 2

Computer Tool Case, 61-piece

Ideal for electronic / electric telecommunications and computer service workers

It includes all the most frequently need to repair or maintenance computer or TV, radio set and other electronic equipments.

- Contents:
- 25 Watt soldering iron
- Soldering iron stand
- 15 gr. solder
- Vacuum desoldering tool
- Fine point/cutting probe
- 3-prong retriever
- IC inserter/extractor
- Crimping tool wire cutter stripper
- Inspection mirror
- 102 mm precision long-nosed pliers
- 89 mm precision diagonal cutting pliers
- Screwdriver handle w/nut driver head

- 6 mm
- Philips bit: #1, #2, #3
- Slotted bit: 4 mm, 5 mm, 6 mm
- Hex bit: 1.5 mm, 2 mm, 2.3 mm, 3.1 mm, 4 mm
- T-Bit: T5, T8, T10, T20
- Nut-driver: 6 mm, 5 mm, 5.5 mm, 7.9 mm, 7.1 mm
- Precision screwdriver Philips: #0
- Slot: 3.1 mm
- Magnetic telescoping P/U tool
- Stainless tweezers
- Stainless clamp on tweezers
- Snap-Blade knife
- Parts tube
- Part box
- 20 ties



Order-No. – P.U.

Computer Tool Case, 61-piece

19.06.2040 – 7

Electronic Troubleshooter Kit, 39-piece

Ideal for electronic / electric telecommunications and computer service workers

It includes all the most frequently need to repair or maintenance computer or TV, radio set and other electronic equipments.

- Contents:
- Precision grip screwdriver: 4 pcs slotted 1.4, 2, 2.4, 3 mm / 2 pcs. Philips 2.4 mm, 3 mm
- Standard tweezer
- Snap-off blade cutters
- Solder core 15g
- 152 mm adjustable wrench: Hex wrench folding type (1, 1.5, 2, 3, 4, 5, 6 mm)
- Desoldering pump
- Soldering iron 30 Watt
- Soldering accessories: 178 mm brush-knife / 178 mm hook-scraper / 178 mm fork-spike
- 2x 152 mm side cutting plier
- 32 mm long nose plier
- 152 mm long nose plier
- 51 mm diagonal plier
- Tape measure 3.3 m
- 6 pcs. screwdriver set: 3 pcs. slotted 4.7 mm, 5.6 mm, 7.1 mm / 3 pcs. Philips 4 mm, 5 mm, 6 mm
- PVC electrical tape 10 m black
- Solder stand
- Needle file round and flat 170 mm
- Dust-brush
- Flat wrench
- Double head screwdriver (pen-form) slotted (3.2 mm) and Philips (3 mm)



Order-No. – P.U.

Electronic Troubleshooter Kit, 39-piece

19.06.2041 – 5

LAN Master Engineers Tool Kit, 58-piece

Ideal for electronic / electric telecommunications and computer service workers

It includes all the most frequently need to install, repair or maintenance LANs, computer or TV, radio set and other electronic equipments.

Kit includes:

- Fine tip straight tweezers
- Side cutter 125 mm
- Long nose plier 138 mm
- RJ-45 die set
- RJ-11 die set
- RG-58, RG-59/62, BNC/TNC die set
- RJ-22 die set
- RG-58, RG-59/62 AU BNC/TNC die set
- Supercrimp crimp tool frame
- Spring hook
- Desoldering pump
- Adjustable wrench 152 mm
- Quick heat ceramic soldering iron 110V or 220V
- Straight forceps 152 mm
- Round cable cutter
- Wire stripper tool
- Screwdriver 5 mm
- Screwdriver 6 mm
- Screwdriver #3.2x75 mm
- Screwdriver #0x75 mm
- Screwdriver #5x75 mm
- Screwdriver #1x75 mm
- Screwdriver #2x100 mm
- Desoldering wick
- Precision wire stripper
- Punch down tool with 110/66 blades
- UTP/STP cable stripper
- Utility



Order-No. – P.U.

LAN Master Engineers Tool Kit, 58-piece

19.06.2046 – 1

PC Troubleshooting Tool Set, 145-piece

This tool case is perfect for the computer, electronics and do-it-yourselfer. It includes all the most frequently need to repair or maintenance computer or TV, radio set and other electronic equipments.

• Contents:

- 3 way ratchet driver with storage
- Hollow star bits: T-8H, T-10H, T-15H, T-20H, T-25H, T-27H, T-30H, T-35H, T-40H
- Hex key set: 2 mm, 2.4 mm, 2.8, 3.2 mm, 3.6 mm, 4 mm
- Metric hex key set: 2 mm, 2.5 mm, 3 mm, 4 mm, 5 mm, 6 mm
- Spanner set: 4, 9, 8, 10
- Tri-wing set: 1, 2, 3, 4
- Torq set: 6, 8, 10
- Solid star bit: T-8, T-10, T-15, T-20, T-27
- #1 pozidriver bit
- #4 and #6 slotted bits
- #1 Phillips bit
- Square bit: 50, 51, 52, 53
- Nutdriver socket adapter
- Bit holder
- 5-pc. nutdriver set: 4.7 mm, 6.4 mm, 7.9 mm, 8.7 mm, 9.5 mm
- 5-pc. metric nutdriver set: 6mm, 7mm, 8mm, 9mm, 10mm
- Tweezers
- Pen knife
- Needle nose pliers
- Diagonal cutting pliers
- 6-pc. precision screwdriver set.
- Insulted chip extractor
- 3 pronged parts retriever
- Magnetic telescope picking up tool
- Flash light
- Wire strippers
- Deluxe wire strippers
- PC board brush
- Electrical PCV tape
- Soldering iron
- Solder remover
- Solder wire
- Solder stand
- Metal hammer with rubber
- 9 wrenches
- Mini vacuum cleaner witch accessories
- 1 scalpel
- 20 cable ties
- 1 set with cable terminal attachments



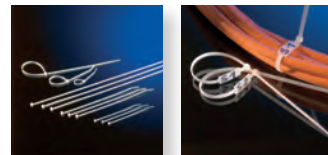
Order-No. – P.U.

PC Troubleshooting Tool Set, 145-piece

19.06.2031 – 5

Cable Ties / Cable Tie Installation Tool

- Range of cable ties suitable for general cabling use in all indoor or outdoor applications
- Available in 4 different length (15 cm, 25 cm, 30 cm, 44 cm) and 2 different width (3.7 mm, 4.8 mm)
- Additional description field (suitable only for 19.08.3276)
- Polybag with 100 pieces each



Installation Tool

- Tool operation: actuate trigger until cut-off occurs. Cut-off depends on the tension setting selected

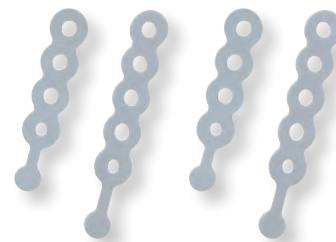
Order-No. – P.U.

Cable Tie, 3.7 mm, angled, 15 cm	19.08.3270 – 200
Cable Tie, 4.8 mm, angled, 25 cm	19.08.3272 – 100
Cable Tie, 4.8 mm, 44 cm	19.08.3274 – 60
Cable Tie, 4.8 mm, with description field, 30 cm	19.08.3276 – 80
Cable Tie Gun	19.06.1000 – 20

Hook-and-Loop Stripes

NEW

- Versatile and reusable design
- User-friendly
- The detachable silicone closure allows easy but secure closure and opening
- Durable and elastic silicone material
- Available in two different lengths (4 gray hook-and-loop stripes)



roline[®]
Designed for Professionals

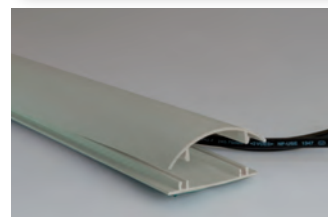
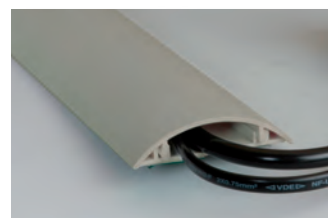
Order-No. – P.U.

Hook-and-Loop Stripes, 4 pcs.

19.08.3251 – 25

VALUE Cable Tunnel Organizer

- Ideal for cable management
- Applicable for all computer cables
- Stable and resistant material, ideal use as a floor cable tunnel
- Bottom of tunnel has pressure sensitive tapes
- Color: Dark grey
- Dimensions (LxW): 100 cm x 6 cm
- Content: 1 cable-tunnel



Value[®]

Order-No. – P.U.

VALUE Cable Tunnel Organizer, Closed, 6 cm x 100 cm

19.99.3235 – 20



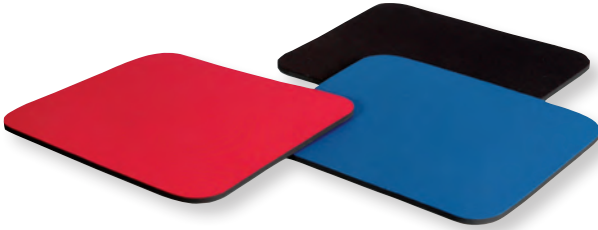
Office Equipment / Consumables

10

Mouse Pads	10.02
Wristrests	10.02
VESA Adapters	10.03 – 10.04
LCD Monitor Arms / Mounts	10.03 – 10.10
Wall Mount Workstation.....	10.11
Monitor / PC Stands	10.11, 10.14
ROLINE Modular Systems	10.12 – 10.13
PC Holder	10.15 – 10.16
Wall / Ceiling Projector Mount	10.17
Monitor Stand	10.18
Printer Tables	10.19
PC Workstations.....	10.14, 10.19 – 10.20
Cleaning Sets	10.21 – 10.22

Mouse Pad, Cloth

- Optimal use on smooth surfaces
- Upper layer: Nylon cloth
- Optimized for optical and laser mouses
- Dimensions: 255x215x5mm



Order-No. – P.U.

Mouse Pad, Cloth, black	18.01.2040 – 50
Mouse Pad, Cloth, blue	18.01.2041 – 50
Mouse Pad, Cloth, red	18.01.2042 – 50

Laser Mouse Pad

- Mouse pad for optical mice, ideal also for laser mice
- Ultra flat and anti slip surface
- Dimensions: 220 x 180 x 0.4 mm
- Note: Mouse is not included in delivery



Order-No. – P.U.

Laser Mouse Pad, blue	18.02.2005 – 200
Laser Mouse Pad, black	18.02.2006 – 200

ROLINE Soft Gaming Pad

- Provides excellent gliding of the mouse
- Natural rubber base for maximum grip on any surface
- Excellent performance for laser and optical mice
- Material: Surface: high performance textile surface / Base: nature rubber
- Dimensions: 350x260x3mm
- Colour: Black



roline
Designed for Professionals

Order-No. – P.U.

ROLINE Soft Gaming Pad, black	18.01.2044 – 20
-------------------------------	-----------------

ROLINE Gaming Mouse Pad

- Provides excellent gliding of the mouse
- The fine textured weave increases accuracy and speed, decreases friction
- Sliding fast and reduce wrist strain without the height difference between pad and desk
- Anti-slippery silicone base gives maximum grip
- Compatible with laser and optical mice
- Material: Surface: high quality textile / Base: premium silicone adhesive
- Dimensions: 350x260x3mm
- Colour: Black



roline
Designed for Professionals

Order-No. – P.U.

ROLINE Gaming Mouse Pad	18.01.2045 – 20
-------------------------	-----------------

Silicon Mousepad with Wristrest

- During work with your Mouse your wrist can rest on the integrated Palmrest
- The silicon filling will adapt itself to your wrist, effective support will help you in giving you a relaxed feeling once working with your mouse
- Colour: transparent blue
- Dimensions: 227 x 250 x 22 mm
- Note: Mouse is not included in delivery

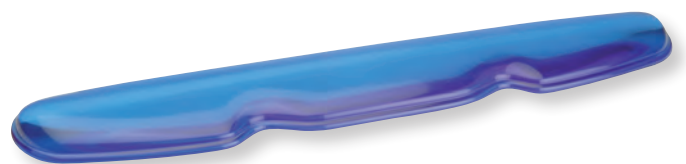


Order-No. – P.U.

Silicon Mousepad with Wristrest, transparent blue	18.01.2029 – 24
---	-----------------

Silicon Wrist Pad for Keyboard

- Great outcome for frequent PC users; it will reduce the danger of RSI (Repetitive Strain Injury)
- The silicon filling will adapt itself to your wrist, effective support will help you in giving you a relaxed feeling once working with your keyboard
- Suitable for all current keyboards (with straight side)
- Colour: transparent blue
- Dimensions: 455x80x22 mm

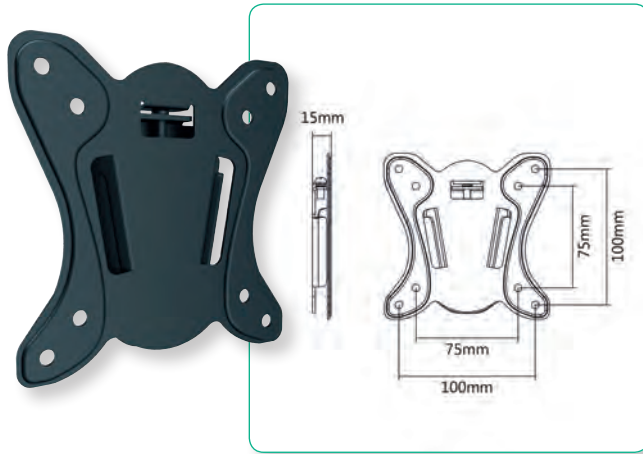


Order-No. – P.U.

Silicon Wrist Pad for Keyboard, transparent blue	18.02.3033 – 20
--	-----------------

VALUE LCD Monitor Wall Mount Kit

- Space saving and solid mounting of a monitor on walls
- Easy to mount with sliding bracket design (2 pieces) - one piece has to be fixed to the wall, the other one has to be screwed with VESA on the monitor
- Slim design, just 15mm from the wall
- Monitor has to be mount from the upside into the wall mount
- Meets with VESA 75 (75 x 75 mm) or VESA 100 (100 x 100 mm)
- Load capacity: 25 kg



Value[®]

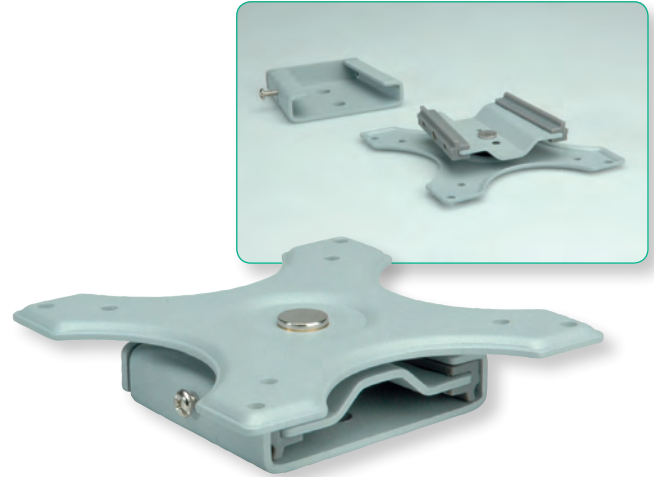
Order-No. – P.U.

VALUE LCD Monitor Wall Mount Kit

17.99.1141 – 10

ROLINE LCD Monitor Wall Mount Kit

- Space saving and solid mounting of a monitor on walls
- Easy to mount with sliding bracket design (2 pieces) - one piece has to be fixed to the wall, the other one has to be screwed with VESA on the monitor
- Monitor has to be mount from the upside into the wall mount
- Meets with VESA 75 (75 x 75 mm) or VESA 100 (100 x 100 mm)
- Load capacity: 8 kg



roline[®]
Designed for Professionals

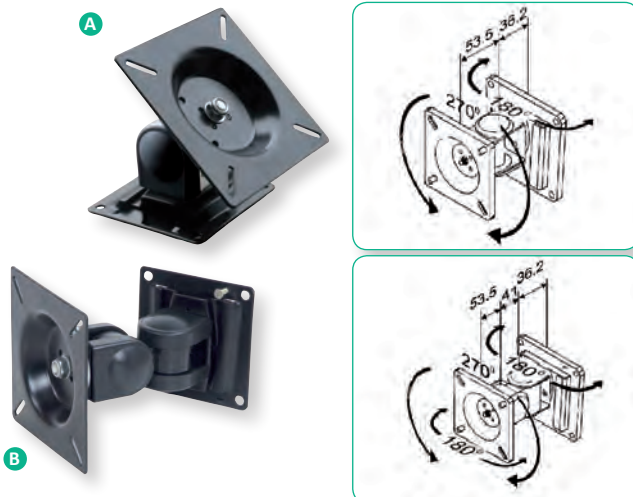
Order-No. – P.U.

ROLINE LCD Monitor Wall Mount Kit

17.03.1167 – 30

VALUE LCD Monitor Wall Mount Kit

- For screen sizes: 36 cm up to 61 cm
- Weight capacity: up to 15 kg
- Tilttable: 160° up or down
- Swiveling (Pivot function): 270°
- Meets VESA standard VESA 75 (75x75 mm) and VESA 100 (100x100 mm)
- Material: Cold steel construction
- Colour: Black



Technical data:

Fixing:
Load capacity:
Screen size:
Pivot function:
Tilttable up or down:
Rotatable right or left:
Arm length:

17.99.1120
wall mount
15 kg
36 cm up to 61 cm
270°
160°
-
up to 90 mm

17.99.1121
wall mount
15 kg
36 cm up to 61 cm
270°
180°
180°
up to 130 mm

Value[®]

Order-No. – P.U.

VALUE LCD Monitor Wall Mount Kit, 1 Joint

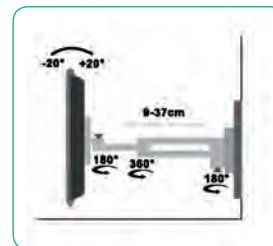
A 17.99.1120 – 10

VALUE LCD Monitor Wall Mount Kit, black, 2 Joints

B 17.99.1121 – 10

VALUE LCD Monitor Wall Mount

- The LCD monitor arm can be flexibly adapted to the best viewing angle for the user
- For wall mounting
- Screen size: 38-55 cm
- Load capacity: 10 kg
- Extendable from 90 mm to 375 mm
- Tilting: 60° up or down
- Pivot function: 90°
- Meets VESA 75 (75 x 75 mm) or VESA 100 (100 x 100 mm)



Value[®]

Order-No. – P.U.

VALUE LCD Monitor Wall Mount, 3 Joints, black

17.99.1130 – 12

VALUE LCD Wall Mount Bracket Deluxe

Mounts your screen close to the wall and can be tilted, swiveled and rotated.

- For wall mounting
- Screen size: 38-55 cm
- Load capacity: 25 kg
- Pivot function
- Meets VESA 200 x 100 mm or VESA 200 x 200 mm

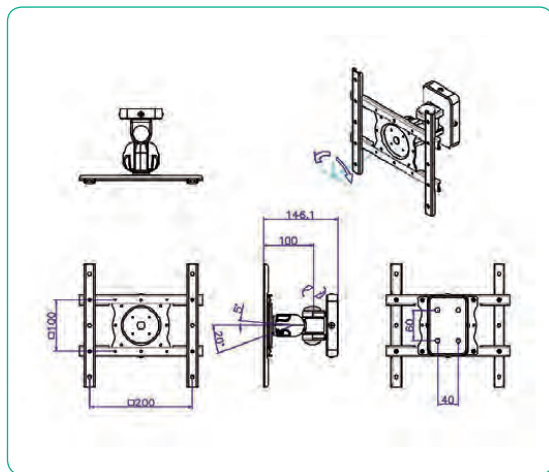


Order-No. – P.U.



VALUE LCD Wall Mount Bracket Deluxe, black

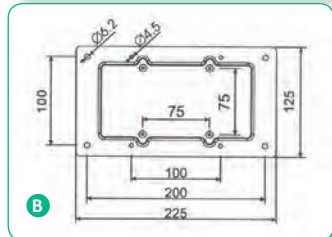
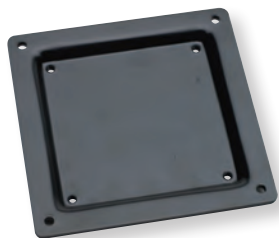
17.99.1138 – 4



ROLINE VESA Adapter

- **17.03.1100/17.03.1102:**
- Accommodates standard VESA 100 compliant monitors (100 x 100 mm resp. 100 x 200 mm) to mounting systems with VESA 75 (75 x 75 mm)
- **17.03.1106:**
- Accommodates monitors with standard VESA 100, 200 (100 x 200 and 200 x 200 mm) to mounting systems with VESA 100 (100 x 100 mm)
- Variable adjustable

- **17.03.1103:**
- Accommodates monitors with standard VESA 400, 200 (400 x 400 mm) to mounting systems with VESA 100 (100 x 100 mm)
- Variable adjustable

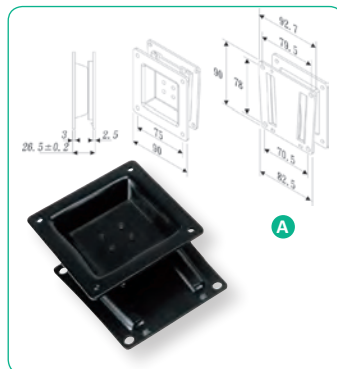


Order-No. – P.U.

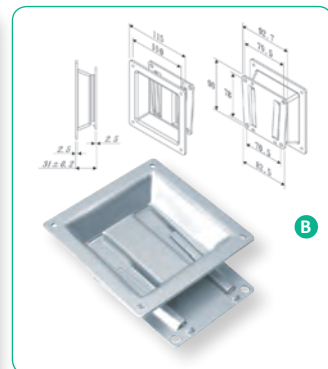
ROLINE VESA Adapter, black	A 17.03.1100 – 1
ROLINE VESA Adapter 75x75 to 100x100/100x200, black	B 17.03.1102 – 1
ROLINE VESA Adapter 100x100-100x200/200x200, variable, silver	17.03.1106 – 1
ROLINE VESA Adapter 100x100-400x400, variable, silver	C 17.03.1103 – 1

ROLINE LCD Monitor Wall Mount Kits

- Space saving mounting of monitor on Walls
- VESA 75 fixation



Technical data: **17.03.1180** **17.03.1181**
 Load capacity: 1-20 kg 1-20 kg
 VESA: 75x75 mm 100x100 mm

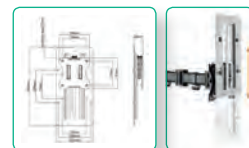


Order-No. – P.U.

ROLINE LCD Monitor Wall Mount Kit, -20 kg, VESA 75	A 17.03.1180 – 1
ROLINE LCD Monitor Wall Mount Kit, -20 kg, VESA 100	B 17.03.1181 – 1

ROLINE Vertical VESA Adjustment Plate

- Perfect option to add more **VERTICAL** adjustability (15 cm mobility to go up and down) to an existing monitor mount
- Track-mounted monitor holder
- Easy installation on most monitor mounts with standard VESA plates (75mm x 75mm/100mm x 100mm)
- The toothed track keeps the adjustment smooth and stable
- Maximum load up to 8 kg

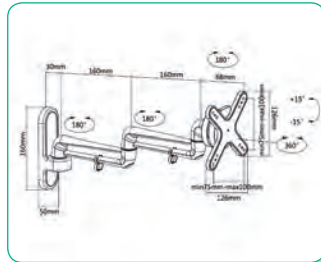
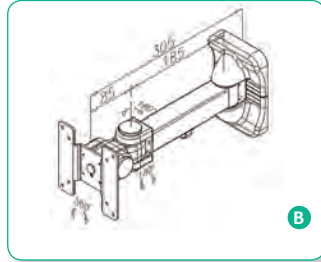
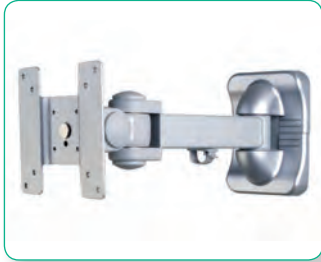
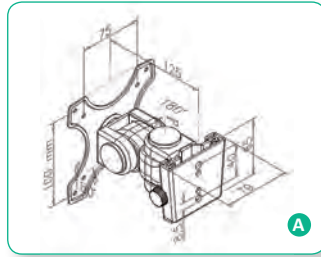
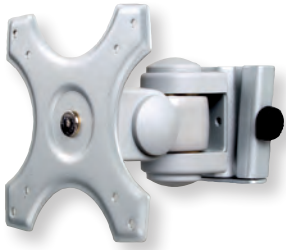


Order-No. – P.U.

ROLINE Vertical VESA adjustment plate	17.03.1101 – 16
---------------------------------------	-----------------

VALUE LCD Monitor Wall Mount Kit

- Space saving and solid mounting of a monitor on walls
- Screen can be swiveled, tilted and rotated
- Easy to mount with sliding bracket design
- Meets with VESA 75 x 75 mm or 100 x 100 mm



Technical data:	17.99.1125	17.99.1126	17.99.1129
Fixing:	wall mount	wall mount	wall mount
Load capacity:	up to 8 kg	up to 10 kg	up to 15 kg
Pivot function:	yes	yes	yes
Arm length:	10 cm	30 cm	41.8 cm

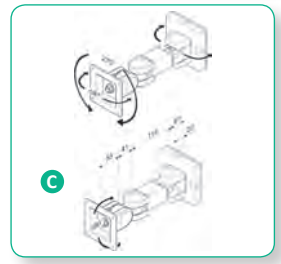
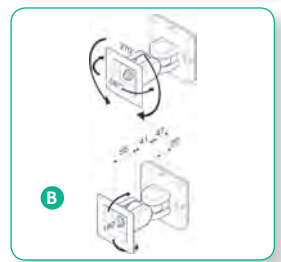
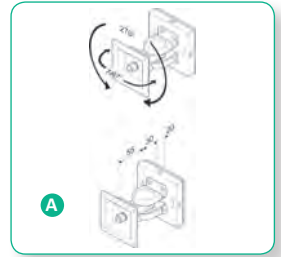


Order-No. – P.U.

VALUE LCD Monitor Wall Mount Kit, 2 Joints	A	17.99.1125	– 12
VALUE LCD Monitor Wall Mount Kit, 3 Joints	B	17.99.1126	– 6
VALUE LCD Monitor Wall Mount Kit, 5 Joints	C	17.99.1129	– 5

ROLINE LCD Monitor Wall Mount Kit

- Space saving mounting of monitor on walls
- VESA 75 (75 x 75 mm) fixation
- Inclination adjustable over joints
- Pivot function: 270°



roline
Designed for Professionals

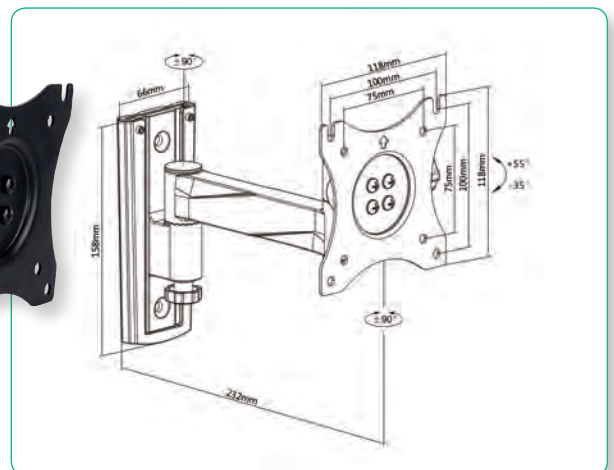
Technical data:	17.03.1124	17.03.1125	17.03.1126	17.03.1123
Fixing:	wall mount	wall mount	wall mount	wall mount
Load capacity:	1-6 kg	1-8 kg	1-6 kg	1-6 kg
Pivot function:	270°	270°	270°	270°
Arm length:	55 mm	90 mm	200 mm	340 mm

Order-No. – P.U.

ROLINE LCD Monitor Wall Mount Kit, 1 Joint	A	17.03.1124	– 1
ROLINE LCD Monitor Wall Mount Kit, 2 Joints	B	17.03.1125	– 1
ROLINE LCD Monitor Wall Mount Kit, 3 Joints	C	17.03.1126	– 1
ROLINE LCD Monitor Arm Standard, Wall Mount, 4 Joints		17.03.1123	– 1

VALUE LCD Monitor Wall Mount Kit

- Integrated bubble level assures easy installation alignment
- Slide-in wall plate provides easy access for attachment and detachment
- Adjustment knob ensures tilt/pan realization (+55° --35°)
- Swiveling possibility offer maximum viewing flexibility (+90° --90°)
- In-arm cable clip



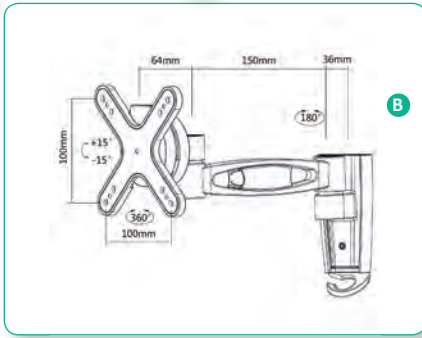
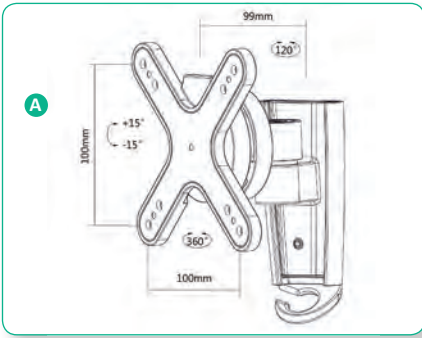
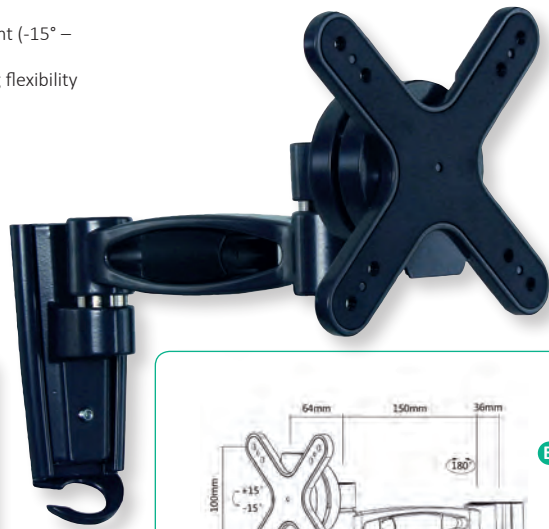
Order-No. – P.U.

VALUE LCD Monitor Wall Mount Kit, 3 Joints		17.99.1131	– 10
--	--	------------	------

ROLINE LCD Monitor Wall Mount Kit (Slide)

- Slide-in wall plate provides easy access for attachment and detachment
- 360° rotation allows portrait and landscape viewing
- Pivoting wall mount with pan motion
- Cable management system helps keep cables concealed and organized
- Integrated bubble level assures easy installation alignment
- VESA 75 (75 x 75 mm), VESA 100 (100 x 100 mm) fixation
- Freely tilting allows easy TV angle adjustment (-15° – +15°)
- Swiveling possibility offer maximum viewing flexibility

Technical data:	17.03.1186	17.03.1188
Fixing:	wall mount	wall mount
Load capacity:	1-15 kg	1-15 kg
Swivel:	120°	180°
Tilttable up and down:	15°	15°
Arm length:	9.9 cm	25 cm



Order-No. – P.U.

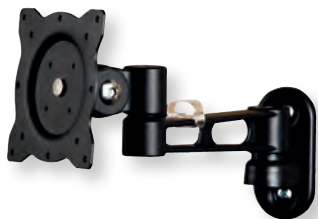
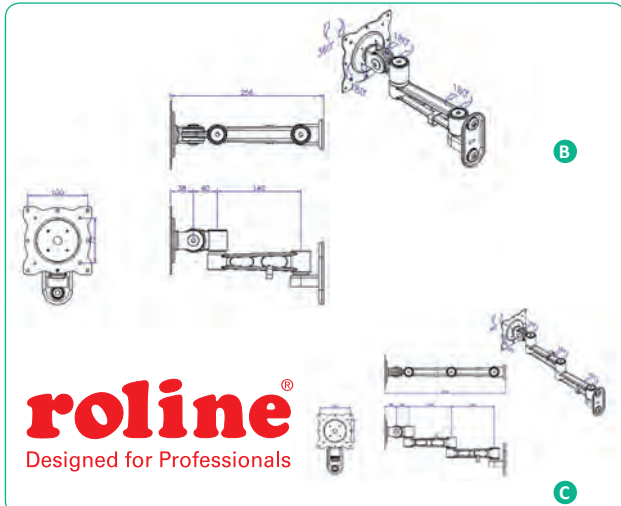
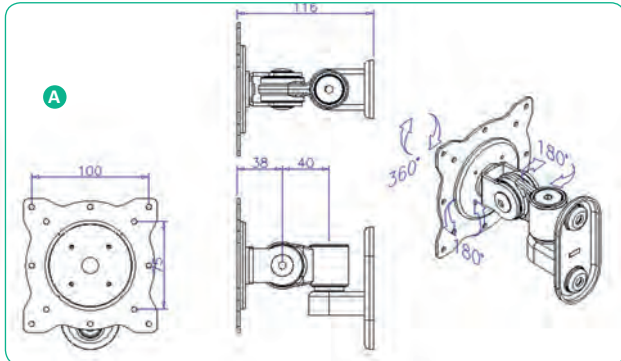
ROLINE LCD Monitor Wall Mount Kit (Slide), 3 Joints	A 17.03.1186 – 5
ROLINE LCD Monitor Wall Mount Kit (Slide), 4 Joints	B 17.03.1188 – 5

roline[®]
Designed for Professionals

ROLINE LCD Monitor Arm, Wall Mount

Swing- and tilttable wall mount for monitors and TVs!

- Aesthetic design offers a pleasant environment
- Broad range of flexibility
- Quick and simple installation
- Rotation: 180° for portrait or landscape viewing (right & left)
- Meets VESA 75 (75 x 75 mm), VESA 100 (100 x 100 mm)
- Solid model made out of black painted iron
- Colour: black



Technical data:	17.03.1196	17.03.1197	17.03.1198
Fixing:	wall mount	wall mount	wall mount
Load capacity:	1-10 kg	1-10 kg	1-10 kg
Pivot function:	180°	180°	180°
Number of pivots:	3	4	5
Tilttable up and down:	80°	80°	80°
Arm length:	116 mm	256 mm	395 mm

Order-No. – P.U.

ROLINE LCD Monitor Arm, Wall Mount, 3 Joints, black	A 17.03.1196 – 4
ROLINE LCD Monitor Arm, Wall Mount, 4 Joints, black	B 17.03.1197 – 6
ROLINE LCD Monitor Arm, Wall Mount, 5 Joints, black	C 17.03.1198 – 6

roline[®]
Designed for Professionals

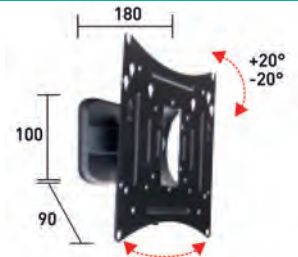


roline[®]
Designed for Professionals

ROLINE LCD Monitor Arm, Wall Mount, 2 Joints

- Quick and simple installation
- Meets VESA 50/75/100/150/200x100/200
- Wall mount fixing
- Material: steel
- Colour: black

TV size: 25- 100cm (10" - 40")
Load capacity: up to 20 kg
No. of pivots: 2
Max. arm length: 9 cm
Tiltable up and down: 20°



Order-No. – P.U.

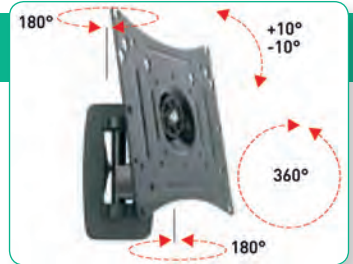
ROLINE LCD Monitor Arm, Wall Mount, 2 Joints

17.03.0005 – 1

ROLINE LCD Monitor Arm, Wall Mount, 3 Joints

- Quick and simple installation
- Meets VESA 75/100/200x100
- Wall mount fixing
- Material: steel
- Colour: black

TV size: 25- 81 cm (10" - 32")
Load capacity: up to 20 kg
No. of pivots: 5
Max. arm length: 12,2 cm
Tiltable up and down: 20°



Order-No. – P.U.

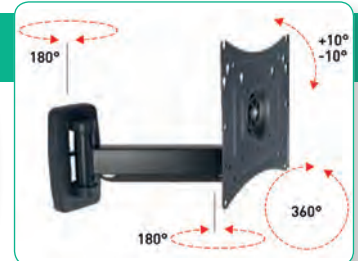
ROLINE LCD Monitor Arm, Wall Mount, 3 Joints

17.03.0006 – 1

ROLINE LCD Monitor Arm, Extra, Wall Mount, 3 Joints

- Quick and simple installation
- Meets VESA 75/100/200x100/180x120/200
- Wall mount fixing
- Material: steel
- Colour: black

TV size: 25- 100 cm (10" - 40")
Load capacity: up to 25 kg
No. of pivots: 5
Max. arm length: 28 cm
Tiltable up and down: 10°



Order-No. – P.U.

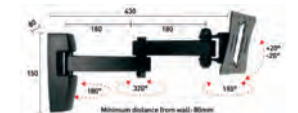
ROLINE LCD Monitor Arm, Extra, Wall Mount, 3 Joints

17.03.0007 – 1

ROLINE LCD Monitor Arm, Wall Mount, 4 Joints

- Quick and simple installation
- Meets VESA 75/100/200x100
- Wall mount fixing
- Material: steel
- Colour: black

TV size: 25- 81 cm (10" - 32")
Load capacity: up to 20 kg
No. of pivots: 4
Max. arm length: 43 cm
Tiltable up and down: 20°



Order-No. – P.U.

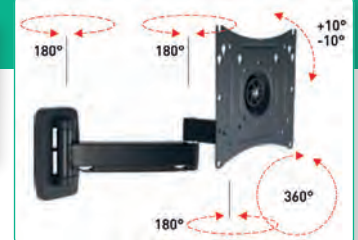
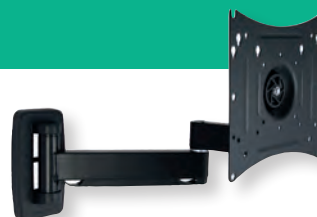
ROLINE LCD Monitor Arm, Wall Mount, 4 Joints

17.03.0008 – 1

ROLINE LCD Monitor Arm, Extra, Wall Mount, 5 Joints

- Quick and simple installation
- Meets VESA 75/100/200x100/180x120/200
- Wall mount fixing
- Material: steel
- Colour: black

TV size: 25- 100 cm (10" - 40")
Load capacity: up to 25 kg
No. of pivots: 6
Max. arm length: 36 cm
Tiltable up and down: 10°



Order-No. – P.U.

ROLINE LCD Monitor Arm, Extra, Wall Mount, 5 Joints

17.03.0009 – 1

ROLINE LCD Monitor Stand Pneumatic, Wall Mount, Pivot

- Delicate and streamlined design
- Made of high quality aluminum alloy
- Gas spring integrated allows users to move the LCD panel in most positions at will
- Meets VESA 75 (75x75 mm) or VESA 100 (100x100 mm)
- Special feature: Pivot function- screen is 90 degrees rotatable
- Wall Mount
- A clever cable management is built into the rear arm

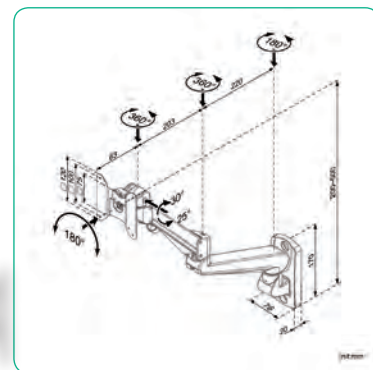
Technical data: 17.03.1178
 Fixing: wall mount
 Load capacity: 3 - 8 kg
 No. of pivots: 4
 Pivot function: yes
 Arm length: up to 486 mm
 Particularities: gas spring, cable management

Specifications:

- Arm extension: ~ 486 mm
- Lift: 200 ~ 500 mm
- Monitor pivot: 180°
- Rotation: 360° (arm & display)
- Loading capacity: 3 ~ 8 kg



Order-No. – P.U.

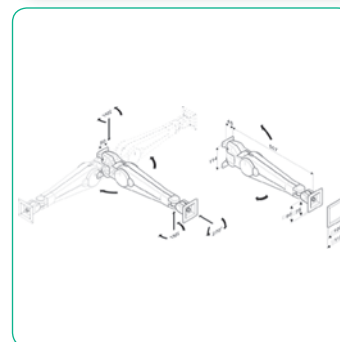
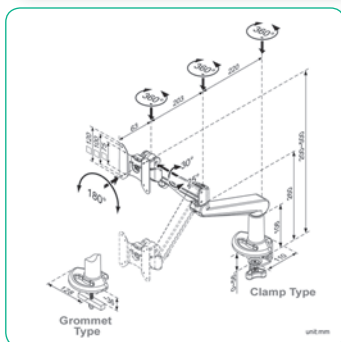
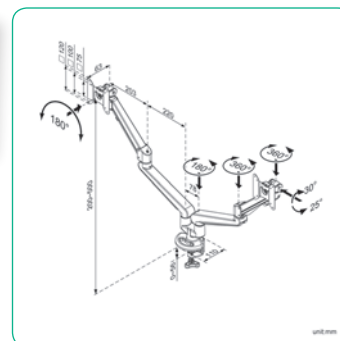
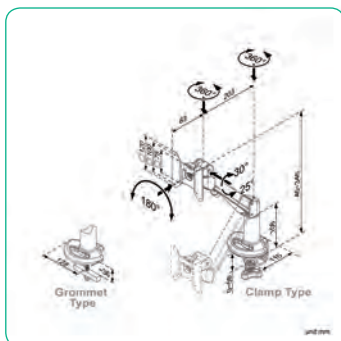


ROLINE LCD Monitor Stand Pneumatic, Wall Mount, Pivot, 2 Joints 17.03.1178 – 1

ROLINE LCD Monitor Stand Pneumatic, Desk Clamp, Pivot

- These pneumatic LCD monitor arms allow you to adjust the monitor to the most comfortable viewing angle
- Arms provide up and down, left and right, front and back pivot and tilting capability
- Desk clamp mount (max. 56mm) and grommet mount (max. 36mm)
- Monitor weight adjustment
- Monitor arms with wall mount fixing
- Meet VESA 75 (75 x 75 mm) or VESA 100 (100 x 100 mm)

Technical data:	17.03.1149	17.03.1147	17.03.1148	17.03.1122
Fixing:	desk clamp	desk clamp	desk clamp	wall mount
Load capacity:	3 - 8 kg	3 - 8 kg	3 - 8 kg	3 - 8 kg
No. of pivots:	4	4	4	4
Pivot function:	yes	yes	yes	yes
Arm length:	up to 266 mm	up to 486 mm	up to 486 mm	up to 440 mm
Particularities:	gas spring, cable management	gas spring, cable management	gas spring, cable management	gas spring, cable management, weight adjustment
	-	-	Dual LCD	



Order-No. – P.U.

ROLINE LCD Monitor Stand Pneumatic, Desk Clamp, Pivot, 1 Joint	A	17.03.1149	– 1
ROLINE LCD Monitor Stand Pneumatic, Desk Clamp, Pivot, 2 Joints	B	17.03.1147	– 1
ROLINE Dual LCD Monitor Stand Pneumatic, Desk Clamp, Pivot, 2 Joints	C	17.03.1148	– 1
ROLINE LCD Monitor Arm Pneumatic, Pivot, Wall Mount	D	17.03.1122	– 1



VALUE Single LCD Monitor Arms, Desk Clamp

- Aluminum two-step arm with four joints
- With a C-clamp for desk mount up to 8 cm thickness
- The height of the LCD monitor is adjustable
- Meets VESA 75 (75 x 75 mm) or VESA 100 (100 x 100 mm)
- Load capacity: up to 10 kg



Technical data:	17.99.1132	17.99.1133	17.99.1136
Load capacity:	10 kg	2x 6 kg	3x 8 kg
No. of pivots:	5	2x 5	5
Fixing:	Desk clamp	Desk clamp	Desk clamp
Arm length:	450 mm	2x 350 mm	1290 mm

Order-No. - P.U.

VALUE Single LCD Monitor Arm, 4 Joints, Desk Clamp	A	17.99.1132	- 4
VALUE Dual LCD Monitor Arm, Desk Clamp, 4 Joints	B	17.99.1133	- 2
VALUE Triple LCD Arm, Desk Clamp, black	C	17.99.1136	- 1

ROLINE Single LCD Monitor Arms, Desk Clamp

- This flexible monitor arm allows the user to adjust a monitor with perfect angle of view
- Fixing by desk clamp (up to 100 mm)
- The sturdy main frame can still move smoothly under heavy load
- High quality aluminum alloy
- Meets VESA 75 (75 x 75 mm) or VESA 100 (100 x 100 mm)
- Load capacity: 12 kg
- Length of pillar: 400 mm
- Arm length: 190 mm



roline
Designed for Professionals

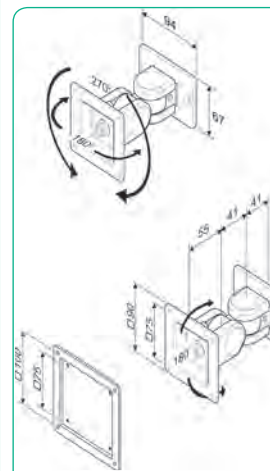
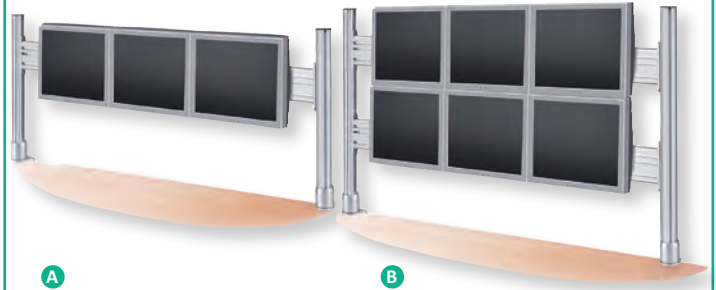
Technical Data:	17.03.1132/1230	17.03.1133	17.03.1134
Fixing:	desk clamp (up to 100 mm)	desk clamp (up to 100 mm)	desk clamp (up to 100 mm)
Load capacity:	8 kg	10 kg	12 kg
Length of pillar:	400 mm	400 mm	400 mm
Arm length:	620 mm	440 mm	190 mm

Order-No. - P.U.

ROLINE Single LCD Monitor Arm, 2 Joints, Desk Clamp	A	17.03.1134	- 1
ROLINE Single LCD Monitor Arm, 3 Joints, Desk Clamp	B	17.03.1133	- 1
ROLINE Single LCD Monitor Arm, 5 Joints, Desk Clamp	C	17.03.1132	- 1
ROLINE Dual LCD Monitor Arm, Desk Clamp, 4 Joints	D	17.03.1230	- 1

ROLINE LCD Bridge, Desk Mount

- Post arm series suitable for sites where several monitors are required at the same time, such as financial institution, banking company, stock market, LAN system, IT communication company, (hospital), mainframe centre, building control centre and control tower, etc.
- Position of slot is adjustable to proper height
- Complete with cable organizer on the rear to route cables
- Wall mounting



roline
Designed for Professionals

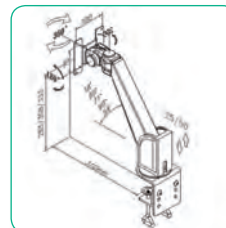
Technical data:	17.03.1163	17.03.1162
Fixing:	desk clamp (15-70 mm)	desk clamp (15-70 mm)
Load capacity:	36 kg	50 kg
Length of bridge:	1300 mm	1300 mm
Particularities:	cable management	cable management
Load capacity:	17.03.1165: 1-8 kg	17.03.1166: 1-14 kg
VESA standard:	VESA 75	VESA 75/100
Joints:	2	2

Order-No. - P.U.

ROLINE LCD Bridge for 1x3 56 cm LCD Monitors, Desk Clamp	A	17.03.1163	- 1
ROLINE LCD Bridge for 2x3 56 cm LCD Monitors, Desk Clamp	B	17.03.1162	- 1
ROLINE Monitorfixing for Bridge, up to 8 kg	C	17.03.1165	- 1
ROLINE Monitorfixing for Bridge, up to 14 kg	C	17.03.1166	- 1

VALUE LCD Monitor Arm Standard, Wall Mount or Desk Clamp

- Provides the screen at three positions for the most comfortable viewing level and provide the monitor or LCD TV tilt, left or right
- Supports wall mounting as well as desk clamp (with C-clamp mounting bracket)
- Meets VESA 75 (75 * 75 or VESA 100 (100 * 100 mm))



Value

Order-No. - P.U.

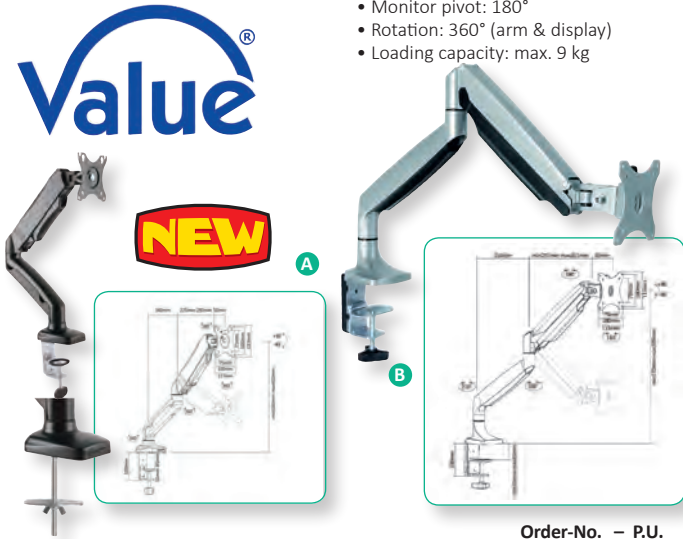
VALUE LCD Monitor Arm Standard, Wall Mount or Desk Clamp	17.99.1123	- 4
--	------------	-----

VALUE LCD Monitor Stand Pneumatic, Desk Clamp, Pivot

- Made of high quality aluminum alloy
- Gas spring integrated allows users to move the LCD panel in most positions at will
- Meets VESA 75 (75x75 mm) or VESA 100 (100x100 mm)
- Special feature: Pivot function- screen is 90 degrees rotatable
- Small desktop mount saves space
- A clever cable management is built into the rear arm

- 17.99.1155**
 Specifications:
- Arm extension: ~ 500 mm
 - Lift: 160 ~ 410 mm
 - Monitor pivot: 180°
 - Rotation: 360° (arm & display)
 - Loading capacity: max. 6.5 kg

- 17.99.1145**
 Specifications:
- Arm extension: ~ 605 mm
 - Lift: 170 ~ 500 mm
 - Monitor pivot: 180°
 - Rotation: 360° (arm & display)
 - Loading capacity: max. 9 kg



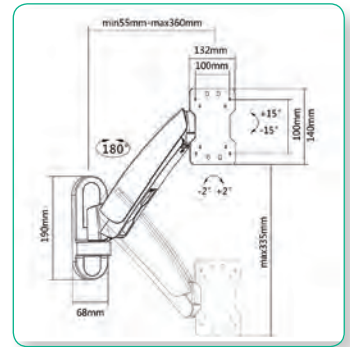
Order-No. – P.U.

VALUE LCD Monitor Stand Pneumatic, Desk Clamp, Pivot, 2 Joints A 17.99.1155 – 4

VALUE LCD Monitor Stand Pneumatic, Desk Clamp, Pivot, 5 Joints B 17.99.1145 – 4

VALUE LCD Monitor Arm Gas Spring, Wall Mount

- LCD monitor wall mount
- Arm length: 360 mm
- Weight capacity: max 15 kg
- Meets with VESA 75x75 or 100x100mm
- Monitor can be tilted, swiveled and rotated
- Color: silver
- Monitor can be adjustment: -15°- +15°
- Arm height adjustment: max. 335mm



Order-No. – P.U.

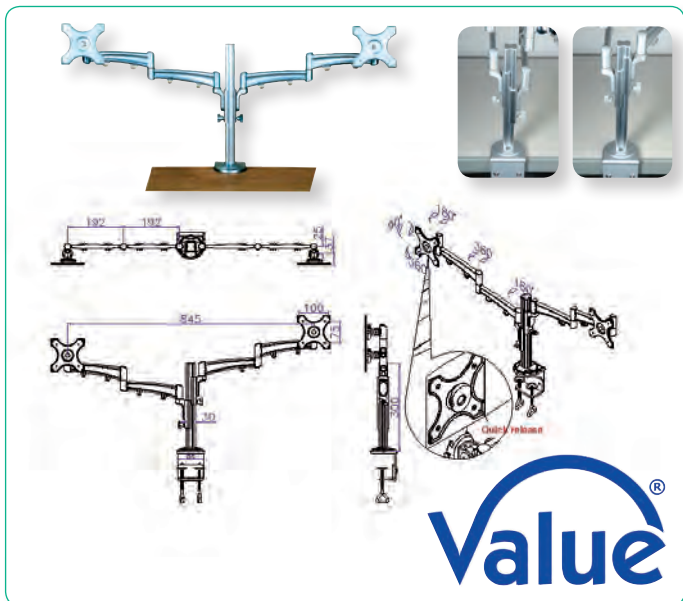
VALUE LCD Monitor Arm Gas Spring, Wall Mount

17.99.1119 – 6

VALUE Dual LCD Monitor Arm, Desk Clamp, height adjustable separately

- The Dual LCD Arm makes your workstation more efficient and you gain more workspace.
- Designed for two monitors
 - The two aluminium arms are easy to adjust for swinging into any position
 - Each display can be tilted to any angle you need

- The height of the LCD monitors is for both monitors separately adjustable
- Load capacity: up to 5 kg each monitor
- Meets VESA 75 (75 x 75 mm) or VESA 100 (100 x 100 mm)
- Arm length: up to 2x 350 mm
- With a C-clamp for desk mount



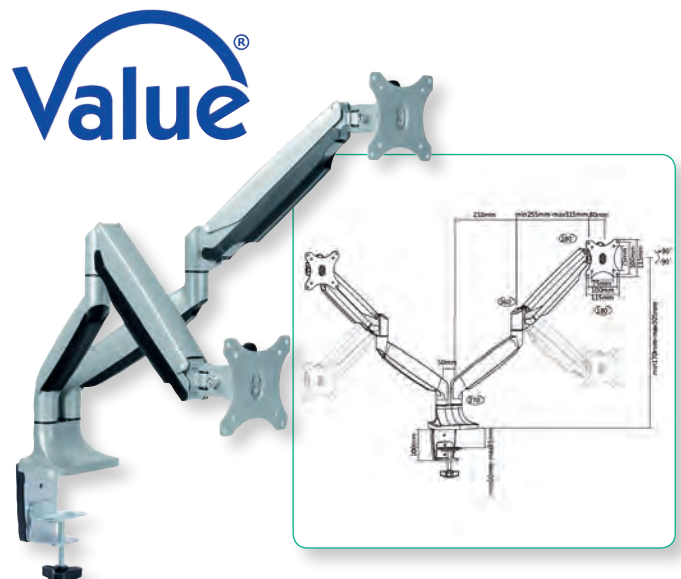
Order-No. – P.U.

VALUE Dual LCD Monitor Arm, Desk Clamp, 4 Joints, height adjustable separately 17.99.1134 – 2

VALUE Dual LCD Monitor Arm, Desk Clamp, height adjustable separately, gas spring

- The Dual LCD Arm makes your workstation more efficient and you gain more workspace.
- Designed for two monitors
 - The two aluminium arms are easy to adjust for swinging into any position
 - Each display can be tilted to any angle you need
 - The height of the LCD monitors is for both monitors separately adjustable

- Gas spring assistant system easily adjusts the height of monitor
- Load capacity: up to 9 kg each monitor
- Meets VESA 75 (75 x 75 mm) or VESA 100 (100 x 100 mm)
- Arm length: up to 2x 350 mm
- With a C-clamp for desk mount



Order-No. – P.U.

VALUE Dual LCD Monitor Arm, Desk Clamp, 6 Joints, height adjustable, gas spring 17.99.1147 – 2

VALUE Wallmount Workstation, with keyboard tray

- This is a complete solution that accommodates a LCD, keyboard/mouse, creating a sit-stand workstation
- This wall mounted computer workstations include a sturdy 90.5mm (width) x 500mm (length) x 20mm (depth) (x 2pcs.) aluminum posts that mounts to wall
- Articulating arms built-in VESA 75/100 compliant mount bracket can be tilted, panned and rotated.
- The keyboard holder adjusts to hold items up to 100mm (width) securely and includes non-skid cushions to prevent marring
- Keyboard holder weight capacity: 3-5kg
- Monitor holder weight capacity: up to 15kg



Value[®]

Order-No. – P.U.

VALUE Wallmount Workstation, with keyboard tray

17.99.1137 – 1

VALUE Wallmount Workstation, Pneumatic

- This is a complete solution that accommodates a LCD, keyboard and CPU, creating a sit-stand workstation
- It is perfect for space-constrained areas by simply fold the keyboard and LCD tight against the wall when not in use
- This wall mounted computer workstations include a sturdy 90.5mm (width) x 500mm (length) x 20mm (depth) (x 2pcs.) aluminum posts that mounts to wall
- Articulating arms built-in VESA 75/100 compliant mount bracket can be tilted, panned and rotated.
- The CPU/power supply holder adjusts to hold items up to 100mm (width) securely and includes non-skid cushions to prevent marring
- CPU holder weight capacity: up to 10kg
- Keyboard holder weight capacity: 3-5kg
- Monitor holder weight capacity: 3-5kg



Order-No. – P.U.

VALUE Wallmount Workstation, Pneumatic

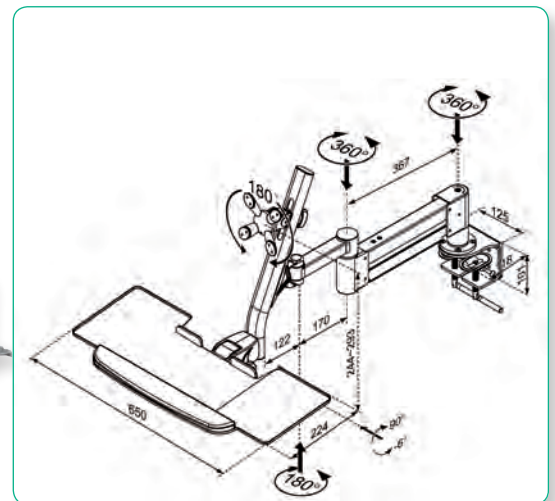
17.99.1139 – 1

ROLINE LCD/Keyboard Holder, Desk Clamp, rotatable

- A specific workstation that allows the flexible operation with LCD monitor, keyboard and mouse
- Adjustment can be very easily done
- For desk clamp
- Meets VESA Standard 75 (75 x 75 mm) and 100 (100 x 100 mm)
- Keyboard can be fixed with a clamping device, this allows the use of different keyboard types
- Monitor and keyboard drawer can be adjusted vertically
- Mouse rest can be fixed on left or right side of the keyboard drawer



A



roline[®]
Designed for Professionals

Order-No. – P.U.

ROLINE LCD/Keyboard Holder, Desk Clamp, rotatable	A 17.03.1220 – 1
ROLINE Wall Track System for LCD and Keyboard Arms	B 17.03.1151 – 1
ROLINE Keyboard and Mouse Wrist Rest for Track System	C 17.03.1193 – 1



B



C

ROLINE Modular System WallMount

ROLINE Modular System: flexible solutions to meet your own various applications!

- ROLINE Modular System: These series provides flexible solutions to meet your own various applications: • Warehouse & Inventory control / Assembly Line / Test Lab
- Financial / Trading / Conference Room / Reception • Library / Cafeteria / Laboratory
- Retail / Wholesale / Public Spaces • The combination of the different elements of this series allows you the ultimate functionality, flexibility and performance 2 ranges can be built: Track Mount Type /

Wall Mount Type

- Built for normal duty and heavy duty computer workstation use
- Safe and ergonomic

Track Mount Type

- Slide the monitor arm into place on track easily • Ideal solution perfect for use in different environments • Gas-spring assisted arm offers easy height adjustment and ergonomic comfort • Accommodate users of sitting and standing work postures to create a healthy workplace • Organized cable management • The minimum need to realise this is the use of the correspondent elements (ROLINE Modular System Wall Track- 17.03.0102 / ROLINE Modular System TrackMount Bracket- 17.03.0101) in combination with extension arms (with or without gas spring), display bracket, display/keyboard holder...

Wall Mount Type

- Designed for use in space-constrained environment settings • Superior design to provide easy adjustment • The arms fold back to the wall into a compact retracted position for space saving • Multiple configurations maximize productivity and flexibility • Integrated cable management offers easier cleaning and a neat look • The minimum need to realise this is the use of the correspondent element (ROLINE Modular System WallMount- 17.03.0100) in combination with extension arms (with or without gas spring), display bracket, display/keyboard holder...Additional Accessories • The elements mentioned below can be used as accessories for a better space organisation if you are using components like CPU / power adapter (power supply for monitor or CPU) / mousePower Adapter Holder 17.03.0109Mouse Holder 17.03.0111CPU Holder 17.03.0112



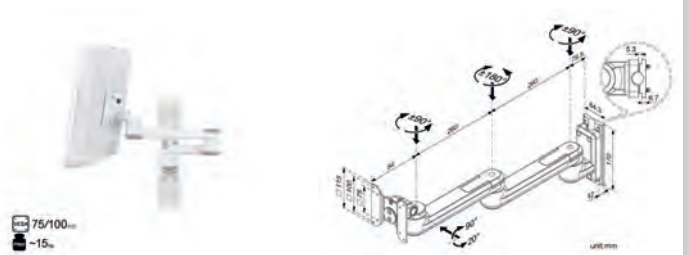
Combination of: 17.03.0101 + 17.03.0102 + 17.03.0103 + 17.03.0105 + 17.03.0108



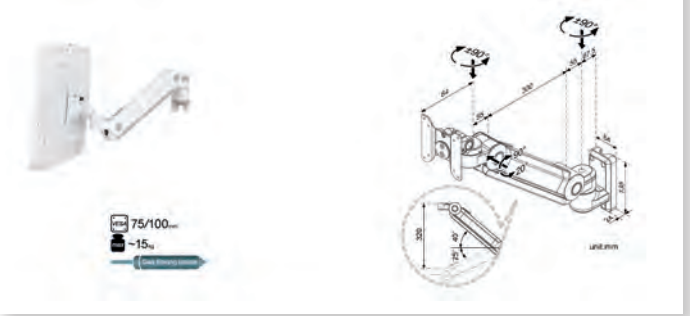
Combination of: 17.03.0100 + 17.03.0106 + 17.03.0108



Combination of: 17.03.0100 + 17.03.0105 + 17.03.0110

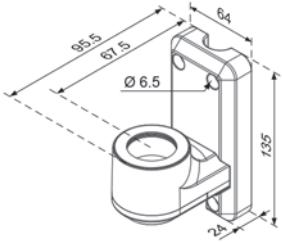


Combination of: 17.03.0101 + 17.03.0102 + 17.03.0106 + 17.03.0110



	Order-No.	P.U.
ROLINE Modular System WallMount	17.03.0100	- 1
ROLINE Modular System TrackMount Bracket	17.03.0101	- 1
ROLINE Modular System Wall Track	17.03.0102	- 1
ROLINE Modular System Extension Arm, 1Joint	17.03.0103	- 1
ROLINE Modular System Extension Arm, 2Joint	17.03.0104	- 1
ROLINE Modular System Highgas Arm, 1Joint	17.03.0105	- 1
ROLINE Modular System Highgas Arm, 2Joint	17.03.0106	- 1
ROLINE Modular System Display Bracket, black	17.03.0110	- 1
ROLINE Modular System Display/Keyboard Holder	17.03.0107	- 1
ROLINE Modular System Keyboard Tray	17.03.0108	- 1
ROLINE Modular System Power Adapter Holder	17.03.0109	- 1
ROLINE Modular System Mouse Holder	17.03.0111	- 1
ROLINE Modular System CPU Holder	17.03.0112	- 1

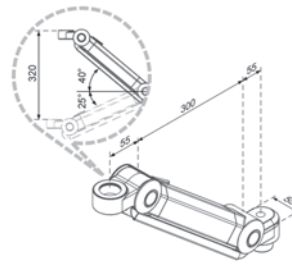
Possible combination	Wall Mount	Track Mount	Wall track	Ext.Arm 1J	Ext.Arm 2J	Highgas 1J	Highgas 2J	Display	Display/Key-board	Keyboard Holder	Power Holder	Mouse	CPU Holder	Max. Load (kg)
	17.03.0100	17.03.0101	17.03.0102	17.03.0103	17.03.0104	17.03.0105	17.03.0106	17.03.0110	17.03.0107	17.03.0108	17.03.0109	17.03.0111	17.03.0112	Max. Load (kg)
1 Wallmount system	•							•						15
2 Wallmount system	•			•				•						15
3 Wallmount system	•			•					•		(x)	(x)	(x)	15
4 Wallmount system	•			•						•				6
5 Wallmount system	•				•			•						15
6 Wallmount system	•				•				•		(x)	(x)	(x)	15
7 Wallmount system	•				•					•				6
8 Wallmount system	•					•		•						15
9 Wallmount system	•					•			•		(x)	(x)	(x)	9
10 Wallmount system	•						•	•						15
11 Wallmount system	•						•		•		(x)	(x)	(x)	9
12 Trackmount system		•	•					•						15
13 Trackmount system		•	•	•				•						15
14 Trackmount system		•	•	•					•		(x)	(x)	(x)	15
15 Trackmount system		•	•	•						•				6
16 Trackmount system		•	•		•			•						15
17 Trackmount system		•	•		•				•		(x)	(x)	(x)	15
18 Trackmount system		•	•		•					•				6
19 Trackmount system		•	•			•		•						15
20 Trackmount system		•	•			•			•		(x)	(x)	(x)	9
21 Trackmount system		•	•				•	•						15
22 Trackmount system		•	•				•		•		(x)	(x)	(x)	9



ROLINE Modular System WallMount



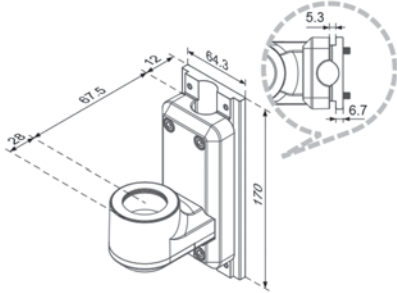
17.03.0100



ROLINE Modular System Highgas Arm, 1Joint



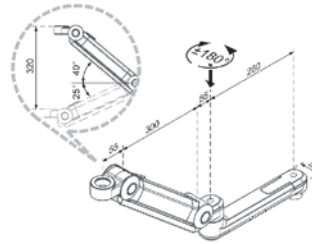
17.03.0105



ROLINE Modular System TrackMount Bracket



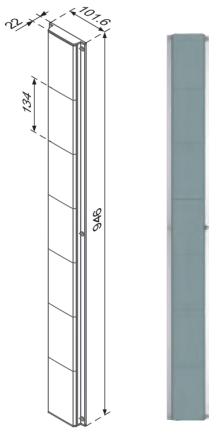
17.03.0101



ROLINE Modular System Highgas Arm, 2Joint



17.03.0106



ROLINE Modular System Wall Track

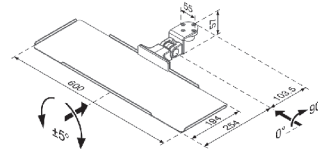
17.03.0102



Power adapter holder 17.03.0109
ROLINE Modular System Mouse Holder 17.03.0111

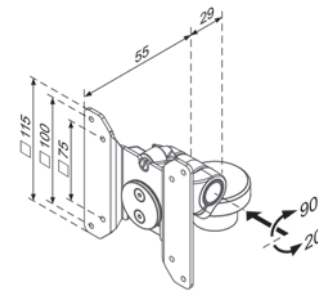


CPU holder



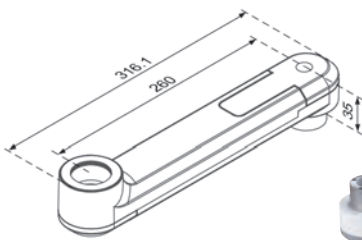
ROLINE Modular System Keyboard Tray

17.03.0108



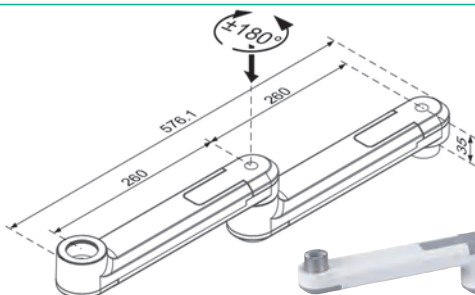
ROLINE Modular System Display Bracket

17.03.0110



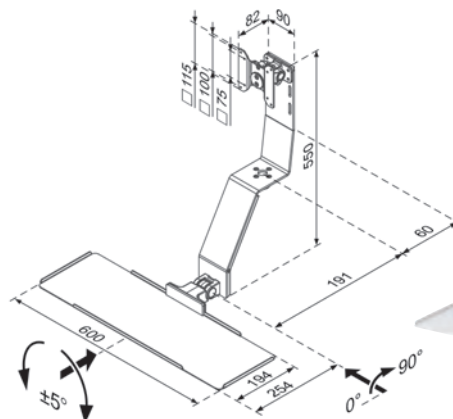
ROLINE Modular System Extension Arm, 1Joint

17.03.0103



ROLINE Modular System Extension Arm, 2 Joints

17.03.0104



ROLINE Modular System Display/Keyboard

17.03.0107



ROLINE LCD Hospital Arm, Wall Mount

The LCD hospital arm is ideal for the use in hospitals, medical practices or comparable environments. Thanks to the gas spring the monitor can be easily fixed to the optimal position. Its large range allows the flexible use of a monitor all around a room, wherever the monitor is needed.

- Firm installation of LCD monitors on a solid wall
- Special plastic coating for optimal cleaning, especially for clinical environments
- Capacity of LCD monitor up to 6 kg
- Meets VESA 75 (75 x 75 mm) and VESA 100 (100 x 100 mm)



Technical data:
 Load capacity: 1 - 6 kg
 No. of pivots: 5
 Arm length: 170 cm
 Distance to ceiling: 120 - 180 cm (17.03.1173)

Order-No. – P.U.

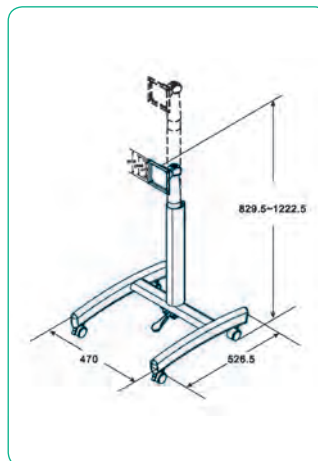
ROLINE LCD Hospital Arm, Wall Mount A 17.03.1172 – 1

ROLINE LCD Hospital Arm, Ceiling Mount B 17.03.1173 – 1

ROLINE LCD TV Mobile Cart

- Positions a LCD monitor in an ideal viewing position and offers a flexible use
- Gas spring inside
- With cable management
- Pedal function for easy and comfortable height adjustment
- Load capacity: up to 15 kg
- Screen size: up to 66 cm
- Display tiltable up to 40°

- Material: Aluminium
- Lift: 79-113 cm
- Meets VESA 75 (75 x 75 mm) and VESA 100 (100 x 100 mm)



roline
 Designed for Professionals

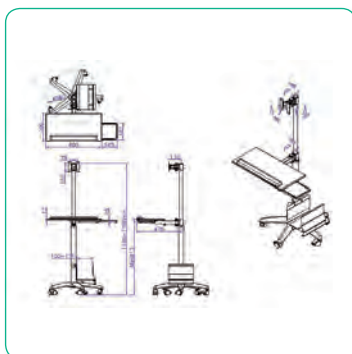
Order-No. – P.U.

ROLINE LCD TV Mobile Cart

17.03.1155 – 1

VALUE Mobile PC Cart, silver

- Mobile computing platform that can be used in factories, hospitals, etc.
- This model is fitted with wheels and allows easy movement of a full PC setup
- Carries one pc tower, keyboard and mouse platform and a LCD monitor
- Monitor and keyboard/mouse can be easily positioned to the exact working height
- For monitors with VESA 75 (75 x 75 mm) resp. VESA 100 (100 x 100 mm)
- LCD monitor adapter bracket provides swivel, tilt and rotation function
- Adjustable LCD monitor height from 110 cm to 170 cm
- 5 wheels, whereof 3 are lockable



Value

Order-No. – P.U.

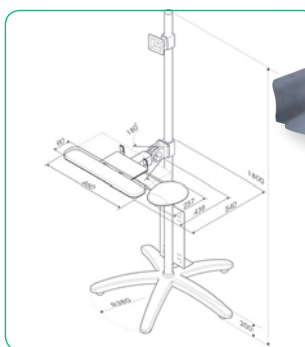
VALUE Mobile PC Cart, silver

17.99.1174 – 1

ROLINE LCD TV + PC Mobile Computing Platform

- A mobile computing platform that can be used in factories, hospitals, shopping malls, retail stores and department stores, etc.
- Adaptable for sitting or standing users and adjusts to different user heights
- For monitors with VESA 75 (75 x 75 mm) resp. VESA 100 (100 x 100 mm)
- Pivots upwards to 10 degrees and downwards to 25 degrees
- Mouse support tray can be attached to the right or left hand side
- Safety belt adjusts for different sizes of CPU holders and UPS
- Material: aluminum alloy which has a neat and artistic appearance
- 5 wheels, whereof 3 are lockable
- Height: 180 cm

- Optional printer holder: 17.03.1152 - ROLINE Printer Holder for LCD TV Mobile Computing Platform



roline
 Designed for Professionals

Order-No. – P.U.

ROLINE LCD TV + PC Mobile Computing Platform, 180 cm

A 17.03.1174 – 1

ROLINE Printer Holder for LCD TV Mobile Computing Platform

B 17.03.1152 – 1

ROLINE Modular System CPU Holder

ROLINE Modular System: flexible solutions to meet your own various applications!

ROLINE Modular System: These series provides flexible solutions to meet your own various applications:

- Warehouse & Inventory control / Assembly Line / Test Lab
- Financial / Trading / Conference Room / Reception
- Library / Cafeteria / Laboratory
- Retail / Wholesale / Public Spaces
- Wall Mount Type

roline
Designed for Professionals

Designed for use in space-constrained environment settings

- Superior design to provide easy adjustment

Additional Accessories

- The elements mentioned below can be used as accessories for a better space organisation if you are using components like CPU



ROLINE Modular System CPU Holder

Order-No. – P.U.

17.03.0112 – 1

ROLINE VESA+Chassis Kit for Mini PC

- Designed for ultra compact systems
- Ideal for business and education environments
- Saves precious desk space
- The VESA chassis kit allows the attachment of a mini PC system (VESA mount Mini-ITX cases to a monitor/LCD with standard VESA) or the attachment of the system assembly securely to a flat surface (wall mounting)
- Colour: black

- Contents: 2 removable VESA mounting plates, 8x screws for VESA mounting

Remark: Wall-mounting screws and anchors are not included



Order-No. – P.U.

ROLINE VESA+Chassis Kit for Mini PC, black

17.03.1107 – 25



roline
Designed for Professionals

VALUE Mini PC Holder

- Space-saving Mini PC holder which offers more room at your desk
- For Mini PCs
- Stable steel construction
- To be fixed under your table board (screws not included)
- Height and width of holder is adjustable

Value
®

VALUE Mini PC Holder, black

Order-No. – P.U.

17.99.1140 – 1



ROLINE Mini PC Holder, lockable

- Space-saving Mini PC holder which offers more room at your desk
- For Mini PCs
- Stable steel construction
- To be fixed under your table board (screws not included)
- Height and width of holder is adjustable
- Lockable with key

roline
Designed for Professionals

ROLINE Mini PC Holder, lockable, silver

Order-No. – P.U.

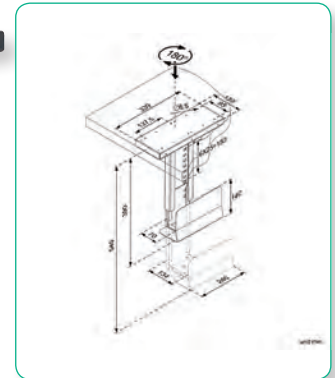
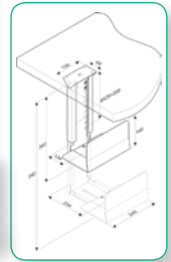
17.03.1145 – 1



ROLINE PC Holders

- Under desk PC holder
- Stable steel construction, telescopic (not 17.03.1127/28)
- To be fixed under your table board (min. 15 mm), screws not included
- Height and width adjustable
- Rotation up to 90° (17.03.1129/30) resp. up to 180° (17.03.1131/36/37/85)

Technical data:	17.03.1127/28	17.03.1129/30	17.03.1136/37	17.03.1185	17.03.1131
Max. weight:	30 kg	30 kg	20 kg	10 kg	10 kg
Height adj.:	390-540 mm	390-540 mm	-500 mm	390-540 mm	390-540 mm
Width adj.:	134-234 mm	134-234 mm	50-240 mm	70-134 mm	50-100 mm
Pull out:	no	150 mm	140 mm	yes	yes
Rotation:	no	90°	180°	180°	180°



Order-No. – P.U.

ROLINE PC Holder, black	A 17.03.1127 – 1
ROLINE PC Holder, silver	A 17.03.1128 – 1
ROLINE PC Holder with rotation function, black	B 17.03.1129 – 1
ROLINE PC Holder with rotation function, silver	B 17.03.1130 – 1
ROLINE PC Holder, extensible, rotatable, black	C 17.03.1136 – 1
ROLINE PC Holder, extensible, rotatable, silver	C 17.03.1137 – 1
ROLINE PC Holder, extendable, with rotation function	D 17.03.1185 – 1
ROLINE Mini PC Holder, extendable, with rotation function, black	E 17.03.1131 – 1

roline
Designed for Professionals

Mobile PC Stand

- Creates more space on your desk, due to it being under the table
- Stable metal construction with high tilt-stability
- Adjustable from 140-250 mm PC width
- Fitted with rubber mats against slipping and scratching
- More flexible in use



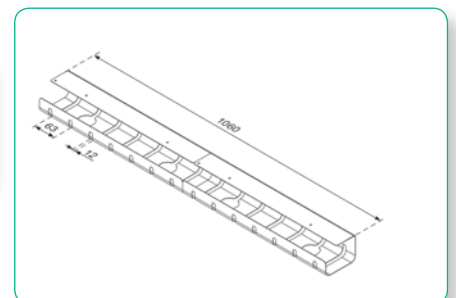
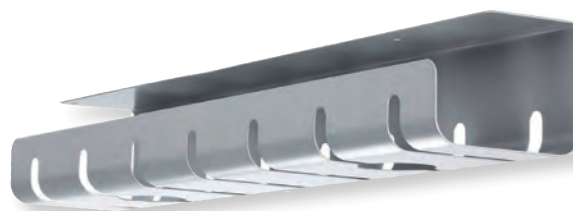
Order-No. – P.U.

Mobile PC Stand	17.05.1516 – 5
-----------------	----------------

ROLINE Cable Cover Organizer (Under Desk Mount)

- Contents: 2x cable manager à 530 x 110 x 80 mm

roline
Designed for Professionals



Order-No. – P.U.

ROLINE Cable Cover Organizer (Under Desk Mount)	17.03.1302 – 1
---	----------------

VALUE Ceiling Projector Mount, small

- Ceiling mount for LCD projector
- Universal spider mount style fits most projectors
- With tilt and swivel function
- Weight capacity: 25 kg
- Max. projector size in diameter: 500 mm
- Distance to ceiling: 135 mm
- Colour: white
- Content: Ceiling mount, mounting material



Order-No. – P.U.

VALUE Ceiling Projector Mount, small

17.99.1100 – 5

VALUE Ceiling Projector Mount, big

- Ceiling mount for LCD projector
- Universal spider mount style fits most projectors
- With tilt and swivel function
- Weight capacity: 11.5 kg
- Max. projector size in diameter: 390 mm
- Adjustable ceiling tube can be extended from 37.5 cm to 47.5 cm off the ceiling
- Cables can go through the tube
- Colour: Grey
- Remark: Product similar to picture. Colour: Grey!
- Content: Ceiling mount, mounting material



Technical data:
 Fixing: 17.99.1102 ceiling mount
 Load capacity: up to 11.5 kg
 Distance to ceiling: 375 - 475 mm, adjustable
 Weight: 2.5 kg
 Max. projector size diameter: 390 mm
 Colour: grey

Order-No. – P.U.

VALUE Ceiling Projector Mount, big

17.99.1102 – 6

ROLINE Ceiling Projector Mount, small

- Ceiling mount for LCD projector
- Universal spider mount style fits most projectors
- With tilt and swivel function
- Weight capacity: 10 kg
- Max. projector size in diameter: 390 mm
- Distance to ceiling: 110 mm
- Colour: grey
- Content: Ceiling mount, mounting material



Technical data:
 Fixing: 17.99.1101 ceiling mount
 Load capacity: up to 10 kg
 Distance to ceiling: 110 mm
 Weight: 1.3 kg
 Max. projector size diameter: 390 mm
 Colour: grey

roline
 Designed for Professionals

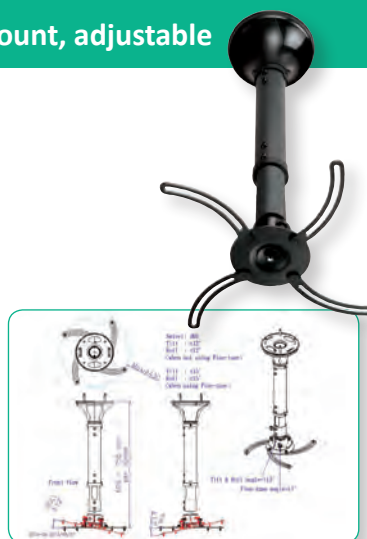
Order-No. – P.U.

ROLINE Ceiling Projector Mount, small

17.03.1176 – 12

VALUE Wall Projector Mount, adjustable

- Universal mount style fits various sizes of most projectors
- With tilt and swivel function
- the projector can be rotated full 360°
- the projector can be tilted on the support arm (up to 12° in each direction), fine adjustment by a further 3° possible
- Cables can go through the tubes
- Max. Weight load capacity: 20 kg
- Max projector size: 430 mm in diameter
- Adjustable ceiling tube can be extended from minimum size 61-76cm off the ceiling.
- Ceiling brackets
- Color: black



Order-No. – P.U.

VALUE Wall Projector Mount, adjustable

17.99.1180 – 2

VALUE Wall Projector Mount

- Universal mount style fits various sizes of most projectors
- With tilt and swivel function
- Adjustable wall tube - can be extended from 73-123 cm off the wall
- Max projector size: 390 mm in diameter
- Load capacity: 8 kg
- Cables can go through the tubes



Technical data:
 Fixing: wall mount
 Load capacity: up to 11.5 kg
 Arm length: 73 - 123 cm
 Weight: 1.3 kg
 Max. projector size diameter: 390 mm
 Colour: black

Order-No. – P.U.

VALUE Wall Projector Mount

17.99.1104 – 2

ROLINE Wall Projector Mount

- Universal mount style fits various sizes of most projectors
- With tilt and swivel function
- Wall tube, specially designed to mount a short throw projector, from 10 to 60 cm off the wall
- Max projector size: 390 mm in diameter
- Load capacity: 10 kg
- Cables can go through the tubes
- Colour: silver



Technical data:
 Fixing: wall mount
 Load capacity: up to 10 kg
 Arm length: 10 - 60 cm
 Weight: 2.7 kg
 Max. projector size diameter: 390 mm
 Colour: silver

roline
 Designed for Professionals

Order-No. – P.U.

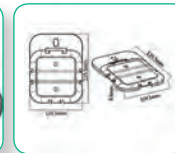
ROLINE Wall Projector Mount

17.03.0000 – 2

VALUE Universal Media Box Holder

- Universal Media Box Mount
- Protective soft cushion holds device securely without scratches
- Simple construction allows easy installation
- Rubber band keeps media box in place and avoids sliding off

- Screw to wall
- Attach to TV wall mount / to the VESA hole of TV
- Hang to the back slot of TV
- Stick on the back of TV
- Material : ABS plastic



Value

Order-No. – P.U.

VALUE Universal Media Box Holder

17.99.1153 – 30

LCD Monitor Stand

- Stable Mesh monitor stand made of steel
- Holds up LCD monitors
- Provides storage place for pencils, stocks and much more
- Platform size: 420 x 280 mm
- Temporary storage of the keyboard (470 x 280 mm) and for documents or under the monitor platform
- Two side compartments
- Non-slip feet
- Max. loading: 15 kg
- Height 145 mm
- Pull-out drawer (W x H x D): 300 x 230 x 70 mm
- Dimensions of stand (W x H x D): 505 x 300 x 145 mm
- Colour: black

NEW



Value

Order-No. – P.U.

LCD Monitor Stand, black, black

17.99.1159 – 6



LCD/CRT Monitor Stand Trend

- Holds up to 51 cm (20") LCD or CRT monitor
- Create extra storage (ca. 500 x 60 mm) for your keyboard or documents and office stationery under the platform
- Enlarged utility space on the platform to accommodate your speakers or media storage box next to a monitor
- Additional tube support avoids monitor to lean backwards
- Special handle design on side panels for easy movement of the stand
- Max. loading: 20 kg
- Dimensions of stand (LxWxH): 580 x 335 x 70 mm
- Colour: Black/grey



Order-No. – P.U.

LCD/CRT Monitor Stand Trend, black

17.02.3370 – 2

Dual Monitor/Printer Stand Trend

- Top wood platform supports A4 laser/inkjet printers
- Double drawers to storage provides multi storage of documents (A4, letters sized papers) and office stationery
- Special concave design provides more conveniences of picking up the thin pile of documents
- Special handle design on side panels for easy movement of the stand
- Platform size (LxW): 450 x 350 mm
- Colour: Black/grey



Order-No. – P.U.

Dual Monitor/Printer Stand Trend, black

17.02.3375 – 2

LCD Monitor Stand Adjustable Tempered Glass Surface Risers (Square)

NEW

- Compact design with smooth edges all around
- Increased storage room beneath the desktop
- Create extra storage (ca. 500 x 210 mm) for your keyboard or documents and office stationery under the platform
- Stepless height settings for your free height adjustment (75- 85 mm)
- Max. loading: 20 kg
- Dimensions of stand (LxWxH): 580 x 210 x 75- 85 mm

Suggested Screen Size:
up to 81cm (13"-32")

Max. Load: 20 kg
Adjustable Height:
75mm - 85mm

Glass Thickness: 5mm

Material:
Glass, Stainless Steel
Dimensions:
580 x 210 x 85mm



Order-No. – P.U.

LCD Monitor Stand Adjust. Tempered Glass Surface Risers (Square) 17.02.3376 – 10

LCD Monitor Stand Adjustable Tempered Glass Surface Risers (Triangle)

NEW

- Compact design with smooth edges all around
- Increased storage room beneath the desktop
- Create extra storage (ca. 500 x 280 mm) for documents and office stationery under the platform
- Stepless height settings for your free height adjustment (75- 85 mm)
- Max. loading: 20 kg
- Dimensions of stand (LxWxH): 580 x 280 x 75- 85 mm

Suggested Screen Size:
up to 81cm (13"-32")

Max. Load: 20 kg
Adjustable Height:
75mm - 85mm

Glass Thickness: 5mm

Material:
Glass, Stainless Steel
Dimensions:
580 x 280 x 85mm



Order-No. – P.U.

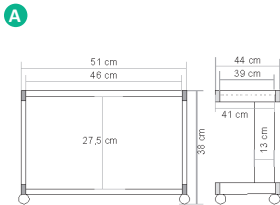
LCD Monitor Stand Adjust. Tempered Glass Surface Risers (Triangle) 17.02.3377 – 10

ROLINE Printer Tables

17.01.1085

- Stable metal frame
- Printer shelf and floor level shelf (WxD: 46x39 cm)
- Mobile through 4 wheels, 2 of them are lockable
- Load bearing capacity: up to 30kg
- Colour:
frame: light grey
surface: white
surface border: white
- Dimensions (HxWxD): 38x51x44 cm

roline[®]
Designed for Professionals

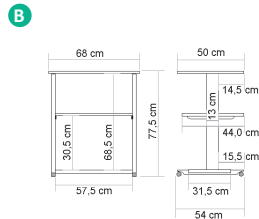


ROLINE Mini Printer Table

ROLINE Printer Table

17.01.1087

- Stable metal / man-made material frame
- Printer shelf (WxD: 68x50 cm)
- Middle shelf (WxD: 58.5x44 cm)
- Floor level shelf (WxD: 57.5x31.5 cm)
- Mobile through 4 castors, 2 of which are lockable
- Level screws hinders the printer table from tilting on it's side
- Load bearing capacity: up to 30 kg
- Colour:
frame: light grey
surface: white
surface border: grey
- Dimensions: 77.5x68x54 cm



Order-No. – P.U.

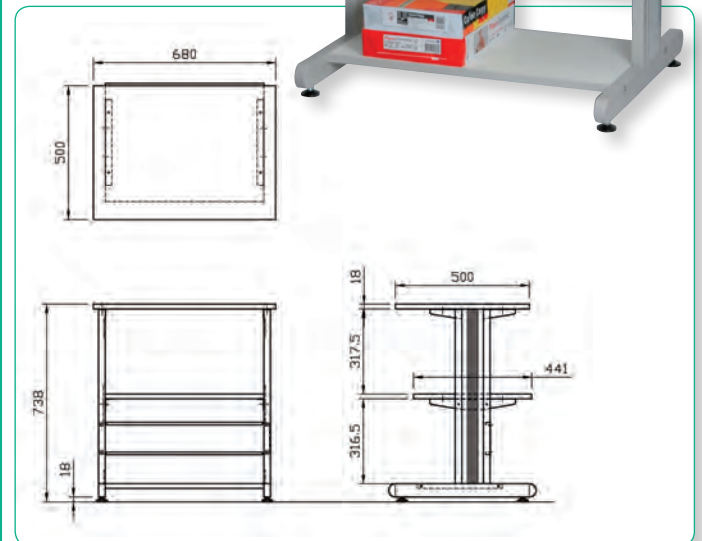
A 17.01.1085 – 1

B 17.01.1087 – 1

ROLINE Printer Table, up to 80 kg

- Stable metal / plastic frame
- Load bearing capacity: up to 80 kg
- Printer shelf (WxD: 68x50 cm)
- Middle shelf (WxD: 59x44 cm)
- Floor level shelf (WxD: 59x31.5 cm)
- Level screws prevent the printer table from tilting on its side
- Colour:
frame: light grey
surface: white
surface border: grey
- Dimensions (WxHxD): 74x68x55 cm

roline[®]
Designed for Professionals



Order-No. – P.U.

ROLINE Printer Table, up to 80 kg

17.01.1089 – 1

ROLINE PC Standing Workstation

- Stable metal/plastic frame
- Load bearing capacity: up to 40 kg
- Top shelf (WxD: 68 x 50 cm) for monitor etc.
- Slide-out keyboard shelf (WxD: 53.5 x 35 cm) with mouse surface (28 x 23 cm)
- Slide-out shelf (WxD: 53.5 x 35 cm) which can be used for printers
- Floor level shelf (WxD: 57.9 x 31.5 cm)
- Up to 40kg load bearing capacity
- Mobile via 4 wheels, 2 of which can be locked
- Colour:
frame: light grey
surface: white
surface border: grey
- Dimensions (HxWxD): 110 x 68 x 54 cm



roline[®]
Designed for Professionals



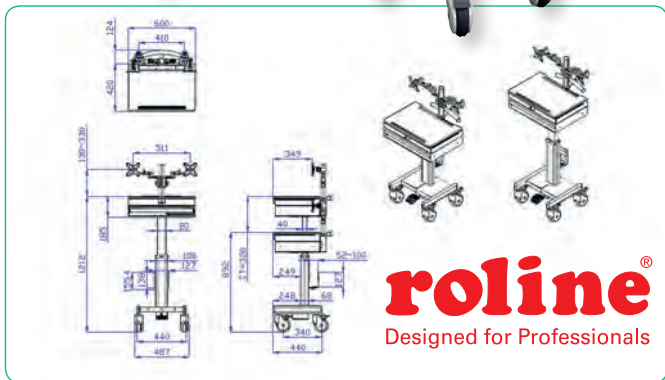
Order-No. – P.U.

ROLINE PC Standing Workstation

17.02.1545 – 1

ROLINE LCD TV+PC Mobile Computing Workstation

- A mobile computing platform that can be used in factories, hospitals, shopping malls, retail stores and department stores, etc.
- Adaptable for sitting or standing users and adjusts to different user heights
- For monitors with VESA 75 (75 x 75 mm) resp. VESA 100 (100 x 100 mm)
- Locks your laptop in a drawer for anti-theft and leave clean desktop for working
- Accommodates widescreen laptops with 17" screen
- Height adjustable working area is comfortable for sitting or standing users
- Pull-out keyboard storage and mouse stage can be the left or right side
- Organizes the cable management is place to have a clear look
- This model is fitted with wheels for easy movement and with lock while working
- Help to improve workflow efficiency and upgrade patient care
- Install dual LCD arm to have the monitor in a better viewing position
- Height of monitor can be adjustable
- Monitor can be swiveled, rotated and tilted
- Max loading including monitor: 5-8kg
- Mouse support tray can be attached to the right or left hand side
- Additional CPU holder



Order-No. – P.U.

ROLINE LCD TV + PC Mobile Computing Workstation

17.03.1175 – 1

ROLINE Adjustable Desktop Workstation, Sit - Stand Up

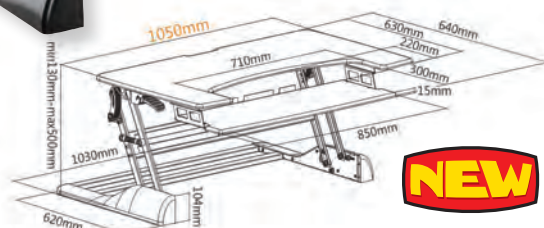
Turn your existing office table into an ergonomic, comfortable workspace within seconds. Enables you to switch between sitting and standing (orthopedic and occupational medicine recommended), thus increasing your own health and well-being.

- Steplessly height-adjustable (minimum 130 mm - max 500 mm), thus you can customize your workplace according to your own needs
- Double-sided gas spring lifting mechanism - for easy and effortless height adjustment of the workstation
- With a durable working surface of 1050 x 630 mm, this workstation

provides enough space for up to two monitors

- Ergonomic keyboard / mouse tray (710 x 300 mm)
- Maximum depth 640 mm (when the keyboard / mouse tray is extended)
- Plate thickness 15 mm
- Maximum load: up to 15 kg
- Rounded corners and edges
- Robust construction
- Color: Black
- Delivery is carton-packed and ready to be used, no self-assembly required

roline[®]
Designed for Professionals



NEW

Order-No. – P.U.

ROLINE Adjustable Desktop Workstation, Sit - Stand Up, black

17.03.1177 – 1

ROLINE PC Standing Workstation

Work healthier! A change from sit to stand is good for your spine. With our height adjustable ROLINE PC-Stand-Workplace you can do your work standing.

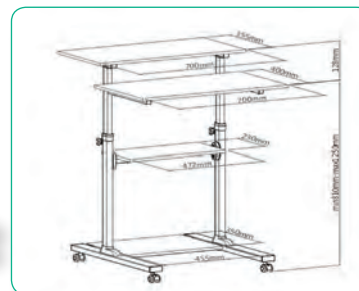
- Stable metal/plastic frame
- Load bearing capacity: up to 60 kg
- Top shelf (W x D: 70 x 35.5 cm) for monitor etc.
- Keyboard and mouse shelf (W x D: 70 x 40 cm)
- Printer shelf (W x D: 47.2 x 23 cm)
- Floor level shelf (W x D: 45.5 x 35 cm)
- Mobile via 4 wheels, 2 of which can be locked
- Colour:
frame: light grey / surface: black / surface border: black
- Dimensions (H x W x D): min. 81 / max. 125 (+12,8 cm) x 70 x 70,5 cm
- Table top thickness 15mm (Melamine)

The furniture is height adjustable just as you need it and helps to create an ergonomic, healthy workplace by allowing users to sit or stand throughout the day.



NEW

roline[®]
Designed for Professionals



Order-No. – P.U.

ROLINE PC Standing Workstation, black / gray

17.02.1547 – 1

Lockable PC / Server Workstation

- This PC/server workstation offers a lot of space for the PC, monitor, keyboard and mouse with excellent value for money
- Suitable for desktop, mini or midi PC housings
- With two lockable roller blinds
- Additional storage surface on the top
- 43 cm monitors can be placed without any problems
- Slide-out keyboard shelf (WxD: 53 x 35.2 cm)
- Mobile via 4 wheels, 2 of them can be locked
- Colour:
Base unit / cabinet: light grey
Roll top door: white grey
- Load bearing capacity:
Floor level shelf: max. 60 kg
Keyboard tabletop: max. 10 kg
Monitor tabletop: max. 40 kg
Desk on the top: max. 20 kg
- Dimensions:
HxWxD: 151.5 x 80 x 60 cm
Basic unit: 86 x 80 x 60 cm
Cabinet: 80 x 65.5 x 60 cm



roline
Designed for Professionals

Order-No. – P.U.

Lockable PC / Server Workstation

17.02.2510 – 1

ROLINE Universal-Cleaning-Tissues

- 100 cleaning tissues for all plastic and metal surfaces
- Ideal for cleaning printers, monitors, PC cases etc (not for TFT Displays and PDAs)
- Antistatic tissues, complete bio-degradable
- Hygienic and fresh smell
- Contents: 100 Cleaning-Tissues



roline
Designed for Professionals

Order-No. – P.U.

ROLINE Universal-Cleaning-Tissues

19.03.3100 – 1

ROLINE Aerosol Can Air Duster (400 ml)

- For blowing dust and debris from inaccessible areas of electronic equipment (computer keyboards, printers, CD-ROM drives, copiers, fax machines, etc.)
- Variable spray intensity
- Ecologically friendly
- 400 ml aerosol can with spray tube included
- Contents: Aerosol-Can



roline
Designed for Professionals

Order-No. – P.U.

ROLINE Aerosol Can Air Duster (400 ml)

19.03.3110 – 1

ROLINE Allround-Cleaner-Aerosol

- Cleaning foam
- Ideal for cleaning printers, monitors, computer cases etc.
- No electrical conduction, antistatic, completely bio-degradable
- Contents: Spray bottle



roline
Designed for Professionals

Order-No. – P.U.

ROLINE Allround-Cleaner-Aerosol

19.03.3000 – 1

ROLINE Monitor- and Plastic-Cleaner

- 250 ml pump spray bottle
- Efficient and gentle removal of dust and dirt from all plastic, metal and glass surfaces (e.g. printers, keyboards, telephones, etc.)
- Just spray it on a tissue and then polish the surface
- Antistatic, completely bio-degradable
- Ecologically friendly
- Contents: Pump-spray bottle



roline
Designed for Professionals

Order-No. – P.U.

ROLINE Monitor- and Plastic-Cleaner

19.03.3125 – 1

ROLINE Antistatic Foam-Cleaner

- 400ml Cleaning foam
- Ideal for cleaning plastic and coloured surfaces such as tables
- Antistatic, non-abrasive
- Contents: Spray bottle

roline[®]
Designed for Professionals



Order-No. – P.U.

ROLINE Antistatic Foam-Cleaner

19.03.3130 – 1

ROLINE TFT Cleaner

- Eco-friendly special cleaner for TFT and Laptop monitors, LCDs, PDAs, monitor filters, surfpads and all coated and uncoated glass surfaces (e.g. mirrors, overhead projectors and lenses).
- 250ml pump-spray bottle
- No alcohol (not flammable), completely bio-degradable
- Contents: Pump-spray bottle

roline[®]
Designed for Professionals



Order-No. – P.U.

ROLINE TFT Cleaner

19.03.3135 – 1

ROLINE TFT Cleaner with microfiber cloth, 40x40 cm

19.03.3160 – 1

ROLINE Multimedia Protection Sealant with Nanotechnology

- Creates a bacteria free working environment, as it protects all devices
- Cleaning cycle considerably extended
- Easy to use- protects treated surfaces for many months
- Contents: 50 ml Pre-cleander, 3 Nano sealing cloths for TFT/LCD screens, 3 Nano sealing cloths for plastic surfaces, 3 drying cloths

roline[®]
Designed for Professionals



Order-No. – P.U.

ROLINE Multimedia Protection Sealant with Nanotechnology

19.03.3170 – 1

ROLINE PC-Cleaning Set

- This set offers you a complete solution for cleaning your complete office-workplace
- Contents: 1x 125ml ROLINE TFT-Cleaner, 1x keyboard sponge and swab, 1x allround-sponge and 4x tissues „dry“

roline[®]
Designed for Professionals



Order-No. – P.U.

ROLINE PC-Cleaning Set

19.03.3140 – 1

ROLINE Disinfectant Computer Cleaning Wipes (100 pcs.)

- 100 moist disinfectant cleaning cloths
- For all plastic and metal surfaces (printer, keyboard, CPU, phone, fax (not for TFT screens) etc.)
- For a healthier office environment
- Fast drying, for a streak free shine
- Contents: Tub with 100 pcs.

Note: Use biocides safely. Always read the label and product information before use.

roline[®]
Designed for Professionals



Order-No. – P.U.

ROLINE Disinfectant Computer Cleaning Wipes (100 pcs.)

19.03.3185 – 1

ROLINE Aerosol Can Air Duster (400 ml)

- For blowing dust and debris from inaccessible areas of electronic equipment (computer keyboards, printers, CD-ROM drives, copiers, fax machines, etc.)
- Variable spray intensity
- Ecologically friendly
- 400 ml aerosol can with spray tube included
- Contents: Aerosol-Can

roline[®]
Designed for Professionals



Order-No. – P.U.

ROLINE Aerosol Can Air Duster (400 ml)

19.03.3195 – 1



TV Holders / Furnitures

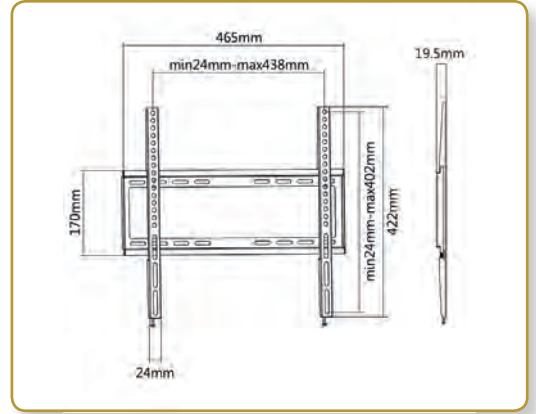
11

TV Wall Holders	11.02 – 11.05, 11.09
TV Ceiling Holders	11.04
TV Mobile Cart	11.05 – 11.06
Digital Signage	11.07 – 11.08
TV Board/Stand / Sideboards	11.09
Cable Box	11.09

VALUE LCD/Plasma TV Wall Holder, Low Profile

This wall mount allows a very discreet installation of a LCD/Plasma TV, perfect for e.g. a wooden wall.

- Weight capacity: up to 35 kg
- Screen Size: 81 cm up to 139 cm
- Low profile- very small distance to wall 19mm
- Material: Steel
- Max. VESA 400 x 400 mm



Order-No. – P.U.

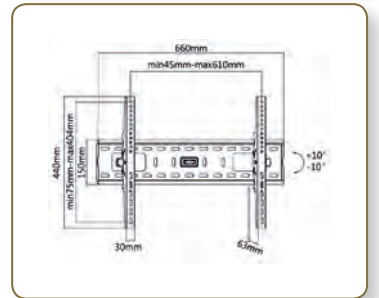
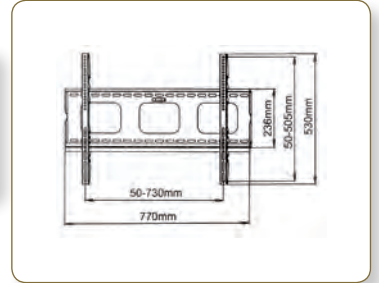
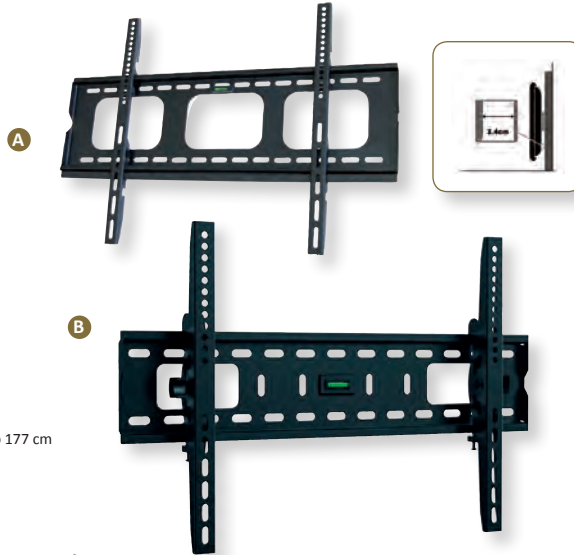
VALUE LCD/Plasma TV Wall Holder, Low Profile, black

17.99.1202 – 12

VALUE LCD/Plasma TV Wall Holder, Low Profile

This wall mount allows a very discreet installation of a LCD/Plasma TV, perfect for e.g. a wooden wall.

- Weight capacity: up to 80 kg
- Screen Size: 81 cm up to 152 cm
- Low profile - very small distance to wall
- Material: Steel
- Max. VESA 700 x 500 mm



Technical data:	17.99.1214	17.99.1218
Fixing:	wall mount	wall mount
Load capacity:	up to 80 kg	up to 75 kg
Screen size:	81 cm up to 152 cm	93 cm up to 177 cm
Distance monitor to wall:	2.4 cm	8 cm
Tilttable up or down:	-	10°

Order-No. – P.U.

VALUE LCD/Plasma TV Wall Holder, Low Profile

A 17.99.1214 – 5

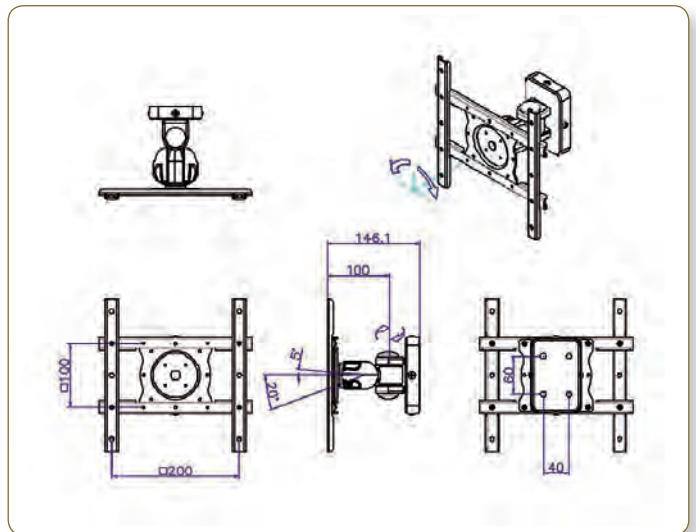
VALUE LCD/Plasma TV Wall Holder, Tilttable

B 17.99.1218 – 4

VALUE LCD Wall Mount Bracket Deluxe

Mounts your screen close to the wall and can be tilted, swiveled and rotated.

- For wall mounting
- Screen size: 38-55 cm
- Load capacity: 25 kg
- Pivot function
- Meets VESA 200 x 100 mm or VESA 200 x 200 mm



Order-No. – P.U.

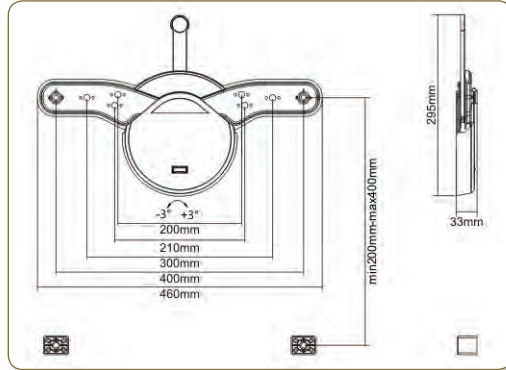
VALUE LCD Wall Mount Bracket Deluxe, black, black

17.99.1138 – 4

VALUE LCD/Plasma TV Wall Holder, Low Profile

This wall mount allows a very discreet installation of a LCD/Plasma TV, perfect for e.g. a wooden wall.

- Weight capacity: up to 40 kg
- Screen Size: 81 cm up to 139,7 cm
- Low profile- very small distance to wall, 33 mm
- Max. VESA 400 x 400 mm
- Integrated bubble level assures alignment and provides installation instructions
- Innovative quick-release mechanism allows for a quick and easy installation



Order-No. – P.U.

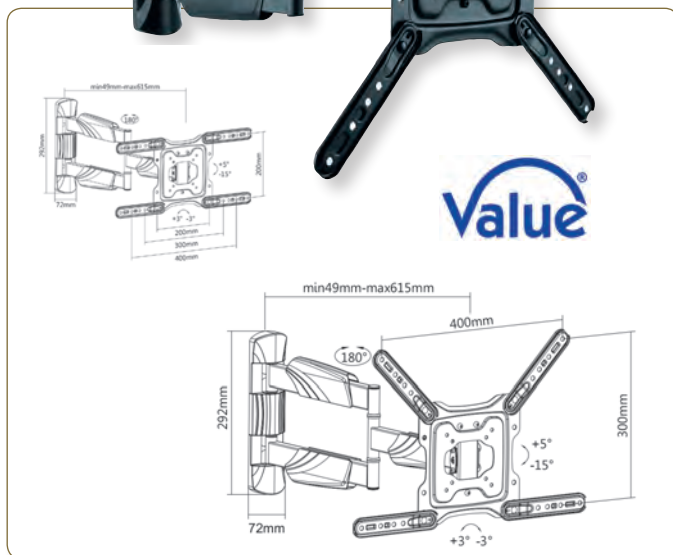
VALUE LCD/Plasma TV Wall Holder, Low Profile, black /silver

17.99.1154 – 10

VALUE LCD/TV Wall Mount

- Mounts a monitor onto a wall
- Integrated cable management system
- Built-in level adjustment
- Swiveling arm offer maximum viewing flexibility ($+90^{\circ}$ – -90°)
- Freely tilting allows easy TV angle adjustment ($+5^{\circ}$ – -15°)
- Load capacity: up to 35 kg
- Meets VESA 400 x 400 mm
- Arm length: 61 cm
- Contents: supporting arm

Technical data: 17.99.1144
 Fixing: wall mount
 Load capacity: up to 35 kg
 Joints: 4
 Arm length: 61 cm



Order-No. – P.U.

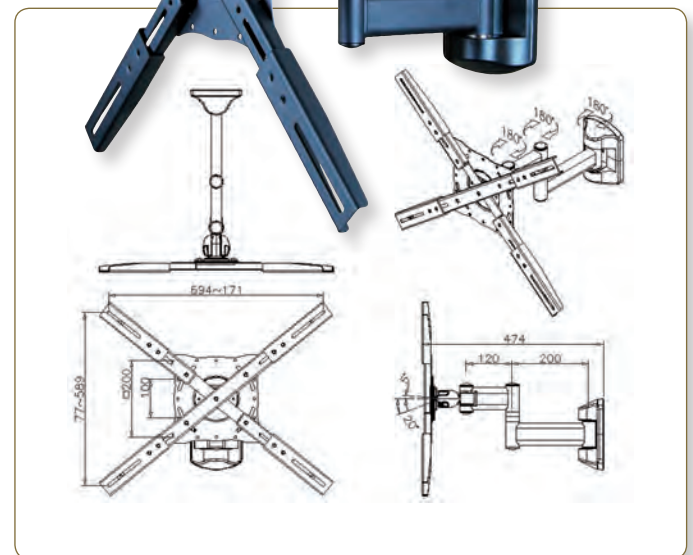
VALUE LCD/TV Wall Mount, 4 Joints

17.99.1144 – 5

ROLINE LCD/TV Wall Mount

- Mounts a monitor onto a wall
- Load capacity: up to 50 kg
- Meets VESA 400 x 200 or 600 x 400 mm
- Arm length: 47 cm
- Contents: supporting arm

Technical data: 17.03.1168
 Fixing: wall mount
 Load capacity: up to 50 kg
 Joints: 4
 Arm length: 47 cm



Order-No. – P.U.

ROLINE LCD/TV Wall Mount, 4 Joints

17.03.1168 – 2

ROLINE LCD/Plasma TV Wall Holder

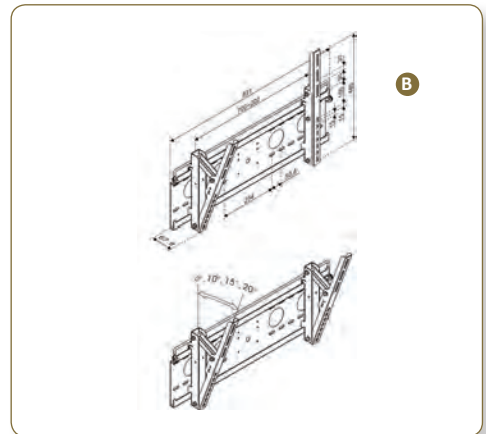
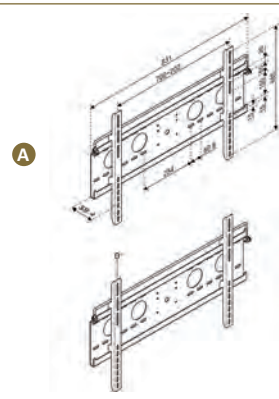
Easily fix your Plasma or LCD monitor to the wall!

- For screen sizes: 93 cm up to 165 cm
- Weight capacity: up to 80 kg
- Secure mounting
- Slim design holds the monitor close to the wall
- Material: steel
- Color: black

- Contents: Monitor wall mount, mounting material

Technical data:	17.03.1210	17.03.1212
Fixing:	wall mount	wall mount
Load capacity:	up to 80 kg	up to 80 kg
Screen size:	93 cm up to 165 cm	93 cm up to 165 cm
Distance monitor to wall:	3.8 cm	6.8 cm
Tiltable up or down:	-	0°, 10°, 15°, 20°

roline®
Designed for Professionals



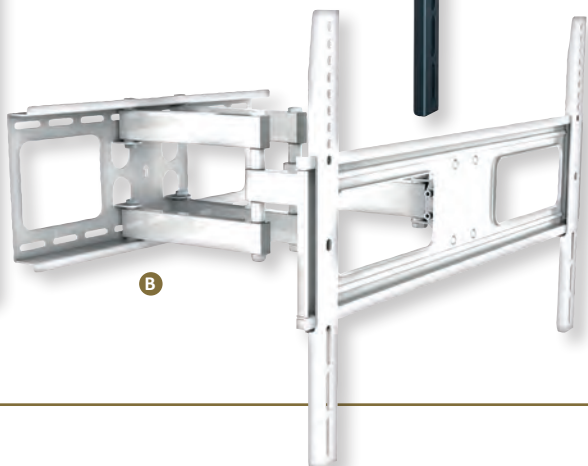
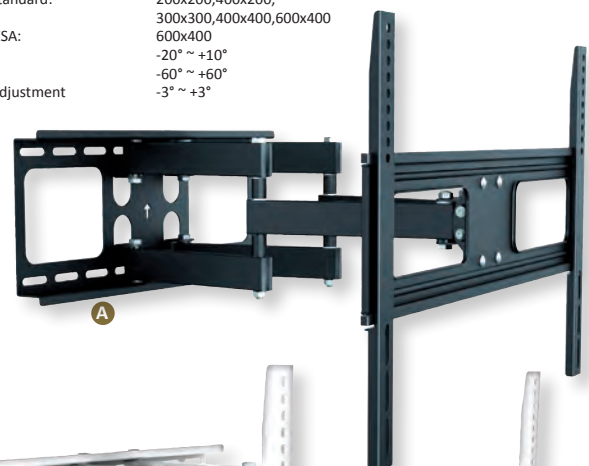
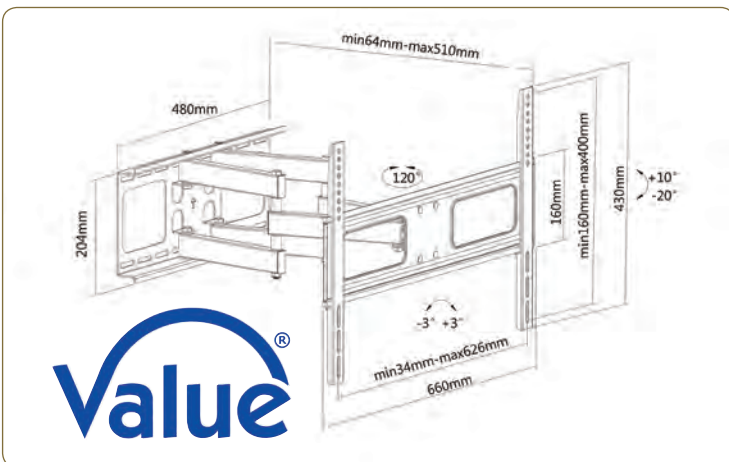
Order-No. – P.U.

ROLINE LCD/Plasma TV Wall Holder	A 17.03.1210 – 1
ROLINE LCD/Plasma TV Wall Holder, Tiltable	B 17.03.1212 – 1

VALUE Solid Articulating Wall Mount TV Holder

- Dual-arm full-motion wall mount for TVs (LED, LCD flat panel TVs) up to 177,8cm (37" - 70")
- Max. weight: 50kg
- This mount extends out 510mm from wall and allows TVs to turn 60° left or right
- Full motion allows maximum flexibility- tilts and swivel your TV for easy viewing from any seat in a room
- Post-installation level adjustment allows the TV to „roll“ up to 3° clockwise and counter-clockwise to ensure it's perfect level
- Integrated cable management system keeps cables organized and protected
- Wide wall plate fits for 406/450mm stud installation

- Technical Data:**
- Material: Steel
 - Product weight: 7 kg
 - Recommended Screen Size: up to 177,8cm (37"-70")
 - Installation: Solid wall, Double Stud
 - Max. Load Capacity: 50kg
 - Max.Hole Pattern: 626X400mm
 - VESA Standard: 200x200,400x200, 300x300,400x400,600x400
 - Max.VESA: 600x400
 - Tilt: -20° ~ +10°
 - Swivel: -60° ~ +60°
 - Level Adjustment: -3° ~ +3°



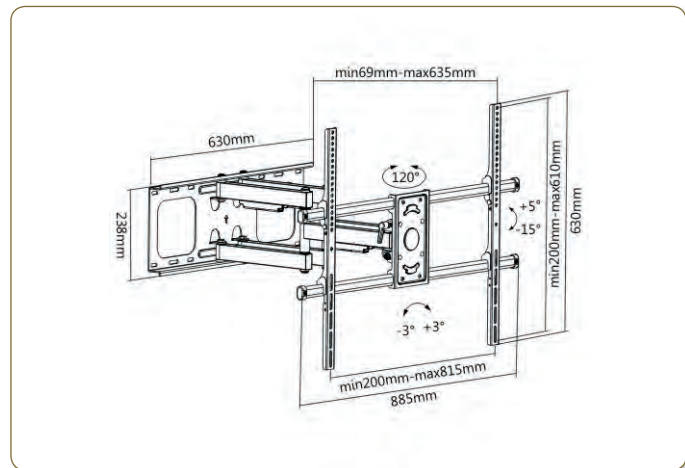
Order-No. – P.U.

VALUE Solid Articulating Wall Mount TV Holder, black	A 17.99.1205 – 2
VALUE Solid Articulating Wall Mount TV Holder, white	B 17.99.1206 – 2

VALUE Solid Articulating Wall Mount TV Holder

- Dual-arm full-motion wall mount for TVs (LED, LCD flat panel TVs) up to 228,6 cm (50"- 90")
- Max. weight: 75 kg
- This mount extends out 635 mm from wall and allows TVs to turn 60° left or right
- Full motion allows maximum flexibility- tilts and swivel your TV for easy viewing from any seat in a room
- Post-installation level adjustment allows the TV to „roll“ up to 3° clockwise and counterclockwise to ensure it's perfect level
- Integrated cable management system keeps cables organized and protected

- Technical Data:
- Material: Steel
 - Product weight: 12kg
 - Recommended Screen Size: 50"- 90" (127 cm- 228,6 cm)
 - Installation: Solid wall, Double Stud
 - Max. Load Capacity: 75 kg
 - VESA Standard: 200x200, 400x200, 300x300, 400x400, 600x400, 800x400, 800x600
 - Max.VESA: 800x600
 - Tilt: -15°~+5°
 - Swivel:-60°~+60°



Order-No. – P.U.

VALUE Solid Articulating Wall Mount TV Holder, up to 75kg

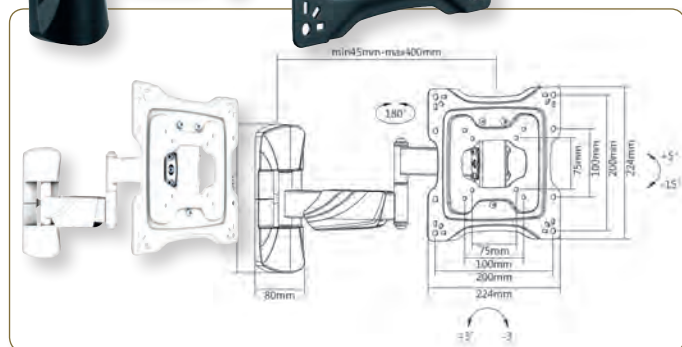
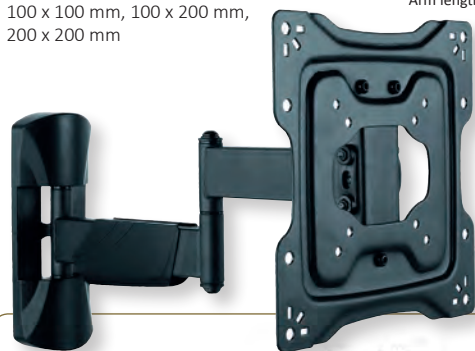
17.99.1207 – 2

VALUE LCD/TV Wall Mount

- Arm length: up to 425 mm
- Max. load: 25 kg
- Mounts your screen to the wall and monitor can be tilted ,swiveded and rotated
- Meets VESA 75 x 75 mm, 100 x 100 mm, 100 x 200 mm, 200 x 200 mm

- Colour: black
- Contents: supporting arm

Technical data: 17.99.1143
 Fixing: wall mount
 Load capacity: up to 25 kg
 Joints: 5
 Arm length: up to 40 cm



Order-No. – P.U.

VALUE LCD/TV Wall Mount, black, 5 Joints

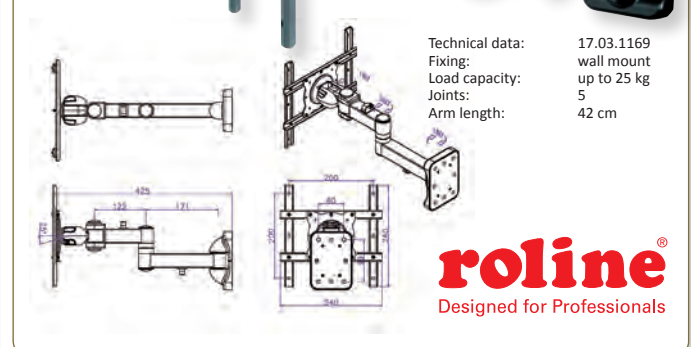
17.99.1143 – 5

VALUE LCD/TV Wall Mount, white, 5 Joints

17.99.1148 – 5

ROLINE LCD/TV Wall Mount

- Arm length: up to 425 mm
- Max. load: 25 kg
- Mounts your screen to the wall and monitor can be tilted ,swiveded and rotated
- Meets VESA 75 x 75 mm, VESA 100 x 100 mm, VESA 100 x 200 mm, VESA 200 x 200 mm
- Colour: black
- Contents: supporting arm, mounting screws, 6 mm hex wrench, manual, cable clips



Technical data: 17.03.1169
 Fixing: wall mount
 Load capacity: up to 25 kg
 Joints: 5
 Arm length: 42 cm



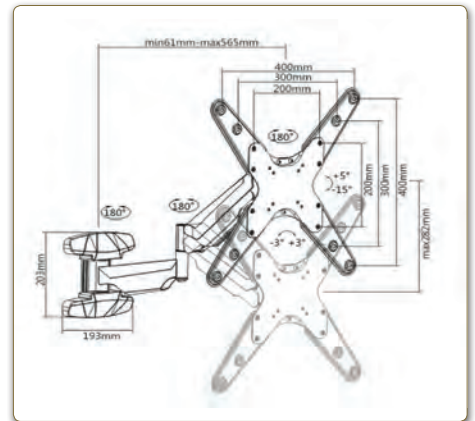
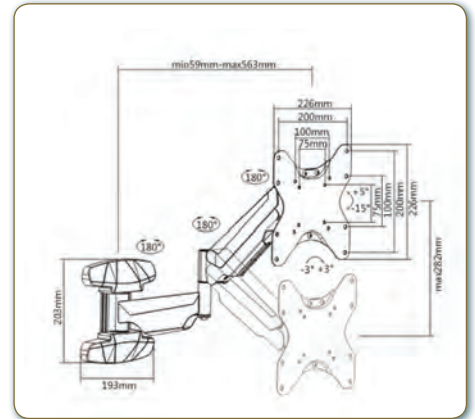
Order-No. – P.U.

ROLINE LCD/TV Wall Mount, 5 Joints

17.03.1169 – 6

VALUE LCD/TV Wall Mount, 6 Joints

- The built-in gas spring ensures freely positioning of your screen and it can be easily adjusted to fit varied weights
- Mounts a monitor onto a wall
- Integrated cable management system
- Swiveling arm offer maximum viewing flexibility (+90° --90°)
- Freely tilting allows easy TV angle adjustment (+5° - 15°)
- Level adjustment (-3° - +3°)
- Load capacity: up to 30 kg
- Meets max. VESA 200 x 200 mm
- Arm length: 56,3 cm



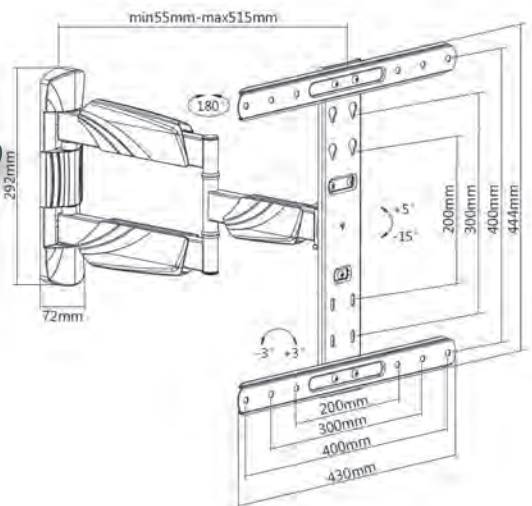
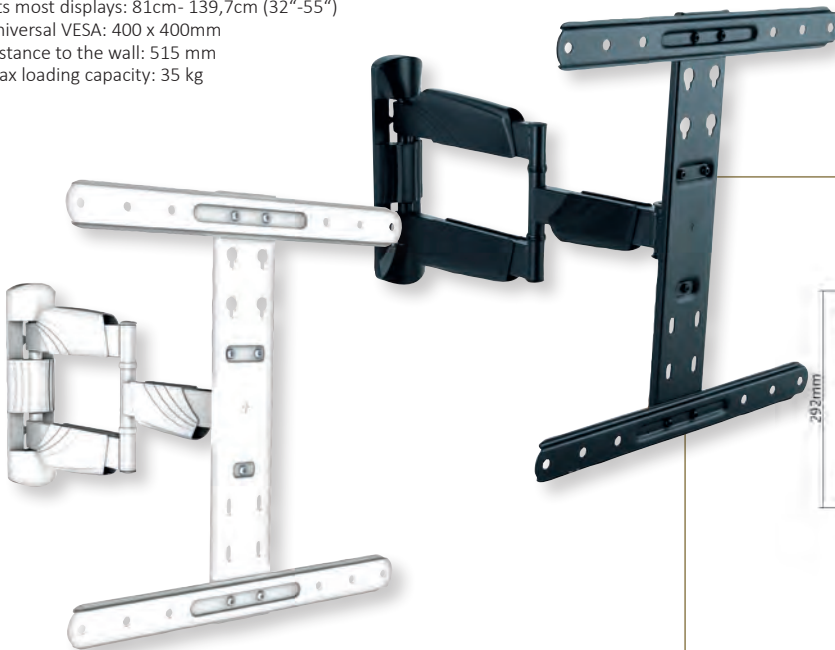
Order-No. - P.U.

VALUE LCD/TV Wall Mount, < 107 cm (23"- 42"), 6 Joints, black A 17.99.1156 - 2

VALUE LCD/TV Wall Mount, < 139 cm (23"- 55"), 6 Joints, black B 17.99.1157 - 2

VALUE LCD Wall Mount Bracket

- Provides safe and easy access to most Curved TV's features
- Substantial mount, provides long-lasting use
- Integrated cable management
- Monitor can be tilted downward up to 20°
- Mount your screen neatly to the wall and monitor can be swiveled and rotated
- Fits most displays: 81cm- 139,7cm (32"-55")
- Universal VESA: 400 x 400mm
- Distance to the wall: 515 mm
- Max loading capacity: 35 kg



Order-No. - P.U.

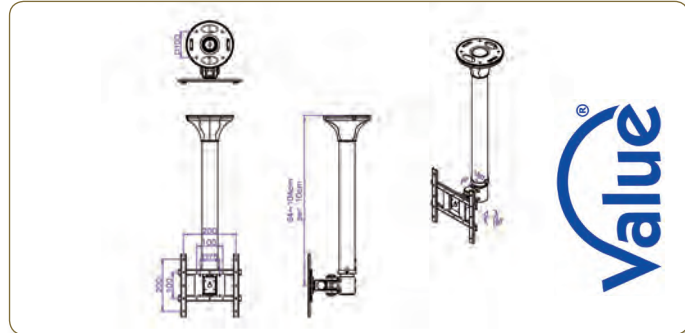
VALUE LCD Wall Mount Bracket, black 17.99.1142 - 5

VALUE LCD Wall Mount Bracket, white 17.99.1149 - 5

VALUE LCD TV Ceiling Mount

- Firm mounting of a LCD monitor on a ceiling
- Arm length: 64.5- 104.5 cm
- Load capacity: up to 20 kg
- Cables can be layed inside the arm
- LCD monitor can be swiveled and tilted
- Meets VESA 75 x 75 mm, VESA 100 x 100 mm, VESA 100 x 200 mm, VESA 200 x 200 mm
- Contents: Ceiling mount, mounting material, manual

Technical data: 17.99.1107
 Fixing: ceiling mount
 Load capacity: up to 20 kg
 Joints: 2
 Arm length: 65 - 104 cm



Order-No. - P.U.

VALUE LCD TV Ceiling Mount, 3 Joints

17.99.1107 - 2

VALUE LCD/TV Ceiling Mount, 50kg

- Ceiling mount for a monitor/TV up to 42"
- Load capacity: up to 50 kg
- Meets VESA 75 x 75, 100 x 100, 100 x 200 ou 200 x 200 mm
- Arm length: 105- 156 cm
- -15° tilt; 360° swivel
- Contents: supporting arm



Order-No. - P.U.

VALUE LCD/TV Ceiling Mount, 50kg

17.99.1217 - 1

VALUE LCD/TV Mobile Cart

- Ideal for applications in conference rooms or class rooms!
- For an easy mobile use of a large LCD monitor or TV
 - For fixing LCDs with:
 - Handy holders for moving the stand
 - Platform for a DVD player or notebook
 - Cable channel inside vertical carrier



Order-No. - P.U.

VALUE LCD/TV Mobile Cart

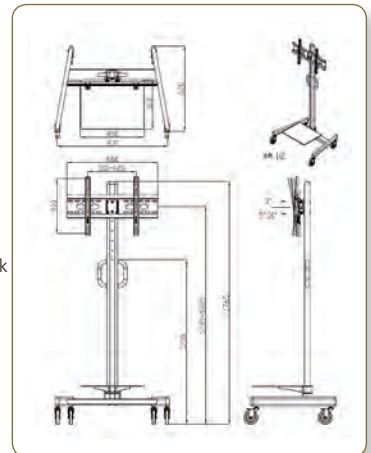
17.99.1164 - 1

VALUE LCD/TV Mobile Cart, heavy weight (up to 125kg)

17.99.1165 - 1

ROLINE LCD/TV Mobile Cart

- Ideal for applications in conference rooms or class rooms!
- For an easy mobile use of a large LCD monitor or TV
 - For fixing LCDs with:
 - Horizontal: 10-60 cm
 - Vertical: 10-40 cm
 - Screen size: 82-139 cm
 - Load capacity: up to 50 kg
 - Adjustable height: 123- 158 cm
 - Handy holders for moving the stand
 - Platform for a DVD player or notebook (10kg)
 - Cable channel inside vertical carrier



Order-No. - P.U.

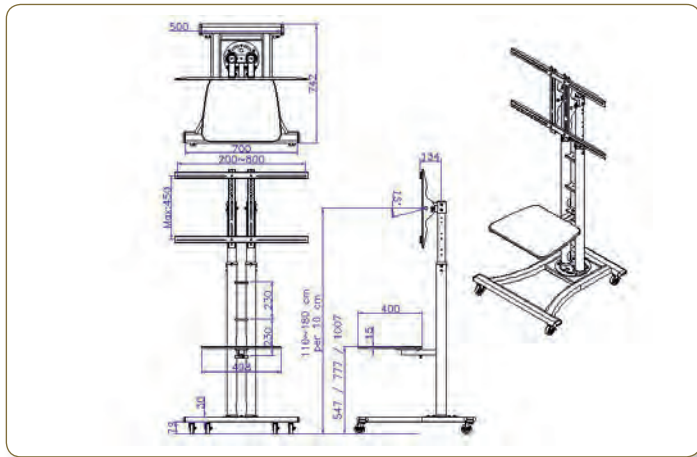
ROLINE LCD/TV Mobile Cart

17.03.1164 - 1

VALUE LCD/Plasma TV Cart, silver

Ideal for applications in conference rooms or class rooms!

- For an easy mobile use of a large LCD monitor or flat-screen TV
- For fixing LCDs with screen size: 69- 152 cm (27"- 60")
- Load capacity: up to 50 kg
- Adjustable height: 110 up to 180 cm
- TV can be tilted downward up to 15 degrees
- Platform for e. g. holding a DVD player or notebook (WxD): 498 x 400 mm
- Cables can go through the tube
- Four wheels for easy movement whereof two are lockable



Order-No. – P.U.

VALUE LCD/Plasma TV Cart, silver

17.99.1320 – 1



ROLINE Digital Signage Stand

- How can a digital signage stand benefit your business? There are a lot of possibilities, and they can be used across a wide variety of settings including retail stores & trade shows. That enables users to take projects and presentations on the road with ease.
- Digital Signage stands turn a tablet into a versatile workstation or customer information center. Pre-load apps and software for customers to use that is tailored to your business.

For what types of businesses are these products commonly used?

- Hotels- for guests to check in/out or to request room accommodations
- Restaurants & Food Service Locations- reservation of seating or food order
- Trade Shows & Convention Centers
- Retail Stores- for shoppers to participate in giveaways or learn more about the range of offered products
- Car Dealerships- for customers to see individual features on new models, check in for vehicle maintenance services or queue up to meet with a dealer

- Designed with heavy duty extruded alloy
- Lock screw to set position if desired
- TFT Orientation: Vertical or Horizontal
- Suitable for Indoor Use Only
- Universal mount style fits various sizes of most displays with VESA max.100x100 mm (17.03.1250) and max. 100x200 mm (17.03.1251)
- Cables can go through the tube (only 17.03.1250)
- Max. Weight load capacity: 10kgs
- Colour: silver
- Additional advertising area max. 380 x max. 900 mm (height is individually adjustable) only for 17.03.1251

REMARK: Display is NOT included



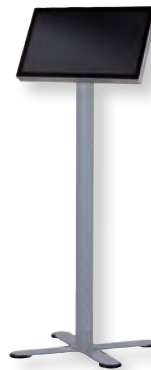
Order-No. – P.U.

ROLINE Digital Signage Stand

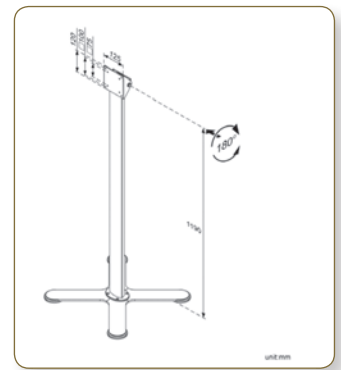
A 17.03.1250 – 1

ROLINE Digital Signage Stand, Advertising

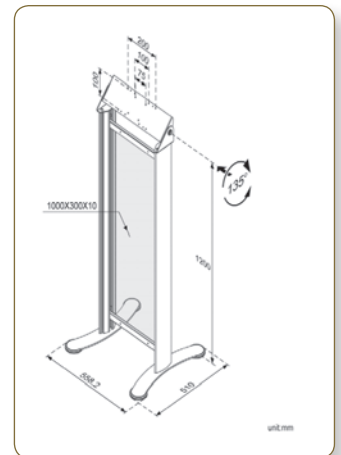
B 17.03.1251 – 1



A



B

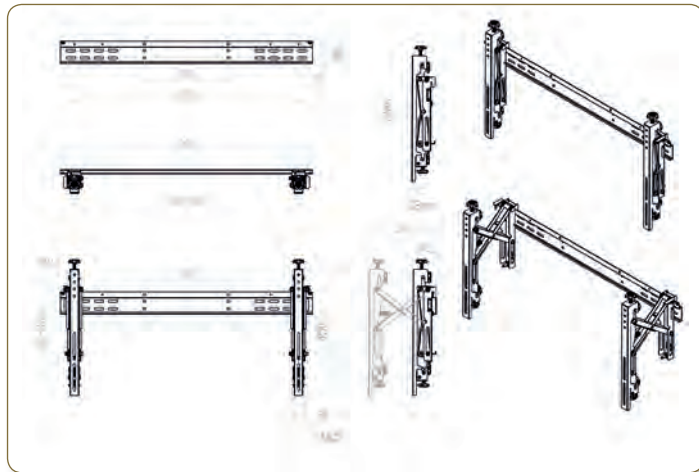


ROLINE Digital Signage Video Wall Solution

- For what types of businesses are these products commonly used?
- Trade Shows & Convention Centers
 - Retail Stores- for shoppers to participate in giveaways or learn more about the range of offered products

Highlights:

- Aligning of the the displays very quickly
- Lock screw to set position if desired
- TFT Orientation: Vertical
- Universal mount style fits various sizes of most displays with VESA max.600x400 mm
- Push-out open mount providing easy maintinance access
- Max. Weight load capacity: 50 kg
- **The solution consists of two brackets; so you need as for a small video wall (2x 2 monitors) twice this article**



Order-No. – P.U.

ROLINE Digital Signage Video Wall Solution

17.03.1252 – 1

- Colour: black
- Contents: 2x supports



VALUE TV Top Board Stand

Stylish glass stand for flat-screen TVs.

- Offers space to put a DVD player or HD recorder under it
- For flat-screen TVs up to 20 kg
- 8 mm black silk tempered glass stand
- Dimensions (WxDxH): 63 x 35 x 18 cm



Order-No. – P.U.

VALUE TV Top Board Stand

17.99.1307 – 1

VALUE Cable Box, small/ large

- Suitable next to desktops, TV / multi-media systems, etc.
- For an organized desktop/office
- To hide tangled cables / power sockets
- Opening for cable exit on both sides
- Dustproof
- Easy to store
- White plastic box
- Dimensions: 235 x 115 x 120 mm (small) 407 x 157 x 133.5 mm (large)



Order-No. – P.U.

VALUE Cable Box, small, white

A 19.99.3236 – 8

VALUE Cable Box, large, white

B 19.99.3237 – 4

ROLINE Gigabit Switch, unmanaged, IGMP

- Provides 5 tri-speed copper ports and one 1000M SFP
- Plug and play
- All copper ports support auto-negotiation and auto-MDI/MDI-X detection
- Nonblocking wire speed performance
- Supports 802.3x flow control for full-duplex and backpressure for half-duplex
- Jumbo frame support at all speeds
- IGMP v1/v2 snooping
- Flooding undesired packet storm caused by loops in the network or DOS attacks
- MAC Address Table: 8K
- Buffer Memory: 136K bytes
- LED Indication
- Environment Operating Temperature: 0°C ~ 40°C (main device)
- Dimensions (WxDxH): 144 x 104.5 x 26 mm
- Contents: Switch, power supply (7,5V DC, 1A), manual



roline
Designed for Professionals

Order-No. – P.U.

ROLINE Gigabit Switch, 5x RJ-45 + 1 miniGBIC Slot, unmanaged, IGMP 21.14.3520 – 1

ROLINE Fast Ethernet Converter

- These converters are the ideal connectivity solution for networks using a combination of STP and fibre optic types
- Provides media conversion from STP to multimode ST or LC media types
- TP port: 10/100BaseTX (RJ-45) with auto-MDI/MDIX detection, auto negotiation, full/half-duplex support
- FX port: 100Base-FX, Duplex SC resp. ST, full-duplex
- For multimode fibre cable: 62.5/125 µm and 50/125 µm
- Supports full wire speed conversion for 10/100Mbit/s speed and media types
- Supports DIN rail mounting and wall mounting
- Power over included power supply
- These converters have no repeater function
- Contents: Converter, power supply, manual

21.13.1072/73:

- Dimensions (WxDxH): 64 x 59 x 21 mm
- 3 LEDs: TP Speed, Link/Activity, Power



roline
Designed for Professionals

Order-No. – P.U.

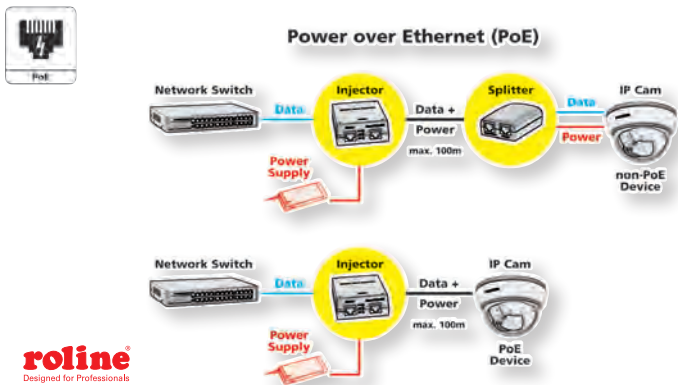
ROLINE Fast Ethernet Converter, RJ-45 to ST 21.13.1072 – 10

ROLINE Fast Ethernet Converter, RJ-45 to SC 21.13.1073 – 10

ROLINE PoE Injector

- Designed for small or medium network environment to strengthen its network connection. This Power over Ethernet injector combines 48V/DC power and data. Data transfer complies with IEEE 802.3af. It is used for workgroupswitches, network-cameras, access points, IP-phones.
- Dimensions (LxWxH): 102 x 75 x 23 mm
- Contents: Injector, power supply, manual

- Connectors: 1x LAN-in port (data only), 1x power-in plug (power only), 1x LAN-out port (data + power)
- Compliant with IEEE 802.3af
- Power input: 48V/DC
- Casing: Metal



Order-No. – P.U.

ROLINE 10/100 PoE Injector, 15.4W 21.13.1192 – 2

ROLINE 10/100/1000 PoE Injector, 30W 21.13.1193 – 2

ROLINE 19" PoE Switch, Web Smart

- This Fast Ethernet PoE+ Web Smart switch is designed for small or medium network environments to strengthen its network connection. It converts standard 100~240V/AC power into low-voltage DC that runs over an existing LAN cable to power up Power over Ethernet (PoE) compliant network accessories like e.g. workgroup switches, network cameras, access points, IP-phones.
- PoE capable ports: Port 1-8 up to 30 W per port
- PoE power budget: 110 W
- Max. power consumption (without PoE): 124 W (14W)
- Flash memory: 1 MB, packet buffer: 2.75 Mbit/s
- MAC addresses: 4K
- MAC filtering
- Switching method: Store-and-forward
- Quality of service: up to 4 queues
- IGMP snooping
- 8x 10/100 Mbit/s PSE PoE+ ports, 2x combo 10/100/1000BASE-T/SFP slots
- IEEE 802.3at, web-managed
- Max. power output: 48 VDC / 30 W per port



roline
Designed for Professionals



Order-No. – P.U.

ROLINE 19" PoE Switch, Fast Ethernet, Web Smart, 8 Ports 21.13.1180 – 1

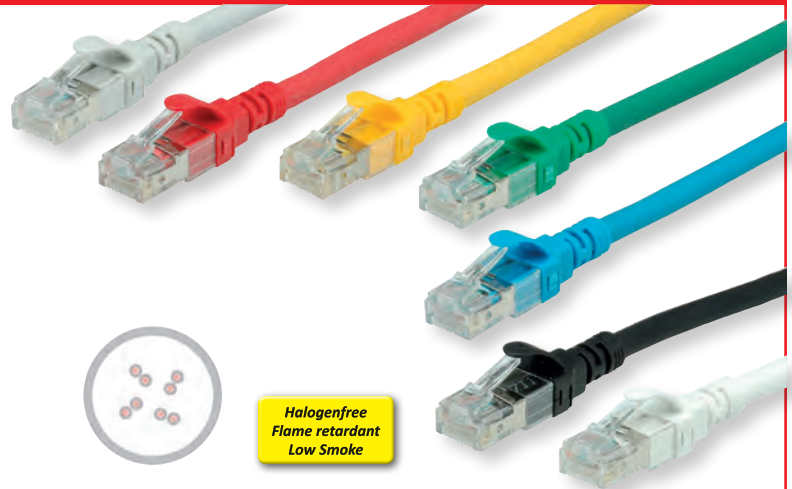
ROLINE UTP Cable Cat.6 Component Level, LSOH

100% Component Level Tested

Cat.6

U/UTP

- Patch cable for networking connections between devices.
- Prepared unshielded Twisted Pair cable with RJ-45 connectors on both ends.
- Durable due to moulded kink protection.
- Flexible cable, suitable for narrow bending.
- High quality plugs with gold plated contacts.
- Contact settings 1:1, in accordance with the EIA/TIA 568 standard.
- Construction: 4-pair stranded copper wire.
- Halogen-free, flame retardant, low smoke.
- 100 % Component level testing



roline[®]
Designed for Professionals

Length	grey	red	yellow	green	blue	black	white	- P.U.
0.5 m		21.15.2010	21.15.2020	21.15.2030	21.15.2040	21.15.2050		- 100
1 m			21.15.2021	21.15.2031	21.15.2041			- 100
1.5 m	21.15.2070	21.15.2071	21.15.2072	21.15.2073	21.15.2074	21.15.2075		- 100
2 m			21.15.2022	21.15.2032	21.15.2042			- 100
3 m		21.15.2013		21.15.2033	21.15.2043	21.15.2053		- 50
5 m		21.15.2015	21.15.2025	21.15.2035	21.15.2045	21.15.2055		- 50
7 m	21.15.2006	21.15.2016	21.15.2026	21.15.2036	21.15.2046	21.15.2056	21.15.2066	- 40
10 m	21.15.2007	21.15.2017	21.15.2027	21.15.2037	21.15.2047	21.15.2057	21.15.2067	- 40
15 m		21.15.2018	21.15.2028	21.15.2038	21.15.2048			- 30
20 m		21.15.2019	21.15.2029	21.15.2039		21.15.2059	21.15.2069	- 20

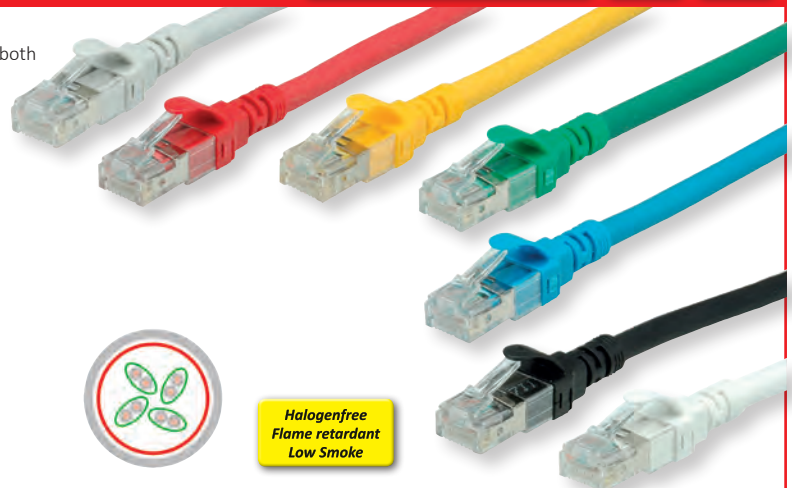
ROLINE S/FTP Patch Cord Cat.6 Component Level, LSOH

100% Component Level Tested

Cat.6

S/FTP

- Patch cable for networking connections between devices.
- Prepared double shielded Twisted Pair cable with screened RJ-45 connectors on both ends.
- Durable due to moulded kink protection
- Flexible cable, suitable for narrow bending.
- High quality plugs with gold plated contacts.
- Contact settings 1:1, in accordance with the EIA/TIA 568 standard.
- Construction: 4-pair stranded copper wire. Complete braid shielding.
- Pairs shielded with aluminium clad polyester foil.
- Halogen-free, flame retardant, low smoke.
- 100% Component Level testing



roline[®]
Designed for Professionals

Length	grey	red	yellow	green	blue	black	white	- P.U.
0.5 m						21.15.2150		- 100
1 m		21.15.2111	21.15.2121	21.15.2131		21.15.2151	21.15.2161	- 100
1.5 m	21.15.2170	21.15.2171	21.15.2172	21.15.2173	21.15.2174	21.15.2175	21.15.2176	- 100
2 m				21.15.2132				- 100
3 m			21.15.2123	21.15.2133	21.15.2143			- 50
5 m		21.15.2115	21.15.2125		21.15.2145	21.15.2155	21.15.2165	- 50
7 m	21.15.2106	21.15.2116	21.15.2126	21.15.2136	21.15.2146	21.15.2156		- 40
10 m	21.15.2107	21.15.2117	21.15.2127	21.15.2137	21.15.2147			- 40
15 m		21.15.2118	21.15.2128	21.15.2138	21.15.2148			- 30
20 m	21.15.2109	21.15.2119	21.15.2129	21.15.2139			21.15.2169	- 20

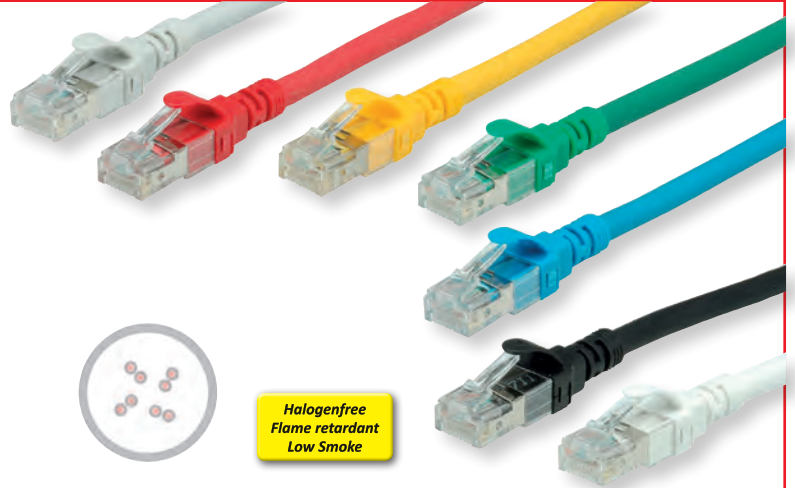
ROLINE UTP Patch Cord Cat.6A, Component Level, LSOH

100% Component Level Tested

Cat.6A

U/UTP

- Patch cable for networking connections between devices.
- Prepared unshielded Twisted Pair cable with RJ-45 connectors on both ends.
- Durable due to moulded kink protection.
- Flexible cable, suitable for narrow bending.
- High quality plugs with gold plated contacts.
- Contact settings 1:1, in accordance with the EIA/TIA 568 standard.
- Construction: 4-pair stranded copper wire.



roline[®]
Designed for Professionals

Length	grey	red	yellow	green	blue	black	white	- P.U.
0.5 m	21.15.1480	21.15.1420	21.15.1430	21.15.1440	21.15.1450	21.15.1460	21.15.1470	- 100
1 m		21.15.1421	21.15.1431	21.15.1441	21.15.1451	21.15.1461		- 100
1.5 m	21.15.1490	21.15.1491	21.15.1492	21.15.1493	21.15.1494	21.15.1495	21.15.1496	- 100
2 m		21.15.1422	21.15.1432	21.15.1442		21.15.1462	21.15.1472	- 100
3 m		21.15.1423	21.15.1433	21.15.1443	21.15.1453	21.15.1463		- 50
5 m	21.15.1485	21.15.1425	21.15.1435	21.15.1445	21.15.1455	21.15.1465	21.15.1475	- 50
7 m	21.15.1486	21.15.1426	21.15.1436	21.15.1446	21.15.1456	21.15.1466	21.15.1476	- 40
10 m	21.15.1487	21.15.1427	21.15.1437	21.15.1447	21.15.1457	21.15.1467	21.15.1477	- 40
15 m	21.15.1488	21.15.1428	21.15.1438	21.15.1448	21.15.1458	21.15.1468	21.15.1478	- 30
20 m	21.15.1489	21.15.1429	21.15.1439	21.15.1449	21.15.1459	21.15.1469	21.15.1479	- 20

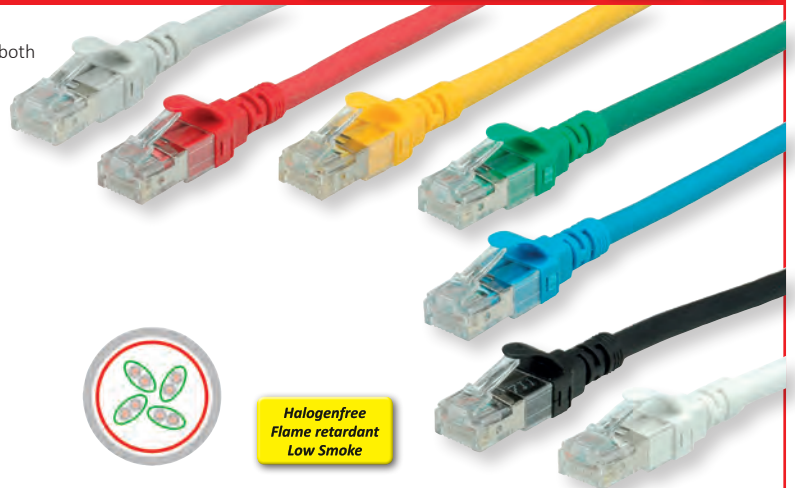
ROLINE S/FTP Patch Cord Cat.6A, Component Level, LSOH

100% Component Level Tested

Cat.6A

S/FTP

- Patch cable for networking connections between devices.
- Prepared double shielded Twisted Pair cable with screened RJ-45 connectors on both ends.
- Durable due to moulded kink protection.
- Flexible cable, suitable for narrow bending.
- High quality plugs with gold plated contacts.
- Contact settings 1:1, in accordance with the EIA/TIA 568 standard.
- Construction: 4-pair stranded copper wire. Complete braid shielding.
- Pairs shielded with aluminium clad polyester foil.

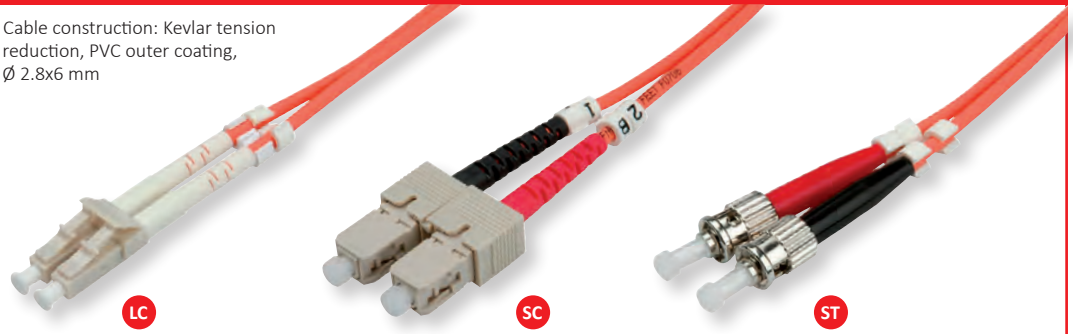


roline[®]
Designed for Professionals

Length	grey	red	yellow	green	blue	black	white	- P.U.
0.5 m		21.15.1920	21.15.1930		21.15.1950	21.15.1960	21.15.1970	- 100
1 m		21.15.1921	21.15.1931	21.15.1941	21.15.1951	21.15.1961	21.15.1971	- 100
1.5 m	21.15.1990	21.15.1991	21.15.1992	21.15.1993	21.15.1994		21.15.1996	- 100
2 m		21.15.1922						- 100
5 m		21.15.1925	21.15.1935	21.15.1945	21.15.1955			- 50
7 m	21.15.1986		21.15.1936	21.15.1946	21.15.1956			- 40
10 m		21.15.1927	21.15.1937	21.15.1947	21.15.1957			- 40
15 m		21.15.1928	21.15.1938	21.15.1948				- 30
20 m		21.15.1929		21.15.1949	21.15.1959			- 20

VALUE Fibre Optic Jumper Cables 62,5/125µm, OM1

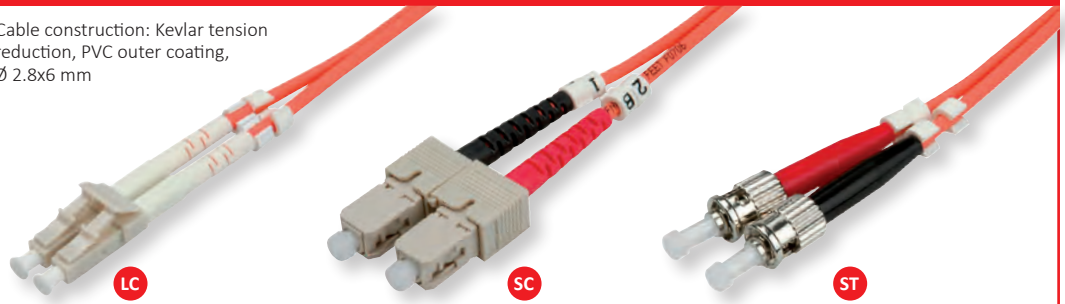
- The quality of the connectors and fibres and an optimal assembly procedure lead to extremely good characteristics in respect of insertion loss and reflection
- Compact conductor (fibre movable in secondary coating)
- Multimode connector
- Cable with 62.5/125µm
- Cable construction: Kevlar tension reduction, PVC outer coating, Ø 2.8x6 mm



Length	Type SC/SC	- P.U.	Type LC/LC	- P.U.	Type LC/ST	- P.U.	Type LC/SC	- P.U.
0.5 m	21.99.9300	- 20	21.99.9250	- 20	21.99.9450	- 20	21.99.9350	- 20
1 m	21.99.9301	- 40			21.99.9451	- 20	21.99.9351	- 20
2 m	21.99.9302	- 40	21.99.9252	- 20	21.99.9452	- 20		
3 m	21.99.9303	- 40	21.99.9253	- 20	21.99.9453	- 20	21.99.9353	- 20
5 m	21.99.9305	- 20			21.99.9455	- 10	21.99.9355	- 10

ROLINE Fibre Optic Jumper Cables 62.5/125µm, OM1

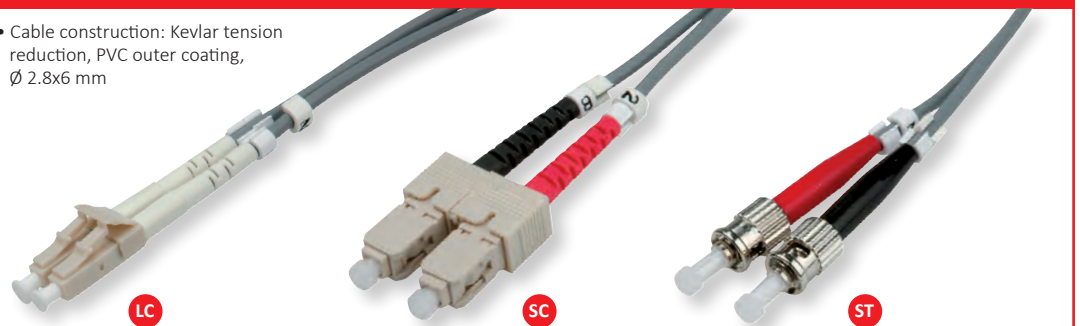
- The quality of the connectors and fibres and an optimal assembly procedure lead to extremely good characteristics in respect of insertion loss and reflection
- Compact conductor (fibre movable in secondary coating)
- Cable with 62.5/125µm
- Cable construction: Kevlar tension reduction, PVC outer coating, Ø 2.8x6 mm



Length	Type SC/SC	- P.U.	Type LC/LC	- P.U.	Type LC/ST	- P.U.	Type LC/SC	- P.U.
0.5 m			21.15.9249	- 20	21.15.9450	- 20	21.15.9349	- 20
1 m			21.15.9251	- 20	21.15.9451	- 20	21.15.9351	- 20
2 m			21.15.9252	- 20	21.15.9452	- 20	21.15.9352	- 20
3 m	21.15.9303	- 40	21.15.9253	- 20	21.15.9453	- 20	21.15.9353	- 20
5 m	21.15.9305	- 20	21.15.9255	- 10	21.15.9455	- 10	21.15.9355	- 10
10 m	21.15.9309	- 10	21.15.9260	- 5	21.15.9460	- 5	21.15.9360	- 5

VALUE Fibre Optic Jumper Cables 50/125µm, OM2

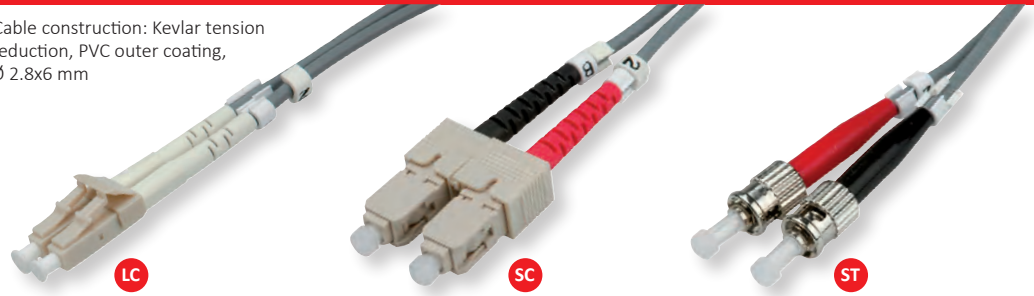
- The quality of the connectors and fibres and an optimal assembly procedure lead to extremely good characteristics in respect of insertion loss and reflection
- Compact conductor (fibre movable in secondary coating)
- Multimode connector
- Cable with 50/125µm
- Cable construction: Kevlar tension reduction, PVC outer coating, Ø 2.8x6 mm



Length	Type SC/SC	- P.U.	Type LC/LC	- P.U.	Type LC/ST	- P.U.	Type LC/SC	- P.U.
0.5 m	21.99.9900	- 20	21.99.9750	- 20	21.99.9950	- 20	21.99.9850	- 20
1 m	21.99.9901	- 40	21.99.9751	- 20	21.99.9951	- 20	21.99.9851	- 20
2 m	21.99.9902	- 40			21.99.9952	- 20	21.99.9852	- 20
3 m	21.99.9903	- 40	21.99.9753	- 20	21.99.9953	- 20	21.99.9853	- 20
5 m	21.99.9905	- 20	21.99.9755	- 10			21.99.9855	- 10

ROLINE Fibre Optic Jumper Cables 50/125µm, OM2

- The quality of the connectors and fibres and an optimal assembly procedure lead to extremely good characteristics in respect of insertion loss and reflection
- Compact conductor (fibre movable in secondary coating)
- Cable with 50/125µm
- Cable construction: Kevlar tension reduction, PVC outer coating, Ø 2.8x6 mm



roline
Designed for Professionals

Length	Type SC/SC	- P.U.	Type LC/LC	- P.U.	Type LC/ST	- P.U.	Type LC/SC	- P.U.
0.5 m	21.15.9900	- 20	21.15.9750	- 20	21.15.9950	- 20	21.15.9850	- 20
1 m	21.15.9901	- 40	21.15.9751	- 20	21.15.9951	- 20	21.15.9851	- 20
2 m	21.15.9902	- 40	21.15.9752	- 20	21.15.9952	- 20	21.15.9852	- 20
3 m	21.15.9903	- 40	21.15.9753	- 20	21.15.9953	- 20	21.15.9853	- 20
5 m	21.15.9905	- 20	21.15.9755	- 10	21.15.9955	- 10	21.15.9855	- 10
10 m	21.15.9910	- 10	21.15.9760	- 5	21.15.9960	- 5	21.15.9860	- 5

ROLINE Vario Bullet IP Camera

- Up to 2 megapixel (1920 × 1080) resolution
- Angle of view: 113°-33.8° (2.8- 12mm Varifocal lens)
- 3D DNR & DWDR & BLC
- Support ROI function
- Standard video compression with high compression ratio
- Progressive scan CMOS
- Support dual stream, and the sub-stream for mobile surveillance
- Built-in IR Illuminators up to 30 meters
- Built-in Micro SD/SDHC/SDXC card slot, up to 64 GB
- Removable IR-cut Filter with auto switch for Day & Night Function
- PoE (Power over Ethernet) 802.3af
- Weather-proof IP66 rated housing
- Auto-iris, electronic shutter for different surveillance environments
- Other functions: reset, heartbeat, mirror, etc.
- 3-axis adjustment

roline
Designed for Professionals



ROLINE 2 MPx Vario Bullet IP Camera, RBOV2-1, Full-HD, IR-LED, PoE, 2.8-12mm 113°-33.8°, IP66

Order-No. - P.U.

21.19.7302 - 1

ROLINE Network Video Recorder with 16 Channels and 1 Hard Drive Bay

The ROLINE RNR0104P/RNR0216P is a network video recorder with support for up to 16 network cameras and up to 8 PoE ports. The integrated PoE Switch the NVR can supply the cameras directly with electricity. For local Display an HDMI or VGA monitor can be connected to the complete operation and configuration is then performed using the mouse. In this way, no additional PC is required for playback.

- 16 channels view & record NVR
- HDMI and VGA output at up to 1920 x 1080 resolution
- HDD quota and group management
- 1x RJ-45 10/100/1000 Mbps self-adaptive Ethernet interface
- 8 independent POE network interfaces for built-in switch (120W, 802.3af)
- Locking and unlocking record files
- Incoming bandwidth: 40/80Mbps
- up to 2x SATA interfaces for 2 HDDs (Type 3.5)

- 2x USB 2.0 ports
- 19-inch rack-mounted 1U chassis
- Support network detection, including network delay, packet loss, etc.

roline
Designed for Professionals



ROLINE 16 Channel NVR with 8-port PoE, RNR0216P, network video recorder with 8 channels and 2 hard drive bay, 8 Port PoE Switch, local VGA /HDMI video connector

Order-No. - P.U.

21.19.7305 - 1

VALUE KVM Extender over IP, VGA, PS/2 + USB

Remotely administrate your server or KVM switch over standard IP connection or over modem (analogue telephone connection) - at every time from everywhere.

- Works with all servers and all KVM switches with OSD (On Screen Display)
- Allows access to BIOS level
- Offers the possibility to directly attach a local console
- Connection of PC/switch keyboard and mouse over PS/2 or USB (over included USB cable)
- Windows based administration tools
- Firmware upgradable over RS232 or LAN
- Security features: Password security and SSL encryption for all signals
- Supports DynDNS
- Contents: KVM IP extender, power supply, KVM cable, USB cable, serial cable, rack mounting kit, software CD, manual



Technical data:	14.99.3397	14.99.3395
Connections PC/switch side:		
Monitor:	1x HD15 F	1x HD15 F
Keyboard/mouse:	2x PS/2 F, 1x USB	2x PS/2 F
Connections console side:		
Monitor:	1x HD15 F	1x HD15 F
Keyboard/mouse:	2x PS/2 F, 2x USB	2x PS/2 F
LAN connection:	1x RJ-45 F	
Serial connection:	1x DB9 F	
Max. resolution (nominal):	2048 x 1536	1600 x 1200 (local console) 1280 x 1024 (remote unit)
Casing:	metal	metal
Dimensions (WxDxH):	103 x 87 x 29 mm	110 x 121 x 41 mm
Power supply:	12 VDC, 1 A	12 VDC, 1.25 A

Order-No. – P.U.

VALUE KVM Extender over IP, VGA, PS/2 + USB	14.99.3397 – 2
VALUE KVM Extender over IP, VGA, PS/2	14.99.3395 – 2

VALUE / ROLINE Internal USB Hub

- Offers four SuperSpeed USB 2.0 type A downstream ports
- Can be installed in a free type 3.5 or type 5.25 (by using the optional 5.25 mounting rack) device bay
- LED status indicator for each port
- 4-pin HDD power connector to supply up to 900 mA on each port
- Supported Operating Systems: Windows XP/Vista/7
- Contents: USB hub, USB cable, power cable (4-pin HDD M-F), type 5.25 frame

Technical data:
 PC connection: 1x USB 5-pin Mini
 Input: 4x USB Type A
 Dimensions (LxDxH): 101 x 68 x 25 mm
 Power supply: over special cable (included)



- Offers four SuperSpeed USB 3.0 Type A downstream ports
- Compliant with Universal Serial Bus 3.0 specification revision 1.0
- All USB 3.0 ports can handle SuperSpeed (5 Gbit/s), HighSpeed (480 Mbit/s), FullSpeed (12 Mbit/s), and LowSpeed (1.5 Mbit/s)
- Supports any USB 3.0, USB 2.0 and USB 1.1 devices
- 15-pin SATA power connector to supply 900 mA, max 1.5A 5V bus power on each port
- Supports LED status indicator on each down-stream port
- Slot bracket included in delivery to direct the cable outside the computer casing for connection to an external USB 3.0 port
- Supports Windows 2000/2003/XP/Vista/7 and Mac OS 10.X
- Contents: USB hub, internal USB cable, slot bracket



Order-No. – P.U.

VALUE Internal USB 2.0 Hub, for Type 3.5/5.25 Bay, 4 Ports, black	14.99.5031 – 10
ROLINE Internal USB 3.0 Hub, 4 Ports, black	14.02.5009 – 10

ROLINE KVM over IP Module

This IP Module for the ROLINE 19" KVM Switches (14.01.3224 and 14.01.3225) offers you a smart solution for remote access to your servers from around the world.

IP module provides convenient, remote KVM access and control via LAN or Internet. It captures, digitizes, and compresses video signal and transmits it with keyboard and mouse signals to and from a remote computer. IP module provides a non-intrusive solution for remote access and control. Remote access and control software runs on its embedded processors only but not on mission-critical servers, so that there is no interference with server operation or impact on network performance.

- Simple use: just install the IP Module in the KVM Switch and then connect it to the internet over a network switch or router
- 256 bit SSL encryption of all transmitted data and certificate management
- Automatic adjustment of data rate to transmission line
- Can be controlled over all java-enabled browsers
- Remote mass storage control
- Max. resolution (nominal):
Local: 1600 x 1200, remote: 1280 x
- Contents: IP Module, Manual on CD



Order-No. – P.U.

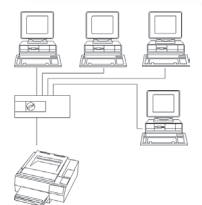
ROLINE KVM over IP Module	14.01.3033 – 1
---------------------------	----------------

ROLINE Switch 25-pin

VALUE switchboxes are designed to be used in non-critical applications where infrequent switching takes place, if it is anticipated that the switches will be used in a critical application our ROLINE range of switchboxes should be used.

- 4 PCs share a serial device or a parallel device, or vice versa
- All connectors DB25 F, connected 1:1

Order-No.	P.U.
ROLINE Switch 25-pin, ABCD	14.01.2010 – 20



roline
Designed for Professionals

ROLINE USB 2.0 Charging Cable, 3x Micro B

- Charging cable for USB devices with USB Micro B
- To connect three USB devices with USB Micro B to USB Port
- Use with most USB Charging devices
- USB cable with USB Type A to USB devices with USB Micro B
- Only charging, no data transfer
- Color: black
- Length: 0.8m



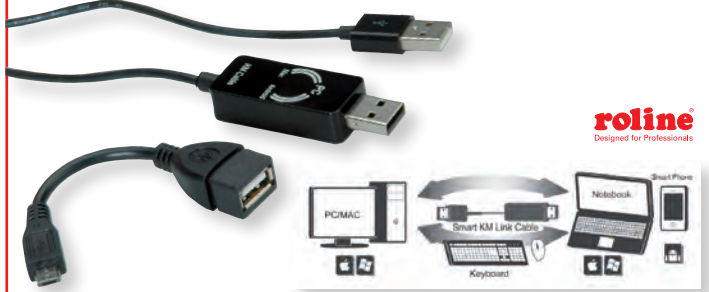
Order-No. – P.U.

ROLINE USB 2.0 Charging Cable, 1x A - 3x Micro B, M/M, 0.8m 11.02.8306 – 10

roline
Designed for Professionals

ROLINE USB 2.0 KM Link Cable PC/Android

- Easy connection between PC (computers, notebooks) and MACs to Android devices (vers. 4.x and above and supported OTG functionality) with this data link cable via USB port
- Switch from one PC (computer/notebook) or MAC to the other PC (computer, notebook) or MAC or Android device by sliding the mouse cursor over the edge of the screen (some Android platform does not support this function)
- Easy file transfer between the two systems by simple copy & paste or drag & drop from one screen to the other
- Compliant with USB 2.0, USB 1.1
- Bus powered from either USB port
- Cable length: 1.5 m
- Supported Operating Systems: Windows 2000/XP/Vista/7, Mac OS, Android (vers. 4.x and above)
- Contents: USB 2.0 link cable



Order-No. – P.U.

ROLINE USB 2.0 KM Link Cable PC/Android, 1.5 m 11.02.9180 – 10

roline
Designed for Professionals

ROLINE External eSATAp to 22-Pin SATA Adapter, 5/12V

- Get 3.0 Gbit/s data transfer rate and 5/12 Volt power from the USB/eSATA 2 in 1 host connector at the same time.
- Small design for easy carrying and space saving
- Connectors: Power over eSATA 2 in 1 Male, type 2.5/3.5 SATA HDD adapter
- Supports any hot swappable type 2.5/3.5 hard disk

- Built in LED light for power indication
- No extra power supply needed
- Color: Black
- Remark: Cables can only be used with eSATAp compatible devices.

roline
Designed for Professionals



Order-No. – P.U.

ROLINE External eSATAp to 22-Pin SATA Adapter, 5/12V, 1.0 m 11.03.1592 – 10

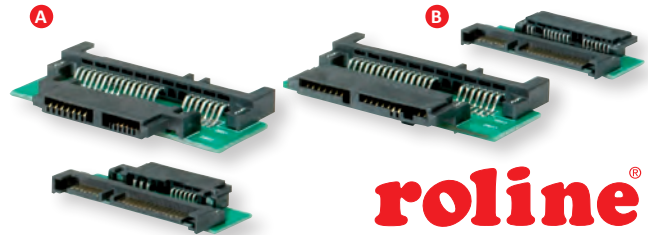
ROLINE Internal SATA Adapters

Adapter SATA to Slim SATA (11.03.1568)

- For the connection of a drive with Slim SATA F to a SATA cable
- Connectors: SATA 22-pin to Slim SATA 13-pin (data and power)

Adapter SATA to Micro SATA (11.03.1569)

- For the connection of a drive with Micro SATA F to a SATA cable
- Connectors: SATA 22-pin to Micro SATA 16-pin (data and power)



roline
Designed for Professionals

Order-No. – P.U.

ROLINE Adapter, SATA 22-pin to Slim SATA 13-pin A 11.03.1568 – 5

ROLINE Adapter, SATA 22-pin to Micro SATA 16-pin B 11.03.1569 – 5

ROLINE External Mini SAS Cable

Serial Attached SCSI (SAS) is a computer bus used to move data to and from computer storage devices such as hard drives and tape drives. SAS depends on a point-to-point serial protocol that replaces the older parallel SCSI bus technology. SAS offers backwards-compatibility with second-generation SATA drives.

- Colour: black
- Length: 1.5 m



roline
Designed for Professionals

Order-No. – P.U.

ROLINE External Mini SAS Cable, 1.5 m, black 11.03.1588 – 1

ROLINE SATA 3.5 Bay, 4x M.2 NGFF SATA SSD

Effective solution to install Fast Speed 4x M.2 NGFF 6Gbps SATA based SSD to a 3.5 inch SATA Form Factor!

- Convert SATA based M.2 NGFF SSD to standard 3.5 SATA drive Form Factor
- Supports 6Gbps, 3Gbps SATA based M.2 NGFF 110mm, 80mm, 60mm, 42mm, 30mm SSD
- M.2 NGFF type 22110-D5-B connector on board
- Movable M.2 NGFF stand-off and multiple plated-holes supports type 22110, 2280, 2260, 2242 and 2230 SSD
- Supports dual-sided SSD module 1.5mm component height on the top and bottom side
- 4x 7pin SATA data and 1x 15pin SATA Power connectors on board
- M.2 NGFF SATA SSD can be the primary bootable device containing the OS and application
- SSD & PCBA power from SATA 12V input
- Provides M.2 NGFF SSD Max 3.3V/4A power source
- Transparent to the operating system and no driver required
- Supports: Windows, Mac
- Contents: HDD Casing, Power Supply Unit, USB Cable (1.5 m), Manual



roline
Designed for Professionals

Order-No. – P.U.

ROLINE SATA 3.5 Bay, 4x M.2 NGFF SATA SSD 16.01.4140 – 10

ROLINE Auto USB 2.0 Switch

- Enables 4 computers to share one peripheral USB device
- USB 2.0 High Speed (480Mbit/s)
- Hot-pluggable
- Supports auto-switch function for printer only
- Simple port selection via hot key
- LED display
- Bus-powered
- Supports Windows
- Contents: Auto USB switch, manual, cable USB type A/B

Technical information **14.01.2338**
 Input connections 4x USB Type B
 Output connections 1x USB Type A
 Dimensions (HxWxD) -

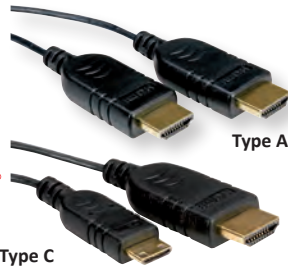


ROLINE Auto USB 2.0 Switch, 4 Ports

Order-No. – P.U.
 14.01.2338 – 20

ROLINE Slim HDMI Hi-Speed Cables + Ethernet, Type C/D

- For the connection of e.g. mobile phones, smart phones, PDAs, digital cameras
- Connectors: HDMI Type A M to HDMI Type D (Micro HDMI) M
- Extra slim cable- easy to store and transport and therefore ideal for mobile use
- Quality cable with gold plated contacts for enhanced durability



Order-No. – P.U.
 ROLINE Slim HDMI High Speed Cable + Ethernet, M/M, 1.2 m 11.04.5632 – 20
 ROLINE Slim HDMI High Speed Cable + Ethernet, A - C, M/M, 1.2 m 11.04.5630 – 20
 ROLINE Slim HDMI High Speed Cable + Ethernet, A - D, M/M, 1.2 m 11.04.5631 – 20

VALUE HDMI High Speed Cables + Ethernet, with magnet

- Extension cable for High Speed HDMI with M/F - connectors**
- For extension of existing HDMI cables
 - HDMI Ethernet Channel
 - Audio Return Channel
 - 3D- Defines input/output protocols for major 3D video formats, paving the way for true 3D gaming and 3D home theater applications
 - Additional Color Spaces

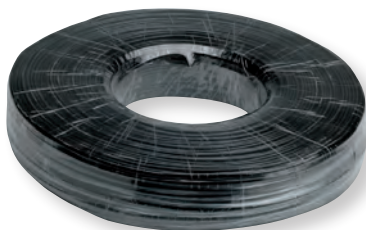
- Video resolution: 1920 x 1080
- Colour: black
- Magnetic holder



Order-No. – P.U.
 VALUE HDMI High Speed Cable + Ethernet, with magnet, M/F, black, 1.0 m 11.99.5511 – 10
 VALUE HDMI High Speed Cable + Ethernet, with magnet, M/F, black, 2.0 m 11.99.5512 – 10
 VALUE HDMI High Speed Cable + Ethernet, with magnet, M/F, black, 3.0 m 11.99.5513 – 10
 VALUE HDMI High Speed Cable + Ethernet, with magnet, M/F, black, 5.0 m 11.99.5515 – 10

Telephone Cable, 4-wire, black

- With 4 coloured lines
- Supplied only as a roll



Order-No. – P.U.
 Telephone Cable, 4-wire, black, 150 m 11.04.2015 – 6

ROLINE USB 3.0 Y Power Cable

- For the connection of high-power SuperSpeed USB 3.0 devices as e. g. external HDDs
- Very helpful if you want to connect your USB 3.0 device to a PC with USB 2.0 ports



Order-No. – P.U.
 ROLINE USB 3.0 Y Cable, 2x Type A M - 1x Micro B M, 1.8 m 19.08.1008 – 10

VALUE USB 2.0 to Type 2.5 SATA Adapter Set

This adapter allows the external connection of an internal type 2.5 SATA HDD to a USB port of your PC or notebook.

- Supports Serial ATA type 2.5 HDDs
- Connection to PC or notebook over USB 2.0 port
- For HDDs with internal SATA connector (L-type)
- Converter connections: 1x USB type A Male (to PC or notebook); 1x SATA Male (to HDD)

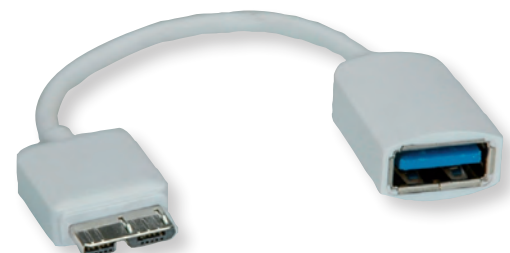
- Power of HDD is supplied from USB port of the PC or notebook
- HDD protecting sleeve for anti vibration and shock absorbing of the HDD is enclosed the content of delivery
- Supported operating systems: Windows 98SE/ME/2000/XP/Vista/7
- Contents: Adapter cable (30 cm), HDD protecting sleeve



Order-No. – P.U.
 VALUE USB 2.0 to Type 2.5 SATA Adapter Set 12.99.1057 – 10

ROLINE Cableadapter, USB 3.0, OTG

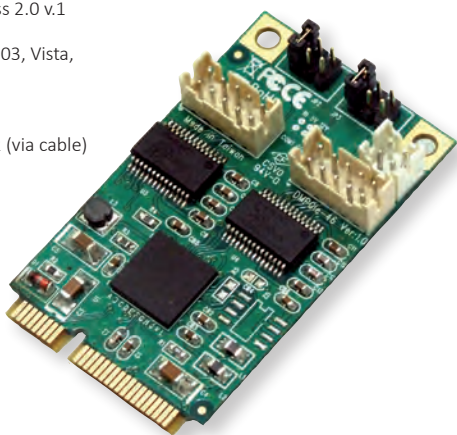
- High quality USB cable with one Type A (female) and one Micro USB connector
- Improved shielding
- For the connection of devices with Micro USB connector; e.g. digital cameras, mobile phones, MP3 players
- Meets standard USB 3.0
- Colour: white



Order-No. – P.U.
 ROLINE Cableadapter, USB3.0, A-MicroB, F/M, OTG, 0.10 m 11.02.8315 – 25

ROLINE RS232 Mini PCIe Card

- Expands 2 COM ports for your system
- High Speed Baud Rate up to 921.6Kbps
- Design to meet PCI Express 2.0 v.1 compliant
- Supports Windows: XP, 2003, Vista, 2008, 7 / 8
- Bus: Mini PCI Express x 1
- Connector: 2x DB9M
- Serial Interface: 2x RS-232 (via cable)
- Contents: Mini PCI Express Card, QIG, driver CD



roline
Designed for Professionals

Order-No. – P.U.

ROLINE 2x Serial RS232 Mini PCIe Card

15.06.2118 – 5

ROLINE USB 2.0 CardReader for Smartphone+Tablet

- Suitable for all Android Smartphones/ Tablets with a Micro B USB interface which enables OTG function
- Transfer your precious vacation pictures from the memory card of your digital camera on your Android smartphone / tablet using the ROLINE card reader
- Supports USB 2.0
- Card Reader works with multiple media, as e.g. SD (Secure Digital) Card, SDHC, MS (Memory Stick), MS Duo, mini/micro SD
- No adapter required for Micro SD/ M2 Cards
- Supported Operating Systems: Android
- Contents: Card Reader



roline
Designed for Professionals

Order-No. – P.U.

ROLINE USB 2.0 CardReader for Android Smartphone+Tablet

A 15.08.6252 – 10

ROLINE CardReader + OTG USB Hub for SAMSUNG Galaxy S3/S4/S5

B 15.08.6254 – 10

VALUE External Type 3.5 SATA 3.0 Gbit/s HDD Enclosure, with USB 3.0

- External enclosure for a type 3.5 SATA HDD for connection to a notebook/PC with USB 3.0 port
- Compliant with SuperSpeed USB 3.0, USB 2.0, USB 1.1
- Supports SATA 3.0 Gbit/s, SATA 1.5 Gbit/s
- Compliant with SATA Specification 2.6
- No driver installation required
- Aluminium material for excellent heat dissipation
- Enclosure can be set vertically to save space
- LED indication for power and bus activities
- On/Off switch
- Supported Operating Systems: Windows XP/Server 2003/Vista/7
- Supported HDD capacity: max. 2TB
- Contents: Enclosure, power supply, USB cable (1 m)



Value

Order-No. – P.U.

VALUE External Type 3.5 SATA 3.0 Gbit/s HDD Enclosure, with USB 3.0

16.99.4288 – 5

ROLINE Gaming Mouse, optical, USB

- Super high sensitive 1600/1200/800 cpi (switchable)
- USB connector
- Surface: Black rubber coating
- Suitable for right and left-handed users
- Supported Operating Systems: Windows 2000/XP/Vista/7
- Contents: Mouse



roline
Designed for Professionals

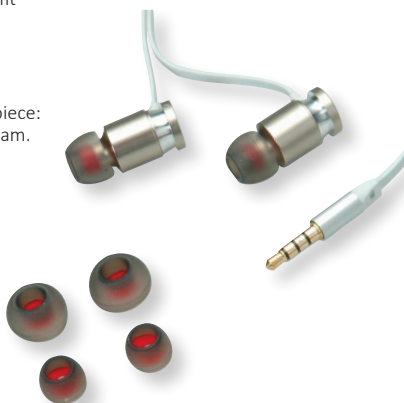
Order-No. – P.U.

ROLINE Gaming Mouse, optical, USB, black

18.01.1084 – 10

VALUE Headset, dual driver

- Crystal Clear Stereo Sound
- Dual driver technology for a balanced audio experience
- Ergonomic Comfortable Wearing- fit for both ears in perfect condition
- Technical data:
 - Aluminum alloy housing
 - Frequency Response: 20Hz- 20kHz
 - Driver unit: two drivers in one earpiece: one is diam. 10mm; the other is diam. 7mm
 - Impedance: 16 Ohms
 - Sensitivity: 90dB
 - Connector: 3.5mm audio jack
 - Cord Length: 1.2m
 - Microphone: -42±3dB
- Contents: headset, accessories: 3 sets of silicon cap(S, M, L)



Value

Order-No. – P.U.

VALUE Headset, dual driver

15.99.1320 – 10

ROLINE Bluetooth Sport Headset, waterproof

- Stylish waterproof sports headset
- Ear-tip design for comfortable wearing
- IP 46
- Sand-proof
- Reduction of noise and wind
- Built-in microphone
- Li-polymer battery (80mAh/3,7VDC) with low voltage reminder LED light
- Talk/Listening time: 4.5 hours
- Standby time: 180 hours
- Colour: black
- Contents: Headset, USB charging cable, manual



roline
Designed for Professionals

Order-No. – P.U.

ROLINE Bluetooth Sport Headset, waterproof

15.08.1354 – 5

VALUE Bluetooth In-Ear Headset

- Stylish In-Ear headset
- Crystal Clear Stereo Sound
- Ergonomic comfortable wearing- fit for both ears
- Multipoint connection, pair 2 mobile phones at the same time and take or pick up a call from either
- Noise reduction, echo cancellation
- HD voice by high definition small speaker
- LED indicator: red and blue
- Bluetooth specification v3.0
- Multi-Function key to select voice prompt in 5 languages(English, German, French, Spanish, Chinese)
- Normal charging time: 2- 3 hours
- With ear bud, earphone, built-in MIC, volume control function
- Integrated rechargeable battery (80mAh)
- Operating range: 10 meters (Class II)
- Color: black
- Contents: Headset, additional earpiece cable, USB charging cable, manual



Order-No. – P.U.

VALUE Bluetooth In-Ear Headset, black

15.99.1321 – 5

VALUE Selfie Stick

- Awesome moments with your family and friends happen only once, with this selfie stick you will never miss that perfect moment picture
- Extendable handheld selfie stick for iPhone / Android smartphones
 - Adjustable phone adapter fits all phone width 50- 70 mm
 - Thumb screw of monopod locks for multiple angle shooting with 180 degree position

- Foldable monopod (15cm- 55cm) slides easily into your pocket or purse
- Simple and easy to handle
- Connection of smartphone to the stick via AUX cable (3.5mm headphone jack)
- Grips holds phone securely w/o scratching
- Contents: selfie stick, purse



Order-No. – P.U.

VALUE Selfie Stick

15.08.1394 – 50

ROLINE Tablet Holder, flexible

- Clip-on or clamp based holders combine the best countertop functionalities with easy portability.
- This type of mount is perfect for business users who need to use their hardware in different locations: in a home office, in a business office, on the sales floor, at a client location, at a trade show, on vacation or while traveling.
- Moveable bases create stable device displays wherever, and whenever, they are needed.

17.03.0020 ROLINE Adjustable Tablet Holder

- Compatible with most tablets
- 18cm (7") to 21.3cm (8.4") and 24.64cm (9.7")
- Expandable mechanism
- Smart Lock System
- Material: Metal + ABS + Silicone

ROLINE Wallmount fixing for 17.03.0020

- Low profile Wall mount for tablets: 18cm (7") to 21.3cm (8.4") and 24.64cm (9.7")
- 30° tilt adjustment / 360° head rotation
- Smart Lock System
- Smart Lock System mount for tablet holder
- Material: ABS
- Including: 2 screws + 2 wall plugs

ROLINE Desktop stand for 17.03.0020

- Desk mount
- 30° tilt adjustment / 360° head rotation
- Heavy base for perfect stability
- Smart Lock System mount for tablet holder
- Material: Metal and ABS



Order-No. – P.U.

ROLINE Tablet Holder, flexible, black

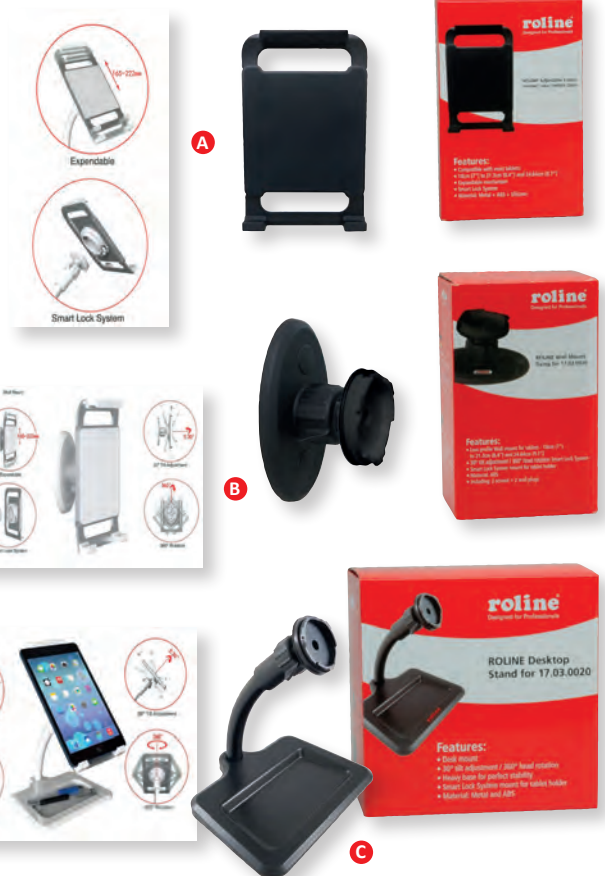
A 17.03.0020 – 5

ROLINE Wall Mounting Bracket for Tablet Holder 17.03.0020, black B

17.03.0021 – 5

ROLINE Stand for Tablet holder 17.03.0020, black

C 17.03.0022 – 5



ROLINE Desktop Stand for Tablet

- Durable and strong desktop stand for tablet PCs (e. g. iPad) and E-books
- Pure Aluminium base, curved to the „home button“ for easy access
- Compatible with portrait and landscape modes for browsing, reading, movie viewing ...
- Charging slot for iPad cable management- charging is made invisible thanks to the charging slot
- Anti slip bars on the bottom side
- Color: black/silver
- Material:

- Aluminium/ABS
- Weight: ca. 210 g
- Content: Desktop stand



Order-No. – P.U.

ROLINE Desktop Stand for Tablet PC, E-book

19.10.4068 – 10

VALUE Flexible Smartphoneholder with USB Charger

Practical combination of a Smartphone holder and USB Charging Station

- Smartphone holder with gooseneck
- Suits for various smartphones thanks extendable bracket (width about 5-8cm, height approx 12- 16cm)
- Ball joint allows optimal alignment of the smartphone
- No scratches because of rubberized surfaces
- Easy charging of smartphones and other devices via USB port in the car
- Also suitable for portable navigation devices which needs a USB power supply
- Car plug as the basis
- Two USB outputs, type A Female

- Input voltage: DC 12V- 36V (with surge protection)
- Output voltage: 2x USB 5V / 2.1A



Order-No. – P.U.

VALUE Flexible Smartphoneholder with USB Charger

19.99.1050 – 5



VALUE Car Smartphoneholder, Air vent fixing

Practical holder for Smartphones - for many car types suitable thanks to the attachment on the grating

- Suits for various smartphones thanks extendable bracket (width about 5-8cm, height approx 12- 16cm)
- Ball joint allows an optimal alignment of the smartphone
- No scratches because of rubberized surfaces (soft touch finish to protect your smartphone)
- Also suitable as a holder for portable navigation devices (use your smartphone as a navigation system)
- Air vent smartphoneholder for your car
- 360° rotation
- Easy installation

- Compatible e.g. with iPhone 5/6/6plus, Samsung, HTC
- Material: ABS



Order-No. – P.U.

VALUE Car Smartphoneholder, Air vent fixing

19.99.1051 – 5



VALUE Sport Armband for iPhone 5/6 / iPhone 6+

- Lightweight soft neoprene that is molded to twist and bend but will not stretch out of shape. Washable with gentle soap and water, then air dry. Can keep sweat away from your phone
- Touch screen works through the clear cover!
- Built-in hidden key holder to help you minimize carrying extra things when hitting the gym! Reflective strip around border to enhance „Jog Safe“ precaution.
- The protective cover is suitable for the iPhone 5/6 and alternatively for Samsung S4 / S5 and other comparable smartphones sizes

- 19.99.1645:**
 - Perfect fit for: Apple iPhone 5/5S/5C and iPhone 6
- 19.99.1646:**
 - Perfect fit for: Apple iPhone 6+



Order-No. – P.U.

VALUE Sport Armband for iPhone 5/5s/6/6s

19.99.1645 – 5

VALUE Sport Armband for iPhone 6+ and 6s +

19.99.1646 – 5



VALUE Bluetooth Headset

- Stereo headset with very good price-performance ratio
- Ideal for multimedia applications
- With integrated microphone
- Connection to PC over 3.5 mm stereo plug or via Bluetooth
- Cable length: approx. 1 m
- Working distance range up to 10m

- Bluetooth Profile Support: HSP, HFP, A2DP, AVRCP
- Power: Polymer lithium battery 5V 400mAh (charging time: 2.5 hours)
- Talk time: = 8 hours; Music time: = 6 hours; Standby time: = 100 hours (approximately specifications)



Order-No. – P.U.

VALUE Bluetooth Headset

15.99.1305 – 24



ROLINE USB Display Adapter, USB - DVI/VGA

Quick add-on of a monitor, LCD or projector with DVI or VGA connector through a single USB 2.0 port of your PC or notebook.

- Minimum cost for having equivalent extra video card performance
- Small form factor for easy portability
- Enlarges the area of screen and allows you to have more convenience for windows allocation
- Supported resolutions: 640 x 480, 800 x 600, 1024 x 768, 1280 x 720, 1280 x 768, 1280 x 800, 1280 x 1024, 1366 x 768, 1400 x 1050, 1600 x 1200, 1680 x 1050, 1920 x 1080

- Supported modes: Mirrored Desktop, Extended Desktop, Primary Display
- Up to 6 USB Display Adapters can work simultaneously
- Plug & play, easy for installation and use
- Hot-pluggable; Add or remove monitor without system reboot
- For connection of a VGA (HD15) device the included DVI/VGA converter has to be used
- Colour: Charcoal grey
- Supports Windows 2000/XP/Vista/7
- Contents: USB Display Adapter, DVI to VGA converter, USB cable (90 cm), driver CD, manual



Order-No. – P.U.

ROLINE USB Display Adapter, USB - DVI/VGA

12.02.1051 – 5

ROLINE USB Display Adapter, USB - DVI/VGA, high resolution

12.02.1052 – 5



3D
capable

1080p
FULL HD

VALUE HDMI + LAN Extender over Twisted Pair

The transmission distance of the HDMI signal can be extended up to 100 meters by using a single Cat. 5e/6 cable

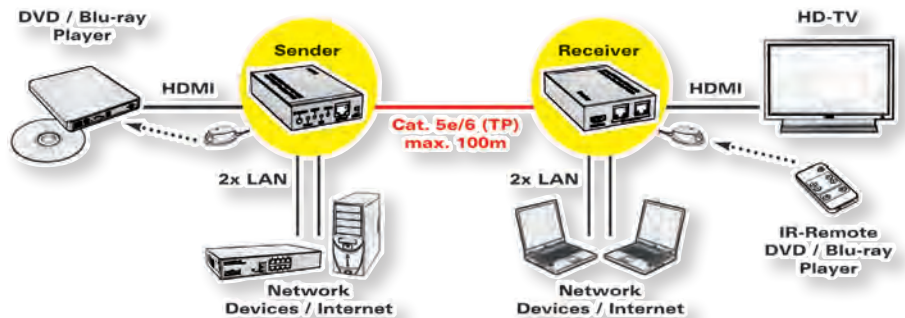
- CAT5e/6 cable follows the standard of IEEE-568B
- HDCP pass-through
- Supports uncompressed HDMI signal
- 1080p@60Hz@48bit pixels
- 3D pass-through.
- CEC pass-through.
- Supports uncompressed audio such as LPCM
- Supports compressed audio such as DTS Digital, Dolby Digital (including DTS-HD and Dolby True HD)
- Supports 340MHz/3.4Gbps per channel (10.2Gbps all channel) bandwidth.

- Built-in IR extender function allows IR remote control of Source devices from remote viewing location by sending IR commands received in the vicinity of the Display back to the Source devices.
- Stable metal casing
- Power supply included in delivery
- Contents: Transmitter (2x RJ-45 F, HDMI F), Receiver (2x RJ-45, HDMI F), 2 power supply (5V DC, 2A) for receiver, manual



Technical Data:

Max. resolution (nominal):	1.920 x 1.200, 1080p
Local unit:	3x RJ-45 F, 1x HDMI F
Remote unit:	3x RJ-45 F, 1x HDMI F
Power supply:	DC 5V; 2A
Dimensions:	25 x 110 x 75 mm
Receiver:	1x RJ45 F, 1x HDMI F
Dimensions:	TR: 29 x 180 x 98 mm / R: 24 x 72 x 121 mm



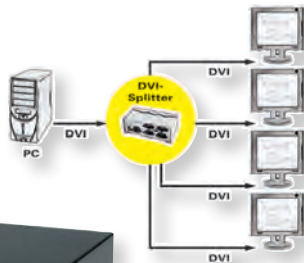
Order-No. – P.U.

VALUE HDMI + LAN Extender over Twisted Pair, 100 m

14.99.3461 – 5

ROLINE DVI Video Splitter

- Applications: multimedia, presentations, demos, etc.
- Duplicates DVI Video signals to four DVI Video outputs
- Max. resolution: 1920x1200
- Supports cascading of splitters
- Contents: Splitter, main adapter, manual



Order-No. – P.U.

ROLINE DVI Video Splitter, 4-way

14.01.3551 – 6

VALUE Wireless A/V Receiver for Smartphones

- Share all content of your smartphone or tablet (Android 4.2)
- Watch video files, hear MP3 music or view photos on your TV without the need for wires on any TV.
- Download and store movies on your PC and then watch them on your TV from the comfort of your living room
- Supports HDMI resolutions up to 1080p (30fps)
- Wi-Fi direct connection
- The receiver can be up to 10m away from your smartphone/tablet
- Micro USB powering
- Dimensions: 82.5 x 52 x 14.5mm
- Contents: transmitter, cable USB (1m)



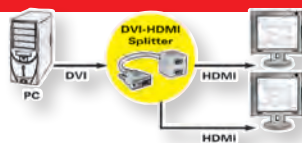
Order-No. – P.U.

VALUE Wireless A/V Receiver for Smartphones

15.99.7552 – 10

VALUE Video Splitter, DVI-HDMI

- Applications: multimedia, presentations, demos, etc.
- Duplicates one DVI video signal to two HDMI Video outputs
- Max. resolution: 1920x1080



1080p
FULL HD

Order-No. – P.U.

VALUE Video Splitter, DVI to 2x HDMI

14.99.3510 – 5

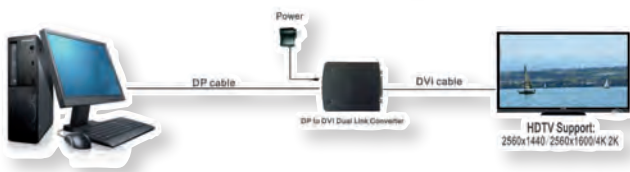


ROLINE DP to DVI DualLink Converter

4K2K

ROLINE quality converter for connecting a DVI dual link monitor to a graphic card with DisplayPort output.

- Supports DP v.1.2
- DVI output with up to 350 MHz bandwidth
- Supports video resolution up to 4K2K with DVI DualLink
- Supports up to 5.4 GHz / Lane DP signaling
- Input data depth 6/8/10/12 bits
- Compatible with VESA DMT standard
- Contents: Local Unit (RJ-45 F, DVI F) Remote Unit (RJ-45, DVI F), 2x Power Supply Unit, Manual



roline
Designed for Professionals



Order-No. – P.U.

ROLINE DP to DVI DualLink Converter

14.01.3425 – 10

VALUE 4K2K HDMI Switch

4K2K

3D capable

2160p ULTRA HD

- Shows the Video output of 3 HDMI devices like e.g. DVD player, video camera or game console on one monitor
- Supports HDMI High Speed
- Video input can be switched automatically or by button on the switch
- Supports nominal resolution of up to 3840 x 2160 @30Hz (4K2K)
- Supports high-resolution display of up to 480p, 576p, 720p, 1080i, 1080p,
- Supports uncompressed audio such as LPCM
- Supports compressed audio such as DTS Digital, Dolby Digital (including DTS-HD and Dolby True HD)
- No power supply needed
- Colour: Black
- Contents: HDMI Switch, remote control, main adapter, manual



Value



Order-No. – P.U.

VALUE 4K2K HDMI Switch, 3-way

A 14.99.3576 – 10

VALUE 4K2K HDMI Switch, 3-way

B 14.99.3575 – 10

ROLINE 4K2K HDMI Switch

4K2K

3D capable

2160p ULTRA HD

- Shows the Video output of 3/4 HDMI devices like e.g. DVD player, video camera or game console on one monitor
- Supports HDMI High Speed
- Video input can be switched automatically or by button on the switch
- Supports nominal resolution of up to 3840 x 2160 @30Hz (4K2K)
- Supports high-resolution display of up to 480p, 576p, 720p, 1080i, 1080p,

- Supports uncompressed audio such as LPCM
- Supports compressed audio such as DTS Digital, Dolby Digital (including DTS-HD and Dolby True HD)
- No power supply needed
- Colour: Black
- Contents: HDMI switch



A



B



roline
Designed for Professionals



Order-No. – P.U.

ROLINE 4K2K HDMI Switch, 4-way

A 14.01.3576 – 5

ROLINE 4K2K HDMI Switch, 3-way

B 14.01.3577 – 5

VALUE USB Charger

For charging mobile devices, even four at one time.

- Wall power adapter with four USB type A F connectors
- It's handy to use whether at home or in the hotel
- For charging smart phones, tablet PCs (e. g. iPad), MP3 players ...
- Input range: 100- 240 V AC, 50- 60 Hz
- Output voltage: 5 V
- Output rate: 2x 5W (1A), 2x 12W (2,4A)
- Dimensions: 28 x 57 x 90 mm
- Contents: USB charger, power cable (2pin Euro) 1,2m



Value

Order-No. – P.U.

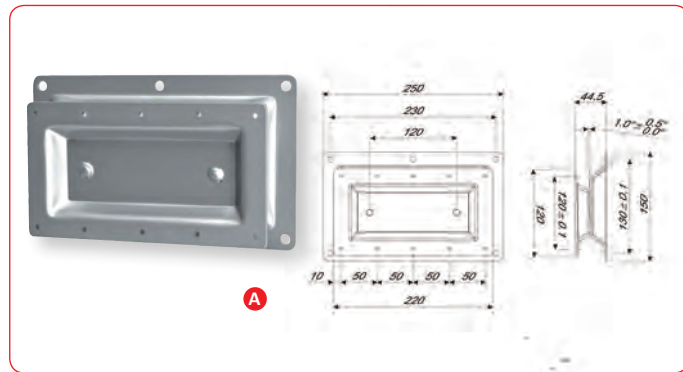
VALUE USB Charger, 4 Ports, 34W

19.99.1062 – 25

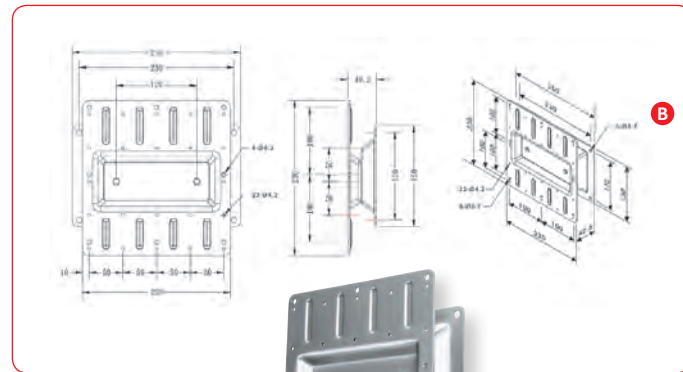
ROLINE LCD Monitor Wall Mount Kits

- Space saving mounting of monitor on Walls
- VESA 75 fixation

roline
Designed for Professionals



Technical data:
 Load capacity: **17.03.1182** 1-35 kg **17.03.1183** 1-35 kg
 VESA: 200x100 mm 100x100 mm, 200x200 mm



Order-No. – P.U.
 ROLINE LCD Monitor Wall Mount Kit, -35 kg, VESA 200x100 A 17.03.1182 – 1
 ROLINE LCD Monitor Wall Mount Kit, -35 kg, VESA 200 x 200 and 100 x 100 B 17.03.1183 – 1

Screwdrivers Ratchet

- These precision ratchet screwdriver sets are perfect for technicians, do-it-yourselfer and anyone who needs to carry a useful precision tool to go
- Ideal for repairing glasses, mobiles, electronic & computer or any precision equipment
- Ratchet directions: left/right/0
- The bits are stored inside the ergonomic non-slip handle
- Length: 160 mm

- 19.06.1001:**
- Bit magazine lowers by pressing a push button
 - 3x Philips bits (PH00, PH0, PH1)
 - 3x slotted bits (2 mm, 2.5 mm, 3 mm)
 - 5x Torx bits (T6, T7, T8, T9, T10)
- 19.06.1003:**
- Pump-action design for easily and quickly auto-loading bits exchange
 - Rotatable marked barrel for 6 bits pre-loading and storage
 - 3x Philips bits (PH00, PH0, PH1)
 - 3x slotted bits (1.5 mm, 2 mm, 3 mm)
 - 4x Torx bits (T5, T6, T8, T10)



Order-No. – P.U.
 Screwdriver 11-in-1 Pop-up Ratchet A 19.06.1001 – 12
 10-in-1 Auto Loading Ratchet Screwdriver Set B 19.06.1003 – 25

Screwdriver 15-in-1 Ratchet

- This kit is perfect for technicians, do-it-yourselfer and anyone who needs to carry a useful precision tool to go
- Ideal for repairing glasses, mobiles, electronic & computer or any precision equipment
- The bits are stored in the handle and lower by pressing a push button
- Ratchet directions: left/right/0

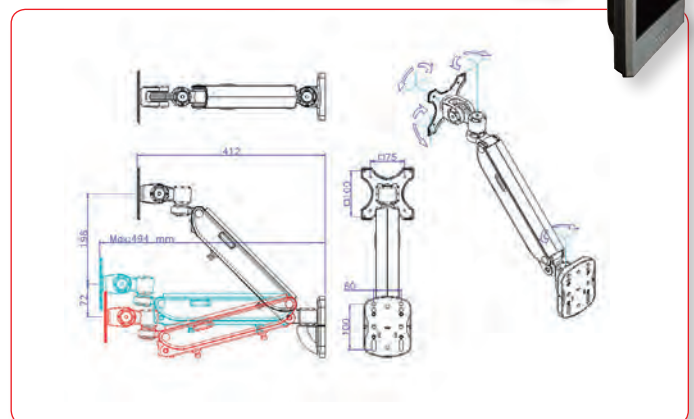
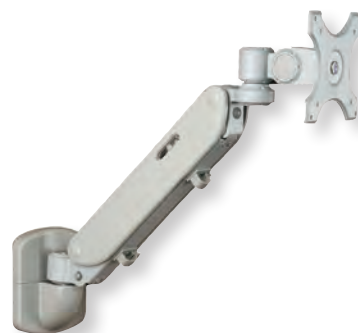
- Bits:
- 3x Philips (PH00, PH0, PH1)
- 3x slotted (3 mm, 5 mm, 6 mm)
- 2x Torx (T15, T20)
- 1x Adapter 25mm
- 5x piece socket set (nuts 6 / 7 / 8 / 9 / 10mm)
- Length: 165 mm
- Colour: black/green
- Contents: Screwdriver with bit set



Order-No. – P.U.
 Screwdriver 15-in-1 Ratchet 19.06.1007 – 12

VALUE LCD Monitor Arm Gas Spring, Wall Mount

- LCD monitor wall mount
- Arm length: 490 mm
- Weight capacity: max 4-8 kg
- Meets with VESA 75x75 or 100x100mm
- Monitor can be tilted, swiveled and rotated
- Color: silver
- Monitor can be adjustment: -20° - +45°
- Arm height adjustment: 270mm



Value

Order-No. – P.U.
 VALUE LCD Monitor Arm Gas Spring, Wall Mount 17.99.1128 – 2

ROLINE Disinfectant Cleaning Products

- The most frequently used part of the computer is the keyboard, therefore the quickest to become soiled. This is through fingermarks, hair and normal dirt which penetrates inbetween the keyboard's keys
 - Plastic spatula tipped with flexible foam head. For cleaning keyboards and magnetic heads. 13 cm long stick with 13 mm wide head. Flexibility and thinness of head assists access into narrow areas
 - Contents: Disinfectant cleaning fluid (50 ml), keyboard sponge, keyboard cleaning swab
- Note: Use biocides safely. Always read the label and product information before use.



roline[®]
Designed for Professionals

Order-No. – P.U.

ROLINE Disinfectant Keyboard Cleaning Kit	19.03.3180 – 1
ROLINE Disinfectant Computer Cleaning Wipes (100 pcs.)	19.03.3185 – 1
ROLINE Disinfectant Telephone Cleaning Wipes (20 pcs.)	19.03.3190 – 1

ROLINE Monitor-Cleaning-Tissues

- 50 „wet“ and 50 „dry“ tissues
- Use first „wet“ an then „dry“
- Ideal for cleaning monitors, TFT Displays and PDAs
- Antistatic tissues, complete bio-degradable, ecologically friendly
- Contents: 50 „wet“ and 50 „dry“ tissues



roline[®]
Designed for Professionals

Order-No. – P.U.

ROLINE Monitor-Cleaning-Tissues	19.03.3105 – 1
---------------------------------	----------------

ROLINE TFT/LCD-Foam-Cleaner

- Very efficient Cleaning-Foam for TFT-/LCD- and Plasma-monitors, that removes dirt fast and easily.
- 400ml Cleaning-Foam
 - Antistatic, non abrasive



roline[®]
Designed for Professionals

Order-No. – P.U.

ROLINE TFT/LCD-Foam-Cleaner	19.03.3165 – 1
-----------------------------	----------------

ROLINE CD/DVD-Cleaning-Tissues

- 100 CD/DVD-Cleaning-Tissues
- Ideal for cleaning CD-roms, audio CDs, laser discs, photo CDs and DVDs
- Eliminates dust and fingermarks
- Antistatic tissues, completely bio-degradable
- Contents: 100 Cleaning-Tissues



roline[®]
Designed for Professionals

Order-No. – P.U.

ROLINE CD/DVD-Cleaning-Tissues	19.03.3120 – 1
--------------------------------	----------------



11.01.1xxx	04.13	11.04.554x	04.17	11.99.563x	04.21	13.99.3003	09.02	15.08.139x	A.11	17.99.1138	10.04	19.99.1059	06.07	21.15.140x	01.19	21.99.091x	01.16
11.01.3xxx	04.13	11.04.5552	04.16	11.99.568x	04.19	13.99.3005	01.36	15.08.15xx	07.13	17.99.1139	10.11	19.99.1061	06.08	21.15.141x	01.19	21.99.095x	01.16
11.01.4xxx	04.13	11.04.5553	04.16	11.99.570x	04.17	13.99.3006	01.36	15.08.624x	05.05	17.99.1140	10.15	19.99.1062	A.14	21.15.142x	A.04	21.99.096x	01.17
11.01.55xx	03.05	11.04.5555	04.15	11.99.571x	04.17	13.99.3007	01.36	15.08.6250	05.05	17.99.1141	10.03	19.99.1063	06.07	21.15.143x	A.04	21.99.097x	01.17
11.01.56xx	04.14	11.04.5556	04.15	11.99.572x	04.17	13.99.3009	09.02	15.08.6252	A.10	17.99.1142	11.06	19.99.1065	08.04	21.15.144x	A.04	21.99.099x	01.11
11.01.58xx	04.14	11.04.5560	04.17	11.99.573x	04.18	13.99.3010	09.02	15.08.6254	A.10	17.99.1143	11.05	19.99.1066	08.04	21.15.145x	A.04	21.99.100x	01.16
11.01.59xx	04.13	11.04.5561	04.17	11.99.574x	04.18	13.99.3011	01.36	15.08.6257	05.04	17.99.1144	11.03	19.99.1067	08.04	21.15.146x	A.04	21.99.119x	01.05
11.01.60xx	04.13	11.04.5562	04.17	11.99.575x	04.18	14.01.20xx	A.07	15.99.130x	07.13	17.99.1145	10.10	19.99.1068	08.04	21.15.147x	A.04	21.99.1196	02.08
11.01.62xx	04.13	11.04.5563	04.17	11.99.576x	04.21	14.01.231x	03.11	15.99.131x	07.13	17.99.1147	10.10	19.99.107x	08.04	21.15.148x	A.04	21.99.1197	02.08
11.01.65xx	04.14	11.04.5564	04.17	11.99.578x	04.20	14.01.232x	03.11	15.99.1320	A.10	17.99.1148	11.05	19.99.111x	04.32	21.15.149x	A.04	21.99.12xx	01.18
11.01.66xx	04.14	11.04.5565	04.17	11.99.579x	04.20	14.01.2332	03.10	15.99.1321	A.12	17.99.1149	11.06	19.99.116x	08.08	21.15.15xx	01.17	21.99.13xx	01.18
11.01.9xxx	04.14	11.04.5566	04.17	11.99.59xx	New.04	14.01.2334	03.10	15.99.2xxx	05.02	17.99.1150	06.10	19.99.15xx	04.32	21.15.160x	01.17	21.99.142x	01.19
11.02.8306	A.08	11.04.5568	04.19	11.99.6xxx	04.13	14.01.2338	A.09	15.99.623x	05.05	17.99.1151	06.10	19.99.16xx	A.12	21.15.168x	01.11	21.99.143x	01.19
11.02.8307	A.06	11.04.5569	04.19	11.99.83xx	04.06	14.01.303x	A.07	15.99.6250	05.05	17.99.1152	06.10	19.99.20xx	04.33	21.15.177x	01.11	21.99.144x	01.19
11.02.8309	A.04	11.04.5570	04.16	11.99.87xx	04.04	14.01.3040	03.08	15.99.6252	03.14	17.99.1153	10.18	19.99.30xx	06.08	21.15.18xx	01.11	21.99.145x	01.19
11.02.8310	04.04	11.04.5580	04.19	11.99.880x	04.04	14.01.3042	03.09	15.99.7xxx	A.13	17.99.1154	11.03	19.99.3235	09.10	21.15.19xx	A.04	21.99.146x	01.19
11.02.8311	04.06	11.04.5581	04.19	11.99.881x	04.04	14.01.3043	03.09	16.01.3xxx	05.06	17.99.1155	10.10	19.99.3236	11.09	21.15.20xx	A.03	21.99.147x	01.19
11.02.8312	04.05	11.04.5584	04.18	11.99.883x	04.04	14.01.3044	03.09	16.01.412x	05.06	17.99.1156	10.26	19.99.3237	11.09	21.15.210x	A.03	21.99.148x	01.19
11.02.8313	04.05	11.04.5586	04.18	11.99.884x	04.04	14.01.3045	03.09	16.01.4140	A.08	17.99.1157	10.26	19.99.340x	08.05	21.15.211x	A.03	21.99.149x	01.05
11.02.8314	04.04	11.04.5587	04.17	11.99.886x	04.09	14.01.3046	03.08	16.01.4142	05.06	17.99.1158	06.10	19.99.342x	08.02	21.15.212x	A.03	21.99.15xx	01.16
11.02.8315	A.09	11.04.5588	04.17	11.99.887x	04.09	14.01.322x	03.05	16.99.420x	05.05	17.99.1159	10.18	19.99.343x	08.02	21.15.213x	A.03	21.99.163x	02.05
11.02.8317	04.05	11.04.5591	04.18	11.99.890x	04.04	14.01.323x	03.02	16.99.421x	05.05	17.99.116x	11.07	21.13.10xx	01.04	21.15.214x	A.03	21.99.1640	02.05
11.02.8318	04.06	11.04.5592	04.18	11.99.891x	04.04	14.01.324x	03.08	16.99.428x	A.10	17.99.117x	10.14	21.13.114x	01.07	21.15.215x	A.03	21.99.1641	02.06
11.02.8319	04.04	11.04.5593	04.18	11.99.893x	04.04	14.01.33xx	03.06	17.01.1xxx	10.19	17.99.118x	10.17	21.13.1151	01.07	21.15.216x	A.03	21.99.1642	02.06
11.02.8321	04.06	11.04.5594	04.18	11.99.894x	04.04	14.01.340x	07.03	17.02.1545	10.19	17.99.1202	11.02	21.13.1152	01.07	21.15.217x	A.03	21.99.168x	01.11
11.02.8322	04.06	11.04.5595	04.15	11.99.896x	04.04	14.01.341x	07.05	17.02.1547	10.20	17.99.1205	11.04	21.13.1153	01.07	21.15.218x	01.21	21.99.19xx	01.20
11.02.8324	04.06	11.04.5598	04.15	11.99.897x	04.09	14.01.342x	A.14	17.02.2xxx	10.21	17.99.1206	11.04	21.13.1154	01.07	21.15.24xx	01.21	21.99.300x	01.32
11.02.8325	04.06	11.04.5599	04.15	11.99.899x	A.09	14.01.3441	04.27	17.02.3xxx	10.18	17.99.1207	11.05	21.13.1155	01.06	21.15.25xx	01.22	21.99.3045	01.32
11.02.8326	04.06	11.04.5600	04.20	11.99.9xxx	04.10	14.01.3442	07.13	17.03.0000	10.17	17.99.1214	11.02	21.13.1156	01.06	21.15.26xx	01.22	21.99.3048	01.33
11.02.8327	04.11	11.04.561x	04.22	12.01.1085	04.33	14.01.3456	04.37	17.03.0005	10.07	17.99.1217	11.07	21.13.1157	01.06	21.15.27xx	01.23	21.99.3049	01.33
11.02.8328	04.11	11.04.5620	A.09	12.01.1087	01.32	14.01.3459	07.06	17.03.0006	10.07	17.99.1218	11.02	21.13.1159	01.06	21.15.28xx	01.23	21.99.305x	01.32
11.02.870x	04.04	11.04.5631	A.09	12.01.1089	01.32	14.01.3461	07.04	17.03.0007	10.07	17.99.130x	11.09	21.13.116x	01.07	21.15.290x	01.22	21.99.306x	01.32
11.02.871x	04.04	11.04.5632	A.09	12.01.4xxx	04.33	14.01.3462	07.04	17.03.0008	10.07	17.99.132x	11.08	21.13.117x	02.08	21.15.291x	01.22	21.99.870x	01.34
11.02.873x	04.04	11.04.5634	04.21	12.02.1001	04.34	14.01.3463	07.08	17.03.0009	10.07	18.01.1082	05.08	21.13.1180	A.02	21.15.292x	01.23	21.99.871x	01.34
11.02.875x	04.04	11.04.5635	04.21	12.02.1002	04.34	14.01.3465	07.06	17.03.0020	A.11	18.01.1083	05.08	21.13.1181	01.06	21.15.293x	01.23	21.99.872x	01.34
11.02.876x	04.05	11.04.5636	04.21	12.02.1003	04.34	14.01.3466	07.06	17.03.0021	A.11	18.01.1084	A.10	21.13.1183	01.06	21.15.294x	01.22	21.99.875x	01.35
11.02.880x	04.04	11.04.5637	04.21	12.02.1004	04.35	14.01.3467	07.05	17.03.0022	A.11	18.01.2040	10.02	21.13.1188	02.07	21.15.295x	01.22	21.99.876x	01.35
11.02.881x	04.04	11.04.564x	04.22	12.02.1005	04.38	14.01.3468	07.05	17.03.0023	06.09	18.01.2041	10.02	21.13.1189	02.08	21.15.296x	01.22	21.99.877x	01.35
11.02.882x	04.04	11.04.565x	04.14	12.02.1006	04.38	14.01.3469	07.05	17.03.0024	06.09	18.01.2042	10.02	21.13.1190	02.08	21.15.297x	01.23	21.99.878x	01.33
11.02.883x	04.04	11.04.566x	04.14	12.02.1007	04.34	14.01.347x	07.06	17.03.0025	06.09	18.01.2044	05.08	21.13.1191	02.08	21.15.298x	01.23	21.99.879x	01.36
11.02.884x	04.04	11.04.567x	04.14	12.02.1008	04.38	14.01.348x	New.05	17.03.0026	06.09	18.01.2045	05.08	21.13.1192	A.02	21.15.299x	01.23	21.99.9xxx	A.05
11.02.8849	03.12	11.04.568x	04.19	12.02.102x	04.37	14.01.349x	New.05	17.03.0027	06.09	18.02.20xx	10.02	21.13.1193	A.02	21.15.870x	01.34	25.16.838x	01.30
11.02.8867	04.05	11.04.569x	04.19	12.02.103x	07.02	14.01.352x	07.09	17.03.0028	06.09	18.02.29xx	05.08	21.13.1198	01.05	21.15.871x	01.34	25.16.839x	01.31
11.02.8868	04.05	11.04.570x	04.17	12.02.1042	06.07	14.01.353x	07.08	17.03.003x	06.10	18.02.3xxx	05.08	21.13.1199	01.05	21.15.872x	01.34	25.16.839x	01.31
11.02.8869	04.09	11.04.571x	04.17	12.02.1043	04.36	14.01.3550	07.09	17.03.01xx	10.12	18.99.100x	05.07	21.13.12xx	01.07	21.15.875x	01.35	25.16.839x	01.31
11.02.887x	04.09	11.04.572x	04.17	12.02.1048	04.34	14.01.3551	A.13	17.03.1100	10.04	18.99.107x	05.08	21.14.31xx	01.03	21.15.876x	01.35	25.16.839x	01.31
11.02.8900	04.09	11.04.573x	04.18	12.02.1049	04.34	14.01.3553	07.09	17.03.1101	10.04	18.99.3xxx	05.07	21.14.350x	01.03	21.15.877x	01.35	25.16.839x	01.30
11.02.8902	04.09	11.04.574x	04.18	12.02.1051	07.02	14.01.3555	07.09	17.03.1102	10.04	19.03.30xx	10.21	21.14.351x	01.03	21.15.882x	01.34	25.16.839x	01.30
11.02.8903	04.09	11.04.575x	04.18	12.02.1052	07.02	14.01.3566	07.11	17.03.1103	10.04	19.03.3100	10.21	21.14.3520	A.02	21.15.883x	01.34	25.16.840x	01.30
11.02.8908	04.04	11.04.576x	04.21	12.02.1057	04.36	14.01.3567	07.11	17.03.1106	10.04	19.03.3105	A.16	21.14.3521	01.04	21.15.885x	01.35	25.16.848x	01.31
11.02.891x	04.04	11.04.577x	04.22	12.02.107x	04.35	14.01.3568	07.12	17.03.1107	10.15	19.03.311x	10.21	21.14.3522	01.04	21.15.886x	01.35	25.16.848x	01.30
11.02.893x	04.04	11.04.578x	04.20	12.02.110x	01.02	14.01.3572	07.10	17.03.1122	10.08	19.03.3120	A.16	21.15.0001	01.12	21.15.887x	01.35	25.16.847x	01.30
11.02.894x	04.04	11.04.579x	04.20	12.02.113x	04.23	14.01.3574	07.10	17.03.1123	10.05	19.03.3125	10.21	21.15.0002	01.12	21.15.888x	01.35	25.16.849x	01.31
11.02.896x	04.04	11.04.580x	04.19	12.02.116x	04.34	14.01.3575	07.11	17.03.1124	10.05	19.03.313x	10.22	21.15.0003	01.12	21.15.889x	01.35	25.16.850x	01.31
11.02.897x	A.08	11.04.581x	04.21	12.03.20xx	04.30	14.01.3576	A.14	17.03.1125									

A	
Adapters	
• Display	7.02 - 7.07
• DisplayPort	4.22 - 4.26
• DVI/VGA	4.22 - 4.26, 4.28
• Floppy	5.06
• FO	1.37
• HDMI	4.22 - 4.26, 4.28, 7.02
• Housing	5.07
• Keyboard	4.30
• Mouse	4.30
• PCI, PCI-Express	5.03, 5.04
• RS232	4.34, 4.37 - 4.38
• USB Type C	4.22 - 4.23, 4.34, 4.36
• USB	7.02 - 7.03
• VGA	4.22 - 4.26, 4.28, 7.02
AOC Fibre cables (HDMI, DisplayPort)	7.07
AT Modem Cables	4.13
AT Printer Cables	4.13
A/V Audio Video Modules	7.14
B	
Barcode Scanner	5.07
Batteries for UPS	8.02
Boxes for wall mount/flush mount	1.30 - 1.31
C	
Cabinets 19"	1.40
Cable Overview	4.02 - 4.03
Cables	
• Assembly	1.25, 4.12
• 9-pole / 25-pole	4.13
• Cinch	4.26 - 4.27, 6.06, 7.12
• Cover/Tunnel	9.10
• DisplayPort	4.20 - 4.22
• DVI	4.15 - 4.16
• Fibre Optic	1.34 - 1.38
• Fibre Optic (HDMI, DisplayPort)	7.07
• FireWire (IEEE 1394)	4.09
• FTP	1.10, 1.14, 1.17, 1.20
• HDMI (HDTV)	4.16 - 4.20, 7.06 - 7.07
• Keyboard/Mouse	4.14
• Monitor Connection	4.14 - 4.26, 4.28
• Power Connection/Extension/Supply	4.32 - 4.33, 8.08
• Printer	4.13
• RJ-12/RJ-45	4.33
• RS232	4.13, 4.34, 4.36
• SAS	4.30
• SATA	4.28 - 4.31
• S/FTP	1.10 - 1.12, 1.15, 1.18 - 1.20, 1.22 - 1.24
• Toslink	4.26, 7.12
• USB	4.04 - 4.12
• UTP	1.10 - 1.13, 1.16 - 1.17, 1.19 - 1.23
• VGA	4.14 - 4.15
Cable Testers	9.02 - 9.03
Cable Ties/Clips	6.06, 9.10, 10.16
Cameras for Network / Surveillance	2.02 - 2.08
Cards	
• CardBus	5.02
• Parallel	5.02
• PCI	5.02
• PCI-Express	5.02 - 5.04
• Serial	5.02
• USB Type C	5.02
Card Readers USB / Smartphone / Tablet	5.04 - 5.05, 6.05
Cases	
• Hard Disk Drives	5.06
• Industrial Rack-Mount	5.07
Centronics Cables	4.13, 4.35
Cleaning Sets	10.21 - 10.22
COMPUTER CABLES, CONNECTORS, ADAPTERS	4.02 - 4.38
Connector Casings	4.33
Connectors	
• D-SUB	4.33
• Modular	4.33
Converters	
• Fast- / Gigabit Ethernet	1.02, 4.38, 6.02
• Parallel/Serial	4.34 - 4.35
• RJ-45/Fibre	1.04, 1.07
• RS232/RS485	4.34 - 4.38
• USB/DVI/VGA/HDMI/DP	7.02 - 7.03, 7.05, 7.07 - 7.08
Converters	
• USB/IDE	4.36
• USB/SATA	4.36
• USB/Serial	4.34 - 4.36
Crimping Pliers/Tools	9.03 - 9.10
Crossover Cables, Adapter	1.14
D	
Design Secure UPS	8.03
Device Server	4.38
Docking Station HDD	5.06
Docking Station Notebook	6.06
Display Adapters / Cables	4.22 - 4.26, 4.28
DisplayPort Cables	4.20 - 4.22, 7.07
DisplayPort Extenders	7.06
Display Stands / Digital Signage	11.07 - 11.08
DVI	
• Adapters	4.23 - 4.26
• Cables	4.15 - 4.16
• Extender	7.03
• Video Splitter	7.08 - 7.10
E	
Earphones / Headsets	7.13 - 7.14
EMC Ferrite Cores	4.33
Enclosures HDD	5.06
Ethernet	
• Patch Cords	1.12 - 1.24
• Switches	1.03 - 1.04, 1.06 - 1.07
Extensions	
• Mouse / Keyboard Cables	4.04, 4.36
• USB	4.04 - 4.12
• VGA Monitor Cable	4.14 - 4.15
F	
Fast Ethernet	
• Converters	1.02
• Switches	1.03 - 1.04, 1.06 - 1.07
Ferrite Cores	4.33
Flat/Slim Patch Cables	1.20 - 1.21
FTP Cables	1.10, 1.14, 1.17, 1.20
FireWire Cables	4.09
Floppy Adapters	5.06
FO Adapters	1.37
Fibre Optic Jumper Cables	1.34 - 1.36
Fibre/RJ-45 Converter	1.04, 1.07
Fibre Optic Accessories	1.36, 9.06
Furniture/Office Equipment	10.15 - 10.16, 10.18, 10.20, 11.09
G	
Gender Changers	4.30
Gigabit Ethernet	
• Converters	1.02, 4.38, 6.02
• Switches	1.03 - 1.04, 1.06 - 1.07
H	
Hard Disk	
• Enclosures	5.06
• Housings	5.06
• Mounting Adapters	5.06
Headphones/Earsets	7.13 - 7.14
HDMI	
• Adapters	4.23 - 4.26, 4.28
• Cables	4.16 - 4.20, 7.06 - 7.07
• Extenders	7.04 - 7.05
• Switch	7.10 - 7.11
Holder for iPad / Ebook / Tablet / Smartphones	6.08 - 6.10
Hubs USB	1.02, 3.11 - 3.14
I	
IEEE 1394 FireWire Cables	4.09
I/O Cards	5.02
Industrial products	1.06 - 1.07
J	
Junction Boxes	1.33
K	
Keyboard	
• Adapters	4.30
• Cables	4.14
Keypad	5.08
KVM	
• Consoles	1.39, 3.04 - 3.05

KVM	
• Extension over IP	3.09
• Extension over TP	3.07 - 3.08, 3.10
• Switch "Desktop"	3.03, 3.06 - 3.07, 3.10 - 3.11
• Switch 19"	3.03 - 3.05
• Switch LCD	3.04 - 3.05
• Switch „Star“	3.02
Keystones	1.28 - 1.33, 1.37
L	
LAN Cables	1.10 - 1.12
LCD Monitor Arms	10.03 - 10.14, 11.02 - 11.07, 11.09
LCD Consoles, KVM	1.39, 3.04 - 3.05
Line Secure	8.02
Link Cables, USB	4.08
M	
Measuring Instruments	9.02 - 9.03
Microphones / Headsets	7.13 - 7.14
MOBILE COMPUTING	6.02 - 6.10
Mobile Racks HDD	5.06
Modem Cables	4.13
Modular	
• Connectors	4.33
• Couplers	1.32
Monitor	
• Arms	10.03 - 10.14
• Cleaning Tissues	10.22
• Connection Cables	4.14 - 4.22
• Power Cables	4.32 - 4.33, 8.08
Mouses	5.08
• Adapters PS/2, USB	4.30
• Cables	4.04, 4.14
• Mouse Pads	10.02
Mount Boxes	1.30 - 1.31
MPO Cabling System	1.38
MULTIMEDIA	7.02 - 7.14
N	
News Shop/New Products	NEW 2 – NEW 6
NETWORK COMPONENTS/CABLES	1.02 - 1.40
Network	
• Cabinets	1.40
• Cameras	2.02 - 2.06
• Cable Testers	9.02 - 9.03
• Recorder	2.03 - 2.06
• Switches	1.03 - 1.04, 1.06 - 1.07
• Tools	9.03 - 9.10
Notebook	
• Cleaning	10.21 - 10.22
• Security Locks	6.10
• USB Traveler Kit	6.07, 8.06
O	
OFFICE EQUIPMENT / CONSUMABLES	10.02 - 10.22
Optical Fibre Patch Cables	1.34 - 1.36, 1.38
• Cables OM3	1.34, 1.38
• Cables OM4	1.35 - 1.36
P	
Parallel	
• Cables	4.13
• I/O Cards	5.02
Patch	
• Panels	1.26 - 1.30, 1.37 - 1.38
• Cables / Cords	1.12 - 1.24
PC	
• Stands / Holders	10.14 - 10.16
PERIPHERAL DEVICES	5.02 - 5.08
PoE	
• Injectors	1.05, 2.07
• Splitters	2.08
• Switches	2.08
Power	
• Cables	4.32 - 4.33, 8.08
• Strips / Chargers	4.31, 4.33, 8.04 - 8.08
• over Ethernet Injectors, Splitter, Extender and Switches	2.07 - 2.08
Printer	
• Cables	4.13
• Switchboxes	3.10
• Tables	10.19
Pro Secure UPS	8.03

R
RS232

• Adapters	4.37
• Cables	4.13
• Converters	4.34
• Extenders	4.37
• RS485 Converters	4.37

S

SAS Cables	4.30
SATA	
• Cables	4.28 - 4.31
• HDD Enclosures / Housings / Mobile Racks	5.06
Scanner Barcode	5.07
Security Locks	6.10
SELL OFF	A.02 - A.16
Serial Cables	4.13
Serial Cards	5.02
Service Kits	9.03 - 9.10
S/FTP Cables	1.10 - 1.12, 1.15, 1.18 - 1.20, 1.22 - 1.24
Splitters	7.08 - 7.10
Stand for Smartphones / Tablets	6.08 - 6.10
Surveillance Cameras IP	2.02 - 2.05
SWITCHBOXES	3.02 - 3.14
Switches	
• Ethernet/Fast Ethernet/Gigabit Ethernet	1.03 - 1.04, 1.06 - 1.07
• HDMI	7.10 - 7.11

T

Tablet	
• Stand	6.08 - 6.10
T-Adapters	1.32
TEST, MEASUREMENT, TOOLS	9.02 - 9.10
TFT Arms	10.03 - 10.14, 11.02 - 11.09
TP Cables Overview	1.08 - 1.09
Tool Kits	9.07 - 9.10
TV Holders / Furnitures	11.02 - 11.09

U

Universal NB / Power Adapter	6.07, 8.04 - 8.07
UPS	8.02 - 8.03
USB	
• Adapters	4.22 - 4.23, 4.34 - 4.36, 6.03 - 6.05
• Cables	4.04 - 4.12, 4.22, 6.03 - 6.05
• Card Readers	5.04 - 5.05, 6.05
• Display Adapter	7.02 - 7.03
• Extenders	4.07, 4.08, 6.03 - 6.05
• Gender Changers	4.30, 6.03 - 6.05
• Hubs	3.11 - 3.14, 6.02, 6.05
• Link Cables	4.08
• Power Chargers	6.07, 8.04 - 8.07
• Switchboxes	3.10 - 3.11
UTP Cables	1.10, 1.11, 1.13, 1.16, 1.19 - 1.23, 6.02

V

VGA	
• Adapters	4.23 - 4.26, 4.28
• Cables	4.14 - 4.15
• Extender over TP	7.03
• Extension Cables	4.14
Video	
• Extenders	7.04 - 7.05
• A/V Modules	7.14
• Splitters	7.08 - 7.10
• Switches	7.10 - 7.11
VESA Adapter	10.04, 10.15

W

Wall Mounts, LCD	10.03 - 10.14, 10.17, 11.02 - 11.06, 11.09
Wall Mount Boxes	1.30 - 1.31
Wall Mount Cabinets	1.40
Wrist Rests	10.02
Wireless HDMI Audio/Video System	7.05
Workstation	10.11 - 10.14, 10.19 - 10.21

Y

Y- Power Cables	4.31, 4.33
-----------------------	------------

General Conditions of Sale and Supply

1. General

1.1 A contract is considered to be concluded with a written quotation, an order confirmation or when the goods are despatched and invoiced by SECOMP International. By accepting the delivery, the customer agrees to the conditions of SECOMP International. Divergent conditions have to be stipulated in writing.

1.2 Orders shall only become binding upon SECOMP International after it has issued a written confirmation of order.

1.3 SECOMP International - reserves the right to amend typing errors / mistakes to price lists and technical data at any time.

2. Prices

Prices shall be deemed net plus V.A.T., transportation and packaging charges, provided that alternative conditions have not already been agreed. SECOMP International however hereby reserves the right to make price adjustments to cover definite increases in costs for example Goods and Material.

3. Delivery period

The delivery period shall be the date in the contract of sale and will be extended should difficulties arise that may have been caused by an act of god such as war, epidemics and among other things storm and tempest.

4. Despatch

All deliveries shall be effected for the account and the risk of the customer. Any complaints concerning damage, loss or delay are to be reported to SECOMP International within 8 days of the receipt of the consignment.

But complaints concerning any faulty packaging shall be rendered on the same day as the receipt of the consignment.

5. Works deliveries

Should the consignment and invoicing be directly affected by the suppliers of SECOMP International, the conditions of sale and supply of that particular supplier shall be valid for customers in respect of that particular contract. In such cases, these present conditions of sale and supply shall have no validity and damage indemnity claims or claims of any other nature cannot be made enforceable against SECOMP International hereunder.

6. Return of goods and materials

The return of goods and materials shall require the written permission of SECOMP International and may only be effected if the goods and materials are in re-sellable condition and still in their original packaging, and only then if such are usually maintained in stock by SECOMP International. A copy of the delivery note or the invoice must be enclosed. Returns without either a copy of the delivery note or the invoice will not be accepted. An appropriate surcharge will be applied by SECOMP International on the purchaser to defray the cost of any inconvenience caused.

7. Settlement

Invoices are to be settled within 30 days net without any deductions. Purchasers will be charged the usual bank overdraft rate of interest in respect of overdue payments.

8. Retention of ownership rights

All goods and materials supplied shall remain the property of SECOMP International until full payment of the debited invoice amount has been received.

9. Warranty

SECOMP International will grant a warranty for products for a period of 24 months for the ROLINE brand and 12 months for all others products from the date of delivery in respect of any evidenced faulty workmanship and materials. Should a delivered consignment prove to be contrary to contract upon inspection, the customer shall grant SECOMP International the opportunity hereunder of removing the fault or else the customer may demand replacement. Should the supply or delivery of any improvement or replacement not prove possible, the customer may choose between having the purchase price reduced or in demanding the contract of sale to be rescinded (conversion).

Damage resulting from natural wear and tear, an act of God or non compliance with the operating instructions shall be excluded from the warranty as well as mechanical interference by the customer or by third parties with products of SECOMP International without its written permission. No liability will be accepted for defects, damage or injury caused due to installation not carried out in accordance with the manufacturer's installation instructions.

10. Cancellation

Cancellation of orders shall only be possible hereunder with the written approval of SECOMP International. Any costs which have already been incurred or price increases as a result of reduction in amounts ordered shall be for the account of the purchaser.

Partial supplies of an order contracted upon call shall be claimed within the agreed supply and delivery periods otherwise SECOMP International may cause the relative consignment and invoice billing therefore to be made.

11. Place of jurisdiction

The place of jurisdiction shall be Zürich. Legal relationship hereunder shall be subject to Swiss Law.



OFFICE

SECOMP International

Grindelstrasse 6
8303 Bassersdorf
Switzerland

PHONE +41 44 511 87 62
FAX +41 44 511 87 07
E-MAIL info@secomp-international.com

www.secomp-international.com



WAREHOUSE

SECOMP International

Einsteinstrasse 17 - 23
76275 Ettlingen
Germany

SECOMP GmbH

www.secomp.de



SECOMP AG

Grindelstrasse 6
8303 Bassersdorf
Switzerland

PHONE +41 44 511 87 00
FAX +41 44 511 87 05
E-MAIL info@secomp.ch

www.secomp.ch



SECOMP Nederland

Christiaan Huygensweg 38 H
3225 LD Hellevoetsluis
Netherlands

PHONE +31 181 390 030
FAX +31 181 399 721
E-MAIL info@secomp.nl

www.secomp.nl



SECOMP France

10, avenue Graham Bell, Bâtiment H Lot B4
77600 Bussy-Saint-Georges
France

PHONE +33 164 80 92 30
FAX +33 164 80 92 40
E-MAIL info@secomp.fr

www.secomp.fr



SECOMP UK Ltd

Unit 1a Crompton Fields / Way
Crawley, West Sussex, RH10 9EE
England

PHONE +44 01 293 565 556
FAX +44 01 293 843 710
E-MAIL sales@secomp.co.uk

www.secomp.co.uk



SECOMP PC Plus CZ, a.s.

U Vinných sklepů 7
190 00 Praha 9 - Vysočany
Czech Republic

PHONE +420 281 861 849
FAX +420 281 862 729
E-MAIL info@secomp.cz

www.secomp.cz