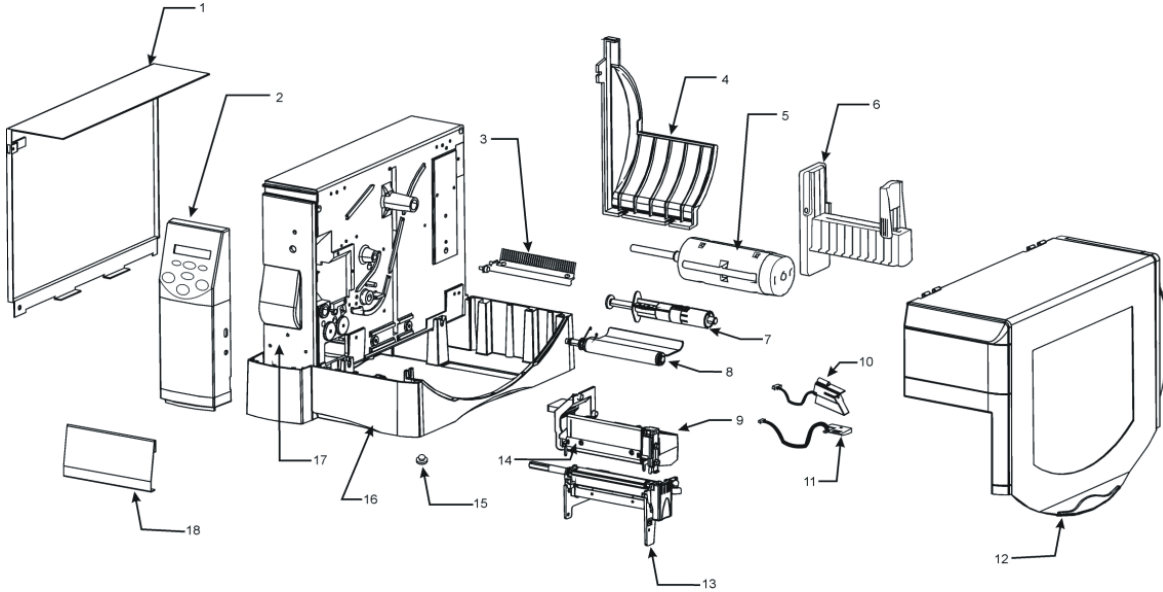


SPS Spare Parts Price List Industrial and Commercial Printers

Minimum order \$50. \$100 charge on orders placed for same day shipment (if available).
Refer to Section A for complete terms and conditions.



Z4M & Z6M



Item #	Description	Part Number	List Price USD	Support Qty. ¹	Chg. ²
1	Kit Maint Electronic Cover	G77695M	\$93.00	1	✓
2	Kit Maint Control Panel Assy	77667M	\$283.00	1	
3	Static Brush Assy Kit, Z4M	G77302M	\$22.00	1	✓
	Kit Maint Static Brush	G77302-6M	\$28.00	1	✓
4	Rear Media Cover, Z4M	77629	\$7.00	1	
	Rear Lower Media Cover, Z6M	77704	\$9.00	1	
5	Ribbon Take-Up Spindle Assy Kit, Z4M	G77100M	\$37.00	1	✓
	Ribbon Take-Up Spindle Assy Kit, Z6M	G77117M	\$57.00	1	✓

Notes: 1 - Recommended quantity to support 100 printers. 2 - A check indicates a change from the last price list.

The Americas and Asia Pacific Regions
Americas Customer Service: +01 847 634 6700
Asia Pacific Customer Service: +65 6858 0722
Prices Effective October 1, 2006



SPS Spare Parts Price List Industrial and Commercial Printers

*Minimum order \$50. \$100 charge on orders placed for same day shipment (if available).
Refer to Section A for complete terms and conditions.*

Z4M & Z6M

Item #	Description	Part Number	List Price USD	Support Qty. ¹	Chg. ²
6	Hanger Assy Kit, Z4M	G77380M	\$40.00	1	✓
	Hanger Assy Kit, Z6M	G77381M	\$40.00	1	✓
7	Ribbon Supply Spindle Assy Kit, Z4M	G77085M	\$32.00	1	✓
	Ribbon Supply Spindle Assy Kit, Z6M	G77082M	\$100.00	1	✓
8	Kit Maint Dancer, Z4M & S4M	77238M	\$37.00	1	
	Kit Maint Dancer Assy, Z6M	G77331M	\$48.00	1	✓
9	Kit Maint Printhead Mech w/prnthd 203dpi, Z4M	G77171M	\$536.00	1	✓
10	Kit Maint Opt Media Sensor (Transmissive)	G77752M	\$59.00	2	✓
11	Ribbon/Head-Open Sensor Assy Kit	G77767M	\$27.00	1	✓
12	Kit Maint Media Door Panel, Z4M	77034M	\$174.00	1	✓
	Kit Maint Media Door Panel, Z6M	77035M	\$220.00	1	✓
13	Platen Roller Kit, Z4M	G77023M	\$37.00	2	✓
	Platen Roller Kit, Z6M	G77022M	\$57.00	2	✓
14	Ribbon Strip Plate, Z4M	77049-104	\$10.00	1	✓
	Ribbon Strip Plate, Z6M	77049-168	\$10.00	1	
15	Rubber Bumper Feet, Qty of 10	HW44014	\$21.00	1	✓
18	Front Cover, Z4M	78222	\$13.00	1	✓
	Front Lower Panel, Z6M	77702	\$21.00	1	

Notes: 1 - Recommended quantity to support 100 printers. 2 - A check indicates a change from the last price list.

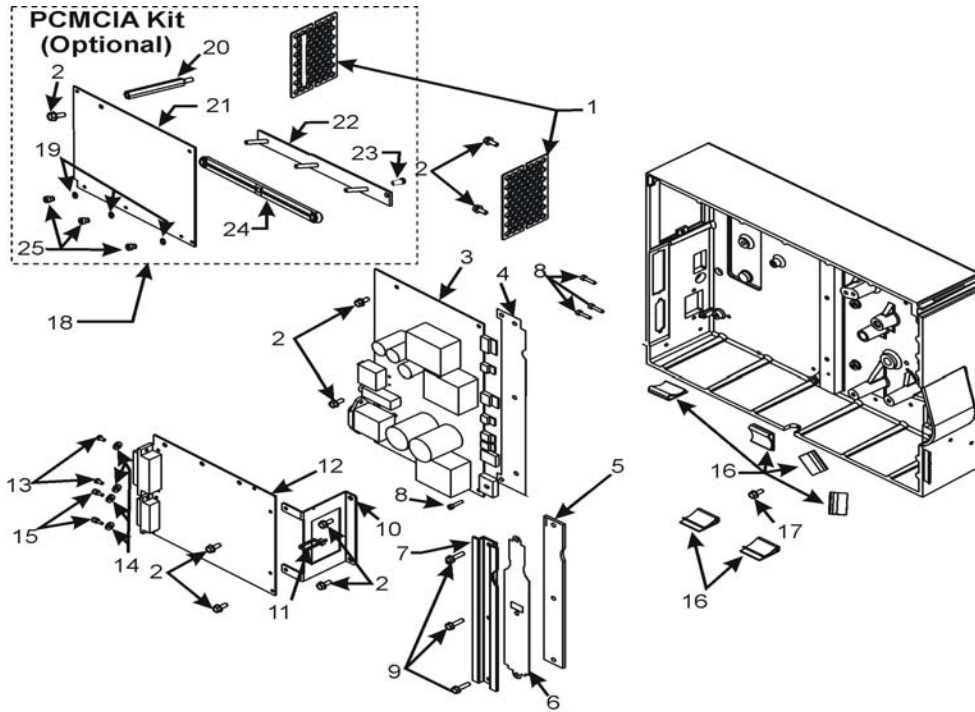
The Americas and Asia Pacific Regions
Americas Customer Service: +01 847 634 6700
Asia Pacific Customer Service: +65 6858 0722
Prices Effective October 1, 2006

SPS Spare Parts Price List Industrial and Commercial Printers

Minimum order \$50. \$100 charge on orders placed for same day shipment (if available).
Refer to Section A for complete terms and conditions.



Z4M & Z6M



Item #	Description	Part Number	List Price USD	Support Qty. ¹	Chg. ²
1	Back Cover Plate, w/ PCMCIA Port	78836	\$5.00	1	✓
	Back Cover Plate, w/out PCMCIA Port	77186	\$10.00	1	✓
2	Screw M4 x 0.7 x 10, Qty of 5	HW78814	\$20.00	1	✓
3	Kit, Maint Power Supply w/ground wire	G77150M	\$392.83	0	✓
4	Power Supply Insulating Silicon	77550	\$15.00	1	✓
5	Power Supply Clamp Pad	77282	\$5.00	1	✓
7	Power Supply Transistor Clamp	77016	\$5.00	1	✓
8	Screw M3 x 0.5 x 14, Qty of 10	HW49185	\$20.00	1	✓
10	CPU Bracket Support	77187	\$5.00	1	✓
12	Main Logic Board Kit	77904M	\$451.00	1	✓
13	Screw 4-40 x .31	78802	\$5.00	1	✓
14	Fit Washer .250 x .125 x .028, Qty of 100	HW43893	\$11.00	1	✓
15	Standoff 4-40 HEX, Qty of 25	HW32406	\$26.00	1	✓
16	Clamp, Flat Cable, 1 x 1 Nylon	07808	\$5.00	1	
18	Kit Opt Socket PCMCIA	77819	\$220.00	1	✓
24	PCMCIA Port Elastomeric Connector	77520	\$29.00	1	✓
25	Thumb-Nut, PCMCIA Board Mount, QTY OF 10	HW77315	\$30.00	1	✓

Notes: 1 - Recommended quantity to support 100 printers. 2 - A check indicates a change from the last price list.

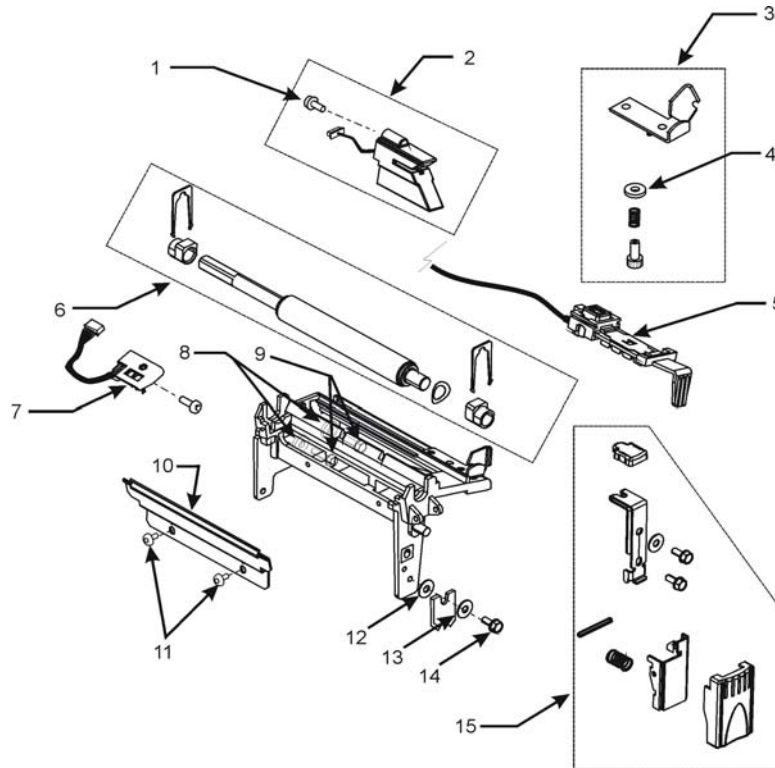
The Americas and Asia Pacific Regions
Americas Customer Service: +01 847 634 6700
Asia Pacific Customer Service: +65 6858 0722
Prices Effective October 1, 2006



SPS Spare Parts Price List Industrial and Commercial Printers

*Minimum order \$50. \$100 charge on orders placed for same day shipment (if available).
Refer to Section A for complete terms and conditions.*

Z4M & Z6M



Item #	Description	Part Number	List Price USD	Support Qty. ¹	Chg. ²
1	Sc M4.2 x 1.41 x 13 Hilo, Qty of 25	HW45939	\$20.00	1	✓
2	Kit Maint Opt Media Sensor (Transmissive)	G77752M	\$59.00	2	✓
3	Kit Maint Outer Media Guide	G77935M	\$24.00	1	✓
4	Washer Flat Nylon, Qty of 25	HW46128	\$13.00	1	✓
5	Media Sensor Assy Kit, Z4M	G77807M	\$37.00	2	✓
	Media Sensor Assy Kit, Z6M	G77808M	\$53.00	2	✓
6	Platen Roller Kit, Z4M	G77023M	\$37.00	2	✓
	Platen Roller Kit, Z6M	G77022M	\$57.00	2	✓
7	Ribbon/Head-Open Sensor Assy Kit	G77767M	\$27.00	1	✓
9	Screw M4 x 0.7 x 10, Qty of 5	HW78814	\$20.00	1	✓
10	Kit Maint Peel Tear Bar, Z4M	77625M	\$27.00	1	
	Kit Maint Peel Tear Bar, Z6M	77799M	\$27.00	1	
11	Screw M3 x 8 Flng So S Bo	77231	\$5.00	1	
13	Washer Fl .500 x .191 x .030	HW33805	\$18.00	1	✓
14	Screw M4 x 0.7 x 10, Qty of 5	HW78814	\$20.00	1	✓
15	Kit Maint Print Mech Latch	G77112M	\$110.00	1	✓

Notes: 1 - Recommended quantity to support 100 printers. 2 - A check indicates a change from the last price list.

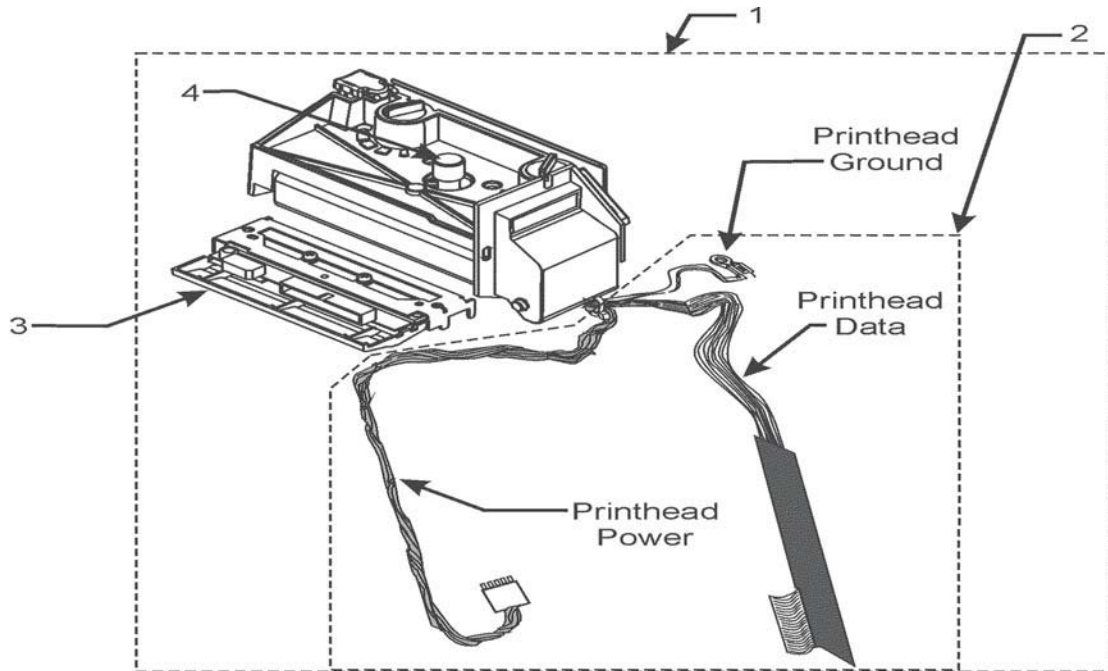
The Americas and Asia Pacific Regions
Americas Customer Service: +01 847 634 6700
Asia Pacific Customer Service: +65 6858 0722
Prices Effective October 1, 2006

SPS Spare Parts Price List Industrial and Commercial Printers

Minimum order \$50. \$100 charge on orders placed for same day shipment (if available).
Refer to Section A for complete terms and conditions.



Z4M & Z6M



Item #	Description	Part Number	List Price USD	Support Qty. ¹	Chg. ²
1	Kit Maint Printhead Mech w/prnthd 203dpi, Z4M	G77171M	\$536.00	1	✓
2	Printhead Cable Kit, Z4M, Z4Mplus and Z6M, Z6M Plus	G77804M	\$27.00	1	✓
3	Printhead Assy., Z4M, Z4MPlus (203 dpi)	G79056-1M	\$480.00	5	✓
	Printhead Assy., Z4M, Z4MPlus (300 dpi)	G79057M	\$560.00	5	✓
	Printhead Assy., Z6M, Z6MPlus (203 dpi)	G79058M	\$530.00	5	✓
	Printhead Assy., Z6M, Z6MPlus (300 dpi)	G79059M	\$825.00	5	✓
4	Screw, Printhead Mounting, QTY OF 5	HW77047	\$25.00	1	✓

Notes: 1 - Recommended quantity to support 100 printers. 2 - A check indicates a change from the last price list.

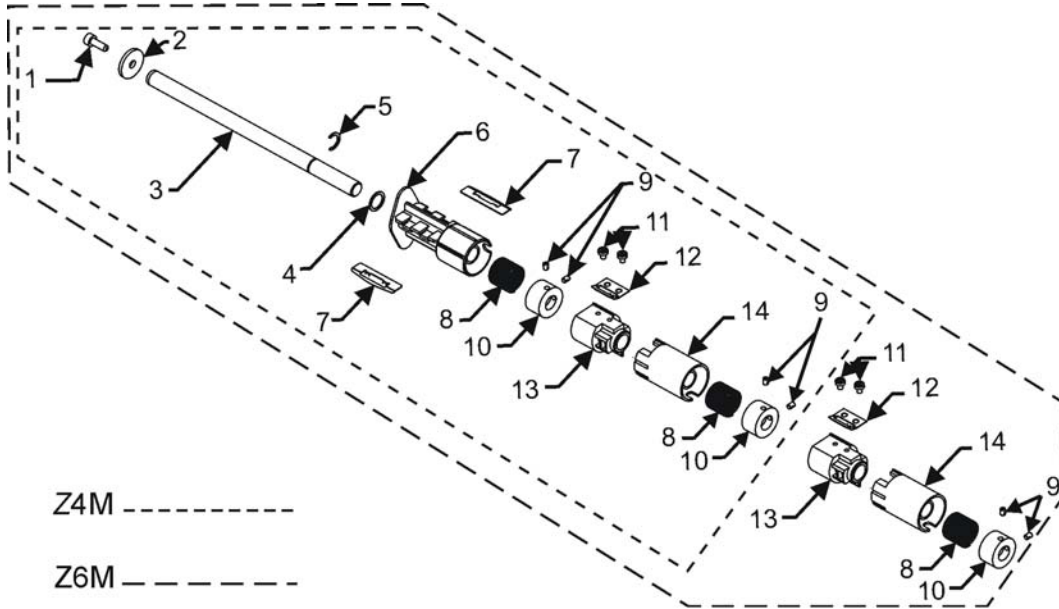
The Americas and Asia Pacific Regions
Americas Customer Service: +01 847 634 6700
Asia Pacific Customer Service: +65 6858 0722
Prices Effective October 1, 2006



SPS Spare Parts Price List Industrial and Commercial Printers

*Minimum order \$50. \$100 charge on orders placed for same day shipment (if available).
Refer to Section A for complete terms and conditions.*

Z4M & Z6M



Item #	Description	Part Number	List Price USD	Support Qty. ¹	Chg. ²
	Ribbon Supply Spindle Assy Kit, Z4M	G77085M	\$32.00	1	✓
1	Ribbon Supply Spindle Assy Kit, Z6M	G77082M	\$100.00	1	✓
	Screw M4 x 0.7 x 12, Qty of 25	HW10432	\$20.00	1	✓
2	Ground Screw Spacer, RTU Qty of 25	HW33807	\$20.00	1	✓
4	Washer .500 x .377 x .020, Qty of 25	HW33808	\$35.00	1	✓
5	Crescent Ring DIA. .375, RSS, Qty of 50	HW78820	\$11.00	1	✓
9	Screw Set Cup M3 x 0.5 x 4, Qty of 25	HW44147	\$20.00	1	✓
11	Screw M3 x .5 x 4, Qty of 50	HW78803	\$11.00	1	✓

Notes: 1 - Recommended quantity to support 100 printers. 2 - A check indicates a change from the last price list.

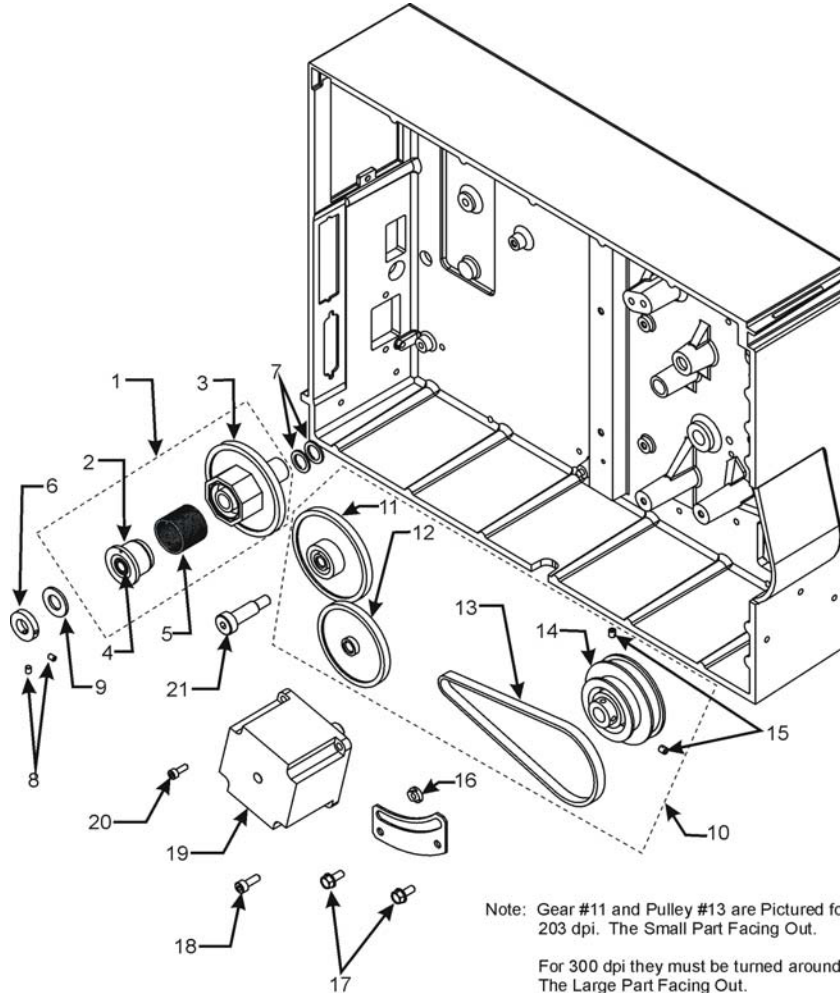
The Americas and Asia Pacific Regions
Americas Customer Service: +01 847 634 6700
Asia Pacific Customer Service: +65 6858 0722
Prices Effective October 1, 2006

SPS Spare Parts Price List Industrial and Commercial Printers

Minimum order \$50. \$100 charge on orders placed for same day shipment (if available).
Refer to Section A for complete terms and conditions.



Z4M & Z6M



Note: Gear #11 and Pulley #13 are Pictured for 203 dpi. The Small Part Facing Out.

For 300 dpi they must be turned around. The Large Part Facing Out.

Item #	Description	Part Number	List Price USD	Support Qty. ¹	Chg. ²
1	Ribbon Take-Up Clutch Kit	77814M	\$27.00	1	
6	Shaft Collar .377 x .750	44118	\$5.00	1	✓
8	Screw Set Cup M3 x 0.5 x 4, Qty of 25	HW44147	\$20.00	1	✓
10	Drive Pulley/Gears System Kit	77803M	\$29.00	1	
13	Main Drive Belt, 144T	77396	\$6.00	2	✓
15	Screw M4 x 0.7 x 10, Qty of 25	HW10856	\$26.00	1	✓
17	Screw M4 x 0.7 x 10, Qty of 5	HW78814	\$20.00	1	✓
18	Screw M4 x 0.7 x 12, Qty of 25	HW10432	\$20.00	1	✓
19	Stepper Motor Assy Kit	G77813M	\$57.00	1	✓
20	Screw M3 x 0.5 x 8mm, Qty of 25	HW44924	\$20.00	1	✓

Notes: 1 - Recommended quantity to support 100 printers. 2 - A check indicates a change from the last price list.

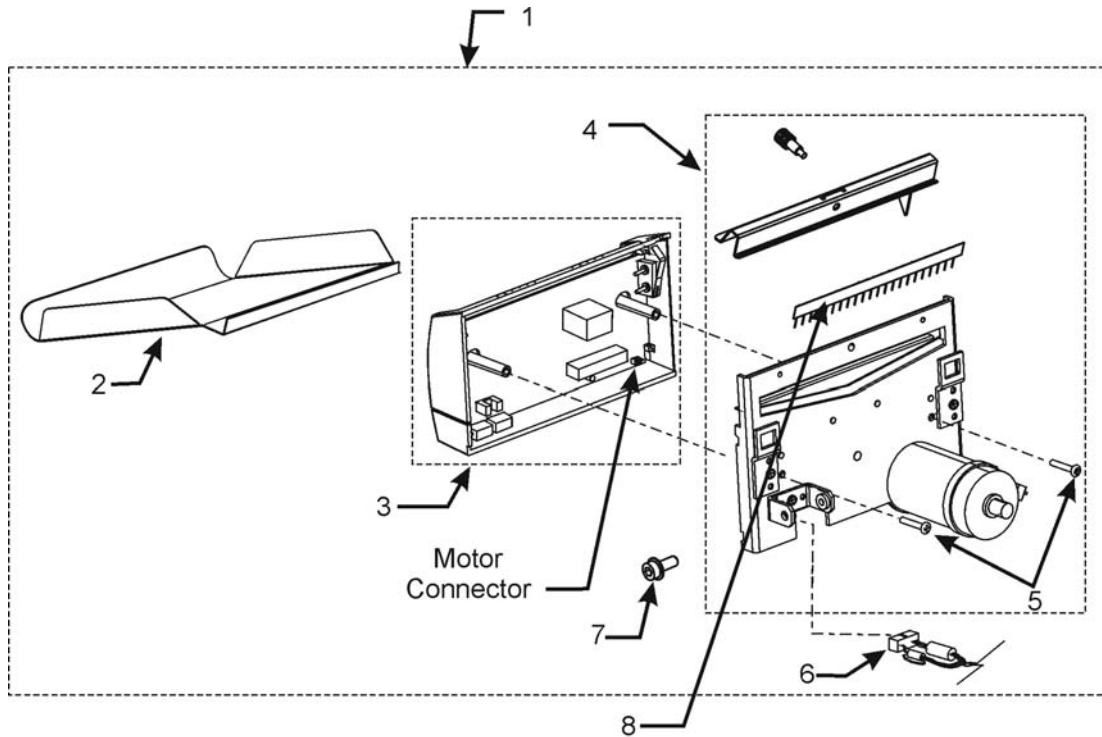
The Americas and Asia Pacific Regions
Americas Customer Service: +01 847 634 6700
Asia Pacific Customer Service: +65 6858 0722
Prices Effective October 1, 2006



SPS Spare Parts Price List Industrial and Commercial Printers

*Minimum order \$50. \$100 charge on orders placed for same day shipment (if available).
Refer to Section A for complete terms and conditions.*

Z4M & Z6M



Item #	Description	Part Number	List Price USD	Support Qty. ¹	Chg. ²
1	Cutter Option Kit, Z4M	G77971	\$735.00	1	✓
	Cutter Option Kit, Z6M	G77972	\$945.00	1	✓
2	Cutter Catch Tray	77041	\$20.00	1	✓
	Cutter Catch Tray, Z6M	77997	\$31.00	1	
3	Kit Maintenance PCB Cover Cutter, Z4M	G77973M	\$132.00	1	✓
	Cover Cutter, Z4M	77697	\$5.00	1	✓
	Kit Maint PCB Cover Cutter, Z6M	G77974M	\$137.00	1	✓
	Cutter Cover, Z6M	77698	\$8.00	1	
4	Cutter Module, Z4M	G77990M	\$557.00	1	✓
	Kit Maint Cutter Module, Z6M	G77995M	\$960.00	1	✓
6	Cable, Cutter	34551	\$19.00	1	✓
7	Screw M4 x 10 Head Socket Zn	43894	\$5.00	1	✓
8	Anti-Static Brush	78120	\$25.00	1	✓
	Static Brush, Cutter, Z6M	78121	\$48.00	1	✓

Notes: 1 - Recommended quantity to support 100 printers. 2 - A check indicates a change from the last price list.

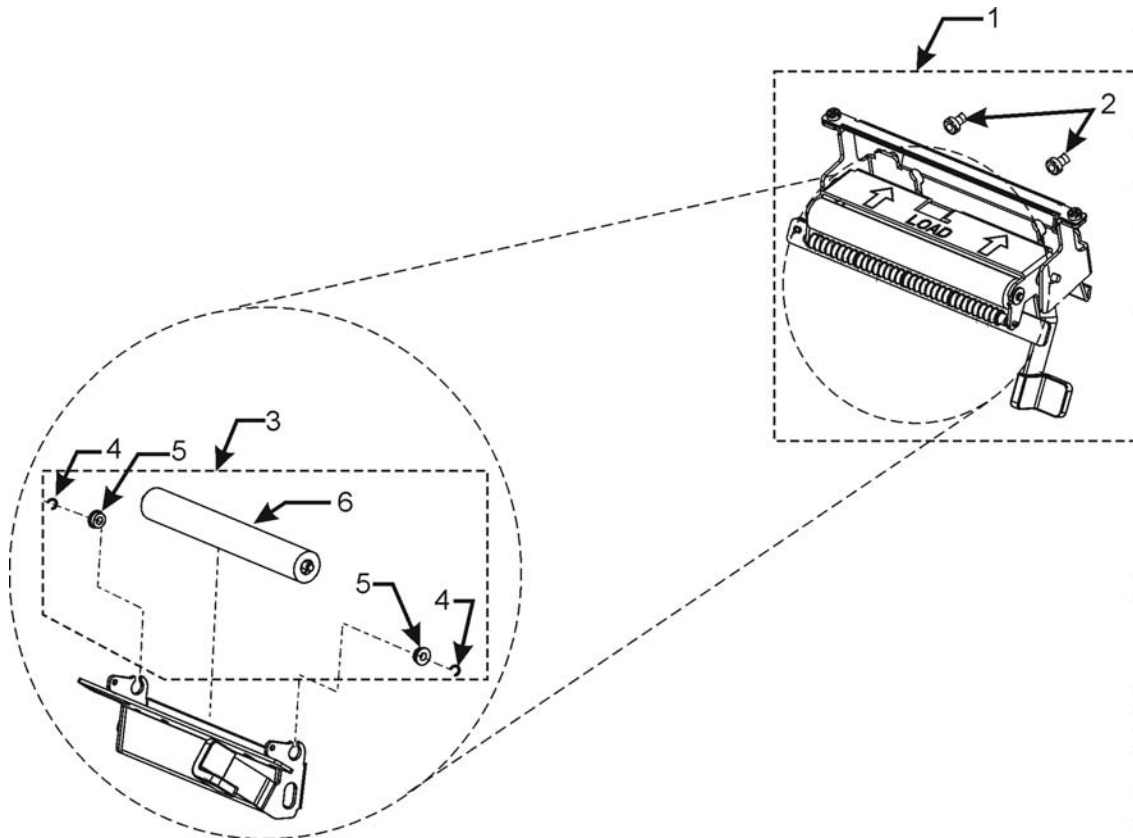
The Americas and Asia Pacific Regions
Americas Customer Service: +01 847 634 6700
Asia Pacific Customer Service: +65 6858 0722
Prices Effective October 1, 2006

SPS Spare Parts Price List Industrial and Commercial Printers

Minimum order \$50. \$100 charge on orders placed for same day shipment (if available).
Refer to Section A for complete terms and conditions.



Z4M & Z6M



Item #	Description	Part Number	List Price USD	Support Qty. ¹	Chg. ²
1	Kit Maint Peel Mechanism Z4M	G78002M	\$184.00	1	✓
	Kit Maint Peel Mechanism, Z6M	G78012M	\$263.00	1	✓
2	Screw M3 x 8 Flng So S Bo	77231	\$5.00	1	
3	Kit Maint Peel Unit Pinch Roller, Z4M &S4M	77197M	\$60.00	1	
	Kit Maint Peel Unit Roller Z6M	77727M	\$53.00	1	
4	Retention E Ring 3mm Blk, Qty of 25	HW10094	\$20.00	1	✓

Notes: 1 - Recommended quantity to support 100 printers. 2 - A check indicates a change from the last price list.

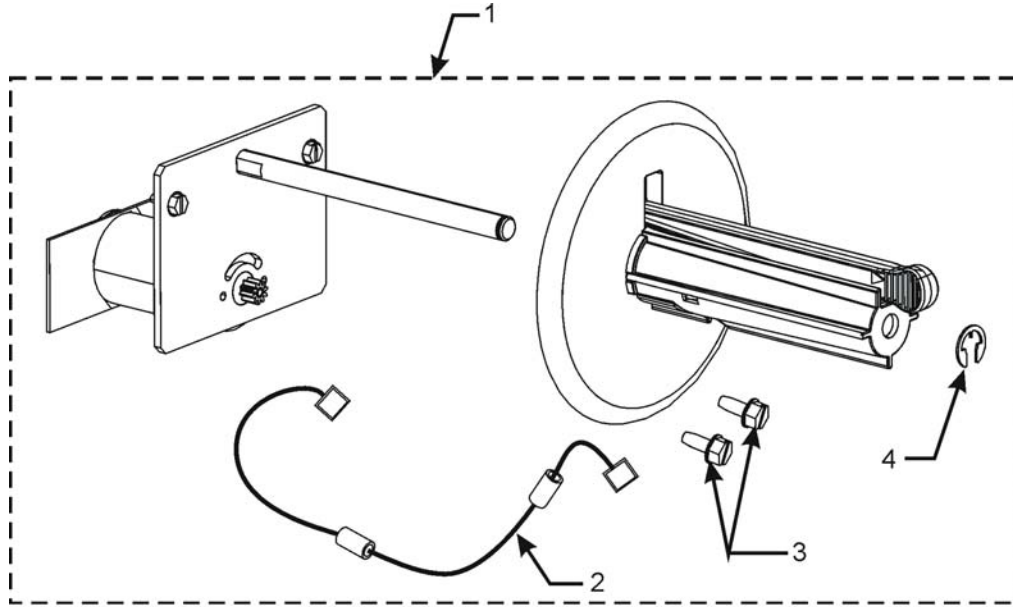
The Americas and Asia Pacific Regions
Americas Customer Service: +01 847 634 6700
Asia Pacific Customer Service: +65 6858 0722
Prices Effective October 1, 2006



SPS Spare Parts Price List Industrial and Commercial Printers

*Minimum order \$50. \$100 charge on orders placed for same day shipment (if available).
Refer to Section A for complete terms and conditions.*

Z4M & Z6M



Item #	Description	Part Number	List Price USD	Support Qty. ¹	Chg. ²
1	Z4Mplus Liner Take-Up	G79027M	\$394.00	1	✓
2	Kit Maint Media Rewind Cable	G77648M	\$33.00	1	✓
3	Screw M4 x 0.7 x 10, Qty of 5	HW78814	\$20.00	1	✓
4	E Ring Ext .375 Yel, Qty of 25	HW06313	\$20.00	1	✓

Notes: 1 - Recommended quantity to support 100 printers. 2 - A check indicates a change from the last price list.

The Americas and Asia Pacific Regions
Americas Customer Service: +01 847 634 6700
Asia Pacific Customer Service: +65 6858 0722
Prices Effective October 1, 2006

SPS Spare Parts Price List Industrial and Commercial Printers

Minimum order \$50. \$100 charge on orders placed for same day shipment (if available).
Refer to Section A for complete terms and conditions.



Z4M & Z6M

Item #	Description	Part Number	List Price USD	Support Qty. ¹	Chg. ²
	US Power Cord 79in Detachable	46693	\$10.00	1	✓
	Memory Pack Cover	33112	\$5.00	1	
	Z4M Packing Materials Qty of 1	77128PM	\$143.00	1	
	Z4M Packing Materials, Bulk Qty of 10	77128PBM	\$700.00	1	
	User's Guide	11356L	\$25.00	1	✓
	ZPL II Programming Guide	46530L	\$25.00	1	
	8 MB Flash Card	G46999-0008	\$315.00	1	✓
	Kit Opt Font Jpn Gothic	G46999-1804	\$355.00	1	✓
	Kit PCM 8MB Korean Gothic Chinese	G46999-2308	\$395.00	1	✓
	Reflector Peel Bracket	77152	\$20.00	1	✓
	Power Cord Bar Nut	79037	\$5.00	1	✓
	Latch Cover, Print Mech	77236	\$5.85	1	
	Print Mechanism Strike Cap	77276	\$1.46	1	
	Screw Thumb Paper Guide	77412	\$20.00	1	✓
	Kit Maint Cutter Gear	77435M	\$100.00	1	✓
	Cable, PSU/MLB	34431	\$11.00	1	✓
	Cable, Front Panel	77603	\$6.00	1	✓
	Rewind Motor Kit	77740M	\$74.00	1	
	Hardware Kit - Common hardware found in the Z Series Printers	G77800M	\$110.00	1	✓
	Kit Opt 1MB Memory Expansion	77817	\$110.00	1	✓
	Ferrite Ring 1.1 X .75, Qty of 10	HW34538	\$26.00	1	✓
	Fuse, Main Logic Board, QTY OF 100	HW34493-2.0	\$42.00	1	✓
	Printhead Guide, Z4M	77173	\$5.00	1	✓
	Rewind Spindle & Motor Assy Kit, Z4M	77498M	\$162.00	1	
	Printhead Hardware Kit, Z4M	G77802M	\$16.00	1	✓
	Kit Maintenance Firmware, Z Series, Z4M	77975V39.10.4M	\$28.00	1	✓
	Kit Maint Steer Roller, Z4M	G77167M	\$105.00	1	✓
	Peel Mechanism Static Brush, Z4M	78000	\$8.00	1	✓
	Quick Reference Guide, Z4M	77977L	\$28.00	1	✓
	Kit Maint Peel Mechanism Z4M	G78002M	\$184.00	1	✓
	Kit Maint Rewind Motor Spindle, Z4M	78007M	\$213.00	1	
	Ribbon Static Brush (Z4)	78149	\$8.00	2	✓
	Kit Maint Peel Mechanism Rewind PCB, Z4M	78010M	\$128.00	1	

Notes: 1 - Recommended quantity to support 100 printers. 2 - A check indicates a change from the last price list.

The Americas and Asia Pacific Regions
Americas Customer Service: +01 847 634 6700
Asia Pacific Customer Service: +65 6858 0722
Prices Effective October 1, 2006



SPS Spare Parts Price List Industrial and Commercial Printers

*Minimum order \$50. \$100 charge on orders placed for same day shipment (if available).
Refer to Section A for complete terms and conditions.*

Z4M & Z6M

Item #	Description	Part Number	List Price USD	Support Qty. ¹	Chg. ²
	Kit Maint Steer Roller, Z6M	G77168M	\$125.00	1	✓
	Ribbon Static Brush (Z6)	78150	\$7.00	2	✓
	Rewinder Outer Guards	77459M	\$20.00	2	
	Z6M/Z6Mplus w/Rewind Packing Materials	G77933PM	\$169.00	1	✓
	Z6M/Z6Mplus w/Rewind Packing Materials, Bulk Qty of 10	G77933PBM	\$735.00	1	✓
	Kit Maint Cutter Module, Z6M	G77995M	\$960.00	1	✓
	Kit Maint Rewind Motor Spindle, Z6M	78007-6M	\$275.00	1	
	Kit Maint Peel Mechanism Rewind PCB, Z6M	78011M	\$128.00	1	
	Kit Maint Peel Mechanism, Z6M	G78012M	\$263.00	1	✓
	Z6M Packing Materials	77129PM	\$143.00	1	
	Z6M Packing Materials, Bulk Qty of 10	G77129PBM	\$735.00	1	✓
	Kit Maint Print Mech 203 DPI	G77175M	\$750.00	1	✓
	Kit Maint Print Mech 300 DPI	G77175-300M	\$1,045.00	1	✓
	Printhead Guide, Z6M	77178	\$5.00	1	✓
	Printhead Cable Kit, Z4M, Z4Mplus and Z6M, Z6M Plus	G77804M	\$27.00	1	✓
	Printhead Hardware Kit, Z6M	77832M	\$15.00	1	
	E Ring Ext .375 Yel, Qty of 25	HW06313	\$20.00	1	✓
	Screw 4-40 x .31, Qty of 25	HW78802	\$55.00	1	✓
	Clamp Cable Flat 1x 1 Nylon, Qty of 25	HW07808	\$30.00	1	✓
	Retention E Ring 3mm Blk, Qty of 25	HW10094	\$20.00	1	✓
	Washer .500 x .377 x .020, Qty of 25	HW33808	\$35.00	1	✓
	Screw M3 x 8 Fling So S Bo, Qty of 25	HW77231	\$20.00	1	✓

Notes: 1 - Recommended quantity to support 100 printers. 2 - A check indicates a change from the last price list.

The Americas and Asia Pacific Regions
Americas Customer Service: +01 847 634 6700
Asia Pacific Customer Service: +65 6858 0722
Prices Effective October 1, 2006