



Replacement Parts Catalog ■ ■ ■



right by our customers. ■ ■ ■



datamax·o'neil

Contents

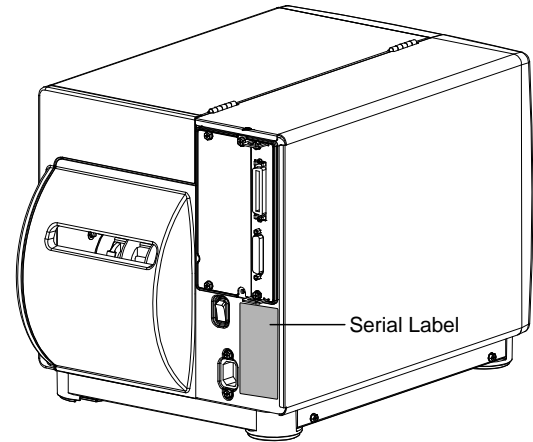
Printers Assemblies	1
Plastic Cover Assembly	2
Printer Assembly 1 of 3	3
Printer Assembly 2 of 3	4
Printer Assembly 3 of 3	5
Front Panel Assemblies	6
Media Supply Hubs	7
Printhead Assembly	8
Printhead and Printhead Cables	9
Hardware and Small Parts	10
I-Class Options	11
Thermal Transfer Option	12
Internal Rewind Option	13
Cutter Options	14
Cutter Tray	14
Ethernet Card Option	16
GPIO and Font Expansion Card Options	17
USB Interface Option	17
Twinax and Coax Interface Options	18
RS-422 Interface Option	18
Linear Scanner Module	19
Supply Hub/Hanger Media Retainer Kits	20

Using this Manual

Before using this manual it is important to identify the model printer you are locating parts for. Many parts are used across all models, yet some are specific to certain models. The model of printer is located on the serial label on the rear of the printer.

This manual covers the following I-Class models:

I-4206, I-4208, I-4308, I-4210, I-4212,
I-4406, and I-4604



For more information on ordering or becoming a partner please contact:

Datamax-O'Neil Customer Care
407-523-5550
customercare@datamax-oneil.com

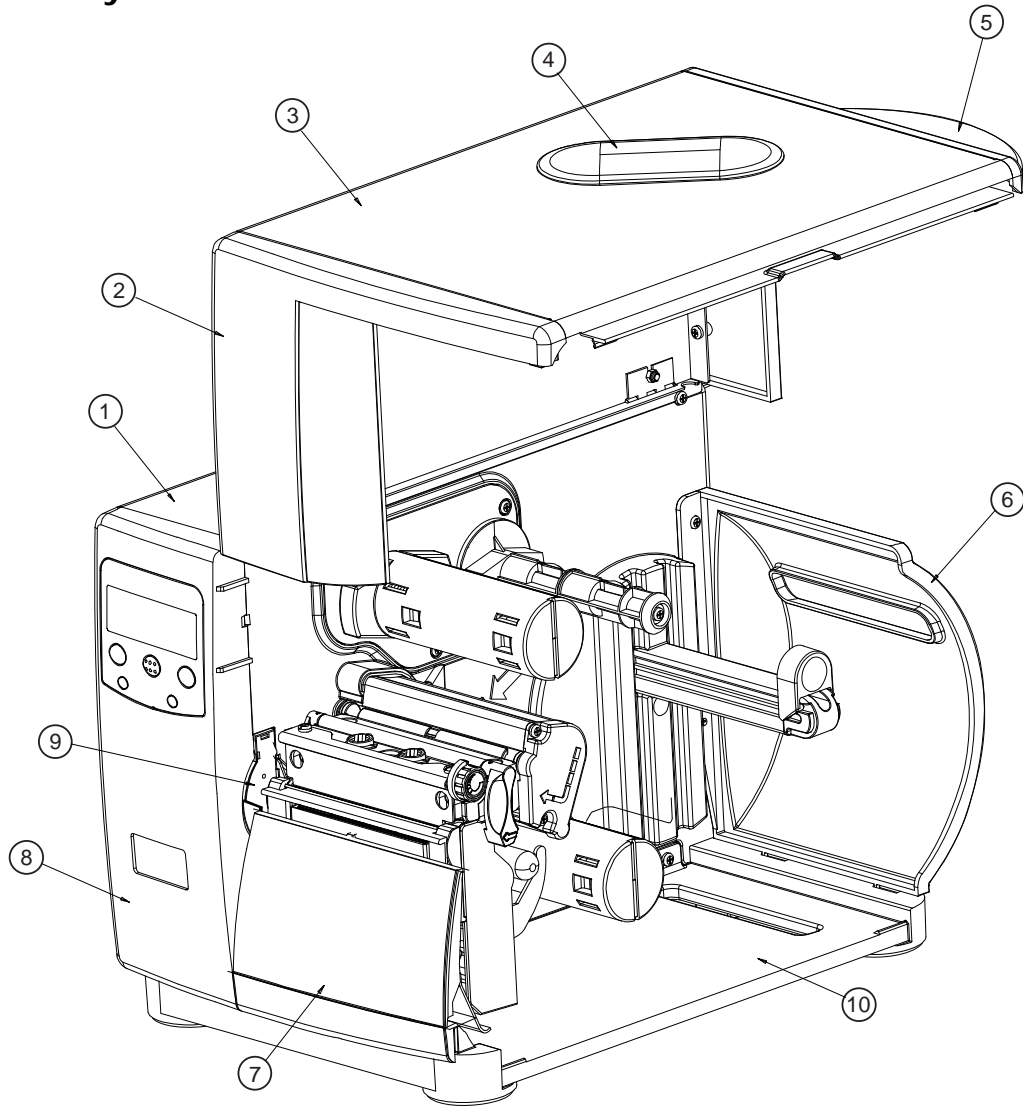
Revision Listing

Date	Rev.	Changes
11/1/08	A	Initial Release
6/1/09	B	Removed OPT78-2321-01 Font Expansion Card Option Misc. text updates
3/16/11	C	DPO11-5220-01 Bracket Rewind, Replaced with: DPO16-2786-01 Bracket Rewind
10/1/11	D	Added: DPO32-2440-01 (5/PK) Cable, Flex, Media Sensor DPO12-2896-01 Bracket, Retainer, Platen
6/1/12	E	Added: DPO15-3052-01 Latch Assembly DPR78-2903-01 Peel Gear Platen Kit DPR78-2904-01 Peel Roller Kit DPR16-2970-01 (2PK) Peel and Present Latch DPO24-2567-01 Card Cage DPO24-2567-02 Card Cage W/ Additional Serial Port DPR16-2555-01 (2PK) Light Pipe, Ribbon Sensor DPO20-2262-01 Printhead, 203DPI – I-4206 DPO32-2439-01 (5PK) Cable, Flex, Front Panel DPR51-2283-00 Cutter Board (Standard Cutter) DPR12-3341-01 (2PK) Guide, Media Sensor DPO11-5243-01 Cover Plate
12/1/12	F	Added: DPO51-2204-00 PCB, Backing Only Cutter DPO16-2527-01 Supply, Media Retainer DPO16-2581-01 Cover, Sensor DPO17-3104-02 Antenna R. Duck RP/SMA DPR12-3349-01 Baseplate, I-Class

92-2506-01 Rev.F

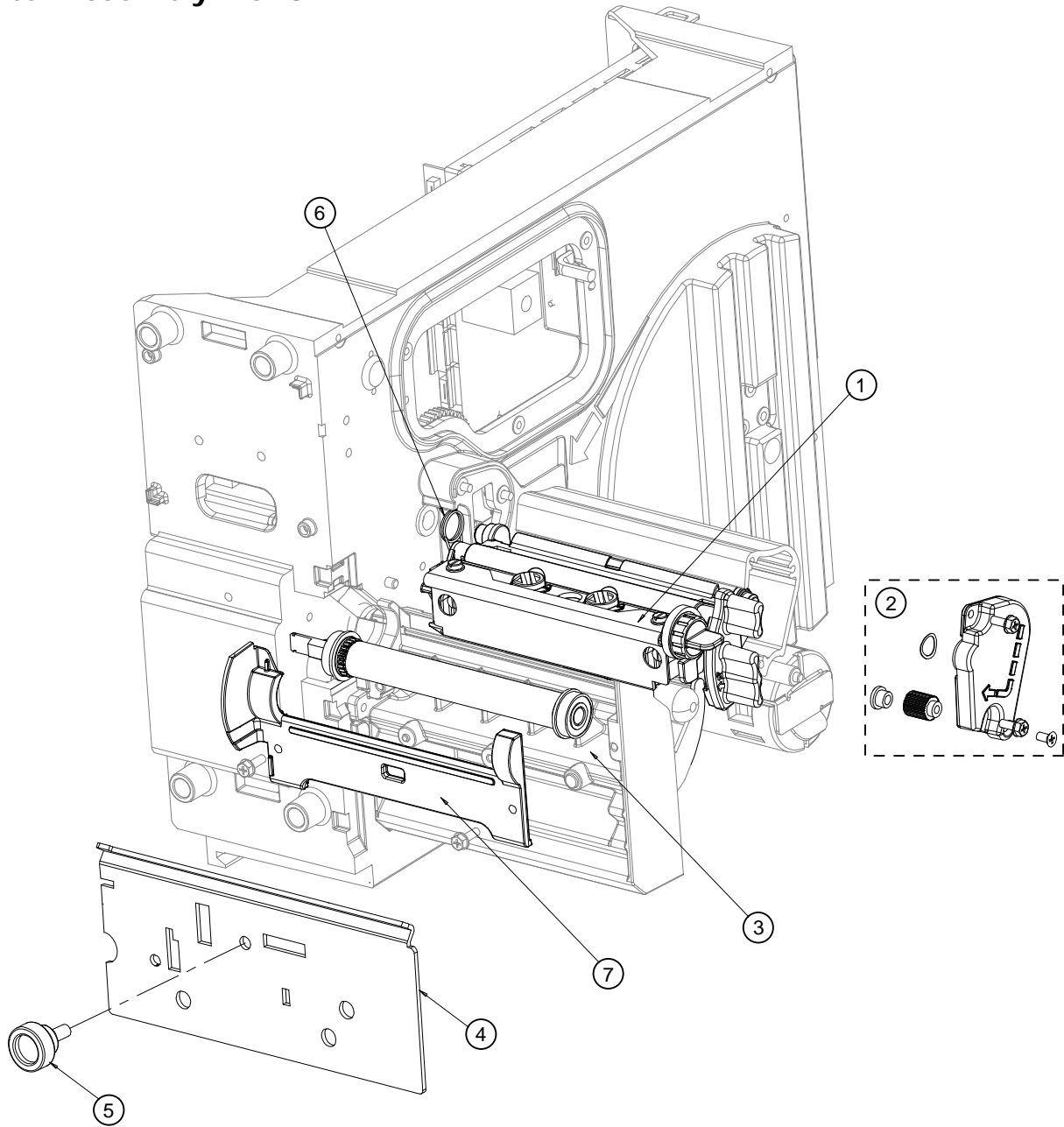
I-Class Printers Assemblies

Cover Assembly



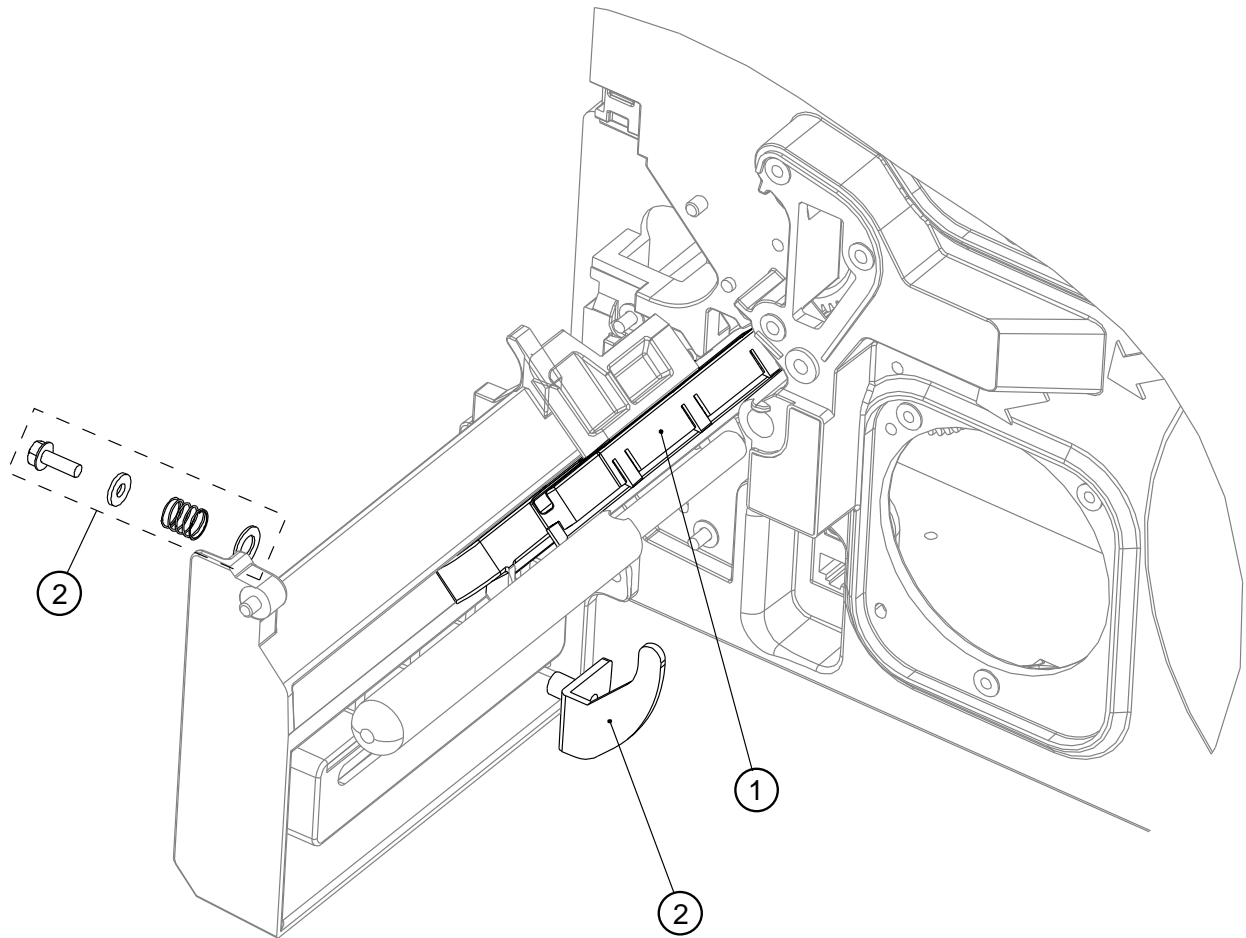
#	Part#	Description	Notes
1	DPR15-2788-01	Cover Assembly, Electronics	
	DPR15-2788-03	Cover Assembly, Electronics – RFID Printers	
2	DPO16-2564-01	Cover, Media, Front	
	DPO16-2712-01	Cover, Media, Front – RFID Printers	Does not include RFID module
3	DPO11-5226-01	Cover, Media, Top	
	DPO11-5226-03	Cover, Media, Top – RFID Printers	
4	DPO16-2567-01	Cover, Media, Window	
5	DPO16-2556-01	Cover, Media, Rear	
	DPO16-2556-02	Cover, Media, Rear – RFID Printers	
6	DPO16-2551-01	Cover, Media Roll	
	DPO16-2551-02	Cover, Media Roll – RFID Printers	
7	DPO16-2571-01	Cover, Filler Block	
	DPO16-2571-02	Cover, Filler Block – RFID Printers	
8	DPR16-2559-01	Cover, Front Panel	
	DPR16-2559-02	Cover, Front Panel – RFID Printers	
9	DPO16-2581-01	Cover, Sensor	
10	DPR12-3349-01	Baseplate, I-Class	

Printer Assembly 1 of 3



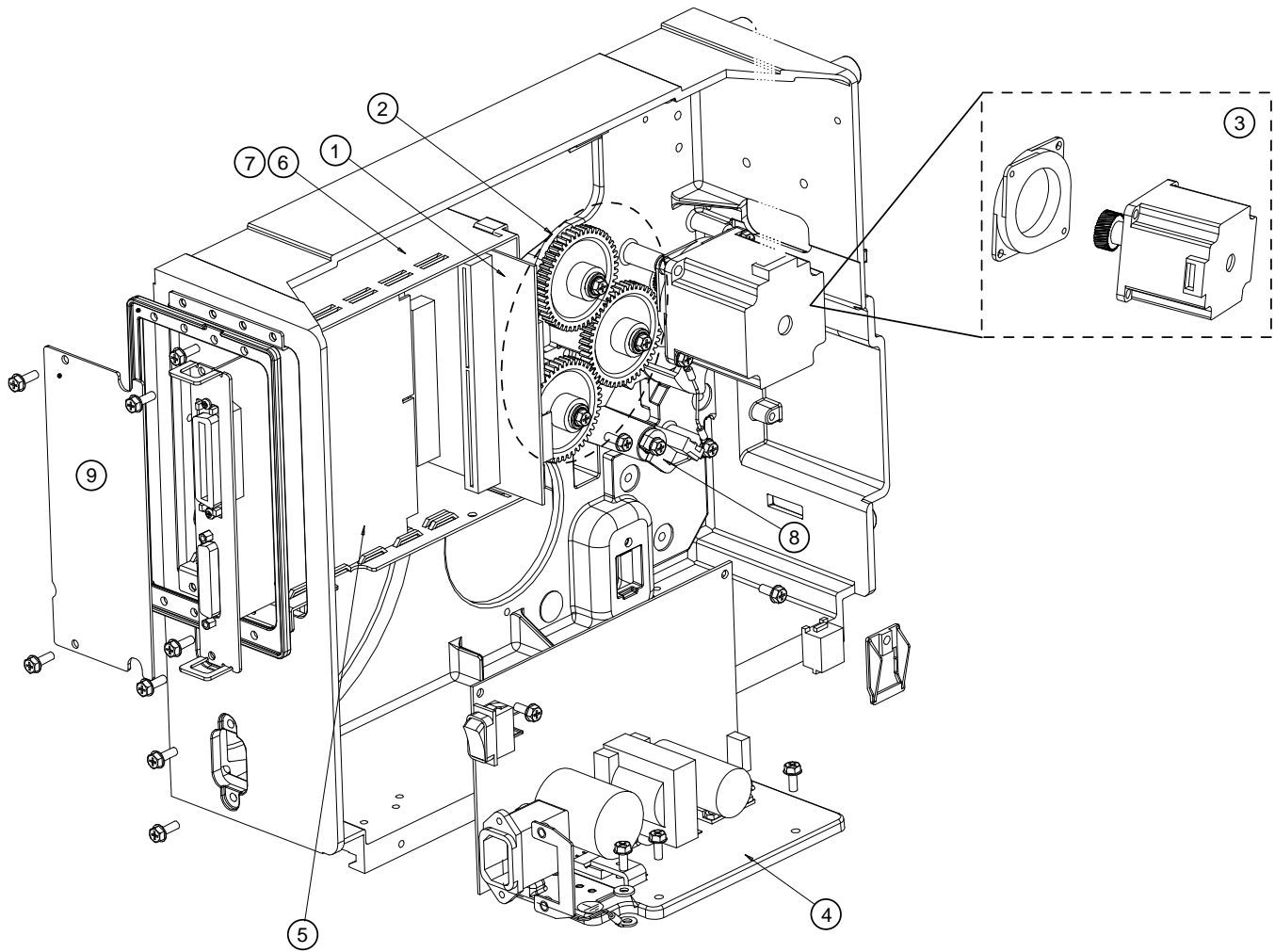
#	Part#	Description	Notes
1	DPR15-3051-01	Assy, Printhead Carriage	
2	DPR78-2770-01	Kit, Ribbon Idler Bushing Retainer	
3	ROL15-2761-04	Kit, Platen Roller	
4	DPO11-5219-01	Tear Bar	
5	DPO17-2858-01	(2PK)Screw, Knurled M4 X10mm	
6	DPR17-2836-01	Spring, Head Lift	
7	DPO12-2896-01	Bracket, Retainer, Platen	

Printer Assembly 2 of 3



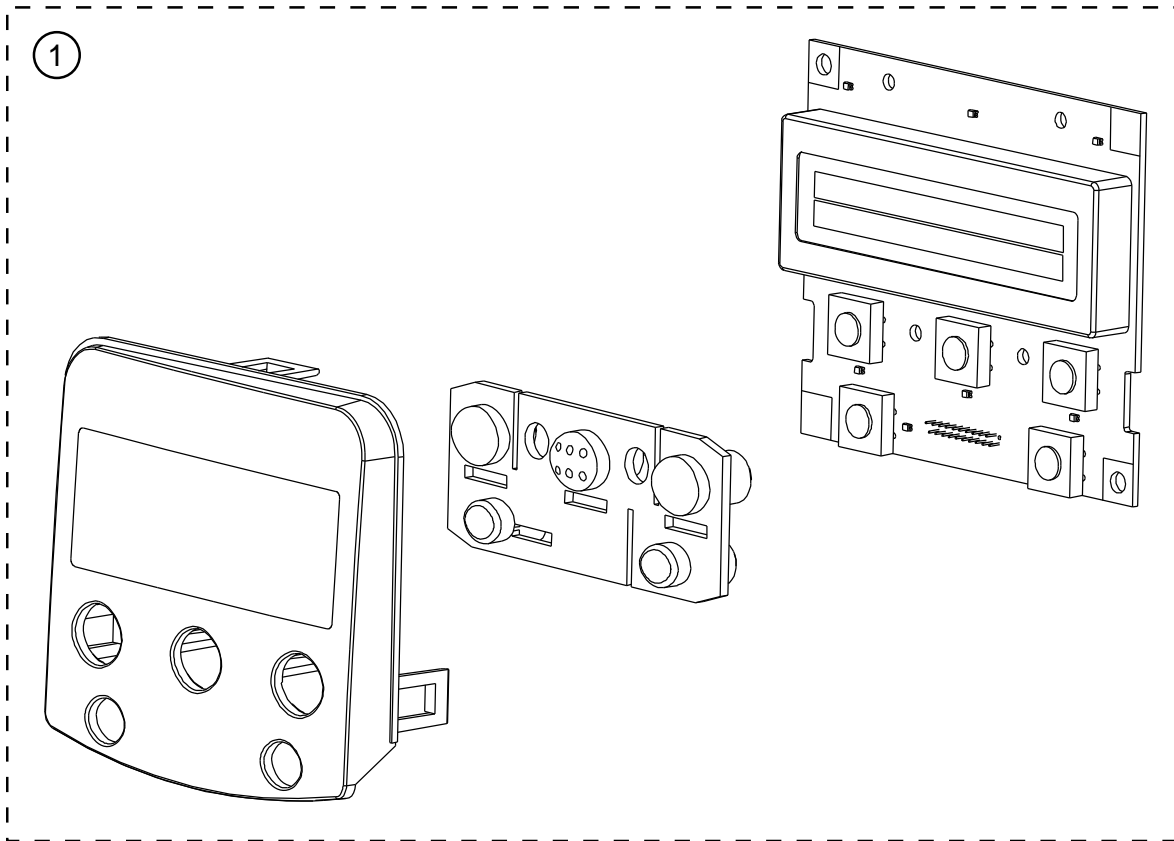
#	Part#	Description	Notes
1	DPR24-2504-01	Assy, Media Sensor	
2	DPO78-2771-01	Kit, Media Guide	
3	DPO32-2440-01	(5/PK) Cable, Flex, Media Sensor	Not shown

Printer Assembly 3 of 3



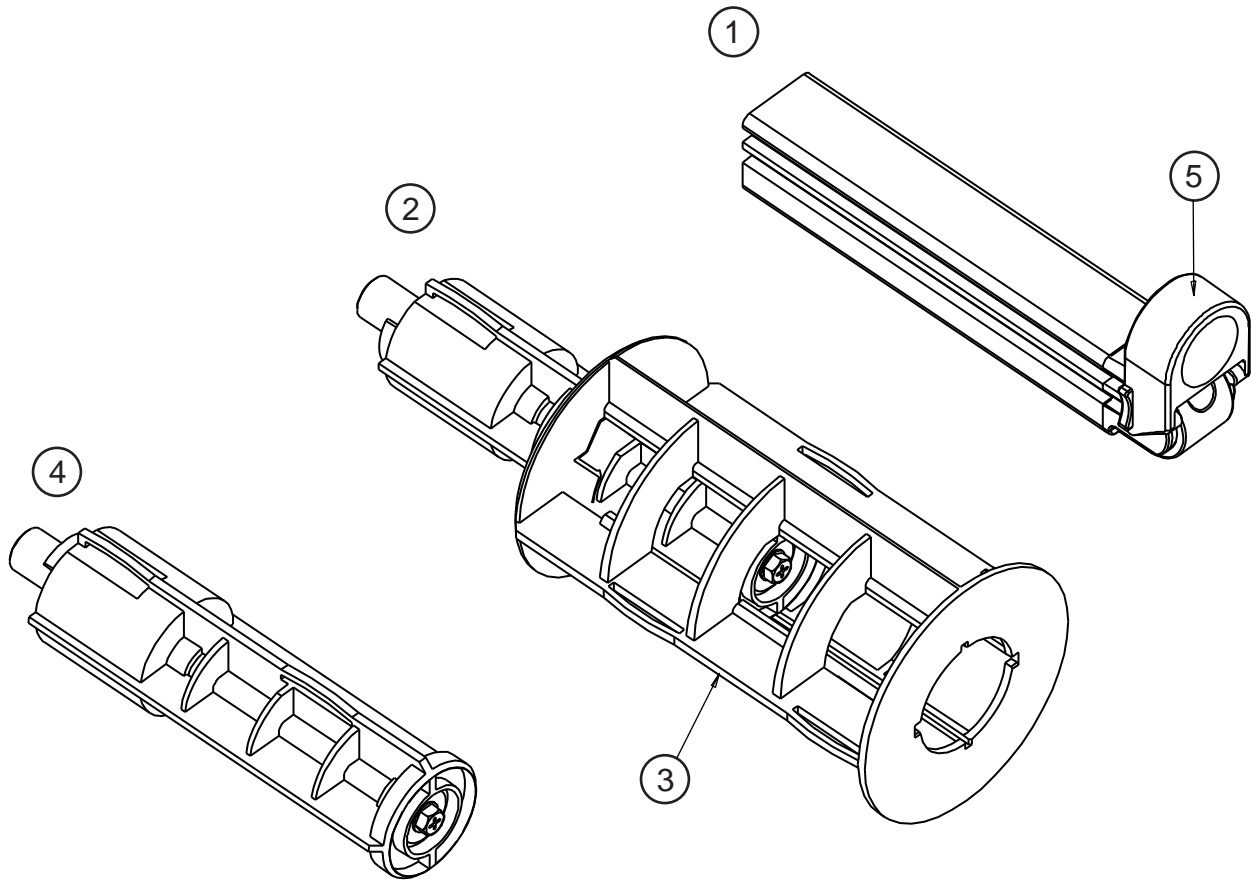
#	Part#	Description	Notes
1	DPR51-2311-00	Board, Backplane	
	DPR51-2348-00	Board, Backplane, w/ additional serial port	RFID & Scanner models
2	DPR78-2772-01	Kit, Drive Gear	
3	DPR78-2773-01	Kit, Stepper Motor	
4	DPR51-2308-00	Power Supply	
5	DPO78-2774-01	Board, Main – I-4208	
	DPO78-2775-01	Board, Main – I-4210	
	DPO78-2776-01	Board, Main – I-4212	
	DPO78-2777-01	Board, Main – I-4308	
	DPO78-2778-01	Board, Main – I-4406	
	DPO78-2779-01	Board, Main – I-4604	
6	DPO24-2567-01	Card Cage	
	DPO24-2567-02	Card Cage W/ Additional Serial Port	RFID & Scanner models
7	DPR16-2555-01	(2PK) Light Pipe, Ribbon Sensor	Not shown
8	DPR12-3341-01	(2PK) Guide, Media Sensor	
9	DPO11-5243-01	Cover Plate	

Front Panel Assemblies



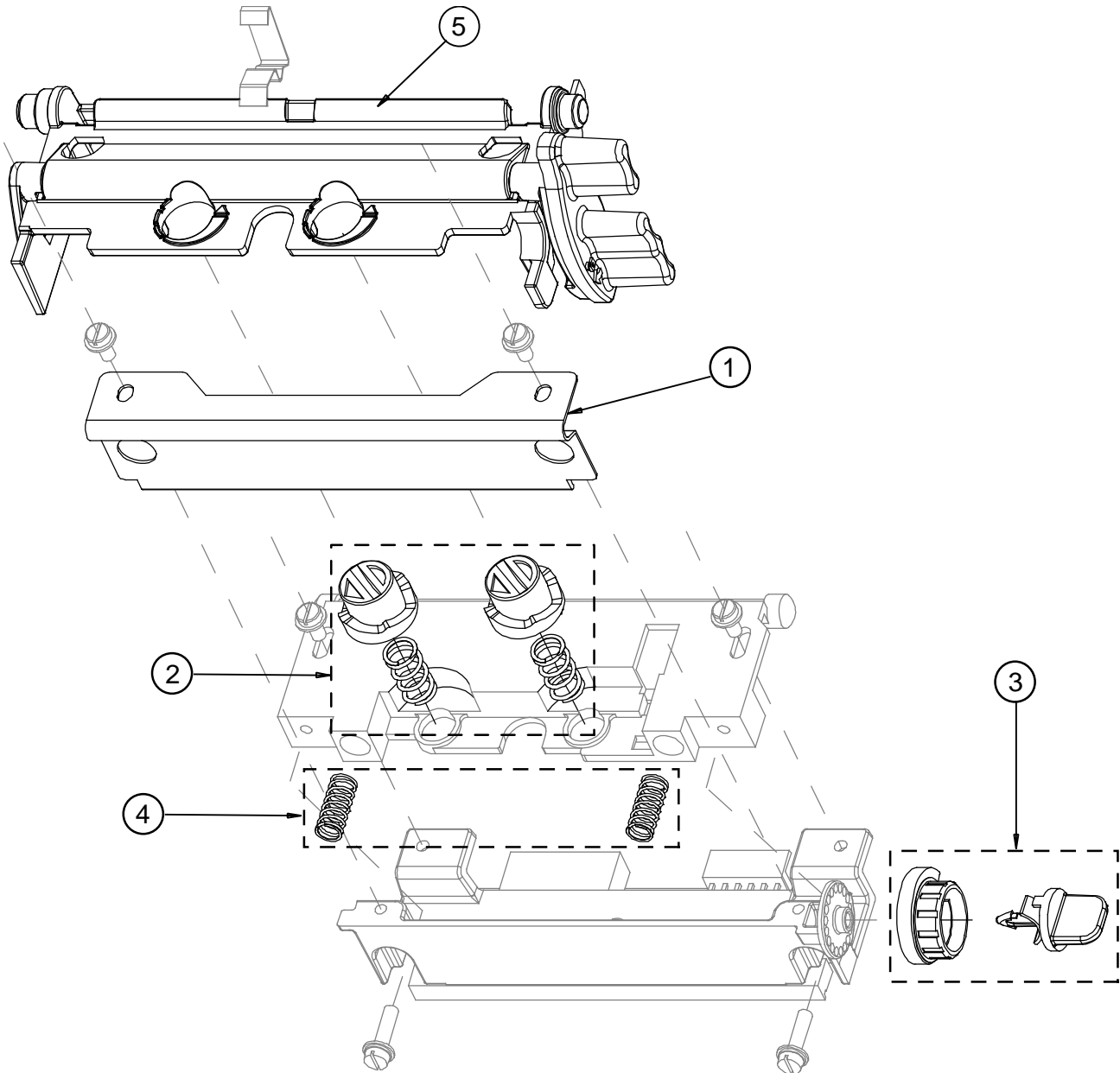
#	Part#	Description	Notes
1	DPR78-2780-01	Kit, Display, Bezel, and Buttons	
	DPO32-2439-01	(5PK) Cable, Flex, Front Panel	Not shown

Media Supply Hubs



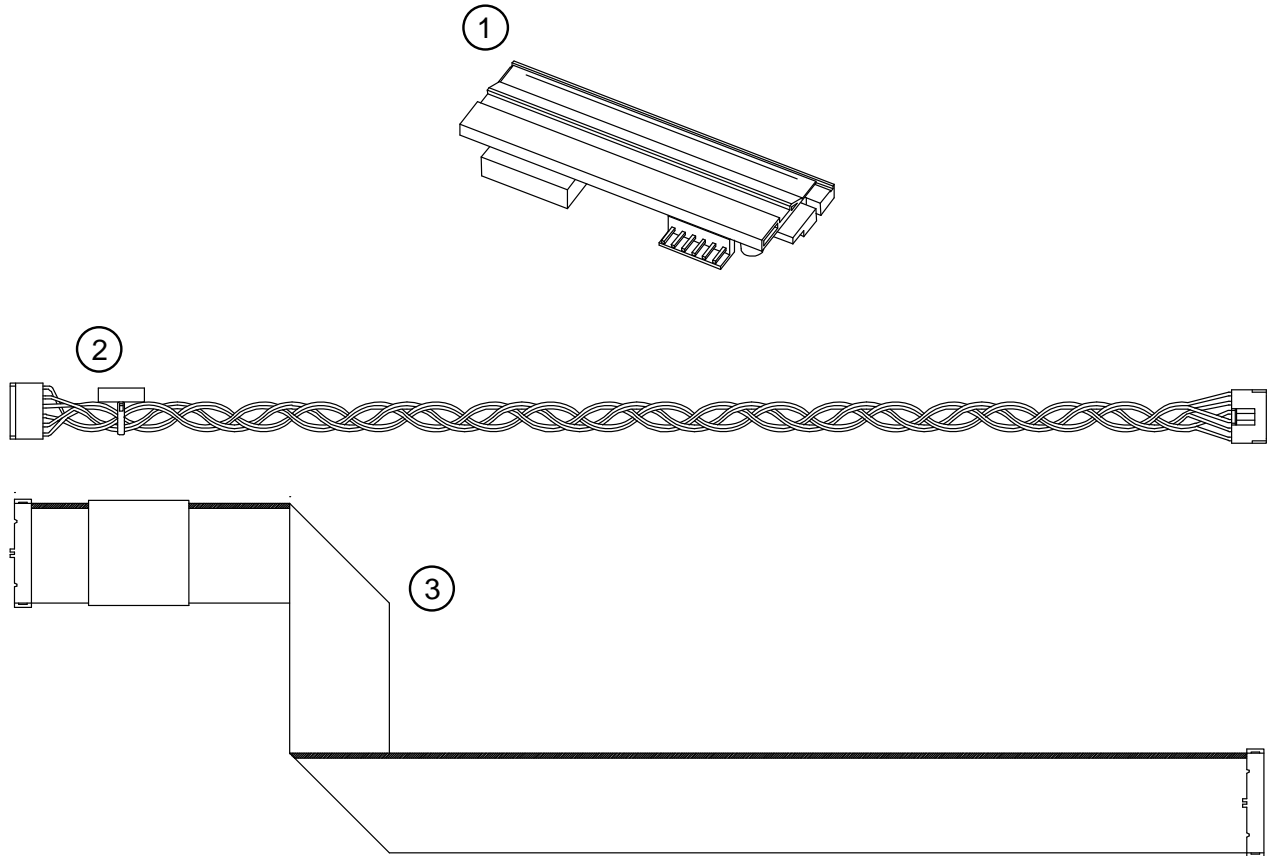
#	Part#	Description	Notes
1	DPR78-2718-01	Assy, Media Hanger	
2	DPR78-2330-01	Assy, 3"/1.5" Media Supply Hub	
3	DPO16-2627-01	Adapter, Hub 3"	
4	DPR78-2367-01	Assy, 40mm Media Supply Hub	
5	DPO16-2527-01	Supply, Media Retainer	

Printhead Assembly



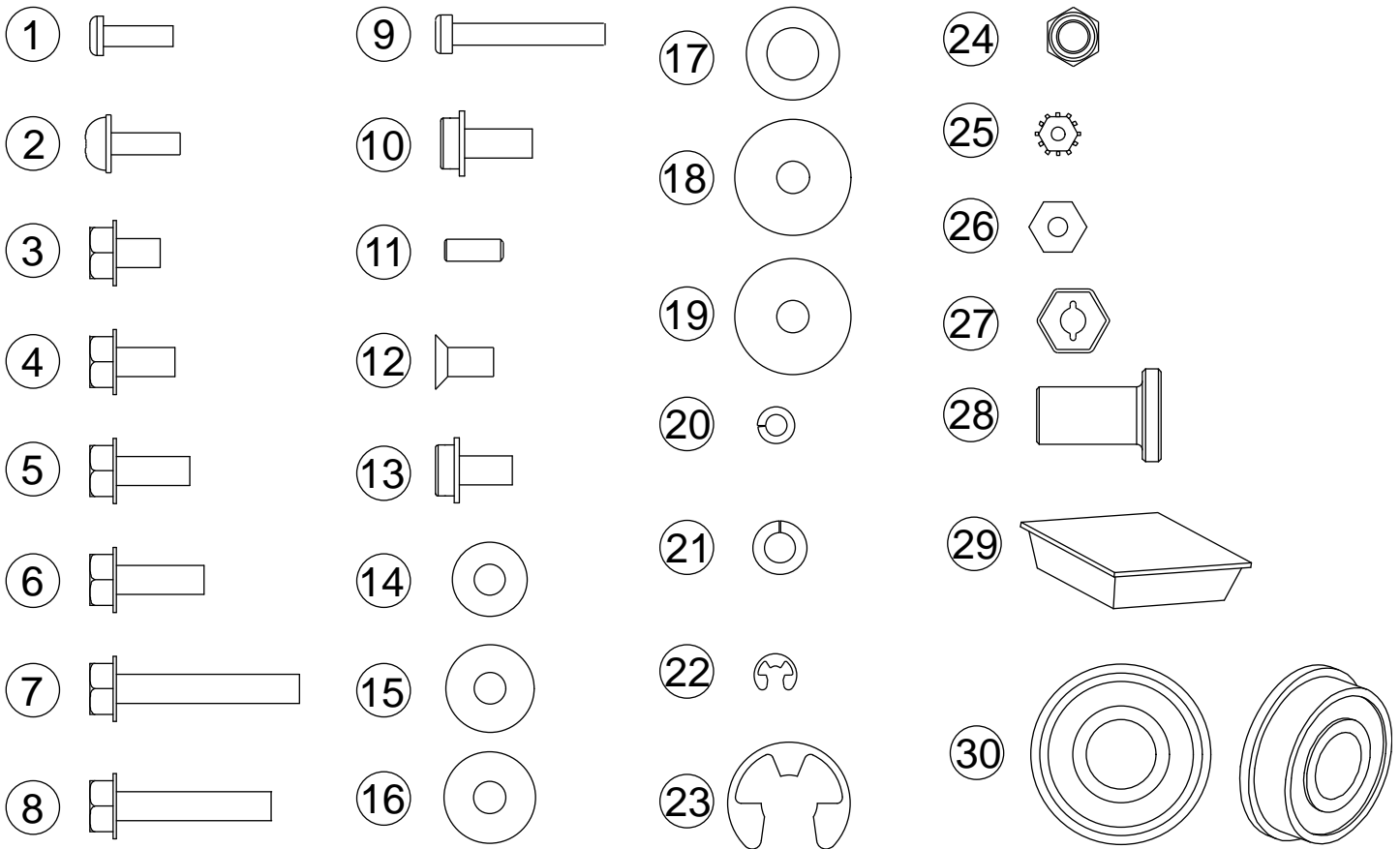
#	Part#	Description	Notes
1	DPO11-5180-01	(1PK) Guide, Ribbon	
2	DPR78-2781-01	Kit, Head Pressure Cam and Spring	
3	DPR78-2782-01	Kit, Media Width Cam	
4	DPR78-2783-01	(2PK) Head Alignment Spring	
5	DPO15-3052-01	Latch Assembly	

Printhead and Printhead Cables



#	Part#	Description	Notes
1	DPO20-2262-01	Printhead, 203DPI – I-4206	
	PHD20-2181-01	Printhead, 203DPI – I-4208, I-4210, I-4212	
	PHD20-2182-01	Printhead, 300DPI – I-4308	
	PHD20-2208-01	Printhead, 406DPI – I-4406	
	PHD20-2209-01	Printhead, 600DPI – I-4604	
2	DPR32-2416-01	Printhead Power Cable	
3	DPR32-2417-01	Printhead Data Cable	

Hardware and Small Parts

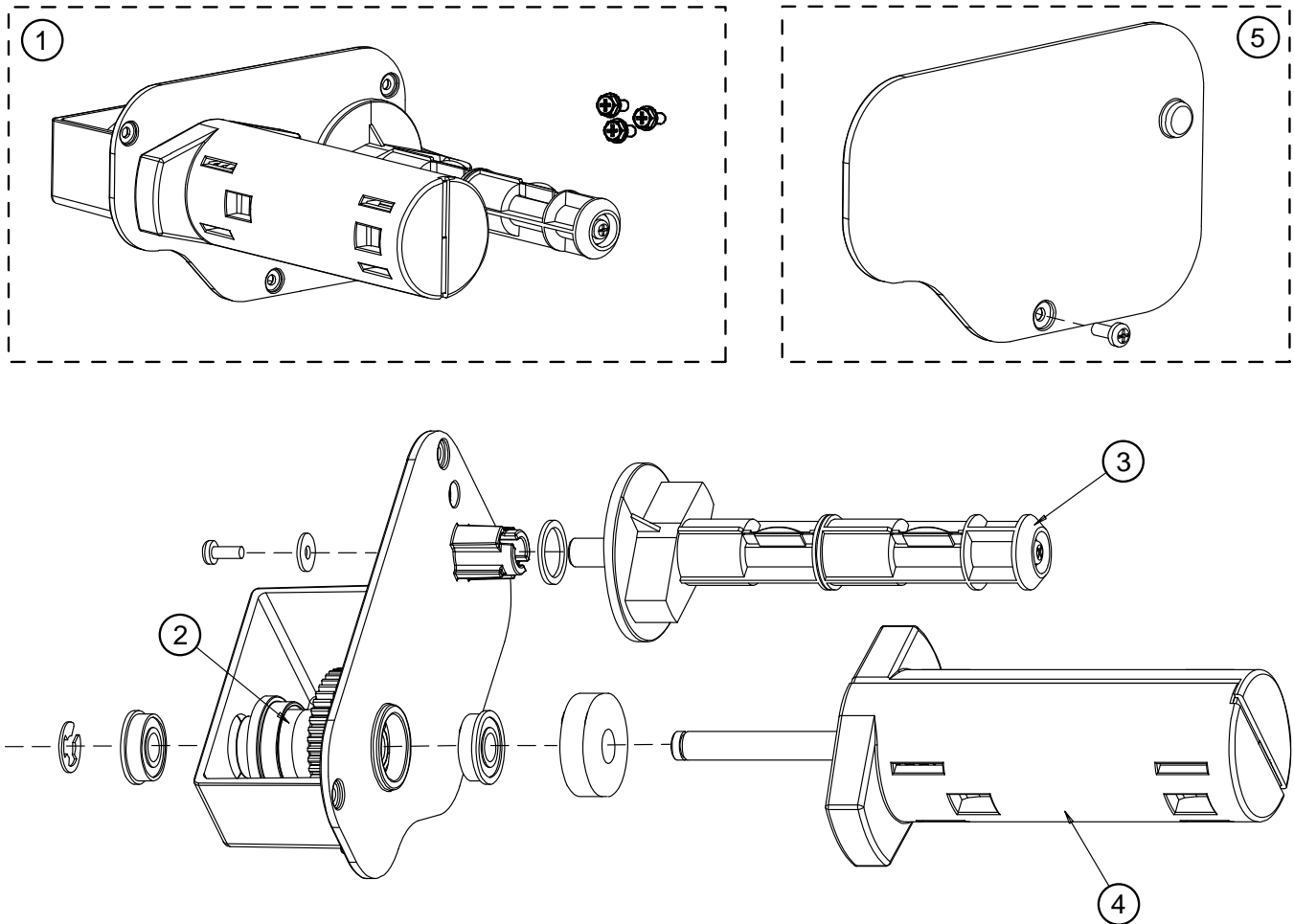


#	Part#	Description
1	DPO130919	(50PK) Screw, 4-40x3/8, PHD
2	DPO130939	(25PK) Screw, M3X.5
3	DPO10-2903-01	(50PK) Screw, M4x6, PHD
4	DPO10-2903-02	(50PK) Screw, M4x8, PHD
5	DPO10-2903-03	(50PK) Screw, M4x10, PHD
6	DPO10-2903-04	(50PK) Screw, M4x12, PHD
7	DPO10-2903-06	(25PK) Screw, M4x25, PHD
8	DPO10-2903-08	(25PK) Screw, M4x20, PHD
9	DPO10-2830-01	(25PK) Screw, M3x20, PPH
10	DPO10-3030-02	(50PK) Screw, M4X16 PHD
11	DPO10-2976-01	(50PK) Set Screw, M3x8
12	DPO10-2984-01	(50PK) Screw, M4x8, FHD
13	DPO10-3030-01	(50PK) Screw, M4x8, PHD
14	DPO10-2104-01	(50PK) WASHER, #8, FLAT,
15	DPO10-2901-01	(50PK) Washer FLAT 4.3MM ID,

#	Part#	Description
16	DPO10-2113-13	(50PK) WASHER, FLAT
17	DPO10-2904-01	(50PK) WASHER, FLAT NYLON, .50 X .281
18	DPO10-3152-01	(5PK) Washer, .175 IDX.626 OD X.062T
19	DPO10-2975-01	(25PK) WASHER, FLAT,
20	DPO10-0009-01	(50PK) WASHER, #4, LOCK
21	DPO10-0526-01	(50PK) WASHER, #8, Split-Lock,
22	DPO10-0307-01	(50PK)RING, RETAINING, .125D
23	DPO10-0563-01	(50PK) E-Ring, 3/8
24	DPO10-2905-01	(50PK) Nut, Self Locking
25	DPO130944	(50PK) Nut M3 X .5
26	DPO10-2114-01	(50PK) Nut M4,,
27	DPO10-3064-01	(25 PK) Nut, Self Threading
28	DPR12-2905-01	(25PK) Post, Idler
29	DPO10-2913-01	(48PK) Foot, Stick-On,
30	DPO17-3028-01	(2/PK) Bearing, Flanged

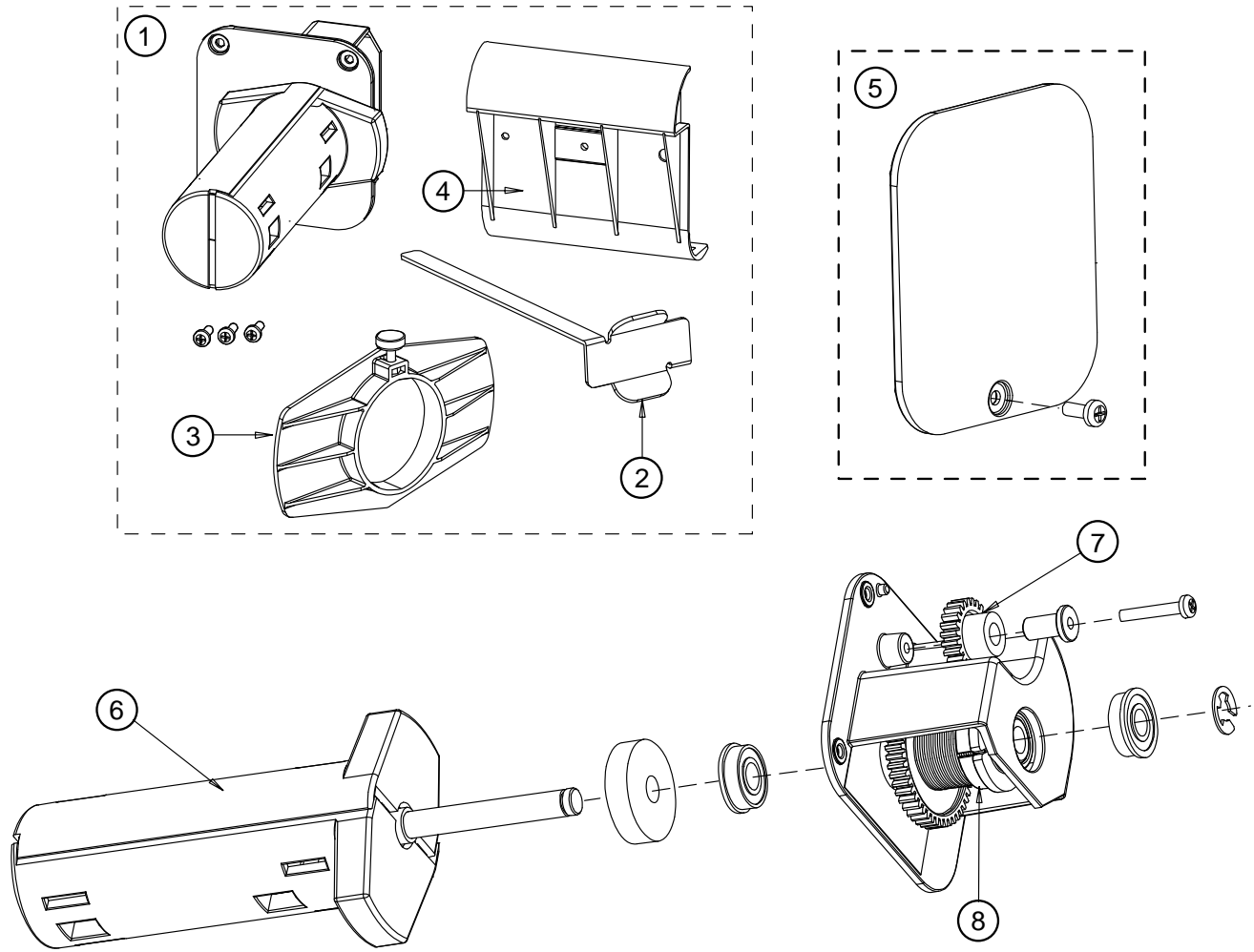
I-Class Options

Thermal Transfer Option



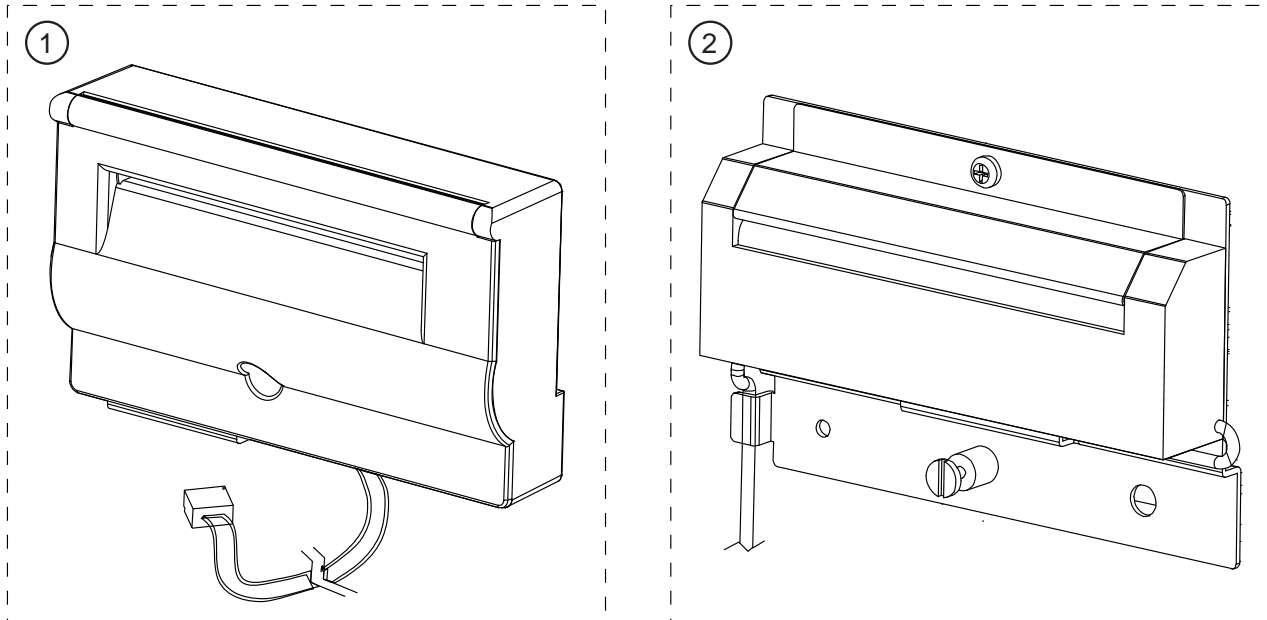
#	Part#	Description	Notes
1	OPT78-2300-12	Thermal Transfer Option, CSO	
	OPT78-2300-01	Thermal Transfer Option, CSI	
2	DPR15-2776-21	(2/PK) Clutch Assembly, Ribbon Rewind	
3	DPR15-2768-11	Assy, Ribbon Supply Hub, CSI	
	DPR15-2768-22	Assy, Ribbon Supply Hub, CSO	
4	DPR15-2764-01	Assy, Take Up Hub	
5	DPO78-2301-01	Cover, Direct Thermal	

Internal Rewind Option



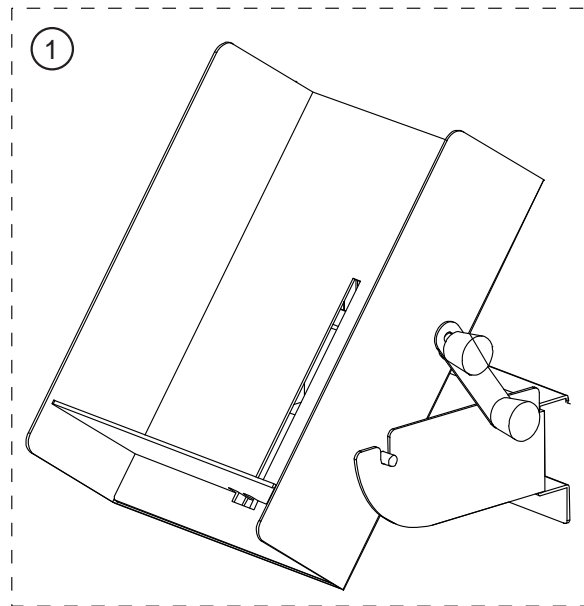
#	Part#	Description	Notes
1	OPT78-2302-02	Internal Rewind Option	
2	DPO11-5339-01	(2PK) Retainer, Media	
3	DPO15-2864-01	Assy, Media Guide Rewinder	
4	DPO16-2786-01	Bracket Rewind	
5	DPO78-2303-01	Cover, Rewind	
6	DPR15-2764-01	Assy, Take Up Hub	
7	DPR17-2860-01	(10pk) Gear, Spur, 24t	
8	DPR15-2802-41	(2/Pk) Clutch Assembly, Media Hub	

Cutter Options



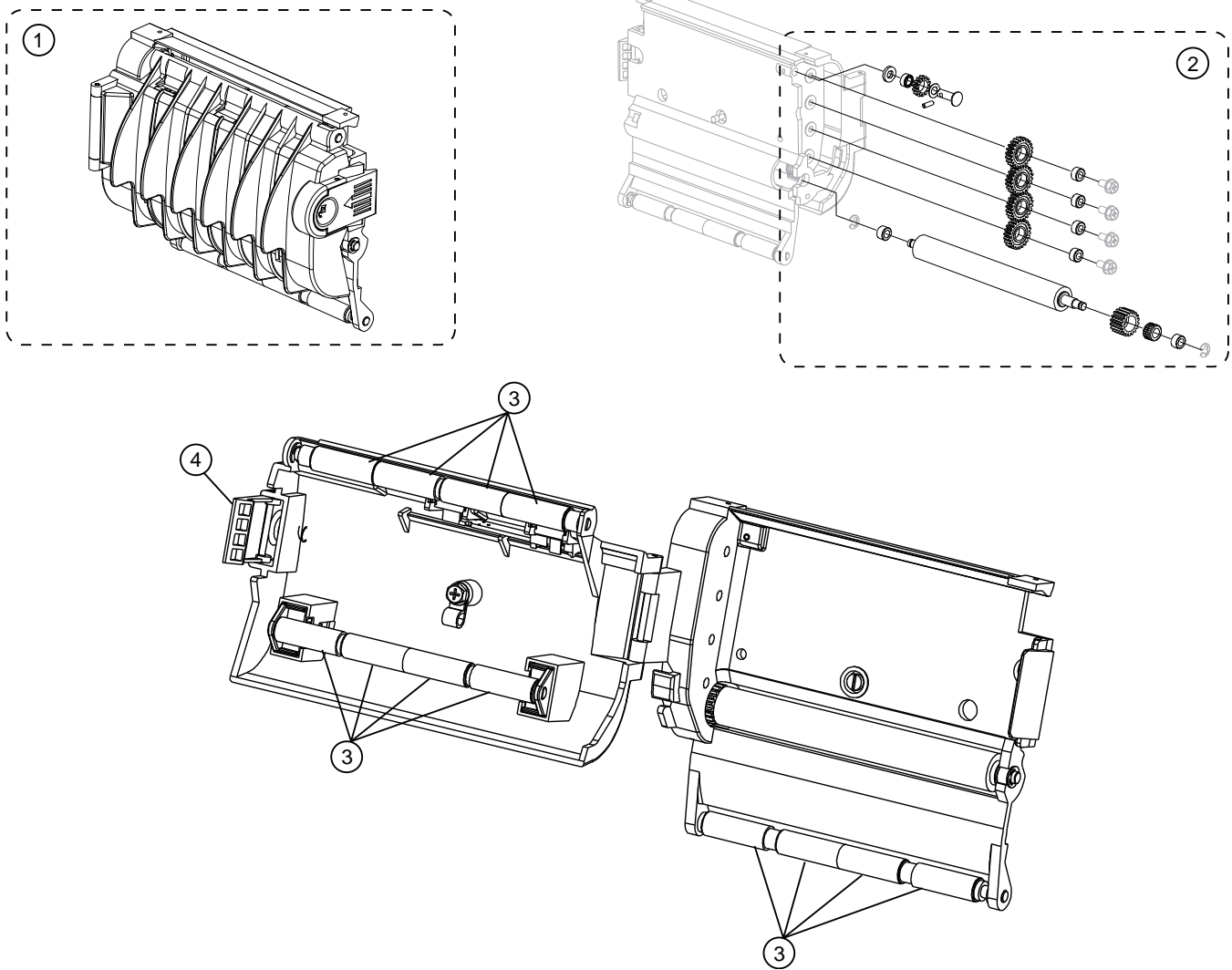
#	Part#	Description	Notes
1	OPT78-2295-01	Standard Cutter Option	
2	OPT78-2316-01	Backing Only Cutter Option	
--	DPR51-2283-00	Cutter Board (Standard Cutter)	<i>Not shown</i>
--	DPO51-2204-00	PCB, Backing Only Cutter	<i>Not shown</i>

Cutter Tray



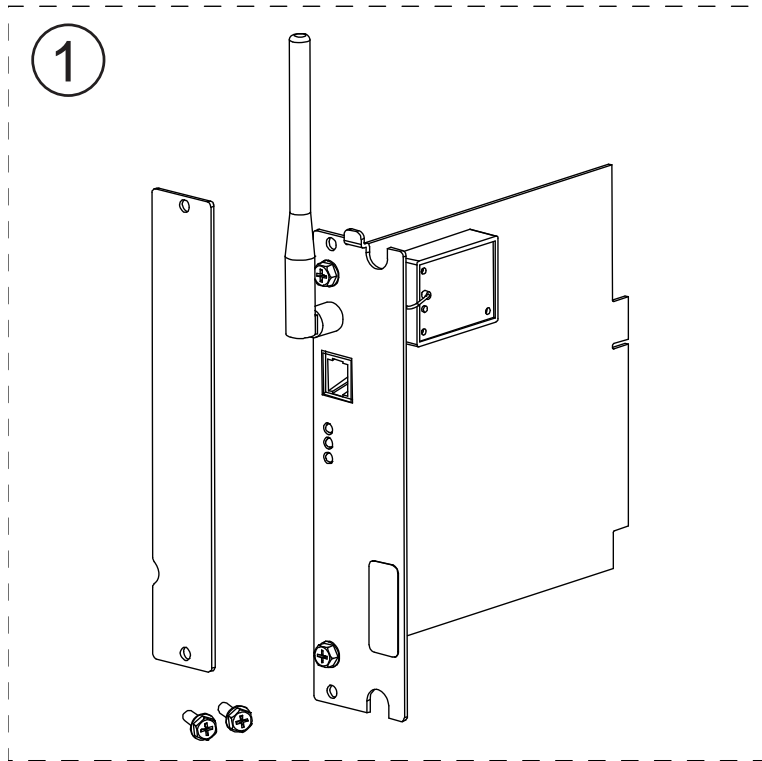
#	Part#	Description	Notes
1	OPT78-2331-01	Cutter Tray Option	

Peel and Present Option



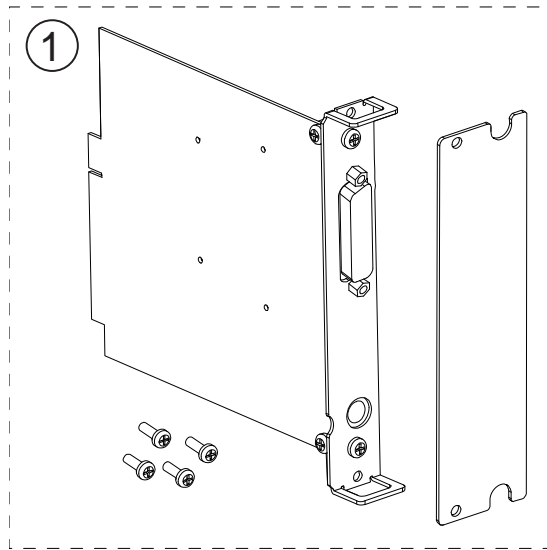
#	Part#	Description	Notes
1	OPT78-2444-01	Peel and Present Option	
2	DPR78-2903-01	Peel Gear Platen Kit	
3	DPR78-2904-01	Peel Roller Kit	
4	DPR16-2970-01	(2PK) Peel and Present Latch	

Ethernet Card Options



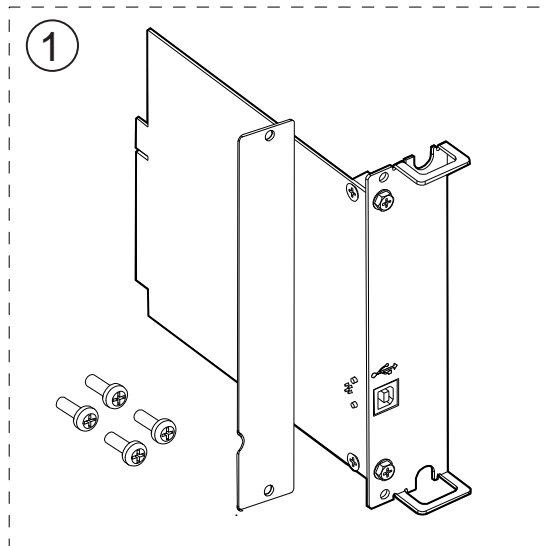
#	Part#	Description	Notes
1	OPT78-2411-01	Wired 10/100 Ethernet Option	I-4208 Only
	OPT78-2657-01	DMXNet II Ethernet Interface Kit	All exc. I-4208
	OPT78-2657-13	DMXrfNet II 802.11b/g Wired/Wireless Kit	All exc. I-4208
--	DPO17-3104-02	Antenna R. Duck RP/SMA	

GPIO and Font Expansion Card Options



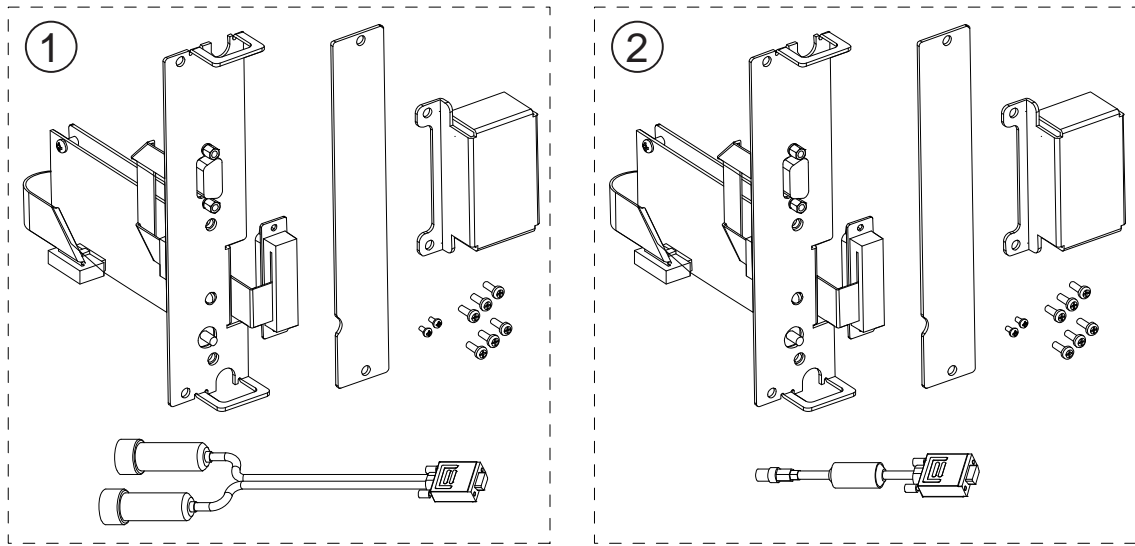
#	Part#	Description	Notes
1	OPT78-2256-02	GPIO Expansion Card	
	OPT78-2323-03	GPIO Expansion Card w/Kanji Font Kit	
	OPT78-2324-03	GPIO Expansion Card w/Simple Chinese Font Kit	
	OPT78-2376-03	Multi Expansion Card w/Korean Font Kit	

USB Interface Option



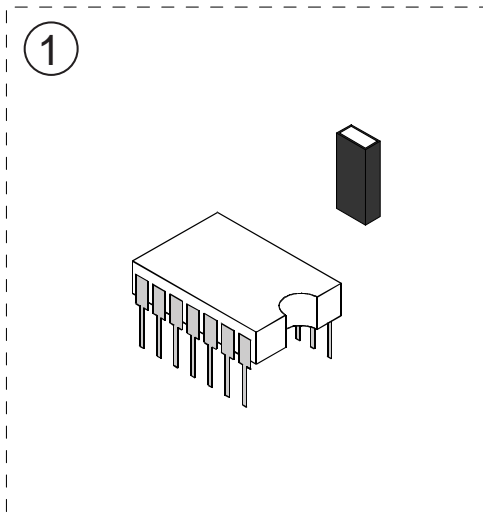
#	Part#	Description	Notes
1	OPT78-2388-01	USB Interface Option	

Twinax and Coax Interface Options



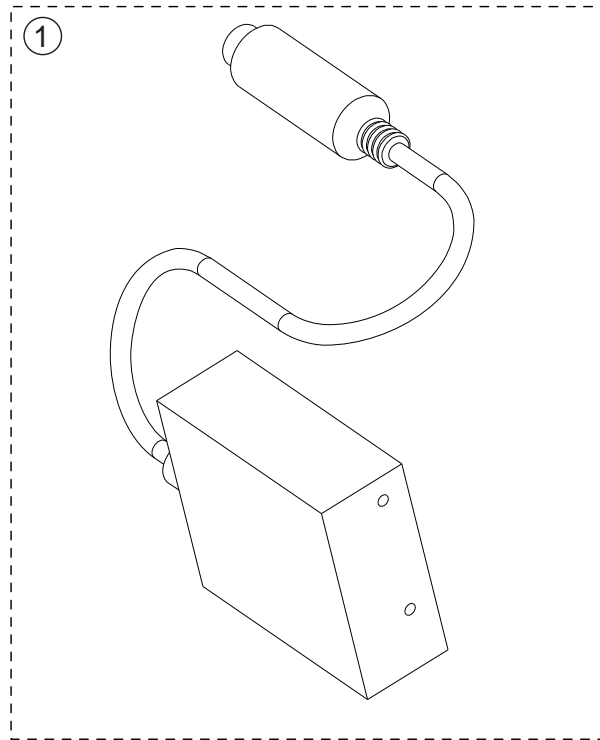
#	Part#	Description	Notes
1	OPT78-2305-01	Twinax Interface Option	
2	OPT78-2305-02	Coax Interface Option	

RS-422 Interface Option



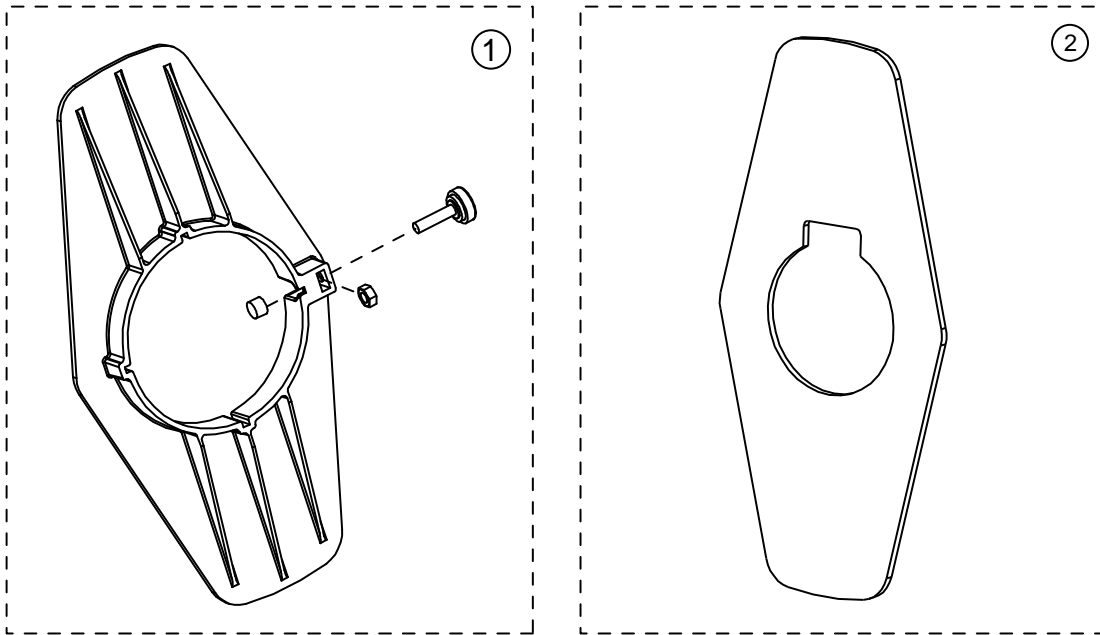
#	Part#	Description	Notes
1	OPT78-2332-01	RS-422 Interface Option	Not available for I-4208

Linear Scanner Module



#	Part#	Description	Notes
1	DPR17-2996-01	Linear Scanner Module	

Supply Hub/Hanger Media Retainer Kits



#	Part#	Description	Notes
1	OPT15-2872-01	Supply Hub Media Retainer Kit	For use on round hubs only.
2	OPT13-2375-01	Supply Hanger Media Retainer Kit	For use on hangers only.