



EALP Series

LED Outdoor Area Light

The EALP Area Light luminaire offers a wide range of optical patterns, color temperatures, lumen packages and mounting configurations to optimize area light applications, as well as provide versatility in lighting design within the same form-factor. They are ideal for commercial property site-lighting applications such as retail and commercial exteriors.



Construction

Housing:	Aluminum die cast enclosure. Integral heat sink for maximum heat transfer
Lens:	Impact resistant tempered glass
Paint:	Corrosion resistant polyester powder paint, minimum 2.0 mil thickness Standard = Black, Dark Bronze Gray, White (RAL & custom colors available) Optional = Coastal Finish
Weight:	27 lbs

Optical system

Lumens:	22,700 - 70,700
Photometry:	Type II, III, IV & V
Efficacy:	122 - 146 LPW
CCT:	3000K, 4000K, 5000K
CRI:	≥70
Upward Light Output Ration (ULOR):	0 Horizontal Orientation

Electrical

Input Voltage:	120-277V, 277-480V & 347-480V
Input Frequency:	50/60 Hz
Power Factor (PH):	> 90% at rated watts
Total Harmonic Distortion (THD):	< 20% at rated watts

Surge Protection

TYPICAL (120 STRIKES)		
6kV/3kA*	10kV/5kA*	20kV/10kA*

*Per ANSI C136.2-2015

Lumen Maintenance

Projected Lxx per IES TM-21-11 at 25°C

OPTICS	LXX(10K) @ HOURS		
	25,000 HR	50,000 HR	60,000 HR
J5, K2, K3, K4, K5	L96	L92	L91
L2, L3, L4, L5, M2, M3, M4, M5	L95	L93	L92
J2, J3, J4, N2, N3, N4, N5	L95	L93	L92
P2, P3, P4, P5, Q2,Q3, Q4, Q5	L95	L93	L92

Note: Projected Lxx based on LM80 (= 10,000 hour testing). Accepted industry tolerances apply to initial luminous flux and lumen maintenance measurements

Luminaire Ambient Temperature Factor

AMBIENT TEMP (°C)	INITIAL FLUX FACTOR	AMBIENT TEMP (°C)	INITIAL FLUX FACTOR
10	1.02	30	0.99
20	1.01	40	0.98
25	1.00		

Ratings

Operating Temperature:	-40° C to 40° C
Vibration:	3G per ANSI C136.31-2010
LM-79:	Testing in accordance with IESNA Standards

Controls

Dimming:	Standard - 0-10V Optional - DALI (Option U)
Sensors:	Photo Electric Sensors (PE) available LightGrid and Daintree Compatible

Warranty

5 Year (Standard)

10 Year (Optional)



Optical Only

Ordering Information

EALP 03

7

PRODUCT ID	GENERATION	VOLTAGE	OPTICAL CODE	DISTRIBUTION	CRI	CCT	DIMMING ²	CONTROLS	MOUNTING ARM	COLOR	OPTIONS
E= Evolve	03	0 ¹ =120-277V	Jx = 25000 lm ¹³	SM = Symmetric Medium	7 = 70 (min)	30 ¹¹ = 3000K	N = Dimming thru PE receptacle	A = ANSI C136.41 7-Pin Receptacle	C1 ⁴ = Integral Slipfitter: Standard	BLCK = Black	F= Fusing
AL= Area Light		H ¹ = 347-480V	Kx = 30000 lm	SW = Symmetric Wide		40 = 4000K	D = External Dimming 18/2 3 ft Cable	D = ANSI C136.417-Pin Receptacle with Shorting Cap	D1 ⁵ = Universal Mounting Arm: Fitted for round or square pole mounting	DKBZ = Dark Bronze	H = Motion Sensor ^{3,13,14} (Sensor Switch)
P = Premium		E ¹⁹ = 277-480V	Lx = 35000 lm	SH = Symmetric High Angle		50 = 5000K		E ³ = ANSI C136.41 7-pin with Non-Dimming PE Control	K1 ^{4,6} = Knuckle Slipfitter: For 1.9 in. - 2.3 in OD Tenon	GRAY = Gray	H1 = LightGrid w/ WattStopper ¹³
			Mx = 40000 lm	AF = Asymmetric Forward					S1 ^{4,6} = Knuckle Slipfitter: For 2.3 in. - 3.0 in OD Tenon	WHITE = White	H2 = Daintree enabled motion sensor ^{8,13,14}
		1 = 120V	Nx = 50000 lm ¹³	AH = Asymmetric High Angle					V1 ^{4,6} = Knuckle Wall Mount		H4 = Motion Sensor (WattStopper) ¹³
		2 = 208V	Px = 60000 lm ^{13,14}	AW = Asymmetric Wide							J = cUL/Canada
		3 = 240V	Qx = 70000 lm ^{13,14}	AN = Asymmetric Narrow/Auto							L = Tool-Less Entry
		4 = 277V									R = Enhanced Surge Protection (10kV/5kA)
		D = 347V									S1 = Rotated Left ¹²
		5 = 480V									S2 = Rotated Right ¹²
											T = Extreme Surge Protection
											U = DALI Programmable ^{7,8}
											V = 3 Position Terminal Block
											Y = Coastal Finish ¹⁰
											XXX = Special Options

¹ Not Available with Fusing, Must Choose a Discrete Voltage with "F" Option Code

² Note Standard Dimming is 0-10V

³ Not available in 277-480V

⁴ Supplied with 3ft leads

⁵ Supplied with 16/3 ft Cable

⁶ Restricted Aiming Angle of 0-45°

⁷ Compatible with LightGrid Wireless Control Nodes, Not Compatible with Motion Sensor Control

⁸ Not available in 347V, 480V or 347-480V.

⁹ Only available with K, L & M optics

¹⁰ Recommended for installations within 750 feet from coast. Lead time varies, check with factory.

¹¹ Select 3000K CCT for IDA approved fixtures.

¹² For aimed left of right light distribution orientation, as assembled in manufacturing. Not applicable for Symmetric Distributions

¹³ Not available with Dali

¹⁴ Not available with 20kV/10kA SPD

CUSTOMER NAME _____

PROJECT NAME _____

DATE _____ TYPE _____

CATALOG NUMBER _____

TYPE	OPTIC CODE	DISTRIBUTION	TYPICAL INITIAL LUMENS		TYPICAL SYSTEM WATTAGE	BUG RATINGS	
			3000K	4000K & 5000K	120-277 & 347-480V	3000K	4000 & 5000K
						B-U-G	B-U-G
TYPE V	J5	Symmetric Medium (SM)	23600	25000	172	B4-U0-G2	B4-U0-G2
	K5	Symmetric Medium (SM)	28300	30000	212	B5-U0-G3	B5-U0-G3
	L5	Symmetric Medium (SM)	33000	35000	263	B5-U0-G3	B5-U0-G3
	M5	Symmetric Medium (SM)	37800	40000	305	B5-U0-G3	B5-U0-G4
	N5	Symmetric Medium (SM)	47200	50000	400	B5-U0-G4	B5-U0-G4
	P5	Symmetric Medium (SM)	56700	60000	470	B5-U0-G4	B5-U0-G4
	Q5	Symmetric Medium (SM)	66100	70000	570	B5-U0-G5	B5-U0-G5
	J5	Symmetric Wide (SW)	23600	24100	172	B4-U0-G2	B3-U0-G2
	K5	Symmetric Wide (SW)	28300	29000	212	B5-U0-G2	B3-U0-G2
	L5	Symmetric Wide (SW)	33000	33800	263	B5-U0-G2	B4-U0-G2
	M5	Symmetric Wide (SW)	37800	38600	305	B5-U0-G2	B4-U0-G2
	N5	Symmetric Wide (SW)	47200	48300	400	B5-U0-G3	B5-U0-G3
	P5	Symmetric Wide (SW)	56700	58000	470	B5-U0-G3	B3-U0-G3
	Q5	Symmetric Wide (SW)	66100	67600	570	B5-U0-G4	B3-U0-G4
	J5	Symmetric High Angle (SH)	22700	24100	200	B5-U0-G3	B5-U0-G3
	K5	Symmetric High Angle (SH)	27400	29000	212	B5-U0-G3	B5-U0-G3
	L5	Symmetric High Angle (SH)	31900	33800	263	B5-U0-G4	B5-U0-G4
	M5	Symmetric High Angle (SH)	36400	38600	305	B5-U0-G4	B5-U0-G4
	N5	Symmetric High Angle (SH)	45600	48300	400	B5-U0-G4	B5-U0-G5
	P5	Symmetric High Angle (SH)	54800	58000	470	B5-U0-G5	B5-U0-G5
Q5	Symmetric High Angle (SH)	63800	67600	570	B5-U0-G5	B5-U0-G5	
TYPE IV	J4	Asymmetric Forward (AF)	23600	25000	200	B1-U0-G2	B1-U0-G2
	K4	Asymmetric Forward (AF)	28300	30000	212	B2-U0-G2	B2-U0-G2
	L4	Asymmetric Forward (AF)	33000	35000	263	B2-U0-G2	B2-U0-G2
	M4	Asymmetric Forward (AF)	37800	40000	305	B3-U0-G3	B3-U0-G3
	N4	Asymmetric Forward (AF)	47200	50000	400	B3-U0-G3	B3-U0-G3
	P4	Asymmetric Forward (AF)	56700	60000	470	B3-U0-G4	B3-U0-G4
	Q4	Asymmetric Forward (AF)	66100	70000	570	B2-U0-G2	B2-U0-G2
	J4	Asymmetric High Angle (AH)	22700	24100	200	B3-U0-G4	B3-U0-G4
	K4	Asymmetric High Angle (AH)	27400	29000	212	B3-U0-G4	B3-U0-G5
	L4	Asymmetric High Angle (AH)	31900	33800	263	B4-U0-G5	B4-U0-G5
	M4	Asymmetric High Angle (AH)	36400	38600	305	B4-U0-G5	B4-U0-G5
	N4	Asymmetric High Angle (AH)	45600	48300	400	B4-U0-G5	B4-U0-G5
	P4	Asymmetric High Angle (AH)	54800	58000	470	B4-U0-G5	B4-U0-G5
Q4	Asymmetric High Angle (AH)	63800	67600	570	B5-U0-G5	B5-U0-G5	
TYPE III	J3	Asymmetric Wide (AW)	23600	25000	200	B3-U0-G3	B3-U0-G3
	K3	Asymmetric Wide (AW)	28300	30000	212	B3-U0-G3	B3-U0-G3
	L3	Asymmetric Wide (AW)	33000	35000	263	B3-U0-G3	B4-U0-G3
	M3	Asymmetric Wide (AW)	37800	40000	305	B4-U0-G3	B4-U0-G4
	N3	Asymmetric Wide (AW)	47200	50000	400	B4-U0-G4	B4-U0-G4
	P3	Asymmetric Wide (AW)	56700	60000	470	B5-U0-G4	B5-U0-G4
Q3	Asymmetric Wide (AW)	66100	70000	570	B5-U0-G5	B5-U0-G5	

CUSTOMER NAME _____

PROJECT NAME _____

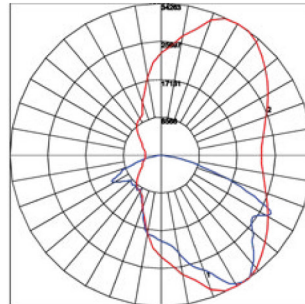
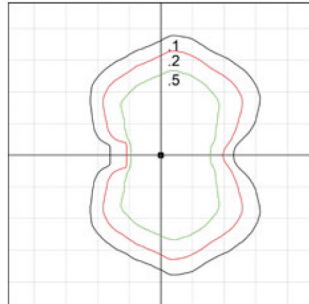
DATE _____ TYPE _____

CATALOG NUMBER _____

TYPE	OPTIC CODE	DISTRIBUTION	TYPICAL INITIAL LUMENS		TYPICAL SYSTEM WATTAGE	BUG RATINGS	
			3000K	4000K & 5000K	120-277 & 347-480V	3000K	4000 & 5000K
						B-U-G	B-U-G
TYPE II	J2	Asymmetric Narrow/Auto (AN)	23800	25200	200	B3-U0-G3	B3-U0-G3
	K2	Asymmetric Narrow/Auto (AN)	28600	30300	212	B3-U0-G3	B3-U0-G3
	L2	Asymmetric Narrow/Auto (AN)	33000	35300	263	B4-U0-G4	B4-U0-G4
	M2	Asymmetric Narrow/Auto (AN)	38100	40400	305	B4-U0-G4	B4-U0-G4
	N2	Asymmetric Narrow/Auto (AN)	47700	50500	400	B4-U0-G4	B4-U0-G4
	P2	Asymmetric Narrow/Auto (AN)	57200	60600	470	B4-U0-G4	B4-U0-G4
	Q2	Asymmetric Narrow/Auto (AN)	66800	70700	570	B5-U0-G5	B5-U0-G5

For additional information on Non-Shielded and Shielded EALP files, please refer to LED.com

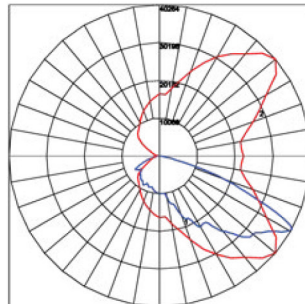
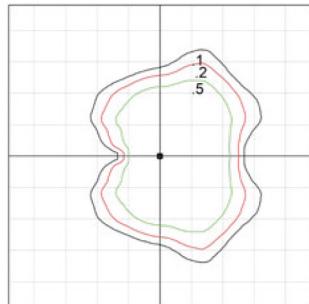
EALP03
ASYMMETRIC NARROW
(Q2AN750)
70700 Lumens
5000k
EALP03_Q2AN750_____IES



Gridline spacing is equal to mounting height. Initial footcandle values shown are at grade for 40' mounting height.

—: Vertical plane through horizontal angle of maximum candlepower at 60°
—: Vertical plane through horizontal angle 35°

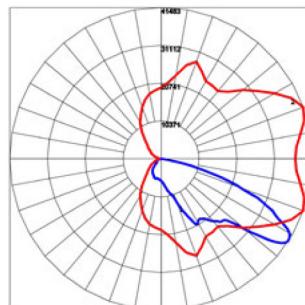
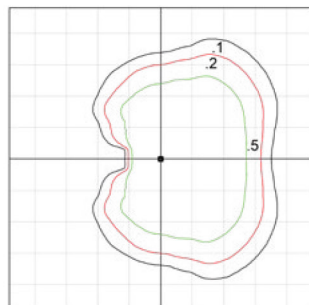
EALP03
ASYMMETRIC WIDE
(Q3AW750)
70000 Lumens
5000k
EALP03_Q3AW750_____IES



Gridline spacing is equal to mounting height. Initial footcandle values shown are at grade for 40' mounting height.

—: Vertical plane through horizontal angle of maximum candlepower at 40°
—: Vertical plane through horizontal angle 61°

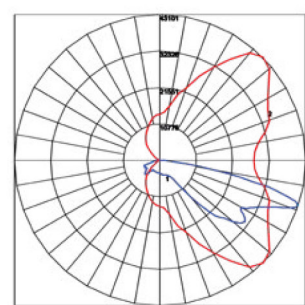
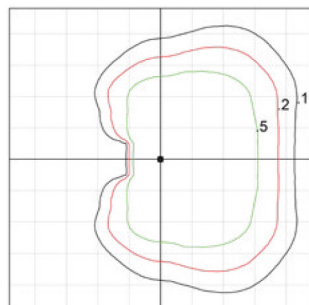
EALP03
ASYMMETRIC FORWARD
(Q4AF750)
70000 Lumens
5000k
EALP03_Q4AF750_____IES



Gridline spacing is equal to mounting height. Initial footcandle values shown are at grade for 40' mounting height.

—: Vertical plane through horizontal angle of maximum candlepower at 20°
—: Vertical plane through horizontal angle 57°

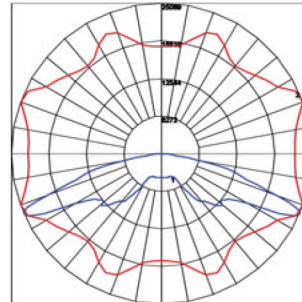
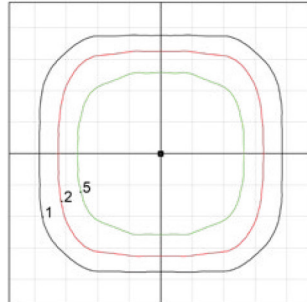
EALP03
ASYMMETRIC FORWARD HIGH ANGLE
(Q4AH750)
67600 Lumens
5000k
EALP03_Q4AH750_____IES



Gridline spacing is equal to mounting height. Initial footcandle values shown are at grade for 40' mounting height.

—: Vertical plane through horizontal angle of maximum candlepower at 45°
—: Vertical plane through horizontal angle 72°

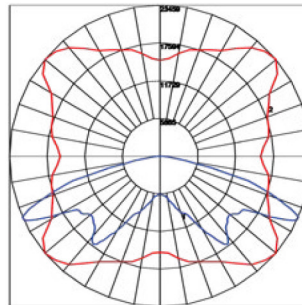
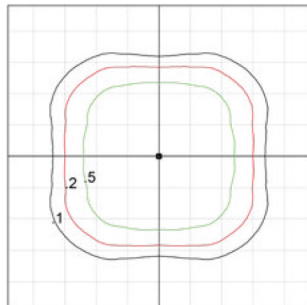
EALP03
SYMMETRIC HIGH ANGLE
(Q5SH750)
67600 Lumens
5000k
EALP03_Q5SH750_____IES



Gridline spacing is equal to mounting height.
Initial footcandle values shown are at grade
for 40' mounting height.

—: Vertical plane through horizontal angle of maximum candlepower at 20°
—: Vertical plane through horizontal angle 66°

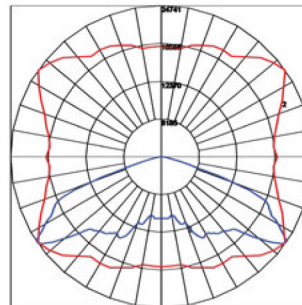
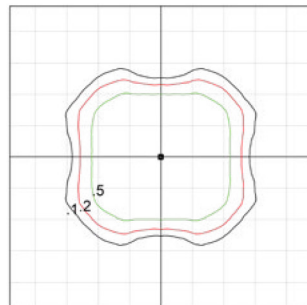
EALP03
SYMMETRIC MEDIUM
(Q5SM750)
70000 Lumens
5000k
EALP03_Q5SM750_____IES



Gridline spacing is equal to mounting height.
Initial footcandle values shown are at grade
for 40' mounting height.

—: Vertical plane through horizontal angle of maximum candlepower at 40°
—: Vertical plane through horizontal angle 65°

EALP03
SYMMETRIC WIDE
(Q5SW750)
70000 Lumens
5000k
EALP03_Q5SW750_____IES

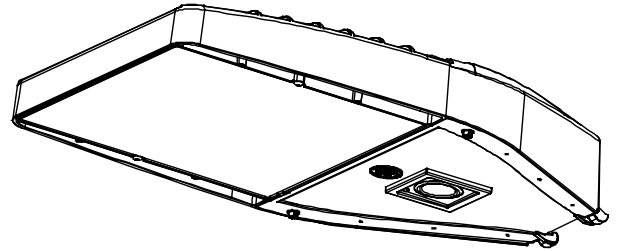


Gridline spacing is equal to mounting height.
Initial footcandle values shown are at grade
for 40' mounting height.

—: Vertical plane through horizontal angle of maximum candlepower at 35°
—: Vertical plane through horizontal angle 56°

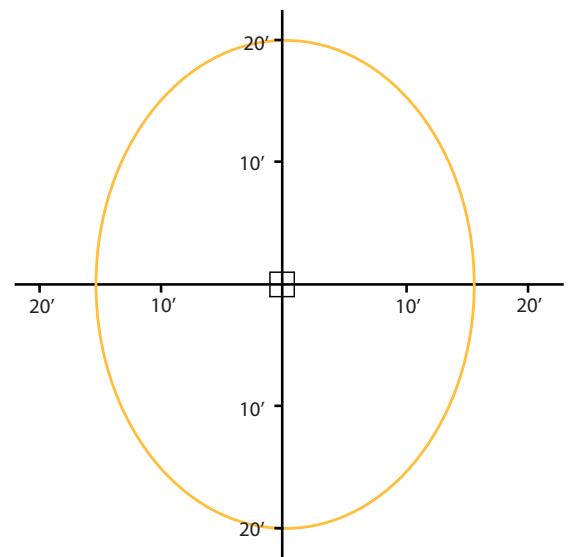
H-Motion Sensing Option

- Recommended Mounting Height: 15-30' (4.6-9.1m)
- For mounting heights exceeding 30 ft., pole mounted sensors are recommended
- Coverage Radius: 15-20' (4.6-6.1 m).
- Provides 270 degree of coverage (approx 90 is blocked by the pole)
- Default Settings:
 - Output: Occupied - 100%/Unoccupied - 50%
 - Integral PE Sensor.
 - 5 minute post-occupancy time delay, 5 minute dimming ramp-down.
- Fixture power increase of 1W expected with sensor use.



H1/4 - Motion Sensing Option (WattStopper)

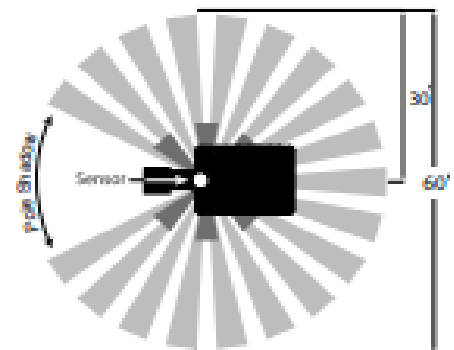
- Recommended Mounting Height: 15-30' (4.6-9.1m)
- For mounting heights exceeding 30 ft., pole mounted sensors are recommended
- Coverage Radius: 15-20' (4.6-6.1 m).
- Provides 270 degree of coverage (approx 90 is blocked by the pole)
- Default Settings:
 - Output Occupied – 100% / Unoccupied – 10%
 - PE Sensor: Disabled
 - Ramp/Fade: Disabled
- Adds < 1W to fixture power rating
- Field programmable using FSIR-100 hand held programmer



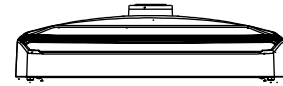
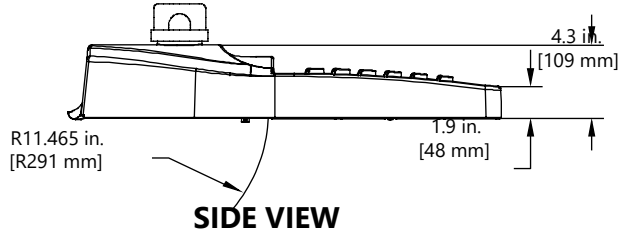
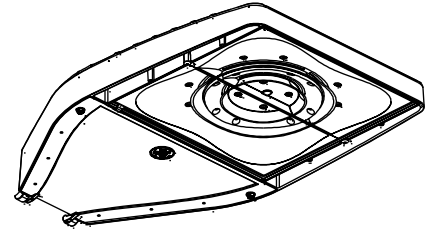
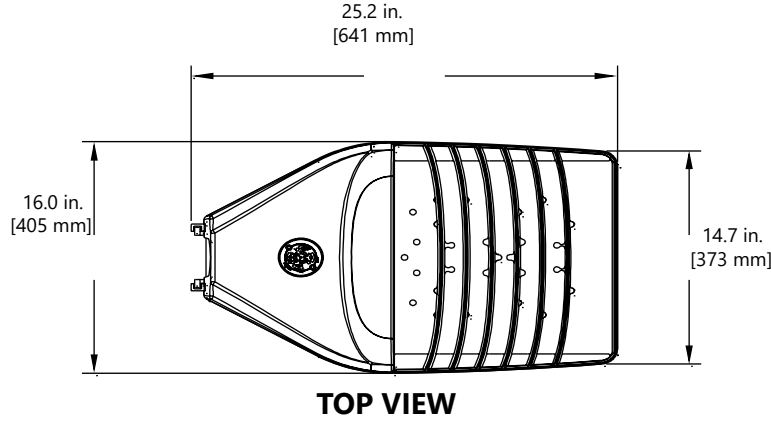
H2 - Motion Sensing Option (Daintree)

- Recommended Mounting Height: 15-30' (4.6-9.1m)
- For mounting heights exceeding 30 ft., pole mounted sensors are recommended
- Provides a coverage area radius for walking motion of 15-20 ft. (4.57-6.10m)
- Provides 270 degree of coverage (approx 90 is blocked by the pole)
- Default Settings:
 - Output: Occupied - 100%/Unoccupied - 50%
 - PE Sensor: None
 - Ramp/Fade: 5 Minutes/5 Minutes
- Adds < 1W to fixture power rating
- Requires Daintree Enterprise and wide area control (WAC)

Sensing Pattern Area Fixture
Up to 30 ft. Mounting Height

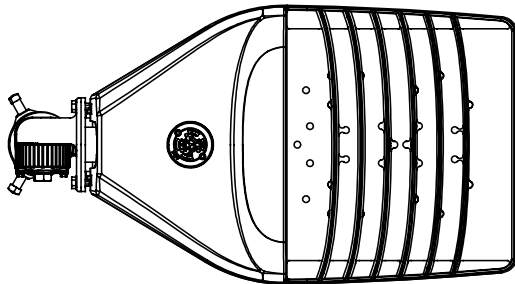


INTEGRAL SLIPFITTER: C1

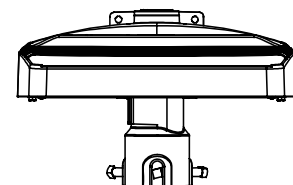
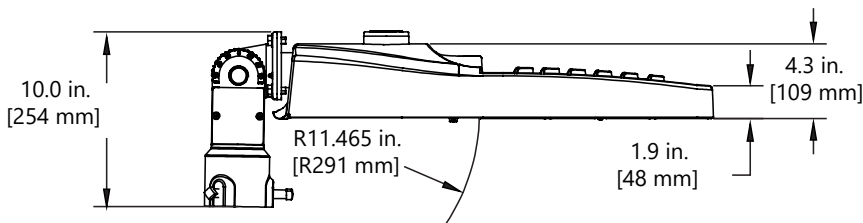
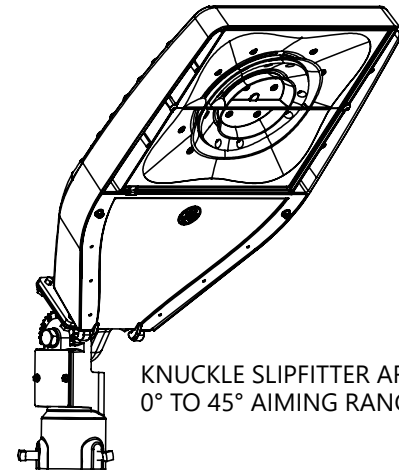


FRONT VIEW

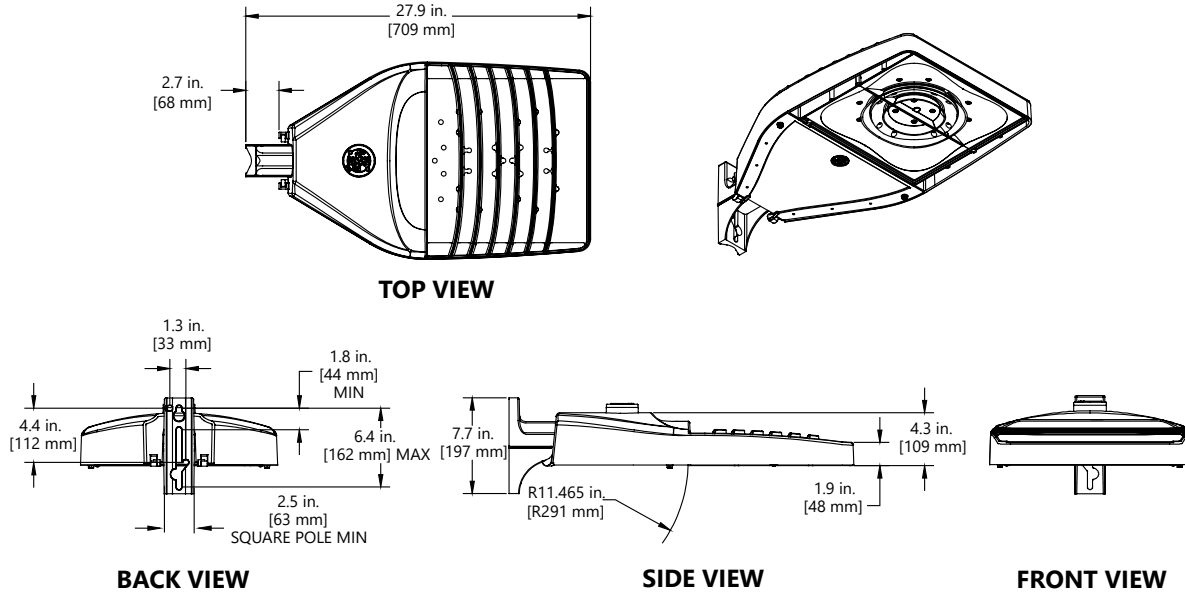
KNUCKLE SLIPFITTER: S1



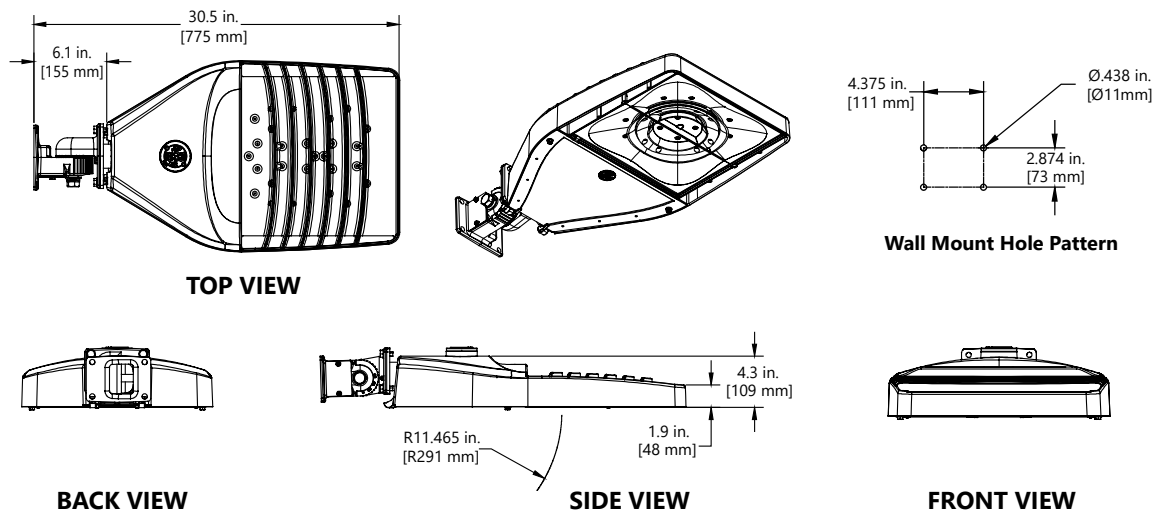
TOP VIEW



UNIVERSAL ARM MOUNT: D1



KNUCKLE WALL MOUNT: V1



DATA

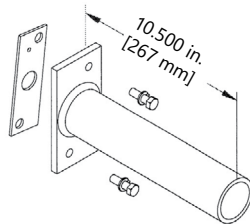
- Approximate Net Weight: 26-28 lbs (11.79 kgs-12.97 kgs)
- Effective Projected Area (EPA):
 - Knuckle Slipfitter S1, 45° aim, EPA = 2.45
 - Knuckle w/Slipfitter S1, downward aim, EPA = 0.73
 - Universal Arm Mount D1, EPA = 0.54
 - Knuckle Wall Mount V1, 45° aim, EPA = 0.77 sq ft min and 1.43 sq ft max
 - Integral Slipfitter C1, EPA = 0.63

Mounting Arms for Slipfitter

Order separately with Mounting Option C1 (Slipfitter)

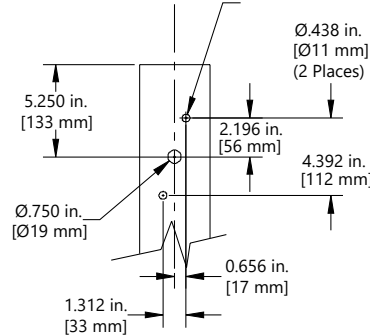
SQUARE POLE MOUNTING ARM

3.5 TO 4.5-inch (89 to 114mm) SQUARE
(WILL ALLOW 4 FIXTURES PER POLE @ 90 DEGREES.)



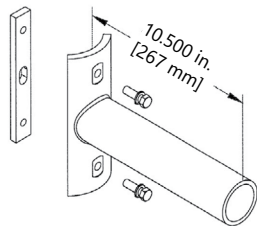
ORDER SEPARATELY FROM FIXTURE AS CATALOG NUMBER
SPA-EAMT10BLCK "Black"
SPA-EAMT10DKBZ "Dark Bronze"

SQUARE POLE MOUNTING DRILLING TEMPLATE



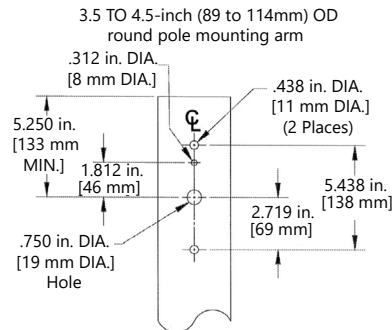
ROUND POLE MOUNTING ARMDRILLING TEMPLATE

3.5 TO 4.5-inch (89 to 114mm) OD
(WILL ALLOW 4 FIXTURES PER POLE @ 90 DEGREES.)



ORDER SEPARATELY FROM FIXTURE AS CATALOG NUMBER
RPA-EAMT10BLCK "Black"
RPA-EAMT10DKBZ "Dark Bronze"

ROUND POLE MOUNTING DRILLING TEMPLATE



Wall Mounting Bracket Adapter Plate

ORDER SEPARATELY FROM FIXTURE AS CATALOG NUMBER
WMB-EAMT06

*NOTE: For Wall Mounting, order luminaire with mounting arm: C1 = Slipfitter 2" Pipe (2.378 in. OD) supplied with leads.

**Other mounting patterns are available for retrofit installations.
Contact manufacturing for other available mounting patterns.**

SAP NUMBER	PART NUMBER	DESCRIPTION
93123552	WANSI - 277	ANSI 136.41 Dimming PE Daintree Enable, 105-305V
93123553	WANSI - 480	ANSI 136.41 Dimming PE Daintree Enable, 312-530V
93029237	PED-MV-LED-7	ANSI C136.41 Dimming PE, 120-277V
93029238	PED-347-LED-7	ANSI C136.41 Dimming PE, 347V
93029239	PED-480-LED-7	ANSI C136.41 Dimming PE, 480V

PE Accessories (to be ordered separately)

SAP NUMBER	PART NUMBER	DESCRIPTION
28299	PECOTL	Standard 120-277V
28294	PEC5TL	Standard 480V
80436	PECDTL	Standard 347V
93147530	PECHTL	Long Life Standard PE, 347-480V
73251	SCCL-PECTL	Shorting Cap
93029239	PED-480-LED-7	ANSI C136.41 Dimming PE, 480V