



ULTIMATE JAGUAR PARTS SPECIALIST

X308



THE PARTS COLLECTION



WELCOME

SNG Barratt first started to sell and remanufacture Jaguar E-Type components in the 1970's. With constant re-investment the range quickly grew and more and more items were re-introduced. Now many years later we make a multitude of parts for the entire range of classic Jaguars. This catalogue is designed purely with the X308 owner in mind and offers a comprehensive range of the products that we can provide.



YOUR CUSTOMER NUMBER

Upon dealing with SNG Barratt for the first time you will be allocated a customer number. In most cases this will be your UK postcode or in the USA your telephone number. However if you are outside the UK/USA your sales advisor will use either your postal area code or a number devised using your surname. This customer number can either be found on your invoice or simply by asking the person serving you. The ability to provide your customer number when contacting our sales department will allow us to access your information far faster and serve you even more efficiently.

CUSTOMER NUMBER:



HOW TO USE THIS CATALOGUE

Use the illustration in each section to identify the component that you require. Note the indicated item number and find the corresponding number in the section listing. There you will see our part number for that item, the description and to it's right the quantity required per car. Very often this will be the original Jaguar part number, thus allowing you to refer to an original factory parts catalogue if more detail is required.

If you then quote this part number when contacting our sales department or enter it into our website, we will be able to confirm the cost (all prices are also available online) and whether we have the part in stock.

If you cannot find or conclusively identify the item that you require then please call and we will aim to assist you. Whilst this catalogue is a comprehensive publication it is not a definitive guide to everything that we do. Our staff have many years of experience with all aspects of the Jaguar marque and may have just the answer...

Item number **Diagram Title**

4.0 LITRE SUPERCHARGED **Quantity required per car**

1. Inlet Manifold			
RH A-Bank	Part number	Contact Sales	1
LH B-Bank		Contact Sales	1
2. Gasket	Description	NCC3018AB	2

We manufacture hundreds of Jaguar parts and have access to thousands more, for both classic and modern cars.

You can download your very own set of catalogues from our website at

www.sngbarratt.com



INTRODUCTION



THE JAGUAR XJ8 / X308

The luxury saloon sold by Jaguar between 1997 and 2003 known as the X308 was an evolution of the 6 cylinder X300, retaining the tried and trusted independent rear suspension of the earlier model with a re-styling of the front and rear bumpers, rear lights and grille. More importantly the X308 gained Jaguar's new AJ-V8 power unit available in 3.2 and 4.0 litre forms. This refined engine was used in great numbers in saloon and sports models. Both lighter and more powerful than the engine it replaced, the new V8 went on to become a worthy successor to the bullet proof AJ6.

The X308 was available in base form as the XJ8 or as the XJ8 Sport which featured stiffer suspension, sportier seating and large diameter wider wheels. European sports models could be recognised by the addition of black trim replacing the stainless steel around the doors and windows.

The Sovereign featured traditional Jaguar luxury, with plenty of external chrome and a burr walnut interior. A long wheelbase version was produced from 1998 which gave an extra 4 inches of leg room for rear seat passengers.

The XJR featured a supercharged version of the AJ-V8 which could propel the big saloon from standstill to 60mph in 5 seconds with a top speed electronically limited to 155mph whilst still returning realistic fuel economy figures.

The Daimler model featured softer suspension together with all usual internal luxuries. It differed externally with the front grille and rear boot plinth having traditional Daimler 'fluted' styling.

YOUR VEHICLE DETAILS

Please complete this section as accurate vehicle information at your finger tips will prove to be invaluable. Very often identifying the correct part for you car can be all down to chassis or engine number. These details can best be found on the car itself, as registration documents can often prove to be incorrect due to engine swaps and vehicle upgrades that the DVLA have not been advised of.

Year of manufacture:

Engine Size & Type: 3.2 Petrol / 4.0 Petrol / 4.0 Supercharged

VIN / Chassis Number:

S A J

Engine Number:

Paint Code:

CATALOGUE ACRONYM CODE:

RHD: Right-Hand Drive / **LHD:** Left-Hand Drive

RH: Right-Hand / **LH:** Left-Hand

PAS: Power Assisted Steering

EATC: Electronic Automatic Temperature Control

A/C & A.C: Air Conditioning

EGR: Exhaust Gas Recirculation

VVT: Variable Valve Timing

We have access to thousands of Jaguar parts. This information will help us to quickly locate the best parts for your Jaguar X308.



CONTENTS

ENGINE	4	TORQUE CONVERTER & HOUSING	38	INTERIOR LAMPS	70
CAMSHAFTS & VALVES	4			ELECTRICAL COMPONENTS	71
CAMSHAFT COVER	5	BRAKING	39	IGNITION SYSTEM	71
PISTONS & CONNECTING RODS	6	BRAKE DISCS & CALIPERS	39	ELECTRIC AERIAL	71
CRANKSHAFT & PULLEY	7	HANDBRAKE ASSEMBLY	41	ENGINE SENSORS	72
CYLINDER HEAD	8	BRAKE SERVO & MASTER CYLINDER	42	INERTIA SWITCH	72
CYLINDER BLOCK	9	ABS SYSTEM	42	HEATED OXYGEN SENSOR	73
DRIVE BELTS & PULLEYS	10			RELAYS	73
ENGINE ASSEMBLY	11	STEERING & SUSPENSION	43	SWITCHES & CIGAR LIGHTER	74
ENGINE & GEARBOX MOUNTINGS	12	STEERING RACK	43	PARKING AID	76
INLET MANIFOLDS	13	ROAD SPRINGS & DAMPERS	44		
EXHAUST MANIFOLDS	14	ANTI-ROLL BAR	46	AIR CONDITIONING & HEATING	76
OIL FILTER	14	FRONT HUB & VERTICAL LINK	47	A.C. & HEATER UNIT	76
OIL PUMP & PIPES	15	WISHBONES	48	AIR DUCTS	77
OIL COOLER	15	REAR HUB & CARRIER	50	BLOWER MOTOR ASSEMBLY	78
OIL SUMP & DIPSTICK	16	FRONT CROSSBEAM	51	ASPIRATOR & SENSOR	78
TIMING CHAINS	17	REAR FRAME CARRIER	51	CONDENSOR & RECEIVER DRIER	79
		PAS PUMP, RESERVOIR & HOSES	52	COMPRESSOR	79
COOLING SYSTEM	19	EXHAUST COMPONENTS	53	EVAPORATOR & HEATER MATRIX	80
EXPANSION TANK	19	HEATSHIELDS	53	HEATER FEED & RETURN PIPES	80
WATER PUMP	19	FRONT PIPES	54	REFRIGERANT HOSES	81
RADIATOR	20	REAR PIPES	55	WATER VALVE PUMPS & HOSES	81
RADIATOR HOSES	21	CATALYTIC CONVERTERS	55		
FAN & COWL	22	BODY	56	WASHER & WIPER	82
BLOCK HEATER	22	BOLTED BODY PANELS	56	WIPER MOTOR	82
THERMOSTAT	23	DOOR FRAMES & SEALS	57	WIPER ARM & BLADE	82
		DOOR HANDLES & LOCKS	59	WINDSCREEN & HEADLAMP	
AIR & FUEL DELIVERY	24	FRONT BUMPERS	60	WASHER RESERVOIR	83
AIR CLEANER	24	REAR BUMPERS	62	HEADLAMP WASH SYSTEM	83
AIR DELIVERY SYSTEM	25	MIRRORS	64	SCREENWASH SYSTEM	84
ACCELERATOR PEDAL	26	GRILLES & BADGES	65		
FUEL TANK	26	LIGHTING	67	ACCESSORIES	85
FUEL PIPES & INJECTORS	27	HEADLAMP ASSEMBLY	67	SERVICE ITEMS	86
FUEL FILLER & CAP	29	FRONT FOG LAMPS	67	LUBRICANTS & CLEANING PRODUCTS	87
SUPERCHARGER	29	DIRECTION INDICATOR LAMPS	68	INDEX	88
		SIDE MARKER LAMPS	68		
TRANSMISSION & DRIVELINE	30	REAR LAMPS	69		
CONTROL VALVE ASSEMBLY	30				
GEAR CHANGE CONTROL	31				
GEAR CONTROL CABLE	32				
DIFFERENTIAL ASSEMBLY	33				
GEARBOX ASSEMBLY	34				
GEARBOX SEALS	35				
HALFSHAFT ASSEMBLY	35				
OIL COOLER PIPES	36				
OIL SUMP PAN	37				
PROPSHAFT ASSEMBLY	37				

ENGINE CAMSHAFTS & VALVES



1. Inlet Camshaft

3.2 Litre, RH A-Bank

To VIN 853935	NCC2502CA	1
VIN 853936 to VIN F20644	NEE2502BB	1
From VIN F20645	AJ83266	1

3.2 Litre, LH B-Bank

To VIN 853935	NCC2503CA	1
VIN 853936 to VIN F20644	NEE2503BB	1
From VIN F20645	AJ83267	1

4.0 Litre, RH A-Bank

To VIN 853935	NCA2502AA	1
From VIN 853936	NRA2502AB	1

4.0 Litre, LH B-Bank

To VIN 853935	NCA2547BA	1
From VIN 853936	NRA2503AB	1

4.0 Litre Supercharged

From VIN 853936

RH A-Bank	NEE2503CB
LH B-Bank	NEE2502CB

2. Timing Ring

3.2/4.0 Litre

To VIN 853935	NCA2613CA	1
From VIN 853936	NEE2613DA	2

4.0 Litre Supercharged

To VIN 878717	NCA2613CA	1
From VIN F00035	NEE2613DA	2

3. Exhaust Camshaft

RH A-Bank

To VIN 853935	NCC2504CA	1
From VIN 853936		

3.2 Litre	NEE2504BA	1
-----------	-----------	---

4.0 Litre	NRA2504AA	1
-----------	-----------	---

4.0 Litre Supercharged	NEE2504BA	1
------------------------	-----------	---

LH B-Bank

To VIN 853935	NCC2505CA	1
---------------	-----------	---

From VIN 853936

3.2 Litre	NEE2505BA	1
-----------	-----------	---

4.0 Litre	NRA2505AA	1
-----------	-----------	---

4.0 Litre Supercharged	NEE2505BA	1
------------------------	-----------	---

4. Tappet	NCE2543AA	32
-----------	-----------	----

5. Valve Cotter	EAZ1317	64
-----------------	---------	----

6. Valve Collar	NCA2517BA	32
-----------------	-----------	----

7. Valve Spring		
-----------------	--	--

To VIN 853935	NCC2535AA	32
---------------	-----------	----

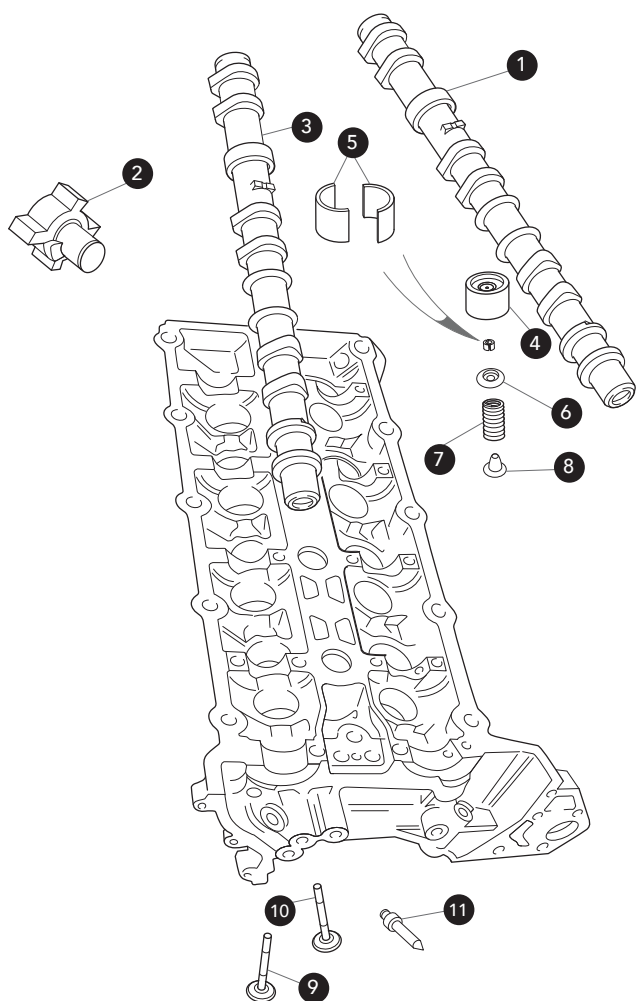
From VIN 853936	AJ87950	32
-----------------	---------	----

8. Valve Spring Seat	NCE2528AC	32
----------------------	-----------	----

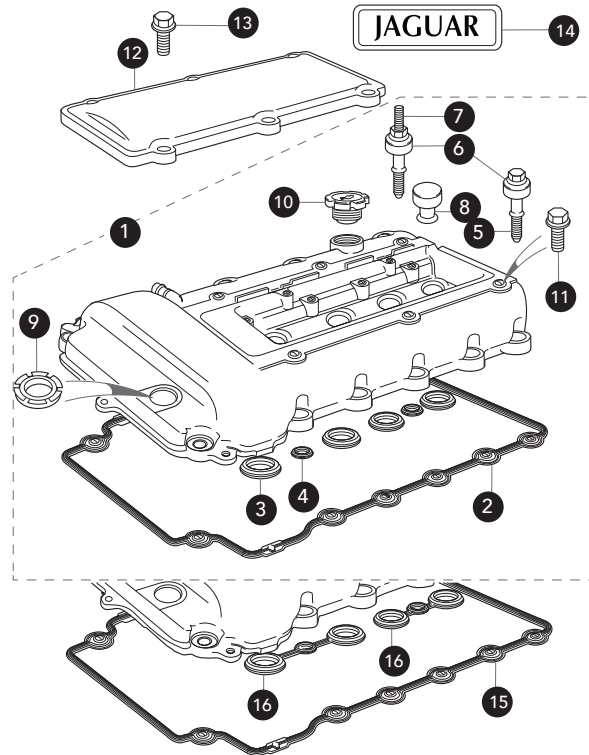
9. Exhaust Valve	NCA2532AA	16
------------------	-----------	----

10. Inlet Valve	AJ810945	16
-----------------	----------	----

11. Blind Rivet	JZA100033	2
-----------------	-----------	---



ENGINE CAMSHAFT COVER

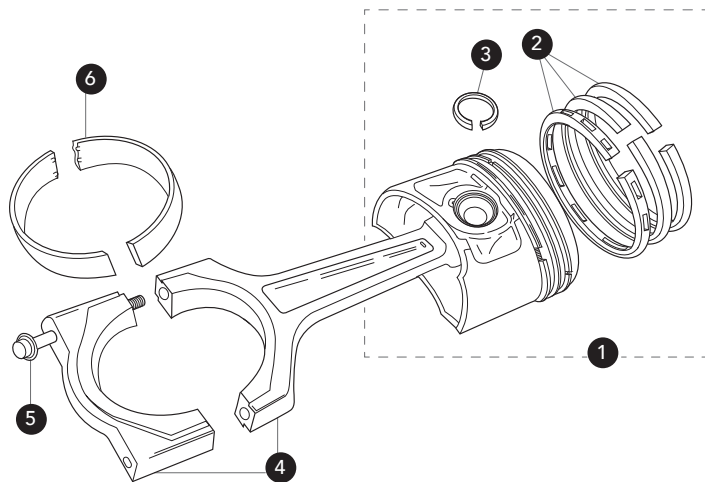


1. Camshaft Cover				9. Valve Seal	AJ82856	1
Variable Valve Timing				10. Oil Filler Cap	AJ87922	1
RH A-Bank	C2A1516	1		11. Inner Rear Camshaft Cover Bolt	AJ810721	2
LH B-Bank, to VIN 853935	C2A1513	1		12. On Plug Coil Cover	AJ84151	2
LH B-Bank, from VIN 853936	C2A1514	1		13. On Plug Coil Cover Screw	AJ84085	12
Non-Variable Valve Timing				14. Badge		
RH A-Bank	C2A1515	1		4.0 Litre Supercharged, LH B-Bank		
LH B-Bank	C2A1513	1		Daimler	NCB2580AA	1
2. Camshaft Cover Gasket				Jaguar	NCB2581AA	1
RH A-Bank	AJ88400	1		15. Camshaft Cover Gasket		
LH B-Bank	AJ88285	1		RH A-Bank		
3. Spark Plug Boss Seal	AJ87206	4		To Engine 9810290000	NCA2515AE	1
4. Centre Seal	AJ87242	2		LH B-Bank		
5. Camshaft Cover Fastener	AJ810511	9		To Engine 9810290000	NCA2516AE	1
6. Isolator	NCA2575CA	1		16. Spark Plug Boss Seal		
7. Camshaft Cover Fastener	AJ810512	3		To Engine 9810290000	NCA2578BB	4
8. Mounting Spacer	AJ810510	1				

**N.B. For Tappet Adjustment Shims please contact Sales for more information
Various sizes are available; quantity as required.**

ENGINE

PISTONS & CONNECTING RODS

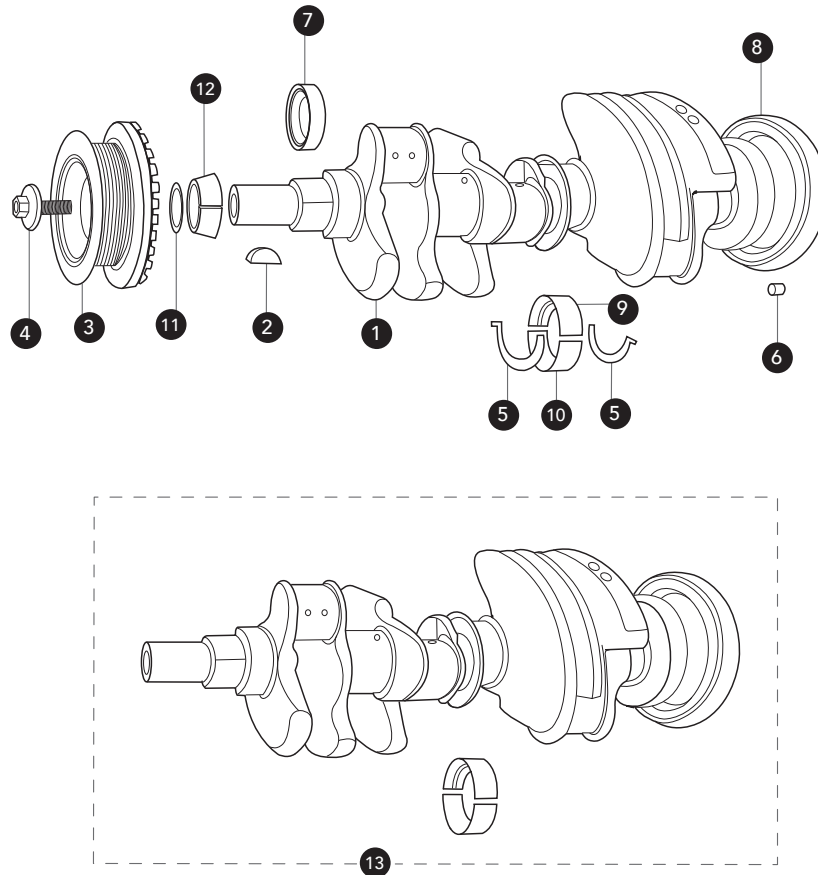


1. Piston			
3.2 Litre	Contact Sales	8	
4.0 Litre	Contact Sales	8	
4.0 Litre Supercharged	Contact Sales	8	

2. Piston Ring Kit			
3.2 Litre	Contact Sales	8	
4.0 Litre	Contact Sales	8	
4.0 Litre Supercharged	Contact Sales	8	
3. Circlip			
	EAZ1268	16	
4. Connecting Rod			
3.2 Litre	NCC1610BA	8	
4.0 Litre & 4.0 Litre Supercharged	NCA1610BAE	8	
5. Connecting Rod Bolt			
	NCA1614AA	16	
6. Big End Bearing Shell			
3.2 Litre			
Blue	NCA1612BA2	16	
Green	NCC1612BA3	16	
Yellow	NCC1612BA4	16	
4.0 Litre & 4.0 Litre Supercharged			
Blue	AJ83902	16	
Green	AJ83903	16	
Yellow	AJ83904	16	



ENGINE CRANKSHAFT & PULLEY



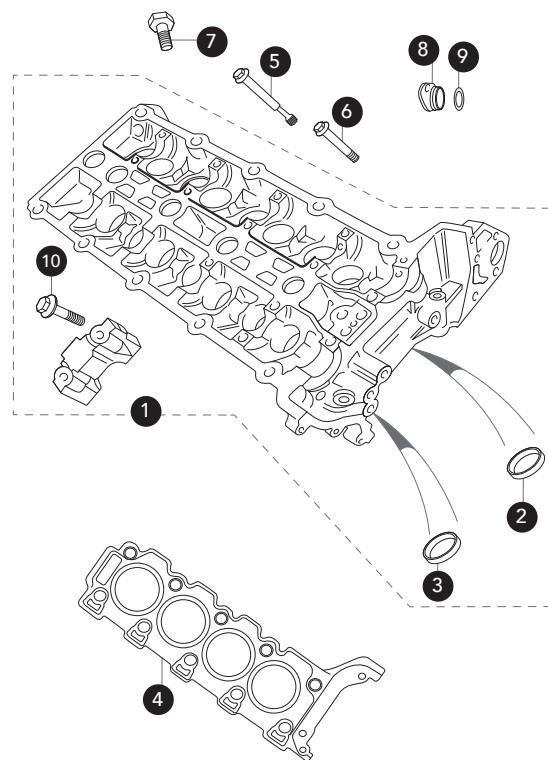
1. Crankshaft				9. Upper Crankshaft Main Bearing			
3.2 Litre	NCC1410ADE	1		Blue	AJ84638	A/R	
4.0 Litre & Supercharged				Blue/Green	NCA1404AA1	A/R	
To Engine 0108122359	JLM21735E	1		Brown	NCA1404AA5	A/R	
From Engine 0108130000	AJ84552	1		Green	NCA1404AA3	A/R	
2. Crankshaft Woodruff Key	JZY100001	1		Yellow	AJ84640	A/R	
3. Crankshaft Damper				10. Lower Crankshaft Main Bearing			
3.2/4.0 Litre	AJ81330	1		Blue	AJ84632	A/R	
4.0 Litre Supercharged	AJ82733	1		Blue/Green	AJ84630	A/R	
4. Damper Bolt	AJ89909	1		Brown	AJ84635	A/R	
5. Crankshaft Thrust Washer	NCE1412BA	2		Green	NCA1406AA3	A/R	
6. Dowel				Yellow	NCA1406AA4	A/R	
To VIN 853935	EAZ2159	1		11. Damper to Crankshaft			
From VIN 853936	AJ81478	1		Sealing Ring	XR81139	1	
7. Front Crankshaft Oil Seal	AJ83698	1		12. Damper to Crankshaft			
8. Rear Crankshaft Oil Seal	AJ83744	1		Split Collet	AJ89854	1	
				13. Crankshaft			
				From Engine 0108122360	JLM21735E	1	

ENGINE CYLINDER HEAD



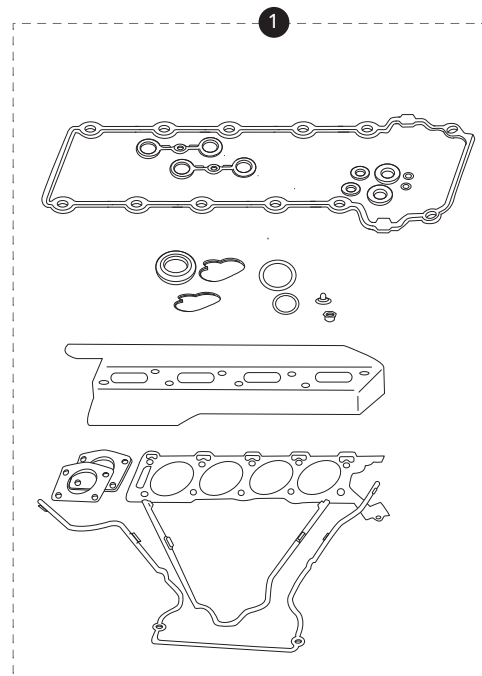
CYLINDER HEAD

1. Cylinder Head			
RH A-Bank	C2A1012		1
N.B. 16 x AJ83694 also required			
LH B-Bank	XR824633		1
N.B. 16 x AJ83694 also required			
2. Inlet Valve Seat Insert	NCE2522AA		8
3. Exhaust Valve Seat Insert	NCE2521AA		8
4. Cylinder Head Gasket			
3.2/4.0 Litre			
RH A-Bank	NCC2540BC		1
LH B-Bank	NCC2541BC		1
4.0 Litre Supercharged			
RH A-Bank			
To Engine 0008210147	NCC2540BC		1
Engine 0008210148 to Engine 0008311116	AJ88987		1
Engine 0008311117 to Engine 0008311706	NCC2540BC		1
From Engine 0008311707	AJ88987		1
LH B-Bank			
To Engine 0008210147	NCC2541BC		1
Engine 0008210148 to Engine 0008311116	AJ88988		1
Engine 0008311117 to Engine 0008311706	NCC2541BC		1
From Engine 0008311707	AJ88988		1
5. Cylinder Head Bolt, M10 x 175mm	AJ89986		20
6. Flange Head Bolt	JDE4411		4
7. Bracket to Engine Screw, M4 x 20mm	AJ82238		2
8. Blanking Plug	NNE2662BA		1
9. O-Ring			
4.0 Litre Supercharged			
VIN 853936 to VIN 878717	AGU1387		1
10. Bolt, M6 x 35mm	C2C3872		40



CYLINDER HEAD GASKET SET 3.2/4.0 LITRE

1. Cylinder Head Gasket Set	JLM20750		1
-----------------------------	----------	--	---



+44 1746 765432
sales.uk@sngbarratt.com



+33 385 201420
france@sngbarratt.com



018 01 833 833 (DE only)
sales.de@sngbarratt.com



+31 13 521 1552
sales.nl@sngbarratt.com

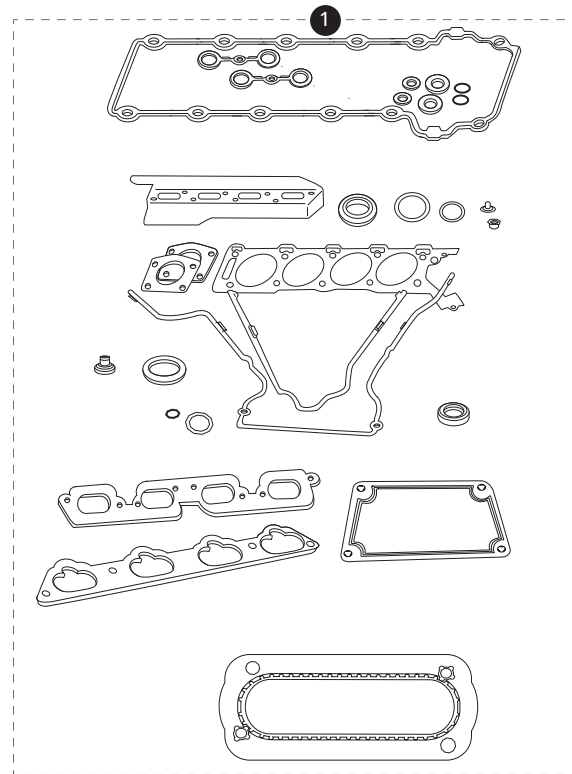
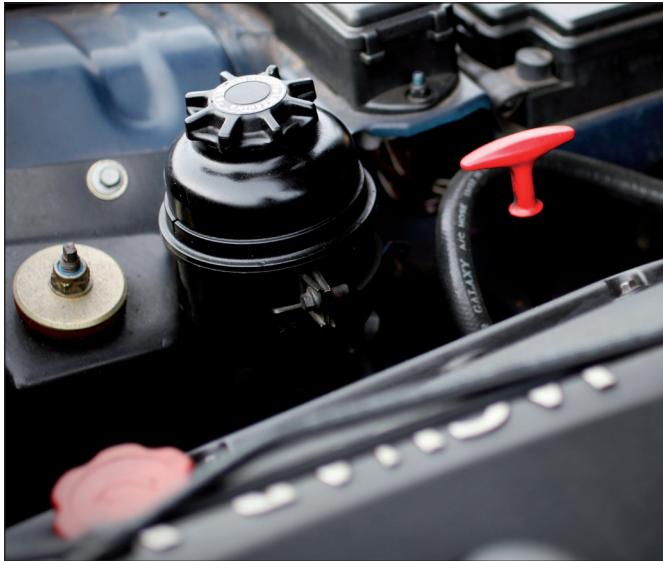


+1 800 452 4787
sales.usa@sngbarratt.com

ENGINE CYLINDER HEAD

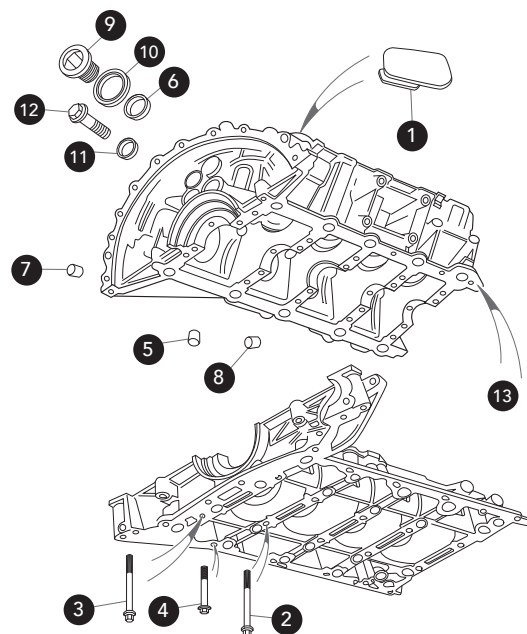
CYLINDER HEAD GASKET SET 4.0 LITRE SUPERCHARGED

1. Cylinder Head Gasket Set JLM20751 1



ENGINE CYLINDER BLOCK

1. Engine Cover	NCA1207AA	1
2. Main Bearing Bolt, 114mm	NCA1266AC	10
3. Main Bearing Bolt, 109.5mm	NCA1266BB	12
4. Main Bearing Bolt, M8 x 60mm	AJ811737	1
5. Dowel	EAZ2159	1
6. Core Plug, 28mm	JZD100008	2
7. Dowel	C46021	2
8. Dowel	NCC1228AA	2
9. Screw Plug, M30 x 1.5mm	AJ83734	2
10. Sealing Washer	AJ89646	1
11. Washer	JWV110001	1
12. Flange Head Screw	AJ88303	1
13. Sealant	JLM20163	1



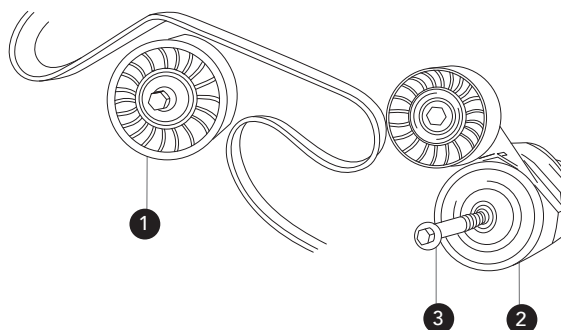
ENGINE

DRIVE BELTS & PULLEYS



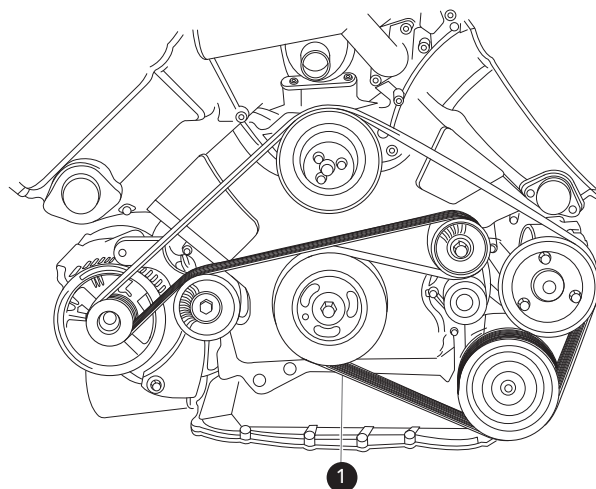
BELT TENSIONER/IDLER PULLEY 3.2/4.0 LITRE

1. Idler Pulley	C2C22758	1
2. Drive Belt Tensioner	NCA7739AD	1
3. Flange Head Bolt	JFB11017B	1



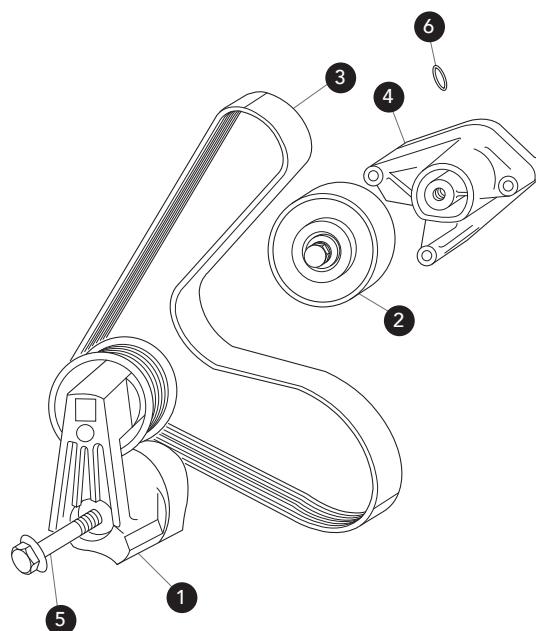
DRIVE BELT 3.2/4.0 LITRE

1. Engine Drive Belt	NCA2211DA	1
----------------------	-----------	---



SUPERCHARGER DRIVE BELT

1. Drive Belt Tensioner	C2C37057	1
2. Idler Pulley	C2S46862	1
3. Supercharge Drive Belt	C2C37055	1
4. Idler Mounting Bracket	C2C37056	1
5. Flange Head Bolt	JFB11017B	1
6. Oil Seal	NCC2142AA	3



ENGINE ASSEMBLY

1. Stripped Engine

3.2 Litre

To VIN 853935 NCC1002JAE 1

VIN 853936 to VIN F20644 NNE1002VAE 1

VIN F20645

to Engine 0108122359 AJ83350E 1

From Engine 0108130000 AJ84429E 1

4.0 Litre

To VIN 853935 NCC1002EAE 1

VIN 853936

to Engine 0108122359 NNE1002PBE 1

From Engine 0108130000 AJ82737E 1

4.0 Litre Supercharged

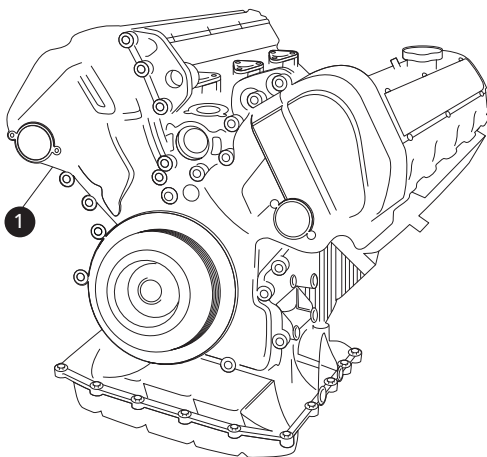
To VIN 853935 NCC1002HAH 1

VIN 853936 to VIN 878717 NNE1002TAE 1

VIN F00035

to Engine 0108122359 NNE1002WAE 1

From Engine 0108130000 AJ82739E 1



ENGINE COVER

1. Engine Cover

RH A-Bank

3.2 Litre

To VIN 853935 NNC3921AB 1

From VIN 853936 NNE3921AB 1

4.0 Litre

Jaguar NNE3921EB 1

Daimler NNE3921CB 1

2. Engine Cover

LH B-Bank

3.2 Litre

To VIN 853935 NNC3921BB 1

From VIN 853936 NNE3921BB 1

4.0 Litre

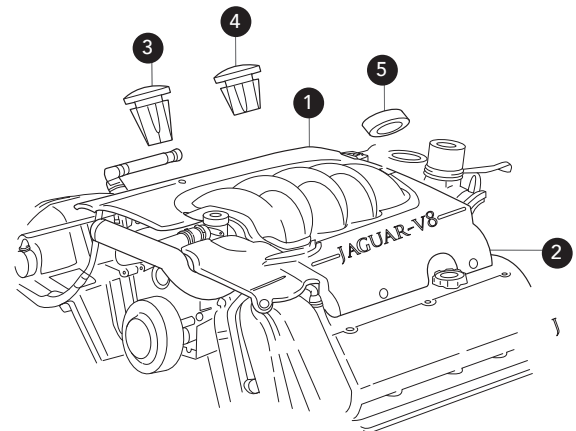
Jaguar NNE3921DB 1

Daimler NNE3921FB 1

3. Engine Bay Fuel Pipes Mounting NJA6790BC 2

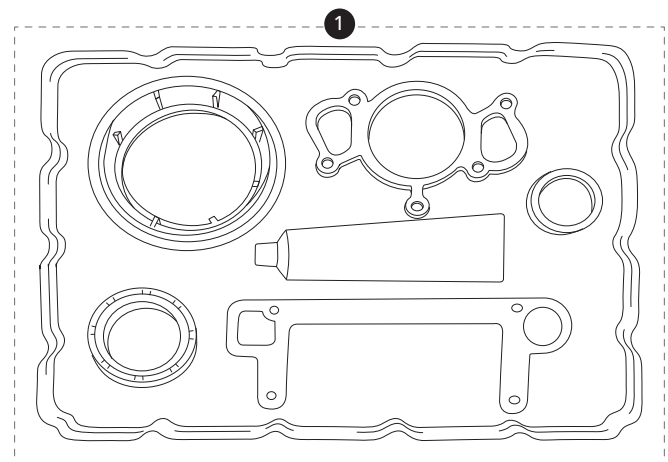
4. Mounting NJA6790CC 1

5. Engine Cover Spacer NJA1819AC 1



LOWER ENGINE GASKET SET 3.2/4.0 LITRE

1. Lower Engine Gasket Set JLM20140 1



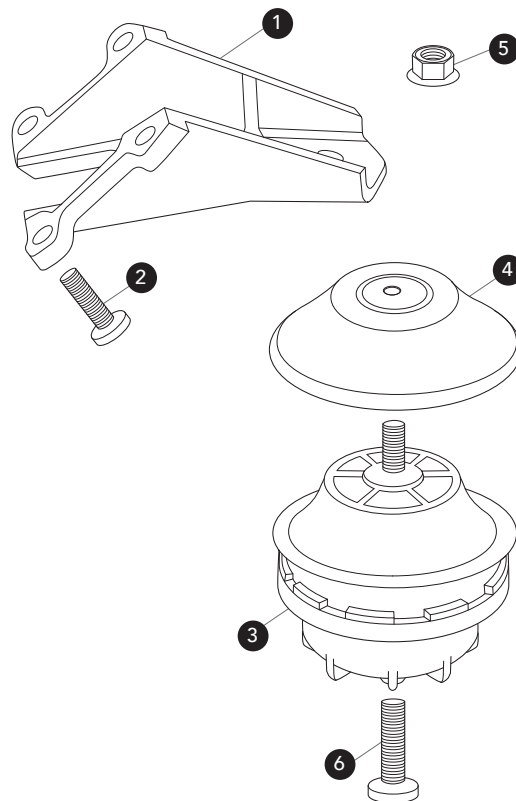
ENGINE

ENGINE & GEARBOX MOUNTINGS



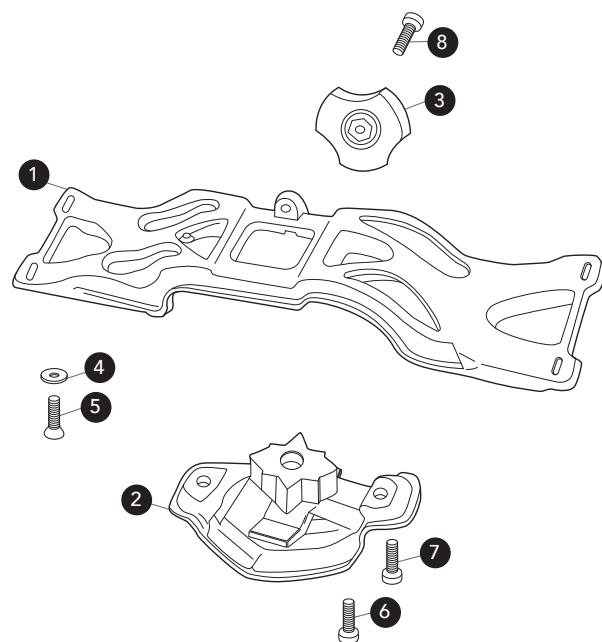
FRONT ENGINE MOUNTINGS

1. Engine Mounting Bracket		
LH	C2N3833	1
RH	AJ81443	1
2. Screw, 10mm x 30mm	JZS100056	8
3. Hydraulic Engine Mounting	MNC7500AB	2
4. Engine Mounting Heatshield	MNC7526AA	2
5. Locking Nut	JLM11970	2
6. Flange Head Screw	JFS11035E	2



GEARBOX MOUNTINGS

1. Gearbox Mounting Bracket	MNE7600AA	1
2. Gearbox Mounting		
3.2/4.0 Litre	MNA7550AC	1
4.0 Litre Supercharged	MNC7550AB1	1
3. Dynamic Absorber Mounting		
4.0/4.0 Litre Supercharged	MNC7575AA	1
4. Washer	JZW100030	4
5. Screw, M8 x 35mm		
To VIN 853935	JXB10835E	4
6. Screw, M10 x 40mm		
From VIN 822373	JZS100170	1
7. Torx Screw, M10 x 25mm	XR856377	2
8. Torx Screw, M10 x 25mm	XR856377	1



+44 1746 765432
sales.uk@sngbarratt.com



+33 385 201420
france@sngbarratt.com



018 01 833 833 (DE only)
sales.de@sngbarratt.com



+31 13 521 1552
sales.nl@sngbarratt.com

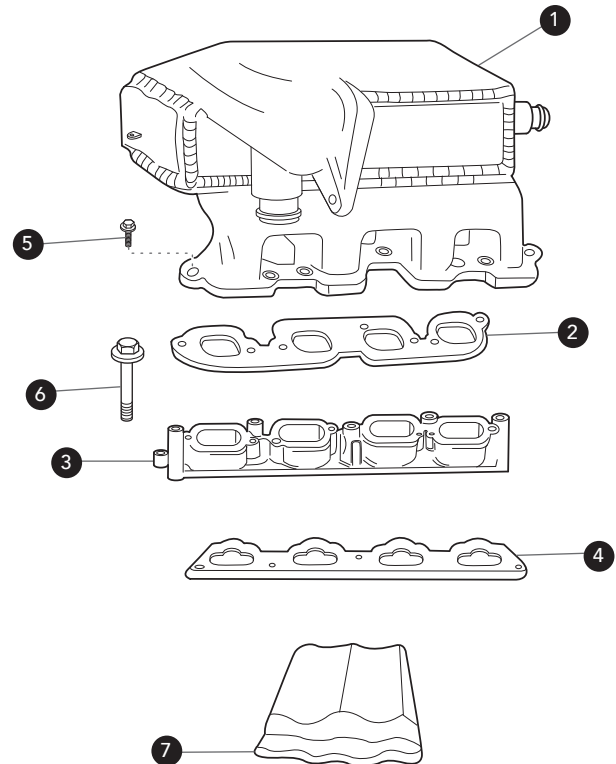
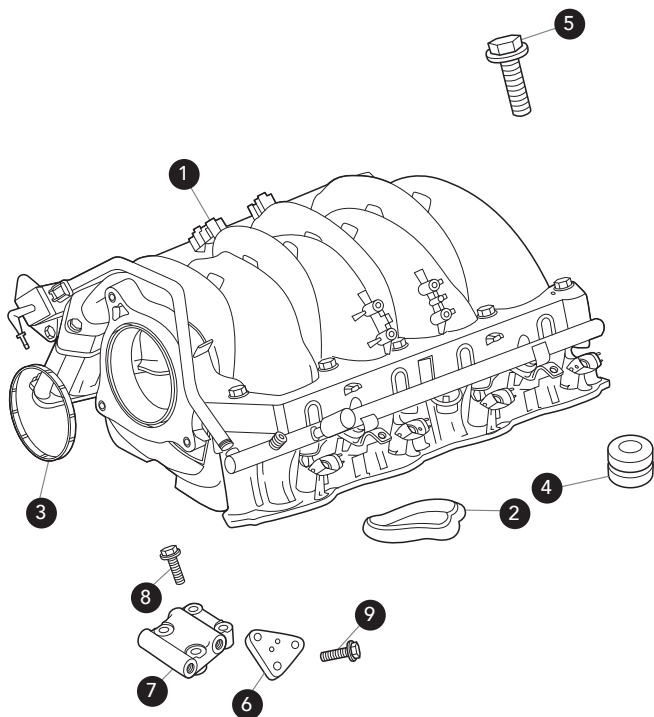


+1 800 452 4787
sales.usa@sngbarratt.com

ENGINE INLET MANIFOLDS

3.2/4.0 LITRE

1. Inlet Manifold			
To VIN 853935	NCA3002AE	1	
From VIN 853936	AJ83963	1	
2. Inlet Manifold Seal			
To VIN 853935	NCA3016BB	8	
From VIN 853936	AJ83356	8	
3. Manifold to Induction Elbow Seal	NCA3015BA	1	
4. Grommet	NCA3973AA	4	
5. Bolt, M8 x 70mm	C2S40512	10	
6. Support Plate	NCA3210BB	2	
7. Support Bracket	NCA3209BA	1	
8. Mounting Bolt, M8 x 35mm	JFB10807B	4	
9. Screw, M8 x 20mm	C2Z1856	6	



4.0 LITRE SUPERCHARGED

1. Inlet Manifold			
RH A-Bank	Contact Sales	1	
LH B-Bank	Contact Sales	1	
2. Gasket	NCC3018AB	2	
3. Inlet Manifold Adaptor			
To VIN 835511	NCC3045AD	2	
From VIN 835512	AJ81298	2	
4. Manifold to Cylinder Head Gasket	NCC3020AA	2	
5. Torx Screw, M6 x 20mm	C2C25942	16	
6. Bolt, M8 x 70mm	C2S40512	10	
7. Sound Insulator	AJ82383	1	

ENGINE EXHAUST MANIFOLDS



1. Exhaust Manifold

EGR

RH A-Bank NCA2900GB 1

LH B-Bank NCA2901EB 1

Non-EGR

RH A-Bank NCA2900FB 1

LH B-Bank NCA2901EB 1

2. Exhaust Manifold Gasket

RH A-Bank NCA2906AE 1

LH B-Bank NCA2907AE 1

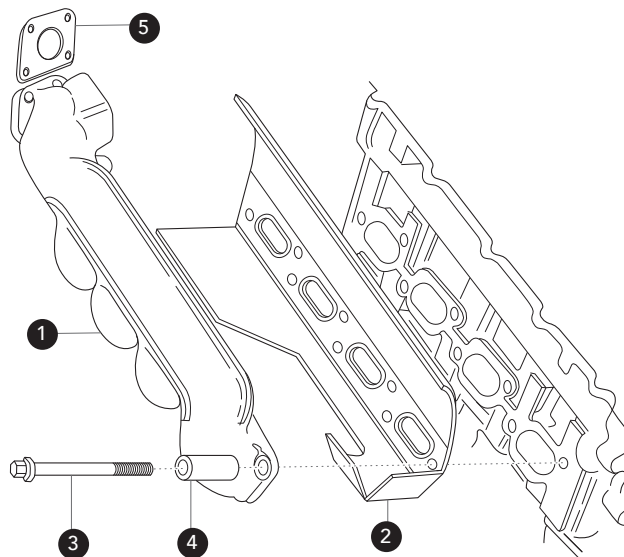
3. Bolt AJ81316 16

4. Spacer

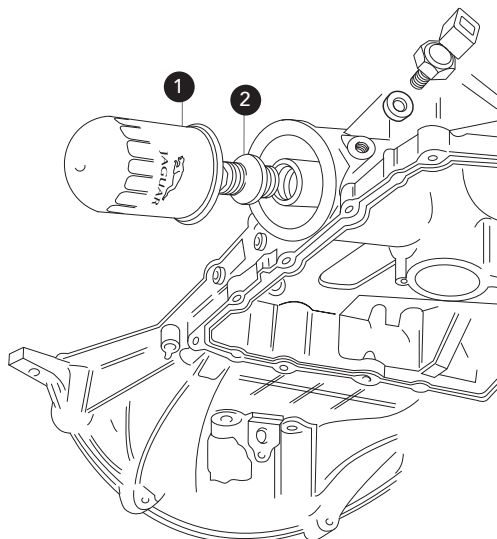
To VIN 853935 NCA2923AB 16

From VIN 853936 NCA2923AC 16

5. Downpipe to Manifold Gasket EAZ2050 2



ENGINE OIL FILTER



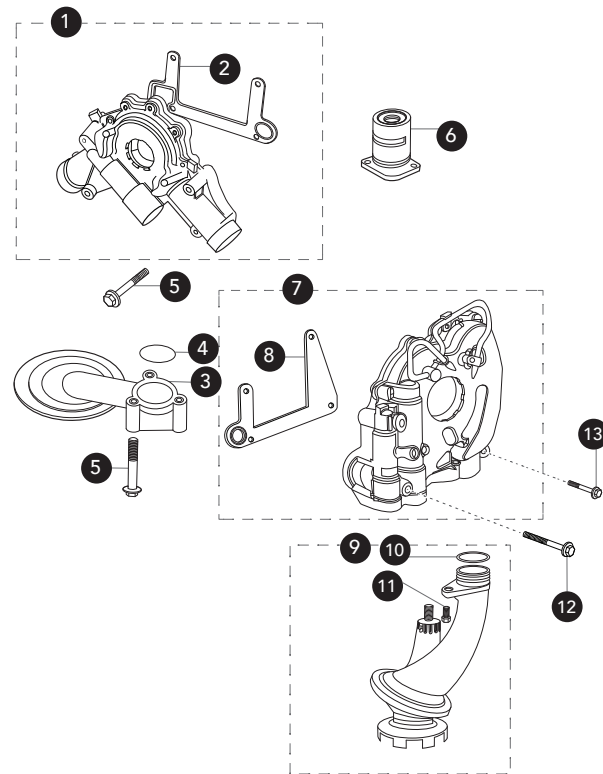
1. Oil Filter EAZ1354 1

2. Oil Filter Adaptor NCA1702AB 1



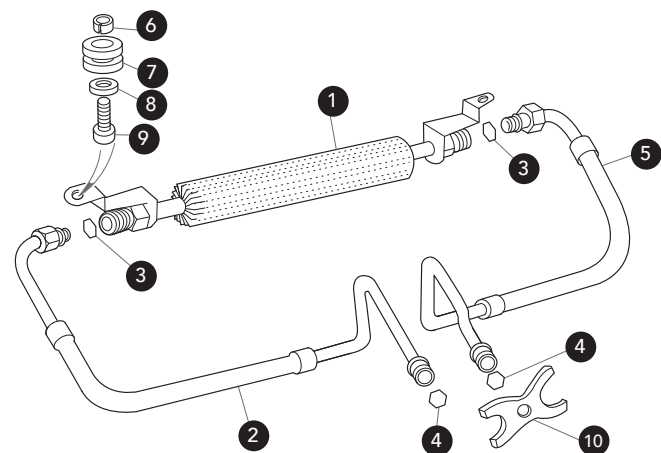
ENGINE OIL PUMP & PIPES

1. Oil Pump			
To Engine 0108122359	JLM20578	1	
2. Oil Pump to Cylinder Block Gasket	NCE1779AA	1	
3. Oil Pick Up Pipe			
To Engine 0108122359	NCA1711AE	1	
4. Oil Seal	NCE1746AA	1	
5. Flange Head Bolt, M6 x 50mm			
To Engine 0108122359	JFC106106	7	
6. Oil Diverter Valve	NCA1757AB	1	
7. Oil Pump			
From Engine 0108130000	AJ88623	1	
N.B. 4 x AJ88436 also required			
8. Oil Pump Gasket			
From Engine 0108130000	C2A1412	1	
9. Oil Pick Up Pipe			
From Engine 0108130000	AJ810446	1	
10. Oil Pipe O-Ring			
From Engine 0108130000	AJ85413	1	
12. Bolt, M6 x 66mm	XR825290	2	
13. Bolt, M6 x 35mm	JFB10607B025	2	



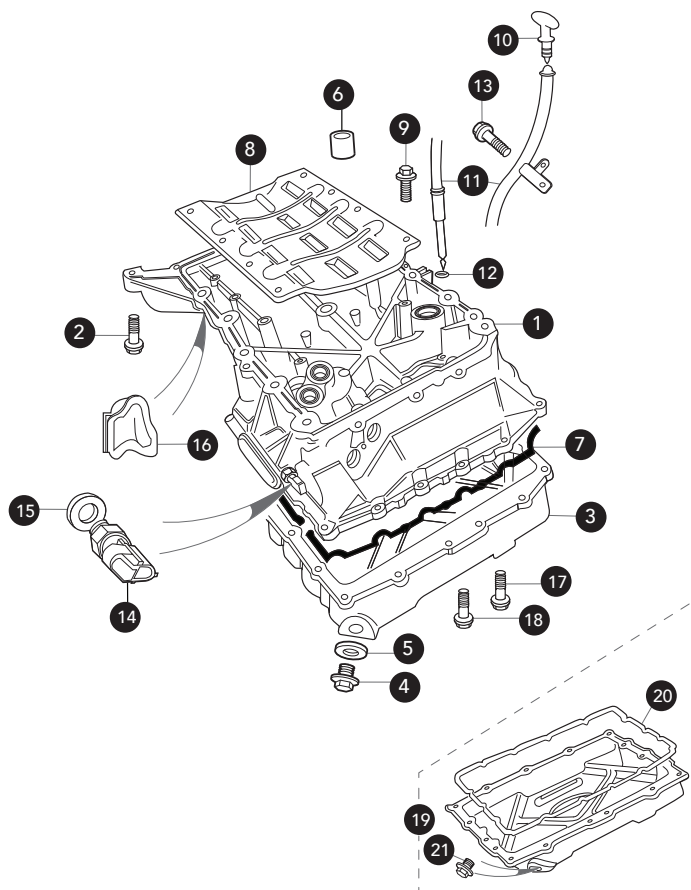
ENGINE OIL COOLER

1. Oil Cooler	MNC7440BD	1
2. Feed Hose	MNC7460AF	1
3. O-Ring	KSR609001	1
4. O-Ring	KSH119530	1
5. Return Hose	MNC7461AF	1
6. Spacer	JZT100015	2
7. Grommet	CBC8262	2
8. Plain Washer	WJ108001J	2
9. Screw, M8 x 24mm	JZS100154	1
10. Adaptor	NCA1759AA	1



ENGINE

OIL SUMP & DIPSTICK



1. Oil Sump Body	Contact Sales	1	11. Dipstick Tube		
2. Bolt, M8	JFB10808E	16	To VIN 844890	NCA1706AB	1
3. Oil Sump Pan	C2A1427	1	VIN 844891 to VIN F00463	NNE1706AC	1
4. Drain Plug			From VIN F00464	NRA1706AC	1
To VIN 878717	JZS100098	1	12. O-Ring	KSH108624	1
VIN F00035			13. Flange Screw	C2S45769	1
to Engine 0108122359	AJ83017	1	14. Oil Pressure Switch	LCA5642AA	1
5. Sealing Washer	JWV114003	1	15. Sealing Washer	JWV110004	1
6. Dowel	EAZ2159	1	16. Access Plug	EAZ2027	1
7. Sump Pan Gasket	NCA1730AD	1	17. Screw, M6 x 12mm		
8. Windage Tray	NCA1832AA	1	To VIN 835511	JZS100105	18
9. Screw, M5	FA105101J	8	18. Bolt, M6 x 20mm		
10. Dipstick			From VIN 835512	JZH100059	18
To VIN 844890	NCA1723AB	1	19. Oil Sump Pan	C2A1427	1
From VIN 844891	C2C22741	1	20. Sump Pan Gasket	NCA1730AD	1
			21. Drain Plug	AJ83017	1



+44 1746 765432
sales.uk@sngbarratt.com



+33 385 201420
france@sngbarratt.com



018 01 833 833 (DE only)
sales.de@sngbarratt.com



+31 13 521 1552
sales.nl@sngbarratt.com

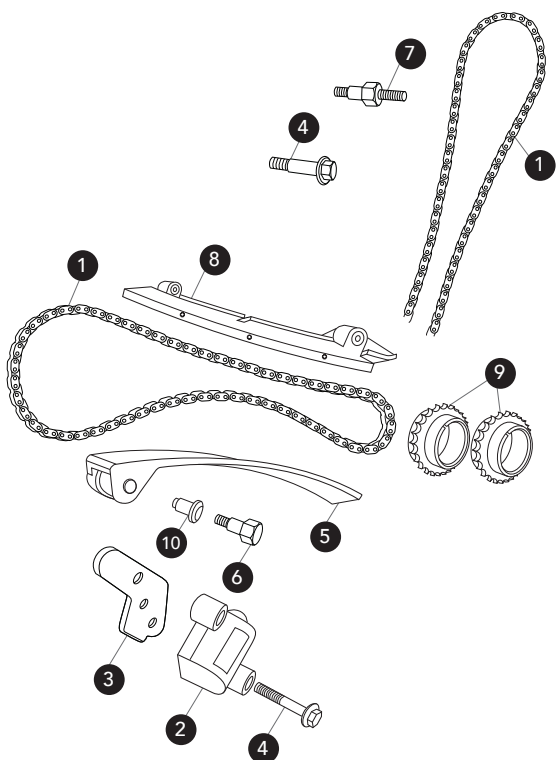


+1 800 452 4787
sales.usa@sngbarratt.com

ENGINE TIMING CHAINS

PRIMARY TIMING CHAIN

1. Primary Timing Chain			
To Engine 0108122359	EAZ1269	2	
From Engine 0108130000	AJ82289	2	
2. Primary Chain Tensioner	AJ82325	2	
3. Blanking Plate	NCA2002BD	2	
4. Flanged Bolt, M6 x 40mm	C2Z2642	6	
5. Chain Tensioner Blade			
To Engine 0108122359	NCA2025AB	2	
From Engine 0108130000	C2A1497	2	
6. Pivot Bolt			
To Engine 0108122359	NCA2028AA	1/2	
N.B If Car has VVT 1 Required, if no VVT 2 Required			
7. Pivot Stud			
To Engine 0108122359	NCA2028BA	1	
From Engine 0108130000	AJ810063	1	
8. Chain Guide			
To Engine 0108122359	NCA1998AB	2	
From Engine 0108130000	C2A1456	2	
9. Crankshaft Sprocket			
To Engine 0108122359	EAZ2126	2	
From Engine 0108130000	AJ82293	2	
10. Pivot Bush			
From Engine 0108130000	AJ86824	2	



TIMING CHAIN KITS

	TCK8MAJ/1	1
	TCK8MAJ/2	1
	TCK8MAJ/3	1
	CONTACT SALES FOR FURTHER DETAILS	

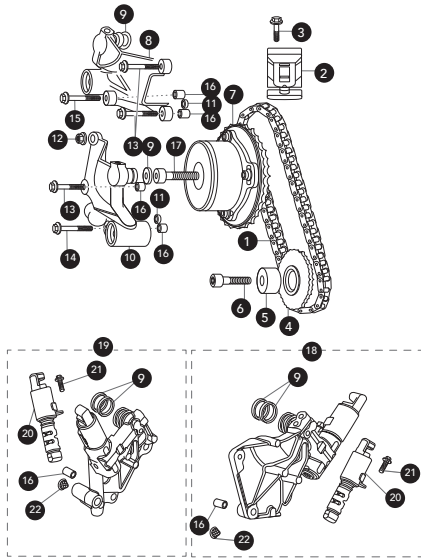
SECONDARY TIMING CHAIN

1. Secondary Timing Chain			
To Engine 0108122359	EAZ1286	2	
From Engine 0108130000	AJ82290	2	
2. Secondary Chain Tensioner			
RH A-Bank	C2A1511	1	
LH B-Bank	C2A1512	1	
3. Bolt			
M6 x 35mm	JFB10607E	4	
M6 x 40mm	JFC106086	4	
4. Exhaust Camshaft Sprocket			
To Engine 0108122359	NCA2026CA	2	
From Engine 0108130000	AJ82702	2	
5. Sprocket to Camshaft Spacer			
To Engine 0108122359	JZT100018	2	
From Engine 0108130000	AJ82700	2	
6. Socket Head Bolt	Contact Sales	2	
7. Variable Valve Timing Unit, Inlet			
To VIN 853935	NCA2016AD	2	
VIN 853936			
to Engine 0108122359	NNE2016AB	2	
From Engine 0108130000	AJ84066	2	
8. Module Carrier, RH A-Bank			
To VIN 853935	NCA2616CC	1	
From VIN 853936	AJ810725E	1	
9. Sealing Ring	Contact Sales	2	
10. Module Carrier, LH B-Bank			
To VIN 853935	NCA2617CC	1	
From VIN 853936	AJ810727E	1	
11. O-Ring	KSH108624	2	
12. Nut, M8	JFN10804B	1	
13. Bolt, M8 x 35mm	JB10807B	3	
14. Bolt, M8 x 35mm	JB10807B	1	
15. Bolt, M8 x 65mm	JBF10813N	1	
16. Dowel			
To VIN 853935	EAZ2159	4	
From VIN 853936	EBC9705	4	

ENGINE TIMING CHAINS



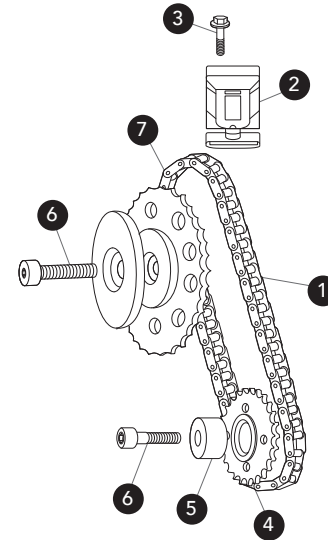
17. Socket Head Bolt	Contact Sales	2
18. Module Carrier, RH A-Bank	AJ810725E	1
From Engine 0108130000		
19. Module Carrier, LH B-Bank		
From Engine 0108130000	AJ86819	1
20. Solenoid Valve	AJ810570	2
21. Bolt, M6 x 16mm	JFS10616B	1
22. Filter	AJ81264	1



SECONDARY TIMING CHAIN SUPERCHARGED

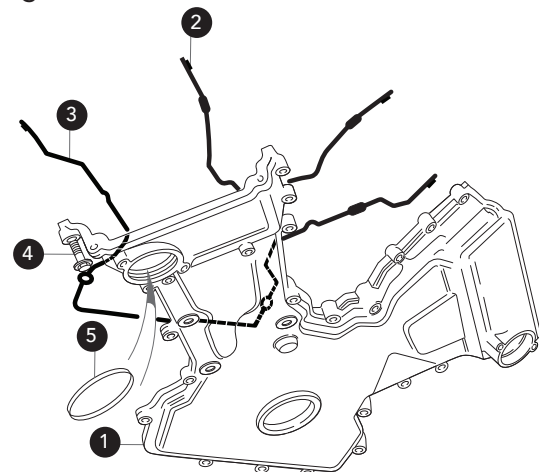
1. Secondary Timing Chain		
To Engine 0108122359	EAZ1286	2
From Engine 0108130000	AJ82290	2
2. Secondary Chain Tensioner		
RH A-Bank	C2A1511	1
LH B-Bank	C2A1512	1
3. Bolt		
M6 x 35mm	JFB10607E	4
M6 x 40mm	JFC106086	4
4. Exhaust Camshaft Sprocket		
To Engine 0108122359	NCA2026CA	2
From Engine 0108130000	AJ82702	2

5. Sprocket to Camshaft Spacer		
To Engine 0108122359	JZT100018	2
From Engine 0108130000	AJ82700	2
6. Socket Head Bolt	Contact Sales	2
7. Inlet Camshaft Sprocket		



TIMING COVER

1. Timing Cover		
3.2/4.0 Litre	AJ81757	1
4.0 Litre Supercharged	AJ81758	1
2. Inner Timing Cover Seal	AJ83699	1
3. Outer Timing Cover Seal	NCA2127AC	1
4. Bolt, M6 x 35mm	JFB10607B	24
5. O-Ring	KSC145624	2



+44 1746 765432
sales.uk@sngbarratt.com



+33 385 201420
france@sngbarratt.com



018 01 833 833 (DE only)
sales.de@sngbarratt.com



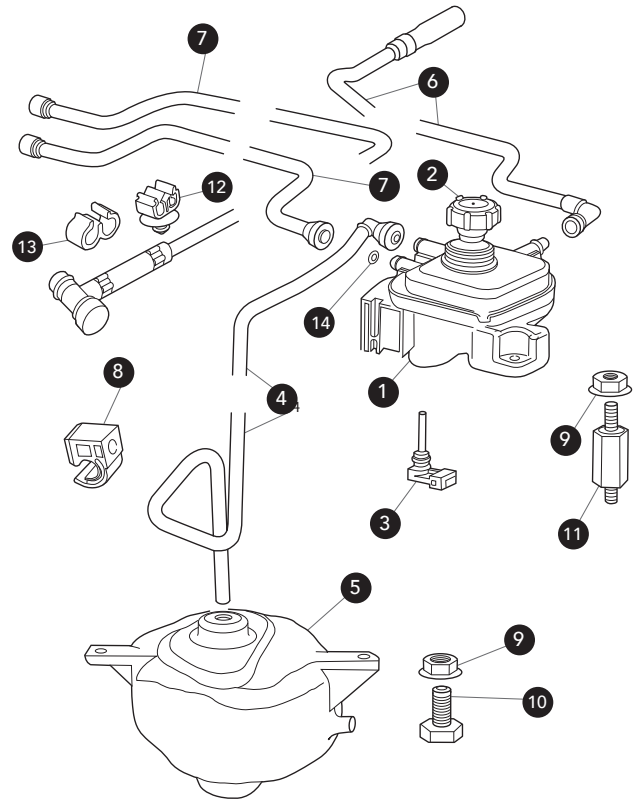
+31 13 521 1552
sales.nl@sngbarratt.com



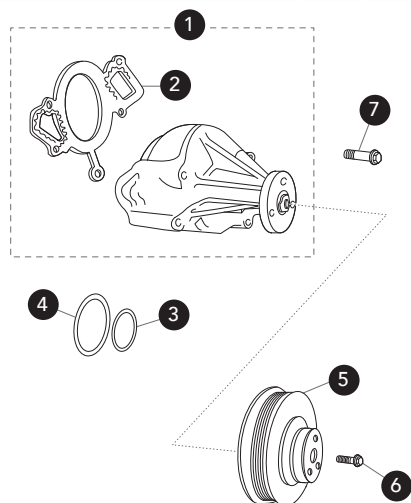
+1 800 452 4787
sales.usa@sngbarratt.com

COOLING SYSTEM EXPANSION TANK

1. Expansion Tank	MNC4400AC	1
2. Pressure Cap, 1.0 Bar	MJA4440BA	1
3. Fluid Level Sensor	LNA5740AB	1
4. Expansion Hose	MNC4468AD	1
5. Header Tank	MNC4460AC	1
6. Bleed Hose		
4.0 Litre Supercharged		
To VIN F45010	MNC4582BC	1
From VIN F45011	MNC4582BC	1
Other Models	MNC4582AC	1
7. Bleed Hose		
4.0 Litre Supercharged	MNC4583CB	
Other Models	MNC4583AC	1
8. Cable Clip	KDF11004	3
9. Flange Nut	JFN10604F	1
10. Flange Headed screw, M6 x 16mm	JFS10616F	1
11. Support	MNC4413AA	1
12. Double Pipe Clip	KDG107003	1
13. Double Pipe Clip	KDP108081	3
14. O-ring, Quick-Fit		
From VIN820502	KSR605001	2



COOLING SYSTEM WATER PUMP



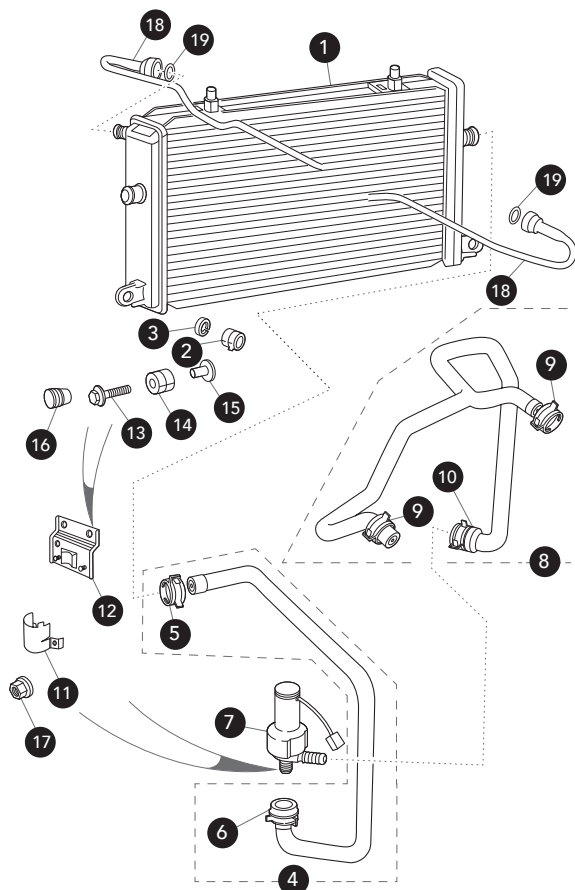
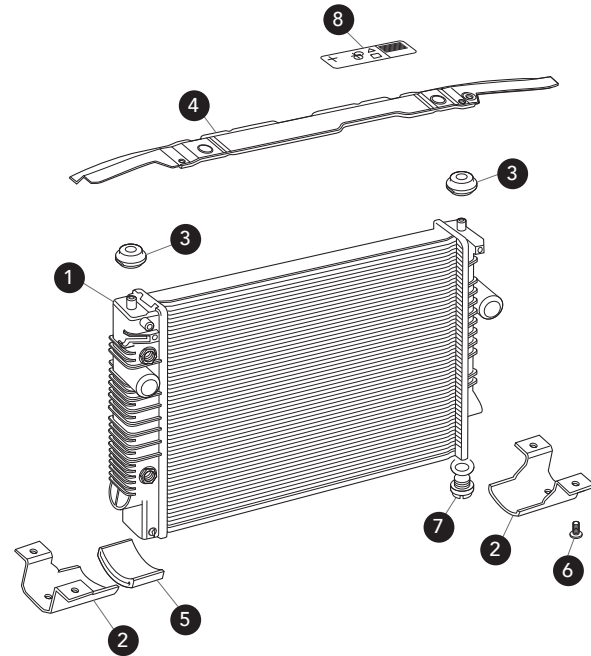
1. Water Pump	AJ88912	1
2. Water Pump Gasket		
0.4mm	AJ88922	1
1.5mm	AJ8300	1
4. O-ring, 70mm	KSE169530	1
5. Water Pump Pulley		
To VIN 853935	NCA2225AB	1
From VIN 853936	AJ83873	1
6. Flange Headed Screw, M6 x 12mm	JZS100105	3
7. Flange Headed Bolt, M6 x 50mm	AJ88674	5

COOLING SYSTEM RADIATOR



3.2/4.0 LITRE

1. Radiator			
To VIN 832727	MNC4190AE	1	
From VIN 832728	MNC4190AH	1	
2. Mounting Bracket	MNC4252AB	2	
3. Mounting Bush	MNC4243AD	2	
4. Radiator Panel Top Mounting Plate	MNC4181AE	1	
5. Mounting Bush, Lower	MNC4242AA	1	
6. Flange Head Screw, M8 x 16mm	JFU10816F	4	
7. Drain Plug	JLM20628	1	
8. Emission Label	Contact Sales		



SUPERCHARGER

1. Supercharger Radiator	MNC8200AF	1
2. Grommet	C2C16681	2
3. Plain Washer, M6	WJ106001J	2
4. Outlet Hose	MNC8236AB	1
5. Hose Clamp, 27mm	JHC301720	1
6. Hose Clamp	JHC302280	1
7. Supercharger Coolant Pump	C2C1314	1
8. Inlet Hose	MNC82243AB	1
9. Hose Clamp	JHC302220	2
10. Hose Clamp	JHC302280	1
11. Clamp Bracket	MJB8271AA	1
12. Mounting Bracket	MNC8272AC	1
13. Flange Headed Screw	JFS10625F	2
14. Grommet	CBC8262	2
15. Spacer	JZT100020	2
16. Buffer	BEC10761	1
17. Flange Nut	JFN10604F	2
18. Header Tank Bleed Pipe, Quick Fit	MNC4565AB	1
19. O-ring, Quick Fit	KSR605001	2



+44 1746 765432
sales.uk@sngbarratt.com



+33 385 201420
france@sngbarratt.com



018 01 833 833 (DE only)
sales.de@sngbarratt.com



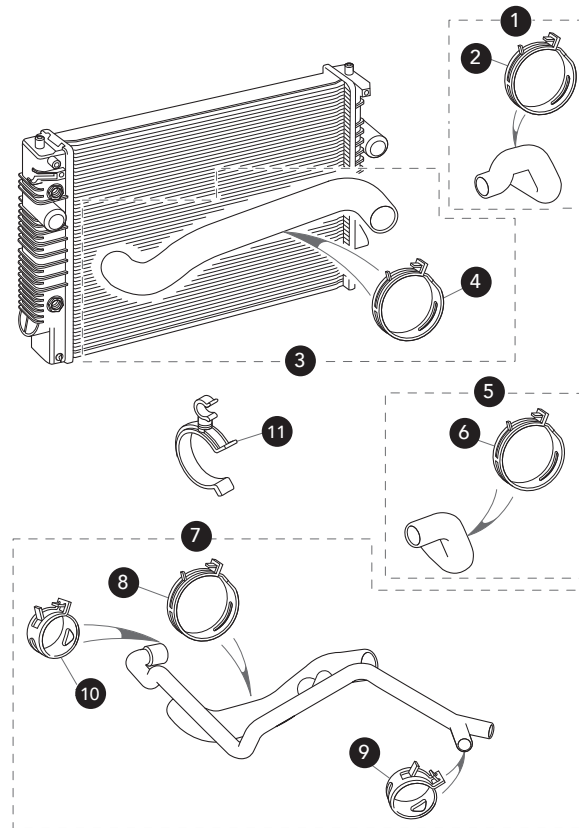
+31 13 521 1552
sales.nl@sngbarratt.com



+1 800 452 4787
sales.usa@sngbarratt.com

COOLING SYSTEM RADIATOR HOSES

1. Radiator Top Hose			
3.2/4.0 Litre Naturally Aspirated	MNC4505AD	1	
2. Hose Clamp, 53mm			
3.2/4.0 Litre Naturally Aspirated	JHC303020	2	
3. Bottom Water Hose			
3.2/4.0 Litre Naturally Aspirated	MNC4515AD	1	
4. Hose Clamp, 49mm	JHC302270	1	
Hose Clamp, 53mm	JHC303020	1	
5. Radiator Top Hose			
4.0 Litre Supercharged	MNC4505BC	1	
6. Hose Clamp, 53mm	JHC303020	2	
7. Bottom Water Hose			
4.0 Litre Supercharged	MNC4519AE	1	
8. Hose Clamp	JHC302220	2	
9. Hose Clamp, 53mm	JHC303020	1	
10. Hose Clamp, 27mm	JHC301720	1	
Hose Clamp, 49mm	JHC302270	1	
11. Swivel Clip	KDP223420	1	



WATER WETTER®



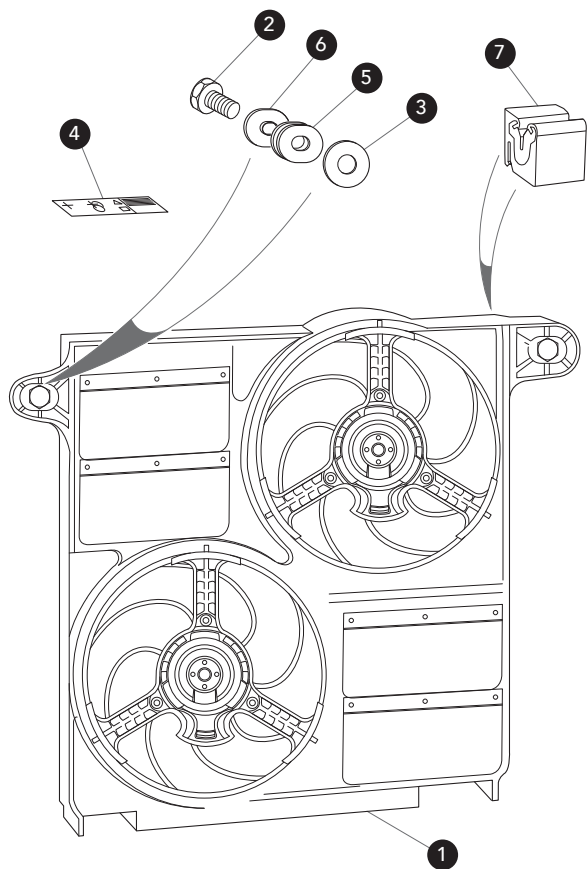
- Unique agent for cooling systems that doubles the wetting ability of water.
- Rust and corrosion protection allows for use of straight water in racing or reduced antifreeze levels in warm climates.
- Improves heat transfer and reduces cylinder head temperature.
- May allow more spark advance for increase power and efficiency.

CH2007 (c. 350ml)



COOLING SYSTEM

FAN & COWL

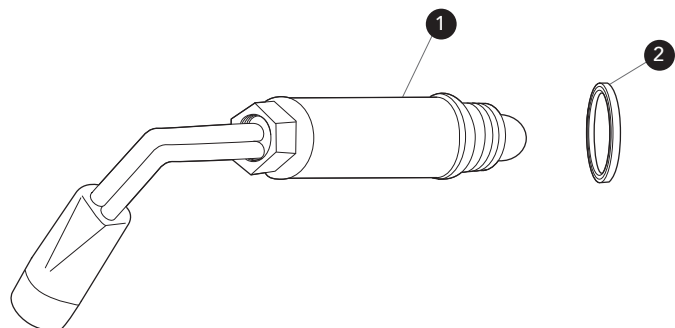


1. Electric Fan & Cowl	MNC4270AC	1
2. Hexagon Flange Screw, M8 x 35mm	JFB10807B	2
3. Washer	WJ108004J	2
4. Fan Warning Label	Contact Sales	
5. Grommet		
To VIN 832727	CCC2798	2
6. Spacer		
To VIN 832727	MNA4297AA	2
7. Retaining Clip	MNC4194AC	3

COOLING SYSTEM

BLOCK HEATER

1. Block Heater			
220 Volts, 700 Watt	C2C38057	1	
2. Sealing Washer	AJ89646	1	



COOLING SYSTEM THERMOSTAT

NATURALLY ASPIRATED

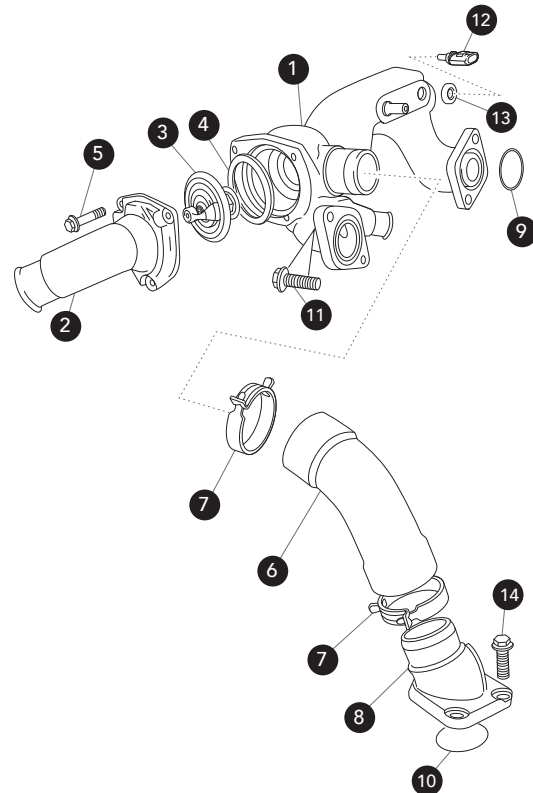
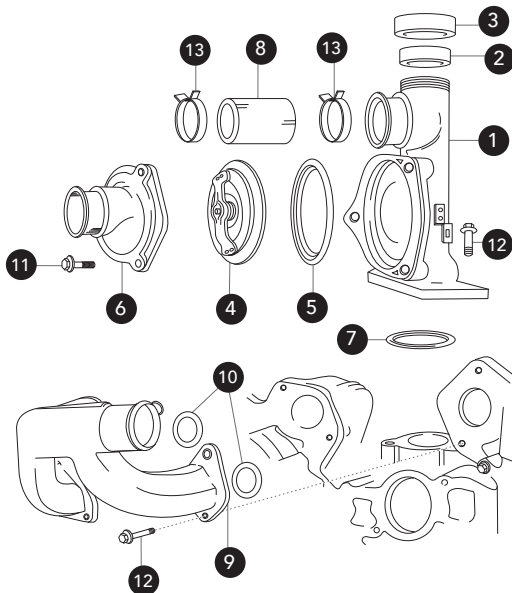
- | | | |
|-----------------------|---------|---|
| 1. Thermostat Housing | AJ82217 | 1 |
|-----------------------|---------|---|



Up-rated aluminium thermostat housing for non-supercharged 3.2/4.0 V8, replacing the weak original plastic design which was prone to splitting. Includes cap and required seals.

- | | |
|-----------|---|
| AJ82217/K | 1 |
|-----------|---|

- | | | |
|----------------------------------|-----------|---|
| 2. Thermostat Housing Cap | NCA2270AC | 1 |
| 3. Thermostat Housing Cover | NCA2277AA | 1 |
| 4. Thermostat | AJ86484 | 1 |
| 5. Thermostat Seal | NCA2246BA | 1 |
| 6. Thermostat Cover | AJ85875 | 1 |
| 7. Housing to Cylinder Head Seal | NCA2269CA | 1 |
| 8. Bypass Hose | | |
| To VIN F00102 | NCA2213AC | 1 |
| VIN F00103 to VIN F35707 | AJ85313 | 1 |
| 9. Outlet Pipe | AJ85885 | 1 |
| 10. Water Outlet Seal | C2C11477 | 2 |
| 11. Bolt, M6 x 20mm | AJ89714 | 3 |
| 12. Screw, M6 x 25mm | C2Z1354 | 8 |
| 13. Hose Clamp | AJ84257 | 2 |



4.0 LITRE SUPERCHARGED

- | | | |
|-------------------------------------|-----------|---|
| 1. Thermostat Housing | AJ81981 | 1 |
| 2. Thermostat Cover | NCC2245BC | 1 |
| 3. Thermostat | AJ86484 | |
| 4. Thermostat Seal | NCA2246BA | 1 |
| 5. Bolt, M6 x 20mm | AJ89714 | 3 |
| 6. Inlet Hose | AJ811638 | 1 |
| 7. Hose Clamp | AJ81315 | 2 |
| 8. Inlet Pipe Housing | AJ87639 | 1 |
| 9. Water Outlet Seal | C2C11477 | 2 |
| 10. Seal, Housing to Cylinder Head | NCA2269CA | 1 |
| 11. Bolt | C2Z1354 | 4 |
| 12. Coolant Temperature Sender, M12 | LNA1600AA | 1 |
| 13. Washer | JWV110001 | 1 |
| 14. Pan Head Torx Screw, M6 x 20mm | C2C25942 | 3 |

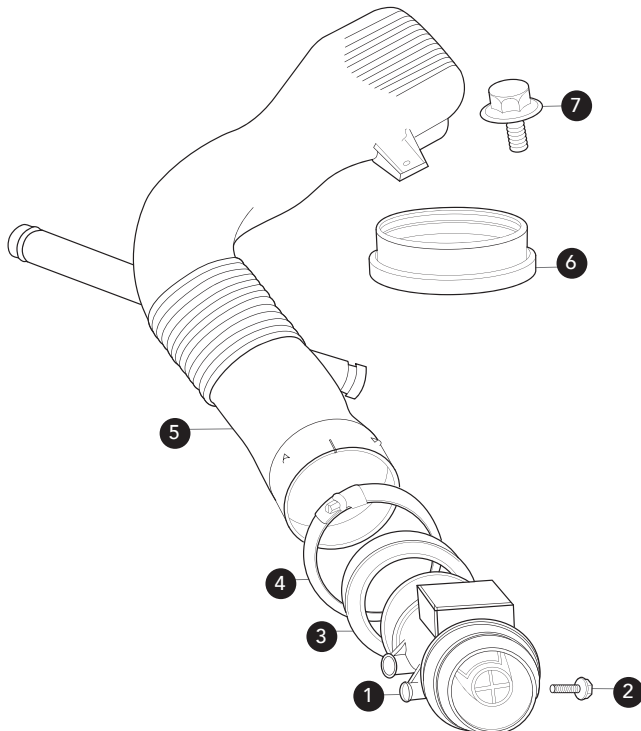
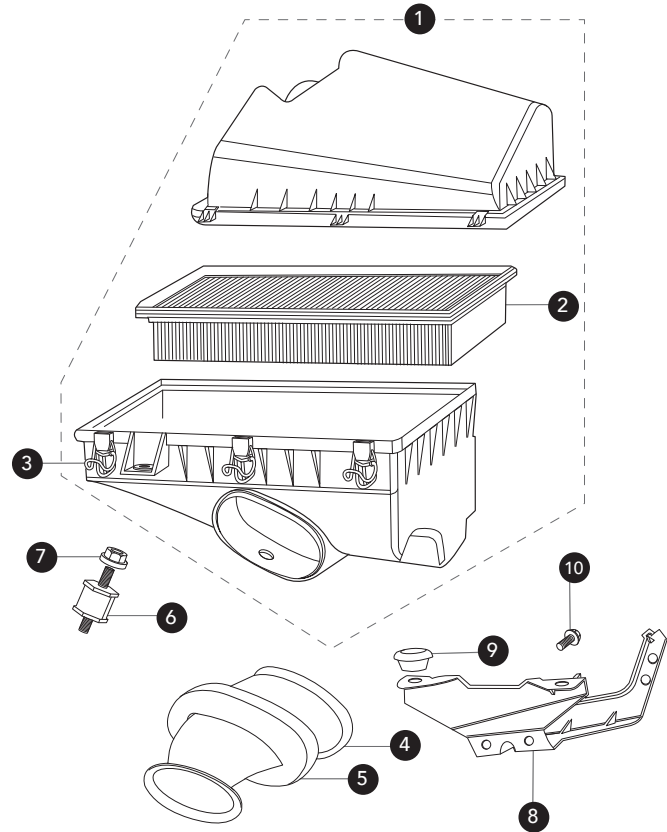
AIR & FUEL DELIVERY

AIR CLEANER



AIR CLEANER

1. Aircleaner			
3.2/4.0 Litre	NNE3500BA	1	
4.0 Litre Supercharged	NNE3500CA	1	
2. Aircleaner Element	NJA3558AA	1	
3. Clip	NAB3511AA	5	
4. Aircleaner Intake			
3.2/4.0 Litre	NNC3510AA	1	
4.0 Litre Supercharged	NNC3510BA	1	
5. Rubber Seal			
3.2/4.0 Litre	NNC3541AA	1	
4.0 Litre Supercharged	NNC3541BA	1	
6. Instrumount	EAC8130	1	
7. Flange Nut	JFN10604F	1	
8. Aircleaner Mounting Bracket	NNC3515AA	1	
9. Grommet	NBC3530AA	2	
10. Screw	JHG10616F	2	



AIR FLOW METER

1. Air Flow Sensor			
3.2/4.0 Litre			
To VIN 853935	LJA1620AE	1	
From VIN 853936	LNE1620AB	1	
4.0 Litre Supercharged			
To VIN 878717	LNC1620AA	1	
From VIN 878718	LNE1620BB	1	
2. Setscrew, M6 x 12mm	JFS10625F	3	
3. Duct Seal	NJA3553AA	1	
4. Worm Drive Hose Clip	JHC201401	1	
5. Air Pipe			
To VIN 853935	NNC3555BA	1	
From VIN 853936	NNE3555BA	1	
6. Duct Seal	NJA3554AA	1	
7. Screw	AJ88941	1	



+44 1746 765432
sales.uk@sngbarratt.com



+33 385 201420
france@sngbarratt.com



018 01 833 833 (DE only)
sales.de@sngbarratt.com



+31 13 521 1552
sales.nl@sngbarratt.com



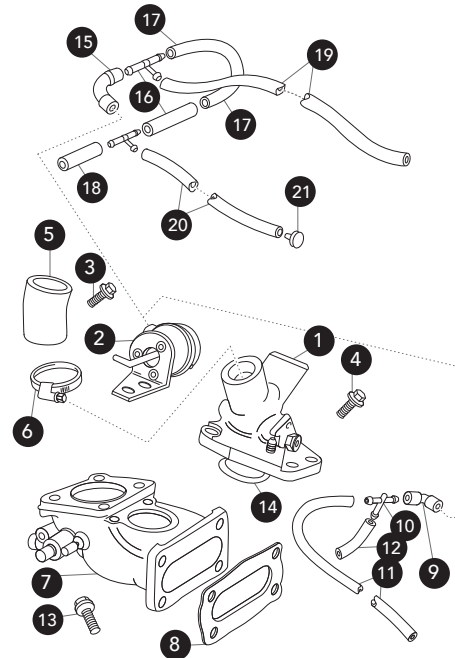
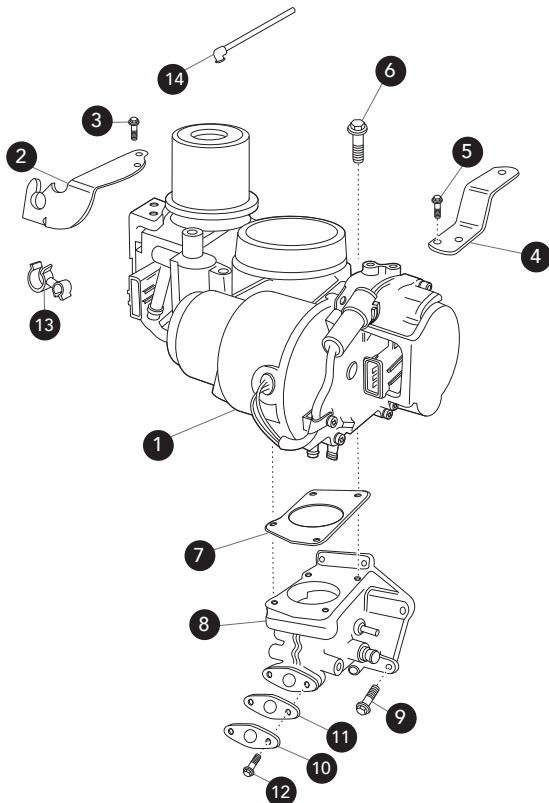
+1 800 452 4787
sales.usa@sngbarratt.com

AIR & FUEL DELIVERY

AIR DELIVERY SYSTEM

THROTTLE BODY

1. Throttle Body	C2A1470	1
2. Abutment Bracket	AJ81343	1
3. Screw, M5 x 12mm	JFS10512C	2
4. Throttle Linkage Bracket		
3.2/4.0 Litre	NCA3227AC	1
4.0 Litre Supercharged	NCC3226AB	1
5. Screw, M5 x 12mm	JFS10512C	2
6. Screw, M8 x 30mm	JFS10830B	4
7. Throttle Body Adaptor Gasket	NCA3021BA	1
8. Induction Elbow	NCA3106BD	1
9. Screw, M8 x 30mm	JFS10830B	4
10. Blanking Plate	NCA3052AB	1
11. EGR Pipe Gasket	NCA4771DA	1
12. Screw, M8 x 20mm	JFS108207	2
13. Swivel Clip	KDP210200	1
14. Actuator Vacuum Pipe	NJA3968HA	1



BYPASS VALVE & ACTUATOR

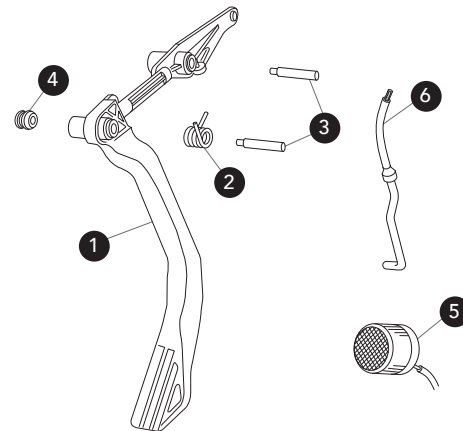
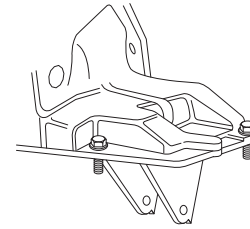
1. Bypass Valve		
To VIN F53972	AJ85330	1
2. Supercharger Bypass Actuator	NCC7703AC	1
3. Bolt, M6 x 20mm	AJ89714	2
4. Bolt, M6 x 20mm		
To VIN F41862	XR82409	2
From VIN F41863	C2N1272	2
5. Water Bypass Hose	NCC2213AC	2
6. Hose Clip	JHC200801	4
7. Induction Elbow	AJ83052	1
8. Gasket	NCC7754BA	1
9. Elbow, to VIN F20644	EAC7965	1
10. T-Piece, to VIN F20644	C15644	1
11. Vacuum Hose		
To VIN F20644	AJ83877	1
12. Bypass Hose		
To VIN F20644	AJ83877	1
13. Bolt, M8 x 50mm	C2C35271	4
14. O-Ring	KSC137624	1
15. Elbow, from VIN F20645	EAC7965	1
16. T-Piece, from VIN F20645	C15644	1
17. Hose, from VIN F20645	AJ83877	1
18. Hose, from VIN F20645	AJ83877	1
19. Hose, from VIN F20645	AJ83877	1
20. Hose, from VIN F20645	AJ83877	1

AIR & FUEL DELIVERY

ACCELERATOR PEDAL

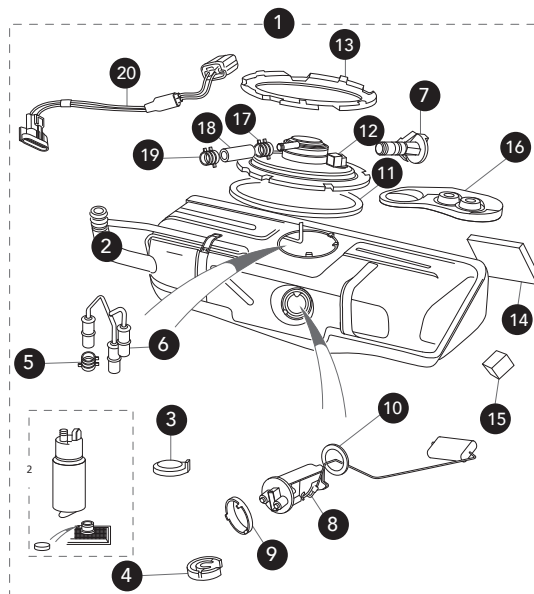


1. Accelerator Pedal			
LHD	MNA5380BA	1	
RHD	MNA5380AA	1	
2. Return Spring	MNC4715AD	1	
3. Pivot Pin			
To VIN F20338	MNA4709AA	2	
From VIN F20339	MNF4709AA	2	
4. Grommet	CBC6850	1	
5. Kickdown Switch			
3.2/4.0 Litre	LJC6570AA	1	
4.0 Supercharged			
From VIN 853936	LJC6570BA	1	
6. Accelerator Cable			
LHD	MND4620BE	1	
RHD	MND4620AF	1	



AIR & FUEL DELIVERY

FUEL TANK



N.B. For more information on Fuel Tanks please contact Sales with VIN Number.

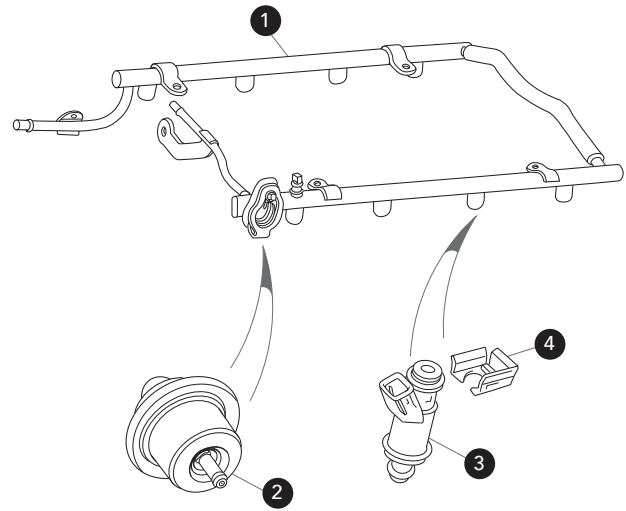
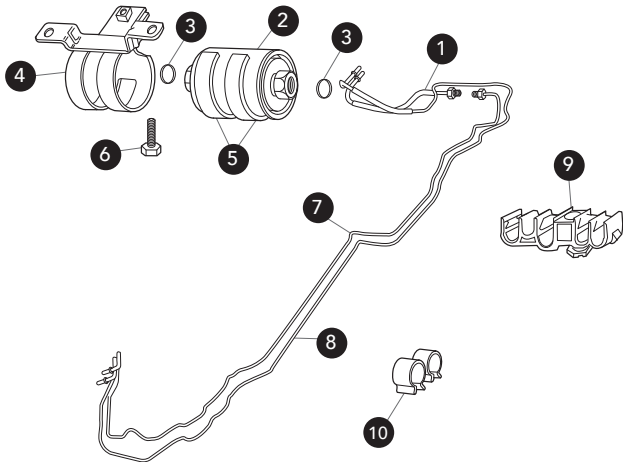


AIR & FUEL DELIVERY

FUEL PIPES & INJECTORS

FUEL FEED & RETURN PIPES

1. Fuel Pipe	NNA6082AH	1
2. Fuel Filter	C2C35417	1
3. O-Ring	XR829166	2
4. Fuel Filter Mounting Bracket	NNA6086AC	1
5. Mounting Bracket Insulation	CBC8156	2
6. Flange Head Screw	FS106165P	2
7. Fuel Feed Pipe		
Short Wheel Base	NND6103AD	1
Long Wheel Base	NNC6103AD	1
8. Fuel Return Pipe		
Short Wheel Base	NND6102AC	1
Long Wheel Base	NNC6102AC	1
9. Clip	NNA6127AA	6
10. Double Pipe Clip	KDG108104	3



FUEL RAIL & INJECTORS NATURALLY ASPIRATED

1. Fuel Rail, from VIN 853936	AJ83358	1
2. Fuel Pressure Regulator Kit		
From VIN 853936	JLM21358	8
3. Fuel Injector	AJ83967	8
4. Retaining Clip	AJ82853	8



AIR & FUEL DELIVERY

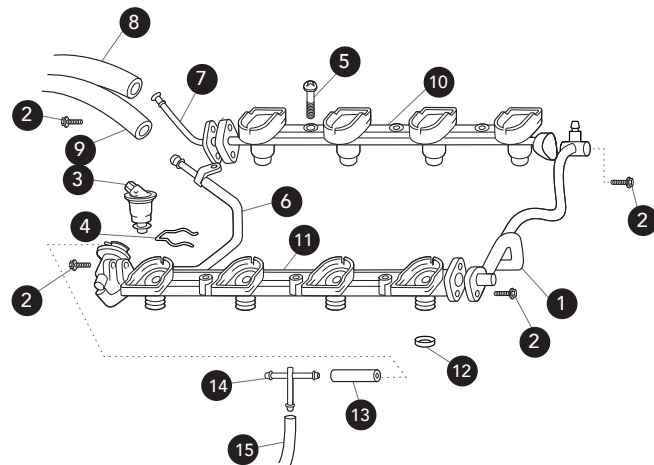
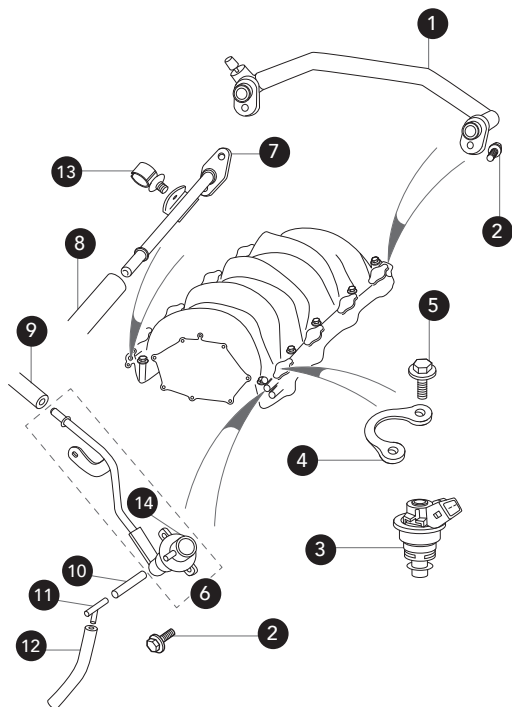
FUEL PIPES & INJECTORS



FUEL INJECTOR & REGULATOR 3.2/4.0 LITRE

1. Connecting Pipe	NCA3027AF	1
2. Bolt, M6 x 16mm	JFS10616B	6
3. Fuel Injector		
To VIN 853935	LCA1521AF	8
From VIN 853936	AJ83967	8
4. Injector Clamp Plate	AJ82902	8
5. Screw, M5 x 12mm	JFS10512C	16
6. Fuel Return Pipe	NCA3007CA	1
7. Fuel Feed Pipe	NCA3005AF	1
8. Fuel Feed Hose		
To VIN 853935	NNC6053EB	1
From VIN 853936	NNC6053AF	1
9. Fuel Return Hose	NNC6054EA	1
10. Vacuum Hose	AJ83877	1
11. T-Piece	C15644	1
12. Vacuum Hose	AJ83877	1
13. Fir Tree Clip	KDF114023	1
14. Fuel Pressure Regulator	NCA3007CA	1

N.B. Only available as Return Pipe



FUEL INJECTOR & REGULATOR 4.0 LITRE SUPERCHARGED

1. Fuel Pipe	NCC3027AB	1
2. Bolt, M6 x 16mm	JFS10616B	7
3. Fuel Injector	LCC1521AD	8
4. Injector Clip		
To VIN 878717	NCC3416AA	8
From Vin F00035	AJ81060	8
5. Fuel Rail to Manifold Screw	JXB10840B	6
6. Fuel Return Pipe Assembly	AJ81480	1
7. Fuel Feed Pipe	NCC3005AB	1
8. Fuel Feed Hose		
To VIN F44409	NNC6053EB	1
9. Fuel Return Hose	NNC6054FB	1
10. Fuel Rail, RH A-Bank	NNE3446AA	1
11. Fuel Rail, LH B-Bank	NCC3447AD	1
12. Injector to Adaptor Seal	NCC3016AA	8
13. Vacuum Hose	AJ83877	1
14. T-Piece	C15644	1
15. Vacuum Hose	AJ83877	1

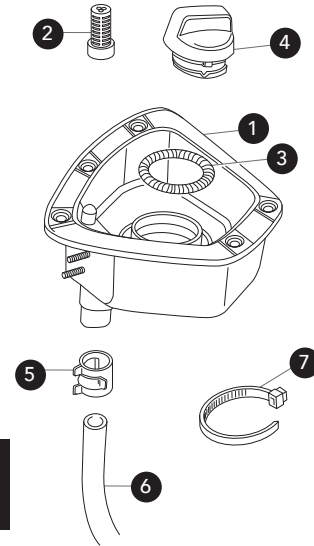
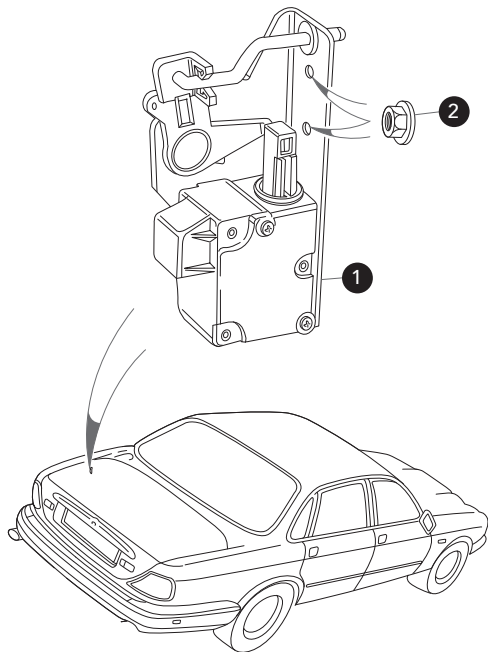


AIR & FUEL DELIVERY

FUEL FILLER & CAP

FUEL FILLER LATCH

- | | | |
|--------------------------|-----------|---|
| 1. Fuel Filler Lid Latch | HNA3093AB | 1 |
| 2. Nyloc Nut | JLM11988 | 2 |



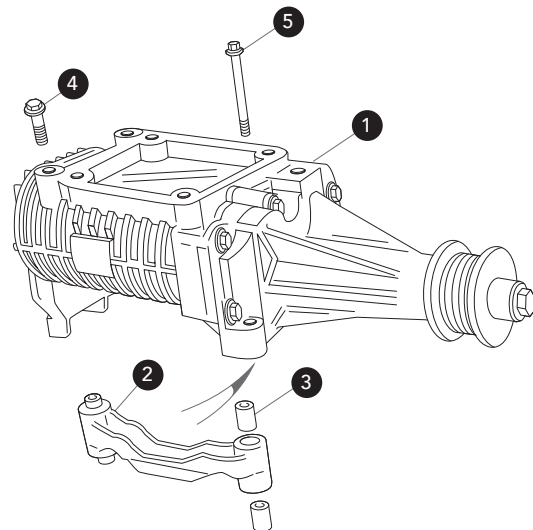
FUEL LATCH BOX & FILLER CAP

- | | | |
|-----------------------|-----------|---|
| 1. Fuel Filler Bowl | HNA3092AB | 1 |
| 2. Filter | HNA3099BA | 1 |
| 3. Spring Clip | HNA3106AA | 1 |
| 4. Fuel Filler Cap | NNG5942AG | 1 |
| 5. Hose Clip | CAC8774 | 1 |
| 6. Moulded Drain Tube | HNC3098AA | 1 |
| 7. Tie Strap, 10.75" | C46294 | 1 |

AIR & FUEL DELIVERY

SUPERCHARGER

- | | | |
|----------------------------------|-----------|---|
| 1. Supercharger | AJ85326 | 1 |
| 2. Supercharger Mounting Bracket | NCC7708AB | 1 |
| 3. Dowel | EAZ2159 | 4 |
| 4. Screw, M8 x 30mm | JFS10830B | 1 |
| 5. Bolt | JDE4411 | 2 |

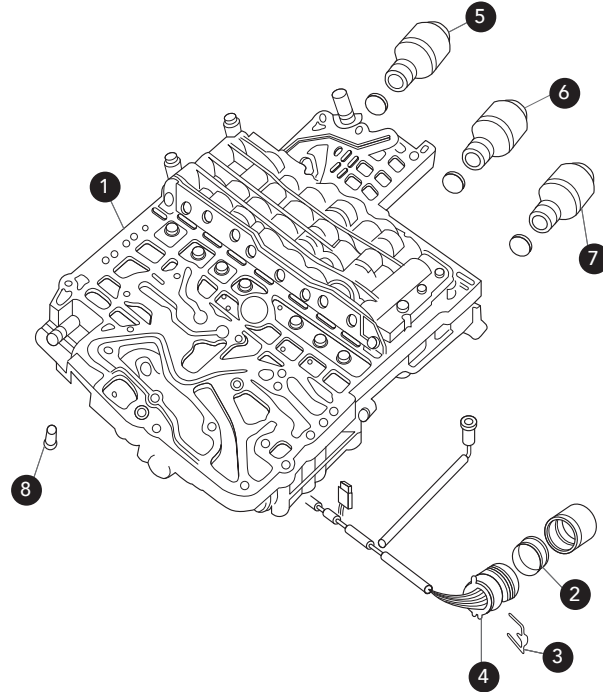


TRANSMISSION & DRIVELINE CONTROL VALVE ASSEMBLY



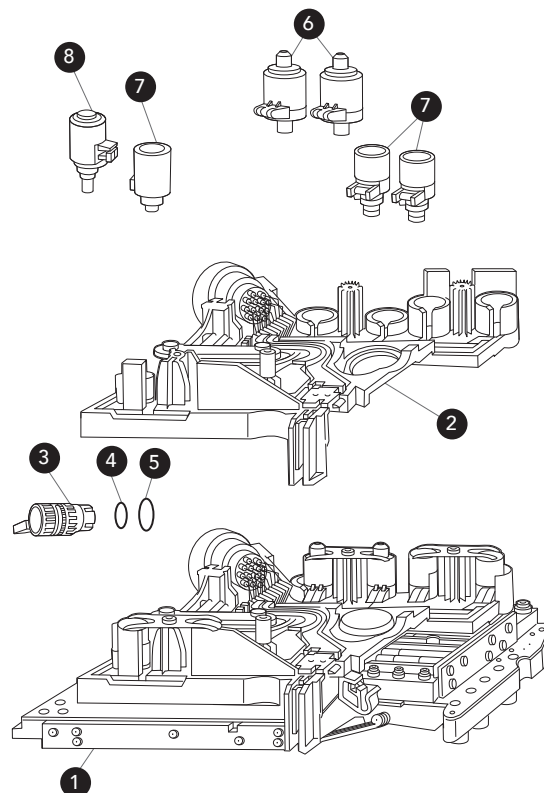
NATURALLY ASPIRATED

1. Gearbox Control Valve			
3.2 Litre, to VIN 853935	NTF4410AC	1	
4.0 Litre, to VIN 853935	NTF4410AB	1	
From VIN 853936	NNE4410AA	1	
2. O-ring	JLM20212	2	
3. Retaining Clip	JLM20213	1	
4. Gearbox Internal Harness	LNC3380AA	1	
5. Solenoid Shift Valve	JLM20219	3	
6. Pressure Regulators 2, 3, 4 & 5	JLM20220	4	
7. Pressure Regulator 1	JLM20221	1	
8. Speed Transducer	JLM11251	2	



4.0 LITRE SUPERCHARGED

1. Gearbox Valve Block	NNC4410AA	1	
2. Mounting Block	JLM20467	1	
3. In-Line Connector	JLM21109	1	
4. Sealing Ring, Outer	Supplied With JLM21109		
5. Sealing Ring, Inner	Supplied With JLM21109		
6. Solenoid	JLM20477	2	
7. Solenoid	JLM20478	3	
8. Solenoid	JLM20479	1	



+44 1746 765432
sales.uk@sngbarratt.com



+33 385 201420
france@sngbarratt.com



018 01 833 833 (DE only)
sales.de@sngbarratt.com



+31 13 521 1552
sales.nl@sngbarratt.com



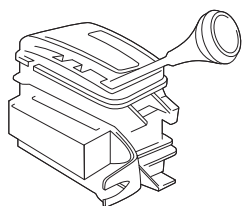
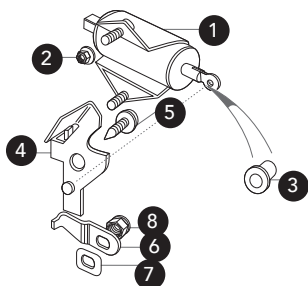
+1 800 452 4787
sales.usa@sngbarratt.com

TRANSMISSION & DRIVELINE

GEAR CHANGE CONTROL

SOLENOID

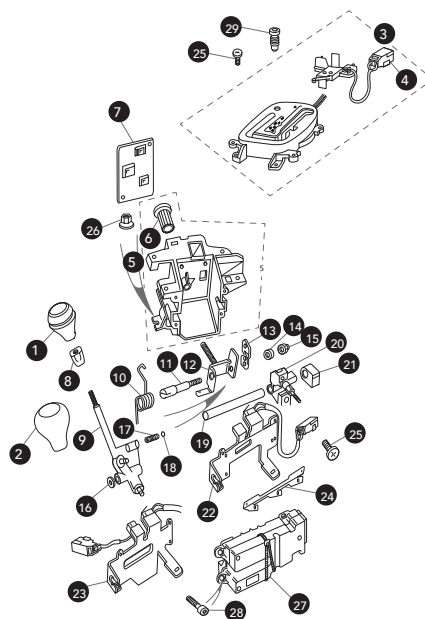
1. Gearshift Interlock Solenoid	LNA5850AA	1
2. Flange Nut, M6	FN106041	2
3. Gearshift Interlock Rubber Bush	MNA4974AA	1
4. Latch & Pin Assembly	MNA4935AB	1
5. Self Tapping Screw	JZH100006	1
6. J-gate Operating Lever	MNA4928AA	1
7. Wave Wash	JZW100011	1
8. Locking Nut, M8	JFY10804B	1



AUTOMATIC

Illumination Module Gasket <i>(not illustrated)</i>	LNC6197AA	1
1. Gearchange Knob	Contact Sales	
2. Gearchange Knob	Contact Sales	
3. Gear Selector Illumination Module Supercharged	LNC6195AC	1
Naturally Aspirated	LJA6195BG	1
4. J-Gate Switch	LJA6190AC	1
5. J-Gate Housing & Sleeve	MJA4912AB	1
6. Pivot Bush	MJA4914AA	1
7. Harness Bracket	LJG3890GA	1
8. Cone	CAC7835	1
9. Gearshift Hand Lever, Black	MNA4915AB	1
10. Tension Spring	CAC9068	1

11. Pivot Pin	MNA4922AA	1
12. Pivot Bracket Assembly	MNA4920AC	1
13. Changeover Plate	MNA4919AB	1
14. Plain Washer, 0.25" O/D	WA10604J	1
15. Nyloc Nut	NY106041J	1
16. Nylon Washer	CAC9071	1
17. Compression Spring	CBC1751	1
18. Metal Ball	CAC73253	1
19. J-Gate Slider Bar	MJA4949AA	1
20. Sliding Lock Assembly		
4.0 Litre Supercharged	MNC4925AC	1
3.2 & 4.0 Litre Naturally Aspirated	CCC6941	1
21. J-Gate Mounting Rubber	MJA49448AA	1
22. J-Gate Mounting Plate		
4.0 Litre Supercharged	MNC4940AC	1
23. J-Gate Mounting Plate		
3.2 & 4.0 Litre Naturally Aspirated	MND4940AE	1
24. Connector Bracket		
3.2 & 4.0 Litre Naturally Aspirated	LJA3890VA	1
25. Taptite Screw	SL104121	A/R
26. Flange Nut, M6	FN106041	2
27. Linear Switch		
4.0 Litre Supercharged		
To VIN 878717	LNC6551AC	1
From VIN F00035	LNF6551AA	1
28. Screw		
4.0 Litre Supercharged	SM104121J	4
29. J-Gate Protective Plug	CCC5589	1



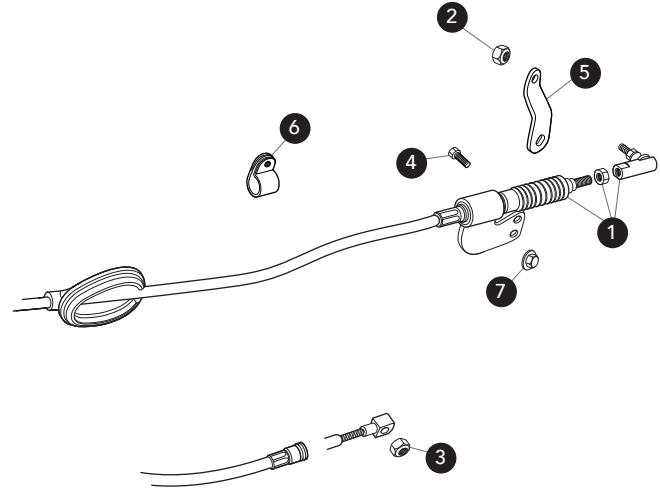
TRANSMISSION & DRIVELINE

GEAR CONTROL CABLE

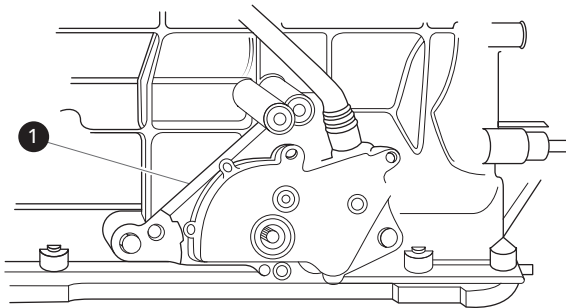


GEAR CONTROL CABLE

1. Gear Control Cable			
4.0 Litre Supercharged	MNE4830BB	1	
3.2 & 4.0 Litre Naturally Aspirated	MNE4830AB	1	
2. Hexagonal Nut, M6	AGU2580	1	
3. Hexagonal Nut, M6	JFY106041	1	
4. Flange Headed Screw			
4.0 Litre Supercharged	FS106165P	2	
3.2 & 4.0 Litre Naturally Aspirated	C2Z1354	2	
5. Selector Lever	NJA4460AB	1	
6. Pipe Clip, 18mm	JZP100036	1	
7. Flanged Nut, M8	FN108041J	1	



ROTARY SWITCH



1. Gearbox Rotary Switch	LJA6201AD	1
--------------------------	-----------	---



+44 1746 765432
sales.uk@sngbarratt.com



+33 385 201420
france@sngbarratt.com



018 01 833 833 (DE only)
sales.de@sngbarratt.com



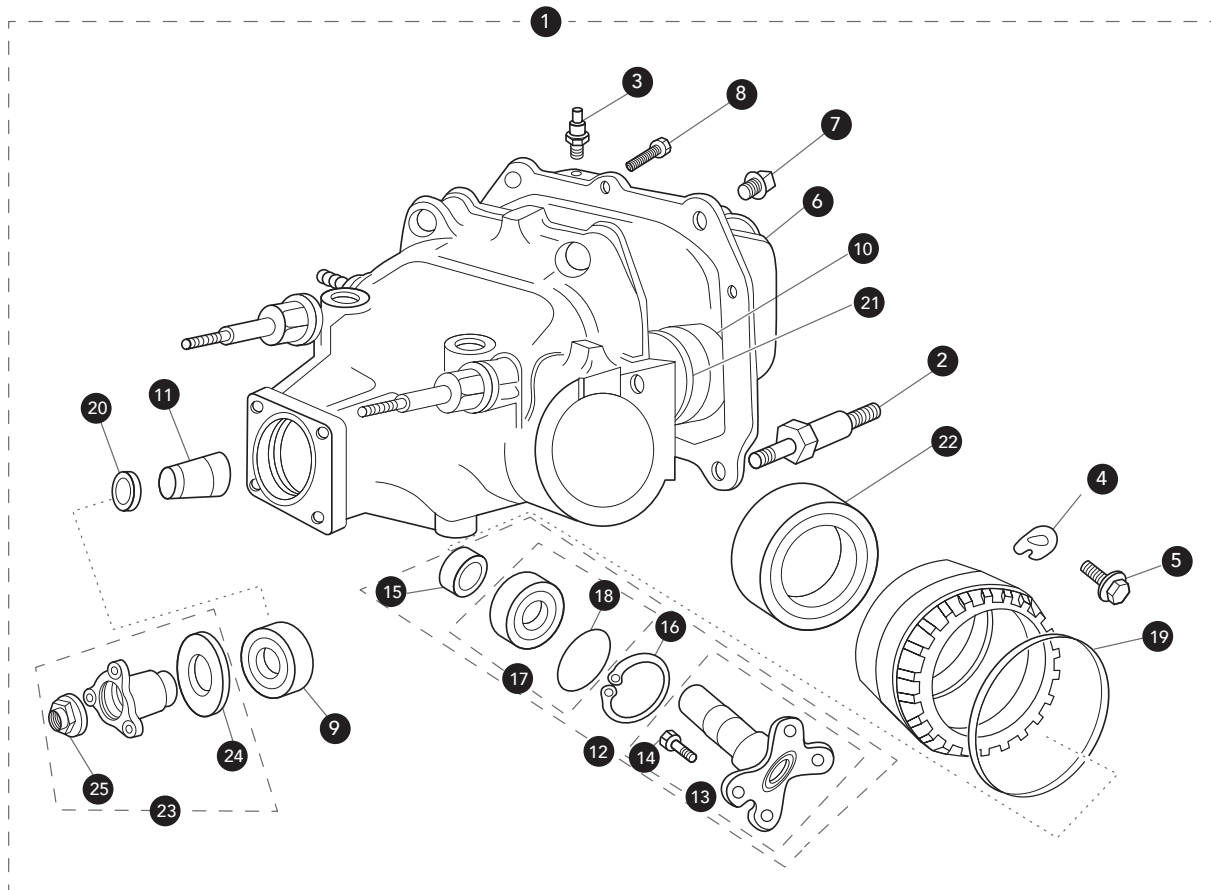
+31 13 521 1552
sales.nl@sngbarratt.com



+1 800 452 4787
sales.usa@sngbarratt.com

TRANSMISSION & DRIVELINE

DIFFERENTIAL ASSEMBLY



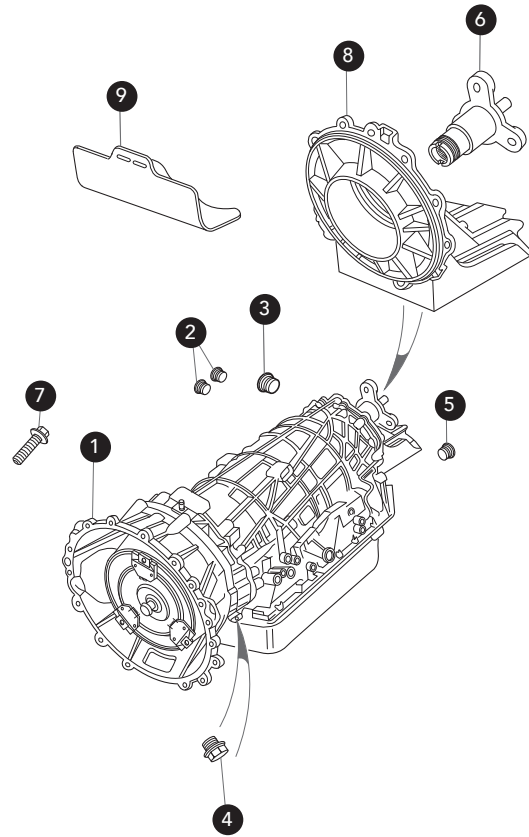
1. Differential Unit	Contact Sales				
2. Tie Stud	NNC5715AA	1			
3. Differential Case Breather	JLM20323	1			
4. Lock Tab	JLM20330	2			
5. Bearing Housing Bolt, M8	JLM20333	2			
6. Differential End Cover	C2A1420	1			
7. Female Plug, 0.75" BSP	JLM632	1			
8. End Cover Bolt, M8	JLM20332	6			
9. Pinion Tail Bearing	NJF215312AA	1			
10. Pinion Head Bearing	JLM20335	1			
11. Differential Spacer Kit	JLM20325	1			
12. Axle Shaft Assembly	C2A1417	2			
13. Shaft & Stud Assembly	C2A1418	2			
			14. Stud	JLM624	8
			15. Bearing Retaining Collar	C2A1421	2
			16. Bearing Housing Circlip	C2A1422	2
			17. Differential Shaft Bearing	JLM20337	2
			18. Differential Sealing Ring	JLM2051	2
			19. Housing O-ring	JLM20327	2
			20. Pinion Tail Bearing Shim Kit	JLM20250	1
			21. Pinion Tail Bearing Shim Kit	JLM20251	1
			22. Differential Bearing	JLM20336	2
			23. Companion Flange Kit	JLM20602	1
			24. Pinion Oil Seal	Part of JLM20602	
			25. Pinion Lock Nut	JLM11840	1

TRANSMISSION & DRIVELINE GEARBOX ASSEMBLY



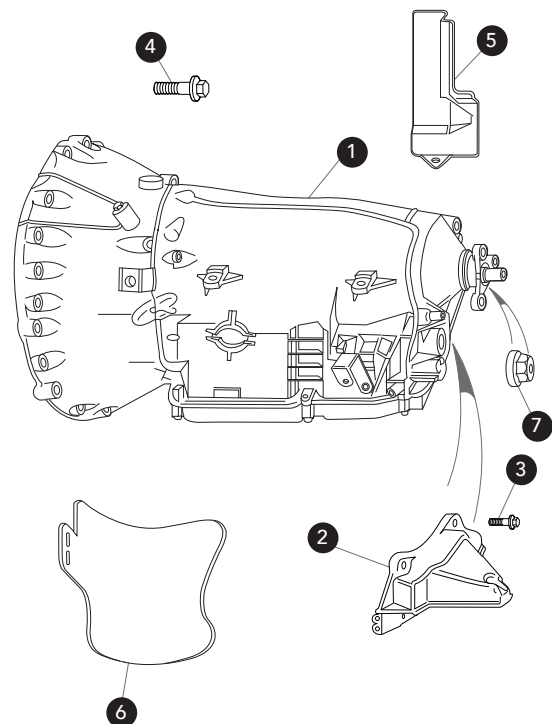
NATURALLY ASPIRATED

1. Automatic Gearbox			
3.2 Litre			
To VIN 853935	NNC4400BDE	1	
From VIN853936	NNE4400BAE	1	
4.0 Litre			
To VIN 853935	NJB4400ABE	1	
From VIN853936	NNE4400AAE	1	
2. Gearbox Level Plug, M14	JLM20207	1	
3. Oil Filler Plug, M18			
From VIN 878717	C2C6729	1	
4. Oil Relief Valve Plug	JLM20209	1	
5. Screw Plug	C2C9649	1	
6. Drive Coupling	NTF4435AA	1	
7. Bolt M10 x 40mm	C2P7626	16	
8. Gearbox Extension Housing	JLM20568	1	
9. Water Deflector	HJB3770AA	1	



4.0 LITRE SUPERCHARGED

Torque Convertor <i>(not illustrated)</i>	NNC4415ABE	1	
1. Gearbox	NNC4400CEE	1	
2. Mounting Bracket	NNC4619BC	1	
3. Flange Headed Screw, M8 x 30mm	JFS108307	4	
4. Bolt, M10 x 40mm	C2P7626	16	
5. Heatshield	NNC4487AD	1	
6. Water Deflector	HJB3770AA	1	
7. Flange Nut	JLM21202	1	



+44 1746 765432
sales.uk@sngbarratt.com



+33 385 201420
france@sngbarratt.com



018 01 833 833 (DE only)
sales.de@sngbarratt.com



+31 13 521 1552
sales.nl@sngbarratt.com



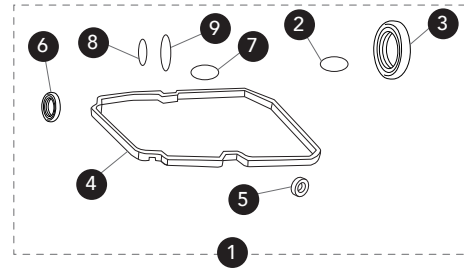
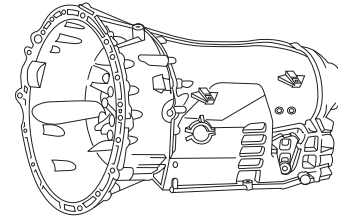
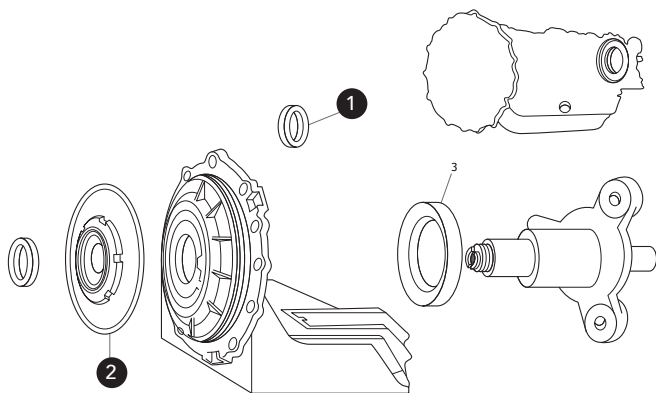
+1 800 452 4787
sales.usa@sngbarratt.com

TRANSMISSION & DRIVELINE

GEARBOX SEALS

NATURALLY ASPIRATED

1. Shaft Seal	JLM866	2
2. Rear Mounting O-ring	JLM20210	1
3. Output Shaft Oil Seal	JLM20211	1



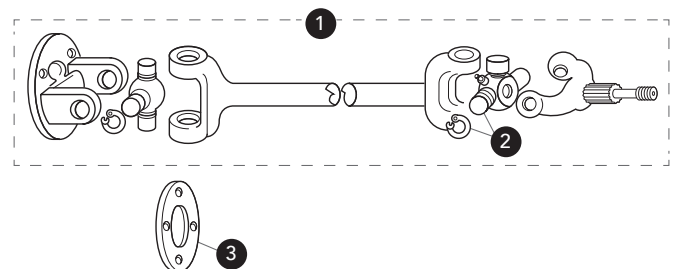
4.0 LITRE SUPERCHARGED

1. Seal & O-Ring Kit	JLM20480	1
2. Sealing Washer	JLM20299	1
3. Output Flange Seal	JLM20314	1
4. Gearbox Sump Gasket	JLM20469	1
5. Drain Plug Washer	JLM20475	1
6. Front Pump Seal	JLM20484	1
7. Gearshift Shaft Seal	JLM20485	1
8. Outer Sealing Ring	Part of JLM21109	1
9. Inner Sealing Ring	Part of JLM21109	

TRANSMISSION & DRIVELINE

HALFSHAFT ASSEMBLY

1. Halfshaft Assembly	MNE3240AB	2
2. Universal Joint	JLM1388	4
3. Halfshaft Spacer		
Available in 0.5mm increments from 3.5mm to 7.5mm		Contact Sales A/R



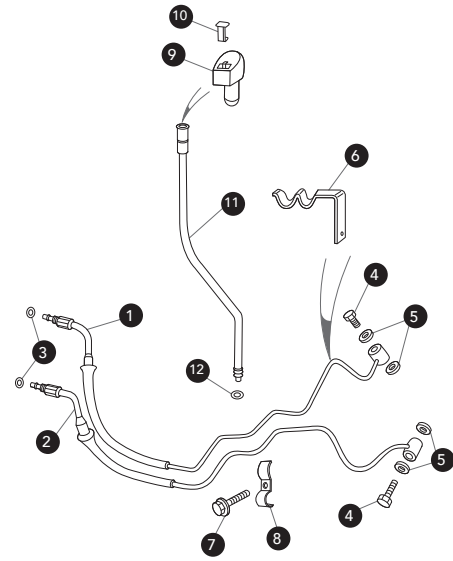
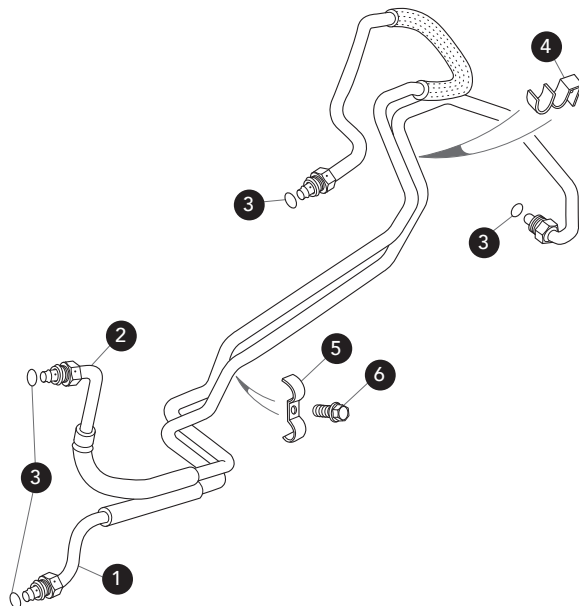
TRANSMISSION & DRIVELINE

OIL COOLER PIPES



NATURALLY ASPIRATED

1. Oil Cooler Output Pipe	NNE4500BA	1
2. Oil Cooler Return Pipe	NNE4510AA	1
3. O-ring	C2C6713	2
4. Oil cooler Pipe Bracket	NNC4520DB	1
5. Oil Cooler Pipe Clip	JZP100027	1
6. Flange Headed Screw	JFS10625F	2



4.0 LITRE SUPERCHARGED

1. Oil Cooler Return Pipe	NNE4510BB	1
2. Oil Cooler Output Pipe	NNE4500DA	1
3. O-ring	C2C6713	2
4. Banj Bolt, M14 x 26mm	JZB100079	1
5. Sealing Washer, M14	JWV114002	2
6. Oil Cooler Pipe Bracket	NNC4520DB	1
7. Flange Headed Screw	JFS10625F	1
8. Oil Cooler Pipe Clip	JZP100027	1
9. Filler Cap	JLM20566	1
10. Locking Pin	NNC4551AA	1
11. Dipstick Tube	NNC4540AE	1
12. O-ring	KSH111624	1



+44 1746 765432
sales.uk@sngbarratt.com



+33 385 201420
france@sngbarratt.com



018 01 833 833 (DE only)
sales.de@sngbarratt.com



+31 13 521 1552
sales.nl@sngbarratt.com



+1 800 452 4787
sales.usa@sngbarratt.com

TRANSMISSION & DRIVELINE

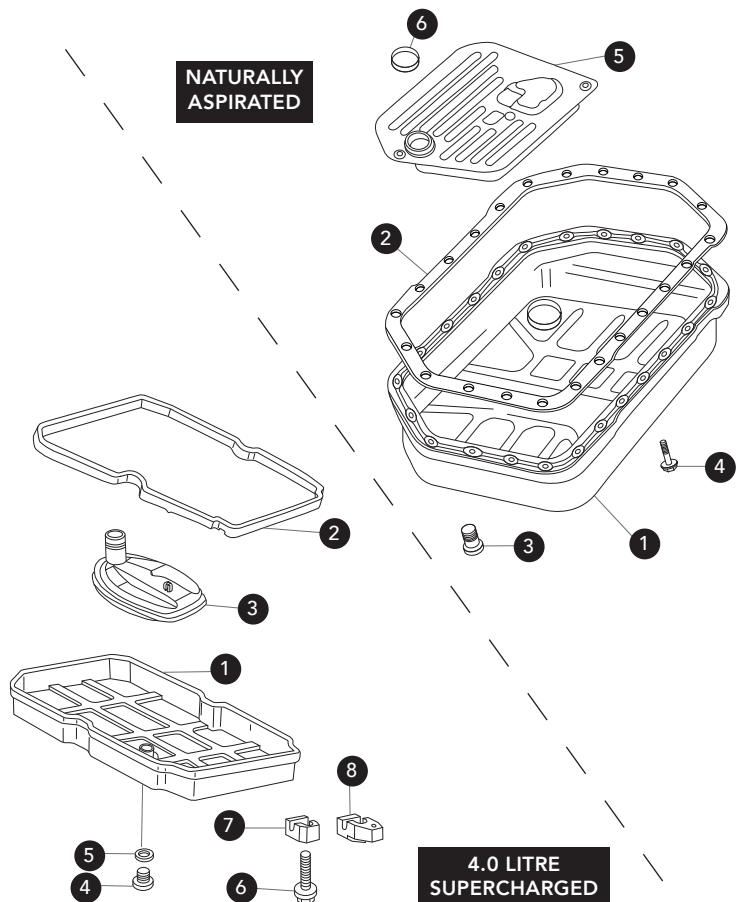
OIL SUMP PAN

NATURALLY ASPIRATED

1. Gearbox Oil Sump Pan	JLM20215	1
2. Oil Sump Gasket	JLM20204	1
3. Drain Plug	JLM20205	1
4. Cap Screw	JLM888	22
5. Sump Filter	JLM20216	1
6. Filter to Control Valve O-Ring	JLM20217	1

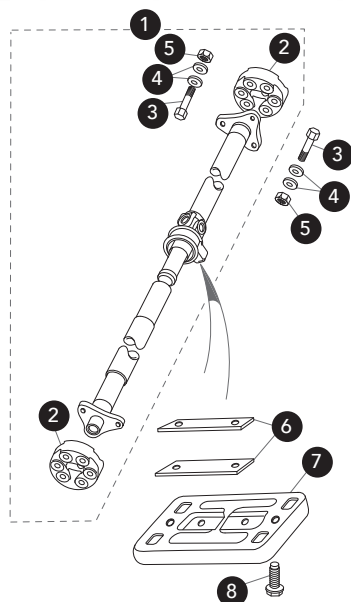
4.0 LITRE SUPERCHARGED

1. Gearbox Oil Sump Pan	JLM20468	1
2. Oil Sump Gasket	JLM20469	1
3. Sump Filter	JLM20470	1
4. Drain Plug	JLM20298	1
5. Drain Plug Washer	JLM20475	1
6. Clamp Screw	JLM20796	6
7. Mounting Spacer	JLM20797	5
8. Mounting Spacer	JLM20798	1



TRANSMISSION & DRIVELINE

PROPSHAFT ASSEMBLY



1. Propshaft, Supercharged		
Long Wheelbase	NXF5800JC	1
Standard Wheelbase	NND5800FC	1
Propshaft, Naturally Aspirated		
Long Wheelbase	NXF5800HC	1
Standard Wheelbase	NND5800EC	1
2. Flexible Jurid Coupling	CBC8996	2
3. Coupling Bolt, M12 x 70mm	CBC8174	6
4. Coupling Washer	C2P8152	12
5. Locknut	NV112051J	12
6. Spacer		
Thick, 0.58	CBC72533	1
Thin, 0.41	CBC72531	1
7. Centre Bearing Mounting Bracket	NNC58118BA	1
8. Hexagon Flange Screw	JFU10820EM	6

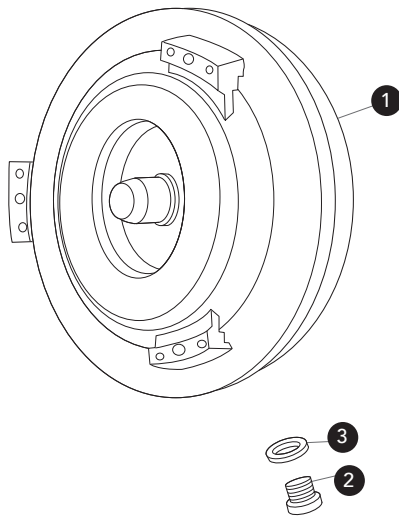
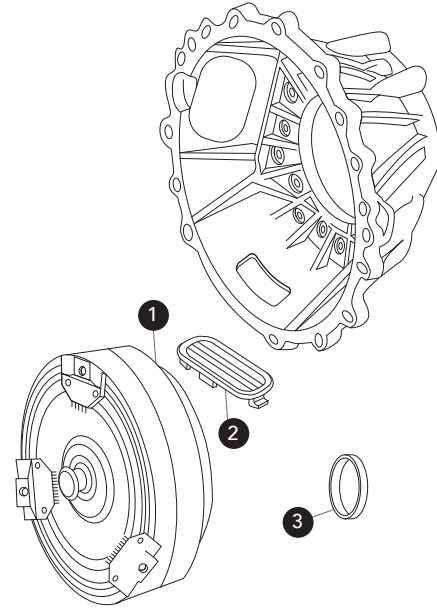
TRANSMISSION & DRIVELINE

TORQUE CONVERTER & HOUSING



NATURALLY ASPIRATED

1. Torque Converter			
3.2 Litre	NNE4415BA	1	
4.0 Litre	NNE4415AA	1	
2. Stoneguard	NJA4465AA	1	
3. Front Pump Seal	JLM10856	1	



4.0 LITRE SUPERCHARGED

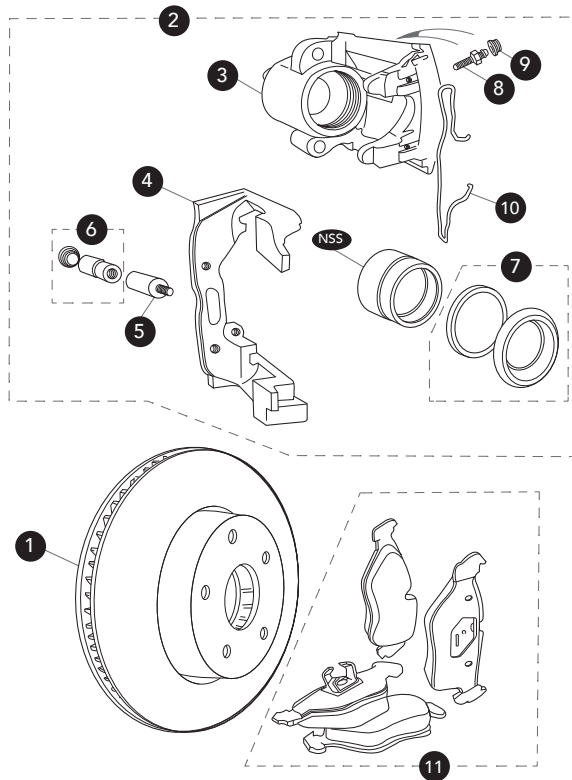
1. Torque Converter	NNC4415ABE	1
2. Drain Plug	JLM20298	1
3. Sealing Washer	JLM20299	1



BRAKING

BRAKE DISCS & CALIPERS

FRONT DISCS & CALIPERS



1. Brake Disc Kit

'R' Performance Options

Cross Drilled JLM21749 1

Non-'R' Performance Options

305mm Disc, Non-Cross Drilled C2C41249 1

325mm Disc, Non-Cross Drilled C2C41250 1

2. Brake Caliper

'R' Performance Options

LH, to VIN F39525 JLM21316 1

LH, from VIN F39526 MXD1513CA 1

RH, to VIN F39525 JLM21315 1

LH, from VIN F39526 MXD1512CA 1

N.B. For XJR100 Please Contact Sales

Non-'R' Performance Options

LH, 305mm Brake Disc JLM21470 1

RH, 305mm Brake Disc JLM21469 1

LH, 325mm Brake Disc JLM21472 1

RH, 325mm Brake Disc JLM21471 1

3. Caliper Housing

LH, from VIN F08336 MJD7843BA 1

RH, from VIN F08336 MJD7842BA 1

4. Caliper Carrier Kit MJD7860AA 1

5. Guiding Pin C2C27297 2

6. Bushing Kit JLM2194 1

7. Brake Caliper Seal Kit Contact Sales

8. Bleed Screw

'R' Performance Options JLM21319 2

Non-'R' Performance Options MJD7848AA 2

9. Dust Cap JLM2193 1

10. Housing Clip

Non-'R' Performance Options MJD7864AA 2

11. Brake Pad Kit

'R' Performance Options MXD1550AB 1

Non-'R' Performance Options

4.0 Litre Supercharged

To VIN F40672 JLM1829 1

From VIN F40673 JLM21917 1

3.2/4.0 Litre JLM21917 1



BRAKING

BRAKE DISCS & CALIPERS



REAR DISCS & CALIPERS

1. Splash Shield Backplate

'R' Performance Options

LH	MXD2789AA	1
RH	MXD2788AA	1

Non-'R' Performance Options

LH	JLM12339	1
RH	JLM12338	1

2. Parking Brake Repair Kit

JLM2250	1
---------	---

3. Parkbrake Adjuster

JLM2201	2
---------	---

4. Parking Brake Lever

JLM2206	2
---------	---

5. Compression Spring

JLM2202	2
---------	---

6. Parking Brake Pin

JLM2205	2
---------	---

7. Clip

CCC5644	2
---------	---

8. Brake Disc Kit

'R' Performance Options

Cross Drilled	JLM21748	1
---------------	----------	---

Non-'R' Performance Options

Non-Cross Drilled, 305mm Brake Disc	C2C41251	1
--	----------	---

9. Brake Caliper

'R' Performance Options

LH, to VIN F39525	JLM21318	1
LH, from VIN F39526	MXD2713CA	1
RH, to VIN F39525	JLM21317	1
RH, from VIN F39526	MXD2712CA	1

N.B. For XJR100

Contact Sales

Non-'R' Performance Options

LH	JLM20233	1
RH	JLM20232	1

10. Caliper Housing

Non-'R' Performance Options

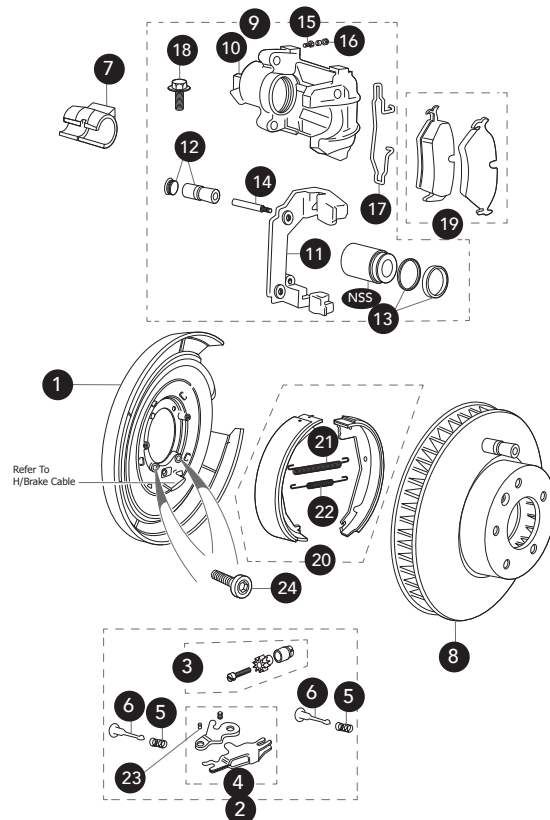
LH	MJD7853AA	1
RH	MJD7852AA	1

11. Caliper Carrier Kit

MJD7860BA	1
-----------	---

12. Bushing Kit

C2C29161	1
----------	---



13. Brake Caliper Seal Kit	JLM21054	1
14. Guiding Pin	C2C27297	2
15. Bleed Screw		
'R' Performance Options	JLM21319	2
Non-'R' Performance Options	JLM12120	2
16. Dust Cap	JLM12121	2
17. Housing Clip	JLM12122	2
18. Bolt	Contact Sales	
19. Brake Pad Kit		
'R' Performance Options	MXD2750AA	1
Non-'R' Performance Options	JLM21918	1
20. Brake Shoe Kit	JLM2209	1
21. Tension Spring	JLM2204	2
22. Tension Spring	JLM2203	2
23. Brake Lever Pin	JLM11004	1
24. Screw		
Upper	AGU1895J	4
Lower	JZS100093	4



+44 1746 765432

+33 385 201420

018 01 833 833 (DE only)

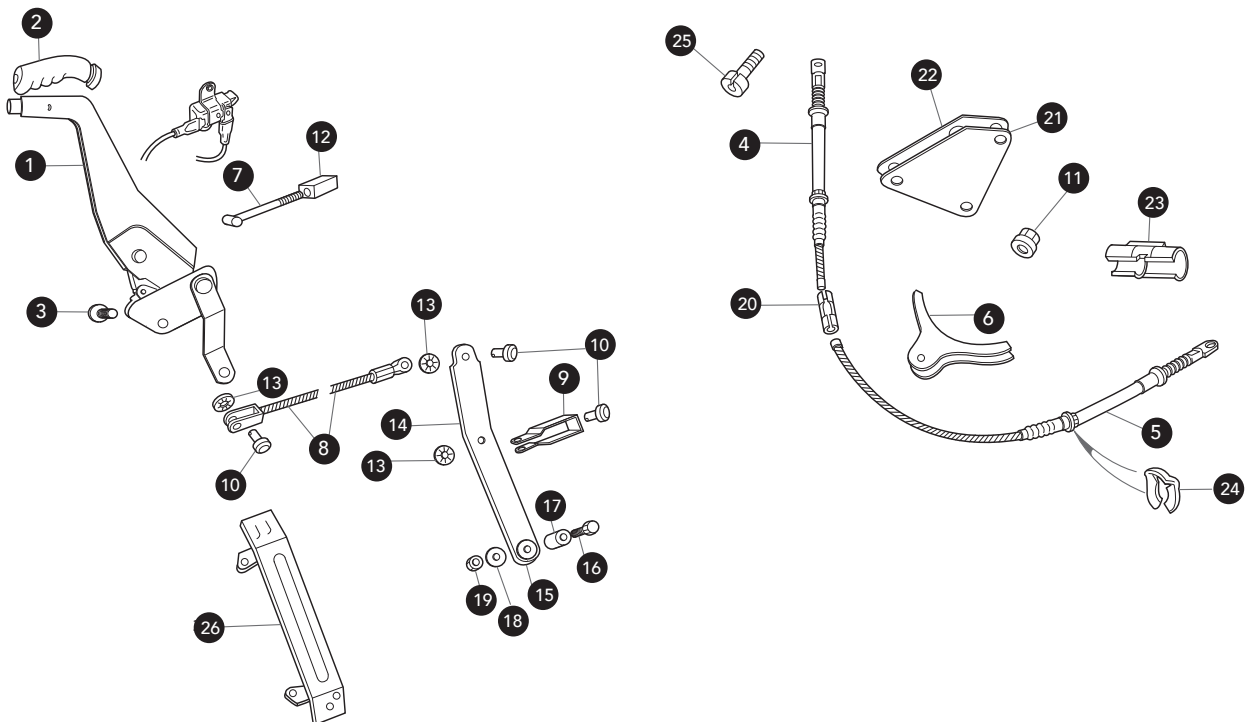
+31 13 521 1552

+1 800 452 4787

BRAKING

HANDBRAKE ASSEMBLY

1. Handbrake Assembly							
LHD	MNA5141BD	1					
RHD	MNA5141AD	1					
2. Parkbrake Handgrip	Contact Sales	1					
3. Clamp Bolt	GNB3544AC	3					
4. RH Handbrake Cable	MNA2742AA	1					
5. LH Handbrake Cable	MNA2743AA	1					
6. Handbrake Cable Equaliser	MJA5175AA	1					
7. Handbrake Cable Adjuster	MND5169AA	1					
8. Front Handbrake Cable							
Short Wheel Base	MND5150AA	1					
Long Wheel Base	MND5150BA	1					
9. Fork End	MNA5156AA	1					
10. Clevis Pin	PC108291J	3					
11. Locking Nut	JFY10804B	1					
12. Handbrake Damper	MJA5143AA	1					
13. Push On Clip	JZE100062	3					
14. Relay Lever	MND5162AA	1					
15. Bush	C346536	1					
16. Bolt	JFB10808E	1					
17. Spacer	CAC8533	1					
18. Plain Washer	FW105E	1					
19. Locking Nut	JFY10804B	1					
20. In-Line Connector	CAC8603	1					
21. Handbrake Blanking Plate	CAC7640	1					
22. Gasket							
LH	CAC8667	1					
RH	CAC8666	1					
23. Clip	CCC5644	1					
24. Handbrake Cable Circlip	13H9056J	1					
25. Bush	MJA2796AA	2					
26. Mounting Bracket							
LHD	MND5191AA	1					
RHD	MND5190AA	1					



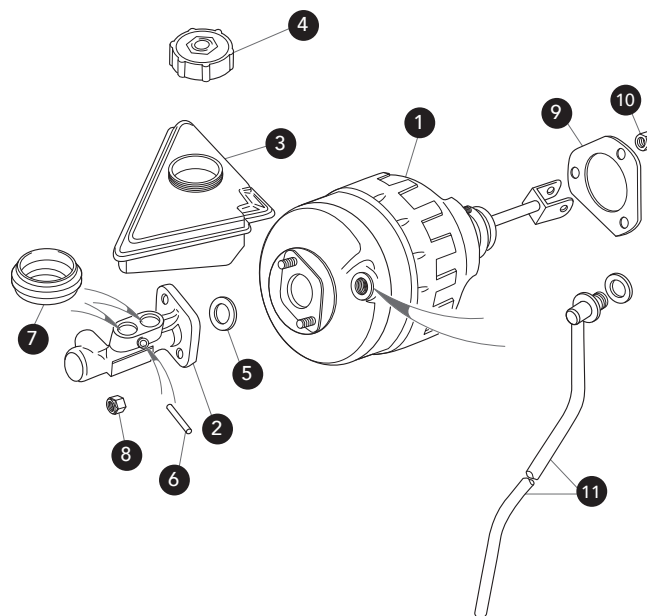
BRAKING

BRAKE SERVO & MASTER CYLINDER



1. Brake Booster			
3 Hole Fixing	JLM20557	1	
4 Hole Fixing	JLM21165	1	
2. Brake Master Cylinder			
3 Hole Fixing	JLM20266	1	
4 Hole Fixing	JLM21164	1	
3. Reservoir	JLM12082	1	
4. Reservoir Cap	JLM21215	1	
5. O-Ring			
3 Hole Fixing	JLM12081	1	
4 Hole Fixing	XR852447	1	
6. Securing Pin			
3 Hole Fixing	JLM12084	1	
4 Hole Fixing	JLM21216	1	
7. Seal	JLM12184	2	
8. Locking Nut	JFY10804B	2	
9. Gasket			
3 Hole Fixing	CCC7114	1	
4 Hole Fixing	MNE5512AA	1	
10. Locking Nut			
3 Bolt Fixing	FN110041J	3	
4 Bolt Fixing	JFY10804B	4	

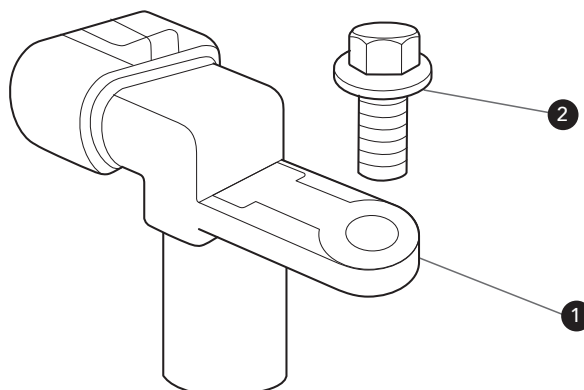
11. Vacuum Pipe			
LHD	MNC5910BG	1	
RHD	MNC5910AE	1	
12. Valve Seal	JLM21101	1	



BRAKING

ABS SYSTEM

1. Wheel Speed Sensor	LJA2226AA	4
2. Flange Head Screw	FS106165P	2
2. Flange Head Screw	FS106161M	2



+44 1746 765432
sales.uk@sngbarratt.com



+33 385 201420
france@sngbarratt.com



018 01 833 833 (DE only)
sales.de@sngbarratt.com



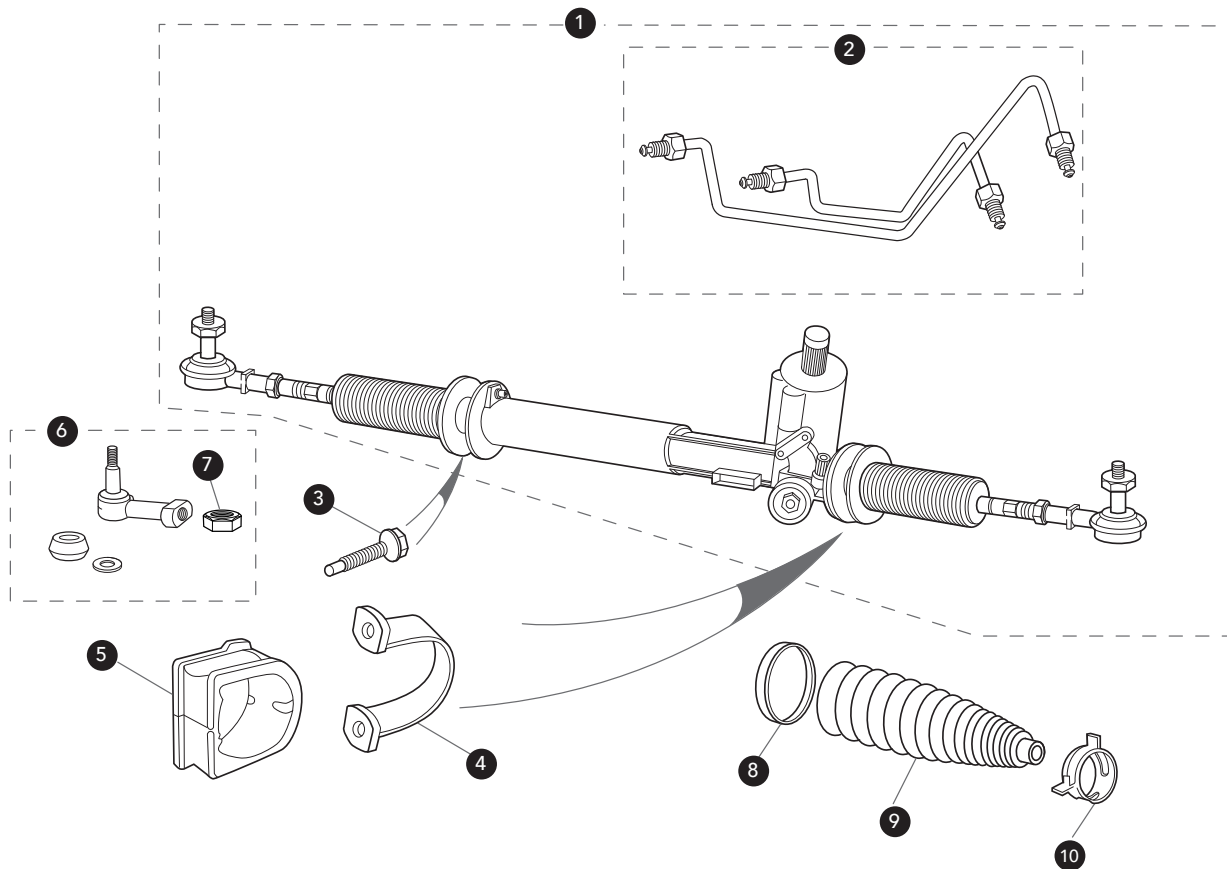
+31 13 521 1552
sales.nl@sngbarratt.com



+1 800 452 4787
sales.usa@sngbarratt.com

STEERING & SUSPENSION

STEERING RACK



1. Steering Rack and Pinion

LHD, Non-Sport

To VIN 853935 MNC3901ADE 1

From VIN 853936 MNE3901AAE 1

LHD, Sport

To VIN 853935 MJC3901BCE 1

From VIN 853936 MJC3901ACE 1

RHD, Non-Sport

To VIN 853935 MNC3900ADE 1

From VIN 853936 MNE3900AAE 1

RHD, Sport

To VIN 853935 MNC3900BCE 1

From VIN 853936 MJC3900ACE 1

2. Transfer Pipes

LHD JLM21603 1

RHD JLM21604 1

3. Screw JZS100157 4

4. Mounting Bracket

Driver's Side MJA3952DA 1

Passenger Side MJA3952EA 1

5. Mounting Bush

Pinion End MNC3953BC 1

Non-Pinion End MNC3953AC 1

6. Track Rod End JLM1098 2

7. Nut, M12 JZN100049 2

8. Large Gaiter Clip JLM20684 2

9. Bellows JLM20683 2

10. Small Gaiter Clip JLM20685 2

STEERING & SUSPENSION

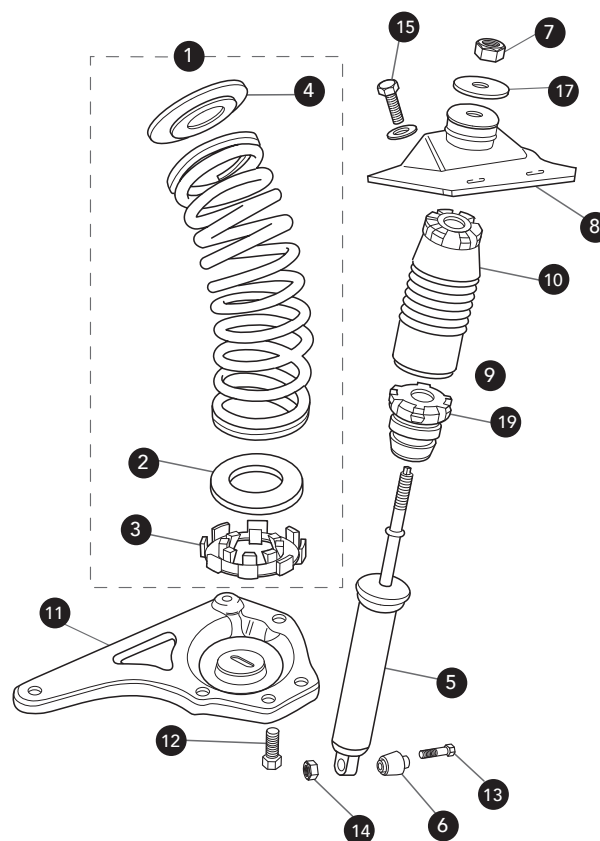
ROAD SPRINGS & DAMPERS



FRONT SPRINGS & DAMPERS

1. Road Spring Kit			
3.2/4.0 Litre			
Comfort Suspension	JLM20422	1	
Sports Suspension	JLM20423	1	
4.0 Litre Supercharged			
Comfort Suspension	JLM20636	1	
Sports Suspension	JLM20424	1	
2. Lower Spring Packer	MNC2162AA	2	
3. Spring Packer	MNC2161AB	2	
4. Packing and Locator			
1.5mm	MNA2162AB	2	
4.5mm	MNA2162BA	2	
5. Front Damper			
Non-Adaptive Control Damping			
Comfort Suspension	MND2140AD	2	
Sports Suspension	MND2140CD	2	
Adaptive Control Damping			
Comfort Suspension	MND2140DC	2	
Sports Suspension	MND2140GD	2	
6. Lower Damper Bush	MND2153AA	2	
7. Nut			
Non-Adaptive Control Damping	NY110041	2	
Adaptive Control Damping	JZN100061	2	
8. Spring/Damper Mounting			
Non-Adaptive Control Damping			
LH	MNC2169AF	2	
RH	MNC2168AF	2	
Adaptive Control Damping			
LH	MNC2169BE	2	
RH	MNC2168BE	2	
9. Spring Assister	MND2150AB	2	
10. Gaiter	MND2148AB	2	
11. Spring Pan			
LH	MNC2471AB	1	
RH	MNC2470AB	1	

12. Screw, M10 x 16mm	JZS100166	12
13. Bolt	JFB11011E	2
14. Locking Nut	JFX11004E	2
15. Screw, M8 x 20mm	JFS108207	10
16. Plain Washer	WC108051J	10
17. Plain Washer	WA110061J	2



REAR SPRINGS & DAMPERS

1. Road Spring Kit		
Comfort Suspension	JLM12257	1
Sports Suspension		
4.0 Litre Supercharged	JLM20589	1
3.2/4.0 Litre	JLM12342	1
2. Packer		
3.4mm/2.9mm	MNA3562AA	2
6.55mm/6.05mm	MNA3562BA	2



+44 1746 765432
sales.uk@sngbarratt.com



+33 385 201420
france@sngbarratt.com



018 01 833 833 (DE only)
sales.de@sngbarratt.com



+31 13 521 1552
sales.nl@sngbarratt.com



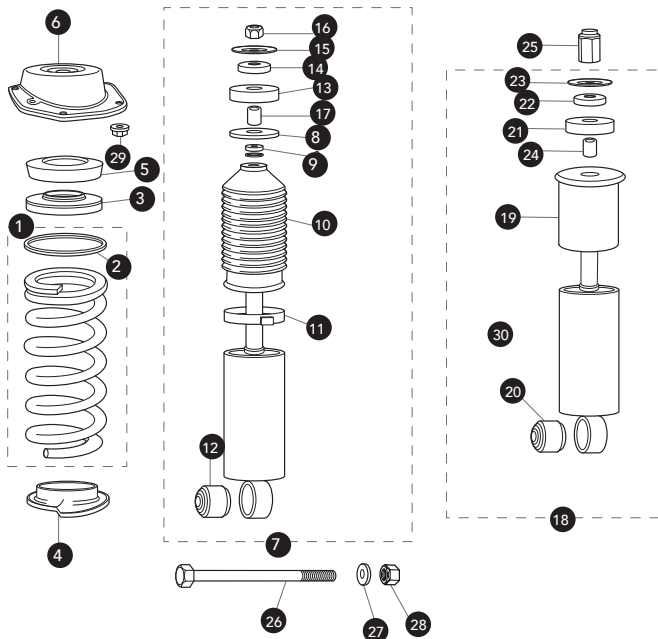
+1 800 452 4787
sales.usa@sngbarratt.com

STEERING & SUSPENSION

ROAD SPRINGS & DAMPERS

3. Upper Spring Pan	MMD3563AA	2
4. Pigtail Spring Seat	CCC7350	2
5. Upper Spring Isolator	MMD3565AA	2
6. Spring/Strut Mounting	MNC3470AA	2
7. Rear Damper		
Comfort Suspension	MNC3540AA	2
Sports Suspension	MNC3540CA	2
8. Washer	MNA3543AA	2
9. Gaiter Locating Collar	CCC7132	2
10. Damper Gaiter	MNA3548AA	2
11. Gaiter Clip	CCC7139	2
12. Lower Damper Bush	CCC6782	2
13. Isolator	CAC949465	2
14. Isolator	CAC949350	2
15. Washer	CBC1594	2
16. Nut, M10	JLM21158	2
17. Spacer Tube	MNA3554AA	2

18. Rear Damper		
Adaptive Control Damping		
Comfort Suspension	MNC3540DA	2
Sports Suspension	MNC3540EB	2
19. Damper Gaiter	MJA3548AA	2
20. Lower Damper Bush	CCC6782	2
21. Isolator	CAC949465	2
22. Isolator	CAC949350	2
23. Damper Washer	MJA3542AB	2
24. Spacer Tube	MJA3554CB	2
25. Nut, 12mm x 1mm	JZN100061	4
26. Damper Bolt	JZB100036	2
27. Washer	JZW100023	2
28. Locknut	JNV114041K	2
29. Nut and Washer	JZH100034	8



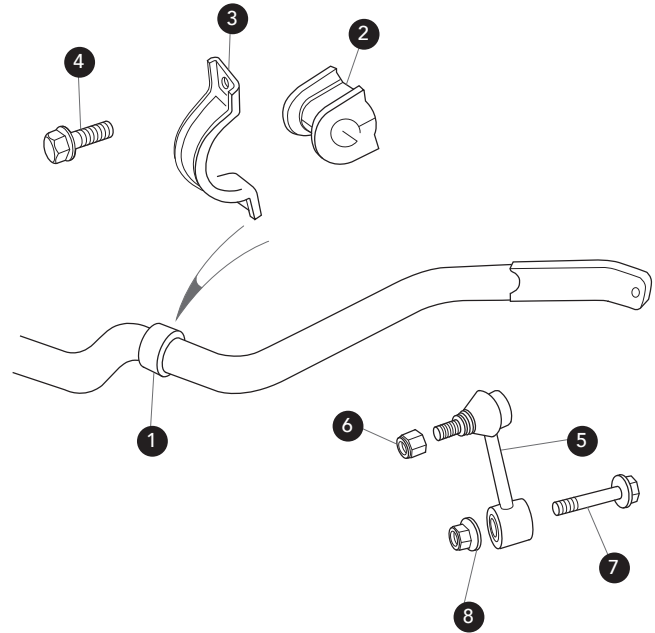
STEERING & SUSPENSION

ANTI-ROLL BAR



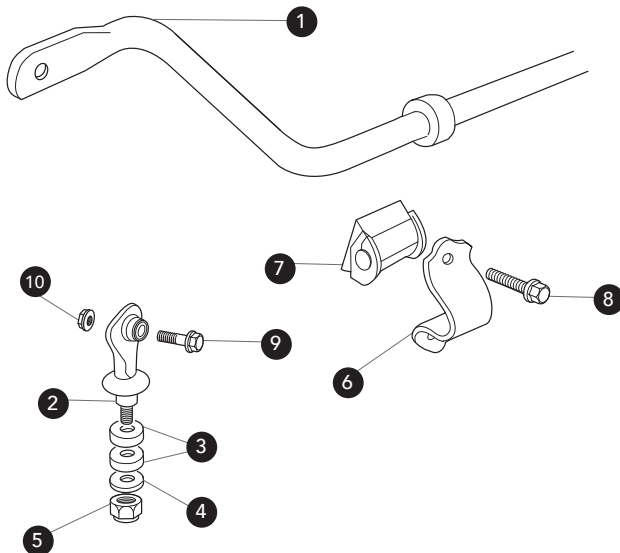
FRONT

1. Anti-Roll Bar		
3.2/4.0 Litre		
Comfort Suspension	MNC2100AE	1
Sports Suspension	MNC2100CF	1
4.0 Litre Supercharged	MNC2100DE	1
2. Anti-Roll Bar Mounting Bush		
Comfort Suspension	MNC2102AH	2
Sports Suspension	MNC2102CG	2
3. Anti-Roll Bar Mounting Bracket	MNC2101AC	1
4. Screw, M8 x 16mm	JFT10816EP	4
5. Anti-Roll Bar Link		
To VIN 853935	MJA2105AG	2
From VIN 853936	MNC2105AA	2
6. Self Locking Nut	NY112041J	2
7. Screw, M10 x 90mm	JFB11018B	2
8. Locking Nut	JFX11004E	2



REAR - 4.0 LITRE SUPERCHARGED

1. Anti-Roll Bar	MNA3500DA	1
2. Anti-Roll Bar Link	MNA3505AE	2
3. Anti-Roll Bar Link Bush	MNA3504AB	4
4. Plain Washer	WC110061J	2
5. Nut	NY110041	2
6. Anti-Roll Bar Mounting Bracket	MNA3501AA	2
7. Anti-Roll Bar Mounting Bush	CBC4901	2
8. Screw	JFS11020F	4
9. Bolt	C2P7626	2
10. Locking Nut	FN110041J	2



+44 1746 765432
sales.uk@sngbarratt.com



+33 385 201420
france@sngbarratt.com



018 01 833 833 (DE only)
sales.de@sngbarratt.com



+31 13 521 1552
sales.nl@sngbarratt.com



+1 800 452 4787
sales.us@sngbarratt.com

STEERING & SUSPENSION

FRONT HUB & VERTICAL LINK

1. Vertical Link

'R' Performance Options

LH, to VIN F39525	MXD1629AA	1
LH, from VIN F39526	MXD1629AB	1
RH, to VIN F39525	MXD1628AA	1
RH, from VIN F39526	MXD1628AB	1

Non-'R' Performance Options

LH, from VIN 853936	MNC1629AA	1
RH, from VIN 853936	MNC1628AA	1

2. Wheel Hub

To VIN 853935, 76.0mm Diameter Bearing	MJA1837AF	2
From VIN 853936, 80.0mm Diameter Bearing	MNC1837BB	2

3. Wheel Stud

JZB100064	5
-----------	---

4. Wheel Bearing

To VIN 853935, 76.0mm Diameter Bearing	MJA1830AD	2
From VIN 853936, 80.0mm Diameter Bearing	MNC1830AA	2

5. ABS Sensor Rotor

MJA1849BE	2
-----------	---

6. Circlip

To VIN 853935, 76.0mm Diameter Bearing	JCR110765	4
From VIN 853936, 80.0mm Diameter Bearing	JCR110805	4

7. Spring Pin

MJA1845AD	2
-----------	---

8. Disc Shield

'R' Performance Options

LH	MXD1933AA	1
RH	MXD1932AA	1

Non-'R' Performance Options

LH	MJA1933AA	1
RH	MJA1932AA	1

9. Shield Bracket

To VIN 818581	MJA1932AA	2
---------------	-----------	---

10. Screw

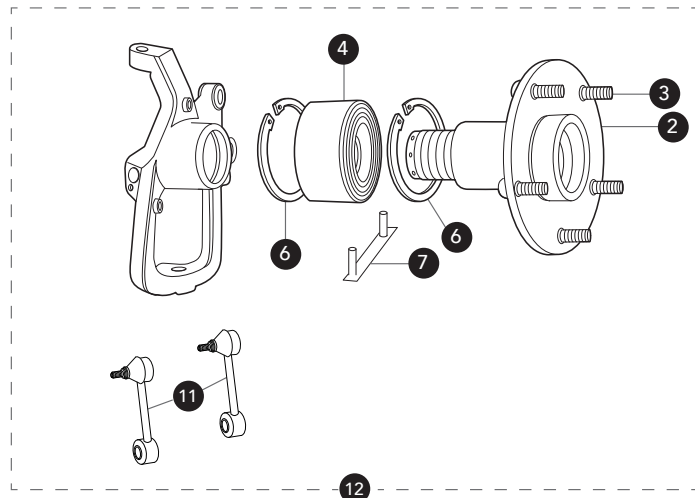
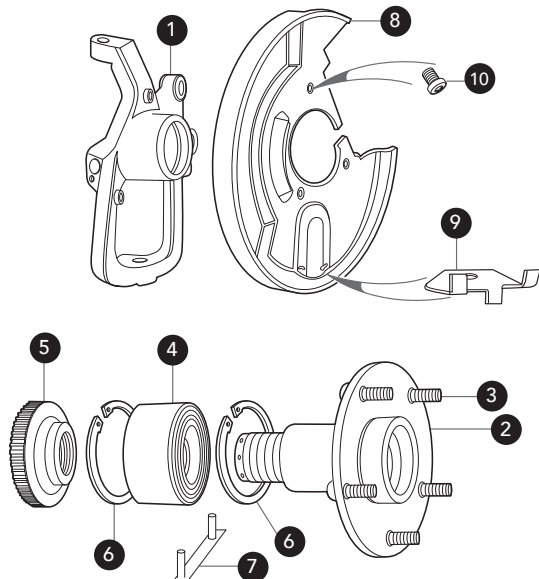
JXA10621EM	6
------------	---

11. Anti-Roll Bar Link

MNC2105AA	2
-----------	---

12. Vertical Link Kit

LH	Contact Sales	1
RH	Contact Sales	1

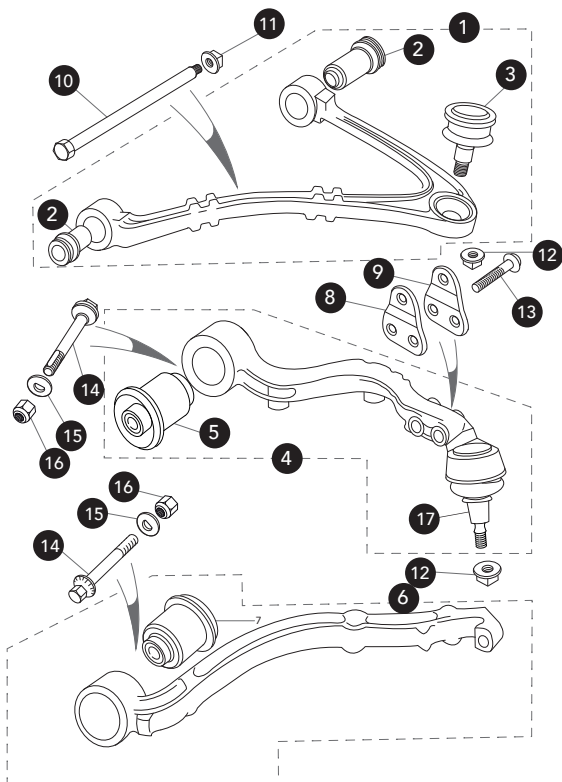


STEERING & SUSPENSION WISHBONES



UPPER & LOWER FRONT WISHBONE

1. Upper Wishbone			
LH Upper	MNC1424AA	1	
RH Upper	MNC1424AA	1	
N.B. 1x JLM21380 and 1x CBC5523 must be fitted			
2. Upper Wishbone Bush	CBC5523	2	
3. Upper Balljoint	JLM21380	2	
4. Rear Lower Wishbone			
LH Rear	JLM21303	1	
RH Rear	JLM21302	1	
5. Lower Wishbone Bush	MNE1360BB	2	
6. Front Lower Wishbone			
LH Front	MNC1311AF	1	
RH Front	MNC1310AF	1	
7. Lower Wishbone Bush	MNE1360BB	2	
8. Mounting Plate			
LH Front	MND1373AA	1	
RH Front	MND1372AA	1	



9. Mounting Plate			
LH Rear	MND1375AA	1	
RH Rear	MND1374AA	1	
10. Fulcrum Shaft	MNC1455AB	2	
11. Locking Nut	JFX11205E	2	
12. Locking Nut			
To VIN 853935	JZN100030	4	
From VIN 853936	JFX11205E	4	
13. Screw	JZS100118	2	
14. Adjuster Bolt	JZB100098	4	
15. Cam Plate	MNC1371AF	4	
16. Nut, M14	JZN100062	4	
17. Balljoint	MNC1350AA	2	

REAR WISHBONE ASSEMBLY

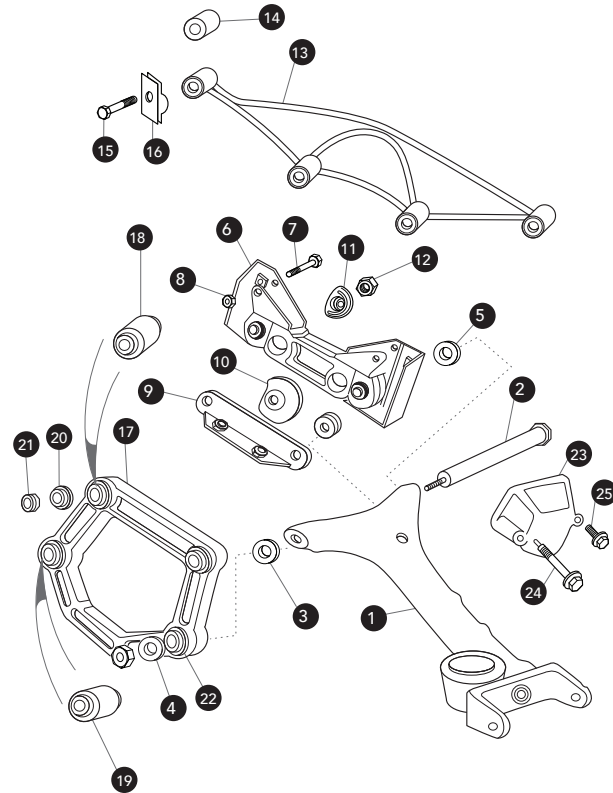
1. Rear Wishbone			
LH	MNG2961AA	1	
RH	MNG2960AA	1	
2. Wishbone Fulcrum Bolt	MMB2860AA	2	
3. Plain Washer	CAC8979	2	
4. Fulcrum Bolt Nut	JFX214051	2	
5. Fulcrum Bolt Washer	MMB2882AA	4	
6. Wishbone Tie	Contact Sales	1	
7. Bolt, M12 x 65mm	C2S4590	2	
8. Locking Nut	NY112041J	2	
9. Extension Bracket			
To VIN 846051	MJA2617AA	1	
From VIN 846052	MNC2617BA	1	
10. Inner Wishbone Spacer	MNA2885AA	2	
11. Outer Wishbone Spacer	MNA2885BA	2	
12. Locking Nut			
To VIN 846051	JFX11205E	2	
From VIN 846052	JFX11404E	2	
13. Bushed Differential Strut			
Comfort Suspension	MNC3713AA	1	
Sports Suspension	MJA3713AD	1	



STEERING & SUSPENSION

WISHBONES

14. Mounting Bush			
Comfort Suspension	MJA3715AB1	4	
Sports Suspension	MJA3715AB2	4	
15. Flange Head Bolt			
To VIN F41862	FB112131	2	
From VIN F41863	C2S4590	2	
16. Spring Nut	JZM100015	2	
17. Pendulum	MND2840AA	1	
18. Top Pendulum Bush	CAC77601	2	
19. Bottom Pendulum Bush	CAC4713	2	
20. Flat Washer	JLM9571	4	
21. Locking Nut	NY112041J	2	
22. Stepped Washer	CBC6394	2	
23. Suspension Bump Stop			
3.2/4.0 Litre			
Comfort Suspension	MNC3750AA	2	
Sports Suspension	MJA3750AB	2	
4.0 Litre Supercharged	MNA3750AB	2	
24. Paint Clearing Bolt	JXR10860FP	4	
25. Paint Clearing Screw	JZS100167	4	



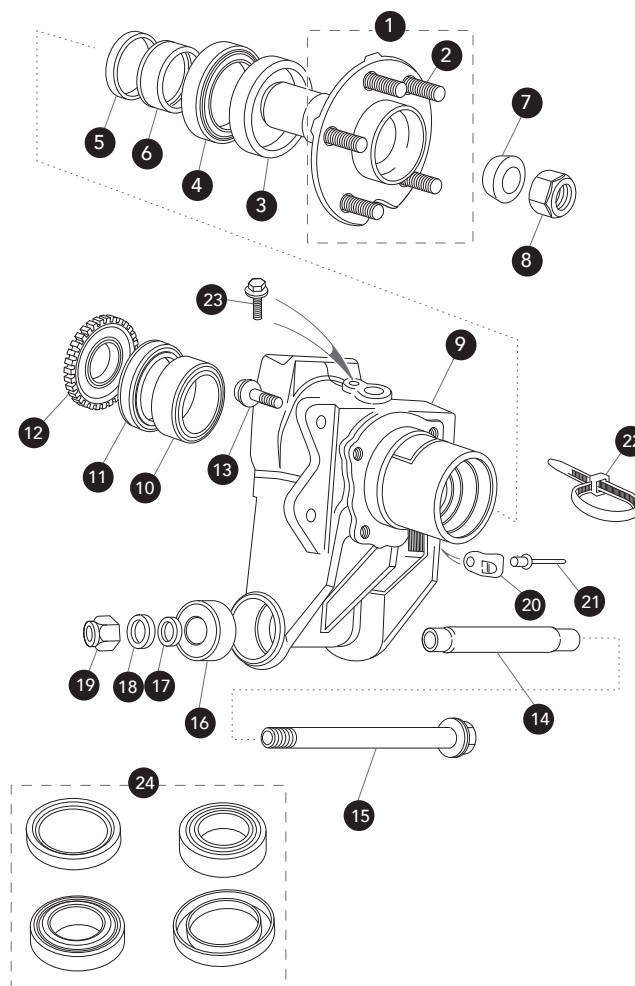
STEERING & SUSPENSION

REAR HUB & CARRIER



1. Wheel Hub			
To VIN F12667	MNA3337AA	2	
VIN F12668 to VIN F12677	MNE3337AB	2	
VIN F12678 to VIN F12690	MNA3337AA	2	
VIN F12961 to VIN F12972	MNE3337AB	2	
VIN F12973 to VIN F13120	MNA3337AA	2	
From VIN F13121	MNE3337AB	2	
2. Wheel Stud	JZB100064	10	
3. Outer Seal	CCC4466	2	
4. Outer Hub Bearing	CAC6333	2	
5. Adjustable Spacer			
2.22mm to 3.47mm available in increments of 0.05mm	Contact Sales	A/R	
6. Bearing Spacer	CBC8207	2	
7. Locating Collar	CBC6652	2	
8. Hub Nut	JZN100035	2	
9. Hub Carrier			
'R' Performance Options			
LH	MXD3291AA	1	
RH	MXD3290AA	1	
Non-'R' Performance Options			
LH	MJA3291AA	1	
RH	MJA3290AA	1	
10. Inner Hub Bearing	JLM21053	2	
11. Inner Seal	CBC1706	2	
12. ABS Sensor Rotor	CBC4705	2	
13. Rear Caliper Bolt			
'R' Performance Options			
To VIN F39525	JZB100060	4	
From VIN F39526	C2C6745	4	
Non-'R' Performance Options	JZB100060	4	
14. Outer Pivot Pin Sleeve	MNE4520AA	2	
15. Outer Pivot Pin	JZB100047	2	
16. Taper Roller Bearing	CAC4610	2	

17. Adjustable Spacer			
3.905mm to 5.505mm available in increments of 0.05mm	Contact Sales	A/R	
18. Rear Hub Carrier Washer	WA114001	2	
19. Locknut	JNV114041K	2	
20. Mounting Cradle	AGU1548	4	
21. Rivet	RU612503J	2	
22. Cable Tie	AAU5884J	2	
23. Screw	AJ89714	2	
24. Hub Bearing Kit	JLM1708	2	



+44 1746 765432
sales.uk@sngbarratt.com



+33 385 201420
france@sngbarratt.com



018 01 833 833 (DE only)
sales.de@sngbarratt.com



+31 13 521 1552
sales.nl@sngbarratt.com

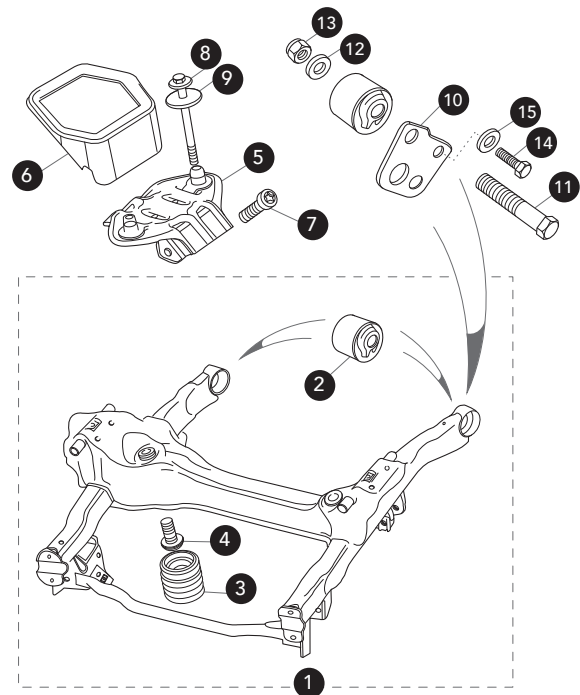


+1 800 452 4787
sales.usa@sngbarratt.com

STEERING & SUSPENSION

FRONT CROSSBEAM

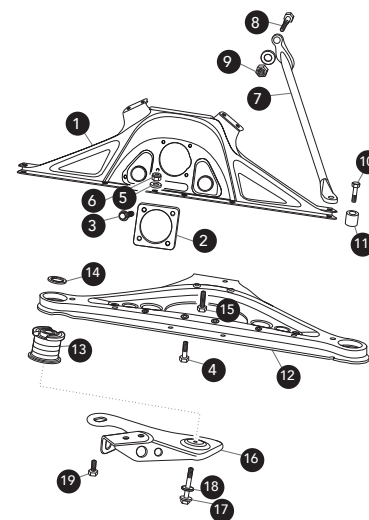
1. Crossbeam	MNC2241AK	1
2. Subframe Bush	MNC2370AC	2
3. Retainer	MNC2298AA	2
4. Screw	JFS11035E	2
5. Front Vee Mounting	MNC2360AB	2
6. Mounting Heatshield 4.0 Litre Supercharged	MNC2368AA	2
7. Screw	JXA10816EP	8
8. Bolt, M8	JZB100057	4
9. Washer	C21069	4
10. Tie Down Bracket	CCC4940	2
11. Bolt	BH612281	2
12. Washer	WD600121	2
13. Self Locking Nut	NZ612041J	2
14. Hexagon Head Setscrew	SH112301M	2
15. Washer	WA112081J	2



STEERING & SUSPENSION

REAR FRAME CARRIER

1. Mounting Bracket	MJA2622AA	1	16. Mounting Bracket		
2. Support	CAC8226	1	LH Lower	CBC4257	1
3. Flange Screw	FS110251P	4	RH Lower	CBC4256	1
4. Bolt	BH112111	4	17. Hexagonal Head Bolt	BH11218P	2
5. Washer	WA112081J	4	18. Plain Washer	WJ112001	2
6. Self Locking Nut	NY112041J	4	19. Hexagonal Head Screw	SH112301M	4
7. Link					
LH Upper	MNC2631AA	1			
RH Upper	MNC2630AA	1			
8. Beam Mounting/Strut Bolt	JBH112167	2			
9. Self locking Nut	NY112041J	2			
10. Bolt	BH212091MJ	2			
11. Outer Spacing Boss	CAC9330	2			
12. Rear Subframe	C2N1017	1			
13. Subframe Bush					
To VIN 812317	CCC6875	2			
From VIN 812318	MJA2595AC	2			
14. Spigot Bush Shim	CAC48271	2			
15. Bolt	BH212091MJ	2			



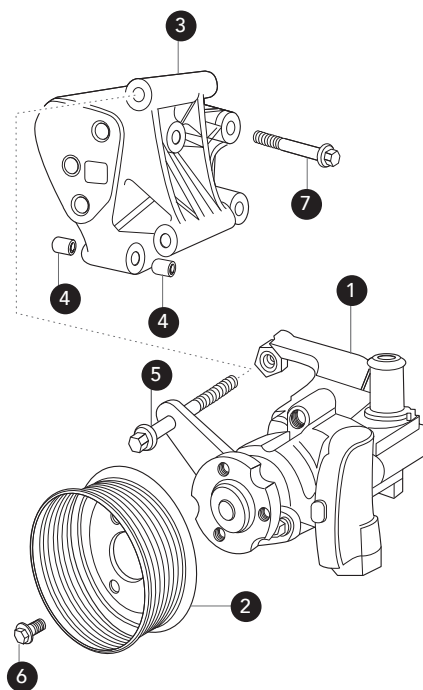
STEERING & SUSPENSION

PAS PUMP, RESERVOIR & HOSES



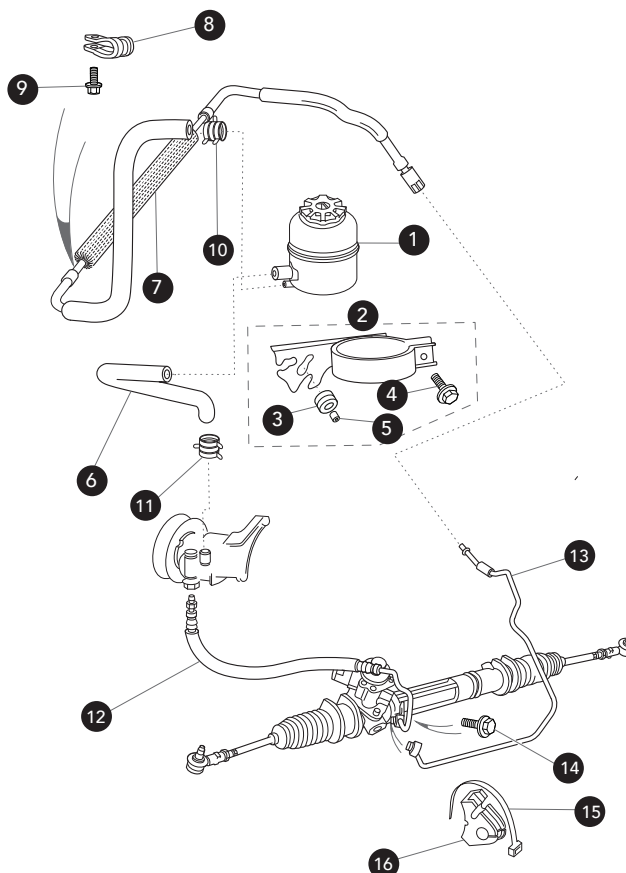
POWER STEERING PUMP

1. Power Steering Pump	MJA8111BH	1
2. Steering Pump Pulley	NCA3740AD	1
3. Pump Mounting Bracket	NCA8301AB	1
4. Dowel	EAZ21159	3
5. Bolt, M8 x 80mm	JFB10816B	2
6. Screw, M8 x 10mm	JZS100068	3
7. Bolt, M8 x 50mm	C2C35271	2



RESERVOIR & HOSES

1. Power Steering Reservoir and Cap	MJF4000AA	1
2. Support Bracket	MNC4003AE	1
3. Grommet	CBC1448	1
4. Screw	FS106165P	1
5. Distance Tube	JZT100012	1
6. Reservoir to Pump Hose	MNC3980AE	1
7. Cooler and Hose	MNH8084AA	1
8. Pip Clip	JZP10034	2
9. Screw, M6 x 16mm	JFS10616F	2
10. Hose Clamp	JHC302230	1
11. Hose Clamp	JHC302240	2
12. Pump to Rack Hose		
LHD	MNC3985AH	1
RHD	MNC3984AG	1
13. Connector to Rack Hose		
LHD	MNE3999AA	1
RHD	MNE3998AA	1
14. Screw	JXB10825EP	1
15. Tie Strap, 10.75"	C46294	1
16. Pipe Isolator Mounting	MJA4021BC	1



+44 1746 765432
sales.uk@sngbarratt.com



+33 385 201420
france@sngbarratt.com



018 01 833 833 (DE only)
sales.de@sngbarratt.com



+31 13 521 1552
sales.nl@sngbarratt.com

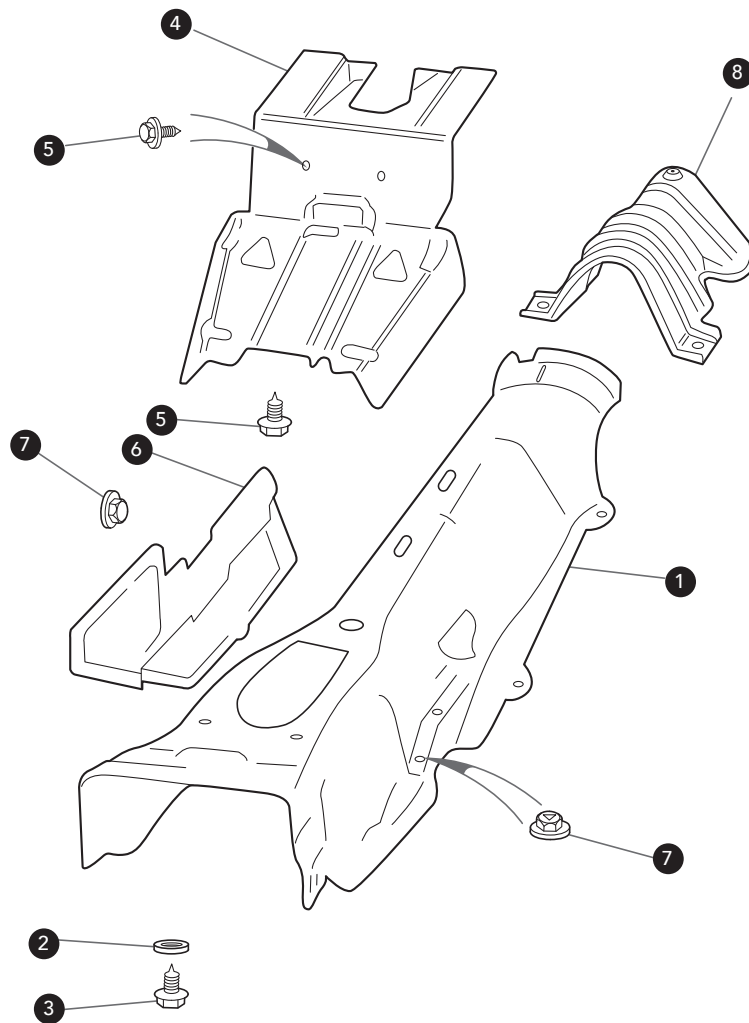


+1 800 452 4787
sales.us@sngbarratt.com

EXHAUST COMPONENTS

HEATSHIELDS

1. Underfloor Heatshield	GNC9330AB	1
2. Screw/Washer	JZH100040	8
3. Plain Washer, 25mm	WJ600041J	8
4. Over-Axle Heatshield	GNC9341AD	1
5. Paint Clearing Setscrew	XR10620F	8
6. Underfloor Heatshield		
LH	GNC9339AB	1
RH	GNC9338AB	1
7. Plastic Push-on Nut	AGU2436J	10
8. Underfloor Heatshield		
Long Wheelbase	GNC9329AA	1

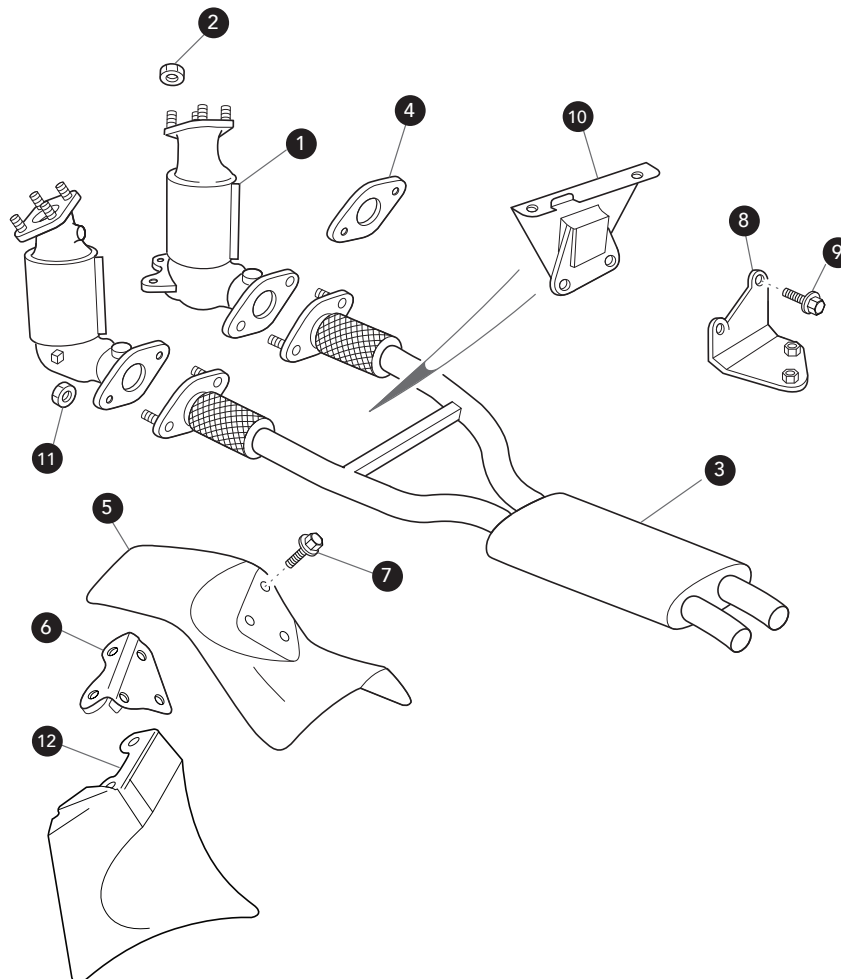


EXHAUST COMPONENTS

FRONT PIPES

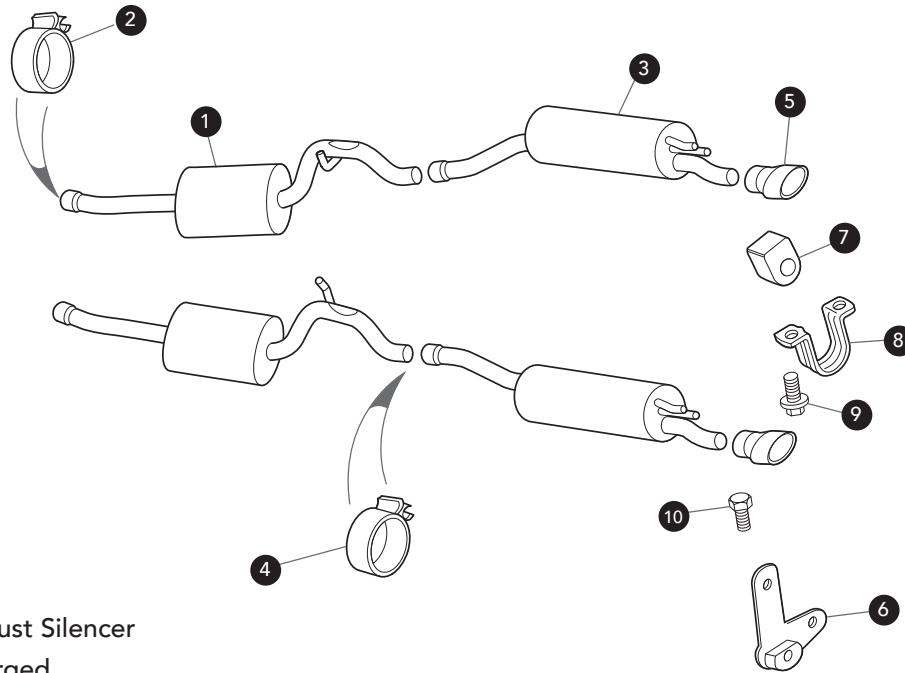


1. Exhaust Downpipe	Contact Sales				
2. Stainless Steel Flanged Nut	C2C38026	8			
3. Front Silencer with Flexible coupling					
4.0 Litre Supercharged					
Long Wheelbase	NNG6757DA	1			
Standard Wheelbase	NNG6757CA	1			
3.2 & 4.0 Litre Naturally Aspirated					
Long Wheelbase	NNG6757HA	1			
Standard Wheelbase	NNG6757GA	1			
For Silencer without Flexible Coupling	Contact Sales				
4. Exhaust Gasket	NNC6764AB	2			
5. Heatshield, LH	NJB6809BA	1			
6. Heatshield Mounting Bracket	NNC2924AA	1			
7. Setscrew	FS106101J	3			
8. Exhaust Mounting Bracket					
4.0 Litre Supercharged					
LH	NCB6797AB	1			
RH	NCB6796AB	1			
3.2 & 4.0 Litre Naturally Aspirated					
LH	NCB6797BA	1			
RH	NCB6796BA	1			
9. Flange Headed Screw	JFS11020F	2			
10. Exhaust Mounting Bracket					
4.0 Litre Supercharged	NNC6803BC	1			
3.2 & 4.0 Litre Naturally Aspirated	NNC6803AC	1			
11. Locking Nut	FN110041J	4			
12. Heatshield, LH	NNG6809AA	1			



EXHAUST COMPONENTS

REAR PIPES



1. Intermediate Exhaust Silencer

4.0 Litre Supercharged

LH	NNG6761AA	1
RH	NNG6760AA	1

3.2 & 4.0 Litre Naturally Aspirated

LH	NNG6761BA	1
RH	NNG6760BA	1

2. Exhaust Pipe Clamp

NJB6744EA	2
-----------	---

3. Rear Exhaust Silencer

4.0 Litre Supercharged

LH	NNG6785BA	1
RH	NNG6784BA	1

3.2 & 4.0 Litre Naturally Aspirated

LH	NNG6785AA	1
RH	NNG6784AA	1

4. Exhaust Pipe Clamp

NJB6744EA	2
-----------	---

5. Tailpipe Finisher

4.0 Litre Supercharged	NNC6721BA	2
3.2 & 4.0 Litre Naturally Aspirated	NNE6723AA	2

6. Silencer Mounting

LH Rear	NNG6793AA	1
RH Rear	NNG6792AA	1

7. Mounting Rubber

EBC4499	2
---------	---

8. Exhaust Mounting Cradle

NJA6804BA	2
-----------	---

9. Screw/Washer, M8 x 16mm

JZH100065	4
-----------	---

10. Socket Head Screw

JSK10610J	2
-----------	---

AFTERMARKET CATALYTIC CONVERTERS



1



1. 3.8 Exhaust Downpipe & Catalyst

LH	CATCON17	1
RH	CATCON18	1

2. 4.0 Exhaust Downpipe & Catalyst

LH	CATCON20	1
RH	CATCON21	1



2

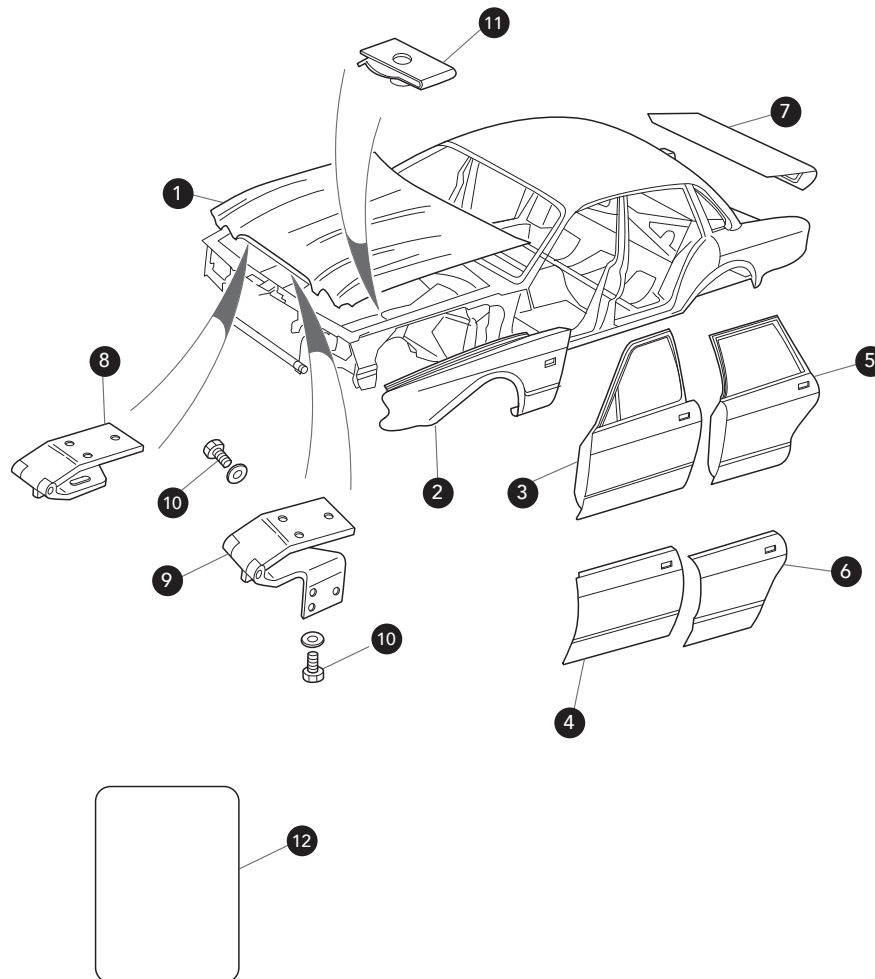


BODY

BOLTED BODY PANELS

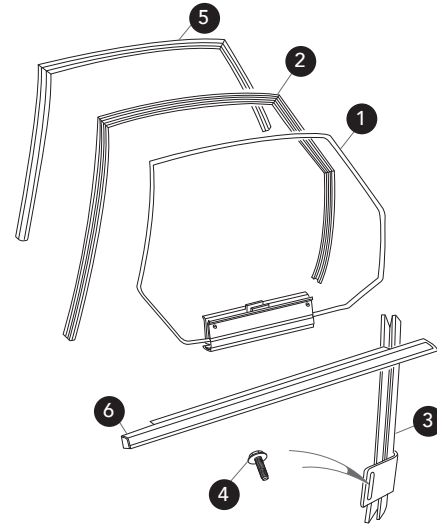
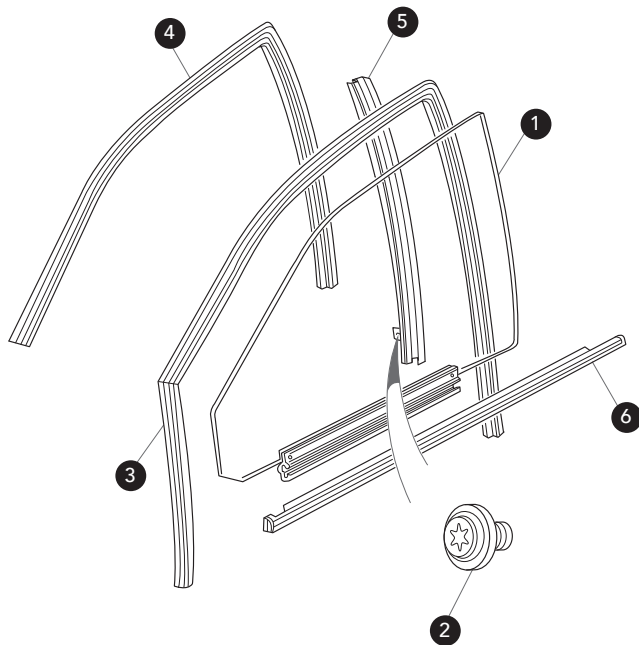


1. Bonnet Panel	JLM20481	1	6. Rear Door Skin Panel		
2. Front Wing Panel			SWB, LH	FNA1053AE	1
LH	AXX1517	1	SWB, RH	FNA1052AE	1
RH	AXX1516	1	LWB, LH	FXF1053AF	1
3. Front Door Panel			LWB, RH	FXF1052AF	1
LH	FNC3029AA	1	7. Boot Lid Panel		
RH	FNC3028AA	1	Long Number Plate	AXX1662	1
4. Front Door Skin Panel			Short Number Plate	AXX1505	1
LH	FNA1033AE	1	8. RH Bonnet Hinge	AXX1300	1
RH	FNA1032AE	1	9. LH Bonnet Hinge	AXX1301	1
5. Rear Door Panel			10. Setscrew	FS108301	6
SWB, LH	FNC3049AA	1	11. U-Type Spring Nut	NG106010	8
SWB, RH	FNC3048AA	1	12. Airbag Warning Label	HNC5093AA	2
LWB, LH	FXF3049BA	1			
LWB, RH	FXF3048BA	1			



FRONT DOOR GLASS & CHANNEL

1. Door Glass & Carrier			
LH	GNA1001CC	1	
RH	GNA1000CC	1	
2. Screw			
	JXB10610FP	2	
3. Glass Run Seal			
LH	GNA1041AG	1	
RH	GNA1040AG	1	
4. Secondary Door Seal			
LH	HNA5321AE	1	
RH	HNA5320AE	1	
5. Glass Channel			
LH	BEC25383	1	
RH	BEC25382	1	
6. Outer Waist Seal			
Black Finish, LH	GNA1711BF	1	
Black Finish, RH	GNA1710BF	1	
Chrome Finish, LH	GNA1711AE	1	
Chrome Finish, RH	GNA1710AE	1	



REAR DOOR GLASS & CHANNEL

1. Door Glass			
SWB, LH	GNA2271BC	1	
SWB, RH	GNA2270BC	1	
LWB, LH	GXF2271AE	1	
LWB, RH	GXF2270AE	1	
2. Glass Run Seal			
SWB, LH	GNA2291AF	1	
SWB, RH	GNA2290AF	1	
LWB, LH	GXF2291AE	1	
LWB, RH	GXF2290AE	1	
3. Glass Channel			
SWB, LH	GNA3021AA	1	
SWB, RH	GNA3020AA	1	
4. Screw, M6			
	JXR10616F	A/R	
5. Secondary Seal			
SWB, LH	HNA5323AE	1	
SWB, RH	HNA5322AE	1	
LWB, LH	HXF5323AF	1	
LWB, RH	HXF5322AF	1	
6. Outer Waist Seal			
SWB, Black Finish			
LH	GNA2521BF	1	
RH	GNA2520BF	1	
SWB, Chrome Finish			
LH	GNA2521AE	1	
RH	GNA2520AE	1	
LWB, Chrome Finish			
LH	GXF2521AD	1	
RH	GXF2520AD	1	

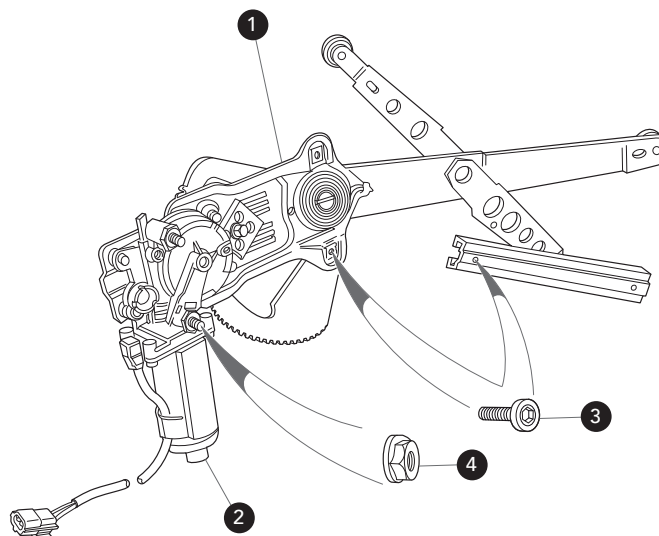
BODY

DOOR FRAMES & SEALS

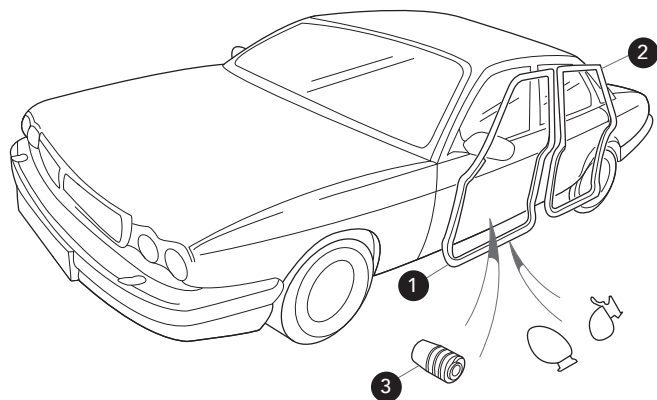


WINDOW REGULATORS

1. Window Regulator and Motor			
LH Front	GNA1731AD	1	
RH Front	GNA1730AD	1	
LH Rear	GNA2671AE	1	
RH Rear	GNA2670AE	1	
2. Window Regulator Motor			
LH Front/RH Rear	JLM12023	1	
RH Front/LH Rear	JLM12022	1	
3. Screw	JXB10610FP	8	
4. Nut	FN106041	4	



DOOR SEALS

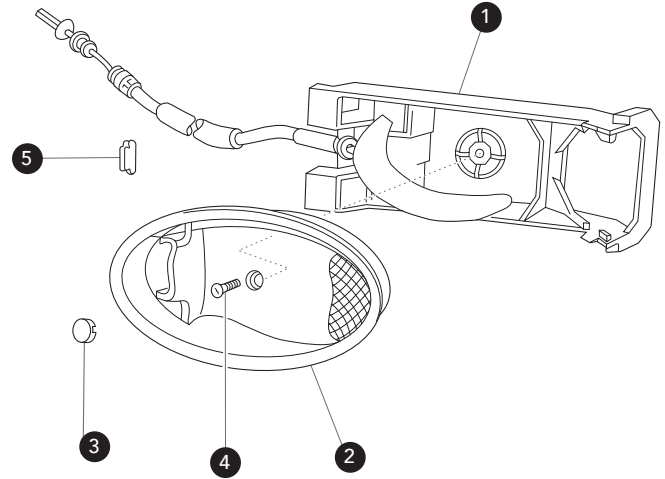
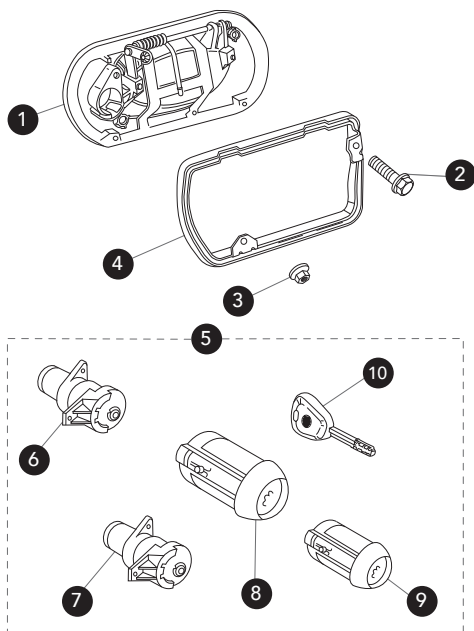


1. Front Door Seal		
LH	HNC5301AC	1
RH	HNC5300AC	1
2. Rear Door Seal		
SWB, LH	HNC5303AB	1
SWB, RH	HNC5302AC	1
LWB, LH	HNC5303BB	1
LWB, RH	HNC5302BB	1
3. Door Buffer	HNA5305AA	4



FRONT DOOR HANDLES & LOCKS

1. Door Handle			
LH Front	Contact Sales	1	
RH Front	Contact Sales	1	
2. Screw	JZS100104	4	
3. Nut, M5	FN105045J	4	
4. Fixing Clamp			
LH	GNA1151CA	1	
RH	GNA1150CA	1	
5. Car Lock Set			
LHD, to VIN 878717	JLM12329	1	
LHD, from VIN F00035	HJD7200EA	1	
RHD, to VIN 878717	JLM12328	1	
RHD, from VIN F00035	HJD7200DA	1	
6. Door Lock Barrel			
LHD, LH	HJD7215AA	1	
RHD, RH	HJD7214AA	1	
7. Ignition Lock Barrel	BCC7849	1	
8. Boot Lock Barrel	HNA7211AA	1	
9. Glovebox Lock Barrel	HJA7212BB	1	
10. Blank Key	Contact Sales	1	



DOOR HANDLE & REMOTE CONTROL

1. Remote Control Handle			
Front Door, LH	GNC1101FC	1	
Front Door, RH	GNC1100FC	1	
Rear Door, SWB			
LH	GNC2573EC	1	
RH	GNC2572EC	1	
Rear Door, LWB			
LH	GXF2573EC	1	
RH	GXF2572EC	1	
2. Remote Control Escutcheon			
Front Door	Contact Sales	1	
Rear Door	Contact Sales	1	
3. Screw Cover	GNC1108CA	4	
4. Screw	SE105201	4	
5. Edge Clip	BRC3101	4	

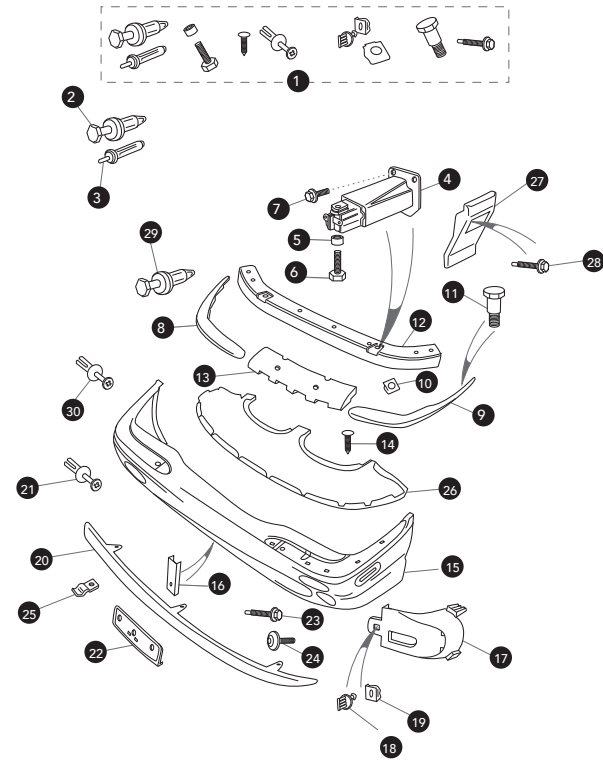
BODY

FRONT BUMPERS

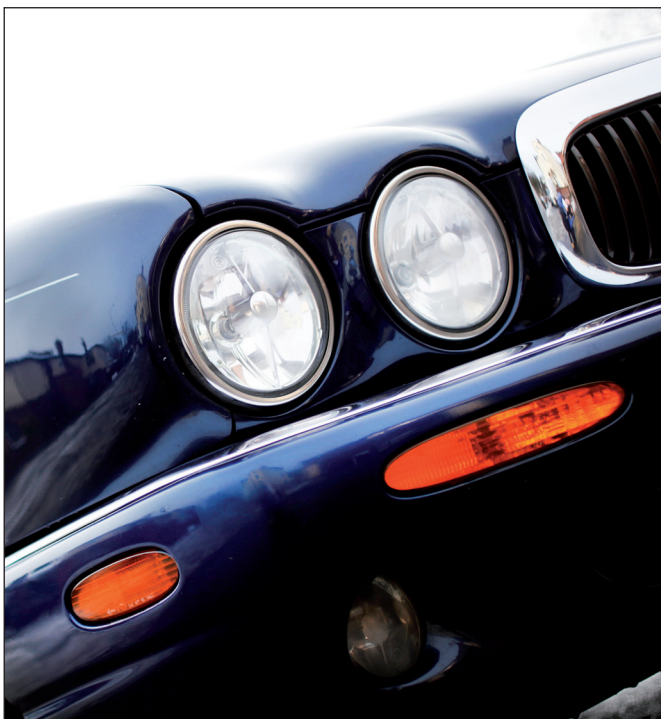


FRONT BUMPER - STANDARD

1. Bumper Fixing Kit	JLM20562	1
2. Rokut Rivet	JLM21745	4
3. Pop Rivet	RA608253	2
4. Bumper Mounting Bracket	BEC25563	2
5. Spacer	HNA6575AA	2
6. Bolt	JBU11218E	2
7. Screw	JLM12014	6
8. RH Bumper Blade		
Headlamp Powerwash	HNC6534AB	1
Non-Powerwash	HNC6534BB	1
9. LH Bumper Blade		
Headlamp Powerwash	HNC6535AB	1
Non-Powerwash	HNC6535BB	1
10. U-Type Spring Nut	JZM100016	3
11. Thread Forming Screw	JZS1000148	6
12. Bumper Beam	HNC6460AB	1
13. Reinforcement	HNC6536AB	1
14. Fir Tree Clip	KTC100016	2



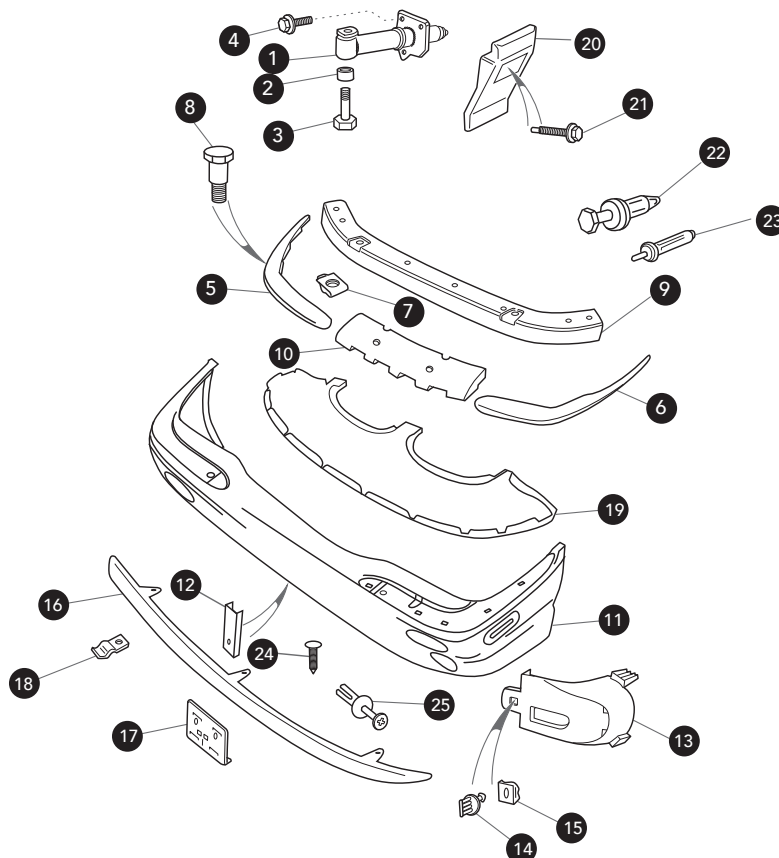
15. Bumper Cover	HNC6468AEXXX	1
16. Centre Blackout Moulding	HNC6521AA	1
17. Blackout Moulding		
LH	HNC6523AB	1
RH	HNC6522AB	1
18. Arrow Head Clip	KTG100002	3
19. Cam Plate	KRF100003	3
20. Radiator Grille Vane		
Chrome	HNC6881BC	1
Primer Painted	HNC6881ACXXX	1
21. Rivet Screw	KRS112120	A/R
22. Number Plate Plinth	Contact Sales	1
23. Screw	AGU2555J	3
24 Screw	JZS100174	2
25. Retaining Bracket	HNC6497AA	10
26. Undertray	BEC19939	1
27. Guide Block	HNA6453AB	1
28. Screw	JLM12014	2
29. Rokut Rivet	KRB100003	4
30. Screw Rivet	KRA106001	8



BODY FRONT BUMPERS

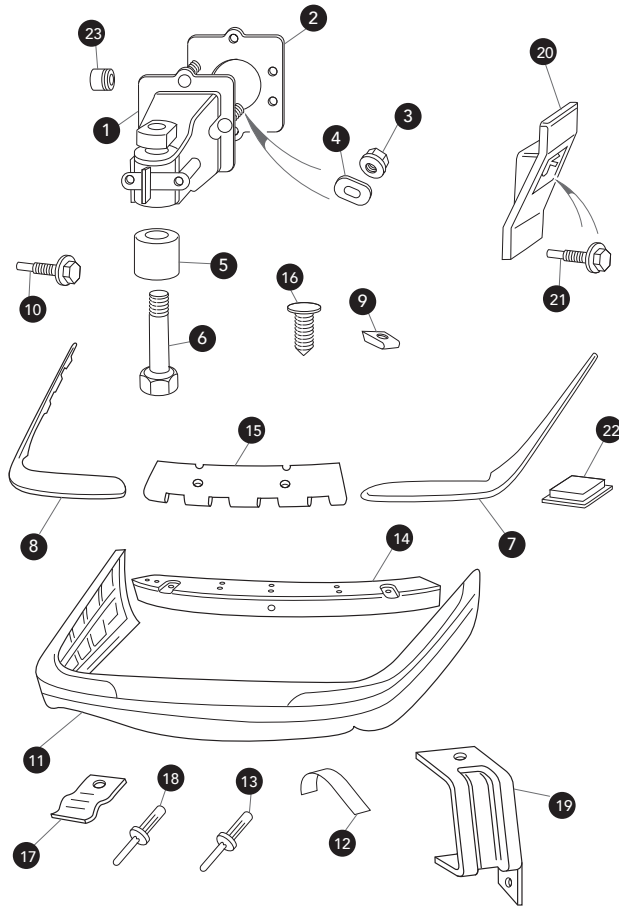
WITH ENERGY ABSORBING STRUT

1. Bumper Strut	HNG6472AA	2	13. Blackout Moulding		
2. Spacer	HNA6575AA	2	LH	HNC6523AB	1
3. Bolt	JBU11218E	2	RH	HNC6522AB	1
4. Screw	JLM12014	6	14. Arrow Head Clip	KTG100002	3
5. RH Bumper Blade			15. Cam Plate	KRF100003	3
Headlamp Powerwash	HNC6534AB	1	16. Radiator Grille Vane		
Non-Powerwash	HNC6534BB	1	Chrome	HNC6881BC	1
LH Bumper Blade			Primer Painted	HNC6881ACXXX	1
Headlamp Powerwash	HNC6535AB	1	17. Number Plate Plinth	HHC6458BB	1
Non-Powerwash	HNC6535BB	1	18. Retaining Bracket	HNC6497AA	10
7. U-Type Spring Nut	JZM100016	3	19. Undertray	BEC19939	1
8. Thread Forming Screw	JZS1000148	6	20. Guide Block	HNA6453AB	1
9. Bumper Beam	HNC6460BB	1	21. Screw	JLM12014	2
10. Reinforcement	HNC6536AB	1	22. Rokut Rivet	KRB100003	4
11. Bumper Cover	HNC6468AEXXX	1	23. Screw Rivet	KRA106001	8
12. Centre Blackout Moulding	HNC6521AA	1	24. Fir Tree Clip	KTC100016	2
			25. Rivet Screw	KRS112120	A/R



BODY

REAR BUMPERS



11. Bumper Cover			
Parking Aid	HNF6586AAXXX	1	
No Parking Aid	HNC6586AEXXX	1	
12. Silencer Heatshield			
LH	HNC6653AA	1	
RH	HNC6652AA	1	
13. Blind Rivet	KRA105001	4	
14. Bumper Beam	HNC6580AB	1	
15. Reinforcement	HNC6572AB	1	
16. Fir Tree Clip	KTC100016	2	
17. Retaining Bracket	HNC6497AA	10	
18. Rivet	XR87654	10	
19. Bumper Cover Support Strap	HNC6569AA	5	
20. Guide Block	HNA6453AB	2	
21. Screw	JLM12014	2	
22. Buffer	GNA8806AA	2	
23. Grommet	HNA6646AA	2	
Bumper Fixing Kit	JLM20563	1	

REAR BUMPER - STANDARD

1. Bumper Mounting Bracket	HNG6567AA	2
2. Strut Gasket	BEC23348	2
3. Nut, M8	JFN108047	8
4. Washer	JZW100029	4
5. Spacer	HNA6575AA	2
6. Bolt	JBU11222F	2
7. RH Bumper Blade	HNC6644AB	1
8. LH Bumper Blade	HNC6645AB	1
9. U-Type Spring Nut	JZM100016	3
10. Thread Forming Screw	JZS100148	6



+44 1746 765432
sales.uk@sngbarratt.com



+33 385 201420
france@sngbarratt.com



018 01 833 833 (DE only)
sales.de@sngbarratt.com



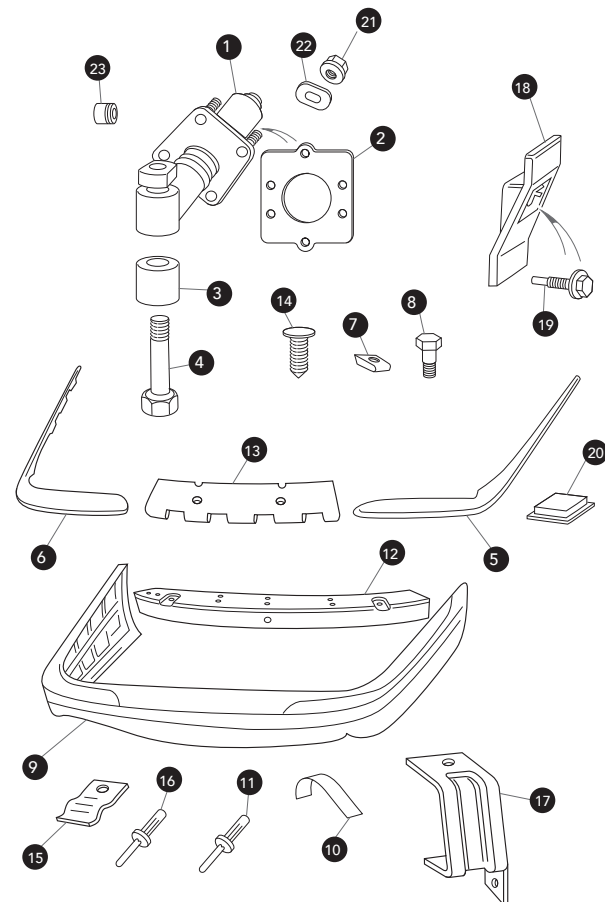
+31 13 521 1552
sales.nl@sngbarratt.com



+1 800 452 4787
sales.usa@sngbarratt.com

WITH ENERGY ABSORBING STRUT

1. Bumper Strut	HNG6560AA	2
2. Strut Gasket	BEC23348	2
3. Spacer	HNA6575AA	2
4. Bolt	JBU11222F	2
5. RH Bumper Blade	HNC6644AB	1
6. LH Bumper Blade	HNC6645AB	1
7. U-Type Spring Nut	JZM100016	3
8. Thread Forming Screw	JZS100148	6
9. Bumper Cover		
Parking Aid	HNF6586AEXXX	1
No Parking Aid	HNC6586AAXXX	1
10. Silencer Heatshield		
LH	HNC6653AA	1
RH	HNC6652AA	1
11. Blind Rivet	KRA105001	4
12. Bumper Beam	HNC6580AB	1
13. Reinforcement	HNC6572AB	1
14. Fir Tree Clip	KTC100016	2
15. Retaining Bracket	HNC6497AA	10
16. Rivet	XR87654	10
17. Bumper Cover Support Strap	HNC6569AA	5
18. Guide Block	HNA6453AB	2
19. Screw	JLM12014	2
20. Buffer	GNA8806AA	2
21. Flange Nut, M8	JFN108047	8
22. Washer	JZW100029	4
23. Grommet	HNA6646AA	2



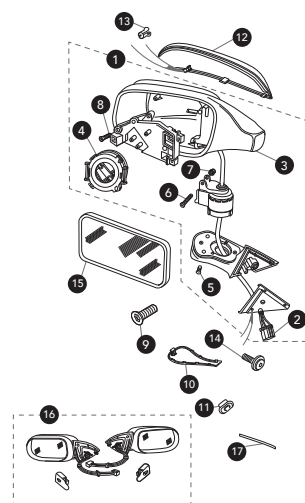
BODY MIRRORS



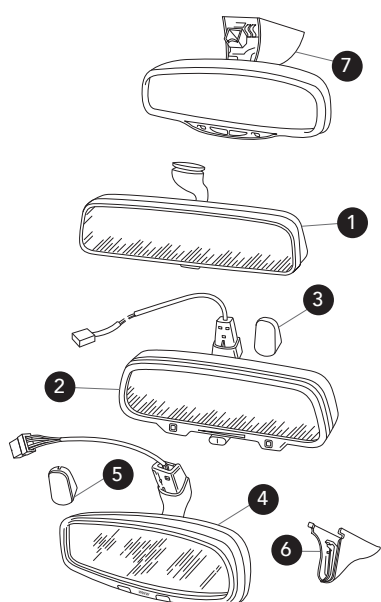
EXTERIOR DOOR MIRRORS

1. Door Mirror			
Less Glass and Back Cover			
Power Park, LH	HNJ3403AA	1	
Power Park, RH	HNJ3402AA	1	
NonPower Park, LH	HNJ3401AA	1	
Non-Power Park, RH	HNJ3400AA	1	
2. Mirror Harness	Contact Sales	1	
3. Mirror Case Bezel	Contact Sales	1	
4. Motor			
Memory	HNA3066AB	1	
Non-Memory	HNA3064AA	1	
5. Screw	HNA3412AA	3	
6. Screw	HNA3415AA	2	
7. Nut	HNA3414AA	2	
8. Screw	HNA3416AA	3	
9. Screw	HNA3413AA	6	
10. Mirror Base Cover			
LH	HNA3059AA	1	
RH	HNA3058AA	1	
11. Friction Bush	AGU2388J	2	

12. Mirror Back Cover			
Chrome, LH	HNA3427AA	1	
Chrome, RH	HNA3426AA	1	
Primer Painted, LH	HNA3057AA	1	
Primer Painted, RH	HNA3056AA	1	
13. Tubular Clip	HNA3417AA	6	
14. Screw/Washer	JZH100028	2	
15. Mirror Glass	Contact Sales	2	
16. Power Park Mirror Kit	JLM21355	1	
17. Tape	JLM21260	A/R	



INTERIOR MIRROR

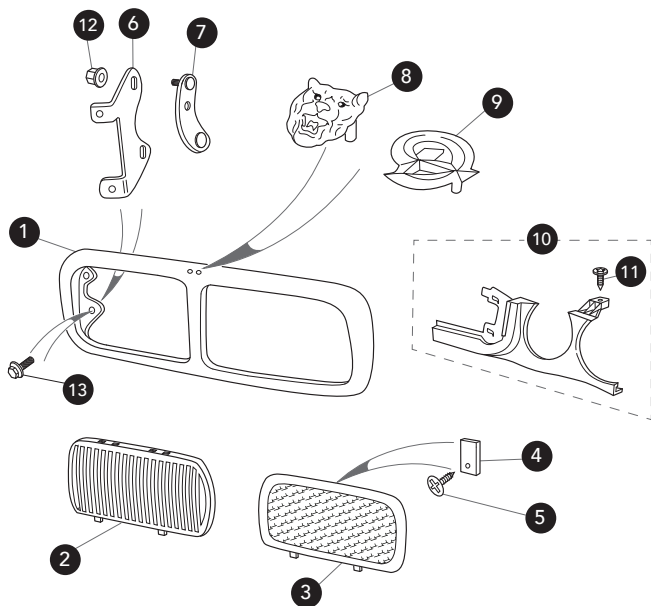


1. Rear View Mirror	HXF3120AA	1
2. Rear View Mirror		
To VIN 878717		
Electrochromatic - Twilight		
Sentinel, Yellow Plug - 6 Wires	HNC3133AB	1
Electrochromatic, White		
Plug - 4 wires	HJA3121BA	1
3. Mirror Stem Cover	HXF3131AB	1
4. Rear View Mirror		
Auto Headlamp, Electrochromatic		
Rain Sensing System		
Automatic Dim	HJD3134AC	1
Non-Rain Sensing System	HJD3133AC	1
5. Mirror Stem Cover		
From VIN F00035	HJE3131AA	1
From VIN F41863	HJF3131AA	1
6. Rain Sensing Cover		
From VIN F00035	HJD3136AB	1
7. Rear View Mirror	HJD3133AF	1



RADIATOR GRILLE & BADGES

1. Radiator Grille Surround			
Primer Painted	HNC5504DBXXX		1
Fluted	HNC5504CB		1
Plain	HNC5504BB		1
2. Radiator Grille Vane Block			
Chrome, LH	HNC5503BA		1
Chrome, RH	HNC5502BA		1
Primer Painted, LH	HNC5503DB		1
Primer Painted, RH	HNC5502DB		1
3. Radiator Grille Mesh			
4.0 Litre Supercharged, LH	HNC5503CA		1
4.0 Litre Supercharged, RH	HNC5502CA		1
4. Retaining Clip			
	HNA5506AB		4
5. Screw			
Chrome	AD606031		4
Black Finish	JAD60603K		4



NB. See page 85 for aftermarket body accessories



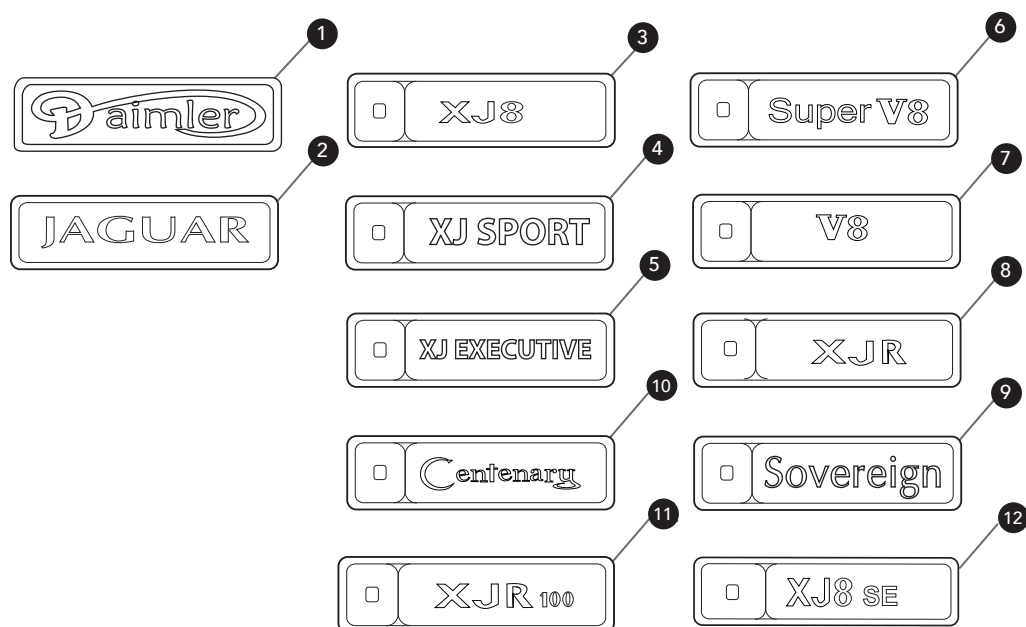
6. Grille Bracket			
LH	HNA5511AC		1
RH	HNA5510AC		1
7. Grille Stud Plate			
	HNA5514AA		2
8. Jaguar Grille Badge			
	HND5520AA		1
9. Daimler Grille Badge			
	HND5520BA		1
10. Headlamp Trim Panel			
LH	HNC4651AFXXX		1
RH	HNC4650AFXXX		1
11. Fire Tree Fastener			
	KTD100001		2
12. Flange Nut			
	JFN10604F		4
13. Screw/Washer			
	JZH100026		4

BODY GRILLES & BADGES



BOOT LID BADGES

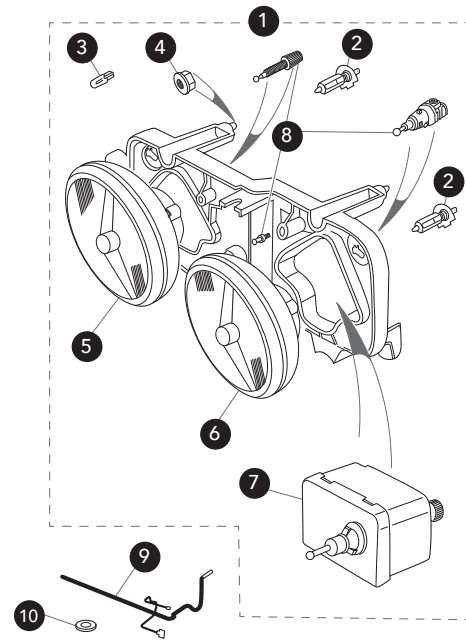
1. Daimler Boot Badge					
Gold/Grey, No Lock Aperture	HND5995BA	1			
2. Jaguar Boot Badge					
No Lock Aperture					
Black Plinth	HND5995EA	1			
Chrome Plinth	HND5995AA	1			
3. XJ8 Boot Badge					
Lock Aperture					
Black Plinth	HND5994AA	1			
Chrome Plinth	HND5994CA	1			
4. XJ Sport Boot Badge					
Lock Aperture					
Chrome/Grey	HND5994FA	1			
5. XJ Executive Boot Badge					
Lock Aperture					
Chrome/Grey	HND5994BA	1			
6. Super V8					
Lock Aperture					
Gold/Grey	HND5994HA	1			
7. V8 Boot Badge					
Lock Aperture					
Gold/Grey	HND5994GA	1			
8. XJR Boot Badge					
Chrome/Grey	HND5994KB	1			
9. Sovereign Boot Badge					
Lock Aperture					
Chrome/Grey	HND5994DA	1			
10. Centenary Boot Badge					
Gold/Black	HXF5994NA	1			
11. XJR 100 Boot Badge					
Lock Aperture					
Silver/Black	HXG5994CA	1			
12. XJ8 SE Boot Badge					
Chrome/Grey	HND5994MA	1			



LIGHTING

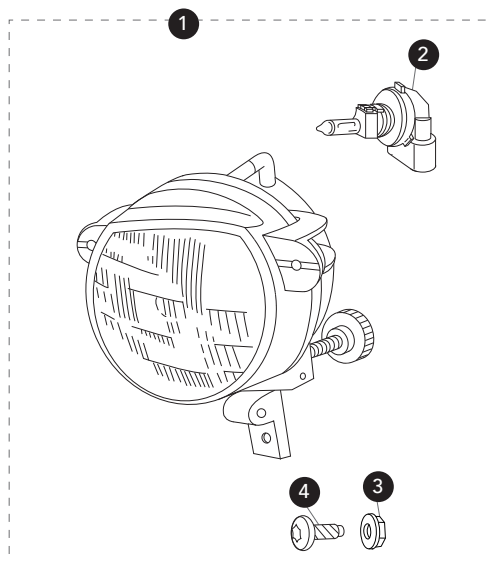
HEADLAMP ASSEMBLY

1. Quad Headlamp Assembly			
LHD, Headlamp Levelling			
LH	LNC4601BB	1	
RH	LNC4600BB	1	
LHD, Standard			
LH	LNC4611CB	1	
RH	LNC4610CB	1	
RHD, Headlamp Levelling			
LH	LNC4601AB	1	
RH	LNC4600AB	1	
RHD, Standard			
LH	LNC4611BB	1	
RH	LNC4610BB	1	
2. Headlamp Bulb	LNC5180BA	4	
3. Bulb 5 Watt	C2S15074	2	
4. Nut & Washer	JZH100038	8	
5. Main Beam Light Unit	LNC4620AA	2	
6. Diped Beam Light Unit, Outer			
LHD	LNC4621BA	2	
RHD	LNC4621AA	2	
7. Headlamp Levelling Actuator	JLM12117	2	
8. Headlamp Adjustment Kit	JLM12118	2	
9. Headlamp Bulb Harness	LNC54695AA	2	
10. Plain Washer	WC108051J	4	



LIGHTING

FRONT FOG LAMPS



1. Front Fog Lamp	LNC5092AB	2
2. Bulb	DBC11313	2
3. Flange Locking Nut	JFY10604F	2
4. Screw/Washer	JSH106187PJ	2

LIGHTING

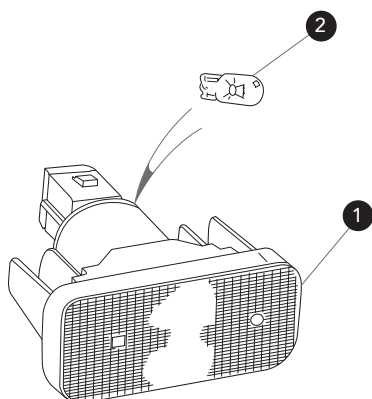
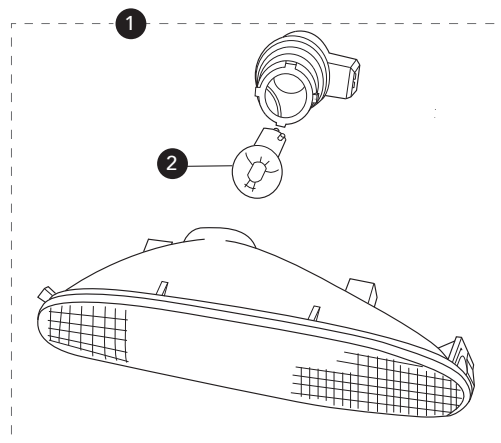
DIRECTION INDICATOR LAMPS



FRONT INDICATOR LAMP

1. Direction Indicator Lamp

LH Front Wing	LNC4801AD	1
RH Front Wing	LNC4800AD	1
2. Bulb 21watt	DBC11382	1

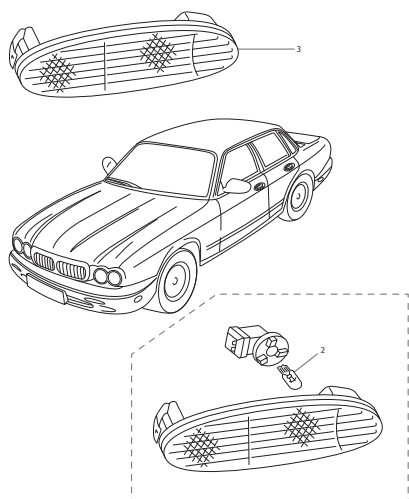


SIDE REPEATER LAMP

1. Direction Indicator Side Lamp	LNA4812AB	2
2. Bulb 5 Watt	C2S15074	2

LIGHTING

SIDE MARKER LAMPS

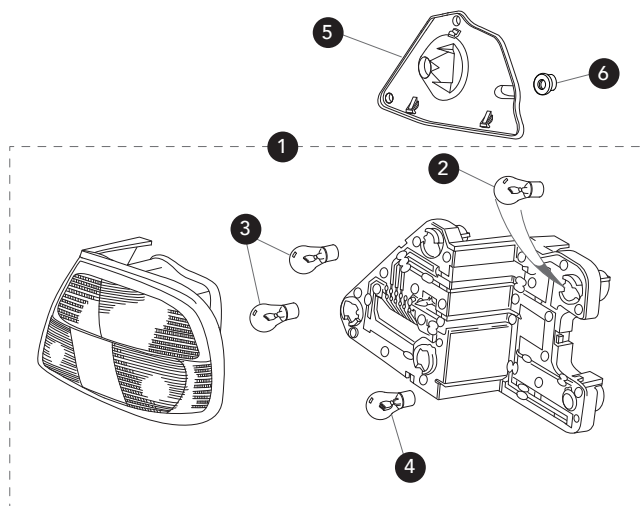


1. Side Marker/ reflex Lamp	Contact Sales
2. Bulb 5 Watt	C2S15074 A/R
3. Reflex Lamp	Contact Sales



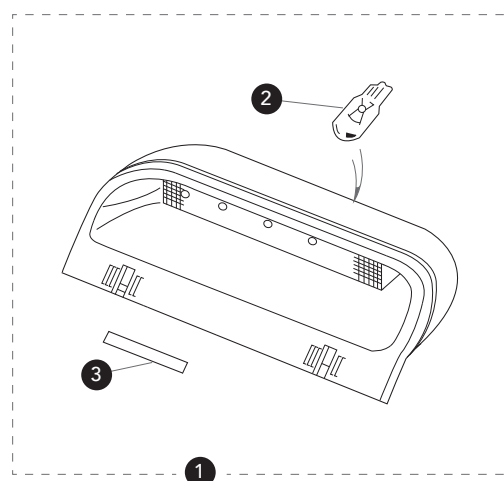
REAR LAMP ASSEMBLY

1. Lamp Cluster			
Chrome Bezel, LH	LNC4901CB	1	
Chrome Bezel, RH	LNC4900CB	1	
Red Bezel, LH	LNC4901BB	1	
Red Bezel, RH	LNC4900BB	1	
2. Bulb 21/5 Watt	C2S15076	2	
3. Bulb 21 Watt	DBC11382	2	
4. Bulb 21/5 Watt	C2S15073	2	
5. Lamp Trim Cover			
LH	LNA4905AA	1	
RH	LNA4904AA	1	
6. Flange Nut M6	FN106041	6	



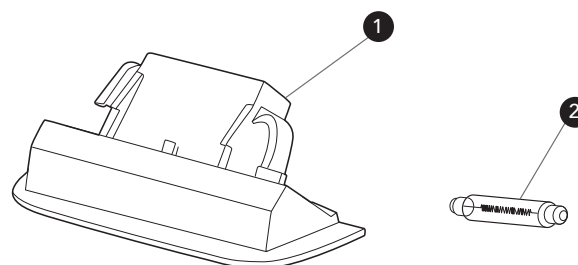
HIGH MOUNTED STOP LAMP

1. High Mounted Stop Lamp	Contact Sales	1	
2. Bulb 5 Watt	C2S15074	A/R	
3. Rubber Buffer	JLM21123	2	



NUMBER PLATE LAMP ASSEMBLY

1. Number Plate Lamp	LNA5070AC	1	
2. Festoon Bulb 5Watt	LNA5180AA	2	

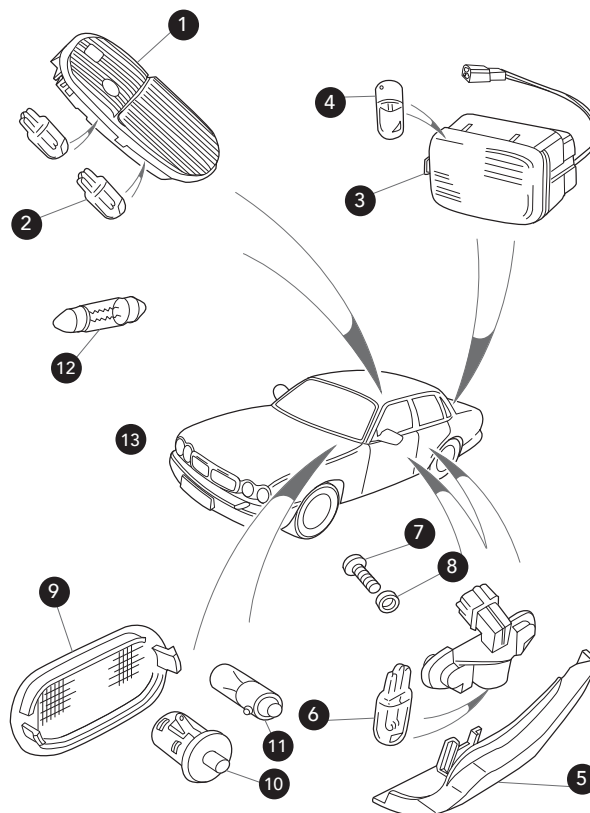


LIGHTING

INTERIOR LAMPS



1. Courtesy Lamp			
LH	LNA5361AD	1	
RH	LNA5360AD	1	
2. Bulb 5Watt	C2S15074	A/R	
3. Boot Lamp	LNA5380BA	2	
4. Festoon Bulb 5 Watt	LNA5180AA	1	
5. Door Puddle Lamp			
LH	LJA5371AB	2	
RH	LJA5370AB	2	
6. Bulb 5Watt	C2S15074	A/R	
7. Thread Forming Screw	JPT10410B	8	
8. Washer	JZW100021	8	
9. Glovebox Lens	LJA5385AB	1	
10. Switch	LJA6150AA	1	
11. Bulb 12V 4Watt	DBC11380	1	
12. Sunvisor Bulb	LJA5189BA	2	

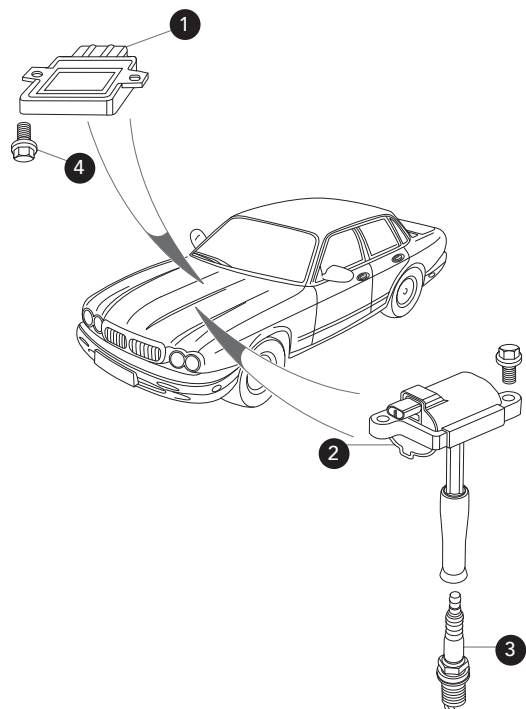


N.B. For Roof Console Information Contact Sales



ELECTRICAL COMPONENTS

IGNITION SYSTEM

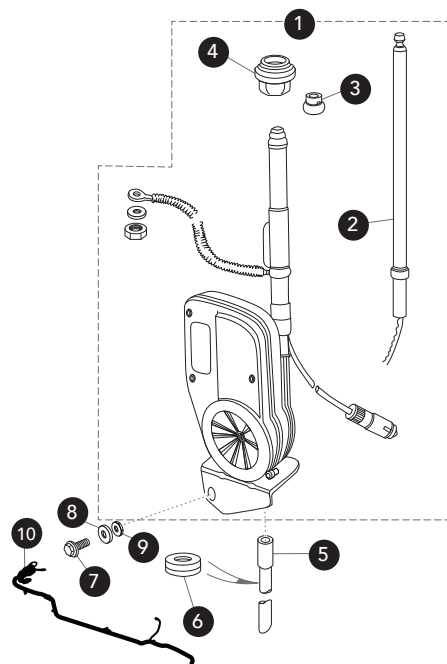


1. Ignition Power Module	LJA1450AF	2
2. On Plug Ignition Coil		
2 Pin		
To VIN F00034	LCA1510AB	8
From VIN F00035	XR827823	8
4 Pin	LNE1510AB	8
3. Spark Plug		
3.2/4.0 Litre		
To VIN 853935	NCA3850FA1	8
From VIN 853936	C2A1535	8
4.0 Litre Supercharged		
To VIN 878717	NCA3850HA2	8
From VIN F00035	C2A1535	8
4. Screw, M6 x 14mm	JZS100117	4

ELECTRICAL COMPONENTS

ELECTRIC AERIAL

1. Electric Aerial	LNA4120AA	1
2. Aerial Mast	LNA4134AA	1
3. Aerial Ball Nut	LNA4136AA	1
4. Aerial Sealing Grommet	LMD4131AA	1
5. Aerial Drain Tube	LNA4133AA	1
6. Drain Hose Grommet	C8016	1
7. Paint Clearing Screw	BD48964	1
8. Nut, M6	JFY106041	1
9. Plain Washer, M6	WJ106001J	1
10. Aerial Coax Cable	LXF4130AA	1

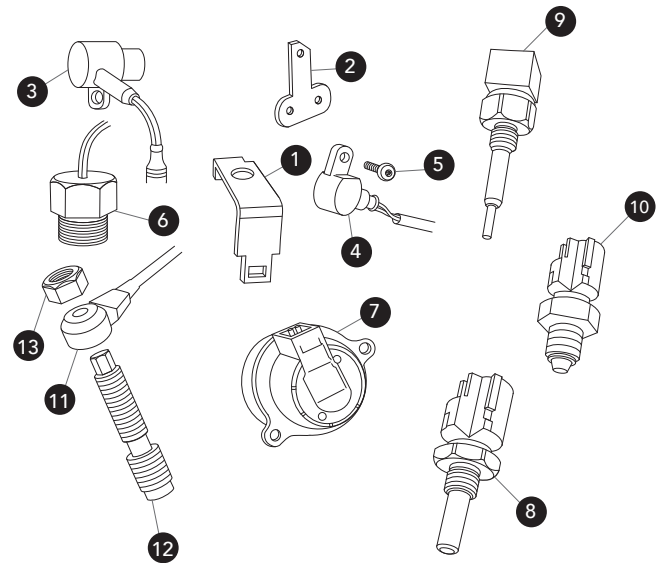


ELECTRICAL COMPONENTS

ENGINE SENSORS

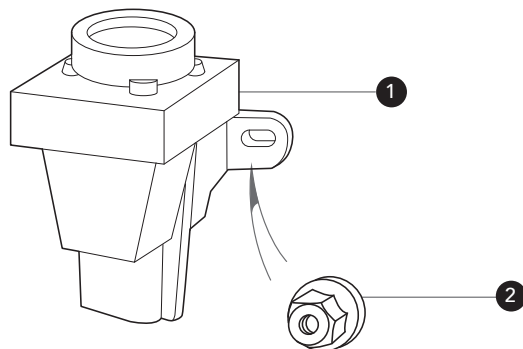


1. Sensor Mounting Bracket				10. Oil Pressure Switch			
To VIN 853935	LJA3890PD	1		To Engine 0108122359	LCA5642AA	1	
From VIN 853936	LNE3890EA	1		From Engine 0108130000	AJ84853	1	
2. Camshaft Sensor Mounting Bracket	LNE3890CA	2		11. Knock Sensor			
3. Crankshaft Position Sensor				3.2/4.0 Litre			
To VIN 853935	LCA1640AE	1		From VIN 853936	LNE1692AA	2	
From VIN 853936	AJ81284	1		4.0 Litre Supercharged			
4. Camshaft Position Sensor				From VIN F00035	LNE1692AA	2	
To VIN 853935	LCA1646AD	1		12. Knock Sensor Stud	NRA1268AA	2	
From VIN 853936				13. Knock Sensor Stud Nut	JFN10804B	2	
RH A-Bank	LRA1646BC	1					
LH B-Bank	LRA1646DB	1					
5. Screw, M6 x 20mm	C2C25942	1					
6. Knock Sensor							
3.2/4.0 Litre							
To VIN 853935	LCA1692AE	1					
4.0 Litre Supercharged							
To VIN 878717	LCA1692AE	1					
7. Control Valve	LCA1535AD	2					
8. Coolant Temperature Sensor							
M18	AJ810031	1					
M12	LNA1600AA	1					
9. Air Temperature Sensor							
4.0 Litre Supercharged	LCC1602AA	1					



ELECTRICAL COMPONENTS

INERTIA SWITCH



1. Inertia Switch	LNA6520BA	1
2. Nyloc Nut, M5	NY105041J	2



+44 1746 765432
sales.uk@sngbarratt.com



+33 385 201420
france@sngbarratt.com



018 01 833 833 (DE only)
sales.de@sngbarratt.com



+31 13 521 1552
sales.nl@sngbarratt.com

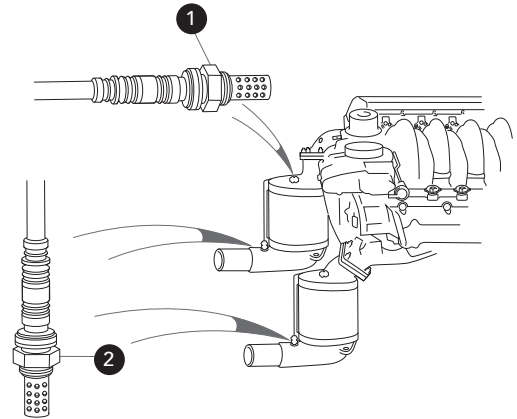


+1 800 452 4787
sales.usa@sngbarratt.com

ELECTRICAL COMPONENTS

HEATED OXYGEN SENSOR

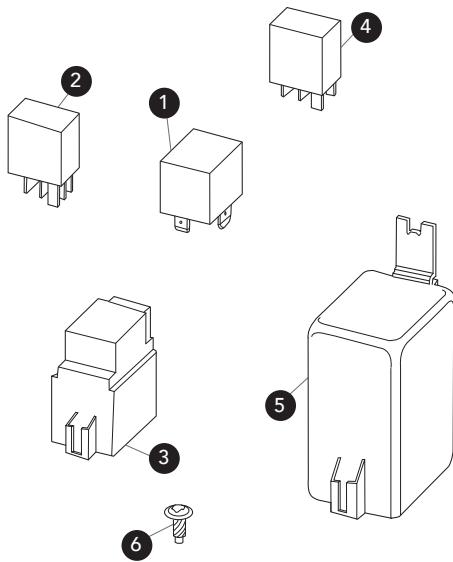
1. Upper Heated Oxygen Sensor			
3.2/4.0 Litre			
To VIN 853935	LJA1682AE	2	
From VIN 853936	LNE1684BB	2	
4.0 Litre Supercharged			
To VIN 878717	LJA1682AE	2	
From VIN 878718	LNE1684BB	2	
2. Lower Heated Oxygen Sensor	LNE1682BC	2	



ELECTRICAL COMPONENTS

RELAYS

1. Brown Relay	C2P11192	1	2. Black Micro Relay		
Accessory Socket	C2P11192	1	Air Conditioning	LNA6705AB	1
Air Conditioning	C2P11192	1	Door Lock	LNA6705AB	1
Fuel Pump	C2P11192	1	Filler Flap Lock	LNA6705AB	2
Ignition/Engine	C2P11192	1	Mirror Heater	LNA6705AB	2
Ignition/Heelboard	C2P11192	1	Manual Adjust Seat	LNA6705AB	2
Powerwash	C2P11192	1	3. Black Waterproof Relay		
Seat Heater	C2P11192	1	Wiper Motor Fast/Slow	LNA6706AA	1
Rear Parking Aid	C2P11192	1	Wiper Motor On/Off	LNA6706AA	1
			Heated Windscreen	LNA6706AA	2
			4. Black Micro Relay		
			Air Conditioning	LNA6705AB	2
			Mirror Heater	LNA6705AB	1
			LWB, Adjust Rear Twin Seat	LNA6705AB	1
			5. Cooling Fan Module Relay	LJA6702AA	1
			6. Setscrew	FS106101J	1



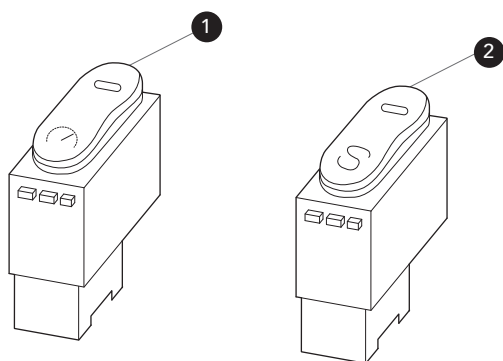
ELECTRICAL COMPONENTS

SWITCHES & CIGAR LIGHTER



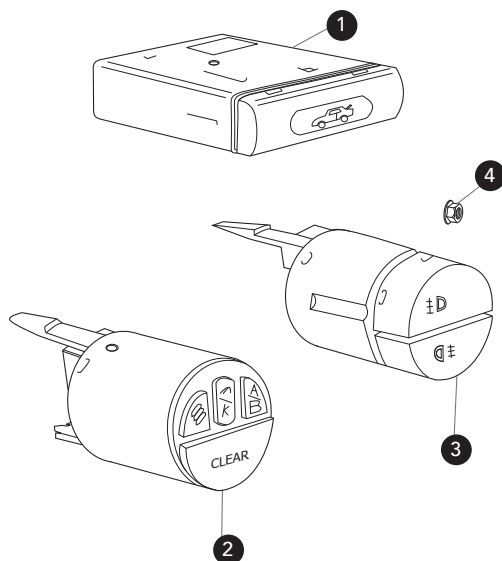
SPEED CONTROL SWITCH

1. Speed Control Switch	LNC6227BB	1
2. Performance Mode Switch		
3.2/4.0 Litre	LNC6220AA	1
4.0 Litre Supercharged	LNC6220BB	1



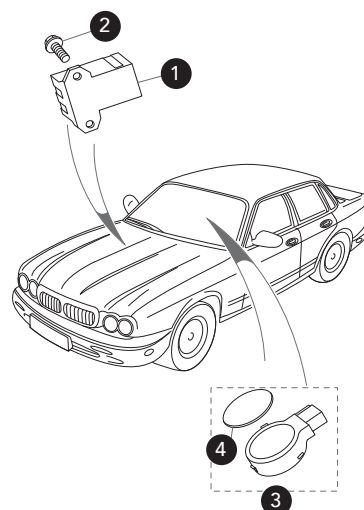
FACIA SWITCHPACK PANEL

1. Boot Release Switchpack		
Headlamp Levelling	LNC6000BC	1
Non-Headlamp Levelling	LNC6000AC	1
2. Trip Computer Toggle Switch	LNG6019AA	1
3. Fog Lamp Switch	LNC6016AC	1
4. Nut, M4	AGU1534	2



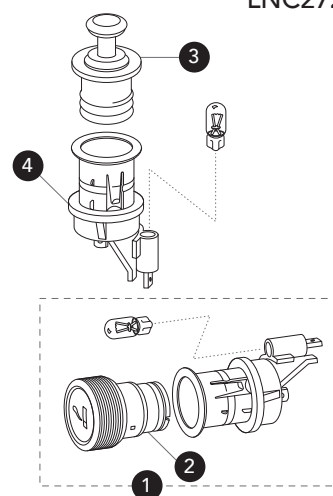
RAIN SENSOR

1. Rain Sensor Module	LJD6018AA	1
2. Washer Faced Setscrew, M8 x 25mm	FS108251J	2
3. Rain Sensor	C2S12594	1
4. Adhesive Pad	LJD3850AA	1



CIGAR LIGHTER

1. Rear Cigar Lighter Kit LWB	JLM21178	1
2. Rear Cigar Lighter LWB	DBC12118	1
3. Cigar Lighter Element Front	LJB2730AA	1
4. Cigar Lighter Housing Front	LNC2720AB	1

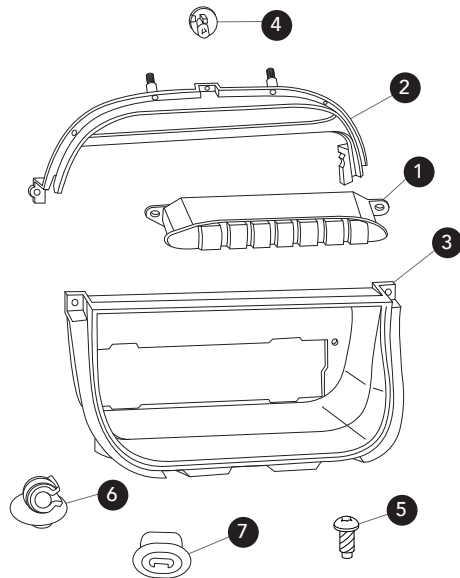


ELECTRICAL COMPONENTS

SWITCHES & CIGAR LIGHTER

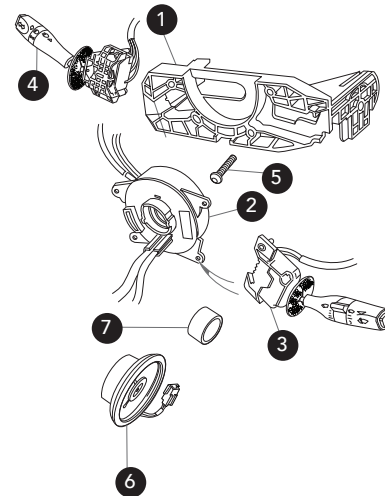
CONTROL SWITCH PANEL

1. Console Switch Module			
Stability Control			
No Traction Control			
Seat Heater	LNC6292BB	1	
No Seat Heater	LNC6292AA	1	
No Stability Control			
Traction Control			
Seat Heater	LNC6292DB	1	
No Seat Heater	LNC6292CA	1	
2. Upper Console Switch			
Cover Moulding	LNC6318AB	1	
3. Lower Console Switch			
Cover Moulding	LNC6318BB	1	
4. Bulb			
Blue	LNA5180DA	1	
Clear	LNA5180EA	1	
5. Screw, no.8	DA608051J	3	
6. Pipe Clip	KDF108013	1	
7. Friction Bush	AGU2388J	2	



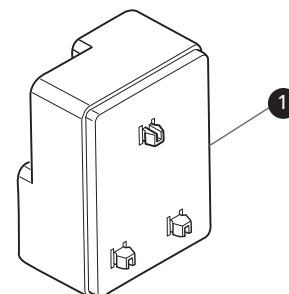
STEERING COLUMN SWITCH

1. Switch Mounting Carrier	LJE6475AB	1
2. Cancellation/Cassette Module		
To VIN F20644	LNC6470BA	1
From VIN F20645	LNG6470AA	1
3. Wash/Wipe Switch		
Rain Sensing System	LNF6460AA	1
Non-Rain Sensing System		
To VIN 878717	LNC6460AA	1
From VIN F20645	LJA6460BC	1
4. Direction Indicator Switch		
Auto Headlamp	LNC6455AA	1
Non-Auto Headlamp	LNC6455BA	1
5. Screw	JXH10530B	4
6. Audible Warning Speaker	LXF2280AA	1
7. Dimmer Control Knob	LNA6492AA	1



DIMMER MODULE

1. Illumination Control Module	LJA6490AC	1
--------------------------------	-----------	---

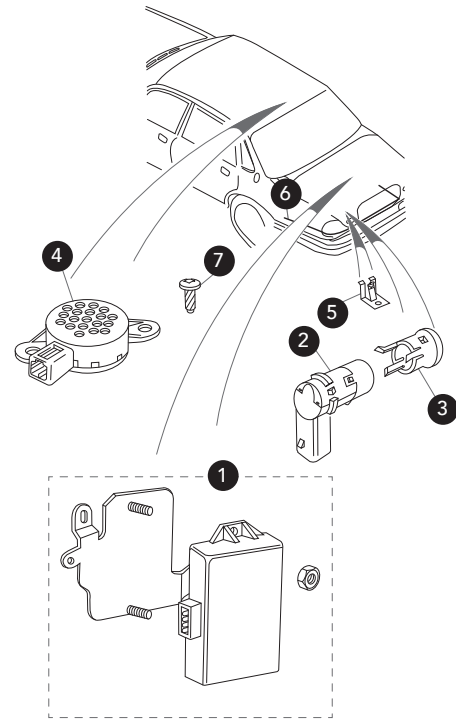


ELECTRICAL COMPONENTS

PARKING AID

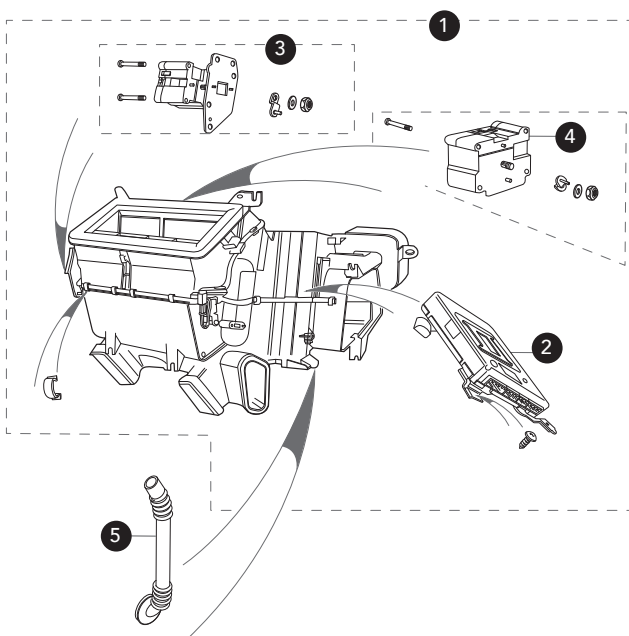


1. Reversing Aid Module	LN7352AA	1
2. Rear Parking Sensor	XR86401	4
3. Sensor Holder		
LH Inner	LN7359AA	1
LH Outer	LN7361AA	1
RH Inner	LN7358AA	1
RH Outer	LN7360AA	1
4. Reversing Aid Speaker	C2N2421	1
5. Edge Clip	LN78858AA	2
6. Bumper Harness		
To VIN F20644	LN73225AB	1
From VIN F20645	LN73225AA	1
7. Drive Fastener	BD33800J	2



AIR CONDITIONING & HEATING

A.C. & HEATER UNIT



1. Air Conditioning Unit	MNC6440AB	1
2. Air Conditioning Module	LNC7600AF	1
3. Servo Motor	JLM11946	1
4. Bypass Servo Motor	JLM11945	1
5. Drain Tube	CCC6180	2
A/C Harness (not illustrated)	JLM11951	1
Air Intake (not illustrated)	MJA6858AA	1

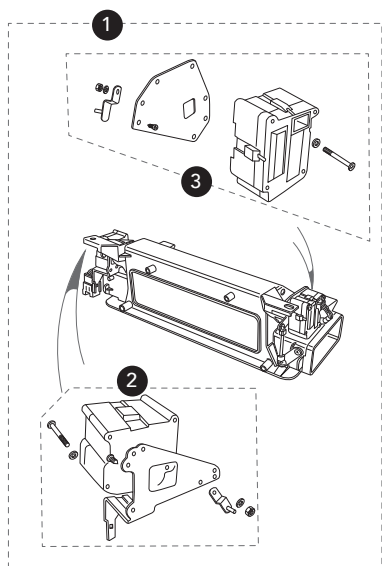


AIR CONDITIONING & HEATING

AIR DUCTS

FACIA AIR DUCTS

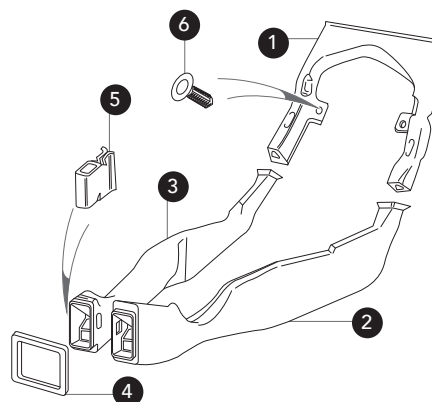
1. Face Level Air Duct	MJA6811AA	1
2. Defrost Vent Servo Motor	JLM20186	1
3. Face Vent Servo Motor	JLM11962	1



REAR AIR DUCTS

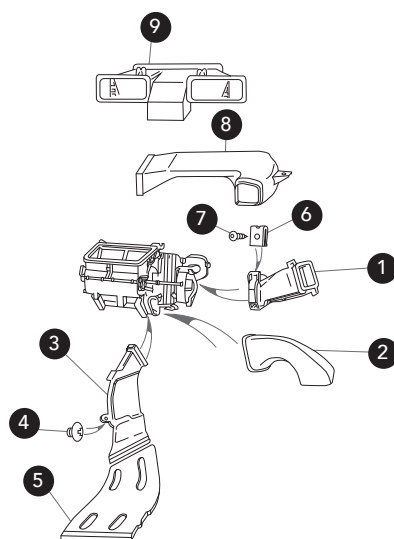
1. Rear Primary Air Duct	MNC6676AB	1
2. RH Rear Face Level Air Duct	MNC6678AD	1
3. LH Rear Face Level Air Duct	MNC6679AD	1
4. Face Duct Seal	MNA6677AB	1
5. Edge Clip	JET100005	2
6. Fir Tree Fastener	XR89974	2
Self Tapping Screw	AGU2555J	1
Spire Nut	AK608051J	1

(2 items not illustrated)



FOOTWELL AIR DUCTS

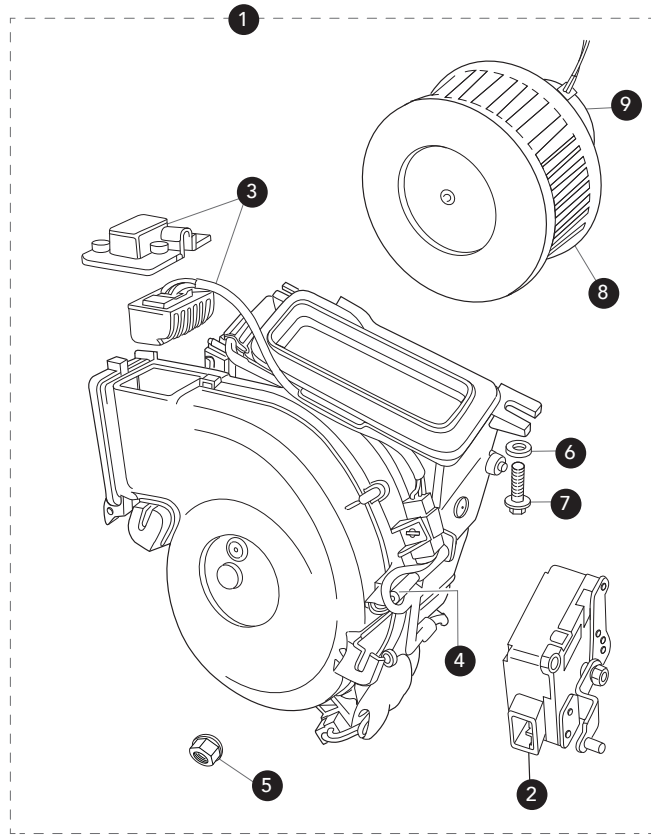
1. LH Duct	MNA6691AB	1
RH Duct	MNA6690AB	1
2. Front Footwell Duct, LHD		
LH	MNC6907AB	1
RH	MNC6906AB	1
Front Footwell Duct, LHD		
LH	MNC6907BB	1
RH	MNC6906BB	1
3. Intermediate Footwell Duct		
LH	MNC6903AA	1
RH	MNC6902AA	1
4. Push-on Fix	AGU2292	2
5. Final Footwell Duct		
LH	MNA6901AF	1
RH	MNA6900AF	1
6. Captive Nut	AK608141J	8
7. Self Tapping Screw	AGU2555J	8



8. Face Level Air Duct LHD		
LH	MNC6623AB	1
RH	MNC6622BB	1
Face Level Air Duct RHD		
LH	MNC6623BB	1
RH	MNC6622AB	1
9. Centre Face Level Air Duct	MNC6670AC	1

AIR CONDITIONING & HEATING

BLOWER MOTOR ASSEMBLY

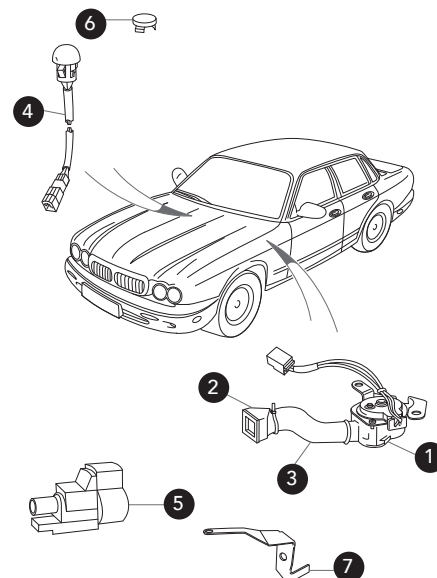


1. Heater Blower			
LH Assembly	MJA6521AA	1	
RH Assembly	MJA6520AA	1	
2. Servo Motor			
LH	JLM11958	1	
RH	JLM11957	1	
3. Power Transistor	JLM11959	1	
4. Harness			
LH Blower Motor	JLM11961	1	
RH Blower Motor	JLM11960	1	
5. Nut & Washer	JZH100032	4	
6. Plain Washer, M6	WJ106001J	4	
7. Setscrew	GL106201J	2	
8. Blower Motor Fan			
LH	JLM12434	1	
RH	JLM12433	1	
9. Heater Blower Motor			
LH	JLM20189	1	
RH	JLM20188	1	

AIR CONDITIONING & HEATING

ASPIRATOR & SENSOR

1. Aspirator Motor			
LHD	MNC6551BC	1	
RHD	MNC6551AE	1	
2. In Car Temperature Sensor Housing	MJA6554AA	1	
3. Drain Tube			
LHD	MNC6552BA	1	
RHD	MNC6552AB	1	
4. Solar Sensor	LNC7625AA	1	
5. Ambient Air Temperature Sensor	LJA765AB	1	
6. Insert	CCC7374LEG	1	
7. Sensor Mounting Bracket	LNC7604AA	1	



+44 1746 765432
sales.uk@sngbarratt.com



+33 385 201420
france@sngbarratt.com



018 01 833 833 (DE only)
sales.de@sngbarratt.com



+31 13 521 1552
sales.nl@sngbarratt.com

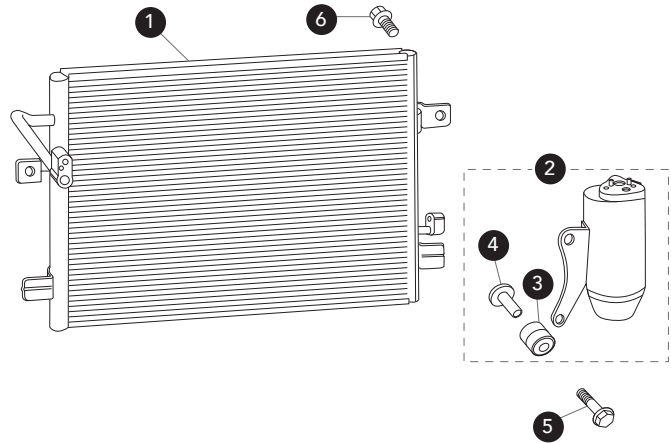


+1 800 452 4787
sales.us@sngbarratt.com

AIR CONDITIONING & HEATING

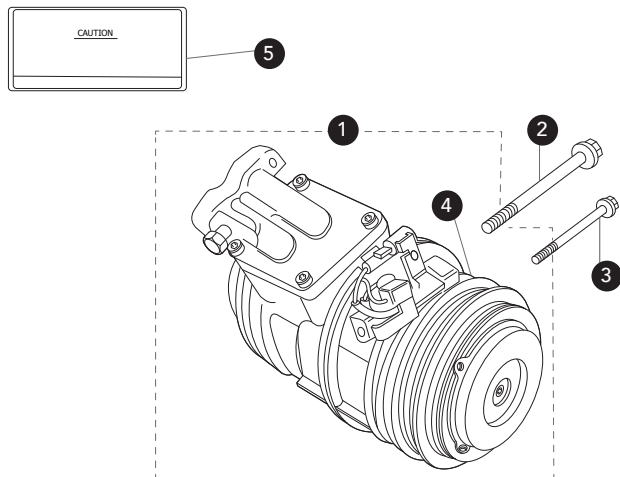
CONDENSOR & RECEIVER DRIER

1. Condenser	MNC7390AC	1
2. Receiver Drier Assembly	MNC7412AB	1
3. Lower Grommet	C2C16681	2
4. Spacer	JZT100020	2
5. Flange Bolt	MNC4413AA	2
6. Flange Headed Screw	JFS10812F	2



AIR CONDITIONING & HEATING

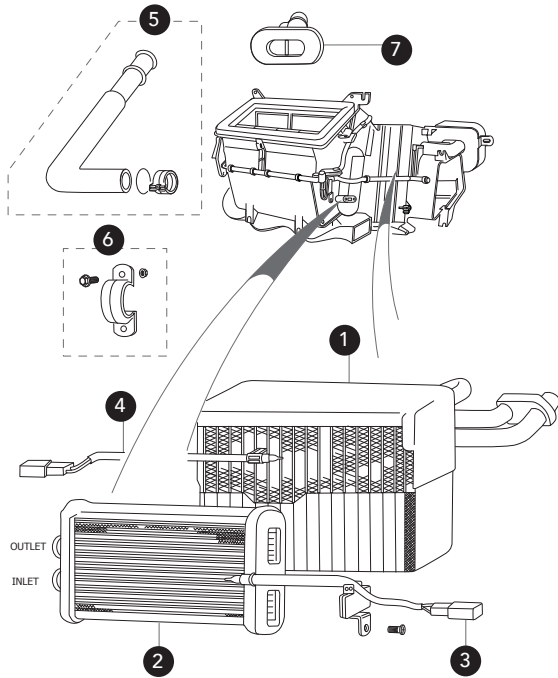
COMPRESSOR



1. A/C Compressor	MCA7300AE	1
2. Bolt, M8 x 120mm	JFB10824B	2
3. Hexagonal Head Flanged Bolt, M8 x 80mm	JFB10816B	2
4. Magnetic Clutch Fitting Kit	JLM20184	1
5. Refrigeration Information Label	MNC7702AA	1
Clutch Service Kit (not illustrated)	JLM11954	1
Compressor Oil, 250cc ND8 (not illustrated)	JLM12260	1



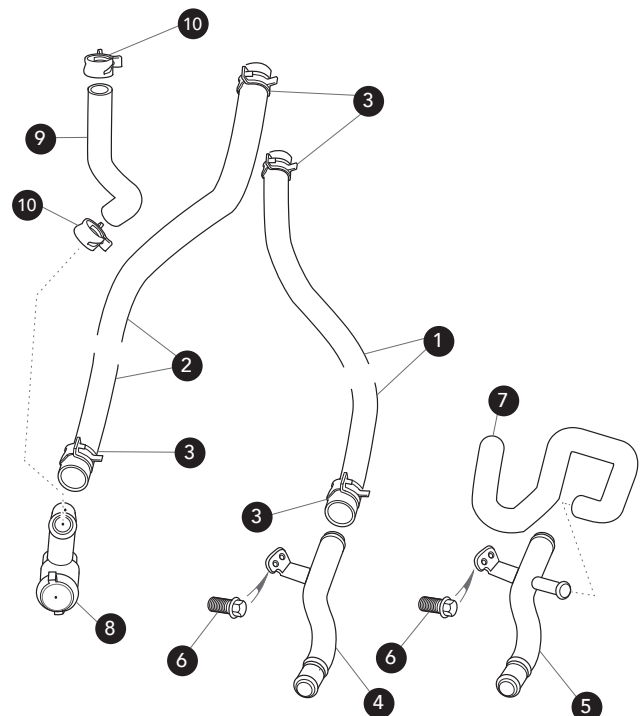
AIR CONDITIONING & HEATING EVAPORATOR & HEATER MATRIX



1. Air Conditioning Evaporator	JLM11944	1
2. Heater Core Assembly	JLM11949	1
3. Heater Core Outlet Thermistor	JLM11948	1
4. Evaporator Outlet Thermistor	JLM11947	1
5. Inlet Pipe Kit	JLM20500	1
Inlet Pipe Kit	JLM20499	1
6. Fitting Kit	JLM20246	1
7. Bulkhead Seal	MJA6446AC	1
Front Pipe Clip Clamp Kit (not illustrated)	JLM20247	1

AIR CONDITIONING & HEATING HEATER FEED & RETURN PIPES

1. Heater Feed Hose			
From VIN00035 with EGR	NNE3947BA	1	
4.0 Litre Supercharged	AJ87634	1	
3.2 & 4.0 Litre, Naturally Aspirated	NCA3945CD	1	
2. Heater Return Hose	NNE3946CA	1	
3. Hose Clamp, 27mm	JHC301720	1	
4. Heater Feed Pipe	NCA3905BB	1	
5. Heater Feed Pipe			
From Engine No. 0108130000	AJ83928	1	
6. Screw M6 x 14mm	JZS100132	2	
7. Throttle Feed Hose			
From Engine No. 0108130000	AJ83970	1	
8. 3-Way Connector	NNE3944BA	1	
9. Hose Clamp, 27mm			
To VIN 853935	NCA3976AD	1	
From VIN 853936	NNE3976CA	1	
10. Hose Clamp	JHC301621	2	



+44 1746 765432
sales.uk@sngbarratt.com



+33 385 201420
france@sngbarratt.com



018 01 833 833 (DE only)
sales.de@sngbarratt.com



+31 13 521 1552
sales.nl@sngbarratt.com



+1 800 452 4787
sales.usa@sngbarratt.com

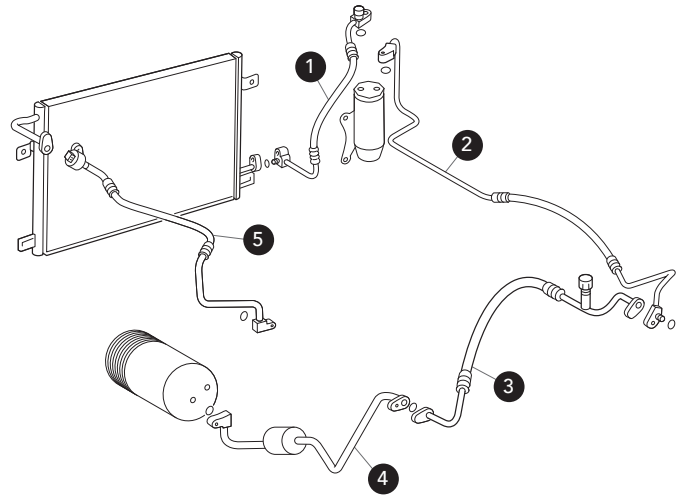
AIR CONDITIONING & HEATING

REFRIGERANT HOSES

1. Air Conditioning Hose	MNC7361AD	1
2. Air Conditioning Hose	MNC7360AD	1
3. Air Conditioning Hose	MNC7310BF	1
4. Air Conditioning Pipe	MJA7312CB	1
5. Air Conditioning Hose	MNC7340BF	1

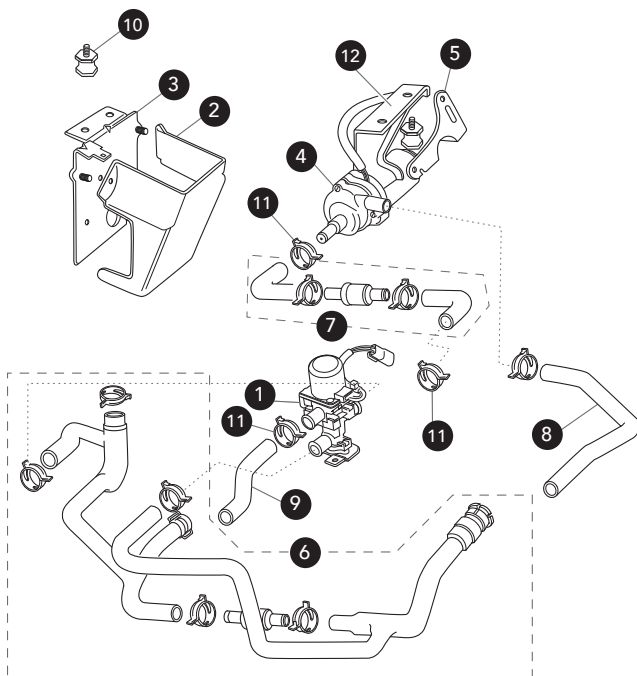
Not illustrated:

A/C Pressure Switch	LJA7658AB	1
Bolt	JFB10606E	3
Pipe Clip, 0.375" Diameter	KDF606001	1
Charge Port Cap	MHD7377AA	1
High Pressure Charge Valve	MHD7372AA	1
Low Pressure Charge Valve	MHD7372BA	1
Flange Headed Screw	C2P5484	6



AIR CONDITIONING & HEATING

WATER VALVE PUMPS & HOSES



1. Water Valve	MNA6711AC	1
2. Water Valve Heatshield	MJA6731AA	1
3. Water Valve Mounting Bracket	MNC6714AE	1
4. A/C Water Pump	MNC6710AC	1
5. Water Pump Mounting Bracket	MNC6726AE	1
6. Heater Hose, with Valves	MNC6733AE	1
7. Water Valve to Pump Hose	MNC6742AC	1
8. Water Pump to Heater Hose	MNC6742AC	1
9. Heater to Valve Hose	MNC6722AB	1
10. Instrumount	MNA6730AB	3
11. Hose Clamp	JHC302220	3
12. A/C Support Bracket	MNC6727AA	1

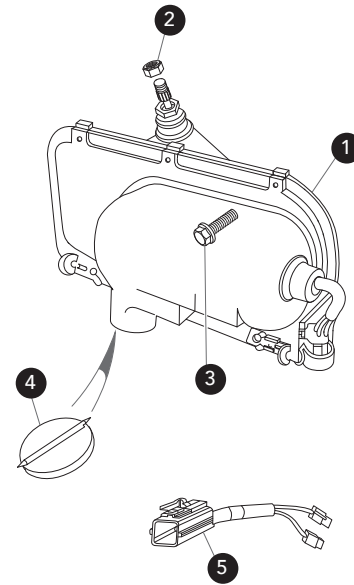
WASHER & WIPER

WIPER MOTOR



1. Windscreen Wiper Motor

LHD	GNC8951AB	1
RHD	GNC8950AB	1
2. Nut, M10	NH110041J	1
3. Screw/Washer, M6 x 25mm	JZH100070	3
4. Non Return Valve	JLM20885	1
5. Link Lead	LNC3125CA	1



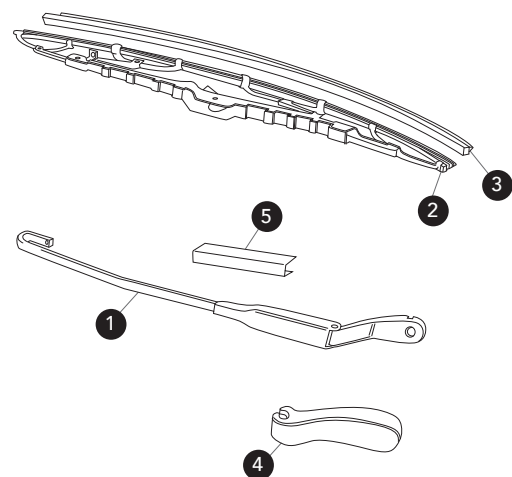
WASHER & WIPER

WIPER ARM & BLADE

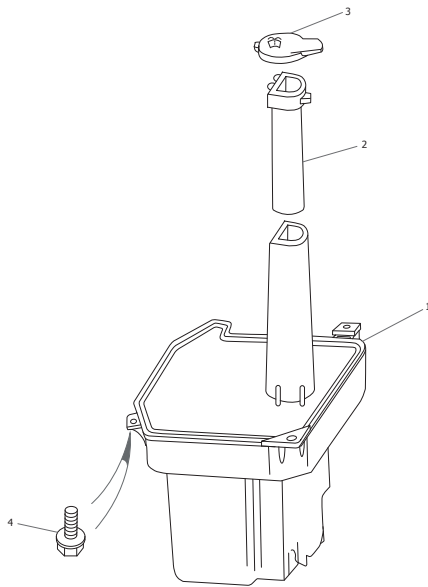


1. Wiper Arm

LHD	GNC8955AA	1
RHD	GNC8954AA	1
2. Wiper Blade	GJA8960BB	1
3. Wiper Rubber	GNB8961AA	1
4. Wiper Arm Cap	GNC8966AA	1
5. Guide Channel	JLM20427	A/R



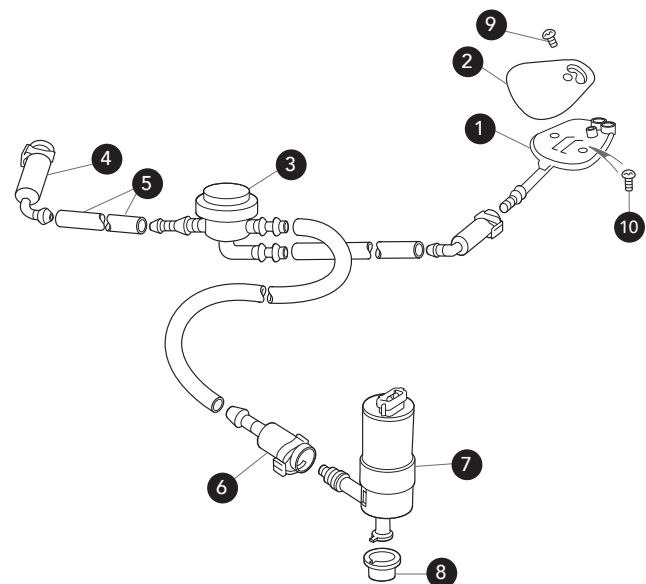
WASHER & WIPER WINDSCREEN & HEADLAMP WASHER RESERVOIR



1. Screenwash Reservoir		
Headlamp Powerwash	LNC7038DF	1
Non-Headlamp Powerwash	LNC7038CF	1
2. Reservoir Filler Neck	LNC7034AA	1
3. Reservoir Filler Cap	LNC7036AA	1
4. Screw/Washer	JZH100055	4

WASHER & WIPER HEADLAMP WASH SYSTEM

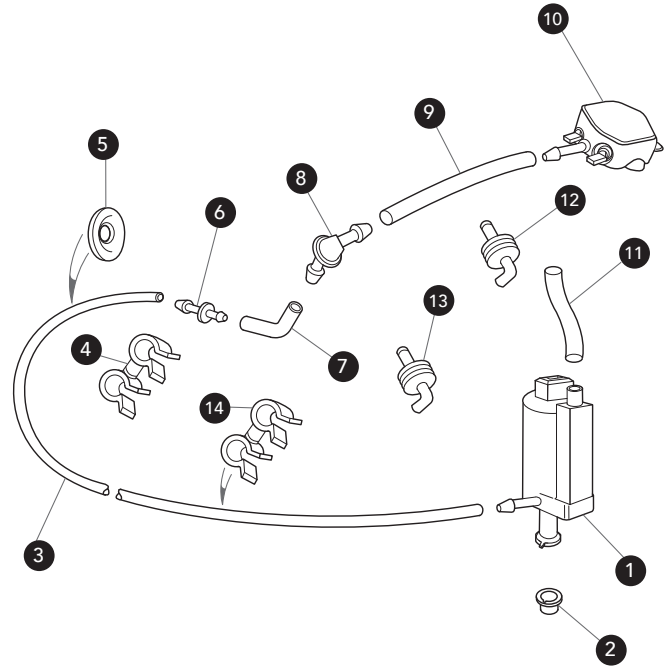
1. Powerwash Jet		
LH	LNC7053AB	1
RH	LNC7052AB	1
2. Jet Cover		
LH	LNC7055AB	1
RH	LNC7054AB	1
3. Y-Valve	LNC7071AA	1
4. Tube Connector	LNC7072AA	2
5. Washer Tube	LNC7075AA	1
6. Tube Connector	LNC7072AC	1
7. Powerwash Pump	LNC7031AA	1
8. Powerwash Grommet	LNC7037AA	1
9. Thread Forming Screw	JPU13508J	2
10. Screw/Washer	JZS100108	4



WASHER & WIPER SCREENWASH SYSTEM



1. Screenwash Pump	LJA7031AB	1
2. Pump Grommet	LJA7037CA	1
3. Washer Tube	LNC7100AF	1
4. Swivel Pipe Clip	KDP205100	2
5. Grommet	C29302	1
6. Non Return Valve	GJA8976AA	1
7. Rubber Elbow	JLM20382	1
8. Tube Connector	GJA8969AB	1
9. Wiper Arm Tube	JLM20619	1
10. Wiper Arm Screenwash Jet	GNC8977AB	1
11. Breather Tube	JLM20693	1
12. Kit	JLM21613	1
13. Grommet	JLM21614	1
14. Clip	KDP109090	1



BODY ACCESSORIES

1. Mesh Grille			
Pair	MESH003		1
2. Chrome Enhancements			
Door Handle Covers	XJ8/DHC/P		1
Innder Door Handle Covers	XJ8/IDHC/P		1
Mirror Covers	XJ8/MC/P		1
3. Leaping Jaguar	HNA6350BD		1



OVERMATS

1. Over Mat Set Black			
RHD	OMXJ8/1R		1
2. Over Mat Set Grey			
RHD	OMXJ8/2R		1
3. Over Mat Set Beige			
RHD	OMXJ8/8R		1



NB. Contact sales for full details on interior trim and fittings.

WHEEL ACCESSORIES

1. Locking Wheel Nut Set	JLM21769		1
2. Wheel Nut	CCC7028		A/R
3. Road Wheel Badge			
Silver Head on Green	MNA6249AB		4
Gold Head on Black	MNA6249FA		4
Silver Head on Grey	MNA6249GA		4
Silver Head on Ruby	MNA6249EA		4
4. Alloy Wheel Cleaner	C2S14564		1
5. Front Mud Flap Kit	JLM20436		1
6. Rear Mud Flap Kit	JLM20437		1



SERVICE ITEMS



1. Aircleaner Element	NJA3558AA	1	6. Bulb Kit		
2. Fuel Filter Element	C2C35417	1	From VIN 812317	JLM20558	1
3. Oil Filter	EAZ1354	1	7. Antifreeze		
4. Spark Plug			To VIN F00034		
Naturally Aspirated			1 Litre	JLM20402	A/R
To VIN 853935	NCA3850FA1	8	5 Litre	JLM20403	A/R
From VIN 853936	C2A1535	8	From VIN F00035		
Supercharged			1 Litre	JLM209722	A/R
To VIN 878717	NCA3850HA2	8	5 Litre	JLM209723	A/R
From VIN F00035	C2A1535	8	8. Windscreen Wash Fluid	C2A102010	1
5. Oil Sump Plug	AJ83017	1	9. Paint Touch-Up Pencil	Contact Sales	1
			10. Engine Service Kit	SK2	1



LUBRICANTS & CLEANING PRODUCTS

MORRIS® LUBRICANTS

We stock a full range of quality Morris Lubricants (blending oils in Shrewsbury since 1869) that are entirely suitable for both the classic and current Jaguar range.

Running in Oil	5 Litre	MOR013
Dextron 2 ATF	5 Litre	MOR014
Dextron 2 ATF	1 Litre	MOR015
EP80/90	Gear oil - 5 Litre	MOR020
EP80/90	Gear oil - 1 Litre	MOR021
LSD	Gear oil - 5 Litre	MOR022
Oil 10W/50	Comp semi synthetic	MOR023
Mineral Oil	1 Litre	MOR025
Brake Fluid	Dot 4 - 1 Litre	MOR027
Brake Fluid	Dot 4 - 500ml	MOR028
Carb Cleaning Spray	400ml	MOR029
MD4	Maintenance spray	MOR030
Pavan	Degreaser	MOR031
Prima	Silicone spray	MOR032
Prise	Anti seize spray	MOR033
Solvent Brake Cleaner	400ml	MOR034
LM Grease	500gm tin	MOR035
Copper Slip	500gm tin	MOR036
Diesel Oil	5 Litre	MOR038
Engine Oil	1 Litre	MOR043
Liquimatic ATF	5 Litre	MOR045
Rubber Grease	500gm tin	RUBBERGREASE

MORRIS LUBRICANTS



CLEANING PRODUCTS

Gliptone® Leather Conditioner	250ml	CH5001
Gliptone® Liquid Leather Cleaner	250ml	CH5002
OEM Jaguar Car Body Shampoo	500ml	C2A1016
OEM Jaguar Wax Polish Liquid	500ml	C2A1017
OEM Jaguar Glass Cleaner	500ml	C2A1023

INDEX



A		E		I		R	
ABS SYSTEM	42	ENGINE ASSEMBLY	11	IDLER PULLEY	10	RADIATOR	20
ACCELERATOR PEDAL	26	ENGINE COVER	11	IGNITION SYSTEM	71	RADIATOR HOSES	21
AERIAL	71	ENGINE GASKET SET	11	INDICATOR LAMPS	68	SUPERCHARGER	20
AIR CLEANER	24	ENGINE NUMBER	2	INERTIA SWITCH	72	RADIATOR GRILLE	65
AIR DELIVERY SYSTEM	25	ENGINE SENSORS	72	INJECTORS	27	RAIN SENSOR	74
AIR DUCTS	77	EVAPORATOR	80	INLET MANIFOLDS	13	REAR AIR DUCTS	77
AIR FLOW METER	24	EXHAUST		INTERIOR LAMPS	70	REAR FRAME CARRIER	51
ALLOY WHEEL CLEANER	85	CATALYTIC CONVERTERS	55	INTERIOR MIRROR	64	REAR HUB & CARRIER	50
ANTI-ROLL BAR	46	FRONT PIPES	54			REAR LAMP ASSEMBLY	69
ASPIRATOR & SENSOR	78	REAR PIPES	55			RECEIVER DRIER	79
		EXHAUST MANIFOLDS	14			REFRIGERANT HOSES	81
		EXPANSION TANK	19			RELAYS	73
				L		ROTARY SWITCH	32
B		F		LOCKING WHEEL NUT SET	85		
BADGES		FACIA AIR DUCTS	77			S	
BOOT LID BADGES	66	FACIA SWITCHPACK PANEL	74	M		SCREENWASH SYSTEM	84
RADIATOR GRILLE & BADGES	65	FAN & COWL	22	MANIFOLDS		SEALS	
ROAD WHEEL BADGE	85	FILLER CAP	29	EXHAUST MANIFOLDS	14	DOOR SEALS	58
BELT TENSIONER	10	FILTER		INLET MANIFOLDS	13	FRONT DOOR GLASS	
BLOCK HEATER	22	OIL FILTER	14	MASTER CYLINDER	42	& CHANNEL	57
BLOWER MOTOR	78	FOG LAMPS	67	MESH GRILLE	85	GEARBOX SEALS	35
BODY ACCESSORIES	85	FOOTWELL AIR DUCTS	77	MIRRORS	64	REAR DOOR GLASS	
BODY PANELS	56	FRAME CARRIER	51	MORRIS® LUBRICANTS	87	& CHANNEL	57
BRAKE DISCS		FRONT BUMPERS	60	MOUNTINGS		SENSORS	72
FRONT DISCS & CALIPERS	39	FRONT INDICATOR LAMP	68	ENGINE & GEARBOX	12	SIDE MARKER LAMPS	68
REAR DISCS & CALIPERS	40	FUEL FEED & RETURN PIPES	27	MUD FLAP KIT	85	SIDE REPEATER LAMP	68
BRAKE FLUID	87	FUEL FILLER LATCH	29			SOLENOID	31
BRAKE SERVO	42	FUEL INJECTOR & REGULATOR	28	N		SPARK PLUGS	86
BULB KIT	86	FUEL LATCH BOX	29	NUMBER PLATE LAMP	69	SPEED CONTROL SWITCH	74
BUMPERS		FUEL PIPES	27			SPRINGS	44, 45
FRONT BUMPERS	60	FUEL RAIL & INJECTORS	27			STEERING COLUMN SWITCH	75
REAR BUMPERS	62	FUEL TANK	26			STEERING RACK	43
BYPASS VALVE & ACTUATOR	25					STOP LAMP	69
						STOP & DIPSTICK	16
						SUMP PAN	37
						SUPERCHARGER	20, 29
C		G		O		T	
CALIPERS		GEARBOX ASSEMBLY	34	OIL	87	TAPPET ADJUSTMENT SHIMS	5
FRONT DISCS & CALIPERS	39	GEARBOX MOUNTINGS	12	OIL COOLER	15	THERMOSTAT	23
REAR DISCS & CALIPERS	40	GEARBOX SEALS	35	OIL COOLER PIPES	36	THROTTLE BODY	25
CAMSHAFT	4	GEAR CHANGE CONTROL	31	OIL FILTER	14	TIMING CHAIN KITS	17
CAMSHAFT COVER	5	AUTOMATIC	31	OIL PUMP	15	TIMING CHAINS	17, 18
CATALYTIC CONVERTERS	55	SOLENOID	31	OIL SUMP PAN	37	TIMING COVER	18
CHASSIS NUMBER	2	GEAR CONTROL CABLE	32	OIL SUMP PAN	37	TORQUE CONVERTER	38
CHROME	85	Gliptone®	87	OVERMATS	85		
CIGAR LIGHTER	74	GRILLE	65	OXYGEN SENSOR	73		
CLEANING PRODUCTS	87	GRILLES					
COMPRESSOR	79	MESH GRILLE	85	P		V	
CONDENSOR	79			PAINT CODE	2	VEHICLE DETAILS	2
CONNECTING RODS	6	H		PAINT TOUCH-UP PENCIL	86	VERTICAL LINK	47
CONTROL SWITCH PANEL	75	HALF SHAFT	35	PARKING AID	76		
CONTROL VALVE	30	HANDBRAKE	41	PIPES	54		
CRANKSHAFT	7	HANDLES & LOCKS	59	HEATER FEED &			
CROSSBEAM	51	HEAD GASKET	8, 9	RETURN PIPES	80		
CUSTOMER NUMBER	1	HEADLAMP ASSEMBLY	67	PISTONS	6		
CYLINDER BLOCK	9	HEADLAMP WASHER RESERVOIR	83	CONNECTING RODS	6	W	
CYLINDER HEAD	8, 9	HEATER FEED & RETURN PIPES	80	POWER STEERING PUMP	52	WATER PUMP	19
		HEATER MATRIX	80	PROPSHAFT	37	WATER VALVE PUMP	81
D		HEATER UNIT	76			WATER WETTER®	21
DAMPERS	44, 45	HEATSHIELDS	53			WHEEL ACCESSORIES	85
DIFFERENTIAL	33	HIGH MOUNTED STOP LAMP	69			WINDOW REGULATORS	58
DIMMER MODULE	75	HOSES				WINDSCREEN	83
DIPSTICK	16	RADIATOR HOSES	21			WIPER ARM & BLADE	82
DOOR FRAMES	57	REFRIGERANT HOSES	81			WIPER MOTOR	82
DOOR GLASS	57	HUB & CARRIER	50			WISHBONES	
DOOR HANDLES	59	HUB & VERTICAL LINK	47			REAR	48
REMOTE CONTROL	59					UPPER & LOWER FRONT	48
DOOR MIRRORS	64						
DOOR SEALS	58						
DRIVE BELTS	10						



+44 1746 765432

+33 385 201420

018 01 833 833 (DE only)

+31 13 521 1552

+1 800 452 4787



SNG BARRATT LTD
THE HERITAGE BUILDING
STOURBRIDGE ROAD
BRIDGNORTH
WV15 6AP
UNITED KINGDOM

T: +44 (0)1746 765432
E: sales.uk@sngbarratt.com



SNG BARRATT USA
92 LONDONDERRY TURNPIKE
MANCHESTER
NEW HAMPSHIRE
03104 USA

T: +1 603 622 1050
E: sales.usa@sngbarratt.com



SNG BARRATT FRANCE
62 CHEMIN DU BOIS D'ALIER
ZONE DES BERTHILIER
71850 CHARNAY LÈS MACON
FRANCE

T: +33 (0)3 85 20 14 20
E: france@sngbarratt.com



SNG BARRATT NL
LAARAKKERWEG 12
5061 JR OISTERWIJK
NETHERLANDS

T: +31 (0)1352 11 552
E: sales.nl@sngbarratt.com



SNG BARRATT DE

T: 018 01 833 833 (from DE only)
E: sales.de@sngbarratt.com



ULTIMATE JAGUAR PARTS SPECIALIST

www.sngbarratt.com