



THE ULTIMATE JAGUAR PARTS SPECIALIST



THE PARTS COLLECTION



With over 30 years experience in supplying Jaguar parts, SNG Barratt Group are the World's largest independent specialists, with a Head Office in the UK and branches in the USA, France and Holland. We stock and supply parts for Jaguar cars from 1949 right through to the present day.

At SNG Barratt we have always prided ourselves on maintaining a high standard both in terms of the service we offer and the range of parts which we supply. Our in-house manufacturing and supply network allows us to produce an extensive range of parts from switch gears, electrical motors, petrol tanks, to chromium plated bumper parts and body rubbers. Continued investment in the Jaguar marque ensures the availability of otherwise obsolete parts thus safeguarding the future of many

historically important vehicles.

SNG Barratt has also received recognition from Jaguar by being awarded Authorised Parts Distributor status in the UK. This enables us to order stock directly from the factory on a daily basis and gain access to parts and knowledge for both classic and current models.

The ongoing success of SNG Barratt can be credited to the highest levels of quality, service and attention to detail. Continued investment in technology and our people raise



XK8

INTRODUCTION

www.sngbarratt.com

WELCOME

SNG Barratt first started to sell and remanufacture Jaguar components in the 1970's. With constant re-investment the range quickly grew and more and more items were re-introduced.

Now many years later we make a multitude of parts for all Jaguars, classic and modern. This catalogue is designed purely with the XK8 owner in mind and offers a comprehensive range of products.



YOUR CUSTOMER NUMBER

Upon dealing with SNG Barratt for the first time you will be allocated a customer number. In most cases this will be your UK postcode or in the USA your telephone number. However if you are outside the UK/USA your sales advisor will use either your postal area code or a number devised using your surname. This customer number can either be found on your invoice or simply by asking the person serving you. The ability to provide your customer number when contacting our sales department will allow us to access your information far faster and serve you even more efficiently.

Customer number.....



HOW TO USE THIS CATALOGUE

Use the illustration in each section to identify the component that you require. Note the indicated item number and find the corresponding number in the section listing. There you will see our part number for that item, the description and to it's right the quantity required per car. Very often this will be the original Jaguar part number, thus allowing you to refer to an original factory parts catalogue if more detail is required.

Each part number is listed in our price list. This listed price is per item and is plus VAT, (or BTW or Mwst where applicable) except in the case of books and other VAT exempt items.

If you then quote this part number when contacting our sales department or enter it into our website, we will be able to confirm the cost and whether we have the part in stock.

If you cannot find or conclusively identify the item that you require then please call and we will aim to assist you. Whilst this catalogue is a comprehensive publication it is not a definitive guide to everything that we do. Our staff have many years of experience with all aspects of the Jaguar marque and may just have the answer...

NOTE: The listing or illustrating of an item does not guarantee its availability.

Item number	Description	Part number	Quantity required per car
8L	8. Pan head torx screw	C2C25942	16
AJB1444	9. Upper gasket	AJB0528	2
AJB1445	(from VIN A30645)		
C2C25942	10. Flange headed screw		10
NCC3018AB	11. Induction manifold adapt		
C2540512	(from VIN A30645 to A36873)		
1	RH A - bank	AJB9098	1
1	LH B - bank	AJB9099	1
1	(from VIN A36874)		
1	RH A - bank	AJB9952	1
1	LH B - bank	AJB9953	1
2L	12. Manifold gasket	AJB5392	2
AJB0543	(from VIN A30645 to A36873)		

We manufacture hundreds of Jaguar parts and have access to thousands more, for classic and modern cars.

You can download your very own set of catalogues at our website:

www.sngbarratt.com



UK - Bridgnorth
+44 (0) 1746 765 432
sales.uk@sngbarratt.com



USA - Manchester NH
+1 800 452 4787 (toll free)
sales.usa@sngbarratt.com



FRANCE - Charney les Macon
+33 (0) 3 85 20 14 20
sales.fr@sngbarratt.com



HOLLAND - Oisterwijk
+31 (0) 13 52 11 552
sales.nl@sngbarratt.com





XK8

The XK8, (factory code X100), was launched by Jaguar Cars at the Geneva motor show in March 1996. The new Jaguar was available in coupé or convertible body styles with the new 4.0 litre Jaguar AJ-V8 engine under the bonnet. In May 1998 the XKR was introduced with a supercharged version of the V8 engine and uprated suspension for superior handling. From 2003 the engines were replaced by the 4.2 litre AJ34 power unit in both the normally aspirated and supercharged versions.

The first-generation XK series shared its platform with the Aston Martin DB7. Both cars were derived from an extensively modified Jaguar XJS floor pan. One of the revisions was the use of the second generation of Jaguar's IRS unit, taken from the XJ40. The XK8 and XKR are both electronically limited to a maximum of 155.4 miles per hour (250.1 km/h).

In standard form, the XK8 came with 17" alloy wheels, while 18" (Standard on the XKR), 19", and 20" wheels are available for additional cost. A navigation system and self-leveling xenon headlamps came as standard with the XKR and as options for the XK8. Jaguar's Adaptive Cruise Control was an optional feature available on both models. Both were equipped with all-leather interior, burr walnut trim, and side airbags. Initially the ZF 5HP24 5-speed automatic transmission was coupled to the conventionally aspirated 4.0 Litre and a Mercedes W5A580 5-speed transmission to the supercharged version, but in 2002 the new ZF 6HP26 6-speed automatic transmission was fitted in both versions of the 4.2L. Several special editions were produced in limited numbers, such as the 'Silverstone', to celebrate Jaguar's return to formula one racing, the XKR100, celebrating the centenary of Sir William Lyons birth and the 'Portfolio' and 'Victory' special editions for the American market.

The last XK8 was produced in May 2005 with a final production total of over 91,000 units

YOUR VEHICLE DETAILS

Please complete this section as accurate vehicle information at your finger tips will prove to be invaluable. Very often identifying the correct part for you car can be all down to chassis or engine number. These details can best be found on the car itself, as registration documents can often prove to be incorrect due to engine swaps and vehicle upgrades that the DVLA have not been advised of.

The Vehicle Identification Number comprises a series of letters and numbers representing (in code) such information as marque, model range, class, engine type etc.

Enter your VIN number below.

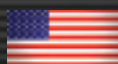
SAJ

Enter your engine number here:

Enter your paint code here:

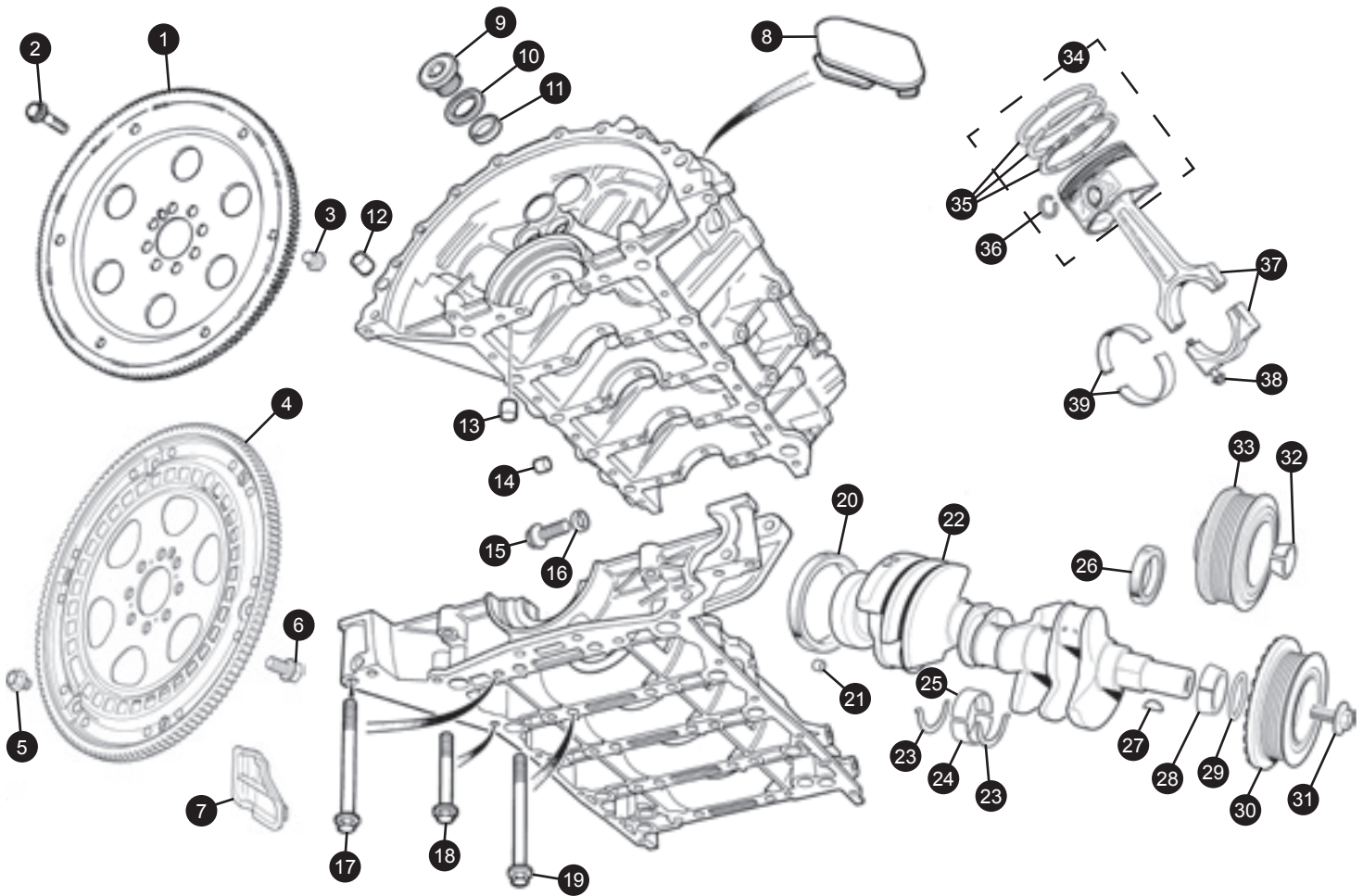


We have access to thousands of Jaguar parts. This information will help our team to quickly locate the best parts for your Jaguar XK8.



CONTENTS

ENGINE BLOCK	4-5	WHEELS & ANCILLARIES	60-61
ENGINE SUMP & OIL PUMP	6	AIR CONDITIONING UNIT	62
DRIVE BELTS & PULLEYS	7	PARTICLE FILTER & BOOT VENT	63
ENGINE AND GEARBOX MOUNTINGS	8	AIR CONDITIONING CONDENSER & COMPRESSOR	63
CYLINDER HEAD & CAM COVER	9-11	AIR DISTRIBUTION & BLOWER	64-65
GASKET SETS	11	CONTROL PANEL ASSEMBLY & SENSORS	65
TIMING COVER	12	WATER VALVE, PUMP & HOSES	66-67
TIMING CHAIN KITS	12	HEATER PIPES	67
TIMING CHAINS & ADJUSTERS	12-15	REFRIGERANT HOSES	68-69
SPEED CONTROL EQUIPMENT	16	OUTER BODY PANELS	70
SUPERCHARGER OUTLET	16	INNER BODY PANELS	71
SUPERCHARGER INDUCTION MANIFOLD	17	CONVERTIBLE BRACING & SOUND INSULATION	72-73
SUPERCHARGER	17	HEATSHIELDS	73
INLET MANIFOLD, NON SUPERCHARGED	18-19	UNDERBONNET & BOOT STIFFENER	74
OIL COOLERS & PIPES	19-20	WIRING LOOMS & ANCILLARIES	75
SUPERCHARGER INTERCOOLER	21	CONVERTIBLE TOP	76-77
RADIATOR & HOSES	22	SIDE WINDOWS & DOOR MIRRORS	78-79
FAN COWL ASSEMBLY	23	LOCKS, LATCHES & BOOT FITTINGS	80-81
EXPANSION TANK & RECOVERY BOTTLE	23	DOOR HINGES & CHECK ARMS	82
THERMOSTAT HOUSING & WATER PUMP	24	SPARE WHEEL, STEERING WHEEL & AIRBAG	83
THERMOSTAT HOUSING ALUMINIUM UPGRADE	25	BADGES & MOULDINGS	84-85
BATTERY & STARTER MOTOR	26	FIXED GLASS	86-87
ENGINE COVER	26	BUMBERS, FRONT & REAR	88-89
ALTERNATOR	27	EXTERIOR FITTINGS	90-91
AIR CLEANER & HOSES	28	WEATHER SEALS	92-93
EXHAUST MANIFOLDS	29	ENGINE MANAGEMENT COMPONENTS	94-95
FRONT EXHAUST SYSTEM	30	ENGINE SENSORS	96-97
REAR EXHAUST SYSTEM	31	CONTROL MODULE HOUSING	97
BYPASS VALVE (SUPERCHARGED ENGINES)	32	CRANKCASE BREATHER SYSTEM	98
THOTTLE BODY, 4.0 LITRE	33	EGR VALVE	99
THOTTLE BODY, 4.2 LITRE	34	SENSORS & MODULES	100
FUEL TANK	34-35	DASH COMPONENTS & SWITCHES	101
FUEL FILLER & PIPES	36	CONTROL MODULES & PARKING SENSORS	102
ACCELERATOR PEDAL ASSEMBLY	37	STEERING COLUMN SWITCHES	103
INJECTORS & PIPES	38-39	CONSOLE SWITCHES & COLUMN COWL	104
HANDBRAKE MECHANISM	40	LAMP CONTROL MODULE & SIDE MARKER LAMPS	105
BRAKE BOOSTER & MASTER CYLINDER	41	EXTERNAL LIGHTING	106-107
ABS MODULATOR & PEDAL HOUSING	42	HIGH INTENSITY DISCHARGE (HID) LIGHTING	107
BREMBO® BRAKES	43	INTERIOR LIGHTING	108
FRONT BRAKE PIPES	44-45	NUMBER PLATE & UPPER BRAKE LIGHTS	109
FRONT BRAKE DISCS & CALIPERS	45	LIGHT BULB QUICK REFERENCE	109
REAR BRAKE PIPES	46-47	WIPERS & WASHER SYSTEMS	110-111
REAR BRAKE DISCS & CALIPERS	47	AIRBAG SENSORS & MODULES	112
FRONT ANTI-ROLL BAR & CROSS MEMBER	48	HORN & SECURITY SYSTEMS	113
POWER ASSISTED STEERING PUMP	49	GEARCHANGE CONTROL	114-115
STEERING SENSORS	49	GEARBOX	116-117
REAR HUB ASSEMBLY	50	TORQUE CONVERTERS	117
STEERING RACK	51	GEARBOX CONTROL VALVE ASEMBLY & SUMP	118-119
ROAD SPRINGS & DAMPERS	52-53	GEARBOX OIL COOLER PIPES	120-121
UPPER STEERING COLUMN	54	DRIVESHAFTS & DIFFERENTIAL	122-123
PAS HOSES & LOWER STEERING COLUMN	55	SERVICE ITEMS	124
FRONT WISHBONES	56	LUBRICANTS, CLEANING PRODUCTS & OVER MATS	125
FRONT HUB & VERTICAL LINK	57	CHROME ENHANCEMENTS	126
REAR FRAME CARRIER	58	INDEX, A-H	127
REAR WISHBONES	59	INDEX, I-Z	128



1. Drive plate, 4.0 Litre (to VIN 042775) Use with crank dowel (from VIN A00083 to A30644)	NCA1426CE AJ81478 AJ82327	1 1 1	14. Dowel, block	NCC1228AA	6
2. Bolt, drive plate to crankshaft (to VIN 031302) (from VIN 031303)	JZB100058 JZB100096	8 8	15. Hex bolt	C2S27339	1
3. Setscrew, torque converter	EAC5580	3	16. Washer	JWV110011	
4. Drive plate, 4.2 Litre	AJ82327	1	17. Main bearing bolt 109.5mm	NCA1266BB	12
5. Setscrew, torque converter (from VIN A30645 to A36272) (from VIN A36273)	C2N1126 C2P7629	3 3	18. Main bearing bolt 60mm	AJ811737	12
6. Bolt, drive plate to crankshaft	JZB100096	8	19. Main bearing bolt, 114mm (to VIN A40153) (from VIN A40154)	NCA1266AC AJ88530	10 10
7. Cover, drive plate	C2C10161	1	20. Crankshaft rear oil seal	AJ83744	1
8. Engine cover, block valley	NCA1207AA	1	21. Crankshaft dowel (to VIN 031302) (from VIN 031303)	EAZ2159 AJ81478	1 1
9. screw plug, M30 x 1.5mm	AJ83734	2	22. Crankshaft (to engine: 0108122359) (from engine: 0108130000)	JLM21735E AJ89617	1 1
10. Sealing washer	AJ89646	2	23. Crankshaft thrust washer	NCE1412BA	2
11. Core plug, 28mm	JZD10008	2	24. Crankshaft main bearing, lower Contact salesman for grading availability		A/R
12. Dowel, bell housing	C46021	2	25. Crankshaft main bearing, Upper Contact salesman for grading availability		A/R
13. Dowel, bed plate	EAZ2159	2	26. Crankshaft front oil seal	AJ83698	1

27. Crankshaft Woodruff key	JZY100001	1	Non supercharged, 4.0 Litre		
28. Split collet, 4.0 Litre	AJ89854	1	(to engine: 0008180924)	JLM20929	1
29. Sealing ring	XR81139	1	(from engine: 0008180925)	JLM21635	1
30. Crankshaft damper, 4.0 Litre			Supercharged 4.2 Litre	C2C28473	1
Supercharged			Non supercharged 4.2 Litre	C2C28473	1
(to engine: 0108122359)	AJ82733	1	36. Piston pin circlip, 4.0 Litre	EAZ1268	2
(from engine: 0108130000)	AJ85317	1	Piston pin circlip, 4.2 Litre		
Non supercharged			Non supercharged		
(to VIN 008242)	NCA1411AB	1	(to VIN A40153)	AJ83592	2
(from VIN 008243 to 042775)	AJ81330	1	(from VIN A40154)	EAZ1268	2
(From VINA00083 to A30644)			Supercharged	AJ83592	2
to engine: 0108122359	AJ81330	1	37. Connecting rod assembly, 4.0 Litre		
From engine: 010812230000	AJ85731	1	Connecting rod assembly, 4.2 Litre	NCA1610BAE	8
31. Damper bolt	AJ89909	1	Supercharged	AJ812162	8
32. Split collet, 4.2 Litre	AJ89854	1	Non supercharged	AJ812160	8
33. Crankshaft damper 4.2 Litre			38. Connecting rod bolt, 4.0 Litre	NCA1614AA	2
Supercharged	AJ811117	1	Connecting rod bolt, 4.2 Litre	AJ82696	2
Non supercharged	AJ811116	1	39. Big end bearing shells, 4.0 Litre		
34. Piston assembly			Blue	NCC1612BA2	A/R
Contact salesman for availability		8	Green	NCC1612BA3	A/R
35. Piston ring kit, 4.0 Litre			Yellow	NCC1612BA4	A/R
Supercharged, 4.0 Litre			Big end bearing shells, 4.2 Litre (AJ34V8)		
(to engine: 0008180853)	JLM20929	1	Green	AJ83903	A/R
(from engine: 0008180854)	JLM21635	1	Blue	AJ83902	A/R
			Yellow	AJ83904	A/R

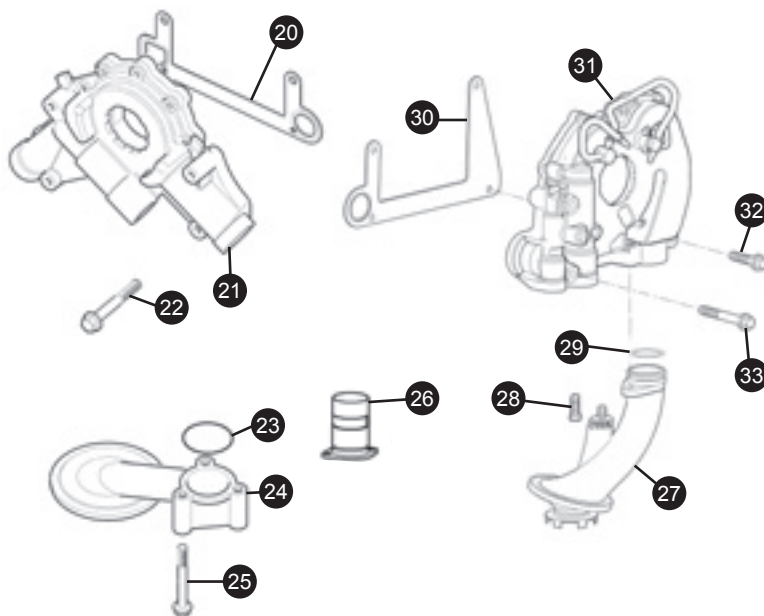
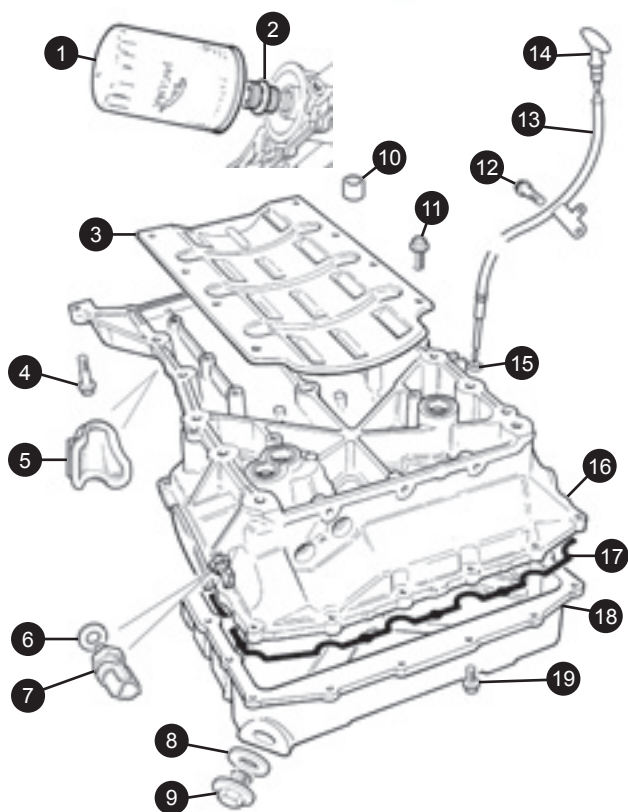
We stock a full range of quality Morris Lubricants that are entirely suitable for both the classic and current Jaguar range. Blending oils in Shrewsbury since 1869, Morris Lubricants products are a world-renowned for their premium quality and durability.

Oil 20W/50	gallon	MOR001
Oil 20W/50	1 litre	MOR002
Oil 15W/50	5 litre	MOR004
Oil 15W/50	1 litre	MOR005
Oil 10W/40	semi synthetic - 5 litre	MOR007
Oil 10W/40	semi synthetic - 1 litre	MOR008
Oil 5W/30	semi synthetic - 5 litre	MOR010
Oil 5W/30	semi synthetic - 1 litre	MOR011
Running in oil	5 litre	MOR013
Dextron 2 ATF	5 litre	MOR014
Dextron 2 ATF	1 litre	MOR015
EP80/90	gear oil - 5 litre	MOR020
EP80/90	gear oil - 1 litre	MOR021
LSD	gear oil - 5 litre	MOR022
Oil 10W/50	comp semi synthetic	MOR023
Mineral oil	1 litre	MOR025
Brake fluid	Dot 4 - 1 litre	MOR027
Brake fluid	Dot 4 - 500ML	MOR028
Carb cleaning spray		MOR029
MD4	maintenance spray	MOR030
Pavan	degreaser	MOR031
Prima	silicone spray	MOR032
Prise	anti seize spray	MOR033
Solvent brake cleaner		MOR034
LM grease	500gm tin	MOR035
Copper slip	500gm tin	MOR036
Liquimatic ATF	5 litres	MOR045
Rubber Grease	500gm tin	RUBBERGREASE

MORRIS

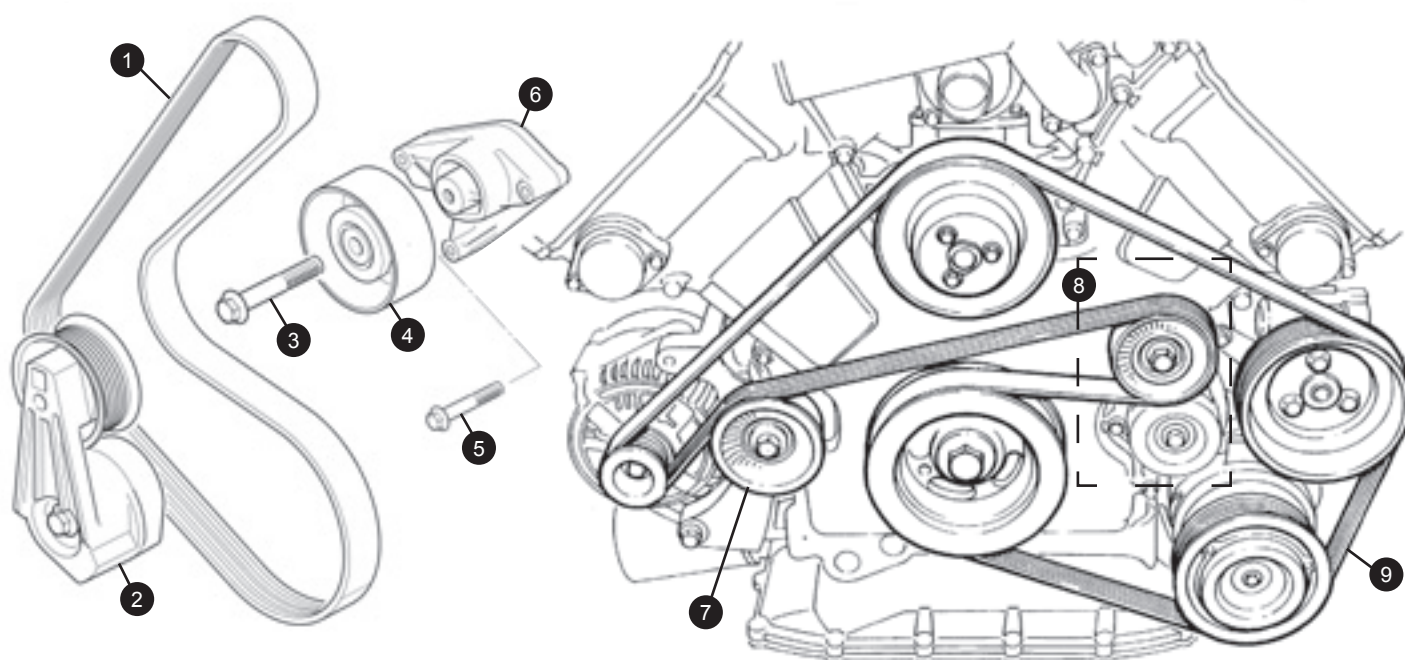
LUBRICANTS





1. Oil filter, 4.0 Litre	EAZ1354	1
Oil filter, 4.2 Litre	C2C41611	1
2. Oil filter adaptor	NCA1702AB	1
3. Windage tray	NCA1832AA	1
4. Hex headed bolt, M8	JFB10808E	16
5. Access plug, 4.0 Litre	EAZ2027	1
6. Sealing washer (to VIN 042775) (from VIN A00083)	AJ83017 JWV110004	1 1
7. Oil pressure switch, 4.0 Litre	AJ84853	1
8. Sump plug washer	JWV114003	1
9. Drain plug/washer	AJ83017	1
10. Dowel	EAZ2159	1
11. Windage tray screw, M5	FA105101J	8
12. Dipstick tube bolt	C2S45769	1
13. Engine oil dipstick tube	NNE1706AC	1
14. Engine oil dipstick (to VIN 028138) (from VIN 028139 to A00366) (from VIN A00367	NCA1723AB NNE1723AA C2C22741	1 1 1
15. Dipstick tube 'O' ring	KSH108624	1
16. Oil sump body, 4.0 Litre (Oil cooler type)	AJ82248	1
(non oil cooler type)	AJ82247	1

Oil sump body, 4.2 Litre (Oil cooler type)	AJ84055	
(non oil cooler type)	AJ84062	
17. Sump pan gasket, 4.0 Litre & 4.2 Litre	NCA1730AD	1
18. Sump pan 4.0 Litre & 4.2 Litre	C2A1427	1
19. Flange headed screw M6 x 12mm (to VIN 042775) (from VIN A00083)	JZS100105 JZH100059	18 18
20. Oil pump gasket (to engine: 0108122359)	NCE1779AA	1
21. Oil pump kit (to engine: 0108122359)	JLM20578	1
22. Flange headed bolt, M6 x 50mm (to engine: 0108122359)	JFC106106	4
23. Suction pipe oil seal (to engine: 0108122359)	NCE1746AA	1
24. Oil pickup pipe (to engine: 0108122359)	NCA1711AE	1
25. Flange headed bolt, M6 x 50mm (to engine: 0108122359)	JFC106106	3
26. Oil cooler diverter valve	NCA1757AB	1
27. Oil pickup pipe, 4.2 Litre (from VIN A302645)	AJ810446	1
28. Bolt, M6 x 20mm	AJ89714	2
29. Oil pipe 'O' ring	AJ85413	1
30. Oil pump gasket, 4.2 Litre	C2A1412	1
31. Oil Pump, 4.2 Litre	AJ811878	1
32. Bolt, M6 x 35mm (to VIN A44175) (from VIN A44176)	JFB10607B025 AJ88436	2 4
33. Bolt, M6 x 66mm	XR825290	2

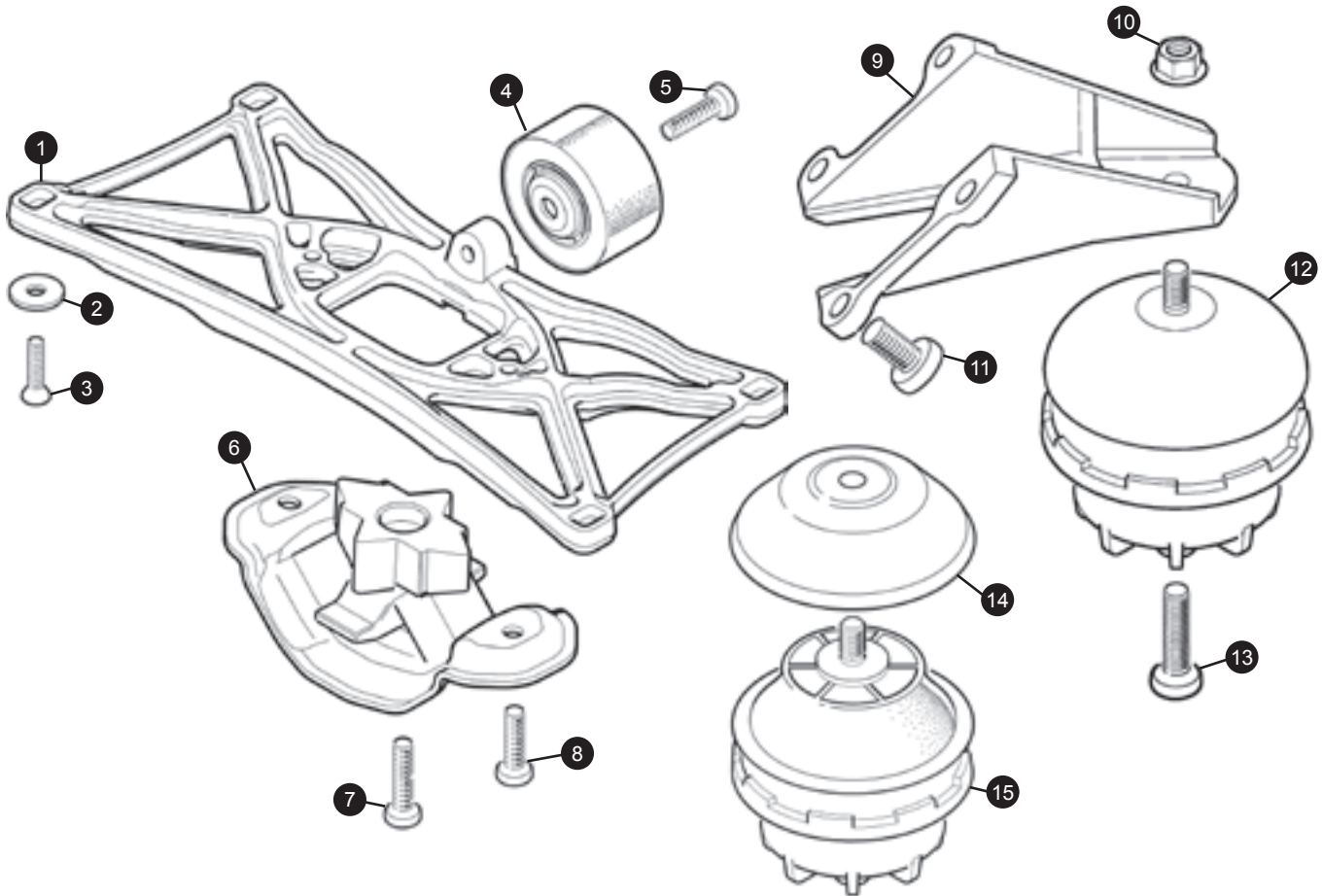


1. Supercharger drive belt (to VIN 042775) (A00083 to A30644) (A30645 to A415575) (A415576 on)	NCC7740AD NCC7740BA XR821897 C2C26235	1 1 1 1	(From VIN 031303)	NCC7747AD	1
2. Drive belt tensioner (to VIN 042775) (A30645 to A42569) (A42570 to A43234) (From VIN A43235)	NCC7739AC C2C5209 AJ86199 C2C33723	1 1 1 1	7. Idler pulley (to VIN 042775) (A00083 to A30644) (from VIN A30645)	NCA2221AA AJ82266 C2C37064	1 1 1
3. Flange head bolt (to VIN A30644)	JFB11017B	1	8. Drive belt tensioner (Up to VIN 042775) (A00083 to A30644) (to VIN A39972) (from A39973 to A42347) (from A42348)	NCA7739AC NCA7739AD C2S11662 AJ88003 C2S36146	1 1 1 1 1
4. Idler pulley (to VIN A30644) (from VIN A30645)	NCC7753AD XR831039	1 1	9. Engine drive belt (to VIN042775) Supercharged Non supercharged	NCA2211CA NCA2211AC	1 1
5. Bolt (to VIN41575) (from VIN41576)	XR831040 AJ88452	3 3	Supercharged & non supercharged (A00083 to A30644) (A30645 to A44175) (A44176 on)	NCA2211DA AJ89191 C2C37063	1 1 1
6. Idler mounting bracket (to VIN 031302)	NCC7747AC	1			

NOTE

Idler pulley NCC7753AD is currently unavailable. Replace this part with:

Bracket, idler mounting	C2C37056	1
and		
Tensioner, drive belt	C2C37056	1
and		
Pulley, idler	C2S46862	1
and		
Drive belt	C2C37005	1

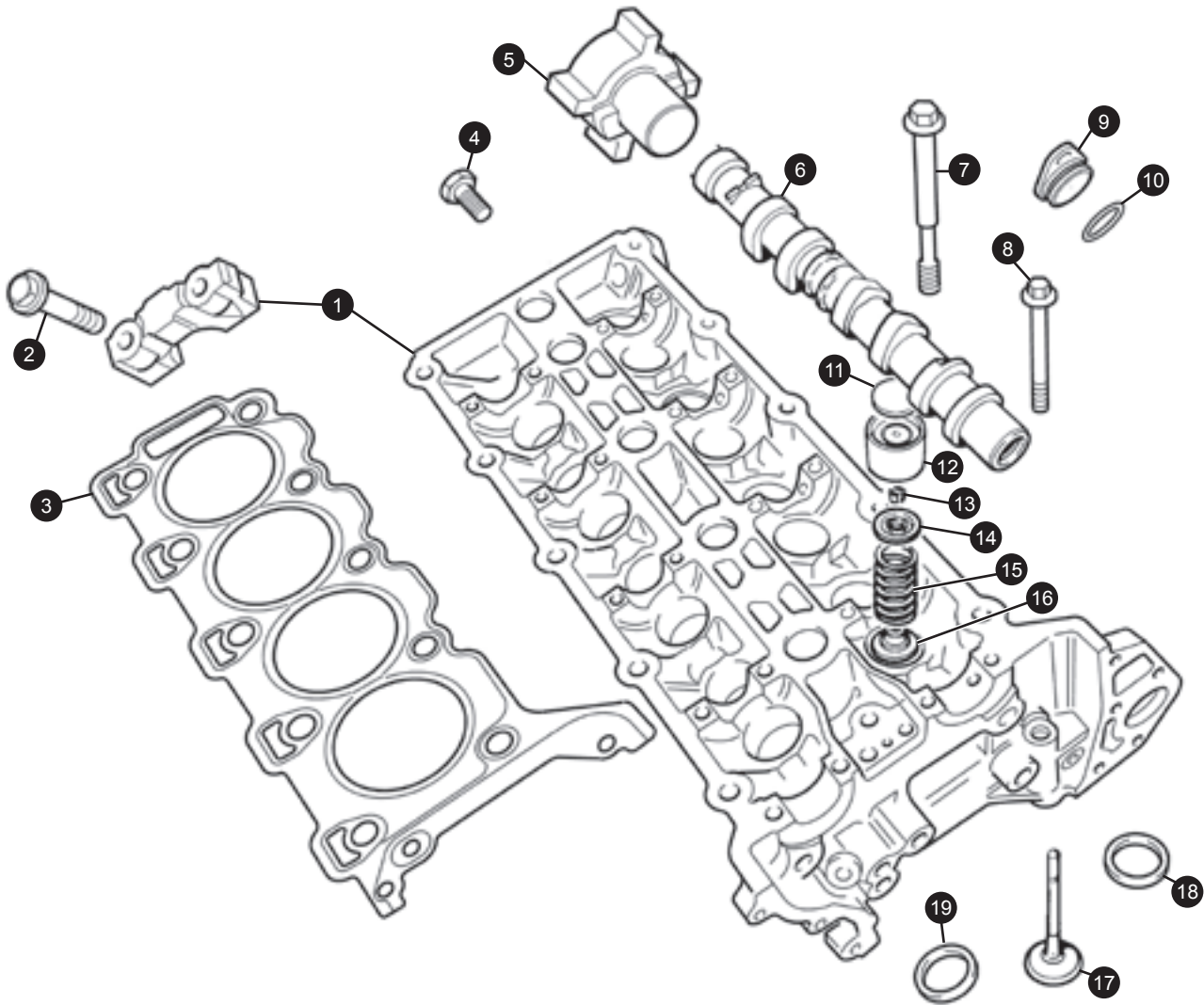


1. Engine mounting bracket 4.0 Litre supercharged 4.0 Litre non supercharged (to VIN014499) (VIN014500 to A30644) (A30645 to A38208) (A38209 to A41524) (A41525 on)	MJB7600AB MJA7600AG MJA7600AH C2N1739 C2N3244 C2N3794	1 1 1 1 1 1	7. Pan head screw (to VIN 022366) (VIN 022367 on)	JZS100124 JZS100170	1 1
2. Washer	JZW1000030	4	8. Torx screw	JZS100120	2
3. Hexagon set screw (to VIN 031302) (from VIN 031303) (VIN A00083 on)	JSH10835E JFP10807E	4 4	9. Engine mounting bracket LH Engine mounting bracket RH	C2N3833 AJ8143	1 1
4. Mounting (to VIN 014499)	MNA7575AB	1	10. Locking nut	JLM11970	2
5. Torx screw	JZS100120	2	11. Torx pan head machine screw	JZ100056	8
6. Rear engine mounting 4.0 Litre supercharged (to VIN 042775) 4.0 Litre non supercharged (to VIN 018107) (from VIN 018108) (to VIN A38309) (from VIN A38310 to A44175)) (from VIN A44176)	MNC7550AB MNA7550AB MNA7550AC XR817004 XR849533 XR853854	1 1 1 1 1 1	12. Hydraulic engine mounting (early) supersedes to:	MNC7500AB	2 2
			13. Flange head screw	JFS11035E	2
			14. Engine mounting heat shield	MNC7500AB	2
			15. Hydraulic engine mounting (Late)	MNC7500AB	2



CYLINDER HEAD & CAM COVER

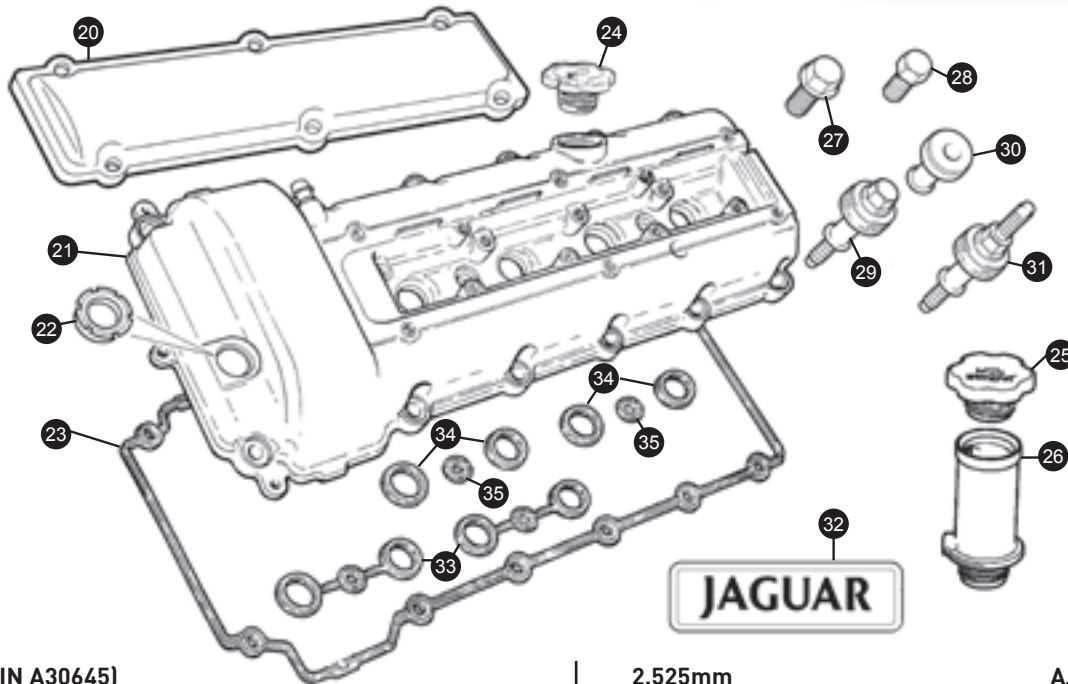
www.sngbarratt.com



1. Cylinder head, 4.0 Litre Supplied without valves LH, B-bank (use with tappets AJ83694)	XR824633	1	Cylinder head gasket, 4.2 Litre RH, A-bank	AJ88987	1
RH, A-bank (use with tappets AJ83694)	2C2A1012	1	LH, B-bank	AJ88988	1
Cylinder head, 4.2 Litre Supplied without valves LH, B-bank (use with tappets AJ83694)	XR824633	1	4. Bracket screw, M14 x 20mm	AJ82238	2
RH, A-bank (use with tappets AJ83694)	C2A1012	1	5. Cam timing ring Supercharged, 4.0 Litre (to VIN 042775)	NCA2613CA	1
Complete with valves LH, B-bank	AJ810852	1	Non supercharged, 4.0 Litre (to VIN 031302)	NCA2613CA	1
RH, A-bank	AJ810581	1	(from VIN 031303)	NNE2613DA	2
2. Flanged bolt, M6 x 35mm	C2C3872	20	All models(from VIN A00083)	NNE2613DA	2
3. Cylinder head gasket, 4.0 Litre RH, A-bank (to engine: 0008210147)	NCC2540BC	1	6. Inlet camshaft LH, B-bank (to VIN 031302)	NCA2547BA	1
(from engine:0008210148)	AJ88987	1	(from VIN 031303)	NNE2503CB	1
LH, B-bank (to engine: 0008210147)	NCC2541BC	1	Supercharged, 4.0 Litre Non supercharged, 4.0 Litre RH, A-bank (to VIN 031302)	NRA2502AA	1
(from engine:0008210148)	AJ88988	1	(from VIN 031303 to A30644)	NCA2502AA	1
			Supercharged, 4.0 Litre Non supercharged, 4.0 Litre	NNE2502CB	1
				NRA2502AB	1

CYLINDER HEAD & CAM COVER

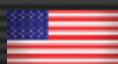
www.sngbarratt.com



(from VIN A30645)						
LH B-bank						
Supercharged, 4.2 Litre	AJ83599	1	2.525mm	AJ84909	A/R	
Non supercharged, 4.2 Litre	AJ82310	1	2.54mm	AJ84910	A/R	
RH, A-bank						
Supercharged, 4.2 Litre	AJ83597		2.555mm	AJ84911	A/R	
Non supercharged, 4.2 Litre	AJ82309	1	2.57mm	AJ84912	A/R	
7. Cylinder head bolt, M10 x 175mm	AJ89986	20	2.585mm	AJ84913	A/R	
8. Flange headed bolt	JDE4411	4	2.60mm	AJ84914	A/R	
9. Blanking plug, 4.0 Litre supercharged (from VIN 031303 to 042775)	NNE2662BA	1	2.615mm	AJ84915	A/R	
10. O' ring, 4.0 Litre supercharged (from VIN 031303 to 042775)	AGU1387	1	2.63mm	AJ84916	A/R	
11. Tappet adjustment shim		Total: 32	2.645mm	AJ84917	A/R	
2.18mm	AJ84884	A/R	2.66mm	AJ84918	A/R	
2.195mm	AJ84886	A/R	2.675mm	AJ84920	A/R	
2.21mm	AJ84887	A/R	2.69mm	AJ84921	A/R	
2.225mm	AJ84888	A/R	2.705mm	AJ84922	A/R	
2.24mm	AJ84889	A/R	2.72mm	AJ84923	A/R	
2.255mm	AJ84890	A/R	2.735mm	AJ84924	A/R	
2.27mm	AJ84891	A/R	2.75mm	AJ84925	A/R	
2.285mm	AJ84892	A/R	2.765mm	AJ84926	A/R	
2.30mm	AJ84893	A/R	2.78mm	AJ84927	A/R	
2.315mm	AJ84894	A/R	2.795mm	AJ84928	A/R	
2.33mm	AJ84895	A/R	2.81mm	AJ84929	A/R	
2.345mm	AJ84896	A/R	2.825mm	AJ84930	A/R	
2.36mm	AJ84897	A/R	2.84mm	AJ84931	A/R	
2.375mm	AJ84898	A/R	2.855mm	AJ84932	A/R	
2.39mm	AJ84899	A/R	2.87mm	AJ84933	A/R	
2.405mm	AJ84900	A/R	2.885mm	AJ84934	A/R	
2.42mm	AJ84901	A/R	2.90mm	AJ84935	A/R	
2.435mm	AJ84903	A/R	2.915mm	AJ84937	A/R	
2.45mm	AJ84904	A/R	12. Tappet			
2.465mm	AJ84905	A/R	(to VIN 031302)	NCA2543AB	32	
2.48mm	AJ84906	A/R	(from VIN 031303 to A30644)	AJ83694	32	
2.495mm	AJ84907	A/R	(from VIN A30645)	C2S44734	32	
2.51mm	AJ84908	A/R	13. Valve cotter	EAZ1317	64	
			14. Valve collar	NCA2517BA	32	
			15. Valve spring			
			(to VIN 018107)	NCA2535AB	32	
			(from VIN 018108 to 031302)	NCC2535AA	32	
			(from VIN 031303)	AJ87950	32	



UK - Bridgnorth
+44 (0) 1746 765 432
sales.uk@sngbarratt.com



USA - Manchester NH
+1 800 452 4787 (toll free)
sales.usa@sngbarratt.com



FRANCE - Charney les Macon
+33 (0) 3 85 20 14 20
sales.fr@sngbarratt.com



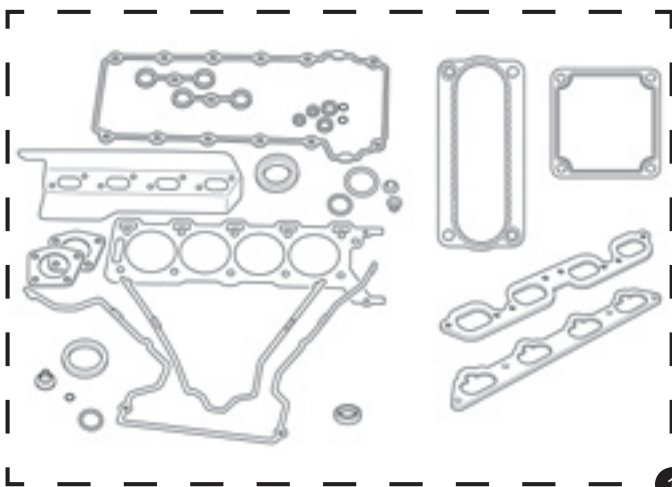
HOLLAND - Oosterwijk
+31 (0) 13 52 11 552
sales.nl@sngbarratt.com

CYLINDER HEAD & CAM COVER

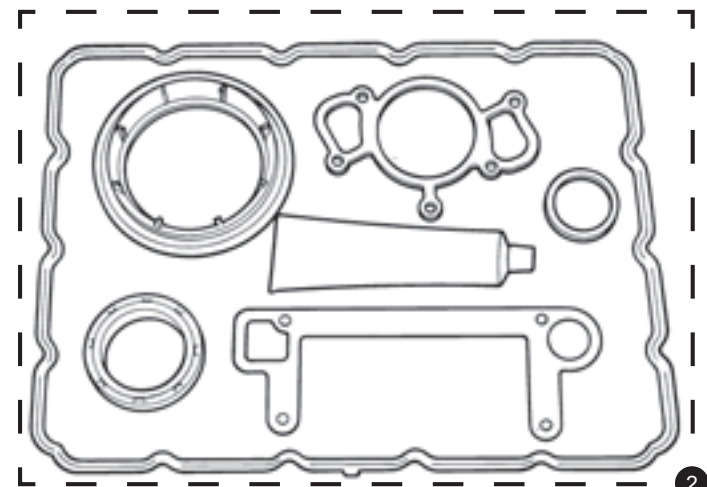
www.sngbarratt.com

16. Valve spring seat	NCE2528AC	32	23. Camshaft cover gasket, 4.0 Litre (to engine 9810290000)		
17. Inlet valve	AJ810945	16	RH, A-bank	NCA2515AE	1
Exhaust valve	NCA25232AA	16	LH, B-bank (engine 9810290000 on)	NCA2516AE	1
18. Inlet valve seat	NCE2522AA	16	LH, B-bank	AJ88285	1
19. Exhaust valve seat	NCE2521AA	16	RH, A-bank	AJ88400	1
20. On-plug coil cover			Camshaft cover gasket, 4.2 Litre		
4.0 Litre, LH & RH	AJ84151	2	LH B-bank	AJ812402	1
4.2 Litre, LH	AJ86178	1	RH A-bank	AJ812399	1
4.2 Litre, RH	AJ86177	1	24. Oil filler cap, 4.0 Litre	AJ87922	1
21. Camshaft cover			25. Oil filler cap, 4.2 Litre	AJ87922	1
4.0 Litre, Variable valve timing			26. Oil filler pipe, 4.2 Litre	AJ88581	1
LH, B-bank (to VIN 031202)	AJ83272	1	27. Screw, for coil on plug cover	AJ84085	24
(from VIN 031303)	C2A1514	1	28. Camshaft cover bolt, rear inner	AJ810721	4
RH, A-bank with VVT access hole	C2A1516	1	29. Camshaft cover fastener	AJ810511	18
Without VVT access hole	C2A1515	1	30. Spacer grommet, 4.0 Litre	AJ810510	24
4.0 Litre, Without variable valve timing			Spacer grommet, 4.2 Litre	AJ810631	24
LH, B-bank	AJ83272	1	31. Camshaft cover stud, 4.0 Litre	AJ810512	6
RH, A-bank	C2A1515	1	Camshaft cover stud, 4.2 Litre	AJ810629	10
4.2 Litre supercharged			32. Jaguar legend sticker, 4.0 Litre	NCB2581AA	2
LH, B-bank (to VIN A33834)	AJ82874	1	33. Spark plug boss seal, 4.0 Litre (to engine 9810290000)	NCA2578BB	4
(from VIN A33835)	C2C40021	1	34. Spark plug boss seal, 4.0 Litre (engine 9810290000 on)	AJ87206	8
RH, A-bank (to VIN A33834)	AJ82542	1	Spark plug boss seal, 4.2 Litre	AJ86874	8
(from VIN A33835)	AJ89076	1	35. Camshaft cover centre seal (engine 9810290000 on)	AJ87242	4
4.2 Litre Non supercharged			Not shown Dowel	EAZ2159	1
LH, B-bank	AJ812392	1			
RH, A-bank	AJ89077	1			
22. Valve seal, Variable valve timing	AJ82856	1			

GASKET SETS



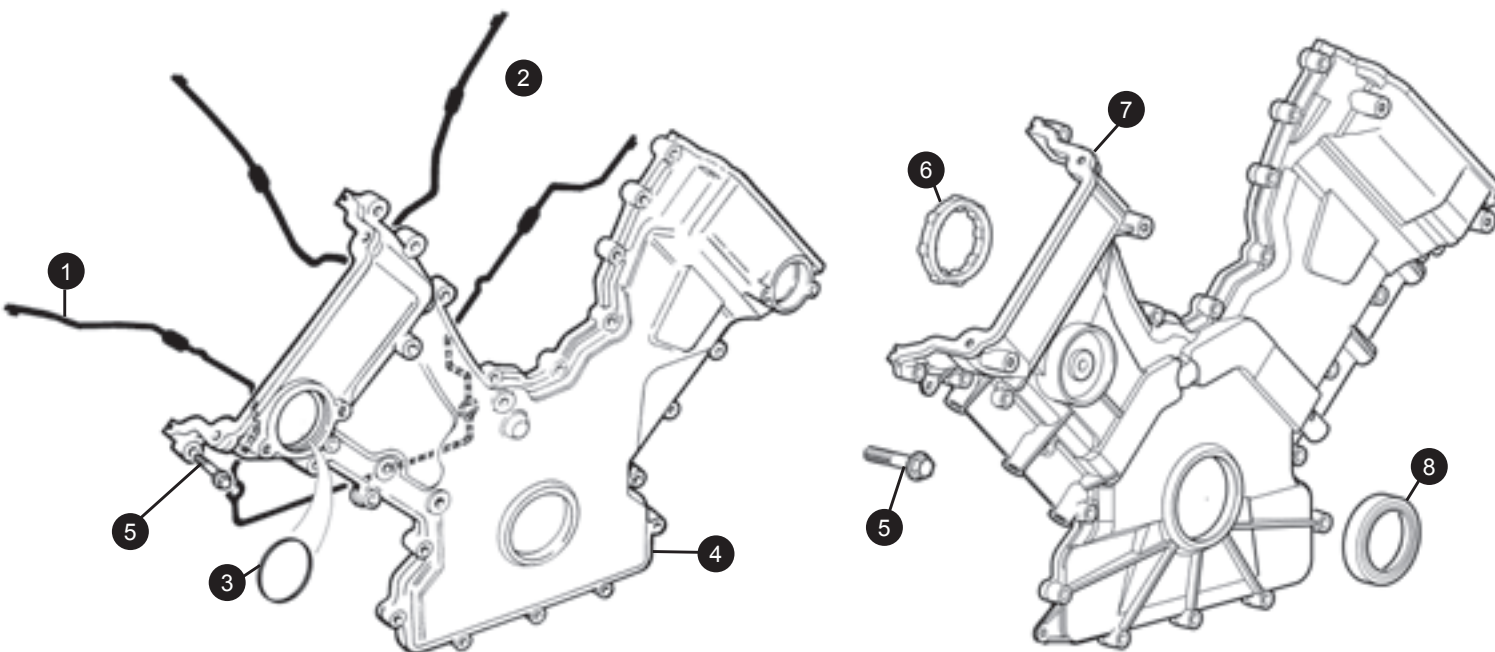
1. Cylinder head gasket set
4.0 Litre non supercharged JLM20750 1
4.0 Litre supercharged JLM20751 1



2. Lower engine gasket set JLM20140 1
For 4.2 Litre sets, contact salesman

TIMING COVER

www.sngbarratt.com



1. Timing cover seal, outer (to VIN A30644) (from VIN A30645)	NCA2127AC	1	5. Timing cover bolt	JFB10607B	24
	AJ83700	1	6. Oil seal, pulley bearing 4.2 Litre supercharged (to VINA35154) (VINA35155 on)	AJ83701	1
2. Timing cover seal, inner	AJ83699	1		AJ86747	1
3. VVT 'O' ring	KSC145624	1	7. 4.2 Litre supercharged 4.2 Litre non supercharged	AJ88536	1
4. Timing cover 4.0 Litre supercharged	AJ81758			AJ88535	1
4.0 Litre non supercharged (to engine 9806080000)	NCA2110AF	1	8. Crankshaft oil seal	AJ83698	1
(engine 9806090000 on)	AJ81757	1	Not shown Timing cover dowel	NCC1236AA	3

TIMING CHAIN KITS

To avoid the problems associated with Jaguar's original tensioners, which sometimes lead to premature failure, all of our timing chain kits contain the latest specification of tensioner.

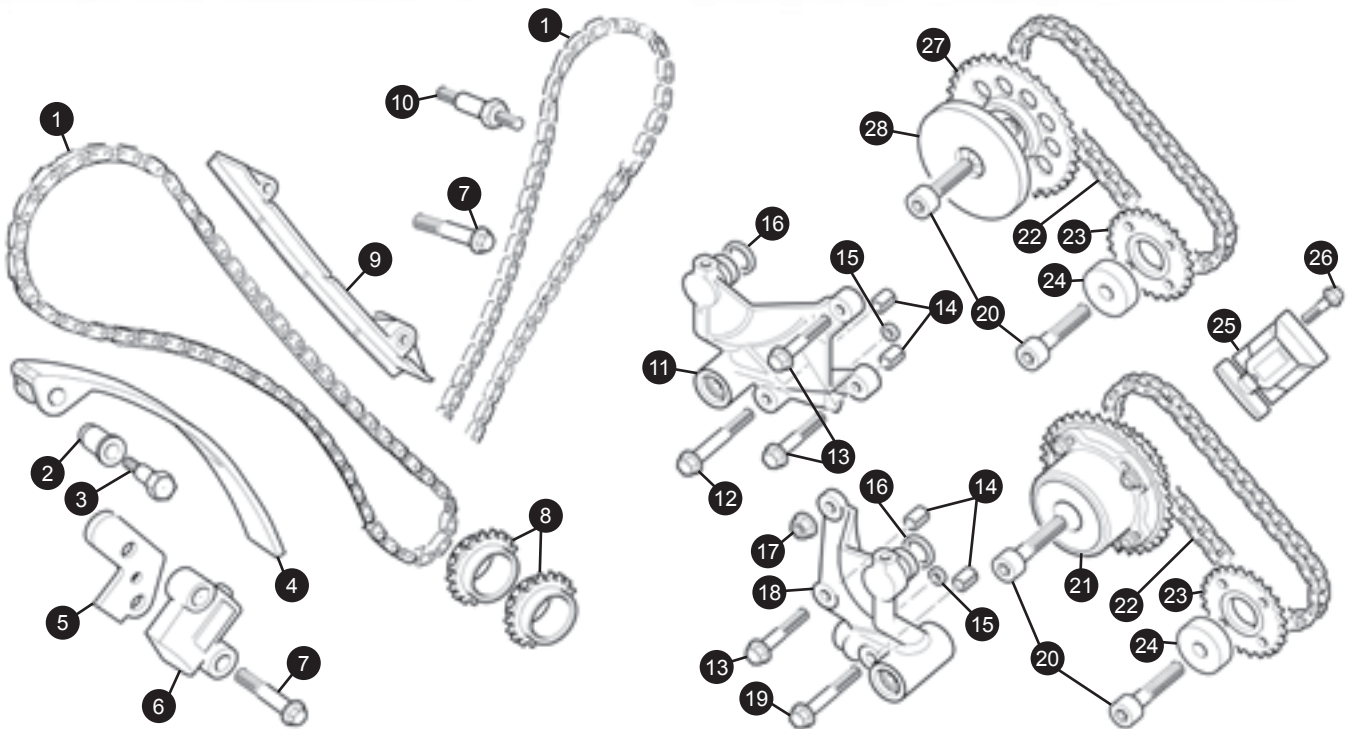
Timing chain kits are available pre-packaged and ready to fit. The kits contain chains and tensioners.

1. Timing chain kit, OE spec.	TCK8MAJ/1	1
2. Timing chain kit OE spec. tensioners, copy chains	TCK8MAJ/2	1
3. Timing chain kit Copy tensioners and chains, supplied w/out gaskets or seals	TCK8MAJ/3	1

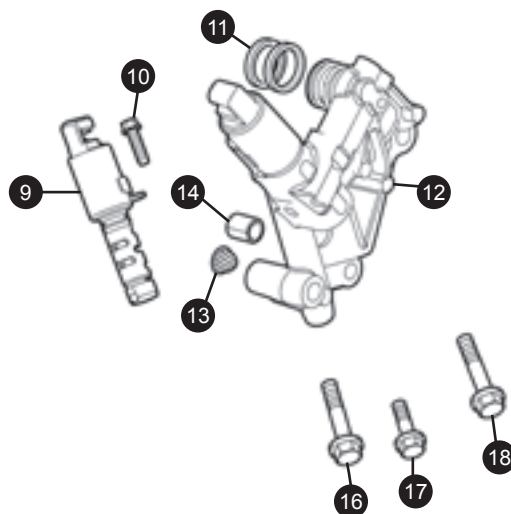
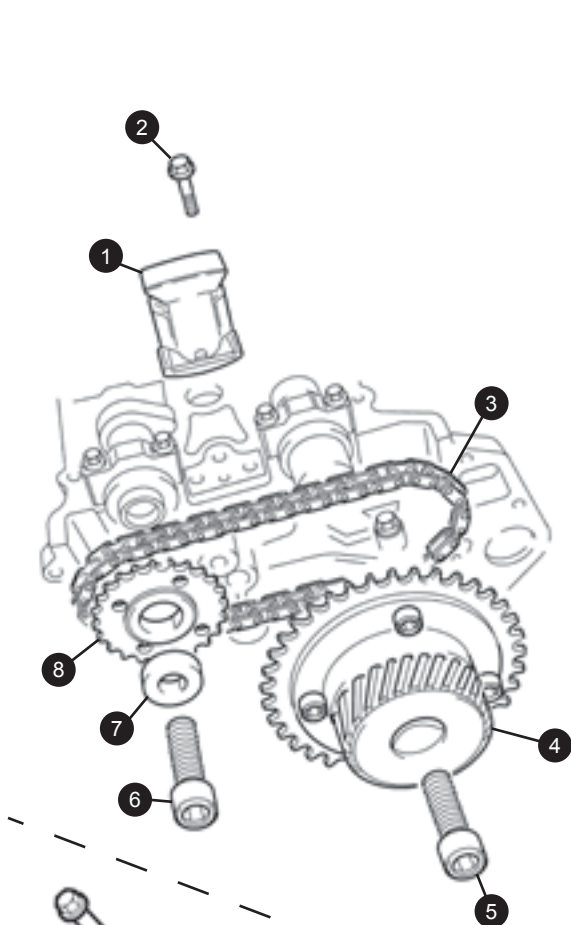


TIMING CHAINS & ADJUSTERS

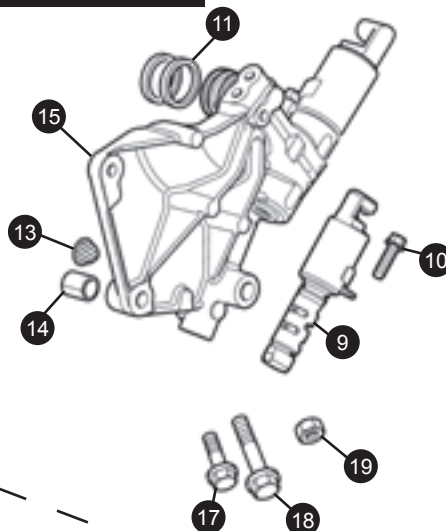
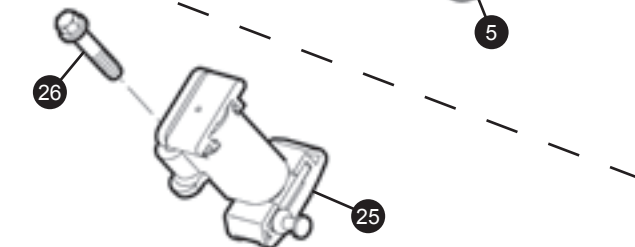
www.sngbarratt.com



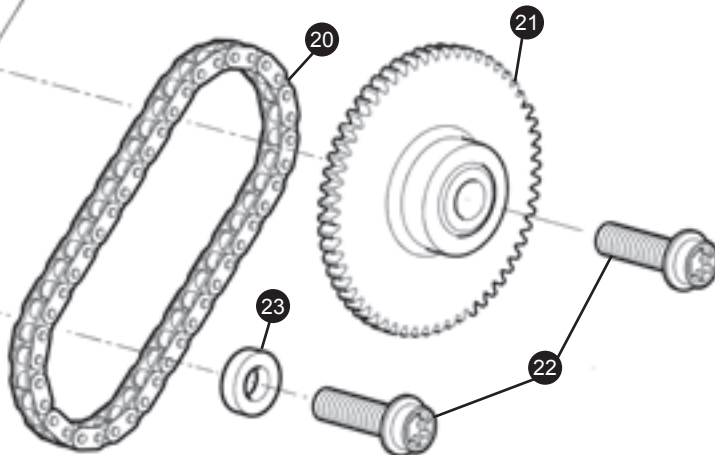
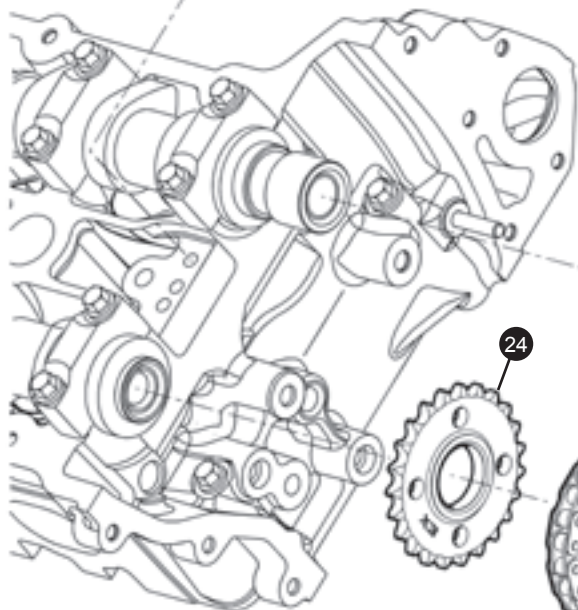
1. Primary timing chain	EAZ1269	2			
2. Chain tensioner blade (to engine 0108122359) (from engine 0108130000)	NCA2025AB	2			
	C2A1497	2			
3. Pivot bush	AJ86824	2			
4. Pivot bolt 4.0 Litre 4.2 Litre	NCA2028AA	2			
	AJ82382	2			
5. Blanking plate (to VIN A30644)	NCA2002BD	2			
6. Chain tensioner	AJ82325	2			
7. Hex headed bolt (to VIN A30644) (from VIN A30645)	C2Z2642	6			
	JFB10607B	4			
8. Crankshaft sprocket (to engine 0108122359) (from engine 0108130000)	EAZ2126	2			
	AJ82293	2			
9. Chain guide (to engine 0108122359) (from engine 0108130000)	NCA1998AB	2			
	C2A1456	2			
10. Pivot stud (to engine 0108122359) (from engine 0108130000)	NCA2028BA	1			
	AJ810063	1			
11. Module carrier (to VIN 031302) (from VIN 031303)	NCA2616CC	1			
	AJ810725E	1			
12. Mounting bolt, M8 x 65mm	JFB10813N	1			
13. Mounting bolt, M8 x 35mm	JFB10807B	3			
14. Dowel (to VIN 031302)	EAZ2159	4			
15. 'O' ring seal	KSH108624	2			
16. Sealing ring (to VIN 031302)	NCA2622BA	2			
			(from VIN 031303)	NNE2622BA	2
				JFN10804B	1
			17. Nut, M8		
			18. Module carrier (to VIN 031302) (from VIN 031303)	NCA2617CC	1
				AJ810727E	1
			19. Mounting bolt	JFB10807B	1
			20. Bolt, cam shaft sprocket (to VIN 031302) (from VIN 031303)	NCA2656AB	4
				AJ83900	2
			21. Variable valve timing unit (to VIN 031302) (from VIN 031303)	NCA2016AD	2
				NNE2016AB	2
			22. Secondary timing chain (to engine 0108122359) (from engine 0108130000)	EAZ1286	2
				AJ82290	2
			23. Cam shaft sprocket, exhaust (to engine 0108122359) (from engine 0108130000)	NCA2026CA	2
				AJ82702	2
			24. Spacer, sprocket (to engine 0108122359) (from engine 0108130000)	JZT100018	2
				AJ82700	2
			25. Secondary timing chain tensioner LH, B-bank RH, A-bank	C2A1512	1
				C2A1511	1
			26. Flange headed bolt	C2Z2642	4
			27. Cam shaft sprocket, inlet 4.0 Litre supercharged (to VIN 031302) (to engine 0108122359) (from engine 0108130000)	NCC2009EAE	2
				AJ81255	2
				AJ82467	2
			28. Flywheel (to VIN 031302) (from VIN 031303)	NCC2032BA	2
				AJ82514	2



Non supercharged



Supercharged



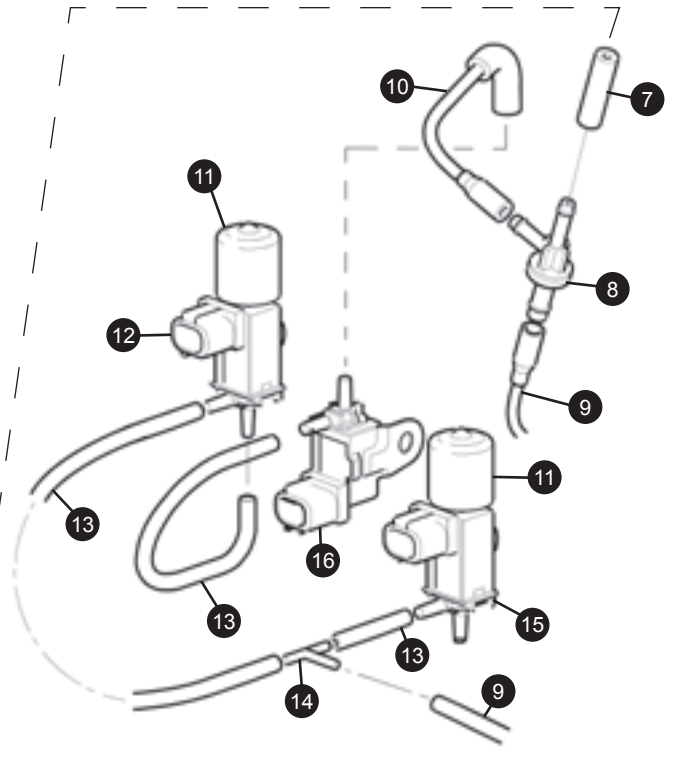
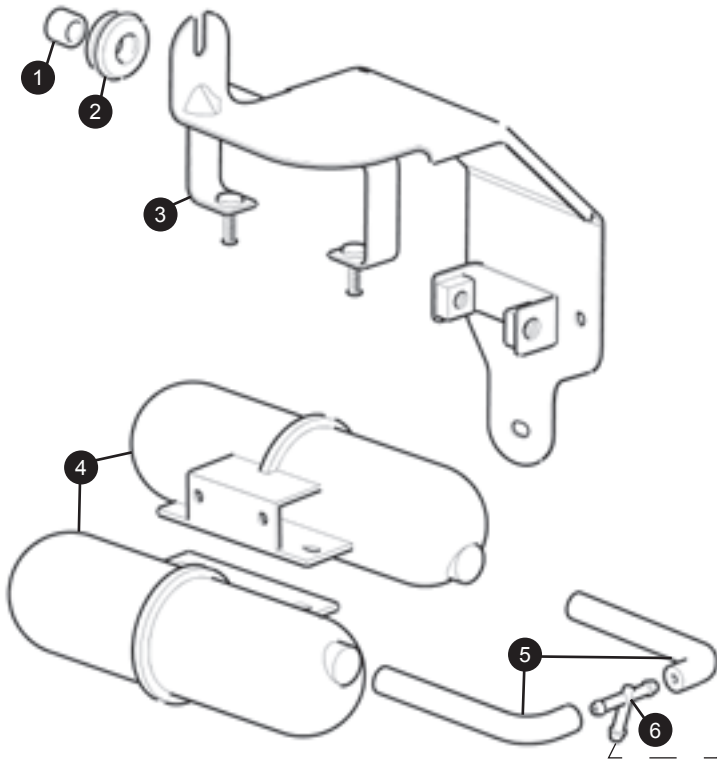
TIMING CHAINS & ADJUSTERS

www.sngbarratt.com

1. Secondary timing chain tensioner (from VIN A00083) LH, B-bank RH, A-bank	C2A1512 C2A1511	1 1	12. VVT module carrier assembly RH, A-bank (from engine 0108130000)	AJ810725E	1
2. Hex headed bolt	C2Z642	4	13. Module carrier filter	AJ81264	2
3. Secondary timing chain (to engine 0108122359) (from engine 0108130000)	EAZ1286 AJ82290	2 2	14. Module carrier dowel	EBC9705	4
4. Variable valve timing unit, inlet 4.0 Litre (to engine 0108122359) (from engine 0108130000) Variable valve timing unit inlet 4.2 Litre	NNE2016AB AJ84066 AJ89778	2 2 2	15. VVT module carrier assembly, 4.0 Litre LH B-bank (from engine 010810000) VVT module carrier assembly, 4.2 Litre LH B-bank	AJ86819 AJ810727E	1 1
5. Socket headed bolt M12 x 38mm	AJ83900	2	16. Mounting bolt, M8 x 65mm	JFB10813N	1
6. Socket headed bolt, M12 x 63mm (to engine 0108122359) Socket headed bolt, M12 x 44mm (from engine 0108130000)	NCA2656AB AJ82291	2 2	17. Mounting bolt, M8 x 35mm	JFB10807B	2
7. Camshaft sprocket spacer (to engine 0108122359) (from engine 0108130000)	JZT100018 AJ82700	2 2	18. Mounting bolt, M8 x 50mm	C2C35271	2
8. Exhaust camshaft sprocket (to engine 0108122359) (from engine 0108130000)	NCA2026CA AJ82702	2 2	19. Nut, M8	JFN10804B	1
9. Variable valve timing solenoid	AJ810570	2	20. Secondary timing chain 4.2 supercharged	AJ82290	2
10. Bolt, M6 x 16mm (to VIN A30644) (from VIN A30645)	JFS10616B AJ88941	2 2	21. Inlet Camshaft sprocket 4.2 Litre supercharged	AJ82467	2
11. Sealing ring for VVT module	NNE2622BA	2	22. Camshaft sprocket bolt M12 x 44mm	AJ82291	4
			23. Camshaft sprocket spacer 4.2 Litre supercharged	AJ82700	2
			24. Exhaust camshaft sprocket 4.2 Litre supercharged	AJ82702	2
			25. Camchain tensioner, 4.2 Litre supercharged LH, B-bank RH, A-bank	C2A1512 C2A1511	1 1
			26. Hexagonal head flanged bolt	JFB10607B	1

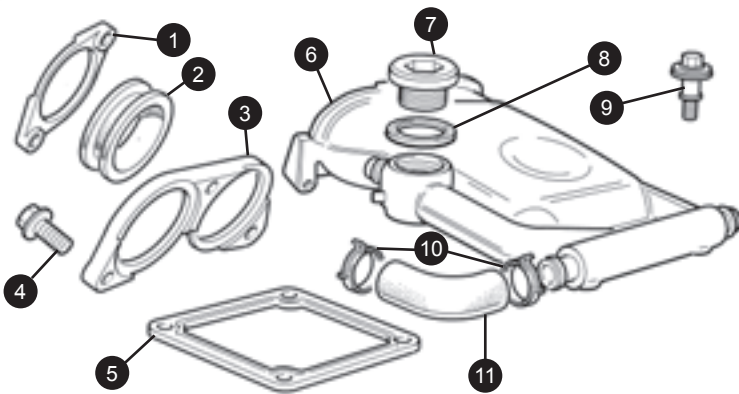


SPEED CONTROL EQUIPMENT



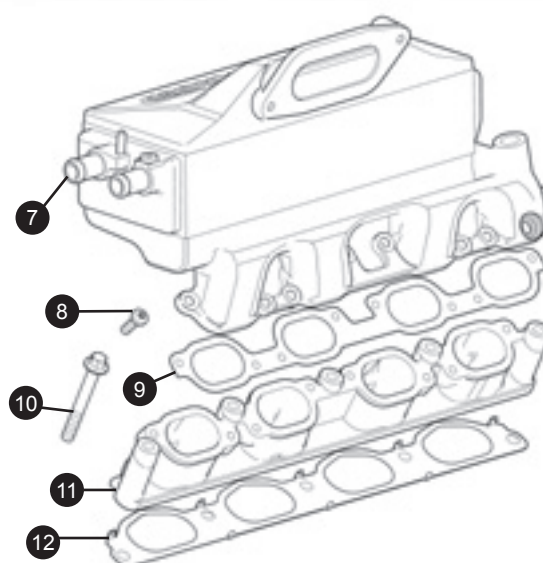
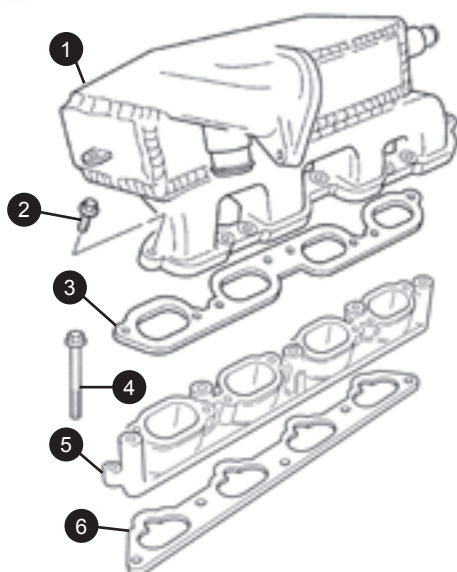
1. Spacer	JZT100013	1	8. Non return valve	MHF6775AA	1
2. Grommet	KGA125001	1	9. Vacuum pipe	NJA3970AB	1
3. Control module bracket	NJA3228BC	1	10. Vacuum pipe assembly	NJA3968CA	1
4. Vacuum tank	MHF6778AA	2	11. Solenoid valve protection cap	LJA1531AA	1
5. Connecting hose	EAC802226	2	12. Solenoid valve (grey)	LJA1530CB	1
6. 3 way connector	NJA3944AA	1	13. Vapour hose 0.125"bore x 65"	EAC802118	1
7. Hose	EAC80221	1	14. Tee piece	C15644	1

SUPERCHARGER OUTLET



1. Clamp plate RH A-bank LH B-bank (to engine 9811230000) (from engine 9811240000)	AJ86927	1	2. Duct seal (to engine 9811230000) (from engine 9811240000)	NCC7773AB AJ86925	2 2
	NCC7773AE	1	3. Intercooler clamp plate	AJ86926	1
	AJ86928	1	4. Flange headed screw (to VIN A30644) (from VIN A30645)	JFS108257 JFS10816E	5 5
			5. Outlet elbow seal	NCC7735BA	1
			6. Outlet elbow	AJ810522	1
			7. Manifold plug	JZD100005	1
			8. Sealing washer	AJ89646	1
			9. Camshaft cover fastener	AJ810511	4
			10. Hose clamp	JHC302220	2
			11. Water hose	NCC7723AA	1

SUPERCHARGER INDUCTION MANIFOLD

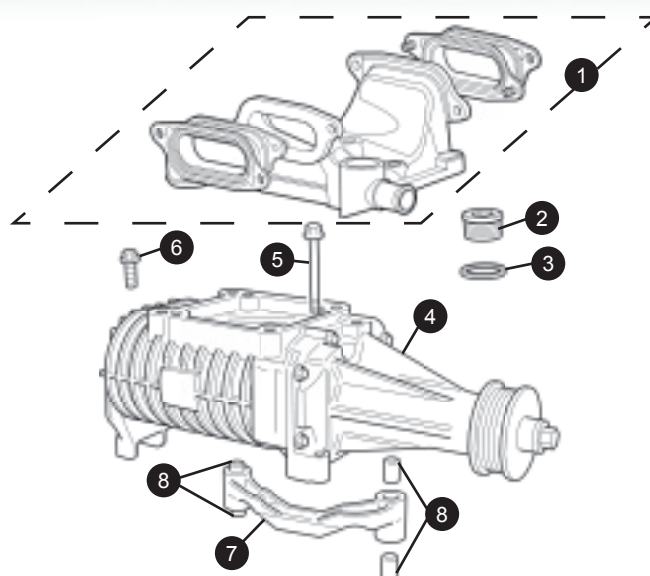
www.sngbarratt.com


1. Induction manifold 4.0 Litre			
RH A - bank	AJ81444	1	
LH B - bank	AJ81445	1	
2. Pan head torx screw	C2C25942	16	
3. Upper gasket (to VIN A30644)	NCC3018AB	2	
4. Flange headed screw	C2S40512	10	
5. Induction manifold adaptor 4.0 Litre (to VIN A30644)	AJ81298	2	
6. Manifold gasket	NCC3020AA	2	
7. Induction manifold 4.2 Litre			
RH A - bank	AJ88563	1	
LH B - bank	AJ88565	1	
8. Pan head torx screw	C2C25942	16	

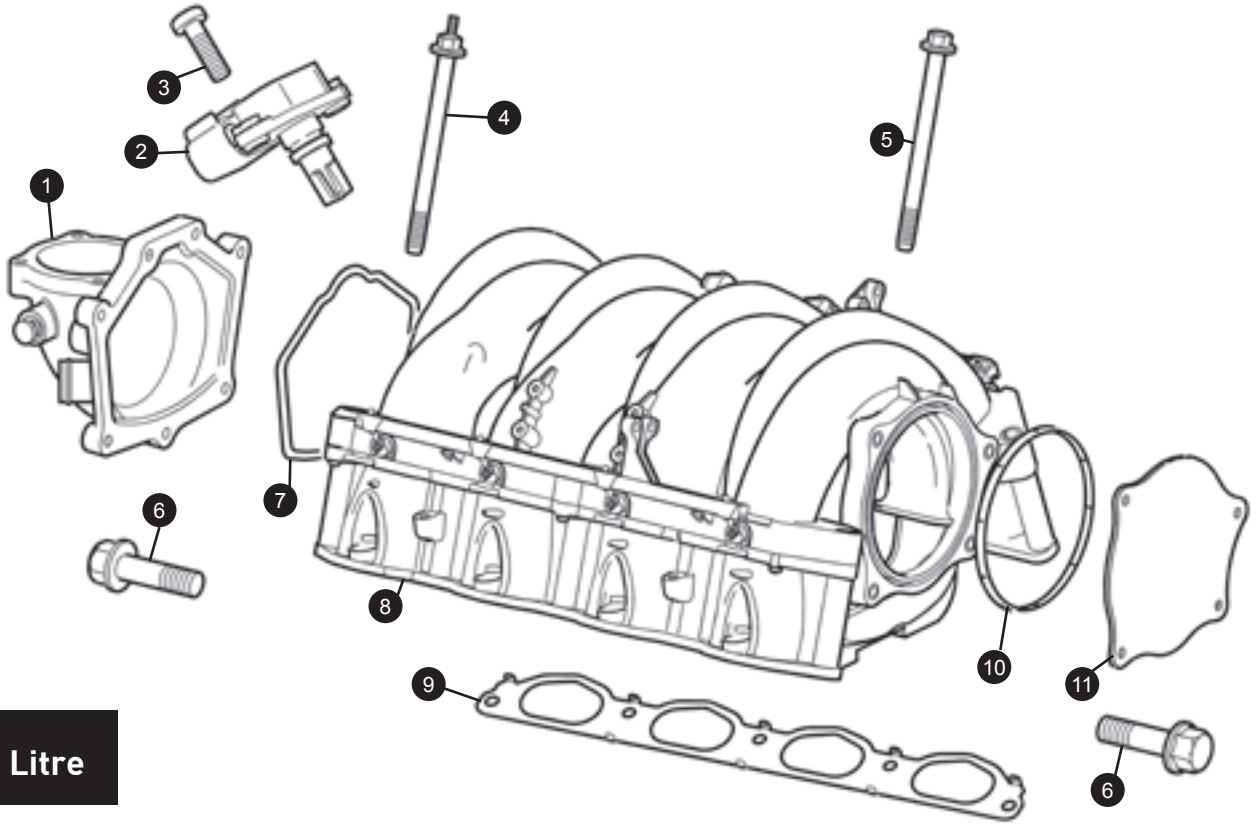
9. Upper gasket (from VIN A30645)	AJ82528	2	
10. Flange headed screw	C2S40512	10	
11. Induction manifold adaptor 4.2 Litre			
(from VIN A30645 to A36873)			
RH A - bank	AJ89098	1	
LH B - bank	AJ89099	1	
(from VIN A36874)			
RH A - bank	AJ89952	1	
LH B - bank	AJ89953	1	
12. Manifold gasket			
(from VIN A30645 to A36873)	AJ85392	2	
(from VIN A36874)	AJ89062	2	

SUPERCHARGER

1. Supercharger outlet, 4.2 Litre	AJ810522	1	
2. Manifold plug, 4.2 Litre	JZD100005	1	
3. Sealing washer, 4.2 Litre	AJ89646	1	
4. Supercharger			
4.0 Litre	AJ85326	1	
4.2 Litre	AJ89855	1	
5. Flange headed bolt	JDE4411	2	
6. Screw (to VIN A33010)	JFS10830B	1	
(from VIN A33011)	C21629	1	
7. Mounting bracket	NCC7708AB	1	
8. Dowel	EAZ2159	4	

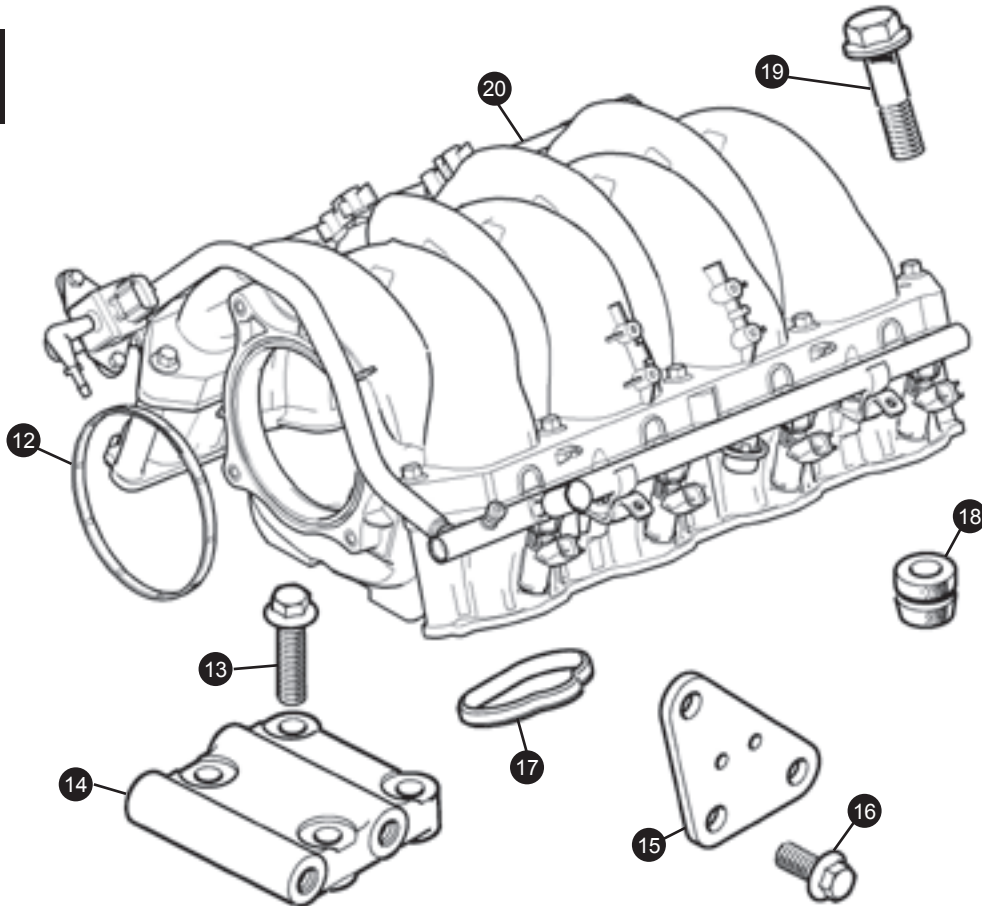


INLET MANIFOLD, NON SUPERCHARGED



4.2 Litre

4.0 Litre



INLET MANIFOLD, NON SUPERCHARGED

www.sngbarratt.com

1. Induction elbow, 4.2 Litre	AJ89859	1	11. End cover, inlet manifold 4.2 Litre	AJ84045	1
2. MAP sensor, 4.2 Litre 2 hole fixing (to VIN A24195)	AAJ82763	1	12. Seal, manifold 4.0 Litre	AJ87991	1
3. Screw, M4 x 16mm	AJ87995	2	13. Mounting bolt, M8 x 3mm	JFB10807B	4
4. Fastener stud, M8 x 112mm	AJ84666	1	14. Support bracket	NCA3209BA	1
5. Bolt and washer, M8 x 112mm	AJ81194	9	15. Cylinder head support plate	NCA3210BA	2
6. Flange headed bolt, M6 x 55mm	AJ88674	11	16. Flange headed screw, M8 x 20mm	JFS10820B	6
7. Rear seal, manifold to induction elbow 4.2 Litre (from VIN A30645 to A36873)	NCA3015BA	1	17. Inlet manifold seal (to VIN 031302)	NCA3016BB	8
(from VIN A36874)	AJ87992	1	(from VIN 031303)	AJ83356	8
8. Inlet manifold, 4.2 Litre	AJ810598	1	18. Grommet NCA3973AA		4
9. Inlet manifold gasket, 4.2 Litre (from VIN A30645 to A36873)	AJ85392	2	19. Flange headed bolt, M8 x 70mm	C2S40512	10
(from VIN A36874)	AJ89062	2	20. Inlet manifold (to VIN 031302)	NCA3002AE	1
10. Front seal, manifold 4.2 Litre	AJ87991	1	(from VIN 031303)	AJ83963	1

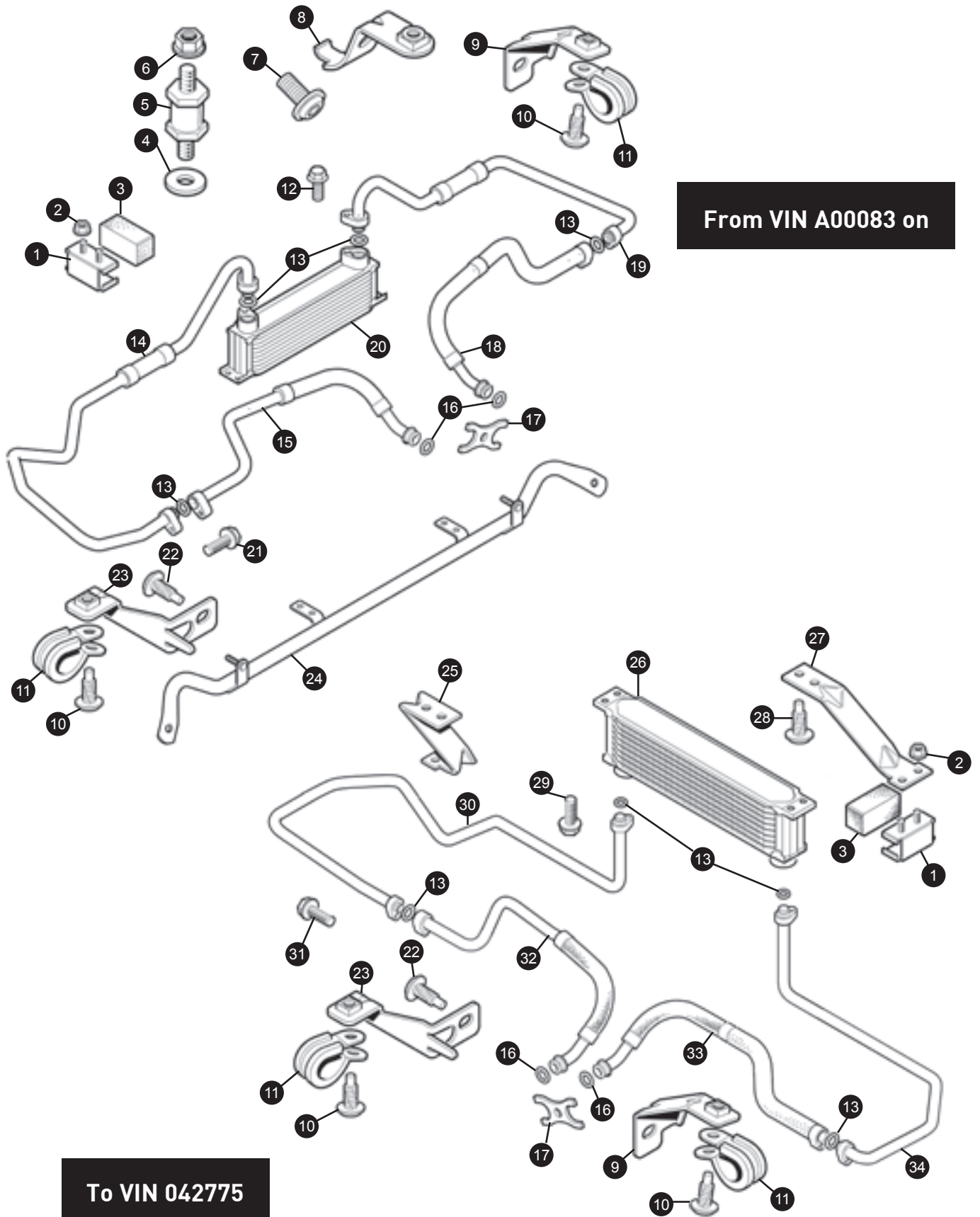
OIL COOLERS & PIPES

1. Oil cooler mounting bracket (To VIN 042775)	CCC6991	2	20. Oil Cooler (From engine 0108130000)	MJF7440AA	1
2. Flange nut	JFN10604F	4	4.2 Litre supercharged (To VIN A40264)	C2N1169	1
3. Oil cooler mounting rubber	CCC692	2	4.2 Litre non supercharged (To VIN A40264)	MJF77440AA	1
4. Washer (from VIN A00083)	WC106041	4	(From VIN A40265)	C2N2908	1
5. Instrumount (from VIN A00083)	MNA6730AB	4	21. Bolt hex head	AJ84242	2
6. Nut and washer (from VIN A00083)	JZH100032	4	22. Torx head screw	JXR10616F	8
7. Flange head torx screw	JZS100139	2	23. Oil cooler pipe bracket LH	MJA7473AC	1
8. Oil cooler pipe bracket (to VIN A39389)	MJE7447AC	2	24. Oil cooler mounting bracket 4.2 Litre supercharged (To VIN A40264)	C2N1170	1
(From VIN A39390)	MJE7447AD	2	(From VIN A40265)	C2N3217	1
9. Oil cooler pipe bracket RH	MJA7474AB	1	4.2 Litre non supercharged	MJF8221BA	1
10. Torx head screw	JXR10616F	8	25. Oil cooler mounting bracket, LH	MJA7447AB	1
11. P clip	C2N2261	2	26. Cooler assembly	MJA7440AB	1
12. Hex flange screw (FROM engine 0108130000)	JFS10825F	2	27. Oil cooler mounting bracket, RH	MJA7446AB	1
13. O ring	KSR609001	2	28. Torx head screw	JXR10616F	8
14. Oil cooler feed hose (From engine 0108130000)	MJE7470AB	1	29. Hex flange screw	JFS10825F	2
4.2 Litre supercharged (To VIN A40264)	C2N1172	1	30. Oil cooler feed pipe	MJA7470AC	1
4.2 Litre non supercharged (To VIN A40264)	MJE7470AB	1	31. Flange head screw	C2P5484	2
(From VIN A40265)	C2N2911	1	32. Oil cooler feed hose	MJA7460AC	1
15. Oil cooler feed hose	C2N2208	1	33. Oil cooler return hose	MJB7461BC	1
16. O ring	KSH119530	2	34. Oil cooler return pipe	MJA7471AD	1
17. Adaptor (From engine 0108130000)	NCA1759AA	1			
18. Oil cooler return hose (From engine 0108130000)	MJE7461AB	1			
19. Oil cooler return hose (From engine 0108130000)	MJE7471AB	1			



OIL COOLERS & PIPES

www.sngbarratt.com



From VIN A00083 on

To VIN 042775



UK - Bridgnorth
+44 (0) 1746 765 432
sales.uk@sngbarratt.com



USA - Manchester NH
+1 800 452 4787 (toll free)
sales.usa@sngbarratt.com



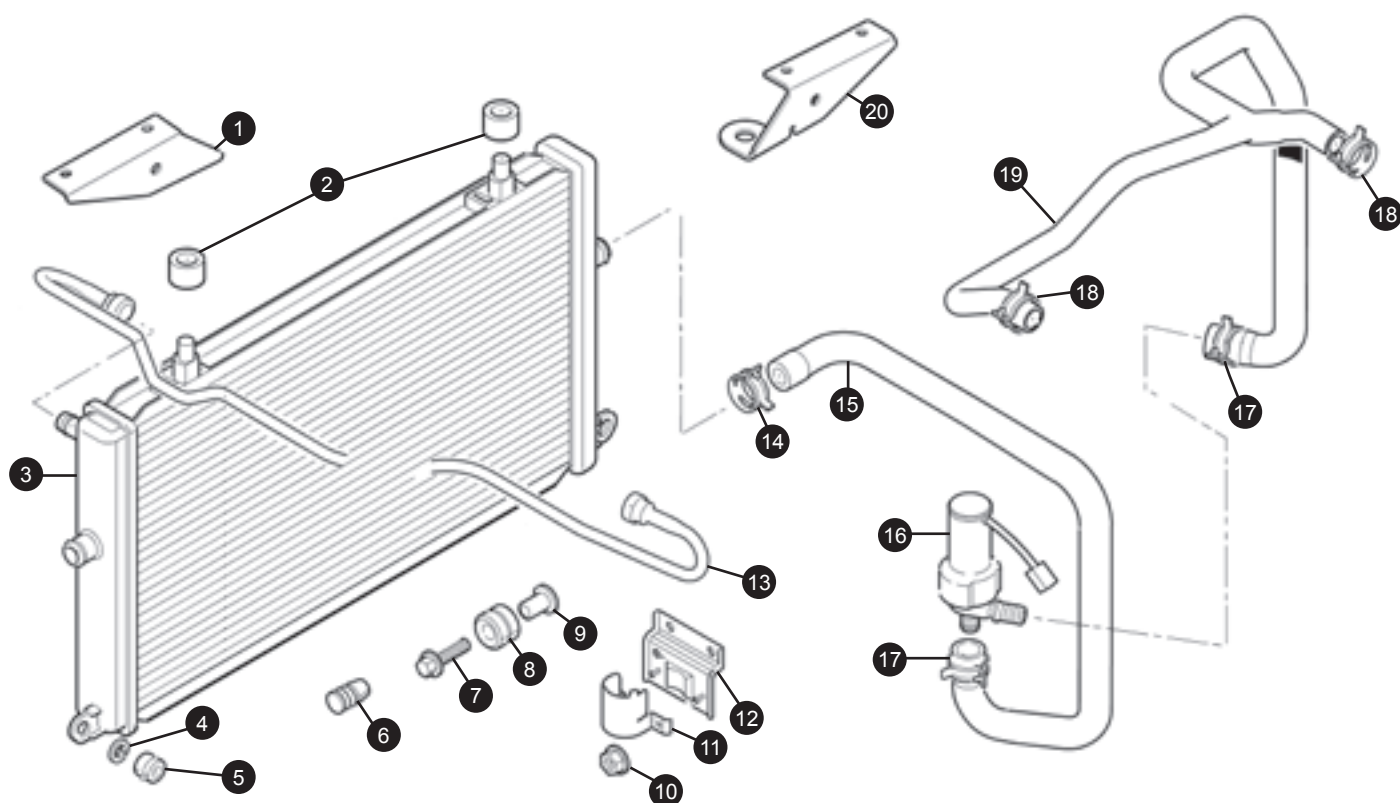
FRANCE - Charney les Macon
+33 (0) 3 85 20 14 20
sales.fr@sngbarratt.com



HOLLAND - Oisterwijk
+31 (0) 13 52 11 552
sales.nl@sngbarratt.com

SUPERCHARGED INTERCOOLER

www.sngbarratt.com

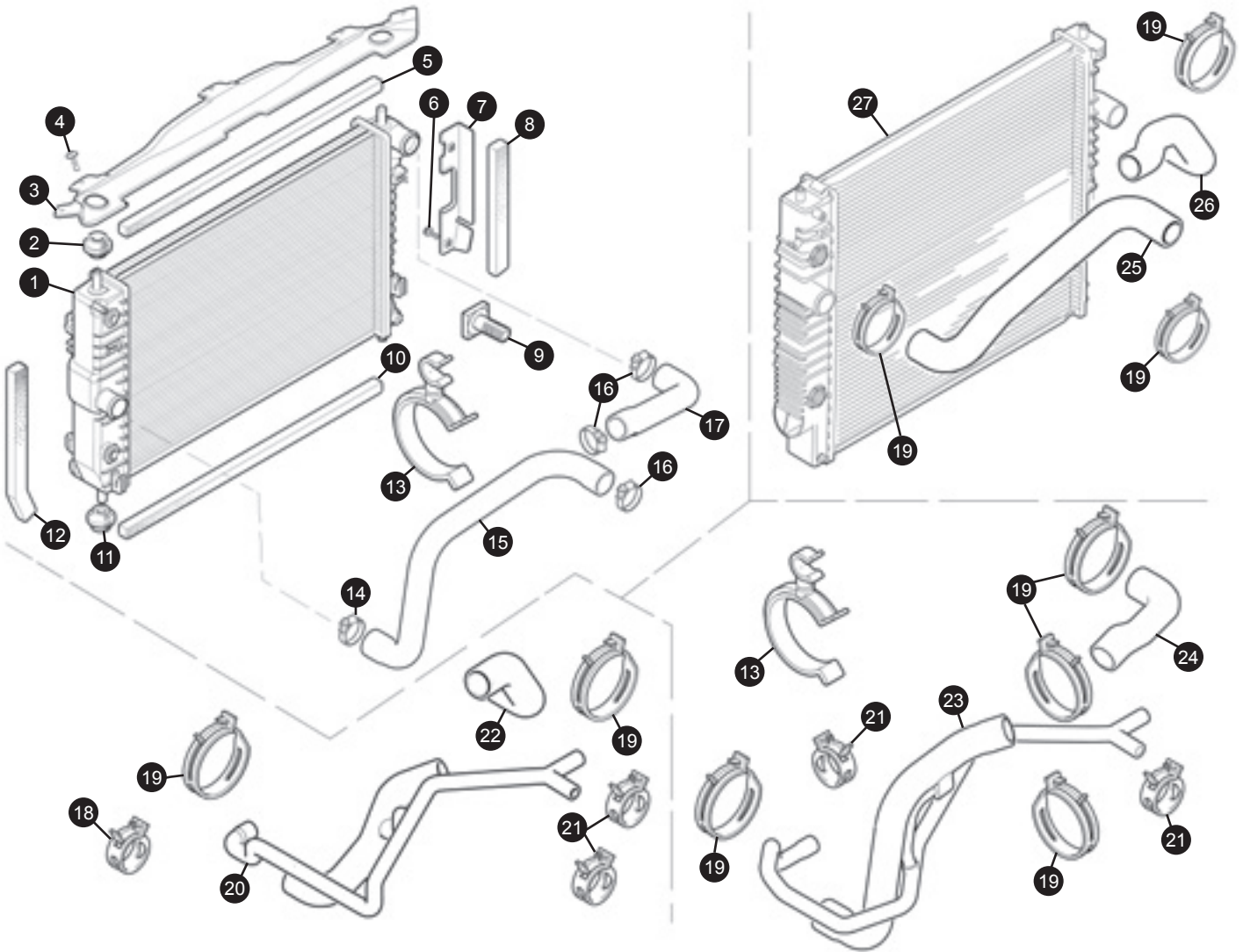


1. Mounting bracket LH	MJB8225AA	1	12. Pump mounting bracket	MJB8272BC	1
2. Grommet	CBC8262	2	13. Bleed hose assembly	MJB4570BD	1
3. Radiator	MNC8200AF	1	14. Hose clip	JHC301720	1
4. Plain washer	WJ106001J	2	15. Intercooler hose	MJB8236AB	1
5. Insulator	C2C16681	2	16. Supercharger coolant pump	C2C1314	1
6. Buffer	BEC10761	1	17. Hose clip	JHC302280	2
7. Flange head screw	JFS105625F	2	18. Hose clip	JHC302220	2
8. Lower grommet	C2C16681	2	19. Feed hose (To VIN A30644) (VIN A3645 on)	MJB8244AD C2N1592	1 1
9. Spacer	JZT100020	2	20. Mounting bracket RH	MJB8224AA	1
10. Flange nut	JFN1060F	2			
11. Attachment bracket clamp	MJB8271AA	1			



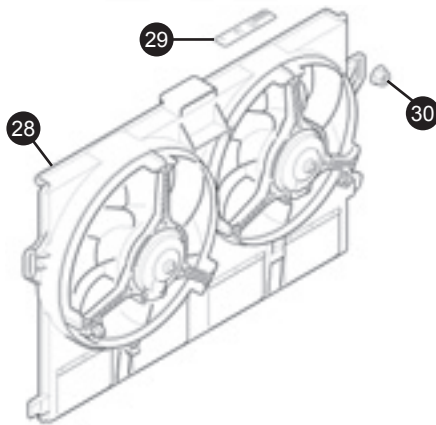
RADIATOR & HOSES

www.sngbarratt.com



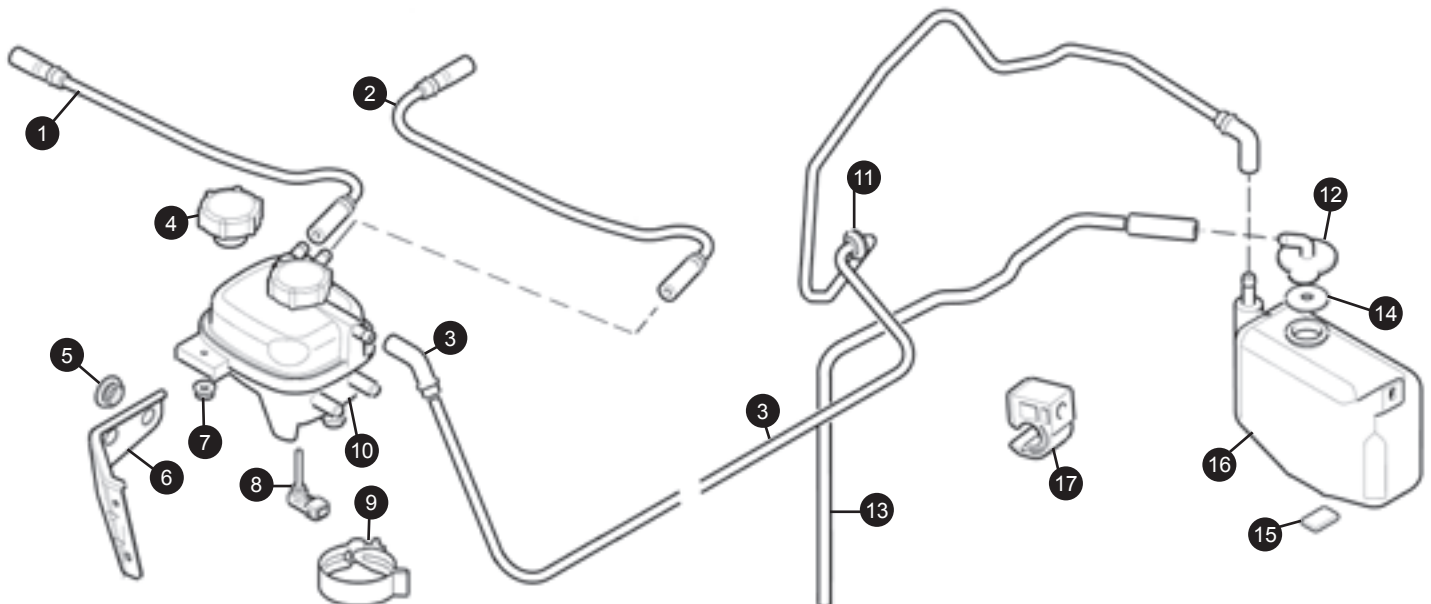
1. Radiator (to VIN A30644) Supercharged	MJB4190BC	1	14. Hose clamp, 49mm	JHC302270	1
Non supercharged	MJB4190AF	1	15. Bottom hose, non supercharged (to VIN A30644)	MJA4515AD	1
2. Mounting bush, upper	MJA4243AB	2	16. Hose clamp, 49mm	JHC302270	3
3. Radiator Mounting Panel	MJA4180AD	1	17. Top hose, non supercharged	MJA4500AE	1
4. Torx headed screw	JXR10620F	5	18. Hose clamp	AJ85406	1
5. Radiator top seal	MJA4212AA	1	19. Hose clamp	AJ85407	2
6. Flange headed screw	JFS10616F	2	20. Bottom hose, 4.2 Litre supercharged (from VIN A30645)	C2N2615	1
7. Sealing plate Supercharged	MJB4214BA	1	21. Hose clamp	JHC303180	2
Non supercharged	MJB4214AB	1	22. Top hose, 4.2 Litre supercharged	C2N1937	1
8. Radiator seal, RH	MJA4210AA	1	23. Bottom hose, 4.0 Litre supercharged	MJB4518AD	1
9. Square headed bolt	JZB100066	2	24. Top hose, 4.0 Litre supercharged	MJB4505BE	1
10. Radiator lower seal	MJA4212AA	1	25. Bottom hose, 4.2 Litre non supercharged	C2N1173	1
11. Mounting bush, lower	MJA4242CB	2	26. Top hose, 4.2 Litre non supercharged	C2N1174	1
12. Radiator seal, LH	MJA4211AA	1	27. Radiator (from VIN A30645) Supercharged	C2N4579	1
13. Swivel clip Supercharged	KDP223420	2	Non supercharged	C2N4578	1
Non supercharged	KDP209420	2			

FAN & COWL ASSEMBLY

www.sngbarratt.com


28. Fan & cowl assembly		
4.0 Litre		
Supercharged	MJB4270BC	1
Non supercharged	MJB4270AB	1
4.2 Litre	XR847278	1
29. Fan warning label	XR847031	1
30. Nut & washer		
(to VIN A07001)	JZH100041	2
(from VIN A07002)	C2S45106	2

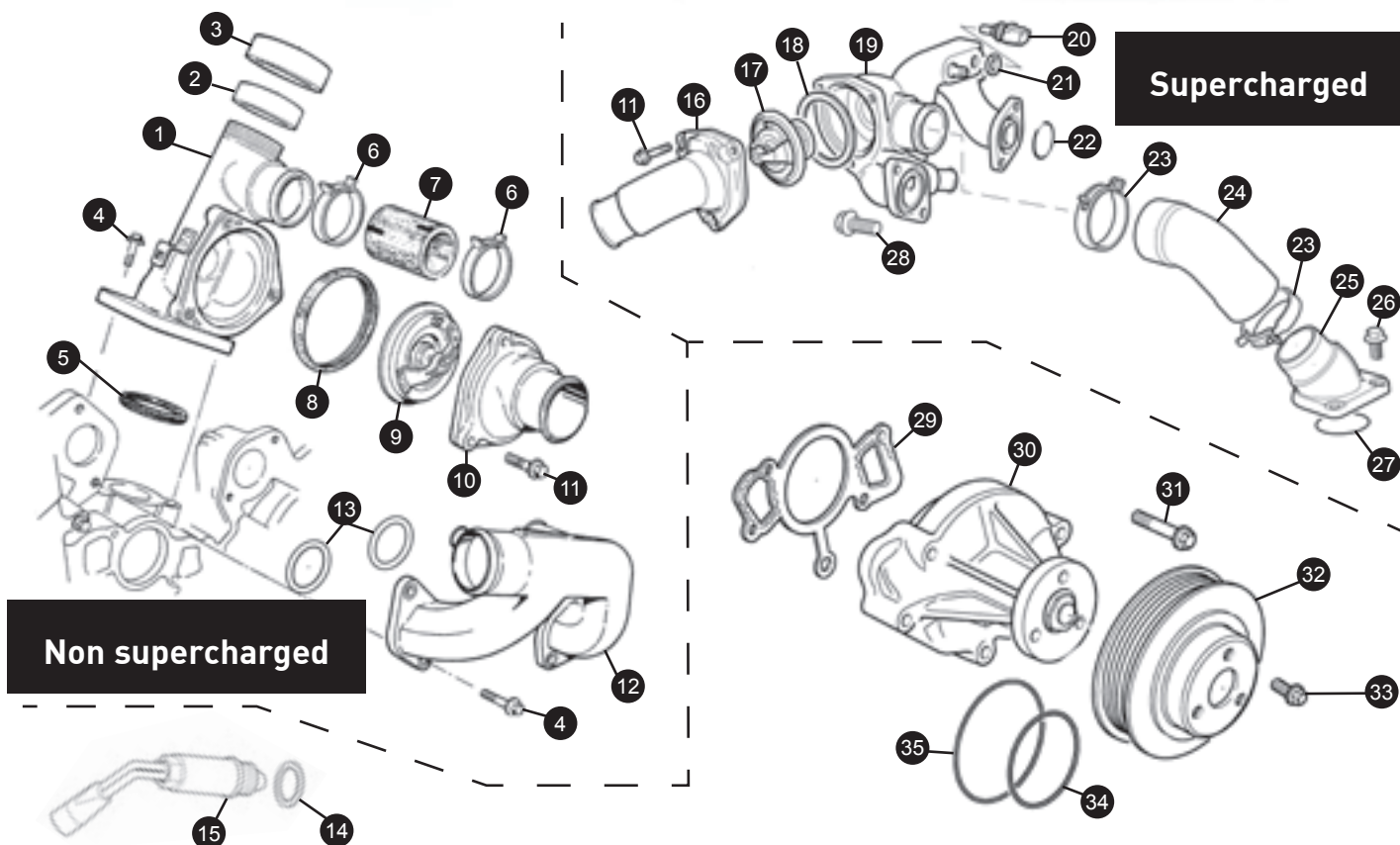
EXPANSION TANK & RECOVERY BOTTLE



1. Bleed Hose	MJA4560DB	1	Supercharged rear	MJB4453BA	1
2. Bleed Hose			Non supercharged front	MJB4452AA	1
4.0 Litre supercharged			Non supercharged rear	MJA4453AB	1
(To VIN A25581)	MJB4582BB	1	7. Hexagonal flange nut	JFN106047	1
(From VIN A5582)	MJB4582BC	1	8. Fluid level sensor	LNA5740AB	1
4.0 Litre non supercharged	MJA4560BE	1	9. Hose clip	JHC501401	4
4.2 Litre non supercharged			10. Coolant reservoir		
(From VIN A30645)	C2N2463	1	(To VIN A30644)	MJD4400AB	1
4.2 Litre supercharged			(From VIN A36045)	MJD4400BA	1
(From VIN A30645)	C2N1809	1	11. Grommet	MJA4464AA	1
3. Expansion hose 4.0 Litre & 4.2 Litre			12. Bottle Cap	MJA4466AA	1
Supercharged	MJB4468BB	1	13. Overflow pipe	MJA4480AD	1
Non supercharged	MJA4468AF	1	14. Reservoir seal	MJA4467AA	1
May require bottle MJD4400AB			15. Insulation pad	MJA4471AA	1
4. Pressure cap 4.0 Litre 4.2 Litre	MJA4440BA	1	16. Atmospheric recovery bottle	MJA4460AD	1
5. Mounting grommet	CBC8261	2	17. Cable clip	KDF110004	4
6. Mounting bracket 4.0 Litre & 4.2 Litre					
Supercharged front	MJB4452BA	1			

THERMOSTAT HOUSING & WATER PUMP

www.sngbarratt.com



1. Thermostat housing 4.0 Litre	AJ82217	1
2. Thermostat housing cap	NCA2270AC	1
3. Thermostat housing cover	NCA2277AA	1
4. Bolt	C2Z1354	8
5. Housing seal	NCA2269CA	1
6. Spring hose clamp	AJ84257	2
7. Bypass hose	NCA2213AC	1
8. Thermostat seal	NCA2246BA	1
9. Thermostat	AJ86484	1
10. Thermostat cover	AJ85875	1
11. Bolt	AJ89714	3
12. Outlet pipe	AJ85885	1
13. Water outlet seal	C2C11477	2
14. Block heater sealing washer	AJ89646	1
15. Block heater 4.0 Litre 110 Volt	AJ811851	1
220 Volt	C2C38057	1
16. Thermostat cover 4.0 Litre supercharged	NCC2245BC	1
4.2 Litre supercharged	AJ84255	1
17. Thermostat	AJ82600	1
18. Thermostat seal	NCA2246BA	1

19. Outlet pipe	AJ81981	1
20. Coolant temperature sensor	LNA1600AA	1
21. Sealing washer	AJ811945	1
22. Water outlet seal	C2C11477	2
23. Hose clamp	AJ81315	2
24. Housing to coolant inlet	AJ811638	1
25. Housing	AJ87639	1
26. Pan headed screw	C2C25942	3
27. Housing seal	NCA2269CA	1
28. Bolt	C2Z1354	4
29. Water pump gasket 1.5mm	AJ83300	1
0.4mm	AJ88922	1
30. Water pump	AJ88912	1
31. Flange headed bolt	AJ88674	5
32. Water pump pulley (to VIN 031302)	NCA2225AB	1
(from VIN 031303 to VIN A30644)	AJ83873	1
(from VIN A30645)	AJ83874	1
33. Flange headed screw (to VIN 030645)	JZS100105	1
(from VIN A30645)	AJ81256	1
34. O-ring 55mm	KSR634001	1
35. O-ring 70mm	KSE169530	1



UK - Bridgnorth
+44 (0) 1746 765 432
sales.uk@sngbarratt.com



USA - Manchester NH
+1 800 452 4787 (toll free)
sales.usa@sngbarratt.com



FRANCE - Charney les Macon
+33 (0) 3 85 20 14 20
sales.fr@sngbarratt.com



HOLLAND - Oisterwijk
+31 (0) 13 52 11 552
sales.nl@sngbarratt.com

THERMOSTAT HOUSING & WATER PUMP

www.sngbarratt.com



When planning to carry out any work on the hoses of the normally aspirated XK8 4.0 Litre, one should be aware of the fact that the thermostat housings fitted to these engines are made from a lightweight plastic material and do not always take kindly to being disturbed; often breaking during, or soon after the replacement of a top hose.

We offer a 'peace of mind' upgrade, accurately reproduced in sturdy aluminium. Complete with all the necessary 'O' rings, the new aluminium housing is a direct replacement for the old plastic unit.

1

NOTE

If you need to top up your Jaguar's cooling system, it is vital to select the correct grade of anti-freeze. Older Jaguars are quite happy with good old fashioned 'blue' mono-ethylene glycol, but newer models use a more modern yellow or orange anti-freeze, designed for safe use in the all-aluminium engines of later cars.

Mixing old and new can lead to a chemical reaction, turning the contents of your radiator into an anti-freeze 'smoothie' – too thick to circulate, causing major overheating problems. Be absolutely sure before you top up.

Traditional 'blue' anti-freeze, earlier models: Old XK's XJ's etc. MOR051

'Yellow' anti-freeze, e.g. AJ6 engines, early XK8's etc. JLM204042/3

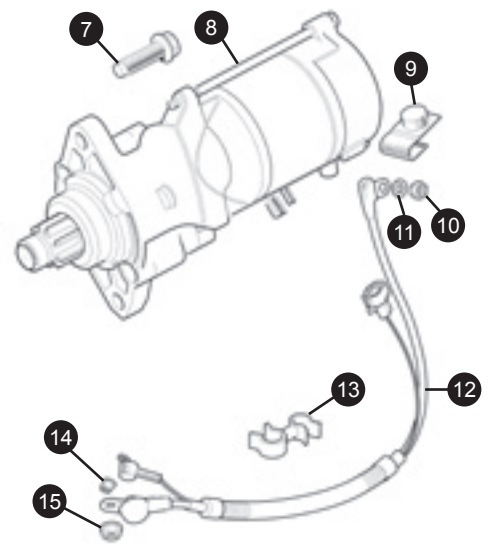
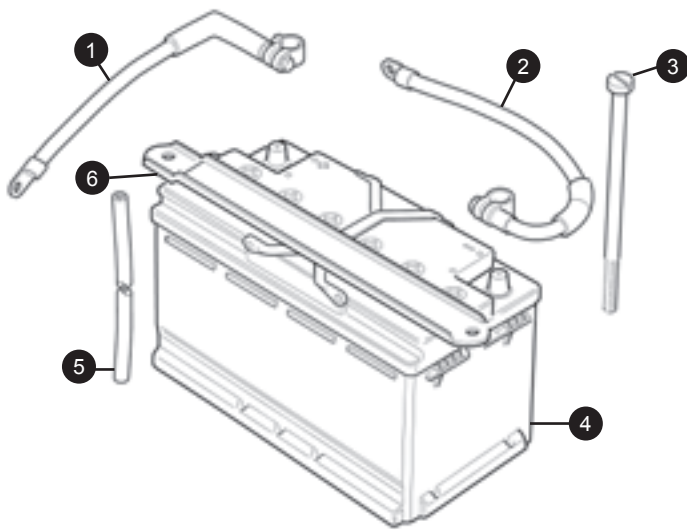
'Orange' anti-freeze, e.g. Newest XJ's & later XK8's etc. JLM 209722/3

All types are available from SNG Barratt Group. Always check the handbook!



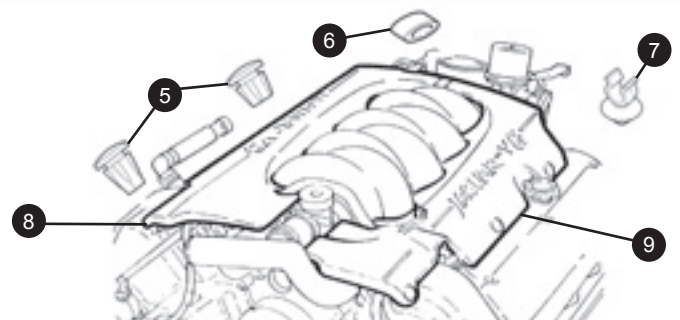
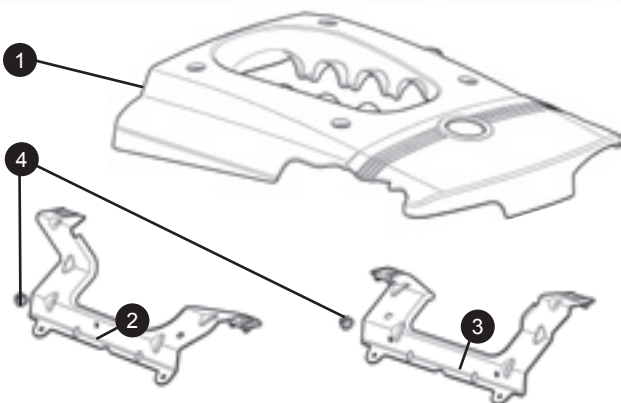
BATTERY & STARTER MOTOR

www.sngbarratt.com

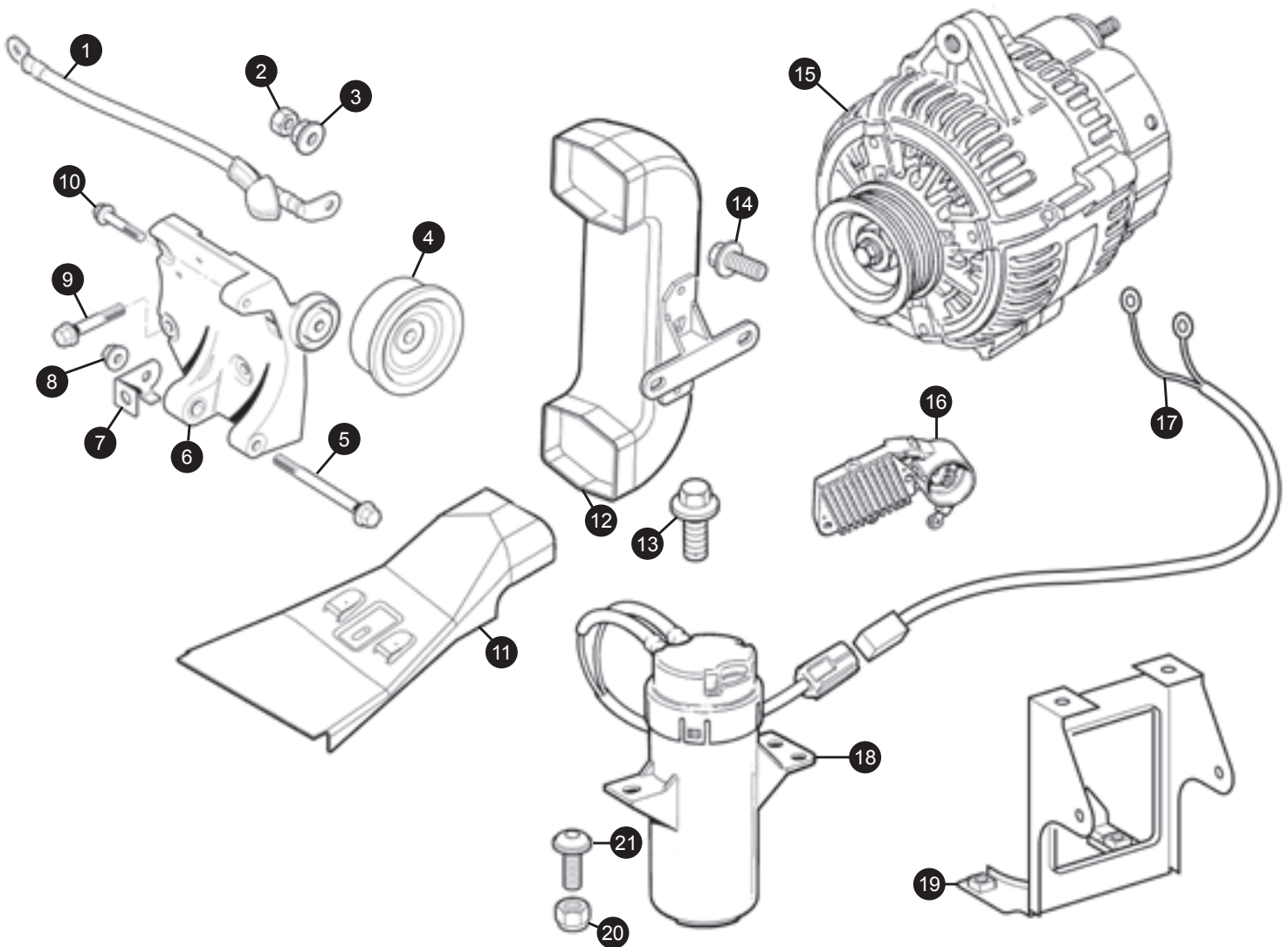


1. Positive battery cable	LNC3690AA	1	8. Starter motor	AJ83990	1
2. Negative battery cable (to VIN 042775)	LJE3690AA	1	9. Terminal boot	DBC12311	1
(VIN A00083 to A30644)	XR840827	1	10. Hexagonal nut	JZN100048	1
(from VIN A30645)	XR830490	1	11. Washer	C22967	1
3. Battery clamp bolt	GNB3544AC	2	12. Starter cable (to VIN A058195)	LJB3730AA	1
4. Battery 12V 92 amp	C2Z1141	1	(VIN A05820 to A40264)	LJC3730AA	1
Supplied dry	C2C1311	1	(VIN A40265 on)	LJG3730AA	1
Supplied wet			13. Swivel pipe clip	KDP208120	1
5. Battery vent tube	DAC77753	1	14. Nylock nut	JLM11988	1
Not shown Vent tube grommet	XR813428	1	15. Nut	LJB1853AA	1
6. Battery clamp	GNB3542AB	1			
7. Flanged screw	AJ89793	2			

ENGINE COVER & FIXINGS



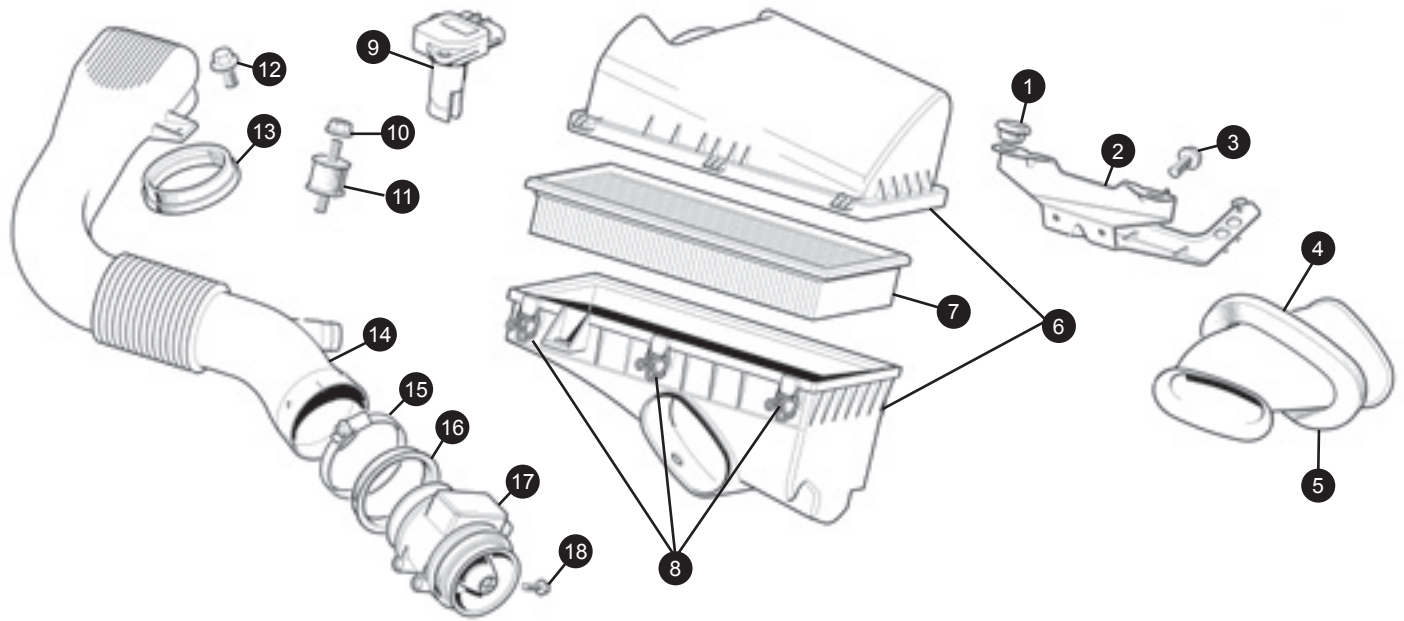
1. Engine cover 4.2 Litre	C2S10228	1	5. Cover mounting (To VIN A30644) front	NJA6790BC	2
2. Engine cover bracket RH 4.2 Litre	AJ85896	1	(To VIN A30644) rear	NJA6790CC	1
3. Engine cover bracket LH 4.2 Litre	AJ85897	1	6. Engine cover spacer (To VIN A30644)	NJA1819AC	1
4. Hexagonal flange nut 4.2 Litre	XR81670	4	7. Pipe clip (To VIN A30644)	KDF108003	5
			8. & 9. Engine cover (pair)	JLM21723	1



1. Cable (to VIN A05819) (from VIN A05820)	LJB3732AA LJC3730AA	1 1	10. Flanged bolt	JFB10808E	1
2. Self locking nut	NV105041J	1	11. Cooling duct, front	HJA4477AD	1
3. Flanged nut	JFX10805B	1	12. Cooling duct, rear	LJB1810AA	1
4. Idler pulley (from VIN A30645)	C2C22758	1	13. Flanged head screw	JFS10516F	1
5. Flanged bolt	C2C35272	1	14. Flanged head screw	JFS10616F	2
6. Alternator bracket (to VIN A25226) (from VIN A25227) 4.0 Litre supercharged 4.0 Litre non supercharged (VIN A30645 to A40264) (from VIN A4625)	C2C37061 C2N1810 C2C6462 C2C37061 C2C22757	1 1 1 1 1	15. Alternator (to VIN A30645) (from VIN A30646) Alternator pulley	LNC1800AA C2C19630 JLM20235	1 1 1
7. Connector bracket	LJA3890NA	1	16. Alternator regulator	JLM20187	1
8. Flanged nut	JFN11004B	1	17. Link lead Supercharged Non supercharged	LJB3743AB LJA3743AB	1 1
9. Flanged bolt	C2Z2688	4	18. Suppression module	LJA1820AA	1
			19. Module bracket	LJB1825AB	1
			20. Self locking nut	NV105041J	1
			21. Pan head torx screw	JXA10825E	1

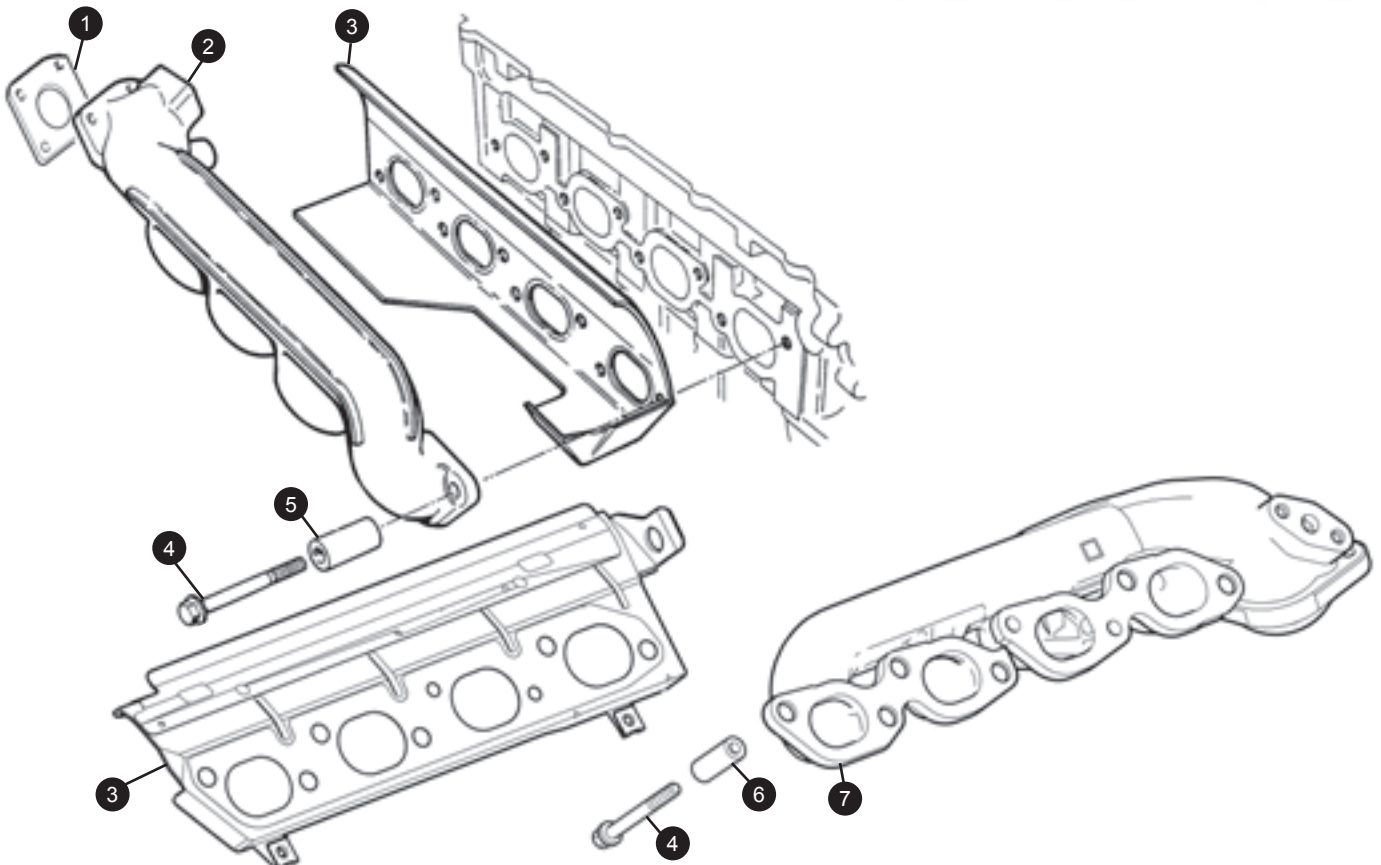
AIR CLEANERS & HOSES

www.sngbarratt.com



1. Grommet	NBC3530AA	2	(from VIN A00083 to A30644)	NJD3555AA	1
2. Air cleaner mounting bracket			4.0 Litre non supercharged	NJA3555AE	1
4.0 Litre supercharged	NJB351AC	1	(to VIN 031302)	NNE3555AC	1
4.0 Litre non supercharged			(from VIN 031303 to A30644)		
Premium sound	NJA3557AA	1	(from VIN A30645)		
Not premium sound	NJA3515AB	1	4.2 Litre supercharged	C2N2490	1
			4.2 Litre non supercharged	C2N1041	1
3. Bolt	AJ88941	2	15. Worm drive hose clip	JHC201401	1
4. Air intake tube	NJB3510AC	1	16. Duct seal	NJA3553AA	1
5. Air intake tube seal	NJA3541AA	1	17. Air flow sensor		
6. Air cleaner			4.0 Litre supercharged		
(to VIN 042775)	NJC3500AA	1	(to VIN 042775)	LNC1620AA	1
(from VIN A00083 to A30644)			(from VIN A00083 to A30644)	LNE1620BB	1
4.0 Litre supercharged	NJC3500AA	1	4.0 Litre non supercharged		
4.0 Litre non supercharged	NJC3500BA	1	(to VIN 031302)	LJA1602AE	1
(from VIN A30645)			(from VIN 031302 to A30644)	LNE1620CB	1
4.2 Litre supercharged	C2N1551	1	18. Flange headed screw	JFS10625F	3
7. Air cleaner element	NJA3558AA	1			
4.2 Litre non supercharged	XR823351	1			
8. Air cleaner clamp	NAB3511AA	5			
9. Air flow sensor					
(from VIN A30645)					
4.2 Litre supercharged	C2C7636	1			
4.2 Litre non supercharged	C2S2670	1			
10. Flange nut	JFN10604F	2			
11. Instrumount	EAC8130	1			
12. Flange headed screw	JFS10625F	3			
13. Duct seal					
(to VIN 042775)	NJA3554AA	1			
(from VIN A00083 to A30644)	NJA3553AA	1			
14. Inlet air pipe					
4.0 Litre supercharged					
(to VIN 042775)	NJB3555AA	1			



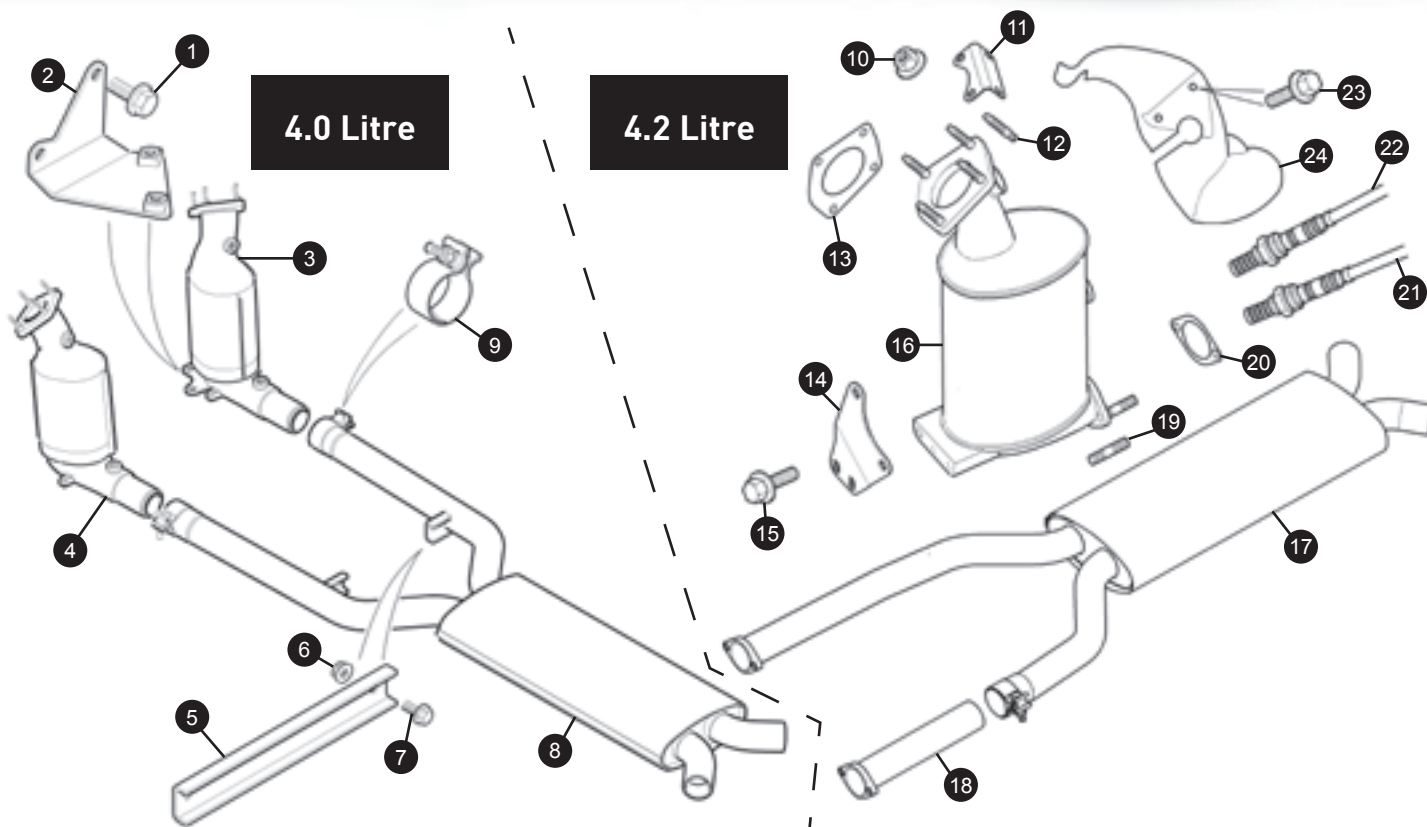


1. Down pipe gasket	EAZ2050	2
2. Exhaust manifold 4.0 Litre LH, B-Bank		
Non EGR & EGR	NCA2901EB	1
RH, A-Bank		
Non EGR	NCA2900EA	1
EGR	NCA2900GB	1
(From engine 9809020000)		
Non EGR	NCA2900FB	1
EGR	NCA2900GB	1
3. Manifold gasket 4.0 Litre & 4.2 Litre		
LH, B-Bank	NCA2907AE	1
RH, A-Bank	NCA2906AE	1
4. Manifold bolt		
(To VIN A46332)	AJ81316	16
(From VIN A46333)	AJ88477	16
5. Manifold spacer		
(To VIN 031302)	NCA2923AB	16
(From VIN 301303 to VIN A40264)	NCA2923AC	16
6. Manifold spacer		
(From VIN A40265)	AJ88716	16
7. Exhaust manifold 4.2 Litre (From VIN A30645)		
Non supercharged		
4.2 Litre LH, B-Bank	AJ83918	1
4.2 Litre RH, A-Bank	AJ87219	1
Supercharged		
4.2 Litre LH, B-Bank	AJ83919	1
4.2 Litre RH, A-Bank	AJ87220	1



FRONT EXHAUST SYSTEM

www.sngbarratt.com

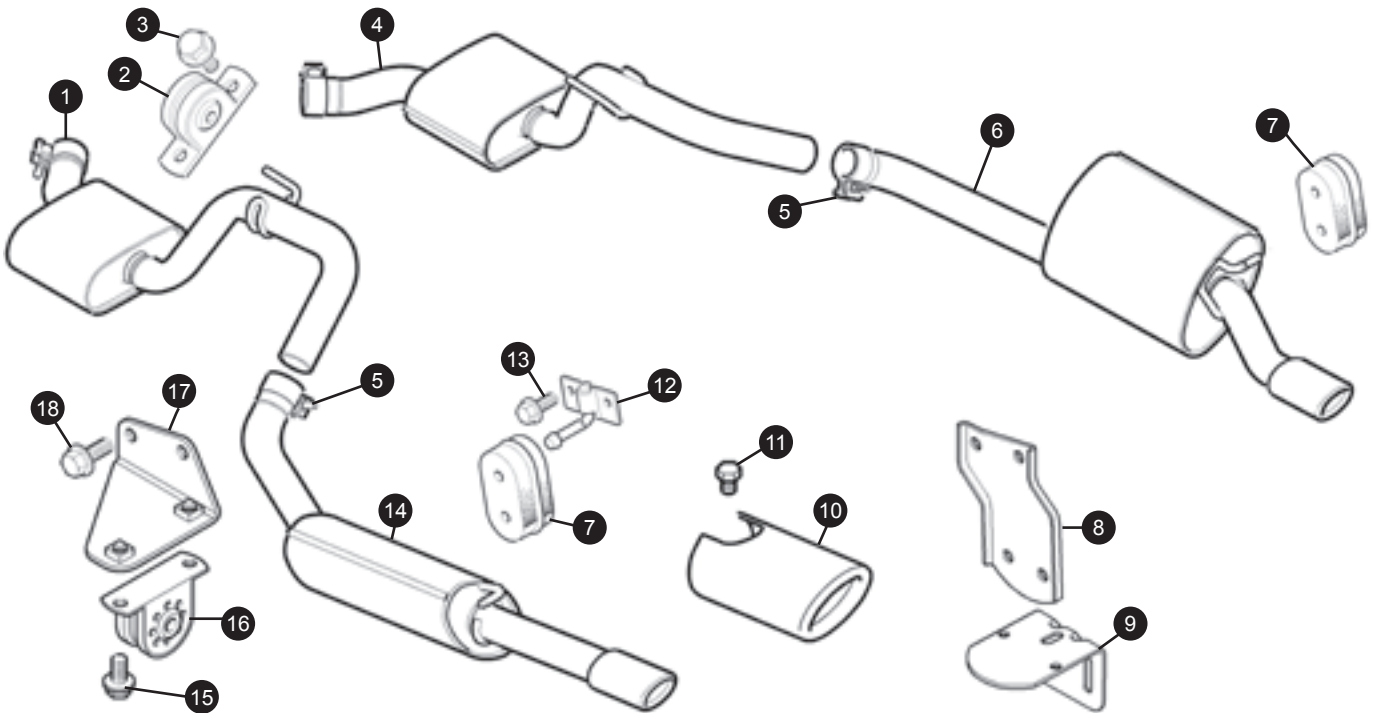




1. Flange headed screw	JFS11020F	4	12. Special stud (torx head)	JZC100036	8
2. Exhaust mounting bracket 4.0L supercharged			13. Downpipe gasket	EAZ2050	2
RH	NCB6796AB	1	14. Exhaust mounting bracket		
LH	NCB6797AB	1	RH	C2N1196	1
4.0L non supercharged			LH	C2N1197	1
RH	NCB6796BA	1	15. Flange headed screw	JFS11020F	4
LH	NCB6797BA	1	16. Exhaust downpipe & catalyst		
3. Exhaust down pipe RH	See salesman	1	4.2L supercharged		
4. Exhaust down pipe LH	See salesman	1	RH	C2A1000	1
5. Tie bracket, front			LH	C2N1263	1
4.0L supercharged	NJB6758AB	1	4.2L non supercharged		
4.0L non supercharged			RH	C2N1250	1
(to VIN A11050)	NJA6758AA	1	LH	C2N1262	1
(from VIN A11051)	NJE6758AA	1	17. Intermediate exhaust silencer		
6. Lock nut	JFX10804E	2	4.2L supercharged	C2N1842	1
7. Flange headed screw	JFS1081E	2	4.2L non supercharged	C2N1841	1
8. Exhaust silencer			18. Exhaust pipe flange	C2N2478	1
4.0L supercharged	NJE6757AA	1	19. Catalyst stud	C2N1851	4
4.0L non supercharged	NJE6757BA	1	20. Intermediate pipe gasket	C2N1790	2
9. Exhaust pipe clamp 52.4mm			21. Heated oxygen sensor		
4.0L supercharged	NJB6744GA	2	(downstream)	C2C25956	2
4.0L non supercharged	NJB6744HA	2	22. Heated oxygen sensor		
10. Flanged nut	C2C38026		(upstream)	C2S51801	2
11. Heatshield mounting bracket			23. Torx flange headed screw	JZS100175	4
4.2L supercharged			24. Exhaust manifold heatshield		
RH	C2N3212	1	4.2L supercharged		
LH			RH-A bank	C2N3275	1
(to VIN A40264)	C2Z13534	1	LH-B bank	C2N1200	1
(from VIN A40265)	C2N3065	1			



REAR EXHAUST SYSTEM

www.sngbarratt.com



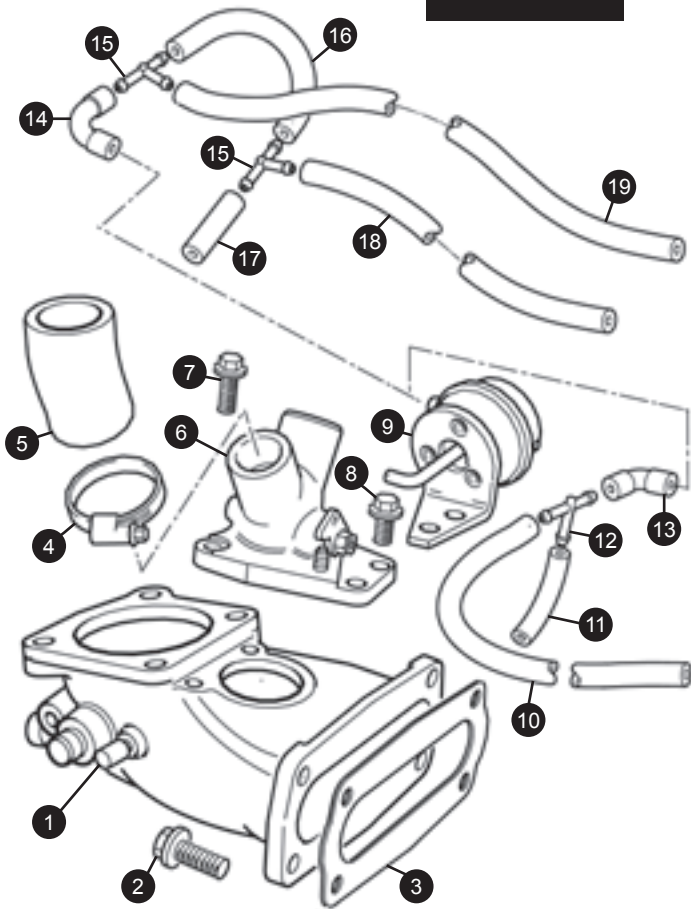
1. Intermediate exhaust silencer 4.0 Litre Left hand	NJE6761AA	1	12. Exhaust mounting bracket (to VIN A30644)	NJA6803AD	2
4.2 Litre Left hand	C2N3036	1	13. Screw for NJA6803AD	JZS100128	4
2. Exhaust mounting rubber	C2S10443	2	14. Rear silencer left hand 4.0 Litre supercharged (to VIN A11050)	NJD6785AB	1
3. Flange screw M8	JDE2798	4	(from VIN A11051)	NJE6785AB	1
4. Intermediate exhaust silencer 4.0 Litre right hand	NJE6760AA	1	4.0 Litre non supercharged (to VIN A11050)	NJC6785AA	1
4.2 Litre right hand	C2N3035	1	(from VIN A11051)	NJD6785BA	1
5. Exhaust pipe clamp 52.4mm	NJB6744GA	2	4.2 Litre supercharged (to VIN A40264)	C2N1480	1
6. Rear silencer right hand 4.0 Litre supercharged (to VIN A11050)	NJD6784AB	1	(from VIN A40265)	C2N3280	1
(from VIN A11051)	NJE6784AB	1	4.2 Litre non supercharged	NJD6785BA	1
4.0 Litre non supercharged (to VIN A11050)	NJC6784AA	1	15. Screw M8 JZH100074		4
(from VIN A11051)	NJD6784BA	1	16. Exhaust mounting rubber	C2S10443	2
4.2 Litre supercharged (to VIN A40264)	C2N1492	1	17. Exhaust mounting bracket (from VIN A300083 to A40265)		
(from VIN A40265)	C2N3281	1	RH	C2N2462	1
4.2 Litre non supercharged	NJD6784BA	1	LH	C2N2461	1
7. Exhaust mounting rubber	NJA6790AC	2	18. Screw	JZS100128	4
8. Tailpipe mounting bracket (from VIN A40265)					
RH	C2N3278	1	Bell Exhaust Upgrade		
LH	C2N3279	1	1. Sports exhaust kit To fit XK8/XKR	BSSJR039	1
9. Isolator mounting bracket	C2N3277	2			
10. Tailpipe finisher 4.2 Litre (from VIN A30645 to A40264)	C2N1457	2			
(from VIN A40265)			Link pipes replace intermediate exhaust silencers together with modified rear silencers to give better your XK easier breathing and a more sporting exhaust note.		
Supercharged					
RH	C2N3289	1			
LH	C2N3290	1			
Non supercharged	C2N2912	2			
11. Mounting screw	JSS10612J	2			

BYPASS VALVE, SUPERCHARGED

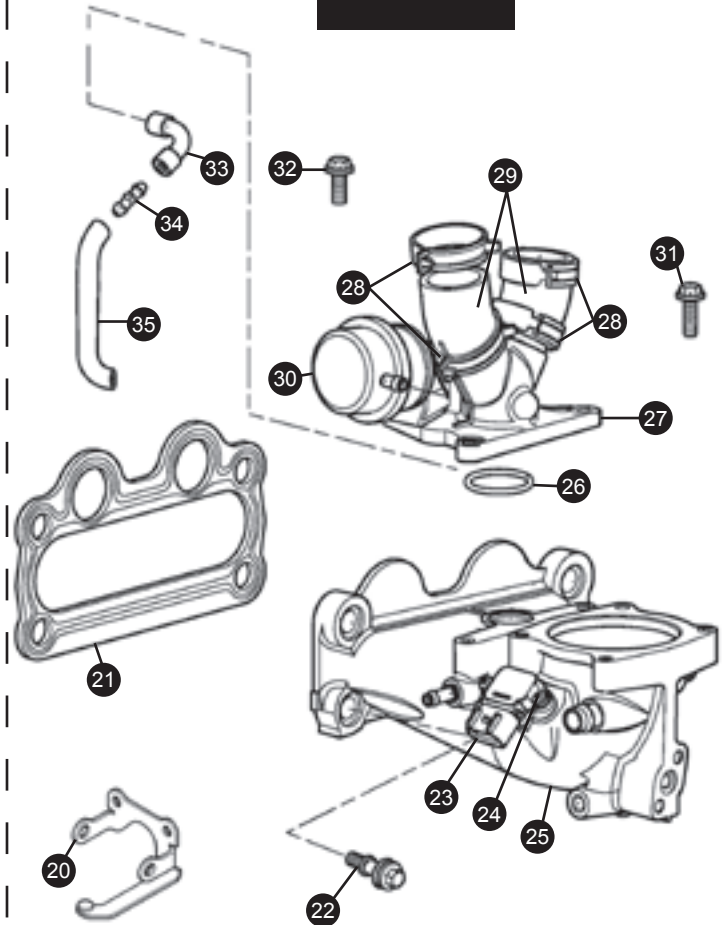
www.sngbarratt.com



4.0 Litre



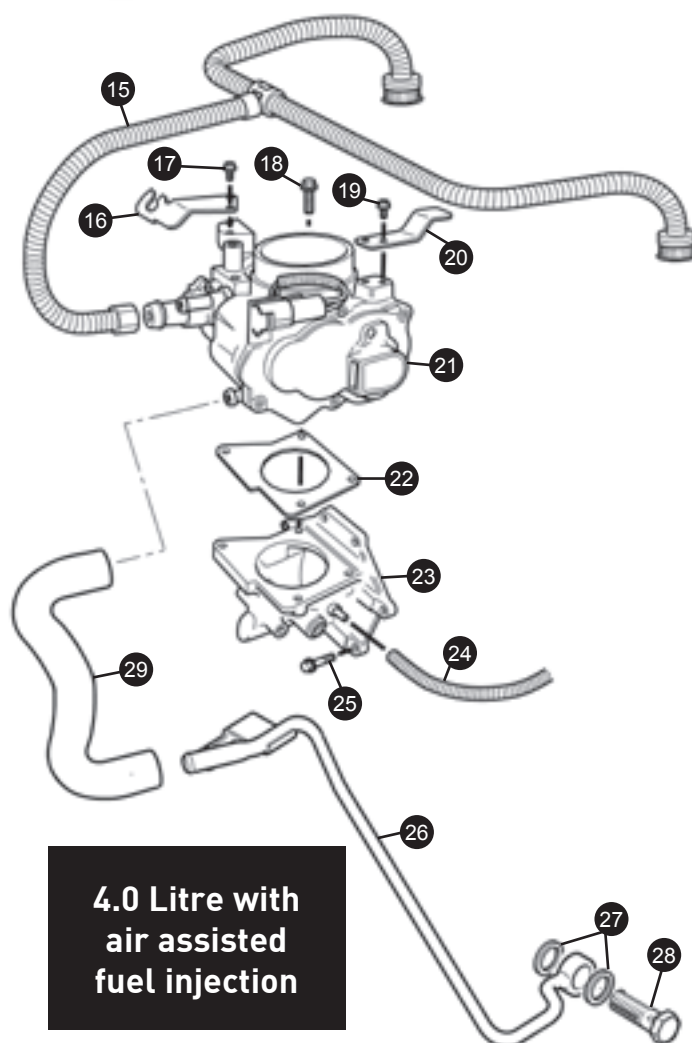
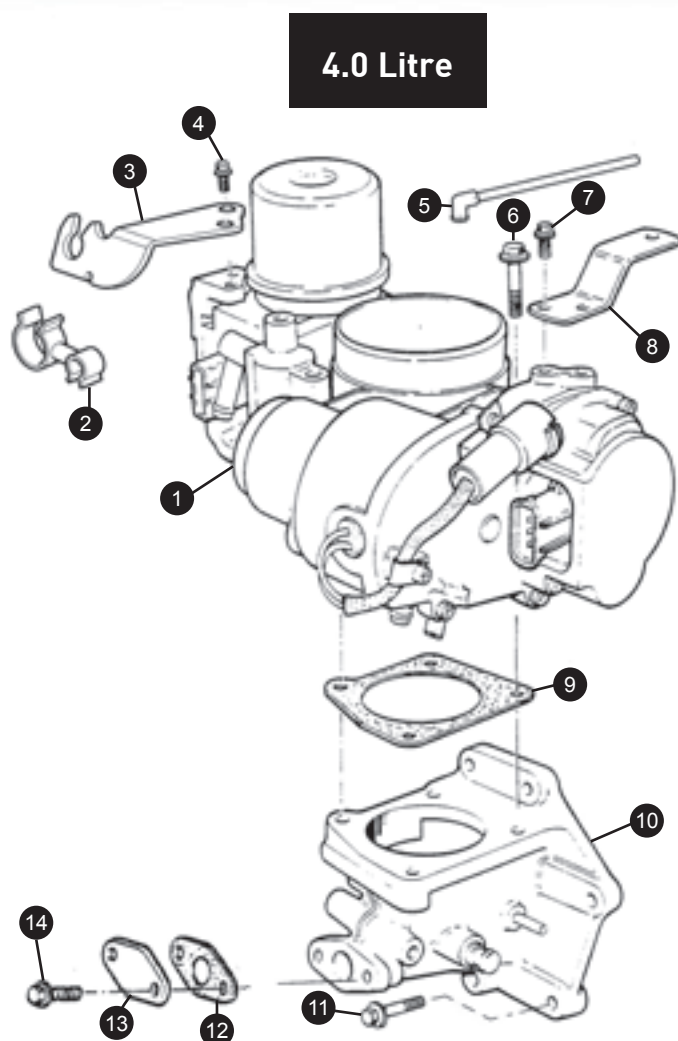
4.2 Litre



1. Inlet manifold induction elbow (to VIN 042775) (from VIN A00083 to A30644)	AJ81368	1	18. Vac hose, 482mm (from VIN A11051)	AJ83877	1
2. Bolt, M8 x 50mm	AJ83052	1	19. Vac hose, 262mm (from VIN A11051)	AJ83877	1
3. Inlet port gasket	C2C35271	4	20. Intake elbow mounting bracket	AJ84484	1
4. Hose clamp (from VIN 031302) (from VIN 031303)	NCC7754BA	1	21. Inlet elbow gasket	AJ83292	1
5. Bypass hose	JHC200801	4	22. Mounting bolt	AJ83623	4
6. Bypass valve	JHC302260	4	23. Manifold absolute pressure sensor (to VIN A43927) (from VIN A43928)	AJ82763	1
7. Bolt, M6 x 20mm	NCC2213AC	2		C2C22616	1
8. Bolt, M6 (to VIN A24195) (from VIN A24196)	AJ85330	1	24. MAP sensor screw M4 x 16mm	AJ87995	2
9. Supercharger bypass actuator	AJ89714	2	25. Inlet manifold induction elbow assy.	AJ811919	1
10. Vac hose, 380mm (to VIN A11050)	C2N1272	2	26. Bypass valve 'O' ring	KSC137624	1
11. Vac hose, 160mm (to VIN A11050)	XR82409	2	27. Bypass valve, (with 'O' ring)	AJ810530	
12. Tee piece (to VIN A11050)	NCC7703AC	1	28. Hose clamps	JHC302260	4
13. Vac elbow (to VIN A11050)	AJ83877	1	29. Bypass hose	NCC2213AC	2
14. Vac elbow (from VIN A11051)	AJ83877	1	30. Supercharger bypass actuator	AJ83833	1
15. Tee piece (from VIN A11051)	C15644	1	31. Bypass valve bolt, M6 x 10mm (to VIN A43927) (from VIN A43928)	XR82409	2
16. Vac hose, 90mm (from VIN A11051)	EAC7965	1		C2P3522	2
17. Vac hose, 38mm (from VIN A11051)	EAC7965	1	32. Bypass valve bolt, M6 x 20mm	AJ89714	2
	AJ83877	1	33. Vac elbow	EAC7965	1
	AJ83877	1	34. 2 way connector	AJ83876	1
			35. Vac hose, 670mm	AJ83877	1

THROTTLE BODY, 4.0 LITRE

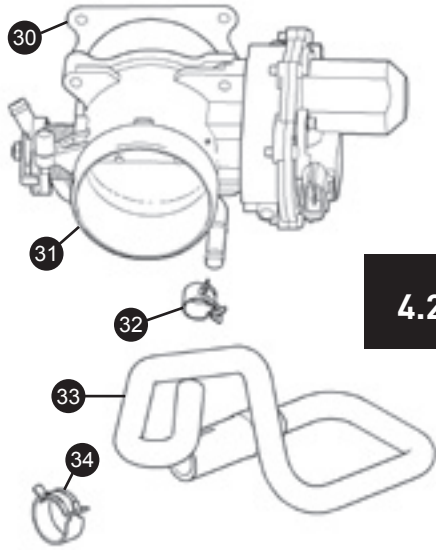
www.sngbarratt.com



1. Throttle body, 4.0 Litre	C2A1470	1	16. Abutment bracket (from VIN 031303)	AJ81343	1
2. Swivel clip	KDP210200	1	17. Flange headed screw, M5 x 12mm (from VIN 031303)	JFS10512C	4
3. Abutment bracket (to VIN 018107) (from VIN 018108)	NCA3010GA AJ81343	1	18. Hex headed bolt	JFB10808E	1
4. Bracket screw, M5 x 12mm	JFS10512C	2	19. Flange headed screw, M5 x 12mm	JFS10512C	4
5. Actuator vacuum pipe	NJA3968HA	1	20. Throttle linkage bracket	NCA3227AC	1
6. Hex headed bolt	JFB10808E	4	21. Throttle body, electronic 4.0 Litre Supercharged 4.0 Litre non supercharged	C2A1445 C2A1444	1 1
7. Flange headed screw, M5 x 12mm	JFS10512C	2	22. Throttle body gasket (from VIN 031303)	NNE3021AC	1
8. Throttle linkage bracket 4.0 Litre supercharged 4.0 Litre non supercharged	NCC3226AB NCA3227AC	1 1	23. Induction elbow (from VIN 031303)	AJ81367	1
9. Throttle body gasket	NCA3021BA	1	24. Throttle elbow hose, 3.3mm dia.	AJ81281	1
10. Induction elbow	NCA3106BD	1	25. Screw, M8 x 30mm (from VIN 03103)	JFS10830B	7
11. Screw, M8 x 30mm	JFS10830B	7	26. Pipe	NCA3148AA	1
12. EGR pipe gasket	NCA4771DA	1	27. Sealing washer	AJ811945	2
13. Blanking plate (to VIN 031302)	NCA3052AB	1	28. Banjo bolt	NCA4623AA	1
14. Hex flange screw, M8 x 20mm (to VIN 031302)	C2Z1856	2	29. Moulded hose	NNE3246BA	1
15. Moulded air hose (from VIN 031303)	AJ81211	1			

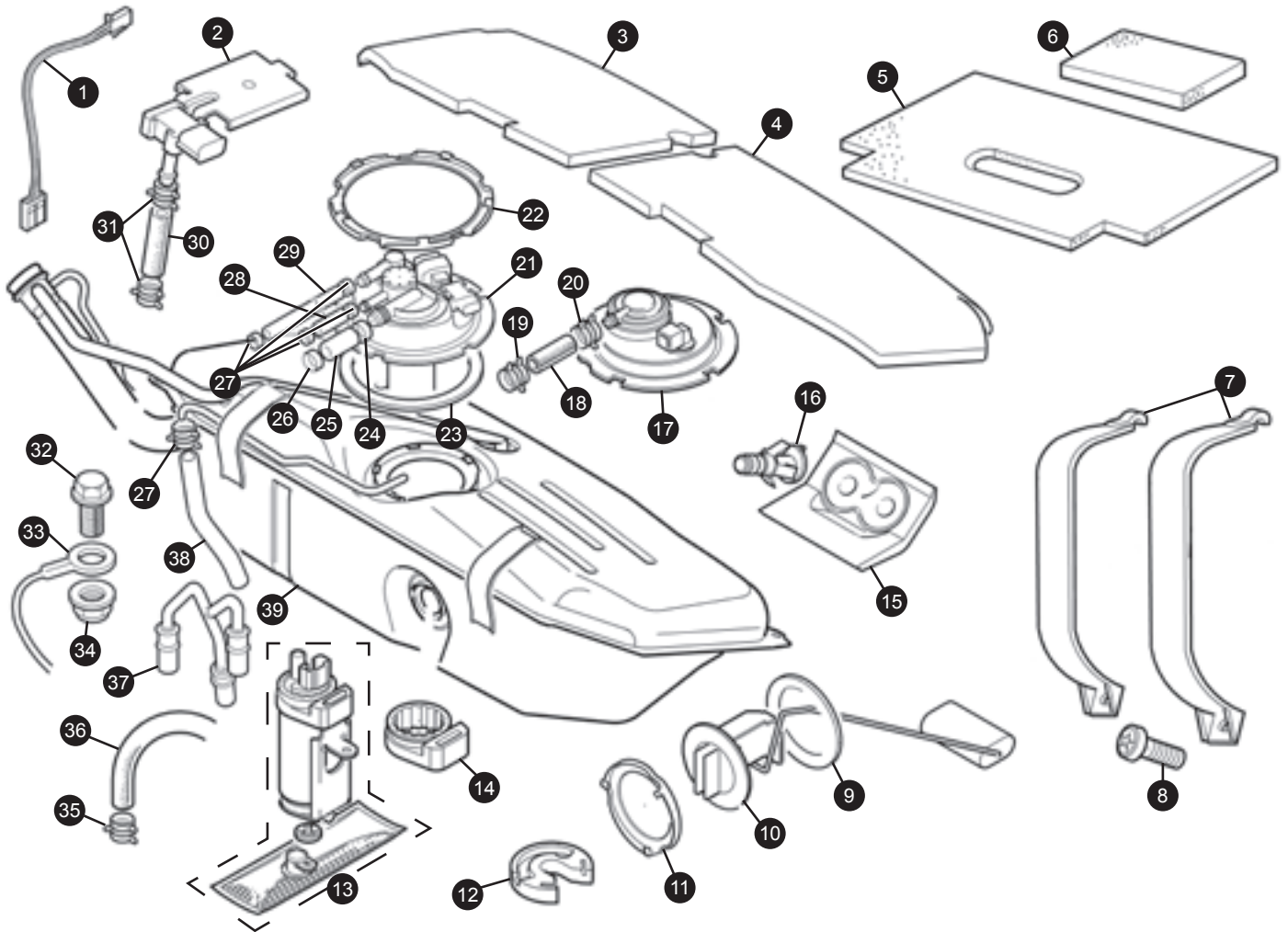
THROTTLE BODY, 4.2 LITRE

www.sngbarratt.com



30. Throttle body gasket (from VIN A30645)	AJ83445	1
31. Throttle body , 4.2 Litre	C2C20541	1
32. Hose clamp, 4.2 Litre non supercharged	JHC301621	1
33. Return hose, 4.2 Litre non supercharged	AJ89554	1
34. Hose clamp, 4.2 Litre non supercharged	JHC301720	1

FUEL TANK

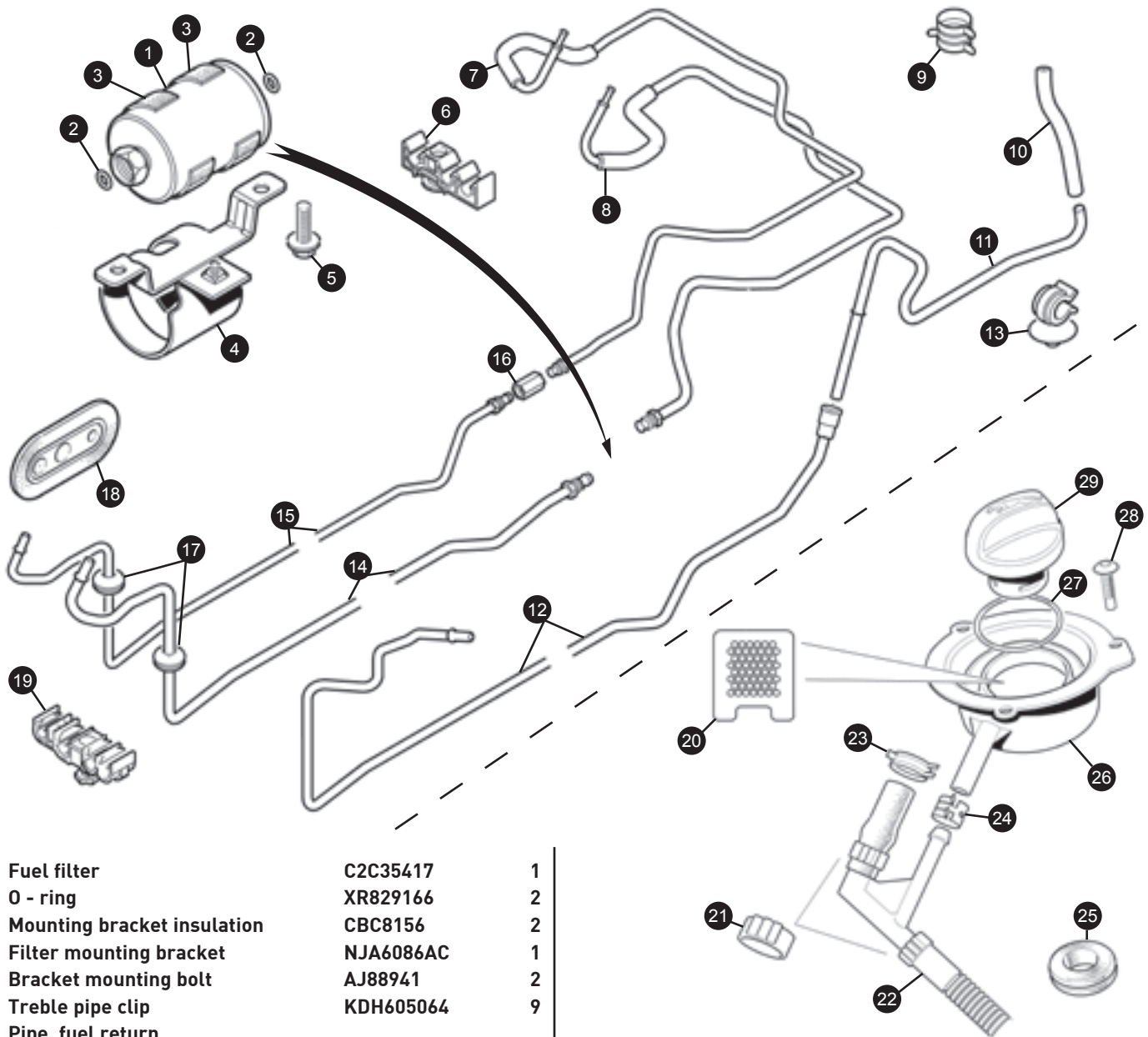


1. Link lead (to VIN A30644) (from VIN A30645)	LJC3360AA LJG3075BC	1 1	21. Evaporative loss flange (from VIN A00083 to VIN A03695) (from VIN A30645)	NJE5954BB C2N1035	1 1
2. Fuel pressure sensor	LJB1624AA	1	22. Locking ring (to VIN 042775) (from A00083 to VIN A30644) (from VIN A30645)	NLA ARA1502J C2N1398	 1 1
3. Tank pad RH top (to VIN A30644) (from VIN A30645)	NJA5987BA NJC5987BB	1 1	23. Sealing ring	NNA6020AA	1
4. Tank pad LH top (to VIN A30644) (from VIN A30645)	NJA5987AA NJC5987BB	1 1	24. Hose clip	CAC8776	1
5. Tank pad lower	NJA5999AC	1	25. Stepped hose	NND6070AB	1
6. Location pad	NNA5987CA	2	26. Hose clamp	JHC302293	1
7. Fuel tank strap	NJA6045BF	2	27. Hose clamp	CAC8774	4
8. Screw, hexagon flanged	C2Z1856	2	28. Purge hose	NNA6068KA9	1
9. Fuel tank sender unit sealing ring	ARA1502J	1	29. Purge hose	NNA6068KA9	1
10. Fuel tank sender unit (to VIN 042775) (from A00083)	LJA2000AC LJE2001AC	1 1	30. Purge hose	NJA6068DA1	1
11. Fuel tank sender unit locking ring	ARA1501J	1	31. Hose clip	JHC200101	2
12. Mounting rubber	NND6025AA	1	32. Flange headed screw (to VIN A30644) (from VIN A30645)	JFS11016B C2S27339	1 1
13. Fuel pump assembly (to VIN A30644) pump Filter (from VIN A30645) Supercharged Non supercharged	C2N3866 NJB6091AA C2N1147 C2N1146	1 1 1 1	33. Earth lead	LJA3744AC	1
14. Mounting rubber	NND6025BA	1	34. Flanged nut	JFN11004B	1
15. Fuel tank seal	NJA6029AD	1	35. Hose clip	JHC200101	1
16. Fuel tank stuffer pin	EBC9606	1	36. Fuel hose (to VIN 042775)	NJB5956BA	1
17. Evaporative loss flange	C2N2635	1	37. Fuel hose (from A00083 to VIN A30644)	NJB5956AA	1
18. Breather hose (to VIN A05949) (from VIN A05950 to A11050)	NNA6068KA6 NNA6068KA13	1 1	38. Vapour hose	NJC6071AA	1
19. Hose clip	JHC300621	1	39. Fuel tank (to VIN 042775) Supercharged Non supercharged (from A00083 to VIN A30659) Supercharged & non supercharged (from VIN A3660 to VIN A30644) (from VIN A30645) Non O.R.V.R. O.R.V.R.	C2N3846 NJC5908BG NJD5908ED C2N3849 C2N3850 C2N2642	1 1 1 1 1 1
20. Hose clip	CAC8774	1			



FUEL FILLER & PIPE SYSTEM

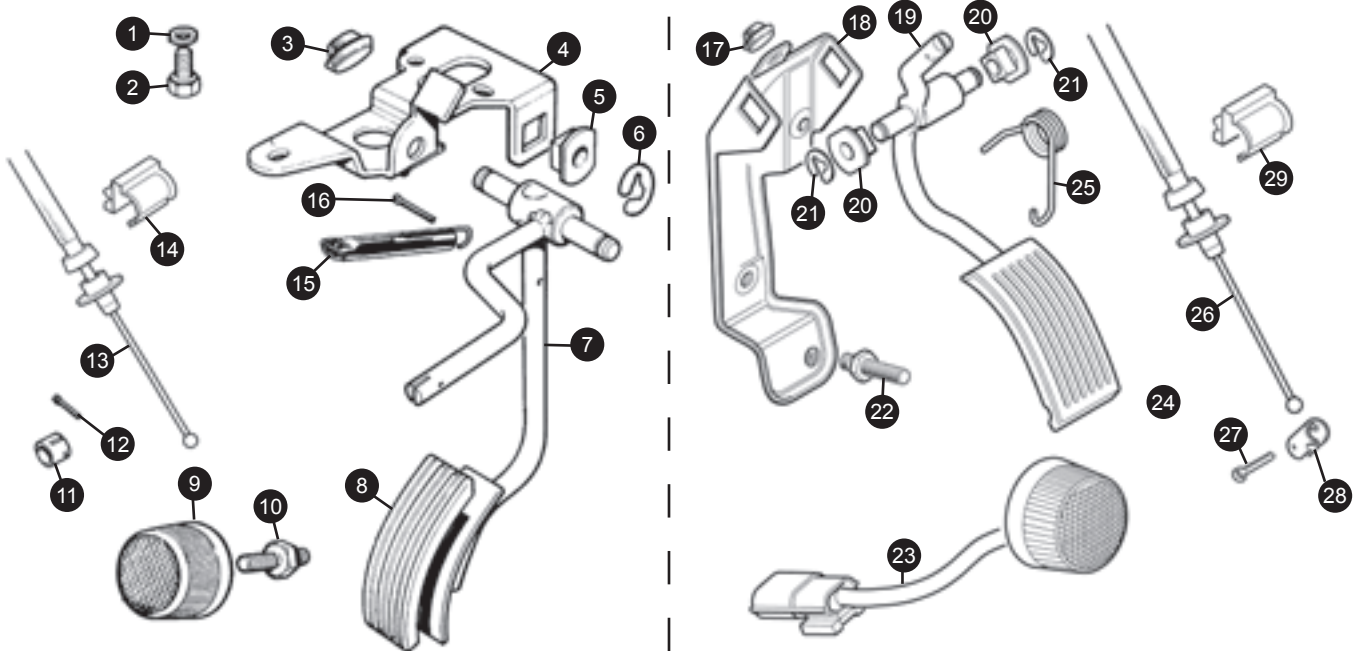
www.sngbarratt.com



1. Fuel filter	C2C35417	1			
2. O - ring	XR829166	2			
3. Mounting bracket insulation	CBC8156	2			
4. Filter mounting bracket	NJA6086AC	1			
5. Bracket mounting bolt	AJ88941	2			
6. Treble pipe clip	KDH605064	9			
7. Pipe, fuel return (to VIN 031302)	NJA6001CD	1			
(from VIN 031303 to VIN A11050)	NJC6001BA	1			
(from VIN A11051)	NJE6001BA	1			
8. Pipe, fuel feed (to VIN A11050)	NJA5998BB	1			
(from VIN A11051)	NJE5998BA	1			
9. Hose clip	JHC300320	2			
10. Purge hose	NNA6068KA	1			
11. Vapour pipe, rear	NJB6069AC	1			
12. Vapour pipe, front	NJA6104CD	1			
13. Cable clip	DBC10203	1			
14. Pipe, fuel feed-front	NJA5998CD	1			
15. Pipe, fuel return-front (to VIN 031302)	NJA6001DF	1			
(from VIN 031303)	NJC6001AB	1			
16. Connector	NJA6522CB	1			
			17. Grommet	C29302	2
			18. Fuel pipe grommet (to VIN 031302)	NJB5973AA	1
			(from VIN 031303)	NJC5973CA	1
			19. Treble pipe clip	EBC9072	1
			20. Fuel filler drain filter	HJA3099AA	1
			21. Hose clip	JHC501401	2
			22. Fuel filler drain tube	HJA3098AD	1
			23. Hose clip	CAC8774	1
			24. Hose clip	JHC300320	1
			25. Grommet	HNA1739AA	1
			26. Fuel filler gaiter	HJE3107AD	1
			27. Spring clip	HNA3106AA	1
			28. Torx head screw	JXR10620F	3
			29. Fuel filler cap	NJD5942AF	1

ACCELERATOR PEDAL ASSEMBLY

www.sngbarratt.com



RHD

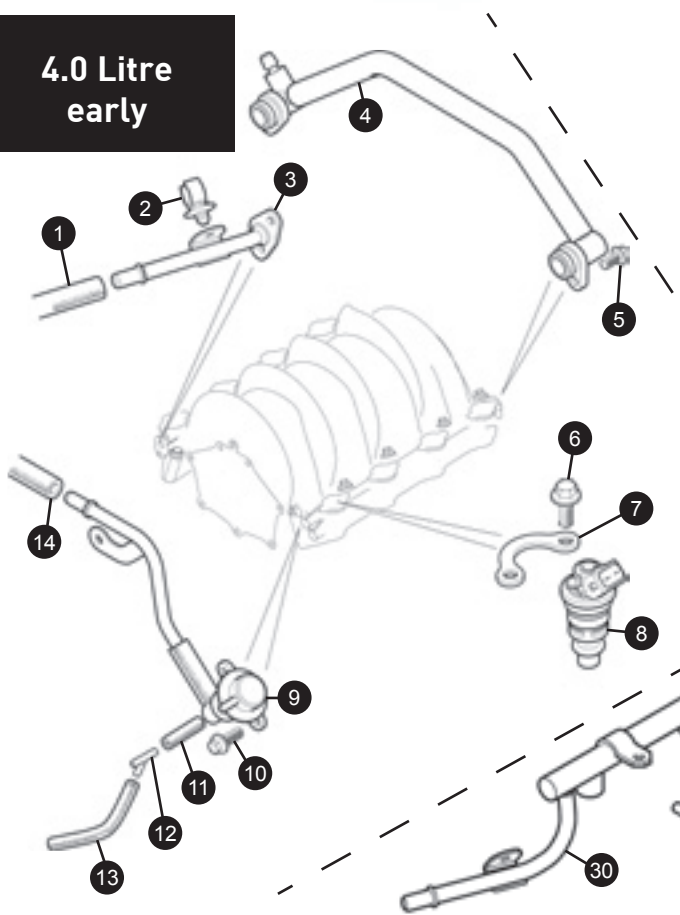
1. Plain washer	WA106041J	1
2. Set screw (to VIN A30644) (from VIN A30645)	SH604051J C2N1779	1 2
3. Blanking plug	BD21899	1
4. Bracket, RHD	MJA5380AA	1
5. Accelerator pedal bush	MJA4713AA	2
6. Bearing circlip	C336001	2
7. pedal sub-assembly, RHD (to VIN A30644) (from VIN A30645)	MJA5381AA C2N1060	1 1
8. Pedal rubber RHD	MJA5383AA	1
9. Kick down switch 4.0 Litre supercharged (to VIN 031302) (from VIN 031303) 4.0 Litre non supercharged (to VIN 018107) (from VIN 018108 to VIN031302) (from VIN 031303)	LNA6570AD LJC6570BA LNA6570AD DBC10854 LJC6570AA	1 1 1 1 1
10. Switch mounting stud	LJC6571AA	1
11. Accelerator cable retainer	CAC5328	1
12. Split pin	PS605071	1
13. Accelerator cable RHD 4.0 Litre supercharged 4.0 Litre non supercharged 4.2 Litre all models	MJB4620AA MJA4620AD C2N2448	1 1 1
14. Cable clip	JEP110002	1
15. Accelerator return spring (to VIN A30644) (from VIN A30645)	CAC1429 C2N1075	1 1
16. Split pin	PS105121	1
Not shown Pedal stop, 4.2 Litre	C2N1061	1
Throttle position sensor, 4.2 Litre	C2N1308	1
Sensor bracket 4.2 Litre	C2N1078	1
Pedal mounting plate 4.2 Litre	C2N1057	1

LHD

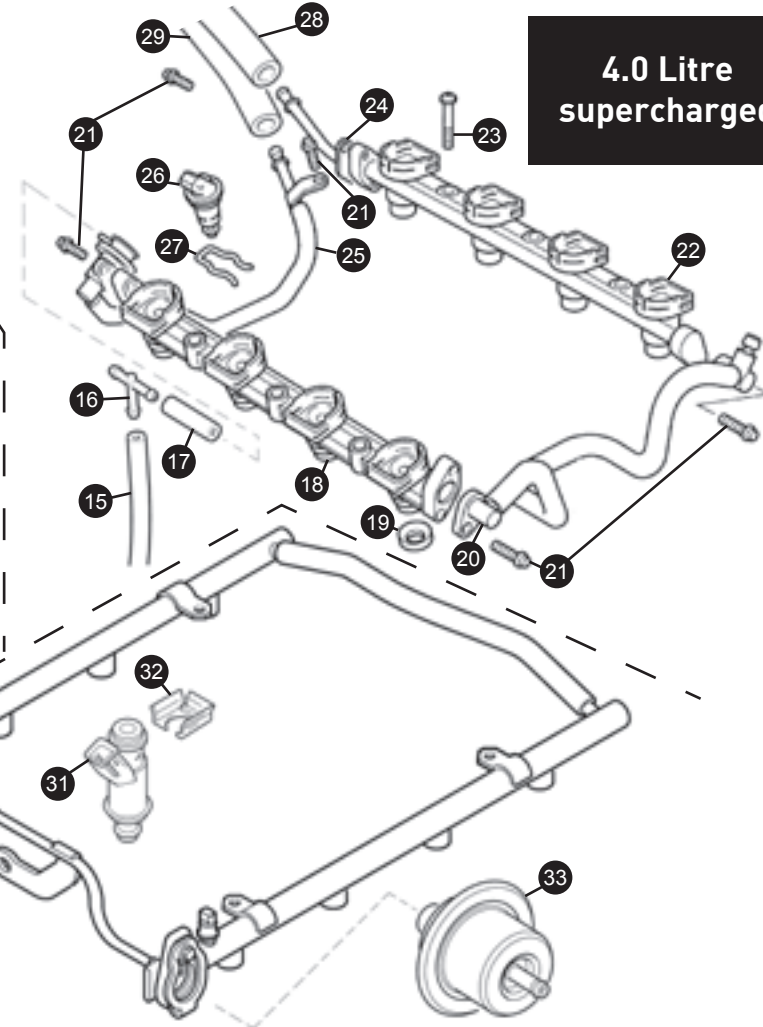
17. Blanking plug	BD21899	1
18. Pivot bracket (to VIN A30644) (from VIN A30645) (to VIN A30644) (from VIN A30645)	MJA4710BB C2N1059 MJA5380BE C2N1310	1 1 1 1
20. Accelerator pedal bush	MJA4713AA	2
21. Bearing circlip	C336001	2
22. Switch mounting stud	LJC6571AA	1
23. Kick down switch 4.0 Litre supercharged (to VIN 031302) (from VIN 031303) 4.0 Litre Non supercharged (to VIN 018107) (from VIN 018108 to VIN031302) (from VIN 031303)	LNA6570AD LJC6570BA LNA6570AD DBC10854 LJC6570AA	1 1 1 1 1
24. Accelerator pedal pad Rubber Aluminium	MJA5383AA MXD5383AA	1 1
25. Accelerator pedal return spring (to VIN A30644) (from VIN A30645)	MJA4715BB C2N1074	1 1
26. Accelerator cable LHD 4.0 Litre supercharged 4.0 Litre non supercharged 4.2 Litre all models	MJB4620BA MJA4620BD C2N2447	1 1 1
27. Split pin	PS605071	1
28. Accelerator cable retainer	CAC5328	1
29. Cable clip	JEP110002	1
Not shown. Pedal stop, 4.2 Litre	C2N1061	1
Throttle position sensor, 4.2 Litre	C2N1308	1
Sensor bracket 4.2 Litre	C2N1077	1
Pedal mounting plate 4.2 Litre	C2N1056	1



4.0 Litre early



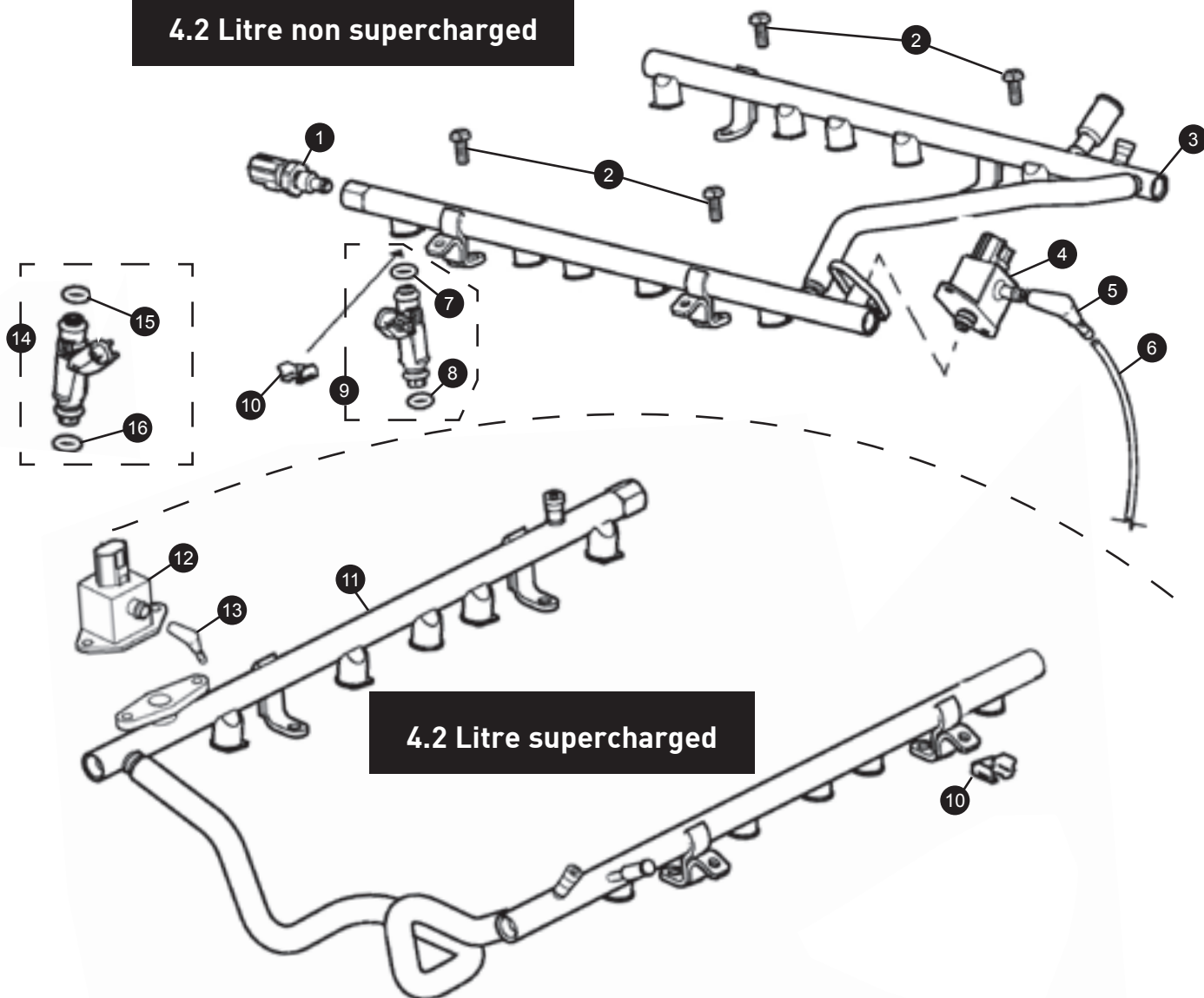
4.0 Litre supercharged



4.0 Litre non supercharged

1. Fuel feed hose	NJC6053AA	1	18. Fuel rail, LH B-bank	NCC3447AD	1
2. Fir tree clip	KDF114023	1	19. Injector adaptor plate seal	NCC3016AA	8
3. Fuel feed pipe	NCA3005AF	1	20. Fuel pipe	NCC3027AB	1
4. Connecting pipe	NCA3027AF	1	21. Bolt, M6 x 16mm	JFS10616B	7
5. Bolt, M6 x 16mm	JFS10616B	6	22. Fuel rail, RH A-bank	NNE3446AA	1
6. Flange headed screw, M5 x 12mm	JFS10512C	16	23. Fuel rail to manifold screw	JXB10840B	6
7. Injector clamp plate	AJ82902	8	24. Fuel feed pipe	NCC3005AB	1
8. Fuel injector (to VIN 031302) (from VIN 031303)	LCA1521AF AJ83967	8	25. Fuel return pipe assembly	AJ81480	1
9. Fuel return pipe assembly	NCA3007CA	1	26. Fuel injector	LCC1521AD	8
10. Bolt, M6 x 16mm	JFS10616B	6	27. Fuel injector clip	AJ81060	8
11. Vacuum hose, 38mm	AJ83877	1	28. Fuel feed hose	NJC6053AA	1
12. T- piece	C15644	1	29. Fuel return hose	NJB6083AA	1
13. Vacuum hose	AJ83877	1	30. Fuel rail, 4.0 Litre (from VIN 031303)	AJ83358	1
14. Fuel return hose	NJA6083AE	1	31. Fuel injector	AJ83967	8
15. Vacuum hose	AJ83877	1	32. Retaining clip	AJ82853	8
16. T- piece	C15644	1	33. Fuel pressure regulator kit	JLM21358	1
17. Vacuum hose, 38mm	AJ83877	1			

4.2 Litre non supercharged



4.2 Litre supercharged

1. Temperature sensor, M12	LRA1600BA	1
2. Pan headed screw, M6 x 16mm	AJ82679	4
3. Fuel rail, complete	AJ811304	1
4. Fuel pressure sensor	AJ87977	1
5. Vacuum elbow	NCE4799EA	1
6. Vacuum hose, 4.2 Litre 670mm	AJ83877	1
7. Injector upper 'O' ring	C2C19756	8
8. Injector lower 'O' ring	C2C19757	8
9. Fuel injector	AJ82353	8
10. Injector clip	AJ82853, AJ89624	8
11. Fuel rail, complete	AJ811305	1
12. Fuel pressure sensor	AJ87977	1
13. Vacuum elbow	NCE4799EA	1
14. Fuel injector	AJ82532	8
15. Injector upper 'O' ring	C2C19756	8

INJECTOR CLEANER

Keep your injection system clean!

Simply add to a full tank of fuel to ensure that your injectors and pipes are kept free from contaminants and residue.

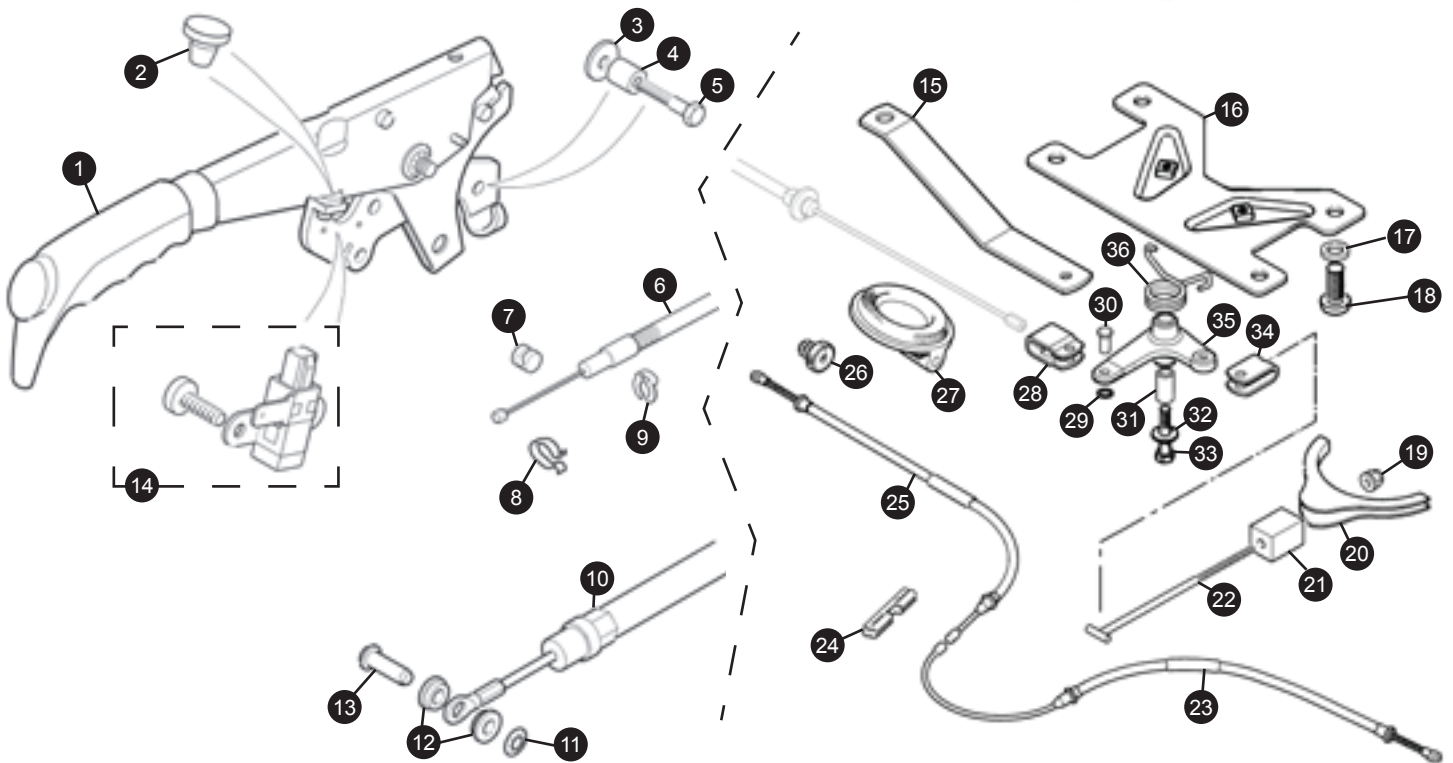
Techron Fuel Additive CH2053 1

TWIST-TOP TUNE-UP®



HANDBRAKE MECHANISM

www.sngbarratt.com

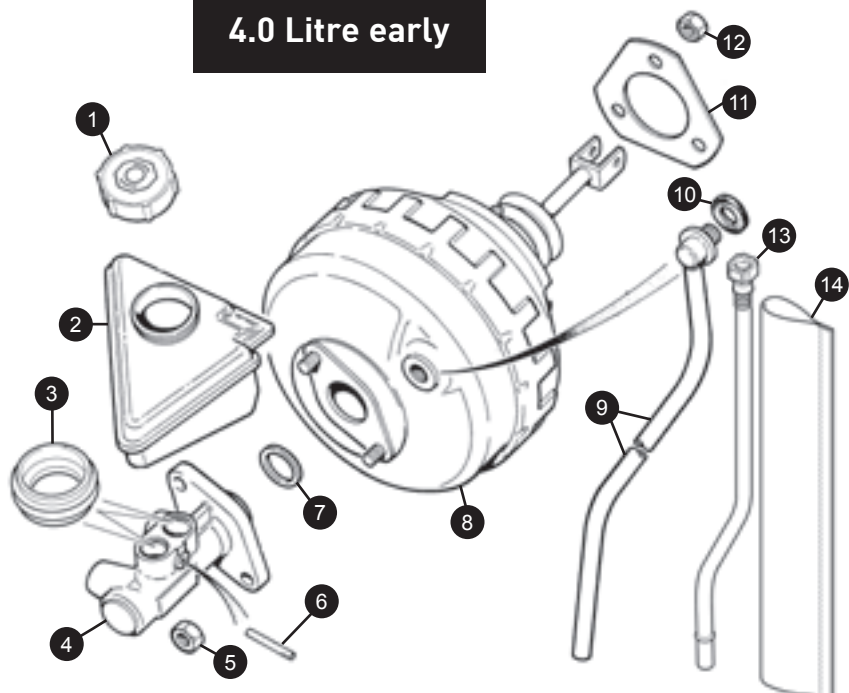
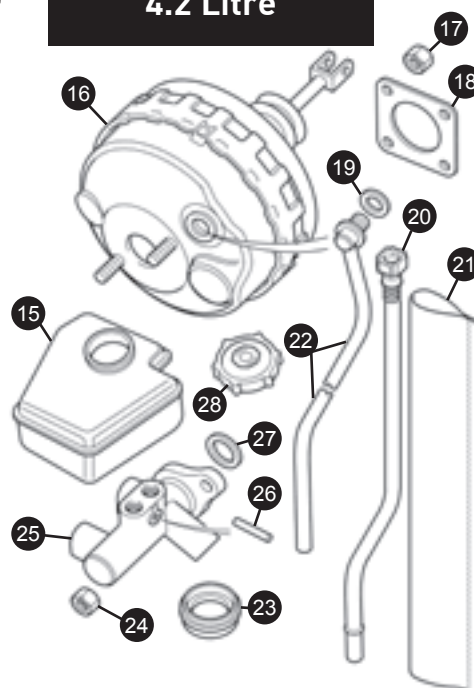


1. Handbrake lever assembly RHD. LHD.	MJA5140AC MJA5140BC	1 1	15. Tie strap	MJA5193AA	1
2. Rubber buffer	JLM20259	1	16. Mounting plate Coupe Convertible & Supercharged coupe	MJA5165AC NJB5821BB	1 1
3. Plain washer	WJ108001J	1	17. Washer 25mmx4mm	JZW100008	4
4. Lever spacer RHD. LHD.	MJC5142BA MJC5142AA	2 2	18. Hexagon flange screw, M8x20mm	C2Z1856	4
5. Bolt, hex head	JFB1080E	1	19. Locking nut	JFY10804B	1
6. Handbrake cable, front (to VIN A11210)	MJB5150AA	1	20. Handbrake cable equalizer	MJA5175AA	1
7. Cable trunnion (to VIN A11210)	MHF5152AA	1	21. Handbrake damper	MJA5143AA	1
8. Brake spring clip (to VIN A11210)	JZE100049	1	22. Handbrake cable adjuster	MJA5169AB	1
9. Cable clip	JZE100033	1	23. Handbrake cable, rear LH	MNA2743AA	1
10. Handbrake cable, front (from VIN 11211)	MJC5150AA	1	24. Handbrake cable connector	CAC8603	1
11. Push -on clip (from VIN 11211)	JZE100063	1	25. Handbrake cable, rear RH	MNA2742AA	1
12. Handbrake cable trunnion (from VIN 11211)	MJC5152AA	2	26. Cable bush	MJA2796AA	2
13. Pivot pin (from VIN 11211)	MJC5157AA	1	27. Handbrake lever grommet	KZY100005	1
14. Handbrake switch RHD. LHD. (to VIN 042775)	JLM20012 JLM20013	1 1	28. Cable fork end	MJA5156AA	1
			29. Push on clip	JZE100062	2
			30. Clevis pin	PC108291J	1
			31. Spacer	MJA5171AC	1
			32. Plain washer	WC108051J	1
			33. Relay lever Bolt	BH108101J	1
			34. Fork end	MNA5156AA	1
			35. Relay lever	MJA5163AC	1
			36. Brake return spring RHD RH LH LHD RH LH	MJA5148AD MJA5148BA MJA5149AD MJA5149BA	1 1 1 1

BRAKE BOOSTER & MASTER CYLINDER

www.sngbarratt.com

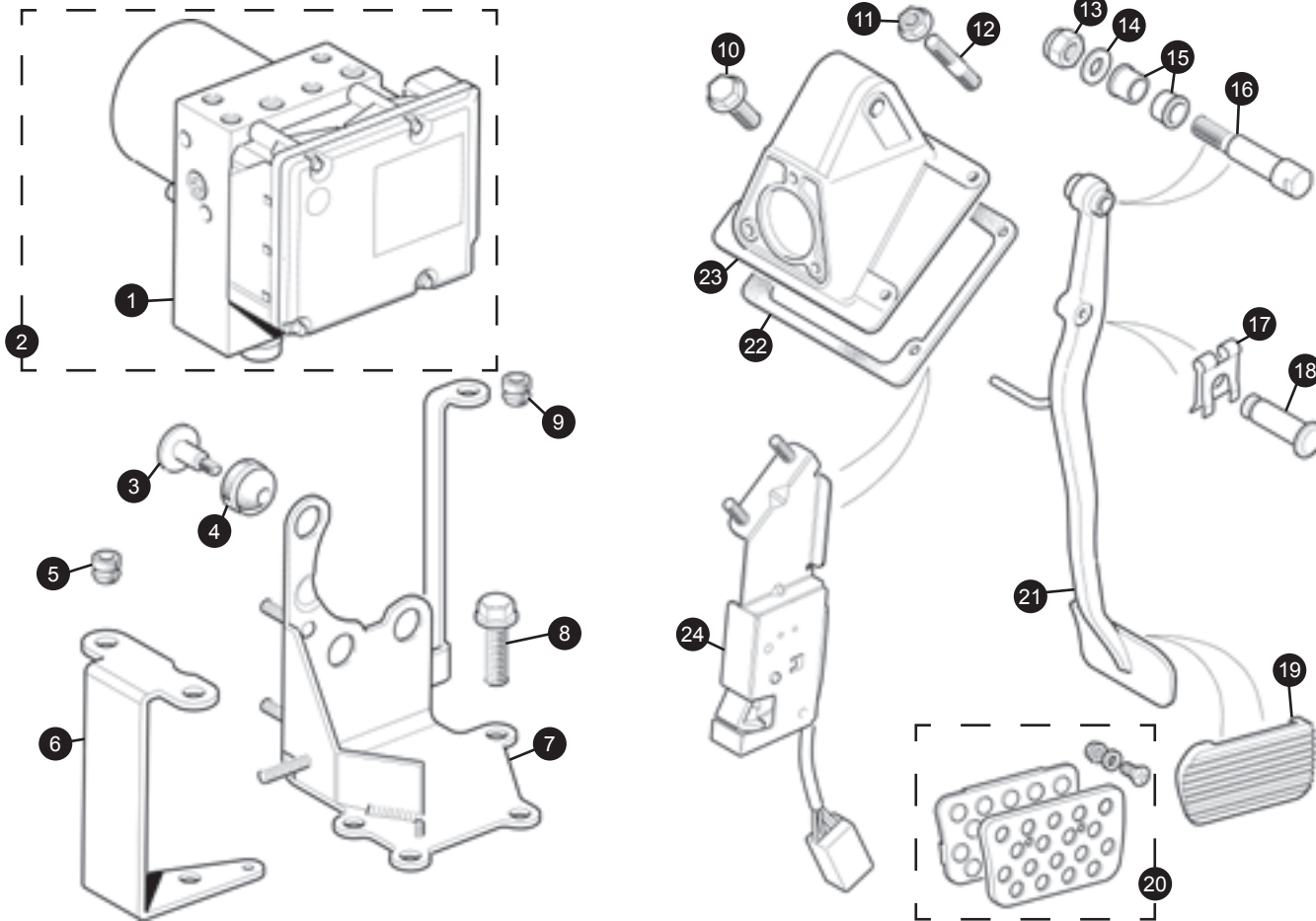
4.0 Litre early

4.0 Litre late
4.2 Litre

1. Reservoir cap	JLM21215	1	17. Locking nut		
2. Brake booster reservoir	JLM12082	1	(from VIN 038100)	JFY10804B	4
3. Reservoir seal	JLM12184	2	18. Gasket, 4 hole fixing		
4. Brake master cylinder	JLM20266	1	(from VIN 038100)	MNE5512AA	1
(to VIN 038099)	JLM21164	1	19. Servo Valve seal	JLM21101	1
(from VIN 038100 to 042775)	JFY10804B	2	20. Vacuum pipe		
5. Locking nut, M8	JLM12084	1	4.2 Litre supercharged (from VINA33641)	C2N2681	1
6. Securing pin	JLM12084	1	4.2 Litre non supercharged	MJA5910CB	1
(to VIN 038099)	JLM12081	1	21. Protective sleeve	XR834015	1
7. Seal	JLM12081	1	22. Brake vacuum pipe		
(to VIN 038099)	JLM12188	1	RHD	MJA5910AC	1
8. Brake booster, 3 stud fixing	JLM12188	1	LHD	MJA5910BC	1
(to VIN 038099)	MJA5910AC	1	23. Reservoir seal	JLM12184	2
9. Brake vacuum pipe	MJA5910BC	1	24. Locking nut, M8	JFY10804B	2
RHD	JLM21101	1	25. Brake master cylinder		
LHD	CCC7114	1	(from VIN A00083 to A30644)		
10. Servo Valve seal	JFY10804B	3	Adaptive speed control	JLM21211	1
11. Gasket, 3 hole fixing	MJA5910CB	1	Standard & non adaptive speed control	JLM21164	1
(to VIN 038099)	C2C39935	1	(from VIN A30645)	C2N1911	1
12. Locking nut			26. Securing pin		
(to VIN 038099)	JFY10804B	3	(from VIN 038100)	JLM21216	1
13. Vacuum pipe	MJA5910CB	1	27. O ring seal		
(to VIN A33640)	XR834015	1	(from VIN 038100)	XR852447	1
14. Protective sleeve	C2C39935	1	28. Reservoir cap	JLM21215	1
Not shown Sensor					
15. Reservoir			Not shown Sensor	C2C39935	1
Adaptive speed control	JLM12082	1	(from VIN A30645)		
Standard (from VINA30645)	C2N2486	1	Brake transducer	XR828106	1
16. Brake booster, 4 stud fixing			Pressure sensor	JLM21212	1
Standard & non adaptive speed control	JLM21163	1			
(from VIN 038100 to A30644)	JLM21109	1			
Adaptive speed control	C2N1910	1			
(to VIN A30644)					
(from VIN A30645)					

ABS MODULATOR & BRAKE PEDAL HOUSING

www.sngbarratt.com



1. Electronic control module Traction control (9 valve) (to VIN 018107) (from VIN 018108 to 042775) (from VIN A00083 to A30644) (from VIN A30645) Non traction control (6 valve) (to VIN 018107) (from VIN 018108 to A30644)	JLM20130 (6 pipes) JLM20556 (6 pipes) JLM21323 C2N3651	1 1 1 1	10. Setscrew	FS108301J	2
2. Hydraulic control module Traction control (9 valve) (to VIN 042775) (from VIN A00083 to A30644) (from VIN A30645) Non traction control (6 valve) (to VIN A30644) (from VIN A30645)	JLM20129 (5 pipes) JLM20555 (5 pipes)	1 1	11. Flanged nut	JFX10805B	2
3. Torx screw	JZS100111	3	12. Stud	TE108041J	2
4. Mounting rubber	MJA5924AB	3	13. Nut	NY110041	2
5. Grommet	NCA3973AA	2	14. Plain washer 0.25 I/D	FW105T	4
6. Cover retaining bracket	MJB5927BA	1	15. Pivot bush	CAC1742	2
7. Modulator mounting bracket	MJB5911AA	1	16. Brake pedal pivot pin	MNB5394AA	1
8. Setscrew	JDE2798	4	17. Safety clip	C2732832	1
9. Grommet	C2C16681	1	18. Clevis pin	MNF5414AA	1
			19. Brake pedal pad rubber	MNA5378AA	1
			20. Brake pedal pad kit	C2N2812	1
			21. Brake pedal sub assembly Right hand drive Left hand drive	MJA5374AC MJA5374BC	1 1
			22. Brake pedal housing gasket (to VIN 038099) (from VIN 038100)	MJA5412AA MJC5412AA	1 1
			23. Pedal housing (to VIN 038099, 3 hole fixing) (from VIN 038100, 4 hole fixing)	MJA5372AA MJC5372AB	1 1
			24. Brake pedal switch	LJB6420BB	1



UK - Bridgnorth
+44 (0) 1746 765 432
sales.uk@sngbarratt.com



USA - Manchester NH
+1 800 452 4787 (toll free)
sales.usa@sngbarratt.com



FRANCE - Charney les Macon
+33 (0) 3 85 20 14 20
sales.fr@sngbarratt.com



HOLLAND - Oisterwijk
+31 (0) 13 52 11 552
sales.nl@sngbarratt.com

Brembo® brakes deliver unrivalled stopping performance.

FRONT

Brembo Brake caliper, front 4.2 Litre supercharged

Grey RH C2N2144 1

Grey LH C2N2145 1

4.2 Litre supercharged

Red RH C2N3247 1

Red LH C2N3248 1

4.2 Litre non supercharged

Grey RH MXD1512CA 1

Grey LH MXD1513CA 1

Brembo Brake disc kit, front:

Cross drilled C2N3427 2

Non cross drilled C2N3428 2

Brembo brake pad kit, front MXD1550AB 1

Bleed screw JLM21319 2

Brake pad pin/clip kit, front JLM21320 2

Brembo dust shield kit, front JLM21403 2

REAR

Blanking plug JZD100020 2

Rubber bush MNF2796AA 2

Brake lever pin JLM11004 2

Brembo caliper, rear 4.2 Litre supercharged

Grey RH C2N2146 1

Grey LH C2N2147 1

Red RH C2N3249 1

Red LH C2N3250 1

Brake disc, rear:

Cross drilled JLM21748 2

non cross drilled C2N2360 2

Brake pad kit, rear MXD2750AA 1

Bleedscrew kit JLM21319 2

Brake pad pin/clip kit Brembo JLM21321 2

Dust shield, rear Brembo JLM21404 2

Splash shield backplate

RH MXD2788AA 1

LH MXD2789AA 1

**GREEN STUFF® BRAKE PADS**

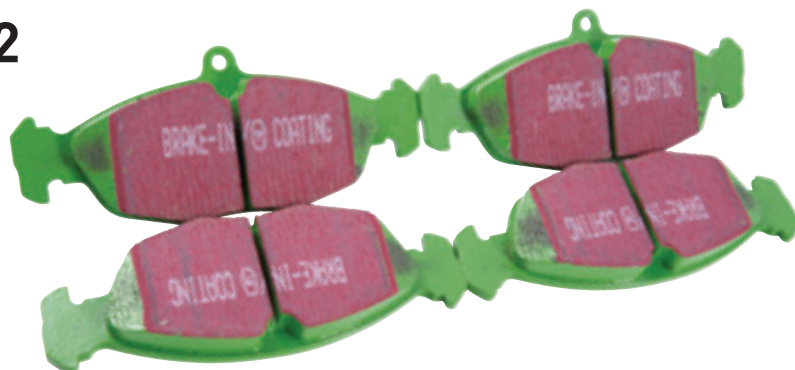
'Greenstuff' brake pads, which make use of the very latest and best in friction technology, can give a noticeable improvement in the braking performance of your Jaguar XK8 whilst still retaining the vehicle's original calipers.

Choose Green Stuff; for even greater improvements in stopping power!

→ CONTACT OUR FRIENDLY SALES TEAM FOR ADVICE ON THE FULL RANGE OF GREEN STUFF® BRAKE PAD SETS FOR YOUR JAGUAR XK8/XKR

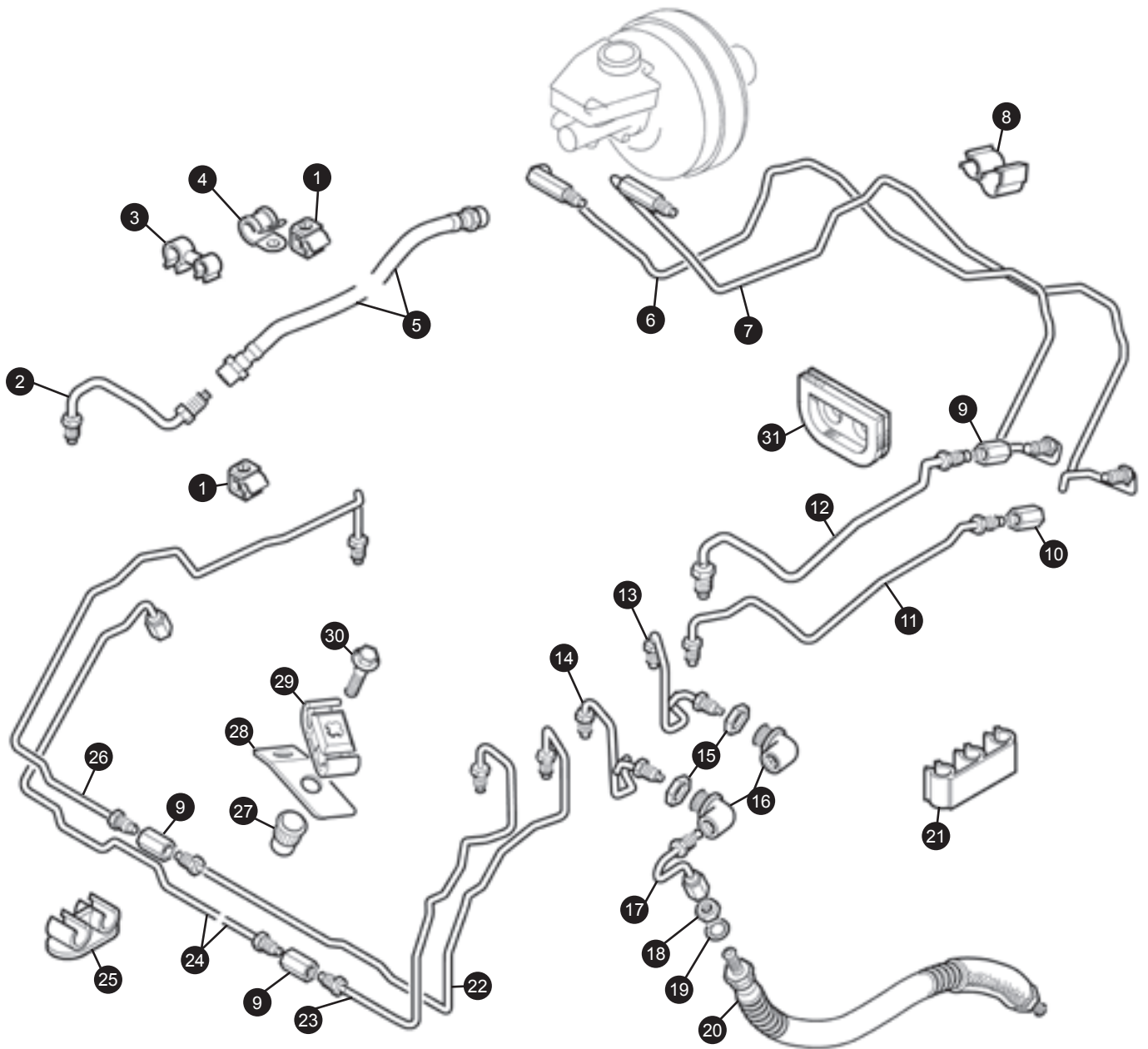
+44 (0)1746 765432

**GREEN
STUFF**



FRONT BRAKE PIPES

www.sngbarratt.com



1. Pipe clip	KDF105004	8	(from A30645)	MJC5754BB	1
2. Brake pipe LHD traction control (from VIN A00083)	MJC5760AB	1	8. Double pipe clip (to VIN A15827) (from VIN A15828 to A30644) (from VIN A30645)	KDP105060 KDP105061 C2N1909	5 A/R 1
3. Pipe clip, swivel	KDP205100	1	9. Connector RHD	MJA5813BA	3
4. Pipe clip (To VIN A30644) (from VIN A30645)	JZP100008 KDG106004	1 1	10. Connector RHD	MJA5813CA	1
5. Brake hose (traction control) Flexible	MJA5824AA	1	11. Brake pipe RHD	MJB5758AA	1
6. Brake pipe (non traction control) (to VIN 038099) (from VIN 038100)	MJB5756DA MJC5756DA	1 1	12. Brake pipe RHD	MJA5760AF	1
7. Brake pipe (to VIN 042775) (from VIN A00083 to A30644)	MJC5754BB MJC5756DA	1 1	13. Brake pipe	MJA5778BB	1
			14. Brake pipe (to VIN 038759) (from VIN 038760)	MJA5778AA MJB5706AA	1 1
			15. Brass nut	JZN100050	2

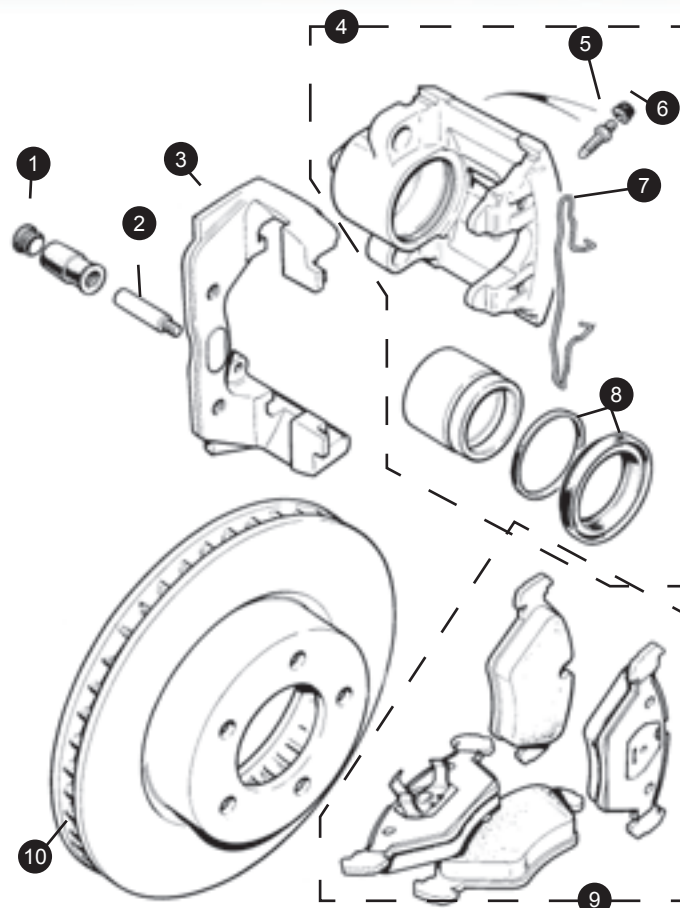
FRONT BRAKE PIPES

www.sngbarratt.com

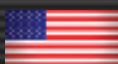
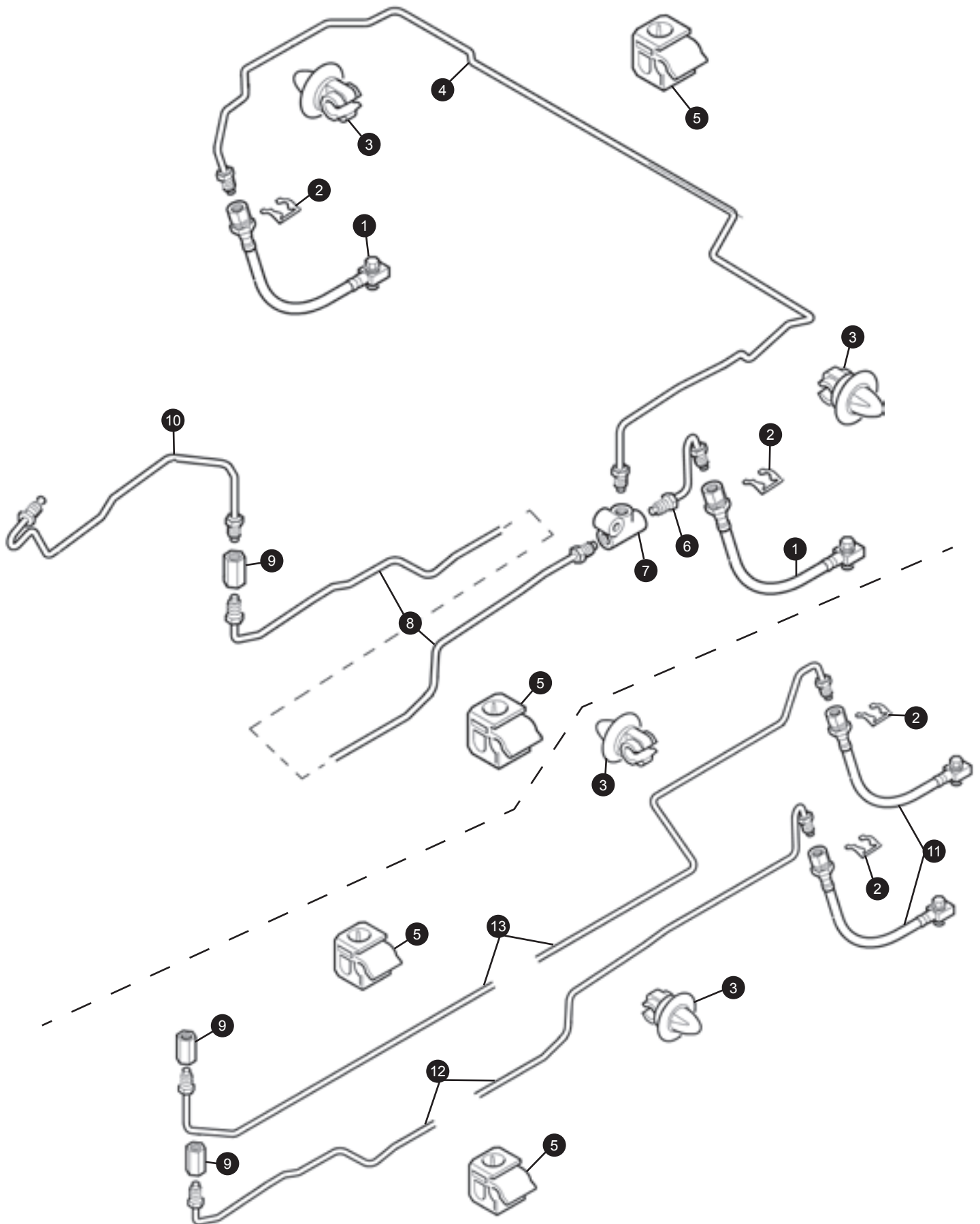
16. Elbow	MND5734AC	2	(from VIN A11051 to A32417)	MJE5704AA	1	
17. Brake pipe	MJA 5786AA	1	(from VIN A32418)	MJE5704AB	1	
18. Locknut	C41712	2	24. Brake pipe	MJA5704BE	1	
19. Washer	WF110001J	4	(to VIN A11050)	MJE5704BB	1	
20. Flexible hose			(from VIN A11051 to A32417)	MJE5704BC	1	
4.0 Litre supercharged	MJB5670AA	2	(from VIN A32418)	25. Double clip	CAC9252	5
4.0 Litre non supercharged			26. Brake pipe			
(to VIN 024686)	MJA5760AD	2	(to VIN A11050)	MJA5772AC	1	
(from VIN 024687 to 042775)	MJB5670AA	2	(from VIN A11051 to A32417)	MJE5772AB	1	
(from VIN A00083 on)			(from VIN A32418)	MJE5772AC	1	
'R' performance	C2N3107	2	27. Threaded insert	JZR100022	8	
Standard	MJB5670AA	2	28. Support bracket	MJA5808AB	1	
21. Treble pipe clip	KDR603003	2	29. Double pipe clip	KDG105004	8	
22. Brake pipe			30. Flanged screw			
(to VIN A32417)	MJA5724AB	1	(to VIN 042275)	JFB10505E	8	
(from VIN A32418)	MJE5724AA	1	(from VIN A00083)	JZH100079	2	
23. Brake pipe			31. Rubber grommet	MJA5821AA	1	
(to VIN A11050)	MJA5704AD	1				

FRONT BRAKE DISCS & CALIPERS

1. Bushing kit	JLM2194	2
2. Locating pin	C2C27297	4
3. Caliper carrier kit (front)		
4.0 Litre supercharged	MJD7860AA	2
(to VIN 031302)	MJD7861AA	2
(from VIN 031303)		
4.0 Litre non supercharged	MJD7860AA	2
(to VIN 037347)	MJD7861AA	2
(from VIN 037348)		
4.2 Litre except Brembo	MJD7861AA	2
4. Caliper housing c/w piston		
4.0 Litre & 4.2 Litre except Brembo		
RH front	MJD7842AA	2
LH front	MJD7843AA	2
5. Bleed screw	MJD7848AA	2
6. Dust cap	JLM2193	2
7. Housing clip	MJD7864AA	2
8. Caliper seal kit	MJD7868AA	2
9. Brake pad kit, front		
Standard		
(to VIN A24195)	JLM1829	1
(from VIN A24196)	JLM21917	1
R - performance	MXD1550AB	1
10. Brake disc, front		
Standard		
305 m/m dia. Non cross drilled	C2C41249	2
325 m/m dia. Non cross drilled	C2C41250	2
R- performance		
cross drilled	JLM21749	2



REAR BRAKE PIPES



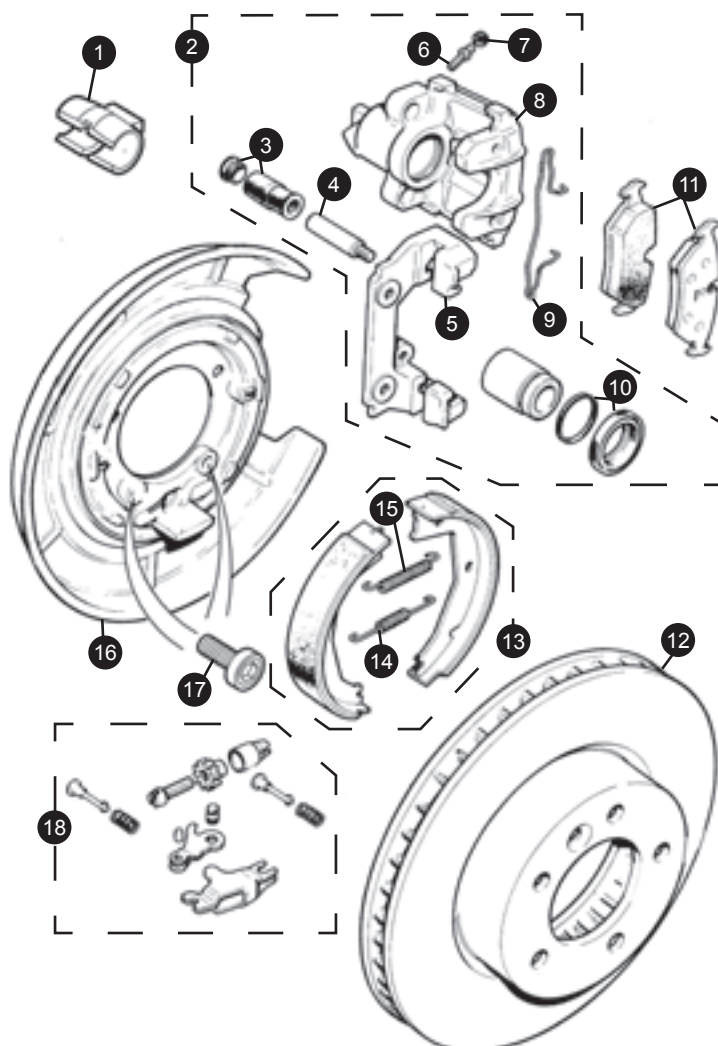
REAR BRAKE PIPES

www.sngbarratt.com

1. Flexible hose R- performance Standard	C2N3108 MJA5670BB	2 2	(from VIN 038760)	MJB5712AA MJA5813BA	1 2
2. Brake hose clip	AGU2722	2	9. Connector	MJA5748AB	1
3. Single pipe clip	AAU6367	2	10. Brake pipe (to VIN 038759) (from VIN038760)	MJB5778BA	1
4. Brake pipe, rear (to VIN 031302) (from VIN 031303)	MJA5716AD MJC5716AA	1 1	11. Flexible hose Standard 'R' performance	MJA5670BB C2N3108	2 2
5. Pipe clip	KDF105004	10	12. Brake pipe, RH rear (to VIN 022314) (from VIN 022315 to 038759) Nut-tube modification for above (from VIN 038760 to A30644) (from VIN A30645)	MJA5712AC JLM20730 MND5782AA MJB5722AB C2N1501	1 1 1 1 1
6. Brake pipe	MJA5714AC	1			
7. 3 way connector	FAM8908J	1			
8. Brake pipe, front to rear (to VIN038759)	MJA5712AC	1			

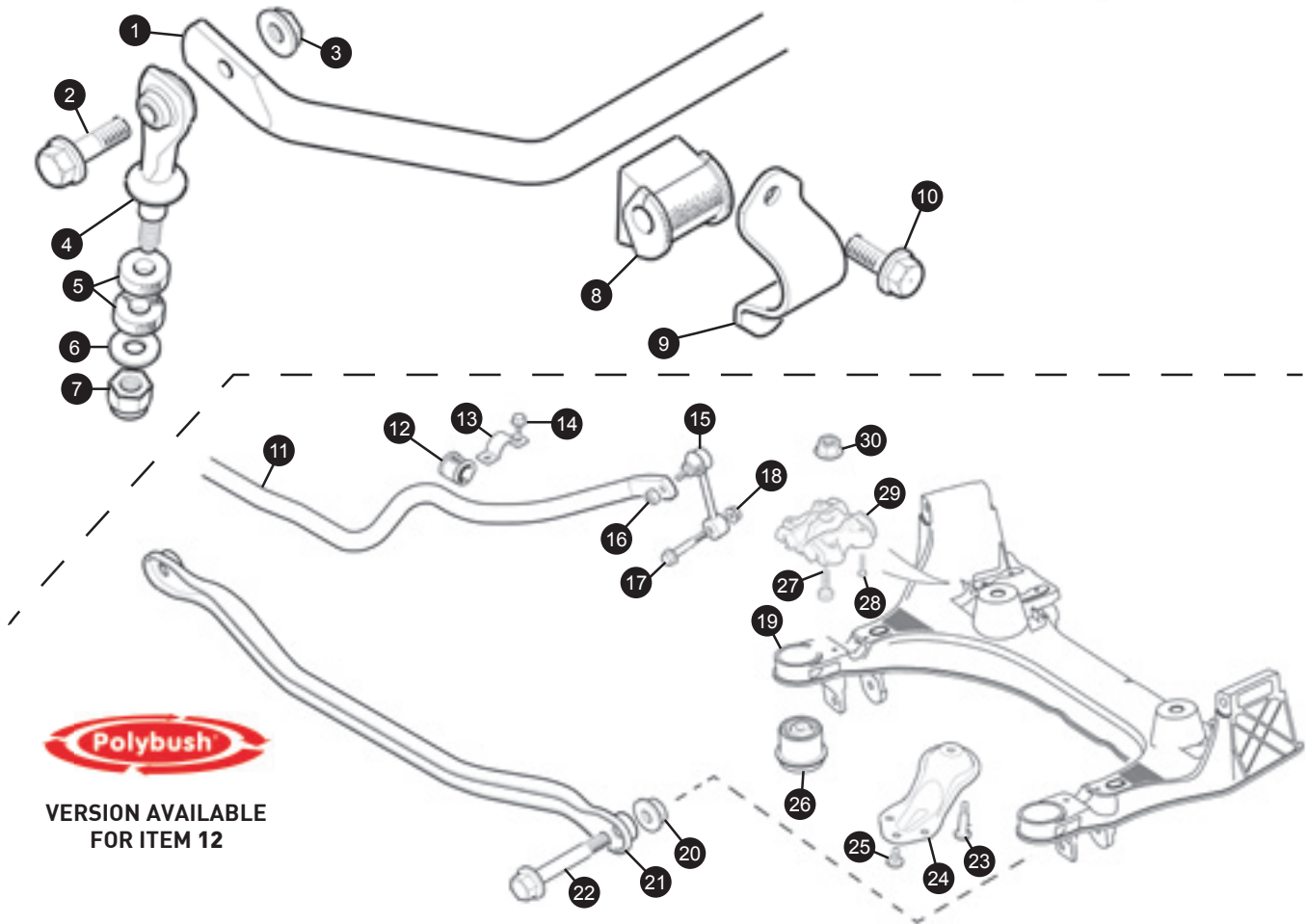
REAR BRAKE DISCS & CALIPERS

1. Brake clip	CCC5644	2
2. Caliper assembly, rear RH	JLM20232	1
LH	JLM20233	1
3. Bushing kit	C2C29161	4
4. Locating pin	C2C27297	4
5. Caliper carrier kit, rear	MJD7860BA	2
6. Bleed screw Standard	JLM12120	2
7. Dust cap	JLM12121	2
8. Caliper housing, rear RH	MJD7852AA	1
LH	MJD7853AA	1
9. Housing clip	JLM12122	2
10. Brake caliper seal kit, rear	JLM21054	1
11. Brake pad kit, rear Standard	JLM21220	1
12. Brake disc, rear Standard	C2C41251	2
13. Brake shoe kit (axle set, including springs)	JLM2209	1
14. Lower tension spring	JLM2203	2
15. Upper tension spring	JLM2204	2
16. Splash shield backplate Standard		
RH	JLM12338	1
LH	JLM12339	1
17. Backplate screw Upper	AGU1895J	4
Lower	JZS100093	4



FRONT ANTI-ROLL BAR & CROSS MEMBER

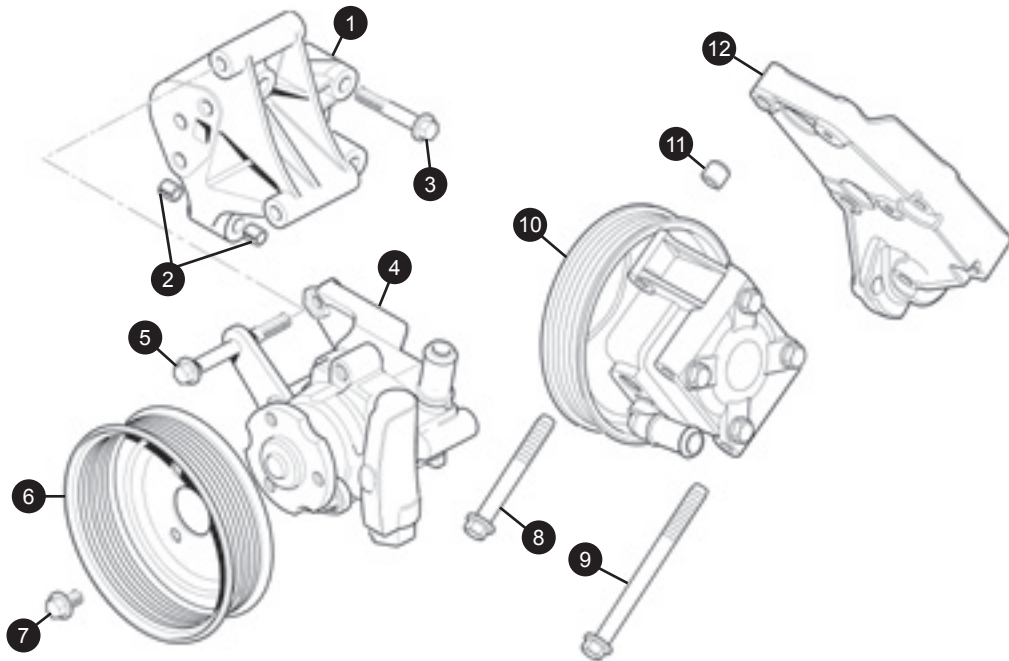
www.sngbarratt.com



1. Rear anti roll bar Standard 'R' performance	MJA3500DF MNA3500DA	1 1	16. Self locking nut	NY112041J	2
2. Link bolt	C2P7626	2	17. Link bolt	FB110171J	2
3. Locking nut	FN110041J	2	18. Self locking nut	FN110041J	2
4. Anti roll bar link	MNA3505AE	2	19. Cross beam (to VIN A11050)	MJD2232BA	1
5. Link bush	MNA3504AB	4	(from VIN A11051 to A30644)	MJE2232AA	1
6. Plain washer	WC110061J	2	(from VIN A30645)	C2N2797	1
7. Locking nut	NY110041	2	20. Locking nut	JFX11404E	2
8. Anti roll bar bush Standard 'R' performance	MJA3502DD CBC4901	2 2	21. Fulcrum tie	MJA2260AE	1
9. Anti roll bar bracket, rear	MNA3501AA	2	22. Fulcrum tie bolt	JZB100071	2
10. Flange headed screw	JFS11020F	4	23. Torx bolt	JZB100095	2
11. Front anti roll bar Standard 'R' performance	MJA2100DH MXD2100AA	1 1	24. Crossbeam mounting bracket (to VIN A11050)	MJA2547AA	2
12. Anti roll bar bush Standard 'R' performance Polybush® version	MJA2102CE MXD2102AA MJA2102CEU	2 2 2	(from VIN A11051)		
13. Anti roll bar bracket, front	MJA2101AA	2	RH	MJE2540AC	1
14. Flange headed screw	JFT10816EP	4	LH	MJE2541AC	1
15. Anti roll bar link	MJA2105AG	2	25. Torx head machine screw	JZS100074	4
			26. Subframe bush	MJA2370AJ	2
			27. Pan head screw	XR842497	2
			28. Torx flange headed screw	JXB1084EP	8
			29. Vee mounting	MJA2360AH	2
			30. Lock nut M10	No part number	2

POWER-ASSISTED STEERING PUMP

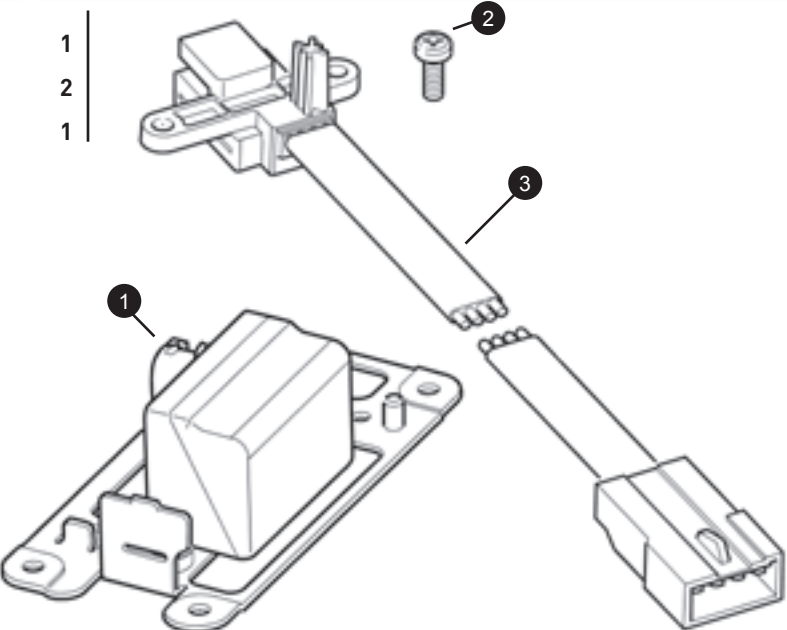
www.sngbarratt.com



1. Pump mounting bracket	NCA8301AB	1	8. Flange bolt M8 x 60mm	XR82838	2
2. Dowel	EAZ2159	3	9. Bolt M8 x 101mm	AJ88384	2
3. Bolt	C2C35271	2	10. Power steering pump	C2C34135	1
4. Power steering pump	MJA8111BH	1	11. Dowel	EAZ2159	3
5. Hex headed flanged bolt	JFB10816B	2	12. Pump bracket		
6. Pump pulley	NCA3740AD	1	(to VIN A39972)	C2C5197	1
7. Flange headed screw	JZS100068	3	(from VIN A39973)	C2N3143	1

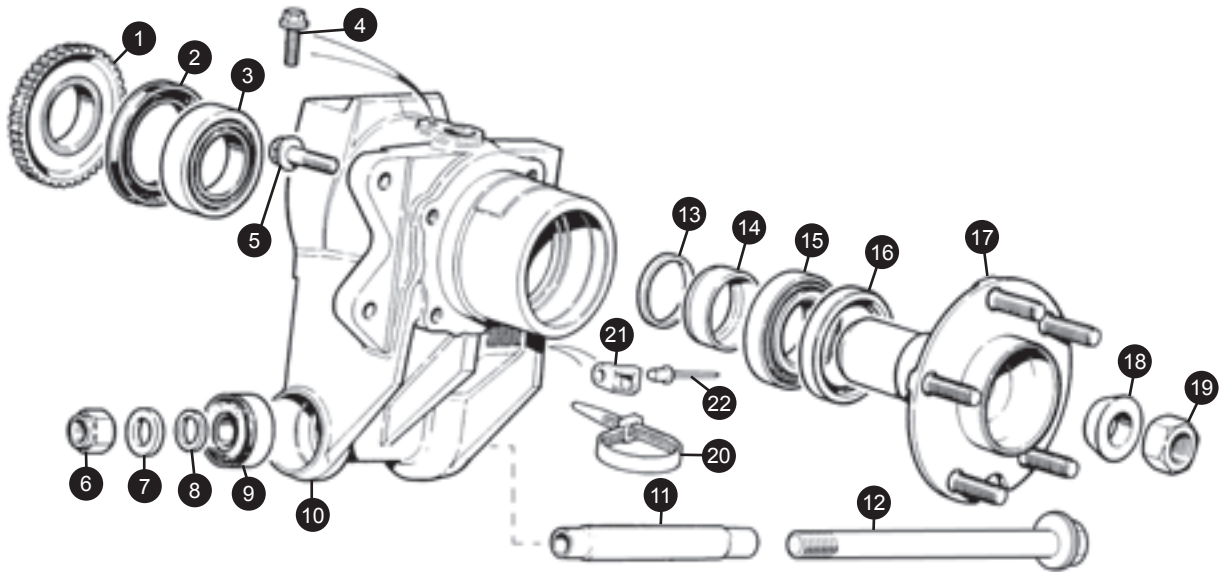
STEERING SENSORS

1. Yaw rate sensor	C2C34671	1
2. Screw	XR815844	2
3. Steering rotation sensor	C2N1794	1

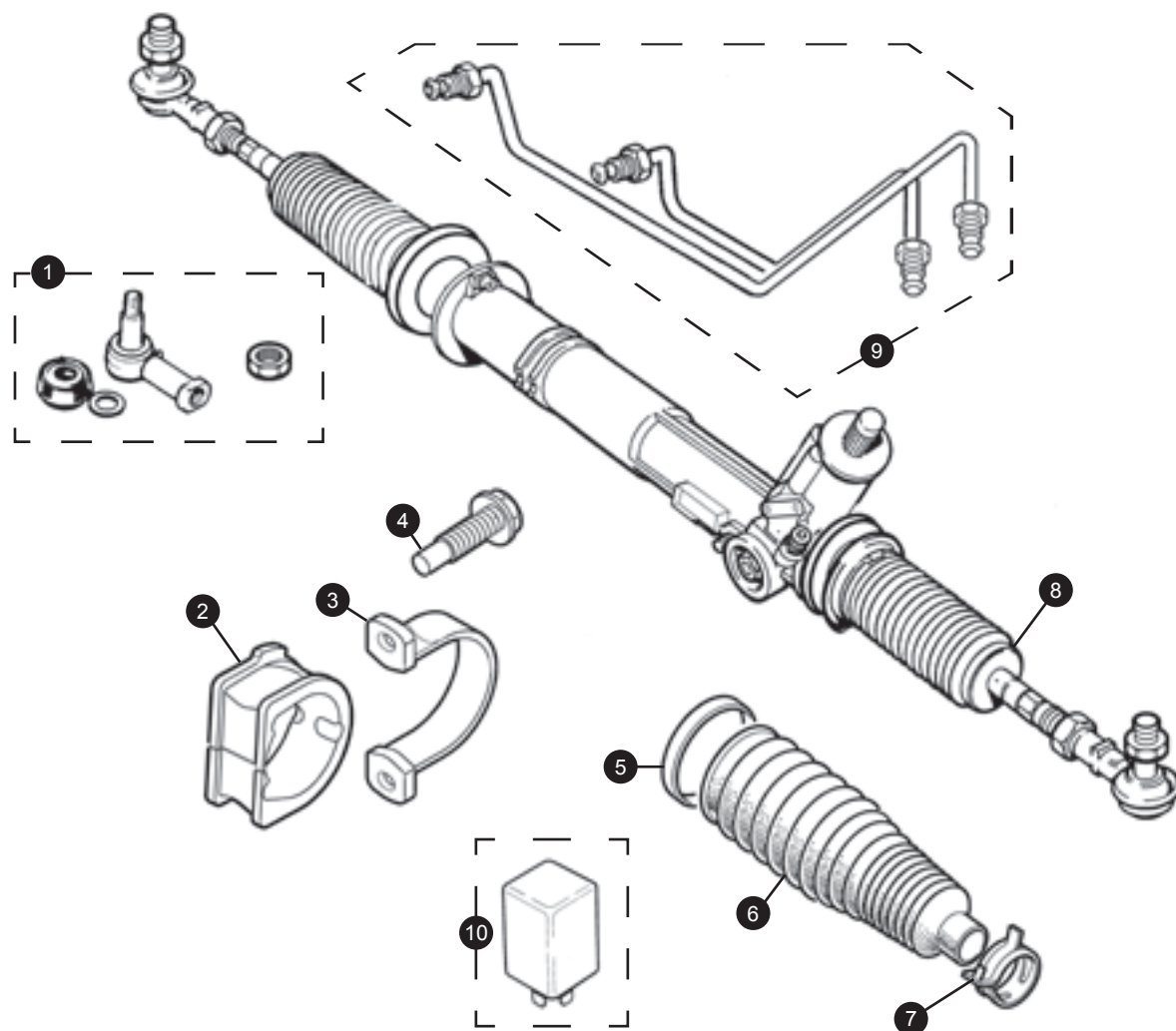


REAR HUB ASSEMBLY

www.sngbarratt.com



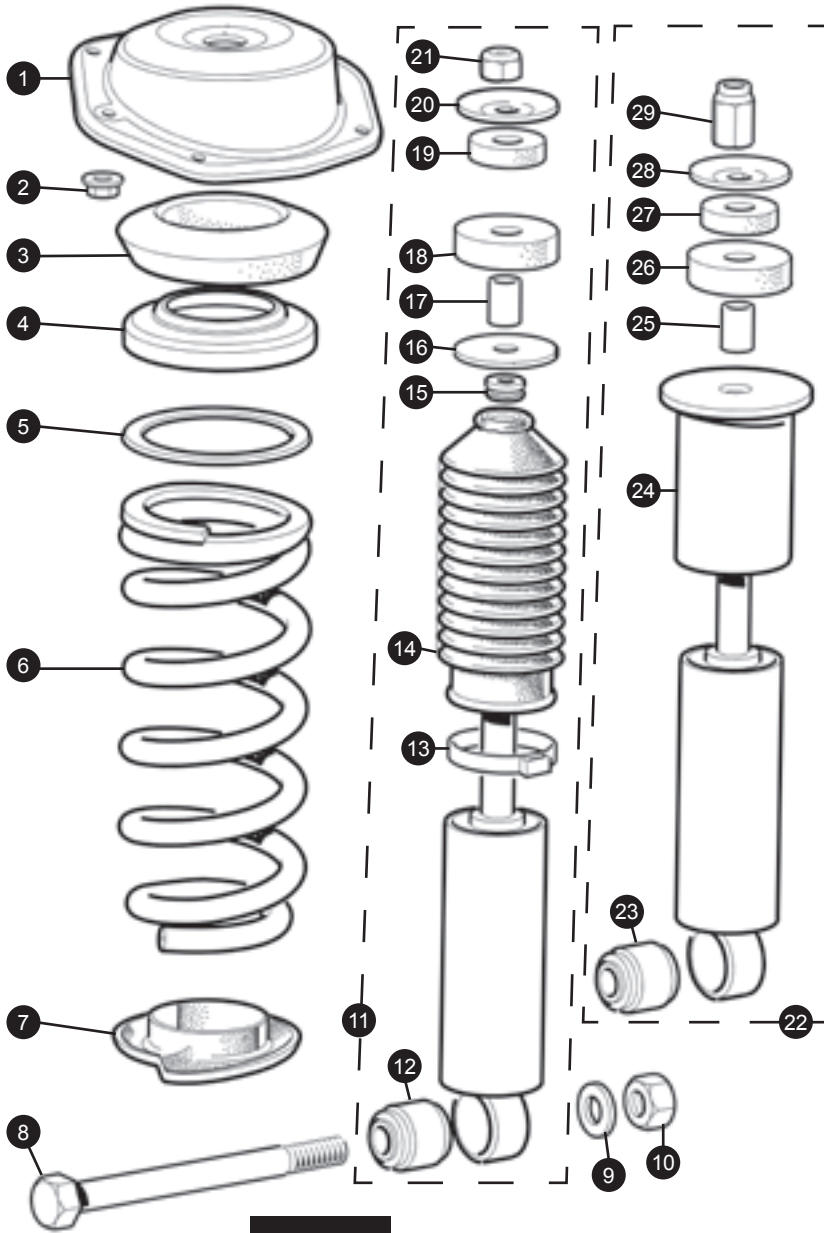
1. Sensor rotor	CBC4705	2	2.32mm	CBC95053	A/R
2. Inner seal	CBC1706	2	2.37mm	CBC95054	A/R
3. Hub bearing, inner	JLM21053	2	2.47mm	CBC95056	A/R
4. Flange headed screw	C2C22018	2	2.52mm	CBC95057	A/R
5. Rear caliper bolt			2.57mm	CBC95058	A/R
Standard	JZB100060	4	2.62mm	CBC95059	A/R
'R' performance			2.67mm	CBC950510	A/R
(to VIN A22190)	JZB100060	4	2.72mm	CBC950511	A/R
(from VIN A22191)	C2C6745	4	2.77mm	CBC950512	A/R
6. Pivot pin locknut	JNV114041J	2	2.82mm	CBC950513	A/R
7. Hub carrier washer	WA114001	2	2.87mm	CBC950514	A/R
8. Adjustable spacer			2.92mm	CBC950515	A/R
3.905mm	MHC3397AA1	A/R	2.97mm	CBC950516	A/R
3.955mm	MHC3397AA2	A/R	3.02mm	CBC950517	A/R
4.005mm	MHC3397AA3	A/R	3.07mm	CBC950518	A/R
4.055mm	MHC3397AA4	A/R	3.12mm	CBC950519	A/R
4.105mm	MHC3397AA5	A/R	3.17mm	CBC950520	A/R
4.155mm	MHC3397AA6	A/R	3.22mm	CBC950521	A/R
4.205mm	MHC3397AA7	A/R	3.27mm	CBC950522	A/R
4.255mm	MHC3397AA8	A/R	3.32mm	CBC950523	A/R
4.305mm	MHC3397AA9	A/R	3.37mm	CBC950524	A/R
4.355mm	MHC3397AA10	A/R	3.42mm	CBC950525	A/R
4.405mm	MHC3397AA11	A/R	3.47mm	CBC950526	A/R
4.455mm	MHC3397AA12	A/R	14. Bearing spacer	CBC8207	2
5.505mm	MHC3397AA13	A/R	15. Outer hub bearing	CAC6333	2
9. Taper roller bearing	CAC4610	2	16. Outer seal	CCC4466	2
10. Hub carrier			17. Rear hub		
Standard			(to VIN A18551)	MNA3337AA	2
RH	MJA3290AA	1	(from VIN A18552)	MNE3337AB	2
LH	MJA3291AA	1	Wheel stud, threaded		
R-performance			(to VIN A30644)	CAC3878	10
RH	MXD3290AA	1	Wheel stud, splined		
LH	MXD3291AA	1	(from VIN A30645)	JZB100064	10
11. Pivot pin sleeve	MNE4520AA	2	18. Locating collar	CBC6652	2
12. Outer pivot pin	JZB100047	2	19. Hub nut	JZN100035	2
13. Adjustable spacer			20. Cable tie	AAU5884J	2
2.22mm	CBC95051	A/R	21. Mounting cradle	AGU1548	2
2.27mm	CBC95052	A/R	22. Rivet	RU612503J	2
			Not shown Hub bearing kit	JLM1708	2



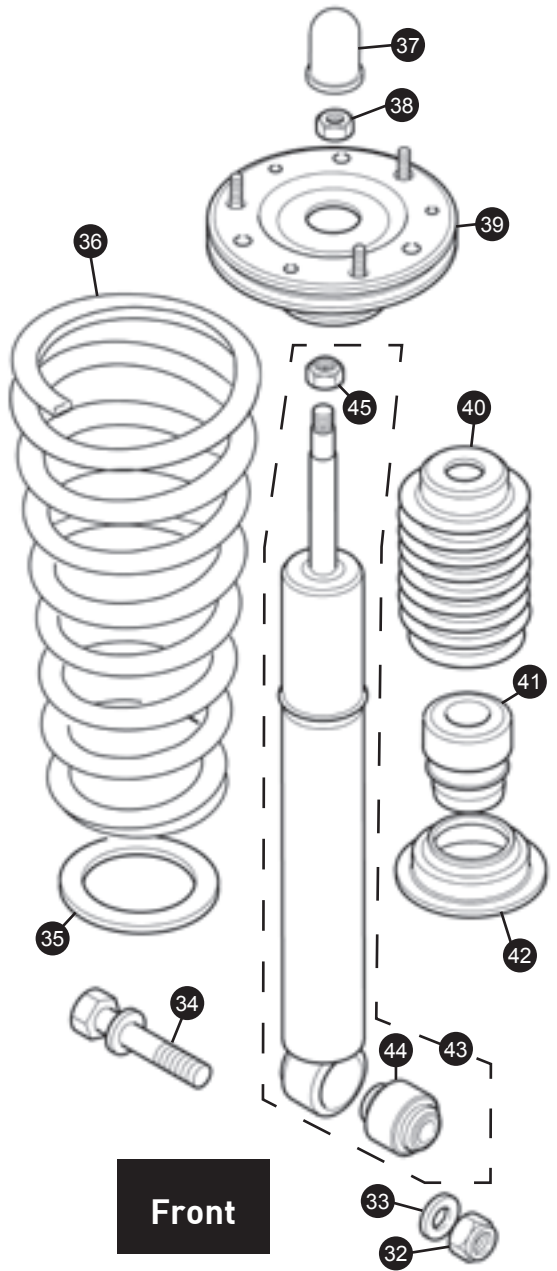
1. Tie rod end kit	JLM1098	2	RHD (re-manufactured)	MJC3900ACE	1
2. Rack mounting bush (to VIN 024686)			LHD (re-manufactured)	MJC3901ACE	1
Driver's side	MNC3953AC	1	4.0 Litre & 4.2 Litre non supercharged		
Passenger's side (from VIN 024687)	MNC3953BC	1	RHD (re-manufactured)		
Standard			(to VIN 018107)	MJA3900ADE	1
Driver's side	MJB3953AA	1	(from VIN 018108 to 031302)	MNC3900BCE	1
Passenger's side	MJB3953BA	1	(from VIN 031303)	MJC3900ACE	1
'R' performance			LHD (re-manufactured)		
Driver's side	MXD3953AA	1	(to VIN 018107)	MJA3901ADE	1
Passenger's side	MXD3953BA	1	(from VIN 018108 to 031302)	MNC3901BCE	1
3. Rack mounting bracket			(from VIN 031303)	MJC3901ACE	1
Driver's side	MJA3952DA	1	'R' performance		
Passenger's side	MJA3952EA	1	RHD (re-manufactured)	MXD3900BBE	1
4. Flange headed screw	JZS100157	4	LHD (re-manufactured)	MXD3901ABE	1
5. Gaiter clip, large	JLM20684	2	9. Rack transfer pipe kit		
6. Rack bellows	JLM20683	2	RHD	JLM21604	1
7. Gaiter clip, small	JLM20685	2	LHD	JLM21603	1
8. Steering rack, c/w pipes 4.0 Litre supercharged			10. Steering control module		
			R-performance	LXD2100AA	1
			Standard		
			4.2 Litre supercharged	LJB2100BA	1
			4.2 Litre non supercharged	LJC2100AB	1



POLYBUSH® VERSION AVAILABLE



Rear

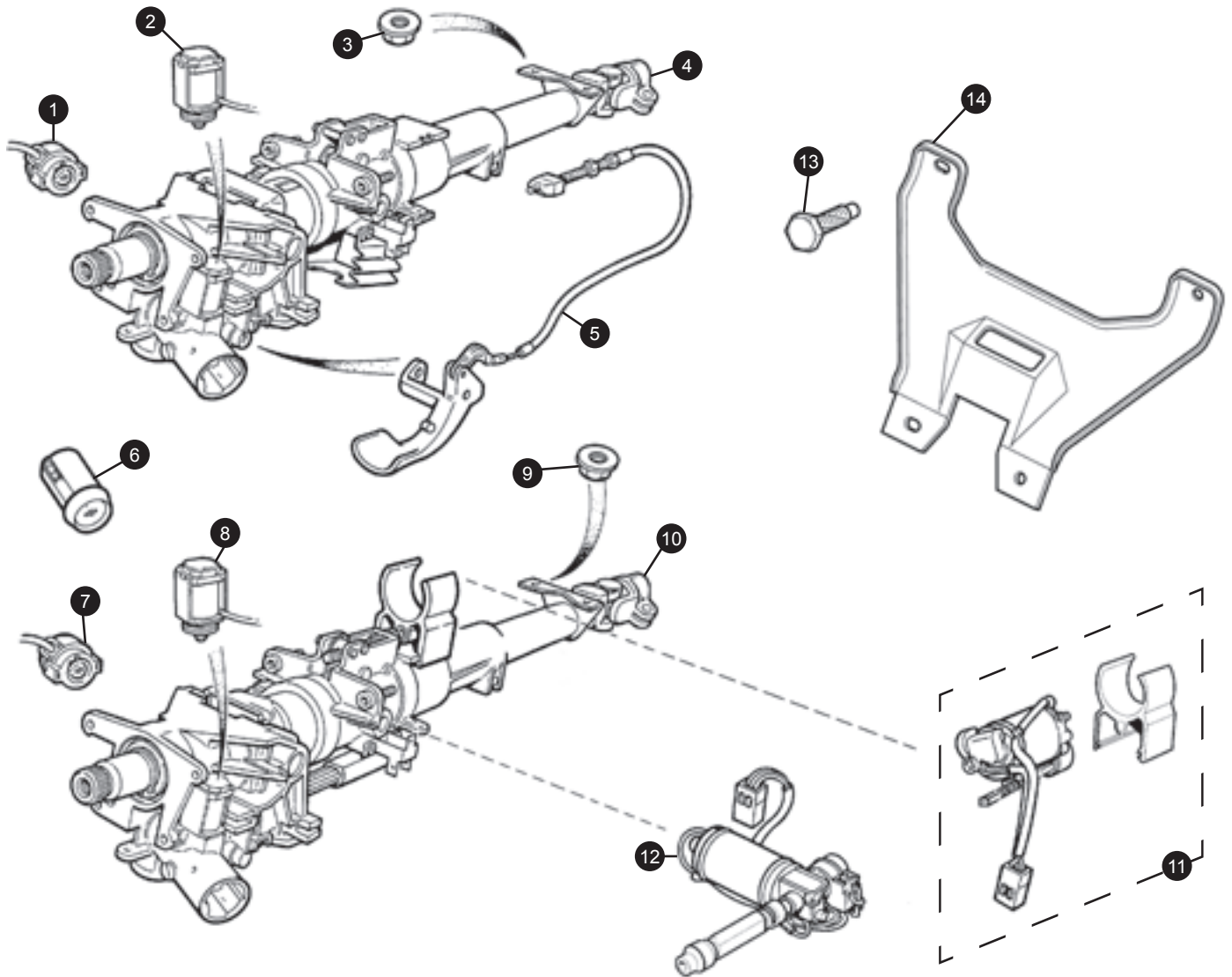


Front

Adaptive damping accelerometer



1. Spring/strut mounting (to VIN 018107) (from VIN 018108)	MMD3470AA MNC3470AA	2 2	36. Road spring kit, front (to VIN 042775) 4.0 Litre supercharged Adaptive control damping Convertible	JLM20706	1
2. Nut/washer	JZH100034	8	Coupe	JLM20689	1
3. Upper spring isolator	MMD3565AA	2	4.0 Litre non supercharged Convertible	JLM20712	1
4. Upper spring pan	MMD3563AA	2	Non adaptive damping Coupe	JLM20152	1
5. Spring packer 3.4mm/2.9mm 6.55mm/6.05mm	MNA3562AA MNA3562BA	2 2	Adaptive control damping (to VIN 014439)	JLM20410	1
6. Rear road spring kit Adaptive control damping (to VIN 019724)	JLM20190	1	(from VIN 014440 to 031302)	JLM20710	1
(from VIN 019725)	JLM20589	1	(from VIN 031303)	JLM20711	1
Standard suspension 'R' performance (from VIN A00083)	JLM12342	1	Non adaptive damping (from VIN A00083 to A30644)	JLM21176	1
(from VIN A30645)	JLM21278	1	4.0 Litre 'R' performance coupe	JLM21277	1
Coupe , not R-performance	JLM20589	1	4.0 Litre non supercharged Non 'R' performance Convertible		
Convertible, not R-performance	JLM12342	1	Adaptive control damping 4.0 Litre supercharged	JLM20706	1
7. Pigtail spring seat	CCC7350	2	Non adaptive control damping Coupe	JLM20712	1
8. Damper bolt	JZB100036	2	Adaptive control damping 4.0 Litre supercharged	JLM20689	1
9. Washer	JZW100023	2	4.0 Litre non supercharged Non adaptive damping	JLM20710	1
10. Locking nut	JNV114041K	2	(from A30645)	JLM20711	1
11. Damper assembly (not adaptive control damping)	MJA3540DE	2	Convertible (marked red/purple)	JLM20706	1
12. Spherical joint	CCC6782	2	Coupe 'R' performance (pink/purple)	JLM21276	1
13. Gaiter clip	CCC7139	2	Coupe, not 'R' performance	JLM20689	1
14. Damper gaiter	MNA3548AA	2	37. Damper cover Adaptive control damping	NJA3975BB	2
15. Gaiter locating collar	CCC7132	2	Standard	NJA3975AB	2
16. Special washer	MNA3543AA	2	38. Flange nut	JFX10805B	2
17. Spacer tube	MNA3554AA	2	39. Upper spring mounting	MJA2170BD	2
18. Isolator, lower	CAC949465	2	40. Damper gaiter	MJA2148AA	2
19. Isolator, upper	CAC949350	2	41. Spring assister	MJA2150BA	2
20. Special washer, upper	CBC1594	2	42. Spring pan	MJA2166BC	2
21. Nyloc nut, M10	JLM21158	2	43. Suspension damper, front (to VIN 042775)		
22. Suspension damper assembly, rear (Adaptive control damping) Supersports(to VIN A30644)	MJB3540EC	2	Adaptive control damping Coupe, supersports (to VIN 024686)	MJA2140EF	2
'R' performance (to VIN A30644)	MXD3540AC	2	Coupe, supersports (from VIN 024687)	MJB2140EB	2
Above requires adaptor harness: (from VIN A30645)	LJG3075AB	2	Not adaptive control damping (from VIN A00083 to A30644)	MJA2140DJ	2
Standard suspension 'R' performance	MJB3540EC	2	'R' performance	MXD2140AA	2
23. Spherical joint	CCC6782	2	Not 'R' performance	MJB2140EB	2
24. Rear damper gaiter	MJA3548AA	2	Adaptive control damping	MJA2140DJ	2
25. Spacer tube	MJA3554CB	2	Non adaptive control damping (from VIN A30645)		
26. Isolator, lower	CAC949465	2	'R' performance	MXD2140AB	2
27. Isolator, upper	CAC949350	2	Not 'R' performance	MJB2140EC	2
28. damper washer, upper	MJA3542AB	2	Adaptive control damping	MJA2140DJ	2
29. Damper nut	JZN100061	2	Non adaptive control damping		
30. Adaptive damping accelerometer	LJA1975AD	1	44. Lower damper bush	MJA2153AB	2
31. Accelerometer bracket	LJA1976AB	1	45. Nut	NY110041	2
32. Self locking nut	NY112041J	2	46. Bush kit	SU3017	1
33. Washer	WA112081	2	Polybush® kit	SU3017PB	1
34. Lower damper bolt	JBH112167	2			
35. Spring packer	MJA2162AA	2			



1. Ignition switch	LNC6507AA	1
2. Key removal interlock solenoid	LNA5860AA	1
3. Locking nut	JFY10804B	4
4. Steering column, manual adjust (to VIN A11050) (from VIN A11051)	HJA9263AF HJA9263BB	1 1
5. Steering column reach cable Repair kit (to VIN A11050)	JLM12197	1
6. Ignition lock barrel	BCC7849	1
7. Steering column ignition switch	LNC6507AA	1
8. Key removal interlock solenoid	LNA5860AA	1
9. Locking nut	JFY10804B	4
10. Steering column, powered	HJA9261AF	1
11. Steering column reach motor kit	JLM12187	1
12. Steering column tilt motor kit	JLM12186	1
13. screw	JHG10825EM	2

NEED KEYS?

CONTACT THE SNG BARRATT SALES TEAM WITH YOUR VIN NUMBER FOR ADVICE.

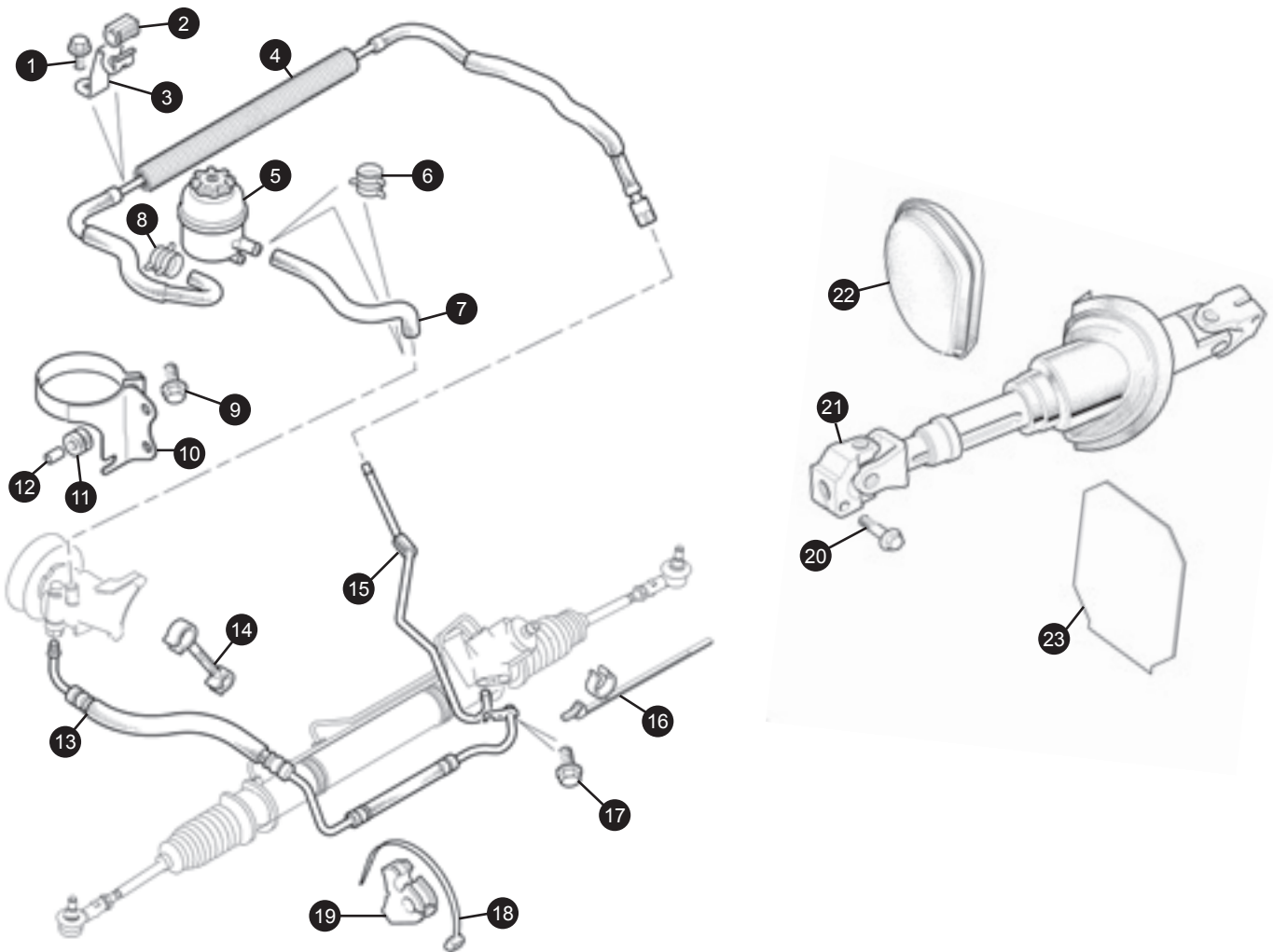
EMAIL: SALES@SNGBARRATT.COM

TEL: +44 (0) 1746 765432

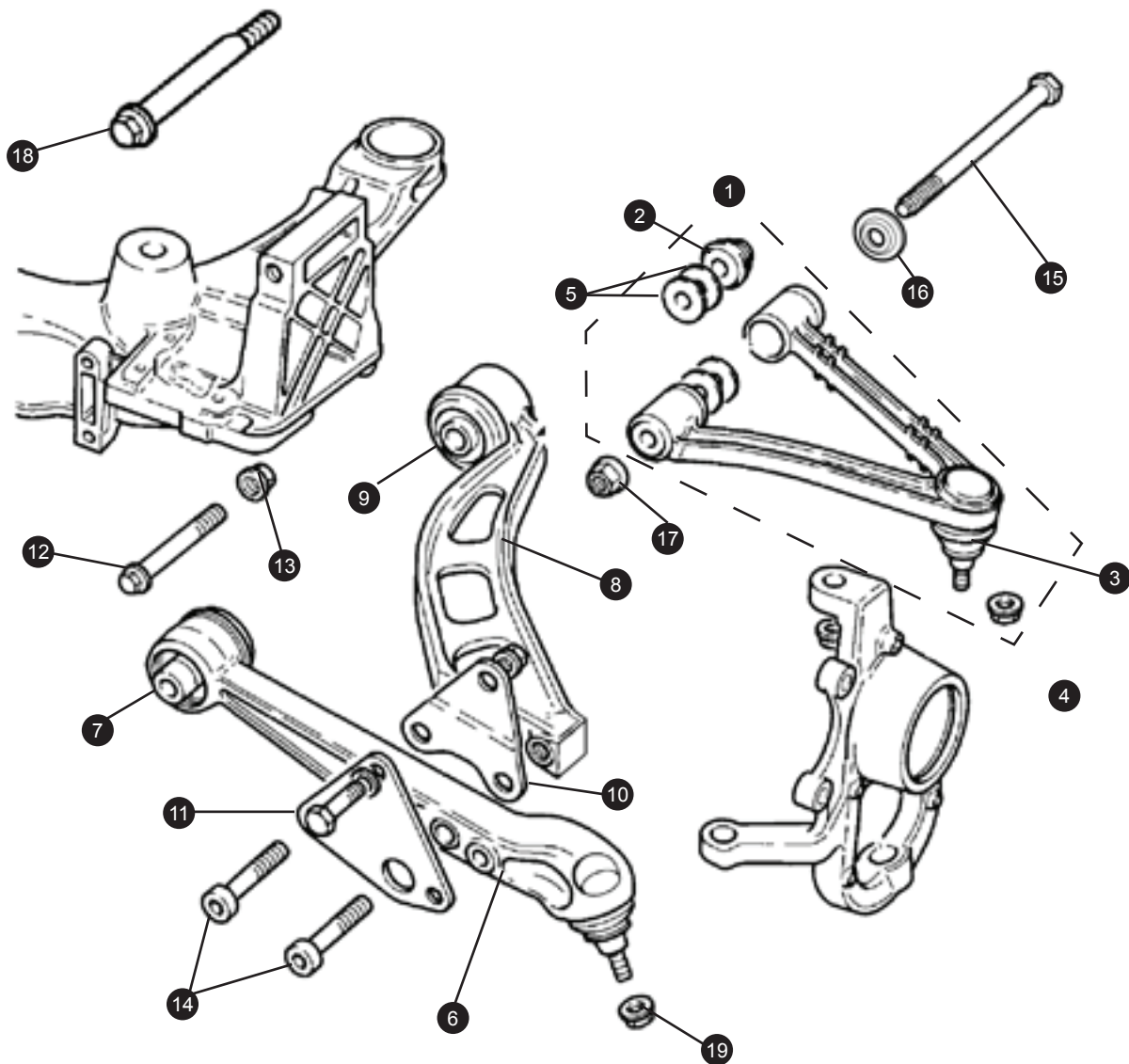


PAS HOSES & LOWER STEERING COLUMN

www.sngbarratt.com



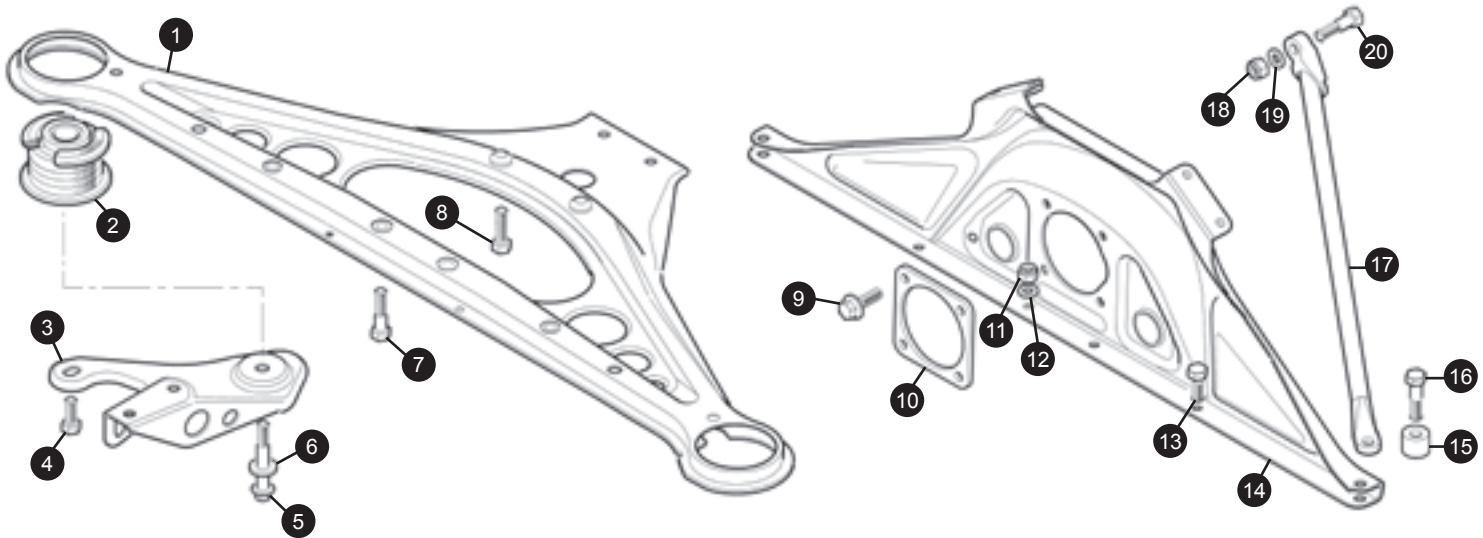
Not shown. Pump to HP pipe seal	XR829166	1	11. Insulator	C2C16681	2
HP pipe to rack seal	XR829167	1	12. Distance tube	JZT100012	2
Rack to return pipe seal	XR826168	1	13. High pressure hose		
Edge protector	DAC402716	1	4.0 Litre RHD	MJB3984AB	1
1. Flange headed screw	JFS10625F	2	4.0 Litre LHD	MJB3985AB	1
2. Pipe isolator	MJA2021AB	2	4.2 Litre RHD	C2N1067	1
3. Oil cooler mounting bracket (to VIN A11050)	MJA8081AC	2	4.2 Litre LHD	C2N1068	1
(from VIN A11051 to A30644)	MJE8081AA	2	14. Swivel pipe clip (LHD only) (to VIN A16434)	KDP210160	1
(From VIN A30645 to A40264)	MJE8081BA	2	15. Return pipe		
(from VIN A40265)	C2N3097	2	RHD	MJE3998AA	1
4. Power steering oil cooler			LHD	MJE3999AA	1
(to VIN A11050)			16. Pipe clip	JZP100005	2
4.0 Litre supercharged	MJB8084AA	1	17. Flange headed screw	JFS108127	1
4.0 Litre non supercharged	MJB8084AA	1	18. Tie strap	C46294	2
(from VIN A1151)	C2N2127	1	19. Pipe isolator mounting	MJA4021BC	2
5. Power steering reservoir & cap	MJF4000AA	1	20. Pinch bolt		
6. Hose clamp	JHC302240	2	(to VIN A11050) 8mm x 35mm	JZB100078	2
7. Low pressure hose			(from VIN A11051)	JFC10806EM	2
(to VIN A30644)	MJA3980AD	1	21. Lower steering column		
(from VIN A30645)	C2N1066	1	(to be used with JFC10806EM)		
8. Hose clamp	JHC302230	1	RHD	MJE9502AC	1
9. Flange headed screw	FS106165P	1	LHD	MJE9503AC	1
10. Reservoir bracket	MJB4003AB	1	22. Blanking grommet supersedes to:		
			23. Sealing pad	GJC93348AA	1



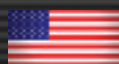
1. Upper wishbone					
LH	MJD1421AA	1	11. Damper mounting plate, rear		
RH	MJD1420AA	1	LH	MJA1374AA	1
2. Upper wishbone bush	MJA1462AB	4	RH	MJA1375AA	1
3. Upper ball joint	JLM21380	2			
4. Upper ball joint lock nut	JFX11205E	2	12. Suspension arm adjustment bolt	JZB100085	2
5. Pivot pin shim			13. Locking nut	JFX11205E	2
Thick	MJA1467AA	4	14. Torx headed set screw	JZS100164	4
Thin	MJA1467BA	4	15. Upper wishbone fulcrum shaft	MJA1455AD	2
6. Lower wishbone arm, rear (assembly)			16. Washer	CAC3533	8
LH	MJB1341AC	1	17. Flange nut for fulcrum shaft	JFX1160E	2
RH	MJB1340AC	1	18. Eccentric shank bolt, M12 x 105mm	JZB100086	2
7. Lower wishbone bush	MNE1360BB	2	19. Lower Ball Joint Nut	JFX11205E	2
8. Lower wishbone arm, front (assembly)	MJF1346AA	2			
9. Front lower wishbone bush	MNE1360CA	2			
10. Damper mounting plate, front					
LH	MJA1373AA	1			
RH	MJA1372AA	1			

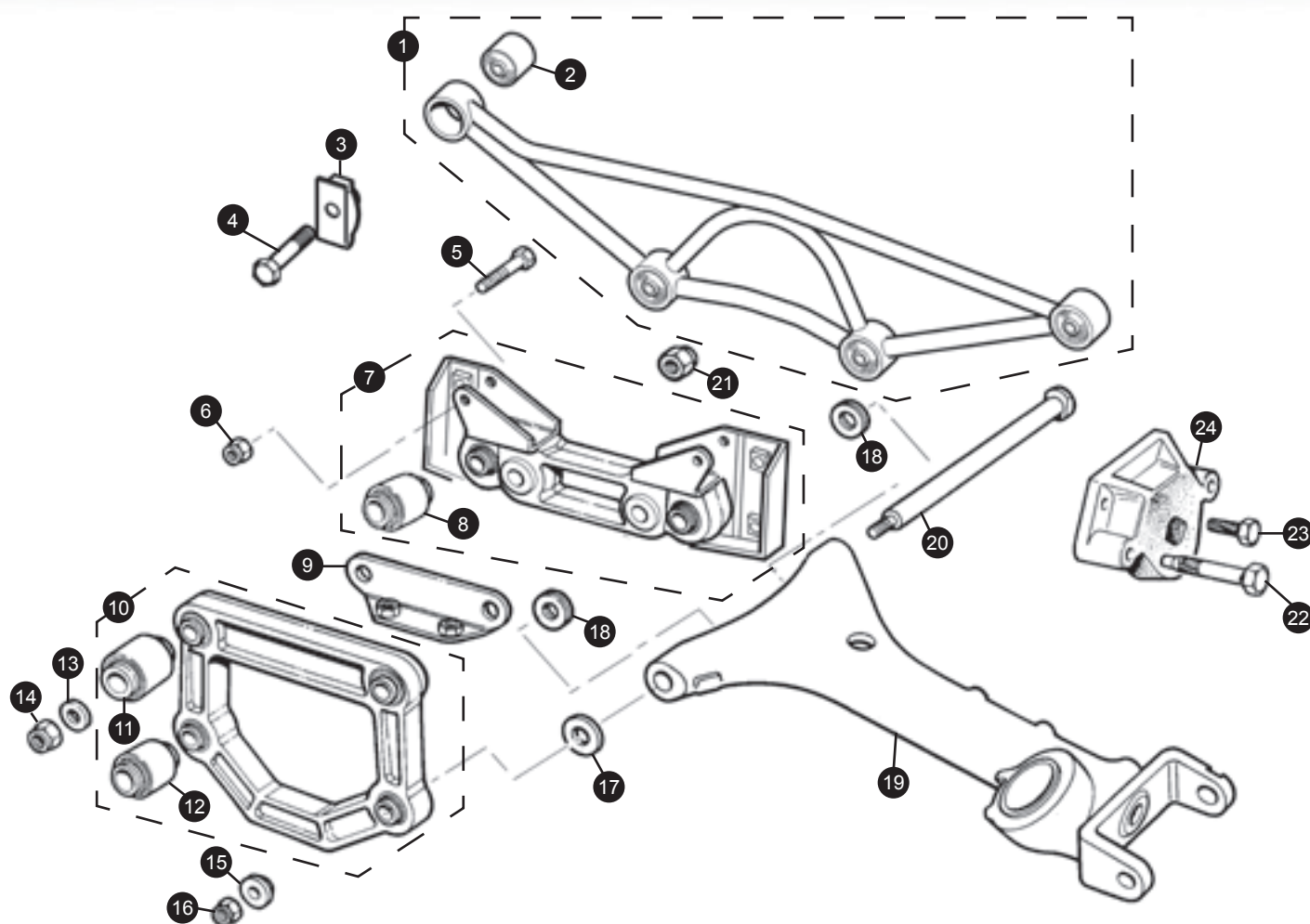
REAR FRAME CARRIER

www.sngbarratt.com

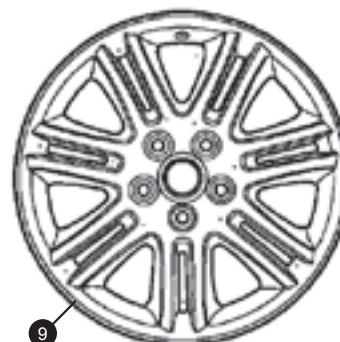
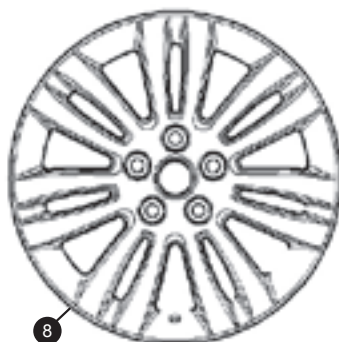
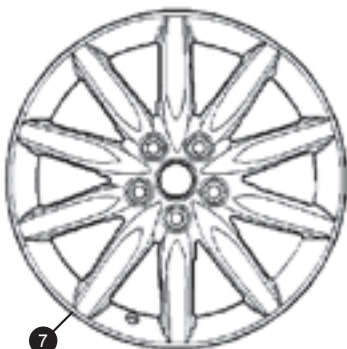
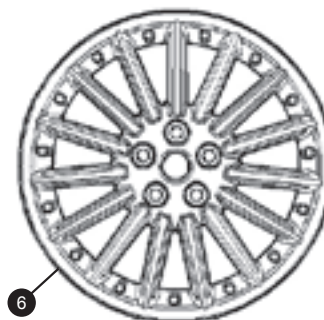
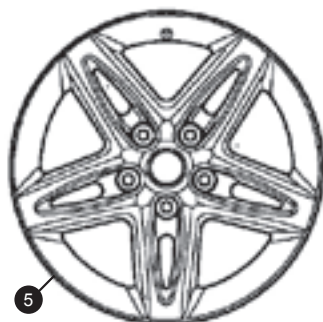
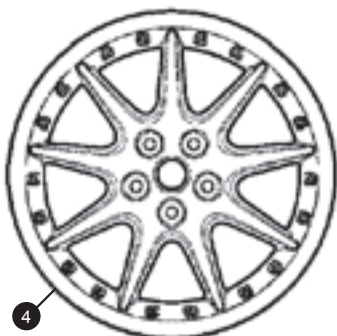
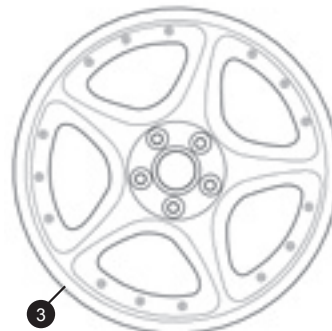
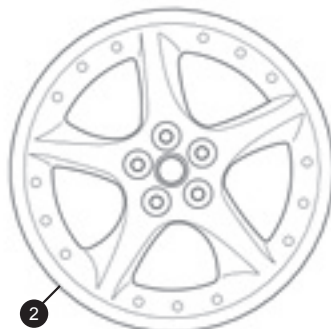
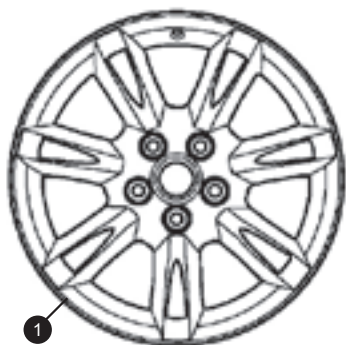


1. Rear subframe	C2N1017	1	9. Flange screw	FS110251P	4
2. Subframe bush	MJA2595A	2	10. Support plate	CAC8226	1
3. Lower mounting bracket			11. Self locking nut	NY112041J	4
Coupe			12. Washer	WA112081J	4
RH rear	MJA3700BA	1	13. Setscrew (to VIN005494)	SH212201MJ	2
LH rear	MJA3701BA	1	14. Rear suspension mounting bracket		
Convertible			(to VIN A30644)	MJA2622AA	1
RH rear	MJA3700AA	1	(from VIN A30645)	C2N1047	1
LH rear	MJA3701AA	1	15. Spacing boss	CAC9330	2
4. Hex head setscrew	SH112301M	6	16. Bolt	BH21209MJ	2
5. Hex head bolt	BH11218BP	2	17. Upper link		
6. Plain washer	JZW100037	2	RH	MNC2630AA	1
7. Bolt			LH	MNC2631AA	1
(to VIN 005494)	BH112091J	2	18. Self locking nut	NY112041J	2
(from VIN 005495)	BH112111	4	19. Washer	JZW100037	2
8. Bolt			20. Beam mounting strut bolt	JBH112167	2
(to VIN 005494)	SH212401MJ	2			
(from VIN 005495)	BH212091MJ	2			

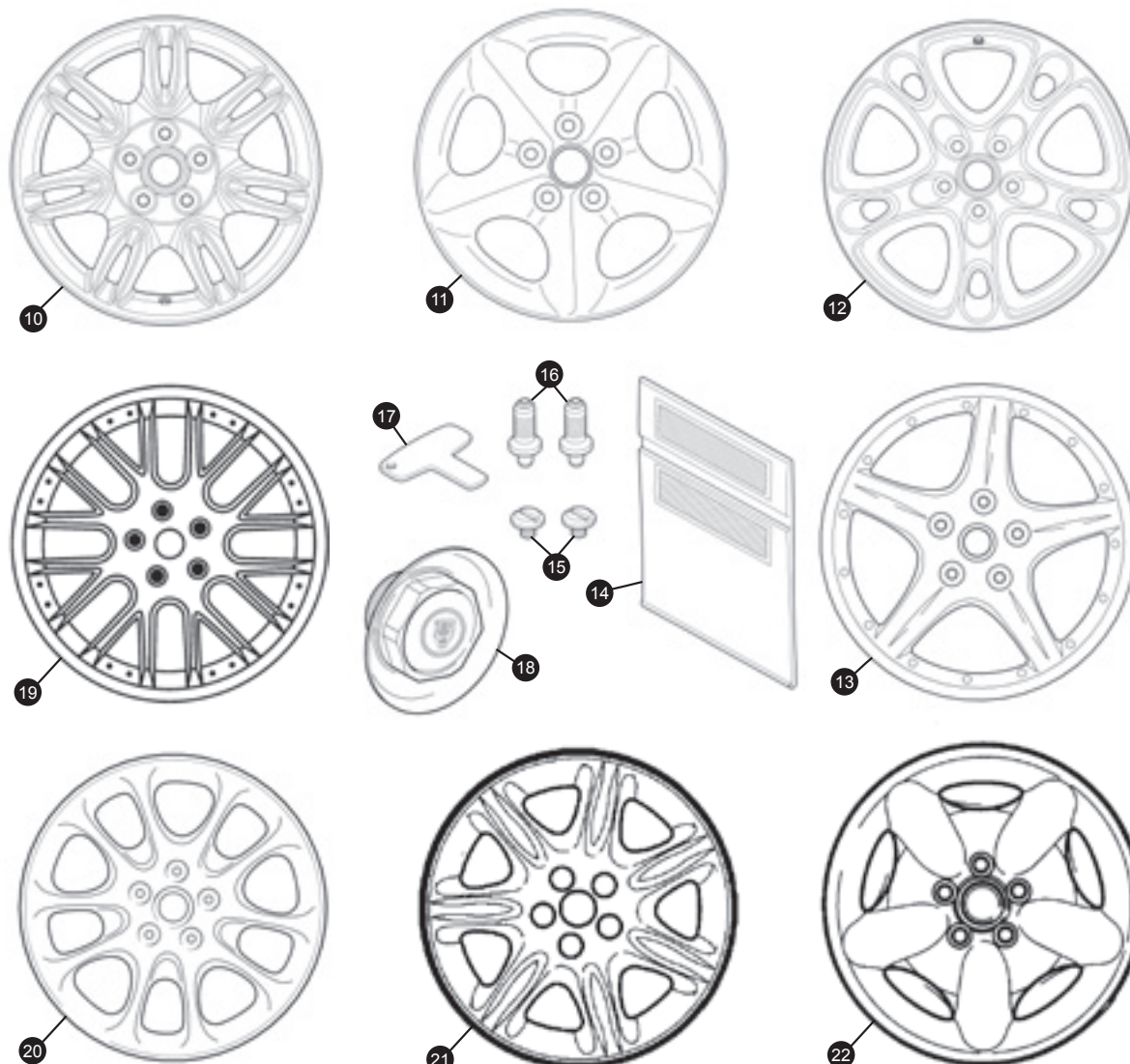




1. Differential strut c/w bushes	MJA3713AD	1	14. Self locking nut	NY116041J	2
2. Mounting bush	MJA3715AB2	4	15. Stepped washer	CBC6394	2
3. Spring nut	JZM100015	2	16. Fulcrum bolt nut	JFX214051	2
4. Flange headed bolt	FB112131	2	17. Wishbone washer	CAC8979	2
5. Bolt (to VIN A30644) (from VIN A30645)	BH112131J	2	18. Fulcrum bolt washer (steel & nylon)	MMB2882AA	4
6. Self locking nut	NY112041J	2	19. Rear lower wishbone RH	MNG2960AA	1
7. Wishbone tie bracket	MNC2856BA	1	LH	MNG2961AA	1
8. Pendulum bush	CAC4713	2	20. Wishbone fulcrum bolt	MMB2860AA	2
9. Extension bracket (to VIN028541) (from VIN 028542)	MJA2617AA	1	21. Locking nut	JFX11205E	2
10. Pendulum assembly	MNC2617BA	1	22. Setscrew	JZS100167	4
11. Pendulum top bush	MNB2840AA	1	23. Bolt	JXR10860FP	4
12. Pendulum lower bush	CAC77601	2	24. Suspension bump stop	MJA3750AB	2
13. Flat washer	CAC4713	2	Not shown. Wishbone spacer (to VIN 042775)		
	JLM9571	4	Inner	MNA2885AA	2
			Outer	MNA2885BA	2



1. Centaur 8Jx18 inch front	C2N2888	2	8. Aris 8Jx18 inch front	C2N3015	2
Centaur 9Jx18 inch front	C2N2889	2	Aris 8Jx18 inch rear	C2N3016	2
2. Detroit 9Jx20 inch front	MDX6156CB	2	9. Hydra 8Jx18 inch front	C2N3314	2
Detroit 10Jx20 inch rear	MXD6156BB	2	Hydra 9Jx18 inch rear	C2N3315	2
3. Paris 9Jx20 inch Silver front	MXD6156EAN	2	10. Impeller 8Jx18 inch front	MJE6118AA	2
Paris 10Jx20 inch Silver rear	MXD6156FAN	2	Impeller 9Jx18 inch rear	MJE6118BA	2
Paris 9Jx20 inch Oyster front	MJC6156AB	2	11. Lamina 8Jx17 inch	MJD6116AB	4
Paris 10Jx20 inch Oyster rear	MJC6156BB	2	12. Apollo 8Jx19 inch front	MJE6118CA	2
4. Montreal 9Jx20 inch Silver front	MXD6156JAN	2	Apollo 9Jx19 inch rear	MJE6118DA	2
Montreal 10Jx20 inch Silver rear	MXD6156KAN	2	13. Milan 8.5Jx18 inch silver front	MXD6154CAN	2
Montreal 9Jx20 inch Oyster front	MXD6156GEN	2	Milan 9Jx18 inch silver rear	MXD6154DAN	2
Montreal 10Jx20 inch Oyster rear	MXD6156HAN	2	Milan 8.5Jx18 inch oyster front	MXD6154AC	2
5. Gemini 8Jx17 inch Silver	C2N3336	4	Milan 9Jx18 inch oyster rear	MXD6154BC	2
6. Sepang 9Jx20 inch front	C2N3121	2	14. R-Performance bag C/W:15,16,17	MXD6166AB	1
Sepang 10Jx20 inch rear	C2N3122	2	15. Dust cap (for two piece wheels)	MXD6137AA	4
7. Atlas 8Jx19 inch Silver front	C2N3017	2	16. Valve adaptor	MXD6163AB	2
Atlas 9Jx19 inch Silver rear	C2N3018	2	17. Valve cap key	MXD6164AA	1
Atlas 8Jx19 inch Chrome front	C2N3694	2			
Atlas 9Jx19 inch Chrome rear	C2N3695	2			



18. Hub cap for Paris silver Hub cap for Paris oyster	MXD6240BA MXD6240AA	4 4
19. RX2 9Jx20 inch front RX2 10Jx20 inch rear	C2N3757 C2N3758	2 2
20. Double five 8Jx18 inch front Double five 9Jx18 inch rear	MJB6118AB MJB6118BB	2 2
21. Flute 8Jx18 inch front Flute 9Jx18 inch rear	MJA6118AC MJA6118BC	2 2
22. 5 spoke chrome 8Jx17 inch 5 spoke silver 8Jx17 inch	MJA6116BB MJA6116AB	4 4

	24					
	<table border="0"> <tr> <td>24. Locking tyre valve cap set (Growler)</td> <td>CR1054</td> <td>1</td> </tr> <tr> <td>(Union Flag)</td> <td>CR1060</td> <td>1</td> </tr> </table>	24. Locking tyre valve cap set (Growler)	CR1054	1	(Union Flag)	CR1060
24. Locking tyre valve cap set (Growler)	CR1054	1				
(Union Flag)	CR1060	1				

Not Shown
20in wheel finisher (for XKR split rims) MXD6156-A 4

Not Shown
Flush fit wheel valves CR1061 4

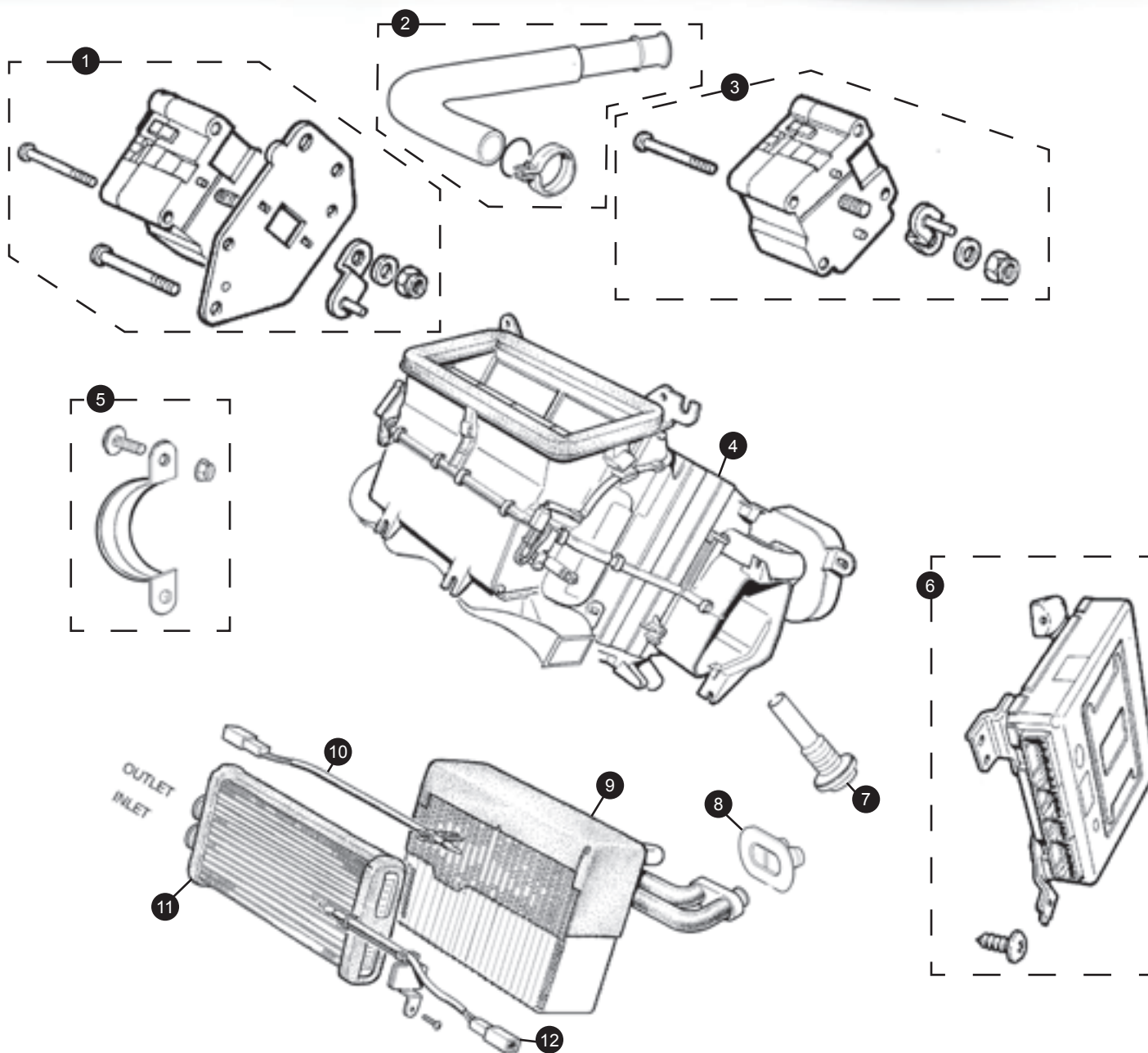
CONTACT OUR SALES TEAM FOR A VARIETY OF COLOUR OPTIONS ON CENTRE CAPS



23. Growler centre cap	MNA6249	4
------------------------	---------	---

AIR CONDITIONING UNIT

www.sngbarratt.com



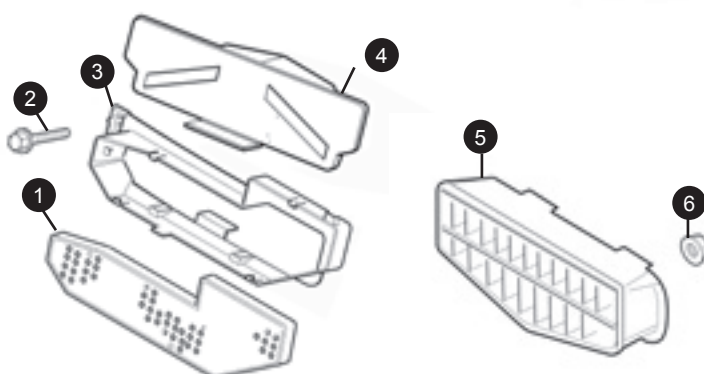
1. Servo motor	JLM11946	1
2. Outlet pipe kit	JLM20242	1
Inlet pipe kit	JLM20243	1
3. Bypass servo motor	JLM11945	1
4. A/C unit	MJA6440AE	1
5. A/C fitting kit	JLM20246	1
6. A/C control module	LJB7600AB	1
7. Condensate drain tube	MJA6510AA	2
8. Bulkhead seal	MJA6446AC	1
9. A/C evaporator	JLM20185	1
10. Evaporator outlet thermistor	JLM11947	1
11. Heater core assembly	JLM11949	1
12. Heater core outlet thermistor	JLM11948	1



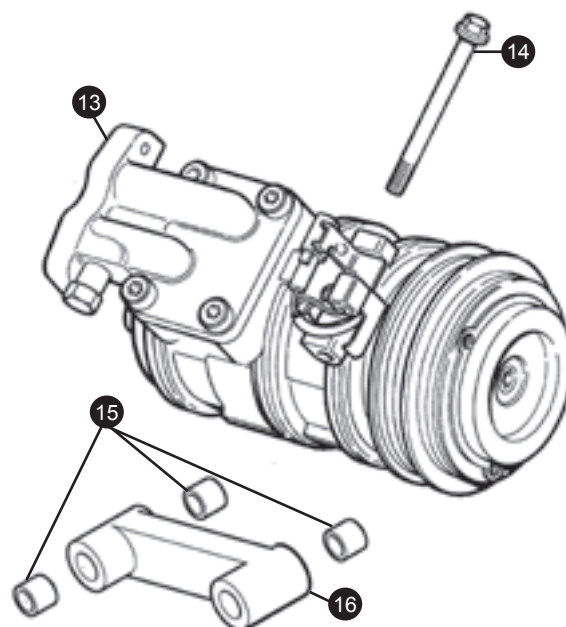
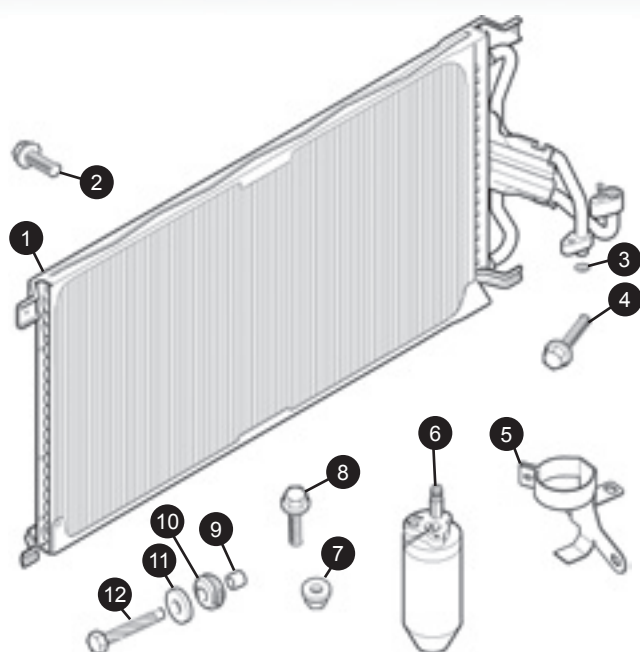
PARTICLE FILTER & BOOT AIR VENT

www.sngbarratt.com

1. Air particle filter			
LHD	MJD6863AA	1	
RHD	MJD6862AA	1	
2. Air intake screw	JHG10625E	2	
3. Air intake housing			
LHD	MJD6865AA	1	
RHD	MJD6864AA	1	
4. Air intake housing			
Standard	MJA6860AE	1	
5. Boot vent box housing	HJA3721AA	2	
6. Plastic push on nut	AGU2436J	4	

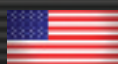
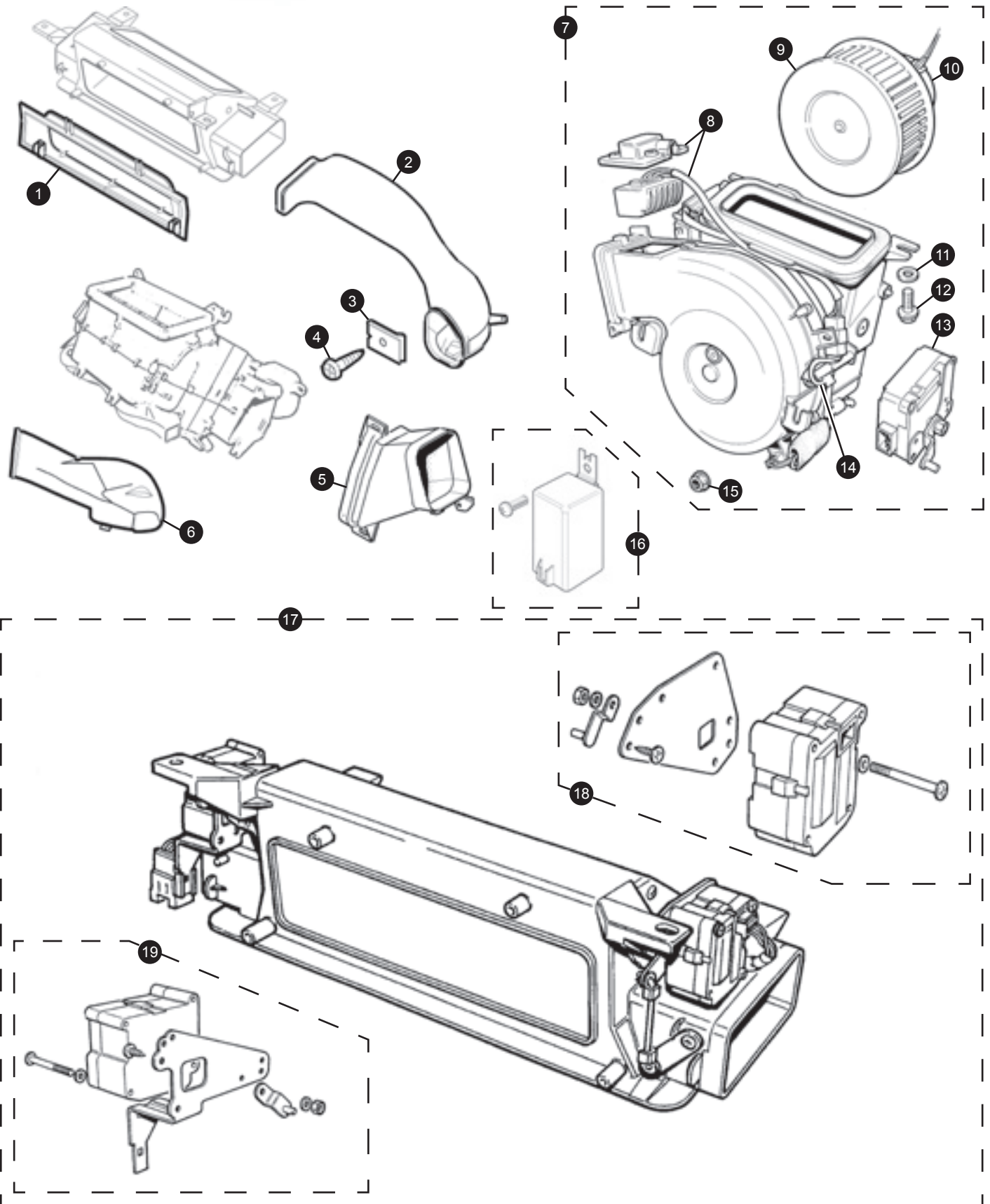


CONDENSER & COMPRESSOR



1. Condenser assembly (N.B. early cars may require later pipes and fittings)	MJD390AE	1		
2. Square headed bolt	JZB100066	2		
3. Sealing ring (violet) (to VIN A40264)	XR83775	1		
4. Drier bracket screw	GL106301J	3		
5. Receiver drier bottle bracket	MJA7420AC	1		
6. Receiver drier bottle, complete	MJA7410AE	1		
Receiver drier components (not shown separately)				
'O' ring	KSR606001	1		
'O' ring	KSR606002	1		
Charge port cap	MHD7377AA	1		
Charge valve, high pressure	MHD7372AA	1		
7. Flange nut, M6	JFN10604E	4		
8. Flange headed screw	JFS10625F	4		
9. Spacer	JZT100013	3		
10. Grommet	KGA125001	3		
11. Plain washer, M6	WJ106001J	3		
12. Hex headed set screw	GL106301J	3		
13. A/C compressor (to VIN 019724)	MCA7300AD	1		
(from VIN 019725 to A30644)	MCA7300AE	1		
(from VIN A30645)	C2N2663	1		
14. Compressor bolt M8 x 120mm	JFB10824B	4		
M8 x 95mm	JFB10819B	2		
15. Dowel	EAZ2159	3		
16. Compressor mounting bracket, 4.2 Litre complete (to VIN A32737)	C2N1155	1		
(from VIN A32738)	C2N2479	1		

AIR DISTRIBUTION & BLOWER

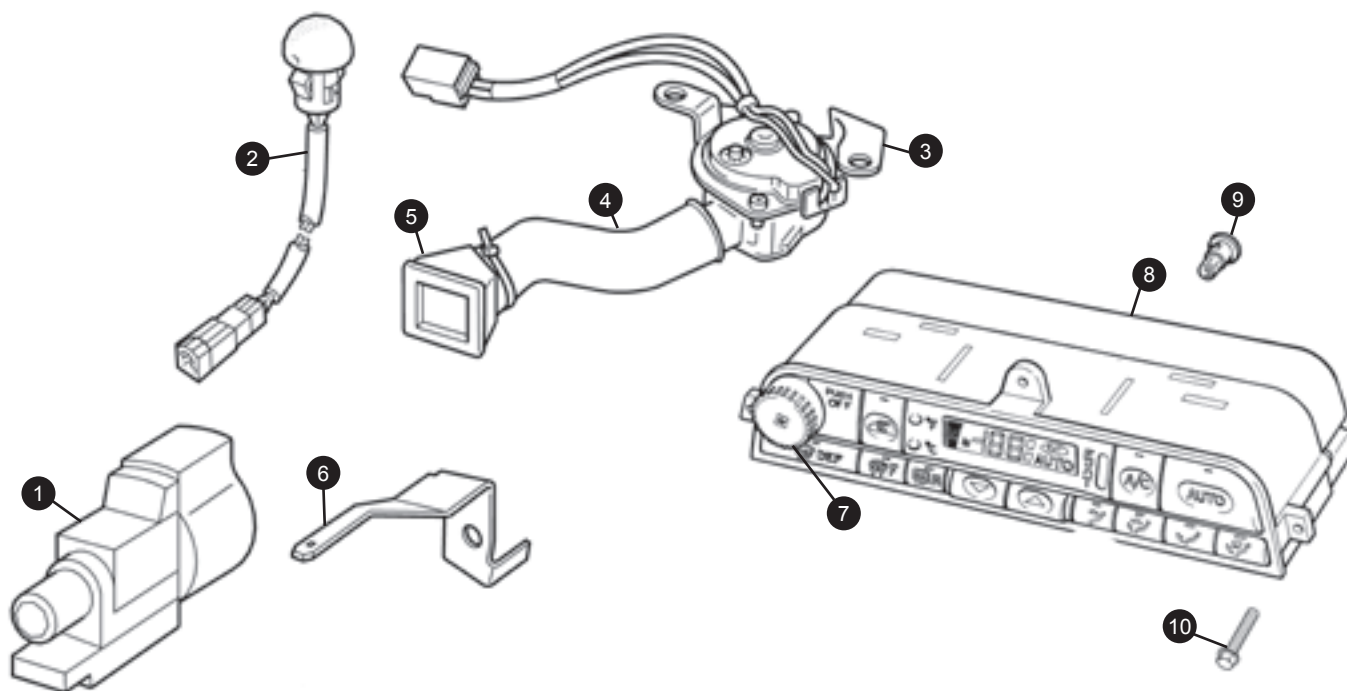


AIR DISTRIBUTION & BLOWER

www.sngbarratt.com

1. Centre face level air duct	MJA6670AA	1	RH	JLM12433	1
2. Face level air duct tube			10. Heater blower motor		
LH front	MJA6623AD	1	LH	JLM20189	1
RH front	MJA6622AD	1	RH	JLM20188	1
3. Captive nut, no. 8	AK608141J	1	11. Plain washer, M6	WJ106001J	8
4. Self tapping screw	AGU2555J	6	12. Setscrew	GL106201J	8
5. Lower duct			13. Servo motor		
LH	MJA6691AA	1	LH	JLM11958	1
RH front	MJA6690AA	1	RH	JLM11957	1
6. Footwell duct			14. Electrical harness		
LH	MJA6907AG	1	LH	JLM11961	1
RH	MJA6906AG	1	RH	JLM11960	1
7. Heater blower assembly			15. Nut and washer assembly	JZH100032	4
LH	MJA6521AA	1	16. Fan control relay	LJA6702AA	1
RH	MJA6520AA	1	17. Face level air duct assembly	MJA6811AA	1
8. Power transistor	JLM11959	2	18. Face vent servo motor	JLM11962	1
9. Blower motor fan			19. Defrost vent servo motor	JLM20186	1
LH	JLM12434	1			

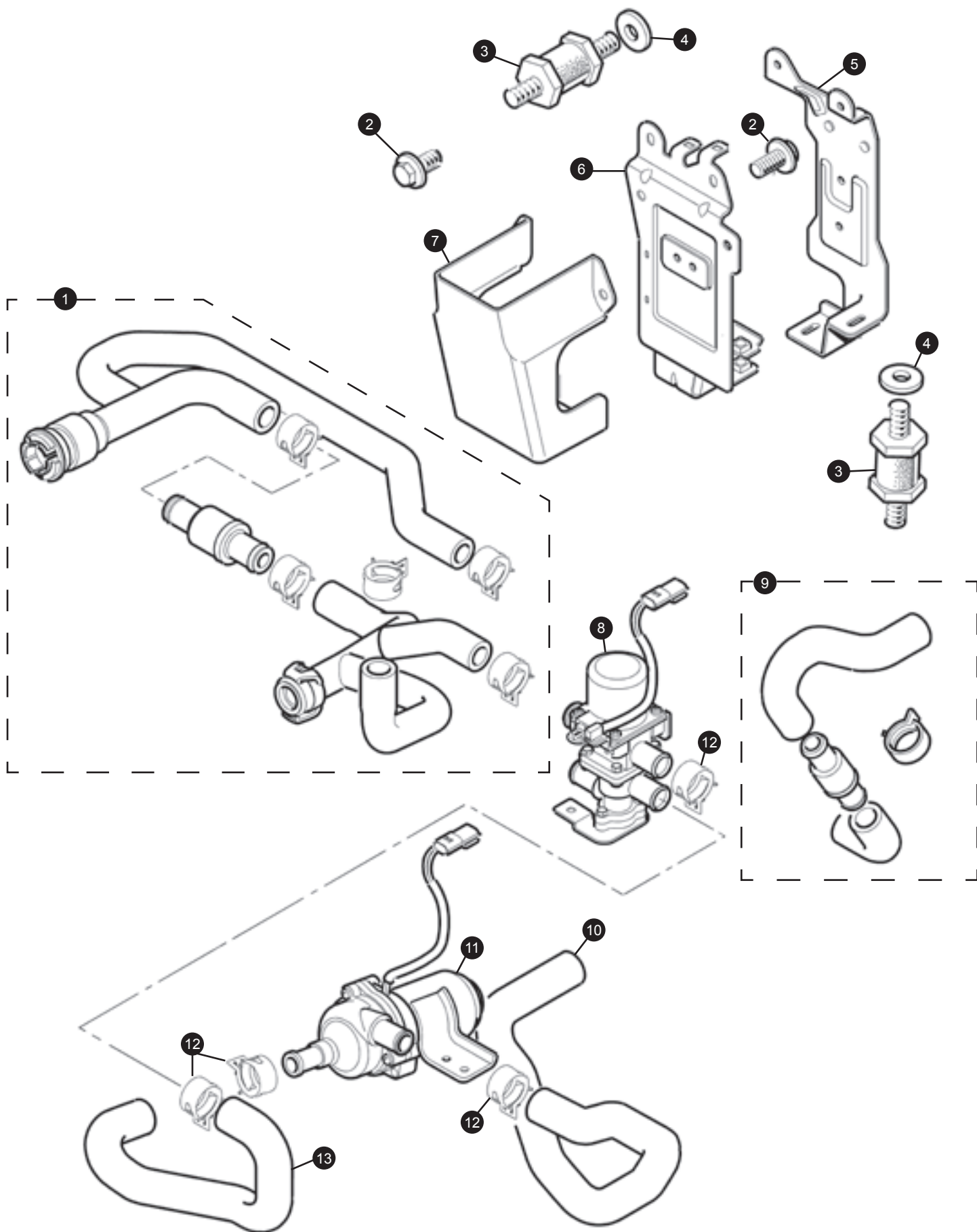
CONTROL PANEL ASSEMBLY & SENSORS



1. Ambient air temperature sensor	LJA7605AB	1	7. Fan speed control knob	JLM21513	1
2. Solar sensor			8. Air conditioning control panel		
(to VIN A30644)	LNA7625AC	1	With heated windscreen	LJA7690AB	1
(from VIN A30645)	LNC7625AA	1	Without heated windscreen	LJA7690BB	1
3. Aspirator motor			9. Indicator lamps		
LHD	MJA6551BA	1	LCD	JLM11965	2
RHD	MJA6551AA	1	Low, blue	JLM20308	7
4. Aspirator tube	MJA6552AA	1	Low, green	JLM20309	2
5. In car temperature sensor housing	MJA6554AA	1	10. Thread forming screw	JPU13512B	3
6. Ambient air sensor bracket	LJG7604AA	1			

WATER VALVE, PUMP & HOSES

www.sngbarratt.com



UK - Bridgnorth
+44 (0) 1746 765 432
sales.uk@sngbarratt.com



USA - Manchester NH
+1 800 452 4787 (toll free)
sales.usa@sngbarratt.com



FRANCE - Charney les Macon
+33 (0) 3 85 20 14 20
sales.fr@sngbarratt.com



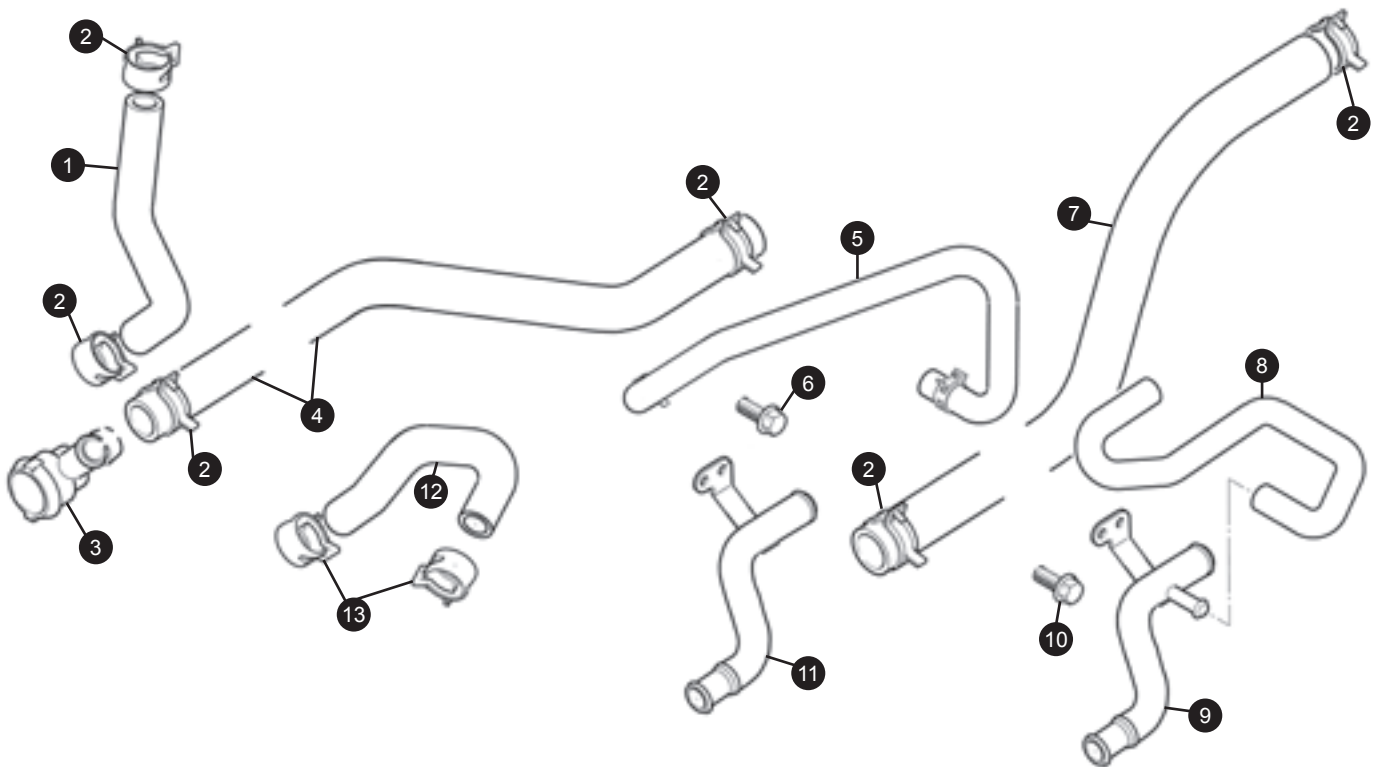
HOLLAND - Oisterwijk
+31 (0) 13 52 11 552
sales.nl@sngbarratt.com

WATER VALVE, PUMP & HOSES

www.sngbarratt.com

1. Heater hose assembly	MJA6728AC	1	8. Water valve	MNA6711AC	1
2. Setscrew, M6 x 12mm	JFS10625F	6	9. Heater to water valve hose	MJA6739AC	1
3. Instrumount	MNA6730AB	4	10. Water pump to heater hose	MJA6721AG	1
4. Plain washer	WC106041J	4	11. A/C water pump	MJA6710AA	1
5. Mounting bracket	MJA6726AG	1	12. Hose clamp	JHC302220	3
6. Water pump mounting bracket	MJA6712AA	1	13. Water valve to water pump hose	MJB6720AC	1
7. Water valve heatshield	MJA6731AA	1			

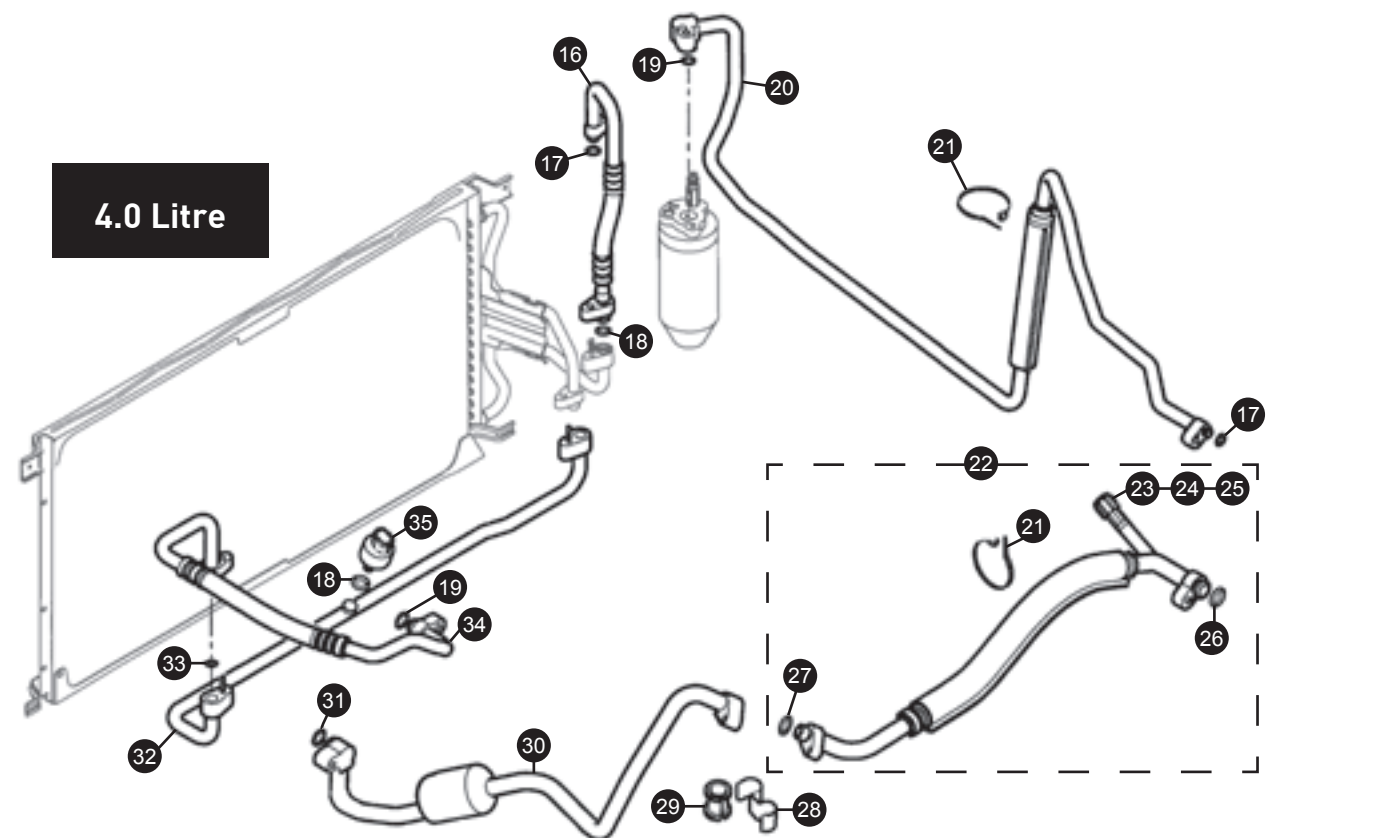
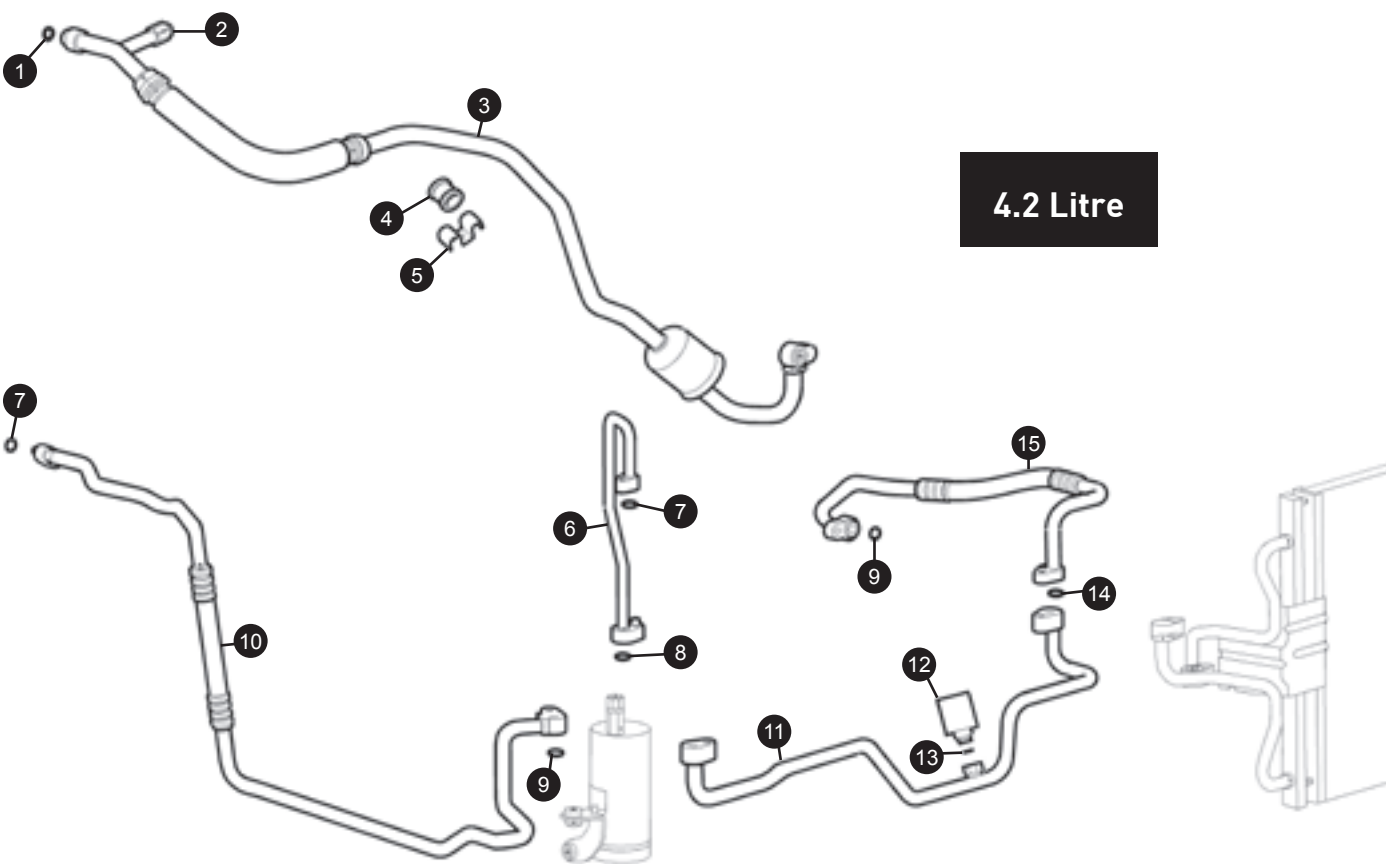
HEATER PIPES



1. Hose (to VIN 031302) (from VIN 031303 to VIN A30644)	NCA3976AD NNE3976CA	1 1	4.2 Litre, all models	AJ8326	1
2. Hose clip	JHC501401	2	8. Throttle body feed hose, 4.0 Litre (from VIN A24196)	AJ83970	1
3. Three way connector	NNE3944BA	1	9. Heater feed pipe (from VIN A24196)	AJ83928	1
4. Heater return hose	NNE3946CA	1	10. Pipe bracket screw, M6 x 14mm	JZS100132	2
5. Water outlet to EGR, 4.2 Litre	AJ88513	1	11. Heater feed pipe (to VIN A24195)	NCA3905BB	1
6. Pipe bracket screw, M6 x 14mm	JZS100132	2	12. Return hose (from VIN A30645)	AJ88519	1
7. Heater feed hose Supercharged 4.0 Litre	AJ87634	1	13. Hose clip	JHC501401	2
Non supercharged 4.0 Litre	NCA3945CD	1			

REFRIGERANT HOSES

www.sngbarratt.com



UK - Bridgnorth
 +44 (0) 1746 765 432
 sales.uk@sngbarratt.com



USA - Manchester NH
 +1 800 452 4787 (toll free)
 sales.usa@sngbarratt.com



FRANCE - Charney les Macon
 +33 (0) 3 85 20 14 20
 sales.fr@sngbarratt.com



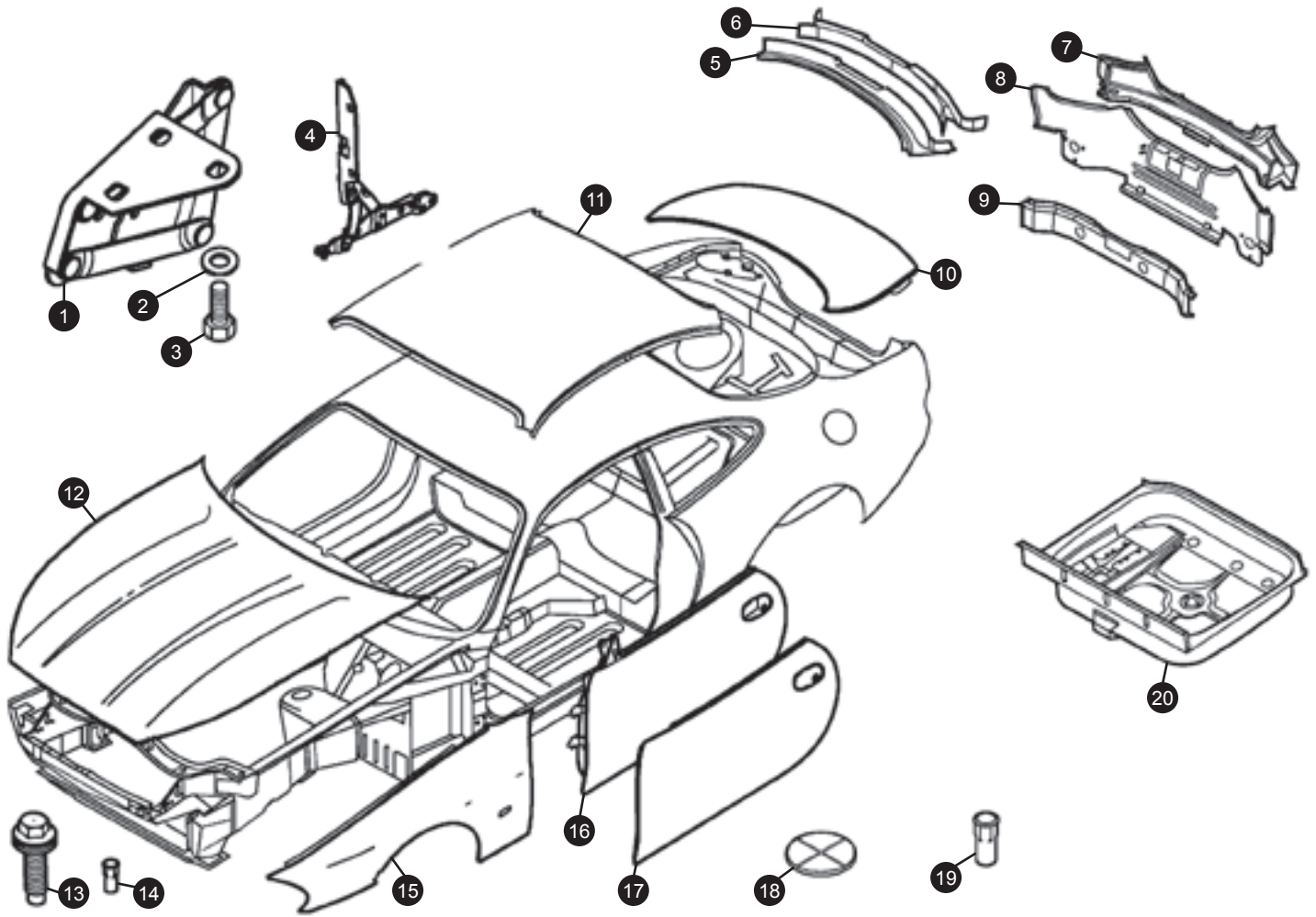
HOLLAND - Oisterwijk
 +31 (0) 13 52 11 552
 sales.nl@sngbarratt.com

REFRIGERANT HOSES

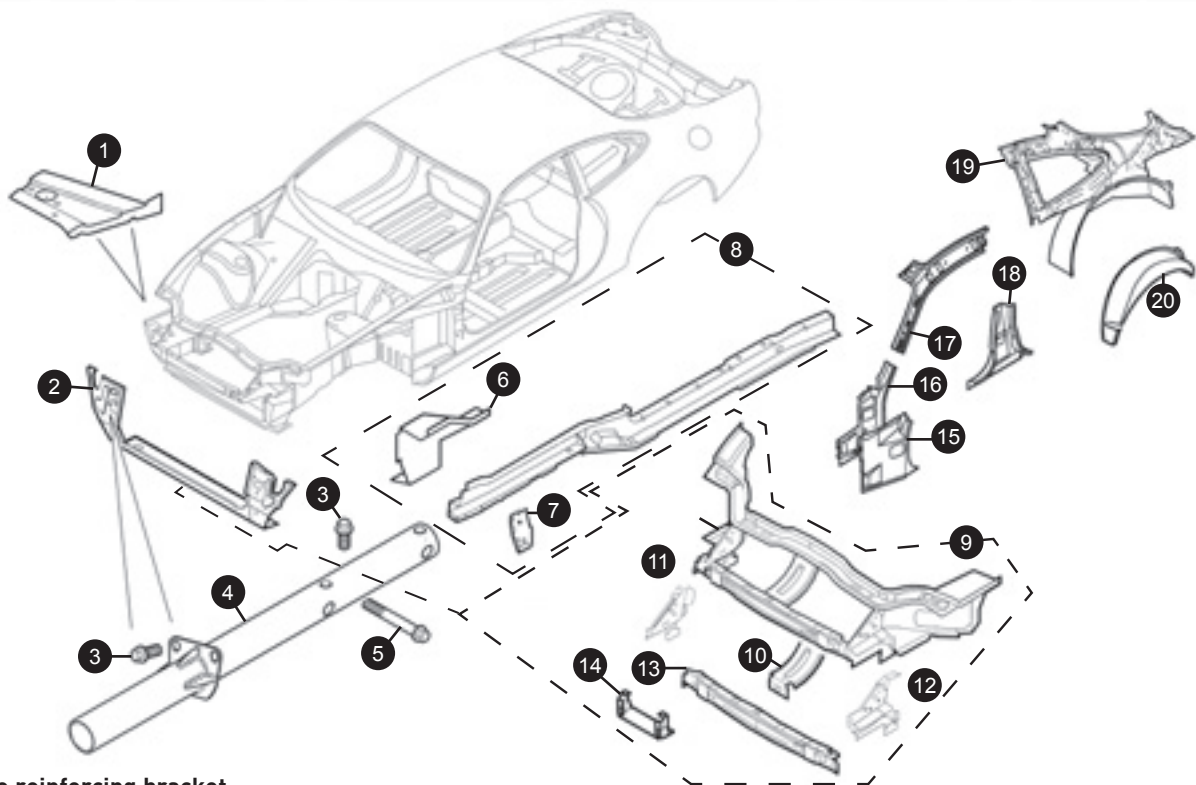
www.sngbarratt.com

1. 'O' ring	C2C7668	1	20. A/C pipe	MJA7360AB	1
2. Low pressure charge port cap	XR85835	1	21. Cable tie	KCS200460	2
3. Evaporator to compressor pipe	C2N1700	1	22. A/C hose assembly	MJA7310AH	1
4. Pipe isolator	MJA7380AA	1	23. 'O' ring	KSR107002	1
5. Double pipe clip	MJA7378CA	1	24. Low pressure charge valve	MHD7372BA	1
6. A/C pipe	MJD7361AA	1	25. Charge port cap	MHD7377BA	1
7. 'O' ring	KSR604001	2	26. 'O' ring	KSG113624	1
8. 'O' ring	KSG111116	1	27. 'O' ring	KSG114116	1
9. 'O' ring	KSG110624	2	28. Pipe clip	MJA7378CA	1
10. A/C pipe	MJA7360AB	1	29. Pipe isolator	MJA7380AA	1
11. A/C pipe, compressor to condenser	C2N1168	1	30. A/C pipe, evaporator to compressor	MJA7312CB	1
12. Pressure switch	XR83792	1	31. 'O' ring, compressor to condenser	KSG110624	1
13. 'O' ring	KSR107002	1	32. A/C pipe (to VIN 042775) (from VIN A00083)	MJA7341BD MJD7341AA	1 1
14. Sealing ring, violet	XR83775	1	33. 'O' ring (to VIN 042775) (from VIN A00083) Violet	KSG111116 XR83775	1 1
15. A/C pipe	MJD7340AB	1	34. A/C hose, compressor to condenser (to VIN 042775) (from VIN A00083)	MJA7340AE MJD7340AB	1 1
16. A/C pipe, condenser to drier (to VIN 042775) (from VIN A00083)	MJA7361AE MJD7361AA	1 1	35. A/C pressure switch	LJA658AB	1
17. 'O' ring	KSR604001	2			
18. 'O' ring	KSG111116	1			
19. 'O' ring	KSG110624	2			



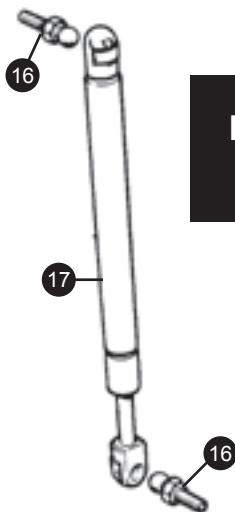
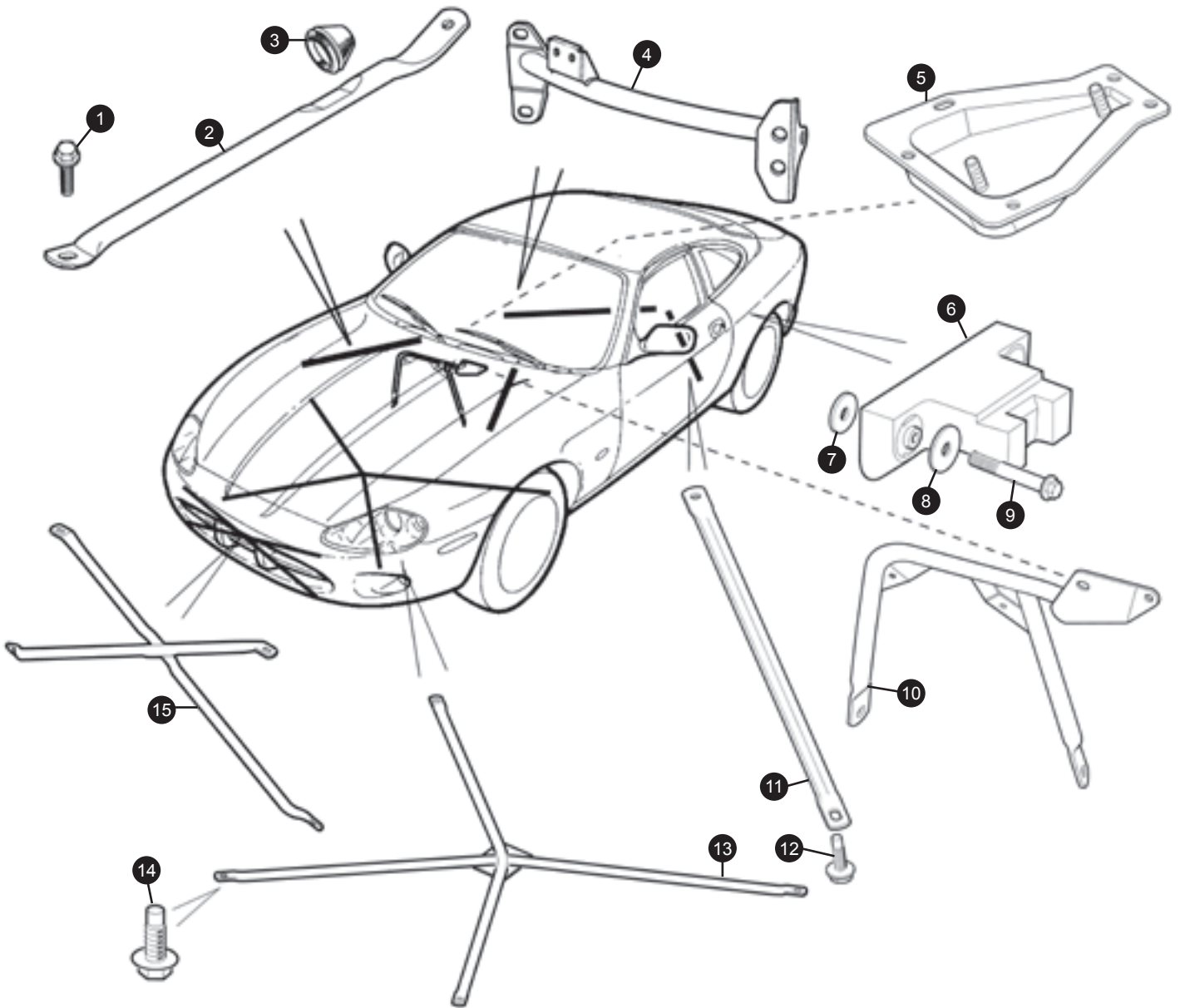


1. Bonnet hinge LH	FJA3011AD	1	(from VIN A11051)	FJE3019AA	1
RH	FJA3010AD	1	11. Roof panel, coupe	FJA1102AB	1
2. Oval washer	BD5427	6	not shown Header panel, front	FJE1104AA	1
3. Setscrew, M8 x 16mm	SH108161J	6	not shown Header panel, rear	FJG1105AA	1
4. Boot lid hinge LH	FJA3027AE	1	12. Bonnet		
RH	FJA3026AE	1	Supercharged	FJB3005FA	1
5. Decking panel, coupe	FJA1124AB	1	Non supercharged	FJB3005AA	1
6. Rear parcel shelf decking panel	FJD1125AB	1	13. Screw/washer, wing to body	JZH100012	16
7. Rear panel, upper (to VIN A11050)	FJA4161AD	1	14. Blind rivet nut, M6	JZR100015	6
(from VIN A11051)	FJE4161AA	1	15. Front wing panel		
8. Lower panel, inner rear (to VIN A11050)	FJA4153AE	1	LH	FJA1071AF	1
(from VIN A11051)	FJE4153AB	1	RH	FJA1070AF	1
9. Rear floor inner crossmember	FJA2177AA	1	16. Door panel assembly		
10. Boot lid			LH	JLM21773	1
Convertible	FJE3019JA	1	RH	JLM21772	1
(to VIN A11050)	FJE3019BA	1	17. Door skin		
(from VIN A11051)	FJE3019HA	1	LH	FJA3033AA	1
Coupe			RH	FJA3032AA	1
(to VIN A11050)			18. Panel plug, 50mm	KPH100006	
			19. Blind rivet nut	JZR100015	5
			20. Boot floor panel		
			Convertible	FJE4141BA	1
			Coupe	FJE4141AA	1

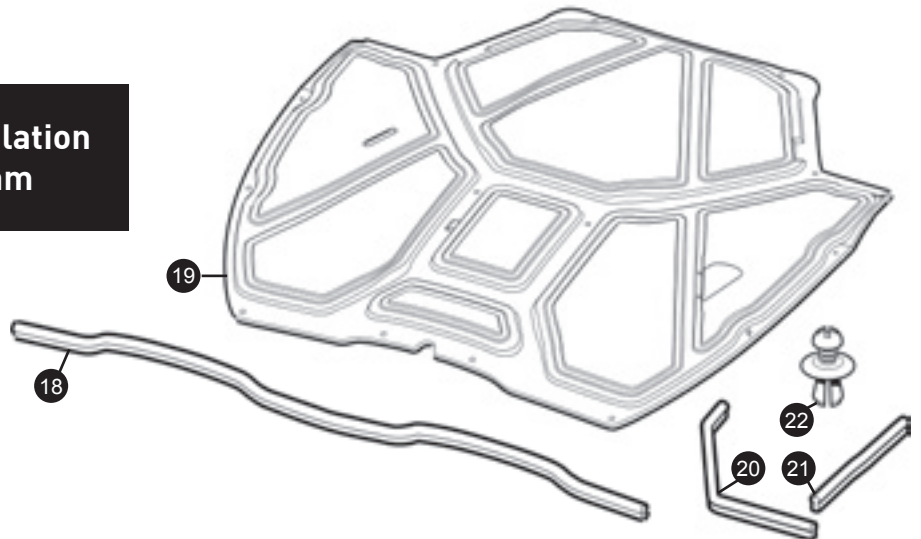


1. Valance reinforcing bracket					
LH front	FJA4423AC	1			
RH front	FJA4422AC	1			
2. Bumper mounting lower	FJE4059AA	1			
3. Flanged bolt	JFS10820E	6			
4. Crush tube (from VIN A11051)					
LH front	HJE4011AD	1			
RH front	HJE4010AD	1			
5. Hex headed bolt	C2N1699	4			
6. Longitudinal member extension panel					
LH, inner	FJE1843AB	1			
RH, inner	FJE1842AB	1			
7. Radiator crossmember extension					
LH lower	FJE2033AC	1			
RH lower	FJE2032AC	1			
8. Longitudinal member					
LH front (to VIN A11050)	FJD3849CA	1			
(from VIN A11051)	FJE3849AB	1			
RH front (to VIN A11050)	FJD3848CA	1			
(from VIN A11051)	FJE3848AB	1			
9. Bumper mounting crossbeam assembly					
(to VIN 042775)	FJB3866AA	1			
(from VIN A00083 to VIN A11050)					
With adaptive speed control	FJD3866JB	1			
Without adaptive speed control	FLB3866AA	1			
(from VIN A11051 to VIN A40264)	FJE3866AB	1			
(from VIN A40265)	C2N2836	1			
10. Bumper mounting central reinforcement					
(from VIN A00083 to VIN A11050)					
With adaptive speed control	FJD2613JA	1			
Without adaptive speed control	FJA2613AB	1			
(from VIN A11051)	FJE2613AC	1			
11. Mounting bracket RH					
(to VIN 024686)	FJA4482AA	1			
12. Mounting bracket LH					
(to VIN 024686)	FJA4483AA	1			
13. Crossmember, bumper mounting					
(to VIN 042775)					
(from VIN A00083 to VIN A11050)					
With adaptive speed control	FJA1866AE	1			
Without adaptive speed control	FJD1866JA	1			
(from VIN A11051)	FJA1866AE	1			
(from VIN A11051)	FJE1866AA	1			
14. Mounting bracket					
(from VIN A00083 to VIN A11050)					
Adaptive speed control	FJD2701JB	1			
(from VIN A11051)	C2N2868	1			
15. A-post closing panel					
LH	FJG1975AA	1			
RH	FJG1974AA	1			
16. A-post lower inner panel					
LH	FJG1917AB	1			
RH	FJG1916AB	1			
17. A-post upper closing panel					
Convertible					
LH (to VIN A30644)	FJA1375BC	1			
(from VIN A30645)	FJG1375BA	1			
RH (to VIN A30644)	FJA1374BC	1			
(from VIN A30645)	FJG1374BA	1			
Coupe LH	FJG1375AA	1			
Coupe RH	FJG1374AA	1			
18. B-post panel, inner					
LH	FJB1629AC	1			
RH	FJB1628AC	1			
19. Inner wheel arch assembly					
LH	FJE3329AA	1			
RH	FJE3328AA	1			
20. Rear wheel arch panel, outer					
LH	FJA1331AG	1			
RH	FJA1330AG	1			

CONVERTIBLE BRACING



**Bonnet insulation
& gas ram**

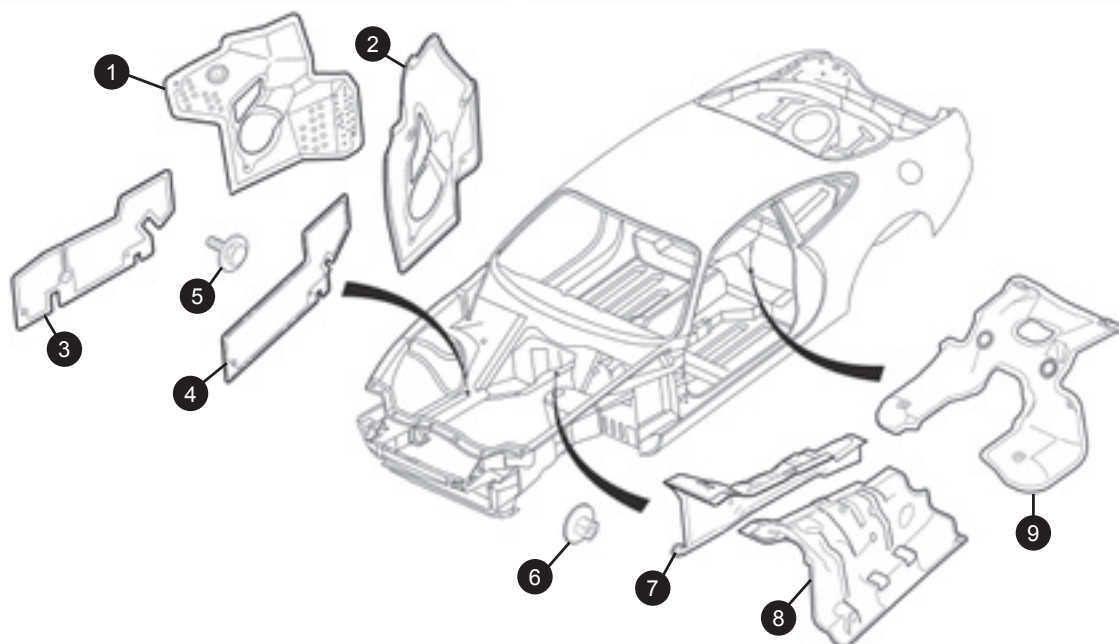


CONVERTIBLE BRACING & SOUND INSULATION

www.sngbarratt.com

1. Flange headed screw (to VINA28257) (from VIN A28258)	JFS11035E JFS11030E	2 2	11. Rear strut	HJA4621AC	2
2. Brace, dash to valance LH RH	HJA4001AE HJA4000BA	1 1	12. Hex headed screw	SH112301M	4
3. Grommet, dash to valance	HJA4006AD	2	13. Front cross brace	HJA4616BC	1
4. Brace, 4.0 Litre supercharged (from VIN 025687) LH B/C post RH B/C post	HJD4251AB HJD4250AB	1 1	14. Flange screw, M12	JZS100172	4
5. Gearbox tunnel cover	GJB7820AB	1	15. Front panel crossbrace 4.0 Litre supercharged & 4.2 Litre HJB4151AB		1
6. Body side rear mounting	MJA7580AB	2	4.0 Litre non supercharged	FJA3106BA	1
7. Special washer	JZW100037	8	16. Ball pin (to VIN A30644) (from VIN A30645)	BEC13584 BCC3664	4 4
8. Plain washer	JZW100037	4	17. Bonnet gas strut	HJA2500AB	2
9. Flanged bolt	JFB11214EP	4	18. Bonnet seal, front	HJF5240AB	1
10. Facia brace LHD RHD	HJA4200DF HJA4200CF	1 1	19. Bonnet liner Supercharged Non supercharged	C2N2616 HJB2640AF	1 1
			20. Bulkhead seal	HJA5245AA	2
			21. Bonnet seal, side	HJA5244AD	2
			22. Plastic rivet	KRS113130	12

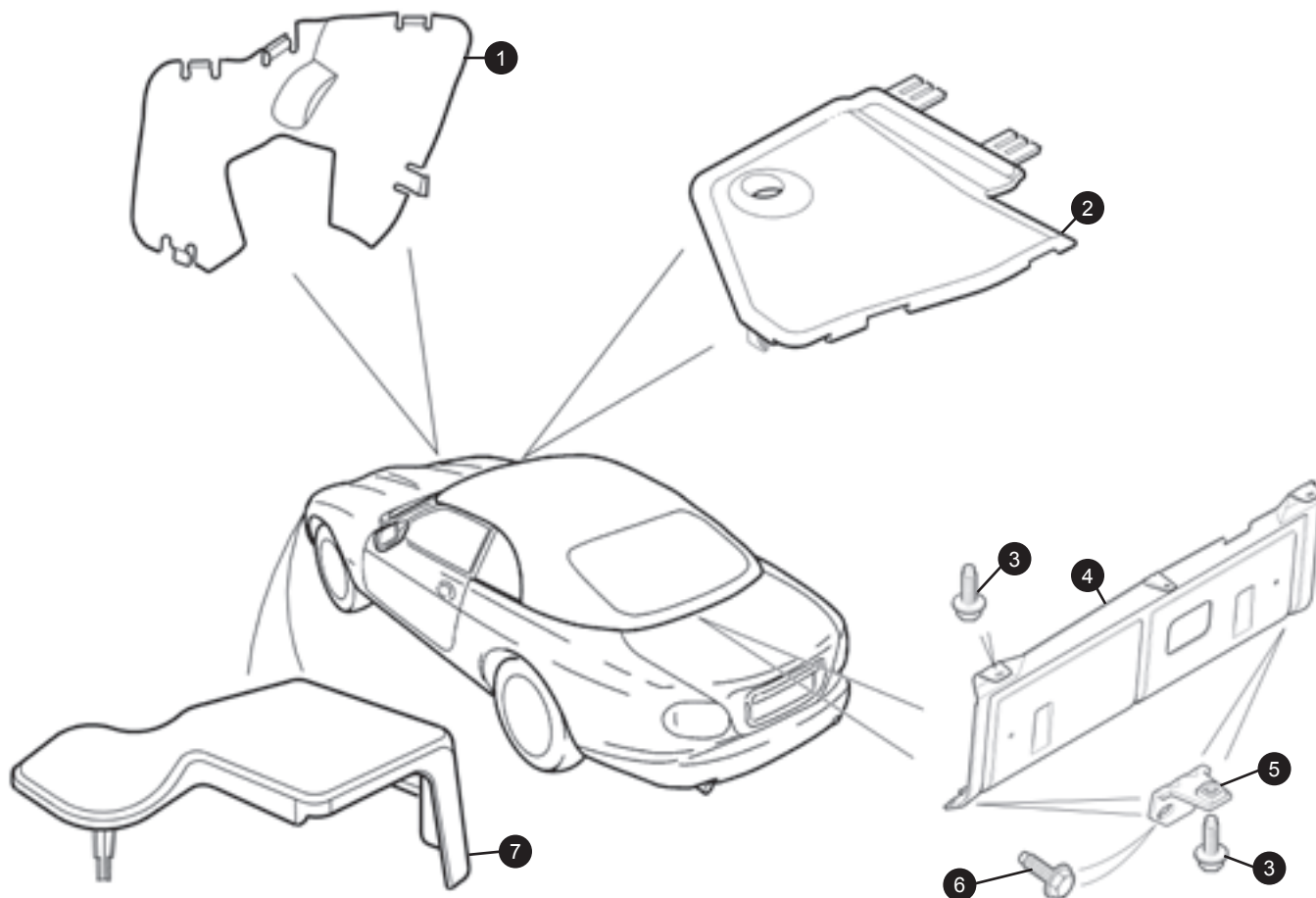
HEAT SHIELDS



1. Under floor insulation Engine bay RHR	GJE9338AC	1	6. Push-on nut	KZN100006	18
2. Under floor insulation Engine bay LHR	GJE9339AB	1	7. Transmission tunnel RH insulation	GJE9322AA	1
3. Under floor insulation Engine bay RHF	GJA9378AD	1	8. Transmission tunnel LH insulation	GJE9323AB	1
4. Under floor insulation Engine bay LHF	GJA9379AE	1	9. Over axle heatshield (to VIN A30644) (from VIN A30645)	GJA9341AF C2N1548	1 1
5. Screw/washer	JZH100040	4			

UNDER BONNET & BOOT STIFFENER

www.sngbarratt.com



1. Headlamp aperture blanking cover (to VIN A30644) With headlamp levelling Without headlamp levelling (from VIN A30645)	HJA2697BA 2 HJA2697CA 2 HJA2697DB 2	4. Convertible boot reinforcement plate (to VIN 031302) (from VIN 031303)	HJA4195DA 1 HJB4195AA 1
2. Bulkhead cover LH RH	NJE3979AC 1 NJE3978AC 1	5. Convertible upper reinforcement plate	HJA4196DA 2
3. Flanged bolt (to VIN A30644) (from VIN A30645)	C2S45769 2 JHG10825E 7	6. Screw, M8	JHG10825E 7
		7. Engine bay cover	NJA3984AC 1

LOOKING FOR WIRING LOOMS?

CONTACT THE SNG BARRATT SALES TEAM WITH YOUR VIN NUMBER FOR A COMPREHENSIVE SELECTION.

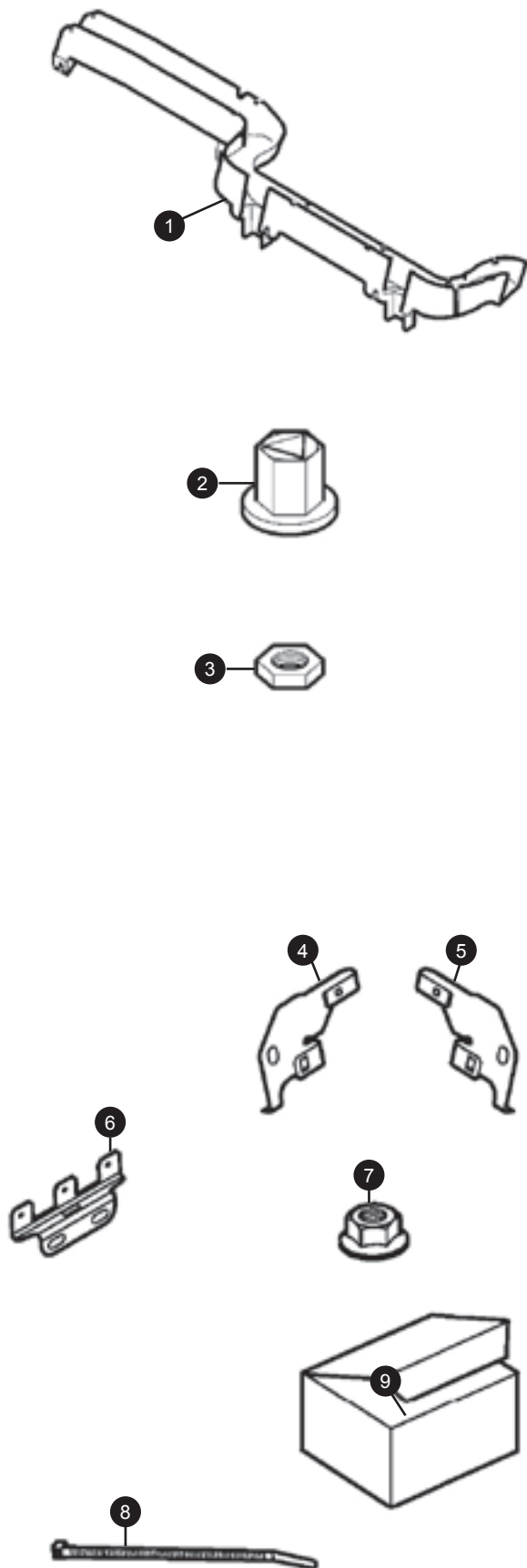
EMAIL: SALES@SNGBARRATT.COM

TEL: +44 (0) 1746 765432



WIRING LOOMS & ANCILLARIES STIFFENER

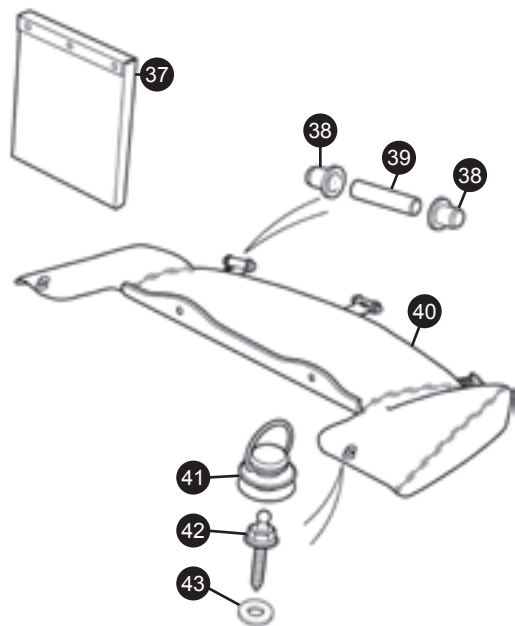
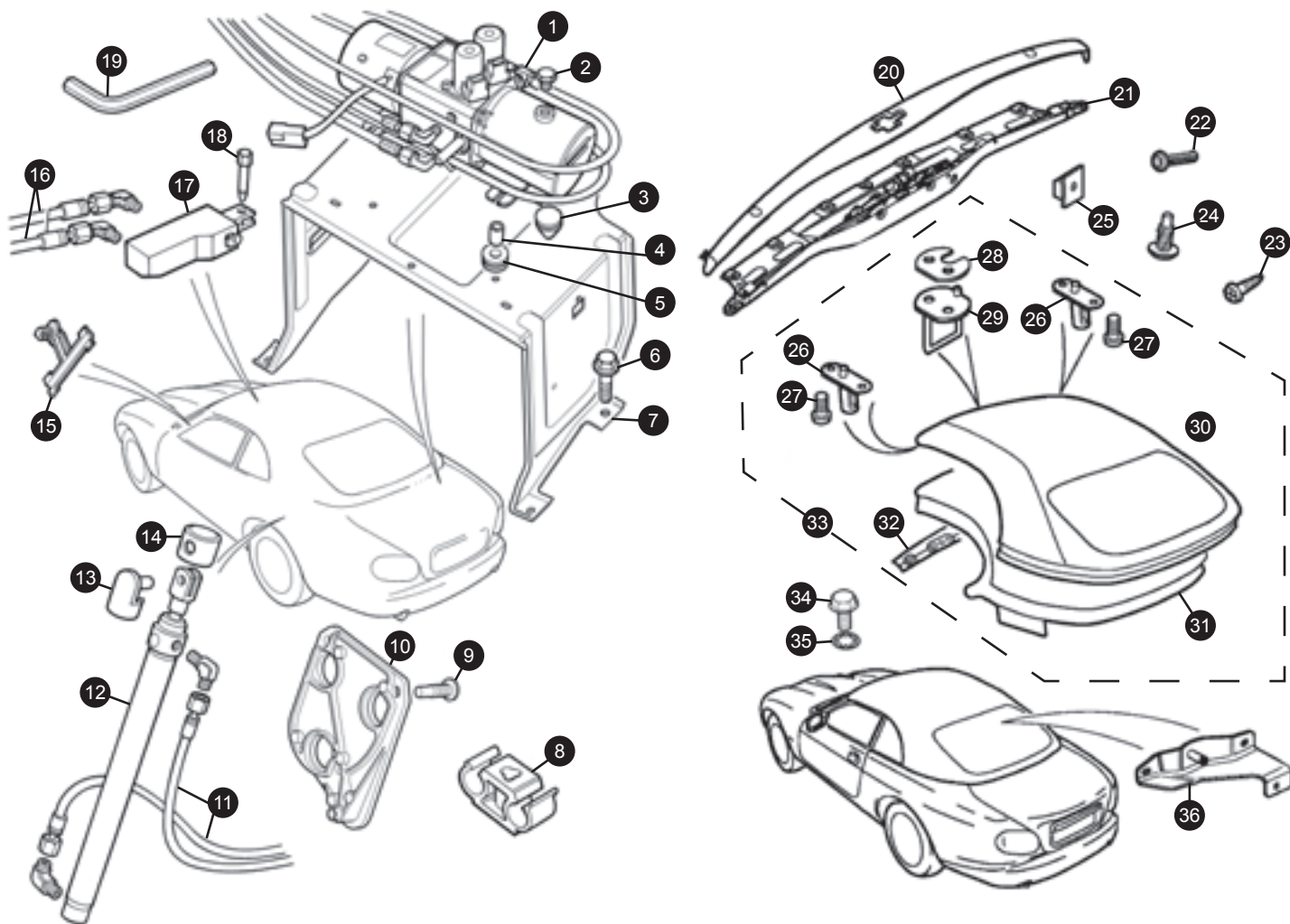
www.sngbarratt.com



1. Harness shield (to VIN A30644)		
LHD	LJA3831AB	1
RHD	LJA3830AB	1
(from VIN A30645)		
LHD	LJF3831AA	1
RHD	LJF3830AA	1
2. Plastic push-on nut	AGU2436J	6
3. Nut, M6	JFY106041	4
4. Connector bracket, LH A-post	LJE3890AA	1
5. Connector bracket, RH A-post	LJE3890BA	1
6. Relay bracket	LJA6743AA	1
7. Nyloc nut	LJM11988	1
8. Cable tie, 7.75" long	ADU9028	4
Cable tie mounting	KTA604805	4
9. Harness clip kit	JLM20657	1
10. Harness	Contact salesperson	1

CONVERTIBLE TOP

www.sngbarratt.com

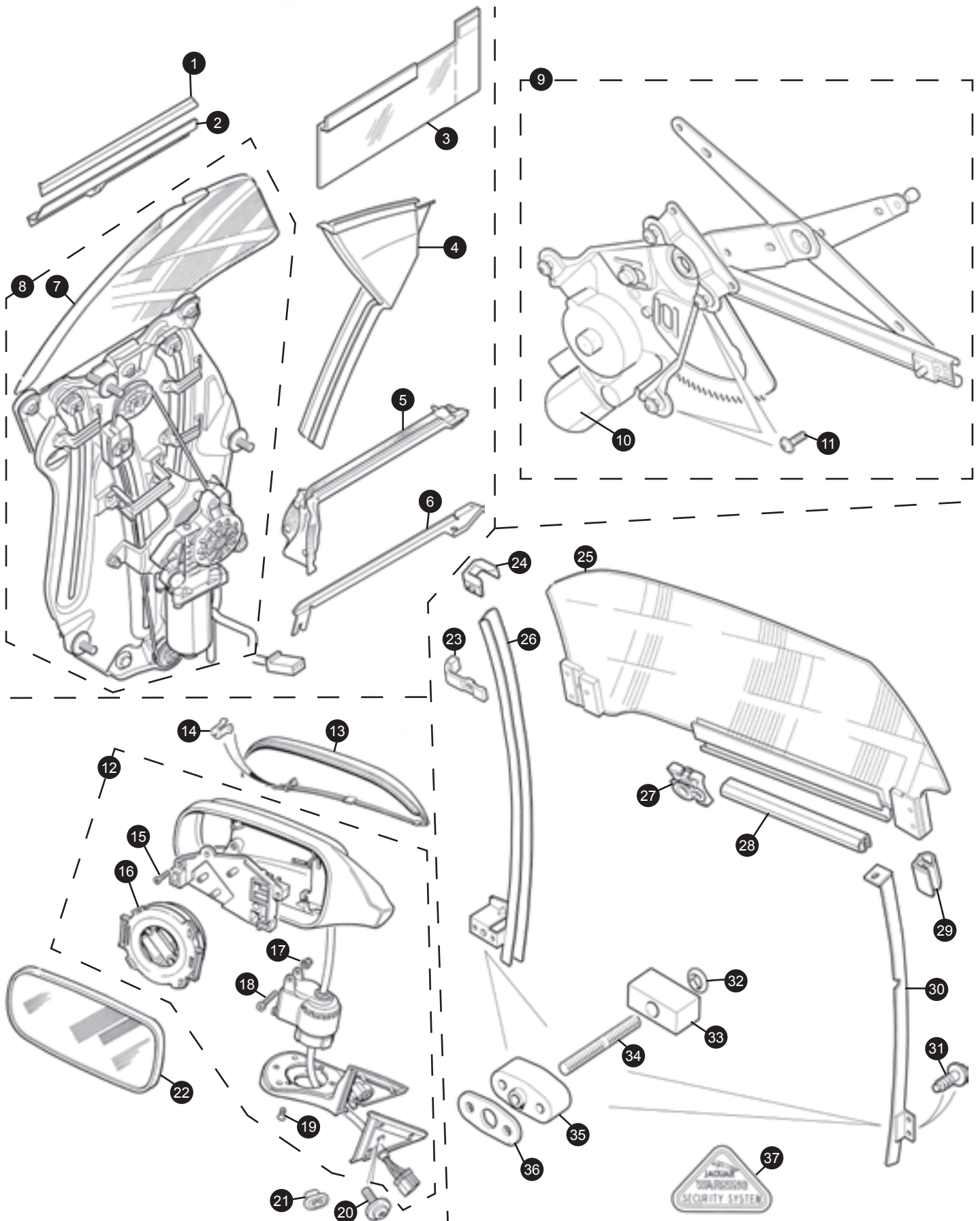


1. Hood lift pump	HJC8241AA	1
2. Oil filler plug	HJA8258AA	1
3. Rubber damper	BCC2824	2
4. Hood pump spacer	HJB8213CA	2
5. Hood pump grommet	HJA8212AA	2
6. Screw/washer	JZH100026	2
7. Hood pump bracket	HJD8205AA	1
8. Pipe clip	KDG604044	13
9. Torx screw	JXR10616F	6
10. Hood cylinder retainer cover		
LH	HJA8169AB	1
RH	HJA8168AB	1
11. Hood cylinder hose		
LH	HJB8253AA	1
RH	HJC8252AA	1
12. Hood lift cylinder		
(to VIN 031317)		
LH	HJA8255CB	1
RH	HJA8254CC	1
(from VIN 031318)		
LH	HJB8255AA	1
RH	HJB8254AA	1
13. Clevis pin		
(to VIN A30644)	JZY100009	2
14. Hood frame spring pin		
(from VIN A30645)	JZY1000018	2
15. Special harness clip	KZC100026	4

15. Special harness clip	KZC100026	4	33. Complete hood cover assembly (mohair)	JXK8/HMO	1
16. Power latch hose set	HJB8256AB	1	Contact sales for other options		1
17. Hood power latch cylinder	HJD8243AA	1	34. Clamping plate screw	SE105084	14
18. Clevis pin for hood frame	HJA8202AB	2	35. Shake-proof washer, M5	C2N3158	14
19. Manual override key	HJA8227AA	1	36. Hoodframe bracket		
20. Front header rail finisher	HJA7727BH	1	LH wheelarch	HJA8417AD	1
21. Hood latch plate assembly	HJE8226AB	1	RH wheelarch	HJA8416AD	1
22. Torx screw	JXB10614F	13	37. Hood cover stowage bag	HJB8131AA	1
23. Self tapping screw	JDA60603K	4	38. Rubber end plug	CBC7363	6
24. Flange headed torx screw	JXR10620B	6	39. Plastic tube	HJA7845DA	3
25. Insert	KZR100016	2	40. Hood stowage cover		
26. Guiding pin	HJA8211BB	2	(contact sales for colours)	JXK8/HSL	1
27. Pan headed screw, M5	SE10510J	4	41. Hood cover female fastener	JZY100013	2
28. Striker spacer	HJB8213CA	1	42. Special screw	JZY100012	2
29. Hood latch striker	HJA8210BC	1	43. Washer	KZW100010	2
30. Hood cover			Not shown		
Contact sales for colours		1	Hydraulic hood lift fluid, 1 Litre	JLM21112	1
31. Headlining					
Contact sales for colours		1			
32. Hood clamping plate	HJB8170AA	1			



SIDE WINDOWS & DOOR MIRRORS



SIDE WINDOWS & DOOR MIRRORS

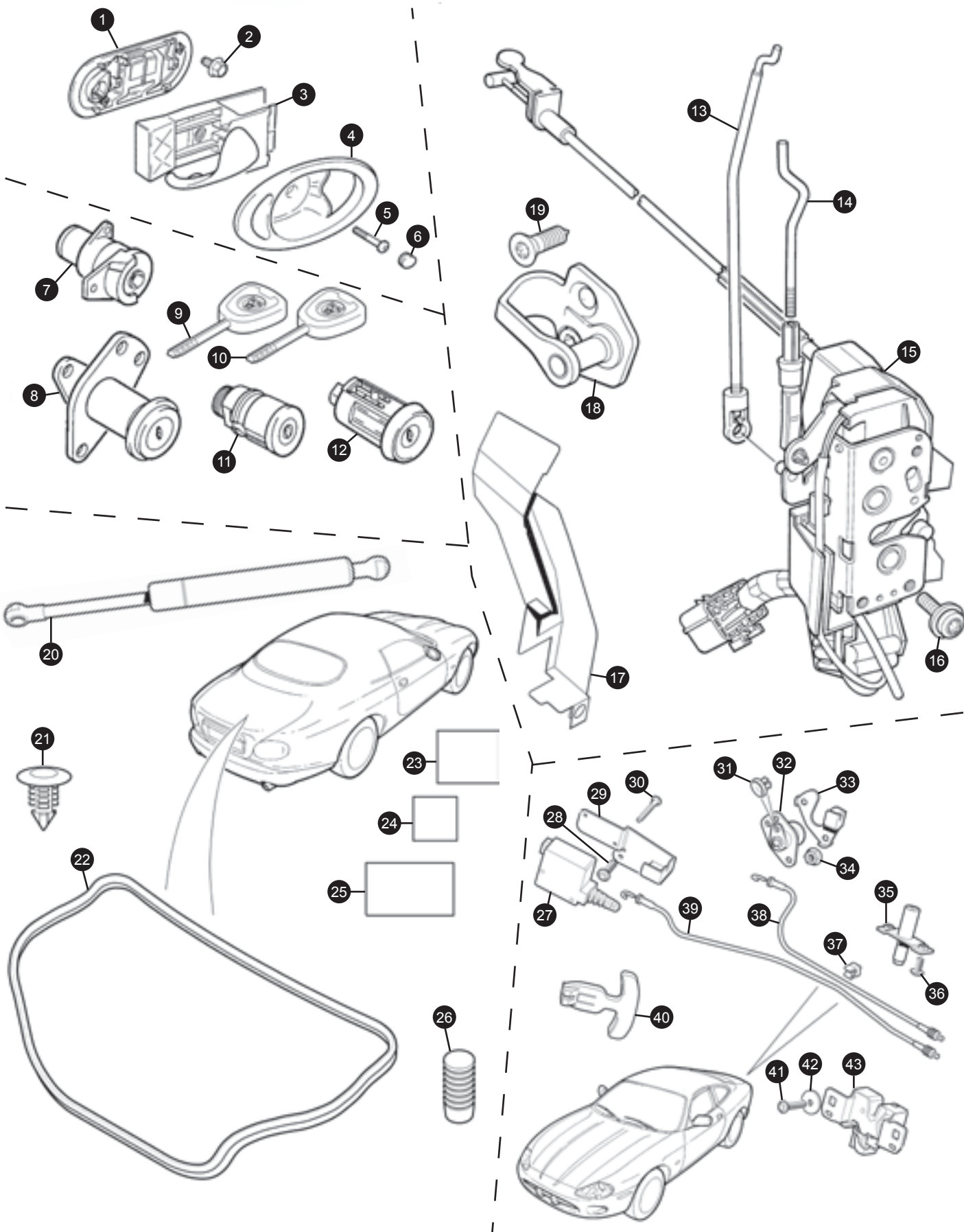
www.sngbarratt.com

1. Convertible outer waist seal LH rear quarter (to VIN A40264) (from VIN A40265)	HJA5755CC 1 C2N2998 1	RH (from VIN A40265) LH RH	HJJ3402AA 1 C2N2932 1 C2N2931 1
2. Convertible outer seal carrier LH rear quarter RH rear quarter	HJA5754CC 1 C2N2997 1 HJA5759AB 1 HJA5758AB 1	13. Mirror back cover (supplied in primer) LH RH	HNA3057AA 1 HNA3056AA 1 HNA3417AA 1 HNA3416AA 6
3. Convertible water duct (from VIN 001150) LH rear quarter RH rear quarter	HJA8137BA 1 HJA8136BA 1	14. Tubular clip 15. Screw 16. Mirror motor assembly Memory Non memory	HNA3066AB 2 HNA3064AA 2 HNA3414AA 2 HNA3415AA 2 HNA3412AA 2
4. Convertible water duct (to VIN 001149) LH rear quarter RH rear quarter	HJA8136BA 1 HJA8136BA 1	17. Nut 18. Pinch bolt 19. Base screw 20. Screw washer assembly (mirror/door)	JZH100028 2 AGU2388J 2
5. Rear quarter waist seal, inner LH RH	HJA8136BA 1 HJA8136BA 1 HJA5749CD 1 HJA5748CD 1	21. Friction bush 22. Mirror glass Electrochromatic Flat	HND3075AA 2 HNA3074AA 2 GJA2034AA 2 GJA1049AC 2
6. Convertible, seal carrier inner LH rear quarter RH rear quarter	HJA5673AB 1 HJA5762AB 1	23. Door glass side clamp, front 24. Door glass guide 25. Door glass & carrier Convertible LH RH	GJA1001BG 1 GJA1000BG 1 GJA1001AG 1 GJA1000AG 1
7. Convertible quarter glass seal LH rear RH rear	GJA2249BD 1 GJA2248BD 1	Coupe LH RH	GJA1015AG 1 GJA1014AG 1 GJA1744AA 2 GJA1718AB 2 GJA1718BA 2
8. Convertible window regulator LH regulator only LH glass only RH regulator only RH glass only	C2N3914 1 GJA2211AJ 1 C2N3913 1 GJA2210AJ 1	26. Forward guide rail LH RH	GJA1017AH 1 GJA1016AH 1 JXB10612E 2 JZH100021 2
9. Window regulator & motor LH assembly RH assembly	GJA1731AD 1 GJA17310AD 1	27. Slider bar 28. Anti-rattle buffer 29. Anti-rattle buffer 30. Rear guide rail LH RH	GJA1053AC 2 GJA1065AC 2 GJA1052AC 2 GJA1051AC 2 DBC5965 2
10. Window lift motor LH RH	GJA1733AB 1 GJA1732AB 1	31. Flange headed torx screw 32. Nut/washer 33. Adjustment block, outer 34. Adjustment rod 35. Adjustment block, inner 36. Gasket 37. Security label	
11. Flange headed torx screw	JXB10610FP 4		
12. Door mirror (less glass & back cover) Standard (to VIN A40264) LH RH Powerpark mirror Memory (to VIN A40264) LH	HJJ3401AA 1 HJJ3400AA 1 HJJ3403AA 1		



LOCKS, LATCHES & BOOT FITTINGS

www.sngbarratt.com



UK - Bridgnorth
 +44 (0) 1746 765 432
 sales.uk@sngbarratt.com



USA - Manchester NH
 +1 800 452 4787 (toll free)
 sales.usa@sngbarratt.com



FRANCE - Charney les Macon
 +33 (0) 3 85 20 14 20
 sales.fr@sngbarratt.com



HOLLAND - Oisterwijk
 +31 (0) 13 52 11 552
 sales.nl@sngbarratt.com

LOCKS, LATCHES & BOOT FITTINGS

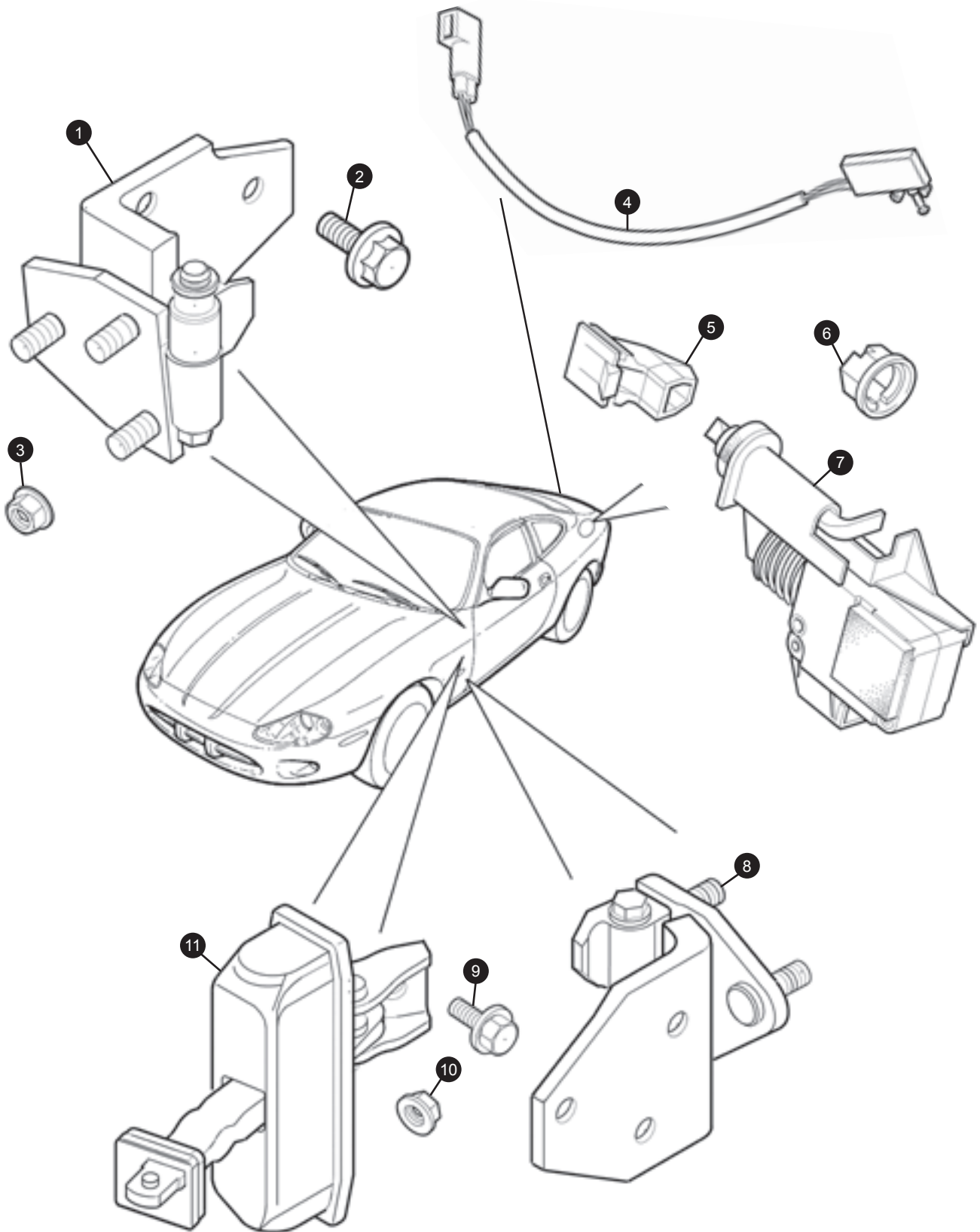
www.sngbarratt.com

1. External door handle Contact sales person for colour options									
2. Flange headed screw	JZS100104	2							
3. Internal door handle Contact sales person for colour options									
4. Remote control escutcheon Contact sales person for colour & specification options									
5. Setscrew	SE105161	2							
6. Escutcheon screw cover Contact sales person for colour options									
7. Door lock barrel LHD, LH Contact sales, quote VIN	HJD7251AA	1							
RHD, RH Contact sales, quote VIN	HJD7214AA	1							
8. Boot lock barrel Contact sales, quote VIN	HNA7211AA	1							
9. Key, standard Contact sales, quote VIN									
10. Key, service Contact sales, quote VIN									
11. Glovebox lock barrel Contact sales, quote VIN	HJA7212BB	1							
12. Ignition lock barrel Contact sales, quote VIN	BCC7849	1							
13. Door lock actuator link (complete with linkage clip) Door lock actuator linkage clip	GJA1159AA GNA1122DA	2 2							
14. Link rod, threaded LH	GJA1111AC	1							
RH	GJA1110AC	1							
15. Door latch assembly LHD deadlocking									
LH	GJA1081BM	1							
RH	GJA 1080EK	1							
LHD non deadlocking									
LH	GJA1081DM	1							
RH	GJA 1080FK	1							
RHD deadlocking									
LH	GJA1081EK	1							
RH	GJA1080BM	1							
RHD non dead locking									
LH	GJA1081FK	1							
RH	GJA1080DM	1							
16. Pan headed torx screw/washer	BD489493	6							
17. Door lock security shield LH							GJA1125BA	1	
RH							GJA1124BA	1	
18. Door latch striker							C2C35906	2	
19. Torx headed countersunk screw (M8 x 25mm)							JZS100140	4	
'Door ajar' microswitch (not shown)							C2N1908	1	
20. Boot lid gas strut Convertible							GJA3800AB	2	
Coupe							GJA3800BB	2	
21. Fir tree clip							KTC100010	8	
22. Boot aperture seal Convertible							HJA5372BD	1	
Coupe							HJA5372AD	1	
23. Sealing pad 70mm x 60mm							FMB2913BB	1	
24. Sealing pad 50mm x 50mm							FMB2913CA	1	
25. Sealing pad 100mm x 60mm							FMB2913AB	1	
26. Boot lid buffer							C2S4715	2	
27. Boot lid remote release actuator (to VIN 018854) (from VIN 018855)							BDC7550	1	
28. Torx headed setscrew							GNC3535AA		
29. Actuator bracket							JXR10620F	4	
30. Self tapping screw							GJA3536AD	1	
31. Special bush							JPT10425B	2	
32. Boot lock barrel Contact sales, quote VIN							BDC7616	1	
33. Abutment bracket							HNA7211AA	1	
34. Flange nut, M6							GJA3518AC	1	
35. Pop-up plunger							FN106041	2	
36. Set screw							GJA3516AA	1	
37. Harness clip							JXR10620F	4	
38. Lock remote release cable							DBC5832	2	
39. Actuator remote release cable							GJA3487AB	1	
40. Boot release lever							GJA3482BA	1	
41. Torx headed screw							C2S20404	1	
42. Washer							JXR10616F	4	
43. Boot lid latch With safety release							WJ600041	2	
Without safety release							GJE3500BB	1	
Not Shown							GJE3500AA	1	
Key fob battery							JLM11905	1	



DOOR HINGES & CHECK ARMS

www.sngbarratt.com



UK - Bridgnorth
+44 (0) 1746 765 432
sales.uk@sngbarratt.com



USA - Manchester NH
+1 800 452 4787 (toll free)
sales.usa@sngbarratt.com



FRANCE - Charney les Macon
+33 (0) 3 85 20 14 20
sales.fr@sngbarratt.com



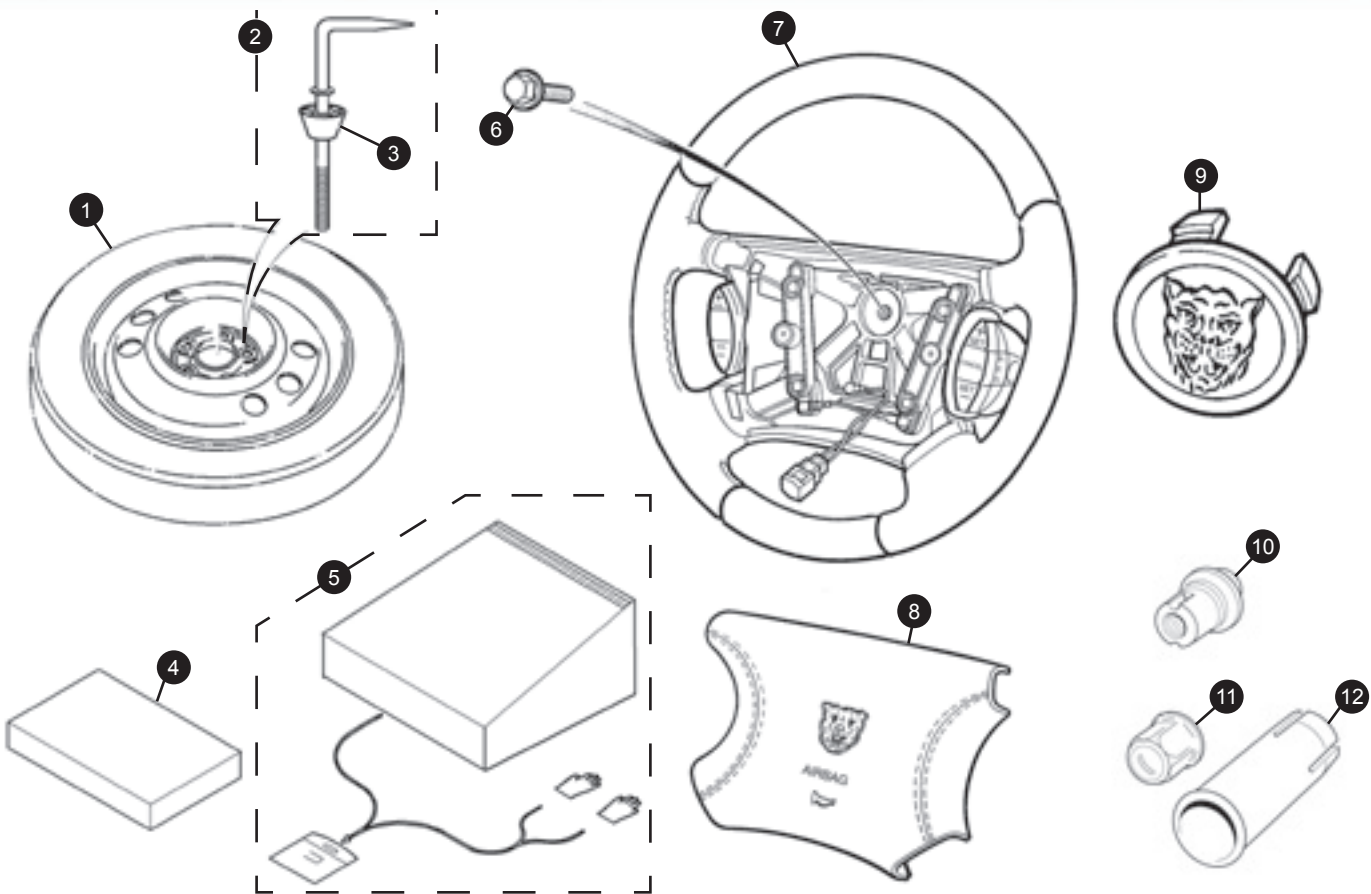
HOLLAND - Oisterwijk
+31 (0) 13 52 11 552
sales.nl@sngbarratt.com

DOOR HINGES & CHECK ARMS

www.sngbarratt.com

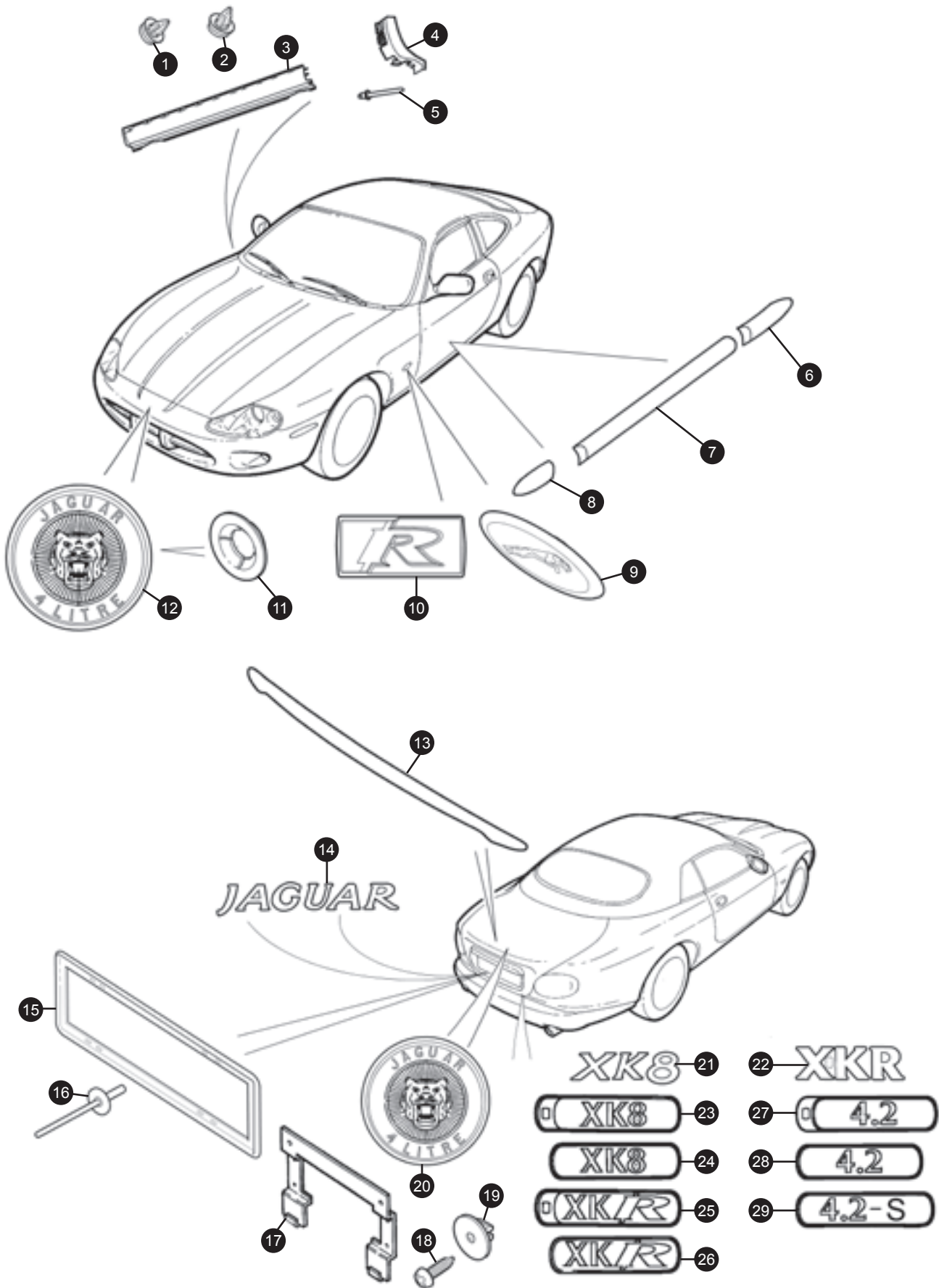
1. Door hinge LH upper	FJE3043AA	1	7. Fuel filler lid latch	HJA3093BE	1
RH upper	FJE3042AA	1	8. Door hinge LH lower	FJE3045AA	1
2. Flanged head screw, M8 x 25mm	JFT10825B	12	RH lower	FJE3044AA	1
3. Flanged nut, M8	FN108041J	12	9. Flange head screw, M8	FT108201M	2
4. Boot lid microswitch	LNC6242AC	1	10. Nut, M5	FN105045J	4
5. Fuel filler release striker	HJA3097AD	1	11. Door check arm	GJA1982AE	2
6. Latch to actuator nut	HJA3108AC	1			

SPARE WHEEL, STEERING WHEEL & AIRBAG



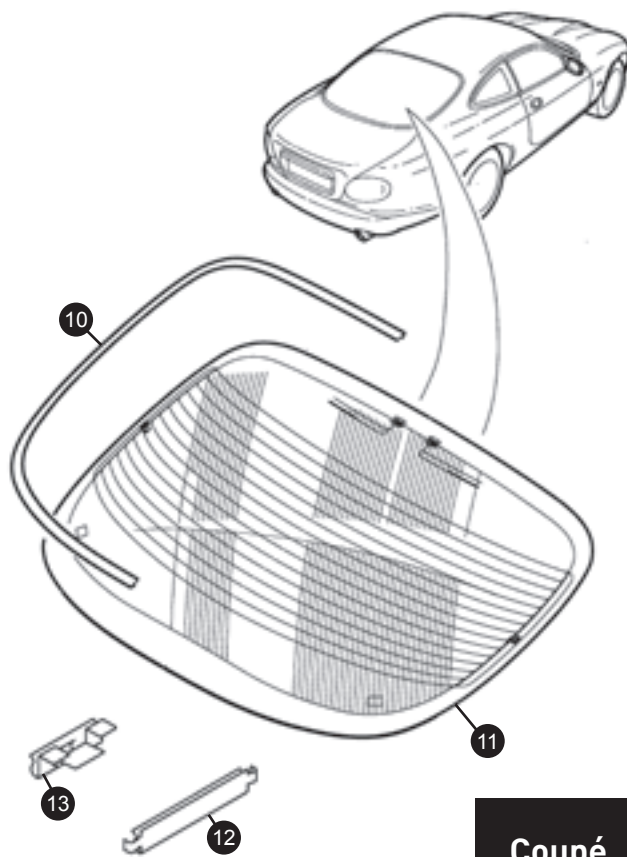
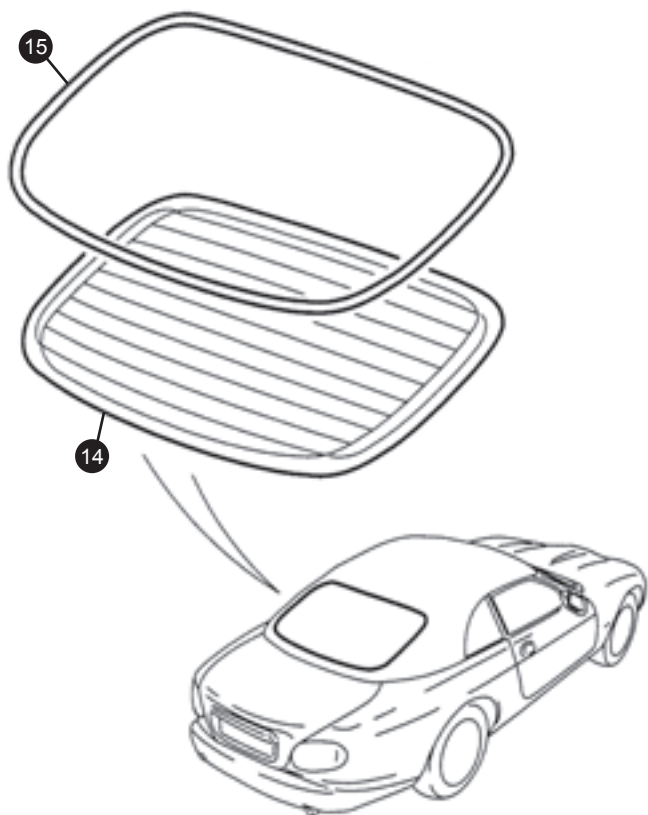
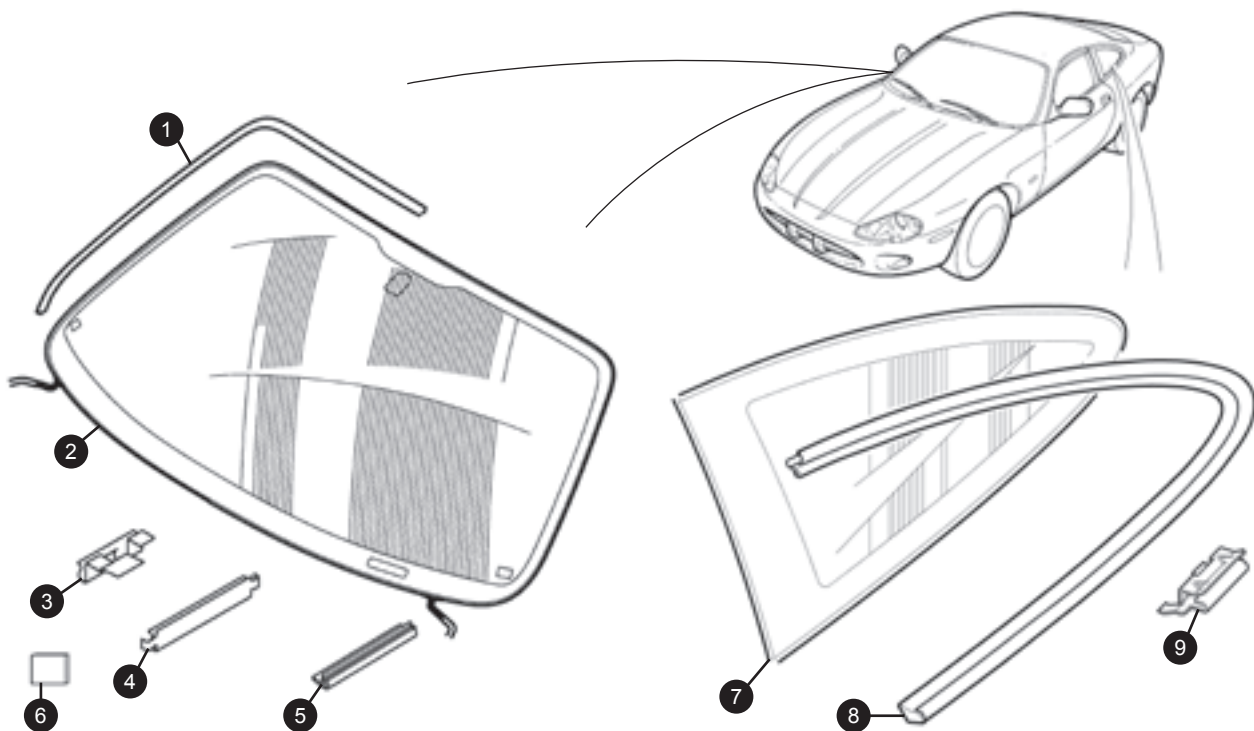
1. Space saver wheel/tyre	MJA6109AC		8. Airbag module assembly driver's side See salesperson for details on colour availability		
2. Spare wheel clamp screw R - performance	MJA6190AC	1	9. Wheel badge		
Standard	MJA6190BC	1	See Page 61 for further details		
3. Washer	MJA6192AA	1	10. Locking wheel nut kit (includes key and cap tool)		
4. Stowage support R - performance, spare wheel	GXD3636AA	1	Short wheel nuts	JLM21769	1
5. Stowage bag R - performance, trunk	GXD9548AA	1	Long wheel nuts	JLM21770	1
6. Screw/washer assembly	JSH11025BPJ	1	11. Locking wheel nut cap	MNA6266AA	4
7. Steering wheel See salesperson for details on leather/wood combinations			12. Locking wheel nut cap tool	MNA6265BA	1

BADGES & MOULDINGS



1. Upper clip, red (from VIN A40265)	C2C8963	7	Non supercharged	HJE5900AA	1
2. Sill moulding clip (from VIN A40265)	XR849718	5	4.2 Litre		
3. Body side moulding (supplied in primer)			Supercharged		
LH sill	C2N3523XXX	1	(to VIN A46462)	C2N1991	1
RH sill	C2N3522XXX	1	(from VIN A46463)	C2N3703	1
4. End cap (supplied in primer)			Non supercharged	C2N3702	1
LH sill	C2N3410XXX	1	XKR100	HXG5900AA	1
RH sill	C2N3409XXX	1	13. Boot lid spoiler	HJB6160AB	1
5. Rivet for body side moulding	C2C3564	18	14. Boot lid badge, LH		
6. Rear wing moulding (supplied in primer)			(to VIN 024686)	HJA5981AA	1
LH	HJA5717AAXXX	1	(from VIN 024687)	HJB5981AB	1
RH	HJA5716AAXXX	1	15. Rear number plate surround		
7. Door moulding (supplied in primer)			16. Rivet		
LH	HJA5707AAXXX	1	17. Number plate bracket	XR831075	1
RH	HJA5706AAXXX	1	18. Self tapping screw	AB608061J	2
8. Front wing moulding (supplied in primer)			19. Threaded insert	KZR100013	2
LH	HJA5705AAXXX	1	20. Boot lid badge (from VIN 024687)		
RH	HJA5704AAXXX	1	Supercharged	HJB5958AD	1
9. Wing badge			Non superchargd	HJB5958BD	1
4.0 Litre			Silverstone	HXD5985AA	1
Silverstone			21. Boot lid badge, RH		
LH	HXD5771AA	1	(to VIN 024686)	HJA5980BA	1
RH	HXD5770AA	1	(from VIN 024687) non supercharged	HJB5980BB	1
Non Silverstone			22. Boot lid badge, RH		
LH	HJA5771AA	1	(from VIN 024687) Supercharged	HJB5980AB	1
RH	HJA5770AA	1	23. Boot lid badge, RH		
4.2 Litre			(from VIN A30645) Supercharged	C2N3094	1
Supercharged			24. Boot lid badge, RH		
LH	HJD5771AA	1	(from VIN A33740) non supercharged	C2N2586	1
RH	HJD5770AA	1	25. Boot lid badge, RH		
Non supercharged			XKR	C2N3095	1
LH	HJA5771AA	1	26. Boot lid badge, RH		
RH	HJA5770AA	1	XKR	C2N2798	1
10. 'R' badge, 4.2 Litre supercharged	C2N2446	2	27. Boot lid badge, 4.2 Litre		
11. Star washer, M6	JZW100016	1	(from VIN A33739)	C2N2585	1
12. Bonnet badge			28. Boot lid badge, 4.2 Litre		
4.0 Litre			(from VIN A36874) US spec.	C2N3096	1
Supercharged	HJB5900AA	1	29. Boot lid badge, 4.2 - S	C2N3795	1
Supercharged, Silverstone	HXD5900AA	1			





Convertible

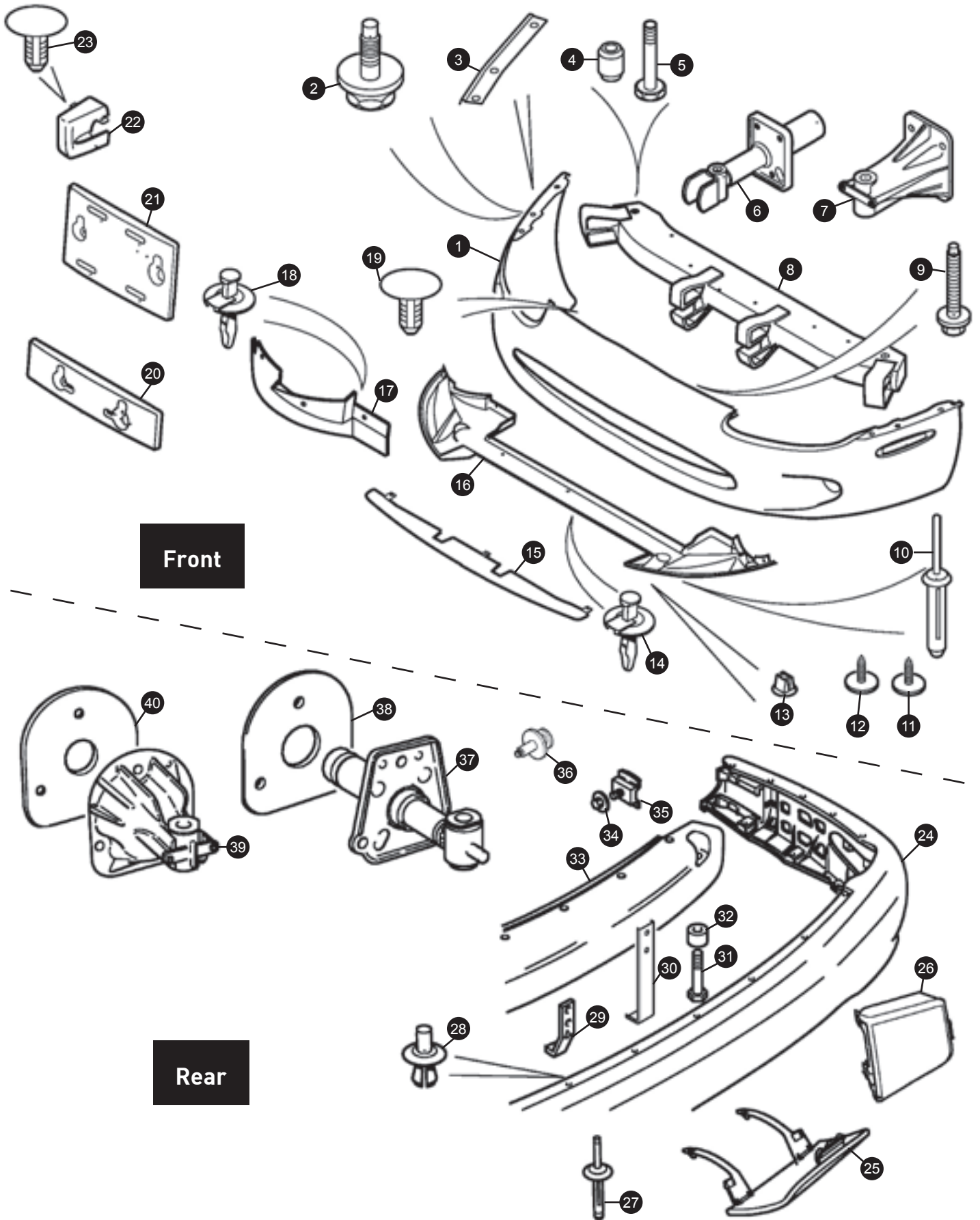
Coupé



1. Windscreen finisher								
LH								
(to VIN A40264) Dorchester grey	GJA8851ABD	1						
(from VIN A40265) Black	GJA8851ABB	1						
RH								
(to VIN A40264) Dorchester grey	GJA8850ABD	1						
(from VIN A40265) Black	GJA8850ABB	1						
2. Windscreen glass, tinted (to VIN A24195)								
With heating element	GJA8801CE	1						
Without heating element	GJA8801AE	1						
Windscreen glass, tinted (from VIN A00083 to VIN A30644)								
With rain sensing system & heating element								
Circular rain sensing aperture	GJD8801AC	1						
Triangular rain sensing aperture	GJF8801AB	1						
Rain sensing system only								
Circular rain sensing aperture	GJD8801BC	1						
Triangular rain sensing aperture	GJF8801BC	1						
Windscreen glass, tinted (from VIN A30645)								
With heating element	GJG8801AB	1						
Without heating element	GJF8801BC	1						
3. Special spring clip	JZE100030	A/R						
4. Connector clip	JZE100032	1						
5. Glazing strip, 35mm	GJB8812BA	2						
Glazing strip, 70mm	GJB8812AA	12						
6. Windscreen spacer	XR82142	2						
7. Quarter glass encapsulation								
LH	GJA2201BG	1						
RH	GJA2200BG	1						
8. Quarter glass finisher, coupe								
LH								
(to VIN A40264)	GJA2231AF	1						
(from VIN A40265) Low gloss black finish	C2N2775	1						
RH								
(to VIN A40264)	GJA2230AF	1						
(from VIN A40265) Low gloss black finish	C2N2774	1						
9. Spring clip finisher fixing	JZE100050	10						
10. Backlight glass finisher								
LH								
(to VIN A40264)Dorchester grey	GJA9019ABZ1	1						
(from VIN A40265)Black	GJA9019ABB	1						
RH								
(to VIN A40264) Dorchester grey	GJA9018ABD	1						
(from VIN A40265) Black	GJA9018ABB	1						
11. Backlight glass, coupe (to VIN A40264)								
With high mounted stop lamp	GJG9021BA	1						
Without high mounted stop lamp	GJA9021BF	1						
Backlight glass, coupe (from VIN A40265)	C2N2961	1						
12. Connector clip	JZE100032	1						
13. Spring clip	JZE100031	1						
14. Backlight glass, convertible	GJA9021FE	1						
15. Backlight glass, convertible outer seal	GJA9022AC	1						



BUMPERS, FRONT & REAR



Front

Rear



UK - Bridgnorth
+44 (0) 1746 765 432
sales.uk@sngbarratt.com



USA - Manchester NH
+1 800 452 4787 (toll free)
sales.usa@sngbarratt.com



FRANCE - Charney les Macon
+33 (0) 3 85 20 14 20
sales.fr@sngbarratt.com



HOLLAND - Oisterwijk
+31 (0) 13 52 11 552
sales.nl@sngbarratt.com

BUMPERS, FRONT & REAR

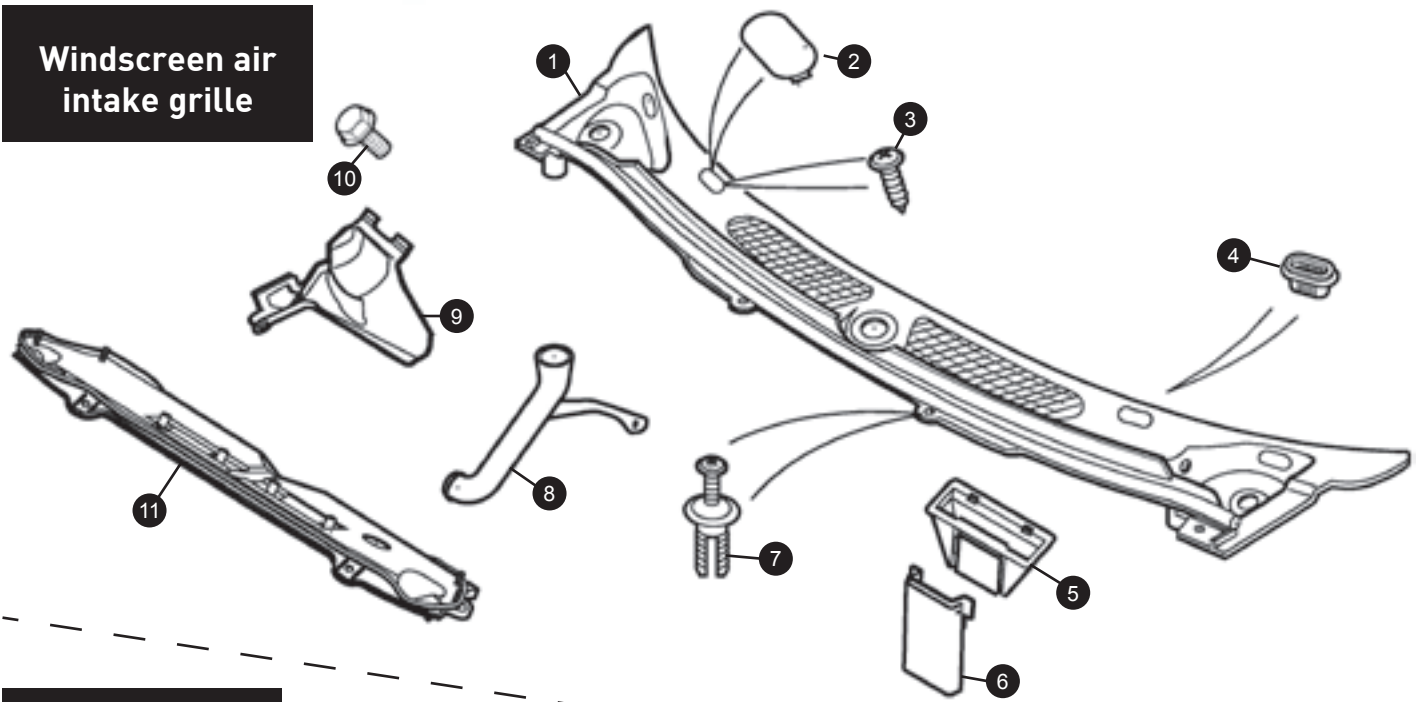
www.sngbarratt.com

1. Front bumper cover (supplied in primer) (to VIN A40264)	HJE6468ADXXX	1	22. Overrider cover (to VIN A11050)		
(from VIN A40265)	C2N3109XXX	1	LH	HJA6505AC	1
2. Bolt, M6 x 20mm	AJ89714	6	RH	HJA6504AC	1
3. Clamping plate (to VIN A11050)			(from VIN A11051 to A40264) supercharged		
LH	HJA6527AC	1	LH	HJE6505BC	1
RH	HJA6526AC	1	RH	HJE6504BC	1
(from VIN A11051)			(from VIN A11051 to A40264) non supercharged		
LH	HJE6527AB	1	LH	HJE6505AC	1
RH	HJE6526AC	1	RH	HJE6504AC	1
4. Strut to beam spacer	HJA6544AA	2	(from VIN A40265) supercharged		
5. Special hexagon bolt	JBU1121E	2	LH	C2N2751	1
6. Energy absorbing bumper strut	HJE6472AA	2	RH	C2N3296	1
7. Non energy absorbing bumper strut (to VIN 042775)	HJA6471AA	2	(from VIN A40265) non supercharged		
(from VIN A00083 to A11050)	HJA6472AC	2	LH	C2N2750	1
(from A11051)	HJE 6472AA	2	RH	C2N3295	1
8. Front bumper beam			23. Fixing button	BBC7525LEG	6
Energy absorbing (USA)	HJE6460BD	1	24. Rear bumper cover, supplied in primer (to VIN A11050)	HJA6586BBXXX	1
Non energy absorbing (except USA)	HJE6460AD	1	(from VIN A11051 to VIN A40264))		
(to VIN 042775) Use with mounting brackets	HJE6471AA	1	With rear parking aid	HJE6586BBXXX	1
	HJE6064AA	1	Without rear parking aid	HJE6586ACXXX	1
9. Screw, M6 x 25mm	JZS100156	6	(from VIN A40265)		
10. Rivet, cover to under tray	KRA106001	8	With rear parking aid	C2N3503XXX	1
11. Self tapping screw/washer, valance to cross member (to VIN A42316)	JAB10067XJ	3	Without rear parking aid	C2N3502XXX	1
(from VIN A42317)	C2N3417	3	25. Towing eye cover (to VIN A40264)	HJE6455ACXXX	1
12. Pan head screw/washer, M6 (from VIN A4026)	C2S45016010	9	26. Towing eye cover, supplied in primer (From VIN A40265)	C2N2743XXX	1
13. Push-in nut	ACU1612J	3	27. Pop rivet, bumper cover to beam underside		
14. Plastic rivet, valance to bumper	XR88883	3	JZA100032	14	
15. Splitter vane (to VIN A11050) Chrome	HJA6451BC	1	28. Plastic rivet, bumper cover to beam	BBC7525LEG	7
(from VIN A11051) to VIN A40264) chrome finish	HJE6451AB	1	29. Bumper cover support strap	HJE6569AA	2
(from VIN A40265)	C2N2745	1	30. Rear bumper mounting bracket (from VIN A40265)	C2N3438	2
16. Undertray (to VIN A40264)	HJE6484AB	1	31. Short thread hexagon bolt	JBU11218E	2
(from VIN A40265)	C2N2744	1	32. Spacer, strut to beam	HJA6544AA	2
17. Wind deflector			33. Bumper beam		
LH bumper	HJA6539AB	1	Energy absorbing	HJE6580BA	1
RH bumper	HJA6538AB	1	Non energy absorbing	HJE6580AB	1
18. Plastic rivet, deflector to bumper	XR88883	4	34. Flange nut, M8	JFN108047	2
19. Fir tree clip	KTC100013	3	35. Bumper guide block	HJA6554AB	2
20. Rectangular number plate (to VIN A40264)	HJA6458BB	1	36. Flange headed torx screw, rear bumper guide M8 x 22mm (from VIN A40265)	C2N3416	2
(from VIN A40265)	C2N2747	1	37. Bumper strut, energy absorbing	HJE6560AA	2
21. Square number plate (to VIN A40264)	HJA6458AC	1	38. Mounting gasket	HJA6566AB	2
(from VIN A40265)	C2N2746	1	39. Bumper strut, non energy absorbing	HJE6567AA	2
			40. Mounting gasket	HJA6566AB	2

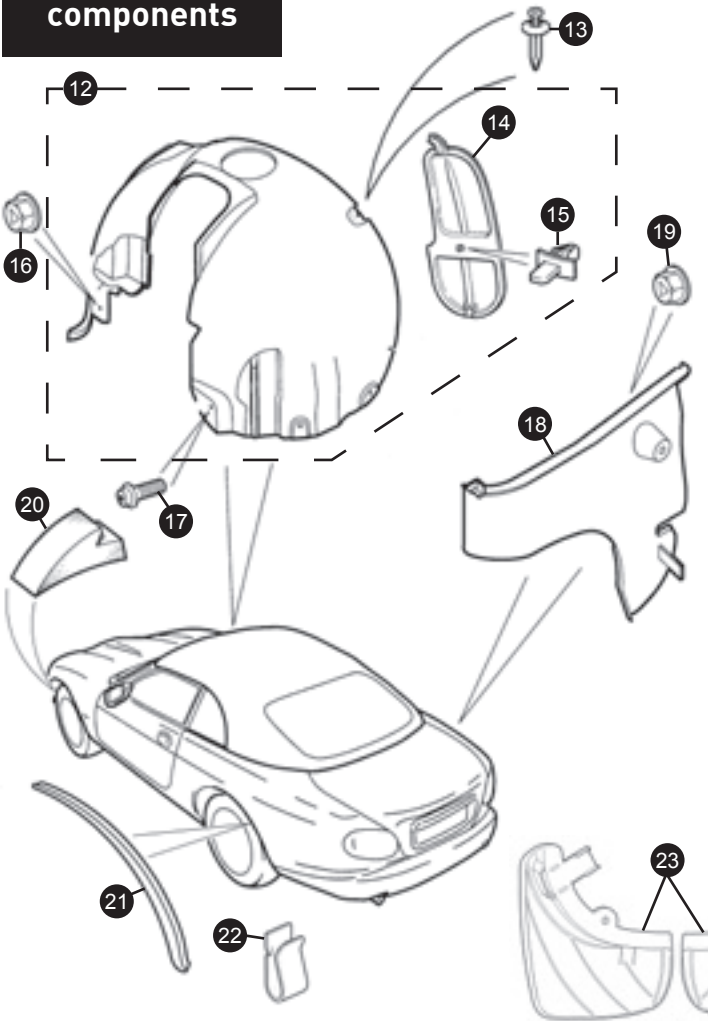




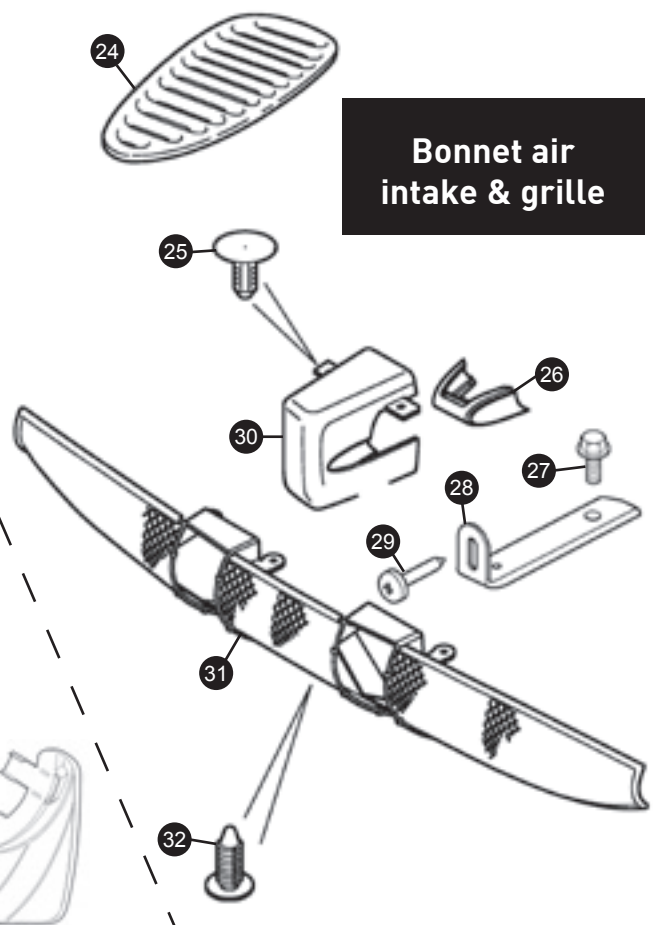
Windscreen air intake grille



Wheelarch components



Bonnet air intake & grille



1. Plenum cover				21. Wing moulding, 'R' performance options			
LHD	C2N2777	1		LH rear	HJE4591AA	1	
RHD	C2N2776	1		RH rear	HJE4590AA	1	
2. Finisher cap				22. Spring nut for wing moulding	XR824713	4	
(to VIN A40264)	HJA3835AA	4		23. Mudflap kit			
(from VIN A40265)	C2N2753	4		Front	C2S4494	1	
3. Screw	JDA60804C	8		Rear	C2S4500	1	
4. Special nut	XR82312	8		24. Bonnet louvre, Supercharged			
5. Plenum duct	HJA3815AB	1		LH (Copy)	SBS6371	1	
6. Plenum dust shield	HJA3825AC	1		RH (Copy)	SBS6370	1	
7. Rivet screw	KRS116140	2		LH (OE)	HJB6371AAXXX	1	
8. Plenum drain tube				RH (OE)	HJB6370ABXXX	1	
LH	HJA3823AA	1		25. Fixing button	BBC7525LEG	6	
RH	HJA3822AA	1		26. Plug, Supercharged			
9. Water deflector				LH	HJB6549AB	1	
Contact sales person for availability				RH	HJB6548AB	1	
10. Paint clearing screw	JHG10616F	2		27. Screw, bracket to body M6 x 25mm	JZS100156	2	
11. Plenum closing plate assembly				28. Mesh support bracket, 4.2 Litre supercharged			
Convertible	C2N1607	1		LH	C2N3292	1	
Coupe	C2N1606	1		RH	C2N3291	1	
12. Wheelarch liner assembly (w/o access panel)				29. Pin, grille to bumper (from VIN A40265)	C2N3273	6	
LH front	C2N2847	1		30. Cover, Supercharged			
RH front	C2N2846	1		(to VIN A40264)			
13. Blind rivet	C2S9354	8		LH	HJE6505BC	1	
14. Headlamp bulb access panel				RH	HJE6504BC	1	
LH wheelarch	HJA4583AD	1		(from VIN A20465)			
RH wheelarch	HJA4582AD	1		LH	C2N2751	1	
15. Arrow head clip	KTF100003	2		RH	C2N3296	1	
16. Plastic push-on nut for front wheelarch liner	AGU2436J	2		31. Front grille mesh, Supercharged			
17. Pan head torx screw	JZS100005	2		(to VIN A40264) bright finish	HJD6545AB	1	
18. Rear wheelarch liner				(from VIN A20465) bright finish	C2N2752	1	
LH	C2N2755	1		(from VIN A20465) black finish, 'R' version	HJD6545BB	1	
RH	C2N2754	1		Grille conversion kit	MESH009	1	
19. Plastic push-on nut for rear wheelarch liner				32. Mesh mounting clip	HJB6537AA	12	
	AGU2436J	2					
20. Foam block on front wing	HJA3350AC	2					

We supply a range of bespoke stainless steel grilles from Adamesh, specialist manufacturers of styling enhancement products.

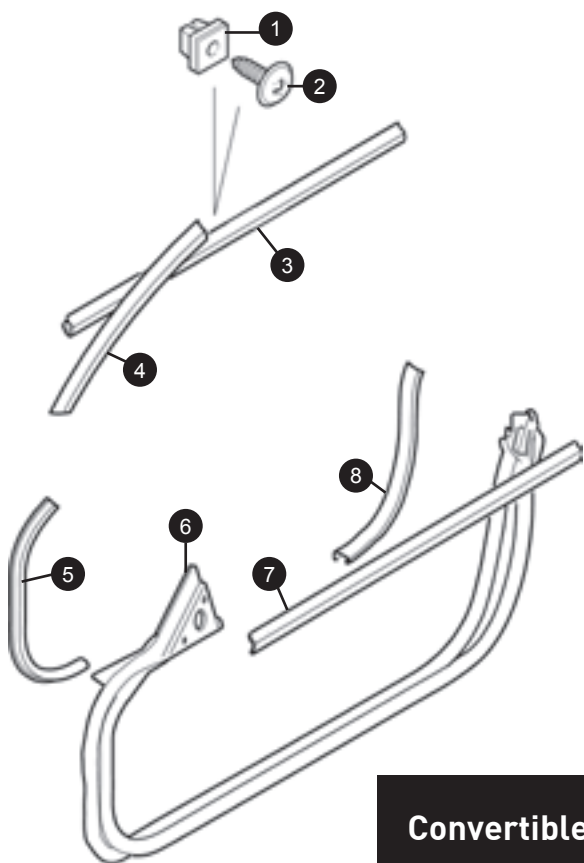
Stainless steel grille mesh, flat	MESH007	1
Stainless steel grille mesh, convex	MESH007/1	1

Contact your salesperson for more information.

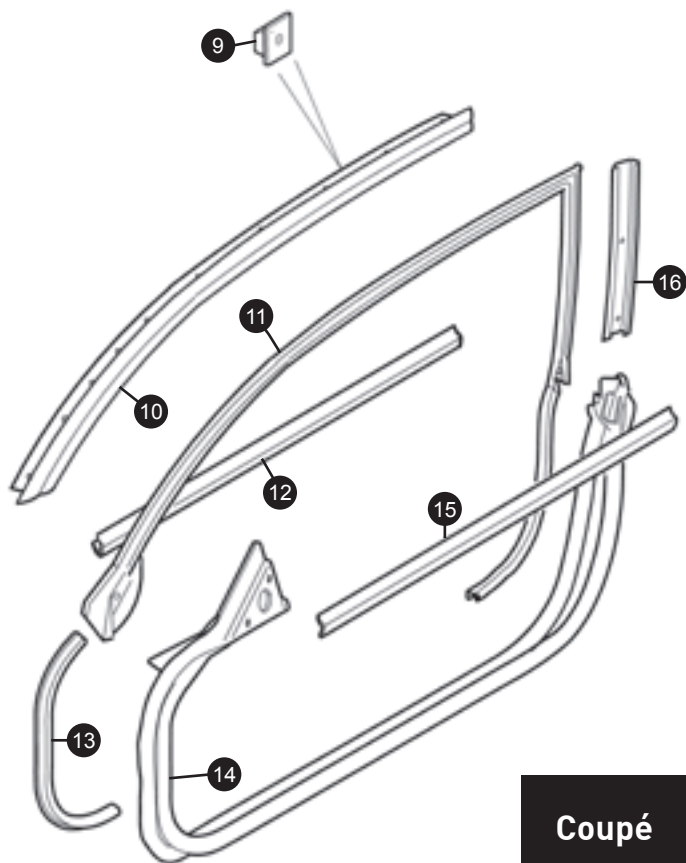


ADAMESH

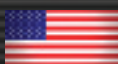
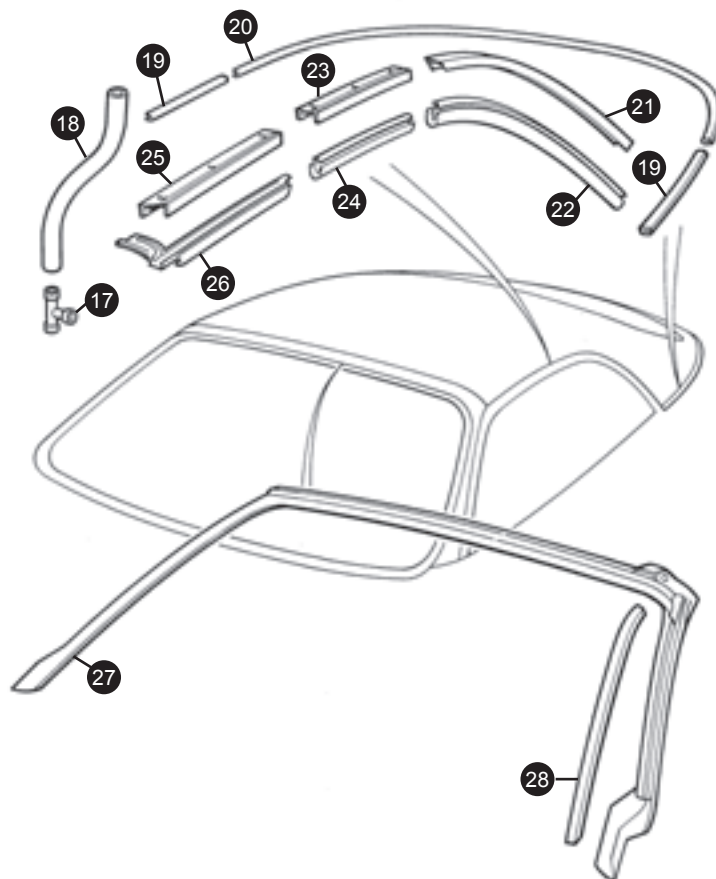




Convertible

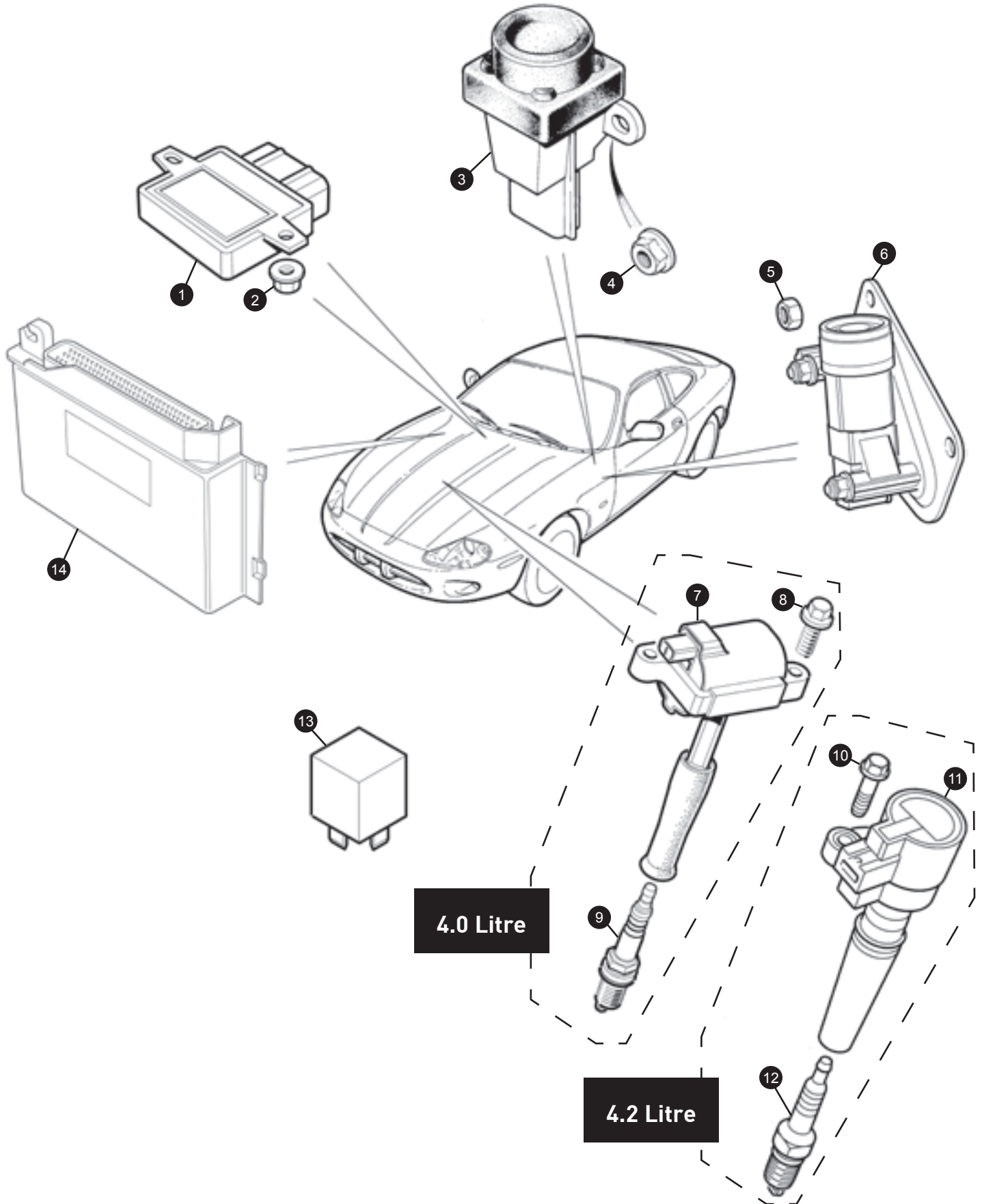


Coupé



1. Push-in nut	BEC17370	10	RH (from VIN A40265)	C2N2780	1
2. Self tapping screw	JDA60804E	10	16. Seal carrier, B-post		
3. Door waist seal, inner	GJA1716AB	2	LH	HJA5343BB	1
4. Seal retainer, convertible			RH	HJA5342BB	1
LH A-post			17. T-piece		
(to VIN A40264)	HJE7709AA	1	(to VIN 031302)	AGU2610	1
(from VIN A40265)	C2N2877	1	(from VIN 031303)	KCH310100	1
RH A-post			18. Tube		
(to VIN A40264)	HJE7708AA	1	(to VIN 031302)	HJA8129AD	2
(from VIN A40265)	C2N2876	1	(from VIN 031303)		
5. A-post flange finisher	HJA1650AD	2	LH	HJC8130DA	1
6. Door/cheater seal, convertible			RH	HJC8130CA	1
LH	HJA5363BC	1	19. Hood frame seal	HJA8138AB	2
RH	HJA5362BC	1	20. Boot edge seal	HJA7718AA	1
7. Waist seal outer			21. Seal retainer, convertible		
LH (to VIN A40264)	GJA1711AJ	1	LH rear	HJA7741AC	1
LH (from VIN A40265)	C2N2781	1	RH rear	HJA7740AC	1
RH (to VIN A40264)	GJA1710AJ	1	22. Hood frame seal		
RH (from VIN A40265)	C2N2780	1	LH rear	HJB7783AA	1
8. B-post flange finisher	HJA1651AD	2	RH rear	HJB7782AA	1
9. Lokut nut	BEC17370	10	23. Seal retainer		
10. Drip moulding seal carrier			LH centre	HJA7739AC	1
LH			RH centre	HJA7738AC	1
(to VIN A40264)	HJA5341BE	1	24. Hood frame seal		
(from VIN A40265)	C2N2783	1	LH centre	HJB7781AA	1
RH			RH centre	HJB7780AA	1
(to VIN A40264)	HJA5340BF	1	25. Seal retainer		
(from VIN A40265)	C2N2782	1	LH front	HJA7737AC	1
11. Door aperture edge finisher, coupe			RH front	HJA7736AC	1
LH	HJA5365AJ	1	26. Hood frame seal		
RH	HJA5364AJ	1	LH front	HJG7779AA	1
12. Door waist seal, inner	GJA1716AB	2	RH front	HJG7778AA	1
13. A-post flange finisher	HJA1650AD	2	27. Header seal, convertible	HJC7715AD	1
14. Door/cheater seal, coupe			28. Seal retainer, A-post		
LH	HJA5363AC	1	LH A-post		
RH	HJA5362AC	1	(to VIN A40264)	HJE7709AA	1
15. Waist seal outer, coupe			(from VIN A40265)	C2N2877	1
LH (to VIN A40264)	GJA1711AJ	1	RH A-post		
LH (from VIN A40265)	C2N2781	1	(to VIN A40264)	HJE7708AA	1
RH (to VIN A40264)	GJA1710AJ	1	(from VIN A40265)	C2N2876	1





4.0 Litre

4.2 Litre

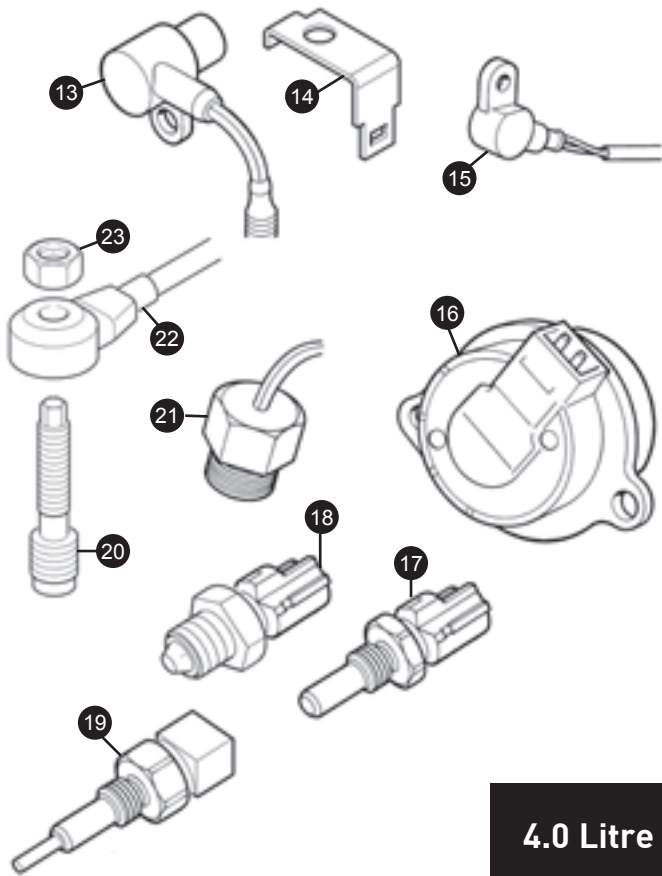


ENGINE MANAGEMENT COMPONENTS

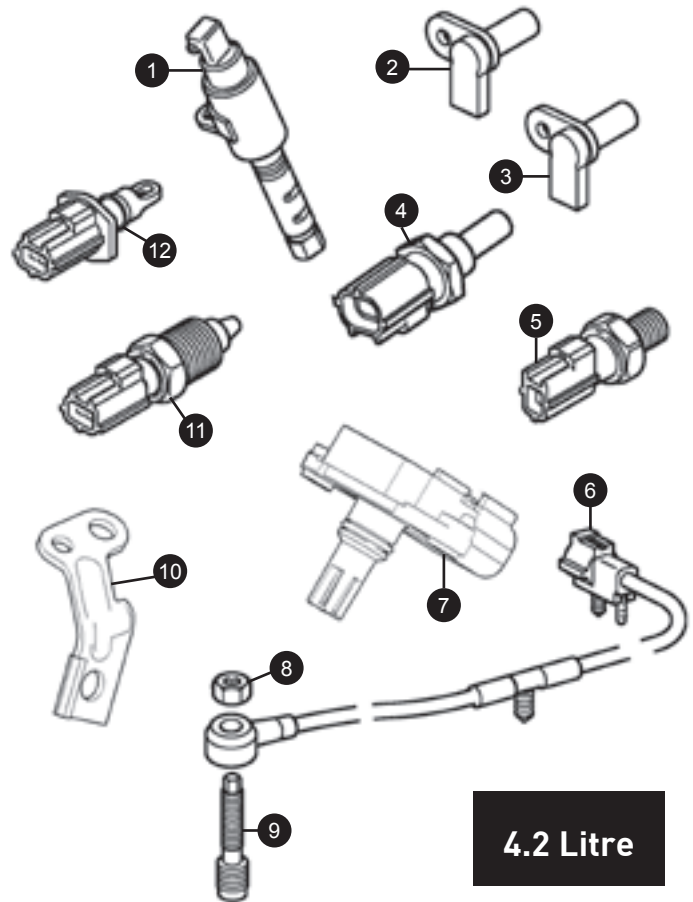
www.sngbarratt.com

1. Ignition power module (TO vin A30644)	LJA1450AF	2	(from VIN 031303)	C2A1535	8
2. Nut, M6 for power module	JFY106041	4	Spark plug, 4.0 Litre supercharged	NCA3850HA2	8
3. Inertia switch, 4.0 Litre	LNA6520BA	1	10. Hexagonal headed flange bolt, M5 x 20mm		
2. Nyloc nut	JLM11988	1	(to VIN A40264)	AJ85385	16
5. Nut, M6 for inertia switch	JFY106041	3	(from VIN A40265)	AJ88474	16
6. Inertia switch, 4.2 Litre	C2N1918	1	11. On-plug ignition coil, 4.2 Litre		
7. On-plug ignition coil, 4.0 Litre			(to VIN A40264)	AJ87644	8
2 pin connection	LCA1510AB	8	(from VIN A40265)	AJ810445	8
4 pin connection	LNE1510AB	8	12. Spark plug, 4.2 Litre	C2A1535	8
8. Hexagon flange screw	AJ84085	16	13. Relay unit (brown)	C2P1192	A/R
9. Spark plug, 4.0 Litre			14. Gearbox electronic control module, 4.0 Litre		
(to VIN 018107)	NCA3850DA2	8	Contact sales person for more information		1
(from VIN 018108 to VIN 031302)	NCA3850FA1	8			

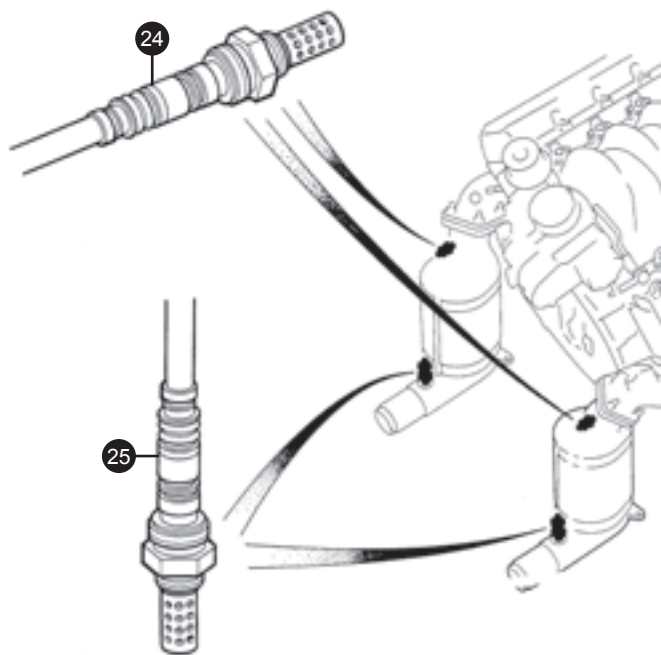




4.0 Litre



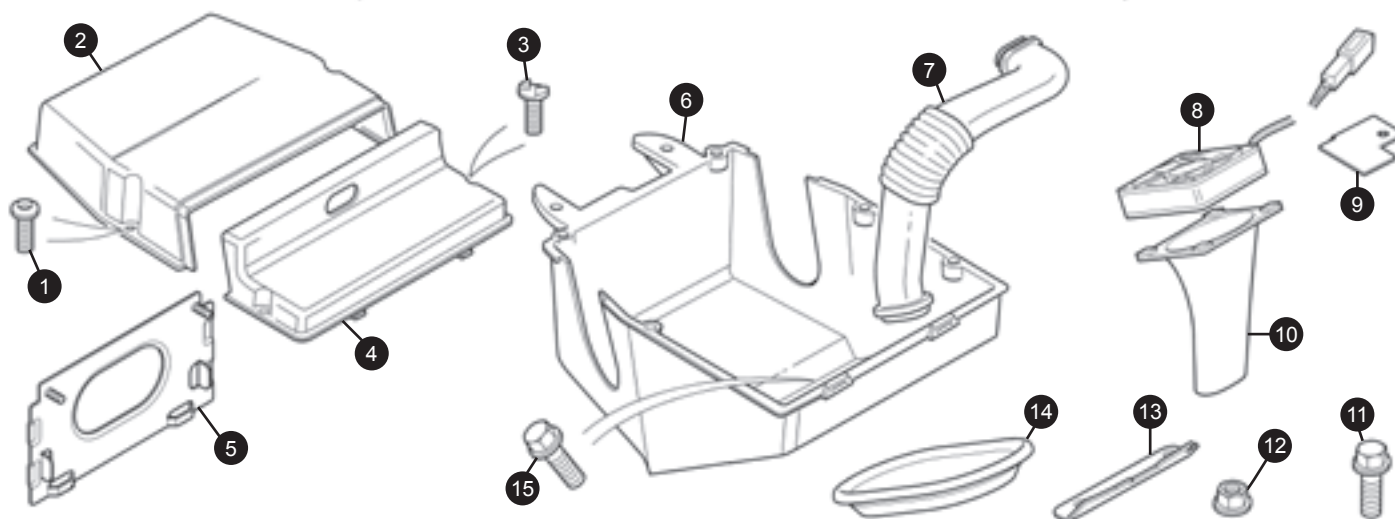
4.2 Litre



1. Variable valve timing solenoid valve	AJ810570	2
2. Crankshaft position sensor	AJ81284	1
3. Camshaft position sensor RH, A bank	LRA1646BC	1
LH, B bank	AJ84290	1
4. Coolant temp. sensor, Supercharged	LNA1600AA	1
5. Oil pressure switch, black	AJ84853	1
6. Knock sensor, white	AJ85676	2
7. MAP sensor, 2 hole fixing (to VIN A24195) (from VIN A24196)	AJ82763 C2C22616	1 1
8. Nut, M8 (to VIN A44685) (from VIN A44686)	JFN10804B C2Z1312	2 2
9. Knock sensor stud (to VIN A24195) (from VIN A24196)	NRA1268AA AJ810709	2 2
10. Camshaft sensor bracket 4.2 Litre supercharged	AJ85633	2
11. Temperature sensor, M18 thread	XR832403	1
12. Air temperature sensor 4.2 Litre supercharged	AJ83678	1

13. Crankshaft position sensor, sump (to VIN 031302) (from VIN 031303)	LCA1640AE	1	22. Knock sensor Supercharged, (from VIN A00083)	LNE1692AA	2
	AJ81284	1	Non supercharged, (from VIN 031303)	LNE1692AA	2
14. Sensor mounting bracket	LNE3890EA	1	23. Nut, M8	JFN10804B	2
15. Camshaft position sensor RH, A bank LH, B bank	LRA1646BC	1	24. Heated oxygen sensor, upper (grey) 4.0 Litre supercharged	LJA1682AE	2
	LRA1646DB	1	4.0 Litre non supercharged (to VIN 031302)	LJA1682AE	2
16. Solenoid valve with variable valve timing	AJ810570	2	(from VIN 031303)	LNE1684BB	2
17. Air temperature sensor 4.0 Litre supercharged	LCC1602AA	1	25. Heated oxygen sensor, lower, (black) USA & Canada, Supercharged	LNE1682BC	2
18. Temperature sensor, M18 thread	AJ810031	1	Non heated	LJA1680AE	2
19. Oil pressure switch, black	AJ84853	1	USA & Canada, Non supercharged (to VIN 031302) non heated	LJA1680AE	2
20. Knock sensor stud	NRA1268AA	2			
21. Knock sensor, Supercharged, (to VIN 042775) Non supercharged, (to VIN 031302)	LCA1692AE	2			
	LCA1692AE	2			

CONTROL MODULE HOUSING



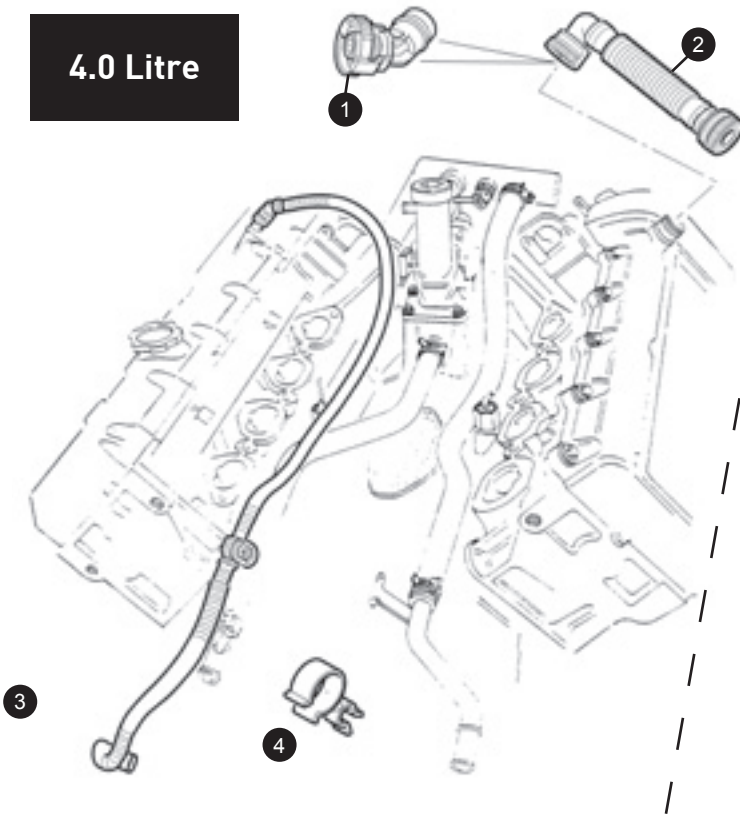
1. Pan head torx screw	C2C25942	6	9. Retaining bracket	LJC2410AA	1
2. Housing, upper	LJG2410DA	1	10. Cooling duct	LJB2413AA	1
3. Special screw, M6 x 20mm	JZS100127	4	11. Flange headed screw	FS106165P	2
4. Housing, upper front	LJG2410BA	1	12. Flange nut, M6	FN106041	2
5. Module mounting bracket	LND2410AB	1	13. Retaining bracket	LJB2410FC	1
6. Housing, lower	LJB2410CB	1	14. Air duct blanking grommet	LJB2414AA	1
7. Cooling duct outlet	LJB2413BB	1	15. Washer faced setscrew, M8 x 25mm	FS108251J	4
8. Cooling fan	LJB2412BB	1			

CRANK CASE BREATHER SYSTEM

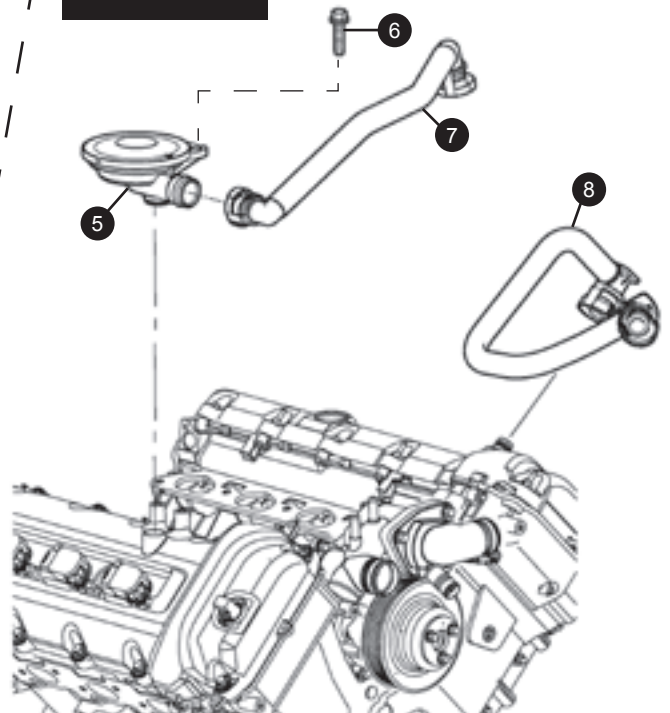
www.sngbarratt.com



4.0 Litre



4.2 Litre

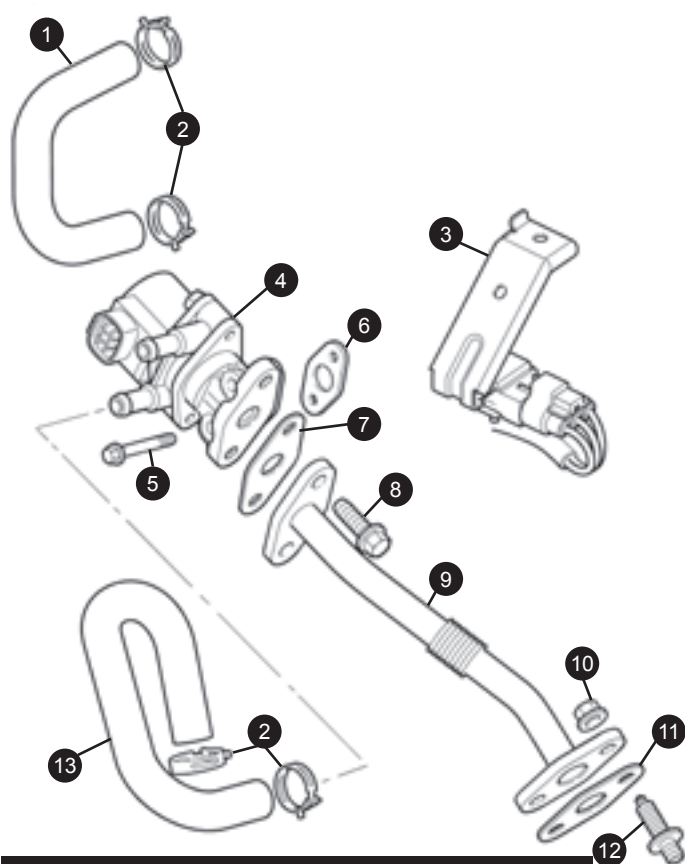


1. Part load breather restrictor	XR828442	1	5. Crankcase vent valve	AJ87773	1
2. Full load breather hose	NCA3951CB	1	6. Bolt	C2S26049	1
3. Part load breather hose Supercharged	AJ84879	1	7. Crankcase breather pipe	AJ88622	1
Non supercharged	AJ84880	1	8. Full load breather hose Supercharged	AJ87233	1
4. Swivel clip	KDP212230	1	Non supercharged	AJ87221	1



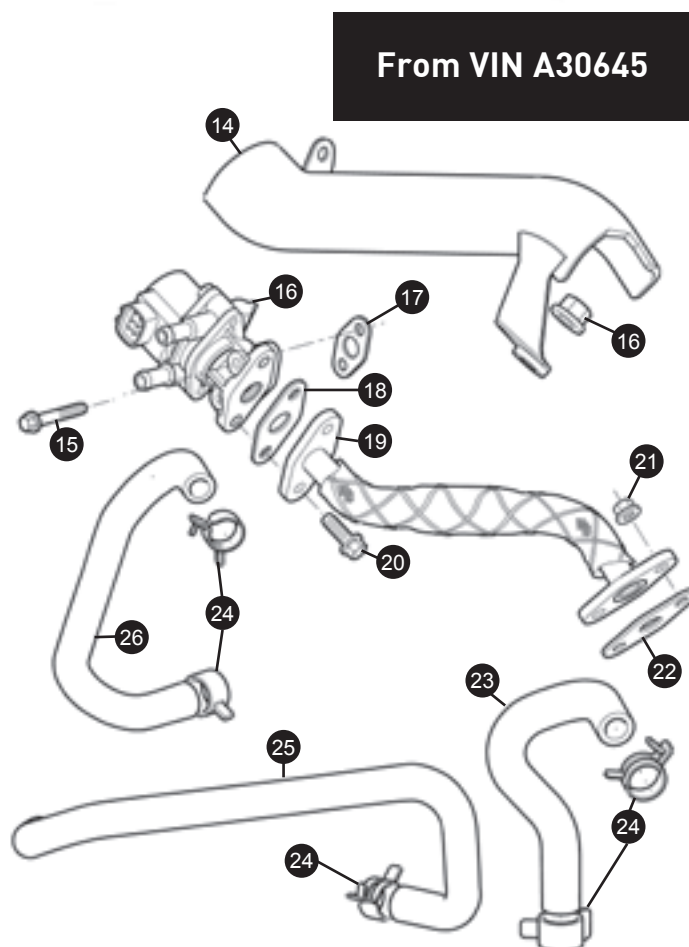
EXHAUST GAS RECIRCULATION VALVE

www.sngbarratt.com



From VIN A00083 to VIN A30644

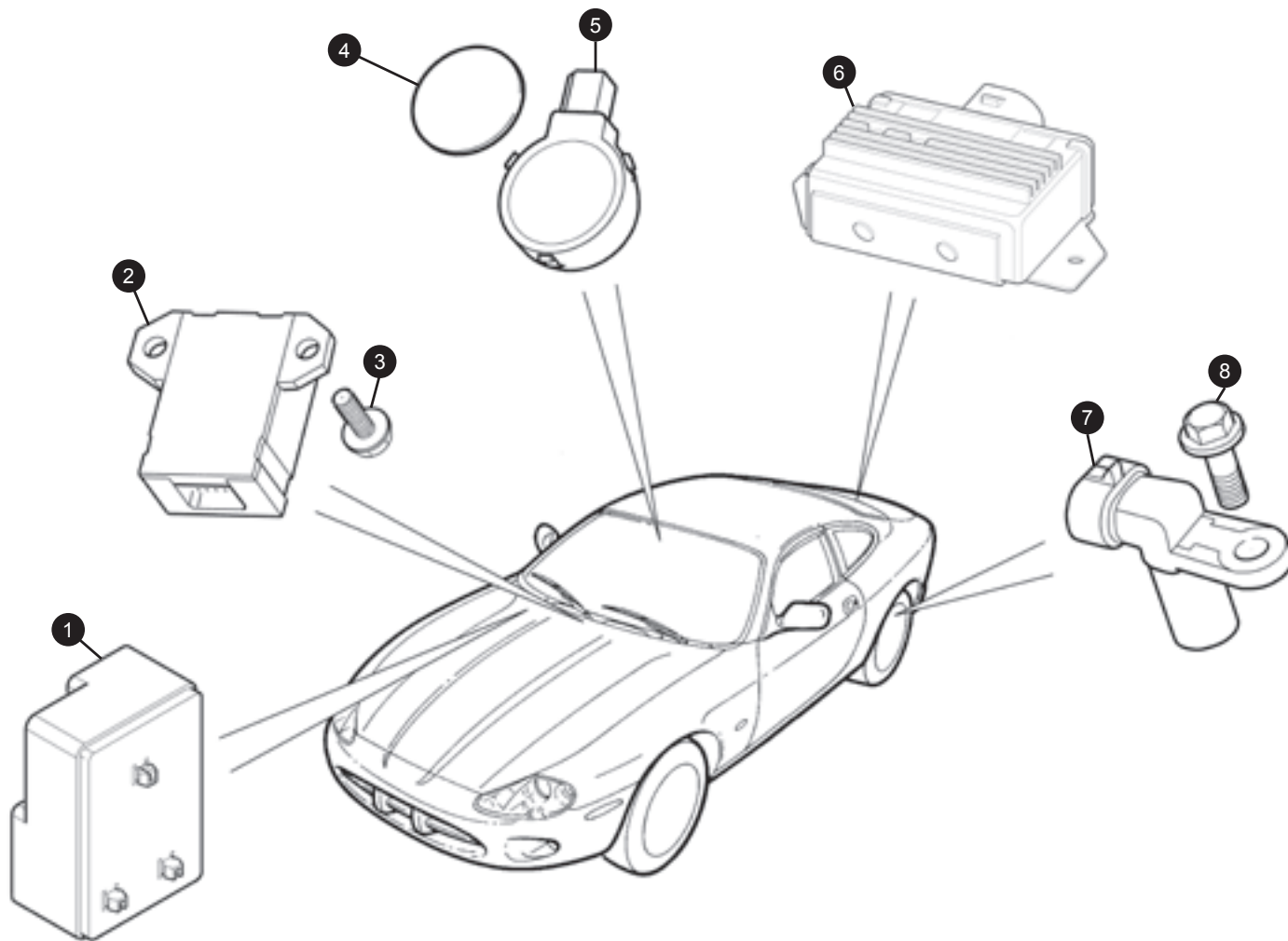
1. Heater hose, 4.0 Litre supercharged	NNE3947BA	1
2. Hose clamp	JHC301621	2
3. MAP sensor, 4.0 Litre supercharged	LNF1622AA	1
2. EGR valve, 4.0 Litre supercharged	AJ88582	1
5. Hexagonal headed flange bolt		
M6 x 45mm	AJ82190	2
M8 x 60mm	C2N1699	1
6. EGR pipe gasket small, 4.0 Litre supercharged		
(to engine 0108122359)	NNE4774AC	1
(from engine 0108130000)	AJ88560	1
7. EGR pipe gasket upper, 4.0 Litre supercharged		
(to engine 0108122359)	NCA4771BE	1
(from engine 0108130000)	AJ88559	1
8. Hexagon flange screw, M8 x 20mm	C2Z1856	2
9. EGR pipe, 4.0 Litre supercharged	AJ86857	1
10. Nut, M8	JFN10804B	2
11. EGR pipe gasket, lower	NCA4771DA	1
12. EGR pipe stud	AJ88495	1
13. Heater hose, 4.0 Litre supercharged	NNE3948BA	1
14. Heatshield		
(from VIN A30645)	C2N3066	1
15. Hex. headed flange bolt, M6 x 45mm	AJ82190	2
16. EGR valve, 4.2 Litre	AJ88582	1
17. EGR pipe gasket small, 4.2 Litre	AJ88560	1
18. EGR pipe gasket upper, 4.2 Litre		
(to VIN A45299)	AJ88559	1
(from VIN A45300)	AJ89071	1
19. EGR pipe	AJ87772	1
20. Hexagon flange screw, M8 x 20mm	C2Z1856	1



From VIN A30645

21. Nut, M8		
(to VIN A44685)	JFN10804B	2
(from VIN A44686)	C2Z1312	2
22. EGR pipe gasket, lower 4.2 Litre	AJ82430	1
23. Return hose to throttle body	AJ88519	1
24. Hose clip	JHC501401	6
25. Feed hose, water outlet to EGR	AJ88513	1
26. Feed hose, to throttle body	AJ898092	1





LOOKING FOR SENSORS & MODULES?

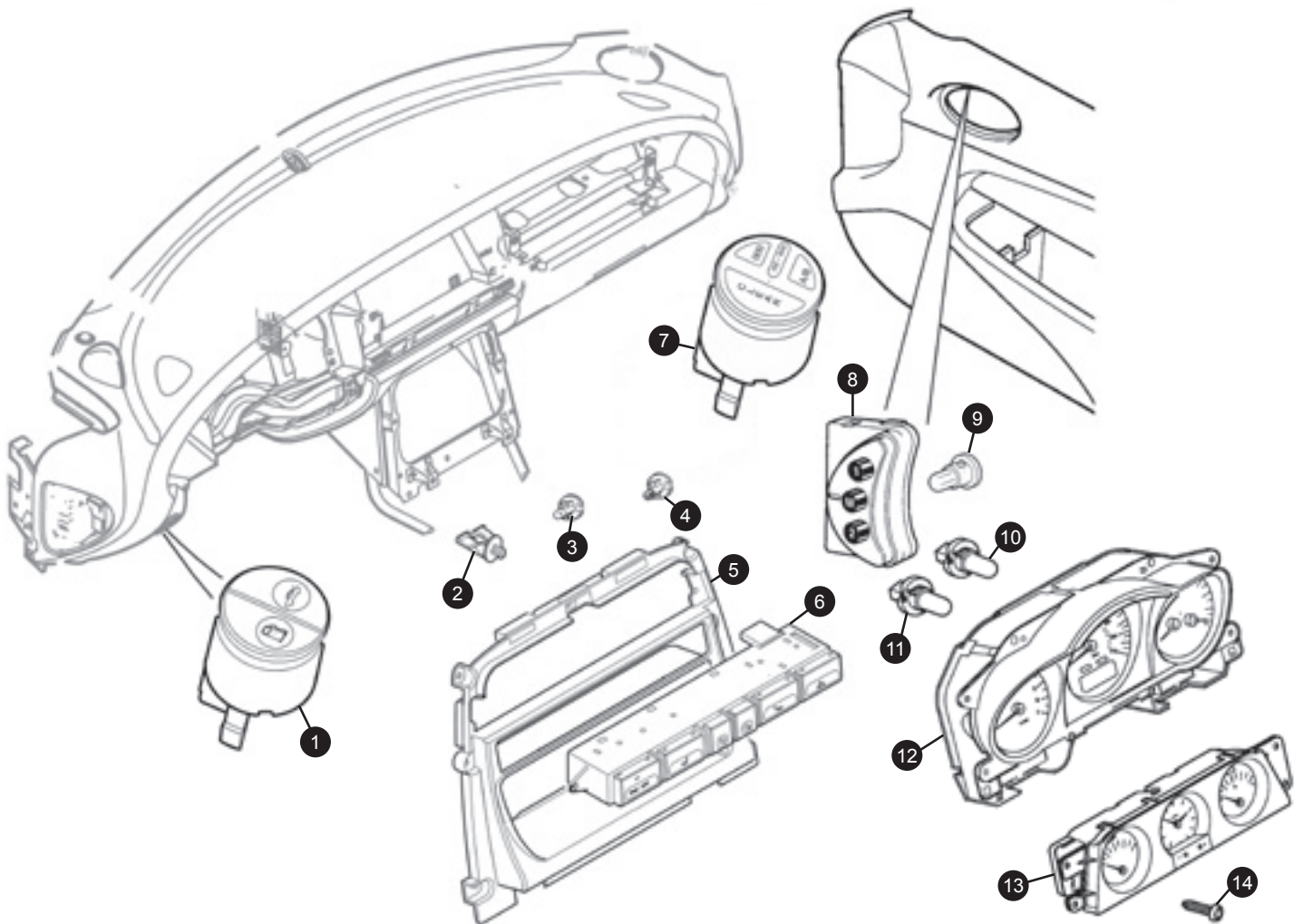
CONTACT THE SNG BARRATT SALES TEAM WITH YOUR VIN NUMBER FOR A COMPREHENSIVE SELECTION.

EMAIL: SALES@SNGBARRATT.COM

TEL: +44 (0) 1746 765432



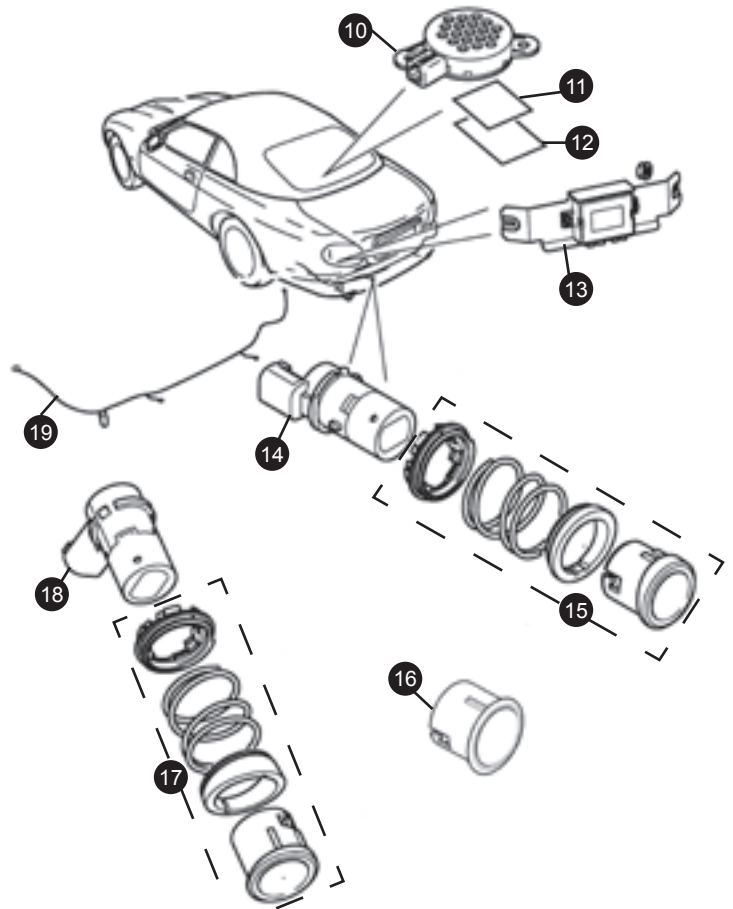
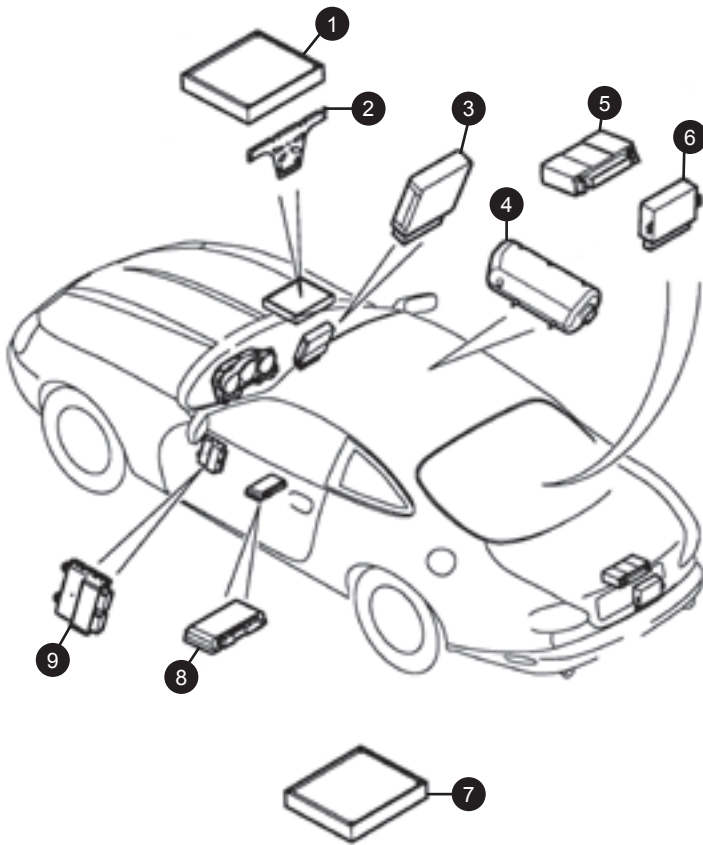
DASH COMPONENTS & DOOR SWITCHES

www.sngbarratt.com


1. Fuel flap & boot release switch	LJA6255AB	1	8. Seat memory switch		
2. Pipe clip	KDF108013	2	LHD	LJA6345AD	1
3. Clear bulb	LNA5180BA	1	RHD	LJA6344AD	1
4. Blue bulb	LNA5180CA	1	9. Blue bulb, for memory switch illumination	LJA5180DA	1
5. Console switch cover mounting (to VIN 018107)	LJA6318AB	1	10. Bulb & holder for cluster illumination	XR83865	4
(from VIN 018108)	LJB6318AA	1	Bulb & holder, blue illumination	LJA5180CA	2
6. Console switch module, non headlamp levelling			11. Bulb & holder for warning light	LJA4390BA	4
Traction control			12. Major instrument pack		
Heated seats			Contact salesperson for requirements		
(to VIN A35154)	LJD6292CA	1	13. Minor instrument pack		
(from VIN A35155)	C2N2444	1	(to VIN A30644)	LJB4310AB	1
Non heated seats			(from VIN A30645)	C2N1627	1
(to VIN A35154)	LJD6292EA	1	14. Self tapping screw	JDA60804B	4
(from VIN A35155)	C2N2445	1			
No traction control					
Non heated seats	LJA6292PC	1			
Console switch module, with headlamp levelling					
Traction control					
Heated seats					
(to VIN A35154)	LJD6292AA	1			
(from VIN A35155)	C2N2442	1			
Non heated seats					
(to VIN A35154)	LJD6292BA	1			
(from VIN A35155)	C2N2443	1			
7. Trip computer toggle switch	LJE6019AA	1			

CONTROL MODULES & PARKING SENSORS

www.sngbarratt.com



- 1. Engine control module
Contact sales for further information
- 2. Module mounting bracket C2N1413 1
- 3. Body processor module
Contact sales for further information
- 4. Headrest control module LJE2165AB 1
- 5. Security/locking module
Contact sales for further information
- 6. Adaptive damping module
Contact sales for further information
- 7. Module cover C2N3565 2
- 8. Seat control module LJE2160AB 2
- 9. Door module LJE2120AB 2

- 10. Reversing aid speaker C2N2421 1
- 11. Velcro pad, female LJE3840AA 1
- 12. Velcro pad, male
- 13. Parking aid module C2S51767 1
- 14. Reversing aid sensor, inner
(to VIN A40264) LJE7355AB 2
(from VIN A40265 to VIN A44162) C2C29376XXX 2
(from VIN A44163) C2C29376XXX 2
- 15. Sensor fixing kit, inner
(to VIN A40264) JLM21560 2
- 16. Sensor mounting bracket C2N2870 4
- 17. Sensor fixing kit, outer
(to VIN A40264) JLM21562 2
- 18. Reversing aid sensor, outer
(to VIN A40264) LJE7355BB 2
(from VIN A40265 to VIN A44162) C2C29376XXX 2
(from VIN A44163) C2C29377XXX 2
- 19. Bumper harness for parking aid LJJ3225AB 1



UK - Bridgnorth
+44 (0) 1746 765 432
sales.uk@sngbarratt.com



USA - Manchester NH
+1 800 452 4787 (toll free)
sales.usa@sngbarratt.com



FRANCE - Charney les Macon
+33 (0) 3 85 20 14 20
sales.fr@sngbarratt.com

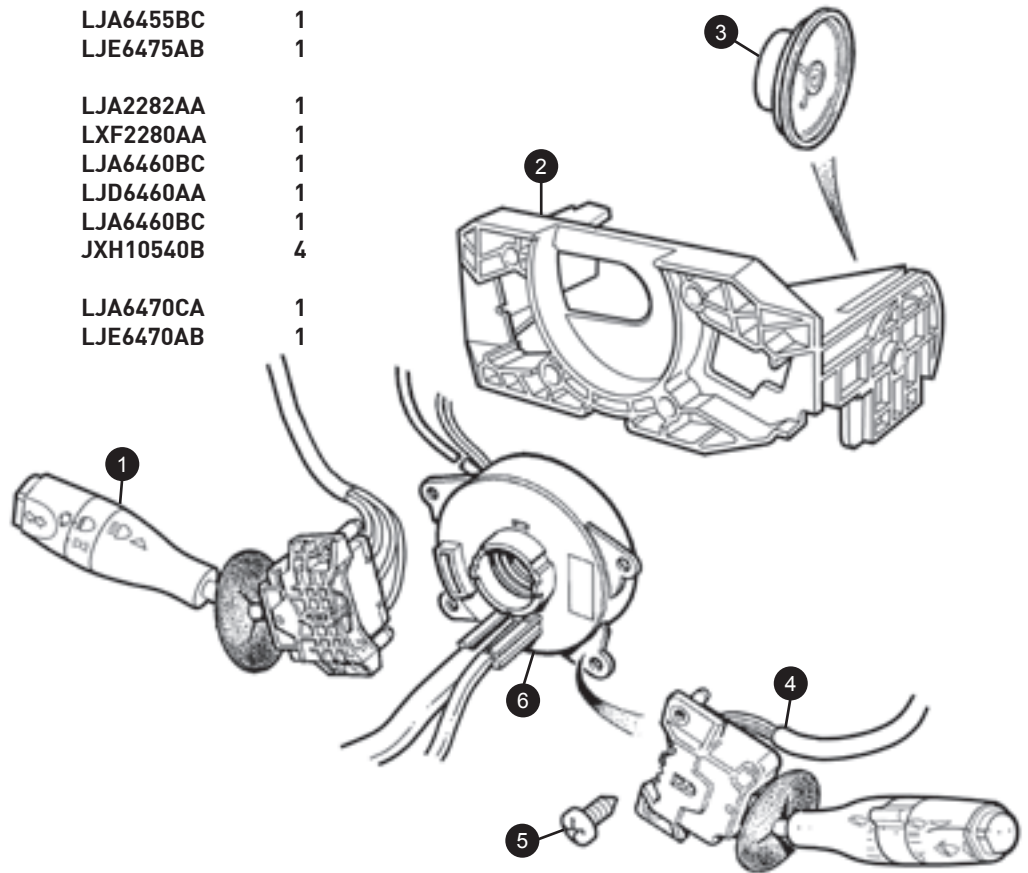


HOLLAND - Oisterwijk
+31 (0) 13 52 11 552
sales.nl@sngbarratt.com

STEERING COLUMN SWITCHES

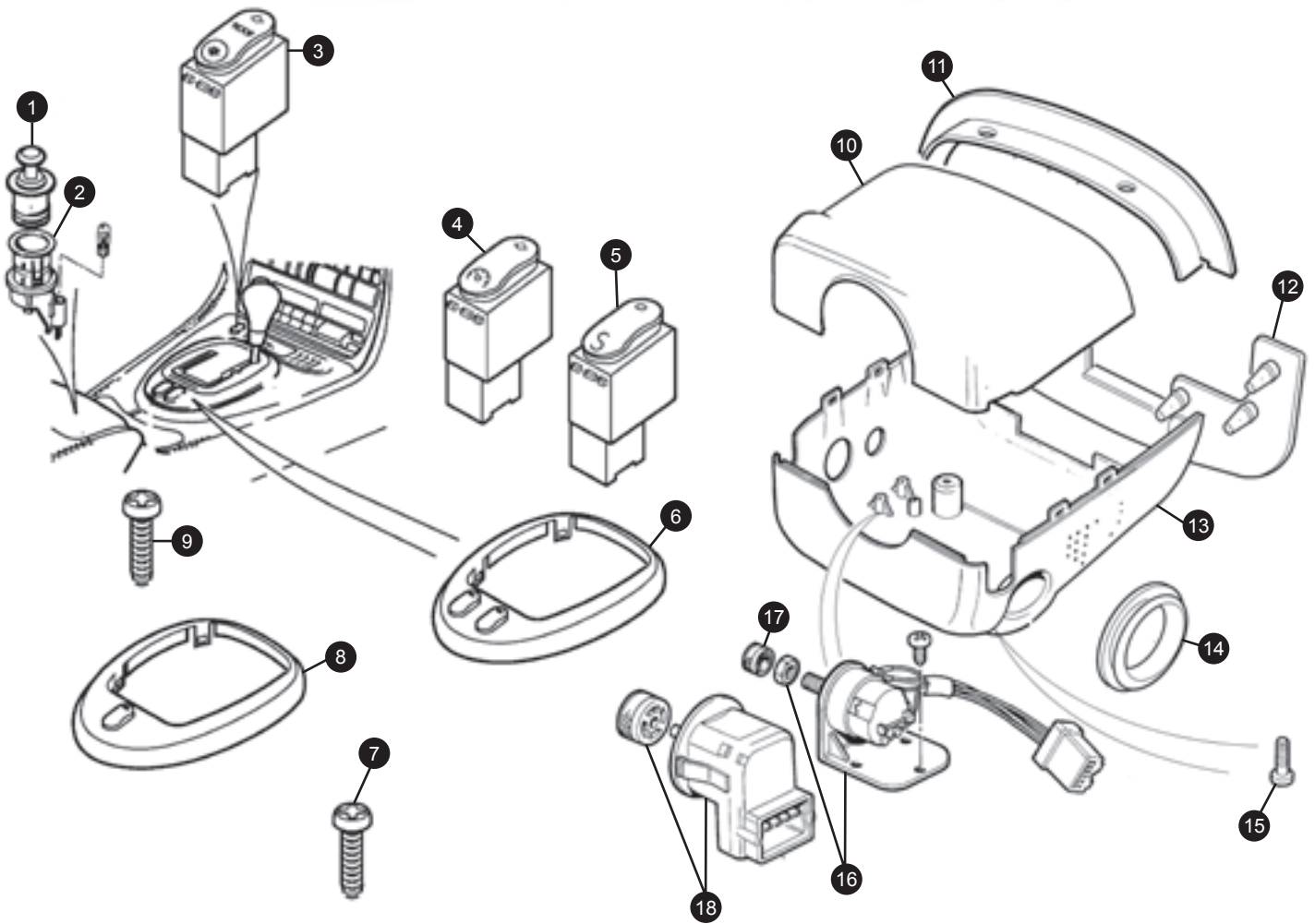
www.sngbarratt.com

1. Direction indicator switch		
With 'Auto headlamps'	LJB6455AA	1
Without 'Auto headlamps'	LJA6455BC	1
2. Switch mounting carrier	LJE6475AB	1
3. Audible warning speaker		
(to VIN 018107)	LJA2282AA	1
(from VIN 018108)	LXF2280AA	1
4. Wash/wipe switch	LJA6460BC	1
With rain sensing	LJD6460AA	1
Without rain sensing	LJA6460BC	1
5. Pan headed torx screw	JXH10540B	4
6. Cancellation cassette module		
(to VIN A11050)	LJA6470CA	1
(from VIN A11051)	LJE6470AB	1



CONSOLE SWITCHES & STEERING COLUMN COWL

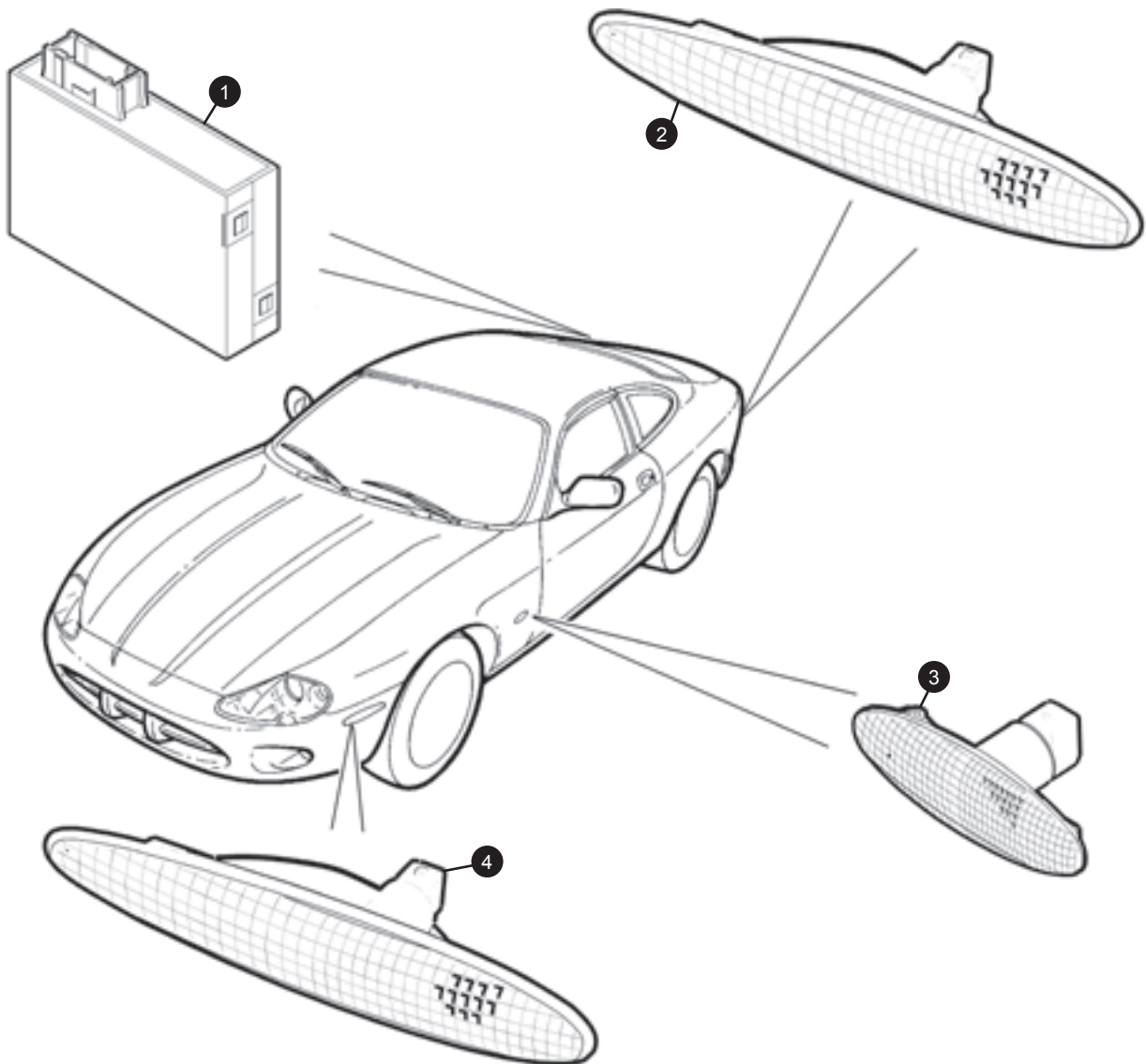
www.sngbarratt.com



1. Cigar-lighter element, front	LJB2730AA	1	Gearbox mode switch bezel assembly, 4.2 Litre		
Cigar-lighter element, rear	DBC12119	1	'R' performance options	C2N3288	1
2. Cigar-lighter housing	LJA2720AA	1	Standard	C2N3285	1
3. Convertible hood switch	LJA6229BA	1	7. Pan head screw, switch bracket to bezel HXD6064HA		2
4. Speed control switch, 4.0 Litre			8. Mode switch bezel assembly, 4.0 Litre		
Adaptive speed control	LXD6227BA	1	Supercharged (from VIN024687)		
Non-adaptive speed control	LXD6227AA	1	Non adaptive speed control	LJB6221BA	1
Speed control switch, 4.2 Litre			Without speed control	LJB6221AA	1
'R' performance	C2N3286	1	Non supercharged		
Standard	C2N1385	1	Without speed control	LJA6221CF	1
(to VIN A40264)	C2N3287	1	Mode switch bezel assembly, 4.2 Litre		
(from VIN A40265)			'R' performance options	LXD6221EA	1
5. Performance mode switch, 4.0 Litre			Standard	LJA6221CF	1
Supercharged	LNC6220BB	1	9. Pan head screw, M4 x 16mm	C2N2574	4
Non supercharged	LNC6220AA	1	10. Steering column cowl, upper		
'R' performance option			Contact sales team for colour options		1
Supercharged	LXD6220BA	1	11. Upper steering column cowl finisher, rubber		
Non supercharged	LXD6220AA	1		HJA9344AA	1
Performance mode switch, 4.2 Litre	LNC6220AA	1	12. Lower steering column cowl finisher HJA9350AB		1
6. Gearbox mode switch bezel assembly, 4.0 Litre			Contact sales team for colour options		1
(to VIN 042775)			14. Ignition ring escutcheon	HJA9341AA	1
Supercharged	LJB6221BA	1	15. Cowl screw	XR81544	5
Non supercharged	LJA6221DE	1	16. Illumination control switch	LJA6500AB	1
(from VIN A00083)			17. Dimmer control knob	LNA6492AA	1
Adaptive speed control			18. Column adjust switch		1
Supercharged	LJD6221BA	1	Contact sales team for colour options		1
Non supercharged	LJE6221AA	1			
Aluminium, twin switch	LXD6223AA	1			

CONTROL MODULE & SIDE MARKER LAMPS

www.sngbarratt.com

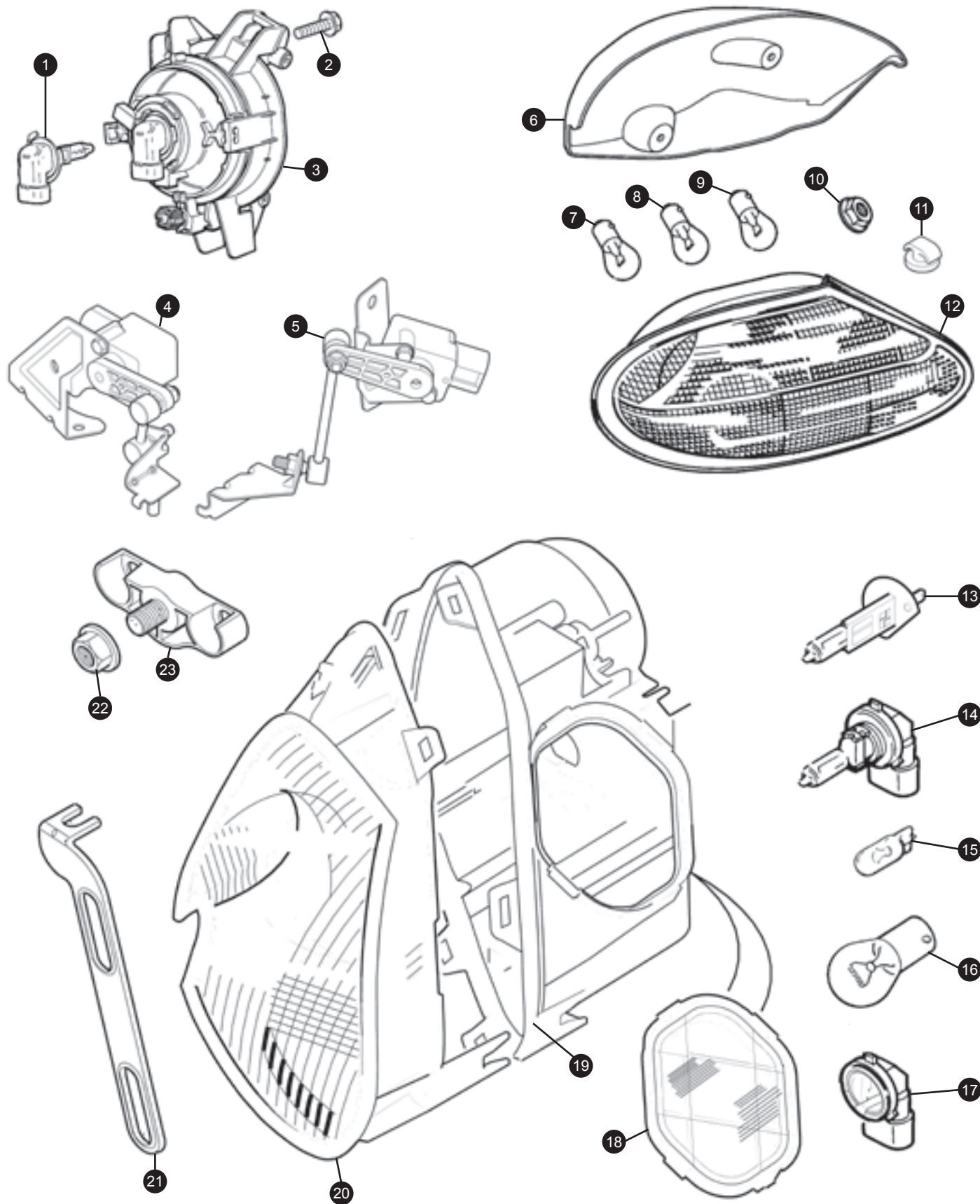


1. Rear lamp control module Contact sales for options	1	4. Side marker lens front	LJA5024AC	2
2. Side marker lens, rear Amber lens	LJA5024AC	Not Shown		
Red lens	LJA5034BC	Aerial mast	LNA4134AA	1
3. Direction indicator side lamp	LJA4812AA	Grommet	LJA4131AA	1

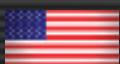


EXTERNAL LIGHTING

www.sngbarratt.com



UK - Bridgnorth
 +44 (0) 1746 765 432
 sales.uk@sngbarratt.com



USA - Manchester NH
 +1 800 452 4787 (toll free)
 sales.usa@sngbarratt.com



FRANCE - Charney les Macon
 +33 (0) 3 85 20 14 20
 sales.fr@sngbarratt.com



HOLLAND - Oisterwijk
 +31 (0) 13 52 11 552
 sales.nl@sngbarratt.com

1. Fog lamp, long life bulb - H1 55w	DBC11406	2	15. Wedge base bulb 5w	C2S15074020	2
2. Flange headed screw (to VIN A11050)	JFS10625F	6	16. Indicator bulb	C2S15076	2
(from VIN A11051)	C2S20995	6	17. Indicator bulb holder	JLM20285	2
3. Fog lamp, LH front (to VIN A11050)	LJA5091AC	1	18. Access cover	JLM20281	2
(from VIN A11051)	LJE5091AC	1	19. Headlamp assembly, see sales team for options		
Fog lamp, RH front (to VIN A11050)	LJA5090AC	1	20. Headlamp lens [RHD		
(from VIN A11051)	LJE5090AC	1	Non power wash		
4. Headlamp levelling sensor, rear	C2N1617	1	LH	LJA4651AA	1
5. Headlamp levelling sensor, front	C2N1616	1	RH	LJA4650AA	1
6. Rear lamp cover			Power wash		
LH	GJE3669AB	1	LH	LJA4651BA	1
RH	GJE3668AB	1	RH	LJA4650BA	1
7. Direction indicator lamp bulb	C2S15076	A/R	21. Headlamp mounting bracket		
8. Bulb			LH	LJA4663AD	1
21 watt bayonet	DBC11382	A/R	RH	LJA4662AD	1
21/5 watt bayonet	DBC11383	A/R	22. Nut/washer M8	JZH100058	2
9. Bulb, bayonet 5watt	DBC11711	A/R	23. Headlamp mounting bracket	LJA4660AE	2
10. Flange nut, M6	FN106041	3	Not shown		
11. Rear lamp cover fastener	GJE3671AA	4	Headlamp levelling actuator	JLM12117	2
12. Lamp cluster (to VIN A11050)			Not shown		
LH rear	LJA4901BD	1	Water deflector		
RH rear	LJA4900BD	1	LH	HJA3355AA	1
Lamp cluster (from VIN A11051 to A46462)			RH	HJA3354AA	1
LH rear	LJE4901AB	1			
RH rear	LJE4900AB	1			
Lamp cluster (from A46463)					
LH rear	C2N3719	1			
RH rear	C2N3718	1			
13. High beam long life bulb, H1 55w	DBC11406	2			
14. High beam halogen bulb 65w	XR812420	2			

HIGH INTENSITY DISCHARGE (HID) LIGHTING

HID/Xenon headlight pack assembly & lenses

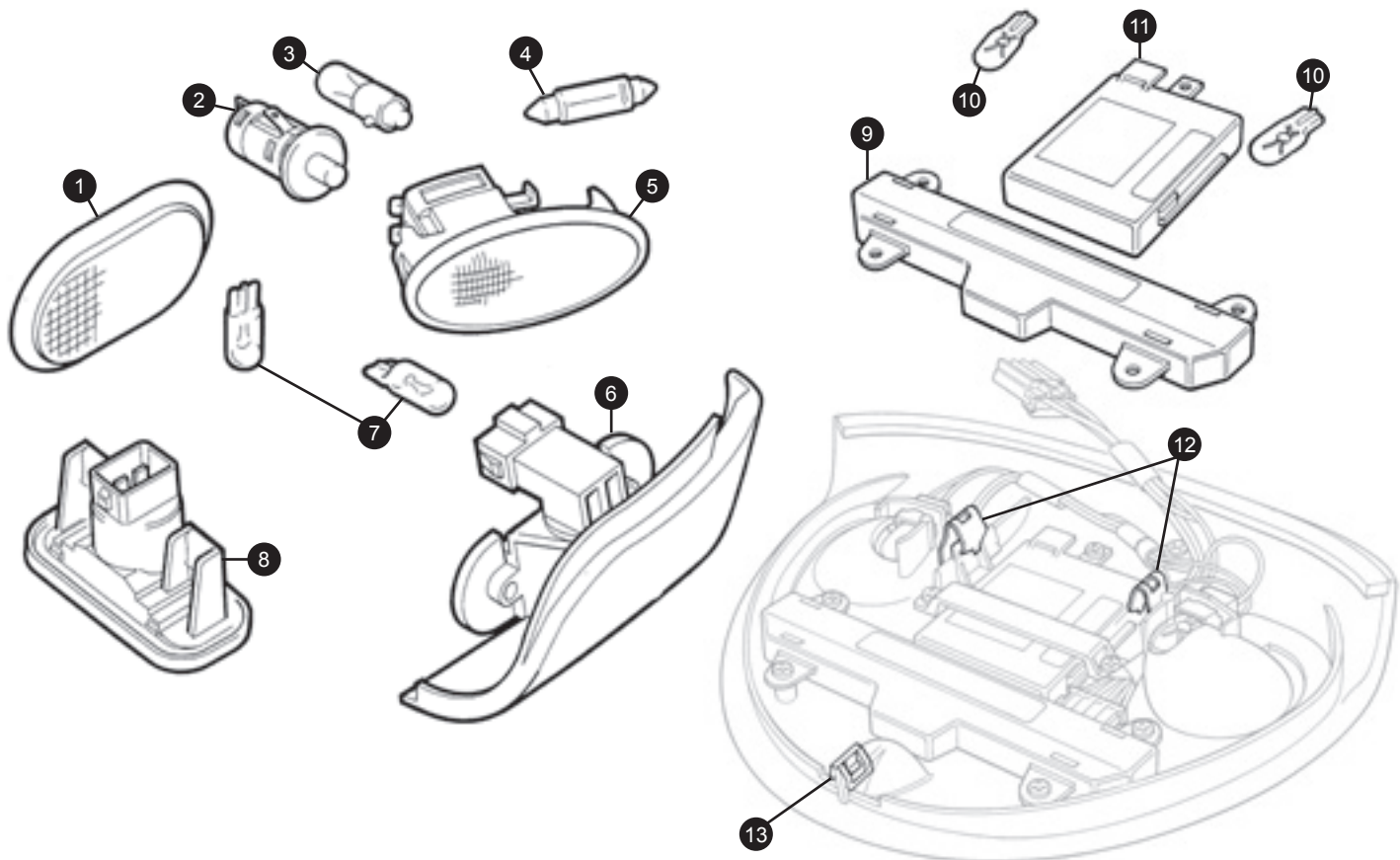
Contact sales for more information

Dip beam access cover	C2N1722	2	Main beam bulb 55w	C2N1717	2
Main beam access cover	C2N1723	2	Indicator lamp bulb, amber	C2S15076	2
Stepper motor	C2C7763	2	Sidelight bulb 5w	C2S15074020	2
Headlamp burner 35w	C2N1716	2			

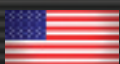


INTERIOR LIGHTING

www.sngbarratt.com

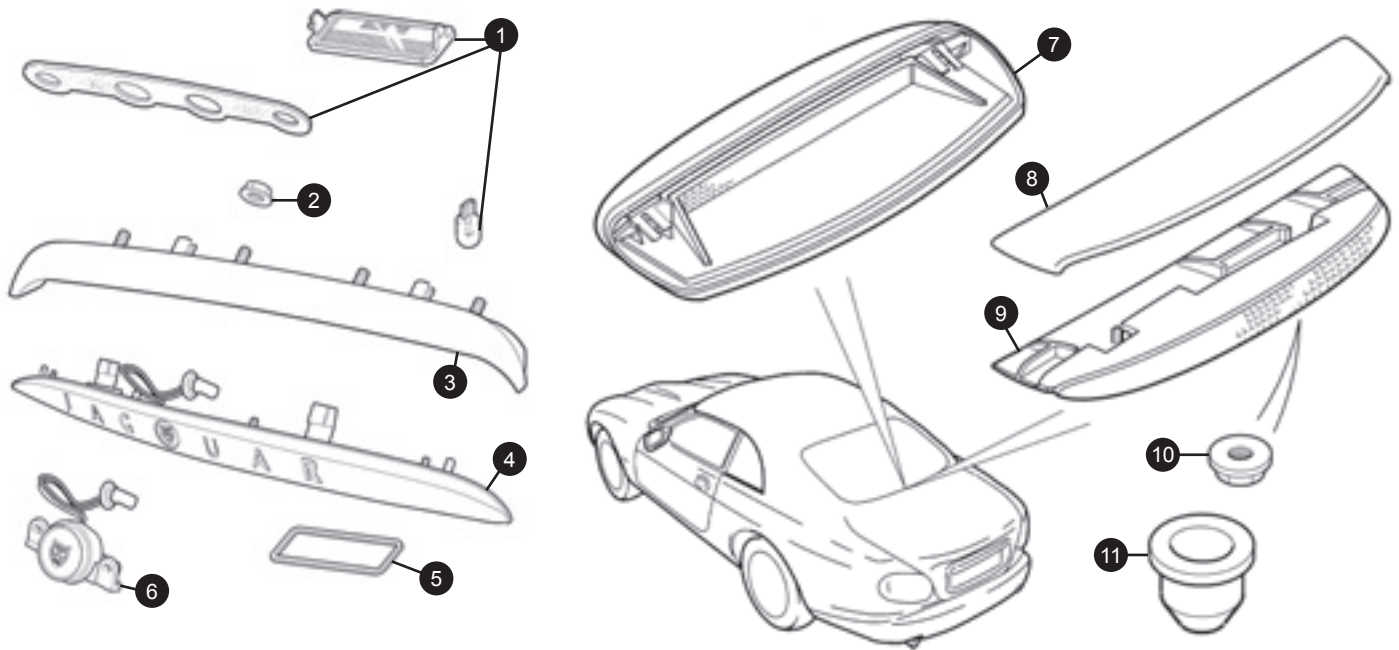


1. Glovebox lens	LJA5385AB	1	8. Footwell lamp	LJA5350BA	2
2. Switch	LJA6150AA	1	9. interior light control module		
3. Bulb, bayonet 12v 4w	DBC11380	1	Standard	LJA2295AA	1
4. Bulb, festoon 5w	LNA5180AA	2	With glass break sensor	LJA2630CA	1
5. Lamp, boot & interior	LJA5380BA	2	10. Bulb 6w	DBC12440	2
6. Puddle lamp			11. Garage door opener module		
LH door	LJA5371AB	1	(to VIN A30644)	LJE2290AA	1
RH door	LJA5370AB	1	12. Spring clip	JZE100039	2
7. Wedge base bulb, 5w	C2S15074020	2	13. Spring clip	JZE100040	1



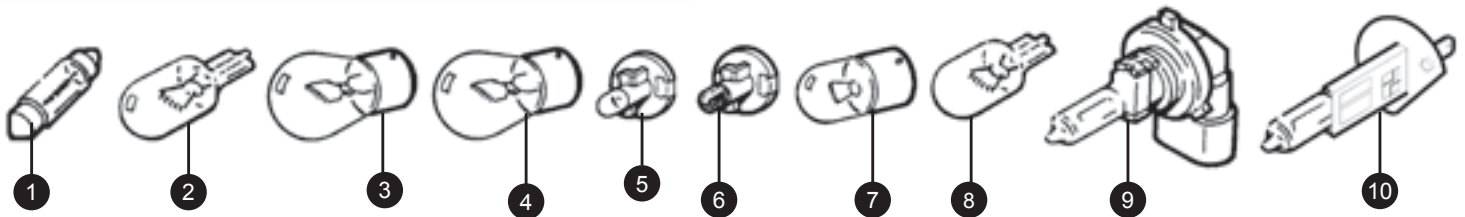
NUMBER PLATE LAMP & UPPER BRAKE LIGHTS

www.sngbarratt.com



1. Rear numberplate lamp kit	JLM20287	1	6. Boot release switch	C2C31837	1
2. Flange nut, M6	FN106041		4	7. High mounted stop lamp, Coupe	
3. Number plate lamp finisher				Contact sales team for colour options	1
Supplied in primer	JLM20286		1	8. Lamp cover, convertible	
4. Boot lid finisher	C2N1737		1	Supplied in primer	LJA5003ABXXX
Boot lid finisher, 4.2 Litre supercharged			1	9. High mounted stop lamp, convertible	LJB5001AE
Supplied in primer	C2N1907XXX		1	10. Flange nut, M6	FN106041
5. Lamp lens and gasket (from VIN A00083)			1	11. Nut cover	DAC4611
LH	LJE5073AA	1			
RH	LJE5072AA	1			

LIGHT BULB REFERENCE

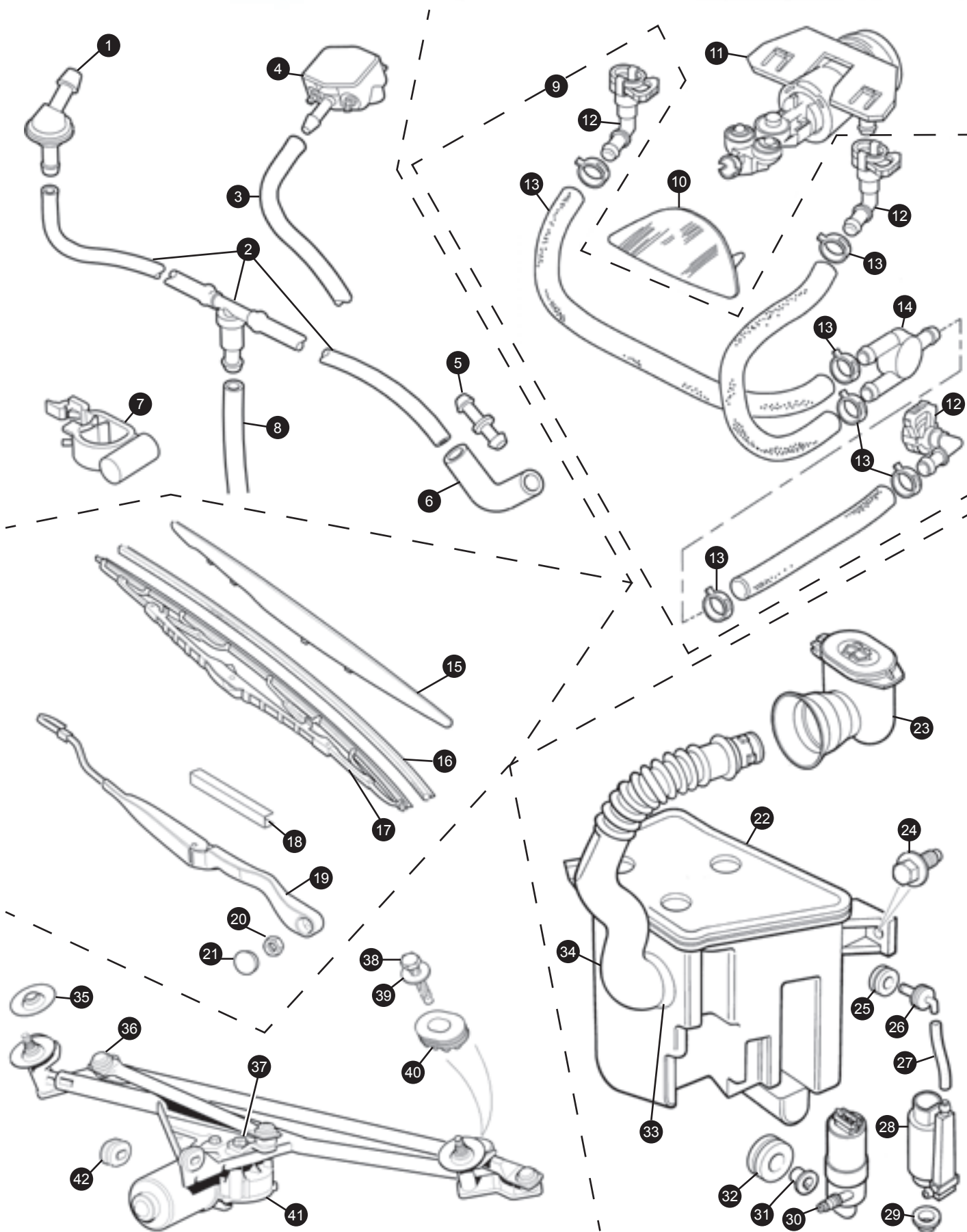


1. Festoon, 5 watt	LNA5180AA	A/R
2. Wedge base, 6 watt	DBC12440	A/R
3. Bayonet, 21 watt	DBC11382	A/R
4. Direction indicator lamp bulb, amber	C2S15076	A/R
5. Blue miniature	LNA5180CA	A/R
6. Clear miniature	LNA5180BA	A/R
7. Bayonet, 5 watt	DBC11711	A/R
8. Wedge base, 5 watt	C2S15074020	A/R
9. Headlamp, main beam	XR812420	A/R
10. Headlamp, H1 55 watt	DBC11406	A/R



WIPERS & WASHER SYSTEMS

www.sngbarratt.com



UK - Bridgnorth
 +44 (0) 1746 765 432
 sales.uk@sngbarratt.com



USA - Manchester NH
 +1 800 452 4787 (toll free)
 sales.usa@sngbarratt.com



FRANCE - Charney les Macon
 +33 (0) 3 85 20 14 20
 sales.fr@sngbarratt.com



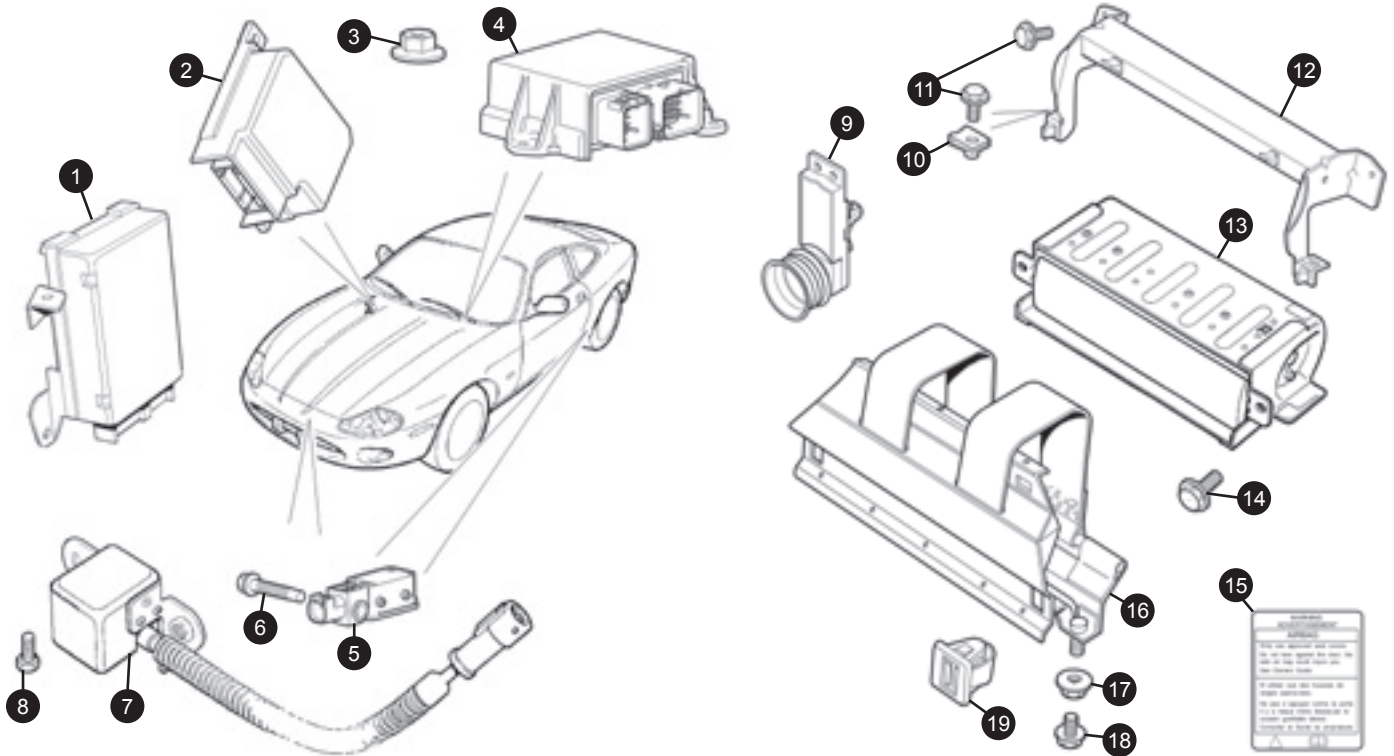
HOLLAND - Oisterwijk
 +31 (0) 13 52 11 552
 sales.nl@sngbarratt.com

1. Tube connector	GJA8969AB	1	20. Nut	NH108041	2
2. Screen wash tube (T-Piece only)	GJA8970AE LJE4133AA	1	21. Wiper arm cap	GJA8966AB	2
3. Wiper arm tube	JLM20619	2	22. Screen wash reservoir assembly With power wash	JLM20696	1
4. Screen wash jet LHD	GJA8959AB	2	Without power wash	JLM20695	1
RHD	GJA8958AB	2	23. Reservoir filler neck assembly	LJA7033BC	1
5. Non return valve	GJA8976AA	1	24. Screw/washer	JSH106187PJ	3
6. Rubber elbow	JLM20382	1	25. Sealing grommet, upper	JLM21614	1
7. pipe clip	KZC100006	5	26. Tube connector	JLM20694	1
8. Screen wash tube	LJA100AF	1	27. Breather tube	JLM20693	1
9. Washer tube assembly	LJA7070AE	1	28. Screen wash pump	LJA7031AB	1
10. Jet cover			29. Screen wash pump grommet	LJA7037CA	1
LH	LJA7055FA	1	30. Headlamp powerwash pump	LNC7031AA	1
RH	LJA7054FA	1	31. Power wash grommet	LNC7037AA	1
11. Power wash jet			32. Pipe grommet	C17432	1
LH	LJA7051AF	1	33. Filler tube grommet	JLM20565	1
RH	LJA7050AF	1	34. Reservoir filler tube	JLM20564	1
12. Connector	LNA7072AA	3	35. Spindle seal	GLA8968AA	2
13. Clip	DAC6421	6	36. Wiper arm cap	GJA8966AB	1
14. Tee piece	LJA7071AA	1	37. Flanged nut, M8	FN108041J	1
15. Wind deflector			38. Hex headed screw	GL106301J	3
LHD, driver's blade	GJA8975BA	1	39. Plain washer, M6	WJ106001J	3
RHD, driver's blade	GJA8974BA	1	40. Wiper motor mounting bush	GJA8964BA	1
16. Windscreen wiper rubber	GNB8961AA	2	41. Wiper motor assembly		
17. Wiper blade			LHD	GJA8951AF	1
Passenger's side	GJA8960BB	1	RHD	GJA8950AF	1
Driver's side	GJA8962BB	1	42. Wiper motor mounting bush	GJA8964AA	1
18. Wiper arm guide channel	JLM20427	A/R			
19. Wiper arm					
LHD					
Driver's side	GJA8955EC	1			
Passenger's side	GJA8955FB	1			
RHD					
Driver's side	GJA8954EC	1			
Passenger's side	GJA8954FB	1			



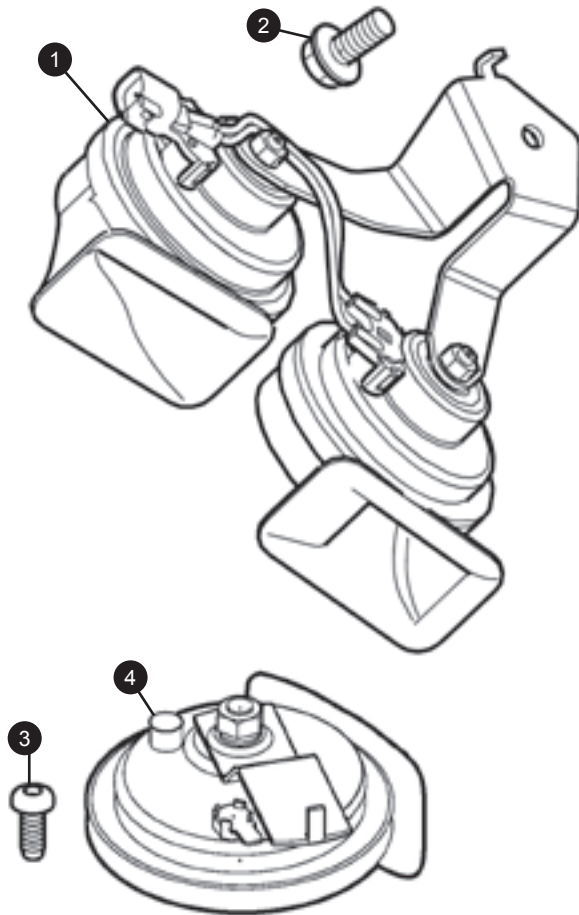
AIRBAG SENSORS & MODULES

www.sngbarratt.com

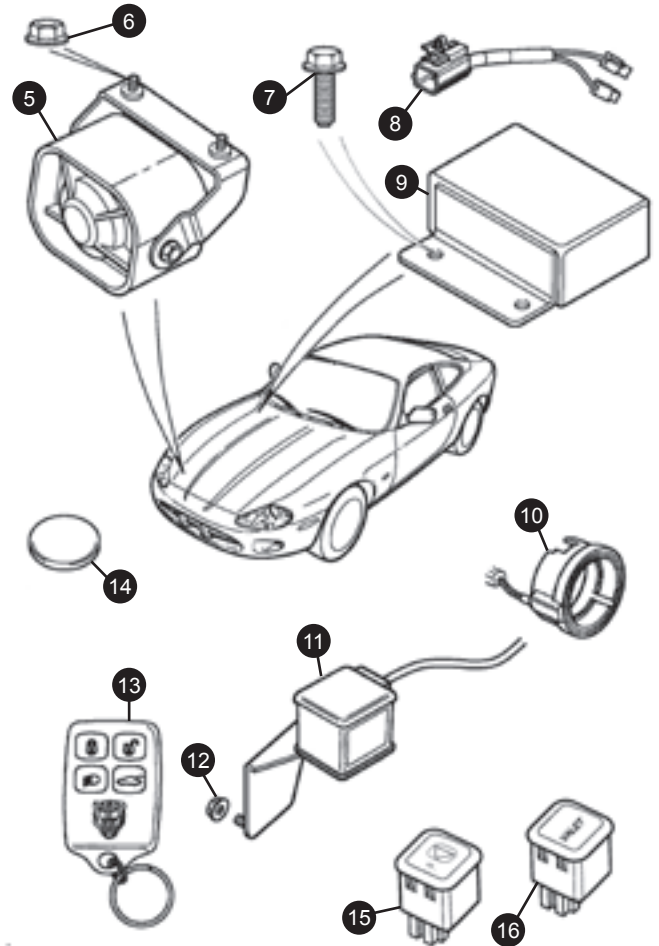


1. Airbag control module, 4.0 Litre	HJA9662AA	1	13. Passenger airbag module		
2. Spatial sensing control module	HJE9680AE	1	(to VIN 023699)	HNA9670BA	1
3. Flange nut, M6	JZN100065	4	(from VIN 023700 to VIN A11050)	HJB9670AA	1
4. Airbag electronic control module, 4.2 Litre	C2N3057	1	(from VIN A11051)	HJE9042AB	1
5. Front/side airbag sensor, 4.2 Litre	C2C30970	1	14. Bolt and washer	JSH10614CPJ	6
6. Hex headed screw, M6	JZS100184	3	15. Side airbag warning label	HJE5093AA	1
7. Front airbag sensor, 4.0 Litre	HJA9660AA	3	16. Airbag deployment door	HJE9007AC	1
8. Flange head screw, M6 x 14mm	JZS100130	2	17. Nut/washer, M6	JZH100067	2
9. Airbag deactivation warning lamp	HJE9682AB	3	18. Bolt and washer	JSH10614CPJ	6
10. Captive nut	JJK105011	1	19. Pocket latch	KZL100002	4
11. Setscrew, M5	C2S11624	22			
12. Passenger airbag mounting frame		4			
(to VIN A11050)	HJA8997DA	1			
(from VIN A11051)					
LHD	HJE9046AB	1			
RHD	HJE9045AB	1			





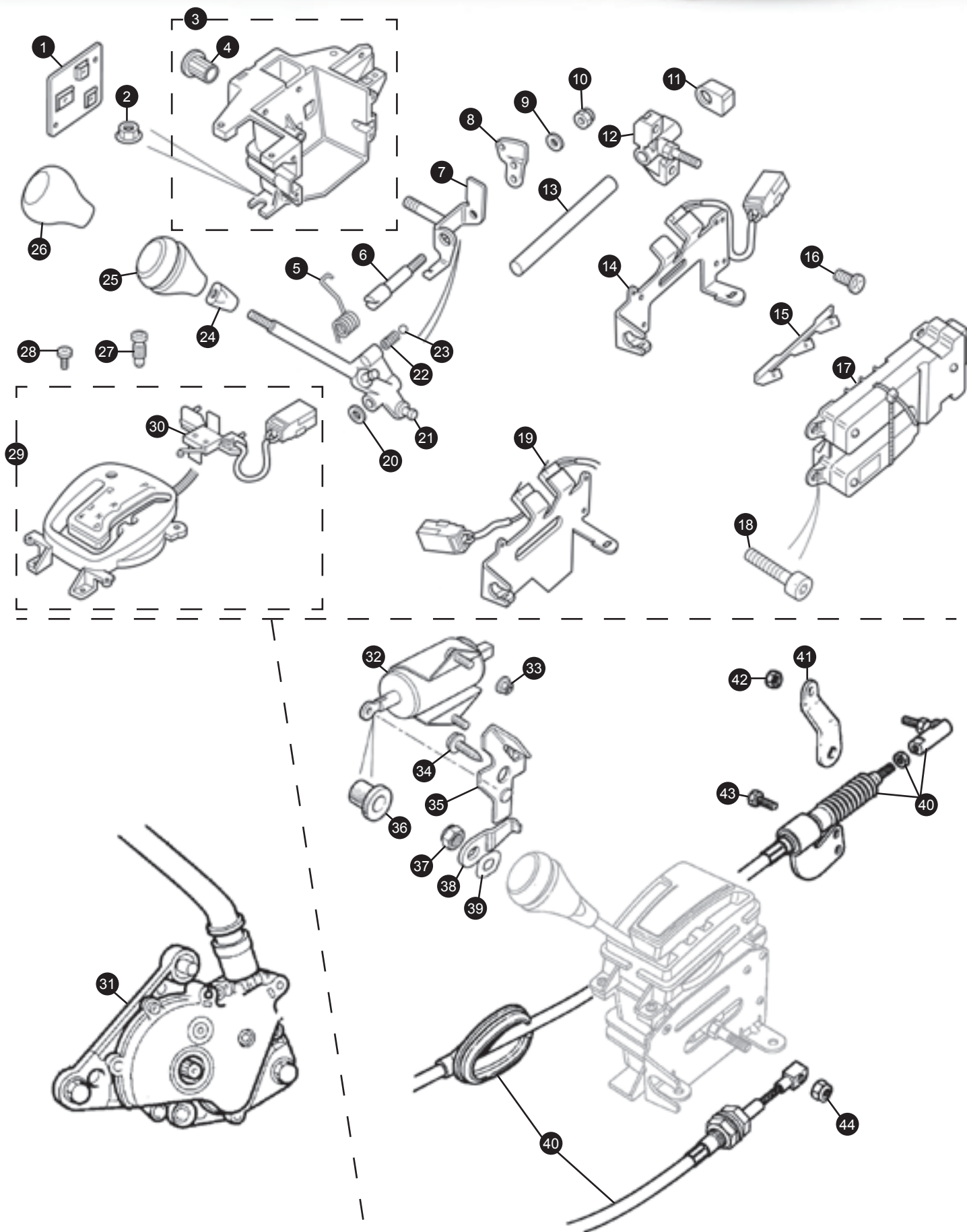
- | | |
|--|-----------|
| 1. Horn assembly, 4.2 Litre | C2N3582 |
| 2 & 3. Flange headed screw | JFS10625F |
| 4. Horn, 4.2 Litre | |
| High tone | LJA4001AA |
| Low tone | LJA4000AA |
| 5. Security sounder | |
| Contact sales for details | |
| 6. Nyloc nut | NY106041J |
| 7. Flange headed screw | JXB10416C |
| 8. Security sounder link lead
(from VIN A38011) | C2S31123 |



- | | | | |
|---|-------------------------------|-------------|---|
| 1 | 9. Key transponder module | | |
| 2 | Contact sales for details | | |
| | 10. Key transponder coil | LJA2668AB | 1 |
| 1 | 11. Inclination sensor kit | JLM21083 | 1 |
| 1 | 12. Flange nut, M6 | FN106041 | 2 |
| | 13. Key fob transmitter | | |
| | Contact sales for details | | |
| 1 | 14. Remote battery | JLM20930005 | 1 |
| 2 | 15. Alarm deactivation switch | C2N1371 | 1 |

GEAR CHANGE CONTROL

www.sngbarratt.com



UK - Bridgnorth
+44 (0) 1746 765 432
sales.uk@sngbarratt.com



USA - Manchester NH
+1 800 452 4787 (toll free)
sales.usa@sngbarratt.com



FRANCE - Charney les Macon
+33 (0) 3 85 20 14 20
sales.fr@sngbarratt.com



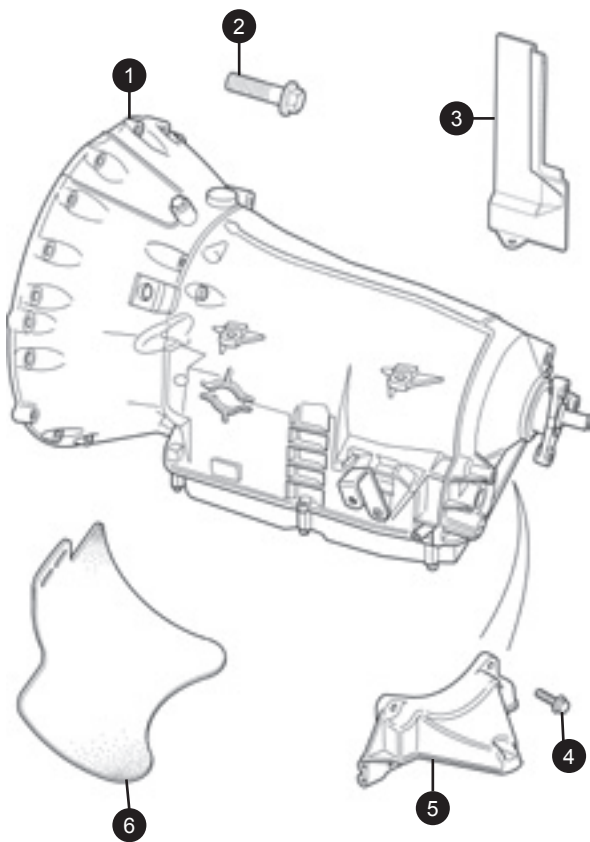
HOLLAND - Oisterwijk
+31 (0) 13 52 11 552
sales.nl@sngbarratt.com

GEAR CHANGE CONTROL

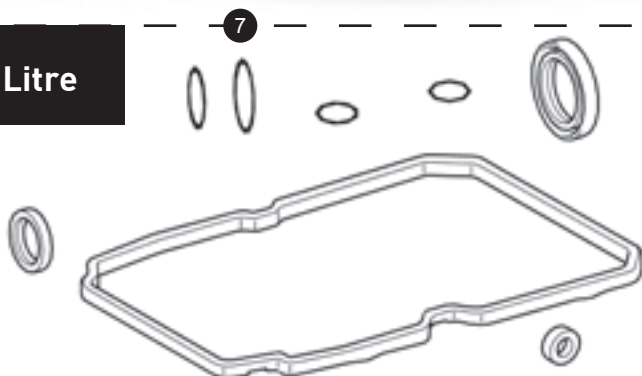
www.sngbarratt.com

1. J - gate selector cover	LJG3890GA	1	24. Gear lever cone, 4.0 Litre	CAC7835	1
2. Flange nut	FN106041	2	25. Gear change knob, leather		1
3. J-gate	MJA4912AB	1	Contact sales for colour options		
4. Pivot bush	MJA4914AA	1	26. Gear change knob, wood		1
5. Tension spring	CAC9068	1	Contact sales for wood colour options		
6. Pivot pin	MNA4922AA	1	Gear change knob, alloy	JLM20501#	1
7. Pivot bracket	MNA4920AC	1	27. J-gate protective plug	CCC5589	1
8. Changeover plate	MNA4919AB	1	28. Taptight screw	SL104121	8
9. Plain washer, 0.25" I/D	WA106041J	1	29. Gear selector illumination module		
10. Nyloc nut	NY106041J	1	4.0 Litre supercharged	LNC6195AC	1
11. J-gate mounting rubber	MJA4948AA	2	4.0 Litre non supercharged	LJA6195BG	1
12. Sliding block assembly			4.2 Litre	C2N1306	1
4.0 Litre Non supercharged	CCC6941	1	30. J-gate switch (to VIN A30644)	LJA6190AC	1
4.0 Litre supercharged & 4.2 Litre	MNC4925AC	1	31. Gearbox rotary switch	LJA6201AD	1
13. J-gate slider bar	MJA4949AA	1	32. Gearshift interlock solenoid	LNA5850AA	1
14. Mounting plate			33. Locknut, M8	JFY10804B	
4.0 Litre supercharged & 4.2 Litre	MJB4940AB	1	34. Self tapping screw	JZH100006	1
15. J-gate connector bracket	LJA3890VA	1	35. Latch and pin assembly	MNA4935AB	1
16. Taptite screw	SL104121	8	36. Interlock rubber bush	MNA4974AA	1
17. J-gate linear switch			37. Locking nut	JFY10804B	1
4.0 Litre supercharged			38. J-gate operation lever	MNA4928AA	1
(to VIN 042775)	LNC6551AC	1	39. Wave washer	JZW100011	1
(from VIN A00083)	LNF6551AA	1	40. Gear control cable		
4.2 Litre	C2N2467	1	4.0 Litre supercharged	MJC4830BB	1
18. Screw/washer M4 x 10mm	JSE10410BXA	4	4.0 Litre non supercharged	MJC4830AB	1
19. Mounting plate			4.2 Litre	C2N1069	1
4.0 Litre Non supercharged	MJA4940AG	1	41. Selector lever, 4.2 Litre	C2N1256	1
20. Nylon washer	CAC9071	1	42. Hexagon nut, M6	AGU2580	1
21. Gearshift hand lever			43. Flange headed screw		
Black finish	MNA4915AB	1	4.0 Litre supercharged	FS10615P	2
Chrome	MNA4915AC	1	4.0 Litre non supercharged & 4.2 Litre	C2Z1354	2
22. Compression spring	CBC1751	1	44. Nut, M6	JFY106041	1
23. Metal ball	CAC73253	1			

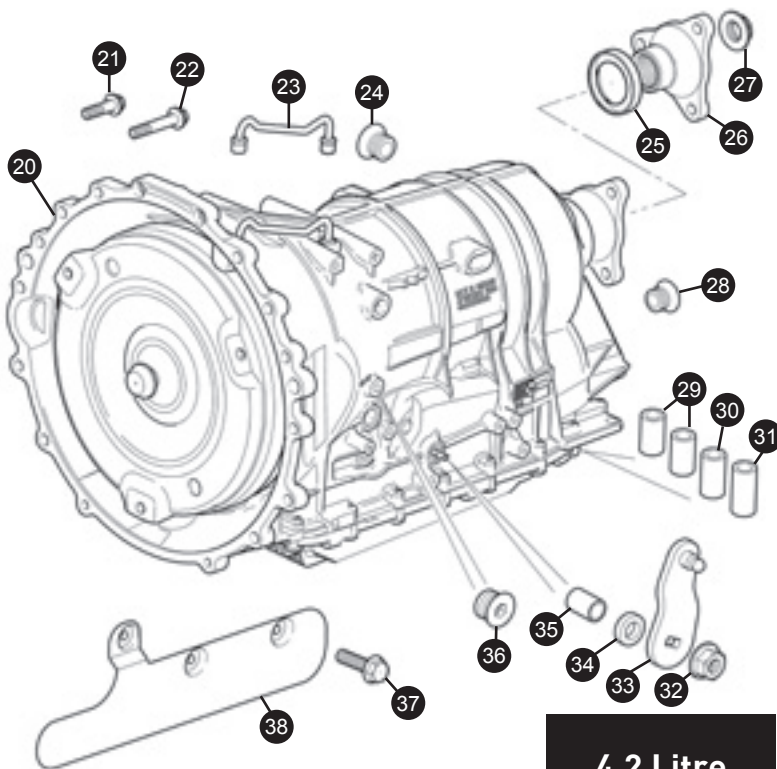




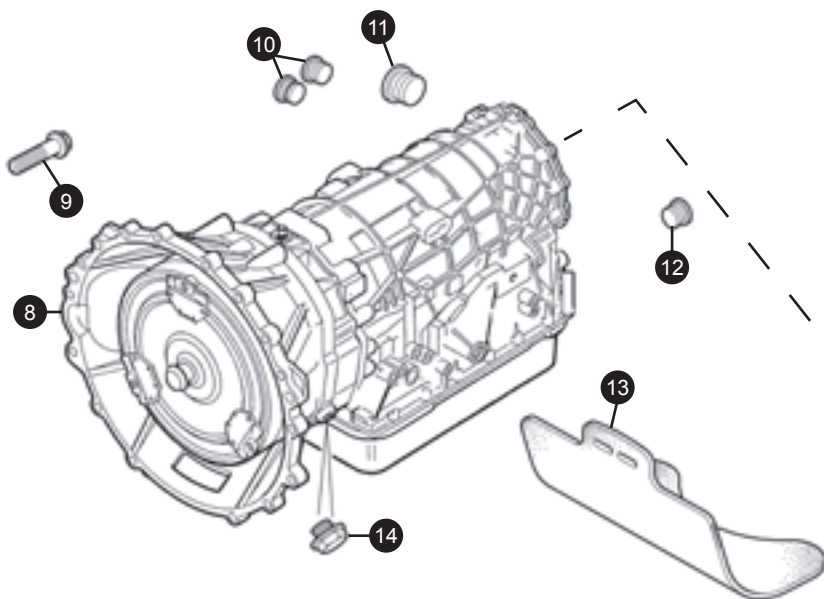
4.0 Litre



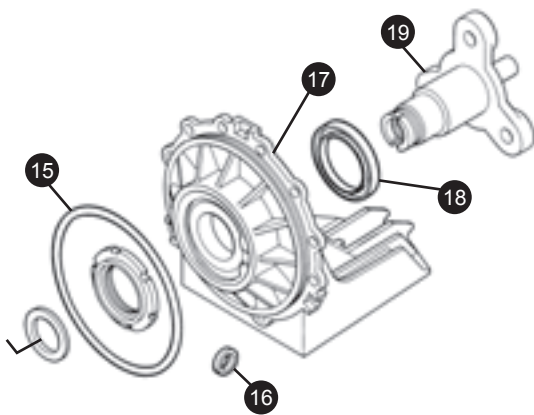
4.0 Litre supercharged



4.2 Litre

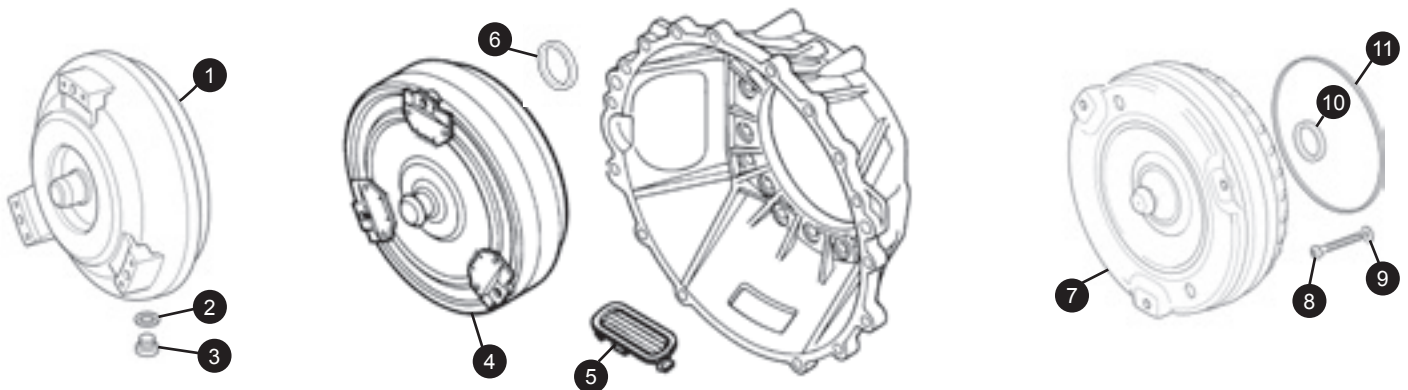


4.0 Litre



1. Automatic gearbox assembly (exchange) 4.0 Litre supercharged	NNC4400CEE	1	4.2 Litre non supercharged (to VIN A36997)	C2C12374E	1
2. Bell housing bolt, M10 x 40mm	C2P7626	16	(from VIN A26998 to VIN A41779)	C2C24594E	1
3. Heatshield, 4.0 Litre supercharged	NNC4487AD	1	(from VIN A41780)	C2C27747E	1
4. Flange headed screw, M8 x 30mm	JFS108307	4	21. Flange bolt, M10 x 40mm (to VIN A48504)	XR81900	14
5. Gearbox mounting bracket, 4.0 Litre supercharged	NNC4619BC	1	(from VIN A48505)	C2P7626	14
6. Gearbox water deflector	HJB3770AA	1	22. Gearbox to engine bolt, M10 x 60mm (to VIN A48504)	XR82856	2
7. Seal & 'O' ring kit, 4.0 Litre supercharged	JLM20480	1	(from VIN A48505)	C2P7627	2
8. Automatic gearbox assembly (exchange) 4.0 Litre non supercharged (to VIN 009694)	NJA4400AFE	1	23. Gearbox extension case breather	C2C9644	1
(from VIN009695 to VIN 018107)	NJA4400AGE	1	24. Gearbox oil filler plug	C2C6729	1
(from VIN 018108 to VIN031302)	NJB4400ABE	1	25. Output shaft oil seal	C2C6719	1
(from VIN 031303)	NNE4400AAE	1	26. Output flange	C2C25737	1
9. Flange bolt, M10 x 40mm	C2P7626	16	27. Output flange nut	C2C6725	1
10. Gearbox level plug, M14	JLM20207	2	28. Screw plug	C2C9649	1
11. Gearbox oil filler plug, M18	C2C6729	1	29. Bush	C2C9653	2
12. Screw plug	JLM20214	1	30. Bush	C2C9654	1
13. Water deflector	HJB3770BA	1	31. Bush	C2C9655	1
14. Gearbox oil relief valve plug	JLM20209	1	32. Hexagonal nut, M8	C2P7628	1
15. Gearbox rear mounting 'O' ring	JLM20210	1	33. Selector lever	C2C35053	1
16. Gearbox shaft seal	JLM866	1	34. Selector shaft seal	C2C6700	1
17. Gearbox extension housing	JLM20568	1	35. Selector shaft sleeve	C2C9648	1
18. Output shaft oil seal	JLM20211	1	36. Gearbox screw plug	C2C9643	1
19. Prop shaft drive coupling	NTF4435AA	1	37. Hexagon flange screw, M6 x 10mm	C2N1272	6
20. Automatic gearbox assembly (exchange) 4.2 Litre supercharged (to VIN A36997)	C2C12375E	1	38. Gearbox sump heatshield Left hand	C2N2804	1
(from VIN A26998 to VIN A41779)	C2C24595E	1	Right hand	C2N2803	1
(from VIN A41780)	C2C27748E	1			

TORQUE CONVERTERS

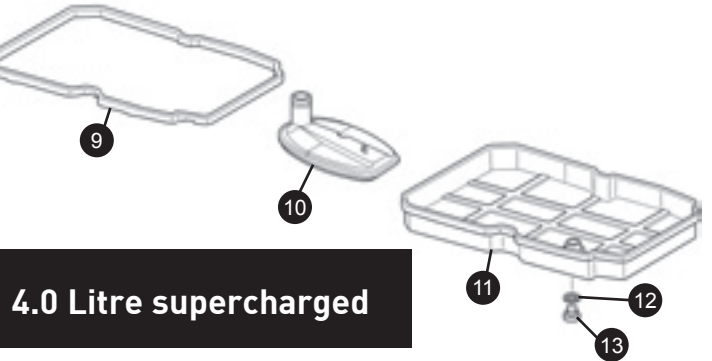
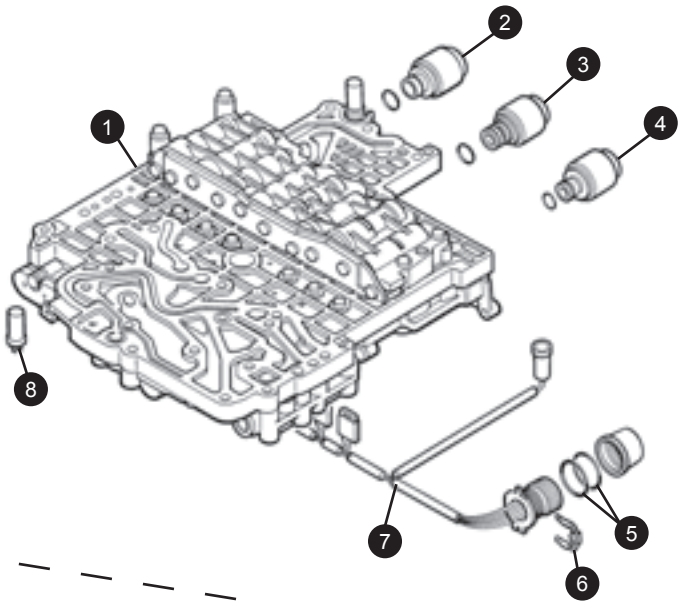


1. Torque converter 4.0 Litre supercharged	NNC4415ABE	1	7. Torque converter 4.2 Litre supercharged	C2C28435	1
2. Sealing washer	JLM20299	1	4.2 Litre non supercharged	C2C6704	1
2. Gearbox sump drain plug	JLM20298	1	8. Screw	C2C9652	13
4. Torque converter 4.0 Litre non supercharged	NNE4415AA	1	9. Sealing washer	C2C9647	13
5. Torque converter housing stone guard	NJA4465AA	1	10. Pump seal	C2C6727	1
6. Pump seal, front 4.0 Litre non supercharged	JLM10856	1	11. 'O' ring	C2C9646	1

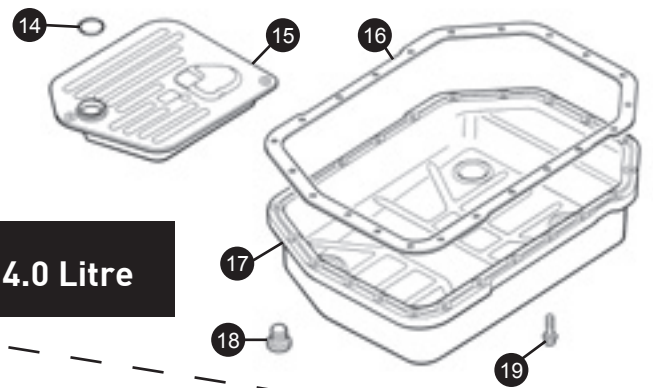
GEARBOX CONTROL VALVE ASSEMBLY & SUMP



4.0 Litre non supercharged

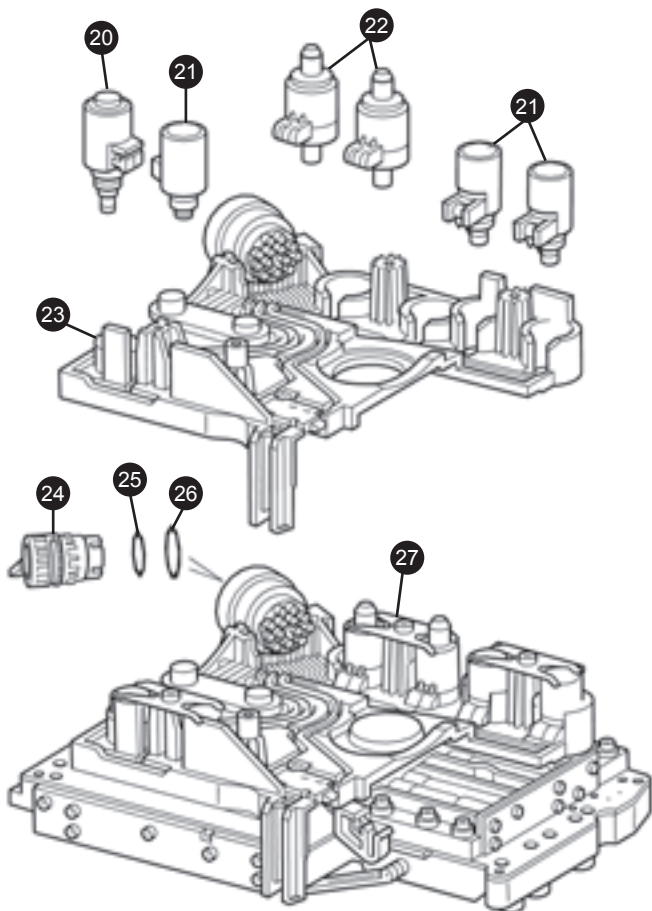


4.0 Litre supercharged

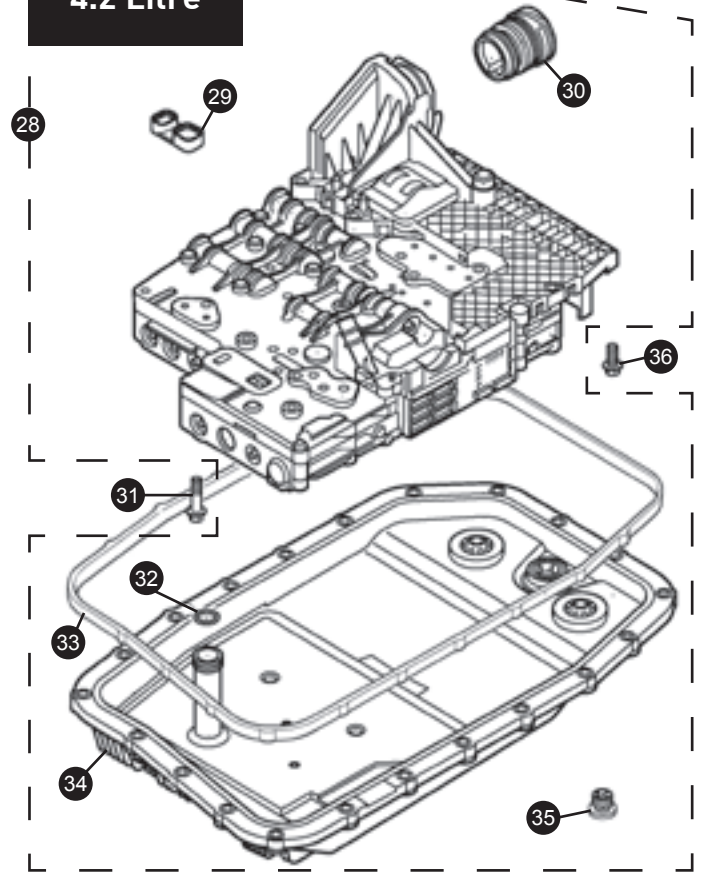


4.0 Litre

4.0 Litre supercharged



4.2 Litre



GEARBOX CONTROL VALVE ASSEMBLY & SUMP

www.sngbarratt.com

1. Gearbox control valve body (to VIN 031302) (from VIN 031303)	NTF4410AB NNE4410AA	1 1	25. Sealing ring, outer (red)	Part of JLM21109	
2. Solenoid shift valve	JLM20219	3	26. Sealing ring, inner (red)	Part of JLM21109	
3. Pressure regulator, 2-3-4-5	JLM20220	4	27. Valve block assembly	NNC4410AA	1
4. Pressure regulator, 1	JLM20221	1	28. Transmission control module 4.2 Litre, mechatronic unit		
5. 'O' ring	JLM20212	2	Supercharged		
6. Retaining clip	JLM20213	1	(to VIN A36997)	C2C6718	1
7. Gearbox harness	LNC3380AA	1	(from VIN A36998 to VIN A41779)	C2C24598	1
8. Speed transducer	JLM11251	1	(from VIN A41780)	C2C27751	1
9. Gearbox sump filter	JLM20469	1	Non supercharged		
10. Gearbox sump filter	JLM20470	1	(to VIN A31733)	C2C6718	1
11. Gearbox sump pan	JLM20468	1	(from VIN A31734 to VIN A41725)	C2C24598	1
12. Sump drain plug washer	JLM20475	1	(from VIN A41726)	C2C27751	1
13. Gearbox sump drain plug	JLM20298	1	29. Adaptor	C2C12379	1
14. Filter to control valve 'O' ring	JLM20217	1	30. Sleeve	C2C39599	1
15. Gearbox sump filter	JLM20216	1	31. Gearbox sump screw, M6 x 60mm	C2C9650	7
16. Gearbox sump gasket	JLM20204	1	32. 'O' ring, 4.2 Litre (to VIN A31733)	C2C6730	1
17. Gearbox sump pan	JLM20215	1	33. Gearbox sump gasket, 4.2 Litre (to VIN A31733)	C2C6714	1
18. Gearbox sump drain plug	JLM20205	1	34. Gearbox sump pan	C2C38963	1
19. Sump retaining cap screw	JLM888	22	35. Gearbox drain plug (to VIN A31733)	C2C6699	1
20. Gearbox solenoid	JLM20479	1			
21. Gearbox solenoid	JLM20478	3			
22. Gearbox solenoid	JLM20477	2			
23. Valve body to connector mounting block	JLM20467	1			
24. Gearbox in-line connector	JLM21109	1			

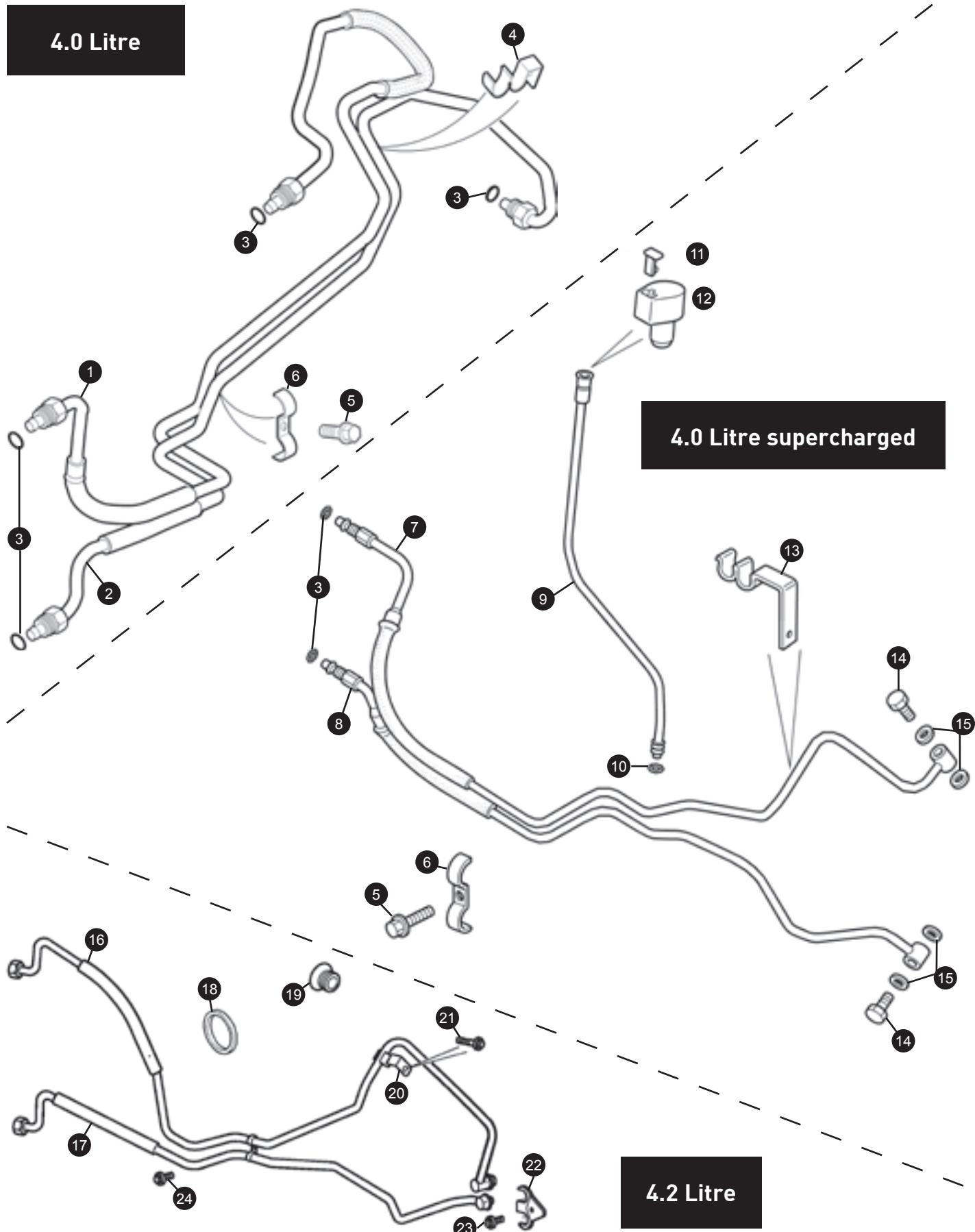


GEARBOX OIL COOLER PIPES

www.sngbarratt.com



4.0 Litre



4.0 Litre supercharged

4.2 Litre



UK - Bridgnorth
+44 (0) 1746 765 432
sales.uk@sngbarratt.com



USA - Manchester NH
+1 800 452 4787 (toll free)
sales.usa@sngbarratt.com



FRANCE - Charney les Macon
+33 (0) 3 85 20 14 20
sales.fr@sngbarratt.com



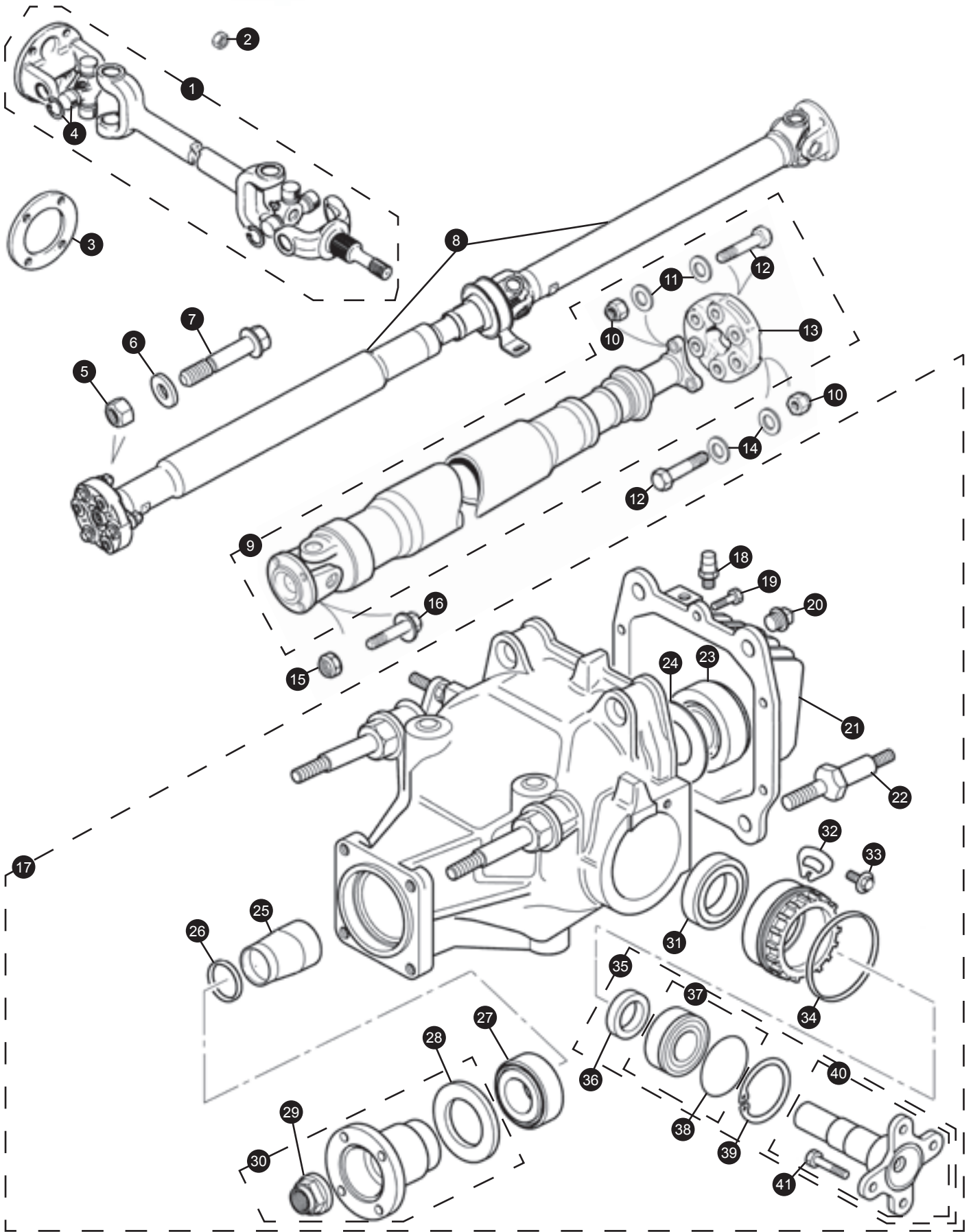
HOLLAND - Oisterwijk
+31 (0) 13 52 11 552
sales.nl@sngbarratt.com

GEARBOX OIL COOLER PIPES

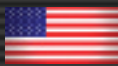
www.sngbarratt.com

1. Gearbox oil cooler return pipe, 4.0 Litre (to VIN 018107) (from VIN18108)	NJA4510CB NJC4510BA	1 1	17. Gearbox oil cooler feed pipe, 4.2 Litre	C2N1125	1
2. Gearbox oil cooler feed pipe, 4.0 Litre (to VIN 018107) (from VIN18108)	NJA4500CB NJC4500AA	1 1	18. Pump seal	C2C6727	1
3. 'O' ring	C2C6713	4	19. Oil filler plug	C2C6729	1
4. Oil cooler pipe bracket	NNC4520DB	1	20. Oil cooler pipe bracket	NNC4520DB	1
5. Flange headed screw	JFS10625F	1	21. Flange bolt, M10 x 40mm (to VIN A40264) (from A40265)	XR81900 C2P7626	1 1
6. Oil cooler pipe clip	JZP100027	1	22. Oil cooler pipe bracket	C2C20488	1
7. Oil cooler return pipe, 4.0 Litre supercharged (to VIN 041458) (from VIN 041458)	NJC4510CB NJC4510CB	1 1	23. Bolt M8 x 16mm (to VIN A40264) (from A40265)	C2S1998 JDE2798	1 1
8. Oil cooler feed pipe, 4.0 Litre supercharged	NJB45000BD	1	24. Flange headed screw	JFS10625F	1
9. Dipstick tube, 4.0 Litre supercharged	NJB4540AB	1			
10. Dipstick tube 'O' ring	KSH111624	1			
11. Filler cap locking pin	NNC4551AA	1			
12. Gearbox filler cap	JLM20566	1			
13. Oil cooler pipe bracket	NNC4520DB	1			
14. Banjo bolt, M14 x 26mm	JZB100079	1			
15. Sealing washer, M14	JWV114002	4			
16. Gearbox oil cooler return pipe, 4.2 Litre	C2N1124	1			





UK - Bridgnorth
+44 (0) 1746 765 432
sales.uk@sngbarratt.com



USA - Manchester NH
+1 800 452 4787 (toll free)
sales.usa@sngbarratt.com



FRANCE - Charney les Macon
+33 (0) 3 85 20 14 20
sales.fr@sngbarratt.com



HOLLAND - Oisterwijk
+31 (0) 13 52 11 552
sales.nl@sngbarratt.com

1. Half shaft assembly	CBC2268	2	16. Flange headed screw	JFT11030EM	4
2. Half shaft nut	NV607041	16	17. Complete differential assembly		
3. Half shaft spacer			Contact sales for availability		1
2. 3.5mm	CBC480635	A/R	18. Differential case breather	JLM20323	1
4.0mm	CBC480640	A/R	19. End cover bolt, M8	JLM20332	6
4.5mm	CBC480645	A/R	20. Filler plug, 0.75" BSP	JLM632	1
5.0mm	CBC480650	A/R	21. End cover	C2A1420	1
5.5mm	CBC480655	A/R	22. Rear tie stud	NNC5715AA	2
6.0mm	CBC480660	A/R	23. Pinion head bearing	JLM20335	1
6.5mm	CBC480665	A/R	24. Shim kit for pinion head bearing	JLM20251	1
7.0mm	CBC480670	A/R	25. Pinion spacer kit	JLM20325	1
7.5mm	CBC480675	A/R	26. Shim kit for pinion tail bearing	JLM20250	1
4. Universal joint	JLM1388	4	27. Pinion tail bearing	NJF215312AA	1
5. Nut for Jurid coupling, 4.2 Litre	C2C34448	3	28. Pinion oil seal	JLM20601	1
6. Coupling washer, 4.2 Litre	C2P8152	3	29. Pinion lock nut	JLM11840	1
7. Hex head bolt 4.2 Litre, M12 x 65mm	XR826222	3	30. Companion flange kit	C2N2581	1
8. Prop shaft assembly 4.2 Litre	C2N3586	1	31. Differential bearing	JLM20336	2
9. Prop shaft assembly 4.0 Litre			32. Bearing housing lock-tab	JLM20330	2
Supercharged	NJB5800AC	1	33. Lock-tab bolt, M8	JLM20333	2
Non supercharged	NJA5800CB	1	34. Bearing housing 'O' ring	JLM20327	2
10. Nut for Jurid coupling, 4.0 Litre	NV112051J	3	35. Output shaft assembly	C2A1417	2
11. Coupling washer, 4.0 Litre	CBC8067	6	36. Bearing retaining collar	C2A1421	2
12. Coupling bolt, M12 x 70mm	CBC8174	6	37. Differential shaft bearing	JLM20337	2
13. Flexible Jurid coupling	CBC8996	1	38. Sealing ring	JLM20451	2
14. Coupling washer, 4.0 Litre			39. Bearing circlip	C2A1422	2
(to VIN 042775)	CBC8067	6	40. Shaft & stud assembly	C2A1418	2
(from VIN A00083)	C2P8152	6	41. Output flange stud	JLM624	8
15. Lokut nut, M10	JZN100053	4			





Get the best out of your XK8/XKR! We supply a comprehensive list of essential service items to keep your Jaguar running like it should.

ENGINE BAY

Oil filter, 4 Litre	EAZ1354	1
Oil filter, 4.2 Litre	C2C41611	1
Air filter		
4.0 Litre/4.2 Litre supercharged	NJA3558AA	1
4.2 Litre non supercharged	XR823351	1
Fuel filter	C2C35417	1

Spark plug, 4.0 Litre (to VIN 018107)		
(from VIN 018108 to VIN 031302)		
(from VIN 031303)		
Spark plug, 4.0 Litre supercharged	NCA3850DA2	8
Spark plug, 4.2 Litre	NCA3850FA1	8
	C2A1535	8
	NCA3850HA2	8
	C2A1535	8

WINDSCREEN

OE specification wiper blade assembly		
Driver side	GJA8962BB	1
Passenger side	GJA8960BB	1
OE replacement wiper rubber	GNB8961AA	2
OE screenwash fluid, 500ml	C2A1020	1
Screen wash fluid, 5 Litre	MOR047	1

PARTICLE FILTERS

OE specification, right hand drive	MJD6862AA	1
OE specification, left hand drive	MJD6863AA	1

CONVERTIBLE TOP

The fluid in the hood lift mechanism will deteriorate over time and become 'waxy', causing the hood action to become erratic or, in extreme circumstances, fail completely.

Hydraulic hood lift fluid, 1 Litre	JLM21112	1
------------------------------------	----------	---

ANTI-FREEZE

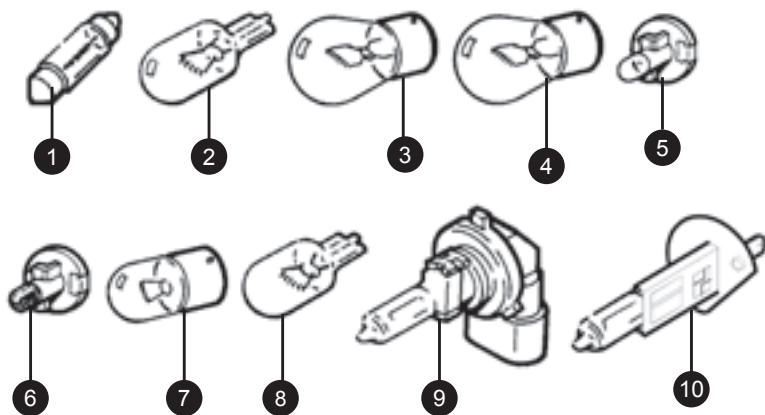
If you need to top up your Jaguar's cooling system, it is vital to select the correct grade of anti-freeze. Newer models (including XK8/XKR) use a more modern yellow or orange anti-freeze, designed for safe use in the all-aluminium engines. Using the incorrect grade may cause significant overheating problems. Always refer to your handbook before replenishing your coolant.

Traditional 'blue' anti-freeze, Old XK's XJ's etc.	MOR051
'Yellow' anti-freeze AJ6 engines, early XK8's etc.	JLM204042/3
'Orange' anti-freeze, Newest XJ's & later XK8's etc.	JLM 209722/3

FLUID CAPACITIES*

ENGINE OIL	_____	6.0-7.8 Litres
TRANSMISSION	_____	10 Litres
DIFFERENTIAL	_____	1.8-1.9 Litres
ENGINE COOLANT	_____	9.5-11.5 Litres

*Capacities will vary depending on model



BULB REPLACEMENTS

1. Festoon, 5 watt	LNA5180AA	A/R
2. Wedge base, 6 watt	DBC12440	A/R
3. Bayonet, 21 watt	DBC11382	A/R
4. Direction indicator lamp bulb, amber	C2S15076	A/R
5. Blue miniature	LNA5180CA	A/R
6. Clear miniature	LNA5180BA	A/R
7. Bayonet, 5 watt	DBC11711	A/R
8. Wedge base, 5 watt	C2S15074020	
A/R		
9. Headlamp, main beam	XR812420	A/R
10. Headlamp, H1 55 watt	DBC11406	A/R

LUBRICANTS, CLEANING PRODUCTS & OVER MATS

www.sngbarratt.com

MORRIS® LUBRICANTS

We stock a full range of quality Morris Lubricants (blending oils in Shrewsbury since 1869) that are entirely suitable for both the classic and current Jaguar range.

Oil 20W/50	gallon	MOR001
Oil 20W/50	1 Litre	MOR002
Oil 15W/50	5 Litre	MOR004
Oil 15W/50	1 Litre	MOR005
Oil 10W/40	semi synthetic - 5 Litre	MOR007
Oil 10W/40	semi synthetic - 1 Litre	MOR008
Oil 5W/30	semi synthetic - 5 Litre	MOR010
Oil 5W/30	semi synthetic - 1 Litre	MOR011
Running in oil	5 Litre	MOR013
Dextron 2 ATF	5 Litre	MOR014
Dextron 2 ATF	1 Litre	MOR015
EP80/90	gear oil - 5 Litre	MOR020
EP80/90	gear oil - 1 Litre	MOR021
LSD	gear oil - 5 Litre	MOR022
Oil 10W/50	comp semi synthetic	MOR023
Mineral oil	1 Litre	MOR025
Brake fluid	Dot 4 - 1 Litre	MOR027
Brake fluid	Dot 4 - 500 ML	MOR028
Carb cleaning spray		MOR029
MD4	maintenance spray	MOR030
Pavan	degreaser	MOR031
Prima	silicone spray	MOR032
Prise	anti seize spray	MOR033
Solvent brake cleaner		MOR034
LM grease	500gm tin	MOR035
Copper slip	500gm tin	MOR036
Liquimatic ATF	5 Litres	MOR045
Rubber Grease	500gm tin	RUBBERGREASE

MORRIS

LUBRICANTS



CLEANING PRODUCTS & OVER MATS

CLEANING PRODUCTS

We supply a comprehensive range of car care products to keep your Jaguar spotless.

Gliptone® Leather conditioner, 250ml	CH5001
Gliptone® Liquid leather cleaner, 250ml	CH5002
OEM Jaguar car body shampoo, 500ml	C2A1016
OEM Jaguar wax polish liquid, 500ml	C2A1017
OEM Jaguar Glass cleaner, 500ml	C2A1023

OVER MATS

Protect and compliment your floors with our range of high quality, made-to-measure over mat sets.

Over mat set, black	OMXK8/1R
Over mat set, grey	OMXK8/2R
Over mat set, beige	OMXK8/8R



CHROME ENHANCEMENTS

www.sngbarratt.com



Give your XK8 a more individual appearance!

We offer a range of subtle chrome styling enhancements for the exterior and interior of your vehicle.

Call our friendly sales team for more information.



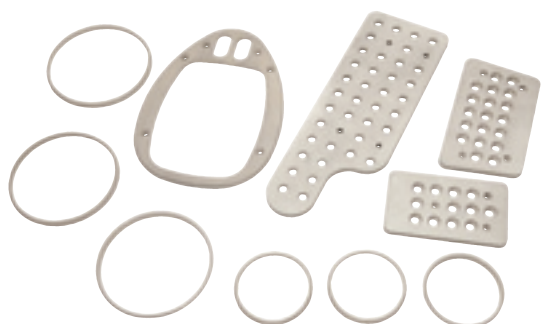
Mirror covers

XK8/MC/P



Headlamp rim set

XK8/HLR/P



Aluminium interior trim set

XK801



Fog lamp rim set

XK8/FLR/P



Side indicator repeater rims

XK8/SLR/P



Inner door handle covers

XK8/DHC/P



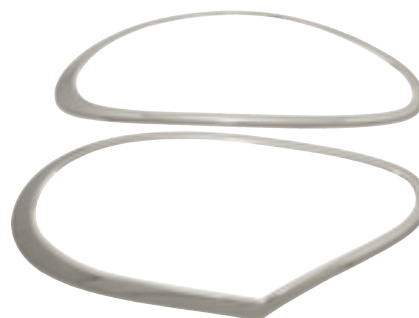
Front side lamp rims

XK8/FSLR/P



Rear side lamp rims

XK8/RSLR/P



Rear lamp rim set

XK8/RLR/P

100,000+ PARTS AND COUNTING...



WWW.SNGBARRATT.COM



THE ULTIMATE JAGUAR PARTS SPECIALIST



SNG BARRATT LTD
 THE HERITAGE BUILDING
 STOURBRIDGE ROAD
 BRIDGNORTH
 WV15 6AP
 UNITED KINGDOM

T: +44 (0)1746 765432
 F: +44 (0)1746 761144
 WWW.SNGBARRATT.COM



SNG BARRATT NL
 LAARAKKERWEG 12
 5061 JR OISTERWIJK
 NETHERLANDS

T: +31 (0)1352 11 552
 F: +31 (0)1352 11 550



SNG BARRATT USA
 92 LONDONDERRY TURNPIKE
 MANCHESTER
 NEW HAMPSHIRE
 03104 USA

T: +1 603 622 1050
 F: +1 603 622 0849
 WWW.SNGBARRATTUSA.COM



SNG BARRATT FRANCE
 62 CHEMIN DU BOIS D'ALIER
 ZONE DES BERTHILIER
 71850 CHARNAY LÈS MACON
 FRANCE

T: +33 (0)3 85 20 14 20
 F: +33 (0)3 85 29 01 47
 WWW.SNGBARRATT.FR

MK2
 XJS DOUBLE SIX
 XK8XJ40 SOVEREIGN
 420 MK1 MK10 MK7
 X300 X308 SP250
 X-TYPE MK8 MK9 XK140
 S-TYPE E-TYPE XK150
 XK120 X350
 MK7 MK10
 MK1X-TYPE
 MK2 X300 MK9
 MK8



THE ULTIMATE JAGUAR PARTS SPECIALIST