



THE KRESS RANGE
ELECTRIC POWER TOOLS

2007

Content

■ PNEUMATIC HAMMERS

Survey	page	6
SDS-MAX	page	7
SDS-PLUS	page	7-8
Cordless pneumatic hammers	page	9



■ DRILLS / SCREWDRIVERS

Survey	page	10
Percussion drills	page	11
Drills	page	12
Drywall screwdrivers	page	12-13
Power drills	page	13



■ CORDLESS TOOLS

Survey	page	14
2-speed cordless screwdrivers	page	15-18
Cordless screwdrivers	page	18
Cordless caulking guns	page	19



■ ANGLE GRINDERS

Survey	page	20
Angle grinders	page	21-22
Angle grinders	page	22-23



■ GRINDERS / SANDERS

Survey	page	24
Eccentric grinders	page	25
Orbital sanders	page	25



■ SAWING / MILLING

Survey	page	26
Circular saw	page	27
Duo-saw	page	27
Pendulum jig saws	page	27
Flat dowel cutter	page	28
Milling motors	page	28



■ BLOWER / VACUUM CLEANER

Hot air blower	page	29
Wet and dry vacuum cleaner	page	29



■ PICTOGRAM

Survey	page	30
--------	------	----

Simply different – simply better The KRESS concept



With Dieter C. Kress the 3rd generation already runs the company.

The location as advantage

All KRESS power tools are “Made in Germany/Switzerland”. From development to service – highest quality meets professional requirements. This is the ambitious goal we realize for our customers every day, with every unique tool. All processes and components are constantly monitored and optimised.

Flexible production:

Team work, flat hierarchies, fully automatic production – these are what makes us more creative, quick and more flexible than other companies

Innovative solutions:

With many patents we are one of the technology leaders and rank among the top tool manufacturers in the sector.

Highest quality:

We manufacture around 90 % of all components ourselves, this saves time, guarantees high quality and enables us to implement new ideas quickly.

Made in Germany / Switzerland:

For more than 75 years we have been producing in Germany and Switzerland.

Environmental concept:

Our tools are free of CFCs and cadmium. Our resource-efficient production operations do not use any toxic solvents and incorporate modern recycling facilities for heat and industrial waste.

Service round the clock



Telephone hotline

Your direct connection to us! If you have any questions about tools, accessories or spare parts: our expert staff is available for you at all times. You can also get information quickly and round the clock on the Internet or send your questions by e-mail to our customer service department.

Hotline: +49 (0) 74 76/8 74 50

e-mail: TKD@kress-elektrik.de

Training sessions

Knowledge for professionals. Our engineers and specialists offer regular training courses and seminars. Worldwide, geared to operating practice and in all areas of application. We will be pleased to provide you with detailed information on KRESS tools.

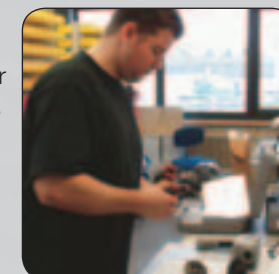


Trade fairs

Our products are internationally available in more than 60 countries. At many trade fairs in Europe, Asia and America you can inform yourself about our company, our innovations and our products.

Customer service

Our customer service in Bisingen is available to you at all times. Service can be done either at your specialist dealer or directly at KRESS. Repair jobs are done within 48 hours as a part of our fast and cost-efficient service. At KRESS you only pay the actual repair costs.



The construction site professionals

Pneumatic hammers for highest demand



Operation

The QuiXS quick chuck changing system makes it possible to switch with a turn of the hand from the SDS-Plus holder to the quick-clamping chuck.



The damping system

The hand grip is each connected with the motor gear unit by a stable active-damping part. This means that any vibrations and impacts can be absorbed and neutralised.



More precision – prolonged service life: The solid metal housing

The motor-gear connection consists of a robust distortion-free metal housing. Thereby a good heat abstraction and a precise axle guidance is reached. As a result an extremely long service life is reached compared with the traditional tools. Especially, the professional craftsmen count on performance, precision and reliability.

Pneumatic hammer SDS-MAX

1100 MH-MAX 1100 Watt

- Active damping system in the grip area
- Control electronics for precise chisel performance
- Lockable control switch for permanent operation at chiselling
- Variable chisel fixing in 16 positions
- **Set includes:** additional D-handle, lubricant for chisel, professional carrying case

NEW*



No-load impact rate rpm.	Joule	kg	m
0...4450	12	5,6	4

* Available from July 2007
Art.-No.: 04 28 4101

Pneumatic hammer SDS-MAX

1100 KH-MAX 1100 Watt

- Active damping system in the grip area
- Control electronics for sensitive initial drilling and precise chiselling
- Rotation stop for heavy chiselling
- Safety friction clutch
- **Set includes:** vibration-free additional hand grip, lubricant for drill and chisel, professional carrying case

NEW*



1/min	No-load impact rate rpm	Joule	mm	mm	mm	mm	kg	m
0...600	0...4300	10	45	125	X	5,9	4	

* Available from July 2007
Art.-No.: 04 28 4001

Pneumatic hammer SDS-PLUS

900 PSH-PLUS 900 Watt

- Chuck changing system
- Active damping system in the grip area
- Power-plus electronics
- Rotation stop for medium chiselling
- Safety friction clutch
- Hammer stop for normal drilling and screwing
- **Set includes:** 2-component soft hand grip with drilling depth gauge, lubrication for drill bits and chisels, professional carrying case

1/min	Joule	mm	mm	mm	mm	mm	mm	kg	m
0...720	4,4	32	90	40	16	20	X	4,8	4

Art.-No.: 04 30 0101

800 PSE 800 Watt

- Rotation stop for easy chiselling
- Control electronics for sensitive initial drilling
- Safety friction clutch
- Hammer stop for normal drilling and screwing
- **Set includes:** 2-component soft hand grip with drilling depth gauge, professional carrying case

NEW*



1/min	Joule	mm	mm	mm	mm	mm	mm	kg	m
0...1000	3,2	26	68	40	13	16	X	2,9	4

* Available from September 2007

Art.-No.: 04 28 4201

1050 PXC 1050 Watt

- 2-speed pneumatic hammer gear system
- Rotation stop for easy chiselling
- Safety friction clutch
- Hammer stop for normal drilling and screwing
- Full wave control electronics with tachometer generator and speed pre-selection
- **Set includes: 2-component soft hand grip with drilling depth gauge, screwing adapter for chuck and screwdriver bit support, 13 mm quick-action chuck, professional carrying case**



125...875	250...2000	Joule 2,6	28	68	50	16	20	X	2,8	4

Art.-No.: 04 28 3501

700 PSE 700 Watt

- Rotation stop for easy chiselling
- Control electronics for sensitive initial drilling
- Safety friction clutch
- Hammer stop for normal drilling and screwing
- **Set includes: 2-component soft hand grip with drilling depth gauge, professional carrying case**



0...1050	Joule 2,4	24	68	30	13	16	X	2,7	4

Art.-No.: 04 28 2649

700 PEC 700 Watt

- Rotation stop for easy chiselling
- Control electronics for sensitive initial drilling
- Safety friction clutch
- Hammer stop for normal drilling and screwing
- **Set includes: 2-component soft hand grip with drilling depth gauge, professional carrying case**

NEW*



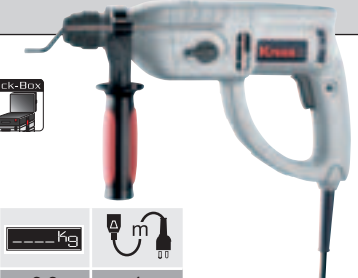
* Available from September 2007

0... 1170	Joule 2,5	24	68	30	13	15	X	2,6	4

Art.-No.: 04 28 2334

550 PH 550 Watt

- Control electronics for sensitive initial drilling
- Safety friction clutch
- Hammer stop for normal drilling and screwing
- **Set includes: 2-component soft hand grip with drilling depth gauge, professional carrying case**



0...1000	Joule 2,0	20	30	13	15	X	2,2	4

Art.-No.: 04 28 3235

Cordless pneumatic hammers SDS-PLUS

240 PAH SET 24 Volt / 3,0 Ah

- Robust pneumatic hammer gear
- Control electronics for sensitive initial drilling
- Safety friction clutch
- Hammer stop for normal drilling and screwing
- **Set includes: second 24-volt battery pack, battery-belt cable, 2-component soft hand grip with drilling depth gauge, screwing adapter for chuck and screwing bit support, 13 mm quick-action chuck, fast charger, professional carrying case**



Battery Volt/Ah NIMH 24 / 3,0	Number Battery 2	Charging time/min. 45	0...1000	Joule 2,0	20	20	10	6	X	3,7

Art.-No.: 12 06 0202

240 PAH SET 24 Volt / 2,0 Ah

- Robust pneumatic hammer gear
- Control electronics for sensitive initial drilling
- Safety friction clutch
- Hammer stop for normal drilling and screwing
- **Set includes: second 24-volt battery pack, battery-belt cable, 2-component soft hand grip with drilling depth gauge, screwing adapter for chuck and screwing bit support, 13 mm quick-action chuck, fast charger, professional carrying case**



Battery Volt/Ah NiCD 24 / 2,0	Number Battery 2	Charging time/min. 20	0...1000	Joule 2,0	20	20	10	6	X	3,6

Art.-No.: 12 06 0201



Technology for highest demands

KRESS drilling technology for professionals



Sufficient power
The three-stepped non-switchable gear unit for our KRESS percussion drills always supply the necessary power for every application.



ASL
Fast, safe, strong: The Auto-Spindle-Lock provides a convenient single-handed change of drills and screwdriver bits. ASL automatically blocks the spindle when the machine stands



Operation
The KRESS ergonomic concept for prolonged, fatigue-free working: all over soft grip, rubberised trigger switch and 2-component soft-hand grip.

Percussion drills

850 SB-2 850 Watt

- 2-speed gear
- Aluminium die-cast gearbox
- Impact-resistant metal quick clamping chuck \varnothing 13mm
- Full wave electronics with speed pre-selection
- Safety friction clutch
- **Set includes:** 2-component soft hand grip with drilling depth gauge, professional carrying case

NEW*



		Number of impacts						
0...1250	0...3000	48000	20	40	13	X	2,3	4

* Available from September 2007

Art.-No.: 04 19 0101

850 SBLR-2 850 Watt

- 2-speed gear
- Impact-resistant quick clamping chuck \varnothing 13 mm
- Full wave electronics with speed pre-selection
- Safety friction clutch
- **Set includes:** 2-component soft hand grip with drilling depth gauge, professional carrying case



		Number of impacts						
0...1450	0...3460	55360	16	30	13	X	2,2	4

Art.-No.: 04 13 0426

650 SBLR-1 650 Watt

- Impact-resistant quick clamping chuck \varnothing 13 mm
- Control electronics and speed pre-selection
- **Set includes:** 2-component soft hand grip with drilling depth gauge, professional carrying case



	Number of impacts						
0...3500	56000	16	30	13	X	1,7	4

Art.-No.: 04 09 0410

550 SBLR-1 550 Watt

- Impact-resistant quick clamping chuck \varnothing 13 mm
- Control electronics
- **Set includes:** 2-component soft hand grip with drilling depth gauge, professional carrying case



	Number of impacts						
0...3300	52800	13	25	10	X	1,7	4

Art.-No.: 04 10 0610

Drills

650 BS 650 Watt

- Low weight and small dimensions
- Automatic spindle lock
- Full wave electronics
- Aluminium die-cast gearbox
- Quick-action clamping chuck \varnothing 10 mm

0...3200	30	10	10	X	1,5	4



Art.-No.: 04 18 0101

500 BS 500 Watt

- Low weight and small dimensions
- Automatic spindle lock
- Full-wave electronics
- Quick-action clamping chuck \varnothing 10 mm

0...3000	16	10	5,0	X	1,2	4



Art.-No.: 04 05 0312

Drywall screwdriver

650 TBS 6000 650 Watt

- Robust drywall screwdriver with high speed for interior construction jobs
- Full wave electronics
- Aluminium die-cast gearbox
- Silent jaw clutch for automatic switch-off when the screw depth is reached
- Removable drilling depth gauge with notch positions for serial screwing
- Set includes: belt hook, bit holder, PH 2 screwdriver bit

0...6000	5	10	1,5	6	



* Available from September 2007

Art.-No.: 04 18 0401

650 TBS 4500 650 Watt

- Robust drywall screwdriver with high speed for interior construction jobs
- Full wave electronics
- Aluminium die-cast gearbox
- Silent jaw clutch for automatic switch-off when the screw depth is reached
- Removable drilling depth gauge with notch positions for serial screwing
- Set includes: belt hook, bit holder, PH 2 screwdriver bit

0...4500	5	12	1,5	6	



* Available from September 2007

Art.-No.: 04 18 0301

650 TBS 2500 650 Watt

- Robust drywall screwdriver with high speed for interior construction jobs
- Full wave electronics
- Aluminium die-cast gearbox
- Silent jaw clutch for automatic switch-off when the screw depth is reached
- Removable drilling depth gauge with notch positions for serial screwing
- Set includes: belt hook, bit holder, PH 2 screwdriver bit

0...2500	6	20	1,5	6	



* Available from February 2008

Art.-No.: 04 18 0201

505 TBS 500 Watt

- Compact design
- Full wave electronics
- Silent jaw clutch for automatic switch-off when the screw depth is reached
- Removable drilling depth gauge with notch positions for serial screwing
- Set includes: belt hook, bit holder, PH 2 screwdriver bit

0...4650	5	3,2	1,1	4	



Art.-No.: 04 05 0507

500 TBS 500 Watt

- Compact design
- Full wave electronics
- Silent jaw clutch for automatic switch-off when the screw depth is reached
- Removable drilling depth gauge with notch positions for serial screwing
- Set includes: belt hook, bit holder, PH 2 screwdriver bit.

0...3000	6	5	1,1	4	



Art.-No.: 04 05 0411

Power drill

1055 HTC 1050 Watt

- 3-stage gear reduction
- Full-wave control electronics with tachometer generator and speed pre-selection
- Quick-action clamping chuck \varnothing 13 mm
- Power drill with high torque (up to 50 Nm)
- Set includes: extended 2-component soft hand grip with drilling depth gauge, professional carrying case

70...530	70	16	50	X	2,3	4



Art.-No.: 04 14 0206

Intelligent technology

For every application strong, lightweight and always ready to use



Lithium-Ion technology

• Less weight

The new Lithium-Ion battery packs provide considerably more power and weighs 40 % less than the traditional battery packs.

• Short charging times

At the new Lithium-Ion battery packs the memory effect is a thing of the past. The tool can be fully charged in every charging condition without having an effect on the subsequent capacity. A minimal self discharge ensures that the cordless screwdriver is ready to use any time even over a longer period.



QUIXS

QuiXS rapid-action chuck changing system, for lightning chuck changing, for the use of a QuiXS attachment or for screwing without a chuck by the direct support of the screwdriver bit in the spindle.



QUIXS angle drilling head

For using the tool as an angle screwdriver. The angle drilling head can be turned through 360 degrees and can thus be adapted to every working position.



2-speed cordless screwdriver

180 LIOS 18 Volt

- QuiXS rapid-action chuck changing system
- Direct support of the screwdriver bit in the spindle
- 21-stage torque setting
- Quick stop for flush screwing
- Bit holder integrated
- QuiXS rapid clamping chuck \varnothing 13 mm
- Set includes: second battery pack, CSL 50 LI fast charger with cable depot, PH 2 screwdriver bit, professional carrying case

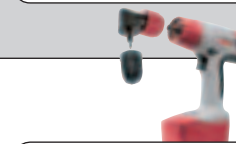


Battery Volt/Ah	Number Battery	Charging time/min.	max. Nm	Speeds	Bit holder	Chuck \varnothing mm	Bit \varnothing mm	Weight kg
Li-Ion 18 / 2,2	2	50	55 / 38	0...380 0...1400	35	13	10	X, 2,2

Art.-No.: 12 09 0411

180 LIOS SET 18 Volt

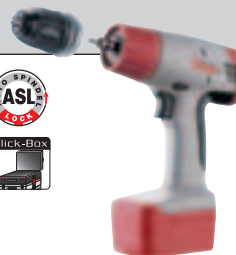
- Set includes: see 180 LIOS, plus angle drilling head



Art.-No.: 12 09 0414

144 LIOS 14,4 Volt

- QuiXS rapid-action chuck changing system
- Direct support of the screwdriver bit in the spindle
- 21-stage torque setting
- Quick stop for flush screwing
- Bit holder integrated
- QuiXS rapid clamping chuck \varnothing 13 mm
- Set includes: second battery pack, CSL 50 LI fast charger with cable depot, PH 2 screwdriver bit, professional carrying case

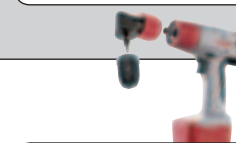


Battery Volt/Ah	Number Battery	Charging time/min.	max. Nm	Speeds	Bit holder	Chuck \varnothing mm	Bit \varnothing mm	Weight kg
Li-Ion 14,4 / 2,2	2	50	52 / 33	0...380 0...1400	30	13	8	X, 1,9

Art.-No.: 12 09 0311

144 LIOS SET 14,4 Volt

- Set includes: see 144 LIOS, plus angle drilling head



Art.-No.: 12 09 0314

108 LIOS 10,8 Volt

- QuiXS rapid-action chuck changing system
- Direct support of the screwdriver bit in the spindle
- 21-stage torque setting
- Quick stop for flush screwing
- Bit holder integrated
- QuiXS rapid clamping chuck Ø 10 mm
- **Set includes:** second battery pack, CSL 50 LI fast charger with cable depot, PH 2 screwdriver bit, professional carrying case



Battery Volt/Ah	Number Battery	Charging time/min.	max. Nm							
Li-Ion 10,8 / 2,2	2	50	50 / 30	0...380	0...1400	25	10	8	X	1,7

Art.-No.: 12 09 0914

108 LIOS SET 10,8 Volt

- Set includes: see 108 LIOS, plus angle drilling head



Art.-No.: 12 09 0917

108 ABL 10,8 Volt

- 21-stage torque setting
- Quick stop for flush screwing
- Bit holder integrated
- Quick clamping chuck Ø 10 mm
- **Set includes:** CSL 50 LI fast charger with cable depot, professional carrying case



Battery Volt/Ah	Number Battery	Charging time/min.	max. Nm							
Li-Ion 10,8 / 2,2	1	50	48 / 20	0...380	0...1400	22	10	6	X	1,5

Art.-No.: 12 09 0717

108 ABL SET 10,8 Volt

- Set includes: see 108 ABL, plus second battery pack



Art.-No.: 12 09 0720

120 ASS 12 Volt

- QuiXS rapid-action chuck changing system
- Direct support of the screwdriver bit in the spindle
- 21-stage torque setting
- Quick stop for flush screwing
- Bit holder integrated
- QuiXS rapid clamping chuck Ø 10 mm
- **Set includes:** second battery pack, TSL 60/12 1-hour charger with cable depot, PH 2 screwdriver bit, professional carrying case



Battery Volt/Ah	Number Battery	Charging time/min.	max. Nm							
NiCd 12 / 2,0	2	60	50 / 30	0...380	0...1400	25	10	6	X	1,9

Art.-No.: 12 09 1101

156 ABS SET 15,6 Volt

- 21-stage torque setting
- Quick stop for flush screwing
- Bit holder integrated
- Quick clamping chuck Ø 10 mm
- **Set includes:** second battery pack, TSL 60/18 1-hour charger with cable depot, PH 2 screwdriver bit, professional carrying case



Battery Volt/Ah	Number Battery	Charging time/min.	max. Nm							
NiCd 15,6 / 1,7	2	60	55 / 30	0...450	0...1600	30	10	8	X	1,8

Art.-No.: 12 09 0214

132 ABS SET 13,2 Volt

- 21-stage torque setting
- Quick stop for flush screwing
- Bit holder integrated
- Quick clamping chuck Ø 10 mm
- **Set includes:** second battery pack, TSL 60/12 1-hour charger with cable depot, PH 2 screwdriver bit, professional carrying case



Battery Volt/Ah	Number Battery	Charging time/min.	max. Nm							
NiCd 13,2 / 1,7	2	60	53 / 22	0...450	0...1600	25	10	6	X	1,7

Art.-No.: 12 09 0120

120 AB SET 12 Volt

- 21-stage torque setting
- Quick stop for flush screwing
- Bit holder integrated
- Quick clamping chuck Ø 10 mm
- **Set includes: second battery pack, CLG 60 1-hour charger with cable depot, professional carrying case**



Battery Volt/Ah	Number Battery	Charging time/min	max. Nm								
NiCd 12 / 1,7	2	60	48 / 20	0...420 0...1500	22	10	6	X	1,7		

Art.-No.: 12 09 0724

Cordless screwdriver

1-2 FIX 3,6 Volt

- Aluminium-gear housing
- Light device for optimal illumination level of the working area
- Automatic spindle lock for use of the tool as a screwdriver
- Rubberised trigger switch and soft hand grip
- Multifunctional charger with wall fixing device for wall or table fixing and cable drum for easy and quick cable storage in the charger
- **Set includes: Removeable bit holder ring with 7 drill bits in the charger, wall fixing device, charger with cable drum**



Battery Volt/Ah			max. Nm	Charging time/min		
Li-Ion 3,6 / 1,3	180	5	4 / 2	300	X	0,3

Art.-No.: 12 15 0101

Cordless Caulking Guns

133 KAP 13,2 Volt

- Low-wear compressed air technology
- Rapid vent valve and pressure control valve for drop-free working
- Extrusion tube for cartridges and sachets
- Cordless caulking gun with 1400 N extrusion force
- **Set includes: MSL 60 fast charger, 310 ml cartridge tube, professional carrying case**



Battery Volt/Ah	Charging time/min	Adequate for cartridges / sachets	Extrusion tube	Extrusion force		
NiMH 13,2 / 3,0	60	42	28	310 ml cartridge tube	1400 / 6,8	2,5

Art.-No.: 12 08 0206

132 KAP 13,2 Volt

- Low-wear compressed air technology
- Rapid vent valve and pressure control valve for drop-free working
- Extrusion tube for cartridges and sachets
- Cordless caulking gun with 1400 N extrusion force
- **Set includes: MSL 60 fast charger, 310 ml cartridge tube, professional carrying case**



Battery Volt/Ah	Charging time/min	Adequate for cartridges / sachets	Extrusion tube	Extrusion force		
NiCd 13,2 / 2,0	60	30	20	310 ml cartridge tube	1400 / 6,8	2,4

Art.-No.: 12 08 0201

Extra strong and safe

KRESS high-performance angle grinders up to 2500 Watt



Autobalancing

The new autobalancer system provide a reduced vibration by up to 50 %. The automatic balance unit is a steel hub filled in with freely movable steel balls and oil which is assembled directly above the cutting disc. The machine clearly runs more quiet, there are clean cuts, the lower wear of the cutting disc results in higher service life. This ensures a considerably faster and more convenient operation.



Turnable hand grip

The turnable hand grip of our angle grinders enables a convenient, fatigue-free and precise working at any time – regardless of the position.



Protective cover can be swivelled without using any tools

Without a tool and within stubbiest time the protection hood can be adjusted without neglect the required protection.



Anti-vibration hand grip

The additional anti-vibration hand grip reduce the transmitted vibrations to the user's hand and take care of the user's wrist.

Angle grinders

2500 WSB 230 2500 Watt

- Autobalancer system for a 50 % reduced vibration
- Starting current limitation
- Special winding protection for the motor
- Turnable hand grip
- Vibration-free additional hand grip
- Protective cover can be swivelled without using any tools
- Cut-off carbon brush to protect the motor
- **Set includes: additional handle, face spanner, professional case**

6600	230	22,2	M 14	5,3	4



Art.-No.: 06 04 5901

2500 WS 230 2500 Watt

- Starting current limitation
- Special winding protection for the motor
- Turnable hand grip
- Vibration-free additional hand grip
- Protective cover can be swivelled without using any tools
- Cut-off carbon brush to protect the motor
- **Set includes: additional handle, face spanner**

6600	230	22,2	M 14	5,0	4



Art.-No.: 06 04 5801

2000 WS 230 2000 Watt

- Starting current limitation
- Special winding protection for the motor
- Cut-off carbon brush to protect the motor
- **Set includes: additional handle, face spanner**

6500	230	22,2	M 14	4,5	4



Art.-No.: 06 04 6101

Angle grinders

2000 WS 180 2000 Watt

- Starting current limitation
- Special winding protection for the motor
- Cut-off carbon brush to protect the motor
- **Set includes: additional handle, face spanner**



8500	180	22,2	M 14	4,5	4

Art.-No.: 06 04 6201

1100 WS 125 1100 Watt

- Special winding protection for the motor
- Cut-off carbon brush to protect the motor
- Protective cover can be swivelled without using any tools
- **Set includes: 2-component soft hand grip, face spanner, professional carrying case**



11000	125	22,2	M 14	1,7	4

Art.-No.: 06 05 1601

Angle grinders

1400 WSE 125 1400 Watt

- Full-wave control electronics and speed pre-selection
- Special winding protection for the motor
- Re-start protection
- Soft start-up and starting current limiting
- Cut-off carbon brush to protect the motor
- Protective cover can be swivelled without using any tools
- **Set includes: 2-component soft hand grip, face spanner, professional carrying case**



3000...10000	125	22,2	M 14	1,8	4

Art.-No.: 06 05 1801

1000 WS 125 1000 Watt

- Special winding protection for the motor
- Protective cover can be swivelled without using any tools
- **Set includes: 2-component soft hand grip, face spanner**



11000	125	22,2	M 14	1,7	4

Art.-No.: 06 05 1910

1200 WSE 125 1200 Watt

- Full-wave control electronics and speed pre-selection
- Special winding protection for the motor
- Re-start protection
- Soft start-up and starting current limiting
- Cut-off carbon brush to protect the motor
- Protective cover can be swivelled without using any tools
- **Set includes: 2-component soft hand grip, face spanner, professional carrying case**



3000...10000	125	22,2	M 14	1,8	4

Art.-No.: 06 05 1501

710 WS 115 710 Watt

- Cut-off carbon brush to protect the motor
- **Set includes: 2-component soft hand grip, face spanner**



11000	115	22,2	M 14	1,5	4

Art.-No.: 06 04 4201

Optimal handling

The right tool for every application



900 MPS:

Three units in one

Whether rough grinding, fine grinding or polishing – always an optimal result is given



Easy Change

The hook and loop system of all KRESS sanding tools enables a fast and easy sanding sheet change.



Healthy working conditions

The integrated extraction system cleans up the dust where it arises. Whether a dust bag or extraction equipment is used, the working environment is always clean.

Eccentric grinder

900 MPS 900 Watt

- 2-stage gear reduction ratio and gear-forced rotation when required
 - with gear-forced rotation for coupled rotational movement for highest removal and polishing rates.
 - without gear-forced rotation for freely superimposed rotational movement for finest grinding work
- Full-wave control electronics with tachogenerator and speed pre-selection
- Powerful integrated dust extraction
- **Set includes: 2-component soft hand grip, hook and loop sanding sheet grain 80, dust bag, professional carrying case**

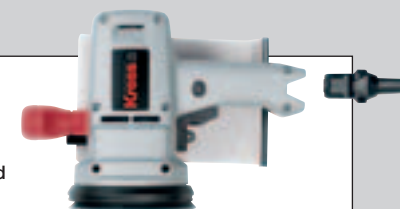


Without gear-forced rotation	With gear-forced rotation	No-load speed	mm	kg	m
2325...5500	240...570	5	150	2,8	4

Art.-No.: 06 05 1001

300 EXE 300 Watt

- Sanding blade fastening by means of hook and loop system
- Full-wave control electronics and speed pre-selection
- Dust extraction
- 3-point grinding pad attachment provides precise circuit
- **Set includes: K80 hook and loop abrasive sheet, dust bag, additional hand grip, professional carrying case**



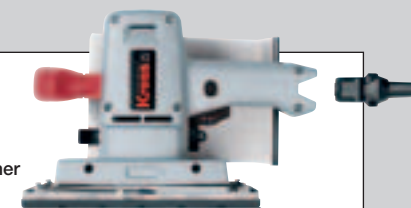
No-load speed	No-load stroke number	mm	kg	m
0...14000	0...28000	5	1,8	4

Art.-No.: 06 11 0409

Orbital sander

300 RSE 300 Watt

- Sanding blade fastening by means of hook and loop system or clamp strap
- Rigid magnesium sanding plate
- Full-wave control electronics and speed pre-selection
- Dust extraction
- **Set includes: K80 hook and loop abrasive sheet, dust bag, vacuum cleaner connection, clamp strap, additional handle, professional carrying case**



No-load speed	No-load stroke number	mm	mm	mm	mm	kg	m
5000...12000	10000...24000	3	114 x 225	115 x 228	115 x 280	2,0	4

Art.-No.: 06 02 1811

Precision is the decisive factor

Sawing and milling with KRESS precision tools



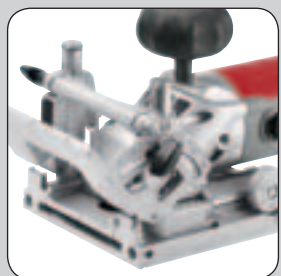
Tool change

The saw blade can be changed in a twinkling of an eye. Without additional tools but with the x-mal-click rapid-clamping system.



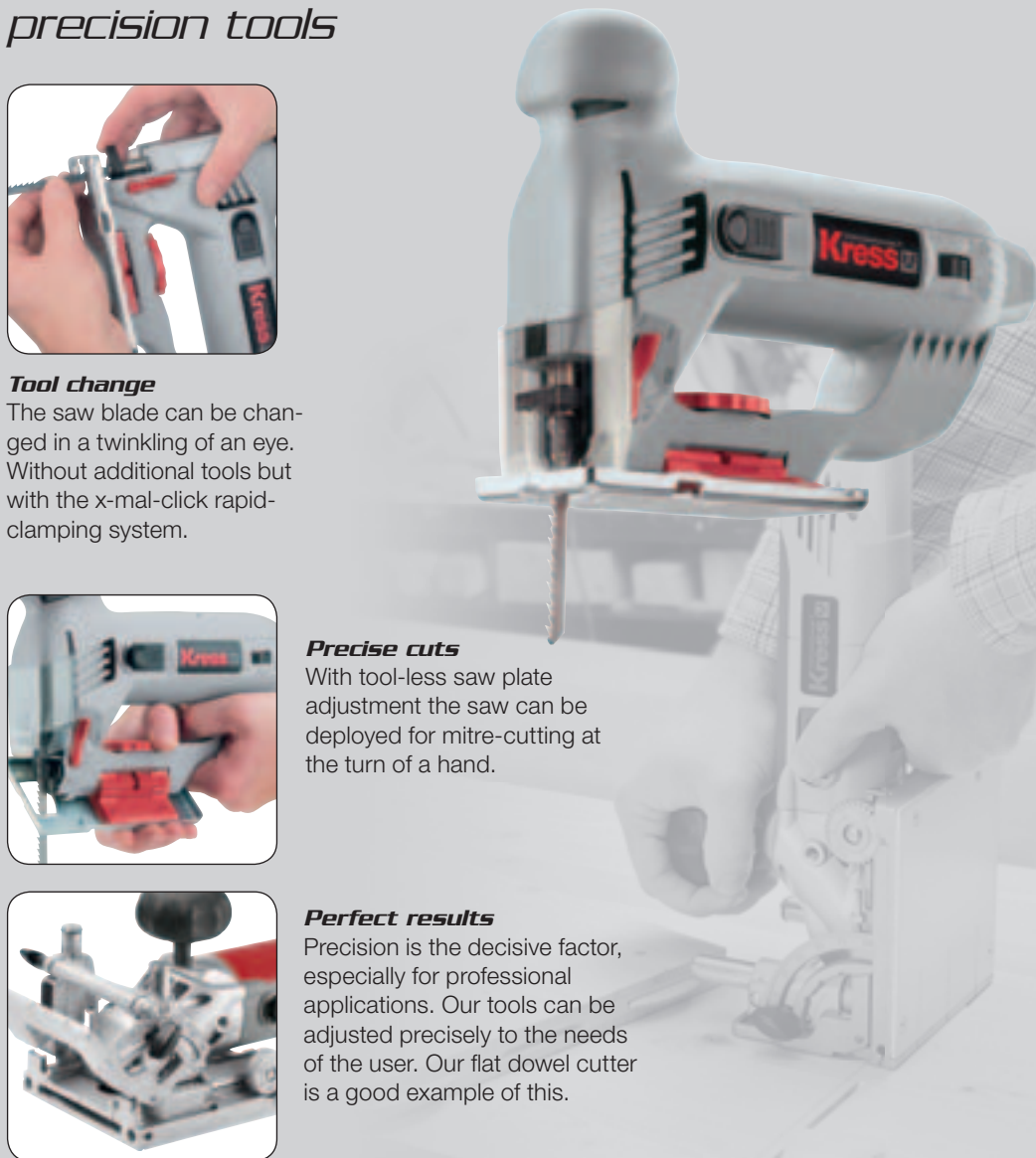
Precise cuts

With tool-less saw plate adjustment the saw can be deployed for mitre-cutting at the turn of a hand.



Perfect results



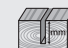



Precision is the decisive factor, especially for professional applications. Our tools can be adjusted precisely to the needs of the user. Our flat dowl cutter is a good example of this.



Circular saw

1400 HKS 1400 Watt

- Spindle locking mechanism for easy saw blade change
- Aluminium die-cast protection hood
- Quick adjustment cutting depth
- **Set includes: carbide-tipped 14 teeth saw blade, parallel guide, additional hand grip, allen key, professional carrying case**

				Saw plate size in mm		
4700	190	66	45	335 x 162	4,9	4



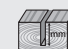





Art.-No.: 06 01 2519

Duo-saw

1400 DS DUO-SAW 1400 Watt

- Circular saw and precision chain saw in one appliance
- Automatic chain lubrication and chain saw attachment
- Aluminium die-cast protection hood
- Quick adjustment cutting depth
- **Set includes: carbide-tipped 14 teeth saw blade, parallel guide, chain saw attachment, additional hand grip, allen key, chain saw adhesive oil – 100 ml**

				Saw plate size in mm		
4700	190	66 / 200	45	335 x 162	4,9 / 5,4	4




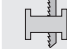





Art.-No.: 06 01 2608

Pendulum jig saw

500 STE 500 Watt

- Quick keyless adjustment of the saw plate
- x-mal-click keyless saw blade change
- Full-wave control electronics and speed pre-selection
- 2 adjustable pendulum stages plus zero position
- Blowing device
- **Set includes: jig saw blade, anti-splinter guard for saw plate, professional carrying case**




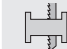



						
600...3400	19	80	5	45	1,7	4



Art.-No.: 06 03 3109

420 STE 420 Watt

- Quick keyless adjustment of the saw plate
- x-mal-click keyless saw blade change
- Control electronics and speed pre-selection
- Permanent pendulum action
- Blowing device
- **Set includes: jig saw blade, anti-splinter guard for saw plate**

						
500...2700	19	70	4	45	1,7	4



Art.-No.: 06 03 3005

Flat dowel cutter

800 FDF 800 Watt

- Die-cast aluminium gear housing
- Steplessly adjustable swivel guide from 0-90° with fixed positioning at 22,5°, 45° and 67,5°
- Quick adjustment of cutting depth by adjusting wheel with 6 pre-selection positions until max. 19 mm
- 3-fold revolver guide with scale for quick pre-selection of the height
- Spindle locking mechanism
- **Set includes:** milling cutter, transparent cutter guard, adapter for chip removal, dust bag, knob hand grip, professional carrying case



11000	130 x 130	130 x 60	4	100	19	3,1	4

Art.-No.: 06 08 2401

Milling motors

1050 FME 1050 Watt

- Motor flange made of steel with double bearing
- Spindle lock
- Full-wave electronics and speed pre-selection
- Cut-off carbon brushes
- **Set includes:** 8 mm clamping jaw



10000...32000	8	43	1,7	4

Art.-No.: 06 08 2201

800 FME 800 Watt

- Motor flange made of steel with double bearing
- Spindle lock
- Full-wave electronics and speed pre-selection
- Cut-off carbon brushes
- **Set includes:** 8 mm clamping jaw

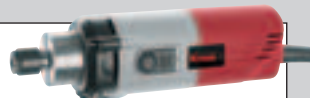


10000...30000	8	43	1,4	4

Art.-No.: 06 08 2101

530 FM 530 Watt

- Motor flange made of steel with double bearing
- Spindle lock
- Cut-off carbon brushes
- **Set includes:** 8 mm clamping jaw



29000	8	43	1,3	4

Art.-No.: 06 08 2301

Hot air blower

1600 HLG E 1600 Watt

- Electronic temperature control between 80 and 600 ° C
- Stationary use by means of the supporting foot
- Heating unit adjustable from 160 to 1600 Watt
- Ceramic heating element for continuous operation



80...600	400	0,7	4

Art.-No.: 06 09 0128

Wet and dry vacuum cleaner





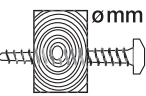

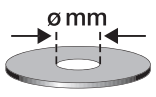
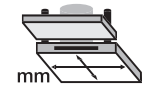
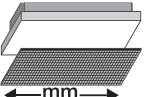
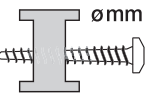

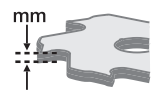
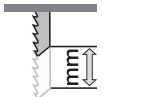
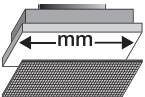

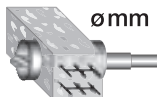


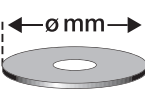
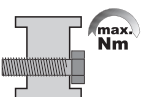
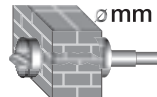
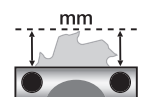


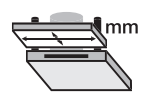
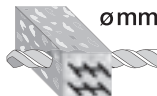
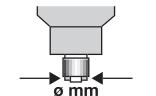
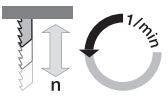


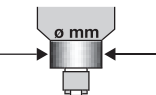
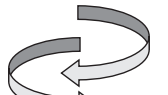
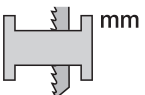
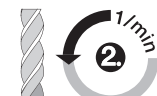
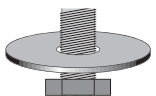


1200 NTX EA 1200 Watt

- Automatic switch-on and additional plug socket for parallel operation of vacuum cleaner and electric tool
- Electrical 2-stage switch (650 W / 1200 W)
- Blower
- Parking system for suction tube and cable depot
- 4 filter system for pure exhaust air
- **Set includes:** 2,5 m suction hose with mains cable clamps, 2 suction tubes, adjustable floor nozzle, upholstery nozzle, joint nozzle, multi-purpose nozzle, tool adapter, paper filter, wet filter



210	58	30	8,4	5

Art.-No.: 06 31 0301

 Drilling performance in wood Ø in mm	 Speed Rpm	 Weight In kg	 Impact energy In joule	 Screwing in wood Up to Ø in mm
 Drilling performance in light metal Ø in mm	 Disc fixing hole Ø in mm	 Base plate In mm	 Sanding sheet Width x length in mm	 Screwing in metal Up to Ø in mm
 Drilling performance in steel Ø in mm	 Milling cutter thickness Max. in mm	 Length of stroke In mm	 Sanding plate Width x length in mm	 Screwing soft in wood Max. torque in Newton Metre
 Drilling performance core cutter in concrete Ø in mm	 Milling cutter Max. Ø in mm	 Cable Length in m	 Grinding disc Ø in mm	 Screwing hard in metal Max. torque in Newton Metre
 Drilling performance core cutter in masonry Ø in mm	 Milling depth wood Max. in mm	 Cable with patented quick-action lock Length in m	 Sanding disc Ø in mm	 Swivel guide In mm
 Drilling performance solid drill bit in concrete Ø in mm	 Milling clamping jaw Ø in mm	 Standard stroke range Rpm	 Cutting depth in wood Max. in mm	
 Speed 1st gear for screwing Rpm	 Milling collet Ø in mm	 Direction of rotation Reversible function	 Cutting depth in metal Max. in mm	
 Speed 2nd gear for drilling Rpm	 Work spindle thread M 14	 Saw blade Ø in mm	 Mitre cut adjustment Max. in degree	



Head office

GERMANY
KRESS-elektrik GmbH & Co. KG
Hechinger Straße 48
D-72406 Bisingen
Phone: +49 (0) 74 76 / 8 70
Fax: +49 (0) 74 76 / 8 71 91
VTE@kress-elektrik.de
www.kress-elektrik.de

Subsidiary

FRANCE
KRESS France SARL
ZAC Espale
1, avenue Pierre Pflimlin
F-68390 Sausheim
Phone: +33 (0) 3 89 31 70 60
Fax: +33 (0) 3 89 31 70 69
contact@kressfrance.fr
www.kressfrance.fr

RUSSIA
OOO "KRESS TOOLS"
1st Kasatshiy per., 7
119017 Moskau
Phone: +7 495 737 8057
Fax: +7 495 737 7681
office@kress-tools.com
www.kress-tools.com

SWITZERLAND
CEKA Elektrowerkzeuge AG
& Co. KG
Industriestrasse 2
CH-9630 Wattwil
Phone: +41 (0) 71 987 40 40
Fax: +41 (0) 71 987 40 41
info@kress-elektrik.ch
www.kress-elektrik.ch



Your specialist dealer:

Changes and errors subject to alterations.

GB 99 93 4458 - 07/07

KRESS-elektrik GmbH & Co. KG
Postfach 166,
D-72403 Bisingen/Zollernalbkreis
Telefon +49 (0) 74 76/87 300
Telefax +49 (0) 74 76/87 191
e-mail: VTE@KRESS-elektrik.de
www.kress-elektrik.de

Elektrowerkzeuge®
Kress 
Made in Germany / Switzerland