

Luminaire with conventional ballast					
W	kg	Height	Lum. code	Without decor	With decor
FSQ-I					
18	1,4/1,6	255	B	64771-28	64772-28
FSD					
36	2,6/3,1	670	B	64773-28	64774-28

Luminaire with HF-std					
W	kg	Height	Lum. code	Without decor	With decor
FSQ-E					
18	1,3/1,5	255	B	64771	64772
FSD					
36	2,3/2,8	670	B	64773	64774

Luminaire with HF-dim 1-10V					
W	kg	Height	Lum. code	Without decor	With decor
FSQ-E					
18	1,3/1,5	255	B	64771-205	64772-205
FSD					
36	2,3/2,8	670	B	64773-205	64774-205

Light source					
W			Socket	3000K	4000K
Compact fluorescent lamp FSQ-I					
18			G24d-2	81256	81465
Compact fluorescent lamp FSQ-E					
18			G24q-2	81222	81435
Compact fluorescent lamp FSD					
36			2G11	81159	81471

Also see light sources in the Technical Information chapter.

**Installation**  
Four fixing holes.

**Connection**  
Snap-in terminal block 3x2.5 mm<sup>2</sup> or 5x2.5 mm<sup>2</sup> with dimming, 1-phase through-wiring possible.

**Design**  
Luminaire body of birch with rear section of alu-grey sheet-metal (RAL 9006). Diffuser of parchment like plastic. Decor of alu-grey sheet-metal (RAL 9007).

**Miscellaneous**  
Central surface mounted mains cable possible.

**Designed by**  
Jan Guiedo

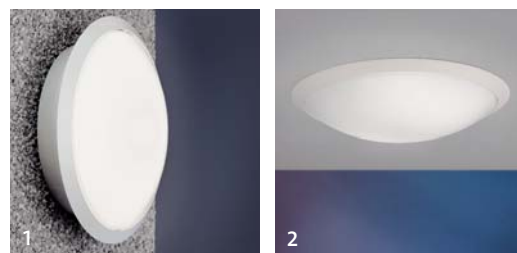


Diffuser of parchment like plastic.

# Discovery



The round beam Discovery is a range of luminaires ideal for many application areas. The range has now been extended with Discovery Space, a luminaire that is slightly bigger to fit more applications. Just like Discovery, it is robust in design and material selection.



1. Discovery, see page 352.

2. Discovery Space, see page 353.



Both sizes can be surface and Semi recessed (As per Rays) mounted. Surface mounting gives a decorative trailing light on the wall.

Accessories expand the range further and bring a decorative touch to this type of luminaire. Please note that the accessories only fits Discovery.

Designed by Wilma Daemen



Class II-  
Luminaire



**Installation**

Surface mounted on ceilings or walls, also semi recessed mounted. Two fixing holes for ceiling or wall mounting.

**Connection**

Snap-in terminal block 3x2.5 mm<sup>2</sup>, 1-phase through-wiring possible.

**Design**

Luminaire body of polycarbonate and diffuser of impact resistant acrylic or polycarbonate.

**Accessories**

Trim ring, shade and outer casing in white or grey finish (RAL 9006), recessed decor ring in blue or yellow as well as IP 55 seal. Shade does not fit luminaires for IAA.

**Miscellaneous**

Two knockouts for surface mounted cables, 0° or 180°. Three Ø 16 mm cable entries fitted with blanking grommets on the top of the luminaire. When recessed, luminaires with incandescent lamps must be supplemented with recess brackets.

**Designed by**

Wilma Daemen

**Luminaire with conventional ballast**

W	kg	Diffuser	LPF.	HPF.
<b>Discovery Class I</b>				
FSQ-I				
1x13	1,3	Acrylic	<b>56532-20</b>	<b>56532</b>
1x13	1,3	Polycarbonate	<b>56536-20</b>	<b>56536</b>
1x18	1,3	Acrylic	<b>56533-20</b>	<b>56533</b>
1x18	1,3	Polycarbonate	<b>56537-20</b>	<b>56537</b>
1x26	1,3	Acrylic	<b>56534-20</b>	<b>56534</b>
1x26	1,7	Polycarbonate	<b>56538-20</b>	<b>56538</b>
IAA				
1x75	0,7	Polycarbonate	<b>56535</b>	

**Discovery Class II**

FSQ-I				
1x13	1,3	Acrylic		<b>56552</b>
1x18	1,3	Acrylic		<b>56553</b>

**Luminaire with HF-std**

W	kg	Diffuser		
<b>Discovery Class I</b>				
FSQ-E				
1x13	1,3	Acrylic	<b>56532-85</b>	
1x13	1,3	Polycarbonate	<b>56536-85</b>	
1x18	1,3	Acrylic	<b>56533-85</b>	
1x18	1,3	Polycarbonate	<b>56537-85</b>	
1x26	1,3	Acrylic	<b>56534-85</b>	
1x26	1,7	Polycarbonate	<b>56538-85</b>	

**Discovery Class II**

FSQ-E				
1x13	1,3	Acrylic		<b>56552-85</b>
1x18	1,3	Acrylic		<b>56553-85</b>

**Light source**

W	Socket	2700K	3000K	4000K
Compact fluorescent lamp FSQ-I				
13	G24d-1		81255	
18	G24d-2		81256	81465
26	G24d-3		81257	81466
Compact fluorescent lamp FSQ-E				
13	G24q-1	81221	81439	
18	G24q-2	81222	81435	
26	G24q-3	81223	81436	
Incandescent lamp IAA/F				
75	E27	81016		

Also see light sources in the Technical Information chapter.

**Accessories**

Decor casing, grey	<b>93342</b>
Decor casing, white	<b>93329</b>
Decor ring, grey	<b>93689</b>
Decor ring, white	<b>93684</b>
Illuminated decor ring, blue	<b>93693</b>
Illuminated decor ring, yellow	<b>93694</b>
Resess brackets, 3 pcs for IAA	<b>94609</b>
Mounting plate for recessed mounting in soft tile ceilings	<b>41392</b>
Shade, silver	<b>93364</b>
Shade, white	<b>93355</b>
IP 55- seal	<b>93394</b>
Diffuser lock/10 pcs (1 per luminaire)	<b>93888</b>



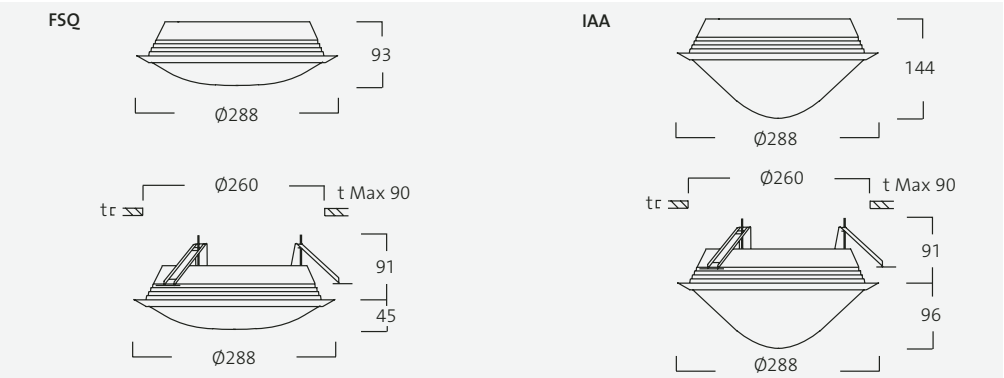
Discovery installed on the wall.



IP 55 seal will be applied on the shade.



Easy installation in fixed or suspended ceilings.





Class II-  
Luminaire

# Discovery Space



## Installation

Surface mounted on ceilings or walls, also semi recessed mounted. Four fixing holes for ceiling or wall mounting.

## Connection

Snap-in terminal block 3x2.5 mm<sup>2</sup>, 1-phase through-wiring possible.

## Design

Body of polycarbonate and diffuser of impact resistant acrylic or polycarbonate.

## Miscellaneous

Two knockouts for surface mounted cables, spacing 0° or 180°. Three Ø 16 mm cable entries fitted with blanking grommets on the top of the luminaire.

## Designed by

Wilma Daemen

### Luminaire with conventional ballast

W Diffuser

#### Discovery Space Class I

FSQ-I		
2x13	Acrylic	56602-28
2x13	Polycarbonate	56606-28

### Luminaire with HF-std

W Diffuser

#### Discovery Space Class I

FSQ-E		
2x13	Acrylic	56602
2x13	Polycarbonate	56606
2x18	Acrylic	56603
2x18	Polycarbonate	56607
2x26	Acrylic	56604
2x26	Polycarbonate	56608

FCH		
1x22	Acrylic	56601
1x22	Polycarbonate	56605

FSS-E		
1x28	Acrylic	56625
1x28	Polycarbonate	56626

#### Discovery Space Class II

FSD		
2x18	Acrylic	56609

### Discovery Space Emergency Luminaire, built in battery and emergency unit

FSS-E		
1x28	Polycarbonate	56624

### Light source

W Socket 3000K 3500K 4000K

#### Compact fluorescent lamp FSQ-I

13	G24d-1	81255		
18	G24d-2	81256		81465
26	G24d-3	81257		81466

#### Compact fluorescent lamp FSQ-E

13	G24q-1	81221		81439
18	G24q-2	81222		81435
26	G24q-3	81223		81436

#### Circular fluorescent lamp FCH

22	2GX13	81391		
----	-------	-------	--	--

#### Compact fluorescent lamp FSS-E

28	GR10q		81364	
----	-------	--	-------	--

#### Compact fluorescent lamp FSD

18	2G11	81157		81470
----	------	-------	--	-------

Also see light sources in the Technical Information chapter.

### Accessories

Diffuser lock/10 pcs (1 per luminaire)	93889
Decor casing, grey	93372
Decor casing, white	93371
Decor ring, grey	93374
Decor ring, white	93373



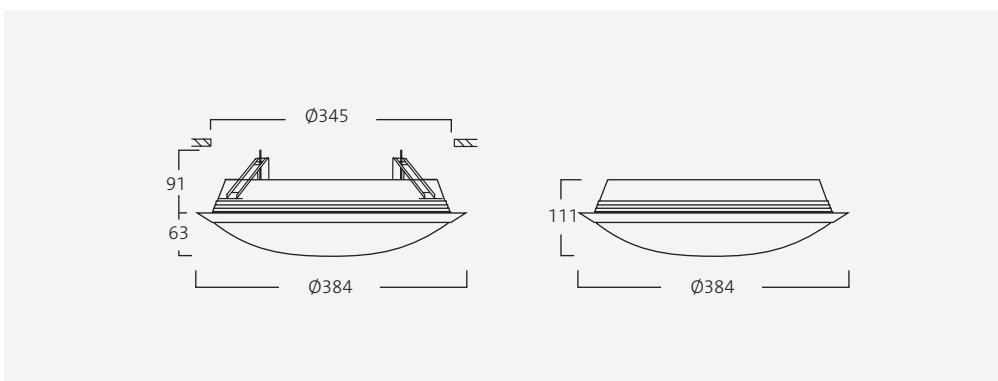
Discovery installed on the wall.



Straightforward installation in fixed suspended ceilings or suspended ceilings that can be dismantled. Recess brackets can be adjusted easily from below.



Quick and easy connection.





# Dome

aluminium reflector  
with glass



### Installation

Single point suspension with 2.5 m wire pendant.

### Connection

2.5 m grey fabric cord, 3x0.75 mm<sup>2</sup>. With dimming, 5x0.75 mm<sup>2</sup>.

### Design

Body of grey enamelled aluminium (RAL 9007) with cast zinc details. Reflector of anodised aluminium with matt glass shade.

### Accessories

Ceiling cup with terminal block and wire bracket, 1-phase through wiring is possible.

### Miscellaneous

A cut-out in the ceiling cup is made using cutters 94248 for a surface mounted mains cable.

### Designed by

Wilma Daemen

#### Luminaire with conventional ballast

W	kg	Ø	Height	
FSM-I				
26	3,5	315	381	<b>53602-28</b>
HEGT				
150	2,5	315	381	<b>53622</b>
MT				
70	5,5	315	474	<b>53637</b>
150	6,0	315	524	<b>53639</b>
STH				
50	5,0	315	474	<b>53627</b>
100	5,5	315	474	<b>53632</b>

#### Luminaire with electronic ballast

W	kg	Ø	Height	
MT				
70	3,5	315	474	<b>53647</b>
150	4,1	315	524	<b>53649</b>

#### Luminaire with HF-dim dig.

W	kg	Ø	Height	
FSM-E				
26	3,5	315	381	<b>53602-138</b>

#### Luminaire with HF-std

W	kg	Ø	Height	
FSM-E				
26	3,5	315	381	<b>53602</b>

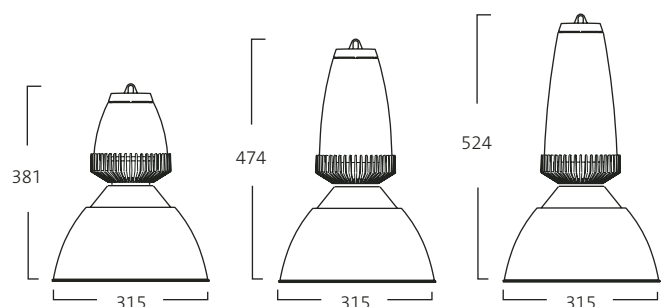
#### Accessories

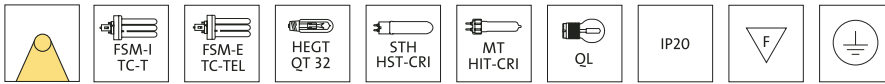
Ceiling cup with terminal block and wire bracket.	<b>91639</b>
Cutters	<b>94248</b>

#### Light source

W	Socket	2500K	2900K	3000K	4000K
Compact fluorescent lamp FSM-E					
26	GX24q-3			81309	81476
Compact fluorescent lamp FSM-I					
26	GX24d-3			81307	81456
Halogen lamp HEGT/F					
150	E27		81209		
Metal halogen MT					
70	G12			81384	
150	G12			81385	
High pressure sodium STH					
50	PG12-1	81319			
100	PG12-1	81320			

Also see light sources in the Technical Information chapter.





# Dome

with aluminium reflector



## Installation

Single point suspension with 2.5 m wire pendant.

## Connection

2.5 m grey fabric cord, 3x0.75 mm<sup>2</sup>. With dimming, 5x0.75 mm<sup>2</sup>.

## Design

Body of grey enameled aluminium (RAL 9007) with cast zinc details. Reflector of anodised aluminium.

## Accessories

Ceiling cup with terminal block and wire bracket, 1-phase through wiring is possible.

## Miscellaneous

A cut-out in the ceiling cup is made using cutters 94248 for a surface mounted mains cable. Light source supplied with the luminaire for QL.

## Designed by

Wilma Daemen

### Luminaire with conventional ballast

W	kg	Ø	Height	
FSM-I				
26	3,0	315	381	<b>53601-28</b>
HEGT				
150	2,1	315	381	<b>53621</b>
MT				
70	5,0	315	474	<b>53636</b>
150	5,5	315	524	<b>53638</b>
STH				
50	4,5	315	474	<b>53626</b>
100	5,0	315	474	<b>53631</b>

### Luminaire with electronic ballast

W	kg	Ø	Height	
MT				
70	3,3	315	474	<b>53646</b>
150	3,6	315	524	<b>53648</b>

### Luminaire with HF-dim dig.

W	kg	Ø	Height	
FSM-E				
26	3,0	315	381	<b>53601-138</b>
32	3,2	415	595	<b>53606-138</b>
42	3,2	415	595	<b>53611-138</b>

### Luminaire with HF-std

W	kg	Ø	Height	
FSM-E				
26	3,0	315	381	<b>53601</b>
32	3,2	415	595	<b>53606</b>
42	3,2	415	595	<b>53611</b>
QL				
55	4,0	415	645	<b>53651</b>
85	4,5	415	645	<b>53656</b>

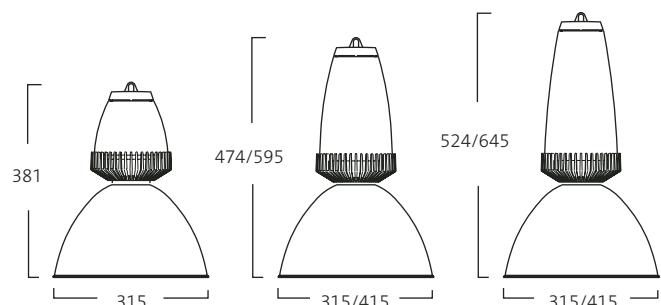
### Accessories

Ceiling cup with terminal block and wire bracket	<b>91639</b>
Cutters	<b>94248</b>

### Light source

W	Socket	2500K	2900K	3000K	4000K
Compact fluorescent lamp FSM-E					
26	GX24q-3			81309	81476
32	GX24q-3			81329	81477
42	GX24q-4			81331	81478
Compact fluorescent lamp FSM-I					
26	GX24d-3			81307	81456
Halogen lamp HEGT/F					
150	E27		81209		
Metal halogen MT					
70	G12			81384	
150	G12			81385	
High pressure sodium STH					
50	PG12-1	81319			
100	PG12-1	81320			

Also see light sources in the Technical Information chapter.





# Dome



Dome is a range of decorative luminaires with a clear design concept and high lighting comfort – intended for environments with an emphasis on form and image.

On offer is a choice of three different reflector types which dictate the lit effect of the dome. Effective and concentrated from an aluminium reflector or conveyed decoratively, with some accent light through the prismatic glass reflector. The third option give a slight accent created in combination with both materials.

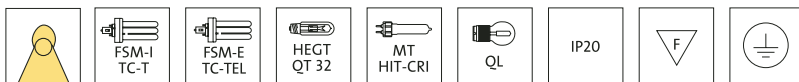


1. Dome, prismatic reflector, see page 320.
2. Dome, alu reflector, see page 321.
3. Dome, alu reflector and glass, see page 322.



Dome can be used for both general and accent lighting. A wide range of light sources assists in optimising the light for the objects you wish to illuminate.

Designed by Wilma Daemen



# Dome

with prismatic reflector



## Installation

Single point suspension with 2.5 m wire pendant.

## Connection

2.5 m grey fabric cord, 3x0.75 mm<sup>2</sup>. With dimming, 5x0.75 mm<sup>2</sup>.

## Design

Body of grey enameled aluminium (RAL 9007) with cast zinc details. Lined prismatic acrylic reflector.

## Accessories

Ceiling cup with terminal block and wire bracket, 1-phase through-wiring is possible.

## Miscellaneous

A cut-out in the ceiling cup is made using cutters 94248 for a surface mounted mains cable. Light source supplied with the luminaire for QL.

## Designed by

Wilma Daemen

Luminaire with conventional ballast					
W	kg	Ø	Height		
FSM-I					
26	3,0	315	400		<b>53603-28</b>
HEGT					
150	2,1	315	400		<b>53623</b>
MT					
70	5,0	315	495		<b>53641</b>
150	5,5	315	545		<b>53642</b>

Luminaire with electronic ballast					
W	kg	Ø	Height		
MT					
70	3,3	315	495		<b>53643</b>
150	3,6	315	545		<b>53644</b>

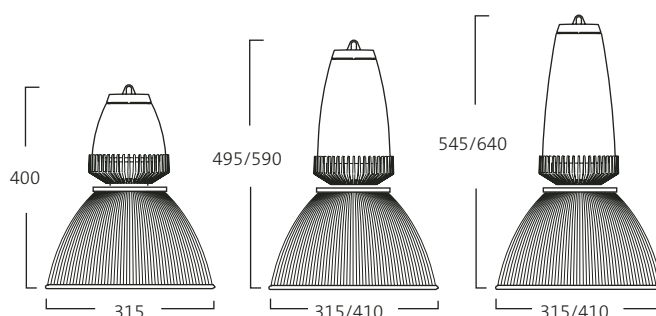
Luminaire with HF-dim dig.					
W	kg	Ø	Height		
FSM-E					
26	3,0	315	400		<b>53603-138</b>
32	3,2	410	590		<b>53608-138</b>
42	3,2	410	590		<b>53613-138</b>

Luminaire with HF-std					
W	kg	Ø	Height		
FSM-E					
26	3,0	315	400		<b>53603</b>
32	3,2	410	590		<b>53608</b>
42	3,2	410	590		<b>53613</b>
QL					
55	4,0	410	640		<b>53653</b>
85	4,5	410	640		<b>53658</b>

Accessories			
Ceiling cup with terminal block and wire bracket			<b>91639</b>
Cutters			<b>94248</b>

Light source				
W	Socket	2900K	3000K	4000K
Compact fluorescent lamp FSM-E				
26	GX24q-3		81309	81476
32	GX24q-3		81329	81477
42	GX24q-4		81331	81478
Compact fluorescent lamp FSM-I				
26	GX24d-3		81307	81456
Halogen lamp HEGT/F (2900K)				
150	E27	81209		
Metal halogen MT				
70	G12		81384	
150	G12		81385	

Also see light sources in the Technical Information chapter.







**Installation**

Two point suspension, c/c 70 mm.

**Connection**

Snap-in terminal block 3x2.5 mm<sup>2</sup>, 1-phase through-wiring possible. Luminaires for dimming, 5x2.5 mm<sup>2</sup>.

**Design**

Ceiling cup of white ABS-plastic. Luminaire fitting in white (RAL 9016) or alu-grey (RAL 9006) and globe of frosted opal glass.

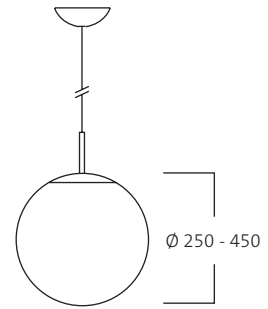
Supplied with fabric cord:

Ø 250 - 300 mm: 2.0 m

Ø 350 - 450 mm: 2.5 m

**Miscellaneous**

A cut-out in the ceiling cup is made using cutters 94248 for a surface mounted mains cable.



**Luminaire for incandescent lamp**

W	kg	Ø mm	Lum. code	White	Alu
IAA/C					
1x100	3,1	250	B	53450	53470
1x150	4,1	300	B	53451	53471

Lum.code, see the Technical Information chapter.

**Luminaire with HF-std**

W	kg	Ø mm	Lum. code	White	Alu
FSM-E					
1x18	3,4	250	B	53452	53472
1x26	3,2	250	B	53453	53473
1x26	4,3	300	B	53454	53474
1x26	5,0	350	A	53455	53475
1x32	4,5	300	B	53456	53476
1x32	5,0	350	B	53457	53477
1x32	6,6	400	A	53458	53478
1x32	7,8	450	A	53459	53479
1x42	6,6	400	A	53460	53480
1x42	7,6	450	A	53461	53481

Lum.code, see the Technical Information chapter.

**Luminaire with HF-dim dig**

W	kg	Ø mm	Lum. code	White	Alu
FSM-E					
1x26	5,0	350	A	53455-138	53475-138
1x32	5,0	350	B	53457-138	53477-138
1x32	6,6	400	A	53458-138	53478-138
1x32	7,8	450	A	53459-138	53479-138
1x42	6,6	400	A	53460-138	53480-138
1x42	7,6	450	A	53461-138	53481-138

Lum.code, see the Technical Information chapter.

**Light source**

W	Socket	2700K	3000K	4000K
Normal incandescent lamp IAA/C				
100	E27	81018		
150	E27	81026		
Compact fluorescent lamp FSM-E				
18	GX24q-2		81327	81475
26	GX24q-3		81309	81476
32	GX24q-3		81329	81477
42	GX24q-4		81331	81478

Also see light sources in the Technical Information chapter.



# Isola



In Italian Isola means island. The name can be associated with how a luminaire is experienced in the space above the onlooker. Isola can also be viewed in splendid isolation with its striking design.

The circular form makes Isola a luminaire that has no set direction, a feature that creates completely new conditions and possibilities when arranging lighting.



1. Isola pendant, see page 328.

2. Isola Parabol, see page 329.



The spacing between the light sources in the circle results in a very balanced and comfortable luminance. The solution also permits a smaller distance between the luminaire and the ceiling than is usually possible with such large amounts of light.

Isola is an excellent choice for both high and low ceiling heights and also functions well in environments where screen monitors are used.

Designed by Bertil Harström and Mårten Cyrén



# Isola parabol



## Installation

Two point suspension, c/c 80 mm.

## Connection

Snap-in terminal block

5x2.5 mm<sup>2</sup>, 1-phase through-wiring possible in the ceiling cup.

## Design

Parabolic dish and luminaire body of white enamelled aluminium (RAL 9016 str.). Supplied with 3.0 m wire suspension and 4.0 m textile cable.

## Reflector

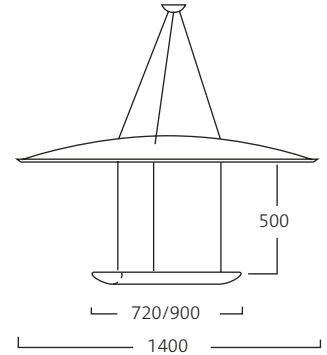
Reflector of metallized aluminium, MIRO.

## Miscellaneous

Crosswise dual switching (2+2) with HF-std.

## Designed by

Mårten Cyrén and Bertil Harström



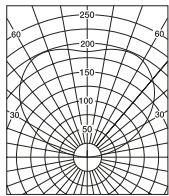
### Luminaire with HF-std

W	kg	Ø mm	
FSD			
4x36	23	720	<b>53506</b>
4x36	25	900	<b>53507</b>
4x40	25	900	<b>53508</b>
4x55	25	900	<b>53509</b>

### Light source

W	Socket	3000K	4000K
	Compact fluorescent lamp FSD		
36	2G11	81159	81471
40	2G11	81316	81472
55	2G11	81318	81473

Also see light sources in the Technical Information chapter.



A

**Installation**

Two point suspension, c/c 70 mm.

**Connection**

Snap-in terminal block  
5x2.5 mm<sup>2</sup>, 1-phase through-wiring possible in the ceiling cup.

**Design**

Luminaire body of white enamelled aluminium (NCS 0500 structured). Supplied with wire suspension and textile cable, Ø 720: 1.0 m and Ø 900 mm: 1.5 m.

**Reflector**

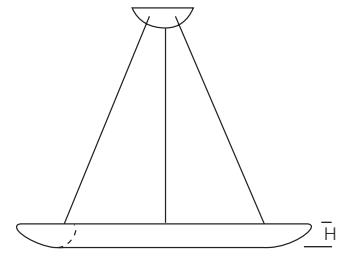
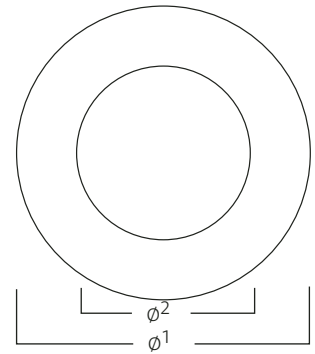
Reflector of metallized aluminium, MIRO.

**Miscellaneous**

Crosswise dual switching (2+2) with HF-std. A cut-out in the ceiling cup is made using cutters 94248 for a surface mounted mains cable.

**Designed by**

Mårten Cyrén and Bertil Harström



Ø <sup>1</sup>	Ø <sup>2</sup>	H
900	544	56
720	420	51

**Luminaire with HF-std**

W	kg	Ø mm	
FSD			
4x24	4,7	720	53510
4x36	4,7	720	53511
4x36	6,0	900	53512
4x40	6,0	900	53513
4x55	6,0	900	53514

**Luminaire with HF-dim dig.**

W	kg	Ø mm	
FSD			
4x36	4,7	720	53511-138
4x36	6,0	900	53512-138
4x40	6,0	900	53513-138
4x55	6,0	900	53514-138

**Light source**

W	Socket	3000K	4000K
Compact fluorescent lamp FSD			
24	2G11	81158	81301
36	2G11	81159	81471
40	2G11	81316	81472
55	2G11	81318	81473

Also see light sources in the Technical Information chapter.



Level



**Installation**

Single point suspension.

**Connection**

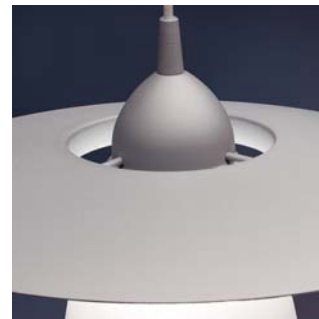
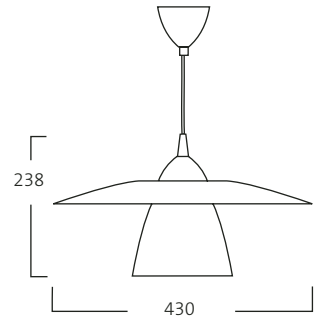
Terminal block 3x2.5 mm<sup>2</sup>,  
1-phase through-wiring possible.

**Design**

Ceiling cup of alu-grey ABS-plastic. Luminaire fitting and shade in alu-grey sheet-metal (RAL 9006 str). Frosted opal glass diffuser. Supplied with grey fabric cord 1.7 m.

**Miscellaneous**

Integrated HF-ballast. A cut-out in the ceiling cup is made using cutters 94248 for a surface mounted mains cable.



The luminaire also illuminates upwards through the shade.

Luminaire with HF-std		
W	Lum. code	
FSQ-E		
1x10/13	B/C	54490
FSM-E		
1x18	D	54491
IAA		
1x60	C	54492

*Lum.code, see the Technical Information chapter.*

Accessories	
Cutters	94248

Light source				
W	Socket	2700K	3000K	4000K
	Compact fluorescent lamp FSQ-E			
10	G24q-1		81304	
13	G24q-1		81221	81439
	Compact fluorescent lamp FSM-E			
18	GX24q-2		81327	81475
	Normal incandescent lamp IAA			
60	E27		81014	

*Also see light sources in the Technical Information chapter.*





# Matros ceiling



## Installation

Surface mounted with two key-hole slots c/c 70 mm.

## Connection

Snap-in terminal block, 3x2.5 mm<sup>2</sup> or 5x2.5 mm<sup>2</sup> luminaires for dimming also 22+40W, 1-phase through-wiring possible.

## Design

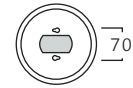
Body of white structured enamelled sheet with diffuser of opal structured acrylic. Decorative parts with white (RAL 9016) structured enamel or alu-enamelled (RAL 9006) finish.

## Miscellaneous

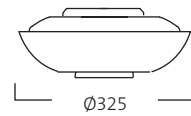
Dual switching 54461 and 54471. Cable entry from on top of the luminaire. Surface mounted mains cable possible.

## Designed by

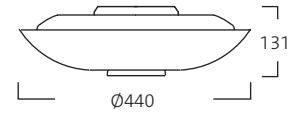
Ola Granlund



22W



22+40W, 40W



## Luminaire with HF-std

W	kg	Ø mm	Lum. code	Silver	White
FCH					
1x22	1,0	325	B	56445	56440
1x22 + 1x40	2,3	440	C	56446	56441
1x40	2,1	440	B	56447	56442

## Luminaire with HF-dim dig.

W	kg	Ø mm	Lum. code	Silver	White
FCH					
1x22 + 1x40	2,3	440	C	56446-138	56441-138
1x40	2,1	440	B	56447-138	56442-138

## Light source

W	Socket	3000K
Circular fluorescent lamp FCH		
22	2GX13	81391
40	2GX13	81393

Also see light sources in the Technical Information chapter.



# Matros wall



### Installation

Two keyhole slots c/c 70 mm.

### Connection

Snap-in terminal block  
3x2.5 mm<sup>2</sup> or 5x2.5 mm<sup>2</sup>, luminaires for dimming also 22+40W, 1-phase through-wiring possible.

### Design

Body of white structured enamelled sheet with diffuser of opal structured acrylic. Decorative parts with white (RAL 9016) structured enamel or alu-enamelled (RAL 9006) finish.

### Miscellaneous

Dual switching 56441 and 56446. Cable entry from the top of the luminaire. Surface mounted mains cable possible.

### Designed by

Ola Granlund

#### Luminaire with HF-std

W	kg	Ø mm	Lum. code	Silver	White
FCH					
1x22	1,0	325	B	56445	56440
1x22 + 1x40	2,3	440	C	56446	56441
1x40	2,1	440	B	56447	56442

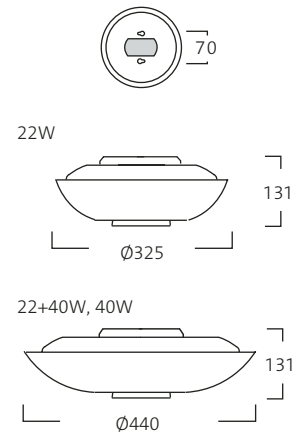
#### Luminaire with HF-dim dig.

W	kg	Ø mm	Lum. code	Silver	White
FCH					
1x22 + 1x40	2,3	440	C	56446-138	56441-138
1x40	2,1	440	B	56447-138	56442-138

#### Light source

W	Socket	3000K
Circular fluorescent lamp FCH		
22	2GX13	81391
40	2GX13	81393

Also see light sources in the Technical Information chapter.





# Matros pendant



## Installation

Two-point suspension c/c 70 mm.

## Connection

Snap-in terminal block, 3x2.5 mm<sup>2</sup> or 5x2.5 mm<sup>2</sup> luminaires for dimming also 22+40W, 1-phase through-wiring possible.

## Design

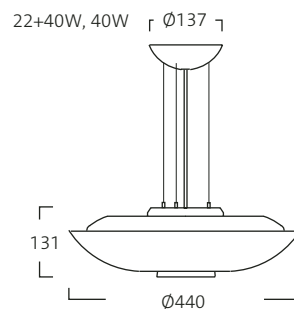
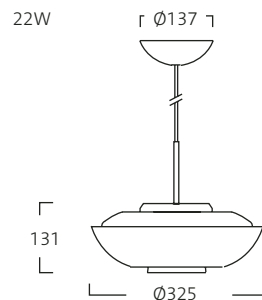
Ceiling cup of white polypropylene. Body of white structured enamelled sheet with diffuser of opal structured acrylic. Decorative parts with white (RAL 9016) structured enamel or alu-enamelled (RAL 9006) finish. Supplied with 1.5 m fabric cord, Ø 440 mm also wire.

## Miscellaneous

Dual switching 54461 and 54471.

## Designed by

Ola Granlund



Luminaire with HF-std					
W	kg	Ø mm	Lum. code	Silver	White
FCH					
1x22	1,2	325	B	54470	54460
1x22 + 1x40	2,6	440	C	54471	54461
1x40	2,4	440	B	54472	54462

Lum.code, see the Technical Information chapter.

Luminaire HF-dim dig.					
W	kg	Ø mm	Lum. code	Silver	White
FCH					
1x22 + 1x40	2,6	440	C	54471-138	54461-138
1x40	2,4	440	B	54472-138	54462-138

Lum.code, see the Technical Information chapter.

Light source		
W	Socket	3000K
Circular fluorescent lamp FCH		
22	2GX13	81391
40	2GX13	81393

Also see light sources in the Technical Information chapter.



The light is directed via the secondary reflector down into the central cone.

# Sonatra



Sonatra offers pendant, ceiling and wall mounted luminaires in three different sizes – a flexible range that offers its own solutions for different environments.

The round beam luminaire gives an evenly distributed general light and simultaneously prevents glare.



1



2



3

1. Sonatra pendant, see page 330.

2. Sonatra ceiling, see page 344.

3. Sonatra wall, see page 358.



All luminaires in the Sonatra range are intended for energy-saving compact fluorescent lamps and HF-ballasts. The ceiling mounted and pendant luminaires can be combined with a shade, and flexibility is further enhanced by a long wire length.

The design, using sheet steel, aluminium-coloured details and a frosted shade, interacts with its surroundings, yet still projects its own character.

Designed by Jan Wickelgren



# Sonatra wall



## Installation

Two fixing points.

## Anslutning

Snap-in terminal block  
3x2.5 mm<sup>2</sup>, 1-phase through-wiring possible. Luminaires for dimming, 5-way snap-in terminal block, 1-phase through-wiring possible.

## Design

Luminaire body of white enamel-  
led sheet steel (RAL 9016). Opal  
strucrylic diffuser. Aluminium  
coloured details (RAL 9006).

## Miscellaneous

Central surface mounted mains  
cable possible.

## Designed by

Jan Wickelgren

### Luminaire with HF-std

W	kg	Height	Lum. code
FSD			
1x18	2,1	400	B <b>64103-44</b>
1x24	2,1	400	B <b>64100-44</b>
1x24	3,1	500	B <b>64104-44</b>
1x36	3,0	500	B <b>64101-44</b>
1x36	3,5	600	B <b>64105-44</b>
1x55	3,6	600	B <b>64102-44</b>

Lum.code, see the Technical Information chapter.

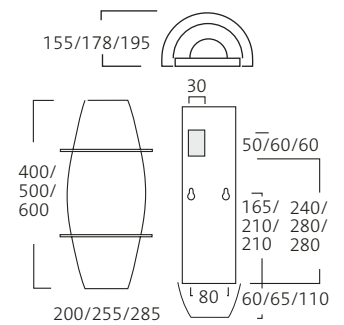
### Luminaire with HF-dim dig

W	kg	Height	Lum. code
FSD			
1x36	3,0	500	B <b>64101-138</b>
1x55	3,6	600	B <b>64102-138</b>

### Light source

W	Socket	Colour temp.
Compact fluorescent lamp FSD		
18	2G11	3000 81157
24	2G11	3000 81158
36	2G11	3000 81159
55	2G11	3000 81318

Also see light sources in the Technical Information chapter.







# Sonatra ceiling



## Installation

Three fixing points.

## Connection

Snap-in terminal block

3x2.5 mm<sup>2</sup>, 1-phase through-wiring possible. Luminaires for dimming, 5-way snap-in terminal block, 1-phase through-wiring possible.

## Design

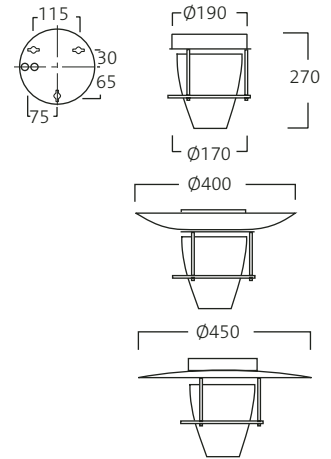
Luminaire body in white steel. Enamelled sheet steel with aluminium finish on details, (RAL 9006 str.). Opal strucrylic diffuser. White shade (RAL 9016 str.).

## Miscellaneous

Cable entry from above. Possibility of connection via a surface mounted cable.

## Designed by

Jan Wickelgren



Luminaire with HF-std					
W	kg	Lum. code	Without shade	Shade upward	Shade downward
FSM-E					
1x18	1,8/2,1/2,2	B	56149-42	56157-42	56159-42
1x26	1,8/2,1/2,2	C	56145-42	56147-42	56155-42
1x32	1,8/2,1/2,2	C	56146-43	56148-43	56156-43

Lum.code, see the Technical Information chapter.

Luminaire with HF-dim dig.					
W	kg	Lum. code	Without shade	Shade upward	Shade downward
FSM-E					
1x26	1,8/2,1/2,2	C	56145-138	56147-138	56155-138
1x32	1,8/2,1/2,2	C	56146-138	56148-138	56156-138

Lum.code, see the Technical Information chapter.

Light source			
W	Socket	3000K	4000K
Compact fluorescent lamp FSM-E			
18	GX24q-2	81327	81475
26	GX24q-3	81309	81476
32	GX24q-3	81329	81477

Also see light sources in the Technical Information chapter.





# Sonatra pendant



## Installation

Two point suspension.

## Connection

Snap-in terminal block  
3x2.5 mm<sup>2</sup>, or 5x2.5 mm<sup>2</sup> with dimming, 1-phase through-wiring possible.

## Design

Ceiling cup of white polypropylene. Opal strucrylic diffuser. Enamelled sheet steel. Aluminium finish on details (RAL 9006 str.) White shade (RAL 9016 str.).

## Emergency

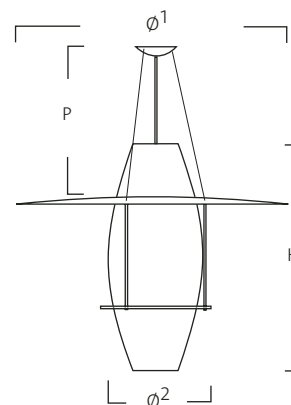
emLED is placed on the luminaire's underside. Information about emLED, see emLED in Emergency chapter.

## Miscellaneous

A cut-out in the ceiling cup is made using cutters 94248 for a surface mounted mains cable.

## Designed by

Jan Wickelgren



H	ø <sup>1</sup>	ø <sup>2</sup>	P
400	450	170	2000
500	650	215	3000
600	750	250	4000

Luminaire with HF-std					
W	kg	Height	Lum. code	Without shade	With shade
FSM-E					
1x18	3,0	400	B	54221-102	54222-102
FSD					
2x24	3,9	500	B	54213-44	54214-44
2x36	5,0	500	B	54223-44	54224-44
2x36	5,3	600	B	54227-44	54228-44
2x55	6,0	600	C	54225-44	54226-44

Lum.code, see the Technical Information chapter.

Luminaire with HF-dim dig.					
W	kg	Height	Lum. code	Without shade	With shade
FSD					
2x36	5,0	500	B	54223-138	54224-138
2x55	6,0	600	C	54225-138	54226-138

Lum.code, see the Technical Information chapter.

Luminaire with emLED, HF-std				
W	kg	Height	Lum. code	Without shade
FSD				
2x24	3,9	500	B	54213-203
2x36	5,0	500	B	54227-203
2x55	6,0	600	C	54225-203

Lum.code, see the Technical Information chapter.

Light source			
W	Socket	3000K	4000K
Compact fluorescent lamp FSM-E			
18	GX24q-2	81327	81475
Compact fluorescent lamp FSD			
24	2G11	81158	81301
36	2G11	81159	81471
55	2G11	81318	81473

Also see light sources in the Technical Information chapter.





# Ten° Circle 450



## Installation

Ceiling cup with two securing slots for screws c-c 49-89 mm.

## Connection

Snap-in terminal block 4x2.5 mm<sup>2</sup> or 5x2.5 mm<sup>2</sup>, luminaires for dimming, 1-phase through-wiring possible.

## Design

Colour tailored ceiling cup of polypropylene. Body in white (RAL 9016) or alu-grey (RAL 9006) structured enamelled aluminium. The luminaire is fitted with a 2.4 m pendant cable 5x0.75 mm<sup>2</sup> and wire.

## Louvre

Honeycomb or opal cone.

## Accessories

Dust cover.

## Emergency

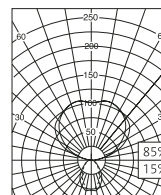
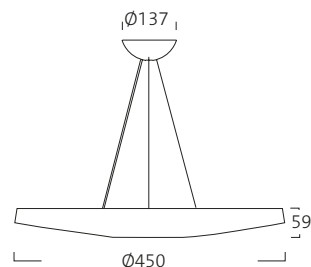
emLED is placed in the body between the louvre and the end. Luminaires with emLED can not use dust cover. Information about emLED, see emLED in Emergency chapter.

## Miscellaneous

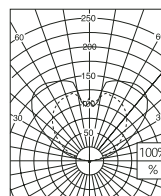
The pendant length is adjusted using a through-wire and two friction locks in the luminaire and using the cable, which is attached using a strain relief in the luminaire and ceiling cup. The HF-std luminaire is supplied with dual switching. A cut-out in the ceiling cup is made using cutters 94248 for a surface mounted mains cable.

## Designed by

Ola Granlund



A



B

Luminaire with HF-std				
W	kg	Light dist.	White	Alu
FSQ-E + FSM-E				
<b>Honeycomb</b>				
2x32+2x26	2,8	A	53676	53686
FSM-E				
<b>Opal cone</b>				
4x32	2,8	B	53671	53681

Luminaire with HF-dim dig.				
W	kg	Light dist.	White	Alu
FSQ-E + FSM-E				
<b>Honeycomb</b>				
2x32+2x26	2,8	A	53676-138	53686-138
FSM-E				
<b>Opal cone</b>				
4x32	2,8	B	53671-138	53681-138

Luminaire with emLED				
W	kg	Light dist.	White	Alu
FSQ-E + FSM-E				
<b>Honeycomb</b>				
2x32+2x26	2,8	A	53676-203	53686-203
FSM-E				
<b>Opal cone</b>				
4x32	2,8	B	53671-203	53681-203

## Light source

W	Socket	3000K	4000K
26	G24q-3	81223	81436
32	GX24q-3	81329	81477

Also see light sources in the Technical Information chapter.

## Accessories

Dust cover Ø 450	90197
------------------	-------



Honeycomb for effective mechanical cut-off.



# Ten° Circle 600



## Installation

Ceiling cup with two securing slots for screws c-c 49-89 mm.

## Connection

Snap-in terminal block 4x2.5 mm<sup>2</sup> or 5x2.5 mm<sup>2</sup>, luminaires for dimming, 1-phase through-wiring possible.

## Design

Colour tailored ceiling cup of polypropylene. Body in white (RAL 9016) or alu-grey (RAL 9006) structured enamelled aluminium. The luminaire is fitted with a 2.4 m pendant cable 5x0.75 mm<sup>2</sup> and wire.

## Louvre

Honeycomb or opal cone.

## Accessoires

Dust cover.

## Emergency

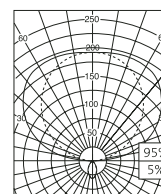
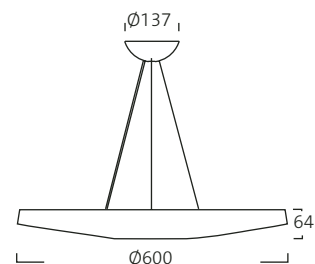
emLED is placed in the body between the louvre and the end. Luminaires with emLED can not use dust cover. Information about emLED, see emLED in Emergency chapter.

## Miscellaneous

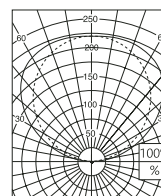
The pendant length is adjusted using a through-wire and two friction locks in the luminaire and using the cable, which is attached using a strain relief in the luminaire and ceiling cup. The HF-std luminaire is supplied with dual switching. A cut-out in the ceiling cup is made using cutters 94248 for a surface mounted mains cable.

## Designed by

Ola Granlund



A



B

Luminaire with HF-std				
W	kg	Light dist.	White	Alu
FSD				
Honeycomb				
4x36	5,0	A	53677	53687
Opal cone				
4x36	5,0	B	53672	53682

Luminaire with HF-dim dig.				
W	kg	Light dist.	White	Alu
FSD				
Honeycomb				
4x36	5,0	A	53677-138	53687-138
Opal cone				
4x36	5,0	B	53672-138	53682-138

Luminaire with emLED				
W	kg	Light dist.	White	Alu
FSD				
Opal cone				
4x36	5,0	B	53672-203	53682-203

Light source				
W	Socket	3000K	4000K	
Compact fluor. lamp FSD				
36	2G11	81159	81471	

Also see light sources in the Technical Information chapter.



Luminaire with emLED.



The sides 10° angle catches the indirect light from the ceiling.



# Ten° Circle 750



## Installation

Ceiling cup with two securing slots for screws c-c 49-89 mm.

## Connection

Snap-in terminal block 4x2.5 mm<sup>2</sup> or 5x2.5 mm<sup>2</sup>, luminaires for dimming, 1-phase through-wiring possible.

## Design

Colour tailored ceiling cup of polypropylene. Body in white (RAL 9016) or alu-grey (RAL 9006) structured enamelled aluminium. The luminaire is fitted with a 2.4 m pendant cable 5x0.75 mm<sup>2</sup> and wire.

## Louvre

Honeycomb or opal cone.

## Accessoires

Dust cover.

## Emergency

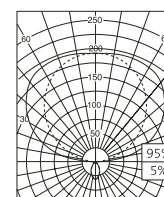
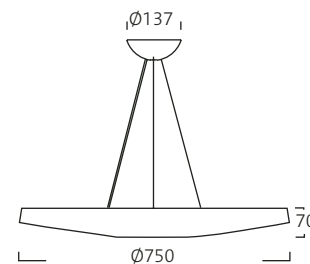
emLED is placed in the body between the louvre and the end. Luminaires with emLED can not use dust cover. Information about emLED, see emLED in Emergency chapter.

## Miscellaneous

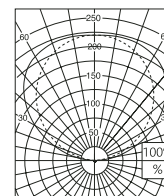
The pendant length is adjusted using a through-wire and two friction locks in the luminaire and using the cable, which is attached using a strain relief in the luminaire and ceiling cup. The HF-std luminaire is supplied with dual switching. A cut-out in the ceiling cup is made using cutters 94248 for a surface mounted mains cable.

## Designed by

Ola Granlund



A



B

Luminaire with HF-std				
W	kg	Light dist.	White	Alu
FSD				
<b>Honeycomb</b>				
4x55	6,4	A	53678	53688
<b>Opal cone</b>				
4x55	6,4	B	53673	53683

Luminaire with HF-dim dig.				
W	kg	Light dist.	White	Alu
FSD				
<b>Honeycomb</b>				
4x55	6,4	A	53678-138	53688-138
<b>Opal cone</b>				
4x55	6,4	B	53673-138	53683-138

Luminaire with emLED				
W	kg	Light dist.	White	Alu
FSD				
<b>Honeycomb</b>				
4x55	6,4	A	53678-203	53688-203
<b>Opal cone</b>				
4x55	6,4	B	53673-203	53683-203

Light source			
W	Socket	3000K	4000K
Compact fluor. lamp FSD			
55	2G11	81318	81473

Also see light sources in the Technical Information chapter.

Accessories	
Dust cover Ø 750	90199



Easily installed ceiling cup with through-wire. Colours match the luminaire.



The aperture with the opal cone creates a subtle effect.



## Ten° Circle



Ten° Circle is a member of the Ten° family and whose other members can be found further on in the catalogue. Common to all luminaires in the Ten range is the 10-degree angling of the luminaire's sides, which gives them their name, created to capture the reflected light from the ceiling. The edge gives the impression of a lighter luminaire and reinforces the fine and elegant lines.



Ten° Circle, see pages 325-327.



Ten° Circle is available in three sizes and with Honeycomb and Opal louvres for direct light. The edge around the opening for direct light catches the light gracefully.

The small model is also used as the luminaire housing on Ten° Floor Circle and Ten° Wall Circle.

Designed by Ola Granlund



\* = Circle  
\*\* = Line

# Ten° Wall Circle Ten° Wall Line



## Installation

Via a wall bracket, this is ordered separately. Two fixing holes, see the dimension diagram.

## Connection

5-way snap-in terminal block in the wall bracket. Snap-in connector between the wall bracket and luminaire.

## Design

Luminaire body in white (NCS 0500/RAL 9016) or alu-grey (RAL 9006) structured enamelled aluminium.

*Line* – The top of the luminaire is covered with a clear acrylic plastic diffuser with ends in opal design.

*Circle* – Dust cover is available as accessories.

## Louvre

*Circle* – Honeycomb or Opal cone.

*Line* – A cone shaped opal louvre covers the light opening.

## Miscellaneous

Luminaires are available on request with HF ballasts for dimming. Wall bracket with knockouts in the top and underneath for a surface mounted mains cable.

## Designed by

Ola Granlund

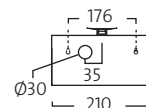
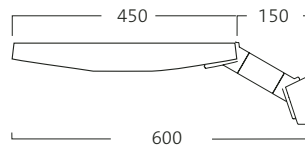
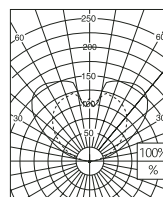
Luminaire with HF-std				
W	kg	Ø	White	Alu-grey
FSM-E				
<b>Opal</b>				
4x32	2,8	450	<b>62628-85</b>	<b>62638-85</b>
FSM-E + FSQ-E				
<b>Honeycomb</b>				
2x32+2x26	2,8	450	<b>62629-85</b>	<b>62639-85</b>

Luminaire with HF-dim dig.				
W	kg	Ø	White	Alu-grey
FSM-E				
<b>Opal</b>				
4x32	2,8	450	<b>62628-138</b>	<b>62638-138</b>
FSM-E + FSQ-E				
<b>Honeycomb</b>				
2x32+2x26	2,8	450	<b>62629-138</b>	<b>62639-138</b>

Light source			
W	Socket	3000K	4000K
Compact fluorescent lamp FSM-E			
32	GX24q-3	81329	81477
Compact fluorescent lamp FSQ-E			
26	G24q-3	81223	81436

Accessories	
Wall bracket, grey/each	<b>91935</b>
Wall bracket, white/each	<b>91934</b>
Dust cover	<b>90197</b>

Also see light sources in the Technical Information chapter.



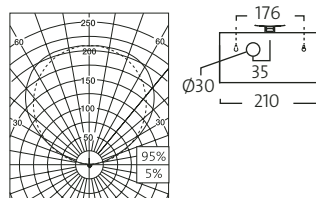
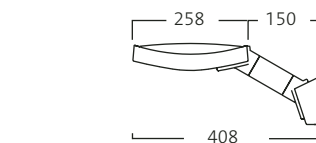
Luminaire with HF-std				
W	kg	mm	White	Alu-grey
FSD				
2x55	3,7	650	<b>26303-10</b>	<b>26304-10</b>

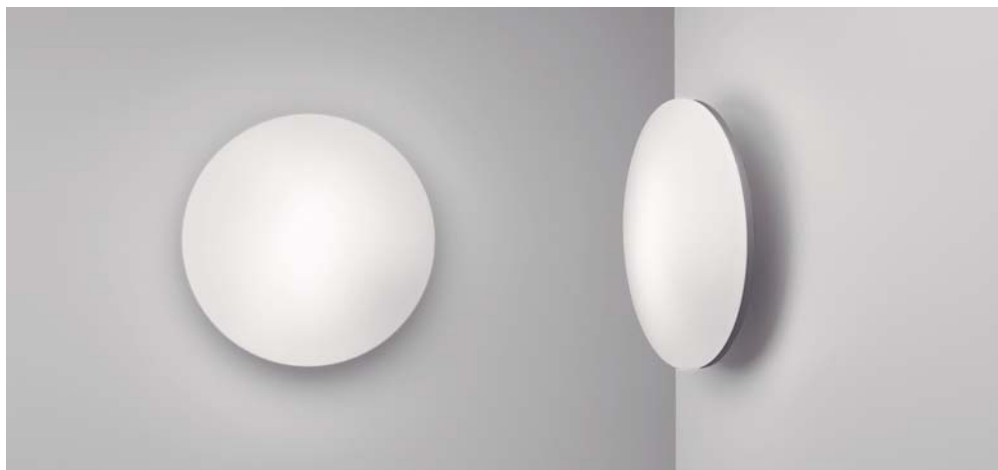
Luminaire HF-dim dig.				
W	kg	mm	White	Alu-grey
FSD				
2x55	3,7	650	<b>26303-138</b>	<b>26304-138</b>

Light source			
W	Socket	3000K	4000K
Compact fluor. lamp FSD			
55	2G11	81318	81473

Accessories	
Wall bracket, white/each	<b>91934</b>
Wall bracket, grey/each	<b>91935</b>

Also see light sources in the Technical Information chapter.





## Installation

Two fixing holes, see sketch.

## Connection

Snap-in terminal block 3x2.5 mm<sup>2</sup>, 1-phase through-wiring is possible. Luminaires for dimming, 5-way snap-in terminal block, 1-phase through-wiring possible.

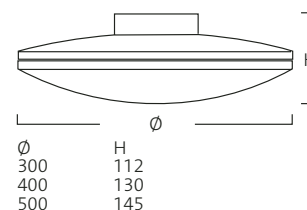
## Design

Luminaire body in alu-grey aluminium (RAL 9006). Diffuser of matt opal acrylic. Solid design that prevents particles from collecting in the diffuser.

## Miscellaneous

Cable entry from the back of the luminaire. Surface mounted mains cable possible, through-wiring 180°. Diffusers with bayonet fitting. Also available with decorative rings, see Teres ceiling.

**Designed by**  
Olle Lundberg



### Luminaire with conventional ballast

W	kg	Lum. code	mm	
FSD-I				
2x9	1,1	D	300	<b>56510-28</b>
FSQ-I				
1x13	1,1	C	300	<b>56511-28</b>
2x13	2,1	C	400	<b>56514-28</b>
1x18	1,1	D	300	<b>56512-28</b>

### Luminaire with HF-std

W	kg	Lum. code	mm	
FSD				
2x24	2,7		500	<b>56506</b>
3x24	2,7		500	<b>56507</b>
FSD-E				
2x9	1,1	D	300	<b>56510</b>
FSQ-E				
1x13	1,1	C	300	<b>56511</b>
2x13	2,1	C	400	<b>56514</b>
1x18	1,1	D	300	<b>56512</b>
2x18	2,7	D	400	<b>56515</b>
2x26	2,8		500	<b>56508</b>
3x26	2,8		500	<b>56509</b>
FCH				
1x22	1,1	D	300	<b>56513</b>
1x40	2,1	D	400	<b>56516</b>

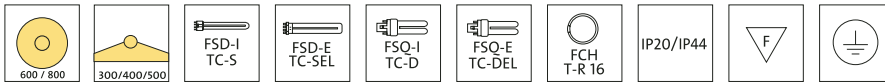
### Luminaire with HF-dim dig.

W	kg	Lum. code	mm	
FSQ-E				
2x13	2,1	C	400	<b>56514-138</b>
1x18	1,1	D	300	<b>56512-138</b>
2x18	2,7	D	400	<b>56515-138</b>

### Light source

W	Socket	2700K	3000K
<i>Compact fluorescent lamp FSD-I</i>			
9	G23	81161	
<i>Compact fluorescent lamp FSD-E</i>			
9	2G7	81366	
<i>Compact fluorescent lamp FSD</i>			
24	2G11		81158
<i>Compact fluorescent lamp FSQ-I</i>			
13	G24d-1	81255	
18	G24d-2		81256
<i>Compact fluorescent lamp FSQ-E</i>			
13	G24q-1		81221
18	G24q-2		81222
26	G24q-3		81223
<i>Circular fluorescent lamp FCH</i>			
22	2GX13		81391
40	2GX13		81393
60	2GX13		81397

Also see light sources in the Technical Information chapter.



# Teres ceiling Teres Edge ceiling

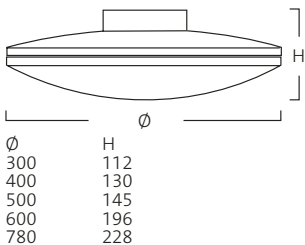


Teres Ø600/780.

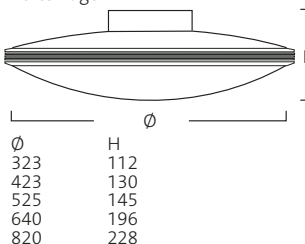


Teres Edge.

Teres



Teres Edge



### Light source

W	Socket	2700K	3000K
<b>Compact fluor. lamp FSD-I</b>			
9	G23	81161	
<b>Compact fluor. lamp FSD-E</b>			
9	2G7	81366	
<b>Compact fluor. lamp FSQ-I</b>			
13	G24d-1	81255	
18	G24d-2	81256	
<b>Compact fluor. lamp FSQ-E</b>			
13	G24q-1	81221	
18	G24q-2	81222	
26	G24q-3	81223	
<b>Compact fluor. lamp FSD</b>			
24	2G11	81158	
36	2G11	81159	
<b>Circular fluor. lamp FCH</b>			
22	2GX13	81391	
40	2GX13	81393	
60	2GX13	81397	

Also see light sources in the Technical Information chapter.

### Installation

Two fixing holes c/c 70 mm  
Ø 300-423 mm also on wall.

### Connection

Snap-in terminal block  
4x2.5 mm<sup>2</sup> on 600 and 800 mm,  
1-phase through-wiring possible.  
Luminaires for dimming, 5-way  
snap-in terminal block, 1-phase  
through-wiring possible.

### Design

Luminaire body in alu-grey  
aluminium (RAL 9006 str.). Shade  
of matt opal acrylic. Solid design  
that prevents particles from col-  
lecting in the diffuser. Edge ring  
in alu-grey aluminium (RAL 9006  
str.). Ø 300-423 mm, IP 44. Ø 600-  
820 mm, IP 20.

### Miscellaneous

Cable entry from on top of the  
luminaire. Surface mounted  
mains cable possible, through-  
wiring 180°. Shades with bayonet  
fitting. Edge ring is attached to  
the lower diffuser.

### Designed by

Olle Lundberg



Teres Ø300/400/500.



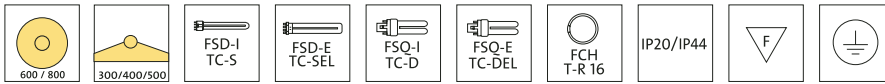
Teres Edge.

Luminaire Teres ceiling				Conv.	HF-std	HF-dim dig.
W	kg	Lum. code	Ø mm			
<b>Luminaire with direct distribution</b>						
FSD						
2x24	2,7		500			56506
3x24	2,7		500			56507
FSD				FSD-I	FSD-E	
2x9	1,1	D	300	56510-28	56510	
FSQ				FSQ-I	FSQ-E	FSQ-E
1x13	1,1	C	300	56511-28	56511	
2x13	2,1	C	400	56514-28	56514	56514-138
1x18	1,1	D	300	56512-28	56512	56512-138
2x18	2,7	D	400		56515	56515-138
2x26			500		56508	
3x26			500		56509	
FCH						
1x22	1,1	D	300		56513	
1x40	2,1	D	400		56516	
<b>Round beam luminaire</b>						
FCH						
1x60	3,6	B	600		56518	
FSD						
4x24	3,6	D	600		56517	
4x36	5,8	C	780		56519	56519-138

Lum.code, see the Technical Information chapter.

Luminaire Teres Edge ceiling				Conv.	HF-std	HF-dim dig.
W	kg	Lum. code	Ø mm			
<b>Luminaire with direct distribution</b>						
FSD						
2x24	2,9		525			56656
3x24	2,9		525			56657
FSD				FSD-I	FSD-E	
2x9	1,3	D	323	56580-28	56580	
FSQ				FSQ-I	FSQ-E	FSQ-E
1x13	1,3	C	323	56581-28	56581	
2x13	2,4	C	423	56584-28	56584	56584-138
1x18	1,3	D	323	56582-28	56582	56582-138
2x18	3,0	D	423		56585	56585-138
FCH						
1x22	1,3	D	323		56583	
1x40	2,4	D	423		56586	
<b>Round beam luminaire</b>						
FCH						
1x60	4,8	B	640		56588	
FSD						
4x24	4,8	D	640		56587	
4x36	7,4	C	820		56589	56589-138

Lum.code, see the Technical Information chapter.



# Teres Cav ceiling Teres Dax ceiling



Teres Cav.



Teres Dax.

## Installation

Two fixing holes c/c 70 mm  
Ø 321-426 mm also on a wall.

## Connection

Snap-in terminal block  
4x2.5 mm<sup>2</sup> on 600 and 800 mm,  
1-phase through-wiring possible.  
Luminaires for dimming, 5-way  
snap-in terminal block, 1-phase  
through-wiring possible.

## Design

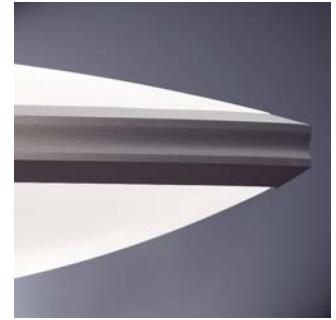
Luminaire body in alu-grey alu-  
minium (RAL 9006 str.). Shade of  
matt opal acrylic. Solid design that  
prevents particles from collecting  
in the diffuser. Cav and Dax-ring  
in alu-grey aluminium (RAL 9006  
str.). Ø 321-525 mm, IP 44. Ø 637-  
824 mm, IP 20.

## Miscellaneous

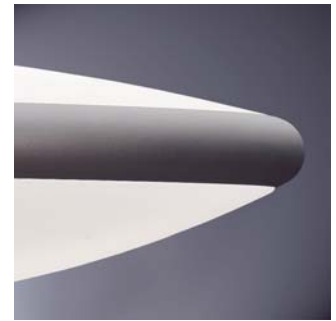
Cable entry from on top of the lu-  
minaire. Surface mounted mains  
cable possible, through-wiring  
180°. Shades with bayonet fitting.  
Cav and Dax-ring attached on the  
lower diffuser.

## Designed by

Olle Lundberg



Teres Cav.

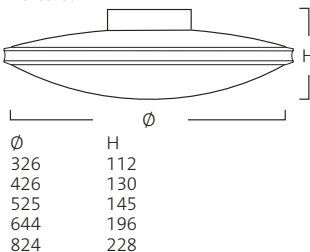


Teres Dax.

Luminaire Teres Cav ceiling				Conv.	HF-std.	HF-dim dig.
W	kg	Lum. code	Ø mm			
<b>Luminaire with direct distribution</b>						
FSD						
2x24	2,9	B	525			56636
3x24	2,9	B	525			56637
FSQ						
2x9	1,3	D	326	FSD-I	FSD-E	56570-28 56570
FSQ						
1x13	1,3	C	326	FSQ-I	FSQ-E	FSQ-E
2x13	2,4	C	426	56571-28	56571	
1x18	1,3	D	326	56574-28	56574	56574-138
2x18	3,0	D	426	56572-28	56572	56572-138
FCH						
1x22	1,3	D	326			56573
1x40	2,4	D	426			56576
<b>Round beam luminaire</b>						
FCH						
1x60	4,6	B	644			56578
FSD						
4x24	4,6	D	644			56577
4x36	7,0	C	824			56579 56579-138

Lum.code, see the Technical Information chapter.

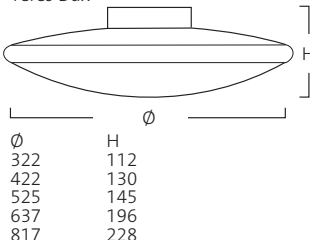
Teres Cav



Light source			
W	Socket	2700K	3000K
Compact fluor. lamp FSD-I			
9	G23		81161
Compact fluor. lamp FSD-E			
9	2G7		81366
Compact fluor. lamp FSQ-I			
13	G24d-1		81255
18	G24d-2		81256
Compact fluor. lamp FSQ-E			
13	G24q-1		81221
18	G24q-2		81222
Compact fluor. lamp FSD			
24	2G11		81158
36	2G11		81159
Circular fluor. lamp FCH			
22	2GX13		81391
40	2GX13		81393
60	2GX13		81397

Also see light sources in the Technical Information chapter.

Teres Dax



Luminaire Teres Dax ceiling				Conv.	HF-std.	HF-dim dig.
W	kg	Lum. code	Ø mm			
<b>Luminaire with direct distribution</b>						
FSD						
2x24	2,9	B	525			56646
3x24	2,9	B	525			56647
FSQ						
2x9	1,3	D	322	FSD-I	FSD-E	56560-28 56560
FSQ						
1x13	1,3	C	322	FSQ-I	FSQ-E	FSQ-E
2x13	2,3	C	422	56561-28	56561	
1x18	1,3	D	322	56564-28	56564	56564-138
2x18	3,0	D	422	56562-28	56562	56562-138
FCH						
1x22	1,3	D	322			56563
1x40	2,3	D	422			56566
<b>Round beam luminaire</b>						
FCH						
1x60	4,4	B	637			56568
FSD						
4x24	4,4	D	637			56567
4x36	6,9	C	817			56569 56569-138

Lum.code, see the Technical Information chapter.





# Timeless wall



### Installation

Two fixing holes.

### Connection

Snap-in terminal block 3x2.5 mm<sup>2</sup>, with the possibility of through-wiring with recessed installation.

### Design

Sandblasted décor glass with aluminium trim and body of grey enamelled (RAL 9006) sheet steel.

### Miscellaneous

Electronic transformer. Central surface mounted mains cable possible, from above.

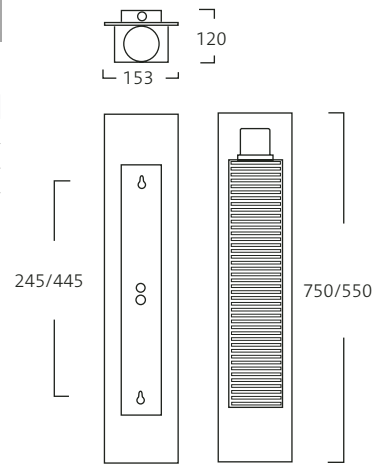
### Designed by

Attila Santa

Luminaire			
W	kg	Height	
HRGI			
1x50	4,0	550	<b>64205</b>
1x50	6,5	750	<b>64206</b>

Light source			
W	Socket	Beam angle	
Halogen lamp HRGI			
50	GX 5,3 alt. GU 5,3	10°	81445

*Also see light sources in the Technical Information chapter.*



INDUSTRIAL  
PENDANT/SURFACE  
RECESSED  
DOWNLIGHTS  
SYSTEM  
SPOTLIGHTS  
ARCHITECTURAL



# Timeless pendant



## Installation

Two point suspension, c/c 62-83 mm.

## Connection

Snap-in terminal block 3x2.5 mm<sup>2</sup>.

## Design

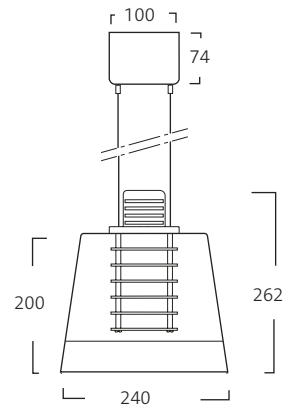
Ceiling cup of alu-grey aluminium (RAL 9006). Luminaire body of natural anodised aluminium with partially sandblasted glass diffuser. Supplied with 1.7 m cable pendant, max. length.

## Miscellaneous

Electronic transformer. Feed over the wire.

## Designed by

Attila Santa



Luminaire		
W		kg
HRGI		
1x50	2,6	53205

Light source			
W	Socket	Beam angle	
Halogen lamp HRGI			
50	GX 5,3 alt. GU 5,3	10°	81445

Also see light sources in the Technical Information chapter.



# Tinara



Tinara is Tintra's big sister and is intended to be a decorative and efficient lighting solution that catches the eye.

The luminaire is built up on several layers where the glass shade contrasts against reflection and creates a multi-dimensional effect.



1. Tinara pendant, see page 334.
2. Tinara ceiling, see page 346.
3. Tinara wall, see page 363.



Tinara is available in pendant, ceiling and wall models, which can easily be combined with other luminaires from Fagerhult's decorative range. Tinara is equipped with a compact light source and HF-ballast.

Designed by Jan Wickelgren



# Tintera pendant



## Installation

Two point suspension. Wire suspension with friction locks.

## Connection

Snap-in terminal block  
3x2.5 mm<sup>2</sup>, 1-phase through-wiring and surface mounted cable possible.

## Design

Ceiling cup of aluminium coloured ABS-plastic. Luminaire housing of aluminium enamelled sheet. Clear glass diffuser. With or without shade, aluminium enamelled with white underside. Supplied with 1.7 m cable pendant.

## Louvre

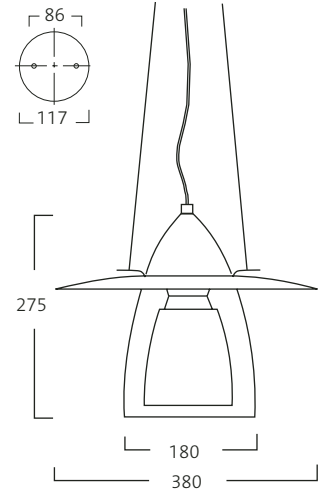
Grey enamelled reflector cone with white inside.

## Miscellaneous

Luminaires with compact fluorescent lamps have integrated HF-ballast. A cut-out in the ceiling cup is made using cutters 94248 for a surface mounted mains cable.

## Designed by

Jan Wickelgren



Luminaire with HF-std				
W	kg	Without shade	kg	With shade
FSQ-E				
1x10/13	1,5	54305	1,8	54306
FSM-E				
1x18	1,6	54315	1,9	54316
IAA/F				
1x60	1,3	54325	1,6	54326

Light source			
W	Socket	2700K	3000K
Compact fluorescent lamp FSQ-E			
10	G24q-1		81304
13	G24q-1		81221
Compact fluorescent lamp FSM-E			
18	GX24q-2		81327
Normal incandescent lamp IAA/F			
60	E27	81014	

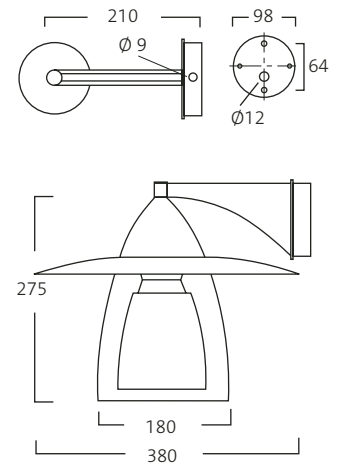
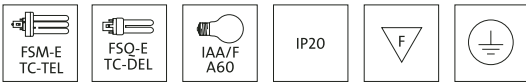
Also see light sources in the Technical Information chapter.

Accessories	
Cutters/each	94248



Cutters for preparing the ceiling cup for surface mounted cable installation.

# Tinara wall



Luminaire with HF-std				
W	kg	With shade	kg	Without shade
FSM-E				
1x18	2,7	64566	2,4	64565
FSQ-E				
1x10/13	2,7	64466	2,4	64465
IAA F/C				
1x60	2,5	64396	2,2	64395

Light source			
W	Socket	2700K	3000K
	Compact fluorescent lamp FSM-E		
18	GX24q-2		81327
	Compact fluorescent lamp FSQ-E		
10	G24q-1		81304
13	G24q-1		81221
	Normal incandescent lamp IAA/F		
60	E27		81014

Also see light sources in the Technical Information chapter.

**Installation**  
Two fixing holes.

**Connection**  
Snap-in terminal block 3x2.5 mm<sup>2</sup>, 1-phase through-wiring.

**Design**  
Luminaire body of alu-grey sheet. Clear glass diffuser. With or without alu-grey shade, that has white enamelled underside.

**Louvre**  
Alu-grey reflector cone with white inside.

**Miscellaneous**  
Central surface mounted mains cable possible, from above.

**Designed by**  
Jan Wickelgren



# Tilara ceiling



## Installation

Two fixing points.

## Connection

Snap-in terminal block 3x2.5 mm<sup>2</sup>,  
1-phase through-wiring possible.

## Design

Ceiling cup and luminaire fitting of aluminium enamelled sheet. Clear glass diffuser. With or without shade, aluminium enamelled with white underside.

## Louvre

Grey enamelled reflector cone with white inside.

## Accessories

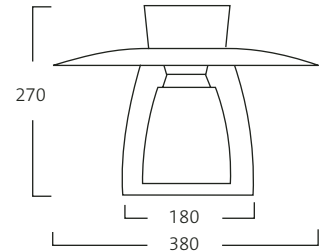
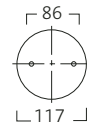
Ceiling cup for surface mounted mains cable.

## Miscellaneous

Surface mounted mains cable via accessories.

## Designed by

Jan Wickelgren



Luminaire with HF-std				
W	kg	Without shade	kg	With shade
FSQ-E				
1x10/13	1,5	56305	1,8	56306
FSM-E				
1x18	1,6	56315	1,9	56316
IAA F/C				
1x60	1,3	56335	1,6	56336

Light source			
W	Socket	2700K	3000K
Compact fluorescent lamp FSQ-E			
10	G24q-1		81304
13	G24q-1		81221
Compact fluorescent lamp FSM-E			
18	GX24q-2	81327	
Incandescent lamp IAA/F			
60	E27	81014	

Also see light sources in the Technical Information chapter.

Accessories	
Ceiling cup for surface mounted cable	94597



# Tintra



Tintra is an easily placed ceiling and pendant luminaire for exceptional general lighting. Tintra is ideal for public spaces of a more intimate nature where the lighting should be discreet yet elegant. Tintra is made with a matt sandblasted glass shade and a top lining ring and ceiling body in grey. Tintra ceiling and pendant luminaires can also be fitted with an aluminium or glass shade.



1



2



3

1. Tintra pendant, see page 335.
2. Tintra ceiling, see page 347.
3. Tintra wall, see page 364.



Tintra is always fitted with a HF-ballast, which is located inside the luminaire. This makes variations in the length of the pendant possible.

Designed by Jan Wickelgren



# Tintra pendant



## Installation

Single point suspension.

## Connection

Terminal block 3x2.5 mm<sup>2</sup>,

1-phase through-wiring possible.

## Design

Ceiling cup of aluminium coloured ABS-plastic. Luminaire fitting of aluminium enamelled sheet. Diffuser of matt glass. Shade of glass or aluminium enamelled sheet. Supplied with 1.7 m cable pendant.

## Miscellaneous

Integrated HF-ballast. Cut-out in the ceiling cup is made using cutters 94248 for a surface mounted mains cable.

## Designed by

Jan Wickelgren



## Luminaire with HF-std

W	kg	Lum. code
---	----	-----------

### Without shade

FSM-E		
-------	--	--

1x18	1,4	D	54294
------	-----	---	-------

FSQ-E		
-------	--	--

1x10/13	1,0		54291
---------	-----	--	-------

### Alu shade

FSM-E		
-------	--	--

1x18	1,4	D	54295
------	-----	---	-------

FSQ-E		
-------	--	--

1x10/13	1,1		54292
---------	-----	--	-------

### Glass shade

FSM-E		
-------	--	--

1x18	1,4	D	54296
------	-----	---	-------

FSQ-E		
-------	--	--

1x13/10	1,4		54293
---------	-----	--	-------

Lum.code, see the Technical Information chapter.

## Light source

W	Socket	3000K
---	--------	-------

18	GX24q-2	81323
----	---------	-------

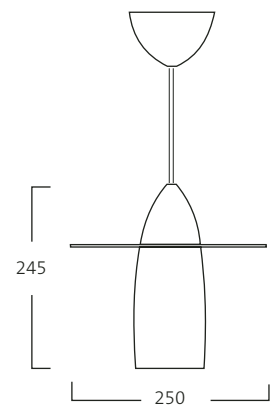
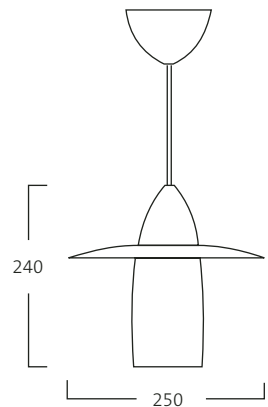
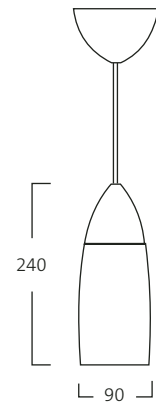
10	G24q-1	81304
----	--------	-------

13	G24q-1	81221
----	--------	-------

Also see light sources in the Technical Information chapter.

## Accessories

Cutters	94248
---------	-------





# Tintra wall



### Installation

Two fixing holes.

### Connection

Snap-in terminal block 3x2.5 mm<sup>2</sup>.

### Design

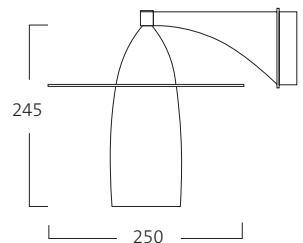
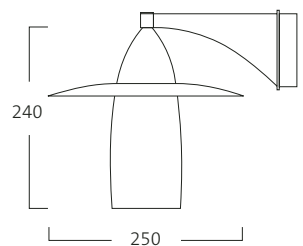
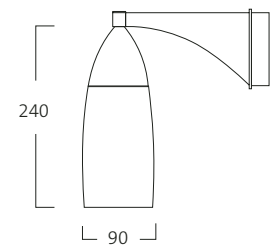
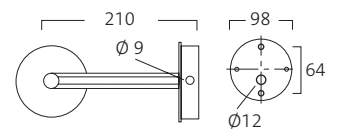
Luminaire body of alu-grey sheet. Matt glass diffuser. Shade in glass or alu-grey sheet-metal.

### Miscellaneous

Central surface mounted mains cable possible, from above.

### Designed by

Jan Wickelgren



Luminaire with HF-std			
W	kg	Lum. code	
FSQ-E			
<b>Without shade</b>			
1x10/13	1,3	B/C	<b>64685</b>
<b>Alu shade</b>			
1x10/13	1,6	B/C	<b>64686</b>
<b>Glass shade</b>			
1x10/13	1,9	B/C	<b>64687</b>

Lum.code, see the Technical information chapter.

Light source		
W	Socket	3000K
Compact fluorescent lamp FSQ-E		
10	G24q-1	81304
13	G24q-1	81221

Also see light sources in the Technical information chapter.



# Tintra ceiling



## Installation

Two fixing points.

## Connection

Terminal block 3x2.5 mm<sup>2</sup>,

1-phase through-wiring possible.

## Design

Ceiling bracket of alu-grey (RAL 9006) steel. Diffuser in matt glass. Shade of glass or aluminium enamelled sheet.

## Accessoires

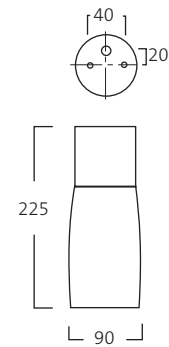
Ceiling cup for surface mounted cable.

## Miscellaneous

Surface mounted mains cable via accessories.

## Designed by

Jan Wickelgren



## Luminaire with HF-std

W	kg	Lum.code
FSM-E		

## Without shade

1x18	0,6	D	56194
------	-----	---	-------

## Alu shade

1x18	0,8	D	56195
------	-----	---	-------

## Glass shade

1x18	1,2	D	56196
------	-----	---	-------

Lum.code, see the Technical information chapter.

## Light source

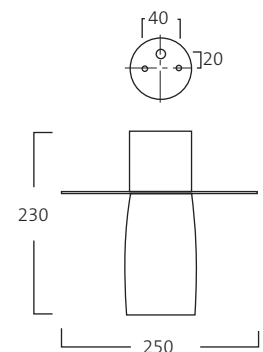
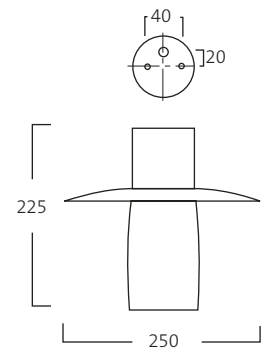
W	Socket	3000K
Compact fluorescent lamp FSM-E		

18	GX24q-2	81323
----	---------	-------

Also see under light sources in the Technical information chapter.

## Accessories

Ceiling cup for surface mounted cable	94544
---------------------------------------	-------





# Tundra wall



### Installation

Fixed to the wall.

### Connection

Movable luminaires with mains cable 3x0.75 mm<sup>2</sup> with earthed plug and cord operated switch. Luminaire with HF-dim (switch-DIM) with instantaneous pull switch. Luminaires for permanent connection have no switch.

### Design

Opal blown glass shade. White enamelled wall bracket.

### Designed by

Pigdesign

Luminaire with HF-std				
W	Depth	Breadth	Height	
FSM-E				
<b>With cable and earthed plug</b>				
1x13	114	175	330	<b>202280</b>
<b>With permanent connection</b>				
1x13	114	175	330	<b>202290</b>

Luminaire with HF-dim				
W	Depth	Breadth	Height	
FSM-E				
<b>With cable &amp; earthed plug &amp; cord operated switch (SwitchDIM)</b>				
1x26	126	200	377	<b>202281</b>
<b>With permanent connection (DSI)</b>				
1x26	126	200	377	<b>202291</b>

Light source		
W	Socket	3000K
Compact fluorescent lamp FSM-E		
13	GX24q-1	81332
26	GX24q-3	81309

*Also see light sources in the Technical information chapter.*





# Tundra ceiling



## Tundra ceiling

### Installation

Fixed to the ceiling. Screw holes with c-c 70 mm for assembly on ceiling units.

### Connection

Permanent connection to the snap-in terminal block.

### Design

Opal blown glass shade. Parts in silver grey structured enamel finish.

### Reflector

Reflector of metallized acrylic.

### Designed by

Pigdesign

#### Luminaire with HF-std

W	Ø	Height	
FSM-E			
1x13	175	198	<b>202260</b>
1x26	200	227	<b>202261</b>

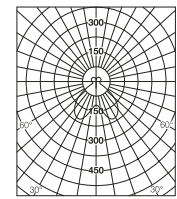
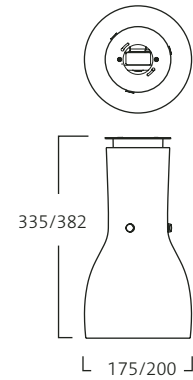
#### Luminaire with HF-dim (DSI)

W	Ø	Height	
FSM-E			
1x26	200	227	<b>202261-138</b>

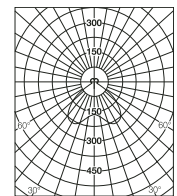
#### Light source

W	Socket	3000K
Compact fluorescent lamp FSM-E		
13	GX24q-1	81332
26	GX24q-3	81309

Also see light sources in the Technical information chapter.



13 W



26 W



## Tundra semi-recessed ceiling

### Installation

Luminaire for recessed mounting in suspended ceilings. Approved for use in ventilated ceilings. T-bars for weight distribution included.

### Connection

Mains cable 3x0.75 mm<sup>2</sup> with earthed plug. Luminaires for HF-dim are connected to the 5-way snap-in terminal block.

### Design

Opal blown glass shade. Parts in silver grey structured enamel finish.

### Reflector

Reflector of metallized acrylic.

### Designed by

Pigdesign

#### Luminaire with HF-std

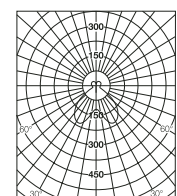
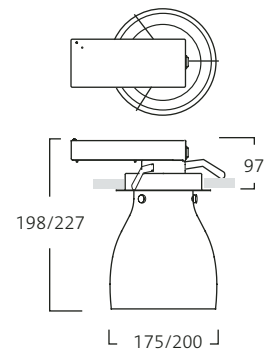
W	Ø	Height	
FSM-E			
1x13	175	198	<b>202270</b>
1x26	200	227	<b>202271</b>

#### Luminaire with HF-dim (DSI)

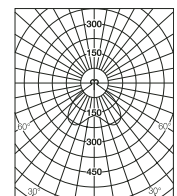
W	Ø	Height	
FSM-E			
1x26	200	227	<b>202271-138</b>

#### Light source

See Tundra ceiling



13 W



26 W





# Tundra floor



### Installation

Floor luminaire.

### Connection

Mains cable 3 x 0.75 mm<sup>2</sup> with earthed plug.

### Design

Opal blown glass shade. Frame in silver-grey enamelled finish. The luminaire is equipped with a pull switch. Luminaire for HF-dim (switchDIM) with instantaneous pull switch.

### Reflector

Reflector of metallized acrylic.

### Designed by

Pigdesign

#### Luminaire with HF-std

W	Ø	Height	
FSM-E			
1x13	175	1700	<b>202230</b>

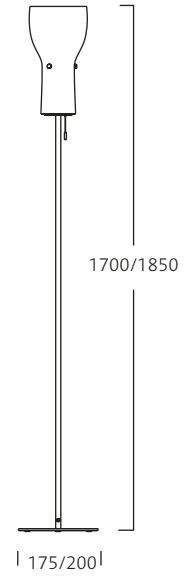
#### Luminaire with HF-dim

W	Ø	Height	
FSM-E			
1x26	200	1850	<b>202231</b>

#### Light source

W	Socket	3000K
	Compact fluorescent lamp FSM-E	
13	GX24q-1	81332
26	GX24q-3	81309

Also see light sources in the Technical information chapter.



# Tundra



Tundra has been designed using advanced light technology and high quality materials such as hand blown glass. A celebration of material, form and function. Tundra is available in several different models and sizes.

Tundra lends a mellow feel to a space with its soft diffuse appearance. The extensive range allows freedom to design different areas within a building to the same lighting theme and shape - using pendant, wall and floor luminaires.



- 1 + 2. Tundra ceiling, see page 349.
- 3. Tundra pendant, see page 332.
- 4. Tundra floor, see page 369.
- 5. Tundra wall, see page 365.

Tundra is available in semi-recessed, surface mounted, pendant, wall and floor models. Tundra pendant provides comfortable general lighting. Tundra floor is an easy-to-place uplight luminaire with reflector. Tundra Wall in glass gives a soft direct light, and large models for floor and wall mounting are dimmable.

Designed by Kristin Leibel/Kristian Andréason



# Ultra Circle ceiling



## Installation

Surface mounted/Wall.

## Connection

Snap-in terminal block  
3x2.5 mm<sup>2</sup> or 5x2.5 mm<sup>2</sup> when dimming. Possibility of through-wiring. 2 cable entries fitted with blanking grommets Ø 19 mm.

## Design

Body of white enamelled aluminium. Frame of structured enamelled aluminium.

## Louvre

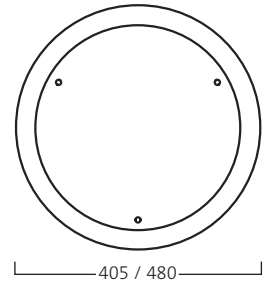
Shade of sand blasted glass or opal acrylic.

## Accessories

Spacer cover for surface mounted mains cable.

## Designed by

Tommy Govén



### Luminaire with HF-std

W	Ø mm	Height	Colour	Glass	Acrylic
FCH					
1x22	405	70	White	205880	205860
1x22	405	70	Silver gray	205870	205850
1x40	480	70	White	205882	205862
1x40	480	70	Silver gray	205872	205852
1x55	480	70	White	205884	205864
1x55	480	70	Silver gray	205874	205854

### Luminaire with HF-dim dig. (DSI)

W	Ø mm	Height	Colour	Glass	Acrylic
FCH					
1x22	405	70	White	205880-138	205860-138
1x22	405	70	Silver gray	205870-138	205850-138
1x40	480	70	White	205882-138	205862-138
1x40	480	70	Silver gray	205872-138	205852-138
1x55	480	70	White	205884-138	205864-138
1x55	480	70	Silver gray	205874-138	205854-138

## Accessories

Spacer cover for surface mounted mains cable H=18 for 22 W	205857
Spacer cover for surface mounted mains cable H=18 for 22 W	205858

## Light source

W	Socket	3000K
Circular fluorescent lamp T5 FCH		
22	2GX13	81391
40	2GX13	81393
60	2GX13	81397

Also see light sources in the Technical information chapter.





# Ultra Circle pendant



### Installation

Wire suspension. Friction wire lock.

### Connection

Terminal block in the ceiling cup 4x2.5 mm<sup>2</sup> or 5x2.5 mm<sup>2</sup> when dimming.

### Design

Body of white enamelled aluminium.

### Louvre

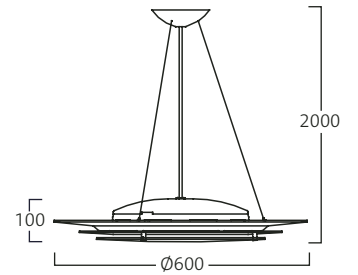
Shade of sand blasted glass or opal acrylic.

### Miscellaneous

Luminaires for HF-std feature dual switching.

### Designed by

Tommy Govén



Luminaire with HF-std					
W	Ø mm	Height	Colour	Glass	Acrylic
FCH					
1x40 + 1x60	600	100	White	205848	205846
Luminaire with HF-dim 1-10V					
W	Ø mm	Height	Colour	Glass	Acrylic
FCH					
1x40 + 1x60	600	100	White	205848-205	205846-205



Light source		
W	Socket	3000K
Circular fluorescent lamp T5 FCH		
40	2GX13	81393
60	2GX13	81397

Also see light sources in the Technical information chapter.

# Ultra



The Ultra range includes pendant, wall and ceiling luminaires in both circular and rectangular designs.

Ultra Circle can be used as a ceiling or wall luminaire, and Ultra pendant is a thin floating luminaire with wide uplight and downlight. Ultra pendant works like its cousins, giving a very gentle light transition and comfortable light. Ultra pendant with its clean design is ideal for a wide range of applications.



1. Ultra Circle pendant, see page 333.
2. Ultra Circle ceiling, see page 350.
3. Ultra Circle wall, see page 366.
4. Ultra wall, see page 366.



Ultra Wall can be used on a ceiling or wall and with its unassuming, low profile is a good choice for communication areas such as conference rooms and assembly halls.

Designed by Tommy Govén



# Ultra Ultra Circle wall



## Installation

Surface mounted/Wall.

## Connection

Snap-in terminal block 3x2.5 mm<sup>2</sup> or 5x2.5 mm<sup>2</sup> when dimming. Possibility of through-wiring. Opening 40x40 mm for cable grommet. Knockout cable entry Ø 15 at the ends of the body for surface mounted mains cable.

## Design

Body of matt white enamelled sheet steel. Frame in various materials and surface finishes.

## Louvre

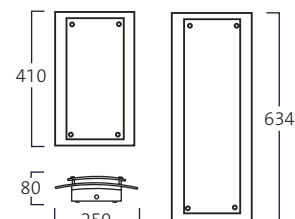
Shade of sand blasted glass or opal acrylic.

## Miscellaneous

When the frame has a structured enamelled aluminium finish the body is also enamelled in this colour.

## Designed by

Tommy Govén



### Luminaire with HF-std

W	Height	Colour	Glass	Acrylic
FDH				
1x14	634	White	203855	203875
1x14	634	Beech	203867	203887
1x14	634	Silver	203859	203879
1x14	634	Birch	203863	203883
1x24	634	White	203856	203876
1x24	634	Beech	203868	203888
1x24	634	Silver	203860	203880
1x24	634	Birch	203864	203884
FSD				
1x18	410	White	203853	203873
1x18	410	Beech	203865	203885
1x18	410	Silver	203857	203877
1x18	410	Birch	203861	203881

### Luminaire with HF-dim DSI

W	Height	Colour	Glass	Acrylic
FDH				
1x14	634	White	203855-138	203875-138
1x14	634	Beech	203867-138	203887-138
1x14	634	Silver	203859-138	203879-138
1x14	634	Birch	203863-138	203883-138
1x24	634	White	203856-138	203876-138
1x24	634	Beech	203868-138	203888-138
1x24	634	Silver	203860-138	203880-138
1x24	634	Birch	203864-138	203884-138
FSD				
1x18	410	White	203853-138	203873-138
1x18	410	Beech	203865-138	203885-138
1x18	410	Silver	203857-138	203877-138
1x18	410	Birch	203861-138	203881-138



## Installation

Surface mounted/Wall.

## Connection

Snap-in terminal block 3x2.5 mm<sup>2</sup> or 5x2.5 mm<sup>2</sup> when dimming. Possibility of through-wiring. Two cable entries fitted with blanking grommets Ø 19 mm.

## Design

Body of white enamelled aluminium. Frame of structured enamelled aluminium

## Louvre

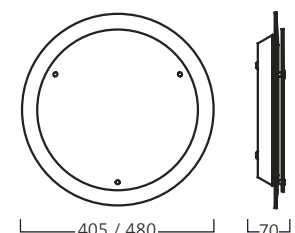
Shade of sand blasted glass or opal acrylic.

## Accessories

Spacer cover for surface mounted mains cable.

## Designed by

Tommy Govén



### Luminaire with HF-std

W	Ø mm	Colour	Glass	Acrylic
FCH				
1x22	405	White	205880	205860
1x22	405	Silver grey	205870	205850
1x40	480	White	205882	205862
1x40	480	Silver grey	205872	205852
1x55	480	White	205884	205864
1x55	480	Silver grey	205874	205854

### Luminaire with HF-dim dig.

W	Ø mm	Colour	Glass	Acrylic
FCH				
1x22	405	White	205880-138	205860-138
1x22	405	Silver grey	205870-138	205850-138
1x40	480	White	205882-138	205862-138
1x40	480	Silver grey	205872-138	205852-138
1x55	480	White	205884-138	205864-138
1x55	480	Silver grey	205874-138	205854-138

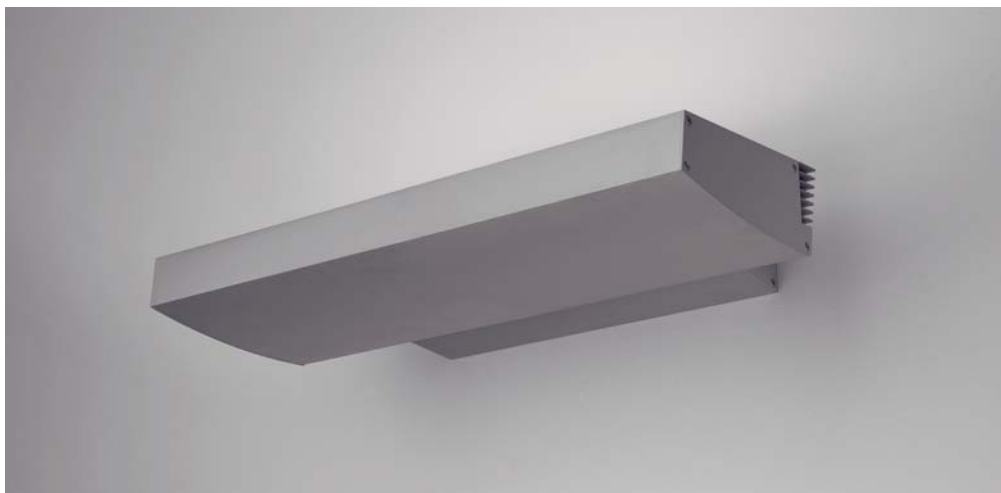
### Accessories

Spacer for surface mounted cable 18 mm for 22W	205857
Spacer for surface mounted cable 18 mm for 40/55W	205858





# Zera FSM/FSD



## Installation

Two fixing holes.

## Connection

Snap-in terminal block 5x2.5 mm<sup>2</sup>, 1-phase through-wiring possible.

## Design

Luminaire body of anodised or white (RAL 9016) aluminium.

## Reflector

Asymmetrical reflector of satin matt anodised aluminium, MIRO.

## Emergency

emLED is placed in the luminaire body. Information about emLED, see emLED in Emergency chapter.

## Miscellaneous

Central surface mounted mains cable possible, from above.

## Designed by

Wilma Daemen

### Luminaire with HF-std

W	kg	White	Anodised
FSM-E			
1x42	2,4	28981	28991
2x42	4,1	28982	28992
1x57	2,4	28983	28993
FSD			
1x55	4,1	28984	28994

### Luminaire with HF-dim dig.

W	kg	White	Anodised
FSM-E			
1x42	2,4	28981-138	28991-138
2x42	4,1	28982-138	28992-138
1x57	2,4	28983-138	28993-138
FSD			
1x55	4,1	28984-138	28994-138

### Luminaire with emLED

W	kg	White	Anodised
FSM-E			
1x42	2,7	28981-203	28991-203
2x42	4,4	28982-203	28992-203

### Accessories

Dust cover for 1x42/57 W FSM	94882
Dust cover for 2x42 W FSM, 1x55 W FSD	94883

### Light source

W	Socket	3000K	4000K
Compact fluorescent lamp FSM-E			
42	GX24q-4	81331	81478
57	GX24q-5	81334	81336
Compact fluorescent lamp FSD			
55	2G11	81318	81473

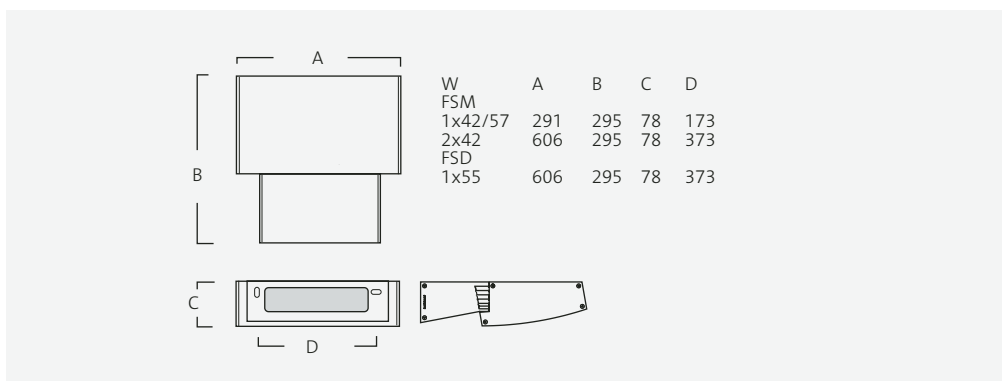
Also see light sources in the Technical information chapter.

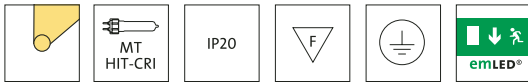


Zera is easily installed on the wall using the mounting plate.



The underside of the wall bracket is fluted and distributes the light on the walls.





# Zera MT



## Installation

Two fixing holes.

## Connection

Snap-in terminal block 5x2.5 mm<sup>2</sup>, 1-phase through-wiring possible.

## Design

Luminaire body of anodised or white (RAL 9016) aluminium.

## Reflector

Asymmetrical reflector of satin matt anodised aluminium, MIRO.

## Emergency

emLED is placed in the luminaire body. Information about emLED, see emLED in Emergency chapter.

## Miscellaneous

Central surface mounted mains cable possible, from above.

Luminaire for MT has partially opalized protective glass.

## Designed by

Wilma Daemen

Luminaire with electronic HF-std			
W	kg	White	Anodised
MT			
1x35	3,0	28985	28995
1x70	3,1	28986	28996
1x150	3,2	28987	28997

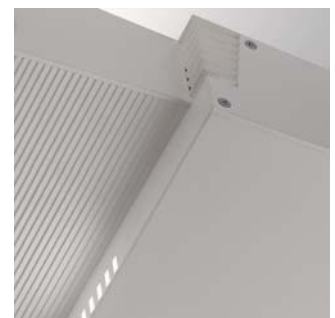
Luminaire with emLED			
W	kg	White	Anodised
MT			
1x35	3,3	28985-203	28995-203

Light source		
W	Socket	3000K
→ Metal halogen MT		
35	G12	81386
70	G12	81384
150	G12	81385

Also see light sources in the Technical information chapter.



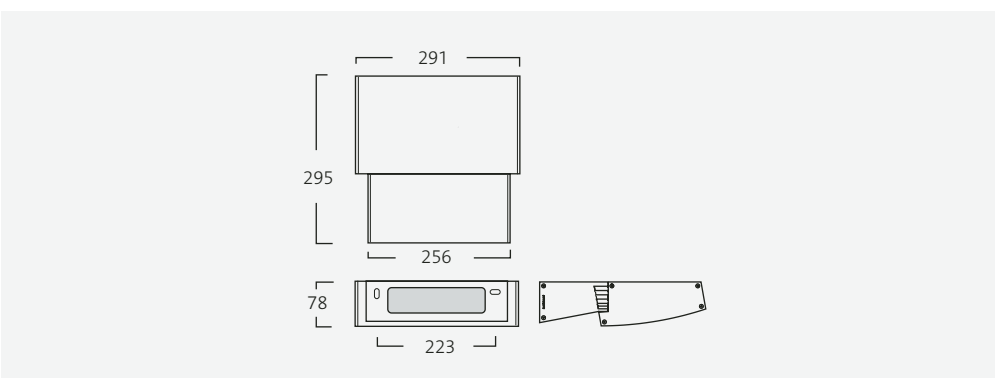
Zera equipped with the emergency function emLED.



Numerous slots create luminance on the wall.



The luminaire features a partial opalized protective glass.



# Zintra



Zintra is a range of decorative luminaires intended for general lighting. With its classic and somewhat unpretentious design, Zintra functions well in many different types of environment that require stylish luminaires.

The Zintra range combines the best of Scandinavian design tradition. The range is unified in its design and provides endless possibilities for lighting arrangements. For example, wall luminaires offer direct and indirect lighting.



1. Zintra pendant, see page 331.
2. Zintra ceiling, see page 345.
3. Zintra wall, see page 360.



Zintra is available as suspended, wall and ceiling luminaires. All models are intended for compact fluorescent lamps and HF-ballasts to provide high energy efficiency and comfortable flicker-free lighting.

Designed by Jan Wickelgren



# Zintra pendant



## Installation

Two point suspension.

## Connection

Snap-in terminal block 3x2.5 mm<sup>2</sup>, or 5x2.5 mm with dimming, 1-phase through-wiring possible.

## Design

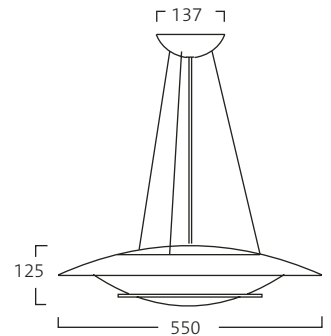
Ceiling cup of white polypropylene. Opal strucrylic diffuser. White shade (RAL 9016 str.) and alu-grey ring (RAL 9006). Supplied with 1.7 m cable pendant.

## Miscellaneous

Luminaire for dimming (HF-dim) adjusting with control strain 1-10V. Cut-out in the ceiling cup is made using cutters 94248 for a surface mounted mains cable.

## Designed by

Jan Wickelgren



Luminaire with HF-std			
W	kg	Lum. code	
FSQ-E			
2x18	4,2	A	<b>54183-42</b>

*Lum.code, see the Technical information chapter.*

Luminaire with HF-dim 1-10V			
W	kg	Lum. code	
FSQ-E			
2x18	4,2	A	<b>54183-205</b>

*Lum.code, see the Technical information chapter.*

Light source			
W	Socket	3000K	4000K
	Compact fluorescent lamp FSQ-E		
18	G24q-2	81222	81435

*Also see light sources in the Technical information chapter.*

# Zintra wall



## Installation

Two fixing holes.

## Connection

Snap-in terminal block 3x2.5 mm<sup>2</sup>, 4x2.5 mm<sup>2</sup> with dual switching or 5x2.5 mm<sup>2</sup> with dimming, 1-phase through-wiring possible.

## Design

Luminaire body of alu-grey sheet-metal (RAL 9006). Opal structrylic diffuser Alu-grey rings (RAL 9006).

## Miscellaneous

Luminaire for dimming (HF-dim) controlled with control voltage 1-10V, dimming only on uplight, 32W. Dual switching 64062. Central surface mounted mains cable possible, from above.

## Designed by

Jan Wickelgren

### Luminaire with HF-std

W	kg	Lum. code
FSD		
1x24	2,0	A <b>64061-44</b>
FSM-E + FSD-E		
1x26+1x11	2,0	A <b>64062-42</b>

Lum.code, see the Technical information chapter.

### Luminaire with HF-dim 1-10V

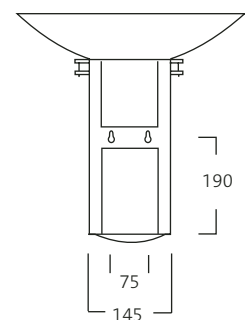
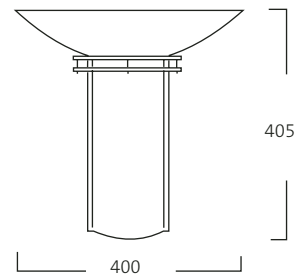
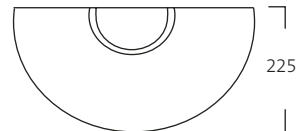
W	kg	Lum. code
FSM-E + FSD-E		
1x32+1x11	2,0	A <b>64063-205</b>

Lum.code, see the Technical information chapter.

### Light source

W	Socket	3000K	4000K
24	2G11	81158	81301
11	2G7	81387	
26	GX24q-3	81309	81476
32	GX24q-3	81329	81477

Also see light sources in the Technical information chapter.





# Zintra ceiling



### Installation

Single point suspension.

### Connection

Snap-in terminal block 3x2.5 mm<sup>2</sup> or 5x2.5 mm<sup>2</sup> with dimming. 1-phase through-wiring possible.

### Design

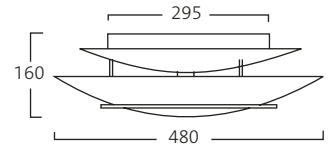
White structured finish (RAL 9016). Aluminium finish on decor rings and details (RAL 9006). Opal strucrylic dif-fuser.

### Miscellaneous

Luminaire for dimming (HF-dim) adjusting with control strain 1-10V. Cable access on the top. Possibility of connection via a surface mounted cable.

### Designed by

Jan Wickelgren



Luminaire with HF-std			
W	kg	Lum. code	
FSQ-E			
2x18	3,3	A	<b>56107-42</b>

Luminaire with HF-dim 1-10V			
W	kg	Lum. code	
FSQ-E			
2x18	3,3	A	<b>56107-205</b>

Light source			
W	Socket	3000K	4000K
Compact fluorescent lamp FSQ-E			
18	G24q-2	81222	81435

Also see light sources in the Technical information chapter.







## Zortini ceiling



### Installation

Two point suspension, c/c 53-78 mm.

### Connection

Snap-in terminal block  
3x2.5 mm<sup>2</sup> or 5x2.5 mm<sup>2</sup> when dimming, 1-phase through-wiring possible. Surface mounted cable is possible.

### Design

The luminaire consists of acrylic shades, one transparent with two opal, matt shades around the light source. Sealed design that prevents particles from collecting in the diffuser. The light source is easily replaced via the lower opal diffuser, which is easy to dismantle.

### Designed by

Anders Hjelm

Luminaire with HF-std			
W	Ø mm		
FCH			
1x40	440		<b>64227</b>

Luminaire with HF-dim 1-10V			
W	Ø mm		
FCH			
1x40	440		<b>64228</b>

Light source		
W	Socket	3000K
<i>Circular fluorescent lamp T5 FCH</i>		
22	2GX13	81391
40	2GX13	81393

Also see light sources in the Technical information chapter.

# Zortini



Zortini is a decorative luminaire with an opal inner diffuser and an outer diffuser in a clear, lightly smoked acrylic – a feature which renders it as a distinctive part of the interior.

Zortini is an energy efficient luminaire which uses the circular light source T5-C; opening up possibilities for new and exciting designs.

Zortini gives a pleasant, even light across a table or a reception, whilst stimulating the eye with its design appeal.



1. Zortini pendant, see page 339.

2. Zortini ceiling, see page 348.

Zortini is available as a ceiling or pendant luminaire. The ballast is positioned inside the luminaire and the pendant length is easily adjustable using a friction lock.

Designed by Anders Hjelm



# Zortini pendant



## Installation

Two point suspension, c/c 53-78 mm.

## Connection

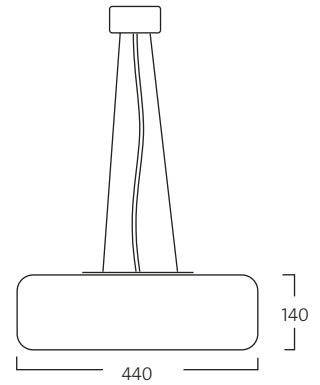
Snap-in terminal block 3x2.5 mm<sup>2</sup> or 5x2.5 mm<sup>2</sup> when dimming, 1-phase through-wiring possible. Surface mounted cable allows both a ceiling and pendant luminaire. Height adjustment of the pendant luminaire is done using a friction lock.

## Design

The luminaire consists acrylic globes, one transparent with two opal, matt globes around the light source. Sealed design that prevents particles from collecting in the diffuser. The light source is easily replaced via the lower opal diffuser, which is easy to dismantle.

## Designed by

Anders Hjelm



### Luminaire with HF-std

W	Ø mm	
FCH		
1x22	440	<b>53225</b>
1x40	440	<b>53227</b>

### Luminaire with HF-dim 1-10V

W	Ø mm	
FCH		
1x40	440	<b>53228</b>

### Light source

W	Socket	3000K
<i>Circular fluorescent lamp T5 FCH</i>		
22	2GX13	81391
40	2GX13	81393

Also see light sources in the Technical information chapter.