

CATALOGUE

2019/2020



Küppersbusch
FÜR KÜCHEN MIT STIL



**Dear customers, dear specialist dealers, dear employees and partners:
Welcome to our Küppersbusch catalogue 2019.**

In order to continually develop a traditional brand such as Küppersbusch and stay true to the brand's core philosophy, you need values. For us, these values are things such as first class design, perfect functionality and healthy cuisine. Values that define us as a brand and show what Küppersbusch stands for: "Küchen mit Stil" – our claim, which we use around the globe in German, thereby underlining our tradition and our roots.

The „German Brand Award 2017“ in Gold by the German Design Council proves that we must have done many things right over the many years we have been developing our brand. And that around the world: we are one of the premium brands in approximately 40 countries for equipping private and professional kitchens. Thanks to the supreme quality of our products, thanks to their timeless design and thanks to a range of products that goes far beyond providing mere kitchen appliances. For we also offer things that go beyond the "hardware" of a good kitchen: recipes, cookery courses and exchange with other people.

With this catalogue, we would like to introduce you to our concept and present our brand, the people behind it and our products.

Welcome to Küppersbusch!

Küppersbusch – brand philosophy /History / Highlights.	4 - 21
Küppersbusch ovens / cooker and compact appliances.	22 - 75
K-SERIES.7.	36 - 41
K-SERIES.5.	42 - 51
K-SERIES.3.	52 - 65
K-SERIES.1.	66 - 69
Table of functions.	70 - 71
Accessories.	72 - 75
Küppersbusch drawers and microwaves (38 cm niche).	76 - 83
Küppersbusch hobs.	84 - 131
Hobs. Downdraft. Induction.	94 - 97
Hobs. Honeycomp. Induction.	98 - 99
Hobs. Induction.	100 - 112
Hobs. Eletronic.	114 - 115
Hobs. Gas.	116 - 119
VarioLine. Hobs.	120 - 127
Accessories. Additional builing-in diagrams.	128 - 131
Küppersbusch cooker hoods.	132 - 161
Cooker Hoods. Downdraft. / Built-In. Ceiling canopy hoods.	140 - 141
Cooker Hoods. Island.	142 - 144
Cooker Hoods. Chimney.	145 - 152
Cooker Hoods. Built-In. Slimline.	153 - 155
Cooker Hoods. Built-In. Canopy Hoods.	156 - 157
Accessories.	158 - 159
PlasmaMade filter.	160 - 161
Küppersbusch fridges / freezers.	162 - 185
Free-standing fridge-freezers.	170 - 171
Wine coolers.	172 - 173
Build-in fridge-freezers.	174 - 183
Built-Under refrigerator.	184
Küppersbusch dishwashers / washers.	186 - 195
Dishwashers. 60 cm XXL.	191
Dishwashers. 60 cm.	192 - 193
Dishwasher. 45 cm.	194
Washer dryer. Washer. Dryer.	195 - 196
Technical data.	197 - 221
Digitale world.	222 - 223
Reference projects worldwide.	224 - 225
Service.	226 - 227
Convincing.	230

Subject to technical alterations, inaccuracies, printing errors and availability. 06/2019

KÜPPERSBUSCH:
IT IS THE INNER
VALUES THAT COUNT

**You want to cook easy, quick and delicious meals?
Küppersbusch is your brand!**

Since the brand was founded 140 years ago, **tradition** has been characterised by the perfect interplay of form and function. At Küppersbusch, the know-how for household appliances is based on the experiences gained in professional kitchens.

The perfectly aligned built-in appliances guarantee inspiring moments and more joy in the kitchen than ever before.


Perfect functions such as time-saving auto-programmes, intuitive controls, easy operation and optimised workflow processes guarantee a perfect end result.

At Küppersbusch, **tangible quality** means investing in sustainability: top quality materials, flawless workmanship, best customer service, reliability and longevity.

First class design with matching shapes and lines defines our award-winning products. With the Küppersbusch INDIVIDUAL Concept, you can adapt entire appliance series to your personal taste.

Healthy enjoyment is the result! Cutting-edge preparation methods – inspired by professional chefs: at Küppersbusch, we always look at cooking in a holistic way.



SEIT 1875.  GLÜCK AUF.





1875 Friedrich Küppersbusch founded the world's first stove factory "F. Küppersbusch & Söhne" in the Gelsenkirchen district of Schalke and launched his handcrafted coalburning stoves.

1880 Küppersbusch products went into series production with 12 employees, and the company expanded its product range.

1898 The automatic telephone exchange was patented. Küppersbusch had three telephone connections and communicated via a single telegram address.

1913 Küppersbusch became Europe's biggest specialist factory with 2,500 employees who produced 350 stoves and ovens a day.

1918 After the necessary switch to field kitchens and ovens during World War I, Küppersbusch began producing ovens for household use again. Due to the high demand, Küppersbusch switched to industrial manufacture.

1935 The plant experienced an explosion in demand and there was a constant increase in the number of employees. Küppersbusch opened a second production plant for coalburning stoves. In addition, this boom led to the acquisition of a second plant in Austria. Küppersbusch was once again a globally renowned company.

1954 The VW Beetle was not the only representative of the economic miracle. Küppersbusch advert featured the high-speed hotplate, the seven-position switch and the indicator light.

1962 From the gas stove to the cooker hood to the fully enamelled fridge: what began with the oven had now developed into an entire product range.

1973 The 1970s: the built-in kitchen was welcomed into German households. Küppersbusch was one of the first producers to make this kitchen's built-in appliances.

1985 The birth year of the ökotherm®. A catalytic converter for ovens and cookers – ecology meets perfect food. The only one of its kind and only from Küppersbusch.

1993 Since 1993, Küppersbusch has been a successful participant in design competitions. Bundespreis, Red Dot Award, iF design award, Platinum Award for Design Excellence ADEX: to date, more than 60 products such as ovens, stoves, hobs and cooker hoods have been awarded both national and international prizes.

1999 In order to be able to serve the premium quality global kitchen segment, the Teka Group merged with Küppersbusch Hausgeräte GmbH and Küppersbusch Großküchentechnik GmbH & Co. KG. This company had more than 5,000 employees worldwide.

2008–2010 The design company from Gelsenkirchen launched the Platinum White Edition and the Black Chrome Edition and set new benchmarks on the built-in appliances market.

2013/2014 Küppersbusch presented the new "Individual" design concept. Even the first "Meisterstück" created a stir and impressively conveyed the company's brand values: design, quality, innovation, function and healthy food.

2015 Launching numerous innovations, the company celebrates its 140th anniversary at the international trade fair LivingKitchen in Cologne, Germany. In March, Küppersbusch is appointed founding member of the German Design Council.

2016 In September, the German Design Council accepts the Küppersbusch brand into its circle of "Major German Brands". The current edition of the Design Council's book "Distinctive. Ingenious." presents German businesses that have their own design and are strategic brand leaders on a global level.

2017 Küppersbusch is introducing the new appliance generation worldwide, placing increased focus on individual design flexibility with Mix+Match and the introduction of the new colour "Shade of Grey". In June 2017 we were awarded the German Brand Award in Gold by the German Design Council for a consistent brand introduction and sustainable market communication.

2018 Küppersbusch successfully participates in the jury of the Red Dot Design Award and receives two awards for the new oven series. Also new professional induction hobs are added to the range, which are operated via high-quality stainless steel knobs.



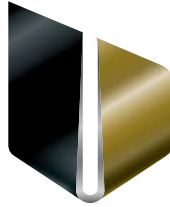
K-SERIES: PERFECT FUNCTIONS FOR FIRST CLASS RESULTS

Whether featuring classic operating functions, selectable by high-quality aluminium knobs or touch sensors - with Küppersbusch you always make the right choice. In addition, you can choose from a whole range of auto-programmes and special functions that you can save as favourites. Choose the appliances that best suit your needs from the various K-SERIES.

No matter which features you choose – you're sure to be delighted.



reddot award 2018
winner



german
brand
award
'17
gold



GERMAN
DESIGN
AWARD
SPECIAL
2017



Die
großen
deutschen
Marken
2016



ICO 2
NIC 0
AWA 1
RDS 7

INTERIOR
INNOVATION

best of best



PLUS X AWARD®

honoured as:

BEST PRODUCT
2015/2016

Member of



Rat für Formgebung
German Design Council

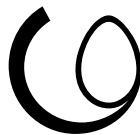


reddot design award
best of the best 2012



Design Innovationen
Essen - Germany

Roter Punkt



DESIGNPREIS
2006

SILBER



design award
winner

2003

BRAND COMPETENCE AND OUTSTANDING DESIGN: KÜPPERSBUSCH

At Küppersbusch, design is more than a mere embellishment. It is a quality feature and represents the perfect interplay between form and function.

The result is experienced by our customers on a daily basis in their individual interaction with our products. And we experience it every time we receive yet another prize for our products.

The clear commitment to developing individual, sector-leading designs that have a special relevance and which can thrill people is reflected in the receipt of more than 70 national and international awards. It illustrates clearly that top-class design, as well as tangible quality, perfect function and healthy enjoyment are a fundamental mainstay for Küppersbusch.

For us it is always confirmation that our products not only appeal to users, but indeed provide them with joy each and every day. This refers not only to the individual design and the large design flexibility that we offer, but also the unique cooking and baking results that they experience with our equipment. There is no greater compliment for us, and it reinforces our constant orientation on the needs of our customers.

Our appliances are aimed at constantly surprising our customers positively, and giving them joy. All points of contact between the customer and the brand – from packaging to the website – have been designed with the greatest care and oriented on customer requirements, so that they reflect the passion and dedication with which we develop our products.

KÜPPERSBUSCH INDIVIDUAL

Nobody is like you. Always stay true to yourself, even in your kitchen, and adapt your Küppersbusch appliances to your preferences with the Individual Concept.



Individual + unique

Everyone likes different things. Different colours. Different fashions. Different music. The individuality, the uniqueness of personality is what makes every human being what he or she is.

The Küppersbusch Individual Concept offers you the opportunity to adapt our appliances to your personal preferences. For example, you can choose your appliance fronts to be black, white or grey.

For the design elements, you can choose between seven different colours and materials: Stainless Steel, Black Chrome, Silver Chrome, Gold, Black Velvet, Copper and Hot Chilli. Maximum variability, individual style.



Copper



Silver Chrome + Stone



Grey (Shade of Grey)

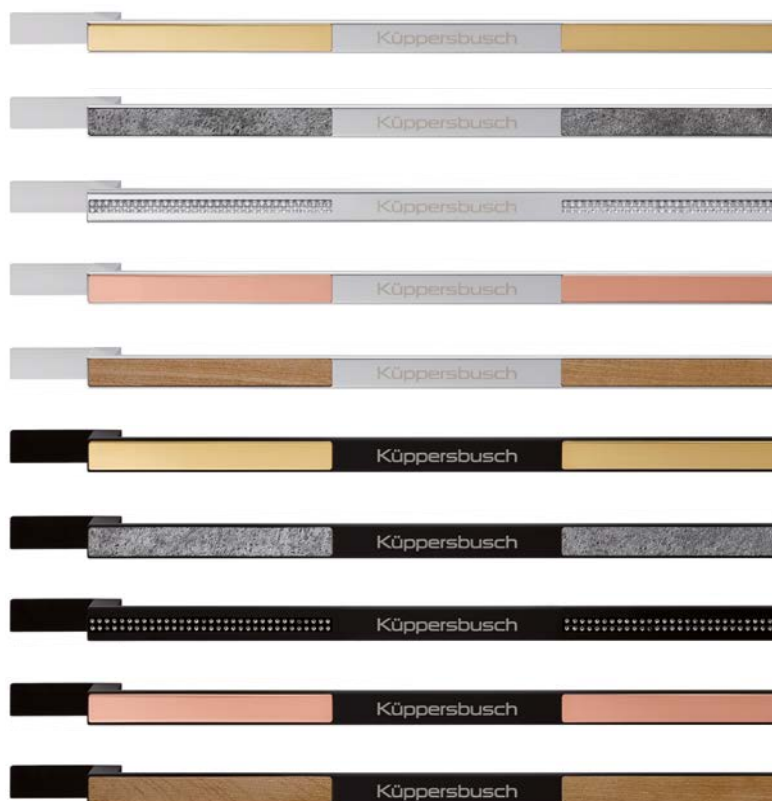
INDIVIDUAL PLUS

With Individual Plus Küppersbusch offers even more handles with different inlays or in bicolour.

10 further handle designs based on the Silver Chrome and Black Velvet handles can be used on the Küppersbusch appliances.

With the design kits featuring wood inserts, we use the exact same wood your kitchen furniture is made of.

For more information on how to order and receive INDIVIDUAL PLUS appliances, please turn to pages 74-75.





Copper



Stainless steel



Silver Chrome + Stone



Photo: rational einbauküchen GmbH

Black Chrome

SHADE OF GREY

STRIKING
UNOBTRUSIVE





Grey – more statement than colour – can be perfectly combined with all sorts of materials.

For our “Shade of Grey” appliance range, we have chosen a metallic mid-grey. A shade that underlines the quality of the materials used and gives prominence to the perfect technology hidden inside. At the same time, this grey, albeit sober, exudes plenty of warmth. For example in combination with concrete, stone and wood or together with the classic kitchen colour white. Or in a combination that reflects your own, personal style. “Shade of Grey” will always harmonise beautifully.

OUR QUALITY PROMISE

For more than 140 years, our products have been defined by tangible quality. To us, this means top-quality materials, supreme workmanship and longevity.

With this approach to quality, we have time and again developed kitchen appliances that set new standards in terms of their design, performance and function. Thanks to our quality management system in accordance with DIN ISO 9001, we can structure all our processes in such a way as to give our customers end-to-end quality assurance.

Tangible quality not only means that our appliances are reliable, but also our service.

Quality is of the utmost importance, especially in the area of customer service. On the one hand, we need to offer quick and individual help in case of questions and problems. We do this with professional technicians and with our guarantee that almost all spare parts are available for many years after you have bought the appliance. On the other hand, we receive unfiltered feedback on our appliances by maintaining a direct contact with our customers. This information is regularly passed on to the production and development departments. This way, every single customer interaction leads to a continuous improvement of quality.



Pancake test



Test kitchen



Electronics

Quality is our middle name. To this day, we have produced over 10 million ovens at our plants, and every new product benefits from this experience. And: we even have our very own quality lab. We test our appliances at this lab for as long as necessary to achieve first class results in every aspect. Here a few examples of our extensive range of tests.

The induction hob test and heat measurement: the lab tests the performance of the hob with a whole range of different pots and pans so that best results can be achieved with all the cookware on the market. The heating-up times, the flatness of the surfaces and the impermeability of the worktop are also tested extensively.

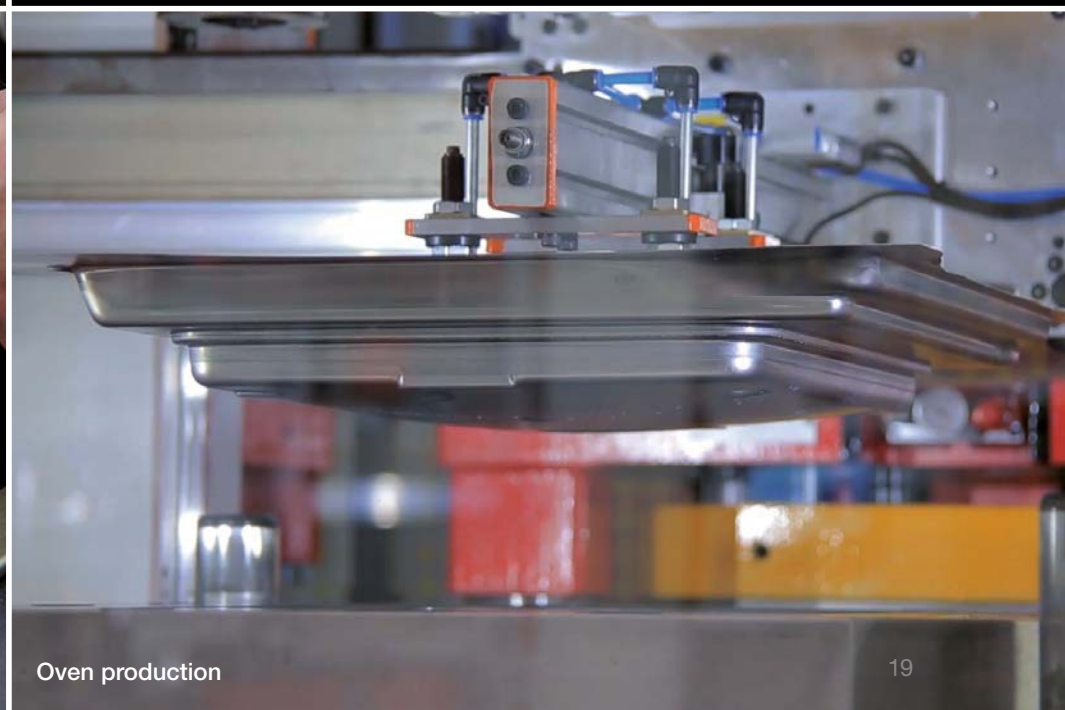
The electronics test: This test includes checking control precision, the heating-up times and heat distribution.

The pancake test: a uniform browning of the pancake tells us, that the heat distribution of the induction hobs is even and only given off where the pot or pan makes contact.

The taste test: at our in-house test kitchen, we conduct extensive baking and cooking experiments in order to optimise the taste of the meals you prepare. Our best-tasting test recipes are available on the Küppersbusch website.



Heat measurement



Oven production



HEALTHY ENJOYMENT WITH STEAM COOKING BY KÜPPERSBUSCH

If you enjoy healthy eating, you will love steaming your food, because minerals and important nutrients are largely preserved during steaming.

The Küppersbusch steam ovens will let you master this gentle method of cooking in next to no time. Our appliances work without pressure and with ideal steam distribution.

Why use steam? Because there simply is no gentler cooking method. Vegetables, fish and tender meat turn out perfectly thanks to the even distribution of heat. The colour and shape of the food remain unchanged, natural flavours and aromas are particularly intense. Nutrients and active ingredients are hardly leached out, and minerals remain almost completely intact.

In addition, steam cooking ensures there is no loss of moisture in your foods. And if you steam pre-cooked food, the moisture previously lost in the cooking or warming process is replaced. In short, steam cooking is a nutritionally valuable preparation method that has the added advantage of not requiring additional oils or fat and is essential for many special diets.

KÜPPERSBUSCH OVENS AND COMPACT APPLIANCES

In 1875 we placed our first oven on the market,
in our days the best one. Discover the new
ovens and compact appliances by Küppersbusch.
With plenty of innovative details that are sure
to arouse your passion for cooking.

Individual + intuitive

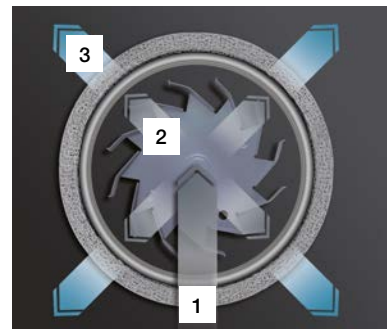


UNIQUE AND ONLY AT KÜPPERSBUSCH: THE CATALYTIC CONVERTER INSIDE YOUR OVEN



The unique ökotherm® catalytic converter inside your oven ensures purity and cleanliness right from the outset! Baking and cooking fumes in your kitchen will be a thing of the past.

The central element of the catalyst is the fan: it provides ideal air circulation and heat distribution inside the oven and thus ensures perfect cooking on multiple levels – without the flavour of one item being transferred to the other.



A neat solution! The air contaminated with grease, odours and particles inside the oven is sucked in by the fan (1). This then presses the air past the ring heater and into the catalytic converter (2). Here, all remains are transformed into water and carbonic acid. The cleaned air is then returned back into the oven (3). As a result, you will have no deposits inside the oven and no tedious cleaning will be necessary.

Energy-saving! The described process releases energy – this is returned to into the oven and reused to bake and cook. That saves energy!

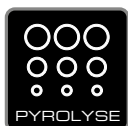
Tasty! Baked goods stay especially moist and the natural aroma is preserved.

Fresh air! The air in your kitchen will be palpably fresher and less contaminated with grease.

Further information and function video at www.kueppersbusch.de

ENJOY YOUR MEAL – WE’LL DO THE CLEANING

Küppersbusch ovens feature cleaning systems that effectively eliminate the need for tedious scrubbing. And the enamelled interior is clean with just one wipe.



Thanks to our pyrolytic technology, arduous manual cleaning of the oven has finally become a thing of the past.

While you enjoy your meal, the oven takes care of any greasy spatters inside the oven all by itself. By heating the oven to 500°C, the self-cleaning system reduces all food residues to a fine ash. You can choose between 3 pyrolysis programmes – depending on the degree of dirt. Afterwards, all you need to do is wipe away the ash with a damp cloth, and the oven looks brand new again.



For the sake of the environment: use our perfect cleaning system with minimal energy consumption and without chemical detergents.

Simply place a glass of water in the oven and choose the ökoClean function (select models only).

The new Küppersbusch cleaning programme in conjunction with the ökoEmail+ interiors creates steam, which dissolves any grease and dirt that may have gathered on the oven walls and lets you wipe everything off with ease.



ökoEmail+: the extra smooth enamel surface by Küppersbusch.

Should a few spatters have hit the inside walls of your oven, you can simply wipe them off again with a damp cloth thanks to the exceptionally smooth enamel coating.



You want to gratinate or sear meat or fish without affecting the inside? Simply use our large **folding down grill**. It works especially well for flat steaks, spareribs, fish and toast. And in order to facilitate cleaning the oven ceiling after grilling, you can simply fold down the grill.

FOR MORE SAFETY AND COMFORT: OUR FULL GLASS INNER DOOR WITH SOFT-OPEN & CLOSE TECHNOLOGY



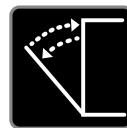
The **quality full glass inner door with quadruple glazing** is glued absolutely tightly to the underlying stainless steel frame – annoying screws are a thing of the past. And it not only looks good, but also has clear advantages.

Energy saving: the hot air largely remains inside the oven – that saves energy and money.

Easy cleaning: the oven doors are easy to unhinge, when the inside of the oven needs a clean. The glass remains clean between the panes, as the oven door is a closed system. The seamless stainless steel frame has no nooks and crannies where dirt can gather.

More safety: the doors are quadruple glazed and consequently extremely well insulated. This means that the outside of the oven hardly heats up.

Longevity: no fatigue of materials over the years, as we exclusively use quality materials such as stainless steel and glass.



Especially good when you sometimes have a hectic kitchen environment: the **Soft Open & Close function of our appliance doors.**

The Soft Open & Close technology ensures a gentle opening and closing of the doors thanks to a cushioning effect at either end.

That's good for the hinges and good for your nerves!





The XXL oven by Küppersbusch offers plenty of space. So don't hesitate to invite all your friends and relations.

With a capacity of 70 litres, you have plenty of space to bake and cook on 5 levels.

Good to know: the baking trays from the 60 cm ovens also fit the 45 cm compact ovens (except microwaves) and steam ovens by Küppersbusch!

Fully extendable brackets with PerfectStop:

The fully extendable brackets run incredibly smoothly and are at the same time very sturdy (withstand up to 22 kg). This way – even when baking heavy loads – you can push the trays backwards and forwards with ease. The PerfectStop latch function prevents trays from gliding back into the oven and allows you, for example, to turn and baste roasts in front of the oven.

Please note: should you clean your oven with the pyrolysis function (up to 500°C), please remove the side racks including telescopic beforehand as they will only withstand temperatures of up to 300°C.



MULTI STEAM

**MULTI
STEAM**

With the Küppersbusch ovens with steam function, you can choose to do pure steam cooking with 100% steam or use a combination of steam and hot air. So you can select the perfect setting for every dish you cook.

Steam cooking with 100% steam:

With steam temperatures between 30°C and 100°C this function is ideal for fish, vegetables, fruit, rice, potatoes or dumplings. Fish cooked at a temperature of approx. 70°C is a gourmet experience you should not miss out on! But also crème caramel and other delicate dishes are easy to pull off perfectly thanks to the exact and stable steam temperature.



Combination of steam and hot air

Combined steam cooking:

By mixing 50% steam with 50% hot air, you get the perfect climate for preparing custard royale, flans, puddings, juicy casseroles and for regenerating foods.



Vario steam cooking:

The combination of 25% steam and 75% hot air is ideal for baking bread and rolls and for cooking meat and poultry dishes.



COFFEE IN ITS MOST BEAUTIFUL FORM: PURE PLEASURE WITH KÜPPERSBUSCH

Coffee is one of the most popular drinks in the world. For centuries, people have succumbed to the temptation of its unique flavour and intense aroma. Coffee is also highly valued due to its invigorating effect.



The art of coffee making has long since become an expression of people's personal lifestyle. From the quick take-away cup down to the celebration of every single step of the brewing process with sophisticated coffee machines – over the past couple of decades, making coffee has become a significant part of our lives.

With our fully automated coffee machines, we at Küppersbusch not only offer perfect design and functionality, but also take into account your personal and individual preferences.

Our fully automated coffee machines will take coffee beans or coffee powder, and with its approx. 15 bar real milk function, it will produce a cappuccino or latte to die for. The coffee aroma is adjustable in 5 levels (from very mild to very strong), as is the coffee temperature (3 levels). With its intuitive LCD display, the machine is incredibly easy to use.

For more information on the fully automated coffee machines, please turn to page 41 and 51.



Ovens and compact appliances: Top functions for an appetising, healthy and modern diet

Küppersbusch ovens and compact appliances combine innovation, functionality and professional equipment with award-winning design quality. You can choose between 90-cm-wide maxi ovens and the standard 60 cm units. With the many feature and design options, you can give your personal taste free rein.



Individual (see page 12/13 and 74/75)

The Küppersbusch Individual concept offers the option of having all your appliances adapted to suit your personal taste. Depending on the model, there is a choice of white or black as a basic appliance colour. The fully individual look is achieved with one of the seven different design kits.



multitherm plus hot-air convection system

A ring heating element located in the back wall of the oven surrounds the fan and enables baking to be done on several levels without any of the food in the oven being tainted with the flavour or the aroma of other food.



ökotherm® oven catalytic converter (see page 24)

Baking and roasting produces grease, cooking odours and suspended matter which all soil the interior of the oven and leave behind ugly traces of grease. The oven fan forces air polluted with grease, odours and suspended matter through the catalytic converter. On doing so all of the undesirable substances are completely converted into water and carbon dioxide. This keeps the oven much cleaner and only clean air escapes from the oven.



Pyrolytic cleaning (see page 25)

Thanks to our pyrolysis technology, arduous manual cleaning of the oven has finally become a thing of the past. While you enjoy your meal, the oven takes care of any greasy spatters inside the oven all by itself. By heating the oven to 500°C, the self-cleaning system reduces all food residues to a fine ash. You can choose between 3 pyrolysis programmes – depending on the degree of dirt. Afterwards, all you need to do is wipe away the ash with a damp cloth, and the oven looks brand new again.



ökoClean (see page 25)

Our perfect cleaning system uses minimal energy and no chemical detergents. Simply place a glass of water in the oven and choose the ökoClean function.



ökoEmailPlus coating (see page 25)

Just like the baking trays, the entire interior of the oven is coated with a nonstick ökoEmailPlus enamel. The extremely smooth, pore-free surface of this enamel prevents fat and cooking residue from sticking to it. Laborious cleaning and aggressive, environmentally harmful cleaning agents are therefore a thing of the past. Just wiping out the oven with a damp cloth is generally all that is needed with ökoEmail / ökoEmail-Plus and the ökotherm® oven catalytic converter system to make the interior of the oven look like new again.

Quadruple glazing – Quadruple convenience: the oven door.

The full-glass inner door comprises a smooth surface without any indentations or crevices. This means that with just one wipe it will be sparkling clean again. The door can be easily removed – a host of advantages when it comes to cleaning.



Oven functions

With this number of oven functions, you are sure to find the right one for every taste and every dish.



Automatic programmes

With the huge range of automatic programmes, perfect results are guaranteed. Choose between pastries, fish, meat, vegetables and desserts, enter the weight and select the desired level of doneness. The oven will now determine a suitable baking mode and time. Press “Start”, and the oven will tell you, when you can serve your meal.



Favorite programmes

You can save the function settings for your preferred dishes in your favorite programmes. Just like you can save your favorite recipes in your favorites folder – including all the corresponding settings, of course! That way, whenever you choose to make a dish from your digital cookbook, you can be sure it will be perfect.



Soft Open & Close (see page 26)

Gentle and whisper-quiet opening and closing of your appliance door – thanks to the Soft Open & Soft Close technology.



Roasting thermometer

The cooking status, particularly for large joints, is not always easy to judge from the outside. Chefs de cuisine and hobby cooks therefore use a roasting thermometer which gives reliable information on the core temperature and hence on the cooking status of a roast. This means that you can roast a joint any way you want it – rare, medium or well done – at exactly the right temperature.

Drop-down large-area grill (see page 25)

The drop-down large-area grill makes it easier to clean the ceiling of the oven.



Energy efficiency class

In EU countries, a common energy labelling system provides a guide to how efficiently built-in electric ovens operate. The most economical appliances are categorised as Class A++ and the least economical as Class G. At Küppersbusch, a lot of research goes into ensuring that our appliances are amongst the most energy-efficient appliances on the market. Energy-saving features include our quadruple glazed oven door with heat-reflecting pure glass inner panes and our superior oven insulation. But also the oven light that can be switched off during use, the door contact switch and the consistent elimination of heat bridges guarantee an exemplary low energy consumption. Naturally, Küppersbusch appliances are among the most economical on the market.

**Touch control**

The touch of a fingertip is sufficient and the functions of the sensor buttons will be activated.

**Turn knobs**

If you prefer conventional operation, this product is the right choice. The operation is performed with the help of turn knobs.

**Child safety lock**

It is not possible to unintentionally switch on the oven when the child safety lock is activated.

Rapid heating

The rapid heating mode heats the oven up to the pre-set temperature in just half the time.

**Cup illumination**

Seeing is enjoying – a well-known fact. This is why LED lighting puts the perfect coffee you have made into just the right light. It presents a delicious crema beautifully and encourages turning coffee enjoyment into pure culture.

Halogen oven lighting

Two extra-bright halogen lights are installed at different heights on each side of the oven to provide optimum illumination of food in the oven.

Retro Clock function

The Retro Clock function is used to adapt the clock display of the electronic devices to the clock display of mechanical devices - for the perfect combination.

Door contact switch

The door contact switch is an energy-saving safety device. All of the heating elements and the hot-air fan are switched off if the door is opened during operation.

Eco mode

Eco mode is a display setting, which reduces the energy consumption of your display to a minimum.

Demo mode

The demo mode (also called dealer or exhibition mode) allows the appliances to be presented at an exhibition without heating up.

Stand-by Mode

The stand-by mode is an energy-saving setting used to switch the display off altogether.

**Fresh water tank**

Küppersbusch steam ovens / coffee machines can easily be integrated into any kitchen, as due to the fresh water tank no additional water supply is necessary.

Quick-start function

The microwave oven is automatically started when the start button is pressed, without any additional programme buttons having to be activated.

Inverter technology

The inverter technology is a system that keeps the power output constant even at a very low wattage (lower power settings). This guarantees that the energy is used in an optimal manner. With conventional technologies, the microwave always works with the entire available output and integrates shorter or longer break intervals depending on the power setting. This frequently leads to uneven warming and a higher expenditure of energy. In contrast to this, the inverter technology works with a consistently low energy supply so that in addition to savings, sensitive food can be heated, because the heat distribution in the cooked item is optimised.

**Automatic defrost and weight function**

The automatic defrost and weight function enables different kinds of food to be defrosted gently. Simply select the food category and enter the weight. Everything else will be taken care of by the automatic defrost system.

**Regenerating**

Dishes which have been prepared in advance can be heated up with a special combination of steam and hot air. There is no loss of quality or moisture and the food can be served as if freshly cooked at the exact time required.

**Set & Go**

With the Set & Go function you start the appliances with necessary settings with only one touch of the sensor field, any time later.

**Heat & Hold**

This setting enables you to programme the oven to automatically switch to the Keep warm setting after completion of baking or roasting. This option runs at 80° C for 30 minutes, after which the oven automatically switches itself off.

**Electronic steam system**

The steam is generated outside the oven in an external steam generator. This creates the right climate in a matter of seconds.

**Multisteam (see page 29)**

With the Küppersbusch ovens with steam function, you can choose to do pure STEAM COOKING with 100% steam – ideal for fish, vegetables and rice – or use a combination of steam and hot air. So you can select the perfect setting for every dish you cook. Casseroles, blancmanges or soufflés turn out best with the COMBINED STEAM COOKING function (50% steam and 50% hot air). Meanwhile, the VAR-IO STEAM COOKING function is ideal for baking bread and for cooking meat and poultry dishes (25% steam and 75% hot air).

**Solo steam**

If you want to enjoy the full benefits of steam cooking but already have a different oven, you can opt for the solo steam oven. This will enable you to heat up your oven exclusively with steam – ideal for making fish, rice and vegetable dishes.



Steam assist

If you do not need a steam oven but would nonetheless like to benefit from the power of steam, take a look at our ovens with steam assist function. Here, too, casseroles, blanchmanges or soufflés turn out best with the COMBINED STEAM COOKING function (50% steam and 50% hot air). Meanwhile, the VARIO STEAM COOKING function is ideal for baking bread and for cooking meat and poultry dishes (25% steam and 75% hot air).



Sous-Vide (see page 78)

Cook like a pro: sous-vide cooking involves creating and holding a constant temperature exclusively with the power of steam. This allows you to prepare dishes especially gently or to reheat pre-cooked and vacuum-packed dishes. Ideal in combination with the Küppersbusch vacuum drawer.



Steam cooking 30 – 100° C

With steam cooking, temperatures of between 30° C and 100° C can be selected in order to prepare any kind of food in the gentlest, most tasty manner. Fish cooked at a temperature of approx. 70° C has a taste which you shouldn't miss out on! But Crème Caramel and other delicate dishes are also easy to cook thanks to the fact that the steam temperature is maintained at an absolutely constant level.

Professional accessories:

Profi-Cooking Set ZB 8030

consisting of: universal baking tray, inside roast and lid (illustration incl. cooking trivet ZB 1005). Perfect for preparing vegetables and fish: You can steam in the oven with the Profi-Cooking Set! The cover is made of silicone and glass and creates the closed space required for steaming. The cooking trivet can be used in different sizes.



Profi-Roaster Set ZB 8031

consisting of:
cast aluminium pan (induction suitable)
and telescopic glide-out shelf (full glide-out).
Fits in all new Küppersbusch ovens. The cooking items are seared on the cast iron pan directly on an induction hob and can then be moved into the oven without rearranging it.



K-SERIES.7



Pure black design with touch control sensors and a high-quality LCD display with graphics and clear text.

K-SERIES.5



Elegant black, white or grey design with central TFT colour-display in a slim grey frame. Operation via backlit touch control sensors, supported by graphics and and clear text in the display.

K-SERIES.3



Black design with central display. The slim grey frame also allows combination with K-SERIES.5 models. Electronic operation via high-quality aluminium rotary knobs is supported by the TFT colour-display.

K-SERIES.3



Black design, central timer with many additional functions, which makes a combination to the K-SERIES. 3 and K-SERIES. 5 models possible. Operation via high-quality aluminium rotary knobs.

K-SERIES.1



Completely black design, central timer with useful functions and control via rotary knobs.



KÜPPERSBUSCH K-SERIES.7

The Küppersbusch K-SERIES.7 impresses with its pure black design, intuitive menu navigation and allows the symmetrical combination of all devices of this series in horizontal and vertical arrangement.



Photo: rational einbauküchen GmbH

Ovens, Cooker &
Compact appliances

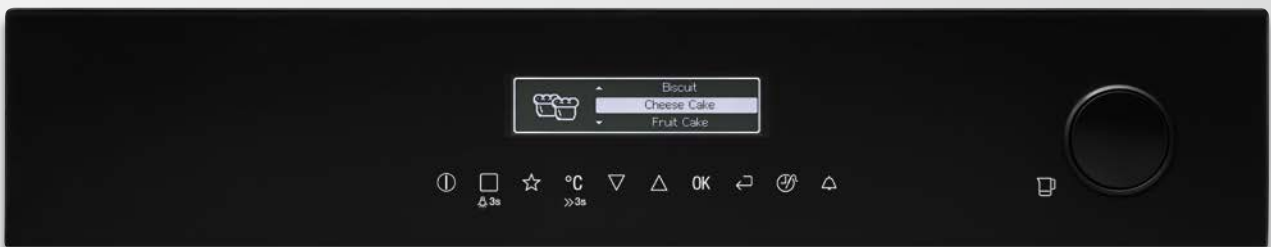
K-SERIES.7

Operate your appliances via intuitive touch control



Oven functions

With the several oven functions you are sure to find the right one for every taste and every dish. The touch of a fingertip is sufficient and the functions of the sensor buttons will be activated.



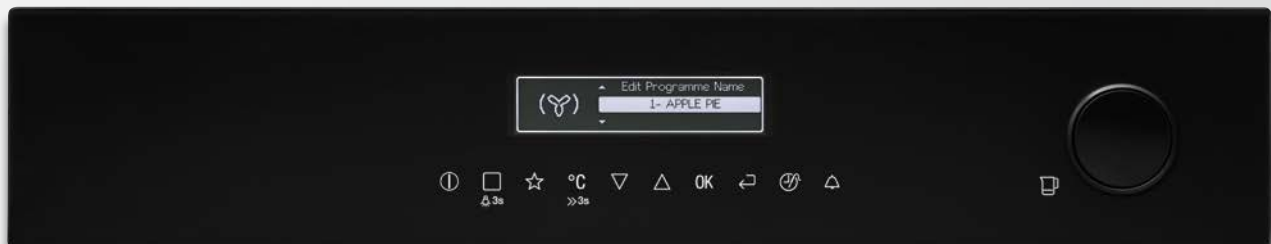
Automatic programmes

With the huge range of automatic programmes, perfect results are guaranteed. Choose between pastries, fish, meat, vegetables and desserts, enter the weight and select the desired level of doneness. The oven will now determine a suitable baking mode and time. Press "Start", and the oven will tell you, when you can serve your meal.



Roasting thermometer

The cooking status, particularly for large joints, is not always easy to judge from the outside. Chefs de cuisine and hobby cooks therefore use a roasting thermometer which gives reliable information on the core temperature and hence on the cooking status of a roast. This means that you can roast a joint any way you want it – rare, medium or well done – at exactly the right temperature.



Favorite programmes

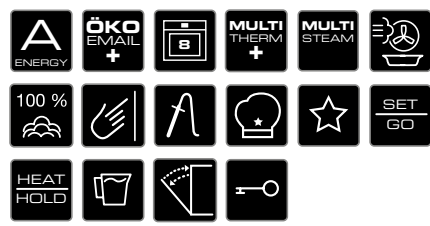
You can save the function settings for your preferred dishes in your favorite programmes. Just like you can save your favorite recipes in your favorites folder – including all the corresponding settings, of course! That way, whenever you choose to make a dish from your digital cookbook, you can be sure it will be perfect.

OVEN. STEAMER.

K-SERIES.7



Black, Design Stainless Steel



Optional accessories handles:

- Design Black Chrome Acc. no. 7502
- Design Silver Chrome Acc. no. 7503
- Design Gold Acc. no. 7504
- Design Black Velvet Acc. no. 7505
- Design Copper Acc. no. 7507
- Design Hot Chili Acc. no. 7508

Further design variants see page 13 and 74

BD* 6750.0 **NEW**

25 functions. LCD-Display. Roasting thermometer.

Features:

- 8 oven functions (see page 70 table of functions)
- 11 special functions (see page 70 table of functions)
- 5 steam functions (see page 71 table of functions)
- 1 special steam function (see page 71 table of functions)
- **External steam generator**
- 100 automatic cooking programmes
- 20 favorite programmes for saving own processes
- LCD Display with clear text and graphic display
- Electronic oven control up to 230°C with touch control sensor
- Actual temperature indication and temperature-recommendation
- Electronic timer (cooking time, end of cooking time, minute minder) with white display
- Removable full glass inner door, quadruple glazed
- Rapid heating
- Demo mode
- 70 litres capacity
- Halogen lighting
- Door contact switch
- Handle, Design Stainless Steel included

Technical data:

- Electrical connection 3.5 kW
- Appliance dimensions W x H x D approx. 594 x 594 x 567 mm (incl. front 21 mm)
- Niche dimensions W x H x D approx. 560 x 590 x 550 mm
- Oven cavity dimensions W x H x D approx. 478 x 352 x 414 mm
- For more technical data see page 198

Standard accessories:

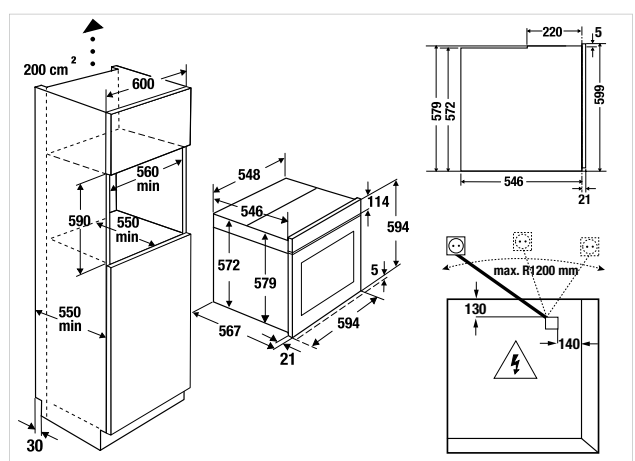
- 1 enamel baking tray; 1 enamel universal/deep tray;
- 2 roasting grids; 1 full glide-out (1751); 1 steam set (2 pcs.)

Optional accessories:

- 1x telescopic glide-out shelf (full glide-out) (water resistant) Acc. no. 1751
- Baking stone with lifter Acc. no. 145
- For further optional accessories see page 72-75

*Available from 09/2019

BD 6750.0 S Design black



COMPACT. OVEN. MICROWAVE.

K-SERIES. 7



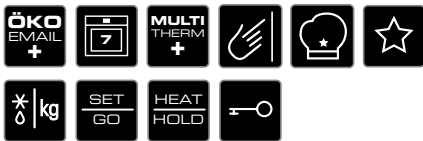
CBM 6750.0* **NEW**

19 functions. LCD-Display. Rapid heating.

Features:

- 8 oven functions (see page 70 table of functions)
- 10 special functions (see page 70 table of functions)
- 2 microwave functions
- 10 microwave output levels
- Microwave output 1,000 watts
- Quick-start function
- 90 automatic cooking programmes
- 20 favorite programmes for saving own processes
- LCD Display with clear text and graphic display
- Electronic oven control up to 230°C with touch control sensor
- Actual temperature indication and temperature-recommendation
- Electronic timer (cooking time, end of cooking time, minute minder) with White display
- Removable full glass inner door, quadruple glazed
- Rapid heating
- Demo mode
- 43 litres capacity
- Halogen lighting
- Door contact switch
- Handle, Design Stainless Steel included

Black, Design Stainless Steel



Optional accessories handles:

Design Black Chrome	Acc. no. 7502
Design Silver Chrome	Acc. no. 7503
Design Gold	Acc. no. 7504
Design Black Velvet	Acc. no. 7505
Design Copper	Acc. no. 7507
Design Hot Chili	Acc. no. 7508

Further design variants see page 13 and 74

Technical data:

- Electrical connection 3.0 kW
- Appliance dimensions W x H x D approx. 594 x 455 x 567 mm (incl. front 21 mm)
- Niche dimensions W x H x D approx. 560 x 450 x 550 mm
- Oven cavity dimensions W x H x D approx. 473 x 212 x 413 mm
- For more technical data see page 200

Standard accessories:

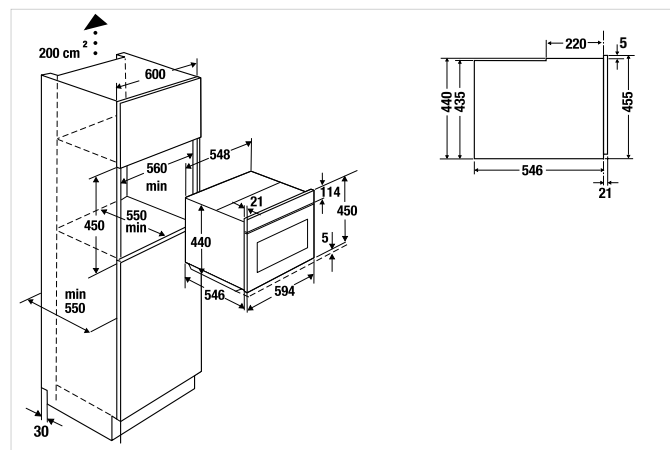
- 1 enamel baking tray; 1 roasting grid

Optional accessories:

- Baking stone with lifter Acc. no. 145
- For further optional accessories see page 72-75

*Available from 09/2019

CBM 6750.0 S Design black



COMPACT. COFFEE. FULLY-AUTOMATIC.

K-SERIES.7



Design black



CKV 6750.0* **NEW**

Cappuccino function. LCD-Display. Programmable starting time.

Features:

- LCD-Display with clear text and graphic display
- Electronic control with touch control sensors
- 5 programmable cup sizes (espresso cup, small cup, medium cup, large cup, mug)
- Dispenser for 1 or 2 cups
- Real milk function for cappuccino or coffee latte
- Removable milk container with cleaning function
- Suitable for use with coffee beans and coffee powder
- Height-adjustable coffee dispenser
- Boiling pressure approx. 15 bar
- 3 selectable coffee temperatures
- Selectable coffee flavour (5 preset coffee strengths)
- Separate boiler for coffee and hot water
- Decalcification programme
- Automatic cleaning when switching on and off
- Hot water function
- Water container removable from the front
- Electronic timer with white display
- Stand-by mode
- Telescopic rails for easy re-filling

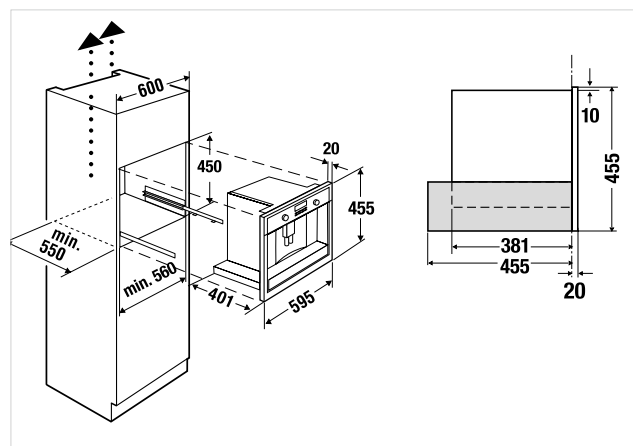
Technical data:

- Electrical connection 1.35 kW
- Appliance dimensions W x H x D approx. 595 x 455 x 475 mm (incl. front 20 mm and telescopic rails)
- Niche dimensions W x H x D approx. 560 x 450 x 550 mm
- For more technical data see page 202

*Available from 10/2019

CKV 6750.0 S

Design black





KÜPPERSBUSCH K-SERIES.5

The Küppersbusch K-SERIES.5 enriches your kitchen with up to 3 design variants. The central display with its elegant grey frame allows the combination with other models of the K-SERIES.5 or K-SERIES.3, both horizontally and vertically.



K-SERIES.5

Operate your appliances via intuitive touch control



Oven functions

With the several oven functions you are sure to find the right one for every taste and every dish. The touch of a fingertip is sufficient and the functions of the sensor buttons will be activated.



Automatic programmes

With the huge range of automatic programmes, perfect results are guaranteed. Choose between pastries, fish, meat, vegetables and desserts, enter the weight and select the desired level of doneness. The oven will now determine a suitable baking mode and time. Press "Start", and the oven will tell you, when you can serve your meal.



Roasting thermometer

The cooking status, particularly for large joints, is not always easy to judge from the outside. Chefs de cuisine and hobby cooks therefore use a roasting thermometer which gives reliable information on the core temperature and hence on the cooking status of a roast. This means that you can roast a joint any way you want it – rare, medium or well done – at exactly the right temperature.



Favorite programmes

You can save the function settings for your preferred dishes in your favorite programmes. Just like you can save your favorite recipes in your favorites folder – including all the corresponding settings, of course! That way, whenever you choose to make a dish from your digital cookbook, you can be sure it will be perfect.

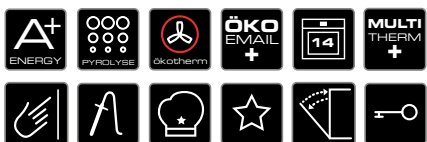
OVEN. PYROLYTIC. K-SERIES.5



Black, Design Stainless Steel



White, Design Stainless Steel



BP 6550.0

22 functions. Roasting thermometer. 70 litres XXL capacity.

Features:

- Pyrolytic self-cleaning (3 levels)
- 14 oven functions (see page 70 table of functions)
- 8 special functions (see page 70 table of functions)
- More than 40 automatic programmes
- 20 favorite programmes for saving own processes
- 3,9 TFT-Display with clear text and graphic display
- Electronic oven control by means of back-lit sensor touch controls
- Actual temperature indication and temperature-recommendation
- Electronic timer (cooking time, end of cooking time, minute minder) with white display
- Retro clock function
- Removable full glass inner door, quadruple glazed
- Rapid heating
- Eco mode
- Demo mode
- Standby-Modus
- Halogen lighting
- Door contact switch

Technical data:

- Electrical connection 3.6 kW
- Niche dimensions W x H x D approx. 560 x 590 x 550 mm
- For more technical data see page 198

Standard accessories:

- 1 enamel baking tray; 1 enamel universal/deep tray; 1 roasting grid, 1 telescopic glide-out shelf (standard glide-out) (ZB 1003)

Optional accessories:

- 1 telescopic glide-out shelf (full glide-out) Acc. no. ZB 1002
- Profi cooking set Acc. no. ZB 8030
- Profi roaster set Acc. no. ZB 8031
- Baking stone with lifter Acc. no. 145
- For further optional accessories see page 72-75

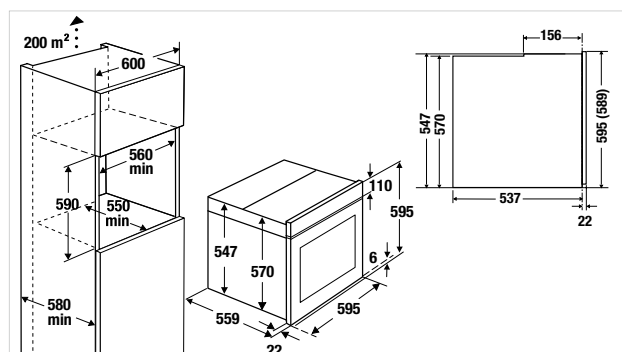
Design kits:

- Design Stainless Steel Acc. no. DK 1000
- Design Black Chrome Acc. no. DK 2000
- Design Silver Chrome Acc. no. DK 3000
- Design Gold Acc. no. DK 4000
- Design Black Velvet Acc. no. DK 5000
- Design Copper Acc. no. DK 7000
- Design Hot Chili Acc. no. DK 8000

BP 6550.0 S1 Black, Design Stainless Steel

BP 6550.0 S Black + Design kit Acc. no. ...

BP 6550.0 W White + Design kit Acc. no. ...



Further design variants see page 13 and 74

OVEN.

K-SERIES.5



Black, Design Stainless Steel



reddot design award
winner 2018

Grey, Design Shade of Grey



B 6550.0

22 functions. Roasting thermometer. 70 litres XXL capacity.

Features:

- 14 oven functions (see page 70 table of functions)
- 8 special functions (see page 70 table of functions)
- More than 40 automatic programmes
- 20 favorite programmes for saving own processes
- 3,9" TFT Display with clear text and graphic display
- Electronic oven control with touch control sensors
- Actual temperature indication and temperature-recommendation
- Electronic timer (cooking time, end of cooking time, minute minder) with white display
- Retro clock function
- **Removable full glass inner door with a stainless steel frame, quadruple glazed**
- Rapid heating
- Eco mode
- Demo mode
- Stand-by mode
- Halogen lighting
- Door contact switch
- Drop-down grill

Technical data:

- Electrical connection 3.6 kW
- Niche dimensions W x H x D approx. 560 x 590 x 550 mm
- For more technical data see page 198

Standard accessories:

- 1 enamel baking tray; 1 enamel universal/deep tray;
- 1 roasting grid, 1 telescopic glide-out shelf (standard glide-out) (ZB 1003)

Optional accessories:

- 1 telescopic glide-out shelf (full glide-out) Acc. no. ZB 1002
- Profi cooking set Acc. no. ZB 8030
- Profi roaster set Acc. no. ZB 8031
- Baking stone with lifter Acc. no. 145
- For further optional accessories see page 72-75

Design kits:

- Design Stainless Steel Acc. no. DK 1000
- Design Black Chrome Acc. no. DK 2000
- Design Silver Chrome Acc. no. DK 3000
- Design Gold Acc. no. DK 4000
- Design Black Velvet Acc. no. DK 5000
- Design Copper Acc. no. DK 7000
- Design Hot Chili Acc. no. DK 8000
- Design Shade of Grey Acc. no. DK 9000

B 6550.0 S1

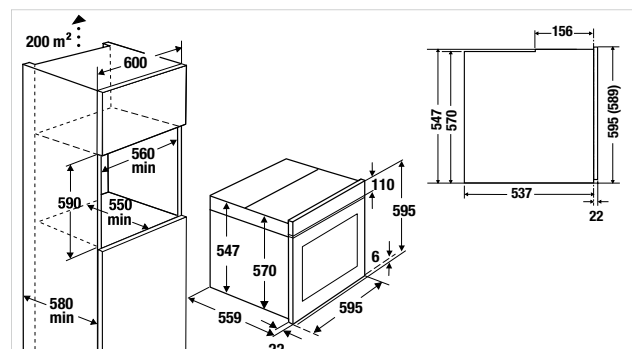
Black, Design Stainless Steel

B 6550.0 S

Black + Design kit Acc. no. ...

B 6550.0 G

Grey + Design kit Acc. no. ...



Further design variants see page 13 and 74

COMPACT. OVEN. STEAMER.

K-SERIES.5



Black, Design Stainless Steel



White, Design Stainless Steel



Grey, Design Shade of Grey



CBD 6550.0*

37 functions. Roasting thermometer. 43 litres capacity.

Features:

- 14 oven functions (see page 70 table of functions)
- 8 special functions (see page 70 table of functions)
- 6 steam functions (see page 71 table of functions)
- 9 special steam functions (see page 71 table of functions)
- **External steam generator**
- More than 40 automatic programmes
- 20 favorite programmes for saving own processes
- Temperature setting accurate to the degree
- 3,9" TFT Display with clear text and graphic display
- Electronic oven control with touch control sensors
- Actual temperature indication and temperature-recommendation
- Electronic timer (cooking time, end of cooking time, minute minder), with white display
- Retro clock function
- Removable full glass inner door, quadruple glazed
- Rapid heating
- Eco mode
- Demo mode
- Stand-by mode
- Halogen lighting
- Door contact switch

Technical data:

- Electrical connection 3.4 kW
- Niche dimensions W x H x D approx. 560 x 450 x 550 mm
- For more technical data see page 200

Standard accessories:

- 1 enamel universal/deep tray; 1 roasting grid,
- 1x cooking trivet, non-perforated, deep; 2x Cooking trivet GN 1/3 perforated

Optional accessories:

- Telescopic glide-out shelves Acc. no. ZC 1001
- Profi Steam Adapter Acc. no. GN 8000
- Cooking trivet GN 1/3 perforated Acc. no. GN 1304
- Cooking trivet GN 2/3 perforated Acc. no. GN 2304
- Baking stone with lifter Acc. no. 145
- For further optional accessories see page 72-75

Design kits:

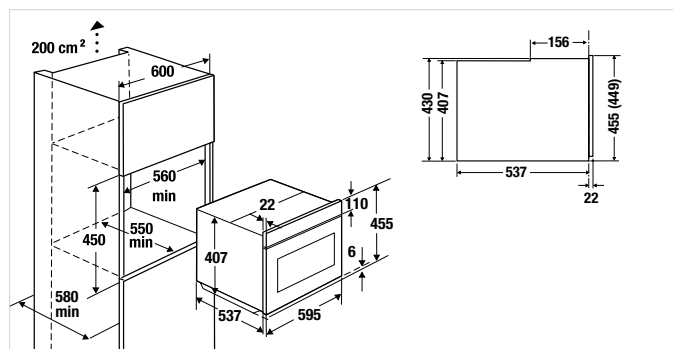
- Design Stainless Steel Acc. no. DK 1000
- Design Black Chrome Acc. no. DK 2000
- Design Silver Chrome Acc. no. DK 3000
- Design Gold Acc. no. DK 4000
- Design Black Velvet Acc. no. DK 5000
- Design Copper Acc. no. DK 7000
- Design Hot Chili Acc. no. DK 8000
- Design Shade of Grey Acc. no. DK 9000

CBD 6550.0 S1 Black, Design Stainless Steel

CBD 6550.0 S Black + Design kit Acc. no. ...

CBD 6550.0 W White + Design kit Acc. no. ...

CBD 6550.0 G Grey + Design kit Acc. no. ...



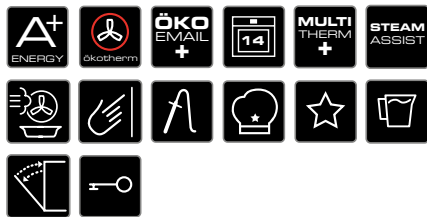
Further design variants see page 13 and 74

COMPACT. OVEN. STEAM ASSIST.

K-SERIES.5



Black, Design Stainless Steel



CBA 6550.0*

27 functions. Roasting thermometer. 43 litres capacity.

Features:

- 14 oven functions (see page 70 table of functions)
- 8 special functions (see page 70 table of functions)
- 3 steam functions (see page 71 table of functions)
- 2 special steam functions (see page 71 table of functions)
- **External steam generator**
- More than 40 automatic programmes
- 20 favorite programmes for saving own processes
- 3,9" TFT Display with clear text and graphic display
- Electronic oven control with touch control sensors
- Actual temperature indication and temperature-recommendation
- Electronic timer (cooking time, end of cooking time, minute minder) with white display
- Retro clock function
- Removable full glass inner door, quadruple glazed
- Rapid heating
- Eco mode
- Demo mode
- Stand-by mode
- Halogen lighting
- Door contact switch

Technical data:

- Electrical connection 3.4 kW
- Niche dimensions W x H x D approx. 560 x 450 x 550 mm
- For more technical data see page 200

Standard accessories:

- 1 enamel baking tray; 1 enamel universal/deep tray; 1 roasting grid

Optional accessories:

- Telescopic glide-out shelf Acc. no. ZC 1001
- Profi Steam Adapter Acc. no. GN 8000
- Cooking trivet GN 1/3 perforated Acc. no. GN 1304
- Cooking trivet GN 2/3 perforated Acc. no. GN 2304
- Baking stone with lifter Acc. no. 145
- For further optional accessories see page 72-75

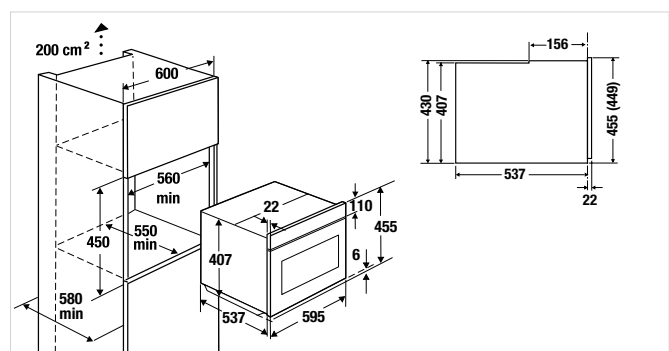
Design kits:

- Design Stainless Steel Acc. no. DK 1000
- Design Black Chrome Acc. no. DK 2000
- Design Silver Chrome Acc. no. DK 3000
- Design Gold Acc. no. DK 4000
- Design Black Velvet Acc. no. DK 5000
- Design Copper Acc. no. DK 7000
- Design Hot Chili Acc. no. DK 8000

*Available from 09/2019

CBA 6550.0 S1 Black, Design Stainless Steel

CBA 6550.0 S Black + Design kit Acc. no. ...



Further design variants see page 13 and 74

COMPACT. OVEN. MICROWAVE.

K-SERIES.5



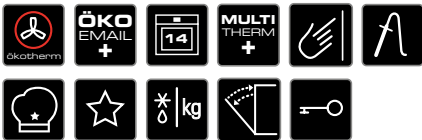
Black, Design Stainless Steel



White, Design Stainless Steel



Grey, Design Shade of Grey

**CBM 6550.0**

23 functions. Roasting thermometer. Inverter technology.

Features:

- 14 oven functions (see page 70 table of functions)
- 8 special functions (see page 70 table of functions)
- 2 microwave functions (microwave only, combined with any oven function)
- 10 microwave output levels
- Microwave output 1,000 watts
- Quick-start function
- More than 40 automatic programmes
- 20 favorite programmes for saving own processes
- 3,9" TFT Display with clear text and graphic display
- Electronic oven control by means of back-lit sensor touch controls
- Actual temperature indication and temperature-recommendation
- Electronic timer (cooking time, end of cooking time, minute minder) with white display
- Retro clock function
- Door, triple glazed
- Rapid heating
- Eco mode
- Demo mode
- Stand-by mode
- 43 litres capacity
- Halogen lighting
- Door contact switch

Technical data:

- Electrical connection 3.4 kW
- Niche dimensions W x H x D approx. 560 x 450 x 550 mm
- For more technical data see page 200

Standard accessories:

- 1 universal/deep tray, glass; 1 roasting grid

Optional accessories:

- Baking stone with lifter Acc. no. 145
- For further optional accessories see page 72-75

Design kits:

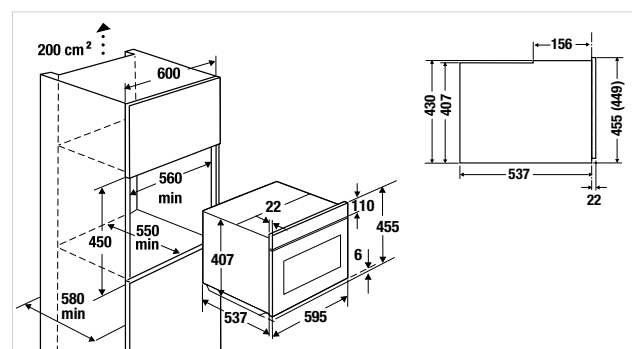
- Design Stainless Steel Acc. no. DK 1000
- Design Black Chrome Acc. no. DK 2000
- Design Silver Chrome Acc. no. DK 3000
- Design Gold Acc. no. DK 4000
- Design Black Velvet Acc. no. DK 5000
- Design Copper Acc. no. DK 7000
- Design Hot Chili Acc. no. DK 8000
- Design Shade of Grey Acc. no. DK 9000

CBM 6550.0 S1 Black, Design Stainless Steel

CBM 6550.0 S Black + Design kit Acc. no. ...

CBM 6550.0 W White + Design kit Acc. no. ...

CBM 6550.0 G Grey + Design kit Acc. no. ...



Further design variants see page 13 and 74

COMPACT. OVEN. PYROLYTIC.

K-SERIES.5



Black, Design Stainless Steel



White, Design Stainless Steel



Grey, Design Shade of Grey



CBP 6550.0

22 functions. Roasting thermometer. 44 litres capacity.

Features:

- Pyrolytic self-cleaning (3 levels)
- 14 oven functions (see page 70 table of functions)
- 8 special functions (see page 70 table of functions)
- More than 40 automatic programmes
- 20 favorite programmes for saving own processes
- 3,9" TFT Display with clear text and graphic display
- Electronic oven control by means of back-lit sensor touch controls
- Actual temperature indication and temperature-recommendation
- Electronic timer (cooking time, end of cooking time, minute minder) with white display
- Retro clock function
- Removable full glass inner door, quadruple glazed
- Rapid heating
- Eco mode
- Demo mode
- Stand-by mode
- Halogen lighting
- Door contact switch

Technical data:

- Electrical connection 2.9 kW
- Niche dimensions W x H x D approx. 560 x 450 x 550 mm
- For more technical data see page 201

Standard accessories:

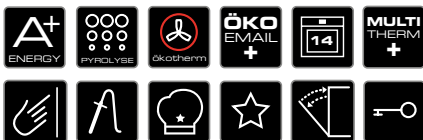
- 1 enamel baking tray; 1 enamel universal/deep tray; 1 roasting grid

Optional accessories:

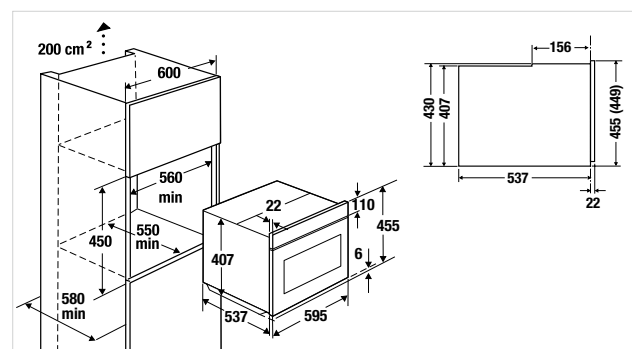
- Telescopic glide-out shelf (standard glide-out) Acc. no. ZC 1000
- Profi cooking set Acc. no. ZB 8030
- Baking stone with lifter Acc. no. 145
- For further optional accessories see page 72-75

Design kits:

- Design Stainless Steel Acc. no. DK 1000
- Design Black Chrome Acc. no. DK 2000
- Design Silver Chrome Acc. no. DK 3000
- Design Gold Acc. no. DK 4000
- Design Black Velvet Acc. no. DK 5000
- Design Copper Acc. no. DK 7000
- Design Hot Chili Acc. no. DK 8000
- Design Shade of Grey Acc. no. DK 9000



- CBP 6550.0 S1 Black, Design Stainless Steel
- CBP 6550.0 S Black + Design kit Acc. no. ...
- CBP 6550.0 W White + Design kit Acc. no. ...
- CBP 6550.0 G Grey + Design kit Acc. no. ...



Further design variants see page 13 and 74

COMPACT. COFFEE. FULLY-AUTOMATIC.

K-SERIES.5



Black, Design Stainless Steel



White, Design Stainless Steel



Grey, Design Shade of Grey



CKV 6550.0

Cappuccino function. LCD-Display. Programmable starting time.

Features:

- LCD-Display with clear text and graphic display
- Electronic control with touch control sensors
- 5 programmable cup sizes (espresso cup, small cup, medium cup, large cup, mug)
- Dispenser for 1 or 2 cups
- Real milk function for cappuccino or coffee latte
- Removable milk container with cleaning function
- Suitable for use with coffee beans and coffee powder
- Height-adjustable coffee dispenser (approx. 90-110 mm)
- Boiling pressure approx. 15 bar
- 3 selectable coffee temperatures
- Selectable coffee flavour (5 preset coffee strengths)
- Separate boiler for coffee and hot water
- Decalcification programme
- Automatic cleaning when switching on and off
- Hot water function
- Water container removable from the front
- Electronic timer with white display
- Stand-by mode
- Telescopic rails for easy re-filling

Technical data:

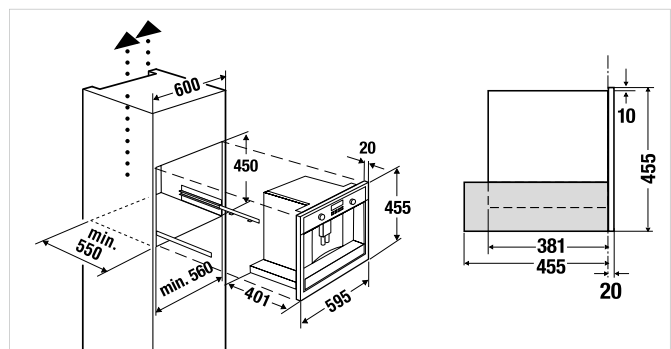
- Electrical connection 1.35 kW
- Appliance dimensions W x H x D approx. 595 x 455 x 475 mm (incl. front 20 mm and telescopic rails)
- Niche dimensions W x H x D approx. 560 x 450 x 550 mm
- For more technical data see page 202

Design kits:

- Design Stainless Steel Acc. no. DK 1001
- Design Black Chrome Acc. no. DK 2001
- Design Silver Chrome Acc. no. DK 3001
- Design Gold Acc. no. DK 4001
- Design Black Velvet Acc. no. DK 5001
- Design Copper Acc. no. DK 7001
- Design Hot Chili Acc. no. DK 8001
- Design Shade of Grey Acc. no. DK 9001



- CKV 6550.0 S Black + Design kit Acc. no. ...
- CKV 6550.0 W White + Design kit Acc. no. ...
- CKV 6550.0 G Grey + Design kit Acc. no. ...





KÜPPERSBUSCH K-SERIES.3

The K-SERIES. 3 built-in appliances offer a high degree of comfort and practical features. Simple handling and functional clarity allow your passion for cooking all the freedom and meet your high expectations. The K-SERIES.3 can also be optimally combined with the K-SERIES.5 appliances.



Photo: rational einbauküchen GmbH

Ovens, Cooker & Compact appliances

K-SERIES.3

If you prefer conventional handling, the K3 series is the right choice. All settings of the electronic TFT displays can be selected by using high-quality aluminum rotary knobs.



Oven functions

With the several oven functions you are sure to find the right one for every taste and every dish. By using the rotary knobs you can simply select the desired oven function and start the baking or cooking process.



Automatic programmes

With the huge range of automatic programmes, perfect results are guaranteed. Choose between pastries, fish, meat, vegetables and desserts, enter the weight and select the desired level of doneness. The oven will now determine a suitable baking mode and time. Press "Start", and the oven will tell you, when you can serve your meal.



Programm overview

After choosing one of the numerous automatic programs you can start the setting. The progress of the cooking process is shown on the appliance's display at any time.

OVEN. PYROLYTIC. K-SERIES. 3



Black, Design Stainless Steel



BP 6350.0

10 functions. TFT colour-display. 70 litres XXL capacity.

Features:

- Pyrolytic self-cleaning (3 levels)
- 10 oven functions (see page 70 table of functions)
- 10 automatic programmes
- 3,9" TFT Display with graphic display
- Electronic oven control with high-quality aluminum knobs
- Actual temperature indication and temperature-recommendation
- Electronic timer (cooking time, end of cooking time, minute minder) with white display
- Retro clock function
- Removable full glass inner door, quadruple glazed
- Rapid heating
- Demo mode
- Halogen lighting
- Door contact switch

Technical data:

- Electrical connection 3.6 kW
- Niche dimensions W x H x D approx. 560 x 590 x 550 mm
- For more technical data see page 198

Standard accessories:

- 1 enamel baking tray; 1 enamel universal/deep tray;
1 roasting grid

Optional accessories:

- 1 telescopic glide-out shelf (full glide-out) Acc. no. ZB 1002
- 1 telescopic glide-out shelf (standard glide-out) Acc. no. ZB 1003
- Profi cooking set Acc. no. ZB 8030
- Profi roaster set Acc. no. ZB 8031
- Baking stone with lifter Acc. no. 145
- For further optional accessories see page 72-75

Design kits:

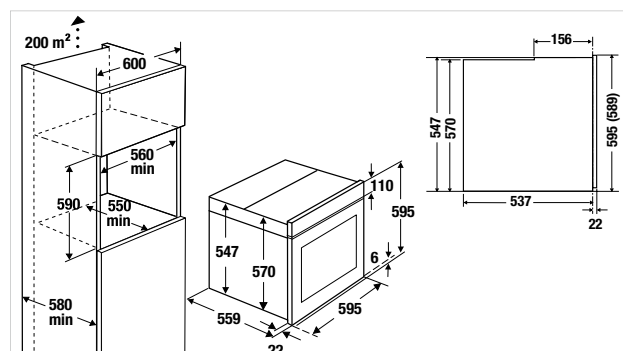
- Design Stainless Steel Acc. no. DK 1000
- Design Black Chrome Acc. no. DK 2000
- Design Silver Chrome Acc. no. DK 3000
- Design Gold Acc. no. DK 4000
- Design Black Velvet Acc. no. DK 5000
- Design Copper Acc. no. DK 7000
- Design Hot Chili Acc. no. DK 8000

BP 6350.0 S1

Black, Design Stainless Steel

BP 6350.0 S

Black + Design kit Acc. no. ...



Further design variants see page 13 and 74

OVEN.

K-SERIES.3



reddot design award
winner 2018

Black, Design Stainless Steel



B 6350.0

10 functions. TFT colour-display. 70 litres XXL capacity.

Features:

- 10 oven functions (see page 70 table of functions)
- 10 automatic programmes
- 1 favorite programme for saving own processes
- 3,9" TFT Display with graphic display
- Electronic oven control with high-quality aluminum knobs
- Actual temperature indication and temperature-recommendation
- Electronic timer (cooking time, end of cooking time, minute minder) with white display
- Retro clock function
- **Removable full glass inner door with a stainless steel frame, quadruple glazed**
- Rapid heating
- Demo mode
- Halogen lighting
- Door contact switch
- Drop-down grill

Technical data:

- Electrical connection 3.6 kW
- Niche dimensions W x H x D approx. 560 x 590 x 550 mm
- For more technical data see page 198

Standard accessories:

- 1 enamel baking tray; 1 enamel universal/deep tray; 1 roasting grid

Optional accessories:

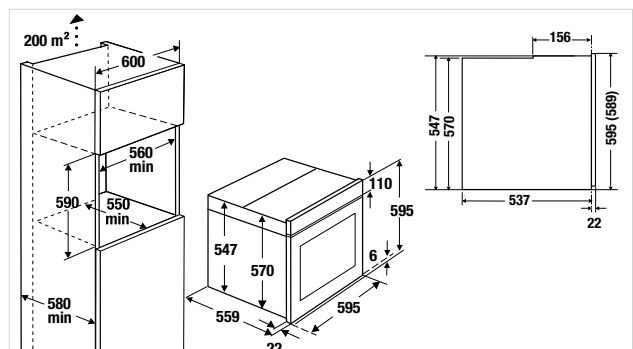
- 1 telescopic glide-out shelf (full glide-out) Acc. no. ZB 1002
- 1 Telescopic glide-out shelf (standard glide-out) Acc. no. ZB 1003
- Profi cooking set Acc. no. ZB 8030
- Profi roaster set Acc. no. ZB 8031
- Baking stone with lifter Acc. no. 145
- For further optional accessories see page 72-75

Design kits:

- Design Stainless Steel Acc. no. DK 1000
- Design Black Chrome Acc. no. DK 2000
- Design Silver Chrome Acc. no. DK 3000
- Design Gold Acc. no. DK 4000
- Design Black Velvet Acc. no. DK 5000
- Design Copper Acc. no. DK 7000
- Design Hot Chili Acc. no. DK 8000

B 6350.0 S1 Black, Design Stainless Steel

B 6350.0 S Black + Design kit Acc. no. ...



Further design variants see page 13 and 74

OVEN.

K-SERIES.3



Black, Design Stainless Steel



B 6335.0

9 functions. 70 litres XXL capacity.

Features:

- 8 oven functions (see page 70 table of functions)
- 1 special function (see page 70 table of functions)
- Oven control with high-quality aluminum knobs
- Electronic timer (cooking time, end of cooking time, minute minder) with white display
- **Removable full glass inner door with a stainless steel frame**, quadruple glazed
- Rapid heating
- Oven lighting
- Door contact switch

Technical data:

- Electrical connection 3.6 kW
- Niche dimensions W x H x D approx. 560 x 590 x 550 mm
- For more technical data see page 198

Standard accessories:

- 1 enamel baking tray; 1 roasting grid

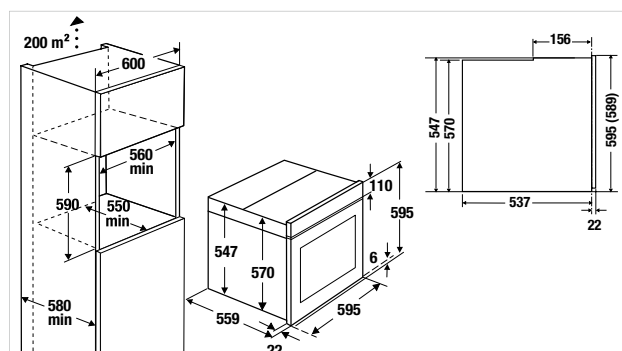
Optional accessories:

- 1 telescopic glide-out shelf (full glide-out) Acc. no. ZB 1002
- 1 telescopic glide-out shelf (standard glide-out) Acc. no. ZB 1003
- Profi cooking set Acc. no. ZB 8030
- Profi roaster set Acc. no. ZB 8031
- Universal/deep tray Acc. no. ZB 1001
- Baking stone with lifter Acc. no. 145
- For further optional accessories see page 72-75

Design kits:

- Design Stainless Steel Acc. no. DK 1000
- Design Black Chrome Acc. no. DK 2000
- Design Silver Chrome Acc. no. DK 3000
- Design Gold Acc. no. DK 4000
- Design Black Velvet Acc. no. DK 5000
- Design Copper Acc. no. DK 7000
- Design Hot Chili Acc. no. DK 8000

- B 6335.0 S1** Black, Design Stainless Steel
- B 6335.0 S** Black + Design kit Acc. no. ...



Further design variants see page 13 and 74

OVEN.

K-SERIES.3



Black, Design Stainless Steel



B 6330.0

9 functions. 70 litres XXL capacity.

Features:

- 8 oven functions (see page 70 table of functions)
- 1 special function (see page 70 table of functions)
- Oven control with high-quality aluminum knobs
- Electronic timer (cooking time, end of cooking time, minute minder) with white display
- Removable full glass inner door, triple glazed
- Rapid heating
- Oven lighting
- Door contact switch

Technical data:

- Electrical connection 3.6 kW
- Niche dimensions W x H x D approx. 560 x 590 x 550 mm
- For more technical data see page 199

Standard accessories:

- 1 enamel baking tray; 1 roasting grid

Optional accessories:

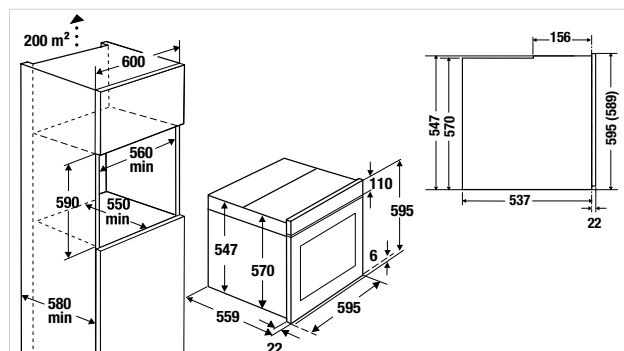
- 1 telescopic glide-out shelf (full glide-out) Acc. no. ZB 1002
- 1 telescopic glide-out shelf (standard glide-out) Acc. no. ZB 1003
- Profi cooking set Acc. no. ZB 8030
- Profi roaster set Acc. no. ZB 8031
- Universal/deep tray Acc. no. ZB 1001
- Baking stone with lifter Acc. no. 145
- For further optional accessories see page 72-75

Design kits:

- Design Stainless Steel Acc. no. DK 1000
- Design Black Chrome Acc. no. DK 2000
- Design Silver Chrome Acc. no. DK 3000
- Design Gold Acc. no. DK 4000
- Design Black Velvet Acc. no. DK 5000
- Design Copper Acc. no. DK 7000
- Design Hot Chili Acc. no. DK 8000

B 6330.0 S1 Black, Design Stainless Steel

B 6330.0 S Black + Design kit Acc. no. ...



Further design variants see page 13 and 74

COMPACT. STEAMER.

K-SERIES.3



Black, Design Stainless Steel



CD 6350.0

6 functions. TFT colour-display. 43 litres capacity.

Features:

- 1 steam function (see page 71 table of functions)
- 5 special steam functions (see page 71 table of functions)
- **External steam generator**
- 10 automatic programmes
- Temperature setting accurate to the degree
- 3,9" TFT Display with graphic display
- Electronic oven control with high-quality aluminum knobs
- Actual temperature indication and temperature-recommendation
- Electronic timer (cooking time, end of cooking time, minute minder) with white display
- Retro clock function
- Removable full glass inner door, triple glazed
- Demo mode
- Halogen lighting
- Door contact switch

Technical data:

- Electrical connection 2.3 kW
- Niche dimensions W x H x D approx. 560 x 450 x 550 mm
- For more technical data see page 200

Standard accessories:

- 1 enamel universal/deep tray; 1 roasting grid, 1x cooking trivet, non-perforated, deep; 2x Cooking trivet GN 1/3 perforated

Optional accessories:

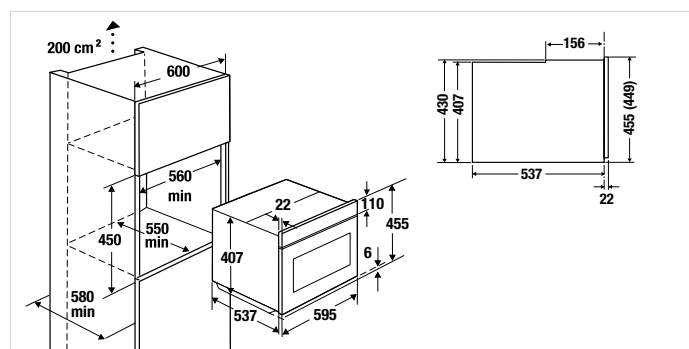
- Telescopic glide-out shelves Acc. no. ZC 1001
- Profi Steam Adapter Acc. no. GN 8000
- Cooking trivet GN 1/3 perforated Acc. no. GN 1304
- Cooking trivet GN 2/3 perforated Acc. no. GN 2304
- For further optional accessories see page 72-75

Design kits:

- Design Stainless Steel Acc. no. DK 1000
- Design Black Chrome Acc. no. DK 2000
- Design Silver Chrome Acc. no. DK 3000
- Design Gold Acc. no. DK 4000
- Design Black Velvet Acc. no. DK 5000
- Design Copper Acc. no. DK 7000
- Design Hot Chili Acc. no. DK 8000

CD 6350.0 S1 Black, Design Stainless Steel

CD 6350.0 S Black + Design kit Acc. no. ...



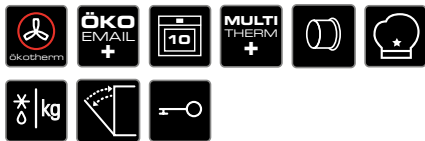
Further design variants see page 13 and 74

COMPACT. OVEN. MICROWAVE.

K-SERIES.3



Black, Design Stainless Steel



CBM 6350.0

11 functions. TFT colour-display. Inverter technology.

Features:

- 10 oven functions (see page 70 table of functions)
- 2 microwave functions (microwave only, combined with any oven function)
- 10 microwave output levels
- Microwave output 1,000 watts
- Quick-start function
- 10 automatic programmes
- 3,9" TFT Display with graphic display
- Electronic oven control with high-quality aluminum knobs
- Actual temperature indication and temperature-recommendation
- Electronic timer (cooking time, end of cooking time, minute minder) with white display
- Retro clock function
- Door, triple glazed
- Rapid heating
- Demo mode
- 43 litres capacity
- Halogen lighting
- Door contact switch

Technical data:

- Electrical connection 3.4 kW
- Niche dimensions W x H x D approx. 560 x 450 x 550 mm
- For more technical data see page 200

Standard accessories:

- 1 universal/deep tray, glass; 1 roasting grid

Optional accessories:

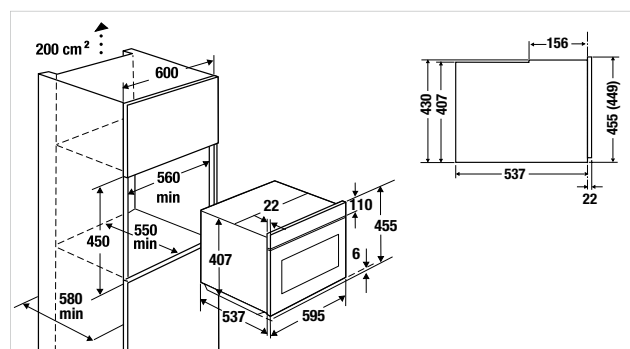
- Baking stone with lifter Acc. no. 145
- For further optional accessories see page 72-75

Design kits:

- Design Stainless Steel Acc. no. DK 1000
- Design Black Chrome Acc. no. DK 2000
- Design Silver Chrome Acc. no. DK 3000
- Design Gold Acc. no. DK 4000
- Design Black Velvet Acc. no. DK 5000
- Design Copper Acc. no. DK 7000
- Design Hot Chili Acc. no. DK 8000

CBM 6350.0 S1 Black, Design Stainless Steel

CBM 6350.0 S Black + Design kit Acc. no. ...



Further design variants see page 13 and 74

COMPACT. OVEN. MICROWAVE.

K-SERIES.3



Black, Design Stainless Steel



CBM 6330.0

11 functions. Electronic clock. 43 litres capacity.

Features:

- 8 oven functions (see page 70 table of functions)
- 3 microwave functions (microwave only, microwave + grill, microwave + hot air)
- 10 microwave output levels
- Microwave output 1,000 watts
- Quick-start function
- Oven control with high-quality aluminum knobs
- Electronic timer (cooking time, end of cooking time, minute minder) with white display
- Door, triple glazed
- Halogen lighting
- Door contact switch

Technical data:

- Electrical connection 3.4 kW
- Niche dimensions W x H x D approx. 560 x 450 x 550 mm
- For more technical data see page 200

Standard accessories:

- 1 enamel baking tray; 1 universal/deep tray, glass; 1 roasting grid

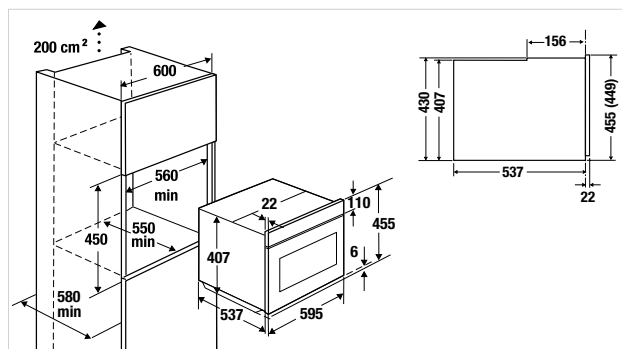
Optional accessories:

- Baking stone with lifter Acc. no. 145
- For further optional accessories see page 72-75

Design kits:

- Design Stainless Steel Acc. no. DK 1000
- Design Black Chrome Acc. no. DK 2000
- Design Silver Chrome Acc. no. DK 3000
- Design Gold Acc. no. DK 4000
- Design Black Velvet Acc. no. DK 5000
- Design Copper Acc. no. DK 7000
- Design Hot Chili Acc. no. DK 8000

- CBM 6330.0 S1** Black, Design Stainless Steel
- CBM 6330.0 S** Black + Design kit Acc. no. ...



Further design variants see page 13 and 74

COMPACT. MICROWAVE.

K-SERIES. 3



Black, Design Stainless Steel



CM 6330.0

2 functions. Electronic clock.

Features:

- 5 microwave output levels
- Microwave output 1,000 watts
- Grill 1,400 watts
- Quick-start function
- Oven control with high-quality aluminum knobs
- Electronic clock with white display
- 44 litres capacity
- Halogen lighting

Technical data:

- Electrical connection 3.2 kW
- Appliance dimensions W x H x D approx. 455 x 595 x 559 mm (incl. front)
- Niche dimensions W x H x D approx. 560 x 450 x 550 mm
- Oven cavity dimensions W x H x D approx. 475 x 232 x 400 mm
- For more technical data see page 201

Standard accessories:

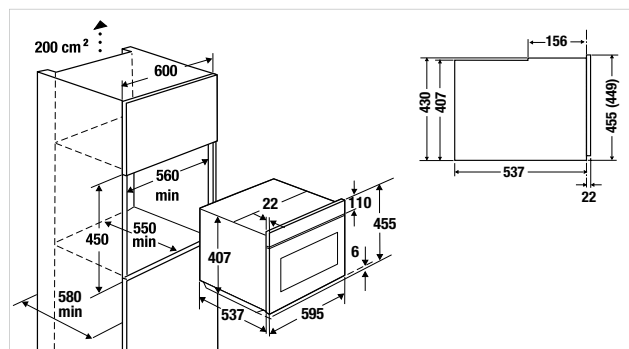
- 1 roasting grid

Design kits:

- Design Stainless Steel Acc. no. DK 1000
- Design Black Chrome Acc. no. DK 2000
- Design Silver Chrome Acc. no. DK 3000
- Design Gold Acc. no. DK 4000
- Design Black Velvet Acc. no. DK 5000
- Design Copper Acc. no. DK 7000
- Design Hot Chili Acc. no. DK 8000

CM 6330.0 S1 Black, Design Stainless Steel

CM 6330.0 S Black + Design kit Acc. no. ...



Further design variants see page 13 and 74

COMPACT. OVEN. K-SERIES.3



Black, Design Stainless Steel



CB 6350.0

10 functions. TFT colour-display. 44 litres capacity.

Features:

- 10 oven functions (see page 70 table of functions)
- 10 automatic programmes
- 3,9" TFT Display with graphic display
- Electronic oven control with high-quality aluminum knobs
- Actual temperature indication and temperature-recommendation
- Electronic timer (cooking time, end of cooking time, minute minder) with white display
- Retro clock function
- Removable full glass inner door, quadruple glazed
- 1 favorite programme for saving own processes
- Rapid heating
- Demo mode
- 44 litres capacity
- Halogen lighting
- Door contact switch
- Drop-down grill

Technical data:

- Electrical connection 3.0 kW
- Niche dimensions W x H x D approx. 560 x 450 x 550 mm
- For more technical data see page 201

Standard accessories:

- 1 enamel baking tray; 1 enamel universal/deep tray; 1 roasting grid

Optional accessories:

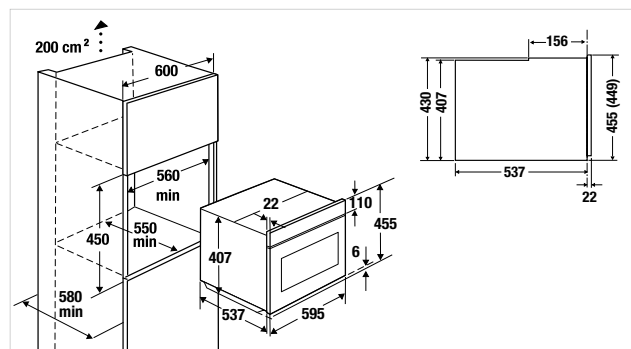
- Telescopic glide-out shelf
(standard glide-out) Acc. no. ZC 1000
- Profi roaster set Acc. no. ZB 8031
- Baking stone with lifter Acc. no. 145
- For further optional accessories see page 72-75

Design kits:

- Design Stainless Steel Acc. no. DK 1000
- Design Black Chrome Acc. no. DK 2000
- Design Silver Chrome Acc. no. DK 3000
- Design Gold Acc. no. DK 4000
- Design Black Velvet Acc. no. DK 5000
- Design Copper Acc. no. DK 7000
- Design Hot Chili Acc. no. DK 8000

CB 6350.0 S1 Black, Design Stainless Steel

CB 6350.0 S Black + Design kit Acc. no. ...



Further design variants see page 13 and 74

Küppersbusch

09:00

HI Δ *



OVEN.

K-SERIES.3



Black, Design Stainless Steel



B 9330.0

9 functions. Maxi oven. 77 litres XXL capacity.

Features:

- 8 oven functions (see page 70 table of functions)
- 1 special function (see page 70 table of functions)
- Oven control with high-quality aluminum knobs
- Electronic timer (cooking time, end of cooking time, minute minder) with white display
- Removable full glass inner door, triple glazed
- Rapid heating
- Oven lighting
- Door contact switch

Technical data:

- Electrical connection 3.6 kW
- Niche dimensions W x H x D approx. 860 x 475 x 550 mm
- For more technical data see page 199

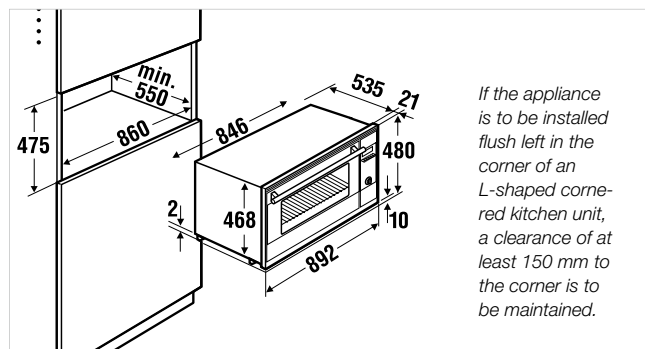
Standard accessories:

- 1 enamel baking tray; 1 enamel universal/deep tray;
- 1 roasting grid, 1 telescopic glide-out shelf (full glide-out),
- 1 telescopic glide-out shelf (standard glide-out),
- 1 Baking stone

Design kits:

- Design Stainless Steel Acc. no. DK 1004
- Design Black Chrome Acc. no. DK 2004
- Design Silver Chrome Acc. no. DK 3004
- Design Gold Acc. no. DK 4004
- Design Black Velvet Acc. no. DK 5004

B 9330.0 S Black + Design kit Acc. no. ...



KÜPPERSBUSCH K-SERIES.1

With the K-SERIES.1, Küppersbusch offers a series of appliances for all those who prefer classic functionality in their kitchen appliances, but do not want to do without the best quality and first-class design. All K-SERIES.1 appliances can be optimally combined in a vertical arrangement.





COOKER SET.



Design Black



H 6120.0 BUILT-UNDER COOKER

8 functions. 70 litres XXL capacity.

Features:

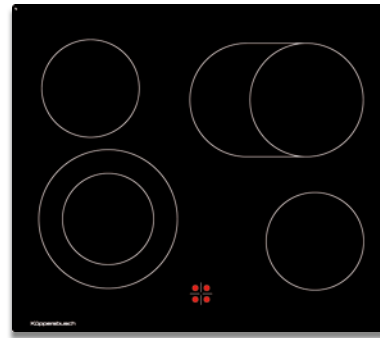
- 8 oven functions (see page 70 table of functions)
- Oven control with knobs
- Electronic timer (cooking time, end of cooking time, minute minder) with white display
- Removable full glass inner door, double glazed
- Rapid heating
- Oven lighting
- Door contact switch
- Handle Design Stainless Steel inclusive

Technical data:

- Electrical connection 10.2 kW (incl. hob)
- Niche dimensions W x H x D approx. 560 x 590 x 550 mm
- For more technical data see page 199

Standard accessories:

- 1 enamel baking tray; 1 roasting grid
- Optional accessories see page 72-75



Flush installation



KH 6310.0 FOR BUILT-UNDER COOKER

Roasting zone Residual heat indicator.

Features:

- Variable control via the built-under cooker
- Residual heat indicator
- 1 dual-circuit cooking zone Ø 120 or 210 mm / 750 W or 2,200 W
- 1 dual-circuit cooking and roasting zone Ø 175 or 175 x 265 mm / 1,800 W bis 2,400 W
- 2 cooking zones Ø 145 mm / 1,200 W

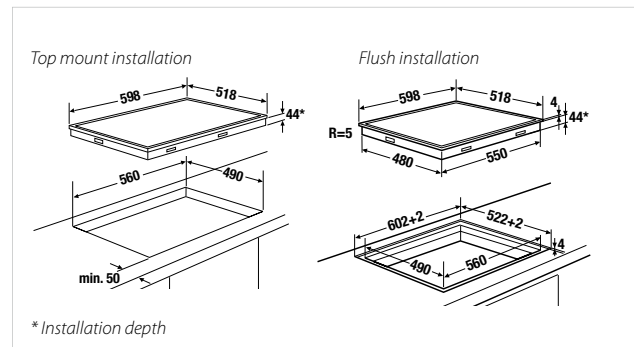
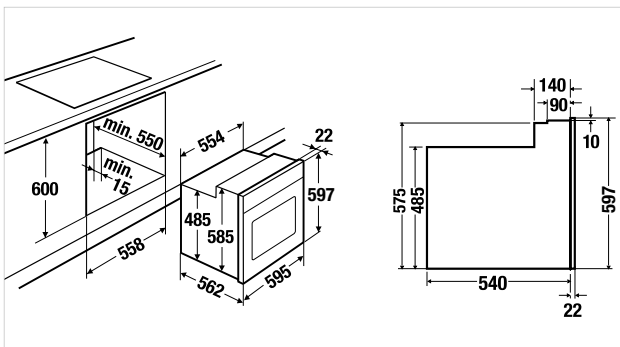
Technical data:

- Electrical connection 7.0 kW
- Appliance dimensions W x D approx. 598 x 518 mm
- Installation depth 44 mm
- Niche dimensions W x D approx. 560 x 490 mm
- For more technical data see page 207

Optional accessories:

- Stainless steel profiles Acc. no. ZK 0600
- For further optional accessories see page 128-129

SET: H 6120.0 S1 + KH 6310.0 SR



OVEN. K-SERIES . 1



Design Black



B 6120.0

8 functions. 70 litres XXL capacity.

Features:

- 8 oven functions (see page 70 table of functions)
- Oven control with knobs
- Electronic timer (cooking time, end of cooking time, minute minder) with white display
- Removable full glass inner door, double glazed
- Rapid heating
- Oven lighting
- Door contact switch
- Handle Design Stainless Steel inclusive

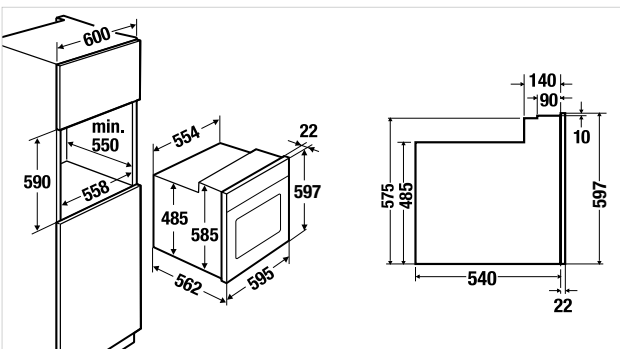
Technical data:

- Electrical connection 3.2 kW
- Niche dimensions W x H x D approx. 560 x 590 x 550 mm
- For more technical data see page 199

Standard accessories:

- 1 enamel baking tray; 1 roasting grid
- Optional accessories see page 72-75

B 6120.0 S black



COMPACT. OVEN. MICROWAVE. K-SERIES . 1



Design Black



CMK 6120.0

6 functions. 38 litres Stainless steel oven cavity.

Features:

- 3 oven functions (hot air, grill, hot air + grill)
- 3 microwave functions (microwave only, microwave + grill and microwave + hot air)
- 6 microwave output levels
- Microwave output 1000 watts
- Grill 1500 watts
- Quick-start function
- Oven control with knobs
- Electronic timer with white display
- Door, triple glazed
- Drop-down large area grill
- Halogen lighting
- Door contact switch
- Turntable, Ø 32 cm
- Handle Design Stainless Steel inclusive

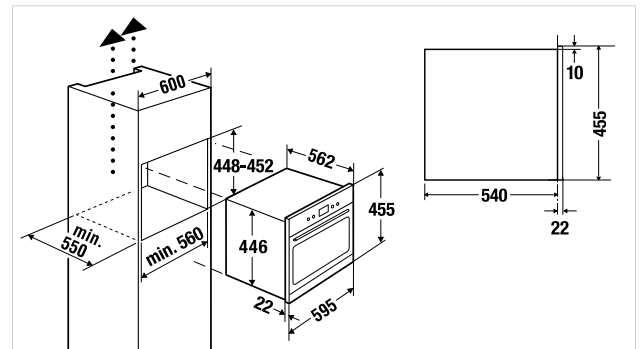
Technical data:

- Electrical connection 3.4 kW
- Niche dimensions W x H x D approx. 560 x 450 x 550 mm
- For more technical data see page 201

Standard accessories:

- 1 universal/deep tray, glass; 1 roasting grid

CMK 6120.0 S black










All functions at a glance

	BD 6750.0	BP 6550.0 B 6550.0	BP 6350.0 B 6350.0	B 6335.0 B 6330.0	B 9330.0	B 6120.0 H 6120.0	CBP 6550.0	CB 6350.0	CBD 6550.0	CBA 6550.0	CBM 6750.0	CBM 6550.0	CBM 6350.0	CBM 6330.0	CMK 6120.0
Oven functions															
 Top/bottom heat	•	•	•	•	•	•	•	•	•	•	•	•	•	•	
 Top heat		•	•				•	•	•	•		•	•		
 Bottom heat	•	•	•	•	•	•	•	•	•	•	•	•	•	•	
 Hot air	•	•	•	•	•	•	•	•	•	•	•	•	•	•	•
 ECO		•	•	•	•	•	•	•	•	•		•	•	•	
 Intensive hot-air convection		•	•				•	•	•	•		•	•		
 Top/bottom heat with fan		•					•		•	•		•		•	
 Pizza mode	•	•	•	•	•	•	•	•	•	•	•	•	•	•	
 Small grill	•	•	•	•	•	•	•	•	•	•	•	•	•		•
 Large-area grill	•	•	•	•	•	•	•	•	•	•	•	•	•	•	
 Grill/bottom heat		•					•		•	•		•			
 Grill roasting (small grill with fan)	•	•					•		•	•	•	•			•
 Turbo fan grilling (large-area grill with fan)	•	•	•	•	•	•	•	•	•	•	•	•	•	•	
 Grill roasting + bottom heat		•					•		•	•		•			
Special functions															
 Defrost	•	•		•	•	•	•		•	•	•	•			
 Slow cook		•					•		•	•		•			
 Keep warm	•	•					•		•	•	•	•			
 Freezer food	•	•					•		•	•	•	•			
 Plate warming	•										•				
 Au gratin	•	•					•		•	•	•	•			
 Preserving	•	•					•		•	•	•	•			
 Drying	•	•					•		•	•	•	•			
 Baking bread	•	•					•		•	•	•	•			
 Fermenting	•										•				
 Yoghurt function									•						
 Moist fan baking	•														
 Slow cooking	•										•				





Simply choose a preset programme or function, check suggested cooking temperature/time and confirm. That's all it takes!

	CBD 6550.0	CBA 6550.0	BD 6750.0	CD 6350.0
--	------------	------------	-----------	-----------

Steam functions





 Sous-vide cooking	•			
 Combined steam cooking	•	•	•	
 Steam cooking	•		•	•
 Vario steam cooking	•	•	•	
 Regenerating (manual)	•	•		
 Regenerating (auto)	•		•	
 Eco steam			•	

Special steam functions

 Defrost with steam	•			•
 Sterilising	•			•
 Steam shot (auto)	•	•		
 Disinfecting	•			
 Melting	•			•
 Dough proving	•			
 Keeping warm with steam	•			•
 Steam cleaning	•	•	•	•

	CBM 6750.0	CBM 6550.0	CBM 6350.0	CBM 6330.0	CMK 6120.0
--	------------	------------	------------	------------	------------

Microwave functions

 Microwave	•	•	•	•	•
 Add microwave function to every oven function	•	•	•		
 Microwave + grill				•	•
 Microwave + True fan				•	•



Profi Roaster Set Acc. no. ZB 8031



Baking stone Acc. no. 145



Profi Cooking Set Acc. no. ZB 8030



Profi Steam Adapter Acc. no. GN 8000

ACCESSORIES. OVENS. COOKER. COMPACT APPLIANCES.

	BD 6750	CBM 6750	BP / B 6550 BP / B 6350 B 6335 B 6335	CBD 6550 CBA 6550 CD 6350	CBM 6550 CBM 6350 CBM 6330 CM 6330	CBP 6550 CB 6350	B 9330	B 6120 H 6120
	Acc. no.	Acc. no.	Acc. no.	Acc. no.	Acc. no.	Acc. no.	Acc. no.	Acc. no.
Enamel baking tray, W x H x D approx. 459 x 30 x 379 mm 			ZB 1000	ZB 1000		ZB 1000		ZB 1000
Enamel universal / deep tray , W x H x D approx. 459 x 50 x 379 mm 			ZB 1001	ZB 1001		ZB 1001		ZB 1001
Baking stone with lifter 	145	145	145	145	145	145		145
Profi Cooking Set, consisting of: universal baking tray (W x H x D approx. 459 x 60 x 379 mm), inside roast and lid (illustration incl. cooking trivet ZB 1005) 			ZB 8030	ZB 8030		ZB 8030		ZB 8030
Profi Roaster Set, consisting of: cast aluminium pan (W x H x D approx. 458 x 45 x 379 mm) (induction suitable) and telescopic glide-out shelf (full glide-out) 			ZB 8031					ZB 8031
Telescopic glide-out shelf (full glide-out) (1 pair) 	1751		ZB 1002					ZB 1002
Telescopic glide-out shelf (standard glide-out) (1 pair) 			ZB 1003	ZC 1001		ZC 1000		ZB 1003
Profi Steam Adapter, W x D approx. 458 x 379 mm 				GN 8000				
Cooking trivet GN 1/3 perforated 	GN 1304			GN 1304				
Cooking trivet GN 1/3 non-perforated (2 pieces) 	ZB 1005			ZB 1005				
Cooking trivet GN 2/3 perforated 	GN 2304			GN 2304				

INDIVIDUAL



Stainless steel



Black Chrome



Silver Chrome



Gold



Black Velvet



Copper



Hot Chili

INDIVIDUAL PLUS



Black Velvet + Wood



Silver Chrome + Wood



Black Velvet + Stone



Silver Chrome + Stone



Black Velvet + Copper



Silver Chrome + Copper



Black Velvet + Gold



Silver Chrome + Gold



Black Velvet + Swarovski® crystal



Silver Chrome + Swarovski® crystal

ACCESSORIES. OVENS. COOKER. COMPACT APPLIANCES.

	BD 6750	CBM 6750	BP / B 6550 BP / B 6350 B 6335 B 6335	CBD 6550 CBA 6550 CD 6350	CBM 6550 CBM 6350 CBM 6330 CM 6330	CBP 6550 CB 6350	B 9330	CKV 6550
Handle Design Black Chrome		7502						
Handle Design Silver Chrome		7503						
Handle Design Gold		7504						
Handle Design Black Velvet		7505						
Handle Design Copper		7507						
Handle Design Hot Chili		7508						
Design kit Stainless steel					DK 1000		DK 1005	DK 1001
Design kit Black Chrome					DK 2000		DK 3005	DK 2001
Design kit Silver Chrome					DK 3000		DK 4005	DK 3001
Design kit Gold					DK 4000		DK 5005	DK 4001
Design kit Black Velvet					DK 5000		DK 6005	DK 5001
Design kit Copper					DK 7000			DK 7001
Design kit Hot Chili					DK 8000			DK 8001
Individual Plus handle Silver Chrome/gold inlay					DK 3014			
Individual Plus handle Silver Chrome/stone inlay					DK 3012			
Individual Plus handle Silver Chrome/Swarovski®crystal					DK 3015			
Individual Plus handle Silver Chrome/copper inlay					DK 3013			
Individual Plus handle Silver Chrome/groove for wood inlays					DK 3011			
Individual Plus handle Black Velvet/gold inlay					DK 5014			
Individual Plus handle Black Velvet/stone inlay					DK 5012			
Individual Plus handle Black Velvet/Swarovski®crystal					DK 5015			
Individual Plus handle Black Velvet/copper inlay					DK 5013			
Individual Plus handle Black Velvet/groove for wood inlays					DK 5011			

Ordering examples

INDIVIDUAL
Design kit stainless steel
pre-assembled

Order: BP 6550.0 S 1



Delivery: oven with an pre-assembled design kit (valid for variant 1 - stainless steel).

INDIVIDUAL
Design kit separate

Order: BP 6550.0 S
+ acc. no. DK 3000 (design kit)



Delivery: oven with a separate design kit enclosed for individual assembly on site at the end user.

INDIVIDUAL PLUS
Design kit separate

Order: BP 6550.0 S + acc. no.
DK 3000 (design kit)
+ acc. no. DK 3012 (handle)



Delivery: oven with separately enclosed Silver Chrome design kit + INDIVIDUAL PLUS handle to be individually assembled on the premises of the final user.

KÜPPERSBUSCH DRAWERS AND MICROWAVES

The suitable heat and cooking drawer under the coffee machine, vacuum drawer and steam cooker becomes a sous-vide combination or the practical accessory drawer under the compact oven – Küppersbusch offers the suitable combination.





The warming drawer CSW 6800.0 (see page 80) is also suitable for cooking and warming food.



Niche height

The niche height is the height of the required kitchen unit niche in cm.



Niche width

The niche width is the width of the required kitchen unit niche in cm.



Wall-hanging cabinet width

Wall-hanging cabinet width defines the wall-hanging cabinet required for installation in cm.



Touch to open

Küppersbusch is following the trend and adapting it to built-in appliances with doors which open automatically with a light touch on the front.



Touch control

The touch of a fingertip is sufficient and the functions of the sensor buttons will be activated.



Turn knobs

If you prefer conventional operation, this product is the right choice. The operation is performed with the help of turn knobs.



Automatic defrost and weight function

The automatic defrost and weight function enables different kinds of food to be defrosted gently. Simply select the food category and enter the weight. Everything else will be taken care of by the automatic defrost system.



Child safety lock

It is not possible to unintentionally switch on the oven when the child safety lock is activated.



Quick installation

This refers to convenience when installing built-in products. All of the installation components have been pre-assembled in the factory. Installation takes a matter of only five minutes!

SOUS-VIDE

UNPARALLELED

CULINARY EXPERIENCES

Sous-vide cooking is a variant of low-temperature cooking performed in a bain marie or in steam at a practically constant temperature.



The sous-vide programme in Küppersbusch steam cookers and steam ovens is a feature especially designed for sous-vide cooking. With this method, meat, fish or vegetables are cooked inside a vacuum bag at relatively low temperatures below 100°C.

Discover unparalleled taste experiences with this cooking method. And this is how it works:

Simply clean and, where necessary, cut up the ingredients (raw and cooled) and put them in a vacuum bag. Add flavouring, e.g. oil, herbs and spices. Then, seal the bag in the vacuuming drawer to extract as much air as possible. If you do not intend to use them immediately, the bags need to be stored in a cool place. Vacuumed bags can be left in the fridge over night to marinate.

Then, place the bags into your steam cooker or steam oven and start the sous-vide programme. The food is cooked at a constant water or steam temperature of 50°C to 85°C.

The Küppersbusch vacuum drawer:

The new Küppersbusch vacuum drawer is perfect for sous-vide cooking (see picture on the left).

But it is also ideal for storing raw or already cooked foods. In this drawer, all the air is sucked from the vacuum bags, and they are sealed. The vacuum is effective at 99.9% and ensures foods keep fresh for a significantly longer time.

Food	not vacuum- sealed	vacuum-sealed
At room temperature		
Rolls	approx. 2-3 days	approx. 7-8 days
Coffee	approx. 2-3 months	approx. 12 months
In the fridge		
Vegetables (raw)	approx. 5 days	approx. 18-20 days
Soup (cooked)	approx. 2-3 days	approx. 8-12 days
Beef (raw)	approx. 3-4 days	approx. 30-40 days
Meat (fried)	approx. 2-3 days	approx. 8-12 days
Fresh fruit	approx. 3-7 days	approx. 8-25 days
In the freezer		
Meat	approx. 6 months	approx. 24-36 months
Minced meat	approx. 4 months	approx. 12 months
Fish	approx. 6 months	approx. 24-36 months
Vegetables	approx. 8-10 months	approx. 24-36 months



COMPACT. DRAWER. VACUUM.

K - SERIES . 8



with black glass front and stainless steel design kit



with white glass front and stainless steel design kit



with grey glass front and design kit Shade of Grey



CSV 6800.0

Touch control. 99,9% Vacuum power. Touch to open.

Features:

- Ideal complement for a 45 cm high appliance for a 59 cm high built-in niche
- Glass front (**see optional accessories**) or existing furniture mountable
- Electronic control with touch control sensors
- Vacuum power up to 99,9%
- 3 vacuum power levels (min/med/max)
- Special functions for marination and liquids
- 3 m³/h vacuum power of the pump
- Max. bag dimensions 305 mm
- Telescopic rails

Technical data:

- Electrical connection 0.4 kW
- Appliance dimensions W x H x D approx. 595 x 140 x 550 mm
- Niche dimensions W x H x D approx. 560 x 595 x 550 mm incl. an appliance of 45 cm height
- Inner dimensions 310 x 330 x 65/85 mm

Standard accessories:

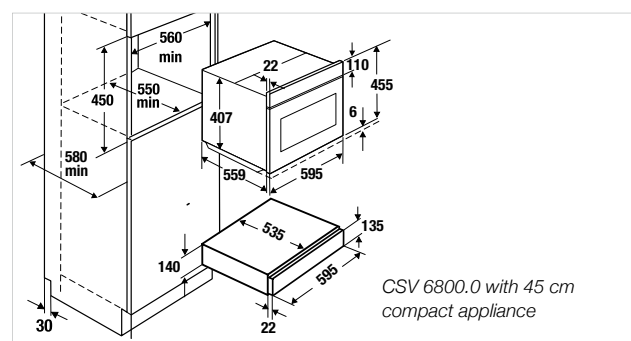
- 25 vacuum bags 200 x 250 mm
- 25 vacuum bags 250 x 300 mm
- 1 reduction inlay
- 1 vacuum jet (for connection to special vacuum container)

Optional accessories:

- Black glass front Acc. no. ZV 8020
- White glass front Acc. no. ZV 8022
- Grey glass front Acc. no. ZV 8021
- Design kit Stainless Steel Acc. no. DK 1002
- Design kit Black Chrome Acc. no. DK 2002
- Design kit Silver Chrome Acc. no. DK 3002
- Design kit Gold Acc. no. DK 4002
- Design kit Black Velvet Acc. no. DK 5002
- Design kit Copper Acc. no. DK 7002
- Design kit Hot Chili Acc. no. DK 8002
- Design kit Shade of Grey Acc. no. DK 9002



CSV 6800.0 without glass front



COMPACT. DRAWER. WARM. K-SERIES . 8



with black glass front and stainless steel design kit



with white glass front and stainless steel design kit



with grey glass front and design kit
Shade of Grey



CSW 6800.0

Touch control. Timer. Touch to open.

Features:

- Ideal complement for a 45 cm high appliance for a 59 cm high built-in niche
- Glass front (**see optional accessories**) or existing furniture mount table
- Variable power control from approx. 30–80°C
- Timer with switch-off feature up to 4 hours
- Suitable for keeping warm, defrosting, low temperature cooking, doughing and warming dishes
- Capacity (dependent on tableware-size): Dinner service for 6 persons or 20 plates with Ø 28 cm or 80 espresso cups or 40 cappuccino cups
- Telescopic rails

Technical data:

- Electrical connection 0.4 kW
- Appliance dimensions W x H x D approx. 595 x 139 x 515 mm
- Niche dimensions W x H x D approx. 560 x 595 x min. 550 mm
incl. an appliance of 45 cm height
- Inner dimensions W x H x D approx. 410 x 105 x 525 mm

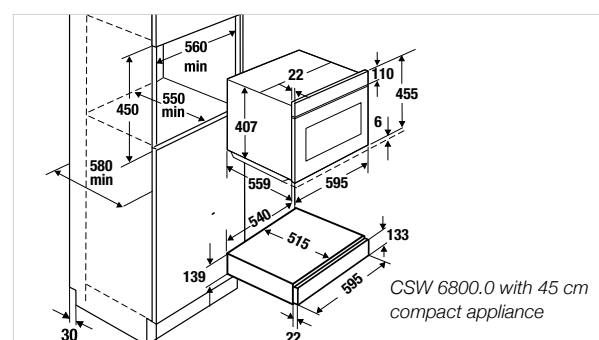
Standard accessories:

- Non-slip inlay

Optional accessories:

- Black glass front Acc. no. ZC 8020
- White glass front Acc. no. ZC 8022
- Grey glass front Acc. no. ZC 8021
- Design kit Stainless Steel Acc. no. DK 1002
- Design kit Black Chrome Acc. no. DK 2002
- Design kit Silver Chrome Acc. no. DK 3002
- Design kit Gold Acc. no. DK 4002
- Design kit Black Velvet Acc. no. DK 5002
- Design kit Copper Acc. no. DK 7002
- Design kit Hot Chili Acc. no. DK 8002
- Design kit Shade of Grey Acc. no. DK 9002

CSW 6800.0 without glass front



COMPACT. DRAWER. ACCESSORY.

K-SERIES . 8



with black glass front and stainless steel design kit



with white glass front and stainless steel design kit



with grey glass front and design kit Shade of Grey



CSZ 6800.0

Touch to open.

Features:

- Ideal accessory for being combined with a 45 cm compact appliance, offering additional stowage in a 59 cm high niche
- Glass front (**see optional accessories**) or existing furniture mount table
- Telescopic rails
- Stainless steel oven cavity

Technical data:

- Appliance dimensions W x H x D approx. 595 x 140 x 535 mm
- Niche dimensions W x H x D approx. 560 x 595 x min. 550 mm incl. an appliance of 45 cm height
- Inner dimensions W x H x D approx. 410 x 139 x 500 mm

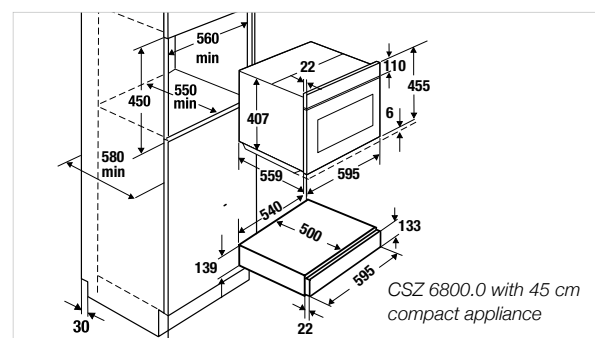
Standard accessories:

- Non-slip inlay

Optional accessories:

- Black glass front Acc. no. ZC 8020
- White glass front Acc. no. ZC 8022
- Grey glass front Acc. no. ZC 8021
- Design kit Stainless Steel Acc. no. DK 1002
- Design kit Black Chrome Acc. no. DK 2002
- Design kit Silver Chrome Acc. no. DK 3002
- Design kit Gold Acc. no. DK 4002
- Design kit Black Velvet Acc. no. DK 5002
- Design kit Copper Acc. no. DK 7002
- Design kit Hot Chili Acc. no. DK 8002
- Design kit Shade of Grey Acc. no. DK 9002

CSZ 6800.0 without glass front



MICROWAVE (38 CM NICHE).

K-SERIES.3



Black, Design Stainless Steel



ML 6330.0/MR 6330.0 (left/right hingeing door)

3 functions. Electronic clock. 22 litres Stainless steel oven cavity.

Features:

- 3 microwave functions (microwave only, microwave + grill, and grill only)
- 5 microwave output levels
- Microwave output 850 watts
- Grill 1200 watts
- 14 automatic programmes
- Control with high-quality aluminum knobs
- Electronic clock with white display
- Stand-by mode
- Stainless steel oven cavity with ceramic plate
- Oven lighting
- Choice of door hinge (see model)

Technical data:

- Electrical connection 2.5 kW
- Appliance dimensions W x H x D approx. 595 x 390 x 334 mm (incl. front 22 mm)
- Niche dimensions W x H x D approx. 568 x 380 x 320 mm (tall-housing)
- Niche dimensions W x H x D approx. 568 x 370 x 320 mm (wall-hanging cupboard)
- Oven cavity dimensions W x H x D approx. 350 x 220 x 280 mm
- For more technical data see page 201

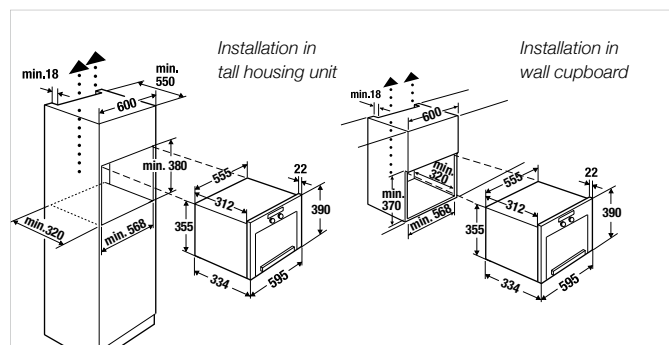
Standard accessories: - 1 roasting grid

Design kits:

- Design Stainless Steel Acc. no. DK 1003
- Design Black Chrome Acc. no. DK 2003
- Design Silver Chrome Acc. no. DK 3003
- Design Gold Acc. no. DK 4003
- Design Black Velvet Acc. no. DK 5003
- Design Copper Acc. no. DK 7003
- Design Hot Chili Acc. no. DK 8003

ML / MR 6330.0 S1 Black, Design Stainless Steel

ML / MR 6330.0 S Black + Design kit Acc. no. ...



MICROWAVE (38 CM NICHE).



Design Black



M 6120.0

3 functions. Electronic clock. 20 litres Stainless steel oven cavity.

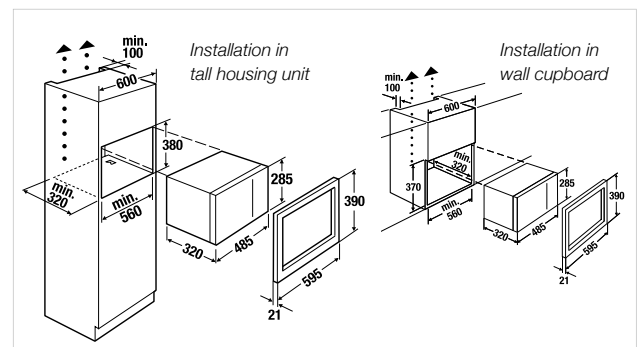
Features:

- 3 microwave functions (microwave only, microwave + grill, and grill only)
- 5 microwave output levels
- Microwave output 800 watts
- Grill 1200 watts
- 3 automatic programmes
- Control with touch control sensors
- Electronic timer with white display
- Stainless steel oven cavity
- Oven lighting
- Door contact switch
- Turntable, Ø 24 cm

Technical data:

- Electrical connection 1.2 kW
- Appliance dimensions W x H x D approx. 595 x 390 x 320 mm
- Niche dimensions W x H x D approx. 560 x 380 x 320 mm (tall-housing)
- Niche dimensions W x H x D approx. 560 x 370 x 320 mm (wall-hanging cupboard)
- Oven cavity dimensions W x H x D approx. 350 x 220 x 280 mm
- For more technical data see page 201

M 6120.0 S black



KÜPPERSBUSCH HOBS

Hobs that inspire: from cutting-edge induction to award-winning gas hobs. We offer something for every taste, tailored to your personal needs.

Individual + versatile

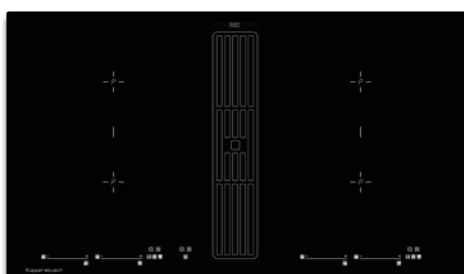


ONE DEVICE – TWO USES

Küppersbusch induction hob-level extractor units are both cooking zone and extractor fan in one! This is an especially effective form of hob ventilation, as grease and steam are extracted directly at the source and are not carried through the room. The perfect solution for open living kitchens.

Another bonus is that you don't need a separate extractor fan above your cooker, meaning you have more freedom when designing your kitchen. You can even install your cooker below a window.

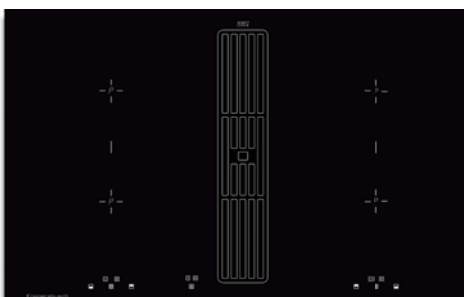
When using the hob-level extractor, you will need to insert the ventilation grid (provided). When you have finished using the extractor, you can close it again with its glass insert.



KMI 9800.0

In addition to the 90 and 80 cm long induction hob-level extractors KMI 9850, KMI 9800.0 and KMI 8500.0, Küppersbusch also provides the perfect solution for VarioLine:

The 14 cm wide hob-level extractor VKM 1800.0 can be installed between the VarioLine hobs VKI 3805.0 and VKIW 3800.0.



KMI 8500.0



VKI 3805.0 + VKM 1800.0 + VKIW 3800.0



KMI 8500.0

Ventilation grids in the individual concept.

Ventilation grid in the individual concept. Individualise your induction hob-level extractor. Fitting to the ovens, compact appliances, hoods, etc., designs in Stainless Steel, Black Chrome, Silver Chrome, Gold, Copper and Hot Chili are also possible as special orders (price and delivery time on request). The grids are not suitable for dishwashers.



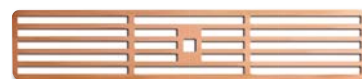
Design Stainless steel Acc. no. 99089



Design Gold Acc. no. 99092



Design Black Chrome Acc. no. 99090



Design Copper Acc. no. 99094



Design Silver Chrome Acc. no. 99091



Design Hot Chili Acc. no. 99095

EFFECTIVE AND CLEAN

- **Quick cleaning** of the metal grease filter – simply lift it up and place it in your dishwasher.
- **Easy adjustment** of the self-explanatory ventilation controls, which are separate from the hob controls.
- **Easy installation** – one appliance, one cut into your work surface, one connection for two functions!
- **Low operating noise** thanks to the especially silent ventilation system inside the base.
- **Less soiling** - grease separation: 96,5%.



Almost as hard as a diamond:



The surface of the Küppersbusch induction hob-level extractors KMI 9850.0 and KMI 9800.0 and the induction hobs KI 9850.0 and KI 8820.0 is refined with the SCHOTT CERAN® Miradur™ coating.

Through this patented, particularly resistant surface, the hob is permanently protected against scratches, because the surface hardness improved from 4 to approximately 10 on the Martens hardness scale when compared to conventional glass ceramic hobs.

SCHOTT CERAN® Miradur™ does not only reduce the signs of usage through cleaning and cooking, but rather it also guarantees that the hob looks like new for many years.

The metallic look for this surface gives the hob a fascinating look.

DESIGN AND FUNCTION



Hobs don't have to be black! At Küppersbusch, you are spoilt for choice: In addition to classic black hobs you can also get discreet grey ones or even pure white ones as well hobs with Miradur surface in Chrome-Look. Another question you will need to ask yourself is: what should the frame look like?



Stainless steel frame

Two elegant stainless steel brackets frame the hob from the front and back. With this type of frame, you can use the VarioLine connector bracket to combine several hob elements.



Bevelled edge

A bevelled glass edge frames the entire hob, giving it a sophisticated look. Without sharp edges or corners.



Flush installation

The hob is flush-mounted into your worktop, giving you a completely level surface. A great advantage here: the hob is incredibly easy to clean.



Black glass with Miradur™



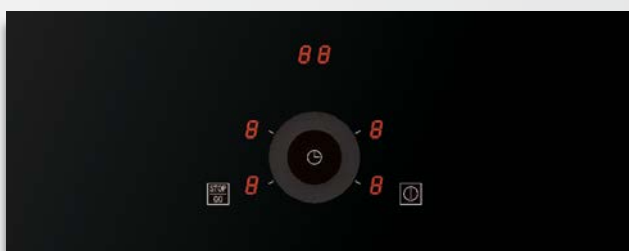
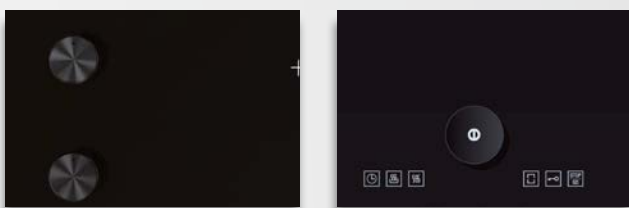
Grey glass



White glass

SWIPE, TAP, TURN ...

The controls for Küppersbusch hobs are intuitive and easy-to-use. As with our new ovens and compact units, most of our hobs also have white controls.



knobControl

The settings of the power level are set by rotary knobs. Whether high-quality control elements made of stainless steel or aluminium, removable control knobs with integrated touch sensor or conventional rotary knobs - all settings can be selected intuitively. Depending on the model, further special functions can be activated by touch sensors.

glideControl+

Gently touch the glide control and select the cooking zone you need. By sliding your finger up and down on the respective graphic display, you can adjust the power level.

glideControl

When the hob is switched on, the electronic touch control appears. Once the cooking zone has been selected, the user can control the hob by sliding on the respective graphics.

selectControl

With the Küppersbusch selectControl display concept, all the controls are very clearly arranged. You select the cooking zone you need by tapping the respective cooking zone graphic. Then you set the power level with the + / - symbols. For special functions such as Memory, STOP-AND-GO etc., simply tap the direct selection buttons.

dialControl

This is an intuitive central control unit: first of all, you choose the cooking zone you need. Then, you set the power level by moving your finger clockwise on the control area.

THE PERFECT HOB FOR EVERYONE

Induction, gas or highlight hob?

At Küppersbusch, you will find the perfect model or indeed the perfect combination of appliances. There is one thing they all have in common: the energy-saving technology with innovative control concepts and a first class design.

Induction: quick, safe, economical and precise

Unlike any other type of energy, induction can be used at lightning speed, is finely adjustable, energy-saving and safe.

Highlight: classic and good

If you tend to let your experience guide you and prefer to go for the tried and tested, our ökospeed plus hobs are for you.

Gas: inspired by professional chefs

Not just professional chefs have the hots for cooking on gas. This economical and ecological energy is ideal for a modern kitchen.



At Küppersbusch, you will find attractive gas hobs stainless steel or elegant glass ceramic models.

Advantages of our gas hobs:

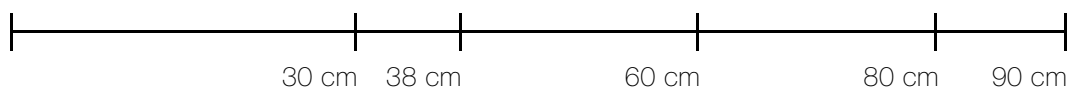
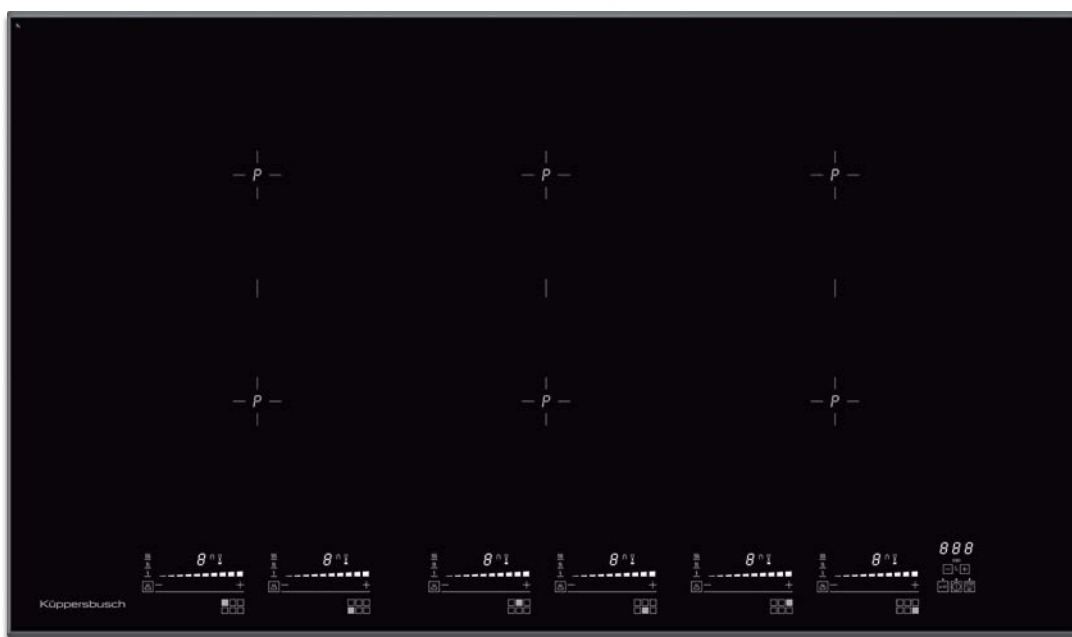
- **Easy to use** thanks to an integrated quick-response spark ignition with a press and turn control
- **Convenience** thanks to different burner sizes and different power levels
- **Easy cleaning** as the removable pan supports can be placed in the dishwasher (depends on model)
- **Safety** thanks to the automatic gas shutdown whenever a flame inadvertently extinguishes
- **Efficient and environmentally friendly**, because gas is a primary energy and does not emit any pollutants through transformation processes.



Küppersbusch VarioLine: This is like having a building set of different hob types, which also allows you to combine various widths with one another. Or you can integrate a lava stone grill, a wok hob or a hob-level extractor unit...

HOW WIDE CAN AND SHOULD YOUR HOB BE?

Do you have any constraints regarding space in your kitchen? Or are you free to choose your dream size? With hob widths of **90 cm, 80 cm, 60 cm, 38 cm and 30 cm**, Küppersbusch gives you the flexibility you need – also for combining elements, as shown in the VarioLine example above.



New versatility in cooking: built-in electric hobs.

Independent hobs

Independent hobs have their own controls, for example sensor touch pads, and can be fitted into kitchens individually, irrespective of the oven.

Ceramic glass hobs

The robust ceramic glass hobs have a great deal of advantages: Thanks to their completely smooth surface pots and pans are particularly easy to handle. And because nothing burns on easily they can be cleaned with the flick of a wrist.



VarioLine

The Küppersbusch VarioLine series harmoniously combines diverse different hob sizes with stainless steel frame design.



Vario Induction

Pots of different sizes and particularly large roasters are no problem on Vario induction hobs. The cooking zones can be used as usual, and there is also the option of activating the two rectangular cooking zones together and setting them with a single control operation.



Induction

Many professional cooks swear by this form of cold energy. Induction can be used more precisely than any other kind of energy – it is extremely fast, can be controlled perfectly, saves energy and is safe. The secret of induction cooking: energy is only transmitted to where cookware with a ferrous base has been placed on a cooking zone. This generation of energy direct on the base of the pan ensures extremely short heating up times for food and low energy consumption. And since the cooking zone itself doesn't get hot, nothing can burn on.



Full-surface induction

Full-surface induction makes it possible to adapt the size of a cooking zone to your individual needs. The cooking zones are used like they usually are for small pots. For bigger pots or a roaster, each front cooking zone can be combined with the cooking zone behind it or all four cooking zones can be activated together as one large surface.



ökospeed plus

All of the Küppersbusch cooking zones have ökospeed plus elements. These sophisticated elements ensure that the heat-up time takes only a matter of seconds, resulting in a quick supply of heat. Thus besides heating up quickly, valuable energy is also saved.

Automatic booster cooking phase

Some of the cooking zones are equipped with an automatic booster, with which the setting for continuous cooking is stipulated on commencement of cooking. The cooking zone commences at full power and then automatically switches back to the setting for continuous cooking. You will find that cooking is taken care of for you.



Touch control

An exemplary electronics system controls the electric cooking zones. Touching the sensor pad lightly is sufficient to switch on the respective cooking zone. Besides operating the cooking settings, the easy-to-handle sensor pads are also used for controlling all other functions.



knobControl (see page 89)

The settings are set by using the knob. Depending on the model, additional special functions can be added by using sensor.

glideControl / glideControl+ (see page 89)

With the Küppersbusch operating concept, all functions such as activation of the timer function and multiple-circuit zones, which can be selected directly, are clearly arranged on the hob. A light touch on the relevant wedge-shaped control graphic selects the desired zone. Moving your finger up and down the graduated scale adjusts the power level.

selectControl (see page 89)

With the Küppersbusch selectControl display concept, all the controls are very clearly arranged. You select the cooking zone you need by tapping the respective cooking zone graphic. Then you set the power level with the + / – symbols. For special functions such as Memory, STOP-AND-GO etc., simply tap the direct selection buttons.

dialControl (see page 89)

The control unit of the Küppersbusch hobs has been optically and functionally optimised to improve user guidance. The cooking zones are set centrally with an intuitive control unit. First of all, the cooking zone of your choice is activated, and then the required power setting is made with a circling clockwise movement on the control unit.



Power booster setting

Küppersbusch induction hobs enable the power level of certain cooking zones to be raised by switching on the power booster setting, which means that heat required is available much more quickly.



öko-Power function

The öko-Power function allows the cooking zone output to be increased in two stages. The first stage is the öko-Power level, which increases the output but not as much as the boost level and therefore saves approximately 30 % energy. The second stage corresponds to the "normal" boost level, which provides heat very quickly when needed.

Residual heat indicator

The residual heat indicator reliably indicates which cooking zones are still hot. So you will not only know when to be careful, you can also use the residual heat to keep food warm and save energy at the same time.



STOP-AND-GO-Button

A STOP-AND-GO button makes for extremely convenient safety. With this button you will not be unpleasantly surprised when you unexpectedly need to answer the doorbell or the telephone, all it takes is a light touch on the STOP-AND-GO button and all of the activated cooking zones will be cut off at the setting that has been made. After your return all you need to do is press the button again to restart the process.



Pan and pan size detection

In the case of all induction cooking zones, in addition to the pan detection system there is also a system to detect the size of a pan. Sensors determine the size of the cookware so that when a pan is placed on a cooking zone the induction heating circuit reacts accordingly.

Minute minder

The minute minder buzzes when the time set has expired.

Automatic switch-off

The automatic switch-off system switches off the cooking zone when the time set in the minute minder has expired.

Switch-off memory

It's no problem if your hob is unintentionally switched off while it is operating. The electronic system remembers the most recent settings, so cooking can be resumed with the same settings when the hob is switched on again.

Central cut-off

The central cut-off system enables all of the cooking zones to be switched off simultaneously. So it doesn't matter which hand you use – if anything suddenly boils over you can switch off all of the cooking zones in a flash.



Childproof lock

It is not possible to unintentionally switch on the hob or turn up the setting when the child safety lock is activated.

Holiday shut-down

You no longer need to ask yourself if you have really switched off the hob after having left home. This is automatically taken care of by the holiday shutdown device. This safety device simply switches off the cooking zone if nothing is reset for some time.

Dual-circuit cooking zones

Various diameter dimensions can be used with these cooking zones, to optimize use of various sizes of cookware.

Dual-circuit cooking and roasting zone

A round cooking zone can be turned into a rectangular cooking zone when an additional heating element is switched on.

Bridging function

Full surface induction technology with its bridging function offers more space for large pots by coupling together 2 or 4 cooking zones.

Individual configuration of functions

The most popular functions can be individually saved on special key panels. Previously stored functions can be selected direct for use at any time.

Pre-definit special levels

Pre-set temperatures are automatically reached and maintained with the help of these special settings. This prevents liquids from boiling over and food in cooking pots from burning. Uses: 42°C melting level / 70°C keeping-warm level / 94°C pasta level.



Chef function

The chef function sub-divides the hob into 3 sections (left, centre, right). Individual power settings can be made for each section, and food is cooked by moving cookware to the other sections on the hob and not by changing power settings.

Cleaning function

The cleaning function switches the hob settings off for 20 seconds, during which time the cooking zones can be cleaned. After the 20 seconds have expired, the most recently set functions automatically start operating again.



Hob widths

The diverse widths of the Küppersbusch hobs mean flexibility all the way.

Pot move function

With the pot move function, the settings of two cooking zones can be changed easily. Cooking operations can therefore be moved from one cooking zone to another.

Especially for gas-hobs:



One-hand electric spark ignition

When the control knob is pressed in and turned, the electric one-hand spark ignition automatically produces an ignition spark and the relevant cooking zone is ignited.

Full safety device

The safety pilot automatically shuts off the gas when the flame goes out.

Pan supports

The pan supports, which rest lightly on the cooking zone, can simply be removed when required and are therefore easy to clean.



HOB. DOWNDRAFT. INDUCTION.

K-SERIES . 8

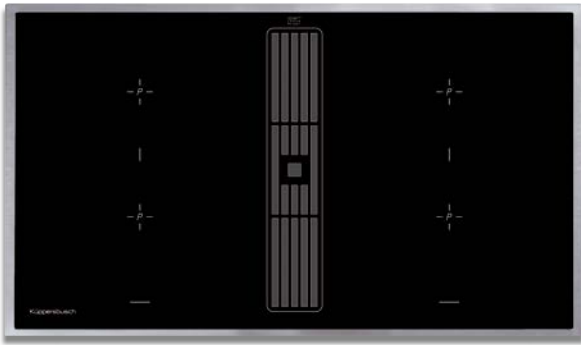


Illustration with ventilation grid, Stainless steel frame



KMI 9850.0

Profi downdraft. knobControl. 13 power levels. 96,5% Grease deposit.



Features induction hob:

- 13-level power controls "knobControl" with **high-quality steel knobs** (including)
- 3 pre-defined special levels: melting level approx. 42°C, keeping-warm level approx. 70°C, pasta level approx. 94°C
- Switch-off memory
- Bridge function, front and rear cooking zone can be switched together to one cooking zone
- Automatic booster cooking phase
- Residual heat indicator
- Holiday shut-down device (limiting operation duration time)
- Ventilation grid and glass cover (ZK 8000) incl.
- 4 cooking zones 210 x 190 mm / 2,100 W (3,700 W*)
*with power booster setting

Features cooker hood:

- Extraction rate (to the outside) according to guideline EN 61591: max. normal power setting 530 m³/h, intensive power setting 620 m³/h
- Noise level according to guideline EN 60704-2-13: min. 45 dB, max. 55 dB, int. 68 dB
- 4 power levels incl. high power settings
- Digital display
- Metal grease filter with **96,5 % grease deposit**
- Automatic delay stop
- Recirculating air mode possible (see optional accessories)
- Exhaust air system incl. (see page 131)

Technical data:

- Electrical connection Induction 7,400 W / hood 115 W
- Air connection plinth fan Naber Compair Flow NW 150
- Appliance dimensions Stainless steel frame W x D approx. 900 x 520 mm
- Appliance dimensions Flush installation W x D approx. 898 x 518 mm
- Niche dimensions W x D approx. 860 x 500 mm
- For more information see page 130 + 203

Optional accessories (hood):

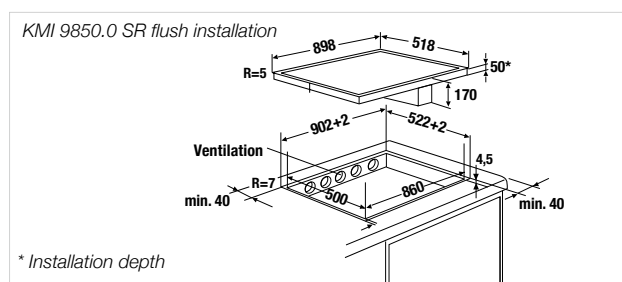
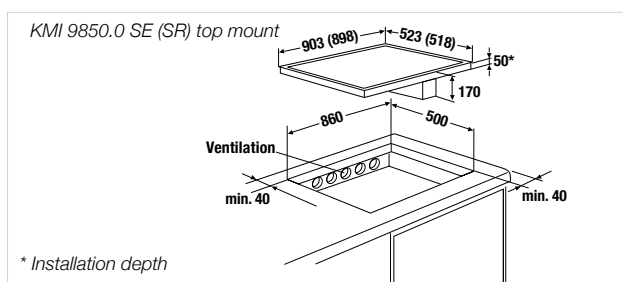
- PlasmaMade filter Acc. no. ZD 8001
- Charcoal filter box Acc. no. ZK 8001
- Glass cover Mirador Acc. no. ZK 8005
- Wireless window contact system Acc. no. ZK 8002
- For further optional accessories see page 128-131

Individualise the KMI 9800.0 through ventilation grilles in the individual concept! Information about this can be found on page 86.

See page 131 for important information about the exhaust air system.

- KMI 9850.0 SR** black, flush installation
- KMI 9850.0 SE** black, Stainless steel frame

Detailed installation drawing see page 130



HOB. DOWNDRAFT. INDUCTION. K-SERIES . 8

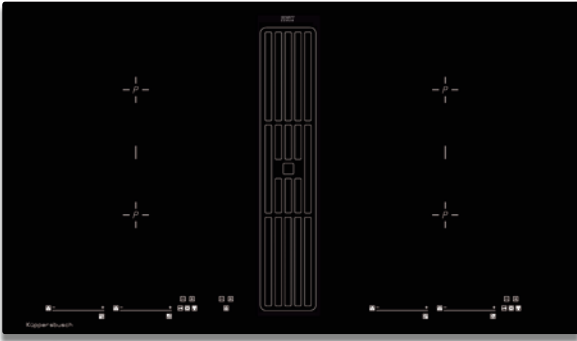


Illustration with ventilation grid, flush installation



KMI 9800.0

glideControl+. 13 power levels. 96,5% Grease deposit.



Features induction hob:

- 13-level power controls "glideControl+" with red display
- 3 pre-defined special levels: melting level approx. 42°C, keeping-warm level approx. 70°C, pasta level approx. 94°
- Bridge function, front and rear cooking zone can be switched together to one cooking zone
- Automatic booster cooking phase
- Residual heat indicator
- Minute minder with switch-off feature
- Holiday shut-down device (limiting operation duration time)
- Ventilation grid and glass cover (ZK 8000) incl.
- 4 cooking zones 210 x 190 mm / 2,100 W (3,700 W*)
*with power booster setting

Features cooker hood:

- Extraction rate (to the outside) according to guideline EN 61591: max. normal power setting 530 m³/h, intensive power setting 620 m³/h
- Noise level according to guideline EN 60704-2-13: min. 45 dB, max. 55 dB, int. 68 dB
- 4 power levels incl. high power settings
- Digital display
- Metal grease filter with **96,5 % grease deposit**
- Automatic delay stop
- Recirculating air mode possible (see optional accessories)
- Exhaust air system incl. (see page 131)

Technical data:

- Electrical connection Induction 7,400 W / hood 115 W
- Air connection plinth fan Naber Compair Flow NW 150
- Appliance dimensions W x D approx. 898 x 518 mm
- Niche dimensions W x D approx. 860 x 500 mm
- For more information see page 203

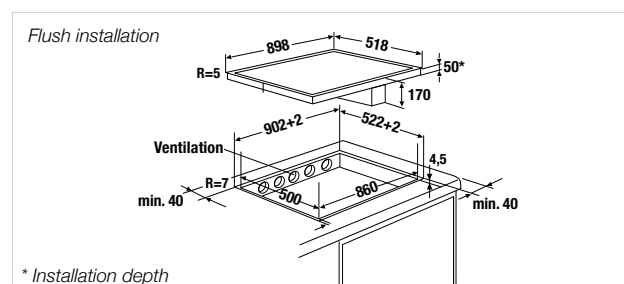
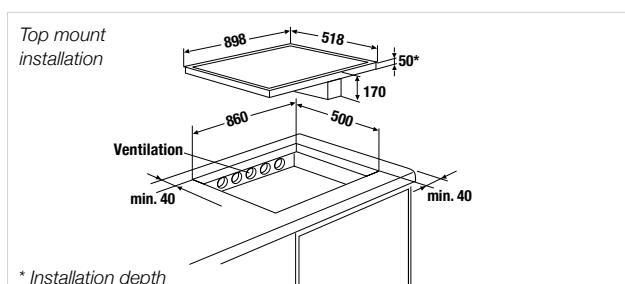
Optional accessories (hood):

- PlasmaMade filter Acc. no. ZD 8001
- Charcoal filter box Acc. no. ZK 8001
- Glass cover Mirador Acc. no. ZK 8005
- Wireless window contact system Acc. no. ZK 8002
- For further optional accessories see page 128-131

Individualise the KMI 9800.0 through ventilation grilles in the individual concept! Information about this can be found on page 86.

See page 131 for important information about the exhaust air system.

- KMI 9800.0 SR** black, flush installation
- KMI 9800.0 SE** black, stainless steel frame



HOB. DOWNDRAFT. INDUCTION.

K-SERIES.5

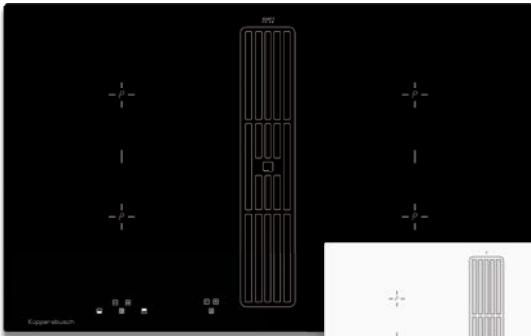


Illustration with ventilation grid, flush installation

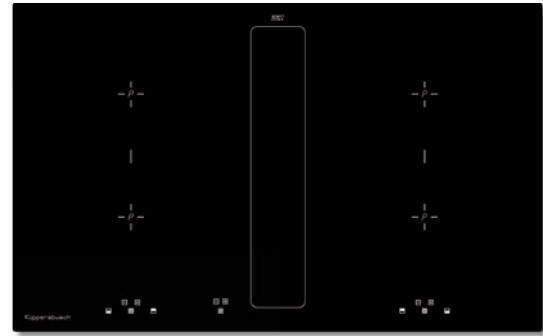
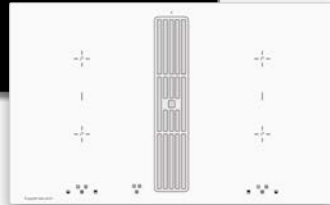


Illustration with glass cover (Acc. ZK 8000) on the fan

KMI 8500.0

selectControl. 10 power levels. 96,5% Grease deposit.



Features induction hob:

- 10-level power controls "selectControl" with red display
 - Bridge function, right and left cooking zones can be switched together to one cooking zone
 - Automatic booster cooking phase
 - Residual heat indicator
 - Minute minder with switch-off feature
 - Holiday shut-down device (limiting operation duration time)
 - Ventilation grid incl.
 - 2 cooking zones 210 x 190 mm / 2,100 W (3,000 W*)
 - 2 cooking zones 210 x 190 mm / 1,650 W (1,850 W*)
- *with power booster setting

Features cooker hood:

- Extraction rate (to the outside) according to guideline EN 61591: max. normal power setting 530 m³/h, intensive power setting 620 m³/h
- Noise level according to guideline EN 60704-2-13: min. 45 dB, max. 55 dB, int. 68 dB
- 4-level power controls incl. high power setting
- Digital display
- Metal grease filter with **96,5 % grease deposit**
- Automatic delay stop
- Recirculating air mode possible (see optional accessories)
- Exhaust air system incl. (see page 131)

Technical data:

- Electrical connection Induction 7,400 W / hood 115 W
- Air connection plinth fan Naber Compair Flow NW 150
- Appliance dimensions W x D approx. 830 x 515 mm
- Niche dimensions W x D approx. 750 x 500 mm
- For more information see page 203

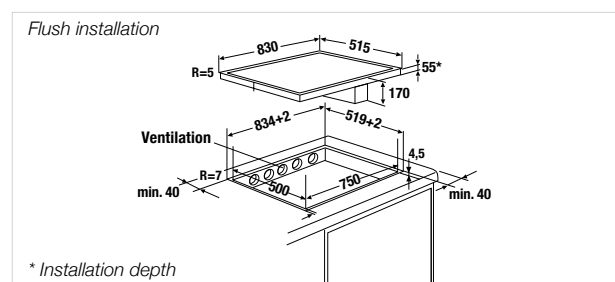
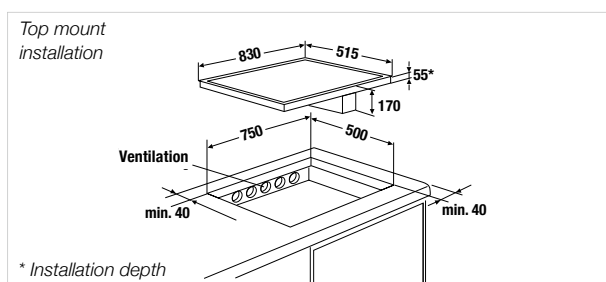
Optional accessories (hood):

- PlasmaMade filter Acc. no. ZD 8001
- Charcoal filter box Acc. no. ZK 8001
- Glass cover, black Acc. no. ZK 8000
- Wireless window contact system Acc. no. ZK 8002
- For further optional accessories see page 128-131

Individualise the KMI 8500.0 through ventilation grilles in the individual concept! Information about this can be found on page 86.

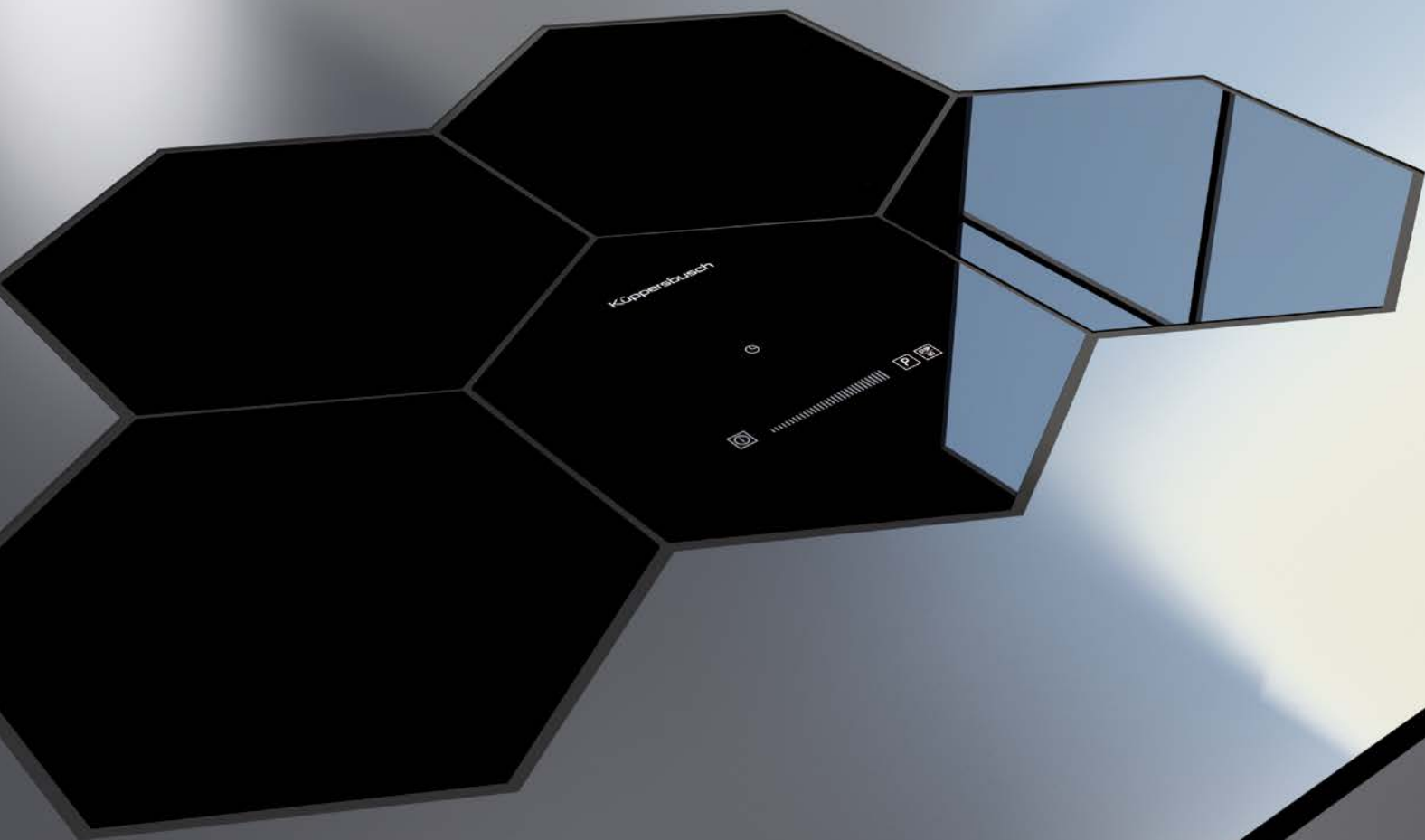
See page 131 for important information about the exhaust air system.

KMI 8500.0 SR black, flush installation
KMI 8500.0 WR white, flush installation



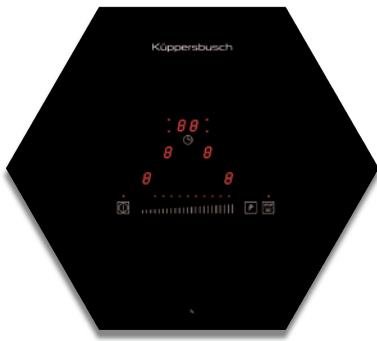
For individual cooking enjoyment

Cooking has seldom been as enjoyable and as practical as it is today with our unique honeycomb hobs. An exceptional design and a high degree of flexibility mean the greatest possible individuality. Ideal hob design, optimal space utilisation and quick, easy cleaning are all combined. You have plenty of personal freedom when it comes to arranging the individual honeycombs. Simply put them together according to your own personal wishes.



HOBS. HONEYCOMB. INDUCTION.

K-SERIES.8



Flush installation

EKWI 3740.0 W

Planning freedom. 11 power levels. 4 cooking zones.



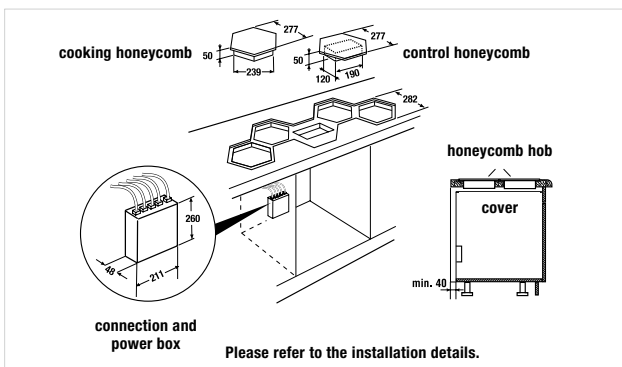
Features:

- 11-level power controls with red display
- 1 special level: keeping-warm level approx. 70°C
- Switch-off memory
- Automatic booster cooking phase
- Residual heat indicator
- Minute minder for up to 99 minutes with switch-off feature
- Central switch-off control
- Holiday shut-down device (limiting operation duration time)
- 1 sensor touch honeycomb included
- 4 separate cooking zones:
 - 2 x Ø 20 cm / 2,300 W (3,000 W*)
 - 2 x Ø 16 cm / 1,100 W (1,400 W*)
- * with power booster setting
- Optional accessories see page 128-129

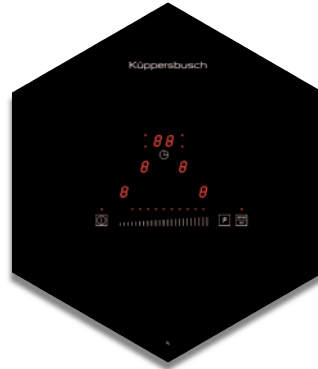
Technical data:

- Electrical connection 7.4 kW
- Appliance dimensions W x D approx. 320 x 320 mm
- Installation depth 50 mm
- Niche dimensions see building-in diagrams
- For more information see page 203

EKWI 3740.0 W black, flush installation
Honeycomb-Set: 1 control honeycomb (horizontal hexagon)
 and 4 cooking zones



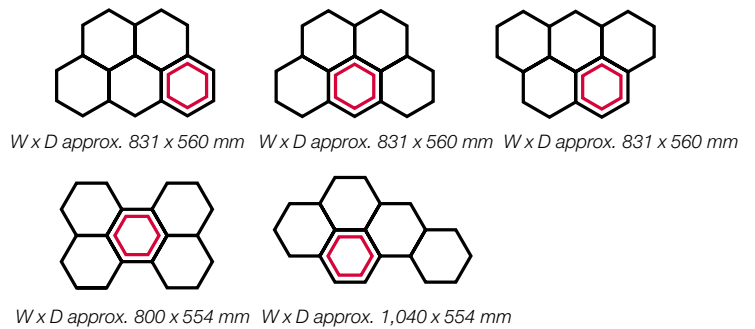
K-SERIES.8



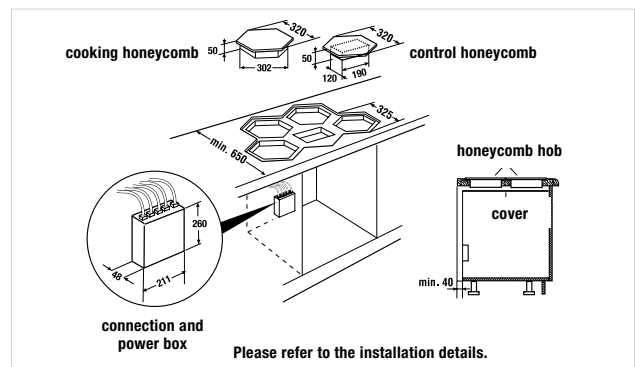
Flush installation

EKWI 3740.0 S

Examples of possible design layouts:



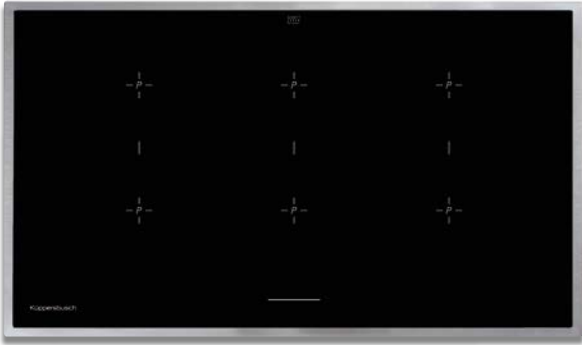
EKWI 3740.0 S black, flush installation
Honeycomb-Set: 1 control honeycomb (pointed hexagon)
 and 4 cooking zones





HOB. INDUCTION.

K - SERIES . 8



Stainless steel frame



KI 9850.0

Profi hob. knobControl. 13 power levels. 6 cooking zones.



Features:

- 13-level power controls "knobControl" with high-quality steel knobs (including)
- 3 pre-defined special levels: melting level approx. 42°C, keeping-warm level approx. 70°C, pasta level approx. 94°C
- Bridge function, front and rear cooking zone can be switched together to one cooking zone
- Pan and pan size detection with automatic control indication
- Automatic booster cooking phase
- Residual heat indicator
- Holiday shut-down device (limiting operation duration time)
- 6 cooking zones 210 x 190 mm / 2,100 W (3,700 W*)
*with power booster setting

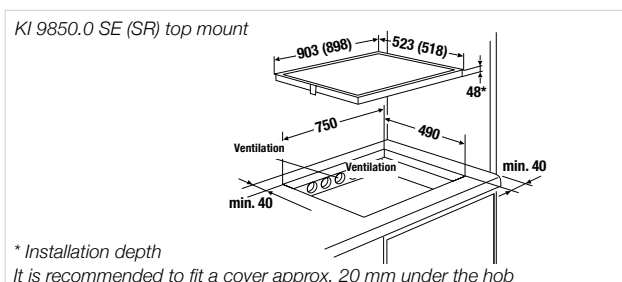
Technical data:

- Electrical connection 11.1 kW
- Appliance dimensions
 - Stainless steel frame W x D approx. 900 x 520 mm
 - Flush installation W x D approx. 898 x 518 mm
 - Installation depth 48 mm
- Niche dimensions W x D approx. 750 x 490 mm
(for flush installation please refer to the building-in diagrams)
- For more information see page 130 + 204

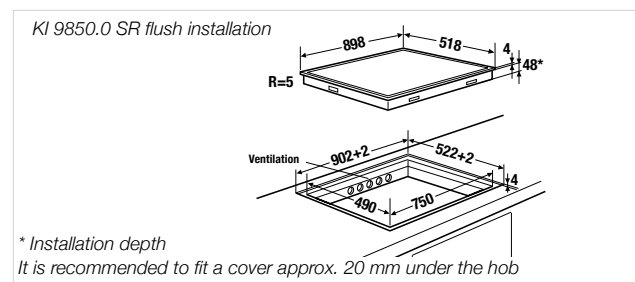
Optional accessories:

- FlexiGrill Acc. no. 1303
- For further optional accessories see page 128-130

- KI 9850.0 SE** black, stainless steel frame
- KI 9850.0 SR** black, flush installation

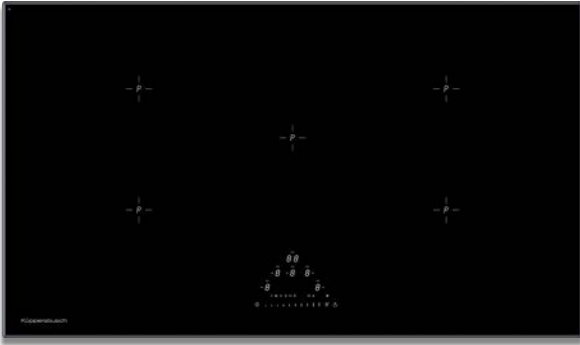


Detailed installation drawing see page 130



HOB. INDUCTION.

K - SERIES . 8



Bevelled edge

KI 9820.0

glideControl. 15 power levels. 5 cooking zones.



Features:

- High-quality chrome graphics
 - 15-level power controls "glideControl" with white display
 - 3 pre-defined special levels: melting level approx. 42°C, keeping-warm level approx. 70°C, pasta level approx. 94°C
 - Optimised grill function for FlexiGrill Acc. no. 1303
 - Switch-off memory
 - Pot move function
 - Bridge function, right and left cooking zones can be switched together to one cooking zone
 - Pan and pan size detection with automatic control indication
 - Automatic booster cooking phase
 - Residual heat indicator
 - Minute minder with switch-off feature
 - Central switch-off control
 - Holiday shut-down device (limiting operation duration time)
 - Cleaning funktion
 - 4 cooking zones 210 x 180 mm / 2,100 W (3,700 W*)
 - 1 cooking zone 180 x 260 mm / 2,100 W (3,700 W*)
- *with power booster setting

Technical data:

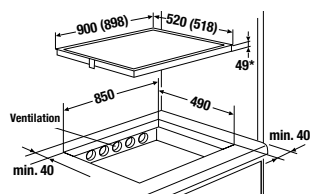
- Electrical connection 11.1 kW
- Appliance dimensions
 - Bevelled edge W x D approx. 900 x 520 mm
 - Flush installation W x D approx. 898 x 518 mm
 - Installation depth 49 mm
- Niche dimensions W x D approx. 850 x 490 mm (for flush installation please refer to the building-in diagrams)
- For more information see page 204

Optional accessories:

- FlexiGrill Acc. no. 1303
- For further optional accessories see page 128-129

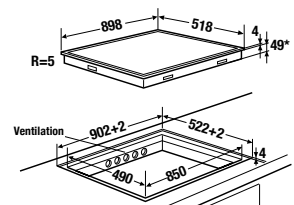
- KI 9820.0 SF** black, bevelled edge
- KI 9820.0 SR** black, flush installation

KI 9820.0 SF (SR) top mount



* Installation depth
It is recommended to fit a cover approx. 20 mm under the hob

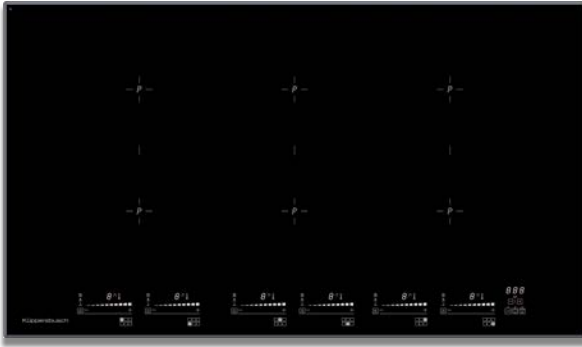
KI 9820.0 SR flush installation



* Installation depth
It is recommended to fit a cover approx. 20 mm under the hob

HOBS. INDUCTION.

K-SERIES . 8



Bevelled edge

KI 9810.0

glideControl+. 15 power levels. 6 cooking zones.



Features:

- High-quality chrome graphics
- 15-level power controls "glideControl+" with white display
- 3 pre-defined special levels: melting level approx. 42°C, keeping-warm level approx. 70°C, pasta level approx. 94°C
- Optimised grill function for FlexiGrill Acc. no. 1303
- Switch-off memory
- Bridge function, front and rear cooking zone can be switched together to one cooking zone
- Pan and pan size detection with automatic control indication
- Automatic booster cooking phase
- Residual heat indicator
- Minute minder with switch-off feature
- Central switch-off control
- Holiday shut-down device (limiting operation duration time)
- 6 cooking zones 210 x 190 mm / 2,100 W (3,700 W*)
*with power booster setting

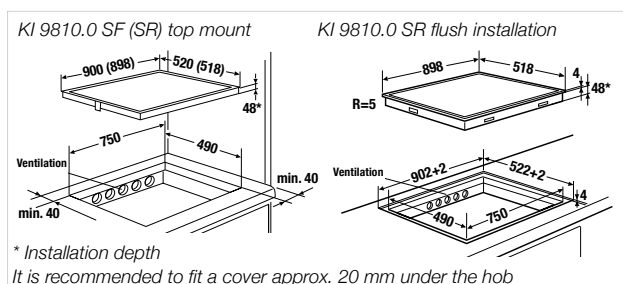
Technical data:

- Electrical connection 11.1 kW
- Appliance dimensions
Bevelled edge W x D approx. 900 x 520 mm
Flush installation W x D approx. 898 x 518 mm
Installation depth 48 mm
- Niche dimensions W x D approx. 750 x 490 mm
(for flush installation please refer to the building-in diagrams)
- For more information see page 204

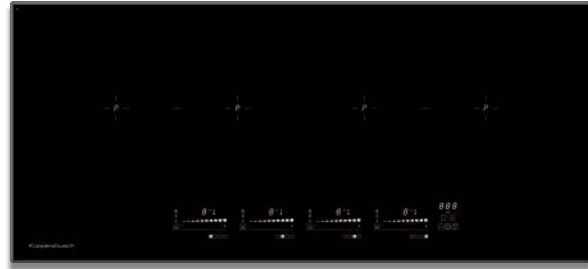
Optional accessories:

- FlexiGrill Acc. no. 1303
- For further optional accessories see page 128-129

KI 9810.0 SF black, bevelled edge
KI 9810.0 SR black, flush installation



K-SERIES . 8



Bevelled edge

KI 9800.0

glideControl+. 15 power levels. 4 cooking zones.



Features:

- High-quality chrome graphics
- 15-level power controls "glideControl+" with white display
- 3 pre-defined special levels: melting level approx. 42°C, keeping-warm level approx. 70°C, pasta level approx. 94°C
- Optimised grill function for FlexiGrill Acc. no. 1303
- Switch-off memory
- Bridge function, right and left cooking zones can be switched together to one cooking zone
- Pan and pan size detection with automatic control indication
- Automatic booster cooking phase
- Residual heat indicator
- Minute minder with switch-off feature
- Central switch-off control
- Holiday shut-down device (limiting operation duration time)
- 4 cooking zones 210 x 190 mm / 2,100 W (3,700 W*)
*with power booster setting

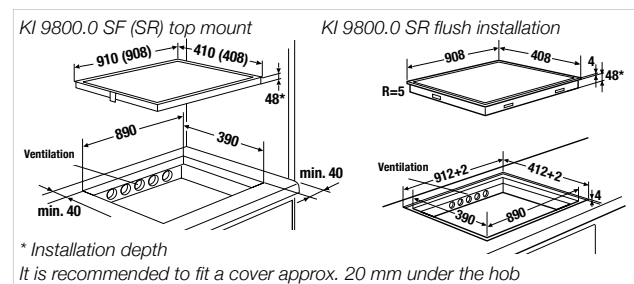
Technical data:

- Electrical connection 7.4 kW
- Appliance dimensions
Bevelled edge W x D approx. 910 x 510 mm
Flush installation W x D approx. 908 x 408 mm
Installation depth 48 mm
- Niche dimensions W x D approx. 890 x 390 mm
(for flush installation please refer to the building-in diagrams)
- For more information see page 204

Optional accessories:

- FlexiGrill Acc. no. 1303
- For further optional accessories see page 128-129

KI 9800.0 SF black, bevelled edge
KI 9800.0 SR black, flush installation



HOBS. INDUCTION.

K-SERIES.8



Bevelled edge

KI 8820.0

glideControl. 11 power levels. 6 cooking zones.



Features:

- 11-level power controls "glideControl" with white display
 - 1 pre-defined special level: keeping-warm level approx. 70°C
 - Optimised grill function for FlexiGrill Acc. no. 1303
 - Switch-off memory
 - Bridge function, front and rear cooking zone can be switched together to one cooking zone
 - Residual heat indicator
 - Minute minder with switch-off feature
 - Central switch-off control
 - Holiday shut-down device (limiting operation duration time)
 - 3 cooking zones 210 x 190 mm / 1,600 W (1,850 W*)
 - 3 cooking zones 210 x 190 mm / 2,100 W (3,000 W*)
- *with power booster setting

Technical data:

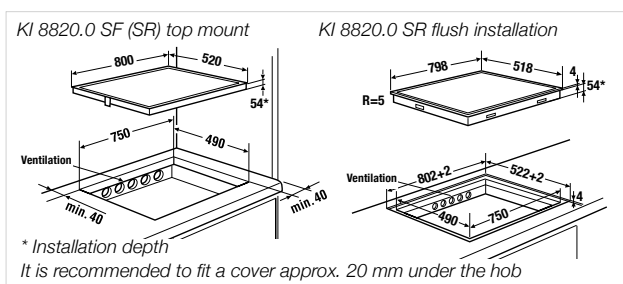
- Electrical connection 11.1 kW
- Appliance dimensions
- Bevelled edge W x D approx. 800 x 520 mm
- Flush installation W x D approx. 798 x 518 mm
- Installation depth 54 mm
- Niche dimensions W x D approx. 750 x 490 mm (for flush installation please refer to the building-in diagrams)
- For more information see page 204

Optional accessories:

- Stainless steel profiles Acc. no. ZK 0800
- FlexiGrill Acc. no. 1303
- For further optional accessories see page 128-129

KI 8820.0 SF black, bevelled edge

KI 8820.0 SR black, flush installation



K-SERIES.8



Flush installation

KI 8810.0 NEW

knobControl. 11 power levels. 4 cooking zones.



Features:

- 11-level power controls "knobControl" with high-quality aluminium knobs
 - 1 pre-defined special level: keeping-warm level approx. 70°C
 - Bridge function, front and rear cooking zone can be switched together to one cooking zone
 - Automatic booster cooking phase
 - Residual heat indicator
 - Holiday shut-down device (limiting operation duration time)
 - 2 cooking zones 210 x 200 mm / 2.100 W (3.000 W*)
 - 2 cooking zones 210 x 200 mm / 1.600 W (1.850 W*)
- *with power booster setting

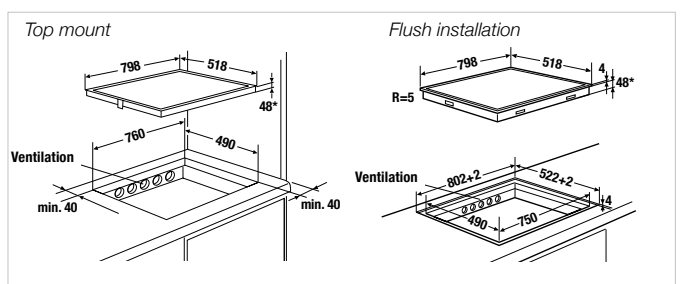
Technical data:

- Electrical connection 7,4 kW
- Appliance dimensions W x D approx. 798 x 518 mm
- Installation depth 48 mm
- Niche dimensions W x D approx. 760 x 490 mm (for flush installation please refer to the building-in diagrams)
- For more information see page 204

Optional accessories:

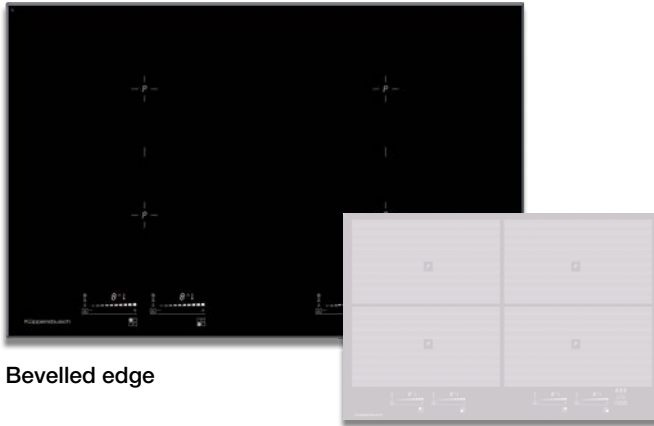
- Stainless steel profiles Acc. no. ZK 0800
- For further optional accessories see page 128-129

KI 8810.0 SR black, flush installation



HOBS. INDUCTION.

K - SERIES . 8



Bevelled edge

KI 8800.0

glideControl+. 15 power levels. 4 cooking zones.



Features:

- High-quality chrome graphics
- 15-level power controls "glideControl+" with white display
- 3 pre-defined special levels: melting level approx. 42°C, keeping-warm level approx. 70°C, pasta level approx. 94°C
- Optimised grill function for FlexiGrill Acc. no. 1303
- Switch-off memory
- Bridge function, front and rear cooking zone can be switched together to one cooking zone
- Pan and pan size detection with automatic control indication
- Automatic booster cooking phase
- Residual heat indicator
- Minute minder with switch-off feature
- Central switch-off control
- Holiday shut-down device (limiting operation duration time)
- 4 cooking zones 210 x 190 mm / 2,100 W (3,700 W*)
*with power booster setting

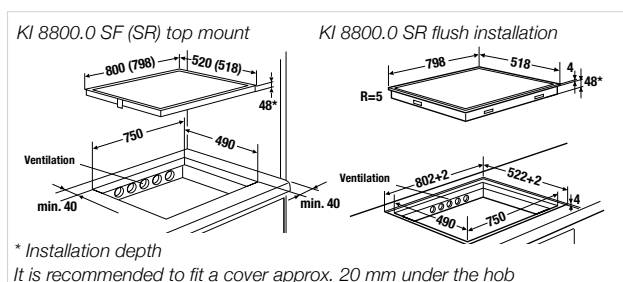
Technical data:

- Electrical connection 7.4 kW
- Appliance dimensions
Bevelled edge W x D approx. 800 x 520 mm
Flush installation W x D approx. 798 x 518 mm
Installation depth 48 mm
- Niche dimensions W x D approx. 750 x 490 mm
(for flush installation please refer to the building-in diagrams)
- For more information see page 204

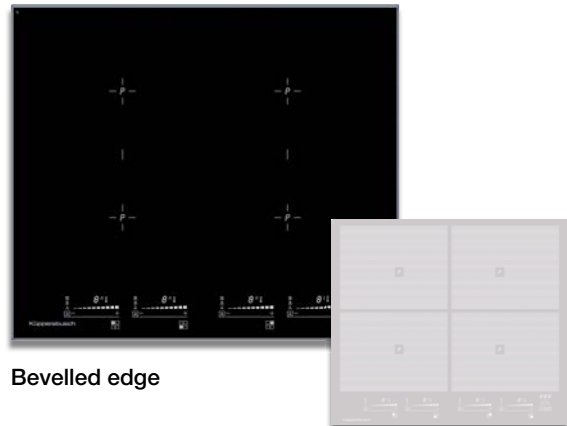
Optional accessories:

- Stainless steel profiles Acc. no. ZK 0800
- FlexiGrill Acc. no. 1303
- For further optional accessories see page 128-129

- KI 8800.0 GR** grey, flush installation
- KI 8800.0 SF** black, bevelled edge
- KI 8800.0 SR** black, flush installation



K - SERIES . 8



Bevelled edge

KI 6800.0

glideControl+. 15 power levels. 4 cooking zones.



Features:

- High-quality chrome graphics
- 15-level power controls "glideControl+" with white display
- 3 pre-defined special levels: melting level approx. 42°C, keeping-warm level approx. 70°C, pasta level approx. 94°C
- Optimised grill function for FlexiGrill Acc. no. 1303
- Switch-off memory
- Bridge function, front and rear cooking zone can be switched together to one cooking zone
- Pan and pan size detection with automatic control indication
- Automatic booster cooking phase
- Residual heat indicator
- Minute minder with switch-off feature
- Central switch-off control
- Holiday shut-down device (limiting operation duration time)
- 4 cooking zones 210 x 190 mm / 2,100 W (3,700 W*)
*with power booster setting

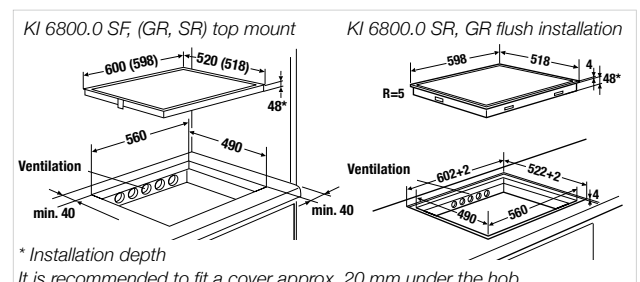
Technical data:

- Electrical connection 7.4 kW
- Appliance dimensions
Bevelled edge W x D approx. 600 x 520 mm
Flush installation W x D approx. 598 x 518 mm
Installation depth 53 mm
- Niche dimensions W x D approx. 560 x 490 mm
(for flush installation please refer to the building-in diagrams)
- For more information see page 204

Optional accessories:

- Stainless steel profiles Acc. no. ZK 0600
- FlexiGrill Acc. no. 1303
- For further optional accessories see page 128-129

- KI 6800.0 GR** grey, flush installation
- KI 6800.0 SF** black, bevelled edge
- KI 6800.0 SR** black, flush installation



HOB. INDUCTION.

K-SERIES.5



Flush installation

KI 9560.0* **NEW**

glideControl. 12 power levels. 5 cooking zones.



Features:

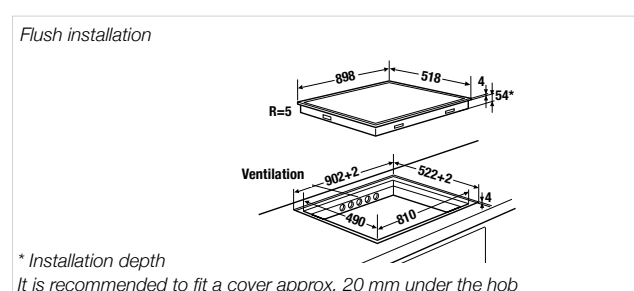
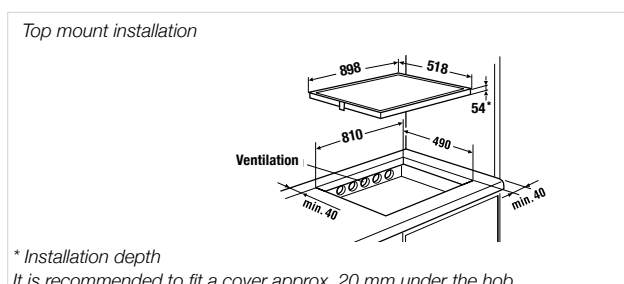
- 12-level power controls "glideControl" with red display
 - 1 pre-defined special level: keeping-warm level approx. 70°C
 - Switch-off memory
 - Bridge function, right and left cooking zones can be switched together to one cooking zone
 - Automatic booster cooking phase
 - Residual heat indicator
 - Minute minder with switch-off feature
 - Central switch-off control
 - Holiday shut-down device (limiting operation duration time)
 - 4 cooking zones 210 x 190 mm / 2,100 W (3,000 W*)
 - 1 cooking zone Ø 125 mm / 2,300 W (3,000 W*)
- *with power booster setting
- Optional accessories see page 128-129

Technical data:

- Electrical connection 10.4 kW
- Appliance dimensions W x D approx. 898 x 518 mm
- Installation depth 54 mm
- Niche dimensions W x D approx. 850 x 490 mm
- For more information see page 205

*Available from 09/2019

KI 9560.0 SR black, flush installation



HOBS. INDUCTION.

K-SERIES.5



Flush installation

KI 8560.0** **NEW**

glideControl. 12 power levels. 4 cooking zones.



Features:

- 12-level power controls "glideControl" with red display
- 1 pre-defined special level: keeping-warm level approx. 70°C
- Switch-off memory
- Bridge function, front and rear cooking zone can be switched together to one cooking zone
- Automatic booster cooking phase
- Residual heat indicator
- Minute minder with switch-off feature
- Central switch-off control
- Holiday shut-down device (limiting operation duration time)
- 4 cooking zones 210 x 190 mm / 2,100 W (3,000 W*)
- *with power booster setting

Technical data:

- Electrical connection 7.4 kW
- Appliance dimensions
 - Stainless steel frame W x D approx. 800 x 520 mm
 - Flush installation W x D approx. 798 x 518 mm
 - Installation depth 54 mm
- Niche dimensions W x D approx. 750 x 490 mm
- For more information see page 205

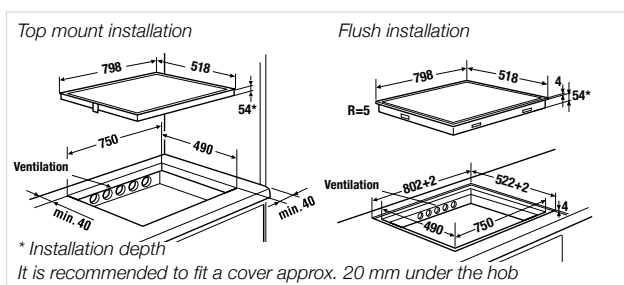
Optional accessories:

- Stainless steel profiles Acc. no. ZK 0800
- For further optional accessories see page 128-129

*only possible with optional accessory ZK 0800

**Available from 09/2019

KI 8560.0 SR black, flush installation



K-SERIES.5



Flush installation

KI 6560.0** **NEW**

glideControl. 12 power levels. 4 cooking zones.



Features:

- 12-level power controls "glideControl" with red display
- 1 pre-defined special level: keeping-warm level approx. 70°C
- Switch-off memory
- Bridge function, front and rear cooking zone can be switched together to one cooking zone
- Automatic booster cooking phase
- Residual heat indicator
- Minute minder with switch-off feature
- Central switch-off control
- Holiday shut-down device (limiting operation duration time)
- 4 cooking zones 210 x 190 mm / 2,100 W (3,000 W*)
- *with power booster setting

Technical data:

- Electrical connection 7.4 kW
- Appliance dimensions
 - Stainless steel frame W x D approx. 600 x 520 mm
 - Flush installation W x D approx. 598 x 518 mm
 - Installation depth 54 mm
- Niche dimensions W x D approx. 560 x 490 mm
- For more information see page 205

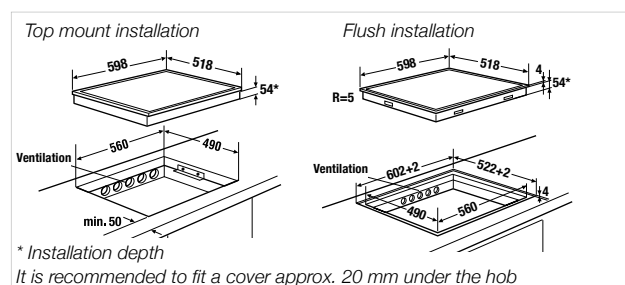
Optional accessories:

- Stainless steel profiles Acc. no. ZK 0600
- For further optional accessories see page 128-129

*only possible with optional accessory ZK 0600

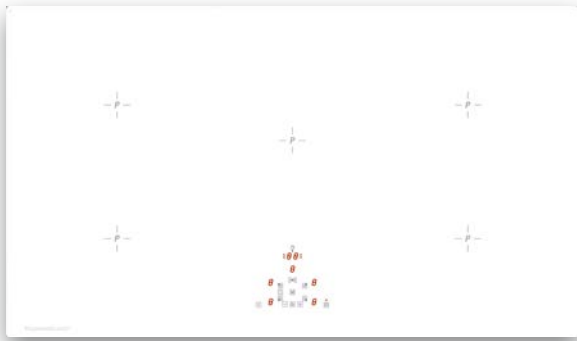
**Available from 09/2019

KI 6560.0 SR black, flush installation



HOB. INDUCTION.

K-SERIES. 5



Flush installation

KI 9520.0

selectControl. 11 power levels. 5 cooking zones.



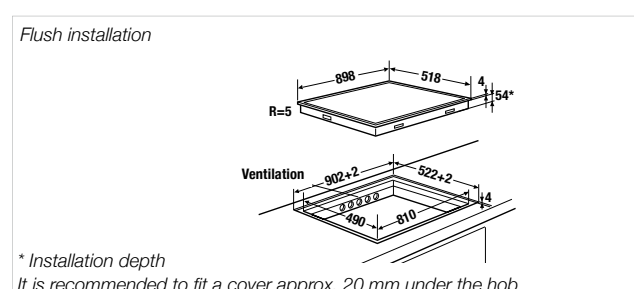
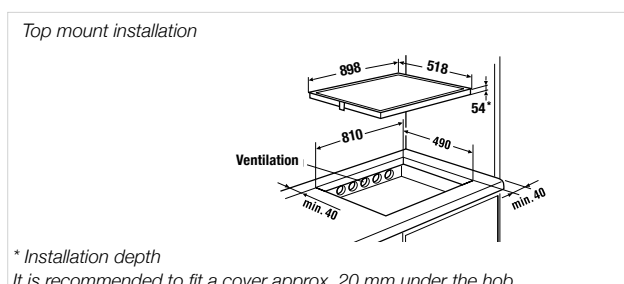
Features:

- White glass
- 11-level power controls "selectControl" with red display
- 1 pre-defined special level: keeping-warm level approx. 70°C
- Switch-off memory
- Bridge function, left cooking zones can be switched together
- Residual heat indicator
- Minute minder with switch-off feature
- Central switch-off control
- Holiday shut-down device (limiting operation duration time)
- 1 cooking zone 210 x 190 mm / 2,100 W (3,000 W*)
- 1 cooking zone 210 x 190 mm / 1,600 W (1,850 W*)
- 1 cooking zone Ø 280 mm / 2,300 W (3,000 W*)
- 1 cooking zone Ø 220 mm / 2,300 W (3,000 W*)
- 1 cooking zone Ø 180 mm / 1,100 W (1,400 W*)
- *with power booster setting
- Optional accessories see page 128-129

Technical data:

- Electrical connection 7.4 kW
- Appliance dimensions W x D approx. 898 x 518 mm
- Installation depth 54 mm
- Niche dimensions W x D approx. 810 x 490 mm
- For more information see page 205

KI 9520.0 WR white, flush installation



HOBS. INDUCTION.

K-SERIES . 5



Flush installation

KI 8520.0

selectControl. 11 power levels. 4 cooking zones.



Features:

- White glass
 - 11-level power controls "selectControl" with red display
 - 1 pre-defined special level: keeping-warm level approx. 70°C
 - Switch-off memory
 - Bridge function, left cooking zones can be switched together
 - Residual heat indicator
 - Minute minder with switch-off feature
 - Central switch-off control
 - Holiday shut-down device (limiting operation duration time)
 - 1 cooking zone 210 x 190 mm / 2,100 W (3,000 W*)
 - 1 cooking zone 210 x 190 mm / 1,600 W (1,850 W*)
 - 1 cooking zone Ø 215 mm / 2,300 W (3,000 W*)
 - 1 cooking zone Ø 180 mm / 1,100 W (1,400 W*)
- *with power booster setting

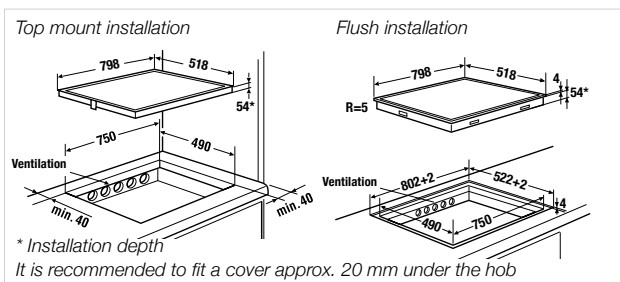
Technical data:

- Electrical connection 7.4 kW
- Appliance dimensions
Stainless steel frame W x D approx. 800 x 520 mm
Flush installation W x D approx. 798 x 518 mm
Installation depth 54 mm
- Niche dimensions W x D approx. 750 x 490 mm
- For more information see page 205

Optional accessories:

- Stainless steel profiles Acc. no. ZK 0800
- For further optional accessories see page 128-129

KI 8520.0 WR white, flush installation



K-SERIES . 5



Flush installation

KI 6520.0

selectControl. 11 power levels. 4 cooking zones.



Features:

- White glass
 - 11-level power controls "selectControl" with red display
 - 1 pre-defined special level: keeping-warm level approx. 70°C
 - Switch-off memory
 - Bridge function, left cooking zones can be switched together
 - Residual heat indicator
 - Minute minder with switch-off feature
 - Central switch-off control
 - Holiday shut-down device (limiting operation duration time)
 - 1 cooking zone 210 x 190 mm / 2,100 W (3,000 W*)
 - 1 cooking zone 210 x 190 mm / 1,600 W (1,850 W*)
 - 1 cooking zone Ø 215 mm / 2,300 W (3,000 W*)
 - 1 cooking zone Ø 180 mm / 1,100 W (1,400 W*)
- *with power booster setting

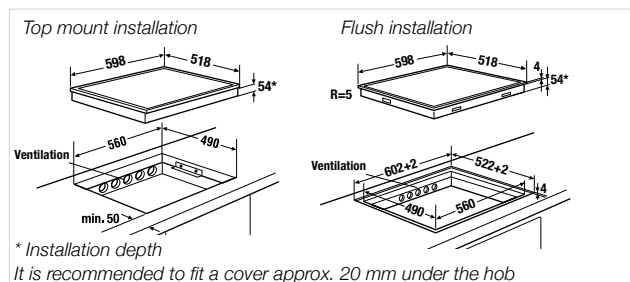
Technical data:

- Electrical connection 7.4 kW
- Appliance dimensions
Stainless steel frame W x D approx. 600 x 520 mm
Flush installation W x D approx. 598 x 518 mm
Installation depth 54 mm
- Niche dimensions W x D approx. 560 x 490 mm
- For more information see page 206

Optional accessories:

- Stainless steel profiles Acc. no. ZK 0600
- For further optional accessories see page 128-129

KI 6520.0 WR white, flush installation



HOBS. INDUCTION.

K-SERIES.3



Flush installation

KI 9330.0

dialControl. 11 power levels. 5 cooking zones.



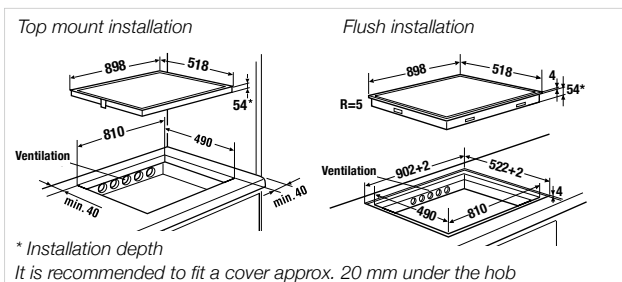
Features:

- 11-level power controls "dialControl" with red display
- 1 pre-defined special level: keeping-warm level approx. 70°C
- Switch-off memory
- Automatic booster cooking phase
- Residual heat indicator
- Minute minder with switch-off feature
- Central switch-off control
- Holiday shut-down device (limiting operation duration time)
- 1 cooking zone Ø 175 mm / 1,100 W (1,400 W*)
- 1 cooking zone Ø 175 mm / 1,400 W (2,000 W*)
- 1 cooking zone Ø 265 mm / 2,300 W (3,000 W*)
- 1 cooking zone Ø 215 mm / 2,300 W (3,000 W*)
- 1 cooking zone Ø 175 mm / 1,100 W (1,400 W*)
- *with power booster setting
- Optional accessories see page 128-129

Technical data:

- Electrical connection 7.4 kW
- Appliance dimensions W x D approx. 898 x 518 mm
- Installation depth 54 mm
- Niche dimensions W x D approx. 810 x 490 mm
- For more information see page 206

KI 9330.0 SR black, flush installation



K-SERIES.3



Flush installation

KI 8330.0

dialControl. 11 power levels. 4 cooking zones.



Features:

- 11-level power controls "dialControl" with red display
- 1 pre-defined special level: keeping-warm level approx. 70°C
- Switch-off memory
- Automatic booster cooking phase
- Residual heat indicator
- Minute minder with switch-off feature
- Central switch-off control
- Holiday shut-down device (limiting operation duration time)
- 1 cooking zone Ø 215 mm / 2,300 W (3,000 W*)
- 1 cooking zone Ø 175 mm / 1,100 W (1,400 W*)
- 1 cooking zone Ø 215 mm / 2,300 W (3,000 W*)
- 1 cooking zone Ø 175 mm / 1,100 W (1,400 W*)
- *with power booster setting

Technical data:

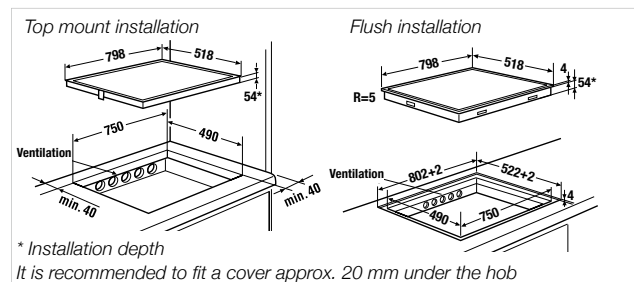
- Electrical connection 7.4 kW
- Appliance dimensions W x D approx. 798 x 518 mm
- Installation depth 54 mm
- Niche dimensions W x D approx. 750 x 490 mm
- For more information see page 206

Optional accessories:

- Stainless steel profiles Acc. no. ZK 0800
- VarioLine metallic joining strip Acc. no. 1130 (only possible with stainless steel profiles)
- For further optional accessories see page 128-129

*only possible with optional accessory ZK 0800

KI 8330.0 SR black, flush installation



HOB. INDUCTION.

K-SERIES.3



Flush installation

KI 6330.0

dialControl. 11 power levels. 4 cooking zones.



Features:

- 11-level power controls "dialControl" with red display
 - 1 pre-defined special level: keeping-warm level approx. 70°C
 - Switch-off memory
 - Automatic booster cooking phase
 - Residual heat indicator
 - Minute minder with switch-off feature
 - Central switch-off control
 - Holiday shut-down device (limiting operation duration time)
 - 1 cooking zone Ø 200 mm / 2,300 W (3,000 W*)
 - 1 cooking zone Ø 180 mm / 1,100 W (1,400 W*)
 - 1 cooking zone Ø 220 mm / 2,300 W (3,000 W*)
 - 1 cooking zone Ø 160 mm / 1,100 W (1,400 W*)
- *with power booster setting

Technical data:

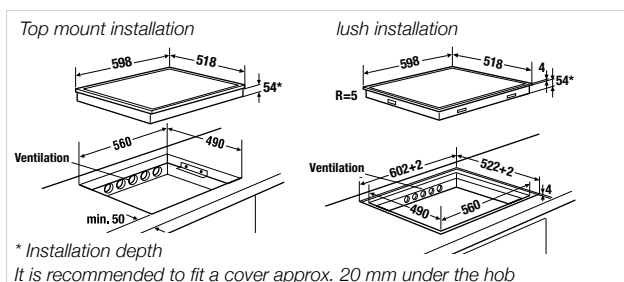
- Electrical connection 7.4 kW
- Appliance dimensions W x D approx. 598 x 518 mm
- Installation depth 54 mm
- Niche dimensions W x D approx. 560 x 490 mm
- For more information see page 206

Optional accessories:

- Stainless steel profiles Acc. no. ZK 0600
- Varioline metallic joining strip Acc. no. 1130 (only possible with stainless steel profiles)
- For further optional accessories see page 128-129

*only possible with optional accessory ZK 0600

KI 6330.0 SR black, flush installation



K-SERIES.3



Flush installation

KI 6350.0

knobControl. 11 power levels. 4 cooking zones.



Features:

- 10-level power controls "knobControl" with red display
 - Control with central, removable knob and touch control sensors
 - 1 pre-defined special level: keeping-warm level approx. 70°C
 - Bridge function, right cooking zones can be switched together
 - Residual heat indicator
 - Minute minder with switch-off feature
 - Central switch-off control
 - Holiday shut-down device (limiting operation duration time)
 - 1 cooking zone Ø 210 mm / 2,300 W (3,000 W*)
 - 2 cooking zones Ø 180 mm / 1,850 W (2,500 W*)
 - 1 cooking zone Ø 145 mm / 1,400 W (1,800 W*)
- *with power booster setting

Technical data:

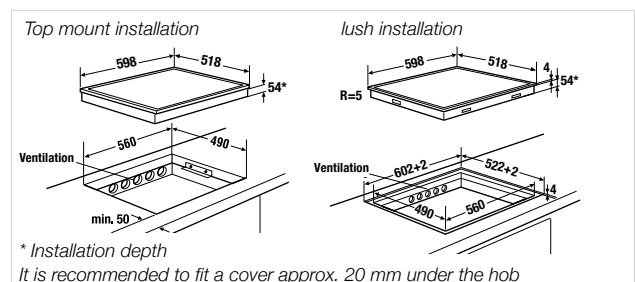
- Electrical connection 7.4 kW
- Appliance dimensions W x D approx. 598 x 518 mm
- Installation depth 54 mm
- Niche dimensions W x D approx. 560 x 490 mm
- For more information see page 206

Optional accessories:

- Stainless steel profiles Acc. no. ZK 0600
- Varioline metallic joining strip Acc. no. 1130 (only possible with stainless steel profiles)
- For further optional accessories see page 128-129

*only possible with optional accessory ZK 0600

KI 6350.0 SR black, flush installation



HOBS. INDUCTION.

K-SERIES . 1



Flush installation

KI 8120.0

selectControl. 10 power levels. 4 cooking zones.



Features:

- 10-level power controls "selectControl" with red display
 - Residual heat indicator
 - Minute minder with switch-off feature
 - Central switch-off control
 - Holiday shut-down device (limiting operation duration time)
 - 1 cooking zone \varnothing 190 mm / 2,300 W (3,000 W*)
 - 1 cooking zone \varnothing 170 mm / 1,100 W (1,400 W*)
 - 1 cooking zone \varnothing 220 mm / 2,300 W (3,000 W*)
 - 1 cooking zone \varnothing 155 mm / 1,100 W (1,400 W*)
- * with power booster setting

Technical data:

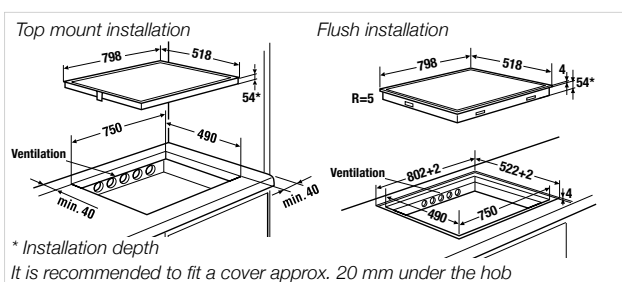
- Electrical connection 7.4 kW
- Appliance dimensions W x D approx. 798 x 518 mm
- Installation depth 54 mm
- Niche dimensions W x D approx. 750 x 490 mm
- For more information see page 206

Optional accessories:

- Stainless steel profiles Acc. no. ZK 0800
- VarioLine metallic joining strip Acc. no. 1130 (only possible with stainless steel profiles)
- For further optional accessories see page 128-129

*only possible with optional accessory ZK 0800

KI 8120.0 SR black, flush installation



K-SERIES . 1



Flush installation

KI 6120.0

selectControl. 10 power levels. 4 cooking zones.



Features:

- 10-level power controls "selectControl" with red display
 - Automatic booster cooking phase
 - Residual heat indicator
 - Minute minder with switch-off feature
 - Central switch-off control
 - Holiday shut-down device (limiting operation duration time)
 - 2 cooking zones \varnothing 200 mm / 1,400 W (1,850 W*)
 - 2 cooking zones \varnothing 180 mm / 1,400 W (1,850 W*)
- *with power booster setting

Technical data:

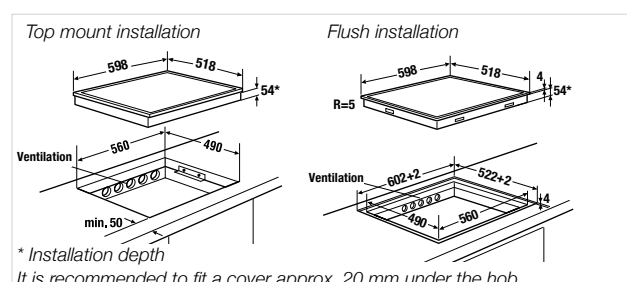
- Electrical connection 7.4 kW
- Appliance dimensions W x D approx. 598 x 518 mm
- Installation depth 54 mm
- Niche dimensions W x D approx. 560 x 490 mm
- For more information see page 206

Optional accessories:

- Stainless steel profiles Acc. no. ZK 0600
- VarioLine metallic joining strip Acc. no. 1130 (only possible with stainless steel profiles)
- For further optional accessories see page 128-129

*only possible with optional accessory ZK 0600

KI 6120.0 SR black, flush installation





HOBS. ELECTRONIC.

K-SERIES.3



Flush installation

KE 9340.0

Touch control. 9 power levels. 5 cooking zones.



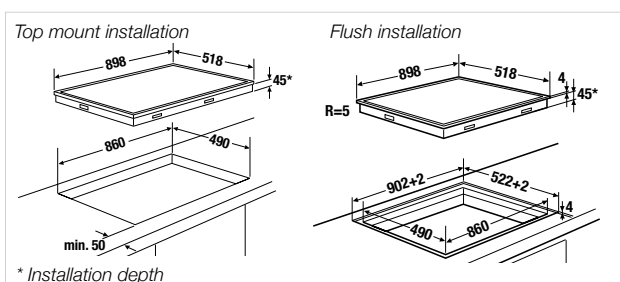
Features:

- 9-level power controls with red display
- Residual heat indicator
- Minute minder with switch-off feature
- Central switch-off control
- Holiday shut-down device (limiting operation duration time)
- 2 cooking zones Ø 180 mm / 1,800 W
- 1 dual-circuit cooking zone Ø 210 or 120 mm / 2,200 oder 750 W
- 1 triple-circuit cooking zone Ø 270, 210 oder 145 mm / 2,700, 1,950 oder 1,050 W
- 1 dual-circuit cooking zone Ø 160 mm / 1,500 W

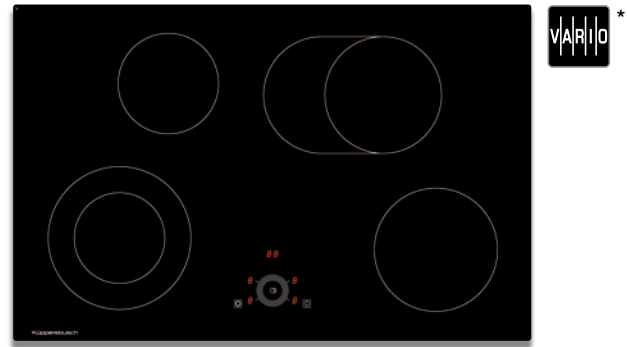
Technical data:

- Electrical connection 9.3 kW
- Appliance dimensions W x D approx. 898 x 518 mm
- Installation depth 44 mm
- Niche dimensions W x D approx. 860 x 490 mm
- For more information see page 207

KE 9340.0 SR black, flush installation



K-SERIES.3



Flush installation

KE 8330.0

dialControl. 9 power levels. 4 cooking zones.



Features:

- 9-level power controls "dialControl" with red display
- Automatic booster cooking phase
- Residual heat indicator
- Minute minder with switch-off feature
- Central switch-off control
- Holiday shut-down device (limiting operation duration time)
- 1 cooking zone Ø 155 mm / 1,200 W
- 1 cooking zone Ø 190 mm / 1,800 W
- 1 dual-circuit cooking zone Ø 220 mm or 145 mm / 2,200 or 1,000 W
- 1 dual-circuit cooking and roasting zone Ø 180 mm or 265 x 180 mm / 2,400 or 1,500 W

Technical data:

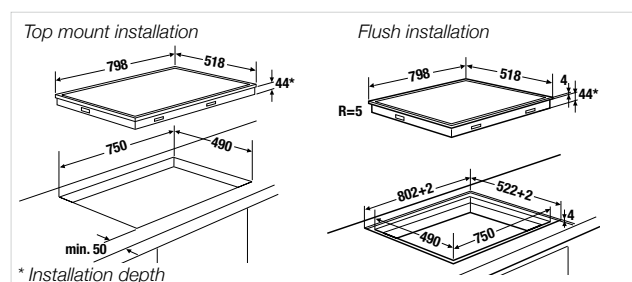
- Electrical connection 7.6 kW
- Appliance dimensions W x D approx. 798 x 518 mm
- Installation depth 44 mm
- Niche dimensions W x D approx. 750 x 490 mm
- For more information see page 207

Optional accessories:

- Stainless steel profiles Acc. no. ZK 0800
- VarioLine metallic joining strip Acc. no. 1130 (only possible with stainless steel profiles)
- For further optional accessories see page 128-129

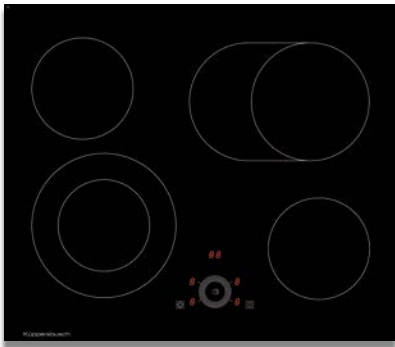
**only possible with optinal accessory ZK 0800*

KE 8330.0 SR black, flush installation



HOBS. ELECTRONIC.

K-SERIES.3



Flush installation

KE 6330.0

dialControl. 9 power levels. 4 cooking zones.



Features:

- 9-level power controls "dialControl" with red display
- Automatic booster cooking phase
- Residual heat indicator
- Minute minder with switch-off feature
- Central switch-off control
- Holiday shut-down device (limiting operation duration time)
- 2 cooking zones \varnothing 155 mm / 1,200 W
- 1 dual-circuit cooking zone \varnothing 220 mm or 145 mm / 2,200 or 1,000 W
- 1 dual-circuit cooking and roasting zone \varnothing 180 mm or 265 x 180 mm / 2,400 or 1,500 W

Technical data:

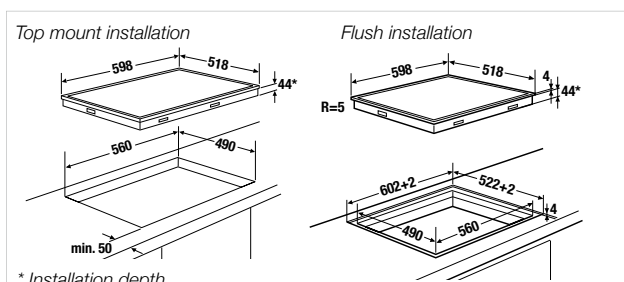
- Electrical connection 7.0 kW
- Appliance dimensions W x D approx. 598 x 518 mm
- Installation depth 44 mm
- Niche dimensions W x D approx. 560 x 490 mm
- For more information see page 207

Optional accessories:

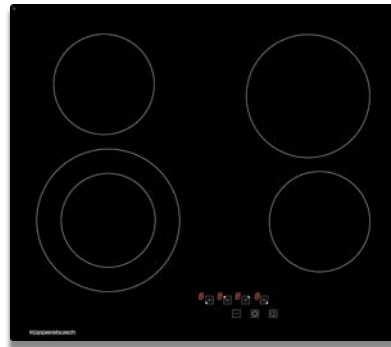
- Stainless steel profiles Acc. no. ZK 0600
- VarioLine metallic joining strip Acc. no. 1130 (only possible with stainless steel profiles)
- For further optional accessories see page 128-129

*only possible with optional accessory ZK 0600

KE 6330.0 SR black, flush installation



K-SERIES.3



Flush installation

KE 6310.0

selectControl. 9 power levels. 4 cooking zones.



Features:

- 9-level power controls "selectControl" with red display
- Automatic booster cooking phase
- Residual heat indicator
- Holiday shut-down device (limiting operation duration time)
- 2 cooking zones \varnothing 155 mm / 1,200 W
- 1 dual-circuit cooking zone \varnothing 220 mm or 145 mm / 2,200 or 1,000 W
- 1 cooking zone \varnothing 190 mm / 1,800 W

Technical data:

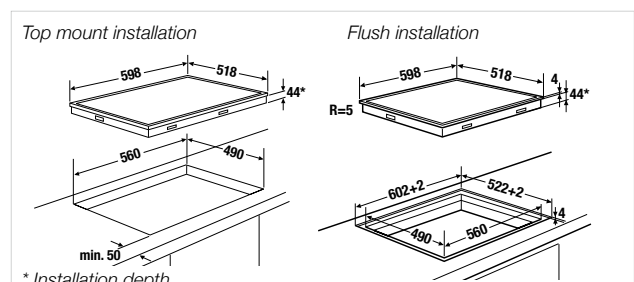
- Electrical connection 6.4 kW
- Appliance dimensions W x D approx. 598 x 518 mm
- Installation depth 44 mm
- Niche dimensions W x D approx. 560 x 490 mm
- For more information see page 207

Optional accessories:

- Stainless steel profiles Acc. no. ZK 0600
- VarioLine metallic joining strip Acc. no. 1130 (only possible with stainless steel profiles)
- For further optional accessories see page 128-129

*only possible with optional accessory ZK 0600

KE 6310.0 SR black, flush installation







Rekindle your desire for cooking with gas!

It is not only professional cooks who are on fire when it comes to cooking with gas. The energy, which is just as economical as it is ecological, is perfectly suited to modern kitchens. Gas ensures precise, quick cooking with exact and quick-reactive temperature controls. Pioneering design combined with the state-of-the-art technology of the glass ceramic gas hob. Professional and convenient controls are combined with the highest of safety standards. And, naturally, the lifelong experience of Küppersbusch in the professional catering equipment line of business also flows into all of the gas appliances. Whatever you decide on, you will certainly rediscover your passion for cooking.

HOB. GAS.

K-SERIES . 8



Stainless steel frame

GKS 9851.0

knobControl. Glass ceramic. 5 cooking zones.



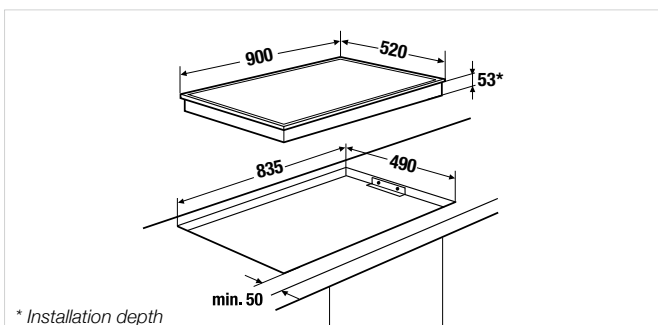
Features:

- Variable power control "**knobControl**"
- Slimline burners
- Full safety device
- Variable settings
- Pan supports (cast iron)
- Burner cap (black enamelled)
- 1 wok burner 6.0 kW
- 1 high speed burner 3.0 kW
- 2 standard burners 1.75 kW
- 1 simmer burner 1.0 kW
- Optional accessories see page 128-129

Technical data:

- Gas connection 13.5 kW
- Electrical connection 0.1 kW
- Appliance dimensions W x D approx. 900 x 520 mm
- Installation depth 53 mm
- Niche dimensions W x D approx. 835 x 490 mm
- For more information see page 208

GKS 9851.0 ED Stainless steel frame



HOBS. GAS.

K-SERIES.3



GMS 9651.0

knobControl. 90 cm. 5 cooking zones.



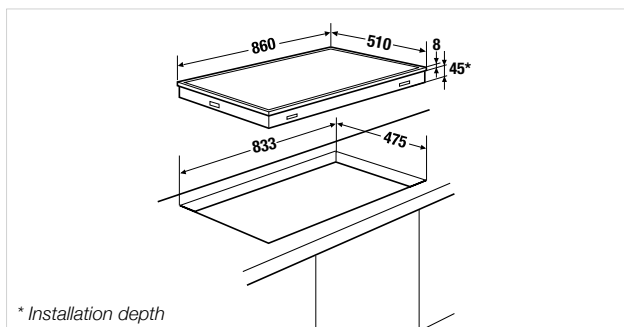
Features:

- Variable power control "knobControl"
- Slimline burners
- Full safety device
- Variable settings
- Pan supports (cast iron)
- Burner cap (black enamelled)
- 1 wok burner 5.0 kW
- 1 high speed burner 3.0 kW
- 2 standard burners 1.75 kW
- 1 simmer burner 1.0 kW
- Optional accessories see page 128-129

Technical data:

- Gas connection 12.5 kW
- Electrical connection 0.1 kW
- Appliance dimensions W x D approx. 860 x 510 mm
- Installation depth 45 mm
- Niche dimensions W x D approx. 833 x 475 mm
- For more information see page 208

GMS 9651.0 E Stainless steel



* Installation depth

K-SERIES.3



GMS 7651.0

knobControl. 70 cm. 5 cooking zones.



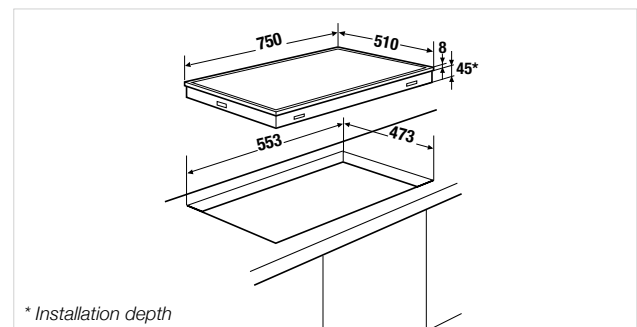
Features:

- Variable power control "knobControl"
- Slimline burners
- Full safety device
- Variable settings
- Pan supports (cast iron)
- Burner cap (black enamelled)
- 1 wok burner 4.0 kW
- 1 high speed burner 3.0 kW
- 2 standard burners 1.75 kW
- 1 simmer burner 1.0 kW
- Optional accessories see page 128-129

Technical data:

- Gas connection 11.5 kW
- Electrical connection 0.1 kW
- Appliance dimensions W x D approx. 750 x 510 mm
- Installation depth 45 mm
- Niche dimensions W x D approx. 553 x 473 mm
- For more information see page 208

GMS 7651.0 E Stainless steel



* Installation depth



KÜPPERSBUSCH VARIOLINE

Hobs reimaged. With the Küppersbusch Varioline concept you create your individual space for cooking – with gas, induction, teppan yaki, wok, single or in combination – always perfectly matched.

Individuell + flexible

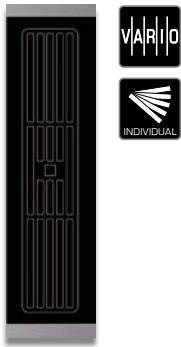


The VarioLine concept is ideal for those who prefer to put an individual menu together themselves. Top quality individual elements can be combined (using the metallic joining strip for VarioLine hobs acc. no. 1130, see page see page 129) to create a unique cooking and working area..

Induction, gas, lava stone grill or a combination of all of these – the possibilities are almost unlimited. The ultra-slim design of all the hob units is precisely matched, so that the different modules always result in a uniform and, more than anything else, extremely elegant combination.

VARIOLINE. HOB. DOWNDRAFT.

K-SERIES . 8



Flush installation, illustration shows model with fixed stainless steel profile

VKM 1800.0

Variably installable. 14 cm. 96,5% Grease deposit.



Features:

- Extraction rate (to the outside) according to guideline EN 61591: max. normal power setting 530 m³/h, intensive power setting 620 m³/h
- Noise level according to guideline EN 60704-2-13: min. 39 dB, max. 55 dB, int. 68 dB
- 4 power levels incl. high power settings, integrated in the hob
- Digital display, integrated in the hob
- Metal grease filter with 96,5 % grease deposit
- Automatic delay stop
- Recirculating air mode possible (see optional accessories)
- Ventilation grid and glass cover (ZK 8000) incl.
- Stainless steel profiles for VarioLine acc. no. 1130 enclosed
- Exhaust air system incl. (see page 131)
- Adapted for combination with VarioLine hobs **VKI 3805.0** and **VKI 3505.0**

Technical data:

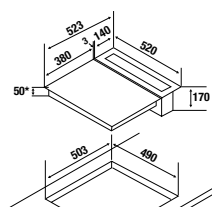
- Electrical connection 115 W
- Air connection plinth fan Naber Compair Flow NW 150
- Energy class /-consumption A / 41 kW
- Filter class / filter separation rate A / **96,5 %**
- Appliance dimensions W x D approx. 138 x 518 mm
- For more information see page 203

Optional accessories:

- PlasmaMade filter Acc. no. ZD 8001
- Charcoal filter box Acc. no. ZK 8001
- VarioLine metallic joining strip Acc. no. 1130
- Wireless window contact system Acc. no. ZK 8002
- Gas deflector (see page 129) Acc. no. ZK 8003 (for combination with GKS 3820.0 or GWS 3811.0)
- For further optional accessories see page 128-131

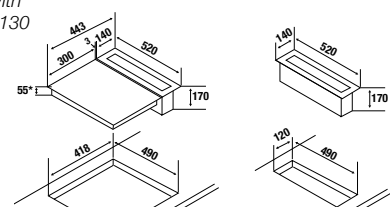
VKM 1800.0 SR black, flush installation

Top mount installation with VKI 3805 and acc. no. 1130



* Installation depth
It is recommended to fit a cover approx. 20 mm under the hob

Top mount installation with VKI 3505 and acc. no. 1130



* Installation depth
It is recommended to fit a cover approx. 20 mm under the hob

VARIOLINE. HOBS. INDUCTION.

K-SERIES.8



Flush installation,

Illustration shows model with fixed stainless steel profile

VKI 3805.0

Control unit for VKM 1800.0 SR. 38 cm. 14 power levels.



Features:

- 14-level power controls "glideControl+" with red display
- 3 pre-defined special levels: melting level approx. 42°C, keeping-warm level approx. 70°C, pasta level approx. 94°C
- Switch-off memory
- Bridge function, both cooking zones can be switched together to one cooking zone
- Automatic booster cooking phase
- Residual heat indicator
- Minute minder with switch-off feature
- Central switch-off control
- Holiday shut-down device (limiting operation duration time)
- 2 cooking zones 210 x 190 mm / 2,100 W (3,700 W*)
*with power booster setting
- Stainless steel profiles for VarioLine acc. no. 1130 enclosed
- Integrated control for VarioLine cooktop extractor
VKM 1800.0 (see page 122)

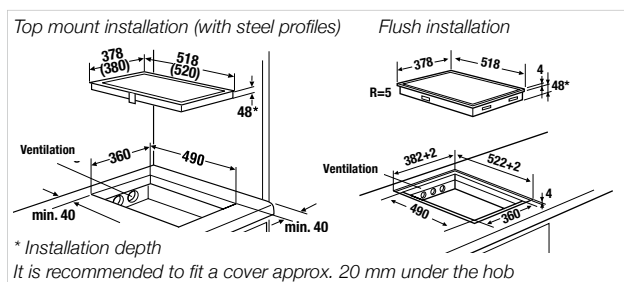
Technical data:

- Electrical connection 3.7 kW
- Appliance dimensions W x D approx. 378 x 518 mm
Installation depth 48 mm
- Niche dimensions W x D approx. 360 x 490 mm
- For more information see page 209

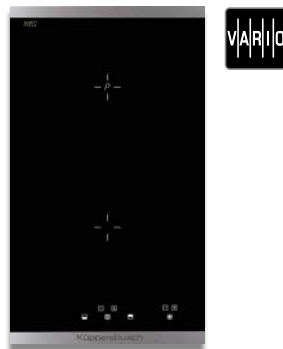
Optional accessories:

- VarioLine metallic joining strip Acc. no. 1130
- For further optional accessories see page 128-129

VKI 3805.0 SR black, flush installation



K-SERIES.5



Flush installation,

illustration shows model with fixed stainless steel profile

VKI 3505.0

Control unit for VKM 1800.0 SR. 30 cm. 10 power levels.



Features:

- 10-level power controls "selectControl" with red display
- Automatic booster cooking phase
- Residual heat indicator
- Minute minder with switch-off feature
- Central switch-off control
- Holiday shut-down device (limiting operation duration time)
- 1 cooking zone Ø 200 mm / 1,400 W (2,000 W*)
- 1 cooking zone Ø 160 mm / 1,400 W
* with power booster setting
- Stainless steel profiles for VarioLine acc. no. 1130 enclosed
- Integrated control for VarioLine cooktop extractor
VKM 1800.0 (see page 122)

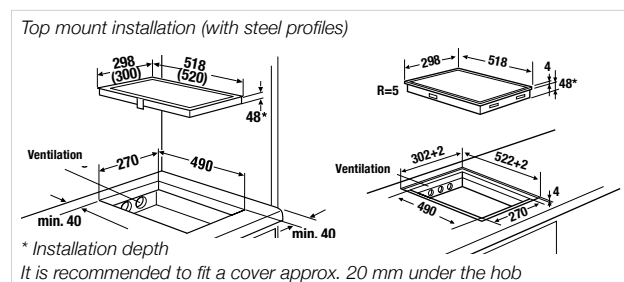
Technical data:

- Electrical connection 3.4 kW
- Appliance dimensions W x D approx. 298 x 518 mm
Installation depth 48 mm
- Niche dimensions W x D approx. 270 x 490 mm
- For more information see page 209

Optional accessories:

- VarioLine metallic joining strip Acc. no. 1130
- For further optional accessories see page 128-129

VKI 3505.0 SR black, flush installation



VARIOLINE. HOBS. INDUCTION.

K-SERIES . 8



Flush installation,

Illustration shows model with fixed stainless steel profile

VKI 3800.1

glideControl+. 38 cm. 15 power levels.



Features:

- 14-level power controls "glideControl+" with red display
- 3 pre-defined special levels: melting level approx. 42°C, keeping-warm level approx. 70°C, pasta level approx. 94°C
- Optimised grill function for FlexiGrill Acc. no. 1303
- Switch-off memory
- Bridge function, both cooking zones can be switched together to one cooking zone
- Automatic booster cooking phase
- Residual heat indicator
- Minute minder with switch-off feature
- Central switch-off control
- Holiday shut-down device (limiting operation duration time)
- 2 cooking zones 210 x 190 mm / 2,100 W (3,700 W*)
*with power booster setting
- Stainless steel profiles for VarioLine acc. no. 1130 enclosed

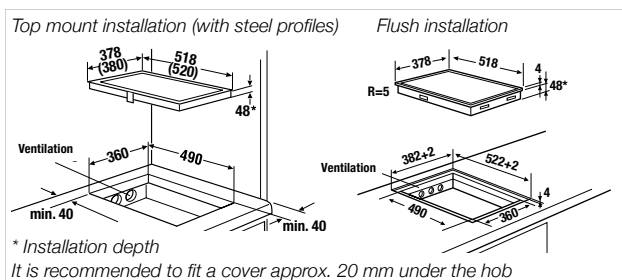
Technical data:

- Electrical connection 3.7 kW
- Appliance dimensions W x D approx. 378 x 518 mm
- Installation depth 48 mm
- Niche dimensions W x D approx. 360 x 490 mm
- For more information see page 209

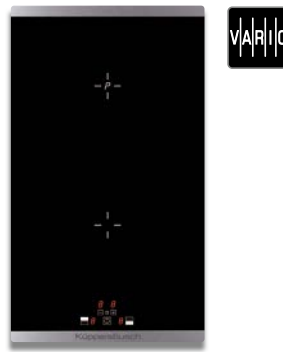
Optional accessories:

- VarioLine metallic joining strip Acc. no. 1130
- For further optional accessories see page 128-129

VKI 3800.1 SR black, flush installation



K-SERIES . 5



Flush installation,

illustration shows model with fixed stainless steel profile

VKI 3500.1

selectControl. 30 cm. 10 power levels.



Features:

- 10-level power controls "selectControl" with red display
- Automatic booster cooking phase
- Residual heat indicator
- Minute minder with switch-off feature
- Central switch-off control
- Holiday shut-down device (limiting operation duration time)
- 1 cooking zone Ø 22 cm / 2,300 W (3,000 W*)
- 1 cooking zone Ø 16 cm / 1,400 W
*with power booster setting
- Stainless steel profiles for VarioLine acc. no. 1130 enclosed

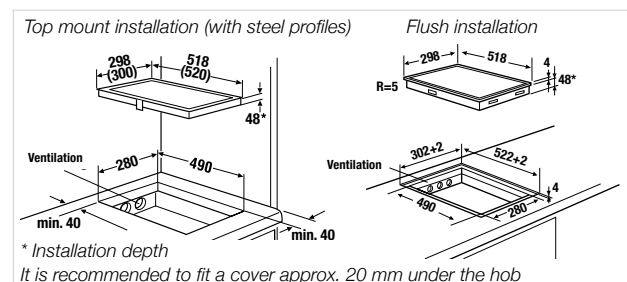
Technical data:

- Electrical connection 3.7 kW
- Appliance dimensions W x D approx. 298 x 518 mm
- Installation depth 48 mm
- Niche dimensions W x D approx. 280 x 490 mm
- For more information see page 209

Optional accessories:

- VarioLine metallic joining strip Acc. no. 1130
- For further optional accessories see page 128-129

VKI 3500.1 SR black, flush installation



VARIOLINE. HOB. INDUCTION. WOK.

K-SERIES.8



Flush installation,
illustration shows model with fixed stainless steel profile

VKIW 3800.0

Touch control. 38 cm. 13 power levels.



Features:

- 13-level power controls with red display
- Automatic booster cooking phase
- Minute minder with switch-off feature
- Residual heat indicator
- Central switch-off control
- Holiday shut-down device (limiting operation duration time)
- 1 Wok cooking zone 2,450 W (3,000 W*)
*with power booster setting
- Stainless steel profiles for VarioLine acc. no. 1130 enclosed

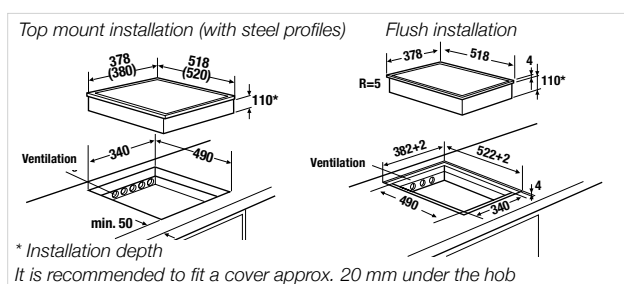
Technical data:

- Electrical connection 3.0 kW
- Appliance dimensions W x D approx. 378 x 518 mm
- Installation depth 110 mm
- Niche dimensions W x D approx. 340 x 490 mm
- For more information see page 209

Optional accessories:

- Stainless steel wok pan Acc. no. 3710 (approx. 5 litres)
- VarioLine metallic joining strip Acc. no. 1130
- For further optional accessories see page 128-129

VKIW 3800.0 SR black, flush installation



VARIOLINE. HOB. TEPPAN YAKI GRIDDLE.

K-SERIES.8



Flush installation,
illustration shows model with fixed stainless steel profile

VKET 3800.0

knobControl. 38cm. 2 grilling zones.



Features:

- Variable power control „knobControl“
- 2 separate, finely adjustable grilling zones
- Hard chromium-plated griddle approx. 8 mm thick, with ceramic glass surround
- Variable power control 70° C - 250° C
- Residual heat indicator
- 'Keep warm' setting approx. 60° C
- Useable Teppan Yaki griddle 354 x 296 mm
- Stainless steel profiles or VarioLine acc. no. 1130 enclosed

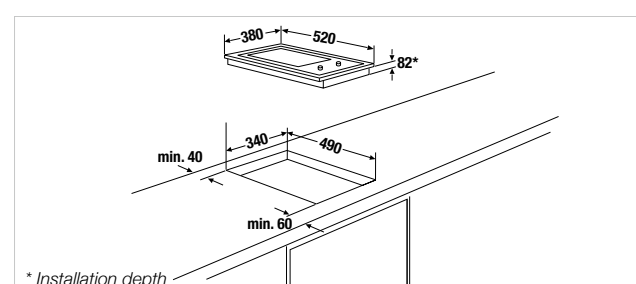
Technical data:

- Electrical connection 2.4 kW
- Appliance dimensions W x D approx. 380 x 520 mm
- Installation depth 82 mm
- Niche dimensions W x D approx. 340 x 490 mm
- For more information see page 209

Optional accessories:

- Teppan Yaki Set Acc. no. 1114
- VarioLine metallic joining strip Acc. no. 1130
- For further optional accessories see page 128-129

VKET 3800.0 SR black, flush installation



VARIOLINE. HOB. ELECTRONIC. LAVA STONE GRILL.

K-SERIES.8



Flush installation,
illustration shows model with fixed stainless steel profile

VKEL 3800.0

knobControl. 38 cm. 6 power levels.



Features:

- 6-level power controls "knobControl"
- Power 2.500 watts
- 1 grilling zone with cast iron grilling grid
- Stainless steel cover
- Lava stones included
- Stainless steel profiles or VarioLine acc. no. 1130 enclosed

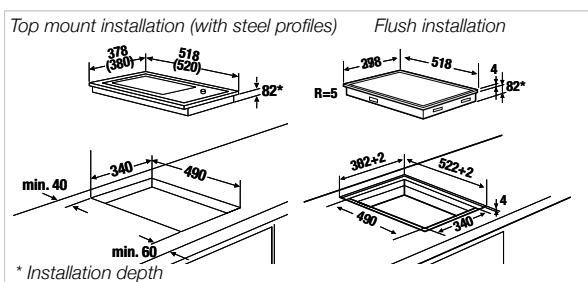
Technical data:

- Electrical connection 2.5 kW
- Appliance dimensions W x D approx. 378 x 518 mm
- Installation depth approx. 82 mm
- Niche dimensions W x D approx. 340 x 490 mm
- For more information see page 209

Optional accessories:

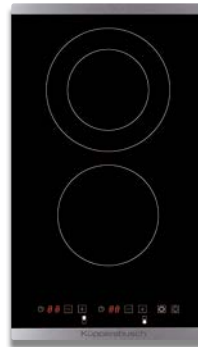
- Grilling plate Acc. no. 4710
- VarioLine metallic joining strip Acc. no. 1130
- For further optional accessories see page 128-129

VKEL 3800.0 SR black, flush installation



VARIOLINE. HOB. ELECTRONIC.

K-SERIES.3



Flush installation,
illustration shows model with fixed stainless steel profile

VKE 3300.0

selectControl. 30 cm. 9 power levels.



Features:

- 9-level power controls "selectControl" with red display
- Automatic booster cooking phase
- Residual heat indicator
- Central switch-off control
- Holiday shut-down device (limiting operation duration time)
- Minute minder for up to 99 minutes with switch-off feature for all cooking zones
- 1 cooking zone 155 mm / 1,200 W
- 1 dual-circuit cooking zone 190 mm or 125 mm / 1,700 or 700 W
- Stainless steel profiles for VarioLine acc. no. 1130 enclosed

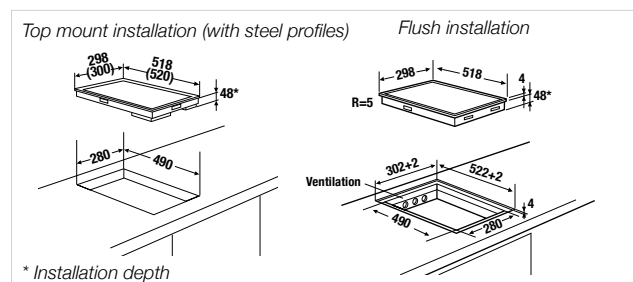
Technical data:

- Electrical connection 2.9 kW
- Appliance dimensions W x D approx. 298 x 518 mm
- Installation depth 48 mm
- Niche dimensions W x D approx. 280 x 490 mm
- For more information see page 209

Optional accessories:

- VarioLine metallic joining strip Acc. no. 1130
- For further optional accessories see page 128-129

VKE 3300.0 SR black, flush installation



VARIOLINE. HOBS. GAS.

K-SERIES.8



Stainless steel frame

GKS 3820.0

knobControl. 30 cm. 2 cooking zones.



Features:

- Variable power control "knobControl"
- Slimline burners
- Full safety device
- Variable settings
- Pan supports (cast iron)
- Burner cap (black enamelled)
- 1 high speed burner 3.0 kW
- 1 simmer burner 1.75 kW
- VarioLine metallic joining strip see optional accessories

Technical data:

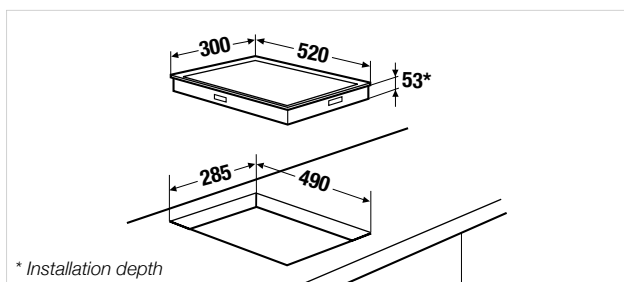
- Gas connection 4.75 kW
- Electrical connection 0.1 kW
- Appliance dimensions W x D approx. 300 x 520 mm
- Installation depth 53 mm
- Niche dimensions W x D approx. 285 x 490 mm
- For more information see page 208

Optional accessories:

- VarioLine metallic joining strip Acc. no. 1130
- Gas deflector (see page 129) Acc. no ZK 8003 (for combination with VKM 1800.0)
- For further optional accessories see page 128-129

GKS 3820.0 ED

Stainless steel frame



* Installation depth

K-SERIES.8



Stainless steel frame

GWS 3811.0

knobControl. 30 cm. 1 power wok burner.



Features:

- Variable power control "knobControl"
- Slimline burner
- Full safety device
- Variable settings
- Pan supports (cast iron)
- Burner cap (black enamelled)
- 1 wok burner 6.0 kW
- VarioLine metallic joining strip see optional accessories

Technical data:

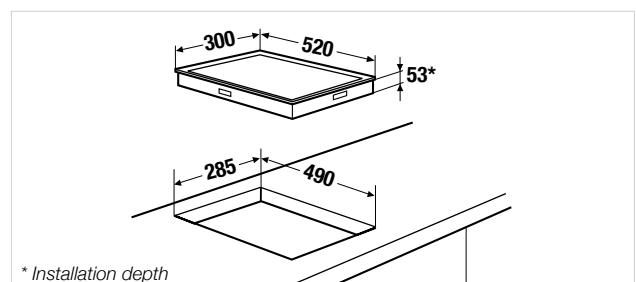
- Gas connection 6.0 kW
- Electrical connection 0.1 kW
- Appliance dimensions W x D approx. 300 x 520 mm
- Installation depth 53 mm
- Niche dimensions W x D approx. 285 x 490 mm
- For more information see page 208

Optional accessories:

- VarioLine metallic joining strip Acc. no. 1130
- Gas deflector (see page 129) Acc. no ZK 8003 (for combination with VKM 1800.0)
- For further optional accessories see page 128-129

GWS 3811.0 ED

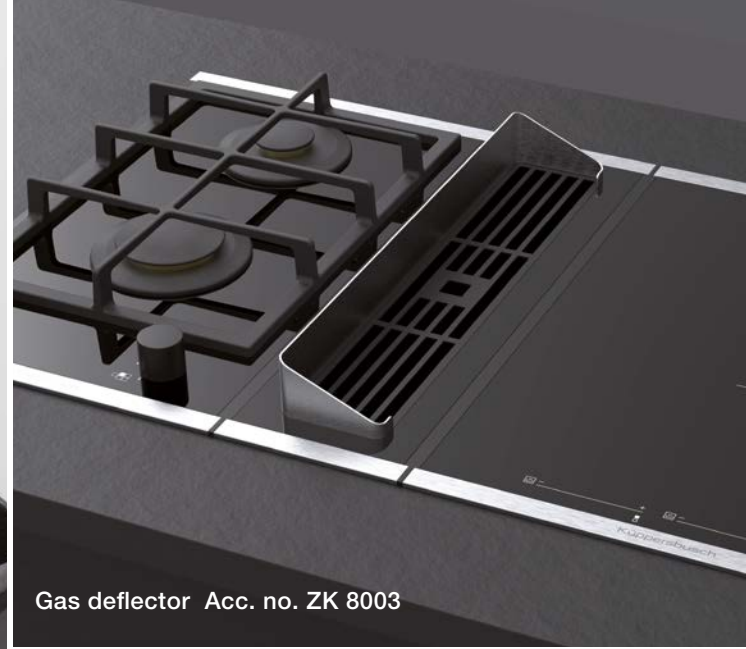
Stainless steel frame



* Installation depth



FlexiGrill Acc. no. 1303



Gas deflector Acc. no. ZK 8003



VarioLine metallic joining strip Acc. no. 1130







Set of rotary knobs Acc. no. ZK 8006/ZK 8007










Stainless steel wok pan Acc. no. 3710

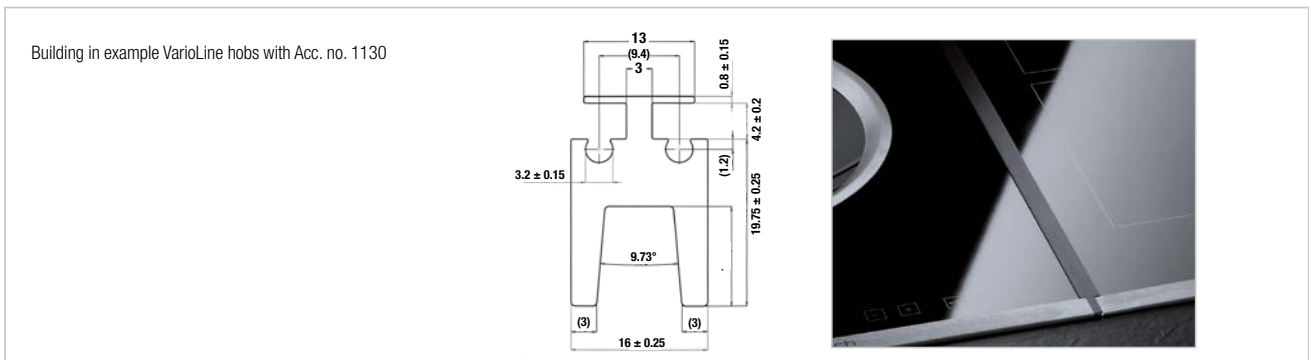
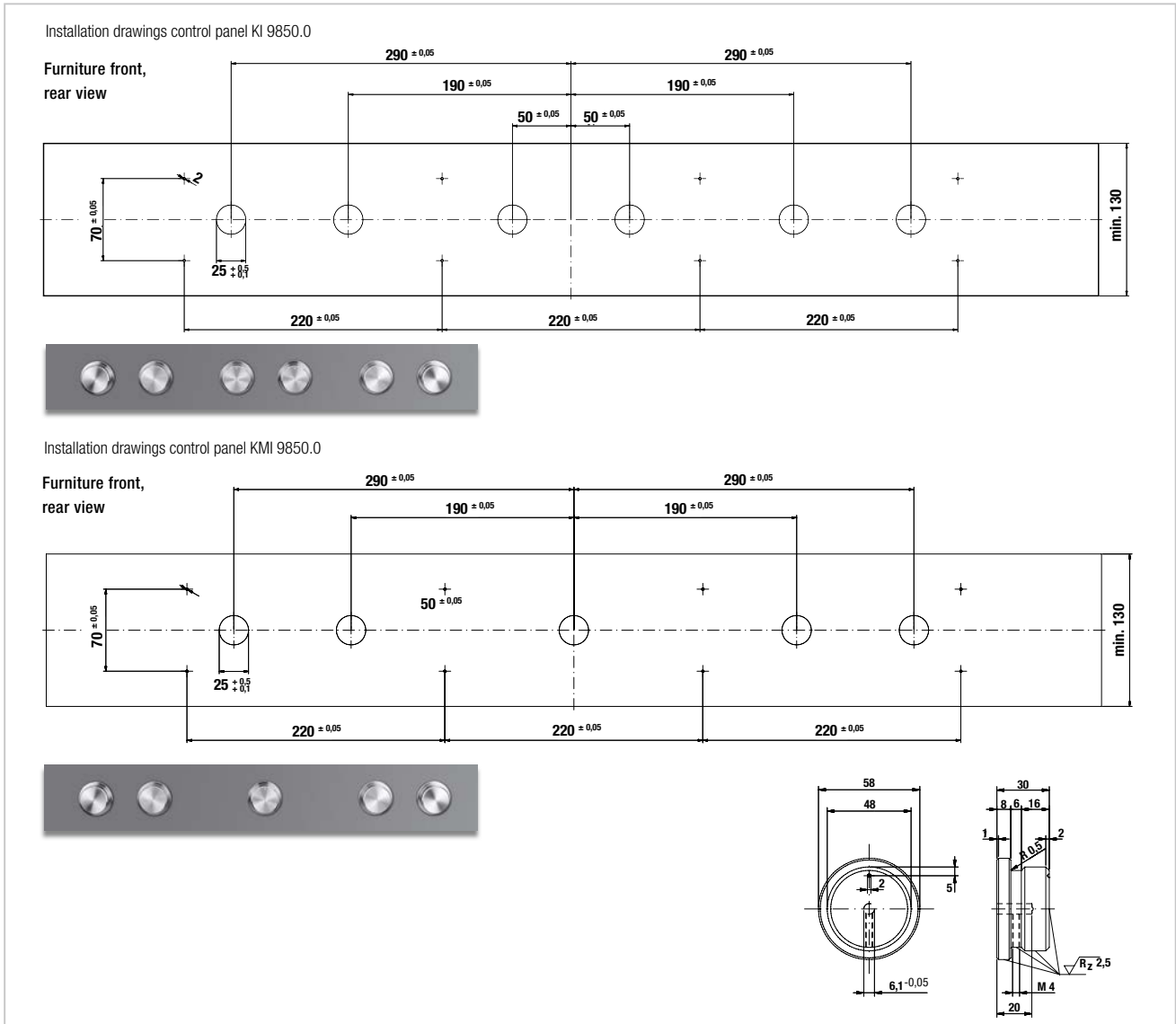
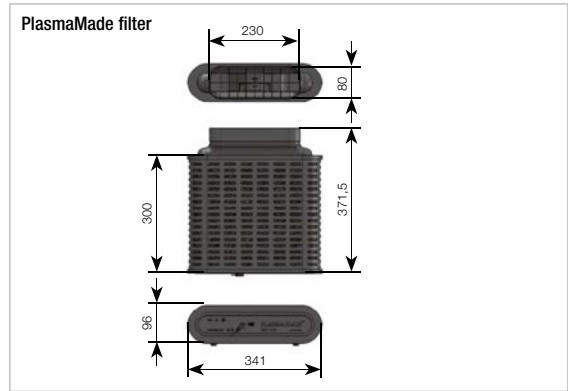
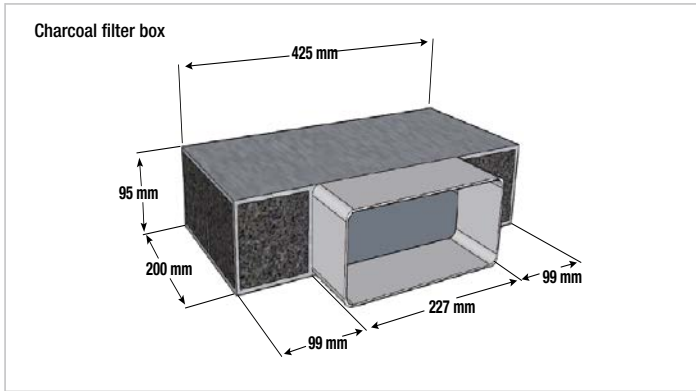
ACCESSORIES. HOBS.

	KMI 9850	KMI 9800	KMI 8500	VKM 1800	KI 9850	KI 9820 KI 9810 KI 9800 KI 9560 KI 9520 KI 6800	KI 8820 KI 8800 KI 8560 KI 8520
	Acc. no.	Acc. no.	Acc. no.	Acc. no.	Acc. no.	Acc. no.	Acc. no.
Glass cover, black 	ZK 8005	ZK 8005	ZK 8000 (only in black)	inc.			
Charcoal filter box (detailed drawing see page 130)	ZK 8009	ZK 8009	ZK 8009	ZK 8009			
Replacement charcoal filter for charcoal filter box	ZK 8010	ZK 8010	ZK 8010	ZK 8010			
PlasmaMade filter (detailed drawing see page 130)	ZD 8001	ZD 8001	ZD 8001	ZD 8001			
Wireless window contact system 	ZK 8002	ZK 8002	ZK 8002	ZK 8002			
Set of rotary knobs, 5-pcs., black 	ZK 8006						
Set of rotary knobs, 6-pcs., black 					ZK 8007		
Motor cable extension	ZK 8008	ZK 8008	ZK 8008	ZK 8008			

Hobs

	Cast aluminium casserole Coated aluminium (non-stick coating) 42 x 25 cm	for all types of heating	Acc. no. ZK 1302
	Cast iron grilling plate	for VKEL 3800.0	Acc. no. 4710
	FlexiGrill	for KMI..., KI 98..., KI 88..., KI 68...	Acc. no. 1303
	Gas deflector	for combination from VKM 1800.0 SR with GKS 3820.0 SR or GWS 3811.0 SR	Acc. no. ZK 8003
	Stainless steel wok pan approx. 5 litres	for VKIW 3800.0	Acc. no. 3710
	Teppan Yaki-Set, consisting of - Asian chef's knife - Spatula - Cleaning scraper	for VKET 3800.0	Acc. no. 1114
	Set, consisting of 3 pieces: - Pot with lid Ø 20 cm, height 14 cm - Pot with lid Ø 16 cm, height 12 cm - Frying pan Ø 24 cm, height 6.5 cm		Acc. no. 159
VarioLine metallic joining strip (detailed drawing see page 130)		for hobs with stainless steel frame	Acc. no. 1130
Stainless steel profiles 800 mm		for KI 8820.0 SR, KI 8810.0 SR, KI 8800.0 SR, KI 8560.0 SR, KI 8520.0 SR, KI 8330.0 SR, KI 8120.0 SR, KE 8330.0 SR	Acc. no. ZK 0800
Stainless steel profiles RVS 600 mm		for KI 6800.0 SR, KI 6560.0 SR, KI 6520.0 SR, KI 6350.0 SR, KI 6330.0 SR, KI 6120.0 SR, KE 6330.0 SR, KE 6310.0 SR	Acc. no. ZK 0600

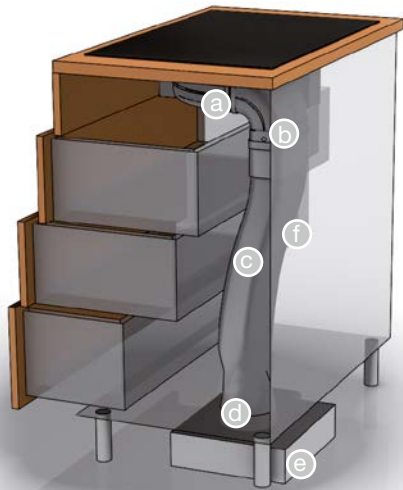
ACCESSORIES. HOBS.



ADDITIONAL BUILDING-IN DIAGRAM AND ACCESSORIES. DOWNDRAFTS.

THE INTEGRATED SYSTEM

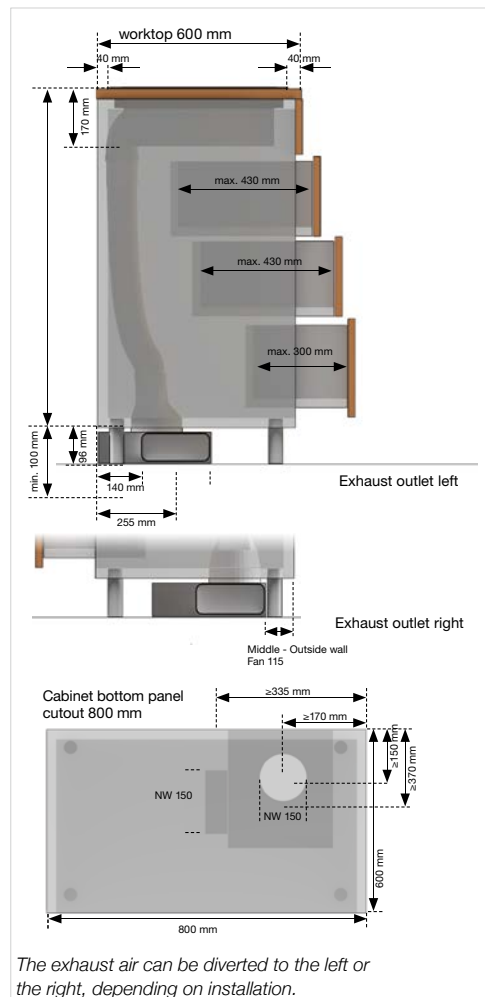
The deduction system can be integrated in the back of the bottom unit so that it is not visible to save on space. Depending on the model, the set contains flexible or rigid components and a powerful fan, which is installed in the base. KMI 9850.0, KMI 9800.0 and VKM 1800.0 contain components as shown a, b, d, e and f; KMI 8500 contains a, b, c, d and e.



INSTALLATION SCHEMATIC: EXHOUST DUCT



Installation variant: worktop deep 600 mm*



The exhaust air can be diverted to the left or the right, depending on installation.

* only possible with flexible deduction system

KÜPPERSBUSCH COOKER HOODS

Goodbye cooking odours! Our cooker hoods provide you with a pleasant cooking atmosphere, avoiding greasy soiling and moisture damage. And they look really good.

Individual + efficient



Cooker hoods

BREATHTAKINGLY POWERFUL AND EFFICIENT

Küppersbusch cooker hoods are whisper-quiet, extremely powerful and at the same time exceptionally efficient.



They have an unusually low level of energy consumption, some models up to energy efficiency class A++. They also boast superb results when it comes to fan, grease filter and lighting efficiency.

Select Küppersbusch cooker hoods have a brush-less motor. Such a motor has a lower energy consumption than regular motors while providing the same output. Even when using the highest performance level, our cooker hoods are pleasantly quiet. Another bonus is the fact that our models are practically free from wear and tear, underlining the product value and explaining the longevity of the motor.

IMPRESSIVELY VERSATILE

The perfect model for every kitchen: the Küppersbusch range offers a multitude of styles, designs and functions.

Küppersbusch can offer you the perfect cooker hood for every kitchen and every taste. Whether you have an open plan kitchen or a separate one. At Küppersbusch – with our wall, island, head space, ceiling and module cooker hoods – you are spoilt for choice.


Depending on the design of your kitchen at home, you can choose between an exhaust air and a recirculation model.

Küppersbusch Individual: Even more versatility!



The Küppersbusch Individual Concept offers you the opportunity to adapt our appliances to your personal preferences. The cooker hoods are no exception: you can match them to the design kit you choose for your oven. Which-ever model you go for, each one impresses with its quality design, both individually and in combination with other appliances.





CEILING CANOPY HOOD WITH RECIRCULATION AIR BOX: THE ALTERNATIVE TO VENTILATION TO THE OUTSIDE.



Installation situation with a ceiling canopy hood and recirculation air box, accessory no. 9015

As part of energysaving when building or moder nising houses, which is becoming increasingly important, circulating air boxes in a combination with a ceiling fan are an ideal alternative to ventilation to the outside. drilling core holes for air outlets is a thing of the past, since the box is integrated in suspended kitchen ceilings (drywall construction) and connected to the cooker hood motor. Fumes generated during the cooking process are thus absorbed and the air, which is still warm but has been cleaned, is directed back into the kitchen.



EFFICIENT RIM SUCTION

Our cooker hoods with rim suction hide the grease filters behind a removable stainless steel cover. The intake area is deliberately reduced, causing the air to be sucked in at a significantly quicker rate than with a standard cooker hood. This results in an increased intake efficiency.



HOB AND EXTRACTOR HOOD IN ONE: THE HOB-LEVEL EXTRACTOR



The **induction hob-level extractor units** are both cooking zone and extractor fan in one! As grease and fumes are extracted directly at hob-level, they do not travel through the room, making for a significantly more pleasant climate in your kitchen. The perfect solution for open living kitchens.

Another bonus is that you don't need a separate extractor fan above your cooker, meaning you have more freedom when designing your kitchen. The installation is not only more flexible, but also simpler, because you only need to mount one appliance.

The ventilation system can be discretely hidden inside the base of your unit. This has the advantage that annoying operating sounds are reduced to a minimum.

>>> For more information on Küppersbusch hob-level extractor units, please refer to the chapter on hobs from page 84.

It's cooking fun!

Premium choice: recirculation or extraction

The sophisticated technology of Küppersbusch cooker hoods will freshen up your kitchen. In the recirculation mode, with which polluted air direct above the hob is filtered and cleaned and then returned to the kitchen atmosphere as clean air. Alternatively the extraction mode whereby the integrated motor directs cooking vapours into a central exhaust air chimney or to the outside.



Individual

The new Küppersbusch Individual concept offers the option of having some models adapted to suit your own personal taste by equipping them with additional design kits. A fully individual look is achieved with one of the different design kits available as an accessory.

Full power that can hardly be heard: fan technology

State-of-the art fan technology which works extremely powerfully and guarantees perfect extraction. And the systems are unusually quiet, even when operating at maximum extraction rates.

Clean work: metal grease filters

All of the Küppersbusch cooker hoods are fitted with a high-quality metal grease filter to extract the grease in the vapours. The recirculation mode requires a charcoal filter for removing odours. The metal filter can be easily removed and then simply cleaned in the dishwasher. And what's more: the grease saturation indicator in the cooker hood automatically shows when it is time to replace filters.

High-power setting

The high-power setting is for short-term operation in the case of intense cooking vapours. Depending on the model, the hoods switch back after a stipulated time to a pre-set standard mode.

Automatic delay stop

The automatic delay stop cleans the air after cooking too and switches off automatically after a certain period of time.

Lighting

It does not matter if you choose a standard, halogen or the new LED lighting your hob area is always ideally illuminated.

Illuminated controls

The illuminated control buttons are easy to read and use.



Quick installation

The new installation system of the built-in cooker hoods is easy and uncomplicated.



LED

These cooker hoods are equipped with modern, especially economical LED lights.



Suitable for the disabled

Thanks to a remote control, switching the cooker hoods on and operating them is simple for disabled people too.



Turn knobs

If you prefer conventional operation, this product is the right choice. The operation is performed with the help of turn knobs.



Touch control

The touch of a fingertip is sufficient and the functions of the sensor buttons will be activated.



Remote control

Controlling the cooker hood functions by means of remote control allows for more freedom of movement and easier accessibility.



Appliance width

This symbol indicates the width of the hood in cm.



Niche width

This symbol indicates the required niche or cut-out width for the top cabinet in cm.



Niche depth

This symbol indicates the required niche or cut-out depth for the top cabinet in cm.

Efficiency classes:



Energy

The energy efficiency rating is calculated from the annual energy consumption of the appliance and a standard energy consumption. This is based on the assumption of an average daily operating time of 60 minutes and a daily lighting time of 120 minutes.



Fan (fluid dynamic efficiency)

The fan efficiency is a measure of the amount of electrical energy used to transport outgoing air.



Lighting

In addition to energy consumption, the lighting efficiency also provides information on the durability of the light bulb.



Grease deposit level

The grease deposit level is the percentage of grease absorbed by the grease filters of a cooker hood.



Noise level

In accordance with EU standard EN 60704-2-13, the noise level stated has been measured at the maximum basic level.

COOKER HOOD. DOWNDRAFT.

K-SERIES . 8



DD 9800.0

90 cm. Touch control. Rim suction technology.



Features:

- 4 power levels incl. high power setting
- Extraction rate (to the outside) according to guideline 2010/30/EU: max. normal power setting 581 m³/h, intensive power setting 669 m³/h
- Electronic control with touch control sensors
- Remote control included
- Digital display
- Motor-driven extendable cooker hood
- Rim suction technology with black glass panel
- Automatic delay stop
- Filter saturation indicator
- Worktop lighting (energy saving lamp 14 W)
- Metal grease filter
- Charcoal filter incl. (Acc. no. ZD 1008)

Technical data:

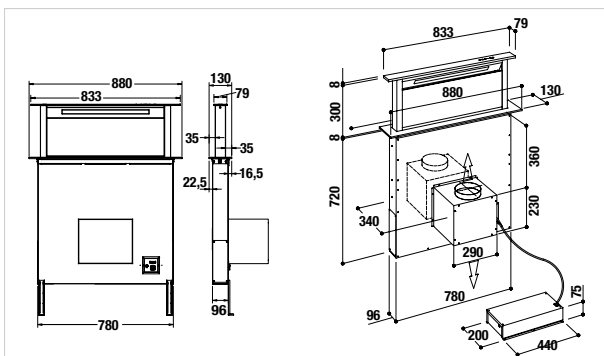
- Electrical connection 284 W
- Appliance dimensions W x H x D approx. 880 x 720-1,020 x 340 mm
- Niche dimensions W x D approx. 790 x 108 mm
- Exhaust air connection Ø 150 mm, Motor can be installed at the front or at the rear side
- For more information see page 210

Optional accessories:

- Replacement charcoal filter Acc. no. ZD 1008
- PlasmaMade filter Acc. no. ZD 8001 (see page 160/161)
- For further optional accessories see page 158-159

DD 9800.0 S

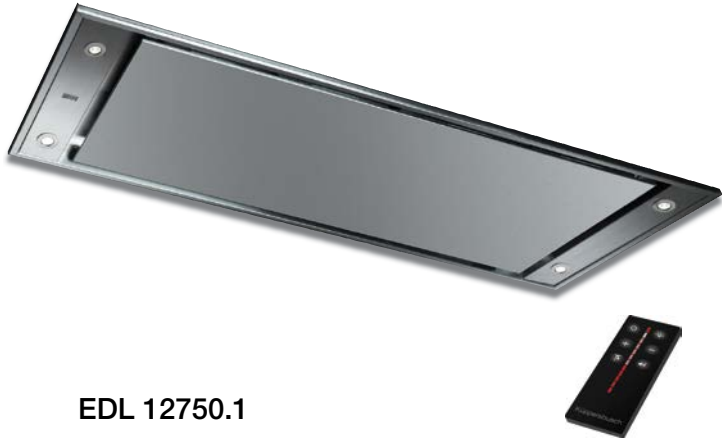
Glass and Stainless steel



COOKER HOODS. BUILT-IN. CEILING CANOPY HOODS.

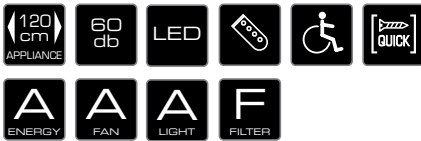
K-SERIES . 8

K-SERIES . 8



EDL 12750.1

120 cm. Rim suction technology. Automatic delay stop.



Features:

- 8 power levels incl. high power settings
- Extraction rate (to the outside) according to guideline 2010/30/EU: max. normal power setting 631 m³/h, intensive power setting 807 m³/h
- Electronic control with remote control
- Remote control with LED power level indicator
- Filter saturation indicator
- Metal grease filter
- Recirculation air mode possible (see optional accessories)

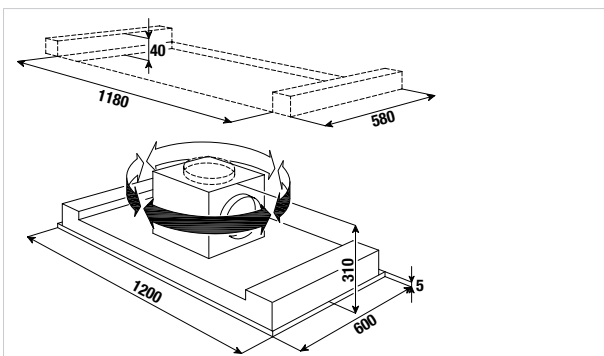
Technical data:

- Electrical connection 292 W
- Appliance dimensions W x H x D approx. 1,200 x 310 x 600 mm
- Niche dimensions W x D approx. 1,180 x 580 mm
- Exhaust air connection Ø 150 mm, for installation in 5 directions
- LED light colour 3,500 Kelvin
- For more information see page 251

Optional accessories:

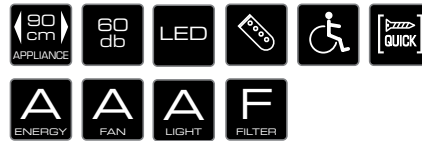
- Recirculation air mode outlet kit (incl. charcoal filter) Acc. no. 9015 (see page 159)
- Replacement charcoal filter Acc. no. 9021 for recirculation air mode kit
- PlasmaMade filter Acc. no. ZD 8001 (see page 160 / 161)
- For further optional accessories see page 158-159

EDL 12750.1 E Stainless steel



EDL 9750.1

90 cm. Rim suction technology. Automatic delay stop.



Features:

- 8 power levels incl. high power settings
- Extraction rate (to the outside) according to guideline 2010/30/EU: max. normal power setting 631 m³/h, intensive power setting 807 m³/h
- Electronic control with remote control
- Remote control with LED power level indicator
- Filter saturation indicator
- Metal grease filter
- Recirculation air mode possible (see optional accessories)

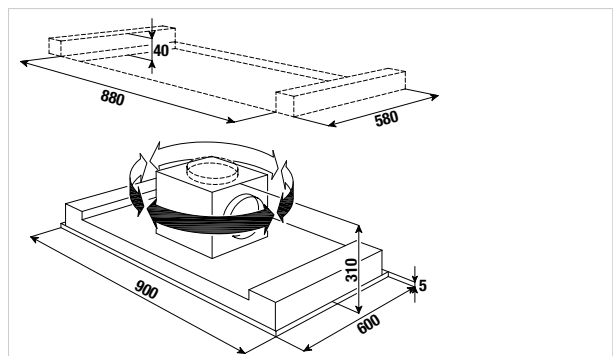
Technical data:

- Electrical connection 292 W
- Appliance dimensions W x H x D approx. 900 x 310 x 600 mm
- Niche dimensions W x D approx. 880 x 580 mm
- Exhaust air connection Ø 150 mm, for installation in 5 directions
- LED light colour 3,500 Kelvin
- For more information see page 251

Optional accessories:

- Recirculation air mode outlet kit (incl. charcoal filter) Acc. no. 9015 (see page 159)
- Replacement charcoal filter Acc. no. 9021 for recirculation air mode kit
- PlasmaMade filter Acc. no. ZD 8001 (see page 160 / 161)
- For further optional accessories see page 158-159

EDL 9750.1 E Stainless steel



COOKER HOOD. ISLAND.

K-SERIES . 8



Black, without design kit

White, without design kit

Grey, without design kit

DI 3800.0

35 cm. Cube-Design. Automatic delay stop.

Features:

- 8 power levels incl. high power settings
- Extraction rate (to the outside) according to guideline 2010/30/EU: max. normal power setting 525 m³/h, intensive power setting 771 m³/h
- Electronic control with remote control
- Remote control with LED power level indicator
- Filter saturation indicator
- Metal grease filter
- Wire cable suspension for customized height adjustment
- Front and back panel glass, stainless steel body
- Stainless steel ceiling anchorage
- Recirculation air mode (incl. charcoal filter 2x Acc. no. 881)

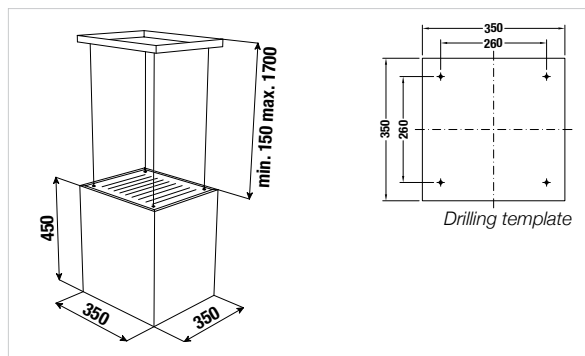
Technical data:

- Electrical connection 286 W
- Appliance dimensions W x H x D approx. 350 x 600-2,150 x 350 mm
- LED light colour 3,500 Kelvin
- For more information see page 210

Optional accessories:

- Replacement charcoal filter (2 pieces necessary) Acc. no. 881
- Design-Kits (2 pieces necessary):
 - Design kit Stainless steel Acc. no. DK 3801
 - Design kit Black Chrome Acc. no. DK 3802
 - Design kit Silver Chrome Acc. no. DK 3803
 - Design kit Gold Acc. no. DK 3804
 - Design kit Black Velvet Acc. no. DK 3805
 - Design kit Copper Acc. no. DK 3807
 - Design kit Hot Chili Acc. no. DK 3808
 - Design kit Shade of Grey Acc. no. DK 3809
- (Installation of the design kits at the lower edge of the cooker hood, at the front and at the rear side)
- For further optional accessories see page 158-159

- DI 3800.0 S** Black glass, stainless steel body
- DI 3800.0 W** White glass, stainless steel body
- DI 3800.0 G** Grey glass, stainless steel body



COOKER HOODS. ISLAND.

K-SERIES.5



IKD 12780.0

120 cm. Rim suction technology. Automatic delay stop.



Features:

- 4 power levels incl. high power setting
- Extraction rate (to the outside) according to guideline 2010/30/EU: max. normal power setting 530 m³/h, intensive power setting 660 m³/h
- Electronic control with touch control sensors
- Digital display
- Drop down stainless steel panel
- Metal grease filter
- Adjustable to ceiling height due to telescopic chimney section
- Recirculation air mode possible (see optional accessories)

Technical data:

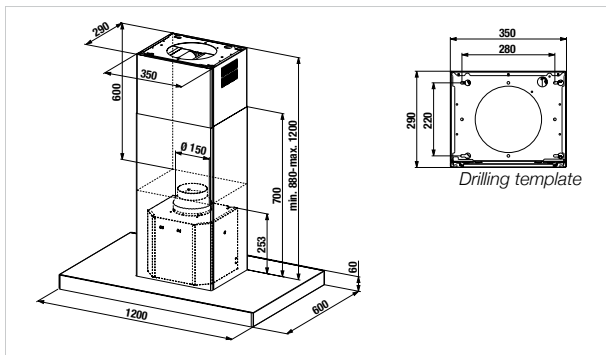
- Electrical connection 274 W
- Appliance dimensions W x H x D approx. 1,200 x 940-1,260 x 600 mm
- Exhaust air connection Ø 150 mm
- LED light colour 4,000 Kelvin
- For more information see page 210

Optional accessories:

- Charcoal filter Acc. no. 870
- PlasmaMade filter Acc. no. ZD 8000 (see page 160 / 161)
- For further optional accessories see page 158-159

IKD 12780.0 E

Stainless steel



K-SERIES.5



IKD 9780.0

90 cm. Rim suction technology. Automatic delay stop.



Features:

- 4 power levels incl. high power setting
- Extraction rate (to the outside) according to guideline 2010/30/EU: max. normal power setting 530 m³/h, intensive power setting 660 m³/h
- Electronic control with touch control sensors
- Digital display
- Drop down stainless steel panel
- Metal grease filter
- Adjustable to ceiling height due to telescopic chimney section
- Recirculation air mode possible (see optional accessories)

Technical data:

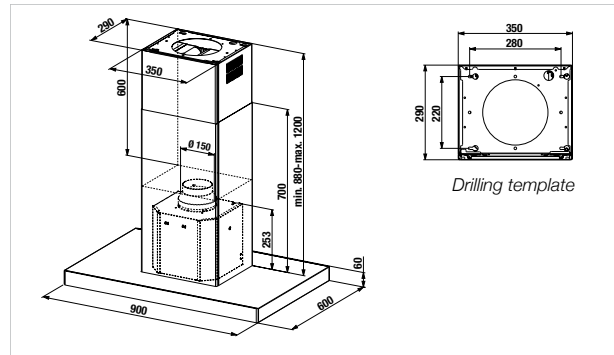
- Electrical connection 274 W
- Appliance dimensions W x H x D approx. 900 x 940-1,260 x 600 mm
- Exhaust air connection Ø 150 mm
- LED light colour 4,000 Kelvin
- For more information see page 210

Optional accessories:

- Charcoal filter Acc. no. 870
- PlasmaMade filter Acc. no. ZD 8000 (see page 160 / 161)
- For further optional accessories see page 158-159

IKD 9780.0 E

Stainless steel



COOKER HOOD. ISLAND.

K-SERIES.3



IKD 9480.0

90 cm. Box-Design. 4 power levels.

Features:

- 4 power levels incl. high power setting
- Extraction rate (to the outside) according to guideline 2010/30/EU: max. normal power setting 560 m³/h, intensive power setting 690 m³/h
- Electronic control with illuminated push buttons
- Metal grease filter
- Adjustable to ceiling height due to telescopic chimney section
- Recirculation air mode possible (see optional accessories)

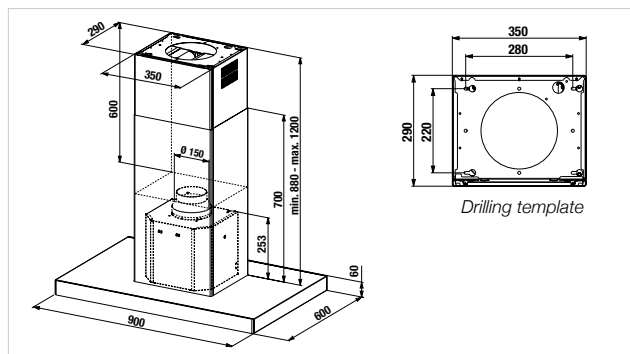
Technical data:

- Electrical connection 274 W
- Appliance dimensions W x H x D approx. 900 x 940-1,260 x 600 mm
- Exhaust air connection Ø 150 mm
- LED light colour 3,000 Kelvin
- For more information see page 210

Optional accessories:

- Charcoal filter Acc. no. 870
- PlasmaMade filter Acc. no. ZD 8000 (see page 160 / 161)
- For further optional accessories see page 158-159

IKD 9480.0 E Stainless steel



COOKER HOODS. CHIMNEY. HEADROOM CONCEPT.

K-SERIES.8



Black



Grey



DW 9800.0

90 cm. Rim suction technology. Automatic delay stop.

Features:

- 4 power levels incl. high power setting
- Extraction rate (to the outside) according to guideline 2010/30/EU: max. normal power setting 626 m³/h, intensive power setting 815 m³/h
- Electronic control with touch control sensors
- Digital display
- Filter saturation indicator
- Swing-out glass panel
- Metal grease filter
- Adjustable to ceiling height due to telescopic chimney section
- Recirculation air mode possible (see optional accessories)

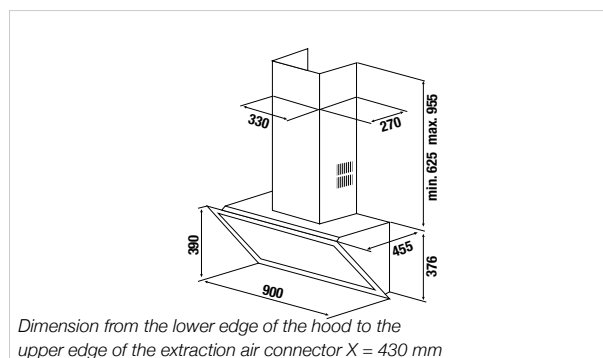
Technical data:

- Electrical connection 172 W
- Appliance dimensions W x H x D approx. 900 x 625-955 x 455 mm
- Exhaust air connection Ø 150 mm
- LED light colour 4,000 - 4,500 Kelvin
- For more information see page 211

Optional accessories:

- PlasmaMade filter Acc. no. ZD 8000 (see page 160 / 161)
- Charcoal filter Acc. no. ZD 1000
- Design-Kit:
 - Design Stainless steel Acc. no. DK 9011
 - Design Black Chrome Acc. no. DK 9012
 - Design Silver Chrome Acc. no. DK 9013
 - Design Gold Acc. no. DK 9014
 - Design Copper Acc. no. DK 9017
- For further optional accessories see page 158-159

- DW 9800.0 S Black glass
- DW 9800.0 G Grey glass



COOKER HOODS. CHIMNEY. HEADROOM CONCEPT.

K - SERIES . 5



Black, without design kit



White, without design kit



KD 9570.2

90 cm. Rim suction technology. Automatic delay stop.

Features:

- 4 power levels incl. high power setting
- Extraction rate (to the outside) according to guideline 2010/30/EU: max. normal power setting 599 m³/h, intensive power setting 786 m³/h
- Electronic control with touch control sensors
- Digital display
- Filter saturation indicator
- Swing-out glass panel
- Metal grease filter
- Adjustable to ceiling height due to telescopic chimney section (see optional accessories)
- Recirculation air mode possible (see optional accessories)

Technical data:

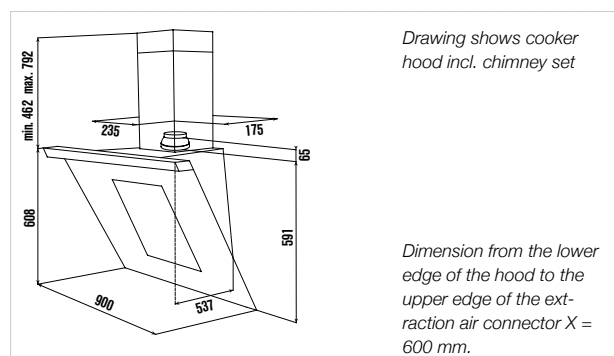
- Electrical connection 286 W
- Appliance dimensions (without chimney) W x H x D approx. 900 x 608 x 537 mm
- Exhaust air connection Ø 150 mm
- LED light colour 3,500 Kelvin
- For more information see page 211

Optional accessories:

- Charcoal filter Acc. no. 881
(2 pieces necessary)
- Charcoal filter adapter Acc. no. 881-2
- Chimney set (black) Acc. no. 9570
- Chimney set (Stainless steel) Acc. no. 9572
- Design-Kit:
 - Design Stainless steel Acc. no. 9575
 - Design Black Chrome Acc. no. 9576
 - Design Silver Chrome Acc. no. 9577
 - Design Gold Acc. no. 9578
 - Design Black Velvet Acc. no. 9579
 - Design Copper Acc. no. C9570
 (Installation of the design kits at the upper and lower edge of the front glass)
- For further optional accessories see page 158-159

KD 9570.2 J Black glass

KD 9570.2 W White glass



COOKER HOOD. CHIMNEY. HEADROOM CONCEPT.

K-SERIES.5



DW 8500.0 **NEW**

80 cm. Rim suction technology. Automatic delay stop.

Features:

- 4 power levels incl. Intensive power level
- Extraction rate (to the outside) according to guideline 2010/30/EU: max. normal power setting 580 m³/h, intensive power setting 720 m³/h
- Electronic control with touch control sensors
- Digital display
- Swing-out glass panel
- Metal grease filter
- Adjustable to ceiling height due to telescopic chimney section
- Recirculation mode possible (see optional accessories)

Technical data:

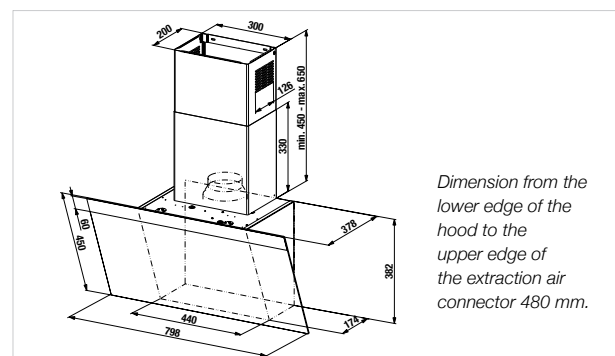
- Electrical connection 272 W
- Appliance dimensions W x H x D approx. (without chimney) 798 x 832-1032 x 378 mm
- Exhaust air connection Ø 150 mm
- LED light colour 3,000 Kelvin
- For more information see page 211

Optional accessories:

- Charcoal filter Acc. no. 603
- For further optional accessories see page 158-159

DW 8300.0 S

Black glass and Stainless steel



COOKER HOODS. CHIMNEY.

K - SERIES . 8



Black, without design kit



White, without design kit



Grey, without design kit



DW 3800.0

35 cm. Cube-Design. Automatic delay stop.

Features:

- 8 power levels incl. high power settings
- Extraction rate (to the outside) according to guideline 2010/30/EU: max. normal power setting 525 m³/h, intensive power setting 771 m³/h
- Electronic control with remote control
- Remote control with LED power level indicator
- Filter saturation indicator
- Metal grease filter
- Wire cable suspension for customized height adjustment
- Front panel glass, stainless steel body
- Stainless steel ceiling anchorage
- Recirculation air mode (incl. charcoal filter 2x Acc. no. 881)

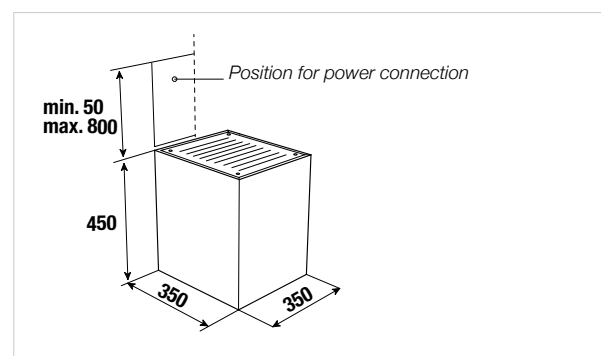
Technical data:

- Electrical connection 286 W
- Appliance dimensions W x H x D approx.
350 x 450 x 350 mm
- LED light colour 3.500 Kelvin
- For more information see page 211

Optional accessories:

- Replacement charcoal filter (2 pieces necessary) Acc. no. 881
- Design kits:
 - Design kit Stainless steel Acc. no. DK 3801
 - Design kit Black Chrome Acc. no. DK 3802
 - Design kit Silver Chrome Acc. no. DK 3803
 - Design kit Gold Acc. no. DK 3804
 - Design kit Black Velvet Acc. no. DK 3805
 - Design kit Copper Acc. no. DK 3807
 - Design kit Hot Chili Acc. no. DK 3808
 - Design kit Shade of Grey Acc. no. DK 3809
- (Installation of the design kits at the lower edge of the cooker hood, at the front)
- For further optional accessories see page 257/258

- DW 3800.0 S** Black glass, stainless steel body
- DW 3800.0 W** White glass, stainless steel body
- DW 3800.0 G** Grey glass, stainless steel body



COOKER HOODS. CHIMNEY.

K-SERIES.5



DW 9500.0

90 cm. Slim-Design. Automatic delay stop.

Features:

- 4 power levels incl. high power setting
- Extraction rate (to the outside) according to guideline 2010/30/EU: max. normal power setting 630 m³/h, intensive power setting 764 m³/h
- Electronic control with touch control sensors
- Digital display
- Filter saturation indicator
- Metal grease filter
- Adjustable to ceiling height due to telescopic chimney section
- Recirculation air mode possible (see optional accessories)

Technical data:

- Electrical connection 172 W
- Appliance dimensions W x H x D approx. 900 x 670-1000 x 480 mm
- Exhaust air connection Ø 150 mm
- LED light colour 4,000 - 4,500 Kelvin
- For more information see page 211

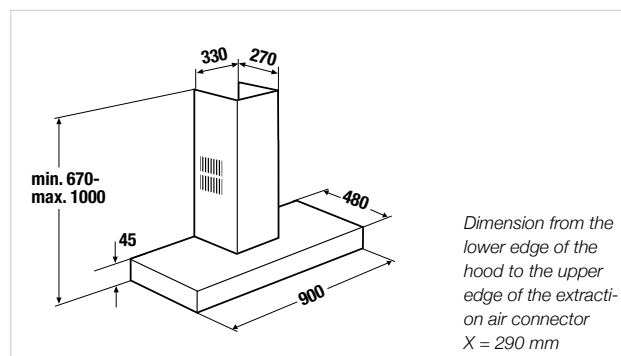
Optional accessories:

- Charcoal filter Acc. no. ZD 1001
- PlasmaMade filter Acc. no. ZD 8000
(see page 160 / 161)
- Design-Kit:
 - Design Stainless steel Acc. no. DK 9011
 - Design Black Chrome Acc. no. DK 9012
 - Design Silver Chrome Acc. no. DK 9013
 - Design Gold Acc. no. DK 9014
 - Design Copper Acc. no. DK 9017
- For further optional accessories see page 158-159

Picture with Design-Kit
Acc. no. 9011



DW 9500.0 S Black
DW 9500.0 W White



COOKER HOOD. CHIMNEY. K-SERIES.3



DW 9350.0

90 cm. knobControl. Automatic delay stop.

Features:

- 4 power levels incl. high power setting
- Extraction rate (to the outside) according to guideline 2010/30/EU: max. normal power setting 586 m³/h, intensive power setting 740 m³/h
- Electronic control with high-quality aluminum knobs
- Digital display
- Filter saturation indicator
- Metal grease filter
- Adjustable to ceiling height due to telescopic chimney section
- Recirculation air mode possible (see optional accessories)

Technical data:

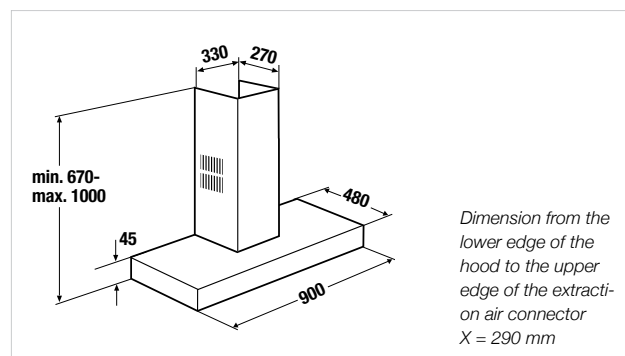
- Electrical connection 280 W
- Appliance dimensions W x H x D approx.
900 x 670-1000 x 480 mm
- Exhaust air connection Ø 150 mm
- LED light colour 4,000 - 4,500 Kelvin
- For more information see page 211

Optional accessories:

- Charcoal filter Acc. no. ZD 1001
- PlasmaMade filter Acc. no. ZD 8000
(see page 160 / 161)
- For further optional accessories see page 158-159

DW 9350.0 E

Stainless steel



COOKER HOODS. CHIMNEY.

K-SERIES.3



DW 9340.0

90 cm. Box-Design. 4 power levels.



Features:

- 4 power levels incl. high power setting
- Extraction rate (to the outside) according to guideline 2010/30/EU: max. normal power setting 580 m³/h, intensive power setting 700 m³/h
- Electronic control with illuminated push buttons
- Metal grease filter
- Adjustable to ceiling height due to telescopic chimney section
- Recirculation air mode possible (see optional accessories)

Technical data:

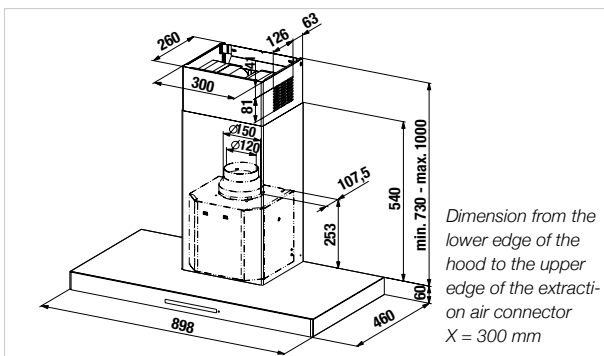
- Electrical connection 272 W
- Appliance dimensions W x H x D approx. 900 x 730-1,000 x 460 mm
- Exhaust air connection Ø 150 mm
- LED light colour 3,000 Kelvin
- For more information see page 211

Optional accessories:

- Charcoal filter Acc. no. 870
- PlasmaMade filter Acc. no. ZD 8000 (see page 160 / 161)
- For further optional accessories see page 158-159

DW 9340.0 E

Stainless steel



K-SERIES.3



DW 6340.0

60 cm. Box-Design. 4 power levels.



Features:

- 4 power levels incl. high power setting
- Extraction rate (to the outside) according to guideline 2010/30/EU: max. normal power setting 580 m³/h, intensive power setting 700 m³/h
- Electronic control with illuminated push buttons
- Metal grease filter
- Adjustable to ceiling height due to telescopic chimney section
- Recirculation air mode possible (see optional accessories)

Technical data:

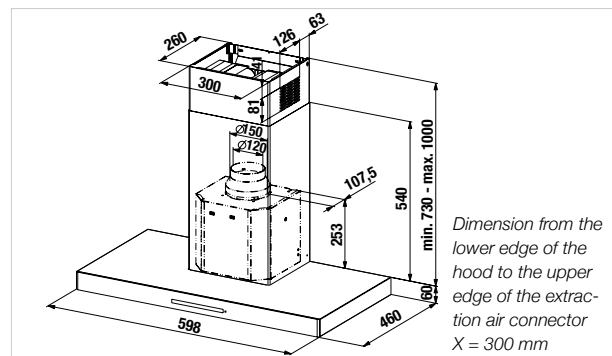
- Electrical connection 272 W
- Appliance dimensions W x H x D approx. 600 x 730-1,000 x 460 mm
- Exhaust air connection Ø 150 mm
- LED light colour 3,000 Kelvin
- For more information see page 211

Optional accessories:

- Charcoal filter Acc. no. 870
- PlasmaMade filter Acc. no. ZD 8000 (see page 160 / 161)
- For further optional accessories see page 158-159

DW 6340.0 E

Stainless steel



COOKER HOODS. CHIMNEY.

K-SERIES . 1



DW 9100.0

90 cm. Pyramid-design. Automatic delay stop.



Features:

- 4 power levels incl. high power setting
- Extraction rate (to the outside) according to guideline 2010/30/EU: max. normal power setting 597 m³/h, intensive power setting 760 m³/h
- Electronic control with illuminated push buttons
- Metal grease filter
- Adjustable to ceiling height due to telescopic chimney section
- Recirculation air mode possible (see optional accessories)

Technical data:

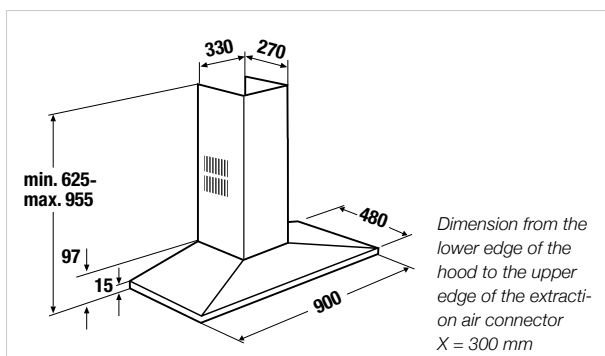
- Electrical connection 292 W
- Appliance dimensions W x H x D approx. 900 x 625-955 x 480 mm
- Exhaust air connection Ø 150 mm
- LED light colour 4,000 - 4,500 Kelvin
- For more information see page 212

Optional accessories:

- Charcoal filter Acc. no. ZD 1001
- PlasmaMade filter Acc. no. ZD 8000 (see page 160 / 161)
- For further optional accessories see page 158-159

DW 9100.0 E

Stainless steel



K-SERIES . 1



DW 7100.0

70 cm. Pyramid-design. Automatic delay stop.



Features:

- 4 power levels incl. high power setting
- Extraction rate (to the outside) according to guideline 2010/30/EU: max. normal power setting 597 m³/h, intensive power setting 760 m³/h
- Electronic control with illuminated push buttons
- Metal grease filter
- Adjustable to ceiling height due to telescopic chimney section
- Recirculation air mode possible (see optional accessories)

Technical data:

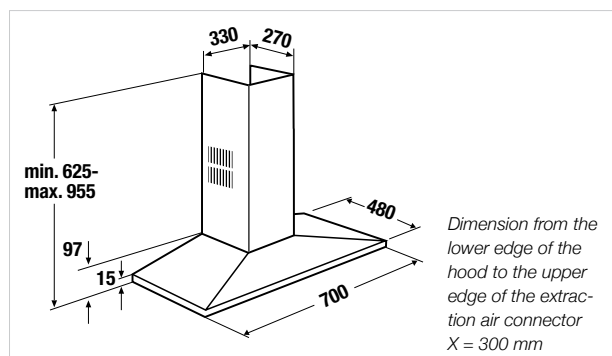
- Electrical connection 289 W
- Appliance dimensions W x H x D approx. 700 x 625-955 x 480 mm
- Exhaust air connection Ø 150 mm
- LED light colour 4,000 - 4,500 Kelvin
- For more information see page 212

Optional accessories:

- Charcoal filter Acc. no. ZD 1003
- PlasmaMade filter Acc. no. ZD 8000 (see page 160 / 161)
- For further optional accessories see page 158-159

DW 7100.0 E

Stainless steel



COOKER HOODS. BUILT-IN. SLIMLINE.

K-SERIES . 8

K-SERIES . 8

Picture with front grip panel
Acc. no. 9500

Picture with front grip panel
Acc. no. 6500



DEF 9800.0

90 cm. Telescopic canopy. Automatic delay stop.



Features:

- 6 power levels incl. high power setting
- Extraction rate (to the outside) according to guideline 2010/30/EU: max. normal power setting 523 m³/h, intensive power setting 740 m³/h
- Electronic control with push buttons
- LED Display for power levels
- Operated from the right side
- Filter saturation indicator
- Metal grease filter
- Extendable glass panel to enlarge the catchment area
- Recirculation air mode possible (see optional accessories)
- Optional stainless steel front grip panel (see accessories)

Technical data:

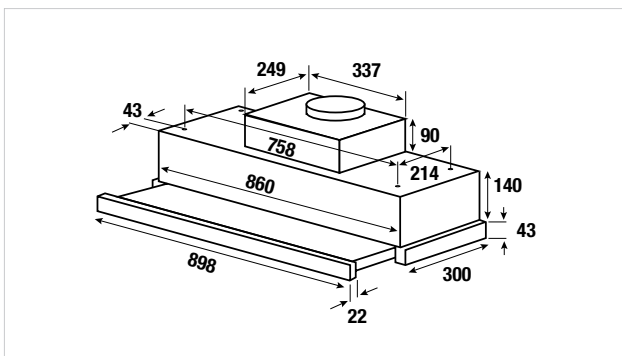
- Electrical connection 274 W
- Appliance dimensions W x H x D approx. 900 x 310 x 300-490 mm
- Exhaust air connection Ø 150 mm
- LED light colour 4,000 - 4,500 Kelvin
- For more information see page 212

Optional accessories:

- Front grip panel, stainless steel Acc. no. 9500
- Charcoal filter Acc. no. ZD 1005 (2 pieces necessary)
- PlasmaMade filter (see page 160 / 161)
- For further optional accessories see page 158-159

DEF 9800.0

Stainless steel



DEF 6800.0

60 cm. Telescopic canopy. Automatic delay stop.



Features:

- 6 power levels incl. high power setting
- Extraction rate (to the outside) according to guideline 2010/30/EU: max. normal power setting 523 m³/h, intensive power setting 740 m³/h
- Electronic control with push buttons
- LED Display for power levels
- Operated from the right side
- Filter saturation indicator
- Metal grease filter
- Extendable glass panel to enlarge the catchment area
- Recirculation air mode possible (see optional accessories)
- Optional stainless steel front grip panel (see accessories)

Technical data:

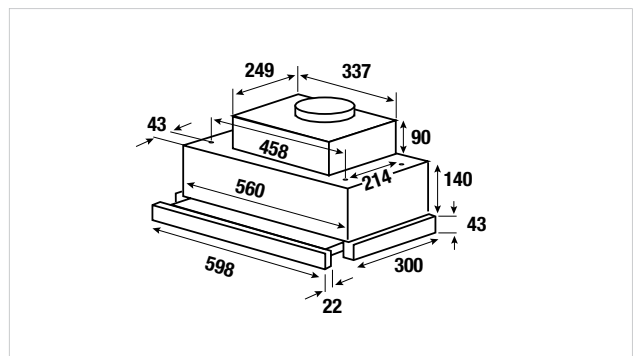
- Electrical connection 272 W
- Appliance dimensions W x H x D approx. 600 x 310 x 300-490 mm
- Exhaust air connection Ø 150 mm
- LED light colour 4,000 - 4,500 Kelvin
- For more information see page 212

Optional accessories:

- Front grip panel, stainless steel Acc. no. 9600
- Charcoal filter Acc. no. ZD 1005 (2 pieces necessary)
- PlasmaMade filter (see page 160 / 161)
- For further optional accessories see page 158-159

DEF 6800.0

Stainless steel



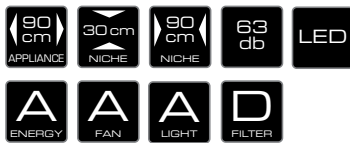
COOKER HOODS. BUILT-IN. SLIMLINE.

K-SERIES.5



DEF 9550.0* **NEW**

90 cm. Telescopic canopy. Automatic delay stop.



Features:

- 4 power levels incl. Intensive power level
- Extraction rate(to the outside) according to guideline 2010/30/EU: max. normal power setting 537 m³/h, intensive power setting 647 m³/h
- Electronic control with push buttons
- LED Display for power levels
- Operated from the side
- Filter saturation indicator
- Metal grease filter
- Extendable panel to enlarge the catchment area
- Recirculation mode possible (see optional accessories)
- Standard stainless steel panel (exchangeable)

Technical data:

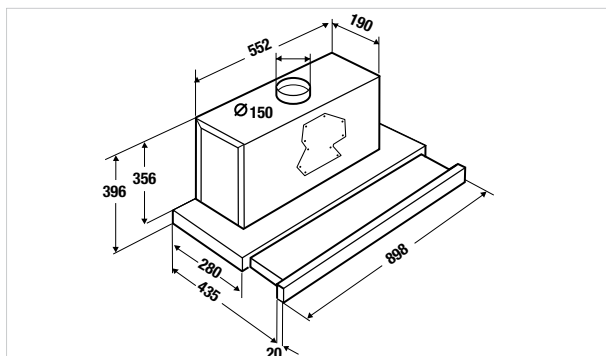
- Electrical connection 206 W
- Appliance dimensions W x H x D approx. 898 x 396 x 300 - 455 mm
- Niche dimensions W x H x D approx. 900 x 450 x 300 mm
- Exhaust air connection Ø 150 mm
- LED light colour 2,700 Kelvin
- For more information see page 212

Optional accessories:

- Charcoal filter Acc. no. ZD 1011
- PlasmaMade filter (see page 160/161)
- For further optional accessories see page 158-159

*Available from 09/2019

DEF 9550.0 E Stainless steel



K-SERIES.5



DEF 6550.0* **NEW**

60 cm. Telescopic canopy. Automatic delay stop.



Features:

- 4 power levels incl. Intensive power level
- Extraction rate(to the outside) according to guideline 2010/30/EU: max. normal power setting 537 m³/h, intensive power setting 647 m³/h
- Electronic control with push buttons
- LED Display for power levels
- Operated from the side
- Filter saturation indicator
- Metal grease filter
- Extendable panel to enlarge the catchment area
- Recirculation mode possible (see optional accessories)
- Standard stainless steel panel (exchangeable)

Technical data:

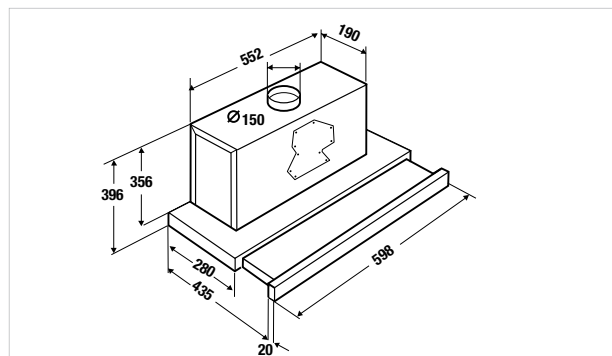
- Electrical connection 206 W
- Appliance dimensions W x H x D approx. 598 x 396 x 300 - 455 mm
- Niche dimensions W x H x D approx. 600 x 450 x 300 mm
- Exhaust air connection Ø 150 mm
- LED light colour 2,700 Kelvin
- For more information see page 212

Optional accessories:

- Charcoal filter Acc. no. ZD 1011
- PlasmaMade filter (see page 160/161)
- For further optional accessories see page 158-159

*Available from 09/2019

DEF 6550.0 E Stainless steel



COOKER HOOD. BUILT-IN. SLIMLINE.

K-SERIES . 3



DEF 6300.0

90 cm. Telescopic canopy.



Features:

- 3 power levels
- Extraction rate (to the outside) according to guideline 2010/30/EU: max. normal power setting 385 m³/h
- Electronic control with push buttons
- LED Display for power levels
- Operated from the side
- Metal grease filter
- Extendable glass panel to enlarge the catchment area
- Recirculation air mode possible (see optional accessories)
- Front grip panel, stainless steel (changeable)

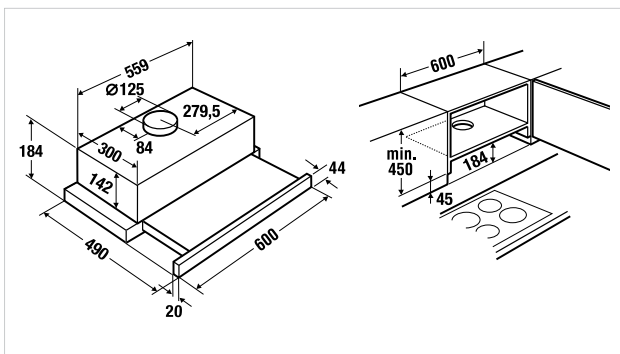
Technical data:

- Electrical connection 113 W
- Appliance dimensions W x H x D approx.
600 x 184 x 300-490 mm
- Niche dimensions W x H x D approx.
600 x 450 x 300 mm
- Exhaust air connection Ø 125 mm
- LED light colour 4,000-4,500 Kelvin
- For more information see page 213

Optional accessories:

- Charcoal filter Acc. no. ZD 1006
(2 pieces necessary)
- PlasmaMade filter (see page 160/161)
- For further optional accessories see page 158-159

DEF 6300.0 E Stainless steel



COOKER HOODS. BUILT-IN. CANOPY HOODS.

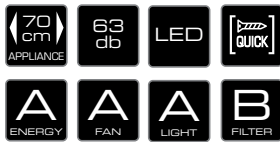
K-SERIES.8

K-SERIES.8



LB 8650.1

70 cm. Rim suction technology. Automatic delay stop.



Features:

- 4 power levels incl. high power setting
- Extraction rate (to the outside) according to guideline 2010/30/EU: max. normal power setting 598 m³/h, intensive power setting 786 m³/h
- Electronic control with illuminated push buttons
- Metal grease filter
- Recirculation air mode possible (see optional accessories)

Technical data:

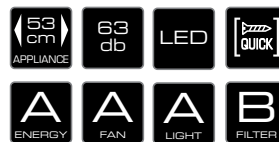
- Electrical connection 286 W
- Appliance dimensions W x H x D approx. 712 x 370 x 284 mm
- Niche dimensions W x D approx. 678 x 260 mm
- Exhaust air connection Ø 150 mm
- LED light colour 3,500 Kelvin
- For more information see page 213

Optional accessories:

- Charcoal filter Acc. no. 9019
- PlasmaMade filter (see page 160 / 161)
- For further optional accessories see page 158-159

LB 6650.1

53 cm. Rim suction technology. Automatic delay stop.



Features:

- 4 power levels incl. high power setting
- Extraction rate (to the outside) according to guideline 2010/30/EU: max. normal power setting 598 m³/h, intensive power setting 786 m³/h
- Electronic control with illuminated push buttons
- Metal grease filter
- Recirculation air mode possible (see optional accessories)

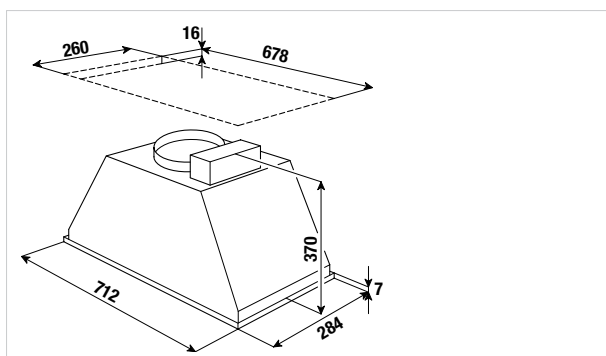
Technical data:

- Electrical connection 286 W
- Appliance dimensions W x H x D approx. 532 x 370 x 284 mm
- Niche dimensions W x D approx. 498 x 260 mm
- Exhaust air connection Ø 150 mm
- LED light colour 3,500 Kelvin
- For more information see page 213

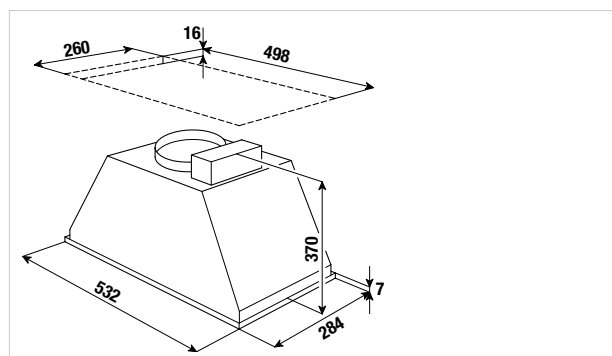
Optional accessories:

- Charcoal filter Acc. no. 9019
- PlasmaMade filter (see page 160 / 161)
- For further optional accessories see page 158-159

LB 8650.1 E Stainless steel



LB 6650.1 E Stainless steel



COOKER HOOD. BUILT-IN. CANOPY HOODS.

K-SERIES . 1



DEL 5100.0

55 cm. LED lighting.



Features:

- 3 power levels
- Extraction rate (to the outside) according to guideline 2010/30/EU: max. normal power setting 329 m³/h
- Control with push button
- Metal grease filter
- Recirculation air mode possible (see optional accessories)

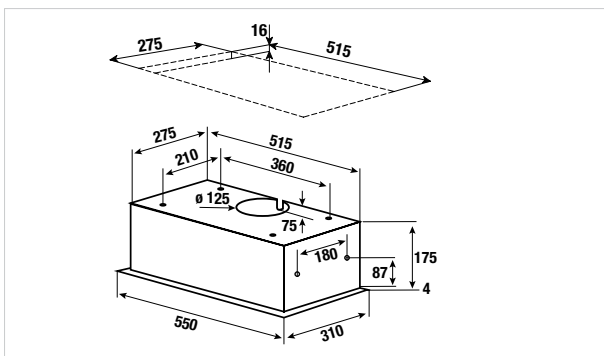
Technical data:

- Electrical connection 180 W
- Appliance dimensions W x H x D approx. 550 x 179 x 310 mm
- Niche dimensions W x D approx. 515 x 275 mm
- Exhaust air connection Ø 125 mm
- LED light colour 4,000-4,500 Kelvin
- For more information see page 213

Optional accessories:

- Charcoal filter Acc. no. ZD 1007 (2 pieces necessary)
- For further optional accessories see page 158-159

DEL 5100.0 S Black glass





Design kit Stainless steel Acc. no. DK 9011



Design kit Stainless steel Acc. no. DK 3801




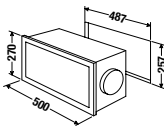
Recirculating air mode outlet kit Acc. no. 9015

ACCESSORIES. COOKER HOODS.

Initial equipment-accessories*		Acc. no.
Recirculation air set as initial equipment, tube and clamps	for DEF.....	565
Charcoal filter adapter	for KD 9570	881-2
Charcoal filter		
Charcoal filter	for IKD 12780, IKD 9780, IKD 9480, DW 9340, DW 6340	870
Charcoal filter	for LB 8650, LB 6650	9019
Charcoal filter (2 pieces necessary)	for DI 3800, DW 3800, KD 9570	881
Charcoal filter	for DEF 9550, DEF 6550	ZD 1011
Charcoal filter	for DW 8500	603
Charcoal filter	for recirculating air mode outlet kit acc. no. 9015	9021
Charcoal filter	for DW 9800	ZD 1000
Charcoal filter	for DW 9500, DW 9350, DW 9100	ZD 1001
Charcoal filter	for DW 7100	ZD 1003
Charcoal filter (2 pieces necessary)	for DEF 9800, DEF 6800	ZD 1005
Charcoal filter (2 pieces necessary)	for DEF 6300	ZD 1006
Charcoal filter (2 pieces necessary)	for DEL 5100	ZD 1007

* Only required for initial orders



Recirculating air mode outlet kit, incl. charcoal filter









	for EDL (see page 136) 	9015
--	--	------

Chimney set

Chimney set, black	suitable for KD 9570	9570
Chimney set, stainless steel	suitable for KD 9570	9572

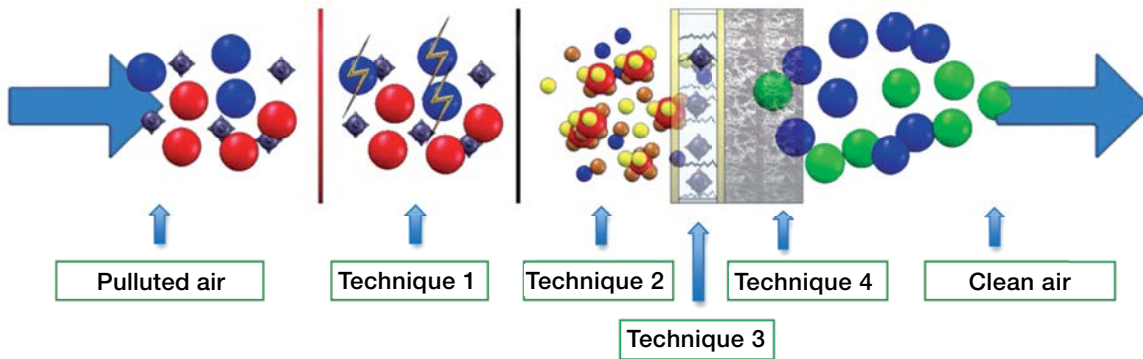
Front grip panel

	suitable for DEF 6800	6500
	suitable for DEF 9800	9500

Küppersbusch Individual	Design	DI 3800	DW 3800	KD 9570	DW 9800 / DW 9500
		Acc. no.	Acc. no.	Acc. no.	Acc. no.
	Stainless steel	DK 3801 (2 pieces necessary)	DK 3801	9575	DK 9011
	Black Chrome	DK 3802 (2 pieces necessary)	DK 3802	9576	DK 9012
	Silver Chrome	DK 3803 (2 pieces necessary)	DK 3803	9577	DK 9013
	Gold	DK 3804 (2 pieces necessary)	DK 3804	9578	DK 9014
	Black Velvet	DK 3805 (2 pieces necessary)	DK 3805	9579	
	Copper	DK 3807 (2 pieces necessary)	DK 3807	C9570	DK 9017
	Hot Chili	DK 3808 (2 pieces necessary)	DK 3808		
	Shade of Grey	DK 3809 (2 pieces necessary)	DK 3809		

PLASMA MADE

IDEAL CLIMATE FOR YOUR HEALTH



ARGUMENTS TO CONVINC YOU

- Can be **simply installed later** on in almost any cooker hood suitable for circulation air.
- **Self-cleaning** filter **extremely low on maintenance**.
- **Maximum efficiency**.
- Audible **reduction in noise generation**.
- **Economical** in consumption.
- **Long life period**. A self-cleaning filter which will last you upto 15 years.
- **Completely natural**, converts any type of air pollution to clean air.
- **Certified technology**.



Model ZD 8000



Model ZD 8001

Combination of four techniques:

1. PlasmaMade Airfilter plasma technology:

The PlasmaMade plasma generator makes sure ionized plasma (O_3) is abstracted from the O_2 groups in the air. Besides, H_2O groups are split in a positive hydrogen ion and a negative oxygen ion, also referred to as ionization.

2. Fiberglass nano filter electrically charged:

The fiberglass mat makes sure that contaminations are caught in the Nano fiberglass filter. The Nano fiberglass filter is being electrostatically charged by the electrostatic filter.

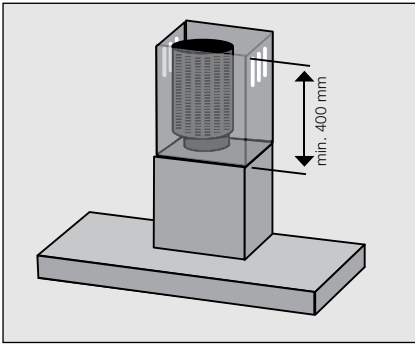
3. Electrostatic filter, consisting of 2 metal cores:

The two electrostatic cores make sure that contaminations, contained in the Nano fiberglass mat by electrostatic discharge (also referred to as ESD), are eliminated.

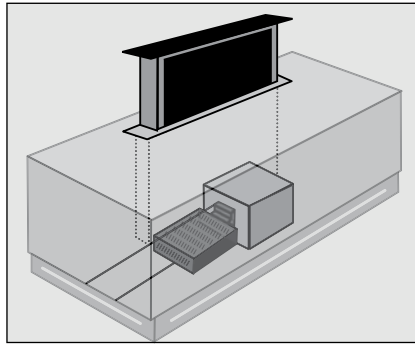
4. Active carbon filter:

The carbon filter makes sure that any released O_3 (ozone) groups get caught, so only O_2 (oxygen), CO_2 (carbon dioxide) and H_2O (water) remain. The present OH groups abstract the hydrogen molecule (H) from the protection of the bacteria, deactivating smells, molds, bacteria, viruses, etc.

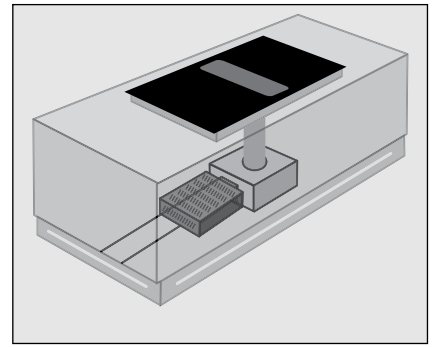
PLASMAMADE INSTALLATION FOR DIFFERENT TYPES OF COOKER



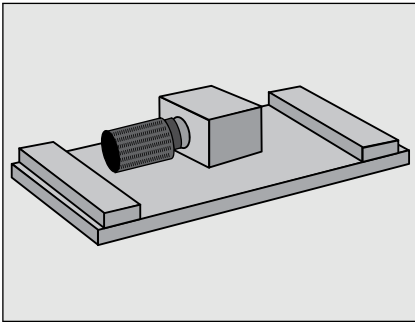
Island and chimney cooker hoods
ZD 8000 filter is mounted direct on the air vent.



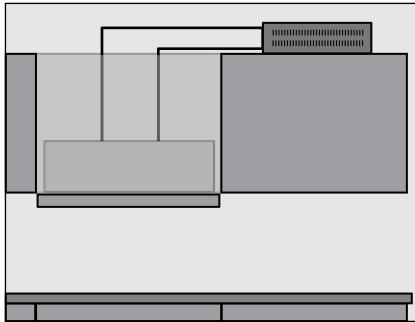
Downdraft extractors
ZD 8001 filter is mounted in the base.



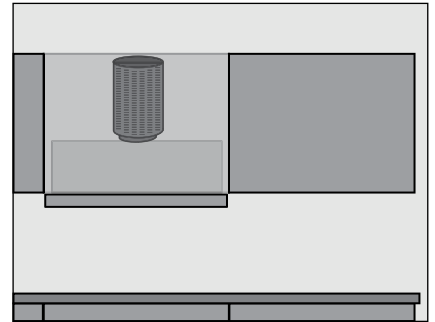
Hob with integrated cooktop extractor
ZD 8001 filter is mounted in the base.



Built-in ceiling canopy hoods
ZD 8000 filter is mounted direct on the cooker hood motor.

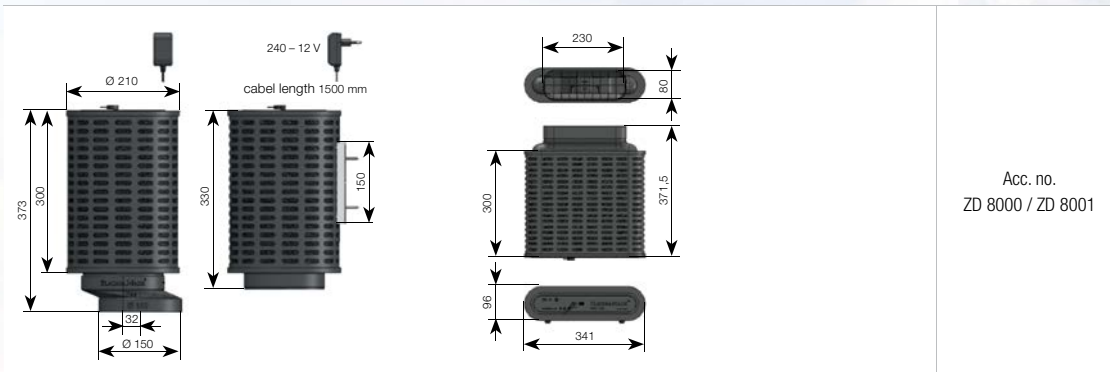


Built-in cooker hoods with ZD 8001
ZD 8001 filter is put onto the unit and connected to the hood.



Built-in cooker hoods with ZD 8000
ZD 8000 filter is put directly onto the motor of the hood.

PlasmaMade Filter



KÜPPERSBUSCH COOLING APPLIANCES

You like fresh fruit, delicate meat, select wines?
Küppersbusch cooling appliances provide advanced
technology and intelligent cooling zones for optimal
storage of your food.

Individual + cool





FREE-STANDING FRIDGE-FREEZERS

For everyone who attaches importance to taste, aesthetics is here combined with the greatest gourmet indulgence. Made of high-quality stainless steel, they are not only an eye-catcher in your kitchen but also an impressive space-saver, in fact total Küppersbusch. For the loft generation, for passionate hosts, for showrooms or holiday bungalows: these fridge-freezers offer more than enough storage space for your big shopping trips.

Cool drinks at any time

With the Küppersbusch American-style fridge-freezers this is no longer a problem. The models have a modern refreshment centre for the preparation of ice cubes, crushed ice and ice-cool water.

Generous in space – economical in consumption








Powerful compressors and highly effective vacuum insulation reduce the consumption of electricity by up to 45 % less than the consumption of customary fridges and freezers. Rated energy efficiency min. A+ – and thus far more economical in terms of energy consumption than their American counterparts. Küppersbusch free-standing fridge-freezers all have very low vibration levels, making them especially quiet.



For every niche the suitable fridge ...

Due to their various niche-heights and furniture door fixing techniques, Küppersbusch cooling appliances can be integrated into any of the popular niches. The table below provides the relevant guide:



	FD fixed furniture door system	page	SR sliding-rail furniture door system	page
 Integrated built-in refrigerators and freezers 178 cm niche	FKF 8800.0i FK 8800.0i FG 8800.0i FKGF 8800.0i FKG 8850.0i FKG 8500.1	174 174 175 176 177 177	FK 8305.0i FKG 8310.0i FKG 8300.0i	175 178 178
 Integrated built-in refrigerators and freezers 144 cm niche			FKG 6300.0i	179
 Integrated built-in refrigerators and freezers 140 cm niche	FKF 5800.0i	180		
 Integrated built-in refrigerators and freezers 122 cm niche	FKF 4800.0i FK 4505.0i FK 4500.0i	180 181 181		
 Integrated built-in refrigerators and freezers 103 cm niche	FK 3800.0i	182		
 Integrated built-in refrigerators and freezers 88 cm niche	FK 2505.0i FK 2500.0i FG 2500.0i	182 183 183		
 Built-under refrigerators 82 cm niche	FKU 1500.0i	184		

... with innovative interior designs!

Top Interior Design: The interior design of Küppersbusch cooling appliances appears at its best: the door compartments are made of high-grade plastic with chrome railings, combined with chrome trims. The safety-glass shelves in the inner compartment have a chrome trim at the front. In addition, the LED lighting provides outstanding energy-saving illumination (depending on model).



Anyone fancy a drink?



Individual

The Küppersbusch Individual concept offers the option of having some models adapted to suit your own personal taste by equipping them with additional design kits. A fully individual look is achieved with one of the seven different metal design trims available as an accessory.



Energy efficiency class

In EU countries there is a common energy labelling system, which provides a guide to the energy efficiency of domestic electric appliances. Under this system, the most economical appliances are categorised as Class A and the least economical as Class G. There is no doubt that Küppersbusch appliances are amongst the most energy-efficient on the market.



NoFrost technology

The NoFrost technology ensures the inside of your freezer will remain free from any build-up of ice. Frost has no chance of settling on the inner walls or on your food. The advantage is that you will never have to defrost your freezer and that it will always work as economically as possible.

FastCooling

Whenever you want to place a large number of warmer foods into your fridge – e.g. when you come back from your weekly shop – we recommend you activate the FastCooling function in order to speed up the cooling process for these products and to prevent food already inside your fridge from warming unnecessarily. The FastCooling function automatically switches off after about 6 hours.

FastFreezing

Whenever you freeze fresh food, you can simply lower the freezer temperature by pressing the FastFreezing button. After the initial freezing time is up, the freezer can be turned back to normal operation – either automatically or manually, depending on the model. The advantage of this method is: it is gentle on the goods you freeze, and the formation of an excess of ice crystals is prevented.



Touch control

A touch of a fingertip is sufficient and the function of the sensor buttons will be activated.



LED-Lighting

These fridges are equipped with economic interior LED lighting.

DefrostMode

The refrigerator no longer needs to be switched off for defrosting. This is carried out by DefrostMode at a constant temperature in the interior of the refrigerator. Food will not go off. The melted frost is simply transported to the back of the refrigerator, where it evaporates.



ökoFresh+

In this cooling zone with a temperature of nearly 0° C food can be kept fresh for up to three times longer than in a normal fridge section.



4-star freezer compartment

In the 4-star freezer compartment frozen food can be stored for a longer period at temperatures of up to -18° C.

4-star freezer section

A separate freezer section ensures temperatures of -18° C and below. Larger quantities of food can be frozen and stored for several months.

Climate classification

The climate classes indicate the ambient temperatures at which the cooling appliances optimally function.

VarioBoxes

The door compartments can be positioned at different heights. This way, it is easy to store unusually large food packages. Also, the compartments are easy to clean – simply take them out of the fridge and wash.

FreshBox

Fresh food should be stored in the especially devised drawers.

Holiday function

With this function, the appliance can be left untouched with the door closed for a longer period of time. The formation of mould and unpleasant odours inside the cooling chamber is prevented. When activating the holiday function, the fridge temperature will automatically be set to approx. 15°C. The freezer temperature will remain unchanged.

VarioShelves

The glass shelves can be slotted into the guide rails set into the walls of the fridge. You can change the distance between the shelves to suit your needs.

VarioShelves+

You can also slide the front halves of the glass shelves underneath the back halves.



MultiAirflow

The fridge is fitted with a function that causes food to cool down quickly and that ensures an even temperature throughout the inside of the fridge. Depending on the model, this function either cuts out automatically or at the push of a button. It is highly useful for restoring the temperature after the door has been opened or when the surrounding temperature is high. When this function is active, the temperature is practically the same throughout the entire fridge, meaning you can store your food on any shelf or in any drawer you please.



Electronic temperature control

With electronic temperature control, you can be confident that the temperature you set for your fridge or freezer is accurately maintained. A digital thermometer lets you know at a glance how cold it is.

Temperature warning system

An automatic warning system is activated if the temperature in the freezer compartment starts to rise. Depending on the model, a red warning lamp will light up and a loud audible alarm will sound to advise of the problem. The system is an excellent safeguard against spoiled food.



Child safety lock

Whenever the child safety lock is activated, you cannot change the settings of your appliance.



Softclose

Appliance doors with Softclose technology shut gently, quietly and practically of their own accord.

Magnetic locks

The refrigerator doors close very tightly as if by themselves thanks to magnetic locks, so there is no loss of cold or energy.



Fixed furniture door system

In the case of the fixed furniture door system the hinges of the refrigerator doors are attached to the refrigerator and the back of the kitchen furniture door.



Sliding-rail furniture door system

In the case of the sliding rail furniture door system the hinges of the furniture door are attached to the back of the latter and the inside of the furniture niche. A sliding rail on the front of the refrigerator attaches the door of the kitchen furniture to the refrigerator.



Niche height

The niche height corresponds to the height of the required kitchen unit niche.



Appliance width

The various widths of the Küppersbusch refrigerators and freezers mean flexibility all the way.



Electronic control by touch control sensors



Electronic control by push buttons



Mechanical control by rotary knob

FRESH. FRIDGE-FREEZER.

K - SERIES . 8



KEI 9750-0-2 T ****

Side-by-Side Fridge-freezer. NoFrost.



Features:

- Electronic temperature control with buttons
- Electronic temperature display
- Electronic refreshment centre
 - ice cubes, crushed ice, iced water
- Acoustic alarm
- VarioShelves
- VarioBoxes
- FreshBox
- Useable capacity 549 litres
 - of which
 - cooling section 379 litres
 - freezer section 170 litres
- Internal water filter with exchange indicator
- Water connection hose
- **Excluding handles (see optional acc.)**

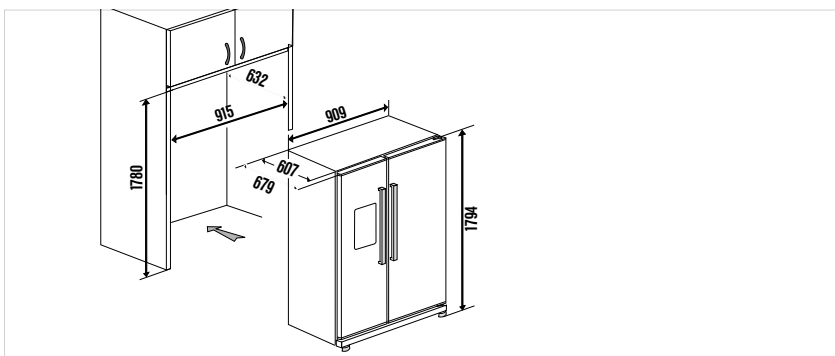
Technical data:

- Energy consumption/year 450 kW/h
- Noise level 47 dB
- Freezing capacity 12 kg/24 h
- Storage time in the event of power failure 6 h
- Appliance dimensions (incl. handles) W x H x D approx. 909 x 1,794 x 720 mm
- Niche dimensions W x H x D approx. 915 x 1,780 x 632 mm
- Noise level 47 dB
- For more technical data see page 214

Optional accessories handle set: (consisting of 2 handles)

- Design Stainless Steel look Acc. no. 9751
- Design Black Chrome Acc. no. 9752
- Design Silver Chrome Acc. no. 9753
- Design Gold Acc. no. 9754
- Design Black Velvet Acc. no. 9755
- Design Copper Acc. no. 9757
- For more information see page 185

KEI 9750-0-2 T Built-in version, Stainless Steel front



RAL-Colours available
Price and delivery time on request

FRESH. FRIDGE-FREEZER.

K-SERIES . 8



KE / KJ / KW 9750-0-2 T ****

Side-by-Side Fridge-freezer. NoFrost.



Features:

- Electronic temperature control with buttons
- Electronic temperature display
- Electronic refreshment centre
 - ice cubes, crushed ice, iced water
- Acoustic alarm
- VarioShelves
- VarioBoxes
- FreshBox
- Useable capacity 549 litres
 - of which cooling section 379 litres
 - freezer section 170 litres
- Internal Water filter with exchange indicator
- Water connection hose
- **Excluding handles (see optional acc.)**

Technical data:

- Energy consumption/year 450 kW/h
- Noise level 47 dB
- Freezing capacity 12 kg/24 h
- Storage time in the event of power failure 6 h
- Appliance dimensions (incl. handles) W x H x D approx. 916 x 1,805 x 720 mm
- Noise level 47 dB
- For more technical data see page 214

Optional accessories handle set:

- (consisting of 2 handles)
- Design Stainless Steel look Acc. no. 9751
 - Design Black Chrome Acc. no. 9752
 - Design Silver Chrome Acc. no. 9753
 - Design Gold Acc. no. 9754
 - Design Black Velvet Acc. no. 9755
 - Design Copper Acc. no. 9757
 - For more information see page 185

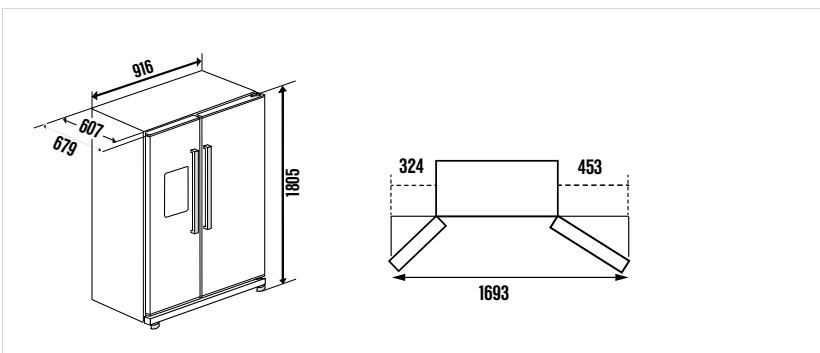
KE 9750-0-2 T Design Stainless Steel, full cover

KJ 9750-0-2 T Design Black

KW 9750-0-2 T Design White



Cooling appliances



RAL-Colours available
Price and delivery time on request

FRESH. WINE COOLERS. BUILT-IN.

K-SERIES.8

K-SERIES.8



Picture shows cooler with handle Stainless steel

FWK 8850.0 S **NEW**

178 cm. 3 temperature zones. Capacity for 91 bottles.



Features:

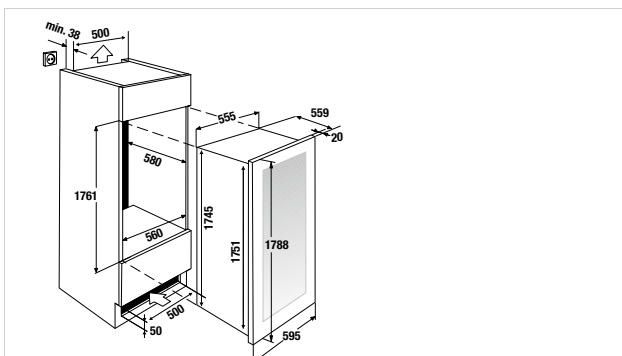
- Electronic temperature control with buttons
- Electronic temperature display
- 9 wooden pull-out shelves, removeable
- 1 45°-wooden shelf for presentation
- Black glass door with UV-protection
- **3 temperature zones:**
 - upper compartment from 5°C to 20°C
 - middle compartment from 5°C to 10°C
 - lower compartment from 10°C to 20°C
- LED lighting (per temperature zone 2 LED's à 0,2 W)
- Dynamic air circulation cooling system
- Acoustic alarm
- Reversible door hinges
- Including water container for additional humidity
- Maximum door opening angle of 90°
- **Excluding handle (see optional accessories)**

Technical data:

- Energy consumption/year 216 kWh
- Appliance dimensions (excluding handle) W x H x D approx. 595 x 1,788 x 559 mm
- Niche dimensions W x H x D approx. 560 x 1,761 x 580 mm
- Noise level 45 dB
- For more technical data see page 214

Optional accessories handles see page 185

FWK 8850.0 S Design black glass



Picture shows cooler with handle Stainless steel

FWK 4800.0 S **NEW**

122 cm. 2 temperature zones. Capacity for 79 bottles.



Features:

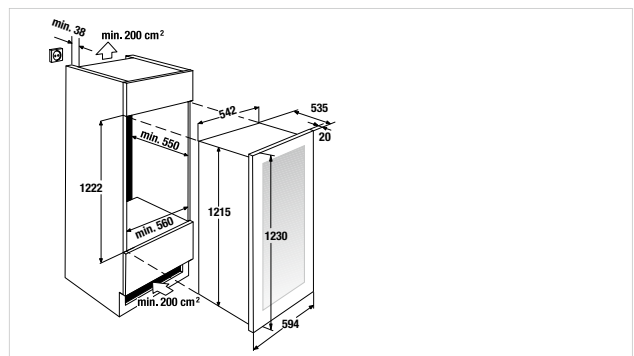
- Electronic temperature control with buttons
- Electronic temperature display
- 8 wooden pull-out shelves, removeable
- 1 45°-wooden shelf for presentation
- Black glass door with UV-protection
- 2 temperature zones (with partition), adjustable from 5°C - 18°C
- LED lighting (per temperature zone 2 LED's à 0,2 W)
- Dynamic air circulation cooling system
- Acoustic alarm
- Reversible door hinges
- Including water container for additional humidity
- Maximum door opening angle of 90°
- **Excluding handle (see optional accessories)**

Technical data:

- Energy consumption/year 150 kWh
- Appliance dimensions (excluding handle) W x H x D approx. 594 x 1230 x 555 mm
- Niche dimensions W x H x D approx. 560 x 1222 x 550 mm
- Noise level 40 dB
- For more technical data see page 214

Optional accessories handles see page 185

FWK 4800.0 S Design black glass



FRESH. WINE COOLER. BUILT-IN.

K-SERIES.8



Picture shows cooler
with handle Stainless steel

FWK 2800.0 S **NEW**

88 cm. 2 temperature zones. Capacity for 52 bottles.



Features:

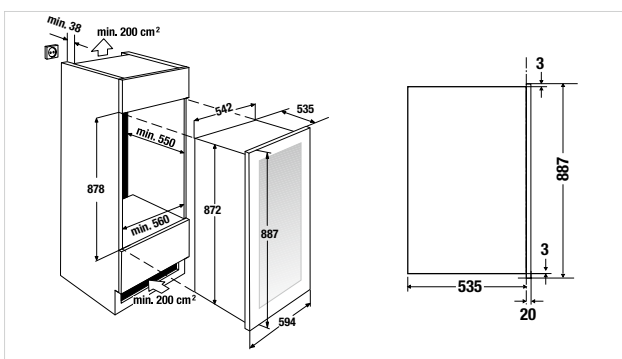
- Electronic temperature control with buttons
- Electronic temperature display
- 4 wooden pull-out shelves, removeable
- 1 45°-wooden shelf for presentation
- Black glass door with UV-protection
- 2 temperature zones (with partition), adjustable from 5°C - 18°C
- LED lighting (per temperature zone 2 LED's à 0,2 W)
- Dynamic air circulation cooling system
- Acoustic alarm
- Reversible door hinges
- Including water container for additional humidity
- Maximum door opening angle of 90°
- **Excluding handle (see optional accessories)**

Technical data:

- Energy consumption/year 145 kWh
- Appliance dimensions (excluding handle) W x H x D approx. 594 x 887 x 555 mm
- Niche dimensions W x H x D approx. 560 x 878 x 550 mm
- Noise level 41 dB
- For more technical data see page 214

Optional accessories handles see page 185

FWK 2800.0 S Design black glass



FRESH. WINE COOLER. BUILT-UNDER.

K-SERIES.8



Picture shows cooler
with handle Stainless steel

FWKU 1800.0 S **NEW**

82 cm. 2 temperature zones. Capacity for 44 bottles.



Features:

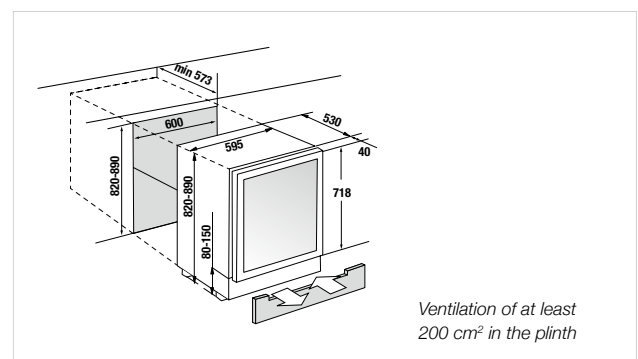
- Electronic temperature control with buttons
- Electronic temperature display
- 5 wooden pull-out shelves, removeable
- 1 45°-wooden shelf for presentation
- Black glass door with UV-protection
- 2 temperature zones: upper compartment from 5°C to 12°C lower compartment from 12°C to 20°C
- LED lighting (per temperature zone 2 LED's à 0,2 W)
- Dynamic air circulation cooling system
- Acoustic alarm
- Reversible door hinges
- Including water container for additional humidity
- Possibility for being built-under the worktop, removable front ventilation grid
- Maximum door opening angle of 90°
- **Excluding handle (see optional accessories)**

Technical data:

- Energy consumption/year 146 kWh
- Appliance dimensions (excluding handle) W x H x D approx. 595 x 820-890 x 570 mm
- Niche dimensions W x H x D approx. 600 x 820-890 x 575 mm
- Noise level 42 dB
- For more technical data see page 214

Optional accessories handles see page 185

FWKU 1800.0 S Design black glass



FRESH. REFRIGERATOR. FRESH ZONE.

K-SERIES.8



Ideal for combination with
FG 8800.0i (see page 175)
in a convenient side-by-side
situation.

FKF 8800.0i **NEW**

178 cm. ökofresh+ zone. Fixed furniture door system.



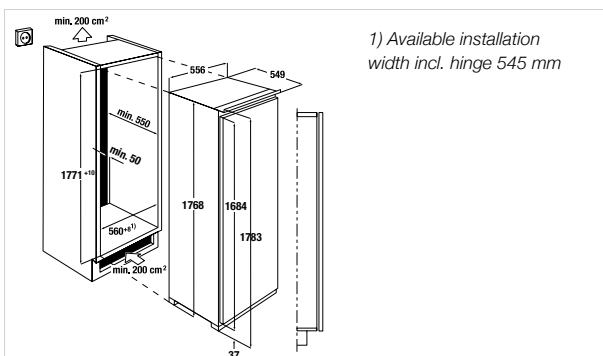
Features:

- Electronic temperature control with touch control sensors
- Electronic temperature display
- DefrostMode
- Holiday Function
- FastCooling with automatic shut off
- Acoustic alarm
- VarioShelves / VarioShelves+ / VarioBoxes
- Useable capacity 275 litres of which
cooling section 200 litres
ökoFresh+ (0°C) 75 litres
- Reversible door hinges
- Maximum door opening angle of 90°

Technical data:

- Energy consumption/year 129 kWh
- Appliance dimensions W x H x D approx.
556 x 1,768 x 549 mm
- Niche dimensions W x H x D approx.
560 x 1,780 x 550 mm
- Noise level 37 dB
- For more technical data see page 215

FKF 8800.0i Fixed furniture door system



FRESH. REFRIGERATOR. K-SERIES.8



Ideal for combination with
FG 8800.0i (see page 175)
in a convenient side-by-side
situation.

FK 8800.0i* **NEW**

178 cm. Holiday Function. Fixed furniture door system.



Features:

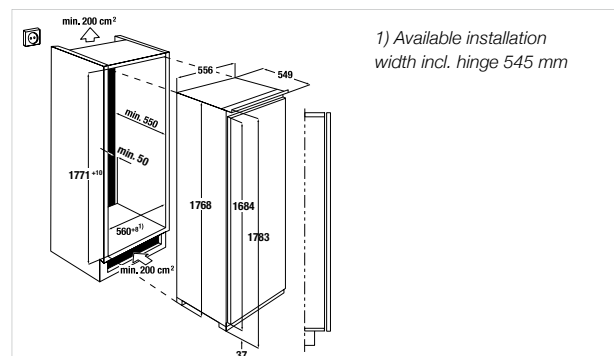
- Electronic temperature control with touch control sensors
- Electronic temperature display
- DefrostMode
- FastCooling with automatic shut off
- Acoustic alarm
- VarioShelves / VarioShelves+ / VarioBoxes
- Useable capacity 310 litres
- Reversible door hinges
- Maximum door opening angle of 90°

Technical data:

- Energy consumption/year 114 kWh
- Appliance dimensions W x H x D approx.
556 x 1,768 x 549 mm
- Niche dimensions W x H x D approx.
560 x 1,780 x 550 mm
- Noise level 35 dB
- For more technical data see page 215

*Available from 09/2019

FK 8800.0i Fixed furniture door system



FRESH. FREEZER.

K-SERIES . 8



Ideal for combination with
FKF 8800.0i or FK 8800.0i
(see page 174) in a convenient
side-by-side situation.

FG 8800.0i **** NEW

178 cm. NoFrost. Fixed furniture door system.



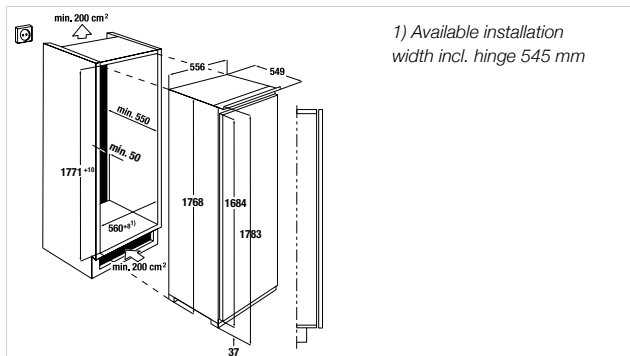
Features:

- Electronic temperature control with touch control sensors
- Electronic temperature display
- FastFreezing with automatic shut off
- Acoustic alarm
- Transparent freezer drawers
- Useable capacity 204 litres
- Reversible door hinges
- Maximum door opening angle of 90°

Technical data:

- Energy consumption/year 303 kWh
- Freezing capacity 20 kg/24 h
- Storage time in the event of power failure 24 h
- Appliance dimensions W x H x D approx. 556 x 1,768 x 549 mm
- Niche dimensions W x H x D approx. 560 x 1,780 x 550 mm
- Noise level 39 dB
- For more technical data see page 215

FG 8800.0i Fixed furniture door system



FRESH. REFRIGERATOR.

K-SERIES . 3



FK 8305.0i* **** NEW

178 cm. Sliding-rail furniture door system.



Features:

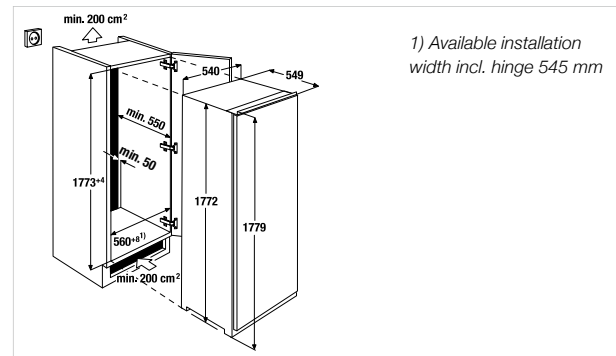
- Electronic temperature control with push buttons
- Electronic temperature display
- DefrostMode
- FastFreezing with automatic shut off
- VarioShelves / VarioShelves+ / VarioBoxes
- Useable capacity 284 litres
 - cooling section 259 litres
 - freezer section 25 litres
- Reversible door hinges

Technical data:

- Energy consumption/year 215 kWh
- Freezing capacity 3 kg/24 h
- Storage time in the event of power failure 20 h
- Appliance dimensions W x H x D approx. 540 x 1,772 x 549 mm
- Niche dimensions W x H x D approx. 560 x 1,780 x 550 mm
- Noise level 35 dB
- For more technical data see page 215

*Available from 09/2019

FK 8305.0i Sliding-rail furniture door system



FRESH. FRIDGE-FREEZER. FRESH ZONE.

K-SERIES . 8



FKGF 8800.0i* ** NEW**

178 cm. ökofresh+ zone. Fixed furniture door system.



Features:

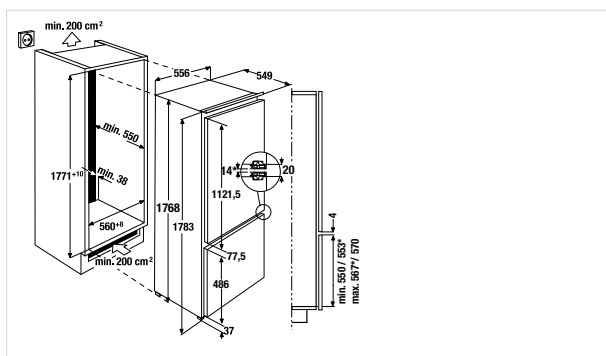
- 3 temperature zones
- Electronic temperature control with touch control sensors
- Electronic temperature display
- DefrostMode
- FastCooling with automatic shut off
- FastFreezing with automatic shut off
- Acoustic alarm
- VarioShelves / VarioShelves+ / VarioBoxes
- Transparent freezer drawers
- Useable capacity 233 litres
 - of which
 - cooling section 112 litres
 - ökoFresh+ (0°C) 70 litres
 - freezer section 51 litres
- Reversible door hinges
- Maximum door opening angle of 90°

Technical data:

- Energy consumption/year 230 kWh
- Freezing capacity 7 kg/24 h
- Storage time in the event of power failure 20 h
- Appliance dimensions W x H x D approx. 556 x 1,768 x 549 mm
- Niche dimensions W x H x D approx. 560 x 1,780 x 550 mm
- Noise level 38 dB
- For more technical data see page 215

*Available from 09/2019

FKGF 8800.0i Fixed furniture door system



FRESH. FRIDGE-FREEZERS.

K-SERIES . 8



FKG 8850.0i* **** **NEW**

178 cm. Holiday Function. Fixed furniture door system.



Features:

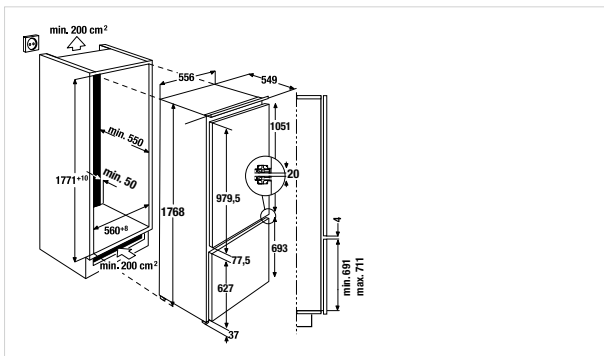
- Electronic temperature control with touch control sensors
- Electronic temperature display
- DefrostMode
- FastCooling with automatic shut off
- FastFreezing with automatic shut off
- Acoustic alarm
- VarioShelves / VarioShelves+ / VarioBoxes
- Transparent freezer drawers
- Useable capacity 247 litres
of which
cooling section 186 litres
freezer section 61 litres
- Reversible door hinges
- Maximum door opening angle of 90°

Technical data:

- Energy consumption/year 150 kWh
- Freezing capacity 10 kg/24 h
- Storage time in the event of power failure 23 h
- Appliance dimensions W x H x D approx. 556 x 1,768 x 549 mm
- Niche dimensions W x H x D approx. 560 x 1,780 x 550 mm
- Noise level 39 dB
- For more technical data see page 215

*Available from 09/2019

FKG 8850.0i Fixed furniture door system



K-SERIES . 5



FKG 8500.1i **** **NEW**

178 cm. Holiday Function. Fixed furniture door system.



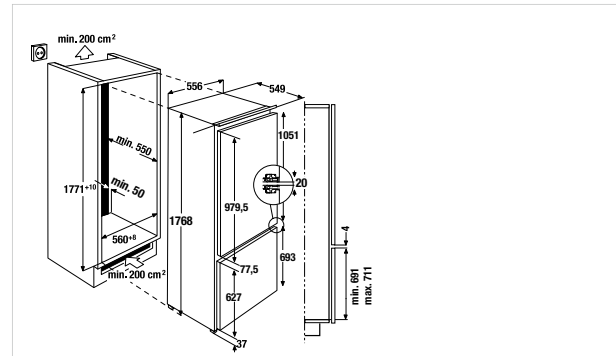
Features:

- Electronic temperature control with touch control sensors
- Electronic temperature display
- DefrostMode
- FastCooling with automatic shut off
- FastFreezing with automatic shut off
- Acoustic alarm
- VarioShelves / VarioShelves+ / VarioBoxes
- Transparent freezer drawers
- Useable capacity 247 litres
of which
cooling section 186 litres
freezer section 61 litres
- Reversible door hinges

Technical data:

- Energy consumption/year 226 kWh
- Freezing capacity 10 kg/24 h
- Storage time in the event of power failure 23 h
- Appliance dimensions W x H x D approx. 556 x 1,768 x 549 mm
- Niche dimensions W x H x D approx. 560 x 1,780 x 550 mm
- Noise level 39 dB
- For more technical data see page 216

FKG 8500.1i Fixed furniture door system



FRESH. FRIDGE-FREEZERS.

K-SERIES.3



FKG 8310.0i* **** NEW

178 cm. Holiday Function. Sliding-rail furniture door system.



Features:

- Electronic temperature control with touch control sensors
- Electronic temperature display
- DefrostMode
- FastCooling with automatic shut off
- FastFreezing with automatic shut off
- Acoustic alarm
- VarioShelves / VarioShelves+ / VarioBoxes
- Transparent freezer drawers
- Useable capacity 253 litres, of which

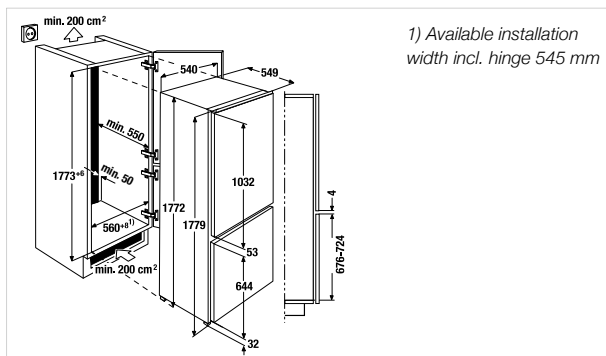
cooling section	192 litres
freezer section	61 litres
- Reversible door hinges

Technical data:

- Energy consumption/year 291 kWh
- Freezing capacity 10 kg/24 h
- Storage time in the event of power failure 21 h
- Appliance dimensions W x H x D approx. 540 x 1,772 x 549 mm
- Niche dimensions W x H x D approx. 560 x 1,780 x 550 mm
- Noise level 39 dB
- For more technical data see page 261

*Available from 09/2019

FKG 8310.0i Sliding-rail furniture door system



K-SERIES.3



FKG 8300.0i **** NEW

178 cm. Sliding-rail furniture door system.



Features:

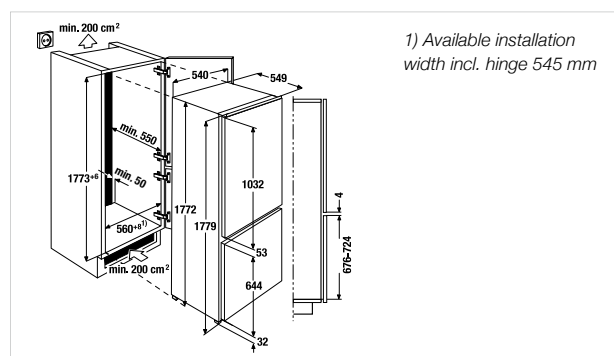
- Mechanical temperature control with rotary button
- DefrostMode
- VarioShelves / VarioShelves+ / VarioBoxes
- Transparent freezer drawers
- Useable capacity 268 litres

cooling section	196 litres
freezer section	72 litres
- Reversible door hinges

Technical data:

- Energy consumption/year 229 kWh
- Freezing capacity 4 kg/24 h
- Storage time in the event of power failure 22 h
- Appliance dimensions W x H x D approx. 540 x 1,772 x 549 mm
- Niche dimensions W x H x D approx. 560 x 1,780 x 550 mm
- Noise level 36 dB
- For more technical data see page 261

FKG 8300.0i Sliding-rail furniture door system



FRESH. FRIDGE-FREEZERS.

K-SERIES.3



FKG 6300.0i* **** NEW

144 cm. Sliding-rail furniture door system.



Features:

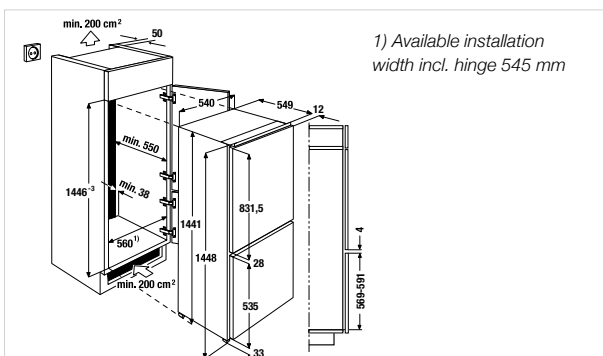
- Mechanical temperature control with rotary button
- DefrostMode
- VarioShelves
- VarioShelves+
- VarioBoxes
- ökoFresh+ zone with drawers
- Transparent freezer drawers
- Useable capacity 217 litres
 - of which
 - cooling section 160 litres
 - freezer section 57 litres
- Reversible door hinges

Technical data:

- Energy consumption/year 204 kWh
- Freezing capacity 4 kg/24 h
- Storage time in the event of power failure 20 h
- Appliance dimensions W x H x D approx. 540 x 1,441 x 549 mm
- Niche dimensions W x H x D approx. 560 x 1,446 x 550 mm
- Noise level 35 dB
- For more technical data see page 216

*Available from 09/2019

FKG 6300.0i Sliding-rail furniture door system



FRESH. REFRIGERATOR. FRESH ZONE.

K-SERIES.8



FKF 5800.0i* **NEW**

140 cm. ökofresh+ zone. Fixed furniture door system.



Features:

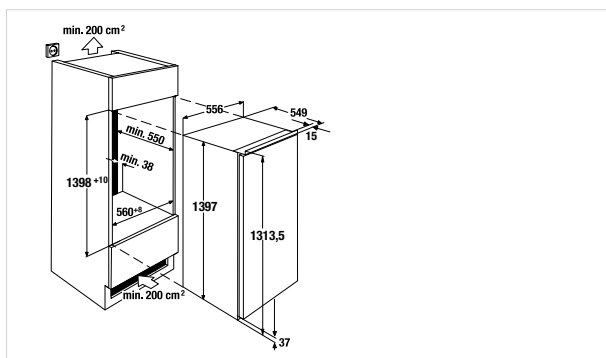
- Electronic temperature display
- DefrostMode
- FastCooling with automatic shut off
- Acoustic alarm
- VarioShelves / VarioShelves+ / VarioBoxe
- ökoFresh+ zone with drawers
- Useable capacity 212 litres
- of which
- cooling section 153 litres
- ökoFresh+ (0°C) 59 litres
- Reversible door hinges
- Maximum door opening angle of 90°

Technical data:

- Energy consumption/year 122 kWh
- Appliance dimensions W x H x D approx. 556 x 1,397 x 549 mm
- Niche dimensions W x H x D approx. 560 x 1,400 x 550 mm
- Noise level 38 dB
- For more technical data see page 216

*Available from 09/2019

FKF 5800.0i Fixed furniture door system



FRESH. REFRIGERATOR. FRESH ZONE.

K-SERIES.8



FKF 4800.0i* **NEW**

122 cm. ökofresh+ zone. Fixed furniture door system.



Features:

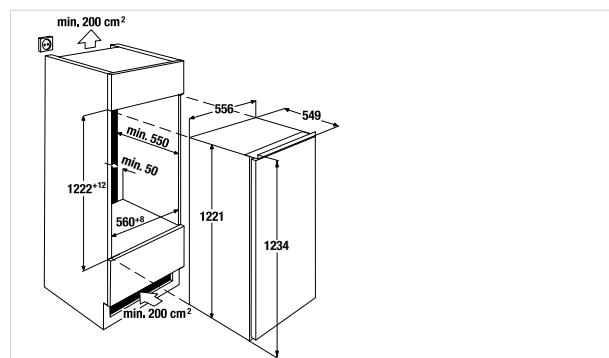
- Electronic temperature display
- DefrostMode
- FastCooling with automatic shut off
- Acoustic alarm
- VarioShelves / VarioShelves+ / VarioBoxe
- ökoFresh+ zone with drawers
- Useable capacity 181 litres
- of which
- cooling section 130 litres
- ökoFresh+ (0°C) 51 litres
- Reversible door hinges
- Maximum door opening angle of 90°

Technical data:

- Energy consumption/year 116 kWh
- Appliance dimensions W x H x D approx. 556 x 1,221 x 549 mm
- Niche dimensions W x H x D approx. 560 x 1,225 x 550 mm
- Noise level 38 dB
- For more technical data see page 216

*Available from 09/2019

FKF 4800.0i Fixed furniture door system



FRESH. REFRIGERATOR.

K-SERIES.5



FK 4505.0i* ** NEW**

122 cm. Fixed furniture door system.



Features:

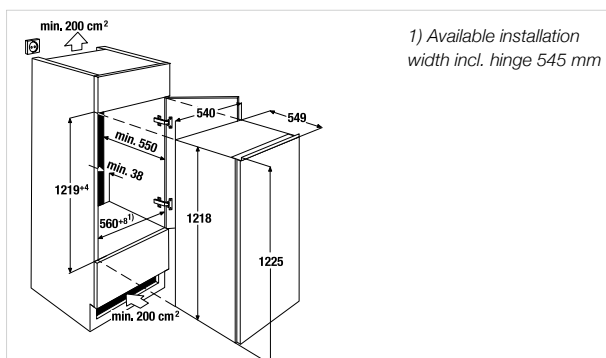
- Electronic temperature control with touch push buttons
- Electronic temperature display
- DefrostMode
- VarioShelves
- VarioBoxes
- Useable capacity 180 litres
- of which cooling section 166 litres
- freezer section 14 litres
- Reversible door hinges

Technical data:

- Energy consumption/year 172 kWh
- Freezing capacity 2 kg/24 h
- Storage time in the event of power failure 13 h
- Appliance dimensions W x H x D approx. 540 x 1,218 x 549 mm
- Niche dimensions W x H x D approx. 560 x 1,225 x 550 mm
- Noise level 35 dB
- For more technical data see page 217

*Available from 09/2019

FK 4505.0i Fixed furniture door system



FRESH. REFRIGERATOR.

K-SERIES.5



FK 4500.0i* NEW

122 cm. Fixed furniture door system.



Features:

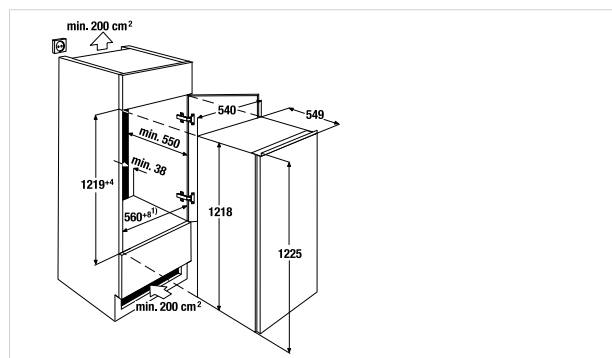
- Electronic temperature control with touch push buttons
- Electronic temperature display
- DefrostMode
- FastCooling with automatic shut off
- Acoustic alarm
- VarioShelves
- VarioShelves+
- VarioBoxes
- Useable capacity 202 litres
- Reversible door hinges

Technical data:

- Energy consumption/year 103 kWh
- Appliance dimensions W x H x D approx. 540 x 1,218 x 549 mm
- Niche dimensions W x H x D approx. 560 x 1,225 x 550 mm
- Noise level 35 dB
- For more technical data see page 217

*Available from 09/2019

FK 4500.0i Fixed furniture door system



FRESH. REFRIGERATOR.

K-SERIES.8



FK 3800.0i* **NEW**

103 cm. Fixed furniture door system.



Features:

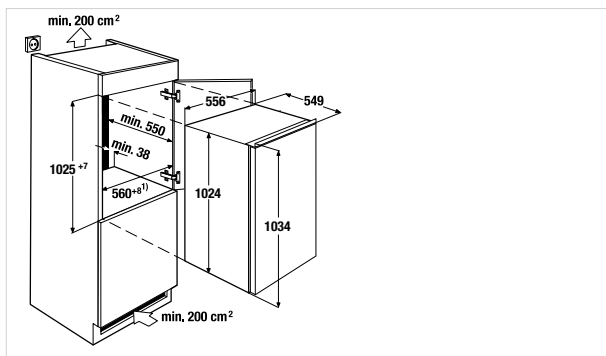
- Electronic temperature control with touch control sensors
- Electronic temperature display
- DefrostMode
- VarioShelves
- VarioBoxes
- Reversible door hinges
- Useable capacity 175 litres
- Reversible door hinges

Technical data:

- Energy consumption/year 126 kWh
- Appliance dimensions W x H x D approx. 556 x 1,024 x 549 mm
- Niche dimensions W x H x D approx. 560 x 1,030 x 550 mm
- Noise level 34 dB
- For more technical data see page 217

*Available from 09/2019

FK 3800.0i Fixed furniture door system



FRESH. REFRIGERATOR.

K-SERIES.5



FK 2505.0i* **** **NEW**

88 cm. Fixed furniture door system.



Features:

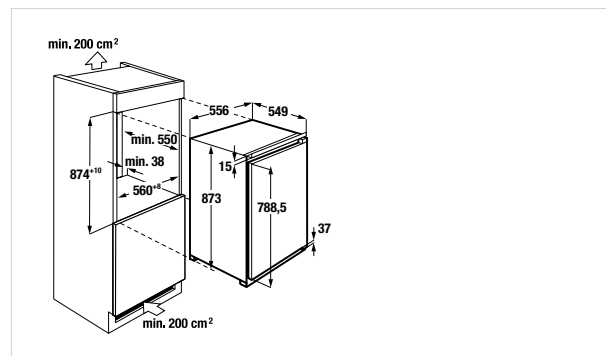
- Electronic temperature control with push buttons
- Electronic temperature display
- DefrostMode
- VarioShelves
- VarioBoxes
- Useable capacity 117 litres, of which
 - cooling section 103 litres
 - freezer compartment 14 litres
- Reversible door hinges

Technical data:

- Energy consumption/year 148 kWh
- Freezing capacity 2 kg/24 h
- Storage time in the event of power failure 12 h
- Appliance dimensions W x H x D approx. 556 x 873 x 549 mm
- Niche dimensions W x H x D approx. 560 x 880 x 550 mm
- Noise level 36 dB
- For more technical data see page 217

*Available from 09/2019

FK 2505.0i Fixed furniture door system



FRESH. REFRIGERATOR.

K-SERIES.5



FK 2500.0i* **NEW**

88 cm. Fixed furniture door system.



Features:

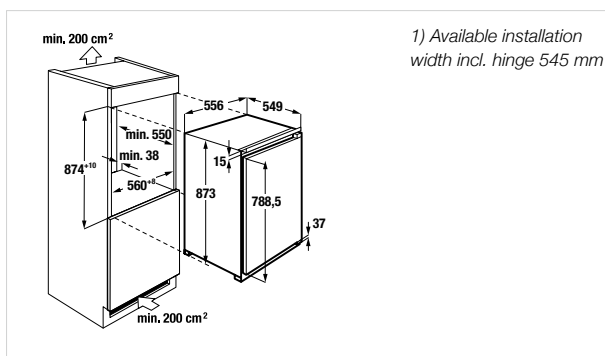
- Electronic temperature control with touch control sensors
- Electronic temperature display
- DefrostMode
- VarioShelves
- VarioBoxes
- Useable capacity 137 litres
- Reversible door hinges

Technical data:

- Energy consumption/year 95 kWh
- Appliance dimensions W x H x D approx. 556 x 873 x 549 mm
- Niche dimensions W x H x D approx. 560 x 880 x 550 mm
- Noise level 33 dB
- For more technical data see page 217

*Available from 09/2019

FK 2500.0i Fixed furniture door system



FRESH. FREEZER.

K-SERIES.5



FG 2500.0i* **** **NEW**

88 cm. Fixed furniture door system.



Features:

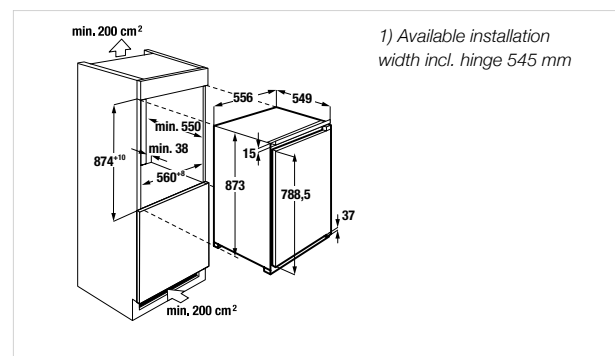
- Electronic temperature control with touch control sensors
- Electronic temperature display
- FastFreezing with automatic shut off
- Acoustic alarm
- Transparent freezer drawers
- Useable capacity 98 litres
- FastFreezing
- Reversible door hinges

Technical data:

- Energy consumption/year 157 kWh
- Freezing capacity 10 kg/24 h
- Storage time in the event of power failure 20 h
- Appliance dimensions W x H x D approx. 556 x 873 x 549 mm
- Niche dimensions W x H x D approx. 560 x 880 x 550 mm
- Noise level 34 dB
- For more technical data see page 217

*Available from 09/2019

FG 2500.0i Fixed furniture door system



FRESH. REFRIGERATOR. BUILT-UNDER.

K-SERIES. 5



FKU 1500.0i* **NEW**

82 cm. Fixed furniture door system.



Features:

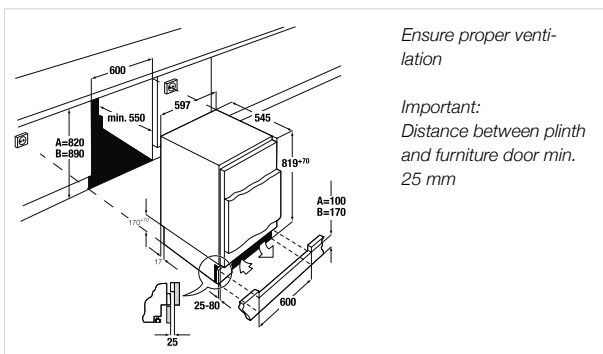
- Mechanical temperature control with rotary button
- DefrostMode
- VarioShelves
- VarioBoxes
- Useable capacity 133 litres
- Reversible door hinges
- Ventilation in plinth

Technical data:

- Energy consumption/year 91 kWh
- Appliance dimensions W x H x D approx. 597 x 818 x 545 mm
- Niche dimensions W x H x D approx. 600 x 820 x 550 mm
- Noise level 36 dB
- For more technical data see page 217








*Available from 09/2019

FKU 1500.0i Fixed furniture door system





ACCESSORIES. COOLING APPLIANCES.

Küppersbusch Individual handles	Design	Cooling appliance				
		KEI 9750-0-2 T KE 9750-0-2 T KJ 9750-0-2 T KW 9750-0-2 T	Wine cooler FWK 8850.0	Wine cooler FWK 4800.0	Wine cooler FWK 2800.0	Wine cooler FWKU 1800.0
		Acc. no.	Acc. no.	Acc. no.	Acc. no.	Acc. no.
	Stainless steel	9751	8801	8801	8801	8801
	Black Chrome	9752	8802	8802	8802	8802
	Silver Chrome	9753	8803	8803	8803	8803
	Gold	9754	8804	8804	8804	8804
	Black Velvet	9755	8805	8805	8805	8805
	Copper	9752	8807	8807	8807	8807
	Hot Chili		8808	8808	8808	8808

KÜPPERSBUSCH DISHWASHERS

Who does the dishes? Even the biggest pile of dishes will be no problem at all, thanks to the flexible options on the baskets and the optimal space utilisation. Looking forward to the next festive table.

Individual + brilliant





TIDY, PRACTICAL, FLEXIBLE. THE DISHWASHER BASKETS FOR OPTIMUM SPACE UTILISATION.

With Küppersbusch dishwashers, even the biggest pile of dishes will be no problem at all. Particularly flexible options on the baskets will help to ensure this. For example, with some of the models, the height of the top basket can easily be adjusted so that you can load the dishes just as you require. You will have enough space for pots and pans, if you fold down individual plate racks in the baskets. And the knife rack will securely accommodate long knives and cooking utensils.

SYSTEMATIC FLEXIBILITY

multiflex premium drawer II

(Acc. no. 1251, can be retrofitted)

The multiflex premium drawer II offers more convenience and flexibility. Cutlery, cooking utensils and espresso cups need no longer be placed in the main baskets thereby allowing more space for larger items.



Acc. no. 1251

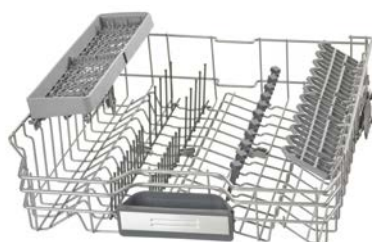


Acc. no. 1251
with lowered
cutlery racks

multiflex profession baskets

Top basket

- Knife rack
- 6 collapsible plate racks
- 2 cup racks
- Basket handle with steel insert
(Central detergent tab receptacle)



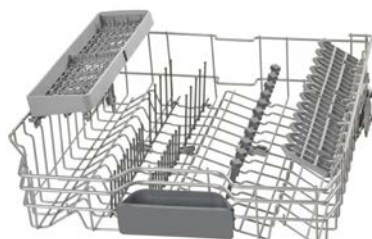
Bottom basket

- 6 collapsible plate racks
- additional fold-away racks for cups or as a support holder for 6 large glasses
- Cutlery basket
- Basket handle with steel insert

multiflex premium baskets

Top basket

- Knife rack
- 2 cup racks
- 2 collapsible plate racks
- Basket handle (Central detergent tab receptacle)



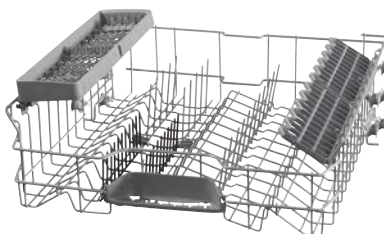
Bottom basket

- 4 collapsible plate racks
- Cutlery basket
- Basket handle

multiflex comfort baskets (standard baskets)

Top basket

- Knife rack (not for standard baskets)
- 2 collapsible plate racks (not in standard baskets)
- 2 cup racks
- Central detergent tab receptacle



Bottom basket

- 2 collapsible plate racks
- Cutlery basket

Perfect performance down to the finest detail!



Noise level - quiet in operation

Küppersbusch dishwashers do not only excel because of their superb rinsing results, they are also extremely quiet in operation too. The noise level is indicated in accordance with the EU standard EN 60704-3 (re 1pw) in decibels (dB).

The large capacity dishwasher XXL

Also 60 cm wide, but up to an impressive 92,5 cm height, these large capacity models are ideal when you need to clean particularly large cookware.



express system

Rinse and dry twice as fast with the express system. Choose a programme and then press the express button. The rinsing time will immediately be shortened by up to 50 %. The shortened rinsing time will be shown in the remaining time display right away. Perfect rinsing results are guaranteed.

Half load option

Breakfast dishes can now be washed separately and more efficiently than by hand. Energy-saving and environmentfriendly.

Intensive zone

The new "intensive zone" function permits flexible mixed loading. Heavily soiled pots and pans in the lower basket, delicate crockery and glasses in the upper basket. Together in one washing process – clean and energy-saving.

Hygiene function

The new "hygiene extra" function is available as an option for improved hygienic cleaning performance. Cutting boards and baby feeding bottles are washed germfree.



aquasensor duo

The aquasensor makes sure that your dishwasher uses no more water than necessary. No more, and no less. A sensor checks the water for the tiniest particles of dirt. It tests the water at the end of the pre-rinse cycle to see if it can be reused for the main wash cycle. If the water is too dirty, fresh water is taken in. However, if the rinse water is clean enough, it will be reused and you will save on water.



Water safety system

Even if the system is switched off or in the event of a power failure, the water safety system protects the dishwasher reliably and safely against any damage caused by water.



aquatronic

The new, unique system of programme control is especially gentle on delicate glasses and will powerfully clean extremely soiled pots and pans by automatically adjusting the spray pressure during the wash programme. The fine sensors recognise how soiled dishes are. And depending on whether dishes are lightly, normally or heavily soiled, aquatronic will automatically regulate the spray pressure and set it at gentle, normal or powerful.



Info on Floor

Fully integrated automatic dishwashers equipped with the Info on Floor function make it possible to read the remaining operation time, the programme procedure and possible faults direct with the help of a light signal on the floor.



Beam on Floor

Fully integrated dishwashers do not inform you immediately on their operating status. With the "Beam on floor" signal – a red dot which is displayed on the floor – you will know

immediately whether the rinsing cycle has been completed or not. A blinking alarm signal will even indicate a fault.



Glass care system

Glasses can be adversely affected by the kind of water they come into contact with. The Küppersbusch glass care system not only adjusts the water hardness level, it also prevents thermal shock, which can occur if excessively hot water comes into contact with glass.



Tab detergent recognition

The automatic detergent recognition function adapts the washing cycles automatically to the type of detergent tablet being used, ensuring the best possible results.



Bright Light

The dishwashers are fitted with economical LED interior lighting, which is activated at the top of the door frame when the door is opened, thus illuminating the interior of the dishwasher in a pleasant blue light.

Heat exchanger

The heat exchanger dries the dishes without polluted air from the outside having to be used. Clouds of steam on opening the door at the end of the cycle are avoided. This saves energy, since it is used for the following rinse.

EcoDrying

EcoDrying improves the drying performance of dishwashers with a heat exchanger. The door automatically opens slightly when the programme has been completed. The unit is protected because most of the moisture evaporates and because temperatures are low when steam escapes. The Eco 50°C programme is backed up by EcoDrying as a standard.



Efficiency class

In EU countries there is a common energy labelling system, which provides a guide to the energy efficiency of domestic electric appliances. All dishwashers are classified according to energy consumption, and cleaning and drying performance into efficiency categories ranging from A+++ to D. A+++ is the most efficient category and D is the most uneconomical category. The challenge lies in using as little electricity and water as possible while at the same time achieving optimal rinsing results. Naturally all of our dishwashers are to be found in the A++ category, which means that they are among the most economical appliances on the market.



Appliance height

The various heights of the Küppersbusch dishwashers mean flexibility all the way.



Touch to open

Küppersbusch is following the trend and adapting it to cover fully integrated dishwashers with doors which open automatically with a light touch on the front of the dishwasher. The door can also be opened by touching the front lightly with your elbow or even your hip – which is most practical when you happen to have both hands full and wish to avoid fingerprints on the front of your kitchen unit.



FlexHinge

No matter how your kitchen looks like: long or extra thick furniture fronts, low plinths. The corresponding furniture front is fixed to the FlexHinge, thereby pushing the door up when opening and a bumping on the plinth is prevented.

DISHWASHERS. 60 CM XXL.

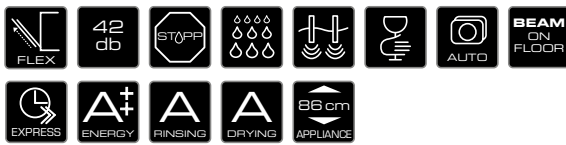
K-SERIES .5



Picture shows dishwasher with acc. no. 1251

GX 6550.0

Touch control. 24 h delay start timer. Heat exchanger.



Features:

- 13** international place settings (**14 possible with acc. no. 1251)
- 6 programmes
 - Intensive programme 70° C
 - Automatic programme 45° C-65° C
 - Glass care programme 40° C
 - Fast programme 45° C
 - Economy programme 50° C
 - Pre-rinse
- Special intensive zone, hygiene extra, half load function
- Electronic control with sensor touch controls
- Electronic refill display for salt and rinse aid
- EcoDrying
- Acoustic and optical signal at end of programme
- multiflex premium baskets
- Fully extendable, height-adjustable top basket, even when loaded
- Interior container Stainless Steel / ground Stainless Steel
- Technically suitable for elevated installation

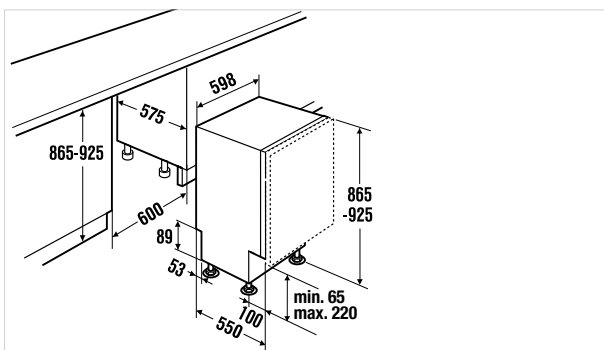
Technical data:

- Electrical connection 2.4 kW
- Energy consumption per year 262 kWh, per rinse cycle 0.92 kWh
- Water consumption per year 2,660 litres, per rinse cycle 9.5 litres
- Appliance dimensions W x H x D approx. 598 x 865 - 925 x 550 mm
- Niche dimensions W x H x D approx. 600 x 865 - 925 x 575 mm
- For more technical data see page 218

Optional accessories:

- multiflex premium drawer II Acc. no. 1251
- Wine glass basket Acc. no. ZG 8000
- Optional accessories see page 194

GX 6550.0 v fully-integrated

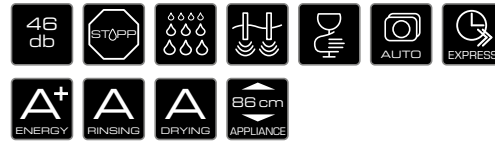


K-SERIES .3



IGVS 6506.3

Delay start timer. Heat exchanger.



Features:

- 13** international place settings (**14 possible with acc. no. 1251)
- 5 programmes
 - Intensive programme 70° C
 - Fast programme 45° C
 - Automatic programme 45° C-65° C
 - Pre-rinse
 - Economy programme 50° C
 - Pre-rinse
- Electronic control with push buttons
- Electronic delay start timer (3, 6 or 9 hours)
- Electronic refill display for salt and rinse aid
- Acoustic signal at end of programme
- multiflex comfort baskets
- Height-adjustable top basket
- Interior container Stainless Steel / ground Stainless Steel
- Technically suitable for elevated installation

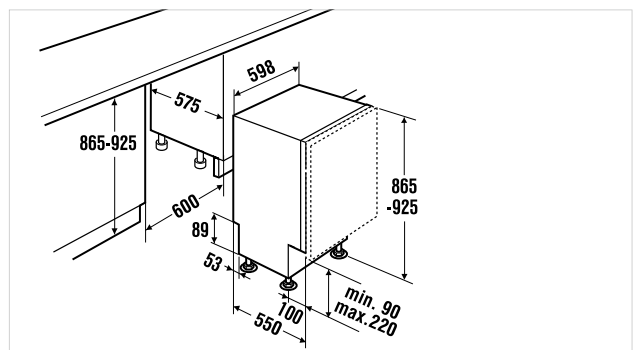
Technical data:

- Electrical connection 2.4 kW
- Energy consumption per year 294 kWh, per rinse cycle 1.03 kWh
- Water consumption per year 3,360 litres, per rinse cycle 12 litres
- Appliance dimensions W x H x D approx. 598 x 865 - 925 x 550 mm
- Niche dimensions W x H x D approx. 600 x 865 - 925 x 575 mm
- For more technical data see page 218

Optional accessories:

- multiflex premium drawer II Acc. no. 1251
- Wine glass basket Acc. no. ZG 8000
- Optional accessories see page 194

IGVS 6506.3 fully-integrated



DISHWASHERS. 60 CM.

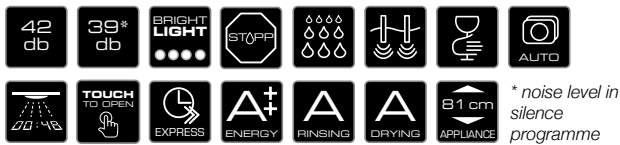
K-SERIES . 8



Picture shows dishwasher with acc. no. 1251

G 6850.0

Interior lighting. 24 h delay start timer. Heat exchanger.



Features:

- 13** international place settings (**14 possible with acc. no. 1251)
- 6 programmes
 - Intensive programme 70° C
 - Automatic programme 45° C-65° C
 - Glass care programme 40° C
 - Economy programme 50° C
 - Silence programme 50° C
 - Pre-rinse
- Special intensive zone, hygiene extra, half load function
- Electronic control with sensor touch controls
- Electronic refill display for salt and rinse aid
- EcoDrying
- Acoustic and optical signal at end of programme
- multiflex profession baskets
- Fully extendable, height-adjustable top basket, even when loaded
- Interior container Stainless Steel / ground Stainless Steel
- Technically suitable for elevated installation

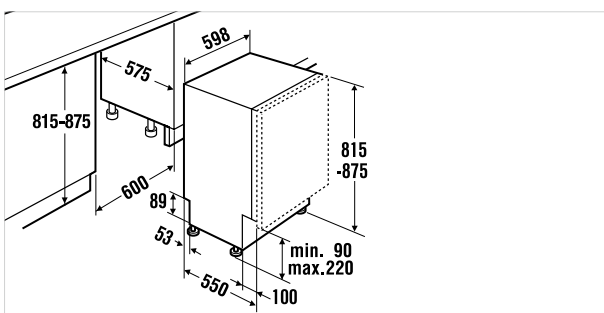
Technical data:

- Electrical connection 2.4 kW
- Energy consumption per year 262 kWh, per rinse cycle 0.92 kWh
- Water consumption per year 2,660 litres, per rinse cycle 9.5 litres
- Appliance dimensions W x H x D approx. 598 x 815 - 875 x 550 mm
- Niche dimensions W x H x D approx. 600 x 815 - 875 x 575 mm
- For more technical data see page 218

Optional accessories:

- multiflex premium drawer II Acc. no. 1251
- Wine glass basket Acc. no. ZG 8000
- Optional accessories see page 194

G 6850.0 v fully-integrated



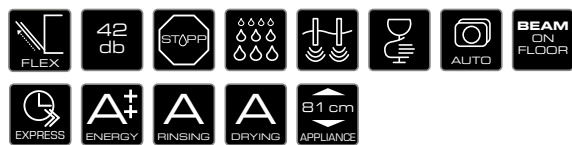
K-SERIES . 5



Picture shows dishwasher with acc. no. 1251

G 6550.0

24 h delay start timer. Heat exchanger.



Features:

- 13** international place settings (**14 possible with acc. no. 1251)
- 6 programmes
 - Intensive programme 70° C
 - Automatic programme 45° C-65° C
 - Glass care programme 40° C
 - Economy programme 50° C
 - Fast programme 45° C
 - Pre-rinse
- Special intensive zone, hygiene extra, half load function
- Electronic control with sensor touch controls
- Electronic refill display for salt and rinse aid
- EcoDrying
- Acoustic and optical signal at end of programme
- multiflex premium baskets
- Fully extendable height adjustable top basket, even when loaded
- Interior container Stainless Steel / ground Stainless Steel
- Technically suitable for elevated installation

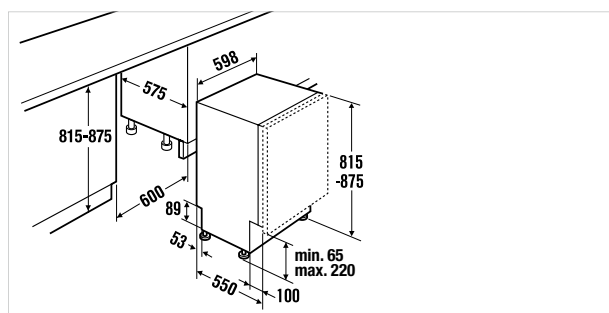
Technical data:

- Electrical connection 2.4 kW
- Energy consumption per year 262 kWh, per rinse cycle 0.92 kWh
- Water consumption per year 2,660 litres, per rinse cycle 9.5 litres
- Appliance dimensions W x H x D approx. 598 x 815 - 875 x 550 mm
- Niche dimensions W x H x D approx. 600 x 815 - 875 x 575 mm
- For more technical data see page 218

Optional accessories:

- multiflex premium drawer II Acc. no. 1251
- Wine glass basket Acc. no. ZG 8000
- Optional accessories see page 194

G 6550.0 v fully-integrated



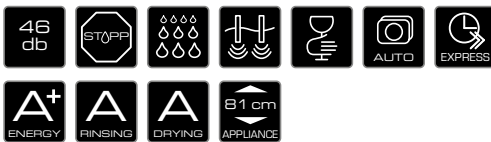
DISHWASHERS. 60 CM.

K-SERIES . 3



IGV 6506.3

Delay start timer. Heat exchanger.



Features:

- 13** international place settings (**14 possible with acc. no. 1251)
- 5 programmes
 - Intensive programme 70° C
 - Automatic programme 45° C-65° C
 - Fast programme 45° C
 - Economy programme 50° C
 - Pre-rinse
- Electronic control with push buttons
- Electronic delay start timer (3, 6 or 9 hours)
- Electronic refill display for salt and rinse aid
- Acoustic signal at end of programme
- multiflex comfort baskets
- Height-adjustable top basket, even when loaded
- Interior container Stainless Steel / ground Stainless Steel
- Technically suitable for elevated installation

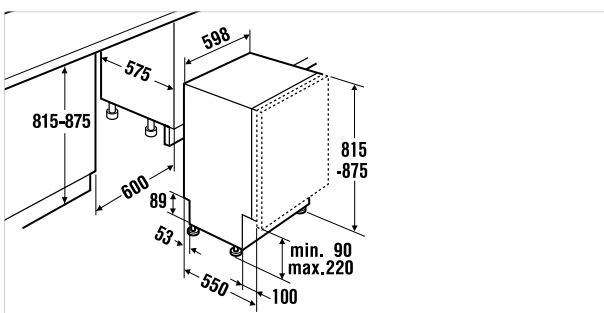
Technical data:

- Electrical connection 2.4 kW
- Energy consumption per year 294 kWh, per rinse cycle 1.03 kWh
- Water consumption per year 3,360 litres, per rinse cycle 12 litres
- Appliance dimensions W x H x D approx. 598 x 815 - 875 x 550 mm
- Niche dimensions W x H x D approx. 600 x 815 - 875 x 575 mm
- For more technical data see page 218

Optional accessories:

- multiflex premium drawer II Acc. no. 1251
- Wine glass basket Acc. no. ZG 8000
- Optional accessories see page 264

IGV 6506.3 fully-integrated

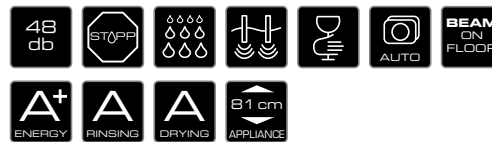


K-SERIES . 1



IGV 6405.0

Delay start timer. Half load function.



Features:

- 12 international place settings
- 4 programmes
 - Intensive programme 70° C
 - Normal programme 65° C
 - Fast programme 45° C
 - Economy programme 50° C
- Electronic control with push buttons
- Electronic delay start timer (3, 6 or 9 hours)
- Electronic refill display for salt and rinse aid
- Acoustic signal at end of programme
- multiflex standard baskets
- Height-adjustable top basket, even when loaded
- Technically suitable for elevated installation
- Interior container Stainless Steel / ground Polinox

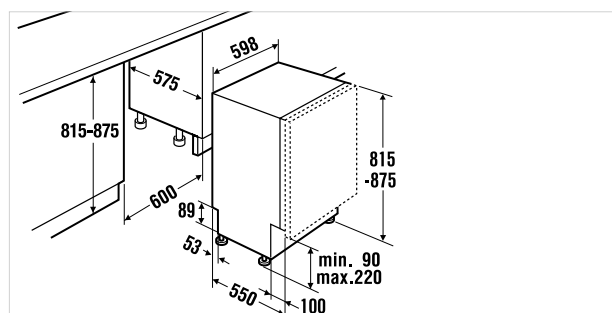
Technical data:

- Electrical connection 2.4 kW
- Energy consumption per year 290 kWh, per rinse cycle 1.02 kWh
- Water consumption per year 3,360 litres, per rinse cycle 12 litres
- Appliance dimensions W x H x D approx. 598 x 815-875 x 550 mm
- Niche dimensions W x H x D approx. 600 x 815-875 x 575 mm
- For more technical data see page 219

Optional accessories:

- Wine glass basket Acc. no. ZG 8000
- Optional accessories see page 194

IGV 6405.0 fully-integrated

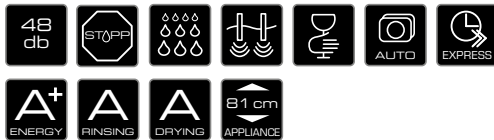


DISHWASHERS. 45 CM. K-SERIES. 3



G 4350.0

Delay start timer. Heat exchanger.



Features:

- 9 international place settings
- 4 programmes
 - Intensive programme 70° C
 - Fast programme 45° C
 - Economy programme 50° C
 - Pre-rinse
- Electronic control with push buttons
- Electronic delay start timer (3, 6 or 9 hours)
- Electronic refill display for salt and rinse aid
- Acoustic and optical signal at end of programme
- multiflex comfort baskets
- Height-adjustable top basket
- Interior container Stainless Steel / ground Stainless Steel
- Technically suitable for elevated installation

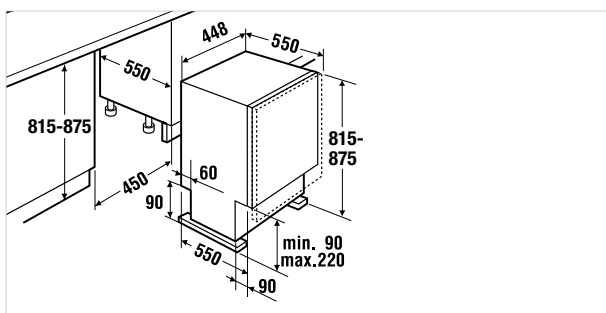
Technical data:

- Electrical connection 2.4 kW
- Energy consumption per year 220 kWh, per rinse cycle 0.78 kWh
- Water consumption per year 2,660 litres, per rinse cycle 9.5 litres
- Appliance dimensions W x H x D approx. 448 x 815 - 875 x 550 mm
- Niche dimensions W x H x D approx. 450 x 815 - 875 x 550 mm
- For more technical data see page 218

Optional accessories:

- Accessories see page 194

G 4350.0 v fully-integrated

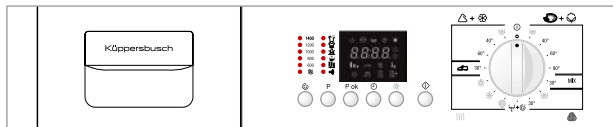


ACCESSORIES. DISHWASHERS.

	Acc. no.
Aqua Stop extension, 2 m for all dishwashers	485
Cover strip (81,5 cm) for G 6850, G 6550, IGV 6506, IGV 6405, G 4350	1067
Cover strip (86,5 cm) for GX 6550, IGVS 6506	1068
multiflex premium drawer II for G 6850, GX / G 6550, IGVS / IGV 6506	1251
Wine glass basket for all dishwashers	ZG 8000

WASHER DRYER. BUILT-IN.

K-SERIES . 8



WT 6800.0

60 cm. 7 kg capacity.

Features:

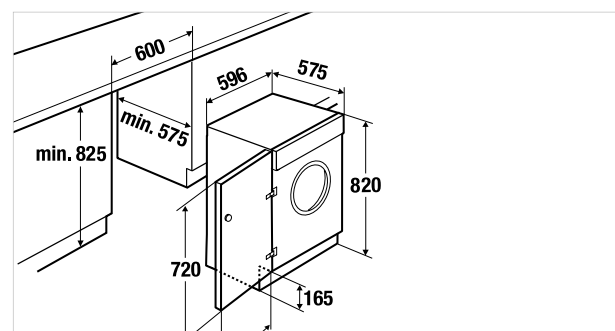
- Control panel with symbols and LCD-Display
- Spin speeds 1400/1200/1000/800/600 U/min
- LED programme sequence indicator
- Electronic delay start timer with remaining time display
- Fully electronic
- Acoustic signal at end of programme
- 15 programmes (12 wash programmes + 3 dry programmes)
- 15 Min. turbo wash programme
- 5 washing temperatures
- Capacity:
 - washing 7 kg
 - drying 4 kg
- Appliance door hinge on the left
- Reversible door hinges
- Lint filter in the plinth

Technical data:

- Electrical connection 2.2 kW
- Energy consumption 4.76 kW/h* / 1.19 **
- Water consumption 99 litres* / 47 litres**
- Appliance dimensions W x H x D approx. 596 x 820 x 575 mm
- Niche dimensions W x H x D approx. 600 x min. 825 x min. 575 mm
- For more technical data see page 220

* For a 60° C coloured wash. water consumption for washer dryer incl. drying
 ** Without drying

WT 6800.0 i fully-integrated



WASHING MACHINE.



WA 1920.0 **NEW**

60 cm. 8 kg capacity.

Features:

- Control panel with symbols and 4,3" colour display
- Spin speeds 1500-200 rpm
- Cleartext display
- Electronic delay start timer with remaining time display
- Fully electronic
- Acoustic signal at end of programme
- 35 programmes
- 18 min. turbo wash programme
- Washing temperatures from 20° - 90°C
- Special pre-wash, temperature reduction, spin speed, rinsing stop and soak functions
- LED drum lighting

Technical data:

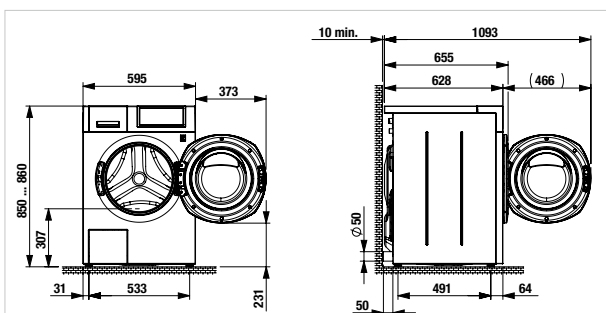
- Electrical connection 2.1 kW
- Energy consumption per year 135 kWh*
- Water consumption per year 9900 litres*
- Appliance dimensions W x H x D approx. 595 x 850 x 640 mm
- For more technical data see page 265

Optional accessories:

- Stacking kit for washer-dryer tower Acc. no. ZW 1000
- For more information see page 220

* Values based on norms EN 50299, EN 60456, EN 61121, EN 60704-2-6

WA 1920.0 W White



TUMBLE DRYER.



TD 1840.0 **NEW**

60 cm. 8 kg capacity.

Features:

- Control panel with symbols and 4,3" colour display
- Condensation dryer
- Cleartext display
- Electronic delay start timer with remaining time display
- Fully electronic
- Acoustic signal at end of programme
- 20 programmes
- Special Gentle, Drying+, time and drying functions
- LED drum lighting

Technical data:

- Electrical connection 2.1 kW
- Energy consumption per year 544 kWh*
- Appliance dimensions W x H x D approx. 595 x 850 x 640 mm
- For more technical data see page 265

Standard accessories:

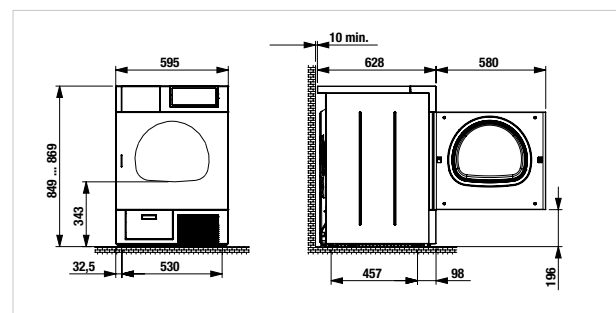
- Drying basket

Optional accessories:

- Stacking kit for washer-dryer tower Acc. no. ZW 1000
- For more information see page 220

* Values based on norms EN 50299, EN 60456, EN 61121, EN 60704-2-6

TD 1840.0 W White



TECHNICAL DATA

TECHNICAL DATA. OVENS.

Design Models	Ovens. Pyrolysis.		Ovens. Steamer	Ovens		
	BP 6550	BP 6350	BD 6750	B 6550	B 6350	B 6335
Black / White / Grey	• / • / -	• / - / -	• / - / -	• / - / •	• / - / -	• / - / -
Stainless steel (pre-assembled) / Design kit (optional accessory)	• / •	• / •	• / •	• / •	• / •	• / •
Individual Design models possible (numbers)	7	7	5	7	7	7
Individual Plus (handle retrofittable)	•	•	•	•	•	•
Energy-efficiency classes and energy consumption						
Energy-efficiency class in acc. with EN 50304	A+	A+	A	A+	A+	A+
Energy consumption in acc. with EN 50304 at function ECO / hot air in kWh	0,68	0,68	0,83	0,68	0,68	0,68
Features						
3,9" TFT display	•	•		•	•	
LCD Display			•			
Electronic timer with indication of date / daytime display / oven programming	• / • / •	- / • / •	- / • / •	• / • / •	- / • / •	- / • / •
White Display / Red Display	• / -	• / -	• / -	• / -	• / -	• / -
Graphic / Clear text display	• / •	• / -	• / •	• / •	• / -	
Oven functions (see page 70)	14	10	8	14	10	8
Oven special functions (see page 70)	8		11	8		1
Steam functions / Special steam functions (see page 71)			5 / 1			
Microwave-solo-function						
Combined microwave function						
Microwave output (W) / Microwave output levels						
Automatic programmes	over 40	10	100	over 40	10	
Favorite programmes	20		20	20	1	
Electronic / mechanic oven control	• / -	• / -	• / -	• / -	• / -	- / •
Max. temperature setting in °C	270*	270*	230	270*	270*	250
Control by TFT-Touch / Sensor touch control / knobs	- / • / -	- / - / •	- / • / -	- / • / -	- / - / •	- / - / •
Aluminium control knobs illuminated / unlit		•			•	•
Plastic knobs						
Roasting thermometer	•		•	•		
Actual temperature indication and temperature recommendation	•	•	•	•	•	
Rapid heating	•	•	•	•	•	•
Door contact switch	•	•	•	•	•	•
Childproof lock	•	•	•	•	•	•
Full glass inner door with stainless steel frame / Full glass inner door	- / •	- / •	- / •	• / -	• / -	• / -
Number of door glasses	4	4	4	4	4	4
Drop-down large area grill				•	•	
Oven cavity capacity in litres	70	70	70	70	70	70
Interior oven dimensions in mm (W x H x D)	475 x 364 x 402	475 x 364 x 402	478 x 352 x 414	475 x 364 x 402	475 x 364 x 402	475 x 364 x 402
Halogen lighting	2 x 25 W	1 x 25 W	•	2 x 25 W	1 x 25 W	
Lighting						1 x 25 W
Eco mode	•			•		
Demo mode	•	•	•	•	•	
Stand-by mode	•			•		
Cleaning						
ökoEmail+ coating	•	•	•	•	•	•
Pyrolytic cleaning	•	•				
Steam cleaning			•			
ökotherm® catalytic converter	•	•		•	•	•
ökoClean function						•
Standard accessories						
Enamel baking tray	1	1	1	1	1	1
Universal/deep tray enamel / glass	1 / -	1 / -	1 / -	1 / -	1 / -	
Roasting grid	1	1	2	1	1	1
Steam set			1			
Telescopic glide-out shelves (full glide-out / standard glide-out)	- / 1		1 / -	- / 1		
Technical data						
Total connected load in kW	3,6	3,6	3,5	3,6	3,6	3,6
Voltage (V)	220 - 240	220 - 240	220-240	220 - 240	220 - 240	220 - 240
Frequency in Hz	50-60	50-60	50	50-60	50-60	50-60
Length of connection cable in metres	1,8	1,8	1,2	1,5	1,5	1,5
Ready to plug in	•	•	•	•	•	•
Dimensions in mm						
Niche (width x height x depth)	560 x 590 x 550	560 x 590 x 550	560 x 590 x 550	560 x 590 x 550	560 x 590 x 550	560 x 590 x 550

TECHNICAL DATA. OVENS.

Design Models	Ovens			Cooker
	B 6330	B 9330	B 6120	H 6120
Black/White/Grey	• / - / -	• / - / -	• / - / -	• / - / -
Stainless steel (pre-assembled) / Design kit (optional accessory)	• / •	- / •	• / -	• / -
Individual Design models possible (numbers)	7	5		
Individual Plus (handle retrofittable)	•			
Energy-efficiency classes and energy consumption				
Energy-efficiency class in acc. with EN 50304	A+	A	A+	A+
Energy consumption in acc. with EN 50304 at function ECO / hot air in kWh	0,68	0,99	0,68	0,68
Features				
3,9" TFT display				
LCD Display		•	•	•
Electronic timer with indication of date / daytime display / oven programming	- / • / •	- / • / •	- / • / •	- / • / •
White Display / Red Display	• / -	• / -	• / -	• / -
Graphic / Clear text display				
Oven functions (see page 70)	8	8	8	8
Oven special functions (see page 70)	1	1	1	1
Steam functions / Special steam functions (see page 71)				
Microwave-solo-function				
Combined microwave function				
Microwave output (W) / Microwave output levels				
Automatic programmes				
Favorite programmes				
Electronic / mechanic oven control	- / •	- / •	- / •	- / •
Max. temperature setting in °C	250	250	250	250
Control by TFT-Touch / Sensor touch control / knobs	- / - / •	- / - / •	- / - / •	- / - / •
Aluminium control knobs illuminated / unlit	•	•		
Plastic knobs			•	•
Roasting thermometer				
Actual temperature indication and temperature recommendation				
Rapid heating	•	•	•	•
Door contact switch	•	•	•	•
Childproof lock				
Full glass inner door with stainless steel frame / Full glass inner door	- / •	- / •	- / •	- / •
Number of door glasses	3	3	2	2
Drop-down large area grill				
Oven cavity capacity in litres	70	77	70	70
Interior oven dimensions in mm (W x H x D)	475 x 364 x 402	639 x 318 x 380	475 x 364 x 402	475 x 364 x 402
Halogen lighting		2 x 20 W		
Lighting	1 x 25 W		1 x 25 W	1 x 25 W
Eco mode				
Demo mode				
Stand-by mode				
Cleaning				
ökoEmail+ coating	•	•	•	•
Pyrolytic cleaning				
Steam cleaning				
ökotherm® catalytic converter	•	•		
ökoClean function	•	•	•	•
Standard accessories				
Enamel baking tray	1	1	1	1
Universal/deep tray enamel / glass		1 / -		
Roasting grid	1	1	1	1
Steam set				
Telescopic glide-out shelves (full glide-out / standard glide-out)		1 / 1		
Technical data				
Total connected load in kW	3,6	3,5	3,6	3,6
Voltage (V)	220 - 240	220 - 240	220 - 240	220 - 240
Frequency in Hz	50-60	50-60	50-60	50-60
Length of connection cable in metres	1,5	1,2	1,5	1,5
Ready to plug in	•	•	•	•
Dimensions in mm				
Niche (width x height x depth)	560 x 590 x 550	860 x 475 x 550	560 x 590 x 550	560 x 590 x 550

TECHNICAL DATA. COMPACT APPLIANCES.

Design Models	Ovens. Steamer/Steam Assist				Ovens. Microwaves			
	CBD 6550	CBA 6550	CD 6350	CBM 6750	CBM 6550	CBM 6350	CBM 6330	
Black/White/Grey	•/•/•	•/-/-	•/-/-	•/-/-	•/•/•	•/-/-	•/-/-	
Stainless steel (pre-assembled) / Design kit (optional accessory)	•/•	•/•	•/•	•/•	•/•	•/•	•/•	
Individual Design models possible (numbers)	7	7	7	5	7	7	7	
Individual Plus (handle retrofittable)	•	•	•	•	•	•	•	
Energy-efficiency classes and energy consumption								
Energy-efficiency class in acc. with EN 50304	A+	A+						
Energy consumption in acc. with EN 50304 at function ECO / hot air in kWh	0,59	0,59						
Features								
3,9" TFT display	•	•	•		•	•		
LCD Display				•				
Electronic timer with indication of date / daytime display / oven programming	•/•/•	•/•/•	-/•/•	-/•/•	•/•/•	-/•/•	-/•/•	
White Display / Red Display	•/-	•/-	•/-	•/-	•/-	•/-	•/-	
Graphic / Clear text display	•/•	•/•	•/-	•/•	•/•	•/-		
Oven functions (see page 70)	14	14		8	14	10	8	
Oven special functions (see page 70)	8	8		10	8			
Steam functions / Special steam functions (see page 71)	6 / 9	3 / 2	1 / 5					
Microwave-solo-function				•	•	•	•	
Combined microwave function				•	•	•		
Microwave output (W) / Microwave output levels				1000/10	1000 / 10	1000/10	1000 /10	
Automatic programmes	over 40	over 40	10	90	over 40	10		
Favorite programmes	20	20		20	20			
Electronic / mechanic oven control	•/-	•/-	•/-	•/-	•/-	•/-	-/•	
Max. temperature setting in °C	270*	270*	100	230	270*	270*	250	
Control by TFT-Touch / Sensor touch control / knobs	-/•/-	-/•/-	-/-/•	-/•/-	-/•/-	-/-/•	-/-/•	
Aluminium control knobs illuminated / unlit	-	-	•		-	•	•	
Plastic knobs								
Roasting thermometer	•	•			•			
Actual temperature indication and temperature recommendation	•	•	•	•	•	•		
Rapid heating	•	•		•	•	•		
Door contact switch	•	•	•	•	•	•	•	
Childproof lock	•	•	•	•	•	•	•	
Full glass inner door with stainless steel frame / Full glass inner door	-/•/-	-/•/-	-/•/-	-/•/-	-/-/•	-/-/•	-/-/•	
Number of door glasses	4	4	3	4	3	3	3	
Drop-down large area grill								
Oven cavity capacity in litres	43	43	43	43	43	43	43	
Interior oven dimensions in mm (W x H x D)	475 x 402 x 229	475 x 402 x 229	475 x 402 x 229	473 x 212 x 413	475 x 232 x 365	475 x 232 x 365	475 x 232 x 365	
Halogen lighting	•	•	•	•	•	•	•	
Lighting								
Eco mode	•	•		•	•	•		
Demo mode	•	•	•	•	•	•		
Stand-by mode	•	•			•			
Cleaning								
ökoEmail+ coating	•	•	•	•	•	•	•	
Pyrolytic cleaning								
Steam cleaning	•	•	•					
ökotherm® catalytic converter	•	•			•	•	•	
ökoClean function								
Standard accessories								
Enamel baking tray	1	1		1	1	1		
Universal/deep tray enamel / glass	1 / -	1 / -					- / 1	
Roasting grid	1	1	1	1	1	1	1	
Steam set	1		1					
Telescopic glide-out shelves (full glide-out / standard glide-out)								
Technical data								
Total connected load in kW	3,4	3,4	2,3	3,0	3,4	3,4	3,4	
Voltage (V)	220 - 240	220 - 240	220 - 240	220-240	220 - 240	220 - 240	220 - 240	
Frequency in Hz	50-60	50-60	50-60	50	50-60	50-60	50	
Length of connection cable in metres	1,5	1,5	1,5	1,2	1,5	1,5	1,5	
Ready to plug in	•	•	•	•	•	•	•	
Dimensions in mm								
Niche (width x height x depth)	560 x 450 x 550	560 x 450 x 550	560 x 450 x 550	560 x 450 x 550	560 x 450 x 550	560 x 450 x 550	560 x 450 x 550	

TECHNICAL DATA. COMPACT APPLIANCES.

Design Models	Ovens. Micro-waves	Ovens. Pyrolysis.	Ovens	Microwaves		
	CMK 6120	CBP 6550	CB 6350	CM 6330.0	MR / ML 6330.0	M 6120.0
Black/White/Grey	• / - / -	• / • / •	• / - / -	• / - / -	• / - / -	• / - / -
Stainless steel (pre-assembled) / Design kit (optional accessory)	• / -	• / •	• / •	• / •	• / -	- / -
Individual Design models possible (numbers)		7	7	7	7	
Individual Plus (handle retrofittable)		•	•	•		
Energy-efficiency classes and energy consumption						
Energy-efficiency class in acc. with EN 50304		A+	A+			
Energy consumption in acc. with EN 50304 at function ECO / hot air in kWh		0,59	0,59			
Features						
3,9" TFT display		•	•	-	-	
LCD Display	•					•
Electronic timer with indication of date / daytime display / oven programming	- / • / •	• / • / •	- / • / •	- / • / -	- / • / -	- / • / -
White Display / Red Display	• / -	• / -	• / -	• / -	• / -	• / -
Graphic / Clear text display	- / -	• / •	• / -	- / -	- / -	- / -
Oven functions (see page 70)	3	14	10	1		
Oven special functions (see page 70)		8				
Steam functions / Special steam functions (see page 71)						
Microwave-solo-function	•			•	•	•
Combined microwave function	•			•	•	•
Microwave output (W) / Microwave output levels	1000 / 6			1000 / 10	850 / 5	800 / 5
Automatic programmes		over 40	10		14	
Favorite programmes		20	1			
Electronic / mechanic oven control	- / •	• / -	• / -	- / •	- / •	- / •
Max. temperature setting in °C	250	270*	270*	270*	270*	
Control by TFT-Touch / Sensor touch control / knobs	- / - / •	- / • / -	- / - / •	- / - / •	- / - / •	- / • / -
Aluminium control knobs illuminated / unlit			•	•	•	
Plastic knobs	•					•
Roasting thermometer		•				
Actual temperature indication and temperature recommendation		•	•			
Rapid heating		•	•			
Door contact switch	•	•	•	•	•	•
Childproof lock	•	•	•		•	•
Full glass inner door with stainless steel frame / Full glass inner door	- / - / •	- / • / -	- / • / -	- / - / •	- / - / •	- / - / •
Number of door glasses	3	4	4	2	2	1
Drop-down large area grill	•					
Oven cavity capacity in litres	38	44	44	44	22	18
Interior oven dimensions in mm (W x H x D)	420 x 210 x 390	475 x 229 x 402	475 x 229 x 402	475 x 232 x 400	350 x 220 x 280	305 x 210 x 305
Halogen lighting	•	•	•	•		
Lighting					•	•
Eco mode		•				
Demo mode		•	•			
Stand-by mode		•				
Cleaning						
ökoEmail+ coating		•	•	•		
Pyrolytic cleaning		•				
Steam cleaning						
ökotherm® catalytic converter		•	•			
ökoClean function						
Standard accessories						
Enamel baking tray		1	1			
Universal/deep tray enamel / glass	- / 1	1 / -	1 / -			
Roasting grid	1	1	1	1	1	
Steam set						
Telescopic glide-out shelf (full glide-out / standard glide-out)						
Technical data						
Total connected load in kW	3,4	2,9	3,0	3,2	2,5	1,2
Voltage (V)		220-240	220-240	220-240	220-240	220 - 240
Frequency in Hz		50 - 60	50 - 60	50	50	50
Length of connection cable in metres		1,5	1,5	1,5	1,5	1,5
Ready to plug in	•	•	•	•	•	•
Dimensions in mm						
Niche (width x height x depth)	560 x 450 x 550	560 x 450 x 550	560 x 450 x 550	560 x 450 x 550	568 x 380/390 x 320	568 x 380/390 x 320

* 300 with grill function

TECHNICAL DATA. COMPACT APPLIANCES.

Design Models	Coffee. Fully-automatic	
	CKV 6550	CKV 6750
Black/White/Grey	• / • / •	• / - / -
Stainless steel (pre-assembled) / Design kit (optional accessory)	- / •	- / •
Individual Design models possible (numbers)	7	7
Individual Plus (handle retrofittable)		
Energy-efficiency classes and energy consumption		
Energy-efficiency class in acc. with EN 50304		
Energy consumption in acc. with EN 50304		
Features		
22" Screen / 3,9" TFT display		
LCD Display	•	•
Digital display		
White display / red display	• / -	- / •
Graphic / Clear text display	• / •	• / •
Pre-set time	•	•
Adjustable cupsize	5	5
Milk functions	2	2
Boiling pressure	15 bar	15 bar
Dispenser for 1 or 2 cups	•	•
Hot water function	•	•
Removable milk container	•	•
Water container removable from the front	•	•
Suitable for use with coffee beans / coffee powder	• / •	• / •
Suitable for use with coffee pads / capsules	- / -	- / -
Electronic / mechanic oven control	• / -	• / -
Control by TFT-Touch / Sensor touch control / knobs	- / • / -	- / • / -
Aluminium control knobs illuminated / unlit		
Plastic knobs		
Remote control		
Screen resolution		
Videotext function/Sleep timer function		
DVB / DVB-C tuner		
Actual temperature indication		
Height-adjustable coffee dispenser	•	•
Touch to open		
Childproof lock		
Full glass front	•	•
Number of door glasses		
Capacity (bottles)		
Capacity in litres		
LED lighting	•	•
Halogen lighting		
Alarm signal optical / acoustic	• / -	• / -
Number of storage place		
Demo mode		
Stand-by mode	•	•
Cleaning		
Automatic cleaning	•	•
Decalcification programme	•	•
Standard accessories		
Milk container	•	•
Descaler (sample)	•	•
Coffee powder spoon	•	•
Cleaning brush	•	•
Adapter for coffee pads, powder and capsules		
Technical data		
Total connected load in kW	1,35	1,35
Voltage (V)	220-240	220-240
Frequency in Hz	50-60	50-60
Noise level (dB)		
Length of connection cable in metres	1,3	1,3
Ready to plug in	•	•
Dimensions in mm		
Niche (width x height x depth)	560 x 450 x 550	560 x 450 x 550

TECHNICAL DATA. DOWNDRAFTS. HONEYCOMB HOBS.

Design Models	Hobs. Downdraft. Induction.			VarioLine. Hobs. Downdraft	Hobs. Honeycomb. Induction
	KMI 9850.0	KMI 9800.0	KMI 8500.0	VKM 1800.0	EKWI 3740.0 W / S
Stainless steel					
Ceramic glass Black/Grey/White	• / - / -	• / - / -	• / - / •	• / - / -	• / - / -
Stainless steel frame: pre-assembled / enclosed / optional accessory	• / - / -	• / - / -		- / • / -	
Frameless / Flush installation	•	•	•	•	•
Bevelled edge					
Chrome graphics					

Features	KMI 9850.0	KMI 9800.0	KMI 8500.0	VarioLine. Hobs. Downdraft	Hobs. Honeycomb. Induction
Miradur™ coating	•	•			
"glideControl / glideControl+"		- / •			
"dialControl"					
"selectControl"			•	by hob	
"knobControl"	•				
White display / red display	- / •	- / •	- / •	by hob	- / •
Special levels: melting / keeping warm / pasta	• / • / •	• / • / •			- / • / -
Grill function (for FlexiGrill Acc. no. 1303)					
Full-surface induction	•	•	•		
Vario Induction					
Number of bridge functions / automatic	3 / -	2 / -	2 / -		
Chef function					
STOP-AND-GO function (break function)		•			•
Cleaning function					
Number of power settings / ökopower	4 / -	4 / -	4 / -		4 / -
Pan and pan size detection	•	•	•		•
Childproof lock (sensor lock)	•	•	•		•
Central switch-off		•	•		•
Switch-off memory					
Holiday shut down device (limiting operation time)	•	•	•		•
Timer function (minute minder)		•	•		•
Residual heat indicators	•	•	•		•
Automatic booster cooking phase	•	•	•		•

Features cooking zones						
Number of induction cooking zones		4	4	4		4
Front left	Diameter cm	21 x 19	21 x 19	21 x 19		for variable installation: 2 x 20 cm 2 x 2,3 / 3,0 2 x 16 cm 2 x 1,1 / 1,4
	Power kW	2,1 / 3,7	2,1 / 3,7	1,6 / 1,85		
Rear left	Diameter cm	21 x 19	21 x 19	21 x 19		
	Power kW	2,1 / 3,7	2,1 / 3,7	2,1 / 3,0		
Rear centre	Diameter cm					
	Power kW					
Rear right	Diameter cm	21 x 19	21 x 19	21 x 19		
	Power kW	2,1 / 3,7	2,1 / 3,7	1,6 / 1,85		
Front right	Diameter cm	21 x 19	21 x 19	21 x 19		
	Power kW	2,1 / 3,7	2,1 / 3,7	2,1 / 3,0		

Features cooker hood					
Energy-efficiency class / Energy-efficiency class fan / Energy consumption per year	A / A / 41	A / A / 41	A / A / 41	A / A / 41	
Energy-efficiency class grease filter/ grease deposit %	A / 96,5	A / 96,5	A / 96,5	A / 96,5	
High-power setting / Automatic delay stop	• / •	• / •	• / •	• / •	
Extraction rate (m³/h) according to guideline EN 61591: min/max/int	210 / 530 / 620	210 / 530 / 620	210 / 530 / 620	210 / 530 / 620	
Noise level (dB) according to guideline EN 60704-2-13: min/max/int	39 / 55 / 68	39 / 55 / 68	39 / 55 / 68	39 / 55 / 68	

Technical data					
Total connected load in kW (electric)	7,5	7,5	7,5	0,1	7,4
Total connected load in kW (gas)					
Voltage in V	230-240	230-240	230-240	230-240	220-240
Frequency in Hz	50	50	50	50	50 / 60
Length of connection cable in metres					

Installation dimensions (in mm)*					
Installation depth	170	170	170	see building-in diagrams	see building-in diagrams
Niche W x D	860 x 500	860 x 500	750 x 500		

Appliance dimensions (in mm)					
Bevelled edge or stainless steel frame W x D				see building-in diagrams	see building-in diagrams
Flush installation W x D	898 x 518	898 x 518	830 x 515		

*Dimensions indicated apply to models with a frame or a bevelled edge. For flush-installed hobs please refer to the building-in diagrams.

TECHNICAL DATA. HOBS.

Design Models	Hobs. Induction							
	KI 9850.0	KI 9820.0	KI 9810.0	KI 9800.0	KI 8820.0	KI 8810.0	KI 8800.0	KI 6800.0
Stainless steel								
Ceramic glass Black/Grey/White	• / - / -	• / - / -	• / - / -	• / - / -	• / - / -	• / - / -	• / • / -	• / • / -
Stainless steel frame: pre-assembled / enclosed / optional accessory	• / - / -	- / - / -	- / - / -	- / - / -	- / - / •	- / - / •	- / - / •	- / - / •
Frameless / Flush installation	•	•	•	•	•	•	•	•
Bevelled edge		•	•	•	•		•	•
Chrome graphics		•	•	•			•	•
Features								
Mirador™ coating	•				•			
"glideControl / glideControl+"		• / -	- / •	- / •	• / -		- / •	- / •
"dialControl"								
"selectControl"								
"knobControl"	•					•		
White display / red display	- / •	• / -	• / -	• / -	• / -	- / •	• / -	• / -
Special levels: melting / keeping warm / pasta	• / • / •	• / • / •	• / • / •	• / • / •		- / • / -	• / • / •	• / • / •
Grill function (for FlexiGrill Acc. no. 1303)		•	•	•	•		•	•
Full-surface induction	•	•	•	•	•	•	•	•
Vario Induction								
Number of bridge functions / automatic	3 / 0	2 / 2	3 / 3	3 / 2	3 / -	2 / -	2 / 2	3 / 2
Chef function		•			•			
STOP-AND-GO function (break function)		•	•	•	•	•	•	•
Cleaning function		•						
Number of power settings / ökopower	6 / 0	5 / 5	6 / 6	4 / 4	6 / 0	4 / 0	4 / 4	4 / 4
Pan and pan size detection	•	•	•	•	•	•	•	•
Childproof lock (sensor lock)	•	•	•	•	•	•	•	•
Central switch-off		•	•	•	•		•	•
Switch-off memory		•	•	•	•		•	•
Holiday shut down device (limiting operation time)	•	•	•	•	•	•	•	•
Timer function (minute minder)		•	•	•	•		•	•
Residual heat indicators	•	•	•	•	•	•	•	•
Automatic booster cooking phase	•	•	•	•	•	•	•	•
Features cooking zones								
Number of induction cooking zones	6	5	6	4	6	4	4	4
Front left	Diameter cm	21 x 19	21 x 18	21 x 19	21 x 19	21 x 19	21 x 19	21 x 19
	Power kW	2,1 / 3,7	2,1 / 2,6 / 3,7	2,1 / 2,6 / 3,7	2,1 / 2,6 / 3,7	1,6 / 1,85	2,1 / 3,0	2,1 / 2,6 / 3,7
Rear left	Diameter cm	21 x 19	21 x 18	21 x 19	21 x 19	21 x 19	21 x 19	21 x 19
	Power kW	2,1 / 3,7	2,1 / 2,6 / 3,7	2,1 / 2,6 / 3,7	2,1 / 2,6 / 3,7	2,1 / 3,0	1,6 / 1,85	2,1 / 2,6 / 3,7
Rear centre	Diameter cm	21 x 19	18 x 20	21 x 19		21 x 19		
	Power kW	2,1 / 3,7	2,1 / 2,6 / 3,7	2,1 / 2,6 / 3,7		1,6 / 1,85		
Rear right	Diameter cm	21 x 19	21 x 18	21 x 19	21 x 19	21 x 19	21 x 19	21 x 19
	Power kW	2,1 / 3,7	2,1 / 2,6 / 3,7	2,1 / 2,6 / 3,7	2,1 / 2,6 / 3,7	2,1 / 3,0	2,1 / 3,0	2,1 / 2,6 / 3,7
Front right	Diameter cm	21 x 19	21 x 18	21 x 19	21 x 19	21 x 19	21 x 19	21 x 19
	Power kW	2,1 / 3,7	2,1 / 2,6 / 3,7	2,1 / 2,6 / 3,7	2,1 / 2,6 / 3,7	1,6 / 1,85	1,6 / 1,85	2,1 / 2,6 / 3,7
Front centre	Diameter cm	21 x 19		21 x 19		21 x 19		
	Power kW	2,1 / 3,7		2,1 / 2,6 / 3,7		2,1 / 3,0		
Grilling surface								
Technical data								
Total connected load in kW (electric)		11,1	11,1	11,1	7,4	11,1	7,4	7,4
Total connected load in kW (gas)								
Voltage in V		220-240	220-240	220-240	220-240	220-240	220-240	220-240
Frequency in Hz		50 / 60	50 / 60	50 / 60	50 / 60	50 / 60	50 / 60	50 / 60
Length of connection cable in metres								
Installation dimensions (in mm)*								
Installation depth								
Niche W x D		750 x 490	850 x 490	750 x 490	890 x 390	750 x 490	750 x 490	560 x 490
Appliance dimensions (in mm)								
Bevelled edge or stainless steel frame W x D		900 x 520	900 x 520	900 x 520	910 x 410	800 x 520	800 x 520	600 x 520
Flush installation W x D		898 x 518	898 x 518	898 x 518	908 x 408	798 x 518	798 x 518	598 x 518

*Dimensions indicated apply to models with a frame or a bevelled edge. For flush-installed hobs please refer to the building-in diagrams.

TECHNICAL DATA. HOBS.

Design Models	Hobs. Induction					
	KI 9560.0	KI 8560.0	KI 6560.0	KI 9520.0	KI 8520.0	
Stainless steel						
Ceramic glass Black/Grey/White	• / - / -	• / - / -	• / - / -	- / - / •	- / - / •	
Stainless steel frame: pre-assembled / enclosed / optional accessory	- / - / -	- / - / •	- / - / •	- / - / -	- / - / •	
Frameless / Flush installation	•	•	•	•	•	
Bevelled edge						
Chrome graphics						
Features						
Miradur™ coating						
"glideControl / glideControl+"	• / -	• / -	• / -			
"dialControl"						
"selectControl"				•	•	
"knobControl"						
White display / red display	- / •	- / •	- / •	- / •	- / •	
Special levels: melting / keeping warm / pasta	- / • / -	- / • / -	- / • / -	- / • / -	- / • / -	
Grill function (for FlexiGrill Acc. no. 1303)						
Full-surface induction		•	•			
Vario Induction				•	•	
Number of bridge functions / automatic	2 / -	2 / -	2 / -	1 / -	1 / -	
Chef function						
STOP-AND-GO function (break function)	•	•	•	•	•	
Cleaning function						
Number of power settings / ökopower	5 / 5	4 / 4	4 / 4	5 / 2	4 / 1	
Pan and pan size detection	•	•	•	•	•	
Childproof lock (sensor lock)	•	•	•	•	•	
Central switch-off	•	•	•	•	•	
Switch-off memory	•	•	•	•	•	
Holiday shut down device (limiting operation time)	•	•	•	•	•	
Timer function (minute minder)	•	•	•	•	•	
Residual heat indicators	•	•	•	•	•	
Automatic booster cooking phase	•	•	•	•	•	
Features cooking zones						
Number of induction cooking zones					5	4
Front left	Diameter cm	21 x 19	21 x 19	21 x 19	21 x 19	21 x 19
	Power kW	2,1 / 2,5 / 3,0	2,1 / 2,5 / 3,0	2,1 / 2,5 / 3,0	2,1 / 2,5 / 3,0	2,1 / 2,5 / 3,0
Rear left	Diameter cm	21 x 19	21 x 19	21 x 19	21 x 19	21 x 19
	Power kW	2,1 / 2,5 / 3,0	2,1 / 2,5 / 3,0	2,1 / 2,5 / 3,0	1,6 / 1,85	1,6 / 1,85
Rear centre	Diameter cm	21,5			28	
	Power kW	2,3 / 3,0			2,3 / 3,0	
Rear right	Diameter cm	21 x 19	21 x 19	21 x 19	22	22
	Power kW	2,1 / 2,5 / 3,0	2,1 / 2,5 / 3,0	2,1 / 2,5 / 3,0	2,3 / 3,0	2,3 / 3,0
Front right	Diameter cm	21 x 19	21 x 19	21 x 19	18	18
	Power kW	2,1 / 2,5 / 3,0	2,1 / 2,5 / 3,0	2,1 / 2,5 / 3,0	1,1 / 1,4	1,1 / 1,4
Front centre	Diameter cm					
	Power kW					
Grilling surface						
Technical data						
Total connected load in kW (electric)		10,4	7,4	7,4	7,4	7,4
Total connected load in kW (gas)						
Voltage in V		220-240	220-240	220-240	220-240	220-240
Frequency in Hz		50 / 60	50 / 60	50 / 60	50 / 60	50 / 60
Length of connection cable in metres						
Installation dimensions (in mm)*						
Installation depth						
Niche W x D		810 x 490	750 x 490	550 x 490	810 x 490	750 x 490
Appliance dimensions (in mm)						
Bevelled edge or stainless steel frame W x D		900 x 520	800 x 520	600 x 520	900 x 520	800 x 520
Flush installation W x D		898 x 518	798 x 518	598 x 518	898 x 518	798 x 518

*Dimensions indicated apply to models with a frame or a bevelled edge. For flush-installed hobs please refer to the building-in diagrams.

TECHNICAL DATA. HOBS.

Design Models	Hobs. Induction							
	KI 6520.0	KI 9330.0	KI 8330.0	KI 6330.0	KI 6350.0	KI 8120.0	KI 6120.0	
Stainless steel								
Ceramic glass Black/Grey/White	- / - / •	• / - / -	• / - / -	• / - / -	• / - / -	• / - / -	• / - / -	
Stainless steel frame: pre-assembled / enclosed / optional accessory	- / - / •	- / - / -	- / - / •	- / - / •	- / - / •	- / - / •	- / - / •	
Frameless / Flush installation	•	•	•	•	•	•	•	
Bevelled edge	•							
Chrome graphics								
Features								
Mirador™ coating								
"glideControl / glideControl+"								
"dialControl"		•	•	•				
"selectControl"	•					•	•	
"knobControl"					•			
White display / red display	- / •	- / •	- / •	- / •	- / •	- / •	- / •	
Special levels: melting / keeping warm / pasta	- / • / -	- / • / -	- / • / -	- / • / -	- / • / -	- / - / -	- / - / -	
Grill function (for FlexiGrill Acc. no. 1303)								
Full-surface induction								
Vario Induction	•				•			
Number of bridge functions / automatic	1 / -							
Chef function								
STOP-AND-GO function (break function)	•	•	•	•	•			
Cleaning function								
Number of power settings / ökopower	4 / 1	5 / -	4 / -	4 / -	4 / -	4 / -	4 / -	
Pan and pan size detection	•	•	•	•	•	•	•	
Childproof lock (sensor lock)	•	•	•	•	•	•	•	
Central switch-off	•	•	•	•	•	•	•	
Switch-off memory	•	•	•	•				
Holiday shut down device (limiting operation time)	•	•	•	•	•	•	•	
Timer function (minute minder)	•	•	•	•	•	•	•	
Residual heat indicators	•	•	•	•	•	•	•	
Automatic booster cooking phase	•	•	•	•	•	•	•	
Features cooking zones								
Number of induction cooking zones	4	5	4	4	4	4	4	
Front left	Diameter cm	21 x 19	17,5	21,5	20	14,5	19	20
	Power kW	2,1 / 2,5 / 3,0	1,1 / 1,4	2,3 / 3,0	2,3 / 3,0	1,4 / 1,8	2,3 / 3,0	1,4 / 1,85
Rear left	Diameter cm	21 x 19	17,5	17,5	18	21	17	18
	Power kW	1,6 / 1,85	1,4 / 2,0	1,1 / 1,4	1,1 / 1,4	2,3 / 3,2	1,1 / 1,4	1,4 / 1,85
Rear centre	Diameter cm		26,5					
	Power kW		2,3 / 3,0					
Rear right	Diameter cm	22	21,5	21,5	22	18	22	18
	Power kW	2,3 / 3,0	2,3 / 3,0	2,3 / 3,0	2,3 / 3,0	1,85 / 2,5	2,3 / 3,0	1,4 / 1,85
Front right	Diameter cm	18	17,5	17,5	16	18	15,5	20
	Power kW	1,1 / 1,4	1,1 / 1,4	1,1 / 1,4	1,1 / 1,4	1,85 / 2,5	1,1 / 1,4	1,4 / 1,85
Front centre	Diameter cm							
	Power kW							
Grilling surface								
Technical data								
Total connected load in kW (electric)	7,4	7,4	7,4	7,4	7,4	7,4	7,4	
Total connected load in kW (gas)								
Voltage in V	220-240	220-240	220-240	220-240	220-240	220-240	220-240	
Frequency in Hz	50 / 60	50 / 60	50 / 60	50 / 60	50 / 60	50 / 60	50 / 60	
Length of connection cable in metres								
Installation dimensions (in mm)*								
Installation depth								
Niche W x D	560 x 490	810 x 490	750 x 490	560 x 490	560 x 490	750 x 490	560 x 490	
Appliance dimensions (in mm)								
Bevelled edge or stainless steel frame W x D	600 x 520							
Flush installation W x D	598 x 518	898 x 518	798 x 518	598 x 518	598 x 518	798 x 518	598 x 518	

*Dimensions indicated apply to models with a frame or a bevelled edge. For flush-installed hobs please refer to the building-in diagrams.

TECHNICAL DATA. HOBS.

Design Models	Hobs. Electronic				Hobs. Electronic. For built-under cooker	
	KE 9340.0	KE 8330.0	KE 6330.0	KE 6310.0	KH 6310.0	
Stainless steel						
Ceramic glass Black/Grey/White	• / - / -	• / - / -	• / - / -	• / - / -	• / - / -	
Stainless steel frame: pre-assembled / enclosed / optional accessory	- / - / -	- / - / •	- / - / •	- / - / •	- / - / •	
Frameless / Flush installation	•	•	•	•	•	
Bevelled edge						
Chrome graphics						
Features						
"glideControl / glideControl+"						
"dialControl"		•	•			
"selectControl"				•		
"knobControl"						
White display / red display	- / •	- / •	- / •	- / •	- / •	
Special levels: melting / keeping warm / pasta						
Grill function (for FlexiGrill Acc. no. 1303)						
Full-surface induction						
Vario Induction						
Number of bridge functions / automatic						
Chef function						
STOP-AND-GO function (break function)	•	•	•			
Cleaning function						
Number of power settings / ökopower						
Pan and pan size detection						
Childproof lock (sensor lock)	•	•	•	•		
Central switch-off	•	•	•	•		
Switch-off memory						
Holiday shut down device (limiting operation time)	•	•	•	•		
Timer function (minute minder)	•	•	•	•		
Residual heat indicators	•	•	•	•	•	
Automatic booster cooking phase		•	•	•		
Features cooking zones						
Number of ökospeed plus cooking zones	5	4	4	4	4	
Front left	Diameter cm	21 / 12	22 / 14,5	22 / 14,5	22 / 14,5	12 / 21
	Power kW	2,2 / 0,75	2,2 / 1,0	2,2 / 1,0	2,2 / 1,0	0,75 / 2,2
Rear left	Diameter cm	16	15,5	15,5	15,5	14,5
	Power kW	1,5	1,2	1,2	1,2	1,2
Rear centre	Diameter cm	27 / 21 / 14,5				
	Power kW	2,7 / 1,9 / 1,0				
Rear right	Diameter cm	18	26,5 x 18 / 18	26,5 x 18 / 18	19	17,5 x 26,5
	Power kW	1,8	2,4 / 1,5	2,4 / 1,5	1,8	1,8 / 2,4
Front right	Diameter cm	18	19	15,5	15,5	14,5
	Power kW	1,8	1,8	1,2	1,2	1,2
Front centre	Diameter cm					
	Power kW					
Grilling surface						
Technical data						
Total connected load in kW (electric)	10,0	7,6	7,0	6,4	7,0	
Total connected load in kW (gas)						
Voltage in V	220-240	220-240	220-240	220-240		
Frequency in Hz	50 / 60	50 / 60	50 / 60	50 / 60		
Length of connection cable in metres						
Installation dimensions (in mm)*						
Frequency in Hz						
Length of connection cable in metres	860 x 490	750 x 490	560 x 490	560 x 490	560 x 490	
Appliance dimensions (in mm)						
Bevelled edge or stainless steel frame W x D						
Flush installation W x D	898 x 518	798 x 518	598 x 518	598 x 518	598 x 518	

*Dimensions indicated apply to models with a frame or a bevelled edge. For flush-installed hobs please refer to the building-in diagrams.

TECHNICAL DATA. HOBS.

Design Models	Hobs. Gas			VarioLine. Hobs. Gas	
	GKS 9851.0	GMS 9651.0	GMS 7651.0	GKS 3820.0	GWS 3811.0
Stainless steel		•	•		
Ceramic glass Black/Grey/White	• / - / -	- / - / -	- / - / -	• / - / -	• / - / -
Stainless steel frame: pre-assembled / enclosed / optional accessory	• / - / -	- / - / -	- / - / -	• / - / -	• / - / -
Frameless / Flush installation					
Bevelled edge					
Chrome graphics					

Features

"KnobControl"	•	•	•	•	•
Safety pilot	•	•	•	•	•
One-hand electric spark ignition	•	•	•	•	•
Natural gas jets (G25-25 mbar) installed	-	-	-	-	-
Natural gas jets (G20-20/25 mbar) installed	-	-	-	-	-
Natural gas jets (G20-20 mbar) enclosed	•	•	•	•	•
Natural gas jets (G30-30 mbar) enclosed	-	-	-	-	-
Liquid gas jets (G30-50 mbar) / (G30-28-30/37 mbar) enclosed	• / •	• / •	• / •	• / •	• / •

Features cooking zones

Number of gas cooking zones	5	5	5	2	1
Front left	Diameter cm				
	Power kW	6,0	5,0	4,0	
Rear left	Diameter cm				
	Power kW				
Rear centre	Diameter cm				
	Power kW	1,75	1,75	3,0	1,75
Rear right	Diameter cm				
	Power kW	1,0	3,0	1,75	
Front right	Diameter cm				
	Power kW	3,0	1,75	1,75	
Front centre	Diameter cm				
	Power kW	1,75	1,0	1,0	3,0

Technical data

Total connected load in kW (electric)	0,1	0,1	0,1	0,1	0,1
Total connected load in kW (gas)	13,5	11,75	11,5	4,75	6,0
Voltage in V	230-240	230-240	230-240	230-240	230-240
Frequency in Hz	50 / 60	50 / 60	50 / 60	50 / 60	50 / 60
Length of connection cable in metres	0,9	0,9	0,9	0,9	0,9

Installation dimensions (in mm)*

Installation depth	53	45	45	53	53
Niche W x D	835 x 490	833 x 475	553 x 473	285 x 490	285 x 490

Appliance dimensions (in mm)

Bevelled edge or stainless steel frame W x D	900 x 520	860 x 510	750 x 510	300 x 520	300 x 520
Flush installation W x D					

*Dimensions indicated apply to models with a frame or a bevelled edge. For flush-installed hobs please refer to the building-in diagrams.

TECHNICAL DATA. HOBS.

Design Models	VarioLine. Hobs. Induction					VarioLine. Hobs. Electronic		
	VKI 3805.0	VKI 3800.1	VKI 3505.0	VKI 3500.1	VKIW 3800.0	VKET 3800.0	VKEL 3800.0	VKE 3300.0
Stainless steel								
Ceramic glass Black/Grey/White	• / - / -	• / - / -	• / - / -	• / - / -	• / - / -	• / - / -	• / - / -	• / - / -
Stainless steel frame: pre-assembled / enclosed / optional accessory	- / • / -	- / • / -	- / • / -	- / • / -	- / • / -	- / • / -	- / • / -	- / • / -
Frameless / Flush installation	•	•	•	•	•	•	•	•
Bevelled edge								
Chrome graphics								
Features								
"glideControl / glideControl+"	- / •	- / •						
"dialControl"								
"selectControl"			•	•				•
"knobControl"						•	•	
White display / red display	- / •	- / •	- / •	- / •	- / •	- / •	- / •	- / •
Special levels: melting / keeping warm / pasta	• / • / •	• / • / •				- / • / -		
Grill function (for FlexiGrill Acc. no. 1303)		•						
Full-surface induction	•	•						
Vario Induction								
Number of bridge functions / automatic	1 / -	1 / -						
Chef function								
STOP-AND-GO function (break function)	•	•						
Cleaning function								
Number of power settings / ökopower	2 / -	2 / 2	1 / -	1 / -	1 / -			
Pan and pan size detection	•	•	•	•	•			
Childproof lock (sensor lock)	•	•	•	•	•			•
Central switch-off	•	•	•	•	•			•
Switch-off memory		•						
Holiday shut down device (limiting operation time)	•	•	•	•	•			•
Timer function (minute minder)	•	•	•	•	•			•
Residual heat indicators	•	•	•	•	•			•
Automatic booster cooking phase	•	•	•	•	•			•
Features cooking zones								
Number of induction cooking zones / ökospeed plus cooking zones / gas cooking zones	2 / - / -	2 / - / -	2 / - / -	2 / - / -	1 / - / -			- / 2 / -
Front left								
Diameter cm								
Power kW								
Rear left								
Diameter cm								
Power kW								
Rear centre								
Diameter cm	21 x 19	21 x 19	20	22				19 / 12,5
Power kW	2,1 / 3,7	2,1 / 3,7	1,4 / 2,0	2,3 / 3,0	2,45 / 3,0			1,7 / 1,1
Rear right								
Diameter cm								
Power kW								
Front right								
Diameter cm								
Power kW								
Front centre								
Diameter cm	21 x 19	21 x 19	16	16				14,5
Power kW	2,1 / 3,7	2,1 / 3,7	1,4	1,4				1,2
Grilling surface						2,4	2,5	
Technical data								
Total connected load in kW (electric)	3,7	3,7	3,4	3,7	3,0	2,4	2,5	2,9
Total connected load in kW (gas)								
Voltage in V	220-240	220-240	220-240	220-240	220-240	230-240	230-240	220-240
Frequency in Hz	50 / 60	50 / 60	50 / 60	50 / 60	50 / 60	50 / 60	50 / 60	50 / 60
Length of connection cable in metres								
Installation dimensions (in mm)*								
Installation depth	48	48	48	48	110	82	82	48
Niche W x D	360 x 490	360 x 490	270 x 490	280 x 490	340 x 490	340 x 490	340 x 490	280 x 490
Appliance dimensions (in mm)								
Bevelled edge or stainless steel frame W x D	380 x 520	380 x 520	300 x 520	300 x 520	380 x 520	380 x 520	380 x 520	300 x 520
Flush installation W x D	378 x 518	378 x 518	298 x 518	298 x 518	378 x 518	378 x 518	378 x 518	298 x 518

*Dimensions indicated apply to models with a frame or a bevelled edge. For flush-installed hobs please refer to the building-in diagrams.

TECHNICAL DATA. COOKER HOODS.

	Downdraft	Built-in. Ceiling canopy hoods		Island			
	DD 9800.0	EDL 12750.1	EDL 9750.1	DI 3800.0	IKD 12780.0	IKD 9780.0	IKD 9480.0
Design Models							
Stainless steel		•	•				•
Glass and stainless steel	•			•	•	•	
Black				•			
Grey				•			
White				•			
INDIVIDUAL				s. page 159			

Energy-efficiency classes

Energy-efficiency class /Energy consumption per year	C / 100	A / 53	A / 53	A / 45	B / 65	B / 65	A / 59
Energy-efficiency class: Fan	C	A	A	A	B	B	A
Energy-efficiency class: Lighting	G	A	A	A	A	A	A
Energy-efficiency class: Grease filter / Grease filtration rate %	G / 41	F / 50	F / 50	A / 95	C / 75	C / 75	C / 76

Features

Sensor touch control / knob control	• / -				• / -	• / -	
High-power setting	•	•	•	•	•	•	•
Automatic delay stop	•	•	•	•	•	•	
Number of halogen lamps / power in watts							
Low-energy fluorescent lamps / power in watts	14						
Number of worktop lamps / power in watts							
LED / power in watts		4 x 3	4 x 3	2 x 3	4 x 1	4 x 1	4 x 1
Digital display	•	• on remote control	• on remote control	• on remote control	•	•	
Rim suction	•	•	•		•	•	
Remote control	•	•	•	•			
Filter saturation indicator grease filter / charcoal filter	•/•	•/•	•/•	•/•			
Number of metal grease filters	2	4	3	1	3	2	3

Technical data

Extraction rate in m ³ /h / dB (EN 61593) / dB (EN 60704-2-13)	min.	304 / 49	315 / 47	315 / 47	115 / 50	280 / 51	280 / 51	290 / 51
	max.	581 / 66	631 / 60	631 / 60	525 / 72	530 / 65	530 / 65	560 / 65
	int.	669 / 70	807 / 66	807 / 66	771 / 78	660 / 69	660 / 69	690 / 69
Connected load in watts		284	292	292	286	274	274	274
Voltage (V)		220-240	220-240	220-240	220-240	220-240	220-240	220-240
Frequency in Hz		50	50	50	50	50	50	50
Length of connection cable in metres approx.		1	1	1	1	1	1	1
Minimal clearance above electric hobs			650	650	650	650	650	650
Minimal clearance above gas hobs			1600	1600	750	750	750	750
Extraction air connection diameter in mm		150	150	150		150	150	150

Dimensions (appliance dimensions in mm)

Width	880	1200	900	350	1200	900	900
Height min.	720	310	310	600	940	940	940
Height max.	1020			2150	1260	1260	1260
Depth	340	600	600	350	600	600	600

TECHNICAL DATA. COOKER HOODS.

	Chimney								
	DW 9800.0	KD 9570.2	DW 8500	DW 3800.0	DW 8300.0	DW 9500.0	DW 9350.0	DW 9340.0	DW 6340.0
Design Models									
Stainless steel				•				•	•
Glass and stainless steel	•	•	•		•		•		
Black	•	•	•	•		•			
Grey	•			•					
White		•		•		•			
INDIVIDUAL	s. page 159	s. page 159		s. page 159		s. page 159			

Energy-efficiency classes

Energy-efficiency class /Energy consumption per year	A++ / 27	A / 50	A+ / 41	A / 45	B / 56	A+ / 31	A / 56	A+ / 42	A+ / 42
Energy-efficiency class: Fan	A	A	A	A	B	A	A	A	A
Energy-efficiency class: Lighting	A	A	A	A	A	A	A	A	A
Energy-efficiency class: Grease filter / Grease filtration rate %	C / 76	B / 89	B / 85	A / 95	E / 56	A / 98	A / 98	C / 76	C / 76

Features

Sensor touch control / knob control	• / -	• / -	• / -			• / -	- / •		
High-power setting	•	•	•	•		•	•	•	•
Automatic delay stop	•	•	•	•		•	•	•	•
Number of halogen lamps / power in watts									
Low-energy fluorescent lamps / power in watts									
Number of worktop lamps / power in watts									
LED / power in watts	1 x 7	2 x 3	2 x 1	2 x 3	2 x 2,5	1 x 7	1 x 7	2 x 1	2 x 1
Digital display	•	•		• an FB		•	•		
Rim suction	•	•	•		•				
Remote control				•					
Filter saturation indicator grease filter / charcoal filter	• / •	• / -		• / •		• / •	• / •		
Number of metal grease filters	2	1	2	1	2	3	3	3	2

Technical data

Extraction rate in m ³ /h / dB	min.	264 / 37	303 / 50	310 / 52	115 / 50	250 / 45	371 / 38	306 / 54	300/52	300/52
(EN 61593) / dB (EN 60704-2-13)	max.	626 / 58	599 / 64	580 / 62	525 / 72	625 / 64	630 / 59	586 / 68	580/56	580/56
	int.	815 / 65	786 / 69	720 / 65	771 / 78		764 / 66	740 / 72	700/69	700/69
Connected load in watts		172	286	272	286	255	172	287	272	272
Voltage (V)		220-240	220-240	220 - 240	220-240	220-240	220-240	220-240	220-240	220-240
Frequency in Hz		50	50	50	50	50 / 60	50	50	50	50
Length of connection cable in metres approx.		1	1	1	1	1	1	1	1	1
Minimal clearance above electric hobs		300	300	450	650	400	650	650	650	650
Minimal clearance above gas hobs		350	350	450	750	650	750	750	750	750
Extraction air connection diameter in mm		150	150	150		150	150	150	150	150

Dimensions (appliance dimensions in mm)

Width	900	900	800	350	800	900	900	900	600
Height min.	625	608*	832	450	549	670	670	730	730
Height max.	955	1070 - 1400**	1032			1000	1000	1000	1000
Depth	455	537	378	350	365	480	480	460	460

* Height of canopy ** Total height of the hood including chimney set accessory: see product description.

TECHNICAL DATA. COOKER HOODS.

	Chimney		Built-in. Slimline			
	DW 9100.0	DW 7100.0	DEF 9800.0	DEF 6800.0	DEF 9550.0	DEF 6550.0
Design Models						
Stainless steel	•	•	•	•	•	•
Glass and stainless steel						
Black						
Grey						
White						
INDIVIDUAL						

Energy-efficiency classes

Energy-efficiency class /Energy consumption per year	A / 50	A / 50	A+ / 42	A+ / 40	A / 47	A / 47
Energy-efficiency class: Fan	A	A	A	A	A	A
Energy-efficiency class: Lighting	A	A	A	A	A	A
Energy-efficiency class: Grease filter / Grease filtration rate %	C / 83	C / 83	C / 84	C / 84	D / 67	D / 67

Features

Sensor touch control / knob control						
High-power setting	•	•	•	•	•	•
Automatic delay stop	•	•	•	•	•	•
Number of halogen lamps / power in watts						
Low-energy fluorescent lamps / power in watts						
Number of worktop lamps / power in watts						
LED / power in watts	1 x 12	1 x 9	1 x 12	1 x 9	2 x 3	2 x 3
Digital display						
Rim suction						
Remote control						
Filter saturation indicator grease filter / charcoal filter			• / •	• / •	• / •	• / •
Number of metal grease filters	3	2	4	2	4	2

Technical data

Extraction rate in m ³ /h / dB	min.	303 / 54	303 / 54	319 / 53	319 / 53	256 / 46	256 / 46
(EN 61593) / dB (EN 60704-2-13)	max.	597 / 68	597 / 68	523 / 65	523 / 65	537 / 63	537 / 63
	int.	760 / 73	760 / 73	740 / 70	740 / 70	647 / 67	647 / 67
Connected load in watts		292	289	274	272	273	272
Voltage (V)		220-240	220-240	220-240	220-240	220-240	220-240
Frequency in Hz		50	50	50	50	50 / 60	50 / 60
Length of connection cable in metres approx.		1	1	1	1	1	1
Minimal clearance above electric hobs		650	650	600	600	430*	430*
Minimal clearance above gas hobs		750	750	650	650	650*	650*
Extraction air connection diameter in mm		150	150	150	150	150	150

Dimensions (appliance dimensions in mm)

Width		900	700	900	600	900	600
Height min.		625	625	310	310	260	260
Height max.		955	955				
Depth		480	480	300-490	300-490	290-440	290-440

* Special dimensions (Please ignore dimensions indicated in the users instructions)

TECHNICAL DATA. COOKER HOODS.

	Built-in. Slimline	Built-in. Canopy		
	DEF 6300.0	LB 8650.1	LB 6650.1	DEL 5100.0
Design Models				
Stainless steel	•	•	•	
Glass and stainless steel				•
Black				
Grey				
White				
INDIVIDUAL				

Energy-efficiency classes

Energy-efficiency class /Energy consumption per year	A / 26	A / 52	A / 52	E / 99
Energy-efficiency class: Fan	B	A	A	F
Energy-efficiency class: Lighting	A	A	A	C
Energy-efficiency class: Grease filter / Grease filtration rate %	D / 75	B / 87	B / 87	B / 86

Features

Sensor touch control / knob control				
High-power setting		•	•	
Automatic delay stop		•	•	
Number of halogen lamps / power in watts				
Low-energy fluorescent lamps / power in watts				
Number of worktop lamps / power in watts				
LED / power in watts	2 x 1,5	2 x 3	2 x 3	1 x 5
Digital display				
Rim suction		•	•	
Remote control				
Filter saturation indicator grease filter / charcoal filter				
Number of metal grease filters	2	1	1	1

Technical data

Extraction rate in m ³ /h / dB	min.	161 / 57	303/49	303/49	223 / 62
(EN 61593) / dB (EN 60704-2-13)	max.	226 / 64	616/63	616/63	329 / 69
	int.	385 / 64	816/68	816/68	
Connected load in watts		113	286	286	180
Voltage (V)		220-240	220-240	220-240	220-240
Frequency in Hz		50	50	50	50
Length of connection cable in metres approx.		1	0,8	0,8	0,8
Minimal clearance above electric hobs		600*	650	650	650
Minimal clearance above gas hobs		650*	650	650	650
Extraction air connection diameter in mm		125*	150	150	125

Dimensions (appliance dimensions in mm)

Width	600	712	532	550
Height min.	184	370	370	175
Height max.				
Depth	300-490	284	284	290

* Special dimensions (Please ignore dimensions indicated in the users instructions)

TECHNICAL DATA. COOLING APPLIANCES.

	Free-standing-(or built-in) fridge-freezers			Wine coolers			
	KE 9750-0-2 T	KJ / KW 9750-0-2 T	KEI 9750-0-2 T	FWK 8850.0 S	FWK 4800.0 S	FWK 2800.0 S	FWKU 1800.0 S
Design Models							
Stainless steel	•		•				
Black / white		KJ / KW					
Glass				•	•	•	•
INDIVIDUAL	•	•	•	•	•	•	•

Features							
Energy-efficiency class	A+	A+	A+	B	A	A	A
Annual power consumption in kWh	450	450	450	216	150	145	146
Total capacity in litres	549	549	549				
Capacity normal refrigerator section in litres	379	379	379				
ökoFresh zone in litres							
Wine cooler capacity (number of bottles)				91	79	52	44
Capacity freezer section in litres	170	170	170				
Capacity freezer compartment in litres							
Number of stars	****	****	****				
Freezing capacity in kg/24h	12	12	12				
Storage time in case of power failure in h	6	6	6				
Climate classification	T	T	T	N-ST	SN-N	SN-N	SN-N
MultiAirFlow							
FastCooling							
FastFreezing							
DefrosteMode / No-Frost-System	- / •	- / •	- / •	• / -	• / -	• / -	• / -
Soft Close							

Internal layout							
Number of VarioShelves / VairoShelves+	5 / -	5 / -	5 / -				
Number of wooden shelves				9 / 1	8 / 1	4 / 1	5 / 1
Number of drawers or baskets	2	2	2				
Number of VarioBoxes	5	5	5				

Internal layout freezer section							
Number of drawers or baskets	2	2	2				
Number of door compartments	5	5	5				
Number of storage compartments / levels	3	3	3				

Control lamps							
Standard operating mode	•	•	•	•	•	•	•
Temperature display internal / external	- / •	- / •	- / •	• / •	• / •	• / •	• / •
Faults. alarm signal optical / acoustic	- / •	- / •	- / •	• / •	• / •	• / •	• / •

Technical data							
Connected load in watts	310	310	310				
Voltage (V)	220-240	220-240	220-240	220-240V	220-240V	220-240V	220-240V
Frequency in Hz	50-60	50-60	50-60	50 Hz	50 Hz	50 Hz	50 Hz
Length of connection cable in metres	1,5	1,5	1,5				
Noise level dB	47	47	47	45	40	41	42

Appliance dimensions in mm							
Width	916	916	909	595	594	594	595
Height	1805	1805	1794	1788	1230	887	820
Depth	720	720	720	559	555	555	570
Weight incl. packaging	134.2	134.2	134.2				

Niche dimensions in mm							
Width			915	560	560	560	600
Height			1780	1761	1222	878	820-890
Depth			632	580	550	550	575

TECHNICAL DATA. COOLING APPLIANCES.

	Refrigerators. Fridge-freezers					
	FK 8800.0i	FKF 8800.0i	FG 8800.0i	FK 8305.0i	FKGF 8800.0i	FKG 8850.0i
Design Models						
Stainless steel						
Glass						
INDIVIDUAL						

Features						
Energy-efficiency class	A++	A++	A+	A++	A++	A+++
Annual power consumption in kWh	114	129	303	215	230	150
Total capacity in litres	310	275	204	284	182	247
Capacity normal refrigerator section in litres	310	200		259	112	186
ökoFresh zone in litres		75			70	
Wine cooler capacity (number of bottles)						
Capacity freezer section in litres			204		51	61
Capacity freezer compartment in litres				25		
Number of stars			****	****	****	****
Freezing capacity in kg/24h			20	3	7	10
Storage time in case of power failure in h			24	20	20	23
Climate classification	SN-N-ST-T	SN-N-ST-T	SN-N-ST-T	SN-N-ST-T	SN-N-ST-T	SN-N-ST-T
MultiAirFlow	•	•			•	
FastCooling	•	•		-	•	•
FastFreezing			•	•	•	•
DefrosteMode / No-Frost-System	•/-	•/-	-/•	•/-	•/-	•/•
Soft Close	-	-	•	-	-	-

Internal layout						
Number of VarioShelves / VairoShelves+	4 / 1	3 / 1		3 / 1	2 / 1	3 / 1
Number of drawers or baskets	1	0		1	2	2
Number of VarioBoxes	4	3		3	3	3

Internal layout freezer section						
Number of VarioShelves / VairoShelves+			7		2	3
Number of drawers or baskets						
Number of VarioBoxes			6		1	2

Control lamps						
Standard operating mode	•	•	•	•	•	•
Temperature display internal / external	•/-	•/-	•/-	•/-	•/-	•/-
Faults. alarm signal optical / acoustic	•/•	•/•	•/•	-/-	•/•	•/•

Technical data						
Connected load in watts	100	120		130	120	140
Voltage (V)	230-240	230-240	230-240	230-240	230-240	230-240
Frequency in Hz	50	50	50	50	50	50
Length of connection cable in metres	2.4	2.4	2.4	2.4	2.1	2.4
Noise level dB	35	37	39	35	38	39

Appliance dimensions in mm						
Width	556	556	556	540	556	556
Height	1768	1768	1768	1772	1768	1768
Depth	549	549	549	549	549	549

Niche dimensions in mm						
Width	560	560	560	560	560	560
Height	1780	1780	1780	1780	1780	1780
Depth	550	550	550	550	550	550

TECHNICAL DATA. COOLING APPLIANCES.

	Refrigerators. Fridge-freezers					
	FKG 8500.1	FKG 8310.0i	FKG 8300.0i	FKG 6300.0i	FKF 5800.0i	FKF4800.0i
Design Models						
Stainless steel						
Glass						
INDIVIDUAL						

Features						
Energy-efficiency class	A++	A+	A++	A++	A++	A++
Annual power consumption in kWh	226	291	229	204	122	116
Total capacity in litres	247	253	268	217	212	181
Capacity normal refrigerator section in litres	186	192	196	160	153	130
ökoFresh zone in litres					59	51
Wine cooler capacity (number of bottles)						
Capacity freezer section in litres	61	61	72	57		
Capacity freezer compartment in litres						
Number of stars	****	****	****	****		
Freezing capacity in kg/24h	10	10	4	4		
Storage time in case of power failure in h	23	21	22	20		
Climate classification	SN-N-ST-T	SN-N-ST-T	SN-N-ST-T	SN-N-ST-T	SN-N-ST-T	SN-N-ST
MultiAirFlow					•	
FastCooling	•	•	-	-	•	•
FastFreezing	•	•	-	-	-	-
DefrosteMode / No-Frost-System	•/•	•/•	•/-	•/-	•/-	•/-
Soft Close	⌘	-	-	-	-	-

Internal layout						
Number of VarioShelves / VairoShelves+	3 / 1	3 / 1	3 / 1	1 / 1	3 / 1	3 / 0
Number of drawers or baskets	2	2	2	2	2	0
Number of VarioBoxes	4	4	3	4	4	3

Internal layout freezer section						
Number of drawers or baskets	3	3	2	2		
Number of door compartments						
Number of storage compartments / levels	2	2	2	1		

Control lamps						
Standard operating mode	•	•	•	•	•	•
Temperature display internal / external	•/-	•/-	-/-	-/-	•/-	•/-
Faults. alarm signal optical / acoustic	•/•	•/•	-/-	-/-	•/•	•/•

Technical data						
Connected load in watts	140	140	140	130	80	80
Voltage (V)	230-240	230-240	230-240	230-240	230-240	230-240
Frequency in Hz	50	50	50	50	50	50
Length of connection cable in metres	2,4	2,4	2,4	1,9	2,4	2,4
Noise level dB	39	39	36	35	38	38

Appliance dimensions in mm						
Width	556	540	540	540	556	556
Height	1768	1772	1772	1441	1397	1221
Depth	549	549	549	549	549	549

Niche dimensions in mm						
Width	560	560	560	560	560	560
Height	1780	1780	1780	1446	1400	1225
Depth	550	550	550	550	550	550

TECHNICAL DATA. COOLING APPLIANCES.

	Refrigerators. Freezers.						Fridge. Built-under.
	FK 4505.0i	FK 4500.0i	FK 3800.0i	FK 2505.0i	FK 2500.0i	FG 2500.0i	FKU 1500.0i
Design Models							
Stainless steel							
Glass							
INDIVIDUAL							

Features							
Energy-efficiency class	A++	A++	A++	A++	A++	A++	A++
Annual power consumption in kWh	172	103	100	148	95	157	91
Total capacity in litres	180	202	175	117	137	98	133
Capacity normal refrigerator section in litres	166	202	175	103	137	98	
ökoFresh zone in litres							
Wine cooler capacity (number of bottles)							
Capacity freezer section in litres							
Capacity freezer compartment in litres	14			14			
Number of stars	****			****	****	****	
Freezing capacity in kg/24h	2					10	
Storage time in case of power failure in h	13					20	
Climate classification	SN-N-ST-T	SN-N-ST-T	SN-N-ST-T	SN-N-ST-T	SN-N-ST-T	SN-N-ST-T	SN-N-ST
MultiAirFlow			•				
FastCooling	-		•	-	-	-	-
FastFreezing	-			-	-	•	-
DefrosteMode / No-Frost-System	• / -	• / -	• / -	• / -	• / -	- / -	• / -
Soft Close	-	•	-	-	-	-	-

Internal layout							
Number of VarioShelves / VairoShelves+	3 / 0	3 / 1	3 / 0	2 / 0	3 / 0		4 / 0
Number of drawers or baskets	2	2	1	1	1		1
Number of VarioBoxes	3	4	3	4	4		3

Internal layout freezer section							
Number of drawers or baskets						4	
Number of door compartments							
Number of storage compartments / levels						3	

Control lamps							
Standard operating mode	•	•	•	•	•	•	•
Temperature display internal / external	• / -	• / -	• / -	• / -	• / -	• / -	- / -
Faults. alarm signal optical / acoustic	- / -	• / •	• / •	- / -	- / -	• / •	- / -

Technical data							
Connected load in watts	130	130	110	100	100	120	110
Voltage (V)	230-240	230-240	230-240	230-240	230-240	230-240	230-240
Frequency in Hz	50	50	50	50	50	50	50
Length of connection cable in metres	2.4	2.4	2.4	2.4	2.4	2.4	1.8
Noise level dB	35	35	34	36	33	34	36

Appliance dimensions in mm							
Width	540	556	556	556	556	556	597
Height	1218	1224	1024	873	873	873	815
Depth	549	549	549	549	549	549	545

Niche dimensions in mm							
Width	560	560	560	560	560	560	600
Height	1225	1225	1030	880	880	880	820
Depth	550	550	550	550	550	550	550

TECHNICAL DATA. DISHWASHERS.

	Dishwashers 60 cm XXL		Dishwashers 60 cm		
	GX 6550.0	IGVS 6506.3	G 6850.0	G 6550.0	IGV 6506.3
Design Models					
Fully-integrated / Integrated	• / -	• / -	• / -	• / -	• / -
Control panel design stainless steel / design black	- / •	- / •	- / •	- / •	- / •
Energy-efficiency classes and energy consumption					
Energy-efficiency class	A++	A+	A++	A++	A+
Energy consumption per rinse cycle per year by test programme ECO in kWh	0.92/262	1.03/294	0.92/262	0.92/262	1.03/294
Water consumption per rinse cycle per year by test programme ECO in litres	9.5/2660	12/3360	9.5/2660	9.5/2660	12/3360
Cleaning class / dry class	A/A	A/A	A/A	A/A	A/A
Cleaning programmes					
Number of programmes	6	5	6	6	5
Number of automatic programmes	1	1	1	1	1
Temperature intensive programme °C	70	70	70	70	70
Temperature normal programme °C	auto 45-65	auto 45-65	auto 45-65	auto 45-65	auto 45-65
Temperature economy programme °C	50	50	50	50	50
Temperature delicate programme °C	1		40	40	
Temperature fast programme °C	40	45		45	45
Temperature silence programme °C			50		
Pre-rinse	•	•	•	•	•
Features					
Touch to open			•		
FlexHinge	•			•	
EcoDrying (automatic doorway)	•		•	•	
Brightlight (LED interior lighting)			•		
Number of special programmes	4	1	4	4	1
Special function express / half load / hygiene extra / intensive zone	• / • / • / •	• / - / - / -	• / • / • / •	• / • / • / •	• / - / - / -
20 minutes turbo-speed-programme					
Noise level in dB (re 1 pW)	42	46	42 (39)* * silence programme	42	46
Capacity (international place settings)	13	13	13	13	13
aquasensor / loading sensor	• / •	• / •	• / •	• / •	• / •
Heat exchanger	•		•	•	
Tab automatic	•	•	•	•	•
Aquatronic	•	•	•	•	•
Info on floor / Beam on floor	- / •	- / -	• / -	• / -	- / -
Electronic indicator for salt lack / rinse aid lack / water inlet disturbance	• / • / •	• / • / •	• / • / •	• / • / •	• / • / •
Acoustic signal at end of programme	•	•	•	•	•
Water safety system	•	•	•	•	•
Pre-set time in h	1-24	3,6,9	1-24	1-24	3,6,9
Adjustable top basket height / even when loaded	• / •	• / -	• / •	• / •	• / -
multiflex premium baskets	•		•	•	
multiflex standard baskets		•			•
multiflex premium drawer II	1251	1251	1251	1251	1251
Interior container stainless steel	•	•	•	•	•
Ground stainless steel / Polinox	• / -	• / -	• / -	• / -	• / -
Technically suitable for elevated installation	•	•	•	•	•
Technical data					
Connected load in kW	2,4	2,4	2,4	2,4	2,4
Voltage (V)	220-240	220-240	220-240	220-240	220-240
Frequency in Hz	50/60	50/60	50/60	50/60	50/60
Optional hot water supply connection, max. temp.	60	60	60	60	60
Length of connection cable in metres	1,7	1,7	1,7	1,7	1,7
Length of supply hose in metres	•	•	•	•	•
Length of discharge hose in metres	1,6	1,6	1,6	1,6	1,6
Lange Ablaufschlauch in Meter	1,9	1,9	1,9	1,9	1,9
Appliance dimensions in mm					
Width	598	598	598	598	598
Height min. / max.	865 / 925	865 / 925	815 / 875	815 / 875	815 / 875
Depth	550	550	550	550	550
Niche dimensions in mm					
Width	600	600	600	600	600
Height min. / max.	865 / 925	865 / 925	815 / 875	815 / 875	815 / 875
Depth	575	575	575	575	575

TECHNICAL DATA. DISHWASHERS.

	Dishwashers 60 cm	Dishwasher 45 cm
	IGV 6405.0	G 4350.0
Design Models		
Fully-integrated / Integrated	• / -	• / -
Control panel design stainless steel / design black	- / •	- / •
Energy-efficiency classes and energy consumption		
Energy-efficiency class	A+	A+
Energy consumption per rinse cycle per year by test programme ECO in kWh	1,02/290	0,78/220
Water consumption per rinse cycle per year by test programme ECO in litres	12/3360	9,5/2660
Cleaning class / dry class	A/A	A/A
Cleaning programmes		
Number of programmes	4	4
Number of automatic programmes	-	-
Temperature intensive programme °C	70	70
Temperature normal programme °C	65	-
Temperature economy programme °C	50	50
Temperature delicate programme °C		-
Temperature fast programme °C	45	45
Pre-rinse		•
Features		
Touch to open		
EcoDrying (automatic doorway)		
Brightlight (LED interior lighting)		
Number of special programmes	1	
Special function express / half load / hygiene extra / intensive zone	- / • / - / -	
20 minutes turbo-speed-programme		
Glass care system	•	
Noise level in dB (re 1 pW)	48	48
Capacity (international place settings)	12	9
aquasensor / loading sensor	• / •	• / •
Heat exchanger		•
Tab automatic	•	•
Aquatronic	•	•
Info on floor / Beam on floor	- / •	- / -
Electronic indicator for salt lack / rinse aid lack / water inlet disturbance	• / • / •	• / • / •
Acoustic signal at end of programme	•	•
Water safety system	•	•
Pre-set time in h	3,6,9	3,6,9
Adjustable top basket height / even when loaded	• / -	- / •
multiflex premium baskets		
multiflex standard baskets	•	•
multiflex premium drawer II	-	-
Interior container stainless steel	•	•
Ground stainless steel / Polinox	- / •	• / -
Technically suitable for elevated installation	•	•
Technical data		
Connected load in kW	2.4	2.4
Voltage (V)	220-240	220-240
Frequency in Hz	50/60	50/60
Optional hot water supply connection, max. temp.	60	60
Length of connection cable in metres	1.7	1.7
Length of supply hose in metres	1.6	1.6
Length of discharge hose in metres	1.9	1.9
Appliance dimensions in mm		
Width	598	448
Height min. / max.	815 / 875	815 / 875
Depth	550	550
Niche dimensions in mm		
Width	600	450
Height min. / max.	815 / 875	815 / 875
Depth	575	575

TECHNICAL DATA. WASHER DRYER.

	Washer Dryer	Washing machine	Tumble dryer
	WT 6800.0	WT 1920.0	TD 1840.0
Features			
Energy-efficiency class	A	A+++	B
Wash performance category	A		
Spinning performance category		A	
Condensation-efficiency class			B
Power consumption per year in kWh*			
Washing, spinning and drying	970		
Washing and spinning		135	
Drying			544
Water consumption per year in litres*	17,600	9,00	
Programme time in minutes *	135	175	108
Number of programmes	12	35	20
Wash temperatures	30 - 90°C	20 - 90°C	
Spin speed in rpm	1,400 - 200	1,500 - 200	
Load capacity for washing / drying in kg	7 / 4	8	8
Programme sequence display	•	•	•
Clartext display		•	•
End of programme display optical/acoustic	• / •	• / •	• / •
Electronic pre-set time	1 - 24 h	1 - 24 h (up to 7 days)	1 - 24 h (up to 7 days)
Express function (Time reduction)		•	•
Time remaining indicator	•	•	•
Vented tumble dryer / condenser tumble dryer	- / •		- / •

Technical data

Connected load in kW	2.2	2.1	2.1
Voltage (V)	220 - 240	220 - 240	220 - 240
Frequency in Hz	50	50	50
Noise level in dB for washing / spinning / drying	57 / 74 / 50	45 / 70 / -	- / - / 61
Length of connection cable in metres	1.5	1.6	1.7
Length of supply hose in metres	1.5	1.5	
Length of discharge hose in metres	1.5	1.5	

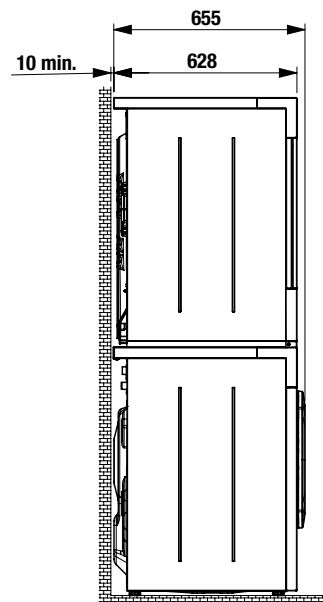
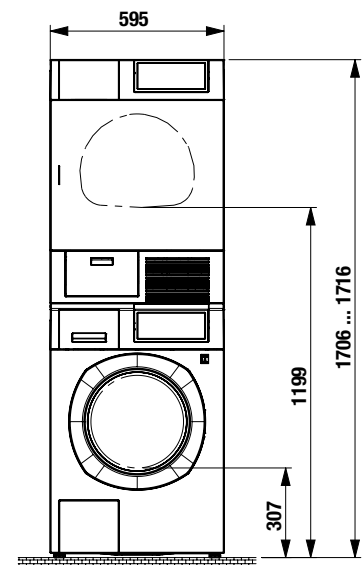
Appliance dimensions in mm

Width	596	595	595
Height	820	850	850
Depth	575	640	640

Niche dimensions in mm

Width	600		
Height	825		
Depth	575		

* Values based on norms EN 50299, EN 60456, EN 61121, EN 60704-2-6



RECIPES FOR EVERY OCCASION



Starters / Tapas

Small, but bursting with flavor, refined yet uncomplicated, our starters and tapas are suited to any occasion: a meal or buffet, a picnic, a quick afternoon or cozy evening snack or even when you're on the go.



Side Dish

The right side dish turns a successful main course into a memorable culinary experience. In our selection of classic or reinvented side dishes you'll find the right complement to your meal's main attraction.



Main Courses

Prepared in a pan, pot or oven, whether an exotic dish, a familiar classic or a refined twist on an old favorite, here you'll find the right main course for every occasion and every palate.



Desserts

Tempt your friends and family with one of our irresistible treats. For fruit lovers or chocoholics, this is where sweet dreams come true.



Recipe portal

Delicious recipes developed at the Küppersbusch test kitchen. Everything from starters to desserts. With menu suggestions.



Download cookbooks

Here, the latest Küppersbusch creations for gourmets are available to download.

DISCOVER THE KÜPPERSBUSCH DIGITAL WORLD

The best recipes to make at home.

On our online recipe portal, you will find many delicious recipes with great ideas for starters, exquisite main courses and desserts. And in the download section, you can get your hands on entire cookbooks. Start exploring the "Recipes" section now on www.kuppersbusch.com.



Visit us on facebook!

Become a fan and explore the world of Küppersbusch. Be the first to hear about interesting news, events or company activities. In addition, we will always provide you with exceptional recipe ideas and useful cooking tips.



www.facebook.com/kuppersbuschcom



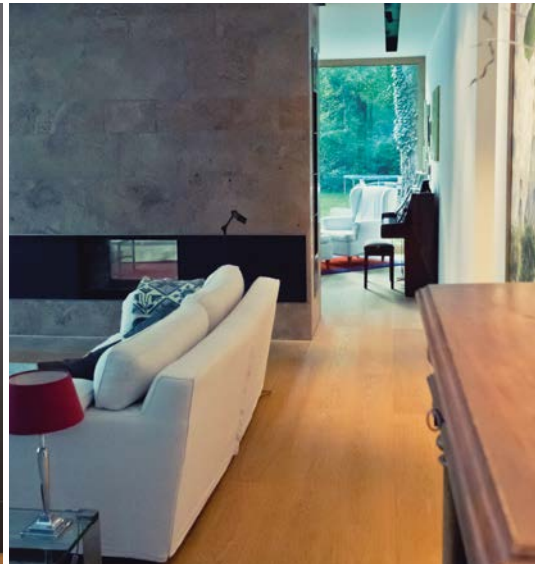
Chalet Vineyard Eichenstein >>>



Shanghai Flagship Studio >>>



Living below beech trees >>>



River cruise ships >>>



CHALET VINEYARD EICHENSTEIN, MERANO

Eichenstein is a little patch of paradise, located in breathtaking surroundings in Montefranco above Merano at an altitude of 550 metres. Protected in the north by the towering mountain range Texel Group, it offers a wide view across the Adige Valley in the south, where wine thrives.

But not just wine thrives here, but mankind, too. The highlight on Eichenstein is the chalet, situated in a uniquely tranquil location at the heart of the vineyard. It boasts stylish furnishings, a breathtaking view over the Merano Adige Valley and the surrounding mountains, an infinity pool and peace, open landscape and wine-filled nature! A dream spot. The luxury chalet is exclusively equipped with Küppersbusch products – of course also with a wine fridge.

SHANGHAI FLAGSHIP STUDIO

On 30 May 2014, the two long-established German companies Poggenpohl and Küppersbusch opened their first joint studio in the Chinese metropolis Shanghai. Together with the well-known Chinese actress Angelababy, the managers welcomed the many high-ranking guests to the gala evening and presented an impressive kitchen showroom on an exhibition area of 2,800 sq m. An elaborate entertainment programme, an exclusive performance by Chinese singer Sunnan as well as many culinary delights prepared by Michelin-starred chef FranckElie Laloum from Paris made for a suitably glamorous evening.

Architecturally speaking, the studio is until today also a masterpiece. First-class design concepts and functional kitchen solutions in an extraordinary building make the new studio in Shanghai a genuine highlight – also for Küppersbusch. It is always an honour for us to be given the opportunity to present our innovative products in an equally innovative environment.

LIVING BELOW BEECH TREES: FRANKFURT

In 2016, on the outskirts of Frankfurt – on a park-like piece of land surrounded by old beech trees – a young family built their dream house in a contemporary style. The kitchen with open-plan dining area is the communicative heart of the house. Accessible from two sides, the kitchen and dining area can be opened up to or separated from the living-room with sliding doors.

With its handle-less design, the white kitchen fits in perfectly with the purist style of the house. For their built-in Küppersbusch appliances, they chose the Black Velvet line. And they decided to get everything you need for limitless kitchen fun – an oven, combined steam oven, automated coffee machine, compact TV above a 90-cm wide induction hob, integrated fridge and freezer plus dishwasher... But that's not all! As real wine connoisseurs, they also needed a wine fridge. So they chose to splash out on 5 Küppersbusch wine fridges, each with a capacity of 99 bottles, which are now located in their wine cellar.

RIVER CRUISE SHIPS, NETHERLANDS

AmaStella and AmaViola are certainly among the most modern river cruise ships in the world. This includes everything from the design of the ships themselves down to the offers below deck.

So, naturally, the restaurant menu is exquisite, too. Whether you go for a gourmet dinner with select wines or for a captain's dinner with just a few fellow diners – there is something for everyone. All kitchens on board are equipped with quality Küppersbusch appliances, which more than comply with the safety regulations for ships' kitchens. The heart of the two ships is the kitchen on the captain's deck. Here, a select number of lucky guests are invited to cook together and then join the captain for dinner. The kitchen experience alone is sure to be an unforgettable highlight, because the equipment and appliances on-board these ships are truly cutting-edge.



With the quality management system in accordance with DIN ISO 9001, Küppersbusch guarantees to provide its customers with quality and aims to deliver added value.



With its structured and straightforward processes as well as clearly defined responsibilities, the individually tailored quality management system for a holistic management is an important aspect of the company and focuses on customer satisfaction. For us, this DIN standard is also the foundation for a company that strives to learn and continually improve. We believe that sustainable development forms a sound basis for increasing customer satisfaction and securing our own future.



19:00

19:00

19:00

Küppersbusch

Küppersbusch

Küppersbusch

Küppersbusch

Küppersbusch





+ Awarded design

Over 60 design awards, 1 Iconic Award: Best of the Best 2017, 13 Red dot Awards over the last 5 years, 1 Best-of-the-Best Award in 2012, 1 Plus X Award in 2015, as well as 2 German Design Awards in 2016 and since 2015, member of the German Design Council.

+ Individual Concept

3 new series in 3 basic colours, 12 different handles and strips allow for maximum variability in your kitchen design. Individual + unique – to your personal preferences.

+ ökotherm[®] catalytic converter

Unique and only at Küppersbusch! The catalytic converter ensures the appliance stays clean on the inside, saves energy and optimises the cooking results.

+ Full glass inner door

The quality full glass inner door with quadruple glazing ensures perfect insulation. Clear advantages: Energy-saving, easy to clean, highest safety and longevity.

+ More than 140 years of experiences

Rooted in the Ruhr area since 1875: A region that – like no other – stands for reliability and down-to-earthness. Quality from tradition.

+ Full-range

A broad portfolio of products – covering everything from built-in ovens to sinks.



Publisher

Publisher:
Küppersbusch Hausgeräte GmbH
Project Manager:
Jörg Lukaschick, Director Marketing

Concept/Layout/Realisation/Print:
JKP Werbeagentur GmbH