

For
Small
Business



Product Guide for Small Business

February 2011

Table of Contents

Introduction	1
Cisco Products and Solutions Overview	2
Connect to the World	6
Switches	8
100 Series Unmanaged Switches	11
200 Series Smart Switches	13
300 Series Managed Switches	14
SFE/SGE Series Stackable Managed Switches	16
ESW 500 Series Layer 2 Switches	17
Cisco Catalyst Switches	19
Catalyst 2960/2960-S Series with LAN Lite – Basic Layer 2 Switches	20
Catalyst 2960/2960-S Series with LAN Base – Enhanced Layer 2 Switches	22
Catalyst 3560 Series – Layer 2 and Layer 3 Switches	24
Catalyst 3750 Series – Layer 2 and Layer 3 Stacking Switches	27
Routers	30
RV Series Routers	32
SR500 Series Secure Routers	34
800 Series Integrated Services Routers	35
1900 Series Integrated Services Routers	37
2900 Series Integrated Services Routers	38
Wireless	39
Small Business Access Points	41
Aironet 1040/1140/1260 Series Access Points	42
Secure My Business	43
Cisco Small Business Security	44
ProtectLink Security Solutions	46
SA500 Series Security Appliances	47
ASA5500 Series Adaptive Security Appliances	49
Network Storage Systems	50
Video Surveillance	53
Communicate and Collaborate	59
Unified Communications	60
Unified Communications 300 Series	61
Cisco SPA8800 IP Telephony Gateway	62
Unified Communications 500 Series	63
Cisco SPA500 and SPA300 Series IP Phones	65
Unified Communications Manager Express (CME)	68
Cisco Unified Communications Manager Business Edition 5000	71
Cisco Unified IP Phone 6900 Series	72
Cisco Unified IP Phone 7900 Series and Desktop Clients	74
Cisco Unity Express	77

Introduction

Welcome to the February 2011 edition of the Cisco® Small Business Product Guide

This guide is published primarily to support Cisco partners, resellers, and distributors who need a broad, high-level overview of Cisco products and solutions for small business. It is not intended to replace other product collaterals, training, and the like available on Cisco.com and Partner Central.

Cisco Small Business broad portfolio of networking and communications products and services are organized based on simple Connect, Secure, and Communicate structure.

- Connect
Cisco has everything you need to connect small businesses to the world--simply, reliably, affordably.
- Secure
Cisco helps secure small businesses, with network security, storage, and video surveillance solutions that keep the business up and running.
- Communicate
Cisco Small Business products help you communicate and collaborate by bringing together phone, email, text, conferencing, and video, making them more productive.

The Cisco Small Business Product Guide provides the following information for each product line:

- Product line overview and positioning
- Common features
- Decision logic to map customer business requirements to Cisco products
- Product SKUs and descriptions
- Feature comparison tables for models within a product line

We are always looking for your input and guidance to make this product guide more useful and valuable in your daily activities. Please send feedback to productguide-feedback@cisco.com.

Cisco Products and Solutions Overview

Cisco Small Business technology helps businesses connect to the world, secure their networks, data, and premises, and communicate more effectively using reliable, affordable options that fit their unique needs. A local reseller like you can help make the right choice simple.

For you, our partner, there are two categories of products to consider:

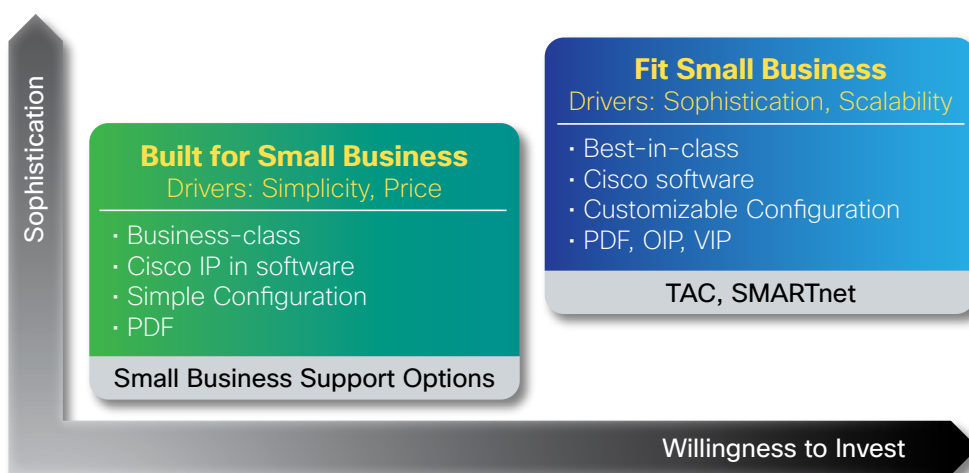
- Products Built for Small Business from the Cisco Small Business Technology Group, including routers, switches, security appliances, wireless access points, IP phones, unified communications systems, and more.
- Products that Fit Small Business, including Cisco Integrated Services Routers (ISR), Cisco Catalyst Switches, Cisco Adaptive Security Appliances (ASA), and the like.

Cisco Small
Business
Solutions:
Technology You
Can Trust to Help
Your Business
Succeed

Your customer's level of sophistication is a good guide to use when deciding which category of product to recommend. It is important to note that there are real differences between the two categories, in the depth of features, configuration tools, and Cisco support.

We recommend that partners match products to customer requirements, drawing from a single category where possible. Mixing products across categories can adversely affect the customer experience, as each category delivers different levels of scalability, extensibility (investment protection), intelligence, and support.

Comparison of Built for Small Business Products and Fit Small Business Products



Cisco Products Built for Small Business

Customers who will be interested in Cisco products Built for Small Business tend to want simplicity—they're after simple solutions that just work. They also tend to be price sensitive.

Cisco products in this category are business-class, designed specifically to meet the needs of a small business. They are easy to configure and install, using an intuitive, browser-based device manager. Some support Cisco Configuration Assistant (CCA), which is used for system level deployments, such as the Cisco Smart Business Communications System.

Cisco products Built for Small Business are supported by the Cisco Small Business Support Center and Cisco Small Business Support Community. The optional Cisco Small Business Support Service offers 3-year peace of mind, device-level support, including next-business-day advance hardware replacement, if required.

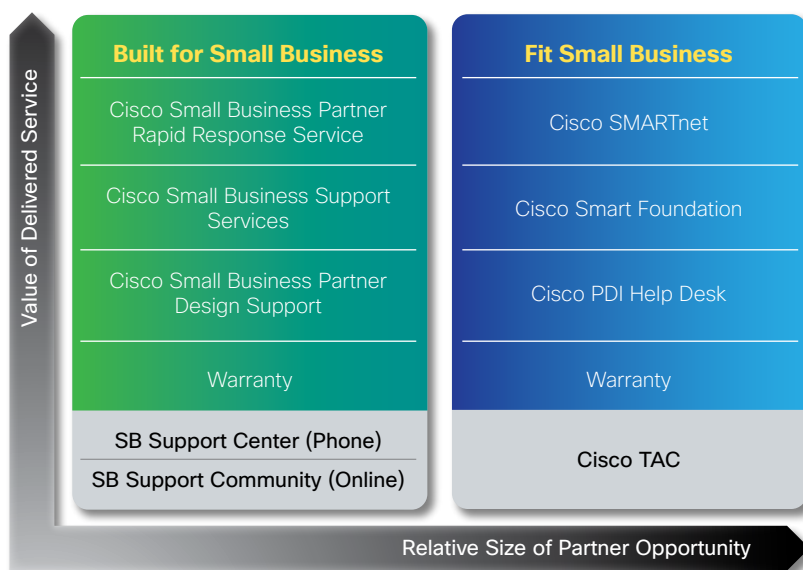
Cisco Products That Fit Small Business

Customers who will be interested Cisco products that Fit Small Business tend to have more sophisticated requirements—they want high availability and greater scalability. They buy for the long term and think like small enterprises.

Many of the products in this category are based on Cisco IOS Software®, a robust, industry-leading network operating system with rich features and flexibility that extends across device platforms. A command line interface (CLI) can be used to configure products in this category, offering more granular control and a greater degree of customization.

Cisco products the Fit Small Business are supported by the Cisco Technical Advisory Center, or TAC, which offers deep expertise in a number of different technologies, enabling them to consult on more complex issues. Support options for this category of products, such as SMARTnet, are also more sophisticated and customizable.

Cisco Small Business Services and Support Portfolio



Cisco SMART Designs

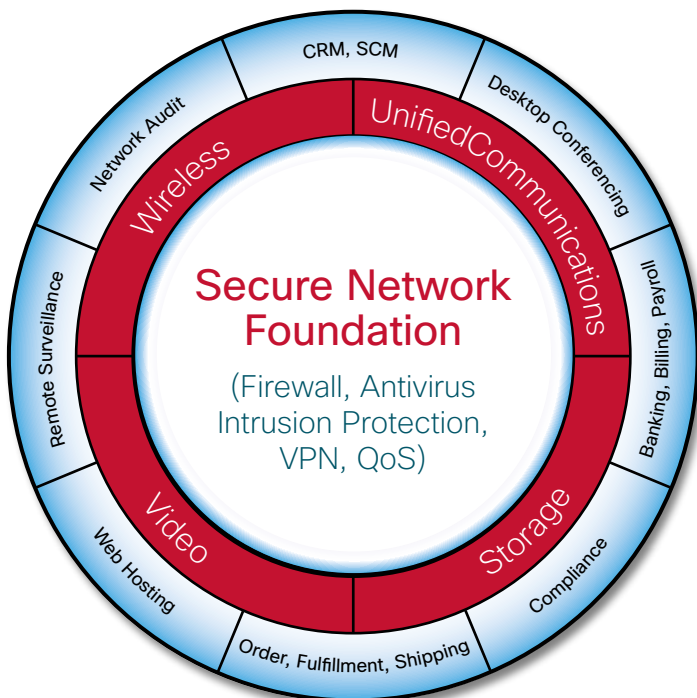
Today's networks require a significant level of technology and management integration to function optimally and securely. Implementing these best practices will result in a simpler, systems-centric approach to networking that automates operations and lowers the total cost of ownership (TCO) for small businesses.

Cisco SmartDesigns are a portfolio of proven and validated network solutions, optimized to meet the needs of small businesses. They incorporate a best-in-class network foundation and advanced technologies, so Cisco partners don't have to start from scratch for each new opportunity.

Today, thousands of partners use Cisco SmartDesigns globally. In a recent partner survey, the vast majority indicated that these designs were an "exact match" or a "very close" match to the network solution their customers needed. SmartDesigns have helped simplify the installation process, minimize outages, and reduce the complexities of ongoing maintenance. What's more, Cisco partners have found standardized network designs and implementation to be an essential stepping-stone to a successful managed services approach.

The vast majority of partners indicated that SMART Designs were an "exact match" or a "very close" match to the network solution their customers needed

SMART Designs Layered Approach



- Starts with a SMART, Simple, Secure Network Foundation
- Key technologies are easily added in the next layer
- Applications in the outer layers create significant revenue and margin opportunities for you
- Provides investment protection and opportunities for future growth

Overview of Cisco SMART Designs

The table below provides a summary of how Cisco SMART Designs enable partners to design and implement networks using different combinations of Cisco Built for Small Business and Fit Small Business products and technology.

	Network Foundation	Wireless LAN	Network Foundation (Advanced Deployment)	IP Video Surveillance	Network Storage	Smart Business Communications System	Unified Communications
Connect to the World Connect network devices, servers, and business applications with Fast Ethernet and Gigabit Ethernet connections	X					X	X
Connect the main and remote offices via dedicated links or provide Internet access	X					X	X
Block undesired network activity and allow business-critical application traffic to flow	X					X	X
Extend network access to mobile employees and authorized guests in the office		X				X	X
Secure My Business Extend network access to mobile employees and authorized guests using encrypted tunnels across the Internet	X		X				
Minimize the effects of costly intrusions by accurately identifying, classifying, and stopping malicious network traffic	X		X				
Block spyware and unwanted Internet content	X		X				
Monitor business operations and manage multiple sites from a central location				X			
Provide a centralized location for storing and sharing critical information					X		
Communicate and Collaborate Provide secure and cost-effective voice over IP (VoIP) connections for employees						X	X
Provide advanced communications capabilities, including call processing, voicemail, automated attendant, and conferencing functions						X	X
Bring people together through online tools, IP video, or audio conference						X	X

All SMART Design solutions can be accessed by partners at www.cisco.com/go/partner/smartdesigns.

Connect to the World

Business Challenges

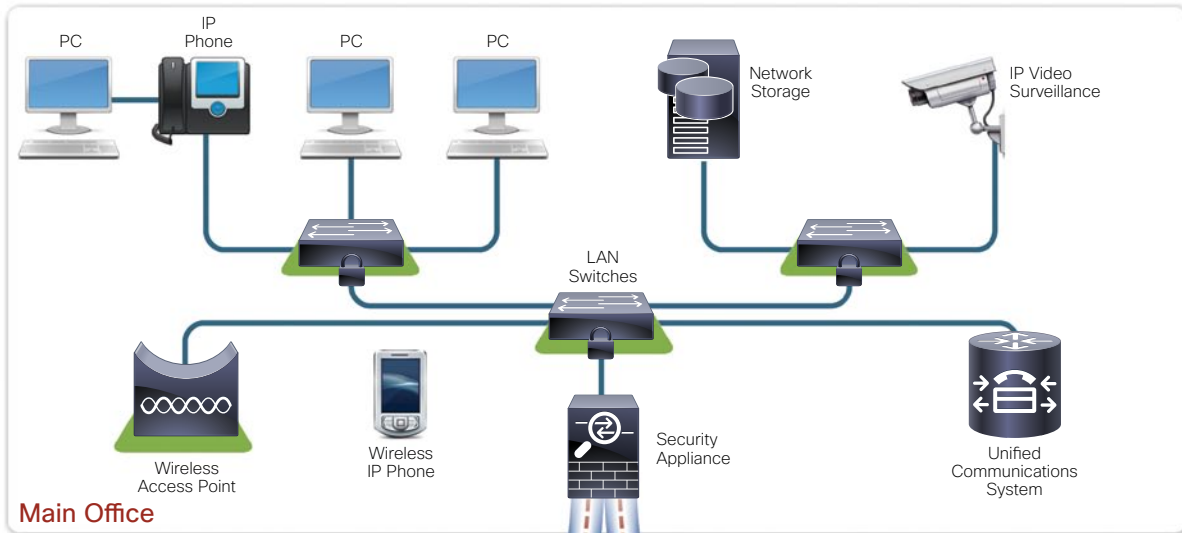
Today's Internet-based economy often demands around-the-clock business availability and customer service. Many growing small businesses reach a point at which their existing business processes can no longer efficiently manage day-to-day activities. This can reduce customer satisfaction and make it harder to compete effectively. Successful implementation of network-based business processes and communications tools is vital to increasing business efficiency and managing growth.

Employees need to share information and communicate with the business systems that hold the company's vital data. This collaboration and communication must be fast and efficient, whether employees are at the main office, traveling, or working from remote locations. A network is critical to connect all the network devices and to support dissimilar applications, protocols, and services while efficiently moving data among people and business systems. It must also be smart enough to automatically fend off disruptive security incidents and to adjust to changing traffic loads to maintain consistent application performance.

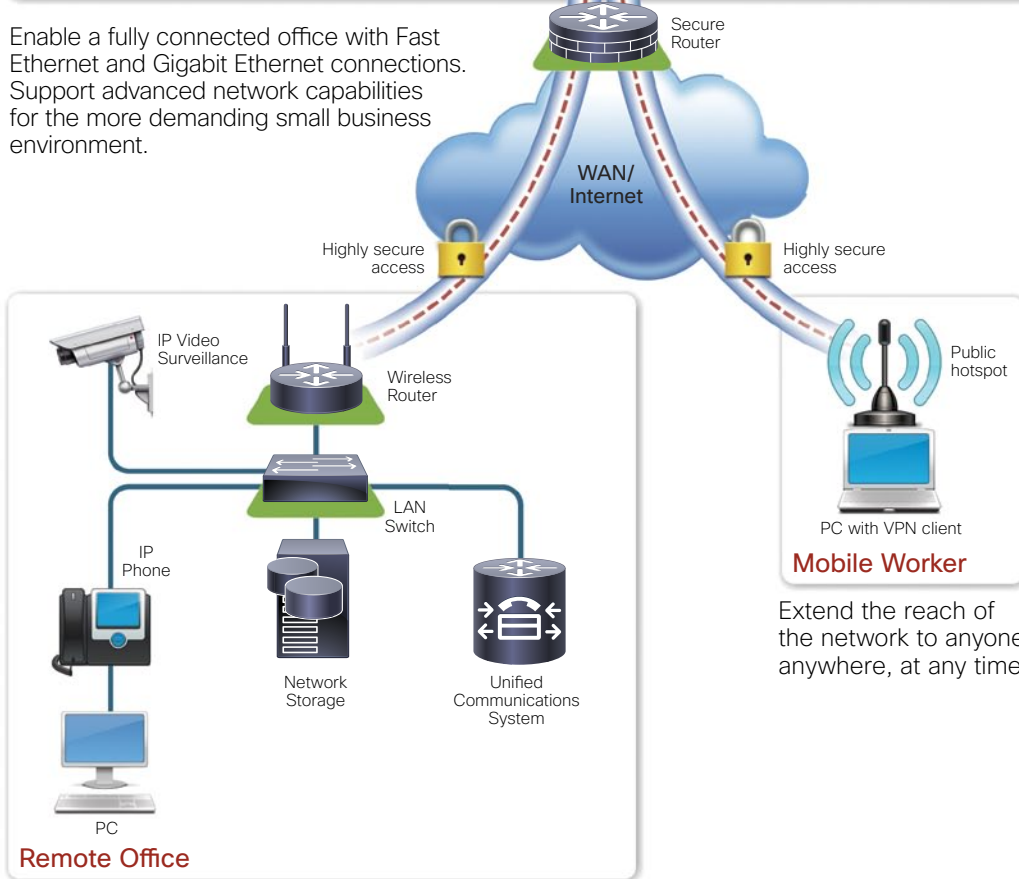
Cisco enables small businesses to connect to the world by:

- Facilitating communications among personal computing devices, servers, and business applications, with flexible, high-performance Fast Ethernet and Gigabit Ethernet connections
- Supporting Power over Ethernet (PoE) technology that provides power to network-attached devices such as IP phones, video cameras, and wireless access points directly over their Ethernet connections, resulting in a simpler and less expensive deployment
- Allowing the use of either a copper or a fiber Gigabit Ethernet uplink for deployment flexibility and cost reduction
- Extending the network to provide users in remote offices access to the business applications running in the main office
- Enabling cost-effective, high-speed links, and site-to-site virtual private network (VPN) encryption and authentication capabilities to reduce recurring WAN costs without sacrificing security
- Integrating wireless LAN (Wi-Fi) capability to extend network access to employees wherever they work

The Cisco Secure Network Foundation has high availability, addresses immediate needs and allows ample room for growth



Enable a fully connected office with Fast Ethernet and Gigabit Ethernet connections. Support advanced network capabilities for the more demanding small business environment.



Provide highly secure connectivity to users in remote offices

Cisco Switches for Small Business

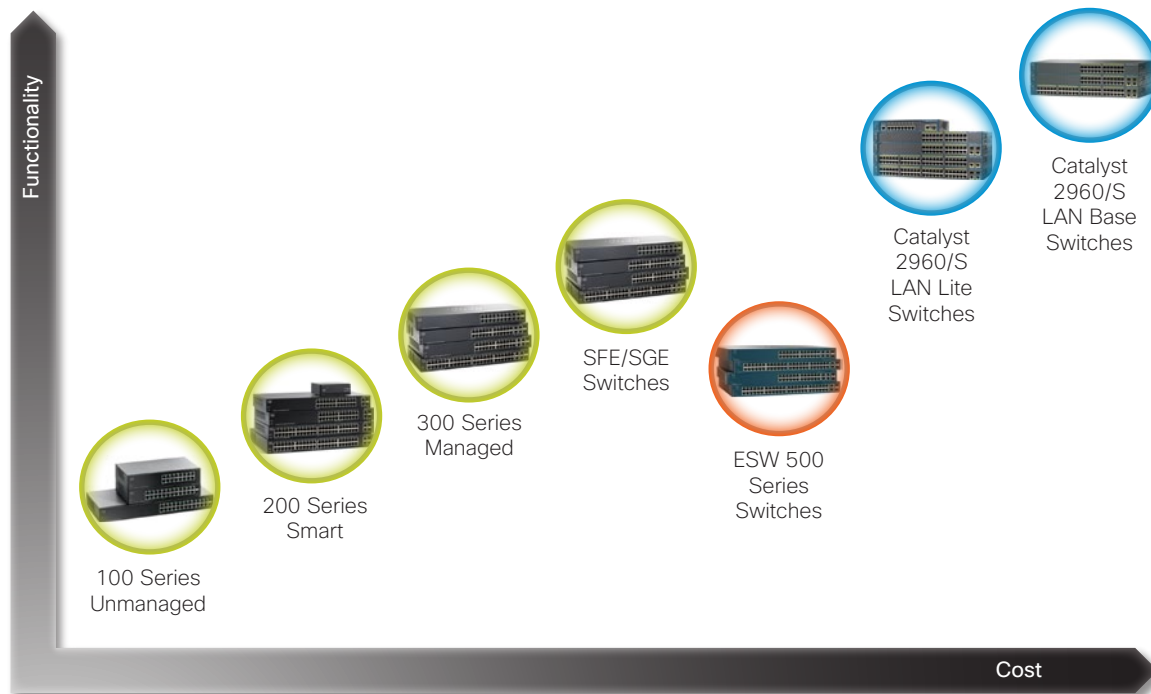
Cisco offers a complete portfolio of affordable fixed-configuration managed and unmanaged Ethernet switches. Models are available with 5-ports to 52-ports of Fast Ethernet and Gigabit Ethernet connectivity, providing optimal flexibility to create exactly the right network foundation for your business.

Cisco switches in the Built for Small Business category are business-class, designed specifically to meet the needs of a small business. They are easy to configure and install, using an intuitive, browser-based device manager. This Built for Small Business switching portfolio includes:

- Cisco 100 Series Unmanaged Switches
- Cisco 200 Series Smart Switches
- Cisco 300 Series Managed Switches
- Cisco SFE/SGE Series Stackable Managed Switches
- Cisco ESW 500 Series Layer 2 Switches

Cisco Catalyst switches are based on Cisco IOS Software, a robust, industry-leading network operating system with rich features and flexibility that extends across device platforms. The Catalyst switches are part of the Fit Small Business category, which addresses the high availability and greater scalability requirements of a more demanding small business network.

Overview of Cisco Switches for Small Business



We recommend that partners match products to customer requirements, drawing from a single category where possible. Mixing products across categories can adversely affect the customer experience, as each category delivers different levels of scalability, extensibility (investment protection), intelligence, and support

The features and benefits provided by Cisco switching portfolio are described here in detail and summarized in the table below.

- Securely connect employees with each other and all of the business resources using high-performance Fast Ethernet and Gigabit Ethernet connections.
- Increase the connectivity range of switches on different floors or across the business using mini Gigabit Interface Converter (mini-GBIC) or Small Form-Factor Pluggable (SFP) ports.
- Provide an intuitive, web-based interface to simplify the configuration and management of network devices.
- Connect and power network endpoints such as IP telephony, wireless devices, and IP surveillance with PoE switches to simplify the deployment of advanced technology and lower costs.
- Automatically configure ports based on the device type detected on the port with virtual LAN (VLAN), quality of service (QoS), and security parameters, using precreated configuration scripts, with Cisco Discovery Protocol and Cisco Smartports.
- Restrict sensitive portions of the network from unauthorized users, with access control lists (ACLs).
- Isolate critical business services from guest traffic to improve network performance and enhance network security with VLANs.
- Control the network and apply traffic policies based on user or machine identity with 802.1X capability.
- Deliver predictable results for latency-sensitive applications, such as voice or video over latency-insensitive traffic (such as bulk data transfers) with QoS.
- Provide native support for IPv6, the newest version of the Internet Protocol, as well as for the previous IPv4 standard, to enable the migration to the next generation of networking applications and operating systems without an extensive equipment upgrade.
- Optimize power use to protect the environment and reduce energy costs, without compromising performance.
- Enable network scalability and higher availability with IP routing and network intelligence included in Cisco IOS Software.

Overview of Cisco Switches for Small Business

Features & Benefits	100 Series Unmanaged Switches	200 Series Smart Switches	300 Series Managed Switches	SFE/SGE Series Stackable Managed Switches	ESW 500 Series Managed Switches	Catalyst Series Switches
Fast Ethernet connections	X	X	X	X	X	X
Gigabit Ethernet connections	X	X	X	X	X	X
Gigabit interface converter (mini-GBIC) or Small Form-Factor Pluggable (SFP) ports	X	X	X	X	X	X
Optimize power use to protect the environment and reduce energy costs	X	X	X	X	X	X
Native support for IPv6		X	X	X		X
Web-based interface management interface		X	X	X	X	X
Network-wide management capability					X	X
Power over Ethernet (PoE) support	X	X	X	X	X	X
QoS intelligence for latency-sensitive applications	X	X	X	X	X	X
Cisco Discovery Protocol and SmartPorts		Future FW Release	Future FW Release		X	X
Static Layer 3 inter-VLAN routing			X	X	X	X
Advanced Security to safeguard the network from unauthorized users: access control lists (ACLs), private VLANs, IEEE 802.1X port security, etc.			X	X	X	X
Stacking capability to simplify manageability				X		X
10 Gigabit Ethernet uplinks						X
Support PoE+ with up to 30W per port						X
Network scalability and higher availability with Cisco IOS						X

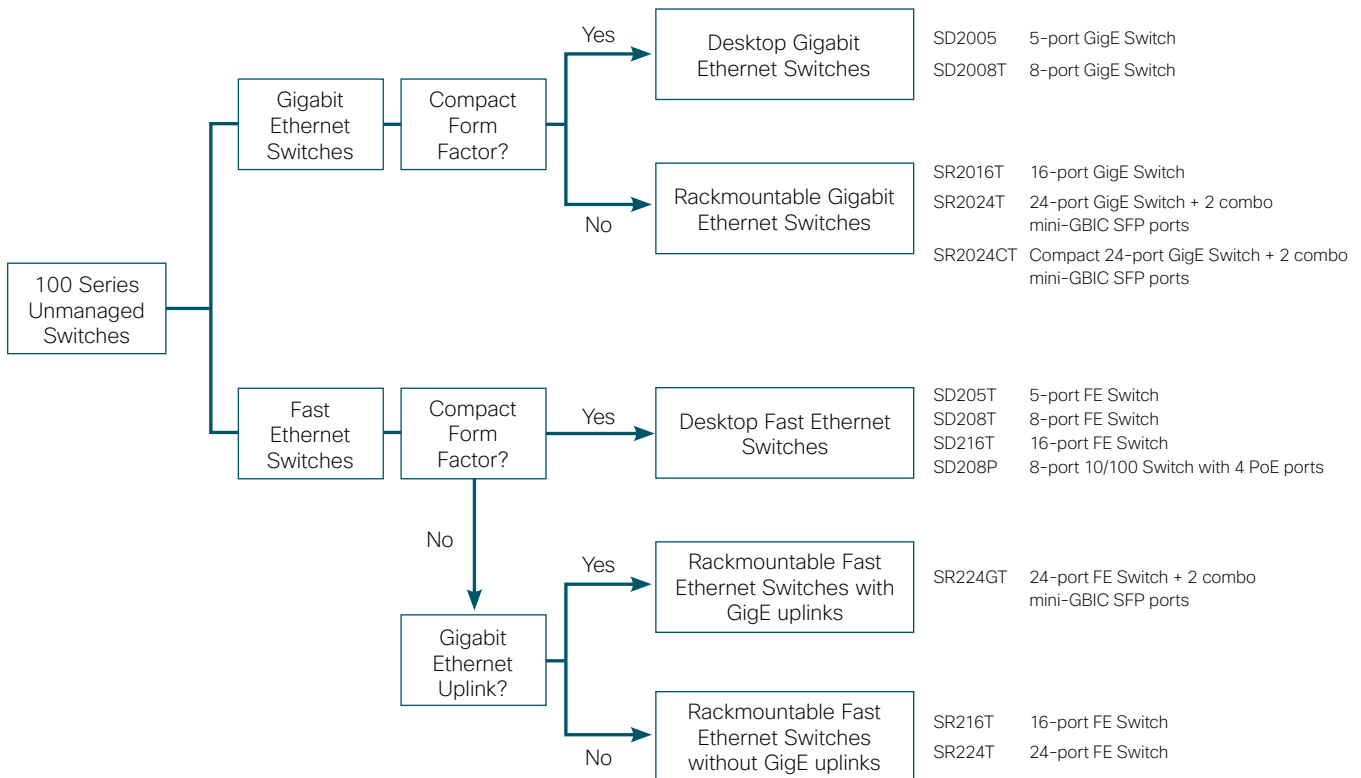
For additional information and details on Cisco switches products, please visit www.cisco.com/go/smbswitches.

Cisco 100 Series Unmanaged Switches



The Cisco 100 Series provides a reliable, high-performance network foundation, with zero configuration required.

Decision Tree Overview



Product Features Comparison Table

Category	Switch Model	SKU	Copper FE ports	Copper GigE ports	Combo mini-GBIC GigE ports*	PoE Support	PoE Ports @7.5 Watt	PoE ports @15.4 Watt
Desktop Gigabit Ethernet Switches	-	SD2005	-	5	-	-	-	-
	SG100D-08	SD2008T	-	8	-	-	-	-
Rackmountable Gigabit Ethernet Switches	SG100-16	SR2016T	-	16	-	-	-	-
	SG100-24	SR2024T	-	22	2	-	-	-
	SG102-24	SR2024CT	-	22	2	-	-	-
Desktop Fast Ethernet Switches	SF100D-05	SD205T	5	-	-	-	-	-
	SF100D-08	SD208T	8	-	-	-	-	-
	SF100D-16	SD216T	16	-	-	-	-	-
	-	SD208P	8	-	-	32W	4	4
Rackmountable Fast Ethernet Switches with GigE uplinks	SF102-24	SR224GT	24	-	2	-	-	-
Rackmountable Fast Ethernet Switches without GigE uplinks	SF100-16	SR216T	16	-	-	-	-	-
	SF100-24	SR224T	24	-	-	-	-	-

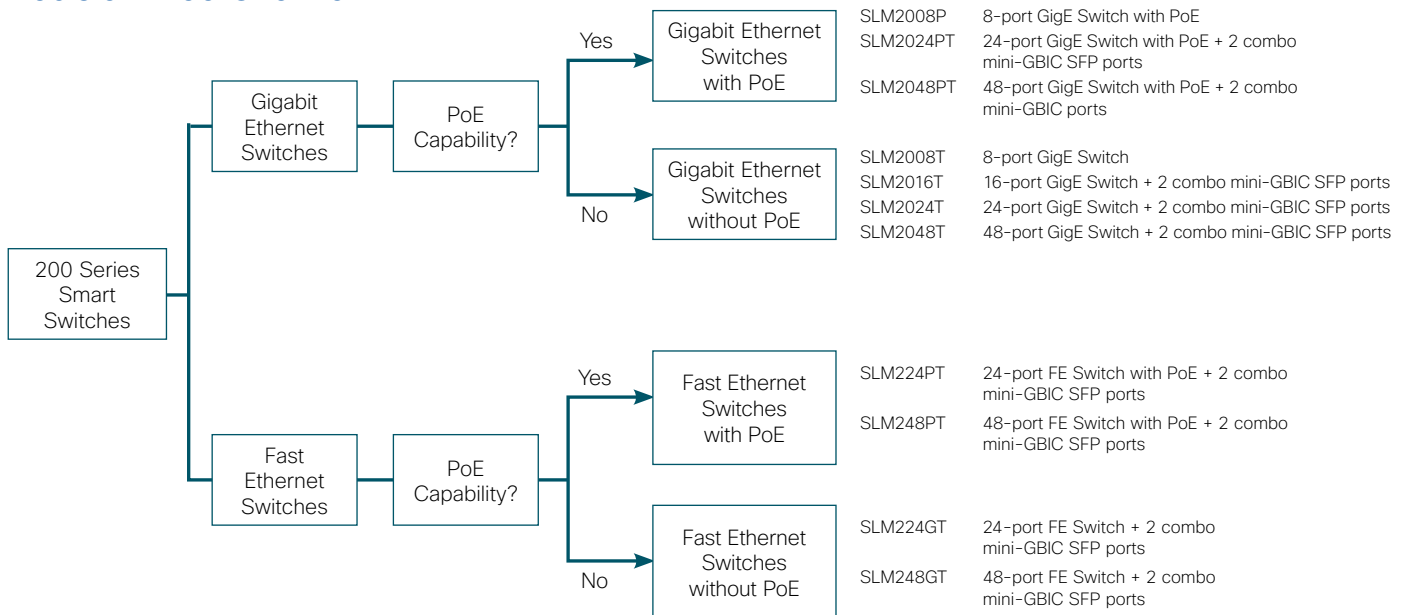
* Each combo mini-GBIC port includes one 10/100/1000BASET Ethernet port and 1 mini-GBIC Gigabit Ethernet port for fiber – with 1 port active at a time.

Cisco 200 Series Smart Switches



Smart switches offer a basic set of Layer 2 managed switch features at a lower cost and with simpler management

Decision Tree Overview



Product Features Comparison Table

Category	Switch Model	SKU	Copper FE ports	Copper GigE ports	Combo mini-GBIC GigE ports*	PoE Support	PoE Ports @7.5 Watt	PoE ports @15.4 Watt
Gigabit Ethernet Switches with PoE	SG200-08P	SLM2008P	-	8	-	32W	4	2
	SG200-26P	SLM2024PT	-	24	2	100W	12	6
	SG200-50P	SLM2048PT	-	48	2	180W	24	12
Gigabit Ethernet Switches without PoE	SG200-08	SLM2008T	-	8	-	-	-	-
	SG200-18	SLM2016T	-	16	2	-	-	-
	SG200-26	SLM2024T	-	24	2	-	-	-
	SG200-50	SLM2048T	-	48	2	-	-	-
Fast Ethernet Switches with PoE	SF200-24P	SLM224PT	24	-	2	100W	12	6
	SF200-48P	SLM248PT	48	-	2	180W	24	12
Fast Ethernet Switches without PoE	SF200-24	SLM224GT	24	-	2	-	-	-
	SF200-48	SLM248GT	48	-	2	-	-	-

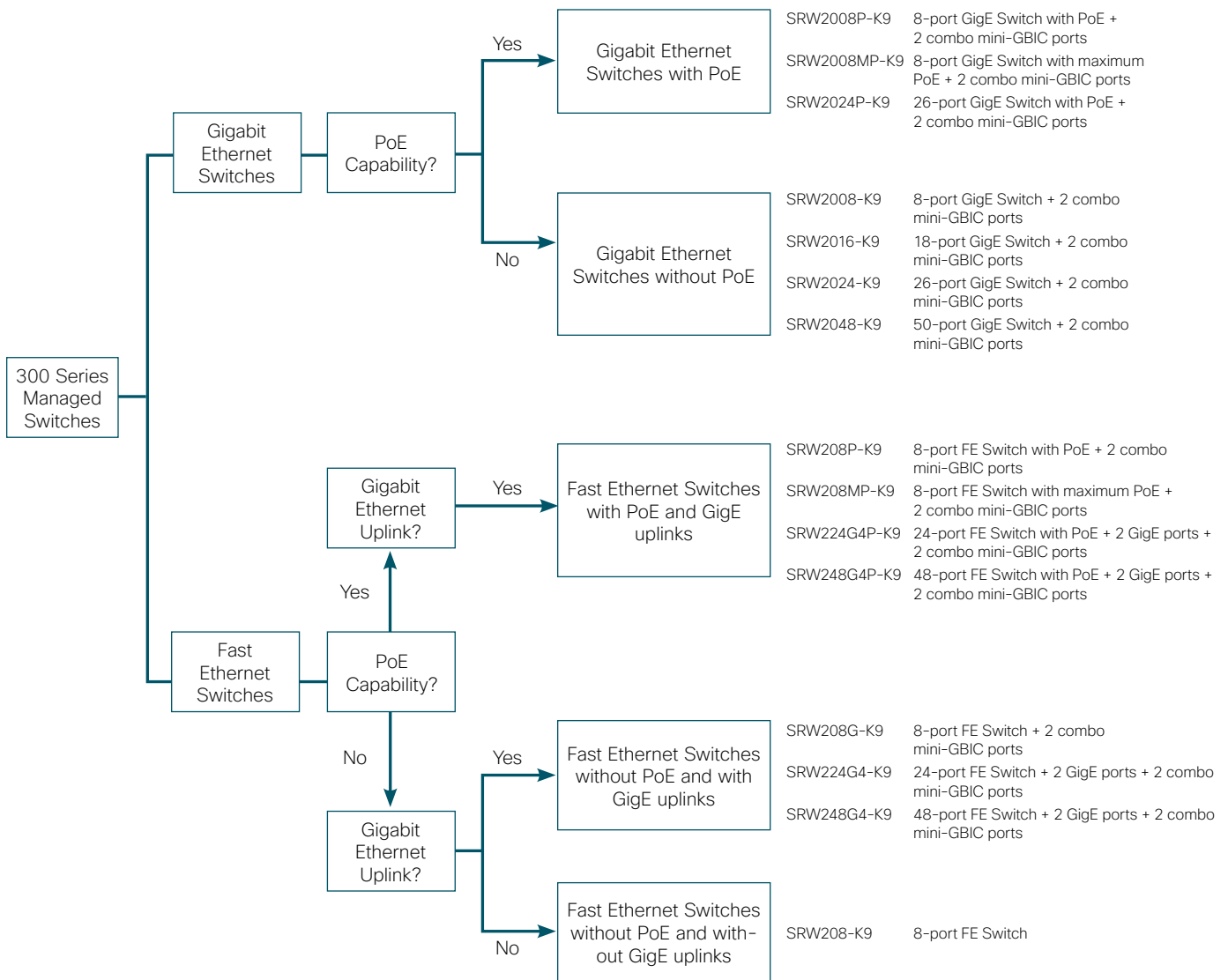
* Each combo mini-GBIC port includes one 10/100/1000BASE-T Ethernet port and 1 mini-GBIC Gigabit Ethernet port for fiber – with 1 port active at a time.

Cisco 300 Series Managed Switches



The Cisco 300 Series provide the ideal combination of features and affordability to create a more efficient, better-connected workforce.

Decision Tree Overview



Product Features Comparison Table

Category	Switch Model	SKU	Copper FE ports	Copper GigE ports	Combo mini-GBIC GigE ports*	PoE Support	PoE Ports @7.5 Watt	PoE ports @15.4 Watt
Gigabit Ethernet Switches with PoE	SG300-10P	SRW2008P-K9	-	8	2	62W	8	4
	SG300-10MP	SRW2008MP-K9	-	8	2	124W	8	8
	SG300-28P	SRW2024P-K9	-	26	2	180W	24	12
Gigabit Ethernet Switches without PoE	SG300-10	SRW2008-K9	-	8	2	-	-	-
	SG300-20	SRW2016-K9	-	18	2	-	-	-
	SG300-28	SRW2024-K9	-	26	2	-	-	-
	SG300-52	SRW2048-K9	-	50	2	-	-	-
Fast Ethernet Switches with PoE and GigE uplinks	SF302-08P	SRW208P-K9	8	0	2	62W	8	4
	SF302-08MP	SRW208MP-K9	8	0	2	124W	8	8
	SF300-24P	SRW224G4P-K9	24	2	2	180W	24	12
	SF300-48P	SRW248G4P-K9	48	2	2	375W	48	24
Fast Ethernet Switches without PoE and with GigE uplinks	SF302-08	SRW208G-K9	8	0	2	-	-	-
	SF300-24	SRW224G4-K9	24	2	2	-	-	-
	SF300-48	SRW248G4-K9	48	2	2	-	-	-
Fast Ethernet Switches without PoE and without GigE uplinks	SF300-08	SRW208-K9	8	0	0	-	-	-

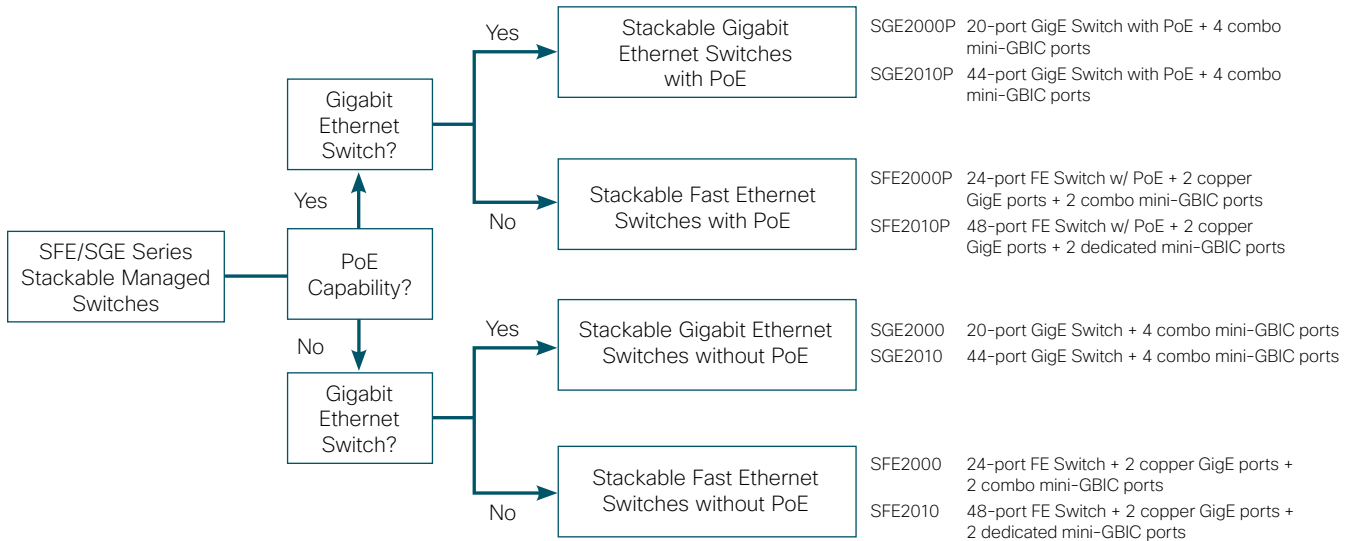
* Each combo mini-GBIC port includes one 10/100/1000BASET Ethernet port and 1 mini-GBIC Gigabit Ethernet port for fiber – with 1 port active at a time.

Cisco SFE/SGE Series Stackable Managed Switches



Feature-rich, easy to use switches that support growing small businesses at an affordable price

Decision Tree Overview



Product Features Comparison Table

Category	Switch Model	Copper FE ports	Copper GigE ports	Combo mini-GBIC GigE ports*	Dedicated mini-GBIC GigE ports	PoE Support	PoE Ports @7.5 Watt	PoE ports @15.4 Watt
Stackable Gigabit Ethernet Switches with PoE	SGE2000P	-	20	4	-	Yes	24	12
	SGE2010P	-	44	4	-	Yes	48	24
Stackable Fast Ethernet Switches with PoE	SFE2000P	24	2	2	-	Yes	24	12
	SFE2010P	48	2	-	2	Yes	48	24
Stackable Gigabit Ethernet Switches without PoE	SGE2000	-	20	4	-	-	-	-
	SGE2010	-	44	4	-	-	-	-
Stackable Fast Ethernet Switches without PoE	SFE2000	24	2	2	-	-	-	-
	SFE2010	48	2	-	2	-	-	-

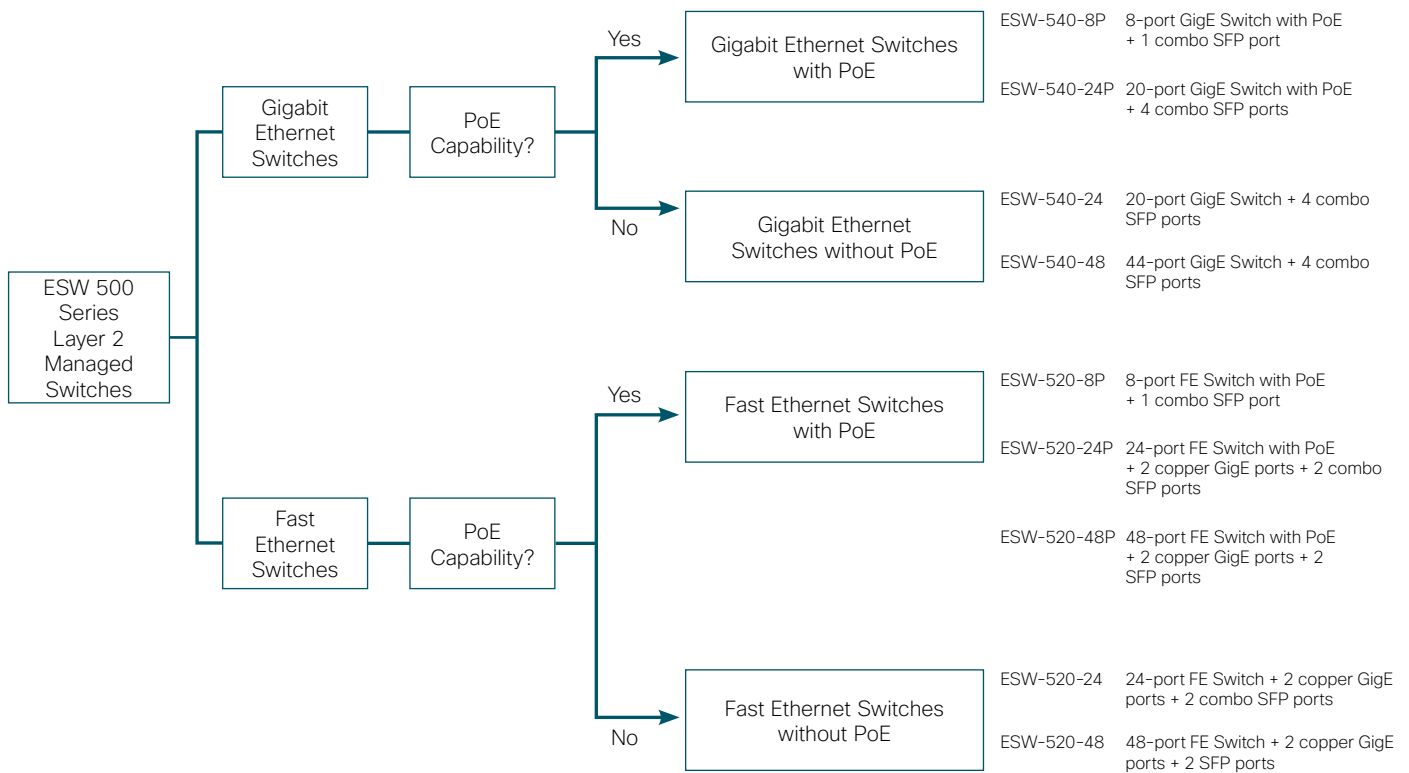
* Each combo mini-GBIC port includes one 10/100/1000BASE-T Ethernet port and 1 mini-GBIC Gigabit Ethernet port for fiber – with 1 port active at a time.

Cisco ESW 500 Series Layer 2 Managed Switches



Solution-oriented managed switches designed to easily integrate with the Smart Business Communication System to deliver a complete network solution

Decision Tree Overview



Product Features Comparison Table

Category	SKU	Copper FE ports	Copper GigE ports	SFP GigE ports	Combo SFP GigE ports*	PoE Support	PoE Ports @7.5 Watt	PoE ports @15.4 Watt
Gigabit Ethernet Switches with PoE	ESW-540-8P	-	8	-	1	120W	8	8
	ESW-540-24P	-	20	-	4	180W	24	18
Gigabit Ethernet Switches without PoE	ESW-540-24	-	20	-	4	-	-	-
	ESW-540-48	-	44	-	4	-	-	-
Fast Ethernet Switches with PoE	ESW-520-8P	8	-	-	1	60W	8	4
	ESW-520-24P	24	4	-	2	180W	24	12
	ESW-520-48P	48	2	2	-	370W	48	24
Fast Ethernet Switches without PoE	ESW-520-24	24	4	-	2	-	-	-
	ESW-520-48	48	2	2	-	-	-	-

* Combo SFP slots include one 10/100/1000BASE-T Ethernet port and 1 SFP-based Gigabit Ethernet slot for fiber, 1 port active at a time.

Cisco Catalyst Switches

The Cisco® Catalyst® switches provide high availability, scalability, security, energy efficiency, and ease of operation with innovative features such as Cisco StackPower, IEEE 802.3at Power over Ethernet Plus (PoE+) configurations, optional network modules, redundant power supplies, and Media Access Control Security (MACsec) features.

Cisco Catalyst Switches Overview

Features and Benefits	Catalyst 2960 Series Switches	Catalyst 2960-S Series Switches	Catalyst 3560 v2 Series Switches	Catalyst 3560-X Series Switches	Catalyst 3750 v2 Series Switches	Catalyst 3750-X Series Switches
Fast Ethernet switches	X	X	X	X	X	X
Gigabit Small Form-Factor Pluggable (SFP) ports	X	X	X	X	X	X
Power over Ethernet (PoE) support (15W per port)	X	X	X	X	X	X
Gigabit Ethernet switches		X	X		X	
Cisco FlexStack architecture with 40 Gbps of stack throughput		X				
10 Gigabit Ethernet uplink with SFP Plus (SFP+)		X		X		X
Layer 3 switching			X	X	X	X
PoE+ support (30W per port)		X		X		X
Cisco StackWise® stacking architecture with 32-Gbps switch interconnection					X	X

The Cisco® Catalyst® switches support 3 different software feature sets, and is summarized in the table below

- The LAN Base feature set offers enhanced intelligent services that includes comprehensive Layer 2 features
- The IP Base feature set offers advanced Layer 3 features such as Enhanced Interior Gateway Routing Protocol (EIGRP), Open Shortest Path First (OSPF), Border Gateway Protocol (BGP), Protocol Independent Multicast (PIM), and IPv6 routing such as OSPFv3 and EIGRPv6
- The IP Services feature set offers Embedded Event Manager (EEM) and IP service-level agreements (SLAs) initiator functionalities

Catalyst Switches Software Feature Set Overview

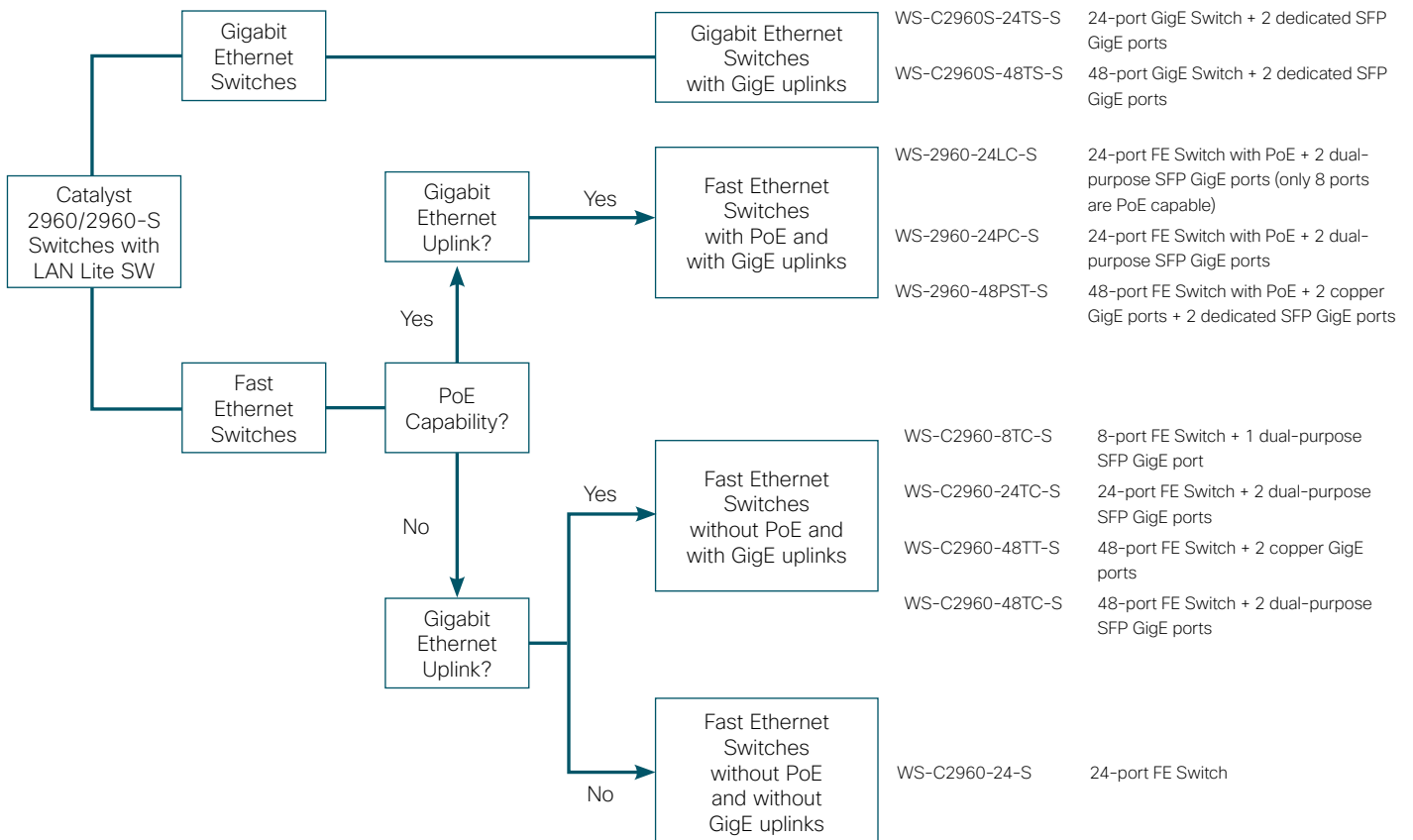
	LAN Base Feature Set	IP Base Feature Set	IP Services Feature Set
Auto Smartports provides automatic configuration as devices connect to the switch port	X	X	X
Automatic QoS (AutoQoS) simplifies QoS configuration in voice over IP (VoIP) networks by detecting Cisco IP phones, and setting pre-configured parameter	X	X	X
Integrated security features such as Port Security, DHCP Snooping, Dynamic ARP Inspection, and IP Source guard to proactively protect the switches from the most common and potentially damaging Layer 2 security threats	X	X	X
High-Performance IP Routing		X	X
Hot Standby Routing Protocol (HSRP) provides dynamic load balancing and failover for routed links		X	X
Embedded Event Manager (EEM) provides real-time network event detection			X
IP service-level agreements (SLAs) enable business-critical IP applications to perform at the designed and contracted levels			X

Cisco Catalyst 2960/2960-S Series with LAN Lite Basic Layer 2 Switches



Scalable network management and enhanced security for growing medium-sized businesses

Decision Tree Overview



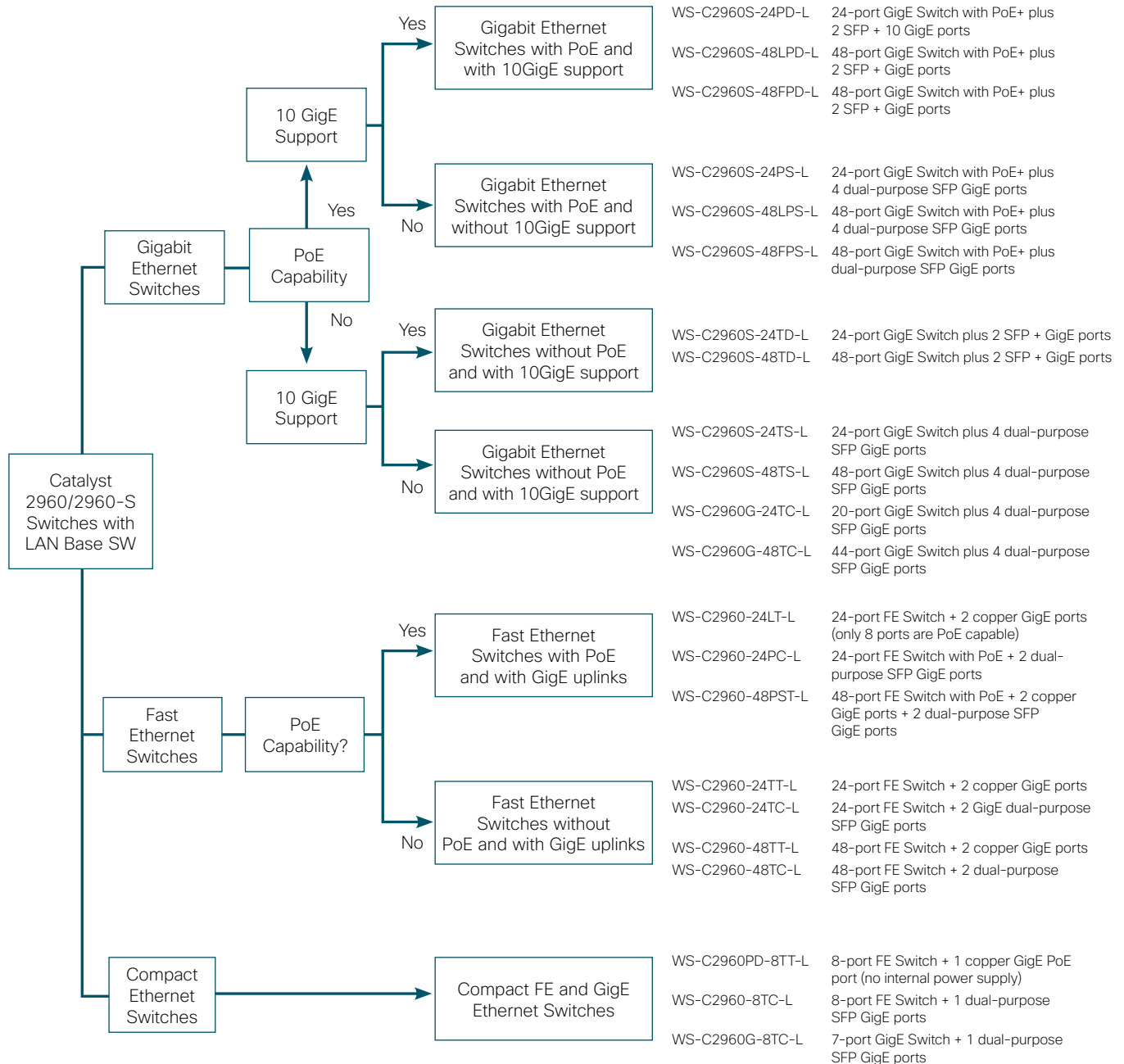
Product Features Comparison Table

Category	SKU	Copper FE ports	Copper GigE ports	Dual-purpose SFP GigE ports*	Dedicated SFP GigE ports	PoE Support	PoE Ports @7.7 Watt	PoE ports @15.4 Watt
Gigabit Ethernet Switches with GigE uplinks	WS-C2960S-24TS-S	-	24	-	2	-	-	-
	WS-C2960S-48TS-S	-	48	-	2	-	-	-
Fast Ethernet Switches with PoE and GigE uplinks	WS-2960-24LC-S	24	-	2	-	119W	-	8
	WS-2960-24PC-S	24	-	2	-	357W	24	24
	WS-2960-48PST-S	48	2	-	2	339W	48	24
Fast Ethernet Switches without PoE and with GigE uplinks	WS-C2960-8TC-S	8	-	1	-	-	-	-
	WS-C2960-24TC-S	24	-	2	-	-	-	-
	WS-C2960-48TT-S	48	2	-	-	-	-	-
	WS-C2960-48TC-S	48	-	2	-	-	-	-
Fast Ethernet Switches without PoE and without GigE uplinks	WS-C2960-24-S	24	-	-	-	-	-	-

* Each dual-purpose SFP GigE port has one 10/100/1000 Ethernet port and one SFP-based Gigabit Ethernet port with 1 port active at a time.

Cisco Catalyst 2960/2960-S Series with LAN Base Enhanced Layer 2 Switches

Decision Tree Overview



Product Features Comparison Tables

Catalyst 2960 Series

Category	SKU	Copper FE ports	Copper GigE ports	Dual-purpose SFP GigE ports*	PoE Support	PoE Ports @7.7 Watt	PoE ports @15.4 Watt
Gigabit Ethernet Switches without PoE	WS-C2960G-24TC-L	-	20	4	-	-	-
	WS-C2960G-48TC-L	-	44	4	-	-	-
Fast Ethernet Switches with PoE and with GigE uplinks	WS-C2960-24LT-L	24	2	0	162W	-	8
	WS-C2960-24PC-L	24	-	2	433W	-	24
	WS-C2960-48PST-L	48	2	2	460W	48	24
Fast Ethernet Switches without PoE and with GigE uplinks	WS-C2960-24TT-L	24	2	0	-	-	-
	WS-C2960-24TC-L	24	-	2	-	-	-
	WS-C2960-48TT-L	48	2	0	-	-	-
Compact FE and GigE Ethernet Switches	WS-C2960-48TC-L	48	-	2	-	-	-
	WS-C2960PD-8TT-L	8	1	0	-	-	-
	WS-C2960-8TC-L	8	-	1	-	-	-
	WS-C2960G-8TC-L	-	7	1	-	-	-

* Each dual-purpose SFP GigE port has one 10/100/1000 Ethernet port and one SFP-based Gigabit Ethernet port with 1 port active at a time.

Catalyst 2960-S Series

(10 Gigabit Ethernet uplink and PoE+ support)

Category	SKU	Copper GigE ports	Dual-purpose SFP GigE ports*	SFP+ 10 GigE ports **	PoE Support	PoE Ports @7.7 Watt	PoE ports @15.4 Watt	PoE+ ports @30 Watt
Gigabit Ethernet Switches with PoE and with 10GigE support	WS-C2960S-24PD-L	24	-	2	370W	-	24	12
	WS-C2960S-48LPD-L	48	-	2	370W	48	24	12
	WS-C2960S-48FPD-L	48	-	2	740W	-	48	24
Gigabit Ethernet Switches with PoE and without 10GigE support	WS-C2960S-24PS-L	24	4	-	370W	-	24	12
	WS-C2960S-48LPS-L	48	4	-	370W	48	24	12
	WS-C2960S-48FPS-L	48	4	-	740W	-	48	24
Gigabit Ethernet Switches without PoE and with 10GigE support	WS-C2960S-24TD-L	24	1	2	-	-	-	-
	WS-C2960S-48TD-L	48	1	2	-	-	-	-
Gigabit Ethernet Switches without PoE and without 10GigE support	WS-C2960S-24TS-L	24	4	-	-	-	-	-
	WS-C2960S-48TS-L	48	4	-	-	-	-	-

* Each dual-purpose SFP GigE port has one 10/100/1000 Ethernet port and one SFP-based Gigabit Ethernet port with 1 port active at a time.

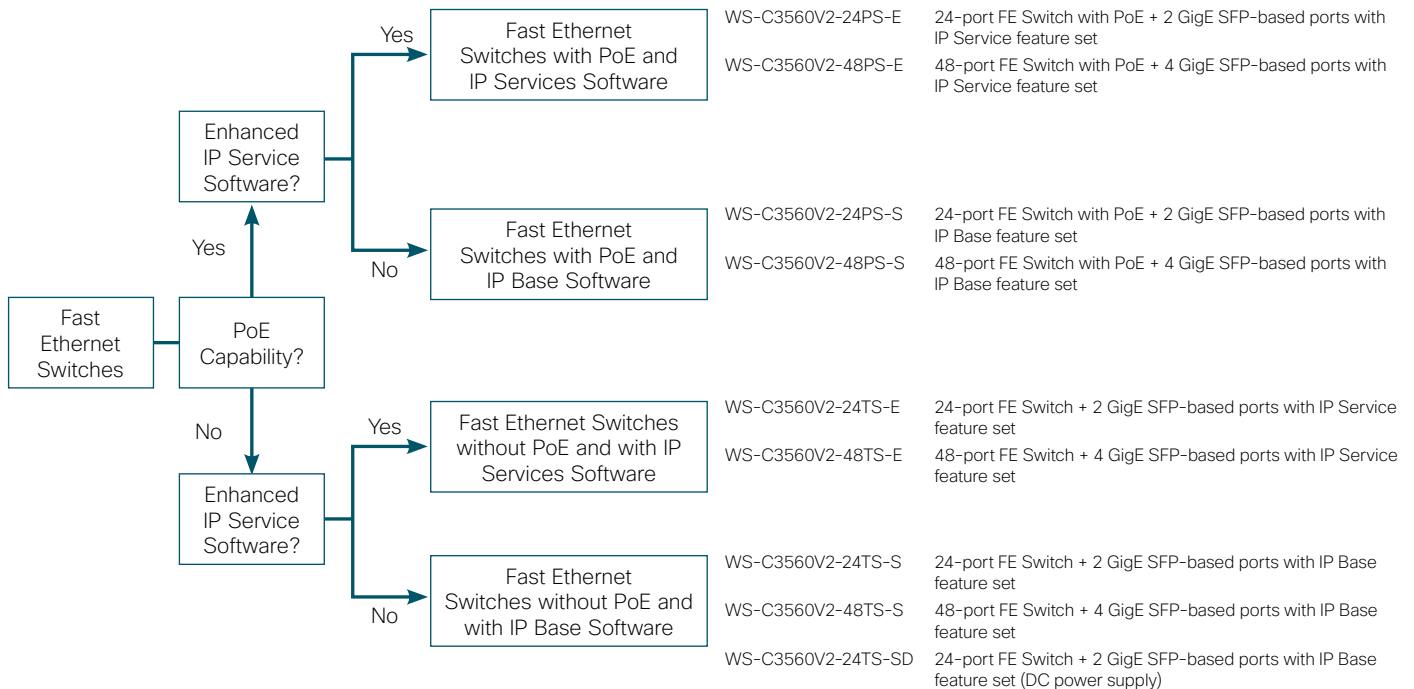
** SFP+ 10 GigE port supports both 1 GigE or 10GigE on the same port.

Cisco Catalyst 3560 v2 Series and 3560-X Series Layer 2 and Layer 3 Switches



Cisco Catalyst 3560 Series Switches

Catalyst 3560 v2 Series Decision Tree Overview

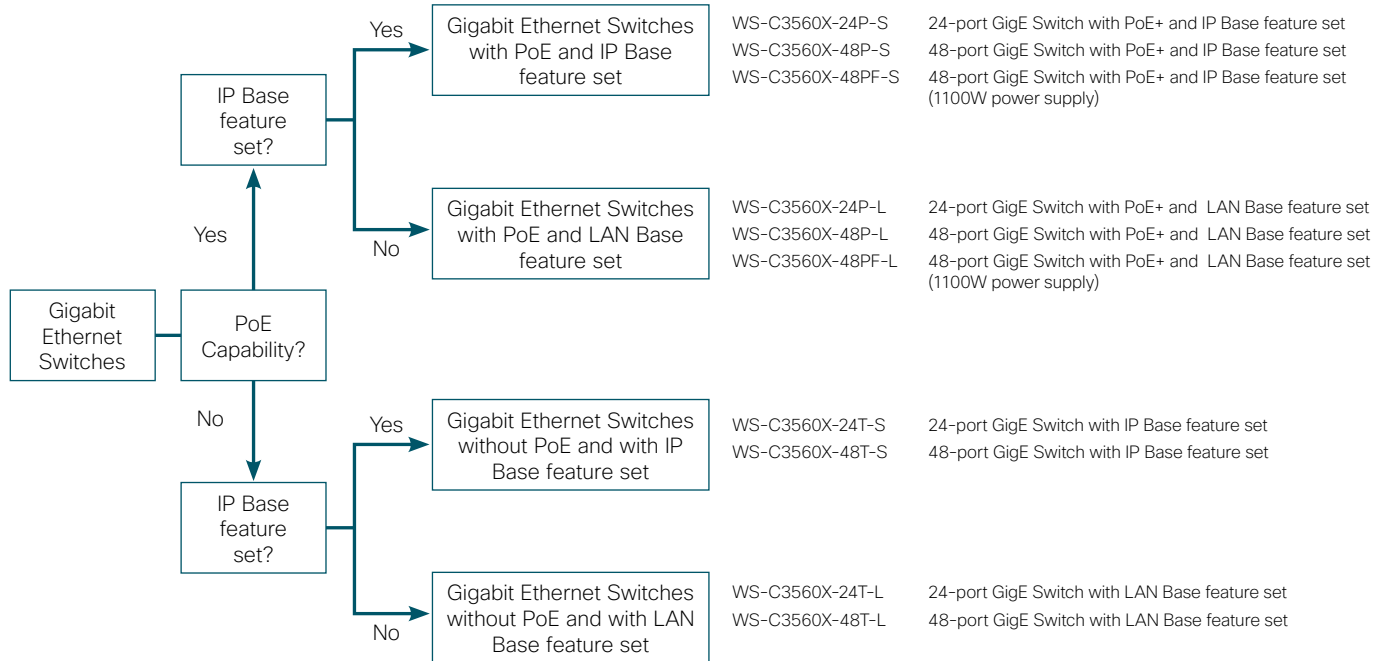


Catalyst 3560 v2 Series Product Features Comparison Table

Category	SKU	Copper FE ports	Copper GigE ports	Dual-purpose SFP GigE ports*	PoE Support	PoE Ports @7.7 Watt	PoE ports @15.4 Watt
Fast Ethernet Switches with PoE and IP Services Software	WS-C3560V2-24PS-E	24	-	2	370W	24	24
	WS-C3560V2-48PS-E	48	-	4	370W	48	24
Fast Ethernet Switches with PoE and IP Base Software	WS-C3560V2-24PS-S	24	-	2	370W	24	24
	WS-C3560V2-48PS-S	48	-	4	370W	48	24
Fast Ethernet Switches without PoE and with IP Services Software	WS-C3560V2-24TS-E	24	-	2	-	-	-
	WS-C3560V2-48TS-E	48	-	4	-	-	-
Fast Ethernet Switches without PoE and with IP Base Software	WS-C3560V2-24TS-S	24	-	2	-	-	-
	WS-C3560V2-48TS-S	48	-	4	-	-	-
	WS-C3560V2-24TS-SD	24	-	2	-	-	-

* Each dual-purpose SFP GigE port has one 10/100/1000 Ethernet port and one SFP-based Gigabit Ethernet port with 1 port active at a time.

Catalyst 3560-X Series Decision Tree Overview



Catalyst 3560-X Series Product Features Comparison Table (10 Gigabit Ethernet uplink and PoE+ support)

Category	SKU	Copper FE ports	Copper GigE ports	PoE Support	PoE Ports @15 Watt	PoE+ ports @30 Watt
Gigabit Ethernet Switches with PoE+ and with IP Base feature set	WS-C3560X-24P-S	-	24	435W	24	24
	WS-C3560X-48P-S	-	48	435W	48	24
	WS-C3560X-48PF-S	-	48	800W	48	48
Gigabit Ethernet Switches with PoE+ and with LAN Base feature set	WS-C3560X-24P-L	-	24	435W	24	24
	WS-C3560X-48P-L	-	48	435W	48	24
	WS-C3560X-48PF-L	-	48	800W	48	48
Gigabit Ethernet Switches without PoE+ and with IP Base feature set	WS-C3560X-24T-S	-	24	-	-	-
	WS-C3560X-48T-S	-	48	-	-	-
Gigabit Ethernet Switches without PoE+ and with LAN Base feature set	WS-C3560X-24T-L	-	24	-	-	-
	WS-C3560X-48T-L	-	48	-	-	-

* The Cisco Catalyst 3560-X Series Switches support an optional network module for uplink ports.

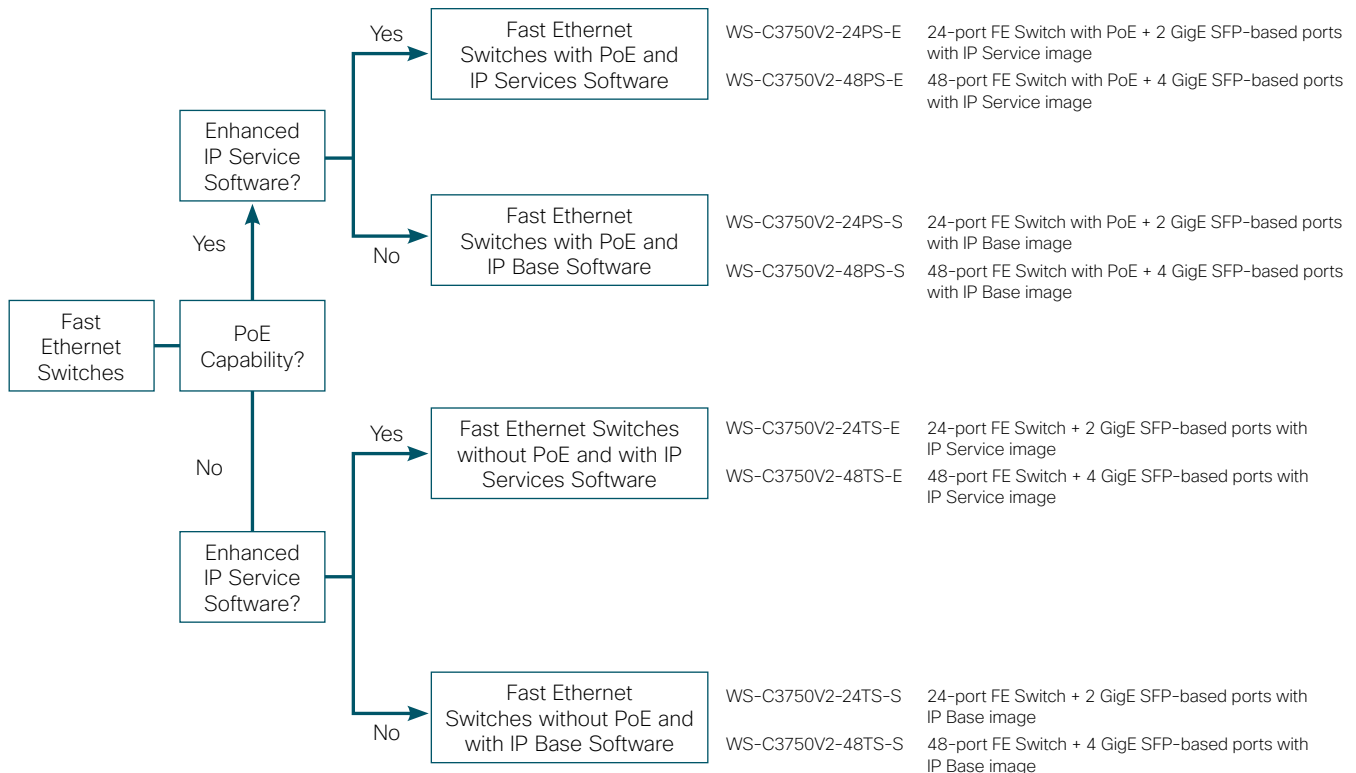
* The IP Services feature set is only available as an upgrade option.

Cisco Catalyst 3750 v2 Series and 3750-X Series Layer 2 and Layer 3 Stacking Switches



Cisco Catalyst 3750 v2 Series and 3750-X Series

Catalyst 3750 v2 Series Decision Tree Overview

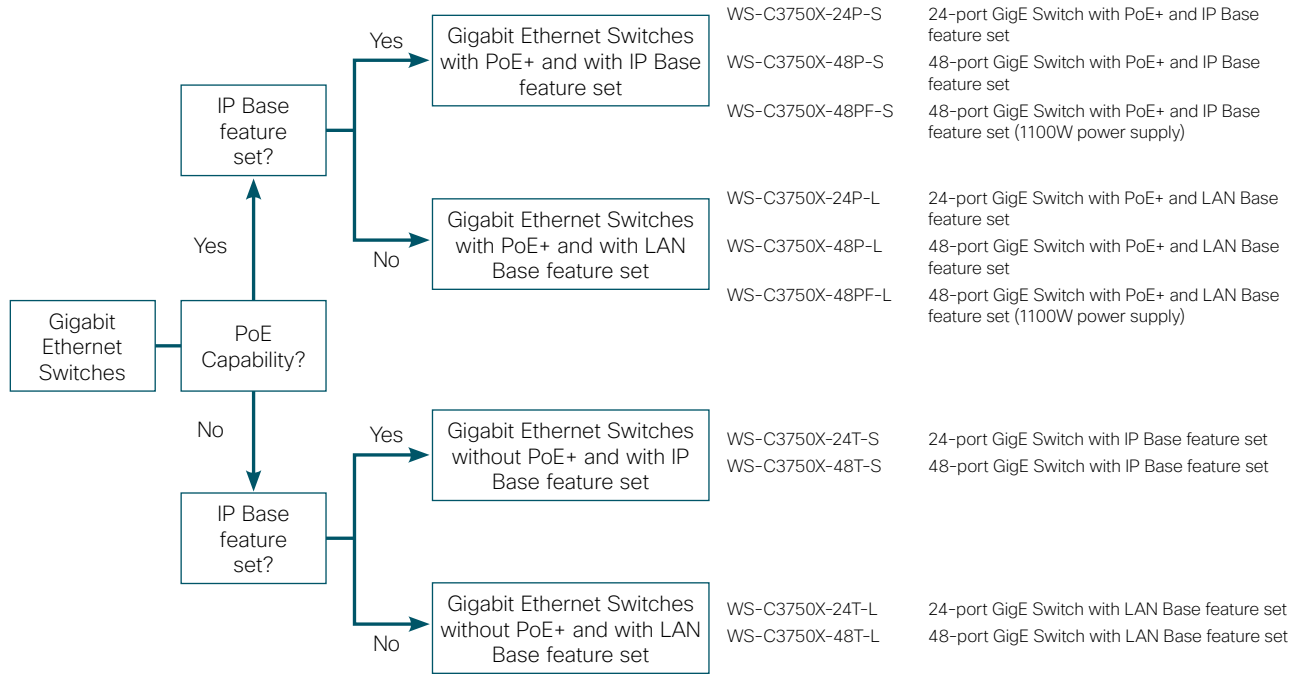


Catalyst 3750 v2 Series Product Features Comparison Table

Category	SKU	Copper FE ports	Copper GigE ports	Dual-purpose SFP GigE ports*	PoE Support	PoE Ports @7.3 Watt	PoE ports @15.4 Watt
Fast Ethernet Switches with PoE and IP Services Software	WS-C3750V2-24PS-E	24	-	2	370W	24	24
	WS-C3750V2-48PS-E	48	-	4	370W	48	24
Fast Ethernet Switches with PoE and IP Base Software	WS-C3750V2-24PS-S	24	-	2	370W	24	24
	WS-C3750V2-48PS-S	48	-	4	370W	48	24
Fast Ethernet Switches without PoE and with IP Services Software	WS-C3750V2-24TS-E	24	-	2	-	-	-
	WS-C3750V2-48TS-E	48	-	4	-	-	-
Fast Ethernet Switches without PoE and with IP Base Software	WS-C3750V2-24TS-S	24	-	2	-	-	-
	WS-C3750V2-48TS-S	48	-	4	-	-	-

*Each dual-purpose SFP GigE port has one 10/100/1000 Ethernet port and one SFP-based Gigabit Ethernet port with 1 port active at a time.

Catalyst 3750-X Series Decision Tree Overview



Catalyst 3750-X Series Product Features Comparison Table (10 Gigabit Ethernet uplink and PoE+ support)

Category	SKU	Copper FE ports	Copper GigE ports	PoE Support	PoE Ports @15 Watt	PoE+ ports @30 Watt
Gigabit Ethernet Switches with PoE+ and with IP Base feature set	WS-C3750X-24P-S	-	24	435W	24	24
	WS-C3750X-48P-S	-	48	435W	48	24
	WS-C3750X-48PF-S	-	48	800W	48	48
Gigabit Ethernet Switches with PoE+ and with LAN Base feature set	WS-C3750X-24P-L	-	24	435W	24	24
	WS-C3750X-48P-L	-	48	435W	48	24
	WS-C3750X-48PF-L	-	48	800W	48	48
Gigabit Ethernet Switches without PoE+ and with IP Base feature set	WS-C3750X-24T-S	-	24	-	-	-
	WS-C3750X-48T-S	-	48	-	-	-
Gigabit Ethernet Switches without PoE+ and with LAN Base feature set	WS-C3750X-24T-L	-	24	-	-	-
	WS-C3750X-48T-L	-	48	-	-	-

* The Cisco Catalyst 3750-X Series Switches support an optional network module for uplink ports.

* The IP Services feature set is only available as an upgrade option.

Cisco Small Business Routers

Cisco RV Series Routers are affordable, highly secure network access devices, designed and built for small businesses. Perfect for a small business looking for a point product to fill a specific need, Cisco Small Business Routers deliver basic, reliable connectivity immediately.

Cisco SR500 Series Secure Routers combine advanced security, Internet access, VPN connectivity, and optional wireless networking in a single easy-to-use device. Designed to provide security services for the Cisco Smart Business Communications System, these routers are deployed and managed using Cisco Configuration Assistant.

For a small or medium-sized business that depends on technology and is looking for reliable, high-performance, highly secure connectivity, Cisco Integrated Services Routers (ISR) deliver a superior customer experience that can transform the workplace with a broad set of integrated services, rich-media support, and operational excellence.

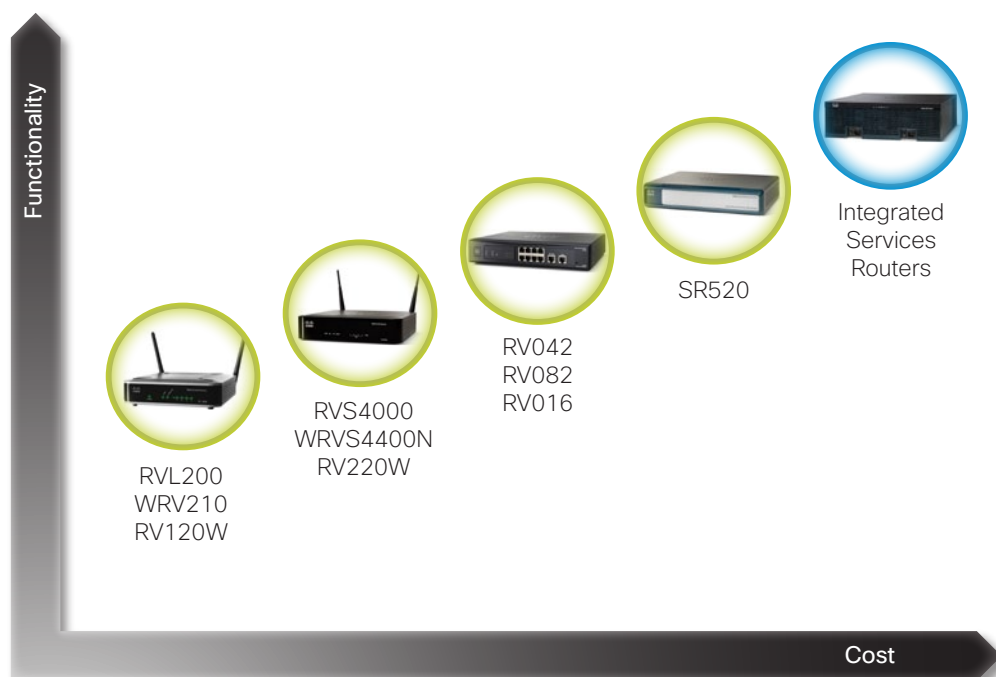
Additionally, a new Cisco IOS Software Universal image and Services Ready Engine module enable the customer to decouple the deployment of hardware and software, providing a stable technology foundation that can quickly adapt to evolving network requirements.

The Cisco ISRs that are suitable for small businesses include:

- Cisco 800 Series Routers
- Cisco 1900 Series Integrated Services Routers
- Cisco 2900 Series Integrated Services Router

Routing for Small Business

One portfolio - a spectrum of choices



Some of the features and benefits provided by Cisco routers are:

- Highly secure VPN connectivity for remote workers
- Strong security features, including an advanced stateful packet inspection (SPI) firewall, encryption, authentication, and access control
- Fast Ethernet ports
- Gigabit Ethernet ports
- WAN link redundancy and load-balancing features
- Built-in switch
- Simple, browser-based configuration
- Advanced security, including advanced firewall, intrusion prevention system (IPS), application inspection, and control, and Cisco IOS® content filtering
- IP Security (IPsec) and SSL VPN
- Network edge (DMZ) and guest access (802.1X) routing
- Choice of WAN connectivity
- Quality of service (QoS) support, for smooth voice and video communications

Overview of Cisco Routers for Small Business

Features & Benefits	RVL200 WRV210 RV120W	RV220W RVS4000 WRVS4400N	RV042 RV082 RV016	Cisco SR500 Series	Cisco 800 Series	Cisco 1900 Series	Cisco 2900 Series
Fast Ethernet WAN connection	X	X	X	X	X		
Gigabit Ethernet WAN connection		X			X (890)	X	X
ADSL, SHDSL, T1 WAN connection				X	X	X	X
Dual WAN			X		X (890)	X	X
Fast Ethernet LAN connections	X	X	X	X	X		
Gigabit Ethernet LAN connections		X				X	X
Power over Ethernet (PoE) support					X	X	X
Web-based management interface	X	X	X	X			
Support for ProtectLink Web		X	X				
Network scalability and higher availability with Cisco IOS Software				X	X	X	X
Modular Architecture						X	X

For additional information and details on Cisco Small Business Routers, please visit www.cisco.com/go/smallbusiness.

Cisco RV Series Routers

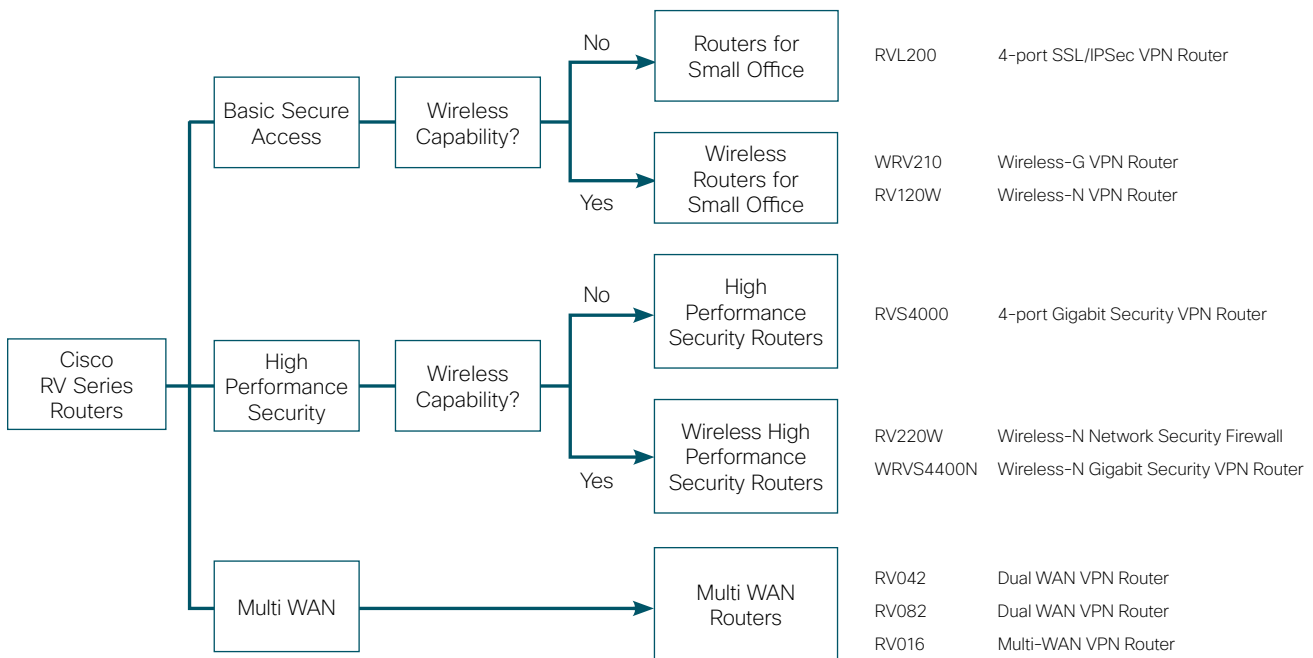


Cisco RV082 Router



Cisco RV220W Wireless Network Security Firewall

Decision Tree Overview



Product Features Comparison Table

Category	SKU	WAN Connections	Integrated Ethernet Switch	Wireless Support	VPN Connectivity	Maximum VPN Connections	Intrusion Prevention System (IPS)	Optional Cisco ProtectLink Gateway Security
Routers for Small Office	RVL200	Single Fast Ethernet WAN	4-port Fast Ethernet	No	SSL and IPsec	5	No	No
Wireless Routers for Small Office	WRV210	Single Fast Ethernet WAN	4-port Fast Ethernet	802.11ng	IPsec	10	No	No
	RV120W	Single Fast Ethernet WAN	4-port Fast Ethernet	802.11n	IPsec	10	No	No
Wireless High Performance Security Routers	RV220W	Single GigE WAN	4-port Gigabit Ethernet	802.11 a/b/g/n	SSL and IPsec	5 (SSL) 25(IPsec)	No	Yes
	WRVS4400N	Single Fast Ethernet WAN	4-port Gigabit Ethernet	802.11n	IPsec	5	Yes	Yes
High Performance Security Routers	RVS4000	Single GigE WAN	4-port Gigabit Ethernet	No	IPsec	5	Yes	Yes
Multi WAN Routers	RV042	Dual Fast Ethernet WAN	4-port Fast Ethernet	No	IPsec	50	No	Yes
	RV082	Dual Fast Ethernet WAN	8-port Fast Ethernet	No	IPsec	100	No	Yes
	RV016	Up to 7 Fast Ethernet	Up to 13-port Fast Ethernet	No	IPsec	100	No	Yes

*Dual-purpose GigE port can be either fiber or copper with the proper transceiver.

Cisco SR500 Series Secure Routers



Cisco SR500 Series Secure Router

Product Features Comparison Table

SKU	Product Description
SR520-FE-K9	4-port Cisco Secure Router 520, Fast Ethernet WAN
SR520-ADSL-K9	4-port Cisco Secure Router 520, ADSL over IDSN WAN
SR520-ADSLI-K9	4-port Cisco Secure Router 520, ADSL over POTS WAN
SR520-T1-K9	4-port Cisco Secure Router 520, T1 WAN

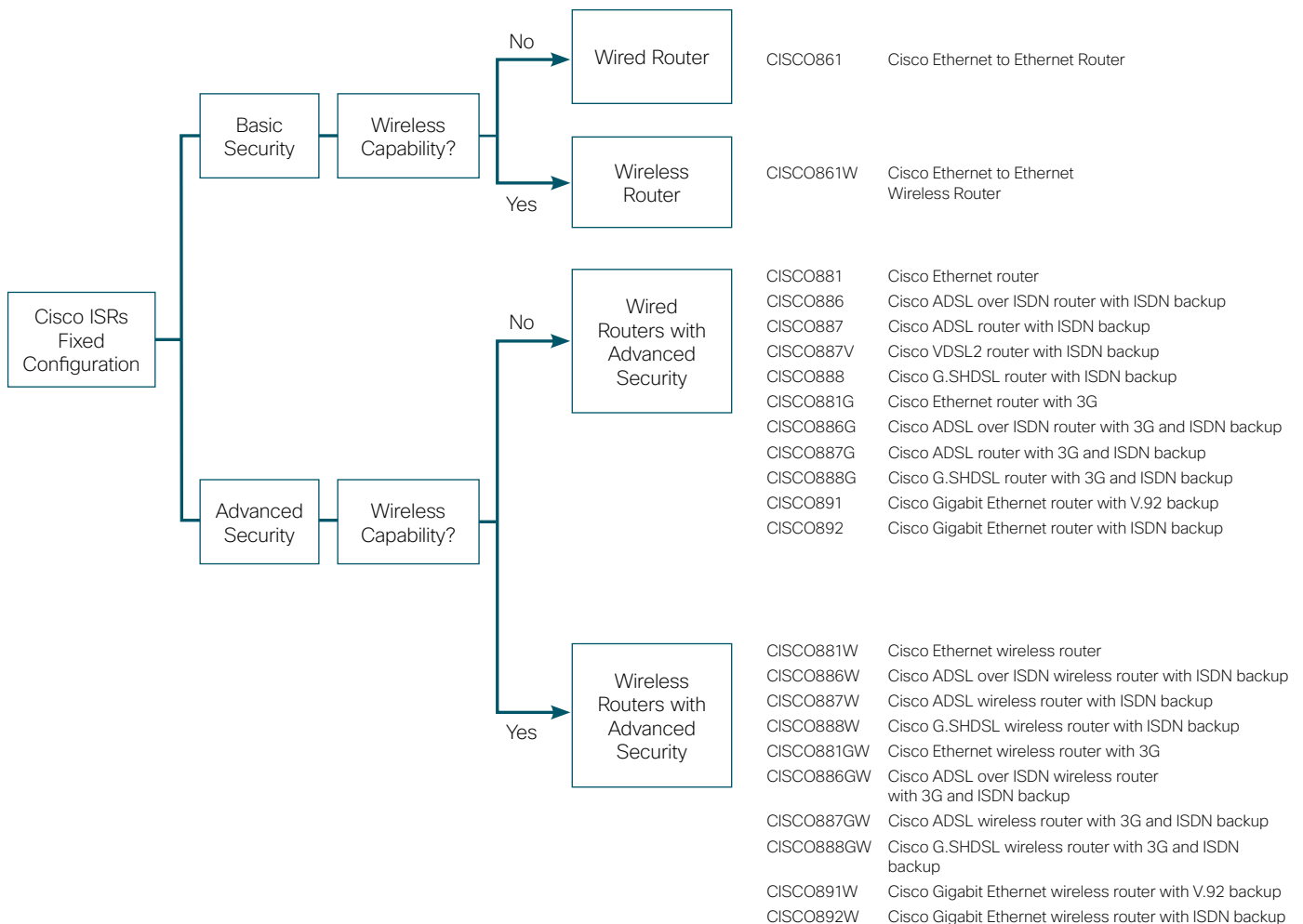
Cisco 800 Series Integrated Services Routers

Cisco 800 Series Integrated Services Routers offer a choice of WAN connection options, built in managed switch ports, strong security features and optional wireless connectivity.



Cisco 891 Integrated Services Router

Decision Tree Overview



Product Features Comparison Table

Features and Benefits	CISCO861	CISCO867	CISCO881	CISCO886	CISCO887	CISCO888	CISCO891	CISCCO892
Fast Ethernet WAN	X	X	X	X	X	X		
Gigabit Ethernet WAN							X	X
Secondary WAN (Fast Ethernet)							X	X
Integrated Dial-Backup				X	X	X	V.92 modem	ISDN
Integrated Switch	4-port 10/100 Mbps	4-port 10/100 Mbps	4-port 10/100 Mbps	4-port 10/100 Mbps	4-port 10/100 Mbps	4-port 10/100 Mbps	8-port 10/100 Mbps	8-port 10/100 Mbps
PoE Support			X	X	X	X		
Wireless 802.11 g/n Support (CISCO800W models)	X	X	X	X	X	X	X	X
Stateful Firewall	X	X	X	X	X	X	X	X
3DES/AES IPsec	X	X	X	X	X	X	X	X
SSL VPN Encryption			X	X	X	X	X	X
IPS			X	X	X	X	X	X
GET VPN			X	X	X	X	X	X
ADSL2+		X		X	X			
G.SHDSL						X		

Cisco 1900 Series Integrated Services Routers

Cisco 1900 Series Integrated Services Routers provide high-performance, nonstop connectivity with integrated services, enabling deployment in high-speed WAN environments with a modular design, delivering optimal service flexibility.



Cisco 1900 Series Integrated Service Routers

Product Features Comparison Table

Features and Benefits	CISCO1941	CISCO1941W
SM Slots	0	0
ISM Slots	1	Fixed 802.11n Radio
EHWIC Slots	2	2
Onboard DSP Slots	0	0
Onboard WAN Ports	2 GE	2 GE
Default Flash	256 MB	256 MB
Default DRAM	512 MB	512 MB
Form Factor	2RU	2RU

Cisco 2900 Series Integrated Services Routers

Cisco 2900 Series Integrated Services Routers have a modular architecture with multiple module slots to provide connectivity and services options, delivering increased levels of services integration with data, security, wireless, and mobility.



Cisco 2900 Series Integrated Service Routers

Product Features Comparison Table

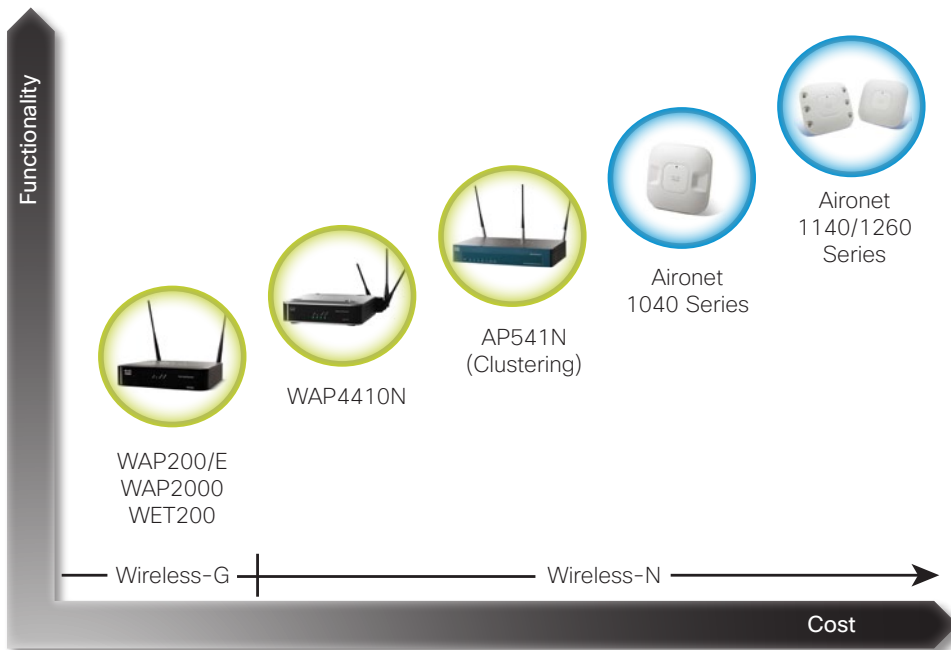
Features and Benefits	CISCO2901	CISCO2911	CISCO2921	CISCO2951
SM Slots	0	1	1	2
ISM Slots	1	1	1	1
EHWIC Slots	4	4	4	4
Onboard DSP Slots	2	2	3	3
Onboard WAN Ports	2 GE	3 GE	3 GE (1 SFP)	3 GE (1 SFP)
Default Flash	256 MB	256 MB	256 MB	256 MB
Default DRAM	512 MB	512 MB	512 MB	512 MB
Form Factor	1RU	2RU	2RU	2RU

Cisco Small Business Wireless Solutions

Cisco offers versatile, high-performance wireless solutions that support nearly any wireless application small businesses require, including mobile data, voice over wireless LAN, wireless video monitoring, and highly secure guest access. The Cisco wireless solutions include standalone access points in small wireless environments or can be deployed as part of a larger data and communications network.

Cisco wireless solutions are the industry's only unified wired and wireless solutions to cost-effectively address wireless LAN (WLAN) security, deployment, management, and control. This framework integrates and extends wired and wireless networks to deliver scalable, manageable, and highly secure WLANs with the lowest total cost of ownership. The Cisco wireless solutions provide the same level of security, scalability, reliability, ease of deployment, and management for WLANs that organizations expect from their wired LANs.

Overview of Cisco Access Points



The features and benefits provided by the Cisco wireless portfolio are described here in detail and summarized in the table below.

- Enable guest access and protect business resources with robust security features: advanced Wi-Fi Protected Access (WPA2) encryption, rogue access point detection, access control lists, MAC address filtering, etc.
- Support virtually any deployment in using either standard AC power or Power over Ethernet (PoE) in locations, such as drop ceilings, where power outlets may not be accessible.
- Support 802.11n wireless connectivity, for applications that demand high bandwidth
- Connect all employee laptops and IP phones over the 5-GHz radio band and eliminate interference from other common 2.4-GHz wireless devices with multiple-input, multiple-output (MIMO) dual-band capability
- Easily set up, configure, and manage multiple wireless access points with advanced clustering intelligence or a wireless controller
- Help ensure reliable voice connectivity anywhere in your business, even as employees move from one access point to another with integrated roaming features

Overview of Cisco Wireless Access Points for Small Business

Features and Benefits	802.11g Access Points	802.11n Access Points			
	Small Business	WAP4410N	AP541N	Aironet® 1040 Series	Aironet 1140/1260 Series
Standalone wireless access point	X	X	X	X	X
Enable guest access and protect business resources with robust security features	X	X	X	X	X
PoE support	X	X	X	X	X
802.11n wireless connectivity for applications that demand high bandwidth		X	X	X	X
Easily set up, configure, and manage multiple wireless access points with advanced clustering intelligence or a wireless controller			X	X	X
Help ensure reliable voice connectivity with integrated roaming features			X	X	X

For additional information and details on Cisco wireless products, please visit www.cisco.com/go/smbwireless.

Cisco Small Business Access Points



Cisco WAP2000 Wireless-G Access Point

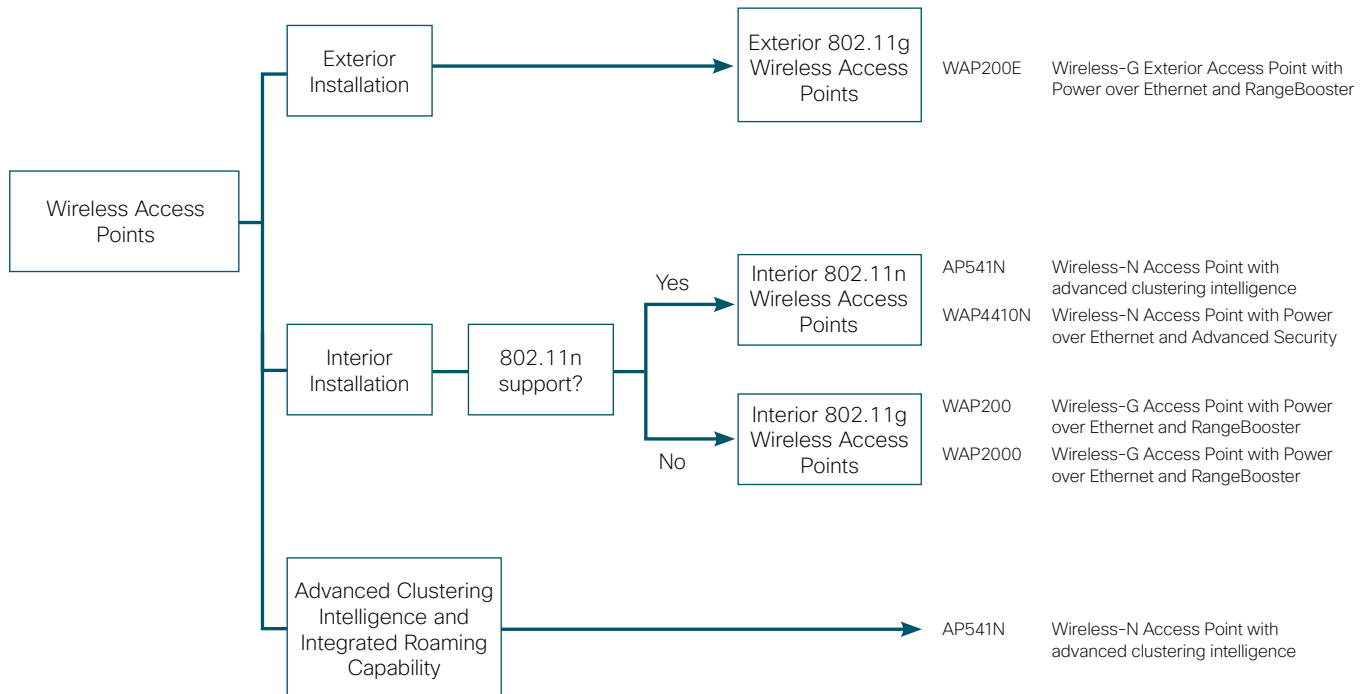


Cisco WAP200E Wireless-G Exterior Access Point



Cisco AP 541N Wireless Access Point

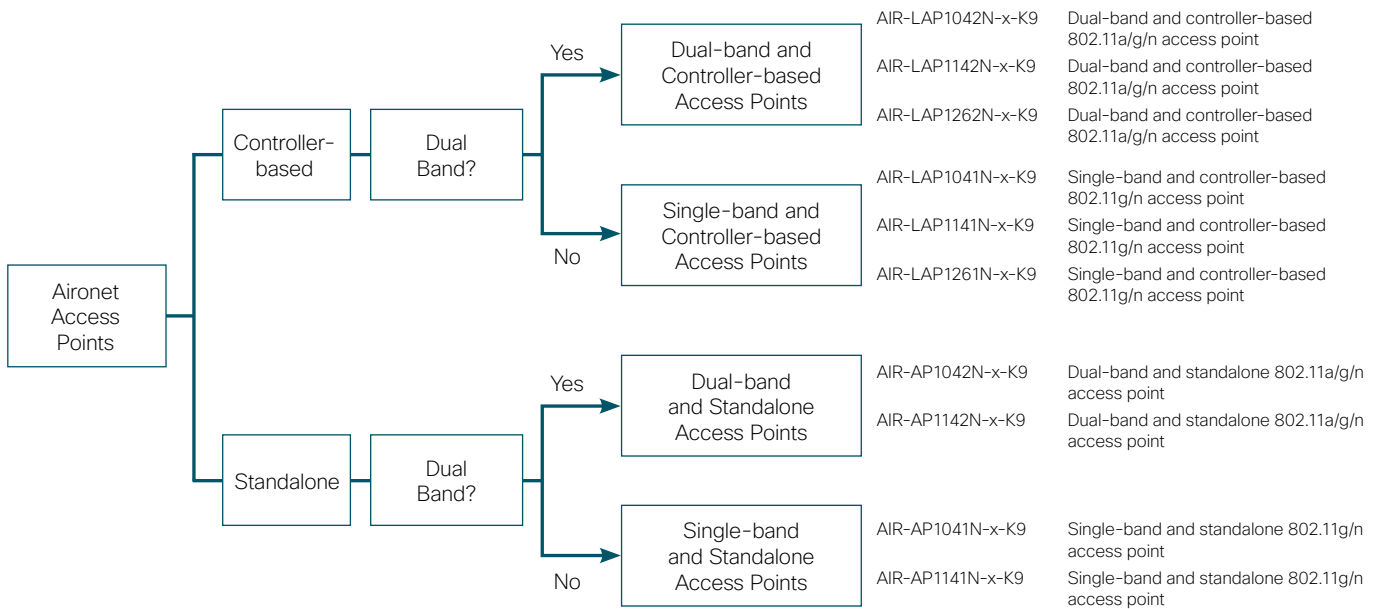
Decision Tree Overview



Cisco Aironet 1040/1140/1260 Series Access Points

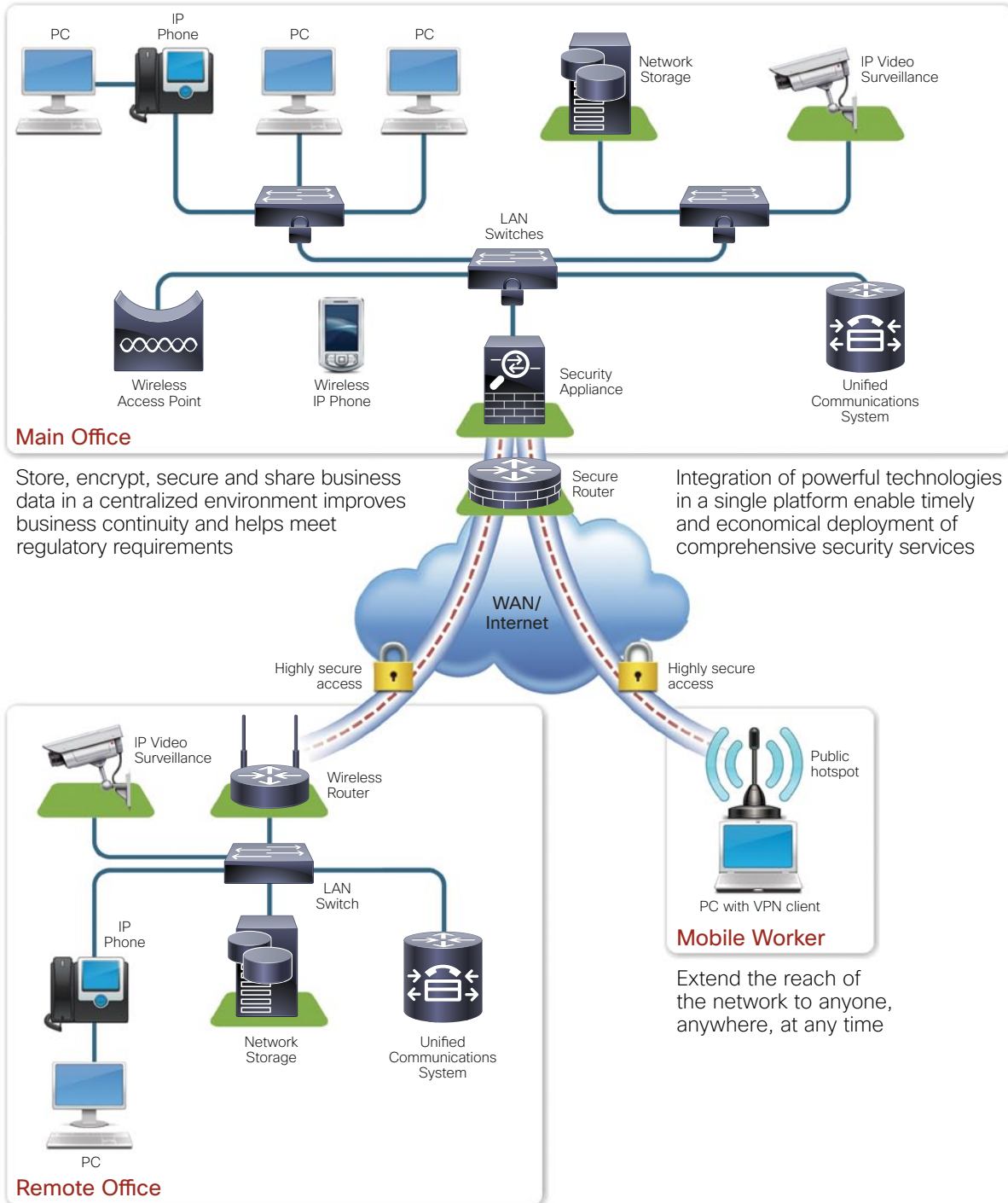


Cisco Aironet 1140 and 1260 Access Points



Secure My Business

The Cisco security solutions help provide proactive threat defense against network attacks, monitor activities in the business premises, and centralize the storage and backup of business data



Cisco Small Business Security

With Cisco Small Business solutions, your customers' networks stay protected, whenever and wherever their workforce is connected. While all Cisco products feature some security capabilities, the following products provide more specific and advanced security functions:

- Cisco ProtectLink Security solutions
- Cisco SA500 Series Security Appliances
- Cisco ASA5500 Series Adaptive Security Appliances

Cisco ProtectLink Security solutions work with selected Cisco Small Business routers and security devices to help businesses stop email spam and viruses, block malicious websites, and control websites accessed with no additional hardware.

- The Cisco ProtectLink Web solution helps block known malicious websites and infectious website content as well as controlling the types of websites employees can access.
- Cisco ProtectLink Gateway features the same web protection as the ProtectLink Web solution but adds further protection to help stop email spam, viruses, and phishing attacks from entering a business.
- For Windows PCs and servers, Cisco ProtectLink Endpoint provides protection against spyware, viruses, and other malware, in and out of the office. In businesses with a Cisco SA500 Series Security Appliance installed, it can also enforce endpoint security policy.

Cisco SA500 Series Security Appliances are all-in-one security solutions designed specifically for businesses with fewer than 100 employees. Simple to install and use, they combine highly secure Internet, wireless, site-to-site, and remote access with firewall, intrusion prevention system (IPS), email, and web security capabilities to protect the business while improving employee productivity. The Cisco SA500 Series works transparently with other products in the Cisco Small Business Series to deliver powerful, integrated solutions to unique small business problems.

Cisco ASA5500 Series Adaptive Security Appliances combine best-in-class security and VPN services with an innovative, extensible services architecture. These appliances provide a proactive threat defense that helps stop attacks before they spread through the network. They also control network activity and application traffic, and deliver flexible VPN connectivity.

The Cisco ASA5500 Series appliances deliver a powerful combination of multiple market-proven technologies in a single platform, making them operationally and economically feasible for organizations to deploy comprehensive security services to more locations. The portfolio of services within the Cisco ASA5500 Series supports customization for location-specific needs, through product editions tailored for small to medium-sized businesses and enterprises.

Overview of Cisco Small Business Security Products (Software)

	Cisco ProtectLink Web	Cisco ProtectLink Gateway	Cisco ProtectLink Endpoint
Stop email spam, viruses, and phishing		X	
Block malicious websites	X	X	
Control web access	X	X	
Protect Windows-based PCs against spyware, viruses, and other malware			X

Overview of Cisco Small Business Security Products (Hardware)

	Cisco SA500 Series (SA520/SA520W/SA540)	Cisco ASA5500 Series (5505/5510/5520)
Maximum firewall throughput	200/200/300 Mbps	150/300/450 Mbps
Maximum firewall connections	15,000/15,000/40,000	10,000/50,000/280,000 25,000/130,000/280,000
Maximum site-to-site and remote access VPN sessions	50/50/100	10/250/750 25/250/750
Maximum SSL VPN user sessions	25/25/50	25/250/750

Features provided by Cisco Security Appliances:

- Full-featured, high-performance firewall, IPS, content security, and SSL/IPsec VPN technologies deliver robust application security, user- and application-based access control, worm and virus mitigation, malware protection, content filtering, and remote user/site connectivity.
- Firewall technology allows valid business traffic to flow, while keeping out unwelcome visitors and preventing unauthorized access to applications or information assets.
- Antivirus and antispayware technology shields internal network resources from virus attacks and reduces the costly process of cleaning up spyware, viruses, and other malware.
- Effective blocking of spam, with a very low level of false positives, helps restore the effectiveness of email and improves employee productivity.
- VPN capabilities enable site-to-site and remote-user access to internal network systems and services.
- The optional VeriSign Identity Protection (VIP) authentication service (SA500 Series), which enhances the security of remote access with advanced two-factor authentication, using one-time passwords generated with either hardware or software token generators or texted to a mobile phone, all easily managed and with no additional hardware installation
- Integrated support for the Cisco ProtectLink Security solutions (SA500 Series), to help stop email spam and viruses, block malicious websites, and control web access with no additional hardware

Cisco Small Business ProtectLink Security Solutions

Product Features Comparison Table

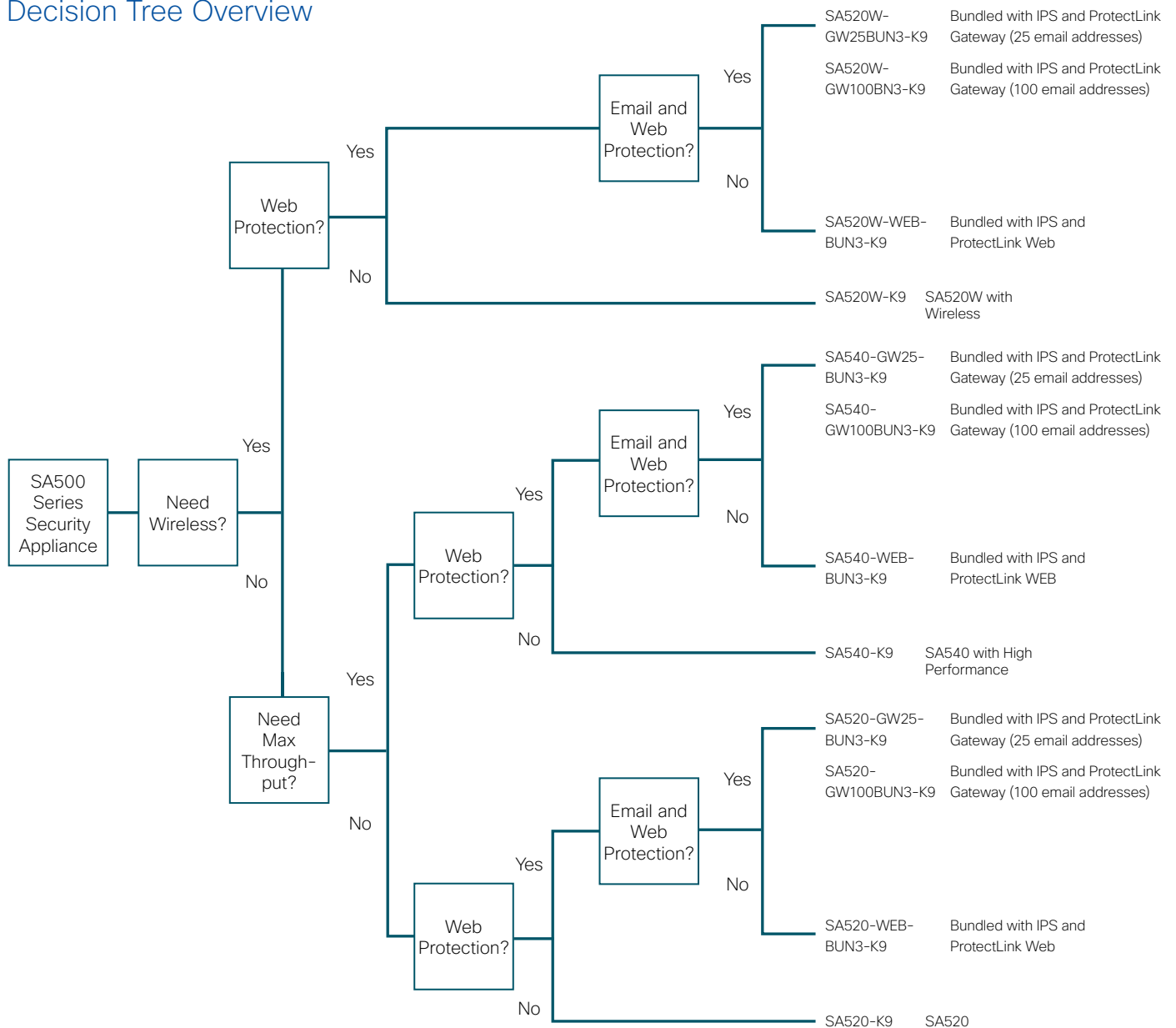
SKU	Product Description
L-PL-WEB-1=	ProtectLink Unlimited Web threat + URL filtering, 1 year
L-PL-WEB-3=	ProtectLink Unlimited Web threat + URL filtering, 3 years
L-PL-GW-25MAX-1=	ProtectLink Unlimited Web threat + 25 max email seats, 1 year
L-PL-GW-25MAX-3=	ProtectLink Unlimited Web threat + 25 max email seats, 3 years
L-PL-GW-100MAX-1=	ProtectLink Unlimited Web threat + 100 max email seats, 1 year
L-PL-GW-100MAX-3=	ProtectLink Unlimited Web threat + 100 max email seats, 3 years
L-PLEP-5=	ProtectLink Endpoint incremental 5-seat license, 1 year
L-PLEP-5-3YR=	ProtectLink Endpoint incremental 5-seat license, 3 years
L-PLEP-25=	ProtectLink Endpoint incremental 25-seat license, 1 year
L-PLEP-25-3YR=	ProtectLink Endpoint incremental 25-seat license, 3 years

Cisco SA500 Series Security Appliances



Cisco SA500 Series Security Appliances
(top to bottom) SA520W, SA520 and SA540

Decision Tree Overview



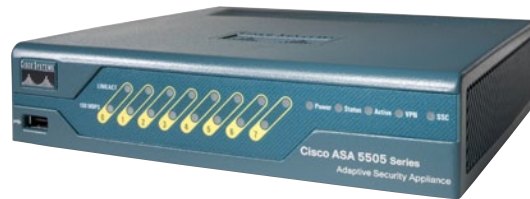
Product Features Comparison Table

	Product SKU	Product Name
UTM Bundles	SA520-WEB-BUN3-K9	SA520 with 3 years IPS and ProtectLink Web licenses
	SA520-GW25-BUN3-K9	SA520 with 3 years IPS and ProtectLink Gateway, 25 licenses
	SA520-GW100BUN3-K9	SA520 with 3 years IPS and ProtectLink Gateway, 100 licenses
	SA520W-WEB-BUN3-K9	SA520W with 3 years IPS and ProtectLink Web licenses
	SA520W-GW25BUN3-K9	SA520W with 3 years IPS and ProtectLink Gateway, 25 licenses
	SA520W-GW100BN3-K9	SA520W with 3 years IPS and ProtectLink Gateway, 100 licenses
	SA540-WEB-BUN3-K9	SA540 with 3 years IPS and ProtectLink Web licenses
	SA540-GW25-BUN3-K9	SA540 with 3 years IPS and ProtectLink Gateway, 25 licenses
	SA540-GW100BUN3-K9	SA540 with 3 years IPS and ProtectLink Gateway, 100 licenses

Support not included with UTM Bundles.

	Product SKU	Product Name
Hardware	SA520-K9	SA520 Security Appliance
	SA520W-K9	SA520W Security Appliance
	SA540-K9	SA540 Security Appliance
Support	CON-SBS-SVC2	Small Business Support Service, 3 years
Licenses	L-FL-SSL-SA520-K9=	SSL license for SA520 and SA520W
	L-SA500-IPS-1YR=	IPS license for SA500 Series, 1 year
	L-SA500-IPS-3YR=	IPS license for SA500 Series, 3 years
	L-PL-WEB-1=	ProtectLink Unlimited Web threat + URL filtering, 1 year
	L-PL-WEB-3=	ProtectLink Unlimited Web threat + URL filtering, 3 years
	L-PL-GW-25MAX-1=	ProtectLink Gateway Unlimited Web + 25 max email seats, 1 year
	L-PL-GW-25MAX-3=	ProtectLink Gateway Unlimited Web + 25 max email seats, 3 years
	L-PL-GW-100MAX-1=	ProtectLink Gateway Unlimited Web + 100 max email seats, 1 year
	L-PL-GW-100MAX-3=	ProtectLink Gateway Unlimited Web + 100 max email seats, 3 years
	L-PLEP-5=	ProtectLink Endpoint incremental 5-seat license, 1 year
	L-PLEP-5-3YR=	ProtectLink Endpoint incremental 5-seat license, 3 years
	L-PLEP-25=	ProtectLink Endpoint incremental 25-seat license, 1 year
	L-PLEP-25-3YR=	ProtectLink Endpoint incremental 25-seat license, 3 years

Cisco ASA5500 Series Adaptive Security Appliances



Cisco ASA5505 Series
Adaptive Security Appliance

Product Features Comparison Table

Cisco ASA5500 Series Model/License	Cisco ASA5505 Base/ Security Plus	Cisco ASA5510 Base/ Security Plus	Cisco ASA 5520
Network location	Small business, branch office, enterprise teleworker	Internet edge	Internet edge
Maximum firewall throughput (Mbps)	150 Mbps	300 Mbps	450 Mbps
Maximum firewall connections	10,000/25,000	50,000/130,000	280,000
Maximum firewall connections per second	4000	9000	12,000
Packets per second (64 byte)	85,000	190,000	320,000
Maximum 3DES/AES VPN throughput	100 Mbps	170 Mbps	225 Mbps
Maximum site-to-site and remote access VPN sessions	10/25	250	750
Maximum SSL VPN user sessions	25	250	750
Maximum virtual interfaces (VLANs)	3 (trunking disabled) / 20 (trunking enabled)	50/100	150

Cisco Small Business Network Storage Systems



Cisco NSS300 Series Smart Storage

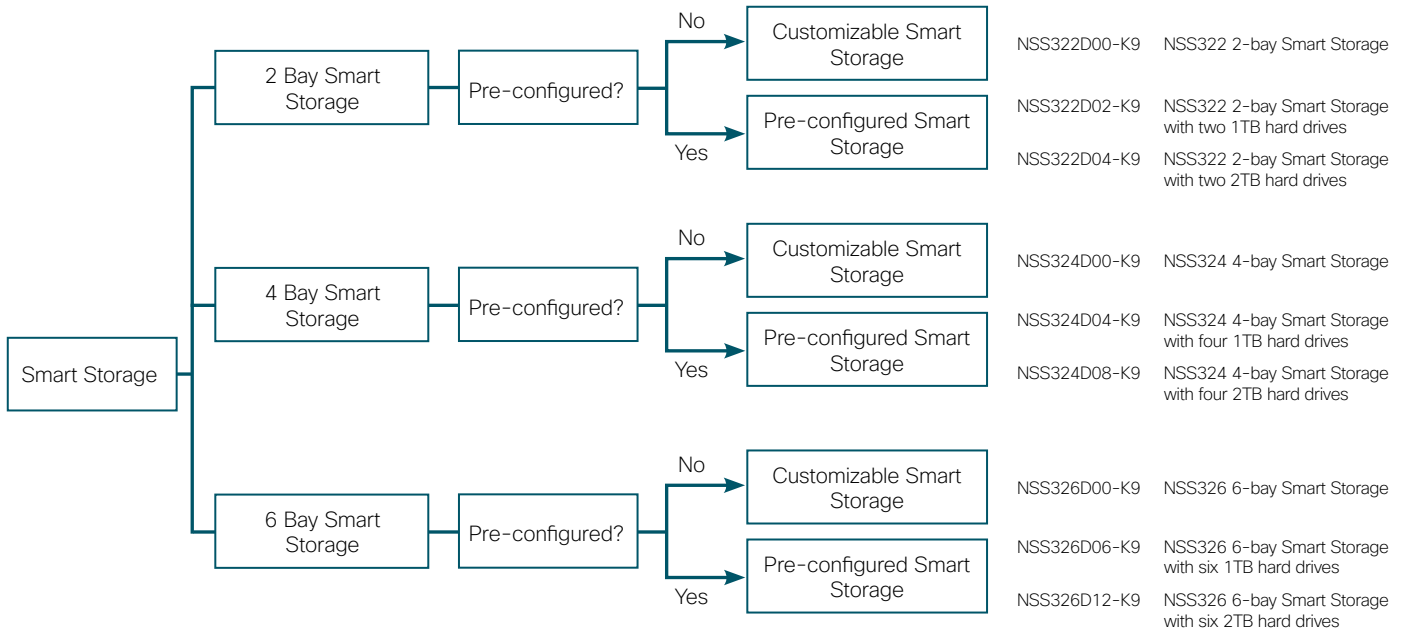
Cisco NSS300 Series Smart Storage provides comprehensive data protection, combining onsite and online backup in a single affordable, high-speed solution. It's easy to set up and manage, with available integrated online backup powered by Mozy, so customers can centralize and automate backup of their critical business data—choosing what to store locally and what to backup online—all via one intuitive interface.

Setting it apart from other storage solutions, Cisco Smart Storage features built-in and add-on applications that extend usage beyond storage, giving customers more value for their money. And to protect the customer's investment, we offer the Cisco Small Business Support Service, an affordable, comprehensive service that provides peace-of-mind coverage.

Features

- 2-, 4-, and 6-bay desktop models with up to 12-TB hard disk drives installed
- Available integrated online backup service powered by Mozy
- Built-in applications that include syslog and RADIUS servers, the WordPress blog publishing platform, and more
- Advanced data protection and security with Advanced Encryption Standard (AES) 256-bit on-disk data encryption
- Support for file sharing across Windows, Macintosh, and Linux platforms
- Multiple backup modes, including PC/Mac to Smart Storage, server to Smart Storage, or Smart Storage to Smart Storage
- Can be used as an iSCSI target for virtualized and clustered environments
- Redundant Array of Independent Disks (RAID) 0, 1, 5, and 6 configurations, and hot-swappable drives
- Energy-efficient operation: scheduled power on and off and hard disk drives that spin down on inactivity

Decision Tree Overview



Product Features Comparison Table

Category	SKU	Max Number of Internal Hard Drives	Pre-configured Hard Drives	Disk Management	Power Supply
Customizable Smart Storage	NSS322D00-K9	2	-	Single disk, JBOD, RAID 0/1	External 84W
Pre-configured Smart Storage	NSS322D02-K9	2	(2)x1TB	Single disk, JBOD, RAID 0/1	External 84W
	NSS322D04-K9	2	(2)x2TB	Single disk, JBOD, RAID 0/1	External 84W
Customizable Smart Storage	NSS324D00-K9	4	-	Single disk, JBOD, RAID 0/1/5/6/5+hot spare	Internal 250W
Pre-configured Smart Storage	NSS324D04-K9	4	(4)x1TB	Single disk, JBOD, RAID 0/1/5/6/5+hot spare	Internal 250W
	NSS324D08-K9	4	(4)x2TB	Single disk, JBOD, RAID 0/1/5/6/5+hot spare	Internal 250W
Customizable Smart Storage	NSS326D00-K9	6	-	Single disk, JBOD, RAID 0/1/5/6/5+hot spare/6+hot spare	Internal 250W
Pre-configured Smart Storage	NSS326D06-K9	6	(6)x1TB	Single disk, JBOD, RAID 0/1/5/6/5+hot spare/6+hot spare	Internal 250W
	NSS326D12-K9	6	(6)x2TB	Single disk, JBOD, RAID 0/1/5/6/5+hot spare/6+hot spare	Internal 250W

Hard Drive Trays and Power Adapters

SKU	Product Description
HDT020	HDT020 Hard Drive Tray
HDT021	HDT021 Hard Drive Tray with 1TB Hard Drive
HDT022	HDT022 Hard Drive Tray with 2TB Hard Drive
NSS030	NSS030 External power adapter for the NSS322 Smart Storage

Cisco Small Business Video Surveillance

Cisco Advanced Video Monitoring System (AVMS) is an ideal way to improve your company's operations, safety, and security. For organizations that need more robust, intelligent surveillance solutions, it delivers enterprise-class features at a price you can afford. Cisco AVMS software lets you view and control your video surveillance cameras inside or outside the office, while providing flexibility to meet changing business needs.

Cisco Small Business Video Surveillance cameras all support remote and mobile viewing through an Internet browser in addition to the Basic Video Monitoring System software included with all Cisco Small Business cameras. For more advanced functionality, optional Cisco AVMS software licenses extend the software to easily monitor, record, and control up to 64 cameras using an intuitive graphical user interface with enhanced surveillance features.

- Advanced discovery and management of up to 64 Cisco Small Business Video Surveillance cameras and supported third-party cameras
- Support for remote and mobile viewing and playback of live and recorded video over a variety of devices
- Multiple viewing and video formats to match user and storage requirements
- Multifunction playback system that supports intelligent search
- Ability to integrate with business applications such as point-of-sale (POS) equipment using optional adapter for additional business intelligence
- Real-time digital enhancement during playback, allowing adjustment of video visibility, sharpness, brightness, contrast, and grayscale
- Multilanguage user interface for configuration in 22 languages, including English, French, German, Italian, Chinese (simplified and traditional), Japanese, Spanish, and more

Product Comparison Table

SKU	Product Description
L-VM200-32	Basic Plus Video Monitoring System (VMS) supporting up to 32 cameras
L-VM300-04	Advanced Video Monitoring System (AVMS) supporting up to 4 cameras
L-VM300-08	Advanced Video Monitoring System (AVMS) supporting up to 8 cameras
L-VM300-16	Advanced Video Monitoring System (AVMS) supporting up to 16 cameras
L-VM300-32	Advanced Video Monitoring System (AVMS) supporting up to 32 cameras
L-VM300-64	Advanced Video Monitoring System (AVMS) supporting up to 64 cameras

Cisco Small Business Video Surveillance Cameras help small business owners monitor and protect their companies. These high-quality, customizable solutions can be optimized for many different applications and sites. Each camera can be quickly mounted, using the bracket included in the package. The cameras' compact form factor also allows them to be placed inside a protective enclosure, for interior or exterior installations.

Certain models can be powered from a PoE switch or a power injector using Ethernet cabling. This feature supports installation near ceilings, on rooftops, or in other places where power outlets are not available.

Wired PTZ and Fixed Cameras

The Cisco pan/tilt/zoom (PTZ) video camera (Cisco PVC300) with PoE, and the Cisco fixed camera (Cisco PVC2300) with PoE, interchangeable lenses, and choice of I/O ports allow flexible installation for multiple applications. These cameras offer:

- High-quality progressive-scan charge-coupled device (CCD) sensor with low-light sensitivity and an infrared filter switcher (Cisco PVC2300), for an optimal video image under varying conditions
- Simultaneous dual codecs that provide an ideal combination of viewing and storage of video
- Two-way audio, IP multicast, Third Generation Partnership Project (3GPP), and other advanced surveillance features

Wireless PTZ Cameras

Cisco Wireless-G PTZ video cameras send high-quality live video and audio through the Internet to a web browser anywhere in the world. These cameras offer:

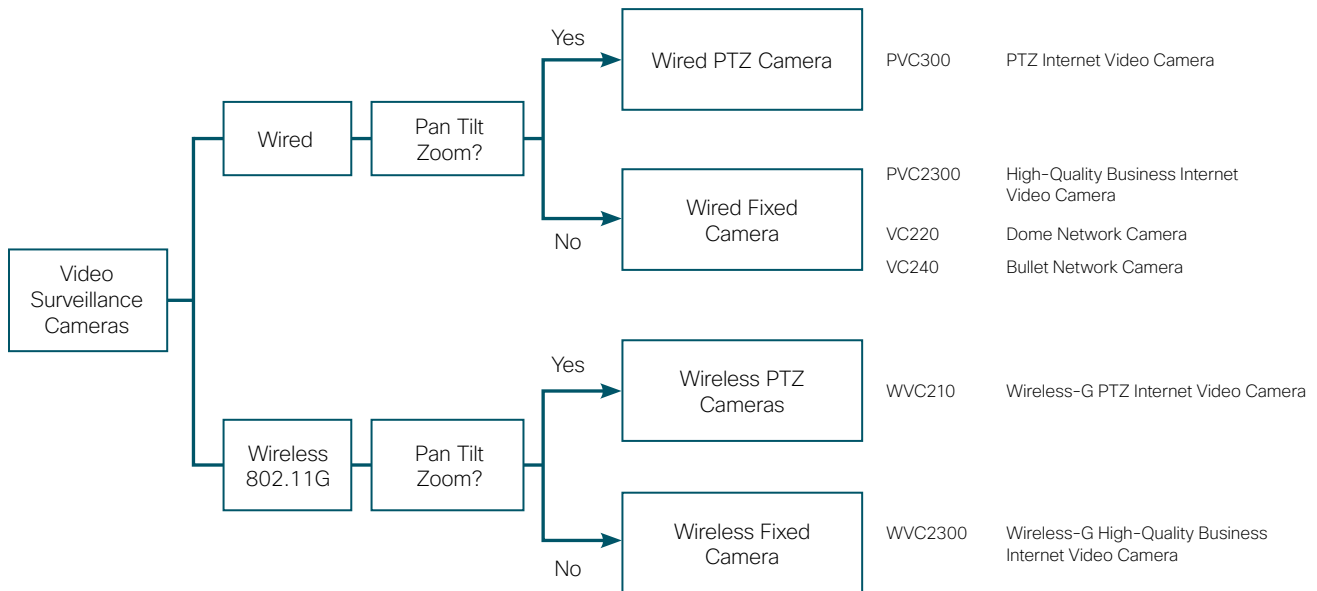
- Capacity to view images, even in low light environments
- Ability to send automatic email alerts with video clips upon motion detection
- Support for up to 10 simultaneous remote users
- Ability to monitor up to 16 cameras with included software
- Audio capabilities that include two-way audio, embedded microphone, external speaker, and microphone input ports (Cisco WVC210)

Wireless Fixed Camera

The Cisco wireless fixed camera with interchangeable lenses and choice of I/O ports allows flexible installation for multiple applications. This camera also offers:

- High-quality CCD sensor with low light sensitivity and an infrared filter switcher, for optimal video image under varying conditions
- Simultaneous dual codecs, for an optimal combination of viewing and storage of video
- Two-way audio, IP multicast, 3GPP, and other advanced surveillance features

Decision Tree Overview



Product Features Comparison Tables

Category	SKU	802.11g Wireless Ethernet	2-Way Audio	External Input/Output Connections	Interchangeable CS Lenses	Pan Tilt	Integrated Optical Zoom	Night Vision (IR Cut Filter)	Image Sensor
Wired PTZ Camera	PVC300	No	Yes	Yes	No	Yes	Yes (2.6x)	No	¼ in. CCD
Wired Fixed Dome Camera	VC220	No	Yes	Yes	No	No	Yes (3.6x)	Yes	1-/3.3-in. WDR
Wired Fixed Camera	PVC2300	No	Yes	Yes	Yes	No	No	Yes	¼ in. CCD
	VC240	No	Yes	Yes	No	No	Yes (3.6x)	Yes	1-/3.3-in. WDR
Wireless PTZ Cameras	WWC210	Yes	Yes	No	No	Yes	No	No	¼ in. CMOS
Wireless Fixed Camera	WWC2300	Yes	Yes	Yes	Yes	No	No	Yes	¼ in. CCD

Video Surveillance Accessories – Interchangeable Lenses

SKU	Description	Compatible Camera	Auto Iris	Lens Types	Manufacturer
CAMLMI	Camera Lens Tamron 3-8mm Varifocal Manual Iris	PVC/WVC2300	No	3-8 mm	Tamron
CAMLWA	Camera Lens Computar Wide Angle 2.3mm Fixed Manual Iris	PVC/WVC2300	No	2.3 mm	Computar
CIVS-IPCVF31=	IP Camera Fujinon 3-11 mm Varifocal Lens	PVC/WVC2300	Yes-DC	3-11mm	Fujinon
CIVS-IPCVT31=	IP Camera Tamron 3-11 mm Varifocal Lens	PVC/WVC2300	Yes-DC	3-11mm	Tamron
CIVS-IPCVF38=	IP Camera Fujinon 3-8 mm Varifocal Lens	PVC/WVC2300	Yes-DC	3-8 mm	Fujinon
CIVS-IPCVT38=	IP Camera Tamron 3-8 mm Varifocal Lens	PVC/WVC2300	Yes-DC	3-8 mm	Tamron
CIVS-IPCVF55=	IP Camera Fujinon 5-50 mm Varifocal Lens	PVC/WVC2300	Yes-DC	5-50 mm	Fujinon
CIVS-IPCVT55=	IP Camera Tamron 5-50 mm Varifocal Lens	PVC/WVC2300	Yes-DC	5-50 mm	Tamron

Video Surveillance Accessories – Enclosures

SKU	Product Description	Compatible Camera
VC020	Indoor/Outdoor Camera Enclosure Exterior	PVC2300
VC025	Indoor Recessed Ceiling Mount	VC220
VC030	Camera Enclosure Exterior Pan Tilt	PVC300
Mount Adapters for the VC030		
VC031	Camera Enclosure Exterior Pan Tilt Pendant Mount Adapter	VC030
VC032	Camera Enclosure Exterior Pan Tilt Corner Mount Adapter	VC030
VC033	Camera Enclosure Exterior Pan Tilt Pole Mount Adapter	VC030



Cisco PVC2300 Business Internet Video Camera - Audio/PoE

- Interchangeable lenses and I/O ports
- High-quality CCD sensor with low-light sensitivity and infrared-cut filter
- Simultaneous dual codes for an optimal combination of viewing and storage
- PoE for flexible installation
- Two-way audio, IPmulticast, and 3GPP



Cisco VC220 Dome Network Camera

- Wide Dynamic Range (WDR) image sensor for improved image quality
- Tamper-resistant housing
- Passive infrared (PIR) sensor for event activation
- Day and night capability (built-in infrared LEDs)



Cisco VC240 Bullet Network Camera

- WDR image sensor for high image quality
- Day and night capability (built-in infrared LEDs)
- Indoor/outdoor IP66 enclosure for dust and water resistance
- PoE for single-cable installation



Cisco PVC300 Pan Tilt Optical Zoom Internet Camera

- PTZ camera with 2.6x optical zoom and ceiling mount
- PoE for flexible installation
- IPv6 support, Samba client
- Dual codecs (MPEG-4 and MJPEG) supported simultaneously



Cisco WVC210 Wireless-G PTZ Internet Video Camera-2-Way Audio

- High-quality live video sent to your network wirelessly
- Low-light sensitivity
- Simultaneous dual codecs for an optimal combination of video viewing and storage
- Two-way audio, IP multicast, and 3GP



Cisco WVC2300 Wireless-G Business Internet Video Camera - Audio

- High-quality live video sent to your network wirelessly
- Interchangeable lenses and I/O ports
- High-quality, progressive-scan CCD sensor
- Simultaneous dual codecs for an optimal combination of video viewing and storage
- Two-way audio, IP multicast, and 3GPP



VC020 Indoor/Outdoor Camera Enclosure Exterior

- Physical Rating - Dust Resistant (IP55)
- Water Protection - Splashed Water Resistant (IP55)



VC025 Indoor Recessed Ceiling Mount

- Supports manual Pan/Tilt at installation
- Physical Rating - Not Applicable
- Water Protection - Not Applicable



VC030 Camera Enclosure Exterior Pan Tilt

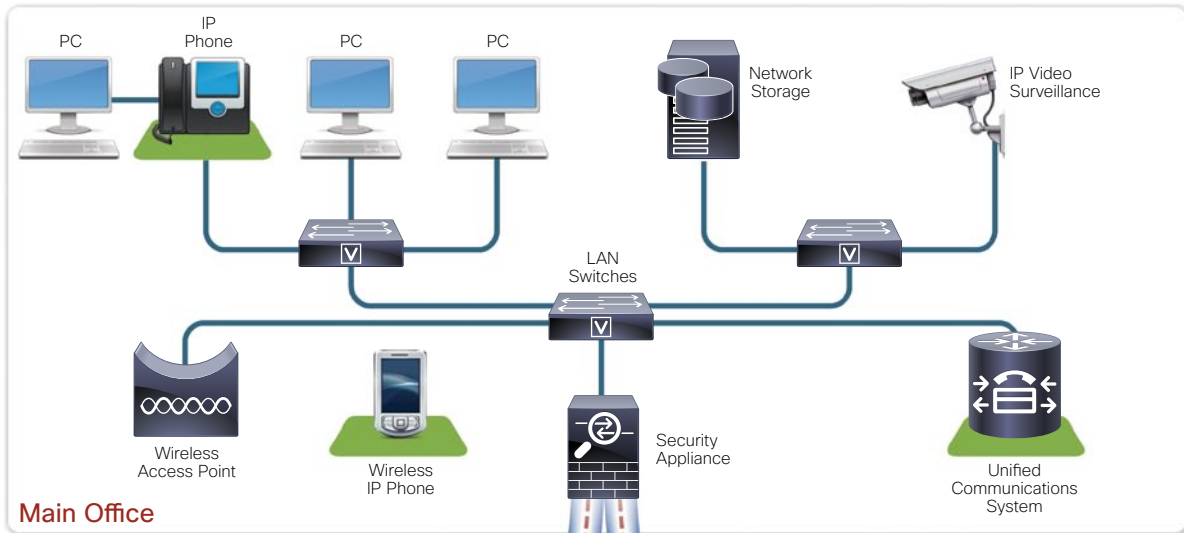
- Supports Pan/Tilt capable camera
- Physical Rating - Dust Tight (IP66)
- Water Protection - Powerful Water Jet (IP66)

Available Mount Adapters:

- VC031 - Pendant Mount Adapter
- VC032 - Corner Mount Adapter
- VC033 - Pole Mount Adapter

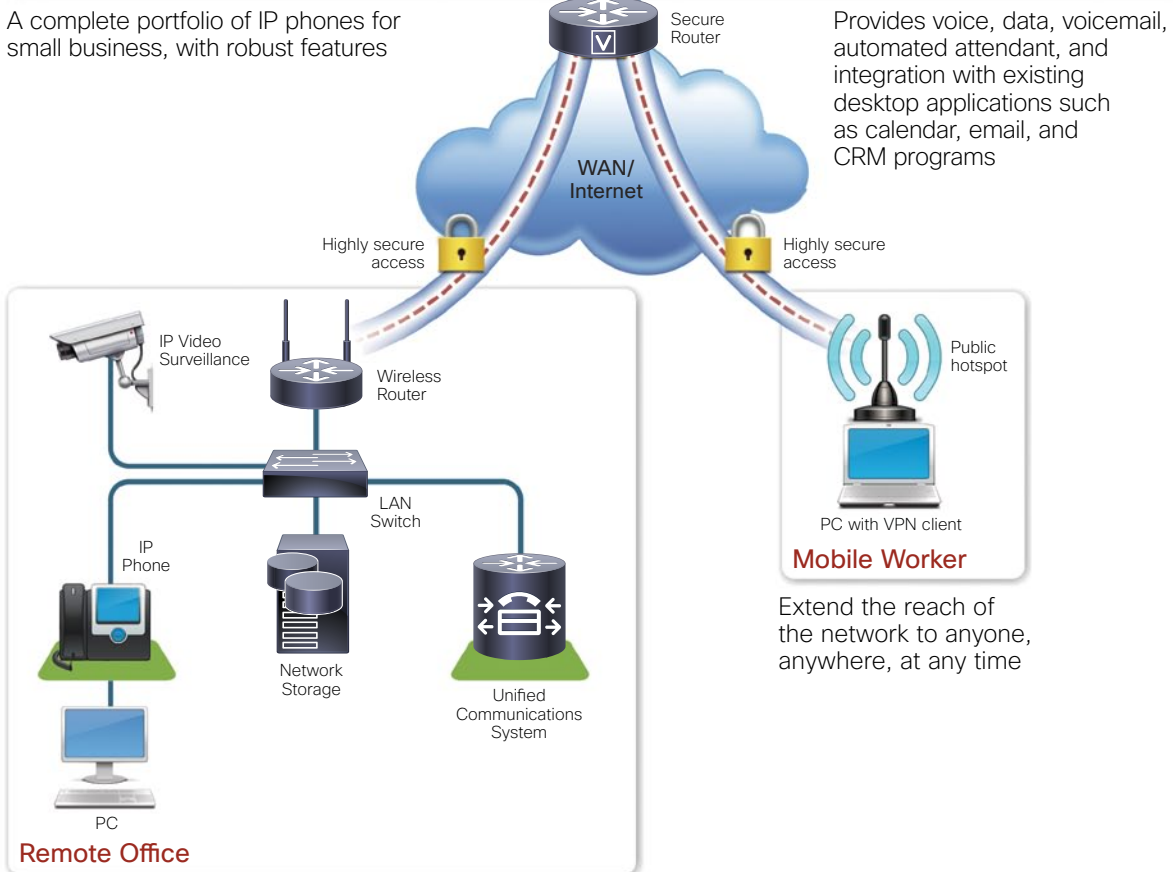
Communicate and Collaborate

The Cisco Unified Communications solutions for small business provide basic and advanced voice services at an affordable price



A complete portfolio of IP phones for small business, with robust features

Provides voice, data, voicemail, automated attendant, and integration with existing desktop applications such as calendar, email, and CRM programs



Enable remote workers to work as though they were in the office, placing and receiving calls and sharing data

Cisco Unified Communications

Cisco Unified Communications solutions for small business provide basic and advanced voice services at an affordable price.

The features and options available with Cisco Unified Communications solutions for small business can provide many advantages, such as lower operating costs, improved productivity, the ability to serve customers better, and increased sales. Some of these capabilities are:

- Application integration, including customer relationship management (CRM) and enterprise resource planning (ERP)
- Basic contact center capabilities, including help desk features
- Presence integration, providing the ability to see the status of others within the business
- Voicemail, integrated messaging, and unified messaging options
- Video integration
- Voice, video, and data collaboration within the business and also with external customers

Cisco Unified Communications Capabilities Overview

Description	UC300	UC500	CME	Unified CMBE 5000
IP Devices Supported	24	104	450	500
Single Office Solution	X	X	X	X
Distributed Deployment		X	X	X
Centralized Deployment				X
Integrated Voice Mail	X	X		X
Appliance Based	X	X		X
Integrated Voice Gateway	X	X		
Required Partner Certification	Select	Select	Express	Business Edition
IP Phone Support				
Cisco SPA300/500 IP Phone Series	X	X	X	X
Cisco Unified IP Phone 6900 Series		X	X	X
Cisco Unified IP Phone 7900 Series		X	X	X
Cisco Unified IP Phone 8900 Series			X	X
Cisco Unified IP Phone 9900 Series			X	X

Cisco Unified Communications 300 Series for Small Business

The Cisco Unified Communications 300 Series is a cost-effective way to provide basic and advanced voice services for the small business. It is easy to configure using the intuitive GUI that is provided on the system.

The Cisco Unified Communications 300 Series supports up to 24 phones, many of which are also supported on the Cisco Unified Communications 500 Series, providing customers with a way to protect their investment in phones as their businesses grow.

The Cisco Unified Communications 300 Series includes:

- Voicemail: Integrated voicemail includes many different advanced features, such as automated attendant and the ability to include voicemail in an email.
- Public switched telephone network (PSTN) connectivity: Four FXO ports are included—typically enough to support 10 to 12 phones. Additional FXO ports can be added with the Cisco SPA8800 IP Telephony Gateway.
- Four 10/100/1000 Ethernet ports: These ports can be used for any type of device, including IP phones. (Each IP phone would require a power supply; PoE is not supported.)
- Support for an analog phone or fax: One FXS port is included that can be used to connect a single analog phone or fax machine. Additional FXS ports can be added with the Cisco SPA8800 gateway.
- Licensing: No additional licenses are required when using the Cisco Unified Communications 300 Series; all phone and voicemail licenses are included with the solution.

Cisco Unified Communications 300 Series



SKU	IP Phones	LAN Support	FXO/FXS	WAN Support	Integrated Wireless
UC320W-FXO-K9	24	10/100/1000 Ethernet (non-PoE)	4/1	10/100/1000 Ethernet	Yes

Cisco SPA8800 IP Telephony Gateway

The Cisco SPA8800 IP Telephony Gateway is a solution that small businesses can use to connect an IP private branch exchange (PBX), such as the Cisco UC300 Series, to the PSTN. It provides a combination of four FXO and four FXS ports to connect existing analog phones or fax machines to the PSTN, protecting and extending your investment in existing communications equipment.

Additional Cisco SPA8800 features include:

- Conversion of voice traffic into data packets for transmission over an IP network
- Session Initiation Protocol (SIP) standards for voice and data networking, providing reliable voice and fax operation

Cisco SPA8800 IP Telephony Gateway



SKU	FXS Ports	FXO Ports	Ethernets Ports
SPA8800	4	4	1
SPA8800-G1	8	0	1

Unified Communications 500 Series for Small Business

The Cisco Unified Communications 500 Series is an affordable unified communications appliance that provides voice, data, voicemail, automated attendant, video, security, and wireless capabilities and integration with existing desktop applications such as calendar, email, and CRM programs. This easy-to-manage platform supports up to 104 IP phones and voice mailboxes and provides flexible deployment options based on your needs, with a wide array of IP phones, PSTN interfaces, and Internet connectivity options.

- Cisco Unified Communications 520 scales to 64 users.
- Cisco Unified Communications 540 scales to 32 users.
- Cisco Unified Communications 560 scales to 104 users

Common features:

- Robust legacy telephony features, including directory, paging, intercom, call coverage, call park, music on hold (MoH), night bell, hunt groups, direct inward dialing, and ad hoc and meet-me conferencing
- Support for Cisco Smart Business Productivity Applications (Cisco TimeCardView, Live Record and Reply, Integrated Messaging, and Single Number Reach)
- Support for multisite deployments
- System monitoring through third-party partner monitoring software and services
- Support for the Cisco Unified IP Phones 7900 Series and Cisco SPA500 and SPA300 Series IP Phones
- VPN support on the Cisco SPA525G2 5-Line IP Phone
- Cisco MonitorView, enabling employees to speak to and see someone in an unattended lobby from a Cisco SPA525G phone via video streams
- Cisco integration with CyberData third-party SIP call box, which helps enable a front door/back door security solution combining voice, video, and physical security

Cisco Unified Communications 500 Series



Product Features Comparison Tables

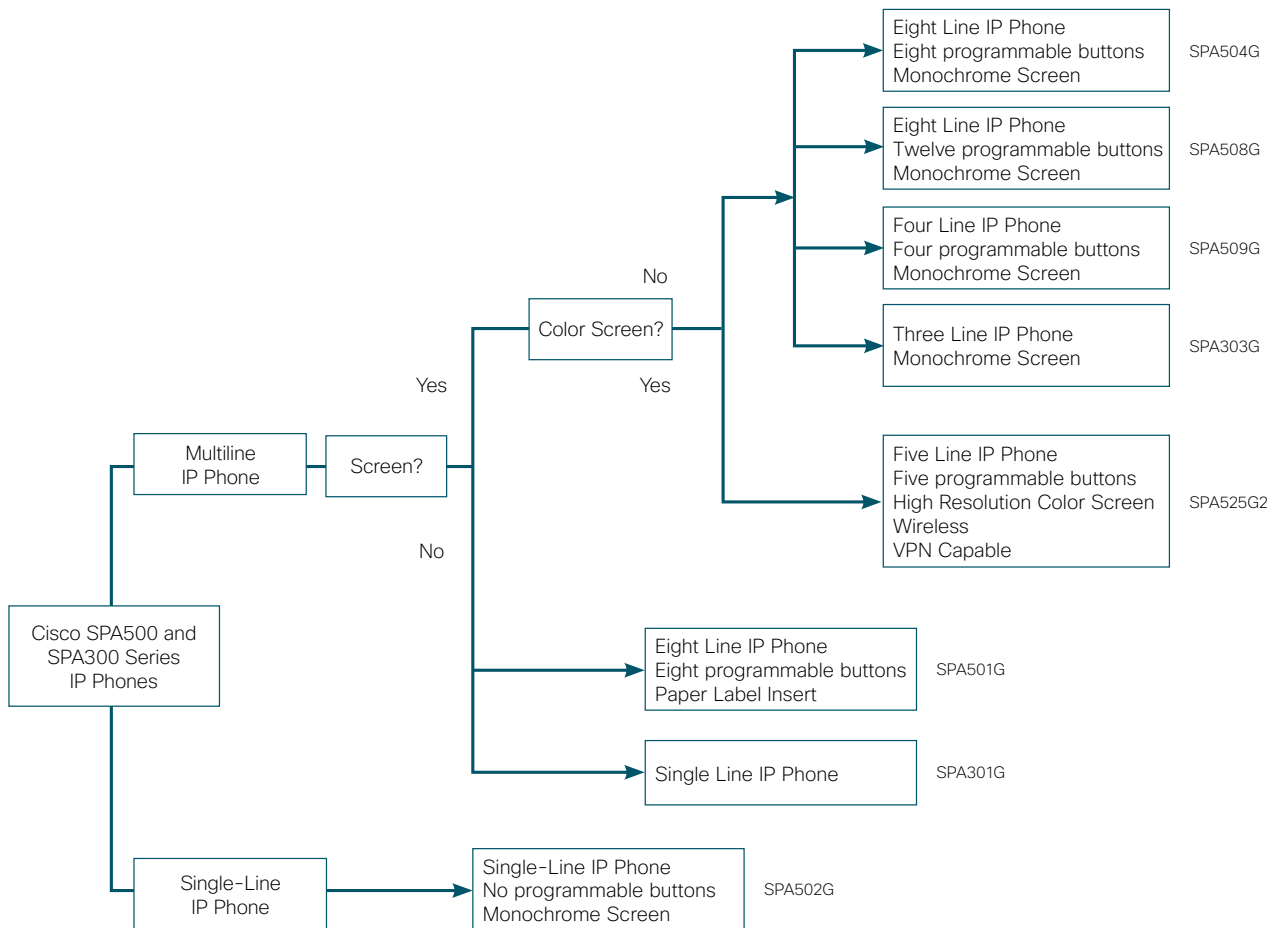
SKU	IP Phones	IP Phones Upgradable to	FXO/FXS	T1/E1 Support	BRI Support	Integrated Wireless
UC520-8U-4FXO-K9	8	16	4/4	No	No	No
UC520W-8U-4FXO-K9	8	16	4/4	No	No	Yes
UC520-8U-2BRI-K9	8	16	0/4	No	2	No
UC520W-8U-2BRI-K9	8	16	0/4	No	2	Yes
UC520-16U-4FXO-K9	16	24	4/4	No	No	No
UC520W-16U-4FXO-K9	16	24	4/4	No	No	Yes
UC520-16U-2BRI-K9	16	24	0/4	No	2	No
UC520W-16U-2BRI-K9	16	24	0/4	No	2	Yes
UC520-24U-8FXO-K9	24	32/48	8/4	No	No	No
UC520-24U-4BRI-K9	24	32/48	0/4	No	4	No
UC520-32U-8FXO-K9	32	48	8/4	No	No	No
UC520-32U-4BRI-K9	32	48	0/4	No	4	No
UC520-48U-12FXO-K9	48	64	12/4	No	No	No
UC520-48U-6BRI-K9	48	64	0/4	No	6	No
UC520-48U-T/E/F-K9	48	64	4/4	1	No	No
UC520-48U-T/E/B-K9	48	64	0/4	1	2	No

SKU	IP Phones	IP Phones Upgradable to	FXO/FXS	T1/E1 Support	BRI Support	Integrated Wireless
UC560-FXO-K9	16	104	4/4	No	No	No
UC560-BRI-K9	16	104	0/4	No	2	No
UC560-T1E1-K9	16	104	4/4	1	No	No
UC540W-FXO-K9	8	32	4/4	No	No	Yes
UC540W-BRI-K9	8	32	0/4	No	2	Yes

Cisco Small Business SPA500 and SPA300 Series IP Phones

The Cisco SPA500 and SPA300 Series IP Phones are a complete portfolio of IP phones for small business, with robust features that support the Cisco Unified Communications 300 and 500 Series, as well as hosted IP telephony. The phones provide an intuitive, rich user experience with wideband audio to connect employees and offices, support for applications that enhance productivity, and encryption for enhanced security.

SPA500 and SPA300 Series Decision Tree Overview



Product Features Comparison Table

Description	SKU	Lines	Programmable Buttons	Connection for Computer on IP Phone	PoE	Display	Bluetooth Capable
Cisco SPA 501G 8-line IP Phone	SPA501G	8	8	Yes	Yes	Paper insert	No
Cisco SPA 502G 1-line IP Phone	SPA502G	1	0	Yes	Yes	Backlit monochrome	No
Cisco SPA 504G 4-line IP Phone	SPA504G	4	4	Yes	Yes	Backlit monochrome	No
Cisco SPA 508G 8-line IP Phone	SPA508G	8	8	Yes	Yes	Backlit monochrome	No
Cisco SPA 509G 12-line IP Phone	SPA509G	12	12	Yes	Yes	Backlit monochrome	No
Cisco SPA 525G2 IP Phone	SPA525G2	5	5	Yes	Yes	High-resolution color display	Yes

Cisco Small Business Series IP Phones



SPA301G

- Single line



SPA303G

- 3 lines
- Graphical monochrome display



SPA501G

- 8-lines
- Paper insert
- Power over Ethernet
- 10/100 Ethernet switch



SPA502G

- Single line
- Backlit monochrome display
- Power over Ethernet
- 10/100 Ethernet switch



SPA504G

- 4-lines
- Backlit monochrome display
- Power over Ethernet
- 10/100 Ethernet switch



SPA508G

- 8-lines
- Backlit monochrome display
- Power over Ethernet
- 10/100 Ethernet switch

Cisco Small Business Series IP Phones (continued)



SPA509G

- 12-lines
- Backlit monochrome display
- Power over Ethernet
10/100 Ethernet switch



SPA525G2

- 5-lines
- High Resolution Color Display
- Power over Ethernet
- 10/100 Ethernet switch
- Bluetooth capable
- VPN capable

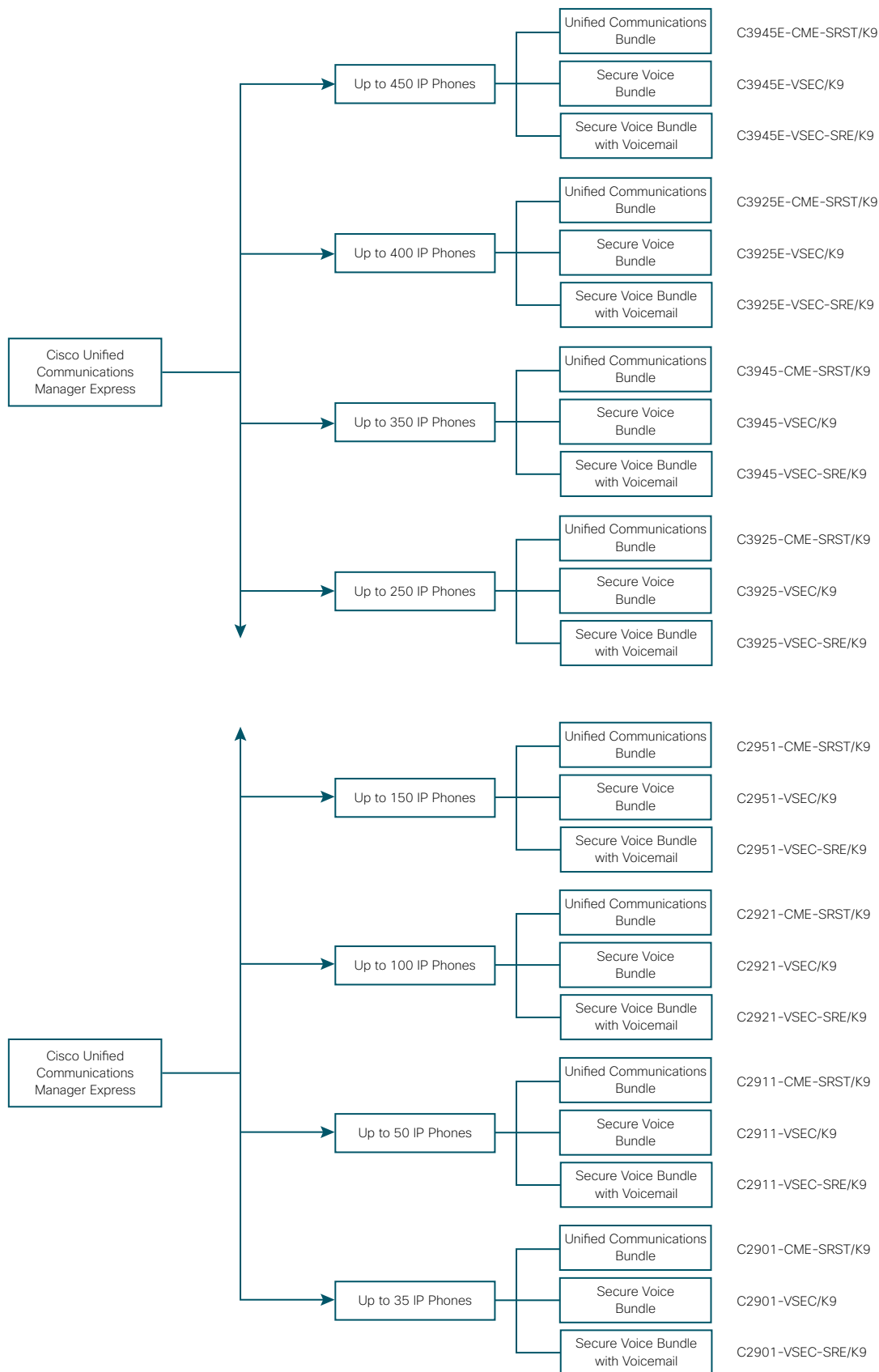
Cisco Unified Communications Manager Express

Cisco Unified Communications Manager Express gives small businesses and branch offices the same unified communications capabilities as larger businesses, to help improve productivity and enhance global competitiveness. This solution provides full-featured call processing capabilities for Cisco Unified IP Phones as part of a converged voice and data solution integrated into Cisco Integrated Services Routers (ISRs) and Cisco Multiservice Access Routers. It integrates voice, video, and wireless capabilities on a single platform, eliminating the need to deploy different servers for each application. And it has an intuitive management interface for easy, quick moves, adds, or changes.

Common features:

- Offers call center capabilities, including Basic Automatic Call Distribution (ACD), to intelligently route calls to available, qualified agents, in or out of the office
- Provides ACD reports and agent group login
- Compact form factor includes IP gateway, IP PBX, routing, and security
- Includes robust legacy telephony features, including directory, paging, intercom, call coverage, call park, MoH, night bell, hunt groups, direct inward dialing, and ad hoc and meet-me conferencing
- Converged IP communications features include support for video telephony, soft phone, desktop computer telephony integration, teleworkers, hot desking, SIP phones, and trunking
- Single number reach (SNR) in Cisco IOS Software
- Whisper intercom
- SIP line-side enhancements: shared lines, SIP shared line barge with privacy release, and call park and pickup with feature access codes
- Support for Cisco Unified IP Phones 9971, 9951, and 8961
- Enhanced MoH capabilities, with support for five MoH streams
- Enhanced security built in

Cisco Unified Communications Manager Express Bundles with Integrated Services Router Generation 2



Product Features Comparison Table

Bundle Description	SKU	Included IP Phone License	IP Phone License Upgrade	Includes Cisco Unity Express	PDVM
Cisco 3945E Unified Communications Bundle	C3945E-CME-SRST/K9	25	450		64
Cisco 3945E Secure Voice Bundle	C3945E-VSEC/K9	25	450		64
Cisco 3945E Secure Voice with Voicemail Bundle	C3945E-VSEC-SRE/K9	25	450	Yes	64
Cisco 3925E Unified Communications Bundle	C3925E-CME-SRST/K9	25	400		64
Cisco 3925E Secure Voice Bundle	C3925E-VSEC/K9	25	400		64
Cisco 3925E Secure Voice with Voicemail Bundle	C3925E-VSEC-SRE/K9	25	400	Yes	64
Cisco 3945 Unified Communications Bundle	C3945-CME-SRST/K9	25	350		64
Cisco 3945 Secure Voice Bundle	C3945-VSEC/K9	25	350		64
Cisco 3945 Secure Voice with Voicemail Bundle	C3945-VSEC-SRE/K9	25	350	Yes	64
Cisco 3925 Unified Communications Bundle	C3925-CME-SRST/K9	25	250		64
Cisco 3925 Secure Voice Bundle	C3925-VSEC/K9	25	250		64
Cisco 3925 Secure Voice with Voicemail Bundle	C3925-VSEC-SRE/K9	25	250	Yes	64
Cisco 2951 Unified Communications Bundle	C2951-CME-SRST/K9	25	150		32
Cisco 2951 Secure Voice Bundle	C2951-VSEC/K9	25	150		32
Cisco 2951 Secure Voice with Voicemail Bundle	C2951-VSEC-SRE/K9	25	150	Yes	32
Cisco 2921 Unified Communications Bundle	C2921-CME-SRST/K9	25	100		32
Cisco 2921 Secure Voice Bundle	C2921-VSEC/K9	25	100		32
Cisco 2921 Secure Voice with Voicemail Bundle	C2921-VSEC-SRE/K9	25	100	Yes	32
Cisco 2911 Unified Communications Bundle	C2911-CME-SRST/K9	25	50		16
Cisco 2911 Secure Voice Bundle	C2911-VSEC/K9	25	50		16
Cisco 2911 Secure Voice with Voicemail Bundle	C2911-VSEC-SRE/K9	25	50	Yes	16
Cisco 2901 Unified Communications Bundle	C2911-CME-SRST/K9	25	35		16
Cisco 2901 Secure Voice Bundle	C2911-VSEC/K9	25	35		16
Cisco 2901 Secure Voice with Voicemail Bundle	C2911-VSEC-SRE/K9	25	35	Yes	16

Cisco Unified Communications Manager Business Edition 5000

Unified communications system for small businesses:

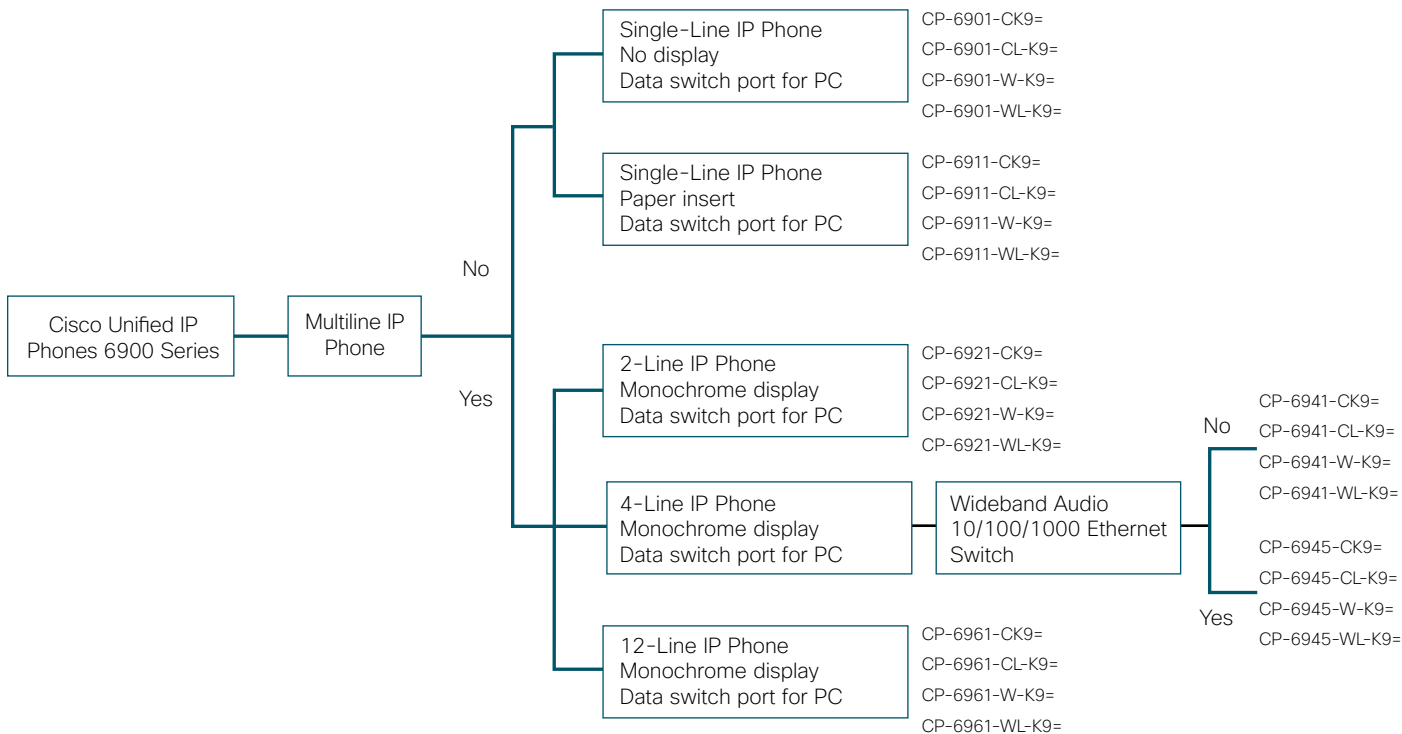
- Key unified communications applications on a single powerful server
- Supports up to 500 users and 20 sites (1 central site, 19 remote sites)
- Integrates with the entire Cisco Unified Communications line of products
- Integrates Cisco Unity® Connection for advanced voicemail capabilities

Simple setup and management:

- Single server for three applications: Cisco Unified Communications Manager, Cisco Data Mobility Manager, and Cisco Unity Connection
- Preloaded software suite
- Single set of credentials, single sign-on
- Integrated mailbox configuration and common management tools

Bundle Description	SKU	Included Basic User Connect Licenses	IP Phone and Unity Connection License Upgrade	Remote Sites Supported
Unified Communications Manager Business Edition 5000	UNIFIED-CMBE5K	50	500	20

Cisco Unified IP Phone 6900 Series





CP-6901-C-K9=
 CP-6901-CL-K9=
 CP-6901-W-K9=
 CP-6901-WL-K9=

- Single line
- Power over Ethernet



CP-6911-C-K9=
 CP-6911-CL-K9=
 CP-6911-W-K9=
 CP-6911-WL-K9=

- Paper insert
- Single line
- Power over Ethernet
- 10/100 Ethernet switch



CP-6921-C-K9=
 CP-6921-CL-K9=
 CP-6921-W-K9=
 CP-6921-WL-K9=

- Graphical monochrome display
- 2 lines
- Power over Ethernet
- 10/100 Ethernet switch



CP-6941-C-K9=
 CP-6941-CL-K9=
 CP-6941-W-K9=
 CP-6941-WL-K9=

- Graphical monochrome display
- 4 lines
- Power over Ethernet
- 10/100 Ethernet switch



CP-6945-C-K9=
 CP-6945-CL-K9=
 CP-6945-W-K9=
 CP-6945-WL-K9=

- Graphical monochrome display
- 4 lines
- Power over Ethernet
- 10/100/1000 Ethernet switch

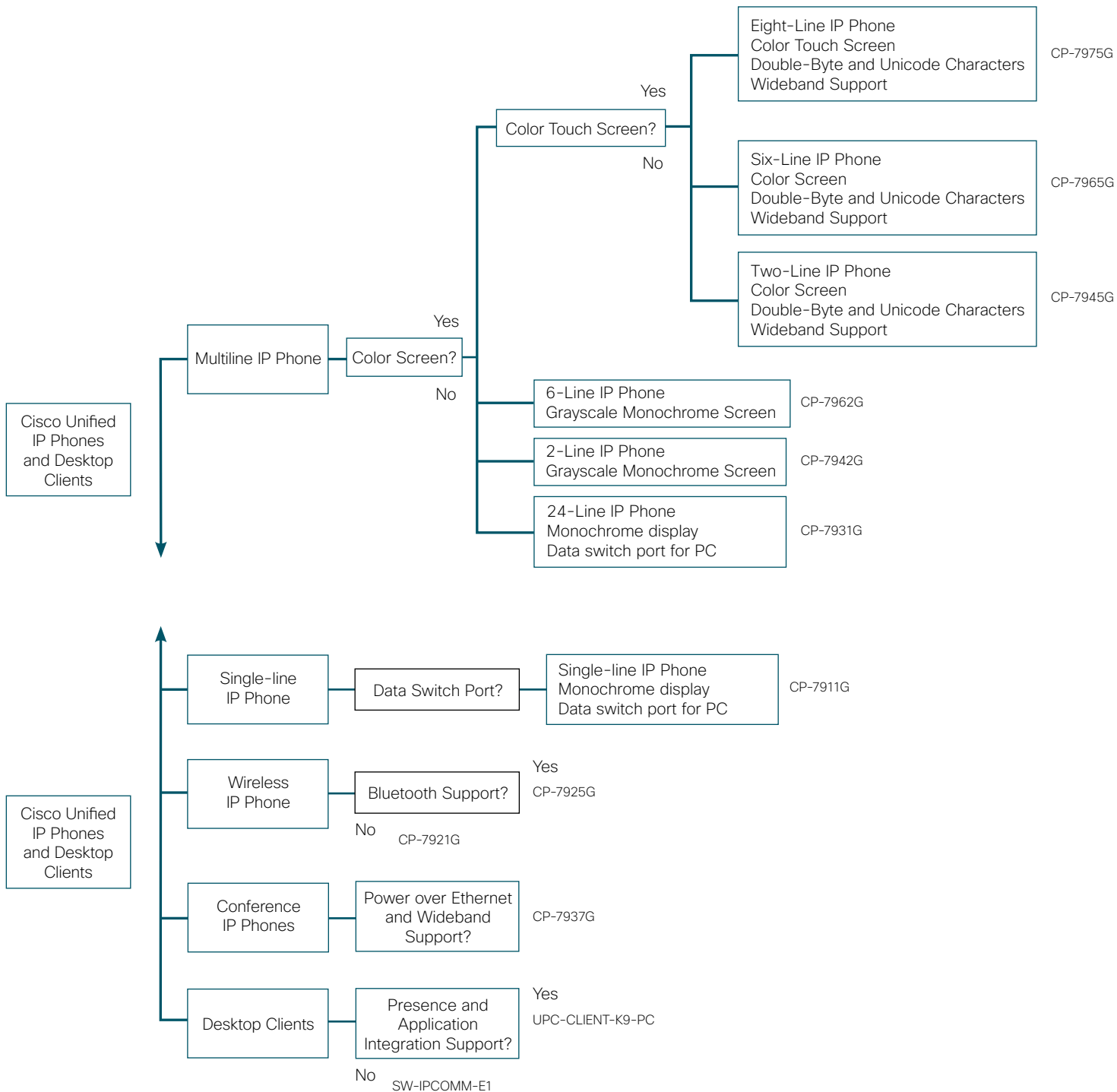


CP-6961-C-K9=
 CP-6961-CL-K9=
 CP-6961-W-K9=
 CP-6961-WL-K9=

- Graphical monochrome display
- 12 lines
- Power over Ethernet
- 10/100 Ethernet switch

Cisco Unified IP Phone 7900 Series and Desktop Clients

Decision Tree Overview





CP-7975G

- Graphical color touchscreen display
- 8 lines
- Power over Ethernet
- 10/100/1000 Ethernet switch



CP-7965G

- Graphical color display
- 6 lines
- Power over Ethernet
- 10/100/1000 Ethernet switch



CP-7962G

- Grayscale graphical display
- 6 lines
- Power over Ethernet
- 10/100 Ethernet switch



CP-7945G

- Grayscale graphical display
- 2 lines
- Power over Ethernet
- 10/100/1000 Ethernet switch



CP-7942G

- Grayscale graphical display
- 2 lines
- Power over Ethernet
- 10/100 Ethernet switch



CP-7931G

- Graphical monochrome display
- 24 lines
- Power over Ethernet
- 10/100 Ethernet switch



CP-7911G

- Graphical monochrome display
- Single line
- Power over Ethernet
- 10/100 Ethernet switch



CP-7925G

- Graphical color display
- 6 lines
- Wireless
- Bluetooth capable



CP-7921G

- Graphical color display
- 6 lines
- Wireless



CP-7937G

- Backlit LCD display
- Power over Ethernet
- Support for external microphones



CP-7915=

- Grayscale LCD display
- 7962G, 7965G, and 7975G support
- 2 modules supported per IP Phone



CP-7916=

- Color LCD display
- 7962G, 7965G, and 7975G support
- 2 modules supported per IP phone

Cisco Unity Express

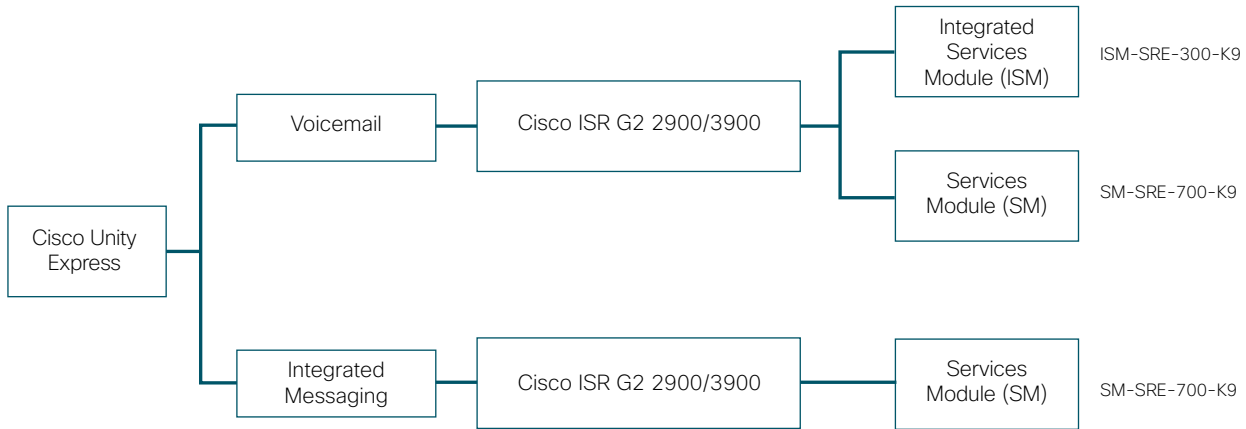
Cisco Unity Express is a cost-effective voicemail and integrated messaging system with automated attendant and optional interactive voice response (IVR) that make it ideal for the branch office or small business. It supports Cisco Unified Communications Manager Express and Unified Communications Manager, and is embedded in the Cisco Unified Communications 500 Series.

For greater flexibility, Cisco Unity Express provides a choice of storing messages either on a network module or an advanced integration module. The system offers 8 to 500 mailboxes, as well as support for numerous languages, including Arabic, Russian, and Turkish.

Common features:

- Can integrate with Cisco Unified Communications Manager Express at up to 10 remote sites (network module only)
- Enables users to access voicemail in trusted environments by clicking the Messages button on a Cisco IP phone or by calling into a mailbox, without pressing additional keys
- Supports voicemail access through Internet Message Access Protocol (IMAP), using Microsoft Outlook, Outlook Express, and Lotus Notes
- Gives administrators and end users the ability to program distribution lists to include nonsubscribers as well as subscribers
- Synchronizes passwords with Cisco Unified Communications Manager Express
- Multiple greetings, with eight greeting types:
 - Standard, alternate
 - Busy, closed, internal, meeting, vacation, extended absence
- Ability to store caller name as well as number in voicemail

Decision Tree Overview



Product Features Comparison Table

Description	SKU	Platform	Bundled Ports	Maximum Ports	Maximum Mailboxes	Storage (hours)
Cisco Unity Express Integration Services Module	ISM-SRE-300-K9	2800/3800	2	10	100	60
Cisco Unity Express Services Module	ISM-SRE-700-K9	2800/3800	4	3	500	600



Americas Headquarters
Cisco Systems, Inc.
San Jose, CA

Asia Pacific Headquarters
Cisco Systems (USA) Pte. Ltd.
Singapore

Europe Headquarters
Cisco Systems International BV Amsterdam,
The Netherlands

Cisco has more than 200 offices worldwide. Addresses, phone numbers, and fax numbers are listed on the Cisco Website at www.cisco.com/go/offices.