

Dell EMC PowerEdge R240



The PowerEdge R240 delivers the right mix of enterprise-class features in an affordable dense 1-socket, 1U chassis server. Powered by the latest Intel® Xeon® processor family, it is ideal for SMB and service providers looking to deploy multiple workloads like web hosting, collaboration/sharing, file/print, mail/messaging and backup/recovery.

© 2018 Dell Inc. or its subsidiaries. All rights reserved. Dell, EMC, and other trademarks are trademarks of Dell Inc. or its subsidiaries. Other trademarks may be trademarks of their respective owners.

2017 - 01

Rev. A00

Contents

1 Product overview.....	6
Introduction.....	6
New technologies.....	6
2 System features.....	8
Product comparison.....	8
Product specifications.....	9
3 Chassis views and features.....	12
Front view of the system.....	12
Rear view of the system.....	13
Inside the system.....	14
Locating the information tag of your system.....	15
4 Processor.....	17
Processor features.....	17
Supported processors.....	17
Chipset.....	18
5 Memory.....	20
Memory Features.....	20
Memory speed.....	20
Supported Configurations.....	21
6 Storage.....	23
Supported drives.....	23
Storage controller specifications.....	23
Optical Drives.....	23
Tape Drives.....	23
Internal Dual SD Module.....	24
Boot Optimized Storage Subsystem (BOSS).....	24
7 Networking and PCIe.....	25
PCIe slots.....	25
PCI card dimensions.....	25
8 Power, thermal, and acoustics.....	26
Power supply units.....	26
Thermal.....	26
Acoustics.....	27
PowerEdge R240 acoustics.....	27

9 Supported operating systems.....	29
10 Dell EMC OpenManage systems management.....	30
iDRAC with Lifecycle controller.....	30
iDRAC features and comparison.....	31
Agent-free management.....	35
Agent-based management.....	35
Dell EMC consoles.....	35
Dell EMC OpenManage systems management tools, utilities and protocols.....	37
Integration with third-party consoles.....	38
OpenManage connections with third-party consoles.....	39
11 Appendix A. Additional specifications.....	40
Technical specifications.....	40
Chassis dimensions.....	40
Chassis weight.....	41
Video specifications.....	41
USB ports specifications.....	41
Drives.....	41
NIC ports specifications.....	42
Environmental specifications.....	42
12 Appendix B. Standards compliance.....	45
13 Appendix C Additional resources.....	46
14 Appendix D. Support and deployment services.....	47
ProDeploy Enterprise Suite and Residency Services.....	47
ProDeploy Plus.....	47
ProDeploy.....	47
Basic Deployment.....	47
Residency Services.....	48
Deployment services.....	48
Remote Consulting Services.....	48
Data Migration Service.....	48
ProSupport Enterprise Suite.....	48
ProSupport Plus.....	49
ProSupport.....	49
ProSupport One for Data Center.....	49
Support Technologies.....	50
SupportAssist.....	50
TechDirect.....	50
Additional professional services.....	51
Dell Education Services.....	51
Dell EMC Global Infrastructure Consulting Services.....	51

Dell EMC Managed Services..... 51

Product overview

The Dell EMC PowerEdge R240 is an affordable entry-level, single-socket 1U rack server for SMB and service providers.

The PowerEdge R240 includes four DIMM slots, supports up to 64GB UDIMMs and four 3.5-inch hard drives. The PowerEdge R240 is ideal for web hosting, mail serving, file and print, as well as a wide range of general-purpose productivity applications.



Figure 1. Dell EMC PowerEdge R240

Introduction

The PowerEdge R240 is versatile enough to address many customer segments and workloads. In particular, the PowerEdge R240 will be best suited for applications and workloads where high availability features are not important within the server node or where redundancy is built at the rack level. Workload targets include:

- Web serving and hosting
- Mail server
- File and Print
- SAN proxy server
- DHCP server
- Surveillance & Security
- Wide variety of mainstream business applications

New technologies

The following table shows the list of new technologies offered by the PowerEdge R240:

New Technologies	Detailed Descriptions
Intel® C246 series chipset	Intel Platform Controller Hub (PCH)
Intel® Xeon® processor E- 2100 Product Family	The Intel® Xeon® E-2100 processor has increased core count and embedded PCIe lanes that will improve the IO performance and a lot more features. Please refer to section 4, Processors for details.
Next Generation SW RAID, PERC S140	The new 1-socket servers support the latest S140 software RAID along with H330 and H730P controller cards with improved functionality and faster performance. New SW RAID supports RAID 0, 1, 5 and 10. Please refer to section 6, for additional details.
iDRAC 9	The new embedded system management solution for Dell EMC server features hardware and firmware inventory and alerting, in depth memory alerting, faster performance, dedicated gigabit port, email alerts, electronic licensing, editable user work notes log and more. Dedicated iDRAC Direct microUSB port improves

at-the-box management. Please refer to section 13, for additional details.

System features

Product comparison

The following table shows the comparison between the PowerEdge R230 and PowerEdge R240:

Table 1. Product comparison with predecessor

Feature	PowerEdge R230	PowerEdge R240
Processor	<ul style="list-style-type: none"> Intel Xeon® E3-1200 v6 Processor family Intel Pentium® Intel Celeron® Intel Core i3® 	<ul style="list-style-type: none"> Intel Xeon® E-2100 Processor family Intel Pentium® Intel Celeron® Intel Core i3®
Number of processors	<ul style="list-style-type: none"> 1 	<ul style="list-style-type: none"> 1
Number of cores	<ul style="list-style-type: none"> Up to 4 cores 	<ul style="list-style-type: none"> Up to 6 cores
L2/L3 cache	<ul style="list-style-type: none"> 2.0 MB per core 4 MB or 8 MB 	<ul style="list-style-type: none"> 2.0 MB per core 8 MB or 12 MB
Chipset	<ul style="list-style-type: none"> Intel C236 	<ul style="list-style-type: none"> Intel C246
Memory Module	<ul style="list-style-type: none"> DDR4: 4 x UDIMMs with ECC Speed: Up to 2400MT/s Min RAM: 4 GB Max RAM: 64 GB 	<ul style="list-style-type: none"> DDR4: 4 x UDIMMs with ECC Speed: Up to 2666MT/s Min RAM: 8GB Max RAM: 64 GB
Hard drive bays	<ul style="list-style-type: none"> 2 x 3.5-inch cabled 4 x 3.5-inch cabled 4 x 3.5-inch or 2.5-inch hot plug 	<ul style="list-style-type: none"> 2 x 3.5-inch cabled 4 x 3.5-inch cabled 4 x 3.5-inch or 2.5-inch hot plug
Hard drive types	<ul style="list-style-type: none"> Default SATA. Optional SAS Enterprise HDD Entry HDD 	<ul style="list-style-type: none"> Default SATA. Optional SAS Enterprise HDD Entry HDD
External hard drive bays	<ul style="list-style-type: none"> 1x slim ODD 9.5mm 	<ul style="list-style-type: none"> 1x slim ODD 9.5mm
RAID controllers	<ul style="list-style-type: none"> Chipset based SATA, PERC S130 PERC H330 PERC H730 PERC H830 	<ul style="list-style-type: none"> Chipset based SATA, PERC S140 PERC H330 PERC H730P
Host Bus Adapter (HBA)	<ul style="list-style-type: none"> 12Gb SAS External HBA 	<ul style="list-style-type: none"> 12Gb SAS External HBA HBA330 Internal adapter
Boot optimized storage subsystem	<ul style="list-style-type: none"> Not supported 	<ul style="list-style-type: none"> 2x M.2 240GB (RAID 1 or No RAID) 1x M.2 240GB (No RAID only)

Feature	PowerEdge R230	PowerEdge R240
Server management	<ul style="list-style-type: none"> • BMC • IPMI 2.0 compliant; Full Open Manage suite • Optional iDRAC8 Express • Optional iDRAC8 Enterprise • Vflash 	<ul style="list-style-type: none"> • BMC • IPMI 2.0 compliant; Full Open Manage suite • Optional iDRAC9 Express • Optional iDRAC9 Enterprise • Vflash
I/O slots	<ul style="list-style-type: none"> • 1 x16 slot PCIe Gen3 for HL/FH from CPU1(x8 lanes) • 1 x 8 slot PCIe Gen3 for LP from CPU1(x4 lanes) 	<ul style="list-style-type: none"> • 1 x16 slot PCIe Gen3 for HL/FH from CPU1(x8 lanes) • 1 x 8 slot PCIe Gen3 for LP from CPU1(x4 lanes)
NIC/LOM	<ul style="list-style-type: none"> • 2x GbE LOM 	<ul style="list-style-type: none"> • 2x GbE LOM
USB	<ul style="list-style-type: none"> • 2 rear USB 3.0 • 2 front USB 2.0 • 1 internal USB 3.0 	<ul style="list-style-type: none"> • 2 rear USB 3.0 • 1 front USB 2.0 • 1 internal USB 3.0
Power supplies	<ul style="list-style-type: none"> • 250W AC 1U cable (Bronze) 	<ul style="list-style-type: none"> • 250W AC 1U cable (Bronze)
Fans	<ul style="list-style-type: none"> • 3 or 4 non-redundant, non-hot swappable fans 	<ul style="list-style-type: none"> • 3 or 4 non-redundant, non-hot swappable fans
Form factor	<ul style="list-style-type: none"> • 1U rack 	<ul style="list-style-type: none"> • 1U rack
Dimensions (HxWxD)	<ul style="list-style-type: none"> • 42.8 x 434.0 x 551 (mm) (w/o bezel) • 1.67" x 17.09" x 26.2"(in) 	<ul style="list-style-type: none"> • 42.8 x 434.0 x 596 (mm) (w/o bezel) • 1.67" x 17.09" x 23.5"(in)
Weight	<ul style="list-style-type: none"> • Max 20.96 lb/10.6 Kg 	<ul style="list-style-type: none"> • Max 26.89 lb/12.2 Kg

Product specifications

The following table lists the technical specifications for the PowerEdge R240:

Table 2. Technical specifications

Features	Specifications
Form factor	<ul style="list-style-type: none"> • 1U rack
Processors	<ul style="list-style-type: none"> • Intel® Xeon® processor E-2100 product family • Intel® Core™ i3 8100 processor • Intel® Pentium® G5500 processor • Intel® Celeron G4900 processor
Processor sockets	<ul style="list-style-type: none"> • 1
Front Side Bus or HyperTransport	<ul style="list-style-type: none"> • Intel DMI 3.0
Cache	<ul style="list-style-type: none"> • 2.0 MB per core • 8 MB or 12 MB
Chipset	<ul style="list-style-type: none"> • Intel C246 Chipset
Memory¹	<ul style="list-style-type: none"> • Up to 64GB (4 DIMM Slots) • 8GB/16GB 2666MT/s Unbuffered with ECC only • MIN/ MAX RAM: 8GB/64GB

Features	Specifications
I/O slots	<ul style="list-style-type: none"> • 2 GEN3 PCIe slots: <ul style="list-style-type: none"> – X16 slot FH (1x8 Gen3) – X8 Slot LP (1X4 Gen3)
RAID controller	<ul style="list-style-type: none"> • S140 • PERC H330 • PERC H730P
Host Bus Adapter (HBA)	<ul style="list-style-type: none"> • 12Gb SAS External HBA • HBA330 Internal adapter
Drive bays	<ul style="list-style-type: none"> • Up to 4 x 3.5-inch cable drives • Up to 4 x 3.5-inch or 2.5-inch Hot-Plug drives
Maximum internal storage	<ul style="list-style-type: none"> • 56.0TB for 4 x HDD config
Hard drives	<ul style="list-style-type: none"> • 2.5-inch SSD SATA 6Gb • 2.5-inch SATA 7.2K • 2.5-inch SAS 15K HDs • 2.5-inch Near Line SAS 7.2K • 2.5-inch SAS 10K HDDs • 3.5-inch Enterprise SATA 7.2K HDDs • 3.5-inch Near Line SAS 7.2K HDDs • 3.5-inch 7.2K SATA client drives • Capacity: 14TB; 12TB; 10TB; 8TB; 6TB; 4TB; 2TB; 1TB
Embedded LOM/NIC	<ul style="list-style-type: none"> • Integrated BROADCOM BCM5720 Gigabit Ethernet Controller
Communications	<p>Optional add-in cards:</p> <ul style="list-style-type: none"> • 1GbE Intel (Dual) Powerville Troi-Stony Dual port 1Gb Base-T adapter – FH or LP • 1GbE Intel (Quad) Powerville Lore-Stony Quad port 1Gb Base-T adapter – FH or LP • 1GbE Broadcom (Dual) 5720 Bashir Dual port 1Gb Base-T adapter – FH or LP • 1GbE Broadcom (Quad) 5719 Cardassia Quad port 1Gb Base-T adapter – FH or LP
Power supply	<ul style="list-style-type: none"> • Cabled 250W Bronze power supplies (100–240 V AC)
Availability	<ul style="list-style-type: none"> • TPM/No TPM • ECC memory, UDIMM • Hot-plug hard drives • Single output power supplies
Video	<ul style="list-style-type: none"> • Integrated Matrox G200 with iDRAC9
Remote management	<ul style="list-style-type: none"> • Lifecycle Controller 3.0 • iDRAC9 Enterprise • VFlash (Optional)
Systems management	<ul style="list-style-type: none"> • Dell Open Manage featuring Dell Management Console • Lifecycle Controller 3.0

Features	Specifications
Rack support	<ul style="list-style-type: none">• iDRAC9 Enterprise• VFlash (Optional) • ReadyRails™ static rails for tool-less mounting in 4-post racks with square or unthreaded round holes or tooled mounting in 4-post threaded and 2-post (Telco) racks
Featured database applications	<ul style="list-style-type: none">• Microsoft® SQL Server® solutions

Chassis views and features

Front view of the system



Figure 2. Front view of the 4 x 3.5-inch drive system

- | | |
|------------------------|--------------------|
| 1. Left control panel | 2. Optical drive |
| 3. Right control panel | 4. Information tag |
| 5. Drive | |

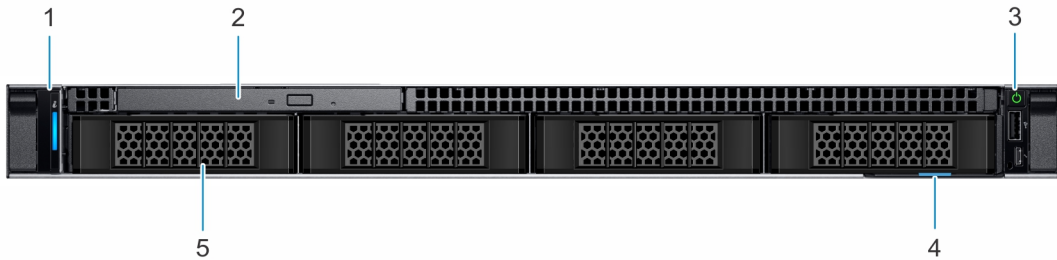


Figure 3. Front view of the 4 x 3.5-inch cabled drive system

- | | |
|------------------------|--------------------|
| 1. Left control panel | 2. Optical drive |
| 3. Right control panel | 4. Information tag |
| 5. Drive | |

 **NOTE: LED functionality is not supported on cabled hard disk drive configuration.**

Rear view of the system

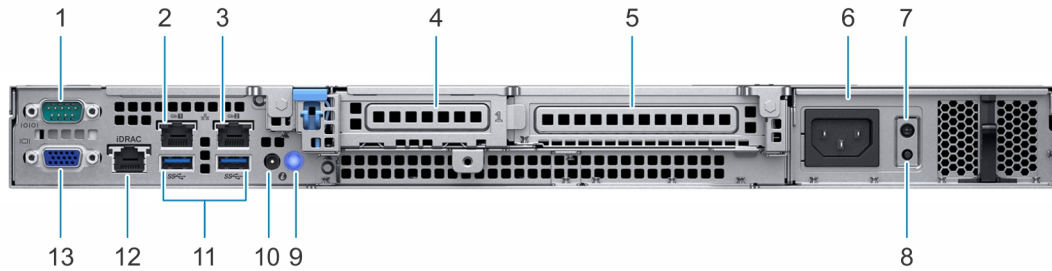


Figure 4. Rear view of the system

- | | |
|---|--|
| 1. Serial port | 2. NIC port (Gb 1) |
| 3. NIC port (Gb 2) | 4. Half-height PCIe expansion card slot |
| 5. Full-height PCIe expansion card slot | 6. Power supply unit |
| 7. PSU Built-in Self Test (BIST) LED | 8. PSU Built-in Self Test (BIST) button |
| 9. System identification button | 10. System status indicator cable port (CMA) |
| 11. USB 3.0 ports (2) | 12. iDRAC dedicated NIC port |
| 13. VGA port | |

For more information about the ports and connectors, see the [Technical Specifications](#) section.

Inside the system

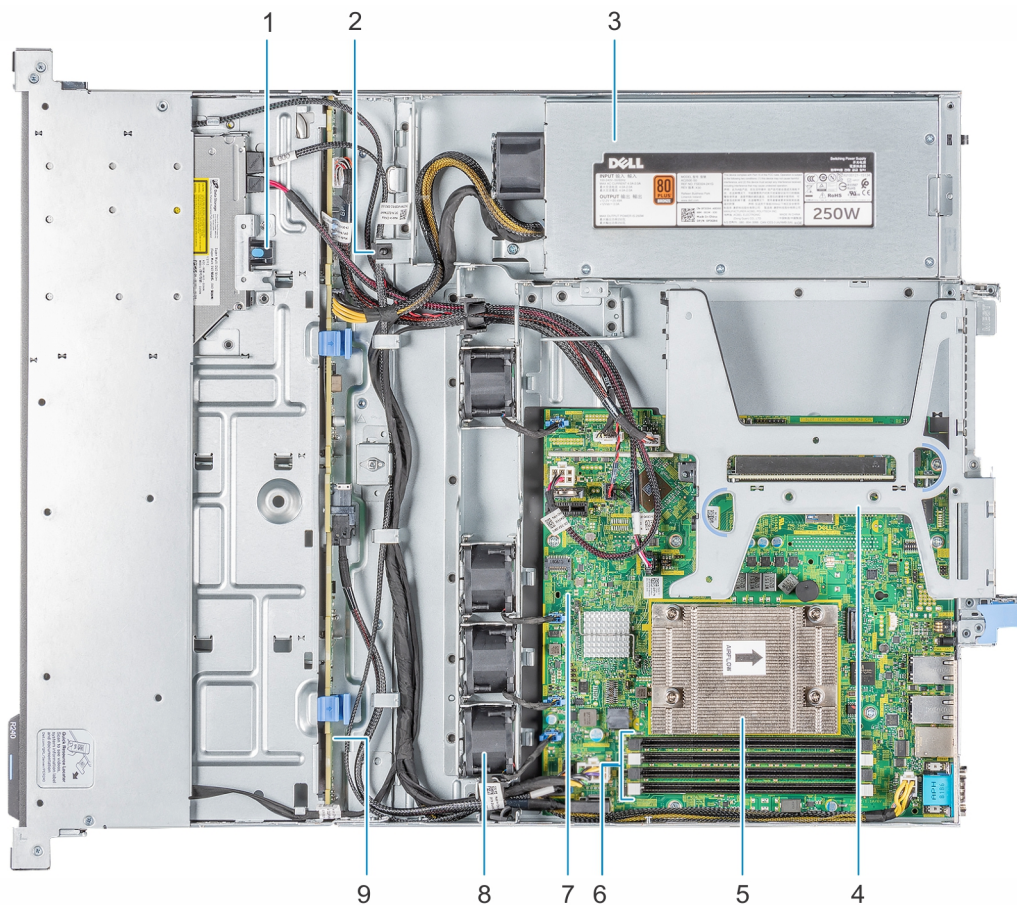


Figure 5. Inside the system - 4 x 3.5-inch drive system

- | | |
|--------------------------------|--------------------------|
| 1. Optical drive | 2. Intrusion switch |
| 3. Cabled AC power supply unit | 4. Expansion card riser |
| 5. Processor and heat sink | 6. Memory module sockets |
| 7. System board | 8. Fan (4) |
| 9. Drive backplane | |

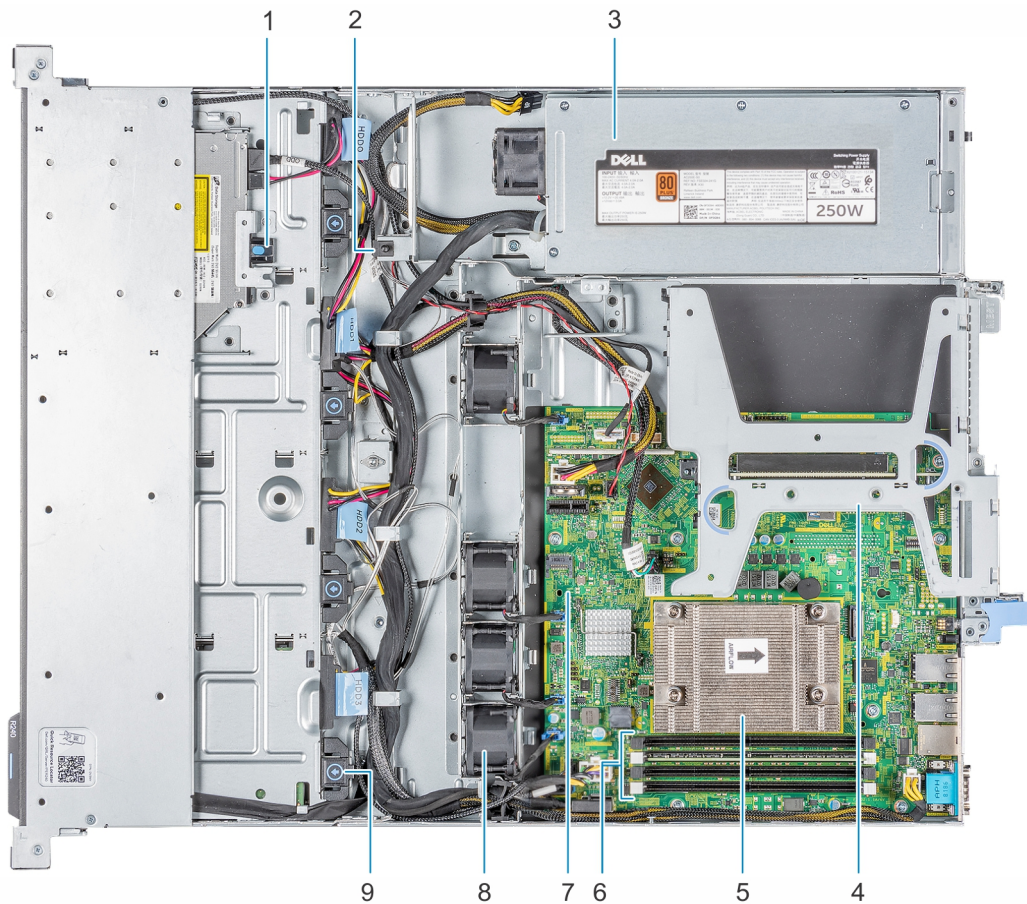


Figure 6. Inside the system - 4 x 3.5-inch cabled drive system

- | | |
|--------------------------------|--------------------------|
| 1. Optical drive | 2. Intrusion switch |
| 3. Cabled AC power supply unit | 4. Expansion card riser |
| 5. Processor and heat sink | 6. Memory module sockets |
| 7. System board | 8. Fan (4) |
| 9. Cabled drive | |

Locating the information tag of your system

Your system is identified by a unique Express Service Code and Service Tag number. You can view the Express Service Code and Service Tag by pulling out the information tag located on the front of the system. Alternatively, the information may be on the Mini Enterprise Service Tag (MEST) label on the chassis, on the rear of the system. This information is used by Dell to route support calls to the appropriate personnel.

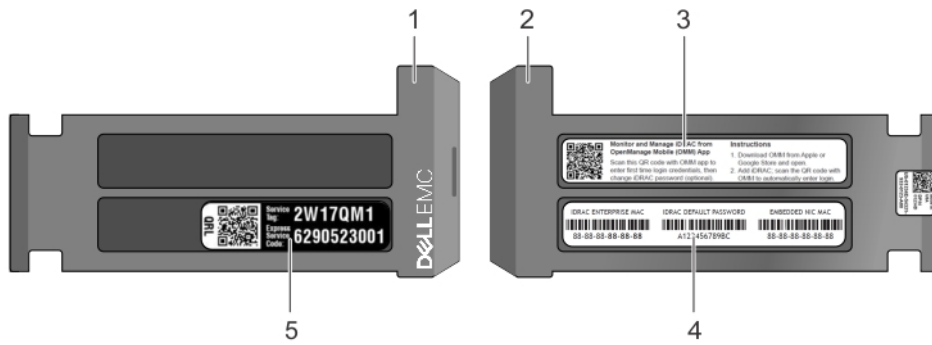


Figure 7. Locating Service Tag of your system

1. Information tag (front view)
2. Information tag (back view)
3. OpenManage Mobile (OMM) label
4. iDRAC MAC address and iDRAC secure password label
5. Service Tag, Express Service Code, QRL label

Processor

The PowerEdge R240 is entry-level single-socket rack server based on the Intel® Xeon® E-2100 processor family.

Processor features

The following list highlights the features of the Intel® Xeon E-2100 processor family:

- Up to six execution cores per processor
- Four DMI3 lanes
- 16 PCIe Gen 3 links capable of 8.0 GT/s
- Socket H4, LGA package (LGA1151)
- Integrated 2 channel DDR4 memory controller
- Execute Disable Bit
- Support Turbo Boost Technology 2.0
- Increases CPU frequency if operating below thermal, power, and current limits
- Intel® Virtualization Technology (Intel® VT)

 **NOTE: We do not support graphics with E-2100 processors, Graphics cannot be enabled on Dell servers using this processor due to technical restrictions.**

Supported processors

The following table lists the supported processors for the PowerEdge R240:

Model	Speed (GHz)	Power (Watts)	Cores	L3 Cache (MB)	Threads	Turbo	Max Memory Speed (MT/s)	Hyper-threading
E-2186G	3.8	95	6	12	12	Yes	2666	Yes
E-2176G	3.7	80	6	12	12	Yes	2666	Yes
E-2174G	3.8	71	4	8	8	Yes	2666	Yes
E-2146G	3.5	80	6	12	12	Yes	2666	Yes
E-2144G	3.6	71	4	8	8	Yes	2666	Yes
E-2136	3.3	80	6	12	12	Yes	2666	Yes
E-2134	3.5	71	4	8	8	Yes	2666	Yes
E-2126G	3.3	80	6	12	6	Yes	2666	No
E-2124	3.3	71	4	8	4	Yes	2666	No
Core i3 8100	3.6	65	4	6	4	No	2666	No
Pentium G5500	3.8	54	2	4	2	No	2666	No

Model	Speed (GHz)	Power (Watts)	Cores	L3 Cache (MB)	Threads	Turbo	Max Memory Speed (MT/s)	Hyper-threading
Celeron G4900	3.1	54	2	2	2	No	2666	No

Chipset

The PowerEdge R240 incorporates the Intel® C246 chipset. The following high level features supported by the chipset and may not implemented on R240:

PCH feature	C246	R240
PCH feature	C246	R240
TXT	Y	Y
Node Manager	Y	N
ECC	Y	Y
FlexIO - USB3.0 - 10 (means 6 is enough)	10	3
USB 2.0	4	4
FlexIO - 8 SATA ports	8	5
FlexIO - SATA Express	3	0
FlexIO - PCIE 3.0 ports - additional required	20	8
SPI (MB) FW image	7	UI
Intel vPRO/AMT11	Y	N
Rapid Storage technology	Y	N
Rapid Storage technology enterprise	Y	N
Data Center Graphics	N	N
supported displays	3	N
Int. Gbe MAC	Y	N
eSPI	Y	N
IO Flex - ability to change SATA/PCIE/USB	Y	N
Software Guard Extensions (SGX)	N	Y

- Direct Media Interface 3 (DMI3) connects the CPU1 to the PCH
- PCI Express Generation 3 (PCIe Gen3) is capable of 8 GT/s bit rate
- PCH SATA controller provides hardware support for Advanced Host Controller Interface (AHCI), a standardized programming interface for SATA host controllers developed through a joint industry effort.
- Low Pin Count Interface (LPC)
- Serial Peripheral Interface (SPI)
- Advanced Programmable Interrupt Controller (APIC)
- Real-Time Clock
- GPIO Serial Expander (GSX) is the capability provided by the PCH to expand the GPIOs on a platform that needs more GPIOs than the ones provided by the PCH.
- System Management Bus (SMBus) 2.0

- JTAG Boundary-Scan

Memory

The PowerEdge R240 Integrated Memory Controller (IMC) supports DDR4/-RS protocols with two independent, 64-bit wide channels.

The maximum system population at launch will be 64GB. (4 DIMM slots x16 GB DDR4 UDIMM)

- System Memory Organization Modes
 - The IMC supports two memory organization modes, single-channel and dual-channel. Depending upon how the DDR Schema and DIMM Modules are populated in each memory channel, a number of different configurations can exist.
- Single-Channel Mode
 - In this mode, all memory cycles are directed to a single channel. Single-Channel mode is used when either the Channel A or Channel B DIMM connectors are populated in any order, but not both.
- Dual-Channel Mode – Intel® Flex Memory Technology Mode
 - The IMC supports Intel Flex Memory Technology Mode. Memory is divided into a symmetric and asymmetric zone. The symmetric zone starts at the lowest address in each channel and is contiguous until the asymmetric zone begins or until the top address of the channel with the smaller capacity is reached. In this mode, the system runs with one zone of dual-channel mode and one zone of single-channel mode, simultaneously, across the whole memory array.

Memory Features

Key features of the PowerEdge R240 memory system include:

- Unbuffer (UDIMM) ECC DDR4 technology
- Each channel carries 64 data and 8 ECC bits
- Up to 64 GB of UDIMM memory (4 x 16GB UDIMM)
- Up to 2666 MT/s DIMMs
- Single DIMM configuration with 8 GB DIMM at socket DIMM A1
- Flexible Memory Configuration
- ODT (On Die Termination)
- Clock gating (CKE) to conserve power when DIMMs are not accessed
 - DIMMs enter a low power self-refresh mode
- I2C access to SPD EEPROM for access to thermal sensors
- Memory Optimized (Independent Channel) Mode
- 100% Single Bit Error Correction
- Memory Off-lining is NOT supported

Memory speed

The system will run all memory on all CPUs and channels at the same speed and voltage. By default the system will run at the highest speed for the lowest voltage of the worst case channel DIMM configuration.

Operating speed of the memory is determined by:

- Supported speed of the DIMMs
- DIMM configuration on any channel

- Max speed supported by the CPU
- Speed requested by user in BIOS setup screen

Operating voltage of the system is determined by:

- Voltages supported by the DIMMs which is 1.2V
- Voltage supported by the platform.

The following table shows the memory populations and the system speed frequencies:

Table 3. Memory populations and system speed

DIMM Type	DIMM Ranking	Capacity	DIMM Rated voltage	1 DIMM per channel	2 DIMMs per channel
UDIMM	1R/2R	8GB, and 16GB	DDR4 (1.2V)	2666	2666

Supported Configurations

The following table highlights the PowerEdge R240 DIMM offering list

DIMM PN	MOD PN	DIMM Speed	DIMM Type	DIMM Capacity (GB)	Ranks per DIMM	Data Width	SDDC Support	DIMM Volts	Comments
D715X	1DV5N	2666	UDIMM	8	1	x8	Advanced ECC	1.2	
1T3YJ	JTVWT	2666	UDIMM	8	1	x8	Advanced ECC	1.2	BCC Version
VDFYD	TJKP0	2666	UDIMM	16	1	x8	Advanced ECC	1.2	
XY4YR	TH0V5	2666	UDIMM	16	1	x8	Advanced ECC	1.2	BCC Version
FPFP6	12YG7	2400	UDIMM	4	1	x8	Advanced ECC	1.2	
MT9MY	7YR44	2400	UDIMM	8	1	x8	Advanced ECC	1.2	
V7CCK	26YCJ	2400	UDIMM	8	1	x8	Advanced ECC	1.2	BCC Version
2TX5N	Y2RYH	2400	UDIMM	16	2	x8	Advanced ECC	1.2	
F6RWY	4F1W8	2400	UDIMM	16	2	x8	Advanced ECC	1.2	BCC Version
N8MT5	0WNKM	2133	UDIMM	4	1	x8	Advanced ECC	1.2	
FD7GV	DM0YK	2133	UDIMM	4	1	x8	Advanced ECC	1.2	BCC Version
H5P71	K4KPT	2133	UDIMM	8	2	x8	Advanced ECC	1.2	
RXGPP	PKTX9	2133	UDIMM	8	1	x8	Advanced ECC	1.2	BCC Version

DIMM PN	MOD PN	DIMM Speed	DIMM Type	DIMM Capacity (GB)	Ranks per DIMM	Data Width	SDDC Support	DIMM Volts	Comments
7XRW4	14FH6	2133	UDIMM	16	2	x8	Advanced ECC	1.2	
FXGXT	WTPK0	2133	UDIMM	16	2	x8	Advanced ECC	1.2	BCC Version

Storage

The PowerEdge R240 supports the following drive configurations:

- 2 x 3.5-inch cabled HDD configuration
- 4 x 3.5-inch cabled HDD configuration
- 4 x 3.5-inch hot-plug HDD configuration
- 4 x 2.5-inch (in 3.5-inch carrier) hot-plug HDD configuration

Supported drives

The PowerEdge R240 system supports SAS, SATA, Nearline SAS drives and SSD drives.

 **NOTE: SSD drives only available in the hot-plug configurations**

Table 4. Supported Drives

	x2 cabled chassis	x4 cabled chassis	x4 hot plug hard drive
Hard drive form factor	3.5-inch only	3.5-inch only	3.5-inch or 2.5-inch only
Hard drive type	SATA, Nearline SAS	SATA, Nearline SAS	SATA, Nearline SAS, SAS, SSD

 **NOTE: Both 6Gbps and 12Gbps drives are supported by the PowerEdge R240**

Storage controller specifications

The PowerEdge R240 system supports:

- Internal storage controller cards: PERC H330, H730P, S140, HBA330 and Boot Optimized Storage Subsystem (BOSS) modules.
- External storage controller cards: 12 Gbps SAS HBA.

Optical Drives

The PowerEdge R240 supports one of the following internal optical drive options:

- DVD-ROM
- DVD+ROM

Tape Drives

Due to its dense form factor, the PowerEdge R240 does not support internal tape drives. However, here is a list of supported external tape backup devices:

Supported external tape drives:

- External LTO-6 SAS tape drives
- External LTO-7 SAS tape drives

- External LTO-8 SAS tape drives

Internal Dual SD Module

The Internal Dual SD Module (IDSDM) is optional. The IDSDM contains two SD ports directly on the motherboard. The modules are redundant. Supported iDSDM microSD cards capacity are 8/16/32/64GB

The IDSDM card provides the following functions:

- Dual SD interface is maintained in a mirrored configuration (primary and secondary SD)
- Provides full RAID1 functionality
- Dual SD cards are not required; the module can operate with only one card but will provide no redundancy
- Enables support for Secure Digital eXtended Capacity (SDXC) cards
- USB interface to host system
- I²C interface to host system and onboard EEPROM for out-of-band status reporting
- Onboard LEDs show status of each SD card
- A BIOS Setup Redundancy setting supports Mirror Mode or Disabled

Boot Optimized Storage Subsystem (BOSS)

BOSS is offered as a means of booting the PowerEdge R240 servers to a full OS when:

- A solution such as IDSDM may be desired, but the target OS for BOSS is a full OS (not just a hypervisor)
- The user needs to maximize their number of drive bays

BOSS cards take up a PCIe slot and are not hot-plug capable. 1x or 2x 240GB modules are available. Dual (2x) module configs can be set up for either RAID 1 or No RAID. Single (1x) module configs can only be set up in a No RAID config.

Networking and PCIe

The following lists the supported add in communication cards:

- 1GbE Intel (Dual) Powerville Troi-Stony Dual port 1Gb Base-T adapter – FH or LP
- 1GbE Intel (Quad) Powerville Lore-Stony Quad port 1Gb Base-T adapter – FH or LP
- 1GbE Broadcom (Dual) 5720 Bashir Dual port 1Gb Base-T adapter – FH or LP
- 1GbE Broadcom (Quad) 5719 Cardassia Quad port 1Gb Base-T adapter – FH or LP

PCIe slots

The PowerEdge R240 provides one riser PCIe expansion slot and one R/A PCIe internal storage slot:

- Slot 1 : One x8 PCIe Gen3 for LP from CPU (x4 lanes)
- Slot 2 : One x16 PCIe Gen3 for FH/HL from CPU (x8 lanes)

PCI card dimensions

The PCI card dimensions allowed in the PowerEdge R240 are as below:

Table 5. PCI card dimensions

Card type	Height	Length
Slot 1 (Low Profile, half length card)	68.90 mm (2.731 inches) max	167.65 mm (6.600 inches) max
Slot 2 (Full height, Half length card)	111.15 mm (4.376 inches) max	167.65 mm (6.600 inches) max

Power, thermal, and acoustics

Power supply units

The power supply subsystem is formed with a AC-DC cable power supply. The power supply provides +12V and +12Vaux for non-redundant design. There are several voltage regulators in the system to supply different voltage levels needed by different logic devices.

The Dell EMC PowerEdge R240 supports a 250W cabled AC power supply unit (PSU).

The following table shows the technical specifications of the power supply:

Table 6. Dell EMC PowerEdge R240 PSU specifications

PSU	Class	Heat dissipation (maximum)	Frequency	Voltage	AC		Current
					High line 100–240 V	Low line 100–120 V	
250 W AC	Bronze	1039 BTU/hr	50/60 Hz	100-240 V AC,autoranging	250 W	N/A	4.0A-2.0 A

 **NOTE: This system is designed to connect to the IT power systems with a phase-to-phase voltage not exceeding 230 V**

Thermal

The thermal design of the PowerEdge R240 reflects the following:

- Optimized thermal design
 - The system layout is architected for an optimum thermal design i.e. system component placement and layout are designed to provide maximum airflow coverage to critical components with minimum expense of fan power.
 - Custom heat sink designs for CPU, chipset for optimum component cooling
- Comprehensive thermal design
 - The power required to cool a server can contribute a significant amount to the overall system power. Thermal control is the active management of system cooling through fan speed and system power management to make sure that the system is reliable while minimizing system fan power consumption, airflow, and system acoustic output.
 - The PowerEdge R240 thermal control system regulates the fan speed based on several different responses from critical components' temperature sensors as well as inventory for system configurations:
 - Open and closed loop fan speed control. Open loop control uses system configuration information to determine fan speed based on system inlet temperature. Closed loop control method uses component temperature feedback from various sub-systems to dynamically determine optimum fan speeds.
 - Increase airflow through a fan offset if required.
 - Increase airflow through increasing minimum fan speed.

Acoustics

PowerEdge R240 acoustics

Dell EMC PowerEdge R240 is a rack-mount server appropriate for attended data center environment. However, lower acoustical output is attainable with proper hardware or software configurations. For example, the minimum configuration of PowerEdge R240 is quiet enough for typical office environment. The list below are the PowerEdge R240's acoustical dependencies:

- **Ambient Temperature:** For a similar workload fan speeds (and thus, acoustical noise) may increase as ambient temperature increases.
- **High Wattage CPU:** High-power (TDP) CPU parts may result in higher acoustical noise output.
- **Rear Drives:** When rear drives are installed in R340, fan speed may increase for cooling the drives, and hence both idle and operating acoustical outputs may be higher.
- **System Thermal Profile Selected in BIOS:** The default setting is "Power Optimized (DAPC)", which generally means lower fan speed and acoustics. If "Performance Optimized" is selected, fan speed and acoustical noise may increase.

The PowerEdge R240 acoustical performance is characterized for 3 configurations: Minimum, Typical and Feature Rich. The following tables summarizes the configuration and acoustical performance of the PowerEdge R240. Each configuration has been tested according to Dell EMC acoustical standards for rack-mounted servers.

Configuration	Minimum	Typical-1	Typical-2	Feature Rich
CPU Type	Intel E-2124	Intel E-2124	Intel E-2124	Intel E-2126G
CPU TDP	71 W	71 W	71 W	80 W
CPU Quantity	1	1	1	1
Memory Type	8GB UDIMM	8GB UDIMM	16GB UDIMM	16GB UDIMM
DIMM Quantity	1	1	2	4
Backplane Type	2x 3.5" Cabled	4x 3.5" Cabled	4X 3.5" Hot-plug	4X 3.5" Hot-plug
Fan Quantity	2 x 4028	3 x 4028	4 x 4028	4 x 4028
HDD Type	3.5" SATA 1-TB	3.5" SATA 1-TB	3.5" SATA 2-TB	3.5" SATA 2-TB
HDD Quantity	1	2	2	4
PSU Type	250 W	250 W	250 W	250 W
PSU Quantity	1	1	1	1
PCI 1	-	- PERC H330		PERC H330
PCI 2	-	-	-	-
PCI 3	-	-	-	-

Acoustical Performance: Idle/ Operating @ 25 °C Ambient					
LwA-UL ² (Bels)	Idle 1	4.6	4.6	5.1	5.2
	Operating 1	4.7	4.8	5.1	5.2
LpA ³ (dBA)	Idle 1	39	39	43	43
	Operating 1	40	40	43	43

Acoustical Performance: Idle @ 28 °C Ambient

LwA-UL ² (Bels)	5.5	5.7	6.1	6.1
LpA ³ (dBA)	38	41	45	44

Acoustical Performance: Max. Loading @ 35 °C Ambient

LwA-UL ² (Bels)	7.7	7.7	7.8	7.8
LpA ³ (dBA)	59	61	62	62

Supported operating systems

The following lists the supported operating systems for the PowerEdge R240:

- Windows 2019 w/Hyper-V Standard
- Windows 2019 Essentials
- Windows 2016 w/Hyper-V Standard
- Windows 2016 Essentials
- Windows 2012 R2 Essentials
- Windows 2012 R2 Standard
- RHEL 7.5
- SLES 15
- Ubuntu server 18.04.1
- Citrix XenServer 7.1
- VMWare ESXi 6.7
- VMWare ESXi 6.5

Dell EMC OpenManage systems management

Whether your IT environment consists of a few servers or a few thousand servers, Dell EMC OpenManage systems management solutions provide comprehensive management for evolving IT environments. OpenManage is based on open standards and provides agent-based and agent-free server lifecycle management functionality for Dell EMC PowerEdge servers. OpenManage solutions help you automate and streamline essential hardware management tasks.

Start with a firm foundation for efficient hardware management using OpenManage tools, utilities and management consoles. OpenManage systems management solutions consist of a combination of embedded management features and software products that help you automate and simplify the entire server lifecycle: deploy, update, monitor and maintain. OpenManage solutions are innovatively designed for simplicity and ease of use to help you reduce complexity, save time, achieve efficiency, control costs and empower productivity. OpenManage centers around efficient management of server lifecycle.

The Dell EMC OpenManage Portfolio

Simplifying hardware management through ease of use, intelligent automation and integrated security

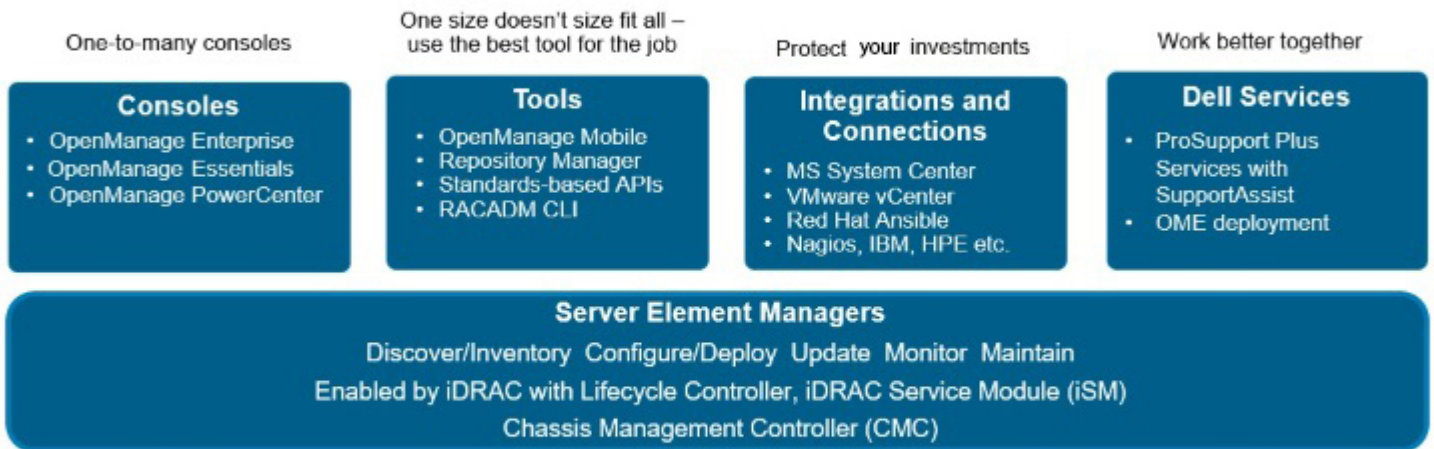


Figure 8. Server lifecycle management operations

iDRAC with Lifecycle controller

The integrated Dell Remote Access Controller 9 (iDRAC9) with Lifecycle Controller is embedded within every Dell EMC PowerEdge server and provides functionality that helps IT administrators deploy, update, monitor, and maintain servers with no need for any additional software to be installed. iDRAC functions regardless of operating system or hypervisor presence because from a pre-OS or bare-metal state, iDRAC is ready to work because it is embedded within each server from the factory.

iDRAC features and comparison

The R240 supports the following iDRAC licenses – Basic (default), Express (upgrade) and Enterprise (upgrade).

 **NOTE: The features listed in bold in the below table are new for iDRAC9.**

Table 7. iDRAC feature comparison

Features	iDRAC8 Basic	iDRAC9 Basic	iDRAC8 Express	iDRAC9 Express	iDRAC8 Express for Blades	iDRAC9 Express for Blades	iDRAC8 Enterprise	iDRAC9 Enterprise
Interface/Standards								
Redfish	Yes	Yes	Yes	Yes	Yes	Yes	Yes	Yes
IPMI 2.0	Yes	Yes	Yes	Yes	Yes	Yes	Yes	Yes
DCMI 1.5	Yes	Yes	Yes	Yes	Yes	Yes	Yes	Yes
Web-based GUI	Yes	Yes	Yes	Yes	Yes	Yes	Yes	Yes
Racadm command line—local/remote	Yes	Yes	Yes	Yes	Yes	Yes	Yes	Yes
SMASH-CLP—SSH-only	Yes	Yes	Yes	Yes	Yes	Yes	Yes	Yes
Telnet	Yes	Yes	Yes	Yes	Yes	Yes	Yes	Yes
SSH	Yes	Yes	Yes	Yes	Yes	Yes	Yes	Yes
Serial redirection	Yes	Yes	Yes	Yes	Yes	Yes	Yes	Yes
WSMAN	Yes	Yes	Yes	Yes	Yes	Yes	Yes	Yes
Network Time Protocol	No	No	Yes	Yes	Yes	Yes	Yes	Yes
Connectivity								
Shared NIC	Yes	Yes	Yes	Yes	N/A	N/A	Yes	Yes
Dedicated NIC	Yes	Yes	Yes	Yes	Yes	Yes	Yes	Yes
VLAN tagging	Yes	Yes	Yes	Yes	Yes	Yes	Yes	Yes
IPv4	Yes	Yes	Yes	Yes	Yes	Yes	Yes	Yes
IPv6	Yes	Yes	Yes	Yes	Yes	Yes	Yes	Yes
DHCP (new default; no static IP)	Yes	Yes	Yes	Yes	Yes	Yes	Yes	Yes
DHCP with Zero Touch	No	No	No	No	No	No	No	Yes
Dynamic DNS	Yes	Yes	Yes	Yes	Yes	Yes	Yes	Yes
OS pass-through	Yes	Yes	Yes	Yes	Yes	Yes	Yes	Yes
iDRAC Direct-Front panel USB	Yes	Yes	Yes	Yes	Yes	Yes	Yes	Yes
Connection View	No	Yes	No	Yes	No	Yes	No	Yes
NFS v4	No	Yes	No	Yes	No	Yes	No	Yes
NTLM v1 and NTLM v2	No	Yes	No	Yes	No	Yes	No	Yes
Security								

Features	iDRAC8 Basic	iDRAC9 Basic	iDRAC8 Express	iDRAC9 Express	iDRAC8 Express for Blades	iDRAC9 Express for Blades	iDRAC8 Enterprise	iDRAC9 Enterprise
Role-based authority	Yes	Yes	Yes	Yes	Yes	Yes	Yes	Yes
Local users	Yes	Yes	Yes	Yes	Yes	Yes	Yes	Yes
SSL encryption	Yes	Yes	Yes	Yes	Yes	Yes	Yes	Yes
IP blocking	No	No	Yes	Yes	Yes	Yes	Yes	Yes
Directory services—AD, LDAP	No	No	No	No	No	No	Yes	Yes
Two-factor authentication	No	No	No	No	No	No	Yes	Yes
Single sign-on	No	No	No	No	No	No	Yes	Yes
PK authentication	No	No	Yes	Yes	Yes	Yes	Yes	Yes
FIPS 140-2	Yes	Yes	Yes	Yes	Yes	Yes	Yes	Yes
Secure UEFI boot-certificate management	No	Yes	No	Yes	No	Yes	No	Yes
Lock down mode	No		No	No	No	No	No	Yes
Unique iDRAC default password	No	Yes	No	Yes	No	Yes	No	Yes
Customizable Security Policy Banner-login page	No	Yes	No	Yes	No	Yes	No	Yes
Remote Presence								
Power control	Yes	Yes	Yes	Yes	Yes	Yes	Yes	Yes
Boot control	Yes	Yes	Yes	Yes	Yes	Yes	Yes	Yes
Serial-over-LAN	Yes	Yes	Yes	Yes	Yes	Yes	Yes	Yes
Virtual Media	No	No	No	No	Yes	Yes	Yes	Yes
Virtual Folders	No	No	No	No	No	No	Yes	Yes
Remote File Share	No	No	No	No	No	No	Yes	Yes
Virtual Console	No	No	No	No	Yes	Yes	Yes	Yes
HTML5 access to virtual console	No	No	No	No	Yes	Yes	Yes	Yes
VNC connection to OS	No	No	No	No	No	No	Yes	Yes
Quality/bandwidth control	No	No	No	No	No	No	Yes	Yes
Virtual Console collaboration—6 users	No	No	No	No	No	No	Yes	Yes
Virtual Console chat	No	No	No	No	No	No	Yes	Yes
Virtual Flash partitions	No	No	No	No	No	No	Yes	Yes
Group manager	No	No	No	No	No	No	No	Yes
HTTP/HTTPS support along with NFS/CIFS	No	Yes	No	Yes	No	Yes	No	Yes
Power and Thermal								

Features	iDRAC8 Basic	iDRAC9 Basic	iDRAC8 Express	iDRAC9 Express	iDRAC8 Express for Blades	iDRAC9 Express for Blades	iDRAC8 Enterprise	iDRAC9 Enterprise
Real-time power meter	Yes	Yes	Yes	Yes	Yes	Yes	Yes	Yes
Power thresholds & alerts	No	No	Yes	Yes	Yes	Yes	Yes	Yes
Real-time power graphing	No	No	Yes	Yes	Yes	Yes	Yes	Yes
Historical power counters	No	No	Yes	Yes	Yes	Yes	Yes	Yes
Power capping	No	No	No	No	No	No	No	No
Power Center integration	No	No	No	No	No	No	Yes	Yes
Temperature monitoring	Yes	Yes	Yes	Yes	Yes	Yes	Yes	Yes
Temperature graphing	No	No	Yes	Yes	Yes	Yes	Yes	Yes
Health Monitoring								
Predictive failure monitoring	Yes	Yes	Yes	Yes	Yes	Yes	Yes	Yes
SNMPv1, v2 and v3—traps and gets	Yes	Yes	Yes	Yes	Yes	Yes	Yes	Yes
Email alerting	No	No	Yes	Yes	Yes	Yes	Yes	Yes
Configurable thresholds	Yes	Yes	Yes	Yes	Yes	Yes	Yes	Yes
Fan monitoring	Yes	Yes	Yes	Yes	Yes	Yes	Yes	Yes
Power Supply monitoring	Yes	Yes	Yes	Yes	Yes	Yes	Yes	Yes
Memory monitoring	Yes	Yes	Yes	Yes	Yes	Yes	Yes	Yes
CPU monitoring	Yes	Yes	Yes	Yes	Yes	Yes	Yes	Yes
RAID monitoring	Yes	Yes	Yes	Yes	Yes	Yes	Yes	Yes
NIC monitoring	Yes	Yes	Yes	Yes	Yes	Yes	Yes	Yes
HD monitoring—enclosure	Yes	Yes	Yes	Yes	Yes	Yes	Yes	Yes
Out of Band Performance Monitoring	No	No	No	No	No	No	Yes	Yes
Alerts for excessive SSD wear	No	Yes	No	Yes	No	Yes	No	Yes
Customizable settings for Exhaust Temperature	No	Yes	No	Yes	No	Yes	No	Yes
Update								
Remote agent-free update	Yes	Yes	Yes	Yes	Yes	Yes	Yes	Yes
Embedded update tools	Yes	Yes	Yes	Yes	Yes	Yes	Yes	Yes
Sync with repository—scheduled updates	No	No	No	No	No	No	Yes	Yes
Auto update	No	No	No	No	No	No	Yes	Yes
Improved PSU firmware updates	No	Yes	No	Yes	No	Yes	No	Yes
Deployment and Configuration								

Features	iDRAC8 Basic	iDRAC9 Basic	iDRAC8 Express	iDRAC9 Express	iDRAC8 Express for Blades	iDRAC9 Express for Blades	iDRAC8 Enterprise	iDRAC9 Enterprise
Local configuration via F10	Yes	Yes	Yes	Yes	Yes	Yes	Yes	Yes
Embedded OS deployment tools	Yes	Yes	Yes	Yes	Yes	Yes	Yes	Yes
Embedded configuration tools	Yes	Yes	Yes	Yes	Yes	Yes	Yes	Yes
AutoDiscovery	No	No	Yes	Yes	Yes	Yes	Yes	Yes
Remote OS deployment	No	No	Yes	Yes	Yes	Yes	Yes	Yes
Embedded driver pack	Yes	Yes	Yes	Yes	Yes	Yes	Yes	Yes
Full configuration inventory	Yes	Yes	Yes	Yes	Yes	Yes	Yes	Yes
Inventory export	Yes	Yes	Yes	Yes	Yes	Yes	Yes	Yes
Remote configuration	Yes	Yes	Yes	Yes	Yes	Yes	Yes	Yes
Zerotouch configuration	No	No	No	No	No	No	Yes	Yes
System Retire/Repurpose	Yes	Yes	Yes	Yes	Yes	Yes	Yes	Yes
Server Configuration Profile in GUI	No	Yes	No	Yes	No	Yes	No	Yes
Diagnostics, Service and Logging								
Embedded diagnostic tools	Yes	Yes	Yes	Yes	Yes	Yes	Yes	Yes
Part Replacement	No	No	Yes	Yes	Yes	Yes	Yes	Yes
Server Configuration Backup	No	No	No	No	No	No	Yes	Yes
Server Configuration Restore	Yes	Yes	Yes	Yes	Yes	Yes	Yes	Yes
Easy Restore—system configuration	Yes	Yes	Yes	Yes	Yes	Yes	Yes	Yes
Easy Restore Auto Timeout	No	Yes	No	Yes	No	Yes	No	Yes
LED health status indicator	Yes	Yes	Yes	Yes	Yes	Yes	Yes	Yes
iDRAC Direct—front USB mgmt port	Yes	Yes	Yes	Yes	Yes	Yes	Yes	Yes
iDRAC Service Module (ISM) embedded	No	Yes	No	Yes	No	Yes	No	Yes
ISM to inband alert forwarding to consoles	No	Yes	No	Yes	No	Yes	No	Yes
Crash screen capture	No	No	Yes	Yes	Yes	Yes	Yes	Yes
Crash video capture	No	No	No	No	No	No	Yes	Yes
Boot capture	No	No	No	No	No	No	Yes	Yes
Manual reset for iDRAC—LCD ID button	Yes	Yes	Yes	Yes	Yes	Yes	Yes	Yes

Features	iDRAC8 Basic	iDRAC9 Basic	iDRAC8 Express	iDRAC9 Express	iDRAC8 Express for Blades	iDRAC9 Express for Blades	iDRAC8 Enterprise	iDRAC9 Enterprise
Remote reset for iDRAC—requires iSM	Yes	Yes	Yes	Yes	Yes	Yes	Yes	Yes
Virtual NMI	Yes	Yes	Yes	Yes	Yes	Yes	Yes	Yes
OS watchdog	Yes	Yes	Yes	Yes	Yes	Yes	Yes	Yes
SupportAssist Report—embedded	Yes	Yes	Yes	Yes	Yes	Yes	Yes	Yes
System Event Log	Yes	Yes	Yes	Yes	Yes	Yes	Yes	Yes
Lifecycle Log	Yes	Yes	Yes	Yes	Yes	Yes	Yes	Yes
Enhanced logging in the Lifecycle controller log	Yes	Yes	Yes	Yes	Yes	Yes	Yes	Yes
Work notes	Yes	Yes	Yes	Yes	Yes	Yes	Yes	Yes
Remote Syslog	No	No	No	No	No	No	Yes	Yes
License management	Yes	Yes	Yes	Yes	Yes	Yes	Yes	Yes
Improved customer experience								
iDRAC -Faster processor, more memory	No	Yes	No	Yes	No	Yes	No	Yes
GUI rendered in HTML5	No	Yes	No	Yes	No	Yes	No	Yes
Add BIOS configuration to iDRAC GUI	No	Yes	No	Yes	No	Yes	No	Yes
iDRAC support for SW RAID licensing	No	Yes	No	Yes	No	Yes	No	Yes

Agent-free management

As Dell EMC PowerEdge servers have embedded server lifecycle management, in many cases, there is no need to install an OpenManage systems management software agent into the operating system of a Dell EMC PowerEdge server. This greatly simplifies and streamlines the management footprint.

Agent-based management

Most systems management solutions require pieces of software, called agents, to be installed on each node in order to be managed within the IT environment. Additionally, the same agent is often used as a local interface into the hardware health and may be accessed remotely as a management interface, typically referred to as a one-to-one interface. For customers that continue to use agent-based solutions, Dell EMC provides OpenManage Server Administrator.

Dell EMC consoles

The central console in a systems management solution is often referred to as the one-to-many console. The central console provides a rapid view and insight into the overall health of all systems in the IT environment. The Dell EMC systems management portfolio includes several powerful consoles, depending upon your needs, including the following:

Dell EMC OpenManage Essentials

OpenManage Essentials is the one-to-many management console for monitoring Dell HW infrastructure including server, storage and networking, as well as for lifecycle management of PowerEdge servers. It support Windows, Linux, VMware, and HyperV environments. OME provides a simple and easy interface for system administrators to maximize the uptime and health of Dell systems. It helps to

- Monitor health status and events for PowerEdge servers, EqualLogic or MD series storage, and PowerConnect and Force 10 switches.
- Provide hardware-level control and management for PowerEdge server, blade system, and internal storage arrays.
- Link and Launch element management interfaces, such as, iDRAC, CMC, EQL group manager etc
- Integrate with the following Dell solutions:
 - Dell Repository Manager : Builds customized server update baselines that OpenManage Essentials can use.
 - OpenManage Power Center : Optimize power consumption in the servers.
 - SupportAssist : Enables automatic hardware failure notification to be sent securely to Dell EMC technical support for intelligent analysis and diagnosis to optimize availability and reduce manual intervention. This solution is available as part of Basic Hardware Warranty, ProSupport and ProSupport Plus at no additional cost. Download SupportAssist Enterprise from Dell.com/SupportAssist.
- Provide REST interface API support for 3rd Party Integration.
- Manage Server Configuration - it is a fee-based license available on Dell's 14th generation of PowerEdge servers with iDRAC Enterprise or iDRAC Express licenses. The key features include the following:
 - Configure a server or chassis using a template and deploying an operating system on the PowerEdge bare metal servers.
 - During a server operation, automatically detect and notify any server or chassis drift from a customer-defined baseline configuration.
 - Boot a system from a network-mounted ISO using iDRAC.
 - Support VLAN Management for FN-IOM and M-IOA.
- For more information, see delltechcenter.com/OME

OpenManage Mobile

OpenManage Mobile(OMM) is a software application that enables easy, convenient, and secure monitoring and management of PowerEdge servers remotely, or at-the-server. With OpenManage Mobile, IT Administrators can securely perform several data center monitoring and remediation tasks using an Android or iOS mobile device. The OpenManage Mobile app is available as a free software download from the Apple Store and the Google Play Store.

OMM can also monitor and manage PowerEdge servers through a OpenManage Essentials console or by directly accessing the server's iDRAC.

The OpenManage Essentials console can be accessed through OpenManage Mobile over a secure IP network. This allows you to monitor all devices managed by OpenManage Essentials such as Dell EMC servers, storage, networking, firewall, and supported third party devices.

If you are remote, you can access iDRAC over a secure IP network.

Key Features of OpenManage Mobile (When connected through OpenManage Essentials console):

- Connect to multiple servers which have OME installed, from a single mobile device.
- Connect to multiple servers individually through the iDRAC interface.
- Receive critical alert notification on your mobile device as they arrive into your OpenManage Essentials management console.
- Acknowledge, forward, and delete alerts from your mobile device.
- Browse through device details, firmware inventory, and event logs of individual systems.
- Perform several server management functions such as power-on, power cycle, reboot, and shutdown from the mobile application.

Key Features of OpenManage Mobile (When connected through iDRAC):

- Connect to any 14th gen, 13th gen, or 12th gen server remotely

- Assign IP address, change credentials, and update common BIOS attributes for Bare Metal Configuration
- Configure one server manually, or multiple servers simultaneously through a template.
- Browse server details, health status, hardware & firmware inventory, networking details, and System Event or LC logs. Share this information easily with other IT Administrators.
- Access SupportAssist reports, Last Crash screen and video (PowerEdge 14th gen servers)
- Access Virtual Console (and reduce the need for crash carts).
- Power On, Shut down, or Reboot your server from anywhere.
- Run any RACADM command

OpenManage Power Center

OpenManage Power Center is a one-to-many application that can read power usage and thermal readings information from Dell EMC servers, Power Distribution Units (PDU), and Uninterruptible Power Supplies (UPS). It can aggregate this information into rack, row, and room-level views.

For more information, see OpenManage Power Center User's Guide available at Dell.com/openmanagemanuals.

Dell EMC OpenManage systems management tools, utilities and protocols

Dell EMC OpenManage systems management tools and utilities consist of the following:

Dell EMC Repository Manager:

Dell EMC Repository Manager (DRM) is an application that helps you to:

- Identify the updates that are relevant to the systems in your data center.
- Identify and notify when updates are available.
- Package the updates into different deployment format.

To automate the creation of baseline repositories, DRM provides advanced integration capabilities with iDRAC/LC, OpenManage Essentials, Chassis Management Controller, OpenManage Integration for VMware vCenter and OpenManage Integration for Microsoft System Center (OMIMSSC). Also, DRM packages updates into custom catalogs that can be used for deployment.

Dell EMC Repository Manager can create the following deployment tools:

- Custom catalogs
- Lightweight deployment pack
- Bootable Linux ISO
- Custom Server Update Utility (SUU)

For more information, see Dell EMC Repository Manager User's Guide available at Dell.com/support/manuals.

Dell Update Packages

Dell Update Packages (DUP) is a self-contained executable supported by Microsoft Windows or Linux that updates a component on a server and applications like OMSA, iSM, and DSET.

DUPs can be executed in GUI or in CLI mode.

For more information, see Dell EMC Update Packages User's Guide available at www.delltechcenter.com/DSU.

Dell Remote Access Controller Administration (RACADM) CLI

The RACADM command-line utility provides a scriptable interface to perform inventory, configuration, update, and health status check of PowerEdge servers. RACADM operates in multiple modes:

- Local — supports running RACADM commands from the managed server's operating system.
- SSH or Telnet — known as Firmware RACADM; is accessible by logging in to iDRAC using SSH or Telnet
- Remote — supports running RACADM commands from a remote management station such as a laptop or desktop.

RACADM is supported by the iDRAC with Lifecycle Controller and by the Chassis Management Controller of the M1000e, VRTX and FX2 modular systems. Local and Remote RACADM is supported on Windows Server, Windows clients, and on Red Hat, SuSe and Ubuntu Linux.

For more information, see the RACADM Command Line Reference Guide for iDRAC and CMC available at Dell.com/support/manuals.

iDRAC with Lifecycle Controller Embedded Management APIs

iDRAC with Lifecycle Controller provides a range of standards-based applications programming interfaces (APIs) that enable scalable and automated management of PowerEdge servers. Standard systems management APIs have been developed by organizations such as the Institute of Electrical and Electronics Engineers (IEEE) and Distributed Management Task Force (DMTF). These APIs are widely used by commercial systems management products and by custom programs and scripts developed by IT staff to automate management functions such as discovery, inventory, health status checking, configuration, update, and power management. The APIs supported by iDRAC with Lifecycle Controller include:

- **Redfish** - In 2015, the DMTF Scalable Platforms Management Forum published Redfish, an open industry-standard specification and schema designed to meet the needs of IT administrators for simple, modern, and secure management of scalable platform hardware. Dell is a key contributor to the Redfish standard, acting as co-chair of the SPMF, promoting the benefits of Redfish, and working to deliver those benefits within industry-leading systems management solutions. Redfish is a next generation management standard using a data model representation inside a hypermedia RESTful interface. The data model is defined in terms of a standard, machine-readable schema, with the payload of the messages expressed in JSON and the OData v4 protocol.
- **WSMan** -The Web Services For Management (WSMan) API, first published by the DMTF in 2008, is the most mature and robust API provided by iDRAC with Lifecycle Controller. WSMan uses a Simple Object Access Protocol (SOAP) with data modeled using the Common Information Model. WSMan provides interoperability between management applications and managed resources, and identifies a core set of web service specifications and usage requirements that expose a common set of operations central to all systems management.
- **IPMI** - The Intelligent Platform Management Interface (IPMI) is a message-based, hardware-level interface specification that can operate over both LAN and serial interfaces. IPMI is supported broadly by server vendors, systems management solutions, and open source software.
- **SNMP** - The Simple Network Management Protocol (SNMP) helps in standardizing the management of network devices. SNMP allows commercial management consoles created for monitoring network switches and routers to also monitor X86 servers. SNMP is primarily used to deliver event messages to alert administrators of problems on their systems but can also be used to discover, inventory and configure servers.

To assist automating system management tasks and simplify API integration, Dell provides PowerShell and Python libraries and script examples utilizing the WSMan interface. The iDRAC with LC pages of Dell Techcenter offer a library of technical white papers detailing the use of the embedded management APIs. For more information, see delltechcenter.com/iDRAC and delltechcenter.com/LC.

Integration with third-party consoles

Dell EMC OpenManage provides integration with several leading third-party consoles, including:

OpenManage Integration Suite for Microsoft System Center

The combination of Dell OpenManage Integration Suite and Microsoft System Center simplifies and enhances deployment, configuration, monitoring and updating of Dell servers and storage in physical and virtual environments. Our agent-free and agent-based plug-ins deliver a unique level of integration and efficiency when managing Dell hardware within a System Center environment.

The OpenManage Integration Suite for Microsoft System Center includes: Dell Server and Storage Management Packs for System Center Operations Manager (SCOM); Dell Server Deployment Packs and Update Catalogs for System Center Configuration

Manager (SCCM); and tools for optimizing management of Dell PowerEdge servers in virtual environments using System Center Virtual Machine Manager (SCVMM).

OpenManage Integration for VMware vCenter

The OpenManage Integration for VMware vCenter allows you to monitor, provision, and manage PowerEdge server hardware and firmware. You can perform these tasks through a dedicated Dell menu that can be accessed directly through the VMware vCenter console. OMIVV also allows granular control and reporting for the hardware environment using the same role-based access control model as vCenter. The OpenManage Management Pack for vRealize Operations Manager is available with OMIVV v4.0 onwards. This helps in checking hardware health and alerting into vRealize operations, which also includes dashboard and reporting on the server environment.

You can manage and monitor Dell hardware within the virtualized environment

- Alerting and monitoring environment for servers and chassis
- Monitoring and reporting for servers and chassis
- Updating firmware on servers
- Deploying enhanced options

For more information, see delltechcenter.com/omivv

 **NOTE: The Dell EMC Repository Manager integrates with OpenManage Integration for VMware vCenter. The Dell EMC Repository Manager provides advanced functionality, simplifies the discovery, and deployment of new updates.**

BMC Software

Dell EMC and BMC Software work together to simplify IT by ensuring tight integration between Dell EMC server, storage, and network management functionality and the BMC Software process and data center automation products.

OpenManage connections with third-party consoles

Dell EMC OpenManage Connections gives you an easy path to adding support for third-party devices, so you can continue to use your existing management tools while easily adding Dell EMC server systems to your existing IT environment. Integrate new systems at your own pace. Manage new Dell EMC servers and storage with your legacy management tools, while extending the useful life of your existing resources. With OpenManage Connections you can add monitoring and troubleshooting of Dell EMC assets to your IT infrastructure.

- OpenManage Connection for Nagios Core and Nagios XI
- OpenManage Connection for HPE Operations Manager i (OMi)

For more information on these OpenManage Connections, visit Dell.com/openmanage.

Appendix A. Additional specifications

The following sections contain information about additional system specifications.

Technical specifications

The technical and environmental specifications of your system are outlined in this section.

Chassis dimensions

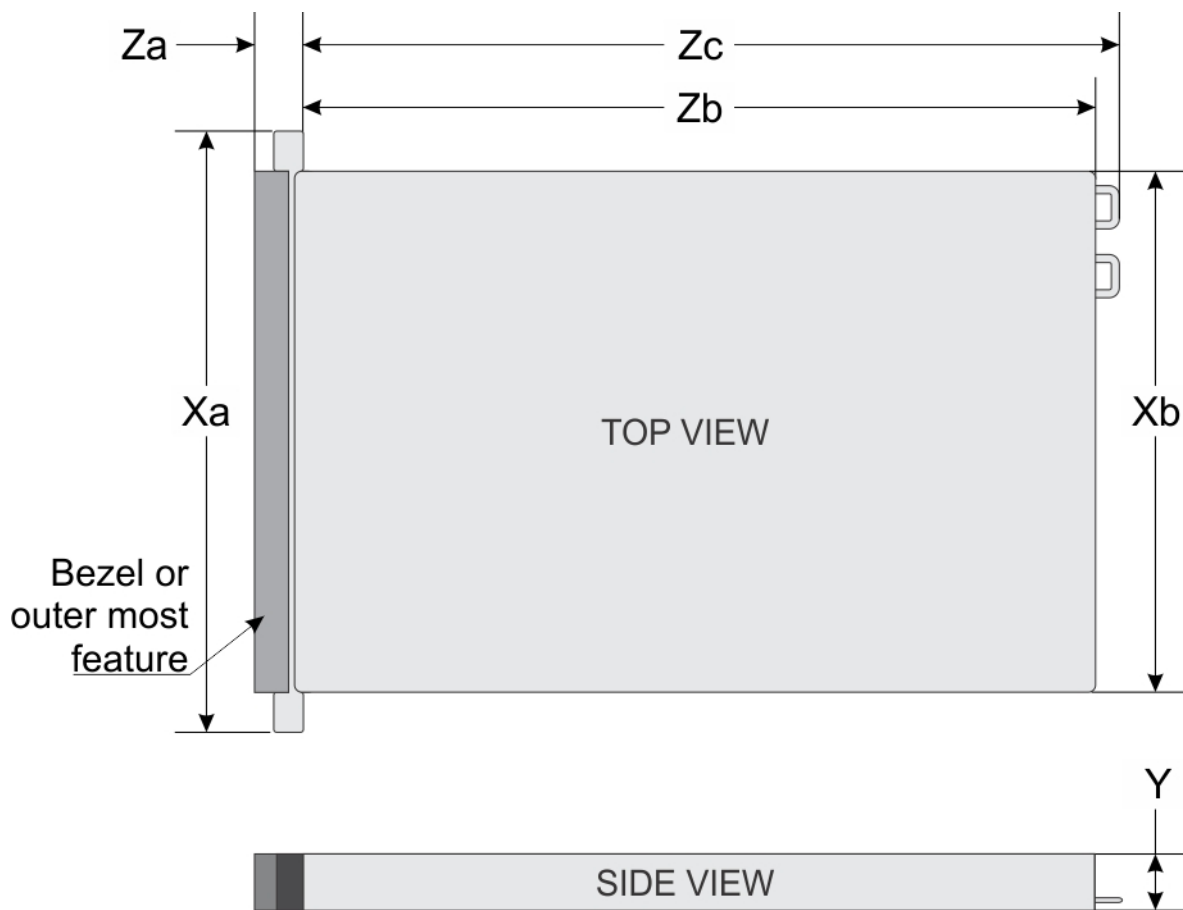


Figure 9. Chassis dimensions

Table 8. Dell EMC PowerEdge R240 chassis dimensions

Xa	Xb	Y	Za	Zb	Zc
482.0 mm (18.97 inches)	434.0 mm (17.08 inches)	42.8 mm (1.68 inches)	With bezel: 35.64 mm (1.4 inches)	534.496 mm (21.04 inches)	573.596 mm (22.58 inches)

Xa	Xb	Y	Za	Zb	Zc
			Without bezel: 22.0 mm (0.87 inches)		

Chassis weight

Table 9. Dell EMC PowerEdge R240 system weight

System configuration	Maximum weight (with all drives/SSDs)
4 x 3.5-inch drives	12.2 kg (26.89 lb)

Video specifications

The Dell EMC PowerEdge R240 system supports integrated Matrox G200 graphics controller with 16 MB of video frame buffer.

Table 10. Supported video resolution options

Resolution	Refresh rate (Hz)	Color depth (bits)
640 x 480	60, 72	8, 16, 24
800 x 600	60, 75, 85	8, 16, 24
1024 x 768	60, 75, 85	8, 16, 24
1152 x 864	60, 75, 85	8, 16, 24
1280 x 1024	60, 75	8, 16, 24

USB ports specifications

Table 11. Dell EMC PowerEdge R240 system USB specifications

Front		Rear		Internal	
USB port type	No. of ports	USB port type	No. of ports	USB port type	No. of ports
USB 2.0-compliant port	One	USB 3.0-compliant ports	Two	Internal USB 3.0-compliant port	One
Micro USB 2.0-compliant port for iDRAC Direct	One				

 **NOTE: The micro USB 2.0 compliant port can only be used as an iDRAC Direct or a management port.**

Drives

The PowerEdge R240 system supports SAS, SATA drives and Solid State Drives (SSDs).

Drives:

- 4 x 3.5-inch hot-swappable SAS, SATA, or SSD
- 4 x 3.5-inch cabled drives
- 2 x 3.5-inch cabled drives

 **NOTE: LED functionality is not supported on cabled hard disk drive configuration.**

Backplane:

- Supports 4 x 3.5-inch and 4 x 2.5-inch SAS, SATA, or SSD drives passive backplane

- Up to 4 x 3.5-inch SAS, SATA, or SSD drives

NIC ports specifications

The Dell EMC PowerEdge R240 system supports up to two 10/100/1000 Mbps Network Interface Controller (NIC) ports that are located on the back panel.

Environmental specifications

 **NOTE:** For additional information about environmental certifications, refer to the *Product Environmental Datasheet* located with the Manuals & Documents on Dell.com/support/home.

Table 12. Temperature specifications

Temperature	Specifications
Storage	-40–65°C (-40–149°F)
Continuous operation (for altitude less than 950 m or 3117 ft)	10–35°C (50–95°F) with no direct sunlight on the equipment
Fresh air	For information about fresh air, see the Expanded operating temperature section.
Maximum temperature gradient (operating and storage)	20°C/h (36°F/h)

Table 13. Relative humidity specifications

Relative humidity	Specifications
Storage	5% to 95% RH with 33°C (91°F) maximum dew point. Atmosphere must be noncondensing at all times.
Operating	10% to 80% RH with 29°C (84.2°F) maximum dew point.

Table 14. Maximum vibration specifications

Maximum vibration	Specifications
Operating	0.26 G _{rms} at 5 Hz to 350 Hz (all operation orientations)
Storage	1.88 G _{rms} at 10 Hz to 500 Hz for 15 minutes (all six sides tested)

Table 15. Maximum shock pulse specifications

Maximum shock pulse	Specifications
Operating	Six consecutively executed shock pulses in the positive and negative x, y, and z axis of 6 G for up to 11 ms.
Storage	Six consecutively executed shock pulses in the positive and negative x, y, and z axis (one pulse on each side of the system) of 71 G for up to 2 ms.

Table 16. Maximum altitude specifications

Maximum altitude	Specifications
Operating	3048 m (10,000 ft)
Storage	12,000 m (39,370 ft)

Table 17. Operating temperature derating specifications

Operating temperature derating	Specifications
Up to 35°C (95°F)	Maximum temperature is reduced by 1°C/300 m (1°F/547 ft), above 950 m (3,117 ft).
35–40°C (95–104°F)	Maximum temperature is reduced by 1°C/175 m (1°F/319 ft), above 950 m (3,117 ft).
40–45°C (104–113°F)	Maximum temperature is reduced by 1°C/125 m (1°F/228 ft), above 950 m (3,117 ft).



Standard operating temperature

Table 18. Standard operating temperature specifications

Standard operating temperature	Specifications
Continuous operation (for altitude less than 950 m or 3117 ft)	10–35°C (50–95°F) with no direct sunlight on the equipment.

Expanded operating temperature

Table 19. Expanded operating temperature specifications

Expanded operating temperature	Specifications
Continuous operation	<p>5°C–40°C at 5% to 85% RH with 29°C dew point.</p> <p> NOTE: Outside the standard operating temperature (10°C–35°C), the system can operate continuously in temperatures as low as 5°C and as high as 40°C.</p> <p>For temperatures 35°C– 40°C, derate maximum allowable temperature by 1°C per 175 m (1°F per 319 ft) above 950 m (3,117 ft).</p>
≤ 1% of annual operating hours	<p>-5°C–45°C at 5% to 90% RH with 29°C dew point.</p> <p> NOTE: Outside the standard operating temperature (10°C–35°C), the system can operate down to -5°C or up to 45°C for a maximum of 1% of its annual operating hours.</p> <p>For temperatures 40°C– 45°C, derate maximum allowable temperature by 1°C per 125 m (1°F per 228 ft) above 950 m (3,117 ft).</p>

 **NOTE: When operating in the expanded temperature range, the performance of the system may be impacted.**

 **NOTE: When operating in the expanded temperature range, ambient temperature warnings may be reported on the System Event Log.**

Expanded operating temperature restrictions

- Do not perform a cold startup of the system below 5°C.
- The operating temperature specified is for a maximum altitude of 950m for fresh air cooling.
- Four system fans are required.
- Support for up to 71W processor.
- GPU is not supported.
- Non-Dell qualified peripheral cards and/or peripheral cards greater than 25 W are not supported.

Particulate and gaseous contamination specifications

The following table defines the limitations that help avoid any damages to the IT equipment and/or, or both failure from particulate and gaseous contamination. If the levels of particulate or gaseous pollution exceed the specified limitations and results in equipment damage or failure, you must rectify the environmental conditions. Remediation of environmental conditions is the responsibility of the customer.

Table 20. Particulate contamination specifications





Particulate contamination	Specifications
Air filtration	<p>Data center air filtration as defined by ISO Class 8 per ISO 14644-1 with a 95% upper confidence limit.</p> <p> NOTE: This condition applies to data center environments only. Air filtration requirements do not apply to IT equipment designed to be used outside a data center, in environments such as an office or factory floor.</p> <p> NOTE: Air entering the data center must have MERV11 or MERV13 filtration.</p>
Conductive dust	<p>Air must be free of conductive dust, zinc whiskers, or other conductive particles.</p> <p> NOTE: This condition applies to data center and non-data center environments.</p>
Corrosive dust	<ul style="list-style-type: none"> • Air must be free of corrosive dust. • Residual dust present in the air must have a deliquescent point less than 60% relative humidity. <p> NOTE: This condition applies to data center and non-data center environments.</p>

Table 21. Gaseous contamination specifications

Gaseous contamination	Specifications
Copper Coupon Corrosion	<300 Å/month per Class G1 as defined by ANSI/ISA71.04-1985.
Silver Coupon Corrosion	<200 Å/month as defined by AHSRAE TC9.9.

 **NOTE: Maximum corrosive contaminant levels measured at ≤50% relative humidity.**

Appendix B. Standards compliance

Table 22. Industry standard documents

Standard	URL for information and specifications
ACPI Advance Configuration and Power Interface Specification, v2.0c	acpi.info
Ethernet IEEE 802.3-2005	standards.ieee.org/getieee802/802.3.html
HDG Hardware Design Guide Version 3.0 for Microsoft Windows Server	microsoft.com/whdc/system/platform/pcdesign/designguide/serverdg.mspx
IPMI Intelligent Platform Management Interface, v2.0	intel.com/design/servers/ipmi
DDR4 Memory DDR4 SDRAM Specification	jedec.org/standards-documents/docs/jesd79-4.pdf
PCI Express PCI Express Base Specification Rev. 2.0 and 3.0	pcsig.com/specifications/pciexpress
PMBus Power System Management Protocol Specification, v1.2	pmbus.info/specs.html
SAS Serial Attached SCSI, v1.1	t10.org
SATA Serial ATA Rev. 2.6; SATA II, SATA 1.0a Extensions, Rev. 1.2	sata-io.org
SMBIOS System Management BIOS Reference Specification, v2.7	dmtf.org/standards/smbios
TPM Trusted Platform Module Specification, v1.2 and v2.0	trustedcomputinggroup.org
UEFI Unified Extensible Firmware Interface Specification, v2.1	uefi.org/specifications
USB Universal Serial Bus Specification, Rev. 2.0	usb.org/developers/docs

Appendix C Additional resources

Table 23. Additional resources

Resource	Description of contents	Location
Installation and Service Manual	<p>This manual, available in PDF format, provides the following information:</p> <ul style="list-style-type: none"> • Chassis features • System Setup program • System messages • System codes and indicators • System BIOS • Remove and replace procedures • Troubleshooting • Diagnostics • Jumpers and connectors 	Dell.com/Support/Manuals
Getting Started Guide	<p>This guide ships with the system, and is also available in PDF format. This guide provides the following information:</p> <ul style="list-style-type: none"> • Initial setup steps • Key system features • Technical specifications 	Dell.com/Support/Manuals
Rack Installation Instructions	This document ships with the rack kits, and provides instructions for installing a server in a rack.	Dell.com/Support/Manuals
Information Update	This document ships with the system, is also available in PDF format online, and provides information on system updates.	Dell.com/Support/Manuals
System Information Label	The system information label documents the system board layout and system jumper settings. Text is minimized due to space limitations and translation considerations. The label size is standardized across platforms.	Inside the system chassis cover
Quick Resource Locator (QRL)	This code on the chassis can be scanned by a phone application to access additional information and resources for the server, including videos, reference materials, service tag information, and Dell EMC contact information.	Inside the system chassis cover
Energy Smart Solution Advisor (ESSA)	The Dell EMC online ESSA enables easier and more meaningful estimates to help you determine the most efficient configuration possible. Use ESSA to calculate the power consumption of your hardware, power infrastructure, and storage.	Dell.com/calc

Appendix D. Support and deployment services

ProDeploy Enterprise Suite and Residency Services

ProDeploy Enterprise Suite gets your server out of the box and into optimized production - fast. Our elite deployment engineers with broad and deep experience utilizing best-in-class processes along with our established global scale can help you around the clock and around the globe. From simple to the most complex server installations and software integration, we take the guess work and risk out of deploying your new server technology. Who's better suited to implement the latest Dell EMC servers than the Dell EMC elite deployment engineers who do it every day?

		Basic Deployment	ProDeploy	ProDeploy Plus
Pre-deployment	Single point of contact for project management		•	In-region
	Site readiness review		•	•
	Implementation planning		•	•
	Technology Service Manager (TSM) engagement for ProSupport Plus entitled devices			•
Deployment	Deployment service hours	Business hours	24x7	24x7
	Onsite hardware installation*	•	•	•
	Packaging materials disposal	•	•	•
	Install and configure system software		•	Onsite
	Project documentation with knowledge transfer		•	•
Post-deployment	Deployment verification		•	•
	Configuration data transfer to Dell EMC technical support		•	•
	30-days of post-deployment configuration assistance			•
	Training credits for Dell EMC Education Services			•

Figure 10. ProDeploy Enterprise Suite capabilities

 **NOTE: Hardware installation not applicable on selected software products.**

ProDeploy Plus

From beginning to end, ProDeploy Plus provides the skill and scale needed to successfully execute demanding deployments in today's complex IT environments. Certified Dell EMC experts start with extensive environmental assessments and detailed migration planning and recommendations. Software installation includes set up of most versions of Dell EMC SupportAssist and OpenManage system management utilities. Post-deployment configuration assistance, testing, and product orientation help you rest easy knowing your systems have been deployed and integrated by the best.

ProDeploy

ProDeploy provides full service installation and configuration of both server hardware and system software by certified deployment engineers including set up of most versions of Dell EMC SupportAssist and OpenManage system management utilities. To prepare for the deployment, we conduct a site readiness review and implementation planning. System testing, validation and full project documentation with knowledge transfer complete the process. We focus on getting you up and running so you can focus on your business and prepare for whatever comes next.

Basic Deployment

Basic Deployment delivers worry-free professional installation of your servers by experienced technicians who know Dell EMC servers inside and out.

Residency Services

Residency helps customers transition to new capabilities quickly through on-site or remote Dell EMC experts whose priorities and time you control. Residency experts can provide post implementation management and knowledge transfer related to a new technology acquisition or day-to-day operational management of the IT infrastructure.

Deployment services

Deployment services details and exceptions can be found in service description documents at the Enterprise Configuration and Deployment page on Dell.com.

Remote Consulting Services

When you are in the final stages of your PowerEdge server implementation, you can rely on Dell Remote Consulting and our certified technical experts to help you optimize your configuration with best practices for your software, virtualization, server, storage, networking, and systems management.

Data Migration Service

Protect your business and data with our single point of contact to manage your data migration project. Your project manager will work with our experienced team of experts to create a plan using industry-leading tools and proven processes based on global best practices to migrate your existing files and data, so your business gets up and running quickly and smoothly.

ProSupport Enterprise Suite

With Dell EMC ProSupport Services, we can help you keep your operation running smoothly, so you can focus on running your business. We will help you maintain peak performance and availability of your most essential workloads. Dell EMC ProSupport is a suite of support services that enable you to build the solution that is right for your organization. Choose support models based on how you use technology and where you want to allocate resources. From the desktop to the data center, address everyday IT challenges, such as unplanned downtime, mission-critical needs, data and asset protection, support planning, resource allocation, software application management and more. Optimize your IT resources by choosing the right support model.

The figure consists of three vertical rectangular boxes, each with a colored header and a white body. The first box has a blue header and contains text about ProSupport Plus. The second box has an orange header and contains text about ProSupport. The third box has a green header and contains text about ProSupport One for Data Center.

Service Name	Description
ProSupport Plus	Optimize your critical systems and free up staff to innovate the business. ProSupport Plus provides an assigned Technology Service Manager and access to senior technical engineers that quickly diagnose issues and provide personalized guidance to avoid problems before they ever impact your business.
ProSupport	Keep your hardware and software running smoothly with 24x7 access to technology engineers as well as proactive and preventive technologies to help you get ahead of issues.
ProSupport One for Data Center	Get a tailored, personalized support experience for your large IT environment, including an assigned service account management expert as well as flexible parts and labor options.

Figure 11. ProSupport Enterprise Suite

ProSupport Plus

When you purchase your PowerEdge server, we recommend ProSupport Plus, our proactive and preventative support for your business-critical systems. ProSupport Plus provides you with all the benefits of ProSupport, plus the following:

- A designated Technology Service Manager who knows your business and your environment
- Access to senior ProSupport engineers for faster issue resolution
- Personalized, preventive recommendations based on analysis of support trends and best practices from across the Dell EMC customer base to reduce support issues and improve performance
- Predictive analysis for issue prevention and optimization enabled by SupportAssist
- Proactive monitoring, issue detection, notification and automated case creation for accelerated issue resolution enabled by SupportAssist
- On-demand reporting and analytics-based recommendations enabled by SupportAssist and TechDirect

ProSupport

Our ProSupport service offers highly trained experts around the clock and around the globe to address your IT needs. We will help you minimize disruptions and maximize availability of your PowerEdge server workloads with:

- 24x7x365 access to certified hardware and software experts
- Collaborative 3rd party support
- Hypervisor and OS support
- Consistent level of support available for Dell EMC hardware, software and solutions
- Onsite parts and labor response options including next business day or four-hour mission critical

ProSupport One for Data Center

ProSupport One for Data Center offers flexible site-wide support for large and distributed data centers with more than 1,000 assets. This offering is built on standard ProSupport components that leverage our global scale but are tailored to your company's needs. While not for everyone, it offers a truly unique solution for Dell EMC's largest customers with the most complex environments.

- Team of designated Technology Services Managers with remote, on-site options
- Designated ProSupport One technical and field engineers who are trained on your environment and configurations
- On-demand reporting and analytics-based recommendations enabled by SupportAssist and TechDirect
- Flexible on-site support and parts options that fit your operational model
- A tailored support plan and training for your operations staff

Enterprise Support Services Feature Comparison

	ProSupport	ProSupport Plus	ProSupport One for Data Center
Remote technical support	24x7	24x7	24x7
Onsite support	Next business day or Mission Critical	Next business day or Mission Critical	Flexible
Automated issue detection and case creation	●	●	●
Self-service case initiation and management	●	●	●
Hypervisor, Operating Environment Software and OS support	●	●	●
Priority access to specialized support experts		●	●
Designated Technology Service Manager		●	●
Personalized assessments and recommendations		●	●
On-demand support and utilization reports		●	●
Systems Maintenance guidance		Semiannual	Optional
Designated technical and field support teams			●

Figure 12. ProSupport One for Data Center model

Support Technologies

Powering your support experience with predictive, data-driven technologies.

SupportAssist

The best time to solve a problem is before it happens. The automated proactive and predictive technology SupportAssist* helps reduce your steps and time to resolution, often detecting issues before they become a crisis. Benefits include:

- Value - SupportAssist is available to all customer at no additional charge.
- Improve productivity - replace manual, high-effort routines with automated support.
- Accelerate time to resolution - receive issue alerts, automatic case creation and proactive contact from Dell EMC experts.
- Gain insight and control - optimize enterprise devices with on-demand ProSupport Plus reporting in TechDirect and get predictive issue detection before the problem starts.

SupportAssist is included with all support plans but features vary based on service level agreement.

	Basic Hardware Warranty	ProSupport	ProSupport Plus
Automated issue detection and system state information collection	●	●	●
Proactive, automated case creation and notification		●	●
Predictive issue detection for failure prevention			●
Recommendation reporting available on-demand in TechDirect			●

Figure 13. SupportAssist model

Get started at Dell.com/SupportAssist

TechDirect

Boost your IT teams productivity when supporting Dell EMC systems. With over 1.4 million self-dispatches processed each year, TechDirect has proven its effectiveness as a support tool. You can:

- Self-dispatch replacement parts

- Request technical support
- Integrate APIs into your help desk

Or, access all your Dell EMC certification and authorization needs. Train your staff on Dell EMC products as TechDirect allows you to:

- Download study guides
- Schedule certification and authorization exams
- View transcripts of completed courses and exams

Register at techdirect.dell.com

Additional professional services

Dell Education Services

Dell Education Services offers the PowerEdge server training courses designed to help you achieve more with your hardware investment. The curriculum is designed in conjunction with the server development team, as well as Dell EMC's technical support team, to ensure that the training delivers the information and practical, hands-on skills you and your team need to confidently manage and maintain your Dell EMC server solution. To learn more or register for a class today, visit LearnDell.com/Server.

Dell EMC Global Infrastructure Consulting Services

Dell EMC Global Infrastructure Consulting Services use skilled solution architects, innovative tools, automated analysis and Dell EMC's intellectual property to give you rapid insight into the root causes of unnecessary complexity. We seek better answers than traditional service models, and our strategy is to help you quickly identify high-impact, short-duration projects that deliver return on investment (ROI) and free up resources. The results are practical, action-oriented plans with specific, predictable, measurable outcomes. From data center optimization to server virtualization to systems management, our consulting services can help you build a more efficient enterprise.

Dell EMC Managed Services

Dell EMC Managed Services are a modular set of lifecycle services designed to help you automate and centrally configure, deploy, and manage your day-to-day data center operations. These services extend your existing on-premise IT infrastructure with off-premise cloud services designed to better address challenges with mobility, highly distributed organizations, security, compliance, business continuity, and disaster preparedness.