	Service Bulletin Foot Plate Design Change	
Effective Date: April 7, 2017	Models Affected: S5X-01 (CS08), S5X (CS11), S3x-01(CS15)	Bulletin Num.
Prepared by: Eric Chen		

SYMPTOM

The plastic boss at the bottom of the plastic foot plate may break.



REASON

The plastic boss of foot plate is not strong.

SOLUTION

1. JHT has designed a new foot plate and pedal set to avoid possible breakage (used in production April 2017). See Table 1 & 2.
2. In the field, if an old foot plate on a unit produced before April 2017 must be replaced, please order the new service kit (SAP #1000408091; includes both left and right foot plate sets). See Table 1 & 3.
3. The new application is available starting April 7, 2017.



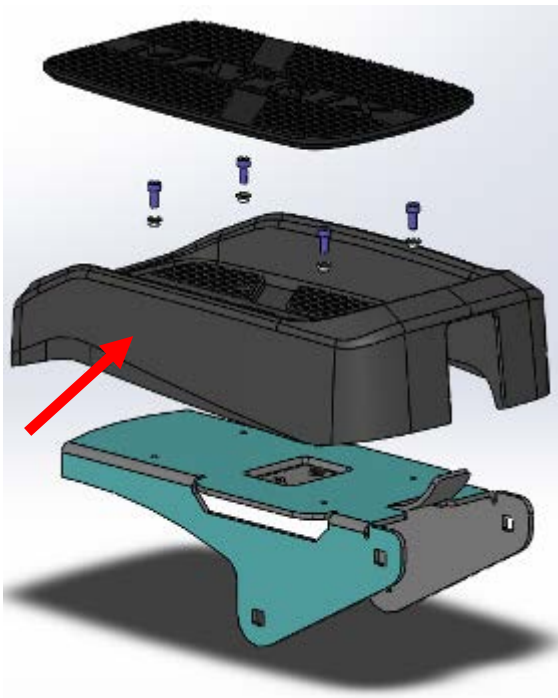
Old



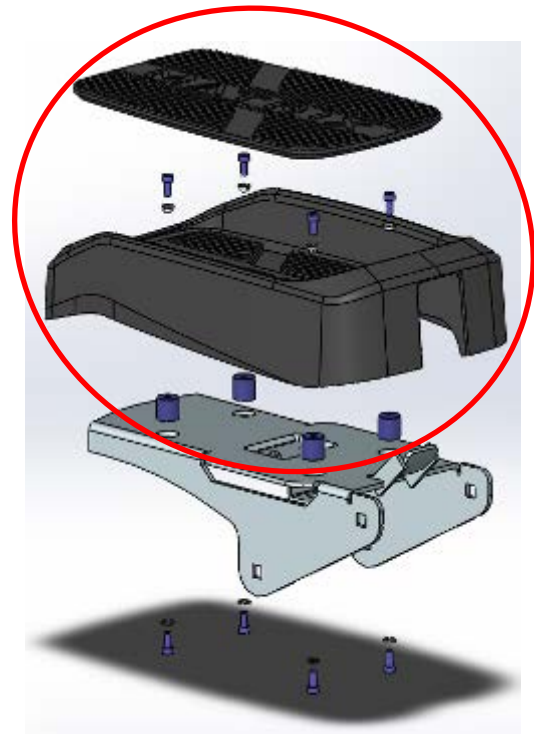
New

Table 1: The Foot Plate Service Kit

Frame	Replacement parts
Units produced on or after April 2017	New foot plate - left or right (1000390817) → See Table 2
Units produced before April 2017	A kit (1000408091) with new left & right foot plate sets (includes new foot plates, screws, spacer rings, spacers, and cushions) → See Table 3



New design for production line and field
(for units produced **on or after** April 7, 2017)



New design for field only- service kit #1000408091
(for units produced **before** April 7, 2017)

Table 2: Comparison List of Old and New Foot Plate in Production Line (for units produced **on or after** April 2017)

Item	Part	<p style="text-align: center;">Old (~ 2017/3)</p> 	<p style="text-align: center;">Old Parts Price (USD) /pcs</p>	<p style="text-align: center;">New (2017/4 ~)</p> 	<p style="text-align: center;">New Parts Price (USD) /pcs</p>
1	Foot plate	 (Part number 058702-DA)	6.49	 (Part number 1000390817)	3.53
2	Pedal set	 (Part number 062770-AA)	18.6	 (Part number 058700-C)	12.07
3	Cushion	X (without)	X	 (Part number 1000390818)	3.16
4	Screw	X (without)	X	 (Part number 1000366596)	0.04
5	Spacer ring	X (without)	X	 (Part number 1000388144)	0.27
6	Screw	 (Part number 004468-00)	0.04	X (without)	X (without)
7	Washer	 (Part number 005072-00)	0.02	X (without)	X (without)

Table 3: Component List of New Foot Plate Set (service kit for units produced **before** April 2017 in field only)

Service kit	Item	Photo	SAP Parts No.	Description	Pcs	Price(USD)
New Pedal Set, part number 1000408091 (Includes left and right foot plate sets)	1		1000390817	Foot plate	2	34.42
	2		1000390818	Cushion	2	
	3		1000366596	Screw (M5X0.8PX12L)	8	
	4		1000388144	Spacer ring (Ø10XØ5.5X4L)	8	
	5		1000408170	Spacer (Ø18X18L)	8	

Installing the new foot plate (For units produced **before** April 2017)



1. Put 4 new spacers on the old pedal set.



2. Attach the spacers to the pedal set using 4 screws and 4 washers (use the original screws and washers which were removed from the unit).



3. Use 4 new screws and 4 new spacer rings to attach the new foot plate to the old pedal set.



4. Put the new cushion on the new foot plate.

The solutions for the equipment in the field and warehouse

1	Affected models (JHT no.)	S5X-01 (CS08), S5X (CS11), S-3X/5X/7X-03/04-F(CS11B/C/D/E/F/G/H/I), S3x-01(CS15)			
2	NA ECR no.	OLS-1605110	10	Old part number	058702-DA (Foot Plate)/ 062770-AA (Pedal Set)
3	JHT ECO no.	ECO16060109 ECO17040021	11	Old price	6.49/18.6 USD
4	Implemented date	2017/4/7 2017/5/2	12	New part number	<u>For units produced on or after April 2017:</u> 1000390817 (Foot Plate)/ 058700-C (Pedal Set) - See Table 2 <u>For units produced before April 2017:</u> 1000408091 (Pedal Set) - See Table 3
5	Affected S/N	2017/4/7 CS11C170404587/ CS11D170400878/ 2017/5/2 CS11B170503911/ CS11E170500766/	13	new price	<u>For units produced on or after April 2017:</u> 3.53/12.07 (USD) <u>For units produced before April 2017:</u> 34.42 (USD)
6	field service suggestion	<input checked="" type="checkbox"/> case by case <input type="checkbox"/> club by club <input type="checkbox"/> rework all	14	S-BOM updated	N/A
7	units in the warehouse	<input checked="" type="checkbox"/> no action required <input type="checkbox"/> replace all	15	S-Drawing update	N/A
8	parts in stock	<input checked="" type="checkbox"/> no action required <input type="checkbox"/> immediate change	16	photos attached	Yes
9	video available	N/A	17	SOP attached	N/A

	Bulletin type (Draft version or Final version)
<input type="checkbox"/>	Draft version due to the implement date and started S/N are not ready yet.
<input checked="" type="checkbox"/>	Final version, All completed