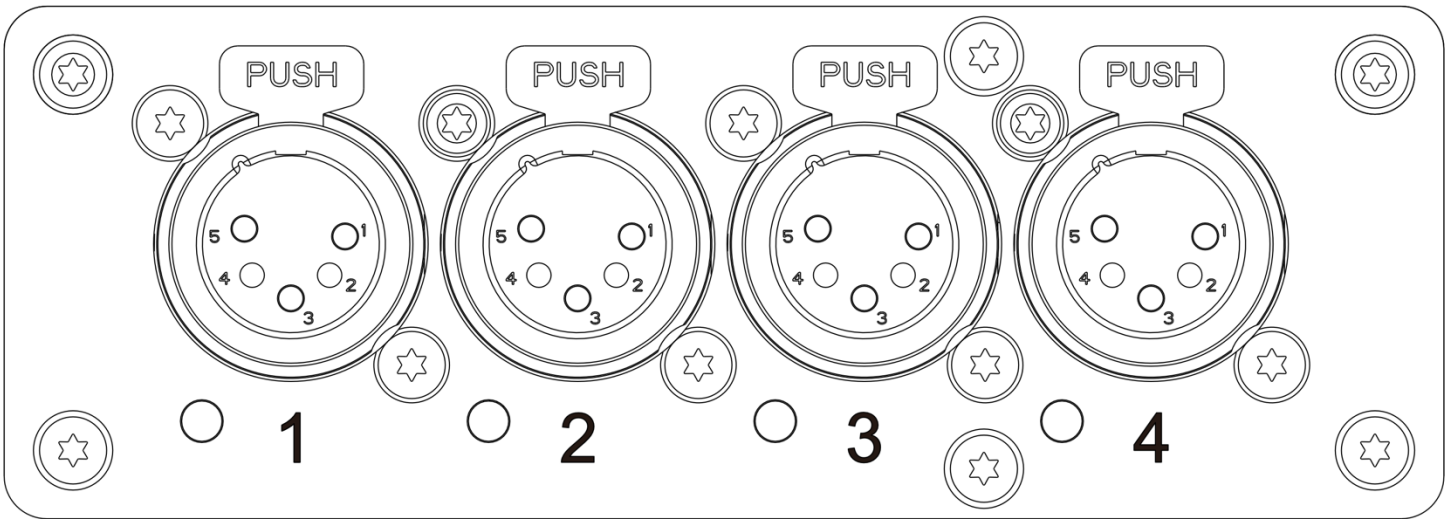


OBSIDIAN™

CONTROL SYSTEMS



NETRON

EP4

Installation Guide

©2020 **OBSIDIAN CONTROL SYSTEMS** all rights reserved. Information, specifications, diagrams, images, and instructions herein are subject to change without notice. Obsidian Control Systems logo and identifying product names and numbers herein are trademarks of ADJ PRODUCTS LLC. Copyright protection claimed includes all forms and matters of copyrightable materials and information now allowed by statutory or judicial law or hereinafter granted. Product names used in this document may be trademarks or registered trademarks of their respective companies and are hereby acknowledged. All non-ADJ brands and product names are trademarks or registered trademarks of their respective companies.

OBSIDIAN CONTROL SYSTEMS and all affiliated companies hereby disclaim any and all liabilities for property, equipment, building, and electrical damages, injuries to any persons, and direct or indirect economic loss associated with the use or reliance of any information contained within this document, and/or as a result of the improper, unsafe, insufficient and negligent assembly, installation, rigging, and operation of this product.

OBSIDIAN CONTROL SYSTEMS B.V.

Junostraat 2 | 6468 EW Kerkrade, The Netherlands
+31 45 546 85 66

Art-Net

This device incorporates Art-Net™, Designed by and Copyright Artistic License Holdings Ltd.

FCC STATEMENT

This device complies with Part 15 of the FCC Rules. Operation is subject to the following two conditions: (1) this device may not cause harmful interference, and (2) this device must accept any interference received, including interference that may cause undesired operation.

FCC RADIO FREQUENCY INTERFERENCE WARNINGS & INSTRUCTIONS

This product has been tested and found to comply with the limits as per Part 15 of the FCC Rules. These limits are designed to provide reasonable protection against harmful interference in a residential installation. This device uses and can radiate radio frequency energy and, if not installed and used in accordance with the included instructions, may cause harmful interference to radio communications. However, there is no guarantee that interference will not occur in a particular installation. If this device does cause harmful interference to radio or television reception, which can be determined by turning the device off and on, the user is encouraged to try to correct the interference by one or more of the following methods:

- Reorient or relocate the device.
- Increase the separation between the device and the receiver.
- Connect the device to an electrical outlet on a circuit different from which the radio receiver is connected.
- Consult the dealer or an experienced radio/TV technician for help.

Energy Saving Matters (EuP 2009/125/EC)

Saving electric energy is a key to help protecting the environment. Please turn off all electrical products when they are not in use. To avoid power consumption in idle mode, disconnect all electrical equipment from power when not in use. Thank you!

Document Version: An updated version of this document may be available online. Please check www.obsidiancontrol.com for the latest revision/update of this document before beginning installation and use.

Date	Document Version	Note
10/25/19	1	Initial release.
11/26/19	1.5	Update specifications
12/27/19	2.0	Added Art-Net Copyright
12/31/19	2.5	Updated Silkscreen
09/21/20	3.0	Update specifications

C O N T E N T S

GENERAL INFORMATION	4
LIMITED WARRANTY	5
SAFETY GUIDELINES	6
OVERVIEW	7
INSTALLATION	8
CONNECTIONS	10
MAINTENANCE	12
SPECIFICATIONS	13
DIMENSIONS	14
OPTIONAL ACCESSORIES	15

GENERAL INFORMATION

INTRODUCTION

Please read and understand the instructions in this manual carefully and thoroughly before attempting to operate this device. These instructions contain important safety and use information.

UNPACKING

Every device has been thoroughly tested and has been shipped in perfect operating condition. Carefully check the shipping carton for damage that may have occurred during shipping. If the carton is damaged, carefully inspect the device for damage, and be sure all accessories necessary to install and operate the device have arrived intact. In the event damage has been found or parts are missing, please contact our customer support team for further instructions. Please do not return this device to your dealer without first contacting customer support. Please do not discard the shipping carton in the trash. Please recycle whenever possible.

CUSTOMER SUPPORT

Contact your local Obsidian Controls Systems dealer or distributor for any product related service and support needs. Also visit forum.obsidiancontrol.com with questions, comments or suggestions.

OBSIDIAN CONTROL SERVICE EUROPE - Monday - Friday 08:30 to 17:00 CET
+31 45 546 85 63 | support@obsidiancontrol.com

OBSIDIAN CONTROL SERVICE USA - Monday - Friday 08:30 to 17:00 PST
(866) 245-6726 | support@obsidiancontrol.com

LIMITED WARRANTY

1. Obsidian Control Systems hereby warrants, to the original purchaser, Obsidian Control Systems products to be free of manufacturing defects in material and workmanship for a period of two years (730 days).
2. For warranty service, send the product only to the Obsidian Control Systems service center. All shipping charges must be pre-paid. If the requested repairs or service (including parts replacement) are within the terms of this warranty, Obsidian Control Systems will pay return shipping charges only to a designated point within the United States. If any product is sent, it must be shipped in its original package and packaging material. No accessories should be shipped with the product. If any accessories are shipped with the product, Obsidian Control Systems shall have no liability whatsoever for loss and/or or damage to any such accessories, nor for the safe return thereof.
3. This warranty is void if the product serial number and/or labels are altered or removed; if the product is modified in any manner which Obsidian Control Systems concludes, after inspection, affects the reliability of the product; if the product has been repaired or serviced by anyone other than the Obsidian Control Systems factory unless prior written authorization was issued to purchaser by Obsidian Control Systems; if the product is damaged because not properly maintained as set forth in the product instructions, guidelines and/or user manual.
4. This is not a service contract, and this warranty does not include any maintenance, cleaning or periodic check-up. During the periods as specified above, Obsidian Control Systems will replace defective parts at its expense, and will absorb all expenses for warranty service and repair labor by reason of defects in material or workmanship. The sole responsibility of Obsidian Control Systems under this warranty shall be limited to the repair of the product, or replacement thereof, including parts, at the sole discretion of Obsidian Control Systems. All products covered by this warranty were manufactured after January 1, 1990, and bare identifying marks to that effect.
5. Obsidian Control Systems reserves the right to make changes in design and/or performance improvements upon its products without any obligation to include these changes in any products theretofore manufactured.
6. No warranty, whether expressed or implied, is given or made with respect to any accessory supplied with the products described above. Except to the extent prohibited by applicable law, all implied warranties made by Obsidian Control Systems in connection with this product, including warranties of merchantability or fitness, are limited in duration to the warranty periods set forth above. And no warranties, whether expressed or implied, including warranties of merchantability or fitness, shall apply to this product after said periods have expired. The consumer's and/or dealer's sole remedy shall be such repair or replacement as is expressly provided above; and under no circumstances shall Obsidian Control Systems be liable for any loss and/or damage, direct and/or consequential, arising out of the use of, and/or the inability to use, this product.
7. This warranty is the only written warranty applicable to Obsidian Control Systems products and supersedes all prior warranties and written descriptions of warranty terms and conditions heretofore published.
8. Use of software and firmware:
To the maximum extent permitted by applicable law, in no event shall Elation or Obsidian Control Systems or its suppliers be liable for any damages whatsoever (including, but not limited to, damages for loss of profits or data, for business interruption, for personal injury or other loss whatsoever) arising out of or in any way related to the use of or inability to use firmware or software, the provision of or failure to provide support or other services, information, firmware, software, and related content through the software or otherwise arising out of the use of any software or firmware, even in the event of the fault, tort (including negligence), misrepresentation, strict liability, breach of warranty of Elation or Obsidian Control Systems or any supplier, and even if Elation or Obsidian Control Systems or any supplier has been advised of the possibility of such damages.

WARRANTY RETURNS: All returned service items, whether under warranty or not, must be freight pre-paid and accompany a return authorization (R.A.) number. The R.A. number must be clearly written on the outside of the return package. A brief description of the problem as well as the R.A. number must also be written down on a piece of paper and included in the shipping container. If the unit is under warranty, you must provide a copy of your proof of purchase invoice. Items returned without a R.A. number clearly marked on the outside of the package will be refused and returned at customer's expense. You may obtain a R.A. number by contacting customer support.

SAFETY GUIDELINES

This device is a sophisticated piece of electronic equipment. To guarantee a smooth operation, it is important to follow all instructions and guidelines in this manual. OBSIDIAN CONTROL SYSTEMS is not responsible for injury and/or damages resulting from the misuse of this device due to the disregard of the information printed in this manual. Only the original included parts and/or accessories for this device should be used. Any modifications to the device, included and/or accessories will void the original manufactures warranty and increase the risk of damage and/or personal injury.



PROTECTION CLASS 1 – DEVICE MUST BE PROPERLY GROUNDED

DO NOT ATTEMPT TO USE THIS DEVICE WITHOUT BEING FULLY TRAINED ON HOW TO USE IT. ANY DAMAGES OR REPAIRS TO THIS DEVICE OR ANY LIGHTING FIXTURES CONTROLLED BY THIS DEVICE RESULTING FROM IMPROPER USE, AND/OR THE DISREGARD OF THE SAFETY AND OPERATION GUIDELINES IN THIS DOCUMENT VOIDS THE OBSIDIAN CONTROL SYSTEMS WARRANTY, AND ARE NOT SUBJECT TO ANY WARRANTY CLAIMS AND/OR REPAIRS, AND MAY ALSO VOID THE WARRANTY FOR ANY NON-OBSIDIAN CONTROL SYSTEMS DEVICES.



KEEP FLAMMABLE MATERIALS AWAY FROM DEVICE.



DRY LOCATIONS USE ONLY!

DO NOT EXPOSE DEVICE TO RAIN, MOISTURE, AND/OR SEVERE ENVIRONMENTS!

DO NOT SPILL WATER AND/OR LIQUIDS ON OR INTO THE DEVICE!

DISCONNECT the device from AC power before removing fuses or any part, and when not in use.

Always electrically ground this device.

Use only a source of AC power that complies with local building and electrical codes and has both overload and ground-fault protection.

Do not expose the device to rain or moisture.

Never attempt to bypass fuses. Always replace defective fuses with ones of the specified type and rating.

Refer all service to a qualified technician.

Do not modify the device or install other than genuine Netron parts.

CAUTION: Risk of Fire and Electrical Shock. Use only in dry locations.

CAUTION: Risk of Explosion if Battery is replaced by an incorrect type. Dispose of used batteries according to local environmental regulations.

AVOID brute force handling when transporting or operating.

DO NOT expose any part of the device to open flame or smoke. Keep device away from heat sources such as radiators, heat registers, stoves, or other appliances (including amplifiers) that produce heat.

DO NOT use device in extreme and/or severe environments.

Replace fuses with ones of the same type and rating only. Never attempt to bypass a fuse. Unit provided with a single fuse in Line side.

DO NOT operate device if power cord is frayed, crimped, damaged and/or if any of the power cord connectors are damaged, and does not insert into the device securely with ease. NEVER force a power cord connector into device. If the power cord or any of its connectors are damaged, replace it immediately with a new one of similar power rating. Strictly use a source of AC power that complies with local building and electrical codes and has both overload and ground-fault protection. Use only the provided AC power supply and power cords and the correct connector for the country of operation. Use of the factory provided power cable is mandatory for operation in the US and Canada.

Allow free unobstructed airflow to the bottom and back of the product. Do not block the ventilation slots.

Operate the console only on a stable and solid surface.

DO NOT use the product if the ambient temperature exceeds 40°C (104° F)

Transport the product only in suitable packaging or a custom fitted road case. Transportation damage is not covered under warranty.

CAUTION: Risk of explosion if CMOS battery is replaced by an incorrect type. Dispose of used batteries according to local environmental regulations.

CAUTION: Do not expose CMOS battery to excessive heat such as sun or fire.

OVERVIEW

The Netron EP4 offers unique and powerful DMX management features. All settings are available from the integrated web page which allows remote access to this device from any web browser.

This multi-purpose EtherDMX Gateway essentially packages Art-Net and sACN conversion, Merger, DMX patch-bay and a DMX scene recorder into one compact unit.

KEY FEATURES

- sACN and Art-Net to DMX conversion
- Premade NETRON presets
- 10 User Presets
- 99 Cues with Fade Time, Hold Time and Cue linking

USB-C OR POE POWER CONNECTION

The device provides two Gigabit RJ45 connections for data input. One port supports POE 802.3af power input and is marked with POE on the back of the device. Both ports are connected to an internal highspeed network switch, allowing daisy chaining of multiple devices. To avoid synchronization delays it is not recommended to chain more than 10 devices together. The ports are auto-crossing, eliminating the need for RJ45 crossover cables.

SOFTWARE AND OPERATION

This document provides safety information and mechanical installation instructions.

For setup and operation of all software features, please update the devices to the latest release. Download and study the full user guides from <http://obsidiancontrol.com/netron>.

The NETRON Ether-DMX devices offer a comprehensive and easy to use feature set, and are continuously improving. It is advised to periodically check for updates on the Obsidian product pages.

INSTALLATION INSTRUCTIONS



DISCONNECT POWER BEFORE PERFORMING ANY MAINTENANCE!



ELECTRICAL CONNECTIONS

A qualified electrician should be used for all electrical connections and/or installations.

Device **MUST** be installed following all local, national, and country commercial electrical and construction codes and regulations.

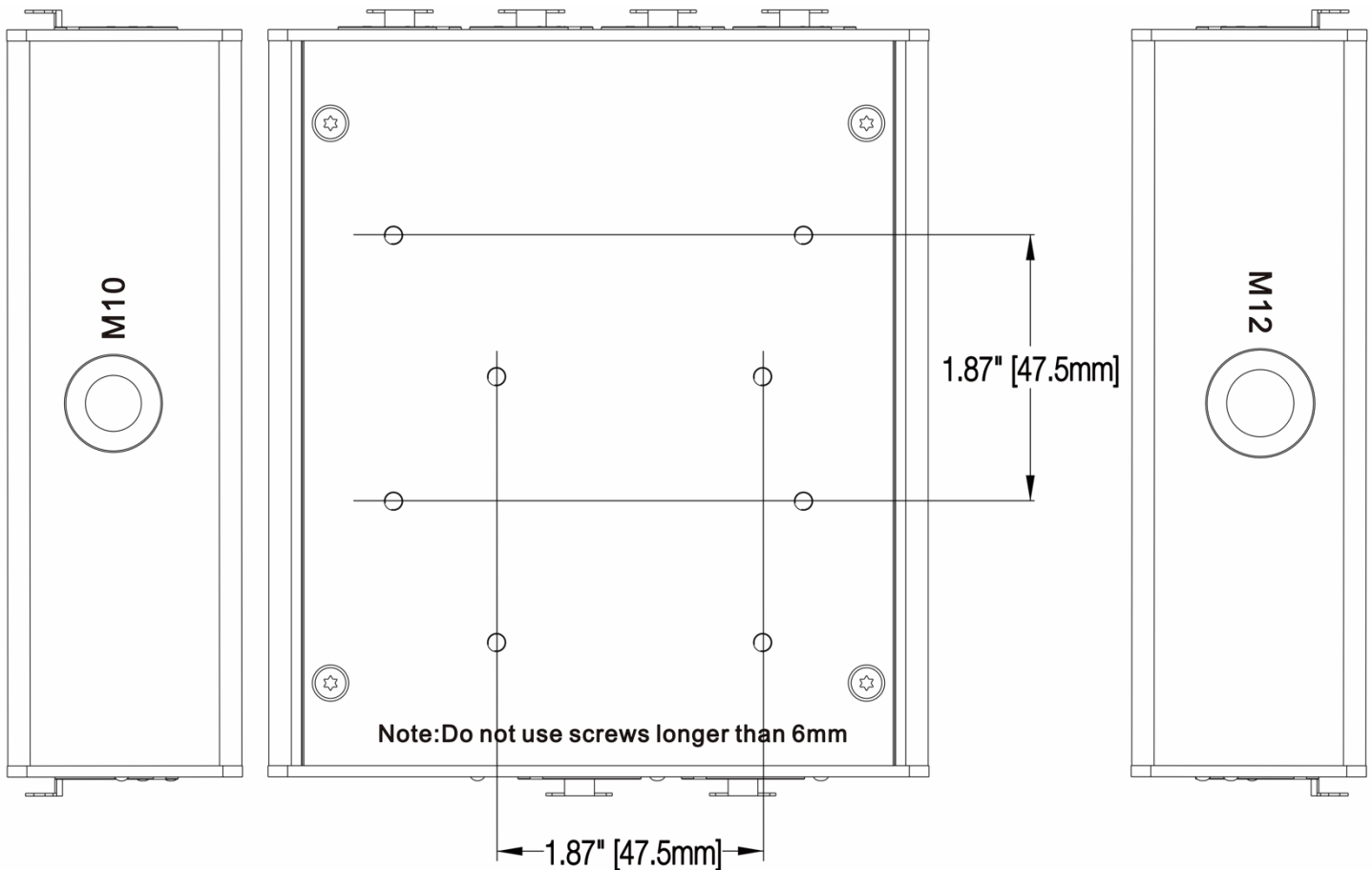
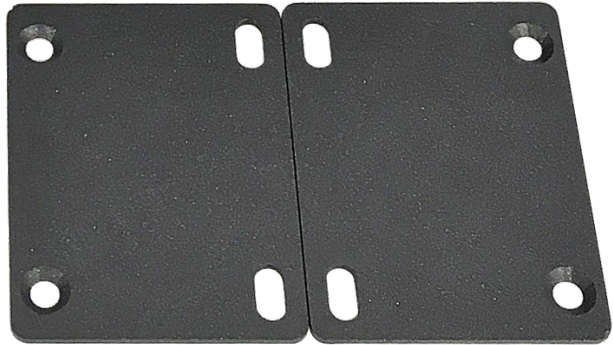
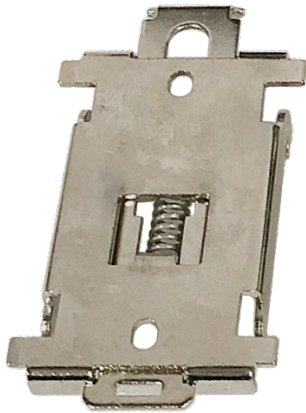


ALWAYS ATTACH A SAFETY CABLE WHENEVER INSTALLING THIS DEVICE IN A SUSPENDED ENVIRONMENT TO ENSURE THE DEVICE WILL NOT DROP IF THE CLAMP FAILS.

Overhead device installation must always be secured with a secondary safety attachment, such as an appropriately rated safety cable that can hold 10 times the weight of the device.

INSTALLATION INSTRUCTIONS

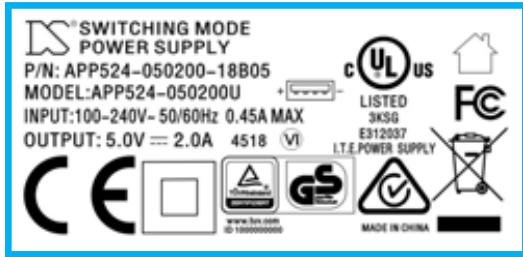
- The EP4 can be used Standalone, where the device sits on a firm flat surface.
- Truss-mounted using the M10 or M12 mounting holes for use with a truss clamp or appropriate mounting hardware.
- Wall-mounted horizontally or vertically (brackets included)
- DIN Rail mounted horizontally or vertically (adapter included)



CONNECTIONS

USB DC POWER CONNECTION

Universal 5V/2A USB Power Adapter (UK, *US, Europe, & AUS connectors).
 Input: 100-240V 47/63Hz 0.45A MAX, Output: 5.0V=2.0A.



*US Adapter

DMX CONNECTIONS

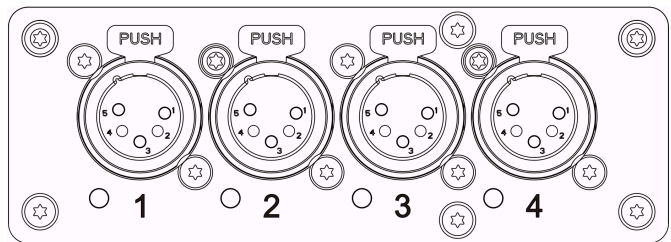
All DMX Output connections are 5pin female XLR; however, the pin-out on all sockets is pin 1 to shield, pin 2 to cold (-), and pin 3 to hot (+). Pins 4 and 5 are not used.

Carefully connect DMX cables to the respective ports.

To prevent damaging the DMX ports, provide strain relief and support. Avoid connecting FOH Snakes to the ports directly.

Certain functions may require adapters (purchased separately), such as a 5 pole XLR male to 5 pole XLR male.

Pin	Connection
1	Com
2	Data -
3	Data +
4	Not connected
5	Not connected



ETHERNET DATA CONNECTION

The Ethernet cable is connected on the back of the gateway into the port labeled A or B. Devices can be daisy chained, but it is recommended not to exceed 10 Netron devices in one chain. Although this is an Locking RJ45 Ethernet connector, and the use of Locking RJ45 Ethernet cables is recommended, any RJ45 connector is suitable.

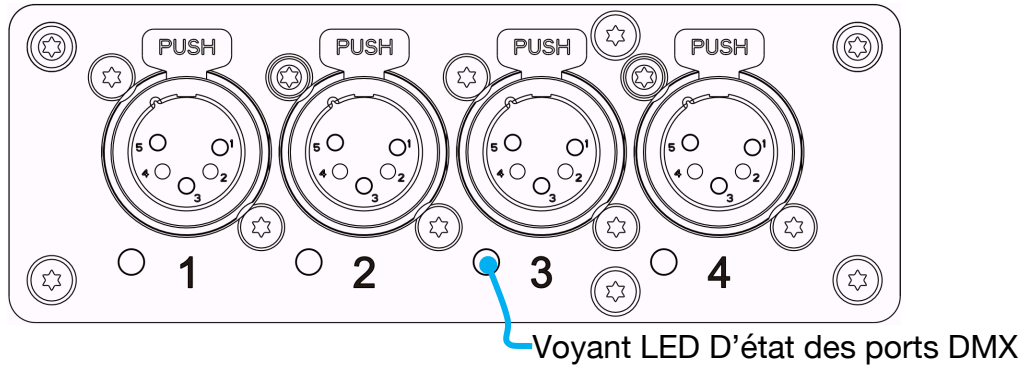
To connect multiple EP4 units to an EtherDMX Source, an Ethernet switch is required to split the data into the desired number of streams.

The Ethernet connection is also used to connect a computer to the EP4 for remote configuration via a web browser. To access the web interface, simply enter the IP address in any web browser connected to the device. Information about the web access can be found in the manual.

CONNECTIONS: FRONT & REAR PANELS

FRONT CONNECTIONS

- (4) 5pin DMX/RDM optically isolated ports
- Ports are bidirectional for DMX In and Output



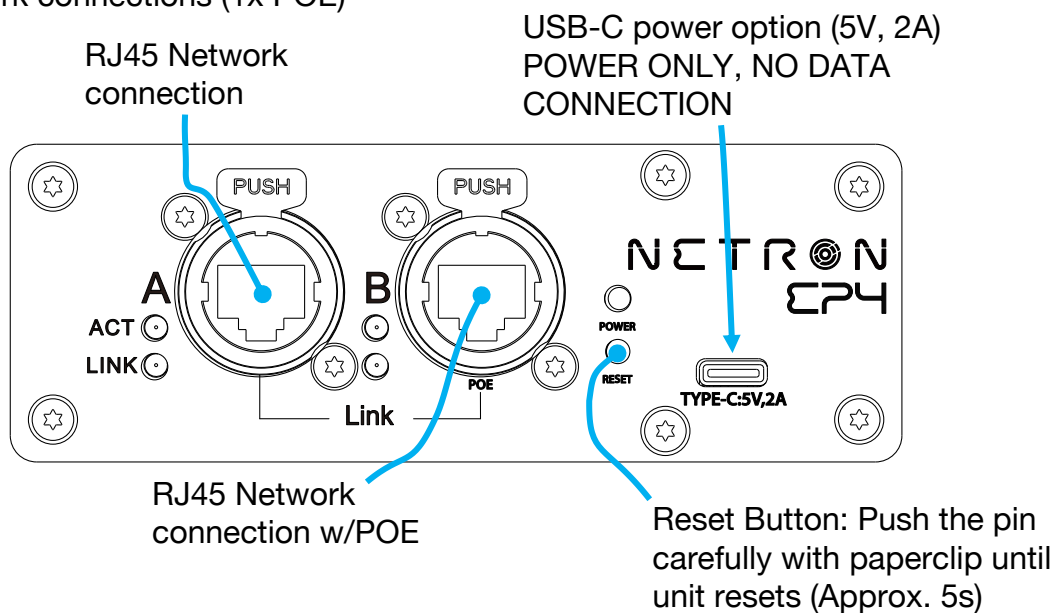
DMX PORTS STATUS INDICATOR LEDs

Ports	LED Color	Solid	Blink	Flashing/Strobing
DMX	RGB	Error		
DMX	RGB	DMX In	DMX Lost	
DMX	RGB	DMX Out Stable	DMX Lost	
DMX	WHITE			Flash on RDM packets

The LEDs are dimmable from the System – Display menu and can be turned off completely if desired.

REAR CONNECTIONS

- USB-C power option (5V, 2A). **POWER ONLY, NO DATA CONNECTION**
- (2) RJ45 network connections (1x POE)



MAINTENANCE

The Obsidian Control Systems Netron EP4 is designed as a rugged, roadworthy device. The only required service is occasional cleaning. For other service-related concerns, please contact your Obsidian Control Systems dealer, or visit www.obsidiancontrol.com.

Any service that is not described in this guide must be carried out by a trained and qualified Obsidian Control Systems technician.

As any computer, the EP4 requires periodic cleaning. The schedule relies on the environment in which the controller is operated. An Obsidian Control Systems technician can provide recommendations if necessary.

Never spray cleaner directly onto the device surface; always spray into a lint-free cloth and wipe it clean. Consider using cleaning products designed for cellphone and tablet devices for cleaning a lighting console.



Important! Excessive dust, dirt, smoke, fluid build-up, and other materials can degrade the performance of the EP4 controller, causing overheating and damage to the unit that is not covered by the warranty.

SPECIFICATIONS

Mounting Hardware

- Standalone
- Truss-mount (M10 or M12 mounting hole)
- Wall-mount horizontal or vertical (included)
- DIN Rail horizontal or vertical (included)

Connections

Front

- (4) 5pin DMX/RDM optically isolated ports
- Ports are bidirectional for DMX In and Output

Back

- (2) Locking RJ45 network connections (1x POE)
- USB-C power option (5V, 2A)

Physical

- Length: 5.3" (133.5mm)
- Width: 4.6" (118mm)
- Height: 1.65" (42mm)
- Weight: 0.5 kg (1.1 lbs)

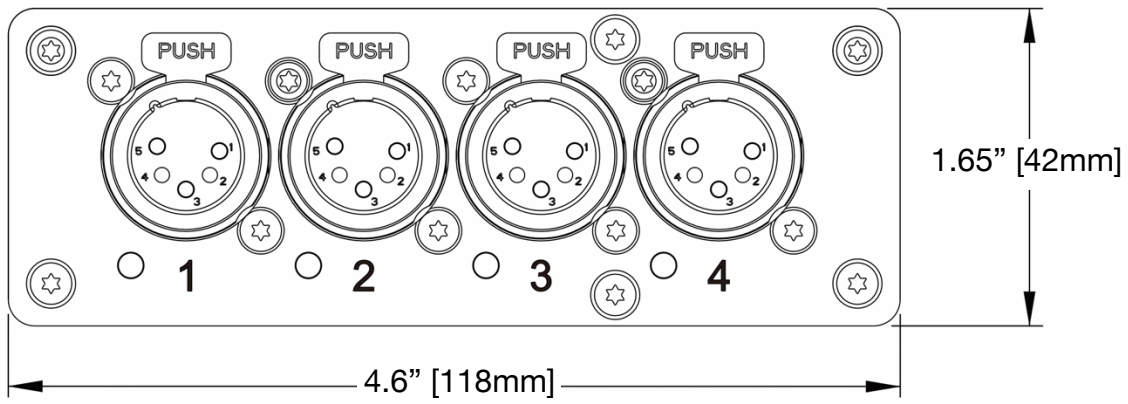
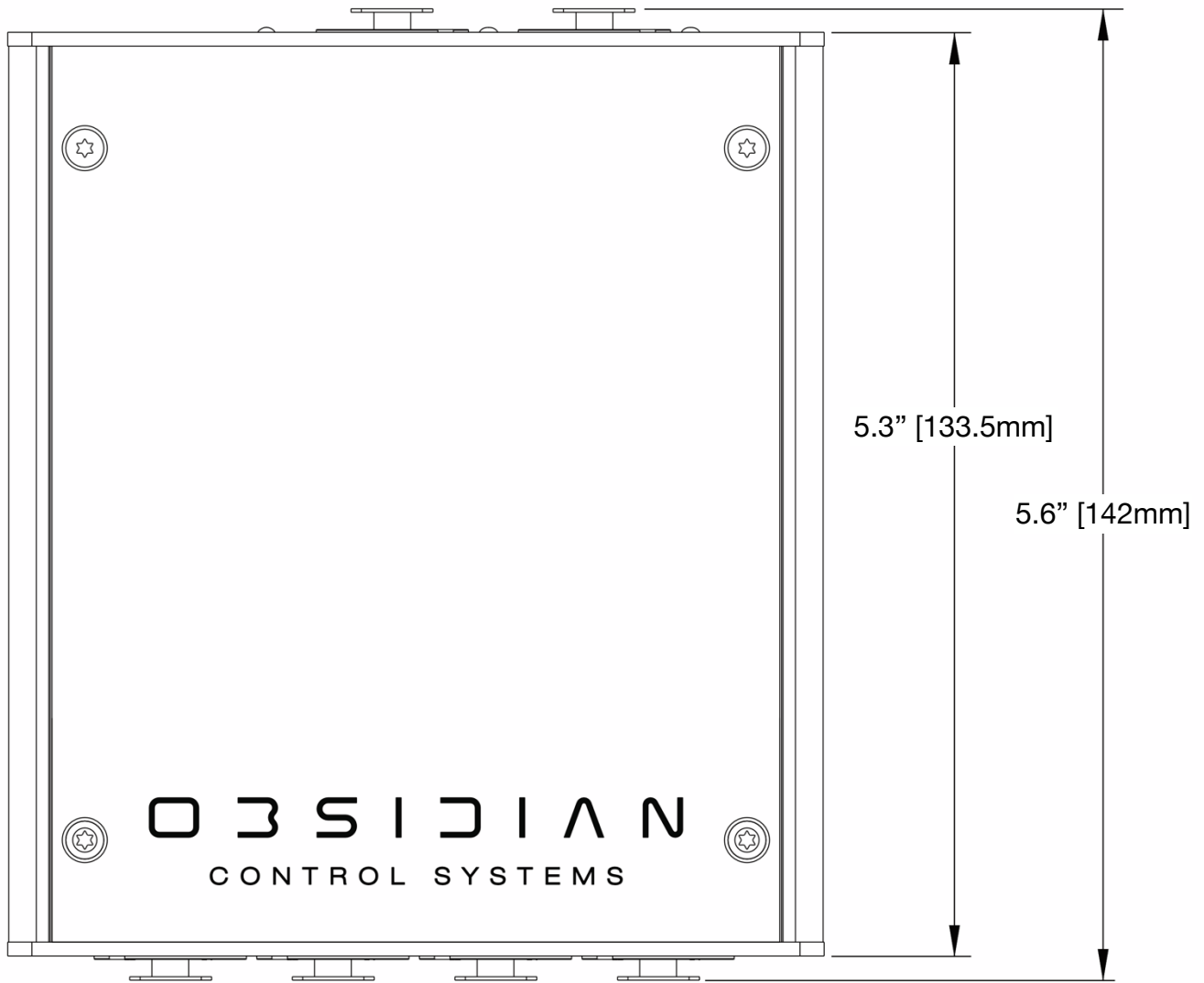
Electrical

- 5V/2A DC, 3.8W
- POE 802.3af
- Universal 5V/2A USB Power Adapter, 100-240V (included)

Included Items

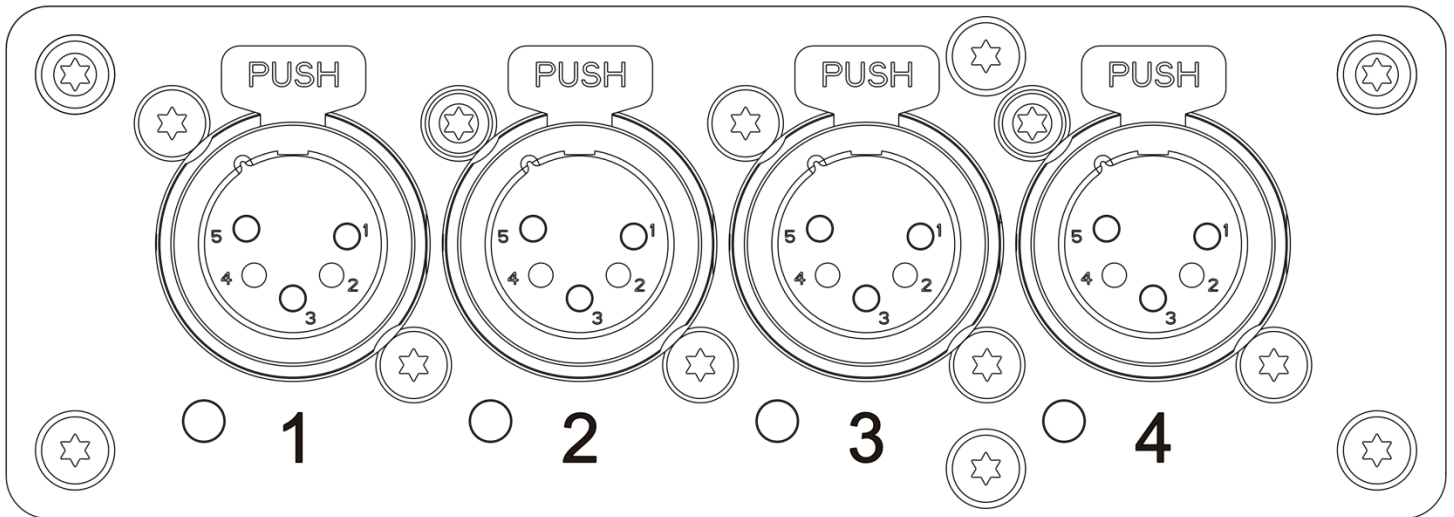
- Universal 5V/2A USB Power Adapter (UK, US, Europe, & AUS connectors), 100-240V
- Obsidian USB A to C power cable
- (2) Wallmount plates
- DIN-Rail clamp

DIMENSIONS



OBSIDIAN™

CONTROL SYSTEMS



NETRON EP4

Guide d'installation

©2020 **OBSIDIAN CONTROL SYSTEMS** tous droits réservés. Les informations, les spécifications, les diagrammes, les images et les instructions sont sujets à changement sans préavis. Le logo Obsidian Control Systems et les noms et numéros d'identification des produits cités dans ce manuel sont des marques déposées de ADJ PRODUCTS LLC. La protection du droit d'auteur revendiquée comprend toutes les formes et les sujets relatifs aux documents et aux informations protégés par le droit d'auteur, autorisés par la loi ou le droit judiciaire ou ci-après accordés. Les noms de produits utilisés dans ce document peuvent être des marques commerciales ou des marques déposées de leurs sociétés respectives et sont par la présente reconnues. Toutes les marques et noms de produits externes à ADJ sont des marques commerciales ou des marques déposées de leurs sociétés respectives.

OBSIDIAN CONTROL SYSTEMS et toutes les sociétés affiliées renoncent à toute responsabilité pour les dommages causés aux biens, à l'équipement, aux bâtiments et aux installations électriques, aux blessures causées à toute personne et aux pertes économiques directes ou indirectes liées à l'utilisation ou au recours à toute information contenue dans ce document et / ou à la suite du montage, de l'installation, de la fixation et de l'utilisation inappropriés, insuffisants et négligents de ce produit.

OBSIDIAN CONTROL SYSTEMS B.V.

Junostraat 2 | 6468 EW Kerkrade, Pays-Bas
+31 45 546 85 66

Art-Net

Cet appareil inclut la technologie Art-Net™, conçue et protégée par droits d'auteur par Artistic Licence Holdings Ltd.

DÉCLARATION FCC

Cet appareil est conforme à la partie 15 des règles de la FCC. L'utilisation est soumise aux deux conditions suivantes : (1) cet appareil ne doit pas causer d'interférences nuisibles, et (2) cet appareil doit accepter toute interférence reçue, y compris les interférences pouvant entraîner un fonctionnement indésirable.

AVERTISSEMENTS ET INSTRUCTIONS DE LA FCC SUR LES INTERFÉRENCES DE FRÉQUENCE RADIO

Ce produit a été testé conforme aux limites prévues à la partie 15 des règles de la FCC. Ces limites sont conçues pour fournir une protection raisonnable contre les interférences nuisibles dans une installation résidentielle. Cet appareil utilise et peut émettre de l'énergie radioélectrique et, s'il n'est pas installé et utilisé conformément aux instructions fournies, peut causer des interférences nuisibles pour les communications radio. Il n'y a cependant aucune garantie d'absence d'interférences avec certaines installations. Dans l'éventualité que cet appareil provoque des interférences nuisibles à la réception de la radio ou de la télévision, ce qui peut être déterminé en éteignant et en rallumant l'appareil, l'utilisateur est invité à essayer de corriger les interférences en utilisant une ou plusieurs des méthodes suivantes :

- Réorienter ou déplacer l'appareil.
- Augmenter la distance entre l'appareil et le récepteur.
- Brancher l'appareil sur une prise électrique d'un circuit différent de celui sur lequel le récepteur radio est branché.
- Consulter le revendeur ou un technicien expérimenté en radio/télévision pour obtenir de l'aide.

Exigences d'économie d'énergie (EuP 2009/125/EC)

Réaliser des économies d'énergie électrique est vital pour aider à la protection de l'environnement. Veuillez éteindre tous les produits électriques lorsqu'ils ne sont pas utilisés. Pour éviter la consommation d'énergie en mode veille, débranchez tous les équipements électriques lorsqu'ils ne sont pas utilisés. Merci !

Version du document : Une version actualisée de ce document peut être disponible en ligne. Veuillez consulter le site www.obsidiancontrol.com pour obtenir la dernière révision ou mise à jour de ce document avant de commencer l'installation et l'utilisation.

Date	Version du document	Remarque
25/10/2019	1	Version initiale.
26/11/2019	1.5	Mise à jour des spécifications
27/12/2019	2.0	Ajout du droit d'auteur Art-Net
31/12/2019	2.5	Mise à jour des sérigraphies
09/21/2020	3.0	Mise à jour des spécifications

CONTENTS

INFORMATION GÉNÉRALES	4
GARANTIE LIMITÉE	5
CONSIGNES DE SÉCURITÉ	6
PRÉSENTATION	7
INSTALLATION	8
CONNEXIONS	10
MAINTENANCE	12
SPÉCIFICATIONS	13
DIMENSIONS	14
ACCESSOIRES OPTIONNELS	15

INFORMATIONS GÉNÉRALES

INTRODUCTION

Veillez lire et comprendre les instructions de ce manuel attentivement avant de faire fonctionner cet appareil. Ces instructions comportent des informations importantes sur la sécurité et l'utilisation.

DÉBALLAGE

Chaque appareil a été soigneusement testé et a été expédié en parfait état de fonctionnement. Vérifiez soigneusement le carton d'expédition en cas de dégâts qui auraient pu survenir lors de l'expédition. Si le carton est endommagé, veuillez vérifier la présence de dommages causés à l'appareil et assurez-vous que tous les accessoires nécessaires à l'installation et au fonctionnement de l'appareil sont arrivés intacts. En cas de détection de dégâts ou de pièces manquantes, veuillez contacter notre équipe de support client pour obtenir des instructions supplémentaires. Ne renvoyez pas cet appareil à votre revendeur sans avoir d'abord contacté le support client. Ne jetez pas le carton d'expédition à la poubelle. Pensez au recyclage autant que possible.

SERVICE CLIENT

Contactez votre revendeur ou distributeur Obsidian Controls Systems local pour tout besoin de service et d'assistance lié à l'appareil. Vous pouvez également vous rendre sur le site forum.obsidiancontrol.com pour toute question, commentaire ou suggestion.

OBSIDIAN CONTROL SERVICE EUROPE - Du lundi au vendredi, de 8h30 à 17h00 CET
+31 45 546 85 63 | support@obsidiancontrol.com

OBSIDIAN CONTROL SERVICE USA - Du lundi au vendredi, de 8h30 à 17h00 PST
(866) 245-6726 | support@obsidiancontrol.com

GARANTIE LIMITÉE

1. Obsidian Control Systems garantit par la présente à l'acheteur d'origine que les produits Obsidian Control Systems sont exempts de tout défaut de fabrication, tant au niveau des matériaux que de la fabrication, pendant une période de deux ans (730 jours).
2. Pour le service de garantie, vous devez uniquement envoyer l'appareil au centre de service Obsidian Control Systems. Tous les frais d'expédition doivent avoir été payés à l'avance. Si les réparations ou le service demandés (y compris le remplacement des pièces) sont conformes aux termes de cette garantie, Obsidian Control Systems ne paiera les frais d'expédition de retour que pour une adresse située aux États-Unis. Tout produit envoyé doit être expédié dans son emballage et les matériaux d'emballage d'origine. Aucun accessoire ne doit être envoyé avec l'appareil. En cas d'accessoires expédiés avec l'appareil, Obsidian Control Systems ne pourra être tenu pour quelque raison que ce soit responsable de la perte et/ou de l'endommagement de ces accessoires, ni de leur retour en toute sécurité.
3. Cette garantie est nulle si le numéro de série du produit et/ou les étiquettes sont modifiés ou supprimés, si le produit est modifié d'une telle manière que Obsidian Control Systems en conclut, après inspection, que cela affecte la fiabilité du produit, si le produit a été réparé ou entretenu par toute personne n'appartenant pas à l'usine Obsidian Control Systems, sauf autorisation écrite préalable délivrée à l'acheteur par Obsidian Control Systems, si le produit est endommagé en raison d'un entretien incorrect ne respectant pas les instructions, les directives et/ou le manuel d'utilisation de l'appareil.
4. Ceci n'est pas un contrat de service, et cette garantie n'inclut pas de maintenance, de nettoyage ou de contrôles périodiques. Au cours des périodes spécifiées ci-dessus, Obsidian Control Systems remplacera les pièces défectueuses à ses frais et prendra en charge toutes les dépenses relatives au service de garantie et aux travaux de réparation effectués en raison de défauts de matériaux ou de fabrication. La seule responsabilité de Obsidian Control Systems dans le cadre de cette garantie est limitée à la réparation de l'appareil, ou son remplacement, y compris les pièces, à la seule discrétion de Obsidian Control Systems. Tous les appareils couverts par cette garantie ont été fabriqués après le 1er janvier 1990, et comportent des marques d'identification à cet effet.
5. Obsidian Control Systems se réserve le droit d'apporter des modifications de conception et/ou des améliorations de performance à ses appareils sans aucune obligation d'inclure ces modifications dans les produits fabriqués jusqu'à présent.
6. Aucune garantie, expresse ou implicite, n'est donnée ou réalisée à l'égard d'un accessoire fourni avec les appareils décrits ci-dessus. Sauf dans la mesure permise par la loi applicable, toutes les garanties implicites données par Obsidian Control Systems dans le cadre de cet appareil, y compris les garanties de qualité marchande ou d'adéquation, ont une durée limitée aux périodes de garantie indiquées ci-dessus. De plus, aucune garantie, expresse ou implicite, y compris les garanties de qualité marchande ou d'adéquation, ne s'applique à cet appareil après l'expiration de ces périodes. Le seul recours du consommateur et/ou du revendeur doit être la réparation ou le remplacement tel qu'expressément prévu ci-dessus. En aucun cas Obsidian Control Systems ne pourra être tenu responsable de toute perte et/ou dommage, direct et/ou consécutif à l'utilisation et/ou de l'incapacité à utiliser cet appareil.
7. Cette garantie est la seule garantie écrite applicable aux appareils Obsidian Control Systems. Elle remplace toutes les garanties et descriptions écrites des termes et conditions de garantie précédemment publiés.
8. Utilisation des logiciels et des micrologiciels :
Dans les limites permises par les lois en application, ni Elation, ni Obsidian Control Systems ou ses fournisseurs ne pourront être tenus responsables de quelque dommage que ce soit (y compris, mais sans s'y limiter, les dommages-intérêts pour perte de profits ou de données, pour interruption d'exploitation, pour dommages corporels ou toute autre perte de quelque nature que ce soit) résultant directement ou de quelque manière que ce soit de l'utilisation ou de l'impossibilité d'utiliser le micrologiciel ou le logiciel, de l'apport ou de l'impossibilité de fournir une assistance ou d'autres services, des informations, des micrologiciels, des logiciels et contenus connexes par le biais du logiciel ou même résultant de l'utilisation de tout logiciel ou micrologiciel, même en cas de faute, délit (y compris la négligence), fausse déclaration, responsabilité stricte, violation de la garantie de Elation ou de Obsidian Control Systems ou de tout fournisseur, et même si Elation ou Obsidian Control Systems ou tout fournisseur a été informé de la possibilité de tels dommages.

RETOURS DE GARANTIE : Tous les articles retournés, qu'ils soient ou non sous garantie, doivent être correctement affranchis et accompagnés d'un numéro d'autorisation de retour (AR). Le numéro d'AR doit être clairement écrit à l'extérieur du colis de retour. Une brève description du problème ainsi que le numéro d'autorisation de retour (AR) doivent également être indiqués sur une feuille de papier et inclus dans le carton d'expédition. Si l'appareil est toujours sous garantie, vous devez fournir une copie de votre preuve d'achat. Les articles retournés sans numéro d'autorisation de retour (AR) clairement indiqué à l'extérieur du colis seront refusés et retournés aux frais du client. Vous pouvez obtenir un numéro d'autorisation de retour (AR) en contactant le support client.

CONSIGNES DE SÉCURITÉ

Cet appareil est un équipement électronique extrêmement sophistiqué. Pour garantir un bon fonctionnement, il est important de suivre toutes les instructions et directives de ce manuel. OBSIDIAN CONTROL SYSTEMS n'est pas responsable des dommages causés par une utilisation abusive de cet appareil suite au non-respect des informations fournies dans ce manuel. Seules les pièces et/ou les accessoires d'origine inclus pour cet appareil doivent être utilisés. Toute modification de l'appareil et/ou de ses accessoires annule la garantie de fabrication d'origine et augmente le risque de dommages et/ou de blessures corporelles.



CLASSE DE PROTECTION 1 - L'APPAREIL DOIT ÊTRE CORRECTEMENT RELIÉ À LA TERRE



N'ESSAYEZ PAS D'UTILISER CET APPAREIL AVANT D'AVOIR REÇU UNE FORMATION COMPLÈTE SUR SON UTILISATION. TOUT DOMMAGE OU RÉPARATION DE CET APPAREIL OU DE TOUT ÉCLAIRAGE CONTRÔLÉ PAR CET APPAREIL RÉSULTANT D'UNE UTILISATION INAPPROPRIÉE ET/OU DU NON-RESPECT DES CONSIGNES DE SÉCURITÉ ET D'UTILISATION DÉCRITES DANS CE DOCUMENT ANNULE LA GARANTIE OBSIDIAN CONTROL SYSTEMS ET NE PEUT FAIRE L'OBJET DE RÉCLAMATION DE GARANTIE ET/OU DE RÉPARATIONS, ET PEUT ÉGALEMENT ANNULER LA GARANTIE POUR N'IMPORTE QUEL APPAREIL NON FABRIQUÉ PAR OBSIDIAN CONTROL SYSTEMS.

TENIR LES MATÉRIAUX INFLAMMABLES À L'ÉCART DE L'APPAREIL. À UTILISER UNIQUEMENT DANS LES ENDROITS SECS !



NE PAS EXPOSER L'APPAREIL À LA PLUIE, À L'HUMIDITÉ ET/OU À DES ENVIRONNEMENTS HOSTILES ! NE PAS RENSERSE D'EAU ET/OU DE LIQUIDES SUR OU DANS L'APPAREIL !

DÉBRANCHEZ l'appareil de l'alimentation secteur avant de retirer les fusibles ou toute pièce, et lorsqu'il n'est pas utilisé.

Assurez-vous que l'appareil soit toujours relié à la terre.

Utilisez uniquement une source d'alimentation en courant alternatif conforme aux codes locaux de construction et d'électricité et disposant d'une protection contre les surcharges et les défauts de mise à la terre.

N'exposez jamais l'appareil à la pluie ou à l'humidité.

N'essayez jamais de contourner les fusibles. Veillez à toujours remplacer un fusible grillé avec un fusible de même type et de même ampérage.

Adressez-vous à un technicien qualifié pour toute réparation.

Ne modifiez pas l'appareil et n'installez que des pièces Netron d'origine.

ATTENTION: Risque d'incendie et de choc électrique. Utilisation uniquement dans des endroits secs.

ATTENTION: Risque d'explosion si la batterie est remplacée par un type incorrect. Éliminez les piles usagées conformément à la réglementation environnementale locale.

ÉVITEZ toute manipulation brutale lors du transport ou de l'utilisation.

NE PAS exposer quelque partie de l'appareil que ce soit à une flamme nue ou à de la fumée. Tenez l'appareil éloigné des sources de chaleur telles que les radiateurs, les bouches d'air chaud, les poêles ou tout autre appareil (y compris les amplificateurs) produisant de la chaleur.

NE PAS utiliser l'appareil dans des environnements extrêmes et/ou hostiles.

Lors du remplacement des fusibles, utilisez le même type et le même ampérage. N'essayez jamais de contourner un fusible. Appareil fourni avec un seul fusible au niveau de l'alimentation.

NE PAS faire fonctionner l'appareil si le cordon d'alimentation est effiloché, pincé, endommagé et/ou si l'un des connecteurs du cordon d'alimentation est endommagé et ne s'insère pas correctement dans l'appareil. **NE JAMAIS** forcer un connecteur de cordon d'alimentation dans l'appareil. Si le cordon d'alimentation ou l'un de ses connecteurs est endommagé, remplacez-le immédiatement par un nouveau d'une puissance nominale similaire. Utilisez uniquement une source d'alimentation en courant alternatif conforme aux codes locaux de construction et d'électricité et disposant d'une protection contre les surcharges et les défauts de mise à la terre. Utilisez uniquement l'alimentation en courant alternatif, les câbles d'alimentation et le bon connecteur fournis et selon votre pays. L'utilisation du câble d'alimentation livré avec l'appareil est obligatoire pour l'utilisation aux États-Unis et au Canada.

Assurez-vous de prévoir une circulation d'air libre et sans obstruction vers le fond et l'arrière de l'appareil. Ne bloquez pas les fentes de ventilation. N'utilisez la console que sur une surface stable et solide.

NE PAS utiliser le produit si la température ambiante dépasse 40°C (104° F)

Lors du transport de l'appareil, utilisez uniquement un emballage approprié ou une caisse de transport adaptée. Les dommages liés au transport ne sont pas couverts par la garantie.

Protégez l'écran tactile interne contre les objets pointus et n'utilisez l'écran qu'avec vos doigts.

ATTENTION: Risque d'explosion si la batterie CMOS est remplacée par un type incorrect. Éliminez les piles usagées conformément à la réglementation environnementale locale.

ATTENTION: N'EXPOSEZ PAS LA BATTERIE CMOS À UNE CHALEUR EXCESSIVE TELLE QUE LE SOLEIL OU LE FEU.

VUE D'ENSEMBLE

Le Netron EP4 dispose de fonctionnalités de gestion DMX uniques et puissantes. Tous les paramètres sont disponibles sur la page Web intégrée qui permet un accès distant à cet appareil à partir de n'importe quel navigateur Web.

Cette passerelle EtherDMX polyvalente regroupe au sein d'un même appareil compacte une conversion Art-Net et sACN, un fusionneur (Merger), des fonctions de patch-bay DMX et un enregistreur de scène DMX.

PRINCIPALES CARACTÉRISTIQUES

- Conversion Art-Net et sACN vers DMX
- Préréglages NETRON
- 10 préréglages utilisateur
- 99 cues (signaux) avec fondu enchaîné, temps d'attente et liaison des cues

ALIMENTATION PAR CONNEXION USB-C OU POE

L'appareil dispose de deux connexions Gigabit RJ45 pour les données en entrée. Un seul port prend en charge une alimentation électrique par POE 802.3af et est identifié par l'inscription POE à l'arrière de l'appareil. Les deux ports sont connectés à un commutateur réseau haut débit interne, permettant le chaînage en série de plusieurs appareils. Pour éviter les retards de synchronisation, il n'est pas recommandé de relier plus de 10 appareils ensemble. Les ports sont auto-croisés, ce qui élimine le besoin de câbles croisés RJ45.

LOGICIEL ET FONCTIONS

Ce document fournit les informations de sécurité et les instructions pour l'installation mécanique.

Pour bénéficier des dernières fonctions de configuration, veuillez s'il vous plaît faire la mise à jour la plus récente. Vous pouvez télécharger et étudier les guides d'utilisation sur <http://obsidiancontrol.com/netron>.

Les appareils NETRON Ether-DMX offrent des fonctions complètes et faciles à utiliser et qui s'améliorent constamment. Il est conseillé de vérifier périodiquement les mises à jour sur les pages de produits Obsidian.

INSTRUCTIONS D'INSTALLATION



DÉBRANCHEZ L'ALIMENTATION AVANT TOUTE OPÉRATION DE MAINTENANCE!



CONNEXIONS ÉLECTRIQUES

Vous devez faire appel à un électricien qualifié pour toutes les connexions et/ou installations électriques.

L'appareil DOIT être installé conformément à tous les codes et règlements locaux, régionaux et nationaux en matière d'électricité et de construction.

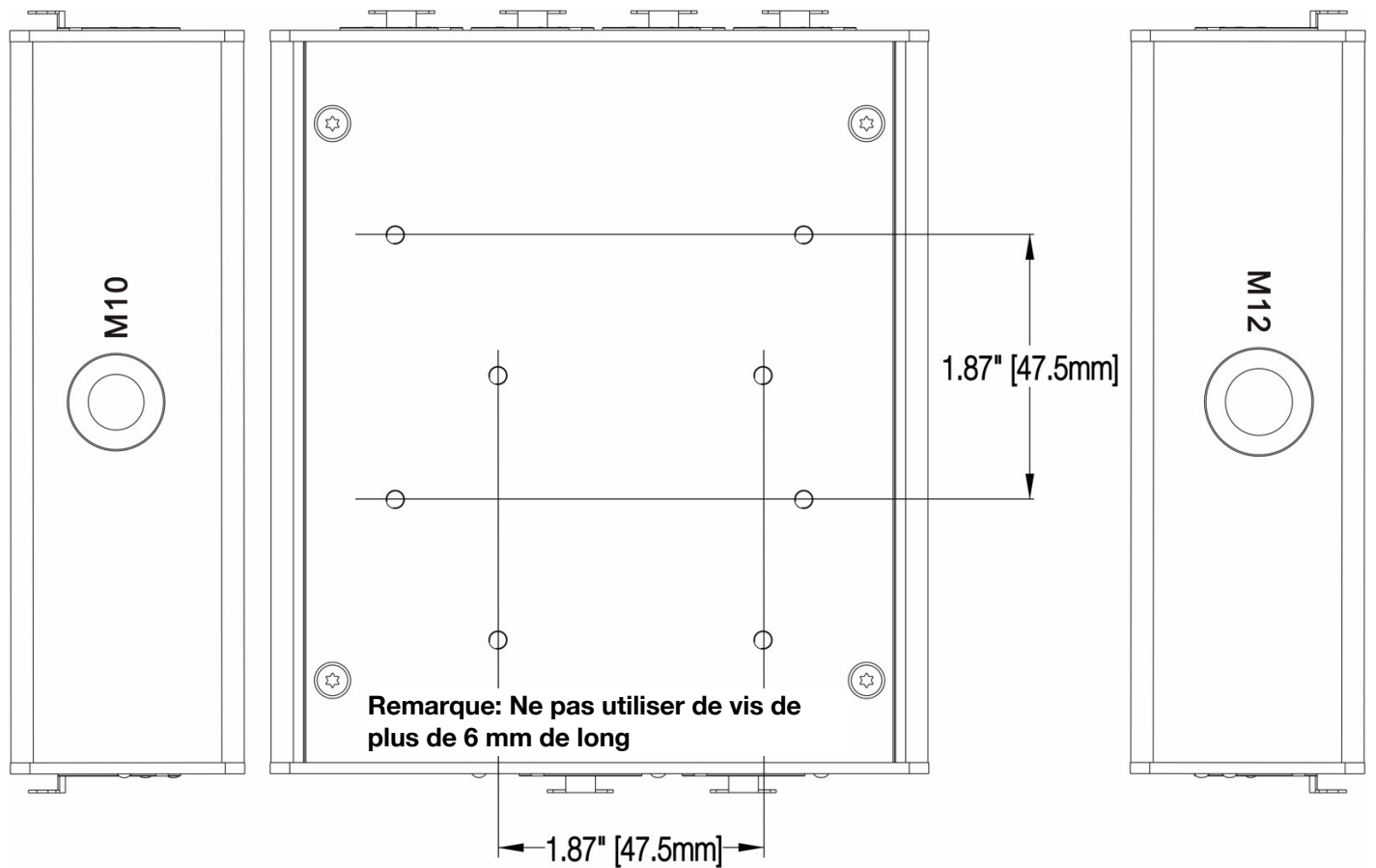
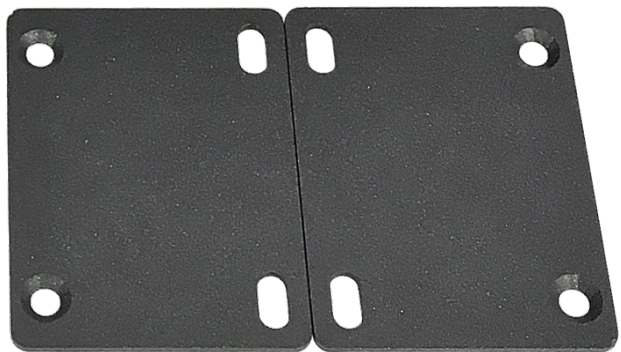
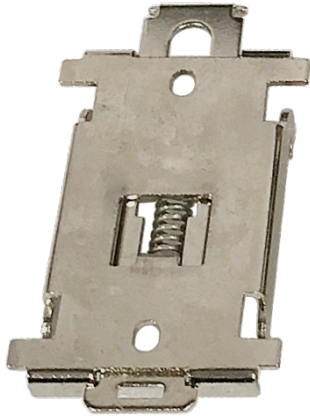


CET APPAREIL DOIT SYSTÉMATIQUEMENT ÊTRE SÉCURISÉ AVEC UN CÂBLE DE SÉCURITÉ LORS D'UNE INSTALLATION SUSPENDUE POUR ÉVITER TOUTE CHUTE DE L'APPAREIL EN CAS DE DÉFAILLANCE DE LA PINCE SUPPORT.

L'installation de l'appareil en hauteur doit toujours être sécurisée par une fixation de sécurité additionnelle, telle qu'un câble de sécurité de calibre approprié pouvant supporter un poids dix fois supérieur à celui de l'appareil.

INSTRUCTIONS D'INSTALLATION

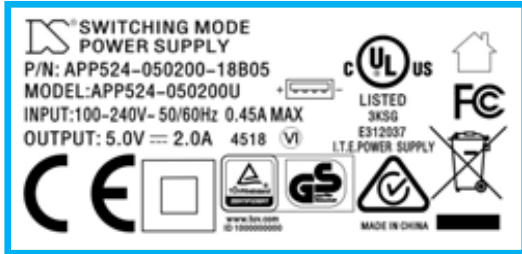
- L'EP4 peut être utilisé de manière autonome, posé sur une surface plane et ferme.
- Montage sur structure Truss à l'aide des trous de fixation M10 ou M12 pour l'utilisation d'une pince Truss ou de matériel de fixation approprié.
- Montage mural horizontal ou vertical (supports inclus)
- Montage sur rail DIN horizontal ou vertical (adaptateur inclus)



CONNEXIONS

CONNEXION D'ALIMENTATION CC PAR USB

Adaptateur d'alimentation USB universel 5V / 2A (connecteurs UK, * US, Europe et AUS).
Entrée: 100-240V 47/63Hz 0.45A MAX, Sortie : 5,0V=2.0A



* Adaptateur US

CONNEXIONS DMX

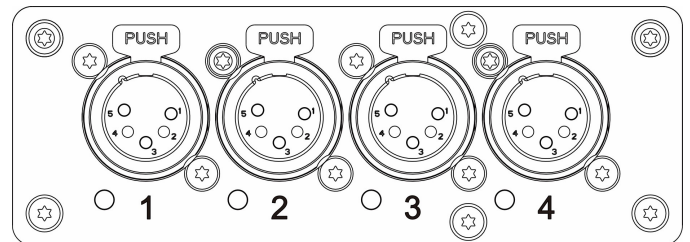
Toutes les connexions de sortie DMX sont des fiches XLR femelles à 5 broches. Veuillez cependant noter que le brochage de toutes les prises est comme suit : broche 1 pour la masse, broche 2 pour le point froid (-) et broche 3 pour le point chaud (+). Les broches 4 et 5 ne sont pas utilisées.

Connectez les câbles DMX aux ports respectifs avec soin.

Pour éviter d'endommager les ports DMX, prévoyez un support et évitez toute tension. Évitez de relier directement des cartes Snake FOH aux ports.

Certaines fonctions peuvent nécessiter des adaptateurs (vendus séparément), tels qu'un adaptateur XLR mâle 5 pôles vers XLR mâle 5 pôles.

Broche	Connexion
1	Com
2	Données -
3	Données +
4	Non connecté
5	Non connecté



CONNEXION DE DONNÉES ETHERNET

Le câble Ethernet se branche à l'arrière de la passerelle dans les prises étiquetées A ou B. Les appareils peuvent être connectés en série, mais il est recommandé de ne pas connecter plus de 10 appareils Netron ensemble. Bien qu'il s'agisse d'un connecteur Ethernet RJ45 verrouillable, et que l'utilisation de câbles Ethernet RJ45 verrouillables soit recommandée, vous pouvez utiliser n'importe quel type de connecteur RJ45.

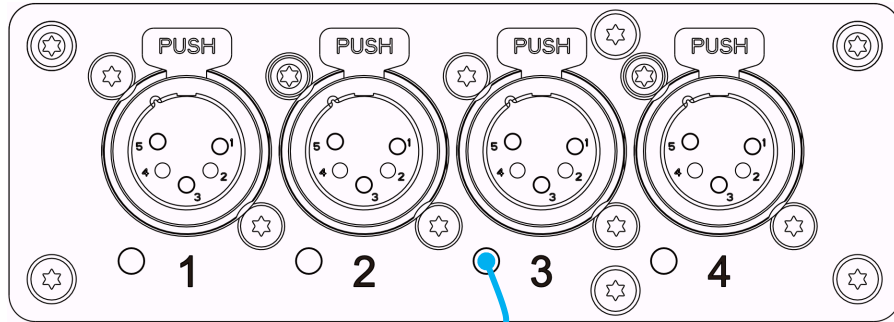
Pour connecter plusieurs unités EN4 à une source EtherDMX, un commutateur Ethernet est nécessaire pour partager les données au nombre de flux souhaité.

La connexion Ethernet est également utilisée pour connecter EN4 à un ordinateur pour une configuration à distance via un navigateur Web. Pour accéder à l'interface web, il suffit de saisir l'adresse IP affichée à l'écran dans n'importe quel navigateur web connecté à l'appareil. Vous trouverez des informations sur l'accès Web dans le manuel.

CONNEXIONS: PANNEAUX AVANT ET ARRIÈRE

CONNEXIONS AVANT

- (4) ports 5 broches DMX / RDM avec isolation optique
- Les ports sont bidirectionnels pour l'entrée et la sortie DMX



VOYANT LED D'ÉTAT DES PORTS DMX

VOYANTS LED D'ÉTAT DES PORTS DMX

Ports	Couleur de la LED	Allumé	Clignote	Clignote rapidement
DMX	ROUGE	Erreur		
DMX	VERT	Entrée DMX	Perte du DMX	
DMX	BLEU	Sortie DMX stable	Perte du DMX	
DMX	BLANC			Clignotement rapide sur réception de paquets RDM

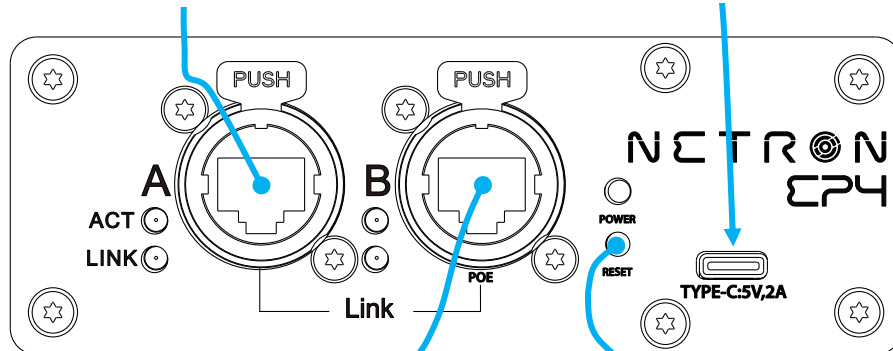
Les LED sont gradables à partir du menu Système - Affichage et peuvent être complètement éteintes si vous le souhaitez.

CONNEXIONS ARRIÈRE

- Entrée / liaison alimentation électrique
- (2) connexions réseau RJ45 (1x POE)

Option d'alimentation par USB-C (5V, 2A)
ALIMENTATION ÉLECTRIQUE UNIQUEMENT,
PAS DE CONNEXION DE DONNÉES

Connexion réseau RJ45



Connexion réseau RJ45 avec POE

Bouton de réinitialisation: Poussez la goupille avec précaution avec un trombone jusqu'à ce que l'appareil se réinitialise (environ 5s)

ENTRETIEN

Le Netron EP4 de Obsidian Control Systems est conçu comme un appareil robuste et endurant. Le seul entretien nécessaire est un nettoyage de temps en temps. Pour toute autre question relative aux réparations, veuillez contacter votre revendeur Obsidian Control Systems ou consulter le site www.obsidiancontrol.com.

Toute réparation non détaillée dans ce guide doit être effectuée par un technicien Obsidian Control Systems formé et qualifié.

Comme tout ordinateur, l'EP4 nécessite un nettoyage périodique. La fréquence dépend de l'environnement dans lequel le contrôleur est utilisé. Un technicien Obsidian Control Systems peut fournir des recommandations si nécessaire.

Ne vaporisez jamais de nettoyant directement sur la surface de l'appareil, vaporisez plutôt sur un chiffon non pelucheux et essuyez avec. Pensez à utiliser des produits de nettoyage conçus pour les téléphones portables et les tablettes pour nettoyer la console d'éclairage.



Important! Une accumulation excessive de poussière, de saleté, de fumée, de liquides ou d'autres matériaux peut dégrader les performances du contrôleur EP4, entraînant une surchauffe et des dommages à l'appareil qui ne sont pas couverts par la garantie.

SPÉCIFICATIONS

Matériel de montage

- Autonome
- Montage sur structure Truss (trous de montage M10 ou M12)
- Montage mural horizontal ou vertical (inclus)
- Montage sur rail DIN horizontal ou vertical (inclus)

Connexions

Avant

- (4) ports 5 broches DMX / RDM avec isolation optique
- Les ports sont bidirectionnels pour l'entrée et la sortie DMX

Arrière

- (2) connexions réseau RJ45 verrouillables (1x POE)
- Option d'alimentation par USB-C (5V, 2A).

Dimensions

- Longueur: 133,5mm (5,3 po)
- Largeur: 118mm (4,6 po)
- Hauteur: 42mm (1,65 po)
- Poids: 0.5 kg (1.1 lbs)

Alimentation électrique

- 5V / 2A DC, 3.8W
- POE 802.3af
- Adaptateur d'alimentation USB universel 5V / 2A, 100-240V (inclus)

Accessoires inclus

- Adaptateur d'alimentation USB universel 5V / 2A (connecteurs UK, * US, Europe et AUS), 100-240V
- Câble d'alimentation Obsidian USB A vers C
- (2) plaques de fixation
- Pince DIN-Rail

DIMENSIONS

