

Programming Reference

For printer model:

S84 **ex** / S86 **ex**



The pictures in this manual show the SATO S84-ex printer, unless otherwise stated.

Copyrights

Any unauthorized reproduction of the contents of this document, in part or whole, is strictly prohibited.

Limitation of Liability

SATO Corporation and its subsidiaries in Japan, the U.S. and other countries make no representations or warranties of any kind regarding this material, including, but not limited to, implied warranties of merchantability and fitness for a particular purpose. SATO Corporation shall not be held responsible for errors contained herein or any omissions from this material or for any damages, whether direct, indirect, incidental or consequential, in connection with the furnishing, distribution, performance or use of this material.

Specifications and contents in this document are subject to change without notice.

Trademarks

SATO is a registered trademark of SATO Holdings Corporation and its subsidiaries in Japan, the U.S. and other countries.

Secure Digital (SD) Card is a registered trademark of the SD Card Association.

QR Code is a registered trademark of DENSO WAVE INCORPORATED.

Windows is a registered trademark of Microsoft Corporation in the United States and/or other countries.

Bluetooth is a trademark of Bluetooth SIG, Inc., U.S.A.

WPA™ and WPA2™ are registered trademarks of Wi-Fi Alliance.

All other trademarks are the property of their respective owners.

In this Programming Reference, dip switches for setting is written as DSW, and adjusting volume is written as VR.

The content of this Programming Reference is based on the firmware version 61.00.01.00A.

Version: S84-ex/S86-ex-r06-10-19PR
©2019 SATO Corporation. All rights reserved.

Table of Contents

Part 1	Programming Reference	1
1	List of Commands	1
2	Initial Value of Operation Settings	5
3	List of Fonts	6
4	Example of Command Reference	8
5	Control Commands	10
5.1	ESC+A Start of Data Transmission	10
5.2	ESC+Z End of Data Transmission	11
5.3	ESC+Q Print Quantity	12
5.4	ESC+ID Job ID Number	13
5.5	ESC+WK Job Name	14
6	Print Position Commands	15
6.1	ESC+H Horizontal Print Position	15
6.2	ESC+V Vertical Print Position	16
7	Modification Commands	17
7.1	ESC+P Character Pitch	17
7.2	ESC+L Enlargement	18
7.3	ESC+PS Proportional Pitch	19
7.4	ESC+PR Release of Proportional Pitch	20
7.5	ESC+% Rotation	21
7.6	ESC+F Sequential Numbering	22
7.7	ESC+FW Print of Lines and Boxes	23
7.8	ESC+FC Print of Circles	25
7.9	ESC+FT Print of Triangles	26
7.10	ESC+(Black and White Reverse Print	27
7.11	ESC+KC Character Code	28
7.12	ESC+& Registration of Form Overlay	29
7.13	ESC+/ Form Overlay Call	30
7.14	ESC+0 Partial Editing	31
7.15	ESC+WD Partial Copying	32
7.16	ESC+J Print of Journal	34
7.17	ESC+RF Call and Print of Font & Logo	35
7.18	ESC+RM Mirror Image	36
7.19	ESC+WN Work Shift Information	38
7.20	ESC+WS Print of Work Shift Information	39
7.21	ESC+CE European Code Page	40
7.22	ESC+KS Kanji Font Type	43
8	Font Commands	44
8.1	ESC+XU XU Font (Default Font Size: 5x9 dots)	44
8.2	ESC+XS XS Font (Default Font Size: 17x17 dots)	46
8.3	ESC+XM XM Font (Default Font Size: 24x24 dots)	48
8.4	ESC+XB XB Font (Default Font Size: 48x48 dots)	50
8.5	ESC+XL XL Font (Default Font Size: 48x48 dots)	52
8.6	ESC+OA OCR-A Font	54
8.7	ESC+OB OCR-B Font	56
8.8	ESC+\$ Shape of Outline Font	58
8.9	ESC+\$\$= Print of Outline Font	59
8.10	ESC+RD TrueType Font	61
8.11	ESC+K1 16x16 dots Horizontal Writing Kanji	65
8.12	ESC+K2 24x24 dots Horizontal Writing Kanji	66
8.13	ESC+K8 16x16 dots Horizontal Writing Kanji with One-byte Characters	67
8.14	ESC+K9 24x24 dots Horizontal Writing Kanji with One-byte Characters	68
8.15	ESC+k1 16x16 dots Vertical Writing Kanji	69
8.16	ESC+k2 24x24 dots Vertical Writing Kanji	70
8.17	ESC+k8 16x16 dots Vertical Writing Kanji with One-byte Characters	71
8.18	ESC+k9 24x24 dots Vertical Writing Kanji with One-byte Characters	72
8.19	ESC+T1 Registration of 16x16 dots External Character	73
8.20	ESC+T2 Registration of 24x24 dots External Character	75

8.21	ESC+K1(K2) Call of Horizontal Writing External Character	77
8.22	ESC+k1(k2) Call of Vertical Writing External Character	78
8.23	ESC+U U Font (Default Font Size: 5x9 dots)	79
8.24	ESC+S S Font (Default Font Size: 8x15 dots).....	81
8.25	ESC+M M Font (Default Font Size: 13x20 dots).....	83
8.26	ESC+WB WB Font (Default Font Size: 18x30 dots).....	85
8.27	ESC+WL WL Font (Default Font Size: 28x52 dots)	87
8.28	ESC+RG Multiple Language Font	89
9	Barcode Specification	90
9.1	ESC+B Barcode (Ratio 1:3)	93
9.2	ESC+D Barcode (Ratio 1:2)	95
9.3	ESC+D~ESC+d Barcode (Selection of HRI).....	97
9.4	ESC+BD Barcode (Ratio 2:5).....	98
9.5	ESC+BT Registration of Bar Width Ratio.....	100
9.6	ESC+BW Print of Barcode with Registered Ratio	101
9.7	ESC+BI GS1-128(UCC/EAN128) (Standard Carton ID Only).....	104
9.8	ESC+BC CODE93 Barcode	106
9.9	ESC+BG CODE128 (128A, 128B, 128C) Barcode	108
9.10	ESC+BP POSTNET	112
9.11	ESC+BF UPC Add-on Code (BOOKLAND).....	114
9.12	ESC+BL UPC-A Barcode (Without HRI)	116
9.13	ESC+BL~ESC+d UPC-A Barcode (Selection of HRI)	117
9.14	ESC+BM UPC-A Barcode (With HRI)	119
9.15	ESC+EU Composite Symbol	120
9.16	ESC+BS USPS Barcode.....	124
10	2D Code Commands.....	126
10.1	ESC+2D10 PDF417	126
10.2	ESC+2D12 Micro PDF417.....	129
10.3	ESC+2D20 MaxiCode.....	132
10.4	ESC+2D30 QR Code (Model 2)	134
10.5	ESC+2D31 QR Code (Model 1)	138
10.6	ESC+2D32 Micro QR Code	141
10.7	ESC+2D50 Data Matrix (ECC200).....	166
10.8	ESC+2D51 GS1 Data Matrix.....	169
10.9	ESC+BQ QR Code (Compatible Commands)	172
10.10	ESC+BV MAXI Code (Compatible Commands)	197
10.11	ESC+BK PDF417 (Compatible Commands).....	199
10.12	ESC+BX Data Matrix (ECC200) (Compatible Commands).....	202
10.13	ESC+DC Data Matrix (ECC200) Data (Compatible Commands).....	203
10.14	ESC+FX Data Matrix (ECC200) Sequential Numbering (Compatible Commands).....	204
10.15	ESC+2D70 Aztec code.....	206
10.16	ESC+2D34 GS1 QR Code (Model 2).....	209
11	Graphics Commands.....	238
11.1	ESC+G Print of Graphic	238
11.2	ESC+GM Print of BMP File	239
11.3	ESC+GP Print of PCX File.....	240
12	System Commands	241
12.1	ESC+CS Print Speed	241
12.2	ESC+#F Print Darkness.....	242
12.3	ESC+A1 Label Size	243
12.4	ESC+A3 Base Offset Setting	245
12.5	ESC+EP Print End Position	246
12.6	ESC+* Clear	247
12.7	ESC+@ Offline	248
12.8	ESC+C Reprint.....	249
12.9	ESC+PG Registration of Printer Operation.....	250
12.10	ESC+PC Registration of Printer Operation	253
12.11	ESC+E Auto Linefeed.....	256
12.12	ESC+KM Kanji Mincho	257
12.13	ESC+KG Kanji Gothic.....	258
12.14	ESC+LD User Download	259
12.15	ESC+PO Offset.....	260
12.16	ESC+#J Job Modification	261

13	Memory Card Commands	262
13.1	ESC+CC Card Slot for Use	262
13.2	ESC+&S Registration of Form Overlay	263
13.3	ESC+&R Form Overlay Call	266
13.4	ESC+YS Registration of Format	267
13.5	ESC+/N Registration of Field	269
13.6	ESC+YR Format Call	270
13.7	ESC+/D Print of Field	271
13.8	ESC+GI Registration of Graphic	272
13.9	ESC+GR Graphic Call	274
13.10	ESC+GT Registration of BMP File	275
13.11	ESC+GC BMP File Call	276
13.12	ESC+PI Registration of PCX File	277
13.13	ESC+PY PCX File Call	278
13.14	ESC+T1 Memory card 16x16 dots External Font Registration	279
13.15	ESC+T2 Memory card 24x24 dots External Font Registration	280
13.16	ESC+K1(K2) Memory Card Horizontal Writing External Character Recall	282
13.17	ESC+k1(k2) Memory Card Vertical Writing External Character Recall	283
13.18	ESC+BJF Memory Card Initialization	284
13.19	ESC+BJS Print of Memory Card Status	285
13.20	ESC+* Memory Card Clear	286
13.21	ESC+BJ, ESC+BJD Registration of TrueType Font (Compatible Commands)	287
13.22	ESC+BJT TrueType Font Call (Compatible Commands)	288
14	Calendar Commands	289
14.1	ESC+WT Calendar Setting	289
14.2	ESC+WP Calendar Addition	290
14.3	ESC+WA Calendar Print	291
14.4	ESC+WU Extended Calendar Print	293
14.5	ESC+WV Calendar Case Format	295
14.6	ESC+CV Calendar M(Month) and D(Day) Code	296
15	Intelligent Commands	297
15.1	ESC+IK Media Feed Control	297
15.2	ESC+IM Displayed Messages	299
15.3	ESC+IF Internal Buffer Registration	300
15.4	ESC+IB Internal Buffer Recall	301
15.5	ESC+IC Internal Buffer Data comparison	303
15.6	ESC+I* Internal Buffer Data Print	304
15.7	ESC+I# Exclusive Key Start-End	305
15.8	ESC+IZ Key Input	307
15.9	ESC+IR Internal Buffer Registration (Received Data)	308
15.10	ESC+IT Data Sending	310
15.11	ESC+IO External Signal Input/Output	312
15.12	ESC+IW Print Start Waiting Time	314
15.13	ESC+IU Internal Buzzer Sound	315
15.14	ESC+I@ Internal Buffer Initialization	316
15.15	ESC+IY Exclusive Display Start-End	317
16	RFID Commands	318
16.1	ESC+IP0 EPC Code Write	318
16.2	ESC+IP1 EPC Code Read	326
16.3	ESC+F EPC Sequential Number	329
16.4	ESC+IP5 Antenna Output Power	330
16.5	ESC+TM Trademark Print	332
16.6	ESC+TU Printing Tag Data	333
16.7	ESC+RU TID Return	336
16.8	ESC+RA RFID Mode Setting	340
17	XML Commands	343
17.1	ESC+/Y Register Print Template Name	343
17.2	ESC+/X Set XML Variable Name	344
17.3	ESC+/R Remove Print Template	345
17.4	ESC+/S Set Print Template Name	346
17.5	ESC+/G Get Print Template Information	347
17.6	ESC+/A Air Protocols Management	348

Part 2	Interface Specification	349
1	Overview	349
1.1	Overview	349
1.2	Function setting	349
1.3	Combination of interfaces	350
2	Communication Protocol	351
2.1	Communication protocols and Receive Mode	351
2.2	Return Status	352
2.2.1	Return status of Status 2	354
2.2.2	Return status of Status 3	355
2.2.3	Return status of Status 4	358
2.2.4	Return status of Status 5	362
2.2.5	Other return status (Common to Status 3, Status 4, and Status 5)	372
2.3	READY/BUSY	381
2.4	XON/XOFF	381
2.5	Status 3	381
2.5.1	Return Sequence	382
2.5.2	Reference Flowchart	384
2.6	Status 4	385
2.6.1	Return Sequence	385
2.7	Status 5	387
2.7.1	Receive buffer control	387
2.7.2	Return Sequence	388
3	RS-232C	394
3.1	Basic Specifications	394
3.2	READY/BUSY	395
3.2.1	Connecting diagram	395
3.2.2	Explanation of input/output signal	395
3.2.3	Timing chart of single item receive	396
3.2.4	Timing chart of multiple receive	397
3.3	XON/XOFF	398
3.3.1	Connecting diagram	398
3.3.2	Explanation of input/output signal	398
3.3.3	Timing chart of single item receive	399
3.3.4	Timing chart of multiple receive	400
3.4	Printer Status 5 Return	401
3.4.1	Connecting diagram	401
3.4.2	Explanation of input/output signal	401
3.4.3	Timing Chart	402
3.5	Status 4	405
3.5.1	Connecting diagram	405
3.5.2	Explanation of input/output signal	405
3.5.3	Timing Chart	406
3.6	Printer Status 3 Return	409
3.6.1	Connecting diagram	409
3.6.2	Explanation of input/output signal	409
3.6.3	Timing Chart	410
3.7	Status 2	412
3.7.1	Connecting diagram	412
3.7.2	Explanation of input/output signal	412
3.7.3	Timing Chart	413
3.7.4	Return Status	415
3.7.5	Return Sequence	416
3.7.6	Reference Flowchart	418
3.7.7	Note	419
4	IEEE1284	420
4.1	Basic Specifications	420
4.2	Connecting diagram	421
4.3	Connector Pin Assignment	422
4.4	Explanation of input signal	422
4.5	Basic Specifications	423
4.5.1	Timing chart of single item receive	423
4.5.2	Timing chart of multiple receive	425

5	USB	428
5.1	Basic Specifications	428
5.2	Connector Pin Assignment	428
6	LAN, wireless LAN	429
6.1	Basic Specifications (LAN)	429
6.2	Basic Specifications (wireless LAN)	431
6.3	Software Specifications	435
6.4	TCP/IP	435
6.5	LPD	435
6.6	FTP	436
6.7	TELNET	436
6.7.1	Setting/Display items	437
6.8	SNTP (Simple Network Time Protocol)	438
6.8.1	Function	438
6.8.2	Operating conditions	438
6.8.3	Operation Sequence	439
6.9	HTTP (Hyper Text Transfer Protocol)	440
6.9.1	LAN settings	440
6.9.2	Wireless LAN settings	440
6.10	SNMP specification (Simple Network Management Protocol)	441
6.10.1	Supported MIB	441
6.10.2	Printer error information	442
6.10.2.1	Error and warning MIB correspondence table	442
6.10.2.2	Supplemental explanation	443
6.11	Setting the IP Address	444
6.12	Wireless LAN settings	445
6.12.1	Setting item list	445
6.12.2	Combinations of wireless settings and necessary items	447
6.12.3	802.1x authentication and certification	448
6.13	Socket Communication	449
6.13.1	Port Number	450
6.14	Connection and disconnection of session	451
6.15	Printer status	452
6.16	Note	454
6.16.1	Common to LAN/Wireless LAN interface	454
6.16.2	Wireless LAN interface	454
6.16.3	LAN Interface	454
7	Bluetooth	455
7.1	Basic Specifications	455
7.2	Bluetooth settings	456
7.3	CRC Transmission Data	456
7.4	Calculation Example of CRC	457
7.5	Transmission Data Example	458
7.6	CRC errors	459
7.7	Transmission Sequence	460
7.7.1	Normal end	460
7.7.1.1	Status 4 (when CRC check is enabled)	460
7.7.1.2	Status 3 (when CRC check is enabled)	461
7.7.1.3	Status 4 (when CRC check is disabled)	462
7.7.1.4	Status 3 (when CRC check is disabled)	463
7.7.2	Disconnection During Print data sending	464
7.7.2.1	When CRC check is enabled (common to Status 3 and 4)	464
7.7.2.2	When CRC check is disabled (common to Status 3 and 4)	464
7.7.3	Disconnection during status sending after print data reception	465
7.7.3.1	When CRC check is enabled (common to Status 3 and 4)	465
7.7.3.2	When CRC check is disabled (common to Status 3 and 4)	465
7.7.4	Abnormal end when CRC check is enabled	466
7.7.4.1	At the CRC error (common to Status 3 and 4)	466
7.7.4.2	At the communication time out (common to Status 3 and 4)	466
7.7.5	State transition diagram matrix (at host)	467
7.7.5.1	Status 3	467
7.7.5.2	Status 4	468
7.7.5.3	State transition diagram matrix (at product)	469

8	External signal interface	470
8.1	Basic Specifications	470
8.2	Connector Pin Assignment.....	472
8.3	Explanation of input/output signal.....	473
9	USB Host	479
9.1	Basic Specifications	479
9.2	Connector Pin Assignment.....	479
10	Note	480

Part 1 Programming Reference

1 List of Commands

The following are the commands specified in the Specification for Command.

Control Commands

No.	Command	Function	On page
5.1	ESC+A <A>	Start of Data Transmission	10
5.2	ESC+Z <Z>	End of Data Transmission	11
5.3	ESC+Q <Q>	Print Quantity	12
5.4	ESC+ID <ID>	Job ID Numbering	13
5.5	ESC+WK <WK>	Job Name	14

Print Position Commands

No.	Command	Function	On page
6.1	ESC+H <H>	Horizontal Print Position	15
6.2	ESC+V <V>	Vertical Print Position	16

Modification Commands

No.	Command	Function	On page
7.1	ESC+P <P>	Character Pitch	17
7.2	ESC+L <L>	Enlargement	18
7.3	ESC+PS <PS>	Proportional Pitch	19
7.4	ESC+PR <PR>	Release of Proportional Pitch	20
7.5	ESC+% <%>	Rotation	21
7.6	ESC+F <F>	Sequential Numbering	22
7.7	ESC+FW <FW>	Print of Lines and Boxes	23
7.8	ESC+FC <FC>	Print of Circles	25
7.9	ESC+FT <FT>	Print of Triangles	26
7.10	ESC+(<(>	Black and White Reverse Print	27
7.11	ESC+KC <KC>	Character Code	28
7.12	ESC+& <&>	Registration of Form Overlay	29
7.13	ESC+/ </>	Form Overlay call	30
7.14	ESC+0 <0>	Partial Editing	31
7.15	ESC+WD <WD>	Partial Copying	32
7.16	ESC+J <J>	Print of Journal	34
7.17	ESC+RF <RF>	Call and Print of Font & Logo	35
7.18	ESC+RM <RM>	Mirror Image	36
7.19	ESC+WN <WN>	Work Shift Information	38
7.20	ESC+WS <WS>	Print of Work Shift Information	39
7.21	ESC+CE <CE>	European Code Page	40
7.22	ESC+KS <KS>	Kanji Font Type	43

Font Commands

No.	Command	Function	On page
8.1	ESC+XU <XU>	XU Font (Default Font size: 5 x 9 dots)	44
8.2	ESC+XS <XS>	XS Font (Default Font size: 17 x 17 dots)	46
8.3	ESC+XM <XM>	XM Font (Default Font size: 24 x 24 dots)	48
8.4	ESC+XB <XB>	XB Font (Default Font size: 48 x 48 dots)	50
8.5	ESC+XL <XL>	XL Font (Default Font size: 48 x 48 dots)	52
8.6	ESC+OA <OA>	OCR-A Font	54
8.7	ESC+OB <OB>	OCR-B Font	56
8.8	ESC+\$ <\$>	Shape of Outline Font	58
8.9	ESC+\${= <\${=>	Print of Outline Font	59
8.10	ESC+RD <RD>	CG Font	61
8.11	ESC+K1 <K1>	16 x 16 dots Horizontal Writing Kanji	65
8.12	ESC+K2 <K2>	24 x 24 dots Horizontal Writing Kanji	66
8.13	ESC+k8 <k8>	16 x 16 dots Horizontal Writing Kanji with One-byte Characters	67
8.14	ESC+k9 <k9>	24 x 24 dots Horizontal Writing Kanji with One-byte Characters	68
8.15	ESC+k1 <k1>	16 x 16 dots Vertical Writing Kanji	69
8.16	ESC+k2 <k2>	24 x 24 dots Vertical Writing Kanji	70
8.17	ESC+k8 <k8>	16 x 16 dots Vertical Writing Kanji with One-byte Characters	71
8.18	ESC+k9 <k9>	24 x 24 dots Vertical Writing Kanji with One-byte Characters	72
8.19	ESC+T1 <T1>	Registration of 16 x 16 dots External Characters	73

8.20	ESC+T2	<T2>	Registration of 24 x 24 dots External Characters	75
8.21	ESC+K1(K2)	<K1(K2)>	Call of Horizontal Writing External Character	77
8.22	ESC+k1(k2)	<k1(k2)>	Call of Vertical Writing External Character	78
8.23	ESC+U	<U>	U Font (Default Font size: 5 x 9 dots)	79
8.24	ESC+S	<S>	S Font (Default Font size: 8 x 15 dots)	81
8.25	ESC+M	<M>	M Font (Default Font size: 13 x 20 dots)	83
8.26	ESC+WB	<WB>	WB Font (Default Font size: 18 x 30 dots)	85
8.27	ESC+WL	<WL>	WL Font (Default Font size: 28 x 52 dots)	87
8.28	ESC+RG	<RG>	Multiple Language Font	89

Barcode Commands

No.	Command	Function	On page	
9.1	ESC+B		Barcode (Ratio 1:3)	93
9.2	ESC+D	<D>	Barcode (Ratio 1:2)	95
9.3	ESC+D to ESC+d	<D>~<d>	Barcode (Selection of HRI)	97
9.4	ESC+BD	<BD>	Barcode (Ratio 2:5)	98
9.5	ESC+BT	<BT>	Registration of Barcode Width Ratio	100
9.6	ESC+BW	<BW>	Print of Barcode with Registered Ratio	101
9.7	ESC+BI	<BI>	GS1-128(UCC/EAN128) (Standard Carton ID Only)	104
9.8	ESC+BC	<BC>	CODE93 Barcode	106
9.9	ESC+BG	<BG>	CODE128 (128A,128B,128C) Barcode	108
9.10	ESC+BP	<BP>	POSTNET	112
9.11	ESC+BF	<BF>	UPC Add-on Code (BOOKLAND)	114
9.12	ESC+BL	<BL>	UPC-A Barcode (Without HRI)	116
9.13	ESC+BL to ESC+d	<BL>~<d>	UPC-A Barcode (Selection of HRI)	117
9.14	ESC+BM	<BM>	UPC-A Barcode (With HRI)	119
9.15	ESC+EU	<EU>	Composite Symbol	120
9.16	ESC+BS	<BS>	USPS Barcode	124

2D Code Commands

No.	Command	Function	On page	
10.1	ESC+2D10	<2D10>	PDF417	126
10.2	ESC+2D12	<2D12>	Micro PDF417	129
10.3	ESC+2D20	<2D20>	MAXI Code	132
10.4	ESC+2D30	<2D30>	QR Code (Model 2)	134
10.5	ESC+2D31	<2D31>	QR Code (Model 1)	138
10.6	ESC+2D32	<2D32>	Micro QR Code	141
10.7	ESC+2D50	<2D50>	Data Matrix (ECC200)	166
10.8	ESC+2D51	<2D51>	GS1 Data Matrix	169
10.9	ESC+BQ	<BQ>	QR Code (Compatible Commands)	172
10.10	ESC+BV	<BV>	Maxi Code (Compatible Commands)	197
10.11	ESC+BK	<BK>	PDF417 (Compatible Commands)	199
10.12	ESC+BX	<BX>	Data Matrix (ECC200) (Compatible Commands)	202
10.13	ESC+DC	<DC>	Data Matrix (ECC200) Data (Compatible Commands)	203
10.14	ESC+FX	<FX>	Data Matrix (ECC200) Sequential Numbering (Compatible Commands)	204
10.15	ESC+2D70	<2D70>	Aztec Barcode (still in consideration)	206
10.16	ESC+2D34	<2D34>	GS1 QR code (Model 2)	209

Graphic Commands

No.	Command	Function	On page	
11.1	ESC+G	<G>	Print of Graphic	238
11.2	ESC+GM	<GM>	Print of BMP File	239
11.3	ESC+GP	<GP>	Print of PCX File	240

System Commands

No.	Command	Function	On page	
12.1	ESC+CS	<CS>	Print Speed	241
12.2	ESC+#F	<#F>	Print Darkness	242
12.3	ESC+A1	<A1>	Label Size	243
12.4	ESC+A3	<A3>	Base Offset setting	245
12.5	ESC+EP	<EP>	Print End Position	246
12.6	ESC+*	<*>	Clear	247
12.7	ESC+@	<@>	Offline	248
12.8	ESC+C	<C>	Reprint	249
12.9	ESC+PG	<PG>	Registration of Printer Operation	250
12.10	ESC+PC	<PC>	Registration of Printer Operation	253
12.11	ESC+E	<E>	Auto Linefeed	256

12.12	ESC+KM	<KM>	Kanji Mincho	257
12.13	ESC+KG	<KG>	Kanji Gothic	258
12.14	ESC+LD	<LD>	User Download	259
12.15	ESC+PO	<PO>	Offset	260
12.16	ESC+#J	<#J>	Job Modification	261

Memory Card Commands

No.	Command	Function	On page	
13.1	ESC+CC	<CC>	Card Slot for Use	262
13.2	ESC+&S	<&S>	Registration of Form Overlay	263
13.3	ESC+&R	<&R>	Form Overlay Call	266
13.4	ESC+YS	<YS>	Registration of Format	267
13.5	ESC+/N	</N>	Registration of Field	269
13.6	ESC+YR	<YR>	Format Call	270
13.7	ESC+/D	</D>	Print of Field	271
13.8	ESC+GI	<GI>	Registration of Graphic	272
13.9	ESC+GR	<GR>	Graphic Call	274
13.10	ESC+GT	<GT>	Registration of BMP File	275
13.11	ESC+GC	<GC>	BMP File Call	276
13.12	ESC+PI	<PI>	Registration of PCX File	277
13.13	ESC+PY	<PY>	PCX File Call	278
13.14	ESC+T1	<T1>	Memory Card 16x16 dots External Font Registration	279
13.15	ESC+T2	<T2>	Memory Card 24x24 dots External Font Registration	280
13.16	ESC+k1 ESC+k2	<k1> <k2>	Memory Card Horizontal Writing External Character Recall	282
13.17	ESC+k1 ESC+k2	<k1> <k2>	Memory Card Vertical Writing External Character Recall	283
13.18	ESC+BJF	<BJF>	Memory Card Initialization	284
13.19	ESC+BJS	<BJS>	Memory Card Status	285
13.20	ESC+*	<*>	Memory Card Clear	286
13.21	ESC+BJ ESC+BJD	<BJ> <BJD>	Registration of TrueType Font (Compatible Commands)	287
13.22	ESC+BJT	<BJT>	TrueType Font Call (Compatible Commands)	288

Calendar Commands

No.	Command	Function	On page	
14.1	ESC+WT	<WT>	Calendar Setting	289
14.2	ESC+WP	<WP>	Calendar Addition	290
14.3	ESC+WA	<WA>	Calendar Print	291
14.4	ESC+WU	<WU>	Extended Calendar Print	293
14.5	ESC+WV	<WV>	Calendar Case Format	295
14.6	ESC+CV	<CV>	Calendar M(Month) and D(Day) Code	296

Intelligent Commands

No.	Command	Function	On page	
15.1	ESC+IK	<IK>	Media Feed Control	297
15.2	ESC+IM	<IM>	Displayed Messages	299
15.3	ESC+IF	<IF>	Internal Buffer Registration	300
15.4	ESC+IB	<IB>	Internal Buffer Recall	301
15.5	ESC+IC	<IC>	Internal Buffer Data Comparison	303
15.6	ESC+I*	<I*>	Internal Buffer Data Print	304
15.7	ESC+I#	<I#>	Exclusive Key Start-End	305
15.8	ESC+IZ	<IZ>	Key Input	307
15.9	ESC+IR	<IR>	Internal Buffer Registration (Received Data)	308
15.10	ESC+IT	<IT>	Data Sending	310
15.11	ESC+IO	<IO>	External Signal Input/Output	312
15.12	ESC+IW	<IW>	Print Start Waiting Time	314
15.13	ESC+IU	<IU>	Internal Buzzer Sound	315
15.14	ESC+I@	<I@>	Internal Buffer Initialization	316
15.15	ESC+IY	<IY>	Exclusive Display Start-End	317

RFID Commands

No.	Command	Function	On page
16.1	ESC+IP0 <IP0>	EPC code write	318
16.2	ESC+IP1 <IP1>	EPC code read	326
16.3	ESC+F <F>	EPC Sequential number	329
16.4	ESC+IP5 <IP5>	Antenna output power	330
16.5	ESC+TM <TM>	Trademark print	332
16.6	ESC+TU <TU>	Printing tag data	333
16.7	ESC+RU <RU>	TID Return	336
16.8	ESC+RA <RA>	RFID mode setting	340

XML Commands

No.	Command	Function	On page
17.1	ESC+/Y </Y>	Register Print Template Name	343
17.2	ESC+/X </X>	Set XML Variable Name	344
17.3	ESC+/R </R>	Remove Print Template	345
17.4	ESC+/S </S>	Set Print Template Name	346
17.5	ESC+/G </G>	Get Print Template Information	347
17.6	ESC+/A 	Air Protocols Management	348

2 Initial Value of Operation Settings

The initial values of operation setting are as follows:

[S84-ex]

Item	8 dots/mm	12 dots/mm	24dots/mm
Print speed	6 inches/s Range: 4, 5, 6, 7, 8, 9, 10, 11, 12, 13, 14, 15, 16	6 inches/s Range: 4, 5, 6, 7, 8, 9, 10, 11, 12, 13, 14	3 inches/s Range: 2, 3, 4, 5, 6
Range of print darkness	A	A	A
Print darkness	6 Range: 1, 2, 3, 4, 5,6,7,8,9,10	6 Range: 1, 2, 3, 4, 5,6,7,8,9,10	6 Range: 1, 2, 3, 4, 5,6,7,8,9,10
Start point correction	+ 0	+ 0	+0
Designation of proportional pitch	Proportional pitch	Proportional pitch	Proportional pitch

[S86-ex]

Item	8 dots/mm	12 dots/mm
Print speed	6 inches/s Range: 4, 5, 6, 7, 8, 9, 10, 11, 12, 13, 14,	6 inches/s Range: 4, 5, 6, 7, 8, 9, 10, 11, 12,
Range of print darkness	A	A
Print darkness	6 Range: 1, 2, 3, 4, 5,6,7,8,9,10	6 Range: 1, 2, 3, 4, 5,6,7,8,9,10
Start point correction	+ 0	+ 0
Designation of proportional pitch	Proportional pitch	Proportional pitch

3 List of Fonts

When using the internal fonts, specify ESC + Font Type command.

Font name	Font Type	Pitch
OCR-A (8 dots/mm)	Bitmap [OCR-A font] 15x22 dots	Fixed
OCR-B (8 dots/mm)	Bitmap [OCR-B font] 20x24 dots	Fixed
OCR-A (12 dots/mm)	Bitmap [OCR-A font] 22x33 dots	Fixed
OCR-B(12 dots/mm)	Bitmap [OCR-B font] 30x36 dots	Fixed
OCR-A (24 dots/mm)	Bitmap [OCR-A font] 44x66 dots	Fixed
OCR-B (24 dots/mm)	Bitmap [OCR-B font] 60x72 dots	Fixed
XU	Bitmap [Helvetica] 5x 9 dots	Fixed/Proportional
XS	Bitmap [Universe Condensed Bold] 17x17 dots	Fixed/Proportional
XM	Bitmap [Universe Condensed Bold] 24x24 dots	Fixed/Proportional
XB	Bitmap [Universe Condensed Bold] 48x48 dots	Fixed/Proportional
XL	Bitmap [Sans Serif] 48x48 dots	Fixed/Proportional
U	Bitmap [U font] 5x9 dots	Fixed
S	Bitmap [S font] 8x15 dots	Fixed
M	Bitmap [M font] 13x20 dots	Fixed
WB	Bitmap [WB font] 18x30 dots	Fixed
WL	Bitmap [WL font] 28x52 dots	Fixed
K1(k1)	Bitmap "Simplified Chinese", "Korean" 16x16 dots	Fixed
K2(k2)	Bitmap "Simplified Chinese", "Traditional Chinese", "Korean" 24x24 dots	Fixed
K8(k8)	Bitmap "Traditional Chinese", "Korean" 16x16 dots	Fixed
K9(k9)	Bitmap "Simplified Chinese", "Traditional Chinese", "Korean" 24x24 dots	Fixed
\$ (Designation of shape) \$= (Designation of print)	Outline font	Fixed/Proportional
RD	CG font [CG Times]	Fixed/Proportional
	CG font [CG Triumvirate]	Fixed/Proportional
	SATOVICA	Fixed/Proportional
	SATOGAMMA	Fixed/Proportional
RG	Thai, Arabic	Fixed

Font Enlargement

Internal font can be enlarged up to 36.

For instance, if the standard font of W5(dots) x H9(dots) multiplied by 3 = W15(dots) x H27(dots).

Parameter writing method of printed character is as follows.

Width x Enlargement rate = Width parameter setting value

Height x Enlargement rate = Height parameter setting value

Enlargement specification <L> controls font size so that the parameter can be specified in ratio.

If specifying <L> 0304, the font size will be enlarged 3 times the width and 4 times the height from its standard size.

In this case, character pitch will be automatically widened.

Fixed Pitch and Proportional Pitch

Print of Fixed Pitch and Proportional Pitch are available for XU to XL fonts, Outline font, and CG font.

To select Proportional Pitch, specify Proportional Pitch <PS> or Release of Proportional Pitch <PR>, or go to the USER Mode of printer LCD.

Proportional pitch may vary depending on the font type.

Fixed pitch will be adjusted to the width of characters based on the individual font size.

Difference between Outline Font and Bitmap Font

For Bitmap font, its height and width are already fixed and featured in the product. The actual height of bitmap font is slightly larger than its width.

Bitmap font is the largest size of font matrix.

For the type and size of font, see the list above.

Outline font, when the height and width are set correctly, can create a font mostly well-balanced, which is done by means of a function of smooth-scaling algorithm in the product. Different font styles, such as outline characters, character decoration, and shaded italic, can also be selected.

4 Example of Command Reference

7.2 Modification

Enlargement

ESC+L

4	Hexadecimal code	ESC <1B> ₁₆	L <4C> ₁₆	Parameter aabb
6	Initial value	aa = 01, bb = 01		

Valid range and term of command	When the power switch is OFF	The set parameter is not maintained.
	Valid range within items	The set parameter is valid until next specification is made.
	Valid range between items	The set parameter becomes initial value at the next item <A>.

8 [Function]
Specifying the enlargement ratio of print font.

9 [Format]
<L>aabb

- Parameter
- aa[Horizontal enlargement ratio] = Valid range: 01 to 36
- bb[Vertical enlargement ratio] = Valid range: 01 to 36

10 [Coding Example] Horizontal enlargement ratio: 4 times, Vertical enlargement ratio: 3 times
<A>
<V>100<H>200<P>3<L>**0403**<XM>ABCD
<Q>2
<Z>

11 [Note]
The character pitch is enlarged at the same time. When the character pitch command <P> is also used, the parameter of horizontal enlargement ratio specified by the enlargement command <L> becomes valid with the next character pitch <P>.

12 [Remark]
When enlarging, design the print format so that the image will not exceed the printable area.

13 [Valid Commands]

Font	<XU>	<XS>	<XM>	<XB>	<XL>	<OA>	<OB>	<K1>	<K2>	<K8>
	<K9>	<k1>	<k2>	<k8>	<k9>	<U>	<S>	<M>	<WB>	<WL>
Modification	<P>	<RF>								
Graphic	<G>	<GM>	<GP>							
Memory Card	<TU>	<GC>	<PY>							

1. Command classification
There are "Control", "Print position", "Modification", "Font", "Barcode", "2D code", "Graphics", "System", "Memory card", "Enhanced function", and "Calendar."
2. Command name
3. Command code
4. Command in HEX code
5. Parameter added to the command
6. Command default

7. Command valid range

- When the power switch is OFF
 - (1) The set parameter is maintained.
 - (2) The set parameter is not maintained.
 - (3) The set command is not maintained.

- Valid range within item
 - (1) The set parameter is in effect until a new specification is made.
 - (2) The parameter preset will be invalid.
 - (3) The set command becomes invalid.

- Valid range between items
 - (1) The set parameter becomes the default value with the next item <A>.
 - (2) The set parameter is in effect until a new specification is made.
 - (3) The set parameter becomes invalid.
 - (4) The set command becomes invalid.

8. Command function overview

9. Command and necessary parameter

<L>AABB means ESC+L(<1B>₁₆<4C>₁₆) and 2 kinds of parameter AA and BB.

10. Command coding examples

The below is when the coding example is output via RS-232C to the product in BASIC language programming:

```
10 ESC$=CHR$(&H1B)
20 OPEN "COM1:9600, N, 8, 1, RS, BIN" FOR OUTPUT AS #1
30 PRINT #1, ESC$: "A" ;
40 PRINT #1, ESC$: "V100" ; ESC$: "H200" ;
50 PRINT #1, ESC$: "P3" ; ESC$: "L0403" ;
60 PRINT #1, ESC$: "XMABCD" ;
70 PRINT #1, ESC$: "Q2" ;
80 PRINT #1, ESC$: "Z" ;
90 CLOSE #1
100 END
```

11. Supplemental explanation of command function and parameter

12. Remarks or restrictions when using the command

13. Commands affected by using the command

5 Control Commands

5.1 Control			
Start of Data Transmission			ESC+A
Hexadecimal code	ESC <1B> ₁₆	A <41> ₁₆	Parameter Nil
Initial value	Nil		
Valid range and term of command	When the power switch is OFF		The set command is not maintained.
	Valid range within item		The set command becomes invalid.
	Valid range between items		The set command becomes invalid.

[Function]

Specifying the start of data transmission.

[Format]

<A>

[Coding Example]

<A>
 <V>100<H>200<P>2<L>0202<XM>ABCD
 <Q>2
 <Z>

[Notes]

1. Indicates the start of the item and to be placed at the head of the item.
2. Use <A> and End of Data Transmission <Z> as a set of commands.

[Remarks]

1. Setting value of all commands excluding a part of system commands will be set to default.
2. If not specified this command, printing will not be performed.

5.2 Control

End of Data Transmission

ESC+Z

Hexadecimal code	ESC	Z	Parameter
	<1B> ₁₆	<5A> ₁₆	Nil
Initial value	Nil		

Valid range and term of command	When the power switch is OFF	The set command is not maintained.
	Valid range within item	The set command becomes invalid.
	Valid range between items	The set command becomes invalid.

[Function]

Specifying the end of data transmission.

[Format]

<Z>

[Coding Example]

<A>
<V>100<H>200<P>2<L>0202<XM>ABCD
<Q>2
<Z>

[Notes]

1. Indicates the end of the item and to be placed at the tail of the item.
2. Use Start of Data Transmission <A> and <Z> as a set of commands.

[Remark]

If not specified this command, printing will not be performed.

5.3 Control

Print Quantity

ESC+Q

Hexadecimal code	ESC <1B> ₁₆	Q <51> ₁₆	Parameter aaaaaa
Initial value	aaaaaa=1		

Valid range and term of command	When the power switch is OFF	The set parameter is not maintained.
	Valid range within item	The parameter preset will be invalid.
	Valid range between items	The parameter preset will be invalid.

[Function]

Specifying the number of labels to print.

[Format]

<Q>aaaaaa

•Parameter

a[Number of labels to print] = Valid range: 1 to 999999

[Coding Example]

Number of labels: 2

<A>
<V>100<H>200<P>2<L>0202<XM>ABCD
<Q>2
<Z>

[Notes]

1. Print contents specified by Start of Data Transmission <A> and End of Data Transmission <Z> are regarded as 1 label, and the number of reprints can be specified.
2. Use this command prior to End of Data Transmission <Z>.

[Remark]

The reprint will be performed based on the specified print quantity. If specifying Sequential Numbering <F>, the value of sequential number that was set up for that field portion will print.

5.4 Control

Job ID Number		ESC+ID	
Hexadecimal code	ESC <1B> ₁₆	ID <49> ₁₆ <44> ₁₆	Parameter aa
Initial value	a=<20> ₁₆		

Valid range and term of command	When the power switch is OFF	The set parameter is not maintained.
	Valid range within item	The set parameter is in effect until a new specification is made.
	Valid range between items	The parameter preset will be invalid.

[Function]

Specifying job ID number for status return.

[Format]

<ID>aa
<ID>aaaaa

•Parameter

a[Job ID number] = Valid range: 00 to 99 (2 digits)
***** or 00000 to 99999 (5 digits)

[Coding Example]

Job ID number: 01

<A>
<ID>01
<V>200<H>100<P>0<\$>B,100,100,6
<\$=>SATOPRINTER
<Q>2
<Z>

[Notes]

1. When a status return is used for communication protocol, the specified job ID No. can be set to the telegraphic status.
2. Status can be confirmed sending status request (ENQ).
3. Include this command within an item and use when printing with Start of Data Transmission <A> ~ End of Data Transmission <Z>.
4. The valid range of the job ID is "00000 - 99999" and "*****" when using Status 5. When "*****" is specified, the item is not controlled by the job ID number.

[Remarks]

1. In status return communication protocol, this command becomes valid when a status request (ENQ) is received while printing (Including when QTY≠0, Offline and Error).
2. In status return communication protocol, if status request (ENQ) is received when printing is not in progress (QTY=0, No received data when power is ON), space (20H) will be set to status and returned.
3. When Job ID Number <ID> is used more than twice within the items of <A> and <Z>, the last specified value becomes valid.
4. For more information, refer to the "Interface Specifications"

5.5 Control

Job Name		ESC+WK	
Hexadecimal code	ESC <1B> ₁₆	WK <57> ₁₆ <4B> ₁₆	Parameter aaaaaaaaaaaaaaaa
Initial value	aaaaaaaaaaaaaaaa =<20> ₁₆		

Valid range and term of command	When the power switch is OFF	The set parameter is not maintained.
	Valid range within item	The set parameter is in effect until a new specification is made.
	Valid range between items	The parameter preset will be invalid.

[Function]

Specifying a job name for status return.

[Format]

<WK>aaaaaaaaaaaaaaaa

•Parameter

a[Job Name] = ASCII code 16-digit, Shift JIS Kanji 8-digit

[Coding Example]

Job name: SATO

```
<A>
<ID>01
<WK>SATO
<V>200<H>100<P>0<$>B,100,100,6
<$=>SATOPRINTER
<Q>2
<Z>
```

[Notes]

1. When Status4 is used for communication protocol, specified job name can be set to the telegraphic status.
2. Status can be confirmed sending status request (ENQ).
3. Include this command within an item and use when printing with Start of Data Transmission <A> ~ End of Data Transmission <Z>.
4. This command can be used in combination with Job ID Number <ID>.

[Remarks]

1. In status return communication protocol, this command becomes valid when a status request (ENQ) is received while printing (Including when QTY≠0, Offline and Error).
2. In status return communication protocol, if status request (ENQ) is received when printing is not in progress (QTY=0, No received data when power is ON), space (20H) will be set to status and returned.
3. When this command is used more than twice within the item of <A> and <Z>, the last specified value becomes valid.
4. For more information, refer to the "Interface Specifications".
5. If assigning over 17 characters to a job name, the excess characters are ignored.

6 Print Position Commands

6.1 Print Position

Horizontal Print Position			ESC+H
Hexadecimal code	ESC <1B> ₁₆	H <48> ₁₆	Parameter aaaa
Initial value	aaaa=1		

Valid range and term of command	When the power switch is OFF	The set parameter is not maintained.
	Valid range within item	The set parameter is in effect until a new specification is made.
	Valid range between items	The set parameter becomes the initial value at the next item <A>.

[Function]

Specifying horizontal print position from its start point by dot.

[Format]

<H>aaaa

•Parameter

a[Horizontal Print Position] = Refer to the table below.

[Coding Example] Horizontal print position: 200 dots

```
<A>
<V>100<H>200<P>2<L>0202<XM>ABCD
<Q>2
<Z>
```

[Note]

Specifying the start of the horizontal position for the printing of text, barcode, ruled line and graphic.

[Remarks]

1. Any contents such as text, barcode and graphic exceeding the printable area will not print.
2. When specifying "0" for print position, the operation is the same as when setting to "1".

[Initial Value and Valid Range of Parameter]

[S84-ex]

Head density	Initial value	Valid range (dots)
8 dots/mm (203 dpi)	1	1 to 832
12 dots/mm (305 dpi)	1	1 to 1248
24 dots/mm (609 dpi)	1	1 to 2496

[S86-ex]

Head density	Initial value	Valid range (dots)
8 dots/mm (203 dpi)	1	1 to 1340
12 dots/mm (305 dpi)	1	1 to 2010

[Valid Commands]

Font	<XU>	<XS>	<XM>	<XB>	<XL>	<OA>	<OB>	<RD>	<\$=>	<K1>
	<K2>	<K8>	<K9>	<k1>	<k2>	<k8>	<k9>	<U>	<S>	<M>
	<WB>	<WL>	<RG>							
Barcode		<BC>	<BG>	<BI>	<D>	<D><d>	<BD>	<BT>	<BW>	<BP>
	<BF>	<BS>	<BL>	<BL><d>	<BM>					
2D code	<2D10>	<BK>	<2D12>	<2D20>	<BV>	<2D30>	<2D31>	<2D32>	<BQ>	<2D33>
	<2D50>	<BX>	<2D51>							
Composite symbol	<EU>									
Modification	<WD>	<FW>	<(>	<RF>	<FC>	<FT>	<RM>	<%A>	<WS>	
Graphic	<G>	<GM>	<GP>							
Memory card	<GR>	<GC>	<PY>							

6.2 Print Position

Vertical Print Position		ESC+V	
Hexadecimal code	ESC <1B> ₁₆	V <56> ₁₆	Parameter aaaaa
Initial value	aaaaa=1		

Valid range and term of command	When the power switch is OFF	The set parameter is not maintained.
	Valid range within item	The set parameter is in effect until a new specification is made.
	Valid range between items	The set parameter becomes the initial value at the next item <A>.

[Function]

Specifying vertical print position from its start point by dot.

[Format]

<V>aaaaa

•Parameter

a[Vertical Print Position] = Refer to the table below.

[Coding Example] Vertical print position: 100 dots

```
<A>
<V>100<H>200<P>2<L>0202<XM>ABCD
<Q>2
<Z>
```

[Notes]

1. Specifying the start of the vertical position for the printing of text, barcode, ruled line and graphics.
2. When specifying "0" for print position, the operation is the same as when setting to "1".

[Remark]

Any contents such as text, barcode and graphic exceeding the printable area will not print.

[Initial Value and Valid Range of Parameter]

[S84-ex]

Head density	Initial value	Valid range (dots)
8 dots/mm (203 dpi)	1	1 to 20000
12 dots/mm (305 dpi)	1	1 to 18000
24 dots/mm (609 dpi)	1	1 to 9600

[S86-ex]

Head density	Initial value	Valid range (dots)
8 dots/mm (203 dpi)	1	1 to 9992
12 dots/mm (305 dpi)	1	1 to 14988

[Valid Commands]

Font	<XU>	<XS>	<XM>	<XB>	<XL>	<OA>	<OB>	<RD>	<\$=>	<K1>
	<K2>	<K8>	<K9>	<k1>	<k2>	<k8>	<k9>	<U>	<S>	<M>
	<WB>	<WL>	<RG>							
Barcode		<BC>	<BG>	<BI>	<D>	<D><d>	<BD>	<BT>	<BW>	<BP>
	<BF>	<BS>	<BL>	<BL><d>	<BM>					
2D code	<2D10>	<BK>	<2D12>	<2D20>	<BV>	<2D30>	<2D31>	<2D32>	<BQ>	<2D33>
	<2D50>	<BX>	<2D51>							
Composite symbol	<EU>									
Modification	<WD>	<FW>	<(>	<RF>	<FC>	<FT>	<RM>	<%A>	<WS>	
Graphic	<G>	<GM>	<GP>							
Memory card	<GR>	<GC>	<PY>							

7 Modification Commands

7.1 Modification			
Character Pitch			ESC+P
Hexadecimal code	ESC <1B> ₁₆	P <50> ₁₆	Parameter aa
Initial value	aa=02		
Valid range and term of command	When the power switch is OFF		The set parameter is not maintained.
	Valid range within item		The set parameter is in effect until a new specification is made.
	Valid range between items		The set parameter becomes the initial value at the next item <A>.

[Function]

Specifying character pitch by dot.

[Format]

<P>aa

•Parameter

a[Character pitch] = Valid range: 00 to 99 dots

[Coding Example] Character pitch: 10

```
<A>
<V>100<H>200<P>10<L>0202<XM>ABCD
<Q>2
<Z>
```

[Notes]

1. Character pitch means the character gap or font gap when selecting font or barcode.
2. The specified character pitch will be widened based on the ratio of Enlargement <L>.
3. The character pitch command <P> maintains the parameter only in the field. However, when line feed code "CR" is specified by auto line feed command <E>, the parameter is maintained between the fields. This is defaulted back with the data start command <A>.
4. By specifying Character Pitch <P> just before the barcode specification, pitch command becomes valid for barcode module.
Object barcode: CODABAR(NW-7), CODE39, Industrial 2 of 5, and Matrix 2 of 5
For more information, see (3) Intercharacter Gap in [9 **Barcode Specification**].
5. Data specification except numeric value or specification of over-digit will give the initial value.

[Valid Commands]

Font	<XU>	<XS>	<XM>	<XB>	<XL>	<OA>	<OB>	<RD>	<\$=>	<K1>
	<K2>	<K8>	<K9>	<k1>	<k2>	<k8>	<k9>	<U>	<S>	<M>
	<WB>	<WL>								
Barcode		<D>	<D><d>	<BD>	<BT>	<BW>	<BM>			
Modification	<RF>									

7.2 Modification

Enlargement		ESC+L	
Hexadecimal code	ESC <1B> ₁₆	L <4C> ₁₆	Parameter aabb
Initial value	aa=01,bb=01		

Valid range and term of command	When the power switch is OFF	The set parameter is not maintained.
	Valid range within item	The set parameter is in effect until a new specification is made.
	Valid range between items	The set parameter becomes the initial value at the next item <A>.

[Function]

Specifying the enlargement ratio of the font.

[Format]

<L>aabb

•Parameter

a[Horizontal enlargement ratio] = Valid range: 01 to 36
 b[Vertical enlargement ratio] = Valid range: 01 to 36

[Coding Example] Horizontal enlargement ratio: 4 times, Vertical enlargement ratio: 3 times

```
<A>
<V>100<H>200<P>3<L>0403<XM>ABCD
<Q>2
<Z>
```

[Note]

Enlarges the intercharacter pitch as well. When Character Pitch <P> is used at the same time, the parameter value of the horizontal enlargement ratio specified in Enlargement <L> will be reflected in the subsequent specification <P>.

[Remark]

If increasing the enlargement ratio, design the print format that does not exceed printable area.

[Valid Commands]

Font	<XU>	<XS>	<XM>	<XB>	<XL>	<OA>	<OB>	<K1>	<K2>	<K8>
	<K9>	<k1>	<k2>	<k8>	<k9>	<U>	<S>	<M>	<WB>	<WL>
Modification	<P>	<RF>								
Graphic	<G>	<GM>	<GP>							
Memory card	<GR>	<GC>	<PY>							

7.3 Modification

Proportional Pitch		ESC+PS	
Hexadecimal code	ESC <1B> ₁₆	PS <50> ₁₆ <53> ₁₆	Parameter Nil
Initial value	Nil		

Valid range and term of command	When the power switch is OFF	The set command is not maintained.
	Valid range within item	The set command is in effect until a new specification is made.
	Valid range between items	The set parameter becomes the initial value at the next item <A>.

[Function]

Specifying the proportional pitch.

[Format]

<PS>

[Coding Example]

<A>
<PS>
 <V>100<H>200<P>2<L>0202<XM>ABCD
 <Q>2
 <Z>

[Notes]

1. If specifying this command, width of alphanumeric becomes narrower than the time when <PS> was not specified.
2. If setting data other than specified, proportional print will not be performed.
3. In the product initial state, [Proportional Pitch] is set to default. Go to the Advanced Mode of the product LCD display when selecting the default setting value (Fixed/Proportional).

[Valid Commands]

Font	<XU>	<XS>	<XM>	<XB>	<XL>	<RD>	<\$=>			
Modification	<RF>									

7.4 Modification

Release of Proportional Pitch		ESC+PR	
Hexadecimal code	ESC <1B> ₁₆	PR <50> ₁₆ <52> ₁₆	Parameter Nil
Initial value	Nil		

Valid range and term of command	When the power switch is OFF	The set command is not maintained.
	Valid range within item	The set command is in effect until a new specification is made.
	Valid range between items	The set parameter becomes the initial value at the next item <A>.

[Function]

Specifying the release of proportional pitch.

[Format]

<PR>

[Coding Example]

<A>

<PR>

<V>100<H>200<P>2<L>0202<XM>ABCD

<Q>2

<Z>

[Note]

The default status of the product is set to "Proportional pitch". The setting (Fix/Proportional) can be changed in the advanced mode of the product LCD.

[Valid Commands]

Font	<XU>	<XS>	<XM>	<XB>	<XL>	<RD>	<\$=>			
Modification	<RF>									

7.5 Modification

Rotation		ESC+%	
Hexadecimal code	ESC <1B> ₁₆	% <25> ₁₆	Parameter a
Initial value	a=0		
Valid range and term of command	When the power switch is OFF		The set parameter is not maintained.
	Valid range within item		The set parameter is in effect until a new specification is made.
	Valid range between items		The set parameter becomes the initial value at the next item <A>.

[Function]

Specifying the counterclockwise rotation of font and barcode. This is to rotate the print direction in 90° increments without changing the location of the base reference point.

[Format]

<%>a

•Parameter

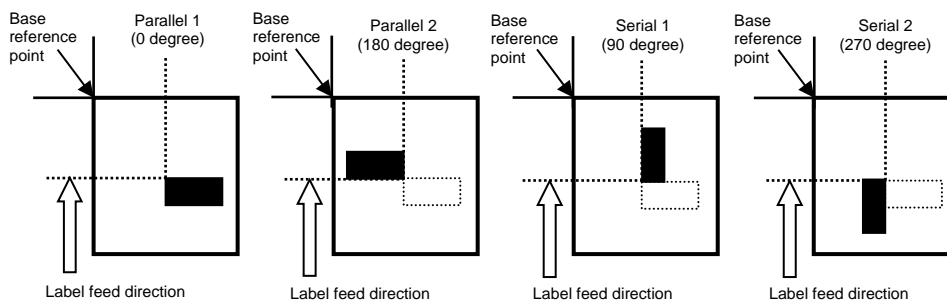
a[Rotative direction] = 0: Parallel 1 (0 degree)
 1: Serial 1 (90-degree)
 2: Parallel 2 (180-degree)
 3: Serial 2 (270-degree)

[Coding Example] Font rotation: 180-degree, Barcode rotation: Parallel 1

```
<A>
<%>2
<V>100<H>400<P>3<L>0403<XM>ABCD
<%>1
<V>400<H>200<BD>103160*123*
<Q>2
<Z>
```

[Notes]

1. Position specification of Vertical Print Position <V> and Horizontal Print Position <H> are the absolute value from its base reference point.
2. When the value of the parameter a is set to 4 to 9, the command error occurs and the command is ignored. When other than number is specified, it is also ignored and the image is printed with Parallel 1 (0 degree).
3. When printing with Serial 1 (90 degrees) or Serial 2 (270 degrees), design the narrow bar of the barcode bigger because it may be blurred. When printing with Serial 1 (90 degrees) and Serial 2 (270 degrees), slow down the print speed.



[Valid Commands]

Font	<XU>	<XS>	<XM>	<XB>	<XL>	<OA>	<OB>	<RD>	<\$=>	<K1>
	<K2>	<K8>	<K9>	<k1>	<k2>	<k8>	<k9>	<U>	<S>	<M>
Barcode	<WB>	<WL>	<RG>							
		<BC>	<BG>	<BI>	<D>	<D><d>	<BD>	<BT>	<BW>	<BP>
2D code	<BF>	<BS>	<BL>	<BL><d>	<BM>					
	<2D10>	<BK>	<2D12>	<2D20>	<BV>	<2D30>	<2D31>	<2D32>	<BQ>	<2D33>
	<2D50>	<BX>	<2D51>							
Composite symbol	<EU>									
Graphic	<G>	<GM>	<GP>							
System	<E>									
Modification	<RF>	<FW>	<FC>	<FT>	<(>	<RM>	<WS>			
Memory card	<GR>	<GC>	<PY>							

7.6 Modification

Sequential Numbering		ESC+F	
Hexadecimal code	ESC <1B> ₁₆	F <46> ₁₆	Parameter aaaabcccc(,dd,ee,f)
Initial value	Nil		

Valid range and term of command	When the power switch is OFF	The set parameter is not maintained.
	Valid range within item	The parameter preset will be invalid.
	Valid range between items	The parameter preset will be invalid.

[Function]

Printing sequential fields (text, barcode) where all incrementing is done within the product.

[Format]

<F>aaaabcccc(,dd,ee,f)

•Parameter

a[Number of times to repeat the same data]	=	1 to 9999	
b[Plus or minus symbol]	=	+	: for increments
	=	-	: for decrements
c[Value of step for sequence]	=	1 to 9999	
d[Sequential numbering digit quantity]	=	1 to 99	: If digits are omitted, 8 is default.
e[Number of digits free from sequential numbering]	=	0 to 99	: Starting with the rightmost position. If digits are left out, the default is 0.
f[Decimal/Hex sequential numbering]	=	0	: Decimal number. If digits are left out, the default is 0 (zero)
		1	: Hexadecimal

[Coding Example]

Number of times to repeat the same data: 1, Plus or minus symbol: +
Value of step for sequence: 1, Sequential numbering digit quantity: 5
Number of digits free from sequential numbering: 0

<A>
<V>100<H>100<P>2<L>0202
<F>1+1.5.0<XU>10000
<Q>2
<Z>

[Notes]

- Up to eight different sequential fields can be specified per label.
- The print data just after the sequential numbering command <F> is the default value of the sequential numbering data.
- Specify digits more than sequential numbering digit quantity for the sequential numbering data. When this fails, the sequential numbering may not be printed correctly.
- The sequential numbering and inverse printing command <(> cannot be used together.
- Auto Linefeed <E> is not available.
- Font or barcode is necessary to be printed in order to implement sequential numbering print.
- The sequential numbering digit quantity and the digit of data specify command for the font or barcode are needed to be matched. When this fails, the sequential numbering cannot be implemented.
- When the print data just after the sequential numbering <F> is sequential numbering invalid command, the sequential numbering will be ignored.

[Valid Commands]

Font	<XU>	<XS>	<XM>	<XB>	<XL>	<OA>	<OB>	<RD>	<\$=>	<U>
	<S>	<M>	<WB>	<WL>						
Barcode		<BC>	<BG>	<BI>	<D>	<D><d>	<BD>	<BT>	<BW>	<BP>
	<BF>	<BS>	<BL>	<BL><d>	<BM>					

7.7 Modification

Print of Lines and Boxes	ESC+FW
---------------------------------	---------------

Hexadecimal code	ESC	FW	Parameter
	<1B> ₁₆	<46> ₁₆ <57> ₁₆	Ruled line: aabccccc(Peeeeeeee) Closing line: aabbVccccHdddd(Peeeeeeee)
Initial value	Nil		

Valid range and term of command	When the power switch is OFF	The set parameter is not maintained.
	Valid range within item	The parameter preset will be invalid.
	Valid range between items	The parameter preset will be invalid.

[Function]

Printing horizontal lines, vertical lines, and boxes as images on the label.

[Format]

<FW>aabccccc(Peeeeeeee) Print of lines

•Parameter

a[Line width] = Valid range : 02 to 99 dots
 b[Specification of horizontal/vertical direction] = H : Horizontal line
 = V : Vertical line
 c[Length of line in dots] = Valid range : Refer to the table below.
 e[Line pattern] = Valid range : 01 to FFFFFFFF (omissible)

<FW> aabbVccccHdddd(Peeeeeeee) Print of boxes

•Parameter

a[Vertical line width] = Valid range : 02 to 99 dots
 b[Horizontal line width] = Valid range : 02 to 99 dots
 c[Vertical line length] = Valid range : Refer to the table below.
 d[Horizontal line length] = Valid range : Refer to the table below.
 e[Line pattern] = Valid range : 01 to FFFFFFFF (omissible)

[Coding Example 1]

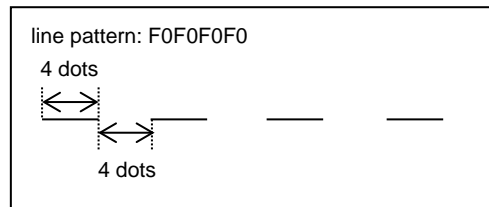
Lines [Line width: 4], [Specification of Horizontal direction], [Length of line in dots: 400]
 Boxes [Vertical line width: 8], [Horizontal line width: 8], [Vertical line length: 300], [Horizontal line length: 400]

<A>
 <V>100<H>200<FW>**04H400**
 <V>300<H>200<FW>**0808V300H400**
 <Q>2
 <Z>

[Coding Example 2]

Lines [Line width: 4], [Specification of Horizontal direction], [Length of line in dots: 400], line pattern: F0F0F0F0
 Boxes [Vertical line width: 8], [Horizontal line width: 8], [Vertical line length: 300], [Horizontal line length: 400], line pattern: F0F0F0F0

<A>
 <V>100<H>200<FW>**04H400PF0F0F0F0**
 <V>300<H>200<FW>**0808V300H400PF0F0F0F0**
 <Q>2
 <Z>



[Notes]

1. When the print start position is outside of the printable area, printing will not be performed due to command error.
2. Specify the line width of the horizontal direction for more than 0.166 mm according to the list below.

Head density	Line width
8 dots/mm (203 dpi)	More than 2 dots
12 dots/mm (305 dpi)	More than 2 dots
24 dots/mm (609 dpi)	More than 4 dots

3. In case of the ruled line, when the line width of the vertical line is widened, the right side against the feed direction is widened. When the line width of the horizontal line is widened, the below against the feed direction is widened.
4. In case of frame line, the line will be widened for inside.
5. Please specify 8 digits bit pattern for the ruled line. (1 digit = 4 bits, 1 bit = 1 dot)
6. When the ruled pattern is less than 8 digits, data are generated repeatedly from the specified data until it becomes 8 digits data.
Example) When ruled line pattern "FOC" is specified, ruled line pattern "FOCFOCFO" is generated.
7. When a pattern is specified, the image is generated in 4 bytes of the drawing area. When the print base reference point is not in 4 bytes, the image is misaligned for 1 dot because the data are generated from in the middle of the pattern.

[Valid Range]

[S84-ex]

Head density	Valid range (dots)	
	Horizontal line length	Vertical line length
8 dots/mm (203 dpi)	1 to 832	1 to 20000
12 dots/mm (305 dpi)	1 to 1248	1 to 18000
24 dots/mm (609 dpi)	1 to 2496	1 to 9600

[S86-ex]

Head density	Valid range (dots)	
	Horizontal line length	Vertical line length
8 dots/mm (203 dpi)	1 to 1340	1 to 9992
12 dots/mm (305 dpi)	1 to 2010	1 to 14988

7.8 Modification

Print of Circles		ESC+FC	
Hexadecimal code	ESC <1B> ₁₆	FC <46> ₁₆ <43> ₁₆	Parameter ,aaa,bbb(,c,d)
Initial value	Nil		

Valid range and term of command	When the power switch is OFF	The set parameter is not maintained.
	Valid range within item	The parameter preset will be invalid.
	Valid range between items	The parameter preset will be invalid.

[Function]

Specifying the print of circles.

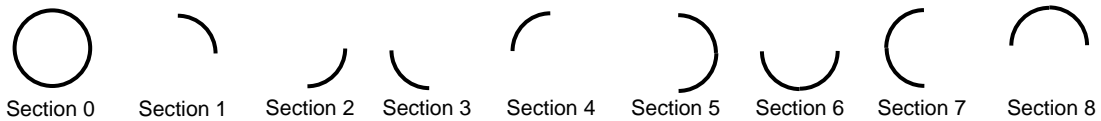
[Format]

<FC>,aaa,bbb(,c,d)

•Parameter

- a[Radius] = Valid range: 5 to 999 dots
- b[Line width] = Valid range: 1 to 999 dots
- c[Sectional number] = Valid range: 0 to 8 If digits are omitted, the default is 0 (zero).
See the details listed below.
- d[Pattern] = Valid range: 0 to 3 If digits are omitted, the default is 0 (zero).
0: Solid line (black)
1: Gray 1
2: Gray 2
3: Gray 3

•Sectional number

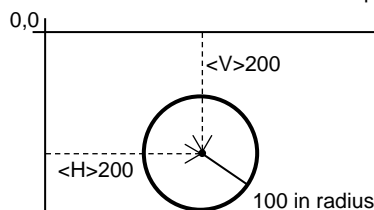


[Coding Example] Solid line circle of 100 dots in radius, 8 dots in line width

```
<A>
<V>200<H>200
<FC>,100,8,0,0
<Q>1
<Z>
```

[Notes]

- When a section number value outside of the range is specified, it will be processed as "0". In this case, this will not be a command error.
- When the pattern designation value outside of the range is specified, it will be processed as "0". In this case, this will not be a command error.
- When the print start position is outside of the printable area, printing will not be performed due to command error.
- This command sets the base reference point to the center of a circle.



- This command can be registered to the format.
- In case of frame line, the line will be widened for inside.

[Valid range]

Model	Valid range (dots)	
	Radius	Line width
S84-ex series	5 to 999	1 to 999
S86-ex series	5 to 999	1 to 999

7.9 Modification

Print of Triangles	ESC+FT
---------------------------	---------------

Hexadecimal code	ESC	FT	Parameter
	<1B> ₁₆	<46> ₁₆ <54> ₁₆	,aaaa,bbbb(,cccc,d)
Initial value	Nil		

Valid range and term of command	When the power switch is OFF	The set parameter is not maintained.
	Valid range within item	The parameter preset will be invalid.
	Valid range between items	The parameter preset will be invalid.

[Function]

Specifying the print of triangles.

[Format]

<FT>,aaaa,bbbb(,cccc,d)

●Parameter

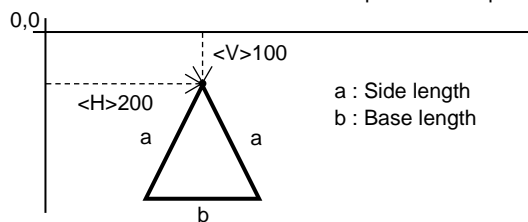
- a[Side length] = Valid range: 10 to 2000 dots
- b[Line width] = Valid range: 1 to 1000 dots
- c[Base length] = Valid range: 10 to 2000 dots
The base length can be omitted and its value will be equal to the side length.
- d[Pattern] = Valid range: 0 to 3 If digits are omitted, the default is 0 (zero).
0: Solid line (black)
1: Gray 1
2: Gray 2
3: Gray 3

[Coding Example] Side length: 100 dots, Line width: 8 dots, Base length: 100 dots

```
<A>
<V>100<H>200
<FT>,100,8,100,0
<Q>1
<Z>
```

[Notes]

1. When the pattern value outside of the range is specified, it will be processed as "0". In this case, this will not be a command error.
2. When the print start position is outside of the printable area, printing will not be performed due to command error.
3. When the side length is not equal to the base length, printing will not be performed due to command error.
4. This command sets the base reference point to the apex of a triangle.



5. This command can be registered to the format.
6. When the line is widened, the line will be widened for inside.
7. When the length of the base is an odd number, it will be even number automatically by adding 1 to the base length.

[Valid range]

Model	Valid range (dots)		
	Side length	Line width	Base length
S84-ex series	10 to 2000	1 to 1000	10 to 2000
S86-ex series	10 to 2000	1 to 1000	10 to 2000

7.10 Modification

Black and White Reverse Print

ESC+(

Hexadecimal code	ESC <1B> ₁₆	(<28> ₁₆	Parameter aaaa,bbbb
Initial value	Nil		

Valid range and term of command	When the power switch is OFF	The set parameter is not maintained.
	Valid range within item	The parameter preset will be invalid.
	Valid range between items	The parameter preset will be invalid.

[Function]

Reversing and printing an image area from black to white and vice versa.

[Format]

<(>aaaa,bbbb

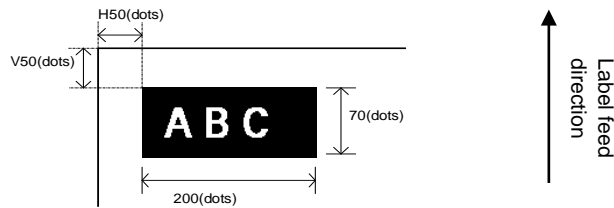
•Parameter

A[Horizontal length in dots of the reverse image area] = Refer to the table below

B[Vertical height in dots of the reverse image area] = Refer to the table below

[Coding Example] Horizontal length in dots of reverse image area: 200, Vertical height in dots of reverse image area: 70

```
<A>
<V>50<H>50<P>2<L>0202<XM>ABC
<V>50<H>50<(>200,70
<Q>2
<Z>
```



[Notes]

1. Specify this command after the print data to be reversed. When this command is specified before the print data to be reversed, the image is printed in black and not reversed.
2. To set print start position, specify Horizontal Print Position <H> and Vertical Print Position <V> prior to this command.
3. When the print start position is outside of the printable area, printing will not be performed due to command error.

[Remark]

Keep the black printable area under 30% of overall label.

[Valid range]

[S84-ex]

Head density	Valid range (dots)	
	Reverse area in horizontal direction	Reverse area in vertical direction
8 dots/mm (203 dpi)	8 to 832	8 to 20000
12 dots/mm (305 dpi)	8 to 1248	8 to 18000
24 dots/mm (609 dpi)	8 to 2496	8 to 9600

[S86-ex]

Head density	Valid range (dots)	
	Reverse area in horizontal direction	Reverse area in vertical direction
8 dots/mm (203 dpi)	8 to 1340	8 to 9992
12 dots/mm (305 dpi)	8 to 2010	8 to 14988

7.11 Modification

Character Code		ESC+KC	
Hexadecimal code	ESC <1B> ₁₆	KC <4B> ₁₆ <43> ₁₆	Parameter a
Initial value	a=0		
Valid range and term of command	When the power switch is OFF		The set parameter is not maintained.
	Valid range within item		The set parameter is in effect until a new specification is made.
	Valid range between items		The set parameter becomes the initial value at the next item <A>.

[Function]

Specify the character code.

Normally, the character code is specified in the user mode of the product, however, the character code can be changed temporary with this character code command <KC>.

[Format]

<KC>a

•Parameter

a[Character code] = 2 : UTF-16
3 : UTF-8

[Coding Example 1] In case of UTF-8

<A>
<KC>2
 <CC>1
 <V>100<H>200<P>2<RD>S00,40,40,<E5 B6 B7>₁₆
 <Q>2
 <Z>

[Coding Example 2] In case of UTF-16

<A>
<KC>3
 <CC>1
 <V>100<H>200<P>2<RD>S00,40,40,<5D B7>₁₆
 <Q>2
 <Z>

[Notes]

1. This command is not necessary to specify at the normal label printing.
2. This command can be used more than one time in the same item.

7.12 Modification

Registration of Form Overlay

ESC+&

Hexadecimal code	ESC <1B> ₁₆	& <26> ₁₆	Parameter (aab~b)
Initial value	Nil		

Valid range and term of command	When the power switch is OFF	The set command is not maintained.
	Valid range within item	The set command is in effect until a new specification is made.
	Valid range between items	The set command is in effect until a new specification is made.

[Function]

Storing a label image in the volatile form overlay memory.

[Format]

<&>(aab~b)

•Parameter

a[Registration key] = Valid range : 01 to 99 (omissible)
 b[Comment] = Maximum 16 bytes (omissible)

[Coding Example]

```
<A>
<V>100<H>50<FW>1010V800H750
<V>100<H>50<FW>0505V760H710
<V>150<H>100<XB>0MODEL
<&>01DATA1
<Z>
```

[Notes]

1. This command saves fixed print contents to a CF card in the product and then, Form Overlay Call </> combines the contents with drawing of general data to print out.
2. Specify this command at the end of data string that is to be stored. Drawing valid range in form overlay registration is same as printable area.
3. Only 1 format can be registered with the form overlay registration <&>. Any code in the valid range (01-99) can be specified for the registration key.
4. To change the stored data, specify Form Overlay Clear <*>, then register new data.
5. Invoke stored data by Form Overlay Call</>.
6. When specifying Label Size <A1>, it will be extracted in the specified area.

[Valid Commands]

Print position	<V>	<H>								
Font	<XU>	<XS>	<XM>	<XB>	<XL>	<OA>	<OB>	<RD>	<\$=>	<K1>
	<K2>	<K8>	<K9>	<k1>	<k2>	<k8>	<k9>	<U>	<S>	<M>
	<WB>	<WL>	<RG>							
Barcode		<BC>	<BG>	<Bl>	<D>	<D><d>	<BD>	<BT>	<BW>	<BP>
	<BF>	<BS>	<BL>	<BL><d>	<BM>	<BM>				
2D code	<2D10>	<BK>	<2D12>	<2D20>	<BV>	<2D30>	<2D31>	<2D32>	<BQ>	<2D33>
	<2D50>	<BX>	<2D51>							
Composite symbol	<EU>									
Modification	<WD>	<FW>	<(>	<RF>	<RM>					
Graphic	<G>	<GM>	<GP>							

7.13 Modification

Form Overlay Call		ESC+/ /	
Hexadecimal code	ESC <1B> ₁₆	/ <2F> ₁₆	Parameter (aa)
Initial value	Nil		
Valid range and term of command	When the power switch is OFF	The set command is not maintained.	
	Valid range within item	The set command is in effect until a new specification is made.	
	Valid range between items	The set command is in effect until a new specification is made.	

[Function]

Recalling the label image from the form overlay memory for printing.

[Format]

</>(aa)

•Parameter

a[Registration key] = Valid range : 01 to 99 (omissible)

[Coding Example]

```
<A>
</>01
<V>200<H>100<P>0<$>B,100,100,6
<$>=>SATOPRINTER
<V>720<H>150<B>102100*95000012345*
<Q>2
<Z>
```

[Notes]

1. This command invokes the data registered by Registration of Form Overlay <&> to print.
2. When detecting this command in general print data, it will be combined with drawing stored in form overlay and printed.
3. Regarding the registration key specification, an error will not occur even the registration key is different because the registration key is not checked.

7.14 Modification

Partial Editing		ESC+0	
Hexadecimal code	ESC <1B> ₁₆	0 <30> ₁₆	Parameter Nil
Initial value	Nil		
Valid range and term of command	When the power switch is OFF	The set command is not maintained.	
	Valid range within item	The set command becomes invalid.	
	Valid range between items	The set command becomes invalid.	

[Function]

Replacing a specified area of the previous label with new data.

[Format]

<0>

[Coding Example] [DFE], a part of print data, is changed to [123].

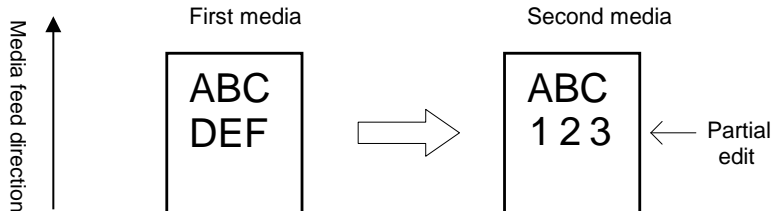
```

<A>
<V>100<H>200<P>2<L>0202<XM>ABC
<V>200<H>200<P>2<L>0202<XM>DEF
<Q>1
<Z>

<A>
<0>
<V>200<H>200<P>2<L>0202<XM>123
<Q>1
<Z>
  
```

} First media

} Second media



[Notes]

1. Use this command to edit only one part of previous print data.
2. Specify the exact same parameters for the image to be replaced as were specified in the original data stream; including rotation, expansion, pitch, etc. This will ensure the new data will exactly replace the old image.
3. A specified portion of the previous data will be cleared.
4. If Rotation <%> is included in the specified editing portion, keep it for partial editing.
5. Use this command with fixed pitch, same font or same digit number. Proportional pitch text cannot be used with this command.

7.15 Modification

Partial Copying		ESC+WD	
Hexadecimal code	ESC <1B> ₁₆	WD <57> ₁₆ <44> ₁₆	Parameter VaaaaaHbbbbYccccXdddd
Initial value	Nil		

Valid range and term of command	When the power switch is OFF	The set parameter is not maintained.
	Valid range within item	The parameter preset will be invalid.
	Valid range between items	The parameter preset will be invalid.

[Function]

Copying an image from one location to another on the same label.

[Format]

<WD>VaaaaaHbbbbYccccXdddd

•Parameter

a[Vertical position of the top left corner of the area] = See the table below

b[Horizontal position of the top left corner of the area] = See the table below

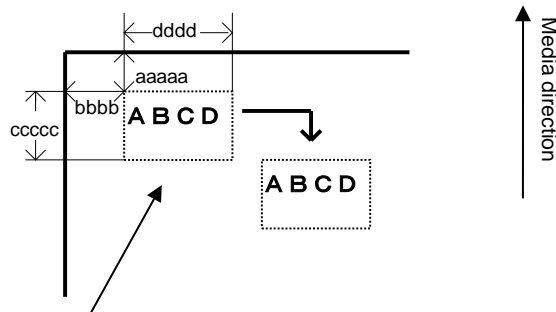
c[Vertical length of the image area to be copied] = See the table below

d[Horizontal length of the image area to be copied] = See the table below

[Coding Example] Vertical position of the top left corner of the area: 50 Horizontal position of the top left corner of the area: 50

Vertical length of the image area to be copied: 200 Horizontal length of the image area to be copied: 400

```
<A>
<V>50<H>50<P>2<L>0202<XU>ABCD
<V>300<H>100<WD>V50H50Y200X400
<Q>2
<Z>
```



Dotted line part indicates the area to be copied.
"ABCD" will be printed.

[Notes]

1. To locate the destination of the copy, specify Vertical Print Position <V> and Horizontal Print Position <H> prior to this command.
2. The position of the new target area must not be inside the original image.
3. If the reference area of the target image exceeds the printable area, printing will not be performed due to command error.

[Valid Range]

[S84-ex]

Head density	Valid range (dots)	
	The horizontal position of the top left corner of the area Horizontal length of the image area to be copied	The vertical position of the top left corner of the area Vertical length of the image area to be copied
8 dots/mm (203 dpi)	1 to 832	1 to 20000
12 dots/mm (305 dpi)	1 to 1248	1 to 18000
24 dots/mm (609 dpi)	1 to 2496	1 to 9600

[S-86ex]

Head density	Valid range (dots)	
	The horizontal position of the top left corner of the area Horizontal length of the image area to be copied	The vertical position of the top left corner of the area Vertical length of the image area to be copied
8 dots/mm (203 dpi)	1 to 1340	1 to 9992
12 dots/mm (305 dpi)	1 to 2010	1 to 14988

* The command error occurs when the image exceeded the printable area due to the difference between the print start position, base reference point and dot number even the parameter is in the valid range.

7.16 Modification

Print of Journal		ESC+J	
Hexadecimal code	ESC <1B> ₁₆	J <4A> ₁₆	Parameter a~a+CR<0D> ₁₆
Initial value	Nil		

Valid range and term of command	When the power switch is OFF	The set parameter is not maintained.
	Valid range within item	The parameter preset will be invalid.
	Valid range between items	The parameter preset will be invalid.

[Function]

Specifying the print of the journal.

[Format]

<J>a~a+CR

•Parameter

a[Journal print column] = Print data
CR[Control code (ODH)]

[Coding Example]

<A>
<J>
ABCD+CR
EFGH+CR
<Z>

[Notes]

1. Starts journal print from vertical position of 2 dots and horizontal position of 2 dots.
2. Character pitch is set to 2 dots and line pitch is set to 16 dots.
3. Prints in 2 x 2 times of XS font.
4. Use of this command in combination with other commands excluding [Reprint <C>] and [Black and White Reverse Print <(>)] is invalid.
5. A line feed is inserted regardless the setting of the ignore CR/LF in this command.

7.17 Modification

Call and Print of Font & Logo

ESC+RF

Hexadecimal code	ESC	RF	Parameter
	<1B> ₁₆	<52> ₁₆ <46> ₁₆	aabbbb,n~n
Initial value	aa=01, bbbb=1		

Valid range and term of command	When the power switch is OFF	The set parameter is not maintained.
	Valid range within item	The parameter preset will be invalid.
	Valid range between items	The parameter preset will be invalid.

[Function]

Invoking and printing the font and logo downloaded with the exclusive tool.

[Format]

<RF>aabbbb,n~n

•Parameter

a [Font ID number] = Valid range: 01 to 99
 b [Print digit] = Valid range: 1 to 9999
 n [Print data] = Data

[Coding Example 1] When [AB] is printed in one-byte characters with this command [Font ID No.: 01 Print digit: 4]
 (Unicode A: <0041>₁₆ B: <0042>₁₆)

```
<A>
<PS>
<V>100<H>100<L>0101
<RF>010004,<0041>16<0042>16
<Z>
```

[Coding Example 2] When calling and printing logo [Font ID No.: 02 Print digit: 2]

```
<A>
<V>100<H>100<L>0101<RF>020002, <826B>16
<Z>
```

[Notes]

1. Specify the value of print data placing Unicode (UTF-16BE).
2. When calling and printing logo, specify [Print digit: 0002], [Print data: <826B>₁₆].

7.18 Modification

Mirror Image		ESC+RM	
Hexadecimal code	ESC <1B> ₁₆	RM <52> ₁₆ <4D> ₁₆	Parameter aaaa,bbbb
Initial value	Nil		

Valid range and term of command	When the power switch is OFF	The set parameter is not maintained.
	Valid range within item	The parameter preset will be invalid.
	Valid range between items	The parameter preset will be invalid.

[Function]

Allowing mirror image printing of data.

[Format]

<RM>aaaa,bbbb

•Parameter

A[Horizontal length of the mirror image area] = Refer to the table below.
 B[Vertical length of the mirror image area] = Refer to the table below.

[Coding Example 1] When specifying the mirror image area:

```
<A>
<H>100<V>200<XM>12345
<H>100<V>200<RM>0200,0080
<Q>1
<Z>
```

[Coding Example 2] When not specifying the mirror image area:

```
<A>
<H>100<V>200<XS>12345
<RM>
<Q>1
<Z>
```

[Notes]

- When the parameter "aaaa" and "bbbb" are not specified, all print data specified prior to this command will be mirrored.
- Any data outside the printable area will not be mirrored.
- If specifying this command for the item that does not contain print data, the command error will occur.
- This command cannot be used together with other commands that reedit the print data. Refer to the invalid command for the list below. When invalid commands are specified, printing may not be correct.
- This command cannot be used together with some control commands. Refer to the invalid command for the list below. When invalid commands are specified, printing may not be correct.
- This command cannot be used together with some modification commands. Refer to the invalid command for the list below. When invalid commands are specified, printing may not be correct.
- The print image before the mirror printing command will be mirror printed. The print data after this command is not mirror printed. Also, note that when specifying the mirror printing command more than once, the image will be rotated for the specified number of times and printed.
- When a barcode is mirror printed, the reading of the mirrored barcode and head check area are not guaranteed.
- When mirror printing is implemented, all mirrored image is targeted for the head check.

[Valid range for the mirror rotation start position]

[S84-ex]

Head density	Valid Range (dots)	
	Horizontal position of reference point for mirror image	Vertical position of reference point for mirror image
8 dots/mm (203 dpi)	1 to 832	1 to 20000
12 dots/mm (305 dpi)	1 to 1248	1 to 18000
24 dots/mm (609 dpi)	1 to 2496	1 to 9600

[S86-ex]

Head density	Valid Range (dots)	
	Horizontal position of reference point for mirror image	Vertical position of reference point for mirror image
8 dots/mm (203 dpi)	1 to 1340	1 to 9992
12 dots/mm (305 dpi)	1 to 2010	1 to 14988

[Valid range for the mirror rotation]

[S84-ex]

Head density	Valid Range (dots)	
	Horizontal length of mirror image area	Vertical length of mirror image area
8 dots/mm (203 dpi)	8 to 832	8 to 20000
12 dots/mm (305 dpi)	8 to 1248	8 to 18000
24 dots/mm (609 dpi)	8 to 2496	8 to 9600

[S86-ex]

Head density	Valid Range (dots)	
	Horizontal length of mirror image area	Vertical length of mirror image area
8 dots/mm (203 dpi)	8 to 1340	8 to 9992
12 dots/mm (305 dpi)	8 to 2010	8 to 14988

[Commands cannot be used together with this command]

Commands that reedit the print image	<WD>	<F>	<(>	<O>	<WA>	<WU>
Registration	<GI>	<GT>	<PI>			
Modification	<%>	<R>				

7.19 Modification

Work Shift Information		ESC+WN	
Hexadecimal code	ESC <1B> ₁₆	WN <57> ₁₆ <4E> ₁₆	Parameter a, hh, mm, ll, nnn...n
Initial value	1.24.00.1.<space>		

Valid range and term of command	When the power switch is OFF	The set parameter is maintained.
	Valid range within item	The set parameter is in effect until a new specification is made.
	Valid range between items	The set parameter is in effect until a new specification is made.

[Function]

Set the work shift start time and name of the specified work shift code.

[Format]

<WN>a, hh, mm, ll, nnn...n

•Parameter

a = 1, 2 or 3 : shift code
 hh = 00 – 24 : shift start time (hours)
 mm = 00 – 59 : shift start time (minutes) (when hh=24, 00)
 ll = 1-16 : shift name length
 nnn...n = <space>, A-Z, 0-9 : shift name maximum 16 characters

[Coding Example]

<A>
<WN>1.08.00.7.MORNING
 <Z>

[Notes]

1. The command error occurs when the work shift information is disabled in the closed setting mode of the product.
2. When the parameter is not specified, the default value will be used.
3. When the length of the shift name (nnn...n) exceeds the value of the length parameter (ll), the exceeded part is cut off.
4. When the length of the shift name (nnn...n) is less than the value of the length parameter (ll), the blank is filled with space.
5. Delimit Start of Data Transmission <A> and End of Data Transmission <Z> when using with this command.
6. This command cannot be used together with <WS> command. When <WN> command and <WS> command is used in the same label, the work shift information may not be printed correctly.

7.21 Modification

European Code Page		ESC+CE	
Hexadecimal code	ESC <1B> ₁₆	CE <43> ₁₆ <45> ₁₆	Parameter a~a,(b)
Initial value	a~a=858,b=Nil		

Valid range and term of command	When the power switch is OFF	The set parameter is maintained.
	Valid range within item	The set command is in effect until a new specification is made.
	Valid range between items	The set command is in effect until a new specification is made.

[Function]

Specify the European code page to be used.

[Format]

<CE>a~a,(b)

●Parameter

- a[Code page name] = Valid range: refer to the [Code page parameter] in the next page
- b[Code page setting maintain] = Valid range: P(fixed)
When "P" is specified, the selected code page is maintained. (Omissible)
When this is omitted, the selected code page is not maintained.

[Coding Example 1]

```
<A>
<V>100<H>200<P>2<L>0304<CE>1253<XU>ABCDE
<Q>2
<Z>
```

[Coding Example 2]

```
<A>
<V>100<H>200<P>2<L>0304<CE>855<XU>ABCDE
<Q>2
<Z>
```

[Code page specify parameter]

Command parameter	Proper name	Description
858	DOS 858	Multilingual Latin 1 + Euro character Default Code page proprietary to SATO.
88591	8859/1	ISO 8859-1 Latin 1
88592	ISO 8859/2	ISO 8859-2 Latin 2
88599	ISO 8859/9	ISO 8859-9 Latin 5
850	DOS 850	Latin 1 Multilingual
852	DOS 852	Latin 2
855	DOS 855	Cyrillic
857	DOS 857	Turkish
737	DOS 737	Greek
866	DOS 866	Cyrillic II
1250	Win 1250	Central Europe
1251	Win 1251	Cyrillic
1252	Win 1252	Western Latin 1
1253	Win 1253	Greek
1254	Win 1254	Turkish
1257	Win 1257	Baltic
869	IBM 869	IBM 869 Greek
UTF-8	UTF-8	Unicode encoding in UTF-8
UTF-16BE	UTF-16 (Big endian)	Unicode encoding in UTF-16 (Big endian) for Downloaded TTF.

7.22 Modification

Kanji Font Type		ESC+KS	
Hexadecimal code	ESC <1B> ₁₆	KS <4B> ₁₆ <53> ₁₆	Parameter ab
Initial value	a=31H, b=31H		

Valid range and term of command	When the power switch is OFF	The set parameter is maintained.
	Valid range within item	The set parameter is in effect until a new specification is made.
	Valid range between items	The set parameter is in effect until a new specification is made.

[Function]

Specify the Kanji font type used for the Kanji print command.

[Format]

<KS>ab

•Parameter

a[Kanji font type] = "3"(33H) : GB18030 (Default)
 "5"(35H) : KSX1001
 "6"(36H) : BIG5

b[Font] = "1"(31H) : Mincho (Default)
 "2"(32H) : Gothic

[Coding Example] Set Mincho with GB18030

<A>
<KS>31
 <Z>

[Notes]

1. When the font specified by this command is not supported, available font for every Kanji font is printed.
2. Unused value for the parameter "a" is reserved for Japanese.
3. Use this command solely together with <A> and <Z>.

8 Font Commands

8.1 Font			
XU Font (Default Font Size: 5x9 dots)			ESC+XU
Hexadecimal code	ESC <1B> ₁₆	XU <58> ₁₆ <55> ₁₆	Parameter n~n
Initial value	Nil		

Valid range and term of command	When the power switch is OFF	The set parameter is not maintained.
	Valid range within item	The parameter preset will be invalid.
	Valid range between items	The parameter preset will be invalid.

[Function]

Specifying the characters in default font size of W5 x H9 dots.

[Format]

<XU>n~n

•Parameter

n[Print data] = Data

[Coding Example]

```
<A>
<V>100<H>200<P>2<L>0304<XU>ABCDE
<Q>2
<Z>
```

[Notes]

1. XU font can be set to either fixed pitch or proportional pitch.
2. To set up fixed and proportional pitch, use the command or go to the Advanced Mode of product LCD display.

[Valid Commands]

Print position	<V>	<H>								
Modification	<P>	<L>	<%>	<PS>	<PR>	<F>	<&>	</>	<O>	<WD>
	<%A>	<WS>								
Barcode	<D><d>	<BL><d>								
Calendar	<WA>	<WU>								

XU Font Character Set

	2	3	4	5	6	7	8	9	A	B	C	D	E	F
0	ø	ø	P	`	p	ç	é	á			ë	ó	-	
1	!	1	A	Q	a	q	ü	æ	í			ð	β	±
2	"	2	B	R	b	r	é	Æ	ó			ë	ó	=
3	#	3	C	S	c	s	á	ó	ú			ë	ó	⌘
4	\$	4	D	T	d	t	ä	ö	ñ			ë	ó	
5	%	5	E	U	e	u	à	ò	ñ	á		€	ø	§
6	&	6	F	V	f	v	á	ú	æ	á	ä	é	µ	†
7	'	7	G	W	g	w	ç	ü	ø	à	ñ	é		
8	<	8	H	X	h	x	é	y	ó	ø		ï		°
9	>	9	I	Y	i	y	ë	ö					ú	¨
A	*	:	J	Z	j	z	è	ü	™				ó	+
B	+	;	K	I	k	{	í	ø	⌘				ù	!
C	,	<	L	\	l		í	£	⌘				ý	≡
D	-	=	M	J	m	}	í	⌘	í	⌘			ý	≡
E	.	>	N	^	n	˘	ñ	x	◀	¥			¿	˘
F	/	?	O	_	o		á	f	⌘				'	

The above is printed with width 5 dots x height 9 dots, enlarged 3 times for both vertically and horizontally.

8.2 Font			
XS Font (Default Font Size: 17x17 dots)			ESC+XS
Hexadecimal code	ESC <1B> ₁₆	XS <58> ₁₆ <53> ₁₆	Parameter n~n
Initial value	Nil		

Valid range and term of command	When the power switch is OFF	The set parameter is not maintained.
	Valid range within item	The parameter preset will be invalid.
	Valid range between items	The parameter preset will be invalid.

[Function]

Specifying the characters in default font size of W17 x H17 dots.

[Format]

<XS>n~n

•Parameter

n[Print data] = Data

[Coding Example]

<A>
 <V>100<H>200<P>2<L>0304<XS>ABCDE
 <Q>2
 <Z>

[Notes]

1. XS font can be set to either fixed pitch or proportional pitch.
2. To set up fixed and proportional pitch, use the command or go to the Advanced Mode of product LCD display.

[Valid Commands]

Print position	<V>	<H>								
Modification	<P>	<L>	<%>	<PS>	<PR>	<F>	<&>	</>	<O>	<WD>
	<%A>	<WS>								
Barcode	<D><d>	<BL><d>								
Calendar	<WA>	<WU>								

XS Font Character Set

	2	3	4	5	6	7	8	9	A	B	C	D	E	F
0	ø	@	P	'	p	ç	É	á	ø		ð	ó	-	
1	!	1	A	Q	a	q	ü	æ	í		ø	β	±	
2	"	2	B	R	b	r	é	Æ	ó		É	ó	=	
3	#	3	C	S	c	s	â	ô	ú		É	ó	¼	
4	\$	4	D	T	d	t	ä	ö	ñ		É	ö	¶	
5	%	5	E	U	e	u	à	ò	N	Á	€	ö	§	
6	&	6	F	V	f	v	á	û	ä	ã	í	μ	÷	
7	'	7	G	W	g	w	ç	ù	ø	À	Ä	l	þ	-
8	(8	H	X	h	x	ê	ÿ	¿	©	Y	þ	°	
9)	9	I	Y	i	y	ë	ü	®			ü	¨	
A	*	:	J	Z	j	z	è	ü	¬			ü	·	
B	+	:	K	[k	{	ï	ø	½			ü	¹	
C	,	<	L	\	l	!	í	£	¼			ý	²	
D	-	=	M]	m	}	ï	ø	¡	¥		ü	²	
E	.	>	N	^	n	~	Ä	x	«	¥		ü	²	
F	/	?	o	_	o		Ä	f	»			ü	²	

The above is printed with width 17 dots x height 17 dots, enlarged 2 times for both vertically and horizontally.

8.3 Font

XM Font (Default Font Size: 24x24 dots)		ESC+XM	
Hexadecimal code	ESC <1B> ₁₆	XM <58> ₁₆ <4D> ₁₆	Parameter n~n
Initial value	Nil		

Valid range and term of command	When the power switch is OFF	The set parameter is not maintained.
	Valid range within item	The parameter preset will be invalid.
	Valid range between items	The parameter preset will be invalid.

[Function]

Specifying the character in default font size of W24 x H24 dots.

[Format]

<XM>n~n

•Parameter

n[Print data] = Data

[Coding Example]

<A>
 <V>100<H>200<P>2<L>0304<XM>ABCDE
 <Q>2
 <Z>

[Notes]

1. XM font can be set to either fixed pitch or proportional pitch.
2. To set up fixed and proportional pitch, use the command or go to the Advanced Mode of product LCD display.

[Valid Commands]

Print position	<V>	<H>								
Modification	<P>	<L>	<%>	<PS>	<PR>	<F>	<&>	</>	<O>	<WD>
	<%A>	<WS>								
Barcode	<D><d>	<BL><d>								
Calendar	<WA>	<WU>								

XM Font Character Set

	2	3	4	5	6	7	8	9	A	B	C	D	E	F
0	0	@	P	`	p	Ç	É	á	Ø	ø	Ó	-		
1	!	1	A	Q	a	q	ü	æ	í			Ð	β	±
2	"	2	B	R	b	r	é	Æ	ó			É	Ö	=
3	#	3	C	S	c	s	â	ô	ú			È	Ò	¾
4	\$	4	D	T	d	t	ä	ö	ñ			Ê	õ	¶
5	%	5	E	U	e	u	à	ò	Ñ	À	€	Ö	§	
6	&	6	F	V	f	v	ä	ü	ä	Ã	ã	í	μ	÷
7	'	7	G	W	g	w	ç	ù	º	À	Ã	í	þ	-
8	(8	H	X	h	x	ê	ÿ	ÿ	Ç		ÿ	þ	o
9)	9	I	Y	i	y	ë	Ö	®				Ú	--
A	*	:	J	Z	j	z	è	Ü	¬				Ü	-
B	+	;	K	[k	{	ï	ø	½		■		Ü	¹
C	,	<	L	\	l	!	ï	£	¼				ý	³
D	-	=	M]	m	}	ï	ø	ï	¢			ÿ	²
E	.	>	N	^	n	~	Ä	x	<<	¥			ÿ	-
F	/	?	O	_	o		Ä	f	>>					'

The above is printed with width 24 dots x height 24 dots, enlarged 2 times for both vertically and horizontally.

8.4 Font

XB Font (Default Font Size: 48x48 dots)		ESC+XB	
Hexadecimal code	ESC <1B> ₁₆	XB <58> ₁₆ <42> ₁₆	Parameter an~n
Initial value	a=0		

Valid range and term of command	When the power switch is OFF	The set parameter is not maintained.
	Valid range within item	The parameter preset will be invalid.
	Valid range between items	The parameter preset will be invalid.

[Function]

Specifying the character in default font size of W48 x H48 dots.

[Format]

<XB>an~n

•Parameter

a[Smoothing] = 0: Smoothing disabled
 1: Smoothing enabled (When Enlargement <L> rate is between threefold and nine fold)
 n[Print data] = Data

[Coding Example]

<A>
 <V>100<H>200<P>2<L>0304<XB>0ABCDE
 <Q>2
 <Z>

[Notes]

1. XB font can be set to either fixed pitch or proportional pitch.
2. To set up fixed and proportional pitch, use the command or go to the Advanced Mode of product LCD display.
3. Even the smoothing is enabled, it will be invalid when enlargement <L> is specified for 1 time, 2 times, and 10 to 36 times.

[Valid Commands]

Print position	<V>	<H>								
Modification	<P>	<L>	<%>	<PS>	<PR>	<F>	<&>	</>	<O>	<WD>
	<%A>	<WS>								
Barcode	<D><d>	<BL><d>								
Calendar	<WA>	<WU>								

XB Font Character Set

	2	3	4	5	6	7	8	9	A	B	C	D	E	F
0	0	@	P	`	p	ç	É	á	ø		ø	ó	-	
1	!	1	A	Q	a	q	ü	æ	í			ð	β	±
2	"	2	B	R	b	r	é	Æ	ó			É	ó	=
3	#	3	C	S	c	s	â	ô	ú			È	ò	¾
4	\$	4	D	T	d	t	ä	ö	ñ			È	ö	¶
5	%	5	E	U	e	u	à	ò	Ñ	À		€	Ö	§
6	&	6	F	V	f	v	á	ú	æ	À	ã	í	μ	÷
7	'	7	G	W	g	w	ç	ù	ø	À	Ä	í	þ	-
8	(8	H	X	h	x	ê	ÿ	¿	©		ÿ	þ	°
9)	9	I	Y	i	y	ë	ö	®			Ú	..	
A	*	:	J	Z	j	z	è	Ù	¬			Ú	.	
B	+	;	K	[k	{	ï	ø	½			Ú	¹	
C	,	<	L	\	l	!	î	£	¼			ý	³	
D	-	=	M]	m	}	ì	ø	ì	ø		!	ÿ	²
E	.	>	N	^	n	~	Ä	×	«	¥		ì	-	
F	/	?	O	_	o		À	f	»			ì	-	

The above is printed with width 48 dots x height 48 dots, enlarged 1 time for both vertically and horizontally.

8.5 Font

XL Font		ESC+XL	
(Default Font Size: 48x48 dots)			
Hexadecimal code	ESC <1B> ₁₆	XL <58> ₁₆ <4C> ₁₆	Parameter an~n
Initial value	Nil		

Valid range and term of command	When the power switch is OFF	The set parameter is not maintained.
	Valid range within item	The parameter preset will be invalid.
	Valid range between items	The parameter preset will be invalid.

[Function]

Specifying the character in default font size of W48 x H48 dots.

[Format]

<XL>an~n

•Parameter

- a[Smoothing] = 0: Smoothing disabled
 1: Smoothing enabled (When Enlargement <L> rate is between threefold and nine fold)
- n[Print data] = Data

[Coding Example]

```
<A>
<V>100<H>200<P>2<L>0304<XL>0ABCDE
<Q>2
<Z>
```

[Notes]

1. XL font can be set to either fixed pitch or proportional pitch.
2. To set up fixed and proportional pitch, use the command or go to the Advanced Mode of product LCD display.
3. Even the smoothing is enabled, it will be invalid when enlargement <L> is specified for 1 time, 2 times, and 10 to 36 times.

[Valid Commands]

Print position	<V>	<H>								
Modification	<P>	<L>	<%>	<PS>	<PR>	<F>	<&>	</>	<O>	<WD>
	<%A>	<WS>								
Barcode	<D><d>	<BL><d>								
Calendar	<WA>	<WU>								

XL Font Character Set

Characters in default font size of W48 x H48 dots.

	2	3	4	5	6	7	8	9	A	B	C	D	E	F
0	ø	@	P	'	p	Ç	É	á	ø	ø	Ó	-		
1	!	1	A	Q	a	q	ü	æ	í			Ð	β	±
2	"	2	B	R	b	r	é	Æ	ó			È	Ô	=
3	#	3	C	S	c	s	â	ô	ú			Ë	Ò	¾
4	\$	4	D	T	d	t	ä	ö	ñ			È	ø	¶
5	%	5	E	U	e	u	à	ò	Ñ	Á		€	Õ	§
6	&	6	F	V	f	v	â	û	²	Å	ā	í	μ	÷
7	'	7	G	W	g	w	ç	ù	²	À	Ā	î	þ	·
8	(8	H	X	h	x	ê	ÿ	¿	©		ï	þ	°
9)	9	I	Y	i	y	ë	Ö	®			Û	•	
A	*	:	J	Z	j	z	è	Ü	¬			Û	•	
B	+	;	K	[k	{	ï	φ	½			■	Ù	¹
C	,	<	L	\	l		î	£	¼			▒	ý	³
D	-	=	M]	m	}	ï	Φ	ι	φ		ı	Ÿ	²
E	.	>	N	^	n	~	Ä	x	«	¥		ı	-	
F	/	?	O	_	o		Å	f	»			ı	'	

The above is printed with width 48 dots x height 48 dots, enlarged 1 time for both vertically and horizontally.

8.6 Font

OCR-A Font	ESC+OA
-------------------	---------------

Hexadecimal code	ESC <1B> ₁₆	OA <4F> ₁₆ <41> ₁₆	Parameter n~n
Initial value	Nil		

Valid range and term of command	When the power switch is OFF	The set parameter is not maintained.
	Valid range within item	The parameter preset will be invalid.
	Valid range between items	The parameter preset will be invalid.

[Function]

Specifying OCR-A font.

[Format]

<OA>n~n

•Parameter

n[Print data] = Data

[Coding Example]

```
<A>
<V>100<H>100<P>2<L>0202<OA>ABC
<Q>2
<Z>
```

[Note]

Refer to the list below for the font size according to the head density.

[Font Size]

Head density	Font size (dots)
8 dots/mm (203 dpi)	W15 × H22
12 dots/mm (305 dpi)	W22 × H33
24 dots/mm (609 dpi)	W44 × H66

[Valid Commands]

Print position	<V>	<H>							
Modification	<P>	<L>	<%>	<F>	<&>	</>	<O>	<WD>	<%A>
Barcode	<D><d>	<BL><d>							
Calendar	<WA>	<WU>							

OCR-A Font Character Set

OCR-A font specification.

	0	1	2	3	4	5	6	7	8	9	A	B	C	D	E	F
0				0		P										
1				1	A	Q										
2				2	B	R										
3				3	C	S										
4			4	4	D	T										
5				5	E	U										
6				6	F	V										
7				7	G	W										
8				8	H	X										
9				9	I	Y										
A					J	Z										
B					K											
C					L											
D					M											
E			.	>	N											
F			/		o											

The above is printed in head density of 12 dots/mm, with width 22 dots x height 33 dots, enlarged 1 time for both vertically and horizontally.

8.7 Font

OCR-B Font		ESC+OB	
Hexadecimal code	ESC <1B> ₁₆	OB <4F> ₁₆ <42> ₁₆	Parameter n~n
Initial value	Nil		

Valid range and term of command	When the power switch is OFF	The set parameter is not maintained.
	Valid range within item	The parameter preset will be invalid.
	Valid range between items	The parameter preset will be invalid.

[Function]

Specifying OCR-B font.

[Format]

<OB>n~n

•Parameter

n[Print data] = Data

[Coding Example]

```
<A>
<V>100<H>100<P>2<L>0202<OB>ABC
<Q>2
<Z>
```

[Note]

Refer to the list below for the font size according to the head density.

[Font Size]

Head density	Font size (dots)
8 dots/mm (203 dpi)	W20 × H24
12 dots/mm (305 dpi)	W30 × H36
24 dots/mm (609 dpi)	W60 × H72

[Valid Commands]

Print position	<V>	<H>								
Modification	<P>	<L>	<%>	<F>	<&>	</>	<O>	<WD>	<%A>	
Barcode	<D><d>	<BL><d>								
Calendar	<WA>	<WU>								

OCR-B Font Character Set

OCR-B font specification.

	0	1	2	3	4	5	6	7	8	9	A	B	C	D	E	F
0				0	@	P										
1			!	1	A	Q										
2			"	2	B	R										
3			#	3	C	S										
4			\$	4	D	T										
5			%	5	E	U										
6			&	6	F	V										
7			'	7	G	W										
8			<	8	H	X										
9)	9	I	Y										
A			*	:	J	Z										
B			+	;	K	¥										
C			,	<	L	¥										
D			-	=	M											
E			.	>	N											
F			/	?	O											

The above is printed in head density of 12 dots/mm, with width 30 dots x height 36 dots, enlarged 1 time for both vertically and horizontally.

8.8 Font

Shape of Outline Font	ESC+\$
------------------------------	---------------

Hexadecimal code	ESC <1B> ₁₆	\$ <24> ₁₆	Parameter a,bbb,ccc,d
Initial value	a=A, bbb=50, ccc=50, d=0		

Valid range and term of command	When the power switch is OFF	The set parameter is not maintained.
	/valid range within item	The set parameter is in effect until a new specification is made.
	/valid range between items	The set parameter becomes the initial value at the next item <A>.

[Function]

Specifying the type, size, and shape of the font.

[Format]

<\$>a,bbb,ccc,d

•Parameter

- a[Font type] = A: Helvetica bold (Proportional)
 B: Helvetica bold (Fixed character pitch)
- b[Font width] = 24 to 999 dots
- c[Font height] = 24 to 999 dots
- d[Font shape] = 0: Standard font (Black)
 1: Outline font
 2: Gray font (Pattern 1)
 3: Gray font (Pattern 2)
 4: Gray font (Pattern 3)
 5: Shaded font
 6: Outline and shaded font
 7: Mirror image font
 8: Standard italic font
 9: Outline, shaded, and italic font

[Coding Example]

Font type : A Font width : 100 dots
Font height : 100 dots Font shape : 1

```
<A>
<V>100<H>100<P>2
<$>A.100.100.1<$=>SATO
<Q>2
<Z>
```

[Notes]

1. The shape of Italic font is inclined 15-degree within font width specification
2. Specify this command prior to Print of Outline Font <\$=>.
3. If specified dots in 1 to 9 of [Font shape] are tiny, they may be unrecognizable as a font.
4. Font width and height specification up to 24 dots are printable; however, some fonts may be unreadable because of character crowding.

[Valid Commands]

Font	<\$=>								
------	-------	--	--	--	--	--	--	--	--

8.9 Font

Print of Outline Font

ESC+ $\$$ =

Hexadecimal code	ESC	$\$$ =	Parameter
	<1B> ₁₆	<24> ₁₆ <3D> ₁₆	n~n
Initial value	Nil		

Valid range and term of command	When the power switch is OFF	The set parameter is not maintained.
	Valid range within item	The parameter preset will be invalid.
	Valid range between items	The parameter preset will be invalid.

[Function]

Specifying the print outline font.

[Format]

< $\$$ >n~n

•Parameter

n[Print data] = Data

[Coding Example] Print data: SATO

```
<A>
<V>100<H>100<P>2
< $\$$ >A,100,100,1< $\$$ =>SATO
<Q>2
<Z>
```

[Notes]

1. Specify Shape of Outline Font < $\$$ > prior to this command.
2. Font height specification includes ascender and descender areas. For proportional pitch, character size width of outline font varies depending on the individual font.
3. Use Character Pitch <P> to specify font pitch.
4. The shape of Italic font is inclined 15-degree within font width specification. Font height specification includes ascender and descender areas.
5. If specified dots in 1 to 9 of [Font shape] are tiny, they may be unrecognizable as a font.
6. In the Shape of Outline Font < $\$$ >, font width and height specification up to 24 dots are printable; however, some fonts may be unreadable because of character crowding.

[Valid Commands]

Print position	<V>	<H>							
Modification	<P>	<%>	<F>						
Font	< $\$$ >								
Calendar	<WA>	<WU>							

Outline Font Character Set

Outline font specification.

	2	3	4	5	6	7	8	9	A	B	C	D	E	F
0	ø	@	P	'	p	Ç	É	á			ø	Ó	-	
1	l	1	A	Q	a	q	ü	æ	í			Ð	β	±
2	"	2	B	R	b	r	é	Æ	ó			Ê	Ô	=
3	#	3	C	S	c	s	â	ô	ú			Ë	Õ	¾
4	\$	4	D	T	d	t	ä	ö	ñ			È	ö	
5	%	5	E	U	e	u	à	ò	Ñ	Á		€	Ö	
6	&	6	F	V	f	v	á	ú	á	Â	ã	í	μ	+
7	'	7	G	W	g	w	ç	ù	ø	À	Ã	î	þ	.
8	(8	H	X	h	x	ê	ÿ	¿	©		Ï	Þ	°
9)	9	I	Y	i	y	ë	Ö	®			Û	™	
A	*	:	J	Z	j	z	è	Ü	¬			Ü	.	
B	+	;	K	[k	{	ı	ø	½			Û	'	
C	,	<	L	\	l		ı	£	¼			ý	°	
D	-	=	M]	m	}	ı	ø	ı	¢		Ý	²	
E	.	>	N	^	n	~	À	x	«	¥		ı	™	
F	/	?	O	_	o		Á	f	»				'	

The above is printed in head density of 12 dots/mm, with width 48 dots x height 48 dots, enlarged 1 time for both vertically and horizontally.

8.10 Font

TrueType Font		ESC+RD	
	ESC	RD	Parameter
Hexadecimal code	<1B> ₁₆	<52> ₁₆ <44> ₁₆	abb,ccc,ddd,n~n abc,ddd,eee,n~n abc,ddd,eee,%VAR%p~p,q,r
Initial value	Nil		

Valid range and term of command	When the power switch is OFF	The set parameter is not maintained.
	Valid range within item	The parameter preset will be invalid.
	Valid range between items	The parameter preset will be invalid.

[Function]

Specifying CG font type, font style, font size, and print data.

[Format1]

<RD>abc,ddd,eee,n~n

[Format2]

<RD>abc,ddd,eee,%VAR%p~p,q,r

•Parameter

- a[Font type] = A [CG Times]
B [CG Triumvirate]
C [SATOGAMMA] (Code page can be switched by ESC+CE command)
D [SATOVICA] (Code page can be switched by ESC+CE command)
E-Z,a-z TTF downloaded with the dedicate tool

- b[Character set] = 0 (No specification for the character set(Fixed)) [Font type A or B].
Refer to the code page parameter in the next page. [Other than font type A or B]

- c [Font style] = 0 [Standard]
1 [Bold]
2 [Italic]
3 [Bold+Italic]

- d[Horizontal length] = 004 to 999 (dot specification)
P02 to P99 (point specification)

- e[Vertical length] = 004 to 999 (dot specification)
P02 to P99 (point specification)

- n[Print data] = Data

- p[Field name] = Field name up to 16 characters

- q[Field maximum length] = Maximum length of field variable data (from 1 up to 16 characters).

- r[Type of variable field] = N [Numbers]
A [Alphabetic + Symbols characters]
B [Alphanumeric + Symbols characters]

[Coding Example 1] Font type: CG Times

```
<A>
<V>100<H>100<P>2
<RD>A00,P10,P10,SATO
<Q>2
<Z>
```

[Coding Example 2] Variable Field(Field name:"Field#", Field maximum length:4, Type of variable field:Numbers)

```
<A>
<V>100<H>100<P>2
<RD>A00,P10,P10,%VAR%Field#,4,N
<Q>2
<Z>
```

[Notes]

1. Set font size in [dot specification] or [point specification].
2. Dot size varies depending on the head density. Refer to the table below.

Head density	1 dot size (mm)
8 dots/mm (203 dpi)	0.125
12 dots/mm (305 dpi)	0.083
12 dots/mm (609 dpi)	0.042

3. One point is 0.35 mm.
4. When using TTF that is downloaded with dedicated tools, be sure to specify appropriate card slot with the command <CC> before this command.
5. Format 2 is exclusive for Simple Stand Alone mode. If it is used for usual printing, the variable data are printed as is.
6. If the Field name (parameter p) is 17 characters or more, it is not treated as a variable data.
7. Comma cannot be used for the Field name (parameter p). If there are commas, the operation cannot be guaranteed.
8. If the Field maximum length (parameter q) is 17 characters or more, it is not treated as a variable data.
9. When Type of variable field is out of range, the operation is the same as "B" (Alphanumeric + symbols character) specification.
10. Variable data can be specified up to 20. More that that would be treated as a usual print data.

[Font size range]

Head density	Valid range (dots)	
	Horizontal line length	Vertical line length
8 dots/mm (203 dpi)	4 to 832	4 to 999
12 dots/mm (305 dpi)	5 to 999	5 to 999
12 dots/mm (609 dpi)	9 to 999	9 to 999

[Valid Commands]

Print position	<V>	<H>								
Modification	<P>	<%>	<F>	<PS>	<PR>	<%A>				

[Code page specify parameter]

Command parameter	Name
-	Use the code page specified by the CE command.
0	DOS 858 Multilingual Latin 1 + Euro character Default Code page proprietary to SATO.
1	ISO 8859-1 Latin 1
2	ISO 8859-2 Latin 2
3	ISO 8859-9 Latin 5
4	CP737 DOS Greek
5	CP855 DOS Cyrillic
8	PC-850 Multilingual
9	CP852 DOS Central European
A	CP857 DOS Turkish
B	CP866 DOS Cyrillic II
C	CP1250 Windows Central European
D	CP1251 Windows Cyrillic
E	CP1252 Windows Western Latin 1
F	CP1253 Windows Greek
G	CP1254 Windows Turkish
J	CP1257 Windows Baltic
K	CP869 IBM Greek
@	Unicode UTF-8
#	Unicode UTF-16 (Big endian) for Downloaded TTF.

CG Times Font Character Set

CG Times font specification.

	0	1	2	3	4	5	6	7	8	9	A	B	C	D	E	F
0			0	@	P	`	p	Ç	É	á	0		ø	Ó	-	
1		!	1	A	Q	a	q	ü	æ	í			Ð	ß	±	
2		"	2	B	R	b	r	é	Æ	ó			Ê	Ô	̄	
3		#	3	C	S	c	s	â	ô	ú			Ë	Õ	¾	
4		\$	4	D	T	d	t	ä	ö	ñ			È	õ	¶	
5		%	5	E	U	e	u	à	ò	Ñ	Á			Ö	§	
6		&	6	F	V	f	v	â	û	ª	À	ã	Í	μ	÷	
7		'	7	G	W	g	w	ç	ù	º	À	Ã	Î	þ	¸	
8		(8	H	X	h	x	ê	ÿ	¿	©		Ï	ƒ	°	
9)	9	I	Y	i	y	ë	Ö	®				Ú	²	
A		*	:	J	Z	j	z	è	Û	¬				Û	³	
B		+	;	K	[k	{	ï	ø	½				Ü	¹	
C		,	<	L	\	l		î	£	¼				Ý	³	
D		-	=	M]	m	}	ì	Ø	¡	¢			Ÿ		
E		.	>	N		n		Ä	×	«	¥		İ	-		
F		/	?	O		o		Å	f	»				'		

CG Triumvirate Font Character Set

CG Triumvirate font specification.

	0	1	2	3	4	5	6	7	8	9	A	B	C	D	E	F
0				0	@	P	`	p	Ç	É	á	0		ö	Ó	-
1			!	1	A	Q	a	q	ü	æ	í			Ð	ß	±
2			"	2	B	R	b	r	é	Æ	ó			È	Ö	
3			#	3	C	S	c	s	â	ô	ú			Ë	Ï	¾
4			\$	4	D	T	d	t	ä	ö	ñ			È	ö	¶
5			%	5	E	U	e	u	à	ò	Ñ	Á			Ö	§
6			&	6	F	V	f	v	å	û	ª	Ã	ã	Í	μ	÷
7			'	7	G	W	g	w	ç	ù	º	À	À	Î	þ	·
8			(8	H	X	h	x	ê	ÿ	¿	©		Ï	þ	°
9)	9	I	Y	i	y	ë	Ö	®				Ú	”
A			*	:	J	Z	j	z	è	Ü	¬				Û	•
B			+	;	K	[k	{	ï	ø	½				Ü	¹
C			,	<	L	\	l		î	£	¼				Ý	³
D			-	=	M]	m	}	ì	Ø	ì	¢			ÿ	
E			.	>	N	^	n	~	Ä	x	«	¥			ı	
F			/	?	O	_	o		Å	f	»				'	

8.11 Font			
16×16 dots Horizontal Writing Kanji			ESC+K1
Hexadecimal code	ESC <1B> ₁₆	K1 <4B> ₁₆ <31> ₁₆	Parameter an~n
Initial value	Nil		

Valid range and term of command	When the power switch is OFF	The set parameter is not maintained.
	Valid range within item	The parameter preset will be invalid.
	Valid range between items	The parameter preset will be invalid.

[Function]

Specifying horizontal writing Kanji font of W16 x H16 dots.

[Format]

<K1>an~n

•Parameter

a[Kanji specification mode] = H : Hexadecimal character
 B : Binary code
 I : Smoothing function by Hexadecimal character
 C : Smoothing function by Binary code
 J : Highlight function by Hexadecimal character
 D : Highlight function by Binary code
 K : Smoothing and highlight functions by Hexadecimal character
 E : Smoothing and highlight functions by Binary code

n[Data] = Specify according to the selected Kanji code range

* Printing may not be correct when the number of data is increased/decreased.

[Coding Example] Specified character in HEX, horizontal enlargement: 2 times, vertical enlargement: 3 times (when KSX1001 is selected)

```
<A>
<V>100<H>200<P>2<L>0203
<K1>HB0A1B0A2B0A3B0A4B0A5
<Q>2
<Z>
```

[Notes]

- Hexadecimal character = 4 bytes ASCII / 1 character
- Binary code = 2 bytes / 1 character
- Smoothing function enlargement scale = Horizontal/Vertical valid range: 3 to 12
- Highlight function enlargement scale = Horizontal/Vertical valid range: 1 to 5

[Remarks]

- In highlight function, the character width will increase based on the enlargement specification.
- In highlight function, smearing problem may occur depending on the characters.
- Printable fonts vary according to the font type. Be sure to check if it is printable or not before using.

[Valid Commands]

Print position	<V>	<H>							
Modification	<P>	<L>	<%>	<&>	</>	<O>	<WD>		

8.12 Font

24x24 dots Horizontal Writing Kanji		ESC+K2	
Hexadecimal code	ESC <1B> ₁₆	K2 <4B> ₁₆ <32> ₁₆	Parameter an~n
Initial value	Nil		

Valid range and term of command	When the power switch is OFF	The set parameter is not maintained.
	Valid range within item	The parameter preset will be invalid.
	Valid range between items	The parameter preset will be invalid.

[Function]

Specifying horizontal writing Kanji font of W24 x H24 dots.

[Format]

<K2>an~n

•Parameter

a[Kanji specification mode] = H : Hexadecimal character
 B : Binary code
 I : Smoothing function by Hexadecimal character
 C : Smoothing function by Binary code
 J : Highlight function by Hexadecimal character
 D : Highlight function by Binary code
 K : Smoothing and highlight functions by Hexadecimal character
 E : Smoothing and highlight functions by Binary code

n[Data] = Specify according to the selected Kanji code range

* Printing may not be correct when the number of data is increased/decreased.

[Coding Example] Specifying Hex character of Shift JIS, Horizontal enlargement scale: 3 times,
 Vertical enlarged scale: 5 times (when KSX1001 is selected)

```
<A>
<V>100<H>200<P>2<L>0305
<K2>HB0A1B0A2B0A3B0A4B0A5
<Q>2
<Z>
```

[Notes]

- Hexadecimal character = 4 bytes ASCII / 1 character
- Binary code = 2 bytes / 1 character
- Smoothing function enlargement scale = Horizontal/Vertical valid range: 3 to 12 times
- Highlight function enlargement scale = Horizontal/Vertical valid range: 1 to 5 times

[Remarks]

- In highlight function, the character width will increase based on the enlargement specification.
- In highlight function, smearing problem may occur depending on the characters.
- Printable fonts vary according to the font type. Be sure to check if it is printable or not before using.

[Valid Commands]

Print position	<V>	<H>							
Modification	<P>	<L>	<%>	<&>	</>	<O>	<WD>		

8.13 Font

16x16 dots Horizontal Writing Kanji with One-byte Characters		ESC+K8	
Hexadecimal code	ESC <1B> ₁₆	K8 <4B> ₁₆ <38> ₁₆	Parameter an~n
Initial value	Nil		

Valid range and term of command	When the power switch is OFF	The set parameter is not maintained.
	Valid range within item	The parameter preset will be invalid.
	Valid range between items	The parameter preset will be invalid.

[Function]

Printing W16 x H16 dots horizontal writing Kanji with W8 x H16 dots one-byte characters.

[Format]

<K8>an~n

•Parameter

a[Kanji specification mode] = H : Hexadecimal character
 B : Binary code
 I : Smoothing function by Hexadecimal character
 C : Smoothing function by Binary code
 J : Highlight function by Hexadecimal character
 D : Highlight function by Binary code
 K : Smoothing and highlight functions by Hexadecimal character
 E : Smoothing and highlight functions by Binary code

n[Data] = Specify according to the selected Kanji code range

* Printing may not be correct when the number of data is increased/decreased.

* Code that can be specified as a half - width character is 20h-7Fh.

[Coding Example]

Specified character in HEX, horizontal enlargement: 2 times, vertical enlargement: 3 times (when KSX1001 is selected)

<A>
 <V>100<H>200<P>2<L>0203
<K8>HB0A1B0A2B0A3B0A4B0A5303132
 <Q>2
 <Z>

[Notes]

1. Hexadecimal character = 4 bytes ASCII / 1 character
2. Binary code = 2 bytes / 1 character
3. Smoothing function enlargement scale = Horizontal/Vertical valid range: 3 to 12 times
4. Smoothing function enlargement scale = Horizontal/Vertical valid range: 3 to 12 times

[Remarks]

1. In highlight function, the character width will increase based on the enlargement specification.
2. In highlight function, smearing problem may occur depending on the characters.
3. Printable fonts vary according to the font type. Be sure to check if it is printable or not before using.

[Valid Commands]

Print position	<V>	<H>							
Modification	<P>	<L>	<%>	<&>	</>	<O>	<WD>		

8.14 Font

24x24 dots Horizontal Writing Kanji with One-byte Characters	ESC+K9
---	---------------

Hexadecimal code	ESC <1B> ₁₆	K9 <4B> ₁₆ <39> ₁₆	Parameter an~n
Initial value	Nil		

Valid range and term of command	When the power switch is OFF	The set parameter is not maintained.
	Valid range within item	The parameter preset will be invalid.
	Valid range between items	The parameter preset will be invalid.

[Function]

Printing W24 x H24 dots horizontal writing Kanji with W12 x H2416 dots one-byte characters.

[Format]

<K9>an~n

•Parameter

- a[Kanji specification mode] = H : Hexadecimal character
 B : Binary code
 I : Smoothing function by Hexadecimal character
 C : Smoothing function by Binary code
 J : Highlight function by Hexadecimal character
 D : Highlight function by Binary code
 K : Smoothing and highlight functions by Hexadecimal character
 E : Smoothing and highlight functions by Binary code

n[Data]

- = Specify according to the selected Kanji code range
 * Printing may not be correct when the number of data is increased/decreased.
 * Code that can be specified as a half - width character is 20h-7Fh.

[Coding Example] Specified character in HEX, horizontal enlargement: 3 times,
 vertical enlargement: 5 times (when KSX1001 is selected)

```
<A>
<V>100<H>200<P>2<L>0305
<K9>HB0A1B0A2B0A3B0A4B0A5303132
<Q>2
<Z>
```

[Notes]

1. Hexadecimal character = 4 bytes ASCII / 1 character
2. Binary code = 2 bytes / 1 character
3. Smoothing function enlargement scale = Horizontal/Vertical valid range: 3 to 12 times
4. Highlight function enlargement scale = Horizontal/Vertical valid range: 1 to 5 times

[Remarks]

1. In highlight function, the character width will increase based on the enlargement specification.
2. In highlight function, smearing problem may occur depending on the characters.
3. Printable fonts vary according to the font type. Be sure to check if it is printable or not before using.
4. For one-byte characters, printing will be performed in W12 x H24 dots.
5. For two-byte characters, printing will be performed in W24 x H24 dots.

[Valid Commands]

Print position	<V>	<H>							
Modification	<P>	<L>	<%>	<&>	</>	<O>	<WD>		

8.15 Font

16x16 dots Vertical Writing Kanji

ESC+k1

Hexadecimal code	ESC <1B> ₁₆	k1 <6B> ₁₆ <31> ₁₆	Parameter an~n
Initial value	Nil		

Valid range and term of command	When the power switch is OFF	The set parameter is not maintained.
	Valid range within item	The parameter preset will be invalid.
	Valid range between items	The parameter preset will be invalid.

[Function]

Specifying vertical text flow Kanji font of W16 x H16 dots.

[Format]

<k1>an~n

•Parameter

a[Kanji specification mode] = H : Hexadecimal character
 B : Binary code
 I : Smoothing function by Hexadecimal character
 C : Smoothing function by Binary code
 J : Highlight function by Hexadecimal character
 D : Highlight function by Binary code
 K : Smoothing and highlight functions by Hexadecimal character
 E : Smoothing and highlight functions by Binary code

n[Data] = Specify according to the selected Kanji code range
 * Printing may not be correct when the number of data is increased/decreased.

[Coding Example] Specified character in HEX, horizontal enlargement: 3 times,
 vertical enlargement: 5 times (when KSX1001 is selected)

```
<A>
<V>100<H>200<P>2<L>0305
<k1>HB0A1B0A2B0A3B0A4B0A5
<Q>2
<Z>
```

[Notes]

- Hexadecimal character = 4 bytes ASCII / 1 character
- Binary code = 2 bytes ASCII / 1 character
- Smoothing function enlargement scale = Horizontal/Vertical valid range: 3 to 12 times
- Highlight function enlargement scale = Horizontal/Vertical valid range: 1 to 5 times

[Remarks]

- In highlight function, the character width will increase based on the enlargement specification.
- In highlight function, smearing problem may occur depending on the characters.
- Printable fonts vary according to the font type. Be sure to check if it is printable or not before using.

[Valid Commands]

Print position	<V>	<H>							
Modification	<P>	<L>	<%>	<&>	</>	<O>	<WD>		

8.16 Font

24x24 dots Vertical Writing Kanji

ESC+k2

Hexadecimal code	ESC <1B> ₁₆	k2 <6B> ₁₆ <32> ₁₆	Parameter an~n
Initial value	Nil		

Valid range and term of command	When the power switch is OFF	The set parameter is not maintained.
	Valid range within item	The parameter preset will be invalid.
	Valid range between items	The parameter preset will be invalid.

[Function]

Specifying vertical text flow Kanji font of W24 x H24 dots.

[Format]

<k2>an~n

•Parameter

a[Kanji specification mode] = H : Hexadecimal character
 B : Binary code
 I : Smoothing function by Hexadecimal character
 C : Smoothing function by Binary code
 J : Highlight function by Hexadecimal character
 D : Highlight function by Binary code
 K : Smoothing and highlight functions by Hexadecimal character
 E : Smoothing and highlight functions by Binary code

n[Data] = Specify according to the selected Kanji code range

* Printing may not be correct when the number of data is increased/decreased.

[Coding Example] Specified character in HEX, horizontal enlargement: 3 times,
 vertical enlargement: 5 times (when KSX1001 is selected)

```
<A>
<V>100<H>200<P>2<L>0305
<k2>HB0A1B0A2B0A3B0A4B0A5
<Q>2
<Z>
```

[Notes]

- Hexadecimal character = 4 bytes ASCII / 1 character
- Binary code = 2 bytes ASCII / 1 character
- Smoothing function enlargement scale = Horizontal/Vertical valid range: 3 to 12 times
- Highlight function enlargement scale = Horizontal/Vertical valid range: 1 to 5 times

[Remarks]

- In highlight function, the character width will increase based on the enlargement specification.
- In highlight function, smearing problem may occur depending on the characters.
- Printable fonts vary according to the font type. Be sure to check if it is printable or not before using.

[Valid Commands]

Print position	<V>	<H>							
Modification	<P>	<L>	<%>	<&>	</>	<O>	<WD>		

8.17 Font

16x16 dots Vertical Writing Kanji with One-byte Characters

ESC+k8

Hexadecimal code	ESC <1B> ₁₆	k8 <6B> ₁₆ <38> ₁₆	Parameter an~n
Initial value	Nil		

Valid range and term of command	When the power switch is OFF	The set parameter is not maintained.
	Valid range within item	The parameter preset will be invalid.
	Valid range between items	The parameter preset will be invalid.

[Function]

Printing W16 x H16 dots vertical text flow Kanji font with W8 x H16 dots one-byte characters.

[Format]

<k8>an~n

•Parameter

a[Kanji specification mode] = H : Hexadecimal character
 B : Binary code
 I : Smoothing function by Hexadecimal character
 C : Smoothing function by Binary code
 J : Highlight function by Hexadecimal character
 D : Highlight function by Binary code
 K : Smoothing and highlight functions by Hexadecimal character
 E : Smoothing and highlight functions by Binary code

n[Data] = Specify according to the selected Kanji code range

* Printing may not be correct when the number of data is increased/decreased.

* Code that can be specified as a half - width character is 20h-7Fh.

[Coding Example] Specified character in HEX, horizontal enlargement: 2 times,
 vertical enlargement: 3 times (when KSX1001 is selected)

```
<A>
<V>100<H>200<P>2<L>0203
<k8>HB0A1B0A2B0A3B0A4B0A5303132
<Q>2
<Z>
```

[Notes]

- Hexadecimal character = 4 bytes ASCII / 1 character
- Binary code = 2 bytes ASCII / 1 character
- Smoothing function enlargement scale = Horizontal/Vertical valid range: 3 to 12 times
- Highlight function enlargement scale = Horizontal/Vertical valid range: 1 to 5 times

[Remarks]

- In highlight function, the character width will increase based on the enlargement specification.
- In highlight function, smearing problem may occur depending on the characters.
- Printable fonts vary according to the font type. Be sure to check if it is printable or not before using.
- For one-byte characters, printing will be performed in W8 x H16 dots.
- For two-byte characters, printing will be performed in W16 x H16 dots.

[Valid Commands]

Print position	<V>	<H>								
Modification	<P>	<L>	<%>	<&>	</>	<O>	<WD>			

8.18 Font

24x24 dots Vertical Writing Kanji with One-byte Characters

ESC+k9

Hexadecimal code	ESC <1B> ₁₆	k9 <6B> ₁₆ <39> ₁₆	Parameter an~n
Initial value	Nil		

Valid range and term of command	When the power switch is OFF	The set parameter is not maintained.
	Valid range within item	The parameter preset will be invalid.
	Valid range between items	The parameter preset will be invalid.

[Function]

Printing W24 x H24 dots vertical text flow Kanji with W12 x H24 dots one-byte characters.

[Format]

<k9>an~n

•Parameter

a[Kanji specification mode] = H: Hexadecimal character
 B: Binary code
 I: Smoothing function by Hexadecimal character
 C: Smoothing function by Binary code
 J: Highlight function by Hexadecimal character
 D: Highlight function by Binary code
 K: Smoothing and highlight functions by Hexadecimal character
 E: Smoothing and highlight functions by Binary code

n[Data] = Specify according to the selected Kanji code range

* Printing may not be correct when the number of data is increased/decreased.

* Code that can be specified as a half - width character is 20h-7Fh.

[Coding Example] Specified character in HEX, horizontal enlargement: 2 times,
 vertical enlargement: 3 times (when KSX1001 is selected)

```
<A>
<V>100<H>200<P>2<L>0305
<k9>HB0A1B0A2B0A3B0A4B0A5303132
<Q>2
<Z>
```

[Notes]

- Hexadecimal character = 4 bytes ASCII / 1 character
- Binary code = 2 bytes ASCII / 1 character
- Smoothing function enlargement scale = Horizontal/Vertical valid range: 3 to 12 times
- Highlight function enlargement scale = Horizontal/Vertical valid range: 1 to 5 times

[Remarks]

- In highlight function, the character width will increase based on the enlargement specification.
- In highlight function, smearing problem may occur depending on the characters.
- Printable fonts vary according to the font type. Be sure to check if it is printable or not before using.
- For one-byte characters, printing will be performed in W12 x H24 dots.
- For two-byte characters, printing will be performed in W24 x H24 dots.

[Valid Commands]

Print position	<V>	<H>								
Modification	<P>	<L>	<%>	<&>	</>	<O>	<WD>			

8.19 Font

Registration of 16x16 dots External Character

ESC+T1

Hexadecimal code	ESC <1B> ₁₆	T1 <54> ₁₆ <31> ₁₆	Parameter Abbn~n
Initial value	Nil		

Valid range and term of command	When the power switch is OFF	The set parameter is not maintained.
	Valid range within item	The parameter preset will be invalid.
	Valid range between items	The parameter preset will be invalid.

[Function]

Registering W16 x H16 dots external character.

[Format]

<T1>abbn~n

•Parameter

- a[Selection of registered data type] = H : Registered data in hexadecimal character
B : Registered data in binary code
- b[Registered font code address] = H: in the range from "21" to "7F", up to 95 items can be registered
B: in the range from 21H to 7FH, up to 95 items can be registered
- n[External character registered data] = Data

[Coding Example] Registration and printing by binary code of BIG5

```

<A>
<CC>0
<T1>B<21>16
<00FF . . . . . FF00>16
<Z>

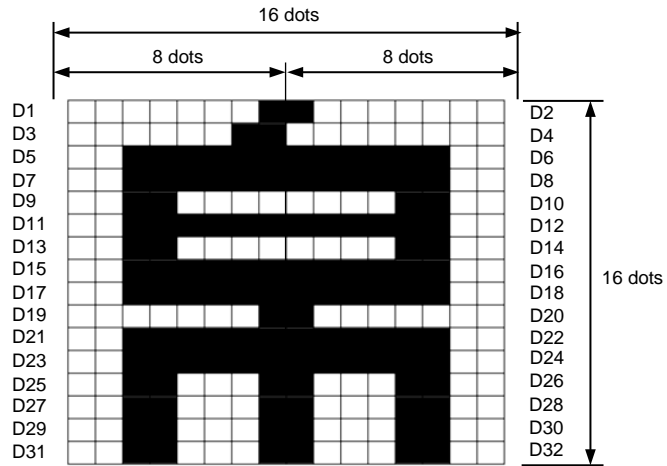
<A>
<CC>0
<V>100<H>200<K1>B<90>16<21>16
<Q>2
<Z>
    
```

[Notes]

1. Register external character of W16xH16 dots to the internal memory or user registration memory.
2. Re-entry to the registered area is allowed.
3. Refer to the data registration procedure below.
4. Registered contents in the memory of the product will be deleted by turning off the product. Register again for the next operation.
5. When Kanji data is replaced (GB18030 ⇔ BIG5 ⇔ KSX1001), register again after deleting the external character registration.

External character file: [16 x16]

D1	D2
D3	D4
D5	D6
D31	D32



D1 and D2 respectively consist of [00000001] and [10000000]. To register the above external character, consider D1 data as <01>₁₆ and D2 data as <80>₁₆.

In the same manner, D3 as <03>₁₆, D4 as <00>₁₆, D5 as <3F>₁₆, and D6 as <FC>₁₆, so that the specification of external character registered data will be <018003003FFC.....>₁₆ and up to D32.

[Remarks]

1. When it is registered in the user registration memory, the data is maintained even the product power is off.
2. It is not possible to use the internal memory specification and user registration memory specification at the same time.
3. Please specify the slot of the registered memory.
However, it will be registered in the internal memory when <CC> command is not yet sent after the product power on.

8.20 Font

Registration of 24x24 dots External Character	ESC+T2
--	---------------

Hexadecimal code	ESC <1B> ₁₆	T2 <54> ₁₆ <32> ₁₆	Parameter Abbn~n
Initial value	Nil		

Valid range and term of command	When the power switch is OFF	The set parameter is not maintained.
	Valid range within item	The parameter preset will be invalid.
	Valid range between items	The parameter preset will be invalid.

[Function]

Registering W24 x H24 dots external character.

[Format]

<T2>abbn~n

•Parameter

- a[Selection of registered data type] = H : Registration data in hexadecimal character
B : Registration data in binary code
- b[Registered font code address] = H : Within the range from 21 to 7F, up to 95 addresses can be registered.
B : Within the range from 21H to 7FH, up 95 addresses can be registered.
- n[External character registration data] = Data

[Coding Example] Registration and printing by binary code of GB18030

```

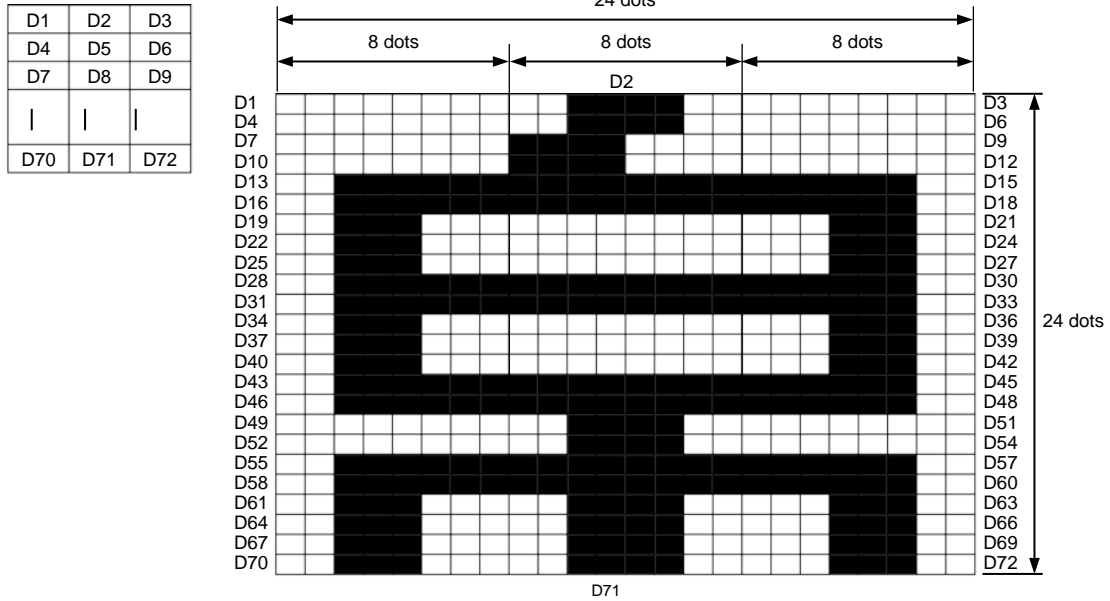
<A>
<CC>0
<T2>B<00>16
<00FF . . . . . FF00>16
<Z>

<A>
<CC>0
<V>100<H>200<K2>B<80>16<21>16
<Q>2
<Z>
    
```

[Notes]

1. Register external character of W24xH24 dots to the internal memory or user registration memory.
2. Re-entry to the registered area is allowed.
3. Refer to the data registration procedure below.
4. Registered contents in the memory of the product will be deleted by turning off the product. Register again for the next operation.
5. When Kanji data is replaced (GB18030 ⇔ BIG5 ⇔ KSX1001), register again after deleting the external character registration.

External character file: [24 x 24]



D1, D2 and D3 respectively consist of [00000000], [00111100] and [00000000]; therefore, to register the above external character, consider D1 data as <00>₁₆, D2 data as <3C>₁₆ and D3 data as <00>₁₆. In the same manner, D4 as <00>₁₆, D5 as <3C>₁₆, D6 as <00>₁₆, so that the specification of external character registered data will be <003C003C00.....>₁₆ and up to D72.

[Remarks]

1. When it is registered in the user registration memory, the data is maintained even the product power is off.
2. It is not possible to use the internal memory specification and user registration memory specification at the same time.
3. Please specify the slot of the registered memory.
However, it will be registered in the internal memory when <CC> command is not yet sent after the product power on.

8.21 Font			
Call of Horizontal Writing External Character			ESC+K1(K2)
Hexadecimal code	ESC <1B> ₁₆	K1(K2) <4B> ₁₆ <31> ₁₆ (<4B> ₁₆ <32> ₁₆)	Parameter ab~b
Initial value	Nil		
Valid range and term of command	When the power switch is OFF		The set parameter is not maintained.
	Valid range within item		The parameter preset will be invalid.
	Valid range between items		The parameter preset will be invalid.

[Function]

Recall the horizontal writing external characters registered to the product memory and print in horizontal writing.

[Format]

<K1>ab~b
<K2>ab~b

•Parameter

a[External character specification mode] = H : Hexadecimal character
 B : Binary code
 I : Smoothing function by Hexadecimal character
 C : Smoothing function by Binary code
 J : Highlight function by Hexadecimal character
 D : Highlight function by Binary code
 K : Smoothing and highlight functions by Hexadecimal

character

b[Registration code] = E : Smoothing and highlight functions by Binary code
 H, I, J, K : "8021"~"807F"
 B, C, D, E : 8021H~807FH

[Coding Example] Recall 16x16 external characters, registration data by HEX characters of GB18030

<A>
 <T1>H21
 00FF FF00
 <Z>

 <A>
 <V>100<H>200<K1>H8021
 <Q>2
 <Z>

[Notes]

1. If print error occurs, register again.
2. Please specify the slot of the memory to be recalled.
 However, data in the internal memory will be recalled when <CC> command is not yet sent after the product power on.

8.22 Font

Call of Vertical Writing External Character		ESC+k1(k2)	
Hexadecimal code	ESC <1B> ₁₆	k1(k2) <6B> ₁₆ <31> ₁₆ (<6B> ₁₆ <32> ₁₆)	Parameter ab~b
Initial value	Nil		

Valid range and term of command	When the power switch is OFF	The set parameter is not maintained.
	Valid range within item	The parameter preset will be invalid.
	Valid range between items	The parameter preset will be invalid.

[Function]

Invoking vertical writing external character registered in the product memory to print.

[Format]

<k1>ab~b
<k2>ab~b

•Parameter

a [External character specification mode] = H : Hexadecimal character
 B : Binary code
 I : Smoothing function by Hexadecimal character
 C : Smoothing function by Binary code
 J : Highlight function by Hexadecimal character
 D : Highlight function by Binary code
 K : Smoothing and highlight functions by Hexadecimal

character

E : Smoothing and highlight functions by Binary code
 b [Registration code] = H, I, J, K : "8021"~"807F"
 B, C, D, E : 8021H~807FH

[Coding Example] Recall 16x16 external characters, registration data by HEX characters of GB18030

<A>
 <T1>H21
 00FF FF00
 <Z>
 <A>
 <V>100<H>200<k1>H8021
 <Q>2
 <Z>

[Notes]

1. If print error occurs, register again.
2. Please specify the slot of the memory to be recalled.
 However, data in the internal memory will be recalled when <CC> command is not yet sent after the product power on.

8.23 Font

U Font (Default Font Size: 5x9 dots)		ESC+U	
Hexadecimal code	ESC <1B> ₁₆	U <55> ₁₆	Parameter n~n
Initial value	Nil		

Valid range and term of command	When the power switch is OFF	The set parameter is not maintained.
	Valid range within item	The parameter preset will be invalid.
	Valid range between items	The parameter preset will be invalid.

[Function]

Specifying the characters in default font size of W5 x H9 dots.

[Format]

<U>n~n

•Parameter

n[Print data] = Data

[Coding Example]

```
<A>
<V>100<H>200<P>2<L>0304<U>ABCDE
<Q>2
<Z>
```

[Note]

Only the fixed pitch is available for U font.

[Valid Commands]

Print position	<V>	<H>								
Modification	<P>	<L>	<%>	<F>	<&>	</>	<O>	<WD>	<WS>	
Barcode	<D><d>	<BL><d>								
Calendar	<WA>	<WU>								

U Font Character Set

	2	3	4	5	6	7	8	9	A	B	C	D	E	F
0	ø	ø	P	`	p	ç	é	á			ð	ó	-	
1	!	1	A	Q	a	q	ü	ë	í		Ë	ß	±	
2	"	2	B	R	b	r	é	Æ	ó		é	ò	=	
3	#	3	C	S	c	s	á	ó	ú		é	ò	¼	
4	\$	4	D	T	d	t	á	ó	ñ		é	ó		
5	%	5	E	U	e	u	á	ò	ñ	á	é	ó	£	
6	&	6	F	V	f	v	á	ú	ë	á	é	µ	÷	
7	'	7	G	W	g	w	ç	ú	ë	á	é			
8	<	8	H	X	h	x	é	ý	ó	ø	í		°	
9	>	9	I	Y	i	y	é	ó				ú	ˆ	
A	*	:	J	Z	j	z	ø	ú	ˆ			ó	+	
B	+	;	K	[k	{	í	ø	¼			ú	!	
C	,	<	L	\	l		í	£	¼			ý	≠	
D	-	=	M]	m	}	í	ø	¼			ý	≠	
E	.	>	N	ˆ	n	ˆ	ñ	x	◀	¥		í	ˆ	
F	/	?	O	_	o		ñ	f	»				ˆ	

Above is the print sample in head density of 12 dots/mm and enlarged 3 times for both vertically and horizontally.

8.24 Font

S Font (Default Font Size: 8×15 dots)		ESC+S	
Hexadecimal code	ESC <1B> ₁₆	S <53> ₁₆	Parameter n~n
Initial value	Nil		

Valid range and term of command	When the power switch is OFF	The set parameter is not maintained.
	Valid range within item	The parameter preset will be invalid.
	Valid range between items	The parameter preset will be invalid.

[Function]

Specifying the characters in default font size of W8 x H15 dots.

[Format]

<S>n~n

•Parameter

n[Print data] = Data

[Coding Example]

<A>
<V>100<H>200<P>2<L>0304<S>ABCDE
<Q>2
<Z>

[Note]

Only the fixed pitch is available for S font.

[Valid Commands]

Print position	<V>	<H>								
Modification	<P>	<L>	<%>	<F>	<&>	</>	<O>	<WD>	<WS>	
Barcode	<D><d>	<BL><d>								
Calendar	<WA>	<WU>								

S Font Character Set

	2	3	4	5	6	7	8	9	A	B	C	D	E	F
0	ø	ø	P	'	p	ç	é	á		ð	ó	-		
1	!	1	A	Q	a	q	ú	í		Ð	ß	±		
2	"	2	B	R	b	r	é	ñ	ó		ê	ô	=	
3	#	3	C	S	c	s	â	ô	ú		ë	ò	‰	
4	\$	4	D	T	d	t	ä	ö	ñ		è	õ		
5	%	5	E	U	e	u	à	ò	Ñ	Á	€	ö	§	
6	&	6	F	V	f	v	á	ú	á	â	ä	í	μ	÷
7	'	7	G	W	g	w	ç	ù	ø	â	ã	î		
8	(8	H	X	h	x	ê	ÿ	ó	©		ï		°
9)	9	I	Y	i	y	ë	ö	®			ú	”	
A	*	:	J	Z	j	z	è	ü	™			ó	•	
B	+	:	K	L	k	{	í	ø	½			ù	'	
C	,	<	L	\	l	!	î	£	¼			ý	³	
D	-	=	M] m	}	ï	ø	í	¢			ÿ	²	
E	.	>	N	^	n	~	ã	x	«	¥		ì	-	
F	/	?	O	_	o		á	f	»				'	

Above is the print sample in head density of 12 dots/mm and enlarged 2 times for both vertically and horizontally.

8.25 Font

M Font (Default Font Size: 13x20 dots)		ESC+M	
Hexadecimal code	ESC <1B> ₁₆	M <4D> ₁₆	Parameter n~n
Initial value	Nil		

Valid range and term of command	When the power switch is OFF	The set parameter is not maintained.
	Valid range within item	The parameter preset will be invalid.
	Valid range between items	The parameter preset will be invalid.

[Function]

Specifying the character in default font size of W13 x H20 dots.

[Format]

<M>n~n

•Parameter

n[Print data] = Data

[Coding Example]

```
<A>
<V>100<H>200<P>2<L>0304<M>ABCDE
<Q>2
<Z>
```

[Note]

Only the fixed pitch is available for M font.

[Valid Commands]

Print position	<V>	<H>								
Modification	<P>	<L>	<%>	<F>	<&>	</>	<O>	<WD>	<WS>	
Barcode	<D><d>	<BL><d>								
Calendar	<WA>	<WU>								

M Font Character Set

	2	3	4	5	6	7	8	9	A	B	C	D	E	F
0	ø	@	P	'	p	ç	é	á			ð	ó	-	
1	!	1	A	Q	a	q	ü	æ	í		ð	β	±	
2	"	2	B	R	b	r	é	Æ	ó		ê	ô	=	
3	#	3	C	S	c	s	â	ô	ú		È	ò	%	
4	\$	4	D	T	d	t	ä	ö	ñ		è	õ		
5	%	5	E	U	e	u	à	ò	Ñ	Á	€	ø	§	
6	&	6	F	V	f	v	ã	û	ä	Ä	ã	í	μ	+
7	'	7	G	W	g	w	ç	ù	è	À	Ã	î		
8	(8	H	X	h	x	ê	ÿ	ı	©	ï		°	
9)	9	I	Y	i	y	ë	ö	®			ú	¨	
A	*	:	J	Z	j	z	è	Ü	™			ó	·	
B	+	;	K	[k	{	ï	ø	½			ù	¹	
C	,	<	L	\	l		î	£	¼			ý	³	
D	-	=	M]	m	}	ì	Ø	ı	ø		ÿ	²	
E	.	>	N	^	n	~	Ä	x	«	¥		ì	˘	
F	/	?	O	_	o		Å	f	»				'	

Above is the print sample in head density of 12 dots/mm and enlarged 2 times for both vertically and horizontally.

8.26 Font

WB Font (Default Font Size: 18x30 dots)		ESC+WB	
Hexadecimal code	ESC <1B> ₁₆	WB <57> ₁₆ <42> ₁₆	Parameter an~n
Initial value	Nil		

Valid range and term of command	When the power switch is OFF	The set parameter is not maintained.
	Valid range within item	The parameter preset will be invalid.
	Valid range between items	The parameter preset will be invalid.

[Function]

Specifying the character in default font size of W18x H30 dots.

[Format]

<WB>an~n

•Parameter

a[Smoothing] = 0 : Smoothing disabled
 1 : Smoothing enabled
 (When Enlargement <L> rate is from 3 to 12)

n[Print data] = Data

[Coding Example]

<A>
 <V>100<H>200<P>2<L>0304<WB>0ABCDE
 <Q>2
 <Z>

[Notes]

1. Only the fixed pitch is available for WB font.
2. Even the smoothing is enabled, it will be invalid when enlargement <L> is specified for 1 time, 2 times, and 13 to 36 times.

[Valid Commands]

Print position	<V>	<H>							
Modification	<P>	<L>	<%>	<F>	<&>	</>	<O>	<WD>	<WS>
Barcode	<D><d>	<BL><d>							
Calendar	<WA>	<WU>							

WB Font Character Set

	2	3	4	5	6	7	8	9	A	B	C	D	E	F
0	ø	@	P	'	p	ç	é	á			ð	ó	-	
1		1	A	Q	a	q	ü	æ	í			Ð	β	±
2	"	2	B	R	b	r	é	æ	ó			ê	ô	=
3	#	3	C	S	c	s	â	ô	ú			ë	ö	%
4	\$	4	D	T	d	t	ä	ö	ñ			è	ö	
5	%	5	E	U	e	u	à	ò	Ñ	Ä		é	ö	§
6	&	6	F	V	f	v	à	Q	a	Ä	ä	í	μ	+
7	'	7	G	W	g	w	ç	ü	ë	Ä	Ä	í		
8	(8	H	X	h	x	ê	ý	¿	©		Ï		°
9)	9	I	Y	i	y	ë	ö	®			Ó		"
A	*	:	J	Z	j	z	è	Ü	¬			Ö		·
B	+	;	K	[k	{	ÿ	ø	¼			Ù		l
C	.	<	L	\	l	!	ï	ε	½			ý		³
D	-	=	M]	m	}	ï	Ø	l	ø		ÿ		²
E	.	>	N	^	n	~	Ä	X	«	¥		ï		-
F	/	?	O	_	o		Ä	f	»					'

Above is the print sample in head density of 12 dots/mm and enlarged 1 time for both vertically and horizontally.

8.27 Font

WL Font (Default Font Size: 28x52 dots)		ESC+WL	
Hexadecimal code	ESC <1B> ₁₆	WB <57> ₁₆ <4C> ₁₆	Parameter an~n
Initial value	Nil		

Valid range and term of command	When the power switch is OFF	The set parameter is not maintained.
	Valid range within item	The parameter preset will be invalid.
	Valid range between items	The parameter preset will be invalid.

[Function]

Specifying the character in default font size of W28 x H52 dots.

[Format]

<WL>an~n

•Parameter

a[Smoothing] = 0 : Smoothing disabled
 1 : Smoothing enabled
 (When Enlargement <L> rate is from 3 to 12)

n[Print data] = Data

[Coding Example]

```
<A>
<V>100<H>200<P>2<L>0304<WL>0ABCDE
<Q>2
<Z>
```

[Notes]

1. Only the fixed pitch is available for WL font.
2. Even the smoothing is enabled, it will be invalid when enlargement <L> is specified for 1 time, 2 times, and 13 to 36 times.

[Valid Commands]

Print position	<V>	<H>							
Modification	<P>	<L>	<%>	<F>	<&>	</>	<O>	<WD>	<WS>
Barcode	<D><d>	<BL><d>							
Calendar	<WA>	<WU>							

WL Font Character Set

Characters in default font size of W28 x H52 dots.

	2	3	4	5	6	7	8	9	A	B	C	D	E	F
0	ø	@	P	'	p	Ç	É	á				ø	ó	-
1	!	1	A	Q	a	q	ú	æ	í			Ð	β	±
2	"	2	B	R	b	r	é	Æ	ó			É	ô	=
3	#	3	C	S	c	s	â	ô	ú			È	ò	%
4	\$	4	D	T	d	t	ä	ö	ñ			È	ö	
5	%	5	E	U	e	u	à	ò	Ñ	Á		€	Ö	§
6	&	6	F	V	f	v	å	ú	ä	Ã	ã	í	μ	÷
7	'	7	G	W	g	w	ç	ù	ø	À	Ã	î		
8	(8	H	X	h	x	ê	ÿ	¿	©		ÿ		°
9)	9	I	Y	i	y	ë	ö	®			Ó	¨	
A	*	:	J	Z	j	z	è	Ü	™			Ó	·	
B	+	;	K	[k	{	ï	ø	½			Ü	†	
C	,	<	L	\	l	!	î	£	¼			Ý	³	
D	-	=	M]	m	}	ì	Ø	ì	ø		Ý	²	
E	.	>	N	^	n	~	Ä	x	«	¥		ÿ	˘	
F	/	?	O	_	o		Å	f	»			ÿ	˘	

Above is the print sample in head density of 12 dots/mm and enlarged 1 time for both vertically and horizontally.

8.28 Font

Multiple Language Font

ESC+RG

Hexadecimal code	ESC <1B> ₁₆	RG <52> ₁₆ <47> ₁₆	Parameter abc,ddd,eee,n~n
Initial value	Nil		

Valid range and term of command	When the power switch is OFF	The set parameter is not maintained.
	Valid range within item	The parameter preset will be invalid.
	Valid range between items	The parameter preset will be invalid.

[Function]

Specify font type (Arabic or Thai), character set, font style, font size and print data.

[Format]

<RG>a,b,c,ddd,eee,n~n

•Parameter

a[Input character code]	=	0	:	UNICODE (UTF-8)
		1	:	UNICODE (UTF-16)
b[Character set]	=	2	:	AR Hebe Sans Thai
		13	:	AR Roman Arabic
c[Font style]	=	0	:	[Standard]
		1	:	[Bold]
		2	:	[Italic]
		3	:	[Bold+Italic]
d[Horizontal size]	=	Valid range	:	020 to 999 (dots)
		Valid range	:	P09 to P99 (point specification)
e[Vertical size]	=	Valid range	:	020 to 999 (dots)
		Valid range	:	P09 to P99 (point specification)
n[Print data]	=	Data		

[Coding Example] Italic printing of Thai by UTF-8 specification, horizontal size: P10, vertical size: P10

* <->₁₆ means the byte specification (in the example below, E0B895=3 bytes)

```
<A>
<V>100<H>100<P>2
<RG>0,2,2,P10,P10,<E0B895E0B989E0B8A1E0B8A2E0B8B3E0B881E0B8B8E0B989E0B887>16
<Q>2
<Z>
```

[Notes]

1. Set the font size by "dot specification" or "point specification."
2. Dot size differs according to the head density (refer to the list below)

Head density	1 dot size (mm)
8 dots/mm (203 dpi)	0.125
12 dots/mm (305 dpi)	0.083
12 dots/mm (609 dpi)	0.042

3. 1 point is 0.35 mm.
4. When the specified character does not exist in the character set, the character is not printed. When the specified character is a space or square mark in the character set, the image is printed.
5. Character size may be smaller than parameter, because it takes into account the multi-language
6. UTF-8 supports up to four byte character code. 5 bytes UTF-8 and 6 bytes UTF-8 are not supported.
7. Complex script languages (Arabic, Thai) are printed with proportional fonts, regardless of setting of font type in order to use the formatter function and the combined font function.
8. The linefeed code cannot be inserted among one word or one character code forming one character for the complex script languages (Arabic, Thai). If the linefeed is inserted, the rendering result is not guaranteed.
9. Comply with Unicode 2.1 (note that if the first byte is 0x1b when UTF-16BE is specified, it is judged as a ESC code).
10. When executing sequential number printing in Arabic and Thai, the character codes are rendered as a character string and it may not function properly.
11. When the character string exceeds the horizontal printable range, the string might not be printed.
12. When the character for uniting is selected alone, part or all of the character might not be printed.

[Valid Commands]

Print position	<V>	<H>							
Modification	<%>	<&>	</>	<WD>					

9 Barcode Specification

In barcode specification, print of various barcode, change of bar width ratio, and print of guard bar or human-readable information can be performed by designating (B, D and BD) after ESC.

This and the next page should be read closely and followed.

Refer to the table below for the specification of B, D, and BD.

[Specification of Bar Width Ratio]

Barcode specification parameter	Barcode		<D>	<BD>
0	CODABAR(NW-7)	1:3	1:2	2:5
1	CODE39	1:3	1:2	2:5
2	ITF	1:3	1:2	2:5
5	Industrial 2 of 5	1:3	1:2	2:5
6	Matrix 2 of 5	1:3	1:2	2:5

(1) Bar width ratio

The barcode is composed of Narrow Bar, Wide Bar, Narrow Space and Wide Space. The Bar width ratio is the proportion of Narrow Bar and Wide Bar.

Bar width ratio (Ratio 1 : 3)

This barcode is composed of Narrow Bar [1] and Wide Bar [3].

Bar width ratio (Ratio 1 : 2) <D>

This barcode is composed of Narrow Bar [1] and Wide Bar [2].

Bar width ratio (Ratio 2 : 5) <BD>

This barcode is composed of Narrow Bar [2] and Wide Bar [5].

If the specifying bar width ratio for your own convenience, register the ratio with Bar Width Ratio <BT> and print labels with Print of Specified Bar Width Ratio <BW>.

(2) Width of narrow bar and height of barcode

Narrow bar indicates the narrow bar width, and bar height indicates the height of the barcode.

For instance, printing narrow bar for 1 dot in head density of 8 dots/mm (203 dpi), the narrow bar width will be 0.125 mm and barcode scanner may have a reading problem. To avoid this problem, set the narrow bar to 2 dots so that the narrow bar width will be 0.25 mm and this will improve the scanner reading condition.

There is a necessity to set the narrow bar width based on the print head density or performance of barcode scanner. In bar width ratio, [Narrow bar width] specification sets the width of the bar.

e.g.) When bar width ratio = 1 : 3 and narrow bar width is 3 dots, bar width ratio becomes 3 : 9.

Bar height is to specify the height of the barcode, and proper height based on the scanner type can be set.

(3) Intercharacter gap

Intercharacter gap is the space between two adjacent barcode characters in a discrete barcode.

To specify and enable intercharacter gap, insert Character Pitch <P> right before barcode specification such as , <D> and <BD> or Print of Barcode with Registered Ratio <BW>. If not, initial value (2 dots) will be set.

Intercharacter gap is designable for the following barcodes.

- 1) CODABAR(NW-7)
- 2) CODE39
- 3) Industrial 2 of 5
- 4) Matrix 2 of 5

Intercharacter gap is the multiplier of values specified with Character Pitch <P> and narrow bar width.

e.g.) When Character Pitch <P> is 3 and narrow bar width is 2 dots:

Intercharacter gap = 3 x 2 = 6 (dots)

(4) Designation of human readable information (HRI) and guard bar

For UPC-A and EAN8 and 13-digit barcode, availability of human-readable information (hereinafter HRI) and guard bar can be specified.

Barcode specification parameter	Barcode		<D>	<BD>
3	JAN/EAN13	HRI : Nil Guard bar : Nil	HRI : Nil Guard bar : Available	HRI : Available Guard bar : Available
4	JAN/EAN8	HRI : Nil Guard bar : Nil	HRI : Nil Guard bar : Available	HRI : Available Guard bar : Available
H	UPC-A	HRI : Nil Guard bar : Nil	HRI : Nil Guard bar : Available	HRI : Available Guard bar : Available

Barcode specification parameter	Barcode	<BM>	<BL>
H	UPC-A	HRI : Available Guard bar : Available	HRI : Nil Guard bar : Available

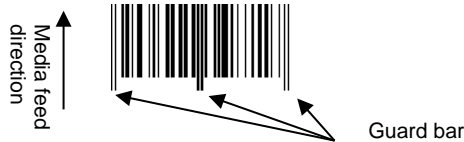
1) Specification of (No HRI, No guard bar)

If specifying , the following barcode will be printed.



2) Specification of <D> (No HRI, with Guard bar)

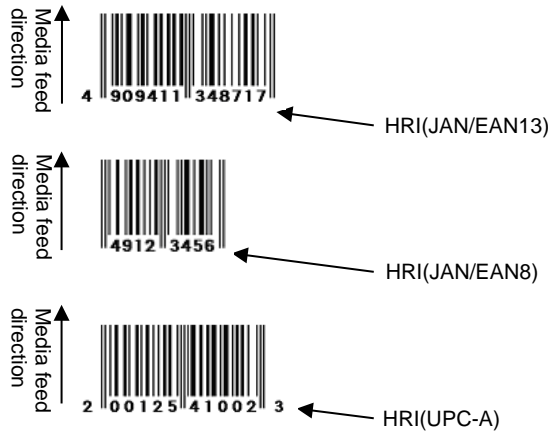
If specifying <D>, the following barcode will be printed.



[Note] HRI is printable specifying <Character Type> data subsequently to <D>. For more information, refer to Barcode Specification (Selection of HRI) <D>~<d>.

3) Specification of <BD> (HRI and guard bar available)

If specifying <BD>, the following barcode will be printed.



[Barcode Specification Only]

Barcode specification parameter	Barcode	
C	CODE93	Barcode only
E	UPC-E	Barcode only
G	CODE128	Barcode only
I	UCC/EAN128 for standard carton ID	Barcode only

[Important]

1. In this case, barcode will not have Bar Width Ratio and HRI.
2. HRI will not be printed when barcode is erroneous for barcode with HRI.

(5) Composition of check digit

Refer to the table below for check digit in each barcode.

[Composition of C/D]

Barcode specification parameter	Barcode	Input digit No.	Print digit number and contents
3	JAN/EAN13	12-digit	13-digit (Input data of barcode + C/D) C/D is calculated by modulus10.
		13-digit	13-digit (Input data of barcode) C/D is not checked.
4	JAN/EAN8	7-digit	8-digit (Input data of barcode + C/D) C/D is calculated by modulus10.
		8-digit	8-digit (Input data of barcode) C/D is not checked.
C	CODE93	Max. 99-digit	C/D is calculated by modulus47.
E	UPC-E	6-digit only	C/D is calculated by modulus10.
G	CODE128	-	C/D is calculated by modulus103.
H	UPC-A	11-digit only	12-digit (Input data of barcode + C/D) C/D is calculated by modulus10.
I	GS1-128 for standard carton ID (UCC/EAN128)	17-digit only	C/D is calculated by modulus103.

[Note] C/D stands for "Check Digit".

(6) Print Direction of Barcode

Print direction of barcode can be rotated. Note that when specifying Serial 1 and Serial 2 for barcode rotation, it may cause blurring due to barcode enlargement ratio.

Please avoid 1 dot narrow bar printing. "1 dot is 0.125mm" when the head density is 8 dots/mm (203 dpi), "1 dot is 0.083 mm" when the head density is 12 dots/mm (305 dpi), and "1 dot is 0.042 mm" when the head density is 24 dots/mm (609 dpi). 1 dot narrow bar may lead to unreadability of the barcode.

Parallel 1: Forward feed print

Parallel 2: Backfeed print at 180-degree rotation

[Note] Forward feed:

Prints horizontally to label feed direction

Parallel 1: Forward feed print at 90-degree rotation

Parallel 2: Forward feed print at 270-degree rotation

1) Specify the enlargement ratio of the bar width of the narrow bar for more than 2 dots when printing with Parallel 1 or Parallel 2.

("L" indicates the enlargement ratio to the bar width ratio.)

	Head density		
	8 dots/mm	12 dots/mm	24 dots/mm
Bar width ratio 1 : 2	2L or more	2L or more	4L or more
Bar width ratio 1 : 3	2L or more	2L or more	4L or more
Bar width ratio 2 : 5	1L or more	1L or more	2L or more
UPC-A/EAN/JAN	2L or more	2L or more	4L or more

2) Specify the enlargement ratio of the bar width of the narrow bar for more than 3 dots when the head density is 8 dots/mm or 12 dots/mm and printing with Serial 1 or Serial 2.

	Head density		
	8 dots/mm	12 dots/mm	24 dots/mm
Bar width ratio 1 : 2	3L or more	3L or more	6L or more
Bar width ratio 1 : 3	3L or more	3L or more	6L or more
Bar width ratio 2 : 5	2L or more	2L or more	4L or more
UPC-A/EAN	3L or more	3L or more	6L or more

3) To print with Serial 1 or Serial 2, drop print speed.

9.1 Barcode

Barcode (Ratio 1:3)	ESC+B
----------------------------	--------------

Hexadecimal code	ESC <1B> ₁₆	B <42> ₁₆	Parameter abbcccn~n
Initial value	Nil		

Valid range and term of command	When the power switch is OFF	The set parameter is not maintained.
	Valid range within item	The parameter preset will be invalid.
	Valid range between items	The parameter preset will be invalid.

[Function]

Specifying the barcode of narrow and wide bar width ratio 1:3.

[Format]

abbcccn~n

•Parameter

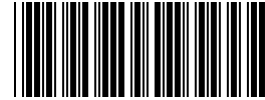
- a[Barcode symbology] = Refer to the table below.
- b[Narrow bar width] = 01 to 36 dots
- c[Height of barcode] = 001 to 999 dots
- n[Print data] = Data

Barcode symbology (Ratio of module composition may not be available depending on the barcode symbology.)

a	Barcode symbology	Description	Ratio
0	CODABAR(NW-7)	Set print data including Start/Stop character. Start/Stop Characters are [A,B,C,D,E,N,T,a,b,c,d,e,n,t] However, the reading result of [E, N, T, a, b, c, d, e, n, t] will be [D, B, A, A, B, C, D, D, B, A, A] e.g.) When barcode print data is [123], specify [A123A]. Barcode character pitch is enabled. Refer to the code list of the CODABAR(NW-7) for the print data.	1:3
1	CODE39	Set print data including Start/Stop Character. Start/Stop Character is [*]. e.g.) When barcode print data is [12345], specify [*12345*]. Barcode character pitch is enabled. Refer to the code list of the CODE39 for the print data.	1:3
2	ITF	Specify print data in even-numbered digit. If specifying in odd-numbered digit, "0" will be added to the head of print data. Refer to the code list of the ITF for the print data.	1:3
3	JAN/EAN13	The barcode will have no guard bar and human readable information. Refer to the code list of the JAN/EAN13 for the print data.	Fixed (11,12, 13 digits)
4	JAN/EAN8	The barcode will have no guard bar and human readable information. Refer to the code list of the JAN/EAN8 for the print data.	Fixed (7,8 digits)
5	Industrial 2of5	Barcode character pitch is enabled. Refer to the code list of the Industrial 2of5 for the print data.	1:3
6	Matrix 2of5	Barcode character pitch is enabled. Refer to the code list of the Matrix 2of5 for the print data.	1:3
A	MSI	Print data can be specified up to 13-digit. Refer to the code list of the MSI for the print data.	Fixed
C	CODE93	Refer to CODE93 <BC>.	Fixed
E	UPC-E	Specify 6-digit number for print data. Refer to the code list of the UPC-E for the print data.	Fixed
F	UPC add-on code BOOKLAND	Refer to the UPC add-on code / BOOKLAND specification <BF>.	Fixed
G	CODE128	Refer to CODE128 <BG>.	Fixed
H	UPC-A	Barcode will have no guide bar and human readable information. Refer to the code list of the UPC-A for the print data.	Fixed
I	GS1-128(UCC/EAN128)	Refer to GS1-128(UCC/EAN128)<BI>.	Fixed
P	POSTNET	Refer to the POSTNET specification <BP>.	Fixed
S	USPS code	Refer to the USPS code specification <BS>.	Fixed

[Coding Example 1] Barcode symbology : CODE39 Narrow bar width : 03 Height of barcode : 120
 Print data : *1234AB*

<A>
 <V>100<H>100103120*1234AB*
 <Q>2
 <Z>



[Coding Example 2] Barcode symbology : EAN8 Narrow bar width : 02 Height of barcode : 080
 Print data : 4912345

<A>
 <V>100<H>1004020804912345
 <Q>2
 <Z>



[Notes]

- Barcode character pitch is available for CODABAR(NW-7), CODE39, Industrial 2 of 5, and Matrix 2 of 5. To specify barcode character pitch, insert Character Pitch <P> right before Barcode symbology.

When <P> is omitted, character pitch will be same as narrow space width and multiple of the narrow bar.

Command	Ratio	Narrow space width	<P> specification	Character pitch	
				Narrow bar width is 1	Narrow bar width is 2
	1:3	1	Nil	1	2
			<P>0	1	2
			<P>1	1	2
			<P>2	2	4
			<P>3	3	6
			<P>4	4	8

- Refer to the code list of each barcode for the print data.

[Remarks]

- If the value other than valid range is set, command error will occur and barcode will not be printed.
- A barcode that exceeds the printable area will not be printed.
- When narrow bar is enlarged, the barcode may exceed the printable area and may not be printed.
- The scanner may not read the barcode with a valid character pitch when Character Pitch <P> is increased.
 Also, increasing the narrow bar width may cause the same type of problem. For more information, refer to the documentation of your scanner.
- Specify the narrow bar width by considering the scanner readability and the head density.
 203 dpi 2 dots or more
 305 dpi 2 dots or more
 609 dpi: 4 dots or more
- Adjust Print Speed <CS> or Print Darkness <#F> in case of scanner reading problem.
- If the Start/Stop character is not included in print data at the time of CODABAR(NW-7) or CODE39 specification, the barcode will be printed; however, the scanner cannot read it.
- If sending the print data including check digit at the time of JAN/EAN13 or JAN/EAN8 specification, set the correct calculated value. The barcode will be printed even when the data includes improper check digit; however, the scanner cannot read it.

9.2 Barcode

Barcode (Ratio 1:2)		ESC+D	
Hexadecimal code	ESC <1B> ₁₆	D <44> ₁₆	Parameter abbcccn~n
Initial value	Nil		

Valid range and term of command	When the power switch is OFF	The set parameter is not maintained.
	Valid range within item	The parameter preset will be invalid.
	Valid range between items	The parameter preset will be invalid.

[Function]

Specifying the barcode of narrow and wide bar width ratio 1:2.

[Format]

<D>abbcccn~n

•Parameter

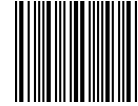
a[Barcode symbology]	=	Refer to the table below.
b[Narrow bar width]	=	01 to 36 dots
c[Height of barcode]	=	001 to 999 dots
n[Print data]	=	Data

Barcode symbology (Ratio of module composition may not be available depending on the barcode symbology.)

A	Barcode symbology	Description	Ratio
0	CODABAR(NW-7)	Set print data including Start/Stop Character. Start/Stop Characters are [A,B,C,D,E,N,T,a,b,c,d,e,n,t]. However, the reading result of [E, N, T, a, b, c, d, e, n, t] will be [D, B, A, A, B, C, D, D, B, A.] e.g.) When barcode print data is [123], specify [A123A]. Barcode character pitch is enabled. Refer to the code list of the CODABAR(NW-7) for the print data.	1:2
1	CODE39	Set print data including Start/Stop Character. Start/Stop Character is [*]. e.g.) When barcode print data is [12345], specify [*12345*]. Barcode character pitch is enabled. Refer to the code list of the CODE39 for the print data.	1:2
2	ITF	Specify print data in even-numbered digit. If specifying in odd-numbered digit, "0" will be added to the head of print data. Refer to the code list of the ITF for the print data.	1:2
3	JAN/EAN13	The barcode will have a guard bar and no HRI. Refer to the code list of the JAN/EAN13 for the print data.	Fixed
4	JAN/EAN8	The barcode will have a guard bar and no HRI. Refer to the code list of the JAN/EAN8 for the print data.	Fixed
5	Industrial 2of5	Barcode character pitch is enabled. Refer to the code list of the Industrial 2of5 for the print data.	1:2
6	Matrix 2of5	Barcode character pitch is enabled. Refer to the code list of the Matrix 2of5 for the print data.	1:2
H	UPC-A	The barcode will have a guard bar and no HRI. Refer to the code list of the UPC-A for the print data.	Fixed

[Coding Example 1] Barcode symbology : CODABAR(NW-7) Narrow bar width : 03 Height of barcode : 120
 Print data : A1234A

<A>
 <V>100<H>100<D>003120A1234A
 <Q>2
 <Z>



[Coding Example 2] Barcode symbology : ITF Narrow bar width : 02 Height of barcode : 080
 Print data : 98002345678163

<A>
 <V>100<H>100<D>20208098002345678163
 <Q>2
 <Z>



[Coding Example 3] Barcode symbology : UPC-A Narrow bar width : 03 Height of barcode : 120
 Print data : 20123948573

<A>
 <V>240<H>100<D>H0312020123948573
 <Q>2
 <Z>



[Notes]

- Barcode character pitch is available for CODABAR(NW-7), CODE39, Industrial 2 of 5, and Matrix 2 of 5. To specify barcode character pitch, insert Character Pitch <P> right before barcode symbology. When <P> is omitted, character pitch will be same as narrow space width and multiple of the narrow bar. e.g.)

Command	Ratio	Narrow space width	<P> specification	Character pitch	
				Narrow bar width is 1	Narrow bar width is 2
<D>	1:2	1	Nil	1	2
			<P>0	1	2
			<P>1	1	2
			<P>2	2	4
			<P>3	3	6
			<P>4	4	8

- Refer to the code list of each barcode for the print data.

[Remarks]

- If the value other than valid range is set, command error will occur and barcode will not be printed.
- A barcode that exceeds the printable area will not be printed.
- When narrow bar is enlarged, the barcode may exceed the printable area and may not be printed.
- The scanner may not read the barcode with a valid character pitch when Character Pitch <P> is increased. Also, increasing the narrow bar width may cause the same type of problem. For more information, refer to the documentation of your scanner.
- Specify the narrow bar width by considering the scanner readability and the head density.
 - 203 dpi: 2 dots or more
 - 305 dpi: 2 dots or more
 - 609 dpi: 4 dots or more
- Adjust Print Speed <CS> or Print Darkness <#F> in case of scanner reading problem.
- If the Start/Stop character is not included in print data at the time of CODABAR(NW-7) or CODE39 specification, the printing of barcode will be performed; however, the scanner cannot read it.
- If sending the print data including check digit at the time of JAN/EAN13 or JAN/EAN8 specification, set the correct calculated value. The barcode will be printed even when the data includes improper check digit; however, the scanner cannot read it.

9.3 Barcode

Barcode (Selection of HRI)		ESC+D ~ ESC+d	
Hexadecimal code	ESC <1B> ₁₆	D ~ d <44> ₁₆ ~ Character type	Parameter abbcccn~n + <d>n~n
Initial value	Nil		

Valid range and term of command	When the power switch is OFF	The set parameter is not maintained.
	Valid range within item	The parameter preset will be invalid.
	Valid range between items	The parameter preset will be invalid.

[Function]

Specifying character type of human readable information (HRI) for barcode.

[Format]

<D>abbcccn~n + <d>n~n

•Parameter

a[Barcode symbology]	=	3 : JAN/EAN13 4 : JAN/EAN8 H : UPC-A
b[Narrow bar width]	=	Valid range : 01 to 36 dots
c[Height of barcode]	=	Valid range : 001 to 999 dots
n[Print data]	=	Barcode data
d[Character type specification]	=	OA OB XU XS XM XB XL U S M WB WL
n[Print data]	=	HRI data

[Coding Example] Barcode symbology : EAN13 Narrow bar width : 03 Height of barcode : 120
Barcode data : 4902471000793 Character type : XU
HRI data : 4902471000793

<A>
<V>100<H>200<D>**3031204902471000793**
<XU>4902471000793
<Q>2
<Z>



[Notes]

1. Adds HRI with specified character type.
2. When the data other than specified value is set, printing will not be performed. When the barcode enlargement ratio is small and character type is large, HRI may be overlapped with each other.
3. The product will lay out HRI properly.
4. HRI for JAN/EAN8, JAN/EAN13 and UPC-A requires the following terms.
For 8 dots/mm (203 dpi), [02] and [03] would be a proper value of narrow bar width.
For 12 dots/mm (305 dpi), [03] and [04] would be a proper value of narrow bar width.
For 24 dots/mm (609 dpi), [06], [07] and [08] would be a proper value of narrow bar width.
5. HRI will not be printed when barcode is an erroneous for barcode with HRI.
6. When <P> or <L> is specified (<P>02<d>n~n,<L><d>n~n), HRI will not be printed.

9.4 Barcode

Barcode (Ratio 2:5)		ESC+BD	
Hexadecimal code	ESC <1B> ₁₆	BD <42> ₁₆ <44> ₁₆	Parameter abbcccn~n
Initial value	Nil		

Valid range and term of command	When the power switch is OFF	The set parameter is not maintained.
	Valid range within item	The parameter preset will be invalid.
	Valid range between itemss	The parameter preset will be invalid.

[Function]

Specifying the barcode of narrow and wide bar width ratio 2:5.

[Format]

<BD>abbcccn~n

•Parameter

a[Barcode symbology] = Refer to the table below
 b[Narrow bar width] = Valid range : 01 to 36 dots
 c[Height of barcode] = Valid range : 001 to 999 dots
 n[Print data] = Data

Barcode symbology (Ratio of module composition may not be available depending on the barcode symbology.)

A	Barcode symbology	Description	Ratio
0	CODABAR(NW-7)	Set print data including Start/Stop Character. Start/Stop Characters are [A,B,C,D,E,N,T,a,b,c,d,e,n,t]. However, the reading result of [E, N, T, a, b, c, d, e, n, t] will be [D, B, A, A, B, C, D, D, B, A.] e.g.) When barcode print data is [123], specify [A123A]. Barcode character pitch is enabled. Refer to the code list of the CODABAR(NW-7) for the print data.	2:5
1	CODE39	Set print data including Start/Stop Character. Start/Stop Character is [*]. e.g.) When barcode print data is [12345], specify [*12345*]. Barcode character pitch is enabled. Refer to the code list of the CODE39 for the print data.	2:5
2	ITF	Specify print data in even-numbered digit. If specifying in odd-numbered digit, "0" will be added to the head of print data. Refer to the code list of the ITF for the print data.	2:5
3	JAN/EAN13	The barcode will have a guard bar and HRI. Refer to the code list of the JAN/EAN13 for the print data.	Fixed
4	JAN/EAN8	The barcode will have a guard bar and HRI. Refer to the code list of the JAN/EAN8 for the print data.	Fixed
5	Industrial 2 of 5	Barcode character pitch is enabled. Refer to the code list of the Industrial 2of5 for the print data.	2:5
6	Matrix 2 of 5	Barcode character pitch is enabled. Refer to the code list of the Matrix 2of5 for the print data.	2:5
H	UPC-A	The barcode will have a guard bar and HRI. Refer to the code list of the UPC-A for the print data.	Fixed

[Coding Example 1] Barcode symbology : CODABAR(NW-7) Narrow bar width : 03 Height of barcode : 120
 Print data : A1234A

<A>
 <V>100<H>100<BD>003120A1234A
 <Q>2
 <Z>



[Coding Example 2] Barcode symbology : ITF Narrow bar width : 03 Height of barcode : 120
 Print data : 98002345678163

<A>
 <V>100<H>100<BD>20212098002345678163
 <Q>2
 <Z>



[Coding Example 3] Barcode symbology : UPC-A Narrow bar width : 03 Height of barcode : 120
 Print data : 20123948573

<A>
 <V>240<H>100<BD>H0312020123948573
 <Q>2
 <Z>



[Notes]

- Barcode character pitch is available for CODABAR(NW-7), CODE39, Industrial 2 of 5, and Matrix 2 of 5. To specify barcode character pitch, insert Character Pitch <P> right before barcode symbology. When <P> is omitted, character pitch will be same as narrow space width.

Command	Ratio	Narrow space width	<P> specification	Character pitch	
				Narrow bar width is 1	Narrow bar width is 2
<BD>	2:5	2	Nil	2	4
			<P>0	2	4
			<P>1	1	2
			<P>2	2	4
			<P>3	3	6
			<P>4	4	8

- Refer to the code list of each barcode for the print data.
- The below condition is necessary for the HRI of JAN/EAN8, JAN/EAN13 and UPC-A.
 - The head density is 203 dpi (8 dots/mm): HRI is printed only if the narrow bar is [02] and [03]
 - The head density is 305 dpi (12 dots/mm): HRI is printed only if the narrow bar is [03] and [04]
 - The head density is 609 dpi (24 dots/mm): HRI is printed only if the narrow bar is [06], [07] and [08]
 Automatic HRI printing is will not be implemented when the value other than above is specified.

[Remarks]

- If the value other than valid range is set, command error will occur and barcode will not be printed.
- A barcode that exceeds the printable area will not be printed.
- Increasing the narrow bar width may exceed the printable area.
- The scanner may not read the barcode with a valid character pitch when Character Pitch <P> is increased. Also, increasing the narrow bar width may cause the same type of problem. For more information, refer to the documentation of your scanner.
- Specify the narrow bar width by considering the scanner readability and the head density.
- Adjust Print Speed <CS> or Print Darkness <#F> in case of scanner reading problem.
- If the Start/Stop character is not included in print data at the time of CODABAR(NW-7) or CODE39 specification, the printing of barcode will be performed; however, the scanner cannot read it.
- If sending the print data including check digit at the time of JAN/EAN13 or JAN/EAN8 specification, set the correct calculated value. The barcode will be printed even when the data includes improper check digit; however, the scanner cannot read it.

9.5 Barcode

Registration of Bar Width Ratio

ESC+BT

Hexadecimal code	ESC <1B> ₁₆	BT <42> ₁₆ <54> ₁₆	Parameter abbccddee
Initial value	Nil		

Valid range and term of command	When the power switch is OFF	The set parameter is not maintained.
	Valid range within item	The set parameter is in effect until a new specification is made.
	Valid range between items	The set parameter is in effect until a new specification is made.

[Function]

Specifying the bar width ratio of narrow and wide bars.

[Format]

<BT>abbccddee

•Parameter

a[Barcode symbology] = 0 : CODABAR(NW-7)
 1 : CODE39
 2 : ITF
 5 : Industrial 2 of 5
 6 : Matrix 2 of 5

b[Narrow space] = Valid range : 01 to 99 dots

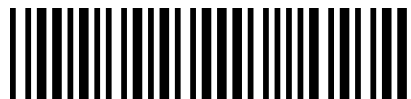
c[Wide space] = Valid range : 01 to 99 dots

d[Narrow bar] = Valid range : 01 to 99 dots

e[Wide bar] = Valid range : 01 to 99 dots

[Coding Example] Barcode symbology : CODE39 Narrow space : 03 Wide space : 05
 Narrow bar : 03 Wide bar : 05

<A>
<BT>103050305
 <V>100<H>200<BW>01233*ABCD*
 <Q>2
 <Z>



[Notes]

1. To print barcode with specified ratio, insert Print of Barcode with Registered Ratio <BW> after this command.
2. When <BW> and Print Quantity <Q> are not specified, only the registration of bar width ratio of narrow and wide bars will be performed.
3. Only one ratio can be registered.
4. If the data other than specified is set, this will not be registered due to command error.

9.6 Barcode

Print of Barcode with Registered Ratio

ESC+BW

Hexadecimal code	ESC <1B> ₁₆	BW <42> ₁₆ <57> ₁₆	Parameter aabbn~n
Initial value	Nil		

Valid range and term of command	When the power switch is OFF	The set parameter is not maintained.
	Valid range within item	The parameter preset will be invalid.
	Valid range between items	The parameter preset will be invalid.

[Function]

Specifying the barcode registered with Registration of Bar Width Ratio <BT>.

[Format]

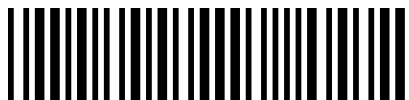
<BW>aabbn~n

•Parameter

a[Narrow bar width] = Valid range : 01 to 36 dots
 b[Height of barcode] = Valid range : 001 to 999 dots
 n[Print data] = Barcode data

[Coding Example] Narrow bar width : 02 Height of barcode : 120

<A>
 <BT>103060306
 <V>100<H>200<BW>02120*ABCD*
 <Q>2
 <Z>



[Notes]

- Barcode character pitch is available for CODABAR(NW-7), CODE39, Industrial 2 of 5, and Matrix 2 of 5. To specify barcode character pitch, insert Character Pitch <P> right before barcode symbology. When <P> is omitted, character pitch will be as same as narrow space width.

Command	Ratio	Narrow space width	<P> specification	Character pitch	
				Narrow bar width is 1	Narrow bar width is 2
<BT>	3:5	3	Nil	3	6
			<P>0	3	6
			<P>1	1	2
			<P>2	2	4
			<P>3	3	6
			<P>4	4	8

- If there is no Registration of Bar Width Ratio <BT>, barcode based on pre-registered bar width ratio of narrow and wide bars will be printed. Note that specification of <BT> is required beforehand to print.
- Refer to the code list of each barcode for the print data.

[Remarks]

- If the value other than valid range is set, command error will occur and barcode will not be printed.
- A barcode that exceeds the printable area will not be printed.
- When narrow bar is enlarged, the barcode may exceed the printable area and may not be printed.
- The scanner may not read the barcode with a valid character pitch when Character Pitch <P> is increased. Also, increasing the narrow bar width may cause the same type of problem. For more information, refer to the documentation of your scanner.
- Specify the narrow bar width by considering the scanner readability and the head density.
- Adjust Print Speed <CS> or Print Darkness <#F> in case of scanner reading problem.
- If the Start/Stop character is not included in print data at the time of CODABAR(NW-7) or CODE39 specification, the printing of barcode will be performed; however, the scanner cannot read it.

CODABAR(NW-7) - Code Table

				S				I				S				O					
B8				0	0	0	0	0	0	0	0	1	1	1	1	1	1	1	1		
B7				0	0	0	0	1	1	1	1	0	0	0	0	1	1	1	1		
B6				0	0	1	1	0	0	1	1	0	0	1	1	0	0	1	1		
B5				0	1	0	1	0	1	0	1	0	1	0	1	0	1	0	1		
B4	B3	B2	B1		0	1	2	3	4	5	6	7	8	9	A	B	C	D	E	F	
0	0	0	0	0				0													
0	0	0	1	1				1	A		a										
0	0	1	0	2				2	B		b										
0	0	1	1	3				3	C		c										
0	1	0	0	4			\$	4	D	T	d	t									
0	1	0	1	5				5	E		e										
0	1	1	0	6				6													
0	1	1	1	7				7													
1	0	0	0	8				8													
1	0	0	1	9				9													
1	0	1	0	A			*	:													
1	0	1	1	B			+														
1	1	0	0	C																	
1	1	0	1	D			-														
1	1	1	0	E			.		N		n										
1	1	1	1	F			/														

* 0x20(SP) cannot be used, however, an error will not occur when it is specified and black will be printed.

CODE39 - Code Table

				S				I				S				O							
B8				0	0	0	0	0	0	0	0	0	0	1	1	1	1	1	1	1	1	1	1
B7				0	0	0	0	1	1	1	1	1	1	0	0	0	0	1	1	1	1	1	1
B6				0	0	1	1	0	0	1	1	0	0	1	1	0	0	1	1	0	0	1	1
B5				0	1	0	1	0	1	0	1	0	1	0	1	0	1	0	1	0	1	0	1
B4	B3	B2	B1		0	1	2	3	4	5	6	7	8	9	A	B	C	D	E	F			
0	0	0	0	0			SP	0		P													
0	0	0	1	1				1	A	Q													
0	0	1	0	2				2	B	R													
0	0	1	1	3				3	C	S													
0	1	0	0	4			\$	4	D	T													
0	1	0	1	5			%	5	E	U													
0	1	1	0	6				6	F	V													
0	1	1	1	7				7	G	W													
1	0	0	0	8				8	H	X													
1	0	0	1	9				9	I	Y													
1	0	1	0	A			*		J	Z													
1	0	1	1	B			+		K														
1	1	0	0	C					L														
1	1	0	1	D			-		M														
1	1	1	0	E			.		N														
1	1	1	1	F			/		O														

9.7 Barcode

GS1-128(UCC/EAN128) (Standard Carton ID Only)

ESC+BI

Hexadecimal code	ESC	BI	Parameter
	<1B> ₁₆	<42> ₁₆ <49> ₁₆	aabbbcn~n
Initial value	Nil		

Valid range and term of command	When the power switch is OFF	The set parameter is not maintained.
	Valid range within item	The parameter preset will be invalid.
	Valid range between items	The parameter preset will be invalid.

[Function]

Specifying GS1-128(UCC/EAN128) barcode for Standard Carton ID.

[Format]

<BI>aabbbcn~n

•Parameter

a[Narrow bar width]	=	Valid range : 01 to 36 dots
b[Height of barcode]	=	Valid range : 001 to 999 dots
c[Barcode expository font specification]	=	0: No HRI 1: HRI is available (Top of barcode) 2: HRI is available (Bottom of barcode)
n[Print data]	=	Barcode data (Fixed 17 digits)

Refer to the code list of the GS1-128(UCC/EAN128) for the print data.

EAN128 (Barcode for standard carton ID)

- Identifier of sequence code for transportation container
- Package type
- Country code, manufacturer code
- Sequence number of shipment container
- C/D

* Specify the 17-digit data without C/D because C/D is automatically added.

[Coding Example 1] Narrow bar width: 05, barcode height: 080, HRI: yes (in the bottom)

Print data: 12345678901234567

<A>
<V>100<H>200<BI>05080212345678901234567
<Q>2
<Z>



[Coding Example 2] Narrow bar width: 04, barcode height: 150, HRI: no

Print data: 123456789+ calendar data (refer to the enhanced calendar printing <WU>)

<A>
<V>100<H>200
<BI>041500<WU>123456789>ZDDMMYYhh>Z
<Q>2
<Z>

[Notes]

1. This is UCC128 code only for the standard carton ID. When printing EAN128 that is used for medical services, fresh products, and horticultures, please specify the application identifier according to the application, or specify the print data by separators by using CODE128 barcode command <BG>.
2. Start character code, function character, end character code and identifier (only "00" is supported) are automatically added.
3. Modulus10 check character and modulus 103 check character are automatically produced.
4. Sequential numbering of the barcode data is available.
5. The line pitch between barcode and HRI font is fixed to 10 dots.
6. When the width of the HRI is wider than the barcode width, the HRI is printed from the print start position of the barcode.
7. When the width of the HRI is narrower than the barcode width, the HRI is printed in the center position of the barcode.
8. The font type of the HRI is OCR-B.
9. When the HRI exceeded the printable area, it will not be printed. When barcode with HRI is specified, specify the vertical position <V> and horizontal position <H> by considering the HRI printing.
10. When other than 0, 1, or 2 is specified as the barcode HRI font, it will be the same as the barcode HRI font specification "0".

ITF
 Matrix 2of5
 Industrial 2of5
 UPC-A, EAN8
 EAN13, UPC-E
 GS1-128(UCC/EAN128)
 MSI code list

					S				I				S				O					
B8					0	0	0	0	0	0	0	0	0	1	1	1	1	1	1	1	1	
B7					0	0	0	0	1	1	1	1	0	0	0	0	1	1	1	1	1	
B6					0	0	1	1	0	0	1	1	0	0	1	1	0	0	1	1	1	
B5					0	1	0	1	0	1	0	1	0	1	0	1	0	1	0	1	0	1
B4	B3	B2	B1		0	1	2	3	4	5	6	7	8	9	A	B	C	D	E	F		
0	0	0	0	0				0														
0	0	0	1	1				1														
0	0	1	0	2				2														
0	0	1	1	3				3														
0	1	0	0	4				4														
0	1	0	1	5				5														
0	1	1	0	6				6														
0	1	1	1	7				7														
1	0	0	0	8				8														
1	0	0	1	9				9														
1	0	1	0	A																		
1	0	1	1	B																		
1	1	0	0	C																		
1	1	0	1	D																		
1	1	1	0	E																		
1	1	1	1	F																		

9.8 Barcode

CODE93 Barcode

ESC+BC

Hexadecimal code	ESC <1B> ₁₆	BC <42> ₁₆ <43> ₁₆	Parameter aabbccn~n
Initial value	Nil		

Valid range and term of command	When the power switch is OFF	The set parameter is not maintained.
	Valid range within item	The parameter preset will be invalid.
	Valid range between items	The parameter preset will be invalid.

[Function]

Specifying CODE93 barcode.

[Format]

<BC>aabbccn~n

•Parameter

- a[Narrow bar width] = Valid range : 01 to 36 dots
- b[Height of barcode] = Valid range : 001 to 999 dots
- c[Digit No. of data] = Valid range : 01 to 99
- n[Print data] = Barcode data (Refer to the CODE93 - Code Table)

[Coding Example] Narrow bar width : 02 Height of barcode : 120 Digit No : 12 Print data :

ABCD123456xy

<A>

<V>100<H>200<BC>0212012ABCD123456xy

<Q>2

<Z>



[Notes]

1. C/D is an auto-generation.
2. Start code and stop code is automatically added.
3. Maximum entry digit number of data is 99.
4. [Digit No. of data] and No. of input data has to be equal.
5. Command error will occur when No. of input data and [Digit No. of data] is not matching.

CODE93 - Code Table

					S				I				S				O								
B8					0	0	0	0	0	0	0	0	0	0	1	1	1	1	1	1	1	1	1	1	
B7					0	0	0	0	1	1	1	1	0	0	0	0	1	1	1	1	1	1	1	1	1
B6					0	0	1	1	0	0	1	1	0	0	1	1	0	0	1	1	0	0	1	1	1
B5					0	1	0	1	0	1	0	1	0	1	0	1	0	1	0	1	0	1	0	1	1
B4	B3	B2	B1		0	1	2	3	4	5	6	7	8	9	A	B	C	D	E	F					
0	0	0	0	0			SP	0	@	P	`	p													
0	0	0	1	1			!	1	A	Q	a	q													
0	0	1	0	2			"	2	B	R	b	r													
0	0	1	1	3			#	3	C	S	c	s													
0	1	0	0	4			\$	4	D	T	d	t													
0	1	0	1	5			%	5	E	U	e	u													
0	1	1	0	6			&	6	F	V	f	v													
0	1	1	1	7			'	7	G	W	g	w													
1	0	0	0	8			(8	H	X	h	x													
1	0	0	1	9)	9	I	Y	i	y													
1	0	1	0	A			*	:	J	Z	j	z													
1	0	1	1	B			+	;	K	[k	{													
1	1	0	0	C			,	<	L	\	l														
1	1	0	1	D			-	=	M]	m	}													
1	1	1	0	E			.	>	N	^	n	-													
1	1	1	1	F			/	?	O	_	o	DEL													

00H to 7FH are available in CODE93.

9.9 Barcode			
CODE128 (128A, 128B, 128C) Barcode			ESC+BG
Hexadecimal code	ESC <1B>16	BG <42>16<47>16	Parameter aabbbn~n
Initial value	Nil		

Valid range and term of command	When the power switch is OFF	The set parameter is not maintained.
	Valid range within item	The parameter preset will be invalid.
	Valid range between items	The parameter preset will be invalid.

[Function]

Specifying CODE128 barcode.

[Format]

<BG>aabbbn~n

•Parameter

- a[Narrow bar width] = Valid range : 01 to 36 dots
- b[Height of barcode] = Valid range : 001 to 999 dots
- n[Print data] = Barcode data (Refer to the CODE128 - Code Table)

[Coding Example]

Narrow bar width : 02 Height of barcode : 120 Print data : ABCD123456 (START CODE

A)

<A>
 <V>100<H>200<BG>02120<G>ABCD123456
 <Q>2
 <Z>



[Notes]

1. Specify [START CODE] at the head of print data.
 - (1) START CODE A = [>G]
 - (2) START CODE B = [>H]
 - (3) START CODE C = [>I]
2. C/D is an auto-generation.
3. (1) When using "START CODE C", specify print data in even-numbered digit.
 - (2) When "START CODE C" is set to print data in odd - number digits, specify "START CODE A" or "B" to change the first one character of print data. And then specify the rest of data with "Code Set Character C" to change it to even-numbered digit.
 - e.g.1) 15 digits [123456789012345] 1<C>23456789012345.
 - e.g.2) 9 digits / Alphanumeric 6 digits [123456789ABC123] <C>123456789ABC123.
 - (3) If using "START CODE C" to specify odd-numbered digit, "0" will be added to the tail of print data before printing.
 - (4) Note that when the LEGACY COMMAND SUPPORT is on and specify odd-numbered digit with START CODE C, "0" will be added to the tail of the print data and printed.
 - (5) When start character is omitted, data will be printed with "START CODE B".

CODE128 - Code Table

VALUE	Code A	Code B	Code C
0	SP	SP	00
1	!	!	01
2	"	"	02
3	#	#	03
4	\$	\$	04
5	%	%	05
6	&	&	06
7	'	'	07
8	((08
9))	09
10	*	*	10
11	+	+	11
12	,	,	12
13	-	-	13
14	.	.	14
15	/	/	15
16	0	0	16
17	1	1	17
18	2	2	18
19	3	3	19
20	4	4	20
21	5	5	21
22	6	6	22
23	7	7	23
24	8	8	24
25	9	9	25
26	:	:	26
27	;	;	27
28	<	<	28
29	=	=	29
30	> [Important] - 4	> [Important] - 4	30
31	?	?	31
32	@	@	32
33	A	A	33
34	B	B	34
35	C	C	35
36	D	D	36
37	E	E	37
38	F	F	38
39	G	G	39
40	H	H	40
41	I	I	41
42	J	J	42
43	K	K	43
44	L	L	44
45	M	M	45
46	N	N	46
47	O	O	47
48	P	P	48

VALUE	Code A	Code B	Code C
49	Q	Q	49
50	R	R	50
51	S	S	51
52	T	T	52
53	U	U	53
54	V	V	54
55	W	W	55
56	X	X	56
57	Y	Y	57
58	Z	Z	58
59	[[59
60	\	\	60
61]]	61
62	^	^	62
63	_	_	63
64	NUL >SP	' >SP	64
65	SOH >!	a >!	65
66	STX >"	b >"	66
67	ETX >#	c >#	67
68	EOT >\$	d >\$	68
69	ENQ >%	e >%	69
70	ACK >&	f >&	70
71	BEL >'	g >'	71
72	BS >(h >(72
73	HT >)	i >)	73
74	LF >*	j >*	74
75	VT >+	k >+	75
76	FF >,	l >,	76
77	CR >-	m >-	77
78	SO >.	n >.	78
79	SI >/	o >/	79
80	DLE >0	p >0	80
81	DC1 >1	q >1	81
82	DC2 >2	r >2	82
83	DC3 >3	s >3	83
84	DC4 >4	t >4	84
85	NAK >5	u >5	85
86	SYN >6	v >6	86
87	ETB >7	w >7	87
88	CAN >8	x >8	88
89	EM >9	y >9	89
90	SUB >:	z >:	90
91	ESC >:	{ >:	91
92	FS ><	><	92
93	GS >=	} >=	93
94	RS >>	~ >>	94
95	US >?	DEL >?	95
96	FNC3 >@	FNC3 >@	96
97	FNC2 >A	FNC2 >A	97

VALUE	Code A	Code B	Code C
98	SHIFT >B	SHIFT >B	98
99	Code-C >C	Code-C >C	99
100	Code-B >D	FNC4 >D	Code-B >D
101	FNC4 >E	Code-A >E	Code-A >E
102	FNC1 >F	FNC1 >F	FNC1 >F
103	START CODE A >G		
104	B >H		
105	C >I		

[Important]

1. Send [START CODE] by all means.
2. [STOP CODE] will be automatically added in the internal product.
3. For the specification of code higher than Value 64 in Code A and Code B, specify it as a two-character code with the addition of [>].
4. Specification code [>] is described as [>J].

9.10 Barcode

POSTNET		ESC+BP	
Hexadecimal code	ESC <1B> ₁₆	BP <42> ₁₆ <50> ₁₆	Parameter n~n
Initial value	Nil		

Valid range and term of command	When the power switch is OFF	The set parameter is not maintained.
	Valid range within item	The parameter preset will be invalid.
	Valid range between items	The parameter preset will be invalid.

[Function]

Specifying POSTNET.

[Format]

<BP>n~n

●Parameter

n = Print data (refer to the POSTNET code table)

Note that the digits other than specified below are not allowed.

- 5 digits (POSTNET-32 format)
- 6 digits (POSTNET-37 format)
- 9 digits (POSTNET-52 format)
- 11 digits (POSTNET-62 Delivery Point format)

[Coding Example] Postal code : 11 digits: 01234567890

<A>

<V>100<H>200<BP>01234567890

<Q>2

<Z>

[Notes]

1. If specifying the value other than 5, 6, 9, and 11 digits for print data, it will be ignored.
2. Only numeric can be specified as print data. Refer to the POSTNET - Code Table.

POSTNET - Code Table

					S				I				S				O					
B8					0	0	0	0	0	0	0	0	0	1	1	1	1	1	1	1	1	1
B7					0	0	0	0	1	1	1	1	0	0	0	0	1	1	1	1	1	1
B6					0	0	1	1	0	0	1	1	0	0	1	1	0	0	1	1	1	1
B5					0	1	0	1	0	1	0	1	0	1	0	1	0	1	0	1	0	1
B4	B3	B2	B1		0	1	2	3	4	5	6	7	8	9	A	B	C	D	E	F		
0	0	0	0	0				0														
0	0	0	1	1				1														
0	0	1	0	2				2														
0	0	1	1	3				3														
0	1	0	0	4				4														
0	1	0	1	5				5														
0	1	1	0	6				6														
0	1	1	1	7				7														
1	0	0	0	8				8														
1	0	0	1	9				9														
1	0	1	0	A																		
1	0	1	1	B																		
1	1	0	0	C																		
1	1	0	1	D																		
1	1	1	0	E																		
1	1	1	1	F																		

9.11 Barcode

UPC Add-on Code (BOOKLAND)

ESC+BF

Hexadecimal code	ESC	BF	Parameter
	<1B> ₁₆	<42> ₁₆ <46> ₁₆	aabbn~n
Initial value	Nil		

Valid range and term of command	When the power switch is OFF	The set parameter is not maintained.
	Valid range within item	The parameter preset will be invalid.
	Valid range between items	The parameter preset will be invalid.

[Function]

Specify UPC Add-on code (BOOKLAND)

[Format]

<BF>aabbn~ n

•Parameter

a[Narrow bar width] = Valid range : 01 to 36 dots
 b[Height of barcode] = Valid range : 001 to 999 dots
 n[Print data] = Numeric (0 to 9) : 2, 5 digits

[Coding Example] Narrow bar width : 03 Height of barcode : 120

<A>
 <H>325<V>725<BD>H0315009827721123
 <H>640<V>760<BF>0312021826
 <H>655<V>730<OB>21826
 <Q>1
 <Z>



[Notes]

1. The specified barcodes that are other than 2-digit or 5-digit will not be printed.
2. Only numeric can be specified as print data. Refer to the BOOKLAND - Code Table.
3. There is no auto HRI specification.
4. When UPC Add-on code <BF> only is printed, it will not be readable.
It is readable only if UPC Add-on is printed with UPC code.

UPC Add-on barcode - Code Table

					S				I				S				O					
B8					0	0	0	0	0	0	0	0	0	0	1	1	1	1	1	1	1	1
B7					0	0	0	0	1	1	1	1	0	0	0	0	1	1	1	1	1	1
B6					0	0	1	1	0	0	1	1	0	0	1	1	0	0	1	1	1	1
B5					0	1	0	1	0	1	0	1	0	1	0	1	0	1	0	1	0	1
B4	B3	B2	B1		0	1	2	3	4	5	6	7	8	9	A	B	C	D	E	F		
0	0	0	0	0				0														
0	0	0	1	1				1														
0	0	1	0	2				2														
0	0	1	1	3				3														
0	1	0	0	4				4														
0	1	0	1	5				5														
0	1	1	0	6				6														
0	1	1	1	7				7														
1	0	0	0	8				8														
1	0	0	1	9				9														
1	0	1	0	A																		
1	0	1	1	B																		
1	1	0	0	C																		
1	1	0	1	D																		
1	1	1	0	E																		
1	1	1	1	F																		

9.12 Barcode

UPC-A Barcode (Without HRI)

ESC+BL

Hexadecimal code	ESC <1B> ₁₆	BL <42> ₁₆ <4C> ₁₆	Parameter aabbcccn~n
Initial value	Nil		

Valid range and term of command	When the power switch is OFF	The set parameter is not maintained.
	Valid range within item	The parameter preset will be invalid.
	Valid range between items	The parameter preset will be invalid.

[Function]

Adjusting the barcode character height of the first and the last digits to the same as that of the guide bar.

[Format]

<BL>abbcccn~n

•Parameter

a[Barcode symbology] = H : UPC-A ('H' fixed)
 b[Narrow bar width] = Valid range : 01 to 36 dots
 c[Height of barcode] = Valid range : 001 to 999 dots
 n[Print data] = Data : 11 fixed digits

[Coding Example] Barcode symbology : UPC-A Narrow bar width : 03 Height of barcode : 120
 Print data : 01234567890

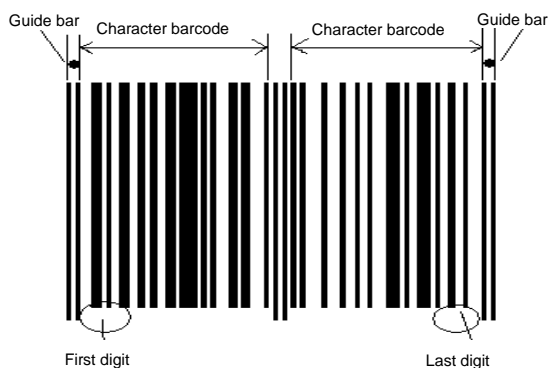
<A>
 <H>100<V>100<BL>H0312001234567890
 <Q>2
 <Z>

[Notes]

1. This command supports UPC-A only. When setting [Barcode symbology] to the value other than 'H', command error will occur.
2. Settings for guide bar, HRI and Ratio are as follows.

Guide bar	HRI	Ratio
Available	Not available	Fixed

3. The operation when invalid parameters are specified is not guaranteed.
4. The height of the character barcode is the same when printing UPC-A by using barcode command <D>, however, the height of the first digit and the last digit of the character code will be the same as the guide bar when printing with UPC-A barcode command <BL>.



Print result by barcode command <D>



Print result by UPC-A barcode command <BL>

9.13 Barcode

UPC-A Barcode (Selection of HRI)		ESC+BL ~ ESC+d	
Hexadecimal code	ESC <1B> ₁₆	BL~ <42> ₁₆ <4C> ₁₆ ~ Character type	Parameter abbcccn~n~<d>n~n
Initial value	Nil		

Valid range and term of command	When the power switch is OFF	The set parameter is not maintained.
	Valid range within item	The parameter preset will be invalid.
	Valid range between items	The parameter preset will be invalid.

[Function]

Adjusting the barcode character height of the first and the last digits to the same as that of the guide bar.

[Format]

<BL>abbcccn~n ~ <d>n~n

•Parameter

a[Barcode symbology]	=	H	: UPC-A ('H' fixed)
b[Narrow bar width]	=	Valid range	: 01 to 36 dots
c[Height of barcode]	=	Valid range	: 001 to 999 dots
n[Print data]	=	Data	: 11 fixed digits
d[Character type specification]	=	OA OB XU XS XM XB XL U S M WB WL	
n[Print data]	=	HRI data :	12 fixed digits

[Coding Example]

Barcode symbology : UPC-A
Barcode data : 01234567890

Narrow bar width : 02
Character type : XS

Height of barcode : 120
HRI data : 01234567890

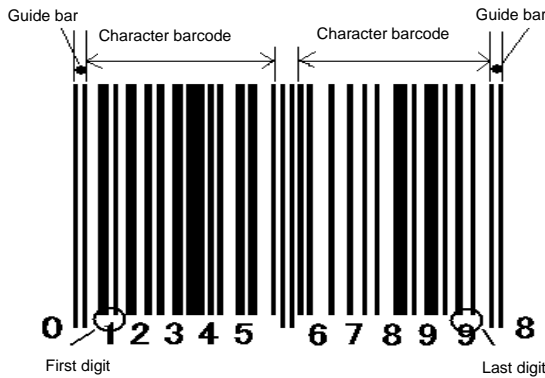
<A>
<H>100<V>100<BL>**H0212001234567890**
<XS>01234567890
<Q>2
<Z>

[Notes]

1. This command supports UPC-A only. When setting [Barcode symbology] to the value other than 'H', command error will occur.
2. HRI requires the following terms.
 - For 8 dots/mm, [02] and [03] would be a proper value of narrow bar width.
 - For 12 dots/mm, [03] and [04] would be a proper value of narrow bar width.
 - For 24 dots/mm, [06], [07] and [08] would be a proper value of narrow bar width.
3. Please set the correct calculation for the check digit that is the 12th digit of the HRI data by using modulus10.
4. Settings for guide bar, HRI and Ratio are as follows.

Guide bar	HRI	Ratio
Available	Available	Fixed

5. The operation when invalid parameters are specified is not guaranteed.
6. HRI will not be printed when barcode is an error for barcode with HRI.
7. The height of the character barcode is the same when printing UPC-A by using barcode command <D> followed by <character type> data, however, the height of the first digit and the last digit of the character code will be the same as the guide bar when printing with UPC-A barcode command <BL> followed by <character type> data. Also, HRI can be printed from below the first digit to the last digit because the height of the barcode is shorter when printing UPC-A by using barcode command <D> followed by <character type> data, however, the printable area of HRI will be narrower compared to the barcode command <d> followed by <character type> data when printing UPC-A with UPC-A barcode command <BL> followed by <character type> data because the first digit and the last digit's height is longer.



Print result of UPC-A of barcode command
<D> followed by <character type> data



Print result of UPC-A of UPC-A barcode command
<BL> followed by <character type> data

9.14 Barcode

UPC-A Barcode (With HRI)			ESC+BM
-------------------------------------	--	--	---------------

Hexadecimal code	ESC <1B> ₁₆	BM <42> ₁₆ <4D> ₁₆	Parameter abbcccn~n
Initial value	Nil		

Valid range and term of command	When the power switch is OFF	The set parameter is not maintained.
	Valid range within item	The parameter preset will be invalid.
	Valid range between items	The parameter preset will be invalid.

[Function]

Adjusting the barcode character height of the first and the last digits to the same as that of the guide bar.

[Format]

<BM>abbcccn~n

•Parameter

a[Barcode symbology] = H : UPC-A ('H' fixed)
 b[Narrow bar width] = Valid range : 01 to 36 dots
 c[Height of barcode] = Valid range : 001 to 999 dots
 n[Print data] = Data : 11 fixed digits

[Coding Example] Barcode symbology : UPC-A Narrow bar width : 02 Height of barcode : 120
 Print data : 20123948573

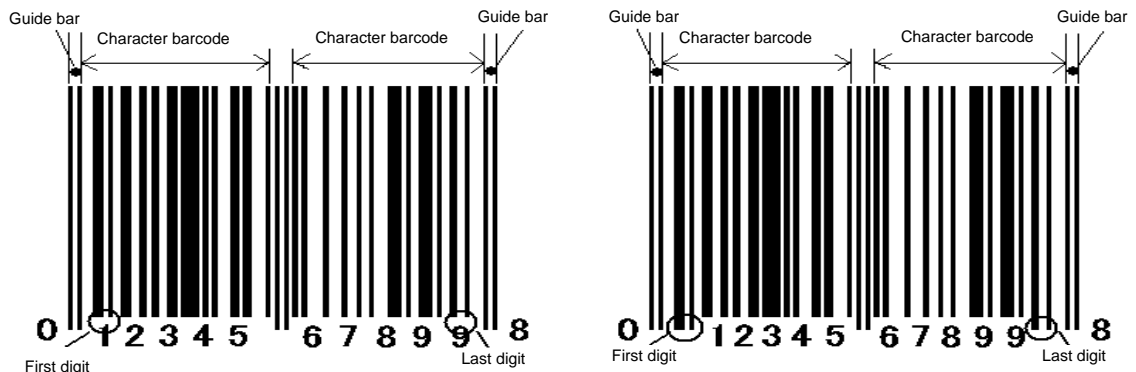
<A>
 <H>100<V>100<BM>H0212020123948573
 <Q>2
 <Z>

[Notes]

- This command supports UPC-A only. When setting [Barcode symbology] to the value other than 'H', command error will occur.
- HRI requires the following terms.
 For 8 dots/mm, [02] and [03] would be a proper value of narrow bar width.
 For 12 dots/mm, [03] and [04] would be a proper value of narrow bar width.
 For 24 dots/mm, [06], [07] and [08] would be a proper value of narrow bar width.
 Automatic HRI printing is will not be implemented when the value other than above is specified.
- Settings for guide bar, HRI and Ratio are as follows.

Guide bar	HRI	Ratio
Available	Available	Fixed

- The operation when invalid parameters are specified is not guaranteed.
- The height of the character barcode is the same when printing UPC-A by using barcode command <BD>, however, the height of the first digit and the last digit of the character code will be the same as the guide bar when printing with UPC-A barcode command <BM>. Also, HRI can be printed from below the first digit to the last digit because the height of the barcode is shorter when printing UPC-A by using barcode command <BD>, however, the printable area of HRI will be narrower when printing UPC-A with UPC-A barcode command <BM> because the first digit and the last digit's height is longer.



Print result by barcode command <BD>

Print result by UPC-A barcode command <BM>

9.15 Barcode

Composite Symbol		ESC+EU	
Hexadecimal code	ESC <1B> ₁₆	EU <45> ₁₆ <55> ₁₆	Parameter aabb(cc)(ddd) n~n
Initial value	Nil		

Valid range and term of command	When the power switch is OFF	The set parameter is not maintained.
	Valid range within item	The parameter preset will be invalid.
	Valid range between items	The parameter preset will be invalid.

[Function]

Specify composite symbol EAN and UCC.

[Format 1]

<EU>aabbccn~n

•Parameter

a[Composite symbol] = 01 : GS1 DataBar Composite (CC-A/CC-B)
 02 : GS1 DataBar Truncated Composite (CC-A/CC-B)
 03 : GS1 DataBar Stacked Composite (CC-A/CC-B)
 04 : GS1 DataBar Stacked Omni-Directional (CC-A/CC-B)
 05 : GS1 DataBar Limited Composite (CC-A/CC-B)
 06 : GS1 DataBar Expanded Composite (CC-A/CC-B)
 / GS1 DataBar Expanded Stacked (CC-A/CC-B)
 07 : UPC-A Composite (CC-A/CC-B)
 08 : UPC-E Composite (CC-A/CC-B)
 09 : EAN13 Composite (CC-A/CC-B)
 10 : EAN8 Composite (CC-A/CC-B)

b[Narrow bar width] = 01 ~ 12 (dots)
 c[Segment width] = 02 ~ 22 (even numbers only)
 * Supported only for DataBar Expanded Composite (CC-A/CC-B)

n[Print data] = data

The maxim digit available for 1D data

GS1 DataBar Composite (CC-A/CC-B)	13 digits
GS1 DataBar Truncated Composite (CC-A/CC-B)	13 digits
GS1 DataBar Stacked Composite (CC-A/CC-B)	13 digits
GS1 DataBar Stacked Omni-Directional (CC-A/CC-B)	13 digits
GS1 DataBar Limited Composite (CC-A/CC-B)	13 digits
GS1 DataBar Expanded Composite (CC-A/CC-B) / GS1 DataBar Expanded Stacked (CC-A/CC-B)	74 digits
UPC-A Composite (CC-A/CC-B)	11 digits
UPC-E Composite (CC-A/CC-B) Specify the 1D data in the format of "XX00000XXX"(X is variables).	Fixed to 10 digits
EAN13 Composite (CC-A/CC-B)	12 digits
EAN8 Composite (CC-A/CC-B)	7 digits

* Check digit is automatically calculated and added.

* Separate the 1D data and 2D data with '|'(7CH) when specifying composite symbol printing.

Data = 1D data| 2D data

* It is necessary to specify the data of GS1 DataBar Composite (CC-A/CC-B) in 1 to 16 digits of the GS1 DataBar Expanded Composite (CC-A/CC=B).

* It is possible to input up to 74 digits for numeric and up to 41 digits for alphabet including the data of GS1 DataBar Composite (CC-A/CC-B) for the GS1 DataBar Expanded Composite (CC-A/C-B).

(It is possible to input up to 41 digits for alphanumeric including GS1 DataBar Composite (CC-A/CC-B) data)

* 0 is added before the data when the specified data are less than the maximum digit for 1D data.

* It is possible to input up to 338 digits for 2D data, however, the maximum input digit varies depending on the barcode type.

* The barcode may exceed the printable area depending on the data or data digit. The barcode may not be read in that case. Please adjust the data so that the whole barcode can be printed in the printable area.

* The input digit of the UPC-A Composite is 11 digits only, however, EAN14 Composite (CC-A/CC-B) will be printed when 12 digits has been input to maintain compatibility.

[Format 2]
 <EU>aabbcccn~n

•Parameter

a[Composite symbol] = 11 : GS1-128 Composite (CC-A/CC-B)
 12 : GS1-128 Composite (CC-C)
 b[Narrow bar width] = 01 ~ 12 (dots)
 c[Barcode height] = 001 ~ 500 (dots)

* Specify the barcode height when the narrow bar width is 01.

The barcode height will be 300 dots when the narrow bar is 03, and barcode height is 100.

n[Print data] = barcode data (up to 236 digits for 1D and 2D data together)

The maximum digit available for 1D and 2D data (however, there is a limitation for the maximum digit for 1D data)

GS1-128(UCC/EAN128) with CC-A/B	338 digits
GS1-128(UCC/EAN128) with CC-C	2361 digits

The maximum digit available for 1D data

GS1-128(UCC/EAN128) with CC-A/B	48 digits
GS1-128(UCC/EAN128) with CC-C	48 digits

* Separate the 1D data and 2D data with |(7CH) when specifying composite symbol printing.

Data = 1D data|2D data

* Please use #(23H) when specifying CC-A/B(Micro PDF) or CC-C(PDF417) as the FNC1(GS).

* The 2D data of GS1-128(UCC/EAN128) With CC-A/B can input up to 338 digits.

* When the 2D data of the GS1-128(UCC/EAN128) With CC-A/B is less than 56 digits, it will be CC-A automatically, and it will be CC-B when it is 57 to 338 digits.

* The digit varies depending on the width of the barcode in GS1-128(UCC/EAN128) With CC-C, and the maximum digit of the 1D and 2D is 2361 digits.

[Coding Example 1] When using GS1 DataBar Composite (CC-A/CC-B) command

<A>
 <V>100<H>100
 <EU>01040361234567890|11990102
 <Q>1
 <Z>



[Coding Example 2] When using GS1 DataBar Truncated Composite (CC-A/CC-B) command

<A>
 <V>100<H>100
 <EU>02040361234567890|11990102
 <Q>1
 <Z>



[Coding Example 3] When using GS1 DataBar Stacked Composite (CC-A/CC-B) command

<A>
 <V>100<H>100
 <EU>03040341234567890|17010200
 <Q>1
 <Z>



[Coding Example 4] When using GS1 DataBar Stacked Omni-Directional (CC-A/CC-B) command

<A>
 <V>100<H>100
 <EU>04040341234567890|17010200
 <Q>1
 <Z>



[Coding Example 5] When using GS1 DataBar Limited Composite (CC-A/CC-B) command

<A>
 <V>100<H>100
 <EU>05040351234567890|21ABCDEFGHIJKLMNQRSTU
 <Q>1
 <Z>



[Coding Example 6] When using GS1 DataBar Expanded Composite (CC-A/CC-B) command

<A>
<V>100<H>100
<EU>0605220104912345678904
<Q>1
<Z>



[Coding Example 7] When using GS1 DataBar Expanded Stacked (CC-A/CC-B) command

<A>
<V>100<H>100
<EU>0605020104912345678904
<Q>1
<Z>



[Coding Example 8] When using UPC-A Composite (CC-A/CC-B) command

<A>
<V>100<H>100
<EU>0704331234567890|991234-abcd
<Q>1
<Z>



[Coding Example 9] When using UPC-E Composite (CC-A/CC-B) command

<A>
<V>100<H>100
<EU>08041200000123|15021231
<Q>1
<Z>



[Coding Example 10] When using EAN13 Composite (CC-A/CC-B) command

<A>
<V>100<H>100
<EU>0904331234567890|991234-abcd
<Q>1
<Z>



[Coding Example 11] When using EAN8 Composite (CC-A/CC-B) command

<A>
<V>100<H>100
<EU>10041234567|21A12345678
<Q>1
<Z>



[Coding Example 12] When using GS1-128 Composite (CC-A/CC-B) command

<A>
<V>100<H>100
<EU>110402600103212345678906|21A1B2C3D4E5F6G7H8
<Q>1
<Z>



[Coding Example 13] When using GS1-128 Composite (CC-C) command

<A>
<V>100<H>100
<EU>120402600030123456789012340|02130123456789
093724#101234567ABCDEFG
<Q>1
<Z>



[Notes]

- The format of the parameter varies depending on the 1D barcode type. The segment width can be specified only with DataBar Expanded Composite (CC-A/CC-B) (EU06).
The barcode height parameter can be specified only with GS1-128(UCC/EAN-128) (EU11, EU12).
- Composite symbol will not be printed when the data matched to the composite symbol is not set to the data.
- The print data parameter can be input up to 2361 digits for 1D data and 2D data, however, the data can be specified as 2D data vary according to the 1D barcode type, and conditions such as the alphabet and numeric is mixed in the data. The barcode may not be printed correctly when data exceeded the maximum digit.
- The size of the composite symbol changes depending on the width of the narrow bar.
- When the composite symbol exceeded the printable area, the part within the printable area will be printed. The composite symbol may be read correctly by the scanner.
- According to the specification of composite symbol, the height and width of the 2D code are adjusted by the 1D barcode data. When the width of the 1D barcode is not enough, the composite barcode may not be printed even the data are less than the maximum digit.
- HRI printing cannot be specified with this command.
- The rotation command <%> is available, but enlarge command <L> is disabled.
- Please specify a correct value for YYMMDD when specifying 11(manufactured date), 12(due date for payment), 13(packed date), 15(sell-by date), and 17(warranty date) for application identifier. The print result is not guaranteed when the correct value is not input.
- Please specify the 2D code data according to the format of the application identifier when GS1 Databar is specified as the barcode type.
- GS1 DataBar Expanded Composite (CC-A/CC-B) is automatically stacked according to the segment width and data size, and printed as GS1 DataBar Expanded Stacked (CC-A/CC-B).
- The generation module has been changed for the quality improvement. The generated image may be different, however, the reading result is the same.

Composite symbol 2D code-Code Table

					S				I				S				O												
					B8	0	0	0	0	0	0	0	0	0	1	1	1	1	1	1	1	1	1	1	1	1	1	1	1
					B7	0	0	0	0	1	1	1	1	0	0	0	0	1	1	1	1	1	1	1	1	1	1	1	1
					B6	0	0	1	1	0	0	1	1	0	0	1	1	0	0	1	1	0	0	1	1	1	1	1	1
					B5	0	1	0	1	0	1	0	1	0	1	0	1	0	1	0	1	0	1	0	1	0	1	0	1
B4	B3	B2	B1		0	1	2	3	4	5	6	7	8	9	A	B	C	D	E	F									
0	0	0	0	0			SP	0		P		p																	
0	0	0	1	1			!	1	A	Q	a	q																	
0	0	1	0	2			”	2	B	R	b	r																	
0	0	1	1	3				3	C	S	c	s																	
0	1	0	0	4				4	D	T	d	t																	
0	1	0	1	5			%	5	E	U	e	u																	
0	1	1	0	6			&	6	F	V	f	v																	
0	1	1	1	7			'	7	G	W	g	w																	
1	0	0	0	8			(8	H	X	h	x																	
1	0	0	1	9)	9	I	Y	i	y																	
1	0	1	0	A			*	:	J	Z	j	z																	
1	0	1	1	B			+	;	K		k																		
1	1	0	0	C			,	<	L		l																		
1	1	0	1	D			-	=	M		m																		
1	1	1	0	E			.	>	N		n																		
1	1	1	1	F			/	?	O	_	o																		

* Please use '#'(23H) when specifying FNC1.

9.16 Barcode

USPS Barcode		ESC+BS	
Hexadecimal code	ESC <1B> ₁₆	BS <42> ₁₆ <53> ₁₆	Parameter aabbccccccdddddde~e
Initial value	Nil		

Valid range and term of command	When the power switch is OFF	The set parameter is not maintained.
	Valid range within item	The parameter preset will be invalid.
	Valid range between items	The parameter preset will be invalid.

[Function]

USPS code is printed.

[Format]

<BS>aabbccccccdddddde(e~e)

•Parameter

- a[Barcode ID] = Fixed to 2 digits
* Specify 0 to 4 for the second digit.
- b[Service Type ID] = Fixed to 3 digits
- c[Mailer ID] = Fixed to 6 digits
- d[Serial Number] = Fixed to 9 digits
- e[Routing Code] = Fixed to 5 digits, 9 digits, or 11 digits (Omissible)

[Coding Example] Barcode ID : 53, Service Type ID : 379, Customer Identifier : 777234
Serial Number: 994544928, Routing Code : 51135759461

<A>
<V>100<H>200<BS>5337977723499454492851135759461
<Q>1
<Z>

[Note]

Refer to the USPS code table on the next page for the valid parameter.

USPS code-Code Table

					S				I				S				O							
B8					0	0	0	0	0	0	0	0	0	0	1	1	1	1	1	1	1	1	1	
B7					0	0	0	0	1	1	1	1	0	0	0	0	1	1	1	1	1	1	1	1
B6					0	0	1	1	0	0	1	1	0	0	1	1	0	0	1	1	0	0	1	1
B5					0	1	0	1	0	1	0	1	0	1	0	1	0	1	0	1	0	1	0	1
B4	B3	B2	B1		0	1	2	3	4	5	6	7	8	9	A	B	C	D	E	F				
0	0	0	0	0				0																
0	0	0	1	1				1																
0	0	1	0	2				2																
0	0	1	1	3				3																
0	1	0	0	4				4																
0	1	0	1	5				5																
0	1	1	0	6				6																
0	1	1	1	7				7																
1	0	0	0	8				8																
1	0	0	1	9				9																
1	0	1	0	A																				
1	0	1	1	B																				
1	1	0	0	C																				
1	1	0	1	D																				
1	1	1	0	E																				
1	1	1	1	F																				

10 2D Code Commands

10.1 2D Code			
PDF417		ESC+2D10	
Hexadecimal code	ESC <1B> ₁₆	2D10 <32> ₁₆ <44> ₁₆ <31> ₁₆ <30> ₁₆	Parameter ,aa,bb,c,dd,ee,(f)
Initial value	Nil		

Valid range and term of command	When the power switch is OFF	The set parameter is not maintained.
	Valid range within item	The parameter preset will be invalid.
	Valid range between items	The parameter preset will be invalid.

[Function]

Specifying PDF417 of 2D code.

[Format] (For setup)

<2D10>,aa,bb,c,dd,ee,(f)

•Parameter

a[Minimum module width] = Valid range: 01~27 (dots)
 b[Minimum module height] = Valid range: 01~72 (dots)
 c[Security level] = Valid range: 0~8
 d[Number of data codewords per 1 line]= Valid range: 01~30
 00 : Auto (the width size varies depending on the specified

number of data)

e[Lines per a symbol] = Valid range: 03~90
 00 : Auto (the height size varies depending on the specified

number of data)

f [Code type] = 0 : Normal, 0 when omitted (omissible)
 1 : Truncated

[Format] (data part)

<DN>m m m m,n~n

•Parameter

m[Number of data] = Valid range: 1~2681 (bytes)
 n[Print data] = data

[Coding Example 1]

Minimum module width: 03 (dots), minimum module height: 09 (dots)
 Security level: 3, number of data codewords per 1 line: 03, lines per a symbol: 18

<A>
 <V>100<H>200<2D10>,03,09,3,03,18
<DN>0010,0123456789
 <Q>2
 <Z>



[Coding Example 2]

Minimum module width: 03 (dots), minimum module height: 09 (dots)
 Security level: 3, number of data codewords per 1 line: 03,
 Lines per a symbol: 18, code type: truncated

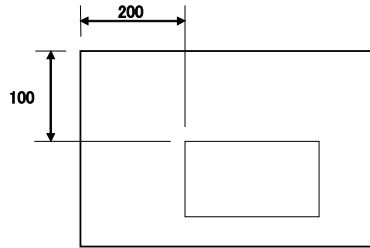
<A>
 <V>100<H>200<2D10>,03,09,3,03,18,1
<DN>0010,0123456789
 <Q>2
 <Z>



[Notes]

1. Specify the base reference point for PDF417 by using vertical position command <V> and horizontal position command <H>.

<V>100<H>200<2D10>*****



2. The ratio of vertical and horizontal size (aspect ratio) is 1:2 according to the number of data when d=e=00.
3. The printing may not be correct when the number of data specified for d and e does not match.
4. Specify bigger d and e when the specified security level is bigger.
5. Recommended to specify more than 2 dots for 8 dots/mm and 12 dots/mm, and 4 dots for 24 dots/mm because the minimum module width and minimum module height may not be read by the scanner.
6. The generation module has been changed for the quality improvement. The generated image may be different, however, the reading result is the same.

[Remarks]

1. The sequential numbering is invalid.
2. Print position specification by auto line feed is not available.
3. Print specification o 00H~FFH is available.
4. Format registration is available.
5. Specify bigger minimum module size when improving the print quality.
6. Specify a bigger security level value when improving the scanner readability.
7. The height of the code varies when the data are only alphabet or only numeric, and when the data are alphanumeric.

PDF417-Code Table

					S						I						S						O								
					B8	0	0	0	0	0	0	0	0	0	1	1	1	1	1	1	1	1	1	1	1	1	1	1	1	1	
					B7	0	0	0	0	1	1	1	1	0	0	0	0	1	1	1	1	1	1	1	1	1	1	1	1	1	
					B6	0	0	1	1	0	0	1	1	0	0	1	1	0	0	1	1	0	0	1	1	0	0	1	1	1	
					B5	0	1	0	1	0	1	0	1	0	1	0	1	0	1	0	1	0	1	0	1	0	1	0	1	0	1
B4	B3	B2	B1		0	1	2	3	4	5	6	7	8	9	A	B	C	D	E	F											
0	0	0	0	0			SP	0	@	P	`	p																			
0	0	0	1	1			!	1	A	Q	a	q																			
0	0	1	0	2			"	2	B	R	b	r																			
0	0	1	1	3			#	3	C	S	c	s																			
0	1	0	0	4			\$	4	D	T	d	t																			
0	1	0	1	5			%	5	E	U	e	u																			
0	1	1	0	6			&	6	F	V	f	v																			
0	1	1	1	7			'	7	G	W	g	w																			
1	0	0	0	8			(8	H	X	h	x																			
1	0	0	1	9)	9	I	Y	i	y																			
1	0	1	0	A			*	:	J	Z	j	z																			
1	0	1	1	B			+	;	K	[k	{																			
1	1	0	0	C			,	<	L	\	l																				
1	1	0	1	D			-	=	M]	m	}																			
1	1	1	0	E			.	>	N	^	n	~																			
1	1	1	1	F			/	?	O	_	o	DEL																			

[00H to 7FH] are available in PDF417.

10.2 2D code			
Micro PDF417			ESC+2D12
Hexadecimal code	ESC	2D12	Parameter
	<1B> ₁₆	<32> ₁₆ <44> ₁₆ <31> ₁₆ <32> ₁₆	,aa,bb,c,dd,(e)
Initial value	Nil		

Valid range and term of command	When the power switch is OFF	The set parameter is not maintained.
	Valid range within item	The parameter preset will be invalid.
	Valid range between items	The parameter preset will be invalid.

[Function]

Specify Micro PDF417.

[Format] (setting part)

<2D12>,aa,bb,c,dd,(e)

•Parameter

a[Minimum module width] = Valid range : 01~27 (dots)
b[Minimum module height] = Valid range : 01~72 (dots)
c[Data codeword number per 1 line](Cols) = Valid range : 1~4
d[Lines per a symbol](Rows) = Valid range : 2 digits
e[Binary mode specification] = 0 : Normal, 0 when omitted (Omissible)
1 : Binary mode

[Format] (data part)

<DN>m m m m, n ~ n : When Binary mode specification is "Binary mode"
<DS>n ~ n : When Binary mode specification is "Normal"

•Parameter

m[Number of data] = Valid range : 0001~0366 (bytes)
n[Print data] = data

[Coding Example]

Module width: 02 (dots), minimum module height: 04 (dots) number of data codewords per 1 line: 1, lines per a symbol: 14

<A>
<V>100<H>200<2D12>02,04,1,14
<DN>0010,0123456789
<Q>2
<Z>



[Notes]

1. Lines per a symbol are decided according to the number of data codewords per 1 line. Refer to the "Symbol size and number of data for Micro PDF417" in the next page.
2. Recommended to specify more than 2 dots for 8 dots/mm, 12 dots/mm, and more than 4 dots for 24 dots/mm because the code with the minimum module width and the minimum module height may not be read by a scanner.
3. The generation module has been changed for the quality improvement. The generated image may be different, however, the reading result is the same.

* The symbol size of Micro PDF417 is fixed to the following 34 types.

"Symbol size and number of data for Micro PDF417"

Symbol size		The maximum number of data		
Cols(c)	Rows(d)	Only alphabet	Only numeric	Binary mode
1	11	6	8	3
	14	12	17	7
	17	18	26	10
	20	22	32	13
	24	30	44	18
	28	38	55	22
2	8	14	20	8
	11	24	35	14
	14	36	52	21
	17	46	67	27
	20	56	82	33
	23	64	93	38
3	6	10	14	6
	8	18	26	10
	10	26	38	15
	12	34	49	20
	15	46	67	27
	20	66	96	39
	26	90	132	54
	32	114	167	68
	38	138	202	82
	44	162	237	97
4	4	14	20	8
	6	22	32	13
	8	34	49	20
	10	46	67	27
	12	58	85	34
	15	76	111	45
	20	106	155	63
	26	142	208	85
	32	178	261	106
	38	214	313	128
	44	250	366	150

* Number of characters varies depending of the combination of alphabet (upper case, lower case), numeric and mix of the control code.

Micro PDF417-Code Table

					S				I				S				O					
B8					0	0	0	0	0	0	0	0	0	0	1	1	1	1	1	1	1	1
B7					0	0	0	0	1	1	1	1	0	0	0	0	1	1	1	1	1	1
B6					0	0	1	1	0	0	1	1	0	0	1	1	0	0	1	1	1	1
B5					0	1	0	1	0	1	0	1	0	1	0	1	0	1	0	1	0	1
B4	B3	B2	B1		0	1	2	3	4	5	6	7	8	9	A	B	C	D	E	F		
0	0	0	0	0			SP	0	@	P	'	p										
0	0	0	1	1			!	1	A	Q	a	q										
0	0	1	0	2			"	2	B	R	b	r										
0	0	1	1	3			#	3	C	S	c	s										
0	1	0	0	4			\$	4	D	T	d	t										
0	1	0	1	5			%	5	E	U	e	u										
0	1	1	0	6			&	6	F	V	f	v										
0	1	1	1	7			'	7	G	W	g	w										
1	0	0	0	8			(8	H	X	h	x										
1	0	0	1	9)	9	I	Y	i	y										
1	0	1	0	A			*	:	J	Z	j	z										
1	0	1	1	B			+	;	K	[k	{										
1	1	0	0	C			,	<	L	\	l											
1	1	0	1	D			-	=	M]	m	}										
1	1	1	0	E			.	>	N	^	n	~										
1	1	1	1	F			/	?	O	_	o	DEL										

[00H to FFH] are available in Micro PDF417.

10.3 2D code

MaxiCode		ESC+2D20	
Hexadecimal code	ESC <1B> ₁₆	2D20 <32> ₁₆ <44> ₁₆ <32> ₁₆ <30> ₁₆	Parameter ,a(,bbb,ccc,d~d)
Initial value	Nil		

Valid range and term of command	When the power switch is OFF	The set parameter is not maintained.
	Valid range within item	The parameter preset will be invalid.
	Valid range between items	The parameter preset will be invalid.

[Function]

Specify the MaxiCode.

[Format] (setting part)

<2D20>,a(,bbb,ccc,d~d)

•Parameter

a[Mode] = 2 : For carrier (numeric)
 3 : For carrier (alphanumeric)
 4 : Standard code
 6 : For reading device

* Please specify the below parameter when mode 2 or 3 is specified.

Please omit the below parameter when mode 4 or 6 is specified.

b[Service class] = Valid range: 001~999 (numeric)
 c[Country code] = Valid range: 001~999 (numeric)
 d[Postal code] = Valid range: 0~999999999 (mode 2)
 000000~999999 (mode 3)

* Maximum 9 digits for mode 2 (only numeric)

Fixed to 6 digits for mode 3 (upper case only for alphabet)

[Format] (data part)

<DN>mmmm,n~n

•Parameter

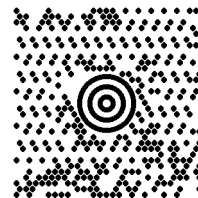
m[Number of data] = Valid range : 1~138
 n[Print data] = data
 * 00H cannot be specified.

Mode	Service class	Country code	Postal code	The maximum number of print data	
				Numeric only	Alphanumeric
2	Fixed to 3 digits (Numeric only)	Fixed to 3 digits (Numeric only)	Maximum 9 digits	123	84
3			Fixed to 6 digits (alphanumeric)		
4	Omit			138	93
6					

[Coding Example]

Mode: For carrier (numeric), Service class: 003, country code : 081
 Postal code: 123456789

<A>
 <V>100<H>200<2D20>2.003.081.123456789
 <DN>0010.0123456789
 <Q>2
 <Z>



[Notes]

- The size of the MaxiCode does not vary depending on the number of data.
- The code will not be printed when a parameter other than above is specified or number of print data does not match.
- Specify more than 12 for the print data when mode 4 or 6 is specified. The MaxiCode that print data are equal or less than 11 cannot be read by scanners.
- The maximum number of print data varies depending on the print data combination when other than alphanumeric code are used for the print data.
- The generation module has been changed for the quality improvement. The generated image may be different, however, the reading result is the same.

MaxiCode-Code Table

				S I								S O									
				B8	0	0	0	0	0	0	0	0	0	1	1	1	1	1	1	1	1
				B7	0	0	0	0	1	1	1	1	0	0	0	0	1	1	1	1	1
				B6	0	0	1	1	0	0	1	1	0	0	1	1	0	0	1	1	1
				B5	0	1	0	1	0	1	0	1	0	1	0	1	0	1	0	1	1
B4	B3	B2	B1		0	1	2	3	4	5	6	7	8	9	A	B	C	D	E	F	
0	0	0	0	0			SP	0	@	P	'	p									
0	0	0	1	1			!	1	A	Q	a	q									
0	0	1	0	2			”	2	B	R	b	r									
0	0	1	1	3			#	3	C	S	c	s									
0	1	0	0	4			\$	4	D	T	d	t									
0	1	0	1	5			%	5	E	U	e	u									
0	1	1	0	6			&	6	F	V	f	v									
0	1	1	1	7			'	7	G	W	g	w									
1	0	0	0	8			(8	H	X	h	x									
1	0	0	1	9)	9	I	Y	i	y									
1	0	1	0	A			*	:	J	Z	j	z									
1	0	1	1	B			+	;	K	[k	{									
1	1	0	0	C			,	<	L	\	l										
1	1	0	1	D			-	=	M]	m	}									
1	1	1	0	E			.	>	N	^	n	~									
1	1	1	1	F			/	?	O	_	o	DEL									

[01H to FFH] are available in MaxiCode.

10.4 2D code

QR Code (Model 2)

ESC+2D30

Hexadecimal code	ESC	2D30	Parameter
	<1B> ₁₆	<32> ₁₆ <44> ₁₆ <33> ₁₆ <30> ₁₆	,a,bb,c,d,(ee,ff,gg)
Initial value	Nil		

Valid range and term of command	When the power switch is OFF	The set parameter is not maintained.
	Valid range within item	The parameter preset will be invalid.
	Valid range between items	The parameter preset will be invalid.

[Function]

Specify QR code (model 2)

[Format] (setting part)

<2D30>,a,bb,c,d,(ee,ff,gg)

•Parameter

- a[Error correction level(error correction)] = L : 7%
M : 15%
Q : 25%
H : 30%
- b[Size of a side] = Valid range : 01~99 (dots)
* Recommend to specify more than 2 dots for 12 dots/mm, and 4 dots for 24 dots/mm for scanner readability.
- c[Data setting mode] = 0 : Manual setting
1 : Auto setting
* Note that the print data specification varies according to this setting.
- d[Combine mode] = 0 : Normal mode
1 : Combine mode
* Please specify the below parameter when combined mode 1 is specified.
Omit the below parameter with the normal mode.
- e[Division number of combine mode] = Valid range : 01 ~ 16
* Specify how many divided QR code are to be combined with the combine mode.
- f[Sequential number of divided combine mode] = Valid range : 01 ~ 16
* Specify what number of divided QR code.
- g[Parity data of combine mode] = Valid range : 00 ~ FF
*Specify the data that is a calculation (exclusive OR) of all divided QR code print data in HEX.

[Format] (data part)

Manual setting (Data setting mode)

<DS>k,n~n * This is used when the input mode is numeric mode, alphanumeric mode and Kanji code.

<DN>mmmm,n~n * This is used when specified by binary.

Auto setting (Data setting mode)

<DN>mmmm,n~n * The input mode is automatically switched by the input data.

[Format] (version specification)

<QV>pp * This is used when specifying the version.

•Parameter

- k[Input mode] = 1 : Numeric mode
2 : Alphanumeric mode
3 : Kanji mode(Shift JIS Kanji code)

* Specify this setting only if the manual setting is specified in the data setting mode.

* Note that there is a binary specification other than above, however, the data specification command is different.

m [Number of data] = Valid range: 1~2953

* Specify this setting when auto setting in the data setting mode or binary specification in manual setting is specified.

n[Print data] = data

pp [Version] = 00~40 (MODEL2)

* Use this setting when fix the QR symbol size. When this is not specified, it will be Auto.

It will be Auto when 00 is specified. The parameter error will not occur in the range of 00~40.

* Refer to the "QR code version specification command" for more details.

[Note 1]

1. When Kanji is specified in the <DN>, specify the size of number of Kanji character x2.
2. When auto setting is on and <DN> specification, 80H~9FH and E0H~FFH is treated as Kanji mode and binary cannot be specified.

[Coding Example 1] Error correction level: 7%, size of a side: 05
data setting mode: manual setting, combine mode: normal

<A>
<V>100<H>200
<2D30>,L,05,0,0
<DS>1,012345
<Q>2
<Z>



[Note 2]

1. The code will not be printed when a parameter other than above is specified or number of print data does not match.
2. The data specification command in the data part varies according to the setting of the parameter part or specified data contents.

[Coding Example2] Error correction level: 7%, Size of one side of cell: 04
Mixed specification of Manual setup (Data setup mode)
In Manual setup, you can proceed specifying data in specified input mode (Numeric, Alphanumeric, Kanji and Binary).

<A>
<V>100<H>200
<2D30>,L,04,0,0
<DS>3,サト一
<DN>0010,0123456789
<DS>1,123
<Q>1
<Z>

[Note 3]

1. Please specify the data part after the parameter part. Also, specify the data part after the data part continuously. When this fails, printing may not be correct.
2. Make the total number of data (n) less than 7000 bytes in this specification. Also the maximum block number of the continuously specified data part is 200 blocks.

[Coding Example 3] Error correction level: 7%, size of a side: 05
data setting mode: manual setting, combine mode: normal, printed with version 5

<A>
<V>100<H>200
<2D30>,L,05,0,0
<QV>5
<DS>1,012345
<DN>0004,6789
<Q>1
<Z>

[Note 4]

1. Specify the <QV> command in between <2Dxx> and <DN>/<DS>.
2. When the parameter error occurs, it will be treated as no specification.
3. The parameter error will not occur in the range of 00~40. (Please specify the value in the range supported in the model)
Setting range (MODEL 1): 00 to 40
4. The command error occurs and the QR code will not be printed when data exceeded the size limit of the specified version data size.

QR Code data size table (Model 2)

Version	Error Correction	Numeric	Alpha-numeric	Kanji	Binary
1 21X21	L	41	25	10	17
	M	34	20	8	14
	Q	27	16	7	11
	H	17	10	4	7
2 25X25	L	77	47	20	32
	M	63	38	16	26
	Q	48	29	12	20
	H	34	20	8	14
3 29X29	L	127	77	32	53
	M	101	61	26	42
	Q	77	47	20	32
	H	58	35	15	24
4 33X33	L	187	114	48	78
	M	149	90	38	62
	Q	111	67	28	46
	H	82	50	21	34
5 37X37	L	255	154	65	106
	M	202	122	52	84
	Q	144	87	37	60
	H	106	64	27	44
6 41X41	L	322	195	82	134
	M	255	154	65	106
	Q	178	108	45	74
	H	139	84	36	58
7 45X45	L	370	224	95	154
	M	293	178	75	122
	Q	207	125	53	86
	H	154	93	39	64
8 49X49	L	461	279	118	192
	M	365	221	93	152
	Q	259	157	66	108
	H	202	122	52	84
9 53X53	L	552	335	141	230
	M	432	262	111	180
	Q	312	189	80	130
	H	235	143	60	98
10 57X57	L	652	395	167	271
	M	513	311	131	213
	Q	364	221	93	151
	H	288	174	74	119
11 61X61	L	772	468	198	321
	M	604	366	155	251
	Q	427	259	109	177
	H	331	200	85	137
12 65X65	L	883	535	226	367
	M	691	419	177	287
	Q	489	296	125	203
	H	374	227	96	155
13 69X69	L	1022	619	262	425
	M	796	483	204	331
	Q	580	352	149	241
	H	427	259	109	177
14 73X73	L	1101	667	282	458
	M	871	528	223	362
	Q	621	376	159	258
	H	468	283	120	194
15 77X77	L	1250	758	320	520
	M	991	600	254	412
	Q	703	426	180	292
	H	530	321	136	220
16 81X81	L	1408	854	361	586
	M	1082	656	277	450
	Q	775	470	198	322
	H	602	365	154	250
17 85X85	L	1548	938	397	664
	M	1212	734	310	504
	Q	876	531	224	364
	H	674	408	173	280
18 89X89	L	1725	1046	442	718
	M	1346	816	345	560
	Q	948	574	243	394
	H	746	452	191	310
19 93X93	L	1903	1153	488	792
	M	1500	909	384	624
	Q	1063	644	272	442
	H	813	493	208	338
20 97X97	L	2061	1249	528	858
	M	1600	970	410	666
	Q	1159	702	297	482
	H	919	557	235	382

Version	Error Correction	Numeric	Alpha-numeric	Kanji	Binary
21 101X101	L	2232	1352	572	929
	M	1708	1035	438	711
	Q	1224	742	314	509
	H	969	587	248	403
22 105X105	L	2409	1460	618	1003
	M	1872	1134	480	779
	Q	1358	823	348	565
	H	1056	640	270	439
23 109X109	L	2620	1158	672	1091
	M	2059	1248	528	857
	Q	1468	890	376	611
	H	1108	672	284	461
24 113X113	L	2812	1704	721	1171
	M	2188	1326	561	911
	Q	1588	963	407	661
	H	1228	744	315	511
25 117X117	L	3057	1853	784	1273
	M	2395	1451	614	997
	Q	1718	1041	440	715
	H	1286	779	330	535
26 121X121	L	3283	1990	842	1367
	M	2544	1542	652	1059
	Q	1804	1094	462	751
	H	1425	864	365	593
27 125X125	L	3517	2132	902	1465
	M	2701	1637	692	1125
	Q	1933	1172	496	805
	H	1501	910	385	625
28 129X129	L	3669	2223	940	1528
	M	2857	1732	732	1190
	Q	2085	1263	534	868
	H	1581	958	405	658
29 133X133	L	3909	2369	1002	1628
	M	3035	1839	778	1264
	Q	2181	1322	559	908
	H	1677	1016	430	698
30 137X137	L	4158	2520	1066	1732
	M	3289	1994	843	1370
	Q	2358	1429	604	982
	H	1782	1080	457	742

Version	Error Correction	Numeric	Alpha-numeric	Kanji	Binary
31 141X141	L	4417	2677	1132	1840
	M	3486	2113	894	1452
	Q	2473	1499	634	1030
	H	1897	1150	486	790
32 145X145	L	4686	2840	1201	1952
	M	3693	2238	947	1538
	Q	2670	1618	684	1112
	H	2022	1226	518	842
33 149X149	L	4965	3009	1273	2068
	M	3909	2369	1002	1628
	Q	2805	1700	719	1168
	H	2157	1307	553	898
34 153X153	L	5253	3183	1347	2188
	M	4134	2506	1060	1722
	Q	2949	1787	756	1228
	H	2301	1394	590	958
35 157X157	L	5529	3351	1417	2303
	M	4343	2632	1113	1809
	Q	3081	1867	790	1283
	H	2361	1431	605	983
36 161X161	L	5836	3537	1496	2431
	M	4588	2780	1176	1911
	Q	3244	1966	832	1351
	H	2524	1530	647	1051
37 165X165	L	6153	3729	1577	2563
	M	4775	2894	1224	1989
	Q	3417	2071	876	1423
	H	2625	1591	673	1093
38 169X169	L	6479	3927	1661	2699
	M	5039	3054	1292	2099
	Q	3599	2181	923	1499
	H	2735	1658	701	1139
39 173X173	L	6743	4087	1729	2809
	M	5313	3220	1362	2213
	Q	3791	2298	972	1579
	H	2927	1774	750	1219
40 177X177	L	7089	4296	1817	2953
	M	5596	3391	1435	2331
	Q	3993	2420	1024	1663
	H	3057	1852	784	1273

10.5 2D code

QR Code (Model 1)

ESC+2D31

Hexadecimal code	ESC <1B> ₁₆	2D31 <32> ₁₆ <44> ₁₆ <33> ₁₆ <31> ₁₆	Parameter ,a,bb,c,d,(ee,ff,gg)
Initial value	Nil		

Valid range and term of command	When the power switch is OFF	The set parameter is not maintained.
	Valid range within item	The parameter preset will be invalid.
	Valid range between items	The parameter preset will be invalid.

[Function]

Specify QR code (model 1)

[Format] (setting part)

<2D31>,a,bb,c,d,(ee,ff,gg)

•Parameter

- a[Error correction level(error correction)] = L : 7%
M : 15%
Q : 25%
H : 30%
- b[Size of a side] = Valid range : 01~99 (dots)
* Recommend to specify more than 2 dots for 12 dots/mm, and 4 dots for 24 dots/mm for scanner readability.
- c[Data setting mode] = 0 : Manual setting
1 : Auto setting
* Note that the print data specification varies according to this setting.
- d[Combine mode] = 0 : Normal mode
1 : Combine mode
* Please specify the below parameter when combined mode 1 is specified.
Omit the below parameter with the normal mode.
- e[Division number of combine mode] = Valid range : 01 ~ 16
* Specify how many divided QR code are to be combined with the combine mode.
- f[Sequential number of divided combine mode] = Valid range : 01 ~ 16
* Specify what number of divided QR code.
- g[Parity data of combine mode] = Valid range : 00 ~ FF
* Specify the data that is a calculation (exclusive OR) of all divided QR code print data in HEX.

[Format] (data part)

Manual setting (Data setting mode)

<DS>k,n~n * This is used when the input mode is numeric mode, alphanumeric mode and Kanji code.

<DN>m,mm,n~n * This is used when specified by binary.

Auto setting (Data setting mode)

<DN>m,mm,n~n * The input mode is automatically switched by the input data.

[Format] (version specification)

<QV>pp * This is used when specifying the version.

•Parameter

- k[Input mode] = 1 : Numeric mode
2 : Alphanumeric mode
3 : Kanji mode (Shift JIS Kanji code)
* Specify this setting only if the manual setting is specified in the data setting mode.
* Note that there is a binary specification other than above, however, the data specification command is different.
- m [Number of data] = Valid range : 1~486
* Specify this setting when auto setting in the data setting mode or binary specification in manual setting is specified.
- n [Print data] = data
- pp [Version] = 00~40 (MODEL2)
* Use this setting when fix the QR symbol size. When this is not specified, it will be Auto.
It will be Auto when 00 is specified. The parameter error will not occur in the range of 00~40.
* Refer to the "QR code version specification command" for more details.

[Note 1]

1. When Kanji is specified in the <DN>, specify the size of number of Kanji character x2.
2. When auto setting is on and <DN> specification, 80H~9FH and E0H~FFH is treated as Kanji mode and binary cannot be specified.

[Coding Example 1] Error correction level: 7%, size of a side: 05
data setting mode: manual setting, combine mode: normal

<A>
<V>100<H>200
<2D31>,L,05,0,0
<DS>1,012345
<Q>2
<Z>



[Note 2]

1. The code will not be printed when a parameter other than above is specified or number of print data does not match.
2. The data specification command in the data part varies according to the setting of the parameter part or specified data contents.

[Coding Example 2] Error correction level: 7%, Size of one side of cell: 04
Mixed specification of Manual setup (Data setup mode)
In Manual setup, you can proceed specifying data in specified input mode (Numeric, Alphanumeric, Kanji and Binary).

<A>
<V>100<H>200
<2D31>,L,04,0,0
<DS>3,サトー
<DN>0010,0123456789
<DS>1,123
<Q>1
<Z>

[Note 3]

Please specify the data part after the parameter part. Also, specify the data part after the data part continuously. When this fails, printing may not be correct.

[Coding Example 3] Error correction level: 7%, size of a side: 05
data setting mode: manual setting, combine mode: normal, printed with version 5

<A>
<V>100<H>200
<2D31>,L,05,0,0
<QV>5
<DS>1,012345
<DN>0004,6789
<Q>1
<Z>

[Note 4]

1. Specify the <QV> command in between <2Dxx> and <DN>/<DS>.
2. When the parameter error occurs, it will be treated as no specification.
3. The parameter error will not occur in the range of 00~40. (Please specify the value in the range supported in the model)
Setting range (MODEL 1): 00 to 14
4. The command error occurs and the QR code will not be printed when data exceeded the size limit of the specified version data size.

QR code data size table (Model 1)

Version	Error Correction	Numeric	Alpha-numeric	Kanji	Binary
1 21X21	L	40	24	10	17
	M	33	20	8	14
	Q	25	15	6	11
	H	16	10	4	7
2 25X25	L	81	49	20	34
	M	66	40	17	28
	Q	52	31	13	22
	H	33	20	8	14
3 29X29	L	131	79	33	55
	M	100	60	25	42
	Q	81	49	20	34
	H	52	31	13	22
4 33X33	L	186	113	48	78
	M	138	84	35	58
	Q	114	69	29	48
	H	76	46	19	32
5 37X37	L	253	154	65	106
	M	191	116	49	80
	Q	157	95	40	66
	H	105	63	27	44
6 41X41	L	321	194	82	134
	M	249	151	64	104
	Q	201	122	51	84
	H	133	81	34	56
7 45X45	L	402	244	103	168
	M	311	188	80	130
	Q	253	154	65	106
	H	167	101	43	70
8 49X49	L	493	299	126	206
	M	378	229	97	158
	Q	301	183	77	126
	H	203	123	52	85
9 53X53	L	585	354	150	244
	M	441	267	113	184
	Q	369	223	94	154
	H	239	145	61	100
10 57X57	L	690	418	177	287
	M	526	319	135	219
	Q	433	262	111	180
	H	291	176	74	121

Version	Error Correction	Numeric	Alpha-numeric	Kanji	Binary
11 61X61	L	800	485	205	333
	M	608	368	156	253
	Q	493	299	126	205
	H	342	207	87	142
12 65X65	L	915	555	234	381
	M	694	421	178	289
	Q	579	351	148	241
	H	390	236	100	162
13 69X69	L	1030	624	264	429
	M	790	479	202	329
	Q	656	398	168	273
	H	454	275	116	189
14 73X73	L	1167	707	299	486
	M	877	531	225	365
	Q	738	447	189	307
	H	498	302	127	207

10.6 2D code			
Micro QR Code		ESC+2D32	
Hexadecimal code	ESC	2D32	Parameter
	<1B> ₁₆	<32> ₁₆ <44> ₁₆ <33> ₁₆ <32> ₁₆	,a,bb,c
Initial value	Nil		

Valid range and term of command	When the power switch is OFF	The set parameter is not maintained.
	Valid range within item	The parameter preset will be invalid.
	Valid range between items	The parameter preset will be invalid.

[Function]

Specify Micro QR code.

[Format] (setting part)

<2D32>,a,bb,c

•Parameter

a[Error correction level(error correction)] = L : 7%
M : 15%
Q : 25%

b[Size of a side] = Valid range : 01~99 (dots)
* Recommend to specify more than 2 dots for 12 dots/mm, and 4 dots for 24 dots/mm for scanner readability.

c[Data setting mode] = 0 : Manual setting
1 : Auto setting

[Format] (data part)

Manual setting (Data setting mode)

<DS>k,n~n * This is used when the input mode is numeric mode, alphanumeric mode and Kanji code.

<DN>mmmm,n~n * This is used when specified by binary.

Auto setting (Data setting mode)

<DN>mmmm,n~n * The input mode is automatically switched by the input data.

[Format] (version specification)

<QV>pp * This is used when specifying the version.

•Parameter

k[Input mode] = 1 : Numeric mode
2 : Alphanumeric mode
3 : Kanji mode (Shift JIS Kanji code)

* Note that there is a binary specification other than above, however, the data specification command is different.

m [Number of data] = Valid range : 1~15

* Specify this setting only if the auto setting is specified in the data setting mode.

n[Print data] = data

pp [Version] = 00~40 (MODEL 2)

* Use this setting when fix the QR symbol size. When this is not specified, it will be Auto.

It will be Auto when 00 is specified. The parameter error will not occur in the range of 00~40.

* Refer to the "QR code version specification command" for more details.

[Note 1]

1. When Kanji is specified in the <DN>, specify the size of number of Kanji character x2.
2. When auto setting is on and <DN> specification, 80H~9FH and E0H~FFH is treated as Kanji mode and binary cannot be specified.

[Coding Example 1] Error correction level: 7%, size of a side: 04

<A>
<V>100<H>200
<2D32>.L.04.0
<DS>1.012345
<Q>2
<Z>



[Note 2]

1. The code will not be printed when a parameter other than above is specified or number of print data does not match.
2. The data specification command in the data part varies according to the setting of the parameter part or specified data contents.

[Coding Example2] Error correction level: 7%, Size of one side of cell: 04
Mixed specification of Manual setup (Data setup mode)
In Manual setup, you can proceed specifying data in specified input mode (Numeric, Alphanumeric, Kanji, Binary) in a row.

```
<A>
<V>100<H>200
<2D32>,L,04,0
<DS>3,サト一
<DN>0010,0123456789
<DS>1,123
<Q>1
<Z>
```

[Note 3]

Please specify the data part after the parameter part. Also, specify the data part after the data part continuously.
When this fails, printing may not be correct.

Micro QR code data size table

Version	Error correction	Numeric	Alphanumeric	Kanji	Binary
M1 (11×11)	L (Error correction only)	5	-	-	-
M2 (13×13)	L	10	6	-	-
	M	8	5	-	-
M3 (15×15)	L	23	14	6	9
	M	18	11	4	7
M4 (17×17)	L	35	21	9	15
	M	30	18	8	13
	Q	21	13	5	9

[Coding Example 3] Error correction level: 7%, size of a side: 05 data setting mode: manual setting, combine mode: normal, printed in version M4

```
<A>
<V>100<H>200
<2D32>,L,05,0,0
<QV>4
<DS>1,012345
<DN>0004,6789
<Q>1
<Z>
```

[Note 4]

1. Specify the <QV> command in between <2Dxx> and <DN>/<DS>.
2. When the parameter error occurs, it will be treated as no specification.
3. The parameter error will not occur in the range of 00~40. (Please specify the value in the range supported in the model)
Setting range (Micro QR): 00 to 04
4. The command error occurs and the Micro QR code will not be printed when data exceeded the size limit of the specified version data size.

QR code (Numeric mode)-Code Table

					S				I				S				O					
B8					0	0	0	0	0	0	0	0	1	1	1	1	1	1	1	1	1	
B7					0	0	0	0	1	1	1	1	0	0	0	0	1	1	1	1	1	
B6					0	0	1	1	0	0	1	1	0	0	1	1	0	0	1	1	1	
B5					0	1	0	1	0	1	0	1	0	1	0	1	0	1	0	1	0	1
B4	B3	B2	B1		0	1	2	3	4	5	6	7	8	9	A	B	C	D	E	F		
0	0	0	0	0				0														
0	0	0	1	1				1														
0	0	1	0	2				2														
0	0	1	1	3				3														
0	1	0	0	4				4														
0	1	0	1	5				5														
0	1	1	0	6				6														
0	1	1	1	7				7														
1	0	0	0	8				8														
1	0	0	1	9				9														
1	0	1	0	A																		
1	0	1	1	B																		
1	1	0	0	C																		
1	1	0	1	D																		
1	1	1	0	E																		
1	1	1	1	F																		

QR code (Alphanumeric mode)-Code Table

					S				I				S				O					
B8					0	0	0	0	0	0	0	0	0	1	1	1	1	1	1	1	1	
B7					0	0	0	0	1	1	1	1	0	0	0	0	1	1	1	1	1	
B6					0	0	1	1	0	0	1	1	0	0	1	1	0	0	1	1	1	
B5					0	1	0	1	0	1	0	1	0	1	0	1	0	1	0	1	0	1
B4	B3	B2	B1		0	1	2	3	4	5	6	7	8	9	A	B	C	D	E	F		
0	0	0	0	0			SP	0		P												
0	0	0	1	1				1	A	Q												
0	0	1	0	2				2	B	R												
0	0	1	1	3				3	C	S												
0	1	0	0	4			\$	4	D	T												
0	1	0	1	5			%	5	E	U												
0	1	1	0	6				6	F	V												
0	1	1	1	7				7	G	W												
1	0	0	0	8				8	H	X												
1	0	0	1	9				9	I	Y												
1	0	1	0	A			*	:	J	Z												
1	0	1	1	B			+		K													
1	1	0	0	C					L													
1	1	0	1	D			-		M													
1	1	1	0	E			.		N													
1	1	1	1	F			/		O													

QR code (Binary mode)-Code Table

				S				I				S				O							
B8				0	0	0	0	0	0	0	0	0	0	1	1	1	1	1	1	1	1	1	1
B7				0	0	0	0	1	1	1	1	0	0	0	0	1	1	1	1	1	1	1	1
B6				0	0	1	1	0	0	1	1	0	0	1	1	0	0	1	1	0	0	1	1
B5				0	1	0	1	0	1	0	1	0	1	0	1	0	1	0	1	0	1	0	1
B4	B3	B2	B1		0	1	2	3	4	5	6	7	8	9	A	B	C	D	E	F			
0	0	0	0	0			SP	0	@	P	`	p											
0	0	0	1	1			!	1	A	Q	a	q											
0	0	1	0	2			"	2	B	R	b	r											
0	0	1	1	3			#	3	C	S	c	s											
0	1	0	0	4			\$	4	D	T	d	t											
0	1	0	1	5			%	5	E	U	e	u											
0	1	1	0	6			&	6	F	V	f	v											
0	1	1	1	7			'	7	G	W	g	w											
1	0	0	0	8			(8	H	X	h	x											
1	0	0	1	9)	9	I	Y	i	y											
1	0	1	0	A			*	:	J	Z	j	z											
1	0	1	1	B			+	;	K	[k	{											
1	1	0	0	C			,	<	L	\	l												
1	1	0	1	D			-	=	M]	m	}											
1	1	1	0	E			.	>	N	^	n	—											
1	1	1	1	F			/	?	O	_	o	DEL											

[00H to 7FH], [A0H to DFH] are available in the QR code.

QR code (Kanji mode)-Code Table

	Shift JIS	0	1	2	3	4	5	6	7	8	9	A	B	C	D	E	F
Symbol	813F		SP	、	。	、	・	：	；	？	！	、	。	、	、	、	、
	814F	^	—	—	、	、	、	、	、	全	々	々	〇	—	—	-	/
	815F	／	～	//		…	…	‘	‘	“	”	()	[]	[]
	816F	{	}	<	>	《	》	「	」	『	』	【	】	+	-	±	×
	8180	÷	=	≠	<	>	≦	≧	∞	∴	♂	♀	°	’	”	℃	¥
	8190	\$	¢	£	%	#	&	*	@	§	☆	★	○	●	◎	◇	
	819E		◆	□	■	△	▲	▽	▼	※	〒	→	←	↑	↓	=	
Alphanumeric	824F	0	1	2	3	4	5	6	7	8	9						
	825F		A	B	C	D	E	F	G	H	I	J	K	L	M	N	O
	826F	P	Q	R	S	T	U	V	W	X	Y	Z					
	8280		a	b	c	d	e	f	g	h	i	j	k	l	m	n	o
	8290	p	q	r	s	t	u	v	w	x	y	z					
Hiragana	829E		あ	あ	い	い	う	う	え	え	お	お	か	が	き	ぎ	く
	82AE	ぐ	け	げ	こ	こ	さ	ざ	し	じ	す	ず	せ	げ	そ	ぞ	た
	82BE	だ	ち	ぢ	っ	っ	づ	て	で	と	ど	な	に	ぬ	ね	の	は
	82CE	ば	ぱ	ひ	び	び	ふ	ぶ	ぷ	へ	べ	り	ほ	ぼ	ぼ	ま	み
	82DE	む	め	も	ゃ	ゃ	ゆ	ゆ	よ	よ	ら	り	れ	ろ	わ	わ	
	82EE	ゐ	ゑ	を	ん												
Katakana	833F		ア	ア	イ	イ	ウ	ウ	エ	エ	オ	オ	カ	ガ	キ	ギ	ク
	834F	グ	ケ	ゲ	コ	ゴ	サ	ザ	シ	ジ	ス	ズ	セ	ゲ	ソ	ゾ	タ
	835F	ダ	チ	ヂ	ツ	ツ	ヅ	テ	デ	ト	ド	ナ	ニ	ヌ	ネ	ノ	ハ
	836F	バ	パ	ヒ	ビ	ピ	フ	ブ	プ	ヘ	ベ	リ	ホ	ボ	ポ	マ	ミ
	8380	ム	メ	モ	ヤ	ヤ	ユ	ユ	ヨ	ヨ	ラ	リ	ル	レ	ロ	ワ	ワ
	8390	キ	エ	ヲ	ン	ヴ	カ	ケ									
Greek Alphabet	839E		A	B	Γ	Δ	E	Z	H	Θ	I	K	Λ	M	N	Ξ	O
	83AE	Π	P	Σ	T	Υ	Φ	X	Ψ	Ω							
	83BE		α	β	γ	δ	ε	ζ	η	θ	ι	κ	λ	μ	ν	ξ	ο
	83CE	π	ρ	σ	τ	υ	φ	χ	ψ	ω							
Russian Alphabet	843F		A	Б	В	Г	Д	Е	Ё	Ж	З	И	Й	К	Л	М	Н
	844F	О	П	Р	С	Т	У	Ф	Х	Ц	Ч	Ш	Щ	Ъ	Ы	Ь	Э
	845F	Ю	Я														
	846F		a	б	в	г	д	е	ё	ж	з	и	й	к	л	м	н
	8480	о	п	р	с	т	у	ф	х	ц	ч	ш	щ	ъ	ы	ь	э
	8490	ю	я														

	Shift JIS	0	1	2	3	4	5	6	7	8	9	A	B	C	D	E	F
ア	889E	亜	啞	娃	阿	哀	愛	挨	始	逢	葵	茜	穉	惡	握	渥	
	88AE	旭	葦	芦	梓	压	幹	扱	宛	姐	虻	飴	絢	綾	鮎	或	
	88BE	粟	裕	安	按	暗	案	闇	鞍	杏							
イ	88BE											以	伊	位	依	偉	困
	88CE	夷	委	威	尉	惟	意	慰	易	椅	為	畏	異	移	維	緯	胃
	88DE	萎	衣	謂	違	遣	医	井	亥	域	育	郁	磯	一	杏	溢	逸
	88EE	稻	茨	芋	鬪	允	印	咽	員	因	姻	引	飲	淫	胤	蔭	
	893F		院	陰	隱	韻	吋										
ウ	893F						右	宇		烏	羽	迂	雨	卯	鷓	窺	丑
	894F	碓	臼	渦	噓	唄	鬱	蔚	鰻	姥	廐	浦	瓜	閏	嶲	云	運
	895F	雲															
エ	895F		荏	餌	叡	營	嬰	影	映	曳	栄	永	泳	洩	瑛	盈	穎
	896F	穎	英	衛	詠	銳	液	疫	益	馱	悦	謁	越	閎	榎	厭	円
	8980	園	堰	奄	宴	延	怨	掩	援	沿	演	炎	焰	煙	燕	猿	縁
	8990	艶	苑	菌	遠	鉛	鴛	塩									
オ	8990							於	翁	汚	甥	凹	央	奧	往	忝	
	899E		押	旺	橫	欧	殴	王	卸	襖	鶯	鷗	黄	岡	沖	荻	億
	89AE	屋	憶	臆	桶	牡	乙	俺		恩	温	穩	音				
カ	89AE													下	化	仮	何
	89BE	伽	伽	佳	加	可	嘉	夏	嫁	家	寡	科	暇	果	架	歌	河
	89CE	火	珂	禍	禾	稼	箇	花	苛	茄	荷	華	菓	蝦	課	嘩	貨
	89DE	迦	過	霞	蚊	俄	峨	我	牙	画	臥	芽	蛾	賀	雅	餓	駕
	89EE	介	会	解	回	塊	壞	迴	快	怪	悔	恢	懷	戒	拐	改	
	8A3F		魁	晦	械	海	灰	界	皆	絵	芥	蟹	開	階	貝	凱	効
	8A4F	外	咳	害	崖	慨	概	涯	碍	蓋	街	該	鎧	骸	湮	罄	蛙
	8A5F	垣	柿	蛎	鉤	劃	嚇	各	廓	拈	攪	格	核	骸	獲	確	穫
	8A6F	覚	角	赫	較	郭	閣	隔	革	学	岳	樂	額	骸	掛	笠	桴
	8A80	檀	梶	鯁	漚	割	喝	恰	括	活	渴	滑	葛	骸	掛	轄	桴
	8A90	叶	椈	樺	靴	株	兜	竈	蒲	釜	鎌	嚙	鴨	骸	栢	喚	桴
	8A9E		粥	刈	苜	瓦	乾	侃	冠	寒	刊	勘	勸	骸	栢	喚	桴
	8AAE	完	官	寬	干	幹	患	感	慣	憾	換	敢	柑	骸	栢	喚	桴
	8ABE	汗	漢	澗	灌	環	甘	監	看	竿	管	簡	緩	骸	栢	喚	桴
8ACE	莞	觀	諫	貫	還	鑑	間	閑	関	陷	韓	館	骸	栢	喚	桴	
8ADE	巖	玩	癌	眼	岩	翫	贖	雁	頑	顔	願		骸	栢	喚	桴	

	Shift JIS	0	1	2	3	4	5	6	7	8	9	A	B	C	D	E	F
キ	8ADE												企	伎	危	喜	器
	8AEE	基	奇	嬉	寄	岐	希	幾	忌	揮	机	旗	既	期	棋	棄	起
	8B3F		機	婦	毅	氣	汽	畿	祈	季	稀	紀	徽	規	記	貴	疑
	8B4F	軌	輝	飢	騎	鬼	龜	偽	儀	妓	宜	戲	技	擬	欺	儀	杵
	8B5F	祇	義	蟻	誼	議	掬	菊	鞠	吉	吃	喫	桔	橋	詰	砧	救
	8B6F	忝	却	客	脚	虐	逆	丘	久	仇	休	及	吸	宮	弓	急	居
	8B80	朽	求	汲	泣	灸	球	究	窮	笈	級	糾	給	旧	牛	去	
	8B90	巨	拒	拋	拳	渠	虛	許	距	鋸	漁	卿	魚	亨	享	京	強
	8B9E		供	俠	僑	兇	競	共	凶	協	匡	卿	叫	喬	喬	峽	鄉
	8BAE	彊	怯	恐	恭	挾	教	橋	況	狂	狹	矯	胸	脅	興	蕎	僅
	8BBE	鏡	響	饗	驚	仰	凝	堯	曉	業	局	曲	極	玉	桐	秆	襟
	8BCE	勤	均	巾	錦	斤	欣			禁	禽			芹			
	8BDE	謹	近	金	吟	銀											
ク	8BDE						九	俱	句	区	狗	玖	矩	苦	軀	驅	駟
	8BEE	駒	具	愚	虞	喰	空	偶	寓	遇	隅	串	櫛	釧	屑	屈	君
	8C3F		掘	窟	沓	靴	轡	窪	熊	隈	彖	栗	線	桑	斂	勲	
	8C4F	薰	訓	群	軍	郡											
ケ	8C4F						卦	袈	祁	係	傾	刑	兄	啓	圭	珪	型
	8C5F	契	形	徑	惠	慶	慧	憩	揭	携	敬	景	桂	溪	畦	稽	系
	8C6F	經	繼	繫	野	荃	荊	蚩	計	詣	警	輕	頸	溪	芸	迎	鯨
	8C80	劇	戟	擊	激	隙	析	傑	欠	詣	潔	穴	結	鷄	訣	月	件
	8C90	儉	倦	健	兼	券	劍	喧	圈	堅	嫌	建	憲	血	拳	捲	遣
	8C9E		檢	權	牽	犬	獻	研	硯	絹	凜	肩	見	懸	謙	軒	舷
	8CAE	鍵	陰	顯	驗	齧	元	原	蔽	幻	弦	減	源	謙	賢	絃	
8CBE	言	諺	限										玄	現	絃		
コ	8CBE				乎	個	古	呼	固	姑	孤	己	庫	弧	戸	故	枯
	8CCE	湖	狐	糊	袴	股	胡	菰	虎	誇	跨	鈷	雇	顧	鼓	互	
	8CDE	伍	午	吳	吾	娛	後	御	悟	梧	檣	瑚	碁	語	誤	翻	
	8DEE	乞	鯉	交	佞	侯	候	倖	光	公	功	効	碁	厚	口		
	8D3F		后	喉	坑	垢	好	孔	孝	宏	工	巧	巷	幸	庑	康	
	8D4F	弘	恒	慌	抗	拘	控	攻	昂	晃	更	杭	校	梗	構	洪	
	8D5F	浩	港	溝	甲	皇	硬	稿	糠	紅	紘	絞	綱	耕	考	肱	
	8D6F	腔	膏	航	荒	行	衡	講	貢	購	郊	醉	鉞	砧	鋼	降	
8D80	項	香	高	鴻	剛	劫	号	合	壕	拷	濠	豪	轟	趨	克	刻	

	Shift JIS	0	1	2	3	4	5	6	7	8	9	A	B	C	D	E	F
コ	8D90	告	国	穀	酷	鵠	黒	獄	漉	腰	甌	忽	惚	骨	狛	込	
	8D9E	此	良	頃	今	困	坤	壘	婚	恨	懇	昏	昆	根	栖	混	痕
	8DAE	紺		魂													
サ	8DAE				些	佐	又	唆	嵯	左	差	查	沙	磋	砂	詐	鎖
	8DBE	裳	坐	座	挫	債	催	再	最	哉	塞	妻	宰	彩	才	採	裁
	8DCE	歲	濟	災	采	犀	碎	砦	祭	齋	細	菜	裁	載	際	劑	在
	8DDE	材	罪	財	牙	坂	阪	堺	神	肴	咲	崎	埼	碕	鷺	作	削
	8DEE	昨	榨	昨	朔	柵	窄	策	索	肴	桜	鮭	筰	匙	冊	刷	
	8E3F		察	抄	撮	擦	札	殺	薩	錯	棗	鯖	捌	鏑	皿	晒	
	8E4F	三	傘	參	山	慘	撒	散	棧	雜	阜	鯖	算	鏑	皿	晒	
8E5F	酸	餐	斬	暫	殘				燦	珊	産		纂	讚	贊		
シ	8E5F						仕	仔	伺	使	刺	司	史	嗣	四	士	始
	8E6F	姉	姿	子	屍	市	師	志	思	指	支	孜	斯	施	旨	枝	止
	8E80	死	氏	獅	祉	私	糸	紙	紫	肢	脂	至	視	詞	詩	試	誌
	8E90	諮	資	賜	雌	飼	齒	事	似	侍	兒	字	寺	慈	持	時	
	8E9E		次	滋	治	爾	璽	痔	磁	示	而	耳	自	蒔	悉	夕	鹿
	8EAE	式	識	鳴	竺	軸	穴	零	七	叱	執	失	嫉	室	射	湿	漆
	8EBE	疾	質	実	蔀	篠	偲	柴	芝	屢	蕊	綺	舍	写	射	捨	赦
	8ECE	斜	煮	社	紗	者	謝	車	遮	蛇	邪	借	勺	尺	杓	灼	爵
	8EDE	酌	积	錫	若	寂	弱	惹	主	取	守	手	朱	殊	狩	珠	種
	8EEE	腫	趣	酒	首	儒	受	呪	寿	授	樹	綬	需	囚	收	周	
	8F3F		宗	就	州	修	愁	拾	洲	秀	秋	終	繡	習	臭	舟	蒐
	8F4F	衆	襲	讐	蹴	輯	週	曾	酬	集	醜	什	住	充	十	從	戎
	8F5F	柔	汁	洪	獸	縱	重	銚	叔	夙	宿	淑	祝	縮	肅	塾	熟
	8F6F	出	術	述	俊	峻	春	瞬	竣	舜	駿	准	祝	旬	楯	殉	淳
	8F80	準	潤	盾	純	巡	遵	醇	順	処	初	所	暑	曙	渚	庶	緒
	8F90	署	書	薯	諸	諸	助	叙	女	序	徐	恕	鋤	除	傷	償	
	8F9E		勝	匠	升	召	哨	商	唱	嘗	獎	妾	娼	宵	將	小	少
	8FAE	尚	庄	床	廠	彰	承	抄	招	掌	捷	昇	昌	昭	晶	松	梢
	8FBE	樟	樵	沼	消	涉	湘	燒	焦	照	捷	省	硝	礁	祥	称	章
	8FCE	笑	粧	紹	肖	菖	蔣	蕉	衝	裳	症	訟	証	礁	象	賞	醬
8FDE	鉦	鍾	鐘	障	鞘	上	丈	丞	乘	冗	剩	剩	場	壤	飾	常	
8FEE	情	擾	条	杖	淨	狀	量	穰	蒸	讓	釀	釀	場	壤	飾		
903F		拭	植	殖	燭	織	職	色	觸	食	蝕	蝕	尻	伸	信	侵	

	Shift JIS	0	1	2	3	4	5	6	7	8	9	A	B	C	D	E	F
シ	904F	唇	娠	寢	審	心	慎	振	新	晋	森	榛	浸	深	申	疹	真
	905F	神	秦	紳	臣	芯	薪	親	診	身	辛	進	針	震	人	仁	刃
	906F	塵	壬	尋	甚	尽	腎	訊	迅	陣	韌						
ス	906F											筭	諏	須	酢	凶	厨
	9080	逗	吹	垂	帥	推	水	炊	睡	粹	翠	衰	遂	須	錐	錘	厨
	9090	瑞	髓	崇	嵩	数	枢	趨	雛	据	杉	相	菅	頗	雀	裾	
	909E		澄	摺	寸												
セ	909E					世	瀬	畝	是	凄	制	勢	姓	征	性	成	政
	90AE	整	星	晴	棲	栖	正	清	性	生	盛	精	聖	声	製	西	誠
	90BE	誓	請	逝	醒	青	静	齐	税	脆	隻	席	惜	戚	斥	昔	析
	90CE	石	積	籍	績	脊	責	赤	跡	蹟	碩	切	拙	接	撰	折	設
	90DE	窃	節	説	雪	絶	舌	蝉	仙	先	千	占	宣	専	尖	川	戰
	90EE	扇	撰	栓	梅	泉	浅	洗	染	潜	煎	煽	旋	穿	箭	線	
	913F		織	羨	腺	舛	船	薦	詮	賤	踐	選	遷	穿	箭	閃	鮮
	914F	前	善	漸	然	全	禪	繕	膳	糲				錢	銃		
ソ	914F										噲	塑	岨	措	曾	曾	楚
	915F	狙	疏	疎	礎	祖	租	粗	素	組	蘇	訴	阻	迦	鼠	僧	創
	916F	双	叢	倉	喪	壯	奏	爽	宋	層	匠	惣	想	迦	掃	挿	搔
	9180	操	早	曹	巢	槍	槽	漕	燥	争	瘦	相	窓	搜	糴	綜	聡
	9190	草	莊	葬	蒼	藻	装	走	送	遭	鎗	霜	騷	像	增	憎	
	919E		臧	蔵	贈	造	促	側	則	即	息	捉	束	測	足	速	俗
	91AE	属	賊	族	統	卒	袖	其	揃	存	孫	尊	損	村	遜		
タ	91AE															他	多
	91BE	太	汰	詫	唾	墮	妥	惰	打	柁	舵	橈	陀	馱	驛	体	堆
	91CE	対	耐	岱	帶	待	怠	態	戴	替	泰	滯	胎	腿	苔	袋	貸
	91DE	退	逮	隊	黛	鯛	代	台	大	第	醜	題	鷹	滝	瀧	卓	啄
	91EE	宅	托	扨	拓	沢	濯	琢	託	鐸	濁	諾	茸	胤	只		
	923F		叩	但	達	辰	奪	脱	異	豎	迪	棚	茸	狸	樽	誰	
	924F	丹	单	嘆	坦	担	探	旦	歎	淡	湛	炭	谷	端	綻	眈	
925F	胆	蛋	誕	鍛	団	壇	彈	断	暖	檀	段	短	談				
チ	925F														值	知	地
	926F	弛	恥	智	池	痴	稚	置	致	蜘	遲	馳	築	畜	竹	筑	蓄
	9280	逐	秩	窒	茶	嫡	着	中	仲	宙	忠	抽	昼	柱	注	虫	衷
	9290	註	酎	鑄	駐	構	瀦	猪	芋	著	貯	丁	兆	涸	喋	寵	

	Shift JIS	0	1	2	3	4	5	6	7	8	9	A	B	C	D	E	F
チ	929E		帖	帳	斤	弔	張	彫	徵	懲	挑	暢	朝	潮	牒	町	眺
	92AE	聽	脹	腸	蝶	調	諜	超	跳	銚	長	頂	鳥	勅	抄	直	朕
	92BE	沈	珍	賃	鎮	陳											
ツ	92BE						津	墜	椎	槌	追	鎚	痛	通	塚	拇	搦
	92CE	槻	佃	漬	柘	辻	蔦	綴	鏑	椿	潰	坪	壺	孀	紬	爪	吊
	92DE	釣	鶴														
テ	92DE			亭	低	停	偵	荆	貞	呈	堤	定	帝	底	庭	廷	弟
	92EE	悌	抵	挺	提	梯	汀	碇	禎	程	締	艇	訂	諦	蹄	遞	哲
	933F		邸	鄭	釘	鼎	泥	摘	擢	敵	滴	的	笛	適	鎚	溺	顛
	934F	徹	撤	轍	迭	鉄	典	填	天	展	店	添	纏	甜	貼	轉	
	935F	点	伝	殿	澱	田	電										
ト	935F						兔	吐		堵	塗	妬	屠	徒	斗	杜	渡
	936F	登	菟	賭	途	都	鍍	砥	砺	努	度	土	奴	怒	倒	党	冬
	9380	凍	刀	唐	塔	塘	套	宕	島	嶋	悼	投	搭	東	桃	禱	棟
	9390	盜	淘	湯	濤	灯	燈	当	痘	禱	等	答	筒	糖	統	到	
	939E		董	蕩	藤	討	騰	豆	踏	逃	透	鐙	陶	頭	騰	鬪	働
	93AE	動	同	堂	導	懂	撞	洞	瞳	童	胴	荀	道	銅	峠	鴉	匿
	93BE	得	德	澆	特	督	禿	篤	毒	独	読	析	橡	凸	突	楸	届
	93CE	鳶	苦	寅	酉	瀕	噸	屯	惇	敦	沌	豚	遁	頓	吞	曇	鈍
ナ	93DE	奈	那	内	乍	凧	薙	謎	灘	捺	鍋	櫓	馴	縄	暇	南	楠
	93EE	軟	難	汝													
ニ	93EE				二	尼	弑	迹	匂	賑	肉	虹	廿	日	乳	入	
	943F		如	尿	菲	任	妊	忍	認								
又	943F									濡							
ネ	943F										禰	柵	寧	葱	猫	熱	年
	944F	念	捻	撚	燃	粘											
ノ	944F						乃	迺	之	埜	囊	惱	濃	納	能	腦	膿
	945F	農	視	蚤													
ハ	945F				巴	把	播	霸	杷	波	派	琶	破	婆	罵	芭	馬
	946F	俳	糜	拜	排	敗	杯	盃	牌	背	肺	輩	配	倍	培	媒	拍
	9480	楳	煤	狽	買	壳	賠	陪	這	蠅	秤	矧	菽	伯	剥	博	
	9490	柏	泊	白	箔	粕	舶	薄	迫	曝	漠	爆	縛	莫	駁	麥	
	949E		函	箱	谿	箸	肇	筭	櫨	幡	肌	焜	皁	八	鉢	澆	癸
	94AE	醜	髮	伐	罰	拔	筏	閥	鳩	嘶	塙	蛤	隼	伴	判	半	反

	Shift JIS	0	1	2	3	4	5	6	7	8	9	A	B	C	D	E	F
ハ	94BE	叛	帆	搬	斑	板	汜	汎	版	犯	班	畔	繁	般	藩	販	範
	94CE	采	煩	頒	飯	挽	晚	番	盤	磬	蕃	蚤					
ヒ	94CE												匪	卑	否	妃	庇
	94DE	彼	悲	扉	批	披	斐	比	泌	疲	皮	碑	秘	卑	罷	肥	被
	94EE	誹	費	避	非	飛	樋	簸	備	尾	微	枇	毘	緋	眉	美	
	953F		鼻	柎	稗	匹	疋	髭	彦	膝	菱	肘	弼	必	畢	筆	逼
	954F	桧	姫	媛	紐	百	謬	俵	彪	標	氷	漂	瓢	票	表	評	豹
	955F	廟	描	病	秒	苗	錨	鋌	蒜	蛭	鱈	品	彬	斌	浜	瀕	貧
956F	竇	頻	敏	瓶													
フ	956F					不	付	埠	夫	婦	富	富	布	府	怖	扶	敷
	9580	斧	普	浮	父	符	腐	膚	芙	譜	負	賦	赴	阜	附	侮	撫
	9590	武	舞	葡	蕪	部	封	楓	風	葺	蒞	伏	副	復	幅	服	
	959E		福	腹	複	覆	淵	弗	弘	沸	仏	物	鮒	分	吻	噴	墳
	95AE	憤	扮	焚	奮	粉	糞	紛	雰	文	聞						
ヘ	95AE											丙	併	兵	塀	幣	平
	95BE	弊	柄	並	蔽	閉	陛	米	頁	僻	壁	癖	碧	別	警	蔑	篋
	95CE	偏	変	片	篇	編	辺	返	遍	便	勉	婉	弁	鞭			
ホ	95CE														保	舖	舖
	95DE	圃	捕	步	甫	補	輔	穗	募	墓	慕	戊	暮	母	簿	菩	倣
	95EE	俣	包	呆	報	奉	宝	峰	峯	崩	庖	抱	捧	放	方	朋	
	963F		法	泡	烹	砲	縫	胞	芳	萌	蓬	蜂	褒	訪	豊	邦	鋒
	964F	飽	鳳	鵬	乏	亡	傍	剖	坊	妨	帽	忘	忙	房	暴	望	某
	965F	棒	冒	紡	肪	膨	謀	貌	貿	鉦	防	吠	類	北	僕	卜	墨
	966F	撲	朴	牧	睦	穆	卸	勃	沒	殆	堀	幌	奔	本	翻	凡	盆
マ	9680	摩	磨	魔	麻	埋	妹	味	枚	每	哩	模	幕	膜	枕	鮪	枉
	9690	鱒	榭	亦	俣	又	抹	末	沫	迄	俛	繭	磨	万	慢	滿	
	969E																
ミ	969E				味	未	魅	巳	箕	岬	密	蜜	湊	蓑	稔	脈	妙
	96AE	耗	民	眠													
ム	96AE				務	夢	無	牟	矛	霧	鷓	棕	婿	娘			
メ	96AE														冥	名	命
	96BE	明	盟	迷	銘	鳴	姪	牝	滅	免	棉	綿	緬	面	麵		
モ	96BE															摸	模
	96CE	茂	妄	孟	毛	猛	盲	網	耗	蒙	儲	木	默	目	杳	勿	餅

	Shift JIS	0	1	2	3	4	5	6	7	8	9	A	B	C	D	E	F
モ	96DE	尤	戾	粃	貰	問	悶	紋	門	勾							
ヤ	96DE 96EE	矢	厄	役	約	葉	訛	躍	靖	柳	也	冶	夜	爺	耶	野	弥
ユ	96EE 973F 974F	涌	諭	輸	唯	佑	優	勇	友	宥	幽	悠	愉	愈	油	癒	湧
ヨ	974F 975F 976F 9780	誉	輿	預	傭	幼	妖	容	庸	揚	搖	擁	曜	楊	予	余	与
ラ	9780 9790	乱	卵	嵐	欄	濫	羅	螺	裸	来	萊	賴	雷	洛	絡	落	酪
リ	9790 979E 97AE 97BE 97CE	琉	痲	裏	裡	里	離	陸	律	利	吏	履	李	梨	理	璃	溜
ル	97CE 97DE	類												瑠	罌	淚	累
レ	97DE 97EE 983F	齡	令	伶	例	冷	勵	嶺	伶	玲	礼	苓	鈴	隸	零	靈	麗
ロ	983F 984F 985F	樓	榔	浪	漏	呂	魯	櫓	炉	賂	路	露	勞	婁	廊	弄	朗
ワ	985F 986F	椀	倭	和	話	歪	賄	脇	惑	梓	鷺	互	亘	鰐	詫	藁	蕨

	Shift JIS	0	1	2	3	4	5	6	7	8	9	A	B	C	D	E	F
一	989E		弌	丐	丕												
丨	989E					个	卩										
丿	989E							丿	井								
丩	989E									丩	乂	乖	乘				
乙	989E													亂			
丿	989E														丿	豫	事
	98AE	舒															
二	98AE		弌	于	亞	亟											
十	98AE					十	亢	京		毫	亶						
人	98AE										从	仍		仄	仆	仂	仗
	98BE	仞	仞	仞	价	伉	侏	估	佛	佝	佗	佇	佻	仄	仆	仂	仗
	98CE	佩	佰	侑	伴	來	侖	儘	倪	俟	俎	俘	俛	侷	侷	侷	侷
	98DE	俸	倚	倨	偃	倪	控	倅	倅	俶	倡	倩	倬	俾	俯	們	們
	98EE	偃	假	會	借	修	偈	做	偕	惚	偷	傀	倣	俾	偃	儼	儼
	993F		僉	僊	傳	儂	僖	僞	僥	僭	僭	僮	倣	儼	儼	儼	儼
	994F	儼	儼	儼	儼	儼	儼	儼	儼	儼				儼	儼	儼	儼
儿	994F									儿	兀	兒		兌	免	兢	競
入	995F	兩	兪														
八	995F			兮	冀												
冂	995F					冂	回	册	冉	冂	冂	冂	冂				
冂	995F													冂	冂	冂	冂
	996F	冂	冂														
冂	996F			冂	决	冂	冲	冰	况	冂	冂	冂	冂				
几	996F													几	處	凵	凭
	9980	凰															
凵	9980		凵	函													
刀	9980				刃	刊	刂	刂	刂	刪	刮	刮	剝	剝	剝	剝	剝
	9990	剝	剔	剪	剝	剩	剝	剝	剝	劍	劍	劍	劍	剝	剝	剝	剝
	999E		剔	辦													
力	999E			劬	劬	劬	劬	劬	劬	劬	勞	勸	勸	飭	勸	勸	勸
	99AE	勸															
勸	99AE		勸	勸	勸	勸	勸	勸	勸								
勸	99AE									七							
匚	99AE									匚	匚	匚	匚	匚	匚	匚	匚

	Shift JIS	0	1	2	3	4	5	6	7	8	9	A	B	C	D	E	F	
匸	99AE																匸 區	
十	99BE	𠂇	卅	卅	卉	卍	準											
卜	99BE								卞									
卩	99BE								卩	卮	卮	卮	卷					
厂	99BE 99CE													厂	厖	厖	厦	
厶	99CE				厶	參	纂											
又	99CE							雙	叟	曼	變							
口	99CE											叮	叨	叭	叭	吁	吡	
	99DE	呀	听	吭	吼	吮	呐	吩	吝	呖	咏	呵	咎	叭	呱	呷	吡	
	99EE	咒	呻	咀	呶	咄	咐	咆	哇	呖	咸	咤	咬	哄	哈	咨		
	9A3F		咫	晒	咤	咄	高	听	哥	哦	唏	唔	哽	哮	哭	哺	哧	
	9A4F	嗽	哇	啣	啞	售	啜	啁	啖	啗	唸	喉	啞	喙	喀	咯	噉	
	9A5F	啜	啞	啣	啞	啞	啞	啞	啞	啞	啞	啞	啞	啞	啞	啞	啞	啞
	9A6F	啞	啞	啞	啞	啞	啞	啞	啞	啞	啞	啞	啞	啞	啞	啞	啞	啞
	9A80	噫	噤	嘯	噬	噪	噤	噤	噤	噤	噤	噤	噤	噤	嚮	嚮	嚮	嚮
	9A90	嚼	嚼	嚼	嚼	嚼	嚼	嚼	嚼	嚼	嚼	嚼	嚼	嚼	嚮	嚮	嚮	嚮
囗	9A90									口	囗	囗	囗	囗	囗	囗	囗	
	9A9E		圈	國	圍	圓	團	圖	晉	園								
土	9A9E										坎	坏	址	坏				
	9AAE	坩	垂	垚	坡	坩	垚	垚	垚	坩	垚	垚	垚	坎	坩	址	坏	
	9ABE	坩	垚	垚	垚	坩	垚	垚	垚	坩	垚	垚	垚	坎	坩	址	坏	
	9ACE	壘	壘	壘	壘	壘	壘	壘	壘	壘	壘	壘	壘	壘	壘	壘	壘	
	9ADE	壘	壘	壘	壘	壘	壘	壘	壘	壘	壘	壘	壘	壘	壘	壘	壘	
士	9ADE				壯	壺	壺	壺	壺	壽								
夕	9ADE									夕								
又	9ADE											又	又					
夕	9ADE													夕	夕	夕		
大	9ADE																夫	
	9AEE	天	本	夸	夾	奇	奕	奂	奎	奚	奘	奢	奠	奧	獎	奘		
女	9B3F		奸	妁	妝	佞	佞	妣	妣	姆	姨	姜	妍	妊	姚	娥	娟	
	9B4F	娑	娜	娉	娉	婀	姪	婉	姪	娶	姨	婪	媚	媪	媪	媪	媪	
	9B5F	媽	媽	媪	媪	嫩	嫖	嫖	嫖	嬌	嫖	嬖	嬖	嫩	嬖	嬖	嬖	
	9B6F	孃	孃	孃	孃													

	Shift JIS	0	1	2	3	4	5	6	7	8	9	A	B	C	D	E	F
子	9B6F				子	孕	孚	孛	孛	孩	孰	孛	孛	學	孛	孛	
宀	9B6F					寇	崔	寔	寐	寤	寔	寔	寔	寥	寫	寰	宀
	9B80	它	宦	宸	寃					寤	寔	寔	寔				寔
	9B90	寶															寔
寸	9B90		尅	將	專	對											
小	9B90						尔	尅									
尢	9B90							尢	尢								
尸	9B90									尸	尹	屍		屆	屎	頂	
	9B9E		屐	屏	屛	屬											
屮	9B9E					屮											
山	9B9E						此	岑	岑	屹	岑	岑	岑	岑	岫	岫	岫
	9BAE	岬	岷	岷	岷	岷	岷	岷	岷	岷	岷	岷	岷	岷	岷	岷	岷
	9BBE	崑	崑	崑	崑	崑	崑	崑	崑	崑	崑	崑	崑	崑	崑	崑	崑
	9BCE	嶺	嶺	嶺	嶺	嶺	嶺	嶺	嶺	嶺	嶺	嶺	嶺	嶺	嶺	嶺	嶺
ㄩ	9BCE																ㄩ
工	9BDE	巫															
巳	9BDE		巳	卮													
巾	9BDE				帟	帟	帟	帟	帟	帶	帷	幄	幃	幃	幃	幃	幃
	9BEE	幃	幃	幃	幃												
干	9BEE				干	井											
么	9BEE						么	麼									
广	9BEE									广	庠	廁	廂	厦	廐	廐	
	9C3F	廖	廣	廐		廚	廐	廢	廐	廐	廐	廐	廐	廐	廐		
廴	9C3F																廴 廴
廾	9C4F	廾	弃	莽	莽												
弋	9C4F					弋	弋										
弓	9C4F							弓	弓	弩	弭	弭	弭	彈	彌	彎	弯
彑	9C5F	彑	彑	彑	彑												
彳	9C5F					彳	彳	彭									
彳	9C5F					彳	彳	彳	彳	往	徂	徂	徂	很	徑	徇	從
	9C6F	徂	徂	徂	徂	徂	徂	徂	徂								
	9C6F	徂	徂	徂	徂	徂	徂	徂	徂								
心	9C6F					忖	忖	忖	忖	忖	忖	忖	忖	惠	忿	怡	恠
	9C80	忖	忖	忖	忖	忖	忖	忖	忖	忖	忖	忖	忖	惠	忿	怡	恠
	9C90	忖	忖	忖	忖	忖	忖	忖	忖	忖	忖	忖	忖	惠	忿	怡	恠

	Shift JIS	0	1	2	3	4	5	6	7	8	9	A	B	C	D	E	F
心	9C9E		悄	悛	悻	悵	悵	悵	悵	惡	悻	惠	惓	悴	悴	悽	惆
	9CAE	悵	悵	悵	悵	悵	悵	悵	悵	悵	悵	悵	悵	悵	悵	悵	悵
	9CBE	悵	悵	悵	悵	悵	悵	悵	悵	悵	悵	悵	悵	悵	悵	悵	悵
	9CCE	悵	悵	悵	悵	悵	悵	悵	悵	悵	悵	悵	悵	悵	悵	悵	悵
	9CDE	悵	悵	悵	悵	悵	悵	悵	悵	悵	悵	悵	悵	悵	悵	悵	悵
	9CEE	悵	悵	悵	悵	悵	悵	悵	悵	悵	悵	悵	悵	悵	悵	悵	悵
戈	9CEE									戈	戍	戍	戍	戍	戍	戍	
	9D3F		戍	戍	戍	戍	戍	戍	戍								
戸	9D3F									扁							
手	9D3F										扌	扌	扌	扌	扌	扌	扌
	9D4F	扌	扌	扌	扌	扌	扌	扌	扌	扌	扌	扌	扌	扌	扌	扌	扌
	9D5F	扌	扌	扌	扌	扌	扌	扌	扌	扌	扌	扌	扌	扌	扌	扌	扌
	9D6F	扌	扌	扌	扌	扌	扌	扌	扌	扌	扌	扌	扌	扌	扌	扌	扌
	9D80	扌	扌	扌	扌	扌	扌	扌	扌	扌	扌	扌	扌	扌	扌	扌	扌
	9D90	扌	扌	扌	扌	扌	扌	扌	扌	扌	扌	扌	扌	扌	扌	扌	扌
	9D9E	扌	扌	扌	扌	扌	扌	扌	扌	扌	扌	扌	扌	扌	扌	扌	扌
	9DAE	扌	扌	扌	扌	扌	扌	扌	扌	扌	扌	扌	扌	扌	扌	扌	扌
支	9DAE													支	支	支	支
	9DBE	收	攸	攸	攸	攸	攸	攸	攸	攸	攸	攸	攸	攸	攸	攸	攸
斗	9DBE																斛
	9DCE	斛															
斤	9DCE		斤	斤													
方	9DCE				旃	旃	旃	旃	旃	旃	旃	旃	旃				
无	9DCE											无	无	无	无	无	无
日	9DCE														日	日	日
	9DDE	日	日	日	日	日	日	日	日	日	日	日	日	日	日	日	日
	9DEE	日	日	日	日	日	日	日	日	日	日	日	日	日	日	日	日
	9E3F	日	日	日	日	日	日	日	日	日	日	日	日	日	日	日	日
日	9E3F									日	日	日					
月	9E3F													月	月	月	月
	9E4F	月	月	月	月	月	月	月	月	月	月	月	月	月	月	月	月
木	9E4F			朮	朮	朮	朮	朮	朮	朮	朮	朮	朮	朮	朮	朮	朮
	9E5F	朮	朮	朮	朮	朮	朮	朮	朮	朮	朮	朮	朮	朮	朮	朮	朮
	9E6F	朮	朮	朮	朮	朮	朮	朮	朮	朮	朮	朮	朮	朮	朮	朮	朮

	Shift JIS	0	1	2	3	4	5	6	7	8	9	A	B	C	D	E	F	
木	9E80	梳	栴	杵	档	桷	梲	梟	梏	梭	梔	條	椰	梃	檣	梠	桴	
	9E90	梵	栢	栳	桎	梔	梲	梟	梏	梭	棘	梔	椰	梃	檣	梠	桴	
	9E9E		栳	棧	棕	椶	椒	接	棗	棣	柳	棹	棠	楡	桷	桠	櫛	
	9EAE	栳	倒	椴	楹	楷	榭	楸	楸	楸	楔	椴	楮	楮	楮	楮	櫛	
	9EBE	榆	楞	棟	榑	楛	榭	楸	楸	楸	楸	楸	楸	楸	楸	楸	楸	櫛
	9ECE	榻	檠	榑	榑	榑	榑	榑	榑	榑	榑	榑	榑	榑	榑	榑	榑	櫛
	9EDE	榑	榑	榑	榑	榑	榑	榑	榑	榑	榑	榑	榑	榑	榑	榑	榑	櫛
	9EEE	榑	榑	榑	榑	榑	榑	榑	榑	榑	榑	榑	榑	榑	榑	榑	榑	櫛
	9F3F		榑	榑	榑	榑	榑	榑	榑	榑	榑	榑	榑	榑	榑	榑	榑	櫛
	9F4F	榑	榑	榑	榑	榑	榑	榑	榑	榑	榑	榑	榑	榑	榑	榑	榑	櫛
欠	9F4F								欸	欸	盜	欸	飲	歇	歇	歉	歐	
	9F5F	欸	歔	歔	歔	歔												
止	9F5F						歸											
歹	9F5F						歹	歿		歿	殄	殃	殍	殘	殍	殍	殍	
	9F6F	殄	殄	殄	殄	殄												
殳	9F6F					殳	股	殼		毆								
毋	9F6F										毋	毓						
毛	9F6F											毳	毳	毳	毳	毳	毳	
	9F80	毳	毳															
氏	9F80			氓														
气	9F80			气		氛	氤	氣										
水	9F80							汞		汕	汩	汪	沂	洳	沚	沁	沛	
	9F90	汾	汨	汨	沒	沐	泄	決	泓	沽	泗	泗	沂	洳	洳	沚	沛	
	9F9E		汨	泛	汎	汨	汨	洑	衍	洑	洑	洑	洑	洑	洑	洑	洑	
	9FAE	洑	洑	洑	洑	洑	洑	洑	洑	洑	洑	洑	洑	洑	洑	洑	洑	
	9FBE	洑	洑	洑	洑	洑	洑	洑	洑	洑	洑	洑	洑	洑	洑	洑	洑	
	9FCE	洑	洑	洑	洑	洑	洑	洑	洑	洑	洑	洑	洑	洑	洑	洑	洑	
	9FDE	洑	洑	洑	洑	洑	洑	洑	洑	洑	洑	洑	洑	洑	洑	洑	洑	
	9FEE	洑	洑	洑	洑	洑	洑	洑	洑	洑	洑	洑	洑	洑	洑	洑	洑	
	E03F		洑	洑	洑	洑	洑	洑	洑	洑	洑	洑	洑	洑	洑	洑	洑	
	E04F	彭	洑	洑	洑	洑	洑	洑	洑	洑	洑	洑	洑	洑	洑	洑	洑	
	E05F	濱	洑	洑	洑	洑	洑	洑	洑	洑	洑	洑	洑	洑	洑	洑	洑	
	E06F	瀾	洑	洑	洑	洑	洑	洑	洑	洑	洑	洑	洑	洑	洑	洑	洑	
火	E06F					炙	炒	炯		炯	炬	炸	炳	炮	烟	杰	烝	

	Shift JIS	0	1	2	3	4	5	6	7	8	9	A	B	C	D	E	F	
火	E080	烙	焉	烽	焜	焙	煥	熙	熙	煦	榮	煌	煖	煬	熏	燠	熄	
	E090	煩	熨	熬	爛	烹	熾	燒	燉	燔	燎	燠	燬	燧	燧	燼		
	E09E		燹	燿	爍	爐	爛	爨										
爪	E09E								爭	爬	爰	爲						
爻	E09E												爻	俎				
爿	E09E														爿	牀	牆	
	E0AE	牋	牘															
牛	E0AE			牴	牾	犁	犁	犛	犒	犖	犖	犧						
犬	E0AE												犹	豺	狃	狃	狄	
	E0BE	狎	狒	狝	狝	狝	狝	狝	狝	狝	狝	狝	猯	狝	狝	狝	狝	
	E0CE	猥	猥	猥	猥	猥	猥	猥	猥	猥	猥	猥	猥	猥	猥	猥	猥	
王	E0CE														珈	玳	玳	
	E0DE	玻	珀	珥	珥	珞	瑤	琅	瑯	琥	瑀	珩	珩	瑕	瑋	瑟	璫	
	E0EE	瑁	瑜	瑩	瑰	瑣	瑪	瑤	瑾	璋	璞	璧	瓊	瓏	瓔	瓔	瓔	
瓜	E13F		瓠	瓣														
瓦	E13F				砧	砧	瓮	甌	甌	甌	甌	甌	甌	甌	甌	甌	甌	
	E14F	甌	甌	甌														
甘	E14F				管													
生	E14F					甦												
用	E14F						甬											
田	E14F							早	岄	畛	畛	畛	畛	畛	畛	畛	畛	
	E15F	畛	畛	畛	畛	當	疆	疇	疇	疊	疊	疊						
疒	E15F												疒	疒	疒	疒	疒	
	E16F	痂	疖	痄	痄	疽	疽	疼	疱	痲	痊	痒	痲	痲	痲	痲	痲	
	E180	痲	痲	痲	痲	痲	痲	痲	痲	痲	痲	痲	痲	痲	痲	痲	痲	
	E190	癩	癩	癩	癩	癩	癩	癩	癩	癩	癩	癩	癩	癩	癩	癩	癩	癩
	E19E		癩															
夂	E19E			夂	癸	發												
白	E19E						皀	兒	皀	皀	皎	皀	皓	皙	皀			
皮	E19E															皀	皀	
	E1AE	皀	皀	皀														
皿	E1AE				孟	盞	盞	盒	盞	盞	盞	盞	盞	盞				
目	E1AE														眈	眈	眈	
	E1BE	眈	眈	眈	眈	眈	眈	眈	眈	眈	眈	眈	眈	眈	眈	眈	眈	

	Shift JIS	0	1	2	3	4	5	6	7	8	9	A	B	C	D	E	F
目	E10E E1DE	辜 瞽 瞞 瞞	瞞 瞞 瞞 瞞	瞞 瞞 瞞 瞞	瞞 瞞 瞞 瞞	瞞 瞞 瞞 瞞	瞞 瞞 瞞 瞞	瞞 瞞 瞞 瞞	瞞 瞞 瞞 瞞	瞞 瞞 瞞 瞞	瞞 瞞 瞞 瞞	瞞 瞞 瞞 瞞	瞞 瞞 瞞 瞞	瞞 瞞 瞞 瞞	瞞 瞞 瞞 瞞	瞞 瞞 瞞 瞞	瞞 瞞 瞞 瞞
矛	E1DE		矜														
矢	E1DE			矣	矮												
石	E1DE E1EE E23F	砗 砗 砗 砗	砗 砗 砗 砗	砗 砗 砗 砗	砗 砗 砗 砗	砗 砗 砗 砗	砗 砗 砗 砗	砗 砗 砗 砗	砗 砗 砗 砗	砗 砗 砗 砗	砗 砗 砗 砗	砗 砗 砗 砗	砗 砗 砗 砗	砗 砗 砗 砗	砗 砗 砗 砗	砗 砗 砗 砗	砗 砗 砗 砗
示	E23F E24F	祕 祕 祕 祕	祕 祕 祕 祕	祕 祕 祕 祕	祕 祕 祕 祕	祕 祕 祕 祕	祕 祕 祕 祕	祕 祕 祕 祕	祕 祕 祕 祕	祕 祕 祕 祕	祕 祕 祕 祕	祕 祕 祕 祕	祕 祕 祕 祕	祕 祕 祕 祕	祕 祕 祕 祕	祕 祕 祕 祕	祕 祕 祕 祕
禺	E24F												禹	禺			
禾	E24F E25F E26F	秬 秬 秬 秬	秬 秬 秬 秬	秬 秬 秬 秬	秬 秬 秬 秬	秬 秬 秬 秬	秬 秬 秬 秬	秬 秬 秬 秬	秬 秬 秬 秬	秬 秬 秬 秬	秬 秬 秬 秬	秬 秬 秬 秬	秬 秬 秬 秬	秬 秬 秬 秬	秬 秬 秬 秬	秬 秬 秬 秬	秬 秬 秬 秬
穴	E26F E280	窶 窶 窶 窶	窶 窶 窶 窶	窶 窶 窶 窶	窶 窶 窶 窶	窶 窶 窶 窶	窶 窶 窶 窶	窶 窶 窶 窶	窶 窶 窶 窶	窶 窶 窶 窶	窶 窶 窶 窶	窶 窶 窶 窶	窶 窶 窶 窶	窶 窶 窶 窶	窶 窶 窶 窶	窶 窶 窶 窶	窶 窶 窶 窶
立	E280 E290	竝 竝 竝							立	竝 竝 竝	竝 竝 竝	竝 竝 竝	竝 竝 竝	竝 竝 竝	竝 竝 竝	竝 竝 竝	竝 竝 竝
竹	E290 E29E E2AE E2BE E2CE E2DE	筵 筵 筵 筵	筵 筵 筵 筵	筵 筵 筵 筵	筵 筵 筵 筵	筵 筵 筵 筵	筵 筵 筵 筵	筵 筵 筵 筵	筵 筵 筵 筵	筵 筵 筵 筵	筵 筵 筵 筵	筵 筵 筵 筵	筵 筵 筵 筵	筵 筵 筵 筵	筵 筵 筵 筵	筵 筵 筵 筵	筵 筵 筵 筵
米	E2DE E2EE	糝 糝 糝 糝	糝 糝 糝 糝	糝 糝 糝 糝	糝 糝 糝 糝	糝 糝 糝 糝	糝 糝 糝 糝	糝 糝 糝 糝	糝 糝 糝 糝	糝 糝 糝 糝	糝 糝 糝 糝	糝 糝 糝 糝	糝 糝 糝 糝	糝 糝 糝 糝	糝 糝 糝 糝	糝 糝 糝 糝	糝 糝 糝 糝
糸	E2EE E33F E34F E35F E36F E380 E390	紉 紉 紉 紉	紉 紉 紉 紉	紉 紉 紉 紉	紉 紉 紉 紉	紉 紉 紉 紉	紉 紉 紉 紉	紉 紉 紉 紉	紉 紉 紉 紉	紉 紉 紉 紉	紉 紉 紉 紉	紉 紉 紉 紉	紉 紉 紉 紉	紉 紉 紉 紉	紉 紉 紉 紉	紉 紉 紉 紉	紉 紉 紉 紉
缶	E390 E39E	罇 罇 罇	罇 罇 罇	罇 罇 罇	罇 罇 罇	罇 罇 罇	罇 罇 罇	罇 罇 罇	罇 罇 罇	罇 罇 罇	罇 罇 罇	罇 罇 罇	罇 罇 罇	罇 罇 罇	罇 罇 罇	罇 罇 罇	罇 罇 罇

	Shift JIS	0	1	2	3	4	5	6	7	8	9	A	B	C	D	E	F
网	E39E E3AE							网	罕	罔	罟	罟	罟	罟	罟	罟	罟
羊	E3AE E3BE	羴	羴	羴	羴	羴		羴	羴	羴	羴	羴	羴	羴	羴	羴	羴
羽	E3BE			翊	翠	翊	翕	翔	翚	翦	翮	翳	翹	翹			
老	E3BE														耆	耄	耄
耒	E3CE	耒	耘	耜	耜	耒	耒										
耳	E3CE E3DE	聃	聃	聃	聃	聃		耿	耻	聊	聆	聒	聘	聚	聒	聒	聒
聿	E3DE							聿	肄	肆	肅						
肉	E3DE E3EE E43F E44F E45F	胛	胛	胛	胛	胛	胛	胛	胛	胛	胛	胛	胛	胛	胛	胛	胛
臣	E45F																
至	E45F												臺	臻			
臼	E45F E46F	與	舊											與	與	與	與
舌	E46F			舍	舐	舖											
舟	E46F E480	舩	舩	舩	舩	舩		舩	舩	舩	舩	舩	舩	舩	舩	舩	舩
艮	E480							艮									
艮	E480							艮									
艸	E480 E490 E49E E4AE E4BE E4CE E4DE E4EE E53F E54F	苜	苜	苜	苜	苜	苜	苜	苜	艾	芍	芒	芫	芫	芫	芫	芫

	Shift JIS	0	1	2	3	4	5	6	7	8	9	A	B	C	D	E	F
艸	E55F	蘋	蘋	藺	蘆	龍	蘚	蘘	蘿								
虍	E55F									虍	虍	虍	虍	虍			
虫	E55F														虱	蚓	蚣
	E56F	蚩	蚪	蚋	蚌	蚶	蚯	蛄	蛆	蚰	蛉	螞	蛇	蛔	蛞	蛭	蝮
	E580	蛟	蛛	蛭	蛭	蜆	蜈	蜀	蠶	蚰	蛭	蝻	蝻	蝻	蝻	蝻	蝻
	E590	蝮	蜻	蜥	蜩	蜚	蝠	蝮	蝮	蝮	蝮	蝮	蝮	蝮	蝮	蝮	蝮
	E59E		蝮	蝮	蝮	蝮	蝮	蝮	蝮	蝮	蝮	蝮	蝮	蝮	蝮	蝮	蝮
	E5AE	蝮	蝮	蝮	蝮	蝮	蝮	蝮	蝮	蝮	蝮	蝮	蝮	蝮	蝮	蝮	蝮
	E5BE	蝮	蝮	蝮	蝮	蝮	蝮	蝮	蝮	蝮	蝮	蝮	蝮	蝮	蝮	蝮	蝮
血	E5BE									衄	衄						
行	E5BE											衄	衄	衄	衄		
衣	E5BE															衫	袁
	E5CE	衾	衾	衾	衾	衾	衾	衾	衾	衾	衾	衾	衾	衾	衾	衾	衾
	E5DE	衾	衾	衾	衾	衾	衾	衾	衾	衾	衾	衾	衾	衾	衾	衾	衾
	E5EE	衾	衾	衾	衾	衾	衾	衾	衾	衾	衾	衾	衾	衾	衾	衾	衾
	E63F																
而	E63F									而	而	而	而				
見	E63F													覓	覓	覓	覓
	E64F	覓	覓	覓	覓	覓	覓	覓	覓	覓	覓	覓	覓	覓	覓	覓	覓
角	E64F									觚	觚	觚	觚	觚	觚		
言	E64F															訃	訃
	E65F	訃	訃	訃	訃	訃	訃	訃	訃	訃	訃	訃	訃	訃	訃	訃	訃
	E66F	訃	訃	訃	訃	訃	訃	訃	訃	訃	訃	訃	訃	訃	訃	訃	訃
	E680	訃	訃	訃	訃	訃	訃	訃	訃	訃	訃	訃	訃	訃	訃	訃	訃
	E690	訃	訃	訃	訃	訃	訃	訃	訃	訃	訃	訃	訃	訃	訃	訃	訃
	E69E																
谷	E69E															谷	谷
	E6AE	谷															
豆	E6AE		豈	豈	豈	豈	豈	豈	豈								
豕	E6AE						豕	豕	豕								
豸	E6AE									豸	豸	豸	豸	豸	豸	豸	豸
	E6BE	豸	豸	豸													
貝	E6BE				賅	賅	賅	賅	賅	貳	貳	貳	賈	賈	賈	賈	賈
	E6CE	賈	賈	賈	賈	賈	賈	賈	賈	賈	賈	賈	賈	賈	賈	賈	賈

	Shift JIS	0	1	2	3	4	5	6	7	8	9	A	B	C	D	E	F
赤	E6CE E6DE	赭															赧
走	E6DE	走	赳	赳	赳	趙											
足	E6DE E6EE E73F E74F	跟	跣	跣	跣	跣	跣	跣	跣	跣	跣	跣	跣	跣	跣	跣	跣
身	E74F E75F	軀	軀										躬	軀	軀	軀	軀
車	E75F E76F E780	輟	輟	輟	輟	輟	輟	輟	輟	輟	輟	輟	輟	輟	輟	輟	輟
辛	E780				辜	辟	辣	辭	辯								
辵	E780 E790 E79E E7AE	迓	迹	迓	迓	迓	迓	迓	迓	迓	迓	迓	迓	迓	迓	迓	迓
邑	E7AE E7BE	鄒	鄒	鄒	鄒				邨	邨	邨	邨	邨	邨	邨	邨	邨
酉	E7BE E7CE	醫	醴	醴	醴	醴	醴	醴	醴	醴	醴	醴	醴	醴	醴	醴	醴
采	E7CE									糶	釋						
里	E7CE												釐				
金	E7CE E7DE E7EE E83F E84F E85F E86F	釵	鈹	鈹	鈹	鈹	鈹	鈹	鈹	鈹	鈹	鈹	鈹	鈹	鈹	鈹	鈹
門	E86F E880 E890	閨	閨	閨	閨	閨	閨	閨	閨	閨	閨	閨	閨	閨	閨	閨	閨
阜	E890					阡	阡	阡	阡	阡	阡	阡	阡	阡	阡	阡	阡

	Shift JIS	0	1	2	3	4	5	6	7	8	9	A	B	C	D	E	F
阜	E89E		陝	陟	陟	陞	陞	隍	隘	隕	隗	險	隧	隱	隲	隳	隴
隶	E8AE	隶	隸														
隹	E8AE		隹	隹	隹	雋	雋	雍	襍	雜	霍	隹					
雨	E8AE E8BE		霽	霽	霖	霽	雷	霽	霽	霹	霽	霽	霽	霄	霆	霽	霽
青	E8CE	靜															
非	E8CE		靠														
面	E8CE		面	面		面											
革	E8CE E8DE		鞞	鞞	鞞	鞞	鞞	鞞	鞞	鞞	鞞	鞞	鞞	鞞	鞞	鞞	鞞
韋	E8DE											韋	韋				
韭	E8DE													韭	韭	韭	
音	E8DE E8EE		韶	韶													竟
頁	E8EE E93F		頤	頤	頤	頤	頤	頤	頤	頤	頤	頤	頤	頤	頤	頤	頤
風	E93F					風	風	風	風	風	風	風	風				
食	E93F E94F E95F		餽	餽	餽	餽	餽	餽	餽	餽	餽	餽	餽	餽	餽	餽	餽
首	E95F					首	首										
香	E95F																
馬	E95F E96F E980		駁	駁	駁	駁	駁	駁	駁	馮	馮	馮	馮	駝	駝	駝	駝
骨	E980 E990		體	體	體	體	體	體	體					骨	骨	骨	骨
高	E990					高											
髟	E990 E99E		髟	髟	髟	髟	髟	髟	髟	髟	髟	髟	髟	髟	髟	髟	髟
鬥	E99E									鬥	鬥	鬥	鬥	鬥	鬥		
鬯	E99E																鬯
兩	E99E																兩
鬼	E9AE	魄	魃	魏	魃	魃	魃	魃									

	Shift JIS	0	1	2	3	4	5	6	7	8	9	A	B	C	D	E	F	
魚	E9AE									魴	鮓	鯉	鮑	鮎	鮓	鮓	鮓	鮓
	E9BE	鮓	鮓	鮓	鮓	鮓	鮓	鮓	鮓	鮓	鮓	鮓	鮓	鮓	鮓	鮓	鮓	鮓
	E9CE	鮓	鮓	鮓	鮓	鮓	鮓	鮓	鮓	鮓	鮓	鮓	鮓	鮓	鮓	鮓	鮓	鮓
	E9DE	鮓	鮓	鮓	鮓	鮓	鮓	鮓	鮓	鮓	鮓	鮓	鮓	鮓	鮓	鮓	鮓	鮓
鳥	E9DE											鳧	鳧	鳧	鳧	鳧	鳧	鳧
	E9EE	鳧	鳧	鳧	鳧	鳧	鳧	鳧	鳧	鳧	鳧	鳧	鳧	鳧	鳧	鳧	鳧	鳧
	EA3F		鳧	鳧	鳧	鳧	鳧	鳧	鳧	鳧	鳧	鳧	鳧	鳧	鳧	鳧	鳧	鳧
	EA4F	鳧	鳧	鳧	鳧	鳧	鳧	鳧	鳧	鳧	鳧	鳧	鳧	鳧	鳧	鳧	鳧	鳧
	EA5F	鳧	鳧	鳧	鳧	鳧	鳧	鳧	鳧	鳧	鳧	鳧	鳧	鳧	鳧	鳧	鳧	鳧
鹵	EA5F				鹵	鹵	鹽											
鹿	EA5F						鹿	麋		麋	麋	麋	麋	麋	麋			
麥	EA5F															麥	麩	
	EA6F	麩	麩	麩														
麻	EA6F				麻													
黃	EA6F					黃												
黍	EA6F						黍	黏	黏									
黑	EA6F									黔	黜	黜	黜	黜	黜	黜	黜	
	EA80	黜	黜	黜														
黼	EA80				黼	黼	黼											
黽	EA80						黽	黽		黽								
鼓	EA80									鼓	鼗							
鼠	EA80											鼠	鼯					
鼻	EA80														鼻			
齊	EA80															齊		
齒	EA80																齒	
	EA90	齒	齒	齒	齒	齒	齒	齧	齒	齒	齧	齧	齧					
龍	EA90													龍				
龜	EA90														龜			
龠	EA90															龠		

10.7 2D code

Data Matrix (ECC200)		ESC+2D50	
Hexadecimal code	ESC <1B> ₁₆	2D50 <32> ₁₆ <44> ₁₆ <35> ₁₆ <30> ₁₆	Parameter ,aa,bb,ccc,ddd
Initial value	Nil		

Valid range and term of command	When the power switch is OFF	The set parameter is not maintained.
	Valid range within item	The parameter preset will be invalid.
	Valid range between items	The parameter preset will be invalid.

[Function]

Specify Data Matrix (ECC200).

[Format] (setting part)

<2D50>,aa,bb,ccc,ddd

•Parameter

a[Horizontal cell size]	=	Valid range	:	01 to 99 (dots)
b[Vertical cell size]	=	Valid range	:	01 to 99 (dots)
c[Number of cells per line]	=	Valid range	:	010 to 144
		000	:	Auto setting
d[Number of cell lines]	=	Valid range	:	008 to 144
		000	:	Auto setting

[Format] (data part)

<DN>mmmm,n~n

•Parameter

m[Number of data]	=	Valid range	:	1 to 3116
n[Print data]	=	data		

* Specify [7EH, 7EH] when printing 7EH.

* The code will not be printed when a parameter other than above is specified or number of print data does not match.

[Coding Example] Horizontal cell size: 3dots, Vertical cell size: 3dots

<A>
 <V>100<H>200<2D50>,03,03,000,000
<DN>0010,0123456789
 <Z>



[Notes]

- The code will not be printed when a parameter other than above is specified or number of print data does not match.
- Specify more than 2 mm blank space around the Data Matrix code as a margin for scanner readability when specifying the print format.
- Specify [7EH, 7EH] when printing 7EH. The number of data is [0002].
- When auto setting (000) is specified in the "number of cells per 1 line" and "number of cell lines", square Data Matrix is printed.

Data format	Number of data
Numeric	3116
Alphanumeric	2335
Binary (00H~FFH)	1556

* The symbol size of Data Matrix (ECC200) is fixed to the following 30 types.

"Symbol size and number of data for Data Matrix (ECC200)"

Symbol size			The maximum value for the data digit		
Number of cells per 1 line (c)	Number of Cell lines(d)	Number of blocks	Numeric	Alphanumeric	Binary
10	10	1	6	3	1
12	12	1	10	6	3
14	14	1	16	10	6
16	16	1	24	16	10
18	18	1	36	25	16
20	20	1	44	31	20
22	22	1	60	43	28
24	24	1	72	52	34
26	26	1	88	64	42
32	32	4	124	91	60
36	36	4	172	127	84
40	40	4	228	169	112
44	44	4	288	214	142
48	48	4	348	259	172
52	52	4	408	304	202
64	64	16	560	418	278
72	72	16	736	550	366
80	80	16	912	682	454
88	88	16	1152	862	574
96	96	16	1392	1042	694
104	104	16	1632	1222	814
120	120	36	2100	1573	1048
132	132	36	2608	1954	1302
144	144	36	3116	2335	1556
18	8	1	10	6	3
32	8	2	20	13	8
26	12	1	32	22	14
36	12	2	44	31	20
36	16	2	64	46	30
48	16	2	98	72	47

* Numeric, alphanumeric and mix of the control code varies depending on the combined number of characters.

Data Matrix (ECC200)-Code Table

				S				I				S				O					
				B8	0	0	0	0	0	0	0	0	0	1	1	1	1	1	1	1	1
				B7	0	0	0	0	1	1	1	1	0	0	0	0	1	1	1	1	1
				B6	0	0	1	1	0	0	1	1	0	0	1	1	0	0	1	1	1
				B5	0	1	0	1	0	1	0	1	0	1	0	1	0	1	0	1	1
B4	B3	B2	B1		0	1	2	3	4	5	6	7	8	9	A	B	C	D	E	F	
0	0	0	0	0			SP	0	@	P	`	p									
0	0	0	1	1			!	1	A	Q	a	q									
0	0	1	0	2			"	2	B	R	b	r									
0	0	1	1	3			#	3	C	S	c	s									
0	1	0	0	4			\$	4	D	T	d	t									
0	1	0	1	5			%	5	E	U	e	u									
0	1	1	0	6			&	6	F	V	f	v									
0	1	1	1	7			'	7	G	W	g	w									
1	0	0	0	8			(8	H	X	h	x									
1	0	0	1	9)	9	I	Y	i	y									
1	0	1	0	A			*	:	J	Z	j	z									
1	0	1	1	B			+	:	K	[k	{									
1	1	0	0	C			,	<	L	\	l										
1	1	0	1	D			-	=	M]	m	}									
1	1	1	0	E			.	>	N	^	n	~									
1	1	1	1	F			/	?	O	_	o	DEL									

[00H to FFH] are available in Data Matrix.
Specify [7EH, 7EH] when printing 7EH.

10.8 2D code

GS1 Data Matrix

ESC+2D51

Hexadecimal code	ESC <1B> ₁₆	2D51 <32> ₁₆ <44> ₁₆ <35> ₁₆ <31> ₁₆	Parameter ,aa,bb,ccc,ddd
Initial value	Nil		

Valid range and term of command	When the power switch is OFF	The set parameter is maintained.
	Valid range within item	The parameter preset will be invalid.
	Valid range between items	The parameter preset will be invalid.

[Function]

Specify GS1 Data Matrix.

[Format] (setting part)

<2D51>,aa,bb,ccc,ddd

•Parameter

a[Horizontal cell size]	=	Valid range	:	01 to 99 (dots)
b[Vertical cell size]	=	Valid range	:	01 to 99 (dots)
c[Number of cells per line]	=	Valid range	:	010 to 144
		000	:	Auto setting
d[Number of cell l lines]	=	Valid range	:	008 to 144
		000	:	Auto setting

[Format] (data part)

<DN>m m m m,n~n

•Parameter

m [Number of data]	=	Valid range	:	1~3116
n [Print data]	=	data		

* Specify [7EH, 7EH] when printing 7EH.

* Specify [1BH, 1BH] when printing 1BH.

* Specify [1BH, 31H] when printing FNC1.

* The contents of the code will not be guaranteed when parameter other than above is specified or number of print data does not match.

[Coding Example] Horizontal cell size: 3dots, Vertical cell size: 3dots

```
<A>
<V>100<H>200<2D51>.03.03.000.000
<DN>0014,<1B>161100123456789
<Z>
```

* <1B>₁₆ is referring to 1BH in the character code.

[Notes]

- The code will not be printed when a parameter other than above is specified or number of digits in the number of data and print data do not match.
- Specify more than 2 mm blank space around the Data Matrix code as a margin for scanner readability when specifying the print format.
- Specify [7EH, 7EH] when printing 7EH. The number of data is [0002].
- When [7EH] is specified solely, the command error occurs and the code will not be printed.
- Specify [1BH, 1BH] when printing 1BH. The number of data is [0002].
- Specify [1BH, 31H] when printing FNC1. The number of data is [0002].
- When [1BH] is specified solely, the printing and the contents are not guaranteed.
- When auto setting (000) is specified in the "number of cells per 1 line" and "number of cell lines", square Data Matrix is printed.
- When the same value other than 000 is specified (manual setting) in the "number of cells per 1 line" and "number of cell lines", square Data Matrix is printed.
- When different value other than 000 is specified (manual setting) in the "number of cells per 1 line" and "number of cell lines", rectangle Data Matrix is printed.
- The number of data can be specified in the data part depends on the data format. Available number of data is as follows.

(Number of cells is auto setting or the maximum cell number is specified):

Data format	Number of data
Numeric	3116
Alphanumeric	2335
Binary (00H~FFH)	1556

12. The symbol may not be read by a scanner when the cell size is smaller. In the above case, specify enough cell size for the scanner.
13. The symbol size available in the GS1 Data Matrix is limited to the 30 types in the below table. Also, the maximum number of data is limited depending on the symbol size. Refer to the "The maximum digit of the number of data" table.
14. Be sure to specify 1BH and 31H at the beginning of the data.

"Symbol size and number of data for GS1 Data Matrix"

Symbol size			The maximum value for the data digit		
Number of cells per 1 line (c)	Cell lines(d)	Number of blocks	Numeric	Alphanumeric	Binary
10	10	1	6	3	1
12	12	1	10	6	3
14	14	1	16	10	6
16	16	1	24	16	10
18	18	1	36	25	16
20	20	1	44	31	20
22	22	1	60	43	28
24	24	1	72	52	34
26	26	1	88	64	42
32	32	4	124	91	60
36	36	4	172	127	84
40	40	4	228	169	112
44	44	4	288	214	142
48	48	4	348	259	172
52	52	4	408	304	202
64	64	16	560	418	278
72	72	16	736	550	366
80	80	16	912	682	454
88	88	16	1152	862	574
96	96	16	1392	1042	694
104	104	16	1632	1222	814
120	120	36	2100	1573	1048
132	132	36	2608	1954	1302
144	144	36	3116	2335	1556
18	8	1	10	6	3
32	8	2	20	13	8
26	12	1	32	22	14
36	12	2	44	31	20
36	16	2	64	46	30
48	16	2	98	72	47

* Numeric, alphanumeric and mix of the control code varies depending on the combined number of characters.

GS1 Data Matrix-Code Table

				S				I				S				O					
				B8	0	0	0	0	0	0	0	0	0	1	1	1	1	1	1	1	1
				B7	0	0	0	0	1	1	1	1	0	0	0	0	1	1	1	1	1
				B6	0	0	1	1	0	0	1	1	0	0	1	1	0	0	1	1	1
				B5	0	1	0	1	0	1	0	1	0	1	0	1	0	1	0	1	1
B4	B3	B2	B1		0	1	2	3	4	5	6	7	8	9	A	B	C	D	E	F	
0	0	0	0	0			SP	0	@	P	`	p									
0	0	0	1	1			!	1	A	Q	a	q									
0	0	1	0	2			"	2	B	R	b	r									
0	0	1	1	3			#	3	C	S	c	s									
0	1	0	0	4			\$	4	D	T	d	T									
0	1	0	1	5			%	5	E	U	e	u									
0	1	1	0	6			&	6	F	V	f	v									
0	1	1	1	7			'	7	G	W	g	w									
1	0	0	0	8			(8	H	X	h	x									
1	0	0	1	9)	9	I	Y	i	y									
1	0	1	0	A			*	:	J	Z	j	z									
1	0	1	1	B			+	:	K	[k	{									
1	1	0	0	C			,	<	L	\	l										
1	1	0	1	D			-	=	M]	m	}									
1	1	1	0	E			.	>	N	^	n	~									
1	1	1	1	F			/	?	O	_	o	DEL									

	Data n	Data n+1
FNC1	1BH	31H

00H to FFH are available in GS1 Data Matrix.
 Specify [7EH, 7EH] when printing 7EH.
 Specify [1BH, 1BH] when printing 1BH.
 Specify [1BH, 31H] when printing FNC1.

10.9 2D code

QR Code (Compatible Commands)		ESC+BQ	
Hexadecimal code	ESC	BQ	Parameter
	<1B> ₁₆	<42> ₁₆ <51> ₁₆	Manual setting abcc,(ddeeff),g(hhhh)n Auto setting abcc,(ddeeff),n
Initial value	Nil		

Valid range and term of command	When the power switch is OFF	The set parameter is not maintained.
	Valid range within item	The parameter preset will be invalid.
	Valid range between items	The parameter preset will be invalid.

[Function]

Specify the QR Code.

[Format]

[Manual setting] <BQ>abcc,(ddeeff)g(hhhh)n
[Auto setting] <BQ>abcc,(ddeeff) n

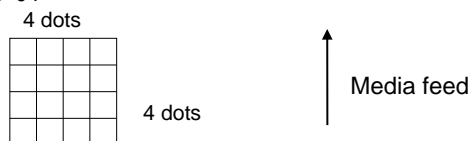
•Parameter

a[Error correction level(error correction)] = 1 : 7% High density Level(L)
2 : 15% Standard Level(M)
3 : 30% Ultra High Reliability Level(H)
4 : 25% High Reliability Level(Q)

b[Combine mode] = 0 : Normal mode
1 : Combine mode

c[Size of a side] = Valid range: 01~99 (dots)

Example) cc=04



d[Division number of combine mode] = Valid range : 01 ~ 16
e[Sequential number of divided combine mode] = Valid range : 01 ~ 16
f[Parity data of combine mode] = Valid range : 00 ~ FF
g[Character mode] = 1 : Numeric mode
2 : Alphanumeric mode
3 : Binary mode
4 : Kanji mode

h[Number of data] = Valid range : 01~7366 (dots)
n[Print data] = data

[Coding Example] Error correction level: 30%, Combine mode: Normal, Size of a side: 10

<A>
<V>100<H>200<BQ>**3010,112345**
<Q>2
<Z>

[Notes]

- Specify the data that is a calculation (exclusive OR) of all divided QR code print data in HEX.
- It is not necessary to specify the number of data parameter when the character mode is other than the binary mode.

[Important]

This command is for existing models. Using QR Code (Model 2) command <2D30> and QR Code (Model 2) command <2D31> is recommended

QR Code data size table (for model 1)

Version	Error Correction	Numeric	Alpha-Numeric	Kanji	Binary
1 21X21	L	40	24	10	17
	M	33	20	8	14
	Q	25	15	6	11
	H	16	10	4	7
2 25X25	L	81	49	20	34
	M	66	40	17	28
	Q	52	31	13	22
	H	33	20	8	14
3 29X29	L	131	79	33	55
	M	100	60	25	42
	Q	81	49	20	34
	H	52	31	13	22
4 33X33	L	186	113	48	78
	M	138	84	35	58
	Q	114	69	29	48
	H	76	46	19	32
5 37X37	L	253	154	65	106
	M	191	116	49	80
	Q	157	95	40	66
	H	105	63	27	44
6 41X41	L	321	194	82	134
	M	249	151	64	104
	Q	201	122	51	84
	H	133	81	34	56
7 45X45	L	402	244	103	168
	M	311	188	80	130
	Q	253	154	65	106
	H	167	101	43	70
8 49X49	L	493	299	126	206
	M	378	229	97	158
	Q	301	183	77	126
	H	203	123	52	85
9 53X53	L	585	354	150	244
	M	441	267	113	184
	Q	369	223	94	154
	H	239	145	61	100
10 57X57	L	690	418	177	287
	M	526	319	135	219
	Q	433	262	111	180
	H	291	176	74	121

Version	Error Correction	Numeric	Alpha-Numeric	Kanji	Binary
11 61X61	L	800	485	205	333
	M	608	368	156	253
	Q	493	299	126	205
	H	342	207	87	142
12 65X65	L	915	555	234	381
	M	694	421	178	289
	Q	579	351	148	241
	H	390	236	100	162
13 69X69	L	1030	624	264	429
	M	790	479	202	329
	Q	656	398	168	273
	H	454	275	116	189
14 73X73	L	1167	707	299	486
	M	877	531	225	365
	Q	738	447	189	307
	H	498	302	127	207

QR Code (Numeric mode)-Code Table

					S				I				S				0					
B8					0	0	0	0	0	0	0	0	1	1	1	1	1	1	1	1	1	
B7					0	0	0	0	1	1	1	1	0	0	0	0	1	1	1	1	1	
B6					0	0	1	1	0	0	1	1	0	0	1	1	0	0	1	1	1	
B5					0	1	0	1	0	1	0	1	0	1	0	1	0	1	0	1	0	1
B4	B3	B2	B1		0	1	2	3	4	5	6	7	8	9	A	B	C	D	E	F		
0	0	0	0	0				0														
0	0	0	1	1				1														
0	0	1	0	2				2														
0	0	1	1	3				3														
0	1	0	0	4				4														
0	1	0	1	5				5														
0	1	1	0	6				6														
0	1	1	1	7				7														
1	0	0	0	8				8														
1	0	0	1	9				9														
1	0	1	0	A																		
1	0	1	1	B																		
1	1	0	0	C																		
1	1	0	1	D																		
1	1	1	0	E																		
1	1	1	1	F																		

QR Code (Alphanumeric mode)-Code Table

					S				I				S				0					
B8					0	0	0	0	0	0	0	0	0	1	1	1	1	1	1	1	1	
B7					0	0	0	0	1	1	1	1	0	0	0	0	1	1	1	1	1	
B6					0	0	1	1	0	0	1	1	0	0	1	1	0	0	1	1	1	
B5					0	1	0	1	0	1	0	1	0	1	0	1	0	1	0	1	0	1
B4	B3	B2	B1		0	1	2	3	4	5	6	7	8	9	A	B	C	D	E	F		
0	0	0	0	0			SP	0		P												
0	0	0	1	1				1	A	Q												
0	0	1	0	2				2	B	R												
0	0	1	1	3				3	C	S												
0	1	0	0	4			\$	4	D	T												
0	1	0	1	5			%	5	E	U												
0	1	1	0	6				6	F	V												
0	1	1	1	7				7	G	W												
1	0	0	0	8				8	H	X												
1	0	0	1	9				9	I	Y												
1	0	1	0	A			*	:	J	Z												
1	0	1	1	B			+		K													
1	1	0	0	C					L													
1	1	0	1	D			-		M													
1	1	1	0	E			.		N													
1	1	1	1	F			/		O													

QR Code (Binary mode)-Code Table

					S				I				S				0					
B8					0	0	0	0	0	0	0	0	0	0	1	1	1	1	1	1	1	1
B7					0	0	0	0	1	1	1	1	0	0	0	0	1	1	1	1	1	1
B6					0	0	1	1	0	0	1	1	0	0	1	1	0	0	1	1	1	1
B5					0	1	0	1	0	1	0	1	0	1	0	1	0	1	0	1	0	1
B4	B3	B2	B1		0	1	2	3	4	5	6	7	8	9	A	B	C	D	E	F		
0	0	0	0	0			SP	0	@	P	`	p										
0	0	0	1	1			!	1	A	Q	a	q										
0	0	1	0	2			"	2	B	R	b	r										
0	0	1	1	3			#	3	C	S	c	s										
0	1	0	0	4			\$	4	D	T	d	t										
0	1	0	1	5			%	5	E	U	e	u										
0	1	1	0	6			&	6	F	V	f	v										
0	1	1	1	7			'	7	G	W	g	w										
1	0	0	0	8			(8	H	X	h	x										
1	0	0	1	9)	9	I	Y	i	y										
1	0	1	0	A			*	:	J	Z	j	z										
1	0	1	1	B			+	;	K	[k	{										
1	1	0	0	C			,	<	L	\	l											
1	1	0	1	D			-	=	M]	m	}										
1	1	1	0	E			.	>	N	^	n	~										
1	1	1	1	F			/	?	0	_	o	DEL										

[00H to 7FH], [A0H to DFH] are available in the QR code.

QR code (Kanji mode)-Code Table

	Shift JIS	0	1	2	3	4	5	6	7	8	9	A	B	C	D	E	F
Symbol	813F		SP	、	。	,	.	・	:	;	?	!	˘	°	´	、	˙
	814F	^	—	—	、	、	、	、	”	全	々	々	○	—	—	-	/
	815F	／	～	//		…	…	‘	‘	“	”	()	[]	[]
	816F	{	}	<	>	《	》	「	」	『	』	【	】	+	-	±	×
	8180	÷	=	≠	<	>	≦	≧	∞	∴	♂	♀	°	’	”	℃	¥
	8190	\$	¢	£	%	#	&	*	@	§	☆	★	○	●	◎	◇	
	819E		◆	□	■	△	▲	▽	▼	※	〒	→	←	↑	↓	=	
Alphanumeric	824F	0	1	2	3	4	5	6	7	8	9						
	825F		A	B	C	D	E	F	G	H	I	J	K	L	M	N	O
	826F	P	Q	R	S	T	U	V	W	X	Y	Z					
	8280		a	b	c	d	e	f	g	h	i	j	k	l	m	n	o
	8290	p	q	r	s	t	u	v	w	x	y	z					
Hiragana	829E		あ	あ	い	い	う	う	え	え	お	お	か	が	き	ぎ	く
	82AE	ぐ	け	げ	こ	こ	さ	ざ	し	じ	す	ず	せ	げ	そ	ぞ	た
	82BE	だ	ち	ぢ	っ	っ	づ	て	で	と	ど	な	に	ぬ	ね	の	は
	82CE	ば	ぱ	ひ	び	び	ふ	ぶ	ぷ	へ	べ	ぺ	に	ぼ	ぼ	ま	み
	82DE	む	め	も	ゃ	ゃ	ゆ	ゆ	よ	よ	ら	り	る	れ	ろ	わ	わ
	82EE	ゐ	ゑ	を	ん												
Katakana	833F		ア	ア	イ	イ	ウ	ウ	エ	エ	オ	オ	カ	ガ	キ	ギ	ク
	834F	グ	ケ	ゲ	コ	ゴ	サ	ザ	シ	ジ	ス	ズ	セ	ゲ	ソ	ゾ	タ
	835F	ダ	チ	ヂ	ツ	ツ	ヅ	テ	デ	ト	ド	ナ	ニ	ヌ	ネ	ノ	ハ
	836F	バ	パ	ヒ	ビ	ピ	フ	ブ	プ	ヘ	ベ	ペ	ホ	ボ	ポ	マ	ミ
	8380	ム	メ	モ	ャ	ャ	ユ	ユ	ヨ	ヨ	ラ	リ	ル	レ	ロ	ワ	ワ
	8390	キ	エ	ヲ	ン	ヴ	カ	ケ									
Greek Alphabet	839E		A	B	Γ	Δ	E	Z	H	Θ	I	K	Λ	M	N	Ξ	O
	83AE	Π	P	Σ	T	Υ	Φ	X	Ψ	Ω							
	83BE		α	β	γ	δ	ε	ζ	η	θ	ι	κ	λ	μ	ν	ξ	ο
	83CE	π	ρ	σ	τ	υ	φ	χ	ψ	ω							
Russian Alphabet	843F		A	Б	В	Г	Д	Е	Ё	Ж	З	И	Й	К	Л	М	Н
	844F	О	П	Р	С	Т	У	Ф	Х	Ц	Ч	Ш	Щ	Ъ	Ы	Ь	Э
	845F	Ю	Я														
	846F		a	б	в	г	д	е	ё	ж	з	и	й	к	л	м	н
	8480	о	п	р	с	т	у	ф	х	ц	ч	ш	щ	ъ	ы	ь	э
	8490	ю	я														

	Shift JIS	0	1	2	3	4	5	6	7	8	9	A	B	C	D	E	F
ア	889E	亜	啞	娃	阿	哀	愛	挨	始	逢	葵	茜	穉	惡	握	渥	
	88AE	旭	葦	芦	梓	压	幹	扱	宛	姐	虻	飴	絢	綾	鮎	或	
	88BE	粟	裕	安	按	暗	案	闇	鞍	杏							
イ	88BE											以	伊	位	依	偉	困
	88CE	夷	委	威	尉	惟	意	慰	易	椅	為	畏	異	移	維	緯	胃
	88DE	萎	衣	謂	違	遣	医	井	亥	域	育	郁	磯	一	杏	溢	逸
	88EE	稻	茨	芋	翽	允	印	咽	員	因	姻	引	飲	淫	胤	蔭	
	893F		院	陰	隱	韻	吋										
ウ	893F						右	宇		烏	羽	迂	雨	卯	鷓	窺	丑
	894F	碓	臼	渦	噓	唄	鬱	蔚	鰻	姥	廐	浦	瓜	閏	噲	云	運
	895F	雲															
エ	895F		荏	餌	叡	營	嬰	影	映	曳	栄	永	泳	洩	瑛	盈	穎
	896F	穎	英	衛	詠	銳	液	疫	益	馱	悦	謁	越	閎	榎	厭	円
	8980	園	堰	奄	宴	延	怨	掩	援	沿	演	炎	焰	煙	燕	猿	縁
	8990	艶	苑	菌	遠	鉛	鴛	塩									
オ	8990							於	翁	汚	甥	凹	央	奧	往	応	億
	899E		押	旺	横	欧	殴	王	卸	襖	鶯	鷗	黄	岡	沖	荻	
	89AE	屋	憶	臆	桶	牡	乙	俺		恩	温	穩	音				
カ	89AE													下	化	仮	何
	89BE	伽	伽	佳	加	可	嘉	夏	嫁	家	寡	科	暇	果	架	歌	河
	89CE	火	珂	禍	禾	稼	箇	花	苛	茄	荷	華	菓	蝦	課	嘩	貨
	89DE	迦	過	霞	蚊	俄	峨	我	牙	画	臥	芽	蛾	賀	雅	餓	駕
	89EE	介	会	解	回	塊	壞	迴	快	怪	悔	恢	懷	戒	拐	改	
	8A3F		魁	晦	械	海	灰	界	皆	絵	芥	蟹	開	階	貝	凱	効
	8A4F	外	咳	害	崖	慨	概	涯	碍	蓋	街	該	鎧	骸	湮	罄	蛙
	8A5F	垣	柿	蛎	鉤	劃	嚇	各	廓	拈	攪	格	核	骸	獲	確	穫
	8A6F	覚	角	赫	較	郭	閣	隔	革	学	岳	樂	額	骸	掛	笠	桴
	8A80	檀	梶	鯁	漚	割	喝	恰	括	活	渴	滑	葛	骸	掛	轄	桴
	8A90	叶	椈	樺	靴	株	兜	竈	蒲	釜	鎌	嚙	鴨	骸	栢	卷	桴
	8A9E		粥	刈	苜	瓦	乾	侃	冠	寒	刊	勘	勸	骸	栢	喚	桴
	8AAE	完	官	寬	干	幹	患	感	慣	憾	換	敢	柑	骸	桓	款	桴
	8ABE	汗	漢	澗	灌	環	甘	監	看	竿	管	簡	館	骸	桓	翰	桴
8ACE	莞	觀	諫	貫	還	鑑	間	閑	関	陷	韓	館	骸	桓	翰	桴	
8ADE	巖	玩	癌	眼	岩	翫	贖	雁	頑	顔	願		骸	丸	含	桴	

	Shift JIS	0	1	2	3	4	5	6	7	8	9	A	B	C	D	E	F
キ	8ADE												企	伎	危	喜	器
	8AEE	基	奇	嬉	寄	岐	希	幾	忌	揮	机	旗	既	期	棋	棄	起
	8B3F		機	婦	毅	氣	汽	畿	祈	季	稀	紀	微	規	記	貴	疑
	8B4F	軌	輝	飢	騎	鬼	龜	偽	儀	妓	宜	戲	技	擬	欺	儀	杵
	8B5F	祇	義	蟻	誼	議	掬	菊	鞠	吉	吃	喫	桔	橋	詰	砧	救
	8B6F	忝	却	客	脚	虐	逆	丘	久	仇	休	及	吸	宮	弓	急	居
	8B80	朽	求	汲	泣	灸	球	究	窮	笈	級	糾	給	旧	牛	去	
	8B90	巨	拒	拋	拳	渠	虛	許	距	鋸	漁	卿	魚	亨	享	京	強
	8B9E		供	俠	僑	兇	競	共	凶	協	匡	卿	叫	喬	喬	峽	鄉
	8BAE	彊	怯	恐	恭	挾	教	橋	況	狂	狹	矯	胸	脅	興	蕎	僅
	8BBE	鏡	響	饗	驚	仰	凝	堯	曉	業	局	曲	極	玉	桐	秆	襟
	8BCE	勤	均	巾	錦	斤	欣			禁	禽			芹	菌	衿	
8BDE	謹	近	金	吟	銀												
ク	8BDE						九	俱	句	区	狗	玖	矩	苦	軀	驅	駟
	8BEE	駒	具	愚	虞	喰	空	偶	寓	遇	隅	串	櫛	釧	屑	屈	君
	8C3F		掘	窟	沓	靴	轡	窪	熊	隈	彖	栗	線	桑	鋤	勲	
	8C4F	薰	訓	群	軍	郡											
ケ	8C4F						卦	袈	祁	係	傾	刑	兄	啓	圭	珪	型
	8C5F	契	形	徑	惠	慶	慧	憩	揭	携	敬	景	桂	溪	畦	稽	系
	8C6F	經	繼	繫	野	荃	荊	蚩	計	詣	警	輕	頸	溪	芸	迎	鯨
	8C80	劇	戟	擊	激	隙	析	傑	欠	詣	潔	穴	結	血	訣	月	件
	8C90	儉	倦	健	兼	券	劍	喧	圈	堅	嫌	建	憲	懸	拳	捲	遣
	8C9E		檢	權	牽	犬	獻	研	硯	絹	鼎	肩	見	謙	賢	軒	舷
	8CAE	鍵	險	顯	驗	齧	元	原	嚴	幻	弦	減	源	玄	現	絃	
8CBE	言	諺	限														
コ	8CBE				乎	個	古	呼	固	姑	孤	己	庫	弧	戸	故	枯
	8CCE	湖	狐	糊	袴	股	胡	菰	虎	誇	跨	鈷	雇	顧	鼓	互	
	8CDE	伍	午	吳	吾	娛	後	御	悟	梧	檣	瑚	碁	語	誤	翻	
	8DEE	乞	鯉	交	佞	侯	候	倖	光	公	功	効	碁	厚	口	向	
	8D3F		后	喉	坑	垢	好	孔	孝	宏	工	巧	巷	幸	庑	康	
	8D4F	弘	恒	慌	抗	拘	控	攻	昂	晃	更	杭	校	梗	構	洪	
	8D5F	浩	港	溝	甲	皇	硬	稿	糠	紅	紘	絞	綱	耕	考	肱	
	8D6F	腔	膏	航	荒	行	衡	講	貢	購	郊	醉	鉞	砧	鋼	降	
8D80	項	香	高	鴻	剛	劫	号	合	壕	拷	濠	豪	轟	閤	克	刻	

	Shift JIS	0	1	2	3	4	5	6	7	8	9	A	B	C	D	E	F
コ	8D90	告	国	穀	酷	鵠	黒	獄	漉	腰	甌	忽	惚	骨	狛	込	
	8D9E	此	良	頃	今	困	坤	壘	婚	恨	懇	昏	昆	根	栖	混	痕
	8DAE	紺		魂													
サ	8DAE				些	佐	又	唆	嵯	左	差	查	沙	磋	砂	詐	鎖
	8DBE	裳	坐	座	挫	債	催	再	最	哉	塞	妻	宰	彩	才	採	裁
	8DCE	歲	濟	災	采	犀	碎	砦	祭	齋	細	菜	裁	載	際	劑	在
	8DDE	材	罪	財	牙	坂	阪	堺	神	肴	咲	崎	埼	碕	鷺	作	削
	8DEE	昨	榨	昨	朔	柵	窄	策	索	肴	桜	鮭	筰	匙	冊	刷	
	8E3F		察	抄	撮	擦	札	殺	薩	錯	棗	鯖	捌	鏹	皿	晒	
	8E4F	三	傘	參	山	慘	撒	散	棧	雜	阜	鯖	算	鏹	蠶	贊	
8E5F	酸	餐	斬	暫	殘				燦	珊	産		纂	讚			
シ	8E5F						仕	仔	伺	使	刺	司	史	嗣	四	士	始
	8E6F	姉	姿	子	屍	市	師	志	思	指	支	孜	斯	施	旨	枝	止
	8E80	死	氏	獅	祉	私	糸	紙	紫	肢	脂	至	視	詞	詩	試	誌
	8E90	諮	資	賜	雌	飼	齒	事	似	侍	兒	字	寺	慈	持	時	
	8E9E		次	滋	治	爾	璽	痔	磁	示	而	耳	自	蒔	悉	夕	鹿
	8EAE	式	識	鳴	竺	軸	穴	零	七	叱	執	失	嫉	室	射	湿	漆
	8EBE	疾	質	実	蔀	篠	悒	柴	芝	屢	蕊	綺	舍	写	射	捨	赦
	8ECE	斜	煮	社	紗	者	謝	車	遮	蛇	邪	借	勺	尺	杓	灼	爵
	8EDE	酌	积	錫	若	寂	弱	惹	主	取	守	手	朱	殊	狩	珠	種
	8EEE	腫	趣	酒	首	儒	受	呪	寿	授	樹	綬	需	囚	收	周	
	8F3F		宗	就	州	修	愁	拾	洲	秀	秋	終	繡	習	臭	舟	蒐
	8F4F	衆	襲	讐	蹴	輯	週	曾	酬	集	醜	什	住	充	十	從	戎
	8F5F	柔	汁	洪	獸	縱	重	銃	叔	夙	宿	淑	祝	縮	肅	塾	熟
	8F6F	出	術	述	俊	峻	春	瞬	竣	舜	駿	准	祝	旬	楯	殉	淳
	8F80	準	潤	盾	純	巡	遵	醇	順	処	初	所	暑	曙	渚	庶	緒
	8F90	署	書	薯	藹	諸	助	叙	女	序	徐	恕	鋤	除	傷	償	
	8F9E		勝	匠	升	召	哨	商	唱	嘗	獎	妾	娼	宵	將	小	少
	8FAE	尚	庄	床	廠	彰	承	抄	招	掌	捷	昇	昌	昭	晶	松	梢
	8FBE	樟	樵	沼	消	涉	湘	燒	焦	照	捷	省	硝	礁	祥	称	章
	8FCE	笑	粧	紹	肖	菖	蔣	蕉	衝	裳	症	訟	証	礁	象	賞	醬
8FDE	鉦	鍾	鐘	障	鞘	上	丈	丞	乘	冗	剩	剩	場	壤	飾	常	
8FEE	情	擾	条	杖	淨	狀	量	穰	蒸	讓	釀	釀	囑	墟	飾		
903F		拭	植	殖	燭	織	職	色	觸	食	蝕	蝕	尻	伸	信	侵	

	Shift JIS	0	1	2	3	4	5	6	7	8	9	A	B	C	D	E	F
シ	904F	唇	娠	寢	審	心	慎	振	新	晋	森	榛	浸	深	申	疹	真
	905F	神	秦	紳	臣	芯	薪	親	診	身	辛	進	針	震	人	仁	刃
	906F	塵	壬	尋	甚	尽	腎	訊	迅	陣	鞞						
ス	906F											筭	諏	須	酢	凶	厨
	9080	逗	吹	垂	帥	推	水	炊	睡	粹	翠	衰	遂	須	錐	錘	厨
	9090	瑞	髓	崇	嵩	数	枢	趨	雛	据	杉	相	菅	頗	雀	裾	
	909E		澄	摺	寸												
セ	909E					世	瀬	畝	是	凄	制	勢	姓	征	性	成	政
	90AE	整	星	晴	棲	栖	正	清	性	生	盛	精	聖	声	製	西	誠
	90BE	誓	請	逝	醒	青	静	齐	税	脆	隻	席	惜	戚	斥	昔	析
	90CE	石	積	籍	績	脊	責	赤	跡	蹟	碩	切	拙	接	撰	折	設
	90DE	窃	節	説	雪	絶	舌	蝉	仙	先	千	占	宣	専	尖	川	戰
	90EE	扇	撰	栓	梅	泉	浅	洗	染	潜	煎	煽	旋	穿	箭	線	
	913F		織	羨	腺	舛	船	薦	詮	賤	踐	選	遷	穿	箭	閃	鮮
	914F	前	善	漸	然	全	禪	繕	膳	糶				錢	銃		
ソ	914F										噲	塑	岨	措	曾	曾	楚
	915F	狙	疏	疎	礎	祖	租	粗	素	組	蘇	訴	阻	迦	鼠	僧	創
	916F	双	叢	倉	喪	壯	奏	爽	宋	層	匠	惣	想	迦	掃	挿	搔
	9180	操	早	曹	巢	槍	槽	漕	燥	争	瘦	相	窓	搜	糴	綜	聡
	9190	草	莊	葬	蒼	藻	装	走	送	遭	鎗	霜	騷	像	增	憎	俗
	919E		臟	蔵	贈	造	促	側	則	即	息	捉	束	測	足	速	
	91AE	属	賊	族	統	卒	袖	其	揃	存	孫	尊	損	村	遜		
タ	91AE															他	多
	91BE	太	汰	詫	唾	墮	妥	惰	打	柁	舵	橈	陀	馱	驛	体	堆
	91CE	対	耐	岱	帶	待	怠	態	戴	替	泰	滯	胎	腿	苔	袋	貸
	91DE	退	逮	隊	黛	鯛	代	台	大	第	醜	題	鷹	滝	瀧	卓	啄
	91EE	宅	托	扨	拓	沢	濯	琢	託	鐸	濁	諾	茸	胤	只	誰	
	923F		叩	但	達	辰	奪	脱	異	豎	迪	棚	茸	狸	樽	眈	
	924F	丹	单	嘆	坦	担	探	旦	歎	淡	湛	炭	谷	端	綻		
925F	胆	蛋	誕	鍛	団	壇	彈	断	暖	檀	段	短	端	綻			
チ	925F														值	知	地
	926F	弛	恥	智	池	痴	稚	置	致	蜘	遲	馳	築	畜	竹	筑	蓄
	9280	逐	秩	窒	茶	嫡	着	中	仲	宙	忠	抽	昼	柱	注	虫	衷
	9290	註	酎	鑄	駐	構	瀦	猪	芋	著	貯	丁	兆	涸	喋	寵	

	Shift JIS	0	1	2	3	4	5	6	7	8	9	A	B	C	D	E	F
チ	929E		帖	帳	斤	弔	張	彫	徵	懲	挑	暢	朝	潮	牒	町	眺
	92AE	聽	脹	腸	蝶	調	諜	超	跳	銚	長	頂	鳥	勅	抄	直	朕
	92BE	沈	珍	賃	鎮	陳											
ツ	92BE						津	墜	椎	槌	追	鎚	痛	通	塚	拇	搦
	92CE	槻	佃	漬	柘	辻	蔦	綴	鏢	椿	潰	坪	壺	孀	紬	爪	吊
	92DE	釣	鶴														
テ	92DE			亭	低	停	偵	荆	貞	呈	堤	定	帝	底	庭	廷	弟
	92EE	悌	抵	挺	提	梯	汀	碇	禎	程	締	艇	訂	諦	蹄	遞	哲
	933F		邸	鄭	釘	鼎	泥	摘	擢	敵	滴	的	笛	適	鎬	溺	顛
	934F	徹	撤	鞞	迭	鉄	典	填	天	展	店	添	纏	甜	貼	轉	
	935F	点	伝	殿	澱	田	電										
ト	935F							兔	吐	堵	塗	妬	屠	徒	斗	杜	渡
	936F	登	菟	賭	途	都	鍍	砥	砺	努	度	土	奴	怒	倒	党	冬
	9380	凍	刀	唐	塔	塘	套	宕	島	嶋	悼	投	搭	東	桃	禱	棟
	9390	盜	淘	湯	涛	灯	燈	当	痘	禱	等	答	筒	糖	統	到	
	939E		董	蕩	藤	討	騰	豆	踏	逃	透	錠	陶	頭	騰	鬪	働
	93AE	動	同	堂	導	懂	撞	洞	瞳	童	胴	荀	萄	銅	峠	鴉	匿
	93BE	得	德	澆	特	督	禿	篤	毒	独	読	析	橡	凸	突	楸	届
	93CE	鳶	苦	寅	酉	滯	噸	屯	惇	敦	沌	豚	遁	頓	吞	曇	鈍
ナ	93DE	奈	那	内	乍	凧	薙	謎	灘	捺	鍋	櫓	馴	縄	暇	南	楠
	93EE	軟	難	汝													
ニ	93EE				二	尼	忒	迓	匂	賑	肉	虹	廿	日	乳	入	
	943F		如	尿	菲	任	妊	忍	認								
又	943F									濡							
ネ	943F										禰	祢	寧	葱	猫	熱	年
	944F	念	捻	撚	燃	粘											
ノ	944F						乃	迺	之	埜	囊	惱	濃	納	能	腦	膿
	945F	農	覗	蚤													
ハ	945F				巴	把	播	霸	杷	波	派	琶	破	婆	罵	芭	馬
	946F	俳	廢	拝	排	敗	杯	盃	牌	背	肺	輩	配	倍	培	媒	拍
	9480	楳	煤	狽	買	売	賠	陪	這	蠅	秤	矧	萩	伯	剥	博	
	9490	柏	泊	白	箔	粕	船	薄	迫	曝	漠	爆	縛	莫	駁	麦	
	949E		函	箱	裕	箸	肇	筈	櫨	幡	肌	焮	阜	八	鉢	澆	癸
	94AE	醜	髮	伐	罰	拔	筏	閥	鳩	嘶	塙	蛤	隼	伴	鉢	判	半

	Shift JIS	0	1	2	3	4	5	6	7	8	9	A	B	C	D	E	F
ハ	94BE	叛	帆	搬	斑	板	汜	汎	版	犯	班	畔	繁	般	藩	販	範
	94CE	采	煩	頒	飯	挽	晚	番	盤	磬	蕃	蚤					
ヒ	94CE												匪	卑	否	妃	庇
	94DE	彼	悲	扉	批	披	斐	比	泌	疲	皮	碑	秘	卑	罷	肥	被
	94EE	誹	費	避	非	飛	樋	簸	備	尾	微	枇	毘	緋	眉	美	
	953F		鼻	柎	稗	匹	疋	髭	彦	膝	菱	肘	弼	必	畢	筆	逼
	954F	桧	姫	媛	紐	百	謬	俵	彪	標	氷	漂	瓢	票	表	評	豹
	955F	廟	描	病	秒	苗	錨	鋌	蒜	蛭	鱈	品	彬	斌	浜	瀕	貧
956F	竇	頻	敏	瓶													
フ	956F					不	付	埠	夫	婦	富	富	布	府	怖	扶	敷
	9580	斧	普	浮	父	符	腐	膚	芙	譜	負	賦	赴	阜	附	侮	撫
	9590	武	舞	葡	蕪	部	封	楓	風	葺	蒞	伏	副	復	幅	服	
	959E		福	腹	複	覆	淵	弗	弘	沸	仏	物	鮒	分	吻	噴	墳
	95AE	憤	扮	焚	奮	粉	糞	紛	雰	文	聞						
ヘ	95AE											丙	併	兵	塀	幣	平
	95BE	弊	柄	並	蔽	閉	陛	米	頁	僻	壁	癖	碧	別	警	蔑	篋
	95CE	偏	変	片	篇	編	辺	返	遍	便	勉	婉	弁	鞭			
ホ	95CE														保	舖	鋪
	95DE	圃	捕	步	甫	補	輔	穗	募	墓	慕	戊	暮	母	簿	菩	倣
	95EE	俣	包	呆	報	奉	宝	峰	峯	崩	庖	抱	捧	放	方	朋	
	963F		法	泡	烹	砲	縫	胞	芳	萌	蓬	蜂	褒	訪	豊	邦	鋒
	964F	飽	鳳	鵬	乏	亡	傍	剖	坊	妨	帽	忘	忙	房	暴	望	某
	965F	棒	冒	紡	肪	膨	謀	貌	貿	鉾	防	吠	類	北	僕	卜	墨
	966F	撲	朴	牧	睦	穆	卸	勃	沒	殆	堀	幌	奔	本	翻	凡	盆
マ	9680	摩	磨	魔	麻	埋	妹	味	枚	每	哩	模	幕	膜	枕	鮪	枉
	9690	鱒	榭	亦	俣	又	抹	末	沫	迄	俛	繭	磨	万	慢	滿	
	969E																
ミ	969E				味	未	魅	巳	箕	岬	密	蜜	湊	蓑	稔	脈	妙
	96AE	耗	民	眠													
ム	96AE				務	夢	無	牟	矛	霧	鷓	棕	婿	娘			
メ	96AE														冥	名	命
	96BE	明	盟	迷	銘	鳴	姪	牝	滅	免	棉	綿	緬	面	麵		
モ	96BE															摸	模
	96CE	茂	妄	孟	毛	猛	盲	網	耗	蒙	儲	木	默	目	杳	勿	餅

	Shift JIS	0	1	2	3	4	5	6	7	8	9	A	B	C	D	E	F
モ	96DE	尤	戾	粩	貰	問	悶	紋	門	勾							
ヤ	96DE										也	冶	夜	爺	耶	野	弥
	96EE	矢	厄	役	約	葉	訛	躍	靖	柳	藪	鏝					
ユ	96EE												愉	愈	油	癒	
	973F		諭	輸	唯	佑	優	勇	友	宥	幽	悠	憂	揖	有	柚	湧
	974F	涌	猶	猷	由	祐	裕	誘	遊	邑	郵	雄	融	夕			
ヨ	974F														予	余	与
	975F	誉	輿	預	傭	幼	妖	容	庸	揚	搖	擁	曜	楊	樣	洋	溶
	976F	熔	用	窯	羊	耀	葉	蓉	要	謠	踊	遙	陽	養	慾	抑	欲
	9780	沃	浴	翌	翼	淀											
ラ	9780						羅	螺	裸	来	萊	賴	雷	洛	絡	落	酪
	9790	乱	卵	嵐	欄	濫	藍	蘭	覽								
リ	9790									利	吏	履	李	梨	理	璃	溜
	979E		痢	裏	裡	里	離	陸	律	率	立	莅	掠	略	劉	流	溜
	97AE	琉	留	硫	粒	隆	竜	龍	侶	慮	旅	虜	了	亮	僚	兩	凌
	97BE	寮	料	梁	涼	獵	療	瞭	稜	糧	良	諒	遼	量	陵	領	力
	97CE	緑	倫	厘	林	淋	淋	琳	臨	輪	隣	隣	麟				
ル	97CE													瑠	罌	淚	累
	97DE	類															
レ	97DE		令	伶	例	冷	勵	嶺	伶	玲	礼	苓	鈴	隸	零	靈	麗
	97EE	齡	曆	歷	列	劣	烈	裂	廉	恋	憐	漣	煉	簾	練	聯	
	983F		蓮	連	鍊												
ロ	983F					呂	魯	櫓	炉	賂	路	露	勞	婁	廊	弄	朗
	984F	樓	榔	浪	漏	牢	狼	籠	老	聾	蠟	郎	六	麓	祿	肋	録
	985F	論															
ワ	985F		倭	和	話	歪	賄	脇	惑	梓	鷺	互	亘	鰐	詫	藁	蕨
	986F	椀	湾	碗	腕												

	Shift JIS	0	1	2	3	4	5	6	7	8	9	A	B	C	D	E	F
一	989E		弋	丐	丕												
丨	989E					个	卩										
丿	989E							丿	井								
丩	989E									丩	乂	乖	乘				
乙	989E													亂			
丿	989E														丿	豫	事
	98AE	舒															
二	98AE		弋	于	亞	亟											
十	98AE					十	亢	京		毫	亶						
人	98AE										从	仍		仄	仆	仂	仗
	98BE	仞	仞	仞	价	伉	侏	估	佛	佝	佗	佇	佻	仄	仆	仂	仗
	98CE	佩	佰	侑	伴	來	侖	儘	倪	俟	俎	俘	俛	侷	侷	侷	侷
	98DE	俸	倚	倨	偃	倪	控	倅	倅	俶	倡	倩	倬	俾	俯	們	們
	98EE	偃	假	會	借	修	偈	做	偕	惚	偷	傀	倣	俾	偃	儼	儼
	993F		僉	僊	傳	儻	儻	僞	僂	僂	僂	僂	僂	僂	儼	儼	儼
	994F	儼	儼	儼	儼	儼	儼	儼	儼	儼	儼	儼	儼	儼	儼	儼	儼
儿	994F									儿	兀	兒		兌	免	兢	競
入	995F	兩	兪														
八	995F			兮	冀												
冂	995F					冂	回	册	冉	冂	冂	冂	冂				
冂	995F													冂	冂	冂	冂
	996F	寫	冂														
丷	996F			丷	决	冂	冲	冰	况	冽	涸	凉	凜				
几	996F													几	處	凵	凭
	9980	凰															
凵	9980		凵	函													
刀	9980				刃	刊	刂	刂	刂	刪	刮	刮	剝	剝	剝	剝	剝
	9990	剝	剔	剪	剝	剩	剝	剝	剝	劍	劍	劍	劍	剝	剝	剝	剝
	999E		剔	辦													
力	999E			劬	劬	劬	劬	劬	劬	劬	勞	勸	勸	飭	勸	勸	勸
	99AE	勸															
勹	99AE		勹	匆	匈	匈	匍	匍	匍								
匕	99AE									匕							
匚	99AE										匚	匣	匯	匚	匚		

	Shift JIS	0	1	2	3	4	5	6	7	8	9	A	B	C	D	E	F
匸	99AE																匸 區
十	99BE	𠂇	卅	卅	卉	卍	準										
卜	99BE								卞								
卩	99BE								卩	卮	卮	卮	卷				
厂	99BE 99CE													厂	厖	厖	厦
厶	99CE				厶	參	纂										
又	99CE							雙	叟	曼	變						
口	99CE											叮	叨	叭	叭	吁	吡
	99DE	呀	听	吭	吼	吮	呐	吩	吝	呖	咏	呵	咎	叭	呱	呷	吡
	99EE	咒	呻	咀	呶	咄	咐	咆	哇	呖	咸	咤	咬	哄	哈	咨	
	9A3F		咫	哂	咤	咄	哂	哥	哦	唏	唔	哽	哏	哮	哭	哺	哧
	9A4F	嗽	哇	啣	啞	售	啜	啖	啖	啖	唸	喉	啞	喙	喀	咯	噉
	9A5F	喟	啞	啣	喘	啣	單	啼	喃	喻	喇	唳	嗚	嗅	嗟	嘎	嗜
	9A6F	嗟	嗔	嘔	噉	噴	噉	嗽	嘛	噠	噠	噠	噠	噠	噠	噠	噠
	9A80	噉	噤	嘯	噬	噪	噤	噤	噤	噤	噤	噤	噤	噤	噤	噤	噤
	9A90	噤	噤	噤	噤	噤	噤	噤	噤	噤	噤	噤	噤	噤	噤	噤	噤
囗	9A90									口	囗	囗	囗	囗	囗	囗	
	9A9E		圈	國	圍	圓	團	圖	晉	園							
土	9A9E									坎	坏	址	坏	坎	圪	址	坏
	9AAE	坩	垂	垚	坡	坩	垚	垚	垚	圪	垚	垚	垚	坎	圪	埔	圪
	9ABE	坩	垚	垚	垚	垚	垚	垚	垚	垚	垚	垚	垚	坎	圪	埔	圪
	9ACE	壑	壑	壑	壑	壑	壑	壑	壑	壑	壑	壑	壑	壑	壑	壑	壑
	9ADE	壑	壑	壑	壑	壑	壑	壑	壑	壑	壑	壑	壑	壑	壑	壑	壑
士	9ADE				壯	壺	壺	壺	壺	壽							
夕	9ADE									夕							
又	9ADE										又	又					
夕	9ADE													夕	夕	夕	
大	9ADE																夫
	9AEE	天	本	夸	夾	奇	奕	奂	奎	奚	奘	奢	奠	奧	獎	奘	
女	9B3F		奸	妁	妝	佞	佞	妣	妣	姆	姨	姜	妍	妊	姚	娥	娟
	9B4F	娑	娜	娉	娉	婀	姪	婉	姪	娶	姨	婪	媚	媪	媪	媪	媪
	9B5F	媽	媽	媪	媪	嫩	嫖	嫖	嫖	嬌	嬋	嬋	嬋	嫩	嬋	嬋	嬋
	9B6F	孃	孃	孃	孃												

	Shift JIS	0	1	2	3	4	5	6	7	8	9	A	B	C	D	E	F
子	9B6F				子	孕	孚	孛	孛	孩	孰	孛	孛	學	孛	孛	
宀	9B6F					寇	崔	寔	寐	寤	寔	寔	寔	寥	寫	寰	宀
	9B80	它	宦	宸	寃												寶
	9B90	寶															
寸	9B90		尅	將	專	對											
小	9B90						尔	尠									
尢	9B90							尢	尢								
尸	9B90									尸	尹	屍		屆	屎	頂	
	9B9E		屨	屨	屨	屬											
屮	9B9E						屮										
山	9B9E							此	岑	屹	岌	岑	岔	岌	岌	岌	岌
	9BAE	岬	岷	岷	岷	岷	岷	岷	岷	岷	岷	岷	岷	岷	岷	岷	岷
	9BBE	岷	岷	岷	岷	岷	岷	岷	岷	岷	岷	岷	岷	岷	岷	岷	岷
	9BCE	岷	岷	岷	岷	岷	岷	岷	岷	岷	岷	岷	岷	岷	岷	岷	岷
ㄩ	9BCE																ㄩ
工	9BDE	巫															
巳	9BDE		巳	卮													
巾	9BDE				帀	帀	帀	帀	帀	帶	帷	幄	幃	幃	幃	幃	幃
	9BEE	幃	幃	帀	帀												
干	9BEE				干	井											
么	9BEE						么	麼									
广	9BEE									广	庠	廁	廂	厦	廐	廐	
	9C3F	廖	廣	廐		廚	廐	廢	廐	廐	廐	廐	廐	廐	廐		
廴	9C3F																廴 廴
廾	9C4F	廾	弃	廾	廾	廾											
弋	9C4F						弋	弋									
弓	9C4F							弓	弩	弭	弭	弭	弭	彈	彌	彎	弯
彡	9C5F	彡	彡	彡	彡												
彳	9C5F					彳	彳	彳	彳	往	徂	徂	徂	很	徑	徇	從
	9C6F	徂	徂	徂	徂	徂	徂										
心	9C6F						忖	忖	忖	忖	忖	忖	忖	惠	忿	怡	忖
	9C80	忖	忖	忖	忖	忖	忖	忖	忖	忖	忖	忖	忖	忖	忖	忖	忖
	9C90	忖	忖	忖	忖	忖	忖	忖	忖	忖	忖	忖	忖	忖	忖	忖	忖

	Shift JIS	0	1	2	3	4	5	6	7	8	9	A	B	C	D	E	F
心	9C9E		悄	悛	悻	悻	悻	悻	悻	惡	悻	惠	惓	悴	悴	悽	惆
	9CAE	悵	悵	悵	悵	悵	悵	悵	悵	惓	悵	悵	悵	悵	悵	悵	悵
	9CBE	悵	悵	悵	悵	悵	悵	悵	悵	悵	悵	悵	悵	悵	悵	悵	悵
	9CCE	悵	悵	悵	悵	悵	悵	悵	悵	悵	悵	悵	悵	悵	悵	悵	悵
	9CDE	悵	悵	悵	悵	悵	悵	悵	悵	悵	悵	悵	悵	悵	悵	悵	悵
	9CEE	悵	悵	悵	悵	悵	悵	悵	悵	悵	悵	悵	悵	悵	悵	悵	悵
戈	9CEE									戈	戈	戈	戈	戈	戈	戈	戈
	9D3F	戛	戛	戛	戛	戛	戛	戛	戛								
戸	9D3F									扁							
手	9D3F										扌	扌	扌	扌	扌	扌	扌
	9D4F	扌	扌	扌	扌	扌	扌	扌	扌	扌	扌	扌	扌	扌	扌	扌	扌
	9D5F	扌	扌	扌	扌	扌	扌	扌	扌	扌	扌	扌	扌	扌	扌	扌	扌
	9D6F	扌	扌	扌	扌	扌	扌	扌	扌	扌	扌	扌	扌	扌	扌	扌	扌
	9D80	扌	扌	扌	扌	扌	扌	扌	扌	扌	扌	扌	扌	扌	扌	扌	扌
	9D90	扌	扌	扌	扌	扌	扌	扌	扌	扌	扌	扌	扌	扌	扌	扌	扌
	9D9E	扌	扌	扌	扌	扌	扌	扌	扌	扌	扌	扌	扌	扌	扌	扌	扌
	9DAE	扌	扌	扌	扌	扌	扌	扌	扌	扌	扌	扌	扌	扌	扌	扌	扌
支	9DAE									攴	攴	攴	攴	攴	攴	攴	攴
	9DBE	攴	攴	攴	攴	攴	攴	攴	攴	攴	攴	攴	攴	攴	攴	攴	攴
斗	9DBE																斛
	9DCE	斛															
斤	9DCE	斤	斤														
方	9DCE			旃	旃	旃	旃	旃	旃	旃	旃	旃	旃				
无	9DCE											无	无	无	无	无	无
日	9DCE													日	日	日	日
	9DDE	日	日	日	日	日	日	日	日	日	日	日	日	日	日	日	日
	9DEE	日	日	日	日	日	日	日	日	日	日	日	日	日	日	日	日
	9E3F	日	日	日	日	日	日	日	日	日	日	日	日	日	日	日	日
日	9E3F									日	日	日					
月	9E3F													月	月	月	月
	9E4F	月	月											月	月	月	月
木	9E4F		朮	朮	朮	朮	朮	朮	朮	朮	朮	朮	朮	朮	朮	朮	朮
	9E5F	朮	朮	朮	朮	朮	朮	朮	朮	朮	朮	朮	朮	朮	朮	朮	朮
	9E6F	朮	朮	朮	朮	朮	朮	朮	朮	朮	朮	朮	朮	朮	朮	朮	朮

	Shift JIS	0	1	2	3	4	5	6	7	8	9	A	B	C	D	E	F	
木	9E80	梳	栴	杵	档	桷	梃	梟	梏	梭	梔	條	椰	梃	檣	栝	桴	
	9E90	梵	栢	栳	桎	梔	梃	梟	梏	梭	棘	梔	椰	梃	檣	栝	桴	
	9E9E		栳	棧	棕	椴	椒	接	棗	棗	柳	棗	棠	楡	桤	桤	櫟	
	9EAE	栳	倒	椴	楹	楷	椴	楸	楸	楸	楔	椴	楸	楸	楸	楸	楸	櫟
	9EBE	榆	栳	椴	椴	椴	椴	椴	椴	椴	椴	椴	椴	椴	椴	椴	椴	椴
	9ECE	榻	椴	椴	椴	椴	椴	椴	椴	椴	椴	椴	椴	椴	椴	椴	椴	椴
	9EDE	榭	椴	椴	椴	椴	椴	椴	椴	椴	椴	椴	椴	椴	椴	椴	椴	椴
	9EEE	椴	椴	椴	椴	椴	椴	椴	椴	椴	椴	椴	椴	椴	椴	椴	椴	椴
	9F3F		椴	椴	椴	椴	椴	椴	椴	椴	椴	椴	椴	椴	椴	椴	椴	椴
	9F4F	椴	椴	椴	椴	椴	椴	椴	椴	椴	椴	椴	椴	椴	椴	椴	椴	椴
欠	9F4F								欸	欸	盜	欸	飲	欸	欸	欸	歐	
	9F5F	欸	欸	欸	欸	歡												
止	9F5F					歸												
歹	9F5F						歹	歿		歹	殄	殃	殍	殘	殍	殍	殍	
	9F6F	殄	殄	殄	殄	殄												
殳	9F6F					殳	股	殼		毆								
毋	9F6F										毋	毓						
毛	9F6F											毳	毳	毳	毳	毳	毳	
	9F80	毳	毳															
氏	9F80			氏														
气	9F80			气		氛	氫	氣										
水	9F80							汞		汕	汙	汪	沂	洵	沁	沛		
	9F90	汾	汨	汨	沒	沐	世	決	泓	沽	泗	泗	沂	洵	沁	沛		
	9F9E		汨	泛	汎	汨	汨	洩	衍	洵	洵	洵	洵	洵	洵	洵	洵	
	9FAE	洵	洵	洵	洵	洵	洵	洵	洵	洵	洵	洵	洵	洵	洵	洵	洵	
	9FBE	洵	洵	洵	洵	洵	洵	洵	洵	洵	洵	洵	洵	洵	洵	洵	洵	
	9FCE	洵	洵	洵	洵	洵	洵	洵	洵	洵	洵	洵	洵	洵	洵	洵	洵	
	9FDE	滿	渝	游	游	溪	溪	溘	溘	溘	溘	溘	溘	溘	溘	溘	溘	
	9FEE	溘	溘	溘	溘	溘	溘	溘	溘	溘	溘	溘	溘	溘	溘	溘	溘	
	E03F		溘	溘	溘	溘	溘	溘	溘	溘	溘	溘	溘	溘	溘	溘	溘	
	E04F	溘	溘	溘	溘	溘	溘	溘	溘	溘	溘	溘	溘	溘	溘	溘	溘	
	E05F	溘	溘	溘	溘	溘	溘	溘	溘	溘	溘	溘	溘	溘	溘	溘	溘	
	E06F	溘	溘	溘	溘	溘	溘	溘	溘	溘	溘	溘	溘	溘	溘	溘	溘	
火	E06F					炙	炒	炯		炯	炬	炸	炳	炮	烟	杰	烝	

	Shift JIS	0	1	2	3	4	5	6	7	8	9	A	B	C	D	E	F	
火	E080	烙	焉	烽	焜	焙	煥	熙	熙	煦	榮	煌	煖	煬	熏	燻	熄	
	E090	煩	熨	熬	爛	熹	熾	燒	燉	燔	燎	燠	燬	燧	燧	燼		
	E09E		燹	燿	爍	爐	爛	爨										
爪	E09E								爭	爬	爰	爲						
爻	E09E												爻	俎				
爿	E09E														爿	牀	牆	
	E0AE	牋	牘															
牛	E0AE		牴	牾		犁	犁	犛	犒	犖	犢	犧						
犬	E0AE												犹	豺	狃	狃	狄	
	E0BE	狎	狒	狝	狝	狝	狝	狝	狝	猗	猗	猜	猗	狃	狃	狃	狃	
	E0CE	猓	猓	獒	獒	默	獒	獒	獨	獒	獸	獒	獻	獒				
王	E0CE														珈	玳	玳	
	E0DE	玻	珀	珥	珥	珞	璠	琅	瑯	琥	珥	珥	珥	瑕	璠	瑟	璠	
	E0EE	瑁	瑜	瑩	瑰	瑣	瑪	瑤	瑾	璋	璞	璧	瓊	瓏	瓏	瓏	瓏	
瓜	E13F		瓠	瓣														
瓦	E13F				砬	砬	瓮	甌	甌	甌	甌	甌	甌	甌	甌	甌	甌	
	E14F	甌	甌	甌														
甘	E14F				管													
生	E14F					甦												
用	E14F						甬											
田	E14F							早	岄	畛	畛	畛	畛	畛	畛	畛	時	
	E15F	畛	畛	畛	畛	當	疆	疇	疇	疊	疊	疊						
疒	E15F												疒	疒	疒	疒	疒	
	E16F	痂	疖	痄	痄	疽	疽	疼	疱	痲	痊	痒	痲	痲	痲	痲	痲	
	E180	痲	痲	痲	痲	痲	痲	痲	痲	痲	痲	痲	痲	痲	痲	痲	痲	
	E190	癩	癩	癩	癩	癩	癩	癩	癩	癩	癩	癩	癩	癩	癩	癩	癩	癩
	E19E		癩															
夂	E19E		夂	癸	發													
白	E19E					皀	皀	皀	皀	皀	皀	皀	皀	皀	皀			
皮	E19E															皀	皀	
	E1AE	皀	皀	皀														
皿	E1AE			孟	盍	盍	盍	盍	盍	盍	盍	盍	盍	盍				
目	E1AE														眈	眈	眈	
	E1BE	眈	眈	眈	眈	眈	眈	眈	眈	眈	眈	眈	眈	眈	眈	眈	眈	

	Shift JIS	0	1	2	3	4	5	6	7	8	9	A	B	C	D	E	F
目	E10E E1DE	辜 瞽 瞽 瞽	瞽 瞽 瞽 瞽	瞽 瞽 瞽 瞽	瞽 瞽 瞽 瞽	瞽 瞽 瞽 瞽	瞽 瞽 瞽 瞽	瞽 瞽 瞽 瞽	瞽 瞽 瞽 瞽	瞽 瞽 瞽 瞽	瞽 瞽 瞽 瞽	瞽 瞽 瞽 瞽	瞽 瞽 瞽 瞽	瞽 瞽 瞽 瞽	瞽 瞽 瞽 瞽	瞽 瞽 瞽 瞽	瞽 瞽 瞽 瞽
矛	E1DE		矜														
矢	E1DE			矣	矮												
石	E1DE E1EE E23F	砗 砗 砗 砗	砗 砗 砗 砗	砗 砗 砗 砗	砗 砗 砗 砗	砗 砗 砗 砗	砗 砗 砗 砗	砗 砗 砗 砗	砗 砗 砗 砗	砗 砗 砗 砗	砗 砗 砗 砗	砗 砗 砗 砗	砗 砗 砗 砗	砗 砗 砗 砗	砗 砗 砗 砗	砗 砗 砗 砗	砗 砗 砗 砗
示	E23F E24F	祕 祕 祕 祕	祕 祕 祕 祕	祕 祕 祕 祕	祕 祕 祕 祕	祕 祕 祕 祕	祕 祕 祕 祕	祕 祕 祕 祕	祕 祕 祕 祕	祕 祕 祕 祕	祕 祕 祕 祕	祕 祕 祕 祕	祕 祕 祕 祕	祕 祕 祕 祕	祕 祕 祕 祕	祕 祕 祕 祕	祕 祕 祕 祕
禺	E24F												禹	禺			
禾	E24F E25F E26F	秬 秬 秬 秬	秬 秬 秬 秬	秬 秬 秬 秬	秬 秬 秬 秬	秬 秬 秬 秬	秬 秬 秬 秬	秬 秬 秬 秬	秬 秬 秬 秬	秬 秬 秬 秬	秬 秬 秬 秬	秬 秬 秬 秬	秬 秬 秬 秬	秬 秬 秬 秬	秬 秬 秬 秬	秬 秬 秬 秬	秬 秬 秬 秬
穴	E26F E280	窶 窶 窶 窶	窶 窶 窶 窶	窶 窶 窶 窶	窶 窶 窶 窶	窶 窶 窶 窶	窶 窶 窶 窶	窶 窶 窶 窶	窶 窶 窶 窶	窶 窶 窶 窶	窶 窶 窶 窶	窶 窶 窶 窶	窶 窶 窶 窶	窶 窶 窶 窶	窶 窶 窶 窶	窶 窶 窶 窶	窶 窶 窶 窶
立	E280 E290	竝 竝 竝							立	竝 竝 竝	竝 竝 竝	竝 竝 竝	竝 竝 竝	竝 竝 竝	竝 竝 竝	竝 竝 竝	竝 竝 竝
竹	E290 E29E E2AE E2BE E2CE E2DE	筵 筵 筵 筵	筵 筵 筵 筵	筵 筵 筵 筵	筵 筵 筵 筵	筵 筵 筵 筵	筵 筵 筵 筵	筵 筵 筵 筵	筵 筵 筵 筵	筵 筵 筵 筵	筵 筵 筵 筵	筵 筵 筵 筵	筵 筵 筵 筵	筵 筵 筵 筵	筵 筵 筵 筵	筵 筵 筵 筵	筵 筵 筵 筵
米	E2DE E2EE	糝 糝 糝 糝	糝 糝 糝 糝	糝 糝 糝 糝	糝 糝 糝 糝	糝 糝 糝 糝	糝 糝 糝 糝	糝 糝 糝 糝	糝 糝 糝 糝	糝 糝 糝 糝	糝 糝 糝 糝	糝 糝 糝 糝	糝 糝 糝 糝	糝 糝 糝 糝	糝 糝 糝 糝	糝 糝 糝 糝	糝 糝 糝 糝
糸	E2EE E33F E34F E35F E36F E380 E390	紉 紉 紉 紉	紉 紉 紉 紉	紉 紉 紉 紉	紉 紉 紉 紉	紉 紉 紉 紉	紉 紉 紉 紉	紉 紉 紉 紉	紉 紉 紉 紉	紉 紉 紉 紉	紉 紉 紉 紉	紉 紉 紉 紉	紉 紉 紉 紉	紉 紉 紉 紉	紉 紉 紉 紉	紉 紉 紉 紉	紉 紉 紉 紉
缶	E390 E39E	罇 罇 罇	罇 罇 罇	罇 罇 罇	罇 罇 罇	罇 罇 罇	罇 罇 罇	罇 罇 罇	罇 罇 罇	罇 罇 罇	罇 罇 罇	罇 罇 罇	罇 罇 罇	罇 罇 罇	罇 罇 罇	罇 罇 罇	罇 罇 罇

	Shift JIS	0	1	2	3	4	5	6	7	8	9	A	B	C	D	E	F
网	E39E E3AE							网	罕	罔	罟	罟	罟	罟	罟	罟	罟
羊	E3AE E3BE							羴	羴	羴	羴	羴	羴	羴	羴	羴	羴
羽	E3BE																
老	E3BE																
耒	E3CE																
耳	E3CE E3DE																
聿	E3DE																
肉	E3DE E3EE E43F E44F E45F																
臣	E45F																
至	E45F																
臼	E45F E46F																
舌	E46F																
舟	E46F E480																
艮	E480																
色	E480																
艸	E480 E490 E49E E4AE E4BE E4CE E4DE E4EE E53F E54F																

	Shift JIS	0	1	2	3	4	5	6	7	8	9	A	B	C	D	E	F
艸	E55F	蘋	蘋	藺	蘆	龍	蘚	蘘	蘿								
虍	E55F									虍	虍	虍	虍	虍			
虫	E55F														虱	蚓	蚣
	E56F	蚩	蚪	蚋	蚌	蚶	蚯	蛄	蛆	蚰	蛉	螭	虵	蛔	蛞	蛭	蛭
	E580	蛟	蛛	蛭	蛭	蜆	蜈	蜀	蠶	蚰	蛭	蝓	蝓	蝓	蝓	蝓	蝓
	E590	蝮	蜻	蜥	蜩	蜚	蝠	蝟	蝟	蝟	蝟	蝟	蝟	蝟	蝟	蝟	蝟
	E59E		蝮	蝮	蝮	蝮	蝮	蝮	蝮	蝮	蝮	蝮	蝮	蝮	蝮	蝮	蝮
	E5AE	蝮	蝮	蝮	蝮	蝮	蝮	蝮	蝮	蝮	蝮	蝮	蝮	蝮	蝮	蝮	蝮
	E5BE	蝮	蝮	蝮	蝮	蝮	蝮	蝮	蝮	蝮	蝮	蝮	蝮	蝮	蝮	蝮	蝮
血	E5BE									衄	衄						
行	E5BE											衞	衞	衞	衞		
衣	E5BE															衫	袁
	E5CE	衾	衾	衾	衾	衾	衾	衾	衾	衾	衾	衾	衾	衾	衾	衾	衾
	E5DE	衾	衾	衾	衾	衾	衾	衾	衾	衾	衾	衾	衾	衾	衾	衾	衾
	E5EE	衾	衾	衾	衾	衾	衾	衾	衾	衾	衾	衾	衾	衾	衾	衾	衾
	E63F																
而	E63F									而	而	而	而				
見	E63F													覓	覓	覓	覓
	E64F	覓	覓	覓	覓	覓	覓	覓	覓	覓	覓	覓	覓				
角	E64F									觚	觚	觚	觚	觚	觚		
言	E64F															訃	訃
	E65F	訃	訃	訃	訃	訃	訃	訃	訃	訃	訃	訃	訃	訃	訃	訃	訃
	E66F	訃	訃	訃	訃	訃	訃	訃	訃	訃	訃	訃	訃	訃	訃	訃	訃
	E680	訃	訃	訃	訃	訃	訃	訃	訃	訃	訃	訃	訃	訃	訃	訃	訃
	E690	訃	訃	訃	訃	訃	訃	訃	訃	訃	訃	訃	訃	訃	訃	訃	訃
	E69E	訃	訃	訃	訃	訃	訃	訃	訃	訃	訃	訃	訃	訃	訃	訃	訃
谷	E69E															谷	谷
	E6AE	谷															
豆	E6AE		豈	豈	豈	豈	豈	豈	豈								
豕	E6AE						豕	豕	豕								
豸	E6AE									豸	豸	豸	豸	豸	豸	豸	豸
	E6BE	豸	豸	豸													
貝	E6BE				賅	賅	賅	賅	賅	貳	貳	貳	賈	賈	賈	賈	賈
	E6CE	賈	賈	賈	賈	賈	賈	賈	賈	賈	賈	賈	賈	賈	賈	賈	賈

	Shift JIS	0	1	2	3	4	5	6	7	8	9	A	B	C	D	E	F
赤	E6CE E6DE	赭															赧
走	E6DE	走	赳	赳	赳	趙											
足	E6DE E6EE E73F E74F	跟	跣	跣	跣	跣	跣	跣	跣	跣	跣	跣	跣	跣	跣	跣	跣
身	E74F E75F	軀	軀										躬	躬	躄	躄	躄
車	E75F E76F E780	輟	輟	輟	輟	輟	輟	輟	輟	輟	輟	輟	輟	輟	輟	輟	輟
辛	E780				辜	辟	辣	辭	辯								
辵	E780 E790 E79E E7AE	迓	迹	迹	迹	迓	迓	迓	迓	迓	迓	迓	迓	迓	迓	迓	迓
邑	E7AE E7BE	鄒	鄒	鄒	鄒				邨	邨	邨	邨	邨	邨	邨	邨	邨
酉	E7BE E7CE	醫	醴	醴	醴	醴	醴	醴	醴	醴	醴	醴	醴	醴	醴	醴	醴
采	E7CE									糶	釋						
里	E7CE												釐				
金	E7CE E7DE E7EE E83F E84F E85F E86F	釵	鈹	鈹	鈹	鈹	鈹	鈹	鈹	鈹	鈹	鈹	鈹	鈹	鈹	鈹	鈹
門	E86F E880 E890	閨	閨	閨	閨	閨	閨	閨	閨	閨	閨	閨	閨	閨	閨	閨	閨
阜	E890					阡	阡	阡	阡	阡	阡	阡	阡	阡	阡	阡	阡

	Shift JIS	0	1	2	3	4	5	6	7	8	9	A	B	C	D	E	F
阜	E89E		陝	陟	陟	陞	陞	隍	隘	隕	隗	險	隧	隱	隲	隳	隴
隶	E8AE	隶	隸														
隹	E8AE		隹	隹	隹	雋	雋	雍	襍	雜	霍	隹					
雨	E8AE E8BE		霽	霽	霖	霽	雷	霽	霽	霹	霽	霽	霽	霄	霆	霽	霽
青	E8CE	靜															
非	E8CE		靠														
面	E8CE		面	面		面											
革	E8CE E8DE		鞞	鞞	鞞	鞞	鞞	鞞	鞞	鞞	鞞	鞞	鞞	鞞	鞞	鞞	鞞
韋	E8DE											韋	韋				
韭	E8DE													韭	韭	韭	
音	E8DE E8EE		韶	韶													竟
頁	E8EE E93F		頤	頤	頤	頤	頤	頤	頤	頤	頤	頤	頤	頤	頤	頤	頤
風	E93F					風	風	風	風	飄	飄	飄					
食	E93F E94F E95F		餽	餽	餽	餽	餽	餽	餽	餽	餽	餽	餽	餽	餽	餽	餽
首	E95F					首	首										
香	E95F																
馬	E95F E96F E980		駁	駁	駁	駁	駁	駁	駁	馮	馮	馮	馮	駝	駝	駝	駝
骨	E980 E990		體	體	體	體	體	體	體					骨	骨	骨	骨
高	E990					高											
髟	E990 E99E		髟	髟	髟	髟	髟	髟	髟	髟	髟	髟	髟	髟	髟	髟	髟
鬥	E99E									鬥	鬥	鬥	鬥	鬥	鬥		
鬯	E99E																鬯
兩	E99E																兩
鬼	E9AE	魄	魃	魏	魃	魃	魃	魃									

	Shift JIS	0	1	2	3	4	5	6	7	8	9	A	B	C	D	E	F	
魚	E9AE									魴	鮓	鯉	鮑	鮪	鮫	鮠	鮪	鮪
	E9BE	鮠	鯉	鯉	鮪	鮪	鯉	鯉	鮪	鮪	鯉	鯉	鯉	鮪	鮪	鮪	鮪	鮪
	E9CE	鮪	鯉	鯉	鯉	鯉	鯉	鯉	鯉	鯉	鯉	鯉	鯉	鯉	鯉	鯉	鯉	鯉
	E9DE	鯉	鯉	鯉	鯉	鯉	鯉	鯉	鯉	鯉	鯉	鯉	鯉	鯉	鯉	鯉	鯉	鯉
鳥	E9DE											鳧	鳧	鴉	鴉	鴉	鴉	鴉
	E9EE	鴉	鴉	鴉	鴉	鴉	鴉	鴉	鴉	鴉	鴉	鴉	鴉	鴉	鴉	鴉	鴉	鴉
	EA3F	鴉	鴉	鴉	鴉	鴉	鴉	鴉	鴉	鴉	鴉	鴉	鴉	鴉	鴉	鴉	鴉	鴉
	EA4F	鴉	鴉	鴉	鴉	鴉	鴉	鴉	鴉	鴉	鴉	鴉	鴉	鴉	鴉	鴉	鴉	鴉
	EA5F	鴉	鴉	鴉	鴉	鴉	鴉	鴉	鴉	鴉	鴉	鴉	鴉	鴉	鴉	鴉	鴉	鴉
鹵	EA5F				鹵	鹵	鹽											
鹿	EA5F							鹿	麋	麋	麋	麋	麋	麋	麋			
麥	EA5F															麥	麩	
	EA6F	麩	麩	麩														
麻	EA6F				麻													
黃	EA6F					黃												
黍	EA6F						黍	黏	黏									
黑	EA6F									黔	黜	黜	黜	黜	黜	黜	黜	黜
	EA80	黜	黜	黜														
黼	EA80				黼	黼	黼											
黽	EA80							黽	黽	黽								
鼓	EA80									鼓	鼗							
鼠	EA80											鼠	鼯					
鼻	EA80														鼻			
齊	EA80															齊		
齒	EA80																齒	
	EA90	齒	齒	齒	齒	齒	齒	齒	齒	齒	齒	齒	齒					
龍	EA90													龍				
龜	EA90														龜			
龠	EA90															龠		

10.10 2D code

Maxi Code (Compatible Commands)

ESC+BV

Hexadecimal code	ESC <1B> ₁₆	BV <42> ₁₆ <56> ₁₆	Parameter a,b,c,ddddddddd,eee,fff,n~n
Initial value	Nil		

Valid range and term of command	When the power switch is OFF	The set parameter is not maintained.
	Valid range within item	The parameter preset will be invalid.
	Valid range between items	The parameter preset will be invalid.

[Function]

Specify the MaxiCode.

[Format]

<BV>a,b,c,ddddddddd,eee,fff,n~n

•Parameter

a[Symbol number]	=	Range	:	1~8
b[Symbol digit]	=	Range	:	1~8
c[Mode]	=	2	:	For carrier
			:	For carrier
			:	Standard code
			:	For reading device
d [Postal code]	=	Valid range	:	0~999999999 (mode 2) 000000~999999 (mode 3)
* Maximum 9 digits for mode 2 (only numeric) Fixed to 6 digits for mode 3 (upper case only for alphabet)				
e[Country code]	=	Valid range	:	001~999
f [Service class]	=	Valid range	:	001~999
n[Low priority message]	=	Alphanumeric, symbols		

Mode	Service class	Country code	Postal code	The maximum number of print data	
				Numeric only	Alphanumeric
2	Fixed to 3 digits (Numeric only)	Fixed to 3 digits (Numeric only)	Maximum 9 digits	123	84
3			Fixed to 6 digits (alphanumeric)		
4	Omission			138	93
6	Omission				

[Coding Example]

```
<A>
<V>100<H>200<BV>1,1,2,123456789,001,002,SAHTHA
<Q>2
<Z>
```

[Notes]

1. The size of the MaxiCode does not vary depending on the number of print data.
2. The code will not be printed when a parameter other than above is specified or number of print data does not match.
3. Specify more than 12 for the print data when mode 4 or 6 is specified. The MaxiCode that print data are equal or less than 11 cannot be read by scanners.

[Important]

This command is for existing models. Using Maxi Code command <2D20> is recommended

MaxiCode-Code Table

					S				I				S				O							
B8					0	0	0	0	0	0	0	0	0	0	1	1	1	1	1	1	1	1	1	1
B7					0	0	0	0	1	1	1	1	0	0	0	0	1	1	1	1	1	1	1	1
B6					0	0	1	1	0	0	1	1	0	0	1	1	0	0	1	1	0	0	1	1
B5					0	1	0	1	0	1	0	1	0	1	0	1	0	1	0	1	0	1	0	1
B4	B3	B2	B1		0	1	2	3	4	5	6	7	8	9	A	B	C	D	E	F				
0	0	0	0	0			SP	0	@	P	'	p												
0	0	0	1	1			!	1	A	Q	a	q												
0	0	1	0	2			"	2	B	R	b	r												
0	0	1	1	3			#	3	C	S	c	s												
0	1	0	0	4			\$	4	D	T	d	t												
0	1	0	1	5			%	5	E	U	e	u												
0	1	1	0	6			&	6	F	V	f	v												
0	1	1	1	7			'	7	G	W	g	w												
1	0	0	0	8			(8	H	X	h	x												
1	0	0	1	9)	9	I	Y	i	y												
1	0	1	0	A			*	:	J	Z	j	z												
1	0	1	1	B			+	:	K	[k	{												
1	1	0	0	C			,	<	L	\	l													
1	1	0	1	D			-	=	M]	m	}												
1	1	1	0	E			.	>	N	^	n	~												
1	1	1	1	F			/	?	O	_	o	DEL												

[01H to FFH] are available in MaxiCode.

10.11 2D code

PDF417 (Compatible Commands)

ESC+BK

Hexadecimal code	ESC	BK	Parameter
	<1B> ₁₆	<42> ₁₆ <4B> ₁₆	aabbcddeefffg~g(h)
Initial value	Nil		

Valid range and term of command	When the power switch is OFF	The set parameter is not maintained.
	Valid range within item	The parameter preset will be invalid.
	Valid range between items	The parameter preset will be invalid.

[Function]

Specify the PDF417.

[Format]

<BK>aabbcddeefffg~g(h)

•Parameter

a[Minimum module width] = Valid range : 01~27 (dots)
 b[Minimum module height] = Valid range : 01~72 (dots)
 c[Security level] = Valid range : 0~8
 c[Number of data codewords per 1 line](Cols) = Valid range : 01~30
 00: Auto (the width size varies depending on the specified

number of data)

e[Lines per symbol] = Valid range : 03~90
 00: Auto (the height size varies depending on the specified

number of data)

f[Number of data digit] = Valid range : 0001~2681
 g[Print data] = data
 h[PDF code type] = when omitted: PDF417
 T : Truncated
 M : Micro PDF

[Coding Example] Minimum module width: 03 (dots), minimum module height: 09 (dots)

Security level: 3, number of data codewords per 1 line: 03, lines per symbol: 18

```
<A>
<V>100<H>200<BK>0309303180010PDF1234567
<Q>2
<Z>
```

[Notes]

1. It is possible to specify 01 or 02 dots as the minimum module width, however, the code may not be read by a scanner.
2. It is possible to specify 01, 02 or 03 dots as the minimum module height, however, the code may not be read by a scanner.
3. The ratio of vertical and horizontal size (aspect ratio) is 1:2 according to the number of print data when the number of data codewords per 1 line and lines per symbol are specified as 00.
4. It is necessary to specify bigger lines per symbol or number of data codewords per 1 line when bigger security level is specified.
5. The maximum value for the number of data digit is 2681, however, this varies depending on the minimum module size, security level, and type of the print data.
6. The code will not be printed when a parameter specification or number of print data does not match.
7. When Micro PDF is specified in the PDF code type, the lines per symbol are decided according to the number of data codewords per 1 line. And the maximum value of the number of data digit will be decided, too. Refer to the "Symbol size and number of data for Micro PDF417" in the next page.
8. The security level is disabled when Micro PDF is specified in the PDF code type.

[Important]

This command is for existing models. Using PDF417 command <2D10> and Micro PDF417 command <2D12> is recommended

[Remarks]

1. The sequential numbering is invalid.
2. Print position specification by auto line feed is not available.
3. Print specification to 00H~FFH is available.
4. Format registration is available.
5. Specify bigger minimum module size when improving the print quality.
6. Specify a bigger security level value when improving the scanner readability.
7. The height of the code varies when the data are only alphabet or only numeric, and when the data are alphanumeric.

* The symbol size of Micro PDF417 is fixed to the following 34 types.

"Symbol size and number of data for Micro PDF417"

Symbol size		The maximum number of data		
Cols(c)	Rows(d)	Only alphabet(A~Z)	Numeric only	Binary mode
1	11	6	8	3
	14	12	17	7
	17	18	26	10
	20	22	32	13
	24	30	44	18
	28	38	55	22
2	8	14	20	8
	11	24	35	14
	14	36	52	21
	17	46	67	27
	20	56	82	33
	23	64	93	38
3	6	10	14	6
	8	18	26	10
	10	26	38	15
	12	34	49	20
	15	46	67	27
	20	66	96	39
	26	90	132	54
	32	114	167	68
	38	138	202	82
	44	162	237	97
4	4	14	20	8
	6	22	32	13
	8	34	49	20
	10	46	67	27
	12	58	85	34
	15	76	111	45
	20	106	155	63
	26	142	208	85
	32	178	261	106
	38	214	313	128
	44	250	366	150

* Alphabet (upper case, lower case), numeric and mix of the control code varies depending on the combined number of characters.

PDF417-Code Table

					S				I				S				O					
B8					0	0	0	0	0	0	0	0	0	1	1	1	1	1	1	1	1	
B7					0	0	0	0	1	1	1	1	0	0	0	0	1	1	1	1	1	
B6					0	0	1	1	0	0	1	1	0	0	1	1	0	0	1	1	1	
B5					0	1	0	1	0	1	0	1	0	1	0	1	0	1	0	1	0	1
B4	B3	B2	B1		0	1	2	3	4	5	6	7	8	9	A	B	C	D	E	F		
0	0	0	0	0			SP	0	@	P	'	p										
0	0	0	1	1			!	1	A	Q	a	q										
0	0	1	0	2			"	2	B	R	b	r										
0	0	1	1	3			#	3	C	S	c	s										
0	1	0	0	4			\$	4	D	T	d	t										
0	1	0	1	5			%	5	E	U	e	u										
0	1	1	0	6			&	6	F	V	f	v										
0	1	1	1	7			'	7	G	W	g	w										
1	0	0	0	8			(8	H	X	h	x										
1	0	0	1	9)	9	I	Y	i	y										
1	0	1	0	A			*	:	J	Z	j	z										
1	0	1	1	B			+	;	K	[k	{										
1	1	0	0	C			,	<	L	\	l											
1	1	0	1	D			-	=	M]	m	}										
1	1	1	0	E			.	>	N	^	n	~										
1	1	1	1	F			/	?	O	_	o	DEL										

[00H to FFH] are available in PDF417.

10.12 2D code

Data Matrix (ECC200) (Compatible Commands)

ESC+BX

Hexadecimal code	ESC <1B> ₁₆	BX <42> ₁₆ <58> ₁₆	Parameter aabbccddeeffghh
Initial value	Nil		

Valid range and term of command	When the power switch is OFF	The set parameter is not maintained.
	Valid range within item	The parameter preset will be invalid.
	Valid range between items	The parameter preset will be invalid.

[Function]

Specify Data Matrix (ECC200).

[Format] (setting part)

<BX>aabbccddeeffghh

●Parameter

a[Format ID]	=	Valid range	:	01 (Fixed)
b[Error correction level(error correction)]	=	Valid range	:	20 (Fixed)
c[Width of cell]	=	Valid range	:	01 to 99 (dot/cell)
d[Pitch of cell]	=	Valid range	:	01 to 99 (dot/cell)
e[Number of cell in per 1 line]	=	Valid range	:	010 to 144
		000	:	Auto setting
f [Number of cell lines]	=	Valid range	:	008 to 144
		000	:	Auto setting
g[Mirror image]	=	Valid range	:	0 (Fixed)
h[Size of the guide cell]	=	Valid range	:	01 (Fixed)

[Notes]

1. It is possible to specify 01 and 02 for the width of the cell and pitch of the cell, however, the code may not be read by a scanner.
The error occurs with 00.
2. The optimal matrix size will be set automatically when 000 is specified for both numbers of cells per 1 line and number of cell lines.

[Important]

This command is for existing models. Using Data Matrix (ECC200) command <2D50> is recommended.

10.13 2D code

Data Matrix (ECC200) Data (Compatible Commands)		ESC+DC	
Hexadecimal code	ESC <1B> ₁₆	DC <44> ₁₆ <43> ₁₆	Parameter n~n
Initial value	Nil		

Valid range and term of command	When the power switch is OFF	The set parameter is not maintained.
	Valid range within item	The parameter preset will be invalid.
	Valid range between items	The parameter preset will be invalid.

[Function]

Specify the data of Data Matrix (ECC200).

[Format] (data specification part)

<DC>n~n

- Parameter
n [Print data] = data

[Coding Example]

Width of cell: 02, Pitch of cell: 02,
number of cell per 1 line: 000, number of cell line: 000
Print data: 1234567890

```
<A>
<V>100<H>200
<BX>01200202000000001
<DC>1234567890
<Q>2
<Z>
```

[Note]

00H to FFH are available in Data Matrix (ECC200). However, it is not possible to specify 05H, 10H, 11H, 18H, and 1BH because these are product control codes. Specify Data Matrix <2D50> when specifying control codes in the data.

[Important]

This command is for existing models. Using Data Matrix (ECC200) command <2D50> is recommended

Data format	Number of data
Numeric	3116
Alphanumeric	2335
Binary (00H~FFH)	1556

* The values above are the maximum number of data available as the barcode data.

10.14 2D code

Data Matrix (ECC200) Sequential Numbering (Compatible Commands)

ESC+FX

Hexadecimal code	ESC	FX	Parameter
	<1B> ₁₆	<46> ₁₆ <58> ₁₆	aaabccdddeee
Initial value	Nil		

Valid range and term of command	When the power switch is OFF	The set parameter is not maintained.
	Valid range within item	The parameter preset will be invalid.
	Valid range between items	The parameter preset will be invalid.

[Function]

Specify sequential numbering of Data Matrix (ECC200).

[Format] Sequential numbering

<FX>aaabccdddeee

•Parameter

a[Number of printing for the same contents]	=	Valid range	:	001~999
b[Increment/Decrement flag]	=	+	:	Increment
			-	:
c[Number of increment/decrement]	=	Valid range	:	001~999
d[Digit position specification]	=	Valid range	:	001~999
e[Number of digit]	=	Valid range	:	001~999

[Coding Example] Number of printing for the same contents: 001, Increment/Decrement flag: +, number of increment/decrement: 001, digit position specification: 005, number of digits: 003

<A>
 <V>100<H>200
<FX>001+001005003
 <BX>012002020000000001
 <DC>00006000
 <Q>2
 <Z>

[Important]

This command is for existing models. Using Data Matrix (ECC200) command <2D50> is recommended.

GS1 Data Matrix (ECC200)-Code Table (at <DC> specification)

				S				I				S				O					
				B8	0	0	0	0	0	0	0	0	0	1	1	1	1	1	1	1	1
				B7	0	0	0	0	1	1	1	1	0	0	0	0	1	1	1	1	1
				B6	0	0	1	1	0	0	1	1	0	0	1	1	0	0	1	1	1
				B5	0	1	0	1	0	1	0	1	0	1	0	1	0	1	0	1	1
B4	B3	B2	B1		0	1	2	3	4	5	6	7	8	9	A	B	C	D	E	F	
0	0	0	0	0			SP	0	@	P	`	p									
0	0	0	1	1			!	1	A	Q	a	q									
0	0	1	0	2			"	2	B	R	b	r									
0	0	1	1	3			#	3	C	S	c	s									
0	1	0	0	4			\$	4	D	T	d	t									
0	1	0	1	5			%	5	E	U	e	u									
0	1	1	0	6			&	6	F	V	f	v									
0	1	1	1	7			'	7	G	W	g	w									
1	0	0	0	8			(8	H	X	h	x									
1	0	0	1	9)	9	I	Y	i	y									
1	0	1	0	A			*	:	J	Z	j	z									
1	0	1	1	B			+	:	K	[k	{									
1	1	0	0	C			,	<	L	\	l										
1	1	0	1	D			-	=	M]	m	}									
1	1	1	0	E			.	>	N	^	n	~									
1	1	1	1	F			/	?	O	_	o	DEL									

[00H to FFH] are available in GS1 Data Matrix (ECC200).
 (However, it is not possible to specify 05H, 10H, 11H, 18H, and 1BH because these are product control codes.)
 Specify [7EH, 7EH] when printing 7EH.

10.15 2D code			
Aztec code			ESC+2D70
Hexadecimal code	ESC	2D70	Parameter
	<1B> ₁₆	<32> ₁₆ <44> ₁₆ <37> ₁₆ <30> ₁₆	,a,bb,cc,ss,e,f~f
Initial value	Nil		

Valid range and term of command.	When the power switch is turned off	The set parameter is not maintained.
	Valid range within item	The set parameter becomes invalid.
	Valid range between itemss	The set parameter becomes invalid.

[Function]
Specify the Aztec code.

[Format] Setting part
<2D70>,a,bb,cc,dd,e,f~f

- Parameters
 - a [Symbol type] = 0 : Full range symbol
1 : Compact symbol
 - b [Error correction percentage]= 0 : default error correction level
01 - 99 : error correction percentage
 - c [Symbol size] 0 : Auto minimization
1 - 4 : 1 - 4 layer (compact symbol) * Refer to the below symbol size table
4 - 32 : 4 - 32 layer (full range symbol) * Refer to the below symbol size table
 - d [Number of symbols at structured append mode] = 0 : Encode without appending
1 : Auto setting
2 - 26: Structured append block number
 - e [Message ID] = Y: specify the message ID
N : Do not add message ID
 - f [Message ID of structured append symbol]
= Printable ASCII characters (excluding space), up to 24 bytes

[Format] Data part
<DS>n - n // in case of ASCII data
<DN>mmmm, n - n // in case of binary data

- Parameters
 - m [Number of data] = 0001 to 1914
- this parameter is set when print data is binary format
 - n [Print data] = data
- specify [1BH,1BH] when selecting [1BH]
- specify [1BH,30H] when selecting [FNC1]
- be sure to write [1BH,*] when selecting [ECI] (** specifies a value between 31H to 36H)

[Coding example]
Symbol type: compact, ECC percentage: default, symbol size: 2 layers, number of symbols at structured append: encode without appending, message id: None, message ID of structured append symbol: none, barcode data: THIS IS TEST

```
<A>
<V>0100<H>0100<L>0404
<2D70>,1,0,2,0,N,<DS>THIS IS TEST
<Q>1
<Z>
```

• Generated Label



- (Note)
1. The symbol might not be printed when a parameter other than described above is specified.
 2. The symbol may not be read by a scanner when the size of Aztec code is small. In the case, enlarge the size of the symbol for reading by using <ESC>L command that vertical and horizontal enlarge ratio is the same.
 3. The minimum size of the symbol is 15 x 15 module, and the maximum is 151 x 151 module. Refer to the below table for available Aztec code format and the maximum size.

Symbol size table

Parameter c	Format	Numeric	Text	Binary data
1	15x15 compact	13	12	6
2	19x19 compact	40	33	19
3	23x23 compact	70	57	33
4	27x27 compact	110	89	53
4	31X31	128	104	62
5	37X37	178	144	87
6	41X41	232	187	114
7	45X45	294	236	145
8	49X49	362	291	179
9	53X53	433	348	214
10	57X57	516	414	256
11	61X61	601	482	298
12	67X67	691	554	343
13	71X71	793	636	394
14	75X75	896	718	446
15	79X79	1008	808	502
16	83X83	1123	900	559
17	87X87	1246	998	621
18	91X91	1378	1104	687
19	95X95	1511	1210	753
20	101X101	1653	1324	824
21	105X105	1801	1442	898
22	109X109	1956	1566	976
23	113X113	2116	1694	1056
24	117X117	2281	1826	1138
25	121X121	2452	1963	1224
26	125X125	2632	2107	1314
27	131X131	2818	2256	1407
28	135X135	3007	2407	1501
29	139X139	3205	2565	1600
30	143X143	3409	2728	1702
31	147X147	3616	2894	1806
32	151X151	3832	3067	1914

*Please use the following capacity listed in the table above.

If you use more than the upper limit of each symbol size, it may result in the command error.

4. Aztec code is settable in the range of (00H - FFH). For binary data, the user needs to set the number of data correctly by using <ESC>DN command. The symbol cannot be printed if the number of data and print data do not match.
5. Specify [1BH, 1BH] when printing 1BH. In the case, the number of data is [0002].
6. Use a pair of [1BH,*] in the input data when using Extended Channel Interpretation (ECI). '*' specifies a value between 31H to 36H. The numbers in the below FLG(1) to FLG(6) are the number of digits used for ECI.
 - <ESC>1 -> FLG(1) ECI data to be specified is 1-digit
 - <ESC>2 -> FLG(2) ECI data to be specified is 2-digit
 - <ESC>3 -> FLG(3) ECI data to be specified is 3-digit
 - <ESC>4 -> FLG(4) ECI data to be specified is 4-digit
 - <ESC>5 -> FLG(5) ECI data to be specified is 5-digit
 - <ESC>6 -> FLG(6) ECI data to be specified is 6-digit

Example) Data in case of <ESC>4: <ESC>41111ABCDE

Scan data in case of <ESC>4: \001111ABCDE ('\ depends on the setting of the scanner, and it may be different.)

(1) <ESC>4 becomes FLG(4), and trailing [1111 (4 digits)] is treated as ECI data.

(2) The leading is padded with '0' because the number of digit is not enough (2 digits), and it will be [\001111].

7. Message ID is enabled only if the number of symbols at structured append mode is auto, or structured append block number is specified, and symbols are printed separately as a result.

Aztec code table

				S				I				S				O			
b8				0	0	0	0	0	0	0	0	1	1	1	1	1	1	1	1
b7				0	0	0	0	1	1	1	1	0	0	0	0	1	1	1	1
b6				0	0	1	1	0	0	1	1	0	0	1	1	0	0	1	1
b5				0	1	0	1	0	1	0	1	0	1	0	1	0	1	0	1
B4	b3	b2	b1	0	1	2	3	4	5	6	7	8	9	A	B	C	D	E	F
0	0	0	0	0			SP	0	@	P	`	p							
0	0	0	1	1			!	1	A	Q	a	q							
0	0	1	0	2			"	2	B	R	b	r							
0	0	1	1	3			#	3	C	S	c	s							
0	1	0	0	4			\$	4	D	T	d	t							
0	1	0	1	5			%	5	E	U	e	u							
0	1	1	0	6			&	6	F	V	f	v							
0	1	1	1	7			'	7	G	W	g	w							
1	0	0	0	8			(8	H	X	h	x							
1	0	0	1	9)	9	I	Y	i	y							
1	0	1	0	A			*	:	J	Z	j	z							
1	0	1	1	B			+	;	K	[k	{							
1	1	0	0	C			,	<	L	\	l	!							
1	1	0	1	D			-	=	M]	m	}							
1	1	1	0	E			.	>	N	^	n	~							
1	1	1	1	F			/	?	O	_	o	DEL							

	Data n	Data n+1
FNC1	1BH	30H
ECI	1BH	31H ~ 36H

Aztec code is settable in the range of (00H - FFH).

Specify [1BH,1BH] when setting [1BH].

Specify [1BH,30H] when setting [FNC1].

Specify [1BH,*] when setting [ECI]. (** refers a value between 31H to 36H)

10.16 2D code			
GS1 QR Code (Model 2)			ESC+2D34
Hexadecimal code	ESC	2D34	Parameter
	<1B> ₁₆	<32> ₁₆ <44> ₁₆ <33> ₁₆ <34> ₁₆	,a,bb
Initial value	Nil		

Valid range and term of command	When the power switch is OFF	The set parameter is not maintained.
	Valid range within item	The set parameter becomes invalid.
	Valid range between items	The set parameter becomes invalid.

[Function]

Specifying GS1 QR Code (Model 2)

[Format] (Setting part)

<2D34>,a,bb

●Parameter

a [Error Correction Level] = L : 7%
M : 15%
Q : 25%
H : 30%

b [Size of one side of cell] = Valid Range : 01 to 99 dots

*Specify more than 02 dots when head density is 12 dots/mm, otherwise scanner may have reading problem

[Format] (Data part)

Automatic setup (Data setup mode)

<DN>mmmm, n~n * Change input mode automatically according to input data.

[Format] (Version)

<QV>pp * Use when specifying the version.

●Parameter

m [Number of data] = Valid Range : 1 to 7087
n [Print data] = Data

*Data is in the automatic setup. Depending on the combination of the data, the maximum number of data may not be specified.

pp [Version] = 00 to 40 (GS1 QR)

*Use when fix the size of QR symbol by specifying the version. When not specified, it will be specified automatically.

It will be Auto when specifying 00. The parameter error will occur when the parameter is out of the range 00 to 40.

*Refer to [QR code version command] for details.

[Notes]

1. AI identifier's fixed length and variable length will not be checked. AI identifier is not checked too. When specifying AI identifier that supported the variable data character string, please include FNC1(@1) at the end of data.
2. If you want to include @ character in the data string data, please enter @@.
3. Do not specify @ data other than FNC1(@1), @(@@) in the data string data.
If only @ is specified, @ will be deleted.
Sample : If you specify 12345@6789 (all 10 characters), it will encode with 123456789 (9 characters).
4. If only @1 is specified in the data string, a command error will occur.
5. If "%" is included in the print data, there is a possibility that "%" cannot be correctly scanned depending on the type of input data or the scanner. If "%" is not the intended scanned result, please specify "%%". For details, please contact each scanner maker.
6. Checking of valid data specified in GS1 QR code is not implemented.
7. GS1 QR code does not support the manual setting mode.
8. GS1 QR code does not support the concatenation mode.

[Coding Example 1] Error correction level: 7%, Size of one side of cell: 05, Concatenation mode: Normal, Version 5

Data : (01)04912345123459(10)ABC123<FNC1>(96)11022888

```
<A>  
<V>100<H>200<2D34>.L.05  
<QV>5  
<DN>0036,010491234512345910ABC123@19611022888  
<Q>1  
<Z>
```

[Coding Example 2] Error correction level: 7%, Size of one side of cell: 05, Concatenation mode: Normal, Version 5

Data : (01)04993191000019(8200)www.sato.co.jp

```
<A>  
<V>100<H>200<2D34>.L.05  
<QV>5  
<DN>0034,01049931910000198200www.sato.co.jp  
<Q>1  
<Z>
```

[Notes]

1. Specify <QV> command between <2Dxx> and <DN>
2. When resulted in a parameter error, it will be handled in the same manner of no specification.
3. A parameter error will occur if the parameter is out of range.
For GS1 QR, the setting range is from 00 to 40. (Set the value within the range corresponding to each model)
4. Sending the data exceeding the data size of specified version will result in error and GS1QR code is not printed.

List of QR code data size (for GS1 QR)

Version	Error Collection	Numeric	Alpha-Numeric	Kanji	Binary	Version	Error Collection	Numeric	Alpha-Numeric	Kanji	Binary
1 21 × 21	L	40	24	10	17	11 61 × 61	L	771	467	198	321
	M	33	20	8	14		M	603	366	154	251
	Q	25	15	6	11		Q	426	258	109	177
	H	16	10	4	7		H	330	200	84	137
2 25 × 25	L	76	46	19	32	12 65 × 65	L	882	534	226	367
	M	61	37	16	26		M	690	418	177	287
	Q	47	28	12	20		Q	488	296	125	203
	H	33	20	8	14		H	373	226	95	155
3 29 × 29	L	126	76	32	53	13 69 × 69	L	1021	619	262	425
	M	100	60	25	42		M	795	482	204	331
	Q	76	46	19	32		Q	579	351	148	241
	H	57	34	14	24		H	426	258	109	177
4 33 × 33	L	186	113	48	78	14 73 × 73	L	1100	667	282	458
	M	148	90	38	62		M	870	527	223	362
	Q	109	66	28	46		Q	620	376	159	258
	H	81	49	21	34		H	466	283	119	194
5 37 × 37	L	253	154	65	106	15 77 × 77	L	1249	757	320	520
	M	201	122	51	84		M	990	600	254	412
	Q	144	87	36	60		Q	702	425	180	292
	H	105	63	27	44		H	529	320	135	220
6 41 × 41	L	321	194	82	134	16 81 × 81	L	1407	853	361	586
	M	253	154	65	106		M	1081	655	277	450
	Q	177	107	45	74		Q	774	469	198	322
	H	138	84	35	58		H	601	364	154	250
7 45 × 45	L	369	223	94	154	17 85 × 85	L	1546	938	396	644
	M	292	177	75	122		M	1210	734	310	504
	Q	205	124	52	86		Q	874	530	224	364
	H	153	92	39	64		H	673	408	172	280
8 49 × 49	L	460	279	118	192	18 89 × 89	L	1724	1045	442	718
	M	364	220	93	152		M	1345	815	345	560
	Q	258	156	66	108		Q	946	574	242	394
	H	201	122	51	84		H	745	451	191	310
9 53 × 53	L	551	334	141	230	19 93 × 93	L	1902	1152	487	792
	M	431	261	110	180		M	1498	908	384	624
	Q	311	188	80	130		Q	1062	643	272	442
	H	234	142	60	98		H	812	492	208	338
10 57 × 57	L	651	395	167	271	20 97 × 97	L	2060	1248	528	858
	M	512	310	131	213		M	1599	969	410	666
	Q	363	220	93	151		Q	1158	702	297	482
	H	286	174	73	119		H	918	556	235	382

Version	Error Correction	Numeric	Alpha-Numeric	Kanji	Binary	Version	Error Correction	Numeric	Alpha-Numeric	Kanji	Binary
21 101 × 101	L	2230	1352	572	929	31 141 × 141	L	4416	2676	1132	1840
	M	1707	1035	438	711		M	3485	2112	893	1452
	Q	1222	741	314	509		Q	2472	1498	634	1030
	H	968	587	248	403		H	1896	1149	486	790
22 105 × 105	L	2408	1459	617	1003	32 145 × 145	L	4685	2839	1201	1952
	M	1870	1134	479	779		M	3691	2237	946	1538
	Q	1357	822	348	565		Q	2669	1618	684	1112
	H	1054	639	270	439		H	2021	1225	518	842
23 109 × 109	L	2619	1587	671	1091	33 149 × 149	L	4963	3008	1272	2068
	M	2058	1247	527	857		M	3907	2368	1002	1628
	Q	1467	889	376	611		Q	2803	1699	719	1168
	H	1107	671	284	461		H	2155	1306	552	898
24 113 × 113	L	2811	1704	721	1171	34 153 × 153	L	5251	3183	1347	2188
	M	2187	1326	561	911		M	4133	2505	1060	1722
	Q	1587	962	407	661		Q	2947	1786	756	1228
	H	1227	744	314	511		H	2299	1394	589	958
25 117 × 117	L	3056	1852	783	1273	35 157 × 157	L	5527	3350	1417	2303
	M	2394	1451	614	997		M	4342	2631	1113	1809
	Q	1717	1040	440	715		Q	3081	1866	789	1283
	H	1285	779	329	535		H	2359	1430	605	983
26 121 × 121	L	3282	1989	841	1367	36 161 × 161	L	5835	3536	1496	2431
	M	2542	1541	652	1059		M	4587	2780	1176	1911
	Q	1803	1093	462	751		Q	3243	1965	831	1351
	H	1424	863	365	593		H	2523	1529	647	1051
27 125 × 125	L	3516	2131	901	1465	37 165 × 165	L	6151	3728	1577	2563
	M	2700	1636	692	1125		M	4774	2893	1224	1989
	Q	1932	1171	495	805		Q	3415	2070	876	1423
	H	1500	909	384	625		H	2623	1590	672	1093
28 129 × 129	L	3667	2223	940	1528	38 169 × 169	L	6478	3926	1661	2699
	M	2856	1731	732	1190		M	5038	3053	1292	2099
	Q	2083	1263	534	868		Q	3598	2180	922	1499
	H	1579	957	405	658		H	2734	1657	701	1139
29 133 × 133	L	3907	2368	1002	1628	39 173 × 173	L	6742	4086	1728	2809
	M	3035	1839	778	1264		M	5311	3219	1362	2213
	Q	2179	1321	559	908		Q	3790	2297	972	1579
	H	1675	1015	429	698		H	2926	1773	750	1219
30 137 × 137	L	4157	2519	1066	1732	40 177 × 177	L	7087	4295	1817	2953
	M	3288	1993	843	1370		M	5595	3391	1434	2331
	Q	2357	1428	604	982		Q	3991	2419	1023	1663
	H	1781	1079	456	742		H	3055	1852	783	1273

List of QR code data size (for Model 2)

Version	Error Correction	Number	Alphanumeric	Chinese characters	Binary	Version	Error Correction	Number	Alphanumeric	Chinese characters	Binary		
1	L	41	25	10	17	11	L	772	468	198	321		
	M	34	20	8	14		M	604	366	155	251		
	21 x 21	Q	27	16	7		11	61 x 61	Q	427	259	109	177
	H	17	10	4	7		H	331	200	85	137		
2	L	77	47	20	32	12	L	883	535	226	367		
	M	63	38	16	26		M	691	419	177	287		
	25 x 25	Q	48	29	12		20	65 x 65	Q	489	296	125	203
	H	34	20	8	14		H	374	227	96	155		
3	L	127	77	32	53	13	L	1022	619	262	425		
	M	101	61	26	42		M	796	483	204	331		
	29 x 29	Q	77	47	20		32	69 x 69	Q	580	352	149	241
	H	58	35	15	24		H	427	259	109	177		
4	L	187	114	48	78	14	L	1101	667	282	458		
	M	149	90	38	62		M	871	528	223	362		
	33 x 33	Q	111	67	28		46	73 x 73	Q	621	376	159	258
	H	82	50	21	34		H	468	283	120	194		
5	L	255	154	65	106	15	L	1250	758	320	520		
	M	202	122	52	84		M	991	600	254	412		
	37 x 37	Q	144	87	37		60	77 x 77	Q	703	426	180	292
	H	106	64	27	44		H	530	321	136	220		
6	L	322	195	82	134	16	L	1408	854	361	586		
	M	255	154	65	106		M	1082	656	277	450		
	41 x 41	Q	178	108	45		74	81 x 81	Q	775	470	198	322
	H	139	84	36	58		H	602	365	154	250		
7	L	370	224	95	154	17	L	1548	938	397	644		
	M	293	178	75	122		M	1212	734	310	504		
	45 x 45	Q	207	125	53		86	85 x 85	Q	876	531	224	364
	H	154	93	39	64		H	674	408	173	280		
8	L	461	279	118	192	18	L	1725	1046	442	718		
	M	365	221	93	152		M	1346	816	345	560		
	49 x 49	Q	259	157	66		108	89 x 89	Q	948	574	243	394
	H	202	122	52	84		H	746	452	191	310		
9	L	552	335	141	230	19	L	1903	1153	488	792		
	M	432	262	111	180		M	1500	909	384	624		
	53 x 53	Q	312	189	80		130	93 x 93	Q	1063	644	272	442
	H	235	143	60	98		H	813	493	208	338		
10	L	652	395	167	271	20	L	2061	1249	528	858		
	M	513	311	131	213		M	1600	970	410	666		
	57 x 57	Q	364	221	93		151	97 x 97	Q	1159	702	297	482
	H	288	174	74	119		H	919	557	235	382		

Version	Error Correction	Number	Alphanumeric	Chinese characters	Binary	Version	Error Correction	Number	Alphanumeric	Chinese characters	Binary
21 101 x 101	L	2232	1352	572	929	31 141 x 141	L	4417	2677	1132	1840
	M	1708	1035	438	711		M	3486	2113	894	1452
	Q	1224	742	314	509		Q	2473	1499	634	1030
	H	969	587	248	403		H	1897	1150	486	790
22 105 x 105	L	2409	1460	618	1003	32 145 x 145	L	4686	2840	1201	1952
	M	1872	1134	480	779		M	3693	2238	947	1538
	Q	1358	823	348	565		Q	2670	1618	684	1112
	H	1056	640	270	439		H	2022	1226	518	842
23 109 x 109	L	2620	1588	672	1091	33 149 x 149	L	4965	3009	1273	2068
	M	2059	1248	528	857		M	3909	2369	1002	1628
	Q	1468	890	376	611		Q	2805	1700	719	1168
	H	1108	672	284	461		H	2157	1307	553	898
24 113 x 113	L	2812	1704	721	1171	34 153 x 153	L	5253	3183	1347	2188
	M	2188	1326	561	911		M	4134	2506	1060	1722
	Q	1588	963	407	661		Q	2949	1787	756	1228
	H	1228	744	315	511		H	2301	1394	590	958
25 117 x 117	L	3057	1853	784	1273	35 157 x 157	L	5529	3351	1417	2303
	M	2395	1451	614	997		M	4343	2632	1113	1809
	Q	1718	1041	440	715		Q	3081	1867	790	1283
	H	1286	779	330	535		H	2361	1431	605	983
26 121 x 121	L	3283	1990	842	1367	36 161 x 161	L	5836	3537	1496	2431
	M	2544	1542	652	1059		M	4588	2780	1176	1911
	Q	1804	1094	462	751		Q	3244	1966	832	1351
	H	1425	864	365	593		H	2524	1530	647	1051
27 125 x 125	L	3517	2132	902	1465	37 165 x 165	L	6153	3729	1577	2563
	M	2701	1637	692	1125		M	4775	2894	1224	1989
	Q	1933	1172	496	805		Q	3417	2071	876	1423
	H	1501	910	385	625		H	2625	1591	673	1093
28 129 x 129	L	3669	2223	940	1528	38 169 x 169	L	6479	3927	1661	2699
	M	2857	1732	732	1190		M	5039	3054	1292	2099
	Q	2085	1263	534	868		Q	3599	2181	923	1499
	H	1581	958	405	658		H	2735	1658	701	1139
29 133 x 133	L	3909	2369	1002	1628	39 173 x 173	L	6743	4087	1729	2809
	M	3035	1839	778	1264		M	5313	3220	1362	2213
	Q	2181	1322	559	908		Q	3791	2298	972	1579
	H	1677	1016	430	698		H	2927	1774	750	1219
30 137 x 137	L	4158	2520	1066	1732	40 177 x 177	L	7089	4296	1817	2953
	M	3289	1994	843	1370		M	5596	3391	1435	2331
	Q	2358	1429	604	982		Q	3993	2420	1024	1663
	H	1782	1080	457	742		H	3057	1852	784	1273

QR Code (Numeric mode) Code table

					S				I				S				O					
B8					0	0	0	0	0	0	0	0	1	1	1	1	1	1	1	1	1	
B7					0	0	0	0	1	1	1	1	0	0	0	0	1	1	1	1	1	
B6					0	0	1	1	0	0	1	1	0	0	1	1	0	0	1	1	1	
B5					0	1	0	1	0	1	0	1	0	1	0	1	0	1	0	1	0	1
B4	B3	B2	B1		0	1	2	3	4	5	6	7	8	9	A	B	C	D	E	F		
0	0	0	0	0				0														
0	0	0	1	1				1														
0	0	1	0	2				2														
0	0	1	1	3				3														
0	1	0	0	4				4														
0	1	0	1	5				5														
0	1	1	0	6				6														
0	1	1	1	7				7														
1	0	0	0	8				8														
1	0	0	1	9				9														
1	0	1	0	A																		
1	0	1	1	B																		
1	1	0	0	C																		
1	1	0	1	D																		
1	1	1	0	E																		
1	1	1	1	F																		

QR Code (Alphanumeric mode) Code table

					S				I				S				O					
B8					0	0	0	0	0	0	0	0	0	0	1	1	1	1	1	1	1	1
B7					0	0	0	0	1	1	1	1	0	0	0	0	1	1	1	1	1	1
B6					0	0	1	1	0	0	1	1	0	0	1	1	0	0	1	1	1	1
B5					0	1	0	1	0	1	0	1	0	1	0	1	0	1	0	1	0	1
B4	B3	B2	B1		0	1	2	3	4	5	6	7	8	9	A	B	C	D	E	F		
0	0	0	0	0			SP	0		P												
0	0	0	1	1				1	A	Q												
0	0	1	0	2				2	B	R												
0	0	1	1	3				3	C	S												
0	1	0	0	4			\$	4	D	T												
0	1	0	1	5			%	5	E	U												
0	1	1	0	6				6	F	V												
0	1	1	1	7				7	G	W												
1	0	0	0	8				8	H	X												
1	0	0	1	9				9	I	Y												
1	0	1	0	A			*	:	J	Z												
1	0	1	1	B			+		K													
1	1	0	0	C					L													
1	1	0	1	D			-		M													
1	1	1	0	E			.		N													
1	1	1	1	F			/		O													

QR Code (Binary mode) Code table

					S				I				S				O					
B8					0	0	0	0	0	0	0	0	0	0	1	1	1	1	1	1	1	1
B7					0	0	0	0	1	1	1	1	0	0	0	0	1	1	1	1	1	1
B6					0	0	1	1	0	0	1	1	0	0	1	1	0	0	1	1	1	1
B5					0	1	0	1	0	1	0	1	0	1	0	1	0	1	0	1	0	1
B4	B3	B2	B1		0	1	2	3	4	5	6	7	8	9	A	B	C	D	E	F		
0	0	0	0	0			SP	0	@	P	`	p										
0	0	0	1	1			!	1	A	Q	a	q										
0	0	1	0	2			"	2	B	R	b	r										
0	0	1	1	3			#	3	C	S	c	s										
0	1	0	0	4			\$	4	D	T	d	t										
0	1	0	1	5			%	5	E	U	e	u										
0	1	1	0	6			&	6	F	V	f	v										
0	1	1	1	7			'	7	G	W	g	w										
1	0	0	0	8			(8	H	X	h	x										
1	0	0	1	9)	9	I	Y	i	y										
1	0	1	0	A			*	:	J	Z	j	z										
1	0	1	1	B			+	;	K	[k	{										
1	1	0	0	C			,	<	L	\	l											
1	1	0	1	D			-	=	M]	m	}										
1	1	1	0	E			.	>	N	^	n	—										
1	1	1	1	F			/	?	O	_	o	DEL										

QR Code can specify from 00H to 7FH, and from A0H to DFH.

QR code (Kanji mode) Code table

	Shift JIS	0	1	2	3	4	5	6	7	8	9	A	B	C	D	E	F
記号	813F		SP	、	。	、	。	・	：	；	？	！	”	°	／	、	”
	814F	^	—	、	、	、	、	、	、	全	々	々	〇	—	—	-	/
	815F	＼	～	//		…	…	‘	’	“	”	()	[]	[]
	816F	{	}	<	>	《	》	「	」	『	』	【	】	+	-	±	×
	8180	÷	=	≠	<	>	≤	≥	∞	∴	♂	♀	°	’	”	°C	¥
	8190	\$	¢	£	%	#	&	*	@	§	☆	★	○	●	◎	◇	
	819E		◆	□	■	△	▲	▽	▼	※	〒	→	←	↑	↓	=	
英・数字	824F	0	1	2	3	4	5	6	7	8	9						
	825F		A	B	C	D	E	F	G	H	I	J	K	L	M	N	O
	826F	P	Q	R	S	T	U	V	W	X	Y	Z					
	8280		a	b	c	d	e	f	g	h	i	j	k	l	m	n	o
	8290	p	q	r	s	t	u	v	w	x	y	z					
ひらがな	829E		あ	あ	い	い	う	う	え	え	お	お	か	が	き	ぎ	く
	82AE	ぐ	け	げ	こ	こ	さ	ざ	し	じ	す	ず	せ	が	そ	ぞ	た
	82BE	だ	ち	ち	っ	っ	づ	て	で	と	ど	な	に	が	ぬ	ね	の
	82CE	ば	ぱ	ひ	び	び	ふ	ぶ	ぷ	へ	べ	ら	ほ	が	ぼ	ぼ	ま
	82DE	む	め	も	ゃ	ゃ	ゆ	ゆ	よ	よ	ら	り	る	が	ろ	ま	わ
	82EE	み	ゑ	を	ん												
カタカナ	833F		ア	ア	イ	イ	ウ	ウ	エ	エ	オ	オ	カ	ガ	キ	ギ	ク
	834F	グ	ケ	ゲ	コ	ゴ	サ	ザ	シ	ジ	ス	ズ	セ	ガ	ソ	ゾ	タ
	835F	ダ	チ	チ	ッ	ッ	ツ	ヅ	テ	ト	ド	ナ	ニ	ガ	ヌ	ノ	ハ
	836F	バ	パ	ヒ	ビ	ピ	フ	ブ	プ	ヘ	ベ	リ	ホ	ガ	ポ	マ	ミ
	8380	ム	メ	モ	ヤ	ヤ	ユ	ユ	ヨ	ヨ	ラ	リ	ル	ガ	ロ	ワ	ワ
	8390	キ	エ	ヲ	ン	ヴ	カ	ケ									
ギリシア文字	839E		A	B	Γ	Δ	E	Z	H	Θ	I	K	Λ	M	N	Ξ	O
	83AE	Π	P	Σ	T	Υ	Φ	X	Ψ	Ω							
	83BE		α	β	γ	δ	ε	ζ	η	θ	ι	κ	λ	μ	ν	ξ	ο
	83CE	π	ρ	σ	τ	υ	φ	χ	ψ	ω							
ロシア文字	843F		A	B	B	Г	Д	E	Ё	Ж	З	И	Й	К	Л	М	Н
	844F	О	П	Р	С	Т	У	Ф	Х	Ц	Ч	Ш	Щ	Ъ	Ы	Ь	Э
	845F	Ю	Я														
	846F		a	b	в	г	д	e	ё	ж	з	и	й	к	л	м	н
	8480	о	п	р	с	т	у	ф	х	ц	ч	ш	щ	ъ	ы	ь	э
	8490	ю	я														

	Shift JIS	0	1	2	3	4	5	6	7	8	9	A	B	C	D	E	F
ア	889E	亜	啞	娃	阿	哀	愛	挨	始	逢	葵	茜	穉	惡	握	渥	
	88AE	旭	葦	芦	梓	压	幹	扱	宛	姐	虻	飴	絢	綾	鮎	或	
	88BE	粟	裕	安	按	暗	案	闇	鞍	杏							
イ	88BE											以	伊	位	依	偉	困
	88CE	夷	委	威	尉	惟	意	慰	易	椅	為	畏	異	移	維	緯	胃
	88DE	萎	衣	謂	違	遣	医	井	亥	域	育	郁	磯	一	杏	溢	逸
	88EE	稻	茨	芋	鬮	允	印	咽	員	因	姻	引	飲	淫	胤	蔭	
	893F		院	陰	隱	韻	吋										
ウ	893F						右	宇									
	894F	碓	臼	渦	噓	唄	鬱	蔚	鰻	烏	羽	迂	雨	卯	鷓	窺	丑
	895F	雲								姥	廐	浦	瓜	閏	嶲	云	運
エ	895F		荏	餌	叡	營	嬰	影	映	曳	栄	永	泳	洩	瑛	盈	穎
	896F	穎	英	衛	詠	銳	液	疫	益	馱	悦	謁	越	閎	榎	厭	円
	8980	園	堰	奄	宴	延	怨	掩	援	沿	演	炎	焰	煙	燕	猿	縁
	8990	艶	苑	菌	遠	鉛	鴛	塩									
オ	8990								於	汚	甥	凹	央	奧	往	忝	
	899E		押	旺	橫	欧	殴	王	翁	襖	鶯	鷗	黄	岡	沖	荻	億
	89AE	屋	憶	臆	桶	牡	乙	俺	卸	恩	温	穩	音				
カ	89AE													下	化	仮	何
	89BE	伽	伽	佳	加	可	嘉	夏	嫁	家	寡	科	暇	果	架	歌	河
	89CE	火	珂	禍	禾	稼	箇	花	苛	茄	荷	華	菓	蝦	課	嘩	貨
	89DE	迦	過	霞	蚊	俄	峨	我	牙	画	臥	芽	蛾	賀	雅	餓	駕
	89EE	介	会	解	回	塊	壞	迴	快	怪	悔	恢	懷	戒	拐	改	
	8A3F		魁	晦	械	海	灰	界	皆	絵	芥	蟹	開	階	貝	凱	効
	8A4F	外	咳	害	崖	慨	概	涯	碍	蓋	街	該	鎧	骸	湮	罄	蛙
	8A5F	垣	柿	蛎	鉤	劃	嚇	各	廓	拈	攪	格	核	骸	獲	確	穫
	8A6F	覚	角	赫	較	郭	閣	隔	革	学	岳	樂	額	骸	掛	笠	桴
	8A80	檀	梶	鯁	漚	割	喝	恰	括	活	渴	滑	葛	骸	掛	轄	桴
	8A90	叶	椈	樺	靴	株	兜	竈	蒲	釜	鎌	嚙	鴨	骸	栢	喚	桴
	8A9E		粥	刈	苜	瓦	乾	侃	冠	寒	刊	勘	勸	骸	卷	喚	桴
	8AAE	完	官	寬	干	幹	患	感	慣	憾	換	敢	柑	骸	桓	款	肝
	8ABE	汗	漢	澗	灌	環	甘	監	看	竿	管	簡	緩	骸	缶	翰	含
8ACE	莞	觀	諫	貫	還	鑑	間	閑	関	陷	韓	館	骸	舘	丸		
8ADE	巖	玩	癌	眼	岩	翫	贖	雁	頑	顔	願						

	Shift JIS	0	1	2	3	4	5	6	7	8	9	A	B	C	D	E	F
キ	8ADE												企	伎	危	喜	器
	8AEE	基	奇	嬉	寄	岐	希	幾	忌	揮	机	旗	既	期	棋	棄	起
	8B3F		機	婦	毅	氣	汽	畿	祈	季	稀	紀	微	規	記	貴	疑
	8B4F	軌	輝	飢	騎	鬼	龜	偽	儀	妓	宜	戲	技	擬	欺	儀	杵
	8B5F	祇	義	蟻	誼	議	掬	菊	鞠	吉	吃	喫	桔	橋	詰	砧	救
	8B6F	忝	却	客	脚	虐	逆	丘	久	仇	休	及	吸	宮	弓	急	居
	8B80	朽	求	汲	泣	灸	球	究	窮	笈	級	糾	給	旧	牛	去	
	8B90	巨	拒	拋	拳	渠	虛	許	距	鋸	漁	卿	魚	亨	享	京	強
	8B9E		供	俠	僑	兇	競	共	凶	協	匡	卿	叫	喬	喬	峽	鄉
	8BAE	彊	怯	恐	恭	挾	教	橋	況	狂	狹	矯	胸	脅	興	蕎	僅
	8BBE	鏡	響	饗	驚	仰	凝	堯	曉	業	局	曲	極	玉	桐	秆	襟
	8BCE	勤	均	巾	錦	斤	欣		琴	禁	禽		緊	芹	菌	衿	
	8BDE	謹	近	金	吟	銀											
ク	8BDE						九	俱	句	区	狗	玖	矩	苦	軀	驅	駟
	8BEE	駒	具	愚	虞	喰	空	偶	寓	遇	隅	串	櫛	釧	屑	屈	君
	8C3F		掘	窟	沓	靴	轡	窪	熊	隈	彖	栗	線	桑	鋤	勳	
	8C4F	薰	訓	群	軍	郡											
ケ	8C4F						卦	袈	祁	係	傾	刑	兄	啓	圭	珪	型
	8C5F	契	形	徑	惠	慶	慧	憩	揭	携	敬	景	桂	溪	畦	稽	系
	8C6F	經	繼	繫	野	荃	荊	蚩	計	詣	警	輕	頸	溪	芸	迎	鯨
	8C80	劇	戟	擊	激	隙	析	傑	欠	詣	潔	穴	結	血	訣	月	件
	8C90	儉	倦	健	兼	券	劍	喧	圈	堅	嫌	建	憲	懸	拳	捲	遣
	8C9E		檢	權	牽	犬	獻	研	硯	絹	凜	肩	見	謙	賢	軒	舷
	8CAE	鍵	陰	顯	驗	齧	元	原	蔽	幻	弦	減	源	玄	現	絃	
8CBE	言	諺	限														
コ	8CBE				乎	個	古	呼	固	姑	孤	己	庫	弧	戸	故	枯
	8CCE	湖	狐	糊	袴	股	胡	菰	虎	誇	跨	鈷	雇	顧	鼓	互	
	8CDE	伍	午	吳	吾	娛	後	御	悟	梧	檣	瑚	碁	語	誤	翻	
	8DEE	乞	鯉	交	佞	侯	候	倖	光	公	功	効	碁	厚	口	向	
	8D3F		后	喉	坑	垢	好	孔	孝	宏	工	巧	巷	幸	庑	康	
	8D4F	弘	恒	慌	抗	拘	控	攻	昂	晃	更	杭	校	梗	構	洪	
	8D5F	浩	港	溝	甲	皇	硬	稿	糠	紅	紘	絞	綱	耕	考	肱	
	8D6F	腔	膏	航	荒	行	衡	講	貢	購	郊	醉	鉞	砧	閤	降	
8D80	項	香	高	鴻	剛	劫	号	合	壕	拷	濠	豪	轟	克	刻		

	Shift JIS	0	1	2	3	4	5	6	7	8	9	A	B	C	D	E	F
コ	8D90	告	国	穀	酷	鵠	黒	獄	漉	腰	甌	忽	惚	骨	狛	込	
	8D9E	此	良	頃	今	困	坤	壘	婚	恨	懇	昏	昆	根	栖	混	痕
	8DAE	紺		魂													
サ	8DAE				些	佐	又	唆	嵯	左	差	查	沙	磋	砂	詐	鎖
	8DBE	裳	坐	座	挫	債	催	再	最	哉	塞	妻	宰	彩	才	採	裁
	8DCE	歲	濟	災	采	犀	碎	砦	祭	齋	細	菜	裁	載	際	劑	在
	8DDE	材	罪	財	牙	坂	阪	堺	神	肴	咲	崎	埼	碕	鷺	作	削
	8DEE	昨	擗	昨	朔	柵	窄	策	索	肴	桜	鮭	筰	匙	冊	刷	
	8E3F		察	抄	撮	擦	札	殺	薩	錯	棗	鯖	捌	鏑	皿	晒	
	8E4F	三	傘	參	山	慘	撒	散	棧	雜	阜	鯖	捌	鏑	皿	晒	
8E5F	酸	餐	斬	暫	殘				燦	珊	産	算	纂	纂	贊		
シ	8E5F						仕	仔	伺	使	刺	司	史	嗣	四	士	始
	8E6F	姉	姿	子	屍	市	師	志	思	指	支	孜	斯	施	旨	枝	止
	8E80	死	氏	獅	祉	私	糸	紙	紫	肢	脂	至	視	詞	詩	試	誌
	8E90	諮	資	賜	雌	飼	齒	事	似	侍	兒	字	寺	慈	持	時	
	8E9E		次	滋	治	爾	璽	痔	磁	示	而	耳	自	蒔	悉	夕	鹿
	8EAE	式	識	鴟	竺	軸	穴	零	七	叱	執	失	嫉	室	射	湿	漆
	8EBE	疾	質	実	蔀	篠	偲	柴	芝	屢	蕊	綺	舍	写	射	捨	赦
	8ECE	斜	煮	社	紗	者	謝	車	遮	蛇	邪	借	勺	尺	杓	灼	爵
	8EDE	酌	积	錫	若	寂	弱	惹	主	取	守	手	朱	殊	狩	珠	種
	8EEE	腫	趣	酒	首	儒	受	呪	寿	授	樹	綬	需	囚	收	周	
	8F3F		宗	就	州	修	愁	拾	洲	秀	秋	終	繡	習	臭	舟	蒐
	8F4F	衆	襲	讐	蹴	輯	週	曾	酬	集	醜	什	住	充	十	從	戎
	8F5F	柔	汁	洪	獸	縱	重	銃	叔	夙	宿	淑	祝	縮	肅	塾	熟
	8F6F	出	術	述	俊	峻	春	瞬	竣	舜	駿	准	祝	旬	楯	殉	淳
	8F80	準	潤	盾	純	巡	遵	醇	順	処	初	所	暑	曙	渚	庶	
	8F90	署	書	薯	諸	諸	助	叙	女	序	徐	恕	鋤	除	傷	償	
	8F9E		勝	匠	升	召	哨	商	唱	嘗	獎	妾	娼	宵	將	小	少
	8FAE	尚	庄	床	廠	彰	承	抄	招	掌	捷	昇	昌	昭	晶	松	梢
	8FBE	樟	樵	沼	消	涉	湘	燒	焦	照	捷	省	硝	礁	祥	称	章
	8FCE	笑	粧	紹	肖	菖	蔣	蕉	衝	裳	症	訟	証	礁	象	賞	
8FDE	鉦	鍾	鐘	障	鞘	上	丈	丞	乘	冗	剩	剩	場	壤	嬾	常	
8FEE	情	擾	条	杖	淨	狀	量	穰	蒸	讓	釀	釀	場	壤	飾		
903F		拭	植	殖	燭	織	職	色	觸	食	蝕	蝕	尻	伸	信	侵	

	Shift JIS	0	1	2	3	4	5	6	7	8	9	A	B	C	D	E	F
シ	904F	唇	娠	寢	審	心	慎	振	新	晋	森	榛	浸	深	申	疹	真
	905F	神	秦	紳	臣	芯	薪	親	診	身	辛	進	針	震	人	仁	刃
	906F	塵	壬	尋	甚	尽	腎	訊	迅	陣	韌						
ス	906F											筭	諏	須	酢	凶	厨
	9080	逗	吹	垂	帥	推	水	炊	睡	粹	翠	衰	遂	須	錐	錘	随
	9090	瑞	髓	崇	嵩	数	枢	趨	雛	据	杉	相	菅	頗	雀	裾	
	909E		澄	摺	寸												
セ	909E					世	瀬	畝	是	凄	制	勢	姓	征	性	成	政
	90AE	整	星	晴	棲	栖	正	清	性	生	盛	精	聖	声	製	西	誠
	90BE	誓	請	逝	醒	青	静	齐	税	脆	隻	席	惜	戚	斥	昔	析
	90CE	石	積	籍	績	脊	責	赤	跡	蹟	碩	切	拙	接	撰	折	設
	90DE	窃	節	説	雪	絶	舌	蝉	仙	先	千	占	宣	専	尖	川	戰
	90EE	扇	撰	栓	梅	泉	浅	洗	染	潜	煎	煽	旋	穿	箭	線	鮮
	913F		織	羨	腺	舛	船	薦	詮	賤	踐	選	遷	錢	銃	閃	
	914F	前	善	漸	然	全	禪	繕	膳	糲							
ソ	914F										噲	塑	岨	措	曾	曾	楚
	915F	狙	疏	疎	礎	祖	租	粗	素	組	蘇	訴	阻	迦	鼠	僧	創
	916F	双	叢	倉	喪	壯	奏	爽	宋	層	匠	惣	想	迦	掃	挿	搔
	9180	操	早	曹	巢	槍	槽	漕	燥	争	瘦	相	窓	糴	総	綜	聡
	9190	草	莊	葬	蒼	藻	装	走	送	遭	鎗	霜	騷	像	増	憎	俗
	919E		臟	蔵	贈	造	促	側	則	即	息	捉	束	測	足	速	
	91AE	属	賊	族	統	卒	袖	其	揃	存	孫	尊	損	村	遜		
タ	91AE															他	多
	91BE	太	汰	詫	唾	墮	妥	惰	打	柁	舵	橈	陀	馱	驛	体	堆
	91CE	対	耐	岱	帶	待	怠	態	戴	替	泰	滯	胎	腿	苔	袋	貸
	91DE	退	逮	隊	黛	鯛	代	台	大	第	醜	題	鷹	滝	瀧	卓	啄
	91EE	宅	托	挾	拓	沢	濯	琢	託	鐸	濁	諾	茸	胤	只	誰	
	923F		叩	但	達	辰	奪	脱	異	豎	迪	棚	茸	狸	樽	眈	
	924F	丹	单	嘆	坦	担	探	旦	歎	淡	湛	炭	谷	端	綻		
925F	胆	蛋	誕	鍛	団	壇	彈	断	暖	檀	段	短	談				
チ	925F													值	知	地	
	926F	弛	恥	智	池	痴	稚	置	致	蜘	遲	馳	築	畜	竹	筑	蓄
	9280	逐	秩	窒	茶	嫡	着	中	仲	宙	忠	抽	昼	柱	注	虫	衷
	9290	註	酎	鑄	駐	構	瀦	猪	芋	著	貯	丁	兆	涸	喋	寵	

	Shift JIS	0	1	2	3	4	5	6	7	8	9	A	B	C	D	E	F
チ	929E		帖	帳	斤	弔	張	彫	微	懲	挑	暢	朝	潮	牒	町	眺
	92AE	聽	脹	腸	蝶	調	諜	超	跳	銚	長	頂	鳥	勅	抄	直	朕
	92BE	沈	珍	賃	鎮	陳											
ツ	92BE						津	墜	椎	槌	追	鎚	痛	通	塚	拇	搦
	92CE	槻	佃	漬	柘	辻	蔦	綴	鏑	椿	潰	坪	壺	孀	紬	爪	吊
	92DE	釣	鶴														
テ	92DE			亭	低	停	偵	荆	貞	呈	堤	定	帝	底	庭	廷	弟
	92EE	悌	抵	挺	提	梯	汀	碇	禎	程	締	艇	訂	諦	蹄	遞	哲
	933F		邸	鄭	釘	鼎	泥	摘	擢	敵	滴	的	笛	適	鎬	溺	顛
	934F	徹	撤	轍	迭	鉄	典	填	天	展	店	添	纏	甜	貼	轉	
	935F	点	伝	殿	澱	田	電										
ト	935F						兔	吐		堵	塗	妬	屠	徒	斗	杜	渡
	936F	登	菟	賭	途	都	鍍	砥	砾	努	度	土	奴	怒	倒	党	冬
	9380	凍	刀	唐	塔	塘	套	宕	島	嶋	悼	投	搭	東	桃	禱	棟
	9390	盜	淘	湯	涛	灯	燈	当	痘	禱	等	答	筒	糖	統	到	
	939E		董	蕩	藤	討	騰	豆	踏	逃	透	錠	陶	頭	騰	鬪	働
	93AE	動	同	堂	導	懂	撞	洞	瞳	童	胴	荀	道	銅	峠	鴉	匿
	93BE	得	德	澆	特	督	禿	篤	毒	独	読	析	橡	凸	突	楸	届
	93CE	鳶	苦	寅	酉	滯	噸	屯	惇	敦	沌	豚	遁	頓	吞	曇	鈍
ナ	93DE	奈	那	内	乍	凧	薙	謎	灘	捺	鍋	櫓	馴	縄	暇	南	楠
	93EE	軟	難	汝													
ニ	93EE				二	尼	弑	迹	匂	賑	肉	虹	廿	日	乳	入	
	943F		如	尿	菲	任	妊	忍	認								
又	943F									濡							
ネ	943F										禰	柵	寧	葱	猫	熱	年
	944F	念	捻	撚	燃	粘											
ノ	944F						乃	迺	之	埜	囊	惱	濃	納	能	腦	膿
	945F	農	視	蚤													
ハ	945F				巴	把	播	霸	杷	波	派	琶	破	婆	罵	芭	馬
	946F	俳	糜	拜	排	敗	杯	盃	牌	背	肺	輩	配	倍	培	媒	拍
	9480	楳	煤	狽	買	壳	賠	陪	這	蠅	秤	矧	菽	伯	剥	博	
	9490	柏	泊	白	箔	粕	舶	薄	迫	曝	漠	爆	縛	莫	駁	麥	
	949E		函	箱	谿	箸	肇	筭	櫨	幡	肌	焜	皁	八	鉢	澆	癸
	94AE	醜	髮	伐	罰	拔	筏	閥	鳩	嘶	塙	蛤	隼	伴	判	半	反

	Shift JIS	0	1	2	3	4	5	6	7	8	9	A	B	C	D	E	F
ハ	94BE	叛	帆	搬	斑	板	汜	汎	版	犯	班	畔	繁	般	藩	販	範
	94CE	采	煩	頒	飯	挽	晚	番	盤	磬	蕃	蚤					
ヒ	94CE												匪	卑	否	妃	庇
	94DE	彼	悲	扉	批	披	斐	比	泌	疲	皮	碑	秘	卑	罷	肥	被
	94EE	誹	費	避	非	飛	樋	簸	備	尾	微	枇	毘	緋	眉	美	
	953F		鼻	柎	稗	匹	疋	髭	彦	膝	菱	肘	弼	必	畢	筆	逼
	954F	桧	姫	媛	紐	百	謬	俵	彪	標	氷	漂	瓢	票	表	評	豹
	955F	廟	描	病	秒	苗	錨	鋌	蒜	蛭	鱈	品	彬	斌	浜	瀕	貧
956F	竇	頻	敏	瓶													
フ	956F					不	付	埠	夫	婦	富	富	布	府	怖	扶	敷
	9580	斧	普	浮	父	符	腐	膚	芙	譜	負	賦	赴	阜	附	侮	撫
	9590	武	舞	葡	蕪	部	封	楓	風	葺	蒭	伏	副	復	幅	服	
	959E		福	腹	複	覆	淵	弗	弘	沸	仏	物	鮒	分	吻	噴	墳
	95AE	憤	扮	焚	奮	粉	糞	紛	雰	文	聞						
ヘ	95AE											丙	併	兵	塀	幣	平
	95BE	弊	柄	並	蔽	閉	陛	米	頁	僻	壁	癖	碧	別	警	蔑	篔
	95CE	偏	変	片	篇	編	辺	返	遍	便	勉	婉	弁	鞭			
ホ	95CE														保	舖	鋪
	95DE	圃	捕	步	甫	補	輔	穗	募	墓	慕	戊	暮	母	簿	菩	倣
	95EE	俣	包	呆	報	奉	宝	峰	峯	崩	庖	抱	捧	放	方	朋	
	963F		法	泡	烹	砲	縫	胞	芳	萌	蓬	蜂	褒	訪	豊	邦	鋒
	964F	飽	鳳	鵬	乏	亡	傍	剖	坊	妨	帽	忘	忙	房	暴	望	某
	965F	棒	冒	紡	肪	膨	謀	貌	貿	鋒	防	吠	類	北	僕	卜	墨
966F	撲	朴	牧	睦	穆	卸	勃	沒	殆	堀	幌	奔	本	翻	凡	盆	
マ	9680	摩	磨	魔	麻	埋	妹	味	枚	每	哩	模	幕	膜	枕	鮪	枉
	9690	鱒	榭	亦	俣	又	抹	末	沫	迄	俛	繭	磨	万	慢	滿	
	969E																
ミ	969E				味	未	魅	巳	箕	岬	密	蜜	湊	蓑	稔	脈	妙
	96AE	耗	民	眠													
ム	96AE				務	夢	無	牟	矛	霧	鷓	棕	婿	娘			
メ	96AE														冥	名	命
	96BE	明	盟	迷	銘	鳴	姪	牝	滅	免	棉	綿	緬	面	麵		
モ	96BE															摸	模
	96CE	茂	妄	孟	毛	猛	盲	網	耗	蒙	儲	木	默	目	杳	勿	餅

	Shift JIS	0	1	2	3	4	5	6	7	8	9	A	B	C	D	E	F
モ	96DE	尤	戾	粩	貰	問	悶	紋	門	匆							
ヤ	96DE 96EE	矢	厄	役	約	葉	訛	躍	靖	柳	也	冶	夜	爺	耶	野	弥
ユ	96EE 973F 974F	涌	諭	輸	唯	佑	優	勇	友	宥	幽	悠	愉	愈	油	癒	湧
ヨ	974F 975F 976F 9780	誉	輿	預	傭	幼	妖	容	庸	揚	搖	擁	曜	楊	予	余	与
ラ	9780 9790	乱	卵	嵐	欄	濫	羅	螺	裸	来	萊	賴	雷	洛	絡	落	酪
リ	9790 979E 97AE 97BE 97CE	琉	痲	裏	裡	里	離	陸	律	利	吏	履	李	梨	理	璃	溜
ル	97CE 97DE	類												瑠	罌	淚	累
レ	97DE 97EE 983F	齡	令	伶	例	冷	勵	嶺	伶	玲	礼	苓	鈴	隸	零	靈	麗
ロ	983F 984F 985F	樓	榔	浪	漏	呂	魯	櫓	炉	賂	路	露	勞	婁	廊	弄	朗
ワ	985F 986F	椀	倭	和	話	歪	賄	脇	惑	梓	鷺	互	亘	鰐	詫	藁	蕨

	Shift JIS	0	1	2	3	4	5	6	7	8	9	A	B	C	D	E	F
一	989E		弌	丐	丕												
丨	989E					个	卩										
丶	989E							丶	井								
丿	989E									丿	乂	乖	乘				
乙	989E													亂			
丿	989E														丿	豫	事
	98AE	舒															
二	98AE		弌	于	亞	亟											
十	98AE					十	亢	京		毫	亶						
人	98AE										从	仍		仄	仆	仂	仗
	98BE	仞	仞	仞	价	伉	侏	估	佛	佝	佗	佇	仍	仄	仆	仂	仗
	98CE	佩	佰	侑	伴	來	侖	儘	倪	俟	俎	俘	俛	侷	侷	侷	侷
	98DE	俸	倚	倨	偃	倪	控	倅	倅	俶	倡	倩	倅	俸	俯	們	們
	98EE	偃	假	會	借	修	偈	做	偕	惚	偷	傀	倅	俸	偃	儉	儉
	993F		僉	僉	傳	儂	僖	僞	僥	僭	僭	僮	倅	儂	儉	儉	儉
	994F	儉	儉	儉	儉	儉	儉	儉	儉	儉				儉	儉	儉	儉
儿	994F									儿	兀	兒		兌	免	兢	競
入	995F	兩	兪														
八	995F			兮	冀												
冂	995F					冂	回	册	冉	冂	冂	冂	冂				
冂	995F													冂	冂	冂	冂
	996F	冂	冂														
冂	996F			冂	决	冂	冲	冰	况	冂	冂	冂	冂				
几	996F													几	處	几	凭
	9980	鳳															
凵	9980		凵	函													
刀	9980				刃	刊	刂	刂	刂	刪	刮	刮	剝	剝	剝	剝	剝
	9990	剝	剔	剪	剝	剩	剝	剝	剝	劍	劍	劍	劍	剝	剝	剝	剝
	999E		剔	辦													
力	999E			劬	劬	劬	劬	劬	劬	劬	勞	勸	勸	劬	勸	勸	勸
	99AE	勸															
勹	99AE		勹	匆	匆	匆	匆	匆	匆								
匕	99AE									匕							
匚	99AE									匚	匚	匚	匚	匚	匚	匚	匚

	Shift JIS	0	1	2	3	4	5	6	7	8	9	A	B	C	D	E	F
匸	99AE																匸 區
十	99BE	𠂇	卅	卅	卉	卍	準										
卜	99BE								卞								
卩	99BE								卩	卮	卮	卮	卷				
厂	99BE 99CE													厂	厖	厖	厦
厶	99CE				厶	參	纂										
又	99CE							雙	叟	曼	變						
口	99CE 99DE 99EE 9A3F 9A4F 9A5F 9A6F 9A80 9A90	呀 咒 嗽 啣 噍 噍 噍 噍 噍	听 呻 咫 哇 啞 啞 啞 啞 啞	吭 咀 晒 啣 啞 啞 啞 啞 啞	吼 嗽 啞 啞 啞 啞 啞 啞 啞	吮 咄 咄 咄 咄 咄 咄 咄 咄	呐 咐 高 啜 單 啜 啜 啜 啜	吩 咆 听 啖 啖 啖 啖 啖	吝 吟 哦 啖 啖 啖 啖 啖	咏 咸 唏 唸 唸 唸 唸 唸	呵 啞 啞 啞 啞 啞 啞 啞 啞	咎 咬 啞 啞 啞 啞 啞 啞 啞	叭 咳 哄 哮 喙 嗅 嚮	叭 呱 哈 哭 喀 嗟 嚮	吁 呷 咨 哺 咯 嗝 嚮	咩 咩 咩 咩 咩 咩 咩 咩 咩	
口	9A90 9A9E									口	囧	囧	囧	囧	囧	囧	囧
土	9A9E 9AAE 9ABE 9ACE 9ADE	坩 埤 壑 壑 壑	垂 聖 壑 壑 壑	垚 垚 壑 壑 壑	坡 垚 壑 壑 壑	坩 坩 壑 壑 壑	垚 垚 壑 壑 壑	垚 垚 壑 壑 壑	垚 垚 壑 壑 壑	坩 壑 壑 壑 壑	坩 壑 壑 壑 壑	坩 壑 壑 壑 壑	坩 壑 壑 壑 壑	坩 壑 壑 壑 壑	坩 壑 壑 壑 壑	坩 壑 壑 壑 壑	坩 壑 壑 壑 壑
士	9ADE				壯	壺	壺	壺	壺	壽							
夕	9ADE									夕							
又	9ADE											夕	篡				
夕	9ADE													夕	篡		
大	9ADE 9AEE	夭	本	夸	夾	奇	奕	奂	奎	奚	奘	奢	奠	奧	獎	奘	夫
女	9B3F 9B4F 9B5F 9B6F	娑 媽 孃	奸 娜 媽 孃	妁 娉 媽 孃	妝 娉 媽 孃	佞 姍 嫩	佞 姍 嫵	妘 姍 嫵	妘 姍 嫵	姆 娶 嬌	姨 婢 嬋	姜 婪 嬋	妍 媚 嬋	姘 媼 嫩	姚 媼 嬋	娥 媼 嬋	娟 嫂 嬋

	Shift JIS	0	1	2	3	4	5	6	7	8	9	A	B	C	D	E	F
子	9B6F				子	孕	孚	孛	孛	孩	孰	孛	瞬	學	孛	孺	
宀	9B6F					寇	崔	寔	寐	寤	實	寢	寔	寥	寫	寰	宀寶
	9B80	它	宦	宸	寃												
	9B90	寶															
寸	9B90		尅	將	專	對											
小	9B90						尔	尠									
尢	9B90							尢	尮								
尸	9B90									尸	尹	屍		屆	屎	頂	
	9B9E		屨	屛	屛	屬											
屮	9B9E					屮											
山	9B9E							此	岑	屹	岌	岑	岔	岌	岫	岷	岫
	9BAE	岬	岷	岷	岷	岷	峙	峩	峩	岷	岷	岷	岷	岷	岷	岷	岷
	9BBE	岷	岷	岷	岷	岷	岷	岷	岷	岷	岷	岷	岷	岷	岷	岷	岷
	9BCE	岷	岷	岷	岷	岷	岷	岷	岷	岷	岷	岷	岷	岷	岷	岷	岷
ㄩ	9BCE																ㄩ
工	9BDE	巫															
巳	9BDE		巳	卮													
巾	9BDE				帀	帀	帀	帀	帀	帶	帷	幄	幃	幃	幃	幃	幃
	9BEE	幃	幃	帀	帀												
干	9BEE				干	井											
么	9BEE						么	麼									
广	9BEE									广	庠	廁	廂	厦	廐	廐	
	9C3F	廖	廣	廐		廚	廐	廢	廐	廐	廐	廐	廐	廐	廐		
廴	9C3F																廴 廴
廾	9C4F	廾	弃	廾	廾	廾											
弋	9C4F					弋	弋										
弓	9C4F							弓	弩	弭	弭	弭	弭	彈	彌	彎	弯
彡	9C5F	彡	彡	彡	彡												
彳	9C5F					彳	彳	彳	彳	往	徂	徂	徂	很	徑	徇	從
	9C6F	徂	徂	徂	徂	徂	徂										
心	9C6F						忖	忖	忖	忖	忖	忖	忖	惠	忿	怡	忖
	9C80	忖	忖	忖	忖	忖	忖	忖	忖	忖	忖	忖	忖	忖	忖	忖	忖
	9C90	忖	忖	忖	忖	忖	忖	忖	忖	忖	忖	忖	忖	忖	忖	忖	忖

	Shift JIS	0	1	2	3	4	5	6	7	8	9	A	B	C	D	E	F
心	9C9E		悄	悛	悻	悵	悵	悵	悵	惡	悻	惠	惓	悴	悴	悽	惆
	9CAE	悵	悵	悵	悵	悵	悵	悵	悵	悵	悵	悵	悵	悵	悵	悵	悵
	9CBE	悵	悵	悵	悵	悵	悵	悵	悵	悵	悵	悵	悵	悵	悵	悵	悵
	9CCE	悵	悵	悵	悵	悵	悵	悵	悵	悵	悵	悵	悵	悵	悵	悵	悵
	9CDE	悵	悵	悵	悵	悵	悵	悵	悵	悵	悵	悵	悵	悵	悵	悵	悵
	9CEE	悵	悵	悵	悵	悵	悵	悵	悵	悵	悵	悵	悵	悵	悵	悵	悵
戈	9CEE									戈	戍	戍	戍	戍	戍	戍	
	9D3F		戍	戍	戍	戍	戍	戍	戍								
戸	9D3F									扁							
手	9D3F										扌	扌	扌	扌	扌	扌	扌
	9D4F	扌	扌	扌	扌	扌	扌	扌	扌	扌	扌	扌	扌	扌	扌	扌	扌
	9D5F	扌	扌	扌	扌	扌	扌	扌	扌	扌	扌	扌	扌	扌	扌	扌	扌
	9D6F	扌	扌	扌	扌	扌	扌	扌	扌	扌	扌	扌	扌	扌	扌	扌	扌
	9D80	扌	扌	扌	扌	扌	扌	扌	扌	扌	扌	扌	扌	扌	扌	扌	扌
	9D90	扌	扌	扌	扌	扌	扌	扌	扌	扌	扌	扌	扌	扌	扌	扌	扌
	9D9E	扌	扌	扌	扌	扌	扌	扌	扌	扌	扌	扌	扌	扌	扌	扌	扌
	9DAE	扌	扌	扌	扌	扌	扌	扌	扌	扌	扌	扌	扌	扌	扌	扌	扌
支	9DAE													支	支	支	支
	9DBE	收	攸	攸	攸	攸	攸	攸	攸	攸	攸	攸	攸	攸	攸	攸	攸
斗	9DBE																斛
	9DCE	斛															
斤	9DCE		斤	斤													
方	9DCE				旃	旃	旃	旃	旃	旃	旃	旃	旃				
无	9DCE											无	无	无	无	无	无
日	9DCE														日	日	日
	9DDE	日	日	日	日	日	日	日	日	日	日	日	日	日	日	日	日
	9DEE	日	日	日	日	日	日	日	日	日	日	日	日	日	日	日	日
	9E3F	日	日	日	日	日	日	日	日	日	日	日	日	日	日	日	日
日	9E3F									日	日	日					
月	9E3F													月	月	月	月
	9E4F	月	月	月	月	月	月	月	月	月	月	月	月	月	月	月	月
木	9E4F			朮	朮	朮	朮	朮	朮	杆	杞	杞	杞	杪	杪	杪	杰
	9E5F	杪	杪	杪	杪	杪	杪	杪	杪	杪	杪	杪	杪	杪	杪	杪	杪
	9E6F	杪	杪	杪	杪	杪	杪	杪	杪	杪	杪	杪	杪	杪	杪	杪	杪

	Shift JIS	0	1	2	3	4	5	6	7	8	9	A	B	C	D	E	F	
木	9E80	梳	栴	杵	档	桷	梲	梟	梏	梭	梔	條	椰	梃	檣	梠	桴	
	9E90	梵	栢	栳	桎	梔	梲	梟	梏	梭	棘	梔	椰	梃	檣	梠	桴	
	9E9E		栳	棧	棕	椶	椒	接	棗	棣	柳	棹	棠	楡	桷	桎	櫛	
	9EAE	栳	倒	椴	楹	楷	椹	楸	楸	楸	楔	椴	楮	楮	楮	楮	楮	
	9EBE	榆	楞	棟	榷	櫟	楹	榮	槐	楸	楸	楮	楮	楮	楮	楮	楮	
	9ECE	榻	檠	榷	榷	榷	榷	榷	榷	榷	榷	榷	榷	榷	榷	榷	榷	榷
	9EDE	榷	榷	榷	榷	榷	榷	榷	榷	榷	榷	榷	榷	榷	榷	榷	榷	榷
	9EEE	榷	榷	榷	榷	榷	榷	榷	榷	榷	榷	榷	榷	榷	榷	榷	榷	榷
	9F3F		榷	榷	榷	榷	榷	榷	榷	榷	榷	榷	榷	榷	榷	榷	榷	榷
	9F4F	榷	榷	榷	榷	榷	榷	榷	榷	榷	榷	榷	榷	榷	榷	榷	榷	榷
欠	9F4F								欸	欸	盜	欸	飲	歇	歇	歉	歐	
	9F5F	欸	歔	歔	歔	歔												
止	9F5F						歸											
歹	9F5F						歹	歿		歿	殄	殃	殍	殘	殍	殍	殍	
	9F6F	殄	殄	殄	殄	殄												
殳	9F6F						殳	股	殼	毆								
母	9F6F										母	毓						
毛	9F6F											毳	毳	毳	毳	毳	毳	
	9F80	毳	毳															
氏	9F80			氓														
气	9F80			气		氛	氫	氣										
水	9F80							汞	汕	汙	汪	沂	沔	沔	沔	沔	沛	
	9F90	汾	汨	汨	沒	沐	泄	決	汨	泗	泗	沂	沔	沔	沔	沔	沛	
	9F9E		汨	泛	汎	汨	汨	洩	汨	泗	泗	沂	沔	沔	沔	沔	沛	
	9FAE	洌	浣	涓	浚	浚	浚	淅	淅	淅	淅	淅	淅	淅	淅	淅	沛	
	9FBE	淅	涸	涸	涸	涸	涸	涸	涸	涸	涸	涸	涸	涸	涸	涸	沛	
	9FCE	涸	涸	涸	涸	涸	涸	涸	涸	涸	涸	涸	涸	涸	涸	涸	沛	
	9FDE	滿	渝	游	游	溪	溪	滄	滄	滄	滄	滄	滄	滄	滄	滄	滄	
	9FEE	溥	滂	溟	潁	漑	漑	漑	漑	漑	漑	漑	漑	漑	漑	漑	漑	
	E03F		漾	漓	滄	澆	澆	澆	澆	澆	澆	澆	澆	澆	澆	澆	澆	
	E04F	澎	瀋	濂	瀌	澳	澳	濞	濞	濞	濞	濞	濞	濞	濞	濞	濞	
	E05F	濱	濮	濛	瀉	瀆	瀆	瀆	瀆	瀆	瀆	瀆	瀆	瀆	瀆	瀆	瀆	
E06F	瀾	瀾	瀾	瀾	瀾	瀾	瀾	瀾	瀾	瀾	瀾	瀾	瀾	瀾	瀾	瀾		
火	E06F					炙	炒	炯	炯	炬	炸	炳	炳	炮	烟	杰	烝	

	Shift JIS	0	1	2	3	4	5	6	7	8	9	A	B	C	D	E	F	
火	E080	烙	焉	烽	焜	焙	煥	熙	熙	煦	榮	煌	煖	煬	熏	燻	熄	
	E090	煩	熨	熬	爛	烹	熾	燒	燉	燔	燎	燠	燬	燧	燧	燼		
	E09E		燹	燿	爍	爐	爛	爨										
爪	E09E								爭	爬	爰	爲						
爻	E09E												爻	俎				
爿	E09E														爿	牀	牆	
	E0AE	牋	牘															
牛	E0AE			牴	牾	犁	犁	犛	犒	犖	犢	犧						
犬	E0AE												犹	豺	狃	狃	狄	
	E0BE	狎	狒	狝	狝	狝	狝	狝	狝	狝	狝	狝	狝	狝	狝	狝	狝	
	E0CE	猥	猥	猥	猥	猥	猥	猥	猥	猥	猥	猥	猥	猥	猥	猥	猥	
王	E0CE														珈	玳	玳	
	E0DE	玻	珀	珥	珥	珞	璠	琅	瑯	琥	珥	珥	珥	瑕	璠	玳	玳	
	E0EE	瑁	瑜	瑩	瑰	瑣	瑪	瑤	瑾	璋	璞	璧	瓊	瓏	瓏	瓏	瓏	
瓜	E13F		瓠	瓣														
瓦	E13F				砬	砬	瓮	甌	甌	甌	甌	甌	甌	甌	甌	甌	甌	
	E14F	甕	甕	甕														
甘	E14F				管													
生	E14F					甦												
用	E14F						甬											
田	E14F							早	岄	畛	畛	畛	畛	畛	畛	畛	時	
	E15F	畧	畫	畎	畸	當	疆	疇	疇	疊	疊	疊						
疒	E15F												疔	疔	疔	疔	疔	
	E16F	痂	疖	痄	疵	疽	疽	疼	疱	痲	痊	痒	痲	痲	痲	痲	痲	
	E180	痲	痲	痲	痲	痲	痲	痲	痲	痲	痲	痲	痲	痲	痲	痲	痲	
	E190	癩	癩	癩	癩	癩	癩	癩	癩	癩	癩	癩	癩	癩	癩	癩	癩	癩
	E19E		癩															
夂	E19E			夂	癸	發												
白	E19E						皀	皀	皀	皀	皀	皀	皀	皀	皀			
皮	E19E															皀	皀	
	E1AE	皀	皀	皀														
皿	E1AE				孟	盍	盍	盒	盞	盞	盞	盞	盞	盞				
目	E1AE														眈	眈	眈	
	E1BE	眈	眩	昵	眞	眈	眈	眈	眈	眈	睇	睇	睇	睇	睇	睇	睇	

	Shift JIS	0	1	2	3	4	5	6	7	8	9	A	B	C	D	E	F
目	E10E E1DE	辜 瞽 瞎 瞶	瞶			瞶 瞶 瞶 瞶				瞶 瞶 瞶 瞶				瞶 瞶 瞶 瞶			
矛	E1DE		矜														
矢	E1DE			矣	矮												
石	E1DE E1EE E23F	砗 砗 砗 砗	砗 砗 砗 砗	砗 砗 砗 砗	砗 砗 砗 砗	砗 砗 砗 砗	砗 砗 砗 砗	砗 砗 砗 砗	砗 砗 砗 砗	砗 砗 砗 砗	砗 砗 砗 砗	砗 砗 砗 砗	砗 砗 砗 砗	砗 砗 砗 砗	砗 砗 砗 砗	砗 砗 砗 砗	砗 砗 砗 砗
示	E23F E24F	祕 祕 祕 祕	祕 祕 祕 祕	祕 祕 祕 祕	祕 祕 祕 祕	祕 祕 祕 祕	祕 祕 祕 祕	祕 祕 祕 祕	祕 祕 祕 祕	祕 祕 祕 祕	祕 祕 祕 祕	祕 祕 祕 祕	祕 祕 祕 祕	祕 祕 祕 祕	祕 祕 祕 祕	祕 祕 祕 祕	祕 祕 祕 祕
禺	E24F												禹	禺			
禾	E24F E25F E26F	秬 秬 秬 秬	秬 秬 秬 秬	秬 秬 秬 秬	秬 秬 秬 秬	秬 秬 秬 秬	秬 秬 秬 秬	秬 秬 秬 秬	秬 秬 秬 秬	秬 秬 秬 秬	秬 秬 秬 秬	秬 秬 秬 秬	秬 秬 秬 秬	秬 秬 秬 秬	秬 秬 秬 秬	秬 秬 秬 秬	秬 秬 秬 秬
穴	E26F E280	窶 窶 窶 窶	窶 窶 窶 窶	窶 窶 窶 窶	窶 窶 窶 窶	窶 窶 窶 窶	窶 窶 窶 窶	窶 窶 窶 窶	窶 窶 窶 窶	窶 窶 窶 窶	窶 窶 窶 窶	窶 窶 窶 窶	窶 窶 窶 窶	窶 窶 窶 窶	窶 窶 窶 窶	窶 窶 窶 窶	窶 窶 窶 窶
立	E280 E290	竝 竝 竝							立	竝 竝 竝	竝 竝 竝	竝 竝 竝	竝 竝 竝	竝 竝 竝	竝 竝 竝	竝 竝 竝	竝 竝 竝
竹	E290 E29E E2AE E2BE E2CE E2DE	筍 筍 筍 筍	筍 筍 筍 筍	筍 筍 筍 筍	筍 筍 筍 筍	筍 筍 筍 筍	筍 筍 筍 筍	筍 筍 筍 筍	筍 筍 筍 筍	筍 筍 筍 筍	筍 筍 筍 筍	筍 筍 筍 筍	筍 筍 筍 筍	筍 筍 筍 筍	筍 筍 筍 筍	筍 筍 筍 筍	筍 筍 筍 筍
米	E2DE E2EE	糝 糝 糝 糝	糝 糝 糝 糝	糝 糝 糝 糝	糝 糝 糝 糝	糝 糝 糝 糝	糝 糝 糝 糝	糝 糝 糝 糝	糝 糝 糝 糝	糝 糝 糝 糝	糝 糝 糝 糝	糝 糝 糝 糝	糝 糝 糝 糝	糝 糝 糝 糝	糝 糝 糝 糝	糝 糝 糝 糝	糝 糝 糝 糝
糸	E2EE E33F E34F E35F E36F E380 E390	紉 紉 紉 紉	紉 紉 紉 紉	紉 紉 紉 紉	紉 紉 紉 紉	紉 紉 紉 紉	紉 紉 紉 紉	紉 紉 紉 紉	紉 紉 紉 紉	紉 紉 紉 紉	紉 紉 紉 紉	紉 紉 紉 紉	紉 紉 紉 紉	紉 紉 紉 紉	紉 紉 紉 紉	紉 紉 紉 紉	紉 紉 紉 紉
缶	E390 E39E	罇 罇 罇	罇 罇 罇	罇 罇 罇	罇 罇 罇	罇 罇 罇	罇 罇 罇	罇 罇 罇	罇 罇 罇	罇 罇 罇	罇 罇 罇	罇 罇 罇	罇 罇 罇	罇 罇 罇	罇 罇 罇	罇 罇 罇	罇 罇 罇

	Shift JIS	0	1	2	3	4	5	6	7	8	9	A	B	C	D	E	F
网	E39E E3AE							网	罕	罔	罟	罟	罟	罟	罟	罟	罟
羊	E3AE E3BE	羴	羴	羴	羴	羴		羴	羴	羴	羴	羴	羴	羴	羴	羴	羴
羽	E3BE			翹	翠	翊	翕	翔	翚	翦	翮	翳	翹	翹			
老	E3BE														耆	耄	耄
耒	E3CE	耒	耘	耜	耜	耒	耒										
耳	E3CE E3DE	聳	聳	聳	聳	聳	聳	聳	聳	聊	聆	聒	聒	聚	聒	聒	聒
聿	E3DE							聿	肄	肆	肅						
肉	E3DE E3EE E43F E44F E45F	胛	胛	胛	胛	胛	胛	胛	胛	胛	胛	胛	胛	胛	胛	胛	胛
臣	E45F										臧						
至	E45F											臺	臻				
臼	E45F E46F	與	舊											與	與	與	與
舌	E46F			舍	舐	舖											
舟	E46F E480	舩	舩	舩	舩	舩	舩	舩	舩	舩	舩	舩	舩	舩	舩	舩	舩
艮	E480							艱									
色	E480							艷									
艸	E480 E490 E49E E4AE E4BE E4CE E4DE E4EE E53F E54F	苜	苜	苜	苜	苜	苜	苜	苜	艾	芍	芒	芫	芫	芫	芫	芫

	Shift JIS	0	1	2	3	4	5	6	7	8	9	A	B	C	D	E	F
艸	E55F	蘋	蘋	藺	蘆	龍	蘚	蘘	蘿								
虍	E55F									虍	虍	虍	號	虧			
虫	E55F														虱	蚓	蚣
	E56F	蚩	蚪	蚋	蚌	蚶	蚯	蛄	蛆	蚰	蛉	螞	蛇	蛔	蛞	蛭	蛭
	E580	蛟	蛛	蛭	蛭	蜆	蜈	蜀	蠶	蚰	蛭	蝓	蝓	蝓	蝓	蝓	蝓
	E590	蝓	蜻	蜥	蜩	蜚	蝠	蝟	蝟	蝟	蝟	蝟	蝟	蝟	蝟	蝟	蝟
	E59E		蝓	蝓	蝓	蝓	蝓	蝓	蝓	蝓	蝓	蝓	蝓	蝓	蝓	蝓	蝓
	E5AE	蝓	蝓	蝓	蝓	蝓	蝓	蝓	蝓	蝓	蝓	蝓	蝓	蝓	蝓	蝓	蝓
	E5BE	蝓	蝓	蝓	蝓	蝓	蝓	蝓	蝓	蝓	蝓	蝓	蝓	蝓	蝓	蝓	蝓
血	E5BE									衄	衄						
行	E5BE											衞	衞	衞	衞		
衣	E5BE															衫	袁
	E5CE	衾	衾	衾	衾	衾	衾	衾	衾	衾	衾	衾	衾	衾	衾	衾	衾
	E5DE	衾	衾	衾	衾	衾	衾	衾	衾	衾	衾	衾	衾	衾	衾	衾	衾
	E5EE	衾	衾	衾	衾	衾	衾	衾	衾	衾	衾	衾	衾	衾	衾	衾	衾
	E63F																
而	E63F									而	而	而	而				
見	E63F													覓	覓	覓	覓
	E64F	覓	覓	覓	覓	覓	覓	覓	覓	覓	覓	覓	覓				
角	E64F									觚	觚	觚	觚	觚	觚		
言	E64F															訃	訃
	E65F	訃	訃	訃	訃	訃	訃	訃	訃	訃	訃	訃	訃	訃	訃	訃	訃
	E66F	訃	訃	訃	訃	訃	訃	訃	訃	訃	訃	訃	訃	訃	訃	訃	訃
	E680	訃	訃	訃	訃	訃	訃	訃	訃	訃	訃	訃	訃	訃	訃	訃	訃
	E690	訃	訃	訃	訃	訃	訃	訃	訃	訃	訃	訃	訃	訃	訃	訃	訃
	E69E	訃	訃	訃	訃	訃	訃	訃	訃	訃	訃	訃	訃	訃	訃	訃	訃
谷	E69E															谷	谷
	E6AE	谷															
豆	E6AE		豈	豈	豈	豈	豈	豈	豈								
豕	E6AE						豕	豕	豕								
豸	E6AE									豸	豸	豸	豸	豸	豸	豸	豸
	E6BE	豸	豸	豸													
貝	E6BE				賅	賅	賅	賅	賅	貳	貳	貳	賈	賈	賈	賈	賈
	E6CE	賈	賈	賈	賈	賈	賈	賈	賈	賈	賈	賈	賈	賈	賈	賈	賈

	Shift JIS	0	1	2	3	4	5	6	7	8	9	A	B	C	D	E	F
赤	E6CE E6DE	赭															赧
走	E6DE	走	赴	趁		趙											
足	E6DE E6EE E73F E74F	跟	跣	跣	踳	踳	踳	踳	踳	踳	踳	踳	踳	踳	踳	踳	踳
身	E74F E75F	軀	軀										躬	躬	躄	躄	躄
車	E75F E76F E780	輟	輟	輟	輟	輟	輟	輟	輟	輟	輟	輟	輟	輟	輟	輟	輟
辛	E780				辜	辟	辣	辭	辯								
辵	E780 E790 E79E E7AE	迓	迹	迓	迓	迓	迓	迓	迓	迓	迓	迓	迓	迓	迓	迓	迓
邑	E7AE E7BE	鄒	鄒	鄒	鄒				邨	邨	邨	邨	邨	邨	邨	邨	邨
酉	E7BE E7CE	醫	醴	醴	醴	醴	醴	醴	醴	醴	醴	醴	醴	醴	醴	醴	醴
采	E7CE									糶	釋						
里	E7CE												釐				
金	E7CE E7DE E7EE E83F E84F E85F E86F	釵	鈹	鈹	鈹	鈹	鈹	鈹	鈹	鈹	鈹	鈹	鈹	鈹	鈹	鈹	鈹
門	E86F E880 E890	閨	閨	閨	閨	閨	閨	閨	閨	閨	閨	閨	閨	閨	閨	閨	閨
阜	E890					阡	阡	阡	阡	阡	阡	阡	阡	阡	阡	阡	阡

	Shift JIS	0	1	2	3	4	5	6	7	8	9	A	B	C	D	E	F
阜	E89E		陝	陟	峙	陞	陲	隍	隘	隕	隗	險	隧	隱	隲	隰	隴
隶	E8AE	隶	隸														
隹	E8AE		隹	隹	隹	雋	雉	雍	襍	雜	霍	隹					
雨	E8AE E8BE		霏	霏	霖	霏	霏	霏	霏	霹	霽	霽	霽	霄	霆	霽	霽
青	E8CE	靜															
非	E8CE		靠														
面	E8CE		面	面		面											
革	E8CE E8DE		鞞	鞞	鞞	鞞	鞞	鞞	鞞	鞞	鞞	鞞	鞞	鞞	鞞	鞞	鞞
韋	E8DE											韋	韋				
韭	E8DE													韭	韭	韭	
音	E8DE E8EE		韶	韶													竟
頁	E8EE E93F		頤	頤	頤	頤	頤	頤	頤	頤	頤	頤	頤	頤	頤	頤	頤
風	E93F					風	風	風	風	飄	颯	颯					
食	E93F E94F E95F		餽	餽	餽	餽	餽	餽	餽	餽	餽	餽	餽	餽	餽	餽	餽
首	E95F					首	首										
香	E95F																
馬	E95F E96F E980		駁	駁	駁	駁	駁	駁	駁	馮	馮	馮	馮	駝	駝	駝	駝
骨	E980 E990		體	體	體	體	體	體	體					骨	骨	骨	骨
高	E990					高											
髟	E990 E99E		髟	髟	髟	髟	髟	髟	髟	髟	髟	髟	髟	髟	髟	髟	髟
鬥	E99E									鬥	鬥	鬥	鬥	鬥	鬥		
鬯	E99E																鬯
兩	E99E																兩
鬼	E9AE	魄	魑	魏	魑	魑	魑	魑									

11 Graphics Commands

11.1 Graphic			
Print of Graphic			ESC+G
Hexadecimal code	ESC <1B> ₁₆	G <47> ₁₆	Parameter abbbccn~n
Initial value	Nil		
Valid range and term of command	When the power switch is OFF		The set parameter is not maintained.
	Valid range within item		The parameter preset will be invalid.
	Valid range between items		The parameter preset will be invalid.

[Function]

Specifying the print of graphic.

[Format]

<G>abbbccn~n

•Parameter

a[Data specification by HEX and BIN]

H : Hex data
Divide 8-bit data into 4 bits and output it as hex code corresponding to ASCII.

B : Binary data
Output 8-bit data as one font of data all at once.

b[Specification of crosswise graphic area per byte]

Refer to the table below

c[Specification of lengthwise graphic area per byte]

Refer to the table below

n[Graphic data]

[Coding Example 1] [□] is printed with the below specification when [H: HEX data]

<A>
<V>50<H>50
<G>H001001FF818181818181FF
<Q>1
<Z>

[Coding Example 2] [□] is printed with the below specification when [B: binary data]

<A>
<V>50<H>50
<G>B001001<FF8181818181FF>₁₆
<Q>1
<Z>

[Notes]

1. Specification of [B] has a longer program description than that of specification [H]; however, the transfer data length is 50% shorter.
This could be advantages in data capacity.
2. Specification of Rotation <%> and Enlargement <L> are enabled.
3. It is necessary to place enlarge command <L> just before the graphic print command <G> for enlargement.
4. Specify in the order of rotation command <%> and enlarge command <L> when specifying both commands.
5. The crosswise maximum byte and lengthwise maximum byte are specified in the table below, however, it is possible to specify up to 999 bytes to have compatibility with the old model.
It is possible to print less than 2,937,600 bytes as the graphic data.
6. The calculation of graphic data size is [crosswise maximum byte x lengthwise maximum byte x 8].

[Parameter Initial Value and Specified Range]

[S84-ex]

Head density	Crosswise max. bytes	Lengthwise max. bytes
8 dots/mm (203 dpi)	104	400
12 dots/mm (305 dpi)	156	600
24 dots/mm (609 dpi)	312	999

[S86-ex]

Head density	Crosswise max. bytes	Lengthwise max. bytes
8 dots/mm (203 dpi)	168	400
12 dots/mm (305 dpi)	252	600

11.2 Graphic

Print of BMP File

ESC+GM

Hexadecimal code	ESC <1B> ₁₆	GM <47> ₁₆ <4D> ₁₆	Parameter aaaaa,n~n
Initial value	Nil		

Valid range and term of command	When the power switch is OFF	The set parameter is not maintained.
	Valid range within item	The parameter preset will be invalid.
	Valid range between items	The parameter preset will be invalid.

[Function]

Specify printing of BMP format image data.

[Format]

<GM>aaaaa,n~n

•Parameter

a[Total bytes of BMP file]

n[Data]

[Coding Example]

<A>

<V>50<H>50<GM>04500,2000288888888...8888

<Q>2

<Z>

[Notes]

1. Data is sent in binary data (Outputs 8-bit data as 1 font data all at once). (The file size of BMP file is the total bytes of BMP file, and BMP file data are data)
2. When [Total bytes of BMP file] are not matching the transfer data, this may become the cause of malfunction.
3. Total bytes are the file size shown at [Property] and such.
4. BMP file is available in Black/White mode only. In color mode, printing will not be performed due to command error. Also, this command is not valid for the BMP compressed file.
Make sure that the file extension is set to [BMP] before printing.
5. Rotation <%> and Enlargement <L> are enabled.
6. It is necessary to place enlarge command <L> just before the BMP file command <GM> for enlargement.
7. Specify in the order of rotation command <%> and enlarge command <L> when specifying both commands.

11.3 Graphic

Print of PCX File

ESC+GP

Hexadecimal code	ESC <1B> ₁₆	GP <47> ₁₆ <50> ₁₆	Parameter aaaaa,n~n
Initial value	Nil		

Valid range and term of command	When the power switch is OFF	The set parameter is not maintained.
	Valid range within item	The parameter preset will be invalid.
	Valid range between items	The parameter preset will be invalid.

[Function]

Specify PCX file print.

[Format]

<GP>aaaaa,n~n

•Parameter

a[Total bytes of PCX file]

n[Data]

[Coding Example]

<A>

<V>50<H>50<GP>04500,XXXXXXXXXXXX

<Q>2

<Z>

[Notes]

1. Data is sent in binary data (Outputs 8-bit data as 1 font data all at once). (The file size of PCX file is the total bytes of PCX file, and PCX file data are data)
2. If [Total bytes of PCX file] are not matching the transfer data, this may become the cause of malfunction.
3. Total bytes are the file size shown at [Property] and such.
4. PCX file is available in Black/White mode only. In color mode, printing will not be performed due to command error. Also, this command is not valid for the PCX compressed file.
Make sure that the file extension is set to [PCX] before printing.
5. Rotation <%> and Enlargement <L> are enabled.
6. It is necessary to place enlarge command <L> just before the PCX file command <GP> for enlargement.
7. Specify in the order of rotation command <%> and enlarge command <L> when specifying both commands.

12 System Commands

12.1 System			
Print Speed			ESC+CS
Hexadecimal code	ESC <1B> ₁₆	CS <43> ₁₆ <53> ₁₆	Parameter aa
Initial value	Refer to the table below.		
Valid range and term of command	When the power switch is OFF		The set parameter is maintained.
	Valid range within item		The set parameter is in effect until a new specification is made.
	Valid range between items		The set parameter is in effect until a new specification is made.

[Function]

Specifying the speed of printing.

[Format]

<CS>aa

•Parameter

aa[Print speed] = Refer to the table below

[Coding Example 1] When specifying 6.0 inches/s

<A>
<CS>6
 <Z>

[Note]

The print speed value that is set directly by the command or LCD input is maintained.

[Remarks]

1. If the value other than setting range is specified, command error will occur and print speed will not be changed.
2. The initial value is settable by default setting operation of the product.

[Parameter Initial Value and Specified Range]

Model	Head density	Initial value [aa]	Parameter valid range	The print speed corresponding to the parameter
S84-ex	8 dots/mm (203 dpi)	6	4 ~ 16	2 : 2 inches/s (50.8 mm/s) 9 : 9 inches/s (228.6 mm/s) 3 : 3 inches/s (76.2 mm/s) 10 : 10 inches/s (254.0 mm/s)
	12 dots/mm (305 dpi)	6	4 ~ 14	4 : 4 inches/s (101.6 mm/s) 11 : 11 inches/s (279.4 mm/s) 5 : 5 inches/s (127.0 mm/s) 12 : 12 inches/s (304.8 mm/s)
	24 dots/mm (609 dpi)	3	2 ~ 6	6 : 6 inches/s (152.4 mm/s) 13 : 13 inches/s (330.2 mm/s) 7 : 7 inches/s (177.8 mm/s) 14 : 14 inches/s (355.6 mm/s)
S86-ex	8 dots/mm (203 dpi)	6	4 ~ 14	8 : 8 inches/s (203.2 mm/s) 15 : 15 inches/s (381.0 mm/s) 16 : 16 inches/s (406.4 mm/s)
	12 dots/mm (305 dpi)	6	4 ~ 12	

12.2 System

Print Darkness

ESC+#F

Hexadecimal code	ESC <1B> ₁₆	#F <23> ₁₆ <46> ₁₆	Parameter 1) ab 2) aab
Initial value	Refer to the table below.		

Valid range and term of command	When the power switch is OFF	The set parameter is maintained.
	Valid range within item	The set parameter is in effect until a new specification is made.
	Valid range between items	The set parameter is in effect until a new specification is made.

[Function]

Specifying the darkness level of print.


[Format]

<#F>ab

•Parameter

a[Print darkness level] =

1	Lightest
2	
3	
4	
5	
6	
7	
8	
9	
10	Darkest



b[Print darkness] = A (Omissible)
Use [A] under normal conditions.
Parameter valid range varies depending on the models (Refer to the table below).

[Coding Example]

<A>
<#F>5A
<Z>

[Note]

The print darkness value specified by the command or the LCD is maintained.

[Remarks]

1. If the value other than setting range is specified, command error will occur and print darkness will not be changed.
2. The initial value is settable by default setting operation of the product.
3. <#E> (the old print darkness command) is ignored and the print darkness is not changed with the command.
(<#E> is enabled by enabling compatible mode (print darkness) in the service mode.)

[Print Darkness Level Specified Range]

Model	Initial value	Parameter valid range	Other than a valid range
S84-ex Series	6	1,2,3,4,5,6,7,8,9,10	The command error occurs when other than valid range is specified.
S86-ex Series	6	1,2,3,4,5,6,7,8,9,10	

[Print Darkness Specified Range]

Model	Initial value	Parameter valid range	Other than a valid range
S84-ex Series	A	A	The command error occurs when other than valid range is specified.
S86-ex Series	A	A	

12.3 System

Label Size		ESC+A1	
Hexadecimal code	ESC	A1	Parameter
	<1B> ₁₆	<41> ₁₆ <31> ₁₆	aaaabbbb VaaaaHbbbb
Initial value	Nil		

Valid range and term of command	When the power switch is OFF	The set parameter is not maintained.
	Valid range within item	The set parameter is in effect until a new specification is made.
	Valid range between items	The set parameter is in effect until a new specification is made.

[Function]

Specifying the size of the label.

[Format]

<A1>aaaabbbb (a, b fixed) [Note] When the height of the label is equal to or less than 9999.

<A1>VaaaaHbbbb (a, b variable specification enabled)

•Parameter

a[Height of label] = Refer to the table below

b[Width of label] = Refer to the table below

[Specified Range]

[S84-ex]

Head density	Width of label (dots)	Height of label (dots)
8 dots/mm (203 dpi)	1 ~ 832	1 ~ 20000
12 dots/mm (305 dpi)	1 ~ 1248	1 ~ 18000
24 dots/mm (609 dpi)	1 ~ 2496	1 ~ 9600

[S86-ex]

Head density	Width of label (dots)	Height of label (dots)
8 dots/mm (203 dpi)	1 ~ 1340	1 ~ 9992
12 dots/mm (305 dpi)	1 ~ 2010	1 ~ 14988

[Coding Example 1] Width of label: 800 dots Height of label : 640 dots

<A>

<A1>08000640

<Z>

[Coding Example 2] Width of label : 800 dots Height of label : 640 dots

<A>

<A1>V800H640

<Z>

[Coding Example 3] Width of label : 1200 dots Height of label : 40 dots

<A>

<A1>12000040

<Z>

[Coding Example 4] Width of label : 1200 dots Height of label : 40 dots

<A>

<A1>V1200H40

<Z>

[Coding Example 5] Width of label : 11200 dots Height of label : 240 dots

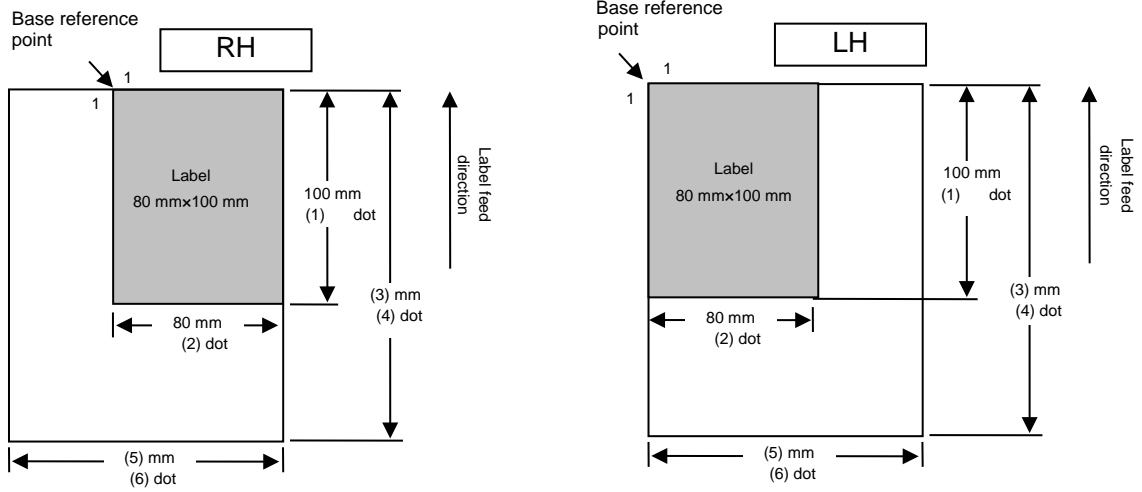
<A>

<A1>V11200H240

<Z>

[Notes]

1. If using the label smaller than the head width, use this command for specifying the label size and adjust the base reference point corresponding to the label size.
2. For specifying the label size, include the size of backing paper.



[S84-ex]

Head density	(1) dot	(2) dot	(3) mm	(4) dot	(5) mm	(6) dot
8 dots/mm (203 dpi)	800	640	2500	20000	104	832
12 dots/mm (305 dpi)	1200	960	1500	18000	104	1248
24 dots/mm (609 dpi)	2400	1920	400	9600	104	2496

[S86-ex]

Head density	(1) dot	(2) dot	(3) mm	(4) dot	(5) mm	(6) dot
8 dots/mm (203 dpi)	800	640	1249	9992	167.5	1340
12 dots/mm (305 dpi)	1200	960	1249	14988	167.5	2010

12.4 System

Base Offset Setting

ESC+A3

Hexadecimal code	ESC <1B> ₁₆	A3 <41> ₁₆ <33> ₁₆	Parameter VabbbHcddd
Initial value	a=+, b=000, c=+, d=000		

Valid range and term of command	When the power switch is OFF	The set parameter is maintained.
	Valid range within item	The set parameter is in effect until a new specification is made.
	Valid range between items	The set parameter is in effect until a new specification is made.

[Function]

Changes the coordinate of the base point. This is configured in the advanced mode of the product normally.

[Format]

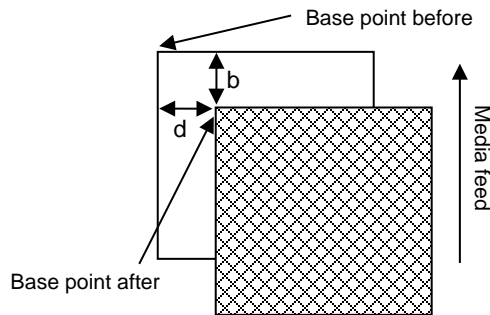
<A3>VabbbHcddd

•Parameter

a[Vertical offset code]	(Omissible)	=	+, -
b[Vertical offset (in dot)]		=	Refer to the below table
c[Horizontal offset code]	(Omissible)	=	+, -
d[Horizontal offset (in dot)]		=	Refer to the below table

[Coding Example]

<A>
<A3>V10H10
 <Z>



[Notes]

- Note that when the base point is offset and the image is out of the printable area, the image may not be printed.
- Note that when offset the base point while using multiple label format, all base points of the formats are offset.

[Remarks]

- When the print offset is already specified in the advanced mode of the product, and base point offset is specified with the <A3> command, the value specified by the <A3> command become valid.
- The offset value specified by the <A3> command is registered in the advanced mode of the product. Thus, the offset value specified by the <A3> command is maintained even the product power is off.

[Range]

[S84-ex]

Head density	"Horizontal offset (in dot)"	"Vertical offset (in dot)"
8 dots/mm (203 dpi)	1 - 832	1 - 1424
12 dots/mm (305 dpi)	1 - 1248	1 - 2136
24 dots/mm (609 dpi)	1 - 2496	1 - 4272

[S86-ex]

Head density	"Horizontal offset (in dot)"	"Vertical offset (in dot)"
8 dots/mm (203 dpi)	1 - 1340	1 - 1424
12 dots/mm (305 dpi)	1 - 2010	1 - 2136

12.5 System

Print End Position

ESC+EP

Hexadecimal code	ESC	EP	Parameter
	<1B> ₁₆	<45> ₁₆ <50> ₁₆	Nil
Initial value	Nil		

Valid range and term of command	When the power switch is OFF	The set command is not maintained.
	Valid range within item	The set command becomes invalid.
	Valid range between items	The set command becomes invalid.

[Function]

Specifying the label stop position in the sensor invalid mode.

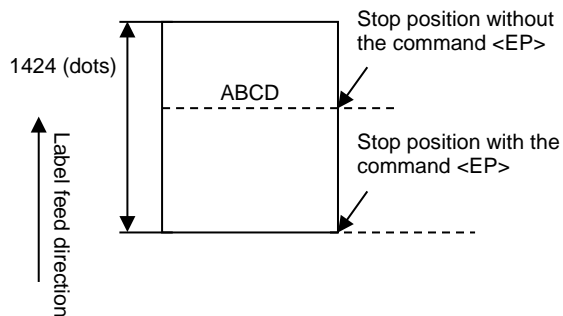
[Format]

<EP>

[Coding Example]

```
<A>
<A1>14240832
<Z>
<A>
<V>100<H>200<P>2<L>0202<XS>ABCD
<Q>2
<EP>
<Z>
```

e.g.)



[Notes]

1. Use this command in the sensor invalid mode.
2. Use this command in combination with Label Size <A1>.
3. When the media size is specified with <A1> in the format registration command <YS> and foam overlay registration command (&S), do not forget to specify the print end point command <EP> in the format recall command <YR> and foam overlay recall command <&R>.

12.7 System

Offline		ESC+@	
Hexadecimal code	ESC <1B> ₁₆	@ <40> ₁₆	Parameter Nil
Initial value	Nil		
Valid range and term of command	When the power switch is OFF	The set command is not maintained.	
	Valid range within item	The set command becomes invalid.	
	Valid range between items	The set command becomes invalid.	

[Function]

Changing the printer status from online to offline.

[Format]

<@>

[Coding Example]

<A>

<@>

<Z>

[Notes]

1. Delimit Start of Data Transmission <A> and End of Data Transmission <Z> when using with this command.
2. In receive mode of the product, specify single-item buffer mode.
3. When this command is used at offline state, the product goes offline when the printer status becomes online next time.

12.8 System

Reprint		ESC+C	
Hexadecimal code	ESC <1B> ₁₆	C <43> ₁₆	Parameter Nil
Initial value	Nil		
Valid range and term of command	When the power switch is OFF	The set command is not maintained.	
	Valid range within item	The set command becomes invalid.	
	Valid range between items	The set command becomes invalid.	

[Function]

Specifying to reprint the previous printed contents.

[Format]

<C>

[Coding Example]

<A>

<C>

<Z>

[Notes]

Turning off the product will clear the contents; therefore, reprint will not be performed by this command.

[Remarks]

For reprinting the format including the field of Sequential Numbering <F>, the same contents as previous printed contents will be printed.

12.9 System

Registration of Printer Operation

ESC+PG

Hexadecimal code	ESC <1B> ₁₆	PG <50> ₁₆ <47> ₁₆	Parameter abcdefghijklmnopppqrrstuvwxyz
Initial value	Refer to the table below.		

Valid range and term of command	When the power switch is OFF	The set parameter is maintained.
	Valid range within item	The set parameter is in effect until a new specification is made.
	Valid range between items	The set parameter is in effect until a new specification is made.

[Function]

Registering the operation of the product

[Format]

<PG>abcdefghijklmnopppqrrstuvwxyz

•Parameter

Refer to the table in the next page for the parameter contents.

[Coding Example]

<A>

<PG><00 00 04 00 00 00 00 41 01 00 00 03 00 00 01 0C 80 03 40 00 00 00 00 00 00 00 00 00>₁₆

<Z>

Parameter is described in HEX; <00>₁₆<00>₁₆<04>₁₆ <00>₁₆

[Notes]

1. This command is not necessary in the normal label printing operation.
2. Operation settings specified with this command are still in effect after turning off the product.
3. Do not send the printer operation registration command <PG> during the print operation. The sensor of the product may not be disabled if the command <PG> is sent during the print operation.
4. When there is illegal parameter, the command error occurs and the setting is not saved.

[Remark]

The registration of the printer operation can be done in the printer configuration mode and advanced mode in the product without using the <PG> command.

Parameter	Item	Description	
a	Print method	00H: Thermal transfer 01H: Direct thermal * Direct thermal only is available in the direct thermal model.	
b	Not used	00H: fixed	
c	Print speed	00H: 2 (inches/sec) 50 (mm/sec) 01H: 3 (inches/sec) 75 (mm/sec) 02H: 3 (inches/sec) 75 (mm/sec) 03H: 4 (inches/sec) 100 (mm/sec) 04H: 4 (inches/sec) 100 (mm/sec) 05H: 5 (inches/sec) 125 (mm/sec) 06H: 5 (inches/sec) 125 (mm/sec) 07H: 6 (inches/sec) 150 (mm/sec) 08H: 6 (inches/sec) 150 (mm/sec) 09H: 7 (inches/sec) 175 (mm/sec) 0AH: 7 (inches/sec) 175 (mm/sec) 0BH: 8 (inches/sec) 200 (mm/sec) 0CH: 8 (inches/sec) 200 (mm/sec) 0DH: 9 (inches/sec) 225 (mm/sec) 0EH: 9 (inches/sec) 225 (mm/sec) 0FH: 10 (inches/sec) 250 (mm/sec) 10H: 10 (inches/sec) 250 (mm/sec) 11H: 11 (inches/sec) 275 (mm/sec) 12H: 11 (inches/sec) 275 (mm/sec) 13H: 12 (inches/sec) 325 (mm/sec) 14H: 12 (inches/sec) 325 (mm/sec) 15H: 13 (inches/sec) 350 (mm/sec) 16H: 13 (inches/sec) 350 (mm/sec) 17H: 14 (inches/sec) 375 (mm/sec) 18H: 14 (inches/sec) 375 (mm/sec) 19H: 15 (inches/sec) 400 (mm/sec) 1AH: 15 (inches/sec) 400 (mm/sec) 1BH: 16 (inches/sec) 425 (mm/sec) 1CH: 16 (inches/sec) 425 (mm/sec)	
	[S84-ex]		
	Head density	Range (inches/sec)	
	8 dots/mm (203 dpi)	4 - 16	
	12 dots/mm (305 dpi)	4 - 14	
	24 dots/mm (609 dpi)	2 - 6	
	[S86-ex]		
	Head density	Range (inches/sec)	
	8 dots/mm (203 dpi)	4 - 14	
	12 dots/mm (305 dpi)	4 - 12	
	d	Print operation	00H: Continuous 03H: Dispense (Default) 04H: NONSEPA
	e	Not used	00H: fixed
	f	Dispensing motion	00H: Motion 1 (at head place) 01H: Motion 2 (at dispense place) (Default) 02H: No backfeed 03H: EXT control (order backfeed with EXT)
	g	Not used	00H: fixed
h	Print darkness	41H: A (fixed)	
h	Print darkness level	01H: Darkness 1 02H: Darkness 2 03H : Darkness 3 04H : Darkness 4 05H: Darkness 5 (Default) 06H : Darkness 6 07H : Darkness 7 08H : Darkness 8 09H : Darkness 9 0AH : Darkness 10	
i	Sensor type	00H: Reflective sensor 01H: Transmissive sensor (Default) 02H: Ignore sensor	
j	Zero slash	00H: Disable 01H: Enable (Default)	
k	Character code	02H: UTF-16 03H: UTF-8 (Default)	

Parameter	Item	Description												
l	Not used	00H: fixed												
m	Initial feed	00H: Disable (Default) 01H: Enable												
n	Proportional Pitch	00H: Disable 01H: Enable (Default) with international model												
o	Label height (dots)	[S84-ex]												
		<table border="1"> <thead> <tr> <th>Head density</th> <th>Range (HEX)</th> <th>Range (DEC)</th> </tr> </thead> <tbody> <tr> <td>8 dots/mm (203 dpi)</td> <td>0001H - 4E20H</td> <td>1 - 20000 dots</td> </tr> <tr> <td>12 dots/mm (305 dpi)</td> <td>0001H - 4650H</td> <td>1 - 18000 dots</td> </tr> <tr> <td>24 dots/mm (609 dpi)</td> <td>0001H - 2580H</td> <td>1 - 9600 dots</td> </tr> </tbody> </table>	Head density	Range (HEX)	Range (DEC)	8 dots/mm (203 dpi)	0001H - 4E20H	1 - 20000 dots	12 dots/mm (305 dpi)	0001H - 4650H	1 - 18000 dots	24 dots/mm (609 dpi)	0001H - 2580H	1 - 9600 dots
		Head density	Range (HEX)	Range (DEC)										
		8 dots/mm (203 dpi)	0001H - 4E20H	1 - 20000 dots										
		12 dots/mm (305 dpi)	0001H - 4650H	1 - 18000 dots										
		24 dots/mm (609 dpi)	0001H - 2580H	1 - 9600 dots										
		[S86-ex]												
		<table border="1"> <thead> <tr> <th>Head density</th> <th>Range (HEX)</th> <th>Range (DEC)</th> </tr> </thead> <tbody> <tr> <td>8 dots/mm (203 dpi)</td> <td>0001H - 2708H</td> <td>1 - 9992 dots</td> </tr> <tr> <td>12 dots/mm (305 dpi)</td> <td>0001H - 3A8CH</td> <td>1 - 14988 dots</td> </tr> </tbody> </table>	Head density	Range (HEX)	Range (DEC)	8 dots/mm (203 dpi)	0001H - 2708H	1 - 9992 dots	12 dots/mm (305 dpi)	0001H - 3A8CH	1 - 14988 dots			
Head density	Range (HEX)	Range (DEC)												
8 dots/mm (203 dpi)	0001H - 2708H	1 - 9992 dots												
12 dots/mm (305 dpi)	0001H - 3A8CH	1 - 14988 dots												
p	Label width (dots)	[S84-ex]												
		<table border="1"> <thead> <tr> <th>Head density</th> <th>Range (HEX)</th> <th>Range (DEC)</th> </tr> </thead> <tbody> <tr> <td>8 dots/mm (203 dpi)</td> <td>0001H - 340H</td> <td>1 - 832 dots</td> </tr> <tr> <td>12 dots/mm (305 dpi)</td> <td>0001H - 4E0H</td> <td>1 - 1248 dots</td> </tr> <tr> <td>24 dots/mm (609 dpi)</td> <td>0001H - 9C0H</td> <td>1 - 2496 dots</td> </tr> </tbody> </table>	Head density	Range (HEX)	Range (DEC)	8 dots/mm (203 dpi)	0001H - 340H	1 - 832 dots	12 dots/mm (305 dpi)	0001H - 4E0H	1 - 1248 dots	24 dots/mm (609 dpi)	0001H - 9C0H	1 - 2496 dots
		Head density	Range (HEX)	Range (DEC)										
		8 dots/mm (203 dpi)	0001H - 340H	1 - 832 dots										
		12 dots/mm (305 dpi)	0001H - 4E0H	1 - 1248 dots										
		24 dots/mm (609 dpi)	0001H - 9C0H	1 - 2496 dots										
		[S86-ex]												
		<table border="1"> <thead> <tr> <th>Head density</th> <th>Range (HEX)</th> <th>Range (DEC)</th> </tr> </thead> <tbody> <tr> <td>8 dots/mm (203 dpi)</td> <td>0001H - 53CH</td> <td>1 - 1340 dots</td> </tr> <tr> <td>12 dots/mm (305 dpi)</td> <td>0001H - 7DAH</td> <td>1 - 2010 dots</td> </tr> </tbody> </table>	Head density	Range (HEX)	Range (DEC)	8 dots/mm (203 dpi)	0001H - 53CH	1 - 1340 dots	12 dots/mm (305 dpi)	0001H - 7DAH	1 - 2010 dots			
Head density	Range (HEX)	Range (DEC)												
8 dots/mm (203 dpi)	0001H - 53CH	1 - 1340 dots												
12 dots/mm (305 dpi)	0001H - 7DAH	1 - 2010 dots												
q	Vertical offset value (dots)	"0000H - 0318H" (0 - 792) (Default: 0) "FFFFH - FCE8H" (-1 - -792)												
r	Horizontal offset value (dots)	"0000H - 0318H" (0 - 792) (Default: 0) "FFFFH - FCE8H" (-1 - -792)												
s	Not used	00H: fixed												
t	Time to LCD power saving (in minute)	"00H - 0FH" (0 - 15) Default: 00H (0)												
u	Not used	00H: fixed												
v	Not used	00H: fixed												
w	Not used	00H: fixed												
x	Not used	00H: fixed												
y	Buzzer setting	00H: None 01H: Low 02H: Medium (Default) 03H: High												

Refer to the "Operator Manual" for the default.

12.10 System

Registration of Printer Operation		ESC+PC	
Hexadecimal code	ESC <1B> ₁₆	PC <50> ₁₆ <43> ₁₆	Parameter 1) [a, b, c, d, ... y, z] 2) 「aa, b」
Initial value	Refer to the table below.		

Valid range and term of command	When the power switch is OFF	The set parameter is maintained.
	Valid range within item	The set parameter is in effect until a new specification is made.
	Valid range between items	The set parameter is in effect until a new specification is made.

[Function]

Registering the operation of the product

[Format 1] When setting all the items:

<PC>a,b,c,d,e,f,g,h,i1,i2,j,k,l,m,n,o,pppp,qqqq,rrrr,ssss,t,u,v,w,x,y,z

•Parameter

a[Setting item No.] = F Setting for all the items
b[Setting content] = For the contents of parameter, refer to the table below.

[Format 2] When setting specified item:

<PC>aa,b

•Parameter

aa[Setting item No.] = Valid range : 1 to 26
b[Setting content] = For the contents of parameter, refer to the table below.

[Coding Example 1] Setting all the items:

<A>
<PC>F,,4,,A,4,,1,3,,1,1,3200,832,,,,,0
<Z>

[Coding Example 2] Setting specified items:

<A>
<PC>26,1
<Z>

[Notes]

1. Go to the User Mode, Advanced Mode or Service Mode of the product for setting.
2. Operation settings specified with this command are still in effect after turning off the product.
3. To set all the items, entire or part of parameter entry is omissible by using comma. In this case, comma is not omissible. When omitting the settings, the default value will be set.
4. Avoid specifying this command while printing or while print data exist. If so, there is no guarantee of proper operation.
5. When there is illegal parameter, the command error occurs and the setting is not saved.

Format1	Format2	Item	Description														
b	1	Not used	0: fixed														
c	2	Not used	0: fixed														
d	3	Print speed [S84-ex] <table border="1"> <thead> <tr> <th>Head density</th> <th>Range (inches/sec)</th> </tr> </thead> <tbody> <tr> <td>8 dots/mm (203 dpi)</td> <td>4 - 16</td> </tr> <tr> <td>12 dots/mm (305 dpi)</td> <td>4 - 14</td> </tr> <tr> <td>24 dots/mm (609 dpi)</td> <td>2 - 6</td> </tr> </tbody> </table> [S86-ex] <table border="1"> <thead> <tr> <th>Head density</th> <th>Range (inches/sec)</th> </tr> </thead> <tbody> <tr> <td>8 dots/mm (203 dpi)</td> <td>4 - 14</td> </tr> <tr> <td>12 dots/mm (305 dpi)</td> <td>4 - 12</td> </tr> </tbody> </table>	Head density	Range (inches/sec)	8 dots/mm (203 dpi)	4 - 16	12 dots/mm (305 dpi)	4 - 14	24 dots/mm (609 dpi)	2 - 6	Head density	Range (inches/sec)	8 dots/mm (203 dpi)	4 - 14	12 dots/mm (305 dpi)	4 - 12	0: 2 (inches/sec) 50 (mm/sec) 1: 3 (inches/sec) 75 (mm/sec) 2: 3 (inches/sec) 75 (mm/sec) 3: 4 (inches/sec) 100 (mm/sec) 4: 4 (inches/sec) 100 (mm/sec) 5: 5 (inches/sec) 125 (mm/sec) 6: 5 (inches/sec) 125 (mm/sec) 7: 6 (inches/sec) 150 (mm/sec) 8: 6 (inches/sec) 150 (mm/sec) 9: 7 (inches/sec) 175 (mm/sec) 10: 7 (inches/sec) 175 (mm/sec) 11: 8 (inches/sec) 200 (mm/sec) 12: 8 (inches/sec) 200 (mm/sec) 13: 9 (inches/sec) 225 (mm/sec) 14: 9 (inches/sec) 225 (mm/sec) 15: 10 (inches/sec) 250 (mm/sec) 16: 10 (inches/sec) 250 (mm/sec) 17: 11 (inches/sec) 275 (mm/sec) 18: 11 (inches/sec) 275 (mm/sec) 19: 12 (inches/sec) 325 (mm/sec) 20: 12 (inches/sec) 325 (mm/sec) 21: 13 (inches/sec) 350 (mm/sec) 22: 13 (inches/sec) 350 (mm/sec) 23: 14 (inches/sec) 375 (mm/sec) 24: 14 (inches/sec) 375 (mm/sec) 25: 15 (inches/sec) 400 (mm/sec) 26: 15 (inches/sec) 400 (mm/sec) 27: 16 (inches/sec) 425 (mm/sec) 28: 16 (inches/sec) 425 (mm/sec)
Head density	Range (inches/sec)																
8 dots/mm (203 dpi)	4 - 16																
12 dots/mm (305 dpi)	4 - 14																
24 dots/mm (609 dpi)	2 - 6																
Head density	Range (inches/sec)																
8 dots/mm (203 dpi)	4 - 14																
12 dots/mm (305 dpi)	4 - 12																
e	4	Not used	0: fixed														
f	5	Not used	0: fixed														
g	6	Not used	0: fixed														
h	7	Not used	0: fixed														
i1	8	Print darkness	A: fixed														
i2	9	Print darkness level	1: Darkness 1 2: Darkness 2 3: Darkness 3 4: Darkness 4 5: Darkness 5 (Default) 6: Darkness 6 7: Darkness 7 8: Darkness 8 9: Darkness 9 10: Darkness 10														
j	10	Not used	0: fixed														
k	11	Zero slash	0: DISABLE 1: Enable (Default)														
l	12	Character code	2: UTF-16 3: UTF-8 (Default)														
m	13	Not used	0: fixed														

Format1	Format2	Item	Description		
n	14	Initial feed	0: Disable (Default) 1: Enable		
o	15	Proportional Pitch	0: DISABLE 1: Enable (Default)		
pppp	16	Label height (dots)	[S84-ex]		
			Head density	Range (HEX)	Range (DEC)
			8 dots/mm (203 dpi)	0001H - 4E20H	1 - 20000
			12 dots/mm (305 dpi)	0001H - 4650H	1 - 18000
			24 dots/mm (609 dpi)	0001H - 2580H	1 - 9600
			[S86-ex]	Head density	Range (HEX)
8 dots/mm (203 dpi)	0001H - 2708H	1 - 9992			
12 dots/mm (305 dpi)	0001H - 3A8CH	1 - 14988			
qqqq	17	Label width (dots)	[S84-ex]		
			Head density	Range (HEX)	Range (DEC)
			8 dots/mm (203 dpi)	0001H - 340H	1 - 832
			12 dots/mm (305 dpi)	0001H - 4E0H	1 - 1248
			24 dots/mm (609 dpi)	0001H - 9C0H	1 - 2496
			[S86-ex]	Head density	Range (HEX)
8 dots/mm (203 dpi)	0001H - 53CH	1 - 1340			
12 dots/mm (305 dpi)	0001H - 7DAH	1 - 2010			
rrrr	18	Vertical offset value (dots)	0 - 792 (Default: 0) -1 - -792		
ssss	19	Horizontal offset value (dots)	0 - 792 (Default: 0) -1 - -792		
t	20	Not used	0: fixed		
u	21	Not used	0: fixed		
v	22	Not used	0: fixed		
w	23	Not used	0: fixed		
x	24	Time to LCD power saving (in minute)	0 - 15 Default: 0		
y	25	Not used	0: fixed		
z	26	Buzzer setting	0: none 1: Small 2: Medium (Default) 3: Large		

Refer to the “Operator Manual” for the default.

12.11 System

Auto Linefeed

ESC+E

Hexadecimal code	ESC <1B> ₁₆	E <45> ₁₆	Parameter aaa
Initial value	Nil		

Valid range and term of command	When the power switch is OFF	The set parameter is not maintained.
	Valid range within item	The parameter preset will be invalid.
	Valid range between items	The parameter preset will be invalid.

[Function]

Specifying line pitch and linefeed.

[Format]

<E>aaa

•Parameter

a[Line pitch width] = Valid range : 0 to 999 dots

[Coding Example]

```
<A>
<E>10
<V>100<H>200<P>2<L>0304<XM>,ABCDE+CR
FGHIJ+CR
<Q>2
<Z>
```

[Notes]

1. When CR (0DH) is specified, linefeed based on line pitch will be performed.
2. Rotation <%> is enabled.
3. Line pitch is changeable by this command within items
4. Specify this command before designating the consecutive print of 1-line.
5. Performing auto linefeed by the designation of CR (0DH), print start position of linefeed will be determined based on the pitch specified with <E> and the value specified with Horizontal Print Position <H> designated after <E>. In case that <H> is specified several times after <E>, return position by CR (0DH) will be at the end of <H>.

12.12 System

Kanji Mincho

ESC+KM

Hexadecimal code	ESC <1B> ₁₆	KM <4B> ₁₆ <4D> ₁₆	Parameter Nil
Initial value	Nil		

Valid range and term of command	When the power switch is OFF	The set parameter is maintained.
	Valid range within item	The set parameter is in effect until a new specification is made.
	Valid range between items	The set parameter is in effect until a new specification is made.

[Function]

Specifying the MINCHO for Kanji font

[Format]

<KM>

[Coding Example]

<A>
<KM>
<V>100<H>200<P>2<L>0304
<K1>H82508A94816A83548367815B
<KG>
<V>200<H>200<P>2<L>0304
<K1>H82508A94816A83548367815B
<Q>2
<Z>

[Notes]

1. This command can be used more than one time in the same item.
2. The default is set to GOTHIC.

12.13 System

Kanji Gothic

ESC+KG

Hexadecimal code	ESC	KG	Parameter
	<1B> ₁₆	<4B> ₁₆ <47> ₁₆	Nil
Initial value	Nil		

Valid range and term of command	When the power switch is OFF	The set parameter is maintained.
	Valid range within item	The set parameter is in effect until a new specification is made.
	Valid range between items	The set parameter is in effect until a new specification is made.

[Function]

Specifying the GOTHIC for Kanji font

[Format]

<KG>

[Coding Example]

<A>
<KG>
<V>100<H>200<P>2<L>0304
<K1>H82508A94816A83548367815B
<KG>
<V>200<H>200<P>2<L>0304
<K1>H82508A94816A83548367815B
<Q>2
<Z>

[Notes]

1. This command can be used more than one time in the same item.
2. The default is set to GOTHIC.

12.14 System

User Download

ESC+LD

Hexadecimal code	ESC <1B> ₁₆	LD <4C> ₁₆ <44> ₁₆	Parameter ,a,b,c,d,e,f,g,h,i,j
Initial value	Refer to the table below		

Valid range and term of command	When the power switch is OFF	The set parameter is maintained.
	Valid range within item	The set parameter is in effect until a new specification is made.
	Valid range between items	The set parameter is in effect until a new specification is made.

[Function]

Setting the auto-online, availability of zero slash, protocol code and Euro code.

[Format]

<LD>,a,b,c,d,e,f,g,h,i,j

•Parameter

Refer to the table below for the details.

Function	Parameter	Content	Default	
			Standard	Non-standard
Protocol code	a (Hex)	STX	02H	{ (7BH)
	b (Hex)	ETX	03H	} (7DH)
	c (Hex)	ESC	1BH	^ (5EH)
	d (Hex)	ENQ	05H	@ (40H)
	e (Hex)	CAN	18H	! (21H)
	f (Hex)	NULL	00H	~ (7EH)
	g (Hex)	Offline	40H] (5DH)
Auto online	h (ASCII)	0 : YES 1 : NO	0 (30H)	0 (30H)
Zero slash	i (ASCII)	0 : YES 1 : NO	0 (30H)	0 (30H)
Euro Code	j (Hex)	D5H	D5H	D5H

[Coding Example]

<A>
<LD>,{,},%,#,&,=,-,0,0,<FF>₁₆
 <Z>

[Notes]

1. Delimit Start of Data Transmission <A> and End of Data Transmission <Z> when using with this command.
2. Entire or part of parameter entry is omissible by using comma. In this case, comma is not omissible. Omitted setting will remain as default.
3. If number of commas within parameter is other than 10, or if the specified code is included in the other control code, command, or print data, operation will not be accurate.
4. Parameter a ~ g of Protocol code will be enabled by setting to Non-standard through Protocol code setting screen in the Advanced Mode.
5. When a product receives this command, it prints a list about the protocol code that you set.
6. Restart the product to enable the settings of this command.

12.15 System

Offset		ESC+PO	
Hexadecimal code	ESC <1B> ₁₆	PO <50> ₁₆ <4F> ₁₆	Parameter abcc
Initial value	-		

Valid range and term of command	When the power switch is OFF	The set parameter is not maintained.
	Valid range within item	The set parameter is in effect until a new specification is made.
	Valid range between items	The set parameter is in effect until a new specification is made.

[Function]

Specify the label stop position adjustment in each motion temporary.

[Format]

<PO>abcc

•Parameter

a[offset]	=	1	:	dispense mode
		3	:	continuous mode
b[offset direction]	=	+	:	paper feed direction
		-	:	backfeed direction
c[offset length]	=	Valid range	:	00 to 99 dots

[Coding Example]

<A>

<PO>3+08

<Z>

[Notes]

1. This command is not necessary to specify at the normal label printing.
2. Specify this command when there is a particular misalignment.

12.16 System

Job Modification

ESC+#J

Hexadecimal code	ESC <1B> ₁₆	#J <23> ₁₆ <4A> ₁₆	Parameter Nil
Initial value	Nil		

Valid range and term of command	When the power switch is OFF	The set parameter is maintained.
	Valid range within item	The set parameter is in effect until a new specification is made.
	Valid range between items	The set parameter is in effect until a new specification is made.

[Function]

Register job modification character string.

[Format]

<#J>,a,b,c

•Parameter

a[ID number] = Valid range : 0 or 1 to 9 (default: 0 delete all job modification pairs)
 b[Search character string] = Valid range : 00 to FF (default: delete designated modification pairs)
 c[Replace character string] = Valid range : 00 to FF (default: no replace character string)

[Coding Example]

<A>
<#J>,1,1B584D,1B584C
 <Z>

[Notes]

1. Specify the search and replace character string in 2 digits ASCII in HEX.
2. When 0 is specified for an ID number, all job modification pairs are deleted.
3. When the search character string parameter is omitted, the specified job modification pair is deleted.
4. When replace character string parameter is omitted, replace is not done and only search character string is deleted from the input data.

[Remarks]

1. The search or replace character string for job modification is saved in the EEPROM, and it is maintained until it is deleted or job modification function is disabled.
2. The search or replace character string can be specified up to 100 characters, 9 pairs in total. For example, a pair of search/replace character string has 50 characters each, only one pair can be used.
3. The character string is searched in the order of from #J1 to #J9. When higher priority search character string is the subset of lower priority search character string, the lower priority search character string is ignored.
4. When the Hex dump mode is used for the printing of the received data, print output depends on the job modification setting.
5. The job modification function is disabled automatically during the test print mode.

13 Memory Card Commands

13.1 Memory Card

Card Slot for Use		ESC+CC	
Hexadecimal code	ESC <1B> ₁₆	CC <43> ₁₆ <43> ₁₆	Parameter a
Initial value	Nil		
Valid range and term of command	When the power switch is OFF		The set parameter is not maintained.
	Valid range within item		The set parameter is in effect until a new specification is made.
	Valid range between items		The set parameter is in effect until a new specification is made.

[Function]

Specifying the slot No. of the memory card for use.
The product can access to the media registered to the specified slot.

[Format]

<CC>a

•Parameter

a[Slot No.] = 0 : Slot 0 (Default: Printer)
 1 : Slot 1 (Default: FROM)
 2 : Slot 2 (Default: SD card)

[Coding Example]

<A>
<CC>1
<G|>H003003001FF000000~000000FF
<Z>

[Notes]

- The allocation of the slot number can be changed from the above default in the memory card mode. Items can be set to the each slot number are "Printer", "FROM", "SD card", "USB memory", and "Not used." Refer to the Operator Manual for details.
* "Printer": Printer memory, "FROM": Flash ROM
- It is necessary to specify when accessing to "FROM", "SD card" and "USB memory."
- The command error occurs when unused slot is specified.
- Please confirm that the media is mounted when specifying "SD card" or "USB memory."
The command error occurs when the product accessed to the slot when the media is not mounted.

[Important]

Do not turn the product power off when accessing to the memory. When the product power is off while memory accessing, the data in the accessed media may be corrupted.

13.2 Memory Card

Registration of Form Overlay

ESC+&S

Hexadecimal code	ESC <1B> ₁₆	&S <26> ₁₆ <53> ₁₆	Parameter ,aa(,bbbb,cccc)
Initial value	Nil		

Valid range and term of command	When the power switch is OFF	The registered data becomes valid.
	Valid range within item	The registered data are in effect until a new specification is made.
	Valid range between items	The registered data are in effect until a new specification is made.

[Function]

Specifying the registration of fixed print contents to a memory card.

[Format]

<&S>,aa(,bbbb,cccc)

•Parameter

a[Registration No.] = Valid range : 1 to 99
 b[Size specification of window width] = Valid range : Refer to the table below (Omissible)
 c[Size specification of window height] = Valid range : Refer to the table below (Omissible)

[Coding Example]

```
<A>
<V>100<H>100<XM>,MODEL
<CC>1
<&S>.1
<Z>
```

[Notes]

- Specify slot No. with Card Slot for Use <CC> prior to this command.
- Delimit Start of Data Transmission <A> and End of Data Transmission <Z> with the format to be registered.
- Registration of identical registration No. is invalid.
- Both Print data of Graphic <G> and Print of BMP File <GM> can be registered.
- This command allows up to 99 registries. Note that the capacity of registry may vary depending on the memory card to be used.
- Data registered with this command can be cleared with Clear <*>R.
- The error occurs when unused or the slot that the product is allocated is specified (Refer to Card Slot for Use <CC>).

[Important]

Do not turn the product power off when accessing to the memory. When the product power is off while memory accessing, the data in the accessed media may be corrupted.

[Valid range of the window size]

[S84-ex]

Head density	Horizontal direction available range (dot)	Vertical direction available range (dot)
8 dots/mm (203 dpi)	1 - 832	1 - 20000
12 dots/mm (305 dpi)	1 - 1248	1 - 18000
24 dots/mm (609 dpi)	1 - 2496	1 - 9600

[S86-ex]

Head density	Horizontal direction available range (dot)	Vertical direction available range (dot)
8 dots/mm (203 dpi)	1 - 1340	1 - 9992
12 dots/mm (305 dpi)	1 - 2010	1 - 14988

[Valid Commands]

Print position	<V>	<H>								
Font	<XU>	<XS>	<XM>	<XB>	<XL>	<OA>	<OB>	<RD>	<\$=>	<K1>
	<K2>	<K8>	<K9>	<k1>	<k2>	<k8>	<k9>	<U>	<S>	<M>
	<WB>	<WL>								
Barcode		<BC>	<BG>	<BI>	<D>	<D><d>	<BD>	<BT>	<BW>	<BP>
	<BF>	<BS>	<BL>	<BL><d>	<BM>	<BM>				
2D code	<2D10>	<BK>	<2D12>	<2D20>	<BV>	<2D30>	<2D31>	<2D32>	<BQ>	<2D33>
	<2D50>	<BX>	<2D51>							
Composite symbol	<EU>									
Modification	<WD>	<FW>	<(>	<RF>	<FC>	<FT>	<RM>			
Graphic	<G>	<GM>	<GP>							

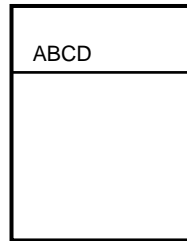
In general, this command is used for [Registration No.] only. Specification of window height and width will control the movement with Vertical Print Position <V> and Horizontal Print Position <H> at the time of calling. For the movement at the time of calling, if registered area is exceeding printable area, the portion outside of the printable area will not be printed.

The following are the brief operation.

1) Normal (To register)

```
<A>
<V>100<H>100<P>2<L>0202
<XB>0ABCD
<V>60<H>60
<FW>0808V800H400
<V>320<H>60
<FW>04H400
<CC>1
<&S>.1
<Z>
```

Registered image



2) When the print is specified after the command <&S>

```
<A>
<V>100<H>100<P>2<L>0202
<XB>0ABCD
<V>60<H>60
<FW>0808V800H400
<V>320<H>60
<FW>04H400
<CC>1
<&S>.1
<V>200<H>100<OB>12345
<Z>
```

Anything specified prior to the command <&S> will be registered as form overlay.

← Printing out this part

3) When the window size is specified

Label Size <A1>08000400, Window width [200], Window height [200]

<A>

<A1>08000400

<V>100<H>00<P>2<L>0202

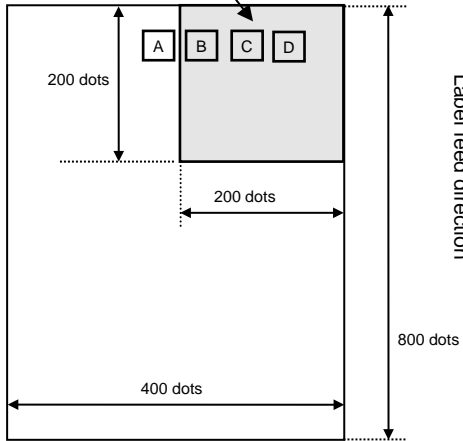
<XB>0ABCD

<CC>1

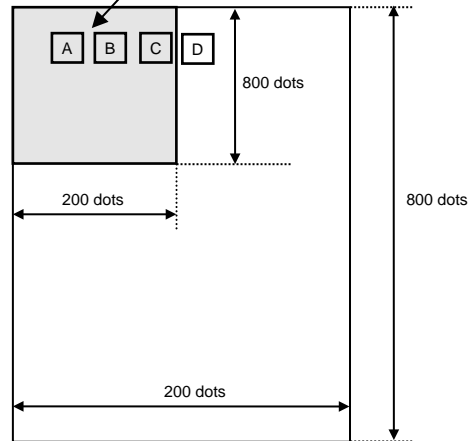
<&S>.1.200.200

<Z>

Registering this shadowed area only.



Registering this shadowed area only.



13.3 Memory Card

Form Overlay Call

ESC+&R

Hexadecimal code	ESC <1B> ₁₆	&R <26> ₁₆ <52> ₁₆	Parameter ,aa
Initial value	Nil		

Valid range and term of command	When the power switch is OFF	The set parameter is not maintained.
	Valid range within item	The parameter preset will be invalid.
	Valid range between items	The parameter preset will be invalid.

[Function]

Invoking the contents in memory card with Registration of Form Overlay <&S>.

[Format]

<&R>,aa

•Parameter

a[Registration No.] = Valid range : 1 to 99

[Coding Example]

<A>
<CC>1
<&R>,1
<Z>

[Notes]

- Specify slot No. of Card Slot for Use <CC> prior to this command when using.
- This command can be combined with different registration No. and printed.
- When registration No. is not specified, this command will be ignored.
- If specifying unregistered No., Read/Write error will occur.
- When registering without specifying window, Vertical Print Position <V> and Horizontal Print Position <H> will be ignored and V1 and H1 (Start position of drawing area) will be determined.
- When specifying and registering window, movement with <V> and <H> will be enabled.
Note that when exceeding printable area, the portion outside of the printable area will not be printed.
- This command is not effective without a memory card.
- The error occurs when unused or the slot that the product is allocated is specified.

[Important]

Do not turn the product power off when accessing to the memory. When the product power is off while memory accessing, the data in the accessed media may be corrupted.

[Valid Commands]

Print position	<V>	<H>								
Font	<XU>	<XS>	<XM>	<XB>	<XL>	<OA>	<OB>	<RD>	<K1>	<K2>
	<K8>	<K9>	<k1>	<k2>	<k8>	<k9>	<\$=>			
Barcode		<BC>	<BG>	<BI>	<BP>	<D>	<D><d>	<BD>	<BT>	<BW>
	<BF>	<EU>	<BL>	<BL><d>	<BM>					
2D code	<BK>	<BQ>	<BV>	<BX>	<2D31>	<2D30>	<2D32>	<2D20>	<2D10>	<2D12>
	<2D50>									
Modification	<WD>	<FW>	<(>	<RF>	<FC>	<FT>				
Graphic	<G>	<GM>	<GP>							

13.4 Memory Card

Registration of Format		ESC+YS	
Hexadecimal code	ESC <1B> ₁₆	YS <59> ₁₆ <53> ₁₆	Parameter ,aaaa
Initial value	Nil		

Valid range and term of command	When the power switch is OFF	The registered data becomes valid.
	Valid range within item	The set parameter is in effect until a new specification is made.
	Valid range between items	The set parameter is in effect until a new specification is made.

[Function]

Registering print format.

[Format]

<YS>,aaaa

•Parameter

aaaa[Format registration No.] = Valid range : 00001 to 99999

[Coding Example]

```
<A>
<CC>1
<YS>1
</N>,3,3
<%>0<V>100<H>200<P>2<L>0101<XM>ABC
<Z>
```

[Notes]

- When registering multiple formats, Delimit Start of Data Transmission <A> and End of Data Transmission <Z> with one format.
- Specify Card Slot for Use <CC> prior to this command when using.
- Use this command and Registration of Field </N> as a set.
- Attempts to register again with registered No., an error will occur, and the targeted content will be printed.
- The error occurs when unused or the slot that the product is allocated is specified (Refer to Card Slot for Use <CC>).

[Valid Commands for Registration]

Print position	<V>	<H>								
Font	<XU>	<XS>	<XM>	<XB>	<XL>	<OA>	<OB>	<RD>	<\$=>	<K1>
	<K2>	<K8>	<K9>	<k1>	<k2>	<k8>	<k9>			
Barcode		<BC>	<BG>	<BI>		<D>	<D><d>	<BD>	<BT>	<BW>
2D code	<2D10>	<2D12>	<2D20>	<2D30>	<2D31>	<2D32>	<2D50>	<2D51>	<2D70>	<BK>
	<BV>	<BQ>	<BX>							
Modification	<P>	<L>	<PS>	<PR>	<%>	<FW>	<(>	<WD>		
System	<A1>	<A3>	<AX>	<AR>						
Memory card	<&R>	</N>	<GR>	<GC>	<PY>					

(Caution) The operation when specified a command that is other than available command is not guaranteed.

[Important]

- Do not turn the product power off when accessing to the memory. When the product power is off while memory accessing, the data in the accessed media may be corrupted.
- The maximum registration with </N> is 99 fields. (Refer to the customizable print command of the field registration (ESC+/N) for the commands that can be registered.)
- The maximum registration with other than </N> is 50 fields. Refer to the customizable print command for the commands that can be registered.

[Remark]

Details of Format Registration

A group of commands can be registered to a memory card. Once registered, it saves time to specify the identical command group.

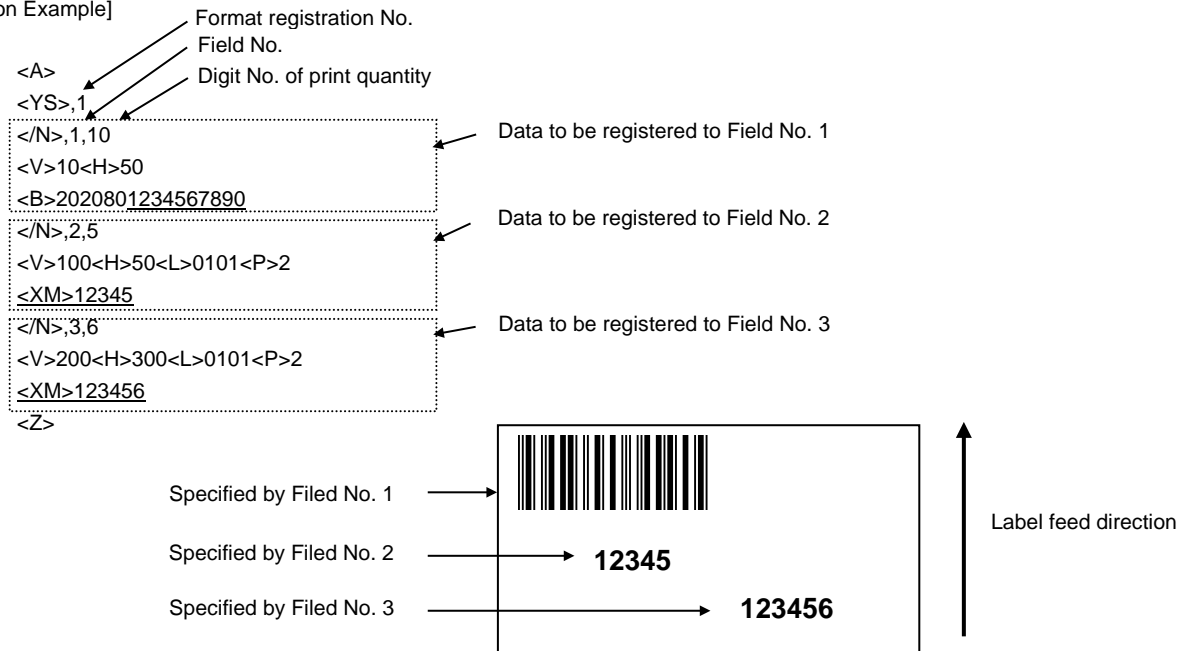
The registration also allows a change of print data when invoking the format. Such function is called "Format Registration". One item consists of different command groups necessary for printing, and such groups are called "Field". Note that multiple fields make format.

Commands for format registration :

One format consists of a set of commands from Start of Data Transmission <A> to End of Data Transmission <Z>, and specifies Registration of Format <YS> right after <A>. For <YS>, specify [Format registration No.] from 1 to 99999. And then, insert Registration of Field </N> after <YS> to specify [Field No.] and [Digit No. of print quantity].

After [Field No.] and [Digit No. of print quantity] is entered, specify print position, character type, barcode, etc.

[Registration Example]



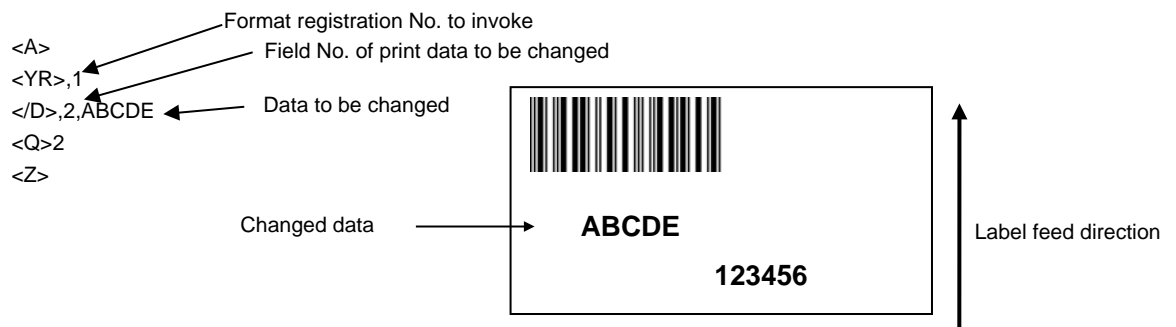
Invoking the registered print contents

Specify saved [Format registration No.] from 1 to 99999 with Format Call <YR>.

To change print data, use Print of Field <D> to specify [Field No.] to be changed, and continuously specify the changed print data.

Note that the underlined parts in the [Registration Example] are changeable.

[Calling Example]



13.5 Memory Card

Registration of Field		ESC+/N	
Hexadecimal code	ESC <1B> ₁₆	/N <2F> ₁₆ <4E> ₁₆	Parameter ,aa,bb
Initial value	Nil		

Valid range and term of command	When the power switch is OFF	The registered data becomes valid.
	Valid range within item	The set parameter is in effect until a new specification is made.
	Valid range between items	The set parameter is in effect until a new specification is made.

[Function]

Registering items within the field of Registration of Format <YS>.

[Format]

</N>,aa,bb

•Parameter

a[Field No.] = Valid range : 1 to 99
 b[Digit No. of print quantity] = Valid range : 1 to 99

[Coding Example]

```
<A>
<CC>1
<YS>, 1
</N>,1,3
<%>0<V>100<H>200<P>2<L>0101<XM>ABC
</N>,2,5
<%>0<V>200<H>200<P>2<L>0101<OA>12345
</N>,3,8
<%>0<V>300<H>40<B>40208049123456
<Z>
```

[Notes]

- Specify the value of [Field No.] in ascending order.
- Specify Vertical Print Position <V> and Horizontal Print Position <H> for each field. If not, the default value will be set.
- Specification of digit number when printing external character.
 External code H, one external character has 4 digits; thus, three external characters make 12 digits for printing.
 External code B, one external character has 2 digits; thus, three external characters make 6 digits for printing.
- Use this command and Registration of Format <YS> as a set.
- Due to the memory capacity limit, it may not save up to 99 registries.
- The error occurs when unused or the slot that the product is allocated is specified (Refer to Card Slot for Use <CC>).

[Important]

Do not turn the product power off when accessing to the memory. When the product power is off while memory accessing, the data in the accessed media may be corrupted.

[Valid Commands for the Change of Print]

Font	<XU>	<XS>	<XM>	<XB>	<XL>	<OA>	<OB>	<RD>	<\$=>	<K1>
	<K2>	<K8>	<K9>	<k1>	<k2>	<k8>	<k9>			
Modification	<P>	<L>	<PS>	<PR>	<%>					
Barcode		<BC>	<BG>	<BI>	<D>	<D><d>	<BD>	<BT>	<BW>	<BL>
2D code	<2D10>	<2D12>	<2D20>	<2D30>	<2D31>	<2D32>	<2D50>	<2D51>	<2D70>	<BK>
	<BV>	<BQ>	<BX>							

13.6 Memory Card

Format Call		ESC+YR	
Hexadecimal code	ESC <1B> ₁₆	YR <59> ₁₆ <52> ₁₆	Parameter ,aaaaa
Initial value	Nil		

Valid range and term of command	When the power switch is OFF	The set parameter is not maintained.
	Valid range within item	The set parameter is in effect until a new specification is made.
	Valid range between items	The set parameter is in effect until a new specification is made.

[Function]

Invoking and printing out the format registered with Registration of Format <YS>.

[Format]

<YR>,aaaaa

•Parameter

aaaaa[Format registration No.] = Valid range : 00001 to 99999

[Coding Example]

```
<A>
<CC>1
<YR>,1
</D>,1,DEF
</D>,2,78901
</D>,3,49000238
<Q>2
<Z>
```

[Notes]

1. This command cannot invoke multiple formats between Start of Data Transmission <A> and End of Data Transmission <Z>.
2. Use this command and Print of Field </D> as a set.
3. The error occurs when unused or the slot that the product is allocated is specified (Refer to Card Slot for Use <CC>).

[Important]

Do not turn the product power off when accessing to the memory. When the product power is off while memory accessing, the data in the accessed media may be corrupted.

13.7 Memory Card

Print of Field	ESC+/D
-----------------------	---------------

Hexadecimal code	ESC <1B> ₁₆	/D <2F> ₁₆ <44> ₁₆	Parameter ,aa,n~n
Initial value	Nil		

Valid range and term of command	When the power switch is OFF	The set parameter is not maintained.
	Valid range within item	The set parameter is in effect until a new specification is made.
	Valid range between items	The set parameter is in effect until a new specification is made.

[Function]

Invoking the items registered with Registration of Field and specifying data.

[Format]

</D>,aa,n~n

•Parameter

a[Field No.] = Valid range : 1 to 99
n[Data] = Data to be changed

[Coding Example]

<A>
<CC>1
<YR>,1
</D>,1,DEF
</D>,2,78901
</D>,3,49000238
<Q>2
<Z>

[Notes]

1. Digit No. of print quantity is valid within the range specified with Registration of Field </N>.
2. When digit No. of this command is larger than the one specified with Registration of Field </N>, only the defined digit No. will be available for printing.
3. Use this command and Format Call <YR> as a set.
4. The error occurs when unused or the slot that the product is allocated is specified (Refer to Card Slot for Use <CC>).

[Important]

Do not turn the product power off when accessing to the memory. When the product power is off while memory accessing, the data in the accessed media may be corrupted.

13.8 Memory Card

Registration of Graphic

ESC+GI

Hexadecimal code	ESC <1B> ₁₆	GI <47> ₁₆ <49> ₁₆	Parameter abbbccddn~n
Initial value	Nil		

Valid range and term of command	When the power switch is OFF	The registered data becomes valid.
	Valid range within item	The parameter preset will be invalid.
	Valid range between items	The parameter preset will be invalid.

[Function]

Specifying the registration of graphic pattern data.

[Format]

<GI>abbbccddn~n

•Parameter

- a[Selection of data transfer in HEX or BIN] = H : Hex data
 B : Binary data
 Hex data (specify graphic data as 2 characters of ASCII 0-F is equal to 8 dots)
 Binary data (specify graphic data as 1 byte of binary data is equal to 8 dots)
- b[Specification of crosswise graphic area per byte] = Refer to the table below
 c[Specification of lengthwise graphic area per byte] = Refer to the table below
 d[Registration No.] (Identification No. when invoking) = 1 to 999
 n[Data] = Graphic data

[Coding Example 1] [H: HEX data] is specified as [Selection of data transfer in HEX or BIN]

```
<A>
<CC>1
<GI>H001001999<4646383138313831383138314646>16
<Z>
```

[Coding Example 2] [B: Binary data] are specified as [Selection of data transfer in HEX or BIN] [□] is registered to the 999th of the slot 1 by the below.

```
<A>
<CC>1
<GI>B001001999 <FF8181818181FF>16
<Z>
```

[Notes]

1. Specify registered data only.
2. To change the registered content, clear it with Clear <*> to register again.
3. Graphic Call <GR> is for printing out the data registered with Registration of Graphic <GI>.
4. When data are not registered properly, print error may occur. For details on data format, refer to Print of Graphic <G>.
5. Attempts to register again with registered No., an error will occur, and the targeted content will be printed.
6. Specify Card Slot for Use <CC> prior to this command when using.
7. Be sure to specify the slot number used for card slot command <CC> before the graphic registration command <GI>.
8. The error occurs when unused or the slot that the product is allocated is specified (Refer to Card Slot for Use <CC>).

[Important]

Do not turn the product power off when accessing to the memory. When the product power is off while memory accessing, the data in the accessed media may be corrupted.

[Specified Range]

[S84-ex]

Head density	Maximum byte in horizontal direction	Maximum byte in vertical direction
8 dots/mm (203 dpi)	104	400
12 dots/mm (305 dpi)	156	600
24 dots/mm (609 dpi)	312	999

[S86-ex]

Head density	Maximum byte in horizontal direction	Maximum byte in vertical direction
8 dots/mm (203 dpi)	168	400
12 dots/mm (305 dpi)	252	600

13.9 Memory Card

Graphic Call		ESC+GR	
Hexadecimal code	ESC <1B> ₁₆	GR <47> ₁₆ <52> ₁₆	Parameter aaa
Initial value	Nil		

Valid range and term of command	When the power switch is OFF	The set parameter is not maintained.
	Valid range within item	The parameter preset will be invalid.
	Valid range between items	The parameter preset will be invalid.

[Function]

Invoking and printing out the data registered with Registration of Graphic <GI>.

[Format]

<GR>aaa

•Parameter

a[Registration No.] = Valid range : 1 to 999

[Coding Example]

<A>
 <V>100<H>100
 <CC>1
<GR>1
 <Q>1
 <Z>

[Notes]

1. Be sure to specify the slot number used for card slot command <CC> before the graphic recall command <GR>.
2. Ignoring Base Reference Point Offset <A3> and making no correction.
3. Rotation <%> and Enlargement <L> are available for the invoked graphic.
4. Specify Card Slot for Use <CC> prior to this command when using.
5. The error occurs when unused or the slot that the product is allocated is specified (Refer to Card Slot for Use <CC>).

[Important]

Do not turn the product power off when accessing to the memory. When the product power is off while memory accessing, the data in the accessed media may be corrupted.

13.10 Memory Card

Registration of BMP File

ESC+GT

Hexadecimal code	ESC <1B> ₁₆	GT <47> ₁₆ <54> ₁₆	Parameter aaa,bbbb,n~n
Initial value	Nil		

Valid range and term of command	When the power switch is OFF	The registered data becomes valid.
	Valid range within item	The parameter preset will be invalid.
	Valid range between items	The parameter preset will be invalid.

[Function]

Specifying the registration of BMP file created by such as Paint Brush of Windows.

[Format]

<GT>aaa,bbbb,n~ n

•Parameter

a[Registration No.] = 1 to 999

b[Total bytes of BMP file] = 1 to 99999

Specify the file size of BMP file for total bytes.

n[Data] = BMP file data

Data is sent as binary data (Outputs 8 bits as one character data all at once)

[Coding Example]

<A>

<CC>1

<GT>1,12345,n~n

<Z>

[Notes]

1. Be sure to specify the slot number used for card slot command <CC> before the BMP file registration command <GT>.
2. Data is sent as binary data (Outputs 8 bits as one character data all at once). In this case, the file size of BMP file becomes the total bytes, and BMP file data becomes data.
3. In BMP file, 62 bytes of data is for the header part and the rest of data is for the image data.
4. When [Total bytes of BMP file] are not matching the transfer data, this may become the cause of malfunction.
5. Total bytes are the file size shown at [Property] and such.
6. BMP file is available in Black/White mode only. In color mode, printing will not be performed due to command error. Also, this command is not valid for the BMP compressed file. Make sure that the file extension is set to [BMP] before printing.
7. Specify Card Slot for use <CC> prior to this command.
8. The error occurs when unused or the slot that the product is allocated is specified (Refer to Card Slot for Use <CC>).

[Important]

Do not turn the product power off when accessing to the memory. When the product power is off while memory accessing, the data in the accessed media may be corrupted.

13.11 Memory Card

BMP File Call		ESC+GC	
Hexadecimal code	ESC <1B> ₁₆	GC <47> ₁₆ <43> ₁₆	Parameter aaa
Initial value	Nil		
Valid range and term of command	When the power switch is OFF		The set parameter is not maintained.
	Valid range within item		The parameter preset will be invalid.
	Valid range between items		The parameter preset will be invalid.

[Function]

Invoking and printing out the data registered with Registration of BMP File.

[Format]

<GC>aaa

•Parameter

a[Registration No.] = Valid range : 1 to 999

[Coding Example]

<A>
 <V>100<H>100
 <CC>1
<GC>1
 <Q>2
 <Z>

[Notes]

1. Be sure to specify the slot number used for card slot command <CC> before the BMP file recall command <GC>.
2. Rotation <%> and Enlargement <L> are available for the invoked data.
3. Specify Card Slot for Use <CC> prior to this command when using.
4. The error occurs when unused or the slot that the product is allocated is specified (Refer to Card Slot for Use <CC>).

[Important]

Do not turn the product power off when accessing to the memory. When the product power is off while memory accessing, the data in the accessed media may be corrupted.

13.12 Memory Card

Registration of PCX File	ESC+PI
---------------------------------	---------------

Hexadecimal code	ESC <1B> ₁₆	PI <50> ₁₆ <49> ₁₆	Parameter aaa,bbbb,n~n
Initial value	Nil		

Valid range and term of command	When the power switch is OFF	The registered data becomes valid.
	Valid range within item	The parameter preset will be invalid.
	Valid range between items	The parameter preset will be invalid.

[Function]

Specifying the registration of PCX file created by such as Paint Brush of Windows.

[Format]

<PI>aaa,bbbb,n~n

•Parameter

a[Registration No.] = 1 to 999

b[Total bytes of PCX file] = 1 to 99999

Specify the file size of PCX file for total bytes.

n[Data] = PCX file data

Data is sent as binary data (Outputs 8 bits as one character data all at once)

[Coding Example]

<A>

<CC>1

<PI>001,12345,n~n

<Z>

[Notes]

1. Be sure to specify the slot number used for card slot command <CC> before the PCX file registration command <PI>.
2. Data is sent in binary data (Outputs 8-bit data as 1 font data all at once). (The file size of PCX file is the total bytes of PCX file, and PCX file data are data)
3. If [Total bytes of PCX file] are not matching the transfer data, this may become the cause of malfunction.
4. Total bytes are the file size shown at [Property] and such.
5. PCX file is available in Black/White mode only. In color mode, printing will not be performed due to command error. Also, this command is not valid for the PCX compressed file. Make sure that the file extension is set to [PCX] before printing.
6. Specify Card Slot for Use <CC> prior to this command when using.
7. The error occurs when unused or the slot that the product is allocated is specified (Refer to Card Slot for Use <CC>).

[Important]

Do not turn the product power off when accessing to the memory. When the product power is off while memory accessing, the data in the accessed media may be corrupted.

13.13 Memory Card

PCX File Call	ESC+PY
----------------------	---------------

Hexadecimal code	ESC <1B> ₁₆	PY <50> ₁₆ <59> ₁₆	Parameter aaa
Initial value	Nil		

Valid range and term of command	When the power switch is OFF	The set parameter is not maintained.
	Valid range within item	The parameter preset will be invalid.
	Valid range between items	The parameter preset will be invalid.

[Function]

Invoking and printing out the data registered with Registration of PCX File <PI>.

[Format]

<PY>aaa

•Parameter

a[Registration No.] = Valid range : 1 to 999

[Coding Example]

<A>
 <V>100<H>100
 <CC>1
<PY>001
 <Q>2
 <Z>

[Notes]

1. Be sure to specify the slot number used for card slot command <CC> before the PCX file recall command <PY>.
2. Rotation <%> and Enlargement <L> are available for the invoked data.
3. Specify Card Slot for Use <CC> prior to this command when using.
4. The error occurs when unused or the slot that the product is allocated is specified (Refer to Card Slot for Use <CC>).

[Important]

Do not turn the product power off when accessing to the memory. When the product power is off while memory accessing, the data in the accessed media may be corrupted.

13.14 Memory Card

Memory card 16x16 dots External Font Registration

ESC+T1

Hexadecimal code	ESC <1B> ₁₆	T1 <54> ₁₆ <31> ₁₆	Parameter abbn~n
Initial value	Nil		

Valid range and term of command	When the power switch is OFF	The registered data becomes valid.
	Valid range within item	The parameter preset will be invalid.
	Valid range between items	The parameter preset will be invalid.

[Function]

Register 16x16 dots external characters to the memory card.

[Format]

<T1>abbn~n

•Parameter

a[Select register data type] = H : HEX character
 B : Binary code
 b[Register font code address] = H : in the range from "21" to "7F", up to 95 items can be registered
 B : in the range from 21H to 7FH, up to 95 items can be registered
 n[External character registration data]

[Coding Example]

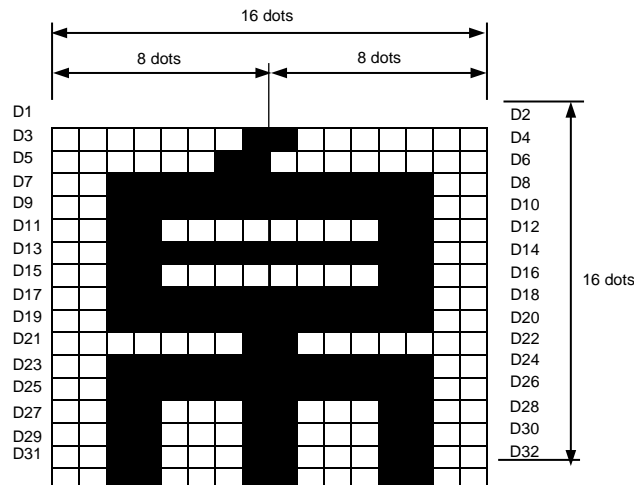
<A>
 <CC>1
<T1>H2100FF00FF~3C0000FF
 <Z>

[Notes]

1. It is possible to overwrite the data that is registered once.
2. Be sure to specify the slot number used for card slot command <CC> before the memory card 16x16 external character registration command <T1>.
3. The error may occur when other registration command and the memory card 16x16 external character registration command <T1> at the same time due to not enough memory in the memory card. As a countermeasure, register other registration to another memory card or use a memory card that has more capacity.
4. The output order of the data is as follows.
5. The error occurs when unused slot is specified.

External file [16x16]

D1	D2
D3	D4
D5	D6
D31	D32



When registering the above external character, D1 data are <01>₁₆, D2 data are <80>₁₆ because the constitution of D1 is [00000001], and D2 is [10000000].

In the same manner, D3 is <03>₁₆, D4 is <00>₁₆, D5 is <3F>₁₆, D6 is <FC>₁₆, and the external registration data will be <018003003FFC.....>₁₆ up to D32.

[Important]

Do not turn the product power off when accessing to the memory. When the product power is off while memory accessing, the data in the accessed media may be corrupted.

[Important]

Do not turn the product power off when accessing to the memory. When the product power is off while memory accessing, the data in the accessed media may be corrupted.

13.16 Memory Card

Memory Card Horizontal Writing External Character Recall

ESC+K1(K2)

Hexadecimal code	ESC	K1(K2)	Parameter
	<1B> ₁₆	<4B> ₁₆ <31> ₁₆ (<4B> ₁₆ <32> ₁₆)	abbn~n
Initial value	Nil		

Valid range and term of command	When the power switch is OFF	The set parameter is not maintained.
	Valid range within item	The parameter preset will be invalid.
	Valid range between items	The parameter preset will be invalid.

[Function]

Recall the external characters registered to memory card.

[Format]

<K1>an~n
<K2>an~n

•Parameter

a [External characters registration] =

H	:	HEX character
B	:	Binary code
I	:	HEX character with smoothing function
C	:	Binary code with smoothing function
J	:	HEX character with highlight function
D	:	Binary code with highlight function
K	:	HEX character with smoothing and highlight function
E	:	Binary code with smoothing and highlight function

n~n [Registration code] =

<GB18030 specification>	
H, I, J, K	: "8021" ~ "807F"
B, C, D, E	: 8021H ~ 807FH
<BIG5/KSX1001 specification>	
H, I, J, K	: "9021" ~ "907F"
B, C, D, E	: 9021H ~ 907FH

[Coding Example]

<A>
<V>100<H>100
<CC>1
<K1>H9021
<Q>2
<Z>

[Notes]

1. Be sure to specify the card slot command <CC> just before the memory card horizontal writing external character recall command <K1>.
2. The error occurs when unused slot is specified.

[Important]

Do not turn the product power off when accessing to the memory. When the product power is off while memory accessing, the data in the accessed media may be corrupted.

13.17 Memory Card

Memory Card Vertical Writing External Character Recall

ESC+k1(k2)

Hexadecimal code	ESC	k1(k2)	Parameter
	<1B> ₁₆	<6B> ₁₆ <31> ₁₆ (<6B> ₁₆ <32> ₁₆)	abbn~n
Initial value	Nil		

Valid range and term of command	When the power switch is OFF	The set parameter is not maintained.
	Valid range within item	The parameter preset will be invalid.
	Valid range between items	The parameter preset will be invalid.

[Function]

Recall the external characters registered to memory card.

[Format]

<k1>an~n
<k2>an~n

•Parameter

a[External characters registration] = H : HEX character
 B : Binary code
 I : HEX character with smoothing function
 C : Binary code with smoothing function
 J : HEX character with highlight function
 D : Binary code with highlight function
 K : HEX character with smoothing and highlight function
 E : Binary code with smoothing and highlight function

n~n [Registration code] = <GB18030 specification>
 H, I, J, K : "8021" ~ "807F"
 B, C, D, E : 8021H ~ 807FH
 <BIG5/KSX1001 specification>
 H, I, J, K : "9021" ~ "907F"
 B, C, D, E : 9021H ~ 907FH

[Coding Example]

<A>
 <V>100<H>100
 <CC>1
<k1>H9021
 <Q>2
 <Z>

[Notes]

1. Be sure to specify the card slot command <CC> just before the memory card vertical writing external character recall command <k1>.
2. The error occurs when unused slot is specified.

[Important]

Do not turn the product power off when accessing to the memory. When the product power is off while memory accessing, the data in the accessed media may be corrupted.

13.18 Memory Card

Memory Card Initialization		ESC+BJF	
Hexadecimal code	ESC <1B> ₁₆	BJF <42> ₁₆ <4A> ₁₆ <46> ₁₆	Parameter aaaaaaaa
Initial value	Nil		

Valid range and term of command	When the power switch is OFF	The set parameter is not maintained.
	Valid range within item	The parameter preset will be invalid.
	Valid range between items	The parameter preset will be invalid.

[Function]

Specifying the format (initialization) of memory card.

[Format]

<BJF>aaaaaaaa

•Parameter

a[User ID] = Specifying up to 8 bytes in alphanumeric and symbols

[Coding Example]

<A>
<CC>1
<BJF>satocard
<Z>

[Notes]

1. This command is not effective without an optional memory card.
2. Specify slot No. registered with Card Slot for Use <CC> prior to this command by all means.
3. The card will not be formatted and error occurs when the memory card is write-protect. The data is not guaranteed when the memory card is formatted accidentally. Be careful when formatting the memory card.
4. Initialization takes some time. Do not send any command until the initialization finishes.
5. When SD card is selected by the Card slot for use command <CC> and the SD card is formatted, the contents of the SD card are deleted all and then the product creates folders necessary.

[Important]

Do not turn the product power off when accessing to the memory. When the product power is off while memory accessing, the data in the accessed media may be corrupted.

13.19 Memory Card

Print of Memory Card Status

ESC+BJS

Hexadecimal code	ESC	BJS	Parameter
	<1B> ₁₆	<42> ₁₆ <4A> ₁₆ <53> ₁₆	Nil
Initial value	Nil		

Valid range and term of command	When the power switch is OFF	The set parameter is not maintained.
	Valid range within item	The parameter preset will be invalid.
	Valid range between items	The parameter preset will be invalid.

[Function]

Printing out the status of the memory card.

[Format]

<BJS>

[Coding Example]

<A>

<CC>1

<BJS>

<Z>

[Notes]

1. This command is for printing out the memory card status and it cannot be used in combination with other commands.
2. Status can be checked with the label of W68mm and H90mm.

[Important]

Do not turn the product power off when accessing to the memory. When the product power is off while memory accessing, the data in the accessed media may be corrupted.

13.20 Memory Card

Memory Card Clear		ESC+*	
Hexadecimal code	ESC <1B> ₁₆	* <2A> ₁₆	Parameter a,bb
Initial value	Nil		

Valid range and term of command	When the power switch is OFF	The set parameter is not maintained.
	Valid range within item	The parameter preset will be invalid.
	Valid range between items	The parameter preset will be invalid.

[Function]

Clearing the entire contents in memory card.

[Format]

<*>a,bbb

•Parameter

a[Item to be cleared]	=	G	:	SATO Graphic (Clearing graphic registered with Registration of Graphic <GI>)
		P	:	PCX file (Clearing PCX file registered with Registration of PCX File <PI>)
		M	:	BMP file (Clearing BMP file registered with Registration of BMP File <GT>)
		F	:	Format (Clearing format registered with Registration of Format <YS>)
		O	:	TrueType font (Clearing TrueType font registered with Registration of TrueType Font <BJ>)
		R	:	Form Overlay (Clearing form overlay registered with Registration of Form Overlay <&S>)
b[Registration No.]	=	000 to 099 (Omissible) TrueType font 00001 to 99999 (Omissible) Format 001 to 999 (Omissible) Other than above (When omitting Registration No., all the registered data will be cleared.)		

[Coding Example 1] Clearing 001 of SATO graphics

```
<A>
<CC1>
<*>G.001
<Z>
```

[Coding Example 2] Clearing 002 of PCX files

```
<A>
<CC1>
<*>P.002
<Z>
```

[Coding Example 3] Clearing Form Overlay entirely

```
<A>
<CC1>
<*>R
<Z>
```

[Notes]

1. Delimit Start of Data Transmission <A> and End of Data Transmission <Z> when using with this command.
2. Specify slot No. of Card Slot for Use <CC> prior to this command when using.

[Remark]

To clear all data of memory card, use Card Format <BJF>.

[Important]

Do not turn the product power off when accessing to the memory. When the product power is off while memory accessing, the data in the accessed media may be corrupted.

13.21 Memory Card

Registration of TrueType Font (Compatible Commands)

ESC+BJ ESC+BJD

Hexadecimal code	ESC	BJ BJD	Parameter
	<1B> ₁₆	<42> ₁₆ <4A> ₁₆ <42> ₁₆ <4A> ₁₆ <44> ₁₆	
Initial value	Nil		

Valid range and term of command	When the power switch is OFF	The registered data becomes valid.
	Valid range within item	The parameter preset will be invalid.
	Valid range between items	The parameter preset will be invalid.

[Function]

Specifying the registration of TrueType font.

[Format]

<BJ>(a...ab...b
<BJD>c...cdddde...e
<BJ>)

•Parameter

a[Font description] Specification of 40 bytes font
b[Date] 10 bytes date data
c[Memory offset] 5 bytes memory offset (HEX specification)
d[No. of data bytes] 0001 to 9999
e[Font data to download]

[Coding Example]

<A>
<CC>1
<BJ>(abcdefghijklmnopabcdefghijklmnopabcdefghijklmnop29-08-2000
<BJD>00000002203001A00490020 0000000
<BJ>)
<Z>

[Note]

Specify slot No. registered with Card Slot for Use <CC> prior to this command by all means.

[Important]

1. Do not turn the product power off when accessing to the memory. When the product power is off while memory accessing, the data in the accessed media may be corrupted.
2. This command is compatible commands for the previous model. It is recommended to register with the dedicated tool, and print with TrueType font specification <RD> (or Call and Print of Font & Logo <RF>).

13.22 Memory Card

TrueType Font Call (Compatible Commands)

ESC+BJT

Hexadecimal code	ESC <1B> ₁₆	BJT <42> ₁₆ <4A> ₁₆ <54> ₁₆	Parameter ,aa,bb,cc,dd,ee,ffff,n~n
Initial value	Nil		

Valid range and term of command	When the power switch is OFF	The set parameter is not maintained.
	Valid range within item	The parameter preset will be invalid.
	Valid range between items	The parameter preset will be invalid.

[Function]

Specifying to invoke TrueType font.

[Format]

<BJT>,aa,bb,cc,dd,ee,ffff,n~n

•Parameter

a[Font ID] : 00 to 99
b[Horizontal magnification] : 01 to 12
c[Vertical magnification] : 01 to 12
d[Character pitch] : 01 to 99
e[Backup] : 00 Fixed
f[No. of print character] : 0000 to 9999
n[Data]

[Coding Example]

<A>
<V>100<H>200<CC>1
<BJT>,01.02.02.01.00.0004SATO
<Q>
<Z>

[Note]

Specify slot No. registered with Slot Card for Use <CC> prior to this command by all means.

[Important]

1. Do not turn the product power off when accessing to the memory. When the product power is off while memory accessing, the data in the accessed media may be corrupted.
2. This command is compatible commands for the previous model. It is recommended to register with the dedicated tool, and print with TrueType font specification <RD> (or Call and Print of Font & Logo <RF>).

14 Calendar Commands

14.1 Calendar			
Calendar Setting			ESC+WT
Hexadecimal code	ESC <1B> ₁₆	WT <57> ₁₆ <54> ₁₆	Parameter aabbccdee
Initial value	Nil		
Valid range and term of command	When the power switch is OFF		The set parameter is maintained.
	Valid range within item		The set parameter is in effect until a new specification is made.
	Valid range between items		The set parameter is in effect until a new specification is made.

[Function]

Setting the calendar.

[Format]

<WT>aabbccdee

•Parameter

a[Year] = 00 to 99
 b[Month] = 01 to 12
 c[Date] = 01 to 31
 d[Hour] = 00 to 23
 e[Minute] = 00 to 59

[Coding Example] 2020, January 1, 13:13

<A>

<WT>2001011313

<Z>

[Notes]

1. Calendar IC is necessary for this command. This command cannot be used without a calendar IC.
2. When 00 to 80 is specified as the parameter a, 20 is applied to the upper 2 digits and the year is 20aa. When 81 to 99 is specified as the parameter a, 19 is applied to the upper 2 digits and the year is 19aa.

14.2 Calendar

Calendar Addition

ESC+WP

Hexadecimal code	ESC <1B> ₁₆	WP <57> ₁₆ <50> ₁₆	Parameter abbb
Initial value	Nil		

Valid range and term of command	When the power switch is OFF	The set parameter is not maintained.
	Valid range within item	The set parameter is in effect until a new specification is made.
	Valid range between items	The parameter preset will be invalid.

[Function]

Specifying the addition of the calendar.

[Format]

<WP>abbb

•Parameter

a[Specification of date and time] = Y : Year
M : Month
D : Date
h : Hour
W : Week No.

b[Specification of additional value for date and time] = Valid range for Y : 000 to 009
Valid range for M : 000 to 099
Valid range for D : 000 to 999
Valid range for h : 000 to 999
Valid range for W : 000 to 099
0 before the additional value can be omitted.

[Coding Example] Specifying and printing out the date that is three months from today.

```
<A>
<WP>M03
<V>100<H>200
<OB><WA>DD/MM/YY
<Q>2
<Z>
```

[Notes]

1. This command requires optional calendar IC. Note that the command cannot be used without the calendar IC.
2. This command can add certain period of time to the specified date of year, month, date, and time. As shown in the above [Coding Example], three months from today can be set.
3. The last <WP> become valid when there are multiple <WP> in 1 item.

14.3 Calendar

Calendar Print		ESC+WA	
Hexadecimal code	ESC <1B> ₁₆	WA <57> ₁₆ <41> ₁₆	Parameter a
Initial value	Nil		

Valid range and term of command	When the power switch is OFF	The set parameter is not maintained.
	Valid range within item	The parameter preset will be invalid.
	Valid range between items	The parameter preset will be invalid.

[Function]

Specify calendar print.

[Format]

<WA>parameter

•Parameter

a[Print contents]	=	YYYY(Year)	Valid range	:	1981-2080
		YY(Year)	Valid range	:	00-99
		Y(Year)	Valid range	:	0-9
		MMM(Abbreviation of month)	Valid range	:	Jan-Dec
		MM(Month)	Valid range	:	01-12
		M(Month)	Valid range	:	A-Z, a-z
		DDDDDDDD(Day)	Valid range	:	Sunday-Saturday
		DDD(Abbreviation of day)	Valid range	:	Sun-Sat
		DD(Date)	Valid range	:	01-31
		D(One character day code)	Valid range	:	0-9, A-Z, a-z
		HH(Hour)	Valid range	:	00-11
		GG(Hour)	Valid range	:	01-12
		hh(Hour)	Valid range	:	00-23
		mm(Minute)	Valid range	:	00-59
		ss(Second)	Valid range	:	00-59
		TT(Morning/Afternoon)	Valid range	:	AM/PM
		JJJ(Julian Date)	Valid range	:	001-366
		WW(Week)	Valid range	:	00-52
		ww(Week)	Valid range	:	01-53
		QQ(Hours/Minutes)	Valid range	:	01-96 (1=15 minutes: 96=24 hours)
		C(Shift code)	Valid range	:	1-3

[Coding Example] Print the date of 3 months later from the current date

```

<A>
<WP>M03
<V>100<H>200
<OB><WA>DD/MM/YYYY
<V>200<H>200
<OB><WA>hh:mm:ss TT
<V>300<H>200
<OB><WA>YY JJJ WW ww
<Q>2
<Z>

```

[Notes]

- Calendar IC is necessary for this command. This command cannot be used without a calendar IC.
- The printing is in real time when more than 2 QTY is specified.
- Up to 6 calendar print commands can be specified in 1 form.
- The maximum calendar print data is 16 characters.
- WW (Week) of the parameter a is when the starting week is counted as 0, and ww (Week) is when the starting week is counted as 1. (Refer to the WW/ww command week examples below)
- Specify the font type for calendar printing of the font command (refer to the available command below) before this command.
- Do not use font type command <OA> and <OB> when printing MMM, M, DDDDDDDDD, DDD, and D of the parameter a. The lower case of the alphabet is not available with those fonts.

WW/ww command week examples

Example 1) January 2008, the year that January 1st is Monday, Tuesday, Wednesday or Thursday

Mon	Tue	Wed	Thu	Fri	Sat	Sun	WW	ww
31	1	2	3	4	5	6	0th week	1st week
7	8	9	10	11	12	13	1st week	2nd week
14	15	16	17	18	19	20	2nd week	3rd week
21	22	23	24	25	26	27	3rd week	4th week
28	29	30	31	1	2	3	4th week	5th week

- When it is December 31st, 2007, 0th week is printed for WW (Week). (1st week is printed for ww (Week))
- When it is January 25th, 2008, 3rd week is printed for WW (Week). (4th week is printed for ww (Week))
- When it is January 28th, 2008, 4th week is printed for WW (Week). (5th week is printed for ww (Week))
- When it is February 3rd, 2008, 4th week is printed for WW (Week). (5th week is printed for ww (Week))

Example 2) January 2010, the year that January 1st is Friday, Saturday, and Sunday

Mon	Tue	Wed	Thu	Fri	Sat	Sun	WW	ww
28	29	30	31	1	2	3	52nd week	53rd week
4	5	6	7	8	9	10	0th week	1st week
11	12	13	14	15	16	17	1st week	2nd week
18	19	20	21	22	23	24	2nd week	3rd week
25	26	27	28	29	30	31	3rd week	4th week

- When it is January 1st, 2010, 25th week is printed for WW (Week). (53rd week is printed for ww (Week))
- When it is January 4th, 2010, 0th week is printed for WW (Week). (1st week is printed for ww (Week))

* The year, which January 1st is Friday, Saturday, or Sunday, the second week of January is 0th week (1st week for ww (Week))

The table below is the time when [QQ(Time)] parameter is set.

00:00 - 00:14	01	06:00 - 06:14	25	12:00 - 12:14	49	18:00 - 18:14	73
00:15 - 00:29	02	06:15 - 06:29	26	12:15 - 12:29	50	18:15 - 18:29	74
00:30 - 00:44	03	06:30 - 06:44	27	12:30 - 14:44	51	18:30 - 18:44	75
00:45 - 00:59	04	06:45 - 06:59	28	12:45 - 12:59	52	18:45 - 18:59	76
01:00 - 01:14	05	07:00 - 07:14	29	13:00 - 13:14	53	19:00 - 19:14	77
01:15 - 01:29	06	07:15 - 07:29	30	13:15 - 13:29	54	19:15 - 19:29	78
01:30 - 01:44	07	07:30 - 07:44	31	13:30 - 13:44	55	19:30 - 19:44	79
01:45 - 01:59	08	07:45 - 07:59	32	13:45 - 13:59	56	19:45 - 19:59	80
02:00 - 02:14	09	08:00 - 08:14	33	14:00 - 14:14	57	20:00 - 20:14	81
02:15 - 02:29	10	08:15 - 08:29	34	14:15 - 14:29	58	20:15 - 20:29	82
02:30 - 02:44	11	08:30 - 08:44	35	14:30 - 14:44	59	20:30 - 20:44	83
02:45 - 02:59	12	08:45 - 08:59	36	14:45 - 14:59	60	20:45 - 20:59	84
03:00 - 03:14	13	09:00 - 09:14	37	15:00 - 15:14	61	21:00 - 21:14	85
03:15 - 03:29	14	09:15 - 09:29	38	15:15 - 15:29	62	21:15 - 21:29	86
03:30 - 03:44	15	09:30 - 09:44	39	15:30 - 15:44	63	21:30 - 21:44	87
03:45 - 03:59	16	09:45 - 09:59	40	15:45 - 15:59	64	21:45 - 21:59	88
04:00 - 04:14	17	10:00 - 10:14	41	16:00 - 16:14	65	22:00 - 22:14	89
04:15 - 04:29	18	10:15 - 10:29	42	16:15 - 16:29	66	22:15 - 22:29	90
04:30 - 04:44	19	10:30 - 10:44	43	16:30 - 16:44	67	22:30 - 22:44	91
04:45 - 04:59	20	10:45 - 10:59	44	16:45 - 16:59	68	22:45 - 22:59	92
05:00 - 05:14	21	11:00 - 11:14	45	17:00 - 17:14	69	23:00 - 23:14	93
05:15 - 05:29	22	11:15 - 11:29	46	17:15 - 17:29	70	23:15 - 23:29	94
05:30 - 05:44	23	11:30 - 11:44	47	17:30 - 17:44	71	23:30 - 23:44	95
05:45 - 05:59	24	11:45 - 11:59	48	17:45 - 17:59	72	23:45 - 23:59	96

[Valid Commands]

Print position	<V>	<H>							
Modification	<L>	<%>							
Font	<XU>	<XS>	<XM>	<XB>	<XL>	<OA>	<OB>	<\$=>	
	<U>	<S>	<M>	<WB>	<WL>	<\$=>			

14.4 Calendar

Extended Calendar Print

ESC+WU

Hexadecimal code	ESC <1B> ₁₆	WU <57> ₁₆ <55> ₁₆	Parameter a
Initial value	Nil		

Valid range and term of command	When the power switch is OFF	The set parameter is not maintained.
	Valid range within item	The parameter preset will be invalid.
	Valid range between items	The parameter preset will be invalid.

[Function]

Specify calendar print.

[Format]

<WU>a

•Parameter

a[Print contents]	=	YYYY(Year)	Valid range	:	1981-2080
		YY(year)	Valid range	:	00-91
		Y(year)	Valid range	:	0-9
		MMM(Abbreviation of month)	Valid range	:	Jan-Dec
		MM(Month)	Valid range	:	01-12
		M(Month)	Valid range	:	A-Z, a-z
		DDDDDDDD(Day)	Valid range	:	Sunday-Saturday
		DDD(Abbreviation of day)	Valid range	:	Sun-Sat
		DD(Date)	Valid range	:	01-31
		D(one character day code)	Valid range	:	0-9, A-Z, a-z
		HH(Hour)	Valid range	:	00-11
		GG(Hour)	Valid range	:	01-12
		hh(Hour)	Valid range	:	00-23
		mm(Minute)	Valid range	:	00-59
		ss(Second)	Valid range	:	00-59
		TT(Morning/Afternoon)	Valid range	:	AM/PM
		JJJ(Julian Date)	Valid range	:	001-366
		WW(Week)	Valid range	:	00-52
		ww(Week)	Valid range	:	01-53
		QQ(Time)	Valid range	:	01-96 (1=15 minutes: 96=24 hours)
		C(Shift code)	Valid range	:	1-3
		Control code		:	>Z...>Z

[Coding Example 1] Print the date of 3 months later from the current date

```
<A>
<WP>M03
<V>100<H>200
<OB><WU>>ZDD/MM/YY hh:mm>Z
<Q>2
<Z>
```

[Coding Example 2] Print "DATE" and the current date

```
<A>
<V>100<H>200
<OB><WU>DATE:>ZDD/MM/YY hh:mm>Z
<Q>2
<Z>
```

[Notes]

1. Calendar IC is necessary for this command. This command cannot be used without a calendar IC.
2. The printing is in real time when more than 2 QTY is specified.
3. Up to 6 calendar print commands can be specified in 1 form.
4. The maximum calendar print data is 16 characters.
5. WW (Week) of the parameter a is when the starting week is counted as 0, and ww (Week) is when the starting week is counted as 1.
(Refer to the WW/ww command week examples for calendar print <WA>below)
6. Specify the font type for calendar printing of the font command (refer to the available command below) before this command.
7. Do not use font type command <OA> and <OB> when printing MMM, M, DDDDDDDDD, DDD, and D of the parameter a.
The lower case of the alphabet is not available with those fonts.
8. Use the control command >Z in a pair at before and after the parameter. When it is not used in a pair, it will be recognized as text.
9. When there is return or line feed (<0D>₁₆, <0A>₁₆) in between >Z...>Z, it is not recognized as a pair.
10. When printing >Z, place >JZ instead of >Z.
11. When calendar is used as a parameter for barcode, according to the specifications of barcode. For example, it is not possible to specify other than numeric data with GS1-128(UCC/EAN128), therefore MMM cannot be specified as the parameter a.
12. Refer to calendar print<WA> for QQ(Time) of the parameter a.

[Valid Commands]

Print position	<V>	<H>								
Modification	<L>	<%>								
Font	<XU>	<XS>	<XM>	<XB>	<XL>	<OA>	<OB>	<\$=>		
	<U>	<S>	<M>	<WB>	<WL>					
Barcode		<BC>	<BG>	<BI>	<D>	<D><d>	<BD>	<BT>	<BW>	
	<BP>	<BF>	<BS>	<BL>	<BL><d>	<BM>	<\$=>			
2D code	<2D50>	<2D51>								

14.5 Calendar

Calendar Case Format		ESC+VV	
Hexadecimal code	ESC <1B> ₁₆	VV <57> ₁₆ <56> ₁₆	Parameter a
Initial value	Nil		

Valid range and term of command	When the power switch is OFF	The set parameter is maintained.
	Valid range within item	The set parameter is in effect until a new specification is made
	Valid range between items	The set parameter is in effect until a new specification is made

[Function]

Specify the alphabet case of calendar "MMM" and "Mmm".

[Format]

<VV>a

•Parameter

a[Case format] = 0 'MMM';'DDD';'DDDDDDDD': Upper case and lower case mixed format (e.g. Jan, Mon, Monday...)
 1 'MMM';'DDD';'DDDDDDDD': Upper case format (e.g. JAN, MON, MONDAY)

[Coding Example]

<A>
 <VV>1
 <Z>

[Notes]

The list below is indicating display for the data format code 'MMM', 'DDD', and 'DDDDDDDD'.

<u>Month</u>	Format code 'MMM'	
	<u>Case format = 0</u>	<u>Case format = 1</u>
January	Jan	JAN
February	Feb	FEB
March	Mar	MAR
April	Apr	APR
May	May	MAY
June	Jun	JUN
July	Jul	JUL
August	Aug	AUG
September	Sep	SEP
October	Oct	OCT
November	Nov	NOV
December	Dec	DEC

<u>Day</u>	Format code 'DDD'	
	<u>Case format = 0</u>	<u>Case format = 1</u>
Sunday	Sun	SUN
Monday	Mon	MON
Tuesday	Tue	TUE
Wednesday	Wed	WED
Thursday	Thu	THU
Friday	Fri	FRI
Saturday	Sat	SAT

<u>Day</u>	Format code 'DDDDDDDD'	
	<u>Case format = 0</u>	<u>Case format = 1</u>
Sunday	Sunday	SUNDAY
Monday	Monday	MONDAY
Tuesday	Tuesday	TUESDAY
Wednesday	Wednesday	WEDNESDAY
Thursday	Thursday	THURSDAY
Friday	Friday	FRIDAY
Saturday	Saturday	SATURDAY

14.6 Calendar

Calendar M(Month) and D(Day)

ESC+CV

Hexadecimal code	ESC <1B> ₁₆	CV <43> ₁₆ <56> ₁₆	Parameter a,b,c,d,e,f,g,h,i,j,k,l,m
Initial value	Nil		

Valid range and term of command	When the power switch is OFF	The set parameter is maintained.
	Valid range within item	The set parameter is in effect until a new specification is made
	Valid range between items	The set parameter is in effect until a new specification is made

[Function]

Specify the month code or day code in 1 character.

[Format]

<CV>,a,b,c,d,e,f,g,h,i,j,k,l,m

•Parameter

a[Set Month or Day code]	=	Valid range: M or D
b[Month code for January/Day code for Sunday]	=	Valid range: Month: A-A, a-z(Default:A), Day: 0-9, A-Z, a-z(Default:1)
c[Month code for February/Day code for Monday]	=	Valid range: Month: A-A, a-z(Default:B), Day: 0-9, A-Z, a-z(Default:2)
d[Month code for March/Day code for Tuesday]	=	Valid range: Month: A-A, a-z(Default:C), Day: 0-9, A-Z, a-z(Default:3)
e[Month code for April/Day code for Wednesday]	=	Valid range: Month: A-A, a-z(Default:D), Day: 0-9, A-Z, a-z(Default:4)
f[Month code for May/Day code for Thursday]	=	Valid range: Month: A-A, a-z(Default:E), Day: 0-9, A-Z, a-z(Default:5)
g[Month code for June/Day code for Friday]	=	Valid range: Month: A-A, a-z(Default:F), Day: 0-9, A-Z, a-z(Default:6)
h[Month code for July/Day code for Saturday]	=	Valid range: Month: A-A, a-z(Default:G), Day: 0-9, A-Z, a-z(Default:7)
i[Month code for August]	=	Valid range: Month: A-Z, a-z(Default:H)
j[Month code for September]	=	Valid range: Month: A-Z, a-z(Default:J)
k[Month code for October]	=	Valid range: Month: A-Z, a-z(Default:K)
l[Month code for November]	=	Valid range: Month: A-Z, a-z(Default:L)
m[Month code for December]	=	Valid range: Month: A-Z, a-z(Default:M)

[Coding Example]

<A>
<CV>,D,S,M,T,W,R,F,Z
<Z>

[Notes]

- The default is used when the month code is omitted.
e.g. The month code is set as X, B, C, D, E, F, G, H, J, K, L, Y with <CV>,M,X,,,,,,,,,Y
- The default is used when the day code is omitted.
e.g. The day code is set as X, 2, 3, 4, 5, 6, Y with <CV>,D,X,,,,,Y
- The default is used when invalid month code is specified.
e.g. The month code is set as M, N, O, P, E, R, S, T, U, V, W, X with <CV>,M,M,N,O,P,#,R,S,T,U,V,W,X
- The default is used when invalid day code is specified.
e.g. The day code is set as A, B, C, 4, E, G with <CV>,D,A,B,C,#,E,F,G

15 Intelligent Commands

15.1 Intelligent Command

Media Feed Control			ESC+IK
Hexadecimal code	ESC <1B> ₁₆	IK <49> ₁₆ <4B> ₁₆	Parameter a,(bbbb)
Initial value	Nil		
Valid range and term of command	When the power switch is OFF	The set parameter is not maintained.	
	Valid range within item	The parameter preset will be invalid.	
	Valid range between items	The parameter preset will be invalid.	

[Function]

Feed or backfeed the media for the specified length.

[Format]

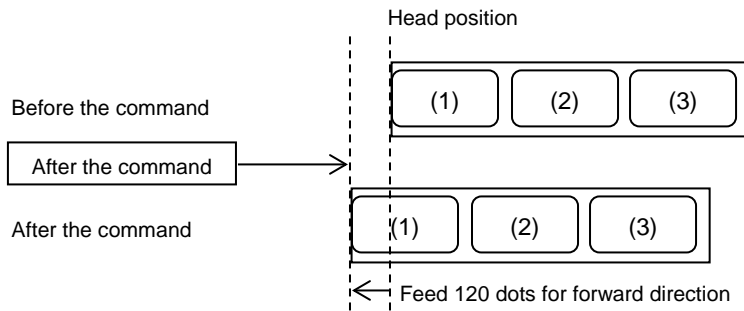
<IK>a,(bbbb)

•Parameter

a[Feed direction] = 0 : Forward direction
 = 1 : Backward direction
 b[Feed length] = Valid range: Refer to the table on the next page (Omissible for forward direction)
 One label will be fed when this parameter is omitted.

[Coding Example 1]

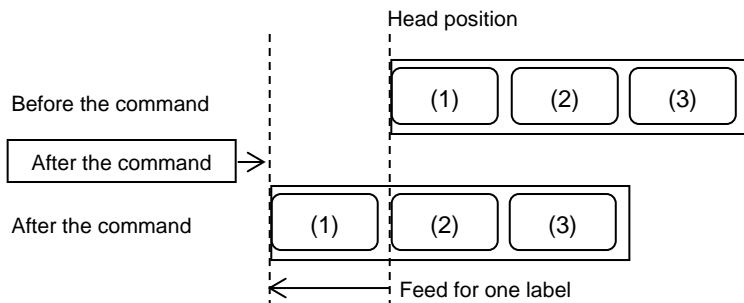
<A>
<IK>0,120
 <Z>



The printing starts from the current position when print data are received without returning to the original position with <IK>1,120.

[Coding Example 2] Feed for one label

<A>
<IK>0
 <Z>



[Notes]

1. Use this command in between Start of Data Transmission <A> and End of Data Transmission <Z>. This command is disabled when this is specified in the item with print data.
2. Do not specify too long feed distance for backward direction. When too long distance is specified in the backward direction, printing may be overlapped or the media fell off from the platen roller and the paper end error may be falsely detected.
3. Do not specify the feed length of the backward position for more than 30 mm when the print method is thermal transfer. The command error occurs due to the possibility of ribbon end false detection. Furthermore, do not specify the media feed command for the backward direction continuously.
4. Do not specify the media feed command for backward direction just after dispensed label in dispense mode.
5. The feeding speed is fixed for 4 inches/sec when media feed length is specified.
6. The operation of the product when the feeding length is omitted for forward direction is the same as the media feed when FEED button is pressed while the product is offline.
7. The media feeding by this command is done when the product is online.
8. Control of feeding is not available by the external signal.
9. The command error occurs when the feeding length is omitted with backward direction.
10. The media feed by <IK>0 (feeding length is omitted) cannot be done when the sensor is ignored in the continuous printing mode.
11. The command error occurs when the feeding length is out of range.
12. Note that the printing may be overlapped according to the feed length of backward direction.
13. The accuracy may vary depending on the product, used media and environment. Adjust the feeding length when using.

[Valid range (For forward direction)]

[S84-ex]

Head density	Valid range (dots)
8 dots/mm (203 dpi)	48 - 1600
12 dots/mm (305 dpi)	72 - 2400
24 dots/mm (609 dpi)	144 - 4800

[S86-ex]

Head density	Valid range (dots)
8 dots/mm (203 dpi)	48 - 1600
12 dots/mm (305 dpi)	72 - 2400

[Valid range (For backward direction)]

[S84-ex]

Head density	Valid range (dots)
8 dots/mm (203 dpi)	48 - 240
12 dots/mm (305 dpi)	72 - 360
24 dots/mm (609 dpi)	144 - 720

[S86-ex]

Head density	Valid range (dots)
8 dots/mm (203 dpi)	48 - 240
12 dots/mm (305 dpi)	72 - 360

15.2 Intelligent Command

Displayed Messages		ESC+IM	
Hexadecimal code	ESC <1B> ₁₆	IM <49> ₁₆ <4D> ₁₆	Parameter a,(bbb···b)
Initial value	Nil		
Valid range and term of command	When the power switch is OFF	The set parameter is not maintained.	
	Valid range within item	The set parameter is in effect until a new specification is made.	
	Valid range between items	The set parameter is in effect until a new specification is made.	

[Function]

Specify the messages to be shown while the product is online, normal mode.
The maximum 16 digits alphanumeric and symbols can be specified.

[Format]

<IM>a,(bbb···b)

•Parameter

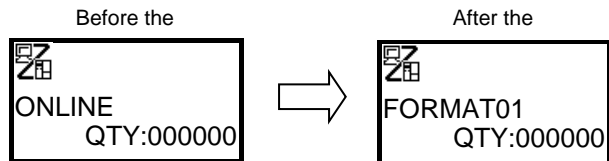
a[Switching of display/no display] = 0 : No display
 1 : Display on the upper row
 2 : Display on the lower row
 b[Displayed message] = Displayed range : Alphanumeric and symbols (20H-7EH of ASCII) 16 digits
 This parameter can be omitted for no display.

[Coding Example 1] Change the display of the upper row

```
<A>
<IM>1,FORMAT01

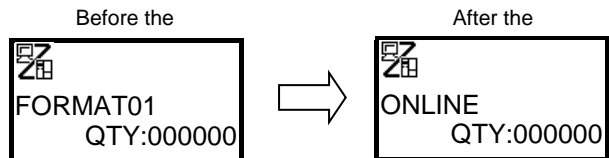
Print Data

<Q>100
<Z>
```



[Coding Example 2] Return back the shown message

```
<A>
<IM>0
<Z>
```



[Notes]

1. The shown message is returned back to the normal display after the product power off.
2. When a specified message is exceeded the maximum digit, the message within the valid digit is shown.
3. The message is left aligned and when the message is less than the maximum display digit (16 digits), space (20H) is filled.
4. The message will not be changed when the shown data are omitted.
5. The specified message is shown only in the normal mode, online state. It is not shown in the offline state and error state.
6. Invalid code in the shown data will be replaced with space (20H) and shown.
7. The product will process it as the control code when control codes (00H-1FH) are included in the display data. Do not specify any control code in the display data to prevent the product false operation.
8. The printing quantity display during the printing is not shown when message display is specified in the lower row.

15.3 Intelligent Command

Internal Buffer Registration		ESC+IF	
Hexadecimal code	ESC <1B> ₁₆	IF <49> ₁₆ <46> ₁₆	Parameter aa,bb,cc(,ddd···d)
Initial value	Nil		

Valid range and term of command	When the power switch is OFF	The set parameter is not maintained.
	Valid range within item	The set parameter is in effect until a new specification is made.
	Valid range between items	The set parameter is in effect until a new specification is made.

[Function]

Store the specified data in the internal buffer.

It is possible to store up to 32 digits for 16 blocks in the internal buffer (RAM).

The stored data can be recalled by the data acquisition command <IB> and use them as the print data.

[Format]

<IF>aa,bb,cc(,ddd···d)

•Parameter

- a[Internal buffer number] = Valid range : 1 ~ 16
- b[Input digit] = Valid range : 1 ~ 32
- c[Data] = For the digit specified by the parameter b (any code can be specified)
- d[Data item name] = Valid range : Only alphanumeric and symbols 16 digits (omissible)

[Coding Example]

```
<A>
<IF>1,2,49,DATA1
<IF>2,6,123456,DATA2
<IF>3,4,1234,DATA3
<IF>6,4,0010,QTY
<Z>
```

Internal buffer			
No	Item name	Number of digits	Data contents
01	DATA1	2	49
02	DATA2	6	123456
03	DATA3	4	1234
04		0	
05		0	
06	QTY	4	0010
07		0	
08		0	
09		0	
10		0	
11		0	
12		0	
13		0	
14		0	
15		0	
16		0	

[Notes]

- The stored data is cleared when the product power is off.
- The item name will not be changed when [Data item name] parameter is omitted.
- Only for the available digit of the data from the start will be stored when the specified number of data exceeded the input digit.
Note that the data exceeded the available digit are not maintained.
e.g.) <IF>1,5,12345678 -> only 5-digit data "12345" is stored
- When the data are less than the input digit, following parameter or command sequence become the buffer input data and it will not operate normally.
e.g.) <IF>1,5,456,DATA1 -> 5-digit data "456,D" is stored and nothing will be stored for the item name.
- When specified already stored internal buffer number, the stored data is overwritten and stored in the buffer.

15.4 Intelligent Command

Internal Buffer Recall		ESC+IB	
Hexadecimal code	ESC <1B> ₁₆	IB <49> ₁₆ <42> ₁₆	Parameter aa(,aa,aa···)
Initial value	Nil		
Valid range and term of command	When the power switch is OFF	The set parameter is not maintained.	
	Valid range within item	The parameter preset will be invalid.	
	Valid range between items	The parameter preset will be invalid.	

[Function]

Recall the data stored in the internal buffer to be used as character strings or print data for the barcode.

[Format]

<IB>aa(,aa,aa···)

•Parameter

a[Internal buffer number] = Valid range : 1 ~ 16

It is possible to combine multiple data by delimiting with comma and specifying them.

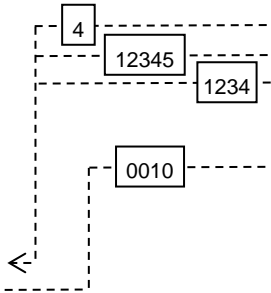
[Coding Example] Print JAN13 by using the internal buffer data

Original data

```
<A>
<V>100<H>100
<IB>1,2,3
<BD>304120
<IB>6
<Q>
<Z>
```

Data after processing

```
<A>
<V>100<H>100
<BD>304120491234561234
<Q>0010
<Z>
```



Internal buffer			
No	Item name	Number of digits	Data contents
01	DATA1	2	49
02	DATA2	6	123456
03	DATA3	4	1234
04		0	
05		0	
06	QTY	4	0010
07		0	
08		0	
09		0	
10		0	
11		0	
12		0	
13		0	
14		0	
15		0	
16		0	

The registered data 1, 2, and 3 are combined and used as the barcode data in the above example.

[Notes]

1. The stored data is cleared when the product power is off.
2. Refer to the table on the next page for the command that can be replaced for the print data and parameters.
3. Specify the internal buffer recall command <IB> before the command replaced for the data.
4. The internal buffer recall command <IB> is valid only if the data and parameter of the command to be replaced are not specified. The replacement of data by the internal buffer data recall command <IB> will not be done when parameter is specified for the command to be replaced.
5. The maximum 1024 bytes of the internal buffer data for one time can be recalled.
6. It is possible to specify the same internal buffer number repeatedly in the command.

Table of command that can be specified as parameter

Classification	Command	Command name	The parameter can be replaced (underlined part)
Font	<XU>	XU font	<XU> <u>n~n</u>
	<XS>	XS font	<XS> <u>n~n</u>
	<XM>	XM font	<XM> <u>n~n</u>
	<XB>	XB font	<XB> <u>1n~n</u> * Smoothing is fixed to valid
	<XL>	XL font	<XL> <u>1n~n</u> * Smoothing is fixed to valid
	<OA>	OCR-A font	<OA> <u>n~n</u>
	<OB>	OCR-B font	<OB> <u>n~n</u>
Barcode	<\$=>	Outline font print	<\$=> <u>n~n</u>
	<RD>	CG font	<RD>abb,ccc,ddd, <u>n~n</u>
		Barcode (Ratio 1:3)	abbccc <u>n~n</u>
	<D>	Barcode (Ratio 1:2)	<D>abbccc <u>n~n</u>
	<D><d>	Barcode (HRI selection)	<D>abbccc <u>n~n</u> <D> <u>n~n</u>
	<BD>	Barcode (Ratio 2:5)	<BD>abbccc <u>n~n</u>
	<BW>	Barcode print by ratio registration	<BW>aabb <u>n~n</u>
	<BI>	Exclusive for standard carton ID GS1-128(UCC/EAN128)	<BI>aabb <u>cn~n</u>
	<BC>	CODE93	<BC>aabb <u>ccn~n</u>
	<BG>	CODE128	<BG>aabb <u>bn~n</u>
	<BF>	BOOKLAND	<BF>aabb <u>n~n</u>
	<BP>	POSTNET	<BP> <u>n~n</u>
	<BL>	UPC-A barcode (without HRI)	<BL>abbccc <u>n~n</u>
<BL><d>	UPC-A barcode (HRI)	<BL>abbccc <u>n~n</u> <d> <u>n~n</u>	
<BM>	UPC-A barcode (with HRI)	<BM>abbccc <u>n~n</u>	
2D code	<2D10>	PDF417	<DN>aaaa, <u>n~n</u>
	<2D12>	Micro PDF417	<DN> <u>n~n</u> * Only if binary mode is 0=Normal.
	<2D20>	MaxiCode	<DN>aaaa, <u>n~n</u>
	<2D30>	QR code (model 2)	<DS>k, <u>n~n</u> <DN>aaaa, <u>n~n</u>
	<2D31>	QR code (model 1)	<DS>k, <u>n~n</u> <DN>aaaa, <u>n~n</u>
	<2D32>	Micro QR code	<DS>k, <u>n~n</u> <DN>aaaa, <u>n~n</u>
	<2D33>	SQR code	<DS>k, <u>n~n</u> <DN>aaaa, <u>n~n</u>
	<2D50>	Data Matrix (ECC200)	<DN>aaaa, <u>n~n</u>
	<2D51>	GS1 Data Matrix (ECC200)	<DN>aaaa, <u>n~n</u>
	<BQ>	QR code	<BQ>abcc,(ddeeff,)g(hhhh) <u>n~n</u> <BQ>abcc,(ddeeff,) <u>n~n</u>
	<BV>	MaxiCode	<BV>a,b,c,ddddddddd,eee,fff, <u>n~n</u>
	<BK>	PDF417	<BK>aabbccddeeffg~g,h
	<DC>	Data Matrix (ECC200) data	<BX>aabbccddeeffghh <DC> <u>n~n</u>
Control	<Q>	Print quantity	<Q> <u>n~n</u>
Intelligent	<IT>	Data sending form	<IT>aa,bb, <u>n~n</u>

[Important]

There are restrictions with QR code and manual mode mixed as follows:

- It is possible to replace normally when number of mix=1
- When the number of mix is bigger than 1, the print data that is acquired by the internal buffer recall command that is specified before the QR code print command will be specified for replace for the number of mix.
- Recommend to use in auto mode when replacing the print data by internal buffer recall command.

15.5 Intelligent Command

Internal Buffer Data		ESC+IC	
Hexadecimal code	ESC <1B> ₁₆	IC <49> ₁₆ <43> ₁₆	Parameter a,bb,cc
Initial value	Nil		

Valid range and term of command	When the power switch is OFF	The set parameter is not maintained.
	Valid range within item	The parameter preset will be invalid.
	Valid range between items	The parameter preset will be invalid.

[Function]

Compare the stored data in the internal buffer.

The data after this command will be analyzed when the comparison result is the same as the parameter a (Match/Mismatch).

The data after this command until the data end <Z> will be invalid when the comparison result is not the same as the parameter a (Match/Mismatch).

[Format]

<IC>a,bb,cc

•Parameter

a[Comparison result] = Valid range : 0 Match
 : 1 Mismatch
 b[Internal buffer number(original)] = Valid range : 1 ~ 16
 c[Internal buffer number(to be compared)] = Valid range : 1 ~ 16

[Coding Example]

<A>

<IC>0,01,02

<V>100<H>400<L>0404<XM>,OK

<Q>1

<Z>

Comparison

Internal buffer			
No	Item name	Number of digits	Data contents
01	DATA1	5	12345
02	DATA2	5	12345
03	DATA3	8	12345678
04		0	
.	.	.	.
.	.	.	.
.	.	.	.
16		0	

Result)

The below label will be printed when the data are the same.

OK

The label will not be printed when the data is not the same.

[Note]

The command error occurs when the parameter is in invalid range and the comparison of the internal buffer data will not be done.

15.6 Intelligent Command

Internal Buffer Data Print

ESC+I*

Hexadecimal code	ESC <1B> ₁₆	I* <49> ₁₆ <2A> ₁₆	Parameter Nil
Initial value	Nil		

Valid range and term of command	When the power switch is OFF	The set parameter is not maintained.
	Valid range within item	The parameter preset will be invalid.
	Valid range between items	The parameter preset will be invalid.

[Function]

Print the stored data in the internal buffer.

[Format]

<I*>

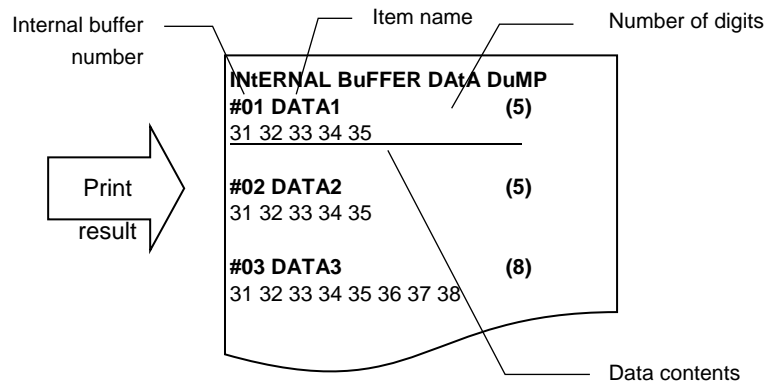
[Coding Example]

<A>

<I*>

<Z>

Internal buffer			
No	Item name	Number of digits	Data contents
01	DATA1	5	12345
02	DATA2	5	12345
03	DATA3	8	12345678
04		0	
.	.	.	.
.	.	.	.
.	.	.	.
16		0	



[Note]

Use this command in between Start of Data Transmission <A> and End of Data Transmission <Z>.

15.7 Intelligent Command

Exclusive Key Start-End		ESC+l#	
Hexadecimal code	ESC <1B> ₁₆	l# <49> ₁₆ <23> ₁₆	Parameter a
Initial value	Nil		

Valid range and term of command	When the power switch is OFF	The set parameter is not maintained.
	Valid range within item	The set parameter is in effect until a new specification is made.
	Valid range between items	The set parameter is in effect until a new specification is made.

[Function]

Disable the normal key input temporarily and user can specify key exclusively.

The key operation information is stored to the key buffer during the exclusive key function.

The information stored in the key buffer can be acquired by the key information acquisition command [SOH+KI].

[Format]

<l#>a

•Parameter

a[Exclusive key start-end switch] = Valid range : 1 Start exclusive key
0 End exclusive key

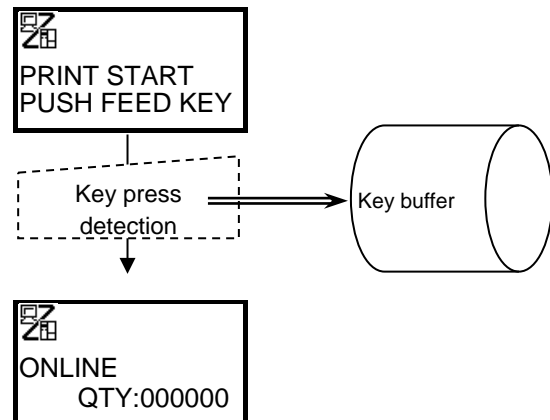
[Coding Example]

```
<A>
<l#>1
<IM>1,PRINT START
<IM>2,PUSH FEED KEY
<Z>
```

(Possible to acquire with the key information acquisition command [SOH+KI])

```
<A>
<l#>0
<IM>0
<Z>
```

(Possible to acquire with the key information acquisition command [SOH+KI])



[Notes]

1. This command is valid only in the online mode.
2. The size of the key buffer is 1KB. The maximum 512 inputs can be maintained because 2 bytes are used with one key information.
3. The key buffer is a ring buffer. When the key input is stored above the maximum item, the oldest information will be overwritten.
4. The key buffer is initialized when start exclusive key with this command.
5. The key buffer is not initialized when end exclusive key with this command. Thus, it is possible to acquire the key information when exclusive key is ended.
6. Label printing and printer error detection are done normally when the exclusive key use has started.
7. The exclusive key use is temporarily release when an error occurs, and back to exclusive key use when the product is in online state after recovering from the error.
8. The default after the product power on is not exclusive use.
9. The key input command <lZ> is disabled when the exclusive key use is on.

10. The specification of key information acquisition command is as follows.

- (1) Command
SOH + KI (01H 4BH 49H)
- (2) Return Status
[STX] + number of key information + key information string + [ETX]

1) Number of key information

Indicate the following number of key information.
Number of key information is equal to the number of key pressing detection.
The information is stored in ASCII, binary and 5 bytes.

0	1	2	3	4
The ten thousands place	The thousands place	The hundreds place	The tens place	The ones place

- Shown in the numeric character from "00000" to "99999."
- The information is notified in 5 digits even the key press detection is less than 5 digits by filling 0 at the beginning.

2) Key information string

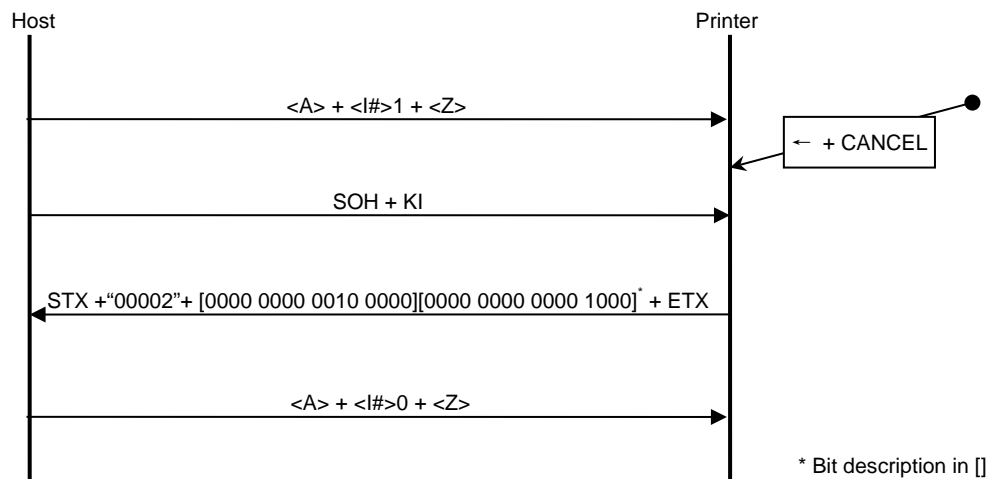
The all key information is notified consecutively.
One key information consists of 2-byte binary value.

NO.	Item	Description	Number of bytes
1	Key information	Key press information Output the ON/OFF status of the key to the bit corresponding to the key. (Refer to the table below for the bit corresponding to the key) 0: Key is released 1: Key is pressed	2

The bit corresponding to the key (2 bytes)

BIT15	BIT14	BIT13	BIT12	BIT11	BIT10	BIT9	BIT8	BIT7	BIT6	BIT5	BIT4	BIT3	BIT2	BIT1	BIT0
0	0	0	0	0	0	0	FUNCTION	↓	↑	←	→	CANCEL	ENTER	LINE	FEED

3) Acquired sequence



2. The key information stored in the key buffer can be cleared by key buffer initialization command.

- (1) Command
SOH + KC (01H 4BH 43H)
- (2) Return Status
[STX] + 0 + [ETX] (02H 30H 03H)
0 is fixed.

15.8 Intelligent Command

Key Input		ESC+IZ	
Hexadecimal code	ESC <1B> ₁₆	IZ <49> ₁₆ <5A> ₁₆	Parameter aa,bb,cc,ddd···d
Initial value	Nil		
Valid range and term of command	When the power switch is OFF	The set parameter is not maintained.	
	Valid range within item	The parameter preset will be invalid.	
	Valid range between items	The parameter preset will be invalid.	

[Function]

Store the data input from the operation panel to the internal buffer.
 Change the data with ↑ ↓ buttons and move the cursor with ← → buttons.
 Fix the input value with the ENTER button and store it in the internal buffer. The display transit in this state.
 It is possible to store input data up to 32 digits for 16 blocks in the internal buffer (RAM).
 The stored data can be recalled by the internal buffer acquisition command <IB> and use them as the print data.

[Format]

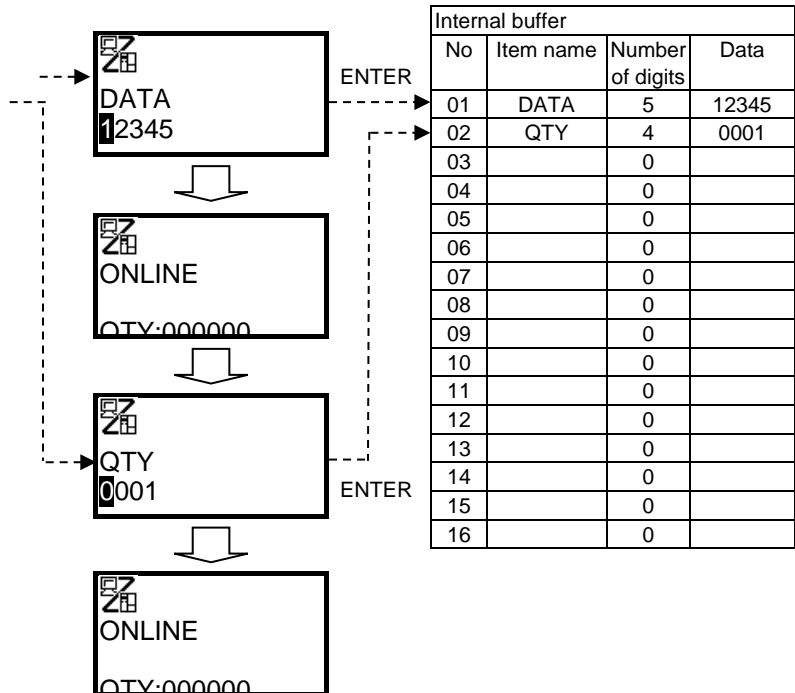
<IZ>aa,bb,cc,ddd···d

•Parameter

a[Internal buffer number] = Valid range : 1 ~ 16
 b[Input digit] = Valid range : 1 ~ 32
 c[Default data] = For number of digits specified by b (Display available range: ASCII 20H-7EH)
 d[Data item name] = Valid range : Only alphanumeric and symbols 16 digits

[Coding Example]

<A>
 <IZ>1,5,12345,DATA
 <IZ>2,4,0001,QTY
 <Z>



[Notes]

- The stored data is cleared when the product power is off.
- The input data is shown up to 16 digits. When the data exceeded 16 digits, display the data with ← → button scrolling.
- The product returns back to the original display after input.
- Data input and message display is only available in the online state. Data input is not available when offline state and error state.
- The message is left aligned and when the message is less than the maximum display digit (16 digits), space<20>₁₆ is filled.
- The moving range by ← → buttons for input cursor depends on the input digit specification.
- Invalid code in the shown data will be replaced with space<20>₁₆ and shown.
- The code can be changed by ↑ ↓ buttons is <20>₁₆~<7E>₁₆ in ASCII.
- It is not possible to change by key input when control code (<00>₁₆~<1F>₁₆ in ASCII) is included in the default data.
 Even the code has been changed by input cursor, the applicable code is discarded when storing to the internal buffer.
- The command error occurs when input digit and the number of default data are not consistent.
- The error will not be occurred even a printer error is detected during input waiting.
- This command is invalid when the keys are used exclusively by <I#>1.

15.9 Intelligent Command

Internal Buffer Registration (Received Data)		ESC+IR	
Hexadecimal code	ESC <1B> ₁₆	IR <49> ₁₆ <52> ₁₆	Parameter aa,bb,(cccc),(d),(eeee),(ffffff),(gggg...g)
Initial value	Nil		

Valid range and term of command	When the power switch is OFF	The set parameter is not maintained.
	Valid range within item	The parameter preset will be invalid.
	Valid range between items	The parameter preset will be invalid.

[Function]

Acquire received data from the sub port.

It is possible to store acquired data up to 32 digits for 16 blocks in the internal buffer (RAM).

The stored data can be recalled by the data acquisition command <IB> and use them as the print data.

[Format]

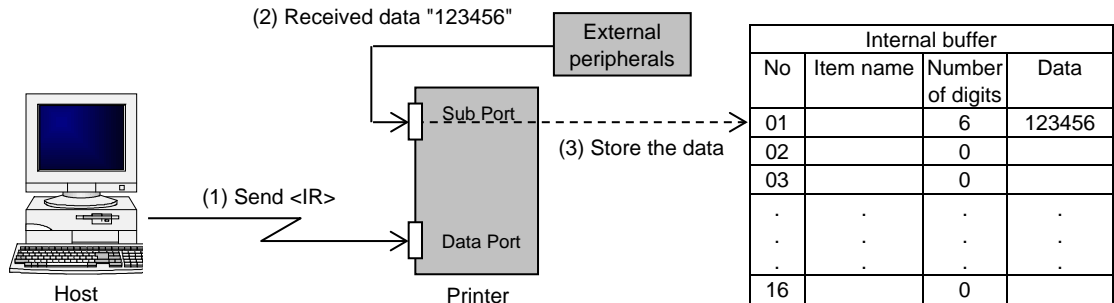
<IR>aa,bb,(cccc),(d),(eeee),(ffffff),(gggg...g)

•Parameter

- a[Internal buffer number] = Valid range : 1 ~ 16
- b[Acquired digit] = Valid range : 1 ~ 32
- c[Received data import start position] = Valid range : 0 ~ 9999 (Omissible)
- d[Digit of terminate code] = Valid range : 1 ~ 4 (Omissible)
- e[Terminate code] = No code range specification, 4 digits (Omissible)
- f[Timeout time] = Valid range : 0 ~ 999999 (1=5 ms) (Omissible)
When this parameter is omitted, the product will not be proceeded to the next command analysis until data for specified digit are received.
- g[Data item name] = Valid range : Only alphanumeric and symbols 16 digits (omissible)

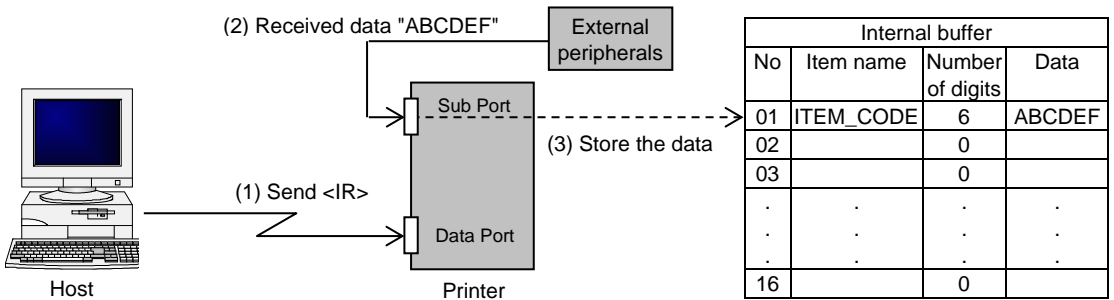
[Coding Example 1] Store the received 6-byte data to the internal buffer
(Start code, terminate code, time out time and data item name are omitted)

<A>
<IR>1,6
<Z>



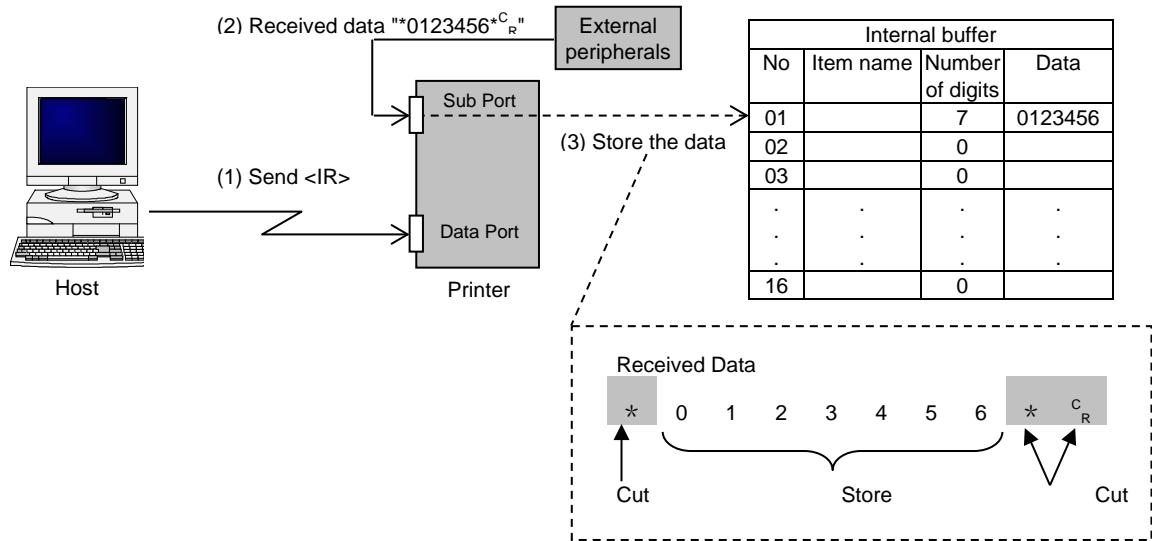
[Coding Example 2] Store the received 6-byte data to the internal buffer
(Start position and terminate code are omitted)

<A>
<IR>1,6,...,1000,ITEM_CODE
<Z>



[Coding Example 3] Store the data by specifying the import start position and terminate code
(Timeout time and data item name are omitted)

<A>
<IR>1,32,1,2,*^C_R
 <Z>



- * Use this method when there are data that you wish to discard at before and after the received data.
- * Either of the import start position and terminate code specification can be omitted. Also, both can be specified at the same time.
- * Specify the maximum 32 digits for the acquired digit when digits to be received are unknown.

[Notes]

1. The stored data is cleared when the product power is off.
2. Do not use this command together with the print data.
3. The data that exceeds the specified digit are not stored in the internal buffer.
4. The allocation of the data port and sub port is according to the setting in the interface mode.
5. Enable the setting of the sub port on the LCD in advance to be able to acquire output data of external peripheral with this command.
6. The data receive waiting status of this command can be released with the following cancel the operation.
 - (1) Send CAN to the data port
 - (2) Print job cancel by LCD menu operation (OFFLINE-> CANCEL-> YES-> ENTER)
7. Note that 00₁₆ is specified as terminate code for the specified digit when terminate code is specified and terminate code itself is omitted.
8. The time out time is the waiting time for 1 byte receive data. Thus, the monitoring time is cleared at every 1 byte receive, and wait for the specified time again for receive. This is repeated for the specified receive digits.
9. When the time to receive is out, store the received byte to the internal buffer and stop the command operation. The digit item in the internal buffer will be the actual received bytes, not the specified digits.
10. When the time to receive is out, the command finishes normally even the data are not enough for the specified receive data.
11. When the command finished due to the receive timeout while receiving terminate code, already received terminate code may be stored in the internal buffer. In this case, set longer timeout time.
12. When received data are less than the specified [acquire digit], the product will wait receiving for the specified [timeout time].
13. When the received data are more than the [acquire digit], the data for the acquire digit are stored in the internal buffer and rest are remained in the receive buffer. These can be stored in the internal buffer by using <IR> again.

15.10 Intelligent Command

Data Sending		ESC+IT	
Hexadecimal code	ESC <1B> ₁₆	IT <49> ₁₆ <54> ₁₆	Parameter a,b[,cccc,ddd···d]
Initial value	Nil		

Valid range and term of command	When the power switch is OFF	The set parameter is not maintained.
	Valid range within item	The parameter preset will be invalid.
	Valid range between items	The parameter preset will be invalid.

[Function]

Send data to the specified port.
The maximum data for sending is 1024 bytes.

[Format]

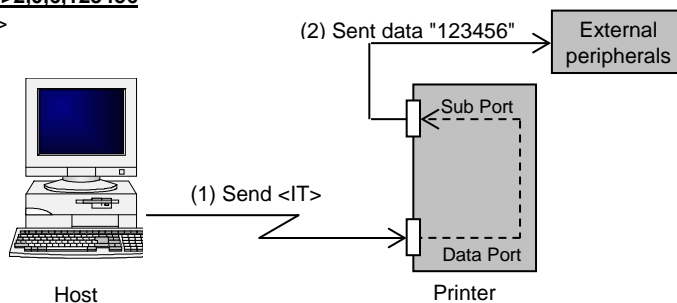
<IT>a,b,cccc,ddd···d

•Parameter

a[Port to be sent] = 1 : Data port
 2 : Sub port
 b[Sending text format] = 0 : No additional code
 1 : Add STX(02H) at the beginning and ETX(03H) at the ending
 2 : Add CRLF(0D0AH) at the ending
 3 : Add CR(0DH) at the ending
 c[Sending digit] = Valid range : 1 ~ 1024
 d[Data to be sent] = Valid range : For the digits specified by c, no limitation for code range

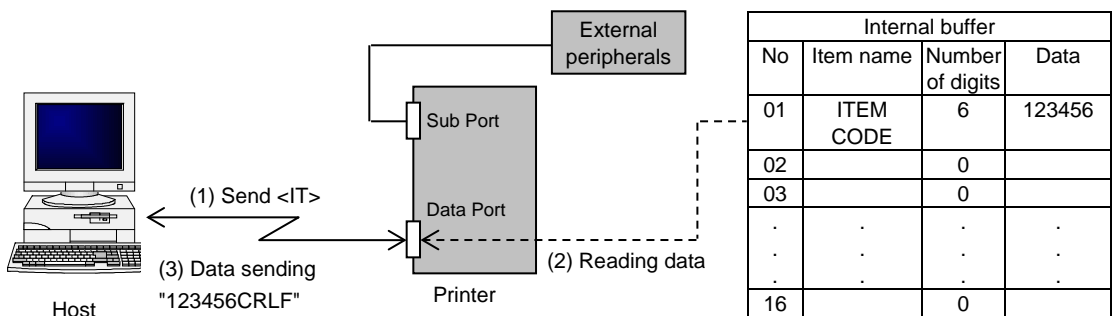
[Coding Example 1] Send data from the host via product to the external peripheral

<A>
<IT>2,0,6,123456
 <Z>



[Coding Example 2] Upload the contents in the internal buffer from the host

<A>
<IB>1
<IT>1,2,6
 <Z>



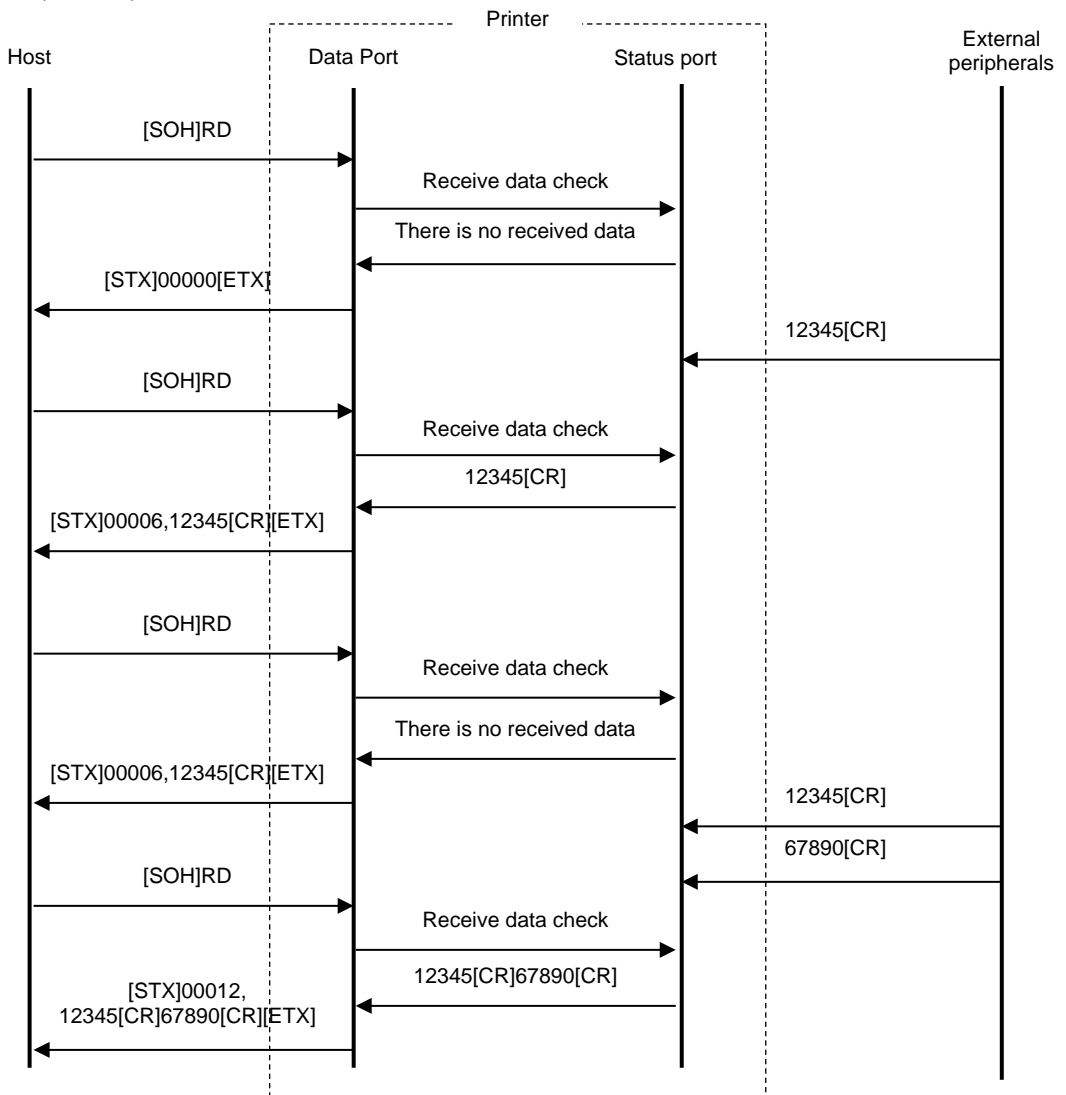
[Notes]

1. Do not use this command together with the print data.
 2. Data sending is valid only if the bidirectional communication is available.
 3. The allocation of the data port and sub port to the interface card 1 or 2 is according to the setting in the interface mode.
 4. Be sure to match the digit of sending and sending data. When the digit is not matched, the following data may not be analyzed correctly.
 5. Data will not be sent to the external peripherals when the cable of sub port is not connected.
 6. There is a similar command called "Receive data acquisition request."
- The product returns the data received from the status port to the data port by receiving this command.

- (1) Command
SOH(01H) + RD
- (2) Return Status
[STX] + number of receive bytes + receive data + [ETX]
- (3) Return status list

NO.	Item	Description	Number of bytes
1	Number of receive bytes	Number of receive data (0-10240)	5
2	Received Data	Data received from the status port	For number of receive bytes

- (4) Acquired sequence



15.11 Intelligent Command

External Signal Input/Output		ESC+IO	
Hexadecimal code	ESC <1B> ₁₆	IO <49> ₁₆ <4F> ₁₆	Parameter a,b,c[,dddddd]
Initial value	Nil		
Valid range and term of command	When the power switch is OFF	The set parameter is not maintained.	
	Valid range within item	The parameter preset will be invalid.	
	Valid range between items	The parameter preset will be invalid.	

[Function]

Specify input/output of the designated pin number of the external signal.

[Format]

<IO>a,b,c[,dddddd]

•Parameter

a[Input or output] = 0 : Input
 1 : Output
 b[Pin number] = Valid range : 1 ~ 25
 c[Input/Output level] = 0 : Low
 1 : High

d[Timeout for input] = Valid range : 0 ~ 999999 (1=5 ms) (Omissible)

* When it is [Input], this parameter is the input timeout time.

When this parameter is omitted, the product does not proceed to the next command analysis until the next input from the designated port.

[Output time] = Valid range : 0 ~ 999999 (1=5 ms) (Omissible)

* When it is [Output], this parameter is the output time.

The signal level will be returned to the status before this command after the specified time has been passed when this parameter is specified.

The signal will be output continuously at the specified level when this parameter is omitted.

[Coding Example 1] Wait until HIGH level is input from the EXT20 pin (with 5 seconds timeout)

```
<A>
<IO>0,20,1,1000
<Z>
```

[Coding Example 2] Output LOW level for 5 seconds to the EXT17 pin (before this command the signal is HIGH level)

```
<A>
<IO>1,17,0,1000
<Z>
```

[Notes]

- Set the external signal output for "DISABLE" in the advanced mode when using this external signal input/output command <IO>. When it is set to "ENABLE", the signal changes regardless with this command because the signal is output on the product.
- The timing of signal output is not related the print operation of the product but when this command is processed.
- Refer to the input or output for the below table.
- There may be about 5 msec margin of error in the specified output time and the actual signal output time.
- When the output level and the current output level is the same, the output level will not be changed even the specified output time has passed.

[Input or Output]

Pin number	Input or Output		Pin number	Input or Output		Pin number	Input or Output	
	14 pins	25 pins		14 pins	25 pins		14 pins	25 pins
1	Output	-	11	Input	-	21		Input
2	-	-	12	-	-	22		Input
3	Output	Output	13	-	-	23		Input
4	Output	Output	14	-	-	24		-
5	Input	Output	15		-	25		-
6	Output	Output	16		Output			
7	Input	Input	17		Output			
8	-	Input	18		Output			
9	Input	Input	19		Output			
10	Output	Input	20		Input			

15.12 Intelligent Command

Print Start Waiting Time		ESC+IW	
Hexadecimal code	ESC <1B> ₁₆	IW <49> ₁₆ <57> ₁₆	Parameter aaaaaa
Initial value	Nil		

Valid range and term of command	When the power switch is OFF	The set parameter is not maintained.
	Valid range within item	The parameter preset will be invalid.
	Valid range between items	The parameter preset will be invalid.

[Function]

Specify the waiting time to the print start.

[Format]

<IW>aaaaaa

•Parameter

a[Print start waiting time] = Valid range : 0 ~ 999999 (1 = 5 ms)

[Coding Example] Wait until 5 seconds has been passed

```
<A>
<IW>1000
Print Data
<Q>1
<Z>
```

With the above example, the product waits for 5 seconds after print data edition has been finished, then print the data.

[Notes]

1. When there are multiple items continuously received, the product starts printing after the time specified by this command has been passed from the previous item print finish.
2. This command is valid only for the first label when multiple print is specified by <Q> command, and it will be printed continuously without waiting time from the second label.
3. This command is invalid when external signal is enabled.
4. Specify this command together with print data. This command is invalid when there are not print data.
5. When there is a printer error or the product becomes the offline state while waiting for print start, the product waits again for the specified time when the printing has been resumed.
6. When the printing has been stopped by receiving print stop request command (DLE) while waiting for print start, the waiting for print start is also stopped. When the printing has resumed by receiving print start request command (DC1), the waiting time is resumed at the stopped time.
7. The product will not wait for print start when reprint by reprint command <C> or FUNCTION button.

15.13 Intelligent Command

Internal Buzzer Sound		ESC+IU	
Hexadecimal code	ESC <1B> ₁₆	IU <49> ₁₆ <55> ₁₆	Parameter a
Initial value	Nil		

Valid range and term of command	When the power switch is OFF	The set parameter is not maintained.
	Valid range within item	The parameter preset will be invalid.
	Valid range between items	The parameter preset will be invalid.

[Function]

Beep the buzzer inside the product.

[Format]

<IU>a

•Parameter

a[Sound pattern]	=	Valid range	:	0 ~ 4
		0	:	One short beep
		1	:	One long beep
		2	:	Two short beep
		3	:	Two long beeps
		4	:	Three long beep

[Coding Example] One short beep

```
<A>
<IU>0
<Z>
```

[Notes]

1. The beep time for the short beep is 100 msec, and 500 msec for the long beep.
2. The interval between beeps for the sound pattern 2, 3, and 4 is 5 msec or longer.
3. The analysis of received data stops while a buzzer beeping.
4. The timing of buzzer sound may be untimely with the current printing item when multi buffer operation. Acquire the printer status and send this command in order to synchronize with the item print timing.

15.14 Intelligent Command

Internal Buffer Initialization	ESC+I@
---------------------------------------	---------------

Hexadecimal code	ESC <1B> ₁₆	I@ <49> ₁₆ <40> ₁₆	Parameter (aa)
Initial value	Nil		

Valid range and term of command	When the power switch is OFF	The set parameter is not maintained.
	Valid range within item	The parameter preset will be invalid.
	Valid range between items	The parameter preset will be invalid.

[Function]

Initialize the internal buffer.

[Format]

<I@>(aa)

•Parameter

a[Internal buffer number to be initialized] = Valid range : 1 ~ 16 (omissible)
 All the internal buffer will be initialized when the buffer number is omitted.

[Coding Example 1] Initialize the internal buffer number 6

<A>
 <I@>06
 <Z>

[Coding Example 2] Initialize all the internal buffer

<A>
 <I@>
 <Z>

Internal buffer			
No	Item name	Number of digits	Data contents
01	DATA1	2	49
02	DATA2	6	123456
03	DATA3	4	1234
04		0	
05		0	
06	QTY	4	0010
07		0	
08		0	
09		0	
10		0	
11		0	
12		0	
13		0	
14		0	
15		0	
16		0	

[Notes]

1. Do not specify this command in the same item as data receive command <IR> and data send command <IT>.
2. It is not possible to undo the internal buffer data that are initialized.
3. The digit of appropriate buffer number becomes 0, and item name and the data contents string are deleted after the initialization.

15.15 Intelligent Command

Exclusive Display Start-End	ESC+IY
------------------------------------	---------------

Hexadecimal code	ESC <1B> ₁₆	IY <49> ₁₆ <59> ₁₆	Parameter a
Initial value	Nil		

Valid range and term of command	When the power switch is OFF	The set parameter is not maintained.
	Valid range within item	The parameter preset will be invalid.
	Valid range between items	The parameter preset will be invalid.

[Function]

The message area (upper and lower column) that is specified by display message command <IM> is exclusively used and messages from the product system will not be shown temporarily.

[Format]

<IY>a

•Parameter

a[Exclusive display start-end] = 1 : Start exclusive display
0 : End exclusive display

[Coding Example 1] Start exclusive display

<A>
<IY>1
<Z>

[Coding Example 2] End exclusive display

<A>
<IY>0
<Z>

[Notes]

1. Do not specify this command together with other SBPL commands in the same item.
2. Send this command only if the product is online and operation stop (waiting for receive) status.
3. The data that this command is included are not received while the product is operating. This is true for both start/end exclusive display. The data will be received when the product operation stopped.
4. The icon display area is not possible to use exclusively.
5. This command is invalid when the product is offline or error state.
6. Error messages are not shown while the display is used exclusively. Confirm with icons only.
7. The display will not be used exclusively when message display is not specified by the <IM> command.

16 RFID Commands

16.1 RFID Command

EPC Code Write		ESC+IP0	
Hexadecimal code	ESC <1B> ₁₆	IP0 <49> ₁₆ <50> ₁₆ <30> ₁₆	Parameter Please refer the below.
Initial value	Nil		
Valid range and term of command	When the power switch is OFF		The set parameter is not maintained.
	Valid range within item		The parameter preset will be invalid.
	Valid range between items		The parameter preset will be invalid.

[Function]

This command writes the EPC code and other data to the EPC corresponding RFID tag.

[Format]

[Standard format]

<IP0>e:h(,pcw:xxx)(,epc:xxx...xxx)(,usr:xxx...xxx)(,usa:dddd,aaaaa...aaaa)(,lck:bbbb);

[Conventional format]

<IP0>e:a,c,d,s:d,d:ddddddddddd(o:xxx)(,m:bbbb)(,k:xxxxxxx)(,a:xxxxxxx)(,p:xxxxxxx);
 [When SSCC96 code conversion is used]

<IP0>e:c,f:d,c:d,t:d,d:ddddddddddd(n:ddddddd(o:xxx)(,m:bbbb)(,k:xxxxxxx)(,a:xxxxxxx)(,p:xxxxxxx);
 [When SGTIN96 code conversion is used]

<IP0>e:z(d:xxxxxxxxxxxxxxxxxxxxxxxx)(,u:xxxxxxxxxxxxxxxx)(,k:xxxxxxx)(,a:xxxxxxx)(,p:xxxxxxx)(,o:xxx)(,m:bbbb)(,k:xxxxxxx)(,a:xxxxxxx)(,p:xxxxxxx);
 ;[When free mapping is used]

Note: The above sample specifies typical parameters only. Please refer the below for more details.

•Parameter

EPC encoding type parameter			
e:	EPC encoding Type Specify the parameter right after <IP0>. The parameter cannot be omitted.	h	[Standard format] Use a 3-character parameter identifier after declaration. It is possible to write to extended memory areas by each IC chip manufacturer other than the normal Gen2 tag.
		a	[Previous format] SSCC96 code conversion Use the "one-character parameter identifier". When the Company prefix / Serial reference / Filter value is received, then converted to an SSCC96 compliant code, and written to the tag.
		c	[Previous format] SGTIN96 code conversion Use the "one-character parameter identifier". When the Company prefix / Serial reference / Filter value is received, then converted to a GTIN96 compliant code, and written to the tag.
		z	[Previous format] Free mapping Use the "one-character parameter identifier". When data is written as is without performing code conversion.

Standard format

This is an extended format to support tags made by IC chip manufacturers that have an EPC area over 96 bits.

Specify these parameters after specifying <IP0>e:h

There is no specific order in the parameter after <IP0>e:h is specified.

Three-character parameter identifier

Parameters related to Gen2 basic operation (Omissible)		
pcw:	Specify PC rewrite	In the PC area, there is length information that controls the number of digits of the data to be recorded to EPC. You can change the number of digits of the EPC data by specifying number multiples of four from 4 to 124 in decimal code to this parameter. Specifying this parameter is not necessary in most cases because the length information is written to the PC automatically by judging from the data length specified by epc:, if this parameter is not specified. (The maximum value of the length information of PC is 124 digits.)
afi:	AFI write data	Specify the number from 000 to 1FF in HEX code. Synthesize data together with current PC length information and write.
epc:	EPC write data	Specify 4 to 124 digits hexadecimal string. Digits can be varied in multiples of four. A parameter error will occur if the character string specified is larger than specified with pcw:, meanwhile if smaller the empty digits will be filled with 0.
usr:	USER memory write	Specify numeric string to write to USER area in hexadecimals. Specify the number of digits in the multiples of four. It is possible to specify in 4-128 digits range, however, the maximum number of digits depends on the used tag.
usa:	USER memory ASCII write	Specify numeric string to write to USER area in ASCII data. Writing the data containing the control code (00H to 1FH) is also available. It is necessary to have data area and data size information separated with a comma before the data. For example in specifying a data size as 64, specify as follows: usa:64,abcde... Specify the digits in multiples of two. It is possible to specify in 2-64 digits range, however, the maximum number of digits depends on the used tag.

Standard format tag operation parameter (Omissible)		
lck:	Lock	Specify the area to be locked by five bits in binary code such as lck:10101. The display order is USER, TID, ACCESS, KILL, and EPC from the top. If the access password is specified, it results in a password lock, and if the access password is not specified, it results in a permanent lock.
apw:	Access password	To perform locking or read protect with a password, specify a fixed eight-character HEX code.
psw:	Unlocking password	To access an area on which a password lock or password read lock is applied, specify the same number sequence as that used when locking. Specify unlocking area with lck:.
kpw:	Kill code	Specify the kill code with eight-character HEX code. You cannot execute the kill by writing the code only.

Secure related parameter dedicated for NXP G2XL (Omissible) (Cannot be used in a Gen2 chip other than NXP G2XL.)		
rlk: G2X,	Read protect	Specify 0 or 1 to indicate whether read protection is to be set or canceled. 1 for set and 0 for reset. Reads in all areas will be restricted if read protect is set. A lock password other than "00000000" shall be used together with this. Use the same numeric string as the lock password to reset. (dedicated for NXP G2XL)
eas: G2X,	EAS bit data	Specify 0 or 1 as EAS bit value. 1 for set and 0 for reset. A lock password other than "00000000" shall be used together with this. Use the same numeric string as the lock password to reset. (Dedicated for NXP G2XL)

Secure related parameter dedicated for NXP G2iM/G2iL (Omissible) (Cannot be used for Gen2 chips other than NXP G2iM/G2iL)		
rlk: G2i,	Read protect	Specify 0 or 1 to indicate whether read protection is to be set or canceled. 1 for set and 0 for reset. Reads in all areas will be restricted if read protect is set. A lock password other than "00000000" shall be used together with this. Use the same numeric string as the lock password to reset. (Dedicated for G2iM/G2iL)
eas: G2i,	EAS bit data	Specify 0 or 1 as EAS bit value. 1 for set and 0 for reset. A lock password other than "00000000" shall be used together with this. Use the same numeric string as the lock password to reset. (Dedicated for G2iM/G2iL)

Feed control related parameters (Omissible)		
fsw:	Feed without printing	Usually, for RFID write item without print data, only writing of RFID data is performed, and the label is not fed. (Other than cases where the tag offset is set to other than default.) When "1" is specified in this parameter, the label is fed even if the item does not contain print data. When "0" is specified for this parameter, the label is not fed for the item without print data, and the operation is the same as when fsw: is not specified. Valid range: 0 to 1

SSCC96/SGTIN96 standard code conversion parameters		
enc:	Declaration of code standard conversion	Declare when executing conversion according to the code standard. SSCC96 and SGTIN96 can be specified. Specifying "a" will set to SSCC96 and "c" to SGTIN96. The converted data is written in the EPC area. Therefore, you can no longer use the epc: parameter identifier Valid range: a, c
flt:	Filter value	Specify the filter value with the number from 0 to 7. Refer to the filter value standard table described later.
com:	Company prefix	Specify the company prefix with a 6 to 12-digit decimal number.
srl:	Serial reference	In case of SSCC96, specify serial reference in 5-11 digit decimals so that in total it is 17 digits or less when placing together with the numeric string specified in "com:". Even if the value does not reach 17 digits, leave it as is since the upper digits are filled with a zero inside the product. In the case of SGTIN96, specify the serial number with a 12-digit fixed decimal number. Specify 274877906943 or a smaller number. A parameter error will occur if it is less than 12 digits.
itm:	Item reference (Only for SGTIN96)	For item reference, specify 1-7 digit decimal so that in total it is 13 digits or less when placing together with numeric strings specified in "com:". Even if the value does not reach 13 digits, leave it as is since the upper digits are filled with a zero inside the product.

Coding example of standard format (3-character parameter identifier)

[Coding example 1]

When data is written in an arbitrary length in the EPC region in the IC chip manufacturer extension specifications tag

```
<A>
<V>50<H>50<XM>SECURE RFID EPC DATA WRITE
<IP0>e:h,epc:01234567890123456789012345678901; (in digits that are multiples of 4)
<Q>1
<Z>
```

[Coding example 2]

When EPC and user memory are written in a batch in the IC chip manufacturer extension specifications tag, and permanent locking is performed

```
<A>
<V>50<H>50<XM>SECURE RFID EPC & USER DATA WRITE
<IP0>e:h,epc:01234567890123456789012345678901,usr:012345678.....5676789012345678901,lck:10001;
<Q>1
<Z>
```

[Coding example 3]

When data is written in EPC by specifying the SSCC96 standard code conversion in the Gen2 tag, and permanent locking is performed

```
<A>
<V>50<H>50<XM>SECURE RFID SSCC96 DATA WRITE
<IP0>e:h,enc:a,flt:0,com:12345678,srl:012345678,lck:00001;
<Q>1
<Z>
```

[Coding example 4]

When data is written in EPC by specifying the SGTIN96 standard code conversion in the Gen2 tag

```
<A>
<V>50<H>50<XM>SECURE RFID SGTIN96 DATA WRITE
<IP0>e:h,enc:c,flt:0,com:123456,itm:0123456,srl:012345678901;
<Q>1
<Z>
```

Previous format

This format is supported only for Gen2 tags (Class1Generation2).

Use standard format for tags with IC chip manufacturer tags that have an EPC area over 96 bits.

<IP0>e: Write these parameters after specifying *.

Previous format: 1-character identifier (SSCC96 code conversion / STGIN96 code conversion / Free mapping)

EPC data parameter			
d:	EPC data	Specify the EPC data. The restrictions on the number of digits based on each EPC encoding type are as follows:	
		When SSCC96 code conversion is specified <IP0>e:a,..	A 17-digit decimal number sequence in which the company prefix and serial reference are joined together
		When SGTIN96 code conversion is specified <IP0>e:c,..	A 13-digit decimal number sequence in which the company prefix and item reference are joined together
		When Free mapping is specified <IP0>e:z,..	A hexadecimal string containing 24 or less number of digits in multiples of four, which is written without conversion in the EPC area. Use the standard format in an application exceeding 24 digits (96 bits).

SSCC96/SGTIN96 conversion parameter		
f:	filter value	Refer to the filter value and the filter value standard table described later.
c:	company prefix	Number of digits of the company prefix A number within 6-12, the number of digits for company prefix specified in the first half of the data specified with parameter "d".
s:	serial reference	Number of digits for serial reference (only if SSCC96 is selected) Number of digits of the serial reference in the latter half of the data specified in the parameter "d". Specify a number from 5 to 11, so that when combined with c, the resultant value is 17.
t:	item reference	Number of digits for item reference (only if SGTIN96 is selected) Specify a number within 1-7 to make it 13 together with "c"
n:	serial number	Specify 12-digit (fixed) serial number (only if SGTIN96 is selected). Should be 274877906943 or less.

Feed control related parameters (Omissible)		
g:	Feed without printing	Usually, for RFID write item without print data, only writing of RFID data is performed, and the label is not fed. (Other than cases where the tag offset is set to other than default) When "1" is specified in this parameter, the label is fed even if the item does not contain print data. When "0" is specified for this parameter, the label is not fed for the item without print data, and the operation is the same as when g: is not specified.

Gen2 memory bank operation parameters (Omissible)														
u:	User Memory HEX	Specify numeric string to write to USER area in hexadecimals. The maximum number of digits depends on the used tag. Specify the number of digits in the multiples of four. It is possible to specify in 4-128 digits range, however, the maximum number of digits depends on the used tag.												
v:	User Memory Ascii	Specify numeric string to write to USER area in ASCII data. It is necessary to have data area and data size information separated with a comma before the data. For example in specifying a data size as 16, specify as follows: V:16,abcd... Maximum number of digits depends on the tag to be used. Specify the digits in multiples of two. It is possible to specify in 2-64 digits range, however, the maximum number of digits depends on the used tag.												
o:	AFI code	Application Family Identifier. Specify a hexadecimal number from 0H to 1FFH. To write as AFI, specify the ninth bit (MSB) as 1.												
m:	Locking	5-digit binary number. Set the bit of the bank to be locked as 1. If you specify the access code, it results in a "password lock", and if you omit the access code, it results in a "permanent lock". <table border="1" data-bbox="683 640 1161 813"> <thead> <tr> <th>Bit</th> <th>Area that will be locked</th> </tr> </thead> <tbody> <tr> <td>bit0 (LSB)</td> <td>EPCdata</td> </tr> <tr> <td>bit1</td> <td>KillCode</td> </tr> <tr> <td>bit2</td> <td>AccessCode</td> </tr> <tr> <td>bit3</td> <td>TIDdata</td> </tr> <tr> <td>bit4 (MSB)</td> <td>UserMemory</td> </tr> </tbody> </table> Example: If only the EPCdata area is locked "m: 00001"	Bit	Area that will be locked	bit0 (LSB)	EPCdata	bit1	KillCode	bit2	AccessCode	bit3	TIDdata	bit4 (MSB)	UserMemory
Bit	Area that will be locked													
bit0 (LSB)	EPCdata													
bit1	KillCode													
bit2	AccessCode													
bit3	TIDdata													
bit4 (MSB)	UserMemory													
k:	kill code	8-digit hexadecimal numeric string. Used when writing the kill code. Specify an 8-digit hexadecimal numeric string, consisting of numbers 0-9 and A-F that is not "00000000". The purpose of this parameter is only to write the kill code. You cannot kill the tag actually.												
a:	access code	An 8-digit numeric string to specify when locking with password. An 8-digit hexadecimal numeric string consisting of numbers 0-9 and A-F can be used. To apply the password lock, specify other than "00000000". If you omit this parameter, and specify m: Locking, a permanent lock is applied to the specified area.												
p:	password code	An 8-digit numeric used for re-writing the tag that is locked with a password. Specify an 8-digit hexadecimal numeric string consisting of numbers 0-9 and A-F to be used when writing to tag with password lock. Specify the same number sequence as the access code used at the time of locking. By specifying a number sequence same as the access code specified at the time of password lock in the "password code", and specifying "00000000" in the "access code", the tag on which a password lock has been applied can be returned to an open state.												

1 character identifier parameter format coding examples
(SSCC96 code conversion / SGTIN96 code conversion / free mapping)

[Coding example 1] Country code 49 / Company code 12345 / Serial no. 789

When SSCC 96 data is written to a Gen2 corresponding tag
<A>
<V>50<H>50<XM>49123450000000789
<IP0>e:a,c:7,s:10,f:1,d:49123450000000789;
<Q>1
<Z>

[Coding example 2] Country code 49 / Company code 12345 / Item 67890 / Serial no. 789

When SGTIN96 data is written to a Gen2 corresponding tag
<A>
<V>50<H>50<XM>491234506789000000000789
<IP0>e:c,c:7,t:6,f:1,d:4912345067890,n:000000000789;
<Q>1
<Z>

[Coding example 3]

When free mapping data is written in the EPC area of a Gen2 corresponding tag
<A>
<V>50<H>50<BD>101080*301803CB4F48B3800000001*
<IP0>e:z,d:301803CB4F48B38000000001;
<Q>1
<Z>

[Coding example 4]

When data is written in free mapping in the EPC area of a Gen2 corresponding tag, data is written in the user area, and at the same time, a permanent lock is applied to both the EPC and USER areas
<A>
<V>50<H>50<BD>101080*0123456789ABCDEF01234567*
<IP0>e:z,d:0123456789ABCDEF01234567,u:0123456789ABCDEF0123456789ABCDEF0123456789ABCDEF,m:10001;
<Q>1
<Z>

[Coding example 5]

When data is written in free mapping in the EPC area of a Gen2 corresponding tag, and a password lock is applied to the EPC area. When the password is set as 12345678
<A>
<V>50<H>50<BD>101080*0123456789ABCDEF01234567*
<IP0>e:z,d:0123456789ABCDEF01234567,a:12345678,m:00101;
<Q>1
<Z>

[Notes]

1. This command can be specified for the one time in one print job.
2. In case if the EPC code could not be written, an error message will be printed and will retry or discard depending on the retry/release setting.
3. Unused parameters are omissible.
4. In case if the settings are made to ignore the sensor, the command error occurs upon reception of this command.
5. In case of a command error due to erroneous format of print job including this command, the product will not print labels (so as not to waste label) but there is a short beep and the product goes OFFLINE.
The label will not be printed until the reason of command error is removed. Please check the format and values.
6. The product suspends data writing until it goes to online when the product received RFID writing item that does not include print command during offline. When the product receives an RFID writing command during other item printing, it will write to RFID tag after other item printing has finished.
7. In case the item does not include any print command other than this command, the product writes to the RFID tag only, and label is not fed. There are 6 short beeps with an RFID tag error such as writing to defective tag.
Specify fsw: 1 (or g: 1) when label feed is needed same as an RFID item with print command when the item does not include print command.
However, a label is fed even with the item not including print command when tag offset is set other than the default value.
List of operations with items that include <IP0> command (no printing)

	No printing <IP0> item	No printing <IP0> item + fsw: 1 specification	No printing <IP0> item + PWP enabled	With printing <IP0> item
Write success	No operation	Feed blank tag	Feed blank tag	Print and feed
Write failure	6 short beeps	Error printing Retry operation	Error printing Retry operation	Error printing Retry operation

8. For filter values used in SSCC96/SGTIN96, please refer to the table below.

Filter value standard table

Filter value	SSCC96	SGTIN96
0	All Others	All Others
1	Reserved	Point of Sale (POS) Trade Item
2	Full Case for Transport	Full Case for Transport
3	Reserved	Reserved
4	Reserved	Inner Pack Trade Item Grouping for Handling
5	Reserved	Reserved
6	Unit Load	Unit Load
7	Reserved	Unit inside Trade Item or component inside a product not intended for individual sale

9. SSCC96 code conversion

This function is used to generate a code according to the SSCC96 standard when a company prefix, serial reference, and filter value are applied. It is possible to use with Gen2.

The command/parameter configuration is explained with the below values. These are all decimal numbers.

Company prefix: 4011661 (7 digits)

Serial reference: 3000000001 (10 digits)

Filter value: 0 (Select the filter value from the filter value standard table described earlier. In this example, the filter value is 0 from "All Others")

The total digit number of company prefix and serial reference needs to be 17 under the standard, and it is not possible to change. Of these 17 digits, the proportion of the company prefix and the serial reference can be selected from the seven combinations described in the table below.

Partition value	Company prefix digits	Serial reference digits
0	12	5
1	11	6
2	10	7
3	9	8
4	8	9
5	7	10
6	6	11

In this example, according to the table above,

Company prefix digit number: 7

Serial reference digit number: 10

The partition value is 5, but since this value is generated within the product, it is not necessary to be specified.

When the standard format is used

<IP0>e:h,enc:a,com:4011661,sr:3000000001,ft:0;

Description of each parameter

e:h,----- Specifies the standard format

enc:a----- Specifies SSCC96 code conversion

com:4011661,---- The company prefix is 4011661

sr:3000000001,-- The serial reference is 3000000001 17 digits when combined with com:

ft:0 ----- The filter value is All Others

;------ End terminal

When the one-character parameter identifier in the conventional format is used

<IP0>e:a,c:7,s:10,f:0,d:40116613000000001;

Description of each parameter

e:a,----- Specifies SSCC96 code conversion

c:7,----- The company prefix is 7 digits

s:10,----- The serial reference is 10 digits 17 digits when combined with c:

f:0,----- The filter value is All Others

d:40116613000000001 --Number in which the company prefix and serial reference are joined together It is 17 digits.

;------ End terminal

When these commands are executed, the above parameters are converted to SSCC96 code 3114F4DA34B2D05E01000000 and 24 characters (18 characters in actuality), and are written in a tag.

10.SGTIN96 code conversion

This function is used to generate a code according to the SGTIN96 standard when a company prefix, item reference, filter value, and serial number are applied. It is possible to use with Gen2. This function is explained with the below values. All numbers below are in decimals.

Company prefix: 003885 (6 digits)

Item reference: 4006606 (7 digits)

Filter value: 0 (Select the filter value from the filter value standard table described earlier.

Serial number: 000000000001 (fixed to 12 digits)

The total digit number of company prefix and item reference needs to be 13 under the standard, and it is not possible to change. Of these 13 digits, the proportion of the company prefix and the item reference can be selected from the seven combinations described in the table below.

Partition value	Company prefix digit	Item reference digit
0	12	1
1	11	2
2	10	3
3	9	4
4	8	5
5	7	6
6	6	7

In this example, according to the table above,

Company prefix digit number: 6

Item reference digit number: 7

The partition value is 6, but since this value is generated within the product, it is not necessary to be specified.

Under this condition, if the format of <IPO> EPC code write is applied, it results in the following:

When the standard format is used

<IP0>e:h,enc:c,com:003885,itm:4006606,flt:0,srl:000000000001;

Description of each parameter

e:h,----- Specifies the standard format

enc:c,----- Specifies SGTIN96 code conversion

com:003885,----- The company prefix is 6 digits

itm:4006606,----- The item reference is 7 digits 13 digits when combined with com:

flt:0 ----- The filter value is All Others

srl:000000000001--- Serial number, fixed at 12 digits 274877906943 or a smaller number.

;------ End terminal

When the one-character parameter identifier in the conventional format is used

<IP0>e:c,c:6,t:7,f:0,d:0038854006606,n:000000000001;

Description of each parameter

e:c,----- Specifies SGTIN96 code conversion

c:6,----- The company prefix is 6 digits

t:7,----- The item reference is 7 digits 13 digits when combined with c:

f:0,----- The filter value is All Others

d:0038854006606, -Number in which the company prefix and item reference are joined together It is 13 digits.

N:000000000001--- Serial number, fixed at 12 digits 274877906943 or a smaller number.

;------ End terminal

When these commands are executed, the above parameters are converted to SGTIN96 code 301803CB4F48B38000000001 and 24 characters, and are written in a tag.

16.2 RFID Command

EPC Code Read		ESC+IP1	
Hexadecimal code	ESC <1B>16	IP1 <49>16<50>16<31>16	Parameter b
Initial value	Nil		
Valid range and term of command	When the power switch is OFF	The set parameter is not maintained.	
	Valid range within item	The parameter preset will be invalid.	
	Valid range between items	The parameter preset will be invalid.	

[Function]

Read information from EPC, Gen2 supported RFID tag.

[Format]

<IP1>: read from EPC area only

<IP1>,b;x; Specify areas of tags that have multiple memory areas such as Gen2

X = memory bank specification

- 1: EPC area
- 2: TID area
- 3: USER area
- 4: PC/AFI area

<IP1>,U; User area in hexadecimal (128 characters) for big capacity tags such as NXP G2XM tag

<IP1>,u; User area in ASCII (up to 64 characters) for big capacity tags such as NXP G2XM tag

(Optional)

,RS Acquisition of RSSI (radio field intensity for response)

[Return status format]

Return status list

The return format of when "<IP1>" and "<IP1>,b;x;" format is used

Item	Content (Binary)	Number of bytes
STX	Start code (02H)	1 byte
Data	EPC area data, others	96 bytes A blank area is filled with space (20H) "EPC_Tag_Err" is set at read failure.
ETX	End code (03H)	1 byte

The return format of when reading USER area in hexadecimal by using "<TP1>,U;" format

Item	Content (Binary)	Number of bytes
STX	Start code (02H)	1 byte
Data	USER area data	128 bytes A blank area is filled with space (20H) "EPC_Tag_Err" is set at read failure.
ETX	End code (03H)	1 byte

The return format of when reading USER area in ASCII by using "<TP1>,u;" format

Item	Content (Binary)	Number of bytes
STX	Start code (02H)	1 byte
Flag	Failed (30H)/Succeed (31H)	1 byte
Length	4-digit decimal string that expresses the data length	4 bytes
Comma	Comma (20H)	1 byte
Data	USER area data	64 bytes in maximum "EPC_Tag_Err" is set at read failure.
ETX	End code (03H)	1 byte

The below data is inserted before ETX of the return format when the optional ",RS" is specified.

Item	Content (Binary)	Number of bytes
Comma	Comma (20H)	1 byte
Identifier	RS(52H 53H)	2 bytes
Colon	Colon (3AH)	1 byte
Data	RSSI(dBm)	Variable Number of byte is 0 when failed.

[Coding Example 1]

<A>
<P1>,b:1;
<Z>

[Return status example 1-1]

When data [8000 0000 4000 0001] is written to EPC supported tag
02 ← Start code
38 30 30 30 30 30 30 30 34 30 30 30 30 30 31 EPC code (16 bytes)
20 20 20 20 20 2020 20 20 20 20 20 Unused area is space (80 bytes)
03 ← End code
* The data is consecutive in the actual use, and data is expressed in hexadecimal.

[Return status example 1-2]

When reading from EPC supported tag is failed
02 ← Start code
45 50 43 5F 54 61 67 5F 45 72 72 20 20 20 20 20 Return "EPC_Tag_Err" in ASCII
20 20 20 20 20 2020 20 20 20 20 20 Unused area is space (85 bytes)
03 ← End code
* The data is consecutive in the actual use, and data is expressed in hexadecimal.

[Coding Example 2]

Read the USER area of tag in hexadecimal specification
<A>
<P1>,U;
<Z>

[Return status example 2-1]

The USER area of the tag is "ABCDEFGH", and reading in hexadecimal is succeeding
02 ← Start code
44 41 44 42 44 43 44 44 44 45 44 46 44 47 44 48 USER area data (16 bytes)
20 20 20 20 20 2020 20 20 20 20 20 Unused area is space (112 bytes)
03 ← End code

[Return status example 2-2]

The USER area reading in hexadecimal is failed
02 ← Start code
45 50 43 5F 54 61 67 5F 45 72 72 20 20 20 20 20 Return "EPC_Tag_Err" in ASCII
20 20 20 20 20 2020 20 20 20 20 20 Unused area is space (117 bytes)
03 ← End code

[Coding Example 3]

Read the USER area of tag in ASCII specification
<A>
<P1>,u;
<Z>

[Return status example 3-1]

The USER area of the tag is "ABCDEFGH", and reading in ASCII is succeeding
02 ← Start code
31 30 30 30 38 2C Reading success: 1 + Data amount: 0008 + Comma
41 42 43 44 45 46 47 48 USER area data "ABCDEFGH" (8 bytes)
03 ← End code

[Return status example 3-2]

The USER area reading in ASCII is failed
02 ← Start code
30 30 30 31 31 2C Reading failure: 0 + Data amount: 0011 + Comma
45 50 43 5F 54 61 67 5F 45 72 72 Character string "EPC_Tag_Err" (11 bytes)
03 ← End code

[Coding Example 4]

Optional RS is specified.

<A>
<IP1>,b:1;,RS
 <Z>

[Return status example 4-1]

When the RSSI value is 10 dBm

02	←	Start code
38 30 30 30 30 30 30 30 34 30 30 30 30 30 31		EPC code (16 bytes)
20 20 20 20 20 2020 20 20 20 20 20		Unused area is space (80 bytes)
2C 52 53 3A 31 30		,RS:10
03	←	End code

* The data is consecutive in the actual use, and data is expressed in hexadecimal.

[Return status example 4-2]

When RSSI acquisition is failed

02	←	Start code
38 30 30 30 30 30 30 30 34 30 30 30 30 30 31		EPC code (16 bytes)
20 20 20 20 20 2020 20 20 20 20 20		Unused area is space (80 bytes)
2C 52 53 3A		,RS:
03	←	End code

* The data is consecutive in the actual use, and data is expressed in hexadecimal.

[Notes]

1. This command cannot be specified in combination with commands other than <A> and <Z>.
2. This command is not processed when receiving during printing. Processed after printing is completed.
3. It takes a few seconds to return all return status to the host after sending this command. If the port is disconnected before all statuses are returned to the host, RFID tag information will not be correctly returned and the data other than return status format is returned.
4. If this command results in an error, return "EPC_Tag_Err" with ASCII characters.
5. Unused area is filled with space (20H).
6. When the USER area is read by specifying 'u' (in ASCII), the product regards the first NULL character (00H) as the end of the character string, and returns the character string before the NULL character. When a NULL character is not included in the character string, the product returns character strings up to 64 characters.

16.3 RFID Command

EPC Sequential Number		ESC+F	
Hexadecimal code	ESC <1B> ₁₆	F <46> ₁₆	Parameter aaaabcccc(,dd,ee,f)
Initial value	Nil		
Valid range and term of command	When the power switch is OFF		The set parameter is not maintained.
	Valid range within item		The parameter preset will be invalid.
	Valid range between items		The parameter preset will be invalid.

[Function]

This command is set before EPC code write (<IP0> command), and is used to write the sequential number of the specified data to the EPC area.

[Format]

<F>aaaabcccc(,dd,ee,f)

●Parameter

aaaa	"Number of printing for the same contents"	=	Valid range	: 1 to 9999
b	"Increment/decrement setting"	=	+	: Addition
			–	: Subtraction
cccc	"Increment/decrement value setting"	=	Valid range	: to 9999
dd	"Sequential numbering digits"	=	Valid range	: 1 to 24, 24 if omitted (omissible)
ee	"Lower disabled digits"	=	Valid range	: 0 to 99, 0 if omitted (omissible)
f	"Decimal or HEX serial number"	=	0	: Decimal, 0 if omitted (omissible)
			1	: HEX

[Coding Example]

Number of printing for the same contents: 1, Increment/Decrement: +, Increment/decrement value: 1, Sequential numbering digits: 5, Lower disabled digits: 0

```
<A>
<V>100<H>100<P>2<L>0202
<F>1+1,5,0<XM>0123456789ABCDEF01234567
<F>1+1,5,0<IP0> e:h,epc,0123456789ABCDEF01234567;
<Q>10
<Z>
```

[Notes]

- Sequential number can be specified up to 1 point per format.
- Black/white reverse image printing <(> cannot be specified for sequential number data.
- Auto linefeed <E> is not available.
- EPC sequential numbering is enabled only if specified immediately before the EPC code write (<IP0> command).
- The only EPC area is targeted for the sequential numbering.
- Note that sequential numbering is applied to converted EPC code when SSCC96/SGTIN96 code conversion is used together with the sequential numbering.
- This command can be used together with sequential numbering of character and barcode, up to 8 places in one item including EPC sequential numbering.
- This command cannot be used with the item that doesn't have print command. However, this command can be used when blank label feed (fsw: 1) of EPC code write command <IP0> is specified.
- This command cannot be used in items that include the <TU> command.

16.4 RFID Command

Antenna Output Power		ESC+IP5	
Hexadecimal code	ESC <1B> ₁₆	IP5 <49> ₁₆ <50> ₁₆ <35> ₁₆	Parameter aaa(.bbb)
Initial value	Nil		
Valid range and term of command	When the power switch is OFF	The set parameter is not maintained.	
	Valid range within item	The parameter preset will be invalid.	
	Valid range between items	The parameter preset will be invalid.	

[Function]

This command specifies the antenna output power.

The antenna output power for the write command and the antenna output power for the read command can be set to separate values.

[Format]

<IP5>aaa(.bbb)

●Parameter

aaa = A 3-digit number of antenna output power (dBm) multiplied by 10. Range: 000 to 240.

bbb = A 3-digit number made by multiplying the read command's antenna output power by 10. (Omissible) Range: 000 to 240.

When only aaa is specified, the same antenna output power is set for both write and read commands.

When both aaa and bbb is specified, antenna output power for write command can be set with aaa and for read command with bbb.

For details on the actual antenna output power, refer to the antenna output power setting table.

[Coding Example 1]

<A>

<IP5>170

<Z>

Antenna output power will be set to 17.0 dBm for both write and read commands without having to restart the product.

This value will be maintained after power is switched off.

[Coding Example 2]

<A>

<IP5>120.090

<Z>

This will change the antenna power to 12.0 dBm for write command and 9.0 dBm for read command without restart.

These settings are maintained after turning off the product.

[Notes]

1. This command cannot be specified in combination with commands other than <A> and <Z>.
2. This command is not processed when receiving during printing. Processed after printing is completed.
3. Since the antenna output power changes, it may not be possible to read or write some tags depending on their type.
4. A command error occurs when an invalid parameter is specified.
5. 100 is the default at shipping for both write and read commands.
6. While a value from 0 to 240 can be recorded in the nonvolatile memory of the product, the units place is rounded off to 0 during transmission to the reader/writer module.
7. Values less than 100 shall be filled with 0 in the upper digit to make a 3 digit.

8. Antenna output power table

Parameter aaa	Antenna output power		Parameter aaa	Antenna output power	
	(dBm)	(mW)		(dBm)	(mW)
0 - 9	0	1.0	130 - 139	13.0	19.9
10 - 19	1.0	1.2	140 - 149	14.0	25.1
20 - 29	2.0	1.5	150 - 159	15.0	31.6
30 - 39	3.0	1.9	160 - 169	16.0	39.8
40 - 49	4.0	2.5	170 - 179	17.0	50.1
50 - 59	5.0	3.1	180 - 189	18.0	63.0
60 - 69	6.0	3.9	190 - 199	19.0	79.4
70 - 79	7.0	5.0	200 - 209	20.0	100.0
80 - 89	8.0	6.3	210 - 219	21.0	125.8
90 - 99	9.0	7.9	220 - 229	22.0	158.4
100 - 109	10.0	10.0	230 - 239	23.0	199.5
110 - 119	11.0	12.5	240	24.0	250.0
120 - 129	12.0	15.8			

[Note]

Example: Even when 199 is specified, actually, 19.0 dBm is set.

16.5 RFID Command

Trademark Print		ESC+TM	
Hexadecimal code	ESC <1B> ₁₆	TM <54> ₁₆ <4D> ₁₆	Parameter a
Initial value	Nil		
Valid range and term of command	When the power switch is OFF	The set parameter is not maintained.	
	Valid range within item	The parameter preset will be invalid.	
	Valid range between items	The parameter preset will be invalid.	

[Function]

This command specifies the printing of the trademark of EPC Global Logistics Group in the tag label.

[Format]

<TM>a

•Parameter

a=[Number of logo]

1:



2:



[Coding Sample1]

<A>
<V>50<H>50<TM>1
<Z>



[Coding Sample2]

<A>
<V>50<H>50<TM>2
<Z>



[Valid command]

Modification command	<V>	<H>	<L>	<%>					

[Notes]

1. The specification of coordinates <V><H>, rotation <%>, and magnification <L> is enabled.
2. To perform magnification <L>, the command must be specified immediately before the trade mark print command <TM>.
3. The image size of trademark is (Image 1: W143 x H101 dots, Image 2: 202 x H101 dots).
(When magnification is not specified)

16.6 RFID Command

Printing Tag Data		ESC+TU	
Hexadecimal code	ESC <1B> ₁₆	TU <54> ₁₆ <55> ₁₆	Parameter a,bbccddd n~n
Initial value	Nil		
Valid range and term of command	When the power switch is OFF	The set parameter is not maintained.	
	Valid range within item	The parameter preset will be invalid.	
	Valid range between items	The parameter preset will be invalid.	

[Function]

Reads data from a specified area and specified address of RFID tag and develops to specified direction to make it possible to print on labels.

[Format]

<TU>a,bbccdddn~n

•Parameter

- a = To use this functionality or not
1 : Read data and start using
0 : Cancel use
- bb = Block number
01 : EPC area
02 : TID area
03 : USER area
- ccc = Start address of memory. Range: 000 to 999 (in decimal)
- ddd = End address of memory. Range: 000 to 999 (in decimal)
- n = Specify ID. Specify any string within 4 to 16 characters to be used for assigning data.
(All parameters should be in the ASCII format)

[Notes]

- The amount of information per one address is 2 bytes (4 characters) in case of Gen2. An RFID tag error occurs if you specify an address that exceeds tag capacity.
- The upper limit of the read data is 32 characters, even there is enough capacity in the read targeted area.
- It is not possible to acquire CRC/PC in the EPC area with this command. Please specify 02H in the below figure "Memory map of Gen2 standard RFID chip" as the base reference: 0, when specifying EPC area address.
- 1 address is one word (= 16 bits), and it is equal to 4 characters.

Memory map of Gen2 RFID chip

Bank	Address															
	00H	01H	02H	03H	04H	05H	06H	07H	08H	09H	0AH	0BH
EPC area	CRC	PC	EPC													
TID area	TID															
USER area	USER															

[Coding Example 1]

A sample specifying 24 characters from start address 0 to end address 5 in EPC area of Gen2 tag, using SATO as ID. (The amount of information per one address: 4 characters)

```

<A>
<TU>1.01000005SATO
<%>0
<V>0410
<H>0090
<P>00
<L>0101
<XM>SATO
<%>0
<V>0060
<H>0040
<D>102120*SATO*
<%>0
<V>0195
<H>0055
<P>00
<L>0101
<XM>*SATO*
<%>1
<V>0595
<H>0520
<D>102060*SATO*
<TU>0
<Q>00001
<Z>
    
```

[Coding Example 2]

A sample specifying 16 characters from start address 02h to end address 05h in the USER area (03) of Gen2 tag, using SATO as ID. (The amount of information per one address: 4 characters)

```

<A>
<TU>1.03002005SATO
<%>0
<V>0410
<H>0090
<P>00
<L>0101
<XM>SATO
<%>0
<V>0060
<H>0040
<D>102120*SATO*
<%>0
<V>0195
<H>0055
<P>00
<L>0101
<XM>*SATO*
<%>1
<V>0595
<H>0520
<D>102060*SATO*
<TU>0
<Q>00001
<Z>
    
```



[Valid command]

Font	<XL>	<XM>	<XS>	<XU>	<XB>					
Barcode		<D>	<BD>							
	<2D10>	<2D12>	<2D20>	<2D30>	<2D31>	<2D50>	<DN>	<DS>		

[Notes]

1. This command support 1D barcode commands: , <D>, and <BD>. Regarding only CODE39 can be specified.
2. When using 2D code and also specifying the ID by using <DN> in the data part, specify the number of characters before conversion to the number of data. Example: <DN>0004,SATO
3. Alphanumeric characters can be used when using QR code. (Numeric and Kanji mode is not available.) Micro QR code is not available. ID cannot be specified to the secured part of the Security QR code.
4. In case if tag data could not be read, an error message will be printed and will retry with the next label or discard depending on the retry/release setting.
5. In case of a command error due to erroneous format of print job that includes this command, the product will not print label (so as not to waste label) but will ring the buzzer once short to go to OFFLINE. The label will not be printed until the reason of command error is removed.
6. In case if the settings are made to ignore the sensor, the command error occurs upon reception of this command.
7. This command cannot be used for the label that tag offset is set to other than default.
8. This command cannot be used with dispense mode behavior 2.
9. The item including this command does not support <C>, and <O> command, external signals, and reprint by key operation.
10. This command can be used together with EPC code write command <IP0>. In this case, the product read (TU), write (IP0) and print, regardless the order of command. Therefore, the data written by <IP0> command cannot be read with this command.
11. It is possible to specify a pair of <TU>1 and <TU>0 in 1 item. Be sure to specify <TU>0 when <TU>1 is specified.
12. This command cannot be specified together with sequential printing or registering formats.
13. You cannot specify multiple labels for print jobs that include this command. Even if you specify 2 or more labels with <Q> command, it will be interpreted as 1.
14. This command will not be executed while the product is printing. It will be executed after the print is complete.

16.7 RFID Command

TID Return		ESC+RU	
Hexadecimal code	ESC <1B> ₁₆	RU <52> ₁₆ <55> ₁₆	Parameter a
Initial value	0		
Valid range and term of command	When the power switch is OFF	The set parameter is not maintained.	
	Valid range within item	The set parameter is in effect until a new specification is made.	
	Valid range between items	The set parameter is in effect until a new specification is made.	

[Function]

Configure to return the result of writing to tags by IP0 command, and read data after writing to the host.

[Format]

<RU>a

•Parameter

a=Return format specification

- 0: No return (default setting)
- 1: Write result status, EPC/TID return
- 2: Final write result and TID return upon receiving SOH+RU
- 3: Read and return TID of the tag at antenna position

◆When the parameter is 2 and 3,

[Coding Example 1]

```
<A>
<RU>2
<IP>e:z,d:491234567891234567890104;
<XM>491234567891234567890104
<Z>
```

[Return status format]

The following data is returned by receiving SOH+RU when a data is written to Gen2 tag which TID is E20060030238E5EC.

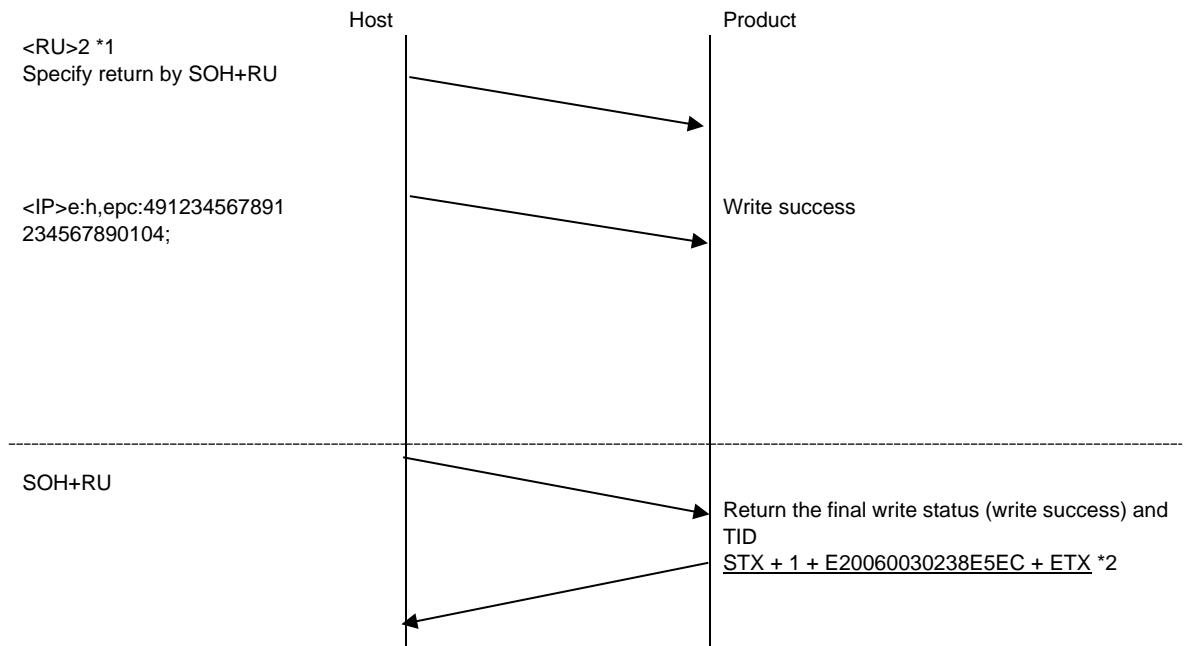
Write success (read success)	STX	Status	TID (96 bytes)	ETX
	0x02	1(0x31)	E20060030238E5EC	0x03
	(Spaces are filled with 20H.)			
Write success (read failure)	STX	Status	TID (96 bytes)	ETX
	0x02	1(0x31)	Blank (0x20)	0x03
Write failure	STX	Status	TID (96 bytes)	ETX
	0x02	0(0x30)	Blank (0x20)	0x03

[Notes]

1. The result of writing and TID returned after RFID writing is completed.
2. Data writing and TID reading are performed separately, and if TID read failed, blank is returned even if writing resulted successfully.

Return sequence of RU2

When writing 491234567891234567890104 to EPC area of Gen2 tag that TID is E20060030238E5EC, and return the result of writing and TID



*1. Most common commands such as <A>, <Z> are not described in the above diagram.

*2. The above is only one example. The actual value varies depending on tags. Blank after data is filled with the space (20H).

[Notes]

1. The product writes data to tags and then read TID when <IP0> command is received.
2. STX + "0" (0x30)+ "Blank" (0x20) ... + STX (writing reading failure) is returned when specifying RU2 and requesting the reply by SOH+RU without writing.

- ◆When the parameter is 1,
[SOH+RU return data format (normal)]
[STX]a...a,b,c,d...d[ETX]

[Return data]

Symbol	Parameter name	Valid range
a	Total number of data byte * This is the total number of bytes after parameter b. Delimiter comma between parameters a and b, and ETX are not included. The data size from the first identifier to before ETX.	Data size from the first write result status until before [ETX] Maximum 5-digit characters
b	Write result status	0: Write failure 1: Write success *Text format
c	Error symbol	N : No error E : EPC write error T : TID read error M : Reserved A : All errors *Text format
d	EPC/TID return data	Refer to the following [EPC/TID return data]: *Text format

[UID/EPC return data format]

"Specify memory"+" ":"Data" + "Line feed (0DH, 0AH)"
 ee.f...f(,gg:h...h)[CR][LF]

Specifying the memory to be recorded

<RA>-product setting IF:RFID setting section parameter

DATA_TO_RECODE: The data to be read differs according to the settings of the RFID data record.

"0": BOTH (EPC and TID are returned)

"1": EPC (only EPC is returned)

"2": TID (only TID is returned)

Below is the sample of **<RA>** setting.

<A>

<RA>,24,IF,18,DATA_TO_RECODE:0[CR][LF]

<Z>

To set the above from the settings menus, you can perform the same from "RFID USER MODE"->"LOG DATA"

[EPC/TID return data]

Symbol	Parameter name	Valid range
e(g...)	Memory	EP : EPC ID : TID For UHF band only
f(h...)	Data	Maximum 256-digit characters

Data Example)

EP:E0123456789ABCDEF0123456,ID:E200680612345678

[Return data format (when a command error occurs)]

[NAK]<15>16

[Exception processing]

Parameter name	Exceptional condition	
	A value outside the range is specified	The specified size and received size are different
Identifier	Command error	Invalid receive data

Terminology	Description
Command error	The receive data after command error will not be regarded as a parameter for this command.
Invalid receive data	The data after the 2 byte identifier will be ignored.

[Coding example 2]

<A>

<RU>01

<IP0>e:h,epc:E0123456789ABCDEF0123456;

<XM>E0123456789ABCDEF0123456

<Z>

[Return status example]

When SOH+RU is received using a tag with E200680612345678 for TID and specified to return TID only.

■ Write success (TID read success)

[STX]25,1,N,ID:E200680612345678[CR][LF][ETX]

■ Write success (TID read failure)

[STX]9,1,T,ID:[CR][LF][ETX]

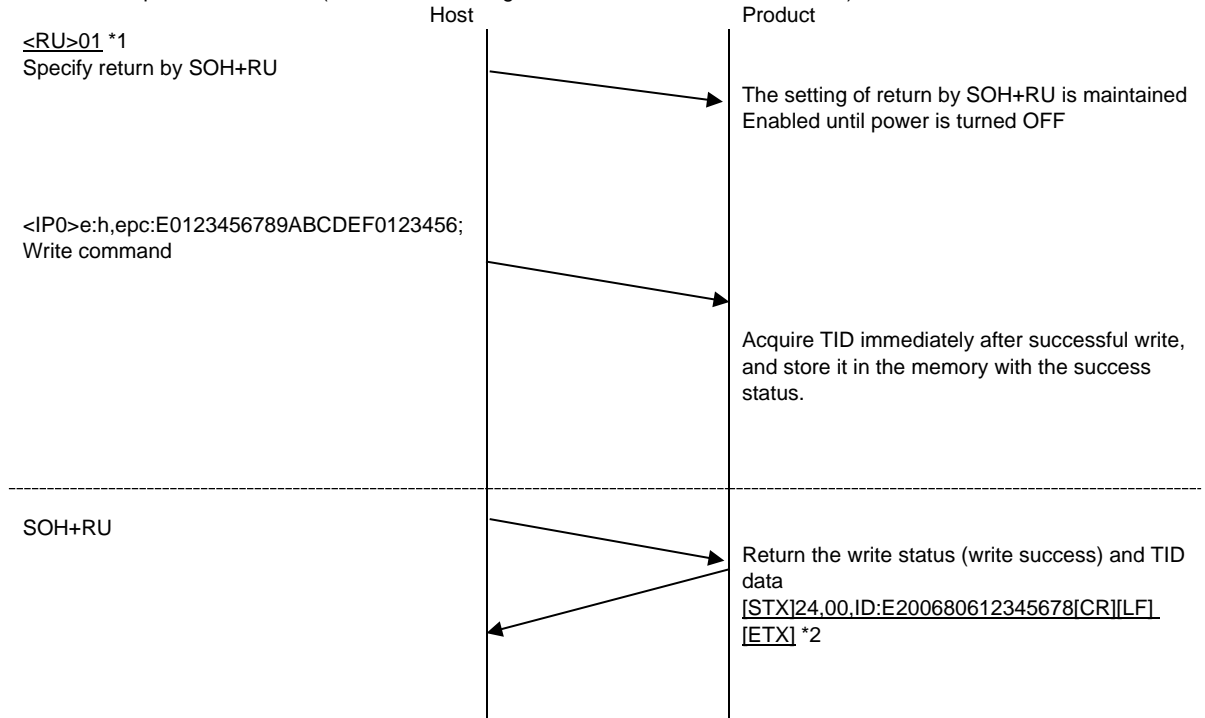
■ Write fail (EPC write failure)

[STX]9,0,E,ID:[CR][LF][ETX]

[Notes]

1. The write status and EPC/TID is returned when SOH+RU is received after RFID write.
2. Although write is successful, status will be returned without data if you fail to read EPC/TID since EPC/TIC read will be done separately from write.
3. When there is an EPC code write but there is no print data, write result status is "0: writing failed" and error symbol is "A: all error" in the return data.

The return sequence of <RU>01 (In case of Gen2 tag that has TID= E200680612345678)



*1. Most common commands such as <A>, <Z> are not described in the above diagram.

*2 Content of the return EPC/TID is an example. The actual value varies depending on the tag.

[Notes]

1. EPC/TID data to be returned is up to 256 characters.
2. The product writes data to tags and then read EPC/TID when <IP0> command is received.

16.8 RFID Command

RFID Mode Setting		ESC+RA	
Hexadecimal code	ESC <1B> ₁₆	RA <52> ₁₆ <41> ₁₆	Parameter a(,Ec:b)(,Ce:c)(,To:ddd)(,Pw:eee)(,Pr:fff)(,Ps:g)(,Tb:h)(,Mr:i)(,Ed:j)(,Es:k)(,Eo:l)(,Pl:m)(,Pm:n)(,lv:o)(,lt:p)(,Rc:q)(,Rs:r)(,La:y)(,Lb:z)
Initial value	Refer to the table below.		
Valid range and term of command	When the power switch is OFF	The set parameter is maintained.	
	Valid range within item	The parameter preset will be invalid. (Valid when Rs: 0 is specified)	
	Valid range between items	The parameter preset will be invalid. (Valid when Rs: 0 is specified)	

[Function]

Switch between Normal mode and RFID enabled mode, and change RFID settings.

[Format]

<RA>a (,Ec:b)(,Ce:c)(,To:ddd)(,Pw:eee)(,Pr:fff)(,Ps:g)(,Tb:h)(,Mr:i)(,Ed:j)(,Es:k)(,Eo:l)(,Pl:m)(,Pm:n)(,lv:o)(,lt:p)(,Rc:q)(,Rs:r)(,La:y)(,Lb:z)

- Parameter (All parameters should be ASCII format)

a=[Operation mode] : Valid range "0,2"

0: RFID disabled mode

2: RFID enabled mode

When the operation mode setting is 2: RFID enabled mode, you can specify the extended parameters to set each of detailed setting of RFID. Specify the setting category by identifier, and set the value after the identifier to the designated category. (Restart is necessary after setting change)

Extended parameter

Item	Identifier	Category/Description	Valid range
b	"Ec:"	Number of retries Specify the upper limit of number of retry in the range from 0 to 9 when tag error is occurred with EPC code write command <IP0>. (Default Value: 1)	"0" to "9" 1 digit
c	"Ce:"	Print restraint function at the time of command error When the error occurs in the command contained in the RFID print item, set whether or not to print. 0(30H): Don't print (Default) 1(30H): Print When "Don't print" is set, and a command error and a parameter error occur in the item including the RFID print -related command, the product discards the item in error, ring the buzzer, stops printing and goes to OFFLINE.	(0,1) 1 digit
ddd	"To:"	Tag offset Change the tag offset. Unit is in mm. From 0 to 240 can be specified. (Default Value: 0) Specify the value that does not exceed the label size and the size specified with <A1> command. Note that a white streak may appear at the pause position. You need to consider it to avoid as it affects the print layout.	"0" to "240" Maximum 3 digits
eee	"Pw:"	Radio output power setting (at writing) Specify the value of radio output power setting of RFID module. The value is dBm x 10. Example: 17.0 dBm is 170 The value is sent to RFID module after restart, and the specified radio output power becomes valid. (Default Value: 100) Use "Antenna Output ESC+IP5" when the specified radio output power needs to be valid immediately.	"0" to "240" Maximum 3 digits (Necessary to restart after changing)
fff	"Pr:"	Radio output power setting (at reading) Specify the value of radio output power setting of RFID module. The value is dBm x 10. Example: 17.0 dBm is 170 The value is sent to RFID module after restart, and the specified radio output power becomes valid. (Default Value: 100) Use "Antenna Output ESC+IP5" when the specified radio output power needs to be valid immediately.	"0" to "240" Maximum 3 digits (Necessary to restart after changing)

Item	Identifier	Category/Description	Valid range																		
g	"Mr.:"	<p>This is not used with this specification. This parameter is ignored.</p> <p>Timeout/Number of retry (Default: 4) Change the setting of timeout/number of retry in the module.</p> <table border="1"> <tr> <td>Specified number</td> <td>0</td> <td>1</td> <td>2</td> <td>3</td> <td>4</td> <td>5</td> <td>6</td> <td>7</td> </tr> <tr> <td>ThingMagic (msec)</td> <td>50</td> <td>100</td> <td>200</td> <td>500</td> <td>1000</td> <td>1500</td> <td>2000</td> <td>4000</td> </tr> </table>	Specified number	0	1	2	3	4	5	6	7	ThingMagic (msec)	50	100	200	500	1000	1500	2000	4000	"0" to "7" 1 digit (Necessary to restart after changing)
Specified number	0	1	2	3	4	5	6	7													
ThingMagic (msec)	50	100	200	500	1000	1500	2000	4000													
h	"Ed.:"	<p>Recovery at tag error Set recovery method at tag error. (Default Value: 0) 0(30H) : RETRY mode 1(31H) : RELEASE mode</p>	(0,1) 1 digit																		
i	"Es.:"	<p>Slash printing at tag error (default: 1) 0 (30H) : Disable 1 (31H) : Enable</p>	(0,1) 1 digit																		
j	"Eo.:"	<p>Signal setting at tag error (default: 1) 0(30H) : PULSE 1(31H) : LEVEL</p>	(0,1) 1 digit																		
k	"Pl.:"	<p>Pulse length Setting the pulse length of external signals at RFID tag error. (Default Value: 1)</p> <table border="1"> <tr> <td>Specified number</td> <td>1</td> <td>2</td> <td>3</td> <td>4</td> <td>5</td> </tr> <tr> <td>Msec</td> <td>100</td> <td>200</td> <td>300</td> <td>400</td> <td>500</td> </tr> </table>	Specified number	1	2	3	4	5	Msec	100	200	300	400	500	"1" to "5" 1 digit						
Specified number	1	2	3	4	5																
Msec	100	200	300	400	500																
l	"Pm.:"	<p>PREND TYPE 3/4 setting Setting the external signal PREND type 3/4 (Default 0) 0 (30H): Normal 1 (31H): Reflect tag writing period to the signal</p>	(0,1) 1 digit																		
m	"lv.:"	<p>Inventory setting Setting whether to check the captured label or not before writing data by EPC code write command <IP0> and read data by tag data print command <TU>. The default is "1: INVENTORY enabled." When this setting is enabled, and the number of captured tag is more than 1, "MULTI TAG ERROR" occurs to prevent writing to (or reading from) the neighbor tag. When "MULTI TAG ERROR" occurs frequently, some measures need to be taken such as lowering radio power setting. Note that checking the number of captured tag by this INVENTORY setting is not possible when the default value of each EPC area is the same to the neighbor tag. Thus, this setting is valid only for products that EPC default value is unique code to the neighbor tag. 0 (30H) : INVENTORY disabled 1 (30H) : INVENTORY enabled (default)</p>	(0,1) 1 digit (Necessary to restart after changing)																		
n	"lt.:"	<p>INVENTORY timeout setting (Default value: 3) Setting the timeout time for INVENTORY that is enabled with lv: item.</p> <table border="1"> <tr> <td>Specified number</td> <td>0</td> <td>1</td> <td>2</td> <td>3</td> <td>4</td> <td>5</td> <td>6</td> <td>7</td> </tr> <tr> <td>ThingMagic (msec)</td> <td>25</td> <td>50</td> <td>75</td> <td>100</td> <td>150</td> <td>200</td> <td>300</td> <td>500</td> </tr> </table>	Specified number	0	1	2	3	4	5	6	7	ThingMagic (msec)	25	50	75	100	150	200	300	500	"0" to "7" 1 digit (Necessary to restart after changing)
Specified number	0	1	2	3	4	5	6	7													
ThingMagic (msec)	25	50	75	100	150	200	300	500													
o	"Rc.:"	<p>RFID Counter clear Clear RFID counter. RFID life counter is not cleared. This specification is not recorded to the memory. 0 (31H) : Don't clear (Default when omitted) 1 (31H) : Clear</p>	(0,1) 1 digit																		
p	"Rs.:"	<p>Restart after setting Set whether or not to restart the product after executing this command. When this parameter is omitted, it becomes "Restart". This specification is not recorded to the memory. 0 (30H) : Don't restart (With 3 short beeps) 1 (31H) : Restart (With 3 long beeps, default when omitted) 2 (32H) : Don't restart (Without beep) Note: Be sure to specify restart when switching RFID enabled/disabled mode or changing the setting of RFID module.</p>	"0" to "2" 1 digit																		

Item	Identifier	Category/Description	Valid range
w	"La:"	RFID log setting (Default: 0) 0 (30H) : Disable 1 (31H) : Enable	(0,1) 1 digit
x	"Lb:"	RFID log data setting (Default: 0) 0 (30H) : EPC and TID 1 (31H) : EPC 2 (32H) : TID	"0" to "2" 1 digit

1. The parameter that doesn't need to be changed can be omitted.
2. When omitted the item, the previous value will be maintained. (Excluding Rs/Rc: parameter)
3. When there is an error in a part of parameter, the other parameters specified together are disabled.
4. After changing the setting of parameter that is necessary to restart, be sure to specify restart.

[Coding Example]

```
<A>
<RA>2, Ec:03, Ce:0, Rs:0
<Z>
```

Explanation: the product is configured to RFID enabled, the number of retries is 3, and do not print at command error. The product is not restarted after execution of this command.

[Notes]

1. This command is valid only for the RFID option equipped product.
2. This command cannot use together with other than <A><Z> command.
3. There are 3 long beeps and the product is restarted automatically when this command is sent to the product.
When restart is not necessary, specify the parameter "Rs:0". There are 3 short beeps when the product is not restarted.
Specify "Rs:2" when restart and buzzer sound are not necessary.
4. Be sure to feed one label for adjusting the position after restart.
5. After changing the setting of parameter that is necessary to restart, be sure to specify restart.
6. The setting values of the menus listed below are changed accordingly by changing the value with this command.

Extended parameters that values are changed accordingly and menu screens

Item	Identifier	Screens changed accordingly	Menu
a	-	RFID module setting screen	RFID Mode
b	"Ec:"	MAX. ERR COUNT setting screen	RFID User Mode
ddd	"To:"	RFID_TAG OFFSET setting screen	RFID User Mode
eee	"Pw:"	ANTENNA POWER setting screen	RFID User Mode
fff	"Pr:"	ANTENNA POWER setting screen	RFID User Mode
h	"Ed:"	RFID RETRY MODE setting screen	RFID User Mode
i	"Es:"	RFID ERR SLASH setting screen	RFID User Mode
j	"Eo:"	RFID ERR OUTPUT setting screen	RFID User Mode
k	"Pl:"	LENGTH OF PULSE setting screen	RFID User Mode
l	"Pm:"	PREND TYPE 3/4 setting screen	Service Mode
m	"lv:"	INVENTORY setting screen ENABLE/DISABLE	RFID Mode
n	"lt:"	INVENTORY setting screen TIMEOUT	RFID Mode
w	"La:"	Log setting screen	RFID User Mode
x	"Lb:"	Log setting screen	RFID User Mode

17 XML Commands

17.1 XML			
Register Print Template Name			ESC+/Y
Hexadecimal code	ESC <1B> ₁₆	/Y <2F> ₁₆ <59> ₁₆	Parameter ,n~n
Initial value	Nil		
Valid range and term of command	When the power switch is OFF		The set parameter is maintained.
	Valid range within item		The set parameter is invalid until the next valid setting.
	Valid range between items		The set parameter is invalid until the next valid setting.

[Function]

To register the Print Template name inside the product memory.

[Format]

<Y>,n~n

●Parameter

n~n [Print Template name]= Valid range : 1 to 32 ASCII characters

[Coding Example]

```
<A>
<CC>1
<YS>,1
</Y>,Material Label
</X>,14,10,ProductID
<%>0<V>100<H>200<P>2<L>0101<XM>
<Z>
```

[Notes]

1. Only first 32 characters of the print template name will be registered into the product memory.
2. The character “,” (HEX: 2C) is not allow in template name registration.
3. This command must be used together with the <YS> command.

17.2 XML

Set XML Variable Name

ESC+/X

Hexadecimal code	ESC <1B> ₁₆	/Y <2F> ₁₆ <58> ₁₆	Parameter ,a,b,n~n
Initial value	Nil		

Valid range and term of command	When the power switch is OFF	The set parameter is maintained.
	Valid range within item	The set parameter becomes invalid.
	Valid range between items	The set parameter becomes invalid.

[Function]

To set the XML variable field name for the format field number.

[Format]

</X> ,a,b,n~n

•Parameter

- a [Field number] = 01 to 99
- b [Max field length] = 01 to 99
- n~n [Print Template name] = Up to maximum 60 ASCII characters

[Coding Example]

Assign XML variable name ProductID to the field number 14, with Maximum input field length up to 10 characters.

```
<A>
<CC>1
<YS>,1
</Y>,Material Label
</X>,14,10,ProductID
<%>0<V>100<H>200<P>2<L>0101<XM>
<Z>
```

[Notes]

1. This command must be used together with the <YS> command.
2. Please refer to valid command list from Registration of Field command </N> command.

17.3 XML

Remove Print Template

ESC+/R

Hexadecimal code	ESC <1B> ₁₆	/R <2F> ₁₆ <52> ₁₆	Parameter ,a,n~n
Initial value	Nil		

Valid range and term of command	When the power switch is OFF	The set parameter is maintained.
	Valid range within item	The set parameter becomes invalid.
	Valid range between items	The set parameter becomes invalid.

[Function]

To clear content registered XML print template inside product memory.

[Format]

</R>,a,n~n

•Parameter

- | | | | |
|-----|--|---|--|
| a | [Remover template] | = | 0 : Represent by print template name
1 : Represent by print template format number |
| n~n | [Print template name or format number] | = | Valid range (Template name) : 1 to 32 ASCII characters
Valid range (Format number) : 001 to 999 |

[Coding Example]

Clear Print Template with the template name "SATO Barcode".

```
<A>
<CC>1
</R>,0,SATO Barcode
<Z>
```

[Notes]

1. To avoid incorrect response from product, this command should not use in conjunction with other commands.
2. This command is valid only if the desired template is registered inside the product memory initially.
3. When parameter (n~n) is not inserted or inserted wrong reference name, this </R> command will become invalid and the command is not effected.
4. Parameter 'a' will be set as '0' if not assigned.
5. The product will response "ACK" back to the host PC if the operation successes, else the product will response "NAK" to the host PC if the operation fails.

17.4 XML

Set Print Template Name

ESC+/S

Hexadecimal code	ESC <1B> ₁₆	/S <2F> ₁₆ <53> ₁₆	Parameter ,aaa,n~n
Initial value	Nil		

Valid range and term of command	When the power switch is OFF	The set parameter is maintained.
	Valid range within item	The set parameter is invalid until the next valid setting.
	Valid range between items	The set parameter is invalid until the next valid setting.

[Function]

To change the print template name that is already registered inside the product memory.

[Format]

</S>,aaa,n~n

•Parameter

aaa [Print template format number] = 001 to 999
n~n [Print template name] = Valid range (Template name) : 1 to 32 ASCII characters

[Coding Example]

Change Print Template with the template name "SATO Barcode".

```
<A>
<CC>1
</S>.001.SATO Barcode
<Z>
```

[Notes]

1. To avoid incorrect response from product, this command should not use in conjunction with other commands.
2. Only first 32 characters of the print template name will be registered into the product memory.
3. The character ";" (HEX: 2C) is not allow in template name registration.
4. The product will response "ACK" back to the host PC if the operation successes, else the product will response "NAK" to the host PC if the operation fails.
5. If the parameter "aaa" is not assigned, </S> command will be ignored.

17.5 XML

Get Print Template Information

ESC+/G

Hexadecimal code	ESC <1B>16	/S <2F>16<47>16	Parameter ,a,n~n
Initial value	Nil		

Valid range and term of command	When the power switch is OFF	The set parameter is maintained.
	Valid range within item	The set parameter becomes invalid.
	Valid range between items	The set parameter becomes invalid.

[Function]

To recall the print templates data or print template names from the product memory.

[Format]

</G>,a,n~n

•Parameter

- | | | | |
|-----|---------------------------------|---|---|
| a | [Type of desired template data] | = | 0: Get current print template name
1: Get all print template names
2: Get all print templates
3: Get standardized print template
4: Get specific print template |
| n~n | [Print template name] | = | Valid range (Template name) : 1 to 32 ASCII characters
This parameter n~n is needed when a = 4 was specified. |

[Coding Example]

Recall all the registered template names from the product memory

```
<A>
<CC>1
</G>,1
<Z>
```

Recall the print template with the template name "SATO Barcode"

```
<A>
<CC>1
</G>,4,SATO Barcode
<Z>
```

[Notes]

- To avoid incorrect response from product, this command should not use in conjunction with other commands.
- This command is valid only if the product memory has at least one registered format.
- Print template name will be returned only if the desired template name is registered by </Y> command together with the <YS> commands.
- Parameter 'a' will be set as '0' if not assigned.
- For (a=1), the character ',' (HEX: 2C) will act as separators between each reply template name. (Note: No separator will be used, if there is only one template name installed inside the memory)
- The product will response "ACK" back to the host PC if the operation successes, else the product will response "NAK" to the host PC if the operation fails.
- In case the user gave same name to different formats, the </G>,4 command will recall the template with the smaller format number.

17.6 XML

Air Protocols Management

ESC+/A

Hexadecimal code	ESC <1B>16	/A <2F>16<41>16	Parameter ,a,b
Initial value	Nil		

Valid range and term of command	When the power switch is OFF	The set parameter is maintained.
	Valid range within item	The set parameter becomes invalid.
	Valid range between items	The set parameter becomes invalid.

[Function]

To set the type of Air Protocols to be used and get the information about supported Air Protocols.

[Format]

,a,b

•Parameter

- | | | | |
|---|---------------------------|---|---|
| a | [Air Protocol management] | = | 0: Get a list of all the supported Air Protocols
1: Get the type of Air Protocol that is in use
2: Set the type of Air Protocol to be used |
| b | [Print template name] | = | 0: Set "EPC Class 0+"
1: Set "EPC Class 1"
2: Set "GEN 2" (Supported in CL4NX printer only)
3: Set "EPC Class 1.19(UCODE)"
This parameter b is needed when a = 2 was specified. |

[Coding Example]

Get the type of Air Protocol that is in use.

```
<A>
</A>,1
<Z>
```

Set the type of Air Protocol to "EPC Class 1".

```
<A>
</A>,2,1
<Z>
```

[Notes]

- To avoid incorrect response from product, this command should not use in conjunction with other commands.
- Parameter 'a' will be set as '0' if not assigned.
- Air Protocol setting by ",2,b" is maintained until next changes is made in LCD panel or ",2,b" command again.
- For (a=2), the command will become invalid if the parameter 'b' is not assigned or assigned wrong reference number. (Note: Depending on the RFID modules, the command will become invalid if user set the RFID option that is not supported by module.)
- For (a=0), the character ', '(HEX: 2C) will act as separators between each reply Air Protocol. (Note: No separator will be used, if there is only one supported Air Protocol.)
- For (a=0), user cannot send any request command to the product until the product finished sending the requested data.
- Gen2 protocol is the only protocol setting supported in CL4NX printer currently, if other protocols were specified, it will return as a command error.

Part 2 Interface Specification

1 Overview

1.1 Overview

There are built-in interfaces for data communication with the host system, and an interface that connect external interface for communication of the product and peripherals.

The product has the following built-in interfaces.

- 1) RS-232C interface (DP9pin (female terminal))
- 2) LAN interface (10BASE-T/100BASE-TX auto-detecting, RJ45 connector)
- 3) USB interface (USB2.0 High speed, type A connector / type B connector)
- 4) IEEE1284 interface (communication mode: ECP mode/compatible, Amphenol 36 pin)
- 5) External signal interface (D-SUB25 pin)

The following interfaces are optional.

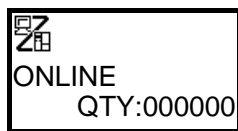
- 1) Wireless LAN unit (802.11b/g/n)
- 2) Bluetooth interface (Ver.2.0+EDR Class 2)

1.2 Function setting

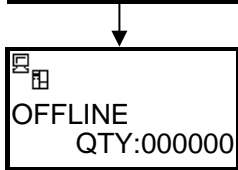
You need to configure each interface in the interface mode of the product before using it.

1) Procedure to enter the interface mode

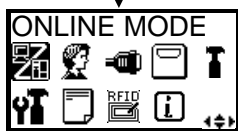
Here is the procedure to enter the interface mode to configure each interface.



- (1) Power on the product, press the LINE button once while the product is ONLINE. The product goes OFFLINE.



- (2) Press the ENTER button once. The product goes to the MODE MENU.



- (3) Press the right arrow button twice to move the cursor to the RFLD icon.



- (4) Press the ENTER button once. The product enters the interface mode.

*When you changed the configuration, be sure to turn the product's power off and turn it on again.

2) How to configure each interface

You need to configure both "Data Port" and "Sub Port". The following are overview of each ports.

(1) Data Port

This port receives print data from PC. All SBPL commands are available in this port.

<Configurable interfaces for the Data Port>

USB, LAN, IEEE1284, RS-232C, Bluetooth (optional), wireless LAN (optional)

The interface configured as Sub Port cannot be used as the Data Port interface.

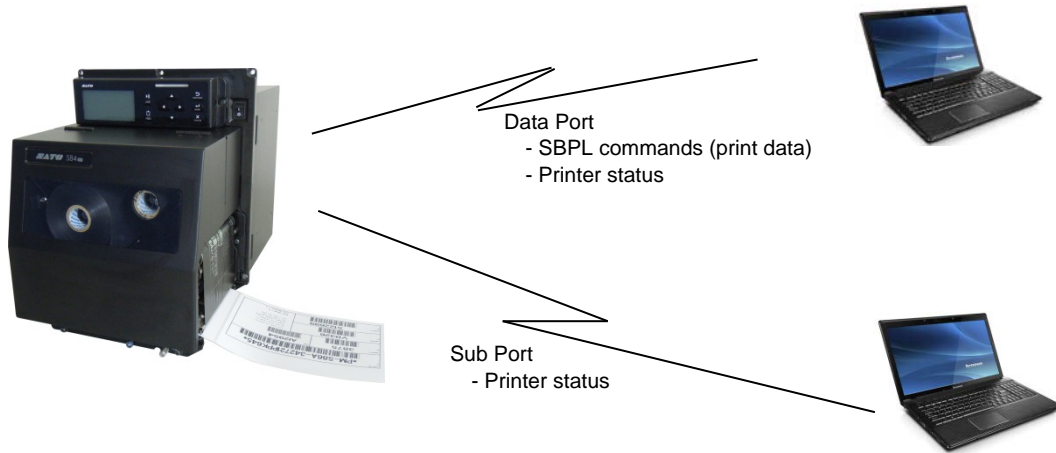
(2) Sub Port

This port monitors the printer status. Please refer to "2.2 Return Status " for available commands in this port.

<Configurable interfaces for the Sub Port>

USB, LAN, IEEE1284, RS-232C, Bluetooth (optional), wireless LAN (optional)

The interface configured as Data Port cannot be used as the Sub Port interface.



1.3 Combination of interfaces

The following combinations are available for the Data Port and the Sub Port.

		Data Port					
		RS-232C	IEEE1284	USB	LAN	Wireless LAN	Bluetooth
Sub Port	RS-232C		○	○	○	○	○
	IEEE1284	○		○	○	○	○
	USB	○	○		○	×	○
	LAN	○	○	○		○	○
	Wireless LAN	○	○	×	○		○
	Bluetooth	○	○	○	○	○	

[○: configurable, ×: not configurable]

(Notes)

1. It is not possible to select Wireless LAN in the interface mode when a wireless LAN unit is not connected.
2. It is not possible to use wireless LAN and USB at the same time because the wireless LAN unit is connected to the product through USB.
3. The Sub Port cannot be used when Interface Auto Detection is enabled.

2 Communication Protocol

2.1 Communication protocols and Receive Mode

There are 2 kinds of receive mode; single item and multiple, and the receive mode will be different according to the combination of the interface and the communication protocol.

- Single item receive
Single item (ESC A - ESC Z) can be received after the previous single item has printed.
- Multiple receive mode
Enabling receiving data up to near full size during printing.
- Bidirectional communication (Status 2, Status 3, Status 4, Status 5)
Monitoring printer status and perform data communication.
- Unidirectional communication (READY/BUSY)
Data communication is controlled by the hardware.
- Refer to each interface section for details on READY/BUSY, XON/XOFF, Status 3, Status 4 and Status 5.

Available communication protocol is as follows.

Interface Communication Protocol	RS-232C	IEEE1284	USB	LAN	Bluetooth (optional)	Wireless LAN (optional)
Single item receive Unidirectional communication	×	○	×	×	×	×
Multiple receive Unidirectional communication	×	○	×	×	×	×
READY/BUSY Single item receive Unidirectional communication	○	×	×	×	×	×
READY/BUSY Multiple receive Unidirectional communication	○	×	×	×	×	×
XON/XOFF Single item receive Bidirectional communication	○	×	×	×	×	×
XON/XOFF Multiple receive Bidirectional communication	○	×	×	×	×	×
Status 2 Single item receive Bidirectional communication	○	×	×	×	×	×
Status 3 Multiple receive Bidirectional communication	○	×	×	○	○	○
Status 4 Multiple receive Bidirectional communication	○	○	○	○	○	○
Status 5 Multiple receive Bidirectional communication	○	○	○	○	×	○

[○: available, ×: not available]

2.2 Return Status

Purpose of return status is to control the printer status from the host, and the product returns the status after receiving the status request command.

There are 4 kinds of return status; Status 2, Status 3, Status 4, and Status 5. The return status is as follows.

The product returns the status after receiving the status request command.

Communication Protocol	Command	Command name	Data Port	Sub Port	Note
READY/BUSY	—	—	○	× ^{*1}	
XON/XOFF	—	—	○	× ^{*1}	
Status 2	ENQ	Status request command	○	○	Excluding Hex dump mode
	CAN	Cancel request command	○	○ ^{*2}	
Status 3	ENQ	Status request command	○	○	Excluding Hex dump mode
	CAN	Cancel request command	○	○ ^{*2}	
Status 4	ENQ	Status request command	○	○	Excluding Hex dump mode
	CAN	Cancel request command	○	○ ^{*2}	
	DLE	Print pause request command	○	×	Disabled in Bluetooth
	DC1	Print resume request command	○	×	Disabled in Bluetooth
Status 5	SOH + ENQ	Status request command	○	○	Excluding Hex dump mode
	SOH + CAN	Cancel request command	○	○ ^{*2}	
	SOH + DLE	Print pause request command	○	×	
	SOH + DC1	Print resume request command	○	×	
Status 3 Status 4 Status 5	SOH + MG	Print configuration request	○	○	
	SOH + SB	System version information request	○	○	
	SOH + EB	Free memory space information request	○	○	
	SOH + FO	Form overlay information request	○	○	
	SOH + CR	Status 5 setting information request	○	×	
	SOH + LW	Status 5 history data information request	○	×	
	SOH + LA	LAN information request	○	×	
	SOH + WI	Wireless LAN field intensity information request	○	○	
	SOH + H5	Wireless LAN interface information request	○	×	
	SOH + wa	Association Threshold information request	○	×	
	SOH + wr	Roaming Threshold information request	○	×	
	SOH + WS	Work shift information request	○	×	

[○: supported, ×: not supported]

*1 The Sub Port of READY/BUSY and XON/XOFF is configurable, but the commands that can be used for the Sub Port are not supported.

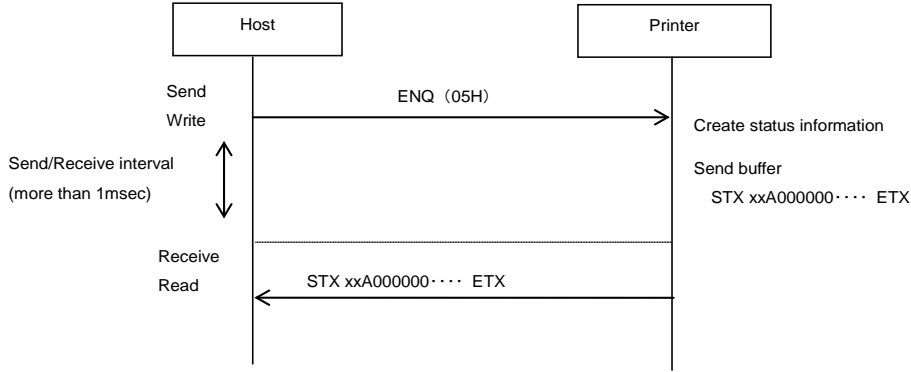
*2 Cancel is not allowed when receiving print data. Cancel behavior when receiving data is not guaranteed.

(Note)

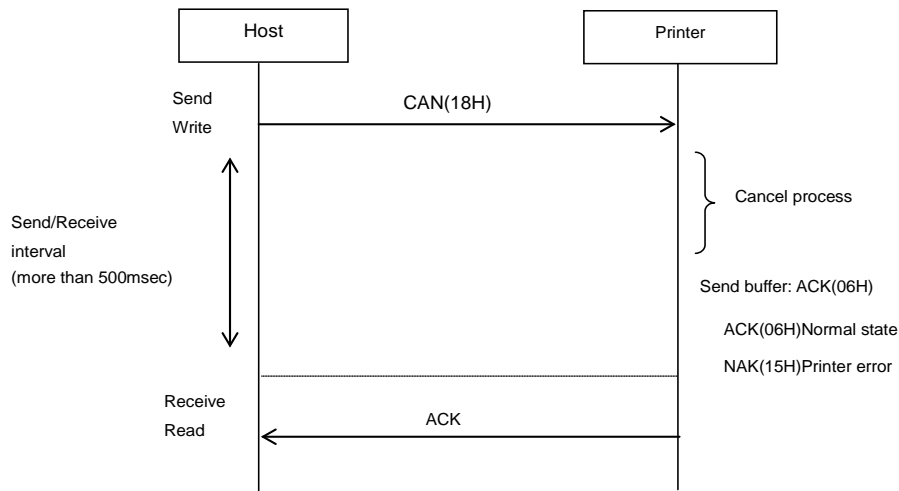
In order to obtain a return status from the product, insert the time interval of sending and receiving after sending each command to the product.

Command	Command name	A time interval of sending and receiving (Guideline)
ENQ (05H)	Status request	1 msec or more * In case of wireless LAN, 300 msec or more
CAN (18H)	Cancel request	500 msec or more
DLE (10H)	Print pause request	
DC1 (11H)	Print resume request	

(1) ENQ (Status request)



(2) CAN (Cancel request)



The values stated above are reference of waiting time until the product confirms the ACK return. Actual value varies depending on the type of interface, settings and the conditions.
Guideline of send and receive time interval of cancel request at buffer near full is more than 900 msec.

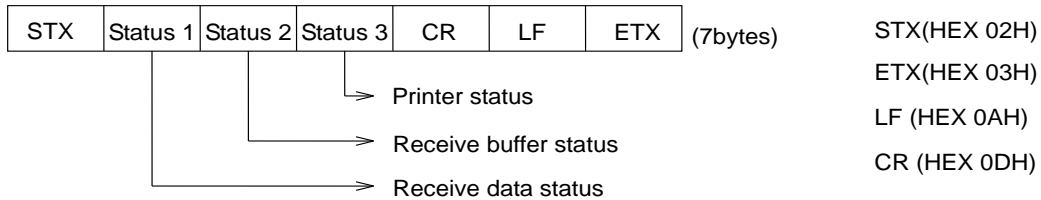
2.2.1 Return status of Status 2

The product returns the printer status by receiving the status request command sent from the host.
 The product initializes the receive buffer and cancels the print job by receiving the cancel request command.
 The details of each request command and return status are as follows.

1) Status request command

The product returns the state of the receive data, the receive buffer and the product by receiving this command sent from the host.

- (1) Command ENQ (HEX 05H)
- (2) Return status/format



(3) Status list

State of receive data

Status return	Description
"0" (HEX 30H)	Indicates the receive text was received normally.
"0" (HEX 31H)	Indicates the receive text was received normally. (Communication error, receive buffer overflow)

State of receive buffer

Status return	Description
"0" (HEX 30H)	Indicates no data exists in the receive buffer.
"9" (HEX 39H)	Indicates data exists in the receive buffer.

Printer status

Status return	Description
"0" (HEX 30H)	Normal (Receivable state)
"0" (HEX 31H)	Offline or print pause
"@" (HEX 40H)	Ribbon end
"A" (HEX 41H)	Paper end
"B" (HEX 41H)	(Unused) Cutter sensor error
"E" (HEX 45H)	Head Open
"G" (HEX 47H)	Head error
"J" (HEX 4AH)	Card error
"k" (HEX 6BH)	Other error

* There is no ribbon end with the direct thermal model.

2) Cancel request command

This command enables you to cancel print jobs and to clear the entire contents of the receive buffer.

Note that the product doesn't return the status with this command. Be sure to send the next data after the elapse of 500 msec as delay time after sending the cancel request.

This command is also effective in offline state and the time of the error.

- (1) Command CAN (HEX 18H)

2.2.2 Return status of Status 3

The product returns the printer status and reply as the status by receiving 3 types of request commands and print command with this communication protocol.
 Details of request commands and return status are described below.

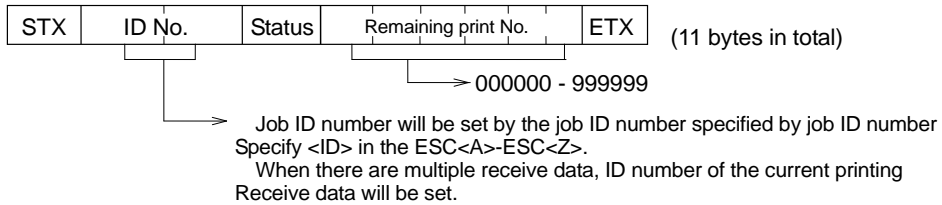
1) Status request command

The product returns the job ID number of receive data that is currently printing, the printer status and the number of the remaining labels to print to the host by receiving this command. Return all "0" (HEX 30H) as the print quantity after printing is finished or there is no more receive data. If the command Job ID Number <ID> is not specified, the ID number returns space (HEX 20H).

Avoid sending ENQ while sending the print data (STX <A> - <Z> ETX). This may cause return status error or print error.

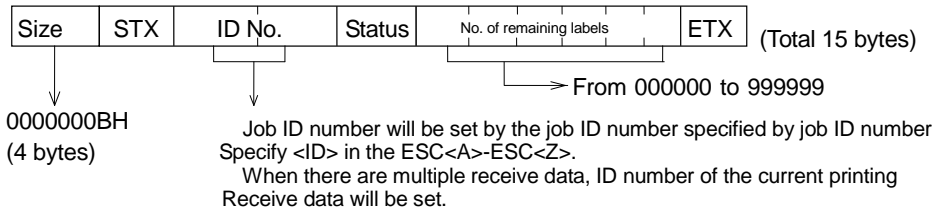
(1) Command ENQ (HEX 05H)

(2) Return status format (for other than Port 3 (9100) that LEGACY STATUS setting is enabled)



Return status format

(for Port 3 (9100) that LEGACY STATUS setting is enabled, and for Port 1 (1024) when using Wireless LAN)



(3) Status list

Description		ASCII	HEX	
Offline status	No error	0	30	
	Ribbon/Label near end *1	1	31	
	Buffer near full	2	32	
	Ribbon near end *1 & buffer near full	3	33	
	(Unused) Battery near end	5	35	
	(Unused) Battery near end & ribbon/label near end *1	6	36	
	(Unused) Battery near end & buffer near full	7	37	
	(Unused) Battery near end & ribbon/label near end *1 & buffer near full	8	38	
Online status	Reception standby	No error	A	41
		Ribbon/Label near end *1	B	42
		Buffer near full	C	43
		Ribbon near end *1 & buffer near full	D	44
		(Unused) Battery near end	!	21
		(Unused) Battery near end & ribbon/label near end *1	"	22
		(Unused) Battery near end & buffer near full	#	23
		(Unused) Battery near end & ribbon/label near end *1 & buffer near full	\$	24
	Printing	No error	G	47
		Ribbon/Label near end *1	H	48
		Buffer near full	I	49
		Ribbon/Label near end *1 & buffer near full	J	4A
		(Unused) Battery near end	%	25
		(Unused) Battery near end & ribbon/label near end *1	&	26
		(Unused) Battery near end & buffer near full	'	27
		(Unused) Battery near end & ribbon/label near end *1 & buffer near full	(28
	Standby (Dispense or cut)	No error	M	4D
		Ribbon/Label near end *1	N	4E
		Buffer near full	O	4F
		Ribbon near end *1 & buffer near full	P	50
		(Unused) Battery near end)	29
		(Unused) Battery near end & ribbon/label near end *1	*	2A
		(Unused) Battery near end & buffer near full	+	2B
		(Unused) Battery near end & ribbon/label near end *1 & buffer near full	,	2C
	Analysis/editing	No error	S	53
		Ribbon/Label near end *1	T	54
		Buffer near full	U	55
		Ribbon near end *1 & buffer near full	V	56
		(Unused) Battery near end	-	2D
		(Unused) Battery near end & ribbon/label near end *1	.	2E
		(Unused) Battery near end & buffer near full	/	2F
		(Unused) Battery near end & ribbon/label near end *1 & buffer near full	@	40
Error detection	Buffer over *2	a	61	
	Head Open	b	62	
	Paper end	c	63	
	Ribbon end *1	d	64	
	Media error (print skip error)	E	65	
	Sensor error	f	66	
	(Unused) Barcode read/verification error	f	66	
	(Unused) Barcode reader connection error	f	66	
	Head error	g	67	
	Cover open	h	68	
	(Unused) Cutter open error	h	68	
	(Unused) Ribbon core non-lock error *1	h	68	
	Card error	i	69	
	(Unused) Cutter error	j	6A	
	Other error	k	6B	
	(Unused) Cutter sensor error	l	2C	
	(Unused) Stacker or rewinder full Rewind full	m	2D	
	RFID Tag error	o	6F	
	RFID protect error	p	70	
	(Unused) Battery error	q	71	

Print quantity may not be set up properly depending on the timing of analysis/editing.

Print quantity may not be set up properly depending on the timing of analysis/editing.

*1 There is no ribbon end with the direct thermal model.

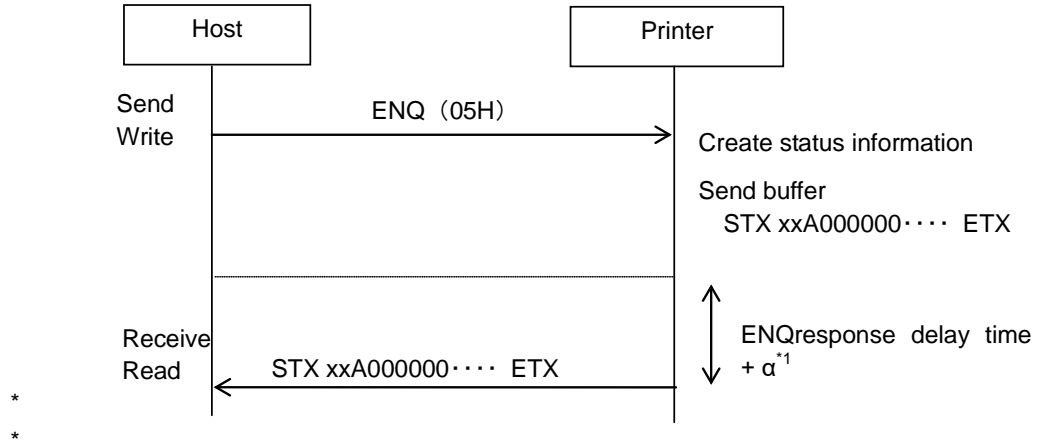
*2 Occurrence of buffer-over depends on the interface.

RS-232C	USB	LAN	Wireless LAN	Bluetooth	IEEE1284
○	×	×	×	×	×

[○: Interface that buffer-over occurs, ×: Interface that buffer-over doesn't occur]

(4) ENQ respond delay time setting

You can use the delay timer function to delay returning the printer status to the host by setting [ENQ respond delay time] in the service mode. Refer to the "Operator Manual" for more setting details.



*1 Time period of "α" varies according to the interface or the behavior of the application in the host.

2) Cancel request command

This command enables you to cancel print jobs and to clear the entire contents of the receive buffer. The product returns the printer status of after completion of the current process.

*When the cancel request command has sent, wait for more than 500 msec before sending the next data.

*This command shall not be used during sending printer data and other data.

(1) Command CAN (HEX 18H)

(2) Return status list

Status return	Description
ACK (HEX 06H)	No error in the product
NAK (HEX 15H)	Error at the product

3) Print Command

The product starts printing by receiving the print command (STX <A> ~<Z> ETX).

The product returns the printer status after receiving process is completed.

(1) Return status list (Printer status)

Status return	Description
ACK (HEX 06H)	No error in the product
NAK (HEX 15H)	Error at the product

An example of the job ID number command <ID>

```

<A>
<ID>01
<V>100<H>100<P>2<L>0202<XM>ABC
<Q>1
<Z>
    
```

Refer to the Job ID number command <ID>.

2.2.3 Return status of Status 4

The product returns the printer status and reply as the status by receiving 5 types of request commands and print command with this communication protocol.

Details of request commands and return status are described below.

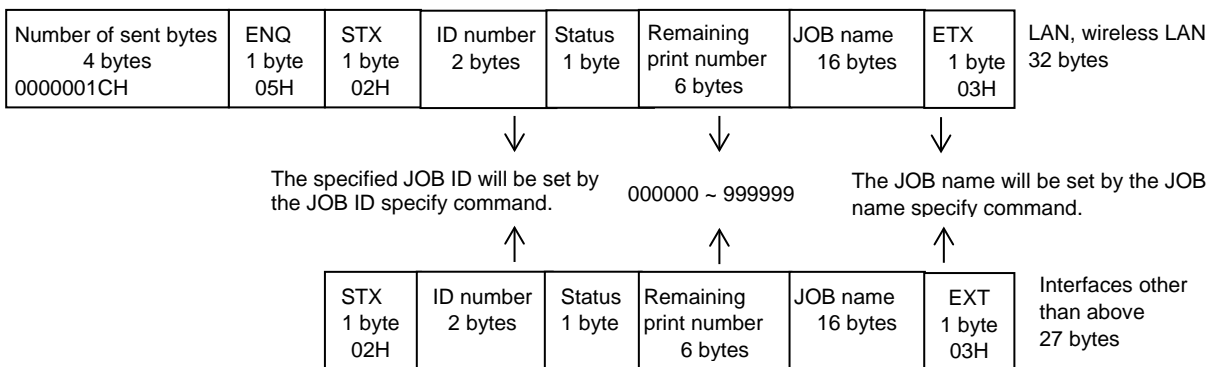
1) Status request command

The product returns the job ID number of receive data that is currently printing, the printer status and the number of the remaining labels to print to the host by receiving this command. Return all "0" (HEX 30H) as the print quantity after printing is finished or there is no more receive data. If the job ID command is not specified, space (HEX 20H) is returned as the job ID. Avoid sending ENQ while sending the print data (STX <A> - <Z> ETX). This may cause return status error or print error.

- (1) Command ENQ (HEX 05H) For LAN (Port3 (9100)), Wireless LAN (Port2 (1025)), Port3 (9100)
 - (2) Return status format LEGACY STATUS setting is enabled
- Number of transmission bytes: 36 bytes

Number of transmission bytes 4 bytes 00000020H	Number of transmission bytes 4 bytes 0000001CH	ENQ 1 byte 05H	STX 1 byte 02H	ID No. 2 bytes	Status 1 byte	No. of remaining labels 6 bytes	JOB name 16 bytes	ETX 1 byte 03H
--	--	----------------------	----------------------	-------------------	------------------	------------------------------------	----------------------	----------------------

For LAN or Wireless LAN, and LEGACY STATUS setting is disabled
Or, for LAN Port2 (1025)
Number of transmission bytes: 32 bytes



(3) Return status list

Description		ASCII	HEX	
Offline status	No error	0	30	
	Ribbon/Label near end *	1	31	
	Buffer near full	2	32	
	Ribbon/label near end * & buffer near full	3	33	
	Print pause (No error)	4	34	
	(Unused) Battery near end	5	35	
	(Unused) Battery near end & ribbon/label near end *	6	36	
	(Unused) Battery near end & buffer near full	7	37	
(Unused) Battery near end & ribbon/label near end * & buffer near full	8	38		
Online status	Reception standby	No error	A	41
		Ribbon/Label near end *	B	42
		Buffer near full	C	43
		Ribbon/label near end * & buffer near full	D	44
		Print pause (No error)	E	45
		(Unused) Battery near end	!	21
		(Unused) Battery near end & ribbon/label near end *	"	22
		(Unused) Battery near end & buffer near full	#	23
	Printing	(Unused) Battery near end & ribbon/label near end * & buffer near full	\$	24
		No error	G	47
		Ribbon/Label near end *	H	48
		Buffer near full	I	49
		Ribbon/label near end * & buffer near full	J	4A
		Print pause (No error)	K	4B
		(Unused) Battery near end	%	25
		(Unused) Battery near end & ribbon/label near end *	&	26
	Standby (Dispense or cut)	(Unused) Battery near end & buffer near full	'	27
		(Unused) Battery near end & ribbon/label near end * & buffer near full	(28
		No error	M	4D
		Ribbon/Label near end	N	4E
		Buffer near full	O	4F
		Ribbon/label near end * & buffer near full	P	50
		Print pause (No error)	Q	51
		(Unused) Battery near end)	29
	Analysis/editing	(Unused) Battery near end & ribbon/label near end *	*	2A
		(Unused) Battery near end & buffer near full	+	2B
		(Unused) Battery near end & ribbon/label near end * & buffer near full	,	2C
		No error	S	53
		Ribbon/Label near end *	T	54
		Buffer near full	U	55
		Ribbon/label near end * & buffer near full	V	56
		Print pause (No error)	W	57
	Error detection	(Unused) Battery near end	-	2D
		(Unused) Battery near end & ribbon/label near end *	.	2E
		(Unused) Battery near end & buffer near full	/	2F
		(Unused) Battery near end & ribbon/label near end * & buffer near full	@	40
Head open		b	62	
Paper end		c	63	
Ribbon end *		d	64	
Media error (print skip error)		E	65	
Sensor error		f	66	
(Unused) Barcode read/verification error		f	66	
(Unused) Barcode reader connection error		f	66	
Head error		g	67	
Cover open		h	68	
(Unused) Cutter open error		h	68	
(Unused) Ribbon core non-lock error		h	68	
Card error		i	69	
(Unused) Cutter error		j	6A	
Other error		k	6B	
(Unused) Cutter sensor error		l	2C	
(Unused) Stacker or rewinder full Rewind full		m	2D	
RFID Tag error	o	6F		
RFID protect error	p	70		
(Unused) Battery error	q	71		

Print quantity may not be set up properly depending on the timing of analysis/editing.

* There is no ribbon end or ribbon near end with the direct thermal model.

· **Cause of receive buffer near full**

Buffer near-full occurs when the remaining capacity of receive buffer (2.95MB) becomes 0.95 MB.

· **Factors to release receive buffer near full**

Receive buffer near full is released when the remaining capacity of the receive buffer becomes 1.95 MB or more.

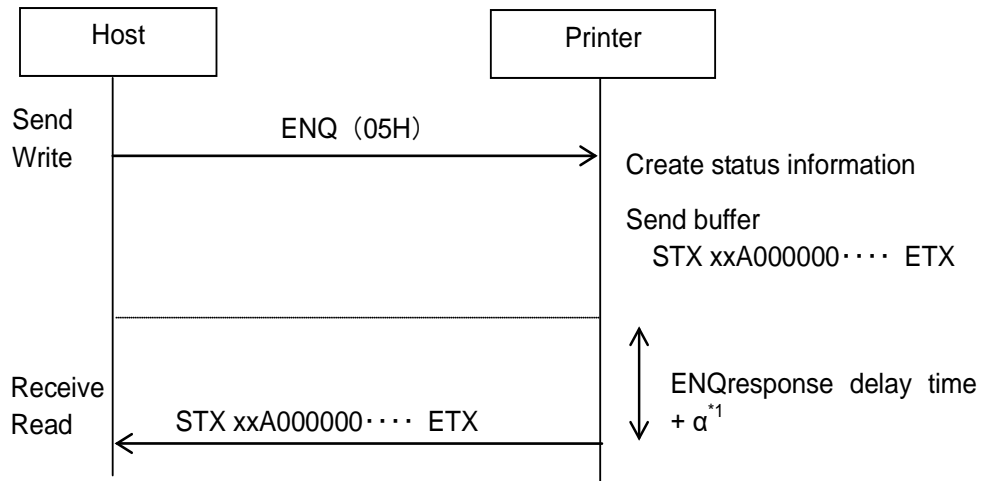
*Occurrence of buffer-over depends on the interface.

RS-232C	USB	LAN	Wireless LAN	Bluetooth	IEEE1284
○	×	×	×	×	×

[○: Interface that buffer-over occurs, ×: Interface that buffer-over doesn't occur]

(4) ENQ respond delay time setting

You can use the delay timer function to delay returning the printer status to the host by setting [ENQ respond delay time] in the service mode. Refer to the "Operator Manual" for more setting details.



*1 Time period of "+α" varies according to the interface or the behavior of the application in the host.

*This function is invalid in the cyclic response mode when using LAN interface.

2) Cancel request command

This command enables you to cancel print jobs and to clear the entire contents of the receive buffer.

The product returns the printer status of after completion of the current process.

*When the cancel request command has sent, wait for more than 500 msec before sending the next data.

Do not send cancel request command within STX <A>~<Z> ETX. CAN (cancel request) may not be sent.

(1) Command CAN (HEX 18H)

(2) Return status list

Return Status	Description
ACK (HEX 06H)	No error in the product
NAK (HEX 15H)	Error at the product

*When LEGACY STATUS setting is enabled with LAN (Port3 (9100)), Wireless LAN (Port2 (1025), and Port3 (9100)).

In the case of LAN/Wireless LAN other than stated above, ACK hexadecimal 000000106H, NAK will be hexadecimal 000000115H.

3) Print Command

Print command (<A>~<Z>) starts the printing process.

The product returns the printer status after receiving process is completed.

(3) Return status list

RS-232C or Bluetooth interface

Return Status	Description
ACK (HEX 06H)	No error in the product
NAK (HEX 15H)	Error at the product

Interfaces other than RS-232C or Bluetooth

Return Status	Description
None	Does not return status

4) Print Pause Request Command

This command stops the printing process.

The product returns the printer status after receiving process is completed.

(1) Command DLE (HEX 10H)

(2) Return status list

Return Status	Description
ACK (HEX 06H)	No error in the product
NAK (HEX 15H)	Error at the product

*When LEGACY STATUS setting is enabled with LAN (Port3 (9100)), Wireless LAN (Port2 (1025), and Port3 (9100)).

In the case of LAN/Wireless LAN other than stated above, ACK hexadecimal 000000106H, NAK will be hexadecimal 000000115H.

Do not send print pause request command within STX <A>--<Z> ETX. DLE (print pause request) may not be send correctly. DLE (print pause request) in font data, graphics data and barcode data is not processed.

5) Print resume request command

This command enables you to release the print pause and resume printing.

The product returns the printer status after receiving process is completed.

(1) Command DC1 (HEX 11H)

(2) Return status list

Return Status	Description
ACK (HEX 06H)	No error in the product
NAK (HEX 15H)	Error at the product

*When LEGACY STATUS setting is enabled with LAN (Port3 (9100)), Wireless LAN (Port2 (1025), and Port3 (9100)).

In the case of LAN/Wireless LAN other than stated above, ACK hexadecimal 000000106H, NAK will be hexadecimal 000000115H.

2.2.4 Return status of Status 5

The functions in this communication protocol are as follows.

1) Data sending form

- (1) Control commands such as print data, status requests, cancel request etc. need to be within STX (HEX 02H) and ETX (HEX 03H). * No need to place STX (HEX 02H) and ETX (HEX 03H) for setting data.
- (2) Item No. should be added to the print data. If there is no item No., or specifying illegal item No., will cause item No. error.
- (3) When the BCC check function is enabled, it is necessary to place BCC at the end of item (<Z>). However, there is no need for placing BCC at the end of information acquiring command such as status request.

Examples)

Print Data

STX	<A>	<ID>00000	Print Data	<Z>	BCC	ETX
-----	-----	-----------	------------	-----	-----	-----

Status request

STX	SOH	ENQ	00000	ETX
-----	-----	-----	-------	-----

2) Item No. command

The objective of this command is to distinguish items by item No. that are put into every item. This command is needed to be included in the print data (<A>~<Z>) when using status 5 reply protocol because high reliability functions provided by the status 5 reply status identify items by the item No.

[Command]

ESC (HEX 1BH) + ID

[Format]

- (1) In case of 5 digits
<ID>aaaaa

●Parameter

a "Item No." Valid range : 00000 - 99999 (necessary to place all 5 digits)

- (2) In case of 2 digits
<ID>aa

●Parameter

a "Item No." Valid range : In case of 2 digits, remaining 3 digits will be filled with 0.

[Examples]

- (1) In case of 5 digits

<A>
<ID>00001
.
.
<Z>

- (2) In case of 2 digits

<A>
<ID>01
.
.
<Z>

* There will be a command error when other than 5 digits or 2 digits are entered.

3) History function

The process status of the received print data (item) will be saved in the history buffer, and the process status can be acquired by item status request command.

[Memory configuration]

Use	Type	Size	Note
Receive buffer	RAM	2.95 (MB)	
History buffer	SFROM	4 (KB)	The maximum register items: 500 items (ring buffer) The history data will be maintained even the product power is off.

[History data configuration]

No.	Description	Number of bytes (Total: 8 bytes)
1	Control flag	1
2	Item No.	5
3	Status 00: Received 01: Printed 02: Cancellation 03: Item No. error 04: BCC error 05: Print after error 06: Cancel after error 07: Analyzed item with no print 08: Unprocessed error (items that are not processed before product power off)	2

[Supplemental explanation]

1. The item No. will be "*****", the status will be "3" when there is no item No. command in the received data or the item No. command is illegal. There will be item No. error and the printing will be stopped at the start of this item print.
2. The history data will be saved in the internal memory, and the status will be maintained after product off to on. However, when item status before the power off is 00: received, 03: item No. error, 04: BCC error, or 05: print after an error, the receive data will not be saved and these will be 08: unprocessed error.

4) Item status request command

Upon reception of this command, the product will search the specified item No. from the end of the history buffer, and return the status of appropriate item.

[Command]

SOH (HEX 01H) + ENQ (HEX 05H)

[Format]

STX + SOH + ENQ + aaaaa + ETX

●Parameter

a "Item No." Valid range : 00000 - 99999

1. The parameter should be always 5 digits.
2. The parameter "*" is "HEX 2AH".
3. When "*****" is specified as the parameter, the status of the last item in the history buffer will be returned to the host...

[Return status format]

(LEGACY STATUS setting is enabled with LAN (Port3 (9100)), Wireless LAN (Port1 (1024), and Port3 (9100)))

[4] Size	[1] STX	[5] Specified Item No.	[2] Specified item Status	[5] Currently processed Item No.	[2] Currently processed item Status	[6] Currently processed item Number of prints	[1] ETX
			*1		*2		

STX (HEX 02H)

ETX (HEX 03H)

[Return status format] (Other than above stated interface)

[1] STX	[5] Specified Item No.	[2] Specified item Status	[5] Currently processed Item No.	[2] Currently processed item Status	[6] Currently processed item Number of prints	[1] ETX
		*1		*2		

The numbers in the [] are the used bytes, and the return status format will be 22 bytes (fixed).

The item No. will be filled with 0.

The currently processed item No. will be space (20h) after print completion.

*1 The below is the specified item status list

Description	ASCII	HEX
Received	00	3030
Printed	01	3031
Cancellation	02	3032
Item No. error	03	3033
BCC error	04	3034
Print after error (this is a temporary error and this will be "Printed" after printing)	05	3035
Cancel after error	06	3036
Analyzed item with no print	07	3037
Unprocessed error (product power has been off before processing the item)	08	3038
Others	**	2A2A

*2 The first digit is the status and the second digit is the error in the currently processed item status.
The below is the currently processed item status list.

Digit position	Description	ASCII	HEX
1	Offline	0	30
	Online, waiting for receive	1	31
	Online, printing	2	32
	Online, standby (waiting for dispensing)	3	33
	Online, analyzing/editing * The "number of currently processed item" may not be set due to the timing.	4	34
	Error	5	35
	Print pause (when received DLE command)	6	36

Digit position	Description	ASCII	HEX
2	No error	0	30
	Ribbon near end *	1	31
	Buffer near full	2	32
	Ribbon near end * & buffer near full	3	33
	Label near end	4	34
	Battery near end & ribbon near end*	5	35
	Ribbon near end & buffer near full	6	36
	Battery near end & ribbon near end* & buffer near full	7	37
	Machine error	A	41
	Flash ROM error	B	42
	Head Open	C	43
	Paper end	D	44
	Ribbon end *	E	45
	Sensor error	F	46
	Head error	G	47
	Memory read/write error (Cartridge read/write error)	H	48
	Memory full (Cartridge full)	I	49
	(Unused) Cutter error	J	4A
	Calendar error	K	4B
	Kanji data error (Kanji ROM error)	L	4C
	(Unused) Internal rewind full	M	4D
	(Unused) Cutter bracket open error	N	4E
	RFID Tag error	O	4F
	RFID protect error	P	50
	BCC error	Q	51
	Item No. error	R	52
	Media error (print skip error)	S	53
	(Unused) Ribbon core non-lock error	T	54
Other errors	U	55	
(Unused) Barcode read/verification error	V	56	
(Unused) Barcode reader connection error	W	57	

* There is no ribbon end or ribbon near end with the direct thermal model.

[Examples]

- (1) STX SOH ENQ 00001 ETX
- (2) STX SOH ENQ ***** ETX

[Supplemental explanation]

1. This command shall not be used during sending other data such as print data. The status may not be returned or print may not be finished correctly when sending this command during print data sending.
2. Upon reception of this command, the product will search the specified item from the history buffer, and it may take some time to return the status to the host.
3. Item No. that is not sent as the print data shall not be specified as the parameter of this command. The status will not be returned. The status will not be returned when the specifying an illegal item No. The control of item No. shall be done at the host.
4. The latest item status will be returned when there are multiple same item No. in the history buffer.

5) Item No. check function

The product will check the item No. in the print data if it is incremented one by one with every item. If it is not, the product will arise "item No. error" at the print start of the item and stop the printing.

The LCD display of the item No. error



*The item No. error will be detected only if the item No. check is enabled.

There are 4 ways to release the item No. error.

(1) Press the LINE button	The product will resume the printing from the print data with the item No. error.
(2) Send SUB command	The product will resume the printing after releasing the error. Upon reception of this command, it is possible to select if you want to print or cancel the data with the error.
(3) Send CAN command	The product will cancel the print data with the error and resume the printing from the next print data.
(4) Press the CANCEL button	The product will cancel the print data with the error and resume the printing from the next print data.

The history data with the item No. error will be processed as follows according to the error cause.

(1) When the item No. is not specified or the digit is not correct	The item No. will be "*****" and status No. 03 "item No. error" will be recorded.
(2) When the item No. is not incremented by 1	The specified item No. and status No. 03 "item No. error" will be recorded.

[Supplemental explanation]

1. The item No. check is targeted only for the print data. Data without printing such as registration data or product setting commands are not targeted. With those data, please specify "*****" as the item No.
2. When the item No. is specified by the starting item No. specifying command <IQ>, the starting item No. of the next data will be the item No. specified by <IQ> + 1.

6) BCC check function

BCC (Block Check Code) is 1 byte data that is a result of calculation of XOR for one item of send data (<A>~<Z>).

When sending a data to the product from the host, you need to place BCC at the end of data (following to <Z>) of every items. The product calculates the BCC of every items of received data and checks the validity of the received data by comparing it with the BCC in the received data. When the calculated BCC is not the same as the BCC in the received data, the product judges the data is incorrect, arises BCC error and stops printing.

The LCD display of BCC error



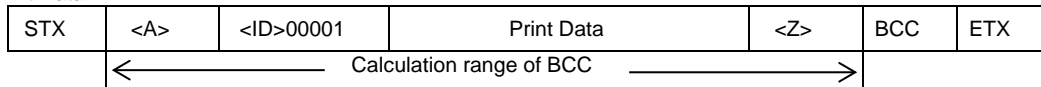
*The BCC error will be detected only if the BCC check is enabled.

There are 4 ways to release the BCC error.

(1) Press the LINE button	The product will resume the printing from the print data with the BCC error.
(2) Send SUB command	The product will resume the printing after releasing the error. Upon reception of this command, it is possible to select if you want to print or cancel the data with the error.
(3) Send CAN command	The product will cancel the print data with the error and resume the printing from the next print data.
(4) Press the CANCEL button	The product will cancel the print data with the error and resume the printing from the next print data.

Calculation range of BCC

Print Data



[Supplemental explanation]

1. The BCC check is targeted only for the print data. Data without printing such as registration data or product setting commands are not targeted.
2. The data within <A>~<Z> is the calculation range of the BCC.
3. BCC will be calculated by using the exclusive OR of the data in the calculation range.

7) Cancel request command

Upon reception of this command, the product will search the specified item No. from the end of the history buffer, and cancel the appropriate item. However, when the status of the specified item is "Printed", this command is disabled.

[Command]

SOH (HEX 01H) + CAN (HEX 18H)

[Format]

STX + SOH + CAN + aaaaa + ETX

•Parameter

a	"Item No."	Valid range	00000 - 99999 *****
---	------------	-------------	------------------------

1. The parameter should be always 5 digits.
2. The parameter "*" is "HEX 2AH".
3. When "*****" is specified as the parameter, all the data that status are "Printed" in the history buffer will be canceled.

[Examples]

- (1) STX SOH CAN 00001 ETX
- (2) STX SOH CAN ***** ETX

[Supplemental explanation]

1. This command shall not be used during sending other data such as print data.
2. Upon reception of this command, the product will search the specified item from the history buffer, and it may take some time to cancel.
3. Item No. that is not sent as the print data shall not be specified as the parameter of this command. The product is not being able to cancel the item. The product is not being able to cancel the item when specifying an illegal item No. The control of item No. shall be done at the host.
4. There is no returned data to the command.
To check the result of the command, you need to send item status request command (SOH + ENQ).
5. This command becomes invalid when the appropriate item No. is under printing at the reception of this command.

8) Print pause request command

This command stops the printing process.

[Command]

SOH (HEX 01H) + DLE (HEX 10H)

[Format]

SOH + DLE

[Examples]

SOH DLE

[Supplemental explanation]

1. This command shall not be used during sending other data such as print data.
2. There is no returned data to the command.
To check the result of the command, you need to send item status request command (SOH + ENQ).

9) Print resume request command

Upon reception of this command, the product release the print pause status specified by the print pause request command (SOH + DLE) and resume printing process.

[Command]

SOH (HEX 01H) + DC1 (HEX 11H)

[Format]

STX + SOH + DC1 + ETX

[Examples]

STX SOH DC1 ETX

[Supplemental explanation]

1. This command shall not be used during sending other data such as print data.
2. There is no returned data to the command. To check the result of the command, you need to send item status request command (SOH + ENQ).

10) Error release request commands in Status 5

Upon reception of this command, the product releases the item No. error or BCC error, and resume printing from the item with the error.

[Command]

SOH (HEX 01H) + SUB (HEX 1AH)

[Format]

STX + SOH + SUB + a + ETX

a "Release" 0: cancel the data with error
1: print the data with error

[Examples]

STX SOH SUB 0 ETX

[Supplemental explanation]

1. This command shall not be included in the print data (<A>~<Z>).
2. There is no returned data to the command. To check the result of the command, you need to send item status request command (SOH + ENQ).

11) Starting item No. specifying command

This is a command to notify the item No. of the first print data to be sent to the product. The product regards the value of the item No. specified by this command + 1 as the item No. of print data sent afterwards.

[Command]

<IQ>

[Format]

<IQ> aaaaa

●Parameter

a "Item No." Valid range : 00000 - 99999 (necessary to place all 5 digits)

[Example 1]

<A>
<ID> *****
<IQ> 00000
<Z>

[Example 2]

<A>
<ID> *****
<IQ> 99999
<Z>

<A> <A>
<ID> 00001 <ID> 00000
.
.
<Z> <Z>

[Supplemental explanation]

1. This command shall not be included in the print data (<A>~<Z>).
2. When "99999" is specified with this command, the next item No. will be "00000".

12) The protocol switch command in Status 5

This command switched the communication protocol.

[Command]

ESC (HEX 1BH) + PL

[Format]

<PL>a

•Parameter

a	"switches protocol"	0 : READY/BUSY
		1 : XON/XOFF
		2 : Printer Status 2 Return
		3 : Printer Status 3 Return
		4 : Printer Status 4 Return
		5 : Printer Status 5 Return

[Examples]

<A>
<ID> *****
<PL> 5
<Z>

[Supplemental explanation]

1. This command (<A>~<Z>) should be separated from the print data (<A>~<Z>).
2. This setting is maintained after product power off.
3. This will become invalid when specifying protocols not supported in the used interfaces.
4. When the protocol is changed, the product needs to be restarted. Without restart, data communication may be incorrect.

13) Check command in status 5

This is a command to set the check function of BCC and item No. in the status 5 return.

[Command]

ESC (HEX 1BH) + CR

[Format]

<CR>a,b

•Parameter

a	"BCC check"	0 : Disabled BCC check (default)
		1 : Enabled BCC check
b	"Item No check"	0 : Disabled item No. check (default)
		1 : Enabled item No. check

[Examples]

<A>
<ID> *****
<CR> 1, 1
<Z>

[Supplemental explanation]

1. This command shall not be included in the print data (<A>~<Z>).

14) History data request command

Upon reception of this command, the product will send 500 history data to the host.

[Command]

SOH (HEX 01H) + LW

[Format]

STX + SOH + LW + ETX

[Examples]

STX SOH LW ETX

[Format of returned history data]

[1] STX	[5] Item No.	[2] Status	[2] CR LF	[5] Item No.	[2] Status	[1] ETX
STX (HEX 02H)			CR (HEX 0DH) LF (HEX 0AH)				ETX (HEX 03H)

Numbers in the [] are used bytes.

Item No. will be filled with "0".

The history data will be separated by CRLF at every item, and there are a total of 500 items.

Please refer to the "History data configuration in 3) History function".

[Supplemental explanation]

1. This command shall not be included in the print data (<A>~<Z>).
2. Do not send any data to the product while the it is sending history data to the host.

2.2.5 Other return status (Common to Status 3, Status 4, and Status 5)

1) Print configuration request

The product returns the printer configuration to the host by receiving this command.

(1) Command SOH (01H) + MG

(2) Return status list

No.	Item	Description	Number of bytes														
1	Print method	00H : Thermal transfer 01H : Direct thermal * Only direct thermal is available in the direct thermal model.	1														
2	Print resolution	00H : 8 dots/mm 01H : 12 dots/mm 02H : 24 dots/mm <table border="1"> <thead> <tr> <th>Model</th> <th>Range</th> </tr> </thead> <tbody> <tr> <td>S84-ex</td> <td>00H,01H,02H</td> </tr> <tr> <td>S86-ex</td> <td>00H,01H</td> </tr> </tbody> </table>	Model	Range	S84-ex	00H,01H,02H	S86-ex	00H,01H	1								
Model	Range																
S84-ex	00H,01H,02H																
S86-ex	00H,01H																
3	Print speed	00H : 2 (inches/sec) 50 (mm/sec) 02H : 3 (inches/sec) 75 (mm/sec) 04H : 4 (inches/sec) 100 (mm/sec) 06H : 5 (inches/sec) 125 (mm/sec) 08H : 6 (inches/sec) 150 (mm/sec) 0AH : 7 (inches/sec) 175 (mm/sec) 0CH : 8 (inches/sec) 200 (mm/sec) 0EH : 9 (inches/sec) 225 (mm/sec) 10H : 10 (inches/sec) 250 (mm/sec) 12H : 11 (inches/sec) 275 (mm/sec) 14H : 12 (inches/sec) 325 (mm/sec) 16H : 13 (inches/sec) 350 (mm/sec) 18H : 14 (inches/sec) 375 (mm/sec) 1AH : 15 (inches/sec) 400 (mm/sec) 1CH : 16 (inches/sec) 425 (mm/sec) [S84-ex] <table border="1"> <thead> <tr> <th>Head density</th> <th>Range (inches/sec)</th> </tr> </thead> <tbody> <tr> <td>8 dots/mm (203 dpi)</td> <td>4 - 16</td> </tr> <tr> <td>12 dots/mm (305 dpi)</td> <td>4 - 14</td> </tr> <tr> <td>24 dots/mm (609 dpi)</td> <td>2 - 6</td> </tr> </tbody> </table> [S86-ex] <table border="1"> <thead> <tr> <th>Head density</th> <th>Range (inches/sec)</th> </tr> </thead> <tbody> <tr> <td>8 dots/mm (203 dpi)</td> <td>4 - 14</td> </tr> <tr> <td>12 dots/mm (305 dpi)</td> <td>4 - 12</td> </tr> </tbody> </table>	Head density	Range (inches/sec)	8 dots/mm (203 dpi)	4 - 16	12 dots/mm (305 dpi)	4 - 14	24 dots/mm (609 dpi)	2 - 6	Head density	Range (inches/sec)	8 dots/mm (203 dpi)	4 - 14	12 dots/mm (305 dpi)	4 - 12	1
Head density	Range (inches/sec)																
8 dots/mm (203 dpi)	4 - 16																
12 dots/mm (305 dpi)	4 - 14																
24 dots/mm (609 dpi)	2 - 6																
Head density	Range (inches/sec)																
8 dots/mm (203 dpi)	4 - 14																
12 dots/mm (305 dpi)	4 - 12																
4	Print mode	00H : Continuous 03H : Dispense 04H : Linerless	1														
5	Not used	00H : Fixed	1														
6	Dispensing motion	00H : After printing [Motion 1 (Stop position: Head)] 01H : Before printing [Motion 2 (Stop position: Dispense)] 02H : No backfeed 03H : EXT control (order backfeed with EXT)	1														
7	Not used	00H fixed	1														
8	Print darkness	Darkness range A (41H) : A Darkness level 01H : Darkness 1 02H : Darkness 2 03H : Darkness 3 04H : Darkness 4 05H : Darkness 5 06H : Darkness 6 07H : Darkness 7 08H : Darkness 8 09H : Darkness 9 0AH : Darkness 10	2														

Return status list (continued from previous page)

No.	Item	Description	Number of bytes																											
9	Sensor type	00H : I-mark sensor 01H : Gap sensor 02H : Ignore sensor	1																											
10	Zero slash	00H : DISABLE 01H : ENABLE	1																											
11	Character code	02H : UTF-16 03H : UTF-8	1																											
12	Not used	00H : fixed	1																											
13	Initial feed	00H : DISABLE 01H : ENABLE	1																											
14	Proportional Pitch	00H : DISABLE (Default) 01H : ENABLE	1																											
15	Label height	<table border="1"> <thead> <tr> <th colspan="3">[S84-ex]</th> </tr> <tr> <th>Head density</th> <th>Range (HEX)</th> <th>Range (DEC)</th> </tr> </thead> <tbody> <tr> <td>8 dots/mm (203 dpi)</td> <td>0001H - 4E20H</td> <td>1 - 20000 dots</td> </tr> <tr> <td>12 dots/mm (305 dpi)</td> <td>0001H - 4650H</td> <td>1 - 18000 dots</td> </tr> <tr> <td>24 dots/mm (609 dpi)</td> <td>0001H - 2580H</td> <td>1 - 9600 dots</td> </tr> </tbody> </table> <table border="1"> <thead> <tr> <th colspan="3">[S86-ex]</th> </tr> <tr> <th>Head density</th> <th>Range (HEX)</th> <th>Range (DEC)</th> </tr> </thead> <tbody> <tr> <td>8 dots/mm (203 dpi)</td> <td>0001H - 2708H</td> <td>1 - 9992 dots</td> </tr> <tr> <td>12 dots/mm (305 dpi)</td> <td>0001H - 3A8CH</td> <td>1 - 14988 dots</td> </tr> </tbody> </table>	[S84-ex]			Head density	Range (HEX)	Range (DEC)	8 dots/mm (203 dpi)	0001H - 4E20H	1 - 20000 dots	12 dots/mm (305 dpi)	0001H - 4650H	1 - 18000 dots	24 dots/mm (609 dpi)	0001H - 2580H	1 - 9600 dots	[S86-ex]			Head density	Range (HEX)	Range (DEC)	8 dots/mm (203 dpi)	0001H - 2708H	1 - 9992 dots	12 dots/mm (305 dpi)	0001H - 3A8CH	1 - 14988 dots	2
[S84-ex]																														
Head density	Range (HEX)	Range (DEC)																												
8 dots/mm (203 dpi)	0001H - 4E20H	1 - 20000 dots																												
12 dots/mm (305 dpi)	0001H - 4650H	1 - 18000 dots																												
24 dots/mm (609 dpi)	0001H - 2580H	1 - 9600 dots																												
[S86-ex]																														
Head density	Range (HEX)	Range (DEC)																												
8 dots/mm (203 dpi)	0001H - 2708H	1 - 9992 dots																												
12 dots/mm (305 dpi)	0001H - 3A8CH	1 - 14988 dots																												
16	Label width	<table border="1"> <thead> <tr> <th colspan="3">[S84-ex]</th> </tr> <tr> <th>Head density</th> <th>Range (HEX)</th> <th>Range (DEC)</th> </tr> </thead> <tbody> <tr> <td>8 dots/mm (203 dpi)</td> <td>0001H - 340H</td> <td>1 - 832 dots</td> </tr> <tr> <td>12 dots/mm (305 dpi)</td> <td>0001H - 4E0H</td> <td>1 - 1248 dots</td> </tr> <tr> <td>24 dots/mm (609 dpi)</td> <td>0001H - 9C0H</td> <td>1 - 2496 dots</td> </tr> </tbody> </table> <table border="1"> <thead> <tr> <th colspan="3">[S86-ex]</th> </tr> <tr> <th>Head density</th> <th>Range (HEX)</th> <th>Range (DEC)</th> </tr> </thead> <tbody> <tr> <td>8 dots/mm (203 dpi)</td> <td>0001H - 53CH</td> <td>1 - 1340 dots</td> </tr> <tr> <td>12 dots/mm (305 dpi)</td> <td>0001H - 7DAH</td> <td>1 - 2010 dots</td> </tr> </tbody> </table>	[S84-ex]			Head density	Range (HEX)	Range (DEC)	8 dots/mm (203 dpi)	0001H - 340H	1 - 832 dots	12 dots/mm (305 dpi)	0001H - 4E0H	1 - 1248 dots	24 dots/mm (609 dpi)	0001H - 9C0H	1 - 2496 dots	[S86-ex]			Head density	Range (HEX)	Range (DEC)	8 dots/mm (203 dpi)	0001H - 53CH	1 - 1340 dots	12 dots/mm (305 dpi)	0001H - 7DAH	1 - 2010 dots	2
[S84-ex]																														
Head density	Range (HEX)	Range (DEC)																												
8 dots/mm (203 dpi)	0001H - 340H	1 - 832 dots																												
12 dots/mm (305 dpi)	0001H - 4E0H	1 - 1248 dots																												
24 dots/mm (609 dpi)	0001H - 9C0H	1 - 2496 dots																												
[S86-ex]																														
Head density	Range (HEX)	Range (DEC)																												
8 dots/mm (203 dpi)	0001H - 53CH	1 - 1340 dots																												
12 dots/mm (305 dpi)	0001H - 7DAH	1 - 2010 dots																												
17	Offset of vertical reference point (dot)	[00H - 270FH] (0 ~ 9999) [FFFFH - D8F1H] (-1 ~ -9999)	2																											
18	Offset of horizontal reference point (dot)	<table border="1"> <thead> <tr> <th colspan="3">[S84-ex]</th> </tr> <tr> <th>Head density</th> <th>Range (HEX)</th> <th>Range (DEC)</th> </tr> </thead> <tbody> <tr> <td>8 dots/mm (203 dpi)</td> <td>0001H - 0340H FFFFH - FCC0H</td> <td>1 - 832 dots -1 - -832 dots</td> </tr> <tr> <td>12 dots/mm (305 dpi)</td> <td>0001H - 04E0H FFFFH - FB20H</td> <td>1 - 1248 dots -1 - -1248 dots</td> </tr> <tr> <td>24 dots/mm (609 dpi)</td> <td>0001H - 09C0H FFFFH - F640H</td> <td>1 - 2496 dots -1 - -2496 dots</td> </tr> </tbody> </table> <table border="1"> <thead> <tr> <th colspan="3">[S86-ex]</th> </tr> <tr> <th>Head density</th> <th>Range (HEX)</th> <th>Range (DEC)</th> </tr> </thead> <tbody> <tr> <td>8 dots/mm (203 dpi)</td> <td>0001H - 053CH FFFFH - FAC4H</td> <td>1 - 1340 dots -1 - -1340 dots</td> </tr> <tr> <td>12 dots/mm (305 dpi)</td> <td>0001H - 07DAH FFFFH - F826H</td> <td>1 - -2010 dots -1 - -2010 dots</td> </tr> </tbody> </table>	[S84-ex]			Head density	Range (HEX)	Range (DEC)	8 dots/mm (203 dpi)	0001H - 0340H FFFFH - FCC0H	1 - 832 dots -1 - -832 dots	12 dots/mm (305 dpi)	0001H - 04E0H FFFFH - FB20H	1 - 1248 dots -1 - -1248 dots	24 dots/mm (609 dpi)	0001H - 09C0H FFFFH - F640H	1 - 2496 dots -1 - -2496 dots	[S86-ex]			Head density	Range (HEX)	Range (DEC)	8 dots/mm (203 dpi)	0001H - 053CH FFFFH - FAC4H	1 - 1340 dots -1 - -1340 dots	12 dots/mm (305 dpi)	0001H - 07DAH FFFFH - F826H	1 - -2010 dots -1 - -2010 dots	2
[S84-ex]																														
Head density	Range (HEX)	Range (DEC)																												
8 dots/mm (203 dpi)	0001H - 0340H FFFFH - FCC0H	1 - 832 dots -1 - -832 dots																												
12 dots/mm (305 dpi)	0001H - 04E0H FFFFH - FB20H	1 - 1248 dots -1 - -1248 dots																												
24 dots/mm (609 dpi)	0001H - 09C0H FFFFH - F640H	1 - 2496 dots -1 - -2496 dots																												
[S86-ex]																														
Head density	Range (HEX)	Range (DEC)																												
8 dots/mm (203 dpi)	0001H - 053CH FFFFH - FAC4H	1 - 1340 dots -1 - -1340 dots																												
12 dots/mm (305 dpi)	0001H - 07DAH FFFFH - F826H	1 - -2010 dots -1 - -2010 dots																												
19	Not used	00H Fixed	1																											
20	Time to LCD power saving (in minute)	[00H - 0FH] (0 - 15) default : AH (00)	1																											
21	Not used	00H Fixed	1																											
22	Not used	00H Fixed	1																											
23	Not used	00H Fixed	1																											
24	Not used	00H Fixed	1																											
25	Buzzer setting	00H : None 01H : Small 02H : Medium 03H : Large	1																											

2) System version information request

This command returns the system version information of the product.

- (1) Command SOH (01H) + SB
 (2) Return status format

STX (HEX 02H)
 ETX (HEX 03H)

[STX] + Product system version +[ETX]

STX	Product firmware	Font	Reserved	ETX
-----	------------------	------	----------	-----

(Total: 52 bytes)

- (3) Return status list

No.	Item	Description	Number of bytes
1	Product firmware version	ASCII Code	16
2	Font version	ASCII Code	8
3	Reserved (HEX 20H fixed)	ASCII Code	26

3) Free memory space information request

This command returns the information of free memory space (FLASH MEMORY) of the product.

- (1) Command SOH (01H) + EB
 (2) Return status format

STX (HEX 02H)
 ETX (HEX 03H)

[STX] + free memory space + [ETX]

STX	Font free space	Font total space	Foam overlay free space	Foam overlay total space	Graphics free space	Graphics total space	ETX
-----	-----------------	------------------	-------------------------	--------------------------	---------------------	----------------------	-----

(Total: 26 bytes)

- (3) Return status list

No.	Item	Description	Number of bytes
1	Font free space	Binary data	4
2	Font total space	Binary data	4
3	Form overlay free space	Binary data	4
4	Graphic free space	Binary data	4
5	Graphic total space	Binary data	4

4) Form Overlay Registration Information Request

The product returns the form overlay registration information of the product to the host by receiving this command.

- (1) Command SOH (01H) + FO
 (2) Return status format

STX (HEX 02H)
 ETX (HEX 03H)

[STX] + Form overlay registration content +[ETX]

STX	Registration number	Registration name	ETX
-----	---------------------	-------------------	-----

(Total 20 bytes)

- (3) Return status list

No.	Item	Description	Number of bytes
1	Registration number	01 - 99 (ASCII Code)	2
2	Registration name	Registration name (ASCII Code)	16

5) LAN Specification Information Request (IPv4)

The product returns the LAN IPv4 setting information of the product to the host by receiving this command.

- (1) Command SOH (01H) + LA
 (2) Return status format

STX (HEX 02H)
 ETX (HEX 03H)

[STX] + MAC address + IP address + Subnet mask + Default gateway + DHCP + [ETX]

(Total: 22 bytes)

STX	MAC Address	IP Address	Subnet Mask	Default gateway	DHCP	Reserved	ETX
-----	-------------	------------	-------------	-----------------	------	----------	-----

- (3) Return status list

No.	Item	Description	Number of bytes
1	MAC address (HEX)	Return MAC address that is set	6
2	IP address (HEX)	Return IP address that is set	4
3	Subnet mask (HEX)	Return Subnet mask that is set	4
4	Default gateway (HEX)	Return default gateway address that is set	4
5	DHCP	0 (00H) : Disable (Default) 1 (01H) : Enable	1
6	Reserved	0 (00H) Fixed.	1

6) LAN Specification Information request (IPv6)

The product returns the LAN IPv6 setting information of the product to the host by receiving this command.

(1) Command SOH (01H) + IA

(2) Return status/format

STX (HEX 02H)

ETX (HEX 03H)

(Total: 42 bytes)

[STX] + MAC address + IP address + Prefix + Default router + Address Resolution + [ETX]

STX	MAC Address	IP Address	Prefix	Default Router	Address Resolution	ETX
-----	-------------	------------	--------	----------------	--------------------	-----

(3) Return status list

No.	Item	Description	Number of bytes
1	MAC address (HEX)	Return MAC address that is set	6
2	IP address (HEX)	Return IP address that is set	16
3	Prefix (HEX)	Return prefix that is set	1
4	Default router (HEX)	Return default router address that is set	16
5	Address resolution	0 (00H) : Manual 1 (00H) : DHCP 2 (01H) : Auto	1

7) Wireless LAN field intensity information request

The product returns the wireless LAN field intensity information to the host by receiving this command.

(1) Command SOH (01H) + WI

(2) Return status format

STX (HEX 02H)

ETX (HEX 03H)

(Total 3 bytes)

[STX] + field intensity + [ETX]

STX	Field intensity	ETX
-----	-----------------	-----

(3) Return status list

No.	Item	Description	Number of bytes
1	Field intensity	X: Wireless LAN kit is not installed / Failed to acquire field intensity 0 (30H) : - Less than Signal Level 1 (not connected) 1 (31H) : Signal Level 1 - Less than Signal Level 2 (weak) 2 (32H) : Signal Level 2 - Less than Signal Level 3 (medium) 3 (33H) : Signal Level 3 - (strong)	1

8) Status 5 setting information request

The product returns the status 5 setting information to the host by receiving this command.

(1) Command SOH (01H) + CR

(2) Return status format

[STX] + Status 5 setting information + [ETX]

STX (HEX 02H)

ETX (HEX 03H)

(Total 5 bytes)

STX	BCC check	(2CH fixed)	Item No check	ETX
-----	-----------	-------------	---------------	-----

(3) Return status list

No.	Item	Description	Number of bytes
1	BCC check	0 (30H) : Disabled BCC check 1 (31H) : Enabled BCC check	1
2	, (comma)	2CH (fixed)	1
3	Item No. check	0 (30H) : Disabled item No. check 1 (31H) : Enabled item No. check	1

9) Wireless LAN interface information request

The product returns the wireless LAN interface setting to the host by receiving this command.

(1) Command SOH (01H) + H5

(2) Return status format

[STX] + wireless LAN interface setting information+[ETX]

STX (HEX 02H)

ETX (HEX 03H)

(Total 3 bytes)

STX	Wireless LAN interface setting information	ETX
-----	--	-----

(3) Return status list

No.	Item	Description	Number of bytes
1	Wireless LAN interface setting information	00H: 2-port connection / cycle response (status 4) 01H: 2-port connection / ENQ response (status 4) 02H: 1-port connection / ENQ response (status 3) 03H: 1-port connection / ENQ response (status 5)	1

10) Association Threshold information request

The product returns the threshold that starts the association process to the host by receiving this command.

- (1) Command SOH (01H) + wa
- (2) Return status format

[STX] + Association Threshold setting information + [ETX]			STX (HEX 02H)
STX	Association Threshold setting information	ETX	ETX (HEX 03H)
			(Total 3 bytes)

- (3) Return status list

No.	Item	Description	Number of bytes
1	Association Threshold setting information	35 - 94	2

11) Roaming Threshold information request

The product returns the threshold that starts roaming process to the host by receiving this command.

- (1) Command SOH (01H) + wr
- (2) Return status format

[STX] + Roaming Threshold setting information + [ETX]			STX (HEX 02H)
STX	Roaming Threshold setting information	ETX	ETX (HEX 03H)
			(Total 3 bytes)

- (3) Return status list

No.	Item	Description	Number of bytes
1	Roaming Threshold setting information	35 - 94	2

12) Work shift information request

The product returns the work shift information to the host by receiving this command.

- (1) Command SOH (01H) + WS
- (2) Return status format

[STX] + Work shift information + [ETX]					STX (HEX 02H)
STX	Shift code	Shift start time	Shift name	ETX	ETX (HEX 03H)
					(Total 8 to 23 bytes)

- (3) Return status list

No.	Item	Description	Number of bytes
1	Shift code	"1" to "3"	1
2	Shift start time	"0000" to "2359"	4
3	Shift name		1 - 16

13) SNMP agent information request

This command returns the SNMP agent information of the product.

- (1) Command SOH(01H) +LX
- (2) Return status format

STX (HEX 02H)
ETX (HEX 03H)
(Total: 770 bytes)

[STX] + sysContact + sysName + sysLocation + [ETX]

STX	sysContact	sysName	sysLocation	ETX
-----	------------	---------	-------------	-----

- (3) Return status list

No.	Item	Description	Number of bytes
1	sysContact	Return sysContact that is set.	256
2	sysName	Return sysName that is set.	256
3	sysLocation	Return sysLocation that is set.	256

If each item is less than 256 bytes, the remaining are filled with 0x00, so the size is fixed to 256 bytes. It is possible to display because it is the contact at trouble, however, it is according to SNMP rules.

In case of LAN, it is divided to multiple packets. In case of Status 4, packet size will be indicated at the beginning 4 bytes of each packet. There are no rules regarding the number of division. Be sure to take the packet including ETX.

Example) when divided into 5 packets

770 bytes + 4 bytes x 5 packets = total 790 bytes

14) SNMP function status request

This command returns the SNMP function ON/OFF state of the product.

- (1) Command SOH(01H) +LY
- (2) Return status format

[STX] + SNMP ON/OFF state + [ETX]

STX	SNMP ON/OFF	ETX
-----	-------------	-----

STX (HEX 02H)
ETX (HEX 03H)
(Total: 3 bytes)

- (3) Return status list

No.	Item	Description	Number of bytes
1	SNMP ON/OFF	0: OFF 1: ON	1

15) SNMP information request

This command returns the SNMP information of the product.

- (1) Command SOH(01H) +LZ
- (2) Return status format

[STX] + SNMP setting values + [ETX]		
STX	SNMP settings	ETX

STX (HEX 02H)
 ETX (HEX 03H)
 (Total: 723 bytes)

- (3) Return status list

No.	Item	Description	Number of bytes
1	Community name 1	SNMP_COMMUNITY1_NAME	32
2	Writable 1	SNMP_COMMUNITY1_WRITABLE	1
3	Community name 2	SNMP_COMMUNITY2_NAME	32
4	Writable 2	SNMP_COMMUNITY2_WRITABLE	1
5	User name 1	SNMP_USER1_NAME	32
6	Authentication 1	SNMP_USER1_AUTH	1
7	Authentication key 1	SNMP_USER1_AUTHPASS	32
8	Privacy type 1	SNMP_USER1_PRIV	1
9	Privacy key 1	SNMP_USER1_PRIVPASS	32
10	Writable 1	SNMP_USER1_WRITABLE	1
11	User name 2	SNMP_USER2_NAME	32
12	Authentication 2	SNMP_USER2_AUTH	1
13	Authentication key 2	SNMP_USER2_AUTHPASS	32
14	Privacy type 2	SNMP_USER2_PRIV	1
15	Privacy key 2	SNMP_USER2_PRIVPASS	32
16	Writable 2	SNMP_USER2_WRITABLE	1
17	Trap 1 community name	SNMP_TRAP1_COMMUNITY_NAME	32
18	Trap 1 IPv4/6 select	SNMP_TRAP1_46SEL	1
19	Trap 1 trapped address	SNMP_TRAP1_IPADDRESS	4
20	Trap 1 trapped address	SNMP_TRAP1_IPV6_IPADDRESS	16
21	Trap 1 trap enable flag	SNMP_TRAP1_ENABLE	1
22	Trap 1 v1/v2c/v3 select	SNMP_TRAP1_VERSION	1
23	Trap 2 community name	SNMP_TRAP2_COMMUNITY_NAME	32
24	Trap 2 IPv4/6 select	SNMP_TRAP2_46SEL	1
25	Trap 2 trapped address	SNMP_TRAP2_IPADDRESS	4
26	Trap 2 trapped address	SNMP_TRAP2_IPV6_IPADDRESS	16
27	Trap 2 trap enable flag	SNMP_TRAP2_ENABLE	1
28	Trap 2 v1/v2c/v3 select	SNMP_TRAP2_VERSION	1
29	Trap 3 community name	SNMP_TRAP3_COMMUNITY_NAME	32
30	Trap 3 IPv4/6 select	SNMP_TRAP3_46SEL	1
31	Trap 3 trapped address	SNMP_TRAP3_IPADDRESS	4
32	Trap 3 trapped address	SNMP_TRAP3_IPV6_IPADDRESS	16
33	Trap 3 trap enable flag	SNMP_TRAP3_ENABLE	1
34	Trap 3 v1/v2c/v3 select	SNMP_TRAP3_VERSION	1
35	Trap 1 authentication user name	SNMP_TAUTH_USER1_NAME	32
36	Trap 1 authentication authentication method	SNMP_TAUTH_USER1_AUTH	1
37	Trap 1 authentication authentication key	SNMP_TAUTH_USER1_AUTHPASS	32
38	Trap 1 authentication privacy type	SNMP_TAUTH_USER1_PRIV	1
39	Trap 1 authentication privacy key	SNMP_TAUTH_USER1_PRIVPASS	32
40	Trap 2 authentication user name	SNMP_TAUTH_USER2_NAME	32
41	Trap 2 authentication authentication method	SNMP_TAUTH_USER2_AUTH	1
42	Trap 2 authentication authentication key	SNMP_TAUTH_USER2_AUTHPASS	32
43	Trap 2 authentication privacy type	SNMP_TAUTH_USER2_PRIV	1
44	Trap 2 authentication privacy key	SNMP_TAUTH_USER2_PRIVPASS	32
45	Trap 3 authentication user name	SNMP_TAUTH_USER3_NAME	32
46	Trap 3 authentication authentication method	SNMP_TAUTH_USER3_AUTH	1
47	Trap 3 authentication authentication key	SNMP_TAUTH_USER3_AUTHPASS	32
48	Trap 3 authentication privacy type	SNMP_TAUTH_USER3_PRIV	1
49	Trap 3 authentication privacy key	SNMP_TAUTH_USER3_PRIVPASS	32

* Same as the product setting items list in the operation specification.

However, all are in binary data. Also, the number of bytes is fixed, and it is filled with 0x00 when character string is less than 32 bytes.

* In case of LAN, it is divided to multiple packets. In case of Status 4, packet size will be indicated at the beginning 4 bytes of each packet. There are no rules regarding the number of division. Be sure to take the packet including ETX.

Example) when divided into 6 packets

723 bytes + 4 bytes x 6 packets = total 749 bytes

16) RFID setting status request

Returns the current RFID setting status.

- (1) Command SOH (01H) + RB
- (2) Return status format

• In normal mode (RFID disabled)			STX (HEX 02H)
[STX] + RFID operation mode number + [ETX]			ETX (HEX 03H)
STX	RFID operation mode number	ETX	(Total 3 bytes~)

• In RFID Setting				
[STX] + RFID operation mode number + Extended status Field length + Extended status field part + [ETX]				
STX	RFID operation mode number	Extended status Field length	Extended status field part	ETX

(The mode number set by <RA> command will be set to the second byte.)

(3) Return status list

Detailed Return Status Configuration at the RFID Setting.

The return status at the RFID setting is extended after the RFID operation mode number.

No.	Item	Content (Binary)	No of bytes
-	STX(02H)	Start code	1
1	RFID operation mode number	02H : RFID enabled mode	1
2	Extended status Field length	The following size of the status field indicated by 4 digits decimal code consists of the number from "0" (30H) to "9" (39H). (Unit: byte)	4
3	Extended status Field part	Refer to the table of the status field part details for details.	Variable
-	ETX(03H)	End code	1

Status field part details (Variable size)

The information field at the RFID setting. Information is delimited by comma, and type of subsequent data is identified by the identifier.

No.	Item	Identifier	Format of data part																		
1	RFID life counter	"Lc:" 4CH,63H,3AH	"Number of success", "Number of failure", "Total number", The decimal number consists of maximum 6 digits x 3 item of '0'(30H) to '9'(39H) and delimited by comma.																		
2	RFID counter	"Rc:" 52H,63H,3AH	"Number of success", "Number of failure", "Total number", The decimal number consists of maximum 6 digits x 3 item of '0'(30H) to '9'(39H) and delimited by comma.																		
3	Number of retry	"Ec:" 45H,63H,3AH	Return the number of retry that is set 0(30H) to 9(39H) decimal number delimited by comma.																		
4	Print at command error	"Ce:" 43H,65H,3AH	When the error occurs in the command contained in the RFID item, return the reply whether or not to print. 0 (30H) : Don't print 1 (31H) : Print delimited by comma																		
5	Tag offset value	"To:" 54H,6FH,3AH	Return the tag offset value. The decimal number consists of 3 digits of '0'(30H) to '9'(39H) and delimited by comma.																		
6	Antenna power value (at writing)	"Pw:" 50H,77H,3AH	Return the radio output power value. The decimal number consists of 3 digits of '0'(30H) to '9'(39H) and delimited by comma. The dBm can be acquired by dividing this value with 10.																		
7	Antenna power value (at reading)	"Pr:" 50H,72H,3AH	Return the radio output power value. The decimal number consists of 3 digits of '0'(30H) to '9'(39H) and delimited by comma. The dBm can be acquired by dividing this value with 10.																		
8	Tag type setting	"Ps:" 50H,73H,3AH	Return the tag type. With this specification, only "4: Gen2" is returned.																		
9	EPC code length	"Tb:" 54H,62H,3AH	Return the EPC code length when EPC1 is selected. With this specification, only "0(30h): 96bit" is returned.																		
10	Timeout	"Mr:" 4DH,72H,3AH	Return the timeout time in the module in the range of 0(30H) to 7(37H). Change the setting of timeout/number of retry in the module. <table border="1" style="margin-left: 20px;"> <thead> <tr> <th>Specified number</th> <th>0</th> <th>1</th> <th>2</th> <th>3</th> <th>4</th> <th>5</th> <th>6</th> <th>7</th> </tr> </thead> <tbody> <tr> <td>(msec)</td> <td>50</td> <td>100</td> <td>200</td> <td>500</td> <td>1000</td> <td>1500</td> <td>2000</td> <td>4000</td> </tr> </tbody> </table>	Specified number	0	1	2	3	4	5	6	7	(msec)	50	100	200	500	1000	1500	2000	4000
Specified number	0	1	2	3	4	5	6	7													
(msec)	50	100	200	500	1000	1500	2000	4000													
11	Tag error recovery	"Ed:" 45H,64H,3AH	Return the recovery method at a tag error. 0(30H) : RETRY mode 1(31H) : RELEASE mode																		
12	Slash printing at tag error	"Es:" 45H,73H,3AH	Return the setting of slash printing at a tag error. 0(30H) : No slash printing 1(31H) : Slash printing																		

No.	Item	Identifier	Format of data part																		
13	Tag error signal setting	"Eo:" 45H,6FH,3AH	Return the setting of tag error signal. 0(30H) : PULSE 1(31H) : LEVEL																		
14	Pulse length	"Pl:" 50H,6CH,3AH	Return the setting of pulse length of tag error signals. <table border="1"> <thead> <tr> <th>The number of return</th> <th>1</th> <th>2</th> <th>3</th> <th>4</th> <th>5</th> </tr> </thead> <tbody> <tr> <td>msec</td> <td>100</td> <td>200</td> <td>300</td> <td>400</td> <td>500</td> </tr> </tbody> </table>	The number of return	1	2	3	4	5	msec	100	200	300	400	500						
The number of return	1	2	3	4	5																
msec	100	200	300	400	500																
15	PREND TYPE 3/4 setting	"Pm:" 50H,6DH,3AH	Return the setting of external signal PREND type 3/4 0(30H) : Normal 1(31H) : Reflect tag writing period to the signal																		
16	Inventory setting	"Iv:" 49H,76H,3AH	Return INVENTORY setting that is done before processing <TP0> and <TU>. 0(30H) : INVENTORY enabled, 1(31H) : INVENTORY disabled																		
17	INVENTORY timeout setting	"It:" 49H,74H,3AH	Return the INVENTORY timeout time <table border="1"> <thead> <tr> <th>Specified number</th> <th>0</th> <th>1</th> <th>2</th> <th>3</th> <th>4</th> <th>5</th> <th>6</th> <th>7</th> </tr> </thead> <tbody> <tr> <td>(msec)</td> <td>25</td> <td>50</td> <td>75</td> <td>100</td> <td>150</td> <td>200</td> <td>300</td> <td>500</td> </tr> </tbody> </table>	Specified number	0	1	2	3	4	5	6	7	(msec)	25	50	75	100	150	200	300	500
Specified number	0	1	2	3	4	5	6	7													
(msec)	25	50	75	100	150	200	300	500													
18	RFID module type Setting	"Md:" 4DH,64H,3AH	Return the RFID module type. With this specification, only "0(30H) : ThingMagic module" is returned.																		
19	Region Setting	"Cn:" 43H,6EH,3AH	Return the region setting of radio frequency. <table border="1"> <thead> <tr> <th>Returned value</th> <th>Country</th> </tr> </thead> <tbody> <tr> <td>0</td> <td>United States</td> </tr> <tr> <td>1</td> <td>Europe</td> </tr> <tr> <td>2</td> <td>China</td> </tr> <tr> <td>3</td> <td>South Korea</td> </tr> <tr> <td>4</td> <td>Australia</td> </tr> <tr> <td>5</td> <td>Singapore</td> </tr> </tbody> </table>	Returned value	Country	0	United States	1	Europe	2	China	3	South Korea	4	Australia	5	Singapore				
Returned value	Country																				
0	United States																				
1	Europe																				
2	China																				
3	South Korea																				
4	Australia																				
5	Singapore																				
20	Reserved	Ma	-																		
21	Reserved	Mb	-																		
22	Reserved	Mc	-																		
23	Reserved	Me	-																		
24	Reserved	Mf	-																		
25	Reserved	Mg	-																		
26	RFID log setting	"La: " 4CH,61H,3AH	Returns the setting 0 (30H): Disable 1 (31H): Enable																		
27	RFID log data setting	"Lb: " 4CH,62H,3AH	Returns the setting 0 (30H): EPC and TID 1 (31H): EPC 2 (32H): TID																		

2.3 READY/BUSY

In this protocol, print data are controlled by a hardware signal only without software procedures.
Refer to "3 RS-232C" for details.

2.4 XON/XOFF

This communication protocol tells the printer status if it can receive any data or not to the host by sending "XON" (HEX 11H) or "XOFF" (HEX 13H) to the signal line.
Refer to "3 RS-232C" for details.

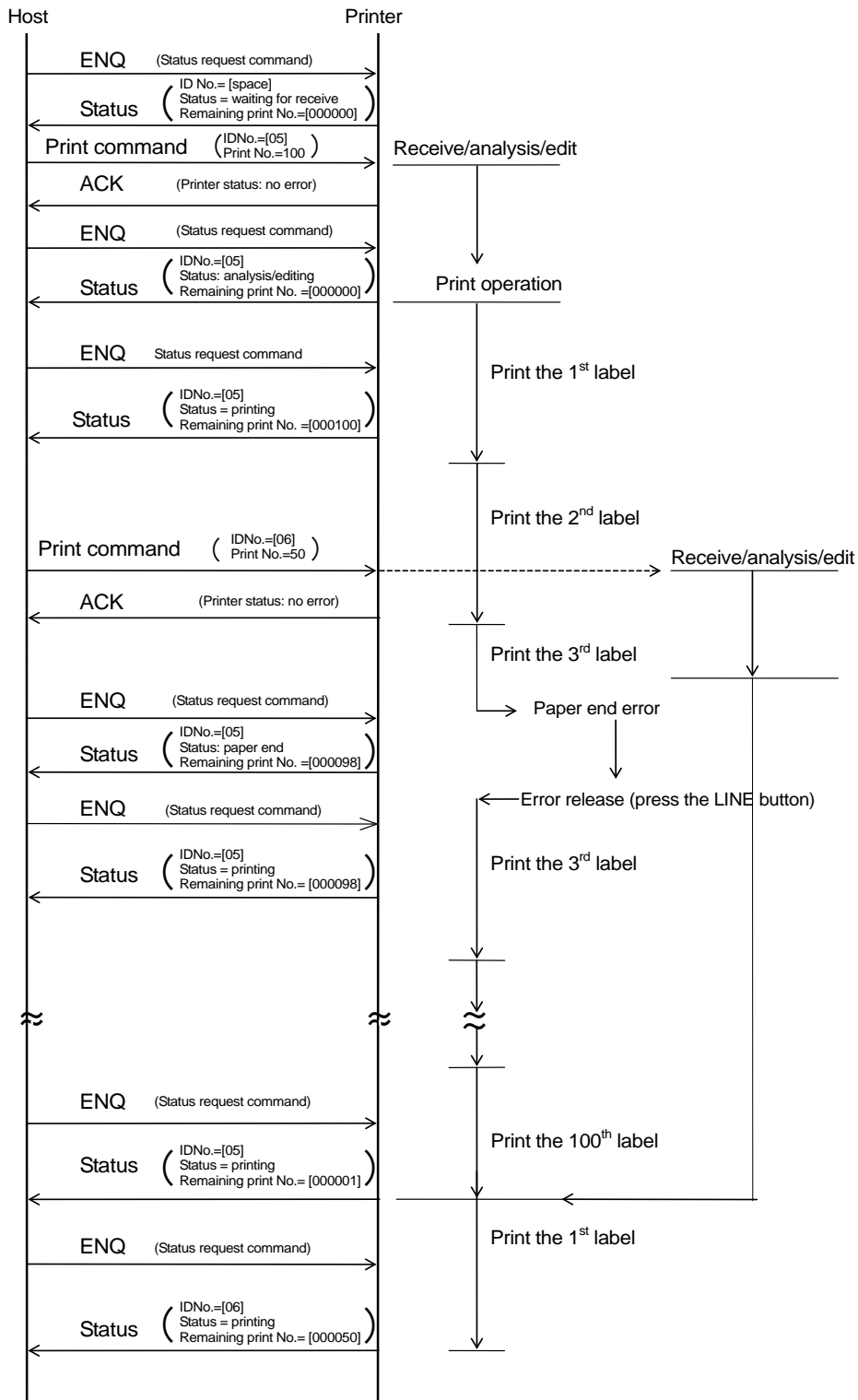
2.5 Status 3

This communication protocol returns the status corresponding to the request command from the host computer so that the host computer can control printer status.
Refer to [2.2.2 Return status of Status 3] for details on the request command and the return status.

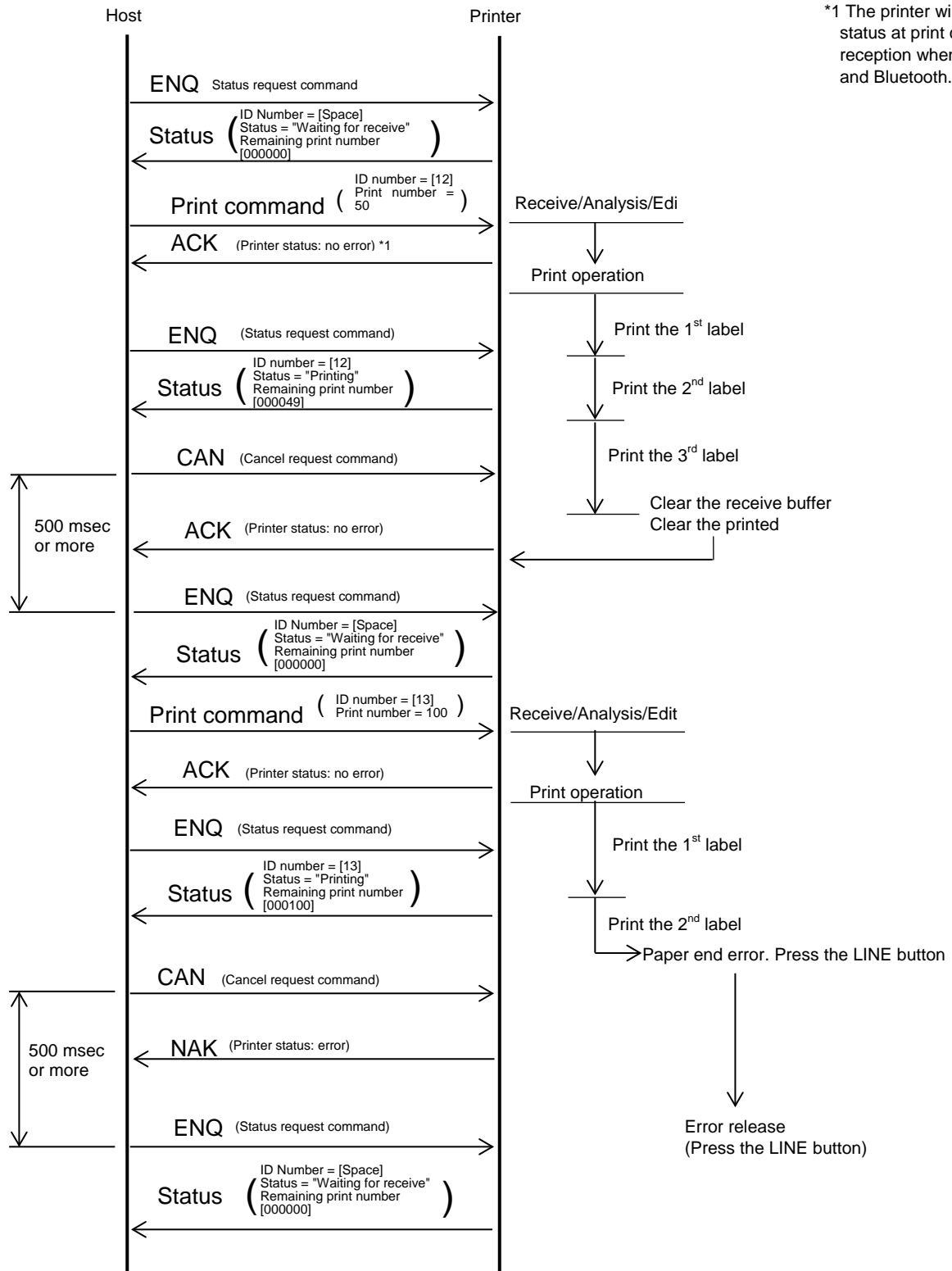
2.5.1 Return Sequence

Refer to [6.14 Printer status] when using LAN/wireless LAN interface.

1) Normal



2) Cancel request command



*1 The printer will return the status at print command reception when using RS-232C and Bluetooth.

2.6 Status 4

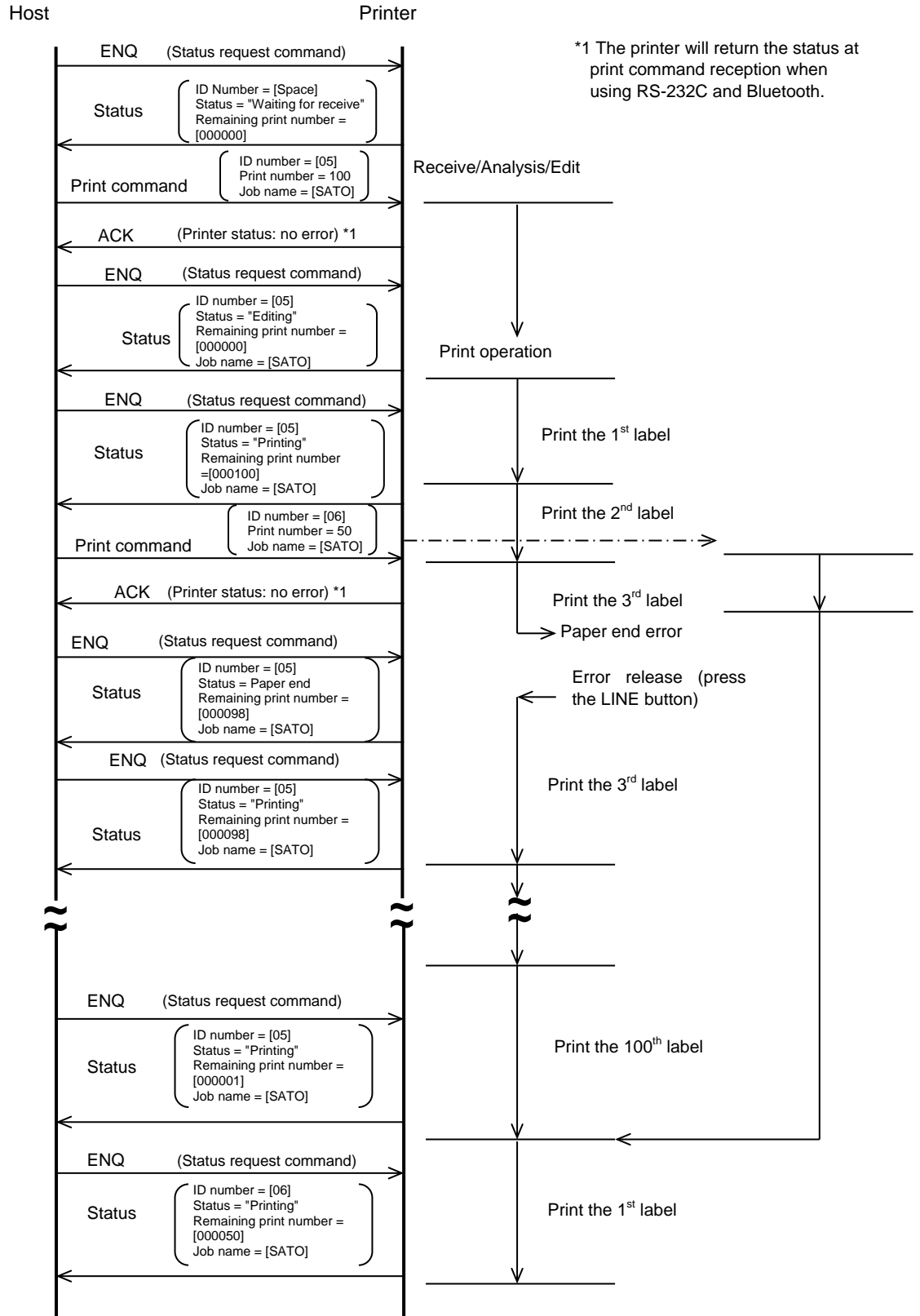
This communication protocol is designed for the purpose of controlling print status in the host, and the product returns the status by receiving request command from the host.

Refer to [2.2.3 Return status of Status 4] and [2.2.5 Other return status (Common to Status 3, Status 4, and Status 5)] for details on the request command and the return status.

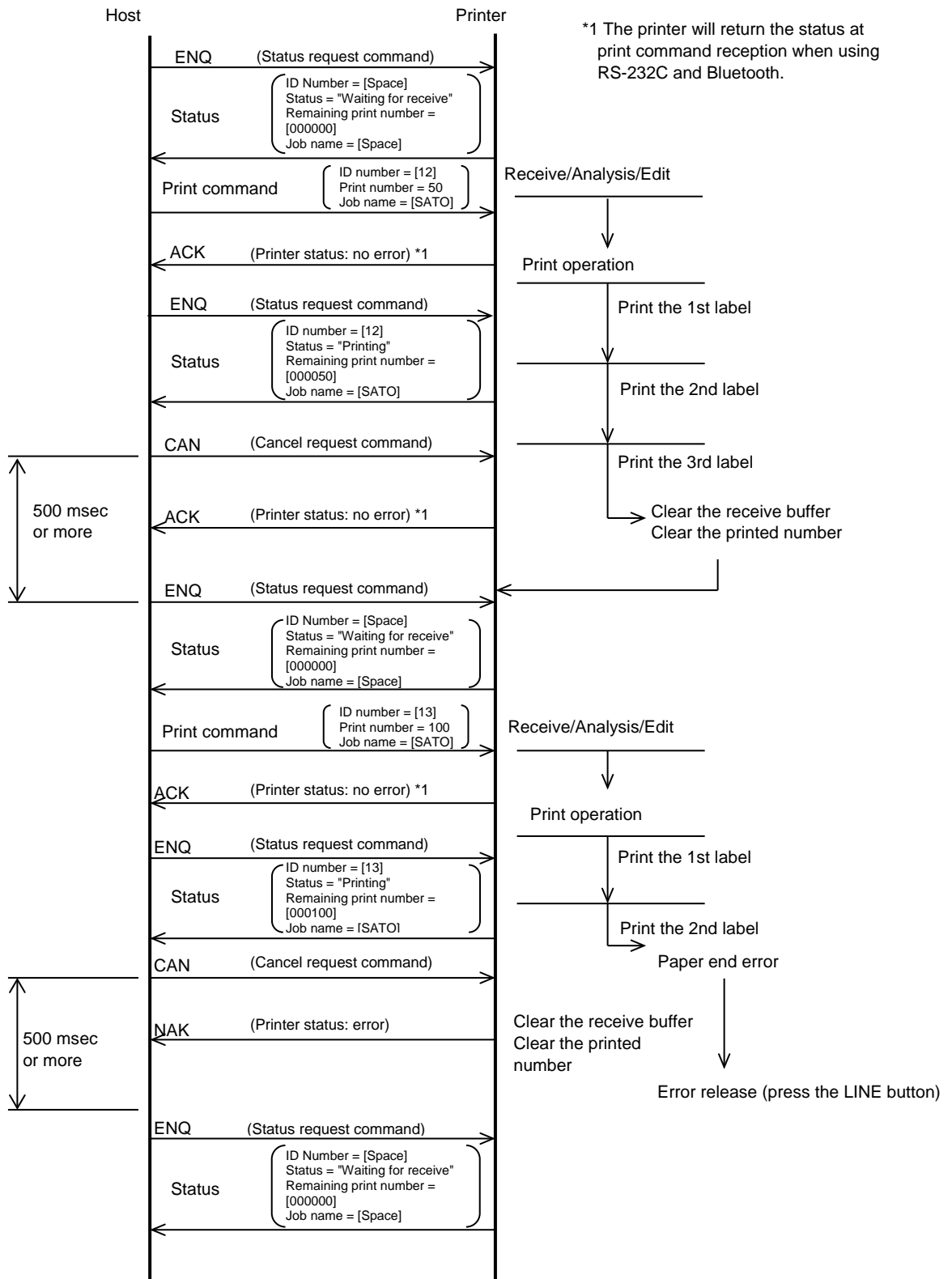
2.6.1 Return Sequence

Refer to [6.14 Printer status] when using LAN/wireless LAN interface.

1) Normal



2) Cancel request command



2.7 Status 5

This communication protocol is designed for the purpose of controlling print status in the host, and there are several functions. This product's receive mode in this protocol is the multiple-receive.

2.7.1 Receive buffer control

There are following two factors for detecting buffer near full due to information such as receive, print, cancel are controlled by each items.

Cause of receive buffer near full

- (1) Buffer near full occurs when the remaining capacity of receive buffer (2.95MB) becomes 0.95 MB.
- (2) Buffer near full occurs when the remaining capacity of history buffer (500 items) becomes 50 items.

Factors to release receive buffer near full

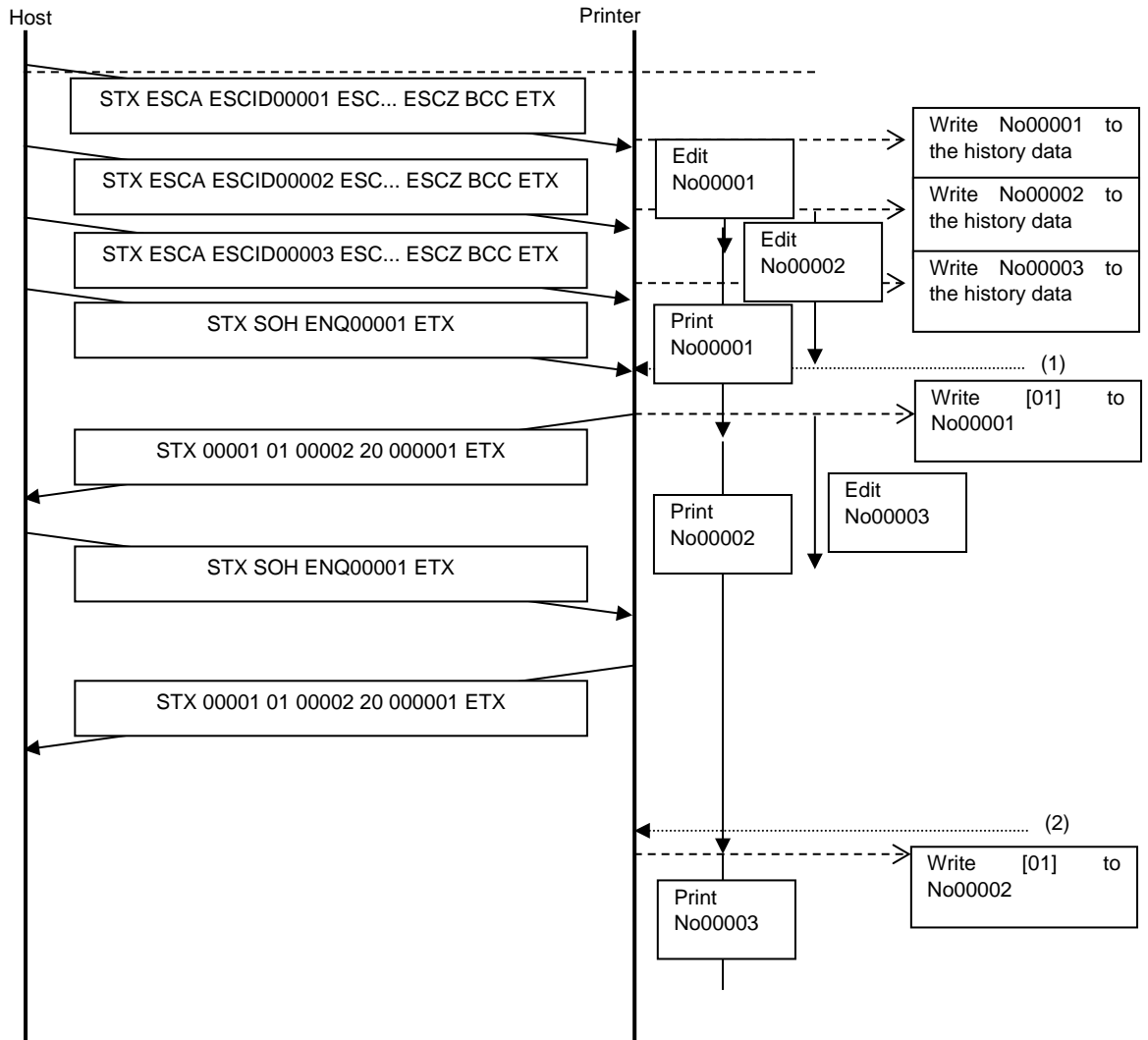
- (1) Receive buffer near full is released when the remaining capacity of the receive buffer becomes 1.95 MB or more.
- (2) Receive buffer near full is released when the remaining capacity of the history buffer becomes 200 items or more.

*Buffer-over occurs when the history buffer becomes full state (more than 499 items).

*Each history information is handled as an empty area when item analysis is finished.

2.7.2 Return Sequence

1) Normal process (1)



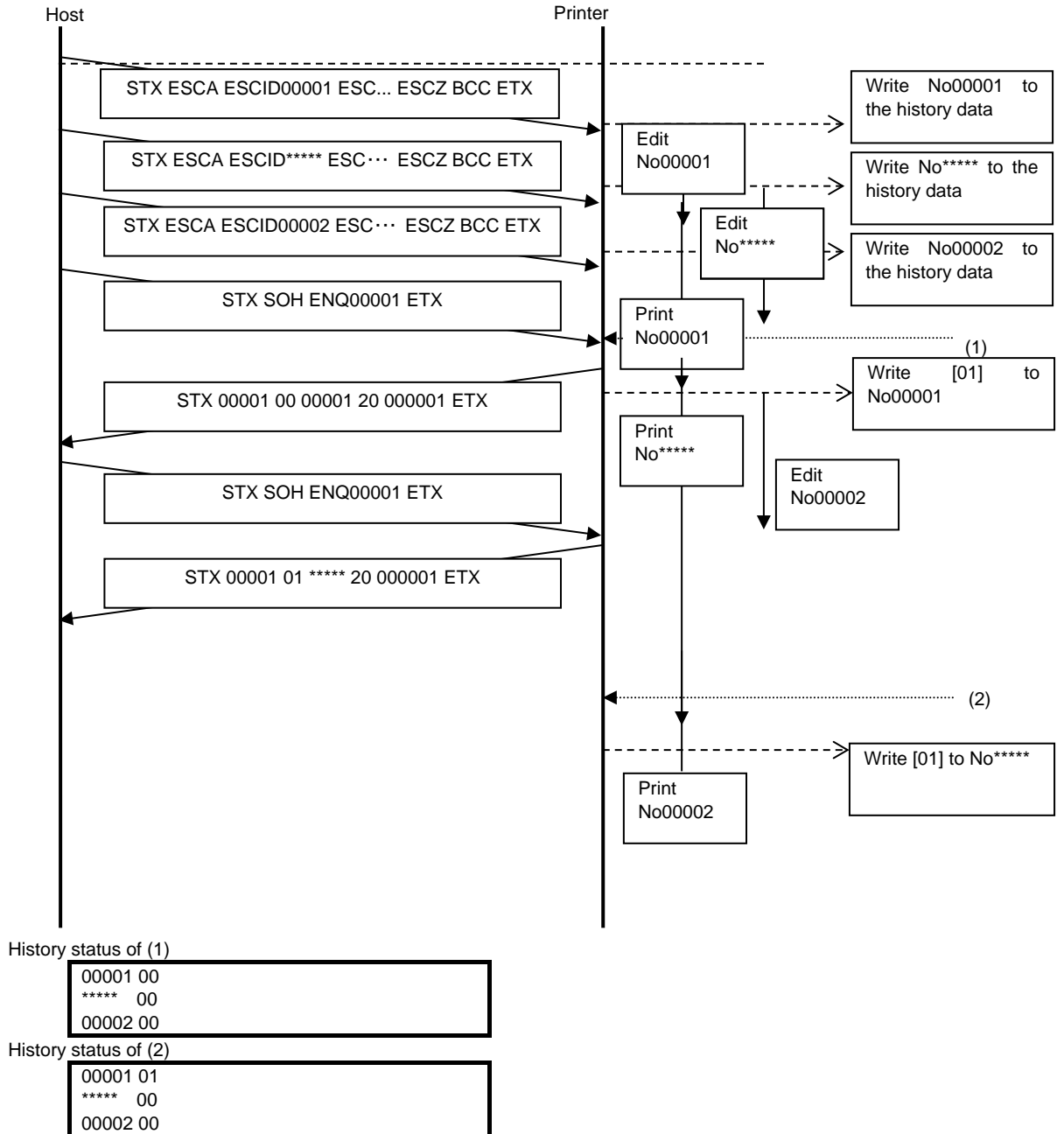
History status of (1)

00001 00
00002 00
00003 00

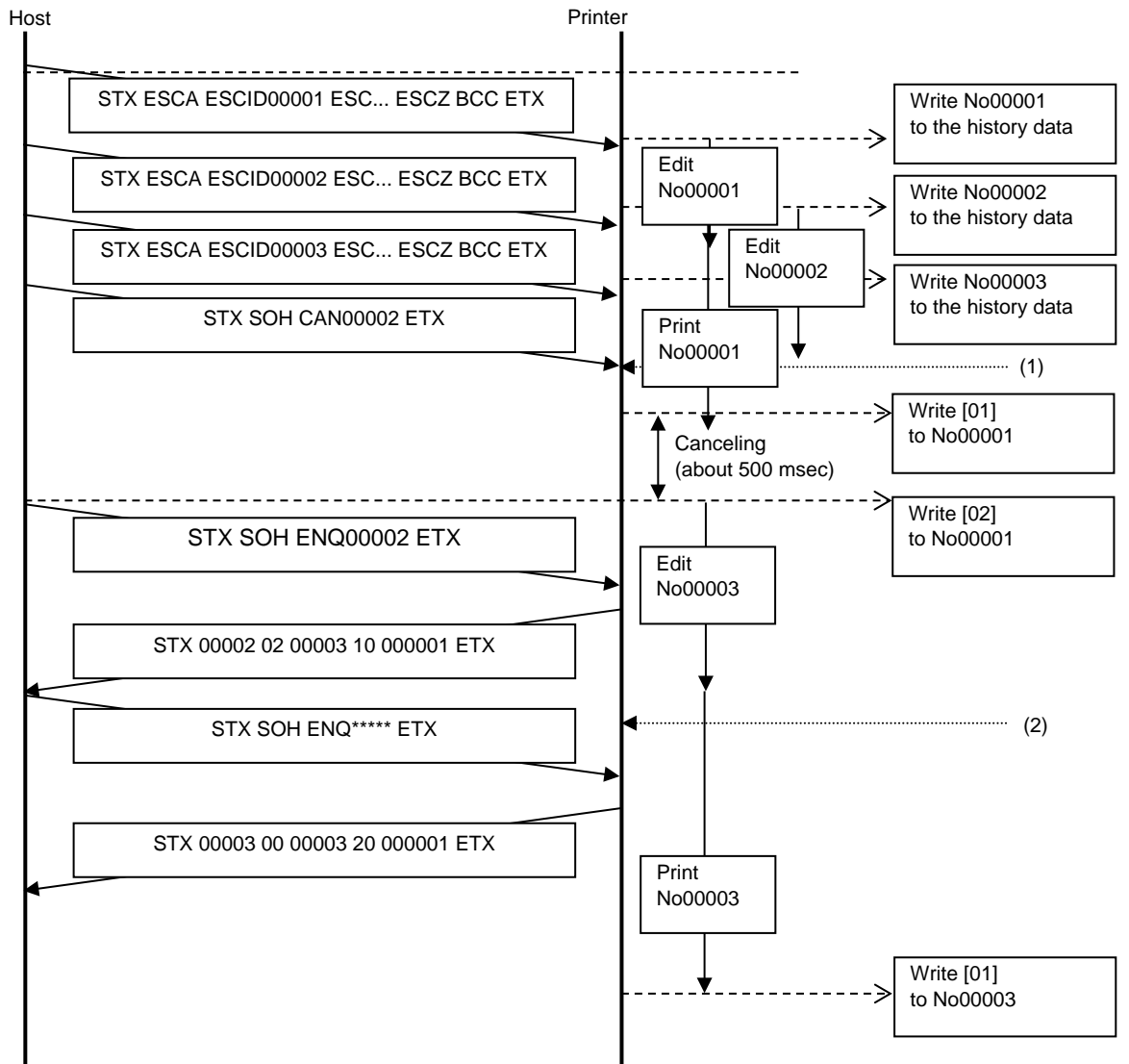
History status of (2)

00001 01
00002 00
00003 00

2) Normal process (2)



3) Cancel process (1)



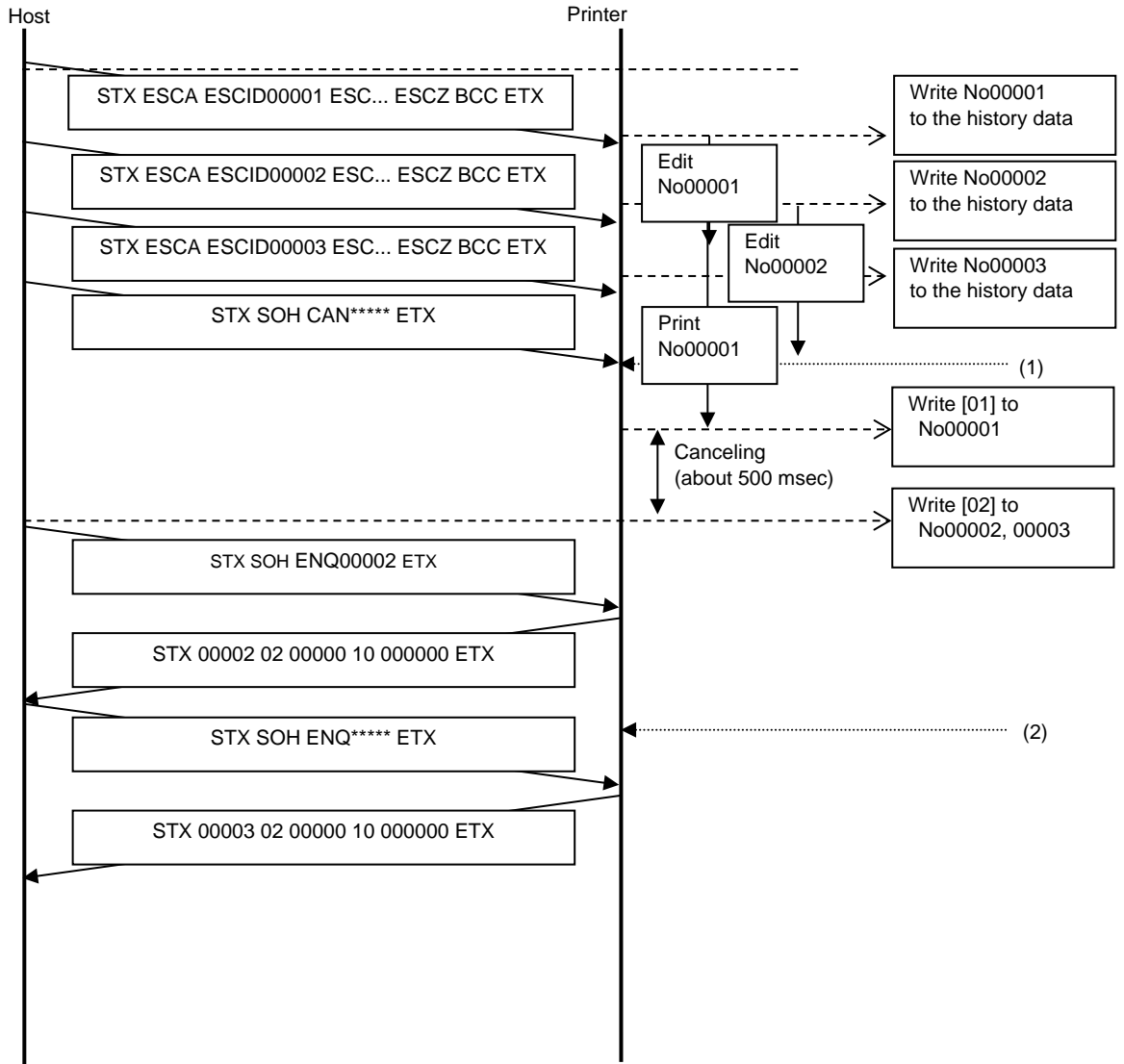
History status of (1)

```
00001 00
00002 02
00003 00
```

History status of (2)

```
00001 01
00002 02
00003 00
```

4) Cancel process (2)



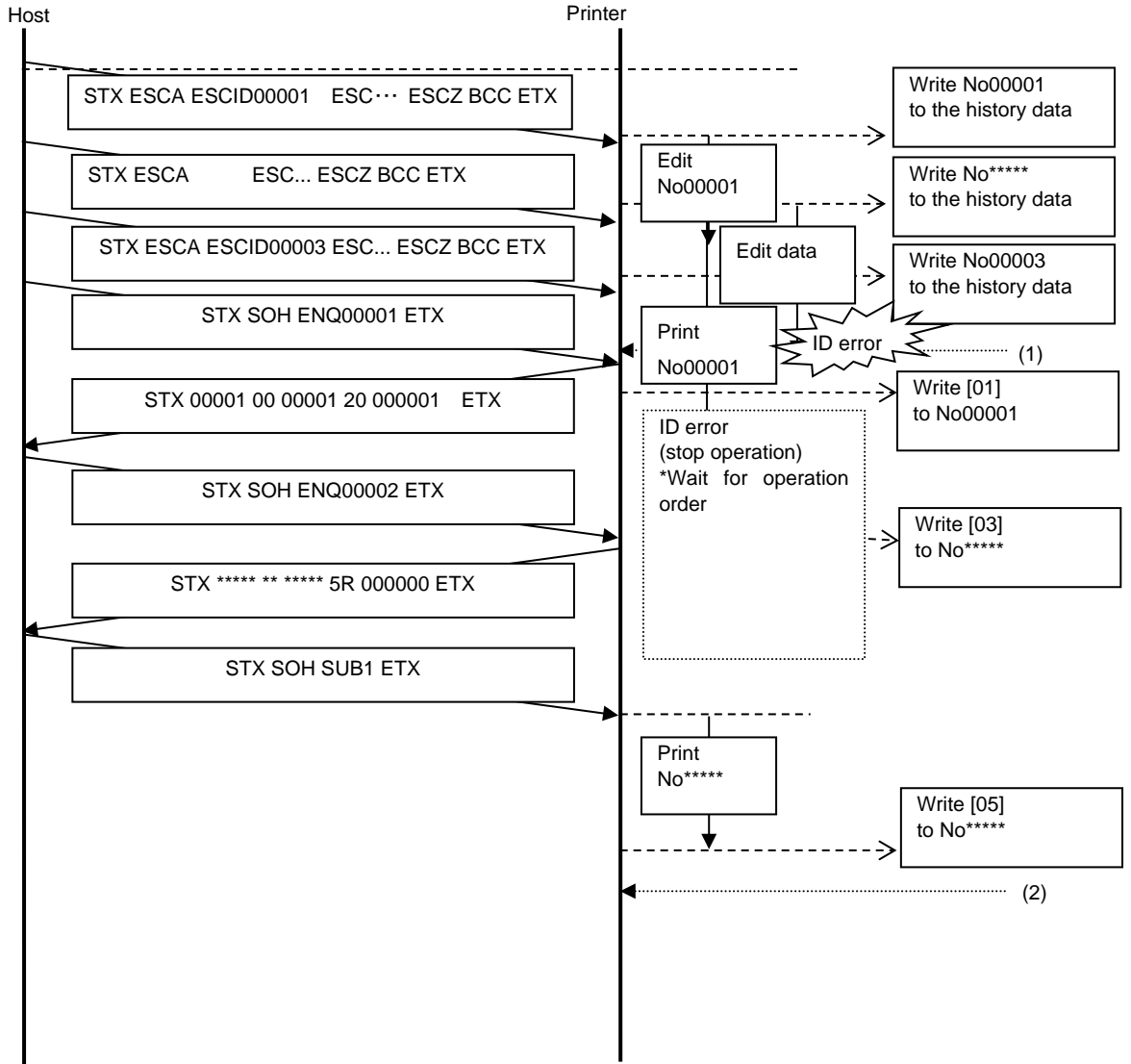
History status of (1)

00001 00
00002 02
00003 02

History status of (2)

00001 01
00002 02
00003 02

5) Error process (1)



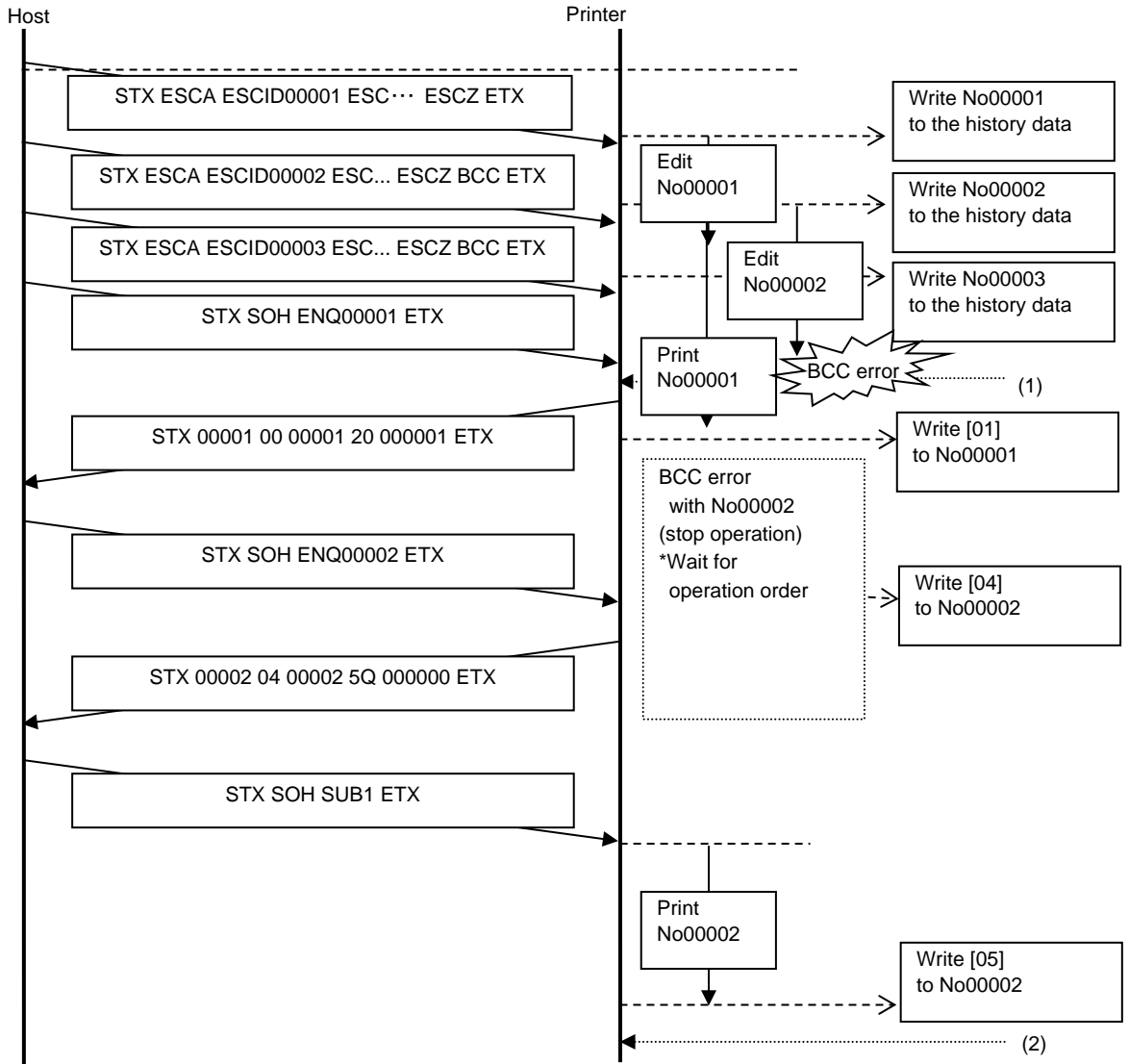
History status of (1)

```
00001 00
***** 03
00003 00
```

History status of (2)

```
00001 01
***** 05
00003 00
```

6) Error process (2)



History status of (1)

```

0 00001 00
0 00002 04
0 00003 00
    
```

History status of (2)

```

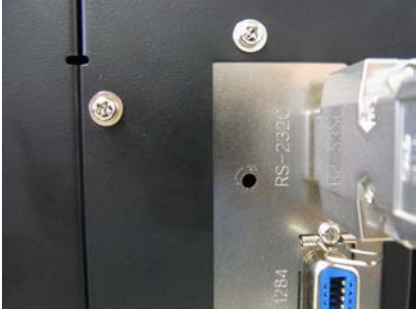


0 00001 01
0 00002 05
0 00003 00
    
```

3 RS-232C

3.1 Basic Specifications

This interface complies with the RS-232C standard.

The communication can be configured on the communication setting mode of the product or product setting tool.

Interface																			
Communication setting	<p>Setting range on the communication setting mode</p> <table border="1" data-bbox="639 703 1374 1010"> <thead> <tr> <th>Item</th> <th>Setting value</th> <th>Default Value</th> </tr> </thead> <tbody> <tr> <td>Data bit length</td> <td>7,8 (bits)</td> <td>8 bits</td> </tr> <tr> <td>Parity bit</td> <td>NONE, ODD, EVEN</td> <td>NONE</td> </tr> <tr> <td>Stop bit</td> <td>1, 2(Bits)</td> <td>1 bit</td> </tr> <tr> <td>Baud rate</td> <td>2400, 4800, 9600, 19200, 38400, 57600, 115200 (bps)</td> <td>19200 bps</td> </tr> <tr> <td>Protocol</td> <td>READY/BUSY, XON/XOFF, Status 2, Status 3, Status 4, Status 5 Refer to 2 Communication protocol for details.</td> <td>Status 5</td> </tr> </tbody> </table> <p>1) Single item or multiple item receive can be selected on the communication setting mode when READY/BUSY or XON/XOFF is configured. 2) Setting of LEGACY COMMAND SUPPORT mode can be done in the service mode.</p>	Item	Setting value	Default Value	Data bit length	7,8 (bits)	8 bits	Parity bit	NONE, ODD, EVEN	NONE	Stop bit	1, 2(Bits)	1 bit	Baud rate	2400, 4800, 9600, 19200, 38400, 57600, 115200 (bps)	19200 bps	Protocol	READY/BUSY, XON/XOFF, Status 2, Status 3, Status 4, Status 5 Refer to 2 Communication protocol for details.	Status 5
Item	Setting value	Default Value																	
Data bit length	7,8 (bits)	8 bits																	
Parity bit	NONE, ODD, EVEN	NONE																	
Stop bit	1, 2(Bits)	1 bit																	
Baud rate	2400, 4800, 9600, 19200, 38400, 57600, 115200 (bps)	19200 bps																	
Protocol	READY/BUSY, XON/XOFF, Status 2, Status 3, Status 4, Status 5 Refer to 2 Communication protocol for details.	Status 5																	
Synchronization system	Asynchronous communication method																		
Receive buffer size	<p>2.95 MB</p> <p style="text-align: center;">OM byte 2.95Mbytes</p> <p>Near full  0.95Mbytes remains</p> <p>Near full  1.95Mbytes remains</p>																		
Code	ASCII (7 bits) Graphic (8 bits)																		
Connector	<p>At the product DSUB9 pin (female terminal)</p> <p>At the cable DSUB9 pin (male terminal)</p> <p>Cable length shorter than 5 (m)</p>																		
Transmission format	<table border="1" data-bbox="619 1697 1321 1727"> <tr> <td>Start</td> <td>b1</td> <td>b2</td> <td>b3</td> <td>b4</td> <td>b5</td> <td>b6</td> <td>b7</td> <td>b8</td> <td>Stop</td> </tr> </table> <p>*In case of 7 bits unit, b3 will be omitted.</p>	Start	b1	b2	b3	b4	b5	b6	b7	b8	Stop								
Start	b1	b2	b3	b4	b5	b6	b7	b8	Stop										
Signal level	<p>High level: +5 to +12V</p> <p>Low level: -5 to -12V</p>																		

3.2 READY/BUSY

In this protocol, print data are controlled by a hardware signal only without software procedures. Single item receive or multiple receive can be switched on the interface mode of the product.

When the print data (STX <A>- <Z> ETX) has sent from the host in the conditions below, the received data will not be accurate.

- 1) When the product is in offline state.
- 2) When an error has occurred in the product.

3.2.1 Connecting diagram

1) DB-9P

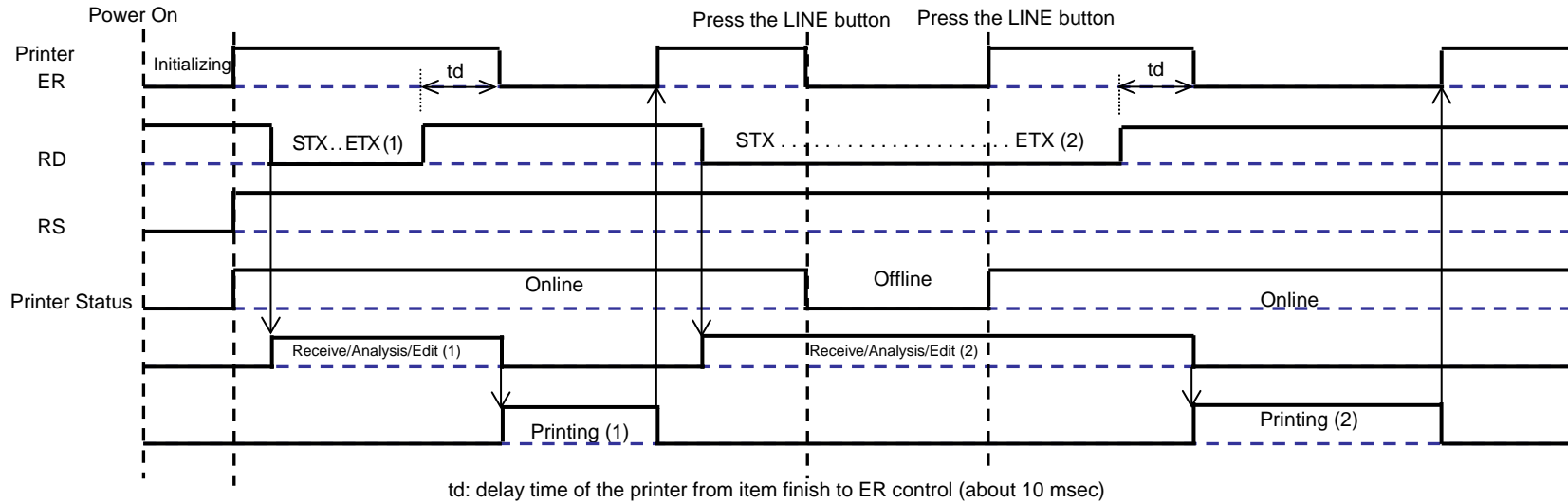
Printer		Host	
CD	1	1	CD
RD	2	3	SD
SD	3	2	RD
ER	4	6	DR
SG	5	5	SG
DR	6	4	ER
RS	7	8	CS
CS	8	7	RS

3.2.2 Explanation of input/output signal

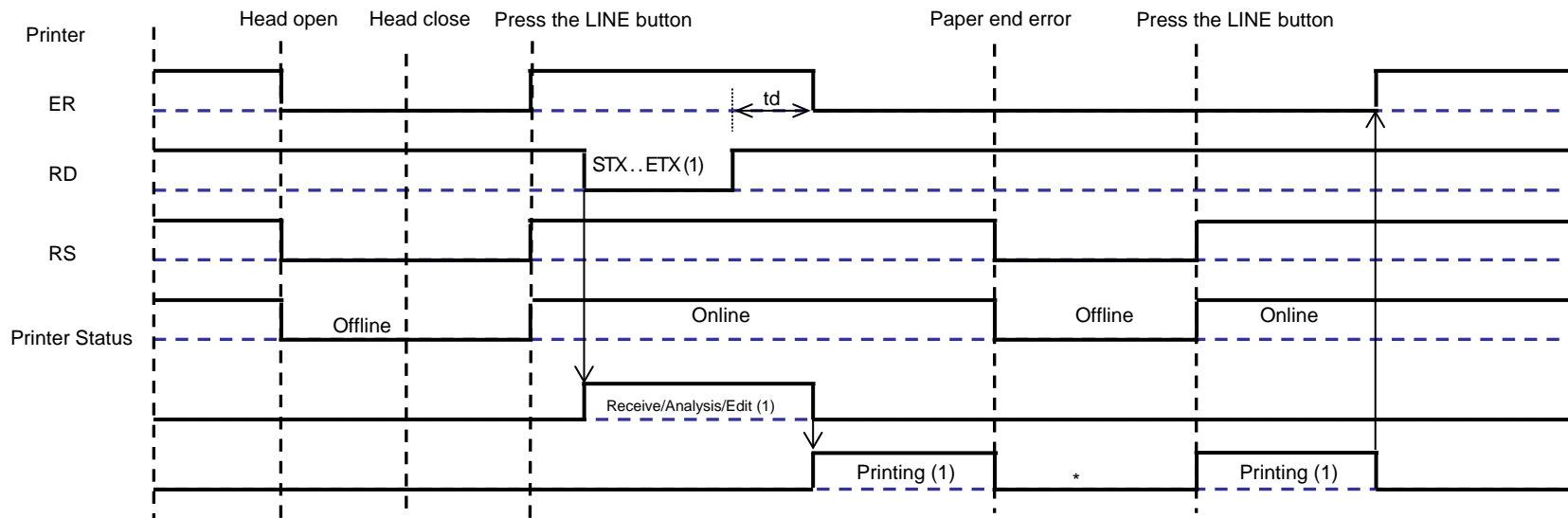
Pin number	Signal name	Direction	Description
2	RD	Input	Data from the host to the product
3	SD	Output	Data from the product to the host
4	ER	Output	Data terminal ready
5	SG	—	Signal ground
6	DR	Input	Data set ready
7	RS	Output	Send request
8	CS	Input	Clear to send

3.2.3 Timing chart of single item receive

1) Normal process



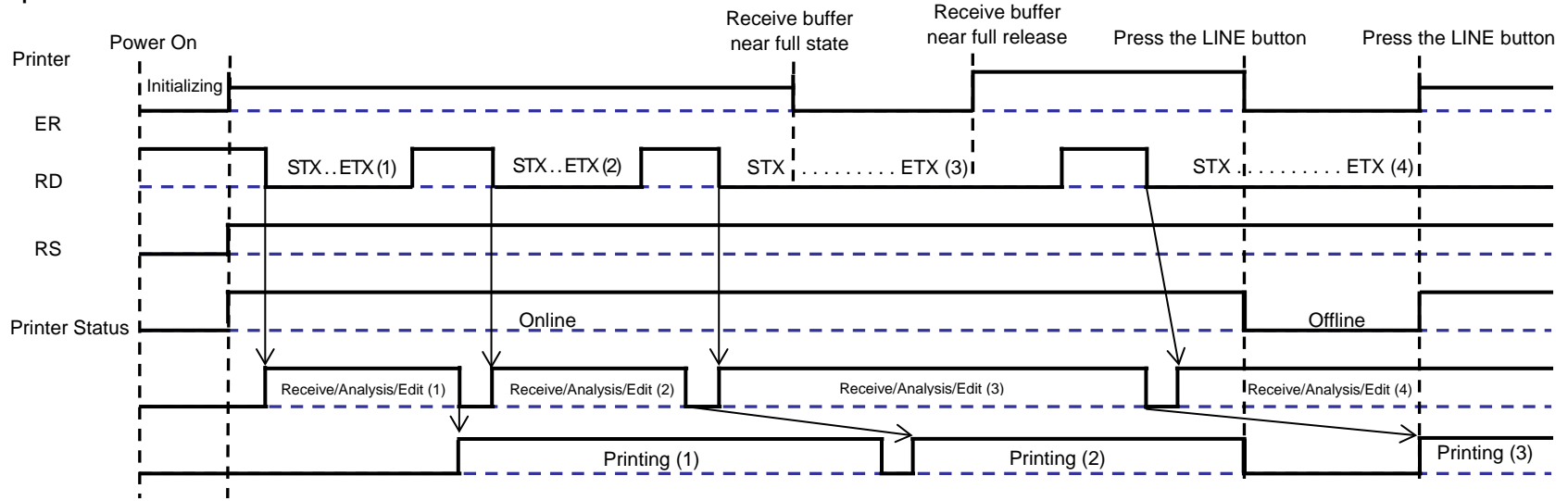
2) Error process



* When the paper end error occurs, open the head, set label, close the head and feed.
 Note: (1) The paper end error will be released when the head is closed.
 (2) RS signal will be Low at the head open error detection, and Hi at the offline state.

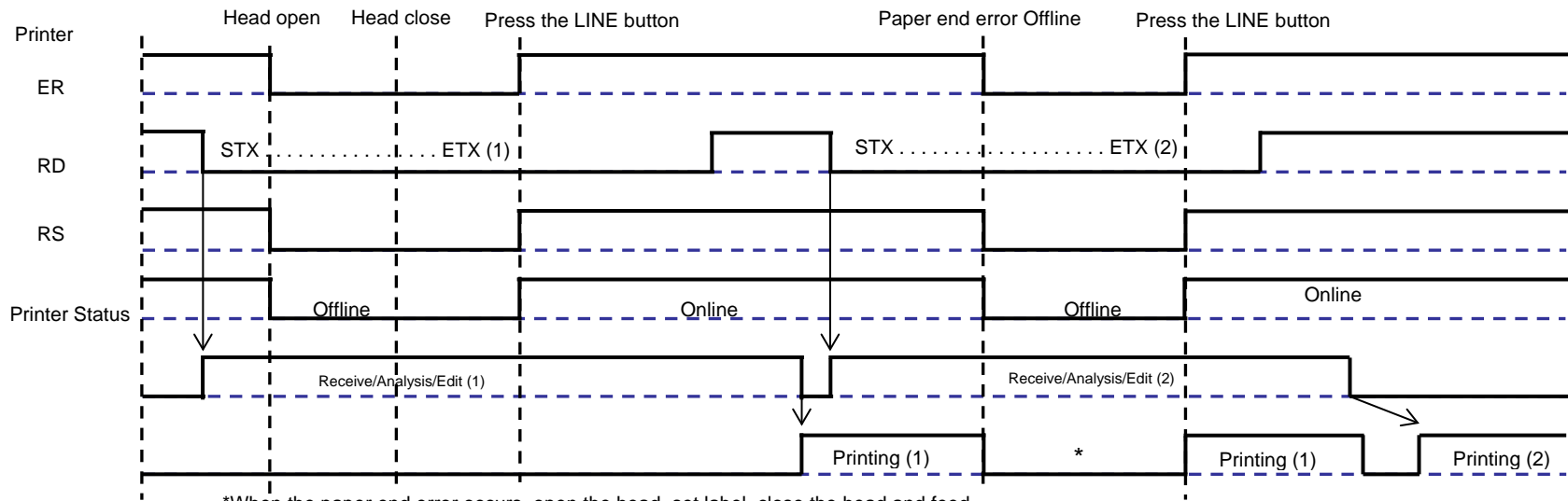
3.2.4 Timing chart of multiple receive

1) Normal process



Note: it is possible to send data during printing in the multiple receive mode.

2) Error process



*When the paper end error occurs, open the head, set label, close the head and feed.

Note: The paper end error will be released when the head is closed.

3.3 XON/XOFF

This communication protocol tells the printer status if it can receive any data or not to the host by sending "XON" (HEX 11H) or "XOFF" (HEX 13H) to the signal line. Single item receive or multiple receive can be switched on the interface mode of the product.

When the print data (STX <A>~ <Z> ETX) has sent from the host in the conditions below, the received data will not be accurate.

- 1) When the product is in offline state.
- 2) When an error has occurred in the product.

3.3.1 Connecting diagram

1) DB-9P



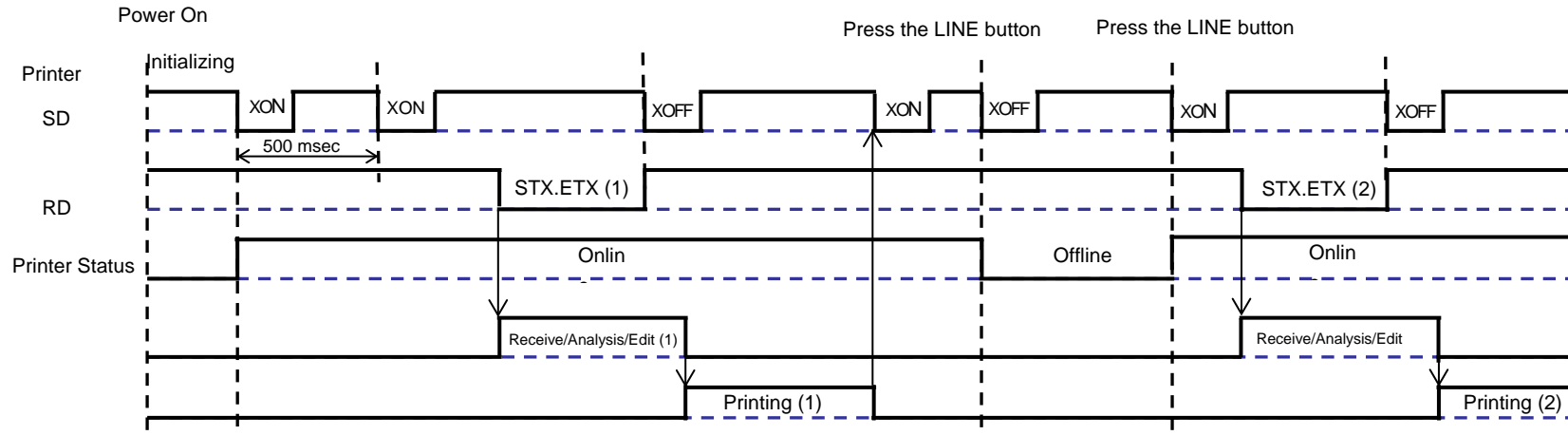
*Depending on the model of the host, CS and RS may need to be looped (always keep "High") at the host. Please confirm the user's guide of the host system.

3.3.2 Explanation of input/output signal

Pin number	Signal name	Direction	Description
2	RD	Input	Data from the host to the product
3	SD	Output	Data from the product to the host
5	SG	-	Signal ground

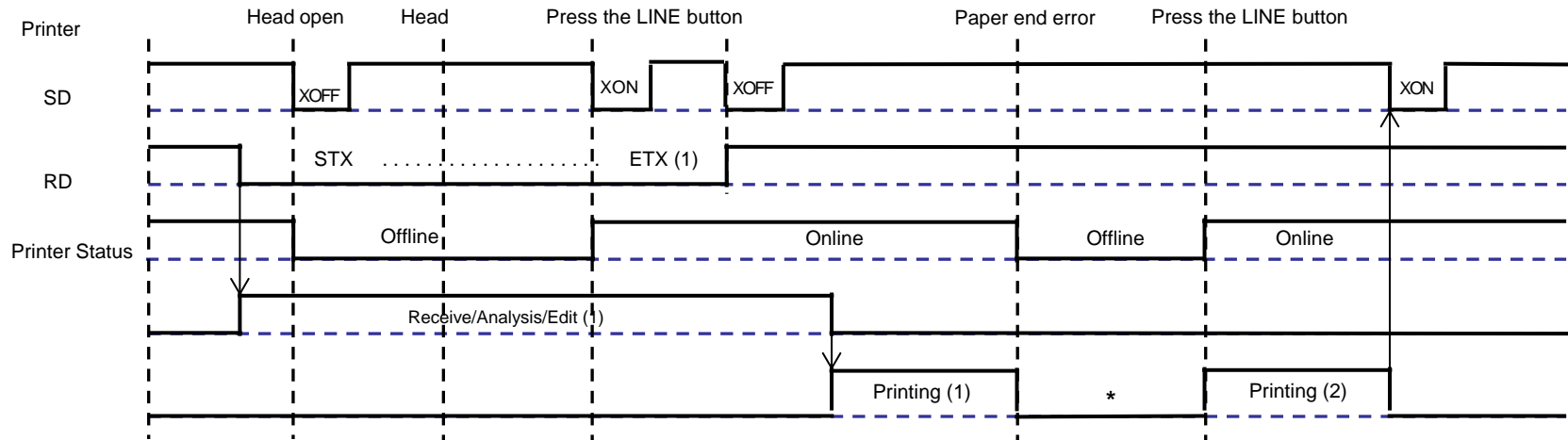
3.3.3 Timing chart of single item receive

1) Normal process



Note: the printer will be polled by XON at intervals of 500 msec from the initializing to the first data reception.

2) Error process



* When the paper end error occurs, open the head, set label, close the head and feed.

Notes: (1) The paper end error will be released when the head is closed.

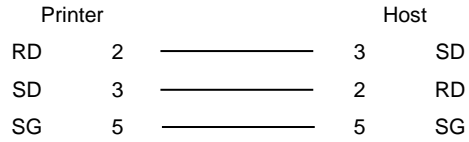
(2) XOFF will be sent when data is received during an error.

3.4 Printer Status 5 Return

This communication protocol is designed for the purpose of controlling print status in the host, and there are several functions. This product's receive mode in this protocol is the multiple-receive.

3.4.1 Connecting diagram

1) DB-9P



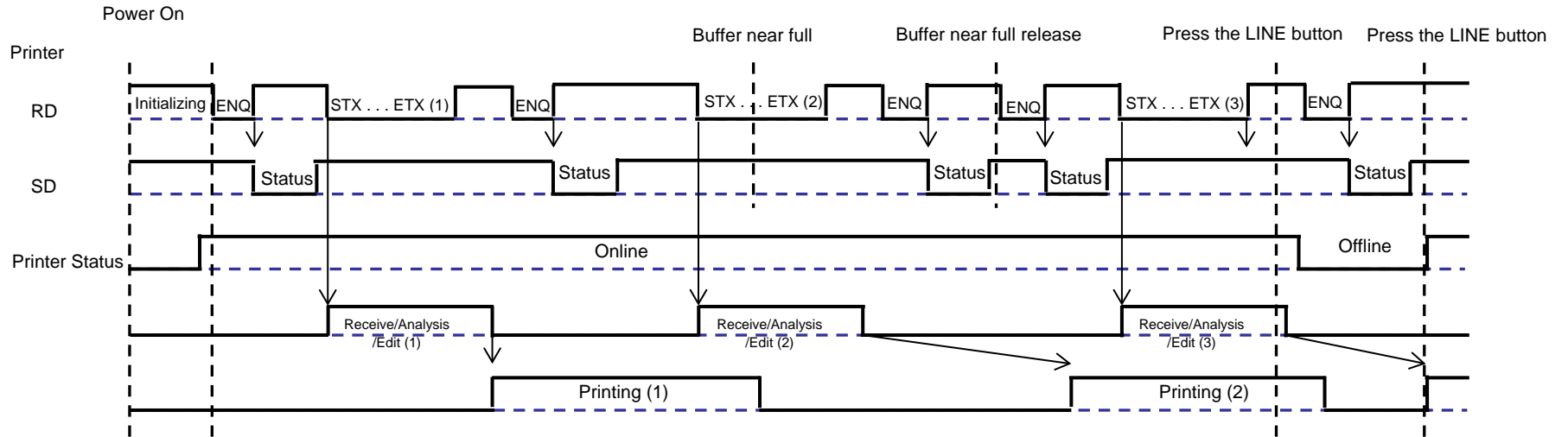
*Depending on the model of the host, CS and RS may need to be looped (always keep "High") at the host. Please confirm the user's guide of the host system.

3.4.2 Explanation of input/output signal

Pin number	Signal name	Direction	Description
2	RD	Input	Data from the host to the product
3	SD	Output	Data from the product to the host
5	SG	-	Signal ground

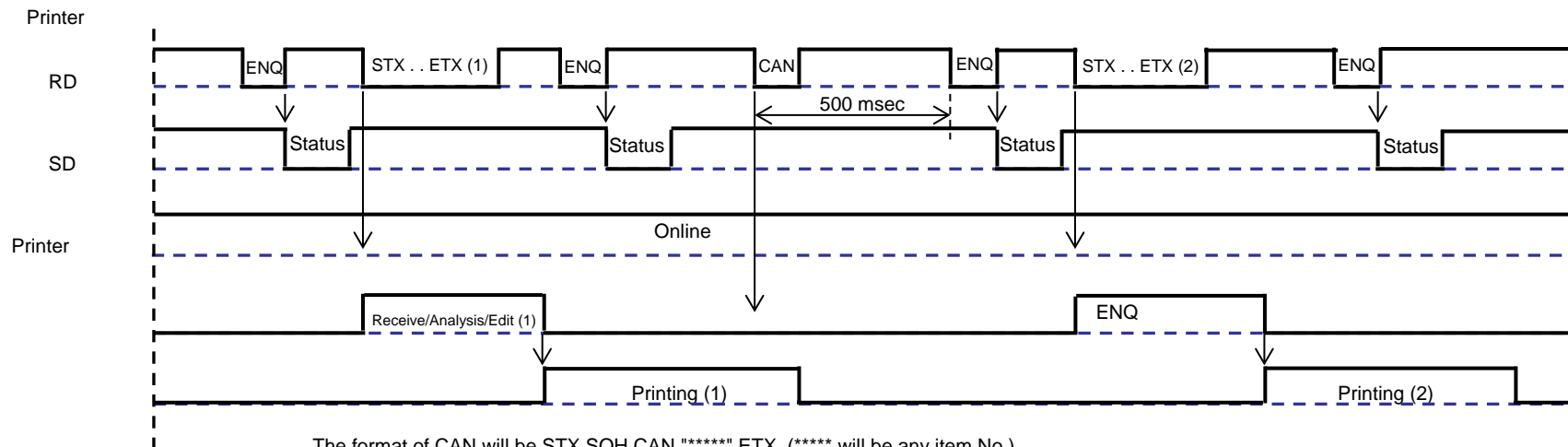
3.4.3 Timing Chart

1) Normal process



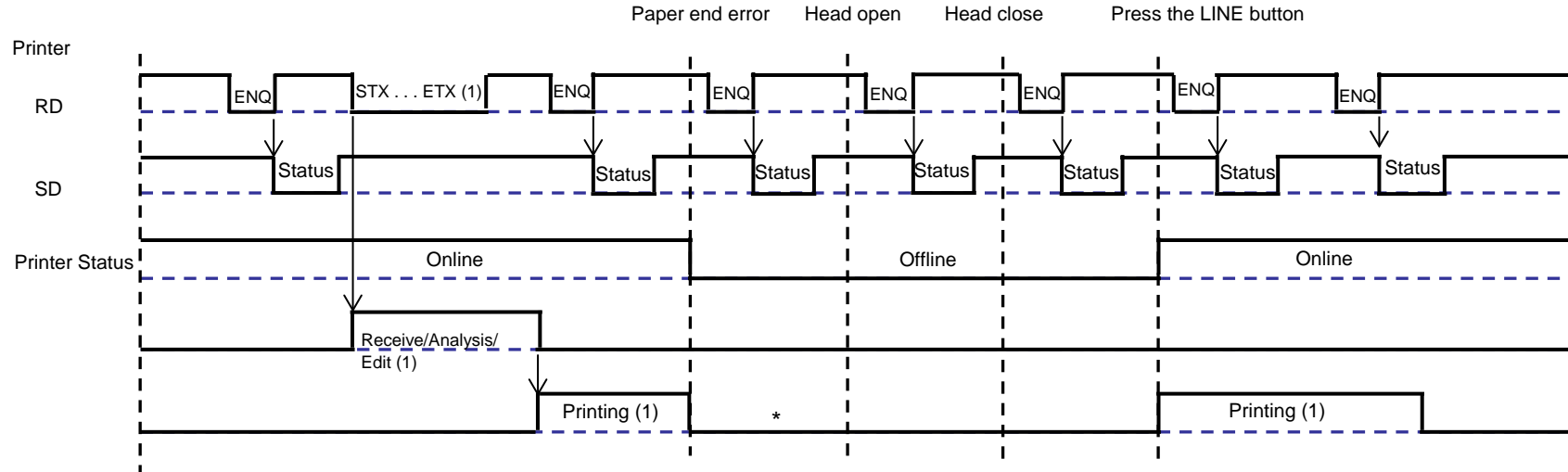
The format of ENQ will be STX SOH ENQ "*****" ETX. (***** will be any item No.)
 Avoid sending ENQ while sending the print data (STX <A> - <Z> ETX). By sending ENQ,
 The status may not be returned or there may be print error.

2) Cancel process



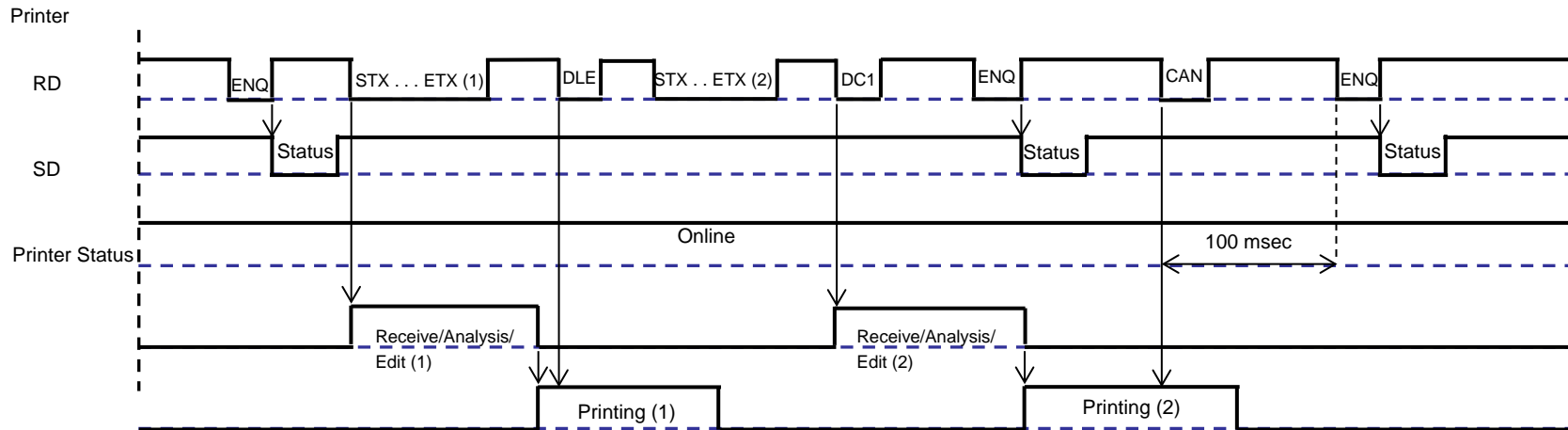
The format of CAN will be STX SOH CAN "*****" ETX. (***** will be any item No.)
 After sending CAN, please wait about 500 msec before sending the next data.
 Avoid sending CAN while sending the print data (STX <A> - <Z> ETX). With the above condition, the job may not be
 canceled or the item may not be printed correctly.

3) Error process



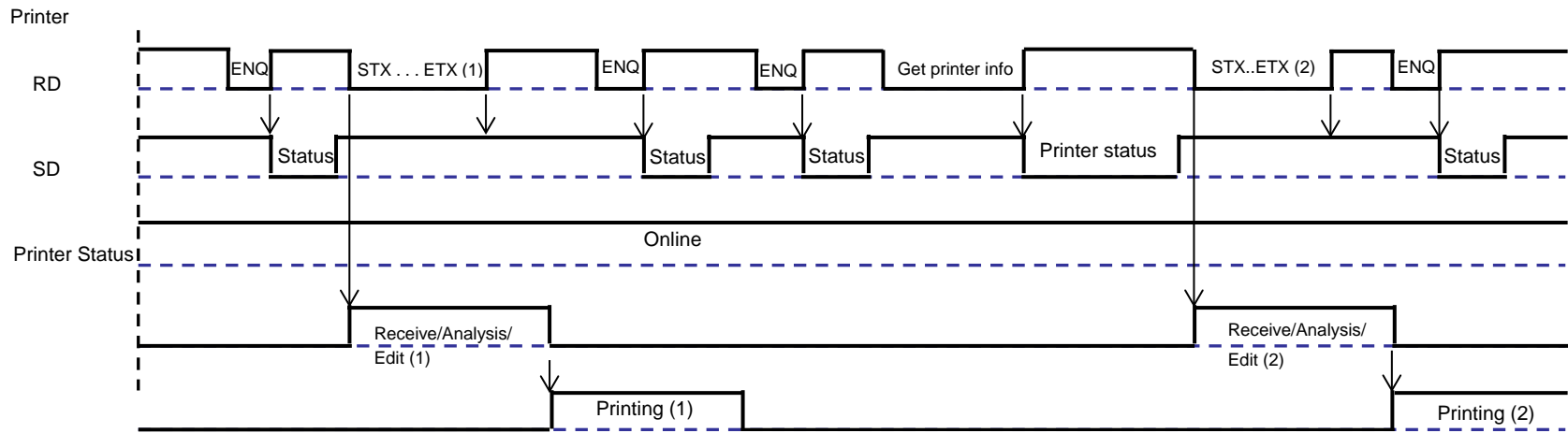
* When the paper end error occurs, open the head, set label, close the head and feed.
 Note: The paper end error will be released when the head is closed.

4) Print pause, print resume process



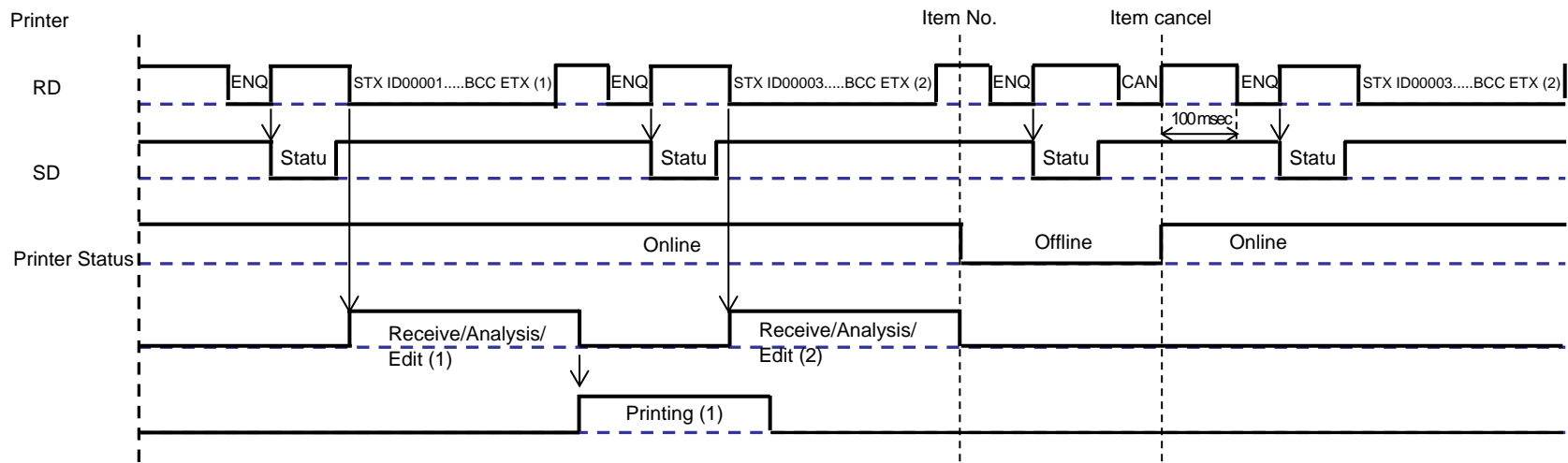
The format of DLE will be STX SOH DLE ETX.
 The format of DC1 will be STX SOH DC1 ETX.

5) Information request command process



Note: Do not send status request commands during printing.

6) Item No. error (BCC error) process



Note: Do not send status request commands during printing.

3.5 Status 4

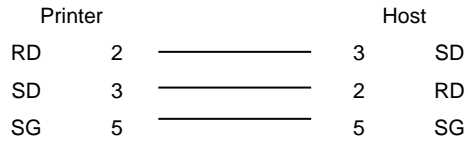
This communication protocol is designed for the purpose of controlling print status in the host, and the product returns the status by receiving request command from the host.

The product returns the status after receiving the status request command.

This product's receive mode in this protocol is the multiple-receive.

3.5.1 Connecting diagram

1) DB-9P



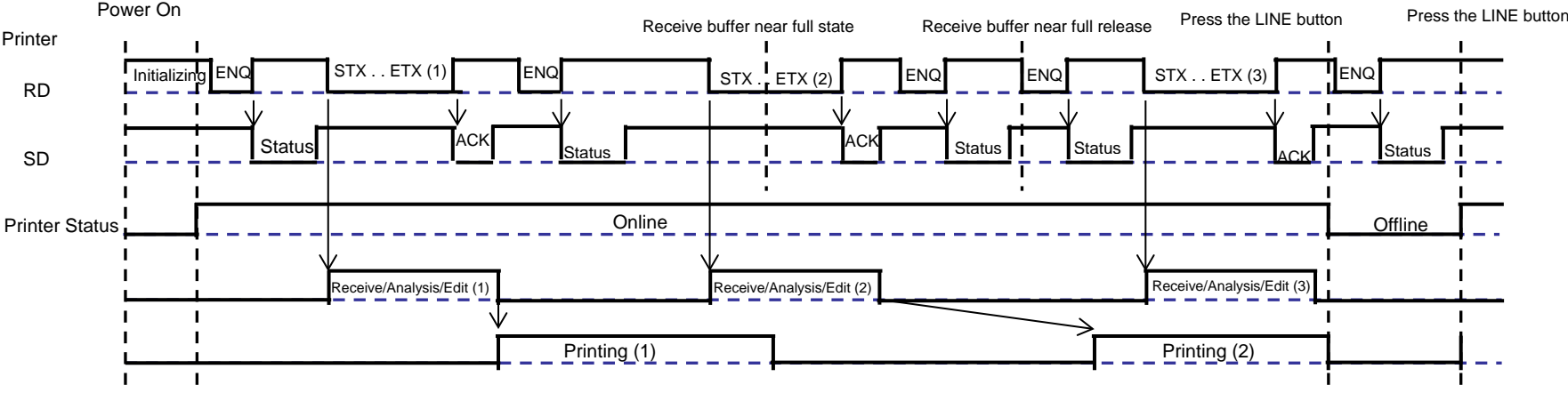
*Depending on the model of the host, CS and RS may need to be looped (always keep "High") at the host.
Please confirm the user's guide of the host system.

3.5.2 Explanation of input/output signal

Pin number	Signal name	Direction	Description
2	RD	Input	Data from the host to the product
3	SD	Output	Data from the product to the host
5	SG	-	Signal ground

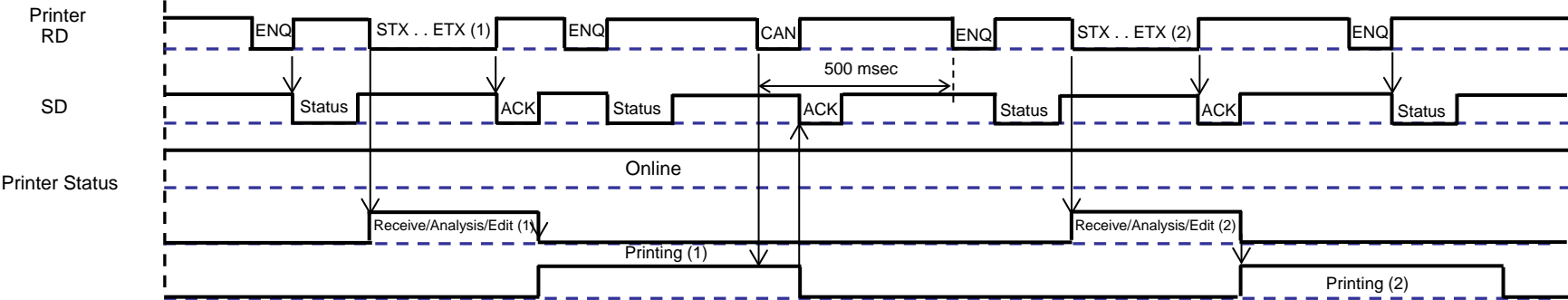
3.5.3 Timing Chart

1) Normal process



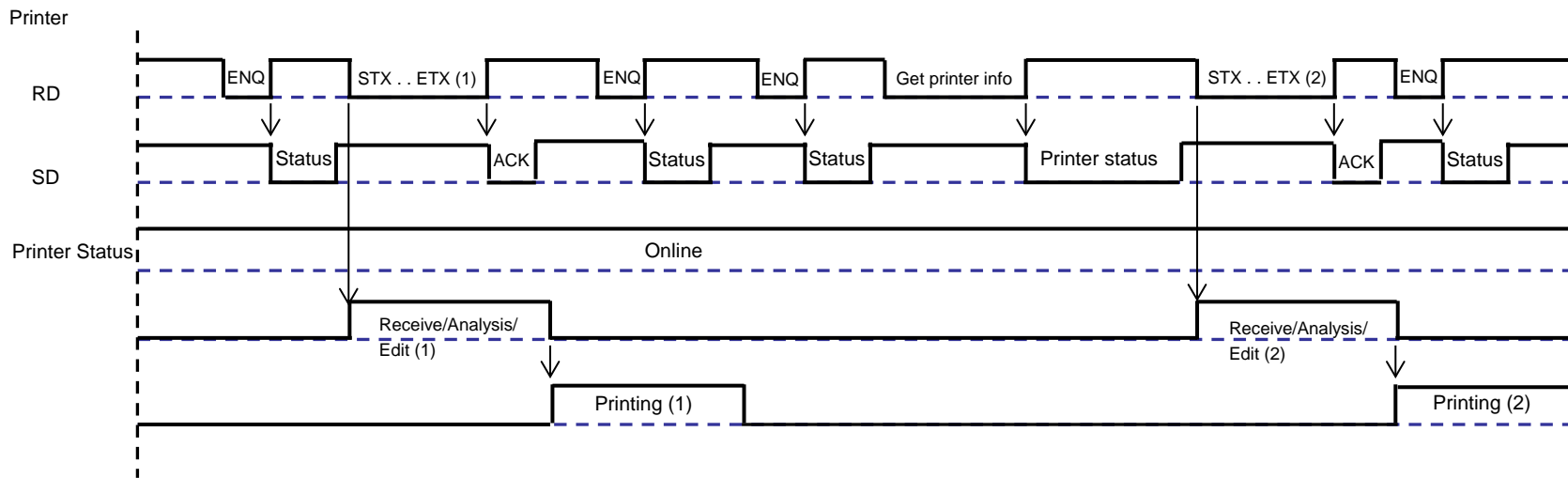
Note: Avoid sending ENQ while sending the print data (STX <A> - <Z> ETX). This may cause return status error or print error.

2) Cancel process



Note: When the cancel request command has sent, wait for more than 500 ms before sending the next data. Avoid sending CAN while sending the print data (STX <A> - <Z> ETX). This may cause cancel error or print error. With the above condition, the job may not be canceled or the item may not be printed correctly.

5) Information request command process



Note: Do not send status request commands during printing.

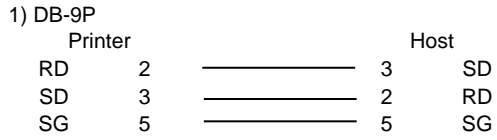
3.6 Printer Status 3 Return

This communication protocol is designed for the purpose of controlling print status in the host, and the product returns the status by receiving request command from the host.

The product returns the status after receiving the status request command.

This product's receive mode in this protocol is the multiple-receive.

3.6.1 Connecting diagram

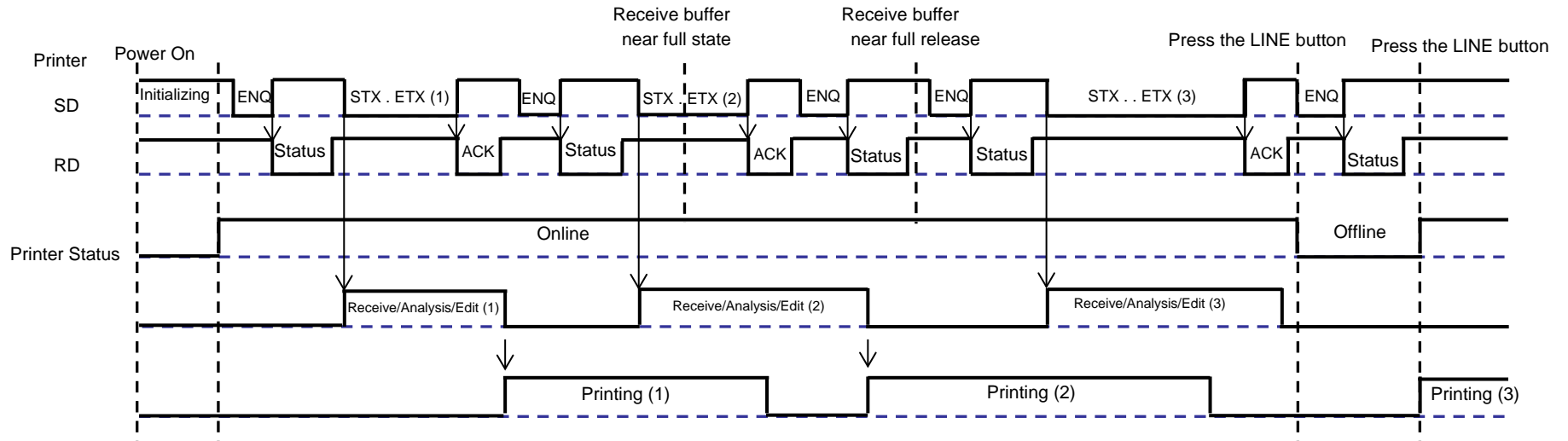


3.6.2 Explanation of input/output signal

Pin number	Signal name	Direction	Description
2	RD	Input	Data from the host to the product
3	SD	Output	Data from the product to the host
5	SG	—	Signal ground

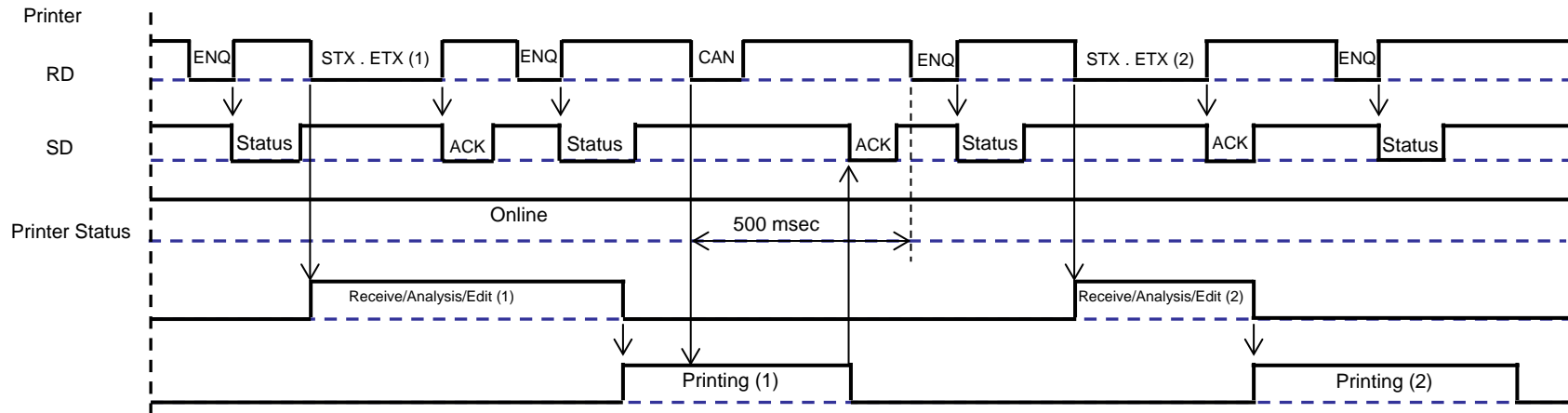
3.6.3 Timing Chart

1) Normal process



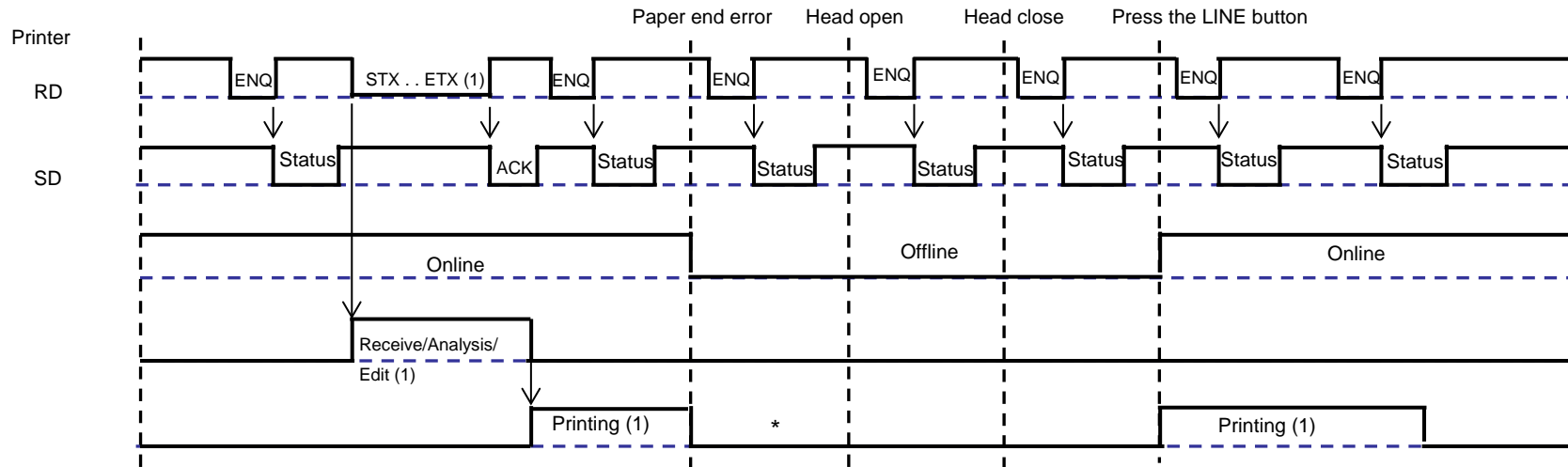
Note: Avoid sending ENQ while sending the print data (STX <A> - <Z> ETX).
This may cause return status error or print error.

2) Cancel process



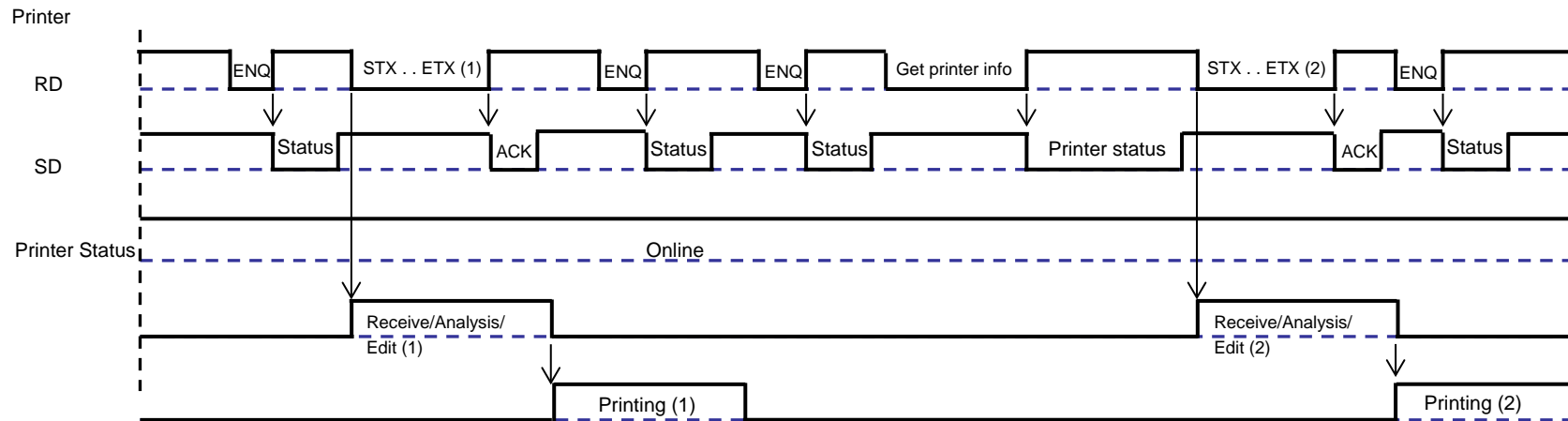
Note: When the cancel request command has sent, wait for more than 500 msec before sending the next data.
Avoid sending CAN while sending the print data (STX <A> - <Z> ETX). With the above condition, the job may be canceled or the item may not be printed correctly.

3) Error process



* When the paper end error occurs, open the head, set label, close the head and feed.
 Note: The paper end error will be released when the head is closed.

4) Information request command process



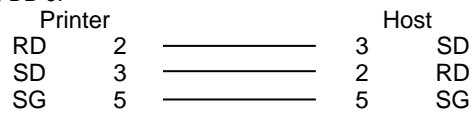
Note: Do not send status request commands during printing.

3.7 Status 2

This communication protocol is for compatibility with the old model. The receive mode is single item receive.

3.7.1 Connecting diagram

1) DB-9P



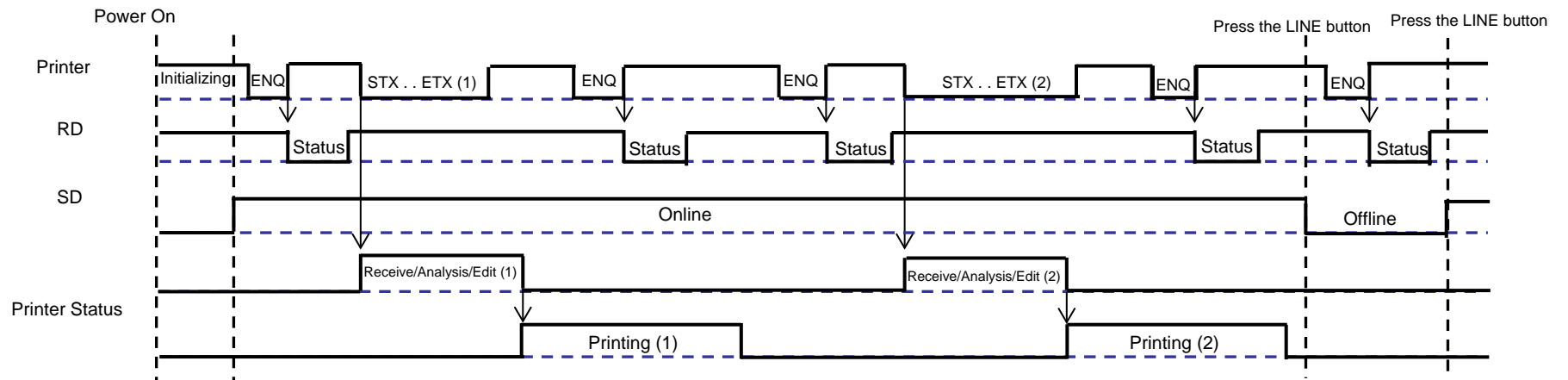
*Depending on the model of the host, CS and RS may need to be looped (always keep "High") at the host. Please confirm the user's guide of the host system.

3.7.2 Explanation of input/output signal

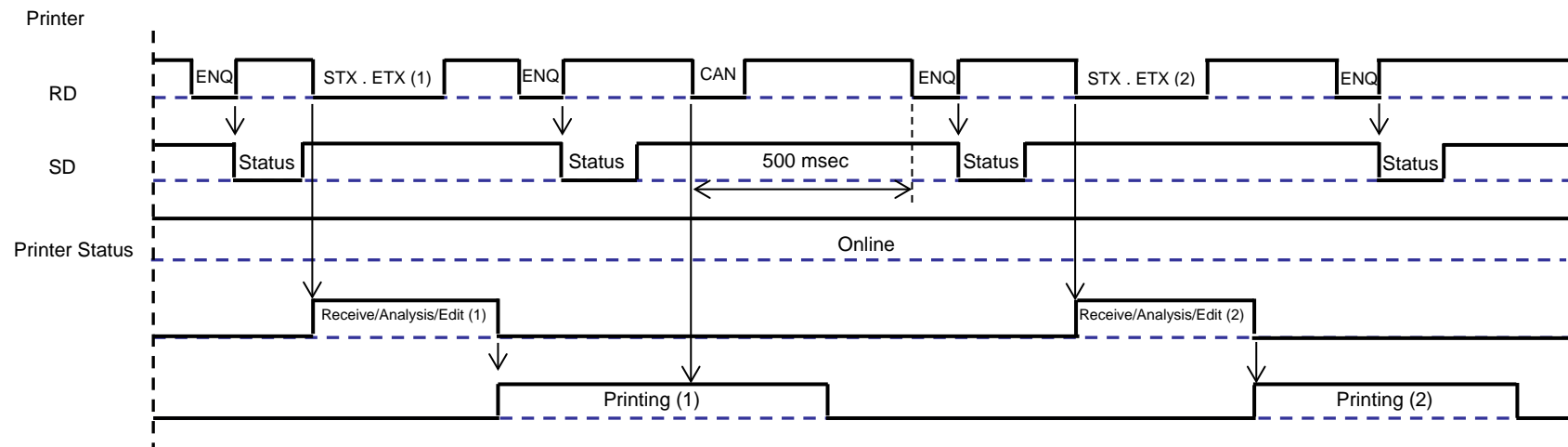
Pin number	Signal name	Direction	Description
2	RD	Input	Data from the host to the product
3	SD	Output	Data from the product to the host
5	SG	-	Signal ground

3.7.3 Timing Chart

1) Normal process

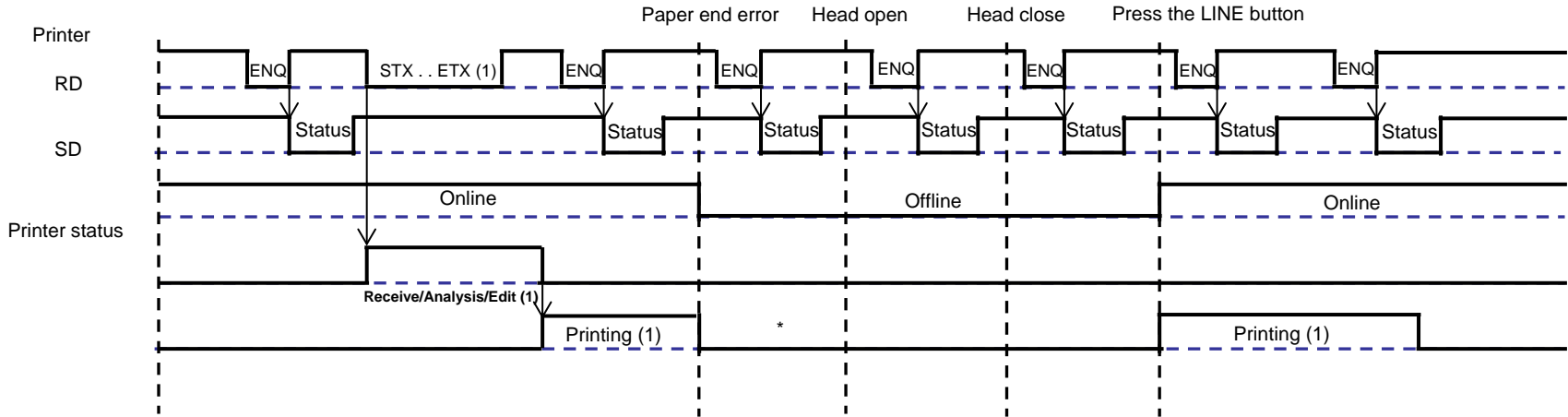


2) Cancel process



Note: When the cancel request command has sent, wait for more than 500 ms before sending the next data.
 Avoid sending CAN while sending the print data (STX <A> - <Z> ETX). With the above condition, the job may not be canceled or the item may not be printed correctly.

3) Error process



* When the paper end error occurs, open the head, set label, close the head and feed.
 Note: The paper end error will be released when the head is closed.

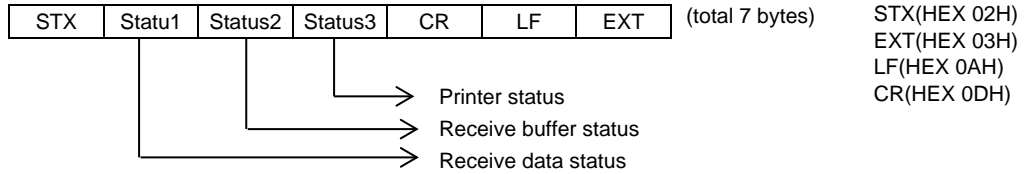
3.7.4 Return Status

The product returns the printer status by receiving the status request command sent from the host.
 The product initializes the receive buffer and cancels the print job by receiving the cancel request command.
 The details of each request command and return status are as follows.

1) Status request command

The product returns the state of the receive data, the receive buffer and the product by receiving this command sent from the host.

- (1) Command ENQ (HEX 05H)
- (2) Return status/format



(3) Status list

State f receive data

Status return	Description
"0" (HEX 30H)	Indicates the receive text was received normally.
"1" (HEX 31H)	Indicates the receive text was received normally. (Communication error, receive buffer overflow)

State of receive buffer

Status return	Description
"0" (HEX 30H)	Indicates no data exists in the receive buffer.
"9" (HEX 39H)	Indicates data exists in the receive buffer.

Printer status

Status return	Description
"0" (HEX 30H)	Normal (Receivable state)
"1" (HEX 31H)	Online or print pause
"@" (HEX 40H)	Ribbon end
"A" (HEX 41H)	Paper end
"B" (HEX 42H)	(Unused) Cutter sensor error
"E" (HEX 45H)	Head Open
"G" (HEX 47H)	Head error
"J" (HEX 4AH)	Card error

* There is no ribbon end with the direct thermal model.

2) Cancel request command

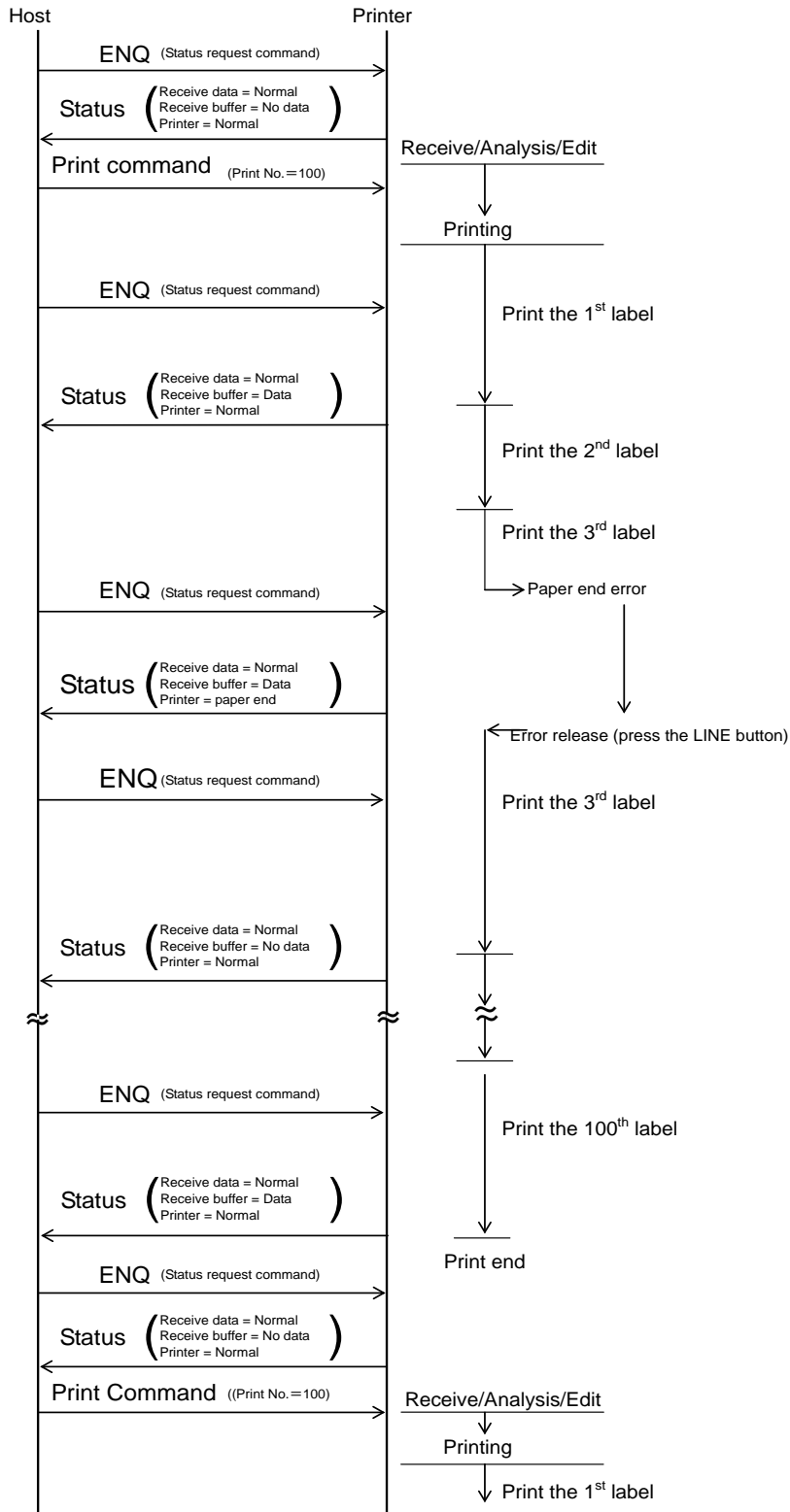
This command enables you to cancel print jobs and to clear the entire contents of the receive buffer.
 Note that the product doesn't return the status with this command. Be sure to send the next data after the elapse of 500 ms as delay time after sending the cancel request.

This command is also effective in offline state and the time of the error.

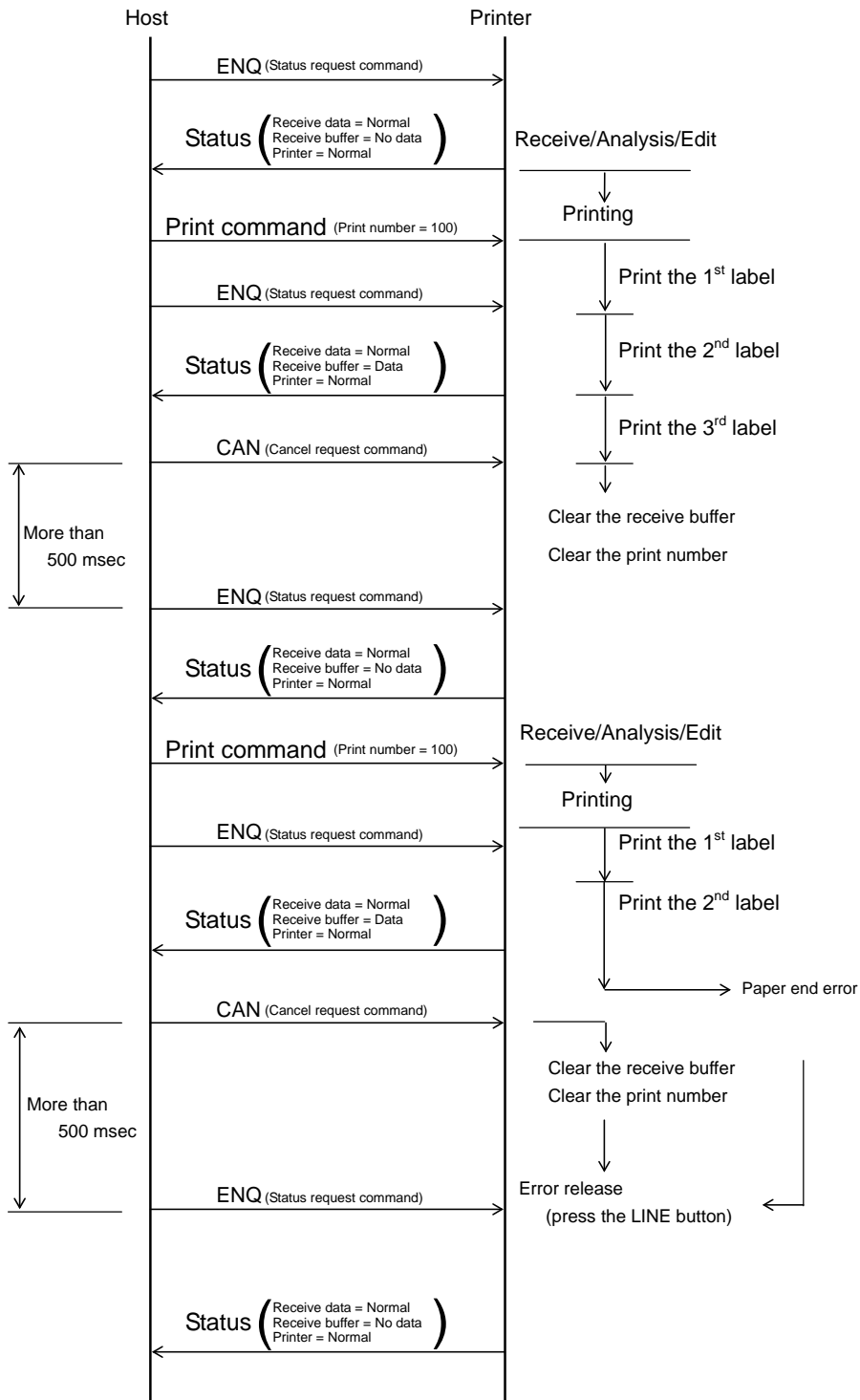
- (1) Command CAN (HEX 18H)

3.7.5 Return Sequence

1) Normal

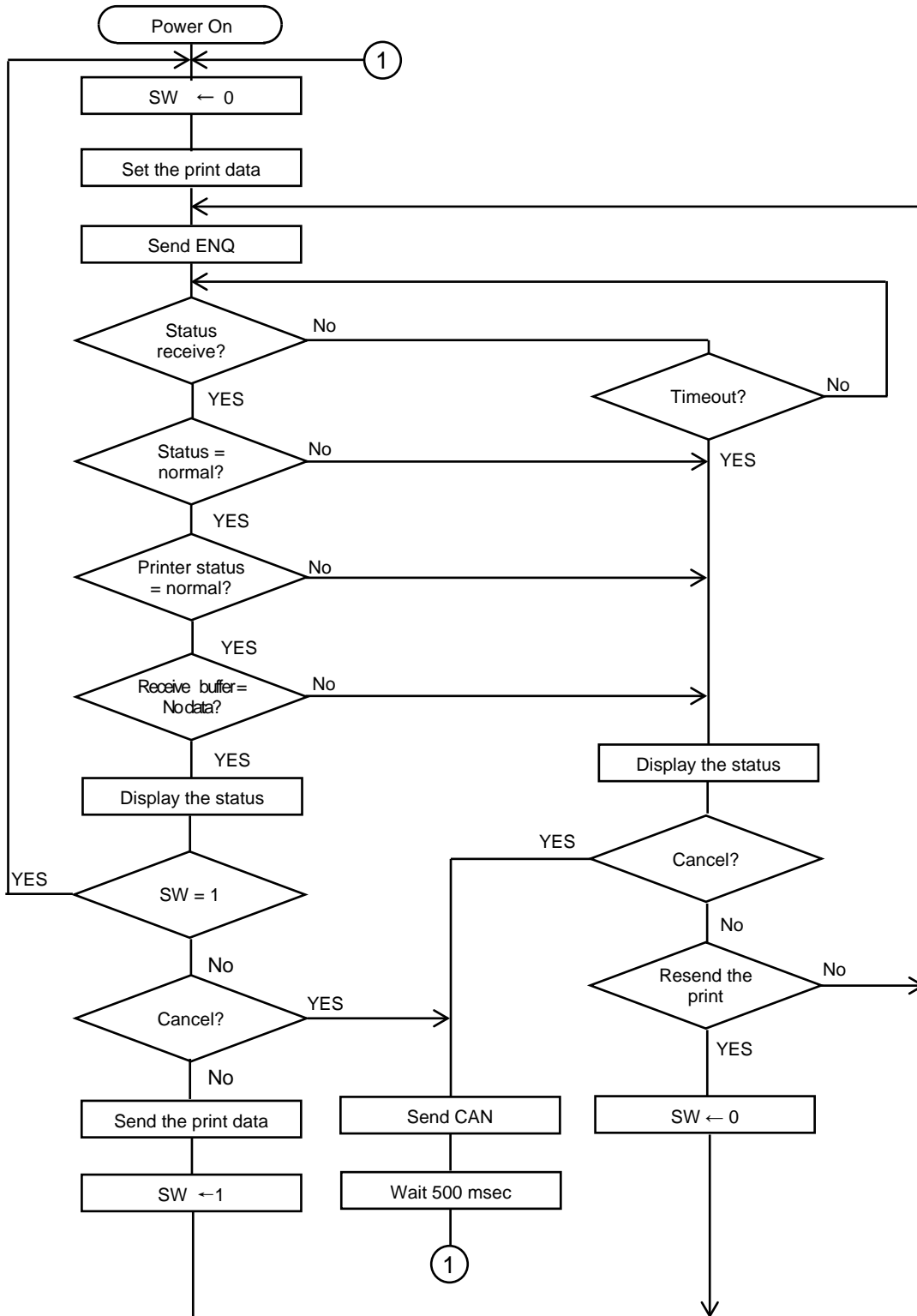


2) Cancel request command



3.7.6 Reference Flowchart

See the flowchart below for programming on the host side.



3.7.7 Note

*Please note the followings when using READY/BUSY.

When sending print data from the host, make sure the product power is on before sending.

*When sending data that receive buffer size is more than 2.95 MB by using XON/XOFF, status 2, status 3, status 4, and status 5, there will be receive buffer full error. When sending data, send data that is less than 2.9 MB and send more data by watching the printer status.


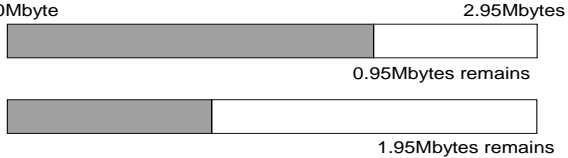
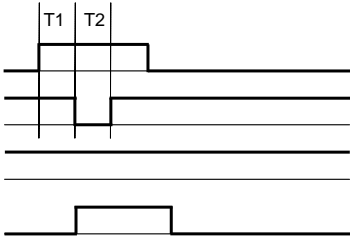
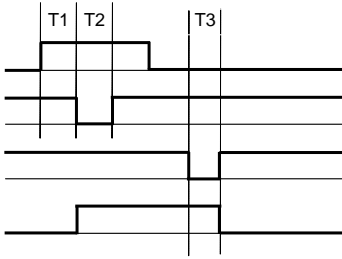
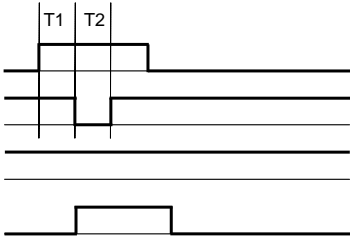
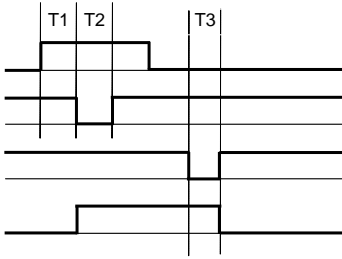
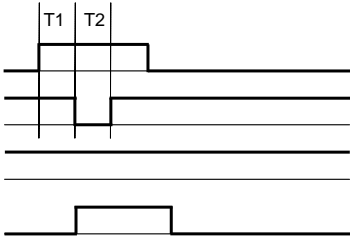
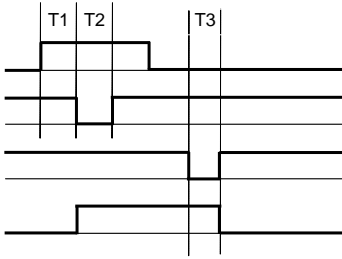
*Parity error will be detected when the parity error occurs after receiving ESC+A.

4 IEEE1284

4.1 Basic Specifications

This interface complies with the Centronics/IEEE1284 standard.

Single item receive or multiple receive can be switched on the interface mode of the product.

Interface							
Protocol	Status 4, Status 5 Refer to 2 Communication protocol for details.						
Connector	At product: Amphenol 36 pins (female) At cable: Amphenol 36 pins (male)						
Cable length	Less than 1.5 (m)						
Signal level	High level: +2.4 to +5.0 V Low level: +0.0 to +0.4 V						
Receive mode	Single item receive Multiple receive Set the receive mode on the communication receive mode at the product.						
Receive buffer size	2.95 MB 						
Timing Chart	<table border="0" style="width: 100%;"> <tr> <td style="width: 50%; text-align: center;">ECP mode</td> <td style="width: 50%; text-align: center;">Centronics compatible mode</td> </tr> <tr> <td style="text-align: center;">  </td> <td style="text-align: center;">  </td> </tr> <tr> <td colspan="2" style="padding-top: 10px;"> Supplemental explanation1 : $0.75\mu\text{s} \leq T1$ $0.75\mu\text{s} \leq T2 \leq 500\mu\text{s}$ $0.5\mu\text{s} < T3 < 1.2\mu\text{s}$ Supplemental explanation2: in case of single item receive, it is possible to set the ACK range (0.5 - 12.0μs) in the interface mode. </td> </tr> </table>	ECP mode	Centronics compatible mode			Supplemental explanation1 : $0.75\mu\text{s} \leq T1$ $0.75\mu\text{s} \leq T2 \leq 500\mu\text{s}$ $0.5\mu\text{s} < T3 < 1.2\mu\text{s}$ Supplemental explanation2: in case of single item receive, it is possible to set the ACK range (0.5 - 12.0 μs) in the interface mode.	
ECP mode	Centronics compatible mode						
							
Supplemental explanation1 : $0.75\mu\text{s} \leq T1$ $0.75\mu\text{s} \leq T2 \leq 500\mu\text{s}$ $0.5\mu\text{s} < T3 < 1.2\mu\text{s}$ Supplemental explanation2: in case of single item receive, it is possible to set the ACK range (0.5 - 12.0 μs) in the interface mode.							

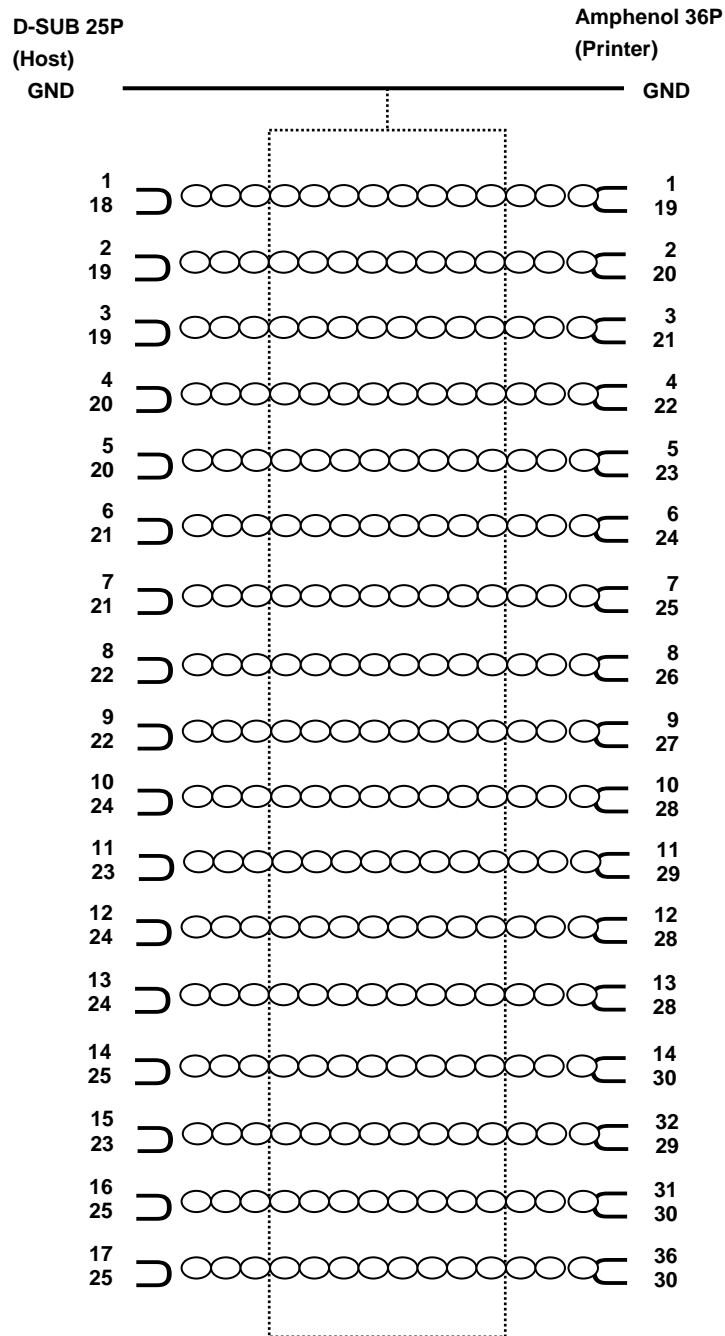
*Be sure to send print data while the product power is on.

*Be sure to turn the product's power off when removing the interface cable.

4.2 Connecting diagram

The connecting diagram of parallel cable is as follows.

Please use a cable that has complied with the IEEE1284 standard.



4.3 Connector Pin Assignment

The pin assignment is as follows with the Centronics standard (legacy command support).

However, the wiring diagram of the IEEE1284 standard is complied with the standard of IEEE1284 Type B connector.

Pin number	Signal name	Description	Pin number	Signal name	Description
1	STROBE	Input	19	STROBE-RETURN	
2	DATA 1	Input	20	DATA 1-RETURN	
3	DATA 2	Input	21	DATA 2-RETURN	
4	DATA 3	Input	22	DATA 3-RETURN	
5	DATA 4	Input	23	DATA 4-RETURN	
6	DATA 5	Input	24	DATA 5-RETURN	
7	DATA 6	Input	25	DATA 6-RETURN	
8	DATA 7	Input	26	DATA 7-RETURN	
9	DATA 8	Input	27	DATA 8-RETURN	
10	ACK	Output	28	ACK -RETURN	
11	BUSY	Output	29	BUSY -RETURN	
12	PE	Output	30	PE -RETURN	
13	SELECT	Output	31	INIT	Input
14	AUTOFD	Input	32	FAULT	Output
15			33		
16	LOGIC GND		34		
17	CHASSIS GND		35		
18	PERIPHERAL LOGIC HIGH	Input	36	SELECTIN	Input

4.4 Explanation of input signal

The signal lines are as follows with the Centronics standard (legacy command support).

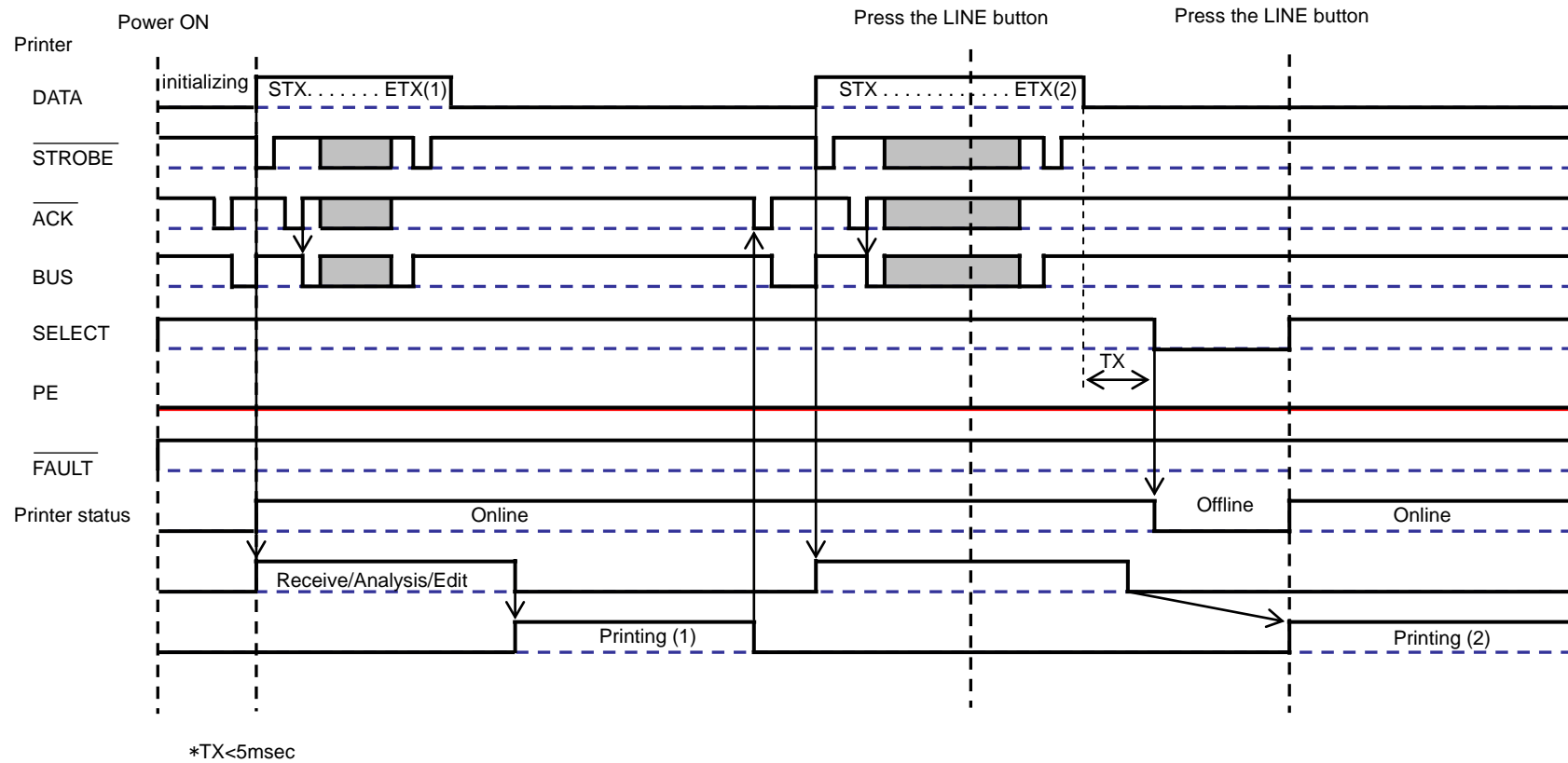
However, the signal lines of the IEEE1284 standard are complied with the IEEE1284 standard.

Pin number	Signal name	Direction	Description
1	STROBE	Input	A synchronized signal to read DATA 1 to DATA 8, Low active pulse is needed.
2 - 9	DATA 1 - DATA 8	Input	In the data input of 8 bits parallel, DATA 1 is LSB (least significant bit) and DATA 8 is MSB (most significant bit).
10	ACK	Output	A low active pulse signal indicating receive data intake.
11	BUSY	Output	A high active signal indicating the product is impossible to receive any data.
12	PE	Output	A high active signal indicating there is no label.
13	SELECT	Output	A high active signal indicating the product is possible to receive data.
14	AUTOFD	Input	A signal for IEEE1284 standard.
17	CHASSIS GND		Connected to the chassis ground.
18	PERIPHERAL LOGIC HIGH	Output	+5 V voltage at the product.
19 - 30	SIGNAL GROUND		Connected to each signal grounds.
31	INIT	Input	A low active pulse signal requesting the product initialization.
32	FAULT	Output	A low active pulse signal indicating an error in the product.
36	SELECTIN	Input	A signal for IEEE1284 standard.

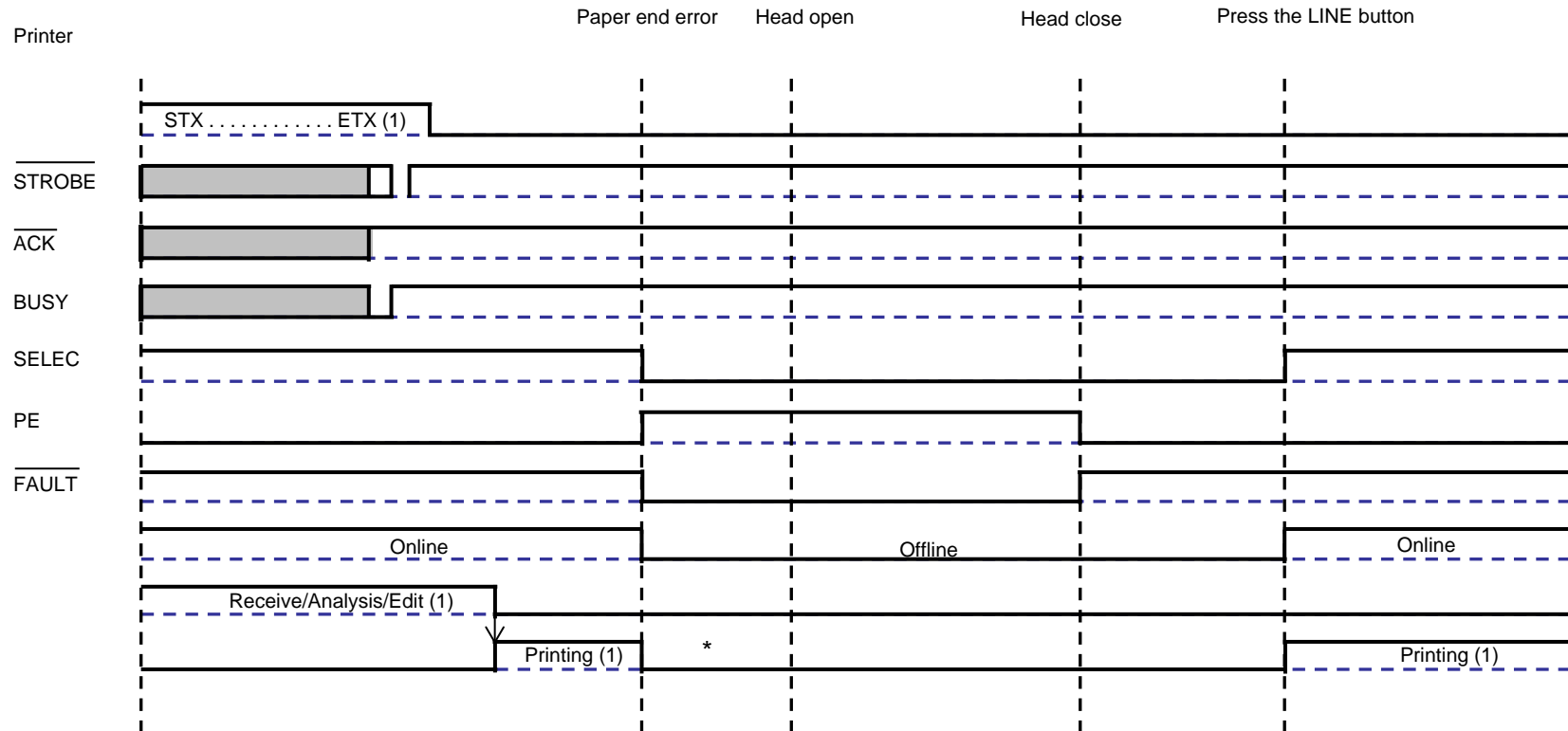
4.5 Basic Specifications

4.5.1 Timing chart of single item receive

1) Normal process



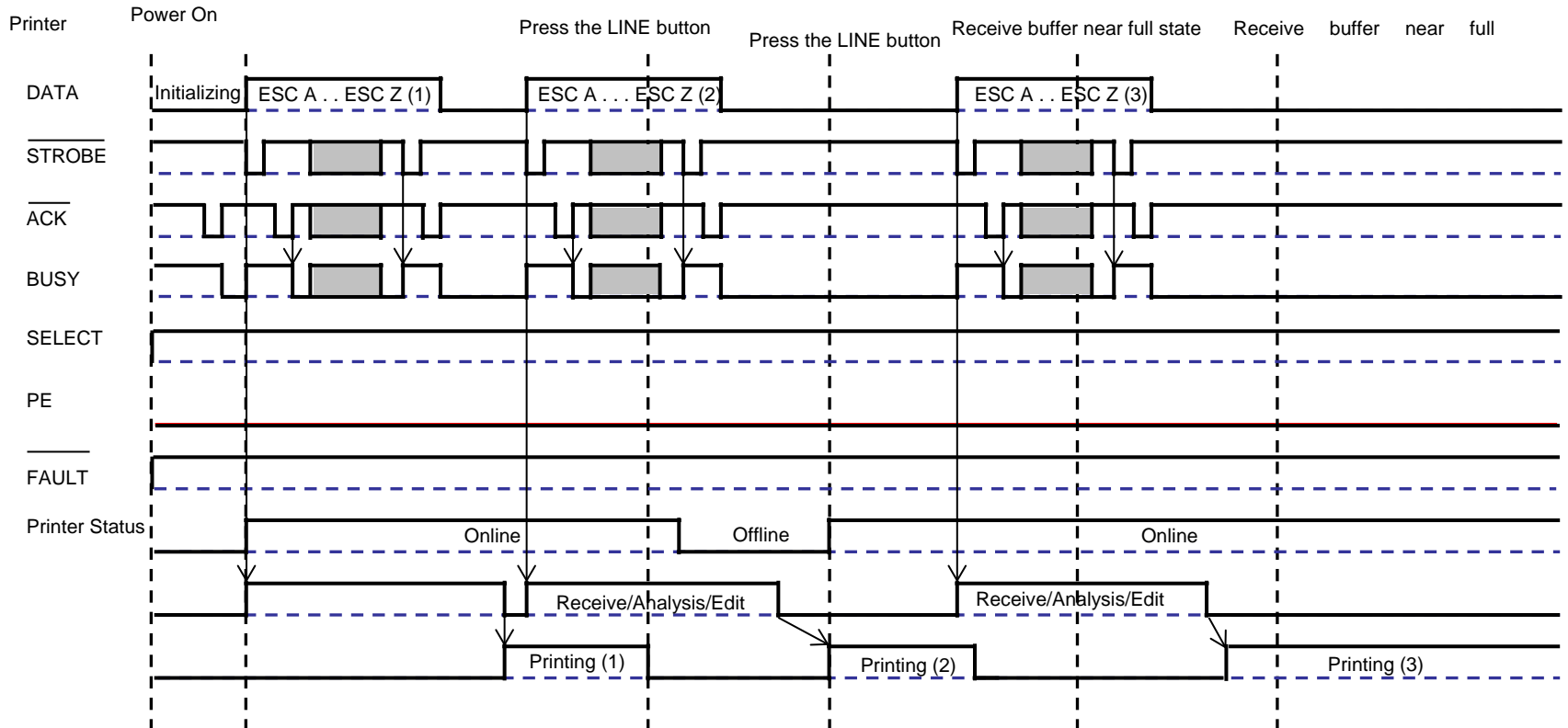
2) Process at the paper end



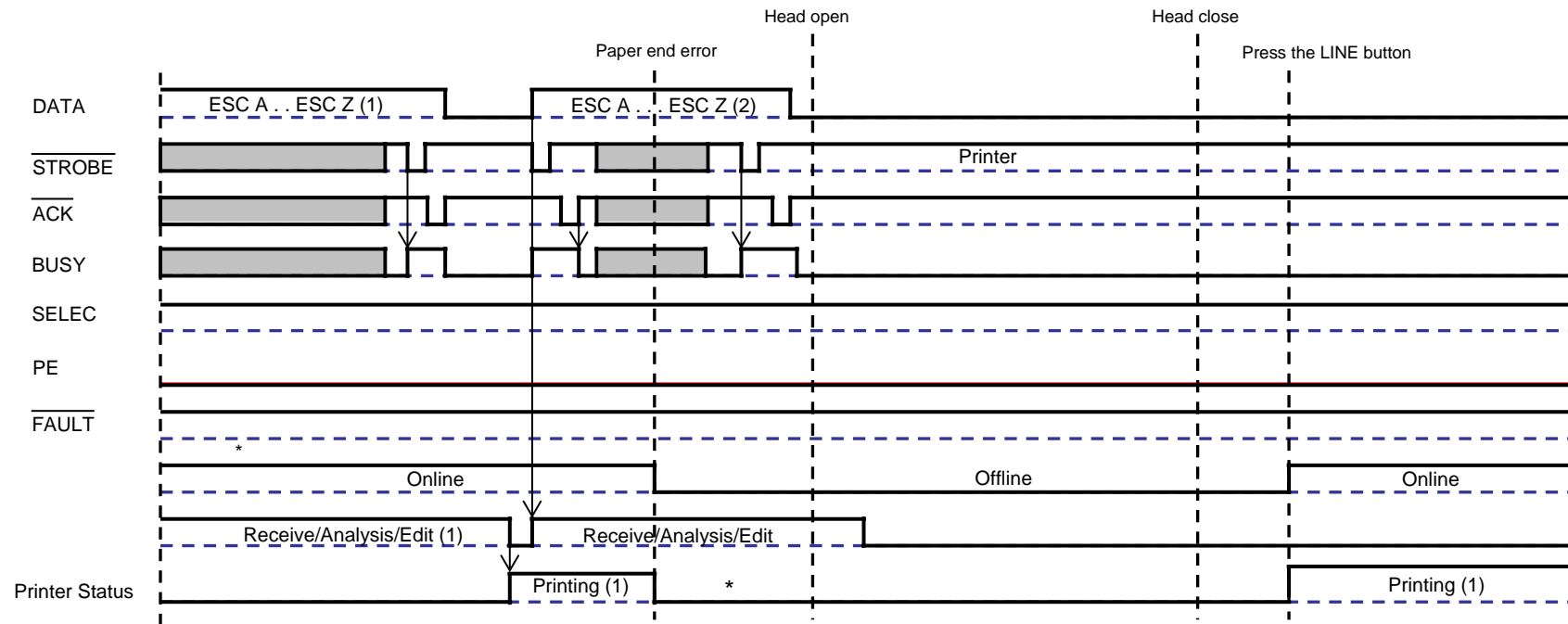
*When the paper end error occurs, open the head, set label, close the head and feed.
 Note: The paper end error will be released when the head is closed.

4.5.2 Timing chart of multiple receive

1) Normal process

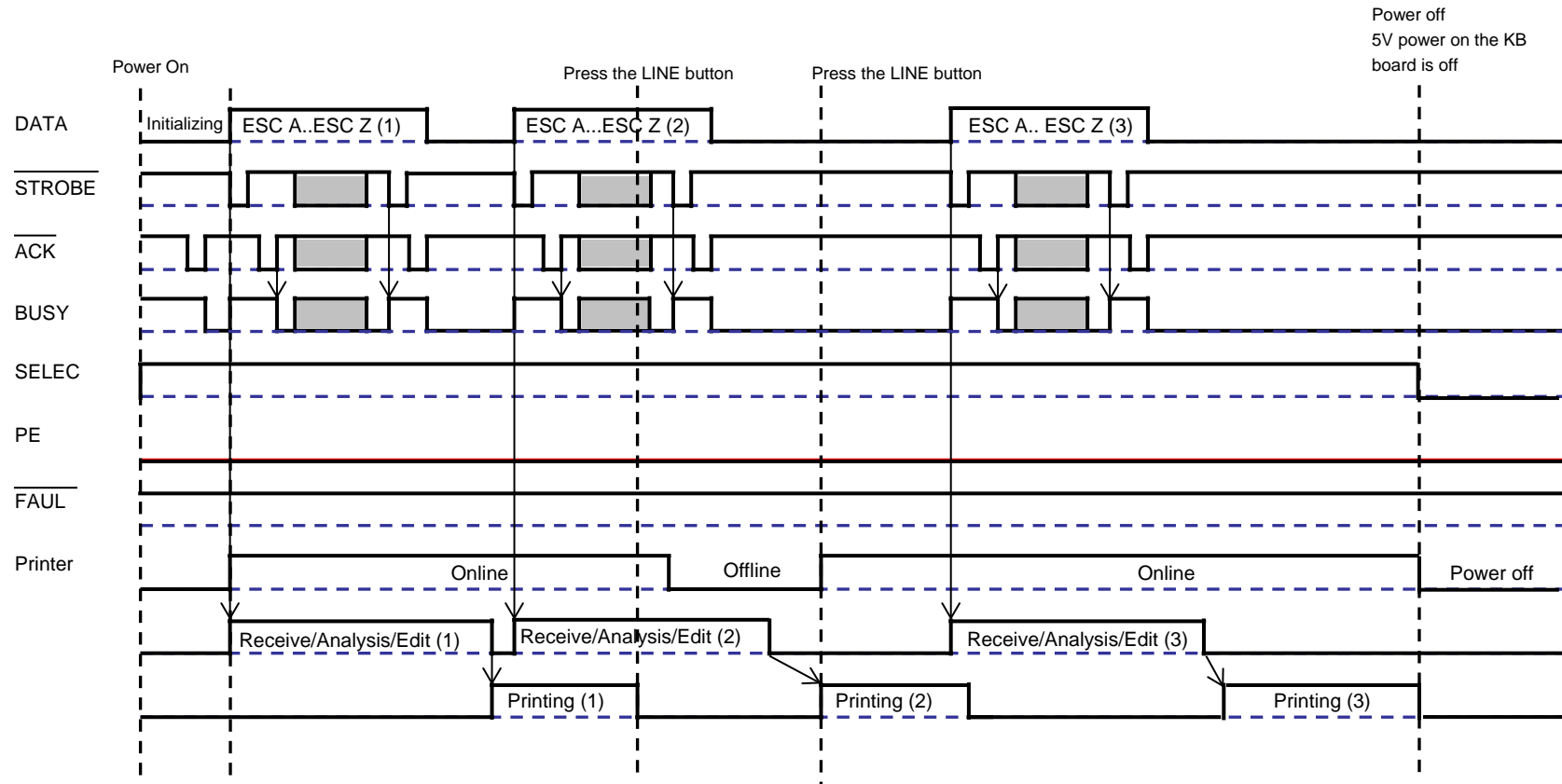


2) Process at the paper end



*When the paper end error occurs, open the head, set label, close the head and feed.
 Note: The paper end error will be released when the head is closed.

3) Process at the power off


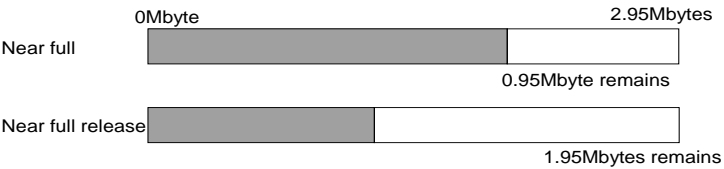


* Regardless of the state of signal line just before the power off, all signal line will be ground (0V) when 5V supplied by KB board is shut.

5 USB

5.1 Basic Specifications

USB interface of the product complies with USB2.0 standard.

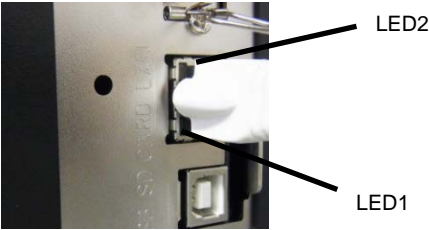
Interface	
Protocol	Status 4, Status 5 Refer to 2 Communication Protocol for details.
Connector	Type B plug Cable length shorter than 5 m (Twisted pair shielded)
Version	USB 2.0 High speed
Receive buffer size	<p>2.95 MB</p> 

5.2 Connector Pin Assignment

Pin number	Name
1	VBus
2	-Data(D-)
3	+Data(D+)
4	GND


6 LAN, wireless LAN

6.1 Basic Specifications (LAN)

Interface															
Protocol	Status 3, Status 4, Status 5 Refer to 2 Communication Protocol for details.														
Connector	Connector type RJ45 Cable type 10BASE-T, 100BASE-TX (category 5 or upper) Cable length shorter than 100 (m)														
Link/Status LED	<p>LED lights when LINK with the Ethernet is established or the product received packet.</p> <table border="1" data-bbox="571 779 1350 1010"> <thead> <tr> <th>LED</th> <th>Color</th> <th>Motion Specification</th> </tr> </thead> <tbody> <tr> <td>LED1</td> <td>Green</td> <td>LED lights for a certain time when received packets (10 msec)</td> </tr> <tr> <td rowspan="3">LED2</td> <td rowspan="3">Yellow</td> <td>LED goes off when the printer detected the connection to 10BASE-T</td> </tr> <tr> <td>LED lights when the printer detected the connection to 100BASE-TX</td> </tr> <tr> <td>LED lights when a cable is not connected</td> </tr> </tbody> </table>	LED	Color	Motion Specification	LED1	Green	LED lights for a certain time when received packets (10 msec)	LED2	Yellow	LED goes off when the printer detected the connection to 10BASE-T	LED lights when the printer detected the connection to 100BASE-TX	LED lights when a cable is not connected			
LED	Color	Motion Specification													
LED1	Green	LED lights for a certain time when received packets (10 msec)													
LED2	Yellow	LED goes off when the printer detected the connection to 10BASE-T													
		LED lights when the printer detected the connection to 100BASE-TX													
		LED lights when a cable is not connected													
Communication setting	<p>The following communication setting can be done in the communication setting mode of the product.</p> <p>Common setting</p> <table border="1" data-bbox="571 1167 1350 1330"> <thead> <tr> <th>Setting Items</th> <th>Setting range</th> </tr> </thead> <tbody> <tr> <td>Protocol</td> <td>Status 3 return Status 4 return (cycle response mode) Status 4 return (ENQ response mode) Printer Status 5 Return</td> </tr> </tbody> </table> <p>IPv4 setting</p> <table border="1" data-bbox="571 1361 1350 1688"> <thead> <tr> <th>Setting Items</th> <th>Setting range</th> </tr> </thead> <tbody> <tr> <td>IP Address</td> <td>0.0.0.0 - 255.255.255.255 Default Value: 192.168.1.1</td> </tr> <tr> <td>Subnet Mask</td> <td>0.0.0.0 - 255.255.255.255 Default Value: 255.255.255.0</td> </tr> <tr> <td>Gateway Address</td> <td>0.0.0.0 - 255.255.255.255 Default Value: 0.0.0.0</td> </tr> <tr> <td>IP Address Settings</td> <td>DISABLE (manual setting) ENABLE Default value: DISABLE (manual setting)</td> </tr> </tbody> </table>	Setting Items	Setting range	Protocol	Status 3 return Status 4 return (cycle response mode) Status 4 return (ENQ response mode) Printer Status 5 Return	Setting Items	Setting range	IP Address	0.0.0.0 - 255.255.255.255 Default Value: 192.168.1.1	Subnet Mask	0.0.0.0 - 255.255.255.255 Default Value: 255.255.255.0	Gateway Address	0.0.0.0 - 255.255.255.255 Default Value: 0.0.0.0	IP Address Settings	DISABLE (manual setting) ENABLE Default value: DISABLE (manual setting)
Setting Items	Setting range														
Protocol	Status 3 return Status 4 return (cycle response mode) Status 4 return (ENQ response mode) Printer Status 5 Return														
Setting Items	Setting range														
IP Address	0.0.0.0 - 255.255.255.255 Default Value: 192.168.1.1														
Subnet Mask	0.0.0.0 - 255.255.255.255 Default Value: 255.255.255.0														
Gateway Address	0.0.0.0 - 255.255.255.255 Default Value: 0.0.0.0														
IP Address Settings	DISABLE (manual setting) ENABLE Default value: DISABLE (manual setting)														

	<p>IPv6 settings</p> <table border="1"> <thead> <tr> <th data-bbox="560 309 810 360">Setting Items</th> <th data-bbox="810 309 1326 360">Setting range</th> </tr> </thead> <tbody> <tr> <td data-bbox="560 360 810 416">Address resolution</td> <td data-bbox="810 360 1326 416">MANUAL/DHCP/AUTOMATIC Default Value: AUTOMATIC</td> </tr> <tr> <td data-bbox="560 416 810 524">IP Address</td> <td data-bbox="810 416 1326 524">0000: 0000: 0000: 0000: 0000: 0000:0000: 0000 – FFFF:FFFF:FFFF:FFFF:FFFF:FFFF:FFFF:FFFF Default Value: 0000: 0000: 0000: 0000: 0000: 0000:0000: 0000</td> </tr> <tr> <td data-bbox="560 524 810 580">Prefix</td> <td data-bbox="810 524 1326 580">0 – 128 Default Value: 64</td> </tr> <tr> <td data-bbox="560 580 810 687">Default router</td> <td data-bbox="810 580 1326 687">0000: 0000: 0000: 0000: 0000: 0000:0000: 0000 – FFFF:FFFF:FFFF:FFFF:FFFF:FFFF:FFFF:FFFF Default Value: 0000: 0000: 0000: 0000: 0000: 0000:0000: 0000</td> </tr> </tbody> </table> <p>* Switching of IPv4/IPv6 cannot be done because IPv4/IPv6 dual stack is adopted.</p>	Setting Items	Setting range	Address resolution	MANUAL/DHCP/AUTOMATIC Default Value: AUTOMATIC	IP Address	0000: 0000: 0000: 0000: 0000: 0000:0000: 0000 – FFFF:FFFF:FFFF:FFFF:FFFF:FFFF:FFFF:FFFF Default Value: 0000: 0000: 0000: 0000: 0000: 0000:0000: 0000	Prefix	0 – 128 Default Value: 64	Default router	0000: 0000: 0000: 0000: 0000: 0000:0000: 0000 – FFFF:FFFF:FFFF:FFFF:FFFF:FFFF:FFFF:FFFF Default Value: 0000: 0000: 0000: 0000: 0000: 0000:0000: 0000
Setting Items	Setting range										
Address resolution	MANUAL/DHCP/AUTOMATIC Default Value: AUTOMATIC										
IP Address	0000: 0000: 0000: 0000: 0000: 0000:0000: 0000 – FFFF:FFFF:FFFF:FFFF:FFFF:FFFF:FFFF:FFFF Default Value: 0000: 0000: 0000: 0000: 0000: 0000:0000: 0000										
Prefix	0 – 128 Default Value: 64										
Default router	0000: 0000: 0000: 0000: 0000: 0000:0000: 0000 – FFFF:FFFF:FFFF:FFFF:FFFF:FFFF:FFFF:FFFF Default Value: 0000: 0000: 0000: 0000: 0000: 0000:0000: 0000										
Receive buffer size	<p>2.95 MB</p> <p>Near full: 0Mbyte to 0.95Mbytes (Total: 2.95Mbytes)</p> <p>Near full release: 0Mbyte to 1.95Mbytes (1.95Mbytes remains)</p>										

6.2 Basic Specifications (wireless LAN)

Interface (Wireless LAN adapter)																			
Protocol	Status 3, Status 4, Status 5 Refer to 2 Communication Protocol for details.																		
LED	<table border="1" data-bbox="588 586 1366 1010"> <thead> <tr> <th>LED</th> <th>Color</th> <th>Motion Specification</th> </tr> </thead> <tbody> <tr> <td>LEVEL</td> <td>Green</td> <td>Field intensity LED lights: strong (more than Signal Level 3) LED blinks: medium (more than Signal Level 2, less than Signal Level 3) LED off: weak (less than Signal Level 2) *LED lights always when at the Ad Hoc mode.</td> </tr> <tr> <td>LINK</td> <td>Green</td> <td>Link: LED blinks: not connected to an access point LED lights: connected to an access point</td> </tr> <tr> <td>STATUS</td> <td>Orange</td> <td>Status LED blinks: for a certain time when received packets</td> </tr> <tr> <td>MODE</td> <td>Green</td> <td>Wireless LAN Mode LED blinks: Ad Hoc mode LED lights: Infrastructure mode</td> </tr> </tbody> </table> <p>*It's impossible to confirm the LED because this will be installed inside the product. *The field intensity will be shown on the product LCD. Refer to the "Operator Manual" for more details.</p>	LED	Color	Motion Specification	LEVEL	Green	Field intensity LED lights: strong (more than Signal Level 3) LED blinks: medium (more than Signal Level 2, less than Signal Level 3) LED off: weak (less than Signal Level 2) *LED lights always when at the Ad Hoc mode.	LINK	Green	Link: LED blinks: not connected to an access point LED lights: connected to an access point	STATUS	Orange	Status LED blinks: for a certain time when received packets	MODE	Green	Wireless LAN Mode LED blinks: Ad Hoc mode LED lights: Infrastructure mode			
LED	Color	Motion Specification																	
LEVEL	Green	Field intensity LED lights: strong (more than Signal Level 3) LED blinks: medium (more than Signal Level 2, less than Signal Level 3) LED off: weak (less than Signal Level 2) *LED lights always when at the Ad Hoc mode.																	
LINK	Green	Link: LED blinks: not connected to an access point LED lights: connected to an access point																	
STATUS	Orange	Status LED blinks: for a certain time when received packets																	
MODE	Green	Wireless LAN Mode LED blinks: Ad Hoc mode LED lights: Infrastructure mode																	
Setting of communication conditions	<p>The following communication setting can be done in the communication setting mode of the product.</p> <table border="1" data-bbox="592 1155 1374 1677"> <thead> <tr> <th>Setting Items</th> <th>Setting range</th> </tr> </thead> <tbody> <tr> <td>Protocol</td> <td>Status 3 Return Status 4 (cycle response mode) Status 4 (ENQ response mode) Printer Status 5 Return</td> </tr> <tr> <td>IP Address</td> <td>0.0.0.0 - 255.255.255.255 Default Value: 192.168.1.1</td> </tr> <tr> <td>Subnet Mask</td> <td>0.0.0.0 - 255.255.255.255 Default Value: 255.255.255.0</td> </tr> <tr> <td>Gateway Address</td> <td>0.0.0.0 - 255.255.255.255 Default Value: 192.168.1.2</td> </tr> <tr> <td>IP Address Settings</td> <td>DISABLE (manual setting) (default value) ENABLE</td> </tr> <tr> <td>Communication mode</td> <td>Ad Hoc mode Infrastructure mode</td> </tr> <tr> <td>SSID</td> <td>SSID Default: SATO_PRINTER</td> </tr> <tr> <td>Channel</td> <td>1 - 13 Default Value: 6</td> </tr> </tbody> </table>	Setting Items	Setting range	Protocol	Status 3 Return Status 4 (cycle response mode) Status 4 (ENQ response mode) Printer Status 5 Return	IP Address	0.0.0.0 - 255.255.255.255 Default Value: 192.168.1.1	Subnet Mask	0.0.0.0 - 255.255.255.255 Default Value: 255.255.255.0	Gateway Address	0.0.0.0 - 255.255.255.255 Default Value: 192.168.1.2	IP Address Settings	DISABLE (manual setting) (default value) ENABLE	Communication mode	Ad Hoc mode Infrastructure mode	SSID	SSID Default: SATO_PRINTER	Channel	1 - 13 Default Value: 6
Setting Items	Setting range																		
Protocol	Status 3 Return Status 4 (cycle response mode) Status 4 (ENQ response mode) Printer Status 5 Return																		
IP Address	0.0.0.0 - 255.255.255.255 Default Value: 192.168.1.1																		
Subnet Mask	0.0.0.0 - 255.255.255.255 Default Value: 255.255.255.0																		
Gateway Address	0.0.0.0 - 255.255.255.255 Default Value: 192.168.1.2																		
IP Address Settings	DISABLE (manual setting) (default value) ENABLE																		
Communication mode	Ad Hoc mode Infrastructure mode																		
SSID	SSID Default: SATO_PRINTER																		
Channel	1 - 13 Default Value: 6																		

Wireless LAN specification	<p>(1) Standard IEEE802.1b/g/n</p> <p>(2) Frequency band 2.4 GHz</p> <p>(3) Baud rate Max. 11 Mbps (Connected by IEEE802.11b) Max. 54 Mbps (Connected by IEEE802.11g) Max. MCS7(*1) (Connected by IEEE802.11n) *1) The maximum speed varies depending on the conditions Please refer the below.</p> <table border="1" style="margin-left: 40px;"> <thead> <tr> <th>Band width</th> <th>Guard interval</th> <th>Baud rate</th> </tr> </thead> <tbody> <tr> <td rowspan="2">20 MHz</td> <td>800 nsec</td> <td>65.0 Mbps</td> </tr> <tr> <td>400 nsec</td> <td>72.2 Mbps</td> </tr> <tr> <td rowspan="2">40 MHz</td> <td>800 nsec</td> <td>135.0 Mbps</td> </tr> <tr> <td>400 nsec</td> <td>150.0 Mbps</td> </tr> </tbody> </table> <p>(4) Wireless LAN communication mode Infrastructure mode Ad Hoc mode *In IEEE802.11n, only Infrastructure mode is available.</p> <p>(5) Channel 1 - 13 (when connected with IEEE802.11b/g/n) *AP channel will be used in the Infrastructure mode. *A channel of the other side will be used when the other side's status is waiting for connection in the Ad Hoc mode. *Setting range will be different depending on the regional setting.</p> <table border="1" style="margin-left: 40px;"> <thead> <tr> <th>Region</th> <th>Setting range</th> </tr> </thead> <tbody> <tr> <td>USA/Canada</td> <td>1 - 11</td> </tr> <tr> <td>Europe/Malaysia/Singapore/Korea/China</td> <td>1 - 13</td> </tr> </tbody> </table> <p>*Regardless of the regional setting, when the band width of the IEEE802.11n is 40 MHz, the setting range will be 3 to 11 channels.</p> <p>(6) SSID Up to 32 alphanumeric characters and symbols (from 20H to 7EH) can be set.</p> <p>(7) Authentication Open System Shared Key WPA/WPA2 IEEE802.1x (EAP-TLS, LEAP, EAP-TTLS, EAP-PEAP(v0), EAP-FAST are selectable. Hereafter written as "EAP".)</p> <p>(8) Encryption scheme None WEP (Open System, Shared key and 802.1x authentication are selectable) TKIP (must be selected from WPA-PSK/WPA2-PSK and WPA-802.1x/WPA2-802.1x authentication) AES (must be selected from WPA-PSK/WPA2-PSK and WPA-802.1x/WPA2-802.1x authentication)</p>	Band width	Guard interval	Baud rate	20 MHz	800 nsec	65.0 Mbps	400 nsec	72.2 Mbps	40 MHz	800 nsec	135.0 Mbps	400 nsec	150.0 Mbps	Region	Setting range	USA/Canada	1 - 11	Europe/Malaysia/Singapore/Korea/China	1 - 13
Band width	Guard interval	Baud rate																		
20 MHz	800 nsec	65.0 Mbps																		
	400 nsec	72.2 Mbps																		
40 MHz	800 nsec	135.0 Mbps																		
	400 nsec	150.0 Mbps																		
Region	Setting range																			
USA/Canada	1 - 11																			
Europe/Malaysia/Singapore/Korea/China	1 - 13																			

[Security Type]

Security	Structure	
	Encryption scheme	Authentication
WEP	WEP	-
WEP-EAP	WEP	EAP-MD5
Dynamic WEP	WEP	EAP-TLS
		EAP-PEAP
		EAP-TTLS
		LEAP
		EAP-FAST
WPA-PSK	TKIP	PSK
WPA-EAP	TKIP	EAP-TLS
		EAP-PEAP
		AP-TTLS
		LEAP
		EAP-FAST
WPA2-PSK	AES	PSK
WAP2-EAP	TKIP	EAP-TLS
		EAP-PEAP
		EAP-TTLS
		LEAP
		EAP-FAST
	AES	EAP-TLS
		EAP-PEAP
		EAP-TTLS
		LEAP
		EAP-FAST

(9) Security (combination of authentication and encryption scheme)
Ad Hoc mode

Authentication	Encryption scheme
Open System	None
	WEP
Shared Key	None
	WEP

*Ad Hoc mode is not supported with IEEE802.11n.

*Selection at the Shared Key will be disabled and operates with Open System.

Infrastructure mode

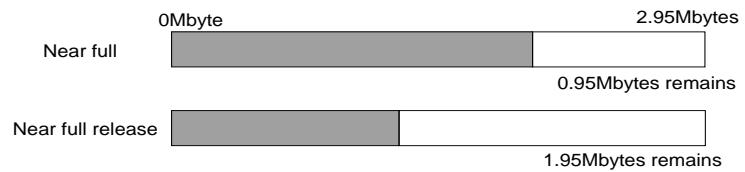
Authentication	Encryption scheme
Shared Key	None
	WEP
Open System	None
	WEP
Open System + EAP	None
	WEP
WPA/WPA2 + PSK	TKIP/AES
WPA/WPA2 + EAP	TKIP/AES

*Note

When using this product around medical equipments/facilities, please consult with the system administrator to confirm there is no influence to the equipments/facilities.

Receive buffer size

2.95 MB



6.3 Software Specifications

Available protocol: TCP/IP

Network layer: ARP, IP and ICMP

Session layer: TCP and UDP

Application layer: LPD, FTP, TELNET, BOOTP, DHCP, HTTP, SNMP, SNTP

- 1) LPR, FTP and dedicated socket protocol of TCP/IP are available for sending print data.
- 2) Dedicated socket protocol is available to obtain printer status.
- 3) SNTP, SNMP, TELNET are not supported with the wireless LAN.

6.4 TCP/IP

TCP/IP protocol environment has LPD and FTP for printing, and TELNET for setting each variables. You can use BOOTP/DHCP for setting each address.

6.5 LPD

Protocol of LPD complies with RFC1179, and handles the list of logical product name as a cue name. The cue name has 3 names: lp, sjis, euc

Cue name	Kanji filter	Kanji code	Supporting interface [○: supported, x: not supported]	
			LAN	Wireless LAN
lp	None	N/A	○	○
sjis	None	N/A	○	-
euc	None	N/A	○	-

Order of sending of data file and control file doesn't affect print operation when sending job with LPR.

- * Deleting job with LPR is not available.
- * LPD specification is only available in Status 4/ENQ response.
- * When conducting large quantity printing with LPR, some data may be skipped because of the specification of Windows.
- * Banner page printing is not available.
- * Note that establishing multiple session at the same time is not available.

6.6 FTP

FTP protocol complies with RFC959. It handles the list of logical product name as a transmission destination directory, and performs transmitting files to the directory as the print operation. You can specify ASCII (A) or BINARY (I) or TENEX (L8) as a transmission mode, however difference of the mode depends on the client.

Directory has 3 names: lp, sjis, euc.

Cue name	Kanji filter	Kanji code	Supporting interface [○: supported, ×: not supported]	
			LAN	Wireless LAN
lp	None	N/A	○	○
sjis	None	N/A	○	-
euc	None	N/A	○	-

* Note that establishing multiple session at the same time is not available.

6.7 TELNET

TELNET complies with RFC854. Changing and referring internal settings and displaying status is available by using an interactive menu. You need to log in as a “root” user and enter password to change the settings. The root password is not set as the default (line feed).

In addition, Wireless LAN is not supported.

<TELNET command example>

Enter [TELNET xxx.xxx.xxx.xxx (IP address)] from the MS-DOS command prompt, and enter user name and password, then following message will appear.

```
SATO PRINTER S84-ex Series TELNET server.
Copyright(C) 2010 SATO Corporation
login: root
root user needs password to login
password:
User 'root' logged in
```

```
-----
          No.  Item                               Value          (level.1)
-----
          1: Setup TCP/IP
          2: Display status
          99: EXIT setup
Please select(1-99)?
```

Please refer to "6.7.1 **Setting/Display items** " for the setting of [1: Setup TCP/IP].

6.7.1 Setting/Display items

Sections that can be set and referred, and variables are listed in the table below.

TCP/IP related setting

Variable name	Setting range	Default (at shipment)
IPv4 IP address	0.0.0.0 - 255.255.255.255 *2	192.168.1.1
IPv4 Subnet mask	0.0.0.0 - 255.255.255.255	255.255.255.0 (calculated from the IP address)
IPv4 Gateway address	0.0.0.0 - 255.255.255.255	0.0.0.0
DHCP protocol	ENABLE/DISABLE	DISABLE
Keepalive time	30 - 300	180 (sec)
Keepalive retry	1 - 99	17 (times)
Socket cancel	Normal/Compatible	Normal
ROOT password	Any alphanumeric [16]*1	NULL (no password)
IPv6 IP address	0000: 0000: 0000: 0000: 0000: 0000: 0000: 0000 – FFFF: FFFF: FFFF: FFFF: FFFF: FFFF: FFFF: FFFF:	0000: 0000: 0000: 0000: 0000: 0000: 0000: 0000
IPv6 prefix	0 -128	64
IPv6 default router	0000: 0000: 0000: 0000: 0000: 0000: 0000: 0000 – FFFF: FFFF: FFFF: FFFF: FFFF: FFFF: FFFF: FFFF:	0000: 0000: 0000: 0000: 0000: 0000: 0000: 0000
IPv6 address resolve	MANUAL/DHCP/AUTO	AUTO
Web login name	Any alphanumeric [16]*1	admin
Web password	Any alphanumeric [16]*1	admin

*1 Numbers in [] are upper limit.

*2 The fixed IP will be shown when DHCP is selected.

6.8 SNTP (Simple Network Time Protocol)

SNTP corrects time of the calendar IC when it is mounted.
In addition, Wireless LAN is not supported.

6.8.1 Function

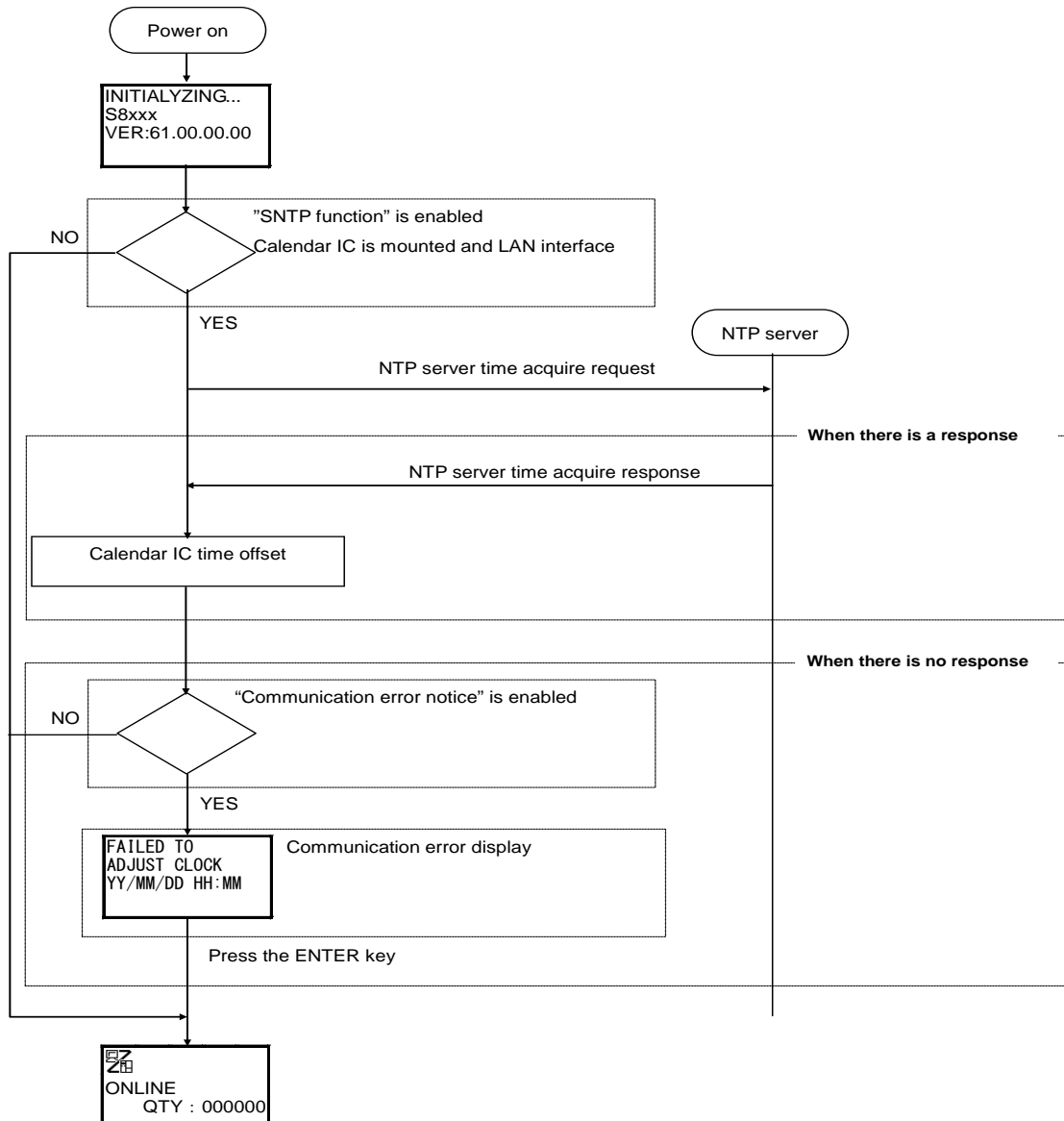
This function acquires the current time from the NTP server and corrects time of the calendar IC at the product power on when a calendar IC is mounted on the product and LAN is selected as [data port] at the [communication setting]. ENABLE/DISABLE the SNTP and IP address setting of the NTP server can be done on the communication setting mode. This function is available only if a calendar IC is mounted to the product.

6.8.2 Operating conditions

The operating conditions of the SNTP function are as follows.

- (1) A calendar IC is mounted to the product.
- (2) Communication setting is LAN.
 - * Select LAN at the [communication setting] - [data port].
(Refer to the communication settings of "Operational Manual" for more setting details.)
- (3) Available only in the Normal mode.

6.8.3 Operation Sequence



[Supplemental explanation]

1. Time correction is only if product is turned on. Time correction will fail when NTP server doesn't respond (timeout period is 4 sec).
2. The following display will be shown and there will be buzzer sound when time correction has failed and "Setting of communication error notice" is "ENABLE".

FAILED TO
ADJUST CLOCK
YY/MM/DD HH:MM

3. The maximum waiting time from starting time acquisition from NTP server to displaying time correction failure screen is approx. 37 sec. The condition to become the maximum waiting time is enabling DHCP setting of IP address setting of the product and all become time-out. Time-out period for each setting is as follows.
 - Time-out period of DHCP is approx. 33 seconds.
 - Time-out period of NTP is approx. 4 seconds.

6.9 HTTP (Hyper Text Transfer Protocol)

HTTP sets setting items of LAN, wireless LAN.

6.9.1 LAN settings

- (1) Settable items in the LCD.
- (2) Display the printer status.
- (3) Display the external signal status.

6.9.2 Wireless LAN settings

Refer to "**6.11.1 Setting item list**".

6.10 SNMP specification (Simple Network Management Protocol)

SNMP is a function to disclose the product information to the IP network. It is possible to monitor the printer status via network.

6.10.1 Supported MIB

The product information is kept as a Management Information Base format called MIB. Each nodes on the tree have numbers, and SNMP manager send a node number to the product acquire information of the node as information acquiring request. The product returns the information of specified node number as response data.

MIBs that the product supports are as follows;

- system(1)
- interface(2)
- address translation(3)
- ip(4)
- icmp(5)
- tcp(6)
- udn(7)
- transmission(10)
- snmp(11)
- igmp(85)
- host(25)
- printerMIB(43)

6.10.2 Printer error information

Errors happening at the product need to be disclosed because the product supports MIB host and printerMIB. When the product received a request of error information acquisition from SNMP manager, the product returns the response data by replacing the printer error number to the error code defined by MIB.

6.10.2.1 Error and warning MIB correspondence table

Printer MIB				Host Resources MIB			
Description	prtAlertSeverity Level	Description Level	prtAlertSeverity Level	Description	prtAlertSeverity Level	Description	hrPrinterStatus
Online	-	Online	-	Online	-	Online	idle(3) / *2 printing(4)
Offline	critical(3)	Offline	critical(3)	Offline	critical(3)	Offline	other(1)
Print pause	-	Print pause	-	Print pause	-	Print pause	other(1)
Machine error	critical(3)	Machine error	critical(3)	Machine error	critical(3)	Machine error	other(1)
Flash ROM error	critical(3)	Flash ROM error	critical(3)	Flash ROM error	critical(3)	Flash ROM error	other(1)
Parity error	critical(3)	Parity error	critical(3)	Parity error	critical(3)	Parity error	other(1)
Over run	critical(3)	Over run	critical(3)	Over run	critical(3)	Over run	other(1)
Flaming error	critical(3)	Flaming error	critical(3)	Flaming error	critical(3)	Flaming error	other(1)
Buffer over	critical(3)	Buffer over	critical(3)	Buffer over	critical(3)	Buffer over	other(1)
Head open	critical(3)	Head open	critical(3)	Head open	critical(3)	Head open	other(1)
Paper end error	critical(3)	Paper end error	critical(3)	Paper end error	critical(3)	Paper end error	other(1)
Ribbon end	critical(3)	Ribbon end	critical(3)	Ribbon end	critical(3)	Ribbon end	other(1)
Sensor error	critical(3)	Sensor error	critical(3)	Sensor error	critical(3)	Sensor error	other(1)
Head error	critical(3)	Head error	critical(3)	Head error	critical(3)	Head error	other(1)
Memory writing error	critical(3)	Memory writing error	critical(3)	Memory writing error	critical(3)	Memory writing error	other(1)
Memory full error	critical(3)	Memory full error	critical(3)	Memory full error	critical(3)	Memory full error	other(1)
Download data error	critical(3)	Download data error	critical(3)	Download data error	critical(3)	Download data error	other(1)
BCC check error	critical(3)	BCC check error	critical(3)	BCC check error	critical(3)	BCC check error	other(1)
Item No. error	critical(3)	Item No. error	critical(3)	Item No. error	critical(3)	Item No. error	other(1)
Calendar error	critical(3)	Calendar error	critical(3)	Calendar error	critical(3)	Calendar error	other(1)
Overheat error	critical(3)	Overheat error	critical(3)	Overheat error	critical(3)	Overheat error	other(1)
Command error	critical(3)	Command error	critical(3)	Command error	critical(3)	Command error	other(1)
CRC check error	critical(3)	CRC check error	critical(3)	CRC check error	critical(3)	CRC check error	other(1)

Printer MIB				Host Resources MIB			
Description	prtAlertSeverity Level	Description	prtAlertSeverity Level	Description	prtAlertSeverity Level	Description	hrPrinterStatus
Wireless LAN related error	critical(3)	Wireless LAN related error	critical(3)	Wireless LAN related error	critical(3)	Wireless LAN related error	other(1)
Cover open	critical(3)	Cover open	critical(3)	Cover open	critical(3)	Cover open	other(1)
Saver error	critical(3)	Saver error	critical(3)	Saver error	critical(3)	Saver error	other(1)
Sensor cover open	critical(3)	Sensor cover open	critical(3)	Sensor cover open	critical(3)	Sensor cover open	other(1)
RFID tag error	critical(3)	RFID tag error	critical(3)	RFID tag error	critical(3)	RFID tag error	other(1)
Label near end	warning(4)	Label near end	warning(4)	Label near end	warning(4)	Label near end	idle(3) / *5
Ribbon near end	warning(4)	Ribbon near end	warning(4)	Ribbon near end	warning(4)	Ribbon near end	printing(4)/
Receive buffer near full	warning(4)	Receive buffer near full	warning(4)	Receive buffer near full	warning(4)	Receive buffer near full	
Head error	warning(4)	Head error	warning(4)	Head error	warning(4)	Head error	

*1 warning (3) is set at warning during online state. Other than that, running (2) is set.

*2 printing (4) is set during printing. Other than that, idle (3) is set.

*3 running (2) is set at online, warning (3) is set at warning during online state, and down (5) is set at offline.

*4 warning (3) is set at online state. down (5) is set at offline state.

*5 printing (4) is set during printing. idle (3) is set at online and other than printing state, other (1) is set at offline and other than printing state.

6.10.2.2 Supplemental explanation

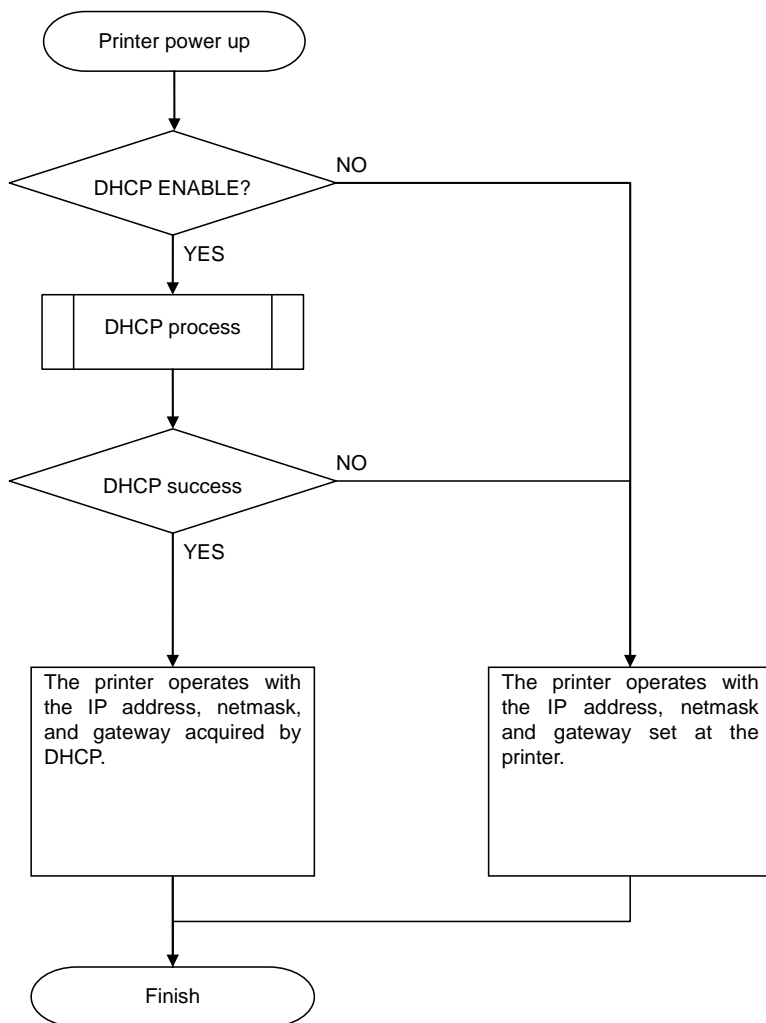
- 1) The last error has the priority when multiple error has happened.
- 2) If errors and warnings happened at the same time, Host Resources MIB and Printer MIB are notified as error.
- 3) If a multiple warning happened, printer MIB is notified multiply (prtAlert).

6.11 Setting the IP Address

There are several ways to set the IP address such as obtaining from DHCP server, interface setting on the LCD screen, SBPL command or network setting tool.

The product acquires an IP address as shown in following flow below according to the acquisition method set in the product at power on.

* Obtaining IP address via "ARP-s" and ping is not available.



6.12 Wireless LAN settings

6.12.1 Setting item list

Classification	Setting Items	Default Values	Setting range	Setting		
				WEB	Product	Command
TCP/IP Setting	IP Address	192.168.1.1	0.0.0.0 - 255.255.255.255	○	○	○
	Subnet Mask	255.255.255.0	0.0.0.0 - 255.255.255.255	○	○	○
	Gateway	192.168.1.2	0.0.0.0 - 255.255.255.255	○	○	○
	DHCP/BOOTP	DISABLE	ENABLE DISABLE	○	○	○
	DNS primary address	0.0.0.0	0.0.0.0 - 255.255.255.255	○	-	-
	DNS secondary address	0.0.0.0	0.0.0.0 - 255.255.255.255	○	-	-
	Timeout time for DNS Query packet	3	1 - 10	○	-	-
	Retry of DHCP Discover	10	1 - 10	○	-	-
Wireless LAN Setting	Wireless LAN mode	Infra.	Ad Hoc Infra.	○	○	○
	SSID (*3)	"SATO_PRINTER"	1 - 32 characters	○	○	○
	Communication channel (*2)	6	1 - 13	○	○	○
	Network authentication	Open System	Open System Shared Key WPA WPA2	○	-	○
	Regional code	US	Defined value of the module US Canada Europe Malaysia Singapore Korea China	-	○	○

Classification	Setting Items	Default Values	Setting range	Setting		
				WEB	Product	Command
WEP key Setting	Use of WEP	DISABLE	ENABLE DISABLE	<input type="radio"/>	-	<input type="radio"/>
	Available key	1	1 - 4	<input type="radio"/>	-	<input type="radio"/>
	Key 1 (*1)	" " (NULL character)	64 bits: 10 digits in HEX or 5 characters 128 bits: 26 digits in HEX or 13 characters	<input type="radio"/>	-	<input type="radio"/>
	Key 2 (*1)	" " (NULL character)		<input type="radio"/>	-	<input type="radio"/>
	Key 3 (*1)	" " (NULL character)		<input type="radio"/>	-	<input type="radio"/>
	Key 4 (*1)	" " (NULL character)		<input type="radio"/>	-	<input type="radio"/>
802.1x authentication Setting	802.1x authentication	DISABLE	ENABLE DISABLE	<input type="radio"/>	-	<input type="radio"/>
	Authentication mode	EAP-TLS	LEAP EAP-TLS EAP-TTLS EAP-PEAP EAP-FAST	<input type="radio"/>	-	<input type="radio"/>
802.1x authentication Setting	User name (*3)	" " (NULL character)	1 - 63 characters	<input type="radio"/>	-	<input type="radio"/>
	Password (*3)	" " (NULL character)	0 - 32 characters	<input type="radio"/>	-	<input type="radio"/>
802.1X-TTLS Setting	Internal authentication method	PAP	PAP CHAP MSCHAP MSCHAPv2	<input type="radio"/>	-	<input type="radio"/>
	Verification of the server certificate	OFF	ON/OFF	<input type="radio"/>	-	<input type="radio"/>
802.1X-PEAP Setting	Internal authentication method	MSCHAPv2	MSCHAPv2	<input type="radio"/>	-	<input type="radio"/>
	Verification of the server certificate	OFF	ON/OFF	<input type="radio"/>	-	<input type="radio"/>
802.1X-FAST Setting	Auto distribution of PAC file	OFF	ON/OFF	<input type="radio"/>	-	<input type="radio"/>
WPA/WPA2	WPA mode	PSK	PSK 802.1x	<input type="radio"/>	-	<input type="radio"/>
	Data encryption scheme	TKIP	TKIP AES	<input type="radio"/>	-	<input type="radio"/>
WPA-PSK Setting	Pre-Shared Key(*3)	"sato printer"	8 - 63 characters	<input type="radio"/>	-	<input type="radio"/>
WPA-802.1X Setting	Authentication mode	EAP-TLS	LEAP EAP-TLS EAP-TTLS EAP-PEAP EAP-FAST	<input type="radio"/>	-	<input type="radio"/>
	User name (*3)	" " (NULL character)	1 - 63 characters	<input type="radio"/>	-	<input type="radio"/>
	Password (*3)	" " (NULL character)	0 - 32 characters	<input type="radio"/>	-	<input type="radio"/>

*1 Setting can be done with HEX or ASCII input. In ASCII input, the upper case and the lower case can be distinguished, however, these are not distinguished with HEX code input.

*2 The setting range of the channel varies depending on the regional setting.

*3 Alphanumeric characters and symbols (Usable character range is from 20H to 7EH)

6.12.2 Combinations of wireless settings and necessary items

There are settable combinations in wireless LAN setting. (6.2 Basic Specifications (wireless LAN)) The list below shows necessary items in the each combination (○: necessary, ×: not necessary).

Classification	Setting Items	Ad Hoc				Infrastructure								
		Open System		Shared Key(*3)		Open System				Shared Key		WPA/WPA2		
		WEP ENABLE	WEP DISABLE	WEP ENABLE	WEP DISABLE	WEP ENABLE	WEP DISABLE	WEP ENABLE	WEP DISABLE	WEP ENABLE	WEP DISABLE	TKIP/AES	PSK Advanced shared key	
TCP/IP setting	IP Address	○	○	○	○	○	○	○	○	○	○	○	○	○
	Subnet Mask	○	○	○	○	○	○	○	○	○	○	○	○	○
	Gateway	○	○	○	○	○	○	○	○	○	○	○	○	○
	DHCP/BOOTP	○	○	○	○	○	○	○	○	○	○	○	○	○
Wireless LAN Setting	Wireless LAN mode	○	○	○	○	○	○	○	○	○	○	○	○	○
	SSID	○	○	○	○	○	○	○	○	○	○	○	○	○
	Used channel	○	○	○	○	○	○	○	○	○	○	○	○	○
	Network authentication	○	○	○	○	○	○	○	○	○	○	○	○	○
	Regional code	○	○	○	○	○	○	○	○	○	○	○	○	○
	DNS primary address	○	○	○	○	○	○	○	○	○	○	○	○	○
	DNS secondary address	○	○	○	○	○	○	○	○	○	○	○	○	○
	Timeout time for DNS Query packet	○	○	○	○	○	○	○	○	○	○	○	○	○
Retry of DHCP Discover	○	○	○	○	○	○	○	○	○	○	○	○	○	
WEP key setting	Use of WEP setting	○	○	○	○	○	○	○	○	○	○	○	×	×
	WEP Key Index	○	×	○	×	○	○	×	×	○	×	×	×	×
	WEP key length	○	×	○	×	○	○	×	×	○	×	×	×	×
	WEP key 1	○	×	○	×	○	○	×	×	○	×	×	×	×
	WEP key 2	○	×	○	×	○	○	×	×	○	×	×	×	×
	WEP key 3	○	×	○	×	○	○	×	×	○	×	×	×	×
802.1x authentication setting	802.1x authentication	×	×	×	×	○	○	○	○	×	×	×	×	×
	Authentication mode	×	×	×	×	○	×	○	×	×	×	×	×	×
	User name	×	×	×	×	○*2	×	○*2	×	×	×	×	×	×
	Password	×	×	×	×	○*2	×	○*2	×	×	×	×	×	×
802.1x-TTLS setting	Internal authentication method	×	×	×	×	○	×	○	×	×	×	○	×	×
	Verification of the server certificate	×	×	×	×	○	×	○	×	×	×	○	×	×
802.1x-PEAP setting	Internal authentication method	×	×	×	×	○	×	○	×	×	×	○	×	×
	Verification of the server certificate	×	×	×	×	○	×	○	×	×	×	○	×	×
802.1x-FAST setting	Auto distribution of PAC file	×	×	×	×	○	×	○	×	×	×	○	×	×
WPA/WPA2 setting	WPA mode	×	×	×	×	×	×	×	×	×	×	○	○	○
	Data encryption scheme	×	×	×	×	×	×	×	×	×	×	○	○	○
WPA-PSK setting	Pre-Shared Key	×	×	×	×	×	×	×	×	×	×	×	○	○

Classification	Setting Items	Ad Hoc				Infrastructure							
		Open System		Shared Key(*3)		Open System				Shared Key		WPA/WPA2	
		WEP ENABLE	WEP DISABLE	WEP ENABLE	WEP DISABLE	WEP ENABLE	WEP DISABLE	WEP ENABLE	WEP DISABLE	WEP ENABLE	WEP DISABLE	TKIP/AES	PSK Advanced shared key
						802.1x authentication ENABLE (*1)	802.1x authentication DISABLE	802.1x authentication ENABLE	802.1x authentication DISABLE	802.1x authentication ENABLE	802.1x authentication DISABLE	802.1x authentication	
WPA-802.1x setting	Authentication mode	x	x	x	x	x	x	x	x	x	x	o	x
	User name	x	x	x	x	x	x	x	x	x	x	o*2	x
	Password	x	x	x	x	x	x	x	x	x	x	o*2	x

*1 "WEP key index" and "WEP key" distributed by AP are used for the communication when WEP key is distributed from AP. (Dynamic WEP)

AP distributes "WEP key index" only or "WEP key index" and "WEP key". When only "WEP key index" is distributed, the appropriate "WEP key" set at wireless LAN setting of the designated "WEP key index" will be used. With above condition, it is impossible to communicate if the WEP keys are not identical.

*2 The details regarding the user name and password are explained at "6.11.3 802.1x authentication and certification".

*3 Selection at the Shared Key will be disabled and operates with Open System with Ad Hoc mode.

6.12.3 802.1x authentication and certification

Depending on the format, certification is necessary or not necessary in 802.1x authentication. When the certification is necessary, it needs to be imported from the WEB setting screen.

Type of certification and secret key, necessity of certification, ID, and password are explained below.

- Items need to be imported from the WEB setting screen

No.	Imported item	Description
1	Route certification	File: select files of route certification
2	Client certification	Password: enter the secret password for the client certificate File: files of client certification
3	Secret key	Password: enter the password for the secret key File: select secret files
4	PAC file	Password: enter the password for the PAC files File: select PAC files

- Necessity of ID/password and each certification in the 802.1x authentication.

EAP format	Necessity (o: necessary, x: not necessary, △: others)						
	User name	Password	Certification Password	Route certification	Client certification	Secret key	PAC file
EAP-TLS	o	x	o	o	o	o	x
EAP-PEAP	o	o	x	o	x	x	x
EAP-LEAP	o	o	x	x	x	x	x
EAP-TTLS	o	o	x	o	x	x	x
EAP-FAST	o	o	x	x	x	x	△(*1)

*1 Necessary when PAC file auto distribution is OFF.

6.13 Socket Communication

2 types of connection can be used in the socket server function of TCP/IP; 2-port connection that uses Port 1024 for receiving print data and Port 1025 for printer status return, and 1-port connection that uses Port 9100 for print data receiving and printer status return.

When using Port 9100, the product returns only status return data and the product operation setting request data.

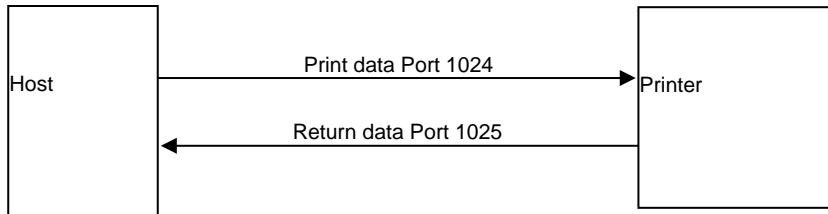
Using both 2-port connection and 1-port connection at the same time is not available.

Each socket cannot connect to multiple sessions at the same time.

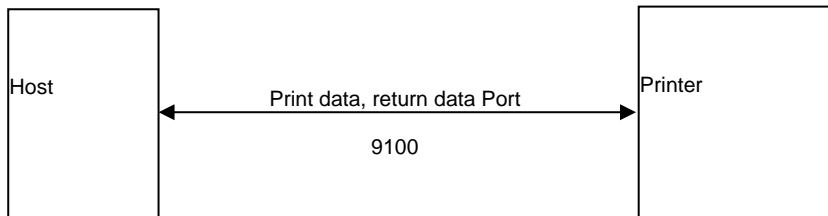
LPR and FTP are available for sending print data in addition to socket. During connecting LPR or FTP, connecting to print data port (Port 1024 or Port 9100) with socket communication is not available.

2-port connection with Port 1025 and Port 9100 is not available. Please use them as 1-port connection.

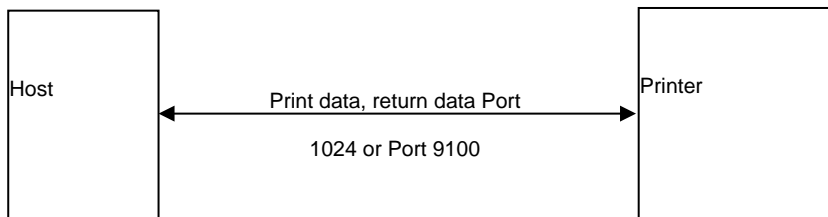
1) Printing with 2-port connection/Socket (Status 4)



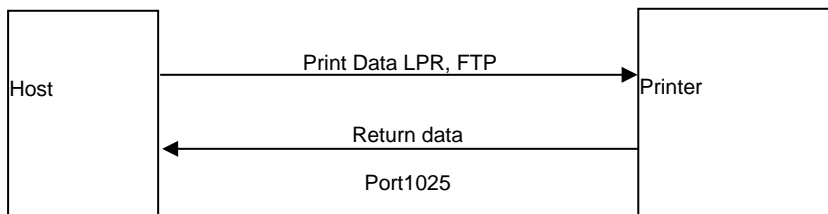
2) Printing with 1-port connection/Socket (Status 4)



3) Printing with 1-port connection/Socket (Status 3 and 5 return)



4) Printing with LPR, FTP



6.13.1 Port Number

(1) Overlapping of the port number with the printer server function

It is possible to change the port number of the Port 1024/Port 1025/Port 9100 in the range of "00001 - 65535" from the LCD, however, the following will happen when the port number is overlapped with the port number used for printer server function (FTP/TELNET/HTTP/LPD).

No.	Server function	Port number	Note
1	FTP	20 (Data)	Port number "20" is connectable because it is not always being as waiting for connection. However, FTP connection is not available.
		21 (Control)	Cannot be used as the print port
2	TELNET	23	Cannot be used as the print port
3	HTTP	80	Cannot be used as the print port
4	LPD	515	Cannot be used as the print port

Over 1024 is recommended for the port number.

(2) Socket error occurring

The port for Socket connection will be selected from the port numbers specified at Port 1024/Port 1025/Port 9100 depending on the communication protocol (see "6.12 Socket communication"). If an error occurs during the socket creation process, the socket communication cannot be used.

<Status 3 or Status 5>

No.	Port 1024	Port 1025	Port 9100	Available port
1	x	o	o	Port 9100
2	o	x	o	Port 1024, Port 9100
3	o	o	x	Port 1024
4	x	o	x	None
5	o	x	x	Port 1024
6	x	x	o	Port 9100
7	o	o	o	Port 1024, Port 9100

[o: Success, x: Error]

* Port 1025 is not used. Even if port 1025 has an error, it doesn't affect other valid port.

<Status 4>

No.	Port 1024	Port 1025	Port 9100	Available port
1	x	o	o	Port 9100
2	o	x	o	Port 9100
3	o	o	x	Port 1024, Port 1025
4	x	o	x	None
5	o	x	x	None
6	x	x	o	Port 9100
7	o	o	o	Port 1024, Port 1025, Port 9100

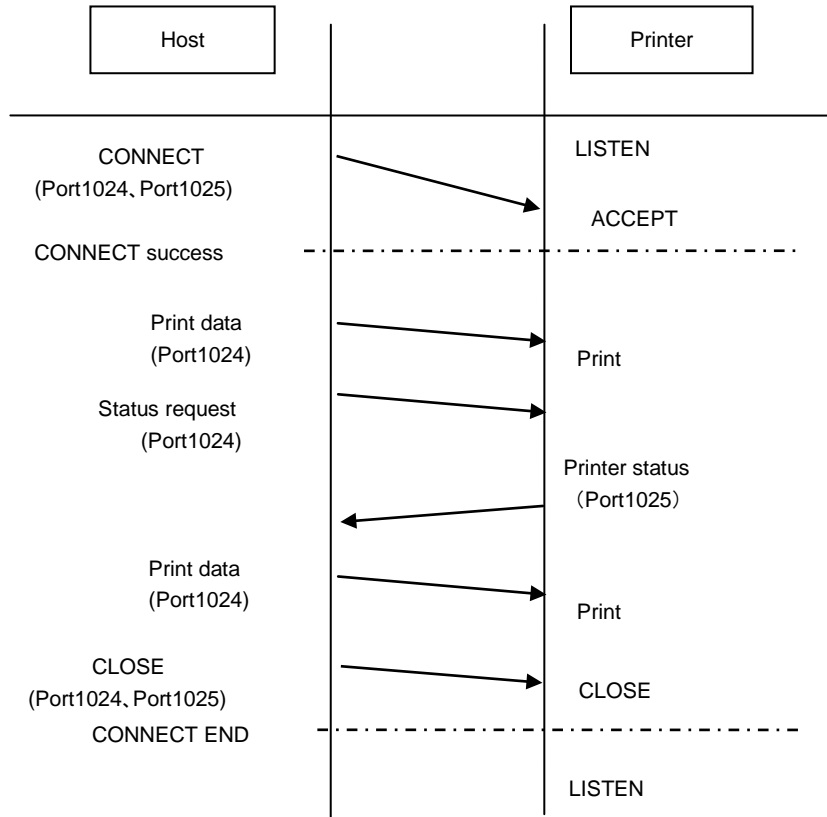
[o: Success, x: Error]

* Port 1024 and port 1025 are used in pair. If either of port has an error, you cannot use both ports.

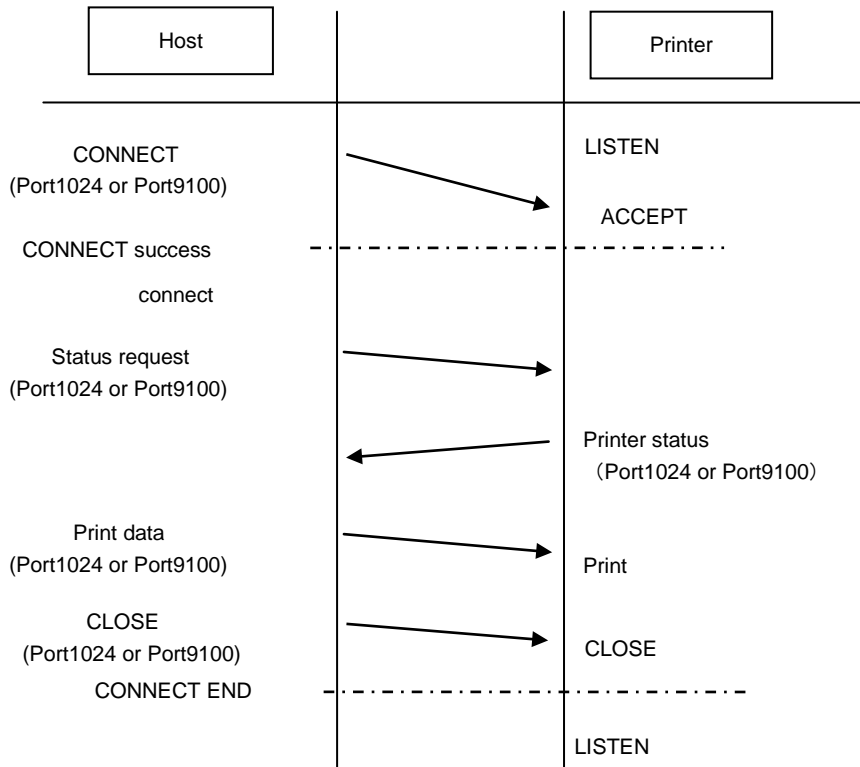
6.14 Connection and disconnection of session

The socket server function connects and disconnects the print data port (Port 1024), the status reply port (Port 1025) and the sending and receiving port (Port 9100 or Port 1024) in the following manner.

1) print data port (Port 1024), status return port (Port 1025)



2) send/receive port (Port9100 or Port1024)



6.15 Printer status

1) Status mode

There are 3 modes of status return when using LAN interface.

(1) Status 4/Cyclic response mode (2-port connection or 1-port connection)

The product uses port 1024 for print data port, port 1025 for status return, and port 9100 for both print data port and status return.

The product output the printer status at a constant period (500 msec to 1000 msec interval). Also, the product returns the latest printer status by receiving the status request command sent from the host.

(2) Status 4/ENQ response mode (2-port connection or 1-port connection)

The product uses port 1024 for print data port, port 1025 for status return, and port 9100 for both print data port and status return.

The product returns the printer status by receiving the status request command sent from the host.

(3) Status 3, Status 5/ENQ response mode (1-port connection)

The product uses port 1024 for print data port and status return, or uses port 9100 for both print data port and status return.

The product returns ACK by receiving the print request command sent from the host, and returns the printer status by receiving the status request command sent from the host.

Printer driver cannot be used for label printing while using Status 3. Also, the product setting tool cannot be used.

The switching status mode is available by changing the setting of the communication protocol and the printer status reply timing in the interface mode of the product. Type of status mode and the setting items in the interface setting mode is as follows.

Type of status mode	Setting items in the interface setting mode	
	Communication Protocol (PROTOCOL)	Printer status reply timing (REPLY TIMING)
1-port or 2-port connection Cyclic response mode	Status 4 (STATUS4)	Cyclic response (CYCLE)
1-port or 2-port connection ENQ response mode	Status 4 (STATUS4)	ENQ
1-port connection ENQ response mode	Status 3 (STATUS3)	-
	Status 5 (STATUS5)	

2) Status return data format

(1) 2-port connection (Status 4 return)

Number of send bytes 4 bytes 0000001CH	ENQ 1 byte 05H	STX 1 byte 02H	ID number 2 bytes	Status 1 byte	Remaining print number 6 bytes	JOB name 16 bytes	ETX 1 byte 03H
--	----------------------	----------------------	----------------------	------------------	--------------------------------------	----------------------	----------------------

Please refer to the "2.2.3 Return status of Status 4" for the status contents.

(Total: 32 bytes)

(2) 1-port connection (Status 5 return)

STX 1 byte 02H	Specified item Number. 5 bytes	Specified item Status 2 bytes	Currently processed item 5 bytes	Currently processed item Status 2 bytes	Currently processed item Number of print 6 bytes	ETX 03H 1 byte
----------------------	--------------------------------------	-------------------------------------	--	--	--	----------------------

Please refer to the "2.2.4 Return status of Status 5" for the status contents.

(Total: 22 bytes)

(3) 1-port connection (Status 3 return)

STX 1 byte 02H	ID number 2 bytes	Status 1 byte	Remaining print number 6 bytes	ETX 1 byte 03H
----------------------	----------------------	------------------	--------------------------------------	----------------------

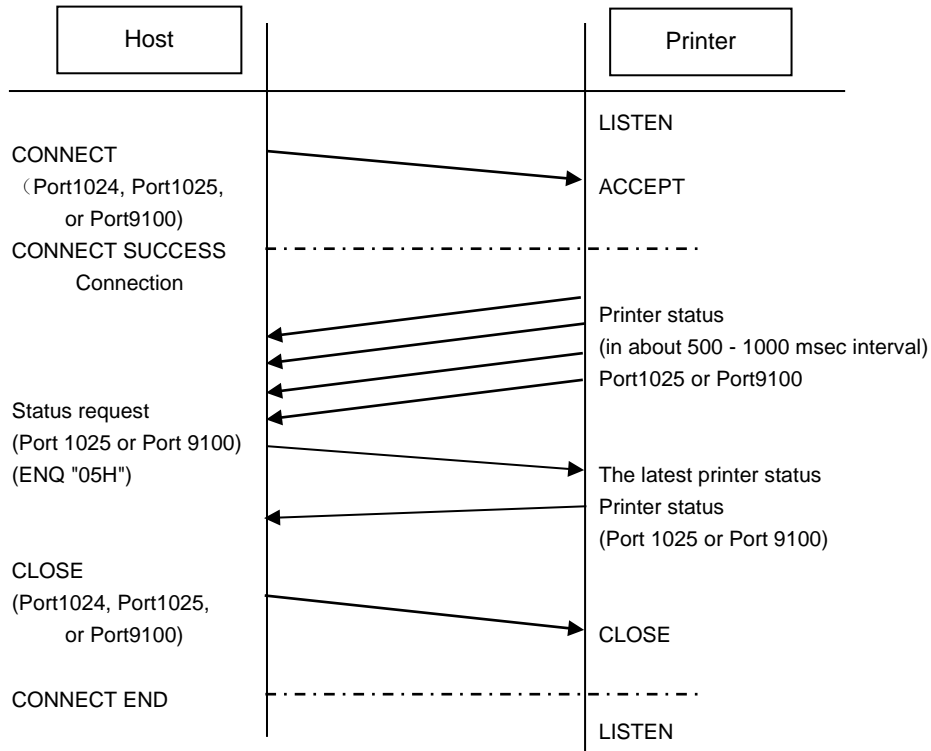
(Total: 11 bytes)

Please refer to the "2.2.2 Return status of Status 3" for the status contents.

3) Sequence

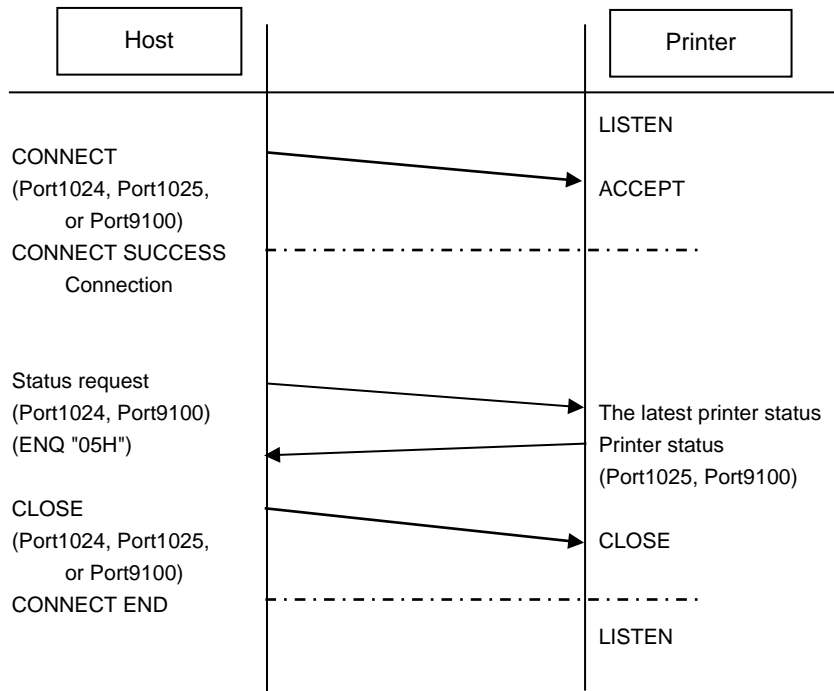
(1) Status 4/Cyclic response mode (2-port connection or 1-port connection)

The product will return the status in the interval of 500 to 1000 msec. When receiving a status request command (ENQ: 05H) from the host, the product returns the latest printer status data.



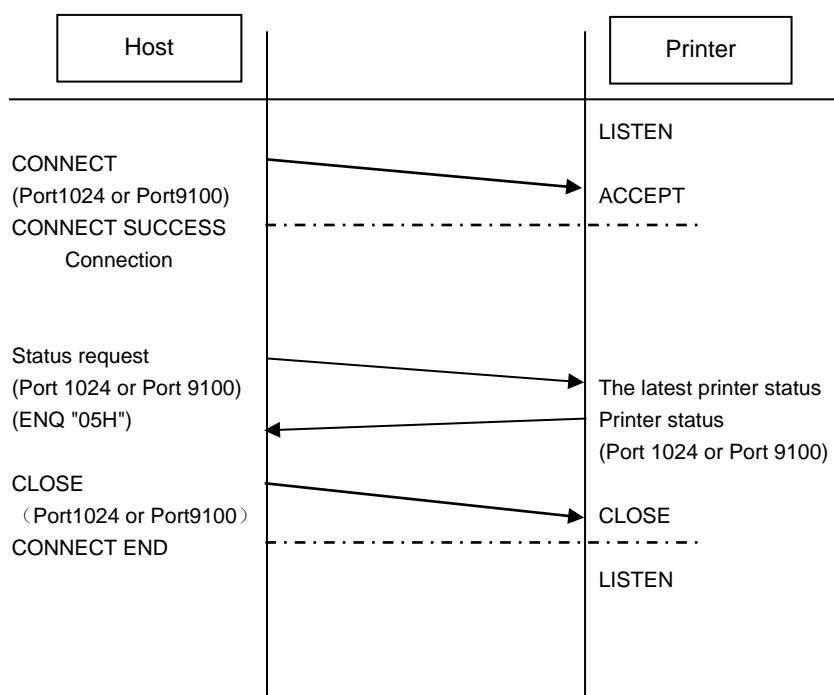
(2) Status 4/ENQ response mode (2-port connection or 1-port connection)

After receiving a status request command (ENQ: 05H) from the host, the product returns the latest printer status.



(3) Status 3, Status 5/ENQ response mode (1-port connection)

The product returns ACK by receiving the print request command sent from the host, and returns the printer status by receiving the status request command (ENQ:05H)



6.16 Note

6.16.1 Common to LAN/Wireless LAN interface

- 1) When opening or closing the print data port (Port 1024) or the status port (Port 1025) or the sending and receiving port (Port 9100), 150 msec to 200 msec interval is necessary between closing the port and opening the port again. If the time interval after closing the port is too short, it may cause double connection. Double connection means that the connection request "CONNECT" is sent to the port (Port 1024, Port 1025 or Port 9100) already connected (CONNECT (Socket OPEN)). In this case, this connection request will be rejected "Socket CLOSE". When receiving request of double connection, the product responds to the request for disconnection (Socket CLOSE).

6.16.2 Wireless LAN interface

- 1) Communication distance and transmission speed between the host and the product (wireless LAN board) varies depending on the wireless LAN operation at the used environment.
- 2) It is recommended to use the product while the field intensity is more than "Middle" when using with the Infrastructure mode.
- 3) Communication data may be lost when wireless LAN environment is not adequate due to mobile use of the product or ambient conditions.
- 4) Please set the frequency of channels in each group are different for more than "5 channels" when multiple wireless LAN network groups are neighboring.
Example) When the channel of the group 1 is "1", set the channel of the group 2 for "6" or later.

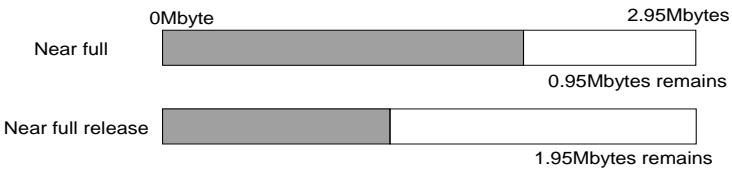
6.16.3 LAN Interface

- 1) Connecting and disconnecting LAN cable while the product is connecting to the PC may result in communication failure. Please avoid connecting or disconnecting the cable while the product is ON. In case of communication failure, restart the product.

7 Bluetooth

Bluetooth interface of the product complies with Bluetooth Ver.2.0 standard.

7.1 Basic Specifications

Item	Description						
Standards	Bluetooth Ver. 2.0+EDR Power Class 2						
Communication distance	5 m (at the standard measurement environment)						
Used profile	Serial Port Profile(SPP) *1						
Operation mode	Slave mode						
Service function (Enabled when connected to Bluetooth interface)	Bluetooth setting information print Prints the Bluetooth setting information on the user test printing. Bluetooth setting information default Bluetooth setting will be defaulted back by selecting "PRINTER setting" at the default setting mode. (Refer to the "Operator Manual" for details)						
Authentication levels	Level 1 : No authentication (default) Level 2-1 : PIN code authentication, service level Level 2-2 : PIN code authentication, service level Level 3 : PIN code authentication, link level						
Packet type	DM5						
PIN code	1 to 16 ASCII code specification (20H, 21H, 23H - 7EH) Default Value: 0000000000000000						
Power Save Mode	Sniff, park, hold (operates according to the host setting)						
CRC ENABLE/DISABLE	CRC: ENABLE DISABLE (Default)						
CRC Time-out period	10 seconds (fixed)						
Setting of communication conditions	The below communication conditions are configurable by commands <table border="1" style="margin-left: auto; margin-right: auto;"> <thead> <tr> <th>Item</th> <th>Commands</th> <th>Setting range</th> </tr> </thead> <tbody> <tr> <td>Specification of Bluetooth mode</td> <td><IA></td> <td>Status 3 Status 4</td> </tr> </tbody> </table>	Item	Commands	Setting range	Specification of Bluetooth mode	<IA>	Status 3 Status 4
Item	Commands	Setting range					
Specification of Bluetooth mode	<IA>	Status 3 Status 4					
Receive buffer size	2.95 MB 						
Code	ASCII (7 Bits), Graphic (8 Bits)						
SR mode value	R1						
AFH	Auto handling						
Fast Connect	Supported						
Pairing	Save the link key for 8 devices						
Supervision timeout	Default = 20 seconds (configurable at the host)						
Connection status	The connection status to the host is shown on the LCD of the product. Refer to the "Operator Manual" for more details.						

*1 A method that connects 2 Bluetooth supported devices by establishing virtual serial port is defined.

[Supplemental explanation]

- (1) The product operates with the slave mode. Connect the product by specifying product's Bluetooth Device Address (BD address) from the master.
- (2) Connection may be failed when the authentication mode, packet type and PIN code of the master is different from the above settings. When the connection is failed, check the authentication level, PIN code by test print, match the setting of the master and reconnect.
- (3) Bluetooth interface and the product are connected by serial interface internally. The transmission speed is 115200 bps.
- (4) When the link with Bluetooth is lost (out of area), disconnect from the product after the supervision timeout time.
- (5) When CRC check is enabled, and connection of Bluetooth is lost while sending print data (STX-ETX), partly received data will be discarded after the CRC timeout time (10 seconds). When CRC check is enabled and CRC timeout is occurred for 10 seconds, please send the print data (STX-ETX) again. Also, CRC timeout is not watched when CRC check is enabled.
- (6) The product will be buffer over when the receive buffer is full. Please send print data while checking the receive buffer status by sending ENQ.
- (7) Authentication level 2-1 and 2-2 are the same operation.
- (8) ACK/NAK is returned only if the CRC check result is normal when CRC check is enabled.

7.2 Bluetooth settings

The followings are Bluetooth setting items. These are configurable by the commands.

(1) Authentication level (Level 1, Level 2-1, Level 2-2, Level 3)

(2) PIN code (alphanumeric characters and symbols (20H, 21H, 23H-7EH) 1-16 digits)

PIN code (Personal Identification Number, pass key) is an authentication password in 1-16 digits used for product identification. The PIN code is needed when the authentication level is Level 2-1, Level 2-2 and Level 3. Link key will be generated automatically after PIN code authentication and pairing start in the product. Once the link key is generated, there is no need for PIN code authentication. The product can be connected without checking the PIN code during the pairing.

The module of Bluetooth specification version 2.0 supports Fast Connect. Pairing information can be saved in the product for 8 units. When pairing has done with more than 8 units, the product deletes the oldest pairing information and save the new pairing information. (The pairing information will not be cleared by the factory clear.)

(3) Communication parameter (ISI, ISW, PSI, PSW)

ISI, ISW, PSI, and PSW are setting values of Bluetooth module. The details are as below.

Setting	Description
ISI (Inquiry Scan Interval)	Time interval of ISW (0000, 0012 - 1000) (0.625 msec unit)
ISW (Inquiry Scan Window)	Respond time against search request from the host (0000, 0011 - setting values of ISI) (0.625 msec unit)
PSI (Page Scan Interval)	Time interval of PSW (0012 - 1000) (0.625 msec unit)
PSW (Page Scan Window)	Respond time against search request from the host (0011 - setting values of PSI) (0.625 msec unit)

-Device search request from the master device can be rejected when ISI=000 and ISW=0000.

-The default values after the factory clear are ISI=0x800 (1.28 sec), ISW=0x12 (11.25 msec), PSI=0x800 (1.28 sec) and PSW=0x12 (11.25 msec).

-It is impossible to set ISI<ISW or PSI<PSW.

-The communication parameters are not necessary to be changed normally. However, communication parameters are needed to be adjusted when the field intensity is not strong enough.

(4) Device name (alphanumeric characters and symbols (20H, 21H, 23H-7EH) 1-20 digits)

By setting device name, the name can be shown at the connected device and the product can be identified.

Note: Only the first start-up after setting this command will process the new settings for Wireless LAN interface. Do not power off the product when the product is restarted until the product starts up normally.

7.3 CRC Transmission Data

The transfer format of send data needed to be configured as follows when CRC check mode is selected.



Item	HEX (H)	Description
STX	02	Transmission control character to initiate text
Each command	—	Each command + Parameter
ETX	03	Transmission control character to terminate text
CRC	2 bytes	Calculated by the method called CRC-ANSI. Send error control value that was calculated by CRC-16 (Generating function $X^{16}+X^{15}+X^2+1^*2$) in order of [High] and [Low].

1) Use this command in between Start of Data Transmission <A> and End of Data Transmission <Z>.

Set STX and ETX for print data. The product will not print if there is no STX or ETX in the print data.

2) This is shifted to the right; therefore, the value actually used for calculation is [0xA001]. Also, initial value is set to "0".

7.4 Calculation Example of CRC

A part of CRC calculation procedures when sending print speed set <CS> is shown below as an example. The send data is STX <A> <CS>2 <Z> ETX. In HEX, the above will be 02 1B 41 1B 43 53 32 1B 5A03. The underlined part is the calculation range of CRC. Generating function is described as 1010 0000 0000 0001 in BIN. 1B is the first calculation target and it is described as 0001 1011 in BIN. Initial value of CRC is set to "0".

(1) Take exclusive-OR of CRC and target data (1B), and assign its result to CRC.		0000 0000 0000 0000 (CRC)
	<u>XOR)</u>	0000 0000 0001 1011 (1B)
	CRC =	0000 0000 0001 1011
(1-1) Take AND of CRC and 0001, and assign its result to A. Shift CRC 1 bit to the right and assign it to CRC.	A = 1	
	CRC =	0000 0000 0000 1101
(1-2) If A = 1, take exclusive-OR of CRC and generating polynomial, and assign its result to CRC. If A = 0, no calculation is made.		0000 0000 0000 1101 (CRC)
	<u>XOR)</u>	1010 0000 0000 0001 (polynomial)
	CRC =	1010 0000 0000 1100
(2-1) Perform the same calculations as (1-1). And then, perform calculations of (1-1) and (1-2) for 7 times (8 bits in total).	A = 0	
	CRC =	0101 0000 0000 0110
(2-2) Perform the same calculations as (1-2). A = 0; therefore, leave CRC as it is.	CRC =	0101 0000 0000 0110
(3-1) Perform the same calculations as (1-1).	A = 0	
	CRC =	0010 1000 0000 0011
(3-2) Perform the same calculations as (1-2).	CRC =	0010 1000 0000 0011
(4-1) Perform the same calculations as (1-1).	A = 1	
	CRC =	0001 0100 0000 0001
(4-2) Perform the same calculations as (1-2).		0001 0100 0000 0001 (CRC)
	<u>XOR)</u>	1010 0000 0000 0001 (polynomial)
	CRC =	1011 0100 0000 0000
(5-1) Perform the same calculations as (1-1).	A = 0	
	CRC =	0101 1010 0000 0000
(5-2) Perform the same calculations as (1-2).	CRC =	0101 1010 0000 0000
(6-1) Perform the same calculations as (1-1).	A = 0	
	CRC =	0010 1101 0000 0000
(6-2) Perform the same calculations as (1-2).	CRC =	0010 1101 0000 0000
(7-1) Perform the same calculations as (1-1).	A = 0	
	CRC =	0001 0110 1000 0000
(7-2) Perform the same calculations as (1-2).	CRC =	0001 0110 1000 0000
(8-1) Perform the same calculations as (1-1).	A = 0	
	CRC =	0000 1011 0100 0000
(8-2) Perform the same calculations as (1-2).	CRC =	0000 1011 0100 0000
Calculation of CRC up to 1B has completed. In the same manner, perform calculations of the next target data 41, and continue calculating up to 03. In this case, it will be EC 5E.	Calculation result up to 03	
	CRC =	1110 1100 0101 1110

7.5 Transmission Data Example

The following are the example of transmission data.

(1) Print Data
STX
<A>
<X22>,SATO
<Q>0001
<Z>
ETX
71H 9CH

HEX data to be actually sent is described as follows. Underlined part is CRC.
02 1B 41 1B 58 32 32 2C 53 41 54 4F 1B 51 30 30 30 31 1B 5A 03 71 9C

(2) Print speed setting command
STX
<A>
<CS>2
<Z>
ETX
ECH 5EH

HEX data to be actually sent is described as follows. Underlined part is CRC.
02 1B 41 1B 43 53 32 1B 5A 03 EC 5E

7.6 CRC errors

The product calculates the CRC of every items of received data and checks the validity of the received data by comparing it with the CRC in the received data. When the calculated CRC is not the same as the CRC in the received data, the product judges the data is incorrect, arises CRC error and stops printing.

The LCD display of CRC error



* The CRC error will be detected only if the CRC check is enabled.

There are 3 ways to release the CRC error.

(1) Press the LINE button	: the product will resume the printing from the print data with the CRC error.
(2) Send CAN command	: the product will clear all contents in the receive buffer including the print data with the CRC error.
(3) Press the CANCEL button	: the product will cancel the print data with the error and resume the printing from the next print data.

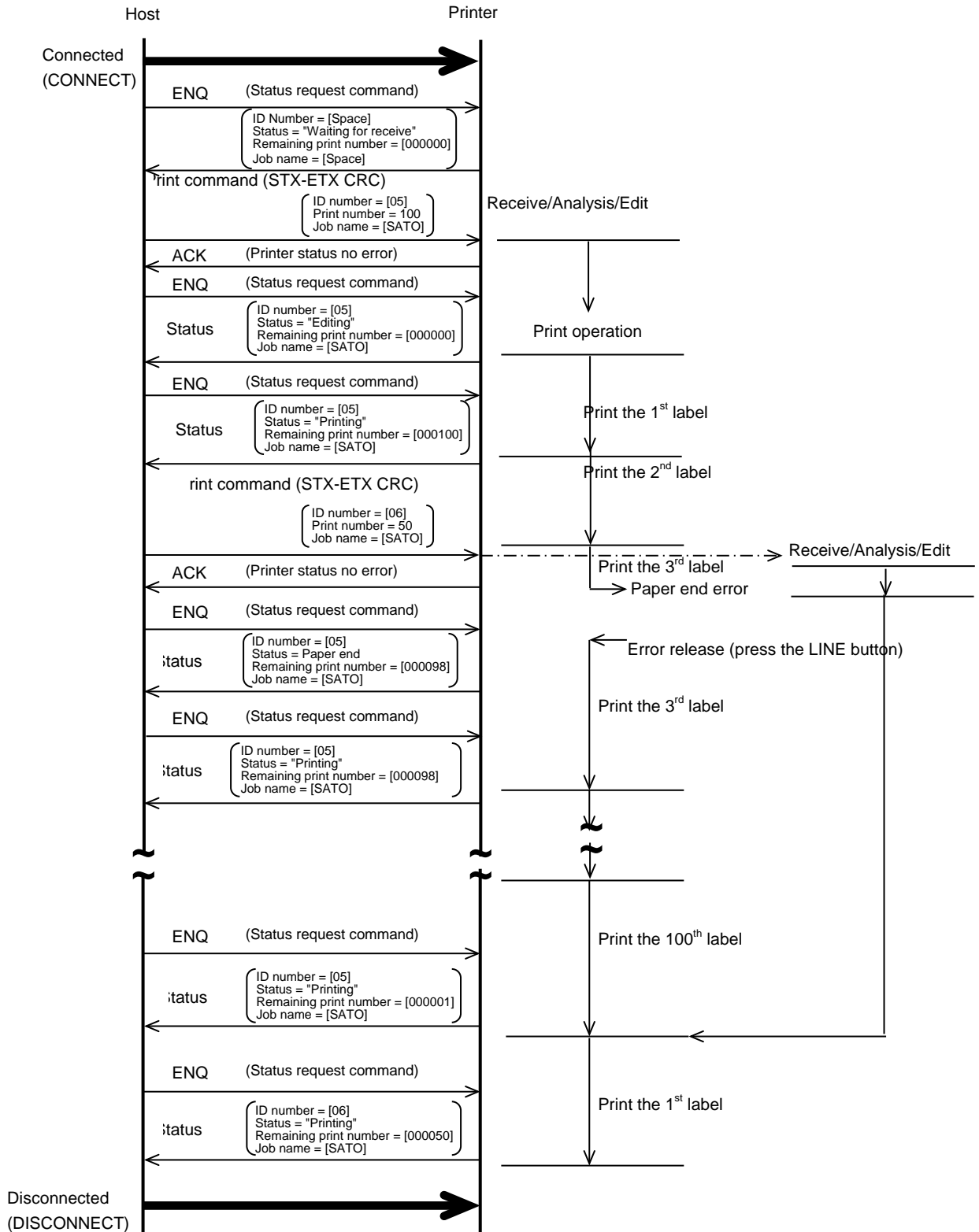
[Supplemental explanation]

1. The return status of the Status 3 and 4 at the CRC error will be "other errors".
2. The error will not be shown at the CRC time out error.

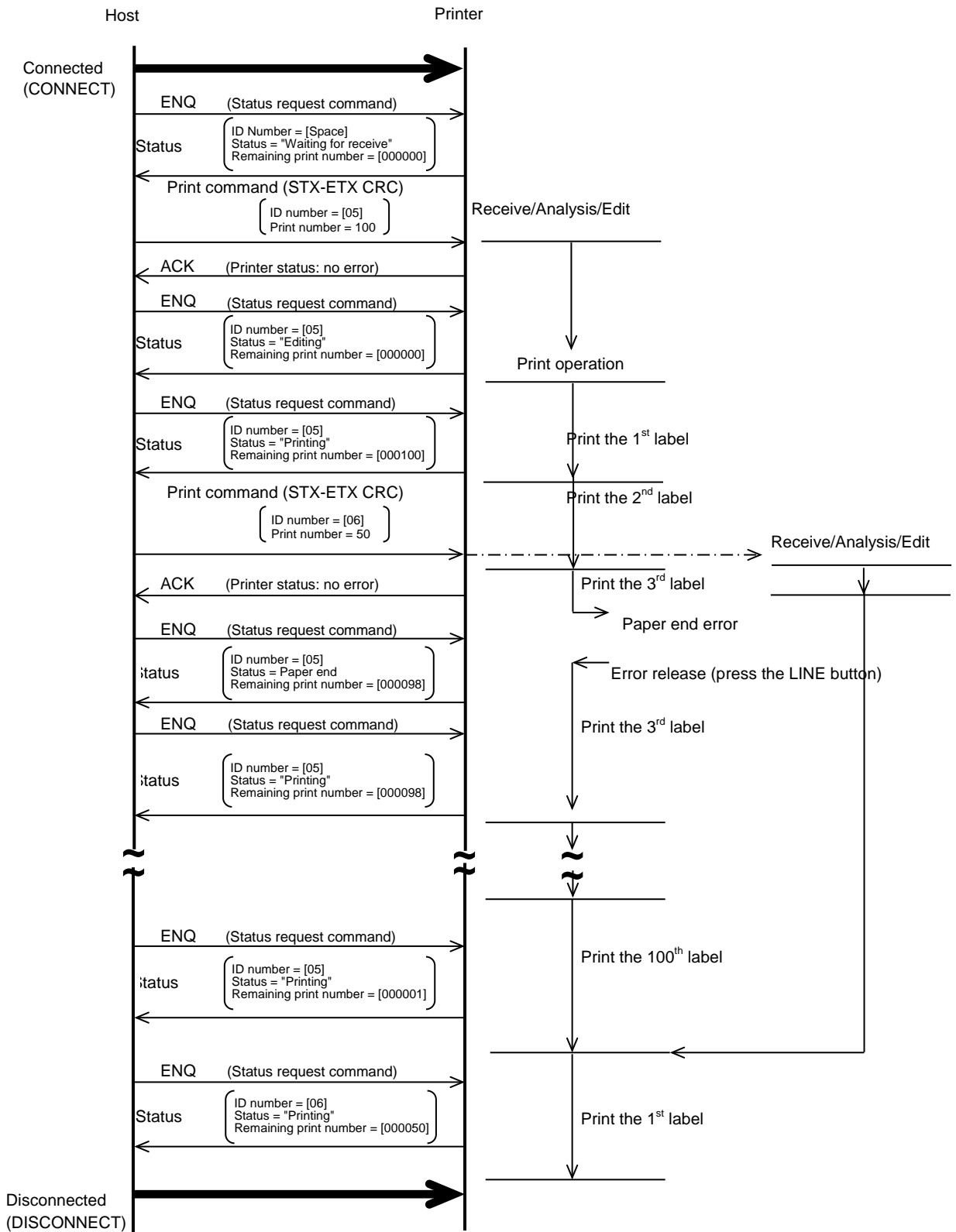
7.7 Transmission Sequence

7.7.1 Normal end

7.7.1.1 Status 4 (when CRC check is enabled)



7.7.1.2 Status 3 (when CRC check is enabled)

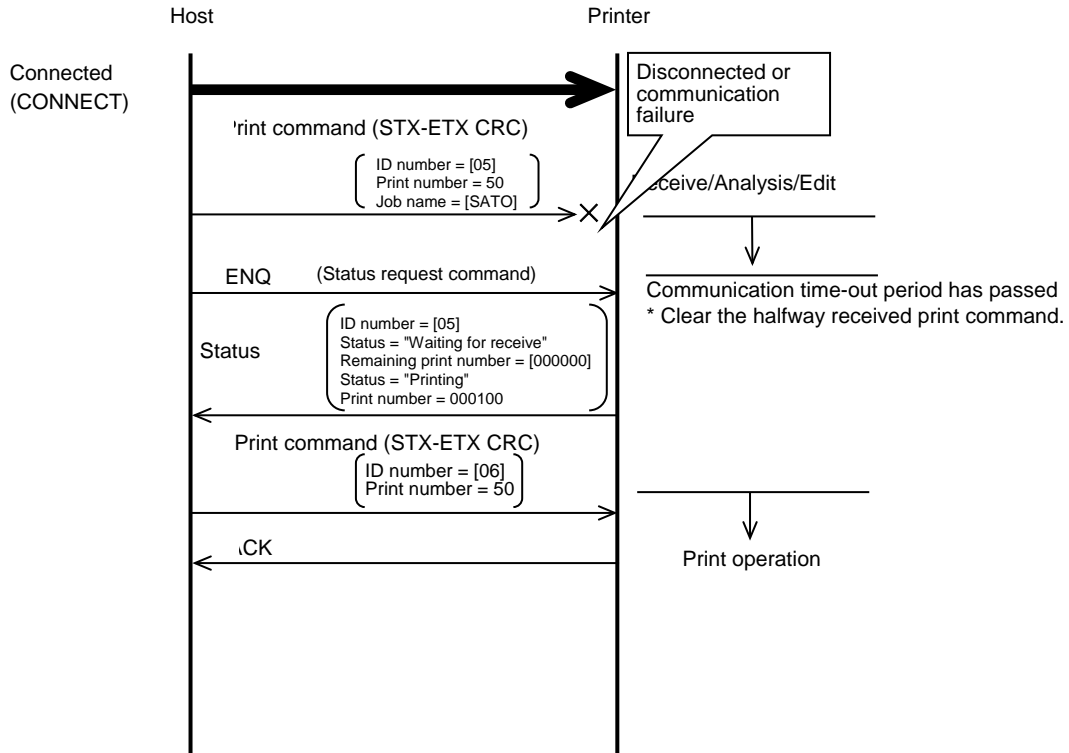


7.7.2 Disconnection During Print data sending

[Note]

The print data may be lost when Bluetooth communication is disconnected during the print data sending. Please resend the data after product power off and on.

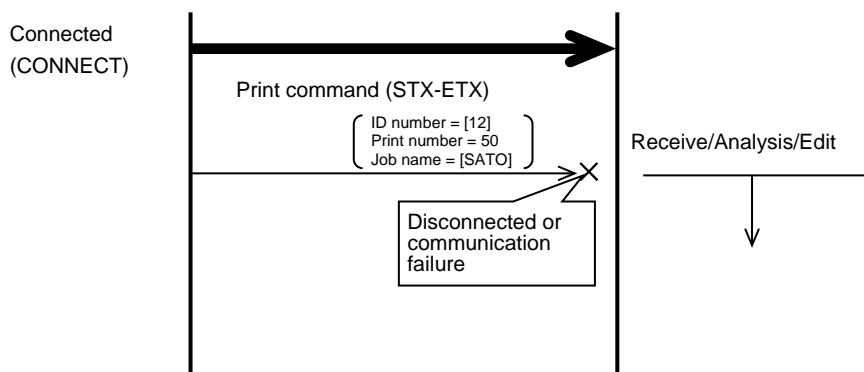
7.7.2.1 When CRC check is enabled (common to Status 3 and 4)



[Note]

When connection of Bluetooth is lost while sending print data (STX-ETX), partly received data will be discarded after the communication timeout time (10 seconds).

7.7.2.2 When CRC check is disabled (common to Status 3 and 4)

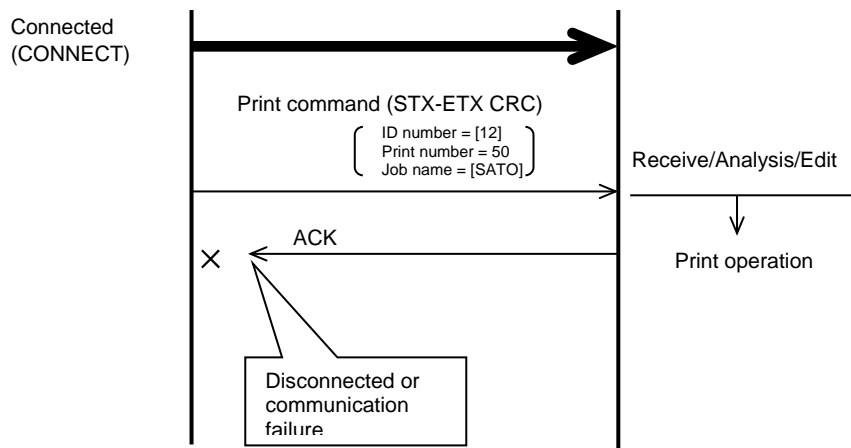


[Note]

The print data may be lost when Bluetooth communication is disconnected during the print data sending. Please resend the data after product power off and on.

7.7.3 Disconnection during status sending after print data reception

7.7.3.1 When CRC check is enabled (common to Status 3 and 4)



[Notes]

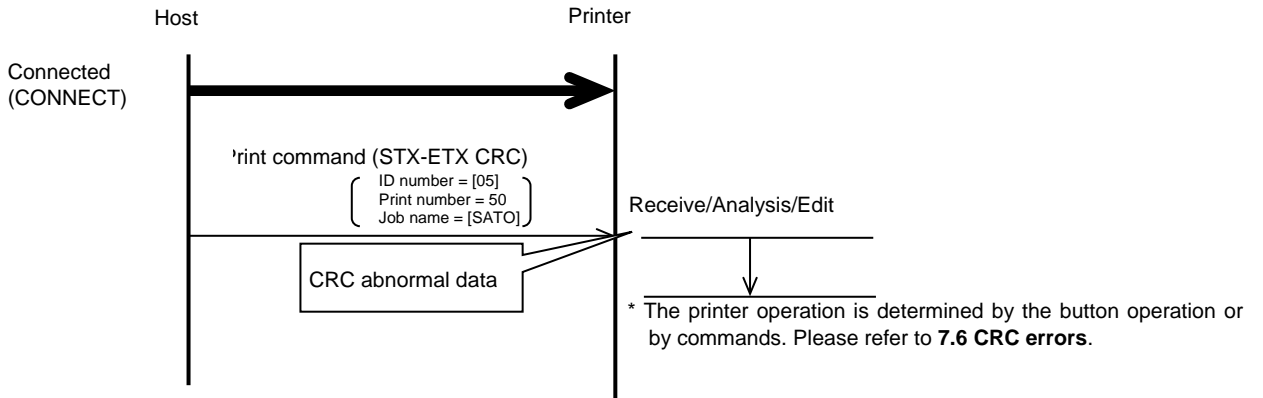
1. When there is no ACK returned, stop the transmission as it appears that some sort of communication interference is occurring.
2. ACK return may be lost when Bluetooth is disconnected before the product returning ACK.

7.7.3.2 When CRC check is disabled (common to Status 3 and 4)

The product operation is the same as 7.7.3.1 when CRC check is enabled.

7.7.4 Abnormal end when CRC check is enabled

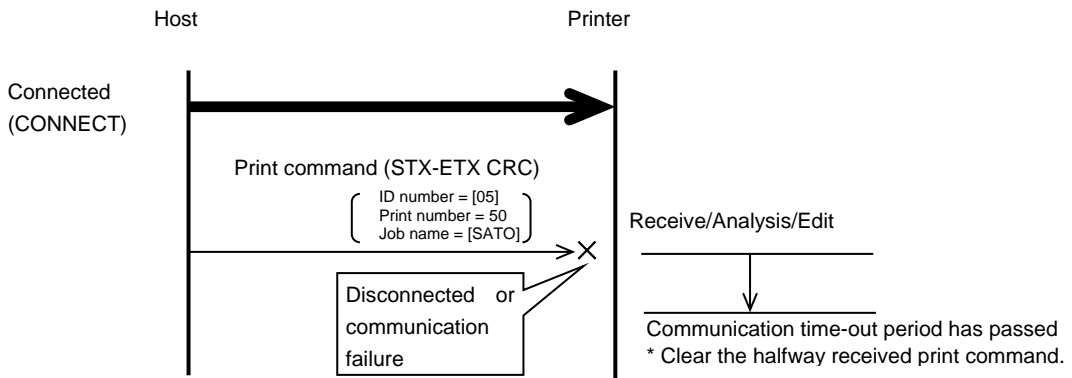
7.7.4.1 At the CRC error (common to Status 3 and 4)



[Note]

The product will clear the print data and will not return ACK/NAK when the received data has CRC error.

7.7.4.2 At the communication time out (common to Status 3 and 4)



[Note]

When there is no data come in to the product during print command reception for communication time out period (10 sec), the product will time out and clear the partly received print command. (ACK/NAK will not be returned.)

7.7.5 State transition diagram matrix (at host)

7.7.5.1 Status 3

Event \ Status		A Connect response (CONNECT)	B Disconnect response (DISCONNECT)	c Print request	D Return status receive	E ACK/NAK receive	F Timeout	G Send connect request (CONNECT)	H Send disconnect request (DISCONNECT)
(1)	Neutral	-	-	-	-	-	-	(1) Timer register (2) Connect request (CONNECT) -> (2)	-
(2)	Waiting for connection	Connection complete -> (3)	Disconnected -> (1)	-	-	-	Abnormal end -> (1)	-	Disconnected (DISCONNECT) -> (1)
(3)	Connecting	-	Disconnected -> (1)	(1) Timer registration (2) Status request command send -> (4)	-	-	Disconnected (DISCONNECT) -> (1)	-	Disconnected (DISCONNECT) -> (1)
(4)	Return status Waiting for response	-	Disconnected -> (1)	-	(1) Timer release / Timer reregistration (2) Normal printer status Send the print data -> (5) (3) Normal printer status -> (3)	-	(1) When not up to retry times Send status request command -> (4) (2) Retried until the retry times -> (1)	-	Disconnected (DISCONNECT) -> (1)
(5)	Waiting for ACK response	-	Disconnected -> (1)	-	-	ACK/NAK receive Timer release -> (3)	Disconnected (DISCONNECT) -> (1)	-	Disconnected (DISCONNECT) -> (1)

[Notes]

1. The same timer is used for waiting for connection, status return and ACK response to be able to simplify the above matrix.
2. The product cannot disconnect (send DISCONNECT) at the power off. Please set up time out process at the host.
3. Be sure to check the printer status by sending status request command (ENQ) before sending any print data because the product cannot print during printer error.
4. When (5) Time out for ACK response occurred, assuming that the LINK has been disconnected, power off and on the product and reconnect.

7.7.5.2 Status 4

Event		A Connect response (CONNECT)	B Disconnect response (DISCONNECT)	c Print request	D Return status receive	E ACK/NAK receive	F Timeout	G Send connect request (CONNECT)	H Send disconnect request (DISCONNECT)
(1)	Neutral	-	-	-	-	-	-	(1) Timer registration (2) Connect request (CONNECT) -> (2)	-
(2)	Waiting for connection	Connection complete -> (3)	Disconnected -> (1)	-	-	-	Abnormal end -> (1)	-	Disconnected (DISCONNECT) -> (1)
(3)	Connecting	-	Disconnected -> (1)	(1) Timer registration (2) Status request command send -> (4)	-	-	Disconnected (DISCONNECT) -> (1)	-	Disconnected (DISCONNECT) -> (1)
(4)	Return status Waiting for response	-	Disconnected -> (1)	-	(1) Timer release / Timer reregistration (2) Normal printer status Send the print data -> (5) (3) Normal printer status -> (3)	-	(1) When not up to retry times Send status request command -> (4) (2) Retried until the retry times -> (1)	-	Disconnected (DISCONNECT) -> (1)
(5)	Waiting for ACK response	-	Disconnected -> (1)	-	-	ACK/NAK receive Timer release -> (3)	Disconnected (DISCONNECT) -> (1)	-	Disconnected (DISCONNECT) -> (1)

[Notes]

1. The same timer is used for waiting for connection and status return, to be able to simplify the above matrix.
2. The product cannot disconnect (send DISCONNECT) at the power off. Please set up time out process at the host.
3. Be sure to check the printer status by sending status request command (ENQ) before sending any print data because the product cannot print during printer error.
4. When (5) Time out for ACK response occurred, assuming that the LINK has been disconnected, power off and on the product and reconnect.

7.7.5.3 State transition diagram matrix (at product)

Event		Status						
		A Connect request (CONNECT)	B Disconnect request (DISCONNECT)	C Print Data receiving	D Print complete	E Error	F Error release	G Power off
(1)	Waiting for connect request	Receive connect request (CONNECT) -> (2)	Ignore	Ignore	-	Ignore	-	Power off
(2)	Connecting	Ignore	Disconnect process (DISCONNECT)	Normal data receive ACK/NAK send -> (3) Abnormal data receive -> (2) CRC error *1 Clear the received data -> (2) Communication time out Clear the received data *1 -> (2)	Ignore	-> (4)	-	Power off
(3)	Printing	Ignore	Disconnect process (DISCONNECT)	Ignore	-> (2)	-> (4)	-	Power off
(4)	Error	Ignore	Disconnect process (DISCONNECT)	Ignore	Ignore	Ignore	Other than printing -> (2) Printing -> (3)	Power off

*1 when CRC check is enabled

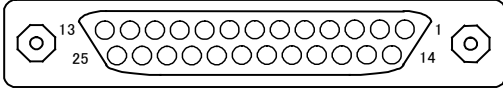
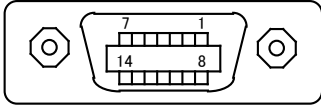
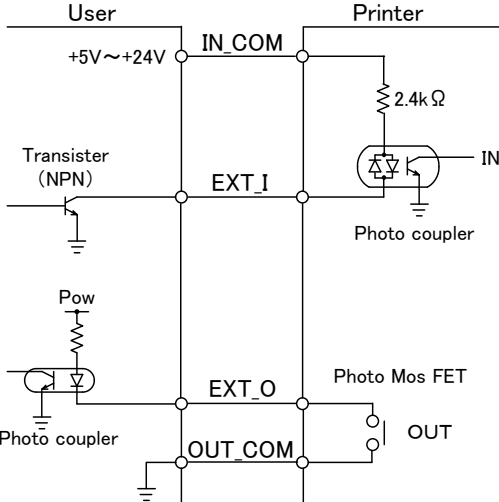
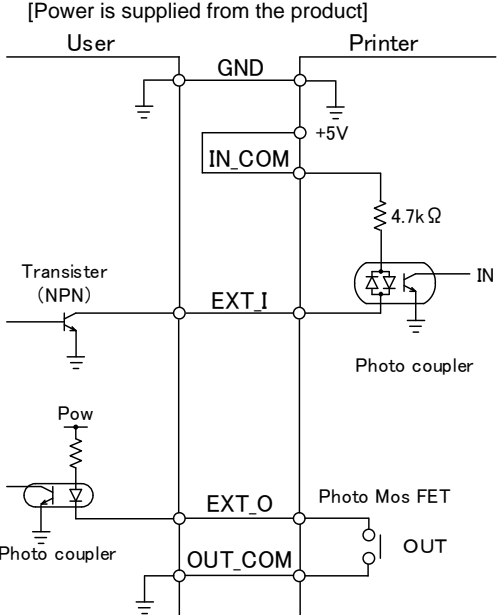
[Notes]

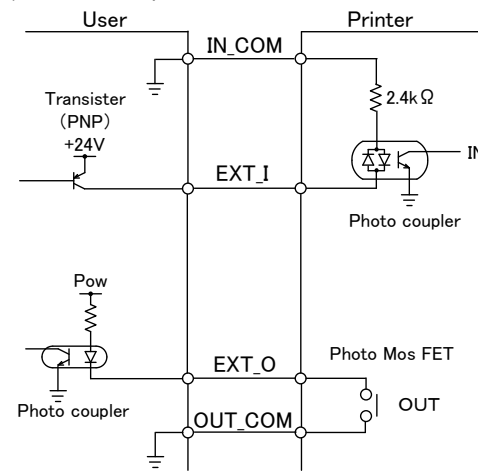
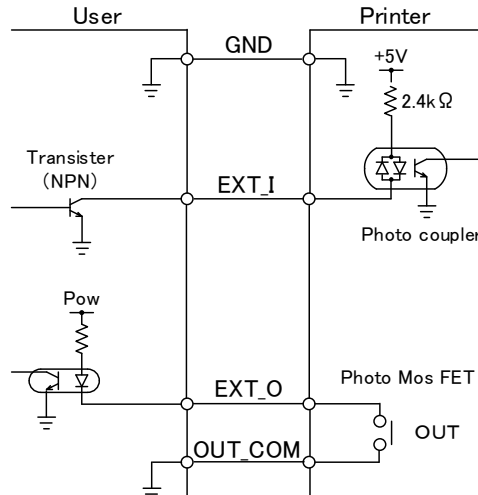
- When the link with Bluetooth is lost (out of area), disconnect from the product after the supervision timeout time.
When the link between the host is lost, the product request disconnection (DISCONNECT) after the supervision timeout time (default=20 sec (changeable from the host)) has passed.
- It takes about 5 sec from the product power on, installed Bluetooth module starting up to be the status of (1). Before the status of (1), it may not be connected.
- ACK/NAK will not be returned at the CRC error or communication timeout.
- Be sure to check the printer status by sending status request command (ENQ) before sending any print data because the product cannot print during printer error.
- The status check of Bluetooth I/F board is done at after the factory clear, Bluetooth mode switch, PIN code setting, and Bluetooth setting only.
In case of disconnection during operation, please check the status of Bluetooth I/F board by switching the Bluetooth mode.

8 External signal interface

8.1 Basic Specifications

External interfaces are designed to be able to connect with the product and the other peripherals.
 The external interface operates only in the pulse input mode (a mode that operates according to external signals).
 However, error signals are outputted with the all mode.
 Setting related to the external signals can be done on the extended setting mode at the product.

<p>Connector</p>	<p>(1) 25 pins external signal interface (D-SUB 25 pins, female terminal)</p>  <p>(2) 14 pins external signal interface (Amphenol 14 pins, female terminal)</p> <p>* When using 14 pins external signal interface, please use the attached conversion cable.</p> 
<p>Input/Output circuit diagram</p>	<p>(1) 25 pins external signal interface (D-SUB 25 pins, female terminal)</p> <p>a) When the output from the user is NPN transistor output</p> <p>[Power is supplied from the user]</p>  <p>[Power is supplied from the product]</p> 

Input/Output circuit diagram	<p>b) When the output from the user is PNP transistor output</p>  <p>(2)14 pins external signal interface (Amphenol 14 pins, female terminal)</p> 										
Signal level	High: high impedance, input terminal $i_{in} \approx 0\text{mA}$, output terminal $i_{out} \approx 0\text{mA}$ Low: 0 - 0.7 V, input terminal $i_{in} \approx 2 - 20\text{mA}$, output terminal $i_{out} \approx 120\text{mA}$										
External signal print order	ENABLE or DISABLE can be selected on the extended setting mode.										
External signal type	<p>The below signal types are selectable on the extended setting mode.</p> <table border="1" data-bbox="619 1391 1369 1749"> <thead> <tr> <th>Type</th> <th>Operation details</th> </tr> </thead> <tbody> <tr> <td>TYPE I</td> <td>The print complete signal (PREND) is High before label printing, and it becomes Low after print completion. The signal level becomes High after 20 msec.</td> </tr> <tr> <td>TYPE II</td> <td>The print complete signal (PREND) is Low before label printing, and it becomes High after print completion. The signal level becomes Low after 20 msec.</td> </tr> <tr> <td>TYPE III</td> <td>The print complete signal (PREND) is High before label printing, and it becomes Low from the start to the end of print, and it becomes High again after print completion.</td> </tr> <tr> <td>TYPE IV</td> <td>The print complete signal (PREND) is Low before label printing, and it becomes High from the start to the end of print, and it becomes Low again after print completion.</td> </tr> </tbody> </table>	Type	Operation details	TYPE I	The print complete signal (PREND) is High before label printing, and it becomes Low after print completion. The signal level becomes High after 20 msec.	TYPE II	The print complete signal (PREND) is Low before label printing, and it becomes High after print completion. The signal level becomes Low after 20 msec.	TYPE III	The print complete signal (PREND) is High before label printing, and it becomes Low from the start to the end of print, and it becomes High again after print completion.	TYPE IV	The print complete signal (PREND) is Low before label printing, and it becomes High from the start to the end of print, and it becomes Low again after print completion.
Type	Operation details										
TYPE I	The print complete signal (PREND) is High before label printing, and it becomes Low after print completion. The signal level becomes High after 20 msec.										
TYPE II	The print complete signal (PREND) is Low before label printing, and it becomes High after print completion. The signal level becomes Low after 20 msec.										
TYPE III	The print complete signal (PREND) is High before label printing, and it becomes Low from the start to the end of print, and it becomes High again after print completion.										
TYPE IV	The print complete signal (PREND) is Low before label printing, and it becomes High from the start to the end of print, and it becomes Low again after print completion.										
External signal reprint	<p>The following can be selected on the extended setting mode.</p> <p>ENABLE: reprint the same contents for one time.</p> <p>DISABLE: no reprint</p>										

8.2 Connector Pin Assignment

No		Signal name	Description	Input/ Output	Level	Electrical conditions Voltage, Current (MAX)
25 pins	14 pins					
1	14	FG	FRAME GROUND	-	-	-
2	-	+5V	Power source	-	-	600mA (When at 25 pin, the total of 2 pin and 12 pin is 600mA)
3	-	Print Start Position Signal (HOME POSITION)	Signal is output at backfeed motion control when backfeed is done.	Output	Low	400V 80mA
4	4	Machine error*4	Output with cover open, head error, communication error etc.	Output	Low	400V 80mA
5	6	Print completion signal (PREND)*	Signal is output at the operation of the product issues one label.	Output	Low	400V 80mA
6	9	Online *3	Output when the product is offline state.	Output	Low	400V 80mA
7	-	Label near end	By input of this signal, the product becomes label near end status.	Input *2	Low	High: high impedance Low: more than -5mA, 0V
8	7	Reprint signal (PRIN2)	By input of this signal, the product reprints the same contents for one time.	Input *2	Low	High: high impedance Low: more than -5mA, 0V
9	-	Backfeed Order (DISPENSE IN)	By input of this signal, backfeed is done at backfeed motion control.	Input *2	Low	High: high impedance Low: more than -5mA, 0V
10	-	Reserve	Reserve	Input *2	-	High: high impedance Low: more than -5mA, 0V
11	-	OUT_COM	GROUND of peripherals	-	-	-
12	13	+5V	Power source	-	-	600mA (When at 25 pin, the total of 2 pin and 12 pin is 600mA)
13	12	+24V	Power source	-	-	2A
14	2	GND	SIGNAL GROUND	-	-	-
15	2	OUT_COM	GROUND of peripherals	-	-	-
16	3	Ribbon end*4	Output at ribbon end detection.	Output	Low	400V 80mA
17	1	Paper end*4	Output at paper end detection.	Output	Low	400V 80mA
18	10	Ribbon near end	Output at ribbon near end detection.	Output	High	400V 80mA
19	-	Reserve	Reserve	Output	-	400V 80mA
20	5	Print start signal (PRIN)	The product issues one label by input of this signal.	Input *2	Low	High: high impedance Low: more than -5mA, 0V
21	11	Label feed	The product feeds by input of this signal.	Input *2	Low	High: high impedance low: more than -5mA, 0V
22	-	Reserve	Reserve	Input *2	-	High: high impedance Low: more than -5mA, 0V
23	-	Reserve	Reserve	Input *2	-	High: high impedance Low: more than -5mA, 0V
24	13	IN_COM *1	For power supply from peripherals.	Input	-	5V to 24V or GND
25	-	GND	SIGNAL GROUND	-	-	-

1) Please select one type from TYPE I to TYPE IV for "PREND" output signal of pin No. 5. Refer to external signal type in "8.1 Basic Specifications " for more details.

[Supplemental explanation]

The pin No. and signal name (contents) can be changed on the extended setting mode. Refer to the item of "Input/Output signal setting" in the "Operator Manual" for more details.

[Notes]

*1 When using the 14 pins external signal interface, do not connect the power pin to 「IN_COM」pin.
The 「IN COM」 pin is connected to 「5V」 in cable.

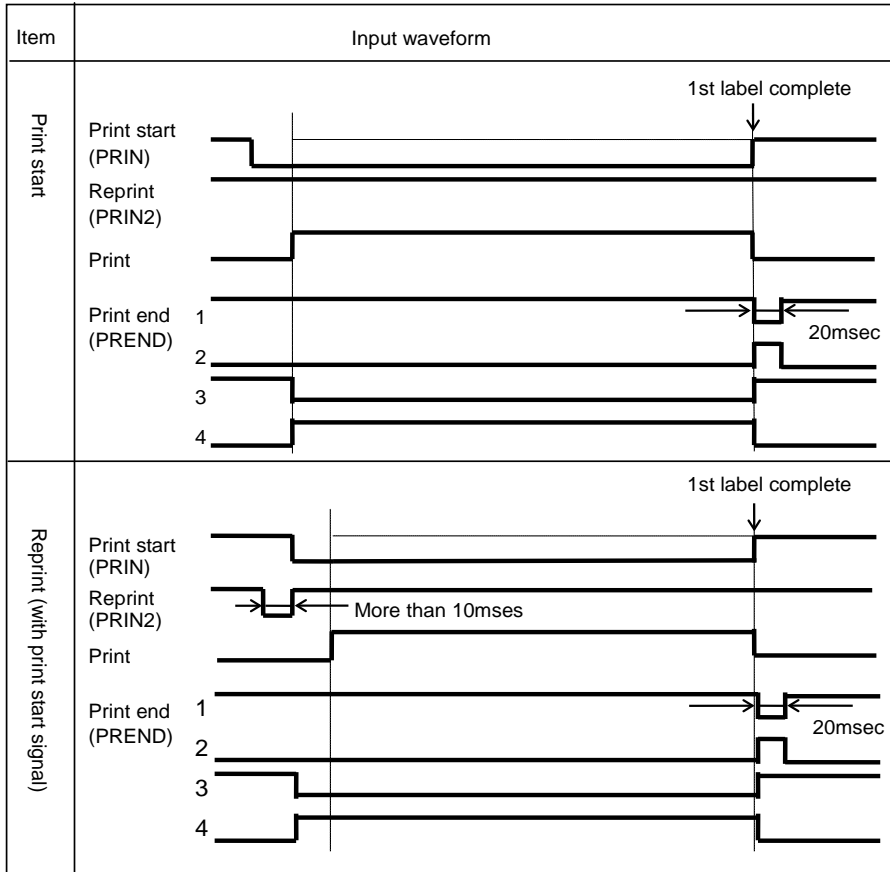
*2 It can be connected to equipment of open collector input to the signal input terminal.

*3 This is when "EXT 9PIN SELECT" in the service mode is MODE2/MODE3. Signal is output with remaining print number status when it is MODE1.

*4 In addition to the signals mentioned above, Cancel signal, ONLINE/OFFLINE signal are also input signals.

8.3 Explanation of input/output signal

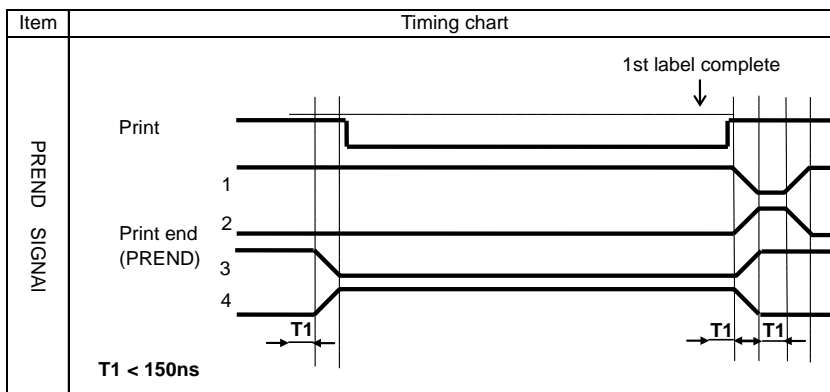
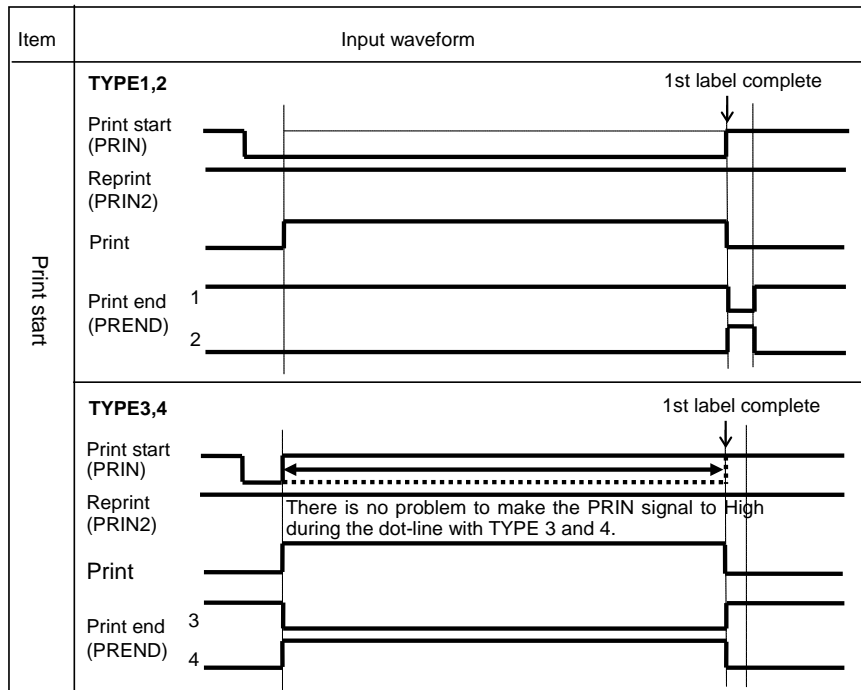
1) Input signal



[Supplemental explanation]

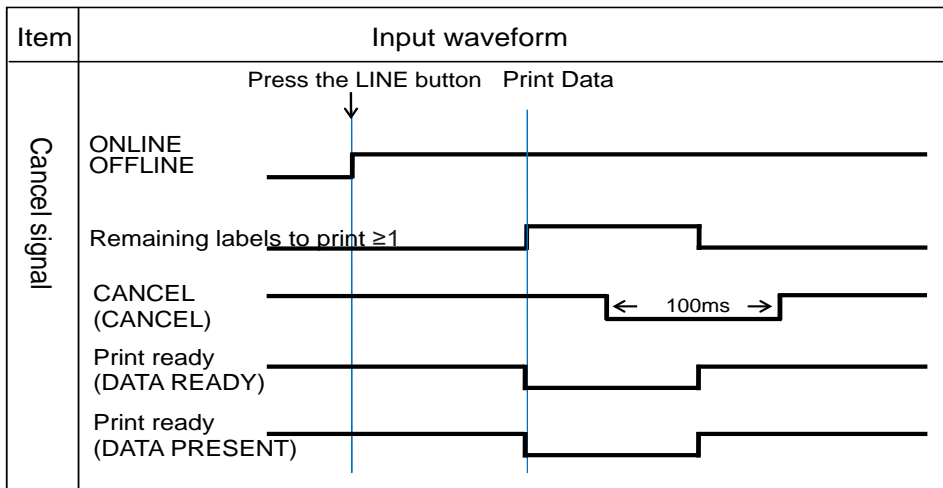
1. Please keep the print start signal (PRIN) to "Low" until print completion signal (PREND) is output.* (Refer to the below [Maintaining the print start signal (PRIN) keep]) Also, output reprint signal (PRIN2) for more than 10 msec. When signal is output for shorter than 10 msec, and reprint signal is not acknowledged, the product will not reprint.

[Maintaining the print start signal (PRIN)]



*Rise or fall time of PREND signal is less than 150 ns. Please consider the time when output signal from the connected devices.

2. When the print start signal and reprint signal are output simultaneously, the print start signal is enabled and the product will not reprint.
3. The reprint signal is only valid from the print operation end (QTY=0) until the next print data reception. Other than that, the product will not reprint.



[Supplemental explanation]

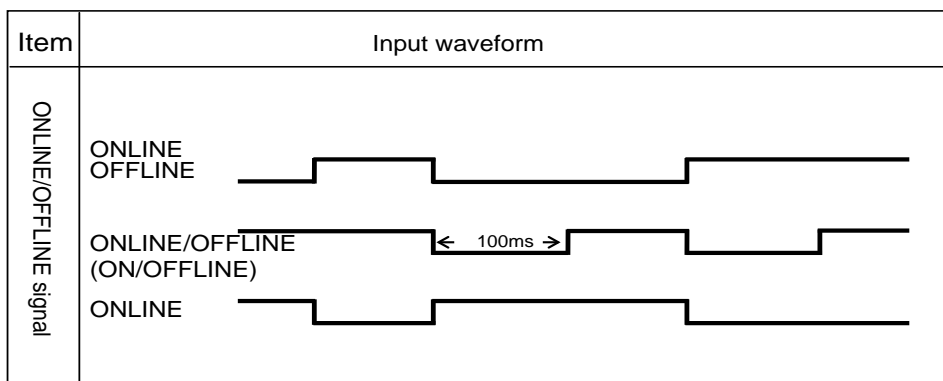
(1) Cancel signal is enabled when:

- waiting for Start Print Signal (PRIN) in ONLINE.
- in OFFLINE.
- an error occurs.

(2) To enable the cancel signal again, turn off the signal and turn back on again.

[Note]

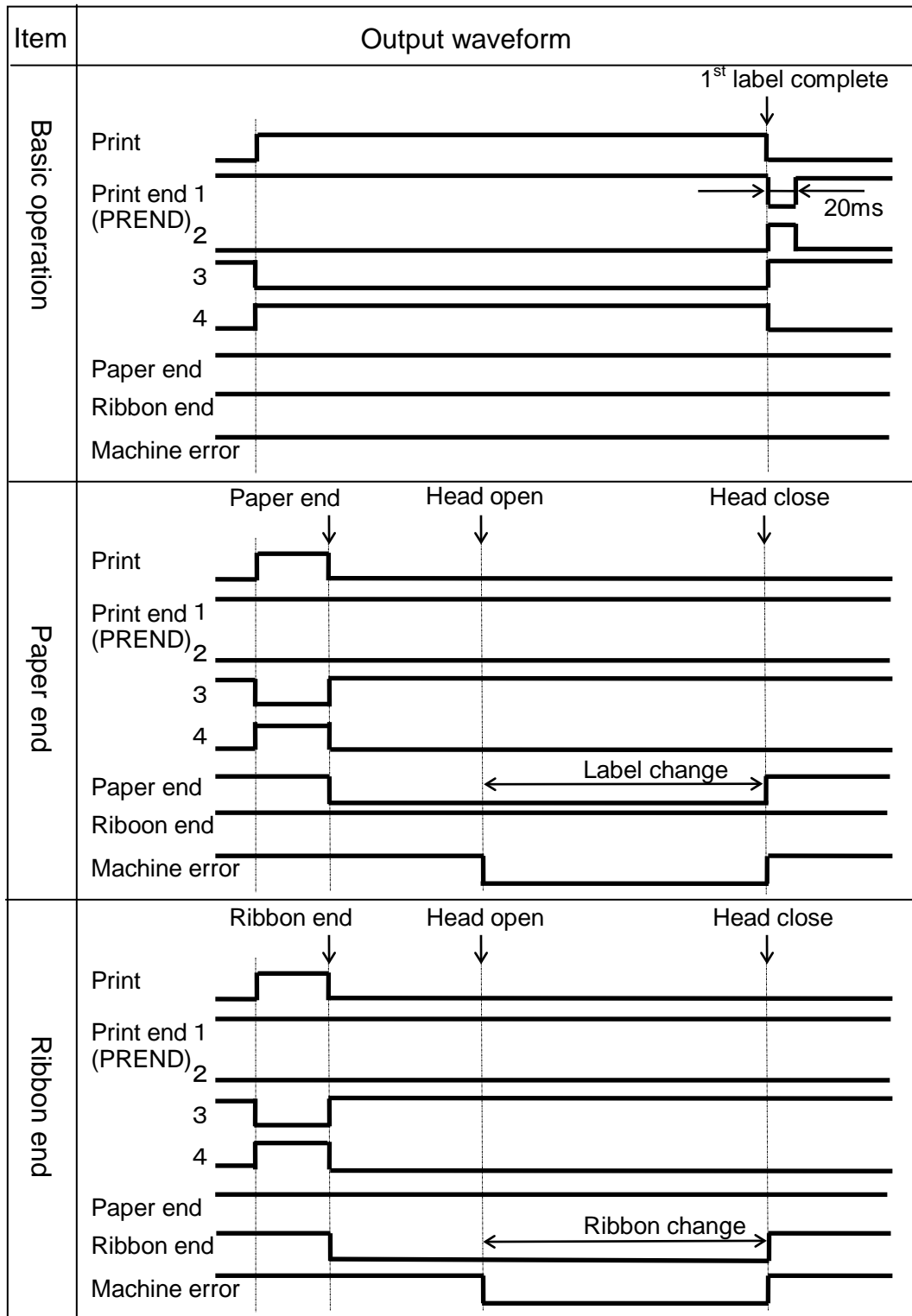
Cancel is not allowed when receiving print data. Cancel behavior when receiving data is not guaranteed.

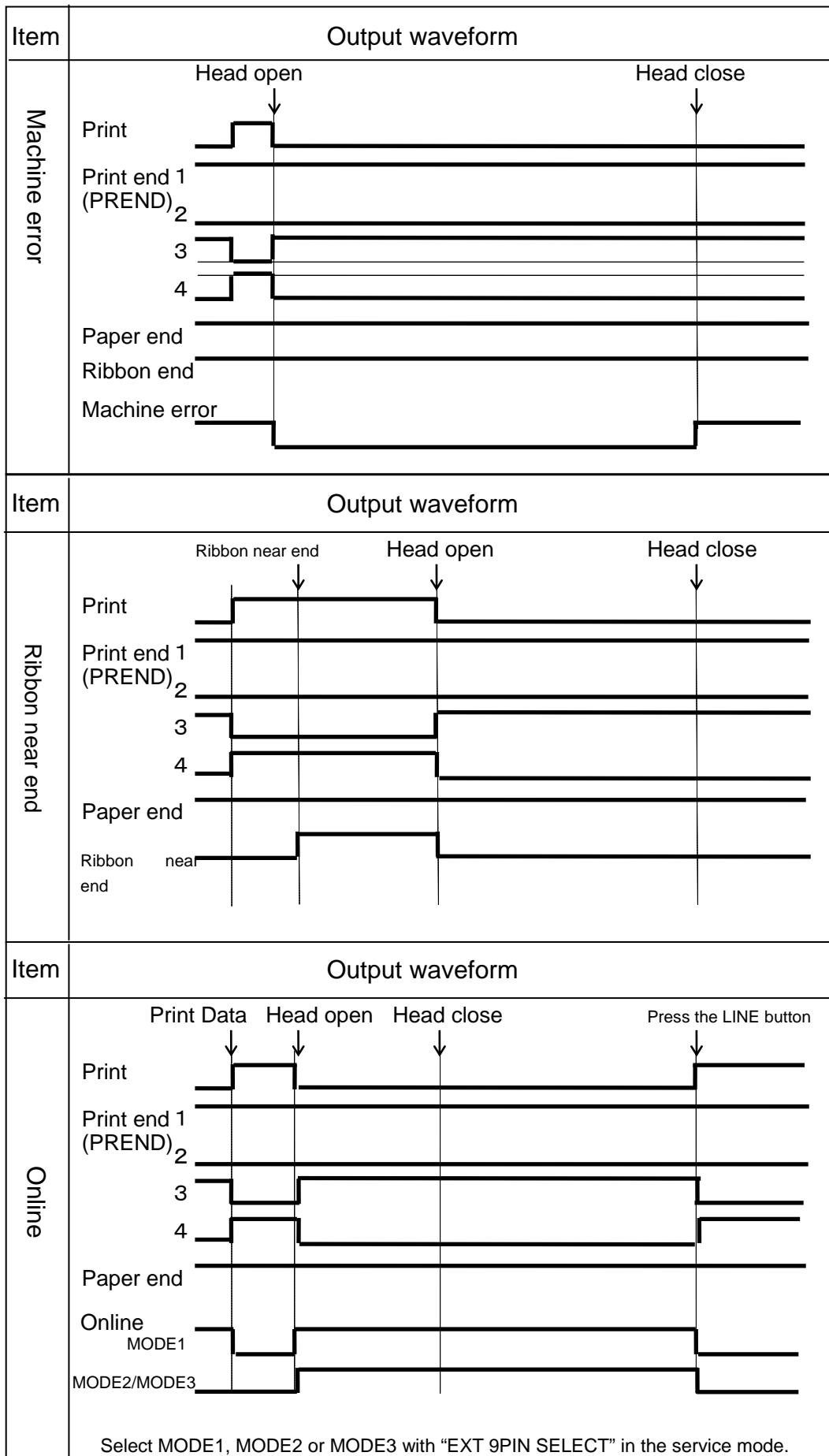


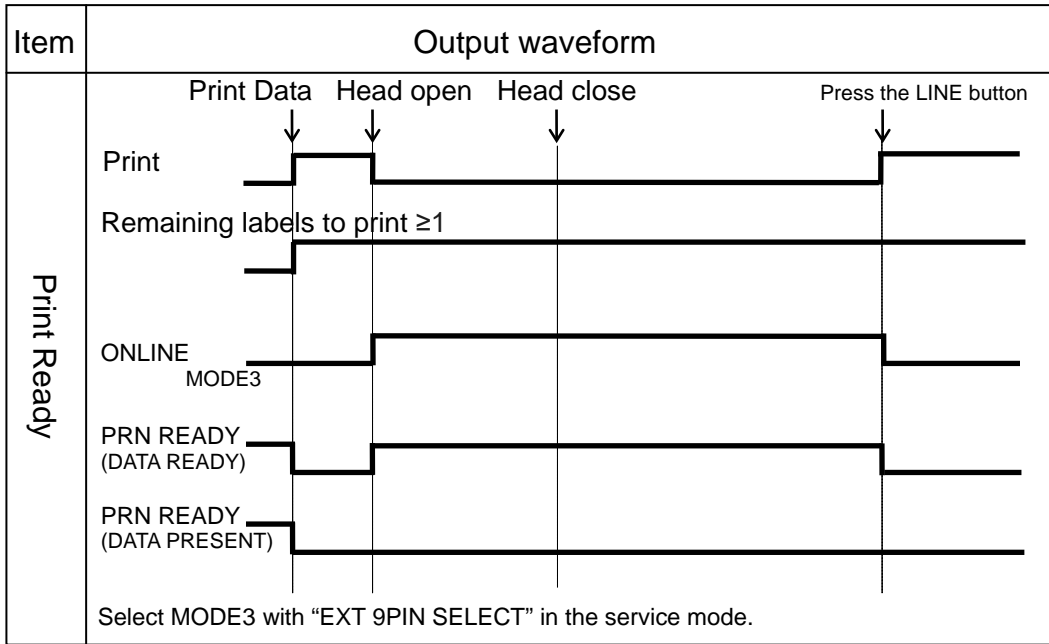
[Supplemental explanation]

You can switch between ON/OFFLINE signals only if ONLINE/OFFLINE can be switched via key operation.

2) Output signal








[Notes]

Refer to Appendix in the operator manual for error signal output when RFID module is enabled.

9 USB Host

9.1 Basic Specifications

USB interface of the product complies with USB2.0 standard.

Interface	
Connector	Series A plug Cable length shorter than 5 m (Twisted pair shielded)
Version	USB 2.0 High speed
Device class	Mass storage class
Used for	USB memories

9.2 Connector Pin Assignment

Pin number	Name
1	VBus
2	-Data(D-)
3	+Data(D+)
4	GND

10 Note

■ Operation after turning the product's power off

Please note that the data sent from the host to the product after turning the product's power off is not ensured.



Extensive contact information for worldwide
SATO operations can be found on the Internet at
www.satoworldwide.com

SATO