

Overview

HP Notebook Stands

Introduction

HP Notebook Stands include a range of convenient solutions and space-saving designs that easily connect to your HP Business Notebook and enable easy viewing and an ideal desktop computing environment.

Models

HP Hot Desk Stand <i>New!</i>	W3Z73AA
HP Hot Desk 2nd Monitor Arm <i>New!</i>	W3Z74AA
HP Monitor Stand	M9X76AA
HP Adjustable Dual Display Stand	AW664AA
HP Display and Notebook II Stand	E8G00AA
HP Dual Hinge II Notebook Stand	E8F99AA
HP Adjustable Display Stand	AW663AA

Overview

HP Hot Desk Stand - W3Z73AA



1. VESA display mounts
2. Dual-hinged
3. HP USB Dock Housing
4. Housing cover

Dimensions (H x W x D) 2 x 9.9 x 8.5 in (5.2 x 25.1 x 21.7 cm)

Weight Packaged 14 lbs (6.4 kg)
Unpackaged 12 lbs (5.4 kg)

Maximum Display Size Supported 32"

Load 7-25 lb
3.2-11.4 kg"

Form Factor Desktop

Lift Range 22-33 cm

Tilt Range 70° backward
5° forward"

VESA Mount Standard 100mm
75mm"

Display Rotation 360°

Desk Clamp 0.4-2.6 in
10mm-66mm"

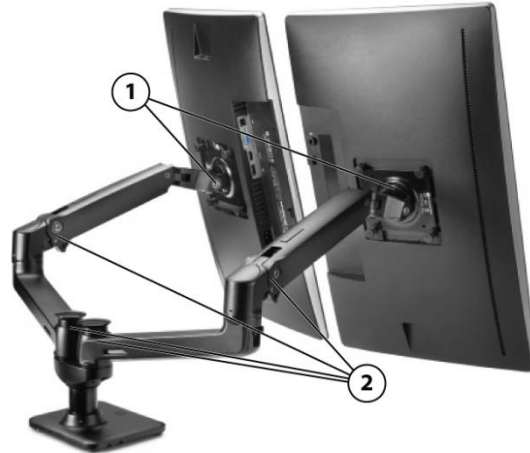
Service and support One-year limited warranty. Additional support is available via online support forums.

NOTE: [Certain restrictions and exclusions apply. Consult the HP Customer Support Center for details.](#)

Kit contents HP Hot Desk Stand and documentation

Overview

HP Hot Desk 2nd Monitor Arm - W3Z74AA



1. VESA display mounts

2. Dual-hinged

3.

Dimensions (H x W x D)	27"
Weight	Packaged 5.5 lbs (2.5 kg) Unpackaged 4.5 lbs (2.0 kg)
Maximum Display Size Supported	27"
Load	18.2 lb 40lb"
Form Factor	Desktop
Lift Range	22-33 cm
Tilt Range	70° backward 5° forward"
VESA Mount Standard	100mm 75mm"
Display Rotation	360°
Desk Clamp	0.4-2.6 in 10mm-66mm"

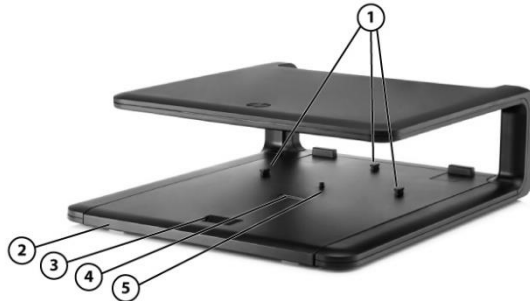
Service and support One-year limited warranty. Additional support is available via online support forums.
NOTE: Certain restrictions and exclusions apply. Consult the HP Customer Support Center for details.

Kit contents HP Hot Desk Stand Monitor Arm and documentation

Note: HP Hot Desk 2nd Monitor Arm must be used with the HP Hot Desk Stand. The HP Hot Desk 2nd Monitor Arm with HP Hot Desk Stand can hold dual 27" monitors.

Overview

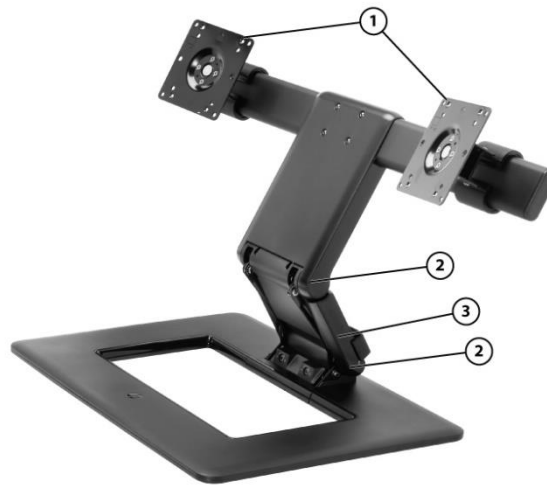
HP Monitor Stand - M9X76AA



<p>1. Docking posts</p> <p>2. Sliding tray</p> <p>3. Eject button</p>	<p>4.</p> <p>5.</p>	<p>Sliding tray button</p> <p>Docking release post</p>
<p>Dimensions (H x W x D) Upper platform : 13.8" W x 10.8" D (35.0 x 27.5 cm) Notebook platform: 16" D x 5" H x 13.8" W (40.7 x 12.7 x 35.1 cm)</p>		
<p>Product weight 6.5 lbs. (2.95 kg)</p>		
<p>Monitor supported LCD Display with base are not exceeding 12.4" W x 9.8" D (3.15 x 25.0 cm), not weighting more than 25 lbs. (11.3kg)</p>		
<p>Notebooks supported 12-17.3 in</p>		
<p>Docks supported HP 90W/230W Docking Stations, 120w/230W Advanced Docking Stations, UltraSlim Docks</p>		
<p>Docking posts Aligns and secures the docking station to the stand.</p>		
<p>Docking release post Secures a connected docking station.</p>		
<p>Release button Releases the docking station from the stand.</p>		
<p>Tray slide button Adjusts the position of the docking station and notebook PC.</p>		
<p>Service and support One-year limited warranty. Additional support is available via online support forums. NOTE: Certain restrictions and exclusions apply. Consult the HP Customer Support Center for details.</p>		
<p>Kit contents HP Monitor Stand and documentation</p>		

Overview

HP Adjustable Dual Display Stand - AW664AA



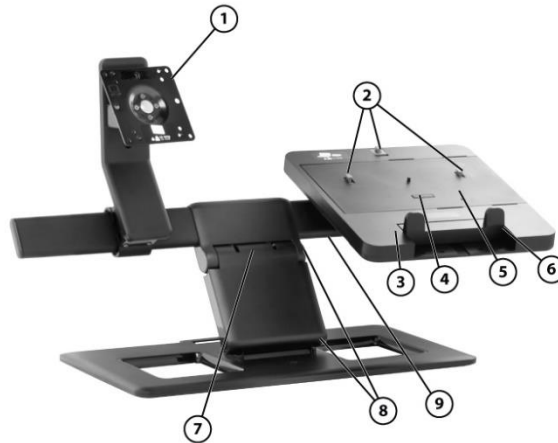
1. VESA display mounts
2. Dual-hinged

3. Cable management channel

	Rev B	Rev A
Dimensions (H x W x D)	15.7 x 19.7 x 14.0 in (40.0 x 50.0 x 35.5 cm)	15.7 x 19.7 x 14.0 in (40.0 x 50.0 x 35.5 cm)
Product weight	12.3 lb (5.6 kg)	12.3 lb (5.6 kg)
Maximum individual monitor weight	5.0-13.2 lbs. (2.3-6.0 Kg)	7.28-15.4 lbs. (3.3-7.0 kg)
Compatible displays	HP LCD display up to 24" with 100mm or 75mm VESA mounting pattern	HP LCD display up to 24" with 100mm VESA mounting pattern
Height Adjustment	100 mm lift	
Side to Side Pan	360 degree rotation (pan wheels in base)	
Tilt adjustable Range	-5/+30 degrees	
Dual-hinged display stand	The dual-hinged, smooth-motion display stand allows for greater distance, height, and tilt adjustment for maximum comfort. Either or both displays can be rotated to landscape or portrait orientation.	
Cable management channels	Organizes and hides accessory cables in a central location to help reduce clutter when connecting multiple devices.	
Service and support	One-year limited warranty. Additional support is available via online support forums. NOTE: Certain restrictions and exclusions apply. Consult the HP Customer Support Center for details.	
Kit contents	Base, riser, bow, two(2) sliding monitor brackets, hardware kit and documentation	

Overview

HP Display and Notebook II Stand - E8G00AA

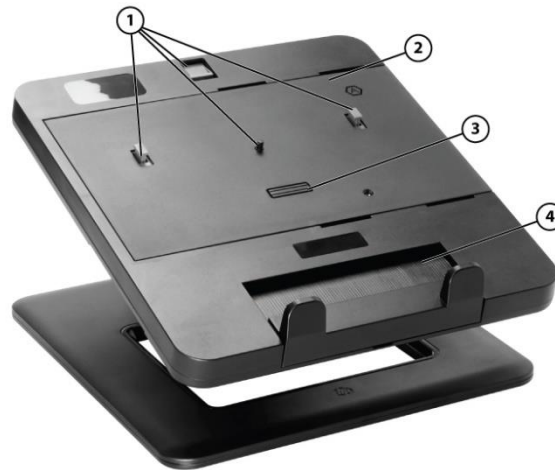


- | | |
|-------------------------|---|
| 1. VESA display mounts | 6. Adjustable shelf |
| 2. Docking posts | 7. Horizontal adjustment bracket |
| 3. Convertible platform | 8. Dual-hinged |
| 4. Eject button | 9. Cable management channel (not shown) |
| 5. Notebook Platform | |

Dimensions (H x W x D)	18.9 x 27.2 x 18.5.0 in (48.0 x 69.0 x 47.0 cm)
Product weight	14.9 lbs. (6.8 kg)
Weight capacity	8.8-26.9 lbs. (4.0-12.2kg) Display up to 13.2 lbs. (6.0 kg); notebooks 3.7-7.7 lbs. (1.7-3.5 kg); docks up to 6 lbs. (2.7kg)
Maximum monitor weight	5.0-13.2 lbs. (2.3-6.0 Kg)
Compatible displays	HP LCD display up to 24" with 100mm or 75mm VESA mounting pattern
Height Adjustment	100 mm lift
Side to Side Pan	360 degree rotation (pan wheels in base)
Tilt Adjustable Range	-5/+30 degrees
Notebooks supported	12-17.3"
Docks supported	HP 90W/230W Docking Stations, 120w/230W Advanced Docking Stations, UltraSlim Docks, 2570p Docking Station.
Dual-hinged display stand	The dual-hinged, smooth-motion display stand allows for greater distance, height, and tilt adjustment for maximum comfort.
Horizontal adjustment bracket	Adjusts the horizontal position of your display.
Adjustable shelf	Adjusts for different-sized notebook PCs.
Docking posts	Aligns and secures the docking station to the stand.
Removable convertible platform	Three-way convertible platform allows user to switch between HP 90W/230W Docking Stations, 120w/230W Advanced Docking Stations, UltraSlim Docks, 2570p Docking Station or no dock configuration
Cable management channels	Organizes and hides accessory cables in a central location to help reduce clutter when connecting multiple devices.
Service and support	One-year limited warranty. Additional support is available via online support forums. NOTE: Certain restrictions and exclusions apply. Consult the HP Customer Support Center for details .
Kit contents	Stand, notebook platform, one height-adjustable sliding monitor bracket, hardware kit and documentation. Ships assembled in the Basic/Advanced Dock configuration

Overview

HP Dual Hinge II Notebook Stand E8F99AA



1. Docking posts
2. Convertible platform
3. Eject button

4. Adjustable shelf

Dimensions (H x W x D)	8.7 x 11.8 x 14.2 in (22.0 x 30.0 x 36.0 cm)
Product weight	7.9 lbs. (3.6 kg)
Weight capacity	3.7-13.6 lbs. (1.7-6.2 kg) Notebook or notebook and docking station
Height Adjustment	100 mm lift
Side to Side Pan	360 degree rotation (pan wheels in base)
Tilt Adjustment Range	0/+20 degrees
Notebooks supported	12-17.3 in
Docks supported	HP 90W/230W Docking Stations, 120w/230W Advanced Docking Stations, UltraSlim Docks, 2570p Docking Station
Dual-hinged display stand	The dual-hinged, smooth-motion display stand allows for greater distance, height, and tilt adjustment for maximum comfort.
Docking posts	Aligns and secures the docking station to the stand and helps secure a connected docking station.
Removable convertible platform	Three-way convertible platform allows user to switch between HP 90W/230W Docking Stations, 120w/230W Advanced Docking Stations, UltraSlim Docks, 2570p Docking Station or no dock configuration
Cable management channels	Organizes and hides accessory cables in a central location to help reduce clutter when connecting multiple devices.
Service and support	One-year limited warranty. Additional support is available via online support forums. NOTE: Certain restrictions and exclusions apply. Consult the HP Customer Support Center for details.
Kit contents	HP Dual Hinge II Notebook Stand and documentation. Ships fully assembled in the Basic/Advanced Dock configuration

Overview

HP Adjustable Display Stand - AW663AA



1. VESA display mount
2. Dual-hinged
3. rDocking posts

4. Eject button
5. Cable management channel

	Rev B	Rev A
Dimensions (H x W x D)	16.9 x 13.8 x 15.7 in (43.0 x 35.0 x 40.0 cm)	16.9 x 13.8 x 15.7 in (43.0 x 35.0 x 40.0 cm)
Product weight	8.4 lbs. (3.8 kg)	8.4 lbs. (3.8 kg)
Maximum monitor weight	5.0-13.2 lbs. (2.3-6.0 Kg)	7.28-14.3 lbs. (3.3-7.0 kg)
Compatible displays	HP LCD display up to 24" with 100mm or 75mm VESA mounting pattern	HP LCD display up to 24" with 100mm VESA mounting pattern
Height Adjustment	100 mm lift	
Tilt Adjustable Range	-5/+30 degrees	
Notebook supported	12-17.3 in	
Docks supported	HP 90W/230W Docking Stations, 120w/230W Advanced Docking Stations, UltraSlim Docks, 2570p Docking Station.	
Dual-hinged display stand	The dual-hinged, smooth-motion display stand allows for greater distance, height, and tilt adjustment for maximum comfort.	
Docking posts	Aligns and secures the docking station to the stand and helps secure a connected docking station.	
Cable management channels	Organizes and hides accessory cables in a central location to help reduce clutter when connecting multiple devices.	
Service and support	One-year limited warranty. Additional support is available via online support forums. NOTE: Certain restrictions and exclusions apply. Consult the HP Customer Support Center for details.	
Kit contents	Stand, riser, monitor bracket, hardware, kit and documentation	

Summary of Changes

Date of change:	Version History:		Description of change:
June 4, 2014	Version 1 to 2	Added	Change log
July 16, 2014	v13.1 to v14	Changed	Version to match PB, footer.
June 25, 2015	v14 to v15	Removed	Two stands AW661AA and AW662AA
		Added	HP Monitor Stand M9X76AA
August 21, 2015	V15 to v16	Changed	HP Monitor Stand weight
June 24, 2016	V16 to V17	Added	HP Hot Desk Stand W3Z73AA
		Removed	HP Hot Desk 2nd Monitor Arm W3Z74AA QM196AA, BT861AA
September 56, 2016	V17 to v18	Changed	Monitor size supported for HP Hot Desk 2nd Monitor Arm W3Z74AA
January 25, 2017	V18 to v 19	Update	Dual-hinged display stand paragraph updated of HP Adjustable Dual Display Stand - AW664AA

© Copyright 2017 HP Development Company, L.P. The information contained herein is subject to change without notice. The only warranties for HP products and services are set forth in the express warranty statements accompanying such products and services. Nothing herein should be construed as constituting an additional warranty. HP shall not be liable for technical or editorial errors or omissions contained herein.