

# 16W•32W 34W

# HATCH™ LED DRIVERS

PPLT00290

# I-LOC<sup>®</sup>

TECHNOLOGY  
PATENT PENDING

LED Driver Type	Adjustable Constant Current
Input Voltage	120-277VAC Nominal, 50/60Hz
XTC Dimming	Leading & Trailing Edge Dimming @ 120VAC

Hatch I-LOC™ Technology enables quick and easy setting of driver output current with the simple click of a key. Select the appropriate I-LOC™ key for the desired output current and click it into the driver. The keys are interchangeable across the HATCH I-LOC™ LED Driver product set and have a 50% to maximum output range.

Driver Factor	Designator	350mA MAX	700mA MAX	1050mA MAX
1.00	A	350mA	700mA	1050mA
0.98	B	343mA	686mA	1029mA
0.95	C	333mA	665mA	998mA
0.93	D	326mA	651mA	977mA
0.90	E	315mA	630mA	945mA
0.88	F	308mA	616mA	924mA
0.85	G	298mA	595mA	893mA
0.83	H	291mA	581mA	872mA
0.80	I	280mA	560mA	840mA
0.78	J	273mA	546mA	819mA
0.75	K	263mA	525mA	788mA
0.73	L	256mA	511mA	767mA
0.70	M	245mA	490mA	735mA
0.68	N	238mA	476mA	714mA
0.65	O	228mA	455mA	683mA
0.63	P	221mA	441mA	662mA
0.60	Q	210mA	420mA	630mA
0.58	R	203mA	406mA	609mA
0.55	S	193mA	385mA	578mA
0.53	T	186mA	371mA	557mA
0.50	U	175mA	350mA	525mA

## XTC SERIES LED DRIVER

Part Number Guide		
Max. Output (mA)	Max. Power (Watts)	XTC
Leading & Trailing Edge Dimming		
350	16	XTC16-0350P-UNV-I
700	32	XTC32-0700P-UNV-I
1050	34	XTC34-1050P-UNV-I

### FEATURES:

- Short circuit overload & open load protection
- Over voltage & over current protection - auto recovery
- Lifetime 50,000 hrs @ 80°C case temp.
- Class 2 output
- Complies with IEEE C62.41-1991, Class A operation.
- Starts as quickly as 125ms
- Designed to meet FCC Part 15 Class B

### Leading & trailing edge

- Dimmable at 120V only
- Dims to zero

### CERTIFICATIONS:



### INPUT

Power Factor	> 0.90
Total Harmonic Distortion	< 20%

### OUTPUT

Dimming Type	Phase		
Max. Power	16W	32W	34W
Current	350mA	700mA	1050mA
Voltage Range	20-46V	20-46V	14-32V
Efficiency	>85%		
Max. Case Temp.	85°C		

### APPLICATIONS:

- Track lighting
- Recessed lighting
- General illumination
- Commercial lighting
- Architectural lighting

### WARRANTY:

5 year limited

16W·32W  
34W

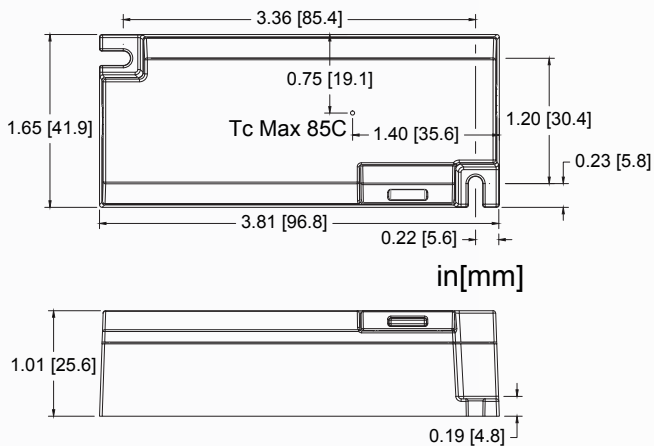
**HATCH**<sup>TM</sup>  
**LED DRIVERS**

**I-LOC**<sup>®</sup>  
**TECHNOLOGY**  
PATENT PENDING

LED Driver Type	Adjustable Constant Current
Input Voltage	120-277VAC Nominal, 50/60Hz
XTC Dimming	Leading & Trailing Edge Dimming @ 120VAC

Hatch **XTC** series leading & trailing edge dimmable LED driver products are suitable for use with most incandescent (leading edge) and electronic low voltage (trailing edge) dimming products. Dims to zero.

### MECHANICAL SPECIFICATIONS: I-LOC CASE STYLE XTC



Always confirm fit with a physical sample  
Specifications subject to change

### WIRING INFORMATION

Input:	6", Black (L), White (N) #18AWG
Output:	6", Red (+), Black (-) #24AWG

### PACKAGING INFORMATION

Weight:	9.1oz
Quantity:	50pc/carton